

Model	Year	MG	SG	Illustration	Restrictions	UPD	17:36	22.01.2010
911-1	1969	0	01	001-00		248		

Pos	Part Number	Description	Remark	Qty	Model
>>	>>911 721 002 00	tool jack box with bulbs	-68	1	
-	644 721 010 01	tool bag		1	
-	477 012 203 A	spark plug wrench		1	
-	901 721 221 00	rim wrench 19		1	
-	999 195 011 02	double-end spanner 8 X 9		1	
-	999 195 012 02	double-end spanner 10 X 11		1	
-	999 195 007 02	double-end spanner 12 X 13		1	
-	999 195 014 02	double-end spanner 14 X 15		1	
-	999 195 015 02	double-end spanner 17 X 19		1	
-	999 571 017 02	ring wrench 19/22		1	
-	999 191 002 02	screwdriver		1	
-	900 137 001 02	phillips screwdriver B 2		1	
-	999 107 003 02	universal pliers		1	
-	999 192 176 50	narrow v-belt 9,5 X 710		1	
-	911 722 201 02	tyre pressure gauge		1	
-	911 721 013 00	bag with 5 fuse		1	
-	911 721 702 00	retaining bracket for v-belt pulley		1	
-	901 721 327 00	glycerine		1	
-	900 066 003 02	allen key 10		1	

Model	Year	MG	SG	Illustration	Restrictions	UPD	17:36	22.01.2010
911-1	1969	0	01	001-00		248		

Pos	Part Number	Description	Remark	Qty	Model
>>	>>911 721 002 00	tool with contents comprising:	69	1	911
-	644 721 010 01	tool bag		1	
-	477 012 203 A	spark plug wrench		1	
-	901 721 221 00	rim wrench 19		1	
-	999 195 011 02	double-end spanner 8 X 9		1	
-	999 195 012 02	double-end spanner 10 X 11		1	
-	999 195 007 02	double-end spanner 12 X 13		1	
-	999 195 014 02	double-end spanner 14 X 15		1	
-	999 195 015 02	double-end spanner 17 X 19		1	
-	999 571 017 02	ring wrench		1	
-	999 191 002 02	screwdriver		1	
-	900 137 001 02	phillips screwdriver B 2		1	
-	999 107 003 02	universal pliers		1	
-	999 192 176 50	narrow v-belt 9,5 X 710		1	
-	911 721 013 00	bag with 5 fuse		1	
-	911 721 702 00	retaining bracket for v-belt pulley		1	
>>	>>902 721 001 21	tool bag with contents comprising:	69	1	912
-	644 721 010 01	tool bag		1	
-	902 721 201 20	spark plug wrench		1	
-	901 721 221 00	rim wrench 19		1	
-	999 195 011 02	double-end spanner 8 X 9		1	

Model	Year	MG	SG	Illustration	Restrictions	UPD	17:36	22.01.2010
911-1	1969	0	01	001-00		248		

Pos	Part Number	Description	Remark	Qty	Model
-	999 195 012 02	double-end spanner 10 X 11		1	
-	999 195 007 02	double-end spanner 12 X 13		1	
-	999 195 014 02	double-end spanner 14 X 15		1	
-	999 195 015 02	double-end spanner 17 X 19		1	
-	999 571 002 02	ring wrench 36		1	
-	999 191 002 02	screwdriver		1	
-	900 137 001 02	phillips screwdriver B 2		1	
-	999 107 003 02	universal pliers		1	
-	999 192 176 50	narrow v-belt 9,5 X 825		1	
-	644 721 013 00	bag with 5 fuse		1	
-	901 721 327 00	glycerine jack		1	
-	644 722 010 00	jack	-68	1	
-	914 721 010 10	jack box with bulbs	69	1	
-	901 631 090 00	box with bulbs 12 V for headlamp 901.631.101.00/01	-68	1	
-	901 631 090 10	box with bulbs halogen bulb not for (USA) for headlamp 901.631.101.33	-68	1	

Model	Year	MG	SG	Illustration	Restrictions	UPD	17:36	22.01.2010
911-1	1969	0	01	001-05		248		

Pos	Part Number	Description	Remark	Qty	Model
		stickers			
-	901 006 502 00	sticker firing order		1	911
-	901 006 503 00	sticker adjustment valve clearance		1	911
-	911 006 504 01	sticker engine-oil level		1	911
-	901 006 505 00	sticker tyre pressure normal not for (USA)		1	
-	901 006 506 00	sticker tyre pressure motorway	-68	1	911
-	901 006 507 00	sticker tyre pressure 200 KM/H		1	911 S/E
-	901 006 508 00	sticker generator regulator		1	911
-	901 006 509 00	sticker ignition point		1	911 TU
-	911 006 509 00	sticker ignition point	(J) (USA) 69	1	911 T
-	901 006 510 00	sticker ignition point	-68	1	911 L/S
-	901 006 510 01	sticker ignition point	69	1	911 E/S

Model	Year	MG	SG	Illustration	Restrictions	UPD	17:37	22.01.2010
911-1	1969	0	02	002-00		248		

Pos	Part Number	Description	Remark	Qty	Model
-	695 361 901 02	accessories snow chains edge chain 1 set 165 SR 15 M+S 165 HR 15 M+S-E 165 VR 15 M+S-E		1	
-	695 361 901 03	special steel chain 1 set "EUROPA" 165 X 15		1	
-	901 361 901 00	edge chain 1 set 185 SR 14 M+S 185 HR 14 M+S-E 185/70 SR 15 M+S 185/70 VR 15 M+S-E		1	
-	911 361 909 00	snow chains 1 set 165 SR 15 M+S 165 HR 15 M+S-E 165 VR 15 M+S-E		1	
-	911 361 902 00	grouser chain 1 set 185 SR 14 M+S 185 HR 14 M+S-E 185/70 SR 15 M+S 185/70 VR 15 M+S-E		1	

PORSCHE

PET

PORSCHE

Model	Year	MG	SG	Illustration	Restrictions	UPD	17:37	22.01.2010
911-1	1969	0	02	002-05		248		

Pos	Part Number	Description	Remark	Qty	Model
		accessories roof rack ski rack towing lug belt vehicle cover			
-	901 801 010 01	roof rack with ski rack chrome		1	
-	901 801 953 00	leather strap 1 set		1	
-	901 801 015 20	ski rack		1	
-	901 801 013 40	ski rack		1	
-	901 801 951 00	strap for ski fastening 1 set		1	
-	901 801 950 00	strap for ski fastening		1	
-	901 802 951 00	luggage strap 1 set		1	
-	644 802 015 01	expander		1	
>>	>>901 721 919 01	towing lug comprising:	69	1	
-	901 506 031 01	towing lug		1	
-	900 027 005 02	lock ring A 8		2	
-	900 067 081 02	pan-head screw M 8 X 35		2	
-	911 722 091 00	belt for spare wheel	69	1	911 S
-	PCG 043 203 01	vehicle cover porsche crest Ohne Spoiler Aussenspiegel left		1	911 912
-	PCG 043 202 01	vehicle cover porsche crest Ohne Spoiler Aussenspiegel left right		1	911 912

PORSCHE

PET

PORSCHE

Model	Year	MG	SG	Illustration	Restrictions	UPD	17:37	22.01.2010
911-1	1969	0	02	002-05		248		

Pos	Part Number	Description	Remark	Qty	Model
-	PCG 043 202 02	vehicle cover porsche crest with spoiler Aussenspiegel left right		1	911 912

Model	Year	MG	SG	Illustration	Restrictions	UPD	17:37	22.01.2010
911-1	1969	0	03	003-00		248		

Pos	Part Number	Description	Remark	Qty	Model
		antenna loudspeaker radio installation parts suppression set			
-	901 645 301 00	telescopic antenna		1	
-	901 645 301 03	automatic antenna	-68	1	
-	901 645 301 05	automatic antenna installation only right	69	1	
		loudspeaker			
>>	>>901 645 901 00	installation set loudspeaker comprising:	-68	1	
-	901 645 501 00	loudspeaker		1	
-	901 645 581 00	wiring harness loudspeaker		1	
-	900 144 034 07	tapping screw B 4,2 X 16		4	
-	999 591 334 02	prestole cage		4	
-	999 591 108 12	washer		4	
>>	>>911 645 902 00	installation set loudspeaker comprising:		1	
-	901 645 501 00	loudspeaker		1	
-	900 144 034 07	tapping screw B 4,2 X 16		4	
-	999 591 334 02	prestole cage		4	
-	999 591 108 12	washer		4	
-	901 612 101 00	wiring harness NR. 68 -BLAUPUNKT - - PHILIPS -		1	
-	901 612 102 00	wiring harness NR. 69 - BECKER -		1	
		radio installation parts			
>>	>>901 645 111 00	installation set	-68	1	

Model	Year	MG	SG	Illustration	Restrictions	UPD	17:37	22.01.2010
911-1	1969	0	03	003-00		248		

Pos	Part Number	Description	Remark	Qty	Model
>>	>>901 645 111 01	installation set without loudspeaker for - BLAUPUNKT - radio	69	1	
>>	>>901 645 113 00	installation set without loudspeaker for - BECKER - radio	-68	1	
>>	>>901 645 111 02	installation set	-68	1	
>>	>>901 645 111 03	installation set for - PHILLIPS - radio	69	1	
>>	>>901 619 901 01	suppression set comprising:	-68	1	
-	999 619 121 00	screened connector for ignition lead		7	
-	999 619 126 01	condenser for wiper motor and pump		2	
-	999 619 125 00	suppressor condenser for ignition coil		1	
-	616 609 903 00	rubber cap		1	
-	901 612 106 00	ground strap		1	
-	999 170 026 90	spark plug		6	
-	999 619 131 00	suppressor condenser for fuel pump		1	
>>	>>901 619 901 02	suppression set comprising:	69	1	911 T
-	999 619 121 00	screened connector for distributor		1	

Model	Year	MG	SG	Illustration	Restrictions	UPD	17:37	22.01.2010
911-1	1969	0	03	003-00		248		

Pos	Part Number	Description	Remark	Qty	Model
-	999 619 126 01	condenser for wiper motor and pump		2	
-	999 659 002 50	water protection cap		7	
-	901 612 107 00	ground strap		2	
-	999 619 133 00	suppressor condenser terminal B generator		1	
-	901 619 001 00	electromagnetic interference suppre		1	
-	999 619 134 00	suppressor condenser terminal 15 ignition coil		1	
-	999 619 125 00	suppressor condenser for fuel pump - HARDI -		1	
-	900 115 006 01	serrated lock washer A 6,4		1	
>>	>>901 619 901 03	suppression set - MOTOROLA - comprising:	69	1	911 T
-	999 619 121 00	screened connector for distributor		7	
-	999 619 126 01	condenser for wiper motor and pump		2	
-	999 659 002 50	water protection cap		7	
-	901 612 107 00	ground strap		2	
-	999 619 133 00	suppressor condenser terminal B generator		1	
-	901 619 007 00	condenser terminal D regulator		1	

Model	Year	MG	SG	Illustration	Restrictions	UPD	17:37	22.01.2010
911-1	1969	0	03	003-00		248		

Pos	Part Number	Description	Remark	Qty	Model
-	901 619 003 00	filter terminal EXC (DF) regulator		1	
-	901 619 004 00	connecting cable		1	
-	999 619 134 00	suppressor condenser terminal 15 ignition coil		1	
-	999 619 125 00	suppressor condenser for fuel pump - HARDI -		1	
-	900 115 006 01	serrated lock washer A 6,4		1	
>>	>>901 619 901 04	suppression set - bosch - comprising:	69	1	911 E/S
-	999 619 121 00	screened connector for distributor		7	
-	999 619 126 01	condenser for wiper motor and pump		2	
-	999 659 002 50	water protection cap		7	
-	901 612 107 00	ground strap		2	
-	999 619 133 00	suppressor condenser terminal B generator		1	
-	911 619 001 00	electromagnetic interference suppre		1	
-	901 609 309 00	screened connector for ignition lead		6	
>>	>>901 619 901 05	suppression set - MOTOROLA - comprising:	69	1	911 E/S
-	999 619 121 00	screened connector for distributor		7	

Model	Year	MG	SG	Illustration	Restrictions	UPD	17:37	22.01.2010
911-1	1969	0	03	003-00		248		

Pos	Part Number	Description	Remark	Qty	Model
-	999 619 126 01	condenser for wiper motor and pump		2	
-	999 659 002 50	water protection cap		7	
-	901 612 107 00	ground strap		2	
-	999 619 133 00	suppressor condenser terminal B generator		1	
-	901 619 007 00	suppressor condenser terminal D regulator		1	
-	901 619 003 00	filter terminal EXC (DF) regulator		1	
-	901 619 004 00	connecting cable		1	
-	901 609 309 00	screened connector for ignition lead		6	
		order also:	69		911
-	900 143 007 02	oval-head sheetmetal screw B 4,2 X 13		1	
-	900 114 014 01	shake-proof washer		1	
-	999 507 001 02	speed nut B 4,2		1	
>>	>>902 619 901 01	suppression set comprising:	69	X	912
-	902 619 001 00	electromagnetic interference suppre 420 W		1	
-	902 619 006 00	suppressor condenser generator terminal D +		1	
-	999 619 125 00	suppressor condenser ignition coil terminal 15		1	

Model	Year	MG	SG	Illustration	Restrictions	UPD	17:37	22.01.2010
911-1	1969	0	03	003-00		248		

Pos	Part Number	Description	Remark	Qty	Model
-	999 619 126 01	condenser wiper motor terminal 53 A		1	
-	900 143 007 02	oval-head sheetmetal screw B 4,2 X 13		1	
-	900 114 014 01	shake-proof washer A 4,3		1	
-	999 507 001 02	speed nut B 4,2		1	
-	999 619 122 00	screened connector for distributor		1	

PORSCHE

PET

PORSCHE

Model	Year	MG	SG	Illustration	Restrictions	UPD	17:37	22.01.2010
911-1	1969	0	04	004-00		248		

Pos	Part Number	Description	Remark	Qty	Model
-	901 722 801 00	lacquers spraying can indicate colour		X	
-	644 722 801 00	paint touch-up applicator		X	

Model	Year	MG	SG	Illustration	Restrictions	UPD	17:37	22.01.2010
911-1	1969	1	01	101-00		248		

Pos	Part Number	Description	Remark	Qty	Model
		replacement engine engine ready for installation with panelling generator exhaust system standard with heater hose bracket for engine mounting rear and clutch regulator switch and ignition coil loose engine run in and power tested			
-	> 901 100 901 00	engine with - SOLEX 40 PI-1 - carburettor	-68	1	911
-	901 100 901 02	engine with - WEBER 40 IDA 3C-3C1 - carburettor	-68	1	911 /L
-	> 901 100 901 05	engine with - WEBER 40 IDS - carburettor	-68	1	911 S
-	901 100 901 06	engine with - WEBER 40 IDT 3C-3C1 - carburettor	-68	1	911 TU
-	901 100 901 07	engine with - WEBER 40 IDT 3C-3C1 - carburettor with control valve and oil pump	-68	1	911 TU: SPM

PORSCHE

PET

PORSCHE

Model	Year	MG	SG	Illustration	Restrictions	UPD	17:37	22.01.2010
911-1	1969	1	01	101-00		248		

Pos	Part Number	Description	Remark	Qty	Model
-	901 100 901 08	engine with - WEBER 40 IDA 3C-3C1 - carburettor with control valve and oil pump	-68	1	911 L:SPM
-	901 100 901 09	engine with - WEBER 40 IDS 3C-3C1 carburettor with control valve and oil pump	-68	1	911 S:SPM
-	901 100 901 10	engine with - WEBER 40IDAP 3C-3C1 - carburettor and emission control system	(USA) -68	1	911
-	901 100 901 11	engine with - WEBER 40 IDAP 3C-3C1 - carburettor with control valve oil pump and emission control system	(USA) -68	1	911 SPM
-	616 100 222 03	engine ready for installation with panelling carburettor - SOLEX 40 P II-4 - fuel pump generator 12 V / 350 W exhaust system and clutch without engine carrier regulator switch 12 V included loose delivered engine	-68 69-	1	912 (616/36)

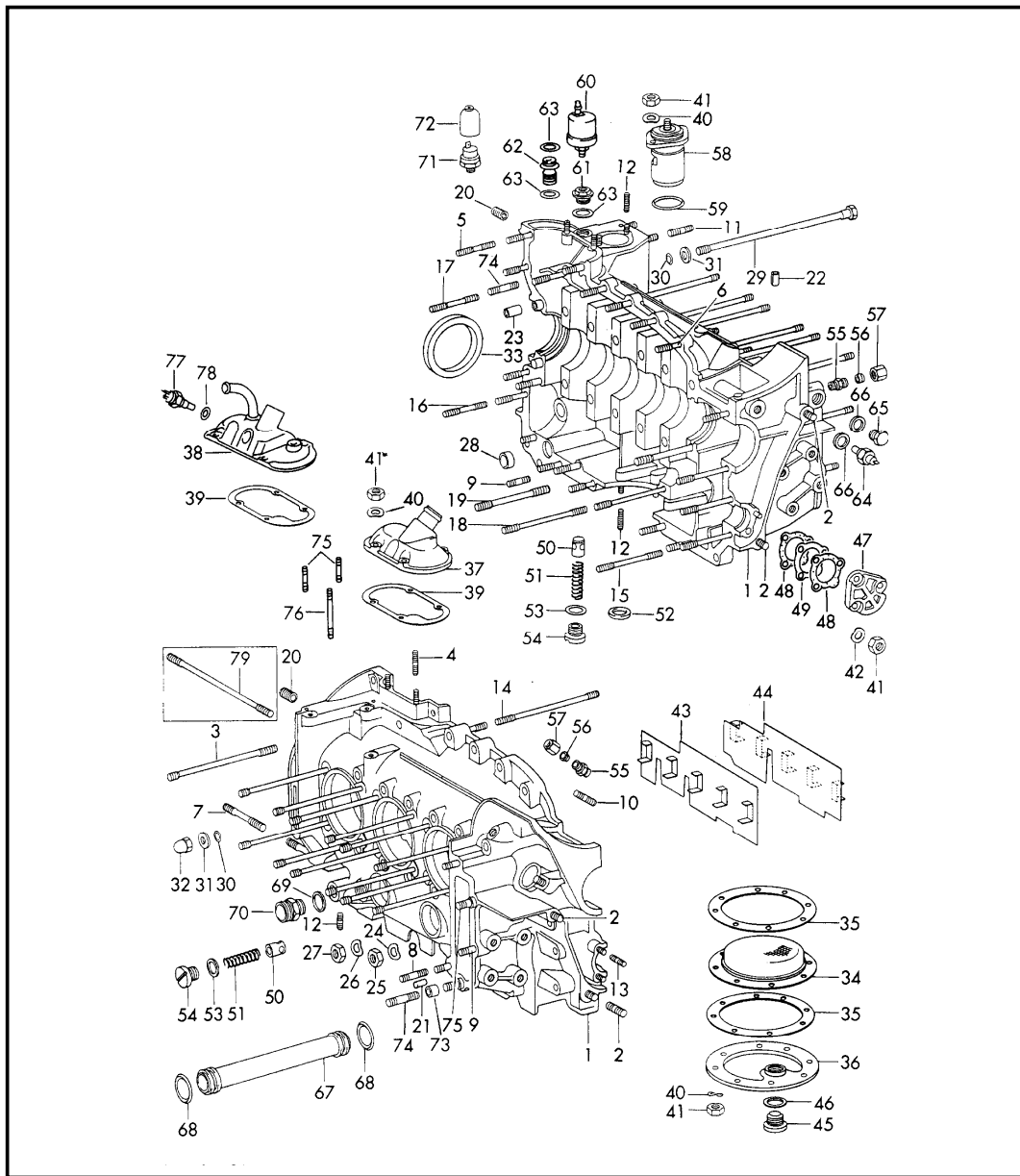
Model	Year	MG	SG	Illustration	Restrictions	UPD	17:37	22.01.2010
911-1	1969	1	01	101-00		248		

Pos	Part Number	Description	Remark	Qty	Model
-	616 100 222 04	<p>run in and power tested for (D) + (S)</p> <p>engine ready for installation with panelling carburettor - SOLEX 40 P II-4 - fuel pump exhaust system and clutch generator 12 V / 420 W with engine carrier regulator switch 12 V included loose delivered engine</p>		1	912 (616/36)
-	616 100 221 03	<p>run in and power tested for (D) + (S) (D)</p> <p>engine ready for installation with panelling carburettor - SOLEX 40 P II-4 - fuel pump exhaust system and clutch generator 12 V / 350 W without engine carrier engine run in and power tested not for (D) + (S)</p>	<p>-68 69-</p> <p>-68</p>	1	912 (616/36)

Model	Year	MG	SG	Illustration	Restrictions	UPD	17:37	22.01.2010
911-1	1969	1	01	101-00		248		

Pos	Part Number	Description	Remark	Qty	Model
-	616 100 221 04	engine ready for installation with panelling carburettor - SOLEX 40 P II-4 - fuel pump exhaust system and clutch generator 12 V / 420 W with engine carrier engine run in and power tested not for (D) / (S) + (USA)		1	912 (616/36)
-	901 100 030 00	engine 901/03	69-	1	911 T
-	> 901 100 130 00	engine 901/13	69-	1	911 T:SPM
-	> 901 100 090 00	engine 901/09 with injection system	69-	1	911 E
-	> 901 100 110 00	engine 901/11 with injection system	69-	1	911 E:SPM
-	> 901 100 100 00	engine 901/10 with injection system	69-	1	911 S

Model	Year	MG	SG	Illustration	Restrictions	UPD	17:38	22.01.2010	PORSCHE	PET	PORSCHE
911-1	1969	1	01	101-05		248					



Pos	Part Number	Description	Remark	Qty	Model
1	901 101 912 00	crankcase		1	911
-	901 101 201 00	crankcase with studs		X	
2	999 061 056 02	spacer sleeve		4	
(2)	999 062 090 02	stud M	>> 090 9000	2	
(2)	999 062 039 02	stud M 10 X40	M 090 9001 >>	1	
(2)	999 061 056 02	stud left upper	M 10 X 50 M 090 9001 >>	1	
3	901 101 172 03	stud right upper	M 090 9001 >>	24	
4	999 062 003 02	stud BM 6 X 18		-68 4	
(4)	999 062 085 02	stud BM 6 X 20		69 4	
5	900 061 010 01	stud BM 8 X 35		-68 13	
(5)	999 062 115 02	stud BM 8 X 32	(USA)	-68 13	911 S/TU/L
6	999 062 010 02	stud BM 8 X 35		69 12	911 911 T/E/S
7	999 061 034 02	stud		69 1	
8	999 062 006 02	stud for oil pump		-68 3	
(8)	999 062 007 02	stud for chain case		-68 6	
				4	

Model	Year	MG	SG	Illustration	Restrictions	UPD	17:38	22.01.2010	PORSCHE	PET	PORSCHE
911-1	1969	1	01	101-05		248					

Pos	Part Number	Description	Remark	Qty	Model	Pos	Part Number	Description	Remark	Qty	Model
9	999 062 006 02	stud for chain case and oil pump BM 8 X 20	69	5		25	900 084 004 02	hexagon nut M 8		21	
10	900 061 004 02	stud BM 8 X 12		1		25	900 084 004 03	hexagon nut M 8		21	
11	900 061 057 02	stud BM 8 X 15		4		26	N 012 242 3	spring washer B 10 X 18		1	
12	999 062 055 02	stud BM 6 X 12		12		27	900 157 002 02	hexagon nut M 10	-68 69	2 1	
13	999 062 002 02	stud BM 6 X 15		3		28	999 704 172 50	sealing ring		1	
14	901 101 174 00	stud		2		29	901 101 173 00	screw		11	
15	N 014 432 4	stud BM 8 X 78		3		30	999 701 006 40	o-ring		24	
16	999 062 075 02	stud BM 8 X 48		2		31	901 101 161 01	washer		24	
(17)	999 062 138 02	stud BM 8 X 52		1		32	999 070 004 02	cap nut		13	
18	999 062 051 02	stud BM 8 X 108		1		33	999 113 057 52	radial sealing ring 65 X 85 X 10		1	
19	999 062 217 08	screw BM 10 X 85		1		(33)	901 102 911 00	radial sealing ring undersize 64,5 X 85 X 10		1	
20	N 022 202 1	threaded insert heli-coil M 10 X 2 D		2		34	901 101 380 01	oil strainer		1	
21	999 012 006 00	straight pin	(USA)	1	911 S/TU/L 911	35	901 101 391 00	gasket		2	
22	900 095 025 01	tensioning sleeve 8 X 16		1		(36)	930 101 902 00	lid technical information gr.1 nr.1/85	69	1	
23	901 101 195 00	dowel sleeve		2		37	901 107 073 02	lid		1	
24	900 031 014 30	washer 8,4		21		38	911 107 071 00	lid	69	1	911 E/S
-	999 151 022 02	washer for ground strap 20 X 8,4 X 2		1		39	901 107 791 01	gasket		1	
						40	900 028 008 01	spring washer B 6		14	
						41	900 076 010 02	hexagon nut M 6		14	
						(41)	900 084 010 02	hexagon nut M 6		3	
						42	900 031 011 30	washer 6,4		3	
						43	901 101 035 01	oil strainer left		1	

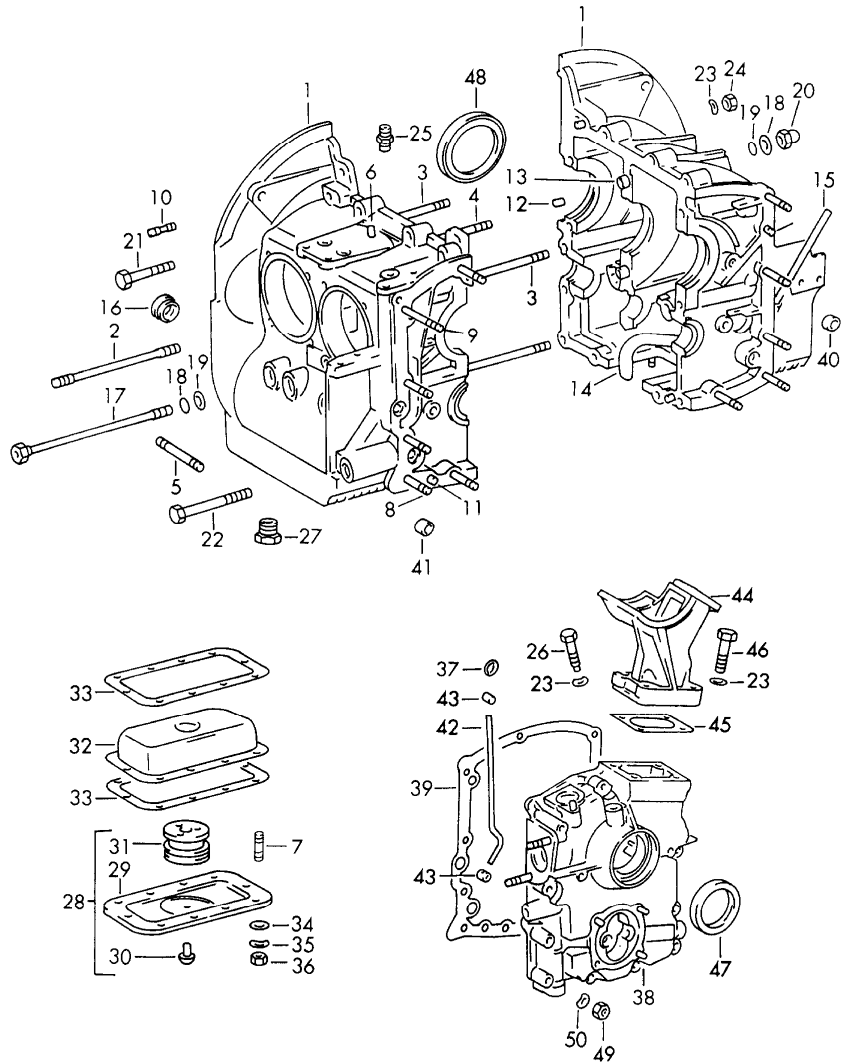
Model	Year	MG	SG	Illustration	Restrictions	UPD	17:38	22.01.2010	PORSCHE	PET	PORSCHE
911-1	1969	1	01	101-05		248					

Pos	Part Number	Description	Remark	Qty	Model	Pos	Part Number	Description	Remark	Qty	Model
44	901 101 036 01	oil strainer right		1		53	900 123 025 70	sealing ring C 18 X 24	-68	2	
45	901 107 176 00	magnetic screw	-68	1		(53)	900 123 071 30	sealing ring A 18 X 24	69	2	
(45)	911 107 176 01	magnetic screw	69	1		54	999 064 010 02	screw plug		2	
46	900 123 011 30	sealing ring A 22 X 27		1		55	901 107 375 00	screw socket		2	
47	901 105 141 02	cover grey cast iron	-68	1		-	900 123 005 30	sealing ring A 12 X 16		2	
47	911 105 162 00	cover aluminium	69	1		56	N 020 825 1	cutting ring LL 8		2	
48	901 105 198 03	gasket		2		57	900 104 003 02	union nut ALL 8		2	
(48)	901 105 198 04	gasket for die casting crankcase		1		58	901 107 751 00	oil thermostat		1	
49	901 105 162 00	shim 0,10 MM	-68	1		59	999 701 053 50	sealing ring 39,2 X 3		1	
(49)	901 105 162 01	shim 0,15 MM	-68	1		60	901 741 551 01	pressure transmitter		1	SPM
(49)	901 105 162 02	shim 0,20 MM	-68	1				see group 9/01/00 M >> 090 9000			
(49)	901 105 162 03	shim 0,25 MM	-68	1		-	N 013 808 3	sealing ring A 10 X 16		1	911 /S/L
(49)	901 105 162 04	shim 0,30 MM	-68	1		61	901 101 175 01	reducing socket	-68 69	1	911 T
(49)	901 105 162 05	shim 0,35 MM	-68	1		62	901 110 133 00	connection piece	69	1	911 E/S
(49)	901 105 162 06	shim 0,40 MM	-68	1		63	900 123 044 30	sealing ring A 18 X 22	69	2	911 E/S
(49)	901 105 162 07	shim 0,45 MM	-68	1		64	901 741 632 00	remote temperature sensor	-68	1	
(49)	901 105 162 08	shim 0,50 MM	-68	1		64	901 641 632 00	remote temperature sensor	69-	1	
(49)	901 105 162 08	shim 0,50 MM	-68	1		65	900 124 002 02	screw plug AM 14 X 1,5	(USA) -68 69	1	911 S/TU/L 911 911 T/E
50	901 107 512 01	piston		2		-	900 123 008 30	sealing ring	(USA)	1	911 S/TU/L 911
51	901 107 531 00	compression spring		2		66	900 123 007 30	sealing ring A 14 X 18 see group 9/01/00		1	
52	901 107 591 00	sealing ring M >> 090 1282		1	911						

Model	Year	MG	SG	Illustration	Restrictions	UPD	17:38	22.01.2010	PORSCHE	PET	PORSCHE
911-1	1969	1	01	101-05		248					

Pos	Part Number	Description	Remark	Qty	Model	Pos	Part Number	Description	Remark	Qty	Model
67	901 107 351 01	oil tube		4							
68	999 701 113 50	o-ring		8							
69	900 123 011 30	sealing ring A 22 X 27		1							
70	900 136 013 02	union A 16		1							
71	901 613 571 01	oil pressure switch M 090 9001 >>		1	911 /TU/L						
(71)	911 613 571 00	oil pressure switch		1	911 T						
72	999 659 009 40	water protection cap M 090 9001 >>		1	911 /TU/L 911 T						
73	901 101 145 00	dowel sleeve as of model a	-68	4							
74	999 062 009 02	stud BM 8 X 28		5							
75	999 062 008 02	stud BM 8 X 25	69	4	911 E/S						
76	999 062 147 02	stud BM 8 X 62	69	1	911 E/S						
77	911 617 117 00	temperature switch	69	1	911 E/S						
78	900 123 007 70	sealing ring A 14 X 18	69	1	911 E/S						
79	999 062 099 02	stud BM 10 X 105		2	SPM						

Model	Year	MG	SG	Illustration	Restrictions	UPD	17:38	22.01.2010	PORSCHE	PET	PORSCHE
911-1	1969	1	01	101-10		248					



Pos	Part Number	Description	Remark	Qty	Model
1	616 101 904 00	crankcase crankcase with housing cover picture 38 and with studs without bearing 4 M 075 3004 >> M 083 6550 >>		1	912
2	539 01 118	stud for mount cylinder head		16	
3	539 01 119	stud for crankcase		4	
4	999 061 045 01	stud for crankcase bearing 2		1	
5	999 061 034 01	stud for mount transmission	-68	2	
(5)	999 061 034 02	stud for mount transmission		69	2
6	539 01 112	stud for oil pump and oil cooler		4	
(6)	999 062 071 02	stud for oil cooler M 075 3004 >> M 083 6550 >>		1	
7	999 062 002 02	stud for oil drain lid		10	
8	000 95 105	stud		7	

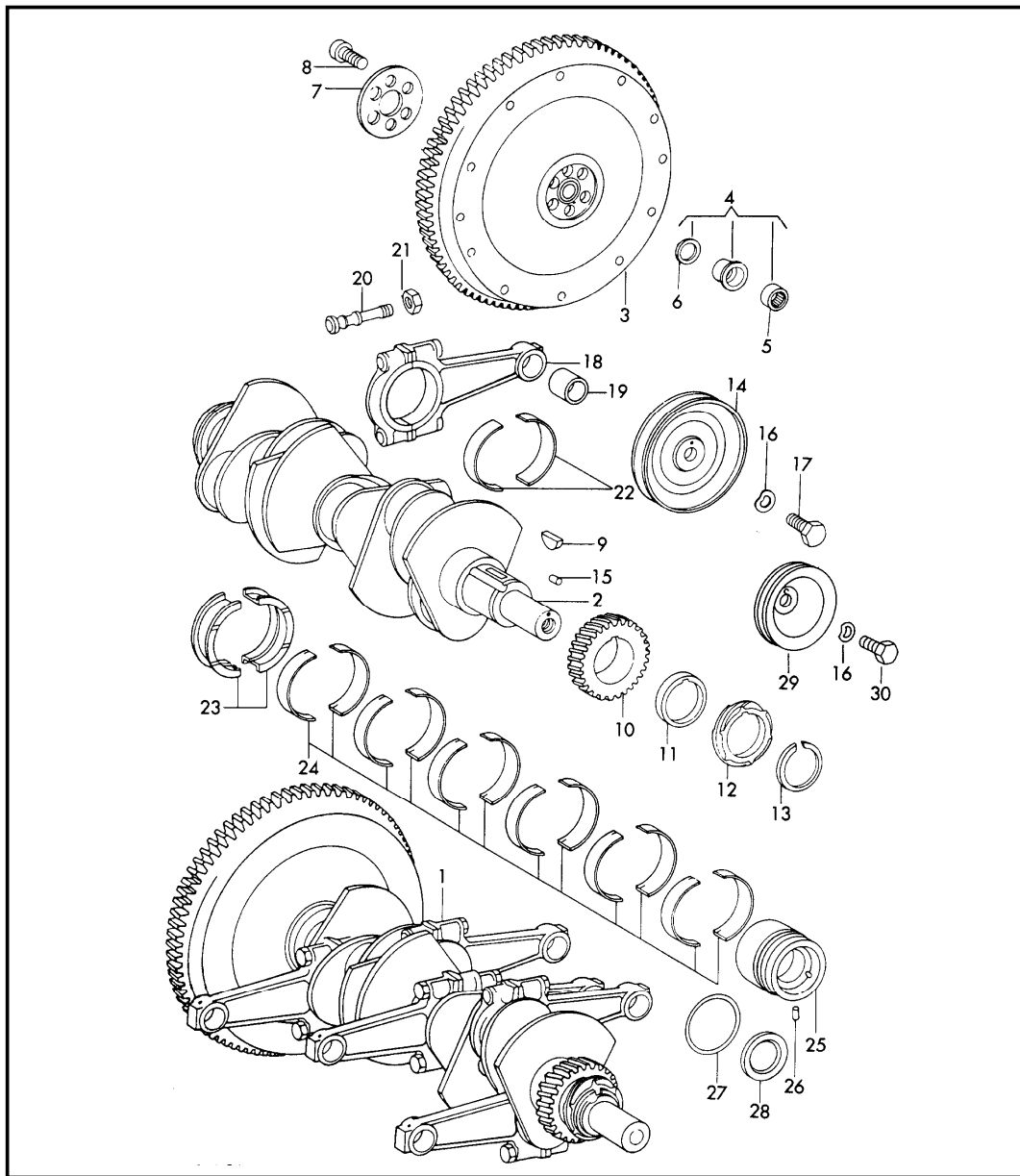
Model	Year	MG	SG	Illustration	Restrictions	UPD	17:38	22.01.2010	PORSCHE	PET	PORSCHE
911-1	1969	1	01	101-10		248					

Pos	Part Number	Description	Remark	Qty	Model	Pos	Part Number	Description	Remark	Qty	Model
9	000 95 106	stud		4		28	616 101 039 00	oil drain lid with filter		1	
10	900 061 008 01	stud BM 8 X 25 for cover camshaft		2		29	539 01 150	oil drain lid		1	
11	999 012 006 00	straight pin		4		30	900 055 033 20	rivet 5 X 10		1	
12	616 101 172 00	straight pin		2		31	616 101 333 00	filter		1	
13	901 101 195 00	dowel sleeve		2		32	616 101 380 00	oil strainer		1	
14	616 101 377 00	oil tube		1		33	539 01 152	gasket		2	
15	539 07 748	guide tube		1		34	N 011 524 7	washer 6,4		10	
16	539 01 132	cover for camshaft		1		35	900 028 008 01	spring washer B 6		10	
17	616 101 171 00	tensioning device screw for crankcase		1		36	900 076 010 02	hexagon nut M 6		10	
18	616 101 191 00	washer		7		37	539 04 203	sealing ring suction tube lid		1	
19	999 701 006 40	o-ring		7		38	616 101 911 00	lid for crankcase without bearing 4		1	
20	999 070 004 02	cap nut		6		39	616 101 391 00	gasket		1	
21	N 010 360 6	hexagon-head bolt M 8 X 60		7		40	539 01 122	rubber seal for oil duct		1	
22	N 010 388 3	hexagon-head bolt M 8 X 90		1		41	616 101 123 00	rubber seal oil duct crankcase		2	
23	N 012 241 1	spring washer B 8 X 15		15		42	616 01 114	oil tube		1	
24	900 076 025 02	hexagon nut M 8		10		43	616 01 115	stopper		2	
25	900 105 001 02	screw socket LL 6 M		1		44	616 101 216 01	bracket for generator	-68	1	
26	539 01 115	screw for bearing 4		1		(44)	616 101 217 00	bracket for generator	69	1	
27	539 01 133	drain plug		1							

Model	Year	MG	SG	Illustration	Restrictions	UPD	17:38	22.01.2010	PORSCHE	PET	PORSCHE
911-1	1969	1	01	101-10		248					

Pos	Part Number	Description	Remark	Qty	Model	Pos	Part Number	Description	Remark	Qty	Model
45	539 01 125	gasket		1							
46	900 074 037 02	hexagon-head bolt M 8 X 35		4							
47	999 113 012 50	shaft seal DG 48 X 65 X10/1		1							
48	999 113 029 50	radial sealing ring DG 60 X 80 X 10/1		1							
49	502 08 310	hexagon nut M 8		7							
(49)	502 08 310	nut		7							
50	N 012 241 1	spring washer B 8		7							

Model	Year	MG	SG	Illustration	Restrictions	UPD	17:38	22.01.2010	PORSCHE	PET	PORSCHE
911-1	1969	1	02	102-00		248					



Pos	Part Number	Description	Remark	Qty	Model
1	901 102 901 00	crankshaft and connecting rods		1	911
(1)	901 102 901 01	crankshaft with flywheel and connecting rod single parts comprising: picture NR.2-13,18-25 M >> 090 1638		1	911
(1)	-----	crankshaft with flywheel and connecting rod not available single parts order		1	911 /S/TU/T 911 E
2	> 901 102 011 00	crankshaft		1	911 /S/L/E
(2)	> 901 102 011 00	crankshaft		1	911 TU/T
3	901 102 201 00	flywheel M >> 090 1638		1	
(3)	901 102 026 01	flywheel		1	
-	999 012 014 00	straight pin M 090 1639 >>		3	911 /S/L/TU
-	999 012 014 00	straight pin		3	911 T/E/S
4	901 102 025 01	bush complete		1	
5	-	not available			
6	-	not available			

Model	Year	MG	SG	Illustration	Restrictions	UPD	17:38	22.01.2010	PORSCHE	PET	PORSCHE
911-1	1969	1	02	102-00		248					

Pos	Part Number	Description	Remark	Qty	Model	Pos	Part Number	Description	Remark	Qty	Model
7	901 102 162 04	washer for mount flywheel		1		(18)	901 103 011 26	connecting rod weight group: 6 = 596 - 605 GR.	69-	6	
8	999 067 007 02	screw for mount flywheel		6		(18)	901 103 011 27	connecting rod weight group: 7 = 605 - 614 GR.	69-	6	
(8)	999 067 009 01	pan-head screw sportomatic	-68	6	911 /S/TU/L	(18)	901 103 011 28	connecting rod weight group: 8 = 614 - 623 GR.	69-	6	
(8)	999 067 009 01	pan-head screw	69-	6	911 T/E	(18)	901 103 011 29	connecting rod weight group: 9 = 623 - 632 GR.	69-	6	
9	901 102 147 00	woodruff key		1		(18)	901 103 011 30	connecting rod weight group: 10 = 632 - 641 GR.	69-	6	
10	901 102 111 00	timing gear for number 0		1		(18)	901 103 011 31	connecting rod weight group: 11 = 641 - 650 GR.	69-	6	
(10)	901 102 111 10	timing gear for number 1		1		(18)	901 103 011 32	connecting rod weight group: 12 = 650 - 659 GR.	69-	6	
11	901 102 145 00	intermediate ring		1		19	901 103 131 01	connecting rod bush		6	
12	901 102 115 00	drive wheel		1		20	901 103 172 00	connecting rod bolt		12	
13	901 102 148 00	circlip		1		21	901 103 173 00	connecting rod nut		12	
14	901 102 017 02	v-belt pulley complete	-68	1		22	901 103 141 00	connecting-rod bearing		12	
(14)	911 102 017 50	v-belt pulley complete	69-	1		(22)	901 103 141 50	connecting-rod bearing undersize 0.25 mm		X	
15	900 012 060 00	straight pin 5 M 6 X 10		1		(22)	901 103 141 60	connecting-rod bearing undersize 0.50 mm		X	
16	900 028 014 01	spring washer B 12		1		(22)	901 103 141 70	connecting-rod bearing undersize 0,75 mm		X	
17	999 093 005 02	hexagon-head bolt M 12 X 1,5 X 22		1		>>	>>901 101 901 00	set of crankshaft bearings normal comprising:		1	
18	901 103 011 00	connecting rod complete	-68	6	911 /L/TU	23	901 101 131 00	bearing shell I		2	
(18)	901 103 011 10	connecting rod complete	-68	6	911 S	24	901 101 132 00	bearing shell II - VII		12	
(18)	901 103 011 25	connecting rod weight group: 5 = 587 - 690 GR.	69-	6							

Model	Year	MG	SG	Illustration	Restrictions	UPD	17:38	22.01.2010	PORSCHE	PET	PORSCHE
911-1	1969	1	02	102-00		248					

Pos	Part Number	Description	Remark	Qty	Model	Pos	Part Number	Description	Remark	Qty	Model
25	901 101 138 03	bearing sleeve for bearing VIII		1		(23)	901 101 131 55	bearing shell I		2	
>>	>>901 101 901 50	set of crankshaft bearings undersize 0.25 mm inner comprising:	-68	1		(24)	901 101 132 55	bearing shell II - VII		12	
(23)	901 101 131 50	bearing shell I		2		(25)	901 101 138 58	bearing sleeve for bearing VIII		1	
(24)	901 101 132 50	bearing shell II - VII		12		>>	>>901 101 901 65	set of crankshaft bearings undersize 0,75 mm inner comprising:	-68	1	
(25)	901 101 138 53	bearing sleeve for bearing VIII		1		(23)	901 101 131 65	bearing shell I		2	
>>	>>911 101 901 50	set of crankshaft bearings undersize 0.25 mm inner comprising:	69-	1		(24)	901 101 132 65	bearing shell II - VII		12	
(23)	901 101 131 50	bearing shell I		2		(25)	901 101 138 68	bearing sleeve for bearing VIII		1	
(24)	901 101 132 50	bearing shell II - VII		12		>>	>>911 101 901 65	set of crankshaft bearings undersize 0,75 mm inner comprising:	69-	1	
(25)	901 101 138 53	bearing sleeve for bearing VIII		1		(23)	901 101 131 65	bearing shell I		2	
>>	>>901 101 901 55	set of crankshaft bearings undersize 0.50 mm inner comprising:	-68	1		(24)	901 101 132 65	bearing shell II - VII		12	
(23)	901 101 131 55	bearing shell I		2		(25)	901 101 138 68	bearing sleeve for bearing VIII		1	
(24)	901 101 132 55	bearing shell II - VII		12		>>	>>901 101 901 60	set of crankshaft bearings oversize 0.25 mm outer comprising:	-68	1	
(25)	901 101 138 58	bearing sleeve for bearing VIII		1		(23)	901 101 131 60	bearing shell I		2	
>>	>>911 101 901 55	set of crankshaft bearings undersize 0.50 mm inner comprising:	69-	1		(24)	901 101 132 60	bearing shell II - VII		12	

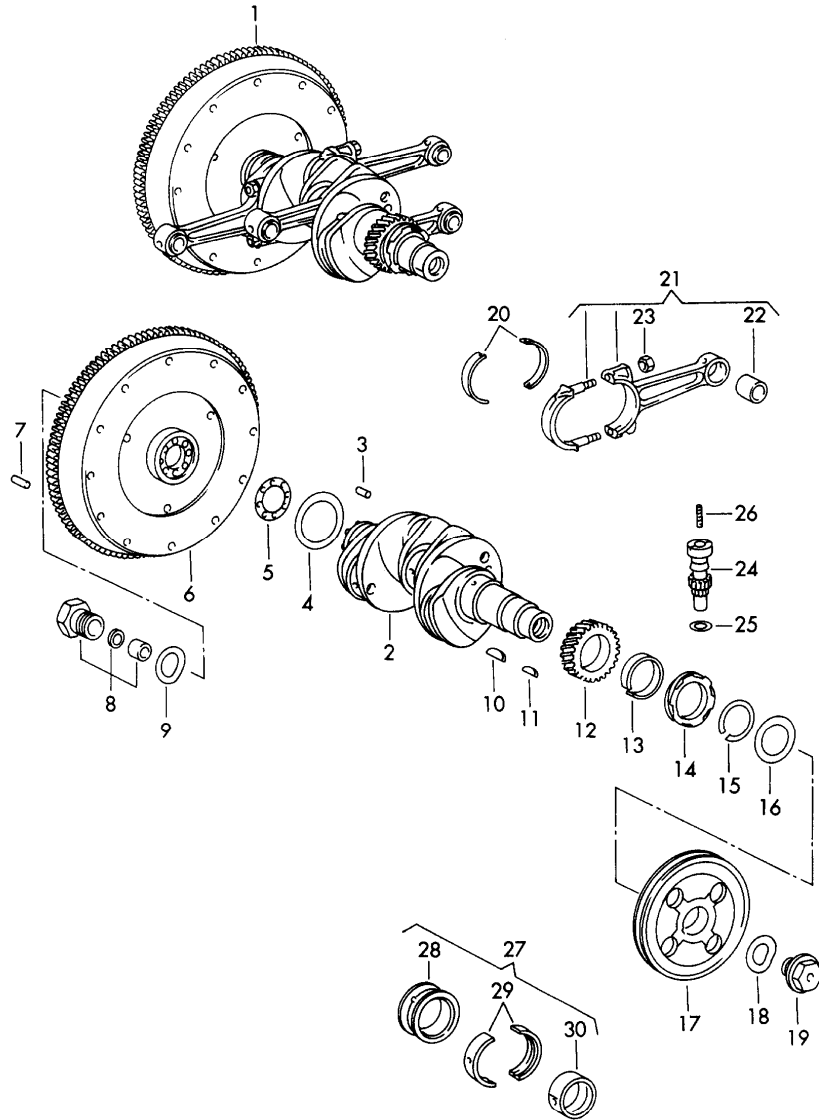
Model	Year	MG	SG	Illustration	Restrictions	UPD	17:38	22.01.2010	PORSCHE	PET	PORSCHE
911-1	1969	1	02	102-00		248					

Pos	Part Number	Description	Remark	Qty	Model	Pos	Part Number	Description	Remark	Qty	Model
(25)	901 101 138 63	bearing sleeve for bearing VIII		1		>>	>>901 101 901 75	set of crankshaft bearings oversize 0.25 mm outer undersize 0.50 mm inner comprising:	-68	1	
>>	>>911 101 901 60	set of crankshaft bearings oversize 0.25 mm outer comprising:	69-	1		(23)	901 101 131 75	bearing shell I		2	
(23)	901 101 131 60	bearing shell I		2		(24)	901 101 132 75	bearing shell II - VII		12	
(24)	901 101 132 60	bearing shell II - VII		12		(25)	901 101 138 77	bearing sleeve for bearing VIII		1	
(25)	901 101 138 63	bearing sleeve for bearing VIII		1		>>	>>911 101 901 75	set of crankshaft bearings oversize 0.25 mm outer undersize 0.50 mm inner comprising:	69-	1	
>>	>>901 101 901 70	set of crankshaft bearings oversize 0.25 mm outer undersize 0.25 mm inner comprising:	-68	1		(23)	901 101 131 75	bearing shell I		2	
(23)	901 101 131 70	bearing shell I		2		(24)	901 101 132 75	bearing shell II - VII		12	
(24)	901 101 132 70	bearing shell II - VII		12		(25)	901 101 138 78	bearing sleeve for bearing VIII		1	
(25)	901 101 138 72	bearing sleeve for bearing VIII		1		>>	>>901 101 901 85	set of crankshaft bearings oversize 0.25 mm outer undersize 0,75 mm inner comprising:	-68	1	
>>	>>911 101 901 70	set of crankshaft bearings oversize 0.25 mm outer undersize 0.25 mm inner comprising:	69-	1		(23)	901 101 131 85	bearing shell I		2	
(23)	901 101 131 70	bearing shell I		2		(24)	901 101 132 85	bearing shell II - VII		12	
(24)	901 101 132 70	bearing shell II - VII		12		(25)	901 101 138 87	bearing sleeve for bearing VIII		1	
(25)	901 101 138 73	bearing sleeve for bearing VIII		1							

Model	Year	MG	SG	Illustration	Restrictions	UPD	17:38	22.01.2010	PORSCHE	PET	PORSCHE
911-1	1969	1	02	102-00		248					

Pos	Part Number	Description	Remark	Qty	Model	Pos	Part Number	Description	Remark	Qty	Model
>>	>>911 101 901 85	set of crankshaft bearings oversize 0.25 mm outer undersize 0,75 mm inner comprising:	69-	1							
(23)	901 101 131 85	bearing shell I		2							
(24)	901 101 132 85	bearing shell II - VII		12							
(25)	901 101 138 88	bearing sleeve for bearing VIII		1							
26	900 012 061 00	straight pin 5H 8 X 10 DIN 7		1							
27	900 174 041 40	sealing ring		1							
28	999 113 049 50	radial sealing ring 30 X 50 X 10		1							
(28)	999 113 291 40	sealing ring undersize 29,5 X 50 X 10		1							

Model	Year	MG	SG	Illustration	Restrictions	UPD	17:38	22.01.2010	PORSCHE	PET	PORSCHE
911-1	1969	1	02	102-05		248					



Pos	Part Number	Description	Remark	Qty	Model
		crankshaft and connecting rods			912
1	616 102 903 00	crankshaft with flywheel and connecting rod comprising: picture NR. 2-10,12-15,20-23,28-30		1	
2	> 616 102 015 01	crankshaft		1	
3	900 109 004 00	roller 6 X 12		8	
4	369 02 107 1	thrust washer 0,80 MM		1	
(4)	369 02 107 2	thrust washer 0,85 MM		1	
(4)	369 02 107 3	thrust washer 0,90 MM		1	
(4)	369 02 107 4	thrust washer 0,95 MM		1	
(4)	369 02 107 5	thrust washer 1,00 MM		1	
(4)	369 02 107 6	thrust washer 1,05 MM		1	
(4)	369 02 107 7	thrust washer 1,10 MM		1	
(4)	369 02 107 8	thrust washer 1,15 MM		1	
5	502 02 301	gasket for flywheel		1	
6	> 616 102 204 01	flywheel		1	
7	999 012 014 00	straight pin		3	
8	616 102 025 01	banjo bolt with needle-roller bearing and gasket complete		1	

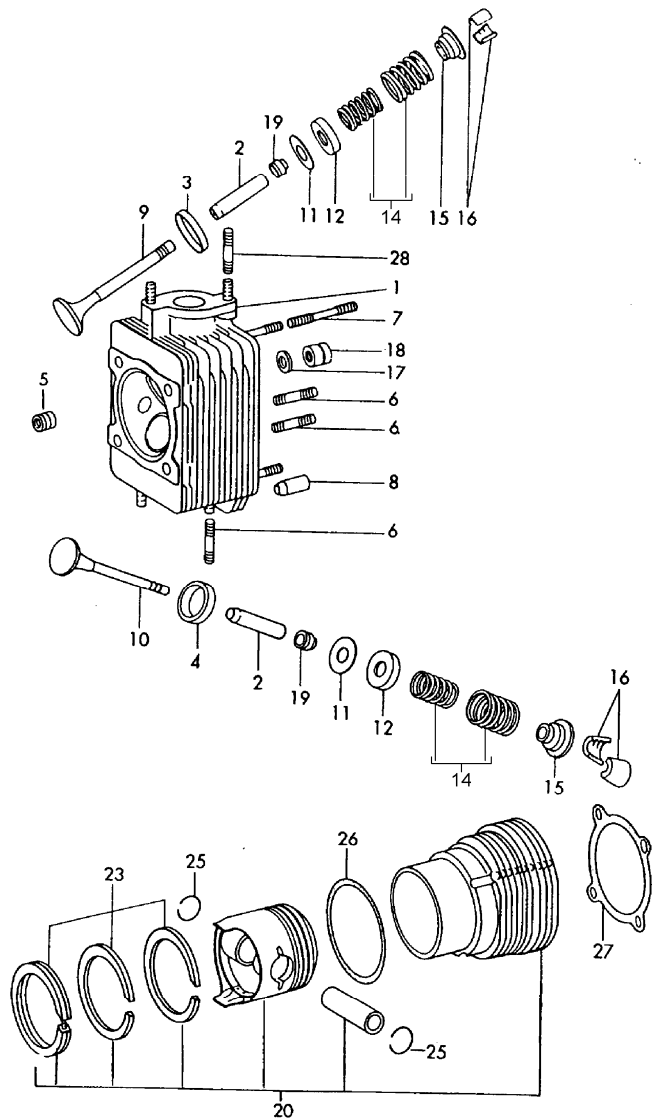
Model	Year	MG	SG	Illustration	Restrictions	UPD	17:38	22.01.2010	PORSCHE	PET	PORSCHE
911-1	1969	1	02	102-05		248					

Pos	Part Number	Description	Remark	Qty	Model	Pos	Part Number	Description	Remark	Qty	Model
9	539 02 103	lock washer for banjo bolt		1		(18)	616 102 169 00	spring washer for fastening screw emission control system	-68	1	
10	901 102 147 00	woodruff key for timing gear	-68	1		19	539 02 112	fastening screw for pulley		1	
(10)	901 102 147 00	woodruff key for timing gear	69-	1		(19)	616 102 168 00	fastening screw for pulley emission control system	-68	1	
11	N 012 709 1	spring for pulley 6 X 9		1		20	616 103 142 02	bearing shell normal		8	
12	539 02 105	timing gear for crankshaft		1		(20)	616 103 142 52	bearing shell undersize 0.25 mm inner		X	
13	539 102 106 00	intermediate ring		1		(20)	616 103 142 62	bearing shell undersize 0.50 mm inner		X	
14	546 102 110 00	drive wheel for distributor	-68	1		(20)	616 103 142 72	bearing shell undersize 0,75 mm inner		X	
(14)	901 102 115 00	drive wheel for distributor	69-	1		21	616 103 012 02	connecting rod complete without bearing shell		4	
15	901 102 148 00	circlip for drive wheel	-68	1		22	901 103 131 01	connecting rod bush		4	
(15)	901 102 148 00	circlip for drive wheel	69-	1		23	502 03 114	connecting rod nut		8	
16	616 102 163 01	sealing washer		1		24	539 09 101	drive shaft for distributor		1	
17	539 02 113	pulley	-68	1		25	539 09 102	thrust washer		1	
(17)	616 102 131 01	pulley for emission control system	-68	1		26	539 09 103	spring		1	
(17)	539 02 113	pulley large	69-	1		27	616 100 138 00	set of crankshaft bearings normal comprising:		1	
18	539 02 111	spring washer for fastening screw		1		28	546 101 101 00	bearing sleeve I		1	
						29	616 101 132 00	bearing shell II - III		4	

Model	Year	MG	SG	Illustration	Restrictions	UPD	17:38	22.01.2010	PORSCHE	PET	PORSCHE
911-1	1969	1	02	102-05		248					

Pos	Part Number	Description	Remark	Qty	Model	Pos	Part Number	Description	Remark	Qty	Model
30	539 101 146 00	bearing sleeve IV		1		(30)	539 101 146 65	bearing sleeve IV		1	
(27)	616 100 138 50	set of crankshaft bearings undersize 0.25 mm inner comprising:		1		(27)	616 100 138 70	set of crankshaft bearings oversize 0.25 mm outer undersize 0.25 mm inner comprising:		1	
(28)	546 101 101 50	bearing sleeve I		1		(28)	546 101 101 70	bearing sleeve I		1	
(29)	616 101 132 50	bearing shell II - III		4		(29)	616 101 132 70	bearing shell II - III		4	
(30)	539 101 146 50	bearing sleeve IV		1		(30)	539 101 146 50	bearing sleeve IV outer normal		1	
(27)	616 100 138 55	set of crankshaft bearings undersize 0.50 mm inner comprising:		1		(27)	616 100 138 75	set of crankshaft bearings oversize 0.25 mm outer undersize 0.50 mm inner comprising:		1	
(28)	546 101 101 55	bearing sleeve I		1		(28)	546 101 101 75	bearing sleeve I		1	
(29)	616 101 132 55	bearing shell II - III		4		(29)	616 101 132 75	bearing shell II - III		4	
(30)	539 101 146 55	bearing sleeve IV		1		(30)	539 101 146 55	bearing sleeve IV outer normal		1	
(27)	616 100 138 60	set of crankshaft bearings oversize 0.25 mm outer comprising:		1		(27)	616 100 138 85	set of crankshaft bearings oversize 0.25 mm outer undersize 0,75 mm inner comprising:		1	
(28)	546 101 101 60	bearing sleeve I		1		(28)	546 101 101 85	bearing sleeve I		1	
(29)	616 101 132 60	bearing shell II - III		4		(29)	616 101 132 85	bearing shell II - III		4	
(30)	539 101 146 00	bearing sleeve IV normal		1		(30)	539 101 146 65	bearing sleeve IV outer normal		1	
(27)	616 100 138 65	set of crankshaft bearings undersize 0,75 mm inner comprising:		1							
(28)	546 101 101 65	bearing sleeve I		1							
(29)	616 101 132 65	bearing shell II - III		4							

Model	Year	MG	SG	Illustration	Restrictions	UPD	17:38	22.01.2010	PORSCHE	PET	PORSCHE
911-1	1969	1	03	103-00		248					



Pos	Part Number	Description	Remark	Qty	Model
		cylinder head cylinder with piston			911
(1) >	901 104 003 05	cylinder head with studs with valves ready for installation M >> 090 9927	-68	6	911
(1) >	901 104 003 06	cylinder head with studs with valves ready for installation M 091 1001 >>	-68	6	911 /L
(1)	901 104 005 02	cylinder head with studs with valves ready for installation	-68	6	911 S
(1)	901 104 006 01	cylinder head with studs with valves ready for installation	-68	6	911 TU 911 T
(1)	901 104 008 00	cylinder head with studs with valves ready for installation	69-	6	911 E
(1)	901 104 009 01	cylinder head with studs with valves ready for installation	69-	6	911 S
1	901 104 033 05	cylinder head with studs without valves	-68	6	911 /L
(1)	901 104 035 02	cylinder head with studs without valves	-68	6	911 S
(1)	901 104 036 02	cylinder head with studs without valves	-68 69-	6	911 TU 911 T
(1)	901 104 038 00	cylinder head with studs without valves	69-	6	911 E
(1)	901 104 039 01	cylinder head with studs without valves	69-	6	911 S
2	930 104 321 50	valve guide 1st oversize		12	

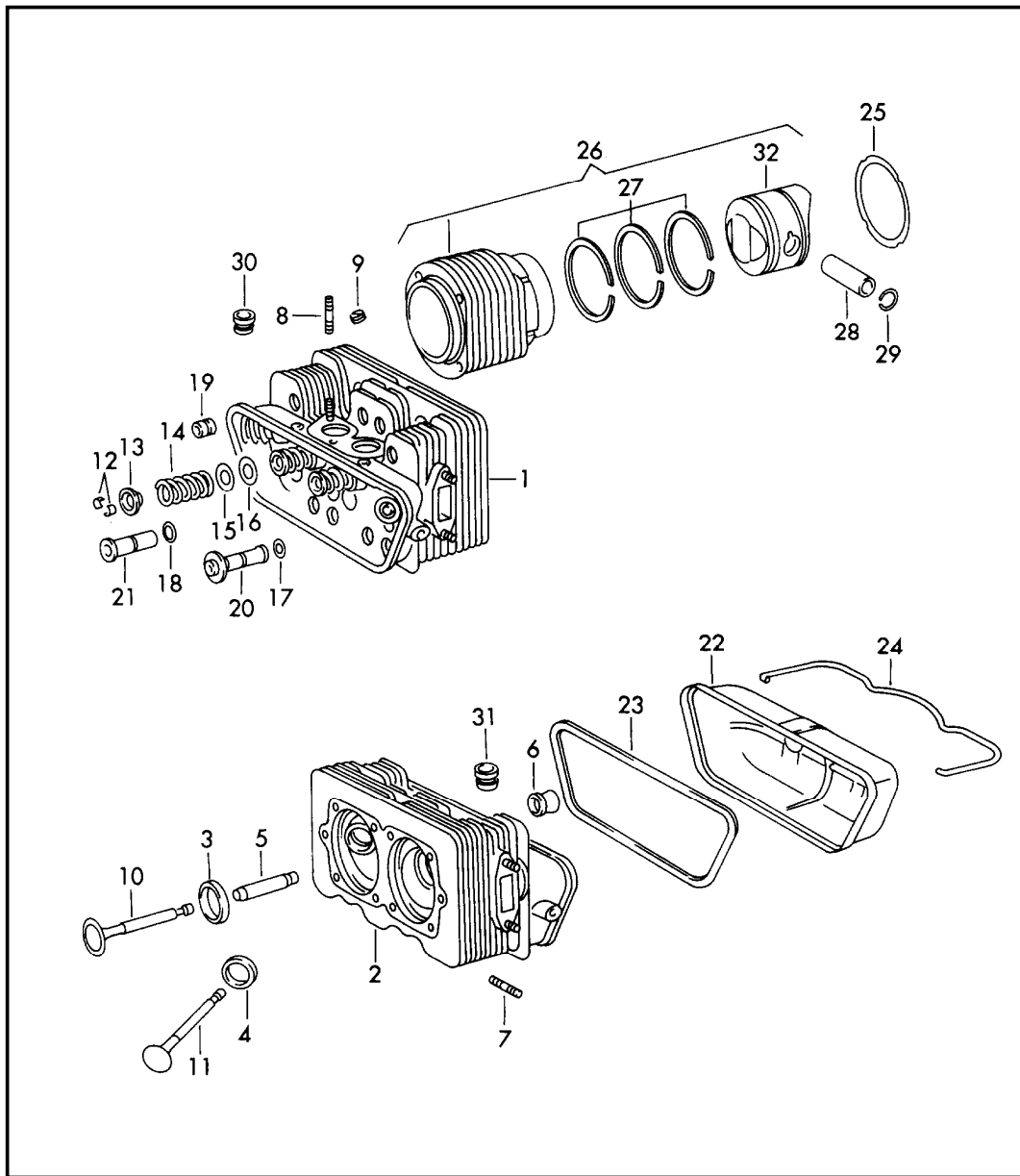
Model	Year	MG	SG	Illustration	Restrictions	UPD	17:38	22.01.2010	PORSCHE	PET	PORSCHE
911-1	1969	1	03	103-00		248					

Pos	Part Number	Description	Remark	Qty	Model	Pos	Part Number	Description	Remark	Qty	Model
(2)	901 104 321 61	valve guide 2nd oversize		12		(10)	901 105 408 50	exhaust valve		6	911 S/TU/T/E
3	901 104 312 50	valve seat ring for intake oversize	-68	6	911 /L	(10)	901 105 415 50	exhaust valve	69-	6	911 S
(3)	901 104 313 50	valve seat ring for intake oversize	-68 69-	6	911 S/TU 911 T/E	11	930 105 461 00	washer		X	
(3)	901 104 311 51	valve seat ring for intake	69-	6	911 S	12	901 105 463 00	ring		12	
4	901 104 316 50	valve seat ring for exhaust oversize	-68	6	911 /L	(12)	901 105 463 02	spring guide for 1. spring	-68	12	911 TU
(4)	901 104 315 51	valve seat ring for exhaust oversize	69-	6	911 S	14	901 105 901 50	set of valve springs outer and inner		12	
(4)	901 104 317 50	valve seat ring for exhaust oversize	-68 69-	6	911 S/TU 911 T/E	14	901 105 901 51	set of valve springs outer and inner		12	
5	999 504 024 00	threaded insert - HELI-COIL -	-68	6		15	901 105 421 03	concave washer		12	
6	900 061 006 01	stud BM 8 X 20 SN 1115		24		(15)	901 105 421 02	concave washer for 1. spring	-68	12	911 TU
-	900 061 007 01	stud BM 8 X 22 SN 1115	-68	12		16	901 105 417 00	collet divided		24	
7	900 061 012 00	stud BM 8 X 50 SN 1115	-68	24		17	999 031 083 01	washer		24	
(7)	900 061 012 01	stud BM 8 X 50 SN 1115	69-	24		18	901 104 382 02	cylinder head nut		24	
8	999 012 006 00	straight pin		12		19	901 104 193 00	valve seal		12	
9	901 105 401 04	intake valve	-68	6	911 /L	20	> 901 103 902 00	cylinder with piston complete group 5 - mahle -	-68	6	911 /L
(9)	901 105 407 00	intake valve		6	911 S/TU/T/E	(20)	901 103 902 01	cylinder with piston complete group 6 - mahle -	-68	6	911 /L
(9)	901 105 411 00	intake valve	69-	6	911 S	(20)	901 103 903 01	cylinder with piston complete group 5 - mahle -		6	911 TU/T
10	901 105 405 50	exhaust valve	-68	6	911 /L						

Model	Year	MG	SG	Illustration	Restrictions	UPD	17:38	22.01.2010	PORSCHE	PET	PORSCHE
911-1	1969	1	03	103-00		248					

Pos	Part Number	Description	Remark	Qty	Model	Pos	Part Number	Description	Remark	Qty	Model
(20)	901 103 903 02	cylinder with piston complete group 6 - mahle -		6	911 TU/T	(23)	901 103 901 51	set of piston rings \$ 80,5		X	911 S
(20)	901 103 906 90	cylinder with piston complete group 5	-68	6	911 S	(23)	901 103 901 52	set of piston rings \$ 80,5 - mahle -		X	911 TU/T
(20)	901 103 906 90	cylinder with piston complete group 6	-68	6	911 S	(23)	901 103 901 53	set of piston rings \$ 80,5 - SCHMIDT -		X	911 TU/T
(20)	> 901 103 909 01	cylinder with piston complete group 5	69-	6	911 E	25	900 178 002 00	circlip C 22		12	911 /L/TU 911 T/E
(20)	901 103 909 02	cylinder with piston complete group 6	69-	6	911 E	(25)	901 103 381 00	circlip		12	911 S
(20)	> 901 103 911 01	cylinder with piston complete group 5	69-	6	911 S	26	901 104 191 00	cylinder base gasket 0,25 MM		6	
(20)	901 103 911 02	cylinder with piston complete group 6	69-	6	911 S	26	901 104 191 00	gasket 0,50 MM		X	
23	901 103 901 00	set of piston rings comprising: 901.103.311.01 901.103.312.01 901.103.315.00		X	911 /L/E	27	901 104 391 01	cylinder head gasket		6	
(23)	901 103 901 01	set of piston rings comprising: 901.103.311.01 901.103.315.00 901.103.317.00		X	911 S	28	900 061 007 01	stud BM 8 X 22 SN 1115	69-	12	911 E/S
(23)	901 103 901 02	set of piston rings - mahle - comprising: 901.103.311.02 901.103.312.02 901.103.315.00		X	911 TU/T	(28)	900 061 008 01	stud BM 8 X 25 SN 1115	69-	12	911 T
(23)	901 103 901 03	set of piston rings - SCHMIDT - comprising: 901.103.312.02 901.103.318.00		X	911 TU/T						
(23)	901 103 901 50	set of piston rings \$ 80,5		X	911 /L/E						

Model	Year	MG	SG	Illustration	Restrictions	UPD	17:39	22.01.2010	PORSCHE	PET	PORSCHE
911-1	1969	1	03	103-05		248					



Pos	Part Number	Description	Remark	Qty	Model
		cylinder head cylinder with piston			912
1	> 616 104 006 05	cylinder head		2	
1	616 104 006 FX	cylinder head with valves ready for installation		2	
(1)	616 104 006 04	cylinder head with valves ready for installation for emission control system	-68	2	
2	616 104 036 01	cylinder head without valves	-68	2	
(2)	616 104 036 02	cylinder head without valves for emission control system	-68	2	
(2)	616 104 036 05	cylinder head without valves	69-	2	
3	369 104 206 52	valve seat ring intake oversize		X	
4	616 104 316 52	valve seat ring exhaust oversize		X	
5	616 104 321 51	valve guide intake and exhaust 1st oversize 616/36/37		X	
(5)	616 104 321 52	valve guide intake and exhaust 1st oversize 616/39 intake and exhaust 2nd oversize 616/36/37	-68	X	

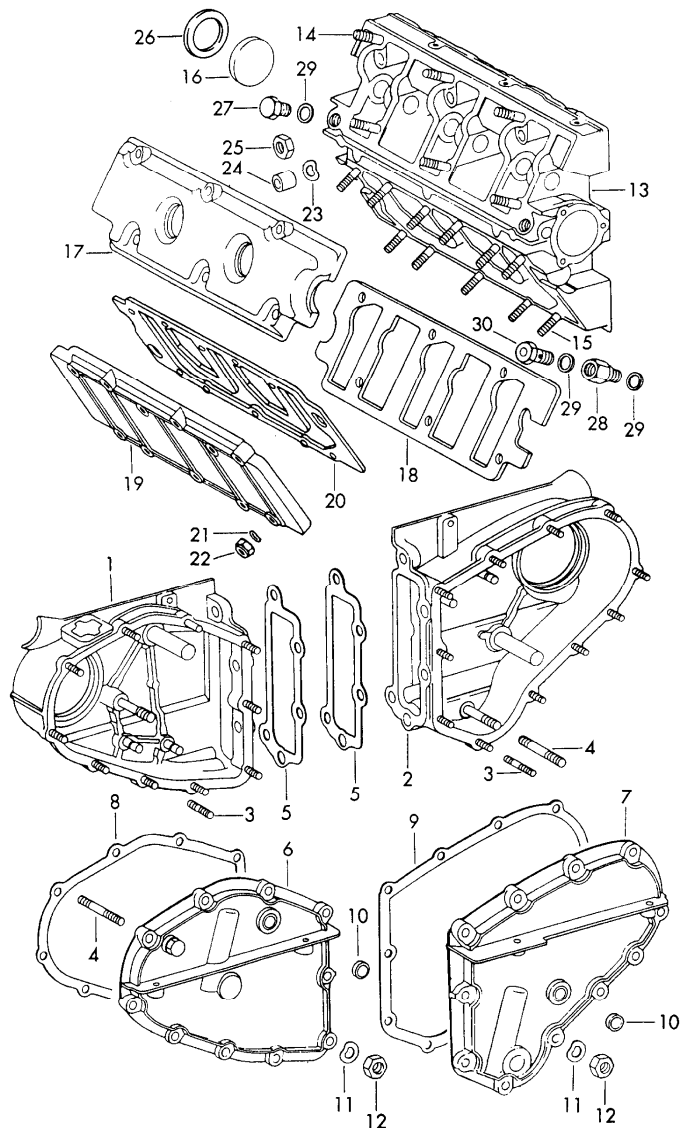
Model	Year	MG	SG	Illustration	Restrictions	UPD	17:39	22.01.2010	PORSCHE	PET	PORSCHE
911-1	1969	1	03	103-05		248					

Pos	Part Number	Description	Remark	Qty	Model	Pos	Part Number	Description	Remark	Qty	Model
		intake and exhaust 2nd oversize 616/36/37				15	369 04 218	washer		8	
		valve guide intake and exhaust 2nd oversize 616/36/37		X		16	369 04 218	shim		X	
(5)	616 104 321 62	intake and exhaust 2nd oversize 616/39				17	999 031 062 02	washer for cylinder head nut		16	
		valve guide intake and exhaust 2nd oversize 616/39		X		18	539 04 203	gasket for cylinder head nut		8	
		intake and exhaust 2nd oversize 616/39				19	616 104 382 00	cylinder head nut	-68	8	
(5)	616 104 321 62	valve guide intake and exhaust 2nd oversize 616/39	-68	X		(19)	901 104 382 02	cylinder head nut	69-	8	
		stud for exhaust manifold BM 8 X 18 SN 1115				20	616 104 381 01	cylinder head nut		6	
6	616 105 491 02	valve seal		4		21	616 104 383 00	cylinder head nut		2	
7	900 061 005 01	stud for exhaust manifold BM 8 X 18 SN 1115		8		22	597 104 305 00	cylinder head cover		2	
8	000 95 129	stud for intake manifold		4		23	616 104 951 00	gasket cork		2	
9	616 04 209	threaded insert M 14 X 1,25 X 8,75 for spark plug - HELI-COIL -		4		24	369 04 240	clamp		2	
10	616 105 402 00	intake valve		4		25	539 04 209	cylinder base gasket		4	
11	616 105 406 50	exhaust valve		4		(25)	616 104 461 00	cylinder base gasket		4	
12	901 105 417 00	collet divided	-68	16		26	> 616 103 904 04	cylinder with piston complete \$ 82,5 MM group 5		4	
(12)	901 105 417 00	collet divided	69-	16		(26)	> 616 103 904 04	cylinder with piston complete \$ 82,5 MM group 6		4	
13	616 105 422 00	concave washer		8		(26)	> 616 103 904 04	cylinder with piston complete \$ 82,5 MM group 7		4	
14	616 105 432 03	valve spring		8		(26)	> 616 103 904 04	cylinder with piston complete \$ 82,5 MM group 8		4	
						27	616 103 907 05	set of piston rings \$ 82,5 MM see group 1/98/00		X	

Model	Year	MG	SG	Illustration	Restrictions	UPD	17:39	22.01.2010	PORSCHE	PET	PORSCHE
911-1	1969	1	03	103-05		248					

Pos	Part Number	Description	Remark	Qty	Model	Pos	Part Number	Description	Remark	Qty	Model
(27)	616 103 907 06	set of piston rings \$ 83 MM see group 1/98/00		X							
28	616 103 321 01	piston pin identification white		4							
(28)	616 103 321 50	piston pin identification blue oversize		X							
29	900 178 002 00	circlip C 22		8							
30	616 104 393 00	pot for cylinder head	/L	1							
31	999 702 047 50	rubber sleeve for cylinder head see group 1/04/10	/R	2							
32	616 103 036 52	piston complete \$ 83 MM oversize		X							

Model	Year	MG	SG	Illustration	Restrictions	UPD	17:39	22.01.2010	PORSCHE	PET	PORSCHE
911-1	1969	1	03	103-10		248					



Pos	Part Number	Description	Remark	Qty	Model
		chain case camshaft housing			911
(1)	901 105 061 01	chain case	/L	-67	1
1	901 105 061 02	chain case	/L	68-	1
(2)	901 105 062 01	chain case	/R	-67	1
2	901 105 062 02	chain case	/R	68-	1
(3)	900 061 085 01	stud BM 6X20		-67	14
3	999 062 102 02	stud BM 6 X 22		68-	21
4	900 061 012 02	stud BM 8 X 50			2
(5)	901 105 193 02	gasket crankcase and chain case up to model a		-67	2
5	901 105 193 03	gasket crankcase and chain case		68-	2
(6)	901 105 063 01	lid chain case complete with - SOLEX - carburettor M >> 090 3069	/L		1 911
(6)	901 105 063 02	lid chain case complete with - SOLEX - carburettor M 090 3070 M >> 090 7000	/L		1 911
(6)	901 105 063 05	lid chain case with - WEBER - carburettor M 090 7001 >>	/L	-67	1 911 /S

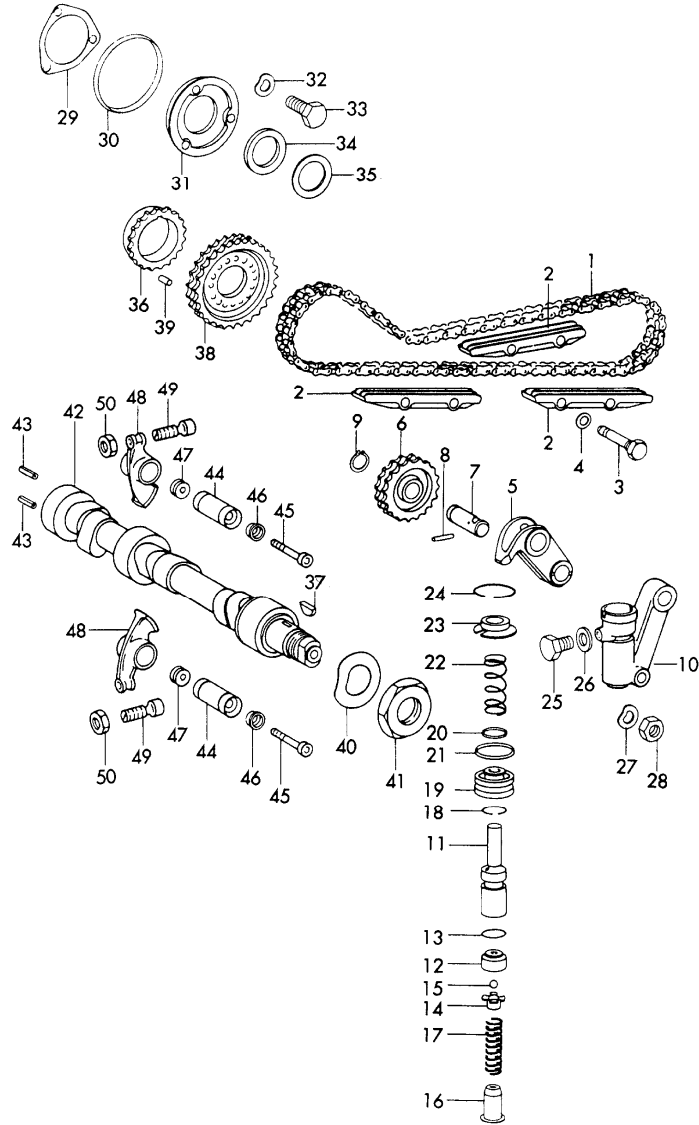
Model	Year	MG	SG	Illustration	Restrictions	UPD	17:39	22.01.2010	PORSCHE	PET	PORSCHE
911-1	1969	1	03	103-10		248					

Pos	Part Number	Description	Remark	Qty	Model	Pos	Part Number	Description	Remark	Qty	Model
(6)	930 105 063 01	lid chain case with - WEBER - carburettor	/L 67-	1		(13)	901 105 012 50	camshaft housing complete with lid lower and gasket M >> 090 3069		2	911
6	930 105 063 01	lid chain case	/L 69-	1							
(7)	901 105 064 01	lid chain case M >> 090 3069	/R	1	911	(13)	901 105 961 00	camshaft housing complete M 090 3070 >> lid 901.105.116.04 and gasket 901.105.195.04 order at same time	/L -67	1	911 /S
-	900 105 002 02	screw socket M >> 090 3069		2	911						
-	N 020 825 1	cutting ring M >> 090 3069		2	911						
-	900 104 003 02	union nut M >> 090 3069		2	911	(13)	901 105 962 00	camshaft housing complete M 090 3070 >> lid 901.105.116.04 gasket 901.105.195.04 order at same time	/R -67	1	911 /S
-	900 061 007 01	stud BM 8X22		2	911						
-	901 105 592 01	sliding sealing ring M >> 090 3069		2	911						
(7)	901 105 064 02	lid chain case M 090 3070 >>	/R -67	1		13	901 105 021 05	camshaft housing	68-	2	
7	901 105 064 03	lid chain case	/R 68-	1		(14)	900 061 009 01	stud BM 8X28	-68	12	
(8)	901 105 191 02	gasket	/L -67	1	911 /S	14	999 062 009 02	stud BM 8X28	69-	12	
8	901 105 191 03	gasket	/L 68-	1		(15)	900 061 010 01	stud BM 8X35	-68	22	
(9)	901 105 192 02	gasket	/R -67	1	911 /S	15	999 062 010 02	stud BM 8X35	69-	22	
9	901 105 192 03	gasket	/R 68-	1		16	901 105 161 01	lid		2	
10	900 036 008 02	lid		2		17	901 105 115 03	lid for camshaft housing upper		2	
(11)	900 028 008 01	spring washer B 6		14	911 /S	18	901 105 194 03	gasket for lid camshaft housing upper		2	
11	900 031 011 30	washer 6,4		21		(19)	901 105 116 03	lid	-67	2	
(12)	900 076 010 02	hexagon nut M 6		14	911 /S						
12	900 084 010 02	hexagon nut M 6		21							

Model	Year	MG	SG	Illustration	Restrictions	UPD	17:39	22.01.2010	PORSCHE	PET	PORSCHE
911-1	1969	1	03	103-10		248					

Pos	Part Number	Description	Remark	Qty	Model	Pos	Part Number	Description	Remark	Qty	Model
19	930 105 116 00	lid for camshaft housing lower	68-	2							
(20)	901 105 195 03	gasket	-67	2							
20	901 105 195 04	gasket	68-	2							
(21)	N 012 241 1	spring washer B 8X15	-67	24							
21	900 031 014 30	washer 8,4	68-	34							
22	900 084 004 02	hexagon nut M 8		34							
22	900 084 004 03	hexagon nut M 8		34							
23	N 012 241 1	spring washer BM 8 X 15		X							
24	901 111 271 00	nut		6							
25	900 076 025 02	hexagon nut M 8		X							
26	999 113 068 50	radial sealing ring BA 35 X 47 X 7	69-	1	911 E/S						
27	901 105 374 00	screw plug M 090 3070 >>		2							
28	901 105 361 01	intermediate piece M 090 3070 >>		2							
29	900 123 005 30	sealing ring A 12X16 M 090 3070 >>		6							
30	900 134 006 02	banjo bolt A 6 M 090 3070 >>		2							

Model	Year	MG	SG	Illustration	Restrictions	UPD	17:39	22.01.2010	PORSCHE	PET	PORSCHE
911-1	1969	1	03	103-15		248					



Pos	Part Number	Description	Remark	Qty	Model
		valve control left			911
1	901 105 529 00	timing chain		1	
2	911 105 222 05	guide rail		3	
3	901 105 226 03	bolt for guide rail		4	
4	* 900 123 066 30	sealing ring A 10 X 16		4	
5	901 105 505 02	chain wheel support	/L	1	
(6)	901 105 055 00	sprocket		-68	1
6	901 105 055 00	sprocket complete		69-	1
7	901 105 056 01	bolt complete		1	
8	900 197 010 00	tensioning sleeve 3 X 22		1	
(9)	900 041 006 00	circlip		-68	1
9	N 012 415 1	circlip 15 X 1		69-	1
10	901 105 050 01	housing complete		1	
0-26	* 901 105 049 01	chain adjuster picture 10-26		-68	1
0-26	* 901 105 049 02	chain adjuster complete		69-	1
0-26	911 105 901 00	repair kit comprising: picture 12-15,18,20,21,24,26 see group 1/98/05		69-	1
11	930 105 559 00	piston for chain adjuster		1	
12	* 901 105 585 00	intermediate piece		-68	1
13	* --- --- --- ---	o-ring R 10 - 1,3		1	

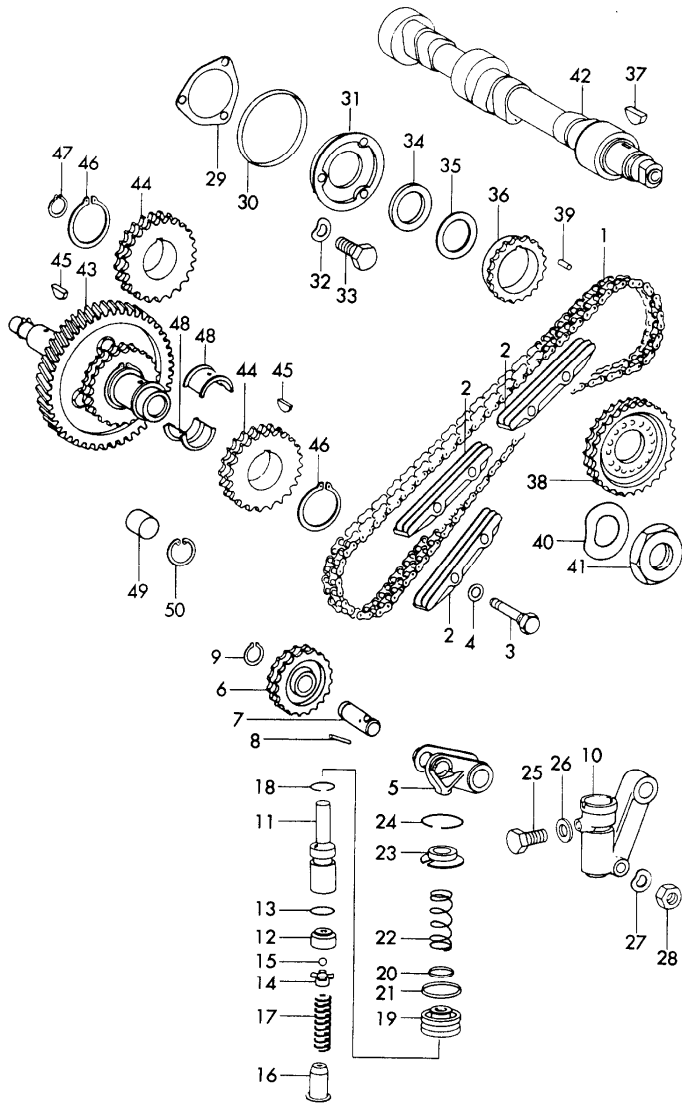
Model	Year	MG	SG	Illustration	Restrictions	UPD	17:39	22.01.2010	PORSCHE	PET	PORSCHE
911-1	1969	1	03	103-15		248					

Pos	Part Number	Description	Remark	Qty	Model	Pos	Part Number	Description	Remark	Qty	Model
14	* 930 105 511 03	needle cage for ball valve	-68	1		34	901 105 562 00	thrust washer		1	
						35	901 105 561 00	shim		X	
15	* 900 108 005 00	ball 5 MM v	-68	1		36	901 105 583 01	flange sprocket		1	
16	930 105 523 00	spring guide		1		37	900 118 005 00	woodruff key 4 X 5		1	
17	916 105 534 00	compression spring for chain adjuster		1		(38)	901 105 546 02	sprocket	-68	1	
18	900 152 005 00	circlip 16	-68	1		38	901 105 546 02	sprocket II	69-	1	
19	901 105 557 01	piston		1		39	900 243 001 00	straight pin A 6 H 8 X 14		1	
20	* 999 701 596 40	o-ring 8,3 - 2,4	-68	1		40	900 028 021 01	spring washer B 30		1	
21	* 999 701 596 40	o-ring 20,3 - 2,4	-68	1		(41)	901 105 171 05	nut for camshaft M	/L	1	
22	930 105 535 01	compression spring		1				>> 090 7000			
23	930 105 568 00	concave washer		1		41	901 105 172 00	nut M 090 7001 >>	/L	1	
24	900 152 017 00	circlip 28	-68	1		(42)	901 105 109 01	camshaft M	/L	1	911
	901 105 569 00	clip	-68	1				>> 090 3069			
25	930 105 573 00	bleeder screw		1		(42)	901 105 109 04	camshaft M 090 3070 >> M >> 090 9927	/L	1	911
26	* 900 123 061 20	sealing ring A 6,5 X 9,5	-68	1		(42)	901 105 109 06	camshaft M 090 3070 >> M >> 090 9927	/L	1	911
27	N 012 241 1	spring washer B 8 X 15		1		(42)	901 105 109 05	camshaft M 091 1001 >>	/L	-68	1 911 /L
28	900 076 025 02	hexagon nut M 8		1		(42)	901 105 123 00	camshaft	/L	-68	1 911 S
29	901 105 197 00	gasket		1		42	901 105 133 01	camshaft	/L		1 911 TU/T
30	999 701 124 40	o-ring 67,5 X 75,5 X 4		1		(42)	901 105 181 00	camshaft for engine with injection system	/L	69-	1 911 E
31	930 105 196 00	cover		1							
32	900 028 008 01	spring washer B 6		3							
33	900 075 017 02	hexagon-head bolt M 6 X 25		3							

Model	Year	MG	SG	Illustration	Restrictions	UPD	17:39	22.01.2010	PORSCHE	PET	PORSCHE
911-1	1969	1	03	103-15		248					

Pos	Part Number	Description	Remark	Qty	Model	Pos	Part Number	Description	Remark	Qty	Model
(42)	901 105 183 01	camshaft for engine with injection system	/L 69-	1	911 S						
43	900 095 017 01	tensioning sleeve 5X24		2							
44	901 105 342 04	rocker shaft		12							
45	999 067 008 00	pan-head screw		12							
46	901 105 344 02	bush		12							
47	901 105 376 02	nut		12							
48	930 105 043 00	rocker arm complete		12							
49	901 105 370 02	adjusting screw complete		12							
50	999 034 005 00	hexagon nut		12							
-	900 095 036 02	tensioning sleeve 2X8	-68	12	911						

Model	Year	MG	SG	Illustration	Restrictions	UPD	17:39	22.01.2010	PORSCHE	PET	PORSCHE
911-1	1969	1	03	103-20		248					



Pos	Part Number	Description	Remark	Qty	Model
		valve control right			911
1	901 105 529 00	timing chain		1	
2	911 105 222 05	guide rail		3	
3	901 105 226 03	bolt for guide rail		4	
4	* 900 123 066 30	sealing ring A 10 X 16		4	
5	901 105 506 02	chain wheel support	/R	1	
(6)	901 105 055 00	sprocket	-68	1	
6	901 105 055 00	sprocket complete	69-	1	
7	901 105 056 01	bolt complete		1	
8	900 197 010 00	tensioning sleeve 3 X 22		1	
(9)	900 041 006 00	circlip	-68	1	
9	N 012 415 1	circlip 15 X 1	69-	1	
10	901 105 050 01	housing complete		1	
0-26	* 930 105 049 00	chain adjuster complete POS.10-26		1	
-	911 105 901 00	repair kit comprising: picture 12-15,18,20,21,24,26 see group 1/98/05		1	
11	930 105 559 00	piston for chain adjuster		1	
12	* 901 105 585 00	intermediate piece	-68	1	
13	* --- --- --- ---	o-ring R 10 - 1,3		1	

Model	Year	MG	SG	Illustration	Restrictions	UPD	17:39	22.01.2010	PORSCHE	PET	PORSCHE
911-1	1969	1	03	103-20		248					

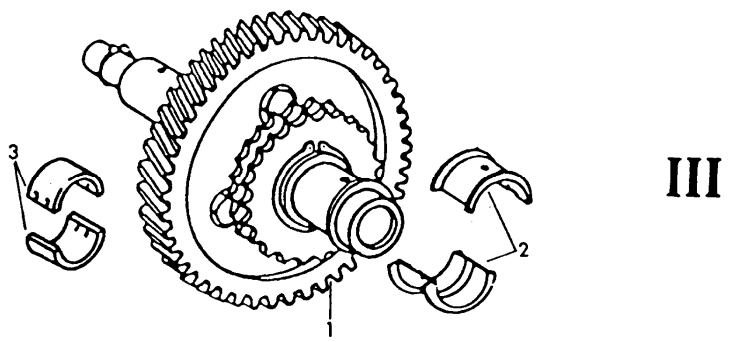
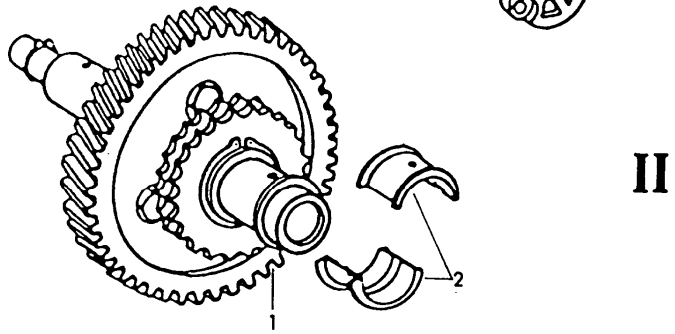
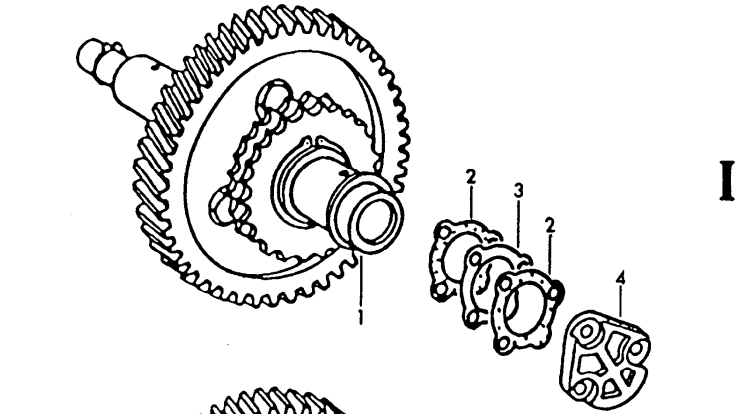
Pos	Part Number	Description	Remark	Qty	Model	Pos	Part Number	Description	Remark	Qty	Model
14	* 930 105 511 03	needle cage for ball valve	-68	1		34	901 105 562 00	thrust washer		1	
15	* 900 108 005 00	ball 5 MM v		1		35	901 105 561 00	shim		X	
16	930 105 523 00	spring guide		1		36	901 105 583 01	flange sprocket		1	
17	916 105 534 00	compression spring for chain adjuster		1		37	900 118 005 00	woodruff key 4 X 5		1	
18	900 152 005 00	circlip 16	-68	1		(38)	901 105 546 02	sprocket	-68	1	
19	901 105 557 01	piston		1		38	901 105 546 02	sprocket II	69-	1	
20	* 999 701 596 40	o-ring OR 8,3 - 2,4	-68	1		39	900 243 001 00	straight pin A 6 H 8 X 14		1	
21	* 999 701 596 40	o-ring OR 20,3 - 2,4	-68	1		40	900 028 021 01	spring washer B 30		1	
22	930 105 535 01	compression spring		1		41	901 105 172 00	nut for camshaft		1	
23	930 105 568 00	concave washer		1		42	901 105 110 01	camshaft M >> 090 3069	/R	1	911
24	900 152 017 00	circlip 28	-68	1		42	901 105 110 04	camshaft M 090 3070 >> M >> 090 9927	/R	1	911
-	901 105 569 00	clip	-68	1		42	901 105 110 05	camshaft M 091 1001 >>	/R	-68	1 911 /L
25	930 105 573 00	bleeder screw		1		42	901 105 110 07	camshaft M 091 1001 >>	/R	-68	1 911 /L
26	900 123 061 20	sealing ring A 6,5 X 9,5	-68	1		42	901 105 134 00	camshaft	/R	1	
27	N 012 241 1	spring washer B 8 X 15		1		43	-	see illustrations 1/03/22			
28	900 076 025 02	hexagon nut M 8		1		44	---	not available		X	
29	901 105 197 00	gasket		1		45	---	not available		X	
30	* 999 701 124 40	o-ring 67,5 X 75,5 X 4		1		(46)	900 041 025 00	circlip	-68	2	
31	930 105 196 00	cover		1		46	900 041 025 01	circlip 36 X 1,75	69-	2	
32	900 028 008 01	spring washer B 6		3		(47)	900 041 026 01	circlip	-68	1	
33	900 075 017 02	hexagon-head bolt M 6 X 25		3		47	900 041 026 01	circlip 13 X 1	69-	1	

Model	Year	MG	SG	Illustration	Restrictions	UPD	17:39	22.01.2010	PORSCHE	PET	PORSCHE
911-1	1969	1	03	103-20		248					

Pos	Part Number	Description	Remark	Qty	Model	Pos	Part Number	Description	Remark	Qty	Model
		1/03/22									
(49)	999 501 041 30	stopper M >> 090 3352		1	911						
(49)	901 105 137 00	stopper M 090 3353 >>	-68	1							
49	901 105 275 00	stopper intermediate shaft for crankcase die casting		1							
50	N 012 296 1	circlip 16 X 1		1							

Model	Year	MG	SG	Illustration	Restrictions	UPD	17:39	22.01.2010	PORSCHE	PET	PORSCHE
911-1	1969	1	03	103-22		248					

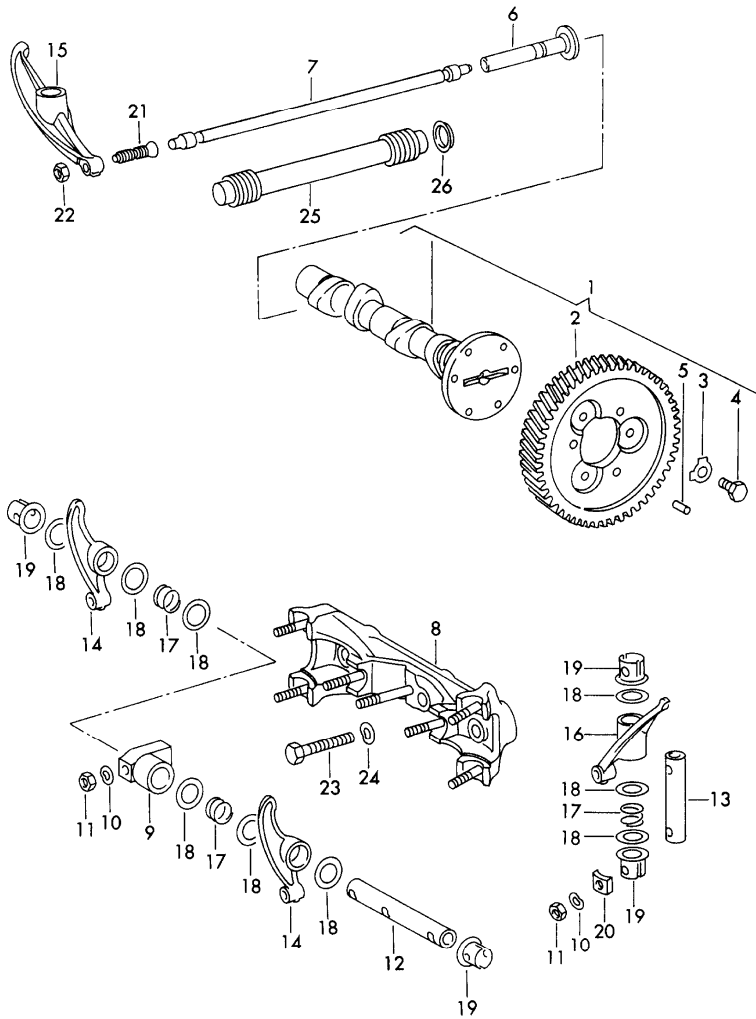
Pos	Part Number	Description	Remark	Qty	Model
		intermediate shaft version I ----- intermediate shaft without bearing shell without plain bearing			
1	901 105 013 03	intermediate shaft size 0 ready for installation		1	
1	901 105 013 04	intermediate shaft size 0 ready for installation		1	
(1)	901 105 013 10	intermediate shaft size 1 ready for installation		1	
2	901 105 198 03	gasket		2	
3	901 105 162 00	shim 0,10 MM		X	
(3)	901 105 162 01	shim 0,15 MM		X	
(3)	901 105 162 02	shim 0,20 MM		X	
(3)	901 105 162 03	shim 0,25 MM		X	
(3)	901 105 162 04	shim 0,30 MM		X	
(3)	901 105 162 05	shim 0,35 MM		X	
(3)	901 105 162 06	shim 0,40 MM		X	
(3)	901 105 162 07	shim 0,45 MM		X	
(3)	901 105 162 05	shim 0,50 MM		X	
4	901 105 141 02	cover grey cast iron		1	



Model	Year	MG	SG	Illustration	Restrictions	UPD	17:39	22.01.2010	PORSCHE	PET	PORSCHE
911-1	1969	1	03	103-22		248					

Pos	Part Number	Description	Remark	Qty	Model	Pos	Part Number	Description	Remark	Qty	Model
		version II ----- with thrust bearing without plain bearing									
1	> 930 105 013 01	intermediate shaft size 0 ready for installation		1							
(1)	> 930 105 013 11	intermediate shaft size 1 ready for installation		1							
2	916 101 137 00	thrust bearing		2							
		version III ----- with thrust bearing with plain bearing									
1	> 930 105 013 01	intermediate shaft size 0 ready for installation		1							
(1)	> 930 105 013 11	intermediate shaft size 1 ready for installation		1							
2	916 101 137 00	thrust bearing		2							
3	901 101 135 00	plain bearing		2							

Model	Year	MG	SG	Illustration	Restrictions	UPD	17:39	22.01.2010	PORSCHE	PET	PORSCHE
911-1	1969	1	03	103-30		248					

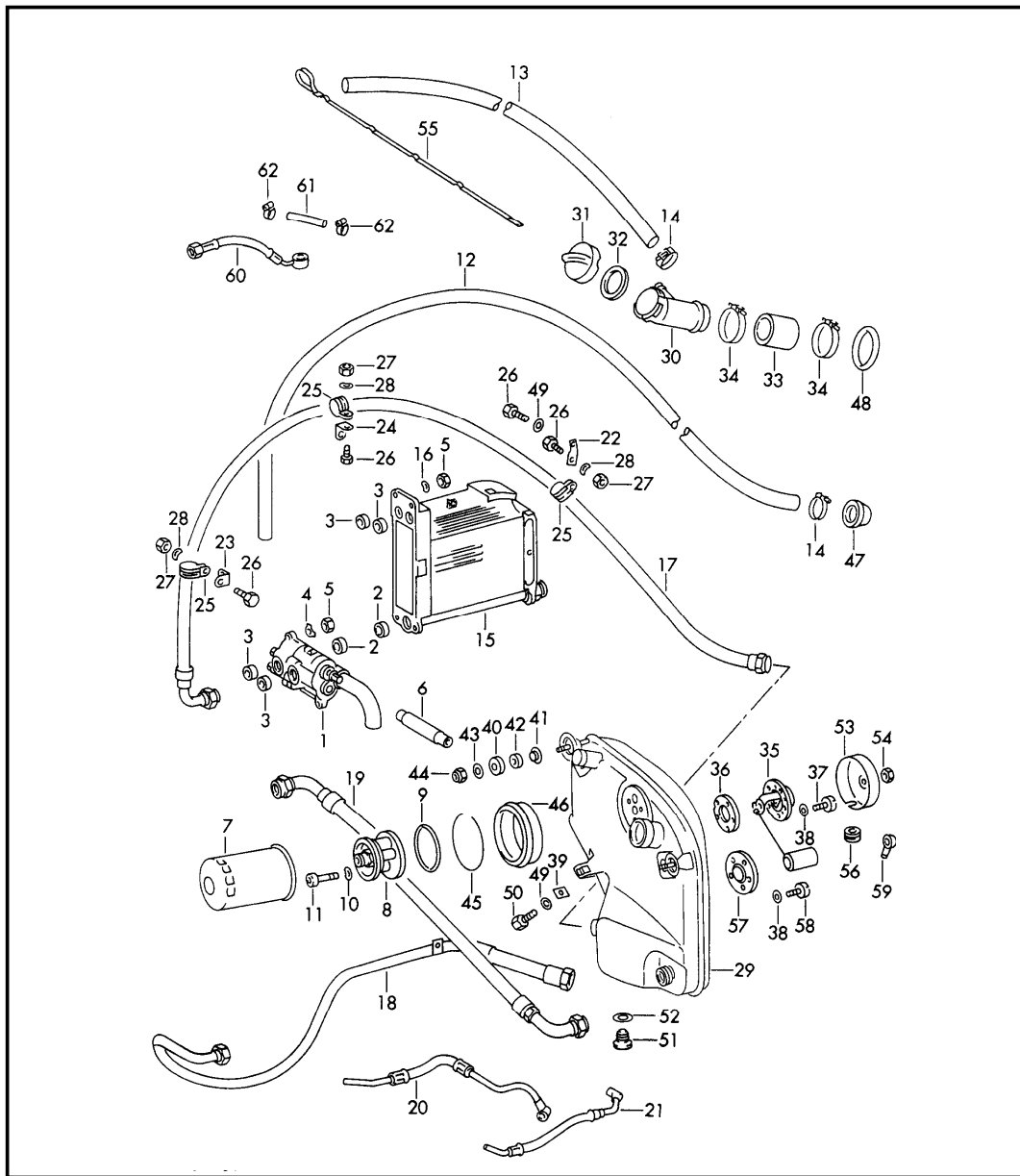


Pos	Part Number	Description	Remark	Qty	Model
		camshaft			912
1	-	camshaft alternative parts:		X	
-	616 105 012 00	camshaft	-68	1	
-	616 105 012 01	camshaft complete with gear wheel size 0	69-	1	
-	616 105 012 10	camshaft	-68	1	
-	616 105 012 11	camshaft complete with gear wheel -1	69-	1	
-	616 105 012 20	camshaft	-68	1	
-	616 105 012 21	camshaft complete with gear wheel -2	69-	1	
-	616 105 012 30	camshaft	-68	1	
-	616 105 012 31	camshaft complete with gear wheel +1	69-	1	
-	616 105 012 40	camshaft	-68	1	
-	616 105 012 41	camshaft complete with gear wheel +2	69-	1	
2	-	gear wheel alternative parts:		X	
-	616 105 103 01	gear wheel		1	
-	616 105 103 11	gear wheel		1	
-	616 105 103 21	gear wheel		1	
-	616 105 103 31	gear wheel		1	
-	616 105 103 41	gear wheel		1	

Model	Year	MG	SG	Illustration	Restrictions	UPD	17:39	22.01.2010	PORSCHE	PET	PORSCHE
911-1	1969	1	03	103-30		248					

Pos	Part Number	Description	Remark	Qty	Model	Pos	Part Number	Description	Remark	Qty	Model
3	999 039 001 00	tab washer		3		21	369 05 243	adjusting screw		8	
4	900 075 024 00	hexagon-head bolt M 8 X 13		3		22	900 078 011 00	hexagon nut M 8 X 1		8	
5	N 013 199 1	straight pin 6 X 12		3		23	900 155 008 00	hexagon-head bolt M 10 X45 SW 17		6	
6	539 05 210	cam follower (RCC)		8		24	N 012 242 3	spring washer B 10 X 18		6	
7	616 105 028 02	valve pushrod		8		25	PCG 105 231 00	protective tube		8	
8	616 105 031 03	rocker arm bridge complete		2		26	539 05 207	gasket		16	
9	616 105 305 00	bearing bracket		2							
10	N 012 241 1	spring washer B 8X15		12							
(10)	900 025 007 02	washer 8,4		2							
11	900 158 001 01	nut M 8		12							
12	616 105 321 00	rocker shaft long		2							
13	616 105 325 00	rocker shaft short		4							
14	616 105 037 00	rocker arm		4							
15	616 105 034 01	rocker arm long		2							
16	616 105 033 01	rocker arm short		2							
17	616 105 331 00	spring		8							
18	539 05 235	thrust washer 0,5 MM		24							
(18)	539 05 236	thrust washer 0,4 MM		24							
(18)	539 05 237	thrust washer 0,6 MM		24							
19	616 105 312 00	spacer rocker shaft		12							
20	616 105 314 00	washer		12							

Model	Year	MG	SG	Illustration	Restrictions	UPD	17:40	22.01.2010	PORSCHE	PET	PORSCHE
911-1	1969	1	04	104-00		248					



Pos	Part Number	Description	Remark	Qty	Model
		engine lubrication			911
1	901 107 002 06	oil pump complete	-68	1	
(1)	901 107 002 06	oil pump	69-	1	
2	999 704 173 50	sealing ring		2	
3	999 704 172 50	sealing ring		4	
4	999 039 001 00	tab washer		3	
5	900 076 025 02	hexagon nut M 8		11	
6	901 107 121 00	connecting shaft		1	
7	901 107 203 09	oil filter		1	
8	901 107 025 00	bracket		1	
9	999 701 100 50	o-ring R 72 - 4		1	
10	900 028 003 01	spring washer A 6		3	
11	N 014 749 2	pan-head screw M 6 X 40		3	
12	901 107 393 00	connecting hose crankcase oil tank M >> 090 9000		1	911
(12)	901 107 394 00	connecting hose M 090 9001 >>		1	
13	901 107 393 01	connecting hose oil tank air cleaner M >> 090 9000	-68	1	911
(13)	901 107 394 00	connecting hose M 090 9001 >>		1	
14	999 512 048 02	hose clamp M >> 090 9000		4	911
(14)	999 512 356 02	hose clamp M 090 9001 >>		4	
15	> 901 107 041 02	oil cooler		1	
15	901 107 041 50	oil cooler		1	

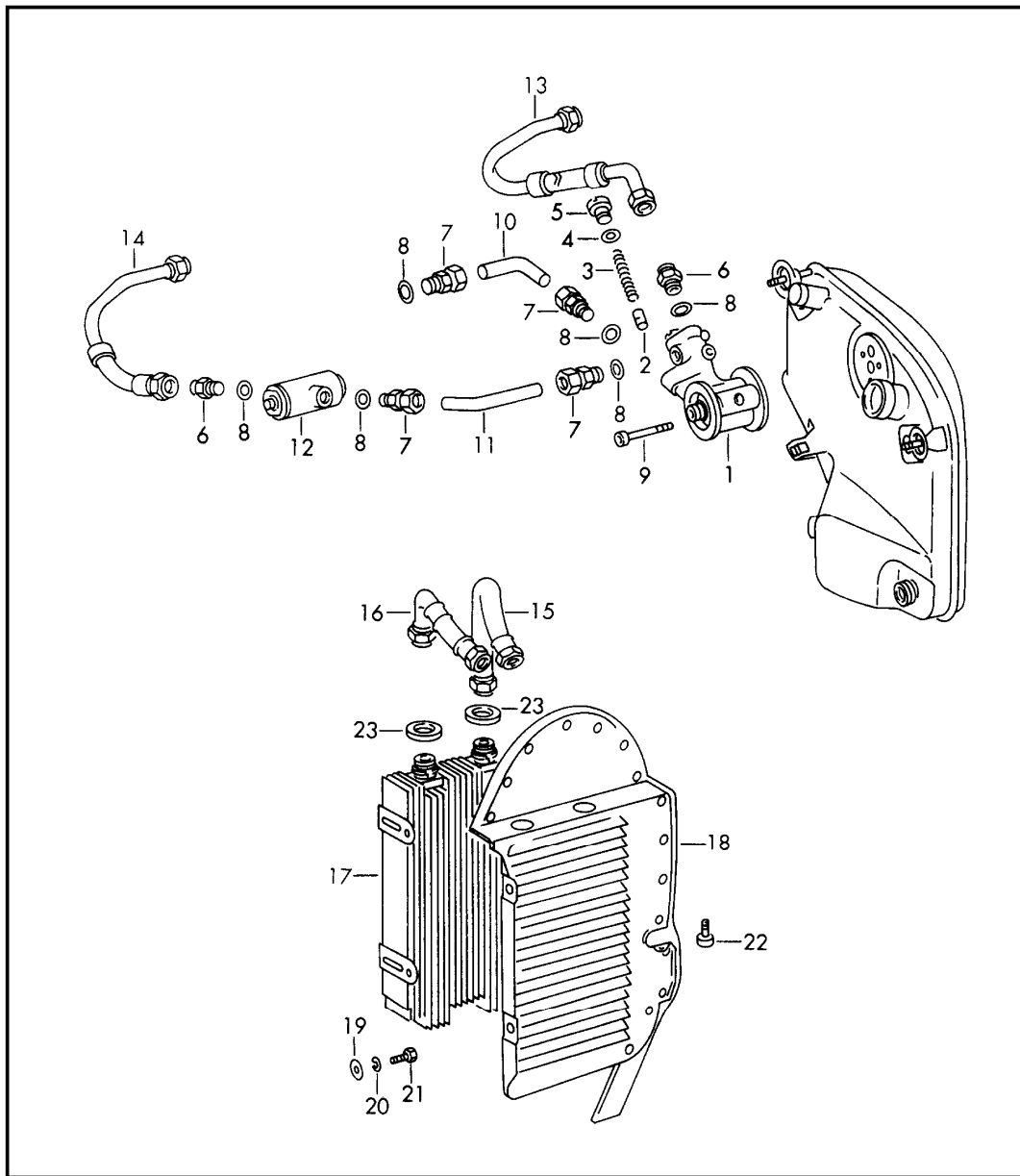
Model	Year	MG	SG	Illustration	Restrictions	UPD	17:40	22.01.2010	PORSCHE	PET	PORSCHE
911-1	1969	1	04	104-00		248					

Pos	Part Number	Description	Remark	Qty	Model	Pos	Part Number	Description	Remark	Qty	Model
16	N 012 241 1	spring washer B 8X15		4		30	901 107 640 02	filler neck		1	
17	901 107 331 12	breather hose engine - oil tank	-68	1		31	901 201 271 00	fuel tank cap	-68	1	
18	901 107 720 01	pressure line engine - oil tank	69-	1		(31)	901 201 271 00	fuel tank cap	69-	1	
19	901 107 301 12	hose line oil tank - engine	-	1		32	901 201 272 00	sealing ring	-68	1	
(19)	901 107 301 13	hose line oil tank - engine		1		(32)	901 201 272 00	sealing ring	69-	1	
20	901 107 345 00	oil pipe M >> 090 3069	/L	-68	1 911	33	901 107 694 00	hose		1	
(20)	901 107 347 01	oil pipe complete M 090 3070 >>	/L	1		34	999 512 029 02	hose clamp	-68	2	
21	901 107 346 00	oil pipe M >> 090 3069	/R	-68	1 911	(34)	999 512 348 02	hose clamp	69-	2	
(21)	901 107 348 00	oil pipe complete M 090 3070 >>	/R	1		35	901 641 541 00	tank gauge F >> 035 0100	-68	1	911:SPM 911 L/S/TU
22	901 107 355 00	support		-68	1	(35)	901 641 541 00	oil-level sender	69-	1	SPM
23	901 423 369 00	retaining bracket		-68	1	36	914 201 891 00	gasket		1	
24	901 107 357 00	retaining bracket		-68	1	37	N 014 760 3	pan-head screw M 5X12		1	
25	N 020 647 1	clamp		-68	3	38	900 025 003 30	washer		5	
26	900 075 010 02	hexagon-head bolt M 6X12		-68	4	39	901 501 909 20	intermediate layer		1	
27	900 076 010 02	hexagon nut M 6		-68	4	40	901 107 661 00	washer		2	
28	900 028 008 01	spring washer B 6		-68	4	41	901 107 692 00	washer		2	
29	911 107 001 15	oil tank		-68	1	42	901 107 693 01	washer		2	
(29)	911 107 001 15	oil tank		69-	1	43	900 151 008 02	washer B 8,4		2	
						44	999 090 004 02	hexagon nut M 8		2	
						45	901 107 281 00	circlip		1	
						46	901 107 291 00	sealing ring for oil filter		1	
						47	901 107 695 00	sealing sleeve for breather adapter		1	
						48	901 107 696 00	sealing ring		1	
						49	N 011 524 7	washer 6,4		2	

Model	Year	MG	SG	Illustration	Restrictions	UPD	17:40	22.01.2010	PORSCHE	PET	PORSCHE
911-1	1969	1	04	104-00		248					

Pos	Part Number	Description	Remark	Qty	Model	Pos	Part Number	Description	Remark	Qty	Model
50	N 010 215 13	hexagon-head bolt M 6X15		1							
51	901 107 176 00	magnetic screw	-68	1							
(51)	911 107 176 01	magnetic screw	69-	1							
52	900 123 011 30	sealing ring A 22X27 AL		1							
53	901 741 553 00	protection cap	-68 -68	1	911 /S:SPM 911 L/S/TU						
54	900 084 011 02	hexagon nut M 5	-68 -68	1	911 /S:SPM 911 L/S/TU						
55	901 107 770 00	oil level dipstick		1							
56	999 702 076 50	rubber sleeve	-68	1							
57	901 107 636 00	lid without sender for oil-level sender	-68	1							
58	900 075 001 03	hexagon-head bolt	-68	5							
59	999 659 011 50	water protection cap	69-	1	SPM						
60	901 110 041 01	hose line for injection pump	69-	1	911 E/S						
-	999 180 029 50	hose C SN 710		*							
61	-	hose 10X60	69-	1	911 S/E						
62	999 512 134 02	hose clamp	69-	2	911 S/E						

Model	Year	MG	SG	Illustration	Restrictions	UPD	17:40	22.01.2010	PORSCHE	PET	PORSCHE
911-1	1969	1	04	104-05		248					

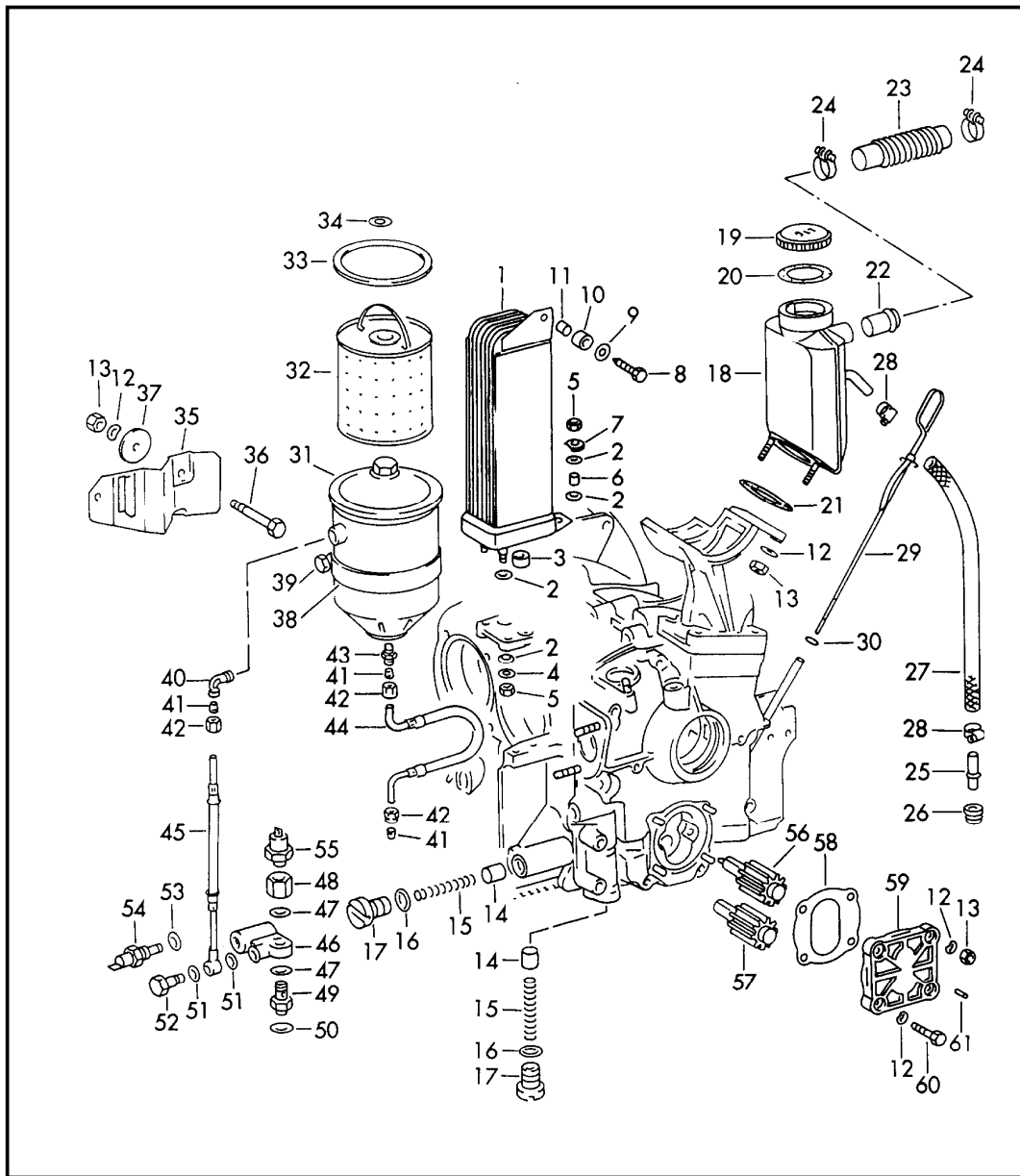


Pos	Part Number	Description	Remark	Qty	Model
		engine lubrication auxiliary units for TYP 901/10	69-		911 S
1	901 107 901 00	bracket		1	
2	901 107 512 01	piston		1	
3	901 107 531 00	compression spring		1	
4	900 123 071 30	sealing ring C 18X24 AL MG SI F 32		1	
5	999 064 010 02	screw plug		1	
6	900 136 013 02	union A 16		2	
7	PCG 107 012 02	threaded joint		4	
8	900 123 011 30	sealing ring A 22X27 AL		6	
9	900 067 092 02	pan-head screw M 6X70		3	
10	901 107 726 00	oil tube		1	
11	901 107 727 00	oil tube		1	
12	901 107 801 01	oil thermostat		1	
13	901 107 362 00	oil pipe oil cooler - bracket rear		1	
14	901 107 363 00	oil pipe oil thermostat - oil cooler rear		1	
15	901 107 364 00	oil pipe oil thermostat - oil cooler		1	
16	901 107 361 10	breather hose oil cooler - bracket front		1	

Model	Year	MG	SG	Illustration	Restrictions	UPD	17:40	22.01.2010	PORSCHE	PET	PORSCHE
911-1	1969	1	04	104-05		248					

Pos	Part Number	Description	Remark	Qty	Model	Pos	Part Number	Description	Remark	Qty	Model
17	901 107 046 00	oil cooler right		1							
18	901 107 085 00	cover plate complete right		1							
-	901 107 191 00	gasket for cover plate		1							
-	901 107 192 00	gasket for cover plate		1							
-	900 190 013 02	tubular rivet 4X8X8		10							
19	900 151 008 02	washer B 8,4		2							
20	900 142 002 01	lock ring B 8		2							
21	900 067 057 02	pan-head screw M 8X20		2							
22	N 013 960 5	oval-head sheetmetal screw B 3,9X9,5		1							
23	901 107 717 00	sealing ring		2							

Model	Year	MG	SG	Illustration	Restrictions	UPD	17:40	22.01.2010	PORSCHE	PET	PORSCHE
911-1	1969	1	04	104-10		248					



Pos	Part Number	Description	Remark	Qty	Model
		engine lubrication			912
(1)	616 107 041 01	oil cooler not for (S) (D) M >> 075 3003 M >> 083 6549		1	
1	616 107 041 02	oil cooler for (S) (D) M 075 3004 >> M 083 6550 >>		1	
2	999 701 142 40	o-ring		6	
(3)	616 101 123 00	sealing ring not for (S) (D) M >> 075 3003 M >> 083 6549		2	
3	999 704 132 50	sealing ring for (S) (D) M 075 3004 >> M 083 6550 >>		2	
(4)	N 012 241 1	spring washer not for (S) (D) M >> 075 3003 M >> 083 6549		2	
4	999 025 049 02	washer for (S) (D) M 075 3004 >> M 083 6550 >>		2	
(5)	502 08 310	hexagon nut not for (S) (D) M >> 075 3003 M >> 083 6549		2	
5	900 084 010 02	hexagon nut for (S) (D) M 075 3004 >> M 083 6550 >>		2	
6	616 107 541 00	bush for (S) (D) M 075 3004 >> M 083 6550 >>		1	

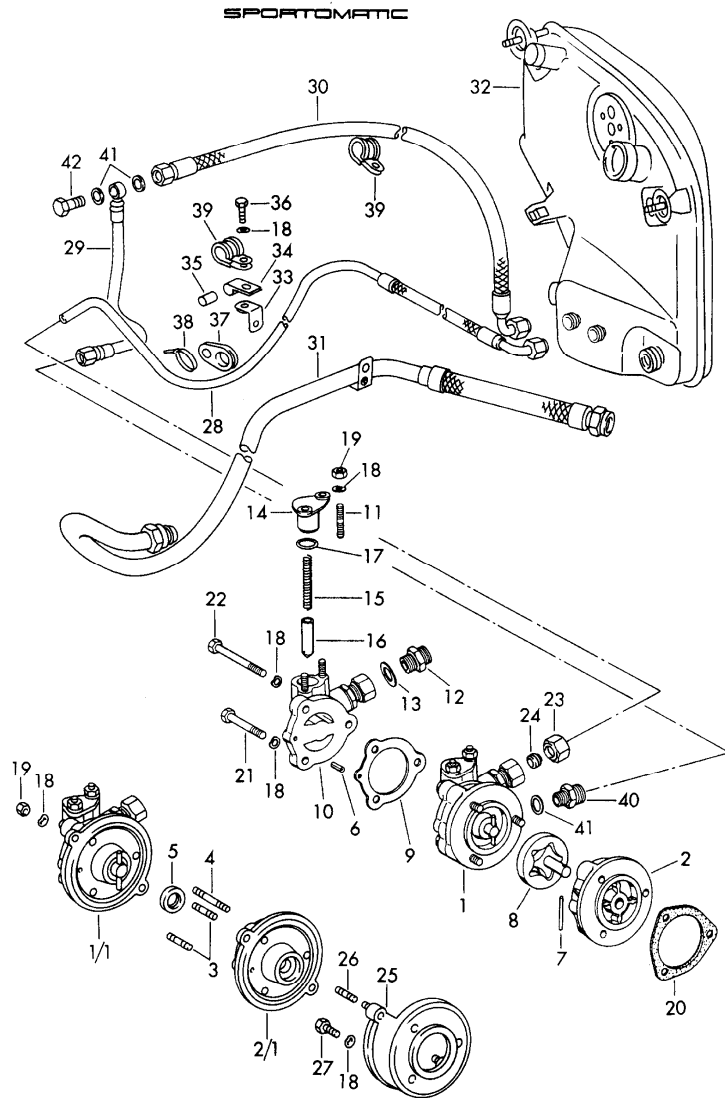
Model	Year	MG	SG	Illustration	Restrictions	UPD	17:40	22.01.2010	PORSCHE	PET	PORSCHE
911-1	1969	1	04	104-10		248					

Pos	Part Number	Description	Remark	Qty	Model	Pos	Part Number	Description	Remark	Qty	Model
(7)	N 011 524 7	washer not for (S) (D) M >> 075 3003 M >> 083 6549		1		21	616 107 792 01	gasket		1	
7	616 107 545 00	washer for (S) (D) M 075 3004 >> M 083 6550 >>		1		23	616 107 795 02	connecting hose bleeder - damper filter		1	
8	900 075 017 02	hexagon-head bolt for (S) (D) M 075 3004 >> M 083 6550 >>		1		(23)	616 107 795 01	connecting hose bleeder - oil wetted air cleaner		1	
9	999 025 048 02	washer for (S) (D) M 075 3004 >> M 083 6550 >>		1		24	999 512 058 02	clamp		2	
10	616 107 543 00	rubber bush for (S) (D) M 075 3004 >> M 083 6550 >>		1		25	616 107 727 00	connecting piece		1	
11	616 107 542 00	spacer sleeve		1		26	999 702 047 50	rubber sleeve		1	
12	900 028 008 01	spring washer		8		27	999 180 029 50	vent hose C 10 SN 710		*	
13	900 076 010 02	hexagon nut M 6		7		28	999 512 134 02	hose clamp		2	
14	616 107 511 00	piston for relief valve		2		29	616 07 070	oil level dipstick		1	
15	999 521 016 00	compression spring for relief valve		2		30	539 07 709	gasket		1	
16	900 123 025 70	sealing ring C 18X24 CU		2		31	546 07 800	oil filter complete		1	
17	999 064 010 02	screw plug		2		32	546 07 827	filter element		1	
18	616 107 079 03	bleeder		1		33	546 07 829	gasket		1	
19	PCG 207 271 00	fuel tank cap		1		34	900 123 006 25	sealing ring A 12X18 CU - FRAM -		1	
20	901 201 272 00	sealing ring	-68	1		(34)	900 123 019 20	sealing ring A 16X22 CU - HENGST -		1	
(20)	901 201 272 00	gasket	69-	1		35	546 07 820	support for oil filter		1	
						36	N 040 302 1	screw M 6X80		2	
						37	999 151 003 01	washer	-68	2	
						(37)	999 151 003 01	washer	69-	2	
						38	999 512 066 02	restraining strap		1	
						39	900 074 134 02	hexagon-head bolt M 8X45		1	

Model	Year	MG	SG	Illustration	Restrictions	UPD	17:40	22.01.2010	PORSCHE	PET	PORSCHE
911-1	1969	1	04	104-10		248					

Pos	Part Number	Description	Remark	Qty	Model	Pos	Part Number	Description	Remark	Qty	Model
40	900 106 001 02	screw socket LL 6 M		1		57	616 107 017 00	oil pump shaft II with oil pump gear		1	
41	900 102 001 02	cutting ring LL 6		3							
42	900 104 001 02	union nut ALL 6		3		58	616 107 902 01	gasket		1	
43	900 105 001 02	screw socket		2		59	616 107 108 01	lid for oil pump		1	
44	539 07 826	hose line complete		1		60	900 075 014 02	hexagon-head bolt M 6X18		1	
45	616 07 818	hose line filling hose		1		61	N 013 207 1	pin 3 M 6X8		2	
46	616 07 081	distributing piece		1							
47	369 01 111	washer		2							
48	616 07 807	intermediate piece		1							
49	999 135 001 02	screw socket		1							
50	900 123 006 25	sealing ring A 12X18 CU		1							
51	900 123 066 30	sealing ring A 10X16 AL	-68	2							
(51)	900 123 066 30	sealing ring A 10X16 AL		2							
52	616 07 812	banjo bolt		1							
53	900 123 008 30	sealing ring A 14X20 AL		1							
54	901 741 632 00	remote temperature sensor	-68	1							
(54)	901 641 632 00	remote temperature sensor see group 9/01/05	69-	1							
55	901 613 571 01	oil pressure switch see group 9/01/05		1							
-	999 659 009 40	water protection cap see group 9/01/05		1							
56	616 107 016 00	oil pump shaft I with oil pump gear		1							

Model	Year	MG	SG	Illustration	Restrictions	UPD	17:40	22.01.2010	PORSCHE	PET	PORSCHE
911-1	1969	1	04	104-20		248					

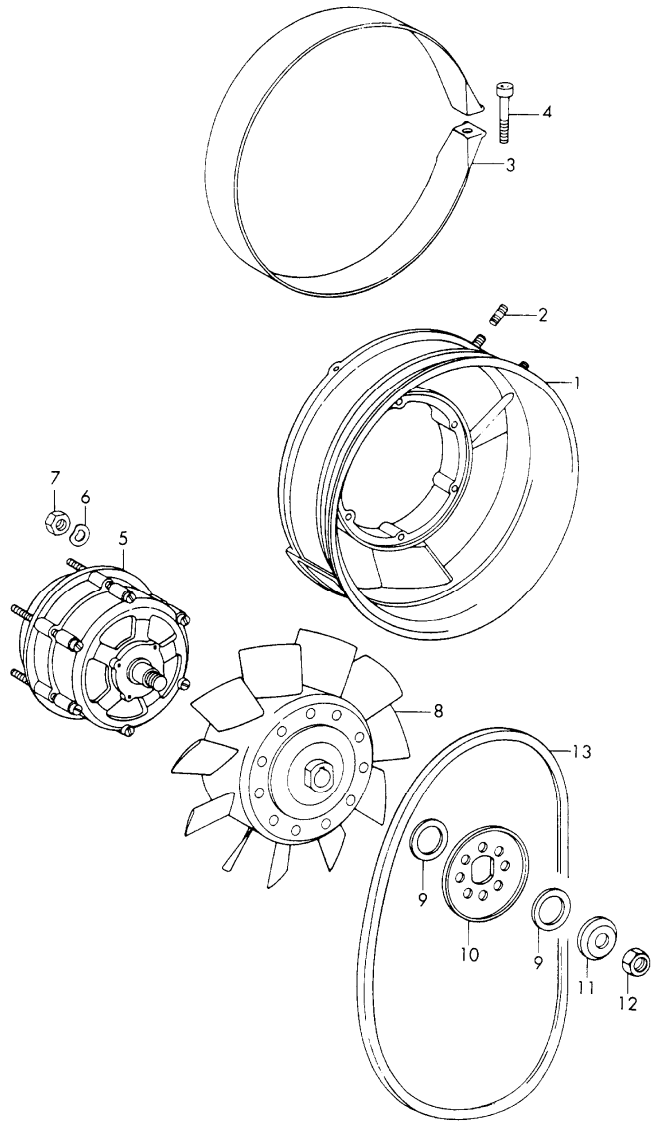


Pos	Part Number	Description	Remark	Qty	Model
		oil supply for converter sportomatic	-68 69-		911 /L/S/TU 911 T/E
(1)	905 107 006 04	oil pump for converter	-68	1	
1	905 107 006 04	oil pump for converter	69-	1	911 T
1/1	905 107 008 00	oil pump for converter	69-	1	911 E
2	905 107 101 03	rotor housing	69-	1	911 T
2/1	905 107 102 01	rotor housing	69-	1	911 E
3	900 061 085 01	stud BM 6X20	69-	2	911 E
4	900 061 159 01	stud BM 6X38	69-	1	911 E
5	999 113 099 40	radial sealing ring BA SI 12,7X22X6	69-	1	911 E
6	900 197 017 00	tensioning sleeve 4 X 14	69-	1	
7	900 302 001 00	straight pin 4 M 6 X 32		1	
(8)	905 107 901 00	rotor set	-68	1	
8	905 107 901 01	rotor set	69-	1	
9	905 107 191 02	gasket		1	
(10)	905 107 015 04	lid	-68	1	
10	905 107 015 04	lid complete	69-	1	
11	999 062 002 02	stud BM 6 X 15		2	
12	999 099 011 02	union AM 10 -11		1	
13	900 123 008 30	sealing ring A 14 X 20		1	

Model	Year	MG	SG	Illustration	Restrictions	UPD	17:40	22.01.2010	PORSCHE	PET	PORSCHE
911-1	1969	1	04	104-20		248					

Pos	Part Number	Description	Remark	Qty	Model	Pos	Part Number	Description	Remark	Qty	Model
14	905 107 141 03	flat connector		1		30	905 107 019 00	oil hose complete		1	
15	905 107 142 01	compression spring		1				switch housing			
16	905 107 143 01	slide		1				- oil tank			
17	999 701 135 50	o-ring R 15 X 2,5		1		(31)	901 107 720 00	oil pipe engine	-68	1	
18	900 028 008 01	spring washer B 6		X				- oil tank			
19	900 076 010 02	hexagon nut M 6		X		31	901 107 720 01	oil pipe complete engine	69-	1	
20	930 105 197 00	gasket	-68 69-	1	911 T			- oil tank			
21	900 074 111 02	hexagon-head bolt M 6 X 50	-68 69-	2	911 T	(32)	911 107 001 56	oil tank	-68	1	
22	900 074 022 02	hexagon-head bolt M 6X65	-68 69-	1	911 T	32	911 107 001 56	oil tank	69-	1	
23	999 104 007 02	union nut A-10-11		1		33	905 107 021 00	retaining bracket		1	
24	999 103 001 02	cutting ring B-10-11		1		34	999 511 007 02	pipe clamp		1	
25	901 107 011 00	intermediate flange	69-	1	911 E	35	901 108 591 00	boot		1	
26	900 061 055 01	stud BM 6X12	69-	2	911 E	36	N 010 215 13	hexagon-head bolt M 6X15		1	
27	900 075 014 02	hexagon-head bolt M 6 X 18	69-	3	911 E	37	905 107 173 00	spacer rubber		1	
28	905 107 037 00	oil pipe complete oil tank - oil pump		1		38	999 513 002 40	hose clamp		1	
(29)	905 107 038 00	pressure line oil pump - switch housing	-68	1		39	999 511 076 02	clamp		2	
29	905 107 038 02	pressure line complete oil pump - switch housing	69-	1		40	999 136 007 02	union	69-	1	
						41	900 123 043 30	sealing ring A 12X15,5 AL	69-	3	
						42	999 134 012 02	banjo bolt	69-	1	

Model	Year	MG	SG	Illustration	Restrictions	UPD	17:40	22.01.2010	PORSCHE	PET	PORSCHE
911-1	1969	1	05	105-00		248					

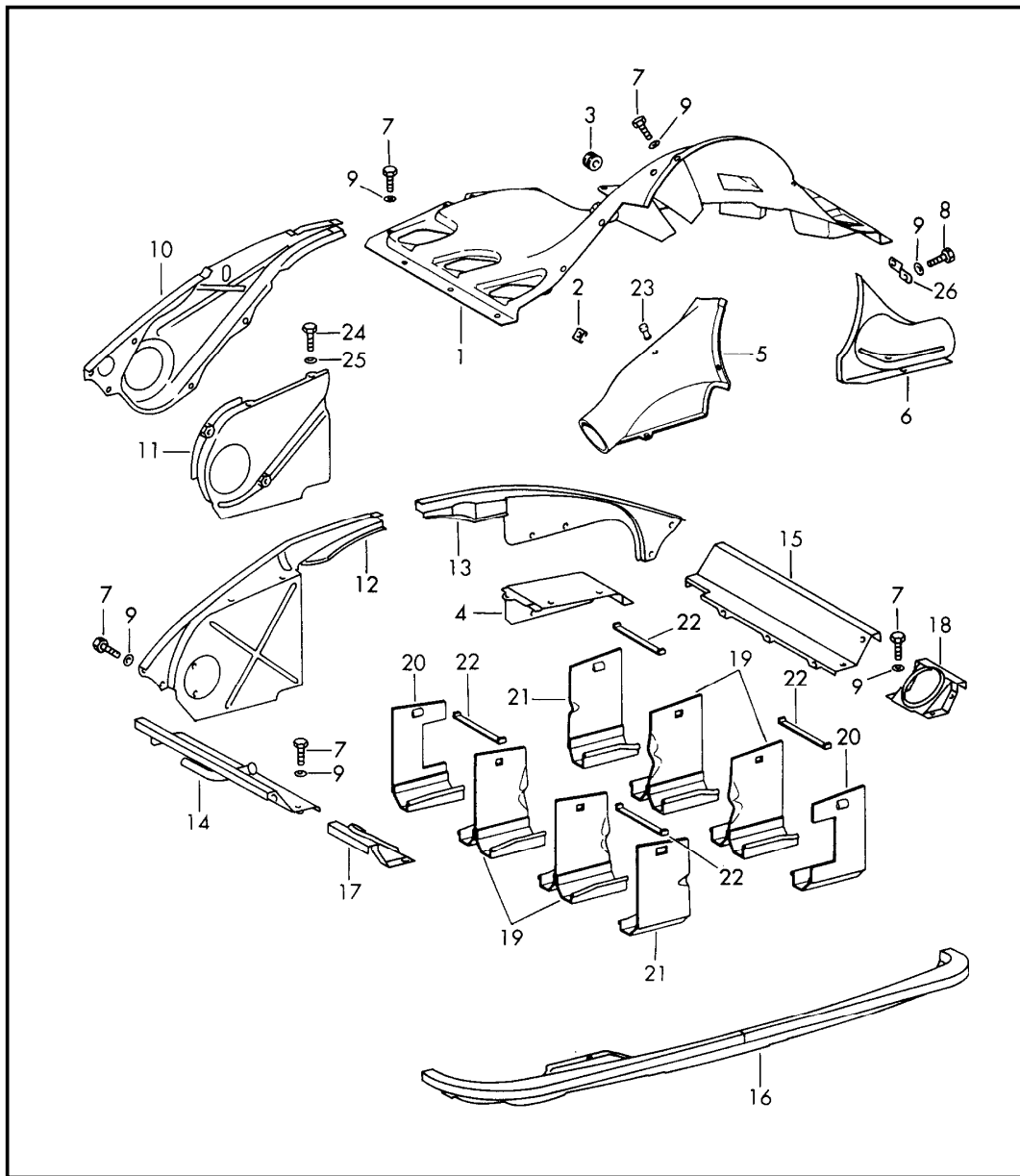


Pos	Part Number	Description	Remark	Qty	Model
		air cooling			911
(1) A	901 106 101 03	fan housing M >> 090 9000 901 101 106 03 and 901 101 106 04 use	-68	1	911
1	901 106 011 00	fan housing complete M 090 9001 >>		1	
2	900 061 057 01	stud BM 8 X 15		2	
(3)	901 106 251 02	clamp	-68	1	
3	964 106 251 20	clip	69-	1	
(4)	900 074 134 02	hexagon-head bolt	-68	2	
4	900 075 126 02	pan-head screw M 8 X 45	69-	2	
5	-	generator see group 9/01/00		1	
6	900 028 008 01	spring washer B 6		1	
7	900 076 010 02	hexagon nut M 6		6	
-	900 118 006 00	woodruff key 4X6,5		1	
-	999 151 023 02	washer \$ 17X6,4X1	69-	1	
(8)	901 106 010 03	impeller M >> 090 9000	-68	1	911
8	901 106 010 03	impeller complete M 090 9001 >>		1	
9	901 105 561 00	shim		X	
10	901 603 421 01	pulley half		1	
11	901 603 427 01	tensioning cap for generator - bosch -		1	

Model	Year	MG	SG	Illustration	Restrictions	UPD	17:40	22.01.2010	PORSCHE	PET	PORSCHE
911-1	1969	1	05	105-00		248					

Pos	Part Number	Description	Remark	Qty	Model	Pos	Part Number	Description	Remark	Qty	Model
(11)	901 603 428 00	tensioning cap for generator - MOTOROLA -		1							
12	900 078 005 01	hexagon nut M 14 X 1,5 - bosch -		1							
(12)	901 603 905 00	hexagon nut M 16 X 1 - MOTOROLA -		1							
13	999 192 176 50	narrow v-belt 9,5 X 710		1							

Model	Year	MG	SG	Illustration	Restrictions	UPD	17:41	22.01.2010	PORSCHE	PET	PORSCHE
911-1	1969	1	05	105-05		248					

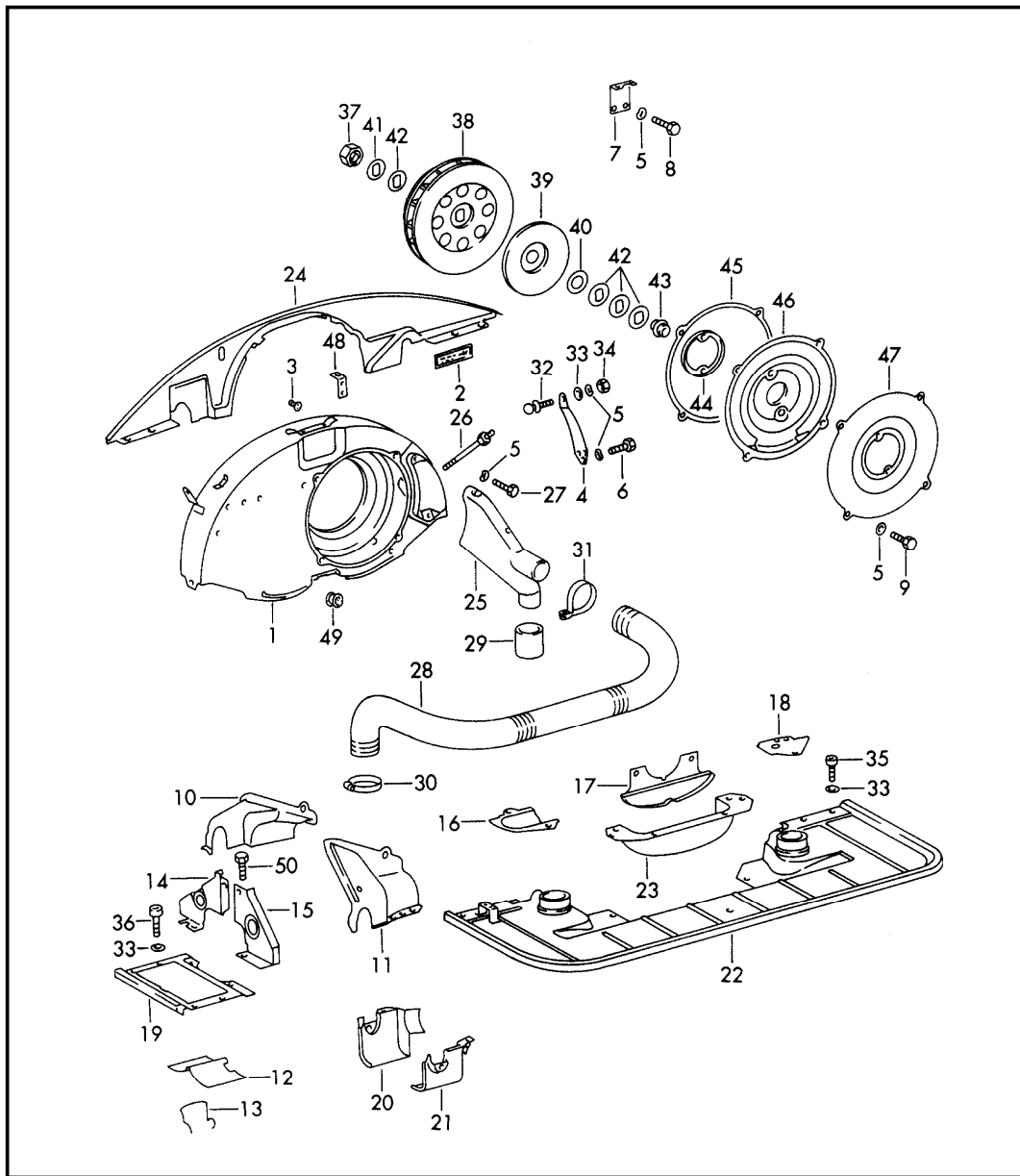


Pos	Part Number	Description	Remark	Qty	Model
		air duct and engine cover			911
1	901 106 031 10	air duct upper	-67	1	911
(1)	901 106 031 13	air duct upper	(USA) -68	1	911 L/TU 911
(1)	901 106 031 11	air duct upper red	-67	1	911 S
(1)	901 106 031 14	air duct upper red	68	1	911 S
(1)	901 106 032 00	air duct upper green	69-	1	911 E
(1)	901 106 032 10	air duct upper red not for sportomatic	69-	1	911 S
(1)	901 106 032 01	air duct upper black	69-	1	911 T
2	999 507 003 02	speed nut B 6,3		6	
(3)	999 702 027 50	rubber sleeve	-68	1	
3	999 702 007 50	rubber sleeve	69-	1	
4	901 106 302 00	air duct	/R/V	1	
5	901 106 321 01	hot air socket	/L/H -67	1	911 /S
(5)	901 106 321 02	hot air socket	/L/H 68-	1	
6	901 106 036 01	hot air socket	/R/H	1	
7	900 075 010 02	hexagon-head bolt M 6X12		X	
8	900 187 015 02	hexagon-head tapping screw B 6,3X16		6	
9	N 011 524 7	washer 6,4		X	

Model	Year	MG	SG	Illustration	Restrictions	UPD	17:41	22.01.2010	PORSCHE	PET	PORSCHE
911-1	1969	1	05	105-05		248					

Pos	Part Number	Description	Remark	Qty	Model	Pos	Part Number	Description	Remark	Qty	Model	
10	901 106 702 00	engine cover I not for sportomatic	/L/V	69-	1	911 E/S	19	901 106 035 01	air baffle plate centre complete		4	
(10)	901 106 703 00	engine cover I	/L/V	69-	1	911 E:SPM	20	901 106 041 00	air baffle plate complete	/L/V/R/H	2	
11	901 106 071 01	engine cover II not for sportomatic	/L/V	69-	1	911 E/S	21	901 106 039 01	air baffle plate complete	/R/V/L/H	2	
(11)	901 106 071 00	engine cover II	/L/V	69-	1	911 E:SPM	22	901 106 339 01	leaf spring		4	911 /L/S/E
12	901 106 081 00	engine cover not for sportomatic	/L/V	-68	1		(22)	930 106 228 00	leaf spring		4	911 TU/T
(12)	901 106 081 01	engine cover emission control	/L/V	-68	1	SPM	23	539 06 116	rubber stopper	-67	1	911 /S
(12)	901 106 081 03	engine cover not for sportomatic	/L/V	69-	1	911 T	(23)	999 703 013 50	rubber stopper	68-	1	
(12)	905 106 081 03	engine cover	/L/V	69-	1	SPM	24	N 010 208 5	hexagon-head bolt	69-	2	911 E/S
13	911 106 802 00	engine cover	/R/V		1		25	N 011 524 7	washer 6,4	69-	X	
14	901 106 083 00	engine cover complete	/L	-68	1		26	911 106 331 00	support	69-	1	
(14)	901 106 083 02	engine cover	/L	69-	1							
15	901 106 084 00	engine cover	/R		1							
16	901 106 085 04	engine cover complete M >> 090 9000	/H		1	911						
(16)	901 106 085 04	engine cover complete M 090 9001 >>	/H	-67	1	911 /S						
(16)	901 106 085 05	engine cover complete	/H	68-	1							
17	901 106 825 00	cover for air hose	/L		1							
18	901 106 826 00	cover for air hose	/R		1							

Model	Year	MG	SG	Illustration	Restrictions	UPD	17:41	22.01.2010	PORSCHE	PET	PORSCHE
911-1	1969	1	05	105-10		248					



Pos	Part Number	Description	Remark	Qty	Model
		air cooling air duct and engine cover for (S) (D)			912
1	616 106 013 13	air guide housing		1	
2	546 72 203	decal label valve clearance		1	
3	539 06 116	rubber stopper		2	
4	616 108 756 00	bearing lever right		1	
5	900 028 008 01	spring washer B 6		14	
6	N 010 208 5	hexagon-head bolt M 6X8		5	
7	539 06 646	support for coat		1	
8	N 010 210 13	hexagon-head bolt M 6X10		2	
9	900 075 010 02	hexagon-head bolt M 6X12		5	
10	539 06 637	coat for cylinder upper	/L/V	1	
(10)	539 06 638	coat for cylinder upper	/R/V	1	
11	539 06 639	coat for cylinder upper	/L/H	1	
(11)	539 06 640	coat for cylinder upper	/R/H	1	
12	506 06 105	air baffle plate	/L	1	
(12)	506 06 106	air baffle plate	/R	1	

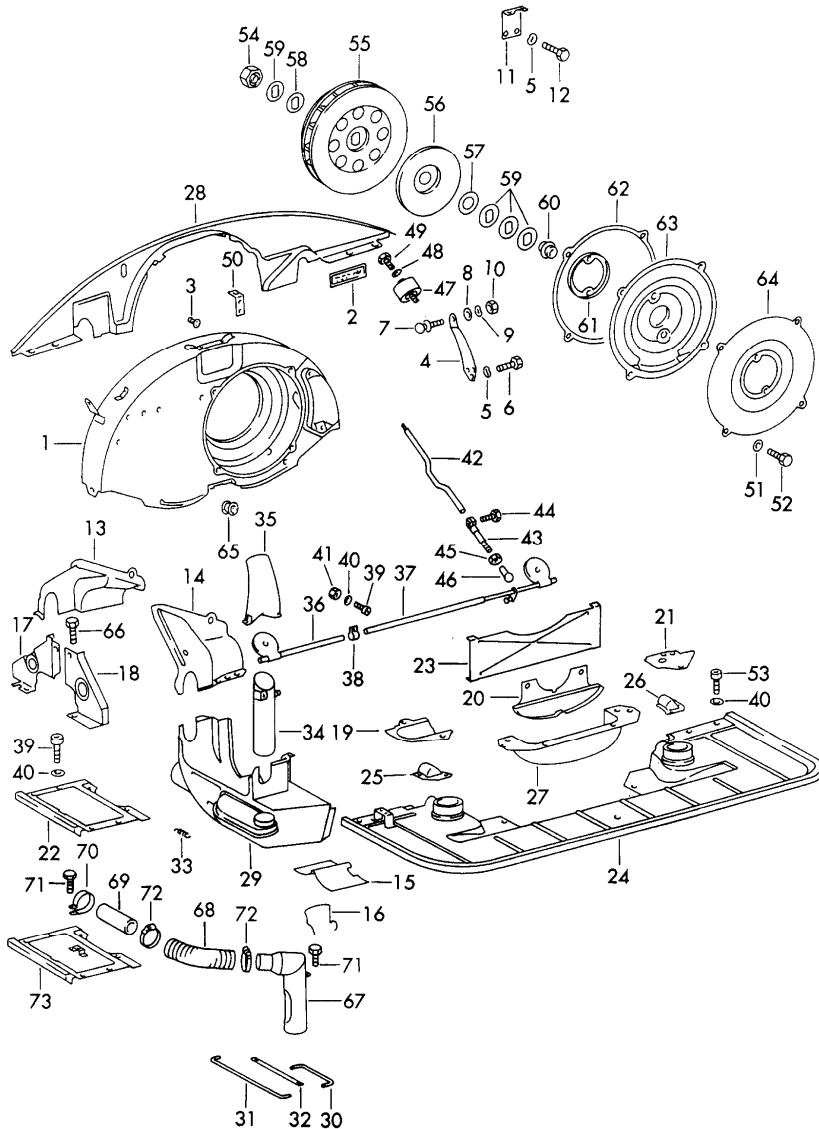
Model	Year	MG	SG	Illustration	Restrictions	UPD	17:41	22.01.2010	PORSCHE	PET	PORSCHE
911-1	1969	1	05	105-10		248					

Pos	Part Number	Description	Remark	Qty	Model	Pos	Part Number	Description	Remark	Qty	Model
13	506 06 108	clamp		2		32	999 167 012 02	ball pin		2	
14	PCG 106 901 00	cover plate 1 lateral		2		33	N 011 524 7	washer 6,4		39	
15	PCG 106 901 00	cover plate 2 lateral		2		34	900 076 010 02	hexagon nut		3	
16	616 106 077 00	cover plate for fuel pump		1		35	900 014 065 02	pan-head screw M 6X8		16	
17	616 106 812 00	cover plate for pulley		1		36	900 014 020 02	pan-head screw M 6X12	-68	9	
18	616 106 647 00	cover plate		1		(36)	900 014 038 02	pan-head screw M 6X12	69-	9	
19	616 106 075 00	cover plate lateral	/L	1		37	547 09 303	hexagon nut for impeller with generator 420 W		2	
(19)	616 106 076 00	cover plate lateral	/R	1		(37)	616 106 181 00	hexagon nut for impeller with generator 350 W	-68	1	
20	616 106 071 00	air duct lower	/L/V	1		38	616 106 023 00	impeller for generator 420 W		1	
21	616 106 073 00	air duct lower	/R/V/L/H	2		(38)	616 106 011 00	impeller for generator 350 W	-68	1	
(21)	616 106 074 00	air duct lower	/R/H	1		39	616 106 337 00	cover disc for generator 420 W		1	
22	616 106 079 00	engine cover	/H	1		(39)	546 06 204	cover disc for generator 350 W	-68	1	
23	616 106 069 00	cover plate centre	/H	1		40	546 06 202	shim		1	
24	616 106 745 00	engine cover	/V	1		41	546 06 203	drive plate for generator 350 W	-68	1	
25	616 211 029 02	adapter		1							
26	616 211 270 00	stud		1							
27	N 010 347 5	hexagon-head bolt M 6X35		1							
28	644 572 971 00	breather hose		1							
29	616 211 296 00	connecting hose		1							
30	999 512 349 02	hose clamp		2							
31	999 511 053 02	pipe clamp		1							

Model	Year	MG	SG	Illustration	Restrictions	UPD	17:41	22.01.2010	PORSCHE	PET	PORSCHE
911-1	1969	1	05	105-10		248					

Pos	Part Number	Description	Remark	Qty	Model	Pos	Part Number	Description	Remark	Qty	Model
42	539 09 314	shim		19							
43	616 106 201 00	hub for generator 420 W		1							
(43)	539 06 201	hub for generator 350 W	-68	1							
44	616 106 339 00	flange for generator 420 W		1							
(44)	539 06 102	flange for generator 350 W	-68	1							
45	616 106 125 00	spacer ring		1							
46	616 106 024 00	lid for generator 420 W		1							
(46)	616 106 105 01	lid for generator 350 W	-68	1							
47	616 106 115 00	cover plate for generator		1							
48	616 108 570 00	engine carrier for fuel line		1							
49	999 703 070 50	rubber stopper		1							
50	900 075 107 02	hexagon-head bolt		10							

Model	Year	MG	SG	Illustration	Restrictions	UPD	17:41	22.01.2010	PORSCHE	PET	PORSCHE
911-1	1969	1	05	105-15		248					



Pos	Part Number	Description	Remark	Qty	Model
		air cooling air duct and engine cover not for (S) (D)			912
1	616 106 013 12	air guide housing		1	
2	546 72 203	decal label valve clearance		1	
3	539 06 116	rubber stopper		2	
4	616 108 756 00	bearing lever right		1	
5	900 028 008 01	spring washer B 6		14	
6	N 010 208 5	hexagon-head bolt M 6X8		5	
7	999 167 012 02	ball pin		2	
8	N 011 524 7	washer 6,4		9	
9	900 028 008 01	spring washer B 6		2	
10	900 076 010 02	hexagon nut M 6X10		3	
11	539 06 646	support for coat		1	
12	N 010 210 13	hexagon-head bolt M 6X10		2	
13	539 06 637	coat for cylinder upper	/L/V	1	
(13)	539 06 638	coat for cylinder upper	/R/V	1	
14	539 06 639	coat for cylinder upper	/L/H	1	

Model	Year	MG	SG	Illustration	Restrictions	UPD	17:41	22.01.2010	PORSCHE	PET	PORSCHE
911-1	1969	1	05	105-15		248					

Pos	Part Number	Description	Remark	Qty	Model	Pos	Part Number	Description	Remark	Qty	Model
(14)	539 06 640	coat for cylinder upper	/R/H	1		(29)	616 106 041 03	lower part for air duct	/L	-68	1
15	506 06 105	air baffle plate	/L	1		29	616 106 041 03	lower part for air duct	/L	69-	1
(15)	506 06 106	air baffle plate	/R	1		(29)	616 106 042 03	lower part for air duct	/R	-68	1
16	506 06 108	clamp		2		(29)	616 106 042 03	lower part for air duct	/R	69-	1
(17)	616 106 335 01	cover plate emission control		-68	2	(29)	616 106 042 03	lower part for air duct	/R	69-	1
17	PCG 106 901 00	cover plate		1		(30)	616 106 661 00	connecting rod		-68	2
(18)	616 106 338 00	cover plate emission control		-68	2	30	616 106 661 01	connecting rod		69-	2
18	PCG 106 901 00	cover plate 2 lateral		2		(31)	616 106 662 00	connecting rod		-68	2
19	616 106 077 00	cover plate for fuel pump		1		31	616 106 662 01	connecting rod		69-	2
20	616 106 812 00	cover plate for pulley		1		32	616 106 431 00	spring for heating flaps			2
21	616 106 647 00	cover plate		1		33	616 106 631 00	tension spring			2
22	616 106 075 00	cover plate lateral	/L	1		34	546 06 063	guide tube	/L		1
(22)	616 106 076 00	cover plate lateral	/R	1		(34)	546 06 064	guide tube	/R		1
23	539 06 526	cover plate centre		1		35	546 06 062	connection piece			2
(24)	616 106 079 02	cover plate emission control	/H	-68	1	36	616 106 067 00	shaft	/L		1
24	616 106 079 01	cover plate	/H	1		37	616 106 068 00	shaft	/R		1
25	616 106 743 00	cap	/L	1		38	999 511 048 02	clamp			1
26	616 106 744 00	cap	/R	1		39	900 014 020 02	pan-head screw M 6X12		-68	10
27	616 106 069 00	cover plate centre		1		(39)	900 014 038 02	pan-head screw M 6X12		69-	10
28	616 106 745 00	engine cover	/V	1		40	N 011 524 7	washer 6,4			1
						41	900 076 010 02	hexagon nut M 6			2

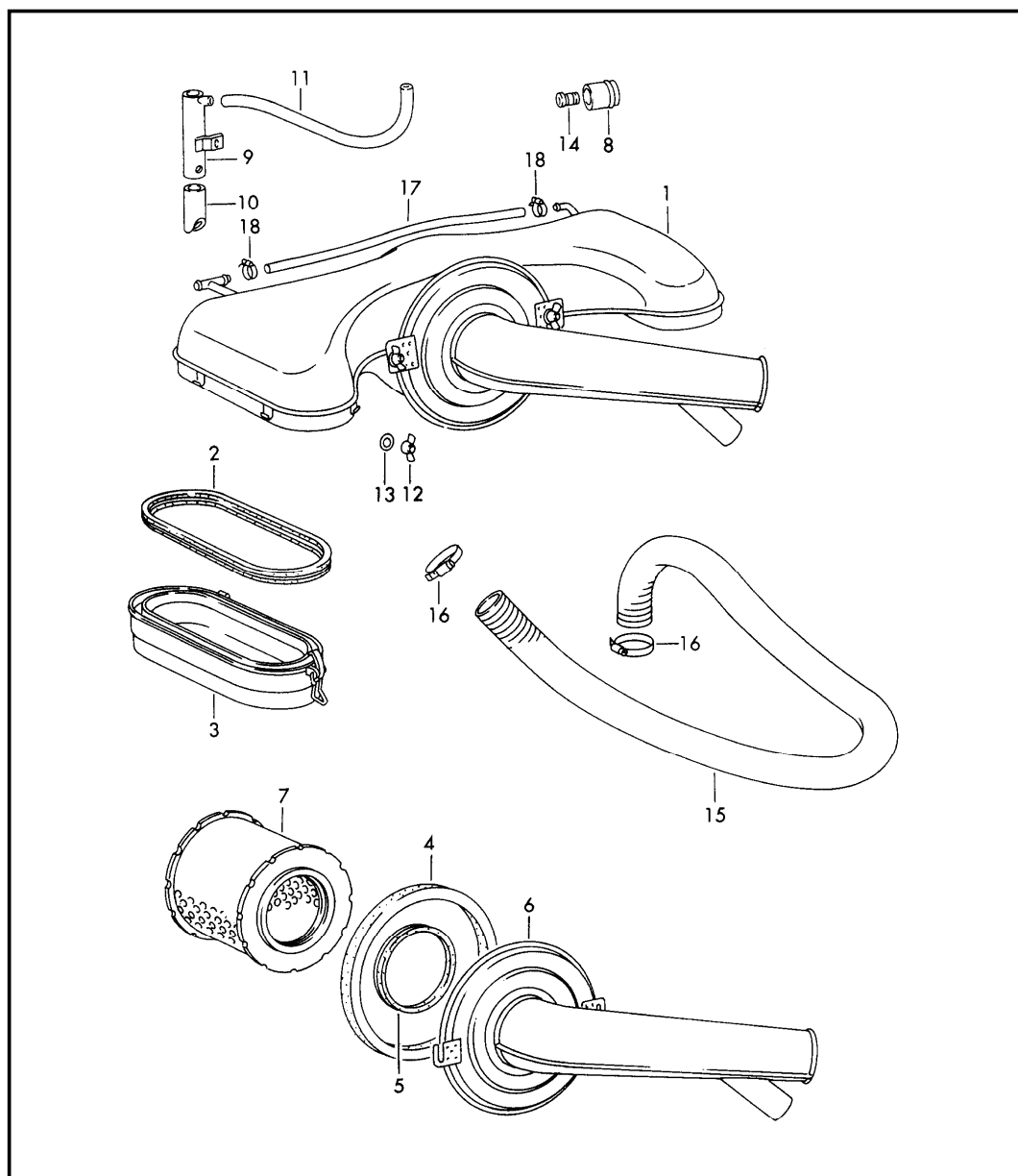
Model	Year	MG	SG	Illustration	Restrictions	UPD	17:41	22.01.2010	PORSCHE	PET	PORSCHE
911-1	1969	1	05	105-15		248					

Pos	Part Number	Description	Remark	Qty	Model	Pos	Part Number	Description	Remark	Qty	Model
42	546 06 591	rod upper without hexagon nut		1		56	616 106 337 00	cover disc for generator 420 W		1	
43	546 06 069	rod lower without ball socket	-68	1		(56)	546 06 204	cover disc for generator 350 W	-68	1	
44	N 010 208 5	hexagon-head bolt M 6X8		1		57	546 06 202	shim		1	
45	900 076 027 02	hexagon nut M 5		1		58	546 06 203	drive plate for generator 350 W	-68	1	
46	N 015 521 3	ball socket A 8		1		59	539 09 314	shim		19	
47	546 06 590	thermostat		1		60	616 106 201 00	hub for generator 420 W		1	
48	N 012 241 1	spring washer B 8X15		1		(60)	539 06 201	hub for generator 350 W	-68	1	
(49)	900 075 078 02	hexagon-head bolt	-68	1		61	616 106 339 00	flange for generator 420 W		1	
49	900 075 078 02	hexagon-head bolt M 8X15	69-	1		(61)	539 06 102	flange for generator 350 W	-68	1	
50	616 108 570 00	engine carrier		1		62	616 106 125 00	spacer ring		1	
51	900 028 008 01	spring washer B 6		5		63	616 106 024 00	lid for generator 420 W		1	
52	900 075 010 02	hexagon-head bolt M 6X12		5		(63)	616 106 105 01	lid for generator 350 W	-68	1	
53	900 014 065 02	pan-head screw M 6X8		19		64	616 106 115 00	cover plate for generator		1	
(54)	616 106 181 00	hexagon nut generator 350 W		2		65	999 703 070 50	rubber stopper		1	
54	547 09 303	hexagon nut generator 420 W		2							
(55)	616 106 011 00	impeller generator 350 W	-68	1							
55	616 106 023 00	impeller generator 420 W		1							

Model	Year	MG	SG	Illustration	Restrictions	UPD	17:41	22.01.2010	PORSCHE	PET	PORSCHE
911-1	1969	1	05	105-15		248					

Pos	Part Number	Description	Remark	Qty	Model	Pos	Part Number	Description	Remark	Qty	Model
66	900 075 107 02	hexagon-head bolt		10							

Model	Year	MG	SG	Illustration	Restrictions	UPD	17:41	22.01.2010	PORSCHE	PET	PORSCHE
911-1	1969	1	06	106-00		248					

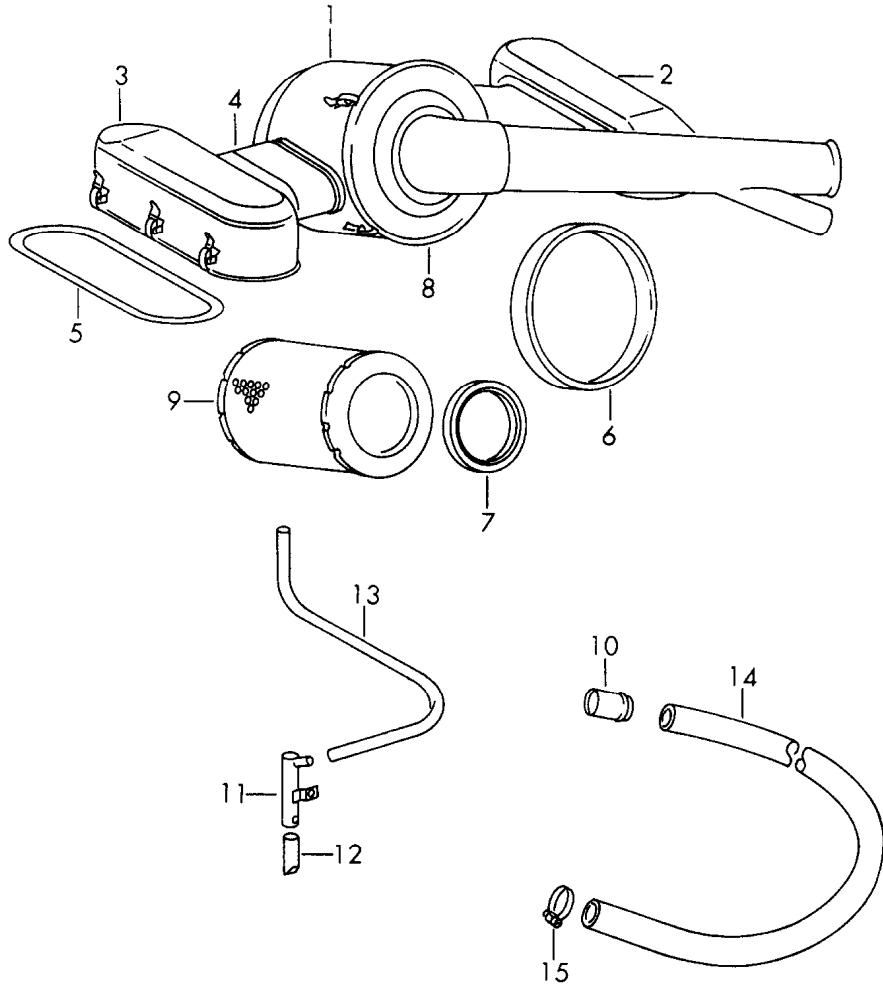


Pos	Part Number	Description	Remark	Qty	Model
		air cleaner system for - WEBER - carburettor			911
(1-3)	901 108 008 00	air cleaner system complete	-68	1	
(1)	911 108 001 02	air cleaner system	-68	1	
1	911 108 027 00	air cleaner system steel		1	911 E/S
(1)	901 108 028 01	air cleaner system steel without picture NR. 2, 3 and		1	911 T
2	901 108 214 03	gasket		2	
3	901 108 220 00	connecting piece steel complete		2	
4	901 108 215 00	gasket		1	
5	901 108 983 00	gasket		1	
(6)	901 108 230 00	lid complete for air conditioner	-68	1	
(6)	901 108 019 00	lid complete	-68	1	
6	901 108 019 02	lid complete	69-	1	
7	901 108 955 11	filter element		1	
8	901 107 729 00	backfire grid		1	
9	901 108 029 00	pipe	-68	1	
(9)	911 108 021 00	pipe	69-	1	
10	253 260 180	valve		1	
-	999 180 030 50	fuel hose C 7 X 12		*	
11	-	285 MM		1	

Model	Year	MG	SG	Illustration	Restrictions	UPD	17:41	22.01.2010	PORSCHE	PET	PORSCHE
911-1	1969	1	06	106-00		248					

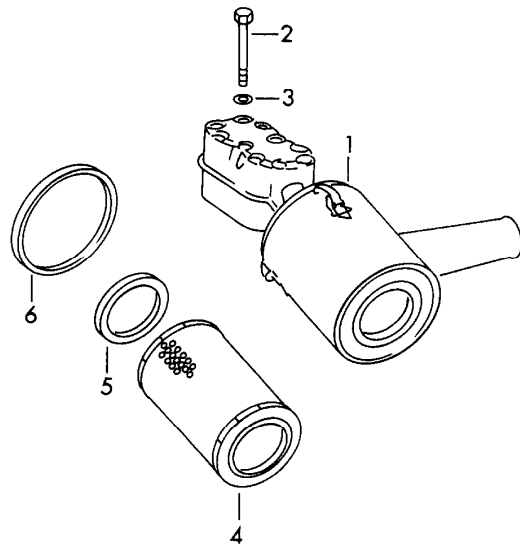
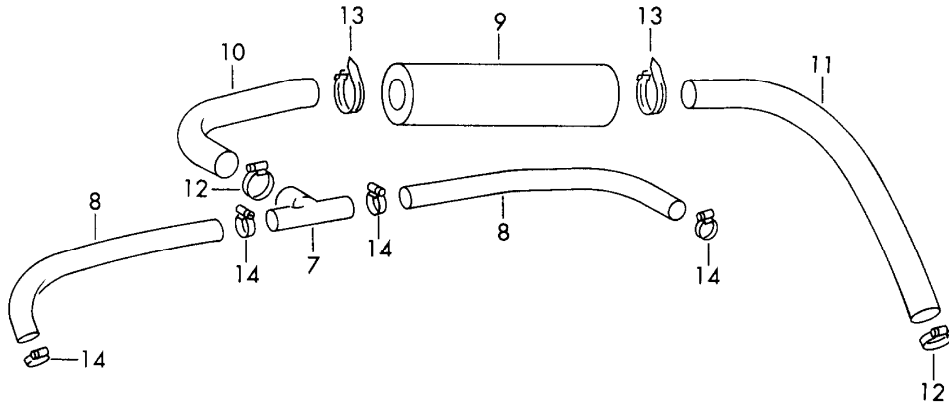
Pos	Part Number	Description	Remark	Qty	Model	Pos	Part Number	Description	Remark	Qty	Model
12	900 029 002 02	winged nut M 6	69-	2							
13	900 151 006 09	washer 6,4	69-	2							
14	911 108 291 00	stopper	69-	1							
15	901 108 291 00	hose		1							
16	999 512 551 00	hose clamp		2							
-	999 181 167 50	hose	69-	*							
17	-	C 4,5X9,5 PN 710 465 MM		1	911 E/S						
18 A	999 512 082 02	hose clamp	69-	2	911 E/S						
-	999 703 076 50	rubber sleeve intake manifold	-68	2							

Model	Year	MG	SG	Illustration	Restrictions	UPD	17:41	22.01.2010	PORSCHE	PET	PORSCHE
911-1	1969	1	06	106-05		248					



Pos	Part Number	Description	Remark	Qty	Model
		air cleaner system for - SOLEX 40 PI-1 - carburettor	-68		911
1	901 108 020 00	air cleaner system complete		1	
2	901 108 984 00	protective cap complete	/R	1	
3	901 108 985 00	protective cap complete	/L	1	
4	901 108 991 00	sleeve		1	
5	901 108 982 00	gasket complete		2	
6	901 108 981 00	gasket		1	
7	901 108 983 00	gasket		1	
8	901 108 986 00	lid complete		1	
9	901 108 955 11	filter element		1	
10	901 107 729 00	backfire grid		1	
11	901 108 029 00	pipe		1	
12	253 260 180	valve		1	
-	999 180 030 50	fuel hose C 7 X 12		*	
13	-	285 MM		1	
14	901 108 291 00	hose		1	
15	999 512 551 00	hose clamp		2	

Model	Year	MG	SG	Illustration	Restrictions	UPD	17:42	22.01.2010	PORSCHE	PET	PORSCHE
911-1	1969	1	06	106-06		248					

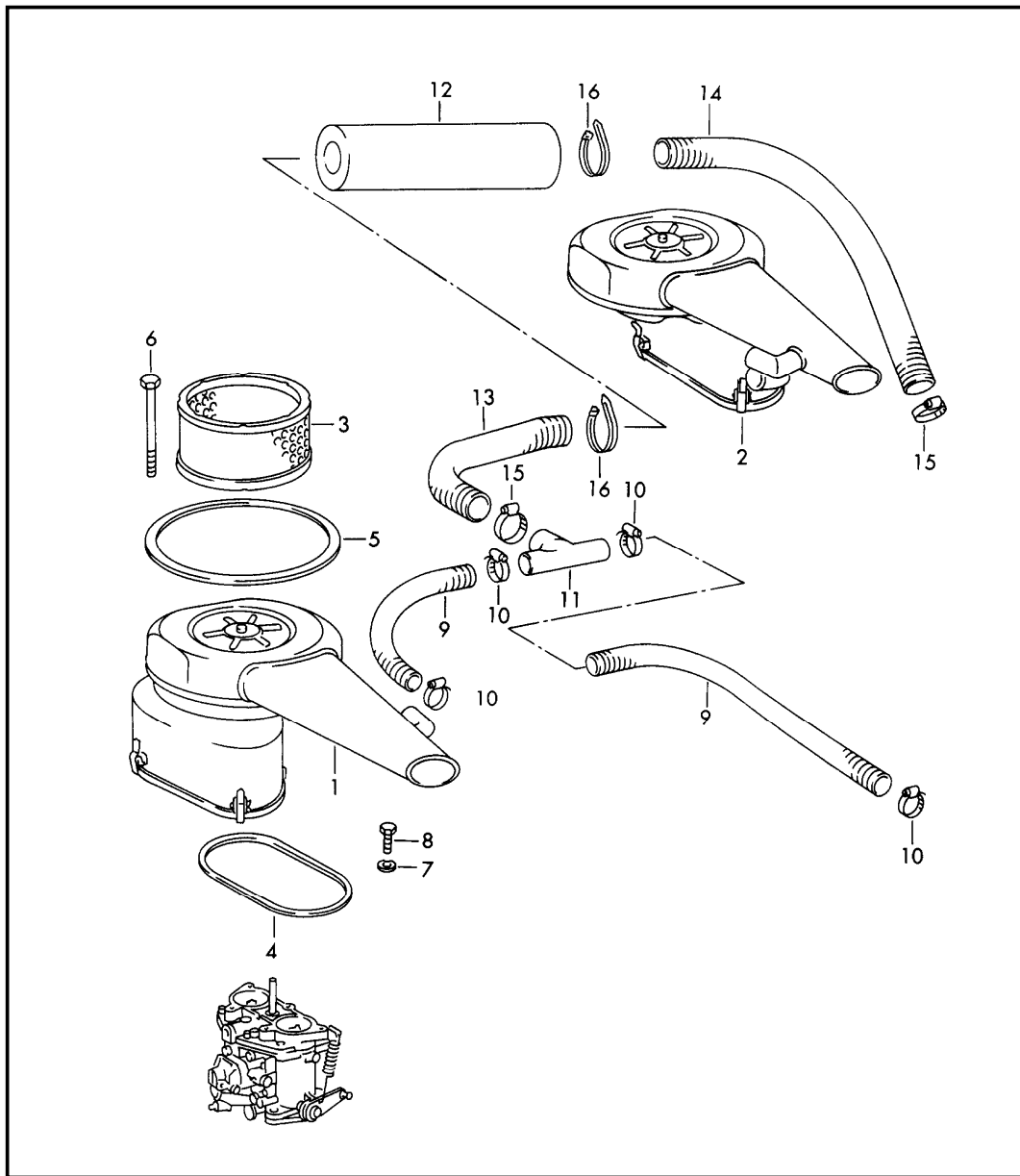


Pos	Part Number	Description	Remark	Qty	Model
		damper filter for - SOLEX 40 PII-4 - carburettor	-68		912
1	616 108 023 00	damper filter - MANN & HUMMEL - not for (S) (D) M >> 074 2479 for (S) (D) M >> 083 1748		1	
(1)	616 108 024 00	damper filter - MANN & HUMMEL - not for (S) (D) M >> 074 2479 for (S) (D) M >> 083 1748	/R	1	
2	N 010 354 1	hexagon-head bolt M 6X95 not for (S) (D) M >> 074 2479 for (S) (D) M >> 083 1748		10	
3	N 011 524 7	washer 6,4		14	
4	616 108 931 00	filter element - MANN & HUMMEL - not for (S) (D) M >> 074 2479 for (S) (D) M >> 083 1748		2	
5	616 108 933 00	gasket inner - MANN & HUMMEL - not for (S) (D) M >> 074 2479 for (S) (D) M >> 083 1748		2	

Model	Year	MG	SG	Illustration	Restrictions	UPD	17:42	22.01.2010	PORSCHE	PET	PORSCHE
911-1	1969	1	06	106-06		248					

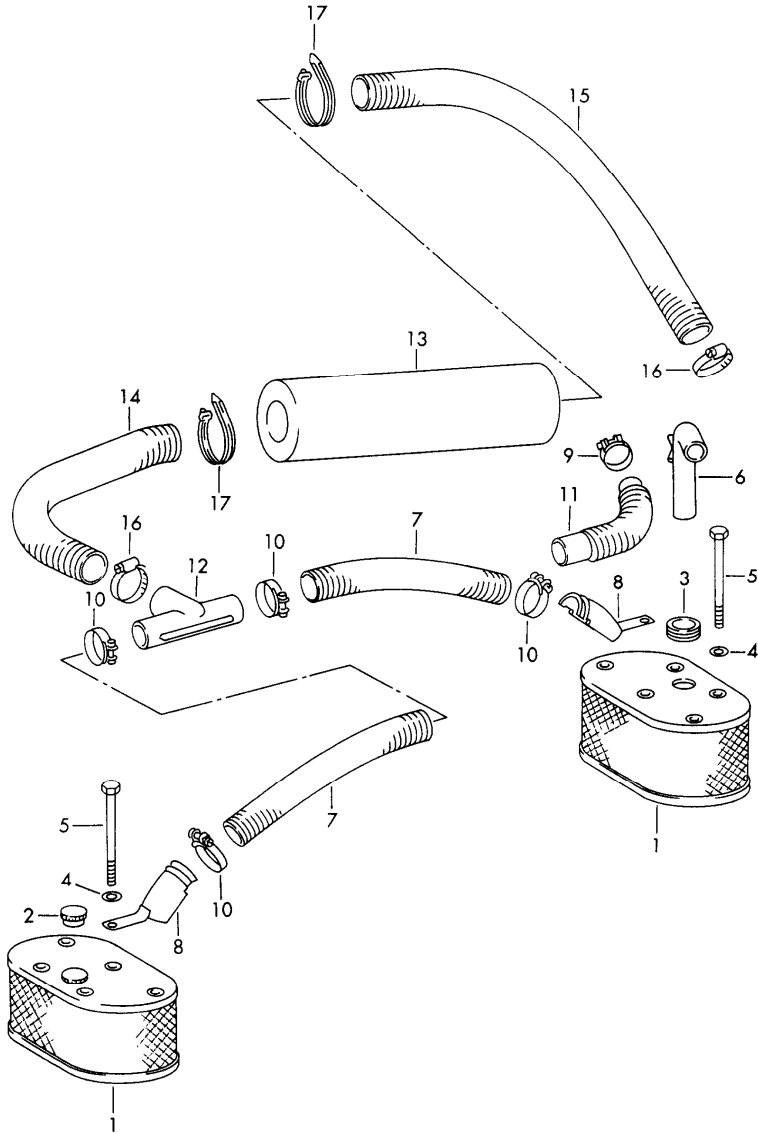
Pos	Part Number	Description	Remark	Qty	Model	Pos	Part Number	Description	Remark	Qty	Model
6	616 108 934 00	gasket - MANN & HUMMEL - not for (S) (D) M >> 074 2479 for (S) (D) M >> 083 1748		2							
7	616 108 830 00	t-socket		1							
8	616 108 891 01	connecting hose not for (S) (D) M >> 074 2479 for (S) (D) M >> 083 1748		2							
9	616 108 896 01	hose		1							
10	616 108 895 01	connecting hose		1							
11	901 108 291 00	breather hose		1							
12	999 512 551 00	hose clamp		2							
13	999 513 003 40	hose clamp		2							
14	999 512 132 02	hose clamp		4							

Model	Year	MG	SG	Illustration	Restrictions	UPD	17:42	22.01.2010	PORSCHE	PET	PORSCHE
911-1	1969	1	06	106-10		248					



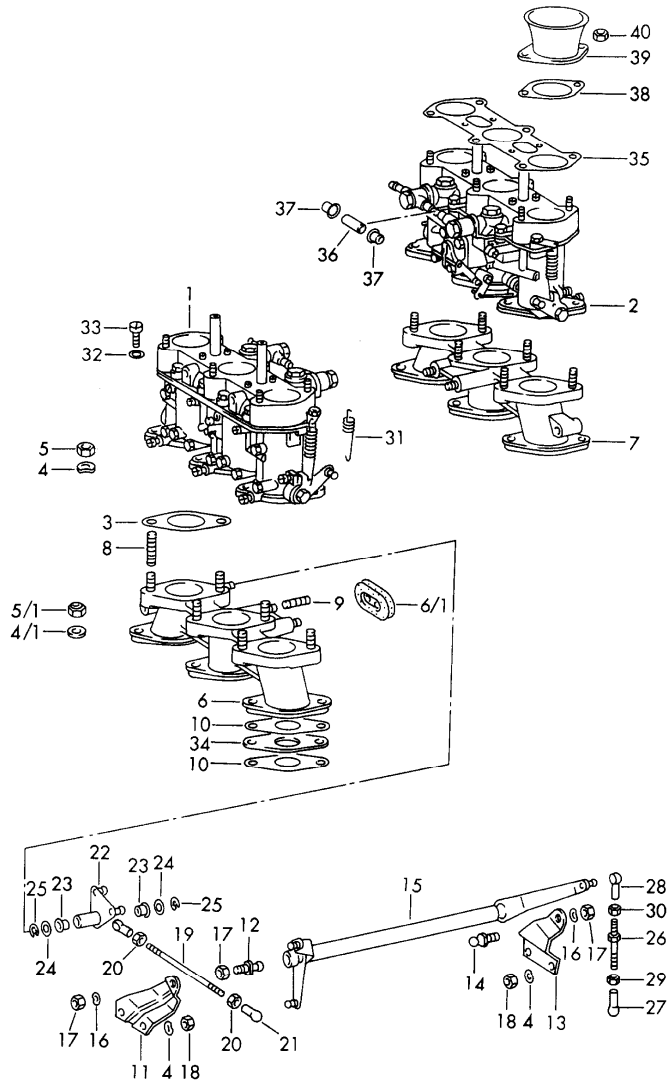
Pos	Part Number	Description	Remark	Qty	Model
		damper filter 2. version - KNECHT -	(F) (I)	-68	912 TARGA
		not for (S) + (D) M 074 2480 >> for (S) + (D) M 083 1749 >>		-68	
1	616 108 025 01	damper filter	/L	1	
2	616 108 026 01	damper filter	/R	1	
3	616 108 932 00	filter element		2	
4	616 108 936 00	gasket		2	
5	616 108 937 00	sealing cord		2	
6	N 040 302 1	screw		2	
7	900 028 008 01	spring washer B 6 DIN 137PHR		10	
8	900 075 010 02	hexagon-head bolt M 6X12 DIN 933-8G		10	
9	616 108 891 03	connecting hose		2	
10	999 512 132 02	hose clamp		4	
11	616 108 830 00	t-socket		1	

Model	Year	MG	SG	Illustration	Restrictions	UPD	17:42	22.01.2010	PORSCHE	PET	PORSCHE
911-1	1969	1	06	106-15		248					



Pos	Part Number	Description	Remark	Qty	Model
		oil wetted air cleaner for cars with 5-speed transmission not for (I), (F) for (USA) M 075 0001 >>			912 TARGA
1	616 108 203 01	oil wetted air cleaner		2	
2	616 108 938 00	stopper		1	
3	999 702 101 50	rubber sleeve		1	
4	N 011 524 7	washer		10	
5	N 010 354 1	hexagon-head bolt		10	
6	616 107 075 00	connecting tube		1	
7	616 108 891 00	connecting hose		2	
8	616 108 840 00	nozzle		2	
9	999 512 045 02	clamp		1	
10	999 512 132 02	hose clamp		4	
11	616 107 795 01	connecting hose		1	
12	616 108 830 00	t-socket		1	
13 A	616 108 896 00	hose	69-	1	
13	616 108 896 01	hose	69-	1	
14	616 108 895 01	connecting hose	69-	1	
15	901 108 291 00	breather hose	69-	1	
16	999 512 551 00	hose clamp	69-	2	
17	999 513 003 40	hose clamp	69-	2	

Model	Year	MG	SG	Illustration	Restrictions	UPD	17:42	22.01.2010	PORSCHE	PET	PORSCHE
911-1	1969	1	07	107-00		248					



Pos	Part Number	Description	Remark	Qty	Model
		carburettor system - WEBER - M 090 7001 >>	-68 69-		911 /L/S/TU 911 T
(1)	901 108 115 00	carburettor 40 IDA 3 C1	/L	-68	1 911 /L
(1)	901 108 115 00	carburettor 40 IDA M >> 096 0502	/L	-68	1 911 S
(1)	901 108 115 00	carburettor 40 IDS 3 C1 M 096 0503 >>	/L	-68	1 911 S
(1) >	901 108 117 00	carburettor 40 IDT 3 C1	/L	-68	1 911 TU
1 >	901 108 117 01	carburettor 40 IDTP 3 C1	/L	69-	1 911 T
(2)	901 108 116 00	carburettor 40 IDA 3 C	/R	-68	1 911 /L
(2)	901 108 116 00	carburettor 40 IDA M >> 096 0502	/R	-68	1 911 S
(2)	901 108 116 00	carburettor 40 IDS 3 C M 096 0503 >>	/R	-68	1 911 S
(2)	901 108 116 00	carburettor 40 IDT 3 C	/R	-68	1 911 TU
2 >	901 108 118 01	carburettor 40 IDTP 3 C	/R	69-	1 911 T
3	901 108 398 01	gasket for carburettor			6
4	N 012 241 1	spring washer B 8 X 15			16
4/1	900 031 014 30	washer 8,4			12
5	502 08 310	nut			12
5/1	999 084 601 02	lock nut M 8 SNM 8			12
(6)	901 108 039 06	intake manifold complete	/L	-68	1 911 /L/TU

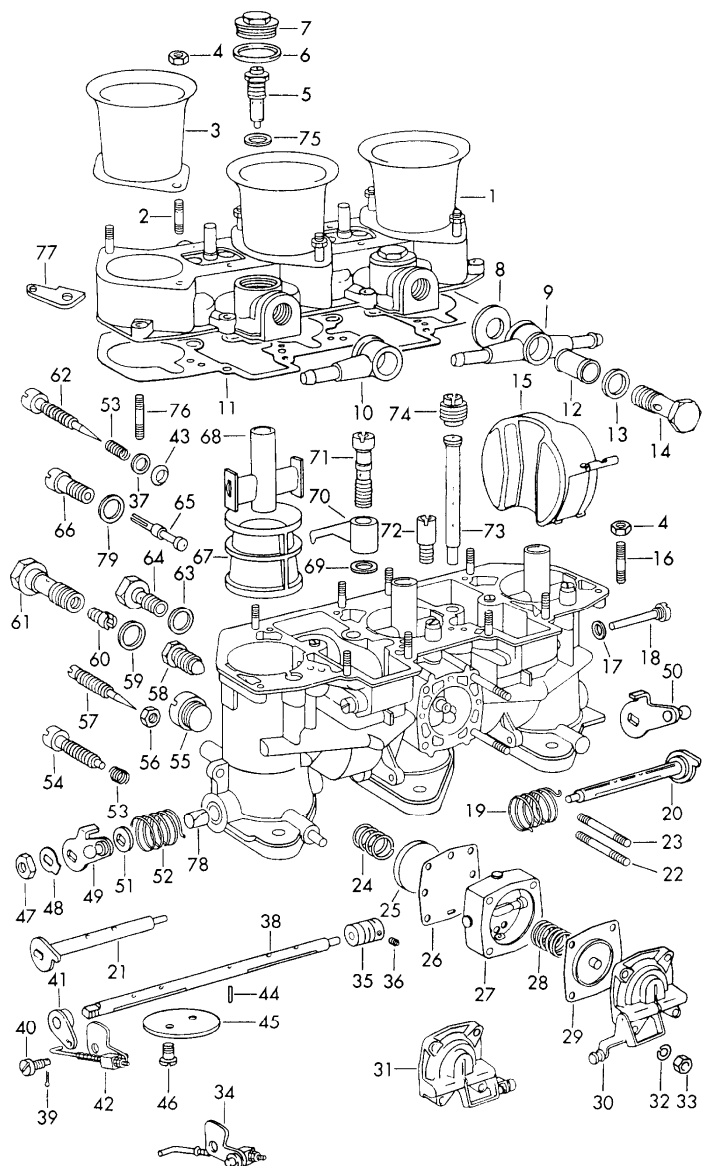
Model	Year	MG	SG	Illustration	Restrictions	UPD	17:42	22.01.2010	PORSCHE	PET	PORSCHE
911-1	1969	1	07	107-00		248					

Pos	Part Number	Description	Remark	Qty	Model	Pos	Part Number	Description	Remark	Qty	Model
(6)	901 108 039 07	intake manifold complete	/L	-68	1	911 S	(15)	901 108 084 01	actuating lever complete	1	SPM
(6)	905 108 031 01	intake manifold complete	/L	-68	1	911 L/TU:SPM	16	N 012 241 1	spring washer B 8 X 15	2	
(6)	905 108 031 03	intake manifold complete	/L	-68	1	911 S:SPM	17	N 011 118 11	hexagon nut BM 8	3	
6	901 108 039 04	intake manifold complete not for sportomatic	/L	69-	1	911 T	18	502 08 310	nut	4	
(6)	905 108 031 04	intake manifold complete	/L	69-	1	SPM	19	901 108 648 00	pull rod	1	
6/1	999 703 076 50	rubber sleeve			2		20	900 076 027 02	hexagon nut M 5	2	
(7)	901 108 040 13	intake manifold complete	/R	-68	1	911 /L/TU	21	N 015 521 3	ball socket A 8	2	
(7)	901 108 040 07	intake manifold complete	/R	-68	1	911 S	2+23	901 108 710 00	reverse lever complete not for sportomatic	1	
7	901 108 040 13	intake manifold complete	/R	69-	1	911 T	22	905 108 070 00	reverse lever	-68	1 911 L/S/TU SPM
(7)	901 108 040 12	intake manifold complete	/R	69-	1	SPM	(22)	905 108 070 02	reverse lever	69-	X 911 T
8	900 061 007 01	stud BM 8 X 22			12		(22)	901 108 720 00	reverse lever	69-	1 911 T
(9)	900 061 004 02	stud BM 8X12		-68	4	911 /L/S/TU	23	901 423 253 00	bearing sleeve	2	
9	900 061 022 01	stud M 8 X 12		69-	4	911 T	-	900 089 011 02	washer 4	1	SPM
(10)	901 108 391 05	gasket		-68	6	911 S	-	N 012 224 3	spring washer B 4	1	SPM
10	901 108 391 04	gasket			12	911 /L/TU/T	-	900 067 080 02	pan-head screw M 4 X 10	1	SPM
11	901 108 843 00	bearing lever	/L		1		24	900 031 001 02	washer 8,4	2	
12	999 167 020 02	ball pin			1		25	900 116 009 01	lock washer 6	2	
13	901 108 844 00	bearing lever	/R		1		26	901 108 089 00	push rod complete	2	
14	999 167 020 02	ball pin			1		27	900 169 010 02	ball socket A 8 left	2	
15	901 108 084 00	deflection roller complete not for sportomatic			1		28	N 015 521 3	ball socket A 8	4	

Model	Year	MG	SG	Illustration	Restrictions	UPD	17:42	22.01.2010	PORSCHE	PET	PORSCHE
911-1	1969	1	07	107-00		248					

Pos	Part Number	Description	Remark	Qty	Model	Pos	Part Number	Description	Remark	Qty	Model
29	900 076 029 02	hexagon nut M 5 left		2							
30	900 076 027 02	hexagon nut M 5		4							
31	901 108 631 00	tension spring		2							
32	N 012 224 3	spring washer B 4		8							
33	900 014 073 02	pan-head screw M 4 X 10		8							
34	901 108 131 00	intermediate flange	69-	6	911 T						
35	901 108 218 00	gasket		2							
36	999 180 030 50	fuel hose C 7 X 12 60 MM	69-	*	911 T						
37	901 108 219 00	cap	69-	4	911 T						
38	911 110 391 00	gasket	69-	6	911 T						
39	PCG 108 322 01	intake trumpet	69-	6	911 T						
40	N 021 196 1	lock nut M 5	69-	12	911 T						

Model	Year	MG	SG	Illustration	Restrictions	UPD	17:42	22.01.2010	PORSCHE	PET	PORSCHE
911-1	1969	1	07	107-05		248					



Pos	Part Number	Description	Remark	Qty	Model
		single parts carburettor - WEBER -		-68 69-	911 /L/S/TU 911 T
		- 40 IDA 3C-3C1 - M 090 7001 >> - 40 IDS 3C-3C1- M 096 0502 >> - 40 IDT/IDAP 3C-3C1 - - 40 IDTP 3C-3C1 -		-68 -68 -68 69-	
1	901 100 930 03	lid with stud - 40 IDS 3C1 - M 096 0502 >>	/L	1	911 S
(1)	901 100 930 02	lid with stud - 40 IDS 3C - M 096 0502 >>	/R	1	911 S
(1)	901 100 930 01	lid with stud - 40 IDTP 3C-3C1 - - 40 IDA/IDAP/IDT 3C-3C1 - M 090 7001 >>		1	
-	901 108 188 00	stopper for vent hose		2	911 S
2	901 100 932 00	stud		6	
(3)	901 100 933 01	intake trumpet		-68 3	
3	PCG 108 322 01	intake trumpet		69- 3	911 T
(4)	587 100 936 00	nut		-68 16	
4	901 100 814 00	nut		69- 16	911 T
5	901 100 934 00	carburettor needle valve		2	
(6)	692 100 902 00	sealing ring		-68 2	
6	PCG 100 914 00	sealing ring		69- 2	911 T
(7)	901 100 801 00	screw plug		-68 2	
7	901 100 801 00	stopper		69- 2	911 T
(8)	901 100 915 00	sealing ring		-68 2	
8	901 100 915 00	sealing ring		69- 2	911 T

Model	Year	MG	SG	Illustration	Restrictions	UPD	17:42	22.01.2010	PORSCHE	PET	PORSCHE
911-1	1969	1	07	107-05		248					

Pos	Part Number	Description	Remark	Qty	Model	Pos	Part Number	Description	Remark	Qty	Model	
9	901 100 935 00	connecting piece		1		26	901 100 946 00	diaphragm		1		
10	901 100 936 00	connecting piece		1		27	901 100 947 00	lower part pump		1		
11	901 100 937 00	gasket		1		28	901 100 948 00	spring		1		
(12)	901 100 808 00	strainer	-68	2		29	901 100 949 00	diaphragm		1		
12	901 100 808 00	fuel strainer	69-	2	911 T	30	901 100 951 00	lid pump	/L	1		
(13)	901 100 916 00	sealing ring	-68	2		31	901 100 950 00	lid pump	/R	1		
13	901 100 916 00	sealing ring	69-	2	911 T	32	901 100 952 00	lock ring		4		
14	901 100 938 00	screw plug		2		(33)	901 100 953 00	nut	-68	4		
(15)	901 100 807 00	float	-68	2		33	901 100 953 01	nut	69-	4		
(15)	901 100 807 01	float	-68	2		(34)	901 100 912 00	linkage	/R	-68	1	
15	901 100 807 00	float 25,5 GR.	69-	2	911 T	34	901 100 912 01	linkage	/R	69-	1	
15	901 100 807 01	float	69-	2	911 T	35	901 100 955 01	connecting piece elastic		1		
(16)	587 100 926 00	stud	-68	9		36	901 100 954 02	screw		1		
16	901 100 813 00	stud	69-	9		(37)	901 100 956 01	spacer	-68	2		
(17)	901 100 917 00	sealing ring	-68	2		37	901 100 956 02	spacer	69-	2	911 T	
17	901 100 917 00	sealing ring	69-	2	911 T	38	901 100 958 01	shaft		1		
(18)	901 100 811 00	screw	-68	2		39	616 100 812 00	retaining spring		2		
18	901 100 811 00	screw for float axle	69-	2	911 T	40	901 100 960 00	screw - 40 IDA/IDS 3C-3C1 -		1	911 /L/S	
19	901 100 939 00	spring		1		(40)	901 100 960 01	screw - 40 IDT/IDTP/IDAP 3C-3C1	(USA)	1	911 /L 911 TU/T	
20	901 100 941 01	throttle shaft	/L	1		41	901 100 961 00	lever		1		
21	901 100 940 01	throttle shaft	/R	1		(42)	901 100 911 00	linkage	/L	-68	1	
22	901 100 942 00	stud		2		42	901 100 911 01	linkage	/L	69-	1	911 T
23	901 100 943 00	stud		2	911 /L/S	43	901 100 998 00	sealing ring		1		
(23)	901 100 943 01	stud	(USA)	2	911 /L 911 TU/T	(44)	901 100 812 00	pin	-68	1		
24	901 100 944 00	spring		1		44	901 100 812 00	pin	69-	1	911 T	
25	901 100 945 00	valve		1		45	901 100 965 00	throttle valve		3		

Model	Year	MG	SG	Illustration	Restrictions	UPD	17:42	22.01.2010	PORSCHE	PET	PORSCHE
911-1	1969	1	07	107-05		248					

Pos	Part Number	Description	Remark	Qty	Model	Pos	Part Number	Description	Remark	Qty	Model	
46	901 100 966 01	screw - 40 IDS 3C-3C1 - M 096 0502 >> - 40 IDT/IDAP 3C-3C1 -	(USA)	6	911 S/TU 911 /L	(56)	692 100 953 02	nut - 40 IDT/IDAP 3C-3C1 -	(USA)	-68	3	911 L 911 TU
(46)	901 100 966 01	screw - 40 IDA 3C-3C1 -		6	911 /L/S	(56)	901 100 809 00	nut - 40 IDTP 3C-3C1 -		69-	3	911 T
47	692 100 918 00	nut - 40 IDA/IDS 3C-3C1 -		6	911 /L/S	57	901 100 974 00	adjusting screw			3	
(47)	692 100 918 01	nut - 40 IDT/IDAP 3C-3C1 -	(USA)	6	911 /L 911 TU	(58)	901 100 976 00	fastening screw - 40 IDA/IDS 3C-3C1 -	(USA)		3	911 /L/S
(47)	901 100 803 00	nut - 40 IDTP 3C-3C1 -		69-	6	911 T	(58)	901 100 976 01	fastening screw - 40 IDT/IDAP 3C-3C1 -		3	911 /L 911 TU/T
48	901 100 967 00	spacer - 40 IDA/IDS 3C-3C1 -		1	911 /L/S	59	901 100 977 00	sealing ring			3	
(48)	901 100 967 01	spacer - 40 IDT/IDAP 3C-3C1 -	(USA)	1	911 /L 911 TU/T	60	901 100 978 07	main vent 130 - 40 IDS -			3	911 S
(49)	901 100 969 01	throttle lever	/L	-68	1		(60)	901 100 978 02	main vent 125 - 40 IDA -		3	911 /L
49	901 100 969 02	throttle lever - 40 IDTP 3C-3C1 -	/L	69-	1	911 T	(60)	901 100 978 01	main vent 135 - 40 IDA -		3	911 S
(50)	901 100 968 01	throttle lever	/R	-68	1		(60)	901 100 978 04	main vent 110 - 40 IDT/IDTP/IDAP -		3	911 TU/T
50	901 100 968 02	throttle lever	/R	69-	1		61	901 100 979 00	jet carrier		3	
51	901 100 971 01	spacer		1			(62)	901 100 980 01	idle-speed adjuster	-68	3	
52	901 100 972 00	spring		1			62	PCG 100 980 02	adjusting screw	69-	3	911 T
53	692 100 927 00	spring - 40 IDA/IDS 3C-3C1 -		-68	4	911 /L/S	(63)	901 100 918 00	sealing ring	-68	2	
(53)	901 100 805 00	spring - 40 IDT/IDAP 3C-3C1 -	(USA)	-68	4	911 /L 911 TU	63	901 100 918 00	sealing ring	69-	2	911 T
(53)	901 100 805 00	spring - 40 IDTP 3C-3C1 -		69-	4	911 T	(64)	692 100 930 01	drain plug	-68	2	
(54)	901 100 804 00	adjusting screw		-68	1		64	901 100 806 00	drain plug	69-	2	911 T
54	901 100 804 00	adjusting screw for throttle valve		69-	1	911 T	65	901 100 981 02	idle jet 0,55 - 40 IDA/IDS 3C-3C1 -		3	911 /L/S/T
55	901 100 973 00	screw		3			(65)	901 100 981 06	idle jet 0,45 - 40 IDTP 3C-3C1 -	69-	3	911 T
56	692 100 953 00	nut - 40 IDA/IDS 3C-3C1 -		-68	3	911 /L/S	(65)	901 100 981 03	idle jet 0,50 - 40 IDT/IDAP 3C-3C1 -		3	911 TU/T

Model	Year	MG	SG	Illustration	Restrictions	UPD	17:42	22.01.2010	PORSCHE	PET	PORSCHE
911-1	1969	1	07	107-05		248					

Pos	Part Number	Description	Remark	Qty	Model	Pos	Part Number	Description	Remark	Qty	Model
(66)	901 100 982 00	jet carrier	-68	3		(74)	901 100 989 01	air correction jet 170		3	911 S
66	901 100 982 00	jet carrier	69-	3	911 T			- 40 IDA -			
67	901 100 983 02	venturi 32		3	911 S	(74)	901 100 989 08	air correction jet 185		3	911 TU/T
		- 40 IDA/IDS -						- 40 IDAP/IDT/IDTP -			
(67)	PCG 100 983 01	air duct 30		3	911 /L	(75)	901 100 990 00	sealing ring	-68	X	
		- 40 IDA/IDAP/IDT -				75	901 100 990 01	sealing ring 1 MM	69-	X	
(67)	901 100 983 03	venturi 27		3	911 TU/T	(75)	901 100 995 00	sealing ring 0,25 MM		X	
		- 40 IDAP/IDT/IDTP -				(75)	901 100 996 00	sealing ring 0,50 MM		X	
68	901 100 985 00	booster 4,50		3		(76)	692 100 914 01	stud	-68	1	
(69)	901 100 919 00	sealing ring	-68	3		76	901 100 802 00	stud	69-	1	911 T
69	901 100 919 00	sealing ring	69-	3	911 T	77	901 100 993 00	bracket		1	
70	901 100 986 00	pump jet 0,50		3	911 /L/S/T	-	901 100 927 00	enrichment jet 070	-68	3	911 S
		- 40 IDA/IDS -						- 40 IDS 3C-3C1 -			
		- 40 IDAP/IDT/IDTP -						M 096 0502 >>			
(70)	901 100 986 05	pump jet 0,50		3		-	901 100 927 02	enrichment jet 050	-68	3	911 S
		+ 2 MM						M 418 0144 >>			
71	901 100 987 00	pressure valve		3				M 408 0773 >>			
(72)	901 100 810 00	suction valve	-68	1				- 40 IDS 3C-3C1 -			
72	901 100 810 00	suction valve		1		-	901 100 928 00	screw	-68	3	911 S
73	901 100 988 03	mixing tube F 3	-68	3	911 S			- 40 IDS 3C-3C1 -			
		- 40 IDS -				-	901 100 929 00	ring	-68	3	911 S
								- 40 IDS 3C-3C1 -			
(73)	901 100 988 01	mixing tube F 2	-68	3	911 TU	78	901 100 997 00	bearing shell (TEFLON)	(USA)	2	911 S/TU/T 911 /L
		- 40 IDAP/IDT -				79	901 100 998 00	sealing ring		3	911 T
(73)	901 100 988 02	mixing tube F 26	-68	3	911 /L/S			nozzle for carburettor	-68		
		- 40 IDAP/IDT/IDA -						- WEBER -			
(73)	901 100 988 04	mixing tube F 1	69-	3	911 T			40 IDA/IDS/IDT/IDAP			
		- 40 IDTP -				-	901 100 978 00	main vent 170		X	
74	901 100 989 02	air correction jet 180		3							

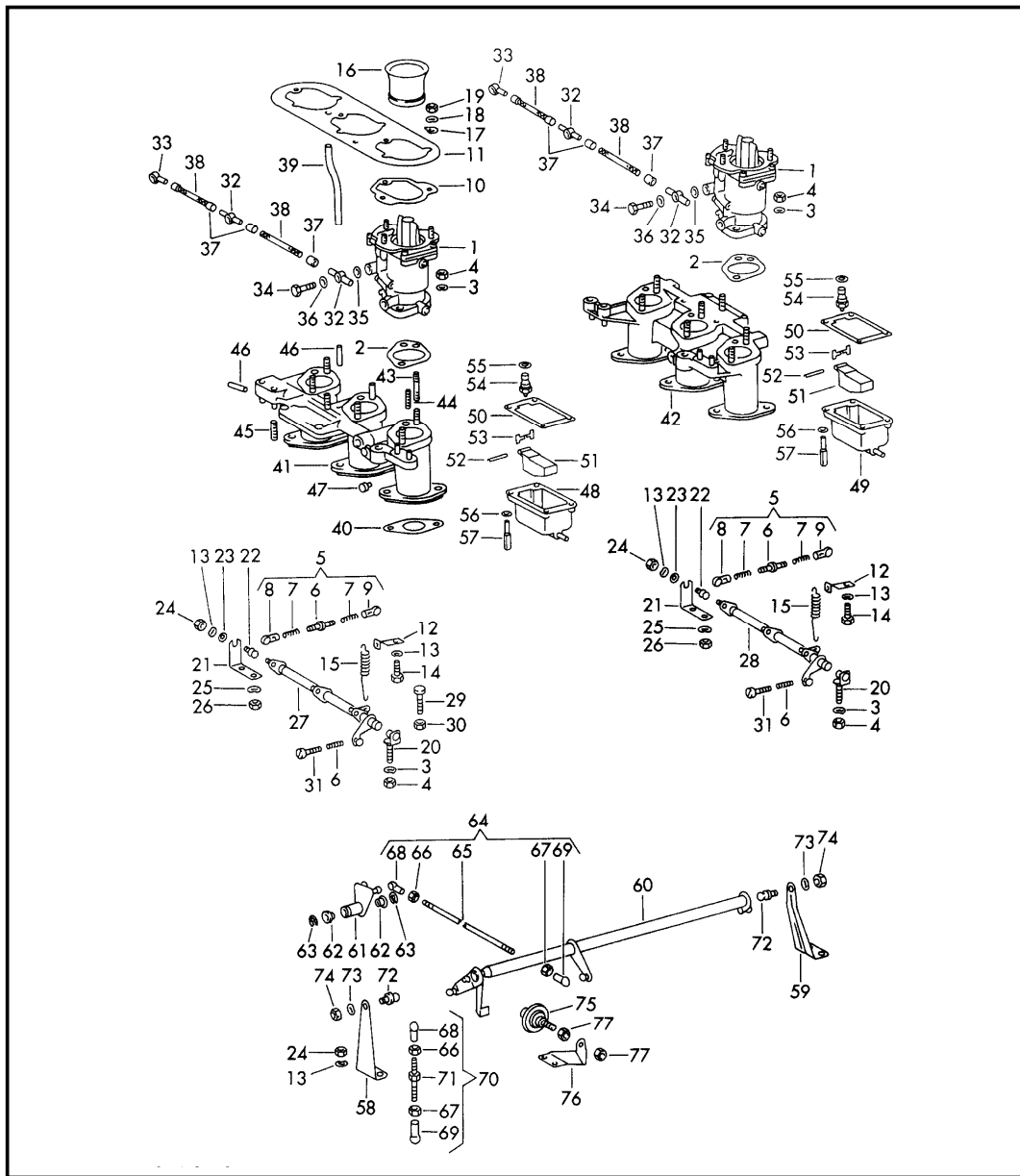
Model	Year	MG	SG	Illustration	Restrictions	UPD	17:42	22.01.2010	PORSCHE	PET	PORSCHE
911-1	1969	1	07	107-05		248					

Pos	Part Number	Description	Remark	Qty	Model	Pos	Part Number	Description	Remark	Qty	Model
-	901 100 978 01	main vent 135		X		-	901 100 981 04	idle jet 065		X	
-	901 100 978 02	main vent 125		X		-	901 100 981 05	idle jet 052		X	
-	901 100 978 03	main vent 145		X		-	901 100 986 00	pump jet 050		X	
-	901 100 978 04	main vent 110		X		-	901 100 986 05	pump jet 050, + 2 MM		X	
-	901 100 978 05	main vent 115		X		-	901 100 986 01	pump jet 045		X	
-	901 100 978 06	main vent 120		X		-	901 100 986 02	pump jet 040		X	
-	901 100 978 07	main vent 130		X		-	901 100 986 03	pump jet 055		X	
-	901 100 978 08	main vent 140		X		-	901 100 986 04	pump jet 060		X	
-	901 100 978 09	main vent 150		X		-	901 100 989 00	air correction jet 145		X	
-	901 100 978 10	main vent 155		X		-	901 100 989 01	air correction jet 170		X	
-	901 100 978 11	main vent 160		X		-	901 100 989 02	modification kit 180		X	
-	901 100 978 12	main vent 165		X		-	901 100 989 03	modification kit 140		X	
-	901 100 978 13	main vent 175		X		-	901 100 989 04	modification kit 150		X	
-	901 100 978 14	main vent 180		X		-	901 100 989 05	modification kit 160		X	
-	901 100 978 15	main vent 185		X		-	901 100 989 06	modification kit 190		X	
-	901 100 981 00	idle jet 070		X		-	901 100 989 07	modification kit 200		X	
-	901 100 981 01	idle jet 060		X		-	901 100 989 08	modification kit 185		X	
-	901 100 981 02	idle jet 055		X		-	901 100 988 00	mixing tube F 24		X	
-	901 100 981 03	idle jet 050		X		-	901 100 988 01	mixing tube F 2		X	

Model	Year	MG	SG	Illustration	Restrictions	UPD	17:42	22.01.2010	PORSCHE	PET	PORSCHE
911-1	1969	1	07	107-05		248					

Pos	Part Number	Description	Remark	Qty	Model	Pos	Part Number	Description	Remark	Qty	Model
-	901 100 988 02	mixing tube F 26		X							
-	901 100 988 03	mixing tube F 3		X							

Model	Year	MG	SG	Illustration	Restrictions	UPD	17:43	22.01.2010	PORSCHE	PET	PORSCHE
911-1	1969	1	07	107-06		248					



Pos	Part Number	Description	Remark	Qty	Model
		carburettor system with - SOLEX 40 PI-1 -	-68		911
1	> 901 108 103 00	carburettor - SOLEX 40 PI-1 -		6	
2	901 108 196 00	gasket		6	
3	900 028 004 01	spring washer A 8		24	
4	502 08 310	hexagon nut		24	
5	901 108 074 00	connecting rod		6	
6	901 108 771 00	adjusting screw		6	
7	901 108 731 00	compression spring		14	
8	999 168 004 40	ball socket M 5 right		6	
9	999 168 005 40	ball socket left		6	
10	901 108 195 00	gasket		6	
11	901 108 021 00	floor section	/L	1	
(11)	901 108 022 00	floor section	/R	1	
12	901 108 237 00	bracket		2	
13	900 028 008 01	spring washer B 6		8	
14	900 075 010 02	hexagon-head bolt M 6X12		2	
15	901 108 631 00	tension spring		2	
16	901 108 910 00	funnel		6	
17	901 108 235 00	support		12	
18	N 012 225 2	spring washer B 5		18	
19	900 076 006 02	hexagon nut M 5		18	
20	901 108 079 00	bearing	/H	2	

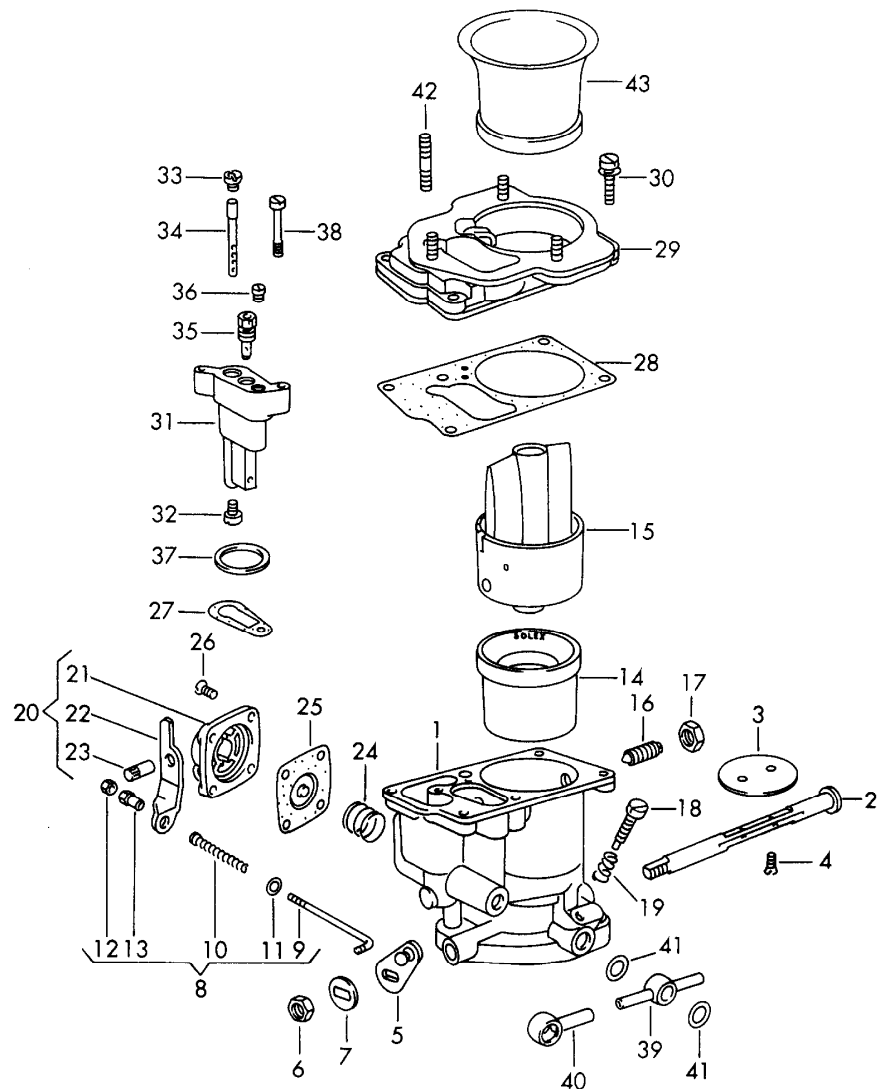
Model	Year	MG	SG	Illustration	Restrictions	UPD	17:43	22.01.2010	PORSCHE	PET	PORSCHE
911-1	1969	1	07	107-06		248					

Pos	Part Number	Description	Remark	Qty	Model	Pos	Part Number	Description	Remark	Qty	Model
21	901 108 753 01	bearing bracket	/V	2		44	900 061 055 01	stud BM 6X12		4	
22	999 167 012 02	ball pin		2		45	900 061 022 01	stud M 8X12		4	
23	N 011 524 7	washer 6,4		2		46	901 108 903 00	connecting pipe		4	
24	900 076 010 02	hexagon nut M 6		6		47	901 108 904 00	rubber stop		1	
25	900 028 004 01	spring washer A 8		6		48	901 108 908 00	housing for float	/L	1	
26	502 08 310	hexagon nut		6		49	901 108 909 00	housing for float	/R	1	
27	901 108 077 00	control shaft	/L	1		50	901 108 199 00	gasket		2	
28	901 108 078 00	control shaft	/R	1		51	901 108 906 00	float		2	
29	901 108 173 00	adjusting screw		2		52	901 108 907 00	axle		2	
30	900 076 010 02	hexagon nut M 6		2		53	901 108 911 00	support		2	
31	900 014 030 02	pan-head screw M 5X20		2		54	616 100 905 00	carburettor needle valve		2	
32	901 108 901 00	ring piece double sided		4		55	616 108 423 00	sealing ring		2	
33	901 108 902 00	ring piece		2		56	999 027 001 02	lock ring		8	
34	901 108 171 00	banjo bolt		6		57	901 108 371 00	hexagon-head bolt		8	
35	N 013 830 5	sealing ring A 8X14		6		58	901 108 751 00	bearing bracket	/L	1	
36	N 013 807 3	sealing ring A 8X11,5		6		59	901 108 752 00	bearing bracket	/R	1	
37	901 108 584 01	cap		8		60	901 108 061 01	deflection roller complete		1	
38	999 180 035 50	fuel hose C 4 SN 710		X		61	901 108 071 00	reverse lever complete		1	
39	900 180 015 50	fuel hose A 5X9 DIN 73379		X		62	901 423 253 00	bearing sleeve		2	
40	901 108 391 00	gasket		6		-	900 031 001 02	washer		2	
41	901 108 039 03	intake manifold	/L	1		63	900 116 009 01	lock washer 6 DIN 6799		2	
42	901 108 040 03	intake manifold	/R	1		64	901 108 069 00	pull rod long complete		1	
43	900 061 007 01	stud BM 8X22		12		65	901 108 645 00	pull rod long		1	

Model	Year	MG	SG	Illustration	Restrictions	UPD	17:43	22.01.2010	PORSCHE	PET	PORSCHE
911-1	1969	1	07	107-06		248					

Pos	Part Number	Description	Remark	Qty	Model	Pos	Part Number	Description	Remark	Qty	Model
66	900 076 027 02	hexagon nut M 5		4							
67	900 076 029 02	hexagon nut M 5 left		2							
68	N 015 521 3	ball socket A 8		4							
69	900 169 010 02	ball socket A 8 left		2							
70	901 108 067 00	pull rod complete short		2							
71	901 108 640 00	pull rod short		2							
72	999 167 020 02	ball pin		2							
73	900 028 004 01	spring washer A 8		2							
74	900 076 025 02	hexagon nut M 8		2							
75	901 108 650 00	damper		1							
76	901 108 621 00	bracket		1							
77	901 108 675 00	hexagon nut		2							

Model	Year	MG	SG	Illustration	Restrictions	UPD	17:43	22.01.2010	PORSCHE	PET	PORSCHE
911-1	1969	1	07	107-07		248					

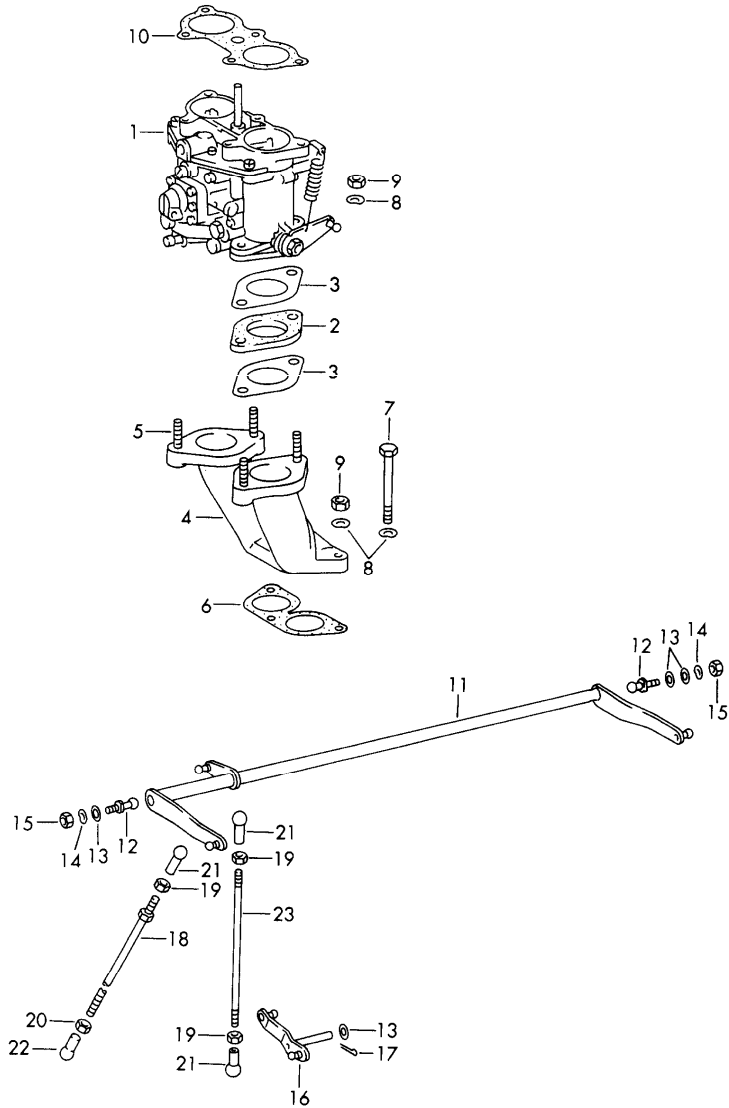


Pos	Part Number	Description	Remark	Qty	Model
		single parts for carburettor - SOLEX 40 PI-1 -	-68		911
-	901 108 912 00	carburettor housing complete with throttle valve mounted		1	
1	-	carburettor housing not available		1	
2	901 108 915 00	throttle shaft complete		1	
3	901 108 916 00	throttle valve		1	
4	616 100 917 00	oval-head screw		2	
5	901 108 917 00	throttle lever		1	
6	616 100 913 00	hexagon nut		1	
7	911 100 945 00	tab washer		1	
8	901 108 918 00	connecting rod complete		1	
9	901 108 919 00	connecting rod		1	
10	901 108 920 00	compression spring		1	
11	901 108 921 00	washer		1	
12	901 108 922 00	hexagon nut		1	
13	901 108 923 00	nut		1	
14	901 108 924 00	venturi 30		1	
15	901 108 925 00	booster		1	
16	901 108 926 00	threaded pin		1	
17	616 100 913 00	hexagon nut		1	
18	901 108 927 00	adjusting screw		1	
19	616 100 991 00	compression spring		1	
20	901 108 928 00	lid complete		1	

Model	Year	MG	SG	Illustration	Restrictions	UPD	17:43	22.01.2010	PORSCHE	PET	PORSCHE
911-1	1969	1	07	107-07		248					

Pos	Part Number	Description	Remark	Qty	Model	Pos	Part Number	Description	Remark	Qty	Model
21	901 108 929 00	lid		1		42	901 108 936 00	stud		3	
22	901 108 930 00	lever		1		43	901 108 910 00	intake trumpet		1	
23	616 100 956 00	axle		1				nozzle for carburettor SOLEX-40 PI-1			
24	901 108 931 00	spring		1							
25	901 108 932 00	diaphragm complete		1		-	901 108 939 00	main vent 117,5		X	
26	616 100 939 00	oval-head screw		4		-	901 108 939 01	main vent 120		X	
27	901 108 933 00	gasket		1		-	901 108 939 02	main vent 127,5		X	
28	901 108 934 00	gasket		1		-	901 108 939 03	main vent 130		X	
29	901 108 935 00	lid		1		-	901 108 939 04	main vent 125		X	
-	901 108 936 00	stud		3		-	901 108 939 05	main vent 122,5		X	
30	901 108 937 00	screw for assembly		4		-	616 100 900 03	air correction jet 150		X	
31	901 108 938 00	jet carrier complete		1		-	616 100 900 04	air correction jet 160		X	
32	901 108 939 04	main vent 125		1		-	616 100 900 05	air correction jet 170		X	
33	616 100 900 02	air correction jet 180		1		-	616 100 900 02	air correction jet 180		X	
34	901 100 947 00	mixing tube NR.8		X		-	616 100 900 00	air correction jet 200		X	
35	616 100 777 00	idle jet complete 55		1		-	616 100 901 03	idle jet 60		X	
36	901 108 942 00	idle jet		1		-	616 100 777 00	idle jet 55		X	
37	901 108 943 00	o-ring		1		-	616 100 901 05	idle jet 65		X	
38	901 108 944 00	pan-head screw		2		-	616 100 905 00	carburettor needle valve 2 MM		X	
39	901 108 901 00	ring piece double sided		4		-	901 108 946 00	carburettor needle valve 2,5 MM		X	
40	901 108 902 00	ring piece		2							
41	N 013 830 5	sealing ring A 8X14		1							
(41)	N 013 807 3	sealing ring A 8X11,5		1							

Model	Year	MG	SG	Illustration	Restrictions	UPD	17:43	22.01.2010	PORSCHE	PET	PORSCHE
911-1	1969	1	07	107-10		248					

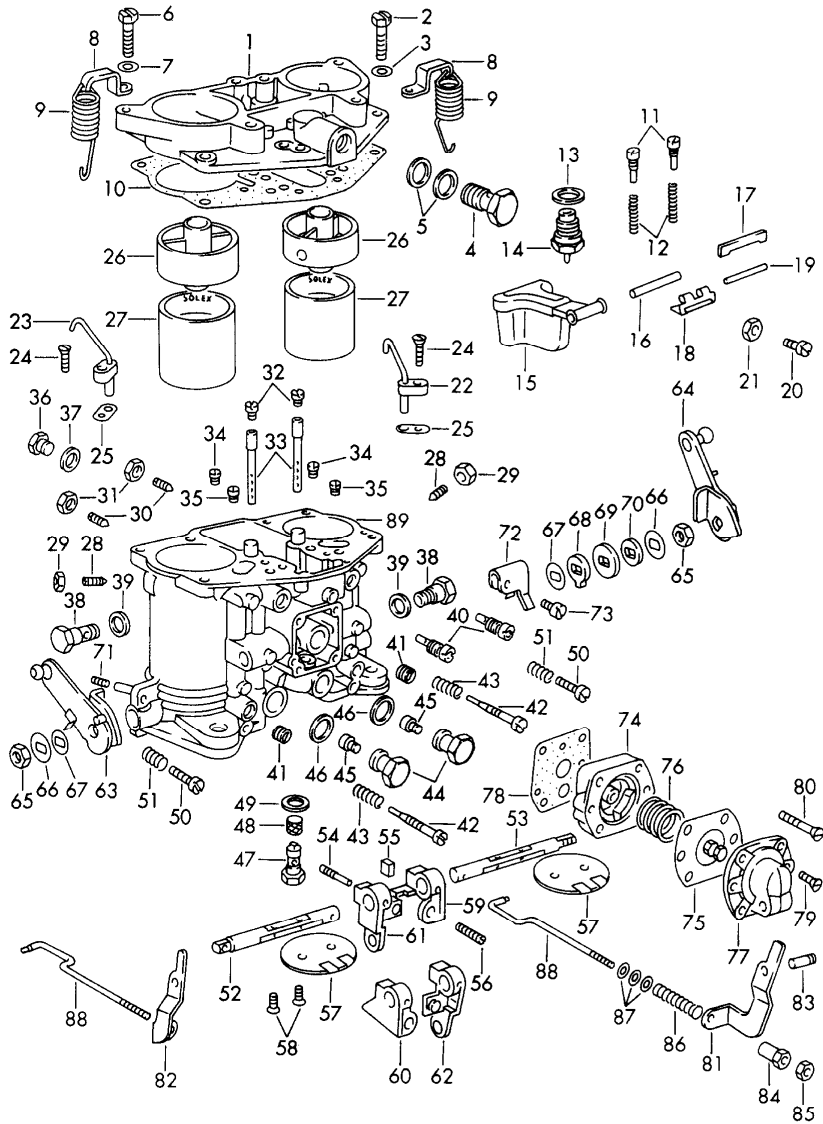


Pos	Part Number	Description	Remark	Qty	Model
		carburettor system with SOLEX-40 PII-4			912
-	PCG 108 902 00	gasket set for carburettor		2	
(1) A	616 108 103 02	carburettor 616 108 103 03 616 108 104 03 only by sets	/L -68	1	
(1)	616 108 103 04	carburettor emission control	/L -68	1	
1	616 108 103 03	carburettor damper filter	/L	1	
(1) A	616 108 104 02	carburettor 616 108 103 03 616 108 104 03 only by sets	/R -68	1	
(1)	616 108 104 03	carburettor damper filter	/R	1	
(1)	616 108 103 05	carburettor oil wetted air cleaner	/L	1	
(1)	616 108 104 05	carburettor oil wetted air cleaner	/R	1	
(1)	616 108 104 04	carburettor emission control	/R -68	1	
2	616 108 393 00	intermediate flange		4	
(2)	616 108 035 00	intermediate flange emission control		4	
3	616 108 901 02	gasket		8	
4	616 108 033 01	intake manifold		2	
(4)	616 108 033 03	intake manifold emission control	-68	2	
5	900 061 028 01	stud		8	
(5)	900 061 028 01	stud emission control	-68	6	
(5)	616 108 317 00	stud emission control	-68	2	

Model	Year	MG	SG	Illustration	Restrictions	UPD	17:43	22.01.2010	PORSCHE	PET	PORSCHE
911-1	1969	1	07	107-10		248					

Pos	Part Number	Description	Remark	Qty	Model	Pos	Part Number	Description	Remark	Qty	Model
6	616 108 905 00	gasket		2							
7	900 074 044 02	hexagon-head bolt M 8X70 DIN 931-8G		2							
8	N 012 241 1	spring washer B 8X15		14							
9	900 076 025 02	hexagon nut		12							
10	616 108 291 00	gasket		2							
11	616 08 011	reverse lever		1							
(11)	616 108 028 00	reverse lever emission control	-68	1							
(12)	999 167 012 02	ball pin	-68	2							
12	999 167 011 01	ball pin		2							
13	N 011 524 7	washer 6,4		4							
14	900 028 008 01	spring washer		3							
15	900 076 010 02	hexagon nut M 6		2							
16	616 108 071 00	reverse lever		1							
17	900 021 002 00	cotter pin		1							
18	616 08 012	push rod		2							
19	900 076 027 02	hexagon nut M 5		4							
20	900 076 029 02	hexagon nut left thread		2							
21	N 015 521 3	ball socket		4							
22	900 169 010 02	ball socket A 8 left thread		2							
23	616 108 620 00	push rod		1							

Model	Year	MG	SG	Illustration	Restrictions	UPD	17:43	22.01.2010	PORSCHE	PET	PORSCHE
911-1	1969	1	07	107-15		248					



Pos	Part Number	Description	Remark	Qty	Model
		single parts for carburettor SOLEX-40 PII-4 with throttle shaft divided			912 616/36/37 616/39/40
-	PCG 108 902 00	gasket set for carburettor		2	
1	616 100 967 02	lid		1	
2	616 100 972 00	screw		7	
3	616 100 973 00	spring washer		7	
4	616 100 867 00	banjo bolt		1	
5	616 108 423 00	sealing ring		2	
6	616 100 934 00	screw		1	
7	616 100 973 00	spring washer		1	
8	692 100 974 00	bracket		1	
9	999 522 003 02	tension spring		1	
10	616 100 968 00	gasket		1	
11	616 100 969 00	spacer screw		2	
(12)	616 100 970 00	spring	-68	2	616/36/37/39
12	616 100 970 00	compression spring		2	
13	616 108 423 00	sealing ring		1	
14	616 100 971 00	valve with ball 1,75 MM		1	
15	616 100 906 01	float 7,4 GR.		1	
16	616 100 911 01	axle		1	
17	692 100 995 00	support		1	
18	616 100 940 00	joint		1	
19	616 100 911 00	axle		1	
20	616 100 941 00	adjusting screw		1	

Model	Year	MG	SG	Illustration	Restrictions	UPD	17:43	22.01.2010	PORSCHE	PET	PORSCHE
911-1	1969	1	07	107-15		248					

Pos	Part Number	Description	Remark	Qty	Model	Pos	Part Number	Description	Remark	Qty	Model
21	901 108 977 00	hexagon nut		1		43	616 100 991 01	compression spring		2	
22	692 100 966 02	injection line 0,40		1		44	616 100 914 01	jet carrier		2	
-	692 100 998 00	pin		2		45	616 100 935 03	main vent 125 damper filter		2	
23	692 100 967 02	injection line 0,40		1		(45)	616 100 935 05	main vent 122,5 oil wetted air cleaner		2	
24	616 100 947 00	oval-head screw		2		46	616 100 915 00	sealing ring		2	
25	692 100 968 00	gasket		2		47	616 100 943 00	ball valve		1	
26	616 100 933 01	booster		2		48	616 100 944 00	strainer		1	
27	616 100 930 00	funnel \$ 32		2		49	616 100 937 00	sealing ring		1	
28	616 100 931 00	screw for funnel		2		50	616 100 923 00	adjusting screw		1	
29	901 108 977 00	hexagon nut		2		51	616 100 814 00	compression spring 616/36/37 with damper filter M 108 5810 >> picture 52-54,59-62 complete replace engine NR. see technical information		1	
30	616 100 931 00	screw		2		(52)	616 100 912 05	throttle shaft	-68	1	616/36/37/39
31	901 108 977 00	hexagon nut		2		52	616 100 912 07	throttle shaft M 409 5331 >>		1	616/40
32	616 100 900 02	air correction jet (A) 180		2		(53)	616 100 912 08	throttle shaft	-68	1	616/36/37/39
33	616 100 907 02	mixing tube NR. 25		2		53	616 100 912 08	throttle shaft M 409 5331 >>		1	616/40
34	616 100 938 00	enrichment jet 0,7 CAL.		2		(54)	692 100 992 00	clamping pin	-68	2	616/36/37/39
35	616 100 902 08	idle jet 1,1		2		54	692 100 992 01	clamping pin M 409 5331 >>		2	616/40
36	616 100 928 00	screw plug		1		55	692 100 993 01	spring tension plate		1	
37	901 108 976 00	sealing ring		1		56	911 100 958 00	threaded pin		2	
38	616 100 708 06	pump jet (GP) 40		2		57	616 100 909 03	throttle valve		2	
39	616 100 937 00	sealing ring		2		58	616 100 917 00	oval-head screw		4	
(40)	616 100 901 02	idle jet G 57,5		2							
41	616 100 976 00	threaded pin		2							
42	616 100 927 03	adjusting screw		2							

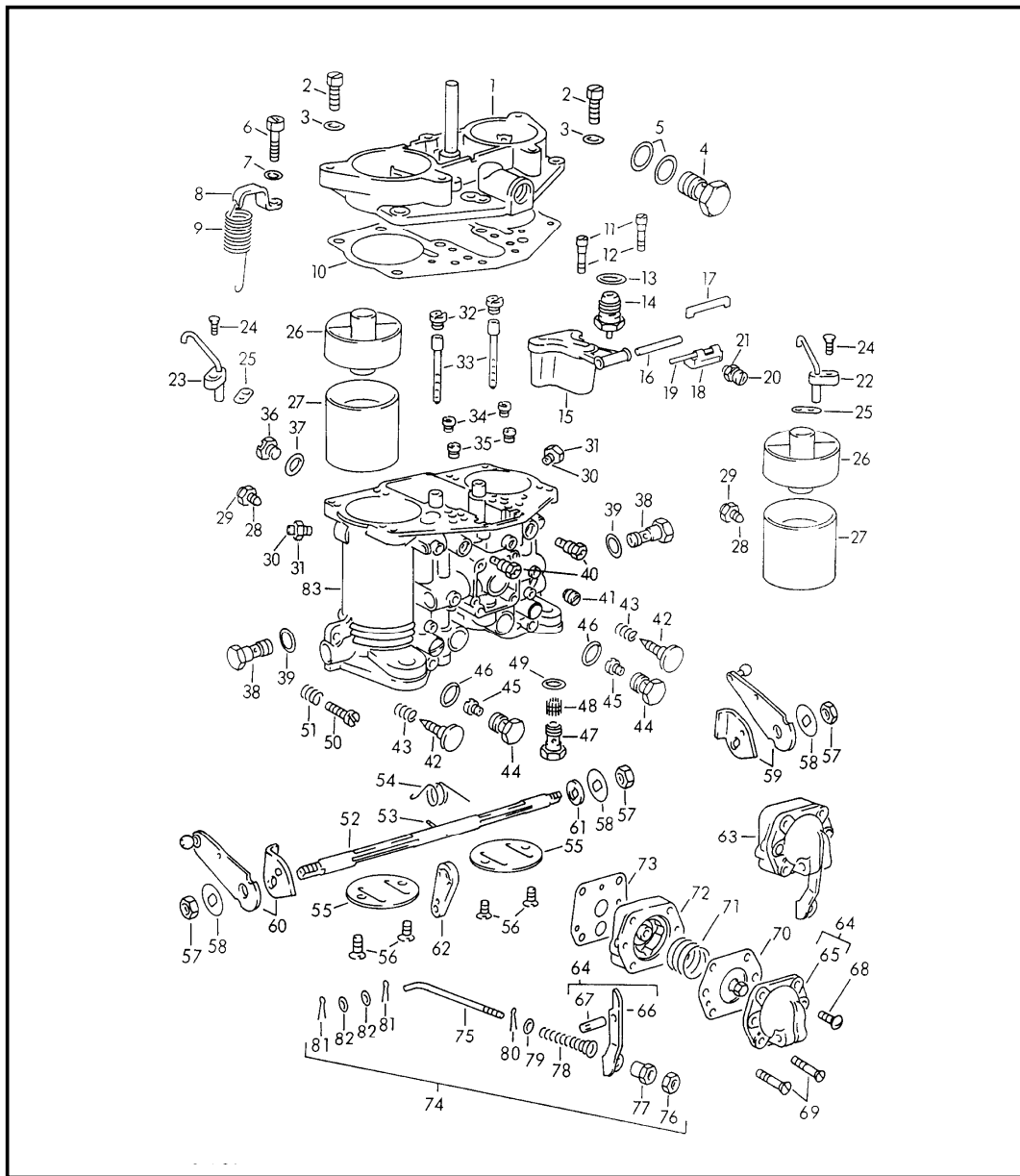
Model	Year	MG	SG	Illustration	Restrictions	UPD	17:43	22.01.2010	PORSCHE	PET	PORSCHE
911-1	1969	1	07	107-15		248					

Pos	Part Number	Description	Remark	Qty	Model	Pos	Part Number	Description	Remark	Qty	Model
(59)	692 100 991 09	lever	/R	-68	1	616/36/37/39	71	692 100 997 00	stud	2	
59	692 100 991 09	clutch lever for carburettor I M 409 5331 >>	/R		1	616/40	72	616 100 942 00	tab washer	1	
(60)	692 100 991 05	clutch lever	/L	-68	1	616/36/37/39	73	692 100 996 00	pan-head screw	1	
60	692 100 991 11	clutch lever for carburettor II M 409 5331 >>	/L		1	616/40	-	692 100 969 01	diaphragm pump complete for carburettor I	1	
(61)	692 100 991 10	lever	/R	-68	1	616/36/39/40	-	692 100 969 02	diaphragm pump complete for carburettor II	1	
61	692 100 991 10	clutch lever for carburettor I M 409 5331 >>	/R		1	616/40	74	616 100 950 00	lower part	1	
(62)	692 100 991 12	lever	/L	-68	1	616/36/37/39	75	PCG 100 951 00	diaphragm complete	1	
62	692 100 991 12	clutch lever for carburettor II M 409 5331 >>	/L		1		76	616 100 952 01	spring	1	
63	547 100 922 03	throttle lever for carburettor I	/L		1		77	616 100 954 01	lid	1	
64	547 100 922 02	throttle lever for carburettor II			1		78	616 100 957 00	gasket	1	
(65)	616 100 913 00	hexagon nut		-68	2	616/36/37/39	79	616 100 939 00	oval-head screw	2	
65	911 100 946 00	hexagon nut			2		80	616 100 958 00	oval-head screw	4	
(66)	911 100 945 00	tab washer		-68	2	616/36/37/39	81	692 100 971 00	lever for carburettor I	1	
66	911 100 945 00	lock washer			2		82	616 100 769 01	lever for carburettor II	1	
67	616 100 962 06	washer			2		83	616 100 956 00	axle	1	
68	616 100 962 05	washer			1		84	616 100 964 00	nut	1	
69	616 100 962 03	washer			1		85	616 100 925 00	hexagon nut	1	
70	616 100 962 02	washer			1		86	616 100 961 00	spring	1	
							87	616 100 962 04	washer	1	
							88	692 100 972 02	connecting rod complete	1	/R

Model	Year	MG	SG	Illustration	Restrictions	UPD	17:43	22.01.2010	PORSCHE	PET	PORSCHE
911-1	1969	1	07	107-15		248					

Pos	Part Number	Description	Remark	Qty	Model	Pos	Part Number	Description	Remark	Qty	Model
(88)	692 100 973 03	connecting rod complete	/R	1							
(88)	692 100 972 03	connecting rod complete	/L	1							
(88)	692 100 973 02	connecting rod	/L	1							
89	616 100 975 02	housing for carburettor II	/R	1							
(89)	616 100 975 01	housing for carburettor I	/L	1							

Model	Year	MG	SG	Illustration	Restrictions	UPD	17:43	22.01.2010	PORSCHE	PET	PORSCHE
911-1	1969	1	07	107-17		248					



Pos	Part Number	Description	Remark	Qty	Model
-		single parts for carburettor SOLEX-40 PII-4	-68		912 616/36/37
-	PCG 108 902 00	gasket set for carburettor		2	
1	616 100 967 02	lid		1	
2	616 100 972 00	screw		7	
3	616 100 973 00	spring washer		7	
4	616 100 867 00	banjo bolt		1	
5	616 108 423 00	sealing ring		2	
6	616 100 934 00	screw		1	
7	616 100 973 00	spring washer		1	
8	692 100 974 00	bracket		1	
9	999 522 003 02	tension spring		1	
10	616 100 968 00	gasket		1	
11	616 100 969 00	spacer screw		2	
12	616 100 970 00	compression spring		2	
13	616 108 423 00	sealing ring		1	
14	616 100 971 00	valve with ball 1,75 MM		1	
15	616 100 906 01	float 7,4 GR.		1	
16	616 100 911 01	axle		1	
17	616 100 942 00	tab washer		1	
18	616 100 940 00	joint		1	
19	616 100 911 00	axle		1	
20	616 100 941 00	adjusting screw		1	
21	901 108 977 00	hexagon nut		1	
22	692 100 966 01	injection pipe 0,35		1	

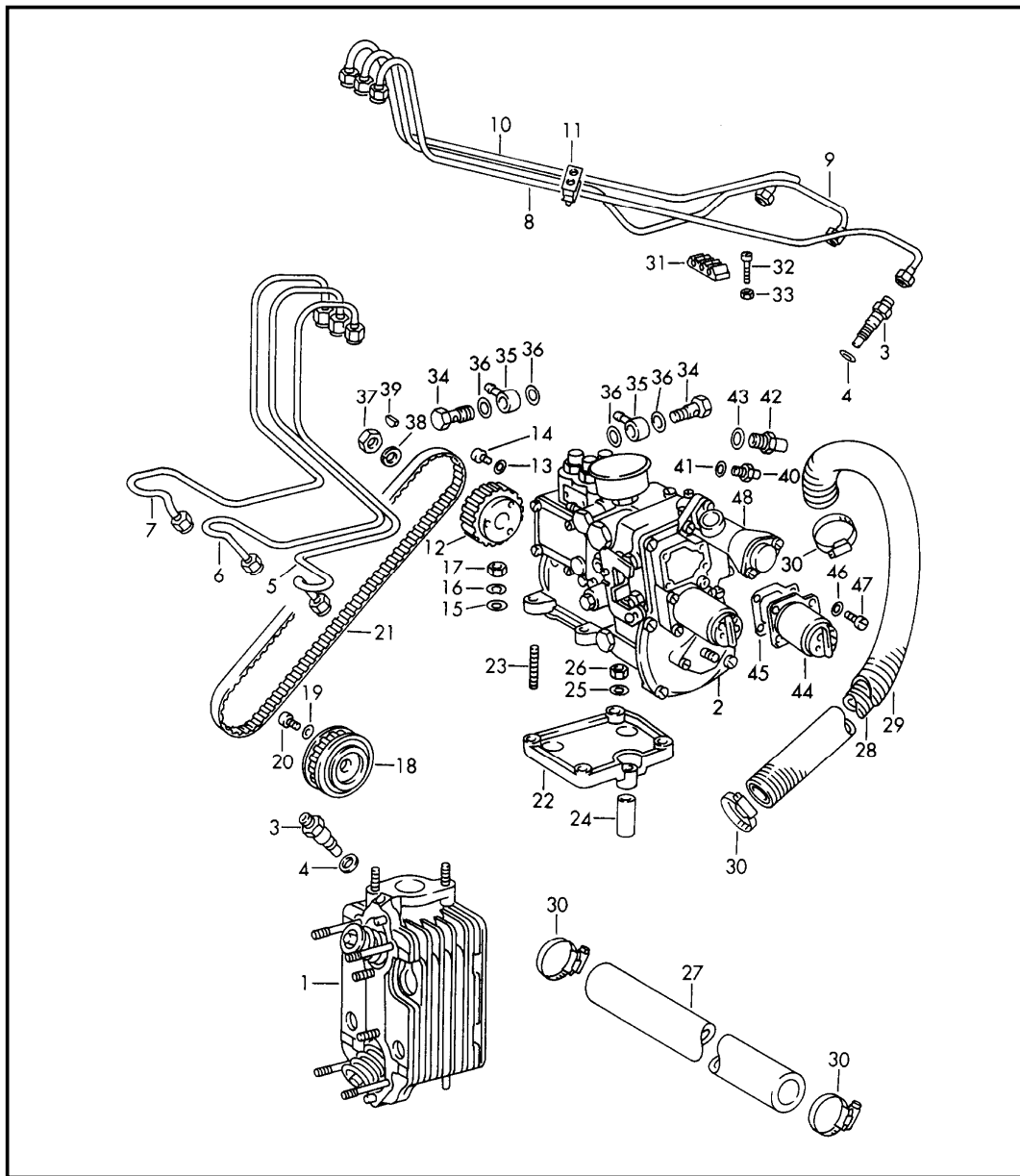
Model	Year	MG	SG	Illustration	Restrictions	UPD	17:43	22.01.2010	PORSCHE	PET	PORSCHE
911-1	1969	1	07	107-17		248					

Pos	Part Number	Description	Remark	Qty	Model	Pos	Part Number	Description	Remark	Qty	Model
23	616 100 980 00	pipe 0,35		1		46	616 100 915 00	sealing ring		2	
24	616 100 947 00	oval-head screw		2		47	616 100 943 01	valve		1	
25	692 100 968 00	gasket		2		48	616 100 944 00	strainer		1	
26	616 100 933 01	air duct		2		49	616 100 937 00	sealing ring		1	
27	616 100 930 00	funnel 32		2		50	616 100 923 00	idle speed adjusting screw		1	
28	616 100 931 00	screw for funnel		2		51	616 100 814 00	compression spring		1	
29	901 108 977 00	hexagon nut		2		52	616 100 912 02	shaft		1	
30	616 100 931 00	screw		2		53	616 100 921 00	straight pin		1	
31	901 108 977 00	hexagon nut		2		54	616 100 922 00	return spring		1	
32	616 100 900 02	air correction jet (A) 180		2		55	616 108 912 00	flap		2	
33	616 100 907 02	mixing tube NR. 25		2		56	616 100 917 00	oval-head screw		4	
34	616 100 938 00	enrichment jet 0,7 CAL.		2		57	616 100 913 00	hexagon nut		2	
35	616 100 902 02	idle jet (U) 1,8		2		58	911 100 945 00	tab washer		2	
36	616 100 928 00	screw plug		1		59	616 100 977 00	lever	/L	1	
37	901 108 976 00	sealing ring		1		60	616 100 978 00	lever	/R	1	
38	616 100 936 00	pump jet (GP) 50		2		61	616 100 815 00	washer		1	
39	616 100 937 00	sealing ring		2		62	616 100 918 00	lever		1	
40	616 100 901 02	idle jet (G) 57,5		2		63	692 100 969 00	diaphragm pump NR. 72		1	
41	616 100 976 00	threaded pin		2		64	692 100 970 00	lid complete		1	
42	616 100 927 01	idle speed adjusting screw		2		65	616 100 954 01	lid		1	
43	616 100 814 00	compression spring		2		66	692 100 971 00	lever		1	
44	616 100 914 01	jet carrier		2		67	616 100 956 00	axle		1	
45	547 100 937 02	main vent 120		2		68	616 100 939 00	countersunk-head screw		2	
						69	616 100 958 00	oval-head screw		4	
						70	PCG 100 951 00	diaphragm		1	
						71	616 100 952 00	spring		1	
						72	616 100 950 00	lower part		1	

Model	Year	MG	SG	Illustration	Restrictions	UPD	17:43	22.01.2010	PORSCHE	PET	PORSCHE
911-1	1969	1	07	107-17		248					

Pos	Part Number	Description	Remark	Qty	Model	Pos	Part Number	Description	Remark	Qty	Model
73	616 100 957 00	gasket		1							
74	692 100 972 00	connecting rod complete		1							
75	692 100 973 00	connecting rod		1							
76	616 100 925 00	hexagon nut		1							
77	616 100 964 00	nut		1							
78	616 100 961 00	spring		1							
79	616 100 962 00	washer		1							
80	616 100 963 00	cotter pin		1							
81	616 100 966 00	cotter pin		1							
82	900 031 009 02	washer		1							
83	616 100 975 00	housing		1							

Model	Year	MG	SG	Illustration	Restrictions	UPD	17:43	22.01.2010	PORSCHE	PET	PORSCHE
911-1	1969	1	07	107-20		248					

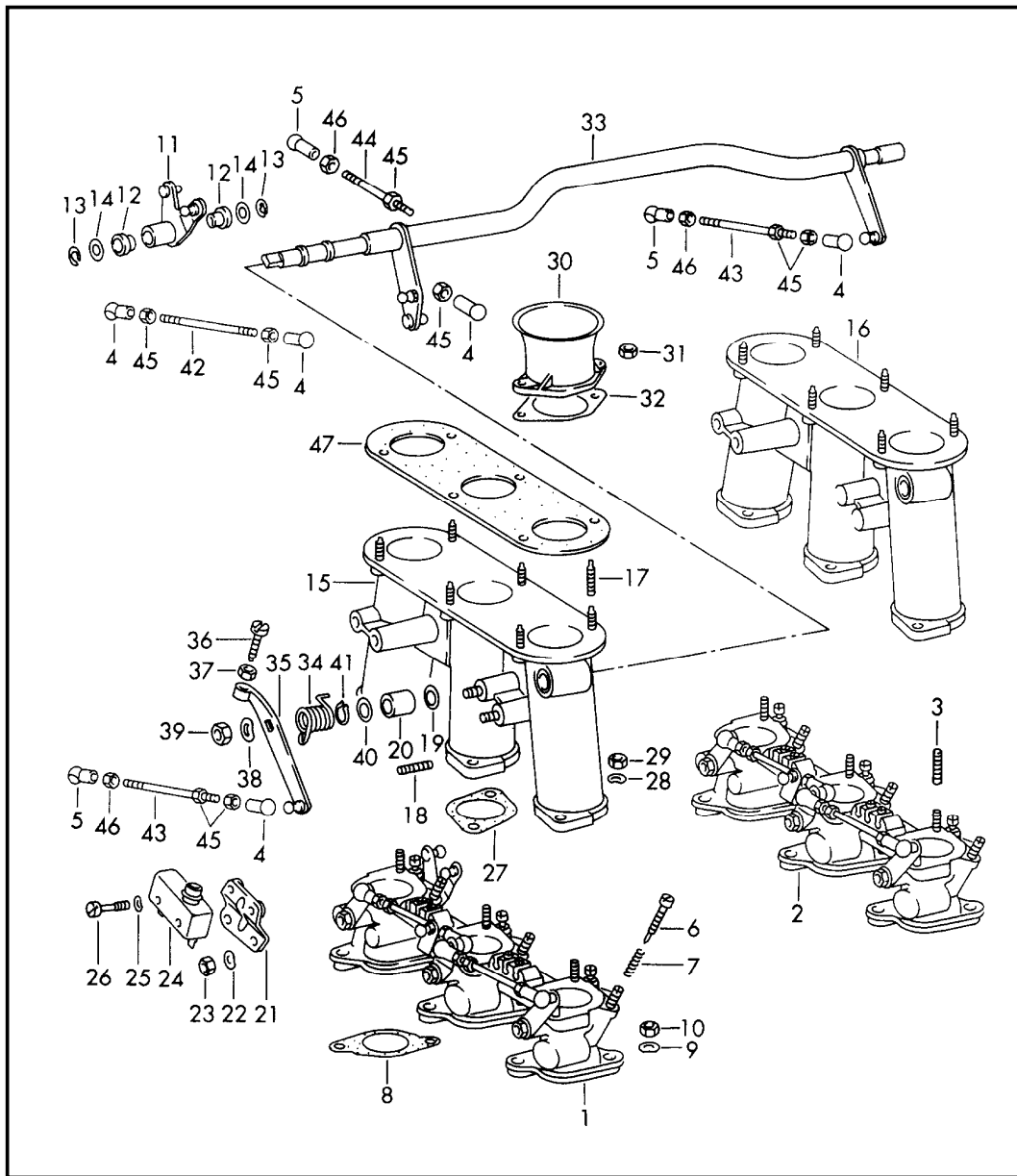


Pos	Part Number	Description	Remark	Qty	Model
		injection system cylinder head and injection pump	69-		911 E/S
1	901 104 008 00	cylinder head		1	911 E
(1)	901 104 009 01	cylinder head		1	911 S
2	901 110 226 01	pump		1	911 E
(2)	901 110 227 01	pump		1	911 S
(2)	901 110 227 AX	pump		1	911 S
3	901 110 271 00	injector valve		6	
4	N 013 812 2	sealing ring A 12X15,5		6	
5	901 110 026 01	injection line cylinder 1 complete		1	
6	901 110 026 02	injection line cylinder 2 complete		1	
7	901 110 026 03	injection line cylinder 3 complete		1	
8	901 110 026 04	injection line cylinder 4 complete		1	
9	901 110 026 05	injection line cylinder 5 complete		1	
10	901 110 026 06	injection line cylinder 6 complete		1	
11	901 110 332 00	clamping piece		1	
12	901 110 022 00	gear wheel injection pump		1	
13	900 028 003 01	spring washer A 6		3	
-	901 110 238 00	washer		1	
14	900 067 009 02	pan-head screw M 6 X15		3	

Model	Year	MG	SG	Illustration	Restrictions	UPD	17:43	22.01.2010	PORSCHE	PET	PORSCHE
911-1	1969	1	07	107-20		248					

Pos	Part Number	Description	Remark	Qty	Model	Pos	Part Number	Description	Remark	Qty	Model
15	900 025 007 02	washer 8,4		4		36	901 108 994 00	sealing ring		4	
16	N 012 241 1	spring washer B 8X15		4		37	900 078 003 00	hexagon nut M 12		1	
17	502 08 310	nut		4		38	900 028 014 01	lock ring B 12		1	
18	901 110 023 00	gear wheel camshaft		1		39	N 012 706 1	spring 3X6,5		1	
19	900 028 003 01	spring washer A 6		2		40	901 110 918 00	adapter intake		1	
20	900 067 009 02	pan-head screw M 6X15		2		41	900 123 033 20	sealing ring A 10X13,5		1	
21	999 192 030 40	toothed belt		1		42	901 110 919 00	adapter return line		1	
22	901 110 027 00	bracket		1		43	N 013 849 2	sealing ring A 14X18		1	
23	900 061 007 01	stud BM 8X22 SN 1115		4		44	901 110 921 00	solenoid switch		1	
24	901 110 236 00	spacer tube		1		45	901 110 922 00	gasket		1	
25	N 012 241 1	spring washer B 8X15		3		46	901 110 923 00	sealing ring		4	
26	900 076 025 02	hexagon nut M 8		3		47	900 014 058 02	pan-head screw AM 5X12		4	
27	000 043 205 21	hose internal diameter 25 440 MM		1		48	901 110 924 00	thermostat for hot air complete		1	
28	901 110 295 00	hose		1		-	901 110 925 00	insulating piece		1	
29	PCG 110 296 00	hose		1		-	900 014 081 02	pan-head screw M 6X18		2	
30	999 512 551 00	hose clamp 25X42X9		4		-	901 110 926 00	insulating bush		2	
31	916 110 330 00	support complete		4		-	901 110 927 00	sealing ring		1	
32	900 014 093 02	pan-head screw AM 3X22		8							
33	900 076 001 02	hexagon nut M 3		8							
34	901 110 917 00	banjo bolt		2							
35	901 108 995 00	ring piece		2							

Model	Year	MG	SG	Illustration	Restrictions	UPD	17:44	22.01.2010	PORSCHE	PET	PORSCHE
911-1	1969	1	07	107-25		248					



Pos	Part Number	Description	Remark	Qty	Model
		injection system throttle body	69-		911 E/S
1	901 110 001 00	throttle body not for sportomatic	/L	1	911 E
(1)	901 110 034 00	throttle body not for sportomatic	/L	1	911 S
(1)	901 110 001 01	throttle body	/L	1	911 E: SPM
-	901 110 111 00	bearing sleeve for throttle shaft		12	
2	901 110 002 00	throttle body	/R	1	911 E
(2)	901 110 034 00	throttle body not for sportomatic	/R	1	911 S
3	999 062 071 02	stud BM 6X16		12	
4	999 169 002 02	ball socket		5	
5	999 169 001 02	ball socket left thread		5	
6	901 110 112 01	adjusting screw		6	
7	901 110 119 01	spring		6	
8	901 108 391 04	gasket		6	911 E
(8)	901 108 391 05	gasket not for sportomatic		6	911 S
9	900 031 014 30	washer 8,4		12	
10	999 084 601 02	hexagon nut M 8		12	
11	901 110 007 00	reverse lever not for sportomatic		1	
(11)	901 110 077 00	reverse lever		1	911 E: SPM
12	901 423 253 00	bearing sleeve		2	
13	900 116 009 01	lock washer 6		2	

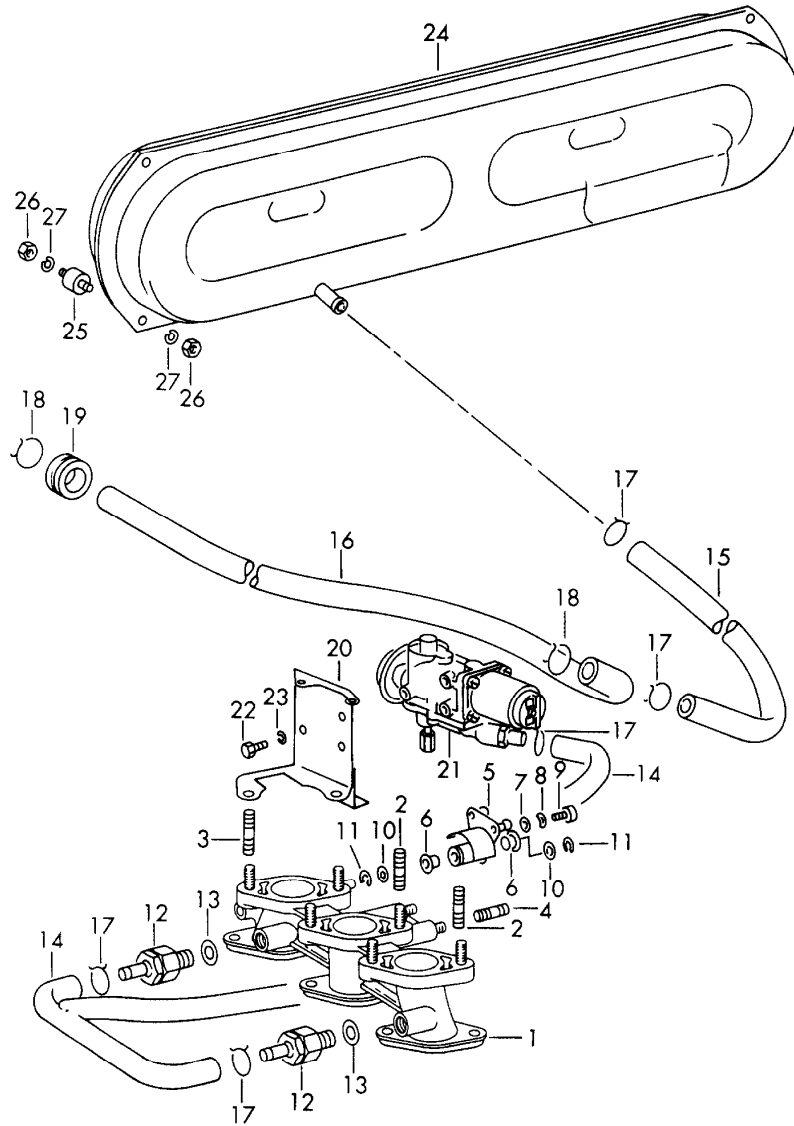
Model	Year	MG	SG	Illustration	Restrictions	UPD	17:44	22.01.2010	PORSCHE	PET	PORSCHE
911-1	1969	1	07	107-25		248					

Pos	Part Number	Description	Remark	Qty	Model	Pos	Part Number	Description	Remark	Qty	Model
14	900 031 001 02	washer 8,4		2		28	900 028 008 01	spring washer B 6		12	
15	901 110 043 01	intake pipe complete M 629 0933 >> not for sportomatic	/L	1	911 E	29	900 076 010 02	hexagon nut M 6		12	
(15)	901 110 043 01	intake pipe complete M 629 8322 >>	/L	1	911 E: SPM	30	PCG 108 322 01	intake trumpet \$ 46 not for sportomatic		6	911 S
(15)	901 110 031 01	intake pipe complete not for sportomatic	/L	1	911 S	(30)	911 110 322 02	funnel \$ 38		6	911 E: SPM
16	901 110 043 01	intake pipe complete	/R	1	911 E	-	911 110 139 00	washer		12	
(16)	901 110 031 01	intake pipe complete not for sportomatic	/R	1	911 S	31	N 021 196 1	lock nut M 5		12	
17	999 061 079 01	stud		12		32	911 110 391 00	gasket		6	
18	900 061 055 01	stud BM 6X12		2		33	901 110 057 00	deflection roller complete		1	
19	900 234 019 01	shim 12X18X1		1		34	901 110 131 00	steering knuckle spring		1	
20	999 201 035 00	needle sleeve 12X18X16		2		35	901 110 059 02	lever		1	
21	901 110 036 00	support		1		36	999 014 007 02	pan-head screw		1	
22	900 028 008 01	spring washer B 6		2		37	900 076 027 02	hexagon nut M 5		1	
23	900 076 010 02	hexagon nut M 6		2		38	999 523 102 02	lock washer M 8		1	
24	901 613 106 00	microswitch intake manifold		1		39	900 076 025 02	hexagon nut M 8 SW 13		1	
25	900 028 018 01	spring washer B 4		2		40	900 234 019 01	shim 12X18X1		1	
26	900 014 091 02	pan-head screw BM 4X25		2		41	900 041 005 01	circlip 12X1		1	
27	901 110 191 00	gasket		6		42	901 110 611 00	pull rod		1	
						43	901 110 062 00	push rod		2	
						44	901 110 063 00	push rod		2	
						45	900 076 027 02	hexagon nut M 5		8	
						46	900 076 029 02	hexagon nut M 5		3	

Model	Year	MG	SG	Illustration	Restrictions	UPD	17:44	22.01.2010	PORSCHE	PET	PORSCHE
911-1	1969	1	07	107-25		248					

Pos	Part Number	Description	Remark	Qty	Model	Pos	Part Number	Description	Remark	Qty	Model
47	901 110 192 00	gasket		2							

Model	Year	MG	SG	Illustration	Restrictions	UPD	17:44	22.01.2010	PORSCHE	PET	PORSCHE
911-1	1969	1	07	107-30		248					

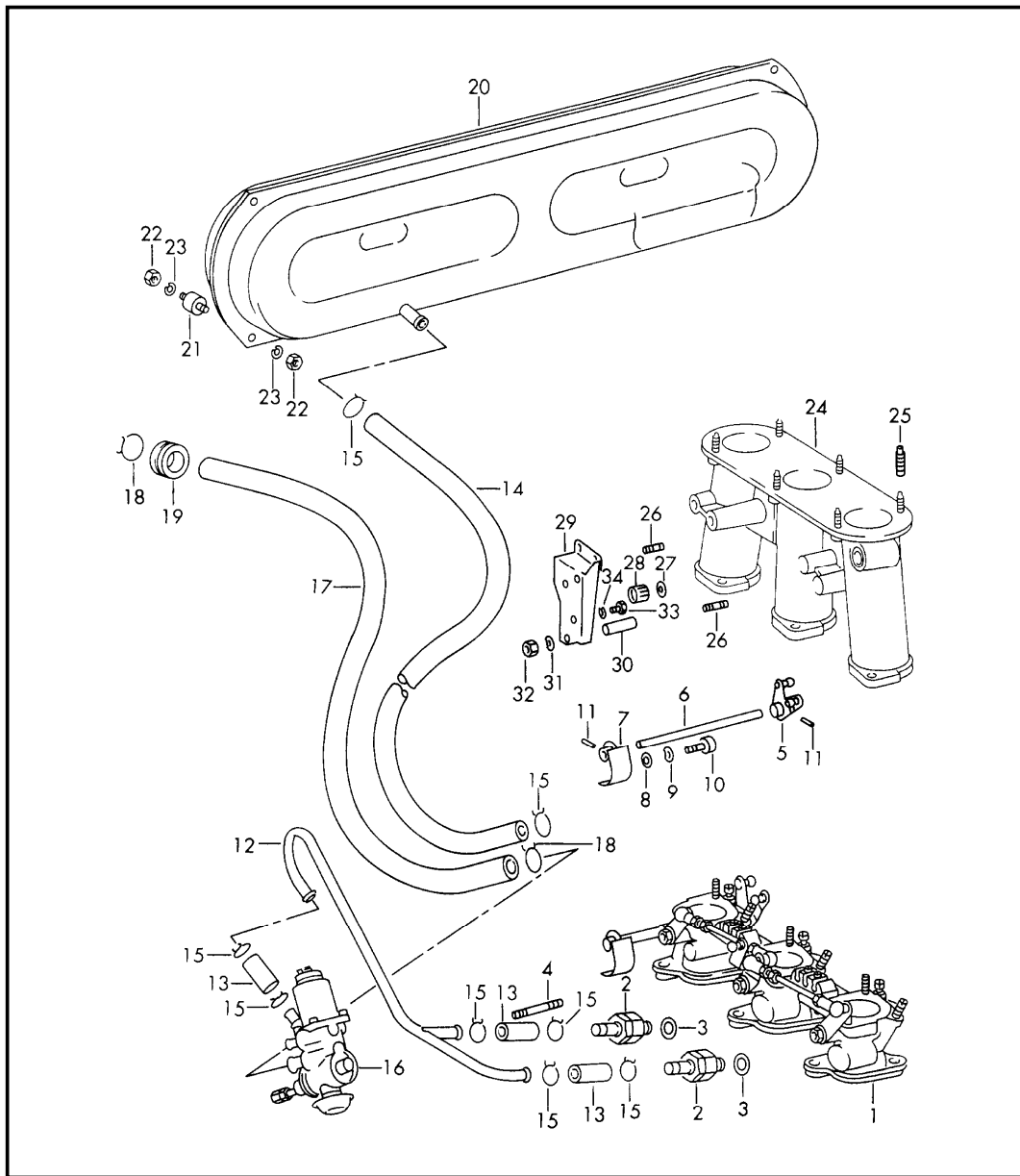


Pos	Part Number	Description	Remark	Qty	Model
		vacuum system for clutch release for sportomatic	-68 69-		911 L/S/TU 911 T
1	905 108 031 01	intake manifold with stud	/L	-68	1 911 L/TU
(1)	905 108 031 03	intake manifold with stud	/L	-68	1 911 S
(1)	905 108 031 04	intake manifold complete	/L	69-	1 911 T
2	900 061 007 01	stud BM 8X22		4	
3	900 061 007 01	stud BM 8X22		2	
4	900 061 004 02	stud BM 8X12	-68	2	911 L/S/TU
(4)	900 061 022 01	stud M 8X12	69-	4	911 T
5	905 108 070 00	reverse lever	-68	1	911 L/S/TU
(5)	905 108 070 02	reverse lever	69-	1	911 T
6	901 423 253 00	bearing sleeve		2	
7	900 089 011 02	washer 4		1	
8	900 028 018 01	spring washer B 4		1	
9	900 067 080 02	pan-head screw M 4X10		1	
10	900 031 001 02	washer		2	
11	900 116 009 01	lock washer		2	
12	905 116 725 00	check valve		2	
13	900 123 008 30	sealing ring A 14 X 20		2	
14	905 108 075 00	vacuum hose intake manifold - control valve		1	

Model	Year	MG	SG	Illustration	Restrictions	UPD	17:44	22.01.2010	PORSCHE	PET	PORSCHE
911-1	1969	1	07	107-30		248					

Pos	Part Number	Description	Remark	Qty	Model	Pos	Part Number	Description	Remark	Qty	Model
15	905 108 702 00	vacuum hose control valve - vacuum tank		1							
16	905 108 703 00	vacuum hose control valve - servo-motor		1							
17	999 512 140 02	hose clamp \$ 19,05		5							
18	999 512 141 02	hose clamp \$ 22,23		2							
19	999 702 064 50	rubber sleeve		1							
20	905 108 035 00	support for control valve complete		1							
21	905 108 370 00	control valve		1							
22	900 075 010 02	hexagon-head bolt M 6 X 12		3							
23	900 028 008 01	spring washer B 6		3							
24	905 116 033 00	vacuum tank		1							
25	901 504 853 20	bearing		4							
26	900 076 010 02	hexagon nut M 6		8							
27	N 012 007 2	lock ring A 6		8							

Model	Year	MG	SG	Illustration	Restrictions	UPD	17:44	22.01.2010	PORSCHE	PET	PORSCHE
911-1	1969	1	07	107-35		248					

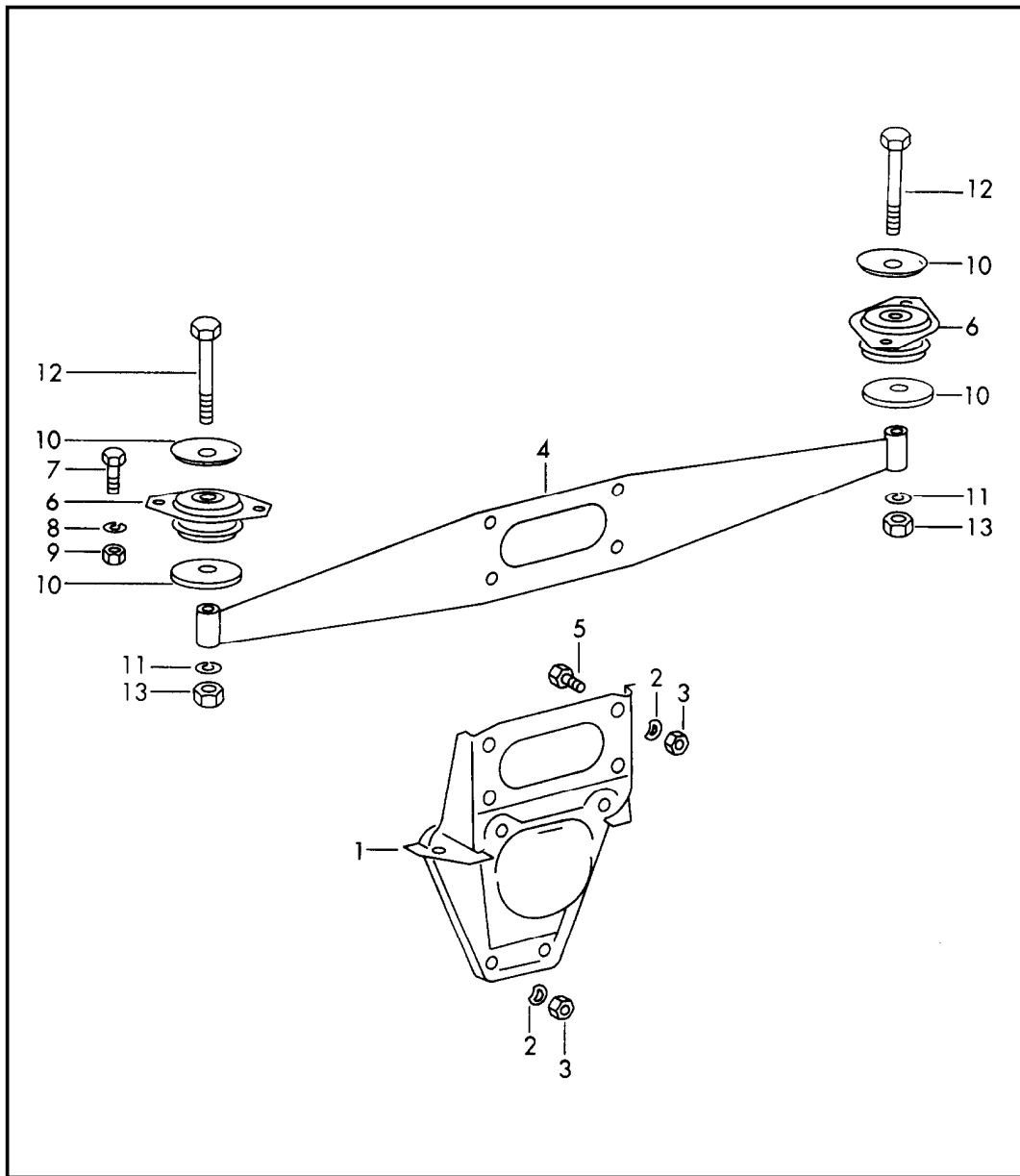


Pos	Part Number	Description	Remark	Qty	Model
		vacuum system for clutch release injection system for sportomatic	69-		911 E
1	901 110 001 01	housing throttle valve	/L	1	
2	905 116 725 00	check valve		2	
3	900 123 008 30	sealing ring A 14 X 20		2	
4	999 062 123 02	stud BM 6X45		1	
5	901 110 077 00	reverse lever complete		1	
6	905 108 402 00	shaft		1	
7	905 108 032 01	disc cam complete		1	
8	900 089 011 02	washer 4		1	
9	900 028 018 01	spring washer		1	
10	900 067 080 02	pan-head screw M 4X10		1	
11	900 308 002 00	clamping pin 2,5X14		2	
12	905 108 704 00	vacuum line intake manifold - control valve		1	
13	905 108 707 00	connecting hose		3	
-	999 180 029 50	hose		*	
14	905 108 702 01	vacuum hose control valve - vacuum tank		1	
15	999 512 140 02	hose clamp § 19,05		8	
16	905 108 370 00	control valve		1	

Model	Year	MG	SG	Illustration	Restrictions	UPD	17:44	22.01.2010	PORSCHE	PET	PORSCHE
911-1	1969	1	07	107-35		248					

Pos	Part Number	Description	Remark	Qty	Model	Pos	Part Number	Description	Remark	Qty	Model
17	905 108 703 00	vacuum hose control valve - servo-motor		1							
18	999 512 141 02	hose clamp \$ 22,23		2							
19	999 702 064 50	rubber sleeve		1							
20	905 116 033 00	vacuum tank		1							
21	901 504 853 20	bearing		4							
22	900 076 010 02	hexagon nut M 6		8							
23	N 012 007 2	lock ring A 6		8							
24	901 110 043 01	intake pipe complete	/L	1							
25	999 061 079 01	stud		6							
26	900 061 055 01	stud BM 6X12		4							
27	900 234 019 01	shim 12X18X1		1							
28	999 201 035 00	needle sleeve 12X18X16		1							
29	905 108 331 00	support for control valve		1							
30	905 108 333 00	spacer sleeve		1							
31	900 028 008 01	spring washer B 6		3							
32	900 076 010 02	hexagon nut M 6		3							

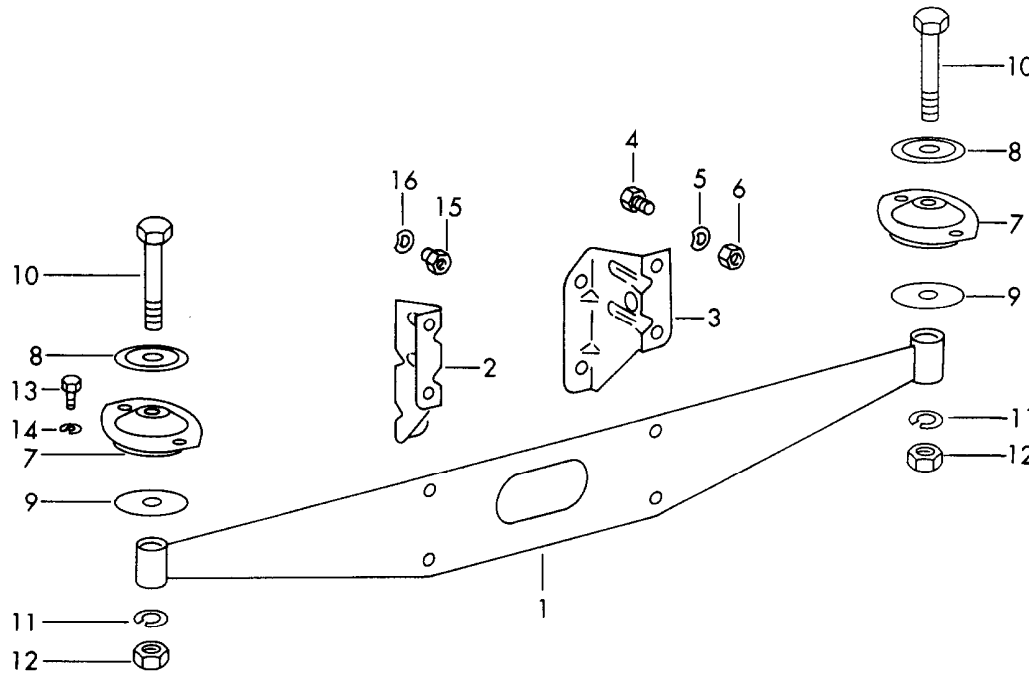
Model	Year	MG	SG	Illustration	Restrictions	UPD	17:44	22.01.2010	PORSCHE	PET	PORSCHE
911-1	1969	1	09	109-00		248					



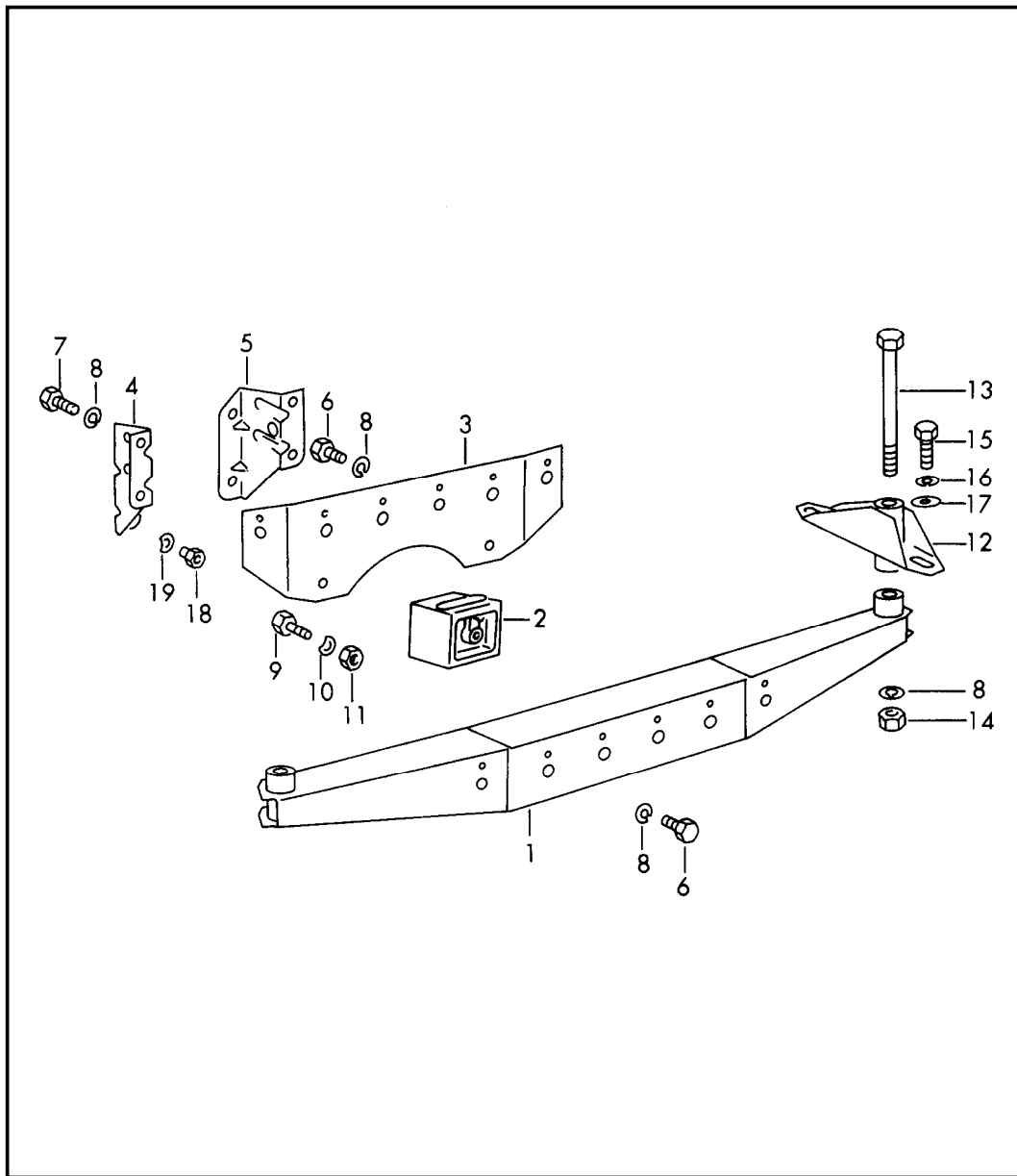
Pos	Part Number	Description	Remark	Qty	Model
		engine suspension rear			911
1	901 115 014 01	bracket M >> 090 9000	-68	1	911
(1)	901 115 014 04	bracket M 090 9001 >>		1	
2	N 012 242 3	spring washer B 10X18		8	
3	900 157 002 02	hexagon nut M 10		8	
4	930 375 011 01	bracket		1	
5	900 156 006 02	hexagon-head bolt M 10X18		4	
6	911 375 043 00	bearing		2	
7	N 010 335 5	hexagon-head bolt M 8X35		4	
8	900 027 015 02	lock ring B 8		4	
9	900 076 025 02	hexagon nut M 8		4	
10	901 305 311 00	seat		4	
11	900 027 017 02	lock ring B 12	-68	2	
(11)	999 523 109 02	lock washer M 12	69-	2	
12	900 082 026 01	hexagon-head bolt M 12X1,5X92		2	
13	900 076 016 02	hexagon nut M 12X1,5		2	

Model	Year	MG	SG	Illustration	Restrictions	UPD	17:44	22.01.2010	PORSCHE	PET	PORSCHE
911-1	1969	1	09	109-05		248					

Pos	Part Number	Description	Remark	Qty	Model
		engine suspension rear	-66		912
		not for (S) + (D) F	>> 074 6699		
		for (S) + (D) F	>> 083 2813		
1	616 115 012 01	bracket		1	
2	616 115 151 00	bracket	/L	1	
3	616 115 152 00	bracket	/R	1	
4	900 156 006 02	hexagon-head bolt M 10X18		4	
5	N 012 230 1	spring washer B 10		4	
6	900 157 002 02	hexagon nut M10		4	
7	616 115 043 01	bearing		2	
8	616 115 312 00	washer		2	
9	616 115 313 00	washer		2	
10	900 082 028 01	hexagon-head bolt M 12X1,5X95		2	
11	900 027 017 02	lock ring B 12		2	
12	900 076 016 02	hexagon-head bolt M 12X1,5		2	
13	999 093 010 02	hexagon-head bolt M 8X20		4	
14	900 027 015 02	lock ring B 8		4	
15	616 115 171 00	speed nut		4	
16	900 028 014 01	spring washer B 12		4	



Model	Year	MG	SG	Illustration	Restrictions	UPD	17:45	22.01.2010	PORSCHE	PET	PORSCHE
911-1	1969	1	09	109-10		248					



Pos	Part Number	Description	Remark	Qty	Model
		engine suspension rear		66-	912
		not for (S) + (D) F 074 6700 >> for (S) + (D) F 083 2814 >>			
1	902 115 012 00	bracket		-68	1
(1)	902 115 012 02	bracket		69-	1
2	902 305 492 00	bonded rubber buffer			6
(3)	616 115 105 02	mounting plate		-68	1
3	616 115 105 02	mounting plate		69-	1
(4)	616 115 151 02	bracket emission control	/L	-68	1
4	616 115 151 01	bracket	/L		1
5	616 115 152 01	bracket	/R		1
6	N 010 126 1	hexagon-head bolt M 12X1,5X15			10
7	900 083 011 02	hexagon-head bolt M 12X1,5X18			2
(7)	999 093 005 02	hexagon-head bolt M 12X1,5X22 emission control		-68	1
8	900 027 017 02	lock ring B 12			14
9	900 156 006 02	hexagon-head bolt M 10X18			2
(9)	900 156 005 02	hexagon-head bolt M 10X20 emission control		-68	1
10	N 012 230 1	spring washer B 10			2
11	900 157 002 02	hexagon nut M 10			2
12	902 115 015 00	mounting			2
13	900 082 031 02	hexagon-head bolt M 12X1,5X115			2

Model	Year	MG	SG	Illustration	Restrictions	UPD	17:45	22.01.2010	PORSCHE	PET	PORSCHE
911-1	1969	1	09	109-10		248					

Pos	Part Number	Description	Remark	Qty	Model	Pos	Part Number	Description	Remark	Qty	Model
14	900 076 016 02	hexagon nut M 12X1,5		2							
15	900 074 127 02	hexagon-head bolt M 8X25		4							
16	900 027 015 02	lock ring B 8		4							
17	900 025 007 02	washer 8,4		4							
18	616 115 171 00	speed nut		4							
19	900 028 014 01	spring washer B 12		4							

Model	Year	MG	SG	Illustration	Restrictions	UPD	17:45	22.01.2010
911-1	1969	1	98	198-00R		248		

Pos	Part Number	Description	Remark	Qty	Model
		gasket set piston rings			
>>	>>901 100 902 00	gasket set for engine with - SOLEX - carburettor comprising:	-68	X	911
-	999 704 172 50	sealing ring		5	
-	999 701 006 40	o-ring		24	
-	999 113 057 52	radial sealing ring 65X85X10		1	
-	999 113 049 50	sealing ring 30X50X10		1	
-	900 174 041 40	sealing ring		1	
-	901 101 391 00	gasket		2	
-	900 123 011 30	sealing ring A 22X27 AL		1	
-	901 104 391 01	cylinder head gasket		6	
-	901 104 191 00	cylinder base gasket		6	
-	901 104 193 00	seal		12	
-	901 105 193 02	gasket		2	
-	901 105 197 00	gasket		2	
-	999 701 124 40	o-ring		2	
-	901 105 592 01	sliding sealing ring		2	
-	901 105 191 02	gasket		1	
-	901 105 192 02	gasket		1	
-	901 105 194 03	gasket		2	
-	901 105 195 03	gasket		2	
-	901 105 198 03	gasket		2	
-	999 704 173 50	sealing ring		2	
-	999 701 100 50	o-ring		1	
-	900 123 011 30	sealing ring A 22X27 AL		2	
-	999 701 113 50	o-ring		8	

PORSCHÉ

PET

PORSCHÉ

Model	Year	MG	SG	Illustration	Restrictions	UPD	17:45	22.01.2010
911-1	1969	1	98	198-00R		248		

Pos	Part Number	Description	Remark	Qty	Model
-	999 701 053 50	sealing ring		1	
-	900 123 025 70	sealing ring		2	
-	901 107 791 00	gasket		1	
-	616 108 423 00	sealing ring		14	
-	901 108 199 00	gasket		2	
-	901 108 196 00	gasket		6	
-	901 108 195 00	gasket		6	
-	901 108 196 00	gasket		6	
-	N 013 807 3	sealing ring A 8X11,5		6	
-	N 013 830 5	sealing ring A 8X14		6	
-	901 108 391 00	gasket		6	
-	901 108 491 00	gasket		4	
-	N 013 818 4	sealing ring A 12X16		4	
-	901 111 193 00	gasket		2	
-	901 111 191 01	gasket		6	
-	999 701 101 50	sealing ring		1	
-	900 123 007 30	sealing ring A 14X18 AL		1	
-	900 123 044 30	sealing ring A 18X22 AL		1	
-	N 013 808 3	sealing ring A 10X16 CU		8	
-	901 108 933 00	gasket		6	
-	901 108 934 00	gasket		6	
-	901 108 943 00	o-ring		6	
-	900 123 005 30	sealing ring A 12X16 AL		8	

Model	Year	MG	SG	Illustration	Restrictions	UPD	17:45	22.01.2010
911-1	1969	1	98	198-00R		248		

Pos	Part Number	Description	Remark	Qty	Model
>>	>>901 100 902 01	gasket set for engine with - WEBER - carburettor for TYP 911 M 090 7001 >> comprising:	-68	X	911 L/S/TU
-	999 704 172 50	sealing ring		5	
-	999 701 006 40	o-ring		24	
-	999 113 057 52	radial sealing ring 65X85X10		1	
-	999 113 049 50	sealing ring 30X50X10		1	
-	900 174 041 40	sealing ring		1	
-	901 101 391 00	gasket		2	
-	900 123 011 30	sealing ring A 22X27 AL		1	
-	901 104 391 01	cylinder head gasket		6	
-	901 104 191 00	cylinder base gasket		6	
-	901 104 193 00	seal		12	
-	901 105 193 02	gasket		2	
-	901 105 193 03	gasket		2	
-	901 105 197 00	gasket		2	
-	999 701 124 40	o-ring		2	
-	901 105 191 02	gasket		1	
-	901 105 191 03	gasket		1	
-	901 105 192 02	gasket		1	
-	901 105 192 03	gasket		1	
-	901 105 194 03	gasket		2	
-	901 105 195 03	gasket		2	
-	901 105 195 04	gasket		2	
-	901 105 198 03	gasket		2	
-	901 105 198 04	gasket		1	

PORSCHE

PET

PORSCHE

Model	Year	MG	SG	Illustration	Restrictions	UPD	17:45	22.01.2010
911-1	1969	1	98	198-00R		248		

Pos	Part Number	Description	Remark	Qty	Model
-	999 704 173 50	sealing ring		2	
-	999 701 100 50	o-ring		1	
-	900 123 011 30	sealing ring		2	
-	999 701 113 50	o-ring		8	
-	999 701 053 50	sealing ring		1	
-	900 123 025 70	sealing ring		2	
-	901 107 791 01	gasket		1	
-	901 108 391 00	gasket		6	
-	901 108 392 00	gasket		6	
-	901 111 193 00	gasket		2	
-	901 111 191 01	gasket		6	
-	999 701 101 50	sealing ring		1	
-	900 123 007 30	sealing ring A 14X18 AL		1	
-	900 123 044 30	sealing ring A 18X22 AL		1	
-	N 013 808 3	sealing ring A 10X16 CU		8	
-	900 123 005 30	sealing ring A 12X16 AL		12	
-	901 108 398 01	gasket for carburettor		6	
-	901 108 218 00	gasket for connecting piece		2	
-	N 013 818 4	sealing ring A 12X16		4	
-	692 100 902 00	sealing ring		4	
-	901 100 915 00	sealing ring		4	
-	901 100 937 00	gasket		2	
-	901 100 916 00	sealing ring		4	
-	901 100 917 00	sealing ring		4	
-	901 100 946 00	diaphragm		2	
-	901 100 977 00	sealing ring		6	

Model	Year	MG	SG	Illustration	Restrictions	UPD	17:45	22.01.2010
911-1	1969	1	98	198-00R		248		

Pos	Part Number	Description	Remark	Qty	Model
-	901 100 918 00	sealing ring		4	
-	901 100 919 00	sealing ring		6	
-	901 100 990 00	sealing ring		4	
>>	>>901 108 945 00	gasket set for carburettor - SOLEX 40 PI-1 - complete carburettor system comprising:	-68	X	911
-	616 108 423 00	sealing ring		2	
-	901 108 199 00	gasket		2	
-	901 108 196 00	gasket		6	
-	901 108 195 00	gasket		6	
-	N 013 807 3	sealing ring A 8X11,5		6	
-	N 013 830 5	sealing ring A 8X14		6	
-	901 108 943 00	o-ring		6	
>>	>>901 108 948 00	gasket set for carburettor - WEBER 40 IDA/IDS - - WEBER 40 IDT/IDAP - M 090 7001 >> complete carburettor system comprising:	-68	X	911 /S
-	901 108 398 01	gasket for carburettor		6	
-	901 108 218 00	gasket for connecting piece		2	
-	N 013 818 4	sealing ring A 12X16		4	
-	692 100 902 00	sealing ring		4	
-	901 100 915 00	sealing ring		4	
-	901 100 937 00	gasket		2	
-	901 100 916 00	sealing ring		4	

Model	Year	MG	SG	Illustration	Restrictions	UPD	17:45	22.01.2010
911-1	1969	1	98	198-00R		248		

Pos	Part Number	Description	Remark	Qty	Model
-	901 100 917 00	sealing ring		4	
-	901 100 946 00	diaphragm		2	
-	901 100 977 00	sealing ring		6	
-	901 100 918 00	sealing ring		4	
-	901 100 919 00	sealing ring		6	
-	901 100 990 00	sealing ring 10X14X1		4	
-	901 100 995 00	sealing ring 10X14X0,25		4	
-	901 100 996 00	sealing ring 10X14X0,50		4	
>>	>>616 101 901 00	gasket set crankcase comprising:		1	912
-	369 01 111	washer		1	
-	539 01 106	gasket for cover		1	
-	539 01 122	sealing ring rubber for oil duct		2	
-	911 101 123 00	sealing ring rubber for oil duct and oil cooler		4	
-	539 01 124	gasket crankcase lid		1	
-	539 01 125	gasket for generator		1	
-	539 01 152	gasket oil drain lid		3	
-	616 01 115	rubber stopper for oil tube		2	

PORSCHE

PET

PORSCHE

Model	Year	MG	SG	Illustration	Restrictions	UPD	17:45	22.01.2010
911-1	1969	1	98	198-00R		248		

Pos	Part Number	Description	Remark	Qty	Model
-	616 101 123 00	gasket rubber for oil duct and oil cooler		4	
-	616 01 124 1	gasket crankcase lid		1	
-	616 101 191 00	washer		7	
-	616 101 931 00	gasket oil drain lid		1	
-	616 101 932 00	gasket oil drain lid		1	
-	502 02 301	gasket flywheel		1	
-	616 102 163 01	sealing washer		1	
-	539 07 108	gasket for lid oil pump		1	
-	539 07 109	gasket for lid oil pump		1	
-	539 07 117	sealing ring rubber for tachometer driving mechanism		1	
-	616 107 902 01	gasket for lid oil pump		1	
-	000 97 301	o-ring		1	
-	000 97 326	o-ring		1	
-	000 97 327	o-ring		1	
-	999 701 043 50	o-ring		1	
-	999 701 006 40	o-ring		7	
-	999 113 012 50	shaft sealing ring DG 48X65X10/1		1	
-	999 113 029 50	radial sealing ring DG 60X80X10/1		1	

Model	Year	MG	SG	Illustration	Restrictions	UPD	17:45	22.01.2010
911-1	1969	1	98	198-00R		248		

Pos	Part Number	Description	Remark	Qty	Model
-	999 701 006 40	o-ring 8X2 V5-2518		1	
-	900 123 008 30	sealing ring 14X20X1,5 AL		1	
-	N 013 806 2	sealing ring 10X14X1 CU		1	
-	900 123 006 25	sealing ring 12X18X1,5 CU		1	
-	900 123 025 70	sealing ring C 18X24		1	
-	539 04 203	gasket for oil tube		1	
-	616 101 391 00	gasket crankcase lid		1	
-	900 123 066 30	sealing ring A 10X16 AL		2	
-	616 107 792 01	gasket for bleeder		1	
-	999 701 142 40	o-ring		6	
-	999 704 132 50	sealing ring		2	
>>	>>616 100 184 02	gasket set engine comprising:		1	912
-	539 04 203	gasket for cylinder head nut		8	
-	539 04 209	gasket for cylinder		4	
-	616 104 951 00	gasket for protective cap		2	
-	539 05 207	gasket for cam follower protective tube		16	
-	616 108 905 00	gasket for intake manifold		2	

Model	Year	MG	SG	Illustration	Restrictions	UPD	17:45	22.01.2010
911-1	1969	1	98	198-00R		248		

Pos	Part Number	Description	Remark	Qty	Model
-	616 108 901 02	gasket for carburettor		2	
-	616 108 423 00	sealing ring (FIBER) for banjo bolt		7	
-	999 701 101 50	gasket for distributor		1	
-	616 111 291 00	gasket flange exhaust manifold		4	
-	616 108 291 00	gasket for damper filter		2	
-	999 702 047 50	rubber sleeve for cylinder head		1	
-	616 104 393 00	pot for rubber sleeve		2	
>>	>>901 100 902 03	gasket set for engine with - WEBER - carburettor comprising:	69-	1	911 T
-	999 704 172 50	sealing ring		5	
-	999 701 006 40	o-ring		24	
-	999 113 057 52	radial sealing ring 65X85X10		1	
-	999 113 049 50	oil scraper ring 30X50X10		1	
-	900 174 041 40	sealing ring		1	
-	901 101 391 00	gasket for oil strainer		2	
-	900 123 011 30	sealing ring A 22X27 AL		4	
-	901 104 191 00	cylinder base gasket		6	
-	901 104 391 01	cylinder head gasket		6	

PORSCHE

PET

PORSCHE

Model	Year	MG	SG	Illustration	Restrictions	UPD	17:45	22.01.2010
911-1	1969	1	98	198-00R		248		

Pos	Part Number	Description	Remark	Qty	Model
-	911 104 193 00	valve stem seal		12	
-	901 105 193 03	gasket crank chain case		2	
-	901 105 197 00	gasket		2	
-	999 701 124 40	o-ring 67,5X75,4X4		2	
-	901 105 191 03	gasket for chain case left		1	
-	901 105 194 03	gasket for camshaft housing upper		2	
-	901 105 195 04	gasket for camshaft housing lower		2	
-	901 105 198 04	gasket for cover		1	
-	900 123 008 30	sealing ring A 14X20 AL		3	
-	900 123 005 30	sealing ring A 12X16 AL		12	
-	900 123 044 30	sealing ring A 18X22 CU		2	
-	900 123 066 30	sealing ring A 10X16 ALMGSI F 32		8	
-	999 701 596 40	o-ring 8,3X2,4		2	
-	999 701 596 40	o-ring 20,3X2,4		2	
-	900 123 061 20	sealing ring A 6,5X9,5 CU		2	
-	999 704 173 50	sealing ring		2	
-	999 701 100 50	o-ring		1	
-	900 123 071 30	sealing ring C 18X24 CU-AS		2	
-	999 701 113 50	o-ring		8	

PORSCHE

PET

PORSCHE

Model	Year	MG	SG	Illustration	Restrictions	UPD	17:45	22.01.2010
911-1	1969	1	98	198-00R		248		

Pos	Part Number	Description	Remark	Qty	Model
-	999 701 053 50	sealing ring 39,2X3		1	
-	905 107 191 02	gasket		1	
-	999 701 135 50	o-ring		1	
-	901 107 791 01	gasket for bleeder		1	
-	900 123 043 30	sealing ring A 12X15,5 AL		3	
-	901 108 391 04	gasket for intake manifold		6	
-	901 108 218 00	gasket for connecting piece		2	
-	901 108 398 01	gasket for carburettor		6	
-	901 111 193 00	gasket		2	
-	901 111 193 00	gasket		6	
-	900 123 008 30	sealing ring A 14X20 AL		2	
-	999 701 101 50	sealing ring		1	
-	900 123 007 30	sealing ring A 14X18 AL		1	
-	PCG 100 914 00	sealing ring		4	
-	901 100 915 00	sealing ring		4	
-	901 100 937 00	sealing ring		2	
-	901 100 916 00	sealing ring		4	
-	901 100 917 00	sealing ring		4	
-	901 100 946 00	sealing ring		2	
-	901 100 977 00	sealing ring		6	
-	901 100 918 00	sealing ring		4	
-	901 100 919 00	sealing ring		6	
-	901 100 990 01	sealing ring		4	

Model	Year	MG	SG	Illustration	Restrictions	UPD	17:45	22.01.2010
911-1	1969	1	98	198-00R		248		

Pos	Part Number	Description	Remark	Qty	Model
-	900 031 014 30	washer 8,4 AL MY SI 1 F 32 for camshaft housing lid lower		11	
>>	>>901 100 902 04	gasket set for engine with injection system comprising:	69-	1	911 E/S
-	999 704 172 50	sealing ring		5	
-	999 701 006 40	o-ring		24	
-	999 113 057 52	radial sealing ring 65X85X10		1	
-	999 113 049 50	oil scraper ring 30X50X10		1	
-	900 174 041 40	sealing ring		1	
-	901 101 391 00	gasket for oil strainer		2	
-	900 123 011 30	sealing ring A 22X27 AL		10	
-	901 104 191 00	cylinder base gasket		6	
-	901 104 391 01	cylinder head gasket		6	
-	911 104 193 00	valve stem seal		12	
-	901 105 193 03	gasket crank chain case		2	
-	901 105 197 00	gasket		2	
-	999 701 124 40	o-ring 67,5X75,4X4		2	
-	901 105 191 03	gasket for chain case left		1	
-	901 105 192 03	gasket for chain case right		1	

PORSCHE

PET

PORSCHE

Model	Year	MG	SG	Illustration	Restrictions	UPD	17:45	22.01.2010
911-1	1969	1	98	198-00R		248		

Pos	Part Number	Description	Remark	Qty	Model
-	901 105 194 03	gasket for camshaft housing upper		2	
-	901 105 195 04	gasket for camshaft housing lower		2	
-	901 105 198 04	gasket for cover		1	
-	900 123 008 30	sealing ring A 14X20 AL		3	
-	900 123 005 30	sealing ring A 12X16 AL		12	
-	900 123 044 30	sealing ring A 18X22 CU		2	
-	900 123 066 30	sealing ring A 10X16 ALMG SI 1 F 32		8	
-	999 701 596 40	o-ring 8,3X2,4		2	
-	999 701 596 40	o-ring 20,3X2,4		2	
-	900 123 061 20	sealing ring A 6,5X9,5 CU		2	
-	999 113 068 50	radial sealing ring BA 35X47X7		1	
-	999 704 173 50	sealing ring		2	
-	999 701 100 50	o-ring		1	
-	900 123 071 30	sealing ring C 18X24 CU-AS		3	
-	901 107 717 00	sealing ring		2	
-	999 701 113 50	o-ring		8	
-	999 701 053 50	sealing ring 39,2X3		1	
-	999 113 099 40	radial sealing ring BA SI 12,7X22X6		1	911 E
-	905 107 191 02	gasket		1	
-	999 701 135 50	o-ring		1	

Model	Year	MG	SG	Illustration	Restrictions	UPD	17:45	22.01.2010
911-1	1969	1	98	198-00R		248		

Pos	Part Number	Description	Remark	Qty	Model
-	901 107 791 01	gasket for bleeder		1	
-	900 123 043 30	sealing ring A 12X15,5 AL		3	
-	900 123 007 70	sealing ring A 14X18		2	
-	901 111 193 00	gasket		2	
-	901 111 191 01	gasket		6	
-	901 110 192 00	gasket		2	
-	N 013 812 2	sealing ring A 12X15,5 CU		6	
-	999 701 101 50	sealing ring		1	
-	900 123 007 30	sealing ring A 14X18 AL		2	
-	901 108 391 04	gasket for throttle body		6	911 E
-	901 108 391 05	gasket for throttle body		6	
-	901 110 191 00	gasket for intake manifold		6	
-	901 108 994 00	sealing ring		4	
-	901 108 994 00	sealing ring		4	
-	900 123 033 20	sealing ring A 10X13,5 CU		1	
-	N 013 849 2	sealing ring A 14X18 CU		1	
-	901 110 922 00	gasket		1	
-	900 031 014 30	washer 8,4 AL MG SI F 32 for camshaft housing lid lower		11	
>>	>>901 103 901 00	set of piston rings for piston \$ 80MM comprising:		1	

Model	Year	MG	SG	Illustration	Restrictions	UPD	17:45	22.01.2010
911-1	1969	1	98	198-00R		248		

Pos	Part Number	Description	Remark	Qty	Model
-	901 103 311 01	oil scraper ring		1	
-	901 103 311 01	oil scraper ring groove 1		1	
-	901 103 312 01	oil scraper ring groove 2		1	
-	901 103 315 01	tubular spring ring double-levelled ring groove 3		1	
>>	>>901 103 901 50	set of piston rings for piston \$ 80,5MM comprising:	-68	1	911 /L
-	901 103 311 51	oil scraper ring groove 1		1	
-	901 103 312 51	oil scraper ring groove 2		1	
-	901 103 315 50	tubular spring ring double-levelled ring groove 3		1	
>>	>>901 103 901 01	set of piston rings for piston \$ 80MM comprising:	-68	1	911 S
-	901 103 311 01	oil scraper ring groove 1		1	
-	901 103 317 00	oil scraper ring groove 2		1	
-	901 103 315 01	tubular spring ring oil slot groove 3		1	
>>	>>901 103 901 51	set of piston rings for piston \$ 80,5MM comprising:	-68	1	911 S
-	901 103 311 51	oil scraper ring groove 1		1	
-	901 103 311 52	piston ring groove 2		1	
-	901 103 315 50	tubular spring ring oil slot groove 3		1	

Model	Year	MG	SG	Illustration	Restrictions	UPD	17:45	22.01.2010
911-1	1969	1	98	198-00R		248		

Pos	Part Number	Description	Remark	Qty	Model
>>	>>901 103 901 02	set of piston rings for piston - mahle - \$ 80MM comprising:	-68	1	911 TU
-	901 103 311 02	oil scraper ring groove 1		1	
-	901 103 312 03	oil scraper ring groove 2		1	
-	901 103 315 01	tubular spring ring oil slot groove 3		1	
>>	>>901 103 901 52	set of piston rings for piston - mahle - \$ 80,5MM comprising:	-68	1	911 TU
-	901 103 311 52	oil scraper ring groove 1		1	
-	901 103 312 52	oil scraper ring groove 2		1	
-	901 103 315 50	tubular spring ring oil slot groove 3		1	
>>	>>901 103 901 03	set of piston rings for piston - SCHMIDT - \$ 80MM comprising:	-68	1	911 TU
-	901 103 312 01	oil scraper ring groove 1 and groove 2		2	
-	901 103 318 00	tubular spring ring oil slot groove 3		1	
>>	>>901 103 901 53	set of piston rings for piston - SCHMIDT - \$ 80,5MM comprising:	-68	1	911 TU

Model	Year	MG	SG	Illustration	Restrictions	UPD	17:45	22.01.2010
911-1	1969	1	98	198-00R		248		

Pos	Part Number	Description	Remark	Qty	Model
-	901 103 312 51	oil scraper ring groove 1 and groove 2		2	
-	901 103 318 50	tubular spring ring oil slot groove 3		1	
>>	>>616 103 907 05	set of piston rings for piston \$ 82,50 comprising:		1	912
-	616 103 331 00	oil scraper ring groove 1		1	
-	616 103 331 01	oil scraper ring groove 2		1	
-	616 103 335 00	tubular spring ring oil slot groove 3		1	
>>	>>616 103 907 06	set of piston rings for piston \$ 83,00 comprising:		1	912
-	616 103 331 50	oil scraper ring groove 1		1	
-	616 103 331 51	oil scraper ring groove 2		1	
-	616 103 335 50	tubular spring ring oil slot groove 3		1	
>>	>>901 103 901 01	set of piston rings 901/10 for piston \$ 80MM	69-	1	911 S
>>	>>901 103 901 51	set of piston rings 901/10 for piston \$ 80,5MM	69-	1	911 S
>>	>>911 103 901 01	set of piston rings 911/01/03/04/06/07/08 for - mahle - piston \$ 84MM	69-	X	911 T/E

Model	Year	MG	SG	Illustration	Restrictions	UPD	17:45	22.01.2010
911-1	1969	1	98	198-00R		248		

Pos	Part Number	Description	Remark	Qty	Model
>>	>>911 103 901 26	set of piston rings for piston \$ 84,25MM comprising:	69-	X	911 T/E
-	911 103 311 26	oil scraper ring groove 1		1	
-	911 103 313 25	oil scraper ring groove 2		1	
-	911 103 315 25	tubular spring ring oil slot groove 3		1	
>>	>>911 103 901 50	set of piston rings for piston \$ 84,50MM	69-	X	911 T/E
>>	>>911 103 902 01	set of piston rings 911/02 for piston \$ 84MM comprising:	69-	X	911 S
-	911 103 311 01	oil scraper ring groove 1		1	
-	911 103 312 00	oil scraper ring groove 2		1	
-	911 103 315 00	tubular spring ring oil slot groove 3		1	
>>	>>911 103 945 25	piston ring for piston \$ 84,25MM comprising:		X	911 S
-	911 103 311 26	oil scraper ring groove 1		1	
-	911 103 312 25	oil scraper ring groove 2		1	
-	911 103 315 25	tubular spring ring oil slot groove 3		1	
>>	>>911 103 902 50	set of piston rings for piston \$ 84,50MM		X	911 S

Model	Year	MG	SG	Illustration	Restrictions	UPD	17:45	22.01.2010
911-1	1969	1	98	198-00R		248		

Pos	Part Number	Description	Remark	Qty	Model
>>	>>911 103 905 01	set of piston rings 911/03/06/07/08 for - mahle - piston \$ 84MM comprising:	69-	X	911 T
-	911 103 312 00	oil scraper ring groove 1		1	
-	911 103 313 00	oil scraper ring groove 2		1	
-	911 103 315 00	tubular spring ring oil slot groove 3		1	
>>	>>911 103 905 26	set of piston rings for piston \$ 84,25MM comprising:	69-	X	911 T
-	911 103 312 25	oil scraper ring groove 1		1	
-	911 103 313 25	oil scraper ring groove 2		1	
-	911 103 315 25	tubular spring ring oil slot groove 3		1	
>>	>>911 103 906 01	set of piston rings 911/03/06/07/08 for - SCHMIDT - piston \$ 84MM comprising:	69-	X	911 T
-	911 103 312 00	oil scraper ring groove 1		1	
-	911 103 313 00	oil scraper ring groove 2		1	
-	911 103 314 00	tubular spring ring oil slot groove 3		1	
>>	>>911 103 906 26	set of piston rings for piston \$ 84,25MM comprising:	69-	X	911 T
-	911 103 312 25	oil scraper ring groove 1		1	

PORSCHE

PET

PORSCHE

Model	Year	MG	SG	Illustration	Restrictions	UPD	17:45	22.01.2010
911-1	1969	1	98	198-00R		248		

Pos	Part Number	Description	Remark	Qty	Model
-	911 103 313 25	oil scraper ring groove 2		1	
-	911 103 314 25	tubular spring ring oil slot groove 3		1	
>>	>>911 103 906 50	set of piston rings for piston \$ 84,50MM	69-	X	911 T

Model	Year	MG	SG	Illustration	Restrictions	UPD	17:45	22.01.2010
911-1	1969	1	98	198-05R		248		

Pos	Part Number	Description	Remark	Qty	Model
		modification kit for extra power and valve repair kits			
>>	>>901 100 920 00	modification kit for 6-8 PS extra power carburettor - SOLEX - comprising:	-68	1	911
-	901 108 924 01	venturi \$ 34		6	
-	616 100 900 00	air correction jet 200		6	
-	999 170 128 90	spark plug - BOSCH W 265 P21 -		6	
-	901 108 082 00	cover for carburettor		2	
>>	>>901 100 922 02	modification kit for 5-6 PS extra power carburettor - WEBER - comprising:	-68	1	911
-	999 170 128 90	spark plug - BOSCH W 265 P 21 -		6	
-	901 108 331 00	venturi \$ 34		6	
-	901 100 978 03	main vent 145		6	
-	901 100 989 03	air correction jet 140		6	
-	901 100 981 01	idle jet 60		6	
-	901 108 820 00	cover for carburettor		2	
-	901 107 083 00	oil collection container complete		1	
-	644 628 091 00	retaining strap		1	

Model	Year	MG	SG	Illustration	Restrictions	UPD	17:45	22.01.2010
911-1	1969	1	98	198-05R		248		

Pos	Part Number	Description	Remark	Qty	Model
-	901 107 656 00	fastening angle		2	
-	900 378 030 09	hexagon-head bolt M 6X20		2	
-	900 027 014 01	lock ring B 6		2	
-	900 076 010 02	hexagon nut M 6		2	
-	901 107 394 00	breather hose		1	
		installation instructions		1	
>>	>>901 100 922 03	modification kit for 10 PS extra power carburettor - WEBER - comprising:	-68	1	911
-	999 170 128 90	spark plug - BOSCH W 265 P 21 -		6	
-	901 108 331 00	venturi \$ 34		6	
-	901 100 978 03	main vent 145		6	
-	901 100 989 03	air correction jet 140		6	
-	901 100 981 01	idle jet 60		6	
-	901 108 820 00	cover for carburettor		2	
-	901 107 083 00	oil collection container complete		1	
-	644 628 091 00	retaining strap		1	
-	901 107 656 00	fastening angle		2	
-	900 378 030 09	hexagon-head bolt M 6X20		2	
-	900 027 014 01	lock ring		2	
-	900 076 010 02	hexagon nut M 6		2	
-	901 107 394 00	breather hose		1	

PORSCHE

PET

PORSCHE

Model	Year	MG	SG	Illustration	Restrictions	UPD	17:45	22.01.2010
911-1	1969	1	98	198-05R		248		

Pos	Part Number	Description	Remark	Qty	Model
-	901 111 153 00	bracket for exhaust pipe		1	
-	901 111 193 00	gasket		2	
-	901 111 035 00	exhaust pipe left complete		1	
-	901 111 036 00	exhaust pipe right complete		1	
-	900 075 078 02	hexagon-head bolt M 8X25		4	
-	900 027 015 02	lock ring B 8		4	
-	900 076 025 02	hexagon nut M 8		4	
		installation instructions		1	
>>	>>901 100 906 00	modification kit I without clutch for 10 PS extra power carburettor - WEBER - comprising:	-68	1	911 S
-	901 108 331 01	venturi \$ 36		6	
-	901 100 978 10	main vent 155 for carburettor - WEBER IDS 3C + 3C1 -		6	
-	901 100 978 09	main vent 150 for carburettor - WEBER IDA(S) 3C + 3C1 -		6	
-	901 108 820 00	cover plate complete		2	
-	901 107 083 00	oil collection container		1	
-	644 628 091 00	retaining strap		1	
-	901 107 394 00	breather hose		1	

Model	Year	MG	SG	Illustration	Restrictions	UPD	17:45	22.01.2010
911-1	1969	1	98	198-05R		248		

Pos	Part Number	Description	Remark	Qty	Model
-	901 107 656 00	fastening angle		2	
-	900 378 030 09	hexagon-head bolt M 6X20		2	
-	900 027 014 01	lock ring B 6		2	
-	900 076 010 02	hexagon nut M 6		2	
-	999 170 128 90	spark plug - BOSCH W 265 P 21 -		6	
>>	>>901 100 907 00	modification kit II without clutch for 15 PS extra power carburettor - WEBER - comprising:	-68	1	911 S
-	901 108 331 01	venturi \$ 36		6	
-	901 100 978 10	main vent 155 for carburettor - WEBER IDS 3C + 3C1 -		6	
-	901 100 978 09	main vent 150 for carburettor - WEBER IDA(S) 3C + 3C1 -		6	
-	901 108 820 00	cover plate		2	
-	901 107 083 00	oil collection container		1	
-	644 628 091 00	retaining strap		1	
-	901 107 656 00	fastening angle		2	
-	900 378 030 09	hexagon-head bolt M 6X20		2	
-	900 076 010 02	hexagon nut M 6		2	
-	900 027 014 01	lock ring B 6		2	
-	901 107 394 00	breather hose		1	

Model	Year	MG	SG	Illustration	Restrictions	UPD	17:45	22.01.2010
911-1	1969	1	98	198-05R		248		

Pos	Part Number	Description	Remark	Qty	Model
-	901 111 153 00	bracket for exhaust pipe		1	
-	901 111 193 00	gasket		2	
-	901 111 035 00	exhaust pipe left complete		1	
-	901 111 036 00	exhaust pipe right complete		1	
-	900 075 078 02	hexagon-head bolt M 8X15		4	
-	900 027 015 02	lock ring B 8		4	
-	900 076 025 02	hexagon nut M 8		4	
-	999 170 128 90	spark plug - BOSCH W 265 P 21 -		6	
>>	>>901 100 906 01	modification kit I with flywheel and clutch for 10 PS extra power carburettor - WEBER - comprising:	-68	1	911 S
-	901 108 331 01	venturi \$ 36		6	
-	901 100 978 10	main vent 155 for carburettor - WEBER IDS 3C + 3C1 -		6	
-	901 100 978 09	main vent 150 for carburettor - WEBER IDA(S) 3C + 3C1 -		6	
-	901 108 820 00	cover plate		2	
-	901 107 083 00	oil collection container		1	
-	644 628 091 00	retaining strap		1	

Model	Year	MG	SG	Illustration	Restrictions	UPD	17:45	22.01.2010
911-1	1969	1	98	198-05R		248		

Pos	Part Number	Description	Remark	Qty	Model
-	901 107 394 00	breather hose		1	
-	901 107 656 00	fastening angle		2	
-	900 378 030 09	hexagon-head bolt M 6X20		2	
-	900 027 014 01	lock ring B 6		2	
-	900 076 010 02	hexagon nut M 6		2	
-	999 170 128 90	spark plug - BOSCH W 265 P 21 -		6	
-	> 901 102 201 10	flywheel		1	
-	> 901 116 003 01	clutch		1	
-	999 012 014 00	straight pin		3	
>>	>>901 100 907 01	modification kit II with flywheel and clutch for 15 PS extra power carburettor - WEBER - comprising:	-68	1	911 S
-	901 108 331 01	venturi		6	
-	901 100 978 10	main vent 155 for carburettor - WEBER IDS 3C + 3C1 -		6	
-	901 100 978 09	main vent 150 for carburettor - WEBER IDA(S) 3C + 3C1 -		6	
-	901 108 820 00	cover plate		2	
-	901 107 083 00	oil collection container		1	
-	644 628 091 00	retaining strap		1	
-	901 107 656 00	fastening angle		2	
-	900 378 030 09	hexagon-head bolt M 6X20		2	

Model	Year	MG	SG	Illustration	Restrictions	UPD	17:45	22.01.2010
911-1	1969	1	98	198-05R		248		

Pos	Part Number	Description	Remark	Qty	Model
-	900 027 014 01	lock ring B 6		2	
-	900 076 010 02	hexagon nut M 6		2	
-	901 107 394 00	breather hose		1	
-	901 111 153 00	bracket for exhaust pipe		1	
-	901 111 193 00	gasket		2	
-	901 111 035 00	exhaust pipe left complete		1	
-	901 111 036 00	exhaust pipe right complete		1	
-	900 075 078 02	hexagon-head bolt M 8X15		4	
-	900 027 015 02	lock ring B 8		4	
-	900 076 025 02	hexagon nut M 8		4	
-	999 170 128 90	spark plug - BOSCH W 265 P 21 -		6	
-	> 901 102 201 10	flywheel		1	
-	> 901 116 003 01	clutch		1	
-	999 012 014 00	straight pin		3	
-	999 915 031 00	sealing compound 800 GR. CURIL K 7-53270-03 for engine		X	
-	999 915 032 00	sealing compound 100 CCM EC 750 M-2G 51 for dust bellows 901 332 293 10		X	
>>	>>901 113 904 00	modification kit for assembly valve comprising:		1	911/14, 17
-	901 113 217 00	valve		1	

Model	Year	MG	SG	Illustration	Restrictions	UPD	17:45	22.01.2010
911-1	1969	1	98	198-05R		248		

Pos	Part Number	Description	Remark	Qty	Model
-	901 113 048 01	flange		1	
-	901 113 191 00	gasket		1	
-	900 074 012 02	hexagon-head bolt M 6X20		2	
-	900 028 008 01	spring washer B 6		2	
-	900 076 010 02	hexagon nut M 6		2	
-	999 180 093 50	hose		1	
-	999 181 140 40	hose PVC		1	
>>	>>PCG 108 902 00	gasket set for carburettor - SOLEX 40 P II-4 -		1	
>>	>>911 105 901 00	repair kit for chain adjuster 901 105 049 02	69-	X	911 T/E/S
-	930 105 585 00	intermediate piece		1	
-	999 701 298 40	o-ring OR 10-1		1	
-	930 105 511 03	needle cage for ball		1	
-	900 108 005 00	ball		1	
-	900 152 005 00	circlip 16		1	
-	999 701 596 40	o-ring 8,3X2,4		1	
-	999 701 596 40	o-ring 20,3X2,4		1	
-	900 152 017 00	circlip 28		1	
-	900 123 061 20	sealing ring A 6,5X9,5 CU		1	
-	911 103 315 00	tubular spring ring oil slot groove 3		1	

Model	Year	MG	SG	Illustration	Restrictions	UPD	17:45	22.01.2010
911-1	1969	1	98	198-05R		248		

Pos	Part Number	Description	Remark	Qty	Model
>>	>>616 107 912 00	modification kit oil cooler elastic mount for subsequent installation comprising:	-68	1	912
-	999 062 071 02	stud		1	
-	616 106 119 00	washer		1	
-	616 107 041 02	oil cooler		1	
-	999 701 142 40	o-ring		6	
-	999 704 132 50	sealing ring		2	
-	999 025 049 02	washer		2	
-	900 084 010 02	hexagon nut M 6		3	
-	616 107 541 00	bush		1	
-	616 107 545 00	washer		1	
-	900 075 017 02	hexagon-head bolt		1	
-	999 025 048 02	washer		1	
-	616 107 543 00	rubber bush		1	
-	616 107 542 00	bush		1	
>>	>>616 603 905 00	modification kit for generator 420 W comprising:	-68	1	912
-	616 101 217 00	bracket		1	
-	539 01 125	gasket for bracket		1	
-	616 603 112 00	generator 420 W		1	
-	999 512 066 02	restraining strap		1	
-	900 074 130 02	hexagon-head bolt M 8X40		1	
-	N 012 705 1	spring 3X5		1	
-	616 106 201 00	hub for impeller		1	

PORSCHE

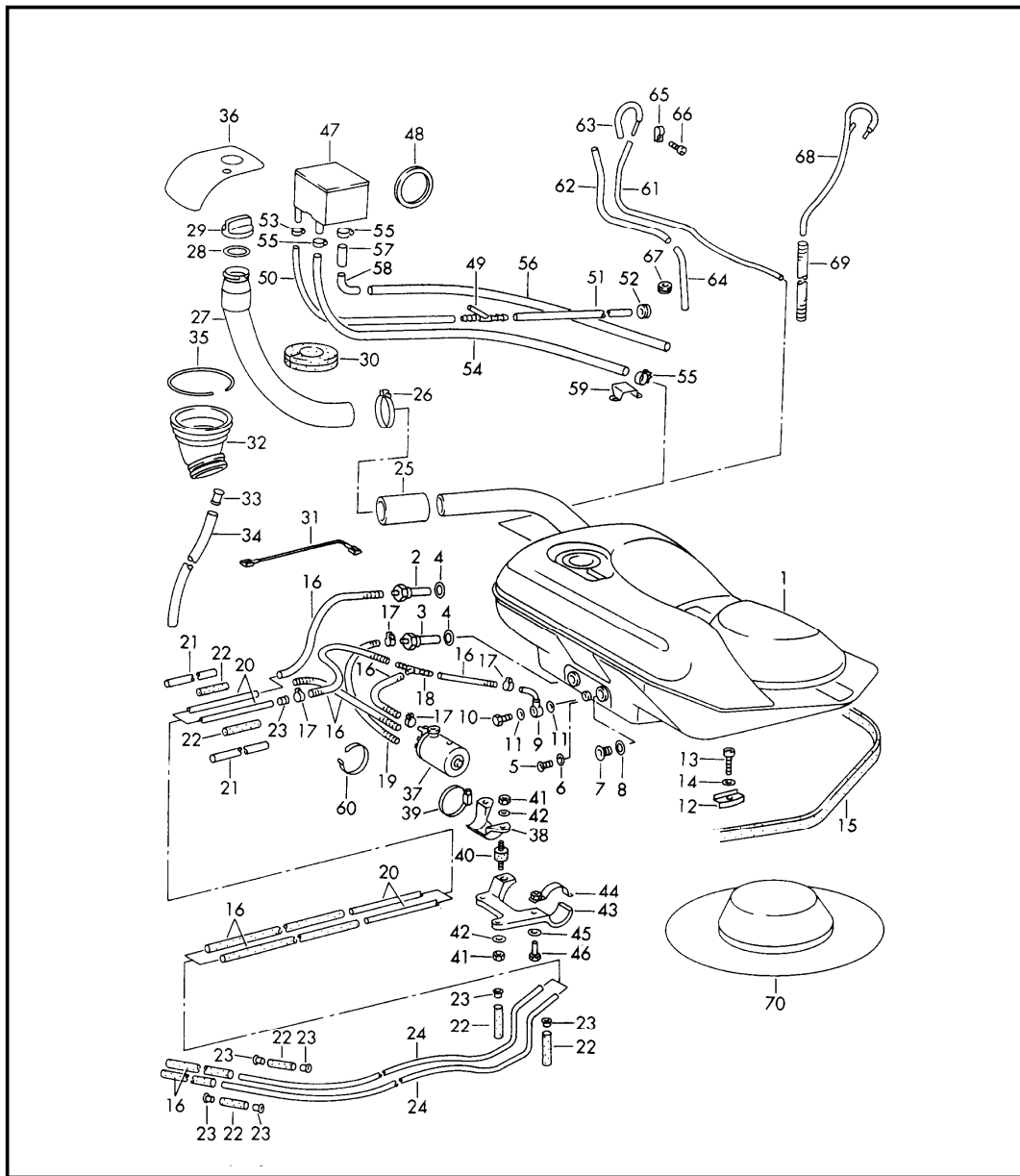
PET

PORSCHE

Model	Year	MG	SG	Illustration	Restrictions	UPD	17:45	22.01.2010
911-1	1969	1	98	198-05R		248		

Pos	Part Number	Description	Remark	Qty	Model
-	616 106 023 00	impeller		1	
-	539 09 314	washer		8	
-	547 09 303	hexagon nut for impeller		1	
-	616 603 212 00	regulator switch 12 V		1	
-	616 106 024 00	lid air guide housing		1	
-	616 106 339 00	flange		1	
-	616 106 115 00	cover plate		1	
-	616 106 337 00	cover disc for impeller		1	
-	900 076 010 02	hexagon nut M 6		2	
-	900 028 008 01	spring washer B 6		2	
-	999 652 168 10	flat receptacle 9,6MM		3	
-	111 971 959	flat receptacle 6,4MM		2	

Model	Year	MG	SG	Illustration	Restrictions	UPD	17:45	22.01.2010	PORSCHE	PET	PORSCHE
911-1	1969	2	01	201-00		248					



Pos	Part Number	Description	Remark	Qty	Model
		fuel system			
1	901 201 010 21	fuel tank 62 L	-68	1	
(1)	901 201 010 30	fuel tank 100 L	-68	1	
(1)	901 201 010 22	fuel tank 62 L	69-	1	
(1)	901 201 010 31	fuel tank 100 L	69-	1	
2	901 201 023 04	threaded joint \$ 6 MM	-68 69-	1	911 T/ 912
3	901 201 023 05	fuel tank cap \$ 8 MM	69-	1	911 E/S
4	N 013 827 3	sealing ring A 22X27 DIN 7603-VF		2	
5	900 219 003 02	screw plug M 14X1,5 DIN 908-5S VERZ.	-68 69-	1	911 T/ 912
6	900 123 007 60	sealing ring A 14X18 DIN 7603-VF	-68 69-	1	911 T/ 912
7	900 219 001 30	screw plug M 22X1,5 DIN 908 VERZ.		1	
8	900 123 011 30	sealing ring A 22X27 DIN 7603-A1		1	
9	901 356 049 00	ring piece	69-	1	911 E/S
10	900 134 007 02	banjo bolt A 8 DIN 7623-6S VERZ.	69-	1	911 E/S
11	900 123 007 60	sealing ring A 14X18 DIN 7606-VF	69-	2	911 E/S
12	901 201 311 00	bracket		3	
13	N 014 725 2	pan-head screw M 8X25 DIN 912-8G VERZ.		3	
14	900 031 001 02	washer 8,4 DIN 433-ST VERZ.		3	
15	901 504 932 20	seal		1	
16	999 180 030 50	fuel hose		*	
17	999 512 055 02	hose clamp	69-	2	911 T/ 912
			13		911 E/S

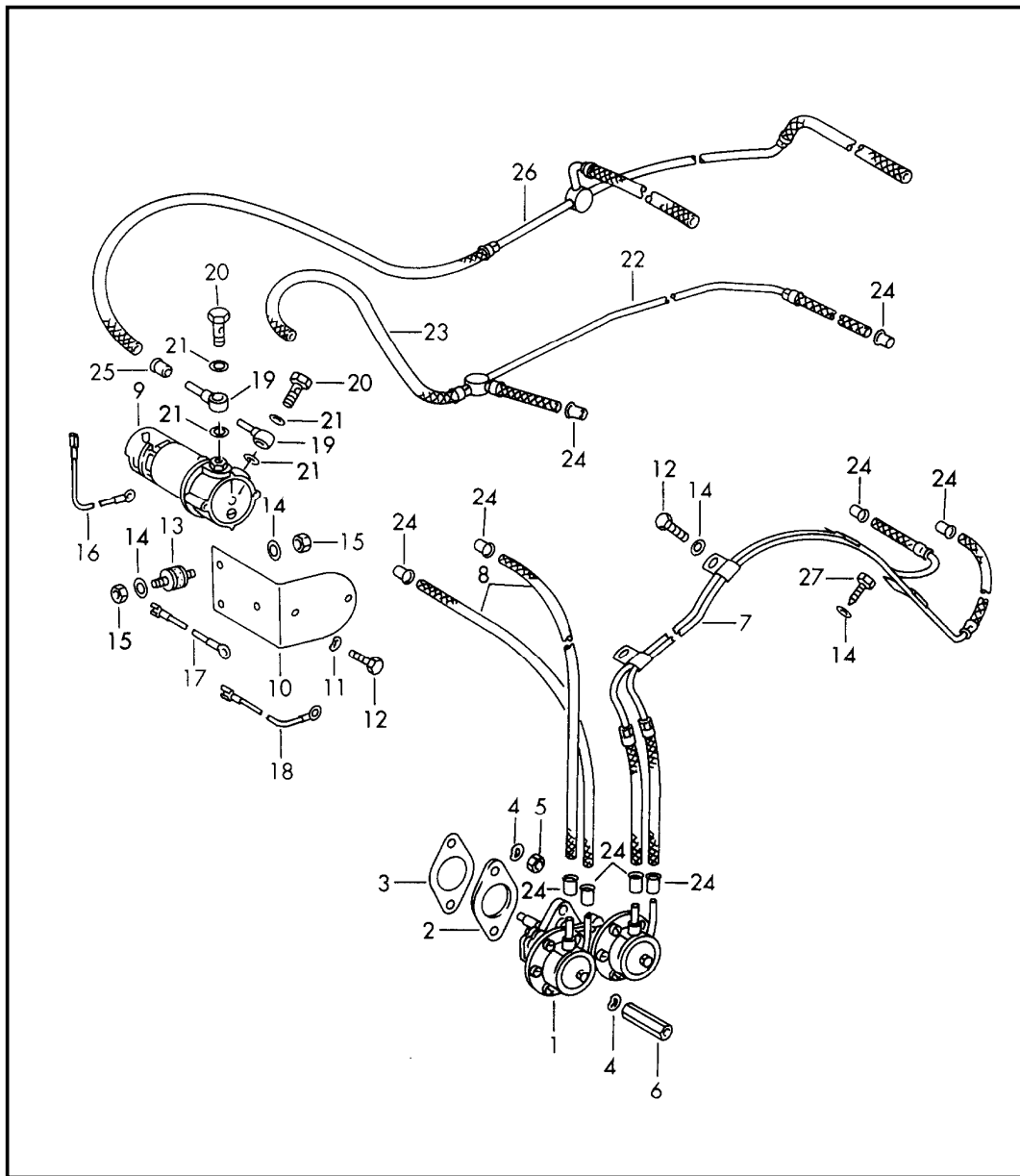
Model	Year	MG	SG	Illustration	Restrictions	UPD	17:45	22.01.2010	PORSCHE	PET	PORSCHE
911-1	1969	2	01	201-00		248					

Pos	Part Number	Description	Remark	Qty	Model	Pos	Part Number	Description	Remark	Qty	Model	
18	901 356 461 00	hose connection	69-	1	911 E/S	35	999 152 004 00	circlip		1		
19	N 020 359 1	hose	69-	*	911 E/S	36	911 201 279 01	protective flap		1		
20	901 108 531 00	control line centre	69-	2	911 E/S	37	-	fuel pump see group 2/01/02	-68	X		
20	901 108 531 01	control line centre	69-	2	911 E/S	37	901 608 105 00	fuel pump	69-	1	911 E/S	
(20)	901 108 531 00	fuel line centre not for sportomatic	-68 69-	1	911 T/ 912	37	901 608 105 01	fuel pump	69-	1	911 E/S	
(20)	901 108 531 01	fuel line centre not for sportomatic	-68 69-	1	911 T/ 912	38	901 356 505 00	bracket	/LL	69-	1	911 E/S
						(38)	901 356 506 00	bracket not for - TARGA-	/RL	69-	1	911 E/S
						39	999 512 130 02	hose clamp	69-	1	911 E/S	
21	000 043 205 20	protective tube		*		40	901 501 864 00	silentbloc bearing	69-	2	911 E/S	
22	914 356 203 00	boot	-68	3		41	900 076 010 02	hexagon nut M 6 DIN 934-6S VERZ.	69-	4	911 E/S	
23	914 356 201 00	rubber sleeve	-68 69-	4 4	911 T/ 912 911 E/S	42	900 027 014 01	lock ring B 6 DIN 127 PHR	69-	4	911 E/S	
24	901 356 532 00	fuel line	/H -68 69-	1 1 2	911 T/ 912 911 E/S	43	901 356 501 00	bearing	/LL	69-	1	911 E/S
25	911 201 515 00	hose \$ 50MM		1		(43)	901 356 502 00	bearing not for - TARGA-	/RL	69-	1	911 E/S
26	999 512 348 02	hose clamp		2		44	901 356 053 00	clamp	69-	1	911 E/S	
27	901 201 051 20	filler neck		1		45	900 027 015 02	lock ring B 8 DIN 127 PHR	69-	1	911 E/S	
28	901 201 272 00	sealing ring		1		46	900 075 085 02	hexagon-head bolt M 8X20 DIN 933-8G	69-	1	911 E/S	
29	901 201 271 00	lid with gasket		1		47	901 201 062 22	container for bleeding	69-	1		
30	911 201 095 00	gasket		1		48	901 201 618 22	rubber ring	69-	1		
31	901 612 303 20	ground strap filler neck NR.27		1		49	901 201 619 22	intermediate piece	69-	1		
32	901 201 591 20	sleeve		1		50	901 201 602 22	breather hose	69-	1		
33	911 201 593 00	overflow socket		1		51	901 201 603 22	breather hose	69-	1		
34	901 201 931 00	overflow hose		1		-	999 651 128 00	hose clamp	69-	1		
						52	999 702 074 50	rubber sleeve	69-	1		

Model	Year	MG	SG	Illustration	Restrictions	UPD	17:45	22.01.2010	PORSCHE	PET	PORSCHE
911-1	1969	2	01	201-00		248					

Pos	Part Number	Description	Remark	Qty	Model	Pos	Part Number	Description	Remark	Qty	Model
53	999 512 160 02	hose clamp	69-	1		65	999 511 036 02	pipe clamp	-68	1	911 /S/ 912
54	901 201 601 24	breather hose for 62 L fuel tank standard	69-	1		66	N 013 970 5	tapping screw B 4,8X9,5 DIN 7971 VERZ.	-68	1	911 /S/ 912
55	N 023 565 3	hose clamp	69-	2		66	N 106 568 02	tapping screw B 4,8 X 9,5	-68	1	911 /S/ 912
56	901 201 601 32	breather hose for 100 L fuel tank	69-	1		67	999 702 031 50	rubber sleeve	-68	1	911 /S/ 912
57	901 201 621 32	connecting piece for 100 L fuel tank	69-	1		68	901 201 061 20	pipeline as of model a	-68	1	
58	901 201 623 31	pipeline for 100 L fuel tank	69-	1		69	901 201 602 21	breather hose as of model a	-68	1	
59	901 201 275 30	cap for sender with 100 L fuel tank	69-	1		70	901 556 101 20	desk pad for emergency wheel	-68	1	911 COUPE
60	999 513 002 40	hose clamp	69-	1							
61	901 201 601 20	breather hose	-68	1							
62	901 201 602 20	breather hose F >> 030 8454 F >> 050 0700 F >> 035 5627 F >> 046 3156 F >> 055 0525		2	911 /S/ 912						
63	901 201 611 20	pipeline F >> 030 8454 F >> 050 0700 F >> 035 5627 F >> 046 3156 F >> 055 0525		1	911 /S/ 912						
64	901 201 612 20	tube F >> 030 8454 F >> 050 0700 F >> 035 5627 F >> 046 3156 F >> 055 0525		1	911 /S/ 912						

Model	Year	MG	SG	Illustration	Restrictions	UPD	17:45	22.01.2010	PORSCHE	PET	PORSCHE
911-1	1969	2	01	201-02		248					

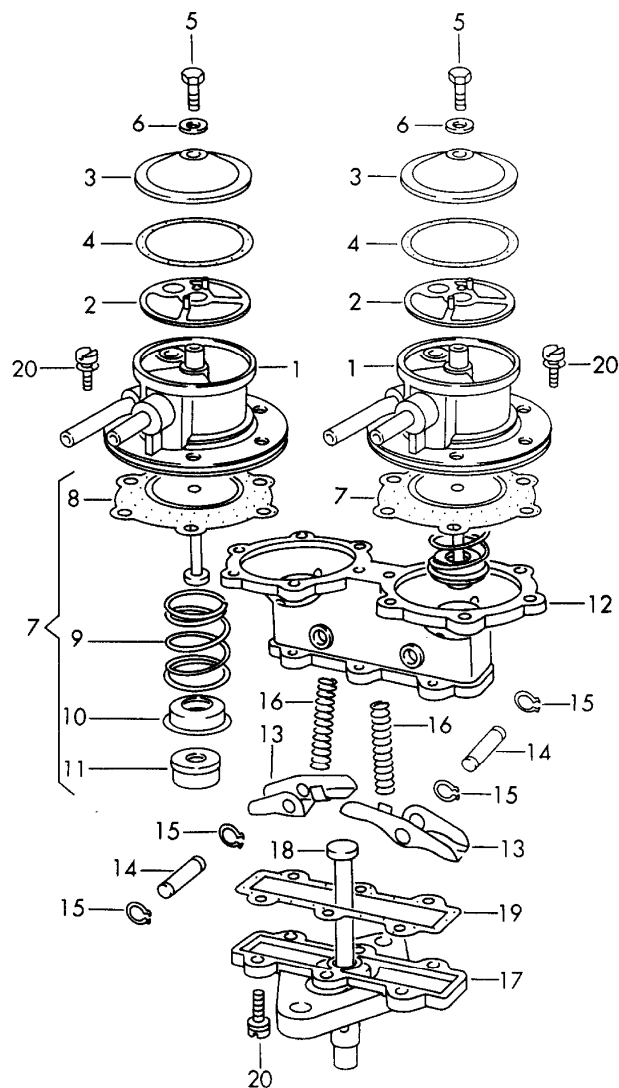


Pos	Part Number	Description	Remark	Qty	Model
		fuel pump	-68		911
		picture NR.1-8 for - SOLEX - carburettor			
1	901 108 401 00	fuel pump double sided		1	911
2	901 108 492 00	insulating piece		1	911
3	901 108 491 00	gasket		X	911
4	N 012 241 1	spring washer B 8		2	911
5	502 08 310	nut		1	911
6	901 108 471 00	hexagon nut		1	911
7	901 108 052 01	fuel line complete	/R	1	911
8	999 180 035 50	fuel hose		*	911
9	901 608 106 00	fuel pump - HARDI -		1	
10	901 608 111 00	support		1	
11	900 028 008 01	spring washer B 6 DIN 137PHR		2	
12	900 075 010 02	hexagon-head bolt M 6X12 DIN 933-8.8 VERZ.		5	
13	901 504 853 20	bonded rubber mounting		3	
14	N 011 524 7	washer 6,4 DIN 125 ST VERZ.		3	
15	900 084 010 02	hexagon nut M 6 DIN 985-6.8 VERZ.		6	
16	901 612 323 02	positive cable fuel pump line distributor		1	
17	695 347 104 06	ground strap mounting plate body		1	
18	901 612 070 06	ground strap fuel pump body		1	

Model	Year	MG	SG	Illustration	Restrictions	UPD	17:45	22.01.2010	PORSCHE	PET	PORSCHE
911-1	1969	2	01	201-02		248					

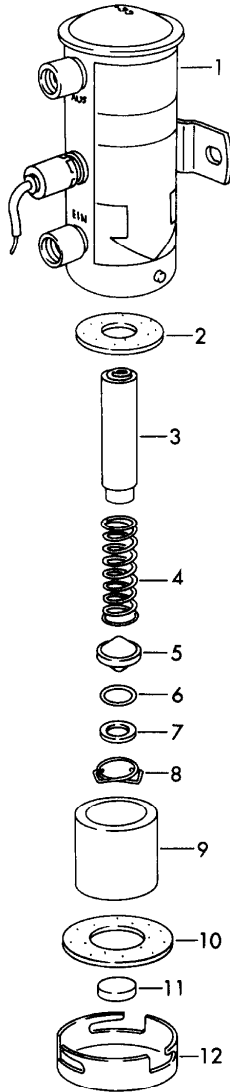
Pos	Part Number	Description	Remark	Qty	Model	Pos	Part Number	Description	Remark	Qty	Model
19	901 108 580 00	ring piece complete		2							
20	900 134 006 02	banjo bolt A 6		2							
21	N 013 818 4	sealing ring A 12X16		4							
22	901 108 051 01	fuel line complete - SOLEX - pump electric - float housing		1	911						
23	999 180 030 50	fuel hose		*							
24	901 108 584 01	cap - SOLEX -		10	911						
25	901 108 219 00	cap		X							
26	901 108 051 06	control line complete pump electric - carburettor M 090 7001 >>		1							
27	900 187 015 02	hexagon-head bolt B 6,3X16		1	911 /S						

Model	Year	MG	SG	Illustration	Restrictions	UPD	17:46	22.01.2010	PORSCHE	PET	PORSCHE
911-1	1969	2	01	201-03		248					



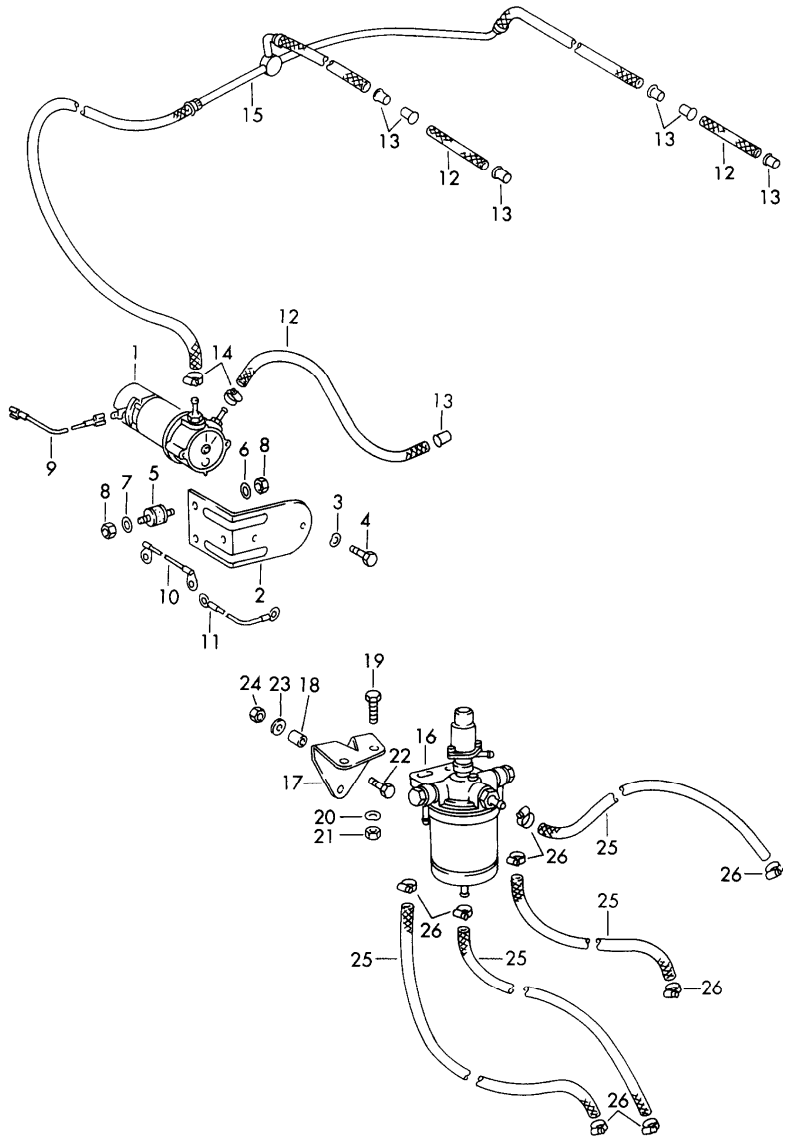
Pos	Part Number	Description	Remark	Qty	Model
		single parts for fuel pump double sided mechanical	-68		911
1	901 108 961 00	upper part pump		2	
2	901 108 962 00	fuel filter		2	
3	616 108 904 05	cap		2	
4	616 108 904 07	sealing ring		2	
5	901 108 963 00	hexagon-head bolt		2	
6	702 108 422 00	sealing ring		2	
7	901 108 964 00	diaphragm complete		2	
8	901 108 965 00	diaphragm		2	
9	901 108 966 00	spring		2	
10	901 108 967 00	support		2	
11	901 108 968 00	boot		2	
12	901 108 969 00	lower part pump		1	
13	901 108 970 00	lever		2	
14	901 108 971 00	axle		2	
15	999 041 001 01	snap ring		4	
16	901 108 972 00	compression spring		2	
17	901 108 975 00	flange		1	
18	901 108 974 00	cam follower		1	
19	901 108 973 00	gasket		1	
20	616 108 904 17	pan-head screw		18	

Model	Year	MG	SG	Illustration	Restrictions	UPD	17:46	22.01.2010	PORSCHE	PET	PORSCHE
911-1	1969	2	01	201-04		248					



Pos	Part Number	Description	Remark	Qty	Model
		single parts for fuel pump electric	-68		911 /L/S/TU
1	-	housing pump not available		1	
2	901 608 909 00	sealing ring		1	
3	692 608 903 00	piston		1	
4	692 608 904 00	spring		1	
5	901 608 902 00	valve housing complete		1	
6	901 608 903 00	o-ring		1	
7	901 608 904 00	washer		1	
8	901 608 905 00	retaining spring		1	
9	901 608 906 00	fuel filter		1	
10	901 608 908 00	sealing ring		1	
11	901 608 907 00	magnet		1	
12	901 608 901 00	lid		1	

Model	Year	MG	SG	Illustration	Restrictions	UPD	17:46	22.01.2010	PORSCHE	PET	PORSCHE
911-1	1969	2	01	201-05		248					

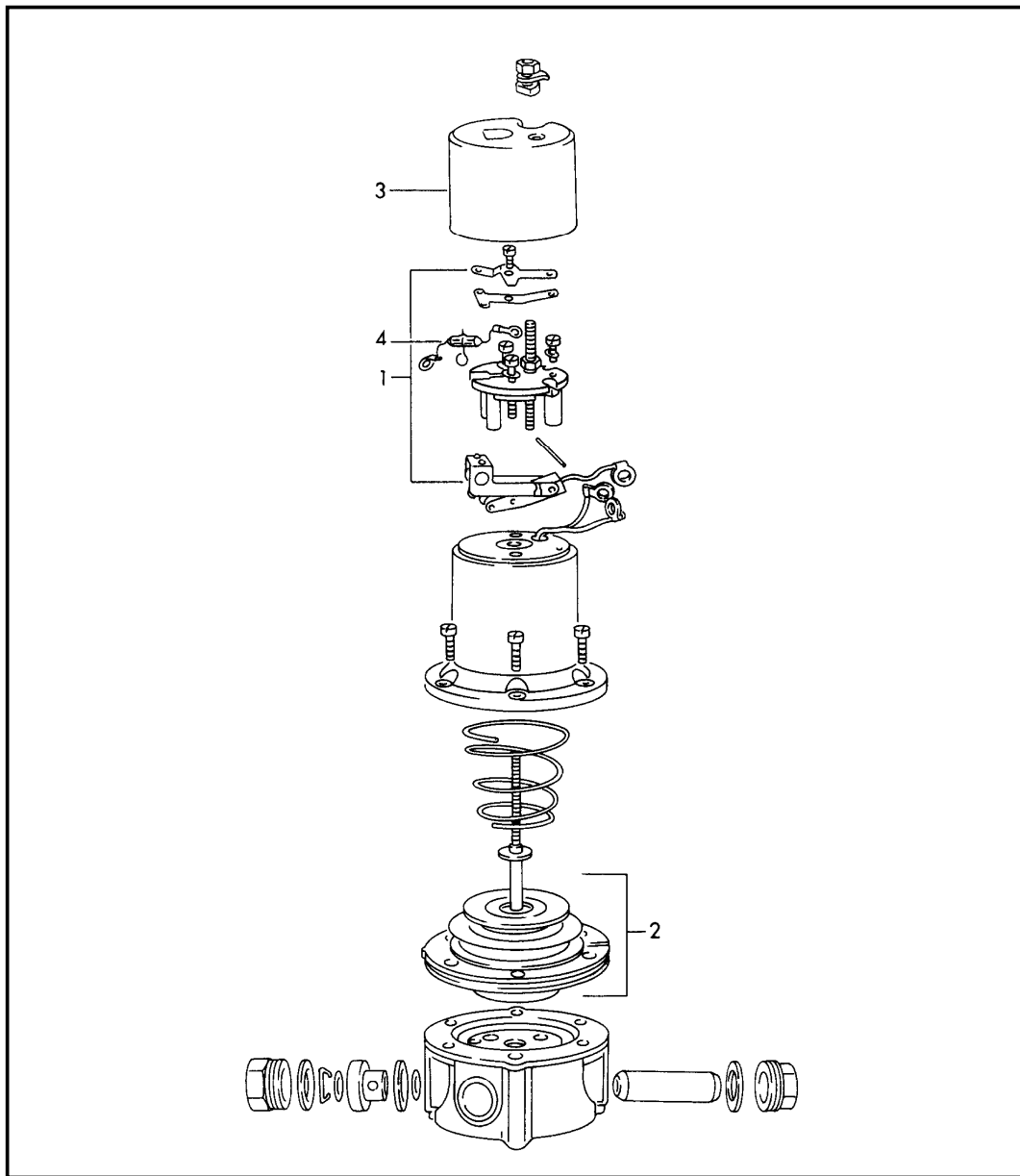


Pos	Part Number	Description	Remark	Qty	Model
		fuel pump (HARDI) and fuel filter	69-		911 T/E/S
1	901 608 106 00	fuel pump		1	911 T
1	-	fuel pump see group 2/01/00		X	911 E/S
2	901 608 111 00	support		1	911 T
3	900 028 008 01	spring washer B 6 DIN 137PHR		2	911 T
4	900 075 010 02	hexagon-head bolt M 6X12 DIN 933-8.8 VERZ.		2	911 T
5	901 504 853 20	bonded rubber mounting		3	911 T
6	N 011 524 7	washer 6,4 DIN 125 ST VERZ.		3	911 T
7	900 151 006 09	washer B 6,4 DIN 9021-ST VERZ.		3	911 T
8	900 084 010 02	hexagon nut M 6 DIN 985-6.8 VERZ.		6	911 T
9	901 612 070 03	positive cable fuel pump line distributor NR.13 not for sportomatic		1	911 T
10	695 347 104 06	ground strap mounting plate body		1	911 E/S/T
11	901 612 070 06	ground strap fuel pump NR.26		1	911 T
12	999 180 030 50	fuel hose C 6 SN 710		*	911 T
13	901 108 219 00	cap		7	911 T
14	999 512 055 02	hose clamp F 12/9 ZY		3	911 T
15	901 108 051 06	fuel line complete pressure line		1	911 T

Model	Year	MG	SG	Illustration	Restrictions	UPD	17:46	22.01.2010	PORSCHE	PET	PORSCHE
911-1	1969	2	01	201-05		248					

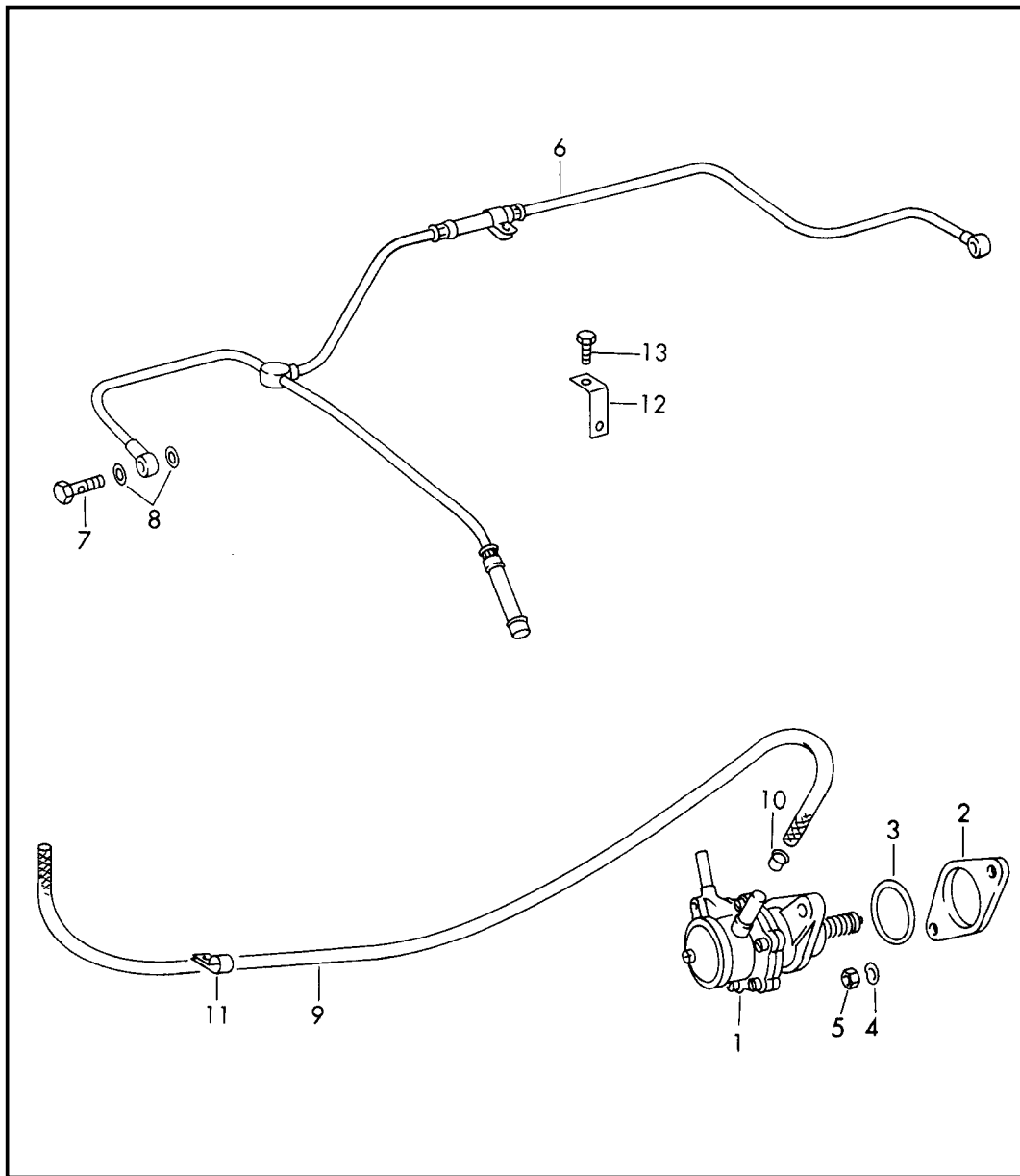
Pos	Part Number	Description	Remark	Qty	Model	Pos	Part Number	Description	Remark	Qty	Model
16	901 110 232 00	fuel filter single parts see group 2/01/35		1	911 E/S						
17	901 108 541 00	fastening angle		1	911 E/S						
18	-	deleted									
19	999 075 041 02	hexagon-head bolt M 10X25 DIN 933-8.8		2	911 E/S						
20	N 012 230 1	spring washer B 10 DIN 137 PHR		2	911 E/S						
21	N 011 010 6	hexagon nut M 10 DIN 934-8		2	911 E/S						
22	900 075 010 02	hexagon-head bolt M 6X12 DIN 933-8.8		1	911 E/S						
(22)	N 010 215 13	hexagon-head bolt M 6X15 DIN 933-8.8		1	911 E/S						
(22)	900 074 015 02	hexagon-head bolt M 6 X30 DIN 931-8.8		3	911 E/S						
23	900 151 006 09	washer 6,4 DIN 9021-ST		2	911 E/S						
24	900 084 010 02	hexagon nut M 6 DIN 985-6.8		3	911 E/S						
25	999 180 030 50	fuel hose C 7X12 SN 710		*	911 E/S						
26	999 512 055 02	hose clamp		8	911 E/S						

Model	Year	MG	SG	Illustration	Restrictions	UPD	17:46	22.01.2010	PORSCHE	PET	PORSCHE
911-1	1969	2	01	201-20		248					



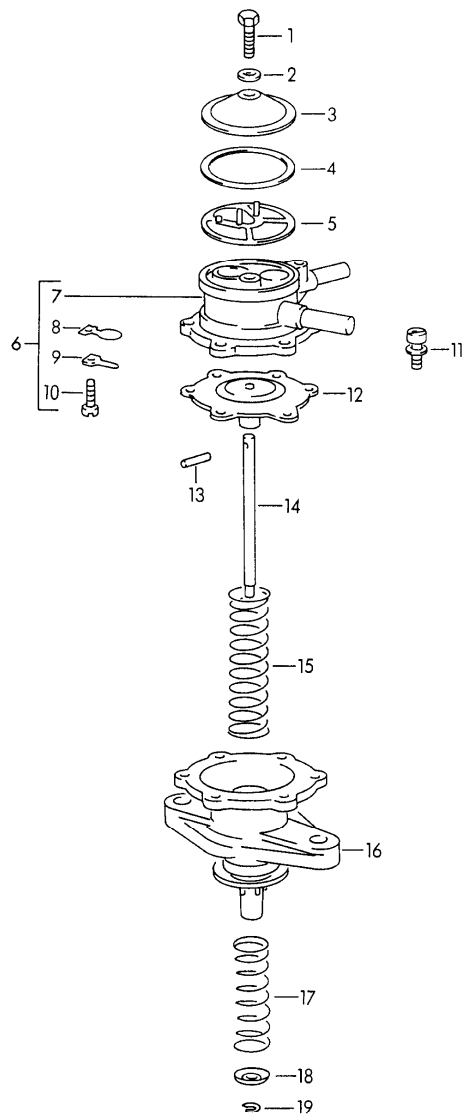
Pos	Part Number	Description	Remark	Qty	Model
		single parts for fuel pump - HARDI -			911 L/S/TU 911 T
-	901 608 106 00	fuel pump	-68	1	911 L/S/TU
-	901 608 106 00	fuel pump	69-	1	911 T
1	901 608 911 00	contact breaker point complete		1	
2	901 608 912 00	diaphragm complete		1	
(3)	901 608 913 00	cap	-68	1	911 L/S/TU
3	901 608 916 00	cap	69-	1	911 T
4	901 608 914 00	condenser		1	
-	901 608 917 00	push-on connector M 22X1,5		1	
-	901 608 918 00	push-on connector M 12X1,5		1	
-	901 608 919 00	adapter M 22X1 / M12X1,5		1	

Model	Year	MG	SG	Illustration	Restrictions	UPD	17:46	22.01.2010	PORSCHE	PET	PORSCHE
911-1	1969	2	01	201-25		248					



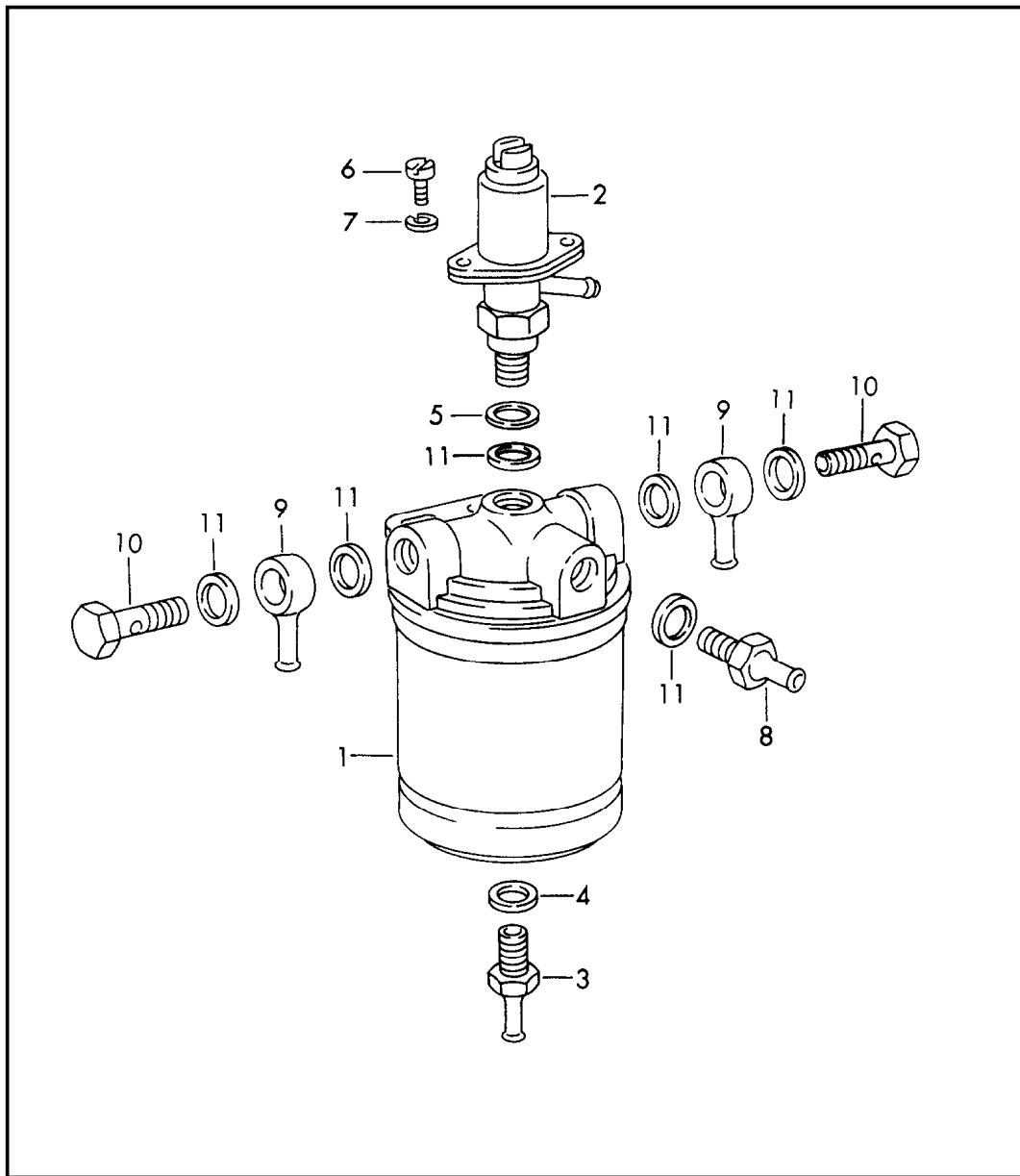
Pos	Part Number	Description	Remark	Qty	Model
		fuel pump			912
1	> 616 108 401 00	fuel pump		1	
-	616 108 401 X	fuel pump		1	
2	616 108 441 00	insulator		1	
3	999 701 043 50	o-ring		1	
4	N 012 241 1	spring washer		2	
5	502 08 310	hexagon nut	-68	2	
5	502 08 310	nut		2	
6	616 108 055 03	fuel line pump carburettor		1	
7	616 100 867 00	banjo bolt		2	
8	616 108 423 00	sealing ring		4	
-	999 180 030 50	fuel hose C 7X12 PN 710		*	
9	-	650 MM		1	
(10)	901 108 219 00	cap	-68	3	
10	901 108 219 00	cap		3	
11	999 511 007 02	clamp		2	
12	616 108 570 00	engine carrier		1	
13	900 014 019 02	pan-head screw		1	

Model	Year	MG	SG	Illustration	Restrictions	UPD	17:47	22.01.2010	PORSCHE	PET	PORSCHE
911-1	1969	2	01	201-30		248					



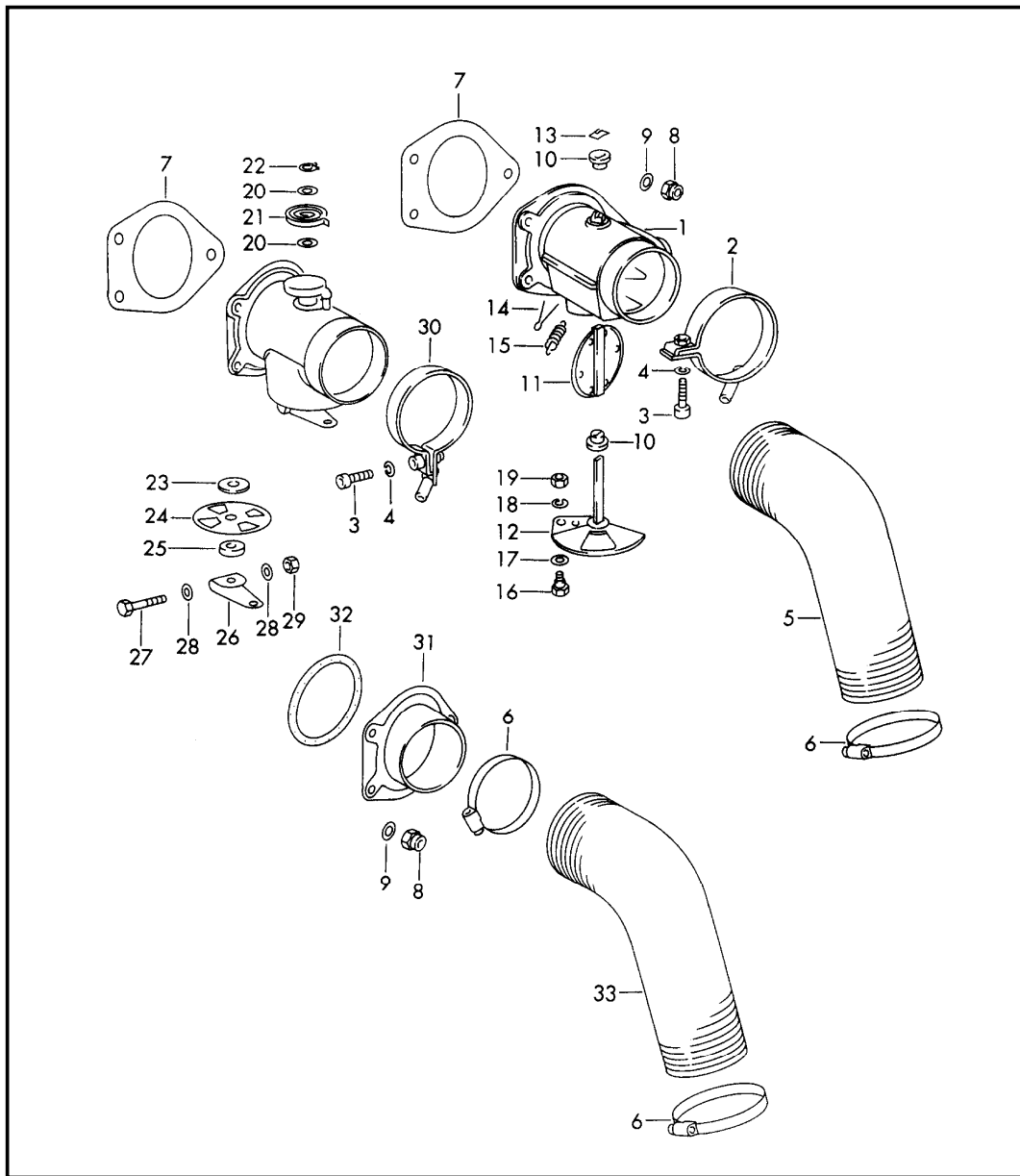
Pos	Part Number	Description	Remark	Qty	Model
		single parts for fuel pump			912
- >	616 108 401 00	fuel pump		1	
-	616 108 401 X	fuel pump		1	
1	616 108 904 08	hexagon-head bolt		1	
2	702 108 422 00	sealing ring		1	
3	616 108 904 05	cap		1	
4	616 108 904 07	sealing ring		1	
5	616 108 904 06	fuel filter		1	
6	616 108 904 00	upper part complete		1	
7	616 108 904 01	upper part		1	
8	616 108 904 02	leaf spring		1	
9	616 108 904 03	valve limitation		1	
10	616 108 904 04	pan-head screw M 3X8		1	
11	616 108 904 17	pan-head screw		6	
12	616 108 904 09	diaphragm complete		1	
13	616 108 904 11	pin		1	
14	616 108 904 10	cam follower		1	
15	616 108 904 12	spring		1	
16	616 108 904 13	lower part complete		1	
17	616 108 904 14	spring		1	
18	616 108 904 15	concave washer		1	
19	616 108 904 16	lock washer		1	

Model	Year	MG	SG	Illustration	Restrictions	UPD	17:47	22.01.2010	PORSCHE	PET	PORSCHE
911-1	1969	2	01	201-35		248					



Pos	Part Number	Description	Remark	Qty	Model
		repair material for fuel filter - bosch -	69-		911 E/S
1-11	901 110 232 00	fuel filter - bosch -		1	
1	PCG 110 909 10	filter element		1	
2	901 110 911 00	solenoid valve complete		1	
3	901 110 912 00	connection piece		1	
4	900 123 006 25	sealing ring A 12X18 DIN 7603-CU		1	
5	901 110 920 00	shim		1	
6	901 110 913 00	bleeder screw		1	
7	901 110 914 00	sealing ring		1	
8	901 110 915 00	overflow valve		1	
9	901 110 916 00	ring piece		1	
10	901 110 917 00	banjo bolt		1	
11	N 013 849 2	sealing ring A 14X18 DIN 7603-CU		5	

Model	Year	MG	SG	Illustration	Restrictions	UPD	17:47	22.01.2010	PORSCHE	PET	PORSCHE
911-1	1969	2	02	202-00		248					

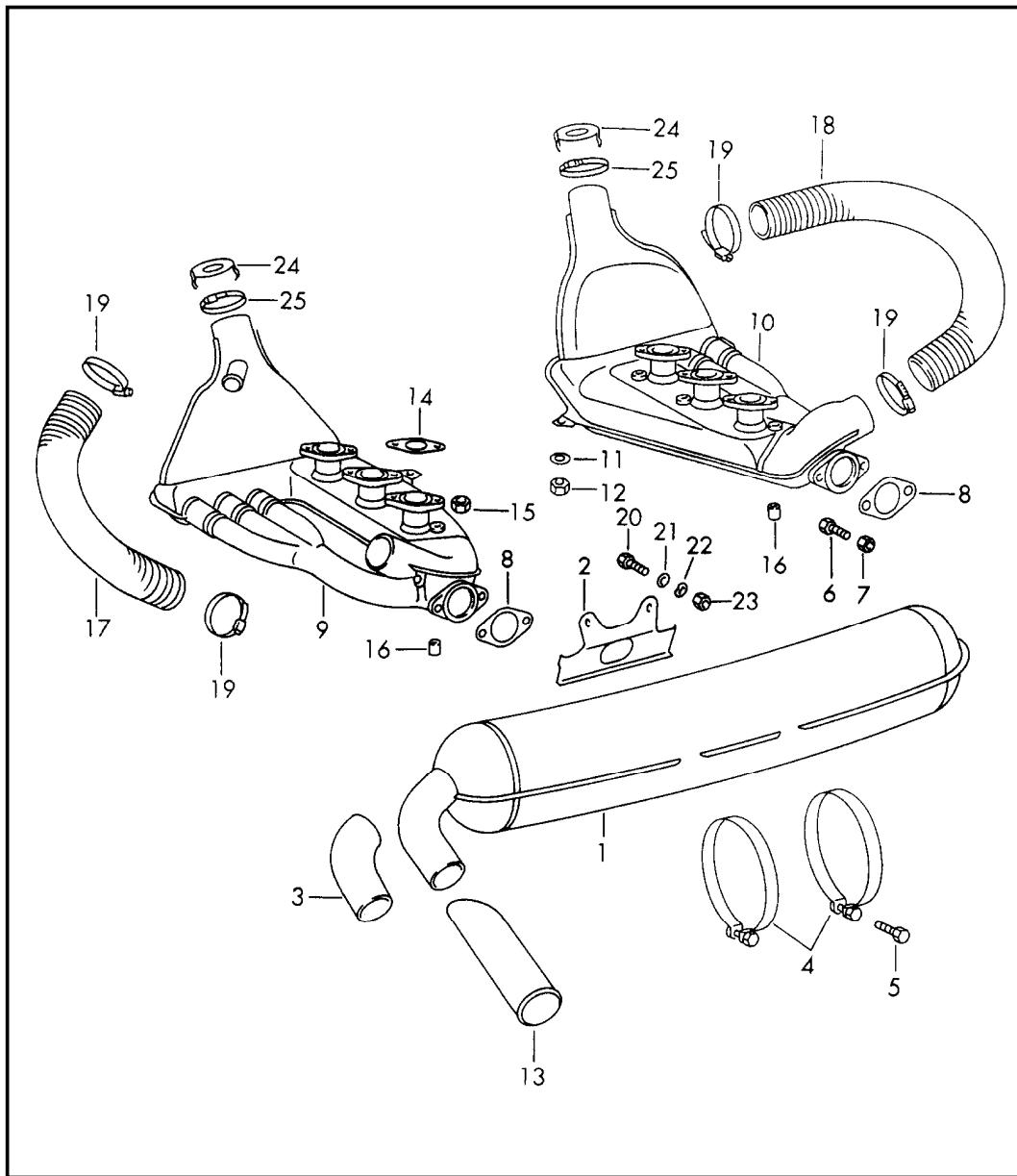


Pos	Part Number	Description	Remark	Qty	Model
1	911 211 013 00	heating air supply heat control box ready for installation	/L	1	
(1)	911 211 014 00	heat control box ready for installation	/R	1	
2	901 211 051 21	pipe clamp complete	/L	1	
(2)	901 211 052 21	pipe clamp pipe clamp	/R	1	
3	900 119 014 02	pan-head screw M 6X20 DIN 6912-8G VERZ.		2	
4	900 027 014 01	lock ring B 6 DIN 127 PHR		2	
5	901 211 921 20	connecting hose F >> 030 8454 F >> 050 0700		2	911
(5)	930 211 622 01	connecting hose		2	
6	999 512 349 02	hose clamp		2	
7	911 211 297 00	gasket		2	
8	900 084 010 02	hexagon nut M 6 DIN 985-5S VERZ.		6	
9	N 011 524 7	washer 6,4 DIN 125-ST VERZ.		6	
10	901 211 255 21	bearing		4	
11	901 211 028 22	air flap		2	
12	901 211 035 21	rotary slide	/L	1	
(12)	901 211 036 21	rotary slide	/R	1	
13	999 507 222 02	mecano-speed-fix		2	
14	900 021 014 02	cotter pin 3X15 DIN 94 VERZ.		2	
15	999 522 013 01	spring		2	
(15)	999 522 013 01	spring	-68	2	
16	901 211 683 00	clamping screw		2	
(16)	901 211 683 00	clamping screw	-68	2	

Model	Year	MG	SG	Illustration	Restrictions	UPD	17:47	22.01.2010	PORSCHE	PET	PORSCHE
911-1	1969	2	02	202-00		248					

Pos	Part Number	Description	Remark	Qty	Model	Pos	Part Number	Description	Remark	Qty	Model
17	999 025 042 02	washer		2							
18	900 027 011 01	lock ring B 4 DIN 127 PHR B		2							
19	N 011 004 6	hexagon nut M 4 DIN 934-6S VERZ. repair material for heating flaps old version ill. NR. 20-30 F >> 035 5627 F >> 056 3156 F >> 055 0525		2	911 /S 912						
20	900 089 006 02	washer 8 DIN 1440-ST VERZ.		4							
21	644 211 231 07	spring		2							
22	999 116 004 00	retainer		2							
23	901 211 295 20	shim		4							
24	644 211 243 07	rotary slide		2							
25	644 211 271 07	gasket		2							
26	644 211 215 07	lever		2							
27	900 074 122 02	hexagon-head bolt M 5X30 DIN 931-8G VERZ.		2							
28	900 025 003 02	washer 5,3 DIN 125-ST VERZ.		4							
29	999 084 102 02	self-locking nut M 5 SNM 001 VERZ. SW 8		2							
30	901 211 051 21	pipe clamp	/L	1							
(30)	901 211 052 21	pipe clamp	/R	1							
31	902 211 023 20	adapter complete		-68	2	912 COUPE					
32	901 211 293 20	gasket		-68	2	912 COUPE					
33	902 211 923 20	connecting hose	/L	-68	1	912 COUPE					
(33)	902 211 924 20	connecting hose	/R	-68	1	912 COUPE					

Model	Year	MG	SG	Illustration	Restrictions	UPD	17:47	22.01.2010	PORSCHE	PET	PORSCHE
911-1	1969	2	02	202-10		248					

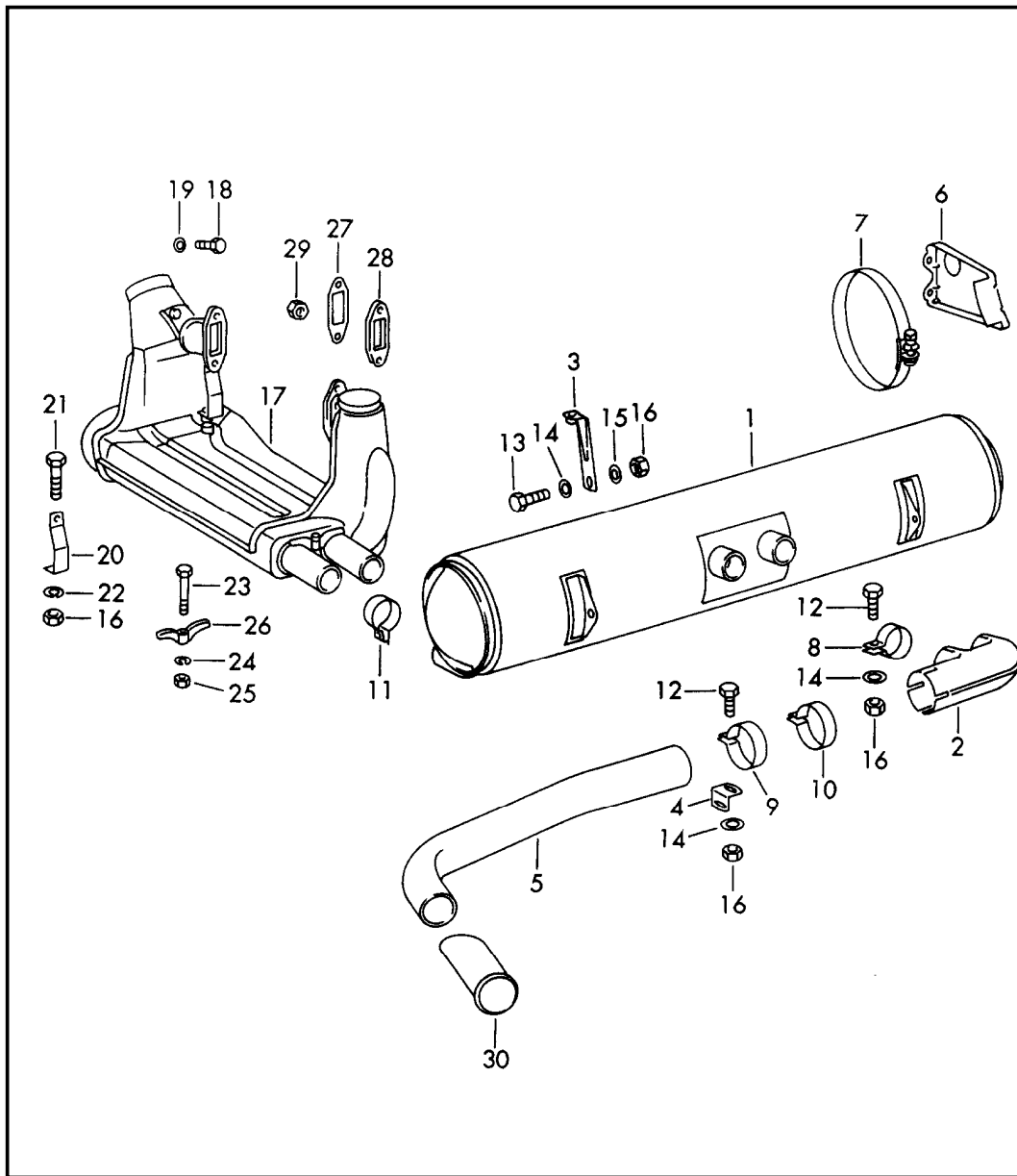


Pos	Part Number	Description	Remark	Qty	Model
		exhaust system			911
1	911 111 025 00	exhaust silencer	-68	1	
(1)	911 111 025 00	exhaust silencer	69-	1	
2	901 111 151 03	bracket M >> 090 9000	-68	1	911
(2)	901 111 151 04	bracket M 090 9001 >>		1	
3	901 111 287 00	exhaust pipe		1	
4	901 111 157 04	clamp for exhaust silencer 901 111 011 05	-67	2	
(4)	901 111 157 04	clamp for exhaust silencer 901 111 011 08/09	68-	2	
(4)	901 111 157 04	clamp for exhaust silencer 901 111 011 03		2	911
5	900 067 161 02	pan-head screw M 10X45		2	
6	900 074 147 02	hexagon-head bolt M 10X32	-68	4	
(6)	900 075 148 02	hexagon-head bolt M 10X32	69-	4	
7	999 084 002 02	hexagon nut M 10		4	
8	901 111 193 00	gasket		2	
9	901 211 011 01	heat exchanger complete M >> 090 9927	/L -68	1	911
(9)	911 211 021 60	heat exchanger complete M 091 1001 >>	/L -68	1	
(9)	911 211 021 60	heat exchanger complete with cap	/L 69-	1	

Model	Year	MG	SG	Illustration	Restrictions	UPD	17:47	22.01.2010	PORSCHE	PET	PORSCHE
911-1	1969	2	02	202-10		248					

Pos	Part Number	Description	Remark	Qty	Model	Pos	Part Number	Description	Remark	Qty	Model
10	901 211 012 02	heat exchanger complete M >> 090 9927	/R	-68	1 911						
(10)	911 211 022 10	heat exchanger complete M 091 1001 >>	/R		1						
-	N 010 210 13	hexagon-head bolt M 6X10 M 090 9001 >>		-68	4						
11	900 028 008 01	spring washer B 6 M 090 9001 >>			4						
12	900 076 010 02	hexagon nut M 6		69-	4						
13	901 111 245 01	ornamental exhaust pipe			1						
14	901 111 191 01	gasket			6						
15	900 076 025 02	hexagon nut M 8			6						
16	999 085 001 02	nut M 8			6						
17	901 211 194 00	heater hose	/L		1						
18	901 211 194 00	heater hose	/R		1						
19	999 512 349 02	hose clamp			4						
20	900 075 078 02	hexagon-head bolt M 8X15			2						
21	900 025 007 02	washer 8,4			2						
22	N 012 241 1	spring washer B 8X15			2						
23	900 076 025 02	hexagon nut M 8			2						
24	901 211 321 00	cover for rally car without heating		69-	2 911 S						
25	999 512 349 02	hose clamp for cars without heating			2 911 S						

Model	Year	MG	SG	Illustration	Restrictions	UPD	17:47	22.01.2010	PORSCHE	PET	PORSCHE
911-1	1969	2	02	202-15		248					

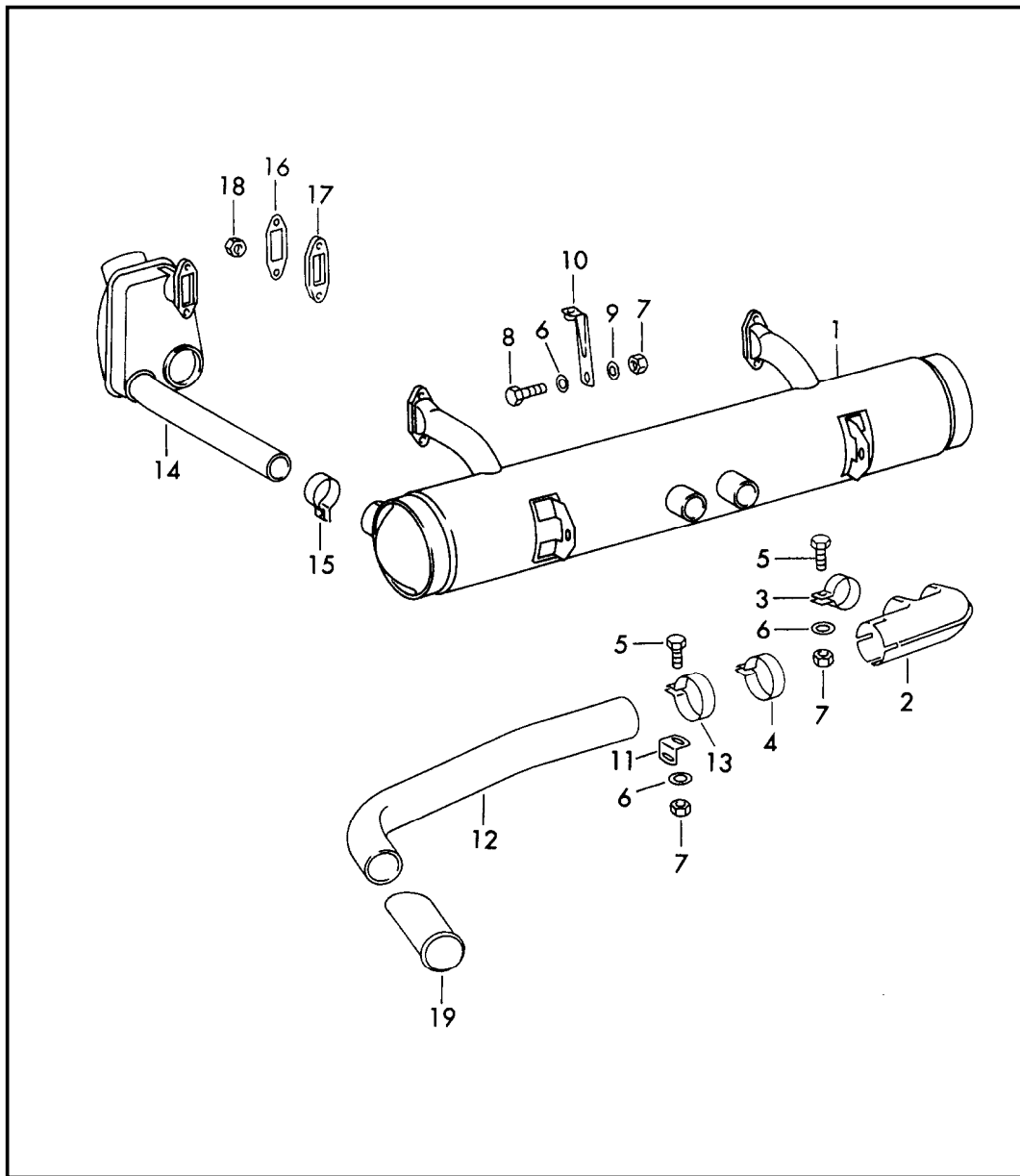


Pos	Part Number	Description	Remark	Qty	Model
		exhaust system for (D) + (S)			912
1	616 111 016 05	exhaust silencer		1	
2	616 111 028 00	connecting piece		1	
3	616 106 740 00	bracket		1	
4	616 111 257 01	bracket		1	
5	616 111 245 01	tail pipe		1	
6	616 111 503 01	bearing for exhaust silencer		2	
7	999 512 034 02	clamp		2	
8	616 111 255 01	pipe clamp		2	
9	999 511 051 03	pipe clamp		1	
10	999 511 050 03	pipe clamp		1	
11	999 511 039 03	pipe clamp		4	
12	900 075 085 02	hexagon-head bolt M 8X20		8	
13	900 075 078 02	hexagon-head bolt M 8X15	-68	2	
(13)	900 075 078 02	hexagon-head bolt M 8X15	69-	2	
14	900 025 007 02	washer 8,4		12	
15	N 012 241 1	spring washer B 8X15		2	
16	900 076 013 02	hexagon nut M 8	-68	12	
(16)	900 076 025 02	hexagon nut M 8	69-	12	
17	616 211 021 01	heat exchanger	/L	1	
(17)	616 211 022 01	heat exchanger	/R	1	
18	900 075 010 02	hexagon-head bolt M 6X12		2	

Model	Year	MG	SG	Illustration	Restrictions	UPD	17:47	22.01.2010	PORSCHE	PET	PORSCHE
911-1	1969	2	02	202-15		248					

Pos	Part Number	Description	Remark	Qty	Model	Pos	Part Number	Description	Remark	Qty	Model
19	N 011 524 7	washer 6,4		2							
20	616 211 245 00	bracket		1							
(20)	616 211 246 00	bracket		1							
21	A N 010 247 7	hexagon-head bolt M 8X35		2							
21	N 010 247 8	hexagon-head bolt M 8X35		2							
22	900 027 015 02	lock ring B 8		2							
23	N 010 339 3	hexagon-head bolt M 6X40		2							
24	900 027 014 01	lock ring B 6		2							
25	900 076 010 02	hexagon nut M 6		2							
26	616 211 240 00	support		2							
27	616 111 291 00	gasket		4							
28	369 54 103	flange		X							
29	502 08 310	hexagon nut	-68	8							
(29)	502 08 310	nut	69-	8							
30	616 111 247 00	ornamental exhaust pipe		1							

Model	Year	MG	SG	Illustration	Restrictions	UPD	17:47	22.01.2010	PORSCHE	PET	PORSCHE
911-1	1969	2	02	202-20		248					



Pos	Part Number	Description	Remark	Qty	Model
		exhaust system not for (D) + (S)			912
1	616 111 010 05	exhaust silencer		1	
(1)	616 111 010 05	rear muffler emission control		1	
2	616 111 028 00	connecting piece		1	
3	616 111 255 01	pipe clamp		2	
4	999 511 050 03	pipe clamp		1	
5	900 075 083 02	hexagon-head bolt M 8X25		1	
6	900 025 007 02	washer 8,4		8	
7	900 076 025 02	hexagon nut M 8		8	
8	900 075 078 02	hexagon-head bolt M 8X15	-68	2	
(8)	900 075 078 02	hexagon-head bolt M 8X15	69-	2	
9	N 012 241 1	spring washer B 8X15		2	
10	616 106 740 00	bracket		2	
11	616 111 257 01	bracket		1	
12	616 111 245 01	tail pipe		1	
13	999 511 051 03	pipe clamp		1	
14	616 211 003 01	heat exchanger	/L	1	
(14)	616 211 004 01	heat exchanger	/R	1	
15	369 54 109	clip		2	
16	616 111 291 00	gasket		4	
17	369 54 103	flange		X	
18	502 08 310	hexagon nut	-68	8	
(18)	502 08 310	nut	69-	8	
19	616 111 247 00	ornamental exhaust pipe		1	

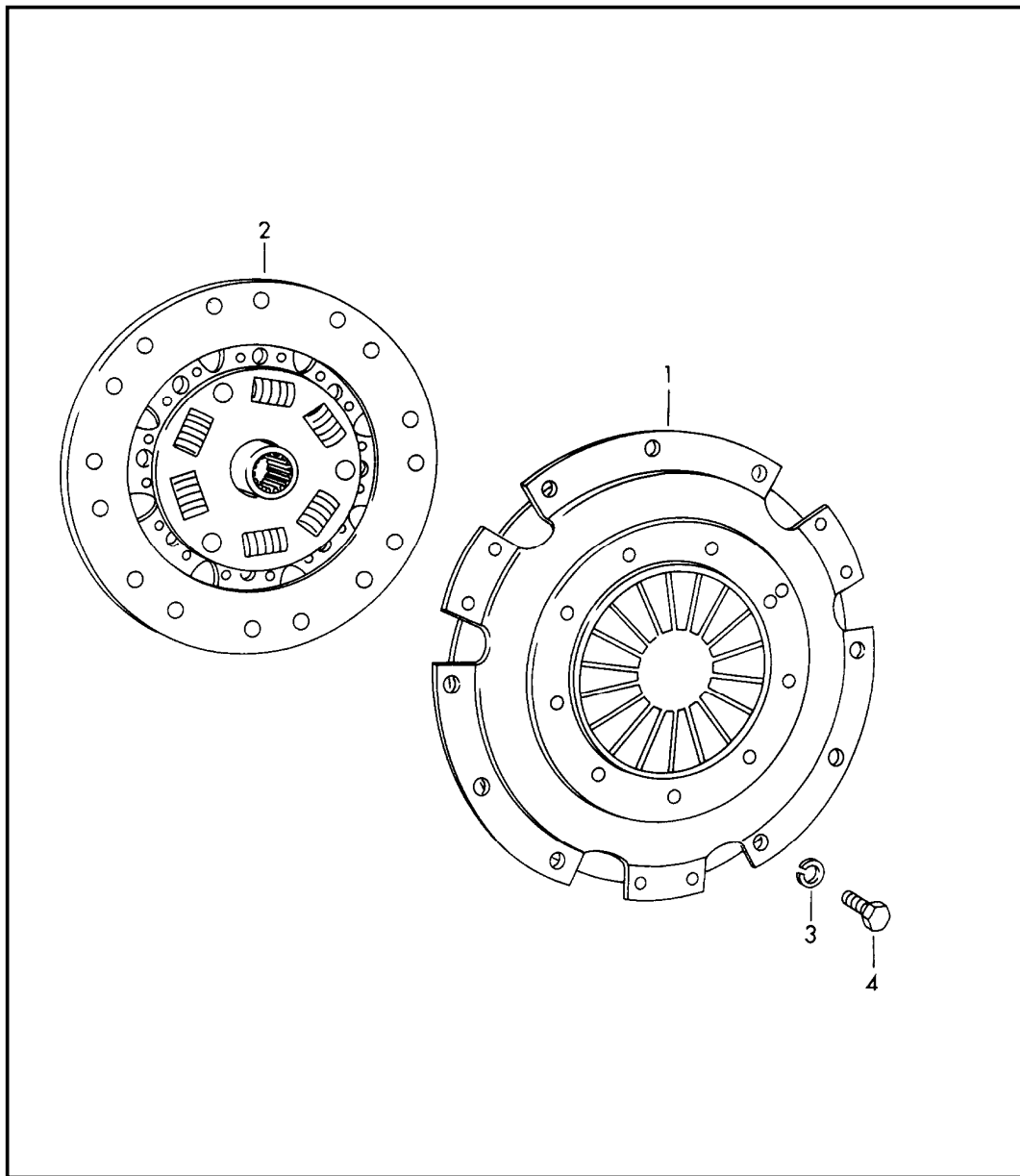
Model	Year	MG	SG	Illustration	Restrictions	UPD	17:48	22.01.2010
911-1	1969	2	98	298-00R		248		

Pos	Part Number	Description	Remark	Qty	Model
		modification kit gasket set repair kits			
>>	>>901 608 915 00	modification kit for fuel pump - HARDI -	-68	1	
-	901 608 106 00	fuel pump		1	
-	N 013 818 4	bearing		3	
-	999 072 005 09	sealing ring A 12X16		4	
-	900 075 010 02	hexagon-head bolt M 6X12		2	
-	900 028 008 01	spring washer B 6		2	
-	900 910 012 02	hexagon nut M 6		6	
-	N 011 524 7	washer 6,4		6	
-	901 612 323 01	ground cable		1	
-	901 612 323 02	positive cable		1	
>>	>>901 100 902 02	gasket set for emission control system comprising:	(USA)	1	911 /L
-	999 113 463 40	shaft sealing ring A 30X42X7		1	
-	901 113 105 00	gasket bearing flange		1	
-	900 123 008 30	sealing ring C 14X20 AL		2	
-	999 701 165 50	o-ring		2	
-	900 123 005 30	sealing ring A 12X16 AL		6	
-	901 113 206 00	gasket		4	
-	999 701 142 40	o-ring		8	
-	616 113 206 00	gasket for valve		2	

Model	Year	MG	SG	Illustration	Restrictions	UPD	17:48	22.01.2010
911-1	1969	2	98	298-00R		248		

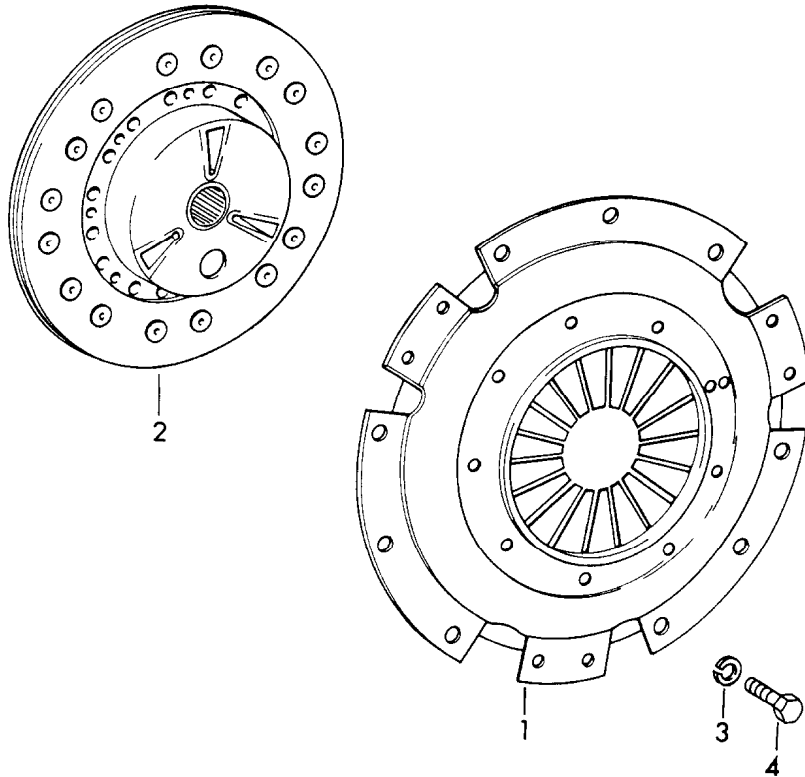
Pos	Part Number	Description	Remark	Qty	Model
>>	>>901 108 953 00	repair kit for fuel pump double sided 901 108 401 00 carburettor - SOLEX - comprising:	-68	1	911
-	901 108 962 00	fuel filter		2	
-	616 108 904 07	sealing ring		2	
-	702 108 422 00	sealing ring		2	
-	901 108 964 00	diaphragm complete		4	
-	999 041 001 01	snap ring		4	
-	901 108 973 00	gasket		1	
-	616 108 904 17	pan-head screw complete		9	
>>	>>616 108 903 01	repair kit for fuel pump comprising:		1	912
-	616 108 904 09	diaphragm		1	
-	616 108 904 06	fuel filter		1	
-	616 108 904 07	sealing ring		1	
-	702 108 422 00	sealing ring		1	
-	616 108 904 11	pin		1	
-	616 108 904 17	pan-head screw		6	

Model	Year	MG	SG	Illustration	Restrictions	UPD	17:48	22.01.2010	PORSCHE	PET	PORSCHE
911-1	1969	3	01	301-00		248					



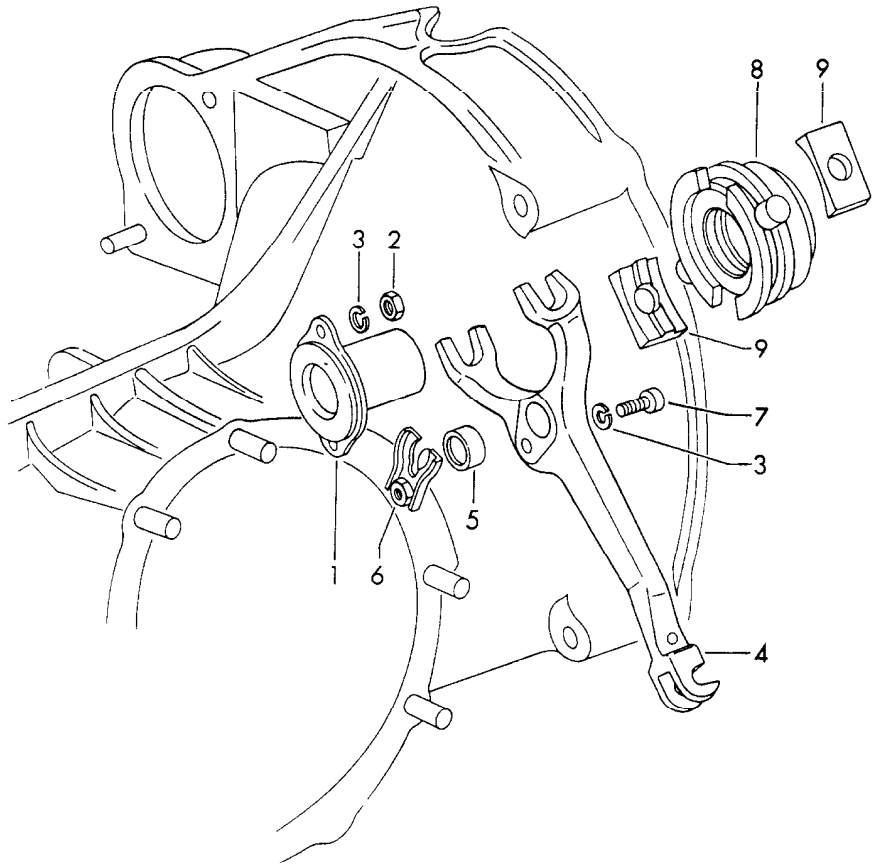
Pos	Part Number	Description	Remark	Qty	Model
		clutch			911
1	> 901 116 001 01	pressure plate M 215 K	-68	1	911 /L/TU
(1)	> 901 116 003 01	pressure plate	-68	1	911 S
(1)	> 901 116 001 01	pressure plate	69-	1	911 T/E
(1)	> 901 116 009 00	pressure plate	69-	1	911 S
2	901 116 014 00	clutch plate	E	1	911 /L/TU/T
(2)	901 116 014 00	clutch plate	-68	1	911 S
(2)	901 116 017 01	clutch plate	69-	1	911 S
3	900 027 015 02	lock ring B 8		6	
4	900 075 104 01	hexagon-head bolt M 8 X 15		6	

Model	Year	MG	SG	Illustration	Restrictions	UPD	17:48	22.01.2010	PORSCHE	PET	PORSCHE
911-1	1969	3	01	301-05		248					



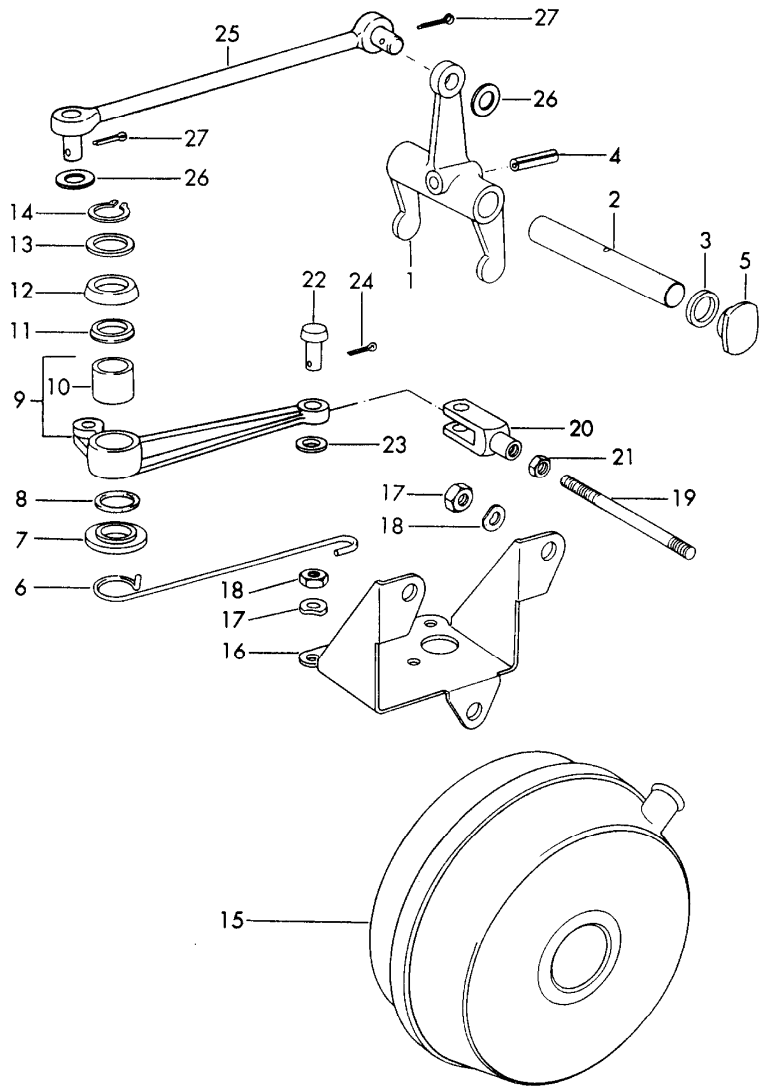
Pos	Part Number	Description	Remark	Qty	Model
		clutch			912
1	> 616 116 019 00	pressure plate complete		1	
2	616 116 017 00	clutch plate		1	
3	900 027 015 02	lock ring B 8		6	
4	900 075 104 01	hexagon-head bolt M 8 X 15		6	

Model	Year	MG	SG	Illustration	Restrictions	UPD	17:48	22.01.2010	PORSCHE	PET	PORSCHE
911-1	1969	3	01	301-10		248					



Pos	Part Number	Description	Remark	Qty	Model
		clutch release			
1	901 116 087 11	guide tube	-68	1	
(1)	901 116 087 11	guide tube	69	1	
2	900 076 010 02	hexagon nut M 6		2	
3	900 027 014 01	lock ring B 6		3	
		release fork modification G 016 3001 >> G 024 3001 >> attention			912
4	901 116 711 11	release fork G 509 0001 >> 509 0462 G 519 0001 >> 519 1141 G 519 5001 >> 519 5209 G 709 0001 >> 709 0223 G 719 0001 >> 719 2526 G 739 0001 >> 739 0002 G 739 1001 >> 739 1001 G 739 2001 >> 739 2007 G 739 3001 >> 739 3003 G 739 4001 >> 739 4004		1	902/04 902/05 902/06 901/06 901/07 901/75 901/76 901/77 901/78 901/79
(4)	901 116 712 00	release fork		1	
5	901 116 741 01	bush		1	
6	901 116 077 01	retaining bracket		1	
7	900 067 009 02	pan-head screw M 6 X 15		1	
-	901 116 731 01	tension spring F >> 030 5100		1	
(8) A	901 116 081 02	clutch release bearing		1	
8	901 116 081 11	clutch release bearing F 030 5101 >>		1	
9	901 116 825 11	guide piece F 030 5101 >>		2	

Model	Year	MG	SG	Illustration	Restrictions	UPD	17:48	22.01.2010	PORSCHE	PET	PORSCHE
911-1	1969	3	01	301-15		248					

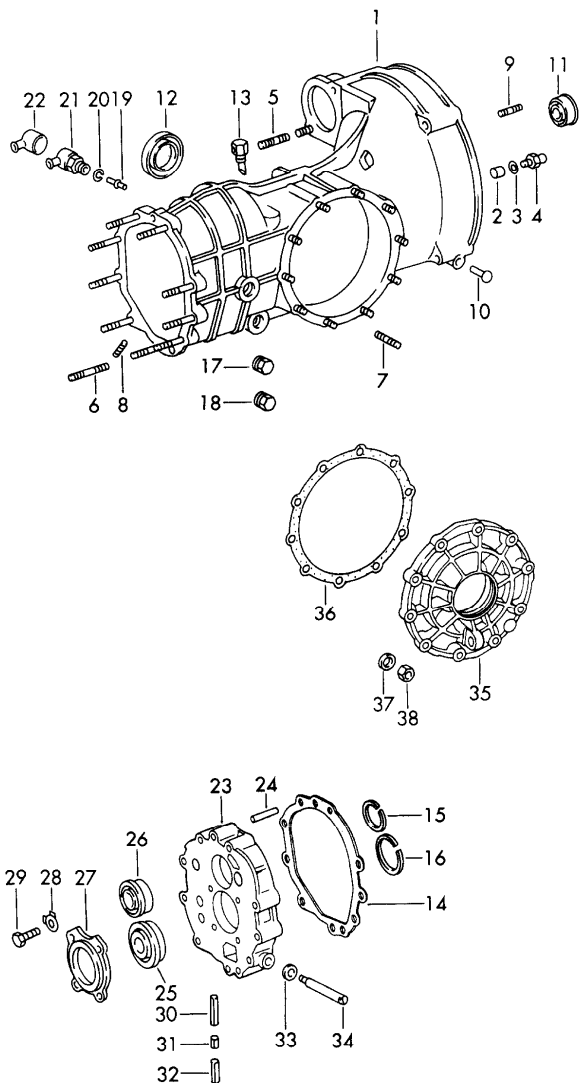


Pos	Part Number	Description	Remark	Qty	Model
		clutch release sportomatic	-68 69-		911 L/S/TU 911 T/E
1	905 116 711 01	clutch release lever		1	
2	905 116 709 00	clutch lever shaft		1	
3	905 116 712 00	spacer ring		2	
4	900 095 013 00	tensioning sleeve 4 X 20		1	
5	905 116 713 00	cap		2	
6	905 116 714 00	spring		1	
7	905 116 708 00	washer		1	
8	999 701 169 40	o-ring		1	
9	905 116 071 00	intermediate shift lever		1	
10	905 116 701 01	bush		1	
11	905 116 719 01	spacer		1	
12	999 704 019 50	sleeve		1	
13	900 234 006 02	shim 15 X 22 X 1		1	
14	N 012 415 1	circlip 15 X 1		1	
15	905 116 721 01	servo-motor 135 X 60		1	
16	905 116 715 10	servo-motor support		1	
17	900 076 025 02	hexagon nut M 8		6	
18	900 027 005 01	lock ring A 8		6	
19	905 116 716 00	pull rod		1	
20	900 166 002 02	clevis G 6 X 24		1	
21	900 076 010 02	hexagon nut M 6		1	
22	905 116 717 00	bolt		1	
23	900 089 005 02	washer 6		1	

Model	Year	MG	SG	Illustration	Restrictions	UPD	17:48	22.01.2010	PORSCHE	PET	PORSCHE
911-1	1969	3	01	301-15		248					

Pos	Part Number	Description	Remark	Qty	Model	Pos	Part Number	Description	Remark	Qty	Model
24	900 021 002 00	cotter pin 1,5 X 10		1							
25	905 116 070 01	push rod		1							
26	900 025 007 02	washer 8,4		2							
27	900 021 008 00	cotter pin 2 X 15		2							

Model	Year	MG	SG	Illustration	Restrictions	UPD	17:49	22.01.2010	PORSCHE	PET	PORSCHE
911-1	1969	3	02	302-00		248					



Pos	Part Number	Description	Remark	Qty	Model
		replacement transmission case transmission case chilled casting			
1	901 301 010 02	transmission case G 509 0001 >> 509 0462 G 519 0001 >> 519 1141 G 519 5001 >> 519 5209 G 709 0001 >> 709 0223 G 719 0001 >> 719 2526 G 739 0001 >> 739 0002 G 739 1001 >> 739 1001 G 739 2001 >> 739 2007 G 739 3001 >> 739 3003 G 739 4001 >> 739 4004		1	902/04 902/05 902/06 901/06 901/07 901/75 901/76 901/77 901/78 901/79
2	999 504 025 01	threaded bush	-68	1	
(2)	999 504 040 02	bush M 8X9	69-	1	
3	901 116 773 01	sealing washer G 509 0001 >> 509 0462 G 519 0001 >> 519 1141 G 519 5001 >> 519 5209 G 709 0001 >> 709 0223 G 719 0001 >> 719 2526 G 739 0001 >> 739 0002 G 739 1001 >> 739 1001 G 739 2001 >> 739 2007 G 739 3001 >> 739 3003 G 739 4001 >> 739 4004		1	902/04 902/05 902/06 901/06 901/07 901/75 901/76 901/77 901/78 901/79
4	900 167 014 02	ball pin	-65	1	
(4)	901 116 771 01	ball pin G 509 1001 >> 509 1788 G 539 0101 >> 539 0101 G 519 1501 >> 519 3619 G 709 1001 >> 709 1469 G 719 3001 >> 719 8787 G 739 0101 >> 739 0109 G 739 1101 >> 739 1102 G 739 2101 >> 739 2118 G 739 3101 >> 739 3106 G 739 4101 >> 739 4109 G 729 0001 >> 729 1044		1	902.300/14 902.300/60 902.300/16 901.300/12 901.300/13 901.300/80 901.300/81 901.300/82 901.300/83 901.300/84 905.300/13
5	999 062 086 02	stud BM 10X30	WW	-68	1
(5)	900 061 014 01	stud BM 10X22	WW	-68	1
(5)	900 061 014 02	stud BM 10X22		69-	1

Model	Year	MG	SG	Illustration	Restrictions	UPD	17:49	22.01.2010	PORSCHE	PET	PORSCHE
911-1	1969	3	02	302-00		248					

Pos	Part Number	Description	Remark	Qty	Model	Pos	Part Number	Description	Remark	Qty	Model
6	900 061 012 01	stud BM 8X50 G 509 0001 >> 509 0462 G 519 0001 >> 519 1141 G 519 5001 >> 519 5209 G 709 0001 >> 709 0223 G 719 0001 >> 719 2526 G 739 0001 >> 739 0002 G 739 1001 >> 739 1001 G 739 2001 >> 739 2007 G 739 3001 >> 739 3003 G 739 4001 >> 739 4004		9	902/04 902/05 902/06 901/06 901/07 901/75 901/76 901/77 901/78 901/79	12	999 113 058 50	radial sealing ring 45X65X10/1 G 509 0001 >> 509 0462 G 519 0001 >> 519 1141 G 519 5001 >> 519 5209 G 709 0001 >> 709 0223 G 719 0001 >> 719 2526 G 739 0001 >> 739 0002 G 739 1001 >> 739 1001 G 739 2001 >> 739 2007 G 739 3001 >> 739 3003 G 739 4001 >> 739 4004		2	902/04 902/05 902/06 901/06 901/07 901/75 901/76 901/77 901/78 901/79
7	900 061 007 01	stud BM 8X22 G 509 0001 >> 509 0462 G 519 0001 >> 519 1141 G 519 5001 >> 519 5209 G 709 0001 >> 709 0223 G 719 0001 >> 719 2526 G 739 0001 >> 739 0002 G 739 1001 >> 739 1001 G 739 2001 >> 739 2007 G 739 3001 >> 739 3003 G 739 4001 >> 739 4004		10	902/04 902/05 902/06 901/06 901/07 901/75 901/76 901/77 901/78 901/79	13	904 301 071 00	bleeder		1	
						14	901 301 191 01	gasket 0,1 MM G 509 0001 >> 509 0462 G 519 0001 >> 519 1141 G 519 5001 >> 519 5209 G 709 0001 >> 709 0223 G 719 0001 >> 719 2526 G 739 0001 >> 739 0002 G 739 1001 >> 739 1001 G 739 2001 >> 739 2007 G 739 3001 >> 739 3003 G 739 4001 >> 739 4004		1	902/04 902/05 902/06 901/06 901/07 901/75 901/76 901/77 901/78 901/79
8	900 061 057 01	stud BM 8X15	-68	2		(14)	901 301 191 02	gasket 0,15 MM G 509 0001 >> 509 0462 G 519 0001 >> 519 1141 G 519 5001 >> 519 5209 G 709 0001 >> 709 0223 G 719 0001 >> 719 2526 G 739 0001 >> 739 0002 G 739 1001 >> 739 1001 G 739 2001 >> 739 2007 G 739 3001 >> 739 3003 G 739 4001 >> 739 4004		X	902/04 902/05 902/06 901/06 901/07 901/75 901/76 901/77 901/78 901/79
(8)	900 061 057 02	stud BM 8X15	69-	2							
9	900 061 001 01	stud BM 6X10	-68	2							
(9)	999 062 001 02	stud BM 6X10	69-	2							
10	900 093 005 02	grooved nail 6X20 G 509 0001 >> 509 0462 G 519 0001 >> 519 1141 G 519 5001 >> 519 5209 G 709 0001 >> 709 0223 G 719 0001 >> 719 2526 G 739 0001 >> 739 0002 G 739 1001 >> 739 1001 G 739 2001 >> 739 2007 G 739 3001 >> 739 3003 G 739 4001 >> 739 4004		1	902/04 902/05 902/06 901/06 901/07 901/75 901/76 901/77 901/78 901/79	(14)	901 301 191 03	gasket 0,2 MM G 509 0001 >> 509 0462 G 519 0001 >> 519 1141 G 519 5001 >> 519 5209 G 709 0001 >> 709 0223 G 719 0001 >> 719 2526 G 739 0001 >> 739 0002 G 739 1001 >> 739 1001 G 739 2001 >> 739 2007 G 739 3001 >> 739 3003 G 739 4001 >> 739 4004		X	902/04 902/05 902/06 901/06 901/07 901/75 901/76 901/77 901/78 901/79
11	113 311 113 B	sealing ring	-68	1							
(11)	999 113 048 50	sealing ring	69-	1		15	999 042 301 01	circlip SB 52		2	

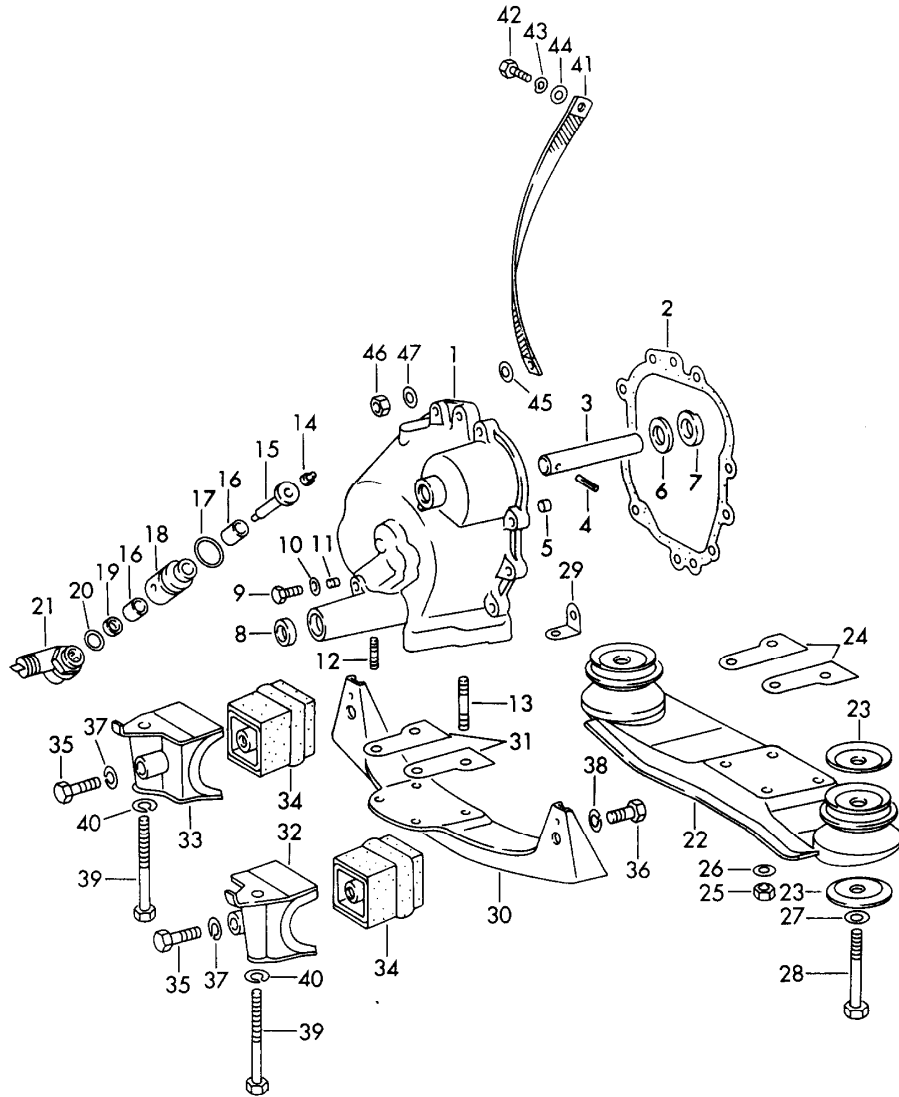
Model	Year	MG	SG	Illustration	Restrictions	UPD	17:49	22.01.2010	PORSCHE	PET	PORSCHE
911-1	1969	3	02	302-00		248					

Pos	Part Number	Description	Remark	Qty	Model	Pos	Part Number	Description	Remark	Qty	Model
16	999 041 305 01	circlip SB 79		1		27	901 301 251 01	tensioning plate G 509 0001 >> 509 0462 G 519 0001 >> 519 1141 G 519 5001 >> 519 5209 G 709 0001 >> 709 0223 G 719 0001 >> 719 2526 G 739 0001 >> 739 0002 G 739 1001 >> 739 1001 G 739 2001 >> 739 2007 G 739 3001 >> 739 3003 G 739 4001 >> 739 4004		1	902/04 902/05 902/06 901/06 901/07 901/75 901/76 901/77 901/78 901/79
17	999 064 019 02	screw plug		1							
18	999 064 020 02	screw plug with magnet		1							
19	901 303 017 01	cam follower		1							
20	N 012 432 1	lock washer 2,3		1							
21	914 613 541 02	back-up light switch		1		28	999 039 001 00	tab washer G 509 0001 >> 509 0462 G 519 0001 >> 519 1141 G 519 5001 >> 519 5209 G 709 0001 >> 709 0223 G 719 0001 >> 719 2526 G 739 0001 >> 739 0002 G 739 1001 >> 739 1001 G 739 2001 >> 739 2007 G 739 3001 >> 739 3003 G 739 4001 >> 739 4004		4	902/04 902/05 902/06 901/06 901/07 901/75 901/76 901/77 901/78 901/79
22	914 613 491 00	rubber cap		1							
23	901 301 221 01	intermediate plate G 509 0001 >> 509 0462 G 519 0001 >> 519 1141 G 519 5001 >> 519 5209 G 709 0001 >> 709 0223 G 719 0001 >> 719 2526 G 739 0001 >> 739 0002 G 739 1001 >> 739 1001 G 739 2001 >> 739 2007 G 739 3001 >> 739 3003 G 739 4001 >> 739 4004		1	902/04 902/05 902/06 901/06 901/07 901/75 901/76 901/77 901/78 901/79	29	N 010 239 11	hexagon-head bolt M 8X18 G 509 0001 >> 509 0462 G 519 0001 >> 519 1141 G 519 5001 >> 519 5209 G 709 0001 >> 709 0223 G 719 0001 >> 719 2526 G 739 0001 >> 739 0002 G 739 1001 >> 739 1001 G 739 2001 >> 739 2007 G 739 3001 >> 739 3003 G 739 4001 >> 739 4004		4	902/04 902/05 902/06 901/06 901/07 901/75 901/76 901/77 901/78 901/79
24	900 012 027 00	straight pin 10 M 6X45 G 509 0001 >> 509 0462 G 519 0001 >> 519 1141 G 519 5001 >> 519 5209 G 709 0001 >> 709 0223 G 719 0001 >> 719 2526 G 739 0001 >> 739 0002 G 739 1001 >> 739 1001 G 739 2001 >> 739 2007 G 739 3001 >> 739 3003 G 739 4001 >> 739 4004		2	902/04 902/05 902/06 901/06 901/07 901/75 901/76 901/77 901/78 901/79	30	901 303 241 01	bush for gear lock detent		1	
25	999 052 016 00	four-point bearing	-68	1		31	901 303 242 01	bush for gear lock detent		1	
(25)	999 052 016 00	four-point bearing	69-	1		32	901 303 243 01	bush for gear lock detent		1	
26	999 053 006 00	angular-contact bearing	-68	1							
(26)	999 053 025 00	angular-contact bearing	69-	1							

Model	Year	MG	SG	Illustration	Restrictions	UPD	17:49	22.01.2010	PORSCHE	PET	PORSCHE
911-1	1969	3	02	302-00		248					

Pos	Part Number	Description	Remark	Qty	Model	Pos	Part Number	Description	Remark	Qty	Model
33	N 012 241 1	spring washer B 8 G 509 0001 >> 509 0462 G 519 0001 >> 519 1141 G 519 5001 >> 519 5209 G 709 0001 >> 709 0223 G 719 0001 >> 719 2526 G 739 0001 >> 739 0002 G 739 1001 >> 739 1001 G 739 2001 >> 739 2007 G 739 3001 >> 739 3003 G 739 4001 >> 739 4004		1	902/04 902/05 902/06 901/06 901/07 901/75 901/76 901/77 901/78 901/79	38	900 076 025 02	hexagon nut M 8 G 509 0001 >> 509 0462 G 519 0001 >> 519 1141 G 519 5001 >> 519 5209 G 709 0001 >> 709 0223 G 719 0001 >> 719 2526 G 739 0001 >> 739 0002 G 739 1001 >> 739 1001 G 739 2001 >> 739 2007 G 739 3001 >> 739 3003 G 739 4001 >> 739 4004		19	902/04 902/05 902/06 901/06 901/07 901/75 901/76 901/77 901/78 901/79
34	914 301 307 00	bolt for reverse lever		1							
35	914 301 311 01	transmission cover lateral G 509 0001 >> 509 0462 G 519 0001 >> 519 1141 G 519 5001 >> 519 5209 G 709 0001 >> 709 0223 G 719 0001 >> 719 2526 G 739 0001 >> 739 0002 G 739 1001 >> 739 1001 G 739 2001 >> 739 2007 G 739 3001 >> 739 3003 G 739 4001 >> 739 4004		1	902/04 902/05 902/06 901/06 901/07 901/75 901/76 901/77 901/78 901/79						
36	901 301 391 01	gasket G 509 0001 >> 509 0462 G 519 0001 >> 519 1141 G 519 5001 >> 519 5209 G 709 0001 >> 709 0223 G 719 0001 >> 719 2526 G 739 0001 >> 739 0002 G 739 1001 >> 739 1001 G 739 2001 >> 739 2007 G 739 3001 >> 739 3003 G 739 4001 >> 739 4004		1	902/04 902/05 902/06 901/06 901/07 901/75 901/76 901/77 901/78 901/79						
37	N 012 241 1	spring washer B 8 G 509 0001 >> 509 0462 G 519 0001 >> 519 1141 G 519 5001 >> 519 5209 G 709 0001 >> 709 0223 G 719 0001 >> 719 2526 G 739 0001 >> 739 0002 G 739 1001 >> 739 1001 G 739 2001 >> 739 2007 G 739 3001 >> 739 3003 G 739 4001 >> 739 4004		19	902/04 902/05 902/06 901/06 901/07 901/75 901/76 901/77 901/78 901/79						

Model	Year	MG	SG	Illustration	Restrictions	UPD	17:49	22.01.2010	PORSCHE	PET	PORSCHE
911-1	1969	3	02	302-05		248					



Pos	Part Number	Description	Remark	Qty	Model
1	901 301 031 02	transmission cover transmission suspension chilled casting and die casting		1	
(1)	901 301 031 11	transmission cover for 5th gear G 022 9361 >> 4th speed G 016 1817 >>	-68	1	912
(1)	901 301 031 12	lid die casting G 509 1001 >> 509 1788 G 539 0101 >> 539 0101 G 519 1501 >> 519 3619 G 709 1001 >> 709 1469 G 719 3001 >> 719 8787 G 739 0101 >> 739 0109 G 739 1101 >> 739 1102 G 739 2101 >> 739 2118 G 739 3101 >> 739 3106 G 739 4101 >> 739 4109 G 729 0001 >> 729 1044	69-	1	902.300/14 902.300/60 902.300/16 901.300/12 901.300/13 901.300/80 901.300/81 901.300/82 901.300/83 901.300/84 905.300/13
2	901 301 392 01	gasket		1	
(2)	901 301 392 12	gasket die casting	69-	1	
3	901 302 255 01	bolt for reverse idler gear		1	
4	900 095 019 01	tensioning sleeve 5X30		1	
5	901 318 244 01	bearing sleeve		1	
6	901 302 296 01	thrust washer		1	
7	901 302 266 01	thrust washer		1	
8	900 112 001 50	radial sealing ring B 15X24X7		1	
(8)	999 113 185 40	shaft sealing ring B 15X24X7 die casting		1	
9	901 318 272 01	hexagon-head bolt	-68	1	

Model	Year	MG	SG	Illustration	Restrictions	UPD	17:49	22.01.2010	PORSCHE	PET	PORSCHE
911-1	1969	3	02	302-05		248					

Pos	Part Number	Description	Remark	Qty	Model	Pos	Part Number	Description	Remark	Qty	Model
(9)	901 318 272 02	hexagon-head bolt G 509 0001 >> 509 0462 G 519 0001 >> 519 1141 G 519 5001 >> 519 5209 G 709 0001 >> 709 0223 G 719 0001 >> 719 2526 G 739 0001 >> 739 0002 G 739 1001 >> 739 1001 G 739 2001 >> 739 2007 G 739 3001 >> 739 3003 G 739 4001 >> 739 4004	69-	1	902/04 902/05 902/06 901/06 901/07 901/75 901/76 901/77 901/78 901/79	12	900 061 057 01	stud BM 8X15 G 509 0001 >> 509 0462 G 519 0001 >> 519 1141 G 519 5001 >> 519 5209 G 709 0001 >> 709 0223 G 719 0001 >> 719 2526 G 739 0001 >> 739 0002 G 739 1001 >> 739 1001 G 739 2001 >> 739 2007 G 739 3001 >> 739 3003 G 739 4001 >> 739 4004		4	911 902/04 902/05 902/06 901/06 901/07 901/75 901/76 901/77 901/78 901/79
(9)	901 318 272 03	hexagon-head bolt die casting	69-	1		(12)	999 062 005 02	stud BM 8X18 die casting G 509 1001 >> 509 1788 G 539 0101 >> 539 0101 G 519 1501 >> 519 3619 G 709 1001 >> 709 1469 G 719 3001 >> 719 8787 G 739 0101 >> 739 0109 G 739 1101 >> 739 1102 G 739 2101 >> 739 2118 G 739 3101 >> 739 3106 G 739 4101 >> 739 4109 G 729 0001 >> 729 1044	69-	2	912 COUPE/TARGA 902.300/14 902.300/60 902.300/16 901.300/12 901.300/13 901.300/80 901.300/81 901.300/82 901.300/83 901.300/84 905.300/13
10	N 012 241 1	spring washer B 8 G 509 0001 >> 509 0462 G 519 0001 >> 519 1141 G 519 5001 >> 519 5209 G 709 0001 >> 709 0223 G 719 0001 >> 719 2526 G 739 0001 >> 739 0002 G 739 1001 >> 739 1001 G 739 2001 >> 739 2007 G 739 3001 >> 739 3003 G 739 4001 >> 739 4004		1	902/04 902/05 902/06 901/06 901/07 901/75 901/76 901/77 901/78 901/79						
(10)	900 031 001 02	washer 8,4 die casting		1		(12)	999 062 005 02	stud BM 8X18 die casting		2	
11	999 504 003 00	threaded insert heli-coil G 509 0001 >> 509 0462 G 519 0001 >> 519 1141 G 519 5001 >> 519 5209 G 709 0001 >> 709 0223 G 719 0001 >> 719 2526 G 739 0001 >> 739 0002 G 739 1001 >> 739 1001 G 739 2001 >> 739 2007 G 739 3001 >> 739 3003 G 739 4001 >> 739 4004	69-	2	902/04 902/05 902/06 901/06 901/07 901/75 901/76 901/77 901/78 901/79	13	900 061 006 01	stud BM 8X20 G 509 0001 >> 509 0462 G 519 0001 >> 519 1141 G 519 5001 >> 519 5209 G 709 0001 >> 709 0223 G 719 0001 >> 719 2526 G 739 0001 >> 739 0002 G 739 1001 >> 739 1001 G 739 2001 >> 739 2007 G 739 3001 >> 739 3003 G 739 4001 >> 739 4004	69-	2	911 902/04 902/05 902/06 901/06 901/07 901/75 901/76 901/77 901/78 901/79
(11)	999 504 070 00	threaded insert heli-coil	69-	1		(13)	900 061 098 01	stud BM 8X38 for 5th gear G 022 9361 >> 4th speed G 016 1817 >>	-68	2	912

Model	Year	MG	SG	Illustration	Restrictions	UPD	17:49	22.01.2010	PORSCHE	PET	PORSCHE
911-1	1969	3	02	302-05		248					

Pos	Part Number	Description	Remark	Qty	Model	Pos	Part Number	Description	Remark	Qty	Model
(13)	999 062 011 02	screw BM8X40 die casting G 509 1001 >> 509 1788 G 539 0101 >> 539 0101 G 519 1501 >> 519 3619 G 709 1001 >> 709 1469 G 719 3001 >> 719 8787 G 739 0101 >> 739 0109 G 739 1101 >> 739 1102 G 739 2101 >> 739 2118 G 739 3101 >> 739 3106 G 739 4101 >> 739 4109 G 729 0001 >> 729 1044	69-	2	912 COUPE/TARGA 902.300/14 902.300/60 902.300/16 901.300/12 901.300/13 901.300/80 901.300/81 901.300/82 901.300/83 901.300/84 905.300/13	20	914 318 261 01	sealing washer	-68	1	
						20	914 318 261 01	centring washer	69-	1	
						21	911 318 029 00	angled pipe complete	-68	1	
						(21)	911 318 029 00	v-drive complete		1	
						22	901 375 031 00	transmission carrier G 509 0001 >> 509 0462 G 519 0001 >> 519 1141 G 519 5001 >> 519 5209 G 709 0001 >> 709 0223 G 719 0001 >> 719 2526 G 739 0001 >> 739 0002 G 739 1001 >> 739 1001 G 739 2001 >> 739 2007 G 739 3001 >> 739 3003 G 739 4001 >> 739 4004		1	911 902/04 902/05 902/06 901/06 901/07 901/75 901/76 901/77 901/78 901/79
(13)	999 062 011 02	screw BM 8X38 G 509 0001 >> 509 0462 G 519 0001 >> 519 1141 G 519 5001 >> 519 5209 G 709 0001 >> 709 0223 G 719 0001 >> 719 2526 G 739 0001 >> 739 0002 G 739 1001 >> 739 1001 G 739 2001 >> 739 2007 G 739 3001 >> 739 3003 G 739 4001 >> 739 4004		2	902/04 902/05 902/06 901/06 901/07 901/75 901/76 901/77 901/78 901/79	(22)	901 375 031 00	transmission carrier die casting	69-	1	911
						23	901 305 311 00	seat		4	911
						24	901 375 311 00	plate die casting	69-	2	911
(13)	999 062 008 02	stud BM 8X25 die casting	69-	2	911	25	900 076 025 02	hexagon nut M 8	-68	4	911
14	901 318 273 01	stop pin		1		(25)	999 090 101 02	mid-grip nut	69-	4	911
15	901 318 333 01	stub shaft for drive shaft crown wheel 7/31		1		26	900 027 015 02	lock ring B 8	-68	4	911
(15)	901 318 333 11	stub shaft for drive shaft crown wheel 6/29	69-	1	912	(26)	900 031 001 02	washer	69-	4	911
16	901 318 241 01	bush	-68	2		27	900 027 017 02	lock ring B 12		2	911
17	999 701 084 50	o-ring 25,3-2,4		1		28	900 082 020 02	hexagon-head bolt M 12X1,5X80	-68	2	911
18	901 318 243 12	guide bush MS		1		(28)	901 305 317 00	hexagon-head bolt	69-	2	911
19	999 113 036 50	radial sealing ring BA 10-8-6		1		29	901 423 369 00	retaining bracket		2	
						(29)	901 107 357 00	retaining bracket for oil hose	-68	1	

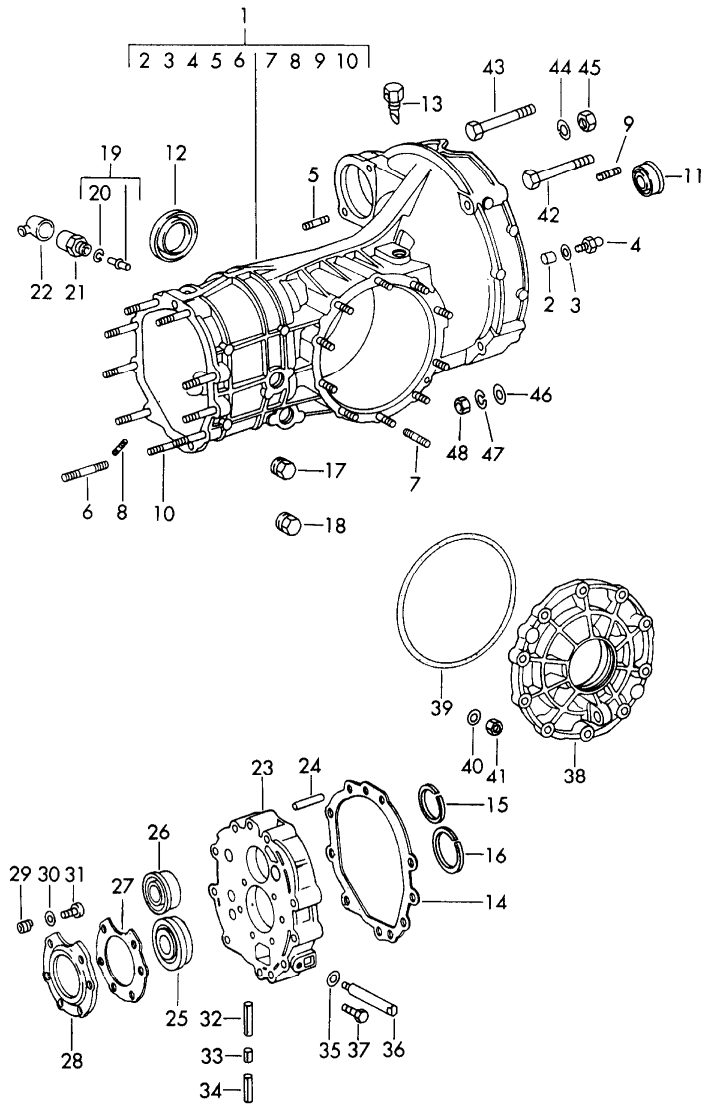
Model	Year	MG	SG	Illustration	Restrictions	UPD	17:49	22.01.2010	PORSCHE	PET	PORSCHE
911-1	1969	3	02	302-05		248					

Pos	Part Number	Description	Remark	Qty	Model	Pos	Part Number	Description	Remark	Qty	Model
30	902 305 033 00	transmission carrier for 5th gear G 022 9361 >> 4th speed G 016 1817 >>	-68	1	912	33	902 305 316 00	spring support for 5th gear G 022 9361 >> 4th speed G 016 1817 >>	/R	-68	1 912
(30)	902 305 033 01	transmission carrier G 509 0001 >> 509 0462 G 519 0001 >> 519 1141 G 519 5001 >> 519 5209 G 709 0001 >> 709 0223 G 719 0001 >> 719 2526 G 739 0001 >> 739 0002 G 739 1001 >> 739 1001 G 739 2001 >> 739 2007 G 739 3001 >> 739 3003 G 739 4001 >> 739 4004	69-	1	912 902/04 902/05 902/06 901/06 901/07 901/75 901/76 901/77 901/78 901/79	(33)	902 305 316 01	spring support	/R	69-	1 912
(30)	902 375 033 00	transmission carrier die casting G 509 1001 >> 509 1788 G 539 0101 >> 539 0101 G 519 1501 >> 519 3619 G 709 1001 >> 709 1469 G 719 3001 >> 719 8787 G 739 0101 >> 739 0109 G 739 1101 >> 739 1102 G 739 2101 >> 739 2118 G 739 3101 >> 739 3106 G 739 4101 >> 739 4109 G 729 0001 >> 729 1044	69-	1	912 COUPE/TARGA 902.300/14 902.300/60 902.300/16 901.300/12 901.300/13 901.300/80 901.300/81 901.300/82 901.300/83 901.300/84 905.300/13	34	902 305 492 00	bonded rubber mounting for 5th gear G 022 9361 >> 4th speed G 016 1817 >>		2	912
31	901 375 311 00	plate die casting G 509 1001 >> 509 1788 G 539 0101 >> 539 0101 G 519 1501 >> 519 3619 G 709 1001 >> 709 1469 G 719 3001 >> 719 8787 G 739 0101 >> 739 0109 G 739 1101 >> 739 1102 G 739 2101 >> 739 2118 G 739 3101 >> 739 3106 G 739 4101 >> 739 4109 G 729 0001 >> 729 1044	69-	2	912 COUPE/TARGA 902.300/14 902.300/60 902.300/16 901.300/12 901.300/13 901.300/80 901.300/81 901.300/82 901.300/83 901.300/84 905.300/13	35	900 082 032 02	hexagon-head bolt M 12X1,5X38 for 5th gear G 022 9361 >> 4th speed G 016 1817 >>		2	912
32	902 305 315 00	spring support for 5th gear G 022 9361 >> 4th speed G 016 1817 >>	/L	-68	1 912	36	900 083 011 02	hexagon-head bolt M 12X1,5X18 for 5th gear G 022 9361 >> 4th speed G 016 1817 >>		2	912
(32)	902 305 315 01	spring support	/L	69-	1 912	37	900 028 014 01	spring washer B 12 for 5th gear G 022 9361 >> 4th speed G 016 1817 >>		2	912
						38	900 028 014 01	spring washer B12 for 5th gear G 022 9361 >> 4th speed G 016 1817 >>	-68	2	912
						(38)	900 027 017 02	lock ring B 12	69-	2	912

Model	Year	MG	SG	Illustration	Restrictions	UPD	17:49	22.01.2010	PORSCHE	PET	PORSCHE
911-1	1969	3	02	302-05		248					

Pos	Part Number	Description	Remark	Qty	Model	Pos	Part Number	Description	Remark	Qty	Model
39	900 082 030 02	hexagon-head bolt M 12X1,5X105 for 5th gear G 022 9361 >> 4th speed G 016 1817 >>	-68	2	912	44	999 151 022 02	washer B 8,4	-68	2	
(39)	902 305 317 00	hexagon-head bolt	69-	2	912	(44)	900 025 025 02	washer B 8,4 G 509 0001 >> 509 0462 G 519 0001 >> 519 1141 G 519 5001 >> 519 5209 G 709 0001 >> 709 0223 G 719 0001 >> 719 2526 G 739 0001 >> 739 0002 G 739 1001 >> 739 1001 G 739 2001 >> 739 2007 G 739 3001 >> 739 3003 G 739 4001 >> 739 4004	69-	2	902/04 902/05 902/06 901/06 901/07 901/75 901/76 901/77 901/78 901/79
40	900 028 014 01	spring washer B 12 for 5th gear G 022 9361 >> 4th speed G 016 1817 >>	-68	2	912	45	999 151 022 02	washer 20X8,4X2 die casting	69-	2	
(40)	900 027 017 02	lock ring B 12	69-	2		46	999 090 101 02	mid-grip nut die casting	69-	9	
41	999 611 918 20	ground strap	-68	1		47	900 031 001 02	washer 8,4 die casting	69-	9	
(41)	999 611 918 20	ground strap	69-	1							
42	900 075 085 02	hexagon-head bolt M 8X20	-68	1							
(42)	900 076 030 02	hexagon nut M 8 G 509 0001 >> 509 0462 G 519 0001 >> 519 1141 G 519 5001 >> 519 5209 G 709 0001 >> 709 0223 G 719 0001 >> 719 2526 G 739 0001 >> 739 0002 G 739 1001 >> 739 1001 G 739 2001 >> 739 2007 G 739 3001 >> 739 3003 G 739 4001 >> 739 4004	69-	1	902/04 902/05 902/06 901/06 901/07 901/75 901/76 901/77 901/78 901/79						
43	N 012 241 1	spring washer B 8	-68	1							
(43)	N 012 132 2	shake-proof washer G 509 0001 >> 509 0462 G 519 0001 >> 519 1141 G 519 5001 >> 519 5209 G 709 0001 >> 709 0223 G 719 0001 >> 719 2526 G 739 0001 >> 739 0002 G 739 1001 >> 739 1001 G 739 2001 >> 739 2007 G 739 3001 >> 739 3003 G 739 4001 >> 739 4004	69-	1	902/04 902/05 902/06 901/06 901/07 901/75 901/76 901/77 901/78 901/79						

Model	Year	MG	SG	Illustration	Restrictions	UPD	17:49	22.01.2010	PORSCHE	PET	PORSCHE
911-1	1969	3	02	302-10		248					



Pos	Part Number	Description	Remark	Qty	Model
		replacement transmission case transmission case die casting	69-		
1	914 301 010 01	transmission case G 509 1001 >> 509 1788 G 539 0101 >> 539 0101 G 519 1501 >> 519 3619 G 709 1001 >> 709 1469 G 719 3001 >> 719 8787 G 739 0101 >> 739 0109 G 739 1101 >> 739 1102 G 739 2101 >> 739 2118 G 739 3101 >> 739 3106 G 739 4101 >> 739 4109 G 729 0001 >> 729 1044		1	902.300/14 902.300/60 902.300/16 901.300/12 901.300/13 901.300/80 901.300/81 901.300/82 901.300/83 901.300/84 905.300/13
2	999 504 040 02	bush M 8 X 9 G 509 1001 >> 509 1788 G 539 0101 >> 539 0101 G 519 1501 >> 519 3619 G 709 1001 >> 709 1469 G 719 3001 >> 719 8787 G 739 0101 >> 739 0109 G 739 1101 >> 739 1102 G 739 2101 >> 739 2118 G 739 3101 >> 739 3106 G 739 4101 >> 739 4109 G 729 0001 >> 729 1044		1	902.300/14 902.300/60 902.300/16 901.300/12 901.300/13 901.300/80 901.300/81 901.300/82 901.300/83 901.300/84 905.300/13
3	900 031 001 02	washer G 509 1001 >> 509 1788 G 539 0101 >> 539 0101 G 519 1501 >> 519 3619 G 709 1001 >> 709 1469 G 719 3001 >> 719 8787 G 739 0101 >> 739 0109 G 739 1101 >> 739 1102 G 739 2101 >> 739 2118 G 739 3101 >> 739 3106 G 739 4101 >> 739 4109 G 729 0001 >> 729 1044		1	902.300/14 902.300/60 902.300/16 901.300/12 901.300/13 901.300/80 901.300/81 901.300/82 901.300/83 901.300/84 905.300/13
4	901 116 771 01	ball pin G 509 1001 >> 509 1788 G 539 0101 >> 539 0101 G 519 1501 >> 519 3619 G 709 1001 >> 709 1469 G 719 3001 >> 719 8787 G 739 0101 >> 739 0109 G 739 1101 >> 739 1102 G 739 2101 >> 739 2118 G 739 3101 >> 739 3106 G 739 4101 >> 739 4109 G 729 0001 >> 729 1044		1	902.300/14 902.300/60 902.300/16 901.300/12 901.300/13 901.300/80 901.300/81 901.300/82 901.300/83 901.300/84 905.300/13

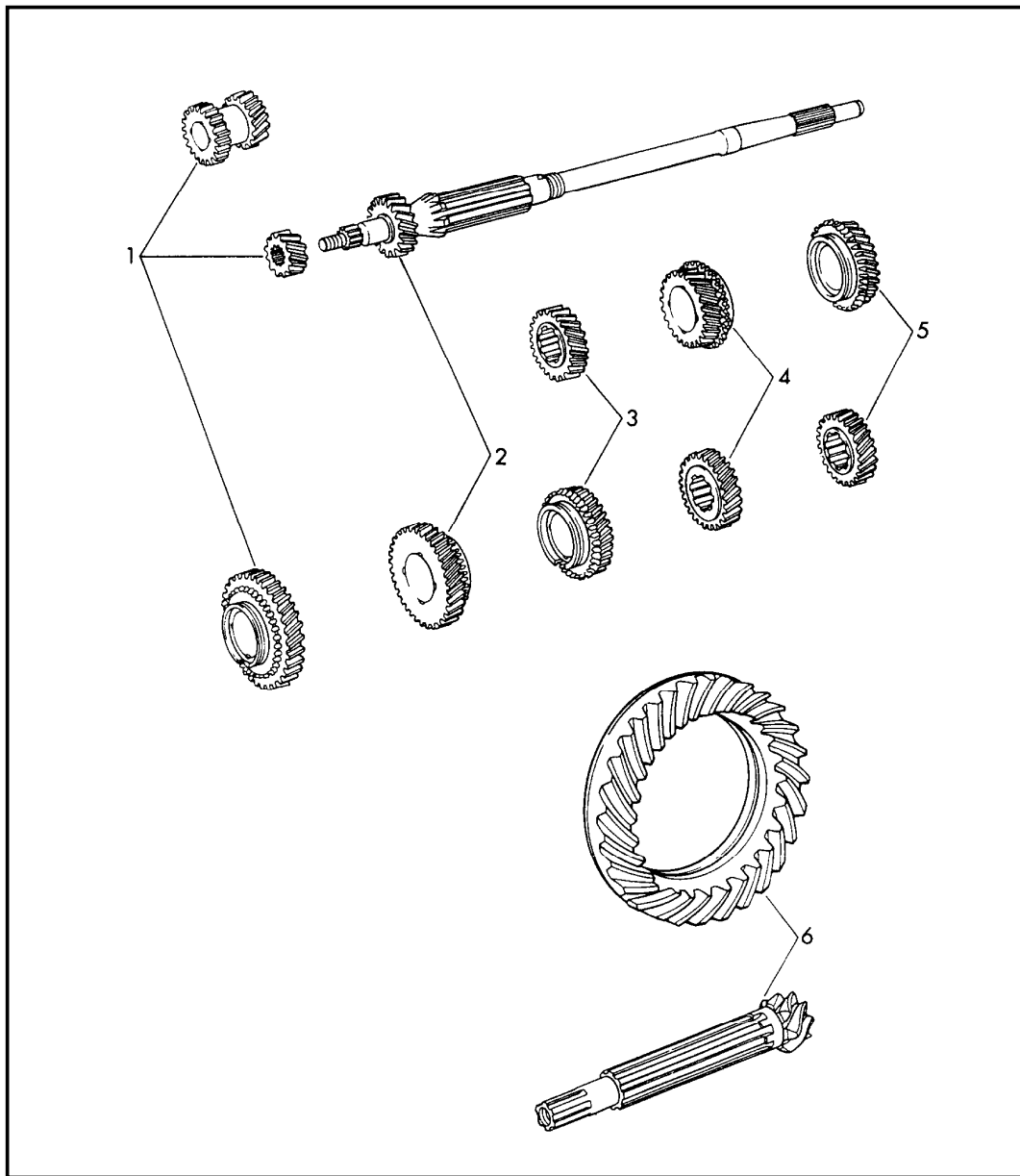
Model	Year	MG	SG	Illustration	Restrictions	UPD	17:49	22.01.2010	PORSCHE	PET	PORSCHE
911-1	1969	3	02	302-10		248					

Pos	Part Number	Description	Remark	Qty	Model	Pos	Part Number	Description	Remark	Qty	Model
5	900 061 014 02	stud BM 10 X 22		1		24	900 012 028 00	straight pin 10 M 6 X 50		2	
6	999 062 046 02	stud BM 8 X 65		7		25	999 052 016 00	four-point bearing		1	
7	999 062 044 02	stud BM 8 X 32		10		26	999 053 025 00	angular-contact bearing two-row		1	
8	900 061 057 02	stud BM 8 X 15		2		27	901 301 255 13	plate		1	
9	999 062 001 02	stud BM 6 X 10		2		28	901 301 035 13	tensioning plate		1	
10	900 061 163 02	stud BM 8 X 60		2		29	999 504 049 00	heli-coil M 8		6	
11	999 113 048 50	radial sealing ring		1		30	900 025 007 02	washer 8,4		6	
12	999 113 130 50	radial sealing ring 45 X 68 X 10		2		31	999 509 010 00	pan-head screw		6	
13	904 301 071 00	bleeder		1		32	901 303 241 01	bush for gear lock detent		1	
14	901 301 191 21	gasket 0,1 MM		1		33	901 303 242 01	bush for gear lock detent		1	
(14)	901 301 191 22	gasket 0,15 MM		X		34	901 303 243 01	bush for gear lock detent		1	
(14)	901 301 191 23	gasket 0,2 MM		X		35	900 031 001 02	washer 8,4		1	
15	999 042 301 01	circlip SB 52		2		36	914 301 307 00	bolt for reverse lever		1	
16	999 041 305 01	circlip SB 79		1		37	-	deleted			
17	999 064 019 02	screw plug		1		38	901 301 311 12	transmission cover lateral		1	
18	999 064 020 02	screw plug with magnet		1		39	113 301 185 A	gasket		1	
19	901 303 017 01	cam follower		1		40	900 031 001 02	washer 8,4		8	
20	N 012 432 1	lock washer 2,3		1		41	999 090 101 02	mid-grip nut self-locking mount engine transmission		10	
21	914 613 541 02	back-up light switch		1		42	900 155 023 02	hexagon-head bolt M 10 X 72		1	911
22	914 613 491 00	rubber cap		1							
23	911 301 221 00	intermediate plate		1							

Model	Year	MG	SG	Illustration	Restrictions	UPD	17:49	22.01.2010	PORSCHE	PET	PORSCHE
911-1	1969	3	02	302-10		248					

Pos	Part Number	Description	Remark	Qty	Model	Pos	Part Number	Description	Remark	Qty	Model
(42)	900 155 021 02	hexagon-head bolt M 10 X 80 G 509 1001 >> 509 1788 G 539 0101 >> 539 0101 G 519 1501 >> 519 3619 G 709 1001 >> 709 1469 G 719 3001 >> 719 8787 G 739 0101 >> 739 0109 G 739 1101 >> 739 1102 G 739 2101 >> 739 2118 G 739 3101 >> 739 3106 G 739 4101 >> 739 4109 G 729 0001 >> 729 1044		1	912 COUPE/TARGA 902.300/14 902.300/60 902.300/16 901.300/12 901.300/13 901.300/80 901.300/81 901.300/82 901.300/83 901.300/84 905.300/13	48	900 157 002 02	hexagon nut M 10		2 5	911 912
43	900 067 074 02	pan-head screw M 10 X 110		1	911						
(43)	900 067 075 02	pan-head screw M 10 X 120 G 509 1001 >> 509 1788 G 539 0101 >> 539 0101 G 519 1501 >> 519 3619 G 709 1001 >> 709 1469 G 719 3001 >> 719 8787 G 739 0101 >> 739 0109 G 739 1101 >> 739 1102 G 739 2101 >> 739 2118 G 739 3101 >> 739 3106 G 739 4101 >> 739 4109 G 729 0001 >> 729 1044		1	912 COUPE/TARGA 902.300/14 902.300/60 902.300/16 901.300/12 901.300/13 901.300/80 901.300/81 901.300/82 901.300/83 901.300/84 905.300/13						
44	901 604 581 00	spring washer		1	911 COUPE/TARGA						
(44)	N 012 242 3	spring washer B 10X18 G 509 1001 >> 509 1788 G 539 0101 >> 539 0101 G 519 1501 >> 519 3619 G 709 1001 >> 709 1469 G 719 3001 >> 719 8787 G 739 0101 >> 739 0109 G 739 1101 >> 739 1102 G 739 2101 >> 739 2118 G 739 3101 >> 739 3106 G 739 4101 >> 739 4109 G 729 0001 >> 729 1044		3	912 COUPE/TARGA 902.300/14 902.300/60 902.300/16 901.300/12 901.300/13 901.300/80 901.300/81 901.300/82 901.300/83 901.300/84 905.300/13						
45	N 011 133 1	hexagon nut M 10		2							
46	900 031 005 02	washer 10,5		3	911 912						
47	999 523 103 01	lock washer M 10		3	911 912						

Model	Year	MG	SG	Illustration	Restrictions	UPD	17:49	22.01.2010	PORSCHE	PET	PORSCHE
911-1	1969	3	03	303-00		248					



Pos	Part Number	Description	Remark	Qty	Model
		gear wheel sets 5-speed transmission			
		gear wheel sets standard	-68		
1	911 302 911 00	gear set 1st gear Z = 12:34 (AA) G >> 010 2082	-65	1	
(1)	911 302 903 00	gear set 1st gear Z = 11:34 (A) G 022 1722 >>	65-	1	911 /L/S/TU 912
2	911 302 907 00	gear set and gear wheel II 2nd gear Z = 18:32 (GA) G >> 010 2082	-65	1	
(2)	911 302 904 00	gear set and gear wheel II 2nd gear Z = 18:34 (F) G 022 1722 >>	65-	1	911 /L/S/TU 912
3	904 302 916 10	gear wheel pair 3rd gear Z = 23:28 (O) G >> 010 2082	-65	1	
(3)	901 302 909 10	gear wheel pair 3rd gear Z = 22:29 (M) G 022 1722 >>	65-	1	911 /L/S/TU 912
4	904 302 921 10	gear wheel pair 4th speed Z = 26:25 (U) G >> 010 2082	-65	1	
(4)	904 302 929 10	gear wheel pair 4th speed Z = 25:26 (S) G 022 1722 >>	65-	1	911 /L/S/TU 912
5	901 302 913 10	gear wheel pair 5th gear Z = 28:23 (Y) G >> 010 2082	-65	1	

Model	Year	MG	SG	Illustration	Restrictions	UPD	17:49	22.01.2010	PORSCHE	PET	PORSCHE
911-1	1969	3	03	303-00		248					

Pos	Part Number	Description	Remark	Qty	Model	Pos	Part Number	Description	Remark	Qty	Model
(5)	904 302 924 10	gear wheel pair 5th gear Z = 28:24 (X) G 022 1722 >>	65-	1	911 L/ 912	(2)	911 302 912 00	gear set 2nd gear Z = 17:34 (E)		1	
(5)	901 302 918 10	gear wheel pair 5th gear Z = 29:23 (Z)	-68	1	911 S/TU	(2)	911 302 913 00	gear set 2nd gear Z = 18:34 (F)		1	911 S
		gear wheel sets standard transmission ratio for races	-68		911 L/S	(2)	911 302 910 00	gear set 2nd gear Z = 18:32 (GA)		1	911 S
1	911 302 909 00	gear set 1st gear Z = 14:37 (B)		1		(2)	904 302 934 10	gear wheel pair 2nd gear Z = 20:32 (HA)		1	911 S
(2)	904 302 101 00	drive shaft		1		3	901 302 908 10	gear wheel pair 3rd gear Z = 20:31 (I)		1	
2	911 302 910 00	gear set 2nd gear Z = 18:32 (GA)		1		(3)	904 302 915 10	gear wheel pair 3rd gear Z = 21:30 (K)		1	911 S
3	901 302 909 10	gear wheel pair 3rd gear Z = 22:29 (M)		1		(3)	904 302 927 10	gear wheel pair 3rd gear Z = 21:31 (J)		1	911 S
4	901 302 912 10	gear wheel pair 4th speed Z = 26:26 (T)		1		(3)	901 302 909 10	gear wheel pair 3rd gear Z = 22:29 (M)		1	911 S
5	901 302 913 10	gear wheel pair 5th gear Z = 28:23 (Y)		1		(3)	904 302 916 10	gear wheel pair 3rd gear Z = 23:28 (O)		1	911 S
		gear wheel sets	-68		911 S/ 912	4	901 302 910 10	gear wheel pair 4th speed Z = 23:28 (O)		1	
1	911 302 911 00	gear set 1st gear Z = 12:34 (AA)		1	911 S	(4)	904 302 919 10	gear wheel pair 4th speed Z = 22:29 (M)		1	911 S
(1)	911 302 909 00	gear set 1st gear Z = 14:37(B)		1	911 S	(4)	901 302 911 10	gear wheel pair 4th speed Z = 25:27 (R)		1	911 S
(1)	911 302 914 00	gear set 1st gear Z = 15:36 (C)		1	911S	(4)	901 302 912 10	gear wheel pair 4th speed Z = 26:26 (T)		1	911 S
(1)	911 302 903 00	gear set 1st gear Z = 11:34 (A)		1	912	5	901 302 910 10	gear wheel pair 5th gear Z = 23:28 (O)		1	911 S
2	904 302 101 00	drive shaft		1							

Model	Year	MG	SG	Illustration	Restrictions	UPD	17:49	22.01.2010	PORSCHE	PET	PORSCHE
911-1	1969	3	03	303-00		248					

Pos	Part Number	Description	Remark	Qty	Model	Pos	Part Number	Description	Remark	Qty	Model
(5)	904 302 929 10	gear wheel pair 5th gear Z = 25:26 (S)		1	911 S	4	901 302 910 10	gear wheel pair 4th speed Z = 23:28 (O)		1	
(5)	904 302 930 10	gear wheel pair 5th gear Z = 27:25 (V)		1	911 S	5	904 302 929 10	gear wheel pair 5th gear Z = 25:26 (S)		1	
(5)	901 302 913 10	gear wheel pair 5th gear Z = 28:23 (Y)		1	911 S			transmission ratio for fast races	-68		911 L/S
(5)	904 302 921 10	gear wheel pair 5th gear Z = 26:25 (U)		1	912	1	911 302 914 00	gear set 1st gear Z = 15:36 (C)		1	
		hill-climb transmission ratio	-68		911 L/S	(2)	904 302 101 00	drive shaft		1	
1	911 302 911 00	gear set 1st gear Z = 12:34 (AA)		1		2	904 302 934 10	gear wheel pair 2nd gear Z = 20:32 (HA)		1	
(2)	904 302 101 00	drive shaft		1		3	904 302 916 10	gear wheel pair 3rd gear Z = 23:28 (O)		1	
2	911 302 912 00	gear set 2nd gear Z = 17:34 (E)		1		4	901 302 912 10	gear wheel pair 4th speed Z = 26:26 (T)		1	
3	901 302 908 10	gear wheel pair 3rd gear Z = 20:31 (I)		1		5	901 302 913 10	gear wheel pair 5th gear Z = 28:23 (Y)		1	
4	904 302 919 10	gear wheel pair 4th speed Z = 22:29 (M)		1				nuerburgring transmission ratio	-68		911 L/S
5	901 302 910 10	gear wheel pair 5th gear Z = 23:28 (O)		1		1	911 302 909 00	gear set 1st gear Z = 14:37 (B)		1	
		airfield transmission ratio	-68		911 L/S	(2)	904 302 101 00	drive shaft		1	
1	911 302 911 00	gear set 1st gear Z 12:34 (AA)		1		2	904 302 934 10	gear wheel pair 2nd gear Z = 20:32 (HA)		1	
(2)	904 302 101 00	drive shaft		1		3	901 302 909 10	gear wheel pair 3rd gear Z = 22:29 (M)		1	
2	911 302 913 00	gear set 2nd gear Z = 18:34 (F)		1		4	901 302 911 10	gear wheel pair 4th speed Z = 25:27 (R)		1	
3	904 302 927 10	gear wheel pair 3rd gear Z = 21:31 (J)		1		5	904 302 930 10	gear wheel pair 5th gear Z = 27:25 (V)		1	

Model	Year	MG	SG	Illustration	Restrictions	UPD	17:49	22.01.2010	PORSCHE	PET	PORSCHE
911-1	1969	3	03	303-00		248					

Pos	Part Number	Description	Remark	Qty	Model	Pos	Part Number	Description	Remark	Qty	Model
		gear wheel sets TYP 902/05	69-		COUPE/TARGA 912			gear wheel sets TYP 901/07 + 901.300/13 standard	69-		911 E/S 911 T
1	911 302 903 00	gear set 1st gear Z = 11:34 (A)		1		1	911 302 903 00	gear set 1st gear Z = 11:34 (A)		1	
2	911 302 904 00	drive shaft and gear wheel II 2nd gear Z = 18:34 (F)		1		2	911 302 904 00	drive shaft and gear wheel II 2nd gear Z = 18:34 (F)		1	
3	901 302 909 10	gear wheel pair 3rd gear Z = 22:29 (M)		1		3	901 302 909 10	gear wheel pair 3rd gear Z = 22:29 (M)		1	
4	904 302 929 10	gear wheel pair 4th speed Z = 25:26 (S)		1		4	904 302 929 10	gear wheel pair 4th speed Z = 25:26 (S)		1	
5	904 302 924 10	300 10549 Z = 28:24 (X)		1		5	901 302 918 10	gear wheel pair 5th gear Z = 29:23 (Z)		1	
		gear wheel sets TYP 902/06 + 902.300/16 standard	69-					gear wheel sets TYP 911.300/01 standard			911 E/S 911 T
1	911 302 903 00	gear set 1st gear Z = 11:34 (A)		1		1	911 302 903 00	gear set 1st gear Z = 11:34 (A)		1	
2	911 302 907 00	drive shaft and gear wheel II 2nd gear Z = 18:32 (GA)		1		2	911 302 907 00	drive shaft and gear wheel II 2nd gear Z = 18:32 (GA)		1	
3	904 302 916 10	gear wheel pair 3rd gear Z = 23:28 (O)		1		3	904 302 916 10	gear wheel pair 3rd gear Z = 23:28 (O)		1	
4	904 302 921 10	gear wheel pair 4th speed Z = 26:25 (U)		1		4	904 302 930 10	gear wheel pair 4th speed Z = 27:25 (V)		1	
5	901 302 918 10	gear wheel pair 5th gear Z = 29:23 (Z)		1		5	911 302 906 00	gear wheel pair 5th gear Z = 29:22 (ZA)		1	

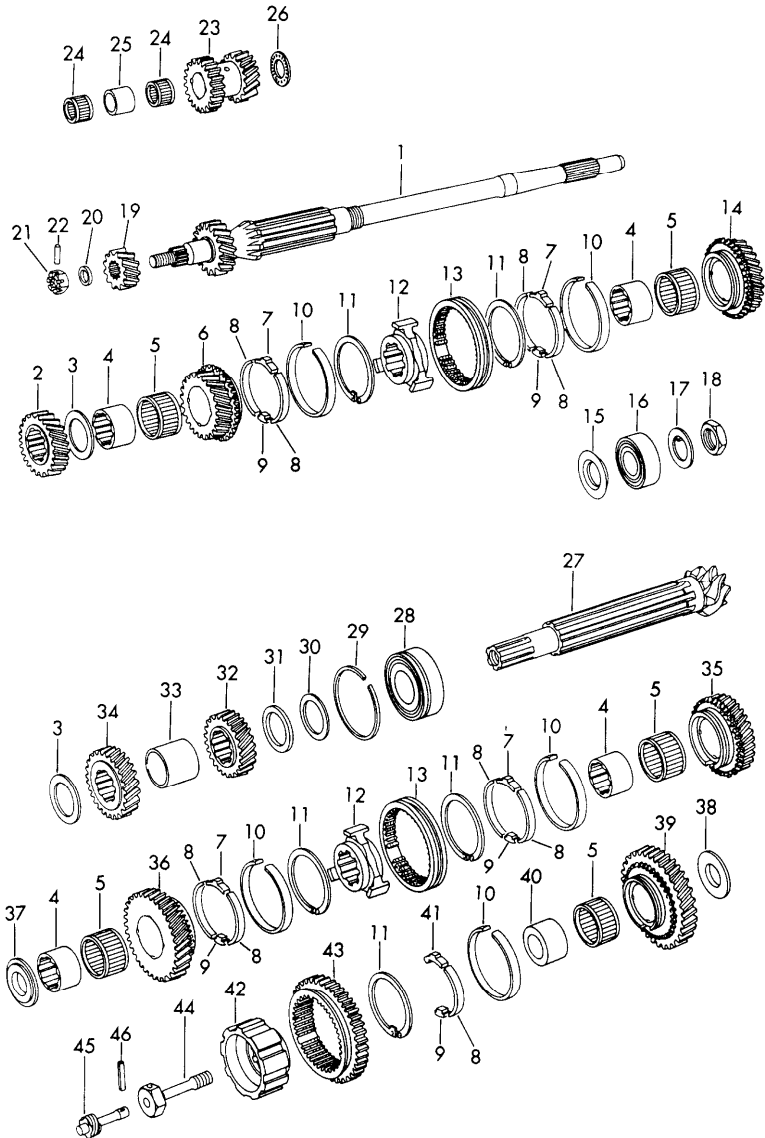
Model	Year	MG	SG	Illustration	Restrictions	UPD	17:49	22.01.2010	PORSCHE	PET	PORSCHE
911-1	1969	3	03	303-00		248					

Pos	Part Number	Description	Remark	Qty	Model	Pos	Part Number	Description	Remark	Qty	Model
		gear wheel sets for 911 S	69-			(4)	901 302 911 10	gear wheel pair 4th speed Z = 25:27 (R)		1	
1	911 302 911 00	gear set 1st gear Z = 12:34 (AA)		1		(4)	901 302 912 10	gear wheel pair 4th speed Z = 26:26 (T)		1	
(1)	911 302 909 00	gear set 1st gear Z = 14:37 (B)		1		5	901 302 910 10	gear wheel pair 5th gear Z = 23:28 (O)		1	
(1)	911 302 914 00	gear set 1st gear Z = 15:36 (C)		1		(5)	904 302 929 10	gear wheel pair 5th gear Z = 25:26 (S)		1	
(2)	904 302 101 00	drive shaft		1		(5)	904 302 930 10	gear wheel pair 5th gear Z = 27:25 (V)		1	
2	911 302 912 00	gear wheel pair 2nd gear Z = 17:34 (E)		1		(5)	901 302 913 10	gear wheel pair 5th gear Z = 28:23 (Y)		1	
(2)	911 302 913 00	gear wheel pair 2nd gear Z = 18:34 (F)		1				gear wheel sets 901/75 + 901.300/80 911.300/80 standard transmission ratio	69-		911 E/S/T 911 S COUPE
(2)	911 302 910 00	gear wheel pair 2nd gear Z = 18:32 (GA)		1		1	911 302 909 00	gear set 1st gear Z = 14:37 (B)		1	
(2)	911 302 915 00	gear wheel pair 2nd gear Z = 20:32 (HA)		1		(2)	904 302 101 00	drive shaft		1	
3	901 302 908 10	gear wheel pair 3rd gear Z = 20:31 (I)		1		2	911 302 910 00	gear wheel pair 2nd gear Z = 18:32 (GA)		1	
(3)	904 302 927 10	gear wheel pair 3rd gear Z = 21:31 (J)		1		3	901 302 909 10	gear wheel pair 3rd gear Z = 22:29 (M)		1	
(3)	901 302 909 10	gear wheel pair 3rd gear Z = 22:29 (M)		1		4	901 302 912 10	gear wheel pair 4th speed Z = 26:26 (T)		1	
(3)	904 302 916 10	gear wheel pair 3rd gear Z = 23:28 (O)		1		5	901 302 913 10	gear wheel pair 5th gear Z = 28:23 (Y)		1	
4	904 302 919 10	gear wheel pair 4th speed Z = 22:29 (M)		1				gear wheel sets 901/76 + 901.300/81 911.300/81 hill-climb transmission ratio	69-		911 E/S/T 911 S COUPE
(4)	901 302 910 10	gear wheel pair 4th speed Z = 23:28 (O)		1							

Model	Year	MG	SG	Illustration	Restrictions	UPD	17:49	22.01.2010	PORSCHE	PET	PORSCHE
911-1	1969	3	03	303-00		248					

Pos	Part Number	Description	Remark	Qty	Model	Pos	Part Number	Description	Remark	Qty	Model
1	911 302 911 00	gear set 1st gear Z = 12:34 (AA)		1		(2)	904 302 101 00	drive shaft		1	
(2)	904 302 101 00	drive shaft		1		2	911 302 915 00	gear wheel pair 2nd gear Z = 20:32 (HA)		1	
2	911 302 912 00	gear wheel pair 2nd gear Z = 17:34 (E)		1		3	901 302 909 10	gear wheel pair 3rd gear Z = 22:29 (M)		1	
3	901 302 908 10	gear wheel pair 3rd gear Z = 20:31 (I)		1		4	901 302 911 10	gear wheel pair 4th speed Z = 25:27 (R)		1	
4	904 302 919 10	gear wheel pair 4th speed Z = 22:29 (M)		1		5	904 302 930 10	gear wheel pair 5th gear Z = 27:25 (V)		1	
5	901 302 910 10	gear wheel pair 5th gear Z = 23:28 (O)		1				gear wheel sets 901/77 + 901.300/82 911.300/82 airfield transmission ratio	69-		911 E/S/T 911 S COUPE
		gear wheel sets 901/78 + 901.300/83 911.300/83 transmission ratio for fast races	69-		911 E/S/T 911 S COUPE	1	911 302 911 00	gear set 1st gear Z = 12:34 (AA)		1	
1	911 302 914 00	gear set 1st gear Z = 15:36 (C)		1		(2)	904 302 101 00	drive shaft		1	
(2)	904 302 101 00	drive shaft		1		2	911 302 913 00	gear wheel pair 2nd gear Z = 18:34 (F)		1	
2	911 302 915 00	gear wheel pair 2nd gear Z = 20:32 (HA)		1		3	904 302 927 10	gear wheel pair 3rd gear Z = 21:31 (I)		1	
3	904 302 916 10	gear wheel pair 3rd gear Z = 23:28 (O)		1		4	901 302 910 10	gear wheel pair 4th speed Z = 23:28 (O)		1	
4	901 302 912 10	gear wheel pair 4th speed Z = 26:26 (T)		1		5	904 302 929 10	gear wheel pair 5th gear Z = 25:26 (S)		1	
5	901 302 913 10	gear wheel pair 5th gear Z = 28:23 (Y)		1				gear wheel sets 901/79 + 901.300/84 nuerburgring transmission ratio	69-		911 E/S/T
1	911 302 909 00	gear set 1st gear Z = 14:37 (B)		1							

Model	Year	MG	SG	Illustration	Restrictions	UPD	17:49	22.01.2010	PORSCHE	PET	PORSCHE
911-1	1969	3	03	303-05		248					



Pos	Part Number	Description	Remark	Qty	Model
		gears and shafts 5-speed transmission			
		gear wheel sets see group 3/03/00			
1	* ---	drive shaft		1	
2	* ---	fixed gear wheel 3rd gear		1	
3	901 302 294 01	thrust washer		2	
4	901 302 261 01	bush for needle-roller bearing 2. - 5th gear		4	
5	999 201 104 00	needle cage 1. - 5th gear		5	
6	* ---	loose gear wheel 4th speed		1	
7	901 302 315 02	stone 2. - 5th gear	-68	4	
(7)	911 302 315 00	stone 2. - 5th gear		4	
8	901 302 316 02	brake band 1. - 5th gear	-68	9	
(8)	911 302 316 00	brake band 1. - 5th gear		9	
9	911 302 317 01	stop 1. - 5th gear	-68	5	
(9)	911 302 317 01	stop 1. - 5th gear	69-	5	
10	911 302 301 06	synchroniser ring 1. - 5th gear	-68	5	

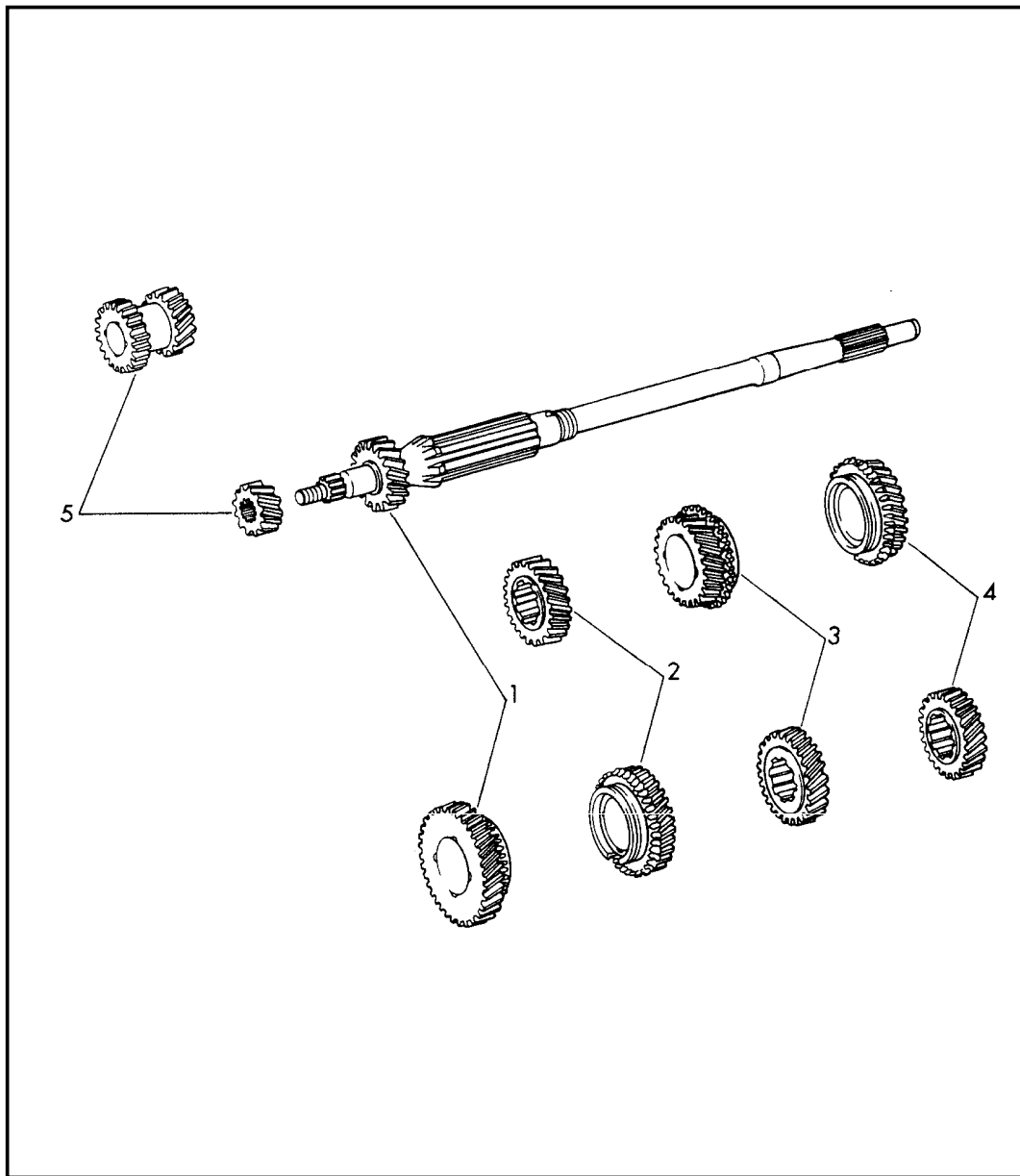
Model	Year	MG	SG	Illustration	Restrictions	UPD	17:49	22.01.2010	PORSCHE	PET	PORSCHE
911-1	1969	3	03	303-05		248					

Pos	Part Number	Description	Remark	Qty	Model	Pos	Part Number	Description	Remark	Qty	Model
(10)	911 302 301 06	synchroniser ring 1. - 5th gear	69-	5		(22)	900 309 004 00	roll pin 3X18	69-	1	
11	911 302 311 01	circlip 1. - 5th gear		5		23 *	--- --- --- --	reverse idler gear		1	
12	901 302 402 02	guide sleeve 2. - 5th gear		2		24	999 201 012 00	needle cage		2	
13	901 302 411 02	shift sleeve 2. - 5th gear G >> 010 1361		2		25	901 302 263 01	sleeve		1	
(13)	901 302 411 03	shift sleeve 2. - 5th gear G 010 1362 >>	-68	2		26	999 202 001 00	axial needle bearing cage		1	
(13)	911 302 411 10	shift sleeve 2. - 5th gear		2		28	999 110 007 00	cylindrical-roller bearing		1	
14 *	--- --- --- --	loose gear wheel 5th gear		1		29	900 111 002 00	circlip SP 72		1	
15	901 302 268 01	spacer		1		30	901 302 297 01	adjusting shim 0,25 MM		X	
16	999 110 008 00	cylindrical-roller bearing		1		(30)	901 302 297 11	adjusting shim 0,30 MM		X	
17	999 038 001 00	tab washer		1		(30)	901 302 297 21	adjusting shim 0,40 MM		X	
18	999 183 001 00	hexagon nut		1		31	901 302 298 01	spacer		1	
(18)	999 183 001 00	hexagon nut M 24X1,5		1	912	32 *	--- --- --- --	fixed gear wheel 5th gear		1	
19 *	--- --- --- --	fixed gear wheel 1st gear		1		33	901 302 265 01	spacer sleeve		1	
20	999 031 045 00	washer 13X22X3		1		34 *	--- --- --- --	fixed gear wheel 4th speed		1	
(20)	999 031 066 00	washer 14,3X21,5X3		1		35 *	--- --- --- --	loose gear wheel 3rd gear		1	
21	900 079 016 00	castle nut M 12X1,5		1		36 *	--- --- --- --	loose gear wheel 2nd gear		1	
(21)	999 079 011 02	castle nut M 14X1,5		1		37	901 302 269 01	thrust washer		1	
22	999 095 006 00	roll pin 3X18	-68	1		38	901 302 291 01	thrust washer		1	
						39 *	--- --- --- --	loose gear wheel 1st gear		1	
						40	901 302 262 01	bush for needle-roller bearing 1st gear		1	
						41	901 302 318 02	stone 1st gear		1	

Model	Year	MG	SG	Illustration	Restrictions	UPD	17:49	22.01.2010	PORSCHE	PET	PORSCHE
911-1	1969	3	03	303-05		248					

Pos	Part Number	Description	Remark	Qty	Model	Pos	Part Number	Description	Remark	Qty	Model
42	901 302 401 02	guide sleeve 1st gear		1							
43	901 302 226 01	shifting gear for 1st gear and reverse gear G >> 010 1361		1							
(43)	901 302 226 02	shifting gear for 1st gear and reverse gear G 010 1362 >>	-68	1							
(43)	911 302 226 00	shifting gear for 1st gear and reverse gear	69-	1							
44	901 302 271 01	elastic bolt		1							
45	901 318 331 01	shaft 7/31		1							
(45)	901 318 331 11	shaft 6/29	69-	1							
46	900 197 002 00	tensioning sleeve 4 X 28		1							

Model	Year	MG	SG	Illustration	Restrictions	UPD	17:50	22.01.2010	PORSCHE	PET	PORSCHE
911-1	1969	3	03	303-10		248					

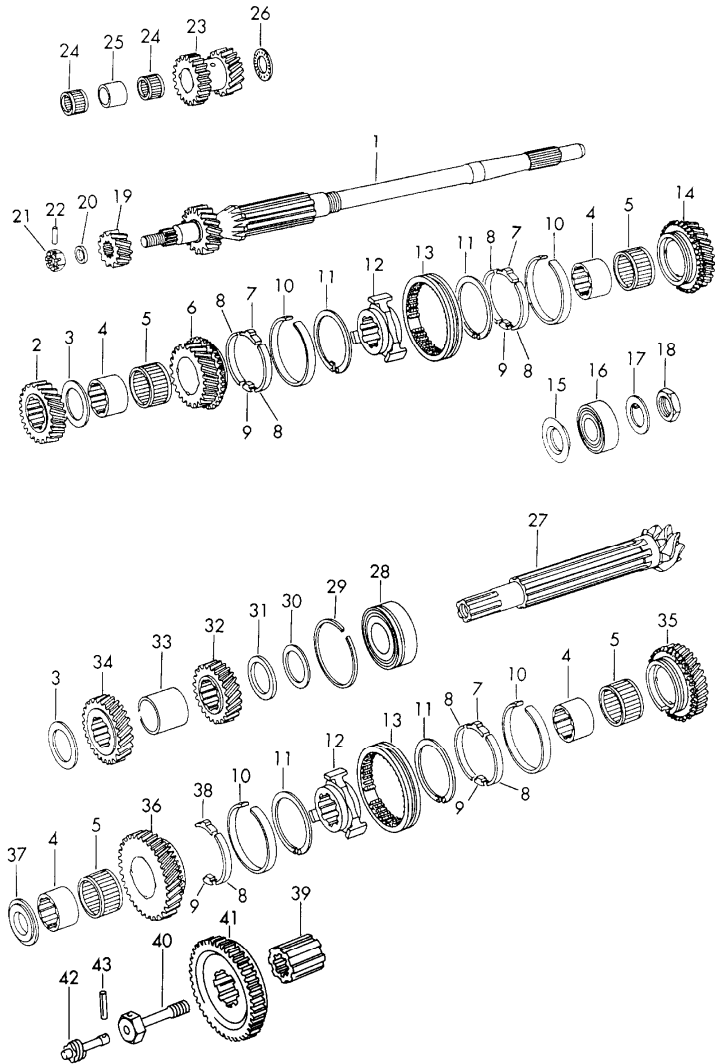


Pos	Part Number	Description	Remark	Qty	Model
		gear wheel sets 4-speed transmission			
		gear wheel sets standard	-68		
1	911 302 905 00	gear set and gear wheel II 1st gear Z = 11:34 (A)		1	
2	904 302 931 10	gear wheel pair 2nd gear Z = 19:32 (H)	(USA) (USA)	1	911 L 911 TU 912
(2)	905 302 907 00	gear wheel pair 2nd gear Z = 19:31 (HB)		1	911 TU
3	904 302 920 10	gear wheel pair 3rd gear Z = 24:27 (Q)	(USA) (USA)	1	911 L 911 TU 912
(3)	904 302 929 10	gear wheel pair 3rd gear Z = 25:26 (S)		1	911 TU
4	904 302 924 10	gear wheel pair 4th speed Z = 28:24 (X)	(USA) (USA)	1	911 L 911 TU 912
(4)	901 302 918 10	gear wheel pair 4th speed Z = 29:23 (Z)		1	911 TU
5	902 302 902 00	gear wheel I and reverse idler gear for reverse gear Z = 11:16/20		1	
		gear wheel sets (SERIE)	69- (USA)		912 912
1	911 302 905 00	drive shaft and gear wheel II 1st gear Z = 11:34 (A)		1	

Model	Year	MG	SG	Illustration	Restrictions	UPD	17:50	22.01.2010	PORSCHE	PET	PORSCHE
911-1	1969	3	03	303-10		248					

Pos	Part Number	Description	Remark	Qty	Model	Pos	Part Number	Description	Remark	Qty	Model
2	904 302 931 10	gear wheel pair 2nd gear Z = 19:32 (H)		1							
3	904 302 920 10	gear wheel pair 3rd gear Z = 24:27 (Q)		1							
4	904 302 924 10	gear wheel pair 4th speed Z = 28:24 (X)		1							
5	902 302 902 00	gear wheel I and reverse idler gear Z = 11:16/20 gear wheel sets TYP 901/06 + 300/12	69-	1	911 T 911 E/S						
1	911 302 905 00	drive shaft and gear wheel II 1st gear Z = 11:34 (A)		1							
2	905 302 907 00	gear wheel pair 2nd gear Z = 19:31 (HB)		1							
3	904 302 929 10	gear wheel pair 3rd gear Z = 25:26 (S)		1							
4	901 302 918 10	gear wheel pair 4th speed Z = 29:23 (Z)		1							
5	902 302 902 00	gear wheel I and reverse idler gear Z = 11:16/20		1							

Model	Year	MG	SG	Illustration	Restrictions	UPD	17:50	22.01.2010	PORSCHE	PET	PORSCHE
911-1	1969	3	03	303-15		248					



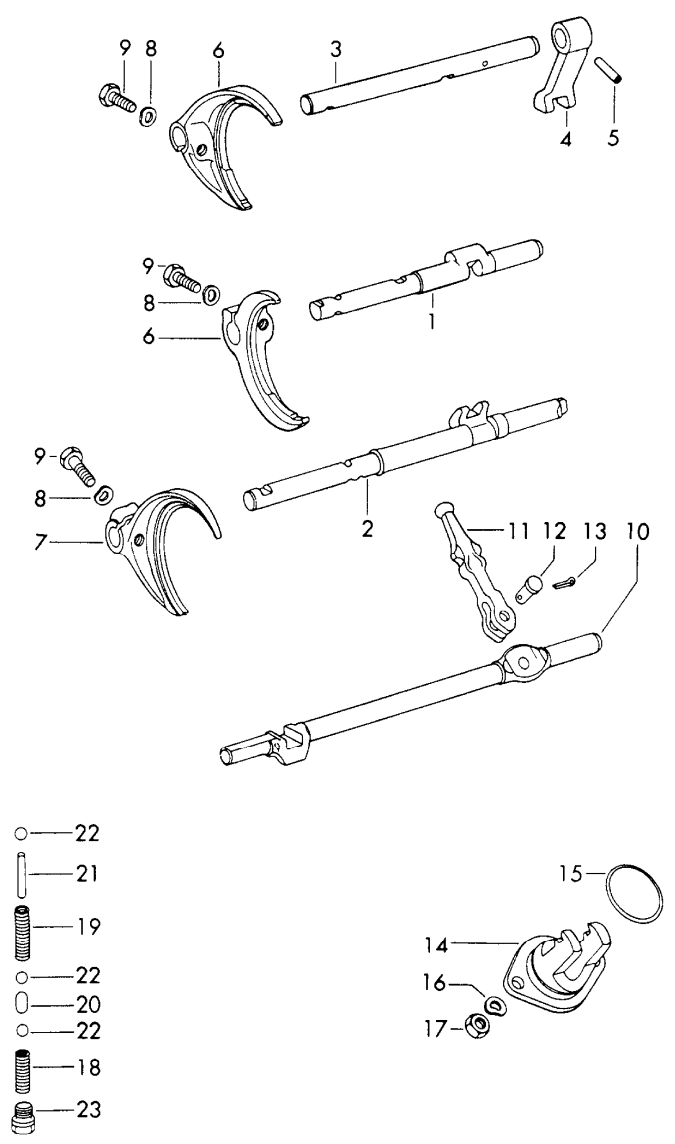
Pos	Part Number	Description	Remark	Qty	Model
		gears and shafts 4-speed transmission			
		gear wheel sets see group 3/03/10			
1 *	---	drive shaft		1	
2 *	---	fixed gear wheel 2nd gear		1	
3	901 302 294 01	thrust washer		2	
4	901 302 261 01	bush for needle-roller bearing 1. - 4th speed		4	
5	999 201 104 00	needle cage 1. - 4th speed		4	
6 *	---	loose gear wheel 3rd gear		1	
7	901 302 315 02	stone 2. - 4th speed	-68	3	
(7)	911 302 315 00	stone 2. - 4th speed	69-	3	
8	901 302 316 02	brake band 1. - 4th speed	-68	7	
(8)	911 302 316 00	brake band 1. - 4th speed	69-	7	
9	911 302 317 01	stop 1. - 4th speed	-68	4	
(9)	911 302 317 01	stop 1. - 4th speed	69-	4	
10	911 302 301 06	synchroniser ring 1. - 4th speed	-68	4	

Model	Year	MG	SG	Illustration	Restrictions	UPD	17:50	22.01.2010	PORSCHE	PET	PORSCHE
911-1	1969	3	03	303-15		248					

Pos	Part Number	Description	Remark	Qty	Model	Pos	Part Number	Description	Remark	Qty	Model
(10)	911 302 301 06	synchroniser ring 1. - 4th speed	69-	4		24	999 201 012 00	needle cage		2	
11	911 302 311 01	circlip 1. - 4th speed		5		25	901 302 263 01	sleeve		1	
12	901 302 402 02	guide sleeve 2. - 4th speed		2		26	999 202 001 00	axial needle bearing cage		1	
13	901 302 411 03	shift sleeve 2. - 4th speed	-68	2		28	999 110 007 00	cylindrical-roller bearing		1	
(13)	911 302 411 10	shift sleeve 2. - 4th speed	69-	2		29	900 111 002 00	circlip SP 72		1	
14	* --- --- --- --	loose gear wheel 4th speed		1		30	901 302 297 01	adjusting shim 0,25 MM		X	
15	901 302 268 01	spacer		1		(30)	901 302 297 11	adjusting shim 0,30 MM		X	
16	999 110 008 00	cylindrical-roller bearing		1		(30)	901 302 297 21	adjusting shim 0,40 MM		X	
17	999 038 001 00	tab washer		1		31	901 302 298 01	spacer		1	
18	999 183 001 00	hexagon nut		1		32	* --- --- --- --	fixed gear wheel 4th speed		1	
(18)	999 183 001 00	hexagon nut M 24X1,5		1	912	33	901 302 265 01	spacer sleeve		1	
19	* --- --- --- --	fixed gear wheel 1st gear		1		34	* --- --- --- --	fixed gear wheel 3rd gear		1	
20	999 031 045 00	washer 13X22X3		1		35	* --- --- --- --	loose gear wheel 2nd gear		1	
(20)	999 031 066 00	washer 14,3X21,5X3		1		36	* --- --- --- --	loose gear wheel 1st gear		1	
21	900 079 016 00	castle nut M 12X1,5		1		37	901 302 269 01	thrust washer		1	
(21)	999 079 011 02	castle nut M 14X1,5		1		38	901 302 318 02	stone 1st gear		1	
22	999 095 006 00	roll pin 3X18	-68	1		39	902 302 257 00	spline shaft sleeve		1	
(22)	900 309 004 00	roll pin 3X18	69-	1		40	901 302 271 01	elastic bolt		1	
23	* --- --- --- --	reverse idler gear		1		41	902 302 224 00	sliding gear for reverse gear		1	
						42	901 318 331 01	shaft 7/31		1	
						(42)	901 318 331 11	shaft 6/29	69-	1	
						43	900 197 002 00	tensioning sleeve 4 X 28		1	

Model	Year	MG	SG	Illustration	Restrictions	UPD	17:50	22.01.2010	PORSCHE	PET	PORSCHE
911-1	1969	3	04	304-00		248					

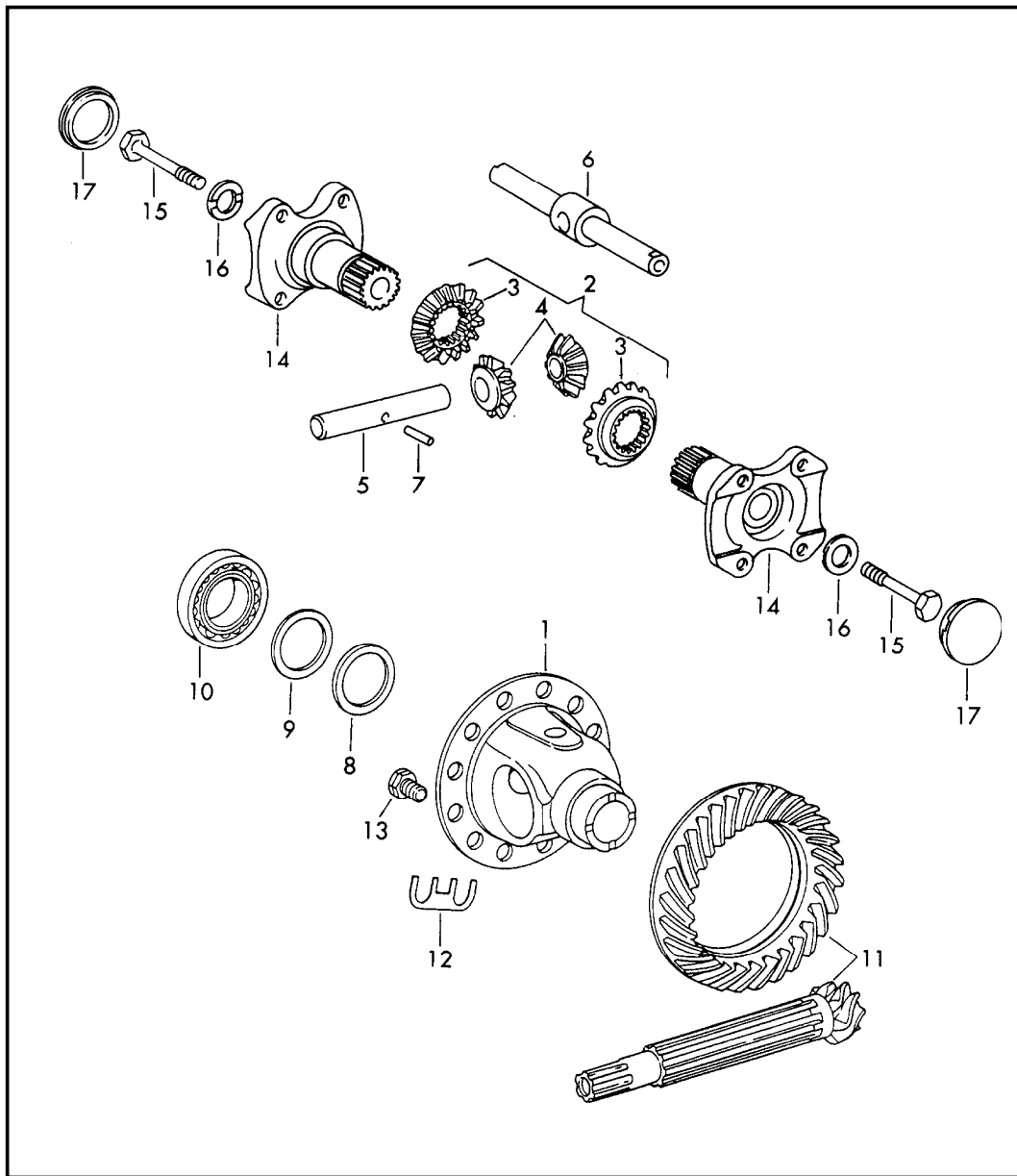
Pos	Part Number	Description	Remark	Qty	Model
		shift rods shift forks 4-speed and 5-speed transmission			
1	901 303 101 01	gear shift rod 2. - 3rd gear		1	
2	901 303 141 02	gear shift rod 1st gear and reverse gear		1	
3	901 303 103 01	gear shift rod 4. - 5th gear		1	
4	901 303 161 01	contact		1	
5	900 309 003 00	roll pin 5X24	-68	1	
5	900 309 003 00	roll pin 5X24	69-	1	
6	901 303 111 01	shift fork 2. - 5th gear		2	
7	901 303 151 01	shift fork 1st gear and reverse gear		1	
8	N 012 241 1	spring washer B 8		3	
9	900 074 127 02	hexagon-head bolt M 8X25	-68	3	
9	900 075 083 02	hexagon-head bolt M 8X25	69-	3	
10	901 303 132 11	gear shift rod	-68	1	
(10)	901 303 132 11	gear shift rod	69-	1	
11	901 303 133 01	shift lever		1	
12	901 303 171 01	bolt		1	
13	N 012 512 1	cotter pin 2 X 12		1	



Model	Year	MG	SG	Illustration	Restrictions	UPD	17:50	22.01.2010	PORSCHE	PET	PORSCHE
911-1	1969	3	04	304-00		248					

Pos	Part Number	Description	Remark	Qty	Model	Pos	Part Number	Description	Remark	Qty	Model
14	911 303 129 00	fork	-68	1							
(14)	911 303 129 00	fork	69-	1							
15	999 701 359 40	o-ring		1							
(15)	901 303 191 01	gasket		1							
16	900 027 015 02	lock ring B 8		2							
17	900 076 025 02	hexagon nut M 8		2							
18	901 303 231 01	spring reversing gear lock		1							
19	901 303 232 01	compression spring for gear lock detent 2. - 5th gear		1							
20	901 303 211 01	detent		1							
21	901 303 271 01	pin		1							
22	N 025 667 2	ball 9 MM		3							
23	999 065 001 02	screw plug chilled casting G 509 0001 >> 509 0462 G 519 0001 >> 519 1141 G 519 5001 >> 519 5209 G 709 0001 >> 709 0223 G 719 0001 >> 719 2526 G 739 0001 >> 739 0002 G 739 1001 >> 739 1001 G 739 2001 >> 739 2007 G 739 3001 >> 739 3003 G 739 4001 >> 739 4004		1	902/04 902/05 902/06 901/06 901/07 901/75 901/76 901/77 901/78 901/79						
23	999 065 004 02	screw plug die casting G 509 1001 >> 509 9999 G 539 0101 >> 539 9999 G 519 1501 >> 519 4999 G 709 1001 >> 709 9999 G 719 3001 >> 719 9999 G 739 0101 >> 739 0999 G 739 1101 >> 739 1999 G 739 2101 >> 739 2999 G 739 3101 >> 739 3999 G 739 4101 >> 739 4999		1	902.300/14 902.300/60 902.300/16 901.300/12 901.300/13 901.300/80 901.300/81 901.300/82 901.300/83 901.300/84						

Model	Year	MG	SG	Illustration	Restrictions	UPD	17:50	22.01.2010	PORSCHE	PET	PORSCHE
911-1	1969	3	05	305-00		248					

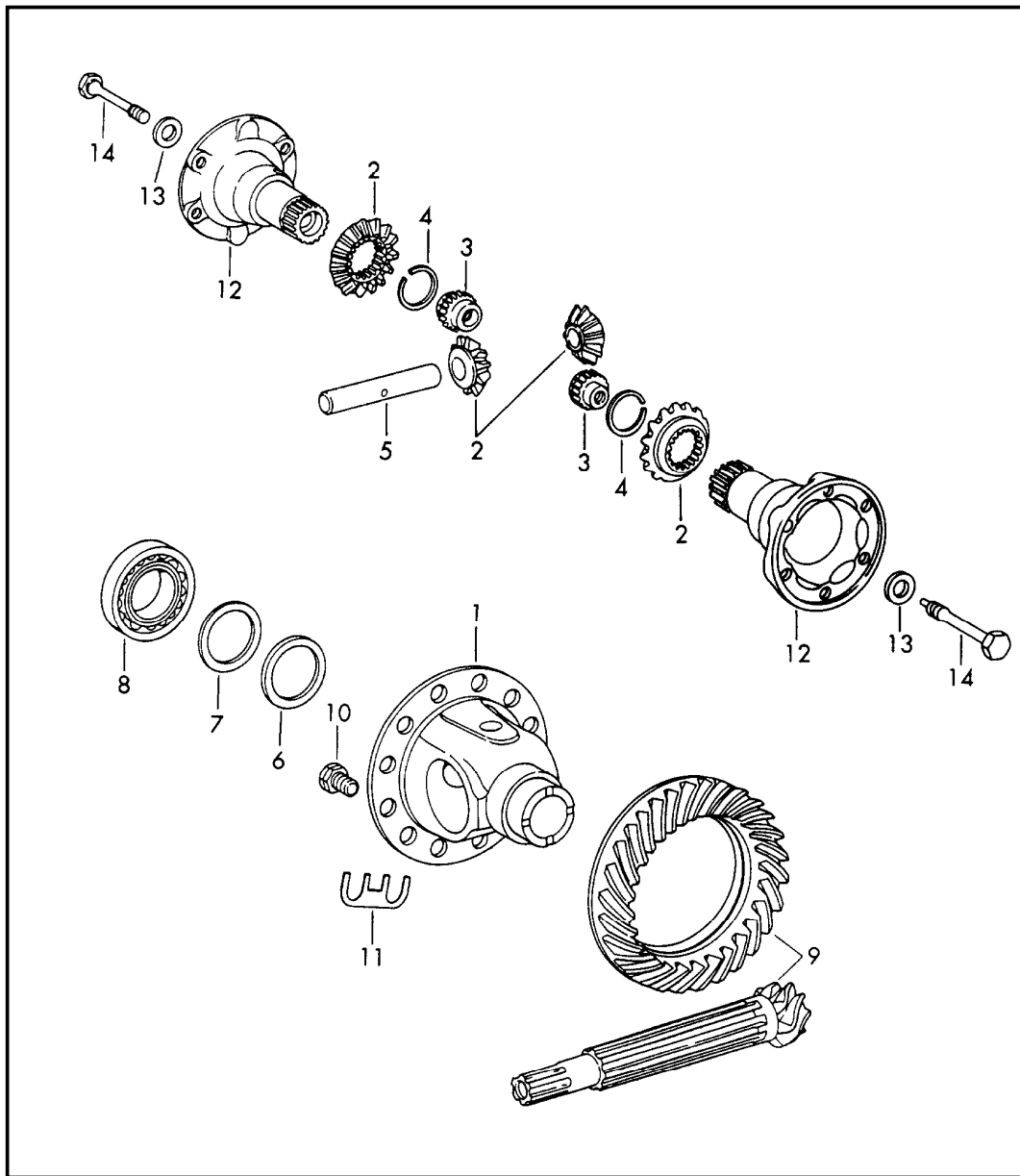


Pos	Part Number	Description	Remark	Qty	Model
		differential	-67		911 /S/L 912
1	901 332 211 01	transmission case		1	
2	901 332 902 00	differential pinions set		1	
3	901 332 902 00	shaft bevel gear large		2	
4	901 332 902 00	shaft bevel gear small		2	
5	901 332 207 04	eccentric bolt		1	
6	901 332 205 01	bolt		1	
7	900 095 019 01	tensioning sleeve 5 X 30		1	
8	901 332 265 01	spacer ring 2,5 MM		2	
(8)	901 332 265 02	spacer ring 2,6 MM		2	
(8)	901 332 265 03	spacer ring 2,7 MM		2	
(8)	901 332 265 04	spacer ring 2,8 MM		2	
(8)	901 332 265 05	spacer ring 2,9 MM		2	
(8)	901 332 265 06	spacer ring 3,0 MM		2	
(8)	901 332 265 07	spacer ring 3,1 MM		2	
(8)	901 332 265 08	spacer ring 3,2 MM		2	
(8)	901 332 265 09	spacer ring 3,3 MM		2	
(8)	901 332 265 10	spacer ring 3,4 MM		2	
(8)	901 332 265 11	spacer ring 3,5 MM		2	
(8)	901 332 265 12	spacer ring 3,6 MM		2	

Model	Year	MG	SG	Illustration	Restrictions	UPD	17:50	22.01.2010	PORSCHE	PET	PORSCHE
911-1	1969	3	05	305-00		248					

Pos	Part Number	Description	Remark	Qty	Model	Pos	Part Number	Description	Remark	Qty	Model
(8)	901 332 265 13	spacer ring 3,7 MM		2							
9	901 332 263 01	washer		X							
10	999 059 008 00	taper roller bearing		2							
11	901 302 901 01	ring gear and pinion shaft 7:31		1							
(11)	901 302 902 00	ring gear and pinion shaft 6:29		1							
12	901 332 285 01	tab washer		6							
13	901 332 276 00	hexagon-head bolt M 12 X 1,5		12							
(13)	915 332 276 00	hexagon-head bolt M 12 x 1,25		12							
14	901 332 209 02	joint flange - NADELLA -		2							
(14)	901 332 209 10	joint flange - LOEBRO -		2							
15	901 332 275 01	elastic bolt		2							
16	901 332 261 01	thrust washer		2							
17	901 332 239 02	cap - NADELLA -		2							
(17)	901 332 239 10	cap - LOEBRO -		2							
-	999 701 094 50	o-ring - LOEBRO -		2							
-	901 332 289 10	circlip - LOEBRO -		2							

Model	Year	MG	SG	Illustration	Restrictions	UPD	17:50	22.01.2010	PORSCHE	PET	PORSCHE
911-1	1969	3	05	305-05		248					

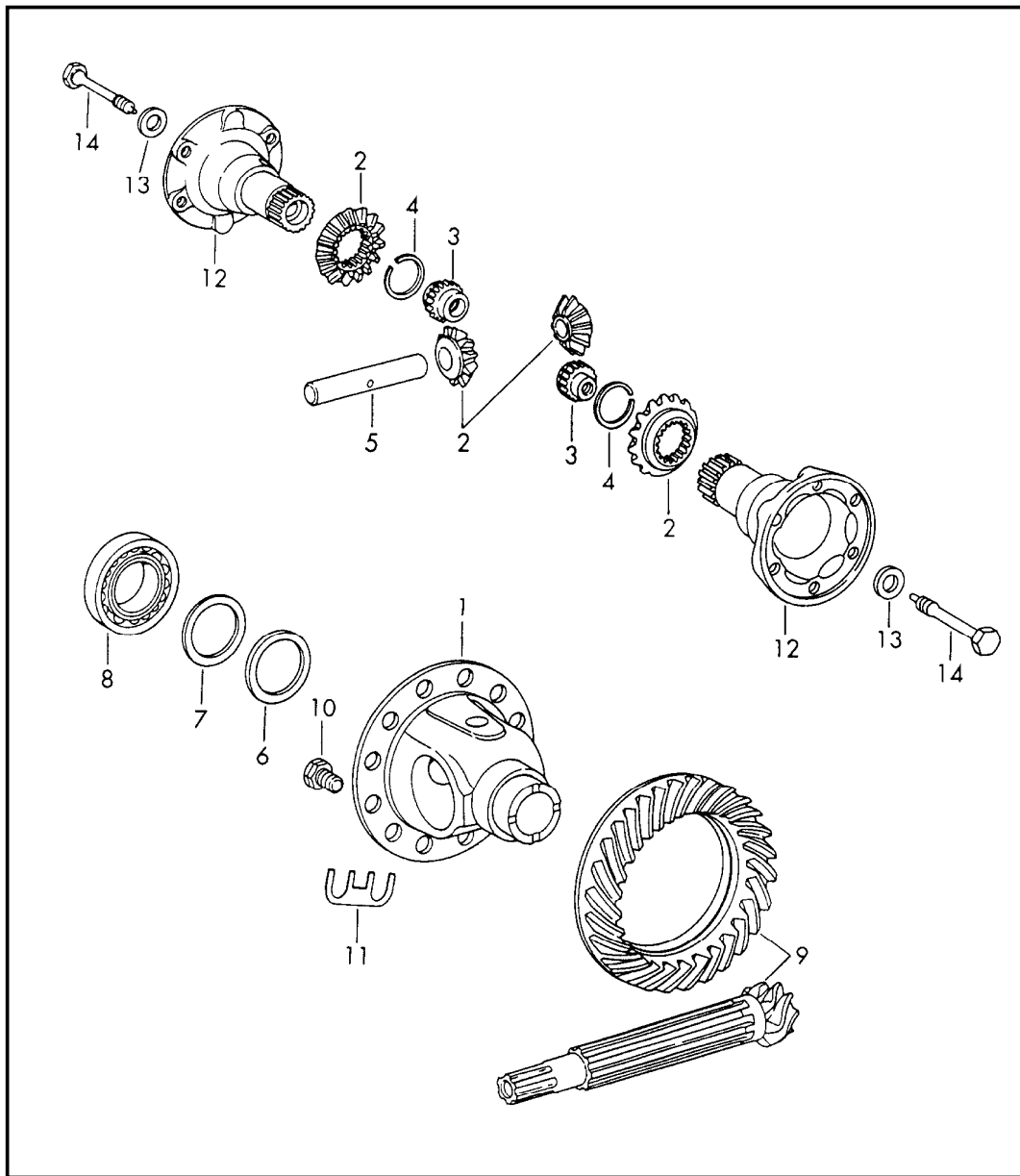


Pos	Part Number	Description	Remark	Qty	Model
		differential		68	911 TU 912
1	901 332 211 01	transmission case		1	
2	901 332 902 00	differential pinions set		1	
3	901 332 206 13	threaded piece		2	
4	901 332 902 00	shaft bevel gear SW 32		2	
5	901 332 207 04	eccentric bolt		1	
6	901 332 265 01	spacer ring 2,5 MM		2	
(6)	901 332 265 02	spacer ring 2,6 MM		2	
(6)	901 332 265 03	spacer ring 2,7 MM		2	
(6)	901 332 265 04	spacer ring 2,8 MM		2	
(6)	901 332 265 05	spacer ring 2,9 MM		2	
(6)	901 332 265 06	spacer ring 3,0 MM		2	
(6)	901 332 265 07	spacer ring 3,1 MM		2	
(6)	901 332 265 08	spacer ring 3,2 MM		2	
(6)	901 332 265 09	spacer ring 3,3 MM		2	
(6)	901 332 265 10	spacer ring 3,4 MM		2	
(6)	901 332 265 11	spacer ring 3,5 MM		2	
(6)	901 332 265 12	spacer ring 3,6 MM		2	
(6)	901 332 265 13	spacer ring 3,7 MM		2	
7	901 332 263 01	washer		X	
8	999 059 008 00	taper roller bearing		2	

Model	Year	MG	SG	Illustration	Restrictions	UPD	17:50	22.01.2010	PORSCHE	PET	PORSCHE
911-1	1969	3	05	305-05		248					

Pos	Part Number	Description	Remark	Qty	Model	Pos	Part Number	Description	Remark	Qty	Model
9	901 302 901 01	ring gear and pinion shaft 7:31		1							
(9)	901 302 902 00	ring gear and pinion shaft 6:29		1							
10	901 332 276 00	hexagon-head bolt M 12 X 1,5		12							
(10)	915 332 276 00	hexagon-head bolt M 12 X 1,25		12							
11	901 332 285 01	tab washer		6							
12	901 332 209 12	joint flange - LOEBRO -		2							
13	901 332 261 11	washer		2							
14	901 332 275 11	elastic bolt		2							

Model	Year	MG	SG	Illustration	Restrictions	UPD	17:50	22.01.2010	PORSCHE	PET	PORSCHE
911-1	1969	3	05	305-10		248					

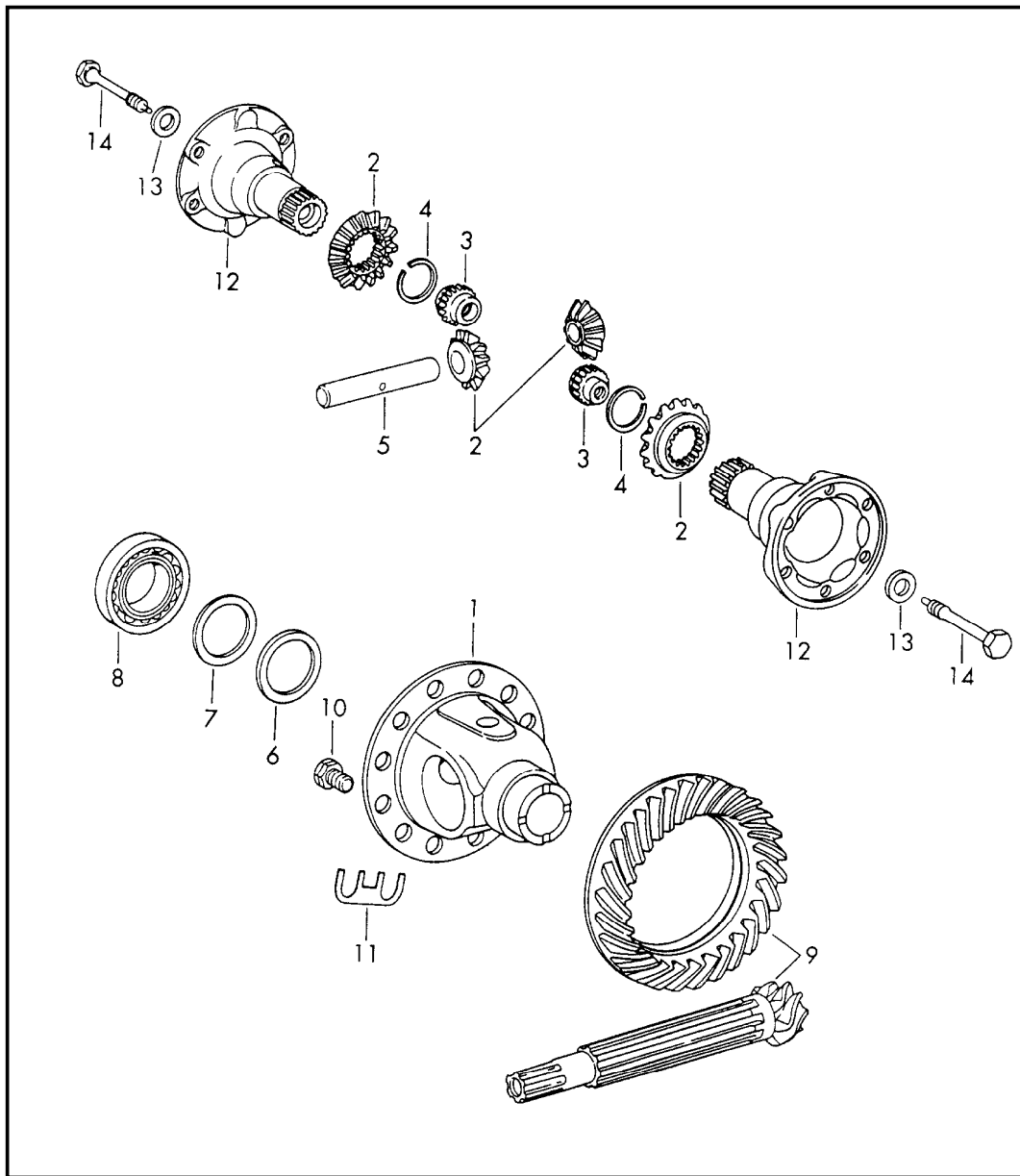


Pos	Part Number	Description	Remark	Qty	Model
		differential sportomatic	-68		911 TU/L/S
1	905 332 212 00	transmission case		1	
2	901 332 902 00	differential pinions set		1	
3	901 332 206 13	threaded piece		2	
4	999 152 014 00	circlip SW 32		2	
5	901 332 207 04	eccentric bolt		1	
6	901 332 265 01	spacer ring 2,5 MM		2	
(6)	901 332 265 02	spacer ring 2,6 MM		2	
(6)	901 332 265 03	spacer ring 2,7 MM		2	
(6)	901 332 265 04	spacer ring 2,8 MM		2	
(6)	901 332 265 05	spacer ring 2,9 MM		2	
(6)	901 332 265 06	spacer ring 3,0 MM		2	
(6)	901 332 265 07	spacer ring 3,1 MM		2	
(6)	901 332 265 08	spacer ring 3,2 MM		2	
(6)	901 332 265 09	spacer ring 3,3 MM		2	
(6)	901 332 265 10	spacer ring 3,4 MM		2	
(6)	901 332 265 11	spacer ring 3,5 MM		2	
(6)	901 332 265 12	spacer ring 3,6 MM		2	
(6)	901 332 265 13	spacer ring 3,7 MM		2	
7	901 332 263 01	washer		2	
8	999 059 008 00	taper roller bearing		2	

Model	Year	MG	SG	Illustration	Restrictions	UPD	17:50	22.01.2010	PORSCHE	PET	PORSCHE
911-1	1969	3	05	305-10		248					

Pos	Part Number	Description	Remark	Qty	Model	Pos	Part Number	Description	Remark	Qty	Model
9	905 302 901 01	ring gear and pinion shaft 7:27		1							
10	901 332 276 00	hexagon-head bolt M 12 X 1,5		12							
(10)	915 332 276 00	hexagon-head bolt M 12 X 1,25		12							
11	905 332 285 00	tab washer		6							
12	901 332 209 12	joint flange		2							
13	901 332 261 11	washer		2							
14	901 332 275 11	elastic bolt		2							

Model	Year	MG	SG	Illustration	Restrictions	UPD	17:51	22.01.2010	PORSCHE	PET	PORSCHE
911-1	1969	3	05	305-15		248					



Pos	Part Number	Description	Remark	Qty	Model
		differential with chilled casting or die casting housing	69		
1	901 332 211 01	transmission case chilled casting		1	
(1)	901 332 212 11	transmission case die casting		1	
(1)	905 332 212 00	transmission case		1	911 T/E:SPM
2	901 332 902 00	differential pinions set		1	
3	901 332 206 13	threaded piece		2	
4	999 152 014 00	circlip		2	
5	901 332 207 04	differential bolt		1	
6	901 332 265 01	spacer ring for chilled casting housing		2	
(6)	901 332 265 02	spacer ring 2,5 MM		2	
(6)	901 332 265 03	spacer ring 2,6 MM		2	
(6)	901 332 265 04	spacer ring 2,7 MM		2	
(6)	901 332 265 05	spacer ring 2,8 MM		2	
(6)	901 332 265 06	spacer ring 2,9 MM		2	
(6)	901 332 265 07	spacer ring 3,0 MM		2	
(6)	901 332 265 08	spacer ring 3,1 MM		2	
(6)	901 332 265 09	spacer ring 3,2 MM		2	
(6)	901 332 265 09	spacer ring 3,3 MM		2	

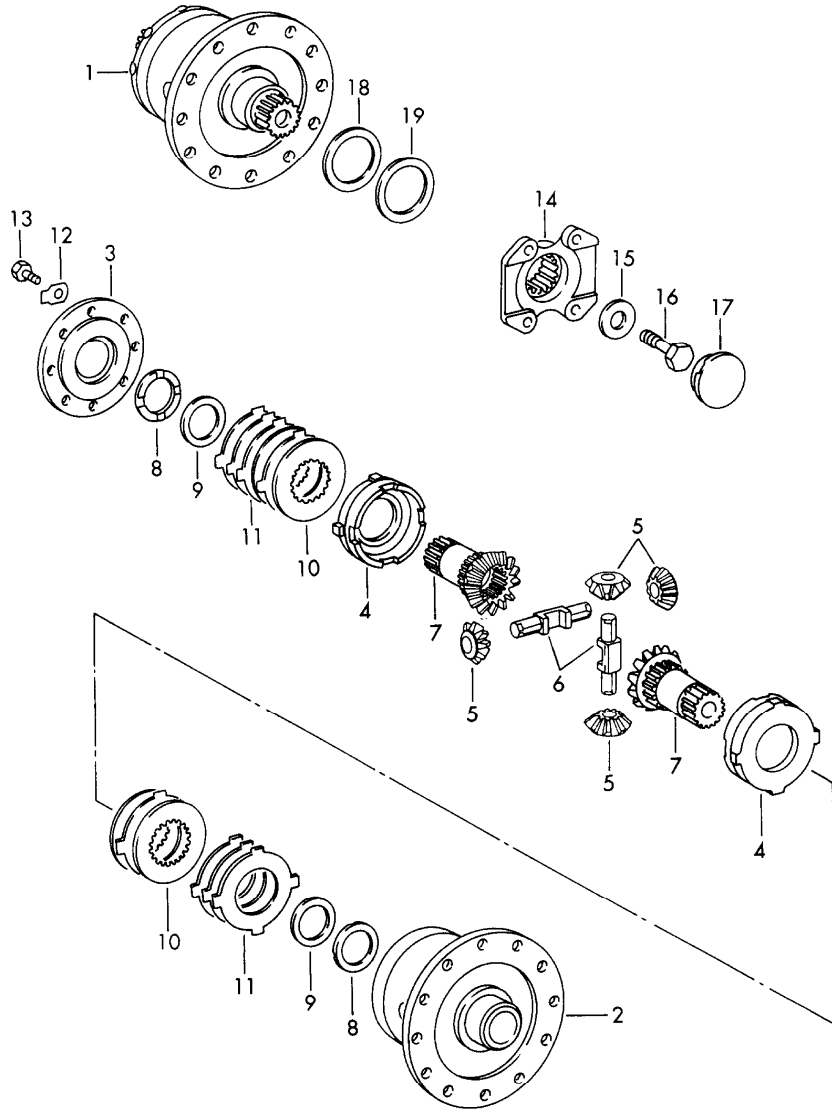
Model	Year	MG	SG	Illustration	Restrictions	UPD	17:51	22.01.2010	PORSCHE	PET	PORSCHE
911-1	1969	3	05	305-15		248					

Pos	Part Number	Description	Remark	Qty	Model	Pos	Part Number	Description	Remark	Qty	Model
(6)	901 332 265 10	spacer ring 3,4 MM		2		(6)	915 332 265 13	adjusting ring 3,7 MM		2	
(6)	901 332 265 11	spacer ring 3,5 MM		2		7	901 332 263 01	washer for chilled casting		2	
(6)	901 332 265 12	spacer ring 3,6 MM		2		(7)	915 332 263 00	adjusting ring for die casting		2	
(6)	901 332 265 13	spacer ring 3,7 MM		2		8	999 059 008 00	washer for chilled casting		2	
		spacer ring for die casting housing				(8)	999 059 027 00	washer for die casting		2	
(6)	915 332 265 00	adjusting ring 2,4 MM		2		9	901 302 901 02	ring gear and pinion shaft 7:31		1	
(6)	915 332 265 01	adjusting ring 2,5 MM		2		(9)	901 302 902 01	ring gear and pinion shaft 6:29		1	912
(6)	915 332 265 02	adjusting ring 2,6 MM		2		(9)	901 302 901 02	ring gear and pinion shaft 7:27		1	911 T/E:SPM
(6)	915 332 265 03	adjusting ring 2,7 MM		2		10	901 332 276 00	hexagon-head bolt M 12 X 1,5		12	
(6)	915 332 265 04	adjusting ring 2,8 MM		2		(10)	915 332 276 00	hexagon-head bolt M 12 X 1,25		12	
(6)	915 332 265 05	adjusting ring 2,9 MM		2		(10)	901 332 276 11	hexagon-head bolt M 12 X 1,5 only together with limited-slip differential		12	
(6)	915 332 265 06	adjusting ring 3,0 MM		2		(10)	928 332 276 03	hexagon-head bolt M 12 X 1,25 only together with limited-slip differential		12	
(6)	915 332 265 07	adjusting ring 3,1 MM		2		11	901 332 285 01	tab washer		6	
(6)	915 332 265 08	adjusting ring 3,2 MM		2		12	901 332 209 15	joint flange - LOEBRO - for chilled casting		2	
(6)	915 332 265 09	adjusting ring 3,3 MM		2		(12)	901 332 209 21	joint flange - LOEBRO - for die casting		2	
(6)	915 332 265 10	adjusting ring 3,4 MM		2		13	901 332 261 11	washer		2	
(6)	915 332 265 11	adjusting ring 3,5 MM		2							
(6)	915 332 265 12	adjusting ring 3,6 MM		2							

Model	Year	MG	SG	Illustration	Restrictions	UPD	17:51	22.01.2010	PORSCHE	PET	PORSCHE
911-1	1969	3	05	305-15		248					

Pos	Part Number	Description	Remark	Qty	Model	Pos	Part Number	Description	Remark	Qty	Model
14	901 332 275 11	elastic bolt		2							

Model	Year	MG	SG	Illustration	Restrictions	UPD	17:51	22.01.2010	PORSCHE	PET	PORSCHE
911-1	1969	3	05	305-20		248					

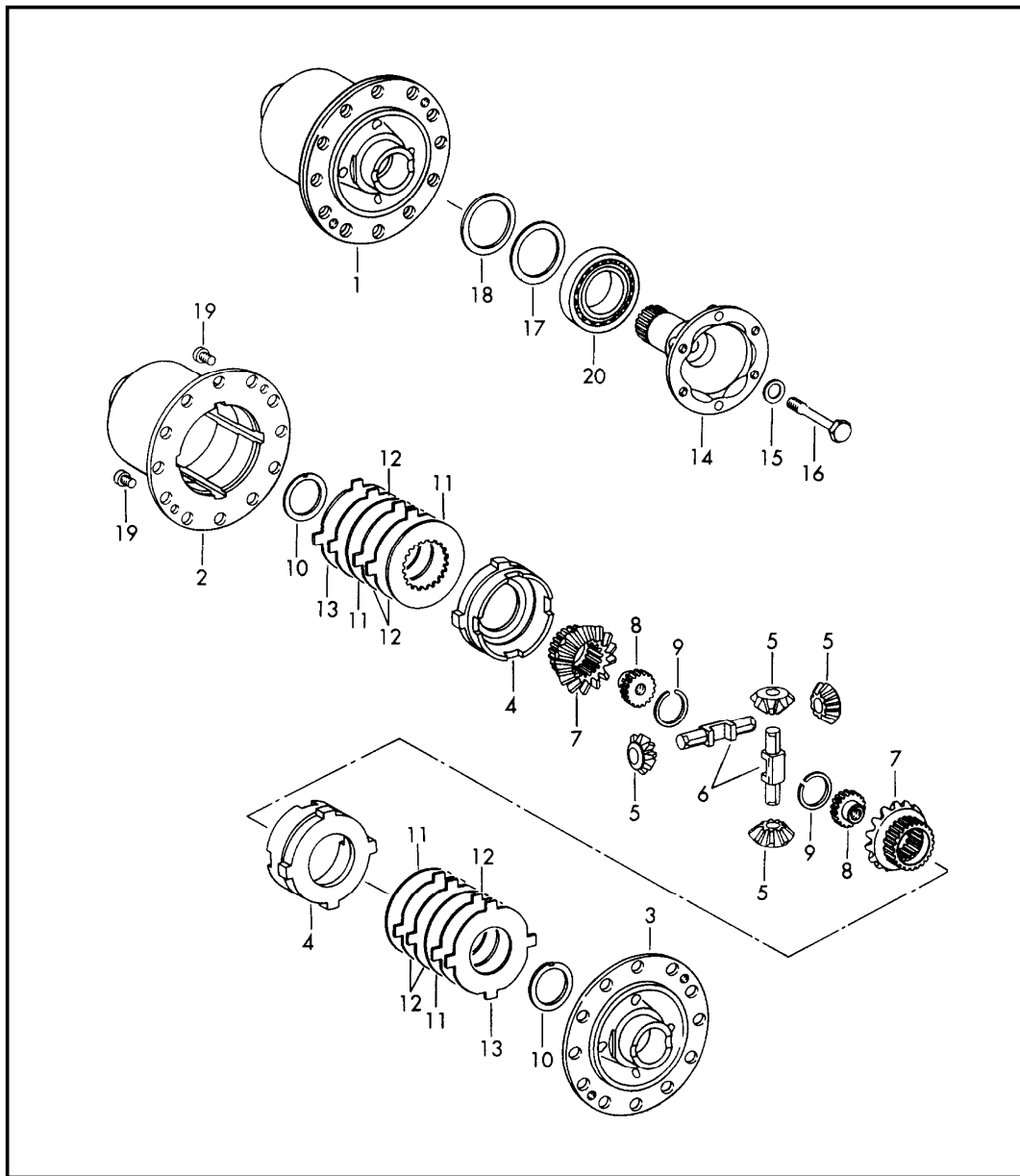


Pos	Part Number	Description	Remark	Qty	Model
		limited-slip differential	-68		
1	904 332 053 00	limited-slip differential complete		1	
2	904 332 055 00	housing		1	
3	904 332 506 00	housing cover		1	
4	904 332 511 00	thrust ring		2	
5	904 332 531 00	bevel pinion		4	
6	904 332 541 00	differential shaft		2	
7	904 332 535 00	wheel		2	
8	904 332 561 00	thrust washer		2	
9	904 332 562 00	thrust washer		2	
10	904 332 551 00	inner disc		4	
11	904 332 552 00	disc with external splines		8	
12	900 020 004 01	tab washer 8,4		8	
13	N 010 239 11	hexagon-head bolt M 8 X 18		8	
14	904 332 209 01	joint flange		2	
15	904 332 261 00	washer		2	
16	904 332 271 00	elastic bolt		2	
17	901 332 239 02	cap		2	
18	901 332 265 01	spacer ring 2,5 MM		2	
(18)	901 332 265 02	spacer ring 2,6 MM		X	
(18)	901 332 265 03	spacer ring 2,7 MM		X	
(18)	901 332 265 04	spacer ring 2,8 MM		X	
(18)	901 332 265 05	spacer ring 2,9 MM		X	
(18)	901 332 265 06	spacer ring 3,0 MM		X	

Model	Year	MG	SG	Illustration	Restrictions	UPD	17:51	22.01.2010	PORSCHE	PET	PORSCHE
911-1	1969	3	05	305-20		248					

Pos	Part Number	Description	Remark	Qty	Model	Pos	Part Number	Description	Remark	Qty	Model
(18)	901 332 265 07	spacer ring 3,1 MM		X							
(18)	901 332 265 08	spacer ring 3,2 MM		X							
(18)	901 332 265 09	spacer ring 3,3 MM		X							
(18)	901 332 265 10	spacer ring 3,4 MM		X							
(18)	901 332 265 11	spacer ring 3,5 MM		X							
(18)	901 332 265 12	spacer ring 3,6 MM		X							
(18)	901 332 265 13	spacer ring 3,7 MM		X							
19	901 332 263 01	washer		2							

Model	Year	MG	SG	Illustration	Restrictions	UPD	17:51	22.01.2010	PORSCHE	PET	PORSCHE
911-1	1969	3	05	305-25		248					

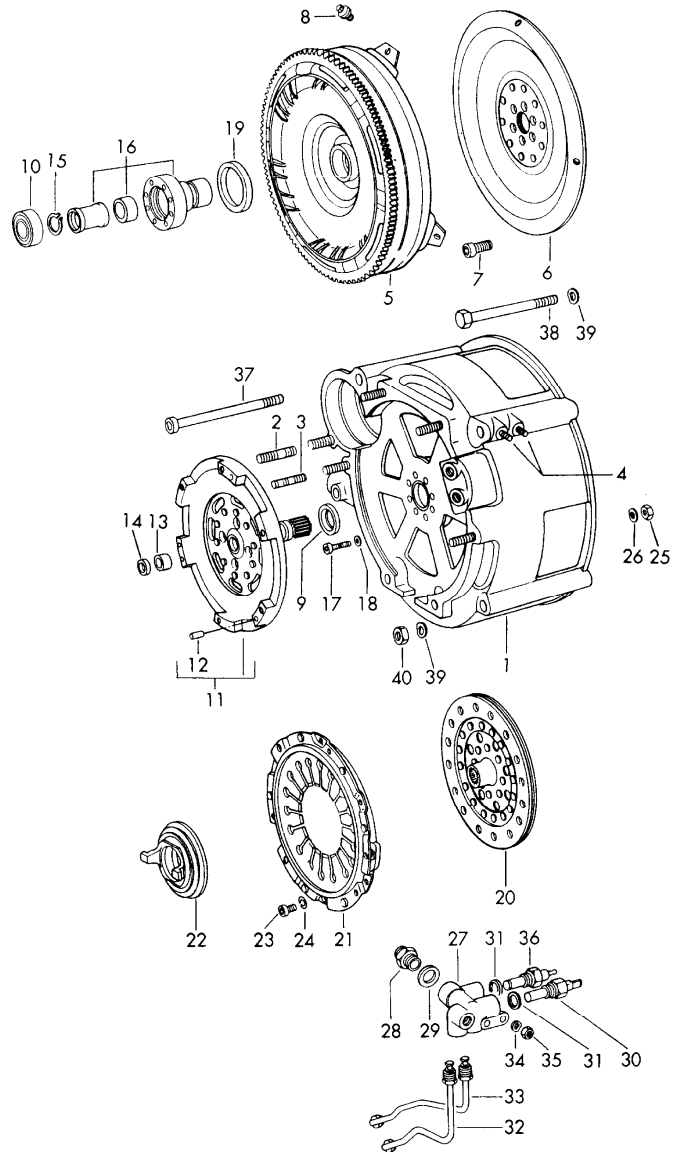


Pos	Part Number	Description	Remark	Qty	Model
		limited-slip differential for die casting housing	69		
1	901 332 053 13	limited-slip differential		1	
2	901 332 055 13	housing		1	
3	901 332 506 11	housing cover		1	
4	901 332 511 11	thrust ring		2	
5	915 332 531 02	bevel pinion		4	
6	915 332 541 02	differential shaft		2	
7	901 332 535 11	shaft bevel gear		2	
8	901 332 206 12	threaded piece		2	
9	999 152 014 00	circlip SW 32		2	
10	901 332 561 11	thrust washer		2	
11	901 332 551 21	inner disc 2,0 MM		4	
(11)	901 332 551 22	inner disc 1,9 MM		X	
(11)	901 332 551 23	inner disc 2,1 MM		X	
12	901 332 552 11	disc with external splines		6	
13	928 332 555 00	cup spring - GEWELLT -		2	
14	901 332 209 21	joint flange		2	
15	901 332 261 11	washer		2	
16	901 332 275 12	elastic bolt		2	
17	915 332 263 00	adjusting ring		2	
18	915 332 265 00	adjusting ring 2,4 MM		2	
(18)	915 332 265 01	adjusting ring 2,5 MM		X	
(18)	915 332 265 02	adjusting ring 2,6 MM		X	

Model	Year	MG	SG	Illustration	Restrictions	UPD	17:51	22.01.2010	PORSCHE	PET	PORSCHE
911-1	1969	3	05	305-25		248					

Pos	Part Number	Description	Remark	Qty	Model	Pos	Part Number	Description	Remark	Qty	Model
(18)	915 332 265 03	adjusting ring 2,7 MM		X							
(18)	915 332 265 04	adjusting ring 2,8 MM		X							
(18)	915 332 265 05	adjusting ring 2,9 MM		X							
(18)	915 332 265 06	adjusting ring 3,0 MM		X							
(18)	915 332 265 07	adjusting ring 3,1 MM		X							
(18)	915 332 265 08	adjusting ring 3,2 MM		X							
(18)	915 332 265 09	adjusting ring 3,3 MM		X							
(18)	915 332 265 10	adjusting ring 3,4 MM		X							
(18)	915 332 265 11	adjusting ring 3,5 MM		X							
(18)	915 332 265 12	adjusting ring 3,6 MM		X							
(18)	915 332 265 13	adjusting ring 3,7 MM		X							
19	900 119 002 00	pan-head screw M 6 X 10		2							
20	999 059 027 00	taper roller bearing		2							

Model	Year	MG	SG	Illustration	Restrictions	UPD	17:51	22.01.2010	PORSCHE	PET	PORSCHE
911-1	1969	3	06	306-00		248					

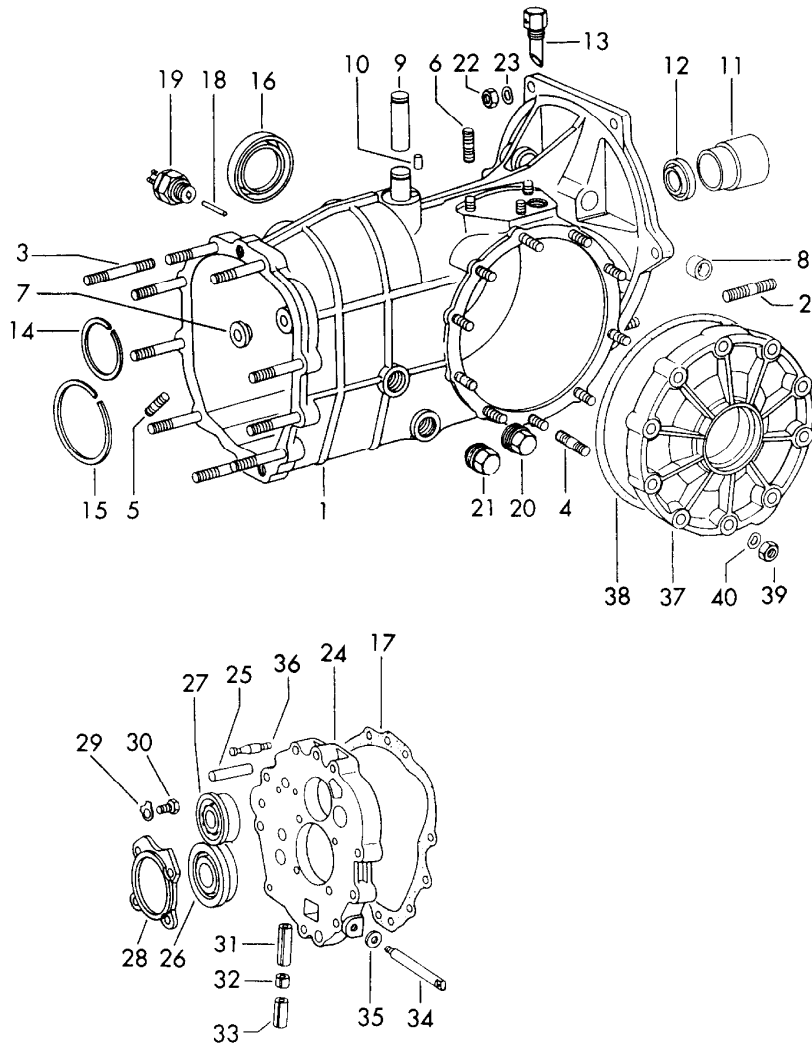


Pos	Part Number	Description	Remark	Qty	Model
1	905 301 007 01	converter and converter housing sportomatic		1	
2	905 301 007 01	converter housing with stud		1	
2	900 061 014 01	stud BM 10 X 22		1	
(3)	900 061 009 01	stud BM 8 X 28		1	
3	900 061 007 01	stud BM 8 X 22		3	
4	999 062 002 02	stud BM 6 X 15		2	
5	905 116 002 20	torque converter with starter ring		1	
6	905 116 024 11	drive plate		1	
7	999 067 009 01	pan-head screw		6	
8	905 116 026 00	12 point socket		4	
9	PCG 113 071 50	radial shaft seal		1	
10	900 052 027 00	deep-groove ball bearing		1	
11	905 116 027 10	turbine shaft		1	
12	999 012 018 00	straight pin		3	
13	999 201 021 00	needle sleeve		1	
14	PCG 201 301 00	shaft sealing ring G 12 X 18 X 3		1	
15	N 012 420 1	circlip 20 X 1,2		1	
16	905 116 020 01	free wheel lock bracket	69-	1	
-	905 116 261 01	free wheel lock bracket	-68	1	
-	905 116 262 00	seal	-68	1	

Model	Year	MG	SG	Illustration	Restrictions	UPD	17:51	22.01.2010	PORSCHE	PET	PORSCHE
911-1	1969	3	06	306-00		248					

Pos	Part Number	Description	Remark	Qty	Model	Pos	Part Number	Description	Remark	Qty	Model
-	905 116 263 00	bush for turbine shaft	-68	1		29	900 123 019 20	sealing ring A 16 X 22 CU		1	
17	999 186 002 01	pan-head screw		8		(30)	905 613 102 01	temperature switch	-68	1	
18	* N 013 804 2	sealing ring A 6 X 10		8		30	905 613 102 04	temperature switch	69-	1	
(19)	999 113 189 40	shaft sealing ring	-68	1		(31)	N 013 849 2	sealing ring A 14 X 18	-68	2	
19	* 999 113 189 40	shaft sealing ring	69-	1		31	* 900 123 007 30	sealing ring A 14 X 18	69-	2	
20	905 116 254 20	clutch plate G 509 1001 >> 509 1788 G 539 0101 >> 539 0101 G 519 1501 >> 519 3619 G 709 1001 >> 709 1469 G 719 3001 >> 719 8787 G 739 0101 >> 739 0109 G 739 1101 >> 739 1102 G 739 2101 >> 739 2118 G 739 3101 >> 739 3106 G 739 4101 >> 739 4109 G 729 0001 >> 729 1044		1	902.300/14 902.300/60 902.300/16 901.300/12 901.300/13 901.300/80 901.300/81 901.300/82 901.300/83 901.300/84 905.300/13	32	905 301 013 10	pressure pipe		1	
						33	905 301 014 10	return pipe		1	
						34	900 028 008 01	spring washer B 6		2	
						35	900 076 010 02	hexagon nut M 6		2	
						36	901 641 632 00	remote temperature sensor		1	
21	905 116 255 10	clutch pressure plate G 509 1001 >> 509 1788 G 539 0101 >> 539 0101 G 519 1501 >> 519 3619 G 709 1001 >> 709 1469 G 719 3001 >> 719 8787 G 739 0101 >> 739 0109 G 739 1101 >> 739 1102 G 739 2101 >> 739 2118 G 739 3101 >> 739 3106 G 739 4101 >> 739 4109 G 729 0001 >> 729 1044		1	902.300/14 902.300/60 902.300/16 901.300/12 901.300/13 901.300/80 901.300/81 901.300/82 901.300/83 901.300/84 905.300/13	37	900 067 078 02	pan-head screw M 10 X 150		1	
						38	900 155 018 02	hexagon-head bolt M 10 X 110		1	
						39	N 012 242 3	spring washer B 10 X 18		4	
						40	900 157 002 02	hexagon nut M 10		2	
22	925 116 081 00	clutch release bearing		1							
23	999 067 010 01	pan-head screw		6							
24	N 012 026 3	lock ring 6		6							
25	N 011 010 6	hexagon nut M 10		2							
26	N 012 242 3	spring washer B 10 X 18		2							
(27)	905 301 125 11	switch housing	-68	1							
27	905 301 125 11	switch housing	69-	1							
28	900 129 009 02	double socket		1							

Model	Year	MG	SG	Illustration	Restrictions	UPD	17:51	22.01.2010	PORSCHE	PET	PORSCHE
911-1	1969	3	07	307-00		248					

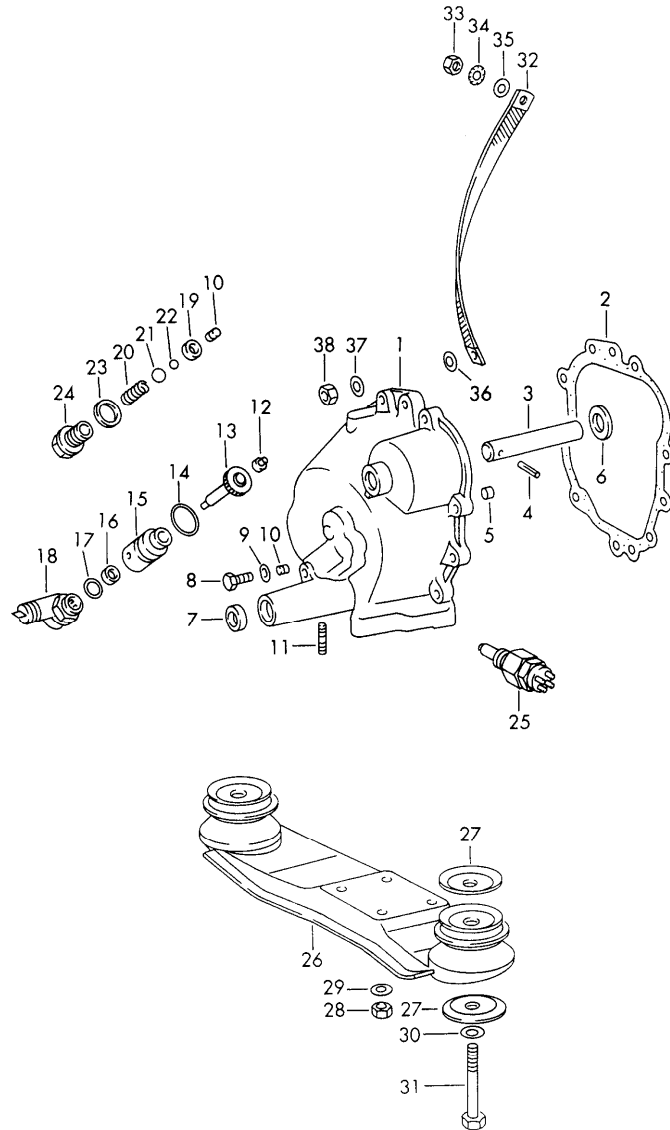


Pos	Part Number	Description	Remark	Qty	Model
1	905 301 010 20	transmission case sportomatic suction housing G 509 1001 >> 509 1788 G 539 0101 >> 539 0101 G 519 1501 >> 519 3619 G 709 1001 >> 709 1469 G 719 3001 >> 719 8787 G 739 0101 >> 739 0109 G 739 1101 >> 739 1102 G 739 2101 >> 739 2118 G 739 3101 >> 739 3106 G 739 4101 >> 739 4109 G 729 0001 >> 729 1044		1	902.300/14 902.300/60 902.300/16 901.300/12 901.300/13 901.300/80 901.300/81 901.300/82 901.300/83 901.300/84 905.300/13
2	900 061 118 02	stud BM 10 X 28		2	
3	900 061 012 01	stud BM 8 X 50		8	
4	900 061 007 01	stud BM 8 X 22		9	
5	900 061 057 01	stud BM 8 X 15		2	
6	900 061 004 02	stud BM 8 X 12		3	
7	905 302 291 00	ring		1	
8	905 116 727 00	bush		2	
9	905 116 707 01	bearing pin		1	
10	999 095 102 00	clamping pin S 5 X 12		1	
11	905 116 813 01	guide tube		1	
12	* 999 113 286 40	shaft sealing ring		1	
13	904 301 071 00	bleeder		1	
14	999 042 301 01	circlip SB 52		2	
15	999 041 305 01	circlip SB 79		1	
16	* 999 113 058 50	radial sealing ring BA - FG 45 X 65 X 10		2	

Model	Year	MG	SG	Illustration	Restrictions	UPD	17:51	22.01.2010	PORSCHE	PET	PORSCHE
911-1	1969	3	07	307-00		248					

Pos	Part Number	Description	Remark	Qty	Model	Pos	Part Number	Description	Remark	Qty	Model
17	* 905 301 191 00	gasket for transmission case 0,10 MM		1		33	905 303 243 00	bush for gear lock detent		1	
(17)	* 905 301 191 01	gasket for transmission case 0,15 MM		X		(34)	914 301 307 00	bolt	-68	1	
(17)	* 905 301 191 02	gasket for transmission case 0,20 MM		X		34	914 301 307 00	bolt for reverse lever	69-	1	
18	905 303 245 02	cam follower		1		35	N 012 241 1	spring washer B 8 X 15		1	
19	905 613 051 02	back-up light switch		1		36	905 303 136 00	bolt		1	
20	999 064 019 02	screw plug		1		(37)	905 301 311 11	transmission cover lateral	-68	1	
21	999 064 020 02	screw plug with magnet		1		37	905 301 311 11	transmission cover lateral	69-	1	
22	900 076 025 02	hexagon nut M 8		4		38	* 999 701 286 40	o-ring 160 X 3		1	
23	N 012 241 1	spring washer B 8 X 15		4		(38)	* 905 301 391 00	gasket		1	
24	905 301 221 01	intermediate plate		1		39	900 076 025 02	hexagon nut M 8		19	
25	900 012 027 00	straight pin 10 M 6 X 45		2		40	N 012 241 1	spring washer B 8X15		19	
26	999 052 016 00	four-point bearing		1							
(27)	999 053 006 00	angular-contact bearing	-68	1							
27	999 053 025 00	angular-contact bearing	69-	1							
28	901 301 251 01	tensioning plate		1							
29	999 039 001 00	tab washer		4							
30	N 010 239 11	hexagon-head bolt M 8 X 18		4							
31	901 303 241 01	bush for gear lock detent		1							
32	905 303 242 00	bush for gear lock detent		1							

Model	Year	MG	SG	Illustration	Restrictions	UPD	17:52	22.01.2010	PORSCHE	PET	PORSCHE
911-1	1969	3	07	307-05		248					

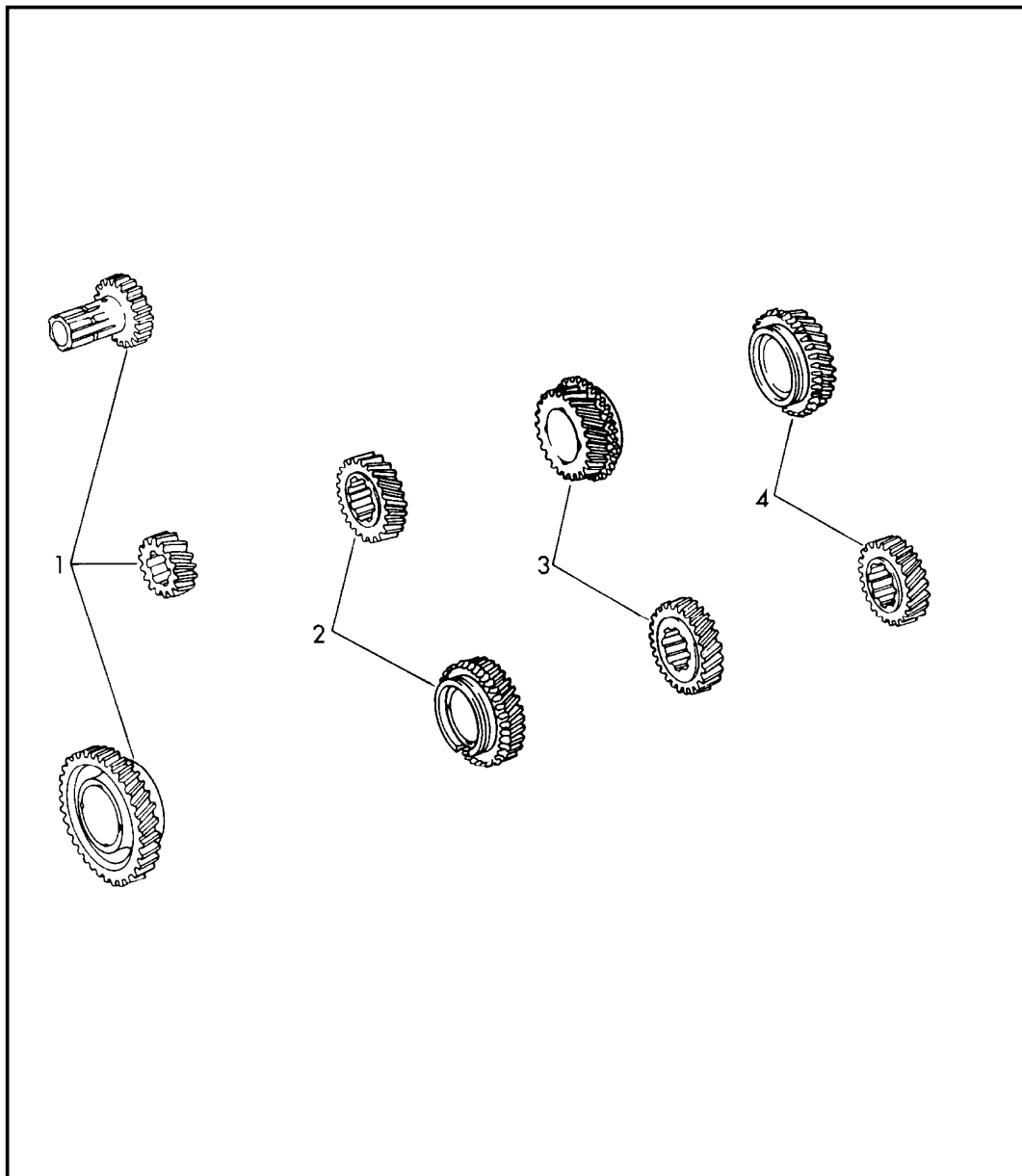


Pos	Part Number	Description	Remark	Qty	Model
1	905 301 031 02	transmission cover transmission suspension sportomatic		1	
		transmission cover			
		G 509 1001 >> 509 1788			902.300/14
		G 539 0101 >> 539 0101			902.300/60
		G 519 1501 >> 519 3619			902.300/16
		G 709 1001 >> 709 1469			901.300/12
		G 719 3001 >> 719 8787			901.300/13
		G 739 0101 >> 739 0109			901.300/80
		G 739 1101 >> 739 1102			901.300/81
		G 739 2101 >> 739 2118			901.300/82
		G 739 3101 >> 739 3106			901.300/83
		G 739 4101 >> 739 4109			901.300/84
		G 729 0001 >> 729 1044			905.300/13
2	905 301 392 02	gasket		1	
3	905 302 255 00	bolt for reverse idler gear		1	
4	900 095 019 01	tensioning sleeve 5X30		1	
5	901 318 244 01	bearing sleeve		1	
6	905 302 292 00	thrust washer		1	
7	900 112 001 50	radial sealing ring B 15X24X7	-68	1	
(7)	999 113 185 40	shaft sealing ring B 15X24X7	69-	1	
8	901 318 272 01	hexagon-head bolt	-68	1	
(8)	901 318 272 03	hexagon-head bolt	69-	1	
9	N 012 241 1	spring washer B 8	-68	1	
(9)	900 031 001 02	washer 8,4	69-	1	
10	999 504 070 00	threaded insert heli-coil		1	
11	900 061 057 01	stud BM 8X15		4	
12	901 318 273 01	stop pin		1	
13	905 318 333 10	stub shaft for drive shaft		1	

Model	Year	MG	SG	Illustration	Restrictions	UPD	17:52	22.01.2010	PORSCHE	PET	PORSCHE
911-1	1969	3	07	307-05		248					

Pos	Part Number	Description	Remark	Qty	Model	Pos	Part Number	Description	Remark	Qty	Model
14	999 701 084 50	o-ring 25,3-2,4		1		(31)	901 305 317 00	hexagon-head bolt	69-	2	
15	901 318 243 12	guide bush	-68	1		32	999 611 918 20	ground strap	-68	1	
(15)	901 318 243 12	guide bush	69-	1		(32)	999 611 918 20	ground strap	69-	1	
16	999 113 036 50	radial sealing ring BA 10-8-6		1		33	900 075 085 02	hexagon-head bolt M 8X20	-68	1	
17	914 318 261 01	sealing washer	-68	1		(33)	900 076 030 02	hexagon nut M 8	69-	1	
(17)	914 318 261 01	sealing washer	69-	1		34	N 012 241 1	spring washer B 8	-68	1	
18	911 318 029 00	angled pipe	-68	1		(34)	N 012 132 2	shake-proof washer	69-	1	
(18)	911 318 029 00	v-drive	69-	1		35	999 151 022 02	washer B 8,4	-68	2	
19	905 303 236 00	washer	69-	1		(35)	900 025 025 02	washer B 8,4	69-	2	
20	905 303 237 00	spring for parking lock		1		36	999 151 022 02	washer 20X8,4X2	69-	2	
21	N 025 667 2	ball 9MM	69-	1		37	N 012 241 1	spring washer	69-	9	
22	900 108 010 00	ball 7MM	69-	1		38	900 076 025 02	hexagon nut M 8	69-	9	
23	N 013 849 2	sealing ring A 14 X 18 CU	69-	1							
24	905 303 238 00	screw plug	69-	1							
25	905 613 101 02	bridging switch		1							
26	905 305 031 01	transmission carrier		1							
27	901 305 311 00	seat		4							
28	900 076 025 02	hexagon nut M 8	-68	4							
(28)	999 090 101 02	mid-grip nut	69-	4							
29	900 027 015 02	lock ring B 8	-68	4							
(29)	900 031 001 02	washer	69-	4							
30	900 027 017 02	lock ring B 12		2							
31	900 082 020 01	hexagon-head bolt M 12X1,5X80	-68	2							

Model	Year	MG	SG	Illustration	Restrictions	UPD	17:52	22.01.2010	PORSCHE	PET	PORSCHE
911-1	1969	3	08	308-00		248					

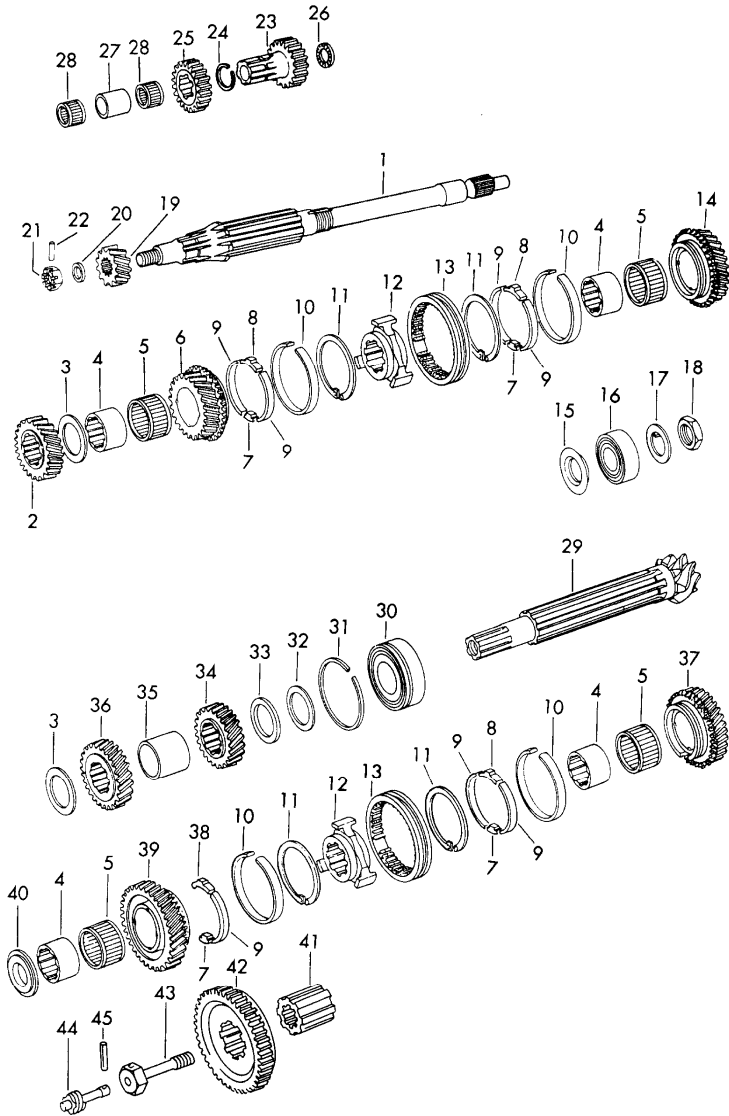


Pos	Part Number	Description	Remark	Qty	Model
		gear wheel sets sportomatic			
		gear wheel sets	-68		911 L/S/TU
1	905 302 906 00	gear set 1st gear Z = 15:36 (C)		1	
2	905 302 907 00	gear wheel pair 2nd gear Z = 19:31 (HB)		1	
3	901 302 910 10	gear wheel pair 3rd gear Z = 23:28 (O)		1	
4	904 302 921 10	gear wheel pair 4th speed Z = 26:25 (U)		1	911 L/S
(4)	904 302 930 10	gear wheel pair 4th speed Z = 27:25 (V)		1	911 TU/S
		gear wheel sets for TYP 905/13	69-		
1	905 302 906 10	gear set 1st gear Z = 15:36 (C)		1	
2	905 302 907 00	gear wheel pair 2nd gear Z = 19:31 (HB)		1	
3	901 302 910 10	gear wheel pair 3rd gear Z = 23:28 (O)		1	
4	904 302 930 10	gear wheel pair 4th speed Z = 27:25 (V)		1	
		gear wheel sets for TYP 905.300/20	69-		
1	905 302 906 10	gear set 1st gear Z = 15:36 (C)		1	
2	901 302 908 10	gear wheel pair 2nd gear Z = 20:31 (I)		1	

Model	Year	MG	SG	Illustration	Restrictions	UPD	17:52	22.01.2010	PORSCHE	PET	PORSCHE
911-1	1969	3	08	308-00		248					

Pos	Part Number	Description	Remark	Qty	Model	Pos	Part Number	Description	Remark	Qty	Model
3	904 302 920 10	gear wheel pair 3rd gear Z = 24:27 (Q)		1							
4	904 302 924 10	gear wheel pair 4th speed Z = 28:24 (X)		1							

Model	Year	MG	SG	Illustration	Restrictions	UPD	17:52	22.01.2010	PORSCHE	PET	PORSCHE
911-1	1969	3	08	308-05		248					

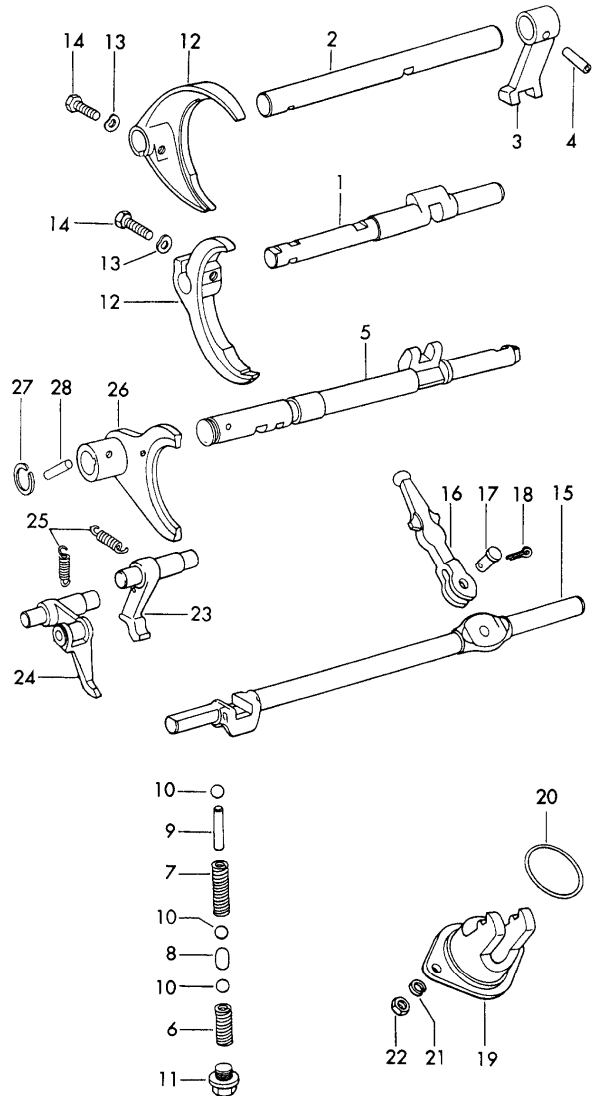


Pos	Part Number	Description	Remark	Qty	Model
		gears and shafts sportomatic			
		gear wheel sets see group 3/08/00			
1	905 302 101 00	drive shaft		1	
2	* --- --- --- --	fixed gear wheel 2nd gear		1	
3	901 302 294 01	thrust washer		2	
4	901 302 261 01	bush		4	
5	999 201 104 00	needle cage		4	
6	* --- --- --- --	loose gear wheel 3rd gear		1	
7	911 302 317 01	stop 1. - 4th speed	-68	4	
(7)	911 302 317 01	stop 1. - 4th speed	69-	4	
8	901 302 315 02	stone 2. - 4th speed	-68	3	
(8)	911 302 315 00	stone 2. - 4th speed	69-	3	
9	905 302 316 00	brake band 1. - 4th speed	-68	7	
(9)	911 302 316 00	brake band 1. - 4th speed	69-	7	
10	905 302 301 00	synchroniser ring 1. - 4th speed	-68	4	
(10)	925 302 301 02	synchroniser ring 1. - 4th speed	69-	4	
11	911 302 311 01	circlip 1. - 4th speed		4	

Model	Year	MG	SG	Illustration	Restrictions	UPD	17:52	22.01.2010	PORSCHE	PET	PORSCHE
911-1	1969	3	08	308-05		248					

Pos	Part Number	Description	Remark	Qty	Model	Pos	Part Number	Description	Remark	Qty	Model
12	901 302 402 02	guide sleeve 2. - 4th speed		2		30	999 110 007 00	cylindrical-roller bearing		1	
13	901 302 411 03	shift sleeve 1. - 4th speed	-68	2		31	900 111 002 00	circlip SP 72		1	
(13)	911 302 411 10	shift sleeve 1. - 4th speed		2		32	901 302 297 01	adjusting shim 0,25 MM		X	
14	* --- --- --- --	loose gear wheel 4th speed		1		(32)	901 302 297 11	adjusting shim 0,30 MM		X	
15	901 302 268 01	spacer		1		(32)	901 302 297 21	adjusting shim 0,40 MM		X	
16	999 110 008 00	cylindrical-roller bearing		1		33	901 302 298 01	spacer		1	
17	999 038 001 00	tab washer		1		34	* --- --- --- --	fixed gear wheel 4th speed		1	
18	999 183 001 00	hexagon nut		1		35	901 302 265 01	spacer sleeve		1	
19	* --- --- --- --	fixed gear wheel 1st gear		1		36	* --- --- --- --	fixed gear wheel 3rd gear		1	
20	999 031 067 00	washer		1		37	* --- --- --- --	loose gear wheel 2nd gear		1	
21	999 079 011 02	castle nut		1		38	901 302 318 02	stone for 1st gear		1	
22	999 095 006 00	clamping pin 3 X 18	-68	1		39	* --- --- --- --	loose gear wheel 1st gear		1	
(22)	900 309 004 00	roll pin 3 X 18	69-	1		40	901 302 269 01	thrust washer		1	
23	* --- --- --- --	gear wheel II for reverse gear		1		41	905 302 257 00	spline shaft sleeve		1	
24	999 041 309 01	circlip SB 27		1		42	905 302 224 02	sliding gear for reverse gear		1	
25	905 302 223 00	gear wheel III for reverse gear		1		43	901 302 271 01	elastic bolt		1	
26	999 202 003 00	needle-roller bearing		1		44	905 318 331 10	shaft		1	
27	905 302 265 00	spacer sleeve		1		45	900 197 002 00	tensioning sleeve 4 X 28		1	
28	999 201 106 00	needle cage		2							
29	* --- --- --- --	drive shaft		1							

Model	Year	MG	SG	Illustration	Restrictions	UPD	17:52	22.01.2010	PORSCHE	PET	PORSCHE
911-1	1969	3	09	309-00		248					



Pos	Part Number	Description	Remark	Qty	Model
		shift rods shift forks sportomatic			
1	901 303 101 01	gear shift rod 1st/2nd gear		1	
2	901 303 103 01	gear shift rod 3rd/4th gear		1	
3	901 303 161 01	contact		1	
4	900 309 003 00	roll pin S 5 X 24	-68	1	
(4)	900 309 003 00	roll pin 5 X 24	69-	1	
5	905 303 141 03	gear shift rod for reverse gear		1	
6	901 303 232 01	compression spring for gear lock detent 2. - 4th speed		1	
7	905 303 232 01	compression spring for gear lock detent		1	
8	905 303 211 00	detent for gear lock detent		1	
9	901 303 271 01	pin for gear lock detent		1	
10	N 025 667 2	ball 9 MM		3	
11	999 065 001 02	screw plug		1	
12	901 303 111 01	shift fork for forward speed		2	
13	N 012 241 1	spring washer B 8 X 15		2	
14	900 074 127 02	hexagon-head bolt M 8 X 25	-68	2	
(14)	900 075 083 02	hexagon-head bolt M 8 X 25	69-	2	

Model	Year	MG	SG	Illustration	Restrictions	UPD	17:52	22.01.2010	PORSCHE	PET	PORSCHE
911-1	1969	3	09	309-00		248					

Pos	Part Number	Description	Remark	Qty	Model	Pos	Part Number	Description	Remark	Qty	Model
15	905 303 132 00	gear shift rod G 509 1001 >> 509 1788 G 539 0101 >> 539 0101 G 519 1501 >> 519 3619 G 709 1001 >> 709 1469 G 719 3001 >> 719 8787 G 739 0101 >> 739 0109 G 739 1101 >> 739 1102 G 739 2101 >> 739 2118 G 739 3101 >> 739 3106 G 739 4101 >> 739 4109 G 729 0001 >> 729 1044		1	902.300/14 902.300/60 902.300/16 901.300/12 901.300/13 901.300/80 901.300/81 901.300/82 901.300/83 901.300/84 905.300/13						
16	901 303 133 01	shift lever		1							
17	901 303 171 01	bolt		1							
18	N 012 512 1	cotter pin 2 X 12		1							
19	911 303 129 00	fork	-68	1							
(19)	911 303 129 00	fork	69-	1							
20	* 999 701 359 40	o-ring		1							
(20)	* 901 303 191 01	gasket old version		1							
21	900 027 015 02	lock ring B 8		2							
22	900 076 025 02	hexagon nut M 8		2							
23	905 303 013 00	stop for parking lock		1							
24	905 303 015 00	lever for parking lock		1							
25	905 303 235 00	tension spring		2							
26	905 303 151 04	shift fork for reverse gear		1							
27	999 041 301 01	circlip	-68	1							
27	999 041 301 01	circlip SW 18	69-	1							
28	905 303 149 00	bolt		1							

Model	Year	MG	SG	Illustration	Restrictions	UPD	17:52	22.01.2010
911-1	1969	3	98	398-00R		248		

Pos	Part Number	Description	Remark	Qty	Model
-	> 901 300 902 00	replacement transmission repair kits gasket set replacement transmission ready for installation with transmission mounting clutch release bearing and reverse lever for throttle linkage	-68	1	911
-	901 300 903 00	transmission standard differential 1st gear Z = 12:34 2nd gear Z = 18:32 3rd gear Z = 23:28 4th speed Z = 26:25 5th gear Z = 28:23 G >> 010 2082	-68	1	911
-	902 300 902 00	transmission (SERIE) differential 1st gear Z = 11:34 2nd gear Z = 18:34 3rd gear Z = 22:29 4th speed Z = 25:26 5th gear Z = 28:24 G 022 1722 >>	-68	1	911

Model	Year	MG	SG	Illustration	Restrictions	UPD	17:52	22.01.2010
911-1	1969	3	98	398-00R		248		

Pos	Part Number	Description	Remark	Qty	Model
-	902 300 904 00	transmission limited-slip differential 1st gear Z = 11:34 2nd gear Z = 18:34 3rd gear Z = 22:29 4th speed Z = 25:26 5th gear Z = 28:24 G 022 1722 >>	-68	1	911
-	901 300 904 00	transmission standard differential 1st gear Z = 11:34 2nd gear Z = 18:34 3rd gear Z = 22:29 4th speed Z = 25:26 5th gear Z = 29:23	-68	1	911 S
-	901 300 905 00	transmission limited-slip differential 1st gear Z = 11:34 2nd gear Z = 18:34 3rd gear Z = 22:29 4th speed Z = 25:26 5th gear Z = 29:23	-68	1	911 S
-	902 300 901 00	transmission 4-speed standard differential (USA) / (E.U.) 1st gear Z = 11:34 2nd gear Z = 19:32 3rd gear Z = 24:27 4th speed Z = 28:24	-68	1	911

Model	Year	MG	SG	Illustration	Restrictions	UPD	17:52	22.01.2010
911-1	1969	3	98	398-00R		248		

Pos	Part Number	Description	Remark	Qty	Model
-	902 300 903 00	transmission 4-speed limited-slip differential (USA) / (E.U.) 1st gear Z = 11:34 2nd gear Z = 19:32 3rd gear Z = 24:27 4th speed Z = 28:24 replacement transmission ready for installation without transmission mounting with clutch release bearing and reverse lever for throttle linkage	-68	1	911
-	902 300 901 01	transmission 4-speed (SERIE) differential 1st gear Z = 11:34 2nd gear Z = 19:32 3rd gear Z = 24:27 4th speed Z = 28:24	-68	1	912
-	902 300 903 01	transmission 4-speed limited-slip differential 1st gear Z = 11:34 1st gear Z = 19:32 3rd gear Z = 24:27 4th speed Z = 28:24	-68	1	912

Model	Year	MG	SG	Illustration	Restrictions	UPD	17:52	22.01.2010
911-1	1969	3	98	398-00R		248		

Pos	Part Number	Description	Remark	Qty	Model
-	902 300 902 01	transmission 5-speed differential 1st gear Z = 11:34 2nd gear Z = 18:34 3rd gear Z = 22:29 4th speed Z = 25:26 5th gear Z = 28:24	-68	1	912
-	902 300 904 01	transmission 5-speed limited-slip differential 1st gear Z = 11:34 2nd gear Z = 18:34 3rd gear Z = 22:29 4th speed Z = 25:26 5th gear Z = 28:24	-68	1	912
-	902 300 905 00	transmission 5-speed differential 1st gear Z = 11:34 2nd gear Z = 17:34 3rd gear Z = 20:31 4th speed Z = 23:28 5th gear Z = 26:25	-68	1	912
>>	>>901 300 901 00	gasket set for transmission with chilled casting comprising:		1	
-	999 113 058 50	radial sealing ring 45X65X10		2	
-	900 112 001 50	radial sealing ring B 15X24X7		1	
-	999 111 001 00	shaft sealing ring 15X24X7		1	

Model	Year	MG	SG	Illustration	Restrictions	UPD	17:52	22.01.2010
911-1	1969	3	98	398-00R		248		

Pos	Part Number	Description	Remark	Qty	Model
-	901 301 191 01	gasket for transmission case 0,1MM		2	
-	901 301 191 02	gasket for transmission case 0,15MM		2	
-	901 301 191 03	gasket for transmission case 0,2MM		2	
-	999 113 048 50	sealing frame		1	
-	900 123 009 30	sealing ring A 18X24 AL		2	
-	999 113 036 50	radial sealing ring		1	
-	999 701 084 50	o-ring 25,3-2,4		1	
-	901 301 392 01	gasket for transmission cover		1	
-	901 301 391 01	gasket for transmission cover lateral		1	
-	900 123 011 30	sealing ring A 22X27 AL		1	
-	901 303 191 01	gasket		1	
-	901 116 773 01	sealing washer		1	
		replacement transmission complete for sportomatic			
-	905 300 910 00	transmission with converter ready for installation 1st gear Z = 15:36 2nd gear Z = 19:31 3rd gear Z = 23:28 4th speed Z = 26:25	-68	1	911 L

Model	Year	MG	SG	Illustration	Restrictions	UPD	17:52	22.01.2010
911-1	1969	3	98	398-00R		248		

Pos	Part Number	Description	Remark	Qty	Model
-	905 300 911 00	transmission with converter ready for installation 1st gear Z = 15:36 2nd gear Z = 19:31 3rd gear Z = 23:28 4th speed Z = 27:25	-68	1	911 TU/S
>>	>>905 300 901 00	gasket set for sportomatic transmission comprising:	-68	1	911 L/S/TU
-	999 704 019 50	sleeve T 25-1		1	
-	PCG 113 071 50	radial shaft seal 25X35X6		1	
-	PCG 201 301 00	shaft sealing ring 12X18X3		1	
-	900 123 019 20	sealing ring A 16X22 CU		1	
-	999 113 189 40	shaft sealing ring 45X60X7		1	
-	N 013 849 2	sealing ring A 14X18CU		1	
-	999 113 286 40	shaft sealing ring 22X35X8		1	
-	999 113 058 50	radial sealing ring 45X65X10		2	
-	905 301 191 00	gasket for transmission case 0,1MM		1	
-	905 301 191 01	gasket for transmission case 0,15MM		1	
-	905 301 191 02	gasket for transmission case 0,2MM		1	
-	900 112 001 50	radial sealing ring B 15X24X7		1	

Model	Year	MG	SG	Illustration	Restrictions	UPD	17:52	22.01.2010
911-1	1969	3	98	398-00R		248		

Pos	Part Number	Description	Remark	Qty	Model
-	999 113 036 50	radial sealing ring 10X18X6		1	
-	999 701 084 50	o-ring 25,3X2,4		1	
-	905 301 392 02	gasket for transmission cover front		1	
-	905 301 391 00	gasket for transmission cover lateral		1	
-	901 303 191 01	gasket replacement transmission ready for installation with transmission mounting clutch release bearing and reverse lever for throttle linkage	69-	1	
>>	>>902 300 010 04	transmission complete 902/04 1st gear Z = 11:34 2nd gear Z = 19:32 3rd gear Z = 24:27 4th speed Z = 28:24 with differential	(USA)	1	912
>>	>>902 300 012 05	transmission complete 902/05 1st gear Z = 11:34 2nd gear Z = 18:34 3rd gear Z = 22:29 4th speed Z = 25:26 5th gear Z = 28:24 with differential		1	912

Model	Year	MG	SG	Illustration	Restrictions	UPD	17:52	22.01.2010
911-1	1969	3	98	398-00R		248		

Pos	Part Number	Description	Remark	Qty	Model
>>	>>902 300 012 55	transmission complete 902/55 1st gear Z = 11:34 2nd gear Z = 17:34 3rd gear Z = 20:31 4th speed Z = 23:28 5th gear Z = 26:25 with differential	(USA)	1	912
>>	>>901 300 010 06	transmission complete 901/06 1st gear Z = 11:34 2nd gear Z = 19:31 3rd gear Z = 25:26 4th speed Z = 29:23 with differential		1	911 T/E 911 S
>>	>>901 300 012 07	transmission complete 901/07 not available replacement transmission 901.300/13 901 300 012 13		1	911 E/S 911 T
>>	>>901 300 012 75	transmission complete 901/75 1st gear Z = 14:37 2nd gear Z = 18:32 3rd gear Z = 22:29 4th speed Z = 26:26 5th gear Z = 28:23 with differential		1	911 T/S/E

Model	Year	MG	SG	Illustration	Restrictions	UPD	17:52	22.01.2010
911-1	1969	3	98	398-00R		248		

Pos	Part Number	Description	Remark	Qty	Model
<<	901 300 012 76	transmission complete 901/76 1st gear Z = 12:34 2nd gear Z = 17:34 3rd gear Z = 20:31 4th speed Z = 22:29 5th gear Z = 23:28 with differential		1	911 T/E/S
>>	>>901 300 012 77	transmission complete 901/77 1st gear Z = 12:34 2nd gear Z = 18:34 3rd gear Z = 21:31 4th speed Z = 23:28 5th gear Z = 25:26 with differential		1	911 T/E/S
>>	>>901 300 012 78	transmission complete 901/78 1st gear Z = 15:36 2nd gear Z = 20:32 3rd gear Z = 23:28 4th speed Z = 26:26 5th gear Z = 28:23 with differential		1	911 T/E/S

Model	Year	MG	SG	Illustration	Restrictions	UPD	17:52	22.01.2010
911-1	1969	3	98	398-00R		248		

Pos	Part Number	Description	Remark	Qty	Model
>>	>>901 300 012 79	transmission complete 901/79 1st gear Z = 14:37 2nd gear Z = 20:32 3rd gear Z = 22:29 4th speed Z = 25:27 5th gear Z = 27:25 with differential		1	911 T/E/S
>>	>>902 300 010 14	transmission complete 902.300/14 1st gear Z = 11:34 2nd gear Z = 19:32 3rd gear Z = 24:27 4th speed Z = 28:24 with differential	(USA)	1	912 912
>>	>>902 300 012 16	transmission complete 902.300/16 1st gear Z = 11:34 2nd gear Z = 18:32 3rd gear Z = 23:28 4th speed Z = 26:25 5th gear Z = 29:23 with differential		1	912
>>	>>901 300 010 12	transmission complete 901.300/12 1st gear Z = 11:34 2nd gear Z = 19:31 3rd gear Z = 25:26 4th speed Z = 29:23 with differential		1	911 T/E 911 S

Model	Year	MG	SG	Illustration	Restrictions	UPD	17:52	22.01.2010
911-1	1969	3	98	398-00R		248		

Pos	Part Number	Description	Remark	Qty	Model
>>	>>901 300 012 13	transmission complete 901.300/13 1st gear Z = 11:34 2nd gear Z = 18:34 3rd gear Z = 22:29 4th speed Z = 25:26 5th gear Z = 29:23 with differential		1	911 T/E/S
>>	>>901 300 012 80	transmission complete 901.300/80 1st gear Z = 14:37 2nd gear Z = 18:32 3rd gear Z = 22:29 4th speed Z = 26:26 5th gear Z = 28:23 with differential		1	911 T/E/S
>>	>>901 300 012 81	transmission complete 901.300/81 1st gear Z = 12:34 2nd gear Z = 17:34 3rd gear Z = 20:31 4th speed Z = 22:29 5th gear Z = 23:28 with differential		1	911 T/E/S

Model	Year	MG	SG	Illustration	Restrictions	UPD	17:52	22.01.2010
911-1	1969	3	98	398-00R		248		

Pos	Part Number	Description	Remark	Qty	Model
>>	>>901 300 012 82	transmission complete 901.300/82 1st gear Z = 12:34 2nd gear Z = 18:34 3rd gear Z = 21:31 4th speed Z = 23:28 5th gear Z = 25:26 with differential		1	911 T/E/S
>>	>>901 300 012 83	transmission complete 901.300/83 1st gear Z = 15:36 2nd gear Z = 20:32 3rd gear Z = 23:28 4th speed Z = 26:26 5th gear Z = 28:23 with differential		1	911 T/E/S
>>	>>901 300 012 84	transmission complete 901.300/84 1st gear Z = 14:37 2nd gear Z = 20:32 3rd gear Z = 22:29 4th speed Z = 25:27 5th gear Z = 27:25 with differential		1	911 T/E/S

Model	Year	MG	SG	Illustration	Restrictions	UPD	17:52	22.01.2010
911-1	1969	3	98	398-00R		248		

Pos	Part Number	Description	Remark	Qty	Model
>>	>>911 300 010 00	transmission complete 911.300/00 1st gear Z = 11:34 2nd gear Z = 19:31 3rd gear Z = 25:26 4th speed Z = 29:22 with differential		1	911 T
>>	>>911 300 012 01	transmission complete 911.300/01 1st gear Z = 11:34 2nd gear Z = 18:32 3rd gear Z = 23:28 4th speed Z = 27:25 5th gear Z = 29:22 with differential		1	911 E/S 911 T
>>	>>911 300 012 80	transmission complete 911.300/80 1st gear Z = 14:37 2nd gear Z = 18:32 3rd gear Z = 22:29 4th speed Z = 26:26 5th gear Z = 28:23 with differential		1	911 S COUPE

Model	Year	MG	SG	Illustration	Restrictions	UPD	17:52	22.01.2010
911-1	1969	3	98	398-00R		248		

Pos	Part Number	Description	Remark	Qty	Model
>>	>>911 300 012 81	transmission complete 911.300/81 1st gear Z = 12:34 2nd gear Z = 17:34 3rd gear Z = 20:31 4th speed Z = 22:29 5th gear Z = 23:28 with differential		1	911 S COUPE
>>	>>911 300 012 82	transmission complete 911.300/82 1st gear Z = 12:34 2nd gear Z = 18:34 3rd gear Z = 21:31 4th speed Z = 23:28 5th gear Z = 25:26 with differential		1	911 S COUPE
>>	>>911 300 012 83	transmission complete 911.300/83 1st gear Z = 15:36 2nd gear Z = 20:32 3rd gear Z = 23:28 4th speed Z = 26:26 5th gear Z = 28:23 with differential		1	911 S COUPE

Model	Year	MG	SG	Illustration	Restrictions	UPD	17:52	22.01.2010
911-1	1969	3	98	398-00R		248		

Pos	Part Number	Description	Remark	Qty	Model
>>	>>911 300 012 84	transmission complete 911.300/84 1st gear Z = 14:37 2nd gear Z = 20:32 3rd gear Z = 22:29 4th speed Z = 25:27 5th gear Z = 27:25 with differential		1	911 S COUPE
>>	>>901 300 916 00	gasket set for transmission from die casting housing comprising:		1	
-	999 113 185 40	shaft sealing ring A 15X24X7		1	
-	901 301 191 21	gasket for transmission case 0,1MM		1	
-	901 301 191 22	gasket for transmission case 0,15MM		1	
-	901 301 191 23	gasket for transmission case 0,2MM		1	
-	999 113 048 50	radial sealing ring 20X40X16		1	
-	999 113 036 50	radial sealing ring BA 10X18X6		1	
-	999 701 084 50	o-ring 25,3-2,4		1	
-	901 303 191 01	gasket		1	
-	999 113 130 50	transmission case DG-FG 45X68X10		2	
-	901 301 392 12	gasket for transmission cover		1	

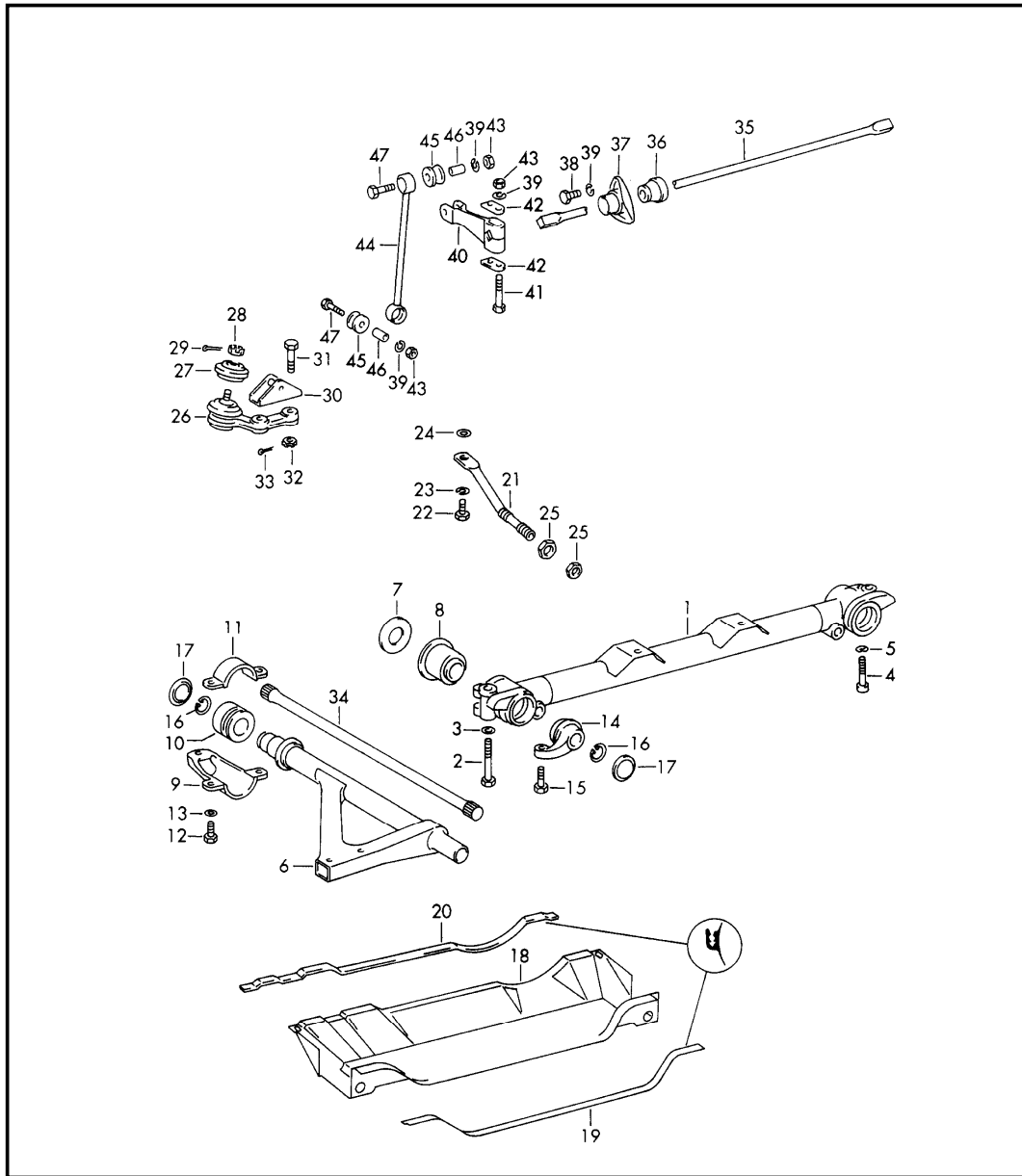
Model	Year	MG	SG	Illustration	Restrictions	UPD	17:52	22.01.2010
911-1	1969	3	98	398-00R		248		

Pos	Part Number	Description	Remark	Qty	Model
-	113 301 185 A	gasket for transmission cover lateral 177X3,5		1	
-	999 701 359 40	o-ring OR 40X1,5		1	
>>	>>905 300 010 13	transmission with converter ready for installation 905/13 sportomatic 1st gear Z = 15:36 2nd gear Z = 19:31 3rd gear Z = 23:28 4th speed Z = 27:25		1	911 T/E
>>	>>905 300 010 20	transmission complete 905.300/20 sportomatic 1st gear Z = 15:36 2nd gear Z = 20:31 3rd gear Z = 24:27 4th speed Z = 28:24 with differential		1	911 T/E
>>	>>905 300 902 00	gasket set for sportomatic transmission comprising:		1	
-	PCG 113 071 50	radial shaft seal 25X35X6		1	
-	PCG 201 301 00	shaft sealing ring 12X18X3		1	
-	999 113 189 40	shaft sealing ring 45X60X7		1	
-	900 123 019 20	sealing ring A 16X22 CU		1	
-	900 123 007 30	sealing ring A 14X18 AL		2	

Model	Year	MG	SG	Illustration	Restrictions	UPD	17:52	22.01.2010
911-1	1969	3	98	398-00R		248		

Pos	Part Number	Description	Remark	Qty	Model
-	999 113 286 40	shaft sealing ring 22X35X8		1	
-	999 113 058 50	radial sealing ring 45X65X10		2	
-	905 301 191 00	gasket for transmission case 0,10MM		1	
-	905 301 191 01	gasket for transmission case 0,15MM		1	
-	905 301 191 02	gasket for transmission case 0,20MM		1	
-	999 113 185 40	shaft sealing ring A 15X24X7		1	
-	999 701 084 50	o-ring 25,3X2,4		1	
-	905 301 392 02	gasket for transmission cover front		1	
-	N 013 849 2	sealing ring A 14X18 CU		1	
-	999 701 286 40	o-ring 160X3		1	
-	999 701 359 40	o-ring 40X15 for transmission with transmission cover lateral and fork old version without o-ring		1	
-	905 301 391 00	gasket for transmission cover lateral		1	911 T/E
-	901 303 191 01	gasket for fork		1	911 T/E

Model	Year	MG	SG	Illustration	Restrictions	UPD	17:53	22.01.2010	PORSCHE	PET	PORSCHE
911-1	1969	4	01	401-00		248					

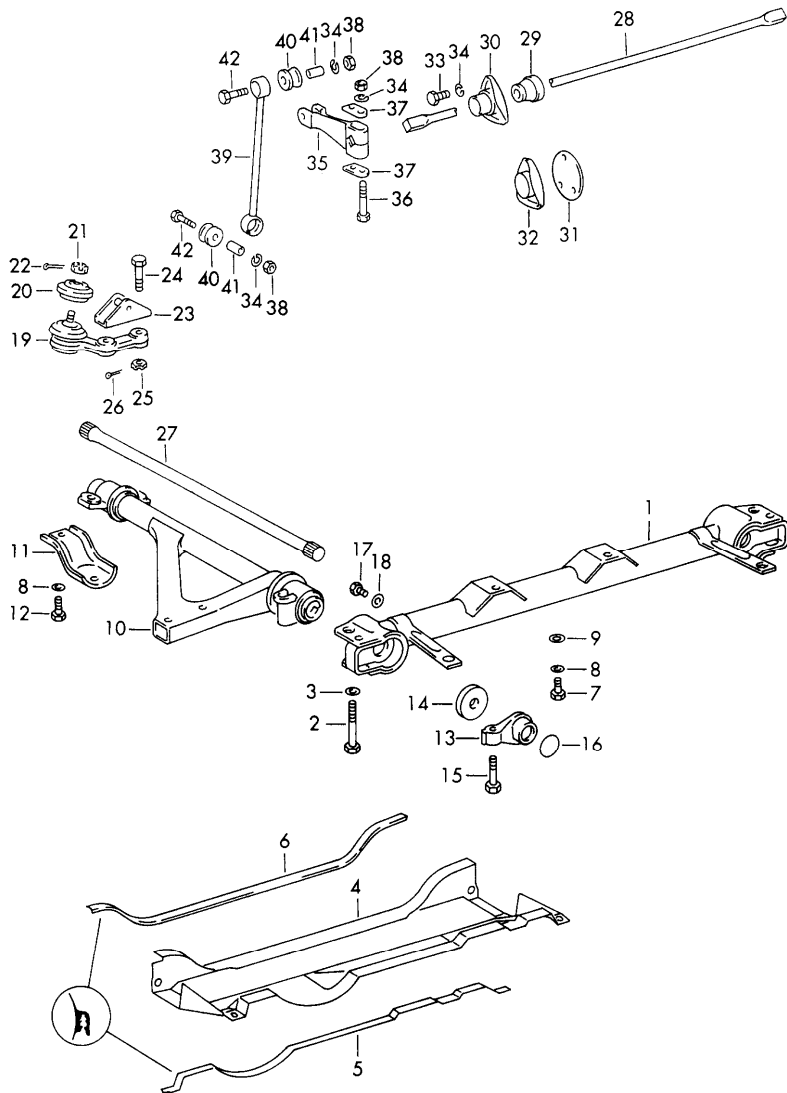


Pos	Part Number	Description	Remark	Qty	Model
		front axle stabiliser	-67		911/911 S 912
1	901 341 013 02	auxiliary support		1	
2	900 082 140 01	hexagon-head bolt M 12 X 1,5 X 75		1	
3	900 027 017 02	lock ring B 12		2	
4	900 067 161 02	pan-head screw M 10 X 50		2	
5	N 012 028 1	lock ring 10		2	
6	901 341 043 03	wishbone		2	
7	901 341 461 01	spacer		2	
8	901 341 421 03	bearing sleeve		2	
9	901 341 151 02	bearing bracket		2	
10	914 341 422 00	rubber stop		2	
11	901 341 153 00	housing		2	
12	N 010 275 3	hexagon-head bolt M 10 X 35		2	
(12)	N 040 281 1	hexagon-head bolt M 10 X 45		4	
13	900 027 016 02	lock ring B 12		6	
14	901 341 113 01	change lever	/L	1	
(14)	901 341 114 01	change lever	/R	1	
15	999 083 002 01	adjusting screw		2	
16	900 042 005 01	circlip 25 X 1,2		4	
17	901 341 163 00	protection cap		4	
18	901 341 161 01	protective plate	/LL	1	
(18)	901 341 162 01	protective plate	/RL	1	
19	901 341 165 00	sealing rubber	/V	1	
20	901 341 166 00	sealing rubber	/H	1	

Model	Year	MG	SG	Illustration	Restrictions	UPD	17:53	22.01.2010	PORSCHE	PET	PORSCHE
911-1	1969	4	01	401-00		248					

Pos	Part Number	Description	Remark	Qty	Model	Pos	Part Number	Description	Remark	Qty	Model
21	901 341 129 01	strut		2		38	900 075 083 02	hexagon-head bolt M 8 X 25		6	
22	900 075 040 02	hexagon-head bolt M 10 X 20		2		39	900 027 015 02	lock ring B 8		14	
23	900 027 016 02	lock ring B 10		2		40	901 343 713 01	lever		2	
24	900 025 008 02	washer 10,5		2		41	900 074 135 02	hexagon-head bolt M 8 X 62		4	
25	900 183 007 01	hexagon nut M 16 X 1,5		6		42	901 343 763 00	guide plate		4	
26	901 341 047 00	ball joint		2		43	900 076 025 02	hexagon nut M 8		8	
27	901 341 471 00	sealing bellows		2		44	901 343 076 03	stabiliser mounting		2	
28	N 011 212 2	castle nut M X 12 X 1,5		2		45	901 343 783 00	rubber mounting		4	
29	N 012 532 1	cotter pin 3 X 25		2		46	901 343 737 00	spacer tube		4	
30	901 343 735 00	bearing bracket		2		47	900 074 130 02	hexagon-head bolt M 8 X 40		4	
31	900 082 029 02	hexagon-head bolt M 12 X 1,5 X 45 S		4							
32	N 011 212 2	castle nut M 12 X 1,5		4							
33	N 012 532 1	cotter pin 3 X 25		4							
34	901 343 101 12	torsion bar	/L	1							
(34)	901 343 102 12	torsion bar	/R	1							
35	901 343 703 01	stabiliser \$ 13		1	911/912						
(35)	901 343 703 03	stabiliser \$ 15		1	911S						
(35)	901 343 703 02	stabiliser \$ 14		1							
(35)	901 343 703 04	stabiliser \$ 16		1							
36	901 343 792 01	rubber mounting		2	911/912						
(36)	901 343 792 02	rubber mounting		2	911S						
37	901 343 754 01	stabiliser mounting		2							

Model	Year	MG	SG	Illustration	Restrictions	UPD	17:53	22.01.2010	PORSCHE	PET	PORSCHE
911-1	1969	4	01	401-05		248					

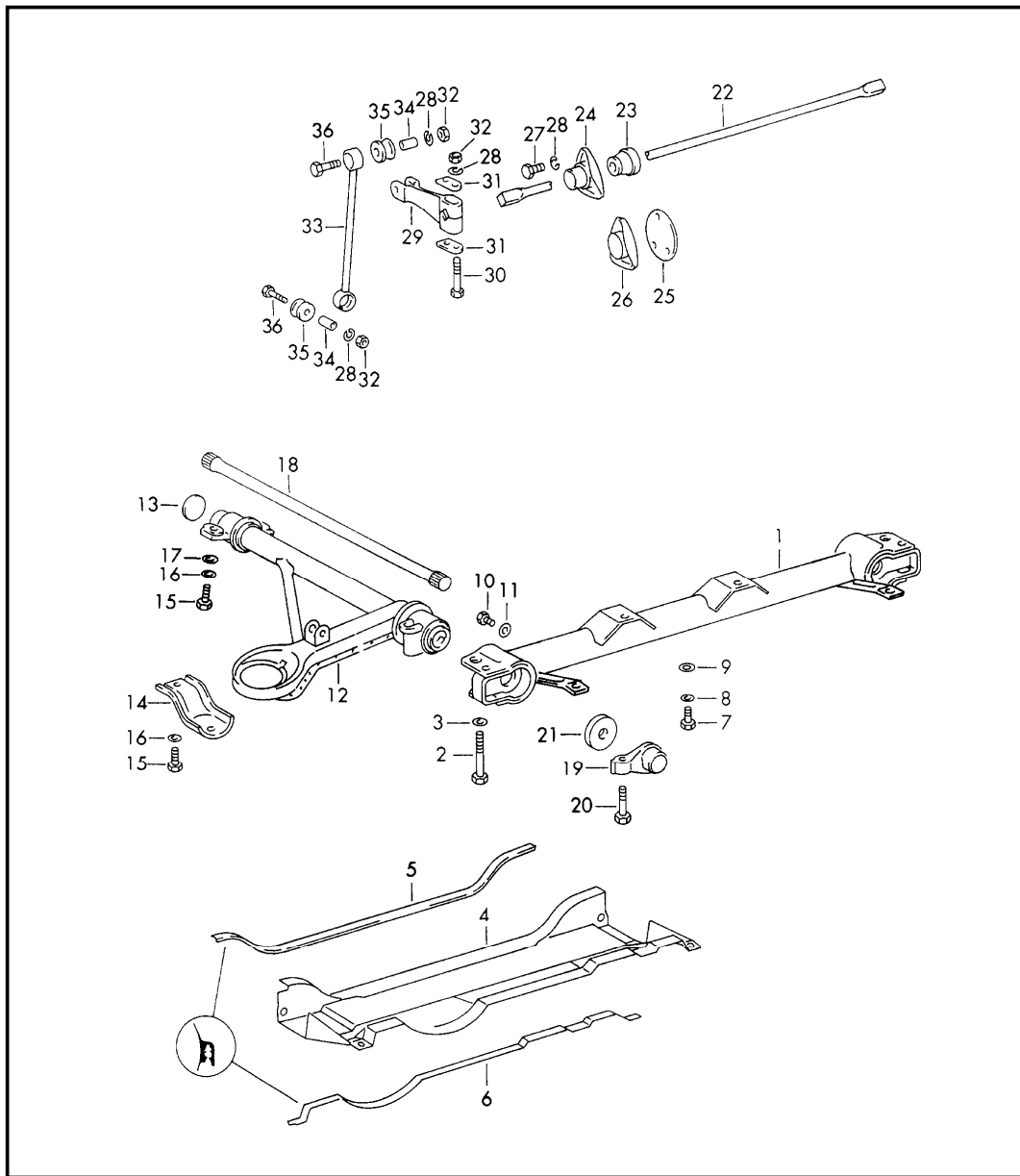


Pos	Part Number	Description	Remark	Qty	Model
		front axle stabiliser	(USA)	68	911 S/TU/L 911 /L 912
1	901 341 013 03	auxiliary support		1	
2	900 082 020 02	hexagon-head bolt M 12 X 1,5 X 80		1	
3	900 027 017 02	lock ring B 12		2	
4	901 341 161 03	protective plate	/LL	1	
(4)	901 341 162 03	protective plate	/RL	1	
5	901 341 166 00	sealing rubber	/LL/H	1	
(5)	901 341 165 00	sealing rubber	/RL	1	
6	901 341 165 00	sealing rubber	/LL/V	1	
(6)	901 341 165 00	sealing rubber	/RL	1	
7	900 075 040 02	hexagon-head bolt M 10 X 20		2	
8	900 027 016 02	lock ring B 10		2	
9	900 025 008 02	washer 10,5		2	
10	901 341 005 00	wishbone	/L	1	
(10)	901 341 006 00	wishbone	/R	1	
11	901 341 159 00	protective bracket		2	
12	N 010 275 3	hexagon-head bolt M 10 X 35		6	
13	901 341 033 00	change lever		2	
14	901 341 475 00	gasket		2	
15	999 083 003 01	adjusting screw		2	
16	900 040 008 01	lid		4	
17	900 075 022 02	hexagon-head bolt M 8 X 8		2	
18	N 012 241 1	spring washer B 8 X 15		2	
19	901 341 047 00	ball joint		2	

Model	Year	MG	SG	Illustration	Restrictions	UPD	17:53	22.01.2010	PORSCHE	PET	PORSCHE
911-1	1969	4	01	401-05		248					

Pos	Part Number	Description	Remark	Qty	Model	Pos	Part Number	Description	Remark	Qty	Model
20	901 341 471 00	sealing bellows		2		34	900 027 015 02	lock ring B 8		14	
21	N 011 212 2	castle nut M X 12 X 1,5		2		35	901 343 713 01	lever		2	
22	N 012 532 1	cotter pin 3 X 25		2		36	900 074 135 02	hexagon-head bolt M 8 X 62		4	
23	901 343 735 00	bearing bracket		2		37	901 343 763 00	guide plate		4	
24	900 082 029 02	hexagon-head bolt M 12 X 1,5 X 45 S		4		38	900 076 025 02	hexagon nut M 8		8	
25	N 011 212 2	castle nut M 12 X 1,5		4		39	901 343 076 03	stabiliser mounting		2	
26	N 012 532 1	cotter pin 3 X 25		4		40	901 343 783 00	rubber mounting		4	
27	901 343 101 12	torsion bar	/L	1		41	901 343 737 00	spacer tube		4	
(27)	901 343 102 12	torsion bar	/R	1		42	900 074 130 02	hexagon-head bolt M 8 X 40		4	
(28)	901 343 703 05	stabiliser \$ 11)	1	911 L/L (USA)						
28	901 343 703 01	stabiliser \$ 13	(USA)	1	911 912						
(28)	901 343 703 03	stabiliser \$ 15		1	911S						
(28)	901 343 703 02	stabiliser \$ 14		1							
(28)	901 343 703 04	stabiliser \$ 16		1							
(29)	901 343 792 03	rubber mounting	(USA)	2	911 L/L						
29	901 343 792 01	rubber mounting	(USA)	2	911 912						
(29)	901 343 792 02	rubber mounting		2	911S						
30	901 343 754 01	stabiliser mounting	(USA)	2	911 S/L 911 /L 912						
31	901 343 766 00	sealing washer		2	911 TU						
32	901 343 765 00	cap		2	911 TU						
33	900 075 083 02	hexagon-head bolt M 8 X 25		6							

Model	Year	MG	SG	Illustration	Restrictions	UPD	17:53	22.01.2010	PORSCHE	PET	PORSCHE
911-1	1969	4	01	401-10		248					

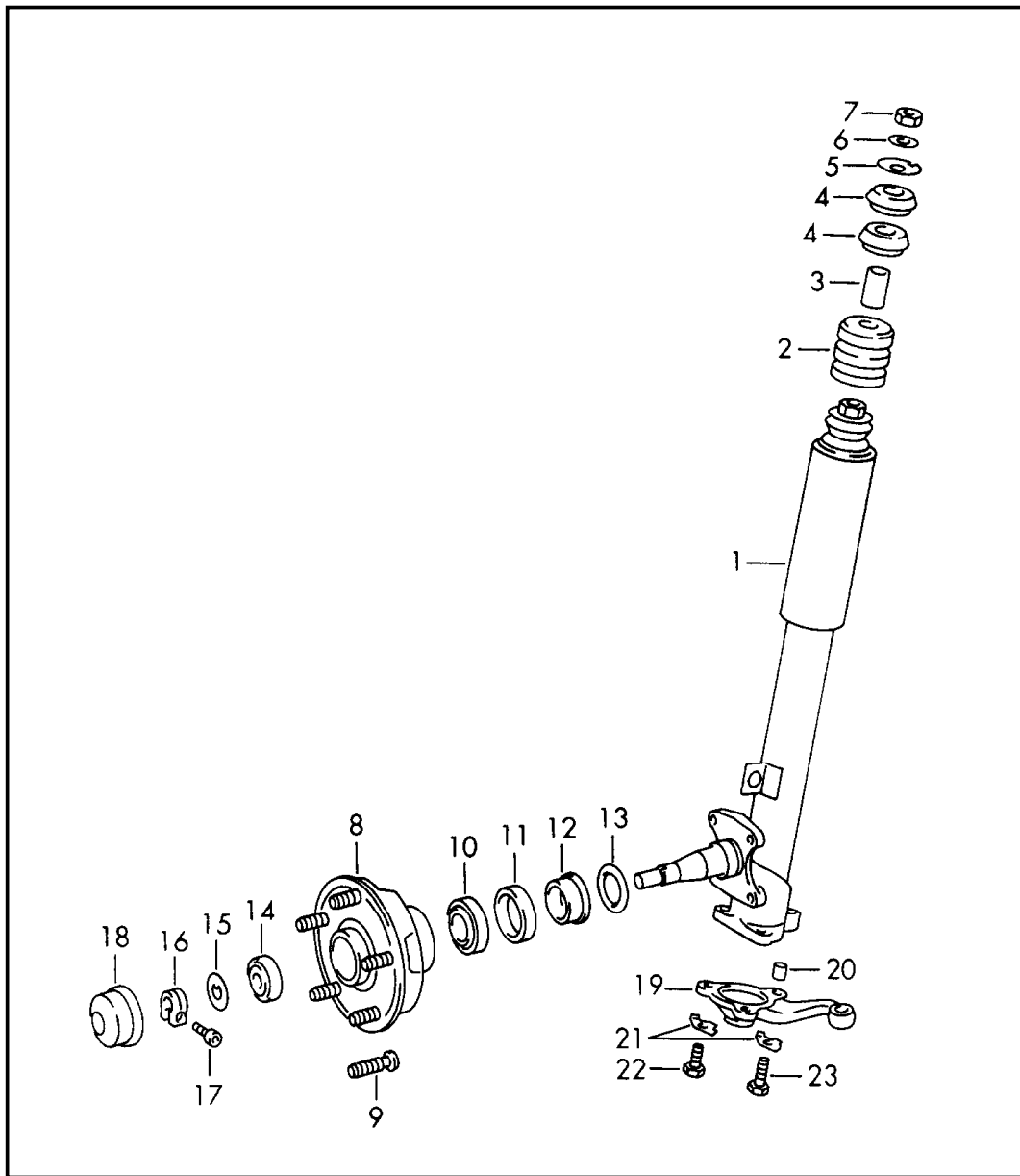


Pos	Part Number	Description	Remark	Qty	Model
		front axle stabiliser		69	911 T/E/S 912 / USA)
1	901 341 013 04	auxiliary support for cars with spring strut		X	911 E 911 T/S
1	901 341 013 03	auxiliary support for cars with shock absorber strut	(USA)	X	911 T/S 912
2	900 082 020 02	hexagon-head bolt M 12 X 1,5 X 80		2	
3	900 027 017 02	lock ring B 12		2	
4	911 341 161 00	protective plate	/LL	1	
(4)	911 341 162 00	protective plate	/RL	1	
5	901 341 165 00	sealing rubber		1	
6	901 341 166 00	sealing rubber	/LL	1	
(6)	901 341 165 00	sealing rubber	/RL	1	
7	900 075 040 02	hexagon-head bolt M 10 X 20		2	
8	900 027 016 02	lock ring B 10		2	
9	900 025 008 02	washer 10,5		2	
10	N 010 235 3	hexagon-head bolt M 8 X 10		2	
11	N 012 241 1	spring washer B 8 X 15		2	
12	911 341 901 00	wishbone for cars with shock absorber strut not for	/L	1	911 E
(12)	911 341 902 00	wishbone for cars with shock absorber strut not for	/R	1	911 E
12	911 341 901 00	wishbone for cars with spring strut	/L	1	911 E 911 T/S

Model	Year	MG	SG	Illustration	Restrictions	UPD	17:53	22.01.2010	PORSCHE	PET	PORSCHE
911-1	1969	4	01	401-10		248					

Pos	Part Number	Description	Remark	Qty	Model	Pos	Part Number	Description	Remark	Qty	Model
(12)	911 341 902 00	wishbone for cars with spring strut	/R	1	911 E 911 T/S	29	901 343 713 01	lever stabiliser		2	911 S
13	900 040 008 01	cover plate not for		2	911 E	30	900 074 135 02	hexagon-head bolt M 8 X 62		4	911 S
14	901 341 159 00	protective bracket		2		31	901 343 763 00	guide plate		4	911 S
15	N 010 275 3	hexagon-head bolt M 10 X 35		6		32	900 076 025 02	hexagon nut M 8		8	
16	900 027 016 02	lock ring B 10		6		33	901 343 076 03	suspension		2	911 S
17	900 025 008 02	washer 10,5		4		34	901 343 737 00	spacer tube		4	911 S
18	901 343 101 12	torsion bar not for	/L	1	911 E COMFORT	35	901 343 783 00	rubber mounting		4	911 S
(18)	901 343 102 12	torsion bar not for	/R	1	911 E COMFORT	36	900 074 130 02	hexagon-head bolt M 8 X 40		4	911 S
19	901 341 033 00	reverse lever not for		2	911 E COMFORT						
20	911 341 115 00	adjusting screw not for		2	911 E COMFORT						
21	901 341 475 00	gasket not for		2	911 E COMFORT						
22	901 343 703 03	stabiliser \$ 15		1	911 S						
23	901 343 792 02	rubber mounting		2	911 S						
24	901 343 754 01	stabiliser mounting		2	911 S						
25	901 343 766 00	sealing washer	(USA)	2	911 T/E 912						
26	901 343 765 00	cap	(USA)	2	911 T/E 912						
27	900 075 083 02	hexagon-head bolt M 8 X 25		6	911 S						
28	900 027 015 02	lock ring B 8		14	911 S						

Model	Year	MG	SG	Illustration	Restrictions	UPD	17:53	22.01.2010	PORSCHE	PET	PORSCHE
911-1	1969	4	02	402-00		248					

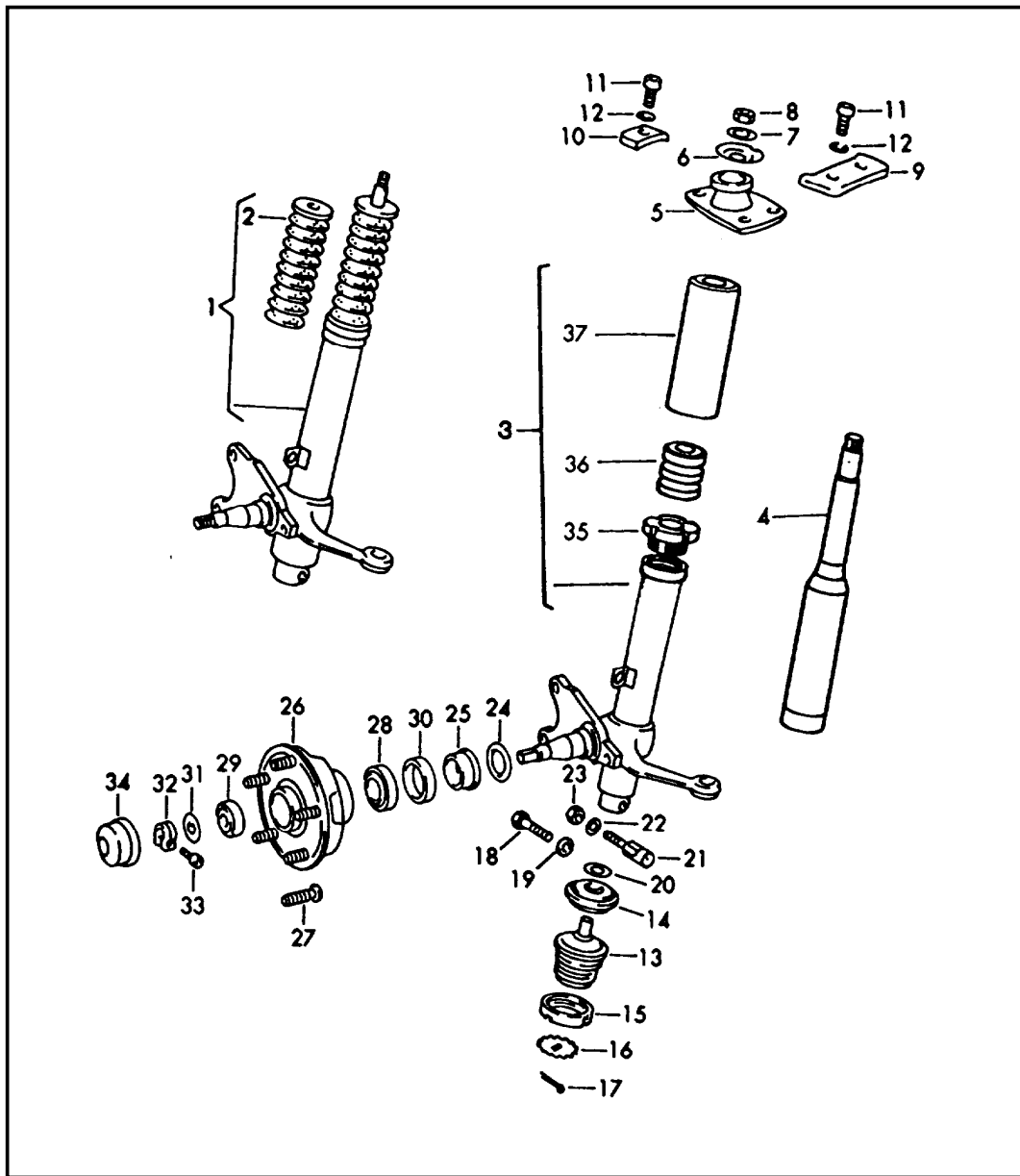


Pos	Part Number	Description	Remark	Qty	Model
1	PCG 341 067 06	shock absorber strut	-68	2	911 /TU/L
		shock absorber strut not for			911 S
		912 /TARGA			
-	PCG 341 901 00	vibration damper insert - koni - for - boge - shock absorber strut		2	
(1) >	901 341 067 05	shock absorber strut - koni - not for		2	911 /S/TU/L
		912			911 TARGA
-	PCG 341 902 00	vibration damper insert		2	
(1) >	902 341 067 00	shock absorber strut		2	912 /TARGA
2	901 343 301 00	rubber stop		2	
3	901 341 685 00	sleeve		2	
4	901 341 695 03	rubber mounting		2	
5	901 341 629 00	support washer		2	
6	900 038 002 01	tab washer 14		2	
7	N 011 021 3	hexagon nut M 14 X 1,5		2	
8	901 341 065 03	front wheel hub		2	
		F >> 030 5100			911
		F >> 035 4000			912 COUPE
		F >> 045 8100			912 COUPE
(8)	901 341 065 03	front wheel hub		2	
		F 035 0101 >>	-67		911 /S
		F 035 4001 >>	-67		912 COUPE
		F 045 8101 >>	-67		912 COUPE
(8)	901 341 065 04	front wheel hub		2	
9	904 341 671 00	wheel bolt standard dimension knurling 14,8 MM		10	
(9)	904 341 671 00	wheel bolt oversize knurling 15 MM		X	

Model	Year	MG	SG	Illustration	Restrictions	UPD	17:53	22.01.2010	PORSCHE	PET	PORSCHE
911-1	1969	4	02	402-00		248					

Pos	Part Number	Description	Remark	Qty	Model	Pos	Part Number	Description	Remark	Qty	Model
10	999 059 006 00	taper roller bearing inner		2							
11	477 405 641	radial sealing ring 45 X 62		2							
12	901 341 661 00	spacer ring		2							
13	999 701 084 50	o-ring OR 25,3 - 2,4		2							
14	999 059 065 00	taper roller bearing outer		2							
15	901 341 663 00	thrust washer		2							
16	914 341 671 00	nut		2							
17	999 119 001 01	pan-head screw		2							
18	914 341 684 00	cap		2							
19	901 347 401 06	steering arm		2	/L						
(19)	901 347 402 06	steering arm		2	/R						
20	900 197 004 00	tensioning sleeve 13 X 14		2							
21	901 347 481 01	tab washer		2							
22	N 010 253 7	hexagon-head bolt M 10 X 22		4							
23	900 075 042 02	hexagon-head bolt M 10 X 28		2							

Model	Year	MG	SG	Illustration	Restrictions	UPD	17:53	22.01.2010	PORSCHE	PET	PORSCHE
911-1	1969	4	02	402-05		248					

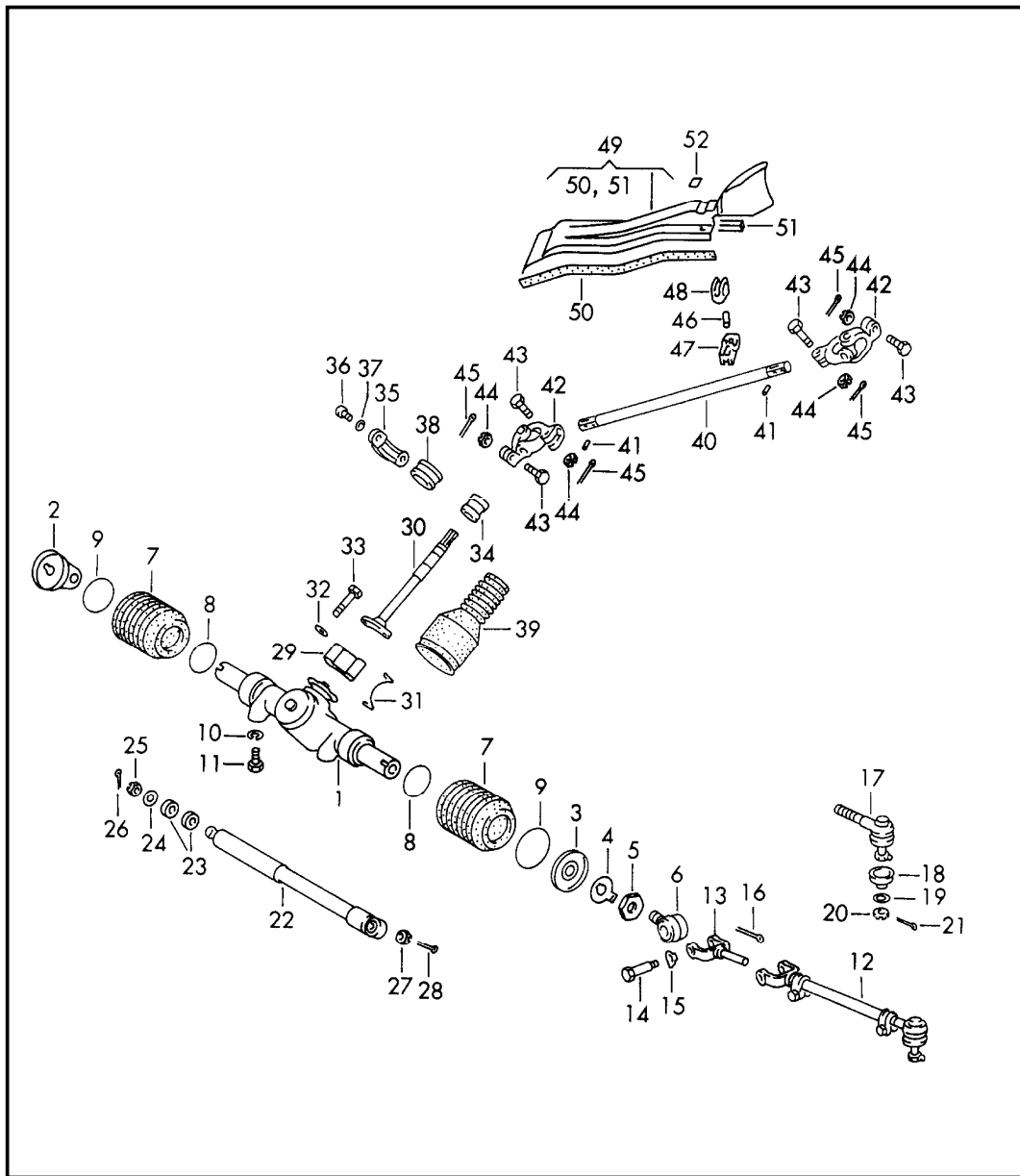


Pos	Part Number	Description	Remark	Qty	Model
		spring strut shock absorber strut		69	
1	901 341 083 01	spring strut - boge - see classic technical information 8/93	/L	1	911 E COMFORT 911 T/S
(1)	901 341 084 01	spring strut - boge - see classic technical information 8/93	/R	1	911 E COMFORT 911 T/S
2	901 343 302 00	spring		2	911 E
3	911 341 043 01	shock absorber strut outer part - boge - m calliper M 18 X 1	/L	1	
(3)	911 341 044 01	shock absorber strut outer part - boge - m calliper M 18 X 1	/R	1	
3	911 341 043 02	shock absorber strut outer part - boge - s-calliper M 18 X 1	/L	1	
(3)	911 341 044 02	shock absorber strut outer part - boge - s-calliper M 18 X 1	/R	1	
4	PCG 341 903 00	insert for - boge - outer part		2	
4	PCG 341 904 00	insert for - koni - outer part		2	
-	911 341 925 01	shock absorber strut s-calliper - koni - not for	/L	1	911 S:COUPE 911 T 911 T:TARGA

Model	Year	MG	SG	Illustration	Restrictions	UPD	17:53	22.01.2010	PORSCHE	PET	PORSCHE
911-1	1969	4	02	402-05		248					

Pos	Part Number	Description	Remark	Qty	Model	Pos	Part Number	Description	Remark	Qty	Model
-	911 341 926 01	shock absorber strut s-calliper - koni - not for	/R	1	911 S:COUPE 911 T 911 T:TARGA	23	999 084 019 02	lock nut M 8 only together with ball joint 911.341.049.01		2	
5	901 341 018 01	supporting mount		2		24	999 701 084 50	o-ring OR 25,3 - 2,4		2	
6	901 341 629 00	support washer		2		25	901 341 623 00	spacer ring		2	
7	900 038 002 01	tab washer 14		2		26	901 341 065 04	front wheel hub		2	
8	N 011 021 3	hexagon nut M 14 X 1,5		2		27	904 341 671 00	wheel bolt standard dimension knurling 14,8 MM		10	
9	901 501 933 21	double-bore pressure plate		2		(27)	904 341 671 00	wheel bolt oversize knurling 15 MM		X	
10	901 501 934 21	one-bore pressure plate		2		28	999 059 006 00	taper roller bearing inner		2	
11	900 067 063 02	pan-head screw M 10 X 20		6		29	999 059 065 00	taper roller bearing outer		2	
12	999 523 103 01	lock washer		6		30	477 405 641	radial sealing ring		2	
13	911 341 049 01	ball joint		2		31	901 341 663 00	washer		2	
13	901 341 049 00	ball joint for clamping slot		2		32	914 341 671 00	clamping nut		2	
14	901 341 049 00	ball joint		2		33	999 119 001 01	pan-head screw M 7 X 18		2	
15	901 341 425 00	grooved nut		2		34	914 341 684 00	cap		2	
16	901 341 426 00	tab washer		2		35	911 341 804 00	screw plug		2	
17	N 012 521 1	cotter pin 2 X 20		2		36	901 343 301 00	rubber stop		2	
18	900 075 111 01	hexagon-head bolt M 10 X 30		2		37	911 341 805 01	protective tube		2	
19	999 523 103 01	lock washer		2							
20	901 341 659 00	desk pad		2							
21	911 341 119 06	threaded pin only together with ball joint 911.341.049.01		2							
22	900 089 006 02	washer 8 only together with ball joint 911.341.049.01		2							

Model	Year	MG	SG	Illustration	Restrictions	UPD	17:54	22.01.2010	PORSCHE	PET	PORSCHE
911-1	1969	4	03	403-00		248					



Pos	Part Number	Description	Remark	Qty	Model
		steering gear steering linkage	-68		
1	901 347 951 10	steering gear comprising: 1 - 9	-67	1	
(1)	901 347 010 01	steering gear	68	1	
2	901 347 055 00	bellow support F >> 030 5100 F >> 035 4000 F >> 045 8100		1	911 912 COUPE 912 COUPE
(2)	901 347 056 00	bellow support F 030 5101 >> F 035 4001 >> F 045 8101 >>		1	911 /S/TU/L 912 COUPE 912 COUPE
3	901 347 056 00	bellow support		1	
4	901 347 283 00	tab washer		2	911 /S 912
5	901 347 372 00	hexagon nut		2	
6	914 347 057 00	articulated bush		2	
7	901 347 191 02	bellows		2	
8	901 347 308 00	retainer spring		2	
9	901 347 309 00	retainer spring		2	
10	900 027 016 02	lock ring B 10		2	
11	N 010 253 7	hexagon-head bolt M 10 X 22		2	
12	901 347 031 01	tie rod old version		2	911 912
(12)	911 347 031 00	tie rod		2	911 /S/TU/L 912 912
13	901 347 315 00	joint fork old version		2	911 912
(13) A	901 347 315 01	joint fork		2	911 /S/TU/L 912
(13)	901 347 315 03	joint fork		2	911 /S/TU/L 912

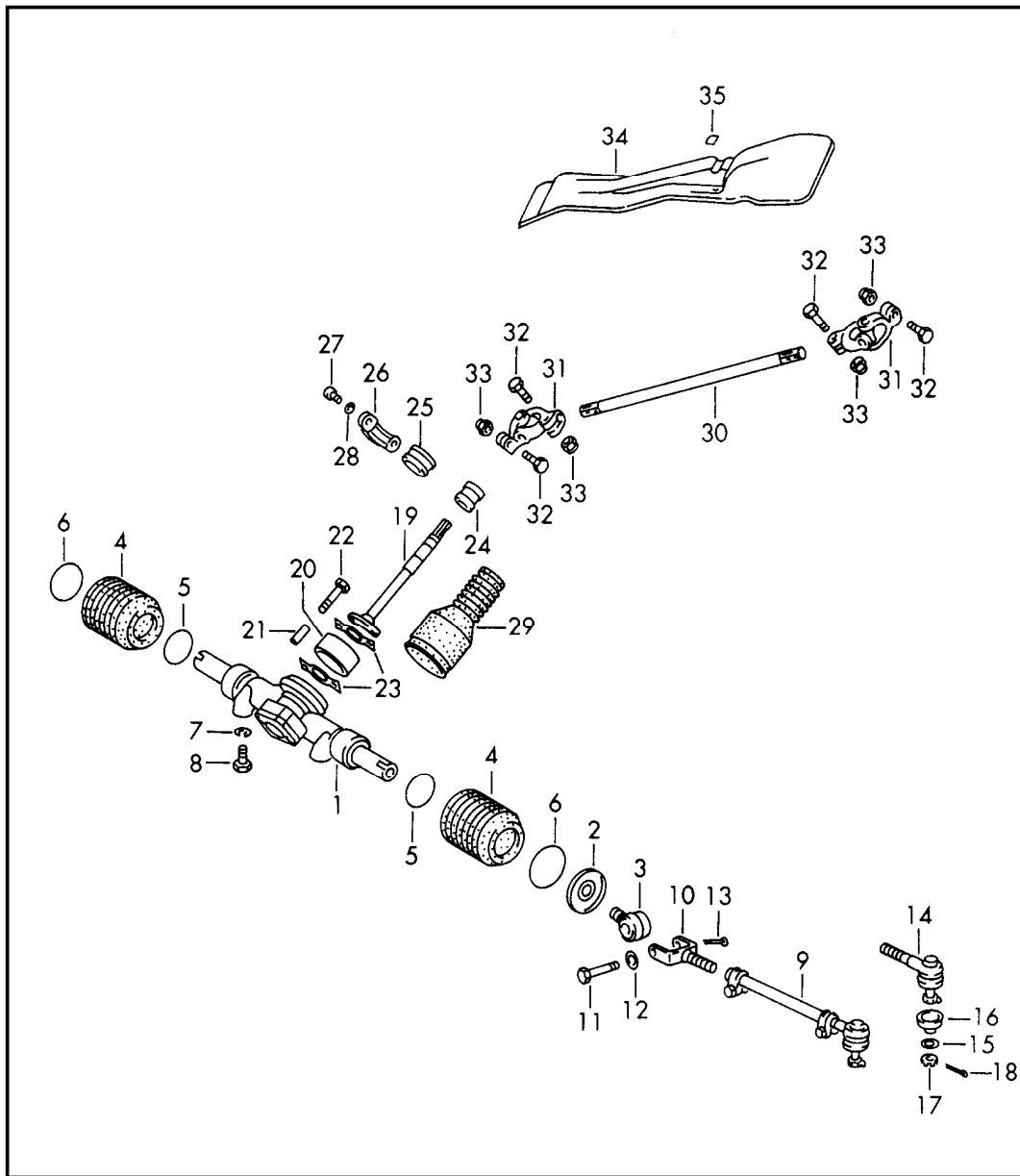
Model	Year	MG	SG	Illustration	Restrictions	UPD	17:54	22.01.2010	PORSCHE	PET	PORSCHE
911-1	1969	4	03	403-00		248					

Pos	Part Number	Description	Remark	Qty	Model	Pos	Part Number	Description	Remark	Qty	Model
14	901 347 316 01	articulated bolt old version		2	911 912	27	900 079 004 02	castle nut M 10 X 1		1	
(14)	999 074 104 02	hexagon-head bolt		2	911 /S/TU/L 912			F >> 030 5100 F >> 035 4000 F >> 045 8100			911 912 COUPE 912 COUPE
15	999 523 107 01	lock washer old version		2	911 912	28	900 021 013 00	cotter pin 2 X 25		1	
(15)	999 523 103 01	lock washer		2	911 /S/TU/L 912			F >> 030 5100 F >> 035 4000 F >> 045 8100			911 912 COUPE 912 COUPE
16	N 012 530 1	cotter pin 3 X 15		2		29	901 347 201 02	steering coupling		1	
17	911 347 322 04	ball joint		2		30	901 347 210 02	steering shaft		1	
18	695 347 193 00	sealing bellows		2				F >> 030 5100 F >> 035 4000 F >> 045 8100			911 912 COUPE 912 COUPE
19	901 347 539 00	retainer		2		(30)	901 347 210 03	steering shaft		1	
20	N 011 210 1	castle nut M 10 X 1		2				F 030 5101 >> F 035 4001 >> F 045 8101 >>			911 /S/TU/L 912 COUPE 912 COUPE
21	900 021 013 00	cotter pin 2 X 25		2		31	644 47 104	ground strap		4	
22	901 347 501 00	damper		1		32	901 347 248 00	tab washer		2	
		F >> 030 5100 F >> 035 4000 F >> 045 8100			911 912 COUPE 912 COUPE	33	900 074 129 02	hexagon-head bolt M 8 X 42		4	
23	901 347 537 00	damping washer		2		34	901 347 241 01	steering shaft bearing		1	
		F >> 030 5100 F >> 035 4000 F >> 045 8100			911 912 COUPE 912 COUPE	35	901 347 221 00	housing		1	
24	900 151 008 02	washer A 8,4		1		36	900 186 002 02	pan-head screw M 8 X 15		2	
		F >> 030 5100 F >> 035 4000 F >> 045 8100			911 912 COUPE 912 COUPE	37	900 142 002 01	lock ring 8		2	
25	900 079 014 02	castle nut M 8		1	911	38	901 347 223 03	bearing		1	
		F >> 030 5100 F >> 035 4000 F >> 045 8100			912 COUPE 912 COUPE	39	901 347 393 01	sealing bellows		1	
26	N 012 522 1	cotter pin 2 X 22		1	911	40	901 347 211 00	intermed. steering shaft	/LL	1	
		F >> 030 5100 F >> 035 4000 F >> 045 8100			912 COUPE 912 COUPE			F >> 030 5100 F >> 035 4000 F >> 045 8100			911 912 COUPE 912 COUPE
						(40)	901 347 211 01	intermed. steering shaft	/LL	1	
								F 030 5101 >> F 035 4001 >> F 045 8101 >>			911 /S/TU/L 912 COUPE 912 COUPE

Model	Year	MG	SG	Illustration	Restrictions	UPD	17:54	22.01.2010	PORSCHE	PET	PORSCHE
911-1	1969	4	03	403-00		248					

Pos	Part Number	Description	Remark	Qty	Model	Pos	Part Number	Description	Remark	Qty	Model
(40)	901 347 212 00	intermed. steering shaft F >> 030 5100 F >> 035 4000 F >> 045 8100	/RL	1	911 912 COUPE 912 COUPE	48	901 347 733 01	bearing bracket upper part		1	
(40)	901 347 212 01	intermed. steering shaft F 030 5101 >> F 035 4001 >> F 045 8101 >>	/RL	1	911 /S/TU/L 912 COUPE 912 COUPE	49	901 347 077 30	cover	/LL -67	1	
41	900 185 002 00	dowel pin 3 X 8		1		49	901 347 067 00	cover	/LL 68	1	
42	901 347 021 01	universal joint F >> 030 5100 F >> 035 4000 F >> 045 8100		2	911 912 COUPE 912 COUPE	(49)	901 347 078 30	cover	/RL -67	1	
42	901 347 021 02	universal joint F 030 5101 >> F 035 4001 >> F 045 8101 >>		2	911 /S/TU/L 912 COUPE 912 COUPE	(49)	901 347 068 00	cover	/RL 68	1	
43	900 074 148 01	hexagon-head bolt M 8 X 35 S F >> 030 5100 F >> 035 4000 F >> 045 8100		4	911 912 COUPE 912 COUPE	50	901 347 067 00	cover	/LL -67	1	
(43)	N 010 335 5	hexagon-head bolt M 8 X 35 F 030 5101 >> F 035 4001 >> F 045 8101 >>		4	911 /S/TU/L 912 COUPE 912 COUPE	(50)	901 347 797 32	sealing strip	/RL -67	1	
44	900 079 015 02	castle nut F >> 030 5100 F >> 035 4000 F >> 045 8100		4	911 912 COUPE 912 COUPE	51	901 347 798 30	sealing strip	/LL -67	1	
(44)	999 090 004 02	hexagon nut M 8 F 030 5101 >> F 035 4001 >> F 045 8101 >>		4	911 /S/TU/L 912 COUPE 912 COUPE	(51)	901 347 798 32	sealing strip	/RL -67	1	
45	900 021 009 00	cotter pin 2 X 18 F >> 030 5100 F >> 035 4000 F >> 045 8100		4	911 /S/TU/L 912 COUPE 912 COUPE	52	999 507 209 01	speed nut		2	
46	901 347 736 00	sealing ring		1							
47	901 347 734 01	bearing bracket lower part		1							

Model	Year	MG	SG	Illustration	Restrictions	UPD	17:54	22.01.2010	PORSCHE	PET	PORSCHE
911-1	1969	4	03	403-05		248					

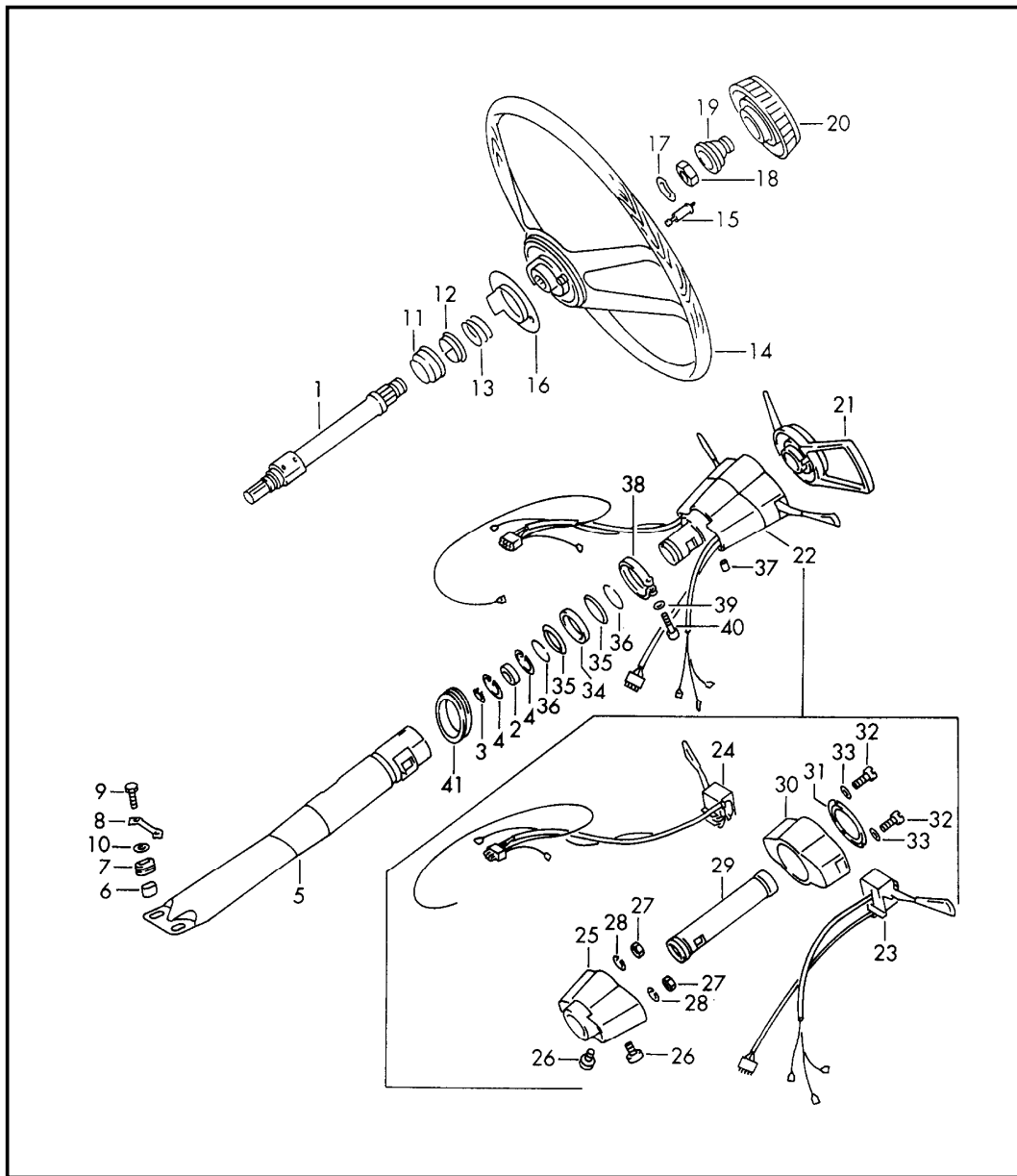


Pos	Part Number	Description	Remark	Qty	Model
		steering gear steering linkage		69	
1	901 347 010 02	steering gear		1	
2	901 347 056 02	bellow support		2	
3	914 347 057 00	articulated bush		2	
4	901 347 191 02	bellows		2	
5	901 347 308 00	retainer spring		2	
6	901 347 309 00	retainer spring		2	
7	900 027 016 02	lock ring		2	
8	N 010 253 7	hexagon-head bolt M 10 X 22		2	
9	911 347 031 00	tie rod		2	
10	A 901 347 315 01	joint fork		2	
10	901 347 315 03	joint fork		2	
11	911 347 327 00	hexagon-head bolt		2	
12	999 523 103 01	lock washer M 10		2	
13	900 021 008 00	cotter pin 2 X 15		2	
14	911 347 322 04	ball joint		2	
15	901 347 539 00	retainer		4	
16	911 347 322 04	ball joint		4	
17	N 011 210 1	castle nut M 10 X 1		2	
18	900 021 013 00	cotter pin 2 X 25		2	
19	901 347 210 03	steering shaft		1	
20	901 347 201 02	steering coupling		1	
21	901 347 215 00	stop bush		4	
22	900 074 129 02	hexagon-head bolt M 8 X 42		4	
23	901 347 248 00	tab washer		2	

Model	Year	MG	SG	Illustration	Restrictions	UPD	17:54	22.01.2010	PORSCHE	PET	PORSCHE
911-1	1969	4	03	403-05		248					

Pos	Part Number	Description	Remark	Qty	Model	Pos	Part Number	Description	Remark	Qty	Model
24	901 347 241 01	steering shaft bearing		1							
25	901 347 223 03	rubber mounting		1							
26	901 347 221 00	housing		1							
27	900 186 002 02	pan-head screw M 8 X 15		2							
28	900 142 002 01	lock ring B 8		2							
29	901 347 393 01	sealing bellows		1							
30	911 347 211 01	intermed. steering shaft	/LL	1							
(30)	911 347 212 01	intermed. steering shaft not for	/RL	1	912 USA						
31	930 347 025 00	universal joint		2							
32	N 010 335 5	hexagon-head bolt M 8 X 35		4							
33	N 021 194 1	lock nut M 8		4							
34	901 347 067 00	cover	/LL	1							
(34)	901 347 068 00	cover not for	/RL	1	TARGA						
35	999 507 209 01	speed nut		2							

Model	Year	MG	SG	Illustration	Restrictions	UPD	17:54	22.01.2010	PORSCHE	PET	PORSCHE
911-1	1969	4	03	403-10		248					



Pos	Part Number	Description	Remark	Qty	Model
		steering shaft steering wheel steering column switch	-67		
1	901 347 061 00	steering shaft F >> 030 5100 F >> 035 4000 F >> 045 8100		1	911 912 COUPE 912 COUPE
(1)	901 347 061 01	steering shaft F 030 5101 >> F 035 4001 >> F 045 8101 >>		1	911 912 COUPE 912 COUPE
2	900 052 031 00	deep-groove ball bearing		1	
3	900 041 008 00	circlip 17 X 1		1	
4	900 042 008 00	circlip 35 X 1,5		2	
5	901 347 701 00	steering outer tube	/LL	1	
(5)	901 347 702 00	steering outer tube	/RL	1	
6	901 347 735 00	sleeve		2	
7	901 347 795 00	grommet		2	
8	999 039 104 00	tab washer		1	
9	900 074 140 02	hexagon-head bolt M 8 X 32		2	
10	900 151 008 02	washer A 8,4		2	
11	914 347 711 00	steering shaft bearing		1	
12	695 347 725 00	support ring		1	
13	914 347 713 00	compression spring		1	
14	901 347 082 01	steering wheel wooden ring see classic technical information 4/94		1	911
(14)	901 347 082 71	steering wheel leather see classic technical information 4/94		1	911 S

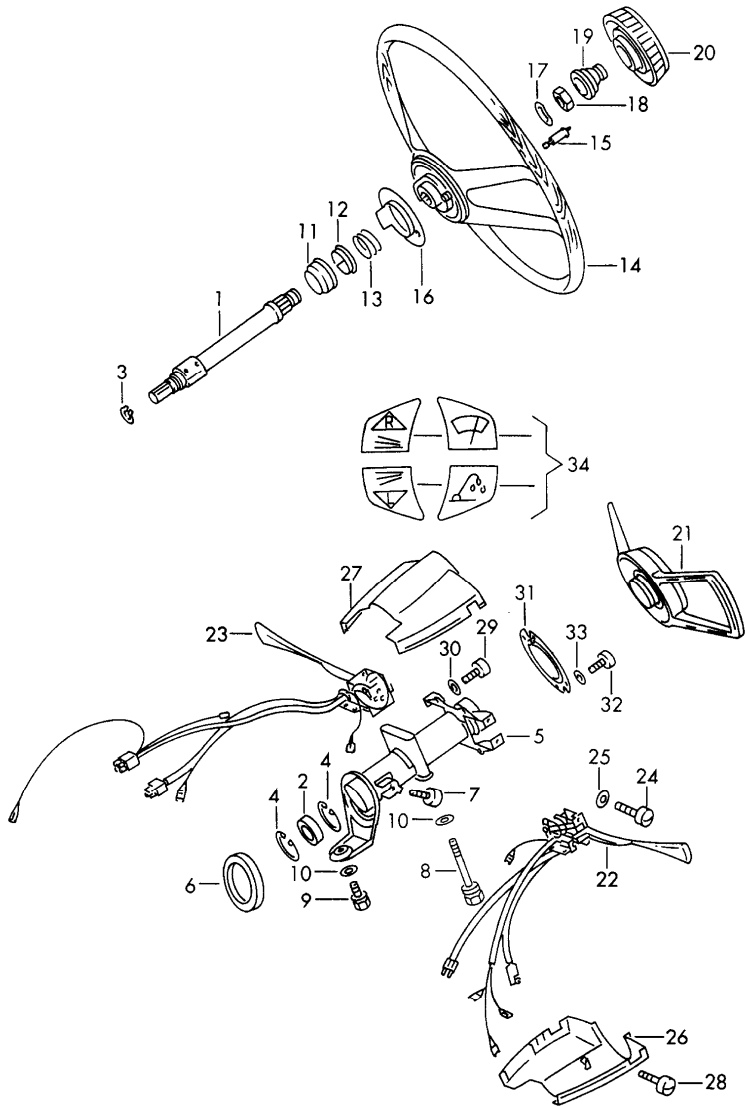
Model	Year	MG	SG	Illustration	Restrictions	UPD	17:54	22.01.2010	PORSCHE	PET	PORSCHE
911-1	1969	4	03	403-10		248					

Pos	Part Number	Description	Remark	Qty	Model	Pos	Part Number	Description	Remark	Qty	Model
(14)	902 347 082 01	steering wheel hard rubber see classic technical information 4/94		1	911 912	22	901 613 035 01	steering outer tube with steering column switch F >> 030 8454 F >> 035 5627 F >> 046 3156 F >> 050 0700 F >> 055 0526	/LL	1	
(14)	901 347 082 11	steering wheel wooden ring with elevated hub 30MM see classic technical information 4/94		1	911	(22)	901 613 037 22	steering outer tube with steering column switch F >> 030 8454 F >> 035 5627 F >> 046 3156 F >> 050 0700 F >> 055 0526	/RL	1	
(14)	901 347 082 73	steering wheel leather with elevated hub 30MM see classic technical information 4/94		1	911 S	23	--- --- --- --	direction indicator switch see group 9/03/20		1	
(14)	902 347 082 11	steering wheel hard rubber with elevated hub 30 MM see classic technical information 4/94		1	911 912	24	--- --- --- --	wiper switch see group 9/03/20		1	
15	914 347 831 00	contact pin		1		25	901 613 922 00	switch housing lower part		1	
(15)	914 347 832 00	contact pin with elevated hub		1		26	901 613 921 00	hexagon socket head bolt		2	
-	901 347 942 00	spring sleeve with elevated hub		1		27	900 076 006 02	hexagon nut		2	
16	901 613 325 05	cancelling ring		1		28	900 027 003 01	lock ring A 5		2	
-	900 269 006 07	countersunk-head screw		2		29	901 347 721 00	steering outer tube		1	
17	N 012 239 1	spring washer B 18		1		30	901 613 917 00	switch housing upper part		1	
18	900 078 007 02	hexagon nut M 18 X 1,5		1		31	901 613 915 00	contact plate		1	
19	901 347 823 01	rubber cap		1		32	900 014 002 02	pan-head screw AM 4 X 6		2	
20	901 347 803 00	cap		1		33	N 042 122 2	shake-proof washer J 4,3		2	
21	914 613 805 12	horn button		1		34	901 347 793 00	ring		1	
						35	901 347 761 00	spacer ring		2	
						36	900 152 010 00	circlip 42		2	
						37	901 347 781 00	bolt		1	

Model	Year	MG	SG	Illustration	Restrictions	UPD	17:54	22.01.2010	PORSCHE	PET	PORSCHE
911-1	1969	4	03	403-10		248					

Pos	Part Number	Description	Remark	Qty	Model	Pos	Part Number	Description	Remark	Qty	Model
38	901 347 751 00	clamp		1							
39	900 142 002 01	lock ring 8		1							
40	900 067 044 02	pan-head screw M 8 X 1 X 35		1							
41	901 347 791 00	rubber sleeve		1							

Model	Year	MG	SG	Illustration	Restrictions	UPD	17:54	22.01.2010	PORSCHE	PET	PORSCHE
911-1	1969	4	03	403-15		248					

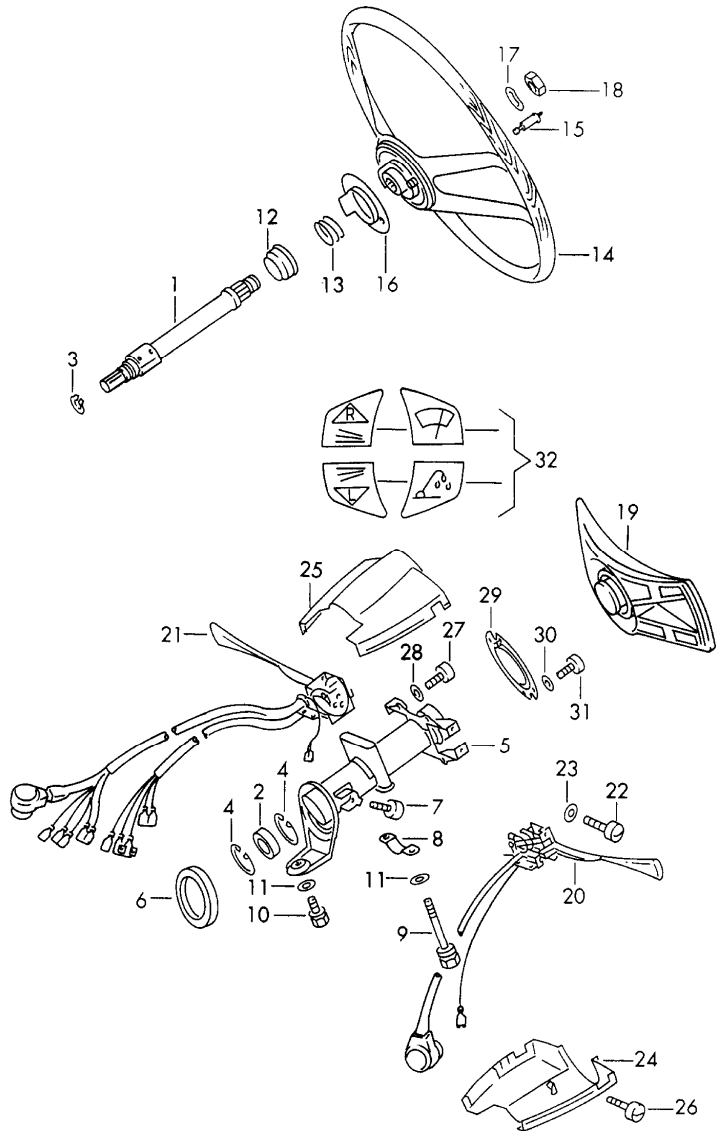


Pos	Part Number	Description	Remark	Qty	Model
		steering shaft steering wheel steering column switch		68	
1	901 347 061 01	steering shaft		1	
2	900 052 031 00	deep-groove ball bearing		1	
3	900 041 008 00	circlip 17 X 1		1	
4	900 042 008 00	circlip 35 X 2,5		2	
5	911 347 073 00	steering outer tube	/LL	1	
6	911 347 713 00	gasket		1	
7	900 146 044 02	oval-head screw AM 6 X 10		1	
8	901 347 754 00	shear bolt		2	
9	901 347 753 00	shear bolt		1	
10	999 523 102 02	washer M 8 SN		3	
11	914 347 711 00	steering shaft bearing		1	
12	695 347 725 00	support ring		1	
13	914 347 713 00	compression spring		1	
14	901 347 082 01	steering wheel wooden ring		1	911
(14)	901 347 082 71	steering wheel leather see classic technical information 4/94		1	911 S
(14)	902 347 082 01	steering wheel hard rubber see classic technical information 4/94		1	911 /TU/L 912
(14)	901 347 082 11	steering wheel wooden ring with elevated hub 30MM see classic technical information 4/94		1	911

Model	Year	MG	SG	Illustration	Restrictions	UPD	17:54	22.01.2010	PORSCHE	PET	PORSCHE
911-1	1969	4	03	403-15		248					

Pos	Part Number	Description	Remark	Qty	Model	Pos	Part Number	Description	Remark	Qty	Model
(14)	901 347 082 73	steering wheel leather with elevated hub 30MM see classic technical information 4/94		1	911 S	27	901 613 311 01	switch housing upper part		1	
(14)	902 347 082 11	steering wheel hard rubber with elevated hub 30 MM see classic technical information 4/94		1	911/TU/L 912	28	900 014 079 02	pan-head screw AM 3 X 10		2	
15	914 347 831 00	contact pin		1		29	900 014 013 02	pan-head screw AM 4 X 10		4	
(15)	914 347 832 00	contact pin with elevated hub		1		30	N 012 116 1	serrated lock washer A 4,3		4	
-	901 347 942 00	spacer with elevated hub		1		31	901 613 915 00	contact plate		1	
16	901 613 325 05	cancelling ring		1		32	900 014 067 02	pan-head screw M 4 X 8		2	
-	900 269 006 07	countersunk-head screw		2		33	N 012 116 1	serrated lock washer A 4,3		2	
17	N 012 239 1	spring washer B 18		1		34	901 559 330 00	cap with symbol 1 set for light and windscreen washer system		1	
18	900 078 007 02	hexagon nut M 18 X 1,5		1							
19	901 347 823 01	rubber cap		1							
20	901 347 803 00	cap		1							
21	914 613 805 12	horn button		1							
22	--- --- --- --	direction indicator switch see group 9/03/20		1							
23	--- --- --- --	wiper switch see group 9/03/20		1							
24	900 014 001 02	pan-head screw AM 3 X 6		4							
25	900 115 007 01	serrated lock washer A 3,2		4							
26	901 613 312 01	switch housing lower part		1							

Model	Year	MG	SG	Illustration	Restrictions	UPD	17:54	22.01.2010	PORSCHE	PET	PORSCHE
911-1	1969	4	03	403-20		248					



Pos	Part Number	Description	Remark	Qty	Model
		steering shaft steering wheel steering column switch		69	
1	901 347 061 01	steering shaft		1	
2	900 052 031 00	deep-groove ball bearing		1	
3	900 041 008 00	circlip 17 X 1		1	
4	900 042 008 00	circlip 35 X 1,5		2	
5	911 347 073 00	steering outer tube	/LL	1	
(5)	911 347 072 00	steering outer tube	/RL	1	
6	911 347 713 00	gasket		1	
7	900 146 044 02	oval-head screw AM 6 X 10		1	
8	901 347 755 00	clip		1	
9	901 347 754 00	shear bolt		2	
10	901 347 753 00	shear bolt		1	
11	999 523 102 02	washer M 8 SN		3	
12	914 347 711 00	steering shaft bearing		1	
13	914 347 713 00	compression spring		1	
14	901 347 081 00	steering wheel hard rubber \$ 400 not for see classic technical information 4/94		1	911 T 912 COMFORT
(14)	901 347 081 10	steering wheel leather \$ 400 see classic technical information 4/94		1	

Model	Year	MG	SG	Illustration	Restrictions	UPD	17:54	22.01.2010	PORSCHE	PET	PORSCHE
911-1	1969	4	03	403-20		248					

Pos	Part Number	Description	Remark	Qty	Model	Pos	Part Number	Description	Remark	Qty	Model
(14)	901 347 081 05	steering wheel hard rubber with elevated hub not for see classic technical information 4/94		1	COMFORT	28	N 012 116 1	serrated lock washer A 4,3		4	
(14)	901 347 081 15	steering wheel leather with elevated hub see classic technical information 4/94		1		29	901 613 915 00	contact plate		1	
15	914 347 831 00	contact pin		1		30	900 014 046 02	pan-head screw M 4 X 10		2	
(15)	914 347 832 00	contact pin with elevated hub		1		31	N 012 116 1	serrated lock washer A 4,3		2	
16	901 613 325 05	cancelling ring		1		32	901 559 330 00	cap with symbol 1 set for light and windscreen washer system		1	
-	900 269 006 07	countersunk-head screw		2							
17	N 012 239 1	spring washer B 18		1							
18	900 078 007 02	hexagon nut M 18 X 1,5		1							
19	914 613 805 12	horn button		1							
20	--- --- --- --	direction indicator switch see group 9/03/20		1							
21	--- --- --- --	wiper switch see group 9/03/20		1							
22	900 014 001 02	pan-head screw AM 3 X 6		4							
23	900 115 007 01	serrated lock washer A 3,2		4							
24	901 613 312 01	switch housing lower part		1							
25	901 613 311 01	switch housing upper part		1							
26	900 014 079 02	pan-head screw AM 3 X 10		2							
27	900 014 046 02	pan-head screw AM 4 X 10		4							

Model	Year	MG	SG	Illustration	Restrictions	UPD	17:54	22.01.2010
911-1	1969	4	98	498-00R		248		

Pos	Part Number	Description	Remark	Qty	Model
		repair kits			
>>	>>901 347 943 00	modification kit for tie rod joint fork	-68	1	
-	A 901 347 315 01	joint fork		1	
-	901 347 315 03	joint fork		1	
-	999 074 104 02	hexagon-head bolt		1	
-	999 523 103 01	lock washer		1	
-	901 347 295 01	silentbloc		1	
-	N 012 530 1	cotter pin 3 X 15		1	
>>	>>PCG 341 901 00	vibration damper for shock absorber strut - boge - 901.341.067.06	-68	X	911 /TU/L
>>	>>PCG 341 901 00	vibration damper for shock absorber strut - boge - 902.341.067.00	-68	X	912
>>	>>PCG 341 902 00	vibration damper for shock absorber strut - koni - 901.341.067.05	-68	X	911 S 912
>>	>>PCG 341 903 00	vibration damper for shock absorber strut m calliper - boge - 911.341.927.00 911.341.928.00 902.341.075.00 902.341.076.00	69	1	912
>>	>>902 341 904 00	repair set for shock absorber strut m calliper - koni - 911.341.929.00 911.341.930.00 902.341.075.10 902.341.076.10	69	1	912:M COUPE

Model	Year	MG	SG	Illustration	Restrictions	UPD	17:54	22.01.2010
911-1	1969	4	98	498-00R		248		

Pos	Part Number	Description	Remark	Qty	Model
>>	>>PCG 341 903 00	vibration damper for shock absorber strut m calliper - boge - 911.341.921.00 911.341.922.00 901.341.079.01 901.341.080.01 for shock absorber strut s-calliper - boge - 911.341.923.00 911.341.924.00 901.341.079.00 901.341.080.00	69	1	911 T 911 T:M/SPM 911 S:SPM
>>	>>PCG 341 904 00	vibration damper for shock absorber strut m calliper - boge - 911.341.931.00 911.341.932.00 901.341.079.11 901.341.080.11 for shock absorber strut s-calliper - koni - 911.341.925.00 911.341.926.00 901.341.079.10 901.341.080.10	69	1	911 T:M COUPE 911 T:M/SPM COUPE 911 S:SPM COUPE
>>	>>911 343 901 00	stabiliser installation set \$ 15	/V	1	911 T/E:M
-	901 343 703 03	stabiliser \$ 15		1	
-	901 343 792 02	rubber mounting		1	
-	901 343 754 01	stabiliser mounting		1	
-	900 075 083 02	hexagon-head bolt M 8 X 25		6	
-	900 027 015 02	lock ring B 8		8	
-	901 343 713 01	lever stabiliser		2	
-	900 074 135 02	hexagon-head bolt M 8 X 62		4	

PORSCHE

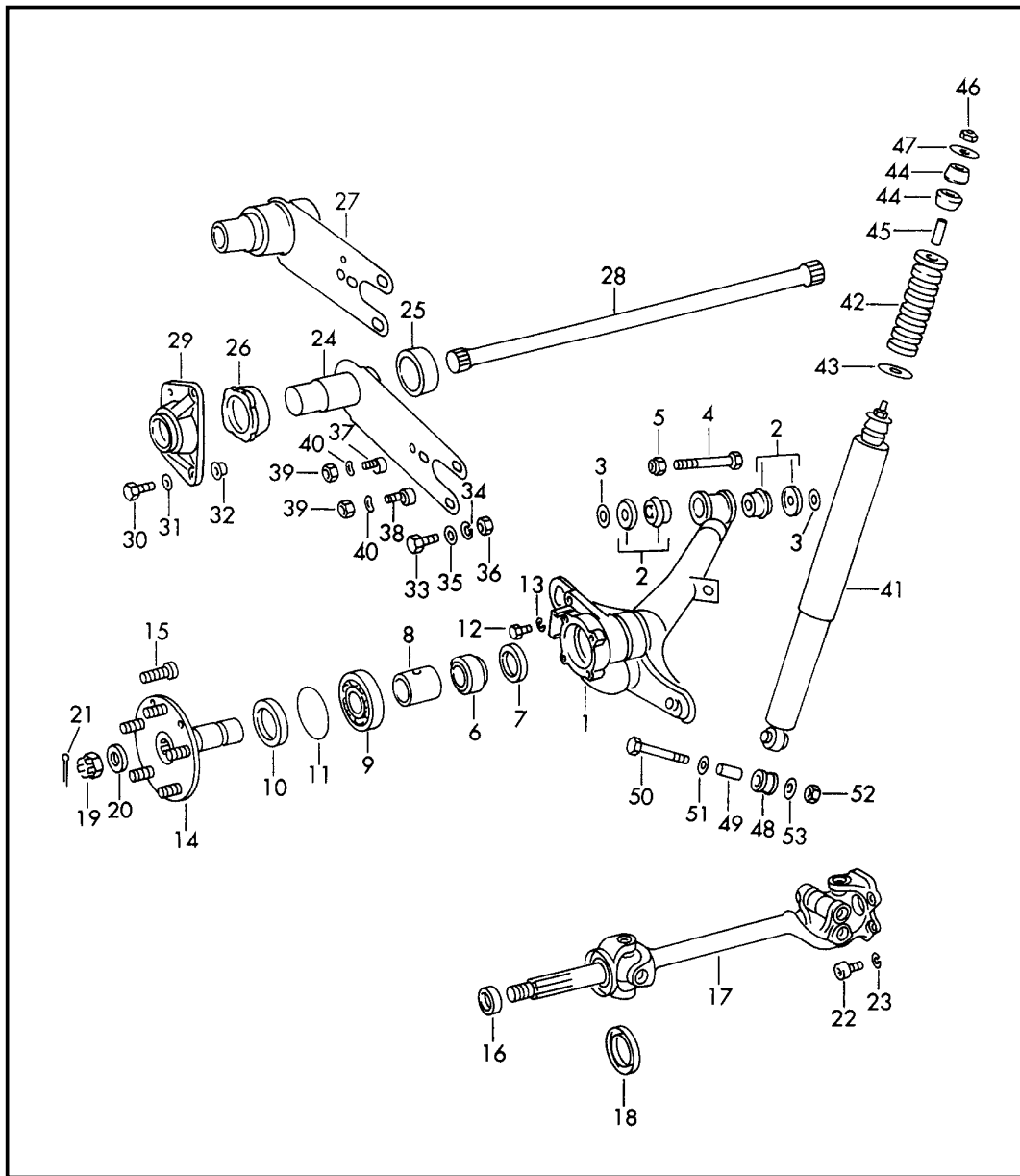
PET

PORSCHE

Model	Year	MG	SG	Illustration	Restrictions	UPD	17:54	22.01.2010
911-1	1969	4	98	498-00R		248		

Pos	Part Number	Description	Remark	Qty	Model
-	901 343 763 00	guide plate		4	
-	900 076 025 02	hexagon nut M8		8	
-	901 343 076 03	suspension		2	
-	901 343 737 00	spacer tube		4	
-	901 343 783 00	rubber mounting		4	
-	900 074 130 02	hexagon-head bolt M 8 X 40		4	

Model	Year	MG	SG	Illustration	Restrictions	UPD	17:55	22.01.2010	PORSCHE	PET	PORSCHE
911-1	1969	5	01	501-00		248					



Pos	Part Number	Description	Remark	Qty	Model
		rear axle	-68		
1	901 331 053 14	control arm left		1	911 /TU/L 912
(1)	901 331 053 14	rear-axle trailing arm left		1	911 S 912
(1)	901 331 054 14	control arm right		1	911 /TU/L 912
(1)	901 331 054 14	rear-axle trailing arm right		1	911 S 912
2	901 331 059 00	flange mounting		4	
3	N 011 534 4	washer		4	
4	900 082 016 01	hexagon-head bolt M 14 X 1,5 X 85		2	
5	900 084 015 02	hexagon nut M 14 X 1,5		2	
6	901 331 026 00	cylindrical-roller bearing		2	
7	900 113 011 50	radial sealing ring B 42 X 55 X 7		2	
8	901 331 261 01	spacer tube		2	
9	900 052 030 00	deep-groove ball bearing 6208 C 2		2	
10	999 113 085 40	radial sealing ring DG 62 X 68 X 6 / 10		2	
11	999 701 091 50	o-ring		2	
12	900 075 014 02	hexagon-head bolt M 8 X 18		8	
13	900 027 015 02	lock ring B 8		8	
14	904 331 065 01	rear-wheel hub with wheel bolt		2	911 /S 912
(14)	901 331 065 07	rear-wheel hub with wheel bolt		2	911 S/TU/L
15	904 341 671 00	wheel bolt		10	911 /S 912

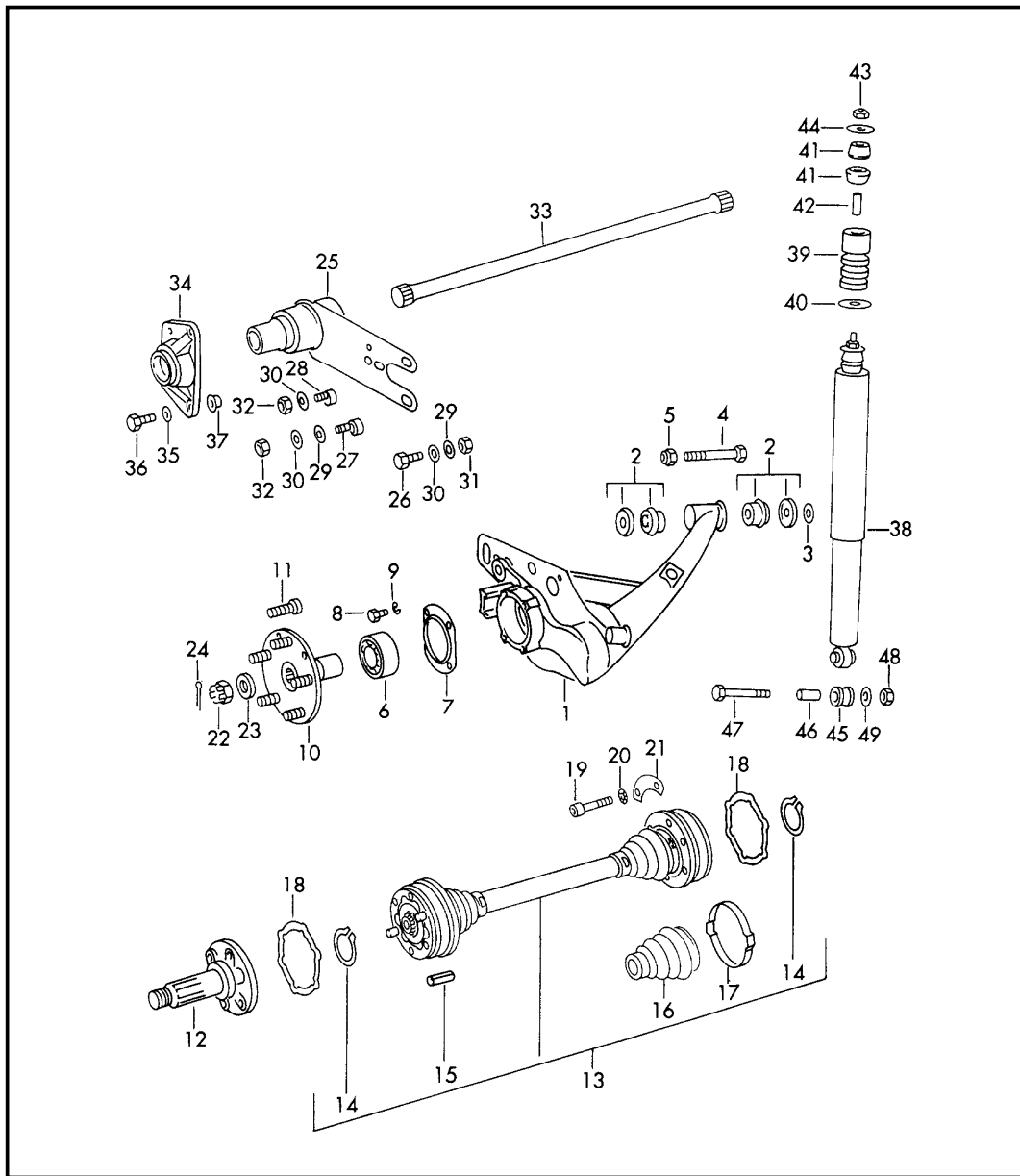
Model	Year	MG	SG	Illustration	Restrictions	UPD	17:55	22.01.2010	PORSCHE	PET	PORSCHE
911-1	1969	5	01	501-00		248					

Pos	Part Number	Description	Remark	Qty	Model	Pos	Part Number	Description	Remark	Qty	Model
(15)	901 331 671 00	wheel bolt for rear-wheel hub 901.331.065.07		10	911 S/TU/L	29	901 333 153 00	housing		2	
16	901 331 283 00	sealing ring		2		30	900 075 042 02	hexagon-head bolt M 10 X 28		8	
17	901 332 025 02	drive shaft - NADELLA -		2		31	900 025 008 02	washer		8	
18	901 332 281 00	cover plate		1		32	901 331 107 00	spacer ring		2	
19	901 332 806 00	castle nut		2		33	N 010 116 1	hexagon-head bolt M 12 X 1,5 X 28		6	
20	999 025 046 01	washer		2		34	900 027 017 02	lock ring B 12		6	
21	N 012 538 1	cotter pin 4 X 40		2		35	999 025 212 09	washer 12		6	
22	900 067 063 02	pan-head screw M 10 X 20		8		36	N 011 020 8	hexagon nut M 12 X 1,5		6	
23	N 012 028 1	lock ring 10		8		37	901 333 133 05	eccentric		2	
24	901 333 013 02	rear axle strut	-67	2		38	901 333 133 09	eccentric		2	
25	644 333 131 00	rubber	-67	2		39	900 078 017 02	hexagon nut M 12 X 1,5		4	
26	901 333 195 00	rubber	-67	2		40	900 028 014 01	spring washer B 12		4	
27	901 333 003 00	rear axle strut F 030 7325 >> F 035 4938 >>		2	911 S/TU/L 911 912	41	PCG 333 051 00	vibration damper	-67	2	
28	901 333 101 05	torsion bar \$ 23 left	-67	1		(41)	PCG 333 051 01	vibration damper	68-	2	911 TU/L
(28)	901 333 101 06	torsion bar \$ 22 left see classic technical information 2/95	68	1		(41)	PCG 333 051 00	vibration damper - koni -	(USA)	2	911 S
(28)	901 333 102 05	torsion bar \$ 23 right	-67	1		(41)	PCG 333 051 01	vibration damper - koni -	68	2	911 S COUPE 911 L COUPE 912:M
(28)	901 333 102 06	torsion bar \$ 22 right see classic technical information 2/95	68	1		(41)	PCG 333 051 00	shock absorber - koni -		2	912 912 TARGA
						(41) >	902 333 051 01	shock absorber		68	912 912 TARGA
						42	901 333 301 00	additional spring	-67	2	
						(42)	901 333 301 01	additional spring	68	1	
						43	901 333 511 00	stop washer		2	
						44	911 333 521 00	articulated ring		4	

Model	Year	MG	SG	Illustration	Restrictions	UPD	17:55	22.01.2010	PORSCHE	PET	PORSCHE
911-1	1969	5	01	501-00		248					

Pos	Part Number	Description	Remark	Qty	Model	Pos	Part Number	Description	Remark	Qty	Model
45	911 333 522 00	articulated bush		2							
46	900 084 013 02	hexagon nut M 10 X 1		2							
47	911 333 523 00	washer		2							
48	901 333 795 00	rubber mounting - boge -		2							
(48)	644 343 561 13	rubber mounting - koni -		2							
49	644 41 522	bush - boge -		2							
(49)	644 343 562 13	bush - koni -		2							
50	900 082 121 02	hexagon-head bolt M 12 X 1,5 X 90		2							
51	900 025 009 02	washer 13		4							
52	900 910 042 02	nut M 12 X 1,5		2							
53	999 025 012 01	washer		2							

Model	Year	MG	SG	Illustration	Restrictions	UPD	17:55	22.01.2010	PORSCHE	PET	PORSCHE
911-1	1969	5	01	501-05		248					

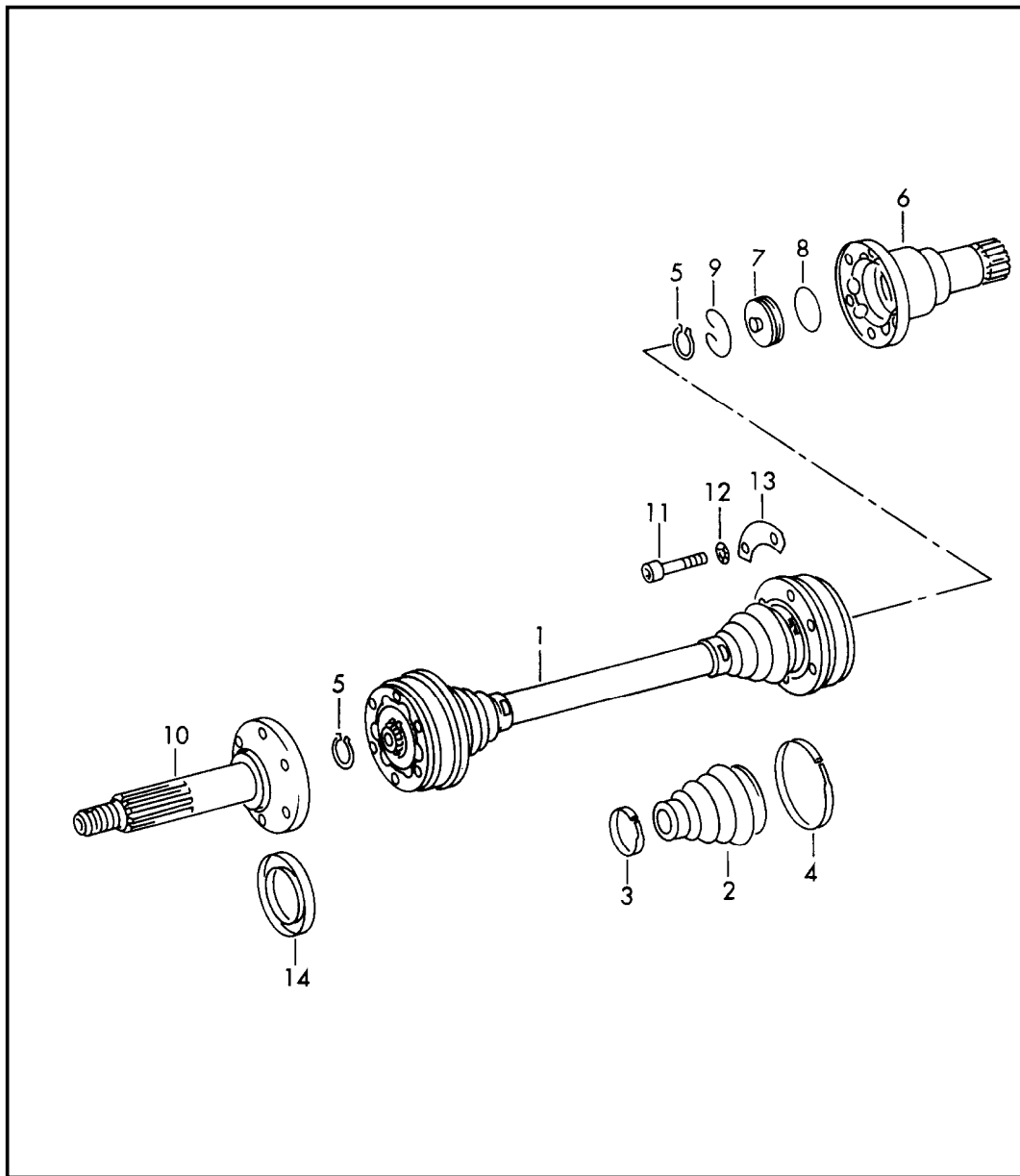


Pos	Part Number	Description	Remark	Qty	Model
		rear axle		69	
1	901 331 053 36	rear-axle trailing arm left		1	
(1)	901 331 054 36	rear-axle trailing arm right		1	
2	901 331 059 00	flange mounting		4	
3	N 011 534 4	washer 15		2	
4	900 082 016 01	hexagon-head bolt M 14 X 1,5 X 85		2	
5	N 021 225 3	lock nut M 14 X 1,5		2	
6	999 053 035 00	ball bearing		2	
7	901 331 561 00	lid		2	
8	N 010 239 11	hexagon-head bolt M 8 X 18		8	
9	900 027 015 02	lock ring B 8		8	
10	901 331 065 09	rear-wheel hub with wheel bolt		2	
11	904 341 671 00	wheel bolt		10	
12	901 332 232 00	drive shaft		2	
13	> 911 332 033 08	drive shaft		2	
14	999 041 012 01	circlip		4	
15	999 095 019 00	clamping pin S 10 X 20		8	
16	901 332 293 12	dust bellows		4	
17	911 332 257 00	clip & 73 X 6		4	
18	901 332 297 00	gasket		4	
19	900 067 229 09	pan-head screw M 10 X 48		16	
(19)	900 067 087 01	pan-head screw M 10 X 55		16	

Model	Year	MG	SG	Illustration	Restrictions	UPD	17:55	22.01.2010	PORSCHE	PET	PORSCHE
911-1	1969	5	01	501-05		248					

Pos	Part Number	Description	Remark	Qty	Model	Pos	Part Number	Description	Remark	Qty	Model
20	999 523 103 01	lock washer M 10		16		(38)	PCG 333 051 01	vibration damper - koni -		2	911 T:M 911 S
21	911 332 191 00	plate		8		(38)	PCG 333 051 01	vibration damper - koni -		X	912:M
(21)	901 332 192 00	plate		8		39	901 333 301 03	additional spring		2	
22	901 332 806 00	castle nut		2		40	901 333 511 00	stop washer - boge -		2	SPM
23	999 025 046 01	washer		2		(40)	901 333 511 12	stop washer - koni -		2	911 T:M 911 S
24	N 012 538 1	cotter pin 4 X 40		2		41	911 333 521 00	articulated ring		4	
25	901 333 003 01	rear axle strut		2		42	911 333 522 00	articulated bush		2	
26	N 010 116 1	hexagon-head bolt M 12 X 1,5 X 28		4		43	900 084 013 02	hexagon nut M 10 X 1		2	
27	901 333 133 09	eccentric		2		44	911 333 523 00	washer		2	
28	901 333 133 05	eccentric		2		45	901 333 795 01	rubber mounting		2	
29	901 333 143 02	washer		10		46	901 333 513 00	bush		2	
30	999 523 109 02	lock washer M 12		8		47	900 082 110 02	hexagon-head bolt M 12 X 1,5 X 85		2	
31	N 011 020 8	hexagon nut M 12 X 1,5		4		48	N 022 141 1	lock nut M 12 X 1,5		2	
32	900 078 017 02	hexagon nut M 12 X 1,5		4		49	999 025 058 01	washer		2	
33	901 333 101 05	torsion bar left \$ 23		1							
(33)	901 333 102 05	torsion bar right \$ 23		1							
34	901 333 153 00	housing		2							
35	900 025 008 02	washer 10,5		2							
36	900 075 042 02	hexagon-head bolt M 10 X 28		8							
37	901 331 107 00	spacer ring		2							
38	PCG 333 051 01	vibration damper - koni -		2	912						
(38)	PCG 333 051 01	vibration damper - koni -		2	911 T/E/S SPM						

Model	Year	MG	SG	Illustration	Restrictions	UPD	17:55	22.01.2010	PORSCHE	PET	PORSCHE
911-1	1969	5	01	501-10		248					

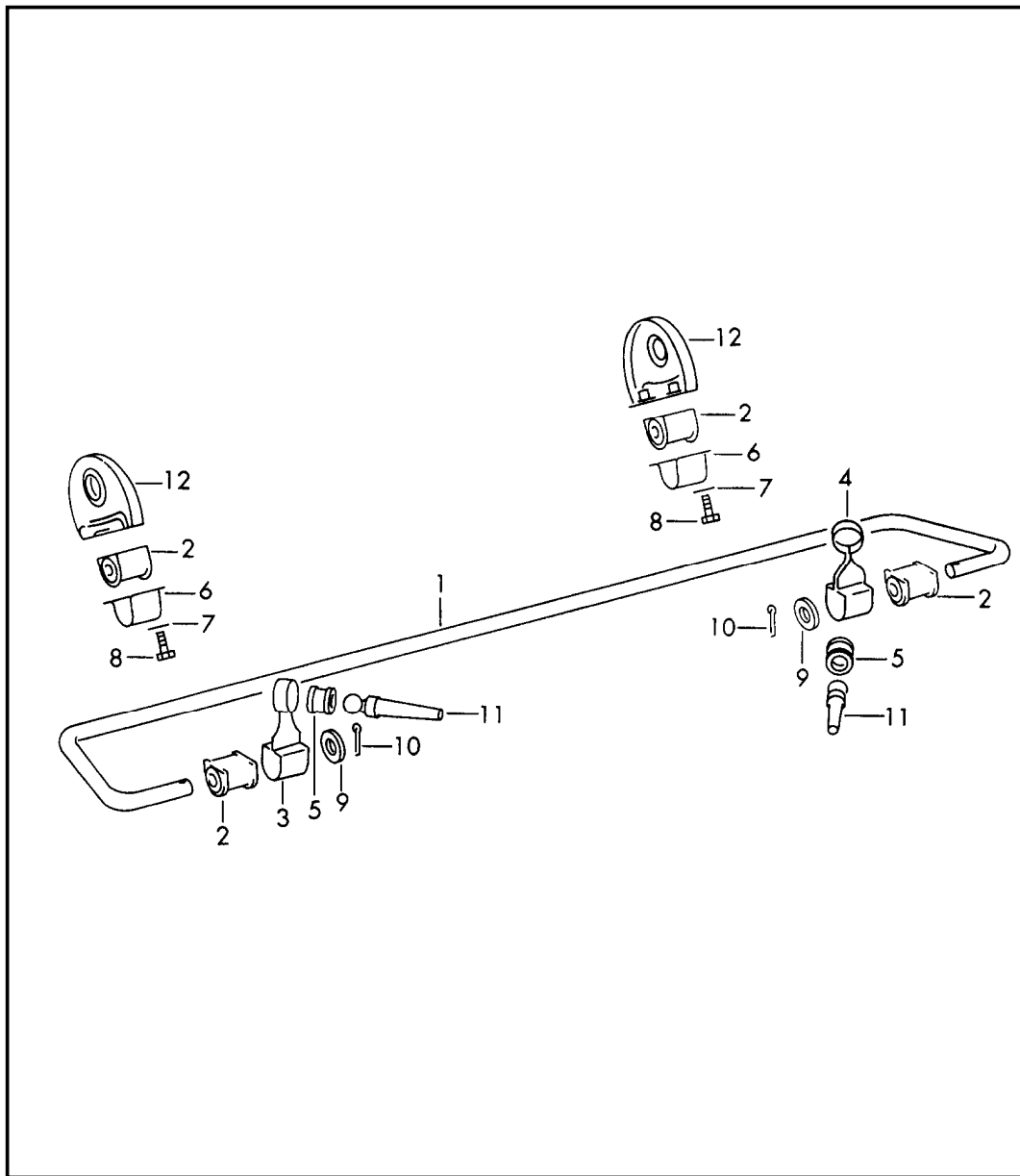


Pos	Part Number	Description	Remark	Qty	Model
		drive shaft - LOEBRO -	-68		
1	901 332 026 10	drive shaft - LOEBRO - for cars without limited-slip differential		2	
1	901 332 026 11	drive shaft - LOEBRO - for cars without limited-slip differential		2	
-	911 332 943 00	intermediate flange for cars with limited-slip differential only in exchange - NADELLA - - LOEBRO -		2	
-	000 043 110 01	grease		X	
2	901 332 293 10	dust bellows		4	
3	928 332 257 00	clip small		4	
4	901 332 313 10	clip large		4	
5	999 041 016 01	circlip 27 X 2		4	
6	901 332 209 10	joint flange		2	911 /S/L 912
(6)	901 332 209 12	joint flange		2	911 TU
7	901 332 239 10	cap		2	
8	999 701 094 50	o-ring		2	
9	901 332 289 10	circlip		2	
10	901 332 226 10	drive shaft		2	
11	A N 014 715 2	screw M 8 X 45		24	
11	900 067 073 02	screw M 8 X 45		24	
12	999 523 102 02	schnorr retainng washer M 8		24	
13	901 332 191 00	plate		12	

Model	Year	MG	SG	Illustration	Restrictions	UPD	17:55	22.01.2010	PORSCHE	PET	PORSCHE
911-1	1969	5	01	501-10		248					

Pos	Part Number	Description	Remark	Qty	Model	Pos	Part Number	Description	Remark	Qty	Model
14	901 332 281 00	cover plate		2							

Model	Year	MG	SG	Illustration	Restrictions	UPD	17:55	22.01.2010	PORSCHE	PET	PORSCHE
911-1	1969	5	02	502-00		248					



Pos	Part Number	Description	Remark	Qty	Model
		stabiliser rear axle	-68		911 S 911 /TU/L/T 912:M
1	901 333 701 03	stabiliser \$ 16 MM	-67	1	
(1)	901 333 701 04	stabiliser \$ 15 MM as of model a	68-	1	912 911 T:M 911 S
2	901 333 793 01	rubber mounting \$ 16 MM	-68	4	
(2)	901 333 793 02	rubber mounting \$ 15 MM	68-	4	912 911 T:M 911 S
3	901 333 731 01	tab left		1	
4	901 333 732 01	tab right		1	
5	901 343 782 00	articulated bush		2	
6	901 333 753 01	supporting bow		2	
7	900 027 015 02	lock ring B 8		4	
8	N 010 239 11	hexagon-head bolt M 8 X 18		4	
9	900 025 020 02	washer 17 for stabiliser \$ 16 MM	-67	2	911 /S
(9)	900 089 010 02	washer 16 for stabiliser \$ 15 MM		2	912 911 S 911 T:M
10	900 021 026 00	cotter pin 4 X 45		2	
11	901 331 571 02	articulated bolt for subsequent installation		2	
12	901 333 901 01	bracket for subsequent installation		2	

Model	Year	MG	SG	Illustration	Restrictions	UPD	17:55	22.01.2010
911-1	1969	5	98	598-05R		248		

Pos	Part Number	Description	Remark	Qty	Model
>>	>>911 343 901 00	installation set stabiliser	69	1	911 E/T:M
-	901 343 703 03	stabiliser \$ 15 MM		1	
-	901 343 792 02	rubber mounting		2	
-	901 343 754 01	stabiliser mounting		2	
-	901 343 713 01	lever		2	
-	900 074 135 02	hexagon-head bolt M 8 X 62		4	
-	900 076 025 02	hexagon nut M 8		4	
-	901 343 763 00	guide plate		4	
-	900 027 015 02	lock ring		4	
-	901 343 076 03	suspension		2	
-	901 343 737 00	spacer tube		4	
-	901 343 783 00	joint		4	
-	900 075 083 02	hexagon-head bolt M 8 X 25		6	
-	900 074 130 02	hexagon-head bolt M 8 X 40		4	
-	900 076 025 02	hexagon nut M 8		4	
-	900 027 015 02	lock ring B 8		4	
>>	>>901 333 901 00	installation set stabiliser rear \$ 16 MM for subsequent installation comprising:	-68	1	911
-	901 333 701 03	stabiliser \$ 16 MM		1	
-	901 333 793 01	rubber mounting		4	
-	901 333 731 01	tab left		1	

Model	Year	MG	SG	Illustration	Restrictions	UPD	17:55	22.01.2010
911-1	1969	5	98	598-05R		248		

Pos	Part Number	Description	Remark	Qty	Model
-	901 333 732 01	tab right		1	
-	901 343 782 00	articulated bush		2	
-	901 333 753 01	supporting bow		2	
-	900 027 015 02	lock ring B 8		4	
-	N 010 239 11	hexagon-head bolt M 8 X 18		4	
-	900 025 020 02	washer		2	
-	900 021 026 00	cotter pin 4 X 25		2	
-	901 331 571 02	articulated bolt		2	
-	901 333 901 01	bracket		2	
>>	>>901 333 901 01	installation set stabiliser rear \$ 15 MM for subsequent installation comprising:		1	912
-	901 333 701 04	stabiliser \$ 15 MM		1	
-	901 333 793 02	rubber mounting		4	
-	901 333 731 01	tab left		1	
-	901 333 732 01	tab right		1	
-	901 343 782 00	articulated bush		2	
-	901 333 753 01	supporting bow		2	
-	900 027 015 02	lock ring B 8		4	
-	N 010 239 11	hexagon-head bolt M 8 X 18		4	
-	N 011 530 1	washer		2	
-	900 021 026 00	cotter pin 4 X 25		2	
-	901 331 571 02	articulated bolt		2	
-	901 333 901 01	bracket		1	

Model	Year	MG	SG	Illustration	Restrictions	UPD	17:55	22.01.2010
911-1	1969	5	98	598-05R		248		

Pos	Part Number	Description	Remark	Qty	Model
>>	>>901 333 901 02	installation set stabiliser rear \$ 15 MM for subsequent installation comprising:	69	1	911 S 911 E/T:M
-	901 333 701 04	stabiliser		1	
-	901 333 793 02	rubber mounting		4	
-	901 333 731 01	tab left		1	
-	901 333 732 01	tab right		1	
-	901 343 782 00	articulated bush		2	
-	901 333 753 01	supporting bow		2	
-	900 027 015 02	lock ring B 8		2	
-	N 010 239 11	hexagon-head bolt M 8 X 18		4	
-	900 089 010 02	washer 16		2	
-	900 021 026 00	cotter pin 4 X 25		2	
-	901 331 571 07	articulated bolt		2	
-	901 333 901 01	bracket		2	

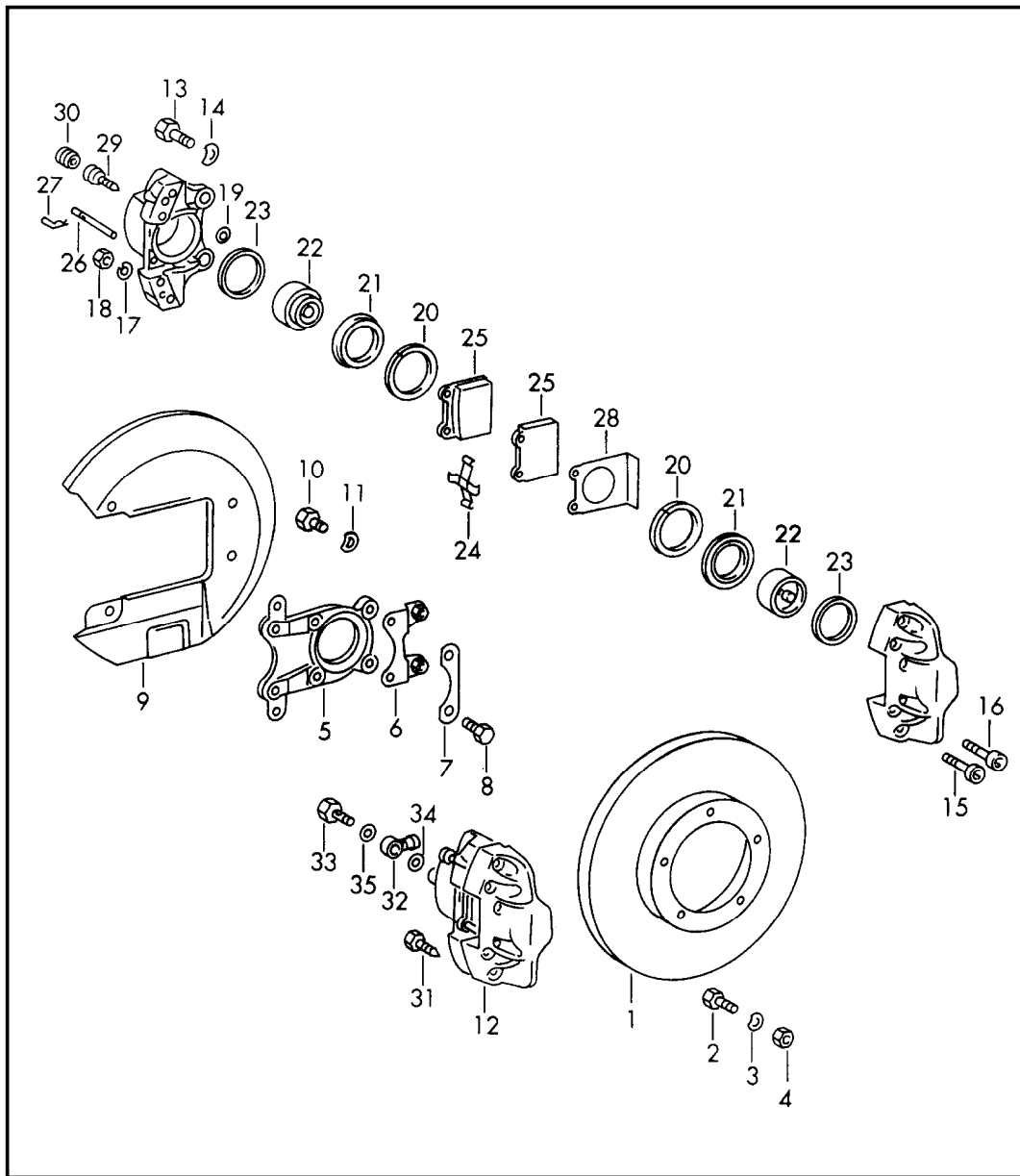
Model	Year	MG	SG	Illustration	Restrictions	UPD	17:56	22.01.2010	PORSCHE	PET	PORSCHE
911-1	1969	6	01	601-00		248					

Pos	Part Number	Description	Remark	Qty	Model
		wheels			
-	999 985 056 X0	tyre - PNEUMANT - 165 R15 86V		5	
-	911 361 056 X0	hose		5	
1	901 361 013 03	perforated disc wheel 4 1/2 J X 15 H2 ET 42 prime coated	-67	5	
1	901 361 013 23	perforated disc wheel 4 1/2 I X 15 H2 ET 42 chrome	-67	5	
1	911 361 022 00	perforated disc wheel 5 1/2 J X 15 H2 ET 42 prime coated	68-	5	
1	911 361 022 20	perforated disc wheel 5 1/2 J X 15 H2 ET 42 chrome	68-	5	
2	N 020 112 1	ball seat nut A 14		20	
3	901 361 301 04	hub cap with bores		4	
4	999 591 339 02	tapping nut		12	
5	901 559 801 01	badge chrome		4	
(5)	644 559 801 00	badge coloured	-68	4	
-	901 361 121 00	retainer spring for rubber valve		5	
7	928 361 410 00	balance weight 10 G		X	
(7)	928 361 411 00	balance weight 20 G		X	
(7)	928 361 412 00	balance weight 30 G		X	
(7)	928 361 413 00	balance weight 40 G		X	
(7)	928 361 414 00	balance weight 50 G		X	

Model	Year	MG	SG	Illustration	Restrictions	UPD	17:56	22.01.2010	PORSCHE	PET	PORSCHE
911-1	1969	6	01	601-00		248					

Pos	Part Number	Description	Remark	Qty	Model	Pos	Part Number	Description	Remark	Qty	Model
(7)	928 361 415 00	balance weight 60 G		X		(12)	901 361 412 00	balance stick-on weight 30 G		X	
(7)	928 361 416 00	balance weight 70 G		X		(12)	901 361 413 00	balance stick-on weight 40 G		X	
(7)	928 361 417 00	balance weight 80 G		X		(12)	901 361 414 00	balance stick-on weight 50 G		X	
(8)	914 361 441 00	retainer spring		X		(12)	901 361 415 00	balance stick-on weight 60 G		X	
9	901 361 012 01	perforated disc wheel aluminium forged 4 1/2 J X 15 ET 42	-67	5	911 S	(12)	901 361 417 00	balance stick-on weight 80 G		X	
(9)	901 361 012 04	perforated disc wheel aluminium forged 5 1/2 J X 15 ET 42	68	5	911 S	-	901 551 453 20	cover for spare wheel with 100 L fuel tank	-67	1	
(9)	911 361 020 00	perforated disc wheel aluminium polished and anodised 6J X 15 H2 ET 36	69	5							
(9)	911 361 016 90	perforated disc wheel aluminium polished and anodised 5 1/2 J X 14 ET 41	69	5							
(9)	901 361 017 00	perforated disc wheel magnesium die casting 5 1/2 J X 15 ET 42	69	5	911 T:M						
10	999 182 001 02	wheel nut	-67	20							
(10)	999 182 003 36	wheel nut	68-	20							
11	901 361 032 00	hub cap		4							
(11)	SOW 911 038 11	hub cap black crest coloured		4							
12	901 361 410 00	balance stick-on weight 10 G		X							
(12)	901 361 411 00	balance stick-on weight 20 G		X							

Model	Year	MG	SG	Illustration	Restrictions	UPD	17:56	22.01.2010	PORSCHE	PET	PORSCHE
911-1	1969	6	02	602-00		248					

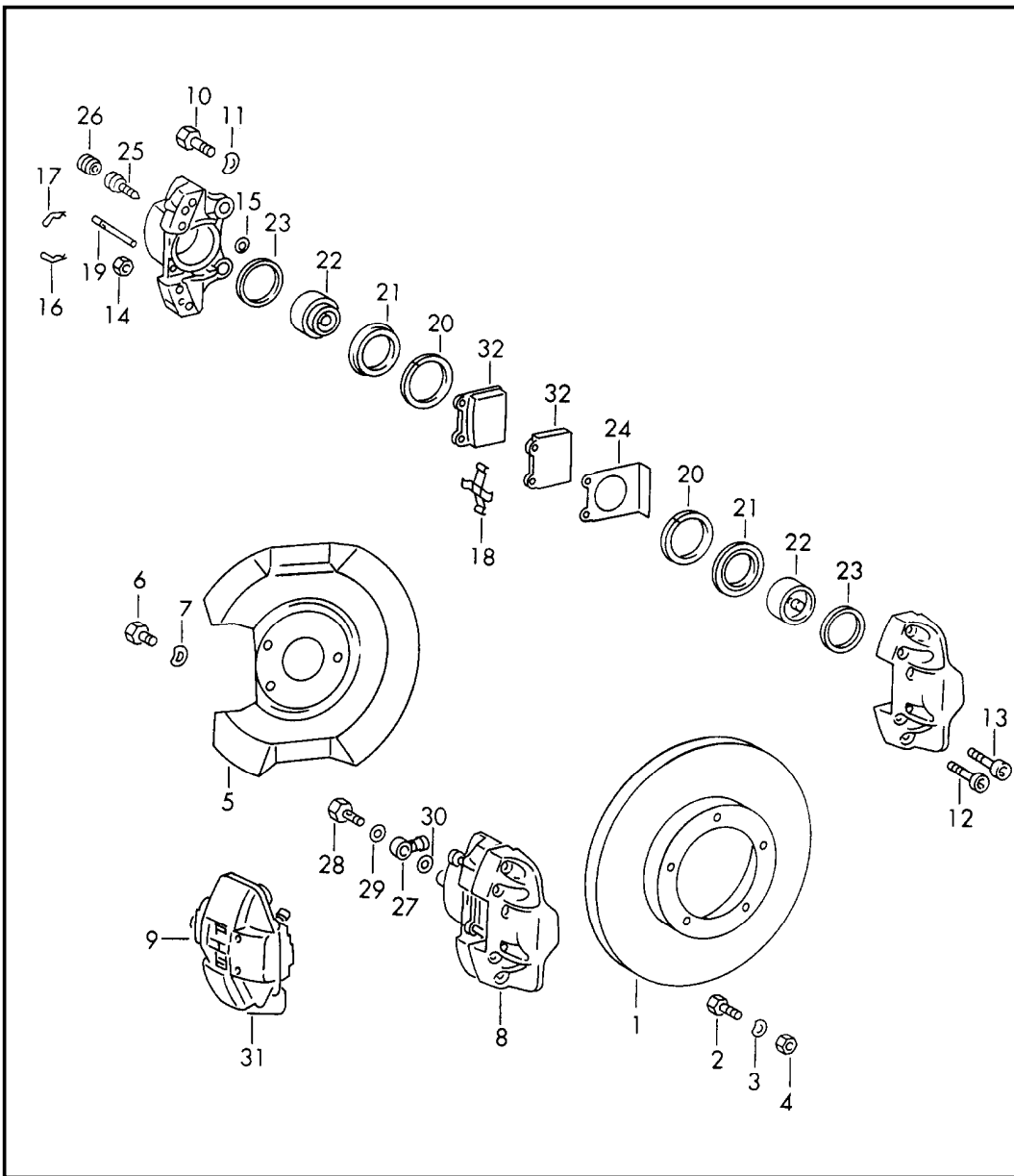


Pos	Part Number	Description	Remark	Qty	Model
			-68		
1	901 351 401 11	disc brake front		2	911 /TU
(1)	901 351 041 16	brake disc vented		2	911 L/S 911 TU:SPM
2	900 075 079 02	hexagon-head bolt M 8 X 22		10	
3	N 012 230 1	spring washer B 8		10	
4	900 076 025 02	hexagon nut M 8		10	
5	901 351 411 13	calliper carrier		2	
6	901 351 085 12	retaining bracket		2	911 /TU 912
(6)	901 351 085 13	retaining bracket		2	911 /S/L
7	901 351 481 11	tab washer		4	
8	900 075 041 02	hexagon-head bolt M 10 X 25		8	
9	901 351 801 14	protective plate left		1	911 /TU 912
(9)	901 351 801 16	protective plate left		1	911 S/L 911 TU:SPM
(9)	901 351 801 15	protective plate left for races		1	911
(9)	901 351 802 14	protective plate right		1	911 /TU 912
(9)	901 351 802 16	protective plate right		1	911 S/L 911 TU:SPM
(9)	901 351 802 15	protective plate right for races		1	911
10	N 010 235 3	hexagon-head bolt M 8 X 10		8	
11	N 012 241 1	spring washer B 8		8	

Model	Year	MG	SG	Illustration	Restrictions	UPD	17:56	22.01.2010	PORSCHE	PET	PORSCHE
911-1	1969	6	02	602-00		248					

Pos	Part Number	Description	Remark	Qty	Model	Pos	Part Number	Description	Remark	Qty	Model
-	900 076 025 02	hexagon nut M 8		2	911 /S/L	23	901 351 908 12	gasket		4	
12	901 351 965 11	fixed calliper left without pad		1	911 /TU 912	24	901 351 916 11	expanding spring		2	911 /TU 912
(12)	911 351 907 00	fixed calliper left without pad		1	911 /S/L 911 TU SPM	(24)	901 351 916 14	expanding spring		2	911 /S/L
(12)	901 351 966 11	fixed calliper right without pad		1	911 /TU 912	25	911 352 950 04	brake pad repair set without mounting parts		1	
(12)	911 351 908 00	fixed calliper right without pad		1	911 /S/L SPM	26	901 351 913 13	retaining pin		4	911 /TU 912
-	901 352 969 10	intermediate plate for fixed calliper		2	911 /S/L SPM	(26)	901 351 913 16	retaining pin		4	911 /S
-	901 351 967 10	intermediate plate for fixed calliper		2	911 /S/L SPM	27	901 351 955 10	safety seal		2	
13	900 082 006 01	hexagon-head bolt M 12 X 1,5 X 30		4		(27)	901 351 955 10	safety seal		2	
14	900 028 014 01	spring washer B 12		4		28	901 351 930 10	cover plate not for brake disc vented		2	911 /TU 912
15	901 351 942 10	pan-head screw M 8 X 50		4	911 /TU 912	-	901 351 947 10	retainer spring not for brake disc vented		2	911 /TU 912
(15)	901 351 945 10	pan-head screw		4	911 /S/L	29	901 352 977 10	ventilation valve		2	
16	901 351 945 10	pan-head screw 8 X 55		4	911 /TU 912	30	901 351 927 10	dust boot		4	
(16)	901 351 946 10	pan-head screw		4	911 /S/L	31	901 351 941 00	screw plug		2	911/912
17	900 027 015 02	lock ring B 8		8		32	914 355 531 00	ring fitting		2	
18	N 011 008 8	hexagon nut M 8		8		33	901 355 531 00	banjo bolt		2	
19	901 351 928 10	sealing ring		4		34	901 351 956 10	sealing ring inner		2	911 /TU 912
20	901 351 917 10	clamping ring		4		(34)	N 013 808 3	sealing ring A 10 X 16		2	911 /S/L
21	901 351 918 10	protection cap		4		35	900 123 005 20	sealing ring outer A 12 X 16		2	
22	901 351 097 10	piston \$ 48		4							

Model	Year	MG	SG	Illustration	Restrictions	UPD	17:56	22.01.2010	PORSCHE	PET	PORSCHE
911-1	1969	6	02	602-05		248					



Pos	Part Number	Description	Remark	Qty	Model
		disc brake front		69	
1	901 351 401 11	brake disc		2	911 T 912
(1)	901 351 041 16	brake disc vented		2	911 T:M 911 E/S 911 T/E:SPM
2	900 075 079 02	hexagon-head bolt M 8 X 22		10	
3	N 012 241 1	spring washer B 8		10	
4	900 076 025 02	hexagon nut M 8		10	
5	901 351 801 18	protective plate		2	912 911 T
(5)	901 351 801 17	protective plate		2	911 T:M 911 E/S 911 T/E:SPM
6	N 010 235 3	hexagon-head bolt M 8 X 10		6	
7	N 012 241 1	spring washer B 8		6	
8	901 351 975 00	fixed calliper (M) left without pad		1	912 911 T
(8)	901 351 976 00	fixed calliper (M) right without pad		1	912 911 T
9	901 351 975 10	fixed calliper (S) left without pad brake disc vented		1	911 T:M 911 E/S 911 T/E:SPM
(9)	901 351 976 10	fixed calliper (S) right without pad brake disc vented		1	911 T:ML 911 E/S 911 T/E:SPM

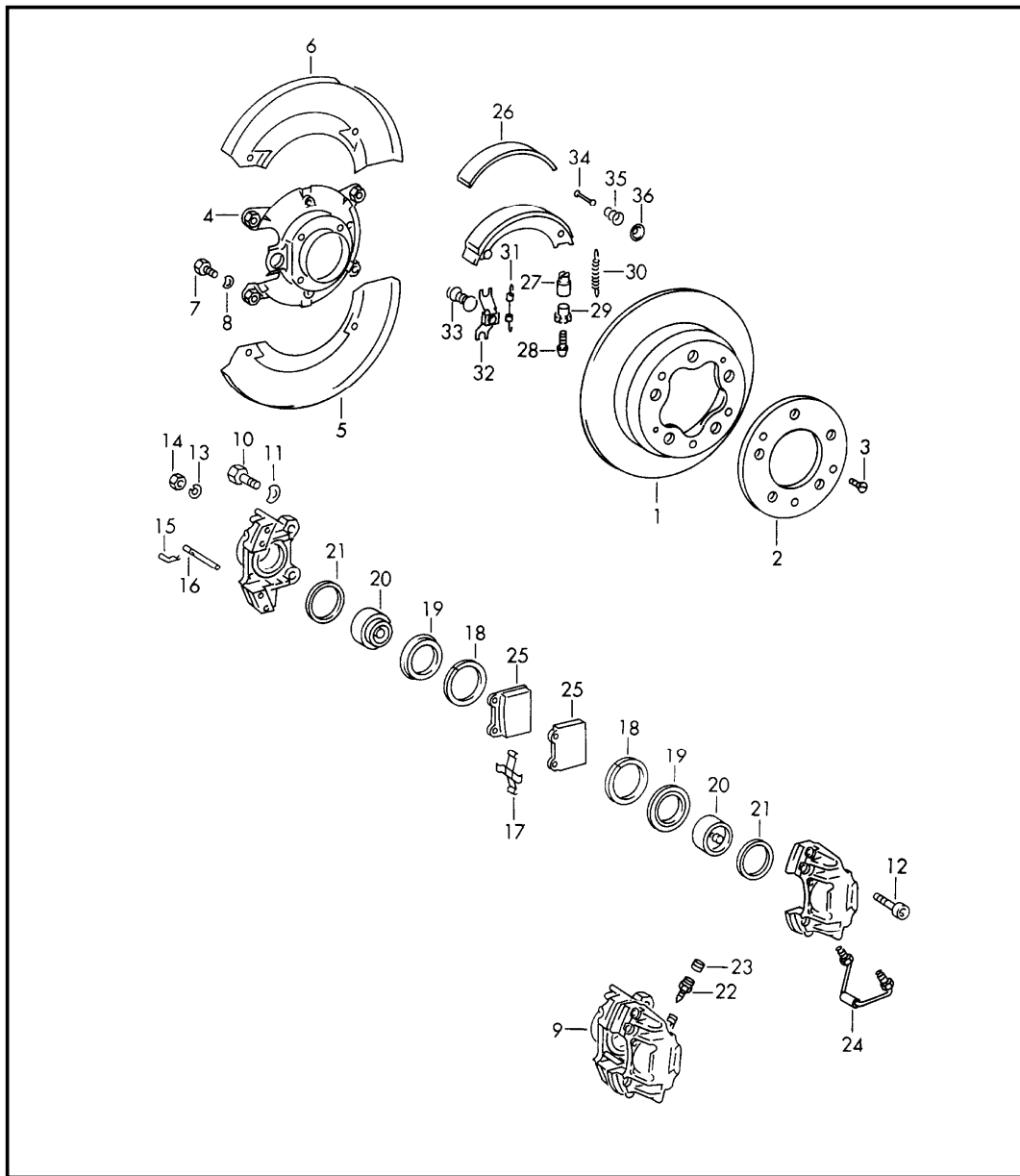
Model	Year	MG	SG	Illustration	Restrictions	UPD	17:56	22.01.2010	PORSCHE	PET	PORSCHE
911-1	1969	6	02	602-05		248					

Pos	Part Number	Description	Remark	Qty	Model	Pos	Part Number	Description	Remark	Qty	Model
10	900 083 023 02	hexagon-head bolt M 12 X 1,5 X 30		4		24	901 351 930 10	cover plate		2	912 911 T
11	900 028 014 01	spring washer B 12		4		-	901 351 947 10	retainer spring		2	912 911 T
12	901 351 942 10	pan-head screw M 8 X 50		4	912 911 T	25	901 352 977 10	ventilation valve		2	912 911 T
13	901 351 945 10	pan-head screw 8 X 55		4	912 911 T	(25)	911 351 919 00	ventilation valve		4	911 T:M 911 E/S 911 T/E:SPM
14	N 011 008 8	hexagon nut M 8		8	912 911 T	26	901 351 927 10	dust boot		2	912 911 T
15	901 351 928 10	sealing ring		4	912 911 T	(26)	901 351 927 10	dust boot		4	911 T:M 911 E/S 911 T/E:SPM
16	901 351 955 10	safety seal		2	912						
17	901 351 955 10	safety seal		2		27	914 355 531 00	ring fitting		2	912 911 T
18	901 351 916 11	expanding spring		2	912 911 T	(27)	914 355 531 00	ring fitting		2	911 T:M 911 E/S 911 T/E:SPM
(18)	901 351 916 15	expanding spring		2	911 T:M 911 E/S 911 T/E:SPM	28	901 355 531 00	banjo bolt		2	
19	901 351 913 13	retaining pin		4	912 911 T	29	904 355 902 00	sealing ring outer		2	912 911 T
(19)	901 351 986 00	retaining pin		4	911 T:M 911 E/S 911 T/E:SPM	(29)	900 123 005 22	sealing ring outer		2	911 T:M 911 E/S 911 T/E:SPM
20	-	clamping ring see group 6/98/00		X	912 911 T	30	904 355 904 00	sealing ring inner		2	912 911 T
21	-	protection cap see group 6/98/00		X		(30)	900 123 004 22	sealing ring inner		2	911 T:ML 911 E/S 911 T/E:SPM
22	901 351 097 10	piston \$ 48		4	912 911 T	31	901 351 991 00	compensating line left		2	911 T:M 911 E/S 911 T/E:SPM
(22)	901 351 988 00	piston for s-calliper housing without X		4	911 T:M 911 E/S 911 T/E:SPM	(31)	901 351 992 00	compensating line right		2	911 T:M 911 E/S 911 T/E:SPM
23	-	gasket see group 6/98/00		X		32	911 352 950 04	brake pad repair set without mounting parts for m calliper		1	912/ 911 T/E

Model	Year	MG	SG	Illustration	Restrictions	UPD	17:56	22.01.2010	PORSCHE	PET	PORSCHE
911-1	1969	6	02	602-05		248					

Pos	Part Number	Description	Remark	Qty	Model	Pos	Part Number	Description	Remark	Qty	Model
32	911 351 950 07	brake pad repair set without mounting parts for s-calliper		1	911 S						

Model	Year	MG	SG	Illustration	Restrictions	UPD	17:56	22.01.2010	PORSCHE	PET	PORSCHE
911-1	1969	6	03	603-00		248					

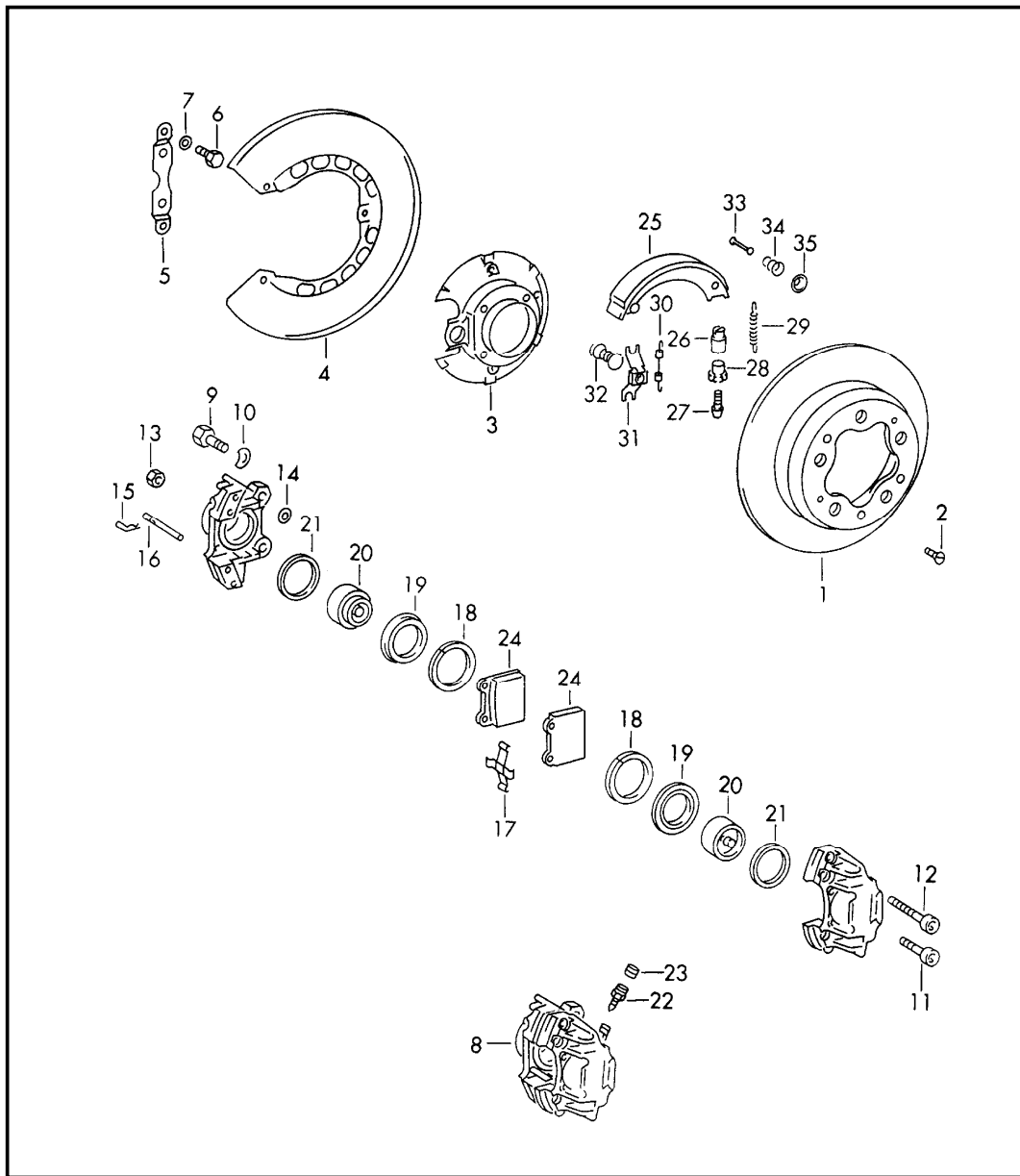


Pos	Part Number	Description	Remark	Qty	Model
		disc brake rear	-68		
1	901 352 401 10	brake disc		2	911 /TU 912
(1)	901 352 041 15	brake disc vented		2	911 /S/L
2	901 352 413 00	spacer ring as of model a		2	
3	900 013 024 02	countersunk-head screw AM 6 X 10 up to model a		4	
(3)	900 013 033 02	countersunk-head screw AM 6 X 20 as of model a		4	
4	901 352 081 11	brake mounting plate		2	
5	901 352 801 16	protective plate		2	
6	901 352 802 16	protective plate		2	
7	N 010 235 3	hexagon-head bolt M 8 X 10		8	
8	900 028 010 01	spring washer B 8		8	911
(8)	N 012 241 1	spring washer B 8		8	912
9	901 352 965 11	fixed calliper left without pad		1	911 /TU 912
(9)	901 352 965 32	fixed calliper left without pad		1	911 /S/L
(9)	901 352 966 11	fixed calliper right without pad		1	911 /TU 912
(9)	901 352 966 32	fixed calliper right without pad		1	911 /S/L
-	901 352 817 00	intermediate plate for calliper carrier and fixed calliper		2	911 /S/L

Model	Year	MG	SG	Illustration	Restrictions	UPD	17:56	22.01.2010	PORSCHE	PET	PORSCHE
911-1	1969	6	03	603-00		248					

Pos	Part Number	Description	Remark	Qty	Model	Pos	Part Number	Description	Remark	Qty	Model
-	901 352 969 10	intermediate plate for fixed calliper		4	911 /S/L	(20)	901 352 099 11	piston \$ 38		4	911 L/S/TU SPM
10	900 075 090 01	hexagon-head bolt M 10 X 25		4	911 /TU 912	21	901 352 908 11	gasket		4	911 /TU 912
(10)	900 074 120 01	hexagon-head bolt M 10 X 28		4	911 L/S/TU	(21)	901 352 908 12	gasket		4	911 L/S/TU SPM
11	N 012 230 1	spring washer B 10		4		22	695 351 641 90	ventilation valve		4	
12	N 044 703 2	screw M 6 X 45		8	911 912	23	901 351 927 10	dust boot		4	
(12)	900 067 069 01	pan-head screw M 6 X 50		4	911 /TU 912	24	901 352 939 10	connecting line		2	911 /TU 912
(12)	901 352 978 10	pan-head screw		8	911 /S/L	(24)	901 352 939 10	brake line		2	911 L/S/TU SPM
13	900 027 013 01	lock ring B 6		8	911 /TU 912	25	911 352 939 01	brake pad repair set without mounting parts		1	
14	900 076 023 01	hexagon nut M 6		8	911 /TU 912	26	901 352 906 13	brake pad		4	
(14)	901 352 979 10	hexagon nut		8	911 /S/L	26 A	901 352 906 13	brake pad with pad		4	
15	901 351 955 10	safety seal		4		26	901 352 906 14	brake pad without asbestos for adhere		4	
16	901 352 938 11	retaining pin		4	911 /TU 912	27	911 352 944 00	support bush		2	
(16)	901 352 938 14	retaining pin		4	911 S/L/TU SPM	28	901 352 943 10	adjusting screw		2	
17	901 352 936 10	expanding spring		2	911 /TU 912	29	911 352 098 00	adjusting screw		2	
(17)	901 352 936 11	expanding spring		2	911 /S/L	30	901 352 932 10	return spring		2	
18	695 351 629 90	clamping ring		4	911 /TU 912	31	901 352 954 10	return spring		2	
(18)	901 352 629 10	clamping ring		4	911 L/S/TU SPM	32	911 352 090 00	expanding bow		4	
19	901 352 937 10	protection cap		4	911 /TU 912	33	901 352 953 10	compression spring		2	
(19)	901 352 937 11	protection cap		4	911 L/S/TU SPM	34	901 352 959 10	roll pin		4	
20	901 352 099 10	piston \$ 35		4	911 /TU 912	35	901 352 957 10	compression spring		4	
						36	901 352 955 10	concave washer		4	

Model	Year	MG	SG	Illustration	Restrictions	UPD	17:56	22.01.2010	PORSCHE	PET	PORSCHE
911-1	1969	6	03	603-05		248					

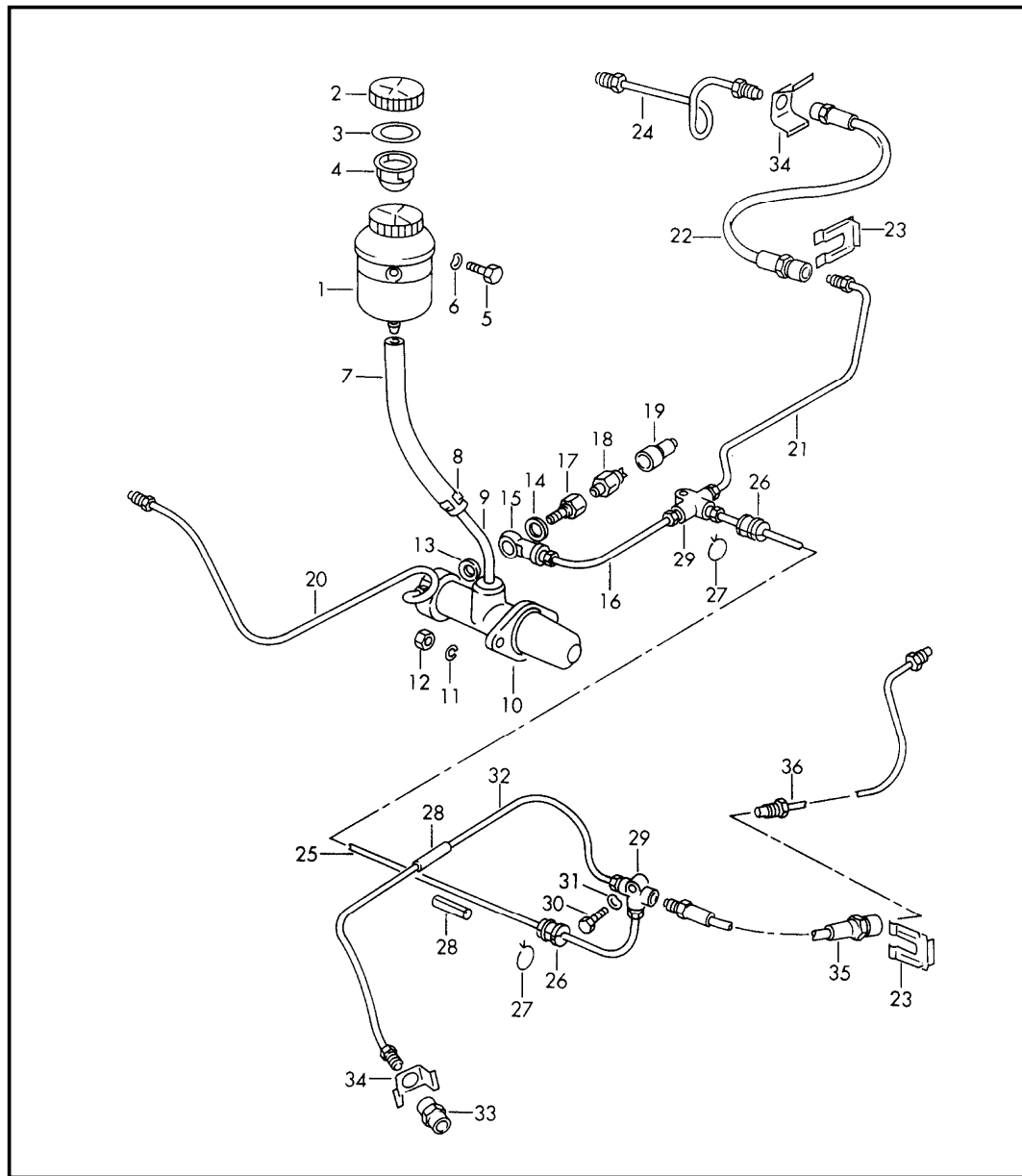


Pos	Part Number	Description	Remark	Qty	Model
		disc brake rear		69	
1	901 352 401 17	brake disc		2	912 911 T
(1)	901 352 041 14	brake disc vented		2	911 T:M 911 E/S 911 T/E:SPM
2	900 013 037 02	countersunk-head screw AM 6 X 12		4	
3	901 352 081 14	brake mounting plate		2	
4	901 352 801 20	protective plate		2	
5	914 352 085 00	retaining bar		2	
6	N 010 235 3	hexagon-head bolt M 8 X 10		6	
7	N 012 241 1	spring washer B 8		6	
8	901 352 985 00	fixed calliper left without pad		1	912 911 T
(8)	901 352 986 00	fixed calliper right without pad		1	912 911 T
(8)	911 352 907 00	fixed calliper left without pad brake disc vented		1	911 T:M 911 E/S 911 T/E:SPM
(8)	911 352 908 00	fixed calliper right without pad brake disc vented		1	911 T:M 911 E/S 911 T/E:SPM
9	900 083 023 02	hexagon-head bolt M 12 X 1,5 X 30		4	
10	900 028 014 01	spring washer B 12		4	
11	901 352 978 10	pan-head screw for		4	912 911 T

Model	Year	MG	SG	Illustration	Restrictions	UPD	17:56	22.01.2010	PORSCHE	PET	PORSCHE
911-1	1969	6	03	603-05		248					

Pos	Part Number	Description	Remark	Qty	Model	Pos	Part Number	Description	Remark	Qty	Model
(11)	901 352 978 12	pan-head screw for brake disc vented		4	911 T/E/S SPM	26	911 352 944 00	support bush		2	
						27	901 352 943 10	adjusting screw		2	
12	901 352 978 11	pan-head screw for		4	912 911 T	28	911 352 098 00	adjusting screw		2	
(12)	901 352 978 13	pan-head screw for brake disc vented		4	911 T/E/S SPM	29	901 352 932 10	return spring		2	
						30	901 352 954 10	return spring		2	
13	901 352 979 10	hexagon nut		8		31	911 352 090 00	expanding bow		4	
14	901 351 928 10	sealing ring		8		32	901 352 953 10	compression spring		2	
15	901 351 955 10	safety seal		4		33	901 352 959 10	roll pin		4	
16	901 352 991 00	retaining pin		4	912 911 T	34	901 352 957 10	compression spring		4	
(16)	901 352 991 01	retaining pin		4	911 T/E/S SPM	35	901 352 955 10	concave washer		4	
17	901 351 916 16	expanding spring		2	912 911 T						
(17)	901 351 916 14	expanding spring		2	911 T/E/S SPM						
18	-	clamping ring see group 6/98/00		4							
19	-	protection cap see group 6/98/00		4							
20	901 352 993 00	piston		4							
21	-	gasket see group 6/98/00		4							
22	901 352 977 10	ventilation valve		2							
23	901 351 927 10	dust boot		2							
24	911 352 950 04	brake pad repair set without mounting parts		1							
25	911 352 097 10	brake shoe with pad without asbestos		4							

Model	Year	MG	SG	Illustration	Restrictions	UPD	17:57	22.01.2010	PORSCHE	PET	PORSCHE
911-1	1969	6	04	604-00		248					

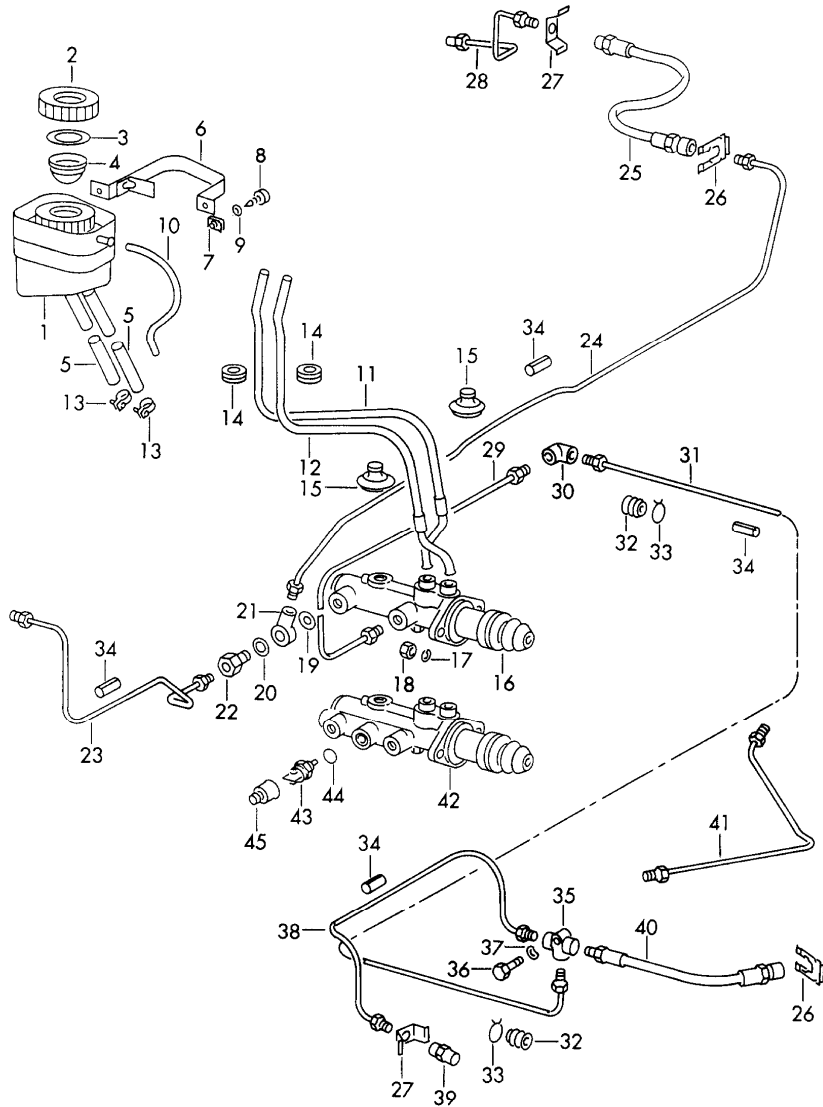


Pos	Part Number	Description	Remark	Qty	Model
		brake fluid reservoir brake master cylinder	-67		
1	695 355 013 00	brake fluid reservoir with lid		1	
2	477 611 361	lid		1	
3	356 42 415	gasket		1	
4	211 611 381 B	strainer		1	
5	900 075 097 02	hexagon-head bolt M 5 X 15		1	
6	900 028 002 01	spring washer A 5		1	
7	999 181 021 50	hose 160 MM	/LL	1	
(7)	901 355 904 00	connecting hose 300 MM	/RL	1	
-	999 511 052 02	pipe clamp	/RL	1	
-	N 010 209 5	hexagon-head bolt M 5 X 25	/RL	1	
-	900 028 002 01	spring washer A 5	/RL	1	
-	900 076 027 02	hexagon nut M 5	/RL	1	
8	999 512 055 02	hose clamp S 12/9 ZY		1	
9	904 355 644 00	line		1	
10	901 355 011 01	brake master cylinder \$ 19,05		1	
11	900 027 015 02	lock ring B 8		2	
12	900 076 025 02	hexagon nut M 8		2	
13	904 355 904 00	gasket \$ 10 MM		1	
14	904 355 902 00	gasket \$ 12 MM		1	
15	914 355 531 00	ring fitting		1	

Model	Year	MG	SG	Illustration	Restrictions	UPD	17:57	22.01.2010	PORSCHE	PET	PORSCHE
911-1	1969	6	04	604-00		248					

Pos	Part Number	Description	Remark	Qty	Model	Pos	Part Number	Description	Remark	Qty	Model
16	901 355 608 00	connecting line	/LL	1		30	900 074 088 02	hexagon-head bolt M 6 X 25		1	
(16)	901 355 610 00	connecting line	/RL	1		31	900 028 008 01	spring washer B 6		1	
17	914 355 534 00	banjo bolt		1		32	901 355 627 00	connecting line rear		1	
18	901 613 401 00	brake light switch see group 9/03/10		1		33	914 355 661 00	intermediate piece		1	
19	914 613 491 00	rubber cap see group 9/03/10		1		34	803 611 715	retainer spring		3	
20	901 355 601 01	brake line front left	/LL	1		35	695 352 631 00	brake hose rear		2	
(20)	901 355 605 00	brake line front left	/RL	1		(36)	901 355 622 00	brake line rear left		1	
21	901 355 602 01	brake line front right	/LL	1		36	901 355 622 00	brake line rear right		1	
(21)	901 355 606 00	brake line front right	/RL	1							
22	901 355 632 01	brake hose front		2							
23	914 355 665 00	brake hose bracket		4							
23	113 611 715 A	brake hose bracket		4							
(24)	901 355 603 00	brake line front left		1							
24	901 355 604 00	brake line front right		1							
25	901 355 611 00	brake line 1780 MM		1							
26	914 355 651 00	rubber sleeve		2							
27	914 355 652 00	clamp		2							
28	914 355 691 00	hose piece		5							
29	914 355 667 00	distributor		2							

Model	Year	MG	SG	Illustration	Restrictions	UPD	17:57	22.01.2010	PORSCHE	PET	PORSCHE
911-1	1969	6	04	604-05		248					

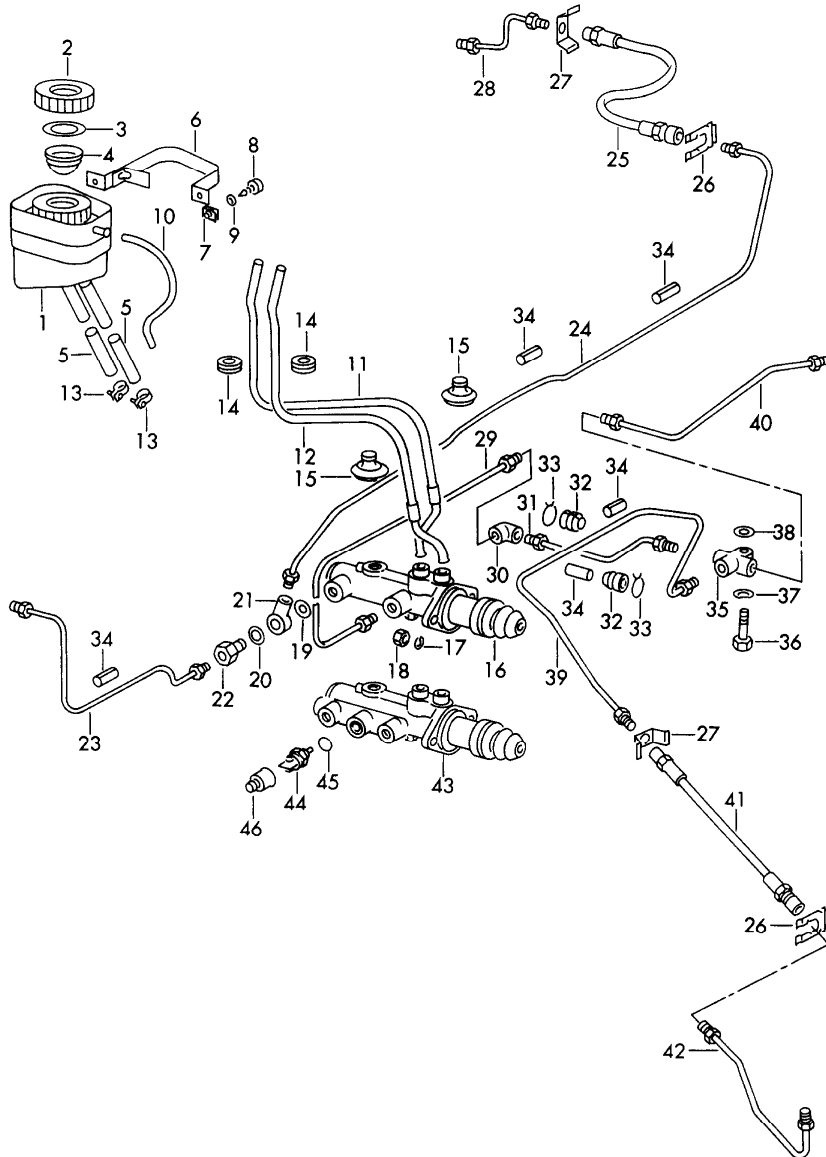


Pos	Part Number	Description	Remark	Qty	Model
		brake fluid reservoir brake master cylinder		68	
1	911 355 013 13	brake fluid reservoir with lid		1	
2	901 355 905 00	lid		1	
3	901 355 908 00	gasket		1	
4	211 611 381 B	strainer		1	
5	901 355 927 02	hose piece		2	
6	901 355 015 00	retaining strap		1	
7	N 015 429 2	speed nut B 4,2		2	
8	900 143 007 02	oval-head sheetmetal screw B 4,2		2	
9	900 151 028 02	washer B 4,3		2	
10	999 181 204 40	hose 6 X 4 PVC		*	
11	PCG 355 061 00	connecting line for brake circuit front	/LL	1	
(11)	901 355 644 00	line for brake circuit front	/RL	1	
-	901 355 927 00	hose piece 75 MM		1	
-	901 355 927 01	hose piece 150 MM	/RL	1	
-	901 355 618 00	connecting piece	/RL	1	
12	PCG 355 063 00	connecting line for brake circuit rear	/LL	1	
(12)	901 355 650 00	line for brake circuit rear	/RL	1	

Model	Year	MG	SG	Illustration	Restrictions	UPD	17:57	22.01.2010	PORSCHE	PET	PORSCHE
911-1	1969	6	04	604-05		248					

Pos	Part Number	Description	Remark	Qty	Model	Pos	Part Number	Description	Remark	Qty	Model
-	901 355 927 00	hose piece 75 MM		1		25	901 355 632 01	brake hose front		2	
-	901 355 927 01	hose piece 150 MM	/RL	1		26	914 355 665 00	brake hose bracket		4	
-	901 355 618 00	connecting piece	/RL	1		26	113 611 715 A	brake hose bracket		4	
13	999 512 055 02	hose clamp S 12/9 ZY		2		27	803 611 715	retainer spring		3	
14	999 702 065 50	rubber sleeve	/LL	2		(28)	901 355 603 00	brake line front left		1	
(14)	999 702 065 50	rubber sleeve	/RL	4		28	901 355 604 00	brake line front right		1	
15	999 702 076 50	rubber sleeve		2		29	901 355 612 00	connecting line	/LL	1	
16	901 355 012 00	brake master cylinder \$ 19,05		1		(29)	901 355 624 00	connecting line	/RL	1	
-	999 703 075 40	cap		1		30	901 355 615 00	angled pipe		1	
17	900 027 015 02	lock ring B 8		2		31	901 355 611 00	brake line		1	
18	900 076 025 02	hexagon nut M 8		2		32	914 355 651 00	rubber sleeve		2	
19	904 355 904 00	gasket \$ 10 MM		1		33	914 355 652 00	clamp		2	
20	904 355 902 00	gasket \$ 12 MM		2		34	914 355 691 00	hose piece		6	
21	914 355 531 00	ring fitting		1		35	914 355 667 00	distributor		1	
22	914 351 534 00	banjo bolt		2		36	900 074 088 02	hexagon-head bolt M 6 X 25		1	
23	901 355 619 00	brake line front left	/LL	1		37	900 028 008 01	spring washer B 6		1	
(23)	901 355 626 00	brake line front left	/RL	1		38	901 355 627 00	connecting line rear		1	
24	901 355 620 00	brake line front right	/LL	1		39	914 355 661 00	intermediate piece		1	
24	901 355 620 01	brake line front right	/LL	1		40	695 352 631 00	brake hose rear		2	
(24)	901 355 628 00	brake line front right	/RL	1		(41)	901 355 622 00	brake line rear left		1	
						41	901 355 622 00	brake line rear right		1	

Model	Year	MG	SG	Illustration	Restrictions	UPD	17:57	22.01.2010	PORSCHE	PET	PORSCHE
911-1	1969	6	04	604-10		248					



Pos	Part Number	Description	Remark	Qty	Model
		brake fluid reservoir brake master cylinder		69	
1	901 355 013 00	brake fluid reservoir with lid		1	
2	901 355 905 00	lid		1	
3	901 355 908 00	gasket		1	
4	211 611 381 B	strainer		1	
5	901 355 927 02	hose piece 50 MM		2	
6	901 355 015 00	retaining strap		1	
7	N 015 429 2	speed nut B 4,2		2	
8	900 143 007 02	oval-head sheetmetal screw B 4,2 X 13		2	
9	900 151 028 02	washer B 4,3		2	
10	999 181 204 40	hose 6 X 4 PVC		*	
11	PCG 355 061 00	connecting line for brake circuit front	/LL	1	
(11)	901 355 644 00	line for brake circuit front	/RL	1	
-	901 355 927 02	hose piece 50 MM	/RL	1	
-	901 355 618 00	connecting piece	/RL	1	
12	PCG 355 063 00	connecting line for brake circuit rear	/LL	1	
(12)	901 355 650 00	line for brake circuit rear	/RL	1	
-	901 355 927 02	hose piece 50 MM	/RL	1	

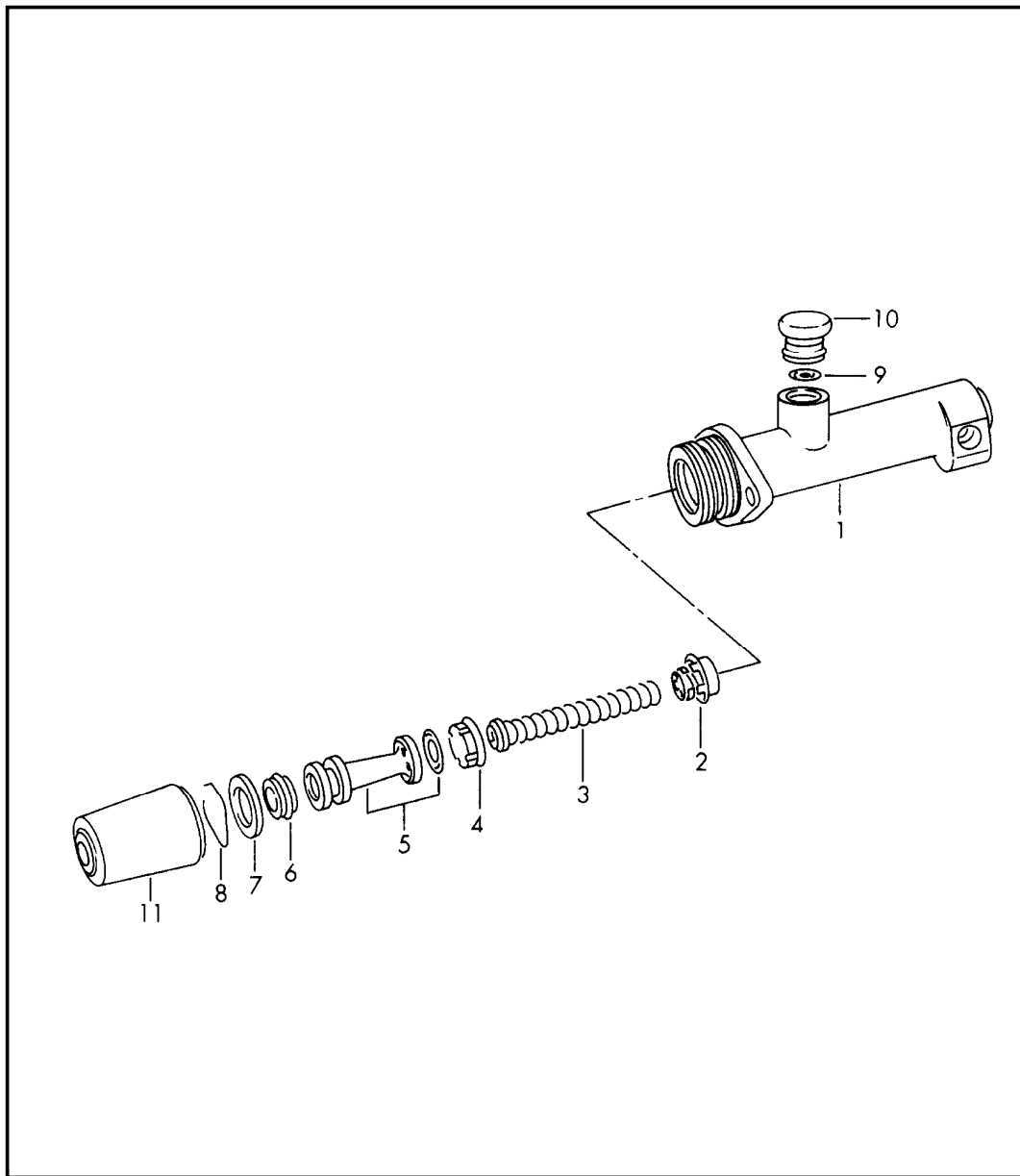
Model	Year	MG	SG	Illustration	Restrictions	UPD	17:57	22.01.2010	PORSCHE	PET	PORSCHE
911-1	1969	6	04	604-10		248					

Pos	Part Number	Description	Remark	Qty	Model	Pos	Part Number	Description	Remark	Qty	Model
-	901 355 618 00	connecting piece	/RL	1		27	803 611 715	retainer spring		3	
13	999 512 055 02	hose clamp S 12/9 ZY		2		28	914 355 603 00	brake line front		2	
14	999 702 065 50	rubber sleeve	/LL	2		29	901 355 612 00	connecting line	/LL	1	
(14)	999 702 065 50	rubber sleeve	/RL	4		(29)	901 355 624 00	connecting line	/RL	1	
15	999 702 076 50	rubber sleeve		2		30	901 355 615 00	angled pipe		1	
16	901 355 012 00	brake master cylinder		1		31	901 355 611 01	brake line		1	
-	999 703 075 40	stopper		1		(31)	901 355 611 02	brake line		1	
17	900 027 015 02	lock ring B 8		2		32	914 355 651 00	rubber sleeve		2	
18	900 076 025 02	hexagon nut M 8		2		33	914 355 652 00	clamp		2	
19	904 355 904 00	gasket \$ 10 MM		1		34	914 355 691 00	hose piece		6	
20	904 355 902 00	gasket \$ 12 MM		2		35	914 355 667 00	distributor		1	
21	914 355 531 00	ring fitting		1		36	900 075 017 02	hexagon-head bolt M 6 X 25		1	
22	914 351 534 00	banjo bolt		2		37	900 028 008 01	spring washer B 6		1	
23	901 355 619 00	brake line front left	/LL	1		38	900 151 006 09	washer B 6,4		1	
(23)	901 355 626 00	brake line front left	/RL	1		39	901 355 627 01	connecting line rear left		1	
24	901 355 620 00	brake line front right	/LL	1		40	901 355 653 00	connecting line rear right		1	
24	901 355 620 01	brake line front right	/LL	1		41	901 355 631 01	brake hose rear 240 MM		2	
(24)	901 355 628 00	brake line front right	/RL	1		(42)	901 355 621 01	brake line rear left		1	
25	901 355 632 01	brake hose front		2		42	901 355 622 01	brake line rear right		1	
26	914 355 665 00	brake hose bracket		4				rear right			
26	113 611 715 A	brake hose bracket		4							

Model	Year	MG	SG	Illustration	Restrictions	UPD	17:57	22.01.2010	PORSCHE	PET	PORSCHE
911-1	1969	6	04	604-10		248					

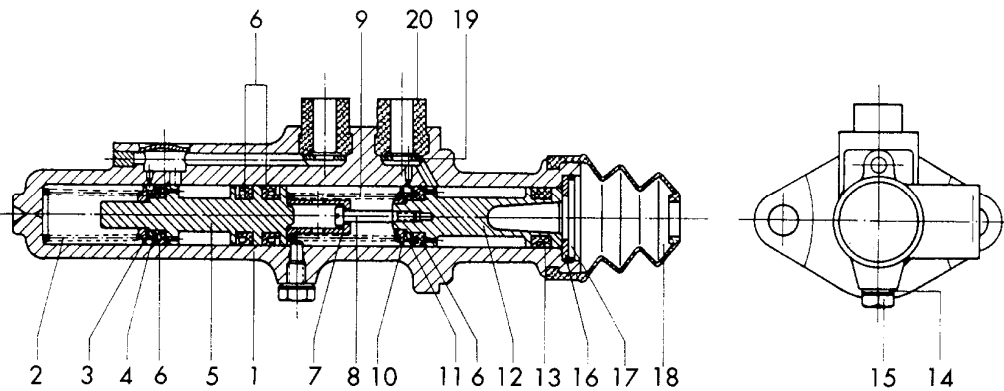
Pos	Part Number	Description	Remark	Qty	Model	Pos	Part Number	Description	Remark	Qty	Model
43	911 355 012 02	brake master cylinder	/LL (USA)	1	912 911 T/E/S						
44	901 613 115 00	warning contact	/LL (USA)	1	912 911 T/E/S						
45	999 701 343 40	o-ring	/LL (USA)	1	912 911 T/E/S						
46	914 613 491 00	protection cap	/LL (USA)	1	912 911 T/E/S						

Model	Year	MG	SG	Illustration	Restrictions	UPD	17:57	22.01.2010	PORSCHE	PET	PORSCHE
911-1	1969	6	04	604-15		248					



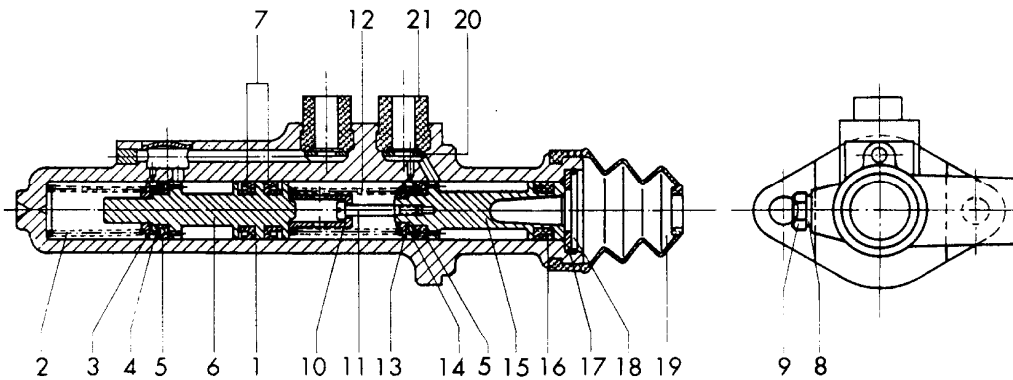
Pos	Part Number	Description	Remark	Qty	Model
		brake master cylinder single parts	-67		
1	901 355 011 01	brake master cylinder		1	
2	695 355 908 00	valve		1	
3	695 355 909 00	compression spring		1	
4	695 355 912 00	boot		1	
5	695 355 914 00	piston		1	
-	695 355 913 00	shim		1	
6	695 355 915 00	boot		1	
7	695 355 916 00	washer		1	
8	695 355 917 00	circlip		1	
9	695 355 918 00	washer		1	
10	901 355 929 00	stopper		1	
11	695 355 920 00	protection cap		1	

Model	Year	MG	SG	Illustration	Restrictions	UPD	17:57	22.01.2010	PORSCHE	PET	PORSCHE
911-1	1969	6	04	604-20		248					



Pos	Part Number	Description	Remark	Qty	Model
		brake master cylinder single parts	68		
1	-	housing not available		1	
2	901 355 913 00	compression spring		1	
3	930 355 915 00	support ring		1	
4	930 355 915 00	support ring		1	
5	901 355 931 00	piston with washer		1	
-	901 355 917 00	washer		1	
6	901 355 916 00	boot		1	
7	901 355 932 00	sleeve		1	
8	901 355 933 00	screw		1	
9	901 355 922 00	compression spring		1	
10	930 355 915 00	support ring		1	
11	930 355 915 00	support ring		1	
12	901 355 934 00	piston with washer		1	
-	901 355 917 00	washer		1	
13	695 355 915 00	boot		1	
14	N 013 804 2	sealing ring A 6X 10		1	
15	901 355 935 00	stop screw		1	
16	695 355 916 00	stop washer		1	
17	695 355 917 00	circlip		1	
18	901 355 924 00	protection cap		1	
19	901 355 936 00	washer		2	
20	901 355 929 00	stopper		2	

Model	Year	MG	SG	Illustration	Restrictions	UPD	17:58	22.01.2010	PORSCHE	PET	PORSCHE
911-1	1969	6	04	604-30		248					

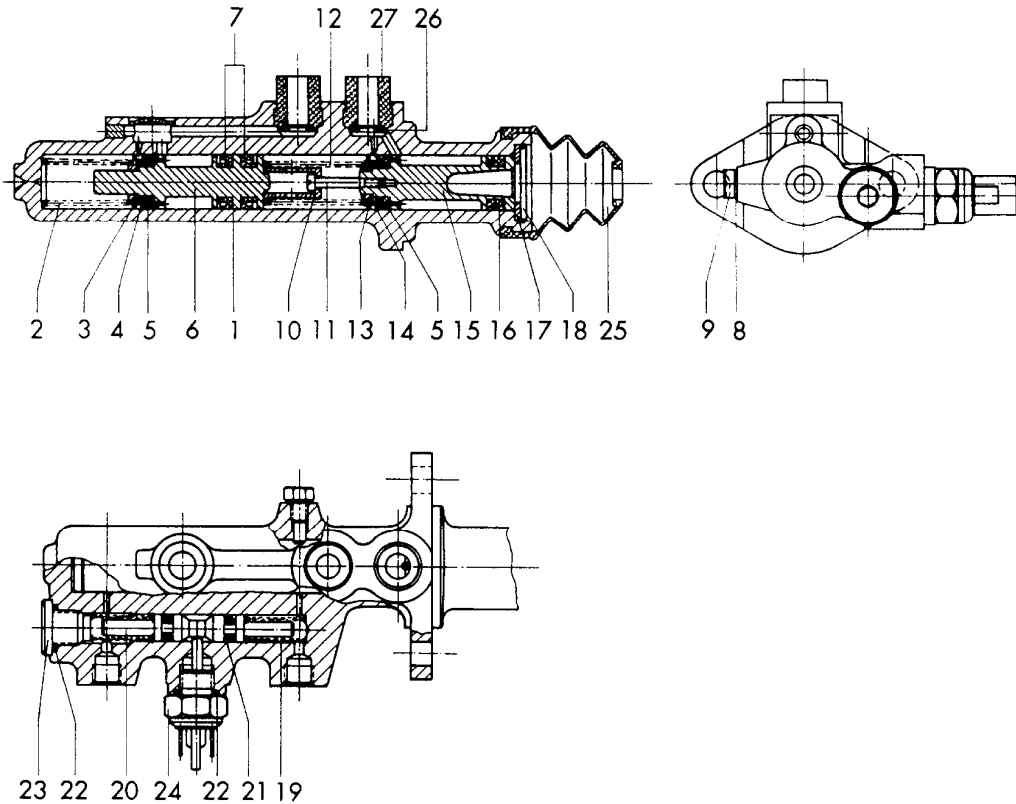


Pos	Part Number	Description	Remark	Qty	Model
		brake master cylinder \$ 19,05 without warning function single parts	69		
-	901 355 012 00	brake master cylinder complete		1	
1	-	housing		1	
2	-	compression spring		1	
3	-	concave washer		1	
4 *	-	support ring		1	
5 *	-	boot		2	
6 *	-	piston with washer		1	
7 *	-	boot		2	
8 *	-	sealing ring		1	
9	-	stop screw		1	
10	-	sleeve			
11	-	stop screw			
12	-	compression spring			
13	-	concave washer		1	
14 *	-	support ring		1	
15 *	-	piston with washer		1	
16 *	-	boot		1	
17	-	stop washer		1	
18 *	-	circlip		1	
19	901 355 924 00	protection cap		1	
20	901 355 936 00	washer		2	
21	901 355 929 00	stopper		2	

Model	Year	MG	SG	Illustration	Restrictions	UPD	17:58	22.01.2010	PORSCHE	PET	PORSCHE
911-1	1969	6	04	604-30		248					

Pos	Part Number	Description	Remark	Qty	Model	Pos	Part Number	Description	Remark	Qty	Model
-	901 355 930 00	repair kit see group 6/98/00		X							

Model	Year	MG	SG	Illustration	Restrictions	UPD	17:59	22.01.2010	PORSCHE	PET	PORSCHE
911-1	1969	6	04	604-35		248					



Pos	Part Number	Description	Remark	Qty	Model
		brake master cylinder \$ 19,05 with warning function single parts	/LL (USA)	69	911 T/E/S 912
-	911 355 012 02	brake master cylinder complete		1	
1	-	housing		1	
2	-	compression spring		1	
3	-	concave washer		1	
4 *	-	support ring		1	
5 *	-	boot		2	
6 *	-	piston with washer		1	
7 *	-	boot		2	
8 *	-	sealing ring		1	
9	-	stop screw		1	
10	-	sleeve			
11	-	stop screw			
12	-	compression spring			
13	-	concave washer		1	
14 *	-	support ring		1	
15 *	-	piston with washer		1	
16 *	-	boot		1	
17	-	stop washer		1	
18 *	-	circlip		1	
19	-	compression spring		2	
20	-	piston		2	
21	-	boot		2	
22	999 701 343 40	o-ring		2	

Model	Year	MG	SG	Illustration	Restrictions	UPD	17:59	22.01.2010	PORSCHE	PET	PORSCHE
911-1	1969	6	04	604-35		248					

Pos	Part Number	Description	Remark	Qty	Model	Pos	Part Number	Description	Remark	Qty	Model
23	-	threaded joint		1							
24	901 613 115 00	warning contact		1							
25	901 355 924 00	protection cap		1							
26	901 355 936 00	washer		2							
27	901 355 929 00	stopper		2							
-	901 355 930 00	repair kit see group 6/98/00		X							

Model	Year	MG	SG	Illustration	Restrictions	UPD	17:59	22.01.2010
911-1	1969	6	98	698-00R		248		

Pos	Part Number	Description	Remark	Qty	Model
		repair kits			
		front axle			
>>	>>911 352 950 04	brake pad repair set without mounting parts for m calliper		1	911 T/E 912
>>	>>911 351 950 07	brake pad repair set without mounting parts for s-calliper		1	911 S
>>	>>901 351 964 11	gasket set for m calliper comprising:	-68 69	1	911 /S/L 911 T 912
-	901 351 908 12	gasket for piston		2	
-	901 351 918 10	protection cap		2	
-	901 351 917 10	clamping ring		2	
-	901 351 955 10	safety seal		1	
-	901 351 955 10	safety seal		1	
>>	>>901 351 998 00	gasket set for s-calliper comprising:	69	1	911 E/S 911 T:M
-	901 351 908 12	gasket for piston		2	
-	901 351 987 00	protection cap		2	
-	901 351 955 10	safety seal		2	
		rear axle			
>>	>>911 352 939 01	brake pad repair set without mounting parts for L-SATTEL	-68	1	911 912
>>	>>911 352 950 04	brake pad repair set without mounting parts for m calliper	69	1	911 912

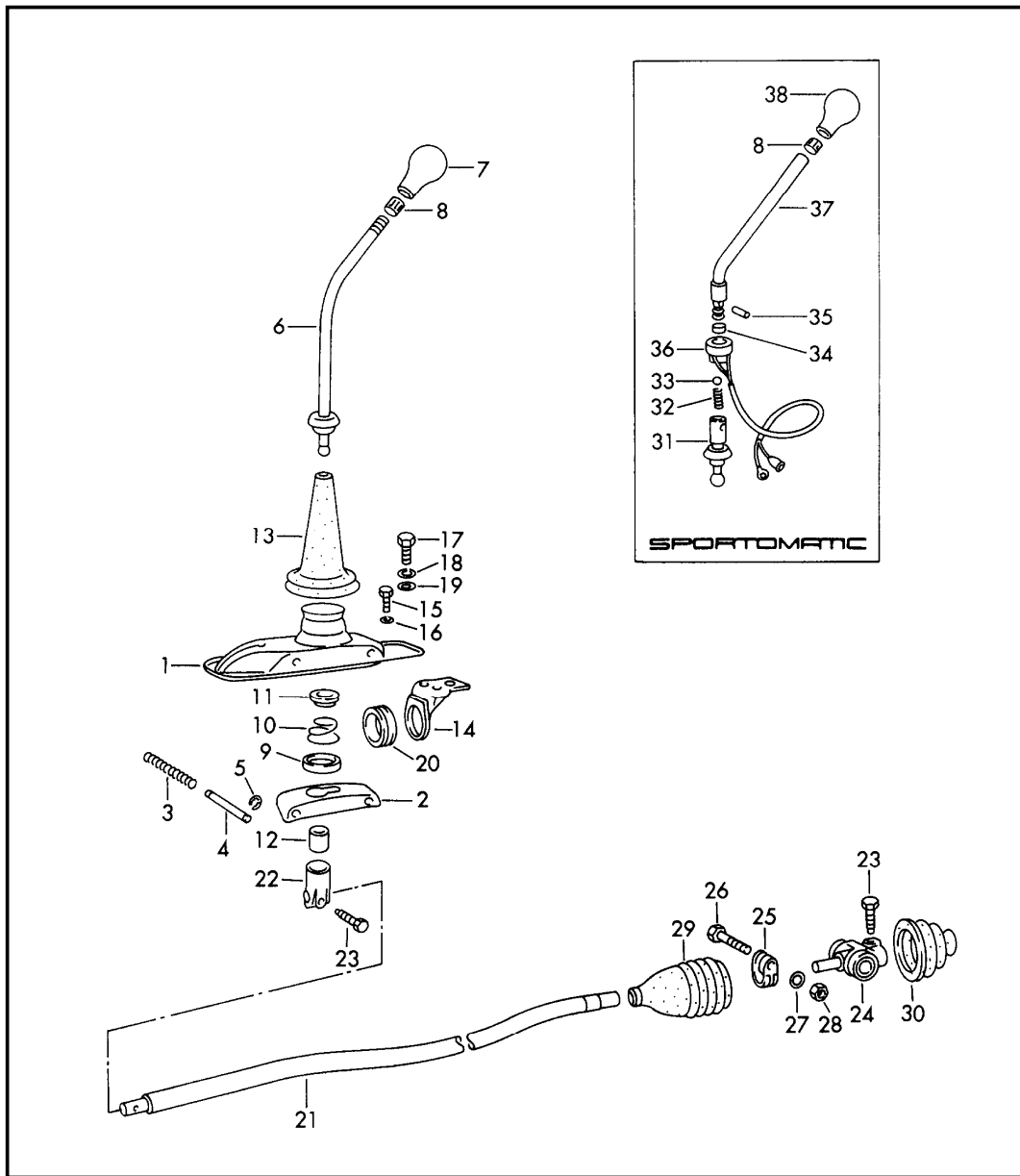
Model	Year	MG	SG	Illustration	Restrictions	UPD	17:59	22.01.2010
911-1	1969	6	98	698-00R		248		

Pos	Part Number	Description	Remark	Qty	Model
>>	>>901 352 964 11	gasket set for fixed calliper comprising:	-68 -68	1	911 /TU 912
-	901 352 908 11	gasket for piston		2	
-	901 352 937 10	protection cap		2	
-	695 351 629 90	clamping ring		2	
-	901 351 955 10	safety seal		2	
>>	>>901 352 964 32	gasket set for fixed calliper comprising:	-68	1	911 /S/L
-	901 352 908 12	gasket for piston		2	
-	901 352 937 11	protection cap		2	
-	901 352 629 10	clamping ring		2	
-	901 351 955 10	safety seal		2	
>>	>>901 352 998 00	gasket set for m calliper	69	1	
-	901 352 908 12	gasket for piston		2	
-	901 352 998 00	gasket set		2	
-	901 352 988 00	clamping ring		2	
-	901 351 955 10	safety seal		1	
-	901 351 955 10	safety seal		1	
>>	>>695 355 930 00	repair kit for brake master cylinder comprising:	-68	1	911 /S
-	695 355 908 00	valve		1	
-	695 355 912 00	boot		1	
-	695 355 914 00	piston		1	
-	695 355 915 00	boot		1	
-	695 355 917 00	circlip		1	

Model	Year	MG	SG	Illustration	Restrictions	UPD	17:59	22.01.2010
911-1	1969	6	98	698-00R		248		

Pos	Part Number	Description	Remark	Qty	Model
-	695 355 920 00	protection cap		1	
>>	>>901 355 930 00	repair kit for brake master cylinder comprising:		1	
-	930 355 915 00	support ring		5	
-	901 355 931 00	piston		1	
-	901 355 916 00	boot	-68	4	
-	914 355 911 00	boot	69	2	
-	901 355 934 00	piston		1	
-	695 355 915 00	boot	-68	1	
-	911 355 915 00	boot	69	1	
-	N 013 804 2	sealing ring	-68	1	
-	901 355 949 00	sealing ring	69	1	
-	695 355 917 00	circlip	-68	1	
-	911 355 917 00	circlip	69	1	
-	901 355 924 00	protection cap		1	

Model	Year	MG	SG	Illustration	Restrictions	UPD	17:59	22.01.2010	PORSCHE	PET	PORSCHE
911-1	1969	7	01	701-00		248					



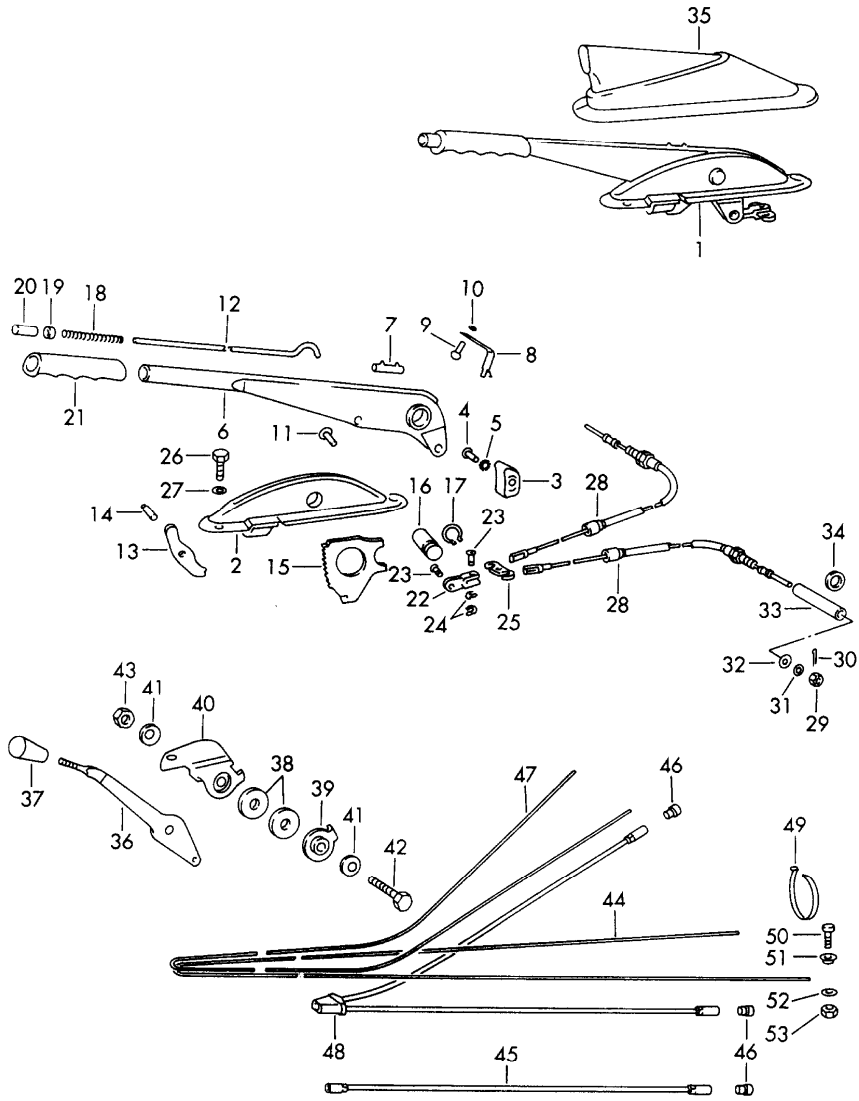
Pos	Part Number	Description	Remark	Qty	Model
		transmission control			
1	901 424 015 02	gearshift bracket		1	
2	901 424 017 00	stop plate		1	
3	901 424 133 00	compression spring		2	
4	901 424 115 00	guiding rod		2	
5	N 012 435 1	washer 5		4	
6	901 424 011 02	gearshift lever up to model a		1	
(6)	914 424 016 00	gearshift lever as of model a		1	
7	901 424 104 01	gearshift knob up to model a		1	
(7)	901 424 013 00	gearshift knob 4-speed as of model a		1	
(7)	901 424 014 00	gearshift knob 5-speed as of model a		1	
8	999 532 001 00	spacer AN 15 X 14 as of model a		1	
9	901 424 135 00	guide ring		1	
10	914 424 131 00	compression spring		1	
11	901 424 132 00	guide		1	
12	911 424 139 00	ball socket		1	
13	914 424 901 00	sealing sleeve		1	
14	901 424 029 00	bearing bracket	-68	1	
(14) A	930 424 031 00	bearing bracket	69	1	
(14)	930 424 031 01	bearing bracket	69-	1	
15	N 010 210 13	hexagon-head bolt M 6 X 10		2	
16	900 028 008 01	spring washer B 6		2	

Model	Year	MG	SG	Illustration	Restrictions	UPD	17:59	22.01.2010	PORSCHE	PET	PORSCHE
911-1	1969	7	01	701-00		248					

Pos	Part Number	Description	Remark	Qty	Model	Pos	Part Number	Description	Remark	Qty	Model
17	900 075 078 02	hexagon-head bolt M 8 X 15		3		33	900 108 012 00	ball 10 MM		2	
18	900 027 015 02	lock ring B 8		3		34	905 424 234 02	stop ring		1	
19	900 025 007 02	washer 8,4		1		35	905 424 107 02	straight pin		1	
(19)	900 031 001 02	washer 8,4		1	SPM	36	905 613 039 00	contact bush		1	
20	901 424 291 00	friction ring	-68	1		37	905 424 023 02	gearshift lever	/LL	1	
(20)	914 424 224 00	friction ring	69	1		(37)	905 424 026 00	gearshift lever	/RL	1	
21	901 424 021 01	gear shift rod		1		38	911 424 077 01	gearshift knob 4-speed		1	
22	930 424 241 00	head shift rod		1							
23	901 424 229 00	conical screw	-68	2							
-	900 901 010 05	wire pull	-68	X							
(23)	901 424 229 00	conical screw	69	2							
24	911 424 024 04	shift rod coupling		1							
25	914 424 214 00	clamp		1							
26	900 074 140 02	hexagon-head bolt M 8 X 32		1							
(26)	N 040 222 2	hexagon-head bolt M 8 X 32		1							
27	999 523 102 02	lock washer M 8		1							
28	900 076 025 02	hexagon nut M 8		1							
29	901 424 292 01	sealing bellows inner		1							
30	901 424 293 00	sealing bellows outer		1							
		gearshift lever for sportomatic									
31	905 424 024 02	gearshift lever lower part		2							
32	905 424 111 02	compression spring		2							

Model	Year	MG	SG	Illustration	Restrictions	UPD	17:59	22.01.2010	PORSCHE	PET	PORSCHE
911-1	1969	7	01	701-05		248					

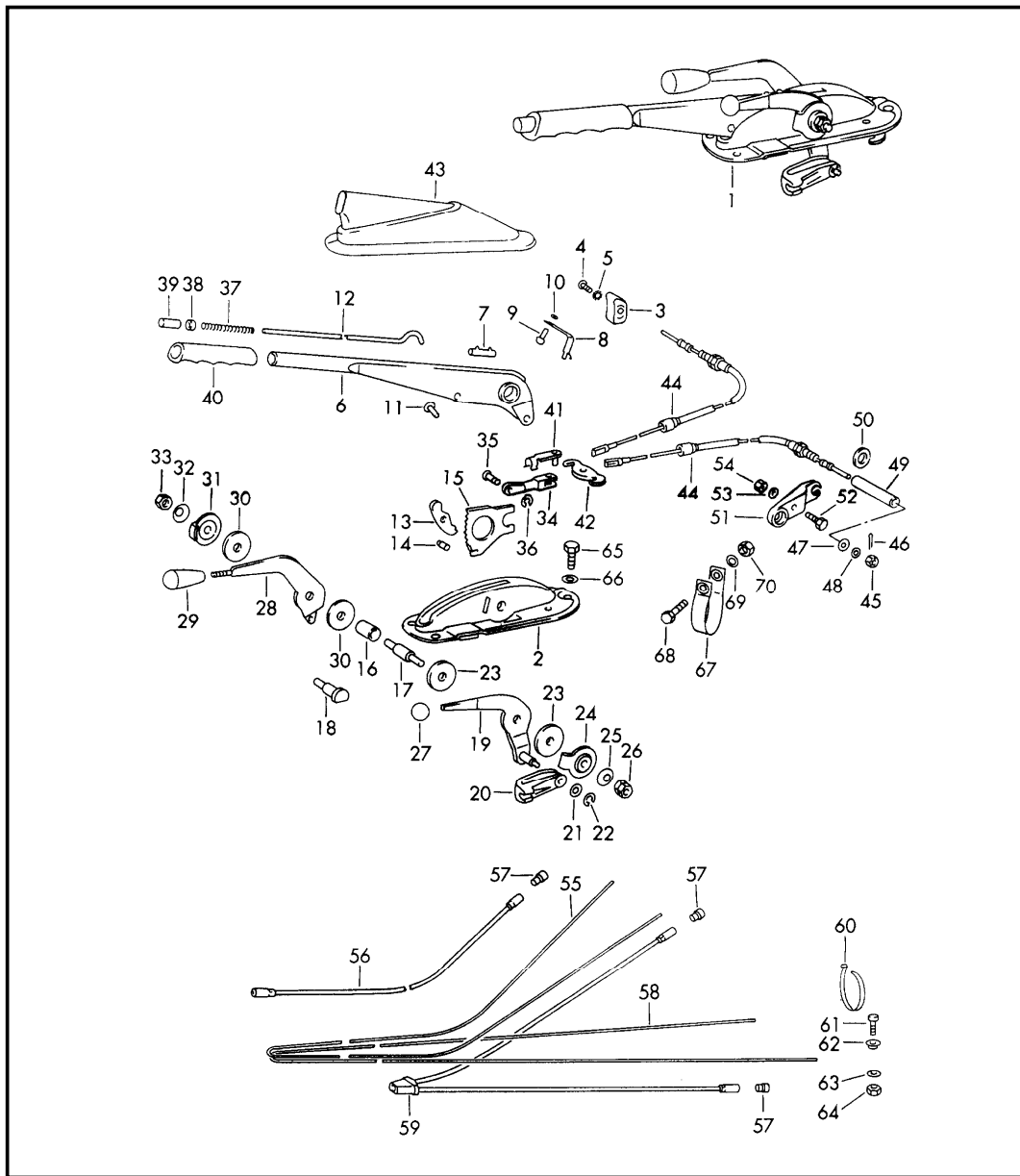
Pos	Part Number	Description	Remark	Qty	Model
			-67		
1	901 424 051 01	handbrake heating actuator		1	
2	901 424 058 02	parking-brake lever complete		1	
3	901 613 521 20	bearing bracket		1	
4	900 613 521 20	contact switch for indicator light handbrake see group 9/03/10		1	
5	900 015 025 02	oval-head screw AM 4 X 15		1	
6	N 012 116 1	serrated lock washer A 4,3		1	
7	911 424 059 00	parking-brake lever		1	
8	901 424 509 01	stop		1	
9	901 613 523 20	contact bow for indicator light handbrake see group 9/03/10		1	
10	900 055 001 20	buttonhead rivet 2,6 X 6		1	
11	900 031 012 10	washer 2,8		1	
12	900 206 003 00	tubular rivet 5 X 0,5 X 10		1	
13	901 424 567 03	push rod		1	
14	901 424 508 00	pawl		1	
15	901 424 511 00	bolt		1	
16	901 424 541 01	locking segment		1	
17	901 424 545 00	bolt		1	
18	900 041 023 01	circlip 14 X 1		2	
19	901 424 543 00	compression spring		1	



Model	Year	MG	SG	Illustration	Restrictions	UPD	17:59	22.01.2010	PORSCHE	PET	PORSCHE
911-1	1969	7	01	701-05		248					

Pos	Part Number	Description	Remark	Qty	Model	Pos	Part Number	Description	Remark	Qty	Model
19	901 424 593 01	ring		1		42	900 074 131 02	hexagon-head bolt M 8 X 28		1	
20	901 424 523 01	push button		1		43	900 084 004 02	hexagon nut M 8		1	
21	901 424 521 01	handle		1		43	900 084 004 03	hexagon nut M 8		1	
22	901 424 569 01	fork		1		44	901 424 701 05	wire pull for heating		1	911
23	999 166 010 02	bolt A6 X 16 X 13		2		(44)	901 424 701 05	wire pull for heating not for (S) old version		1	912
24	999 166 008 02	lock		2		(44)	901 424 701 05	wire pull for heating for (D) (S)		1	912
25	901 424 568 00	turnbuckle		1		45	901 424 704 01	guide		2	911
26	900 075 078 02	hexagon-head bolt M 8 X 15		3		46	914 504 319 00	grommet		2	
27	900 027 015 02	lock ring B 8		3		47	901 424 701 05	wire pull for heating not for (D) (S)		1	912
28	901 424 551 12	parking-brake cable		2		48	902 424 705 01	guide not for (D) (S)		1	912
28	901 424 551 15	parking-brake cable		2		49	999 513 002 40	hose clamp		2	912
29	900 079 012 02	castle nut M 6		2		50	644 24 509	clamping screw		2	912
30	N 012 507 1	cotter pin 1,5 X 15		2		51	644 24 510	clamping sleeve		2	912
31	900 151 006 09	washer B 6,4		2		52	900 025 002 02	washer 4,3		2	912
32	N 011 524 7	washer 6,4		X		53	N 011 004 6	hexagon nut M 4		2	912
33	901 424 557 00	spacer tube		2							
34	695 424 611 00	friction ring		2							
35	923 424 591 00	sleeve		1							
36	901 424 711 03	lever for heating		1							
37	695 424 792 00	handle		1							
38	911 424 737 00	washer		2							
39	911 424 735 04	disc		1							
40	901 424 721 01	bearing		1							
41	999 523 006 00	cup spring		2							

Model	Year	MG	SG	Illustration	Restrictions	UPD	17:59	22.01.2010	PORSCHE	PET	PORSCHE
911-1	1969	7	01	701-10		248					



Pos	Part Number	Description	Remark	Qty	Model
		handbrake manual throttle heating actuator	68-		
1	901 424 051 02	parking-brake lever complete	(USA)	1	911 L/S/T/E 911
(1)	902 424 051 00	parking-brake lever complete		1	911 TU 912
2	901 424 058 02	bearing bracket		1	
3	901 613 521 20	contact switch for indicator light handbrake see group 9/03/10		1	
4	900 015 025 02	oval-head screw AM 4 X 15		1	
5	N 012 116 1	serrated lock washer A 4,3		1	
6	911 424 059 00	parking-brake lever		1	
7	901 424 509 01	stop		1	
8	901 613 523 20	contact bow for indicator light handbrake see group 9/03/10		1	
9	900 055 001 20	buttonhead rivet 2,6 X 6		1	
10	900 031 012 10	washer 2,8		1	
11	900 206 003 00	tubular rivet 5 X 0,5 X 10		1	
12	901 424 567 03	push rod		1	
13	901 424 508 00	pawl		1	
14	901 424 511 00	bolt		1	
15	901 424 541 01	locking segment	-68	1	
(15)	914 424 541 00	locking segment	69	1	
16	901 424 513 00	spacer sleeve		1	

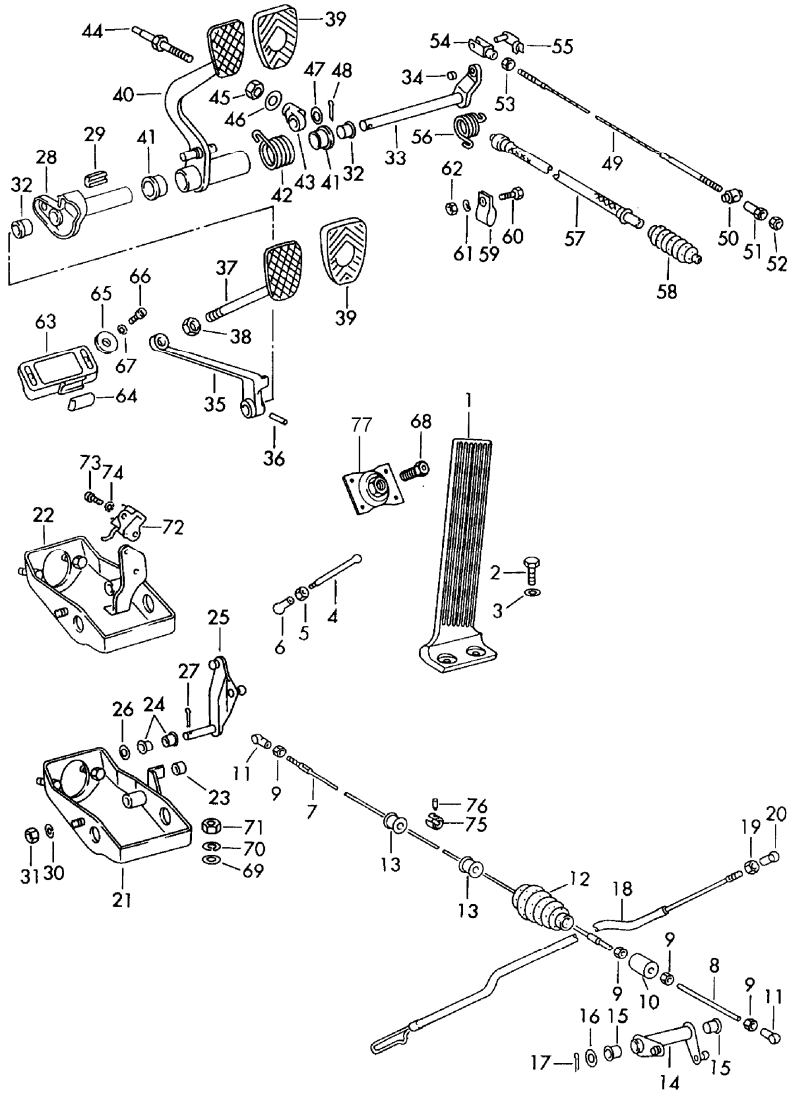
Model	Year	MG	SG	Illustration	Restrictions	UPD	17:59	22.01.2010	PORSCHE	PET	PORSCHE
911-1	1969	7	01	701-10		248					

Pos	Part Number	Description	Remark	Qty	Model	Pos	Part Number	Description	Remark	Qty	Model
17	901 424 519 00	bolt	(USA)	1	911 L/S/T/E 911	37	901 424 543 00	compression spring		1	
18	902 424 515 00	bolt		1	911 TU 912	38	901 424 593 01	ring		1	
19	901 424 037 00	lever for manual throttle	(USA)	1	911 L/S/T/E 911	39	901 424 523 01	push button		1	
20	901 424 317 00	valve lever	(USA)	1	911 L/S/T/E 911	40	901 424 521 01	handle		1	
21	N 011 524 7	washer 6,4	(USA)	1	911 L/S/T/E 911	41	999 166 001 02	bolt 6 X 24		1	
22	N 012 435 1	washer 5	(USA)	1	911 L/S/T/E 911	42	901 424 568 00	turnbuckle		1	
23	911 424 737 00	washer	(USA)	2	911 L/S/T/E 911	43	923 424 591 00	sleeve		1	
24	911 424 735 04	disc	(USA)	1	911 L/S/T/E 911	44	901 424 551 12	parking-brake cable	-68	2	
25	999 523 006 00	cup spring	(USA)	2	911 L/S/T/E 911	(44)	901 424 551 13	parking-brake cable	69	2	
26	999 084 019 02	hexagon nut M 8	(USA)	1	911 L/S/T/E 911	45	900 079 012 02	castle nut M 6		2	
27	901 424 323 00	handle	(USA)	1	911 L/S/T/E 911	46	N 012 507 1	cotter pin 1,5 X 15		2	
28	901 424 711 03	lever for heating		1		47	900 151 006 09	washer B 6,4		2	
29	695 424 792 00	handle		-68		48	N 011 524 7	washer 6,4		X	
(29)	914 424 792 01	handle		69		49	901 424 557 00	spacer tube	-68	2	
30	911 424 737 00	washer		2		(49)	901 424 557 01	spacer tube	69	2	
31	911 424 735 04	disc		1		50	695 424 611 00	friction ring	-68	2	
32	999 523 006 00	cup spring		1		51	901 424 561 01	guide left	69	1	
33	999 084 019 02	hexagon nut M 8		1		(51)	901 424 562 01	guide right	69	1	
34	901 424 569 01	fork		1		52	900 075 014 02	hexagon-head bolt M 6 X 18	69	2	
35	999 166 010 02	bolt A6 X 16 X 13		2		53	900 028 008 01	spring washer B 6	69	2	
36	999 166 008 02	kl-lock		1		54	900 076 010 02	hexagon nut M 6	69	2	
						55	901 424 701 05	wire pull for heating	-68	1	911

Model	Year	MG	SG	Illustration	Restrictions	UPD	17:59	22.01.2010	PORSCHE	PET	PORSCHE
911-1	1969	7	01	701-10		248					

Pos	Part Number	Description	Remark	Qty	Model	Pos	Part Number	Description	Remark	Qty	Model
(55)	901 424 701 05	wire pull for heating not for (D) (S)	-68	1	912						
(55)	901 424 701 05	wire pull for heating	69	1							
56	901 424 704 01	guide		2							
57	914 504 319 00	grommet		2							
58	901 424 701 05	wire pull for heating not for (D) (S)	-68	1	912						
(58)	902 424 701 02	wire pull for heating	69	1	912						
59	902 424 705 01	guide		2	912						
60	999 513 002 40	hose clamp		2	912						
61	644 24 509	clamping screw		2	912						
62	644 24 510	clamping sleeve		2	912						
63	900 025 002 02	washer 4,3		2	912						
64	N 011 004 6	hexagon nut M 4		2	912						
65	900 075 078 02	hexagon-head bolt M 8 X 15		3							
66	900 027 015 02	lock ring B 8		3							
67	999 706 009 80	suspension strap	69	1							
67	911 424 341 01	suspension strap	69	1							
68	900 075 057 02	hexagon-head bolt M 6 X 16	69	1							
69	900 028 008 01	spring washer B 6	69	1							
70	900 076 010 02	hexagon nut M 6	69	1							

Model	Year	MG	SG	Illustration	Restrictions	UPD	18:00	22.01.2010	PORSCHE	PET	PORSCHE
911-1	1969	7	02	702-00		248					



Pos	Part Number	Description	Remark	Qty	Model
		pedals for cars with manual transmission	/LL		
1	901 423 010 00	accelerator pedal		1	
2	N 010 215 13	hexagon-head bolt M 6 X 15		2	
3	900 151 006 09	washer B 6,4		2	
4	914 423 227 00	push rod		1	
5	900 076 027 02	hexagon nut M 5		2	
6	N 015 521 3	ball socket A 8		2	
7	PCG 423 024 00	throttle linkage		1	
8	901 423 223 01	extension rod		2	
9	900 076 027 02	hexagon nut M 5		4	
10	911 423 081 02	connecting piece	-68	1	
(10)	911 423 081 02	connecting piece	69	1	912 911 T
(10)	911 423 081 02	connecting piece	69	1	911 E/S
11	N 015 521 3	ball socket A 8		2	
12	911 423 593 01	sealing sleeve		1	
13	901 423 227 00	bush		3	
14	901 423 027 02	reverse lever with bush	-68	1	
(14)	901 423 027 03	reverse lever	69	1	
15	914 423 211 00	bush		2	
16	900 025 008 02	washer 10,5		1	
17	N 012 530 1	cotter pin 3 X 15		1	
18	901 423 026 02	throttle linkage	-68	1	

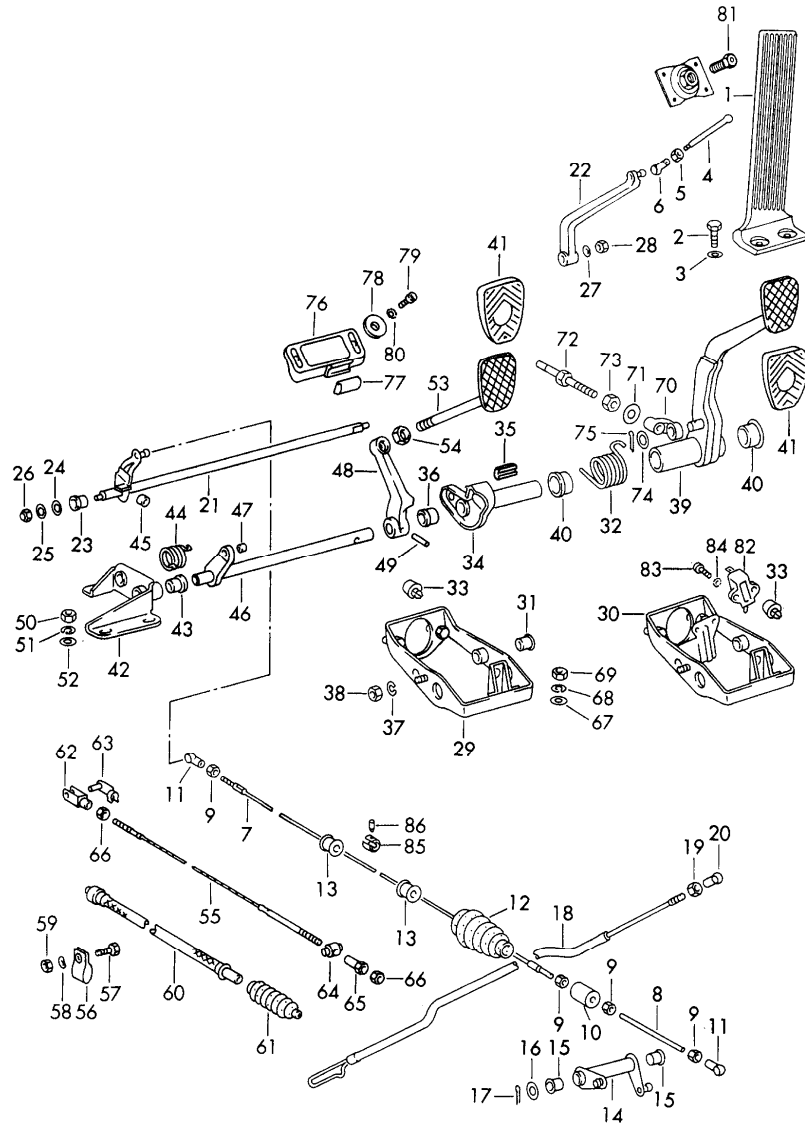
Model	Year	MG	SG	Illustration	Restrictions	UPD	18:00	22.01.2010	PORSCHE	PET	PORSCHE
911-1	1969	7	02	702-00		248					

Pos	Part Number	Description	Remark	Qty	Model	Pos	Part Number	Description	Remark	Qty	Model
(18)	901 423 026 03	throttle linkage	69	1		40	901 423 053 02	brake pedal		1	
19	900 076 027 02	hexagon nut M 5		1		41	911 423 542 00	bush		2	
20	N 015 521 3	ball socket A 8		1		42	901 423 531 00	return spring		1	
21	901 423 015 02	bearing bracket	-67	1		43	901 423 507 02	intermediate piece		1	
22	911 423 065 02	bearing bracket	68-	1		44	901 423 057 05	piston rod	-67	1	
23	901 423 193 00	rubber stop		1		44	901 423 057 04	piston rod	68-	1	
24	901 423 253 00	bearing sleeve		2		45	900 158 003 02	hexagon nut M 10		1	
25	901 423 250 02	reverse lever front		1		46	901 423 157 00	stop washer	68-	1	
26	900 031 001 02	washer 8,4		1		47	N 011 564 2	washer 13		1	
27	900 021 008 00	cotter pin 2 X 15		1		48	900 021 015 00	cotter pin 3 X 20		1	
28	901 423 035 00	bearing tube		1		49	901 423 401 01	clutch cable		1	
29	901 423 391 00	rubber stop		1		50	901 423 327 00	bolt		1	
30	900 027 015 02	lock ring B 8		3		51	695 423 407 00	adjusting nut		1	
31	N 011 151 3	hexagon nut M 8		1		52	N 011 007 3	hexagon nut M 7		1	
32	911 423 341 01	bush		2		53	900 076 010 02	hexagon nut M 6		1	
33	901 423 320 01	clutch pedal shaft		2		54	900 166 002 02	clevis G 6 X 24		1	
34	901 423 343 00	bush		1		55	999 166 001 02	bolt		1	
-	911 423 219 03	spacer sleeve	69	1	911	56	901 423 317 00	steering knuckle spring F 030 5101 >> F 035 4001 >> F 045 8101 >>		1	911 912 912
35	901 423 312 00	clutch pedal lower part		1		57	901 423 421 02	breather hose	-68	1	
36	900 309 002 00	roll pin S 6 X 28		1		(57)	901 423 421 02	hose	69	1	
37	901 423 033 00	clutch pedal upper part		1		58	695 423 922 00	sealing sleeve		1	
38	900 183 002 02	hexagon nut M 14 X 1,5		1		59	999 706 009 80	suspension strap		1	
39	914 423 210 00	rubber pad		2		59	911 424 341 01	suspension strap		1	
						60	900 075 014 02	hexagon-head bolt M 6 X 18	-68	1	

Model	Year	MG	SG	Illustration	Restrictions	UPD	18:00	22.01.2010	PORSCHE	PET	PORSCHE
911-1	1969	7	02	702-00		248					

Pos	Part Number	Description	Remark	Qty	Model	Pos	Part Number	Description	Remark	Qty	Model
(60)	900 075 057 02	hexagon-head bolt M 6 X 16	69	1							
61	900 028 008 01	spring washer B 6		1							
62	900 076 010 02	hexagon nut M 6		1							
63	901 423 360 00	stop for clutch pedal		1							
64	901 423 391 00	rubber stop 30 MM		1							
65	901 423 368 00	desk pad		2							
66	900 119 025 02	pan-head screw M 5 X 15		2							
67	N 012 130 2	shake-proof washer A 5,3		2							
68	901 551 671 20	hexagon-head bolt		1							
69	900 025 007 02	washer 8,4		2							
70	900 027 015 02	lock ring B 8		2							
71	900 076 025 02	hexagon nut M 8		2							
72	911 613 411 00	brake light switch		1							
73	900 146 011 02	oval-head screw AM 4 X 10		2							
74	900 114 014 01	shake-proof washer A 4,3		2							
75	901 424 319 00	screw nipple		1							
76	N 013 114 1	pin		1							
77	901 551 065 20	stop for accelerator pedal		1							

Model	Year	MG	SG	Illustration	Restrictions	UPD	18:00	22.01.2010	PORSCHE	PET	PORSCHE
911-1	1969	7	02	702-05		248					



Pos	Part Number	Description	Remark	Qty	Model
		pedals for cars with manual transmission	/RL		
1	901 423 010 00	accelerator pedal		1	
2	N 010 215 13	hexagon-head bolt M 6 X 15		2	
3	900 151 006 09	washer B 6,4		2	
4	914 423 227 00	push rod		1	
5	900 076 027 02	hexagon nut M 5		2	
6	N 015 521 3	ball socket A 8		2	
7	PCG 423 024 00	throttle linkage		1	
8	901 423 223 01	extension rod		2	
9	900 076 027 02	hexagon nut M 5		4	
10	911 423 081 02	connecting piece	-68	1	
(10)	911 423 081 02	connecting piece	69	1	912 911 T
(10)	911 423 081 02	connecting piece	69	1	911 E/S
11	N 015 521 3	ball socket A 8		2	
12	911 423 593 01	sealing sleeve		1	
13	901 423 227 00	bush		2	
14	901 423 027 02	reverse lever	-68	1	
(14)	901 423 027 03	reverse lever	69	1	
15	914 423 211 00	bush		2	
16	900 025 008 02	washer 10,5		1	
17	N 012 530 1	cotter pin 3 X 15		1	
18	901 423 026 02	throttle linkage	-68	1	
(18)	901 423 026 03	throttle linkage	69	1	

Model	Year	MG	SG	Illustration	Restrictions	UPD	18:00	22.01.2010	PORSCHE	PET	PORSCHE
911-1	1969	7	02	702-05		248					

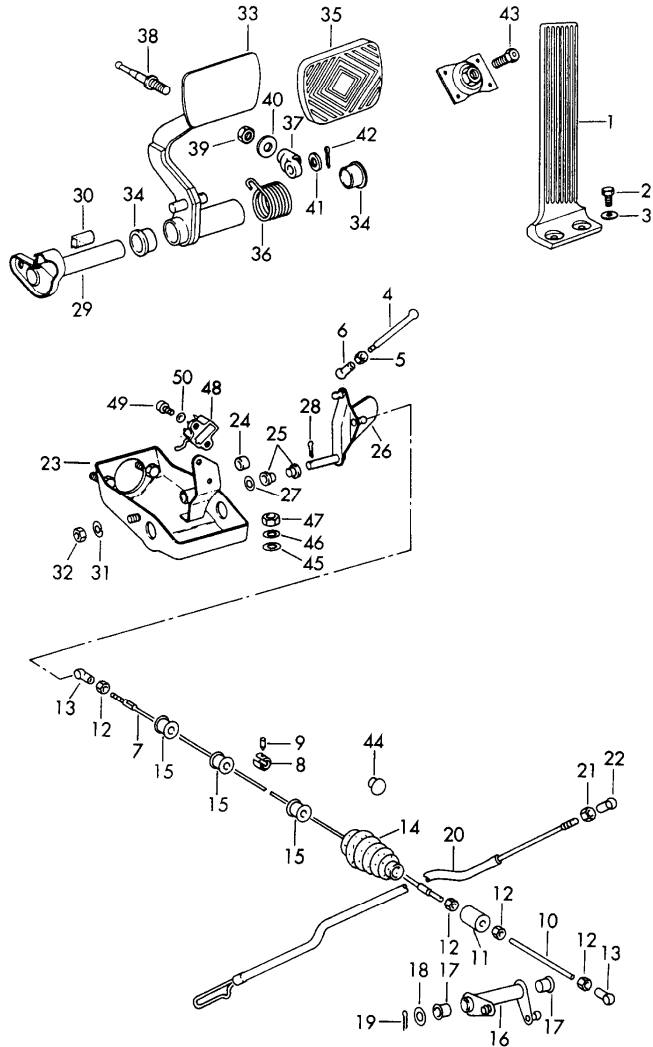
Pos	Part Number	Description	Remark	Qty	Model	Pos	Part Number	Description	Remark	Qty	Model
19	900 076 027 02	hexagon nut M 5		1		42	901 423 013 00	bearing bracket left		1	
20	N 015 521 3	ball socket A 8		1		43	911 423 341 01	bush		1	
21	901 423 556 00	shaft for accelerator control		1		44	901 423 318 00	steering knuckle spring	NOV. 66-	1	
22	901 423 022 00	lever		1		45	901 423 193 00	rubber stop		1	
23	914 423 211 00	bearing sleeve		1		46	901 423 032 00	clutch pedal shaft		2	
24	911 423 225 00	washer		3		47	901 423 343 00	bush		1	
25	900 151 006 09	washer B 6,4		1		-	911 423 219 03	spacer sleeve	69	1	911 T/E/S
26	900 084 010 02	hexagon nut M 6		1		48	901 423 314 00	clutch pedal lower part		1	
27	900 028 008 01	spring washer B 6		1		49	900 309 002 00	roll pin S 6 X 28		1	
28	900 076 010 02	hexagon nut M 6		1		50	900 076 025 02	hexagon nut M 8		3	
29	911 423 066 00	bearing bracket	-67	1		51	900 027 015 02	lock ring B 8		3	
30	911 423 066 00	bearing bracket	68-	1		52	900 025 007 02	washer 8,4		3	
31	914 423 211 00	bush		1		53	911 423 078 00	clutch pedal upper part		1	
32	901 423 532 00	return spring		1		54	900 183 002 02	hexagon nut M 14 X 1,5		1	
33	901 423 528 00	rubber stop		1		55	901 423 401 01	clutch cable		1	
34	901 423 034 00	bearing tube		1		56	999 706 009 80	suspension strap		1	
35	901 423 391 00	rubber stop		1		56	911 424 341 01	suspension strap		1	
36	911 423 341 01	bush		2		57	900 075 014 02	hexagon-head bolt M 6 X 18	-68	1	
37	900 027 015 02	lock ring B 8		3		(57)	900 075 057 02	hexagon-head bolt M 6 X 18	69	1	
38	N 011 151 3	hexagon nut M 8		1		58	900 028 008 01	spring washer B 6		1	
39	901 423 054 01	brake pedal		1		59	900 076 010 02	hexagon nut M 6		1	
40	911 423 542 00	bush		2		60	901 423 421 02	breather hose	-68	1	
41	914 423 210 00	rubber pad		2		(60)	901 423 421 02	hose	69	1	

Model	Year	MG	SG	Illustration	Restrictions	UPD	18:00	22.01.2010	PORSCHE	PET	PORSCHE
911-1	1969	7	02	702-05		248					

Pos	Part Number	Description	Remark	Qty	Model	Pos	Part Number	Description	Remark	Qty	Model
61	695 423 922 00	sealing sleeve		1		81	901 551 671 20	hexagon-head bolt		1	
62	900 166 002 02	clevis G 6 X 24		1		82	911 613 411 00	brake light switch	68-	1	
63	999 166 001 02	bolt		1		83	900 146 011 02	oval-head screw AM 4 X 10		2	
64	901 423 327 00	bolt		1		84	900 114 014 01	shake-proof washer A 4,3		2	
65	695 423 407 00	adjusting nut		1		85	901 424 319 00	screw nipple		1	
66	N 011 007 3	hexagon nut M 7		1		86	N 013 114 1	pin		1	
67	900 025 007 02	washer 8,4		2							
68	900 027 015 02	lock ring B 8		2							
69	900 076 025 02	hexagon nut M 8		2							
70	901 423 507 02	intermediate piece	-67	1							
(70)	901 423 507 02	intermediate piece	68-	1							
71	901 423 157 00	stop washer	-67	1							
72	901 423 057 01	piston rod	-67	1							
(72)	901 423 057 04	piston rod	68-	1							
73	900 158 003 02	hexagon nut M 10		1							
74	N 011 564 2	washer 13		1							
75	900 021 015 00	cotter pin 3 X 20		1							
76	901 423 360 00	stop for clutch pedal		1							
77	901 423 391 00	rubber stop 30 MM		1							
78	901 423 368 00	desk pad		2							
79	900 119 025 02	pan-head screw M 5 X 15		2							
80	N 012 130 2	shake-proof washer A 5,3		2							

Model	Year	MG	SG	Illustration	Restrictions	UPD	18:00	22.01.2010	PORSCHE	PET	PORSCHE
911-1	1969	7	02	702-10		248					

SPORTOMATIC



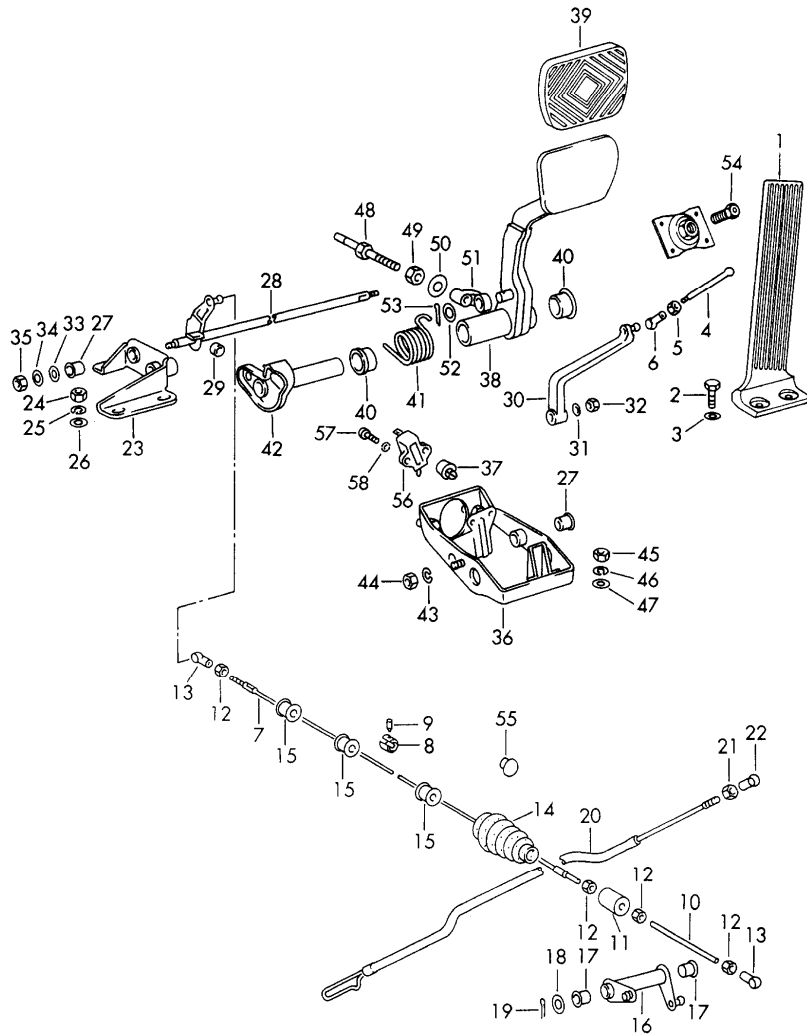
Pos	Part Number	Description	Remark	Qty	Model
		pedals	/LL		SPM
1	901 423 010 00	accelerator pedal		1	
2	N 010 215 13	hexagon-head bolt M 6 X 15		2	
3	900 151 006 09	washer B 6,4		2	
4	914 423 227 00	push rod		1	
5	900 076 027 02	hexagon nut M 5		1	
6	N 015 521 3	ball socket A 8		1	
7	905 423 024 00	throttle linkage		1	
8	901 424 319 00	screw nipple		1	
9	900 043 001 02	pin M 5 X 6		1	
10	901 423 223 01	extension rod		1	
11	911 423 081 02	connecting piece	-68	1	
(11)	911 423 081 02	connecting piece	69	1	911 T
(11)	911 423 081 02	connecting piece	69	1	911 E
12	900 076 027 02	hexagon nut M 5		4	
13	N 015 521 3	ball socket A 8		2	
14	914 423 593 00	sealing sleeve		1	
15	901 423 227 00	bush		3	
16	901 423 027 02	reverse lever with bush	-68	1	
(16)	901 423 027 03	reverse lever with bush	69	1	
17	914 423 211 00	bush		2	
18	900 025 008 02	washer 10,5		1	

Model	Year	MG	SG	Illustration	Restrictions	UPD	18:00	22.01.2010	PORSCHE	PET	PORSCHE
911-1	1969	7	02	702-10		248					

Pos	Part Number	Description	Remark	Qty	Model	Pos	Part Number	Description	Remark	Qty	Model
19	N 012 530 1	cotter pin 3 X 15		1		41	N 011 564 2	washer 13		1	
20	905 423 026 02	pull rod	-68	1		42	900 021 015 00	cotter pin 3 X 20		1	
(20)	905 423 026 02	throttle linkage	69	1	911 T	43	901 551 671 20	hexagon-head bolt		1	
(20)	905 423 026 03	throttle linkage	69	1	911 E	(44)	999 703 005 40	cap plug		1	
21	900 076 027 02	hexagon nut M 5		1		45	900 025 007 02	washer 8,4		2	
22	N 015 521 3	ball socket A 8		1		46	900 027 015 02	lock ring B 8		2	
23	911 423 065 02	bearing bracket		1		47	900 076 025 02	hexagon nut M 8		2	
24	901 423 193 00	rubber stop		1		48	911 613 411 00	brake light switch		1	
25	901 423 253 00	bearing sleeve		2		49	900 146 011 02	oval-head screw AM 4 X 10		2	
26	901 423 250 02	reverse lever front		1		50	900 114 014 01	shake-proof washer A 4,3		2	
27	900 031 001 02	washer 8,4		1							
28	900 021 008 00	cotter pin 2 X 15		1							
29	905 423 035 00	bearing tube		1							
30	905 423 391 00	protective strip		1							
31	900 027 015 02	lock ring B 8		1							
32	N 011 151 3	hexagon nut M 8		1							
33	905 423 053 00	brake pedal		1							
34	911 423 542 00	bush		2							
35	905 423 511 00	rubber pad		1							
36	905 423 531 00	return spring		1							
37	901 423 507 02	intermediate piece		1							
38	901 423 057 04	piston rod		1							
39	900 158 003 02	hexagon nut M 10		1							
40	901 423 157 00	washer	68-	1							

Model	Year	MG	SG	Illustration	Restrictions	UPD	18:00	22.01.2010	PORSCHE	PET	PORSCHE
911-1	1969	7	02	702-15		248					

SPORTOMATIC

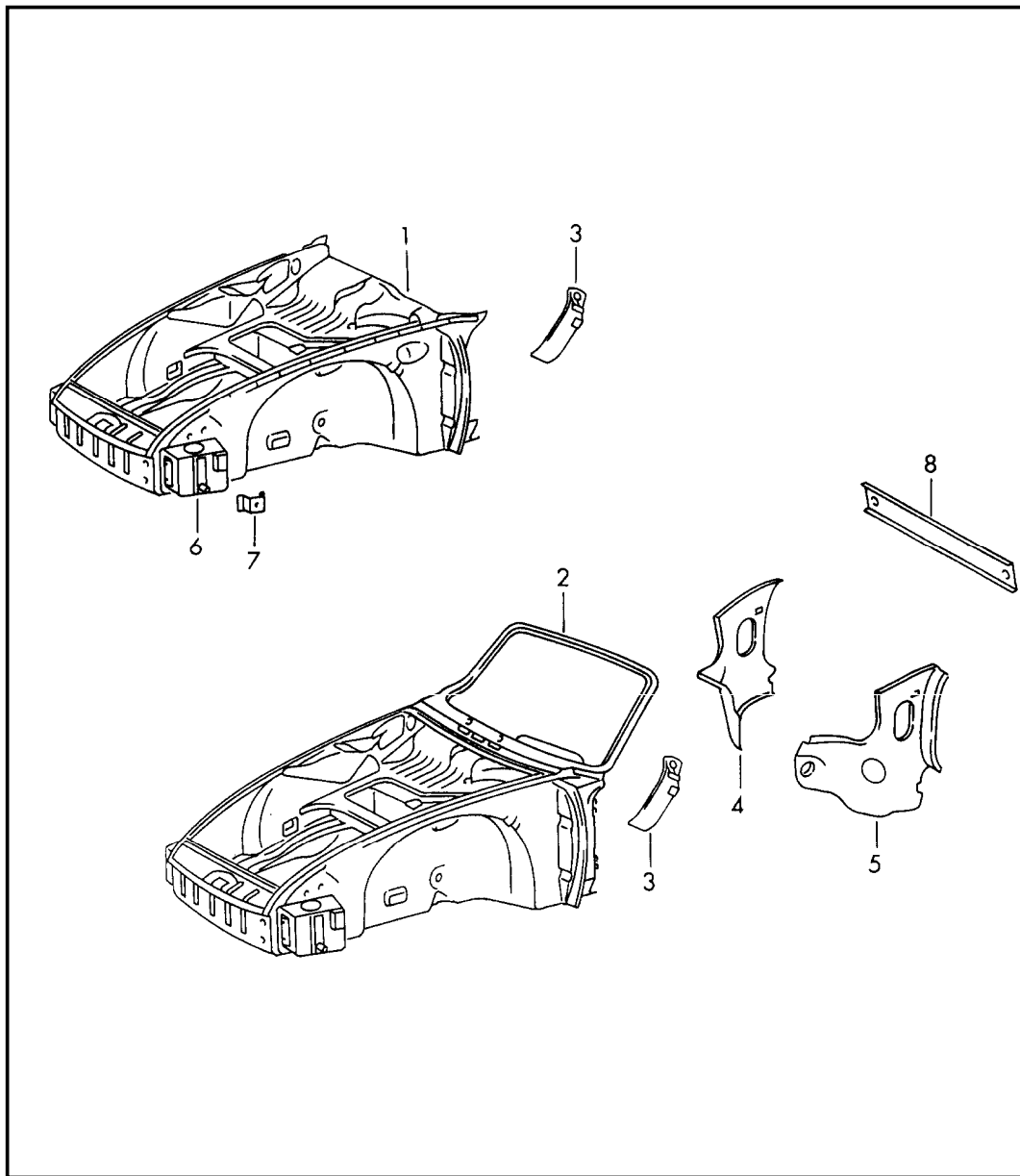


Pos	Part Number	Description	Remark	Qty	Model
		pedals	/RL	69	SPM
1	901 423 010 00	accelerator pedal		1	
2	N 010 215 13	hexagon-head bolt M 6 X 15		2	
3	900 151 006 09	washer B 6,4		2	
4	914 423 227 00	push rod		1	
5	900 076 027 02	hexagon nut M 5		1	
6	N 015 521 3	ball socket A 8		1	
7	905 423 024 00	throttle linkage		1	
8	901 424 319 00	screw nipple		1	
9	N 013 114 1	pin		1	
10	901 423 223 01	extension rod		1	
11	911 423 081 02	connecting piece		1	911 T
(11)	911 423 081 02	connecting piece		1	911 E
12	900 076 027 02	hexagon nut M 5		4	
13	N 015 521 3	ball socket A 8		2	
14	911 423 593 01	sealing sleeve		1	
15	901 423 227 00	bush		3	
16	901 423 027 03	reverse lever with bush		1	
17	914 423 211 00	bush		2	
18	900 025 008 02	washer 10,5		1	
19	N 012 530 1	cotter pin 3 X 15		1	
20	905 423 026 02	throttle linkage		1	911 T
(20)	905 423 026 03	throttle linkage		1	911 E

Model	Year	MG	SG	Illustration	Restrictions	UPD	18:00	22.01.2010	PORSCHE	PET	PORSCHE
911-1	1969	7	02	702-15		248					

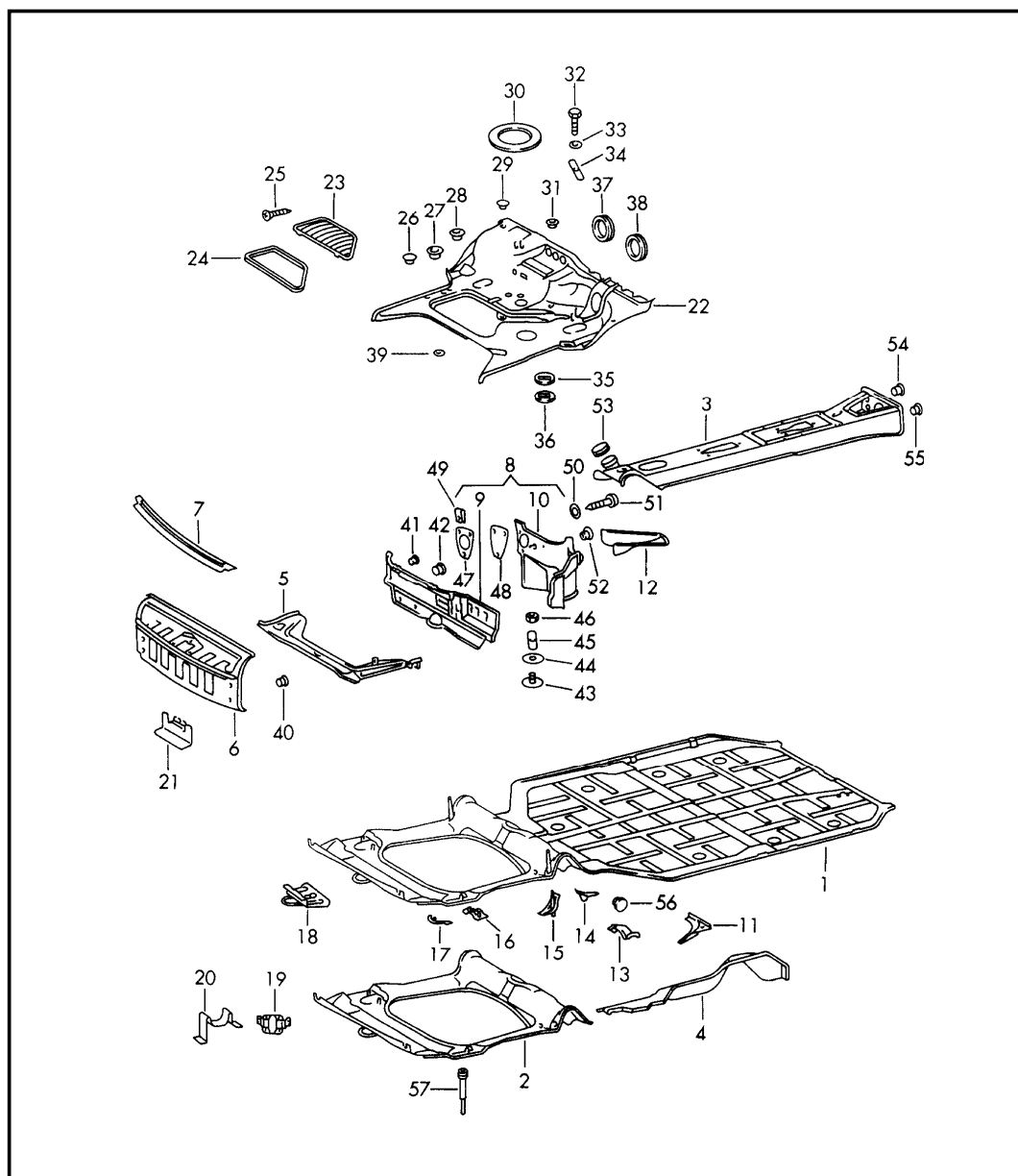
Pos	Part Number	Description	Remark	Qty	Model	Pos	Part Number	Description	Remark	Qty	Model
21	900 076 027 02	hexagon nut M 5		1		43	900 027 015 02	lock ring B 8		1	
22	N 015 521 3	ball socket A 8		1		44	N 011 151 3	hexagon nut M 8		1	
23	901 423 013 00	bearing bracket left		1		45	900 076 025 02	hexagon nut M 8		2	
24	900 076 025 02	hexagon nut M 8		3		46	900 027 015 02	lock ring B 8		2	
25	900 027 015 02	lock ring B 8		3		47	900 025 007 02	washer 8,4		2	
26	900 025 007 02	washer 8,4		3		48	901 423 057 04	piston rod		1	
27	914 423 211 00	bush		1		49	900 158 003 02	hexagon nut M 10		1	
28	901 423 556 00	shaft		1		50	901 423 157 00	washer		1	
29	901 423 193 00	rubber stop		1		51	901 423 507 02	intermediate piece		1	
30	901 423 022 00	lever		1		52	N 011 564 2	washer 13		1	
31	900 028 008 01	spring washer B 6		1		53	900 021 015 00	cotter pin 3 X 20		1	
32	900 076 010 02	hexagon nut M 6		1		54	901 551 671 20	hexagon-head bolt		1	
33	911 423 225 00	washer		3		55	999 703 005 40	stopper		1	
34	900 151 006 09	washer B 6,4		1		56	911 613 411 00	brake light switch		1	
35	900 084 010 02	hexagon nut M 6		1		57	900 146 011 02	oval-head screw AM 4 X 10		2	
36	911 423 066 00	bearing bracket		1		58	900 114 014 01	shake-proof washer A 4,3		2	
37	901 423 528 00	rubber stop		1							
38	905 423 054 00	brake pedal		1							
39	905 423 511 00	rubber pad		1							
40	911 423 542 00	bush		2							
41	905 423 531 00	return spring		1							
42	905 423 035 00	bearing tube		1							
-	905 423 391 00	protective strip		1							

Model	Year	MG	SG	Illustration	Restrictions	UPD	18:00	22.01.2010	PORSCHE	PET	PORSCHE
911-1	1969	8	01	801-05		248					



Pos	Part Number	Description	Remark	Qty	Model
		body front section			
(1)	901 501 005 21	body front section	(USA)	-68	1 COUPE+TARGA
(1)	901 501 005 22	body front section	(USA)	-68	1 COUPE
1	901 501 005 23	body front section	/LL	69-	1 COUPE+TARGA
(1)	901 501 005 24	body front section	/RL	69-	1 COUPE
(2)	901 501 005 40	body front section		-68	1 TARGA
2	901 501 005 42	body front section	/LL	69-	1 TARGA
(3)	901 501 411 20	connecting piece	/L	-68	1 COUPE
(3)	901 501 411 40	connecting piece	/L	-68	1 TARGA
(3)	901 501 412 20	connecting piece	/R	-68	1 COUPE
(3)	901 501 412 40	connecting piece	/R	-68	1 TARGA
3	901 501 411 21	connecting piece	/L	69-	1 COUPE
(3)	901 501 411 41	connecting piece	/L	69-	1 TARGA
(3)	901 501 412 21	connecting piece	/R	69-	1 COUPE
(3)	901 501 412 41	connecting piece	/R	69-	1 TARGA
(4)	901 501 918 40	gusset plate		-68	1 TARGA
4	901 501 918 41	gusset plate	/R	69-	1 TARGA
5	901 501 917 41	gusset plate	/L	69-	1 TARGA
6	901 501 503 00	battery box	/L		1
		GRV			
(6)	901 501 504 00	battery box	/R		1
7	901 501 509 00	support			2
8	911 501 347 00	cowl panel support			1

Model	Year	MG	SG	Illustration	Restrictions	UPD	18:00	22.01.2010	PORSCHE	PET	PORSCHE
911-1	1969	8	01	801-10		248					



Pos	Part Number	Description	Remark	Qty	Model
		frame front			
(1)	901 501 051 30	floorpan	/LL	-68	1 912
1	901 501 051 31	floorpan	/LL		1
(1)	901 501 052 30	floorpan	/RL	-68	1
(1)	901 501 052 31	floorpan	/RL	69-	1
(2)	901 501 580 20	floorpan	/LL	-68	1
2	901 501 580 21	floorpan	/LL	69-	1
(2)	901 501 580 22	floorpan	/RL	-68	1 COUPE
(2)	901 501 580 23	floorpan	/RL	69-	1 COUPE
(3)	901 501 061 30	tunnel	/LL	-67	1
(3)	901 501 061 31	tunnel	/LL	68-	1
3	911 501 061 05	tunnel	/LL	69-	1
(3)	911 501 061 10	tunnel	/RL		1
(4)	901 501 023 20	fuel tank support holder	/L	-68	1
4	901 501 023 21	fuel tank support holder	/L	69-	1
(4)	901 501 024 20	fuel tank support holder	/LL/R	-68	1
(4)	901 501 024 23	fuel tank support holder	/LL/R	69-	1
(4)	901 501 024 22	fuel tank support holder	/RL/R	-68	1
(4)	901 501 024 24	fuel tank support holder	/RL/R	69-	1
(5)	901 501 049 20	fuel tank support		-68	1
5	901 501 049 21	fuel tank support		69-	1 911
(5)	902 501 049 21	fuel tank support		69-	1 912
(6)	901 501 031 20	cross panel		-67	1
6	901 501 031 21	cross panel		68-	1
7	901 501 310 20	bracket		69-	1
8	901 501 030 36	box wall			1

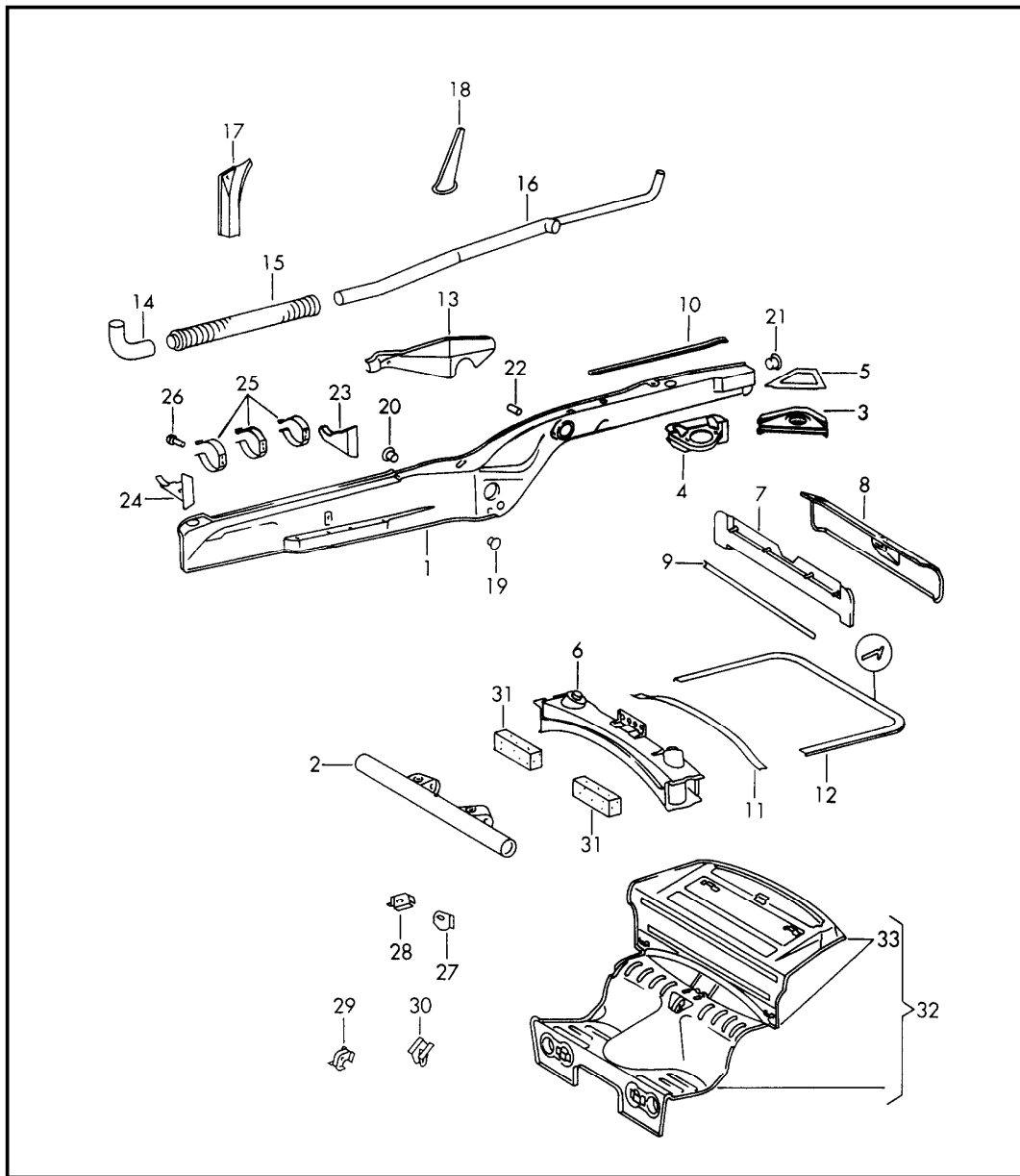
Model	Year	MG	SG	Illustration	Restrictions	UPD	18:00	22.01.2010	PORSCHE	PET	PORSCHE
911-1	1969	8	01	801-10		248					

Pos	Part Number	Description	Remark	Qty	Model	Pos	Part Number	Description	Remark	Qty	Model	
(9)	901 501 041 30	cross panel F >> 030 8069 F >> 050 0419 F >> 035 5414 F >> 046 2711 F >> 055 0271		-68	1	911	18	901 501 530 20	towing lug		1	
						911	19	901 501 472 21	support		1	
						912	20	901 501 571 21	bracket	-67	1	
						912	21	901 501 478 20	engine carrier	68-	1	
(9)	901 501 041 35	cross panel F 030 8070 >> F 050 0420 >> F 035 5415 >> F 046 2712 >> F 055 0272 >>		-68	1	911	(22)	901 501 035 20	boot floor plate	/LL	1	
						911		F >> 030 8069				
						912		F >> 050 0419				
						912		F >> 035 5414				
						912		F >> 046 2711				
						912		F >> 055 0271				
9	901 501 041 37	cross panel		69-	1							
(10)	901 501 043 30	box wall F >> 030 8069 F >> 050 0419 F >> 035 5414 F >> 046 2711 F >> 055 0271		-68	1	911	(22)	901 501 035 21	boot floor plate	/LL	68	1
						911		F 030 8070 >>				
						911		F 050 0420 >>				
						912		F 035 5415 >>				
						912		F 046 2712 >>				
						912		F 055 0272 >>				
(10)	901 501 043 31	box wall F 030 8070 >> F 050 0420 >> F 035 5415 >> F 046 2712 >> F 055 0272 >>		-68	1	911	(22)	901 501 035 22	boot floor plate	/LL	68	1
						911						
						912						
						912						
						912						
10	901 501 043 33	box wall		69-	1							
11	901 501 457 20	bracket	/L		1							
(11)	901 501 458 20	bracket	/R		1							
(12)	901 501 354 30	cup	/LL	-68	1							
12	901 501 354 32	cup	/LL	69-	1							
(12)	901 501 356 20	cup	/RL		1							
13	901 501 427 20	reinforcement			2							
14	901 501 063 23	bracket			2	23	901 504 043 02	cover	/LL	69-	1	
15	901 501 359 20	axle mounting	/L		1	(23)	902 504 044 00	cover	/RL	-68	1	912
(15)	901 501 360 20	axle mounting	/R		1	(23)	902 504 044 01	cover	/RL		1	
16	901 501 409 21	reinforcement plate	/L		1	(24)	902 504 491 20	gasket	/LL	-68	1	912
(16)	901 501 410 21	reinforcement plate	/R		1	(24)	901 504 491 30	gasket	/LL	-68	1	911
17	901 501 407 22	corner reinforcement	/L		1	24	911 504 491 02	gasket	/LL	69-	1	
(17)	901 501 408 22	corner reinforcement	/R		1	(24)	901 504 491 32	gasket	/RL		1	

Model	Year	MG	SG	Illustration	Restrictions	UPD	18:00	22.01.2010	PORSCHE	PET	PORSCHE
911-1	1969	8	01	801-10		248					

Pos	Part Number	Description	Remark	Qty	Model	Pos	Part Number	Description	Remark	Qty	Model
25	900 144 034 07	tapping screw B 4,2 X 16		4		43	902 504 079 20	lid		1	
26	999 703 056 40	stopper \$ 22	-68	1		44	999 704 203 40	sealing washer		1	
26	999 703 083 40	stopper \$ 14	69-	1		45	901 504 755 20	tensioning spring		1	
27	999 703 057 40	stopper \$ 18		1		46	999 084 102 02	lock nut		1	
(28)	999 703 058 40	stopper \$ 16	-68	2		47	901 572 567 31	retaining bracket	-68	1	
(28)	999 703 031 40	stopper \$ 30	-68	1		48	901 572 569 32	plate	-68	1	
28	999 703 098 40	stopper \$ 19	69-	1		49	999 507 002 02	speed nut	-68	1	
29	999 703 005 40	stopper \$ 12		1		50	900 025 003 02	washer 5,3	-68	3	
30	901 504 747 00	lid		1		51	900 187 004 02	hexagon-head tapping screw B 4,8 X 19	-68	3	
31	999 703 058 40	stopper \$ 16		1		52	999 703 003 40	stopper \$ 6,5	-68	1	
32	N 010 215 13	hexagon-head bolt M 6X15	-68	1		53	902 572 571 20	cap		1	
33	999 523 104 02	lock washer	-68	1		54	999 703 083 40	stopper \$ 14		1	
34	901 504 755 20	tensioning spring	-68	2		55	999 703 092 40	stopper \$ 14		2	
35	902 504 758 20	sealing washer	-68	1		56	999 703 033 40	stopper \$ 25	69-	4	
36	902 504 081 20	lid	-68	1		57	911 025 612 00	grommet	69-	2	
37	999 703 066 50	stopper		3							
38	999 703 067 50	stopper		3							
39	111 801 177	rubber valve	69-	4							
40	999 703 033 40	stopper \$ 25		4							
41	999 703 060 40	stopper \$ 5		2							
(42)	999 703 059 40	stopper \$ 5,3		2							
42	999 703 075 40	stopper \$ 15		1							

Model	Year	MG	SG	Illustration	Restrictions	UPD	18:01	22.01.2010	PORSCHE	PET	PORSCHE
911-1	1969	8	01	801-15		248					



Pos	Part Number	Description	Remark	Qty	Model
		frame centre rear			
(1)	901 501 961 21	side member	/L	-68	1 911
(1)	902 501 961 20	side member F >> 035 4435 F >> 045 9172	/L	-68	1 912
(1)	902 501 961 21	side member F 035 4436 >> F 045 9173 >>	/L	-68	1 912
(1)	901 501 961 23	side member	/L	69-	1 911
(1)	902 501 961 23	side member	/L	69-	1 912
(1)	901 501 961 43	side member	/L		1 911 TARGA
(1)	902 501 961 41	side member	/L	-68	1 912 TARGA
(1)	902 501 961 43	side member	/L	69-	1 912 TARGA
(1)	901 501 962 23	side member	/R	-68	1 911
(1)	902 501 962 20	side member F >> 035 4435 F >> 045 9172	/R	-68	1 912
(1)	902 501 962 21	side member F 035 4436 >> F 045 9173 >>	/R	-68	1 912
1	901 501 962 23	side member		69-	1 911
(1)	902 501 962 23	side member		69-	1 912
(1)	901 501 962 41	side member	/R	-68	1 911 TARGA
(1)	901 501 962 43	side member	/R	69-	1 911 TARGA
(1)	902 501 962 41	side member	/R	-68	1 912 TARGA
(1)	902 501 962 43	side member	/R	69-	1 912 TARGA
-	901 501 117 20	mounting plate side member rear	/L/R	69-	2
2	901 331 010 03	rear-axle cross-tube		-68	1
2	911 331 010 01	rear-axle cross-tube		69-	1
3	901 501 083 20	engine mounting	/H		2 911
(4)	902 501 083 21	engine mounting	/H/L		1 912

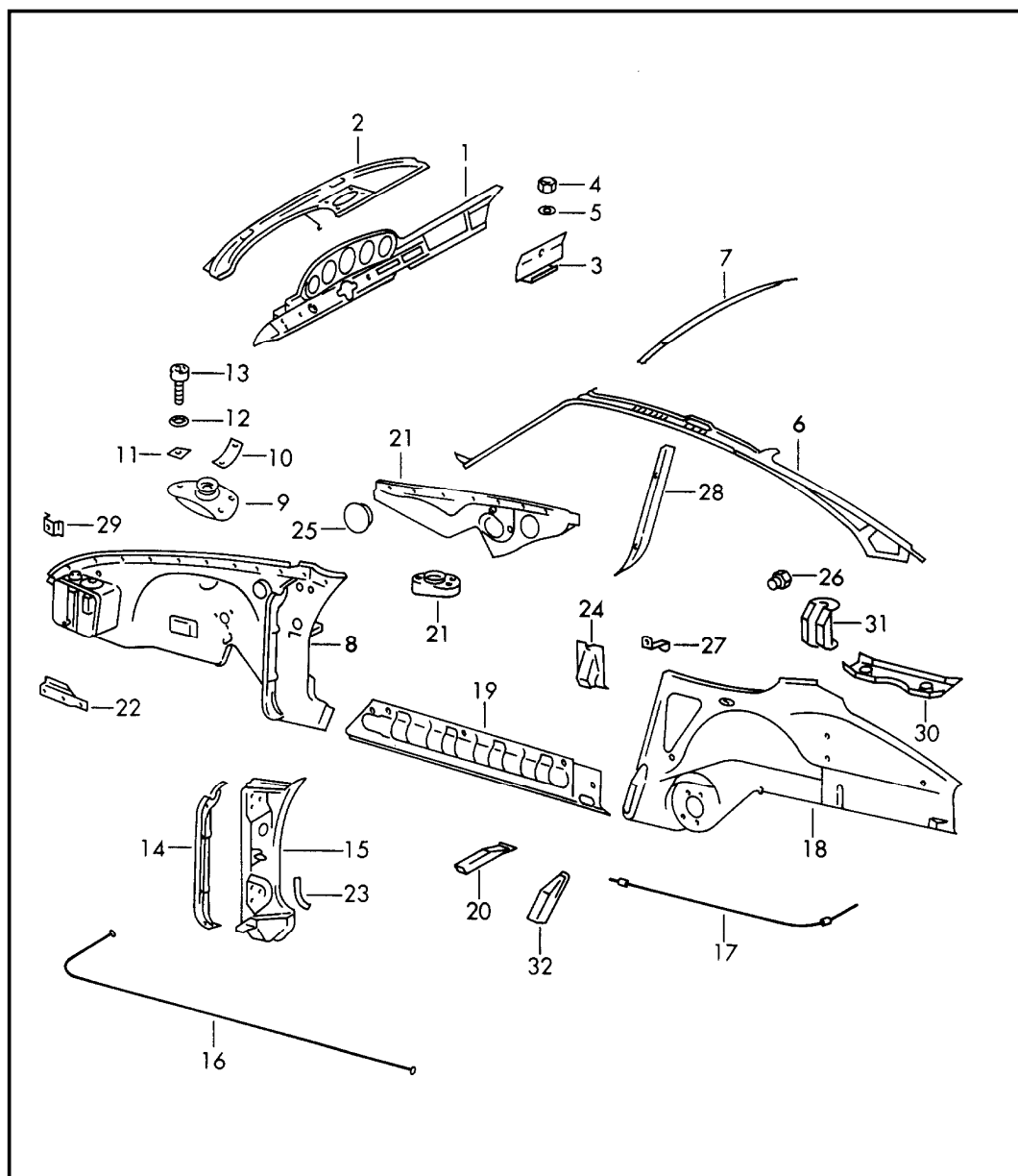
Model	Year	MG	SG	Illustration	Restrictions	UPD	18:01	22.01.2010	PORSCHE	PET	PORSCHE
911-1	1969	8	01	801-15		248					

Pos	Part Number	Description	Remark	Qty	Model	Pos	Part Number	Description	Remark	Qty	Model
4	902 501 084 21	engine mounting	/H/R	1	912	-	901 572 021 23	hot air line	/L	-68	1
5	902 501 847 21	corner reinforcement		2				comprising:			
(6)	901 501 075 21	cross member	/H	-68	1			picture			
6	901 501 075 21	cross member	/H	69-	1			14 - 16			
7	901 501 830 21	cross member inner	/H		1	14	901 572 211 21	hot air duct	/V	69-	2
8	901 501 087 20	cross member outer	/H		1	15	911 572 025 02	muffler not closed		69-	2
9	901 501 797 20	profile rail	/H		1	16	901 572 024 24	hot air duct	/H/R	69-	1
10	901 501 796 20	profile rail	/R		1	(16)	901 572 023 24	hot air duct	/H/L	69-	1
(10)	901 501 795 20	profile rail	/L		1	(17)	901 501 218 20	post bracket	/V/R	-68	1
11	901 504 991 20	engine compartment seal	/V		1	912	901 501 218 21	post bracket	/V/R	69-	1
(11)	911 504 115 00	engine compartment seal	/V		1	911	901 501 217 20	post bracket	/V/L	-68	1
12	901 504 993 21	engine compartment seal			1	(17)	901 501 217 21	post bracket	/V/L	69-	1
13	901 501 112 20	reinforcement plate	/R	-68	1	18	901 501 142 21	bracket	/R		1
(13)	901 501 111 20	reinforcement plate	/L	-68	1	(18)	901 501 141 21	bracket	/L		1
-	901 572 022 21	hot air line comprising: picture 14 - 16	/R	-68	1	19	999 703 043 40	stopper \$ 12			1
		F >> 030 5795				20	999 703 048 40	stopper \$ 15			1
		F >> 035 4435				21	999 703 098 40	stopper \$ 19			1
		F >> 045 9172				22	644 501 163 00	threaded bush			2
-	901 572 022 23	hot air line comprising: picture 14 - 16	/R	-68	1	23	901 501 263 20	pipe bracket	/L		2
		F 030 5796 >>				24	901 501 264 20	pipe bracket	/R		2
		F 035 4436 >>				25	901 501 128 20	retainer spring			6
		F 045 9173 >>				26	N 013 411 1	rivet 3 X 6			12
-	901 572 021 21	hot air line comprising: picture 14-16	/L	-68	1	27	901 502 615 40	bracket			1
		F >> 030 5795				28	901 502 038 40	bracket	/R		1
		F >> 035 4435				(28)	901 502 037 40	bracket	/L		1
		F >> 045 9172									

Model	Year	MG	SG	Illustration	Restrictions	UPD	18:01	22.01.2010	PORSCHE	PET	PORSCHE
911-1	1969	8	01	801-15		248					

Pos	Part Number	Description	Remark	Qty	Model	Pos	Part Number	Description	Remark	Qty	Model
29	911 501 041 00	bearing back seat		1							
30	911 501 729 00	bracket pneumatic spring mount		1							
31	911 504 930 00	strap		2							
32	901 501 071 00	seat well without sportomatic	-68	1							
32	901 501 071 01	seat well with sportomatic	-68	1							
32	901 501 038 40	seat well without sportomatic	-68	1	TARGA						
32	905 501 071 41	seat well with sportomatic	-68	1	TARGA						
33	901 502 081 20	rear wall	-68	1							
33	901 502 081 40	rear wall	-68	1	TARGA						

Model	Year	MG	SG	Illustration	Restrictions	UPD	18:01	22.01.2010	PORSCHE	PET	PORSCHE
911-1	1969	8	01	801-20		248					



Pos	Part Number	Description	Remark	Qty	Model
		interior panelling			COUPE
(1)	902 502 021 20	dashboard	/LL	1	912
(1)	901 502 021 20	dashboard F >> 030 5100 F >> 035 4000 F >> 045 8100	/LL	1	911 912 912
(1)	901 502 021 21	dashboard F 030 5101 >> F 035 4001 >> F 045 8101 >>	/LL	-67	1 911 912 912 912
1	901 502 021 24	dashboard	/LL	68-	1 911
(1)	901 502 021 22	dashboard	/LL	68-	1 912
(1)	901 502 022 20	dashboard F >> 030 5100 F >> 035 4000 F >> 045 8100	/RL	1	911 912 912
(1)	901 502 022 22	dashboard F 030 5101 >> F 035 4001 >> F 045 8101 >>	/RL	-68	1 911 912 912
(1)	901 502 022 24	dashboard	/RL	69-	1 912
(2)	901 502 023 22	dashboard	/LL	-67	1
2	901 502 023 24	dashboard	/LL	68	1
(2)	901 502 023 26	dashboard	/LL	69-	1
(2)	901 502 024 24	dashboard	/RL	68	1
(2)	901 502 024 26	dashboard	/RL	69-	1
3	901 552 051 20	glove compartment cover F >> 030 5100 F >> 035 4000 F >> 045 8100		1	911 912 912
(3)	901 552 010 00	glove compartment cover F 030 5101 >> F 035 4001 >> F 045 8101 >>		-68	1 911 912 912
(3)	901 552 010 00	glove compartment cover		69-	1
4	999 084 102 02	lock nut		2	
5	900 025 003 02	washer 5,3		2	

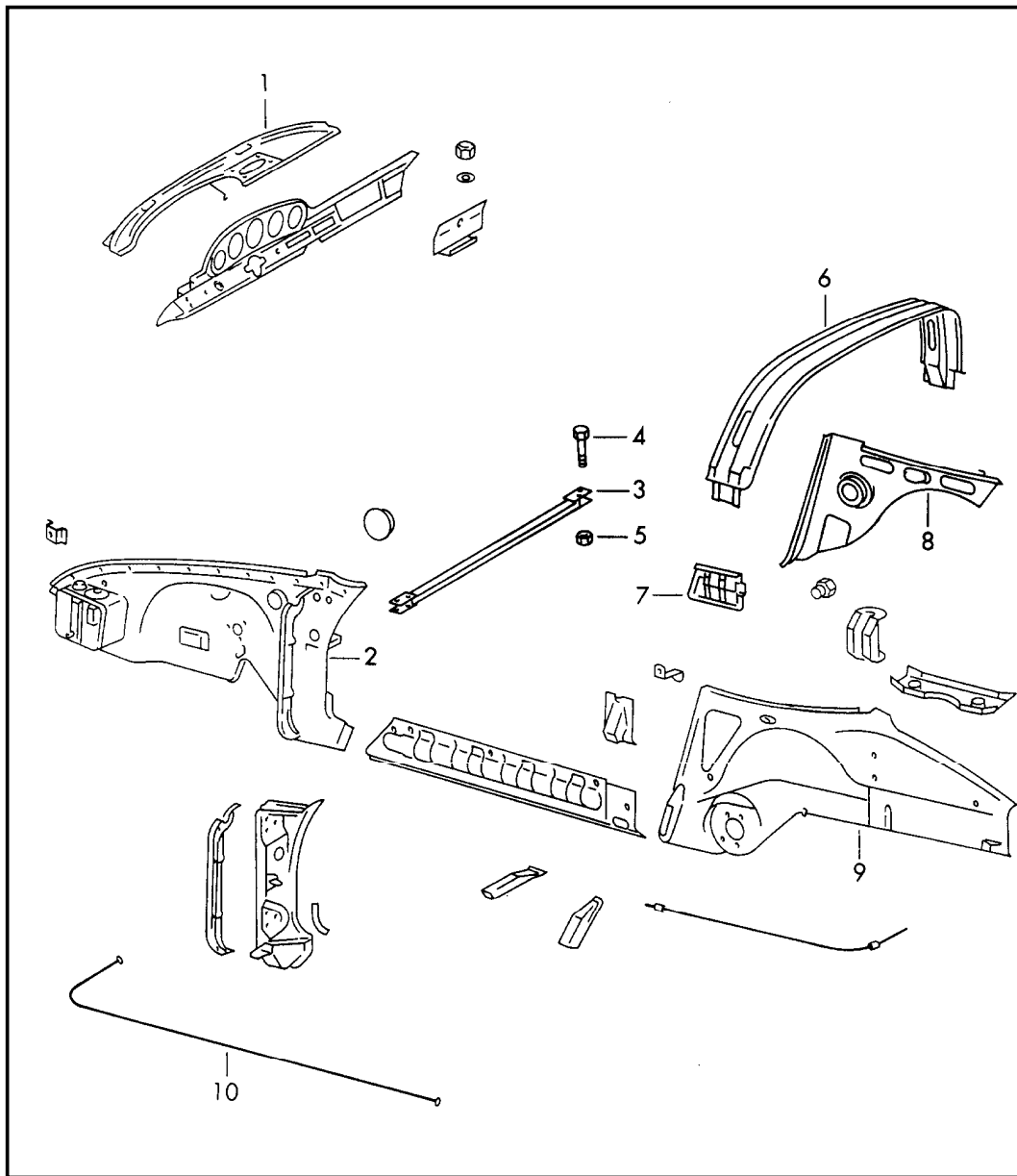
Model	Year	MG	SG	Illustration	Restrictions	UPD	18:01	22.01.2010	PORSCHE	PET	PORSCHE
911-1	1969	8	01	801-20		248					

Pos	Part Number	Description	Remark	Qty	Model	Pos	Part Number	Description	Remark	Qty	Model
6	901 502 025 10	roof frame	/L	1		(8)	901 501 967 20	wheel housing with POS.NR. 9-14,21	/RL/R -68	1	
(6)	901 502 026 10	roof frame	/R	1							
7	901 502 220 00	cross piece for windscreen F >> 1180 0147 F >> 1181 0106 F >> 1182 0004 F >> 1183 0003 F >> 1180 5000 F >> 1282 0030 F >> 1280 0239		1	911 911 911 911 911 912 912	(8)	901 501 034 21	wheel housing with POS.NR. 14,21 front axle adjustable	/RL/R -68	1	
(7)	901 502 220 02	cross piece for windscreen F 1180 0148 >> F 1181 0107 >> F 1182 0005 >> F 1183 0004 >> F 1180 5001 >> F 1282 0031 >> F 1280 0240 >>		1	911 911 911 911 911 912 912	(8)	901 501 033 23	wheel housing	/LL /RL 69-	1	
(8)	901 501 965 20	wheel housing with POS.NR. 9-14,21	/LL /RL	-68	1	9	901 501 910 21	cup	-68	2	
(8)	901 501 033 21	wheel housing front axle adjustable with POS.NR. 14,21	/LL /RL	-68	1	10	901 501 933 21	double-bore pressure plate	-68	2	
(8)	901 501 973 20	wheel housing only front part use	/LL /RL	-68	1	11	901 501 934 21	one-bore pressure plate	-68	2	
(8)	901 501 966 20	wheel housing with POS.NR. 9-14,21	/LL/R	-68	1	12	999 523 103 01	schnorr retainng washer M 10	-68	6	
(8)	901 501 034 21	wheel housing with POS.NR. 14,21 front axle adjustable	/LL/R	-68	1	13	900 119 023 02	pan-head screw M 10 X 20	-68	6	
(8)	901 501 974 20	wheel housing only front part use	/LL/R	-68	1	14	901 501 053 00	wing joining plate	/L	1	
						(14)	901 501 054 02	wing joining plate	/R	-68	1
						(14)	901 501 054 01	wing joining plate	/R	69-	1
						(15)	901 501 039 20	hinge pillar	/L	-68	1
						(15)	911 501 039 00	hinge pillar	/L	69-	1
						(15)	901 501 040 21	hinge pillar	/R	1	
						16	901 502 181 22	guide tube	/V	1	
						17	901 502 019 20	guide tube	/H	1	
						(18)	902 501 018 22	wheel housing F 035 4436 >> F 045 9173 >> it is necessary to rework	/R -68	1	912
						(18)	PCG 501 017 00	wheel housing use also: 911.501.257.01 PCG.501.157.00 it is necessary to rework	/L	1 1 4	

Model	Year	MG	SG	Illustration	Restrictions	UPD	18:01	22.01.2010	PORSCHE	PET	PORSCHE
911-1	1969	8	01	801-20		248					

Pos	Part Number	Description	Remark	Qty	Model	Pos	Part Number	Description	Remark	Qty	Model
(18)	PCG 501 018 00	wheel housing use also: 911.501.258.01 PCG.501.157.00 it is necessary to rework	/R	1							
				1							
				4							
(19)	901 501 123 20	side member	/L	-68	1						
19	911 501 123 00	side member	/L	69-	1						
(19)	901 501 124 20	side member	/R	-68	1						
(19)	911 501 124 00	side member	/R	69-	1						
20	901 501 153 21	mounting			1						
21	901 501 971 00	connecting piece	/L		1						
(21)	901 501 972 00	connecting piece	/R		1						
22	901 501 225 20	bumper reinforcement			2						
23	901 501 305 20	angular bracket	/L		1						
(23)	901 501 306 20	angular bracket	/R		1						
24	901 501 151 22	mounting			2						
25	999 703 031 40	stopper \$ 30		69-	2						
26	901 803 127 10	fastening screw		69-	2						
27	901 501 130 00	retaining bracket switch unit		69-	1						
28	901 502 245 00	profile	/L	69-	1						
(28)	901 502 246 00	profile	/R	69-	1						
29	901 501 509 00	support horn		69-	2						
30	901 501 085 21	mounting piece bumper		69-	2						
31	911 501 115 00	reinforcement side section		69-	1						
32	901 501 145 20	bracket	/L	69-	1						
(32)	901 501 146 22	bracket	/R	69-	1						

Model	Year	MG	SG	Illustration	Restrictions	UPD	18:01	22.01.2010	PORSCHE	PET	PORSCHE
911-1	1969	8	01	801-25		248					

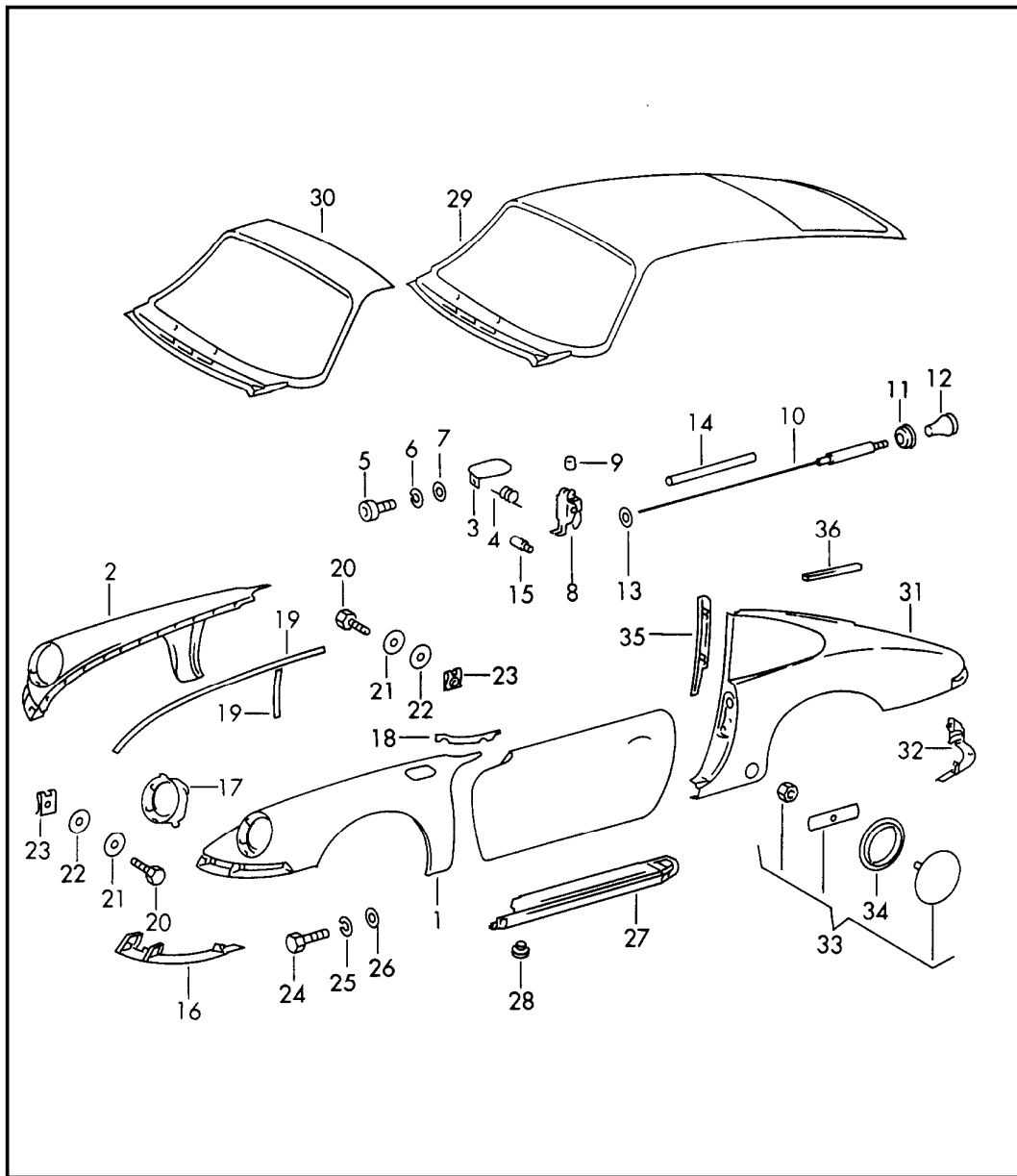


Pos	Part Number	Description	Remark	Qty	Model
		interior panelling			TARGA
(1)	901 502 023 40	dashboard		-67	1
(1)	901 502 023 42	dashboard		68	1
1	901 502 023 44	dashboard		69-	1
2	901 501 033 21	wheel housing	/L		1
(2)	901 501 034 21	wheel housing	/R	-68	1
3	901 501 086 40	cross tube			1
4	900 074 038 02	hexagon-head bolt M8 X 40			4
5	900 084 004 02	hexagon nut M8			4
5	900 084 004 03	hexagon nut M8			4
(6)	901 565 001 40	roll-over bar			1
		F >> 1185 0064			911
		F >> 1186 0061			911
		F >> 1187 0039			911
		F >> 1185 5015			911
		F >> 1188 0035			911
		F >> 1287 0206			912
6	901 565 001 41	roll-over bar		-68	1
		F 1185 0065 >>			911
		F 1186 0062 >>			911
		F 1187 0040 >>			911
		F 1185 5016 >>			911
		F 1188 0036 >>			911
		F 1287 0207 >>			912
(6)	901 565 001 46	roll-over bar for cars with convertible top		69-	1
(6)	901 565 001 45	roll-over bar for cars with rear window		69-	1
(7)	901 501 203 41	filler plate	/L	-68	1
7	901 501 203 40	filler plate	/L	-68	1
(7)	901 501 204 41	filler plate	/R	69-	1
(7)	901 501 204 40	filler plate	/R	69-	1
8	901 501 205 41	rear bulkhead	/L		1

Model	Year	MG	SG	Illustration	Restrictions	UPD	18:01	22.01.2010	PORSCHE	PET	PORSCHE
911-1	1969	8	01	801-25		248					

Pos	Part Number	Description	Remark	Qty	Model	Pos	Part Number	Description	Remark	Qty	Model
(8)	901 501 206 40	rear bulkhead	/R	-68	1						
(8)	901 501 206 41	rear bulkhead	/R	69-	1						
		it is necessary to rework									
9	PCG 501 017 40	wheel housing	/L		1						
		use also:									
		911.501.257.01			2						
		PCG.501.157.00			4						
		it is necessary to rework									
(9)	901 501 018 40	wheel housing	/R	-68	1						
		it is necessary to rework									
(9)	PCG 501 018 40	wheel housing	/R	69-	1						
	GRV	prime coated									
		use also:									
		911.501.258.01									
		PCG.501.157.00									
		it is necessary to rework									
10	901 502 181 41	guide tube for cable control	/V		1						

Model	Year	MG	SG	Illustration	Restrictions	UPD	18:01	22.01.2010	PORSCHE	PET	PORSCHE
911-1	1969	8	01	801-30		248					



Pos	Part Number	Description	Remark	Qty	Model
		exterior panelling			COUPE
(1)	901 503 031 22	wing	/L -68	1	
1	901 503 031 23	wing	/L 69-	1	
2	901 503 032 22	wing	/R -68	1	
2	901 503 032 23	wing	/R 69-	1	
3	901 504 031 20	lid tank filler neck		1	
4	911 504 331 00	spring		1	
5	900 067 051 02	pan-head screw M5 X 10		3	
6	N 012 005 3	lock ring B5		3	
7	900 025 003 02	washer 5,3		3	
8	901 504 034 20	bearing		3	
9	911 025 679 00	buffer		1	
		actuator for fuel filler flap valid up to:			
-	901 504 371 20	handle F	>> 030 0254	1	
-	901 504 373 20	bearing F	>> 030 0254	1	
-	901 504 377 20	spacer F	>> 030 0254	1	
-	901 504 379 20	cap F	>> 030 0254	1	
-	901 504 381 20	wire pull F	>> 030 0254	1	
-	901 504 383 20	pipe F	>> 030 0254	1	
-	901 504 391 20	drain bush F	>> 030 0254	1	
-	901 504 375 20	lever F	>> 030 0254	1	

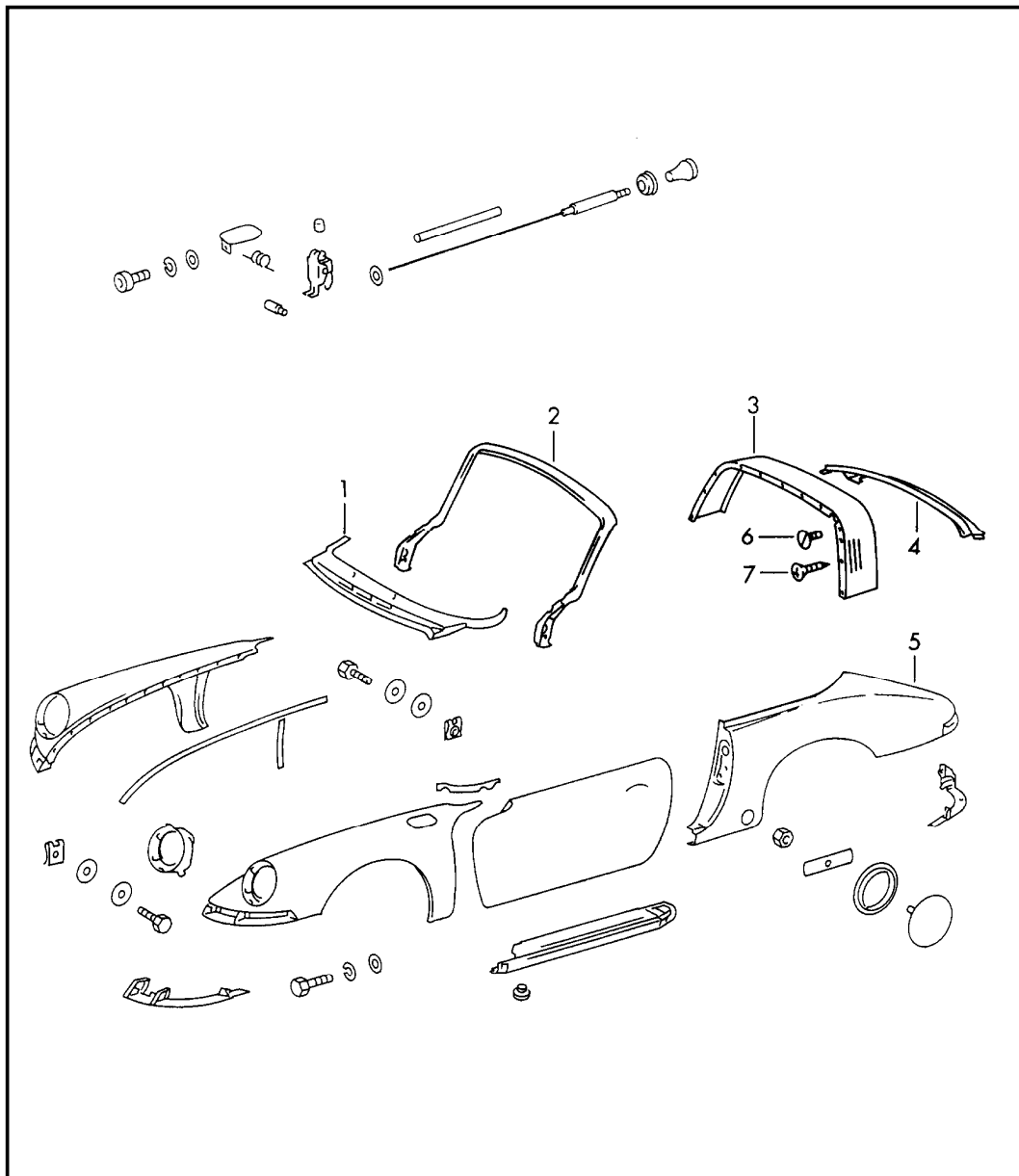
Model	Year	MG	SG	Illustration	Restrictions	UPD	18:01	22.01.2010	PORSCHE	PET	PORSCHE
911-1	1969	8	01	801-30		248					

Pos	Part Number	Description	Remark	Qty	Model	Pos	Part Number	Description	Remark	Qty	Model
		actuator for fuel filler flap valid from:				23	999 591 327 02	speed nut B6,3		20	
10	901 504 317 21	lid-release cable F 030 0255 >>		1		24	900 378 030 09	hexagon-head bolt M6 X 20		18	
11	901 511 791 21	rubber washer F 030 0255 >>		1		25	900 027 014 01	lock ring B6		18	
12	901 552 822 00	knob F 030 0255 >>		1		(26)	900 151 003 02	washer A6,4	-68	18	
13	914 504 319 00	grommet F 030 0255 >>		1		26	900 151 006 09	washer B6,4	69-	18	
-	999 702 020 50	rubber sleeve F 030 0255 >>		1		(27)	901 503 401 20	door sill it is necessary to rework	/L -68	1	
14	901 504 385 20	connecting tube F 030 0255 >>		1		27	911 503 401 00	door sill it is necessary to rework	/L 69-	1	
15	999 230 002 02	screw nipple F 030 0255 >>		1		(27)	901 503 402 20	door sill it is necessary to rework	/R -68	1	
(16)	901 503 037 22	frame for light	/L	-68	1	(27)	911 503 402 00	door sill it is necessary to rework	/R 69-	1	
16	901 503 043 23	bar	/L	69-	1	28	999 703 033 40	stopper		2	
	GRV	prime coated				(29)	901 503 051 00	outer roof panel	-68	1	
(16)	901 503 037 22	frame for light	/R	-68	1	29	901 503 051 01	outer roof panel	69-	1	
(16)	901 503 044 23	bar	/R	69-	1	(29)	901 503 051 05	outer roof panel with sunroof frame	-68	1	
	GRV	prime coated				(29)	901 503 051 06	outer roof panel with sunroof frame	69-	1	
(17)	901 631 015 20	headlamp casing		-67	2	(30)	901 503 090 20	windscreen frame part	-68	1	
(17)	PCG 631 015 21	headlamp casing		68	2	30	901 503 090 21	windscreen frame part	69-	1	
	GRV	prime coated it is necessary to rework				(31)	901 503 063 21	side section without lock pillar	/L -68	1	
18	901 503 394 22	pipng		2		(31)	901 503 061 21	side section with lock pillar	/L -68	1	
19	000 043 129 00	sealing strap 25 X 2		X							
20	900 187 010 02	tapping screw BZ6,3 X 19		20							
21	900 151 006 09	washer B6,4		20							
22	999 704 157 40	washer		20							

Model	Year	MG	SG	Illustration	Restrictions	UPD	18:01	22.01.2010	PORSCHE	PET	PORSCHE
911-1	1969	8	01	801-30		248					

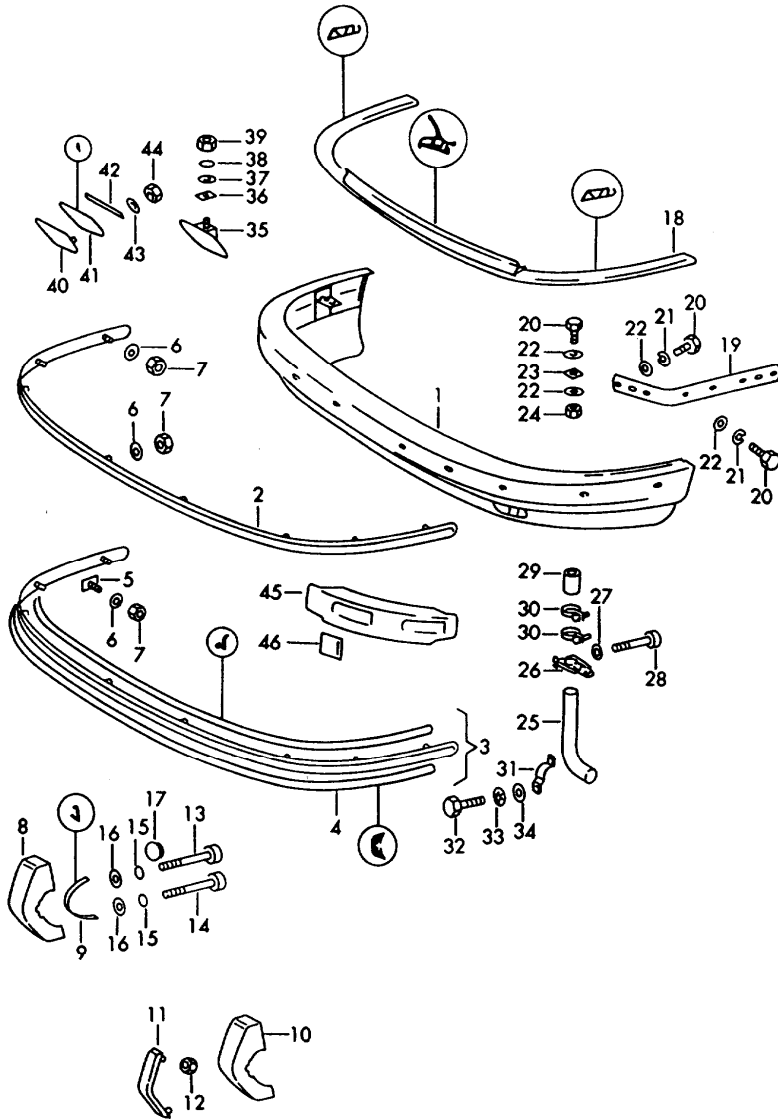
Pos	Part Number	Description	Remark	Qty	Model	Pos	Part Number	Description	Remark	Qty	Model
31	911 503 061 00	side section with lock pillar	/L	69-	1						
(31)	901 503 064 21	wing without lock pillar	/R	-68	1						
(31)	901 503 062 21	side section with lock pillar	/R	-68	1						
(31)	901 503 062 22	wing with lock pillar	/R	69-	1						
(32)	901 503 067 21	fresh air inlet box	/L	-68	1						
32	901 503 073 23	bar	/L	69-	1						
(32)	901 503 068 21	bar	/R	-68	1						
(32)	901 503 074 23	bar	/R	69-	1						
33	901 504 079 00	spring cover			2						
34	901 504 759 01	desk pad			2						
(35)	901 502 043 21	lock pillar inner panel	/L	-68	1						
35	911 502 043 01	lock pillar inner panel	/L	69-	1						
(35)	911 502 044 01	lock pillar inner panel	/R	-68	1						
(35)	911 502 044 01	lock pillar inner panel	/R	69-	1						
36	901 504 933 20	gasket			1						

Model	Year	MG	SG	Illustration	Restrictions	UPD	18:01	22.01.2010	PORSCHE	PET	PORSCHE
911-1	1969	8	01	801-35		248					



Pos	Part Number	Description	Remark	Qty	Model
		exterior panelling			TARGA
(1)	901 503 057 40	scuttle		-68 1	
1	901 503 057 41	scuttle		69- 1	
2	901 502 091 00	windscreen frame		1	
(3)	901 565 011 40	lining		-68 1	
3	901 565 011 45	lining		69- 1	
4	901 503 322 40	rear end		1	
(5)	901 503 061 41	side section it is necessary to rework	/L	-68 1	
5	911 503 061 40	side section it is necessary to rework	/L	69- 1	
(5)	901 503 062 41	side section it is necessary to rework	/R	-68 1	
(5)	911 503 062 43	side section it is necessary to rework	/R	69- 1	
6	901 801 153 40	screw plug		4	
(7)	N 013 957 5	tapping screw B3,5 X 9,5		15	
7	900 140 015 00	screw B3,5 X 9,5		8	

Model	Year	MG	SG	Illustration	Restrictions	UPD	18:02	22.01.2010	PORSCHE	PET	PORSCHE
911-1	1969	8	02	802-00		248					



Pos	Part Number	Description	Remark	Qty	Model
		bumper	/V	-68	
1	901 505 011 20	bumper		1	
2	901 505 041 32	moulding version with bumper horn		1	
(2)	901 505 041 32	moulding version without bumper horn		1	
3	901 505 047 50	retaining strip		1	
4	901 505 405 50	protective strip		1	
5	901 505 155 20	screw		8	
6	900 025 003 02	washer		16	
7	999 084 102 02	hexagon nut		16	
8	901 505 031 26	bumper horn	/L	1	
(8)	901 505 032 26	bumper horn	/R	1	
9	999 911 182 40	pipng		4	
10	901 505 031 27	bumper horn with rubber buffer	/L	1	
(10)	901 505 032 27	bumper horn with rubber buffer	/R	1	
11	901 505 901 21	rubber buffer		2	
12	900 076 010 02	hexagon nut		4	
13	900 067 045 02	pan-head screw M8 X 80		2	
(13)	999 510 005 02	pan-head screw M8 X 90 for subsequent installat. 901.505.031.51 901.505.032.51		2	
14	999 510 003 02	pan-head screw M8 X 60		2	
15	999 523 102 02	lock washer		4	

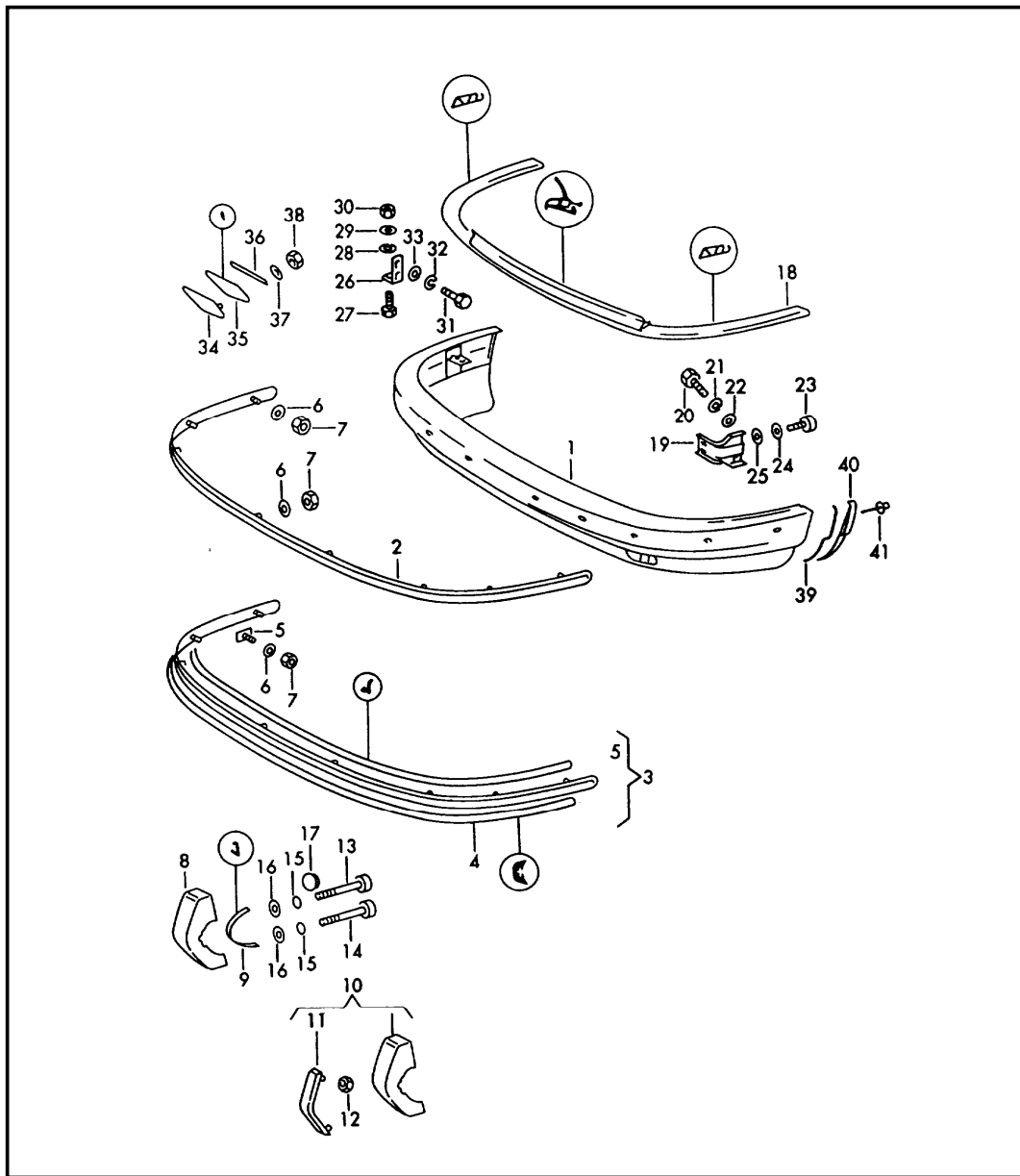
Model	Year	MG	SG	Illustration	Restrictions	UPD	18:02	22.01.2010	PORSCHE	PET	PORSCHE
911-1	1969	8	02	802-00		248					

Pos	Part Number	Description	Remark	Qty	Model	Pos	Part Number	Description	Remark	Qty	Model
16	900 025 008 02	washer B8,4		2		(35)	902 505 056 21	lid F >> 035 4000 F >> 045 8100	/R	1	912 912
(16)	900 025 007 02	washer 8,4		2		(35)	902 505 055 20	lid F >> 030 5100	/L	1	911
17	999 703 065 50	round buffer		4		(35)	902 505 055 20	lid F >> 035 4000 F >> 045 8100	/L	1	912 912
18	901 505 091 20	seal		1		36	902 505 143 20	desk pad F >> 030 5100 F >> 035 4000 F >> 045 8100		2	911 912 912
19	901 505 131 20	spring clip		2		37	900 151 008 02	washer F >> 030 5100 F >> 035 4000 F >> 045 8100		2	911 912 912
20	900 074 127 02	hexagon-head bolt M8 X 25		6		38	999 523 102 02	schnorr retainng washer F >> 030 5100		2	911
21	900 027 015 02	lock ring B8		6		(38)	999 523 102 02	lock washer F >> 035 4000 F >> 045 8100		2	912 912
22	900 151 008 02	washer B8,4		6		39	900 076 013 02	hexagon nut M8		2	
23	901 501 909 20	intermediate layer		4		40	902 505 056 21	lid F 030 5101 >> F 035 4001 >> F 045 8101 >>	/R	1	911 912 912
24	999 090 004 02	hexagon nut		4		(40)	902 505 055 21	lid F 030 5101 >> F 035 4001 >> F 045 8101 >>	/L	1	911 912 912
25	901 631 155 20	pipe		2		41	902 505 153 20	pipng F 030 5101 >> F 035 4001 >> F 045 8101 >>		2	
26	901 501 095 20	wing strut		2		42	902 505 145 21	retaining bar F 030 5101 >> F 035 4001 >> F 045 8101 >>		2	
27	900 151 006 09	washer B6,4		3		43	900 151 006 09	washer B6,4 F 030 5101 >> F 035 4001 >> F 045 8101 >>		4	
28	900 119 012 02	pan-head screw M6 X 50		2							
29	999 181 113 50	hose piece		2							
30	999 512 036 02	hose clamp		4							
31	902 635 115 20	terminal F 030 5101 >> F 035 4001 >> F 045 8101 >>		4	911 912 912						
32	900 075 085 02	hexagon-head bolt M8 X 20		4							
33	N 012 132 2	shake-proof washer A8,4		4							
34	900 025 007 02	washer 8,4		4							
35	902 505 056 20	lid F >> 030 5100	/R	1	911						

Model	Year	MG	SG	Illustration	Restrictions	UPD	18:02	22.01.2010	PORSCHE	PET	PORSCHE
911-1	1969	8	02	802-00		248					

Pos	Part Number	Description	Remark	Qty	Model	Pos	Part Number	Description	Remark	Qty	Model
44	999 084 103 02	lock nut F 030 5101 >> F 035 4001 >> F 045 8101 >>		4							
45	901 505 911 20	reinforcement F 030 1340 >>	/L	1							
(45)	901 505 912 20	reinforcement F 030 1340 >>	/R	1							
46	901 505 143 20	desk pad 4 MM F 030 1340 >>		2							
(46)	901 505 143 21	desk pad 6 MM F 030 1340 >>		2							
(46)	901 505 143 22	desk pad 8 MM F 030 1340 >>		2							
-	999 915 014 00	resin 350 CM3		X							
-	999 915 015 00	hardener 15 CM3		X							

Model	Year	MG	SG	Illustration	Restrictions	UPD	18:02	22.01.2010	PORSCHE	PET	PORSCHE
911-1	1969	8	02	802-05		248					

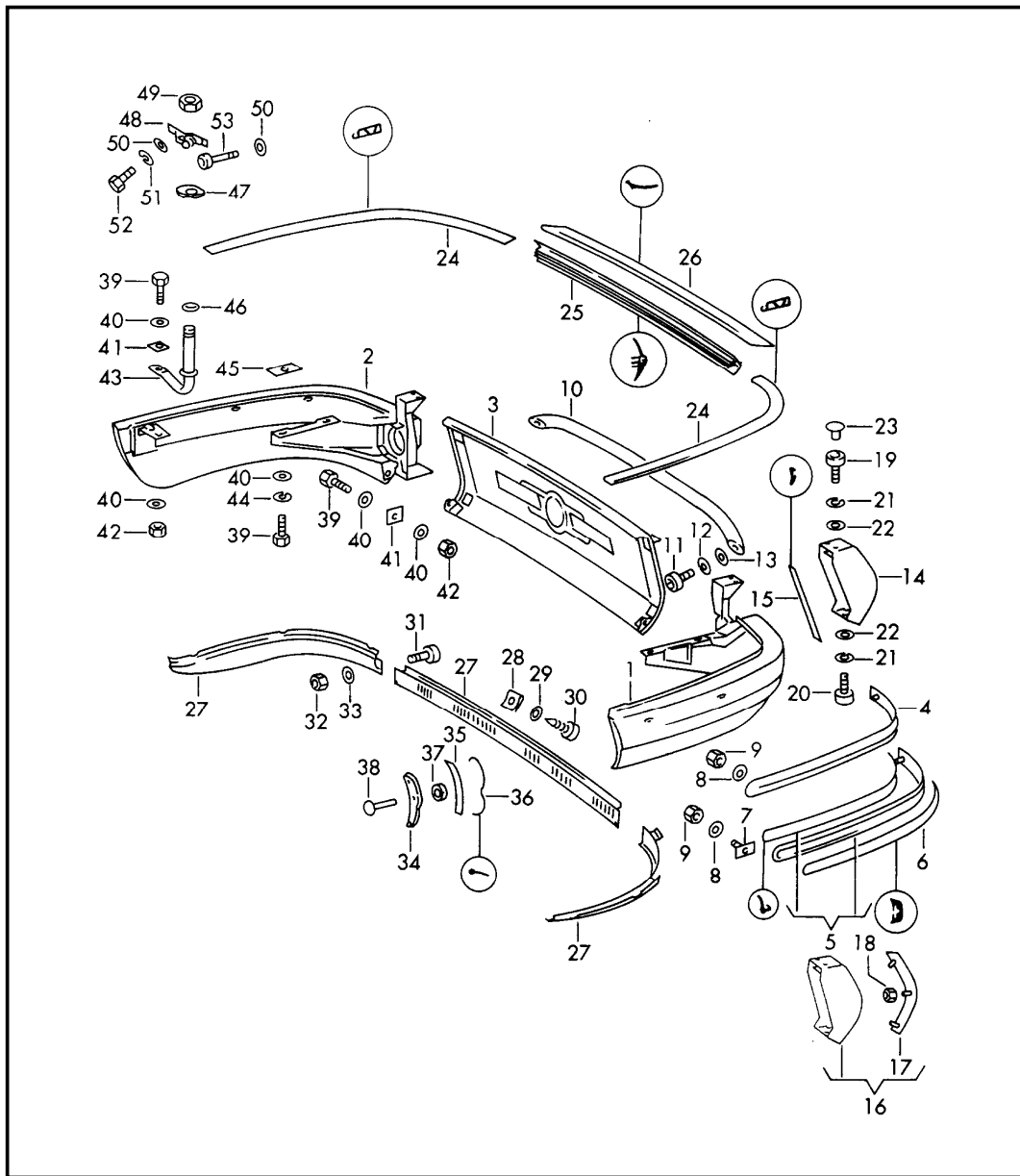


Pos	Part Number	Description	Remark	Qty	Model
		bumper	/V 69-		
1	901 505 011 21	bumper		1	
2	901 505 041 32	moulding		1	
(2)	901 505 041 32	moulding version without bumper horn		1	
3	901 505 045 51	retaining strip		1	
4	901 505 405 51	protective strip		1	
5	901 505 155 20	screw		8	
6	900 025 003 02	washer 5,3		9	
7	N 021 196 1	lock nut M5		9	
8	901 505 031 26	bumper horn	/L	1	
(8)	901 505 032 26	bumper horn	/R	1	
9	999 911 182 40	pipng		4	
10	901 505 031 51	bumper horn	/L	1	911 E/S
(10)	901 505 031 26	bumper horn	/L	1	911 T :M 912 :M
(10)	911 505 018 03	high volume horn	/R	1	911 E/S
(10)	911 505 018 02	bumper horn	/R	1	911 T :M 912 :M
11	901 505 901 21	rubber buffer		2	
12	900 076 010 02	hexagon nut M6		4	
13	999 514 002 02	pan-head screw M8 X 100		2	
14	999 514 003 02	pan-head screw M8 X 60		2	
15	999 523 102 02	lock washer		4	
16	900 025 008 02	washer 8,4		2	
(16)	900 025 007 02	washer 8,4		2	

Model	Year	MG	SG	Illustration	Restrictions	UPD	18:02	22.01.2010	PORSCHE	PET	PORSCHE
911-1	1969	8	02	802-05		248					

Pos	Part Number	Description	Remark	Qty	Model	Pos	Part Number	Description	Remark	Qty	Model
17	999 703 065 50	round buffer		4		38	999 084 103 02	lock nut		4	
18	901 505 091 20	seal		1		39	999 911 084 40	beading 260 MM		2	
19	901 505 037 00	support		2		40	901 505 157 00	plate	/L	1	
20	900 075 083 02	hexagon-head bolt M8 X 25		4		(40)	901 505 158 00	plate	/R	1	
21	900 027 015 02	lock ring B8		4		41	999 190 101 30	rivet		4	
22	900 151 007 02	washer 8,4		4							
23	999 514 004 02	pan-head screw M10 X 20		2							
24	999 523 103 02	lock washer		2							
25	900 025 008 02	washer B10,5		2							
26	901 505 135 01	support		2							
27	900 075 079 02	hexagon-head bolt M8 X 22		2							
28	900 027 015 02	lock ring B8		2							
29	900 151 008 02	washer B8,4		2							
30	900 076 025 02	hexagon nut M8		2							
31	900 075 079 02	hexagon-head bolt M8 X 22		4							
32	900 027 015 02	lock ring B8		4							
33	900 025 007 02	washer 8,4		4							
34	902 505 056 21	lid	/R	1							
(34)	902 505 055 21	lid	/L	1							
35	902 505 153 20	pipng		2							
36	902 505 145 21	retaining bar		2							
37	900 151 006 09	washer B6,4		4							

Model	Year	MG	SG	Illustration	Restrictions	UPD	18:02	22.01.2010	PORSCHE	PET	PORSCHE
911-1	1969	8	02	802-10		248					

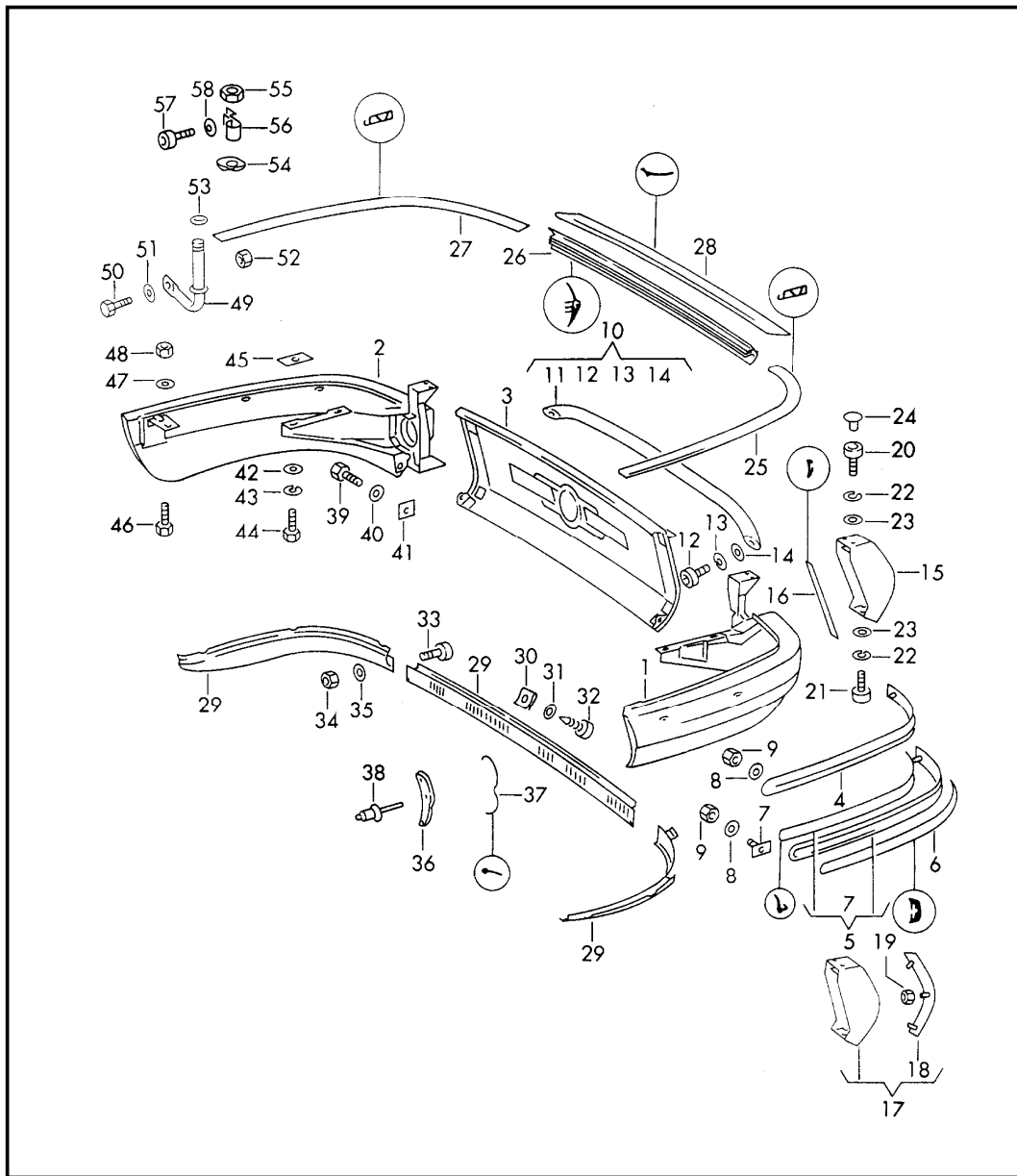


Pos	Part Number	Description	Remark	Qty	Model
1	901 505 021 20	bumper	/H	-68	
		bumper outer part	/L	1	
2	901 505 022 20	bumper outer part	/R	1	
3	901 505 023 20	centre part centre part		1	
4	901 505 043 00	moulding		2	
5	901 505 048 50	retaining strip		2	
6	901 505 417 50	protective strip		2	
7	901 505 155 20	screw		8	
8	900 025 003 02	washer 5,3		8	
9	999 084 102 02	hexagon nut		8	
10	902 505 340 95	impact protection		1	
11	900 067 057 02	pan-head screw		2	
12	900 027 015 02	lock ring B8		2	
13	900 025 007 02	washer 8,4		2	
14	901 505 033 20	buffer		2	
(14)	902 505 033 95	buffer for impact protection		2	
15	999 911 182 40	pipng		2	
16	901 505 033 20	bumper horn		2	
17	901 505 903 21	rubber buffer		2	
18	900 076 010 02	hexagon nut M6		6	
19	900 067 009 02	pan-head screw M6 X 15 chrome		4	
20	900 067 009 02	pan-head screw M6 X 15		2	

Model	Year	MG	SG	Illustration	Restrictions	UPD	18:02	22.01.2010	PORSCHE	PET	PORSCHE
911-1	1969	8	02	802-10		248					

Pos	Part Number	Description	Remark	Qty	Model	Pos	Part Number	Description	Remark	Qty	Model
21	900 027 014 01	lock ring B6		6		41	901 501 909 20	desk pad		4	
22	N 011 524 7	washer 6,4		6		42	999 090 004 02	hexagon nut		4	
23	999 703 043 40	stopper		4		43	901 501 094 20	wing strut	/R	1	
24	901 505 092 20	seal lateral		2		(43)	901 501 092 20	wing strut	/L	1	
25	901 505 497 20	seal centre		1		44	900 027 015 02	lock ring B8		4	
26	901 512 901 00	sealing strip		1		45	901 505 261 20	shim		8	
27	901 505 057 20	cover		1		46	901 501 913 21	sealing ring		2	
28	N 015 429 2	speed nut		9		47	900 025 021 02	washer		2	
29	900 025 002 02	washer 4,3		9		48	901 501 930 20	support		1	
30	900 143 031 02	oval-head sheetmetal screw B4,2 X 9		9		49	900 078 009 02	hexagon nut M20 X 1,5		2	
31	900 146 016 02	oval-head screw AM3 X 6		2		50	900 151 006 09	washer B6,4		2	
32	900 076 001 02	hexagon nut M3		2		51	900 027 014 01	lock ring B6		1	
33	900 151 019 02	washer B3,2		2		52	N 010 215 13	hexagon-head bolt M6 X 15		1	
34	901 505 251 20	plate	/L	1		53	900 067 067 02	pan-head screw M6 X 40		1	
(34)	901 505 252 20	plate	/R	1							
35	901 505 293 20	terostat ribbon 20 X 2 X 180		X							
36	999 911 084 40	beading		X							
37	999 507 220 40	tapping nut D1 3		6							
38	900 055 004 12	buttonhead rivet 3 X 15 chrome		6							
39	900 074 127 02	hexagon-head bolt M8 X 25		10							
40	900 151 008 02	washer B8,4		10							

Model	Year	MG	SG	Illustration	Restrictions	UPD	18:02	22.01.2010	PORSCHE	PET	PORSCHE
911-1	1969	8	02	802-15		248					

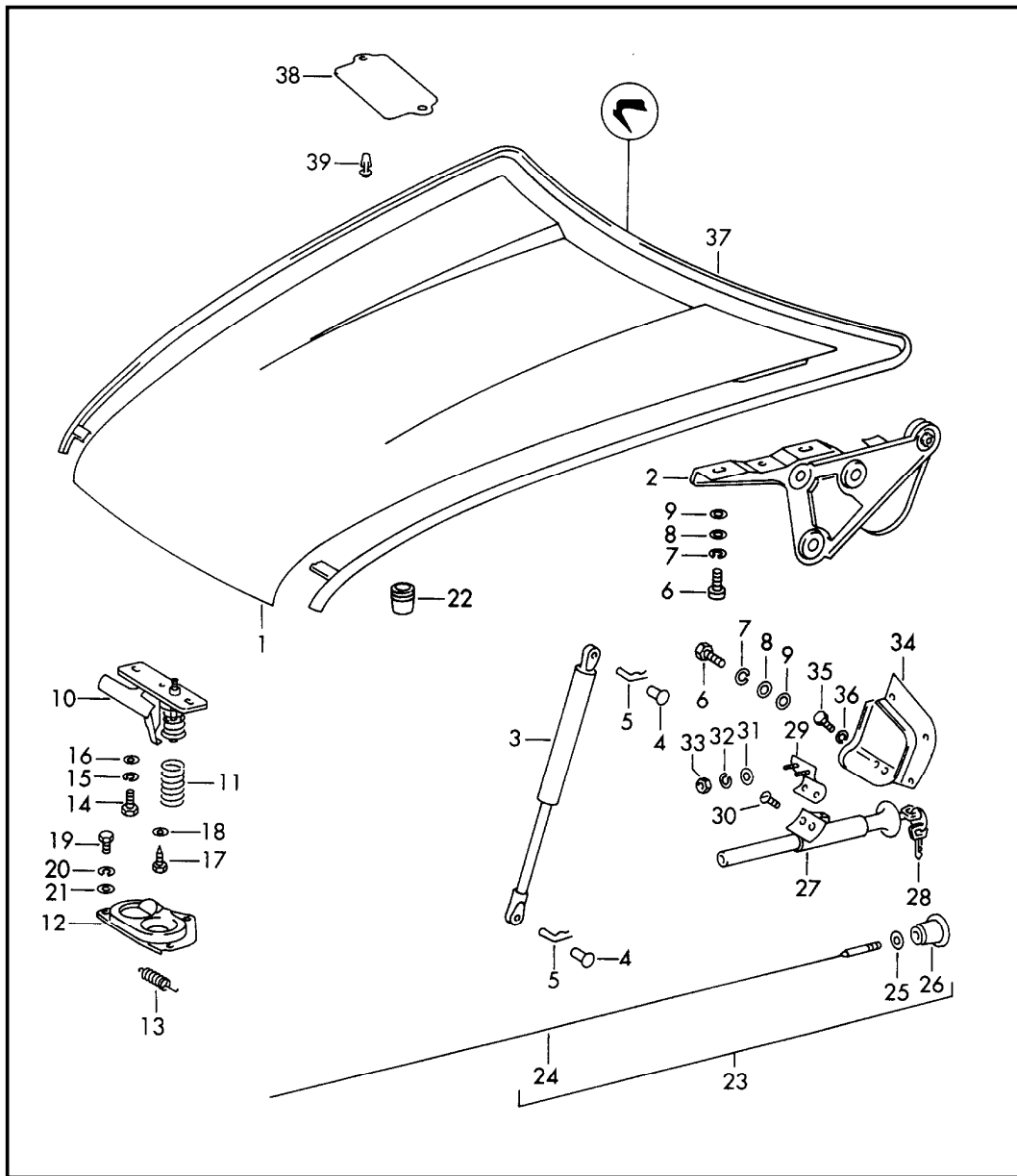


Pos	Part Number	Description	Remark	Qty	Model
		bumper	/H 69-		
1	901 505 021 21	bumper outer part	/L	1	
2	901 505 022 21	bumper outer part	/R	1	
3	901 505 023 20	centre part centre part		1	
4	901 505 043 02	moulding		2	
5	901 505 046 51	retaining strip		2	
6	901 505 417 51	protective strip		2	
7	901 505 155 20	screw		8	
8	900 025 003 02	washer 5,3		8	
9	N 021 196 1	lock nut		8	
10	901 505 921 00	impact protection		1	
11	902 505 340 95	impact protection		1	
12	900 067 057 02	pan-head screw M8 X 20		2	
13	900 027 015 02	lock ring B8		2	
14	900 025 007 02	washer 8,4		2	
15	901 505 033 20	bumper horn		2	
(15)	902 505 033 95	bumper horn for impact protection 902.505.340.95		2	
16	999 911 182 40	pipng		2	
17	901 505 033 20	bumper horn		2	
(17)	911 505 029 00	bumper horn for impact protection 901.505.921.00		2	
18	901 505 903 21	rubber buffer		2	
19	900 076 010 02	hexagon nut M6		6	

Model	Year	MG	SG	Illustration	Restrictions	UPD	18:02	22.01.2010	PORSCHE	PET	PORSCHE
911-1	1969	8	02	802-15		248					

Pos	Part Number	Description	Remark	Qty	Model	Pos	Part Number	Description	Remark	Qty	Model
20	900 067 009 02	pan-head screw M6 X 15		4		40	900 151 020 30	washer A7,4		6	
21	900 067 009 02	pan-head screw M6 X 15		2		41	999 591 327 02	speed nut		2	
22	900 027 014 01	lock ring B6		6		42	900 074 127 02	hexagon-head bolt M8 X 25		4	
23	N 011 524 7	washer 6,4		6		43	900 027 015 02	lock ring B8		4	
24	999 703 043 40	stopper		4		44	900 151 008 02	washer B8,4		4	
25	901 505 093 20	seal	/L	2		45	901 505 261 20	shim		2	
26	901 505 497 20	seal centre		2		46	900 067 009 02	pan-head screw M6 X 15		2	
27	901 505 094 20	seal	/R	1		47	N 011 524 7	washer 6,4		2	
28	901 512 901 00	sealing strip		1		48	900 910 011 02	lock nut M6		2	
29	901 505 904 00	rear apron single parts see group 8/98/15		1		49	901 501 092 21	support tube		2	
30	N 015 429 2	speed nut		9		50	900 074 126 02	hexagon-head bolt M8 X 22		2	
31	900 025 002 02	washer 4,3		9		51	900 151 008 02	washer B8,4		4	
32	900 143 031 02	oval-head sheetmetal screw B4,2 X9		9		52	N 021 194 1	lock nut M8		2	
33	900 146 016 02	oval-head screw AM3 X 6		2		53	901 501 913 21	sealing ring		2	
34	900 076 001 02	hexagon nut M3		2		54	900 025 021 02	washer		2	
35	900 151 019 02	washer B3,2		2		55	900 078 009 02	hexagon nut M20 X 1,5		2	
36	901 505 251 21	plate	/L	1		56	901 501 930 22	support		1	
(36)	901 505 252 21	plate	/R	1		57	900 075 057 02	hexagon-head bolt M6 X 16		1	
37	999 911 084 40	beading		X		58	900 028 003 01	spring washer A6		1	
38	999 190 101 30	rivet		8							
39	900 187 010 02	hexagon-head tapping screw BZ6,3 X 19		6							

Model	Year	MG	SG	Illustration	Restrictions	UPD	18:02	22.01.2010	PORSCHE	PET	PORSCHE
911-1	1969	8	03	803-00		248					

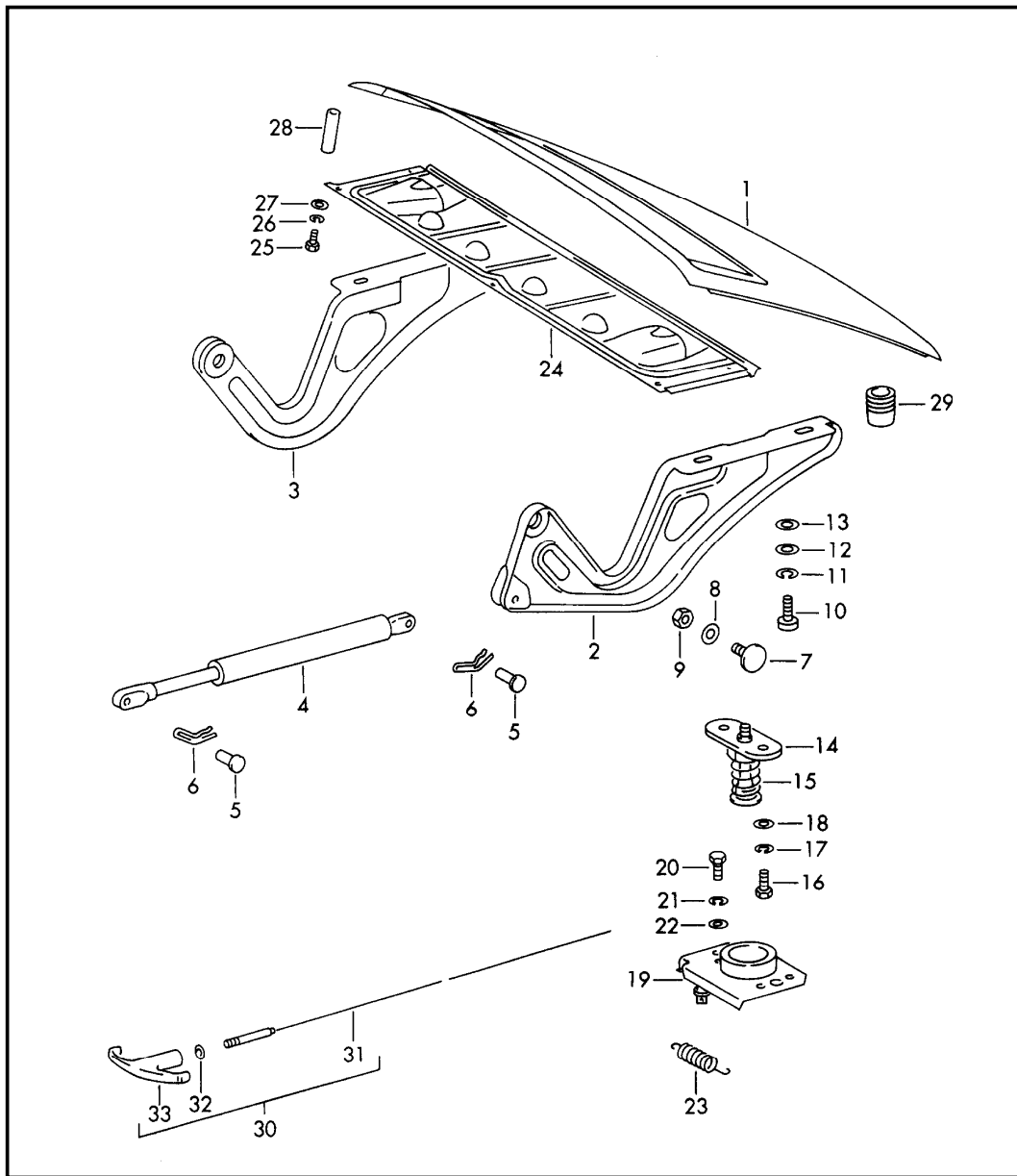


Pos	Part Number	Description	Remark	Qty	Model
		lid	/V		
1	901 511 010 20	lid it is necessary to rework		1	
2	901 511 031 20	lid hinge	/L	1	
(2)	901 511 032 20	lid hinge	/R	1	
3	959 511 333 00	gas prop		2	
(4)	900 087 011 02	bolt 6H11 X 22 X 19	-68	4	
4	999 087 003 02	bolt with bore	69-	4	
5	901 351 955 10	safety seal		4	
6	900 075 085 02	hexagon-head bolt M8 X 20		10	
7	900 027 015 02	lock ring B8		10	
8	900 025 007 02	washer 8,4		10	
9	900 151 008 02	washer B8,4		X	
10	901 511 051 21	lid lock upper part		1	
11	901 511 512 20	spring		1	
12	901 511 052 20	lid lock lower part		1	
13	901 511 052 20	return spring		1	
(14)	900 378 030 09	hexagon-head bolt M6 X 20		2	
14	900 075 162 02	hexagon-head bolt M6 X 16		2	
15	900 027 014 01	lock ring B6		2	
(16)	900 151 006 09	washer B6,4		2	
16	900 151 029 02	washer B6,4		2	

Model	Year	MG	SG	Illustration	Restrictions	UPD	18:02	22.01.2010	PORSCHE	PET	PORSCHE
911-1	1969	8	03	803-00		248					

Pos	Part Number	Description	Remark	Qty	Model	Pos	Part Number	Description	Remark	Qty	Model
17	900 187 004 02	hexagon-head tapping screw B4,8 X 19		1		(28)	644 511 791 11	blank key	-68	1	
18	900 025 003 02	washer 5,3		1		28	914 531 903 11	blank key state lock number	69-	2	
(19)	N 010 215 13	hexagon-head bolt M6 X 15		3		29	901 511 075 25	support		1	
19	900 075 162 02	hexagon-head bolt M6 X 16		3		30	900 016 015 02	half-round screw AM5 X 8		2	
20	900 027 014 01	lock ring B6		3		31	900 151 027 02	washer B5,3		2	
21	N 011 524 7	washer 6,4		3		32	900 028 002 01	spring washer A5		2	
22	999 703 036 50	rubber buffer		4		(33)	900 076 006 02	hexagon nut M5		2	
(23)	901 511 071 20	lid-release cable		1		33	900 076 027 02	hexagon nut M5		2	
(24)	901 511 073 20	lid-release cable	-68	1		(34)	901 511 725 40	cover plate		1	
24	901 511 073 20	lid-release cable	69-	1			F	>> 1185 0035			911
25	901 511 791 21	rubber washer		1			F	>> 1186 0037			911
26	901 552 813 20	handle		1			F	>> 1185 5001			911
(27)	644 511 070 21	lock		1			F	>> 1187 0000			911
(27)	901 511 070 40	lock		1			F	>> 1188 0001			911
		F >> 1185 0035		911			F	>> 1287 0036			912
		F >> 1186 0037		911			F	>> 1185 0002			911
		F >> 1185 5001		911			F	>> 1187 0001			911
		F >> 1187 0000		911			F	>> 1188 0002			911
		F >> 1188 0001		911			F	>> 1287 0037			912
		F >> 1287 0036		912		34	901 511 725 41	cover plate		1	
(27)	901 511 070 41	lock	-68	1			F	1185 0036 >>			911
		F 1185 0036 >>		911			F	1186 0038 >>			911
		F 1186 0038 >>		911			F	1185 5002 >>			911
		F 1185 5002 >>		911			F	1187 0001 >>			911
		F 1187 0001 >>		911			F	1188 0002 >>			911
		F 1188 0002 >>		911			F	1287 0037 >>			912
		F 1287 0037 >>		912		35	900 075 001 03	hexagon-head bolt M5 X 8		2	
27	911 511 903 00	lock w/o stipulated lock number	69-	1		36	900 027 003 01	lock ring A5		2	
27	911 511 904 00	lock with stipulated lock number state lock number	69-	1		37	901 511 901 02	seal		1	
(28)	644 511 791 00	key state lock number	-68	1		38	901 511 911 00	cover plate	69-	1	
						39	999 591 510 40	plastic rivet	69-	2	

Model	Year	MG	SG	Illustration	Restrictions	UPD	18:03	22.01.2010	PORSCHE	PET	PORSCHE
911-1	1969	8	03	803-05		248					

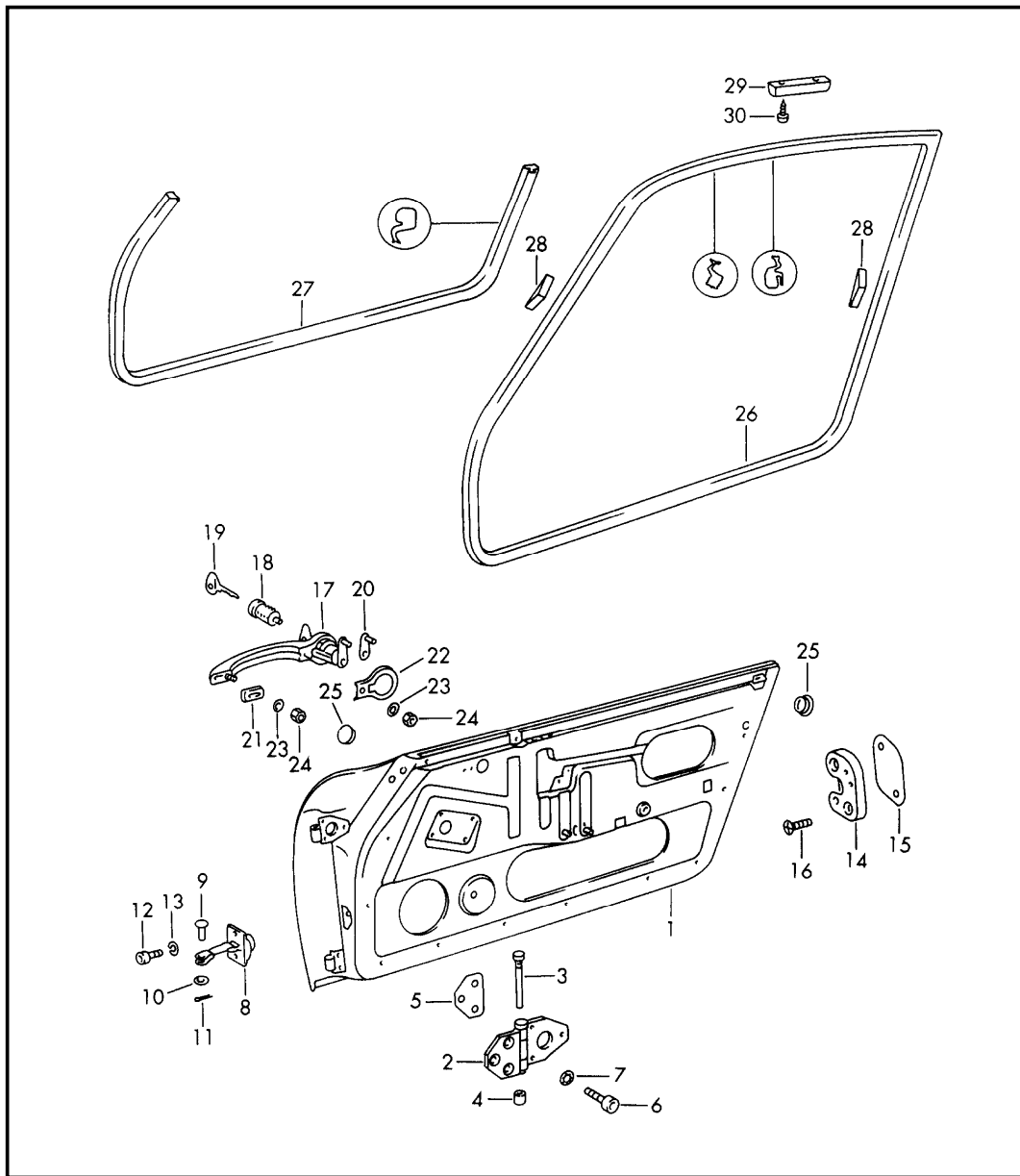


Pos	Part Number	Description	Remark	Qty	Model
(1)	901 512 010 23	lid	/H	1	
(1)	905 512 010 23	lid without sportomatic		1	
1	911 512 010 10	lid with sportomatic		1	
1	911 512 010 00	lid steel		1	
1	911 512 010 00	lid aluminium		1	
-	999 702 076 50	rubber sleeve version without rear window wiper		1	
2	911 512 035 00	hinge	/L	1	
3	901 512 036 20	hinge	/R	1	
4	901 512 331 20	gas prop		1	
(5)	900 087 011 02	bolt 6H11 X 22 X 19		2	
5	999 087 003 02	bolt with bore		2	
6	901 351 955 10	safety seal	-68	2	
7	901 512 471 20	collar bolt	69-	2	
8	900 025 034 02	washer 8,4		2	
9 A	900 910 023 02	lock nut		2	
(9) A	999 084 052 02	lock nut		2	
10	900 378 030 09	hexagon-head bolt M6 X 2		4	
11	900 027 014 01	lock ring B6		4	
(12)	900 151 006 09	washer B6,4	-68	4	
12	900 151 029 02	washer B6,4	69-	4	

Model	Year	MG	SG	Illustration	Restrictions	UPD	18:03	22.01.2010	PORSCHE	PET	PORSCHE
911-1	1969	8	03	803-05		248					

Pos	Part Number	Description	Remark	Qty	Model	Pos	Part Number	Description	Remark	Qty	Model
13	N 011 524 7	washer 6,4		4		30	901 511 071 21	lid-release cable		1	
14	930 512 052 00	lock upper part upper part		1		(31)	901 511 073 20	lid-release cable	-68	1	
15	901 511 512 20	spring		1		31	901 511 073 20	lid-release cable	69-	1	
(16)	N 010 215 13	hexagon-head bolt M6 X 15	-68	2		32	901 511 791 21	rubber washer		1	
16	900 075 162 02	hexagon-head bolt M6 X 16	69-	2		33	901 552 813 20	handle		1	
17	900 027 014 01	lock ring B6		2							
(18)	900 151 006 09	washer B6,4		2							
18	900 151 029 02	washer B6,4		2							
19	901 512 052 00	lid lock lower part		1							
(20)	N 010 215 13	hexagon-head bolt M6 X 15		2							
20	900 075 162 02	hexagon-head bolt M6 X16		2							
21	900 027 014 01	lock ring B6		2							
22	N 011 524 7	washer 6,4		2							
23	644 511 511 01	return spring		1							
24	902 512 127 20	cover for subsequent installat. M 074 2480 >> M 083 1748 >>	69-	1	912						
25	N 010 207 6	hexagon-head bolt M5 X 12	69-	6	912						
26	N 012 005 3	lock ring B5	69-	6	912						
27	900 025 003 02	washer 5,3	69-	6	912						
28	902 512 125 20	spacer	69-	6	912						
29	999 703 036 50	rubber stop		2							

Model	Year	MG	SG	Illustration	Restrictions	UPD	18:03	22.01.2010	PORSCHE	PET	PORSCHE
911-1	1969	8	04	804-00		248					



Pos	Part Number	Description	Remark	Qty	Model
		doors			
		with installation parts			
(1)	901 531 005 21	bare door shell it is necessary to rework	/L	-68	1
-	964 531 201 00	exterior panelling GRV prime coated it is necessary to rework	/L	-68	1
(1)	901 531 006 21	bare door shell it is necessary to rework	/R	-68	1
-	964 531 202 00	exterior panelling GRV prime coated it is necessary to rework	/R	-68	1
(1)	911 531 005 00	bare door shell it is necessary to rework	/L	69-	1
-	964 531 201 00	exterior panelling GRV prime coated it is necessary to rework	/L	69-	1
1	911 531 006 00	bare door shell it is necessary to rework	/R	69-	1
-	964 531 202 00	exterior panelling GRV prime coated it is necessary to rework	/R	69-	1
2	901 531 031 20	hinge			4
3	901 531 305 20	pin for door hinge			4
4	901 531 311 20	bush			8
5	901 531 391 20	desk pad			4
(6)	900 083 006 02	hexagon-head bolt F >> 030 1554 F >> 035 0244 F >> 045 0940			12
6	N 014 707 4	pan-head screw F 030 1555 >> F 035 0245 >> F 045 0941 >>			12 911 912 912

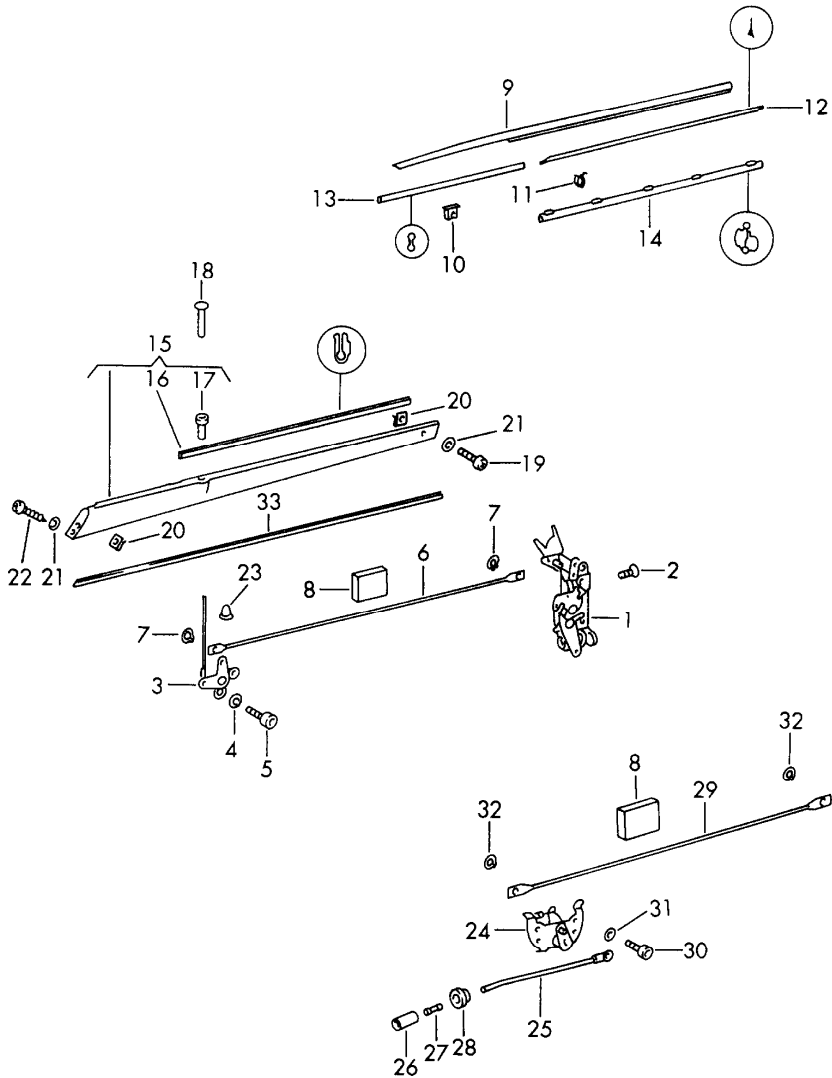
Model	Year	MG	SG	Illustration	Restrictions	UPD	18:03	22.01.2010	PORSCHE	PET	PORSCHE
911-1	1969	8	04	804-00		248					

Pos	Part Number	Description	Remark	Qty	Model	Pos	Part Number	Description	Remark	Qty	Model
(7)	900 027 015 02	lock ring F >> 030 1554 F >> 035 0244 F >> 045 0940		12	911 912 912	(15)	901 531 703 20	shim 1 MM F >> 030 5100 F >> 035 4000 F >> 045 8100		X	911 912 912
7	999 523 102 02	lock washer F 030 1555 >> F 035 0245 >> F 045 0941 >>		12	911 912 912	(15)	901 531 703 23	shim 1 MM F 030 5101 >> F 035 4001 >> F 045 8101 >>		X	911 912 912
8	901 531 035 20	door support		2							
9	900 088 009 02	bolt 6H11 X 14 X 11		2		(15)	901 531 703 24	desk pad 2 MM F >> 030 5100 F >> 035 4000 F >> 045 8100		X	911 912 912
10	900 232 001 02	washer 7		4							
11	900 021 002 02	cotter pin 1,5 X 10		4		15	901 531 703 24	shim 2 MM F 030 5101 >> F 035 4001 >> F 045 8101 >>		X	911 912 912
12	N 014 761 2	pan-head screw M6 X 12 M 6 X 12		4		16	999 147 001 02	countersunk-head screw M8 X 35		4	
13	900 027 014 01	lock ring B6		4		16	999 147 001 02	countersunk-head screw M8 X 40		4	
(14)	901 531 701 20	door lock striker F >> 030 5100 F >> 035 4000 F >> 045 8100	/L	1	911 912 912	(17)	901 531 061 20	outer door handle version with steering lock	/L	-67	1
(14)	901 531 701 23	door lock striker F 030 5101 >> F 035 4001 >> F 045 8101 >> for subsequent installat. door lock 901.531.053.23	/L	1	911 912 912	17	901 531 061 21	outer door handle version with steering lock	/L	68-	1
(14)	901 531 702 20	door lock striker F >> 030 5100 F >> 035 4000 F >> 045 8100	/R	1	911 912 912	(17)	901 531 062 20	outer door handle version with steering lock	/R	-67	1
14	901 531 702 23	door lock striker F 030 5101 >> F 035 4001 >> F 045 8101 >> for subsequent installat. door lock 901.531.054.23 901.531.054.24	/R	1	911 912 912	(17)	901 531 062 21	outer door handle version with steering lock	/R	68-	1
						(17)	901 531 061 10	outer door handle version without steering lock	/L	-67	1

Model	Year	MG	SG	Illustration	Restrictions	UPD	18:03	22.01.2010	PORSCHE	PET	PORSCHE
911-1	1969	8	04	804-00		248					

Pos	Part Number	Description	Remark	Qty	Model	Pos	Part Number	Description	Remark	Qty	Model
(17)	901 531 061 11	outer door handle version without steering lock	/L 68-	1		(23)	900 151 027 02	washer 5,3	-68	4	
(17)	901 531 062 10	outer door handle version without steering lock	/R -67	1		23	900 025 003 02	washer 5,3	69-	4	
(17)	901 531 062 11	outer door handle version without steering lock	/R 68-	1		24	999 084 102 02	lock nut		4	
18	901 531 651 20	lock cylinder version without steering lock		2		25	999 703 119 40	stopper one groove 5,5 MM		14	
(18)	901 531 651 10	lock cylinder version with steering lock		2		(25)	999 703 119 40	stopper one groove 2 MM		14	
19	901 722 314 00	key version without steering lock		2		(25)	999 703 040 50	cap one groove 3 MM		14	
(19)	901 722 314 09	blank key version without steering lock		2		(26)	999 911 077 50	door seal F >> 030 1124	/L/R	2	COUPE
(19)	644 613 901 02	key version with steering lock		2		(26)	901 531 093 20	door seal F 030 1125 >>	/L/R	-68	2 COUPE
(19)	644 613 901 10	blank key version with steering lock		2		26	911 531 933 01	door seal	/L	69-	1 COUPE
20	901 531 920 20	actuating lever		1		(26)	911 531 934 01	door seal	/R	69-	1 COUPE
21	911 531 631 00	desk pad front		2		27	902 531 093 40	door seal		2	TARGA
(22)	901 531 632 20	desk pad rear	-67	2		28	901 531 945 20	desk pad		-68	4
22	901 531 632 21	desk pad rear	68-	2		29	901 531 753 00	stop		69-	2
						30	N 013 954 2	oval-head sheetmetal screw B2,9 X 13		69-	4
						-	901 531 927 21	sealing film door inner panel		-68	2
						-	901 531 089 00	sealing film door inner panel	/L	69-	1
						-	901 531 090 00	sealing film door inner panel	/R	69-	1

Model	Year	MG	SG	Illustration	Restrictions	UPD	18:03	22.01.2010	PORSCHE	PET	PORSCHE
911-1	1969	8	04	804-05		248					



Pos	Part Number	Description	Remark	Qty	Model
		door lock			
		with installation parts			
(1)	901 531 053 21	door lock F 030 1959 >> F 035 0488 >> F 045 1260 >> F >> 030 5100 F >> 035 4000 F >> 045 8100	/LL/RL /L	1	911 912 912 911 912 912
(1)	901 531 053 23	door lock	/LL/RL /L	1	
(1)	901 531 054 22	door lock F 030 1959 >> F 035 0488 >> F 045 1260 >> F >> 030 5100 F >> 035 4000 F >> 045 8100	/LL/R	1	911 912 912 911 912 912
1	901 531 054 24	door lock	/LL/R	1	
(1)	901 531 054 21	door lock F 030 1959 >> F 035 0488 >> F 045 1260 >> F >> 030 5100 F >> 035 4000 F >> 045 8100	/RL/R	1	911 912 912 911 912 912
(1)	901 531 054 23	door lock	/RL/R	1	
-	901 531 547 20	spring door lock	/L/R	2	
2	999 148 005 04	countersunk-head screw self-locking		6	
(3)	901 531 075 20	mounting for push-button	/L	1	
3	901 531 076 20	mounting for push-button	/R	1	
4	N 012 225 2	spring washer B5		4	
5	900 119 001 02	pan-head screw M5 X 12		-68	4
5	900 119 034 02	pan-head screw M5 X 8		69-	4
6	901 531 562 21	connecting rod		2	

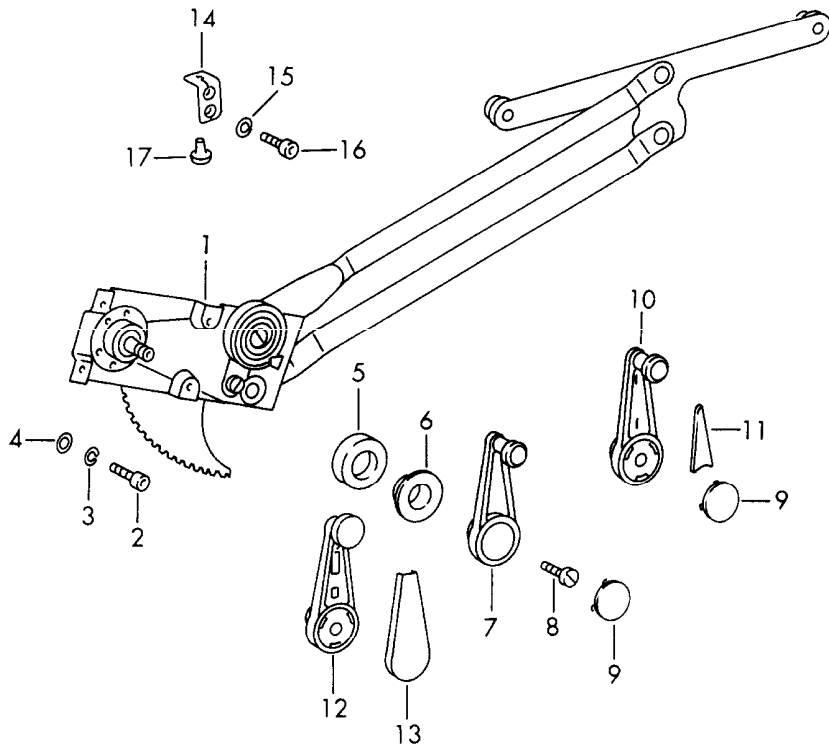
Model	Year	MG	SG	Illustration	Restrictions	UPD	18:03	22.01.2010	PORSCHE	PET	PORSCHE
911-1	1969	8	04	804-05		248					

Pos	Part Number	Description	Remark	Qty	Model	Pos	Part Number	Description	Remark	Qty	Model		
7	900 116 002 01	lock washer 3,2		8		(15)	901 555 084 00	cover strip	/R	69-	1	COUPE	
8	901 531 599 21	felt strip		4		(15)	901 555 084 00	cover strip	/R	69-	1	TARGA	
(9)	901 531 431 27	moulding	/L	-67	1	COUPE	(16)	901 531 937 20	sealing for door slot	/L	-68	1	
(9)	901 531 431 27	moulding	/L	68-	1	COUPE	(16)	901 531 937 25	sealing for door slot	/L	69-	1	
(9)	901 531 431 41	moulding	L		1	TARGA	(16)	901 531 938 20	sealing for door slot	/R	-68	1	
(9)	901 531 432 27	moulding	/R	-67	1	COUPE	16	901 531 938 25	sealing for door slot	/R	69-	1	
9	901 531 432 27	moulding	/R	68-	1	COUPE	(17)	901 531 481 22	guide sleeve		-67	2	
(9)	901 531 432 41	moulding	/R		1	TARGA	17	901 531 481 22	guide sleeve		68-	2	
10	901 531 439 20	guide wedge		-68	6		18	901 531 671 21	push button			2	
11	999 591 326 02	moulding clip		-68	14		19	N 013 958 7	tapping screw B3,5 X 13			2	
3	999 591 326 01	moulding clip			14		20	999 591 338 02	speed nut			4	
(12)	911 531 931 02	sealing strip	/L		1	COUPE	21	999 591 102 12	washer			4	
(12)	911 531 931 42	sealing strip	/L		1	TARGA	22	900 145 041 00	rais. counters. h. tap. s. B3,5 X 16			4	
12	911 531 932 02	sealing strip	/R		1	COUPE	23	999 591 320 51	grommet			2	
(12)	901 531 932 40	sealing strip	/R		1	TARGA	(24)	901 531 055 20	lock	/L	-68	1	
13	901 531 933 20	sealing strip ventilator window			2		(24)	901 531 055 21	lock	/L	69-	1	
(14)	901 531 935 20	sealing for door slot	/L		1		(24)	901 531 056 20	lock	/R	-68	1	
14	901 531 936 20	sealing for door slot	/R		1		24	901 531 056 21	lock	/R	69-	1	
(15)	901 531 091 20	ornamental strip	/L	-67	1		25	901 531 057 20	push rod			2	
(15)	901 531 091 24	ornamental strip	/L	68	1	911 /TU 912	26	901 531 611 20	push button			2	
(15)	901 531 091 51	ornamental strip	/L	68	1	911 L/S 912	27	901 531 613 20	spacer			2	
(15)	901 555 083 00	cover strip	/L	69-	1	COUPE	28	901 555 491 20	guide			2	
(15)	901 555 083 00	cover strip	/L	69-	1	TARGA	29	901 531 561 21	connecting rod			2	
(15)	901 531 092 20	ornamental strip up to model a	/R	-67	1		30	N 014 761 2	pan-head screw M6 X 12			4	
(15)	901 531 092 21	ornamental strip	/R	68	1	911 /TU 912		M 6 X 12				4	
(15)	901 531 092 51	ornamental strip	/R	68	1	911 L/S	31	900 028 008 01	spring washer B6			4	
							(32)	999 116 001 00	retainer			8	

Model	Year	MG	SG	Illustration	Restrictions	UPD	18:03	22.01.2010	PORSCHE	PET	PORSCHE
911-1	1969	8	04	804-05		248					

Pos	Part Number	Description	Remark	Qty	Model	Pos	Part Number	Description	Remark	Qty	Model
32	900 116 002 01	lock washer 3,2		8							
(33)	901 531 331 50	moulding	/L	1							
33	901 531 332 50	moulding	/R	1							

Model	Year	MG	SG	Illustration	Restrictions	UPD	18:03	22.01.2010	PORSCHE	PET	PORSCHE
911-1	1969	8	04	804-10		248					

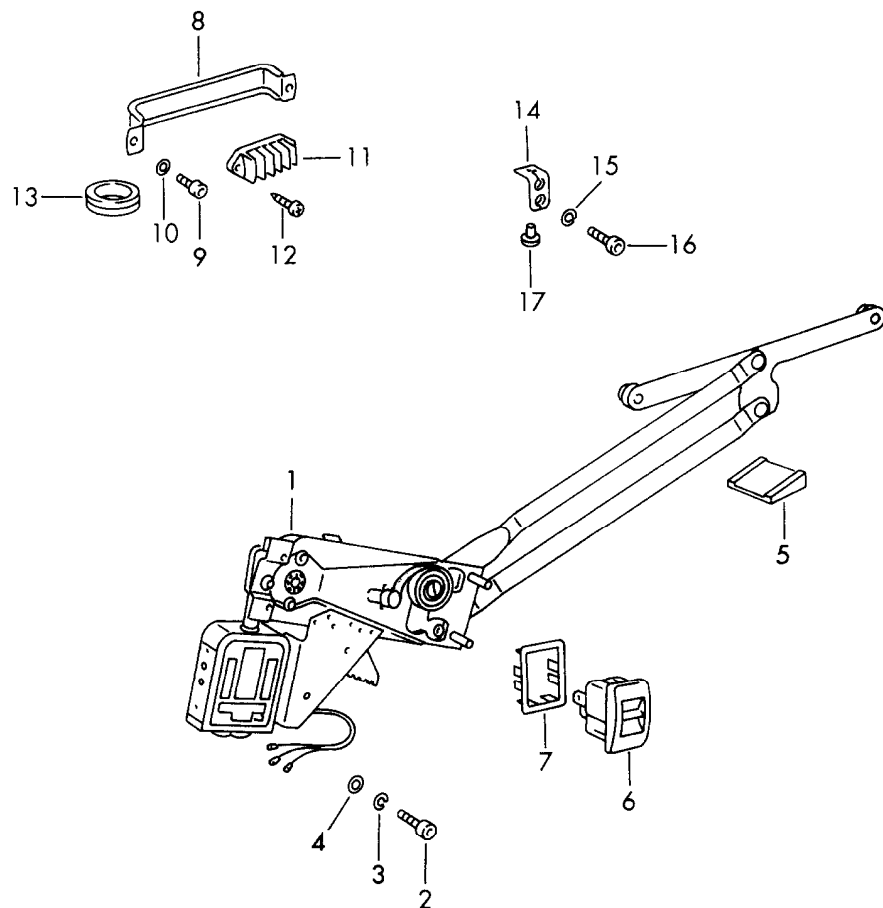


Pos	Part Number	Description	Remark	Qty	Model
		power windows mechanical it is necessary to rework			
(1)	901 542 041 22	power windows F >> 030 2921 F >> 035 1599 F >> 045 3638	/L	1	911 912 912
(1)	901 542 041 22	power windows F 030 2922 >> F 035 1600 >> F 045 3639 >> F >> 030 7180 F >> 035 4818 F >> 046 1072	/L	1	911 912 912 911 912 912
(1)	901 542 041 22	power windows F 030 7181 >> F 035 4819 >> F 046 1073 >>	/L	-68	1 911 912 912
(1)	901 542 042 22	power windows F >> 030 2921 F >> 035 1599 F >> 045 3638	/R	1	911 912 912
(1)	901 542 042 22	power windows F 030 2922 >> F 035 1600 >> F 045 3639 >> F >> 030 7180 F >> 035 4818 F >> 046 1072	/R	1	911 912 912 911 912 912
(1)	901 542 042 22	power windows F 030 7181 >> F 035 4819 >> F 046 1073 >>	/R	-68	1 911 912 912
(1)	911 542 041 00	parallel arm window lift	/L	69-	1
1	911 542 042 00	parallel arm window lift	/R	69-	1
1	911 542 929 03	cross arm window lift use also: 911.542.057.00 911.542.491.40	/L	69-	1 1 COUPE
1	911 542 930 03	cross arm window lift use also: 911.542.058.00 911.542.491.40	/R	69-	1 1 COUPE

Model	Year	MG	SG	Illustration	Restrictions	UPD	18:03	22.01.2010	PORSCHE	PET	PORSCHE
911-1	1969	8	04	804-10		248					

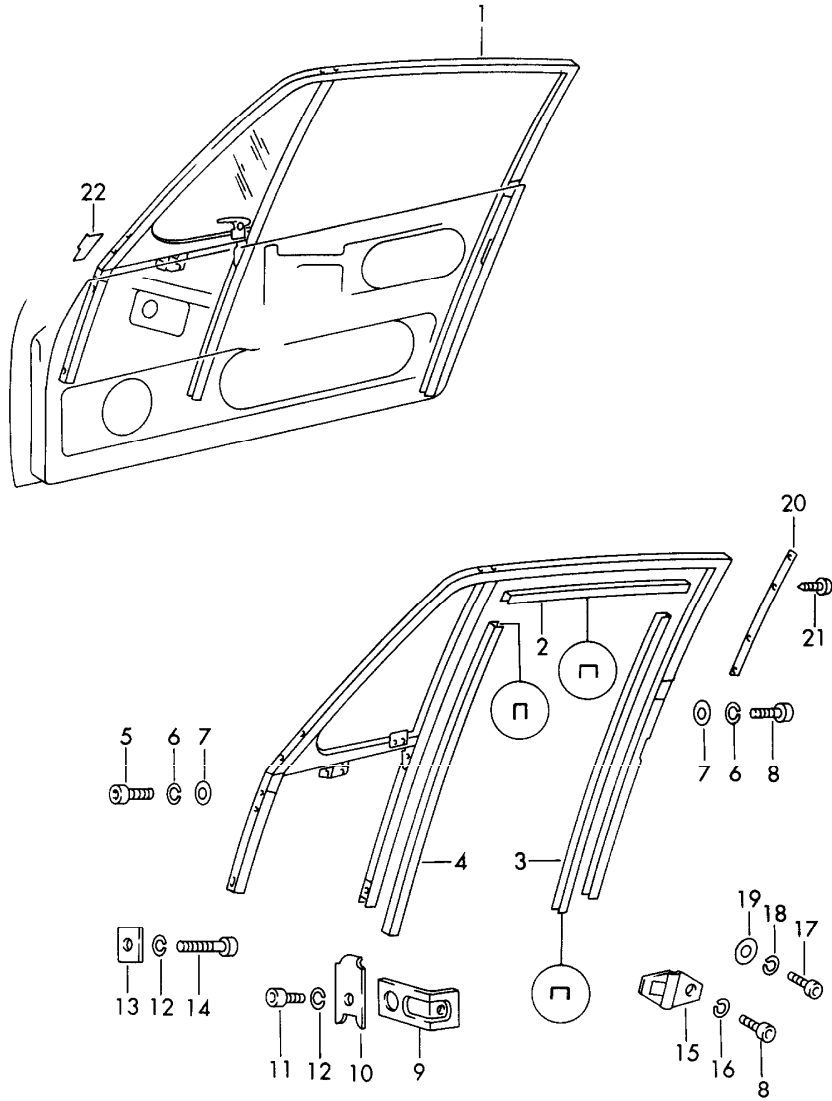
Pos	Part Number	Description	Remark	Qty	Model	Pos	Part Number	Description	Remark	Qty	Model
1	911 542 929 42	cross arm window lift use also: 911.542.057.42 911.542.491.40	/L 69-	1	TARGA	11	901 542 473 20	cover F 030 5101 >> F 035 4001 >> F 045 8101 >> F >> 1180 0147 F >> 1181 0106 F >> 1182 0004 F >> 1183 0003 F >> 1185 0035 F >> 1186 0037 F >> 1180 5000 F >> 1185 5001 F >> 1187 0000 F >> 1188 0001 F >> 1282 0030 F >> 1287 0036 F >> 1280 0239		2	
1	911 542 930 42	cross arm window lift use also: 911.542.058.42 911.542.491.40	/R 69-	1	TARGA						
2	N 014 761 2	pan-head screw M6 X 12 M 6 X 12	-68	8							
2	N 014 765 2	pan-head screw M6 X 10	69-	8							
3	900 027 014 01	lock ring B6		8		12	911 542 471 00	window crank F 1180 0148 >> F 1181 0107 >> F 1182 0005 >> F 1183 0004 >> F 1185 0036 >> F 1186 0038 >> F 1180 5001 >> F 1185 5002 >> F 1187 0001 >> F 1188 0002 >> F 1282 0031 >> F 1287 0037 >> F 1280 0240 >>		2	
(4)	900 151 006 09	washer 6,4	-68	8							
4	N 011 524 7	washer 6,4	69-	8							
5	901 542 495 20	sealing ring		2							
6	901 552 891 20	rosette		2							
7	911 542 471 00	window crank F >> 030 5100 F >> 035 4000 F >> 045 8100		2		13	901 542 482 20	cover F 1180 0148 >> F 1181 0107 >> F 1182 0005 >> F 1183 0004 >> F 1185 0036 >> F 1186 0038 >> F 1180 5001 >> F 1185 5002 >> F 1187 0001 >> F 1188 0002 >> F 1282 0031 >> F 1287 0037 >> F 1280 0240 >>		2	
8	911 542 475 00	conical screw		2							
9	901 542 472 20	cover plate		2							
10	911 542 471 00	window crank F 030 5101 >> F 035 4001 >> F 045 8101 >> F >> 1180 0147 F >> 1181 0106 F >> 1182 0004 F >> 1183 0003 F >> 1185 0035 F >> 1186 0037 F >> 1180 5000 F >> 1185 5001 F >> 1187 0000 F >> 1188 0001 F >> 1282 0030 F >> 1287 0036 F >> 1280 0239		2							
						14	901 542 411 40	stop bracket		2	
						15	900 028 008 01	lock ring A6		4	
						16	N 014 765 2	pan-head screw M6 X 10		4	
						17	999 703 064 50	rubber buffer		2	

Model	Year	MG	SG	Illustration	Restrictions	UPD	18:03	22.01.2010	PORSCHE	PET	PORSCHE
911-1	1969	8	04	804-15		248					



Pos	Part Number	Description	Remark	Qty	Model
		power windows electric			
(1)	911 542 003 25	power windows	/L	1	
1	911 542 004 25	power windows	/R	1	
-	901 624 102 01	motor		2	
-	901 624 103 00	transmission		2	
-	911 542 929 01	parallel arm window lift		1	
-	911 542 930 01	parallel arm window lift		1	
-	901 624 105 00	clutch		2	
2	N 014 765 2	pan-head screw M6 X15		8	
3	900 027 014 01	lock ring B6		8	
4	N 011 524 7	washer 6,4		8	
5	901 542 063 00	thrust wedge		2	
6	901 613 621 00	switch		3	
7	901 613 635 00	assembly frame		3	
8	901 531 083 00	bracket		2	
9	900 014 013 02	pan-head screw M4 X 10		4	
10	900 027 011 01	lock ring B4		4	
11	901 612 898 00	cable connection 5-pole		2	
12	N 013 961 2	tapping screw 3,9 X 13		4	
13	999 702 026 50	rubber sleeve		2	
14	901 542 411 40	stop bracket		2	
15	900 028 008 01	lock ring A6		4	
16	N 014 765 2	pan-head screw M6 X 10		4	
17	999 703 064 50	rubber buffer		2	

Model	Year	MG	SG	Illustration	Restrictions	UPD	18:04	22.01.2010	PORSCHE	PET	PORSCHE
911-1	1969	8	04	804-20		248					



Pos	Part Number	Description	Remark	Qty	Model
		door glass frame			COUPE
(1)	901 542 005 22	support frame F >> 030 2805 F >> 035 1271 F >> 043 8082	/L	1	
(1)	901 542 005 22	door glass frame F 030 2806 >> F 035 1272 >> F 045 3083 >>	/L	-67	1
(1)	901 542 005 25	door glass frame F >> 1183 0003 F >> 1180 5000 F >> 1282 0030 F >> 1280 0239	/L	68-	1
(1)	901 542 005 26	door glass frame F 1183 0004 >> F 1180 5001 >> F 1282 0031 >> F 1280 0240 >>	/L		1
(1)	901 542 021 27	door glass frame	/L	69-	1
(1)	901 542 006 20	door glass frame F >> 030 2805 F >> 035 1271 F >> 043 8082	/R		1
(1)	901 542 006 22	door glass frame F 030 2806 >> F 035 1272 >> F 045 3083 >>	/R	-67	1
(1)	901 542 006 25	door glass frame F >> 1183 0003 F >> 1180 5000 F >> 1282 0030 F >> 1280 0239	/R	68-	1
1	901 542 006 26	door glass frame F 1183 0004 >> F 1180 5001 >> F 1282 0031 >> F 1280 0240 >>	/R		1
(1)	901 542 022 27	door glass frame	/R	69-	1
(1)	901 542 005 30	door glass frame green F >> 030 2805 F >> 035 1271 F >> 043 8082	/L		1

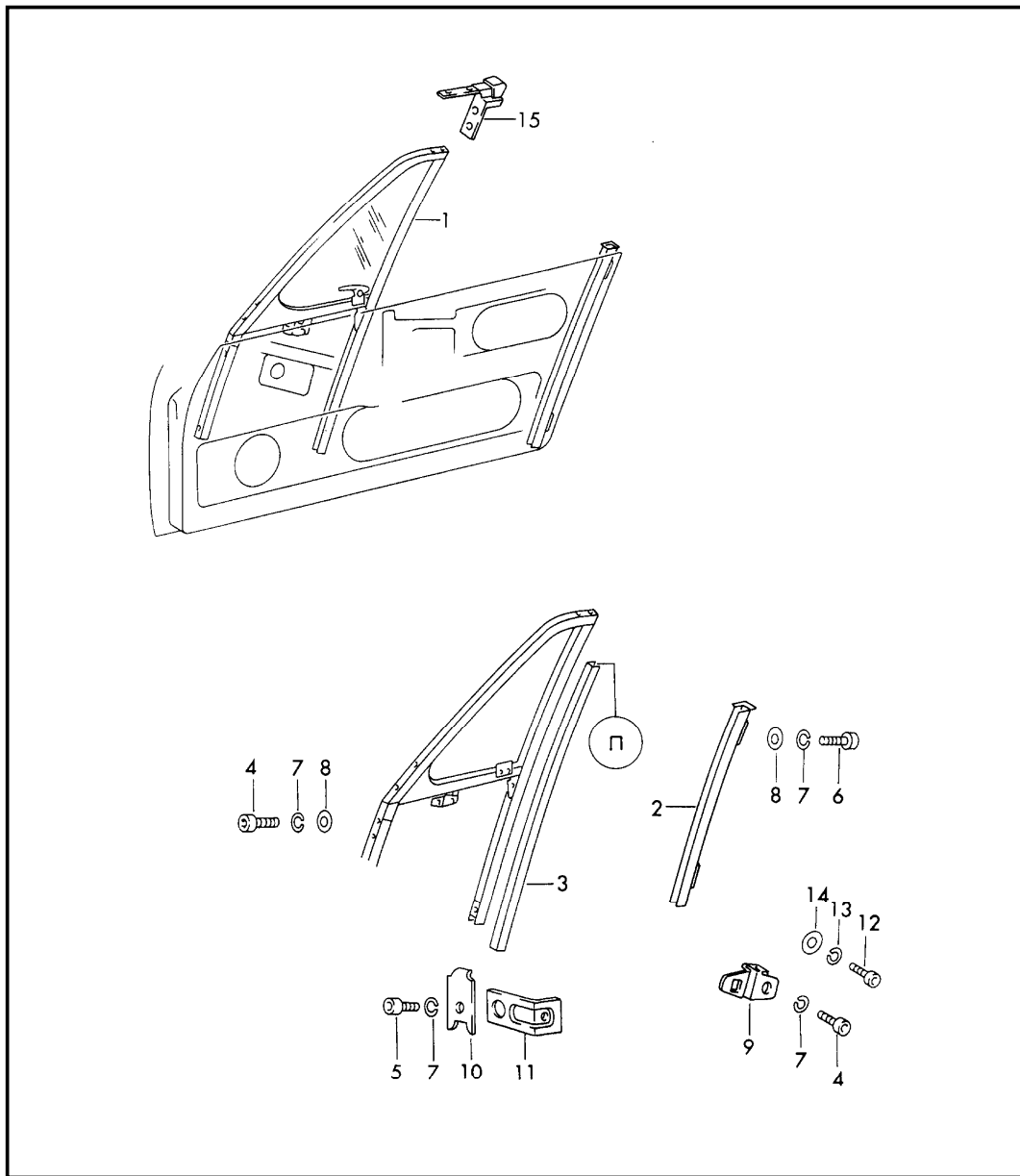
Model	Year	MG	SG	Illustration	Restrictions	UPD	18:04	22.01.2010	PORSCHE	PET	PORSCHE
911-1	1969	8	04	804-20		248					

Pos	Part Number	Description	Remark	Qty	Model	Pos	Part Number	Description	Remark	Qty	Model
(1)	901 542 005 32	door glass frame green F 030 2806 >> F 035 1272 >> F 045 3083 >>	/L -67	1		4	901 542 902 25	window guide	/V -68	2	
(1)	901 542 005 35	door glass frame green F >> 1183 0003 F >> 1180 5000 F >> 1282 0030 F >> 1280 0239	/L 68-	1		4	911 542 905 00	window guide	/V 69-	2	
(1)	901 542 005 36	door glass frame green F 1183 0004 >> F 1180 5001 >> F 1282 0031 >> F 1280 0240 >>	/L	1		5	900 119 052 02	pan-head screw M8 X 15		4	
(1)	901 542 006 30	door glass frame green F >> 030 2805 F >> 035 1271 F >> 043 8082	/R	1		6	900 027 015 02	lock ring B8		10	
(1)	901 542 006 32	door glass frame green F 030 2806 >> F 035 1272 >> F 045 3083 >>	/R -67	1		7	900 025 007 02	washer 8,4		8	
(1)	901 542 006 35	door glass frame green F >> 1183 0003 F >> 1180 5000 F >> 1282 0030 F >> 1280 0239	/R 68-	1		8	999 218 008 02	pan-head screw M8 X 12		4	
(1)	901 542 006 36	door glass frame green F 1183 0004 >> F 1180 5001 >> F 1282 0031 >> F 1280 0240 >>	/R	1		9	911 542 061 00	retaining bracket	-67	2	
2	901 542 901 20	window guide		-67	2	-	901 542 933 20	seal door with frame		2	
(2)	901 542 901 25	window guide		68	2	10	901 542 252 20	desk pad		2	
(2)	911 542 905 00	window guide		69-	2	11	N 014 761 2	pan-head screw M6 X 20		2	
3	901 542 901 20	window guide	/H	-68	2	12	900 027 014 01	lock ring B6		4	
(3)	901 542 902 25	window guide	/H	68	2	13	901 542 223 20	desk pad		2	
3	911 542 905 00	window guide	/H	69-	2	14	N 014 782 1	pan-head screw M6 X 25		2	
						15	901 542 235 20	clamping spring	-67	2	
						(15)	901 542 235 40	clamping spring	/L 68	1	
						(15)	901 542 236 40	clamping spring	/R 68	1	
						16	900 028 008 01	spring washer B6		2	
						17	900 119 001 02	pan-head screw M5 X 12		2	
						18	N 012 005 3	lock ring B5		2	
						19	900 025 003 02	washer 5,3		2	
						20	901 542 262 21	rain channel	/R -67	1	

Model	Year	MG	SG	Illustration	Restrictions	UPD	18:04	22.01.2010	PORSCHE	PET	PORSCHE
911-1	1969	8	04	804-20		248					

Pos	Part Number	Description	Remark	Qty	Model	Pos	Part Number	Description	Remark	Qty	Model
(20)	901 542 261 21	rain channel	/L	-67	1						
21	900 148 030 12	rais. counters. h. tap. s. AM3 X 5			8						
(22)	911 531 711 00	joint rubber	/V/L	69-	2						
22	911 531 712 00	joint rubber	/V/R	69-	2						
(22)	911 531 713 00	joint rubber	/H/L	69-	2						
(22)	911 531 714 00	joint rubber	/H/R	69-	2						

Model	Year	MG	SG	Illustration	Restrictions	UPD	18:04	22.01.2010	PORSCHE	PET	PORSCHE
911-1	1969	8	04	804-25		248					

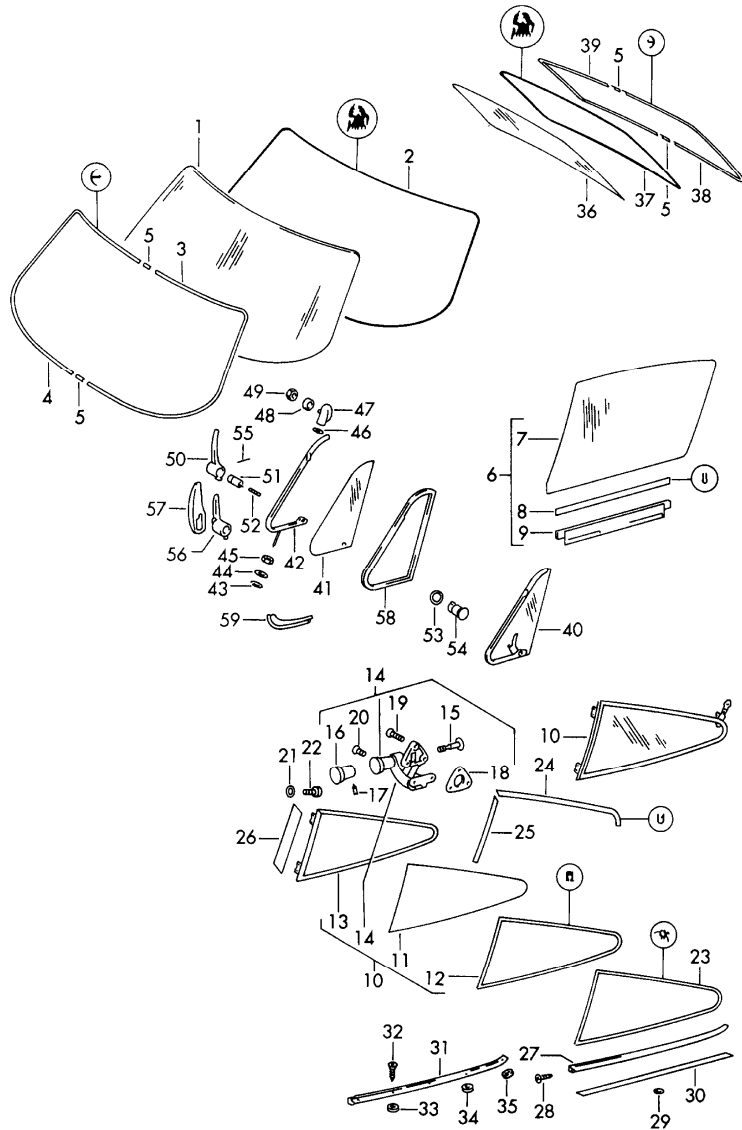


Pos	Part Number	Description	Remark	Qty	Model
		door glass frame			TARGA
(1)	901 542 005 40	door glass frame F >> 1188 0001 F >> 1185 5001 F >> 1287 0036	/L	1	
(1)	901 542 005 41	door glass frame F 1188 0002 >> F 1185 5002 >> F 1287 0037 >>	/L	1	
(1)	901 542 005 45	door glass frame green F >> 1188 0001 F >> 1185 5001 F >> 1287 0036	/L	1	
(1)	901 542 005 46	door glass frame green F 1188 0002 >> F 1185 5002 >> F 1287 0037 >>	/L	1	
(1)	901 542 005 43	door glass frame	/L	69-	1
(1)	901 542 005 51	door glass frame	/L	69-	1
(1)	901 542 005 48	door glass frame	/L	69-	1
(1)	901 542 005 55	door glass frame	/L	69-	1
1	901 542 006 40	door glass frame F >> 1188 0001 F >> 1185 5001 F >> 1287 0036	/R	1	
(1)	901 542 006 41	door glass frame F 1188 0002 >> F 1185 5002 >> F 1287 0037 >>	/R	1	
(1)	901 542 006 45	door glass frame green F >> 1188 0001 F >> 1185 5001 F >> 1287 0036	/R	1	
(1)	901 542 006 46	door glass frame green F 1188 0002 >> F 1185 5002 >> F 1287 0037 >>	/R	1	
(1)	901 542 006 43	door glass frame	/R	69-	1
(1)	901 542 006 51	door glass frame	/R	69-	1

Model	Year	MG	SG	Illustration	Restrictions	UPD	18:04	22.01.2010	PORSCHE	PET	PORSCHE
911-1	1969	8	04	804-25		248					

Pos	Part Number	Description	Remark	Qty	Model	Pos	Part Number	Description	Remark	Qty	Model
(1)	901 542 006 48	door glass frame	/R 69-	1							
(1)	901 542 006 55	door glass frame	/R 69-	1							
(2)	901 542 023 40	window guide rail	/H/L	1							
2	901 542 024 40	window guide	/H/R	1							
(3)	901 542 901 20	window guide up to model a	/V	2							
(3)	901 542 902 25	window guide as of model a	V -68	2							
3	911 542 905 00	window guide	V 69-	2							
4	N 014 765 2	pan-head screw M6 X 10		4							
5	N 014 761 2	pan-head screw M6 X 12 M 6 X 12		2							
6	900 119 035 02	pan-head screw M6 X 8		6							
7	900 027 014 01	lock ring B6		14							
8	N 011 524 7	washer 6,4		8							
(9)	901 542 235 40	clamping spring	/L	1							
9	901 542 236 40	clamping spring	/R	1							
10	901 542 252 25	desk pad		2							
11	911 542 061 00	retaining bracket		2							
12	N 014 761 2	pan-head screw M6 X 12 M 6 X 12		2							
13	900 027 014 01	lock ring B6		2							
14	N 011 524 7	washer 6,4		2							
(15)	911 542 065 41	frame connection	/L	1							
15	911 542 066 41	frame connection	/R	1							

Model	Year	MG	SG	Illustration	Restrictions	UPD	18:04	22.01.2010	PORSCHE	PET	PORSCHE
911-1	1969	8	05	805-00		248					



Pos	Part Number	Description	Remark	Qty	Model
		window glazing	-68		COUPE
1	901 541 101 21	windscreen		1	
(1)	901 541 101 31	windscreen green		1	
2	901 541 901 20	windscreen sealing		1	
3	901 541 911 20	trim frame-half	/L	1	
4	901 541 912 20	trim frame-half	/R	1	
5	644 541 921 06	covering plate		4	
6	901 542 011 20	door window glass	/L	1	
	F >> 030 2921				
	F >> 035 1599				
	F >> 045 3638				
(6)	901 542 012 20	door window glass	/R	1	
	F >> 030 2921				
	F >> 035 1599				
	F >> 045 3638				
(6)	901 542 011 30	door window glass green	/L	1	
	F >> 030 2921				
	F >> 035 1599				
	F >> 045 3638				
(6)	901 542 012 30	door window glass green	/R	1	
	F >> 030 2921				
	F >> 035 1599				
	F >> 045 3638				
(6)	901 542 011 21	door window glass	/L	-67	1
	F 030 2922 >>				
	F 035 1600 >>				
	F 045 3639 >>				
(6)	901 542 011 25	door window glass	/L	68	1
(6)	901 542 012 21	door window glass	/R	-67	1
	F 030 2922 >>				
	F 035 1600 >>				
	F 045 3639 >>				
(6)	901 542 012 25	door window glass	/R	68	1
(6)	901 542 011 31	door window glass green	/L	-67	1
	F 030 2922 >>				
	F 035 1600 >>				
	F 045 3639 >>				

Model	Year	MG	SG	Illustration	Restrictions	UPD	18:04	22.01.2010	PORSCHE	PET	PORSCHE
911-1	1969	8	05	805-00		248					

Pos	Part Number	Description	Remark	Qty	Model	Pos	Part Number	Description	Remark	Qty	Model
(6)	901 542 011 35	door window glass green	/L	68	1	(10)	901 543 012 20	ventilator window	/R	-67	1
(6)	901 542 012 31	door window glass green F 030 2922 >> F 035 1600 >> F 045 3639 >>	/R	-67	1	(10)	901 543 012 25	ventilator window	/R	68	1
(6)	901 542 012 35	door window glass green	/R	68	1	(10)	901 543 011 30	ventilator window green	/L	-67	1
7	901 542 101 20	side window	/L	-67	1	(10)	901 543 011 35	ventilator window green	/L	68	1
(7)	901 542 101 25	side window	/L	68	1	(10)	901 543 012 30	ventilator window green	/R	-67	1
(7)	901 542 102 20	side window	/R	-67	1	(10)	901 543 012 35	ventilator window green	/R	68	1
(7)	901 542 102 25	side window	/R	68	1	11	901 543 101 20	side window glass	/L		1
(7)	901 542 101 30	side window green	/L	-67	1	(11)	901 543 102 20	side window glass	/R		1
(7)	901 542 101 35	side window green	/L	68	1	(11)	901 543 101 30	side window glass green	/L		1
(7)	901 542 102 30	side window green	/R	-67	1	(11)	901 543 102 30	side window glass green	/R		1
(7)	901 542 102 35	side window green	/R	68	1	12	901 543 191 20	sealing frame			1
8	901 542 491 20	rubber ply			2	13	901 543 015 20	frame	/L	-67	1
9	901 542 045 20	window lifter rail F >> 030 2921 F >> 035 1599 F >> 045 3638	/L		1	(13)	901 543 015 25	frame	/L	68	1
(9)	901 542 045 21	window lifter rail F 030 2922 >> F 035 1600 >> F 045 3639 >>	/L		1	(13)	901 543 016 20	frame	/R	-67	1
(9)	901 542 046 20	window lifter rail F >> 030 2921 F >> 035 1599 F >> 045 3638	/R		1	14	901 543 016 25	frame	/R	68	1
(9)	901 542 046 21	window lifter rail F 030 2922 >> F 035 1600 >> F 045 3639 >>	/R		1	14	901 543 041 21	hinge	/L		1
10	901 543 011 20	ventilator window	/L	-67	1	(14)	901 543 042 21	hinge	/R		1
(10)	901 543 011 25	ventilator window	/L	68	1	15	644 543 416 00	threaded bolt			2
						16	644 552 820 03	knob			2
						17	900 043 002 00	threaded pin M3 X 4			2
						18	901 543 491 21	desk pad			2
						19	900 148 023 02	countersunk-head screw M4 X 15			6
						20	900 148 002 02	countersunk-head screw AM4 X 6			4
						21	900 025 033 02	washer 5,3			8

Model	Year	MG	SG	Illustration	Restrictions	UPD	18:04	22.01.2010	PORSCHE	PET	PORSCHE
911-1	1969	8	05	805-00		248					

Pos	Part Number	Description	Remark	Qty	Model	Pos	Part Number	Description	Remark	Qty	Model
22	900 119 034 02	pan-head screw M5 X8		8		38	901 545 911 20	trim frame-half	/L	1	
23	901 543 901 20	sealing frame	/L	1		39	901 545 912 20	trim frame-half	/R	1	
(23)	901 543 902 20	sealing frame	/R	1		40	901 542 051 20	ventilator window F >> 030 1879 F >> 035 0439 F >> 045 1350	/L	1	
24	999 911 041 00	edge protection		2		(40)	901 542 052 20	ventilator window F >> 030 1879 F >> 035 0439 F >> 045 1350	/R	1	
25	901 543 423 00	edge protection		2		(40)	901 542 051 22	ventilator window F 030 1880 >> F 035 0440 >> F 045 1351 >>	/L	-67	1
26	901 543 493 20	sealing strap		2		(40)	901 542 051 25	ventilator window F >> 1183 0003 F >> 1180 5000 F >> 1282 0030 F >> 1280 0239	/L	68	1
27	901 543 093 20	moulding	/L	-67	1	(40)	901 542 051 26	ventilator window F 1183 0004 >> F 1180 5001 >> F 1282 0031 >> F 1280 0240 >>	/L	68	1
(27)	901 543 094 20	moulding	/R	-67	1	(40)	901 542 052 22	ventilator window F 030 1880 >> F 035 0440 >> F 045 1351 >>	/R	-67	1
28	900 145 002 02	rais. counters. h. tapp. s. B2,9 X 9,5		2		(40)	901 542 052 25	ventilator window F >> 1183 0003 F >> 1180 5000 F >> 1282 0030 F >> 1280 0239	/R	-67	1
29	999 591 211 01	speed nut		10		(40)	901 542 052 26	ventilator window F 1183 0004 >> F 1180 5001 >> F 1282 0031 >> F 1280 0240 >>	/R	68	1
30	999 911 004 50	terostat ribbon 20 X 2 for edge protection		X		(40)	901 542 051 30	ventilator window green F >> 030 1879 F >> 035 0439 F >> 045 1350	/L	1	
31	901 543 921 25	moulding	/L	68	1	(40)	901 542 051 30	ventilator window green F >> 030 1879 F >> 035 0439 F >> 045 1350	/L	1	
(31)	901 543 922 25	moulding	/R	68	1	(40)	901 542 051 30	ventilator window green F >> 030 1879 F >> 035 0439 F >> 045 1350	/L	1	
32	900 144 009 00	counters. head tapp. screw B2,9 X13		12		(40)	901 542 052 22	ventilator window F 030 1880 >> F 035 0440 >> F 045 1351 >>	/R	-67	1
33	901 543 419 20	spacer 4,0		6		(40)	901 542 052 25	ventilator window F >> 1183 0003 F >> 1180 5000 F >> 1282 0030 F >> 1280 0239	/R	68	1
34	901 543 421 20	spacer 1,5		2		(40)	901 542 052 25	ventilator window F >> 1183 0003 F >> 1180 5000 F >> 1282 0030 F >> 1280 0239	/R	68	1
35	901 543 422 20	spacer 3,0		2		(40)	901 542 052 26	ventilator window F 1183 0004 >> F 1180 5001 >> F 1282 0031 >> F 1280 0240 >>	/R	68	1
36	901 545 101 20	rear window		2		(40)	901 542 052 26	ventilator window F 1183 0004 >> F 1180 5001 >> F 1282 0031 >> F 1280 0240 >>	/R	68	1
(36)	901 545 101 30	rear window green		2		(40)	901 542 051 30	ventilator window green F >> 030 1879 F >> 035 0439 F >> 045 1350	/L	1	
(36)	911 545 105 00	rear window heatable		2		(40)	901 542 051 30	ventilator window green F >> 030 1879 F >> 035 0439 F >> 045 1350	/L	1	
(36)	911 545 107 00	rear window green heatable		2		(40)	901 542 051 30	ventilator window green F >> 030 1879 F >> 035 0439 F >> 045 1350	/L	1	
37	911 545 225 00	sealing frame		1							

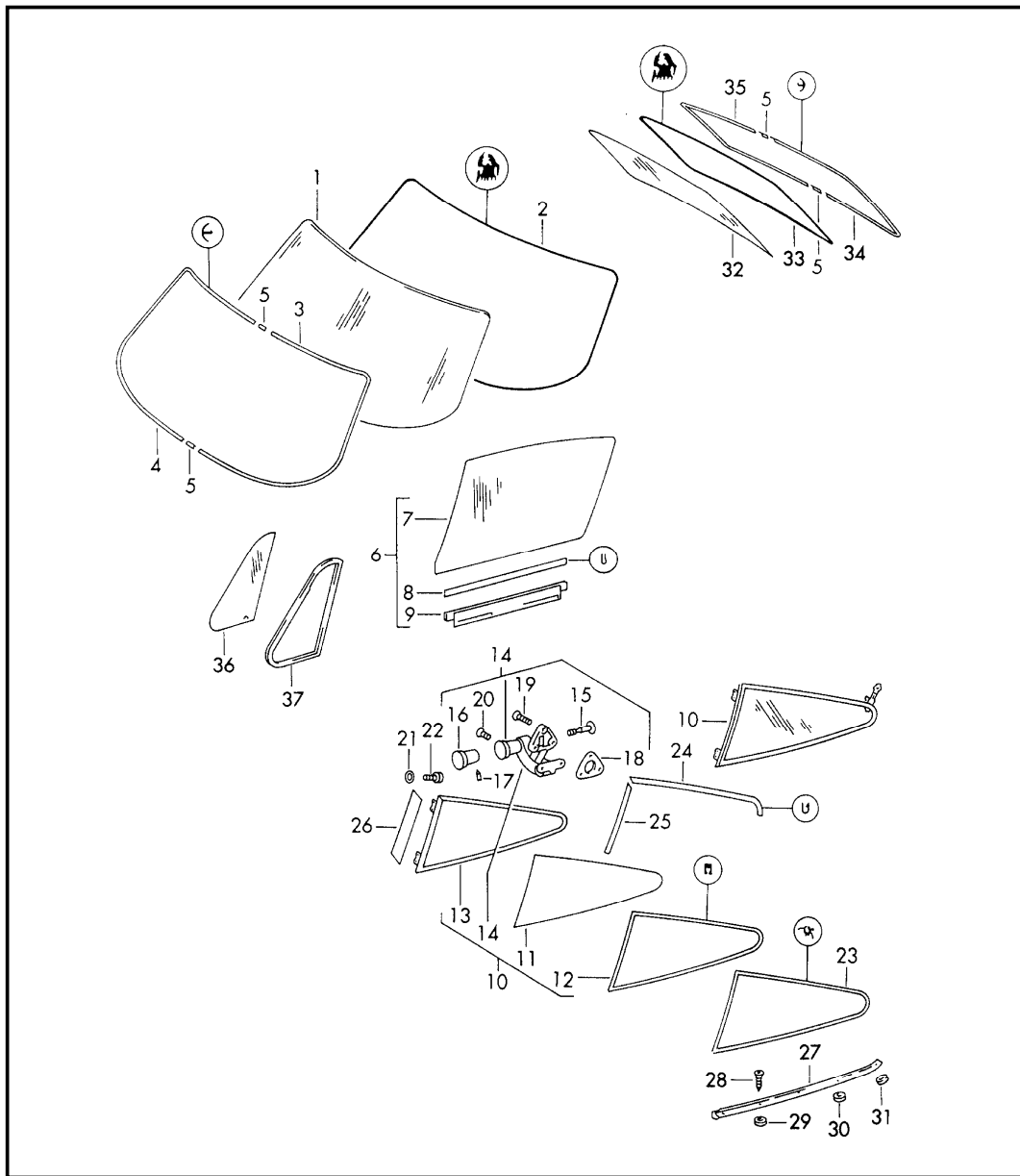
Model	Year	MG	SG	Illustration	Restrictions	UPD	18:04	22.01.2010	PORSCHE	PET	PORSCHE
911-1	1969	8	05	805-00		248					

Pos	Part Number	Description	Remark	Qty	Model	Pos	Part Number	Description	Remark	Qty	Model
(40)	901 542 052 30	ventilator window green F >> 030 1879 F >> 035 0439 F >> 045 1350	/R	1		(41)	901 542 501 35	side window green	/L	68	1
(40)	901 542 051 32	ventilator window green F 030 1880 >> F 035 0440 >> F 045 1351 >>	/L	-67	1	(41)	901 542 502 35	washer green	/R	-67	1
(40)	901 542 051 35	ventilator window green F >> 1183 0003 F >> 1180 5000 F >> 1282 0030 F >> 1280 0239	/L	68	1	(41)	901 542 502 35	side window green	/R	68	1
(40)	901 542 051 36	ventilator window green F 1183 0004 >> F 1180 5001 >> F 1282 0031 >> F 1280 0240 >>	/L	1		42	901 542 055 20	frame	/L	-67	1
(40)	901 542 052 32	ventilator window green F 030 1880 >> F 035 0440 >> F 045 1351 >>	/R	-67	1	(42)	901 542 055 25	frame	/L	68	1
(40)	901 542 052 35	ventilator window green F >> 1183 0003 F >> 1180 5000 F >> 1282 0030 F >> 1280 0239	/R	68	1	(42)	901 542 056 20	frame	/R	-67	1
(40)	901 542 052 36	ventilator window green F 1183 0004 >> F 1180 5001 >> F 1282 0031 >> F 1280 0240 >>	/R	1		(42)	901 542 056 25	frame	/R	68	1
41	901 542 501 20	side window	/L	-67	1	43	999 041 319 01	snap ring 8		-67	2
(41)	901 542 501 25	side window	/L	68	1	44	999 025 105 60	washer		-67	2
(41)	901 542 502 25	washer	/R	-67	1	45	901 542 519 20	washer		-67	2
(41)	901 542 502 25	side window	/R	68	1	46	900 025 002 40	washer 4,3		-67	2
(41)	901 542 501 35	washer green	/L	-67	1	47	901 542 621 22	bearing	/L		1
						(47)	901 542 622 22	bearing	/R		1
						48	644 542 625 06	spacer			2
						49	999 084 101 02	lock nut			2
						50	901 542 553 20	catch F >> 1183 0003 F >> 1180 5000 F >> 1282 0030 F >> 1280 0239	/L	68	2
						(50)	901 542 553 21	catch F 1183 0004 >> F 1180 5001 >> F 1282 0031 >> F 1280 0240 >>	/L		2
						(50)	901 542 554 21	catch F >> 1183 0003 F >> 1180 5000 F >> 1282 0030 F >> 1280 0239	/R	68	2

Model	Year	MG	SG	Illustration	Restrictions	UPD	18:04	22.01.2010	PORSCHE	PET	PORSCHE
911-1	1969	8	05	805-00		248					

Pos	Part Number	Description	Remark	Qty	Model	Pos	Part Number	Description	Remark	Qty	Model
(50)	901 542 554 21	catch F 1183 0004 >> F 1180 5001 >> F 1282 0031 >> F 1280 0240 >>	/R	2							
51	901 542 559 20	push button		2							
52	644 542 555 00	compression spring		2							
53	911 542 556 48	spring washer		2							
54	644 542 558 00	bearing F >> 1183 0003 F >> 1180 5000 F >> 1282 0030 F >> 1280 0239	68	2							
54	901 542 558 21	bearing F 1183 0004 >> F 1180 5001 >> F 1282 0031 >> F 1280 0240 >>		2							
55	900 090 001 00	dowel pin 2 X 12		2							
58	901 542 931 23	sealing frame	/L	1							
(58)	901 542 932 23	sealing frame	/R	1							
59	901 542 513 21	water deflector	/L	1							
(59)	901 542 514 21	water deflector	/R	1							

Model	Year	MG	SG	Illustration	Restrictions	UPD	18:04	22.01.2010	PORSCHE	PET	PORSCHE
911-1	1969	8	05	805-05		248					

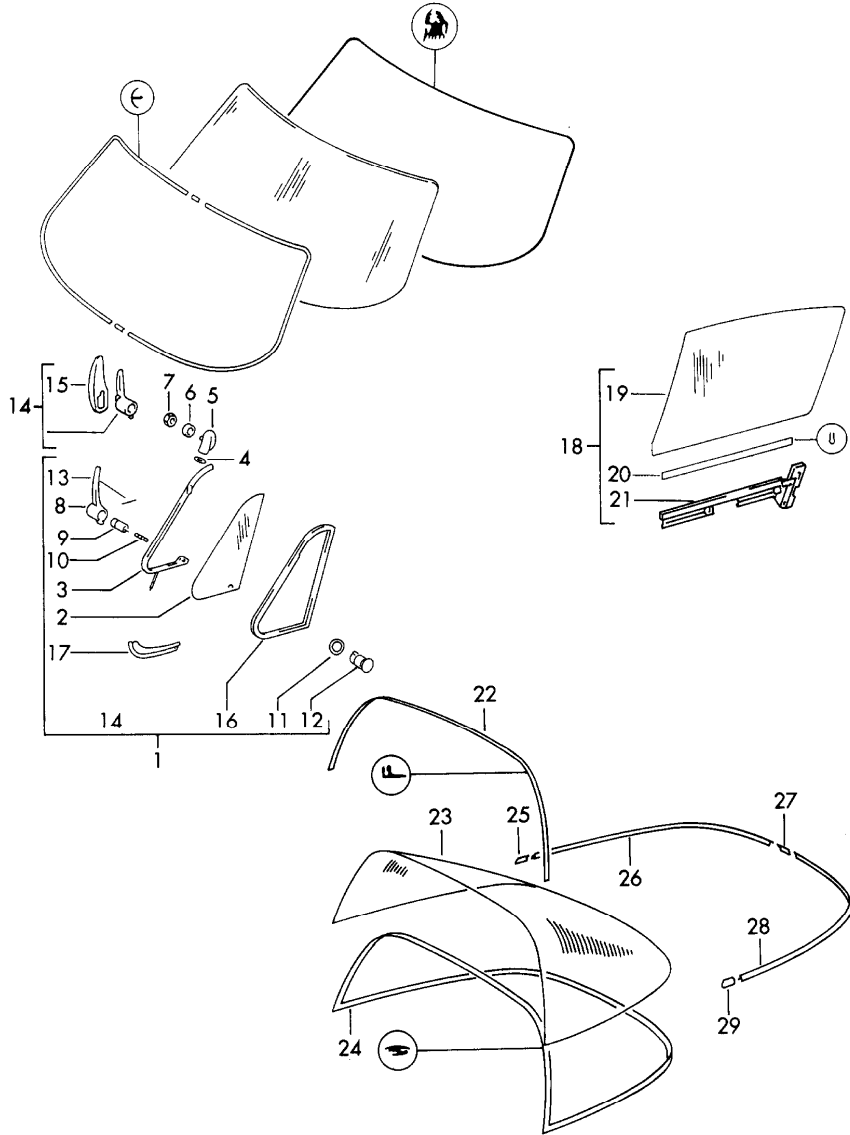


Pos	Part Number	Description	Remark	Qty	Model
		window glazing	69-		COUPE
1	901 541 101 21	windscreen		1	
(1)	901 541 101 31	windscreen green		1	
2	901 541 901 20	windscreen sealing		1	
3	901 541 911 20	trim frame-half	/L	1	
4	901 541 912 20	trim frame-half	/R	1	
5	644 541 921 06	covering plate		4	
6	901 542 011 27	door window glass	/L	1	
(6)	901 542 012 27	door window glass	/R	1	
(6)	901 542 011 37	door window glass green	/L	1	
(6)	901 542 012 37	door window glass green	/R	1	
(7)	901 542 101 25	side window	/L	1	
(7)	901 542 102 25	side window	/R	1	
(7)	901 542 101 35	side window green	/L	1	
(7)	901 542 102 35	side window green	/R	1	
8	911 542 491 40	rubber ply		2	
9	901 542 045 23	window lifter rail	/L	1	
(9)	901 542 046 23	window lifter rail	/R	1	
(10)	901 543 011 25	ventilator window	/L	1	
(10)	901 543 012 25	ventilator window	/R	1	
(10)	901 543 011 35	ventilator window green	/L	1	
(10)	901 543 012 35	ventilator window green	/R	1	
(11)	901 543 101 30	side window glass	/L	1	
(11)	901 543 102 30	side window glass	/R	1	
12	901 543 191 20	sealing frame		1	

Model	Year	MG	SG	Illustration	Restrictions	UPD	18:04	22.01.2010	PORSCHE	PET	PORSCHE
911-1	1969	8	05	805-05		248					

Pos	Part Number	Description	Remark	Qty	Model	Pos	Part Number	Description	Remark	Qty	Model
13	901 543 015 25	frame	/L	1		(32)	911 545 107 00	rear window 100 W green		1	
(13)	901 543 016 25	frame	/R	1							
14	901 543 041 21	hinge	/L	1		(32)	911 545 107 00	rear window 100/250 W green		1	
(14)	901 543 042 21	hinge	/R	1							
15	644 543 416 00	threaded bolt		2		33	901 545 901 21	windscreen sealing		1	
16	644 552 820 03	knob		2		34	901 545 911 20	trim frame-half	/L	1	
17	900 043 002 00	threaded pin M3 X 4		2		35	901 545 912 20	trim frame-half	/R	1	
18	901 543 491 21	desk pad		2		36	901 542 501 27	side window	/L	1	
19	900 148 023 02	countersunk-head screw M4 X 15		6		(36)	901 542 502 27	side window	/R	1	
20	900 148 002 02	countersunk-head screw M4 X 6		4		(36)	911 542 511 00	side window green	/L	1	
21	999 025 109 02	washer 5,3		8		(36)	911 542 512 00	side window	/R	1	
22	900 186 035 02	pan-head screw M5 X 8		8		37	901 542 921 21	sealing frame		2	
23	901 543 901 20	sealing frame	/L	1							
(23)	901 543 902 20	sealing frame	/R	1							
24	999 911 041 00	edge protection		2							
25	901 543 423 00	edge protection		2							
26	901 543 493 20	sealing strap		2							
27	901 543 921 25	moulding	/L	1							
(27)	901 543 922 25	moulding	/R	1							
28	900 144 009 00	counters. head tapp. screw B2,9 X 13		12							
29	901 543 419 20	spacer 4,0		6							
30	901 543 421 20	spacer 1,5		2							
31	901 543 422 20	spacer 3,0		2							
32	911 545 105 00	rear window 100 W		1							

Model	Year	MG	SG	Illustration	Restrictions	UPD	18:04	22.01.2010	PORSCHE	PET	PORSCHE
911-1	1969	8	05	805-10		248					

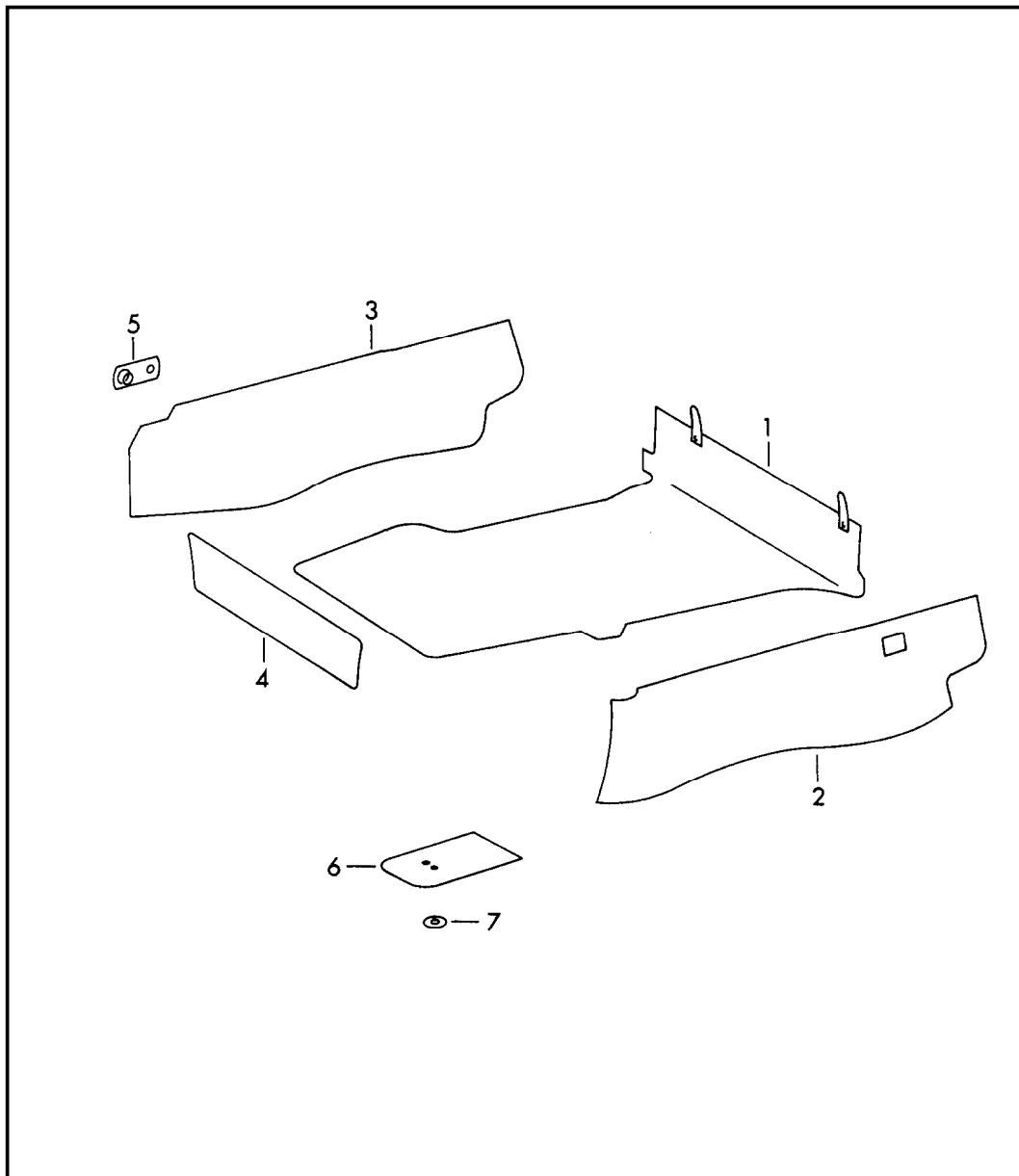


Pos	Part Number	Description	Remark	Qty	Model
		window glazing			TARGA
(1)	901 542 051 40	ventilator window	/L	1	
(1)	901 542 052 40	ventilator window	/R	1	
(1)	901 542 051 45	ventilator window green	/L	1	
(1)	901 542 052 45	ventilator window green	/R	1	
(2)	901 542 501 40	side window	/L	1	
(2)	901 542 501 45	side window green	/L	1	
(2)	901 542 502 40	side window	/R	1	
(2)	901 542 502 45	side window green	/R	1	
3	901 542 055 40	frame	/L	1	
(3)	901 542 056 40	frame	/R	1	
4	900 025 002 40	washer 4,3		2	
5	901 542 621 22	bearing	/L	2	
(5)	901 542 622 22	bearing	/R	2	
6	644 542 625 06	spacer		2	
7	900 084 020 02	hexagon nut M4		2	
8	901 542 553 21	catch	/L	1	
(8)	901 542 554 21	catch	/R	1	
9	901 542 559 20	push button		2	
10	644 542 555 00	compression spring		2	
11	911 542 556 48	spring washer		2	
12	901 542 558 21	bearing		2	
13	900 090 001 00	dowel pin 2 X 12		2	
(16)	911 542 135 40	sealing frame	/L	1	
(16)	911 542 136 40	sealing frame	/R	1	

Model	Year	MG	SG	Illustration	Restrictions	UPD	18:04	22.01.2010	PORSCHE	PET	PORSCHE
911-1	1969	8	05	805-10		248					

Pos	Part Number	Description	Remark	Qty	Model	Pos	Part Number	Description	Remark	Qty	Model
17	901 542 513 21	water deflector	/L	1		24	901 565 052 41	sealing frame	69-	1	
(17)	901 542 514 21	water deflector	/R	1		25	901 565 562 40	moulding end	/R	1	
(18)	901 542 011 40	door window glass	/L	-68	1	26	901 565 556 40	moulding	/R	1	
(18)	901 542 011 45	door window glass green	/L	-68	1	27	644 541 921 06	covering plate		1	
(18)	901 542 012 40	door window glass	/R	-68	1	28	901 565 555 40	moulding	/L	1	
(18)	901 542 012 45	door window glass green	/R	-68	1	29	901 565 561 40	moulding end	/L	1	
18	901 542 011 43	door window glass	/L	69-	1						
18	901 542 011 47	door window glass green	/L	69-	1						
(18)	901 542 012 43	door window glass	/R	69-	1						
(18)	901 542 012 47	door window glass green	/R	69-	1						
19	901 542 101 40	door window glass	/L	1							
(19)	901 542 101 45	door window glass green	/L	1							
(19)	901 542 102 40	door window glass	/R	1							
(19)	901 542 102 45	door window glass green	/R	1							
(20)	901 542 491 20	rubber ply		-68	2						
20	911 542 491 40	rubber ply		69-	2						
(21)	901 542 043 40	window lifter rail	/L	-68	1						
(21)	901 542 044 40	window lifter rail	/R	-68	1						
21	901 542 043 43	window lifter rail	/L	69-	1						
(21)	901 542 044 43	window lifter rail	/R	69-	1						
22	901 565 930 41	gasket		1							
(23)	901 565 551 50	rear window		-68	1						
23	901 565 551 51	rear window 100 W		69-	1						
23	911 565 551 03	rear window 100/250 W		69-	1						
(24)	901 565 052 40	sealing frame		-68	1						

Model	Year	MG	SG	Illustration	Restrictions	UPD	18:04	22.01.2010	PORSCHE	PET	PORSCHE
911-1	1969	8	07	807-00		248					

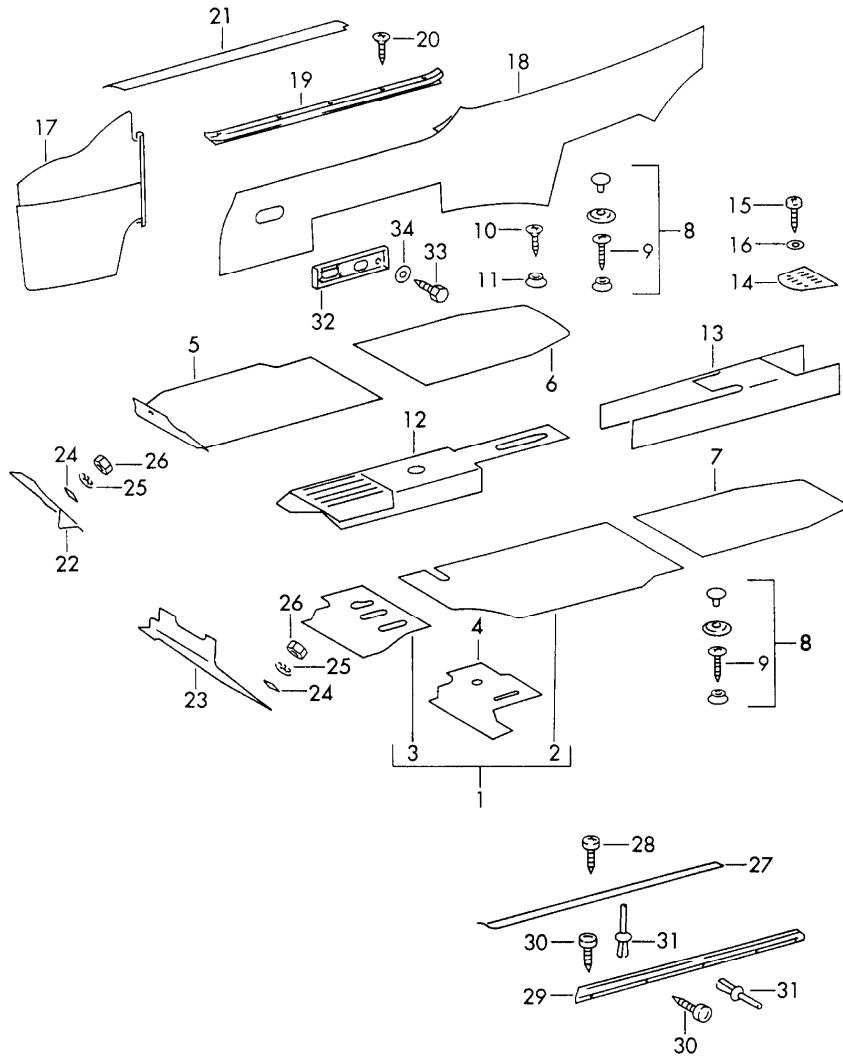


Pos	Part Number	Description	Remark	Qty	Model
		interior equipment	/V		
(1)	901 551 045 20	front-compartment carpet BOUCLE version fuel tank 62 L F >> 91130 2694 F >> 91235 1292 F >> 91245 1373		1	
(1)	901 551 045 21	front-compartment carpet BOUCLE version fuel tank 62 L F 91130 2695 >> F 91235 1293 >> F 91245 1374 >>	-68	1	
(1)	901 551 045 22	front-compartment carpet perlon velour version fuel tank 62 L F 91130 2695 >> F 91235 1293 >> F 91245 1374 >>	-68	1	
(1)	901 551 045 23	front-compartment carpet 4597 version fuel tank 100 L	-68	1	
(1)	911 551 045 00	front-compartment carpet perlon velour version fuel tank 62 L	69-	1	
1	901 551 045 26	front-compartment carpet perlon velour version fuel tank 100 L	69-	1	
(2)	901 551 049 20	carpet BOUCLE for front boot side wall F >> 91130 2694 F >> 91235 1292 F >> 91245 1373	/L	1	

Model	Year	MG	SG	Illustration	Restrictions	UPD	18:04	22.01.2010	PORSCHE	PET	PORSCHE
911-1	1969	8	07	807-00		248					

Pos	Part Number	Description	Remark	Qty	Model	Pos	Part Number	Description	Remark	Qty	Model
(2)	901 551 049 20	carpet BOUCLE for front boot side wall F 91130 2695 >> F 91235 1293 >> F 91245 1374 >>	/L	1		4	901 551 406 00	front-compartment carpet perlon velour	/V	1	
						5	911 503 075 00	desk pad		1	
						6	901 504 431 30	plate contains asbestos		1	
(2)	901 551 049 22	carpet perlon velour for front boot side wall up to model a F 91130 2695 >> F 91235 1293 >> F 91245 1374 >>	/L	1		7	901 504 439 00	washer		2	
(2)	901 551 049 24	carpet perlon velour for front boot side wall as of model a	/L	-68	1						
2	901 551 049 25	carpet perlon velour for front boot side wall	/L	69-	1						
(3)	901 551 050 20	carpet BOUCLE for front boot side wall F >> 91130 2694 F >> 91235 1292 F >> 91245 1373	/R	1							
(3)	901 551 050 21	carpet BOUCLE for front boot side wall F 91130 2695 >> F 91235 1293 >> F 91245 1374 >>	/R	-68	1						
(3)	901 551 050 22	carpet perlon velour for front boot side wall F 91130 2695 >> F 91235 1293 >> F 91245 1374 >>	/R	-68	1						
3	901 551 050 22	carpet perlon velour for front boot side wall	/R	69-	1						

Model	Year	MG	SG	Illustration	Restrictions	UPD	18:05	22.01.2010	PORSCHE	PET	PORSCHE
911-1	1969	8	07	807-01		248					



Pos	Part Number	Description	Remark	Qty	Model
(1)	901 551 011 23	interior equipment centre carpet perlon for cars without sportomatic	/LL/L	1	
(1)	905 551 011 21	carpet perlon for cars with sportomatic	/LL/L	1	
(1)	902 551 011 20	carpet rubber for cars without sportomatic	/LL/L	1	
(1)	905 551 011 20	carpet rubber for cars with sportomatic	/LL/L	1	
(1)	901 551 011 22	carpet perlon F >> 030 5100	/RL/L	1	911
(1)	901 551 011 27	carpet perlon velour F 030 5101 >>	/RL/L	1	911
(1)	902 551 011 24	carpet BOUCLE F >> 035 4000 F >> 045 8100	/RL/L	1	912
(1)	901 551 011 26	carpet perlon velour F 035 4001 >> F 045 8101 >>	/RL/L	1	912
(1)	901 551 011 41	carpet perlon for cars without sportomatic	/L	1	TARGA
(1)	905 551 011 41	carpet perlon for cars with sportomatic	/L	1	TARGA
(1)	902 551 011 40	carpet rubber for cars without sportomatic	/L	1	TARGA

Model	Year	MG	SG	Illustration	Restrictions	UPD	18:05	22.01.2010	PORSCHE	PET	PORSCHE
911-1	1969	8	07	807-01		248					

Pos	Part Number	Description	Remark	Qty	Model	Pos	Part Number	Description	Remark	Qty	Model
(1)	905 551 011 40	carpet rubber for cars with sportomatic		1	TARGA	3	901 551 015 00	carpet perlon velour	/LL/L	69-	1
1	901 551 011 24	carpet perlon	69-	1		(3)	901 551 016 20	carpet perlon	/RL/R	69-	1
1	901 551 011 27	carpet perlon velour	69-	1		(3)	901 551 016 00	carpet perlon velour	/RL/R	69-	1
2	901 551 011 29	carpet	/LL	69-	1	(3)	901 551 015 20	carpet		69-	1 TARGA
	700	perlon for cars without sportomatic					700	black perlon			
2	901 551 011 29	carpet	/LL	69-	1	(3)	901 551 015 20	carpet		69-	1 TARGA
	700	perlon velour for cars without sportomatic					700	black perlon velour			
2	905 551 011 25	carpet perlon for cars with sportomatic	/LL	69-	1	4	905 551 015 01	carpet perlon	/LL/L	69-	1
2	905 551 011 24	carpet perlon velour for cars with sportomatic	/LL	69-	1	4	905 551 015 00	carpet perlon velour	/LL/L	69-	1
(2)	901 551 011 29	carpet		69-	1 911 TARGA	(4)	905 551 016 01	carpet perlon	/RL/R	69-	1
	700	black perlon				(4)	905 551 016 00	carpet perlon velour	/RL/R	69-	1
(2)	901 551 011 29	carpet		69-	1 912 TARGA	(5)	901 551 012 23	carpet perlon F >> 030 5100	/LL/R		1 911
	700	black perlon velour				(5)	901 551 012 22	carpet perlon for cars without sportomatic F >> 030 5100	/RL/R		1 911
(2)	905 551 011 45	carpet perlon for cars with sportomatic		69-	1 TARGA	(5)	902 551 012 20	carpet rubber	/LL/R		1
(2)	905 551 011 44	carpet perlon velour for cars without sportomatic		69-	1 TARGA	(5)	905 551 012 22	carpet perlon for cars with sportomatic	/RL/R		1
3	901 551 015 20	carpet	/LL/L	69-	1	(5)	902 551 012 24	carpet BOUCLE F >> 035 4000 F >> 045 8100	/RL/R		1 912
	700	black perlon									

Model	Year	MG	SG	Illustration	Restrictions	UPD	18:05	22.01.2010	PORSCHE	PET	PORSCHE
911-1	1969	8	07	807-01		248					

Pos	Part Number	Description	Remark	Qty	Model	Pos	Part Number	Description	Remark	Qty	Model
(5)	901 551 012 26	carpet perlon velour for cars without sportomatic F 030 5101 >>	/RL/R	1	911	(12)	902 551 411 20	carpet for tunnel rubber	/V	1	
(5)	905 551 012 26	carpet perlon velour for cars with sportomatic	/RL/R	1		12	901 551 411 31	carpet perlon F >> 030 5100	/LL	1	911
(5)	901 551 012 24	carpet perlon	/R	1	TARGA	12	901 551 411 31	carpet perlon velour F 035 4001 >> F 045 8101 >>		1	912
(5)	902 551 012 40	carpet rubber	/R	1	TARGA	12	901 551 411 54	carpet perlon		1	911
(5)	901 551 012 24	carpet perlon	/LL	69-		12	902 551 411 22	carpet BOUCLE F >> 035 4000 F >> 045 8100	/RL	1	912
(5)	901 551 012 24	carpet perlon velour	/LL	69-		12	901 551 411 32	carpet perlon velour F 030 5101 >> F 035 4001 >> F 045 8101 >>	/RL	1	
5	901 551 012 28	carpet perlon	/RL	69-							911 912 912
5	901 551 012 30	carpet perlon velour	/RL	69-		-	999 591 801 12	push button for carpet		2	
(6)	901 551 014 22	carpet perlon	/LL/RL /R	1		(13)	901 551 047 20	carpet perlon F >> 030 5100		1	911
(6)	902 551 122 20	carpet rubber	/R	1		(13)	902 551 047 20	carpet BOUCLE F >> 035 4000 F >> 045 8100		1	912
6	901 551 014 22	carpet perlon velour	/R	1		(13)	901 551 047 21	carpet perlon velour F 030 5101 >> F 035 4001 >> F 045 8101 >>		1	
(7)	901 551 013 22	carpet perlon	/L	1		(13)	901 551 047 21	carpet perlon		69-	1
(7)	902 551 121 20	carpet rubber	/L	1							911 912 912
7	901 551 013 22	carpet perlon velour	/L	1		13	901 551 047 21	carpet perlon		69-	1
8	999 591 801 12	push button for carpet		4		13	901 551 047 21	carpet perlon velour		69-	1
9	900 138 014 02	pan-head tapping screw B3,5 X 13		4		(14)	901 504 731 30	lid F >> 030 5100			1
10	900 145 043 00	rais. counters. h. tap. s. B3,5 X 9,5		4		(14)	901 504 731 30	lid F 030 5101 >>	-68		1
11	999 591 805 12	push button		4		14	901 504 731 30	lid		69-	1

Model	Year	MG	SG	Illustration	Restrictions	UPD	18:05	22.01.2010	PORSCHE	PET	PORSCHE
911-1	1969	8	07	807-01		248					

Pos	Part Number	Description	Remark	Qty	Model	Pos	Part Number	Description	Remark	Qty	Model
15	N 013 971 3	tapping screw B4,8 X 22		4		(18)	901 551 043 25	carpet perlon velour F 030 8091 >> F >> 030 8090 F >> 035 5462 F >> 046 2711 F >> 055 0325 F >> 050 0464	/L	1	
16	900 031 006 40	washer 5,3		4							
-	999 591 329 02	prestole cage	-68	4							
(17)	901 551 041 20	carpet perlon	/L	1	911	(18)	901 551 043 26	carpet perlon velour F 030 8091 >> F 035 5463 >> F 046 2712 >> F 050 0465 >> F 055 0326 >>	/L	1	
(17)	902 551 041 20	carpet BOUCLE	/L	1	912						
(17)	901 551 041 20	carpet perlon velour	/L	1	911/912						
17	901 551 042 20	carpet perlon	/R	1	911	(18)	901 551 044 21	carpet perlon F >> 030 5100 F >> 030 8090 F >> 050 0464	/R	1	
17	902 551 042 20	carpet BOUCLE	/LL/R	1	912						
17	902 551 042 22	carpet BOUCLE	/RL/R	1	912	(18)	901 551 044 23	carpet perlon F >> 030 5100 F >> 030 8090 F >> 050 0464	/R	1	
17	901 551 042 20	carpet perlon velour		1	911/912						
17	901 551 042 22	carpet perlon	/RL/R	1		(18)	901 551 044 25	carpet perlon velour F 030 5101 >> F 035 4001 >> F 045 8101 >> F >> 030 8090 F >> 035 5462 F >> 046 2711 F >> 050 0464 F >> 055 0325	/R	1	
17	901 551 042 26	carpet perlon velour	/RL/R	1							
17	901 551 042 20	carpet perlon	/R	1	TARGA						
17	901 551 042 20	carpet perlon velour	/R	1	TARGA						
(17)	901 551 041 41	carpet perlon	/L	1	TARGA	(18)	901 551 044 26	carpet perlon velour F 030 8091 >> F 035 5463 >> F 046 2712 >> F 050 0465 >> F 055 0326 >>	/R	1	
(17)	901 551 041 20	carpet perlon velour	/L	1	TARGA						
(18)	901 551 043 21	carpet perlon F >> 030 8090 F >> 050 0464	/L	1		(18)	902 551 043 20	carpet BOUCLE F >> 035 4000 F >> 045 8100	/L	1	912
(18)	901 551 043 23	carpet perlon F 030 8091 >> F 050 0465 >>	/L	1		(18)	902 551 044 20	carpet BOUCLE F >> 035 4000 F >> 045 8100	/R	1	912

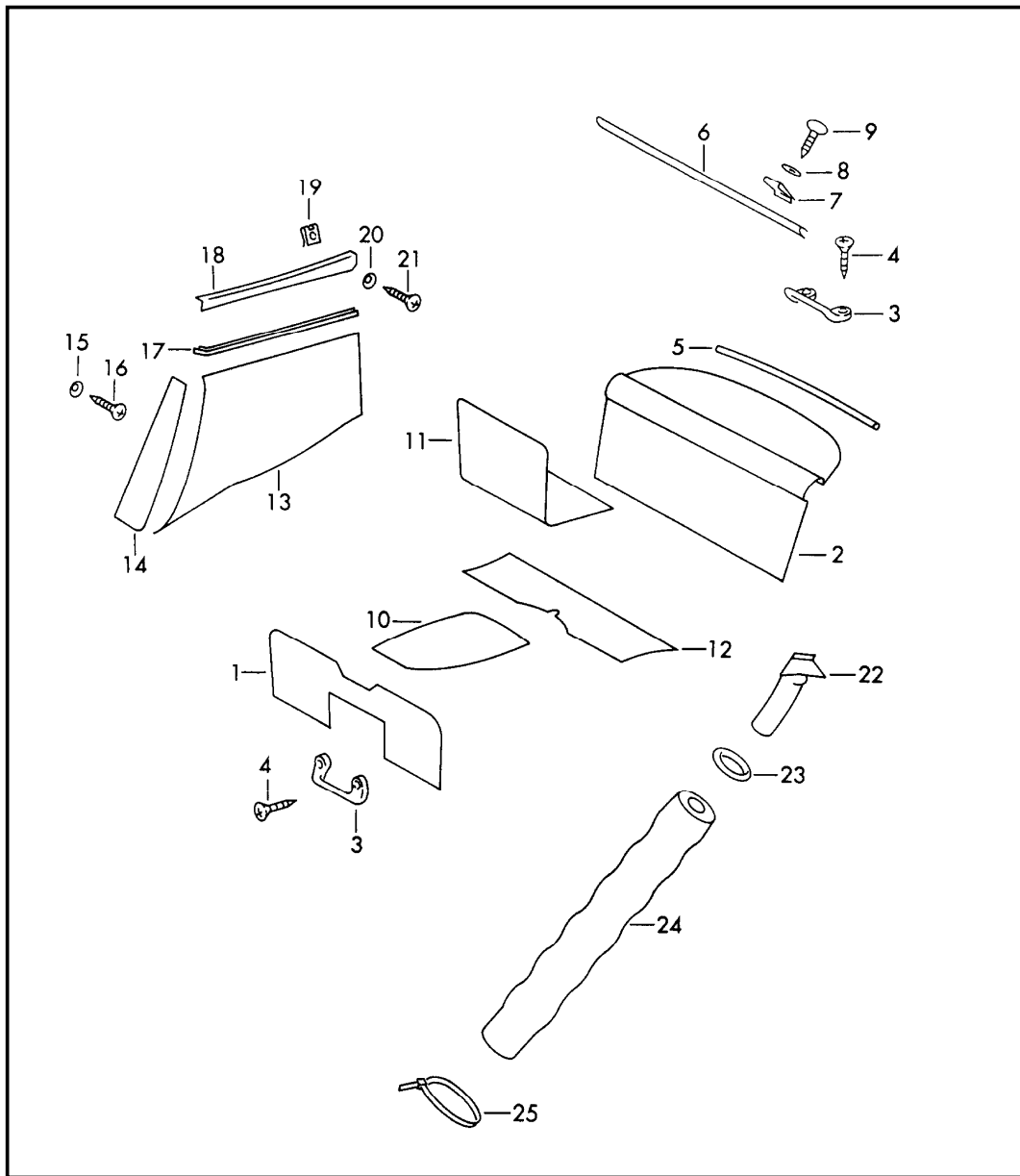
Model	Year	MG	SG	Illustration	Restrictions	UPD	18:05	22.01.2010	PORSCHE	PET	PORSCHE
911-1	1969	8	07	807-01		248					

Pos	Part Number	Description	Remark	Qty	Model	Pos	Part Number	Description	Remark	Qty	Model
18	901 551 043 24	adhesive carpet perlon	/L 69-	1		23	901 551 061 23	pedal floor board for cars with sportomatic	/RL 69-	1	
18	901 551 043 24	adhesive carpet perlon velour	/L 69-	1		(23)	901 551 063 40	pedal floor board F >> 050 0700 F >> 055 0525		1	TARGA
18	901 551 044 24	adhesive carpet perlon	/R 69-	1		(23)	901 551 063 41	pedal floor board for cars without sportomatic	68-	1	TARGA
18	901 551 044 24	adhesive carpet perlon velour	/R 69-	1		(23)	905 551 063 40	pedal floor board for cars with sportomatic		1	TARGA
(19)	901 551 419 50	cover strip		-68	2						
19	901 551 419 50	cover strip		69-	2						
(20)	900 145 003 02	rais. counters. h. tap. s. B3,5 X 9,5		-68	10	24	901 501 390 00	tab lower		2	
20	900 145 041 00	rais. counters. h. tap. s. B3,5 X 16		69-	10	25	900 114 010 01	shake-proof washer A6,4		2	
(21)	901 551 115 20	scuff plate	/L	1		26	900 076 010 02	hexagon nut M6		2	
(21)	901 551 116 20	scuff plate	/R	1		27	901 551 419 50	cover strip		2	
(22)	901 551 064 20	pedal floor board	/LL/R	-68	1	28	900 145 041 00	oval-head sheetmetal screw B3,5 X 16		5	
22	901 551 062 24	pedal floor board for cars without sportomatic	/RL/R	69-	1	(29)	901 551 115 50	scuff plate	/L	1	
22	905 551 062 24	pedal floor board for cars with sportomatic	/RL/R	69-	1	29	901 551 116 50	scuff plate	/R	1	
(22)	901 551 064 22	pedal floor board	/LL/R	69-	1	30	900 143 040 02	oval-head sheetmetal screw B2,9 X 9,5		20	
22	901 551 064 40	pedal floor board	/R	-68	1	TARGA	31	999 591 550 40	expansion rivet		20
(22)	901 551 064 42	pedal floor board	/R	69-	1	TARGA	32	901 572 710 00	slide heating	-68	2
(23)	901 551 063 20	pedal floor board F >> 030 8454 F >> 035 5627 F >> 046 3156	/LL	1	911 /S	33	900 187 020 02	hexagon-head tapping screw 4,2 X 25	-68	2	
(23)	901 551 063 21	pedal floor board	/LL	68-	1	33	900 187 017 02	hexagon-head tapping screw 4,2 X 19	-68	2	
(23)	901 551 061 22	pedal floor board	/RL	-68	1	34	900 025 002 02	washer 4,3	-68	4	
23	905 551 063 20	pedal floor board for cars with sportomatic	/LL	1		-	901 501 950 22	foot support	-68	1	
						-	N 015 429 2	speed nut	-68	2	
						-	901 501 958 22	desk pad	-68	2	

Model	Year	MG	SG	Illustration	Restrictions	UPD	18:05	22.01.2010	PORSCHE	PET	PORSCHE
911-1	1969	8	07	807-01		248					

Pos	Part Number	Description	Remark	Qty	Model	Pos	Part Number	Description	Remark	Qty	Model
-	900 145 035 02	rais. counters. h. tap. s. B4,2 X 16	-68	2							
-	901 551 101 15	floor mats VELURAN set F >> 030 5100 F >> 035 4000 F >> 045 8100	/LL	1							
-	901 551 101 16	floor mats VELURAN set for cars without sportomatic F 030 5101 >> F 035 4001 >> F 045 8101 >>	/LL	1							
-	905 551 101 15	floor mats VELURAN set for cars with sportomatic	/LL	1							
-	901 551 102 15	floor mats SILKOS set	/LL	1							
-	901 551 101 40	floor mats VELURAN set for cars without sportomatic	/LL	1	TARGA						
-	901 551 101 42	floor mats VELURAN set	/LL	1	TARGA						

Model	Year	MG	SG	Illustration	Restrictions	UPD	18:05	22.01.2010	PORSCHE	PET	PORSCHE
911-1	1969	8	07	807-05		248					



Pos	Part Number	Description	Remark	Qty	Model
		interior equipment	/H		
(1)	901 551 051 20	carpet velour for heel plate indicate colour F >> 030 5100		1	
(1)	901 551 051 20	carpet perlon velour for heel plate indicate colour F 030 5101 >> F 035 4001 >> F 045 8101 >>		-68 1	
(1)	902 551 051 20	carpet velour for heel plate F >> 035 4000 F >> 045 8100		1	
1	901 551 051 20	carpet velour for heel plate indicate colour		69- 1	
1	901 551 051 20	carpet perlon velour for heel plate indicate colour		69- 1	
(2)	901 555 075 20	back wall lining F >> 030 8090 F >> 035 5462 F >> 046 2711		1	COUPE
(2)	901 555 075 21	back wall lining indicate colour F 030 8091 >> F 035 5463 >> F 046 2712 >>		-68 1	COUPE
2	901 555 075 22	back wall lining indicate colour		69- 1	COUPE
(2)	901 555 075 40	back wall lining indicate colour		-68 1	

Model	Year	MG	SG	Illustration	Restrictions	UPD	18:05	22.01.2010	PORSCHE	PET	PORSCHE
911-1	1969	8	07	807-05		248					

Pos	Part Number	Description	Remark	Qty	Model	Pos	Part Number	Description	Remark	Qty	Model
(2)	901 555 075 41	back wall lining with upper part indicate colour version with convertible top	69-	1	TARGA	(10)	902 551 423 20	carpet BOUCLE F >> 035 4000 F >> 045 8100		1	
(2)	901 555 075 45	back wall lining with upper part indicate colour version with rear wall rear window fixed	69-	1	TARGA	(10)	901 551 423 20	carpet perlon velour F 030 5101 >> F 035 4001 >> F 045 8101 >> F >> 030 8090 F >> 035 5462 F >> 046 2711 F >> 050 0464 F >> 055 0325		1	
3	477 885 761	retaining bar		4		10	901 551 423 20	carpet perlon velour indicate colour F 030 8091 >> F 035 5463 >> F 046 2712 >> F 050 0465 >> F 055 0326 >>		1	
(4)	900 148 012 11	lens-head screw AM 5 X 15		8		(11)	901 522 061 20	carpet velour F >> 030 5100	/L	1	911 COUPE
4	900 270 049 07	countersunk-head screw AM 5 X 20		8		(11)	901 522 061 21	carpet velour indicate colour	/L	1	
(5)	901 555 751 20	seal for tray		1		(11)	901 522 061 20	carpet perlon velour indicate colour F 030 5101 >> F 035 4001 >> F 045 8101 >>	/L	1	
6	901 555 093 20	ornamental strip indicate colour	/H	1		(11)	901 522 062 20	carpet velour indicate colour F >> 030 5100	/R	1	911 COUPE
7	N 015 429 2	speed nut		4		(11)	901 522 062 20	carpet velour indicate colour	/R	1	
(8)	999 591 014 12	washer	-68	4		(11)	901 522 062 25	carpet perlon velour indicate colour F 030 5101 >> F 035 4001 >> F 045 8101 >>	/R	1	
8	999 591 107 12	protection washer	69-	4							
9	900 145 044 00	rais. counters. h. tap. s. B 4,2 X 22		4							
(10)	901 551 423 20	carpet velour F >> 030 5100 F >> 030 8090 F >> 050 0464		1		(11)	901 522 062 20	carpet velour indicate colour F >> 030 5100	/R	1	911 COUPE
10	901 551 423 20	carpet velour indicate colour F 030 8091 >> F 050 0465 >>		1		(11)	901 522 062 20	carpet velour indicate colour	/R	1	
						(11)	901 522 062 25	carpet perlon velour indicate colour F 030 5101 >> F 035 4001 >> F 045 8101 >>	/R	1	

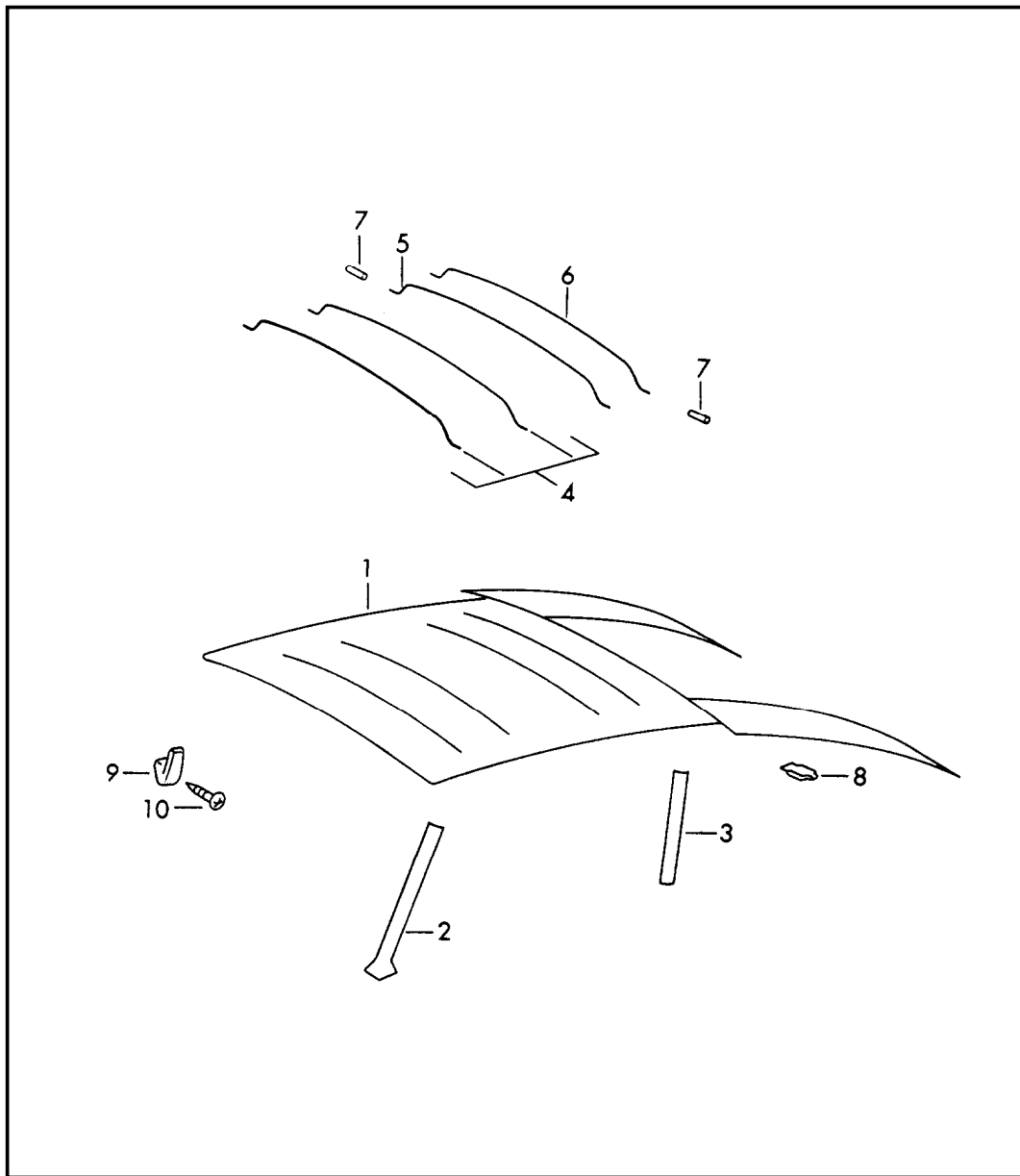
Model	Year	MG	SG	Illustration	Restrictions	UPD	18:05	22.01.2010	PORSCHE	PET	PORSCHE
911-1	1969	8	07	807-05		248					

Pos	Part Number	Description	Remark	Qty	Model	Pos	Part Number	Description	Remark	Qty	Model
(11)	902 522 061 20	carpet BOUCLE F >> 035 4000 F >> 045 8100	/L	1		(13)	901 555 072 23	side trim panel with cover indicate colour	/R	69-	1
(11)	902 522 062 20	carpet BOUCLE F >> 035 4000 F >> 045 8100	/R	1		13	901 555 071 40	side trim panel with cover indicate colour	/L	-68	1 TARGA
(11)	901 522 061 20	carpet velour indicate colour	/L	69-	1	13	901 555 072 40	side trim panel with cover indicate colour	/R	-68	1 TARGA
(11)	901 522 061 20	carpet perlon velour indicate colour	/L	69-	1	(13)	901 555 071 43	side trim panel with cover indicate colour	/L	69-	1 TARGA
11	901 522 062 23	carpet velour indicate colour	/R	69-	1	(13)	901 555 072 43	side trim panel with cover indicate colour	/R	69-	1 TARGA
11	901 522 062 20	carpet perlon velour indicate colour	/R	69-	1	(14)	901 555 023 01	filler piece	/L		X
12	901 551 054 21	carpet velour indicate colour F >> 030 5100	/H	1		14	901 555 024 01	filler piece	/R		X
12	901 551 054 25	carpet perlon velour indicate colour F 030 5101 >> F 035 4001 >> F 045 8101 >>	/H	1		15	999 591 104 12	protection washer			2
12	902 551 054 20	carpet BOUCLE F >> 035 4000 F >> 045 8100	/H	1		16	900 145 028 02	rais. counters. h. tap. s. B 3,9 X 13			2
(13)	901 555 071 20	side trim panel with cover indicate colour	/L	-68	1	(17)	901 555 357 50	moulding	/L		1 COUPE
(13)	901 555 072 20	side trim panel with cover indicate colour	/R	-68	1	(17)	901 555 357 40	moulding	/L		1 TARGA
(13)	901 555 071 23	side trim panel with cover indicate colour	/L	69-	1	17	901 555 358 50	moulding	/R		1 COUPE
						17	901 555 358 40	moulding	/R		1 TARGA
						(18)	901 555 091 20	ornamental strip	/L	-68	1 911 /TU COUPE
						(18)	901 555 091 50	ornamental strip	/L	-68	1 911 S/L COUPE
						(18)	901 555 092 20	ornamental strip	/R	-68	1 911 /TU COUPE
						(18)	901 555 092 50	ornamental strip	/R	-68	1 911 S/L COUPE
						(18)	901 555 091 51	ornamental strip	/L	69-	1 COUPE
						(18)	901 555 092 51	ornamental strip	/R	69-	1 COUPE

Model	Year	MG	SG	Illustration	Restrictions	UPD	18:05	22.01.2010	PORSCHE	PET	PORSCHE
911-1	1969	8	07	807-05		248					

Pos	Part Number	Description	Remark	Qty	Model	Pos	Part Number	Description	Remark	Qty	Model
18	901 555 091 40	ornamental strip version with convertible top rear wall 901.565.006.40	/L	1	911 /TU TARGA	(18)	901 555 092 42	ornamental strip version with rear wall rear window fixed 901.565.551.45 901.565.551.50	-68	1	911 S/L TARGA
18	901 555 091 41	ornamental strip version with convertible top rear wall 901.565.006.40	-68	1	911 S/L TARGA	19	999 591 338 02	speed nut		4	
(18)	901 555 091 43	ornamental strip version with rear wall rear window fixed 901.565.551.45 901.565.551.50		1	911 /TU TARGA	(20)	999 591 010 12	washer	-68	4	
(18)	901 555 091 42	ornamental strip version with rear wall rear window fixed 901.565.551.45 901.565.551.50	-68	1	911 S/L	20	999 591 102 12	washer	69-	4	
(18)	901 555 092 40	ornamental strip version with convertible top rear wall 901.565.006.40	/R	1	911 /TU TARGA	21	900 145 036 00	rais. counters. h. tap. s. B 3,5 X 13		4	
(18)	901 555 092 41	ornamental strip version with convertible top rear wall 901.565.006.40	-68	1	911 S/L TARGA	22	901 572 041 22	heating nozzle	/L	1	
(18)	901 555 092 43	ornamental strip version with rear wall rear window fixed 901.565.551.45 901.565.551.50		1	911 /TU TARGA	22	901 572 042 22	heating nozzle	/R	1	
						23	999 702 040 50	rubber sleeve		2	
						24	901 572 911 20	hose		2	
						25	999 513 002 40	hose clamp		4	

Model	Year	MG	SG	Illustration	Restrictions	UPD	18:05	22.01.2010	PORSCHE	PET	PORSCHE
911-1	1969	8	07	807-06		248					

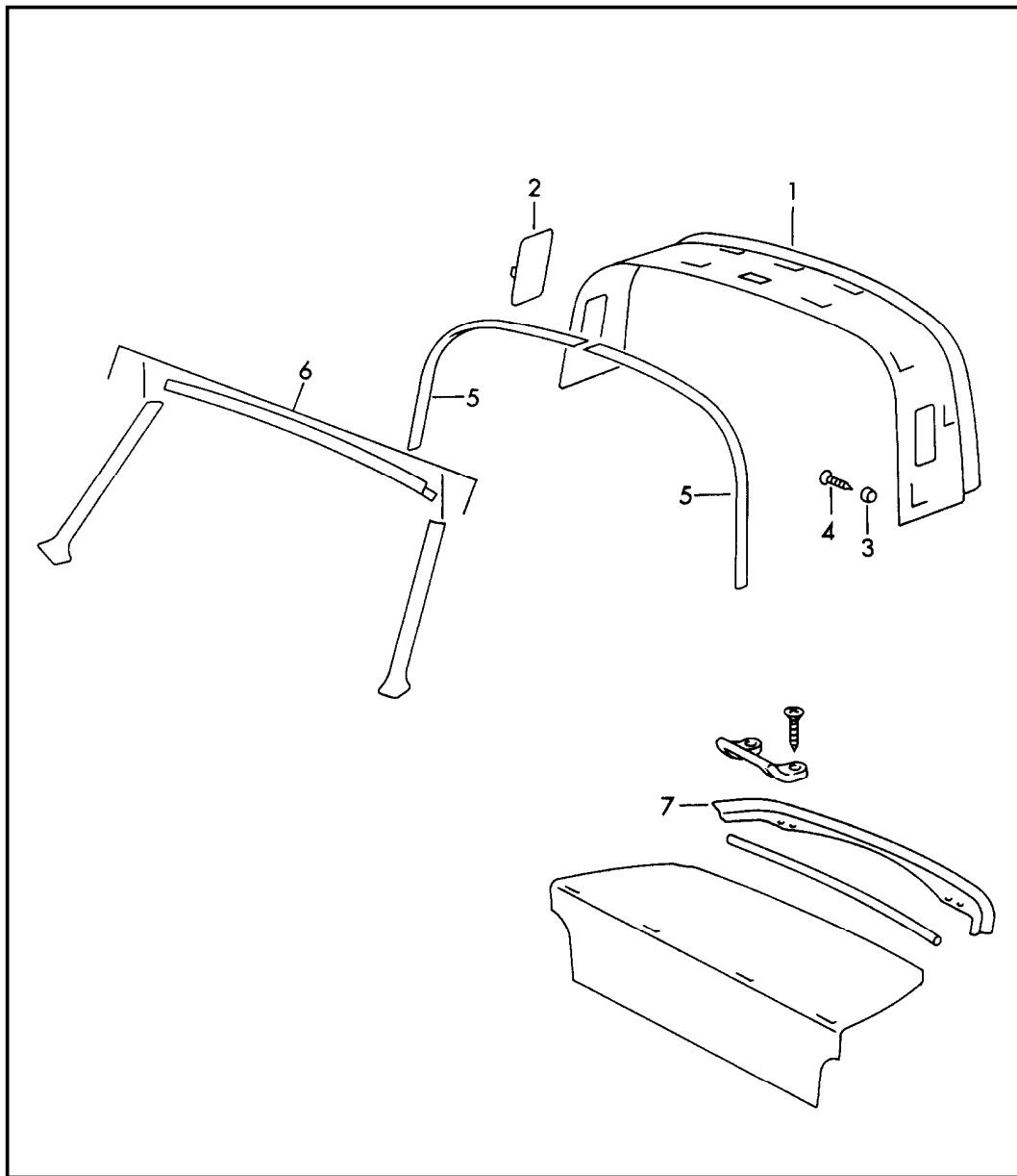


Pos	Part Number	Description	Remark	Qty	Model
		interior equipment roof			COUPE
(1)	901 555 051 20	roof lining complete version without sunroof F >> 030 8454		1	
(1)	901 555 051 50	roof lining complete version without sunroof	68	1	
(1)	901 555 051 25	roof lining complete version with sunroof F >> 030 8454		1	
(1)	901 555 051 51	roof lining complete version with sunroof	68	1	
1	911 555 055 01	roof lining complete version without sunroof	69-	1	
1	911 555 055 11	roof lining complete version with sunroof	69-	1	
2	901 555 507 20	lining for windscreen frame		2	
3	901 555 505 20	lining for door pillar		2	
4	901 555 511 20	transverse strut 1 + 2		2	
5	901 555 512 20	transverse strut 3		1	
6	901 555 513 20	transverse strut 4		1	

Model	Year	MG	SG	Illustration	Restrictions	UPD	18:05	22.01.2010	PORSCHE	PET	PORSCHE
911-1	1969	8	07	807-06		248					

Pos	Part Number	Description	Remark	Qty	Model	Pos	Part Number	Description	Remark	Qty	Model
7	644 555 515 00	rubber profile		8							
8	999 591 336 01	fastening clamp		12							
9	901 552 870 20	coat hook	68-	2							
9	901 552 870 40	coat hook		2							
(10)	N 013 970 5	tapping screw B 4,8 X 9,5	68	2							
10	N 106 568 02	tapping screw B 4,8 X 9,5	68	1							
10	900 250 007 02	oval-head sheetmetal screw AM 5 X 12	69-	2							
10	N 013 968 7	tapping screw B 4,8 X 13	69-	2							

Model	Year	MG	SG	Illustration	Restrictions	UPD	18:05	22.01.2010	PORSCHE	PET	PORSCHE
911-1	1969	8	07	807-07		248					

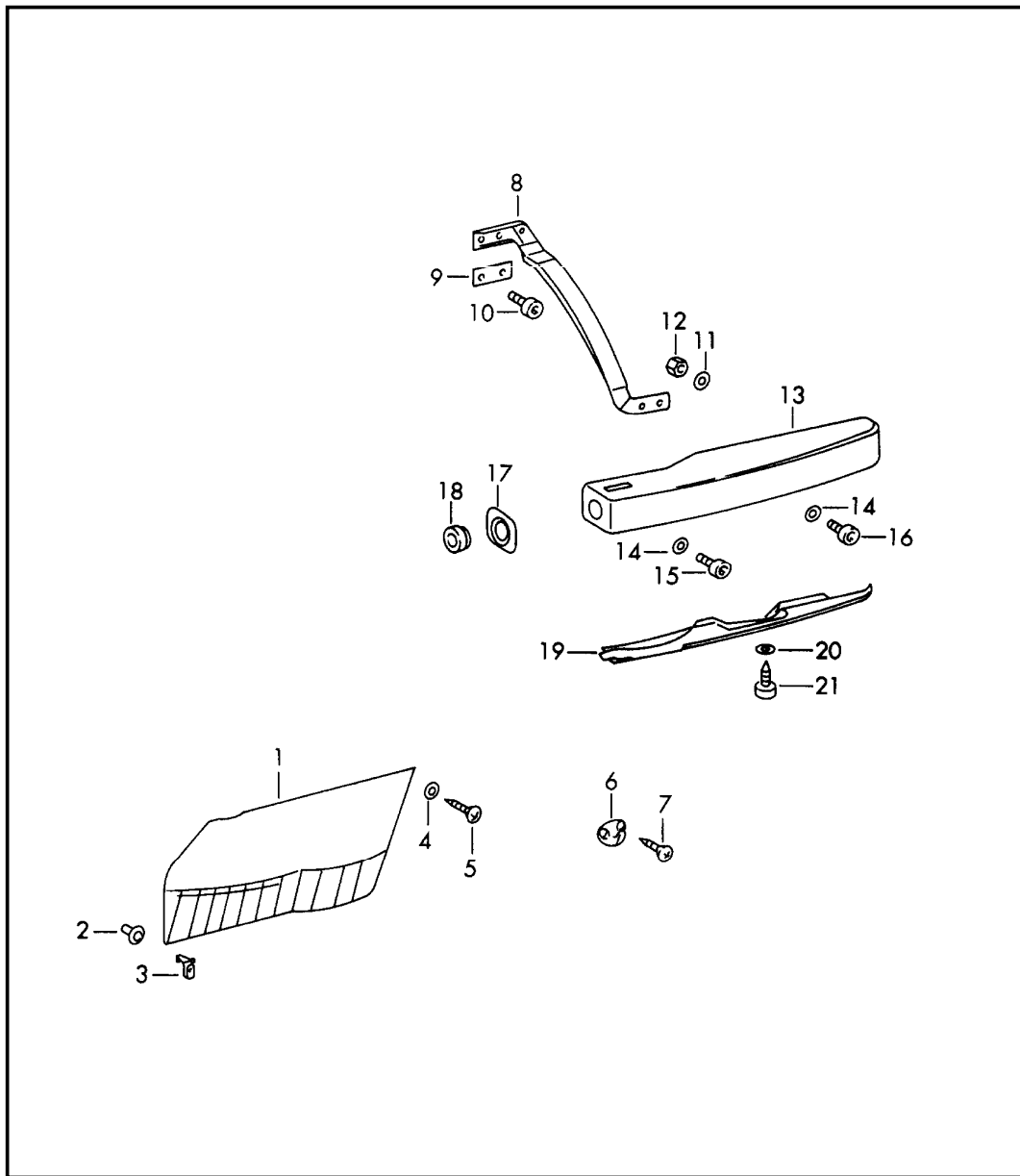


Pos	Part Number	Description	Remark	Qty	Model
		interior equipment roof			TARGA
(1)	901 565 017 40	interior lining for roll bar with cover version with convertible top rear wall	-68	1	
(1)	901 565 017 47	interior lining for roll bar with cover version with rear wall rear window fixed	-68	1	
1	901 565 017 45	interior lining version with convertible top rear wall	69-	1	
1	901 565 017 46	interior lining version with rear wall rear window fixed	69-	1	
2	911 565 157 40	bleeding	/L	1	
(2)	911 565 158 40	bleeding	/R	1	
3	999 591 010 12	washer		4	
4	900 145 032 02	rais. counters. h. tap. s. B 3,5 X 13		4	
(5)	901 565 513 40	padding version with rear wall rear window fixed 901.565.551.45/551.50		2	

Model	Year	MG	SG	Illustration	Restrictions	UPD	18:05	22.01.2010	PORSCHE	PET	PORSCHE
911-1	1969	8	07	807-07		248					

Pos	Part Number	Description	Remark	Qty	Model	Pos	Part Number	Description	Remark	Qty	Model
5	901 565 513 42	padding version with convertible top rear wall		2							
(6)	901 555 901 40	lining complete for windscreen frame		1							
(7)	901 555 096 40	rear wall upper part version with convertible top rear wall		1							
(7)	901 555 096 42	rear wall upper part version with rear wall rear window fixed		1							

Model	Year	MG	SG	Illustration	Restrictions	UPD	18:05	22.01.2010	PORSCHE	PET	PORSCHE
911-1	1969	8	07	807-10		248					



Pos	Part Number	Description	Remark	Qty	Model
		interior equipment doors	-68		
(1)	901 555 031 20	door panel complete with bag F >> 030 5100 F >> 030 8454 F >> 050 0700	/LL/L	1	
(1)	902 555 031 20	door panel complete with bag F 030 5101 >> F >> 030 8454 F >> 050 0700	/LL/L	1	
(1)	901 555 031 22	door panel complete with bag indicate colour F >> 030 5100 F >> 030 8454 F >> 050 0700	/RL/L	1	
(1)	902 555 031 22	door panel complete with bag indicate colour F 030 5101 >> F >> 030 8454 F >> 050 0700	/RL/L	1	
(1)	901 555 031 23	door panel complete red	/LL/L	68	911 /TU 912 COUPE 912 TARGA
(1)	901 555 031 25	door panel complete black	/LL/L	68	911 /TU 912 COUPE 912 TARGA
(1)	901 555 031 27	door panel complete brown	/LL/L	68	911 /TU 912 COUPE 912 TARGA
(1)	901 555 031 29	door panel complete beige	/LL/L	68	911 /TU 912 COUPE 912 TARGA
(1)	901 555 031 33	door panel complete red	/LL/L	68	911 S/L

Model	Year	MG	SG	Illustration	Restrictions	UPD	18:05	22.01.2010	PORSCHE	PET	PORSCHE
911-1	1969	8	07	807-10		248					

Pos	Part Number	Description	Remark	Qty	Model	Pos	Part Number	Description	Remark	Qty	Model
(1)	901 555 031 35	door panel complete black	/LL/L	68	1 911 S/L	1	902 555 032 20	door panel complete with bag	/LL/R	1	
(1)	901 555 031 37	door panel complete brown	/LL/L	68	1 911 S/L			indicate colour F 030 5101 >> F >> 030 8454 F >> 050 0700			
(1)	901 555 031 39	door panel complete beige	/LL/L	68	1 911 S/L	1	901 555 032 22	door panel complete with bag	/RL/R	1	
(1)	901 555 031 24	door panel complete red	/RL/L	68	1 911 /TU 912 COUPE			indicate colour			
(1)	901 555 031 26	door panel complete black	/RL/L	68	1 911 /TU 912 COUPE	1	902 555 032 22	door panel complete with bag	/RL/R	1	
(1)	901 555 031 28	door panel complete brown	/RL/L	68	1 911 /TU 912 COUPE			indicate colour F 030 5101 >> F >> 030 8454 F >> 050 0700			
(1)	901 555 031 30	door panel complete beige	/RL/L	68	1 911 /TU 912 COUPE	1	901 555 032 23	door panel complete red	/LL/R	68	1 911 /TU 912 COUPE 912 TARGA
(1)	901 555 031 34	door panel complete red	/RL/L	68	1 911 S/L	1	901 555 032 25	door panel complete black	/LL/R	68	1 911 /TU 912 COUPE 912 TARGA
(1)	901 555 031 36	door panel complete black	/RL/L	68	1 911 S/L	1	901 555 032 27	door panel complete brown	/LL/R	68	1 911 /TU 912 COUPE 912 TARGA
(1)	901 555 031 38	door panel complete brown	/RL/L	68	1 911 S/L	1	901 555 032 29	door panel complete beige	/LL/R	68	1 911 /TU 912 COUPE 912 TARGA
(1)	901 555 031 40	door panel complete beige	/RL/L	68	1 911 S/L	1	901 555 032 33	door panel complete red	/LL/R	68	1 911 S/L
1	901 555 032 20	door panel complete with bag indicate colour F >> 030 5100 F >> 030 8454 F >> 050 0700	/LL/R	1		1	901 555 032 35	door panel complete black	/LL/R	68	1 911 S/L
						1	901 555 032 37	door panel complete brown	/LL/R	68	1 911 S/L
						1	901 555 032 39	door panel complete beige	/LL/R	68	1 911 S/L

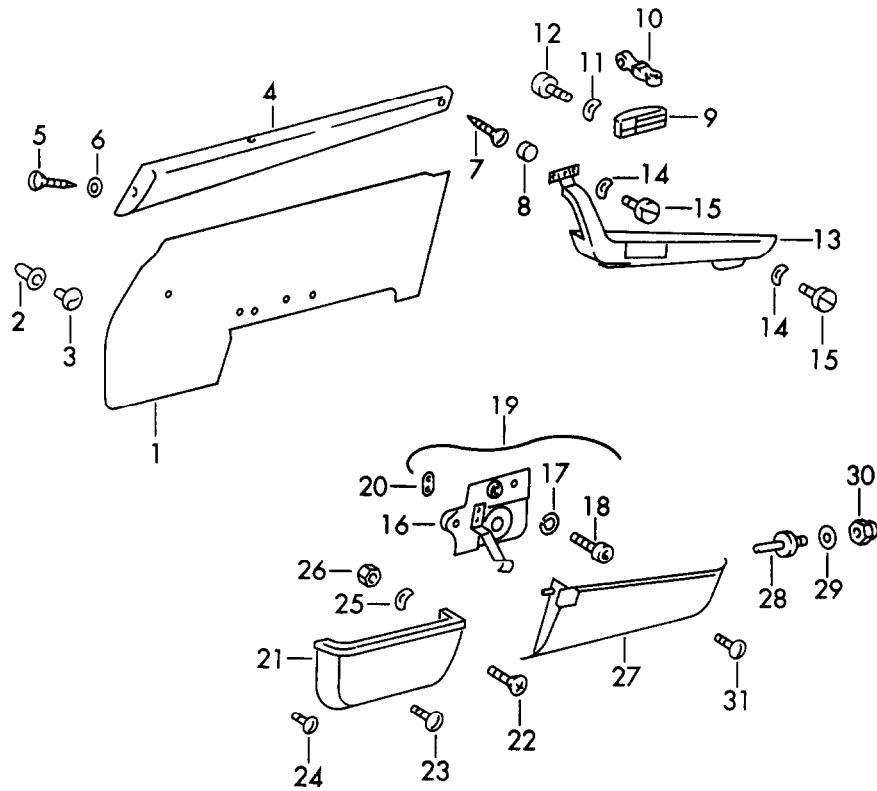
Model	Year	MG	SG	Illustration	Restrictions	UPD	18:05	22.01.2010	PORSCHE	PET	PORSCHE
911-1	1969	8	07	807-10		248					

Pos	Part Number	Description	Remark	Qty	Model	Pos	Part Number	Description	Remark	Qty	Model
1	901 555 032 24	door panel complete red	/RL/R	68	1 911 /TU 912 COUPE	(8)	901 555 039 21	grab handle complete leather indicate colour	/LL/R	1	
1	901 555 032 26	door panel complete black	/RL/R	68	1 911 /TU 912 COUPE	9	901 555 493 20	tab washer		1	
1	901 555 032 28	door panel complete brown	/RL/R	68	1 911 /TU 912 COUPE	10	900 075 097 02	hexagon-head bolt M 5 X 15		2	
1	901 555 032 30	door panel complete beige	/RL/R	68	1 911 /TU 912 COUPE	11	900 025 003 02	washer 5,3		2	
1	901 555 032 34	door panel complete red	/RL/R	68	1 911 S/L	(13)	901 555 043 20	armrest upper part leatherette indicate colour	/LL/L	1	
1	901 555 032 36	door panel complete black	/RL/R	68	1 911 S/L	(13)	901 555 043 21	armrest upper part leather indicate colour	/LL/L	1	
1	901 555 032 38	door panel complete brown	/RL/R	68	1 911 S/L	(13)	901 555 043 22	armrest upper part leatherette indicate colour	/RL/L	1	
1	901 555 032 40	door panel complete beige	/RL/R	68	1	13	901 555 044 20	armrest upper part leatherette indicate colour	/LL/R	1	
2	113 857 219 A	gasket		20							
3	999 591 319 01	clamp		18		(13)	901 555 044 21	armrest upper part leather indicate colour	/LL/R	1	
4	999 591 009 12	protection washer		18							
5	900 145 006 02	rais. counters. h. tap. s. B 3,5 X 19		18		(13)	901 555 044 22	armrest upper part leatherette indicate colour	/RL/R	1	
6	644 552 871 00	coat hook		2							
7	900 143 032 02	oval-head sheetmetal screw B 3,9 X 9,5		4		14	999 025 108 02	washer 6,4		6	
(8)	901 555 040 20	grab handle complete indicate colour	/RL/L	1		15	N 014 782 1	pan-head screw M 6 X 25		4	
8	901 555 039 20	grab handle complete leatherette indicate colour	/LL/R	1		16	900 119 091 02	pan-head screw M 6 X 15		2	
						(17)	901 555 495 50	cap	/L	1	
						17	901 555 496 50	cap	/R	1	

Model	Year	MG	SG	Illustration	Restrictions	UPD	18:05	22.01.2010	PORSCHE	PET	PORSCHE
911-1	1969	8	07	807-10		248					

Pos	Part Number	Description	Remark	Qty	Model	Pos	Part Number	Description	Remark	Qty	Model
18	901 555 491 20	guide piece for push button		2							
(19)	901 555 451 20	armrest lower part	/LL/L	1							
(19)	901 555 451 20	armrest lower part	/RL/	1							
19	901 555 452 20	armrest lower part	/LL/R	1							
(19)	901 555 452 22	armrest lower part	/RL/R	1							
20	900 025 002 02	washer 4,3		4							
21	900 143 031 02	oval-head sheetmetal screw B 4,2 X 9,5		4							

Model	Year	MG	SG	Illustration	Restrictions	UPD	18:06	22.01.2010	PORSCHE	PET	PORSCHE
911-1	1969	8	07	807-15		248					



Pos	Part Number	Description	Remark	Qty	Model
		interior equipment doors	69-		
(1)	901 555 031 02	door panel complete with leatherette cover indicate colour for cars without power windows electric	/LL/L	1	COUPE+TARGA
(1)	901 555 031 31	door panel complete with leatherette cover indicate colour for cars with power windows electric	/LL/L	1	COUPE
(1)	901 555 031 04	door panel complete with leatherette cover indicate colour for cars without power windows electric	/RL/L	1	COUPE
(1)	901 555 031 70	door panel complete with leather cover indicate colour	/LL/L	1	COUPE+TARGA
(1)	901 555 031 72	door panel complete with leather cover indicate colour	/RL/L	1	COUPE
1	901 555 032 02	door panel complete with leatherette cover indicate colour for cars without power windows electric	/LL/R	1	COUPE+TARGA

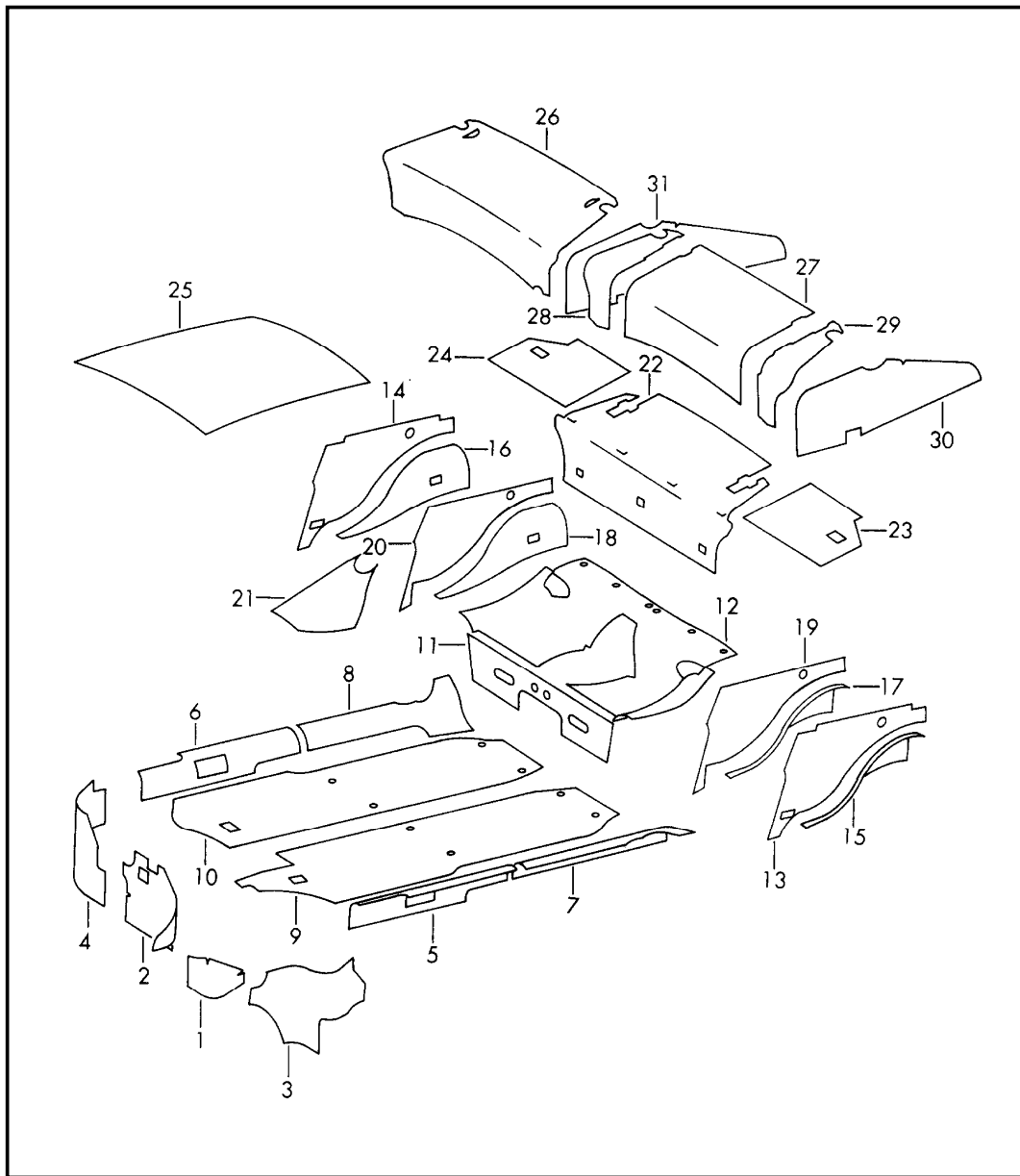
Model	Year	MG	SG	Illustration	Restrictions	UPD	18:06	22.01.2010	PORSCHE	PET	PORSCHE
911-1	1969	8	07	807-15		248					

Pos	Part Number	Description	Remark	Qty	Model	Pos	Part Number	Description	Remark	Qty	Model
1	901 555 032 31	door panel complete with leatherette cover indicate colour for cars with power windows electric	/LL/R	1	COUPE	(4)	901 555 083 00	cover strip complete with cover	/LL/L	1	TARGA
						4	901 555 084 00	cover strip complete with cover	/LL/RL/R	1	COUPE
1	901 555 032 04	door panel complete with leatherette cover indicate colour for cars without power windows electric	/RL/R	1	COUPE	4	901 555 084 00	cover strip complete with cover	/LL/R	1	TARGA
						5	900 145 041 00	rais. counters. h. tap. s. B 3,5 X 16		2	
						6	999 591 102 12	washer		2	
1	901 555 032 70	door panel complete with leather cover indicate colour	/LL/R	1	COUPE+TARGA	7	N 013 958 7	tapping screw B 3,5 X 13		2	
						8	999 703 077 40	cap		2	
1	901 555 032 72	door panel complete with leather cover indicate colour	/RL/R	1	COUPE	(9)	901 531 073 00	interior handle	/L	1	
						9	901 531 074 00	interior handle	/R	1	
						10	901 531 066 00	joint		2	
						11	N 012 130 2	shake-proof washer A 5,3		4	
-	PCG 555 001 00	mounting plate with foam part without cover	/L	1		12	900 075 001 03	hexagon-head bolt M 5.8		4	
						(13)	901 555 041 25	armrest without handle	/LL/L	1	
-	PCG 555 002 00	mounting plate with foam part without cover	/R	1		(13)	901 555 041 23	armrest with handle	/RL/L	1	COUPE
2	999 591 311 40	bush		10		13	901 555 042 23	armrest with handle	/LL/R	1	
3	823 867 299	clip		10							
(4)	901 555 083 00	cover strip complete with cover	/LL/RL/L	1	COUPE	13	901 555 042 25	armrest without handle	/RL/R	1	COUPE
						14	N 012 007 2	lock ring A 6		8	

Model	Year	MG	SG	Illustration	Restrictions	UPD	18:06	22.01.2010	PORSCHE	PET	PORSCHE
911-1	1969	8	07	807-15		248					

Pos	Part Number	Description	Remark	Qty	Model	Pos	Part Number	Description	Remark	Qty	Model
15	N 014 761 2	pan-head screw M 6 X 12		6							
		M 6 X 12									
15	N 014 765 2	pan-head screw M 6 X 10		2							
(16)	901 555 087 00	support	/L	1							
16	901 555 088 00	support	/R	1							
17	N 012 007 2	lock ring A 6		2							
18	900 067 011 02	pan-head screw M 6 X 20		2							
19	999 911 158 50	rubber strap		X							
20	901 555 419 00	rubber holder		4							
(21)	901 555 015 00	bag	/L	1							
21	901 555 016 00	bag	/R	1							
22	N 013 954 2	oval-head sheetmetal screw B 2,9 X 13		4							
23	900 147 011 02	countersunk-head screw M 4 X 10 chrome		8							
24	900 189 009 02	half-round screw M 6 X 15		2							
25	900 028 008 01	spring washer B 6		2							
26	900 076 010 02	hexagon nut M 6		2							
(27)	901 555 037 21	flap control box	/L	1							
27	901 555 038 21	flap control box	/R	1							
28	901 555 409 00	bolt		2							
29	999 025 112 40	washer 8,4		2							
30	900 096 003 40	cap nut M 8		2							
31	900 147 011 02	countersunk-head screw M 4 X 10 chrome		8							

Model	Year	MG	SG	Illustration	Restrictions	UPD	18:06	22.01.2010	PORSCHE	PET	PORSCHE
911-1	1969	8	07	807-50		248					

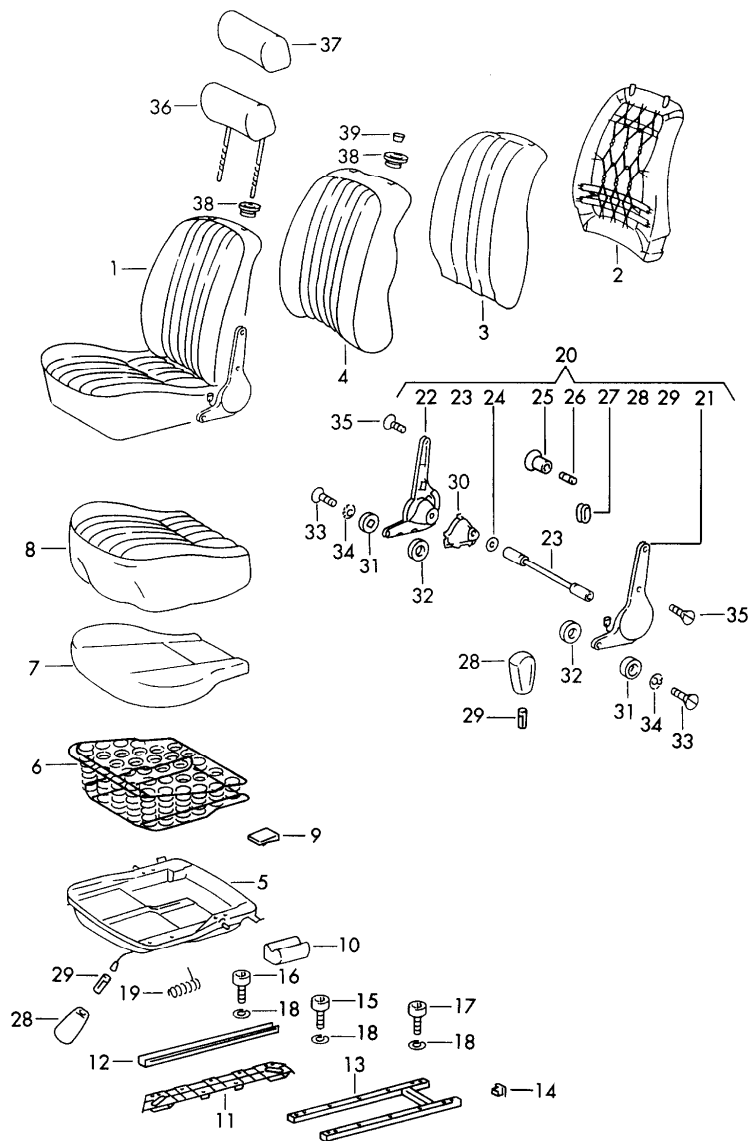


Pos	Part Number	Description	Remark	Qty	Model
		body insulation			
1	901 556 201 20	damping mat		1	COUPE
2	901 556 202 20	damping mat	/LL	1	COUPE
(2)	901 556 202 40	damping mat		1	TARGA
(2)	911 556 902 00	damping mat	/RL	1	COUPE
3	901 556 205 20	damping mat		1	COUPE
(3)	901 556 205 40	damping mat		1	TARGA
4	901 556 206 20	damping mat	/LL	1	COUPE
(4)	901 556 206 40	damping mat		1	TARGA
(4)	911 556 902 00	damping mat	/RL	1	COUPE
5	901 556 209 20	damping mat		-68	1 COUPE
(5)	901 556 209 40	damping mat		-68	1 TARGA
6	901 556 210 20	damping mat		-68	1 COUPE
(6)	901 556 210 40	damping mat		-68	1 TARGA
7	901 556 223 20	damping mat		-68	1 COUPE
(7)	901 556 223 40	damping mat		-68	1 TARGA
8	901 556 224 20	damping mat		-68	1 COUPE
(8)	901 556 224 40	damping mat		-68	1 TARGA
9	901 556 217 20	damping mat	/LL	-68	1 COUPE
9	901 556 217 20	damping mat		1	COUPE
9	901 556 217 40	damping mat		1	TARGA
(9)	901 556 217 22	damping mat	/RL	-68	1 COUPE
(10)	901 556 218 20	damping mat	/LL	1	COUPE
(10)	901 556 218 40	damping mat		1	TARGA
(10)	901 556 218 22	damping mat	/RL	-68	1 COUPE
11	901 556 227 20	damping mat		1	
12	901 556 231 20	damping mat		1	
13	901 556 235 20	damping mat		1	COUPE

Model	Year	MG	SG	Illustration	Restrictions	UPD	18:06	22.01.2010	PORSCHE	PET	PORSCHE
911-1	1969	8	07	807-50		248					

Pos	Part Number	Description	Remark	Qty	Model	Pos	Part Number	Description	Remark	Qty	Model
(13)	901 556 235 40	damping mat		1	TARGA	29	902 556 895 40	damping mat		1	TARGA
14	901 556 236 20	damping mat		1	COUPE	(29)	902 556 895 21	damping mat		1	912 COUPE
(14)	901 556 236 40	damping mat		1	TARGA	30	902 556 893 20	damping mat		1	912 COUPE
15	901 556 255 20	damping mat		1	COUPE	(30)	911 556 891 01	damping mat		1	912 TARGA
(15)	901 556 255 40	damping mat		1	TARGA	31	902 556 894 20	damping mat		1	912 COUPE
16	901 556 256 20	damping mat		1	COUPE	(31)	902 556 894 40	damping mat		1	912 TARGA
(16)	901 556 256 40	damping mat		1	TARGA	-	644 556 990 00	damping mat 3 - 3,5 MM		X	
17	901 556 237 20	damping mat		1	COUPE	-	901 556 991 20	damping mat 8 MM		X	
18	901 556 238 20	damping mat		1	COUPE	-	901 556 992 20	damping mat 6 MM		X	
19	901 556 253 20	damping mat		1	COUPE	-	901 556 993 20	damping mat 4 MM		X	
20	901 556 254 20	damping mat		1	COUPE	-	901 556 994 20	damping mat 10 - 12 MM		X	
21	901 556 257 20	damping mat		1							
22	901 556 239 20	damping mat		1	COUPE						
(22)	901 556 239 40	damping mat		1	TARGA						
23	901 556 327 20	damping mat		1	COUPE						
(23)	901 556 327 40	damping mat		1	TARGA						
24	901 556 328 20	damping mat		1	COUPE						
(24)	901 556 328 40	damping mat		1	TARGA						
25	901 556 248 20	damping mat for cars without sunroof		1	COUPE						
(25)	901 556 248 25	insulation for cars with sunroof		1	COUPE						
26	901 556 891 20	damping mat not for		1	COUPE 912						
27	902 556 891 40	damping mat	-68	1	TARGA						
(27)	902 556 891 21	damping mat		1	912 COUPE						
(27)	902 556 891 41	damping mat	69	1	TARGA						
28	902 556 896 40	damping mat		1	TARGA						
(28)	902 556 896 21	damping mat		1	912 COUPE						

Model	Year	MG	SG	Illustration	Restrictions	UPD	18:06	22.01.2010	PORSCHE	PET	PORSCHE
911-1	1969	8	08	808-00		248					



Pos	Part Number	Description	Remark	Qty	Model
		front seat		-68	
(1)	901 521 001 20	front seat without locking device leatherette indicate colour F >> 030 1045 F >> 035 0045 F >> 045 0208	/LL/L	1	
(1)	901 521 001 22	front seat without locking device leatherette indicate colour F 030 1046 >> F 035 0046 >> F 045 0209 >>	/LL/L	1	
(1)	901 521 001 27	front seat without locking device leatherette indicate colour	/LL/L	68-	1
(1)	901 521 003 22	front seat with locking device leatherette indicate colour	/LL/L	-67	1
1	901 521 003 27	front seat with locking device leatherette indicate colour	/RL/L /LL/L (USA)	68-	1
(1)	901 521 002 20	front seat with locking device leatherette indicate colour F >> 030 1045 F >> 035 0045 F >> 045 0208	/LL/R	1	
(1)	901 521 002 22	front seat with locking device leatherette indicate colour F 030 1046 >> F 035 0046 >> F 045 0209 >>	/LL/R	-67	1
(1)	901 521 002 27	front seat with locking device leatherette indicate colour F 030 1046 >> F 035 0046 >> F 045 0209 >>	/LL/R	-67	1

Model	Year	MG	SG	Illustration	Restrictions	UPD	18:06	22.01.2010	PORSCHE	PET	PORSCHE
911-1	1969	8	08	808-00		248					

Pos	Part Number	Description	Remark	Qty	Model	Pos	Part Number	Description	Remark	Qty	Model
(1)	901 521 004 22	front seat without locking device leatherette indicate colour	/RL/R	-67	1		2	901 521 021 22	backrest frame complete	68-	2
(1)	901 521 004 27	front seat without locking device leatherette indicate colour	/RL/R	68-	1		(3)	901 521 505 21	padding backrest	-67	2
(1)	901 521 001 50	front seat without locking device leather indicate colour F 030 1046 >> F 035 0046 >> F 045 0209 >>	/LL/L M	-67	1		3	901 521 505 22	padding backrest	68-	2
(1)	901 521 001 71	front seat without locking device leather indicate colour	/LL/L M		1		(4)	901 521 049 21	backrest cover leatherette indicate colour F >> 030 1045 F >> 035 0045 F >> 045 0208		2
(1)	901 521 003 50	front seat with locking device leather indicate colour	/LL/L M		1		(4)	901 521 049 22	backrest cover leatherette indicate colour F 030 1046 >> F 035 0046 >> F 045 0209 >>	-67	2
(1)	901 521 003 71	front seat with locking device leather indicate colour	/RL/L M /LL/L (USA)		1		4	901 521 049 23	backrest cover leatherette indicate colour		2
(1)	901 521 002 50	front seat with locking device leather indicate colour	/LL/R M		1		(4)	901 521 049 50	backrest cover leather indicate colour		2
(1)	901 521 002 71	front seat with locking device leather indicate colour	/LL/R M	68-	1		(4)	901 521 049 71	backrest cover leather indicate colour		2
(1)	901 521 004 50	front seat without locking device leather indicate colour	RL/R M		1		5	901 521 009 22	seat frame complete	/L	1
(1)	901 521 004 71	front seat without locking device leather indicate colour	/RL/R M	68-	1		(5)	901 521 010 22	seat frame complete	/R	1
(1)	901 521 021 21	backrest frame complete		-67	2		6	901 521 041 22	inner spring complete		2
							7	901 521 501 22	padding		2
							8	901 521 047 21	seat cover leatherette indicate colour F >> 030 1045 F >> 035 0045 F >> 045 0208	/L	1

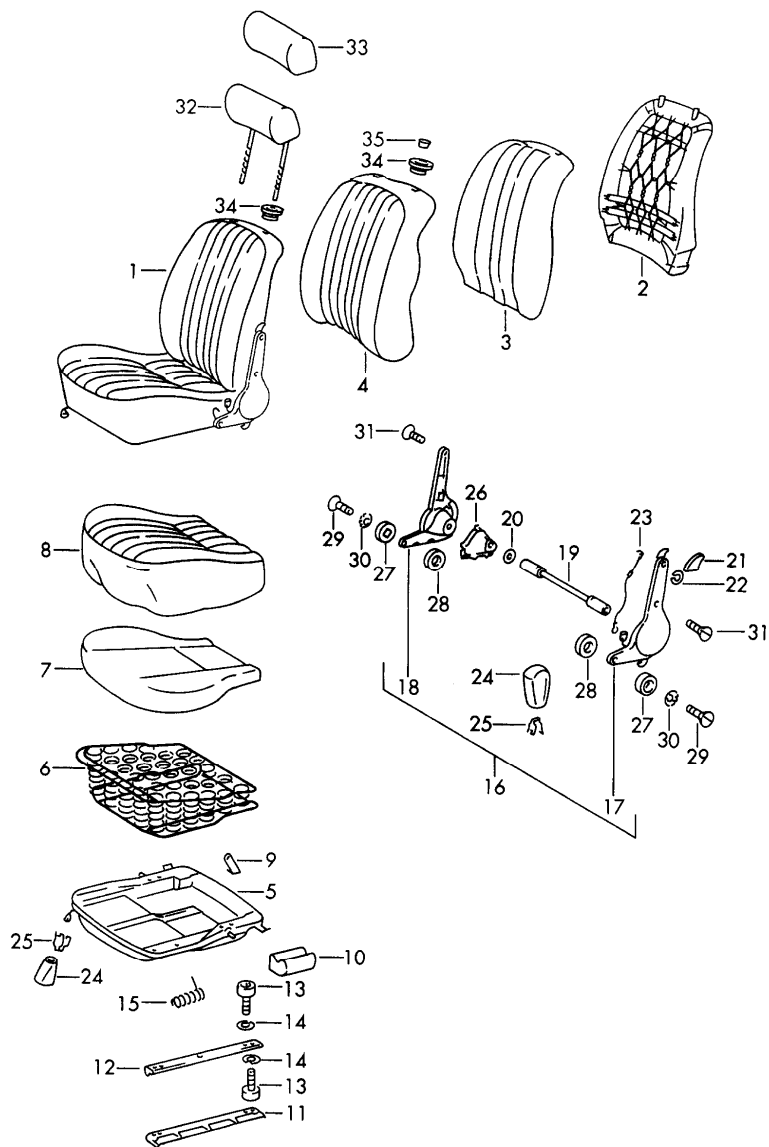
Model	Year	MG	SG	Illustration	Restrictions	UPD	18:06	22.01.2010	PORSCHE	PET	PORSCHE
911-1	1969	8	08	808-00		248					

Pos	Part Number	Description	Remark	Qty	Model	Pos	Part Number	Description	Remark	Qty	Model
(8)	901 521 048 21	seat cover leatherette indicate colour F >> 030 1045 F >> 035 0045 F >> 045 0208	/R	1		(19)	644 521 334 06	spring	/R	1	
						(20)	901 521 007 24	reclining seat fitting complete without locking device	/LL/L	1	
(8)	901 521 047 22	seat cover leatherette indicate colour F 030 1046 >> F 035 0046 >> F 045 0209 >>	/L/R	2		(20)	901 521 007 25	reclining seat fitting complete with locking device and pipe for locking device	/LL/L	1	
(8)	901 521 047 50	seat cover leather indicate colour		2		(20)	901 521 008 24	reclining seat fitting complete with locking device and pipe for locking device	/LL/R	1	
9	644 521 191 01	rubber support front seat		4							
10	901 521 191 00	rubber support	/L	2		(20)	901 521 008 25	reclining seat fitting complete without locking device	/RL/R	1	
(10)	901 521 192 00	rubber support	/R	2		(21)	901 521 071 22	mounting component with handle	/LL/L	1	
11	901 521 017 00	seat rail support	/L	1		(21)	901 521 073 22	mounting component without handle	/LL/R	1	
(11)	901 521 018 00	seat rail support	/R	1		(22)	901 521 072 22	mounting component without handle	/LL/L	1	
(11)	901 521 017 20	seat rail support vertical seat adjustment	/L M	1							
(11)	901 521 018 20	seat rail support vertical seat adjustment	/R M	1							
12	644 521 301 06	guide rail		4		23	901 521 079 21	connecting tube		2	
13	901 521 037 20	desk pad vertical seat adjustment		1		23	901 521 079 22	connecting tube black		2	
14	901 521 391 20	stopper		4		24	900 031 011 40	washer 6,4		2	
15	900 119 091 02	pan-head screw M 6X15		12		25	901 521 706 21	knob for locking device		2	
16	N 014 761 2	pan-head screw M 6X12 M 6 X 12		28		26	901 521 911 00	spacer		2	
17	900 119 027 02	pan-head screw M 6X35		14		27	644 521 372 07	rubber sleeve		2	
18	N 012 026 3	lock ring 6		54		28	901 521 707 21	handle		4	
19	644 521 333 06	spring	/L	1		29	901 521 913 00	spacer		4	

Model	Year	MG	SG	Illustration	Restrictions	UPD	18:06	22.01.2010	PORSCHE	PET	PORSCHE
911-1	1969	8	08	808-00		248					

Pos	Part Number	Description	Remark	Qty	Model	Pos	Part Number	Description	Remark	Qty	Model
(30)	901 521 915 00	inner part	/L	2							
30	901 521 916 00	inner part	/R	2							
31	644 521 741 00	washer		2							
32	644 521 783 05	spacer		2							
33	900 148 024 02	countersunk-head screw		2							
34	900 114 008 01	shake-proof washer		4							
35	911 521 103 01	screw AM 6X15		12							
36	901 521 086 00	head rest leatherette indicate colour		2							
36	901 521 086 05	head rest leather indicate colour		2							
37	901 521 802 00	cover cloth		2							
37	901 521 801 00	cover ribbed velvet		2							
38	901 521 193 00	rosette standard indicate colour		4							
(38)	901 521 811 00	rosette repair seat indicate colour		4							
-	901 521 812 00	washer		4							
39	901 521 195 00	cap indicate colour		4							

Model	Year	MG	SG	Illustration	Restrictions	UPD	18:06	22.01.2010	PORSCHE	PET	PORSCHE
911-1	1969	8	08	808-05		248					

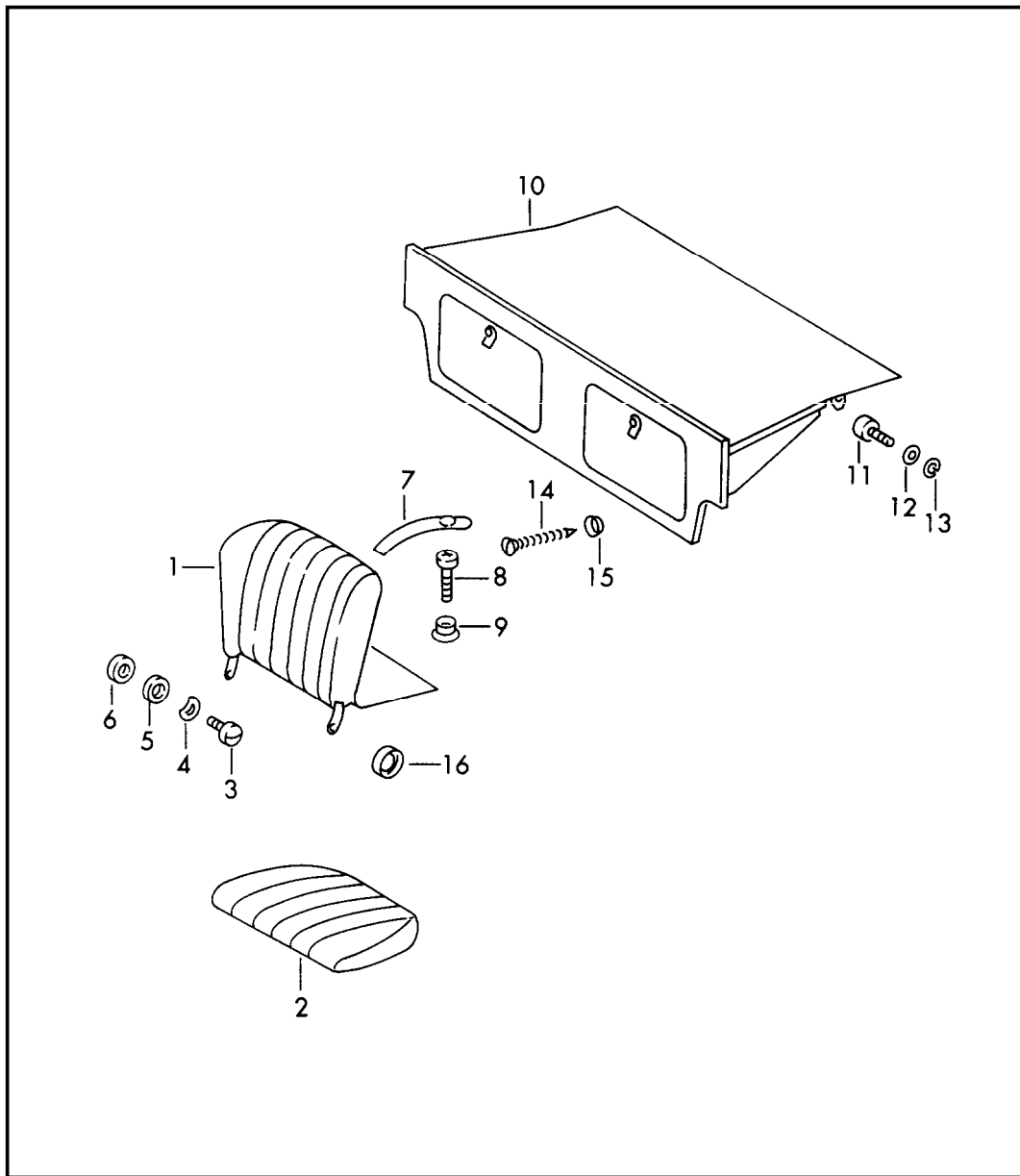


Pos	Part Number	Description	Remark	Qty	Model
		front seat	69-		
(1)	911 521 003 00	front seat complete with locking device leatherette indicate colour	/L	1	
(1)	911 521 003 50	front seat complete with locking device leather indicate colour	/L M	1	
1	911 521 002 00	front seat complete with locking device leatherette indicate colour	/LL/R	1	
(1)	911 521 002 50	front seat complete with locking device leather indicate colour	/LL/R M	1	
2	911 521 027 00	backrest frame		2	
3	901 521 505 22	padding for backrest		2	
4	901 521 049 23	backrest cover leatherette indicate colour		2	
(4)	901 521 049 71	backrest cover leather indicate colour		2	
(5)	901 521 009 25	seat frame complete	/L	1	
5	901 521 010 25	seat frame complete	/R	1	
6	901 521 041 22	inner spring complete		2	
7	901 521 501 22	padding		2	
8	901 521 047 23	seat cover leatherette indicate colour		1	

Model	Year	MG	SG	Illustration	Restrictions	UPD	18:06	22.01.2010	PORSCHE	PET	PORSCHE
911-1	1969	8	08	808-05		248					

Pos	Part Number	Description	Remark	Qty	Model	Pos	Part Number	Description	Remark	Qty	Model
(8)	901 521 047 72	seat cover leather indicate colour		1		22	999 041 511 01	seeger retaining ring H 17-1		2	
9	901 521 043 00	fastening angle	/L	2		23	911 521 210 00	cable 305 MM		2	
(9)	901 521 044 00	fastening angle	/R	2		24	911 521 163 00	handle		4	
10	901 521 191 00	rubber support	/L	2		25	999 591 540 01	clamp		4	
(10)	901 521 192 00	rubber support	/R	2		(26)	901 521 915 00	inner part	/L	2	
11	901 521 016 00	seat rail support		2		26	901 521 916 00	inner part	/R	2	
12	911 521 030 00	guide rail complete		4		27	644 521 741 00	washer		2	
13	900 119 042 02	pan-head screw M 6X15		28		28	644 521 783 05	spacer		2	
14	N 012 026 3	lock ring 6		28		29	900 148 024 02	countersunk-head screw AM 6X15		2	
-	900 151 006 09	washer		12		30	900 114 008 01	shake-proof washer V 6,4		4	
15	901 521 333 00	spring		1	/L	31	911 521 103 01	screw		12	
(15)	901 521 334 00	spring		1	/R	32	911 521 086 00	head rest leatherette indicate colour		2	
16	911 521 035 00	reclining seat fitting complete with locking device	/L	1		32	901 521 086 05	head rest leather indicate colour		2	
(16)	911 521 036 00	reclining seat fitting complete with locking device	/R	1		33	901 521 801 00	cover ribbed velvet		2	
17	911 521 041 00	mounting component with locking device	/L	1		34	901 521 193 00	rosette standard indicate colour		4	
(17)	911 521 043 00	mounting component without locking device	/R	1		(34)	901 521 811 00	rosette repair seat indicate colour		4	
18	911 521 044 00	mounting component without locking device	/L	1		-	901 521 812 00	washer for rosette		4	
(18)	911 521 042 00	mounting component with locking device	/R	1		35	901 521 195 00	cap indicate colour		4	
19	911 521 045 02	connecting rod		2							
20	900 031 011 40	washer 6,4		2							
21	911 521 201 00	locking cam	/L	1							
(21)	911 521 202 00	locking cam	/R	1							

Model	Year	MG	SG	Illustration	Restrictions	UPD	18:06	22.01.2010	PORSCHE	PET	PORSCHE
911-1	1969	8	08	808-10		248					



Pos	Part Number	Description	Remark	Qty	Model
1	901 522 005 20	back seat back seat backrest complete with cover and carpet indicate colour F >> 030 5100	/L	1	
1	902 522 005 20	back seat backrest complete with cover and carpet indicate colour F >> 035 4000 F >> 045 8100	/L	1	912 COUPE
1	901 522 005 22	back seat backrest complete with velour carpet indicate colour F 030 5101 >>	/L	1	911
1	902 522 005 22	back seat backrest complete with cover and perlon velour carpet complete F 035 4001 >> F 045 8101 >>	/L	1	
1	901 522 005 42	back seat backrest complete with cover and velour carpet indicate colour	/L	1	
1	902 522 005 42	back seat backrest complete with cover and perlon velour carpet indicate colour	/L	1	

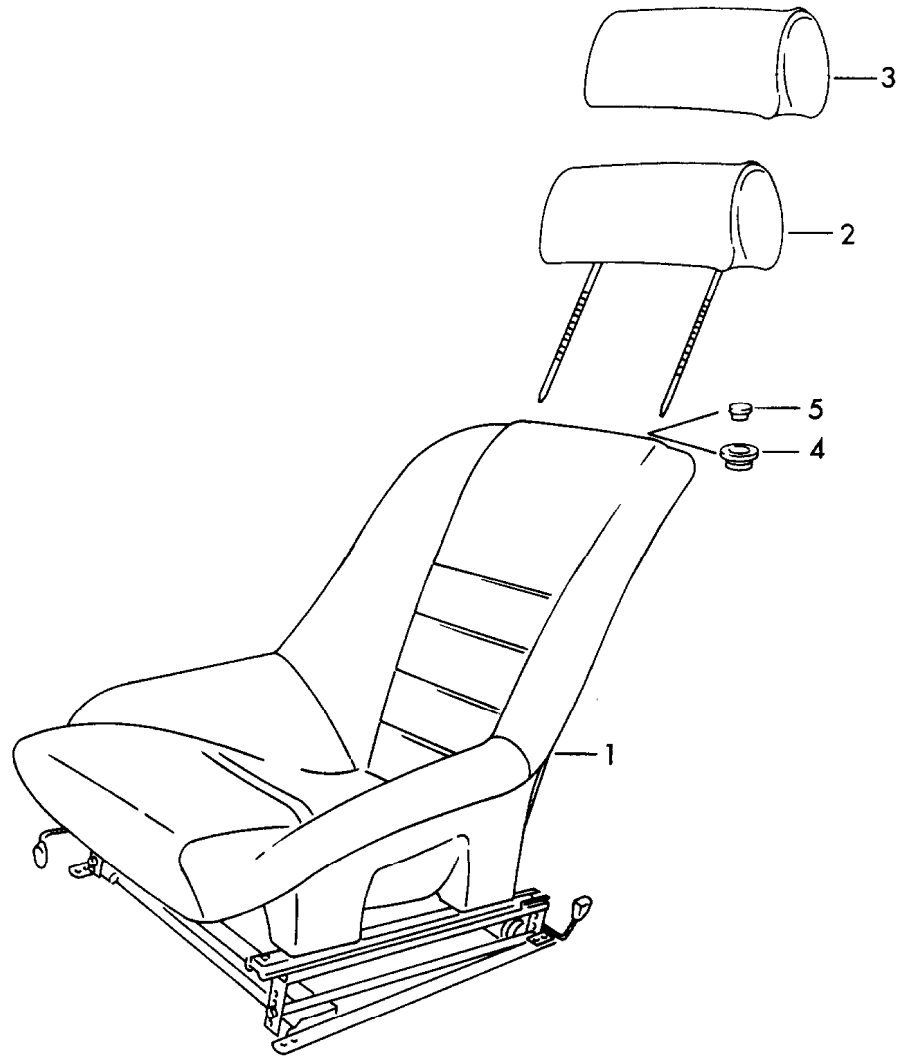
Model	Year	MG	SG	Illustration	Restrictions	UPD	18:06	22.01.2010	PORSCHE	PET	PORSCHE
911-1	1969	8	08	808-10		248					

Pos	Part Number	Description	Remark	Qty	Model	Pos	Part Number	Description	Remark	Qty	Model
1	901 522 006 20	back seat backrest complete with cover and carpet indicate colour F >> 030 5100	/R	1		(2)	901 522 051 51	back seat cushion complete indicate colour F >> 030 5100	/L	1	
1	902 522 006 20	back seat backrest complete with cover and carpet indicate colour F >> 035 4000 F >> 045 8100	/R	1		(2)	901 522 052 51	back seat cushion complete indicate colour F >> 030 5100	/R	1	
1	901 522 006 22	back seat backrest complete with cover and velour carpet indicate colour F 030 5101 >>	/R	1		2	901 522 051 20	back seat cushion complete indicate colour F 030 5101 >>	/L	1	
1	902 522 006 22	back seat backrest complete with cover and perlon velour carpet indicate colour F 035 4001 >> F 045 8101 >>	/R	1		(2)	901 522 052 20	back seat cushion complete indicate colour F 030 5101 >>	/R	1	
1	901 522 006 42	back seat backrest complete with cover and velour carpet indicate colour	/R	1		3	900 236 001 07	oval-head screw M 8X10		2	
1	902 522 006 42	back seat backrest complete with cover and perlon velour carpet indicate colour	/R	1		4	N 012 230 1	spring washer B 10		4	
						5	901 522 509 20	bearing sleeve		2	
						6	999 591 111 50	rubber washer		X	
						7	901 522 063 20	retaining belt		2	
						7	901 522 063 40	retaining belt		2	
						8	900 145 003 02	pan-head screw B 3,9X9,5		2	
						9	999 591 805 12	ball knob		2	
						10	901 522 013 40	tray with perlon velour carpet	-68	1	
						10	901 522 014 40	tray with velour carpet	-68	1	
						10	901 522 013 41	tray with perlon velour carpet	69-	1	TARGA

Model	Year	MG	SG	Illustration	Restrictions	UPD	18:06	22.01.2010	PORSCHE	PET	PORSCHE
911-1	1969	8	08	808-10		248					

Pos	Part Number	Description	Remark	Qty	Model	Pos	Part Number	Description	Remark	Qty	Model
10	901 522 014 41	tray with velour carpet	69-	1	TARGA						
10	901 522 013 00	tray with perlon velour carpet	69-	1	COUPE						
10	901 522 014 00	tray with velour carpet	69-	1	COUPE						
11	900 067 057 02	pan-head screw M 8X20		2							
12	900 025 007 02	washer 8,4		2							
13	900 027 005 01	lock ring B 8		2							
14	900 145 047 02	rais. counters. h. tap. s. B 4,8X45		1							
15	999 591 016 12	washer		1							
-	911 521 007 00	sports seat		X							
-	911 521 008 00	sports seat		X							
16	901 522 365 20	cap		2							

Model	Year	MG	SG	Illustration	Restrictions	UPD	18:07	22.01.2010	PORSCHE	PET	PORSCHE
911-1	1969	8	08	808-15		248					

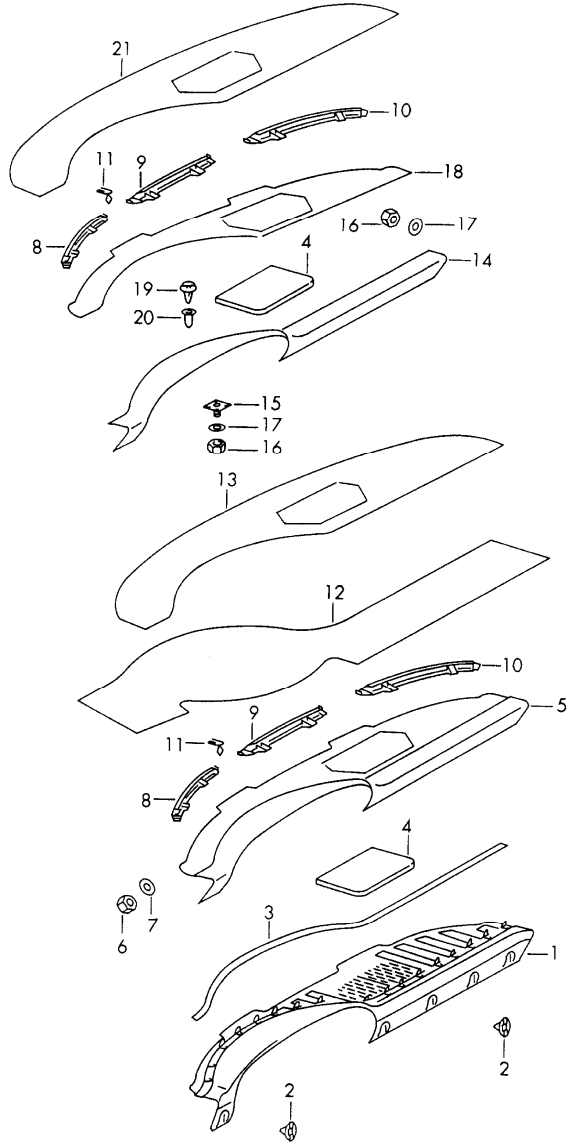


Pos	Part Number	Description	Remark	Qty	Model
1	901 521 001 41	bucket seat bucket seat bracket collapsible leatherette pepita or ribbed velvet indicate colour	/L	1	
1	901 521 002 41	bucket seat bucket seat bracket collapsible leatherette pepita or ribbed velvet indicate colour	/R	1	
1	901 521 001 45	bucket seat bucket seat bracket collapsible leather indicate colour	/L	1	
1	901 521 002 45	bucket seat bucket seat bracket collapsible leather indicate colour	/R	1	
1	901 521 013 10	bucket seat bucket seat bracket not collapsible leatherette pepita or ribbed velvet indicate colour	/L/R	2	
1	901 521 013 12	bucket seat bucket seat bracket not collapsible leatherette indicate colour	/L/R	2	
2	901 521 086 00	head rest leatherette indicate colour		2	
2	901 521 086 05	head rest leather indicate colour		2	

Model	Year	MG	SG	Illustration	Restrictions	UPD	18:07	22.01.2010	PORSCHE	PET	PORSCHE
911-1	1969	8	08	808-15		248					

Pos	Part Number	Description	Remark	Qty	Model	Pos	Part Number	Description	Remark	Qty	Model
3	901 521 802 00	cover pepita indicate colour		2							
3	901 521 801 00	cover ribbed velvet indicate colour		2							
4	901 521 194 00	rosette indicate colour		4							
5	901 521 195 00	cap		4							

Model	Year	MG	SG	Illustration	Restrictions	UPD	18:07	22.01.2010	PORSCHE	PET	PORSCHE
911-1	1969	8	09	809-00		248					

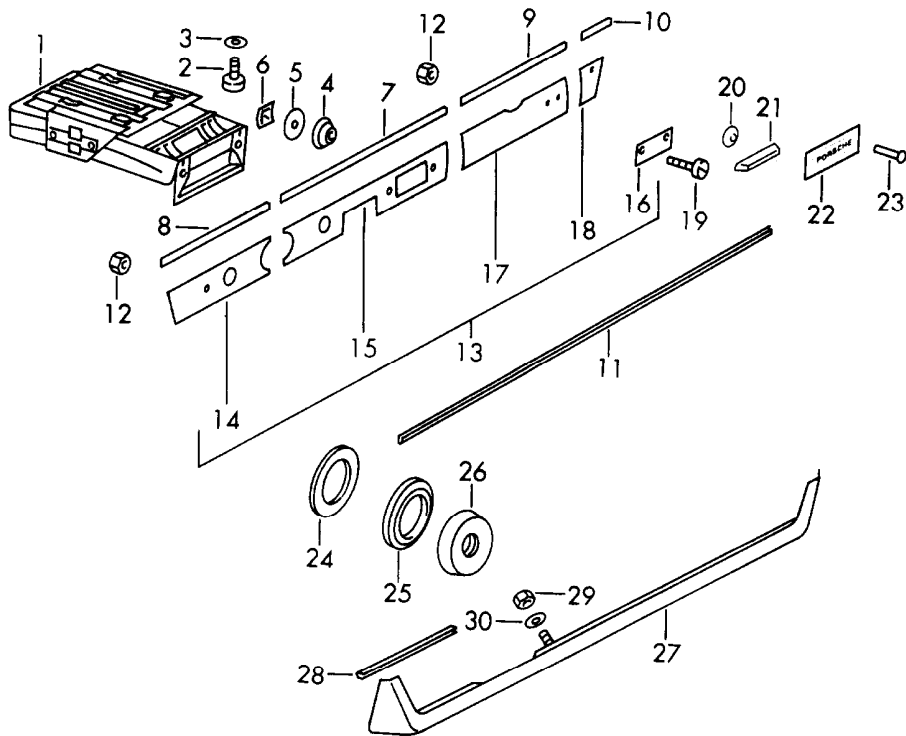


Pos	Part Number	Description	Remark	Qty	Model
		dashboard dashboard trim	-68		
1	901 552 033 22	dashboard bodyshell	/LL -67	1	
(1)	901 552 034 24	dashboard bodyshell	/RL	1	
2	999 591 332 02	fixing clip		5	
3	901 552 039 21	padding	/LL -67	1	
(3)	901 552 040 21	padding	/RL	1	
4	901 552 490 20	cover for loudspeaker		1	
5	901 552 031 22	dashboard trim complete up to model a	/LL	1	
(5)	901 552 032 24	dashboard trim complete	/RL	1	
6	999 084 102 02	lock nut		2	
7	N 011 524 7	washer 6,4		2	
8	901 552 403 20	cover for heating nozzle	/L -1/68	1	
8	901 552 403 21	cover for heating nozzle	/L 2/ 68-	1	
9	901 552 401 20	cover for air vent		1	
10	901 552 404 20	cover for heating nozzle	/R -1/68	1	
10	901 552 404 21	cover for heating nozzle	/R 2/ 68-	1	
11	999 591 333 01	fastening clamp		8	
12	901 552 375 21	upholstery cover	/L -67	1	
(12)	901 552 376 21	upholstery cover	/R	1	

Model	Year	MG	SG	Illustration	Restrictions	UPD	18:07	22.01.2010	PORSCHE	PET	PORSCHE
911-1	1969	8	09	809-00		248					

Pos	Part Number	Description	Remark	Qty	Model	Pos	Part Number	Description	Remark	Qty	Model
13	901 552 387 23	outer lining	/L	-67	1						
(13)	901 552 388 21	upholstery cover	/R		1						
14	901 552 031 23	dashboard trim	/L	68	1						
15	999 591 344 02	latch			2						
16	900 084 010 02	lock nut			7						
17	N 011 524 7	washer 6,4			7						
18	901 552 021 20	dashboard trim	/L -1/68		1						
18	901 552 021 21	dashboard trim	/L 2/	68-	1						
19	999 591 310 40	fixing clip			11						
20	999 591 311 40	bush			11						
21	901 552 387 23	upholstery cover		68	1						

Model	Year	MG	SG	Illustration	Restrictions	UPD	18:07	22.01.2010	PORSCHE	PET	PORSCHE
911-1	1969	8	09	809-01		248					



Pos	Part Number	Description	Remark	Qty	Model
		ashtray trim cover	-68		
1	901 552 061 21	ashtray F >> 030 5100 F >> 035 4000 F >> 045 8100		1	
(1)	901 552 061 22	ashtray F 030 5101 >> F 035 4001 >> F 045 8101 >>	-67	1	
(1)	901 552 061 23	ashtray	68	1	
2	900 119 024 02	pan-head screw M 4 X 12		2	
3	900 151 018 60	washer 3,7		X	
4	999 703 045 50	stopper		2	
5	644 025 661 00	washer		2	
6	999 507 205 01	speed nut		2	
7	901 552 335 50	moulding	/LL	1	
(7)	901 552 336 50	moulding	/RL	1	
8	901 552 333 51	moulding version with ambient temperature gauge	/LL	1	
(8)	901 552 333 50	moulding version without ambient temperature gauge	/LL	1	
8	901 552 334 51	moulding version with ambient temperature gauge	/RL	1	
(8)	901 552 334 50	moulding version without ambient temperature gauge	/RL	1	
9	901 552 337 50	moulding	/L/R	1	
10	901 552 338 50	moulding	/L/R	1	

Model	Year	MG	SG	Illustration	Restrictions	UPD	18:07	22.01.2010	PORSCHE	PET	PORSCHE
911-1	1969	8	09	809-01		248					

Pos	Part Number	Description	Remark	Qty	Model	Pos	Part Number	Description	Remark	Qty	Model
11	901 552 339 50	moulding for cover strip 901.552.035.50 901.552.036.50		1		13	902 552 041 25	dashboard cover set aluminium	/LL	1	
12	999 591 211 01	speed nut		X		(13)	901 552 042 20	dashboard cover set wood without pin spacing F >> 030 5100	/RL	1	
13	901 552 041 20	dashboard cover set wood without surround F >> 030 5100	/LL	1		(13)	901 552 042 21	dashboard cover set without converter and with 10769SSUNG F >> 030 5100	/RL	1	
13	901 552 041 30	dashboard cover set wood without pin spacing F >> 030 5100	/LL	1		(13)	901 552 042 23	dashboard cover set wood with pin spacing F >> 030 5100	/RL	1	
13	901 552 041 21	dashboard cover set wood with pin spacing F >> 030 5100	/LL	1		(13)	901 552 042 50	dashboard cover set	/RL	-67	1 911 S
13	901 552 041 50	dashboard cover set	/LL	-67	1 911 S	(13)	901 552 042 52	dashboard cover set	/RL	68	1 911 S
13	901 552 041 52	dashboard cover set	/LL	-67	1 911 S	(13)	901 552 042 54	dashboard cover set	/RL	68	1 911 L
13	901 552 041 54	dashboard cover set	/LL	68	1 911 L	(13)	901 552 042 51	dashboard cover set	/RL	-67	1 911 S
13	901 552 041 51	dashboard cover set	/LL	-67	1 911 S	(13)	901 552 042 53	dashboard cover set	/RL	68	1 911 S
13	901 552 041 53	dashboard cover set	/LL	68	1 911 S	(13)	901 552 042 55	dashboard cover set	/RL	68	1 911 L
13	901 552 041 55	dashboard cover	/LL	68	1 911 L						

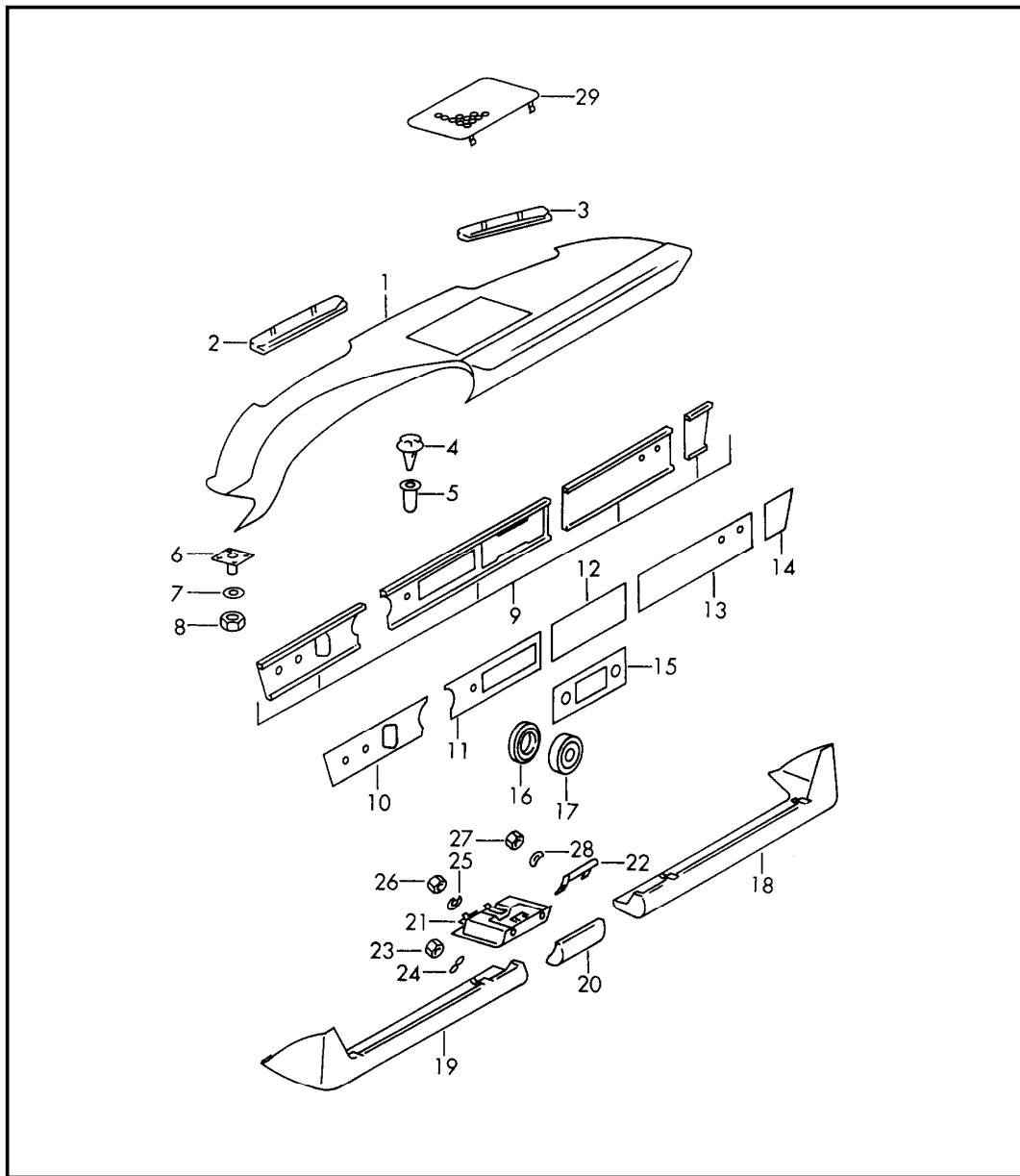
Model	Year	MG	SG	Illustration	Restrictions	UPD	18:07	22.01.2010	PORSCHE	PET	PORSCHE
911-1	1969	8	09	809-01		248					

Pos	Part Number	Description	Remark	Qty	Model	Pos	Part Number	Description	Remark	Qty	Model
14	902 552 451 22	cover aluminium version without ambient temperature gauge F 030 5101 >> F 035 4001 >> F 045 8101 >>	/LL/L	1		15	902 552 453 22	cover aluminium F 030 5101 >> F 035 4001 >> F 045 8101 >>	/LL	1	
(14)	902 552 451 24	cover aluminium version with ambient temperature gauge F 0030 5101 >> F 035 4001 >> F 045 8101 >>	/LL/L	1		(15)	902 552 474 21	cover aluminium F 035 4001 >> F 045 8101 >>	/RL	1	
(14)	902 552 451 21	cover aluminium version without ambient temperature gauge F >> 035 4000 F >> 045 8100	/LL/L	1		16	902 552 455 22	cover aluminium F 030 5101 >> up to model a	/LL/RL	1	
(14)	902 552 451 23	cover aluminium version with ambient temperature gauge F >> 035 4000 F >> 045 8100	/LL/L	1		(16)	902 552 455 23	cover aluminium as of model a	/LL/RL	1	
(14)	902 552 476 20	cover aluminium version without ambient temperature gauge F 035 4001 >> F 045 8101 >>	/RL/R	1		(16)	902 552 455 21	cover aluminium F >> 035 4000 F >> 045 8100	/LL	1	
(14)	902 552 476 21	cover aluminium version with ambient temperature gauge F 035 4001 >> F 045 8101 >>	/RL/R	1		(16)	902 552 605 20	grab plate for ashtray version without dashboard cover		1	
(15)	902 552 453 21	cover aluminium F >> 035 4000 F >> 045 8100	/LL	1		17	902 552 457 22	cover aluminium F 030 5101 >>	/LL/RL	1	
						(17)	902 552 457 21	cover aluminium F >> 035 4000 F >> 045 8100	/LL	1	
						18	902 552 459 22	cover aluminium F 030 5101 >>	/LL	1	
						(18)	902 552 472 20	cover aluminium F 030 5101 >>	/RL	1	
						(18)	902 552 459 21	cover aluminium F >> 035 4000 F >> 045 8100	/LL	1	

Model	Year	MG	SG	Illustration	Restrictions	UPD	18:07	22.01.2010	PORSCHE	PET	PORSCHE
911-1	1969	8	09	809-01		248					

Pos	Part Number	Description	Remark	Qty	Model	Pos	Part Number	Description	Remark	Qty	Model
19	900 015 004 02	oval-head screw AM 4 X 18 chrome		2		-	902 552 042 23	dashboard cover set wood version with ambient temperature gauge	/RL	1	
20	999 591 211 01	speed nut		X				F >> 035 4000 F >> 045 8100			
21	901 552 561 20	handle F >> 030 5100 F >> 035 4000 F >> 045 8100		1		25	902 613 163 00	intermediate ring F 035 4001 >> F 045 8101 >>		1	
22	902 552 431 20	dashboard cover		1		(25)	901 613 163 50	intermediate ring		1	TARGA
23	900 055 025 12	buttonhead rivet 3 X 20		2		26	901 613 160 00	trim cover for ignition starter lock F 035 4001 >> F 045 8101 >>		1	
(24)	902 552 093 21	cover steering lock F >> 035 4000 F >> 045 8100		1		(26)	901 613 160 01	trim cover for ignition starter switch F 035 4001 >> F 045 8101 >>		1	
24	902 552 093 31	cover ignition starter switch F >> 035 4000 F >> 045 8000		1		27	901 552 035 21	cover strip F >> 030 5100	/LL	1	
-	902 552 041 21	dashboard cover set aluminium version without ambient temperature gauge F >> 035 4000 F >> 045 8100	/LL	1		27	902 552 035 21	cover strip F 030 5101 >>	/LL	1	
-	902 552 041 23	dashboard cover set aluminium version with ambient temperature gauge F >> 035 4000 F >> 045 8100	/LL	1		27	901 552 035 50	cover strip	/LL	1	911 S/L COUPE+TARGA
-	902 552 042 21	dashboard cover set wood version without ambient temperature gauge F >> 035 4000 F >> 045 8100	/RL	1		(27)	901 552 036 21	cover strip F >> 030 5100	/RL	1	
						(27)	902 552 036 21	cover strip F 030 5101 >>	/RL	1	
						(27)	901 552 036 50	cover strip		1	911 S/L COUPE+TARGA
						28	901 543 423 00	edge protection	/L	1	
						29	900 025 003 02	hexagon nut M 5		4	
						30	900 025 003 02	washer 5,3		4	

Model	Year	MG	SG	Illustration	Restrictions	UPD	18:07	22.01.2010	PORSCHE	PET	PORSCHE
911-1	1969	8	09	809-02		248					

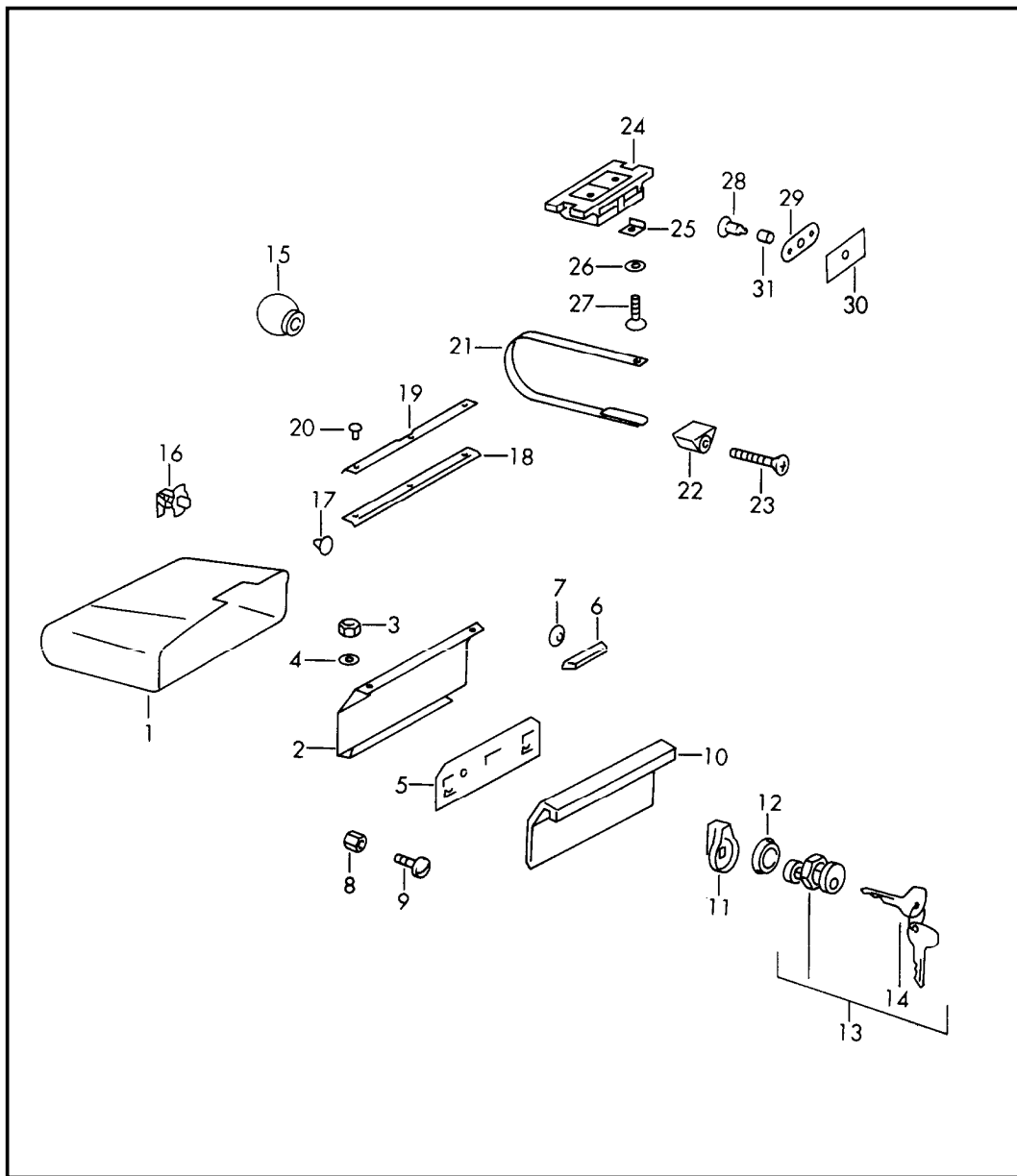


Pos	Part Number	Description	Remark	Qty	Model
		dashboard trim ashtray trim cover	69-		
1	911 552 031 00	dashboard trim	/LL	1	
	709	black			
(1)	911 552 032 00	dashboard trim	/RL	1	
2	911 552 409 00	cover for heating nozzle	/L	1	
3	911 552 410 00	cover for heating nozzle	/R	1	
4	999 591 310 40	fixing clip		7	
5	999 591 311 40	bush		7	
6	999 591 344 02	latch		2	
7	N 011 524 7	washer 6,4		7	
8	900 910 011 02	lock nut M 6		7	
9	911 552 013 00	support frame	/LL	1	
9	901 552 014 00	cover	/RL	1	
10	901 552 477 20	cover	/LL/L	1	
10	901 552 478 57	cover	/RL/R	1	
11	901 552 479 54	cover	/LL/L	1	
11	901 552 480 54	cover	/RL/R	1	
12	901 552 079 00	cover	/LL	1	
13	901 552 488 52	cover		1	
14	901 552 593 52	cover	/RL/L	1	
(14)	901 552 594 52	cover	/LL/R	1	
15	901 552 079 01	cover	/LL	1	
(15)	901 552 080 01	cover	/RL	1	
16	901 613 163 50	intermediate ring		1	

Model	Year	MG	SG	Illustration	Restrictions	UPD	18:07	22.01.2010	PORSCHE	PET	PORSCHE
911-1	1969	8	09	809-02		248					

Pos	Part Number	Description	Remark	Qty	Model	Pos	Part Number	Description	Remark	Qty	Model
17	901 613 160 00	trim cover for steering lock and ignition starter lock		1							
17	901 613 160 01	trim cover for ignition starter lock		1							
18	901 552 036 27	knee protection strip	/R	1							
19	901 552 035 27	knee protection strip	/L	1							
20	901 552 050 25	ashtray handle		1							
21	901 552 061 25	ashtray		1							
	GRV	prime coated									
22	901 552 607 00	fireproof plate		1							
23	900 076 027 02	hexagon nut M 5		4							
24	900 151 027 02	washer 5,3		4							
25	900 027 003 01	lock ring A 5		2							
26	900 076 004 02	hexagon nut M 5		2							
27	900 070 001 02	cap nut M 4		2							
28	900 028 018 01	spring washer B 4		2							
29	901 552 048 00	loudspeaker grille		1							

Model	Year	MG	SG	Illustration	Restrictions	UPD	18:07	22.01.2010	PORSCHE	PET	PORSCHE
911-1	1969	8	09	809-03		248					

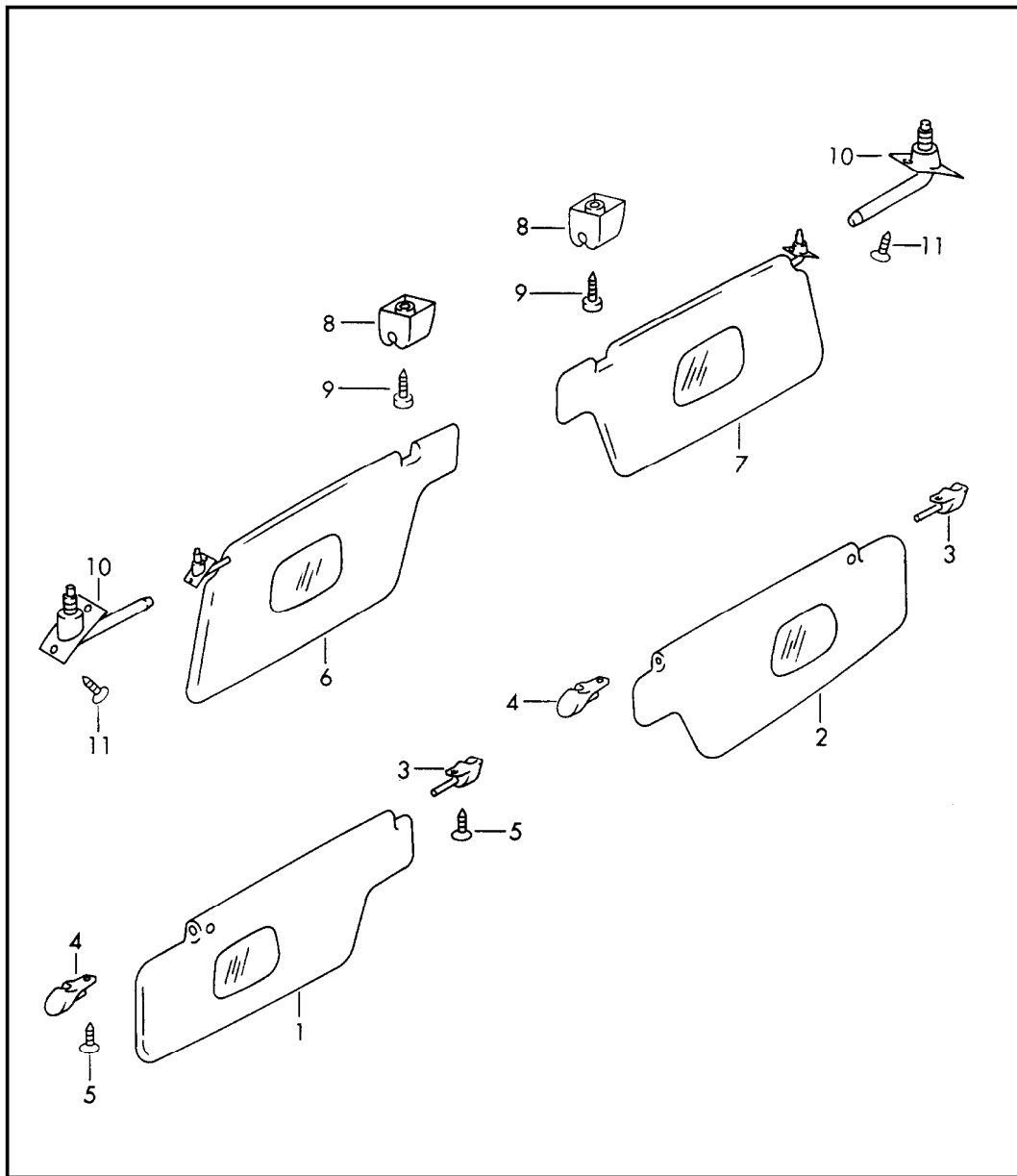


Pos	Part Number	Description	Remark	Qty	Model
1	901 552 501 20	glove compartment		1	
		glove compartment			
		F >> 030 5100			
		F >> 035 4000			
		F >> 045 8100			
1	964 552 501 00	glove compartment		1	
		F 030 5101 >>			
		F 035 4001 >>			
		F 045 8101 >>			
2	901 552 051 20	glove compartment cover	-68	1	
		F >> 030 5100			
		F >> 035 4000			
		F >> 045 8100			
(2)	901 552 010 00	glove compartment cover	-68	1	
		F 030 5101 >>			
		F 035 4001 >>			
		F 045 8101 >>			
(2)	901 552 010 00	glove compartment cover	69-	1	
3	999 084 102 02	lock nut	-68	2	
(3)	999 090 002 02	lock nut	69-	2	
4	900 025 003 02	washer 5,3		2	
5	901 552 071 21	cushion		1	
		F >> 030 5100			
		F >> 035 4000			
		F >> 045 8100			
5	901 552 071 22	cushion		1	
		F 030 5101 >>			
		F 035 4001 >>			
		F 045 8101 >>			
6	901 552 561 20	handle		1	
		F >> 030 5100			
		F >> 035 4000			
		F >> 045 8100			
7	999 591 211 01	speed nut	-68	X	
8	900 070 001 02	cap nut M 4	-68	2	
9	900 015 002 12	oval-head screw AM 4 X 8	-68	2	
10	901 552 057 00	handle	69-	1	
11	901 552 552 20	latch	-68	1	

Model	Year	MG	SG	Illustration	Restrictions	UPD	18:07	22.01.2010	PORSCHE	PET	PORSCHE
911-1	1969	8	09	809-03		248					

Pos	Part Number	Description	Remark	Qty	Model	Pos	Part Number	Description	Remark	Qty	Model
(11)	901 552 552 21	latch	69-	1		27	900 119 001 02	pan-head screw M 5 X 12		2	
12	901 552 525 20	trim cover F 030 5101 >> F 035 4001 >> F 045 8101 >>		1		28	901 552 599 20	rivet	-68	1	
13	901 552 550 20	glove compartment lock with key		1		(28)	901 552 595 00	countersunk-head screw	69-	1	
14	901 722 313 20	key	-1/65	1		29	901 552 573 20	contact plate		1	
(14)	901 722 313 21	key	2/	65-	1	30	901 552 579 20	rubber washer	-68	1	
(14)	901 722 313 29	blank key	-1/65	1		31	901 552 535 00	spacer	69-	1	
(14)	901 722 313 19	blank key	2/	65-	1						
15	999 703 038 50	rubber stopper		-68	2						
16	-	contact switch see group 9/03/00									
17	999 703 064 50	push button		-68	2						
(17)	999 702 064 50	push button		69-	2						
18	901 552 562 20	handle F 030 5101 >> F 035 4001 >> F 045 8101 >>		-68	1						
19	901 552 561 51	attachment strip F 030 5101 >> F 035 4001 >> F 045 8101 >>		-68	1						
20	900 055 024 30	buttonhead rivet 3 X 8		-68	3						
21	901 552 531 20	restraining strap			1						
22	914 552 061 00	clamp			1						
(23)	900 146 010 02	oval-head screw AM 5 X 30			1						
24	901 552 571 20	lock			1						
25	901 552 575 20	fastening angle			2						
26	N 012 225 2	spring washer B 5			2						

Model	Year	MG	SG	Illustration	Restrictions	UPD	18:07	22.01.2010	PORSCHE	PET	PORSCHE
911-1	1969	8	09	809-05		248					



Pos	Part Number	Description	Remark	Qty	Model
		sun visors			
(1)	901 731 301 21	sun visor without mirror F >> 030 5100 F >> 035 4000 F >> 045 8100	/LL/L	1	COUPE
(1)	901 731 301 22	sun visor without mirror F 030 5101 >> F 035 4001 >> F 045 8101 >> F >> 1180 0147 F >> 1181 0106 F >> 1182 0004 F >> 1183 0003 F >> 1180 5000 F >> 1282 0030 F >> 1280 0239	/LL/L	1	COUPE 911 912 912 911 911 911 911 911 912 912
(1)	901 731 301 40	sun visor without mirror F >> 1185 0035 F >> 1186 0037 F >> 1185 5001 F >> 1187 0000 F >> 1180 0001 F >> 1287 0036	/L	1	TARGA 911 911 911 911 911 912
(1)	901 731 303 21	sun visor with mirror F >> 030 5100 F >> 035 4000 F >> 045 8100	/RL/L	1	COUPE
(1)	901 731 303 22	sun visor with mirror F 030 5101 >> F 035 4001 >> F 045 8101 >> F >> 1180 0147 F >> 1181 0106 F >> 1182 0004 F >> 1183 0003 F >> 1180 5000 F >> 1282 0030 F >> 1280 0239	/RL/L	1	COUPE 911 912 912 911 911 911 911 911 912 912

Model	Year	MG	SG	Illustration	Restrictions	UPD	18:07	22.01.2010	PORSCHE	PET	PORSCHE
911-1	1969	8	09	809-05		248					

Pos	Part Number	Description	Remark	Qty	Model	Pos	Part Number	Description	Remark	Qty	Model
(1)	901 731 301 41	sun visor without mirror F 1180 0148 >> F 1181 0107 >> F 1182 0005 >> F 1183 0004 >> F 1185 0036 >> F 1186 0038 >> F 1180 5001 >> F 1185 5002 >> F 1187 0001 >> F 1188 0002 >> F 1282 0031 >> F 1287 0037 >> F 1280 0240 >>	/L	1	TARGA	(2)	901 731 304 22	sun visor without mirror F 035 4001 >> F 045 8101 >> F >> 1185 0035 F >> 1186 0037 F >> 1185 5001 F >> 1187 0000 F >> 1188 0001 F >> 1287 0036 F >> 1282 0030 F >> 1280 0239	/RL/R	1	COUPE
1	901 731 301 42	sun visor without mirror	/LL/L	1	TARGA	(2)	901 731 302 41	sun visor with mirror F 1180 0148 >> F 1181 0107 >> F 1182 0005 >> F 1183 0004 >> F 1185 0036 >> F 1186 0038 >> F 1180 5001 >> F 1185 5002 >> F 1187 0001 >> F 1188 0002 >> F 1282 0031 >> F 1287 0037 >> F 1280 0240 >>	/R	1	TARGA
1	901 731 303 42	sun visor with mirror	/LL/L	1	TARGA:M	2	901 731 302 42	sun visor with mirror F 030 5100 >> F 035 4000 >> F 045 8100 >>	/LL/R	1	TARGA
(2)	901 731 302 21	sun visor with mirror F >> 030 5100 F >> 035 4000 F >> 045 8100	/LL/R	1	COUPE	3	901 731 033 21	bearing inner \$ 5 MM F >> 030 5100	/L	1	911
(2)	901 731 302 22	sun visor with mirror F 030 5101 >> F 035 4001 >> F 045 8101 >> F >> 1180 0147 F >> 1181 0106 F >> 1182 0004 F >> 1183 0003 F >> 1180 5000 F >> 1282 0030 F >> 1280 0239	/LL/R	1	COUPE	3	901 731 036 21	bearing outer \$ 8 MM F >> 030 5100	/R	1	911
(2)	901 731 302 40	sun visor with mirror F >> 1185 0035 F >> 1186 0037 F >> 1185 5001 F >> 1187 0000 F >> 1188 0001 F >> 1287 0036	/R	1	TARGA	3	901 731 036 21	bearing outer \$ 8 MM F 030 5101 >> F >> 1180 0147 F >> 1181 0106 F >> 1182 0004 F >> 1183 0003 F >> 1180 5000 F >> 1282 0030 F >> 1280 0239	/R	2	911
(2)	901 731 304 21	sun visor with mirror F >> 030 5100 F >> 035 4000 F >> 045 8100	/RL/R	1	COUPE						

Model	Year	MG	SG	Illustration	Restrictions	UPD	18:07	22.01.2010	PORSCHE	PET	PORSCHE
911-1	1969	8	09	809-05		248					

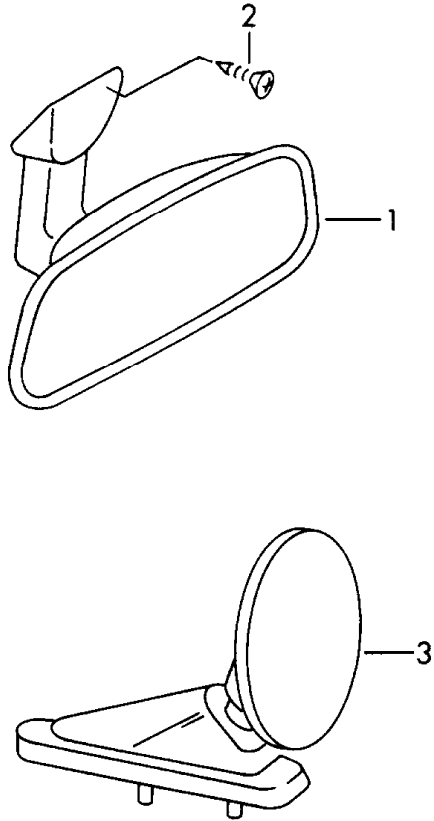
Pos	Part Number	Description	Remark	Qty	Model	Pos	Part Number	Description	Remark	Qty	Model
3	901 731 324 40	bearing \$ 8 MM F >> 1185 0035 F >> 1186 0037 F >> 1185 5001 F >> 1187 0000 F >> 1188 0001 F >> 1287 0036	/R	2		4	901 731 323 41	bearing F 1180 0148 >> F 1181 0107 >> F 1182 0005 >> F 1183 0004 >> F 1185 0036 >> F 1186 0038 >> F 1180 5001 >> F 1185 5002 >> F 1187 0001 >> F 1188 0002 >> F 1282 0031 >> F 1287 0037 >> F 1280 0240 >>	/LL/L	2	TARGA 911 911 911 911 911 911 911 911 911 911 912 912 912
3	901 731 324 41	bearing F 1180 0148 >> F 1181 0107 >> F 1182 0005 >> F 1183 0004 >> F 1185 0036 >> F 1186 0038 >> F 1180 5001 >> F 1185 5002 >> F 1187 0001 >> F 1188 0002 >> F 1282 0031 >> F 1280 0240 >>	/LL/R	2	TARGA	5	N 014 093 3	tapping screw B 4,2 X 13		X	
4	901 731 035 21	bearing outer \$ 8 MM F 030 5101 >> F >> 1180 0147 F >> 1181 0106 F >> 1182 0004 F >> 1183 0003 F >> 1180 5000 F >> 1282 0030 F >> 1280 0239	/L	2		(6)	901 731 031 21	sun visor without mirror F 1180 0148 >> F 1181 0107 >> F 1182 0005 >> F 1183 0004 >> F 1185 0036 >> F 1186 0038 >> F 1180 5001 >> F 1185 5002 >> F 1187 0001 >> F 1188 0002 >> F 1282 0031 >> F 1287 0037 >> F 1280 0240 >>	/LL/L	1	COUPE 911 911 911 911 911 911 911 911 911 912 912
4	901 731 323 40	bearing \$ 8 MM F >> 1185 0035 F >> 1186 0037 F >> 1185 5001 F >> 1187 0000 F >> 1188 0001 F >> 1287 0036	/L	2		6	901 731 031 22	sun visor with mirror F 1180 0148 >> F 1181 0107 >> F 1182 0005 >> F 1183 0004 >> F 1185 0036 >> F 1186 0038 >> F 1180 5001 >> F 1185 5002 >> F 1187 0001 >> F 1188 0002 >> F 1282 0031 >> F 1287 0037 >> F 1280 0240 >>	/RL/L	1	COUPE 911 911 911 911 911 911 911 911 911 912 912
(4)	901 731 034 21	bearing inner \$ 5 MM F >> 030 5100	/R	1		(6)	901 731 031 23	sun visor without mirror	/LL/L	69-	1
4	901 731 035 21	bearing outer \$ 8 MM F >> 030 5100	/L	1		6	901 731 031 24	sun visor with mirror	/RL/L	69-	1

Model	Year	MG	SG	Illustration	Restrictions	UPD	18:07	22.01.2010	PORSCHE	PET	PORSCHE
911-1	1969	8	09	809-05		248					

Pos	Part Number	Description	Remark	Qty	Model	Pos	Part Number	Description	Remark	Qty	Model
(7)	901 731 032 21	sun visor with mirror F 1180 0148 >> F 1181 0107 >> F 1182 0005 >> F 1183 0004 >> F 1185 0036 >> F 1186 0038 >> F 1180 5001 >> F 1185 5002 >> F 1187 0001 >> F 1180 8002 >> F 1282 0031 >> F 1287 0037 >> F 1280 0240 >>	/LL/R	1	COUPE	10	901 731 320 20	bearing F 1180 0148 >> F 1181 0107 >> F 1182 0005 >> F 1183 0004 >> F 1185 0036 >> F 1186 0038 >> F 1180 5001 >> F 1185 5002 >> F 1187 0001 >> F 1188 0002 >> F 1282 0031 >> F 1287 0037 >> F 1280 0240 >>		2	COUPE
(7)	901 731 032 22	sun visor without mirror F 1180 0148 >> F 1181 0107 >> F 1182 0005 >> F 1183 0004 >> F 1185 0036 >> F 1186 0038 >> F 1180 5001 >> F 1185 5002 >> F 1187 0001 >> F 1188 0002 >> F 1282 0031 >> F 1287 0037 >> F 1280 0240 >>	/RL/R	1	COUPE	11	N 014 093 3	tapping screw B 4,2 X 13		4	COUPE
7	901 731 032 23	sun visor with mirror	/LL/R	69-	1						
8	901 731 331 20	support F 1180 0148 >> F 1181 0107 >> F 1182 0005 >> F 1183 0004 >> F 1185 0036 >> F 1186 0038 >> F 1180 5001 >> F 1185 5002 >> F 1187 0001 >> F 1188 0002 >> F 1282 0031 >> F 1287 0037 >> F 1280 0240 >>		2	COUPE						
9	900 143 005 02	oval-head sheetmetal screw B 3,9 X 13		2	COUPE						

Model	Year	MG	SG	Illustration	Restrictions	UPD	18:08	22.01.2010	PORSCHE	PET	PORSCHE
911-1	1969	8	09	809-10		248					

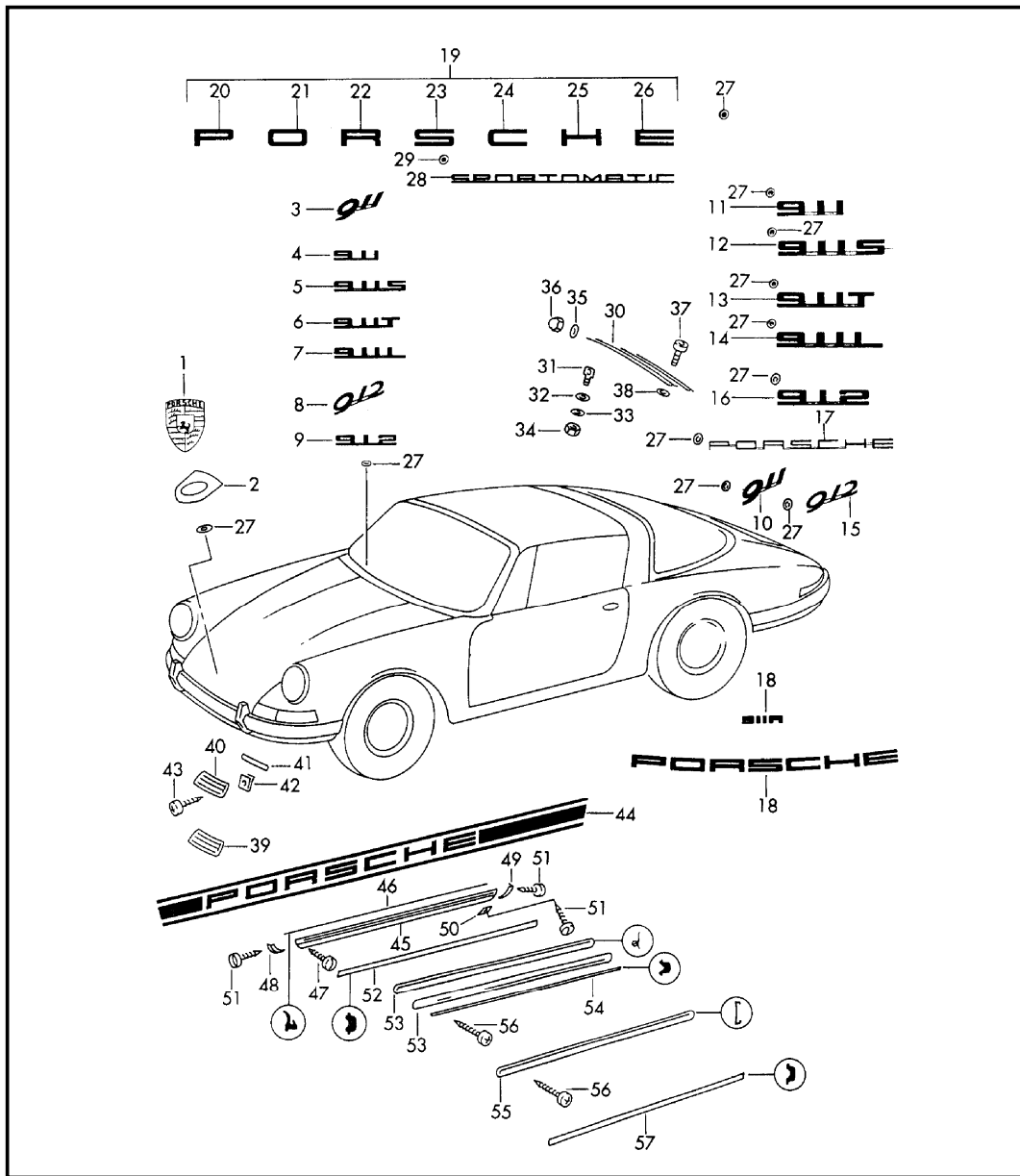
Pos	Part Number	Description	Remark	Qty	Model	
(1)	914 731 014 11	interior mirror door mirror interior mirror for adhere F 030 5101 >> F >> 1180 0147 F >> 1181 0106 F >> 1182 0004 F >> 1183 0003 F >> 1180 5000 F >> 1282 0030 F >> 1280 0239 F >> 1185 0035 F >> 1186 0037 F >> 1185 5001 F >> 1187 0000 F >> 1188 0001 F >> 1287 0036			1	COUPE COUPE COUPE COUPE COUPE COUPE COUPE COUPE TARGA TARGA TARGA TARGA TARGA TARGA TARGA
(1)	914 731 014 11	interior mirror for adhere F 1180 0148 >> F 1181 0107 >> F 1182 0005 >> F 1183 0004 >> F 1185 0036 >> F 1186 0038 >> F 1180 5001 >> F 1185 5002 >> F 1187 0001 >> F 1188 0002 >> F 1282 0031 >> F 1287 0037 >> F 1280 0240 >>			1	COUPE COUPE COUPE COUPE COUPE COUPE COUPE TARGA TARGA TARGA TARGA TARGA TARGA TARGA
1	914 731 014 11	interior mirror for adhere		69	1	
-	901 731 133 20	adhesive plate for interior mirror 901.731.011.22		69	1	
-	901 731 113 00	plate for interior mirror 901.731.011.22		69	1	
-	900 014 098 10	pan-head screw M 2,6 X 15 for interior mirror 901.731.011.22		69	1	



Model	Year	MG	SG	Illustration	Restrictions	UPD	18:08	22.01.2010	PORSCHE	PET	PORSCHE
911-1	1969	8	09	809-10		248					

Pos	Part Number	Description	Remark	Qty	Model	Pos	Part Number	Description	Remark	Qty	Model
2	900 148 012 02	rais. counters. h. tap. s. AM 5 X 15		3							
(2)	N 013 988 1	tapping screw B 3,5 X 16		3	WW						
(3)	901 731 111 01	door mirror	-67	1							
3	901 731 111 01	door mirror plane	68-	1							
-	901 731 129 00	desk pad for door mirror		1							

Model	Year	MG	SG	Illustration	Restrictions	UPD	18:08	22.01.2010	PORSCHE	PET	PORSCHE
911-1	1969	8	10	810-00		248					



Pos	Part Number	Description	Remark	Qty	Model
		decorative fittings	-68		
1	901 559 210 20	lid emblem		1	
2	901 559 215 20	desk pad		1	
3	901 559 303 20	logo F >> 030 5100		1	911 COUPE
4	901 559 303 21	logo F 030 5101 >>		1	911
5	901 559 304 50	logo		1	911 S
6	901 559 315 20	logo		1	911 TU
7	901 559 316 20	logo		1	911 L
8	902 559 303 20	logo F >> 035 4000 F >> 045 8000		1	912 COUPE
9	902 559 303 22	logo F 035 4001 >> F 045 8101 >>		1	912
10	901 559 305 20	logo pin spacing 53 MM		1	911 COUPE
(10)	901 559 305 21	logo pin spacing 46 MM F >> 030 5100		1	911 COUPE
11	901 559 305 22	logo F 030 5101 >>		1	911
12	901 559 308 50	logo		1	911 S
13	901 559 311 20	logo		1	911 T
14	901 559 312 20	logo		1	911 L
15	902 559 305 20	logo pin spacing 68 MM		1	912 COUPE
(15)	902 559 305 21	logo pin spacing 46 MM F >> 035 4000 F >> 045 8100		1	912 COUPE
16	902 559 305 22	logo F 035 4001 >> F 045 8101 >>		1	912

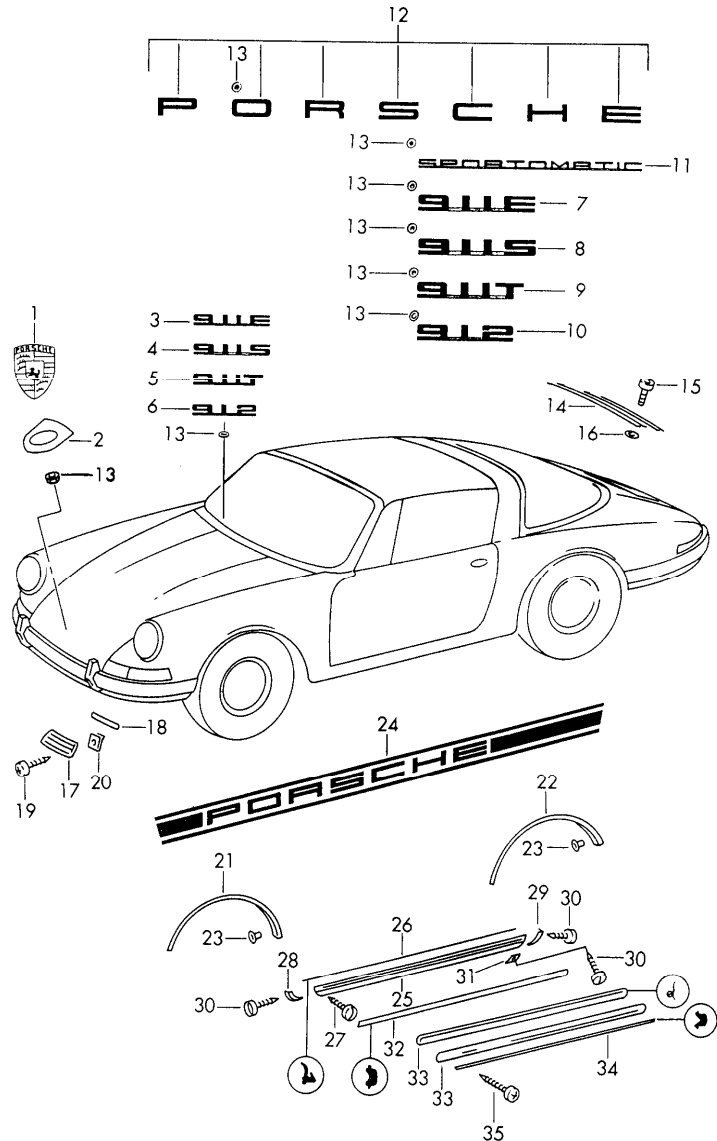
Model	Year	MG	SG	Illustration	Restrictions	UPD	18:08	22.01.2010	PORSCHE	PET	PORSCHE
911-1	1969	8	10	810-00		248					

Pos	Part Number	Description	Remark	Qty	Model	Pos	Part Number	Description	Remark	Qty	Model
17	901 559 301 21	PORSCHE logo F >> 035 4000 F >> 045 8100		1	912 COUPE	(26)	901 559 321 35	single letters chrome		1	912 911 TU
18	901 559 323 60	adhesive film white		1		27	999 591 211 01	speed nut		X	
(18)	901 559 324 60	adhesive film black		1		28	901 559 309 00	logo gold-coloured	(USA)	1	911 S/L 911
19	901 559 301 22	PORSCHE logo gold-coloured F 030 5101 >>		1	911 /L/S	28	901 559 309 01	logo chrome		1	911 TU
(19)	901 559 301 23	PORSCHE logo chrome F 035 4001 >> F 045 8101 >>		1	912 911 TU	29	999 591 211 01	speed nut		3	
20	901 559 321 22	single letters gold-coloured		1	911 /L/S	30	901 559 041 21	ventilation grille F >> 1180 0378 F >> 1180 5121 F >> 1181 0289 F >> 1182 0367 F >> 1183 0259 F >> 1185 0117 F >> 1185 5029 F >> 1186 0106 F >> 1187 0092 F >> 1188 0063 F >> 1282 0158 F >> 1287 0336 F >> 1280 1831		1	
(20)	901 559 321 23	single letters chrome		1	912 911 TU						
21	901 559 321 24	single letters gold-coloured		1	911 /L/S						
(21)	901 559 321 25	single letters chrome		1	912 911 TU	(30)	901 559 041 23	ventilation grille F 1180 0379 >> F 1180 5122 >> F 1181 0290 >> F 1182 0368 >> F 1183 0260 >> F 1185 0118 >> F 1185 5030 >> F 1186 0107 >> F 1187 0093 >> F 1188 0064 >> F 1282 0159 >> F 1287 0337 >> F 1280 1832 >>		1	
22	901 559 321 26	single letters gold-coloured		1	911 /L/S						
(22)	901 559 321 27	single letters chrome		1	912 911 TU						
23	901 559 321 28	single letters gold-coloured		1	911 /L/S						
(23)	901 559 321 29	single letters chrome		1	912 911 TU						
24	901 559 321 30	single letters gold-coloured		1	911 /L/S	31	901 559 451 21	screw bolt		8	
(24)	901 559 321 31	single letters chrome		1	912 911 TU	32	901 511 791 21	rubber washer		8	
25	901 559 321 32	single letters gold-coloured		1	911 /L/S	33	900 151 027 02	washer A 5,3		8	
(25)	901 559 321 33	single letters chrome		1	912 911 TU	34	999 084 102 02	lock nut M 5		8	
26	901 559 321 34	single letters gold-coloured		1	911 /L/S	35	900 025 024 32	washer		12	
						36	900 085 007 32	cap nut		12	

Model	Year	MG	SG	Illustration	Restrictions	UPD	18:08	22.01.2010	PORSCHE	PET	PORSCHE
911-1	1969	8	10	810-00		248					

Pos	Part Number	Description	Remark	Qty	Model	Pos	Part Number	Description	Remark	Qty	Model
37	900 119 001 09	pan-head screw M 5 X 12		6		(44)	901 559 320 61	adhesive film right black		1	
38	999 031 084 50	rubber washer		6		45	901 559 105 52	moulding	(USA)	68	2 911 L 911 S
39	901 559 431 21	grille left with 4 fastening screw		1	911 COUPE 912	-	999 911 198 40	rubber		*	
(39)	901 559 432 21	grille right with 4 fastening screw		1	911 COUPE 912	46	-	3 M	(USA)	68	3 911 L 911 S
40	PCG 559 431 50	grille left		1		47	N 013 961 2	tapping screw B 3,9 X 13		14	
(40)	PCG 559 432 50	grille right		1		48	901 559 111 50	end piece left	(USA)	68	1 911 L 911 S
(40)	901 559 431 25	grille left for cars with additional headlamp and fog headlamp round		1		(48)	901 559 112 50	end piece right	(USA)	68	1 911 L 911 S
(40)	901 559 432 25	grille right for cars with additional headlamp and fog headlamp round		1		49	901 559 113 50	end piece left	(USA)	68	1 911 L 911 S
41	911 559 439 00	gasket		2		(49)	901 559 114 50	end piece right	(USA)	68	1 911 L 911 S
42	999 591 338 02	speed nut		4		-	999 911 141 50	desk pad		*	
43	900 143 041 00	oval-head sheetmetal screw 3,9 X 19-10		4		50	-	2 M		1	
44	901 559 317 61	adhesive film left white		1		51	900 145 043 00	rais. counters. h. tap. s. B 3,5 X 9,5		18	
44	901 559 319 61	adhesive film left black		1		52	901 559 106 52	rubber ply	(USA)	2	911 L 911 S
(44)	901 559 318 61	adhesive film right white		1		53	901 559 011 22	moulding		2	911 /TU/L 912
						54	901 559 101 22	pipng		2	911 /TU/L 912
						55	901 559 105 50	moulding		68	2 911 S
						56	N 013 961 2	tapping screw B 3,9 X 13		24	
						57	901 559 106 50	rubber ply		-67	2 911 S
						-	999 911 108 40	desk pad for 901.559.105.50		-67	X

Model	Year	MG	SG	Illustration	Restrictions	UPD	18:08	22.01.2010	PORSCHE	PET	PORSCHE
911-1	1969	8	10	810-01		248					

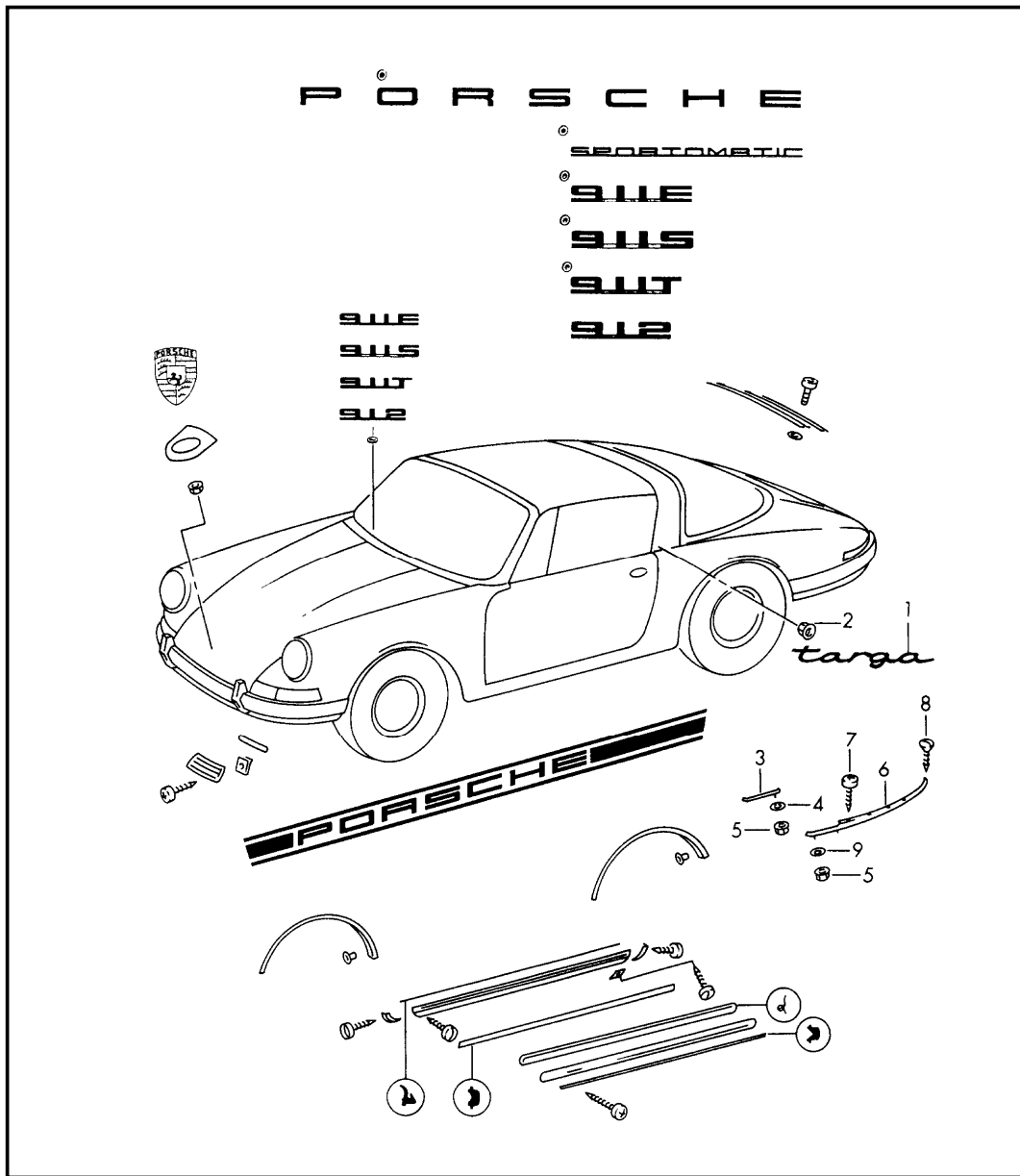


Pos	Part Number	Description	Remark	Qty	Model
		decorative fittings		69	
1	901 559 210 20	lid emblem		1	
2	901 559 215 20	desk pad		1	
3	901 559 306 20	logo		1	911 E
4	901 559 304 50	logo		1	911 S
5	901 559 315 20	logo		1	911 T
6	902 559 303 22	logo		1	912
7	901 559 325 50	logo		1	911 E
8	901 559 308 50	logo		1	911 S
9	901 559 311 50	logo gold-coloured		1	911 T
(9)	901 559 311 20	logo chrome		1	911 T
10	902 559 305 22	logo		1	912
11	901 559 309 00	logo gold-coloured		1	911 T:M 911 E
(11)	901 559 309 01	logo chrome		1	911 T
12	901 559 301 22	logo gold-coloured		1	911 T/E/S
12	901 559 902 00	PORSCHE logo chrome		1	912 911 T
13	999 591 423 03	tapping nut		16	
14	901 559 041 23	ventilation grille		1	
15	900 119 036 02	pan-head screw M 5 X 12		6	
-	900 151 027 02	washer A 5,3		6	
16	999 031 084 50	rubber washer		6	
17	901 559 431 27	grille left it is necessary to rework		1	

Model	Year	MG	SG	Illustration	Restrictions	UPD	18:08	22.01.2010	PORSCHE	PET	PORSCHE
911-1	1969	8	10	810-01		248					

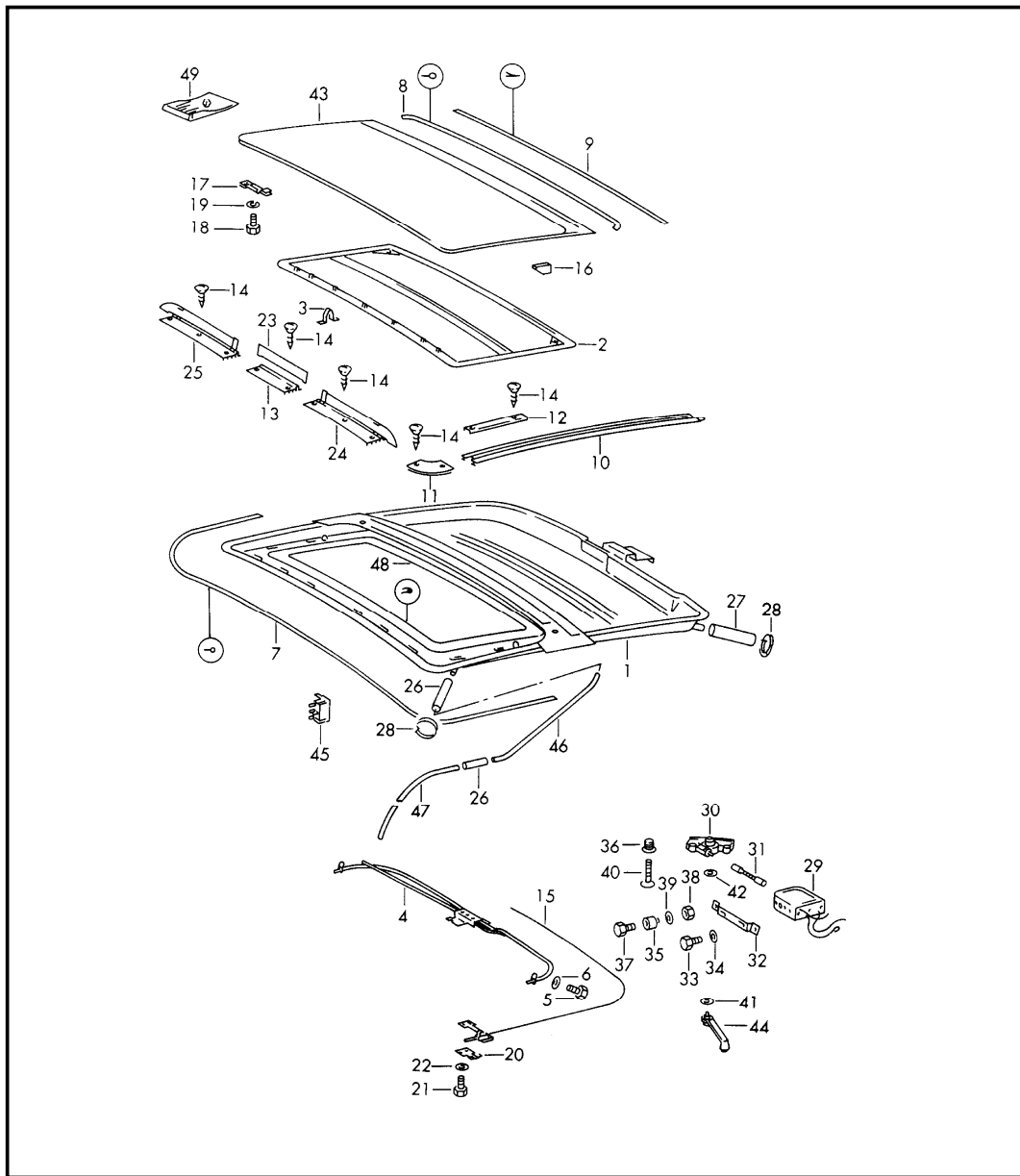
Pos	Part Number	Description	Remark	Qty	Model	Pos	Part Number	Description	Remark	Qty	Model
(17)	901 559 431 28	grille left for cars with additional headlamp and fog headlamp round		1		(24)	901 559 318 61	logo right white		X	
(17)	901 559 432 27	grille right it is necessary to rework		1		(24)	901 559 320 61	logo right black		X	
(17)	901 559 432 28	grille right for cars with additional headlamp and fog headlamp round		1		25	901 559 105 53	moulding		2	911 E/S
18	911 559 439 00	gasket		1		-	999 911 198 40	rubber		*	
19	900 143 041 00	oval-head sheetmetal screw B 3,9 X 19		4		26	-	3 M		1	911 E/S
20	999 591 338 02	speed nut		4		27	N 013 961 2	tapping screw B 3,9 X 13		14	911 E/S
21	901 559 125 51	moulding front left		X	911 E/S	28	901 559 111 50	end piece left		1	911 E/S
(21)	901 559 126 51	moulding front right		X	911 E/S	(28)	901 559 112 50	end piece right		1	911 E/S
22	901 559 127 51	moulding rear left		X	911 E/S	29	901 559 113 50	end piece left		1	911 E/S
(22)	901 559 128 51	moulding rear right		X	911 E/S	(29)	901 559 114 50	end piece right		1	911 E/S
23	999 190 101 30	rivet		20	911 E/S	30	900 145 043 00	rais. counters. h. tap. s. B 3,9 X 13		18	911 E/S
-	999 911 160 40	adhesive tape 4 M		*		-	999 911 141 50	desk pad		*	911 E/S
24	901 559 317 61	logo left white		X		31	-	2 M		X	
(24)	901 559 319 61	logo left black		X		32	901 559 106 53	rubber ply		2	911 E/S
						33	901 559 011 22	moulding		2	912 911 T
						34	901 559 101 22	filler piece		2	912 911 T
						35	N 013 961 2	tapping screw M 3,9 X 13		10	912 911 T

Model	Year	MG	SG	Illustration	Restrictions	UPD	18:08	22.01.2010	PORSCHE	PET	PORSCHE
911-1	1969	8	10	810-05		248					



Pos	Part Number	Description	Remark	Qty	Model
		decorative fittings			TARGA
1	901 559 307 40	logo		2	
2	999 591 211 01	speed nut	-68	4	
(2)	999 591 423 03	tapping nut	69	4	
3	901 565 077 40	moulding left for cars with convertible top rear wall		1	
(3)	901 565 078 40	moulding right for cars with convertible top rear wall		1	
4	900 151 003 40	washer A 6,4	-68	4	
(4)	900 151 006 40	washer B 6,4	69	4	
5	999 591 340 02	tapping nut		4	
6	911 565 947 40	moulding left for cars with rear wall washer fixed		1	
(6)	911 565 948 40	moulding right for cars with rear wall washer fixed		1	
-	901 565 557 40	pipng		2	
-	901 565 563 40	stopper		2	
7	N 013 957 5	tapping screw B 3,5 X 9,5		8	
8	900 144 009 00	counters. head tapp. screw 2,9 X 13		2	
9	900 151 006 40	washer B 6,4		4	

Model	Year	MG	SG	Illustration	Restrictions	UPD	18:08	22.01.2010	PORSCHE	PET	PORSCHE
911-1	1969	8	11	811-00		248					

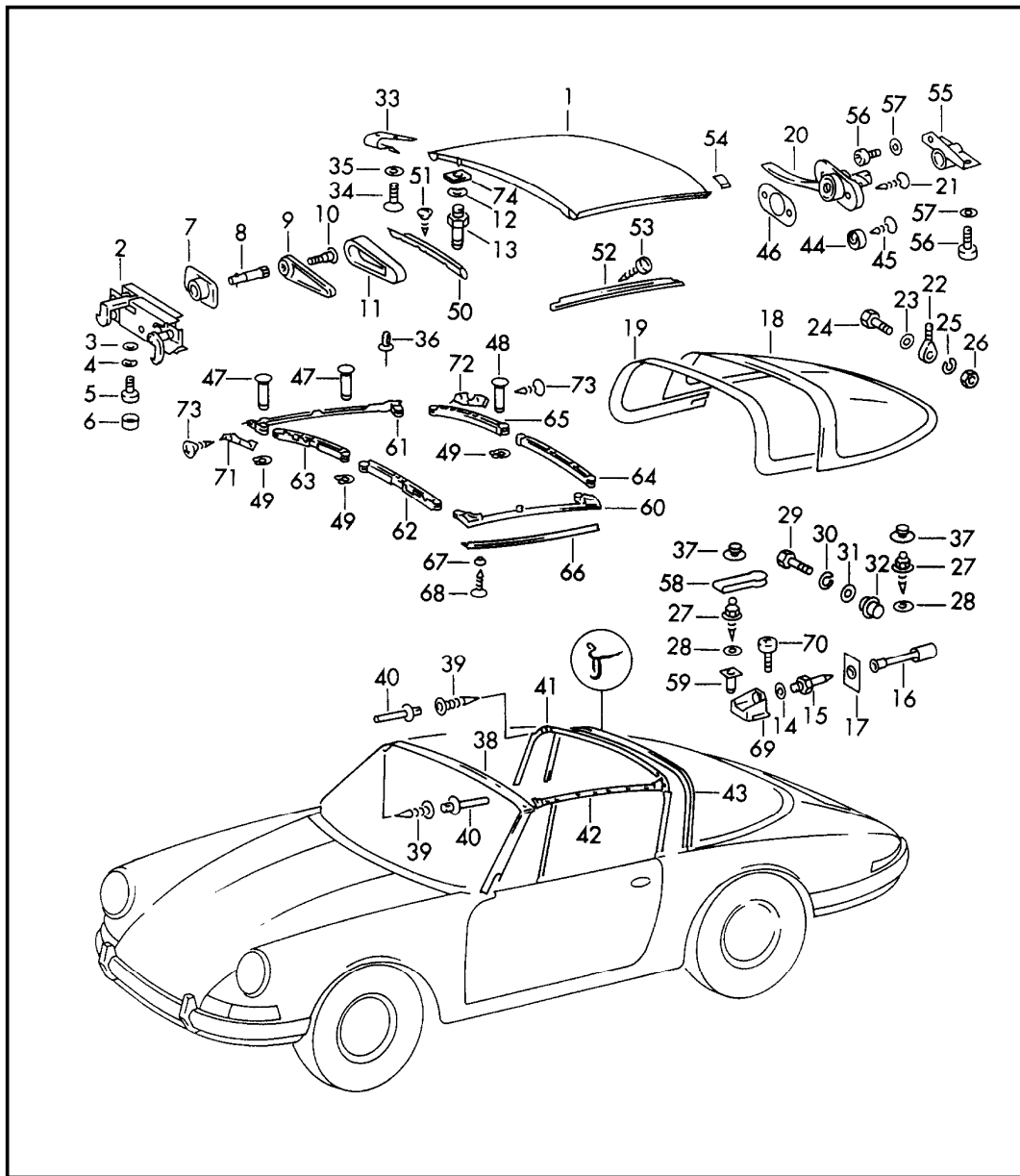


Pos	Part Number	Description	Remark	Qty	Model
-	901 564 003 05	sunroof electric			COUPE
1	901 564 011 05	sunroof complete		1	
2	901 564 020 05	frame complete		1	
2	901 564 020 05	roofliner frame bodyshell complete	-67	1	911 /TU/T/E 912 911 S
(2)	901 564 020 06	roofliner frame bodyshell complete		68	911 L/T/E 912 911 S
-	901 564 291 05	roofliner frame cover		1	911 /TU/T/E 911 S 912
-	901 564 291 06	roofliner frame cover		68	911 L 912 911 S
3	901 564 299 05	duct clamp		7	
4	901 564 031 05	pipe holder complete		1	
5	900 075 092 02	hexagon-head bolt M 4 X 10		4	
6	N 012 116 1	serrated lock washer A 4,3		4	
7	911 564 191 00	velvet strip		1	
8	911 564 193 00	velvet strip		1	
9	901 564 905 05	sealing rubber	/H	1	
10	901 564 041 05	guide rail	/L	1	
(10)	901 564 042 05	guide rail	/R	1	
11	901 564 405 05	corner piece	/L	1	
(11)	901 564 406 05	corner piece	/R	1	
12	901 564 407 05	intermediate piece		2	
13	901 564 409 05	centre piece		1	
14	900 145 009 02	tapping screw B 3,9 X 9,5		16	

Model	Year	MG	SG	Illustration	Restrictions	UPD	18:08	22.01.2010	PORSCHE	PET	PORSCHE
911-1	1969	8	11	811-00		248					

Pos	Part Number	Description	Remark	Qty	Model	Pos	Part Number	Description	Remark	Qty	Model
15	901 564 043 05	guide	/H/L	1		32	911 624 501 00	retaining bow	69	1	
(15)	901 564 044 05	guide	/H/R	1		33	900 075 010 02	hexagon-head bolt M 6 X 12		2	
16	901 564 431 05	guide shoe		2		34	N 011 524 7	washer 6,4		2	
17	911 564 045 00	guide	/V	2		35	901 624 511 05	silentbloc		2	
(17)	911 564 045 00	guide	/V	2		36	901 564 661 05	screw		2	
18	911 564 459 00	wedge screw		4		37	900 075 007 02	hexagon-head bolt M 6 X 6		2	
19	900 115 001 01	serrated lock washer A 5,3		4		38	900 076 010 02	hexagon nut M 6		2	
20	901 564 451 05	reinforcement for lid		2		39	900 115 006 01	serrated lock washer A 6,4		2	
21	900 075 106 02	hexagon-head bolt M 4 X 6		4		40	900 148 028 02	rais. counters. h. tap. s. AM 4 X 25		2	
22	N 012 116 1	serrated lock washer A 4,3		4		(41)	644 564 609 50	washer	-68	3	
23	901 564 703 05	air deflector		1		41	911 564 643 00	washer	69	3	
24	901 564 073 05	cable cover	/L	1		42	901 564 663 05	cap		1	
25	901 564 074 05	cable cover	/R	1		43	901 564 051 05	lid for sunroof		1	
-	999 181 201 40	water hose		*		44	901 564 085 05	crank		1	
(26)	-	water hose	/V	-68	X	(45)	901 613 621 00	switch	-68	1	
26	911 564 821 01	water drain hose	/V	69	4	45	911 613 622 00	tip switch	69	1	
-	-	water hose		*		46	901 503 581 05	water drain tube upper left		1	
(27)	999 181 202 40	water hose	/H	-68	X	(46)	901 503 582 05	water drain tube upper right		1	
27	911 564 825 00	water drain hose	/H	69	2	47	901 503 583 05	water drain tube lower	/L	1	
28	644 564 925 50	hose clamp		8		(47)	901 503 584 05	water drain tube lower	/R	1	
(29)	644 624 016 50	motor 12 V		-68	1	48	911 564 465 00	beading		1	
29	911 624 016 00	motor		69	1	49	901 564 433 05	edge protection	69	4	911 T/E/S
(30)	644 564 601 50	transmission		-68	1						
30	911 564 601 00	transmission		69	1						
31	901 564 615 06	pliable shaft		1							
(32)	644 624 501 50	retaining bow		-68	1						

Model	Year	MG	SG	Illustration	Restrictions	UPD	18:09	22.01.2010	PORSCHE	PET	PORSCHE
911-1	1969	8	11	811-05		248					



Pos	Part Number	Description	Remark	Qty	Model
1	901 565 002 40	roof soft top F 1185 0159 >> F 1185 5036 >> F 1186 0142 >> F 1187 0133 >> F 1188 0082 >> F 1287 0437 >>		1	TARGA
(1)	901 565 002 41	soft top F 1185 0160 >> F 1185 5037 >> F 1186 0143 >> F 1188 0083 >> F 1287 0438 >> F 1187 0134 >>		1	
-	901 565 070 40	cover for soft top	-68	1	
-	901 565 036 40	roofliner F 1185 0159 >> F 1185 5036 >> F 1186 0142 >> F 1187 0133 >> F 1188 0082 >> F 1287 0437 >>	-68	1	
-	901 565 036 41	roofliner F 1185 0160 >> F 1185 5037 >> F 1186 0143 >> F 1188 0083 >> F 1287 0438 >> F 1187 0134 >>	-68	1	
-	901 565 036 42	roofliner	69	1	
-	901 565 035 40	outer lining		1	
2	911 565 031 41	catch		2	
-	999 703 064 50	rubber buffer	-68	2	
3	N 011 524 7	washer 6,4		4	
4	900 028 008 01	spring washer B 6		4	
5	999 218 015 02	pan-head screw	-68	4	
(5)	999 509 006 02	pan-head screw	69	4	
6	901 565 218 40	cap		4	

Model	Year	MG	SG	Illustration	Restrictions	UPD	18:09	22.01.2010	PORSCHE	PET	PORSCHE
911-1	1969	8	11	811-05		248					

Pos	Part Number	Description	Remark	Qty	Model	Pos	Part Number	Description	Remark	Qty	Model
7	901 565 299 41	rosette	-68	2		25	N 012 007 2	lock ring A 6		3	
(7)	901 565 299 40	rosette	69	2		26	900 076 010 02	hexagon nut M 6		3	
8	901 565 054 40	bolt		2		27	999 591 603 12	tenax lower part		13	
9	901 565 225 40	handle		2		28	644 025 143 00	washer		15	
10	911 542 475 00	conical screw		2		29	900 074 015 02	hexagon-head bolt M 6 X 30		2	
(11)	901 565 227 40	cover		2		30	N 012 007 2	lock ring A 6		2	
12	N 012 241 1	spring washer B 8 X 15		2		31	900 151 006 09	washer B 6,4		2	
13	901 565 216 42	locating peg		2		32	901 565 819 40	spacer sleeve		2	
14	900 025 007 02	washer 8,4		2		-	901 565 088 40	tonneau cover	-68	1	
15	901 565 217 41	retaining pivot		2		-	901 565 088 41	tonneau cover long	-68	1	
16	901 565 220 40	silentbloc bearing	-68	2		-	901 565 088 42	tonneau cover	69	1	
(16)	901 565 220 41	silentbloc bearing	69	2		-	901 565 088 45	tonneau cover long	69	1	
17	901 565 361 40	seal		2		-	901 565 089 40	cover for tonneau cover		1	
18	901 565 006 41	rear wall complete		1		33	964 565 265 00	latch		8	
(18)	901 565 085 40	rear wall without tubular frame		1		34	999 219 006 02	countersunk-head screw AM 4 X 8		16	
-	901 565 608 40	plastic washer 600 X 1600		1		35	900 115 008 02	serrated lock washer V 4,3		16	
19	901 565 615 40	zip		1		36	999 591 518 40	plastic rivet		24	
20	901 565 802 40	handle right		1		37	999 591 601 12	tenax upper part		13	
(20)	901 565 801 40	handle left		1		38	901 565 099 40	gasket		1	
21	900 019 029 02	rais. counters. h. tap. s. AM 6 X 18		4		39	999 591 520 40	stopper		6	
22	901 565 327 40	eye screw		3		40	999 591 384 40	cap		6	
23	N 011 524 7	washer 6,4		3		41	901 565 091 40	gasket		1	
24	900 067 011 02	pan-head screw M 6 X 20		3		42	901 565 275 40	seal left		1	

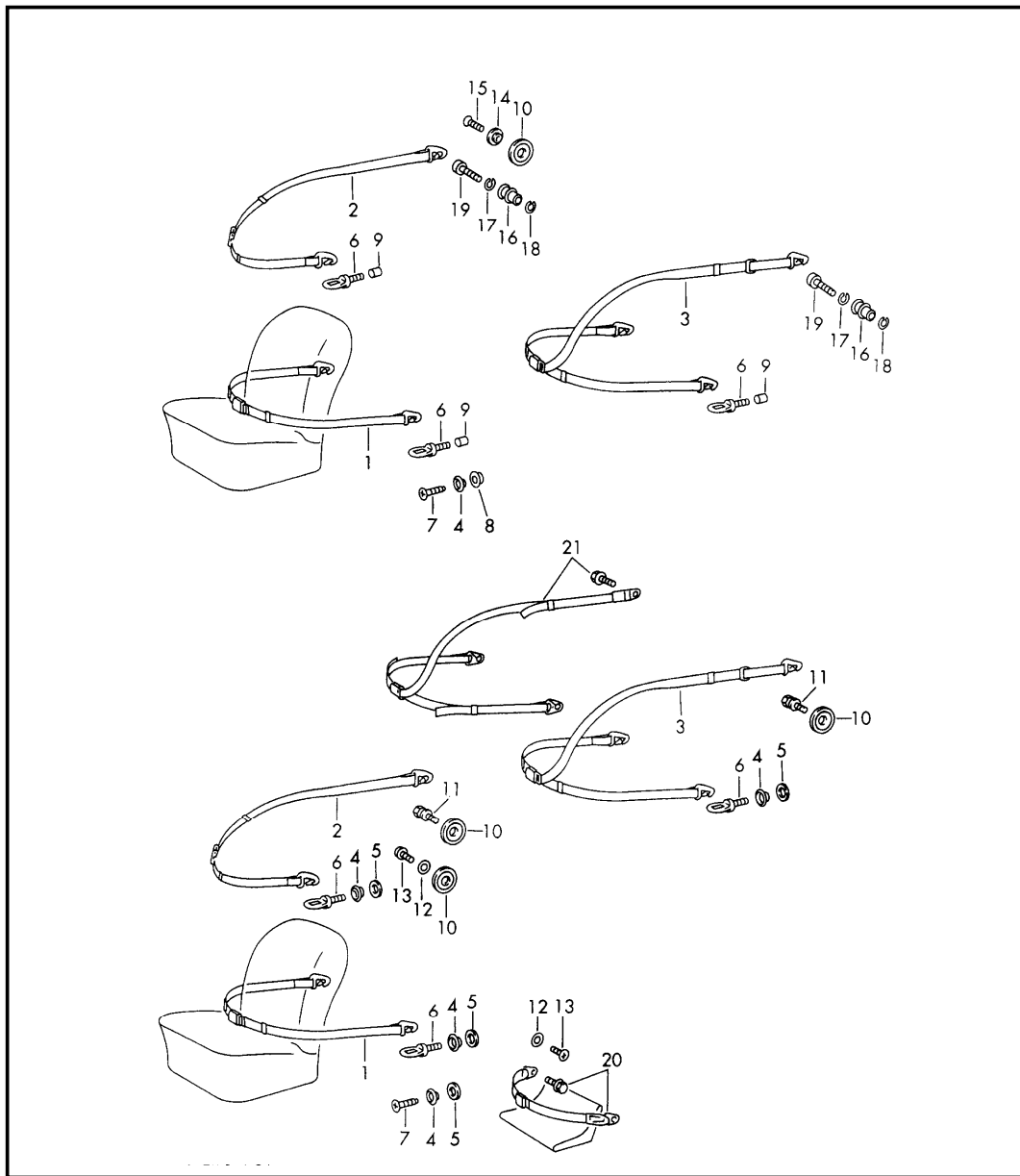
Model	Year	MG	SG	Illustration	Restrictions	UPD	18:09	22.01.2010	PORSCHE	PET	PORSCHE
911-1	1969	8	11	811-05		248					

Pos	Part Number	Description	Remark	Qty	Model	Pos	Part Number	Description	Remark	Qty	Model
(42)	901 565 276 40	seal right		1		58	901 565 619 40	traction noose		1	
43	901 565 914 40	seal		1		59	999 591 345 40	special nut		1	
44	901 565 805 40	eccentric washer		2	WW	60	901 565 201 40	roof frame		1	
(44)	901 565 805 41	eccentric washer		2				F >> 1185 0159			
45	900 148 003 02	rais. counters. h. tap. s. AM 4 X 8		2				F >> 1185 5036			
46	901 565 827 40	desk pad		2				F >> 1186 0142			
47	901 565 209 40	bolt 37,2 MM		5		(60)	901 565 201 42	roof frame		1	
47	901 565 209 41	bolt 38,2 MM		3				F 1185 0160 >>			
48	901 565 210 40	bolt 33,0 MM		1		61	901 565 202 40	roof frame	-68	1	
49	900 041 004 01	circlip		6				F >> 1185 5036			
-	999 234 003 40	shim	69	X				F >> 1186 0142			
50	911 555 559 41	border strip left		1				F >> 1187 0133			
(50)	911 555 560 41	border strip right		1		(61)	901 565 207 41	roof frame	-68	1	
51	900 140 015 00	rais. counters. h. tap. s. B 3,9 X 9,5		8				F 1185 0160 >>			
52	901 565 303 40	rain channel left		1		(61)	901 565 202 42	roof frame	69	1	
(52)	901 565 304 40	rain channel right		1		62	901 565 207 41	roof frame		1	
53	N 013 954 2	oval-head sheetmetal screw B 2,9 X 13		14				F >> 1185 0159			
54	901 565 213 40	lid		2				F >> 1185 5036			
55	901 565 814 40	bearing left		1		(62)	901 565 207 41	roof frame		1	
(55)	901 565 813 40	bearing right		1				F >> 1186 0142			
56	999 509 006 02	pan-head screw		6				F >> 1187 0133			
57	900 115 006 01	serrated lock washer		6				F >> 1188 0082			
								F >> 1287 0437			

Model	Year	MG	SG	Illustration	Restrictions	UPD	18:09	22.01.2010	PORSCHE	PET	PORSCHE
911-1	1969	8	11	811-05		248					

Pos	Part Number	Description	Remark	Qty	Model	Pos	Part Number	Description	Remark	Qty	Model
63	901 565 208 41	roof frame F >> 1185 0159 F >> 1185 5036 F >> 1186 0142 F >> 1187 0133 F >> 1188 0082 F >> 1287 0437		1		68	900 145 004 02	rais. counters. h. tap. s. B 3,5 X 13		10	
(63)	901 565 208 41	roof frame F 1185 0160 >> F 1185 5037 >> F 1186 0143 >> F 1188 0083 >> F 1287 0438 >> F 1187 0134 >>		1		69	901 565 024 40	silentbloc bearing		2	
64	901 565 211 41	roof frame F >> 1185 0159 F >> 1185 5036 F >> 1186 0142 F >> 1187 0133 F >> 1188 0082 F >> 1287 0437		1		70	900 119 011 02	pan-head screw M 5 X 10	-68	8	
(64)	901 565 211 41	roof frame F 1185 0160 >> F 1185 5037 >> F 1186 0143 >> F 1188 0083 >> F 1287 0438 >> F 1187 0134 >>		1		(70)	900 119 025 02	pan-head screw M 5 X 15	69	8	
65	901 565 212 41	roof frame F >> 1185 0159 F >> 1185 5036 F >> 1186 0142 F >> 1187 0133 F >> 1188 0082 F >> 1287 0437		1		(71)	901 565 271 41	cover left		1	
(65)	901 565 212 41	roof frame F 1185 0160 >> F 1185 5037 >> F 1186 0143 >> F 1188 0083 >> F 1287 0438 >> F 1187 0134 >>		1		71	901 565 272 41	cover right		1	
66	901 565 067 41	retaining strip left		1		(72)	901 565 273 41	cover left		1	
(66)	901 565 068 41	retaining strip right		1		72	901 565 274 41	cover right		1	
67	999 591 102 12	washer		10		73	900 145 002 02	rais. counters. h. tap. s. B 2,9 X 9,5	-68	12	
						(73)	900 145 002 02	rais. counters. h. tap. s. B 2,9 X 9,5	69	12	
						74	901 565 203 40	threaded plate		2	

Model	Year	MG	SG	Illustration	Restrictions	UPD	18:09	22.01.2010	PORSCHE	PET	PORSCHE
911-1	1969	8	12	812-00		248					

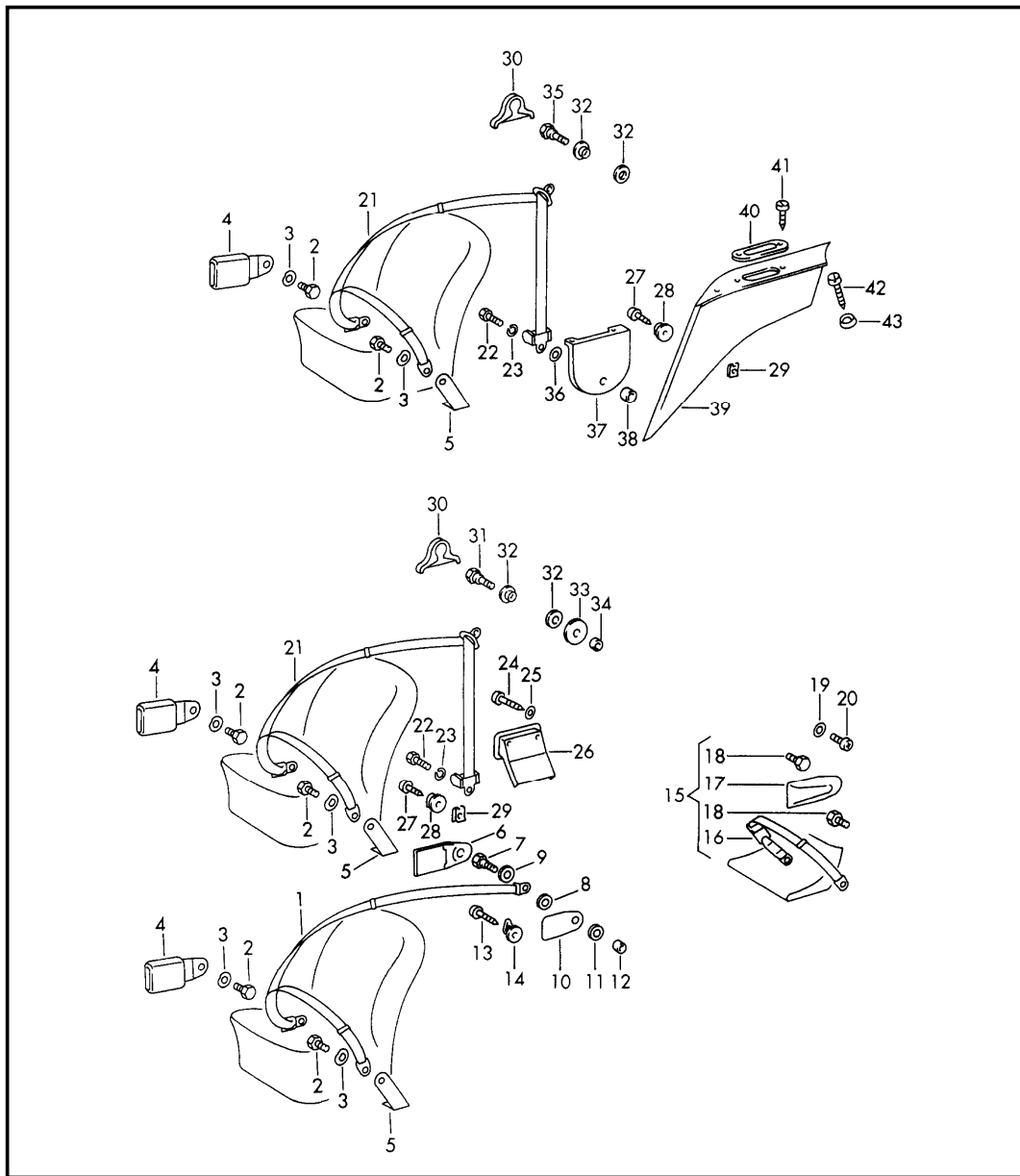


Pos	Part Number	Description	Remark	Qty	Model
		seat belt	-68		
1	644 803 011 01	seat belt lap belt for front seat		2	
(1)	644 803 011 10	seat belt lap belt for front seat		2	
2	644 803 011 02	seat belt for front seat	/L	1	
(2)	644 803 012 02	seat belt for front seat	/R	1	
3	644 803 011 03	three-point seat belt for front seat	/L	1	
(3)	644 803 012 03	three-point seat belt for front seat	/R	1	
4	644 803 127 00	washer		X	
5	900 026 005 02	washer 18 F 030 8091 >> F 035 5463 >> F 046 2711 >> F 050 0465 >> F 055 0326 >>		X	
6	644 803 122 00	retaining ring		X	
7	644 803 126 00	countersunk-head screw		X	
8	644 803 141 00	spacer F >> 030 8090 F >> 035 5462 F >> 046 2710 F >> 050 0464 F >> 055 0325		4	
9	644 803 128 00	spacer tube F >> 030 8090 F >> 035 5462 F >> 046 2710 F >> 050 0464 F >> 055 0325		X	
10	644 803 123 00	rosette		2	

Model	Year	MG	SG	Illustration	Restrictions	UPD	18:09	22.01.2010	PORSCHE	PET	PORSCHE
911-1	1969	8	12	812-00		248					

Pos	Part Number	Description	Remark	Qty	Model	Pos	Part Number	Description	Remark	Qty	Model
11	901 803 123 20	shouldered bolt F 030 8091 >> F 035 5463 >> F 046 2711 >> F 050 0465 >> F 055 0326 >>		2		19	900 119 007 02	pan-head screw M 8X45 F >> 030 8090 F >> 035 5462 F >> 046 2710 F >> 050 0464 F >> 055 0325		2	
12	901 803 113 20	cover disc F 030 8091 >> F 035 5463 >> F 046 2711 >> F 050 0465 >> F 055 0326 >>		X		20	901 803 007 22	lap belt complete for back seat F 030 8091 >> F 035 5463 >> F 046 2711 >> F 050 0465 >> F 055 0326 >>		2	
13	901 803 115 20	stopper F 030 8091 >> F 035 5463 >> F 046 2711 >> F 050 0465 >> F 055 0326 >>		X							
14	644 803 125 00	centring washer F >> 030 8090 F >> 035 5462 F >> 046 2710 F >> 050 0464 F >> 055 0325		2							
15	999 147 001 02	countersunk-head screw F >> 030 8090 F >> 035 5462 F >> 046 2710 F >> 050 0464 F >> 055 0325		2							
16	644 803 121 00	bolt F >> 030 8090 F >> 035 5462 F >> 046 2710 F >> 050 0464 F >> 055 0325		2							
17	900 142 002 01	lock ring 8 F >> 030 8090 F >> 035 5462 F >> 046 2710 F >> 050 0464 F >> 055 0325		2							
18	N 012 024 1	lock ring 12 F >> 030 8090 F >> 035 5462 F >> 046 2710 F >> 050 0464 F >> 055 0325		2							

Model	Year	MG	SG	Illustration	Restrictions	UPD	18:09	22.01.2010	PORSCHE	PET	PORSCHE
911-1	1969	8	12	812-05		248					



Pos	Part Number	Description	Remark	Qty	Model
-	901 803 017 26	seat belt three-point seat belt without automatic not for (USA) with ill. NR. 1-4,6-11,13-14	/L	1	COUPE
-	901 803 018 26	seat belt three-point seat belt without automatic not for (USA) with picture NR. 1-4,6-11,13-14	/R	1	COUPE
-	901 803 017 25	seat belt three-point seat belt without automatic for (USA) + (AUS) with picture NR. 1-4,6-11,13-14	/LL/L	1	COUPE
-	901 803 018 25	seat belt three-point seat belt without automatic for (USA) + (AUS) with picture NR. 1-4,6-11,13-14	/LL/R	1	COUPE
-	901 803 017 42	seat belt three-point seat belt without automatic not for (USA) with picture NR. 1-4,6-14	/LL/L	1	TARGA

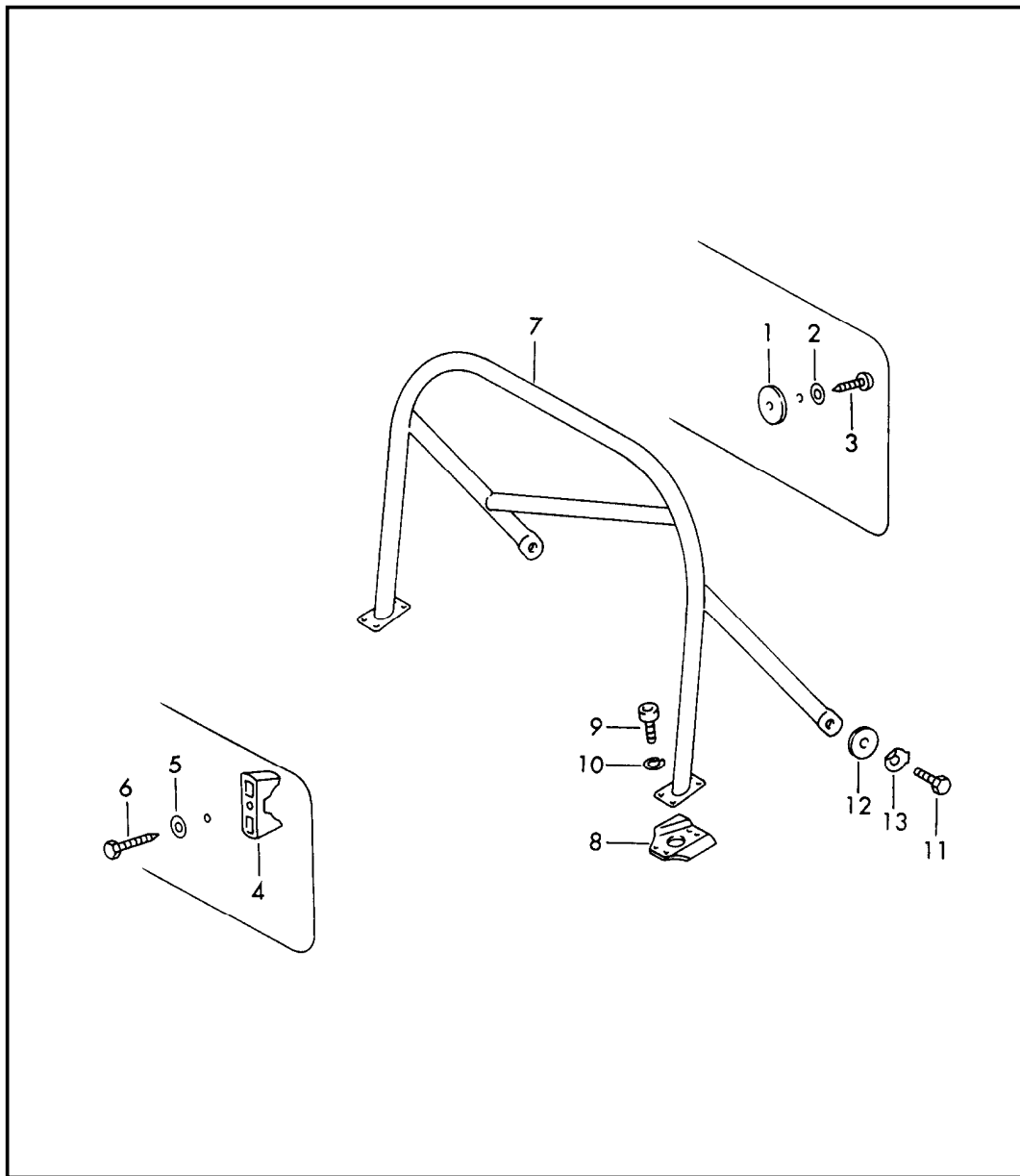
Model	Year	MG	SG	Illustration	Restrictions	UPD	18:09	22.01.2010	PORSCHE	PET	PORSCHE
911-1	1969	8	12	812-05		248					

Pos	Part Number	Description	Remark	Qty	Model	Pos	Part Number	Description	Remark	Qty	Model
-	911 803 015 40	seat belt three-point seat belt without automatic not for (USA) with picture NR. 1-3,6-14	/LL/L/R	1	TARGA	20	901 803 115 20	stopper		4	
						21	901 803 017 21	seat belt three-point seat belt with automatic not for (USA) with picture NR. 2-4,21-23,27-30,32, 35-36,38	/L	1	COUPE
1	901 803 011 06	seat belt three-point seat belt without automatic not for (USA)		2		(21)	901 803 018 21	seat belt three-point seat belt with automatic not for (USA) with picture NR.2-4,21-23,27-30,32, 35-36,38	/R	1	COUPE
2	901 803 127 10	hexagon-head bolt		4							
3	N 012 238 5	spring washer B 16		4							
(4)	901 803 129 26	seat-belt buckle	/L	1							
4	901 803 130 26	seat-belt buckle	/R	1		(21)	901 803 017 43	seat belt three-point seat belt with automatic not for (USA) with picture NR. 2-4,21-23,27-34	/LL/L	1	TARGA
5	901 521 043 00	fastening angle	/L	2							
(5)	901 521 044 00	fastening angle	/R	2							
6	901 803 107 20	protection cap		2							
7	901 803 119 20	hexagon-head bolt		2							
(7)	901 803 119 21	hexagon-head bolt	/LL	1	TARGA	(21)	901 803 018 43	seat belt three-point seat belt with automatic not for (USA) with picture NR. 2-4,21-23,27-34	/LL/R	1	TARGA
8	901 803 149 00	shim		2							
9	999 025 061 02	washer		2							
10	901 803 148 00	cover		2							
11	901 803 144 01	washer		2	COUPE						
(11)	901 803 144 00	washer	/LL	2	TARGA	22	111 857 799 A	fastening screw	/LL	2	TARGA
12	901 803 114 40	spacer tube	/LL	2	TARGA	(22)	901 803 124 00	hexagon-head bolt		2	COUPE
13	900 143 004 00	oval-head sheetmetal screw 3,5X19		2	COUPE	23	900 027 017 02	lock ring B 12		2	
(13)	900 143 003 00	oval-head sheetmetal screw 3,5X16	/LL	2	TARGA	24	N 013 958 7	tapping screw B 3,5X13	/LL	4	TARGA
14	901 803 135 00	suspension hook		2		25	N 011 663 1	washer B 3,7	/LL	4	TARGA
19	901 803 113 20	cover disc		4							

Model	Year	MG	SG	Illustration	Restrictions	UPD	18:09	22.01.2010	PORSCHE	PET	PORSCHE
911-1	1969	8	12	812-05		248					

Pos	Part Number	Description	Remark	Qty	Model	Pos	Part Number	Description	Remark	Qty	Model
26	901 803 139 00	rosette for automatic seat belt	/LL	2	TARGA						
27	900 143 064 07	tapping screw B 3,5X25		2							
28	901 803 135 00	suspension hook		2							
29	999 507 011 01	speed nut		2							
30	901 803 134 20	protection cap		2							
31	901 803 146 00	hexagon-head bolt	/LL	2	TARGA						
32	901 803 147 00	washer		2							
33	901 803 144 00	plastic washer	/LL	2	TARGA						
34	901 803 114 40	spacer tube	/LL	2	TARGA						
35	901 803 145 00	hexagon-head bolt		2	COUPE						
36	901 803 144 01	washer		2	COUPE						
37	911 555 613 00	support	/L	1	COUPE						
(37)	911 555 613 00	support	/R	1	COUPE						
38	901 803 112 40	spacer tube		2	COUPE						
39	911 555 069 01	cover for automatic seat belt	/L	1	COUPE						
(39)	911 555 070 01	cover for automatic seat belt	/R	1	COUPE						
40	901 555 615 00	rosette		2	COUPE						
41	900 145 006 02	rais. counters. h. tap. s. B 3,5X19		4	COUPE						
42	900 145 059 00	rais. counters. h. tap. s. B 3,5X25		2	COUPE						
43	999 591 102 12	protection washer installation set for seat belt for subsequent installation see group 8/98/30		2	COUPE						

Model	Year	MG	SG	Illustration	Restrictions	UPD	18:09	22.01.2010	PORSCHE	PET	PORSCHE
911-1	1969	8	12	812-10		248					



Pos	Part Number	Description	Remark	Qty	Model
		roll bar number plate mount			
1	914 571 903 10	rubber base (EUROPA)	/H	2	
(1)	914 571 903 10	rubber base (USA)	/H	4	
2	N 011 524 7	washer 4,3 (EUROPA) (USA)		X 2 4	
3	N 013 961 2	tapping screw (EUROPA) (USA)		X 2 4	
4	644 723 553 05	support for number plate front		2	
5	900 025 028 02	washer		2	
6	900 122 003 02	tapping screw AM 6X35		2	
		number plate mount front for (EUROPA)	-68		
-	901 723 521 20	support		1	
-	901 723 522 20	support		1	
-	914 571 903 10	rubber base		4	
-	900 025 028 02	washer		2	
-	900 151 003 02	washer A 6,4		2	
-	900 075 193 08	hexagon-head bolt M 6X16		2	
-	900 076 010 02	hexagon nut M 6		2	
-	900 187 004 02	hexagon-head tapping screw B 4,8X19		2	
-	900 151 027 02	washer B 5		2	

Model	Year	MG	SG	Illustration	Restrictions	UPD	18:09	22.01.2010	PORSCHE	PET	PORSCHE
911-1	1969	8	12	812-10		248					

Pos	Part Number	Description	Remark	Qty	Model	Pos	Part Number	Description	Remark	Qty	Model
>>	>>901 701 051 21	1 set number plate mount bag front for (EUROPA)	-68	1		(7)	901 803 021 21	roll bar for subsequent installation only for F 030 5796 >> F 035 4436 >> F 045 9161 >> and for car without sunroof	-68	1	
>>	>>901 701 052 20	1 set number plate mount for (USA) (B) + (I)	-68	1		>>	>>911 803 020 00	roll bar set for subsequent installation comprising: picture 7-13	69-	1	
>>	>>901 701 061 20	1 set number plate mount bag rear for (EUROPA)	-68	1		7	901 803 015 21	roll bar only for car without sunroof	69-	1	
>>	>>901 701 062 20	1 set number plate mount bag rear for (USA)	-68	1		8	901 803 231 21	threaded plate	/L	1	
>>	>>901 701 051 22	1 set number plate mount front and rear not for (USA)	69-	1		(8)	901 803 232 21	threaded plate	/R	1	
>>	>>901 701 051 23	1 set number plate mount front and rear for customs plate	69-	1		9	900 119 033 02	pan-head screw M 10X15		8	
-	901 701 111 05	sticker body with paint NR.	69-	1		10	N 012 242 3	spring washer B 10X28		8	
-	900 093 001 02	t-headed screw		4		11	900 075 085 02	hexagon-head bolt M 8X20		2	
						12	900 151 008 02	washer A 8,4		2	
						13	900 020 004 01	tab washer 8,4		2	

Model	Year	MG	SG	Illustration	Restrictions	UPD	18:09	22.01.2010	PORSCHE	PET	PORSCHE
911-1	1969	8	13	813-00		248					

Pos	Part Number	Description	Remark	Qty	Model
			-68		
1	901 571 022 30	ventilation heating fresh air inlet box without flap		1	
-	999 703 125 40	stopper \$ 8,5 for 901 571 022 30		1	
-	999 703 062 40	stopper \$ 11,5 for 901 571 022 30		1	
2	901 571 025 21	fresh-air flap complete		1	
-	901 504 937 20	seal for fresh air inlet box		2	
3	901 571 223 21	bearing bracket		2	
4	901 571 229 20	bolt		2	
5	901 571 911 21	screw		2	
6	901 571 913 21	washer		1	
7	901 571 231 24	water drip pan complete		1	
8	901 571 292 20	seal		1	
9	901 571 039 20	support		1	
10	901 571 271 20	retaining bar		1	
11	901 571 295 20	filter		1	
12	901 571 285 20	water drain tube		1	
(12)	901 571 286 20	water drain tube	/RL	1	
13	901 571 287 21	water drain hose		1	
(13)	901 571 288 21	water drain hose	/RL	1	
14	999 512 129 02	hose clamp		2	
15	901 571 071 20	bowden cable		1	
16	901 571 073 20	guide		1	

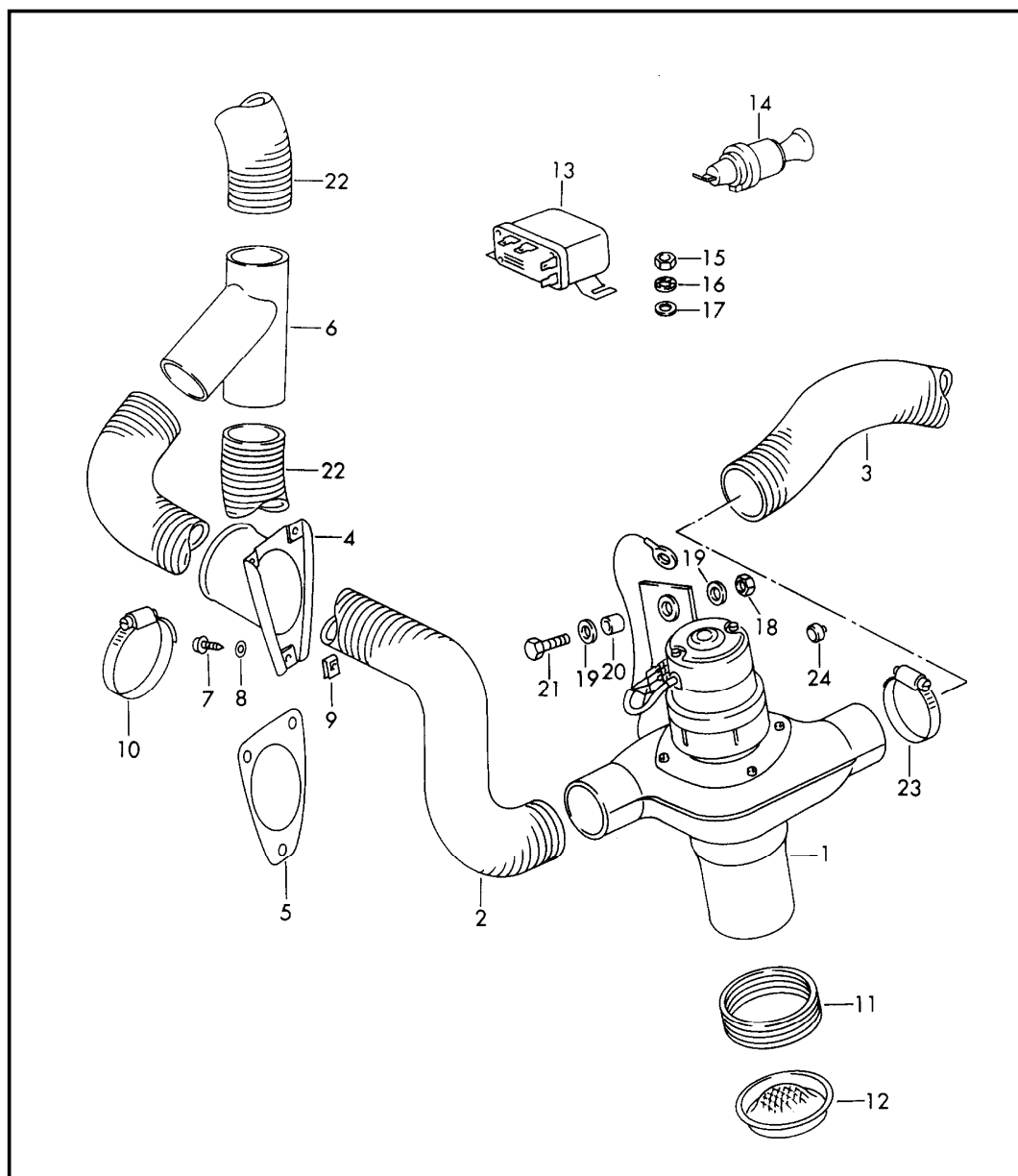
Model	Year	MG	SG	Illustration	Restrictions	UPD	18:09	22.01.2010	PORSCHE	PET	PORSCHE
911-1	1969	8	13	813-00		248					

Pos	Part Number	Description	Remark	Qty	Model	Pos	Part Number	Description	Remark	Qty	Model
17	901 571 731 20	tensioning spring		1		32	901 613 628 30	desk pad F >> 030 8069		1	911 /S 912
18	999 507 004 02	speed nut		1				F >> 035 5414			
19	901 571 575 20	clamp		1				F >> 046 2711			
20	N 013 965 9	oval-head sheetmetal screw BZ 4,2X9,5 DIN 7981 VERZ.		1		33	N 013 961 2	tapping screw B 3,9X13 DIN 7981 VERZ.		2	
21	901 571 081 20	actuator for fresh-air flap		1		34	N 012 116 1	serrated lock washer A 4,3 DIN 6798 BOST		2	
22	901 572 045 30	heating nozzle	/L	1		35	901 572 059 30	support lower part	(USA)	1	911 S 911 /TU/L 912
23	901 572 046 30	heating nozzle	/R	1							
24	901 559 401 20	grille frame		1		36	901 572 579 30	support upper part	(USA)	1	911 S 911 /TU/L 912
25	901 559 410 20	grille	/V	1							
26	900 145 036 00	rais. counters. h. tap. s. B 3,5X13 DIN 7983 NIROSTA		4		37	901 572 577 30	bearing shell	(USA)	1	911 S 911 /TU/L 912
27	901 559 491 20	spacer		1		38	999 084 103 02	self-locking nut	(USA)	2	911 S 911 /TU/L 912
28	901 571 819 20	gasket		1							
29	901 613 625 30	switch for heating F >> 030 8069 F >> 035 5414 F >> 046 2711 F >> 050 0419 F >> 055 0271		1	911 /S 912	39	901 572 055 30	connecting piece complete F >> 030 8069 F >> 035 5414 F >> 046 2711		1	911 /S/ 912 COUPE
(29)	901 613 626 30	switch for heating F 030 8070 >> F 035 5415 >> F 046 2712 >> F 050 0420 >> F 055 0272 >>	(USA)	1	911 S 911 /TU/L 912	(39)	901 572 055 40	connecting piece complete F >> 050 0419 F >> 055 0271		1	911 /S/ 912 TARGA
30	---	heater see group 8/13/20		1		(39)	902 571 055 30	connecting piece complete F 030 8070 >> F 035 5415 >> F 046 2712 >> F 050 0420 >> F 055 0272 >>	(USA)	1	911 S 911 /TU/L 912
31	---	thermostat see group 8/13/25		1		40	999 782 004 90	heater hose \$ 50		*	
						41	999 512 029 02	hose clamp		10	
						42	000 043 205 15	heater hose \$ 24,5		*	
						43	999 512 052 02	hose clamp		4	

Model	Year	MG	SG	Illustration	Restrictions	UPD	18:09	22.01.2010	PORSCHE	PET	PORSCHE
911-1	1969	8	13	813-00		248					

Pos	Part Number	Description	Remark	Qty	Model	Pos	Part Number	Description	Remark	Qty	Model
44	901 572 056 30	connecting piece complete	(USA)	1	911 S 911 /TU/L 912						
45	999 512 130 02	hose clamp	(USA)	1	911 S 911 /TU/L 912						
46	901 572 569 30	sealing frame	(USA)	1	911 S 911 /TU/L 912						
47	901 501 485 30	connecting piece	(USA)	1	911 S 911 /TU/L 912						
48	999 507 002 02	speed nut	(USA)	3	911 S 911 /TU/L 912						
49	900 187 004 02	hexagon-head tapping screw B 4,8X19 DIN 7976 VERZ.		3	911 /S/ 912						
-	999 513 002 40	hose clamp		1	911 /S/ 912						
50	900 025 003 02	washer 5,3		3	911 /S/ 912						
51	901 572 691 30	cap		1	911 /S/ 912						
52	999 512 053 02	hose clamp		1	911 /S/ 912						
53	901 615 102 00	relay	(USA)	1	911 S 911 /TU/L 912						
		installation set for subsequent installation for heating and ventilation unit see group 8/98/00									

Model	Year	MG	SG	Illustration	Restrictions	UPD	18:10	22.01.2010	PORSCHE	PET	PORSCHE
911-1	1969	8	13	813-05		248					

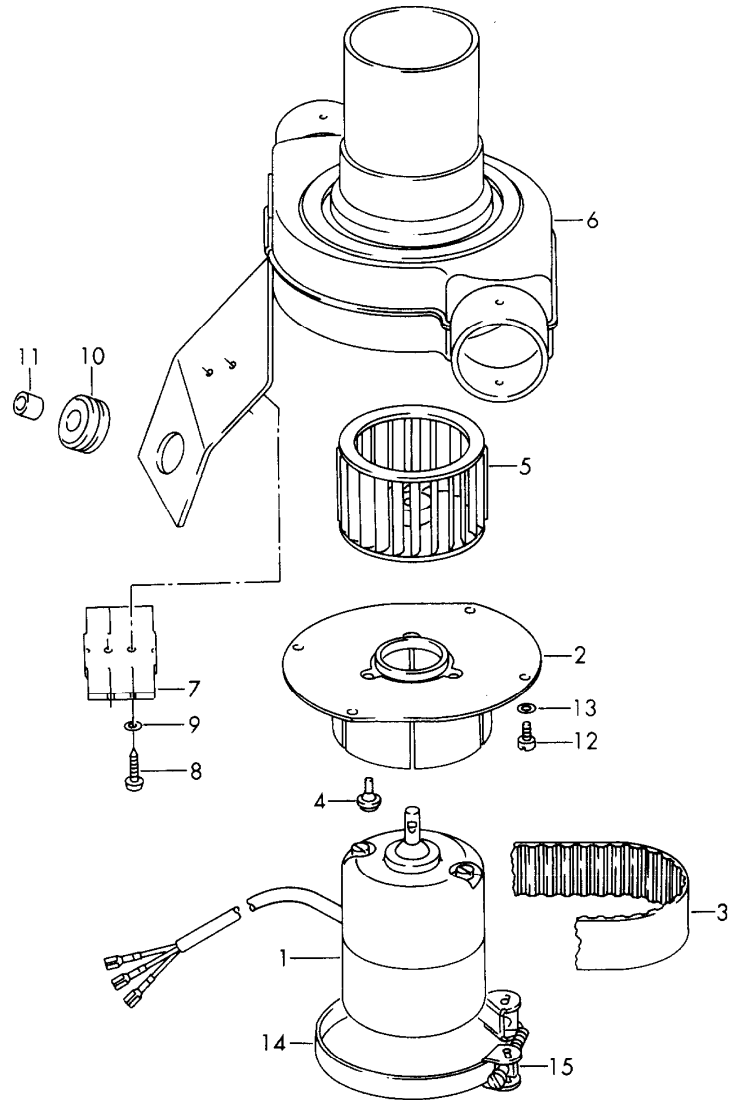


Pos	Part Number	Description	Remark	Qty	Model
		blower	/LL -68		
		-67			
		standard			
		68			
			(USA)		911 S 911 /TU/L 912
1	902 571 065 30	blower complete		1	
2	902 571 641 30	connecting hose	/R	1	
3	999 782 004 90	heater hose \$ 50		*	
4	901 572 056 30	connection piece		1	
5	901 572 569 31	gasket		1	
6	902 571 055 30	connecting piece		1	
7	900 187 004 02	hexagon-head tapping screw B 4,8X19 DIN 7976 VERZ.		3	
8	900 025 003 02	washer 5,3 DIN 125 VERZ.		3	
9	999 507 002 02	speed nut		3	
10	999 512 130 02	hose clamp		1	
11	901 572 591 30	gasket		1	
12	901 572 593 30	strainer for intake manifold		1	
13	901 615 102 00	relay		1	
14	901 613 625 31	switch		1	
15	900 076 027 02	hexagon nut M 5 DIN 934-6S VERZ.		2	
16	900 115 001 01	serrated lock washer A 5,3 DIN 6798 PHR		2	
17	900 025 003 02	washer 5,3 DIN 125-ST VERZ.		2	
-	902 612 045 00	wiring harness		1	
-	999 702 065 50	rubber sleeve for wiring harness 902 612 045 00		1	

Model	Year	MG	SG	Illustration	Restrictions	UPD	18:10	22.01.2010	PORSCHE	PET	PORSCHE
911-1	1969	8	13	813-05		248					

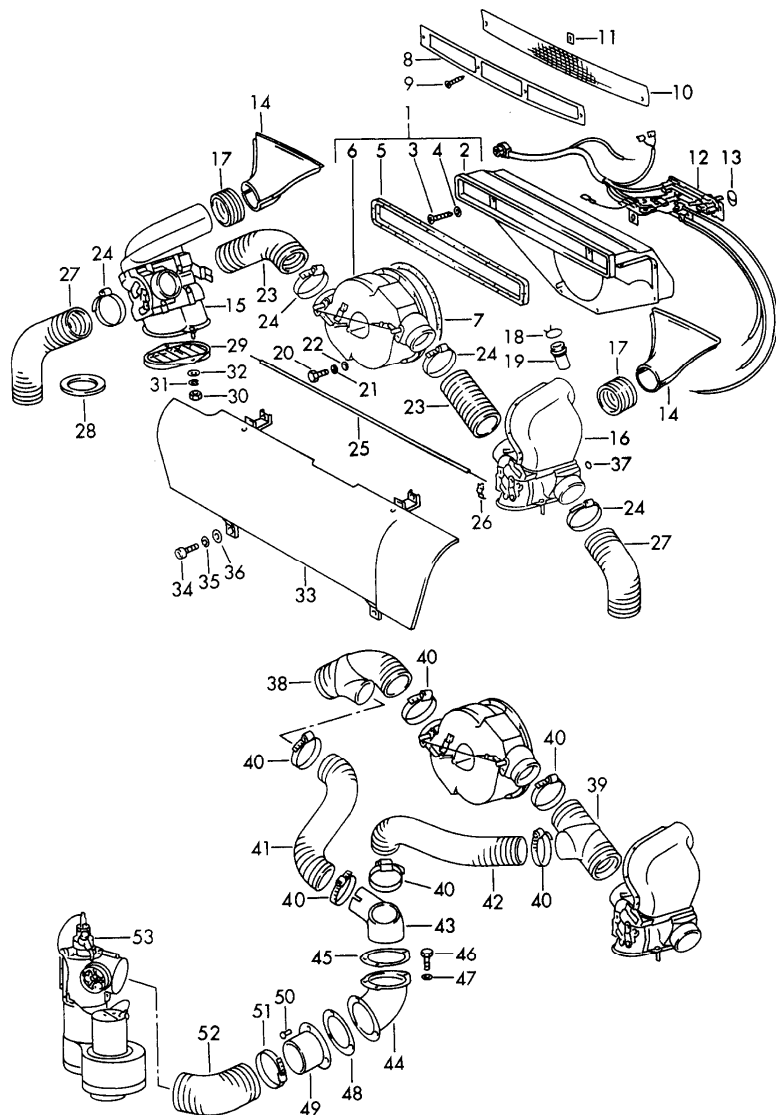
Pos	Part Number	Description	Remark	Qty	Model	Pos	Part Number	Description	Remark	Qty	Model
18	900 076 013 02	nut M 8 DIN 934-6S VERZ.		1							
19	900 151 008 02	washer B 8,4 DIN 9021-ST VERZ.		2							
20	902 571 566 30	bush		1							
21	900 075 029 02	hexagon-head bolt M 8X25 DIN 933-8G VERZ.		1							
22	999 782 004 90	heater hose \$ 50		*							
23	999 512 029 02	hose clamp		8							
24	644 025 676 00	stopper installation set for subsequent installation see group 8/98/00		1							

Model	Year	MG	SG	Illustration	Restrictions	UPD	18:10	22.01.2010	PORSCHE	PET	PORSCHE
911-1	1969	8	13	813-10		248					



Pos	Part Number	Description	Remark	Qty	Model
		repair material blower	/LL -68		
1	902 624 011 30	electric motor 12 V		1	
2	902 571 571 30	mounting complete		1	
3	902 571 564 30	intermediate layer		1	
4	902 571 573 30	rubber buffer		3	
5	902 571 574 30	fan with threaded pin		1	
6	902 571 561 30	housing		1	
7	999 652 142 40	push-on connector 3-pole		1	
8	900 141 011 02	half-round screw B 2,9X9,5 DIN 7974 VERZ.		2	
9	900 025 001 02	washer 3,2 DIN 125-ST VERZ.		2	
10	999 702 027 50	rubber sleeve		1	
11	902 571 566 30	bush		1	
12	900 015 018 02	oval-head screw AM 4X6 DIN 85-5S VERZ.		4	
13	999 029 002 00	lock ring		4	
14	902 571 565 30	restraining strap		1	
15	902 571 567 30	turnbuckle		1	

Model	Year	MG	SG	Illustration	Restrictions	UPD	18:10	22.01.2010	PORSCHE	PET	PORSCHE
911-1	1969	8	13	813-15		248					



Pos	Part Number	Description	Remark	Qty	Model
		ventilation heating	69-		
1	901 571 021 32	fresh air inlet box complete	/LL	1	
(1)	901 571 022 32	fresh air inlet box complete	/RL	1	
2	901 571 030 32	fresh air inlet box	/LL	1	
(2)	901 571 032 32	fresh air inlet box	/RL	1	
3	N 014 153 1	oval-head screw M 5X40 DIN 7985 VERZ.	/LL	2	
4	900 025 003 02	washer 5,3 DIN 125-ST VERZ.	/LL	2	
5	901 571 325 32	sealing frame		1	
6	911 571 018 00	blower with engine		1	
7	901 571 922 00	sealing ring		1	
-	911 571 320 32	blower motor with fan		1	
8	901 559 401 20	grille frame		1	
9	900 145 036 00	rais. counters. h. tap. s. B 3,5X13 DIN 7983		4	
10	901 559 410 20	grille		1	
11	901 559 491 20	spacer		2	
12	911 613 111 04	control part	/LL	1	
(12)	911 613 112 04	control switch	/RL	1	911 T/E/S
-	900 631 129 90	bulb 12 V / 1,2W		1	
-	914 571 903 10	rubber base		2	
-	900 074 012 02	hexagon-head bolt M 6X20 DIN 931-8.8 VERZ.		1	
-	N 011 524 7	washer 6,4 DIN 125-ST VERZ.		1	

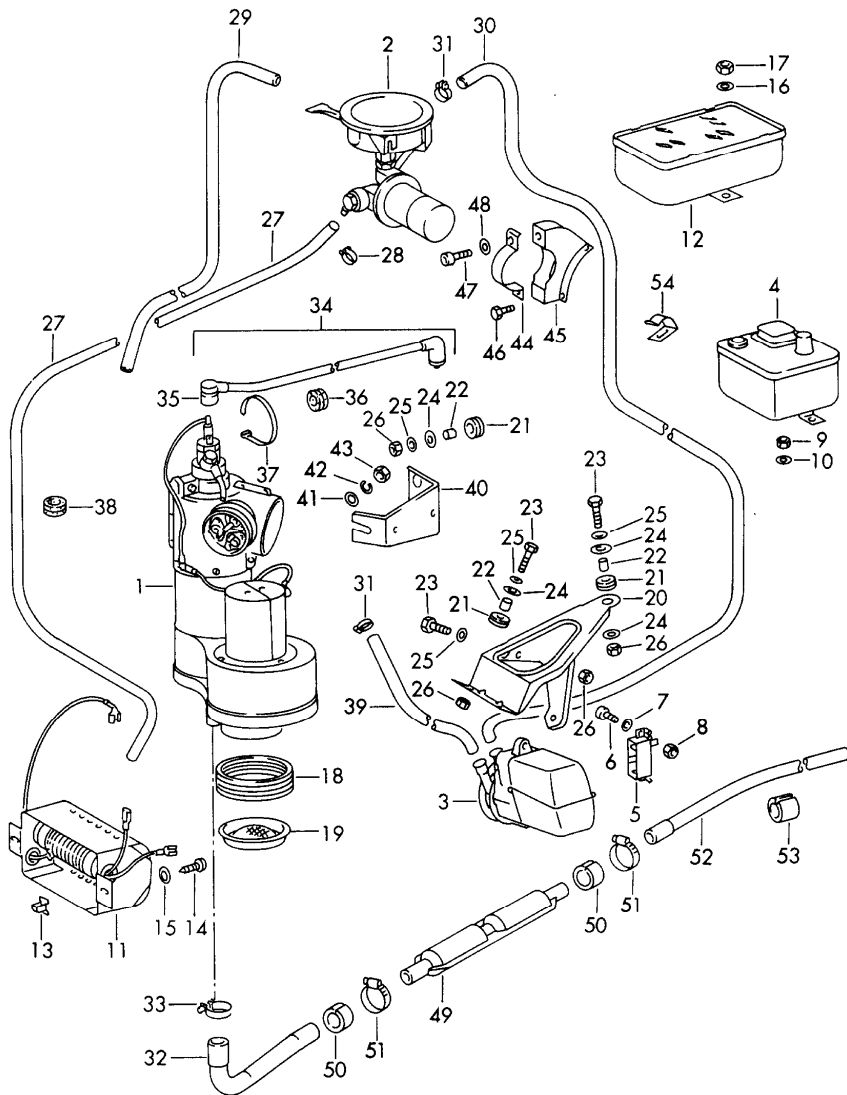
Model	Year	MG	SG	Illustration	Restrictions	UPD	18:10	22.01.2010	PORSCHE	PET	PORSCHE
911-1	1969	8	13	813-15		248					

Pos	Part Number	Description	Remark	Qty	Model	Pos	Part Number	Description	Remark	Qty	Model
-	914 571 151 10	rubber sleeve for bowden cable		1		30	900 067 004 02	pan-head screw M 5X15 DIN 912-8 VERZ.		4	
-	999 702 072 50	rubber sleeve for bowden cable		3		31	N 012 005 3	lock ring B 5 DIN 127 PHR		4	
13	901 571 917 00	knob black		2		32	900 025 003 02	washer 5,3 DIN 125-ST VERZ.		4	
(13)	901 571 918 00	knob red		1		33	911 551 067 00	lining for luggage compartment		1	
14	901 572 045 31	heating nozzle		2		34	900 014 038 02	pan-head screw AM 6X12 DIN 84 VERZ.		4	
15	901 571 050 32	control box	/R	1		35	N 012 007 2	lock ring A 6 DIN 127 PHR		4	
16	901 571 049 32	control box	/L	1		36	900 151 003 02	washer 6,4 DIN 9021 VERZ.		4	
17	901 571 345 32	hose piece \$ 61		2		37	901 571 921 00	retainer		24	
18	999 512 145 02	hose clamp		1				picture NR. 38-53 installation set for subsequent installation for heater left-hand drive			
19	901 571 326 32	connection piece		1							
-	901 571 063 20	water drain tube	/LL	1							
-	901 571 064 20	water drain tube	/RL	1	911 T/E/S 912 COUPE						
20	N 010 205 6	hexagon-head bolt M 5X10 DIN 933-8.8 VERZ.		2		38	901 572 066 00	air hose with connection piece	/R	1	
21	900 027 003 01	lock ring B 5 DIN 127 PHR		2		39	901 572 065 00	air hose with connection piece	/L	1	
22	900 025 003 02	washer 5,3 DIN 125 VERZ.		2		40	999 512 348 02	hose clamp		4	
23	914 572 123 10	air hose \$ 61		2		41	901 572 648 00	hose for hot air	/R	1	
24	999 512 349 02	hose clamp		8		42	901 572 647 00	hose for hot air	/L	1	
25	911 572 114 00	bowden control		2		43	901 572 054 00	distributing piece		1	
26	901 571 919 00	fastening clamp		7		44	901 572 058 00	connecting piece		1	
27	901 571 347 32	heater hose \$ 61		1		45	901 572 527 00	sealing washer		1	
28	901 572 913 01	gasket		2							
29	901 571 348 32	air distributor		2							

Model	Year	MG	SG	Illustration	Restrictions	UPD	18:10	22.01.2010	PORSCHE	PET	PORSCHE
911-1	1969	8	13	813-15		248					

Pos	Part Number	Description	Remark	Qty	Model	Pos	Part Number	Description	Remark	Qty	Model
46	900 075 219 02	hexagon-head bolt M 5X10 DIN 933-8G VERZ.		3							
47	900 025 003 02	washer 5,3 DIN 125 ST VERZ.		3							
48	901 572 526 00	gasket		1							
49	901 572 521 00	flap		1							
50	900 055 019 20	buttonhead rivet 3X6 DIN 660 CU		3							
51	999 512 151 02	hose clamp		2							
52	901 572 649 00	hose \$ 70		1							
53	-	heater see group 8/13/20									

Model	Year	MG	SG	Illustration	Restrictions	UPD	18:10	22.01.2010	PORSCHE	PET	PORSCHE
911-1	1969	8	13	813-20		248					



Pos	Part Number	Description	Remark	Qty	Model
1	901 572 051 30	heating and ventilation unit accessories heater F >> 030 8069 F >> 035 5414 F >> 046 2711 F >> 050 0419 F >> 055 0271		1	
(1)	901 572 051 31	heater F 030 8070 >> F 035 5415 >> F 046 2712 >> F 050 0420 >> F 055 0272 >>	(USA)	-68	1 911 S 911 /L/TU 912
(1)	901 572 501 32	heater		69-	1
2	---	metering see group 8/13/40			
3	---	pump see group 8/13/25 - 8/13/35			
4	901 617 010 30	conversion set		69-	1
5	901 615 109 30	switch		69-	1
6	900 014 079 02	pan-head screw AM 3X10 DIN 84-5S VERZ. F 030 8070 >> F 035 5415 >> F 046 2712 >> F 050 0420 >> F 055 0272 >>			2
7	900 115 007 01	serrated lock washer A 3,2 DIN 6798 PHR F 030 8070 >> F 035 5415 >> F 046 2712 >> F 050 0420 >> F 055 0272 >>			2
8	900 076 001 02	hexagon nut M 3 DIN 934-6S VERZ. F 030 8070 >> F 035 5415 >> F 046 2712 >> F 050 0420 >> F 055 0272 >>			2

Model	Year	MG	SG	Illustration	Restrictions	UPD	18:10	22.01.2010	PORSCHE	PET	PORSCHE
911-1	1969	8	13	813-20		248					

Pos	Part Number	Description	Remark	Qty	Model	Pos	Part Number	Description	Remark	Qty	Model
9	900 076 027 02	hexagon nut M 5 DIN 934-6S VERZ. F 030 8070 >> F 035 5415 >> F 046 2712 >> F 050 0420 >> F 055 0272 >>		2		18	901 572 591 30	gasket		1	
						19	901 572 593 30	strainer		1	
						20	901 572 515 30	bracket		1	
						21	999 702 049 50	rubber sleeve		5	
10	900 115 001 01	serrated lock washer A 5,3 DIN 6798 F 030 8070 >> F 035 5415 >> F 046 2712 >> F 050 0420 >> F 055 0272 >>		2		22	901 572 519 30	spacer sleeve		5	
						23	900 075 014 02	hexagon-head bolt M 6X18 DIN 933-8G VERZ.		5	
						24	900 151 006 09	washer B 6,4 DIN 9021-ST VERZ.		5	
1+12	---	not available		X		25	900 115 006 01	serrated lock washer A 6,4 DIN 6798 BOST.		5	
13	999 591 329 02	prestole cage F >> 030 8069 F >> 035 5414 F >> 046 2711 F >> 050 0419 F >> 055 0271		2		26	900 076 010 02	hexagon nut M 6 DIN 934-6S VERZ.		5	
14	900 143 026 02	oval-head sheetmetal screw BZ 4,8X13 DIN 7981 VERZ. F >> 030 8069 F >> 035 5414 F >> 046 2711 F >> 050 0419 F >> 055 0271	(USA)	2	911 S 911 /TU/L 912	27	999 180 030 50	fuel hose C 6 SN 710		*	
						28	999 512 055 02	hose clamp		2	
						-	999 180 029 50	fuel hose C 11X17,5		*	
15	900 025 003 02	washer 5,3 DIN 125-ST VERZ. F >> 030 8069 F >> 035 5414 F >> 046 2711 F >> 050 0419 F >> 055 0271	(USA)	2	911 S 911 /TU/L 912	29	999 180 029 50	hose F 030 8070 >> F 035 5415 >> F 046 2712 >> F 050 0420 >> F 055 0272 >>		1	
						-	999 180 016 50	hose B 11X17		*	911 /S
16	900 115 001 01	serrated lock washer A 5,3 DIN 6798 BOST. F >> 030 8069 F >> 035 5414 F >> 046 2711 F >> 050 0419 F >> 055 0271	(USA)	2	911 S 911 /TU/L 912	(29)	-	600 MM F >> 030 8069 F >> 035 5414 F >> 046 2711 F >> 050 0419 F >> 055 0271		1	
						-	999 180 029 50	fuel hose C 11X17,5		*	
17	900 076 027 02	hexagon nut M 5 DIN 934-6S VERZ. F >> 030 8069 F >> 035 5414 F >> 046 2711 F >> 050 0419 F >> 055 0271	(USA)	2	911 S 911 /TU/L 912	30	999 180 029 50	hose F 030 8070 >> F 035 5415 >> F 046 2712 >> F 050 0420 >> F 055 0272 >>		1	

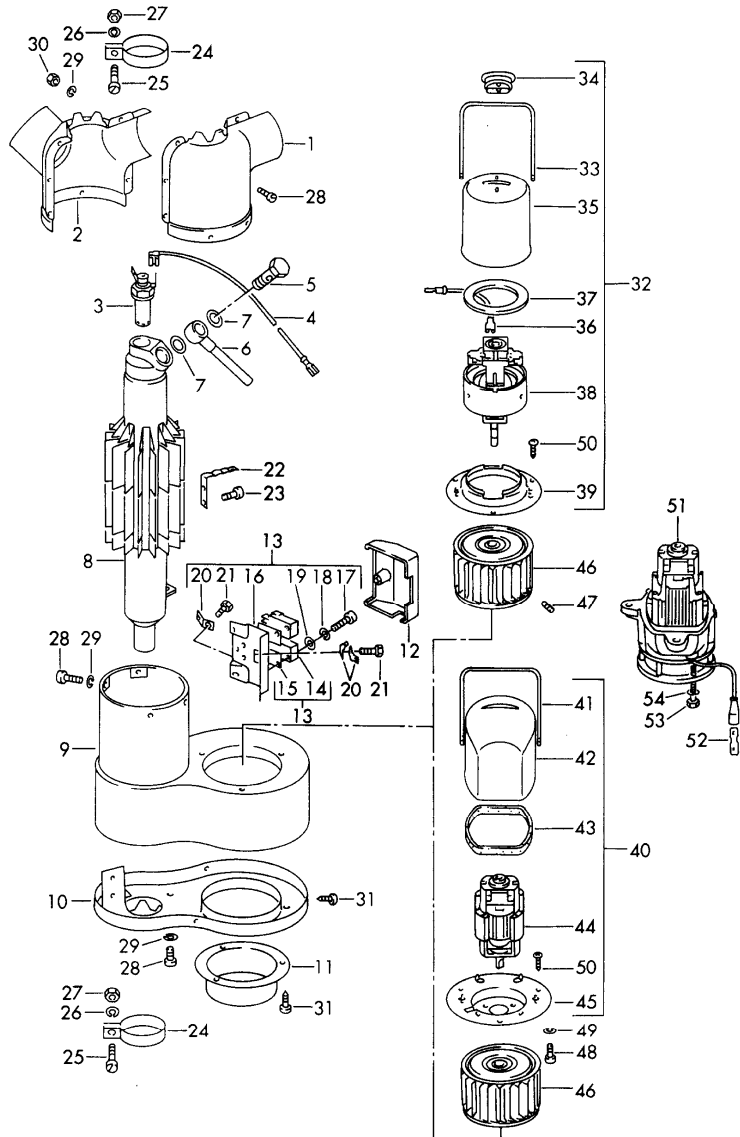
Model	Year	MG	SG	Illustration	Restrictions	UPD	18:10	22.01.2010	PORSCHE	PET	PORSCHE
911-1	1969	8	13	813-20		248					

Pos	Part Number	Description	Remark	Qty	Model	Pos	Part Number	Description	Remark	Qty	Model
(30)	N 020 359 1	hose C 8 SN 710 F >> 030 8069 F >> 035 5414 F >> 046 2711 F >> 050 0419 F >> 055 0271		*	911 /S	-	999 180 029 50	fuel hose C 11X17,5		*	
						39	-	170 MM		1	
						40	901 501 392 20	support	69-	1	
31	999 512 056 02	hose clamp F 030 8070 >> F 035 5415 >> F 046 2712 >> F 050 0420 >> F 055 0272 >>		4		41	900 151 008 02	washer A 8,4 DIN 9021-ST VERZ.	69-	1	
						42	900 027 005 01	lock ring A 8 DIN 127 PHR	69-	1	
(31)	999 511 042 02	hose clamp F >> 030 8069 F >> 035 5414 F >> 046 2711 F >> 050 0419 F >> 055 0271		4	911 /S	43	900 076 025 02	hexagon nut M 8 DIN 934-8 VERZ.	69-	1	
						44	901 501 489 00	clamp for pump	69-	1	
32	901 572 627 31	exhaust pipe		1		45	901 501 483 00	support	69-	1	
33	999 512 046 02	hose clamp		1		46	N 043 890 1	tapping screw B 4,2X9,5 DIN 7976 VERZ.	69-	4	
34	901 609 059 30	ignition lead F 030 8070 >> F 035 5415 >> F 046 2712 >> F 050 0420 >> F 055 0272 >>	(USA)	-68	1 911 S 911 /L/TU 912	47	900 067 011 02	pan-head screw M 6X20 DIN 912-8.8	69-	1	
						48	N 012 007 2	lock ring A 6 DIN 127 PHR	69-	1	
(34)	901 612 053 02	ignition lead		69-	1	49	901 572 061 30	muffler		1	
35	901 609 304 30	ignition coil plug F 030 8070 >> F 035 5415 >> F 046 2712 >> F 050 0420 >> F 055 0272 >>		1		50	901 572 619 30	protective tube		2	
						51	999 512 125 02	hose clamp		2	
36	999 702 053 50	rubber sleeve F 030 8070 >> F 035 5415 >> F 046 2712 >> F 050 0420 >> F 055 0272 >>	(USA)	-68	1 911 S 911 /L/TU 912	52	901 572 602 30	exhaust line		1	
						53	901 572 609 30	protective tube		2	
(36)	999 703 047 40	stopper for cars without optional heating		-68	1	54	999 512 057 02	hose clamp		1	
						-	901 613 631 00	switch for heating	69-	1	
37	999 513 002 40	hose clamp		2		-	901 612 053 00	wiring harness for heater	69-	1	
38	999 702 027 50	rubber sleeve		1		-	901 504 431 30	mat contains asbestos for 901 504 043 02	69-	1	

Model	Year	MG	SG	Illustration	Restrictions	UPD	18:10	22.01.2010	PORSCHE	PET	PORSCHE
911-1	1969	8	13	813-20		248					

Pos	Part Number	Description	Remark	Qty	Model	Pos	Part Number	Description	Remark	Qty	Model
-	901 504 491 30	gasket for cover	69-	1							
-	901 201 023 04	threaded joint	69-	1							
-	900 123 011 30	sealing ring A 22X27 DIN 7603-AL	69-	1							

Model	Year	MG	SG	Illustration	Restrictions	UPD	18:10	22.01.2010	PORSCHE	PET	PORSCHE
911-1	1969	8	13	813-25		248					



Pos	Part Number	Description	Remark	Qty	Model
		single parts heater - WEBASTO -		-68	911 /S 912
		F >> 030 8069 F >> 035 5414 F >> 046 2711 F >> 050 0419 F >> 055 0271			
-	901 572 501 30	heater without accessories		1	
1	901 572 952 00	heated air distribution side	/L	1	
2	901 572 951 00	heated air distribution side	/R	1	
3	901 572 931 00	spark plug 129 G		1	
4	901 572 932 00	ground strap		1	
5	901 572 933 00	banjo bolt		1	
6	901 572 934 00	connecting piece		1	
7	N 013 849 2	sealing ring A 14X18 DIN 7603 CU		2	
(7)	900 123 029 00	sealing ring C 14X18 DIN 7603ST	-65	2	911 COUPE
8	901 572 956 00	heating tube complete		1	
9	901 572 955 00	housing complete		1	
10	901 572 953 00	housing cover complete		1	
11	901 572 954 00	connecting piece		1	
12	901 572 935 00	protection cap complete		1	
13	901 572 975 00	plate complete		1	
14	901 572 936 00	micro-changeover switch		2	
15	901 572 940 00	insulator		1	
16	901 572 937 00	plate		1	

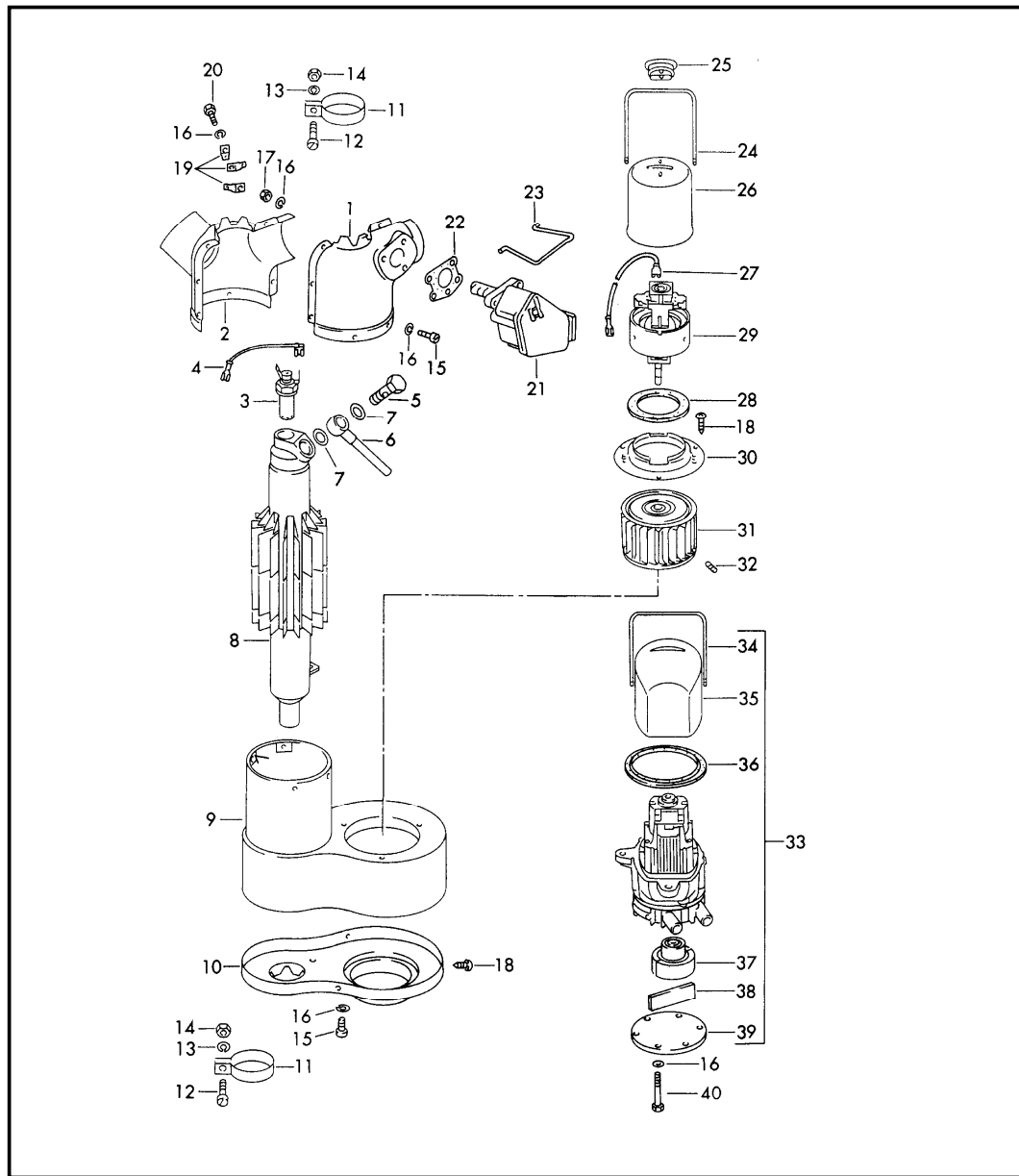
Model	Year	MG	SG	Illustration	Restrictions	UPD	18:10	22.01.2010	PORSCHE	PET	PORSCHE
911-1	1969	8	13	813-25		248					

Pos	Part Number	Description	Remark	Qty	Model	Pos	Part Number	Description	Remark	Qty	Model
17	900 014 071 02	pan-head screw AM 3X15 DIN 84-5S VERZ.		4		36	901 572 932 01	ground strap		1	
18	999 029 001 00	lock ring \$ 3		6		37	901 572 945 01	gasket		1	
19	900 025 001 02	washer 3,2 DIN 125-ST		4		38	901 572 941 01	blower motor - bosch - 12 VOLT		1	
20	901 572 938 00	flat plug		3		39	901 572 948 01	engine carrier		1	
21	900 075 101 02	hexagon-head bolt M 4X6 SZ DIN 933-8G VERZ.		2		40	901 572 941 01	blower motor - AEG - 12 VOLT	-65	1	911 COUPE
22	901 572 939 00	thermo bi-metal switch		1		41	901 572 942 00	clamp until device NR.98	-65	1	911 COUPE
23	900 014 002 10	pan-head screw AM 4X6 DIN 84 MS		2		(41)	901 572 943 00	clamp from device NR.99		1	911 COUPE
24	901 572 950 00	pipe clamp		2		42	901 572 944 00	protection cap until device NR.98	-65	1	911 COUPE
25	900 014 070 02	pan-head screw AM 5X18 DIN 84-5S VERZ.		2		(42)	901 572 944 01	protection cap from device NR.99		1	911 COUPE
26	999 029 003 00	lock ring \$ 5		2		43	901 572 945 00	gasket	-65	1	911 COUPE
27	900 076 027 02	hexagon nut M 5 DIN 934-6S VERZ.		2		(43)	901 572 969 00	gasket		1	
28	900 014 002 02	pan-head screw AM 4X6 DIN 84-5S VERZ.		10		44	901 572 941 01	blower motor - AEG - 12 VOLT until device NR.98	-65	1	911 COUPE
29	999 029 002 00	lock ring \$ 4		10		(44)	901 572 947 00	electric motor - AEG - 12 VOLT from device NR.99	-65	1	911 COUPE
30	N 011 004 6	hexagon nut M 4 DIN 934-6S VERZ.		5		45	901 572 948 00	engine carrier	-65	1	911 COUPE
31	N 013 910 3	screw B 3,5X6,5 DIN 7974 VERZ.		4		46	901 572 949 00	fan		1	
32	901 572 941 01	electric motor - bosch -		1							
(32)	901 572 946 02	electric motor - bosch - without picture NR.36		1							
33	901 572 942 00	clamp		1							
34	901 572 976 00	edge protection		1							
35	901 572 944 02	protection cap		1							

Model	Year	MG	SG	Illustration	Restrictions	UPD	18:10	22.01.2010	PORSCHE	PET	PORSCHE
911-1	1969	8	13	813-25		248					

Pos	Part Number	Description	Remark	Qty	Model	Pos	Part Number	Description	Remark	Qty	Model
47	900 244 001 00	threaded pin M 4X0,5X8 DIN 916		1							
48	900 014 069 02	pan-head screw AM 3X8 DIN 84-5S VERZ.	-65	2	911 COUPE						
49	999 029 001 00	lock ring \$ 3	-65	2	911 COUPE						
50	900 141 009 02	half-round screw B 2,9X6,5 DIN 7974 VERZ.		5							
51	901 572 513 30	pump 12 VOLT		1							
52	901 572 957 00	push-on connector		1							
53	900 075 102 02	hexagon-head bolt M 4X35 DIN 933-8G VERZ.		6							
54	900 027 011 01	lock ring B 4 DIN 127 BOST.		6							
-	901 617 101 30	diode for switch 901 613 625 30 see group 8/13/00 single parts for - AEG - electric motor use up when used up electric motor - bosch - 901 572 941 01 use modification kit for transistor ignition see group 8/98/00		1							

Model	Year	MG	SG	Illustration	Restrictions	UPD	18:11	22.01.2010	PORSCHE	PET	PORSCHE
911-1	1969	8	13	813-30		248					

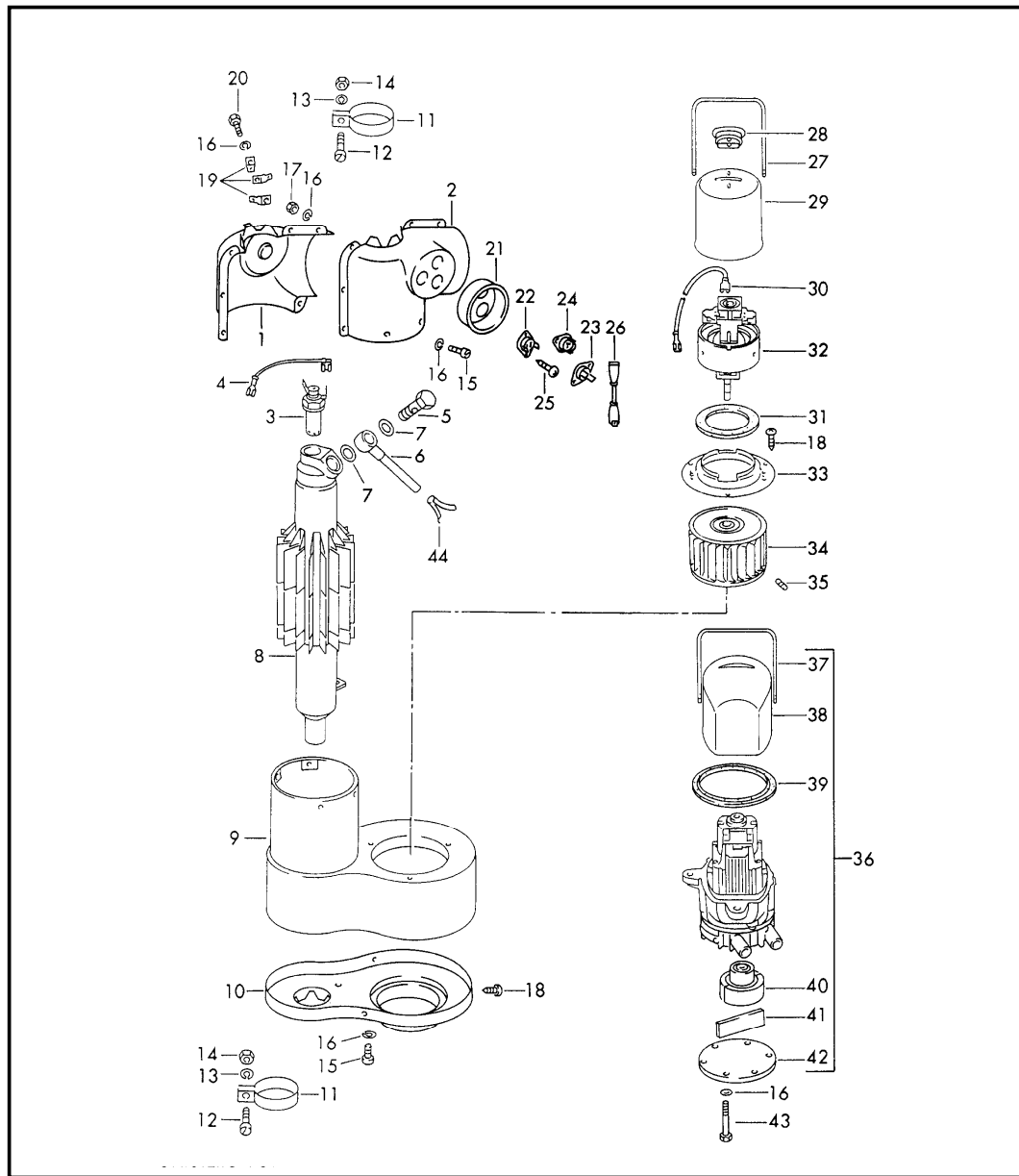


Pos	Part Number	Description	Remark	Qty	Model
		single parts heater - WEBASTO -	-68 (USA)		911 S 911 /L/TU 912
		F 030 8070 >> F 035 5415 >> F 046 2712 >> F 050 0420 >> F 055 0272 >>			
-	901 572 501 31	heater without accessories		1	
1	901 572 952 01	heated air distribution side	/L	1	
2	901 572 951 00	heated air distribution side	/R	1	
3	901 572 931 01	spark plug		1	
4	901 572 932 00	ground strap		1	
5	901 572 933 00	banjo bolt		1	
6	901 572 934 01	connecting piece		1	
7	N 013 849 2	sealing ring A 14X18 DIN 7603 CU		2	
8	901 572 956 01	heating tube complete		1	
9	901 572 955 01	housing complete		1	
10	901 572 953 01	housing cover complete		1	
11	901 572 950 00	pipe clamp		2	
12	900 014 070 02	pan-head screw AM 5X18 DIN 84-5S VERZ.		2	
13	999 029 003 00	lock ring \$ 5		2	
14	900 076 027 02	hexagon nut M 5 DIN 934-6S VERZ.		2	
15	900 014 002 02	pan-head screw AM 4X6 DIN 84-5S VERZ.		10	
16	999 029 002 00	lock ring \$ 4		10	
17	N 011 004 6	hexagon nut M 4 DIN 934-6S VERZ.		5	

Model	Year	MG	SG	Illustration	Restrictions	UPD	18:11	22.01.2010	PORSCHE	PET	PORSCHE
911-1	1969	8	13	813-30		248					

Pos	Part Number	Description	Remark	Qty	Model	Pos	Part Number	Description	Remark	Qty	Model
18	N 013 910 3	screw B 3,5X6,5 DIN 7974 VERZ.		4		-	901 617 101 30	diode for switch heating		1	
19	901 572 938 00	flat plug		3							
20	900 014 067 02	hexagon-head bolt AM 4X8 DIN 84-4S VERZ.		10				installation set for subsequent installation see group 8/98/00			
21	901 617 109 30	thermostat		1							
22	901 617 111 30	gasket		1							
23	901 617 112 30	clip		1							
24	901 572 942 00	clamp		1							
25	901 572 976 00	edge protection		1							
26	901 572 944 02	protection cap		1							
27	901 572 932 02	ground strap		1							
28	901 572 945 01	gasket		1							
29	901 572 946 02	electric motor		1							
-	901 572 978 00	wiper contact for 901 572 946 02		2							
30	901 572 948 01	engine carrier		1							
31	901 572 949 01	fan		1							
32	900 244 001 00	threaded pin		1							
33	901 572 513 31	pump		1							
-	901 572 979 00	wiper contact for 901 572 513 31		2							
34	901 572 943 01	clamp		1							
35	901 572 944 03	protection cap		1							
36	901 572 969 00	gasket		1							
37	901 572 980 00	rotor set		1							
38	901 572 981 00	slide		1							
39	901 572 982 00	lid		1							
40	900 075 117 02	hexagon-head bolt M 4X35 DIN 933-5S VERZ.		6							

Model	Year	MG	SG	Illustration	Restrictions	UPD	18:11	22.01.2010	PORSCHE	PET	PORSCHE
911-1	1969	8	13	813-35		248					

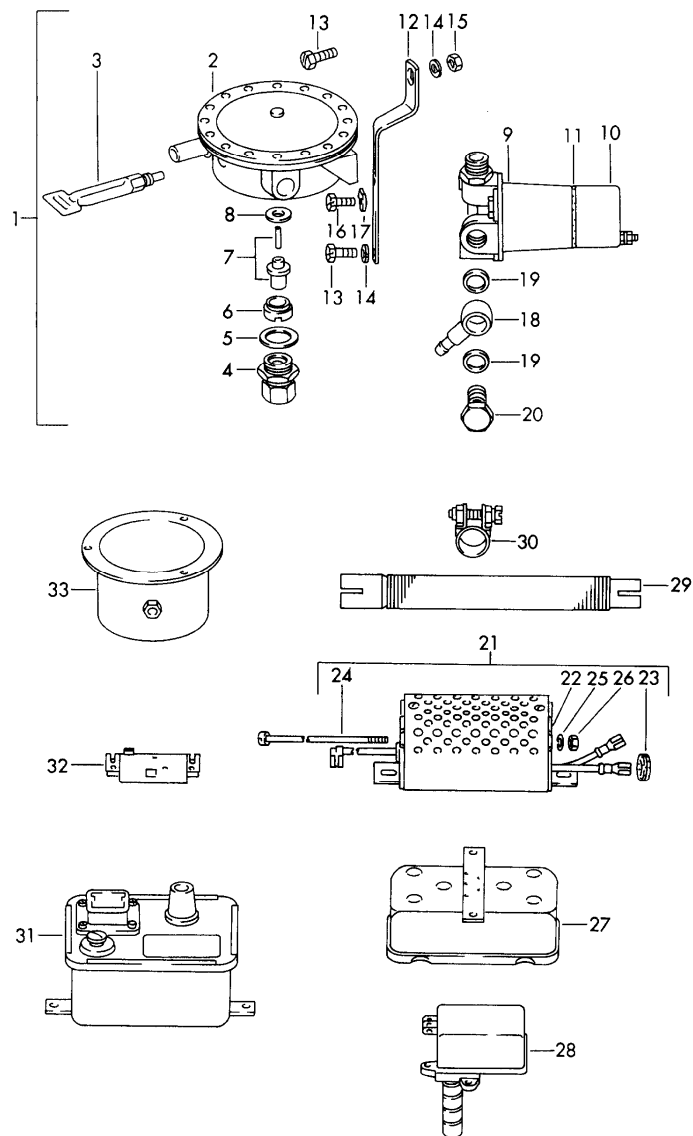


Pos	Part Number	Description	Remark	Qty	Model
-		single parts heater - WEBASTO -	/LL 69-		
-	901 572 501 32	heater without accessories		1	
1	901 572 952 02	heated air distribution side	/L	1	
2	901 572 951 02	heated air distribution side	/R	1	
3	901 572 931 01	spark plug		1	
4	901 572 932 00	ground strap		1	
5	901 572 933 00	banjo bolt		1	
6	901 572 934 01	connecting piece		1	
7	N 013 849 2	sealing ring A 14X18 DIN 7603 CU		2	
8	901 572 956 01	heating tube complete		1	
9	901 572 955 01	housing complete		1	
10	901 572 953 01	housing cover complete		1	
11	901 572 950 00	pipe clamp		2	
12	900 014 070 02	pan-head screw AM 5X18 DIN 84-5S VERZ.		2	
13	999 029 003 00	lock ring \$ 5		2	
14	900 076 027 02	hexagon nut M 5 DIN 934-6S VERZ.		2	
15	900 014 002 02	pan-head screw AM 4X6 DIN 84-5S VERZ.		10	
16	999 029 002 00	lock ring \$ 4		10	
17	N 011 004 6	hexagon nut M 4 DIN 934-6S VERZ.		5	
18	N 013 910 3	screw B 3,5X6,5 DIN 7974 VERZ.		4	
19	901 572 938 00	flat plug		3	

Model	Year	MG	SG	Illustration	Restrictions	UPD	18:11	22.01.2010	PORSCHE	PET	PORSCHE
911-1	1969	8	13	813-35		248					

Pos	Part Number	Description	Remark	Qty	Model	Pos	Part Number	Description	Remark	Qty	Model
20	999 029 002 00	hexagon-head bolt AM 4X8 DIN 84-4S VERZ.		10		42	901 572 982 00	lid		1	
21	901 572 986 00	housing complete		1		43	900 075 117 02	hexagon-head bolt M 4X35 DIN 933-5S VERZ.		6	
22	901 572 983 00	thermostat red		1		44	901 572 987 00	backfire grid		1	
23	901 572 984 00	thermostat white		1							
24	901 572 985 00	thermostat blue		1							
25	900 141 009 02	half-round screw B 2,9X6,5 DIN 7974 VERZ.		6							
26	901 572 932 04	line		1							
27	901 572 942 00	clamp		1							
28	901 572 976 00	edge protection		1							
29	901 572 944 02	protection cap		1							
30	901 572 932 03	ground strap		1							
31	901 572 945 01	gasket		1							
32	901 572 946 02	electric motor		1							
-	901 572 978 00	wiper contact for 901 572 946 02		2							
33	901 572 948 01	engine carrier		1							
34	901 572 949 01	fan		1							
35	900 244 001 00	threaded pin		1							
36	901 572 513 31	pump		1							
-	901 572 979 00	wiper contact for 901 572 513 31		2							
37	901 572 943 01	clamp		1							
38	901 572 944 03	protection cap		1							
39	901 572 969 00	gasket		1							
40	901 572 980 01	rotor set		1							
41	901 572 981 00	slide		1							

Model	Year	MG	SG	Illustration	Restrictions	UPD	18:11	22.01.2010	PORSCHE	PET	PORSCHE
911-1	1969	8	13	813-40		248					

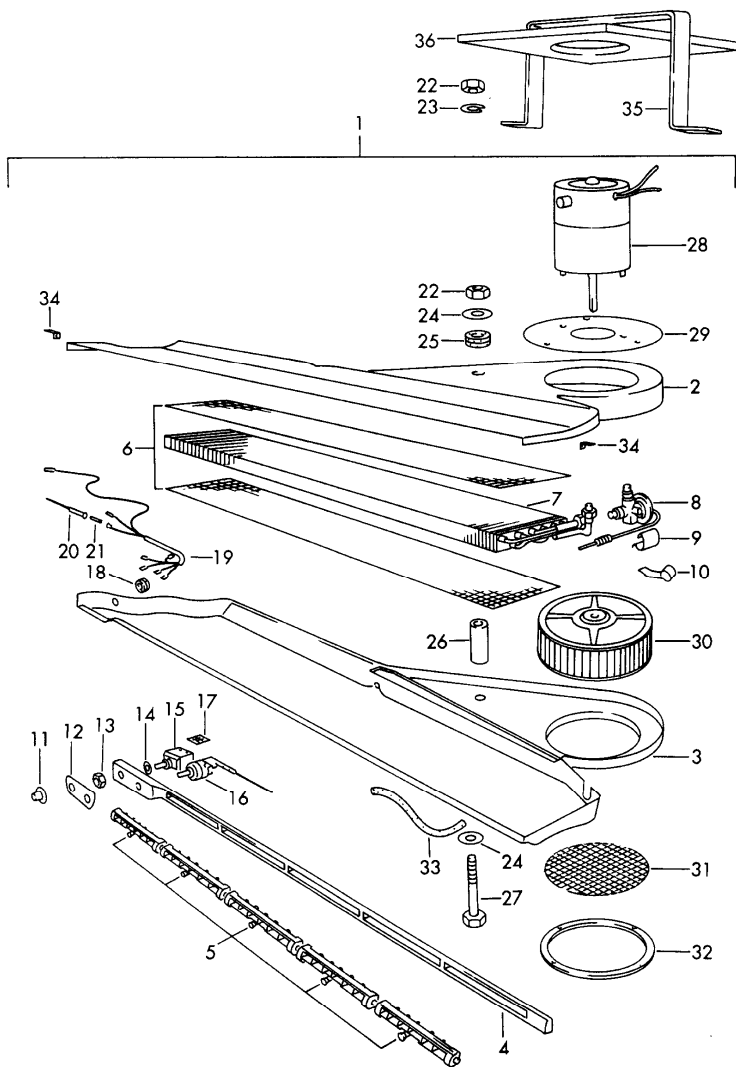


Pos	Part Number	Description	Remark	Qty	Model
		repair material			
		heater - WEBASTO - metering fuel pump ignition spark transmitter resistor			
1	901 572 511 30	metering with fuel pump complete		1	
2	901 572 512 30	metering		1	
3	901 572 960 00	nozzle with key		1	
4	901 572 961 00	connection piece		1	
5	901 572 962 00	sealing ring		1	
6	901 572 963 00	threaded ring		1	
7	901 572 964 01	valve with pin		1	
8	901 572 966 00	gasket		1	
9	901 572 511 30	distributor 12 V		1	
10	901 572 967 00	flap		1	
11	901 572 968 00	sealing ring		1	
12	901 572 958 00	strut		1	
13	N 010 215 13	hexagon-head bolt M 6X 15 SZ DIN 933-8G VERZ		1	
14	999 029 004 00	lock ring \$ 6		3	
15	900 076 010 02	hexagon nut M 6 DIN 934-6S VERZ.		1	
16	900 075 118 02	hexagon-head bolt M 6X10 DIN 933-5S VERZ.		2	
17	901 572 938 01	flat plug		1	
18	901 572 959 00	ring piece M 14		1	

Model	Year	MG	SG	Illustration	Restrictions	UPD	18:11	22.01.2010	PORSCHE	PET	PORSCHE
911-1	1969	8	13	813-40		248					

Pos	Part Number	Description	Remark	Qty	Model	Pos	Part Number	Description	Remark	Qty	Model
19	900 123 007 60	sealing ring A 14X18 DIN 7603 FIBER		2		27	901 615 201 30	regulator F >> 030 8069 F >> 035 5414 F >> 046 2711 F >> 050 0419 F >> 055 0271		1	
20	900 134 007 00	banjo bolt A 8 DIN 7623-6S		1							
21	901 612 851 30	resistor with clip complete F >> 030 8069 F >> 035 5414 F >> 046 2711 F >> 050 0419 F >> 055 0271		1		28	901 613 627 30	thermostat F >> 030 8069 F >> 035 5414 F >> 046 2711 F >> 050 0419 F >> 055 0271		1	
22	901 572 970 00	resistor complete F >> 030 8069 F >> 035 5414 F >> 046 2711 F >> 050 0419 F >> 055 0271		1		29	901 572 627 31	exhaust pipe F >> 030 8069 F >> 035 5414 F >> 046 2711 F >> 050 0419 F >> 055 0271		1	
23	901 572 971 00	grommet F >> 030 8069 F >> 035 5414 F >> 046 2711 F >> 050 0419 F >> 055 0271		1		30	999 512 046 02	hose clamp F >> 030 8069 F >> 035 5414 F >> 046 2711 F >> 050 0419 F >> 055 0271		1	
24	901 572 972 00	pan-head screw F >> 030 8069 F >> 035 5414 F >> 046 2711 F >> 050 0419 F >> 055 0271		1		31	901 617 010 30	conversion set F 030 8070 >> F 035 5415 >> F 046 2712 >> F 050 0420 >> F 055 0272 >>		1	
25	999 029 003 00	lock ring \$ 5 F >> 030 8069 F >> 035 5414 F >> 046 2711 F >> 050 0419 F >> 055 0271		1		32	901 615 109 30	relay F 030 8070 >> F 035 5415 >> F 046 2712 >> F 050 0420 >> F 055 0272 >>		1	
26	900 076 027 02	hexagon nut M 5 DIN 934-6S VERZ. F >> 030 8069 F >> 035 5414 F >> 046 2711 F >> 050 0419 F >> 055 0271		1		33	901 572 521 00	flap	69-	1	

Model	Year	MG	SG	Illustration	Restrictions	UPD	18:11	22.01.2010	PORSCHE	PET	PORSCHE
911-1	1969	8	13	813-50		248					

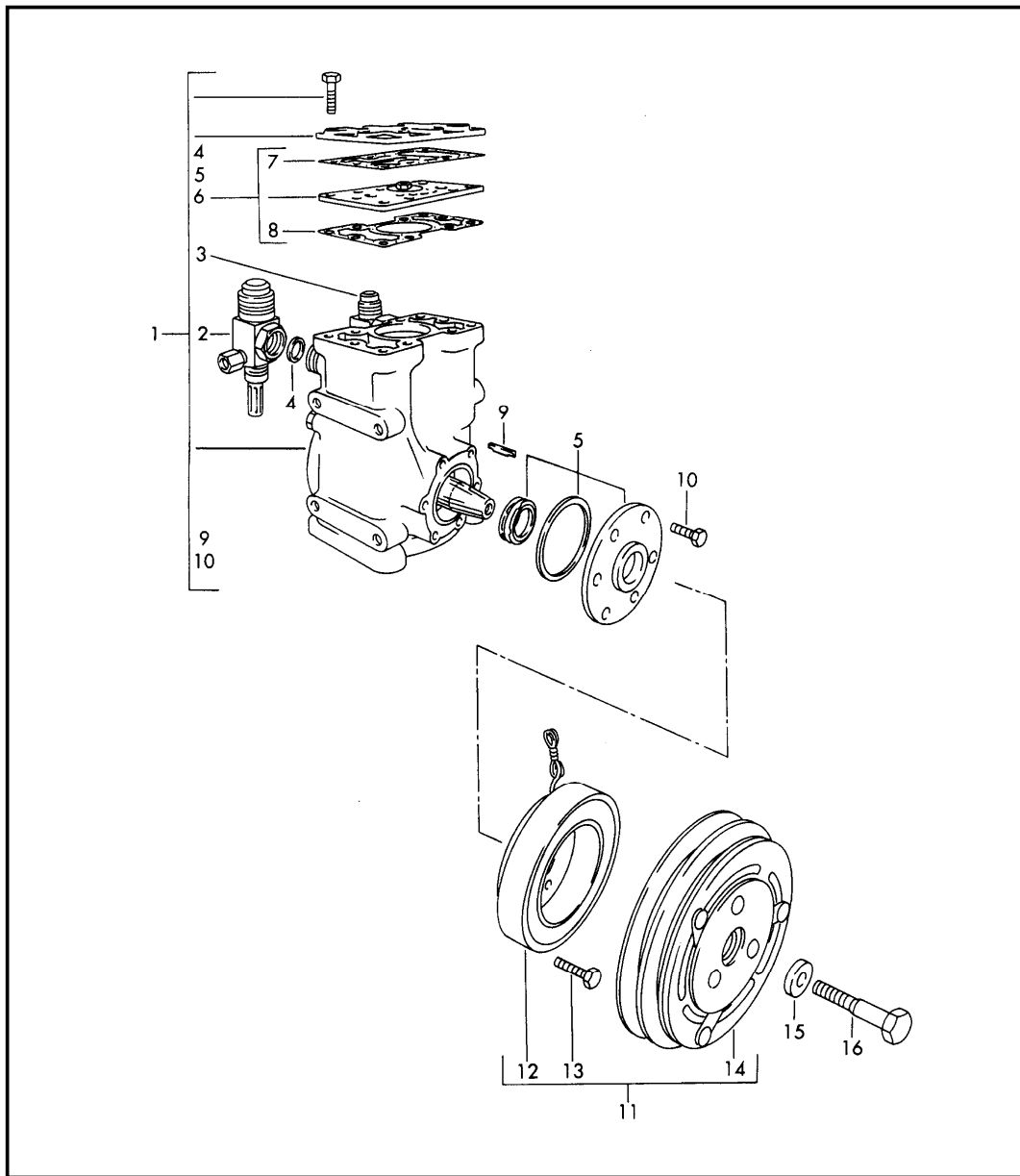


Pos	Part Number	Description	Remark	Qty	Model
		evaporator air conditioner	-68 66-		911 /L/S/TU 912
1	901 570 503 00	evaporator complete		1	
2	901 570 504 00	evaporator housing upper part		1	
3	901 570 505 00	evaporator housing lower part		1	
4	901 570 506 00	border strip		1	
5	901 570 507 00	air vent		5	
6	901 570 508 00	insulator		2	
7	901 570 509 00	evaporator		1	
8	901 570 510 00	expansion valve		1	
9	901 570 511 00	spring clip		1	
10	901 570 512 00	sealing strap		*	
11	901 570 513 00	knob		2	
12	901 570 514 00	sticker		1	
13	901 570 515 00	nut		2	
14	901 570 516 00	lock washer		2	
15	901 570 517 00	thermostat		1	
16	901 570 518 00	air-conditioning switch		1	
17	901 570 519 00	insulator contains asbestos		2	
18	901 570 520 00	rubber sleeve		1	
19	901 570 521 00	wiring harness		1	
20	901 570 522 00	fuse holder		1	
21	901 570 523 00	fuse		1	
22	901 570 524 00	nut 5/6"		2	
23	901 570 525 00	lock ring		1	
24	901 570 526 00	washer		2	
25	901 570 527 00	rubber sleeve		1	

Model	Year	MG	SG	Illustration	Restrictions	UPD	18:11	22.01.2010	PORSCHE	PET	PORSCHE
911-1	1969	8	13	813-50		248					

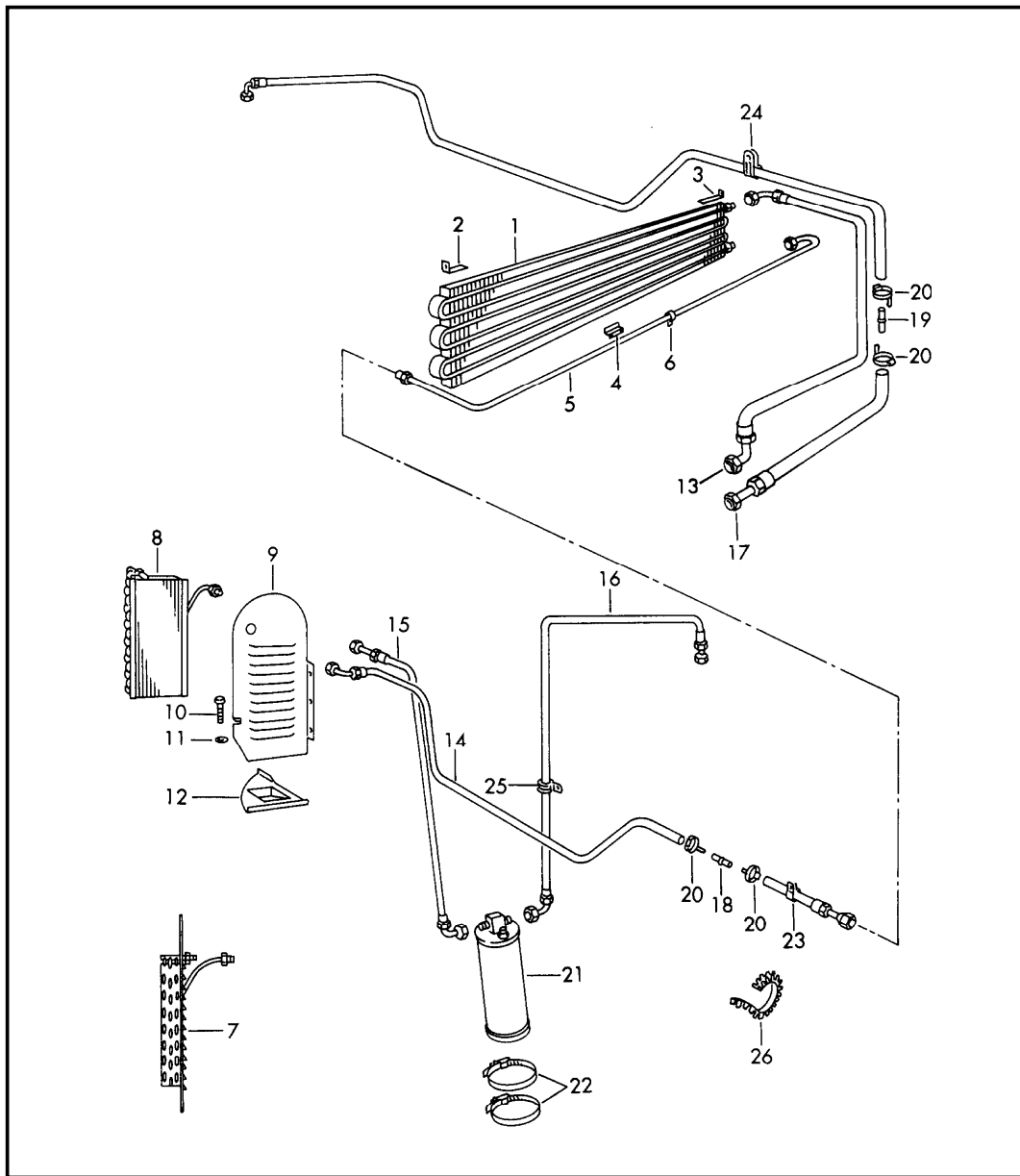
Pos	Part Number	Description	Remark	Qty	Model	Pos	Part Number	Description	Remark	Qty	Model
26	901 570 528 00	spacer tube		1							
27	901 570 529 00	screw 5/6"X 4 1/2"		1							
28	901 570 530 00	engine		1							
29	901 570 531 00	retainer plate		1							
30	901 570 532 00	impeller		1							
31	901 570 533 00	protective grille		1							
32	901 570 534 00	retaining ring		1							
33	901 570 535 00	water drain hose		1							
34	901 570 536 00	retaining bracket for evaporator		2							
35	901 570 537 00	retaining bar		1							
36	901 570 538 00	insulator		1							
37	901 570 539 00	resistor		1							

Model	Year	MG	SG	Illustration	Restrictions	UPD	18:11	22.01.2010	PORSCHE	PET	PORSCHE
911-1	1969	8	13	813-55		248					



Pos	Part Number	Description	Remark	Qty	Model
		compressor clutch	-68		911 /L/S/TU 912
		for air conditioner			
1	901 570 600 00	compressor complete		1	
2	901 570 601 00	suction valve		1	
3	901 570 602 00	pressure valve		1	
4	901 570 603 00	o-ring		2	
5	901 570 604 00	gasket set		1	
6	901 570 605 00	gasket set		1	
7	901 570 606 00	cylinder head gasket		1	
8	901 570 607 00	gasket		1	
9	901 570 608 00	feather key		1	
10	901 570 609 00	fastening screw 1/4-20X5/8		4	
11	901 570 610 01	clutch complete		1	911 /L/S/TU
(11)	902 570 610 00	clutch complete		1	912
12	901 570 611 00	solenoid coil		1	
13	901 570 612 00	fastening screw		3	
14	901 570 613 01	pulley		1	911 /L/S/TU
(14)	902 570 613 00	pulley		1	912
15	901 570 614 00	lock washer		1	
16	901 570 615 00	fastening screw		1	

Model	Year	MG	SG	Illustration	Restrictions	UPD	18:11	22.01.2010	PORSCHE	PET	PORSCHE
911-1	1969	8	13	813-60		248					

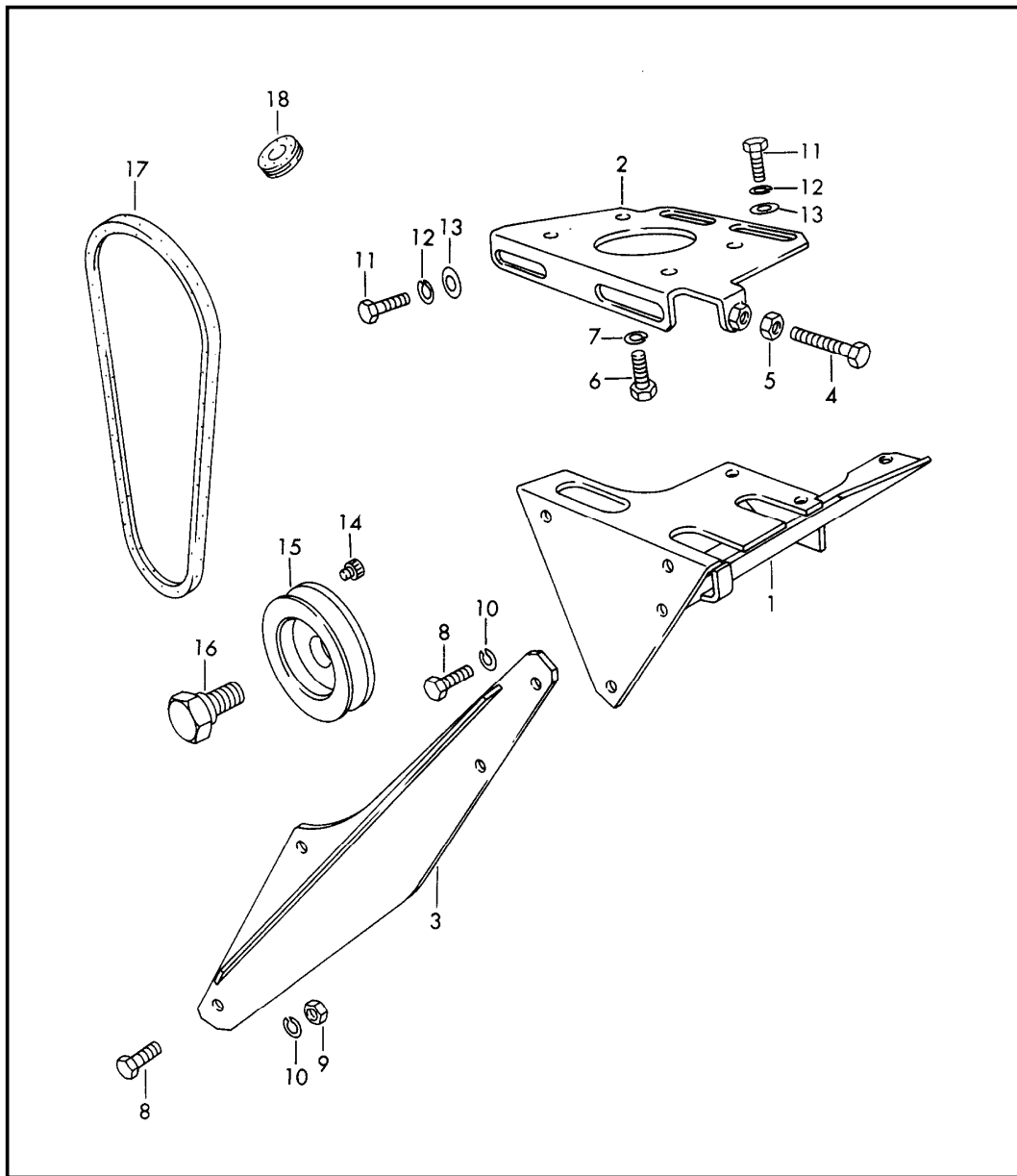


Pos	Part Number	Description	Remark	Qty	Model
		refrigerant circuit air conditioner	-68		911 /L/S/TU 912
1	901 570 700 00	air conditioning cooler 1.		1	
2	901 570 701 00	bracket	/L	1	
3	901 570 702 00	bracket	/R	1	
4	901 570 703 00	bracket		1	
5	901 570 704 00	cross tube 1/2" X 30 1/4"		1	
6	901 570 705 00	pipe clamp NR.6		1	
7	901 570 706 00	air conditioning cooler 2. complete		1	
8	901 570 707 00	air conditioning cooler 2.		1	
9	901 570 708 00	baffle plate		1	
10	901 570 709 00	screw 1/4" X 1/2"		1	
11	901 570 710 00	nut 1/4"		1	
12	901 570 711 00	air baffle plate		1	
13	901 570 712 00	connecting hose 8X60" W/ 2 1/2" FM 90` of compressor - air conditioning cooler		1	
14	901 570 713 00	connecting hose 8X180" W/ 2 1/2" FM 90`		1	
15	901 570 714 00	connecting hose 6X33"W/3/8"FM-3/8"FM 90`		1	
16	901 570 715 00	connecting hose 6X53"W/3/8"FM-3/8"FM 90`		1	
17	901 570 716 00	connecting hose 10X165"W/5/8"FM-5/8"FM 90`		1	
8-20	-	single parts not available			

Model	Year	MG	SG	Illustration	Restrictions	UPD	18:11	22.01.2010	PORSCHE	PET	PORSCHE
911-1	1969	8	13	813-60		248					

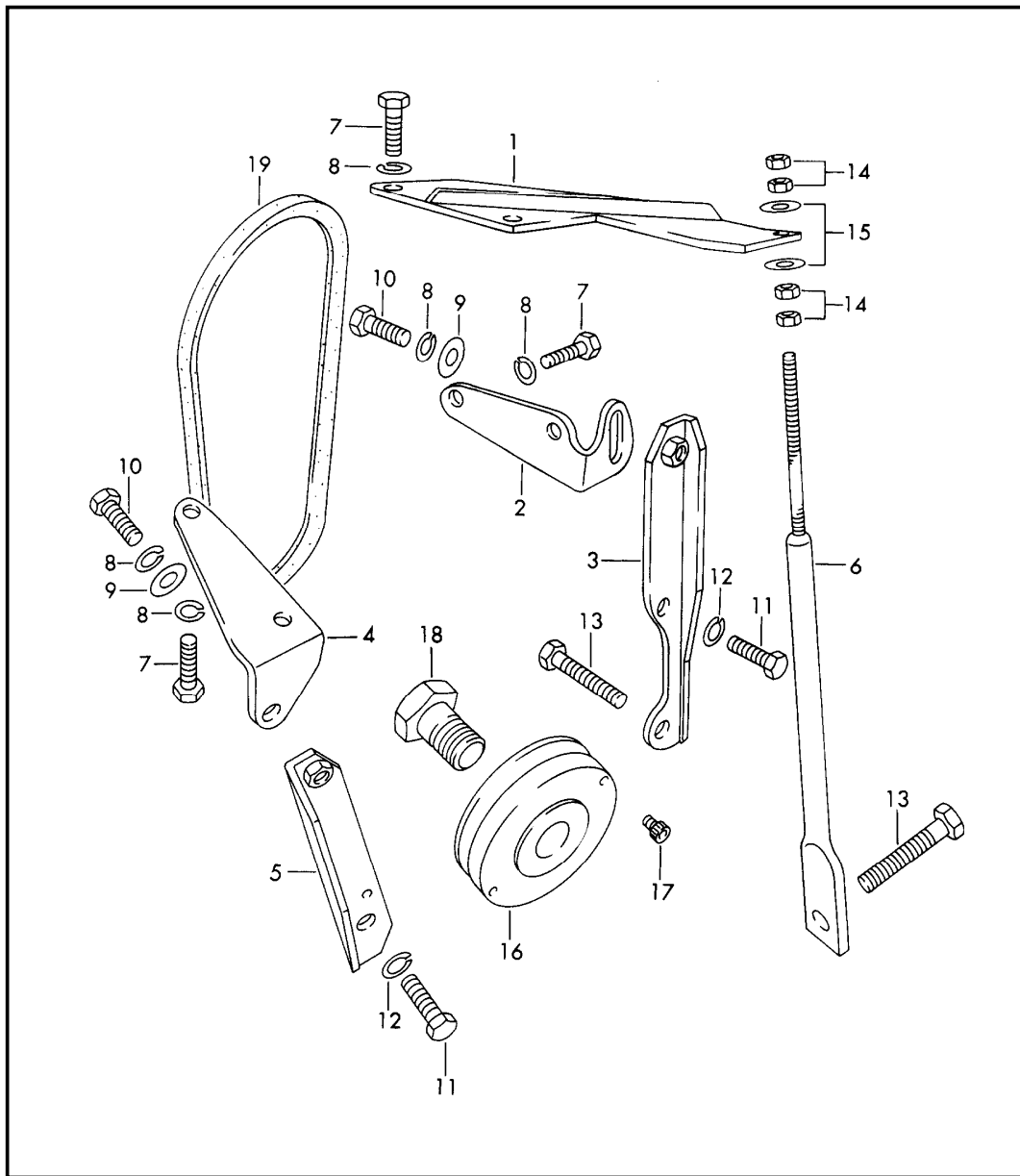
Pos	Part Number	Description	Remark	Qty	Model	Pos	Part Number	Description	Remark	Qty	Model
21	901 570 720 00	desiccator		1							
22	901 570 721 00	retaining ring		2							
23	901 570 722 00	clamp NR.12 rubber coated		5							
24	901 570 723 00	clamp NR.14 rubber coated		10							
25	901 570 724 00	clamp NR.11 rubber coated		4							
26	901 570 725 00	protective grommet		7							

Model	Year	MG	SG	Illustration	Restrictions	UPD	18:12	22.01.2010	PORSCHE	PET	PORSCHE
911-1	1969	8	13	813-65		248					



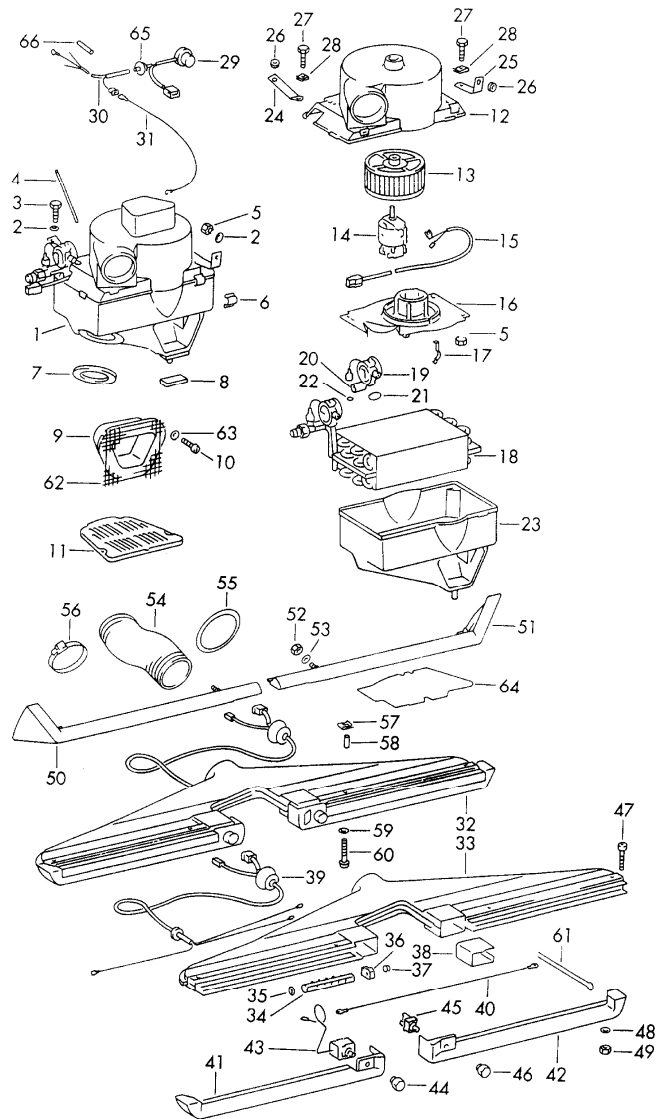
Pos	Part Number	Description	Remark	Qty	Model
		mount driving mechanism air conditioner	-68		911 /L/S/TU
1	901 570 800 01	mounting plate for compressor only together with - WEBER - carburettor		1	
2	901 570 801 00	plate for compressor		1	
3	901 570 802 00	strut		1	
4	901 570 803 00	screw 5/16"X2"		1	
5	901 570 804 00	lock nut 5/16"		1	
6	901 570 805 00	screw 3/8"X3/4" NC		4	
7	901 570 806 00	lock ring 3/8"		8	
8	901 570 807 00	screw 3/8"X1" NF		4	
9	901 570 808 00	nut 3/8" NF		2	
10	901 570 809 00	lock ring 3/8"		2	
11	901 570 810 00	screw 5/16"X3/4"		4	
12	901 570 811 00	lock ring 5/16"		4	
13	901 570 812 00	washer		4	
14	901 570 813 00	stop screw		2	
15	901 570 814 00	pulley		1	
16	901 570 815 00	screw		1	
17	901 570 816 00	v-belt - GOODYEAR - 46410		1	
18	901 570 817 00	rubber stopper		1	

Model	Year	MG	SG	Illustration	Restrictions	UPD	18:12	22.01.2010	PORSCHE	PET	PORSCHE
911-1	1969	8	13	813-70		248					



Pos	Part Number	Description	Remark	Qty	Model
		mount driving mechanism air conditioner	-68		912
1	902 570 801 00	retainer plate upper		1	
2	902 570 813 00	bracket for compressor		1	
3	902 570 814 00	retaining bracket		1	
4	902 570 815 00	compressor support plate pivoting		1	
5	902 570 816 00	bracket		1	
6	902 570 802 01	mounting rod		4	
7	901 570 805 00	screw 3/8"X3/4" NC		6	
8	901 570 806 00	lock ring 3/8"		8	
9	902 570 817 00	washer 3/8"		2	
10	902 570 818 00	screw 3/8"X3/4" NF		2	
11	902 570 819 00	screw 12X25MM		8	
12	902 570 820 00	lock ring 1/2"		2	
13	902 570 821 00	screw 8X65MM		2	
14	901 570 804 00	nut 5/16" NC		2	
15	901 570 812 00	washer 5/16"		2	
16	902 570 809 00	pulley		1	
17	902 570 810 00	stop screw		2	
18	902 570 811 00	screw		1	
19	902 570 812 01	v-belt NR.432		1	

Model	Year	MG	SG	Illustration	Restrictions	UPD	18:12	22.01.2010	PORSCHE	PET	PORSCHE
911-1	1969	8	13	813-75		248					

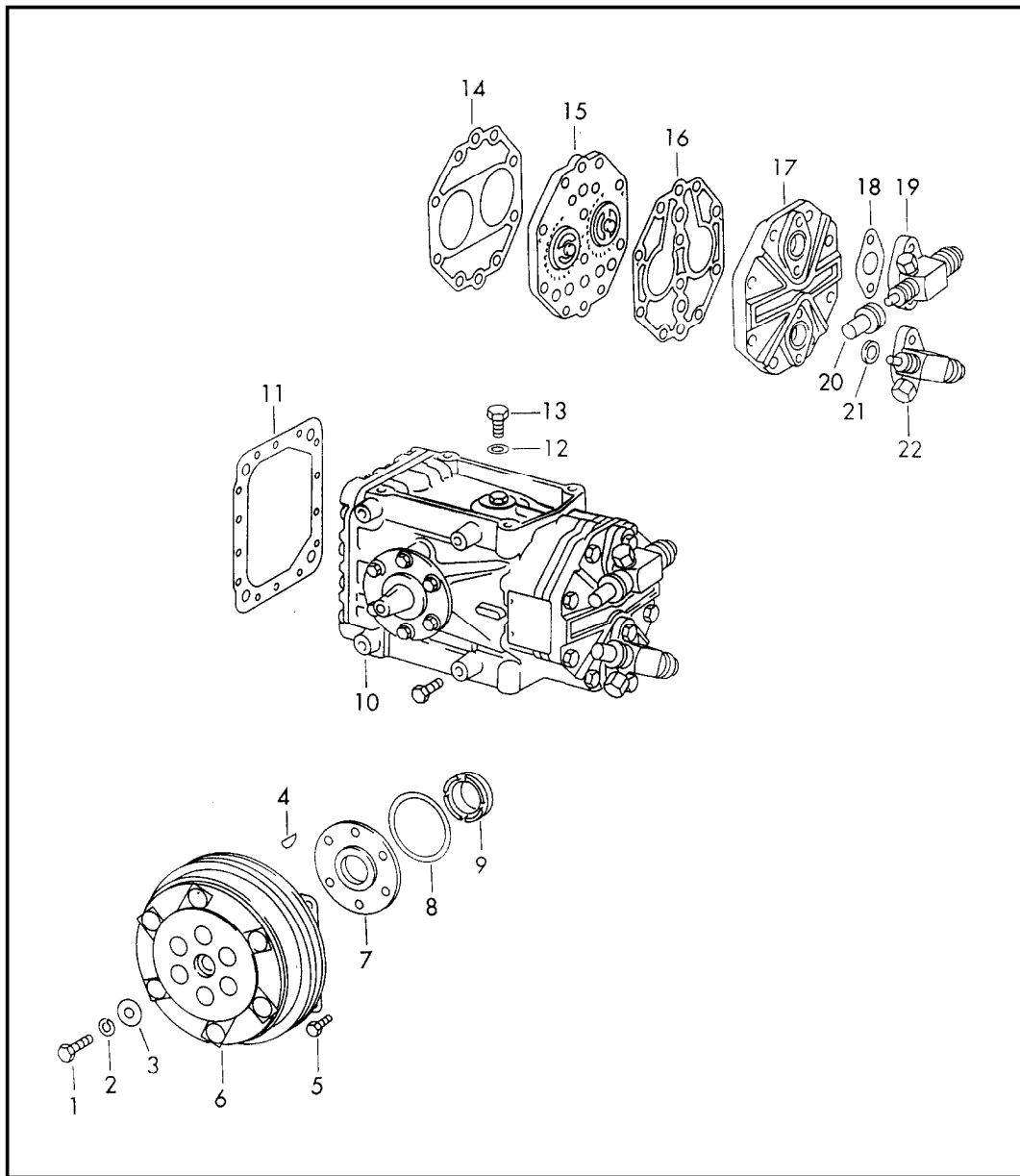


Pos	Part Number	Description	Remark	Qty	Model
		evaporator housing air conditioner complete with air duct	69-		911 E/S/T
-	911 573 001 05	air conditioner		1	
1	901 573 021 00	evaporator housing complete		1	
2	N 011 524 7	washer		2	
3	N 010 215 13	hexagon-head bolt		1	
4	901 573 903 00	pipe		1	
5	900 076 010 02	hexagon nut		5	
6	901 573 904 00	tensioning spring		4	
7-8	901 573 901 00	parts kit		1	
7	-	sealing ring		1	
8	-	rubber ply		2	
9	911 573 073 01	connection piece complete		1	
10	900 143 004 02	lens-head screw		4	
11	901 504 731 30	lid complete		1	
12	911 573 023 00	housing cover upper part complete		1	
13	901 573 906 00	fan		1	
14	901 624 901 00	electric motor		1	
15	-	see group 8/13/95			
16	911 573 323 00	engine support		1	
17	901 624 903 00	clamp		4	
18	901 573 907 00	evaporator complete		1	
19	901 573 915 00	expansion valve		1	
20	901 573 914 00	clip		1	

Model	Year	MG	SG	Illustration	Restrictions	UPD	18:12	22.01.2010	PORSCHE	PET	PORSCHE
911-1	1969	8	13	813-75		248					

Pos	Part Number	Description	Remark	Qty	Model	Pos	Part Number	Description	Remark	Qty	Model
21	901 573 147 00	gasket 3/4"		1		49	999 090 001 02	lock nut		8	
22	901 573 916 00	gasket 7/16"		1		50	901 573 017 01	knee protection strip	/L	1	
23	901 573 908 00	housing lower part		1		51	901 573 018 01	knee protection strip	/R	1	
24	911 572 473 00	fastening angle		1		52	900 076 006 02	hexagon nut		4	
25	911 572 471 00	fastening angle		1		53	900 151 027 02	washer		4	
26	901 573 133 00	rubber sleeve		2		54	901 573 511 00	air hose		1	
27	900 378 030 09	hexagon-head bolt		4		55	901 573 509 01	sealing ring		1	
28	N 012 226 5	spring washer		4		56	901 573 160 00	hose clamp		1	
9-31	-	see group 8/13/95				57	999 507 315 02	clamping nut		4	
32	901 573 065 00	air guide housing		1		58	901 573 167 00	spacer tube		4	
33	901 573 053 01	nozzle		1		59	900 151 027 02	washer		4	
34	901 573 067 00	air vent		6		60	900 015 035 02	lens-head screw		4	
35	901 573 169 00	washer		12		61	901 613 118 00	thermostat		1	
36	901 573 165 00	bearing		8		62	901 573 129 00	grille		1	
37	999 703 077 40	cap		2		63	900 151 001 02	washer		4	
38	901 573 912 00	tread contains asbestos		1		64	901 551 064 22	pedal floor board		1	COUPE
9-40	-	see group 8/13/95				(64)	901 551 064 42	pedal floor board		1	TARGA
41	901 573 025 00	padded cover	/L	1		65	999 702 119 50	rubber sleeve		1	
42	901 573 026 00	padded cover	/R	1		66	N 017 121 5	safety fuse 25 A		1	
43	911 613 919 00	temperature switch		1							
44	901 613 122 00	knob complete		1							
45	901 613 117 00	blower switch		1							
46	901 613 121 00	knob complete		1							
47	900 067 002 02	pan-head screw		8							
48	900 025 002 02	washer		8							

Model	Year	MG	SG	Illustration	Restrictions	UPD	18:12	22.01.2010	PORSCHE	PET	PORSCHE
911-1	1969	8	13	813-80		248					

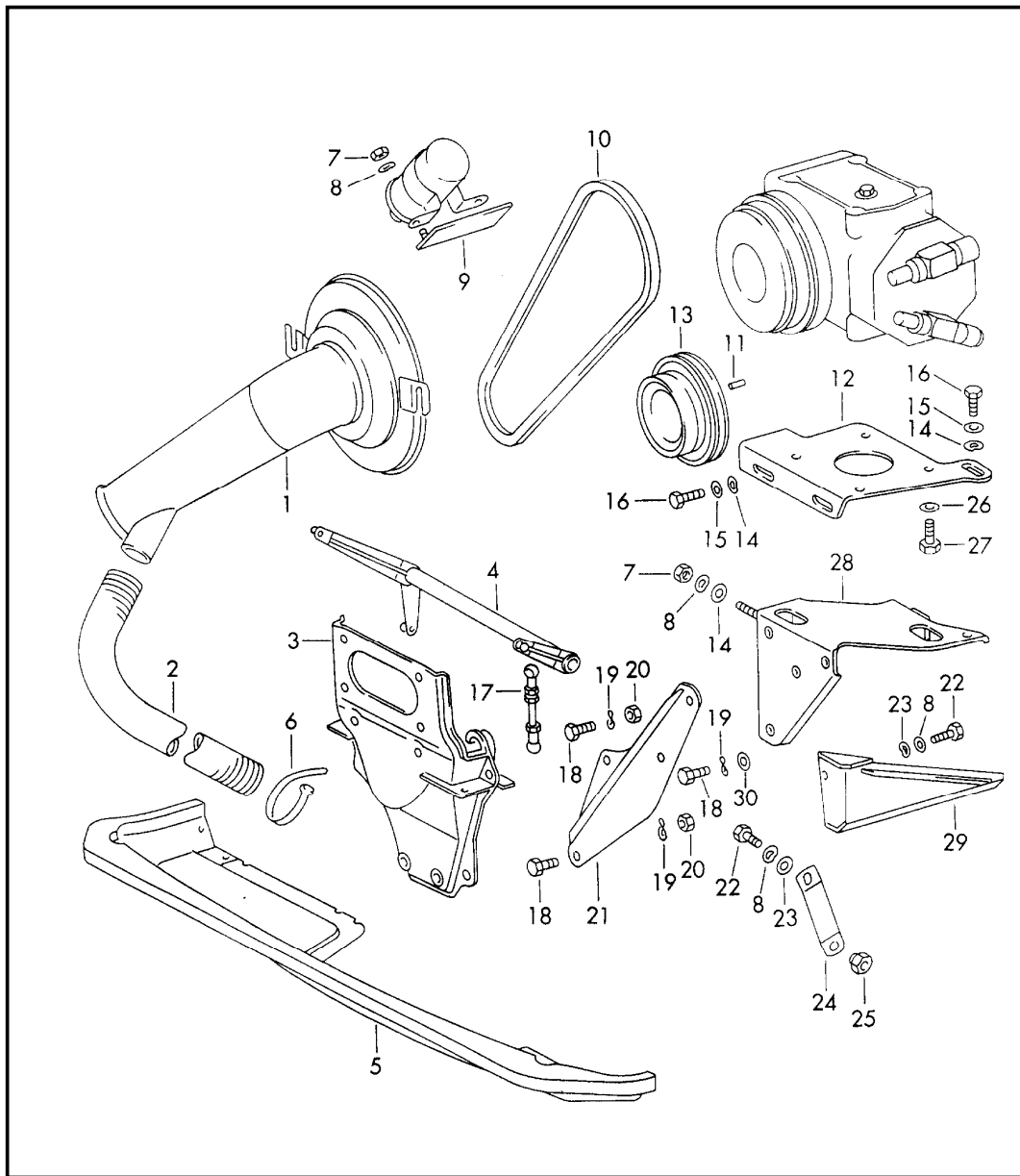


Pos	Part Number	Description	Remark	Qty	Model
		compressor clutch for air conditioner	69-		911 E/S/T
-	911 126 009 00	compressor with clutch		1	
>>	>>911 126 924 00	parts kit comprising:		1	
1	-	hexagon-head bolt		1	
2	-	lock ring		1	
3	-	washer		1	
4	-	woodruff key		1	
5	-	hexagon-head bolt		4	
6	911 126 933 01	clutch complete		1	
>>	>>911 126 925 00	parts kit comprising:		1	
7	-	flange		1	
8	-	gasket		1	
9	-	gasket for crankshaft		1	
10	911 126 901 00	compressor		1	
11	911 126 911 00	gasket		1	
12	911 126 913 00	o-ring		1	
13	911 126 912 00	hexagon-head bolt		1	
>>	>>911 126 917 00	parts kit comprising:		1	
14	-	gasket		1	
15	-	valve plate			
16	-	gasket		1	

Model	Year	MG	SG	Illustration	Restrictions	UPD	18:12	22.01.2010	PORSCHE	PET	PORSCHE
911-1	1969	8	13	813-80		248					

Pos	Part Number	Description	Remark	Qty	Model	Pos	Part Number	Description	Remark	Qty	Model
>>	>>911 126 918 00	parts kit comprising: picture 14,16,17		1							
17	-	cylinder head cover									
>>	>>911 126 916 00	parts kit comprising: picture 14,16		1							
18	911 126 919 00	sealing ring		2							
19	911 126 921 00	flange valve	/L	1							
20	911 126 923 00	cap		2							
21	911 126 919 00	sealing ring		2							
22	911 126 922 00	flange valve	/R	1							

Model	Year	MG	SG	Illustration	Restrictions	UPD	18:12	22.01.2010	PORSCHE	PET	PORSCHE
911-1	1969	8	13	813-85		248					

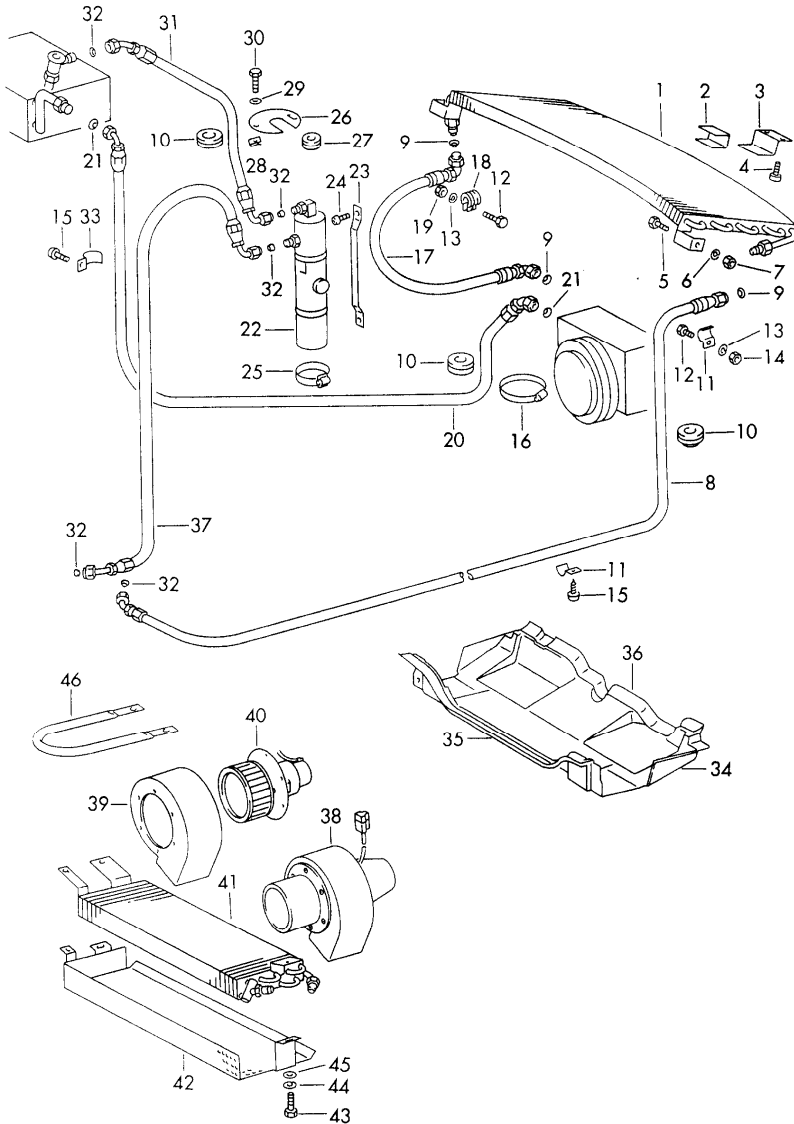


Pos	Part Number	Description	Remark	Qty	Model
		mount compressor	69-		911 E/S/T
1	901 108 042 01	lid complete		1	
2	901 108 292 01	hose		1	
3	911 115 014 03	bracket		1	
4	911 108 071 02	reverse lever complete		1	
5	911 106 085 00	engine cover complete		1	
6	N 020 902 1	tie-wrap		1	
7	900 076 025 02	hexagon nut		3	
8	N 012 241 1	spring washer		5	
9	901 126 121 01	mounting plate		1	
10	900 192 027 50	narrow v-belt		1	
11	900 012 060 00	straight pin		1	
12	911 126 117 01	compressor plate		1	
13	911 102 015 50	pulley		1	
14	900 025 007 02	washer		3	
15	N 012 241 1	spring washer		3	
16	900 075 085 02	hexagon-head bolt		3	
17	901 108 087 02	push rod		2	
18	900 075 040 02	hexagon-head bolt		4	
19	N 012 230 1	spring washer		4	
20	N 011 010 6	hexagon nut		2	
21	911 126 115 00	strut		1	
22	900 075 085 02	hexagon-head bolt		2	
23	900 025 007 02	washer		2	
24	911 126 124 01	strut		1	
25	964 126 125 20	nut		1	
26	N 012 230 1	spring washer		4	

Model	Year	MG	SG	Illustration	Restrictions	UPD	18:12	22.01.2010	PORSCHE	PET	PORSCHE
911-1	1969	8	13	813-85		248					

Pos	Part Number	Description	Remark	Qty	Model	Pos	Part Number	Description	Remark	Qty	Model
27	900 075 085 02	hexagon-head bolt		4							
28	911 126 101 01	bracket		1							
29	930 126 116 00	fastening angle		1							

Model	Year	MG	SG	Illustration	Restrictions	UPD	18:13	22.01.2010	PORSCHE	PET	PORSCHE
911-1	1969	8	13	813-90		248					

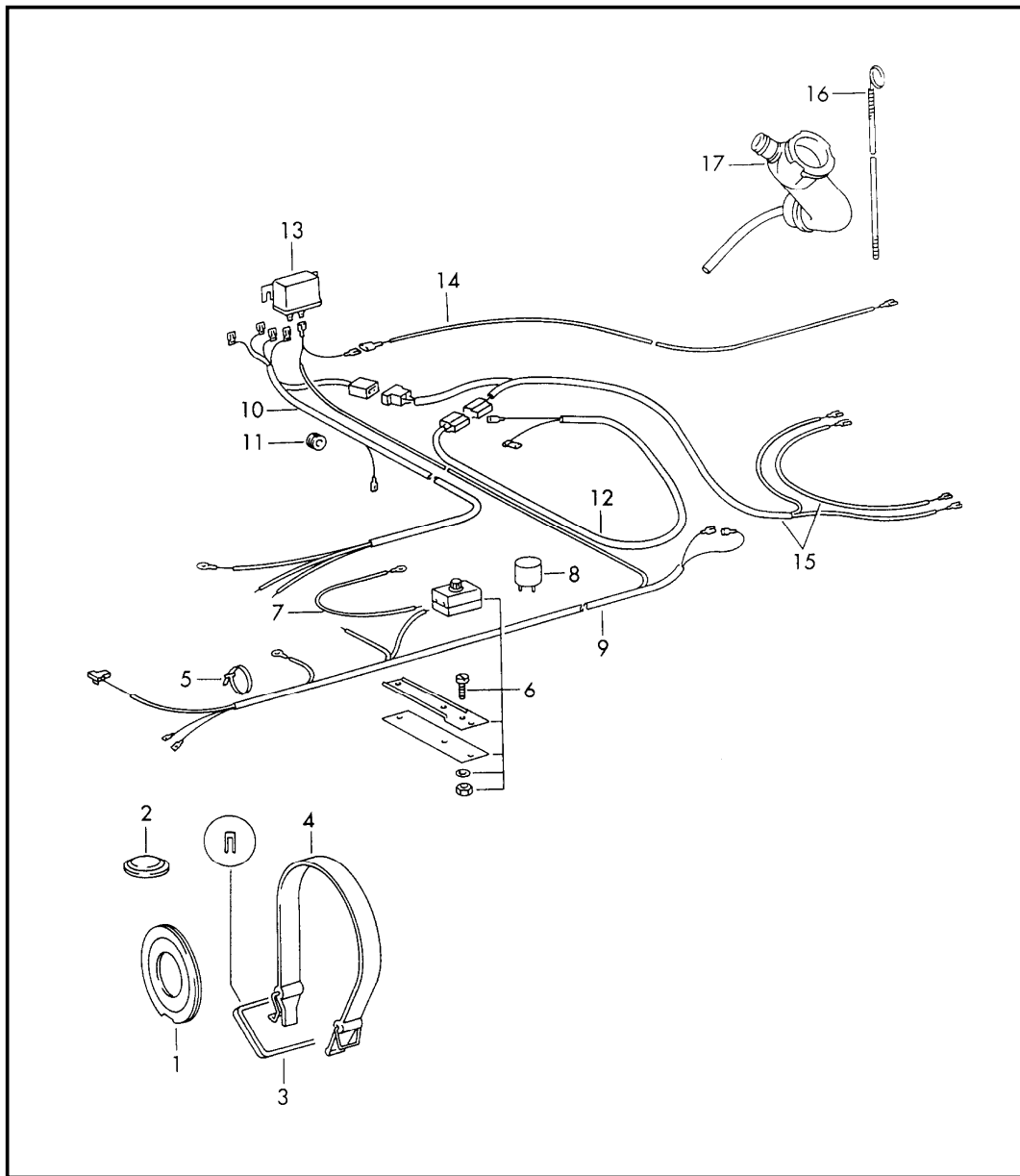


Pos	Part Number	Description	Remark	Qty	Model
		condenser hoses mounting parts	69-		911 E/S/T
1	901 573 057 00	condenser complete		1	
2	901 573 138 00	moltoprene shim		1	
3	911 573 147 00	bracket		1	
4	N 013 961 2	tapping screw		2	
5	900 075 092 02	hexagon-head bolt		2	
6	900 027 011 01	lock ring		2	
7	N 011 004 6	hexagon nut		2	
8	911 573 153 00	refrigerant hose NW 10		1	
9	901 573 147 00	gasket 3/4"		3	
10	901 573 143 00	rubber sleeve		3	
11	911 573 144 00	clamp		18	
12	N 010 207 6	hexagon-head bolt		1	
13	N 012 005 3	lock ring		2	
14	900 076 006 02	hexagon nut		2	
15	900 187 025 02	hexagon-head tapping screw		27	
16	999 512 348 02	hose clamp		1	
17	911 573 150 00	refrigerant hose NW 10		1	
18	999 511 066 02	hose clamp		1	
19	900 076 006 02	hexagon nut		2	
20	911 573 149 00	refrigerant hose NW 13		1	
21	901 573 146 00	gasket 7/8"		2	
22	901 573 139 00	fluid tank		1	
23	901 573 140 00	retaining bar		1	
24	900 143 007 02	oval-head sheetmetal screw		2	

Model	Year	MG	SG	Illustration	Restrictions	UPD	18:13	22.01.2010	PORSCHE	PET	PORSCHE
911-1	1969	8	13	813-90		248					

Pos	Part Number	Description	Remark	Qty	Model	Pos	Part Number	Description	Remark	Qty	Model
25	901 573 141 00	hose clamp		2							
26	901 573 155 00	support		1							
27	901 573 142 00	rubber sleeve		1							
28	999 507 315 02	speed nut		1							
29	N 012 005 3	lock ring		1							
30	N 010 207 6	hexagon-head bolt		1							
31	901 573 152 00	refrigerant hose NW 10		1							
32	901 573 148 00	gasket 5/8"		5							
33	911 573 145 00	clamp		13							
34	911 341 161 01	protective plate		1							
35	901 341 165 00	rubber pad		1							
36	901 341 167 00	rubber pad		1							
37	911 573 154 00	refrigerant hose NW 8		1							
38	911 624 017 00	blower complete		1							
39	911 624 022 00	housing		1							
40	911 624 021 00	blower motor with fan		1							
41	911 573 056 00	condenser front		1							
42	911 573 058 01	stone guard		1							
43	900 075 010 02	hexagon-head bolt		3							
44	N 012 007 2	lock ring		3							
45	N 011 524 7	washer		3							
46	911 501 530 01	towing lug		1							

Model	Year	MG	SG	Illustration	Restrictions	UPD	18:13	22.01.2010	PORSCHE	PET	PORSCHE
911-1	1969	8	13	813-95		248					



Pos	Part Number	Description	Remark	Qty	Model
		air conditioner electrical components accessories	69-		911 E/S/T
1	901 572 913 01	lock ring		1	
2	914 559 251 10	stopper		1	
3	901 573 509 00	gasket		1	
4	901 611 025 20	retaining strap		2	
5	999 513 008 40	tie-wrap		4	
6	901 612 085 04	fuse box mounting parts comprising:		1	
-	911 573 158 00	support		1	
-	900 189 005 02	lens-head screw		2	
-	900 025 002 02	washer		2	
-	N 010 205 6	hexagon-head bolt		2	
7	911 612 082 00	wiring harness NR. 82		1	
8	911 615 109 01	standard type relay		1	
9	911 612 080 00	wiring harness NR. 80		1	
10	911 612 078 00	wiring harness NR. 78		1	
11	999 702 119 50	rubber sleeve		1	
12	901 612 084 00	wiring harness NR. 28		1	
13	901 615 102 00	relay		1	
14	911 612 079 00	wiring harness NR. 79		1	
15	901 612 902 00	wiring harness		1	
16	911 107 076 00	oil level dipstick		1	
17	911 107 075 00	filler neck for oil tank		1	

Model	Year	MG	SG	Illustration	Restrictions	UPD	18:13	22.01.2010
911-1	1969	8	98	898-00R		248		

Pos	Part Number	Description	Remark	Qty	Model
		installation set blower heating and ventilation unit air conditioner for subsequent installation			
>>	>>902 571 910 00	blower installation set for subsequent installation comprising:	-68	1	911 /L/S/TU 912 COUPE/TARGA
-	902 571 065 30	blower complete		1	
-	902 571 641 30	connecting hose	/R	1	
-	999 782 004 90	heater hose \$ 50		*	
-	901 572 056 30	connection piece		1	
-	901 572 569 31	gasket		1	
-	902 571 055 30	connecting piece		1	
-	999 512 130 02	hose clamp		1	
-	901 572 591 30	gasket		1	
-	901 572 593 30	strainer for intake manifold		1	
-	901 615 102 00	relay		1	
-	901 613 625 31	switch		1	
-	900 076 027 02	hexagon nut M 5 DIN 934-6S VERZ.		2	
-	900 115 001 01	serrated lock washer A 5,3 DIN 6798 PHR		2	
-	900 025 003 02	washer 5,3 DIN 125-ST VERZ.		2	
-	902 612 045 00	wiring harness		1	
-	900 076 013 02	nut M 8 DIN 934-6S VERZ.		1	
-	900 151 008 02	washer A 8,4 DIN 9021-ST VERZ.		2	
-	900 075 029 02	hexagon-head bolt M 8X25 DIN 933-8G VERZ.		1	
-	999 512 029 02	hose clamp		8	

Model	Year	MG	SG	Illustration	Restrictions	UPD	18:13	22.01.2010
911-1	1969	8	98	898-00R		248		

Pos	Part Number	Description	Remark	Qty	Model
-	901 504 731 30	lid for tunnel rear		1	
>>	>>901 572 930 01	modification kit with transistor ignition for heating and ventilation unit for TYP 912 F 035 1110 >> F 045 3174 >> comprising:	/LL -68	1	911 /L/TU 912 COUPE/TARGA
-	901 572 059 30	heating and ventilation unit with accessories		1	
-	901 572 059 30	support lower part		1	
-	901 572 579 30	support upper part		1	
-	901 572 577 30	bearing shell		1	
-	999 084 103 02	self-locking nut		2	
-	900 076 027 02	hexagon nut M 5		2	
-	900 115 001 01	serrated lock washer A 5,3		2	
-	901 572 591 30	gasket for intake manifold		1	
-	901 572 593 30	strainer for intake manifold		1	
-	901 572 515 30	bracket		1	
-	901 572 519 30	spacer sleeve		3	
-	999 702 049 50	rubber sleeve		3	
-	900 075 014 02	hexagon-head bolt M 6X18		5	
-	900 151 006 09	washer B 6,4		4	
-	900 115 006 01	serrated lock washer A 6,4		5	

Model	Year	MG	SG	Illustration	Restrictions	UPD	18:13	22.01.2010
911-1	1969	8	98	898-00R		248		

Pos	Part Number	Description	Remark	Qty	Model
-	900 076 010 02	hexagon nut M 6		3	
-	999 180 030 50	fuel hose 1,2 M C6 SN 710		1	
-	999 512 055 02	hose clamp		1	
-	999 180 029 50	fuel hose 2 M		1	
-	999 511 056 02	hose clamp		4	
-	999 702 027 50	rubber sleeve		1	
-	901 572 061 30	muffler		1	
-	901 572 619 30	bush		2	
-	901 572 602 30	exhaust line		1	
-	999 512 125 02	hose clamp		2	
-	901 572 609 30	bush		2	
-	902 571 055 30	connecting piece complete		1	
-	999 782 004 90	heater hose \$ 50MMX1500MM		1	
-	999 512 029 02	hose clamp		2	
-	901 572 056 30	connection piece complete		1	
-	999 512 130 02	hose clamp		1	
-	901 572 569 30	gasket		1	
-	999 507 002 02	speed nut		3	
-	900 187 004 02	hexagon-head tapping screw B 4,8X19		3	
-	901 501 485 30	connecting piece		1	
-	900 025 003 02	washer		3	
-	901 201 023 04	threaded joint with strainer		1	
-	900 123 011 30	sealing ring A 22X 27 AL		1	
-	901 504 731 30	lid for tunnel rear		1	

Model	Year	MG	SG	Illustration	Restrictions	UPD	18:13	22.01.2010
911-1	1969	8	98	898-00R		248		

Pos	Part Number	Description	Remark	Qty	Model
-	901 501 462 31	support for metering and fuel pump		1	
-	900 075 097 02	hexagon-head bolt M 5X 15		4	
-	900 151 027 02	washer B 5,3		4	
-	900 151 002 40	washer A 5,3		4	
-	999 090 002 02	hexagon nut		4	
-	900 119 021 02	pan-head screw M 8X70		1	
-	900 031 001 02	washer 8,4		1	
-	901 612 015 31	wiring harness for heater - WEBASTO -		1	
-	901 613 626 30	switch for optional heating		1	
-	901 504 491 30	gasket for cover		1	
-	901 504 431 30	plate contains asbestos		1	
-	901 504 439 00	washer		2	
-	901 617 101 30	diode		1	
-	901 615 102 00	relay		1	
-	901 572 627 31	exhaust pipe		1	
-	999 512 046 02	hose clamp		1	
-	901 609 059 30	ignition lead high voltage		1	
-	901 613 216 50	rosette		1	
-	901 613 261 20	rosette		1	
-	900 076 001 02	hexagon nut M 3		2	

PORSCHE

PET

PORSCHE

Model	Year	MG	SG	Illustration	Restrictions	UPD	18:13	22.01.2010
911-1	1969	8	98	898-00R		248		

Pos	Part Number	Description	Remark	Qty	Model
-	900 115 007 01	serrated lock washer A 3,2		2	
-	900 014 079 02	pan-head screw AM 3X10		2	
-	999 702 020 50	rubber sleeve for 901 609 059 30		1	
-	999 702 052 50	rubber sleeve for 901 612 015 31		1	
-	999 702 027 50	rubber sleeve		1	
-	999 513 002 40	hose clamp		2	
>>	>>901 572 930 02	installation set for subsequent installation for heating and ventilation unit comprising:	/LL 69- (USA)	1	911 /T/E/S 912
-	901 572 501 32	heating and ventilation unit without accessories		1	
-	901 572 511 32	electric motor with fuel pump complete		1	
-	901 572 513 31	pump		1	
-	901 572 066 00	air hose with connection piece	/R	1	
-	901 572 065 00	air hose with connection piece	/L	1	
-	999 512 348 02	hose clamp		4	
-	901 572 647 00	air hose	/L	1	
-	901 572 648 00	air hose	/R	1	
-	901 572 054 00	distributing piece		1	
-	901 572 058 00	connecting piece		1	
-	901 572 527 00	sealing washer		1	
-	900 075 219 02	hexagon-head bolt M 5X10		3	
-	900 025 003 02	washer 5,3		3	

Model	Year	MG	SG	Illustration	Restrictions	UPD	18:13	22.01.2010
911-1	1969	8	98	898-00R		248		

Pos	Part Number	Description	Remark	Qty	Model
-	901 572 526 00	gasket		1	
-	901 572 521 00	flap		1	
-	900 055 019 20	buttonhead rivet 3X6		3	
-	999 512 151 02	hose clamp		2	
-	901 572 649 00	air hose \$ 70		1	
-	901 501 392 20	support for optional heating		1	
-	900 151 008 02	washer B 8,4		1	
-	900 027 005 01	lock ring A 8		1	
-	900 076 025 02	hexagon nut M 8		1	
-	900 076 010 02	hexagon nut M 6		5	
-	900 115 006 01	serrated lock washer A 6,4		5	
-	900 151 006 09	washer A 6,4		5	
-	901 572 519 30	spacer sleeve		5	
-	999 702 049 50	rubber sleeve		5	
-	901 612 053 02	ignition lead		1	
-	901 572 591 30	gasket		1	
-	901 572 593 30	strainer for intake manifold		1	
-	999 512 046 02	hose clamp		1	
-	901 572 627 31	exhaust pipe		1	
-	901 572 619 30	bush		2	
-	999 512 125 02	hose clamp		2	
-	901 572 061 30	muffler		1	
-	901 572 602 32	exhaust line		1	
-	901 572 609 30	bush		4	

PORSCHE

PET

PORSCHE

Model	Year	MG	SG	Illustration	Restrictions	UPD	18:13	22.01.2010
911-1	1969	8	98	898-00R		248		

Pos	Part Number	Description	Remark	Qty	Model
-	999 512 056 02	hose clamp		4	
-	999 180 029 50	fuel hose 2 M		*	
-	901 572 515 30	bracket		1	
-	900 075 014 02	hexagon-head bolt M 6X18		5	
-	901 615 109 30	motor protection switch		1	
-	900 014 079 02	pan-head screw AM 3X10		2	
-	900 115 007 01	serrated lock washer A 3,2		2	
-	900 076 001 02	hexagon nut M 3		2	
-	901 501 489 00	clamp for metering		1	
-	901 501 483 00	support for metering		1	
-	N 043 890 1	tapping screw B 4,2X9,5		4	
-	900 067 011 02	pan-head screw M 6X20		1	
-	N 012 007 2	lock ring A 6		1	
-	999 180 030 50	fuel hose 1,2 M		*	
-	999 512 055 02	hose clamp		2	
-	999 702 027 50	rubber sleeve		1	
-	901 617 010 30	conversion set		1	
-	900 076 027 02	hexagon nut M 5		2	
-	900 115 001 01	serrated lock washer A 5,3		2	
-	901 613 631 00	switch for optional heating		1	

Model	Year	MG	SG	Illustration	Restrictions	UPD	18:13	22.01.2010
911-1	1969	8	98	898-00R		248		

Pos	Part Number	Description	Remark	Qty	Model
-	901 612 053 00	wiring harness for heater - WEBASTO -		1	
-	901 613 216 50	rosette chrome	(USA)	1	911 /T/E/S 912
-	901 613 261 20	rosette plastic material		1	
-	901 201 023 04	threaded joint		1	
-	900 123 011 30	sealing ring A 22X27 AL		1	
-	901 504 731 30	lid for tunnel		1	
-	901 504 491 30	gasket for cover		1	
-	901 504 431 30	mat contains asbestos for 901 504 043 02		1	
-	901 504 439 00	washer		2	
>>	>>901 570 501 01	installation set for subsequent installation for air conditioner with - WEBER - carburettor		1	911 /L/S/TU
>>	>>902 570 501 01	installation set for subsequent installation for air conditioner	66-	1	912
-	911 505 037 01	rubber buffer for bumper horn		2	
-	900 076 010 02	hexagon nut M 6		4	
-	900 076 025 02	hexagon nut M 8		2	
-	999 911 182 40	pipng		4	
-	911 505 141 00	impact protection for condenser front	/L	1	

Model	Year	MG	SG	Illustration	Restrictions	UPD	18:13	22.01.2010
911-1	1969	8	98	898-00R		248		

Pos	Part Number	Description	Remark	Qty	Model
-	911 505 142 00	impact protection for condenser front	/R	1	
-	900 186 002 02	pan-head screw M 8X15		2	
-	900 351 001 01	disc with spherical hole C 8,4		2	
-	900 027 015 02	lock ring B 8		2	
-	901 504 731 30	lid for tunnel		1	
-	911 501 093 00	air baffle plate for condenser front		1	
-	911 501 098 00	support for water reservoir windscreen washer system		1	
>>	>>901 617 010 30	modification kit for transistor ignition for heating and ventilation unit 901 572 051 30 F >> 030 8069 F >> 035 5414 F >> 046 2711 F >> 050 0419 F >> 055 0271		1	911 /S

PORSCHE

PET

PORSCHE

Model	Year	MG	SG	Illustration	Restrictions	UPD	18:13	22.01.2010
911-1	1969	8	98	898-05R		248		

Pos	Part Number	Description	Remark	Qty	Model
		parts set spare body -67			911 /S 912 COUPE/TARGA
>>	>>901 500 931 00	1 set	/LL	1	
-	911 347 073 00	steering outer tube		1	
-	911 347 713 00	gasket		1	
-	900 146 044 02	oval-head screw AM 6X10		1	
-	900 014 013 02	pan-head screw M 4X10		6	
-	900 014 079 02	pan-head screw M 3X10		2	
-	N 012 116 1	serrated lock washer M 4,3		6	
-	901 347 754 00	shear bolt		2	
-	901 347 753 00	shear bolt		1	
-	999 523 102 02	lock washer		3	
-	901 613 311 01	switch housing upper part		1	
-	901 613 312 01	switch housing lower part		1	
-	901 333 003 00	rear axle strut		2	
-	901 355 013 00	expansion tank		1	
-	901 355 927 00	hose piece		2	
-	901 355 015 00	retaining strap		1	
-	N 015 429 2	speed nut		2	
-	900 151 028 02	washer B 4,3		2	
-	900 143 007 02	oval-head sheetmetal screw B 4,2X13		2	
-	PCG 355 061 00	connecting line	/V	1	
-	PCG 355 063 00	connecting line	/H	1	
-	999 512 055 02	hose clamp		2	
-	999 702 065 50	rubber sleeve		2	
-	999 702 076 50	rubber sleeve		4	

Model	Year	MG	SG	Illustration	Restrictions	UPD	18:13	22.01.2010
911-1	1969	8	98	898-05R		248		

Pos	Part Number	Description	Remark	Qty	Model
-	901 355 012 00	brake master cylinder		1	
-	999 703 075 40	cap		1	
-	901 355 619 00	brake line	/L/V	1	
-	901 355 620 00	brake line	/R/V	1	
-	901 355 620 01	brake line	/R/V	1	
-	901 355 612 00	brake line centre	/V	1	
-	901 355 632 01	brake hose	/V	2	
-	901 355 615 00	angled pipe		1	
-	901 355 611 00	brake line centre		1	
-	911 423 065 02	bearing bracket		1	
-	911 613 411 00	brake light switch " STOP "		1	
-	900 114 014 01	shake-proof washer A 4,3		2	
-	900 146 011 02	oval-head screw AM 4X10		2	
-	901 423 053 02	brake pedal		1	
-	901 423 507 02	intermediate piece		1	
-	901 423 157 00	stop washer		1	
-	901 423 057 04	piston rod		1	
-	900 158 003 02	hexagon nut M 10		1	
>>	>>901 500 932 00	1 set parts set comprising:	/RL	1	
-	911 347 073 00	steering outer tube		1	
-	911 347 713 00	gasket		1	
-	900 146 044 02	oval-head screw AM 6X10		1	
-	900 014 013 02	pan-head screw M 4X10		6	
-	900 014 079 02	pan-head screw M 3X10		2	

Model	Year	MG	SG	Illustration	Restrictions	UPD	18:13	22.01.2010
911-1	1969	8	98	898-05R		248		

Pos	Part Number	Description	Remark	Qty	Model
-	N 012 116 1	serrated lock washer M 4,3		6	
-	901 347 754 00	shear bolt		2	
-	901 347 753 00	shear bolt		1	
-	999 523 102 02	lock washer		3	
-	901 613 311 01	switch housing upper part		1	
-	901 613 312 01	switch housing lower part		1	
-	901 333 003 00	rear axle strut		2	
-	901 355 013 00	expansion tank		1	
-	901 355 927 00	hose piece		2	
-	N 015 429 2	speed nut		2	
-	900 151 028 02	washer B 4,3		2	
-	900 143 007 02	oval-head sheetmetal screw B 4,2X13		2	
-	901 355 644 00	connecting line	/V	1	
-	901 355 927 01	hose piece 150 MM		1	
-	901 355 618 00	connecting piece		2	
-	901 355 650 00	connecting line	/H	1	
-	999 702 065 50	rubber sleeve		4	
-	999 702 076 50	rubber sleeve		4	
-	901 355 012 00	brake master cylinder		1	
-	999 703 075 40	cap		1	
-	901 355 626 00	brake line	/L/V	1	
-	901 355 620 00	brake line	/R/V	1	
-	901 355 620 01	brake line	/R/V	1	
-	901 355 632 01	brake hose	/V	2	
-	901 355 624 00	brake line centre	/V	1	
-	901 355 615 00	angled pipe		1	

PORSCHE

PET

PORSCHE

Model	Year	MG	SG	Illustration	Restrictions	UPD	18:13	22.01.2010
911-1	1969	8	98	898-05R		248		

Pos	Part Number	Description	Remark	Qty	Model
-	901 355 611 00	brake line centre		1	
-	911 613 411 00	brake light switch " STOP "		1	
-	900 114 014 01	shake-proof washer A 4,3		2	
-	900 146 011 02	oval-head screw AM 4X10		2	
-	911 423 066 00	bearing bracket		1	
-	901 423 528 00	rubber stop		1	
-	901 423 054 01	brake pedal		1	
-	901 423 507 02	intermediate piece		1	
-	901 423 157 00	stop washer		1	
-	901 423 057 04	piston rod		1	
-	900 158 003 02	hexagon nut M 10		1	

Model	Year	MG	SG	Illustration	Restrictions	UPD	18:13	22.01.2010
911-1	1969	8	98	898-10R		248		

Pos	Part Number	Description	Remark	Qty	Model
>>	>>901 613 910 00	lock cylinder outer door handle 1 set lock cylinder for outer door handle with steering lock not for 912 (USA) comprising:	/LL	1	
-	901 613 101 01	steering lock		1	
-	901 531 651 20	lock cylinder		2	
-	901 722 314 00	key		2	
>>	>>901 613 911 00	1 set lock cylinder for outer door handle with ignition starter switch comprising:		1	
-	901 613 013 00	ignition starter switch		1	
-	901 531 651 10	lock cylinder		2	
-	644 613 901 02	key		2	
>>	>>911 613 025 41	set of locks - EUROPA - steering lock without buzzer contact for subsequent installation comprising:	/LL 69-	1	TARGA
-	911 531 061 00	outer door handle complete	/L	1	
-	911 531 062 00	outer door handle complete	/R	1	
-	914 531 637 10	main key		2	
-	914 531 903 11	blank key		2	
-	914 552 905 10	glove compartment lock		1	
-	911 511 903 00	lock for lid-release cable		1	

Model	Year	MG	SG	Illustration	Restrictions	UPD	18:13	22.01.2010
911-1	1969	8	98	898-10R		248		

Pos	Part Number	Description	Remark	Qty	Model
>>	>>911 613 026 01	set of locks - USA - steering lock with buzzer contact for subsequent installation comprising:	/LL 69-	1	911 T/E/S COUPE
-	911 531 061 00	outer door handle complete	/L	1	
-	911 531 062 00	outer door handle complete	/R	1	
-	914 531 637 10	main key		2	
-	914 531 903 11	blank key		2	
-	911 613 011 00	steering lock with buzzer contact		1	
-	914 552 905 10	glove compartment lock		1	
>>	>>911 613 026 41	set of locks - USA - steering lock with buzzer contact for subsequent installation comprising:	69-	1	TARGA
-	911 531 061 00	outer door handle complete	/L	1	
-	911 531 062 00	outer door handle complete	/R	1	
-	914 531 637 10	main key		1	
-	914 531 903 11	blank key		1	
-	911 613 011 00	ignition starter switch with buzzer contact		1	
-	914 552 905 10	glove compartment lock		1	
-	911 511 903 00	lock for lid-release cable		1	
-	914 511 070 10	lock for lid-release cable		1	

Model	Year	MG	SG	Illustration	Restrictions	UPD	18:13	22.01.2010
911-1	1969	8	98	898-10R		248		

Pos	Part Number	Description	Remark	Qty	Model
>>	>>901 531 971 20	1 set outer door handle and steering lock F >> 030 8454 F >> 035 5627 F >> 046 3156 F >> 050 0700 F >> 055 0525 comprising:	-68	1	911 /S
-	901 613 101 01	ignition starter lock		1	
-	901 531 061 20	outer door handle	/L	1	
-	901 531 062 20	outer door handle	/R	1	
>>	>>901 531 972 20	1 set outer door handle and ignition starter switch F >> 030 8454 F >> 035 5627 F >> 046 3156 F >> 050 0700 F >> 055 0525 comprising:	-68	1	911 /S
-	901 613 101 10	ignition starter switch		1	
-	901 531 061 10	outer door handle	/L	1	
-	901 531 062 10	outer door handle	/R	1	
>>	>>901 531 050 00	1 set outer door handle comprising: not for (USA)	69-	1	
-	901 531 061 21	outer door handle	/L	1	
-	901 531 062 21	outer door handle	/R	1	
-	901 722 314 00	key for doors		2	

Model	Year	MG	SG	Illustration	Restrictions	UPD	18:14	22.01.2010
911-1	1969	8	98	898-15R		248		

Pos	Part Number	Description	Remark	Qty	Model
>>	>>901 505 910 20	power window 1 set bumper reinforcement	/V -68	1	911 /S
-	901 505 911 20	1 set bumper reinforcement for subsequent installation comprising:	/L/V	1	
-	901 505 912 20	reinforcement	/R/V	1	
-	901 505 143 20	desk pad 4 MM		2	
-	901 505 143 21	desk pad 6 MM		2	
-	901 505 143 22	desk pad 8 MM		2	
-	999 915 014 00	1 DOSE resin		X	
-	999 915 015 00	1 DOSE hardener 15 CCM		X	
>>	>>901 505 904 00	rear apron 1 set for subsequent installation picture 29-35 see group 8/02/15 comprising:	69-	1	
(29)	901 505 425 21	rear apron centre		1	
(29)	901 505 426 21	rear apron right		1	
(29)	901 505 423 20	rear apron left		1	
30	N 015 429 2	speed nut B 4,2		9	
31	900 025 002 02	washer 4,3		9	
32	900 143 031 02	oval-head sheetmetal screw B 4,2X9,5		9	
33	900 146 016 02	oval-head screw AM 3X6		2	

Model	Year	MG	SG	Illustration	Restrictions	UPD	18:14	22.01.2010
911-1	1969	8	98	898-15R		248		

Pos	Part Number	Description	Remark	Qty	Model
34	900 076 001 02	hexagon nut M 4		2	
35	900 151 019 02	washer B 3,2		2	
>>	>>911 542 907 00	power window	/LL	1	
>>	>>911 542 908 00	power window 1 set for subsequent installation comprising:	/RL 69-	1	
-	911 542 003 25	power windows	/L	1	
-	911 542 004 25	power windows	/R	1	
-	N 010 210 13	hexagon-head bolt M 6X10		4	
-	901 542 417 00	cable holder		4	
-	901 542 063 00	stop wedge		2	
-	900 186 102 02	hexagon socket head bolt M 5X10		4	
-	901 531 083 00	bracket		2	
-	900 186 122 02	pan-head screw M 6X12		6	
-	901 612 062 00	wiring harness switch		3	
-	901 612 071 03	wiring harness door		2	
-	901 612 071 02	wiring harness power windows	/LL	1	
-	901 612 097 00	wiring harness power windows	/RL	1	
-	901 612 898 00	cable connection		2	
-	900 143 007 02	oval-head screw B 4,2X13		4	
-	999 513 002 40	tie-wrap		2	
-	901 612 835 01	connecting rail		1	
-	901 613 621 00	switch		3	
-	911 613 637 00	seal switch		1	
-	911 613 638 00	seal switch		1	

PORSCHE

PET

PORSCHE

Model	Year	MG	SG	Illustration	Restrictions	UPD	18:14	22.01.2010
911-1	1969	8	98	898-15R		248		

Pos	Part Number	Description	Remark	Qty	Model
-	911 613 623 00	grommet		3	
-	999 702 026 50	grommet door panel left and right see group 8/07/10 + 8/07/15		2	

Model	Year	MG	SG	Illustration	Restrictions	UPD	18:14	22.01.2010
911-1	1969	8	98	898-20R		248		

Pos	Part Number	Description	Remark	Qty	Model
		rear window installation set			
		for subsequent installation			
>>	>>901 545 921 00	1 set rear window for subsequent installation comprising:		1	
-	911 545 105 00	rear window heatable		1	
-	901 612 029 10	1 set crank		1	
-	901 612 011 28	positive cable		1	
-	901 612 813 01	fuse holder		1	
-	999 652 142 40	push-on connector single pole		1	
-	999 702 046 50	grommet		1	
-	901 613 623 02	alarm switch		1	
-	901 613 261 20	nut plastic material		1	
-	901 613 216 50	nut chrome		1	
-	900 631 102 90	light 12V/2W		1	
>>	>>901 545 921 01	1 set rear window green heatable for subsequent installation comprising:		1	
-	911 545 107 00	rear window green heatable		1	
-	901 612 029 10	wiring harness		1	
-	901 612 011 28	positive cable		1	
-	901 612 813 01	fuse holder		1	
-	999 652 142 40	push-on connector		1	
-	999 702 046 50	grommet		1	
-	901 613 623 02	alarm switch		1	

PORSCHE

PET

PORSCHE

Model	Year	MG	SG	Illustration	Restrictions	UPD	18:14	22.01.2010
911-1	1969	8	98	898-20R		248		

Pos	Part Number	Description	Remark	Qty	Model
-	901 613 261 20	nut plastic material		1	
-	901 613 216 50	nut chrome		1	
-	900 631 102 90	light 12V/2W		1	

Model	Year	MG	SG	Illustration	Restrictions	UPD	18:14	22.01.2010
911-1	1969	8	98	898-25R		248		

Pos	Part Number	Description	Remark	Qty	Model
>>	>>901 505 920 20	rubber buffer bumper horn for subsequent installation 1 set rubber buffer for bumper horn for subsequent installation comprising:		1	
-	901 505 901 21	rubber buffer	/V	2	
-	901 505 903 21	rubber buffer	/H	2	
-	900 076 010 02	hexagon nut M6		10	

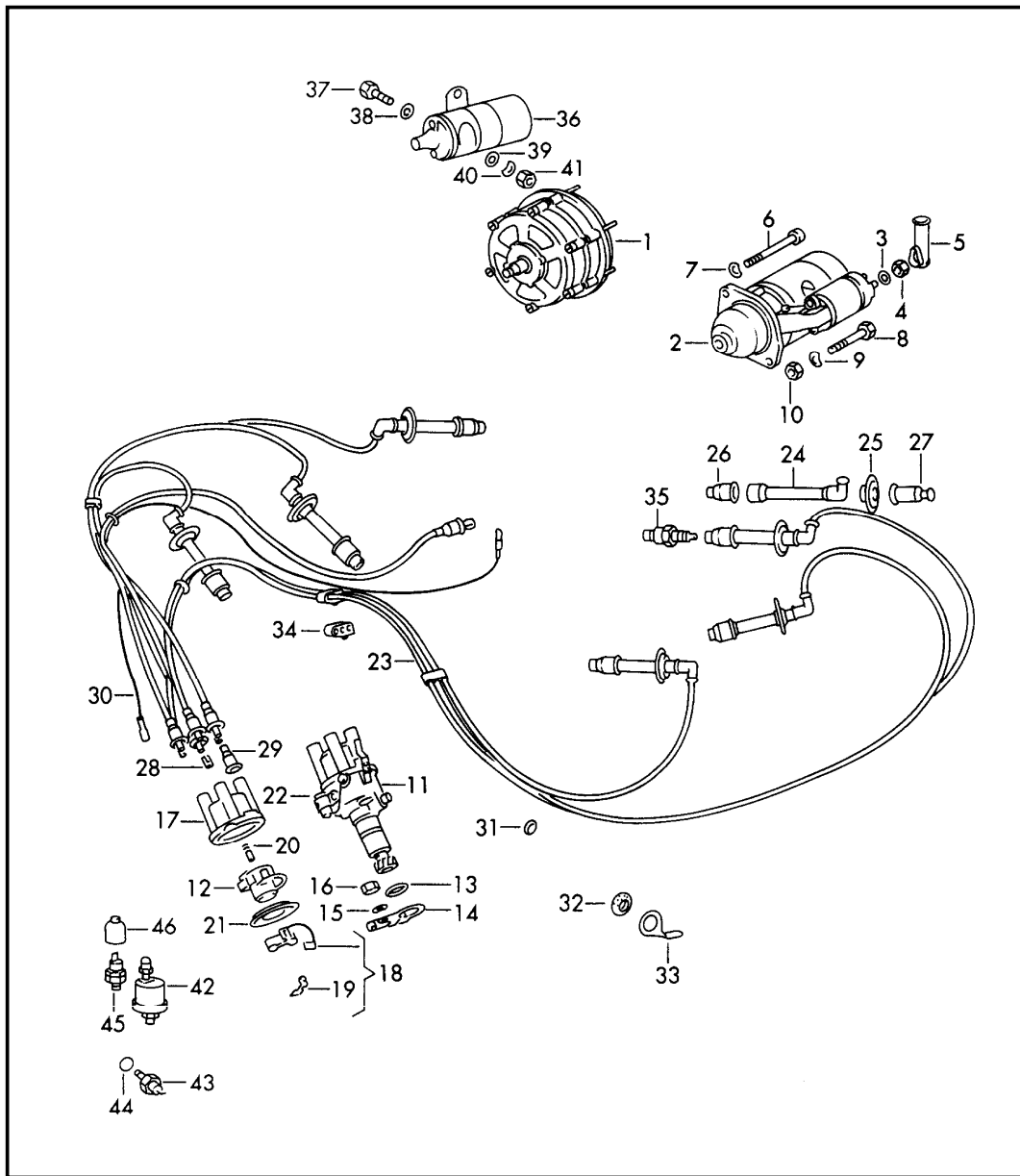
Model	Year	MG	SG	Illustration	Restrictions	UPD	18:14	22.01.2010
911-1	1969	8	98	898-30R		248		

Pos	Part Number	Description	Remark	Qty	Model
		seat belt installation set			
		with automatic for subsequent installation			
>>	>>901 803 901 00	seat belt three-point seat belt for (D) comprising:	/L	1	COUPE
-	901 803 017 21	three-point seat belt	/L	1	
-	911 555 069 01	cover	/L	1	
-	911 555 613 00	support	/L	1	
-	901 555 615 00	rosette		1	
-	901 555 769 00	desk pad		1	
-	900 145 006 02	rais. counters. h. tap. s. B 3,5X19		2	
-	900 146 042 00	oval-head sheetmetal screw		1	
-	999 591 102 12	protection washer		1	
>>	>>901 803 902 00	seat belt three-point seat belt for (D) comprising:	/R	1	COUPE
-	901 803 018 21	three-point seat belt	/R	1	
-	911 555 070 01	cover	/R	1	
-	911 555 613 00	support	/R	1	
-	901 555 615 00	rosette		1	
-	901 555 769 00	desk pad		1	
-	900 145 006 02	rais. counters. h. tap. s. B 3,5X19		2	
-	900 145 042 00	oval-head sheetmetal screw B 3,6X22		1	
-	999 591 102 12	protection washer		1	
>>	>>901 803 901 40	seat belt three-point seat belt for (D) comprising:	/LL/L	1	TARGA

Model	Year	MG	SG	Illustration	Restrictions	UPD	18:14	22.01.2010
911-1	1969	8	98	898-30R		248		

Pos	Part Number	Description	Remark	Qty	Model
-	901 803 017 43	three-point seat belt	/L	1	
-	901 803 139 00	rosette		1	
-	901 803 135 00	suspension hook		1	
-	999 507 011 01	speed nut		1	
-	900 143 116 07	oval-head sheetmetal screw B 3,5X22		1	
-	N 013 958 7	tapping screw B 3,5X13		2	
-	N 011 663 1	washer 3,7		2	
-	999 025 058 01	washer		1	
>>	>>901 803 902 40	seat belt three-point seat belt for (D) comprising:	/LL/R	1	TARGA
-	901 803 018 43	three-point seat belt	/R	1	
-	901 803 139 00	rosette		1	
-	901 803 135 00	suspension hook		1	
-	999 507 011 01	speed nut		1	
-	900 143 116 07	oval-head sheetmetal screw B 3,5X22		1	
-	N 013 958 7	tapping screw B 3,5X13		2	
-	N 011 663 1	washer 3,7		2	
-	999 025 058 01	washer		1	

Model	Year	MG	SG	Illustration	Restrictions	UPD	18:14	22.01.2010	PORSCHE	PET	PORSCHE
911-1	1969	9	01	901-00		248					



Pos	Part Number	Description	Remark	Qty	Model
		engine electrics			911
1	901 603 106 00	generator - bosch - 490 W		-68 1	911 /S/L
(1)	901 603 114 00	generator - MOTOROLA - 490 W		-68 1	911 TU
(1)	901 603 113 00	generator - MOTOROLA - 840 W	(USA)	-68 1	911 S/TU/L 911
(1)	901 603 118 00	generator - bosch -		69 1	
(1)	901 603 120 00	generator - MOTOROLA - see group 9/01/20		69 1	
-	900 076 010 02	hexagon nut M 6		6	
-	900 028 008 01	spring washer B 6		6	
-	901 612 110 00	ground strap engine generator		69 1	
2	901 604 102 00	starter M >> 090 1638		-68 1	911
(2)	901 604 102 01	starter M 090 1639 >>	(USA)	-68 1	911 S/TU/L 911
(2)	901 604 102 AX	starter M 090 1639 >>	(USA)	-68 1	911 S/TU/L 911
(2)	923 604 101 00	starter		69 1	
3	900 027 016 02	lock ring B 10		1	
-	900 031 005 02	washer 10,5 not for		69 3	SPM
-	999 523 103 01	lock washer M 10 not for		69 3	SPM
4	900 157 002 02	hexagon nut		2	

Model	Year	MG	SG	Illustration	Restrictions	UPD	18:14	22.01.2010	PORSCHE	PET	PORSCHE
911-1	1969	9	01	901-00		248					

Pos	Part Number	Description	Remark	Qty	Model	Pos	Part Number	Description	Remark	Qty	Model
5	999 659 006 50	protection cap		1		(11)	901 602 031 X	distributor - bosch -	69	1	911 S
6	900 067 074 02	pan-head screw M 10 X 110 not for		1	SPM			not for see group 9/01/35			SPM
-	900 155 019 02	hexagon-head bolt M 10 X 70	-68	1		-	999 619 121 00	screened connector for distributor	(F)	7	
(6)	900 067 078 02	pan-head screw M 10 X 150	69	1	SPM	-	999 659 002 50	rubber cap	(F)	7	
7	901 604 581 00	spring washer		1		-	901 612 107 00	ground strap	(F)	2	
8	900 155 023 02	hexagon-head bolt M 10 X 72 not for	69	1	SPM	12	616 602 221 05	rotor	-68	1	911
(8)	900 155 018 02	hexagon-head bolt M 10 X 110		1	SPM	(12)	911 602 925 00	rotor - bosch - M 090 3445 >>	-68 69	1	911 /L 911 E SPM
9	N 012 242 3	spring washer B 10 X 18		2		(12)	911 602 929 00	rotor	-68	1	911 S
10	900 157 002 02	hexagon nut M 10		2		(12)	901 602 928 01	rotor - MARELLI -	69	1	911 T/S SPM
11 >	901 602 021 02	distributor		1	911 /L	(12)	911 602 928 00	rotor - bosch -	69	1	911 T/S SPM
11	901 602 021 BX	distributor - bosch -		1	911 /L	(12)	911 602 929 00	rotor - bosch - not for	69	1	911 S SPM
(11)	901 602 022 00	distributor - MARELLI - see group 9/01/30	-68	1	911 TU	13	999 701 101 50	sealing ring		1	
(11)	901 602 021 CX	distributor - bosch -	-68 69	1	911 TU 911 T/S	14	999 511 046 02	clamping bow		1	
(11) >	901 602 021 50	distributor	-68	1	911 S	15	N 012 241 1	spring washer B 8 X 15		1	
(11)	901 602 021 ZX	distributor - bosch -	-68	1	911 S	16	900 076 025 02	hexagon nut M 8		1	
(11) >	901 602 027 00	distributor	69	1	911 E	17	911 602 933 00	distributor cap	-68	1	911 /S/L
(11)	901 602 027 X	distributor - bosch - see group 9/01/35	69	1	911 E SPM	(17)	901 602 963 00	distributor cap - bosch -	69	1	
(11) >	901 602 031 00	distributor	69	1	911 S	(17)	901 602 953 00	distributor cap - MARELLI -	69	1	911 T/S
						18	616 602 226 01	contact breaker point		1	
						(18)	616 602 226 02	contact breaker point - bosch -		1	

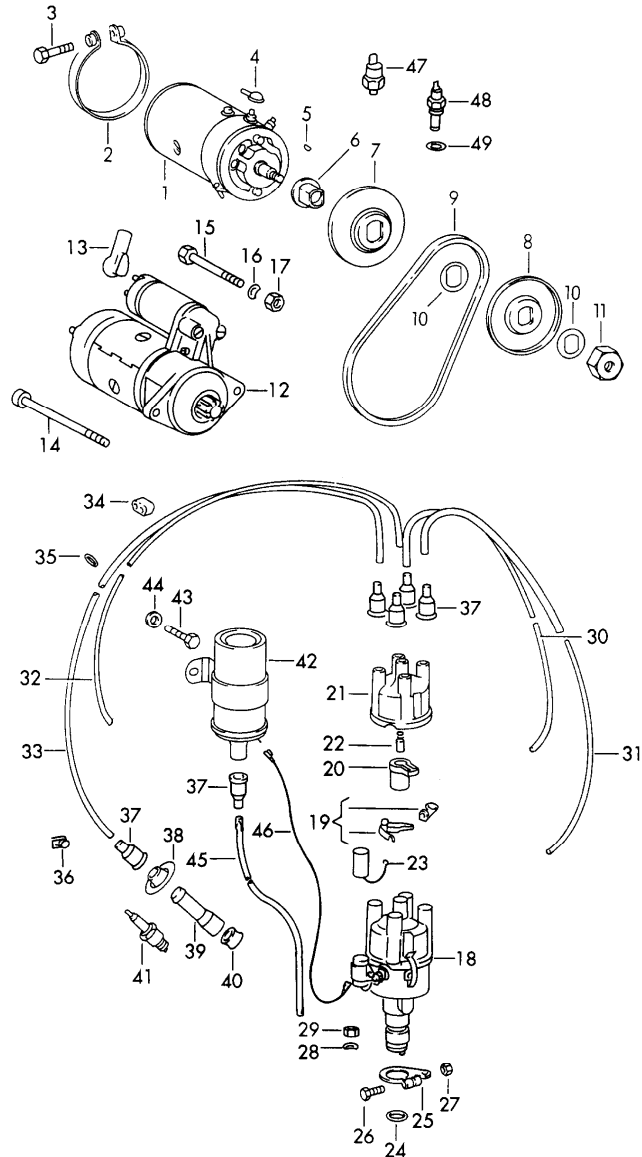
Model	Year	MG	SG	Illustration	Restrictions	UPD	18:14	22.01.2010	PORSCHE	PET	PORSCHE
911-1	1969	9	01	901-00		248					

Pos	Part Number	Description	Remark	Qty	Model	Pos	Part Number	Description	Remark	Qty	Model
(18)	911 602 960 00	contact breaker point - MARELLI - see group 9/01/25		1		(31)	999 701 010 50	o-ring	69	2	911 T
19	616 602 226 01	contact breaker point	-68	1	911 /S/L	32	999 702 029 50	grommet	-68	2	
20	930 602 905 00	wiper contact - bosch -	-68 69	1	911 /S/L 911 T/E/S	33	901 609 581 00	cable holder	-68	2	
(20)	901 602 952 00	wiper contact - MARELLI -	69	1	911 T	34	901 609 591 00	cable holder		5	
21	901 602 927 00	dust cover - bosch -	-68 69	1	911 /S/L 911 T/E/S	-	901 609 133 00	cable holder	-68	1	911 S/TU/L
22	616 602 227 00	condenser	-68	1	911 /S/L	35	999 170 010 90	spark plug BOSCH W 250 P21	-68 69	6	911 911 T:WW
(22)	901 602 931 00	condenser - MARELLI -		1	911 T	(35)	999 170 107 90	spark plug CHAMPION N 6 Y	-68	6	911 /L
23	901 609 055 00	ignition lead	-67	1		(35)	999 170 128 90	spark plug BERU 260/14/3 S	-68	6	
(23)	901 609 057 00	ignition lead	68	1		(35)	999 170 128 90	spark plug BOSCH W 265 P 21		6	911 S/E
(23)	911 609 061 00	ignition lead	69	1		(35)	999 170 165 90	spark plug BERU 240/14/3	-68 69	6	911 TU 911 T:WW
-	900 612 001 00	ignition lead 5 METER		*		(35)	999 170 022 91	spark plug - bosch - for ignition BHKZ	69	6	911 E/S
24	901 609 309 00	screened connector with cap POS. 25		6		(35)	999 170 111 90	spark plug BOSCH W 230 T 30	-68 69	6	911 TU 911 T
25	111 905 449 A	cap		6		(35)	999 170 010 91	spark plug - beru -	69	6	911 T
26	999 659 034 40	water protection cap		6		(35)	999 170 010 91	spark plug - bosch -	69	6	911 T:WW
27	999 659 001 40	water protection cap	-68	14		36	901 602 102 01	ignition coil - bosch -	-68	1	911 /S/L
28	911 609 510 00	cable plug	69	8		(36)	901 602 103 00	ignition coil - bosch -	-68	1	911 TU
29	999 659 001 40	water protection cap	69	8		-	901 612 327 00	line - MARELLI -	-68	1	911 TU
30	901 609 053 00	line ignition coil distributor	-68	1	911	(36)	901 602 502 01	ignition coil with line	69	1	911 T
(30)	901 609 053 04	line with flat plug ignition coil distributor	-68	1	911 S/TU/L	(36)	901 602 502 00	ignition transformer	69	1	
31	000 97 302	o-ring	-68	6		37	900 187 016 02	hexagon-head tapping screw BZ 6,3 X 13	-68	2	

Model	Year	MG	SG	Illustration	Restrictions	UPD	18:14	22.01.2010	PORSCHE	PET	PORSCHE
911-1	1969	9	01	901-00		248					

Pos	Part Number	Description	Remark	Qty	Model	Pos	Part Number	Description	Remark	Qty	Model
38	900 151 003 02	washer A 6,A		-68 2							
39	900 025 007 02	washer 8,4		69 2							
40	N 012 241 1	spring washer B 8 X 15		69 2							
41	900 076 025 02	hexagon nut M 8		69 2							
42	901 741 551 01	pressure transmitter see group 1/01/05 M >> 090 9000	(USA)	1	911 S/E 911 /L SPM 911						
-	N 013 808 3	sealing ring A 10 X 16		1							
43	901 741 632 00	remote temperature sensor see group 1/01/05		1							
44	900 123 007 30	sealing ring A 14 X 18		69 1							
45	901 613 571 01	oil pressure switch M 090 9001 >>		-68 1 69	911 /TU/L 911 T						
46	999 659 009 40	water protection cap M 090 9001 >>		1							

Model	Year	MG	SG	Illustration	Restrictions	UPD	18:15	22.01.2010	PORSCHE	PET	PORSCHE
911-1	1969	9	01	901-05		248					



Pos	Part Number	Description	Remark	Qty	Model
		engine electrics			912
1	616 603 102 01	generator 350 W	-68	1	
(1)	616 603 112 00	generator 420 W	-68	1	
(1)	616 603 112 00	generator 420 W	69	1	
2	546 09 301	restraining strap generator 350 W		1	
(2)	999 512 066 02	restraining strap generator 420 W		1	
3	900 074 130 02	hexagon-head bolt M 8 X 40		1	
4	616 109 381 00	protection cap		2	
5	N 012 705 1	spring 3 X 5		2	
6	547 09 304	hub		1	
7	539 09 315	pulley I		1	
8	539 09 316	pulley II		1	
9	999 192 006 50	narrow v-belt 9,5 X 825		1	
10	539 09 314	spacer		19	
11	547 09 303	nut		2	
12	A 923 604 101 00	starter 12 V	-68	1	
12	> 901 604 102 CX	starter 12 V	-68	1	
(12)	A 923 604 101 00	starter 12 V	69	1	
(12)	> 901 604 102 CX	starter 12 V	69	1	
13	999 659 006 50	protection cap		1	

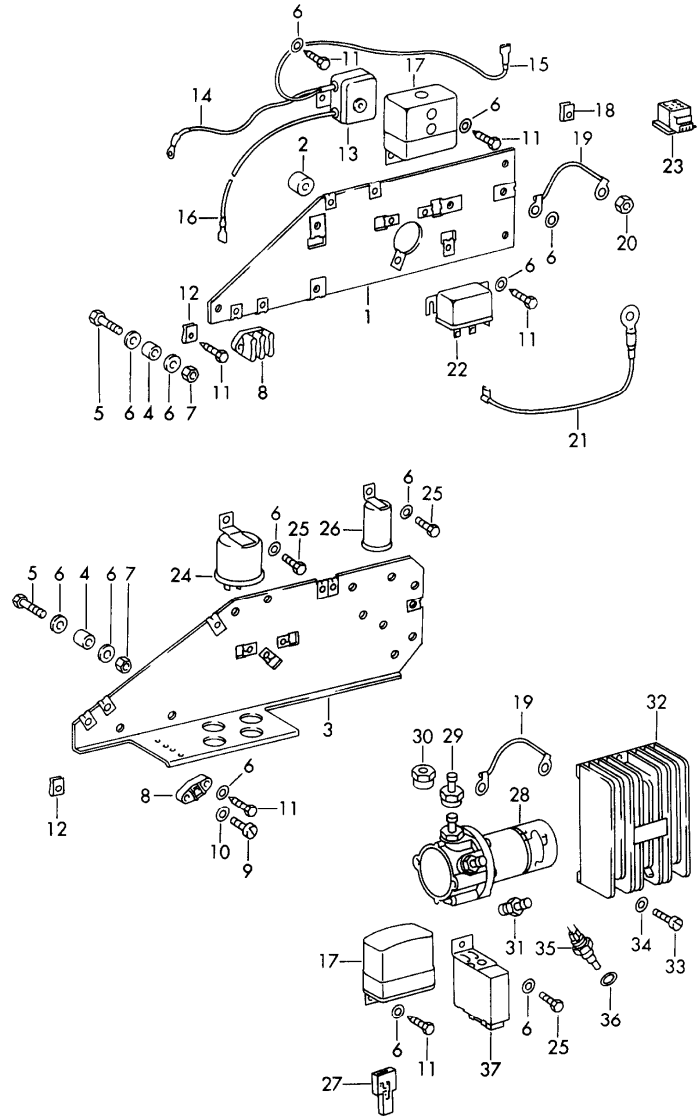
Model	Year	MG	SG	Illustration	Restrictions	UPD	18:15	22.01.2010	PORSCHE	PET	PORSCHE
911-1	1969	9	01	901-05		248					

Pos	Part Number	Description	Remark	Qty	Model	Pos	Part Number	Description	Remark	Qty	Model
14	900 067 075 02	pan-head screw M 10 X 120		1		-	616 109 952 00	set of ignition cables	-68	1	
15	900 155 021 02	hexagon-head bolt M 10 X 80		1		30	616 109 952 01	ignition lead cylinder 1		1	
16	N 012 230 1	spring washer B 10	-68	5		31	616 109 952 02	ignition lead cylinder 2		1	
(16)	N 012 242 3	spring washer B 10 X 18	69	5		32	616 109 952 02	ignition lead cylinder 3	-68	1	
17	900 157 002 02	hexagon nut M 10		5		(32)	616 109 952 02	ignition lead cylinder 3	69	1	
-	999 523 103 01	lock washer		2		33	616 109 952 02	ignition lead cylinder 4		1	
-	900 031 005 02	washer 10,5		2		34	616 09 904	cable holder		X	
18	369 09 210	distributor		1		35	000 97 302	o-ring	-68	4	
19	616 602 226 02	contact breaker point		1		(35)	999 701 010 50	o-ring	69	4	
20	616 602 221 05	rotor		1		36	999 651 120 40	cable clip		1	
(20)	616 602 221 06	rotor shielded		1		-	616 609 305 01	screened connector for distributor	(F)	5	
(20)	616 602 323 00	rotor	-68	1		-	999 619 121 00	screened connector for distributor	(NL)	5	
21	616 602 215 00	distributor cap		1							
22	930 602 905 00	wiper contact		1		37	999 659 001 40	water protection cap		10	
23	616 602 907 02	condenser		1		-	999 659 002 50	water protection cap	(F) (NL)	5	
24	999 701 101 50	sealing ring		1		38	539 09 201	rubber cap	-68	4	
25	539 09 313	retaining ring		1		(38)	111 905 449 A	cap	69	4	
26	900 074 088 02	hexagon-head bolt M 6 X 25		1		39	692 609 302 00	connector		4	
27	900 076 010 02	hexagon nut M 6		1		-	616 609 301 01	screened connector	(F)	4	
28	N 012 241 1	spring washer B 8 X 15		1		-	616 609 302 00	screened connector	(NL)	4	
29	502 08 310	hexagon nut	-68	1		40	999 659 034 40	water protection cap		4	
(29)	502 08 310	nut	69	1		-	999 659 003 50	water protection cap	(F)	4	
-	900 612 001 00	ignition lead 5 METER		*		-	999 659 015 40	protection cap	(NL)	4	
								spark plug old version new design			

Model	Year	MG	SG	Illustration	Restrictions	UPD	18:15	22.01.2010	PORSCHE	PET	PORSCHE
911-1	1969	9	01	901-05		248					

Pos	Part Number	Description	Remark	Qty	Model	Pos	Part Number	Description	Remark	Qty	Model
41	999 170 027 90	spark plug BOSCH W 200 T 35 BOSCH W 6BC		4		-	999 619 127 00	suppressor condenser for regulator switch and generator		1	
(41)	999 170 023 90	spark plug BOSCH W 225 T 7		4		-	616 619 230 00	regulator suppression set		1	
(41)	999 170 023 90	spark plug BERU P 225/14		4		-	999 619 126 01	condenser for pump windscreen washer system		1	
(41)	999 170 028 90	spark plug CHAMPION UL-82Y		4		-	616 609 301 02	screened connector for spark plug		4	
42	616 602 109 00	ignition coil 12 V		1		-	999 619 122 00	screened connector for distributor		5	
43	N 010 215 13	hexagon-head bolt M 6 X 15		2		-	902 619 001 00	suppression set 420 W		1	
44	N 011 524 7	washer 6,4		2		-	902 619 006 00	suppressor condenser generator 420 W		1	
45	616 109 952 05	ignition lead		1							
-	911 609 510 00	cable plug		6							
46	616 609 053 00	line		1							
47	901 613 571 01	oil pressure switch		1							
-	999 659 009 40	water protection cap		1							
48	901 741 632 00	remote temperature sensor see group 1/7A		1							
49	900 123 007 30	sealing ring		1							
>>	>>902 619 901 00	car radio suppression set 350 W comprising:		1							
-	999 619 121 00	screened connector for distributor		5							
-	616 609 903 00	water protection cap		5							
-	999 619 125 00	suppressor condenser for ignition coil		1							
-	999 619 126 01	condenser for wiper motor		1							

Model	Year	MG	SG	Illustration	Restrictions	UPD	18:15	22.01.2010	PORSCHE	PET	PORSCHE
911-1	1969	9	01	901-10		248					



Pos	Part Number	Description	Remark	Qty	Model
		mounting plate			911
1	901 504 085 20	mounting plate	-68	1	
2	999 703 039 50	supporting rubber	-68	X	
3	901 610 011 00	mounting plate	69	1	
4	901 504 859 20	rubber mounting		4	
5	900 074 015 02	hexagon-head bolt M 6 X 30		4	
6	900 025 002 02	washer 4,3		8	
(6)	N 012 224 3	spring washer A 4		2	
(6)	900 151 003 02	washer A 6,4		7	
(6)	999 025 108 02	washer A 6,4 X 14		8	
(6)	900 025 025 02	washer 8,4		1	
-	N 012 132 2	shake-proof washer A 8,4		1	
7	900 910 011 02	lock nut M 6		10	
(7)	900 084 010 02	hexagon nut M 6		4	
8	901 612 892 00	cable terminal 2-pole	-68	2	
(8)	928 612 867 00	cable connection	69	1	
9	900 014 061 02	pan-head screw M 5 X 10	69	1	
10	900 114 018 01	shake-proof washer	69	1	
11	900 187 014 02	hexagon-head tapping screw BZ 4,2 X 16		4	
(11)	900 187 013 02	hexagon-head tapping screw BZ 4,3 X 13		2	
(11)	900 014 013 02	pan-head screw M 4 X 10	-68	2	

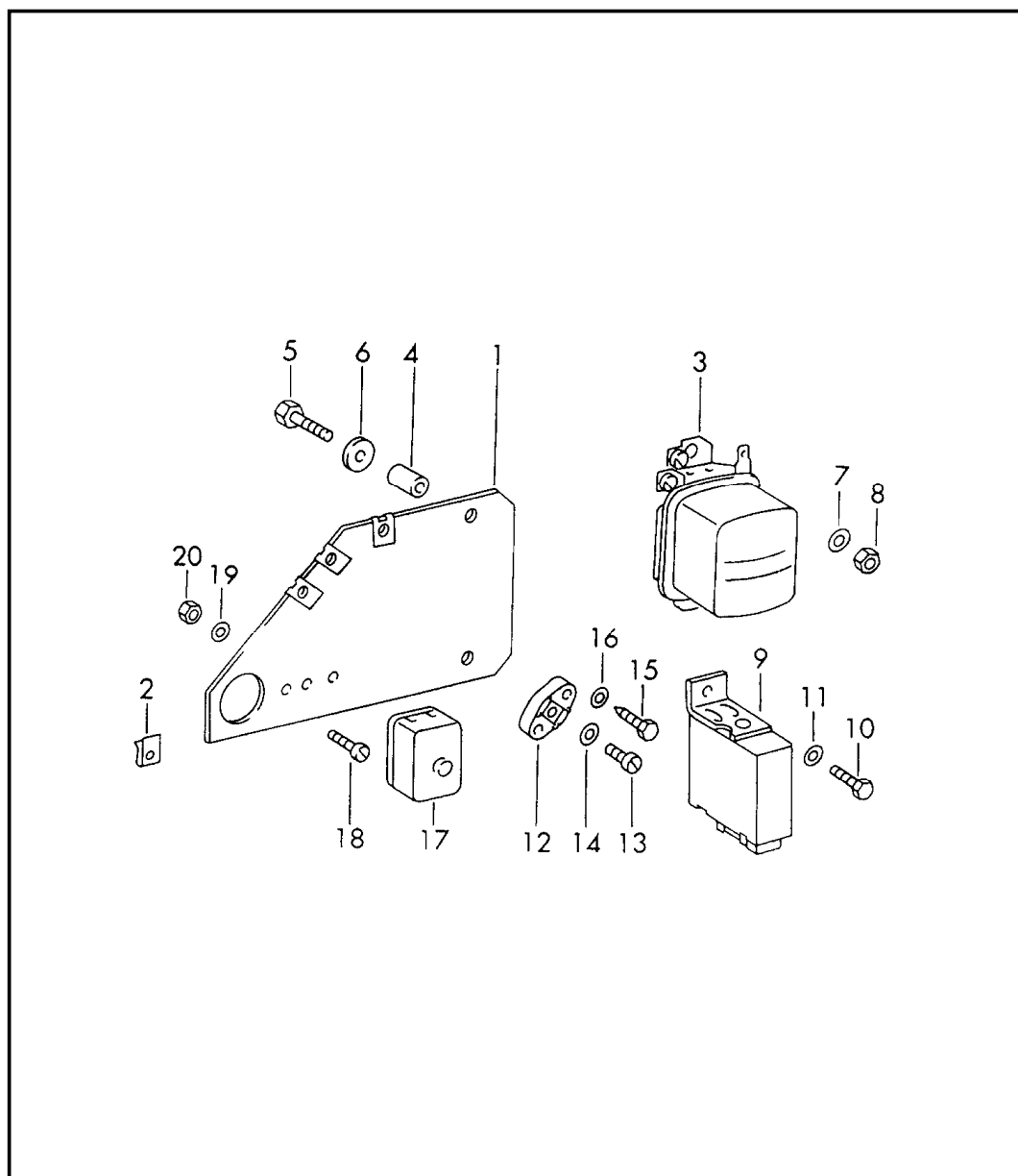
Model	Year	MG	SG	Illustration	Restrictions	UPD	18:15	22.01.2010	PORSCHE	PET	PORSCHE
911-1	1969	9	01	901-10		248					

Pos	Part Number	Description	Remark	Qty	Model	Pos	Part Number	Description	Remark	Qty	Model
(11)	900 187 013 02	pan-head screw BZ 4,2 X 13	-68	4		(17)	901 603 206 10	regulator switch - MOTOROLA -	-68	1	911 TU
12	N 015 429 2	speed nut B 4,2		X		-	901 603 215 00	fastening angle for regulator switch - MOTOROLA -	-68	1	911 TU
13	901 602 852 00	series resistor - beru -	-68	1		-	900 075 010 02	hexagon-head bolt	-68	2	911 S/TU/L
(13)	901 602 852 00	resistor - bosch -	-68	1		-	900 076 010 02	hexagon nut	-68	2	911 S/TU/L
14	901 609 053 01	line ignition coil series resistor	-68	1	911	-	900 027 013 01	lock ring	-68	2	911 S/TU/L
(14)	901 609 053 05	line ignition coil series resistor - bosch - with flat plug	-68	1	911 /S	(17)	901 603 206 02	regulator - bosch -	69	1	
(14)	901 609 053 07	line ignition coil series resistor - beru -	-68	1		(17)	901 603 206 11	regulator - MOTOROLA -	69	1	
-	901 609 053 08	line ignition coil relay - MARELLI -	-68	1	911 TU	18	999 591 327 02	speed nut B 6,3	-68	2	
15	901 609 053 02	line relay series resistor - bosch -	-68	1	911 /S	19	695 347 104 06	ground strap mounting plate body		1	
(15)	901 609 053 06	line relay series resistor - beru -	-68	1		-	901 612 323 01	ground strap mounting plate body	-68	1	
16	901 609 053 03	line connection point series resistor - bosch -	-68	1	911 /S	20	900 076 030 02	hexagon nut M 8		1	
(16)	901 609 053 07	line connection point series resistor - beru -	-68	1		21	901 612 313 20	ground strap relay	-68	1	
17	901 603 206 01	regulator switch - bosch -	(USA) -68	1	911 S/L 911	22	901 615 102 00	relay	-68	1	
						23	901 612 893 01	flat connector socket	-68	1	
						24	901 617 115 00	slow-action relay	69	1	911 E/S
						25	900 187 013 02	hexagon-head bolt BZ 4,2 X 13	69	1	911 E/S
						26	901 602 601 00	ballast resistor	69	1	
						27	999 652 151 40	line distributor	69	1	911 T
						28	901 608 106 00	fuel pump see group 2/01/05	69	1	911 T
						29	901 608 917 00	union 22 X 1	69	1	911 T

Model	Year	MG	SG	Illustration	Restrictions	UPD	18:15	22.01.2010	PORSCHE	PET	PORSCHE
911-1	1969	9	01	901-10		248					

Pos	Part Number	Description	Remark	Qty	Model	Pos	Part Number	Description	Remark	Qty	Model
30	901 608 919 00	adapter M 12 X 1/M 12 X 1,5		69	1 911 T						
31	901 608 918 00	union 12 X 1,5		69	1 911 T						
32 >	901 602 702 00	switch unit		69	1						
32	901 602 702 X	switch unit exchange		69	1						
33	900 067 008 02	pan-head screw M 6 X 12		69	3 911 E/S						
34	900 027 014 01	lock ring B 6		69	3 911 E/S						
35	911 617 113 00	temperature switch characteristic line i starter		69	1 911 E/S						
(35)	901 617 117 00	temperature switch characteristic line a emergency starting		69	1 911 E/S						
36	900 123 007 70	sealing ring A 14 X 18			2						
37	901 615 113 00	relay "DASHPOT"	/L	69	1 911 T						
(37)	901 615 111 00	relay injection pump		69	1 911 E/S						

Model	Year	MG	SG	Illustration	Restrictions	UPD	18:15	22.01.2010	PORSCHE	PET	PORSCHE
911-1	1969	9	01	901-15		248					

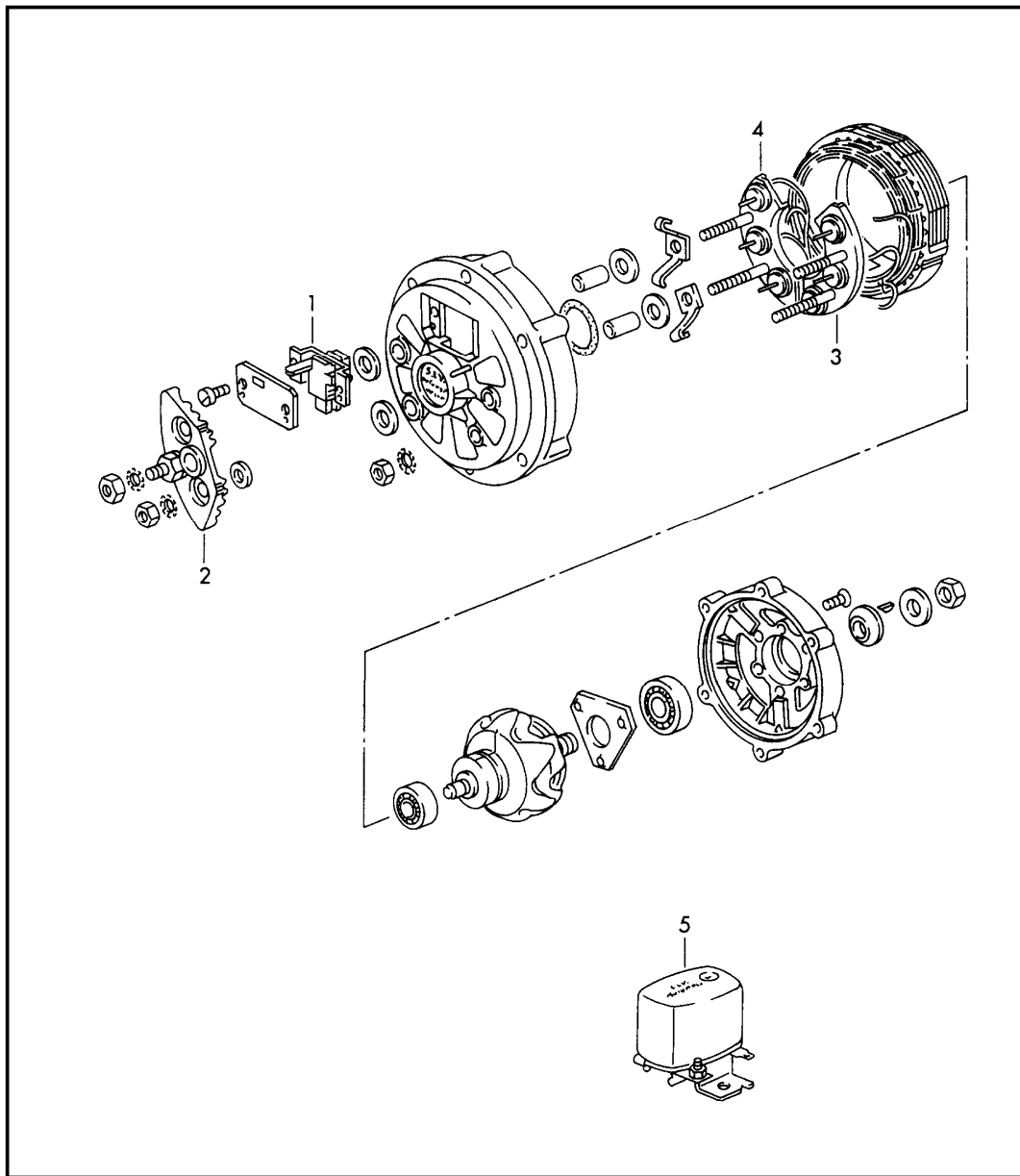


Pos	Part Number	Description	Remark	Qty	Model
		mounting plate			912
1	902 610 011 00	mounting plate with speed nut	69	1	
2	N 015 429 2	speed nut B 4,2	69	X	
3	616 603 212 00	regulator switch for generator 420 W	-68	1	
(3)	616 603 202 01	regulator for generator 350 W	-68	1	
(3)	616 603 212 00	regulator switch	69	1	
4	901 504 859 20	rubber mounting		2	
5	900 074 015 02	hexagon-head bolt M 6 X 30	-68	2	
(5)	N 010 347 5	hexagon-head bolt M 6 X 35	69	2	
6	999 025 108 02	washer B 6,4 X 14		2	
7	900 151 006 09	washer A 6,4		4	
8	999 084 103 02	lock nut M 6	-68	2	
(8)	900 084 010 02	hexagon nut M 6	69	2	
12	928 612 867 00	cable connection	69	1	
13	900 014 061 10	pan-head screw M 5 X 10	69	1	
14	900 114 018 01	shake-proof washer	69	1	
15	900 187 014 02	hexagon-head tapping screw BZ 4,2 X 15	69	2	
16	900 025 002 02	washer 4,3	69	2	
17	901 612 085 04	fuse holder 2-pole	69	1	912

Model	Year	MG	SG	Illustration	Restrictions	UPD	18:15	22.01.2010	PORSCHE	PET	PORSCHE
911-1	1969	9	01	901-15		248					

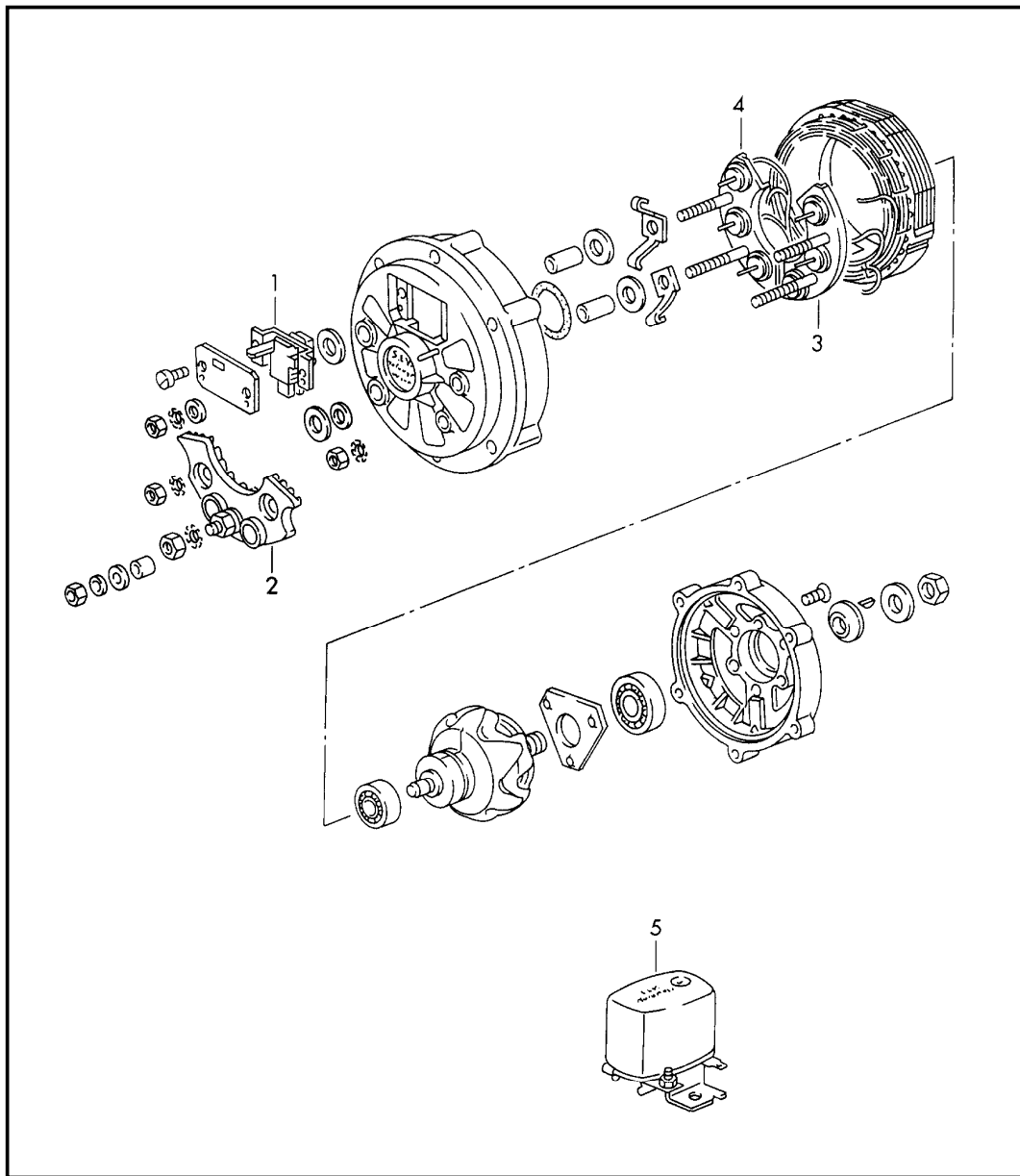
Pos	Part Number	Description	Remark	Qty	Model	Pos	Part Number	Description	Remark	Qty	Model
18	900 014 074 02	pan-head screw AM 4 X 12	69	2							
19	900 028 018 01	spring washer B 4	69	2							
20	N 011 004 6	hexagon nut M 4	69	2							

Model	Year	MG	SG	Illustration	Restrictions	UPD	18:15	22.01.2010	PORSCHE	PET	PORSCHE
911-1	1969	9	01	901-20		248					



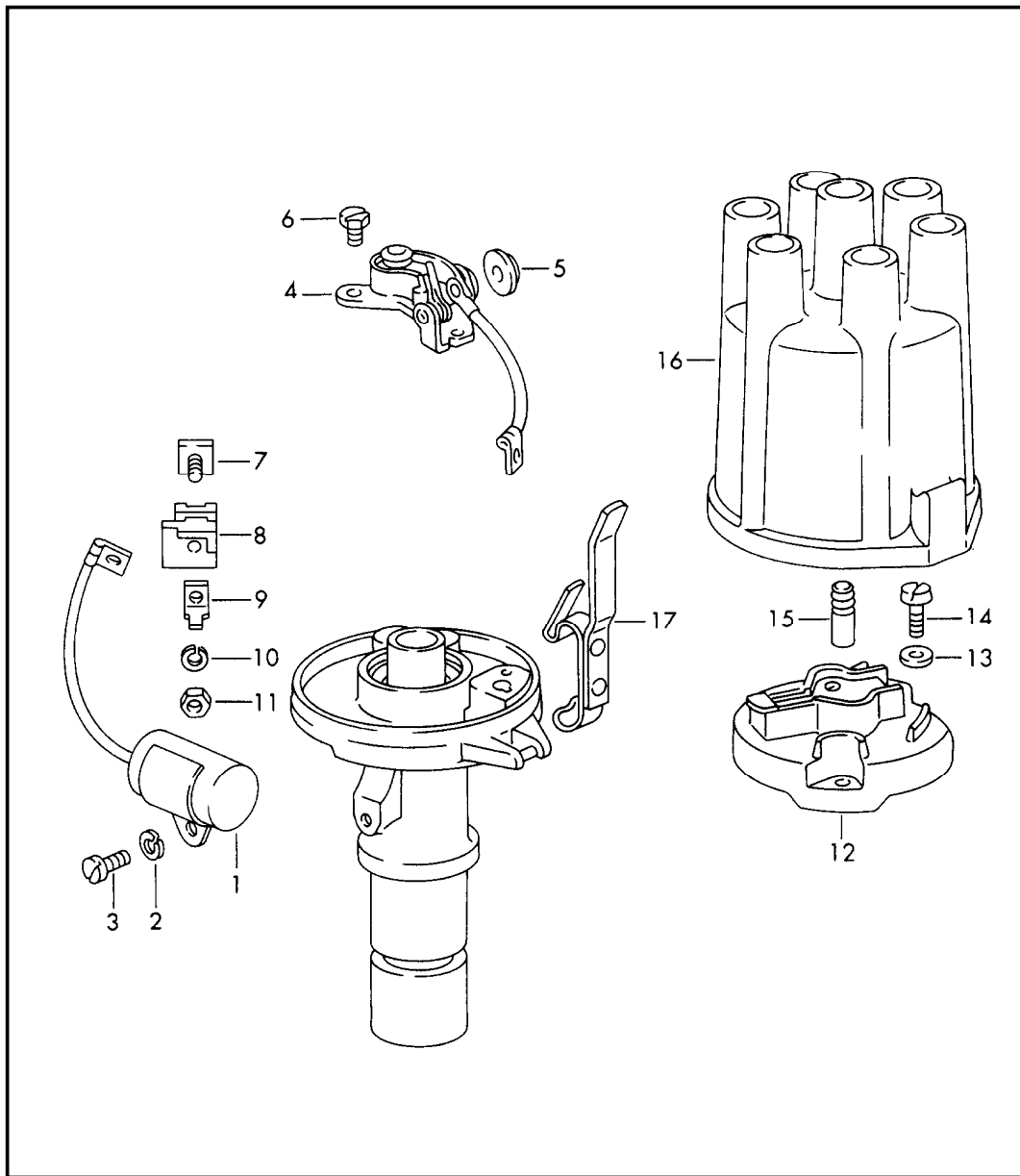
Pos	Part Number	Description	Remark	Qty	Model
		generator 490/900 W	-68		911 - MOTOROLA -
1	901 603 901 00	support for wiper contact	(USA)	1	911 S/TU/L 911
2	901 603 902 00	support 490 W		1	911 TU
(2)	901 603 902 05	support 900 W	(USA)	1	911 S/TU/L 911
3	901 603 903 00	support 490 W		1	911 TU
(3)	901 603 903 05	support 900 W	(USA)	1	911 S/TU/L 911
4	901 603 904 00	support 490 W		1	911 TU
(4)	901 603 904 05	support 900 W	(USA)	1	911 S/TU/L 911
5	901 603 206 10	regulator	(USA)	1	911 S/TU/L 911

Model	Year	MG	SG	Illustration	Restrictions	UPD	18:15	22.01.2010	PORSCHE	PET	PORSCHE
911-1	1969	9	01	901-25		248					



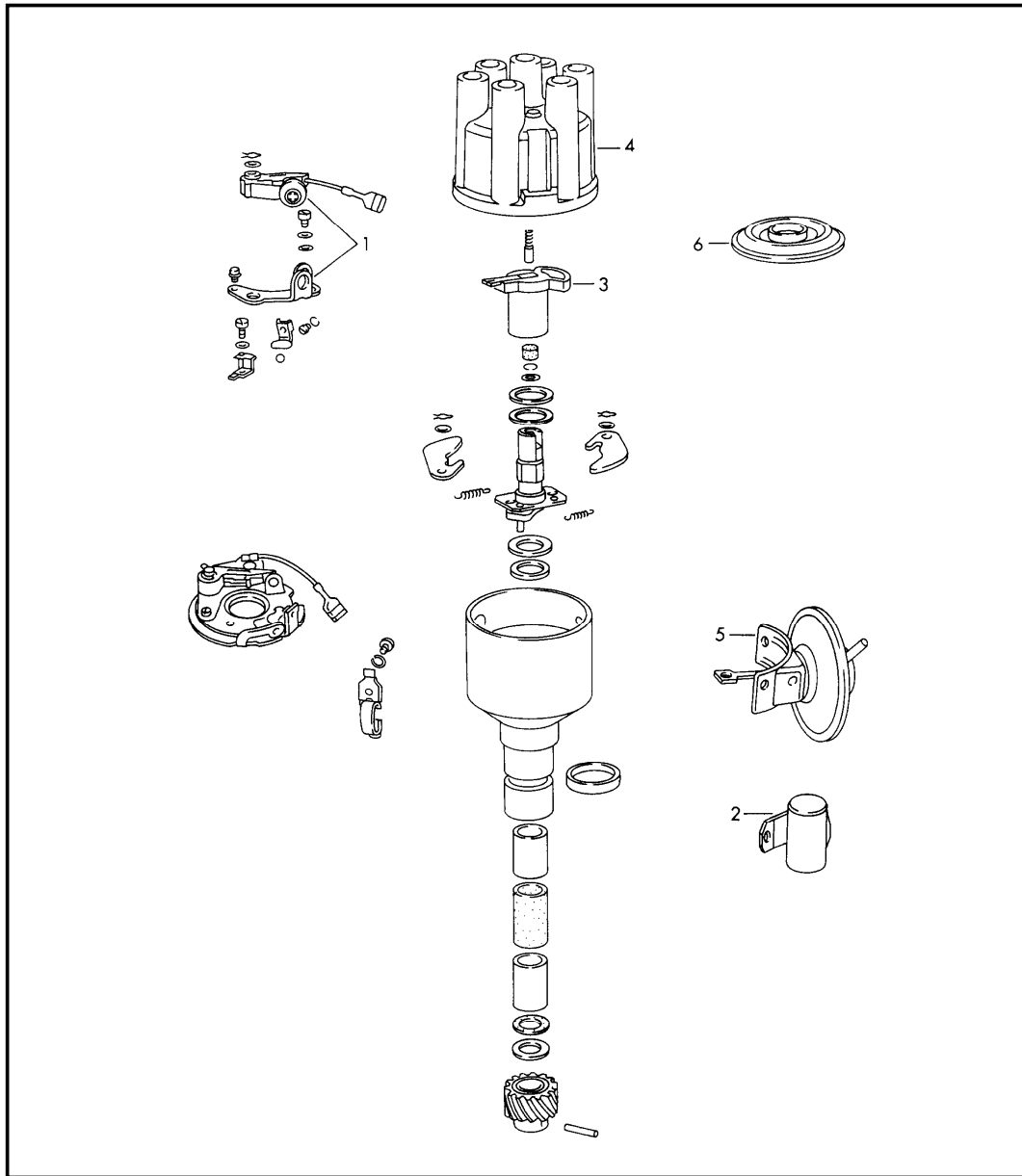
Pos	Part Number	Description	Remark	Qty	Model
		generator 770 W		69	911 T/E/S - MOTOROLA -
-	901 603 120 00	generator 770 W		1	
1	901 603 907 00	support		1	
2	901 603 908 00	support		1	
3	901 603 909 00	support		1	
4	901 603 910 00	support		1	
5	901 603 206 11	regulator		1	

Model	Year	MG	SG	Illustration	Restrictions	UPD	18:15	22.01.2010	PORSCHE	PET	PORSCHE
911-1	1969	9	01	901-30		248					



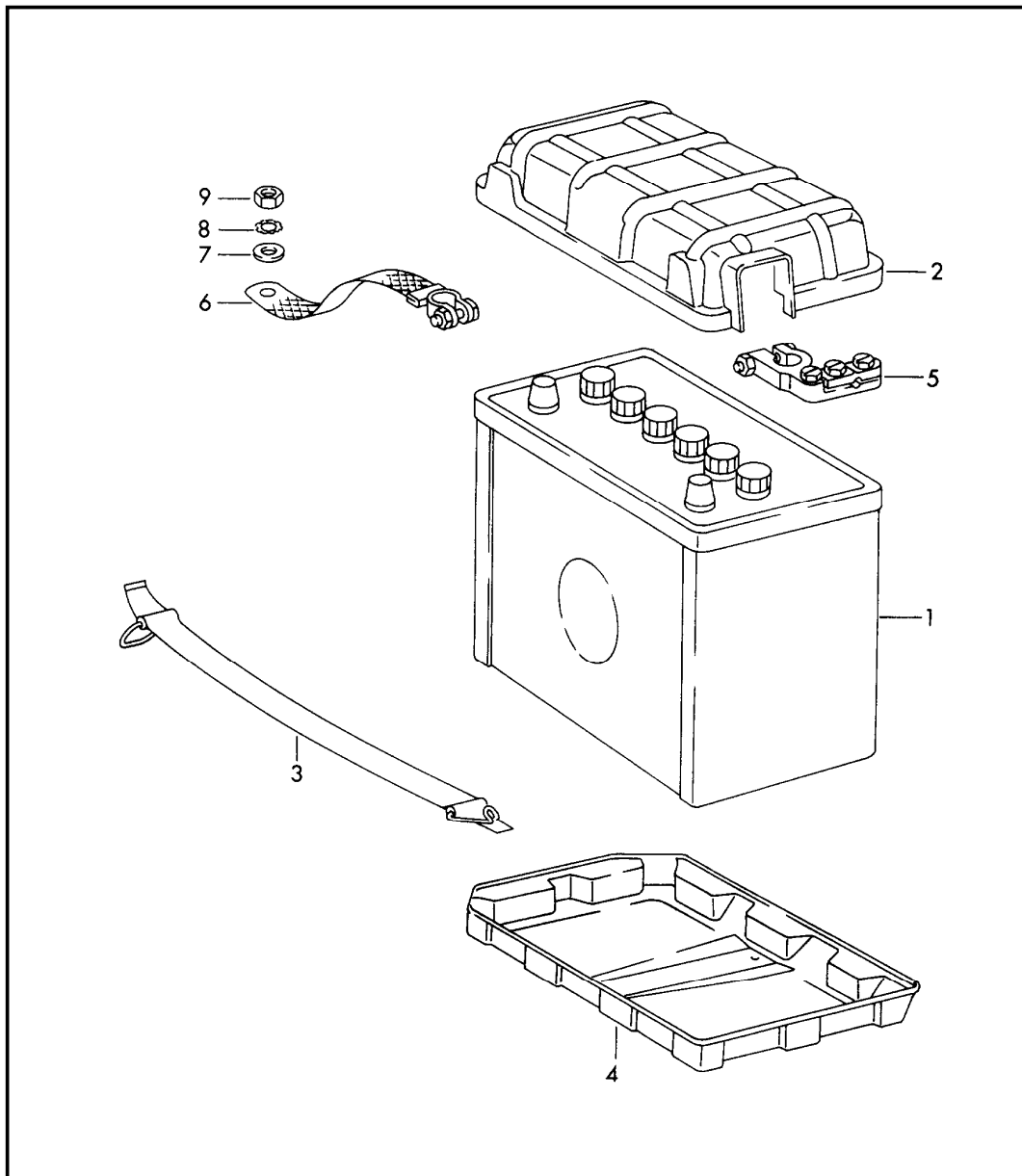
Pos	Part Number	Description	Remark	Qty	Model
-		repair material distributor			911 TU/T - MARELLI -
-	901 602 022 00	distributor		69	911 T
1	901 602 931 00	condenser		1	
2	900 027 011 01	lock ring B 4		1	
3	900 014 013 02	pan-head screw M 4		1	
4	911 602 960 00	contact breaker point		1	
5	901 602 933 00	washer		1	
6	901 602 934 00	screw		2	
7	901 602 935 00	screw		1	
8	901 602 936 00	insulating piece		1	
9	999 652 315 02	flat plug		1	
10	900 027 011 01	lock ring B 4		1	
11	900 076 002 02	hexagon nut M 4		1	
12	901 602 928 01	rotor		1	
13	901 602 950 00	washer		2	
14	901 602 951 00	screw		2	
15	901 602 952 00	wiper contact		1	
16	901 602 953 00	distributor cap		1	
17	901 602 954 00	spring clamp		2	

Model	Year	MG	SG	Illustration	Restrictions	UPD	18:16	22.01.2010	PORSCHE	PET	PORSCHE
911-1	1969	9	01	901-35		248					



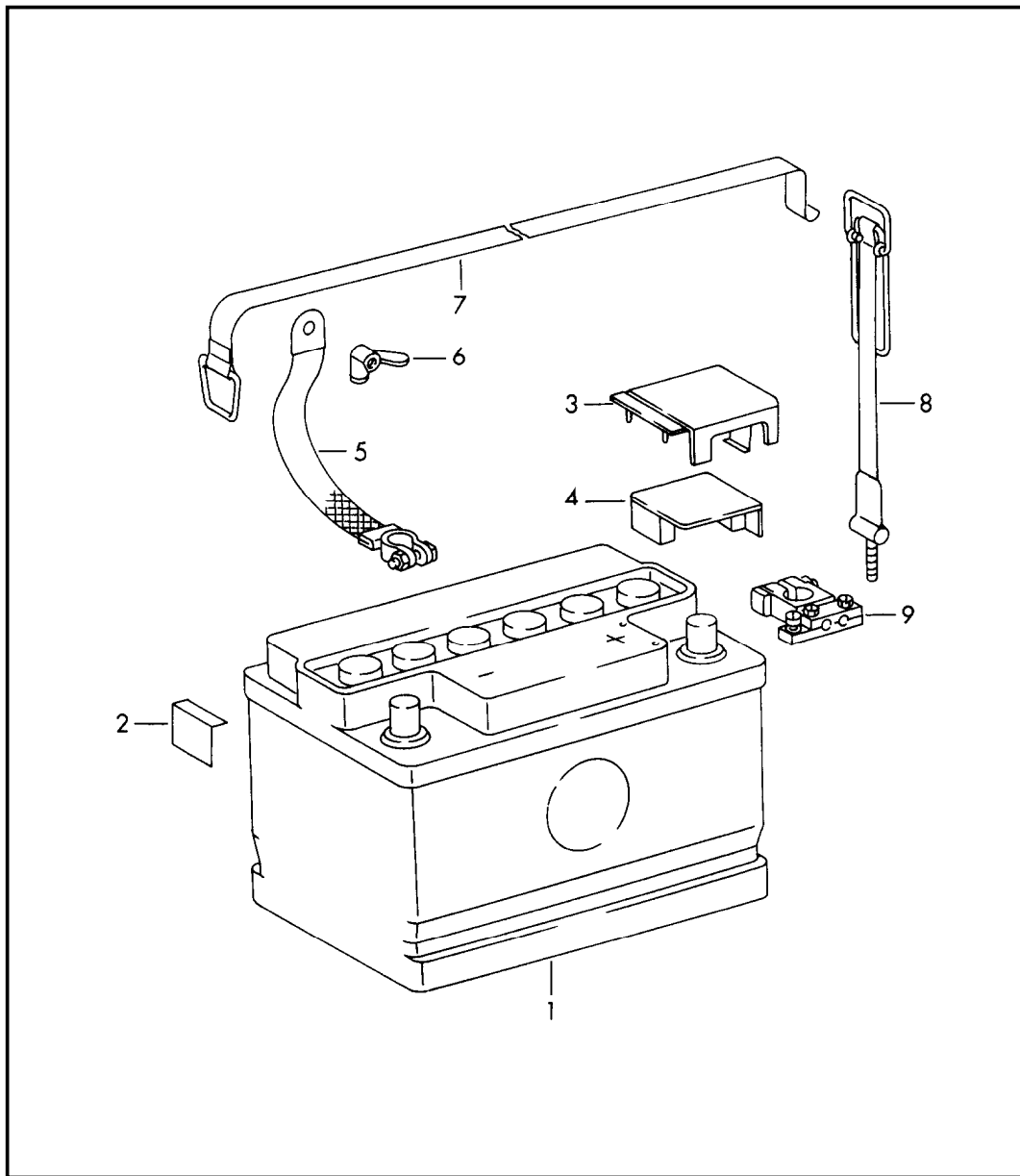
Pos	Part Number	Description	Remark	Qty	Model
		repair material	(USA)	-68	911 /L
		distributor		69	911 T/E/S
		- bosch -			
- >	901 602 027 00	distributor		69	1 911 E
- >	901 602 031 00	distributor		69	1 911 S
(1)	616 602 226 02	contact breaker point		69	1 911 T/E/S
3	911 602 925 00	rotor		-68	1 911 /L
				69	1 911 E
(3)	911 602 928 00	rotor		69	1 911 T
(3)	911 602 929 00	rotor		69	1 911 S
4	901 602 963 00	distributor cap			1
6	901 602 927 00	dust cover			1

Model	Year	MG	SG	Illustration	Restrictions	UPD	18:16	22.01.2010	PORSCHE	PET	PORSCHE
911-1	1969	9	02	902-00		248					



Pos	Part Number	Description	Remark	Qty	Model
		battery	-68		
1	999 611 010 90	battery 12 V 45 AH		1	
2	901 611 121 20	battery cover		1	
3	901 611 025 20	retaining strap		1	
4	901 611 231 20	cup		1	
5	901 611 311 00	terminal		1	
6	901 611 902 20	ground strap		1	
7	900 151 008 02	washer A 8,4		2	
8	N 012 132 2	shake-proof washer A 8,4		1	
9	900 076 030 02	hexagon nut M 8		1	

Model	Year	MG	SG	Illustration	Restrictions	UPD	18:16	22.01.2010	PORSCHE	PET	PORSCHE
911-1	1969	9	02	902-05		248					



Pos	Part Number	Description	Remark	Qty	Model
		battery	69		
1	999 611 012 90	battery 12 V 45 AH		1	912
(1)	999 611 014 90	battery 12 V 36 AH		2	911
(1)	999 611 014 91	battery 12 V 36 AH housing black		2	911
2	901 611 115 00	edge protection		2	912
3	999 611 104 00	pole covering		1 2	912 911
4	901 611 313 00	pole cap		1 2	912 911
5	901 611 902 20	ground strap		1	912
(5)	901 611 902 21	ground strap		2	911
6	999 044 001 02	winged nut M 8		1 2	912 911
-	900 025 025 02	washer 8,4		1 2	912 911
7	902 611 022 00	restraining strap		1	912
(7)	901 611 022 00	restraining strap		2	911
8	901 611 028 00	catch		1 2	912 911
9	901 611 311 00	terminal		1 2	912 911

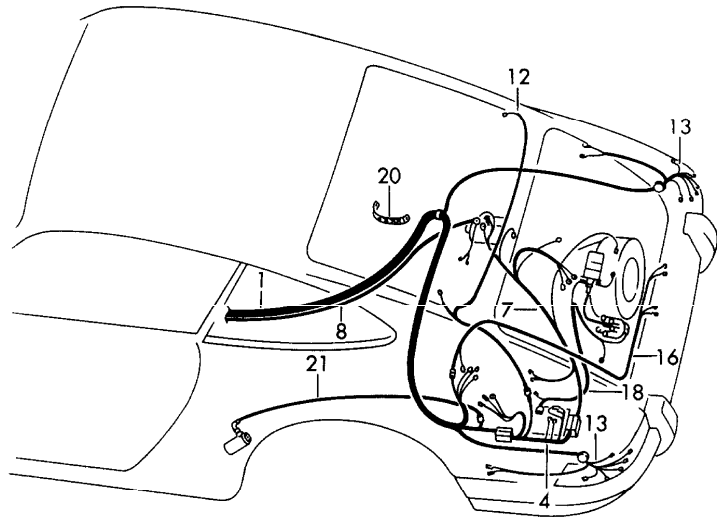
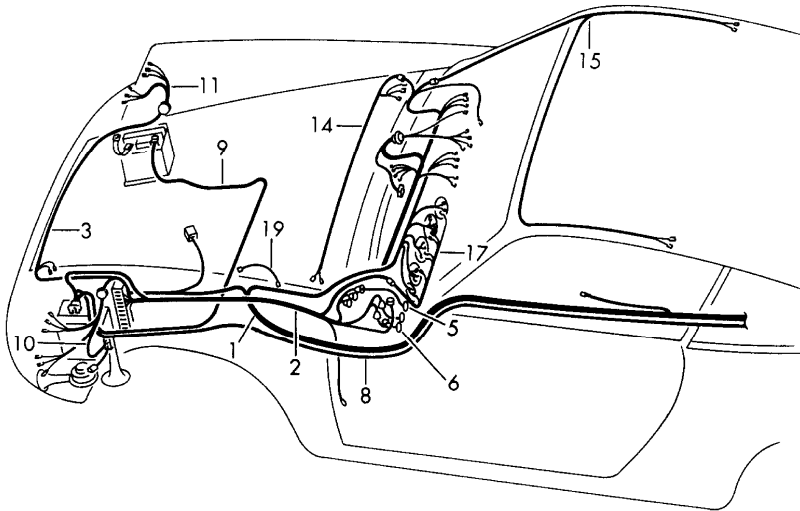
Model	Year	MG	SG	Illustration	Restrictions	UPD	18:16	22.01.2010	PORSCHE	PET	PORSCHE
911-1	1969	9	02	902-10		248					

Pos	Part Number	Description	Remark	Qty	Model
		grommets connector			
1	999 702 046 50	rubber sleeve 8 X 10 X 7	-68	1	
(1)	999 702 051 50	grommet	69	1	
2	999 702 044 50	grommet boot floor plate		1	
3	911 611 921 00	rubber boot		1	
4	999 652 115 10	flat plug 0,5 - 2,5 MM		X	
5	111 971 959	flat receptacle 0,5 - 1,5 MM		X	
(5)	999 652 106 02	flat receptacle 0,5 - 2,5 MM		X	
(5)	N 017 491 8	flat receptacle 2,5 MM		X	
(5)	N 017 494 3	flat receptacle 4,0 - 6,0 MM		X	
6	999 652 122 10	multiple plug connector		X	
-	999 652 126 10	distributor		X	
7	999 652 116 10	flat receptacle 2,5 MM		X	
8	999 652 126 10	distributor		X	
9	999 652 119 40	insulating sleeve		X	
10	999 652 120 40	insulating sleeve		X	
11	901 612 801 20	fuse holder 12-pole	-68	1	
-	N 017 121 1	safety fuse 8/15 A		10	
-	N 017 121 5	safety fuse 25/40 A		2	
-	901 612 831 20	sticker		1	
(11)	901 612 085 00	fuse holder I 8-fold	69	1	

Model	Year	MG	SG	Illustration	Restrictions	UPD	18:16	22.01.2010	PORSCHE	PET	PORSCHE
911-1	1969	9	02	902-10		248					

Pos	Part Number	Description	Remark	Qty	Model	Pos	Part Number	Description	Remark	Qty	Model
(11)	901 612 085 01	fuse holder II 8-fold		69	1	18	901 612 333 00	plug socket standard type relay		69	X
(11)	901 612 085 02	fuse holder 4-pole		69	1	19	901 612 330 00	multiple plug connection 6-pole		69	X
-	901 612 835 01	connecting rail		69	1	20	901 612 334 00	plug socket hazard warning light sw.		69	X
(11)	901 612 085 03	fuse holder 3-pole	(USA)	69	1						
(11)	901 612 085 04	fuse holder 2-pole		69	1						
-	N 017 121 4	safety fuse 16 A			X						
-	900 173 006 90	safety fuse 5 A			X						
12	900 143 029 02	oval-head sheetmetal screw BZ 4,2 X 16			4						
13	N 015 429 2	speed nut			2						
-	900 014 074 02	pan-head screw AM 4 X 12			2						
-	900 028 018 01	spring washer B 4			2						
-	N 011 004 6	hexagon nut M 4			2						
-	901 551 465 00	cover fuse holder			1						
-	999 591 805 12	push button			2						
-	900 145 043 00	oval-head sheetmetal screw B 3,5 X 9,5			2						
14	999 652 151 40	line distributor 3-pole			2						
15	999 652 142 40	push-on connector 2-pole			X						
(15)	999 652 142 40	push-on connector 5-pole			X						
16	999 652 142 40	push-on connector single pole			X						
17	901 612 061 00	push-on connector engine compartment		69	3						

Model	Year	MG	SG	Illustration	Restrictions	UPD	18:16	22.01.2010	PORSCHE	PET	PORSCHE
911-1	1969	9	02	902-15		248					



Pos	Part Number	Description	Remark	Qty	Model
-	901 612 001 01	wiring harnesses			
-	901 612 001 01	wiring harness FRONT luggage compartment	-68	1	
1	901 612 003 03	wiring harness NR. 1 tunnel	/LL	69	1 911
(1)	902 612 003 00	wiring harness NR. 1A tunnel	/LL	69	1 912
(1)	901 612 028 21	additional cables NR. 25 tunnel rear window wiper		69	1
(1)	901 612 003 04	wiring harness NR. 61 tunnel	/RL	69	1
(1)	901 612 095 00	additional cables NR. 63 tunnel rear window wiper		69	1
2	901 612 001 02	wiring harness NR. 2 luggage compartment		69	1
(2)	901 612 001 03	wiring harness NR. 60 luggage compartment fuse holder switch instruments		69	1
3	901 612 050 00	wiring harness NR. 3 lights front		69	1
-	901 612 011 25	wiring harness fog headlamp	-68	1	
-	901 612 010 00	additional cable NR. 27 fog headlamp		69	1
-	901 612 063 10	additional cable NR. 77 fog headlamp	/LL (CH)	69	1

Model	Year	MG	SG	Illustration	Restrictions	UPD	18:16	22.01.2010	PORSCHE	PET	PORSCHE
911-1	1969	9	02	902-15		248					

Pos	Part Number	Description	Remark	Qty	Model	Pos	Part Number	Description	Remark	Qty	Model	
-	901 612 052 00	set lines for high-beam headlight 901.631.121.00 not for (USA)	-68	2	911 S/TU/L 912	(4)	901 612 037 25	wiring harness NR. 21 regulator generator - MOTOROLA -		69	1	911
-	911 612 073 00	additional cable NR. 73 high-beam headlight	69	1		-	902 612 209 00	wiring harness NR. 76 mounting plate regulator only together with rear wall 901.565.006.40	/LL		1	912 TARGA
-	902 612 201 00	additional cable NR. 74 high-beam headlight	69	1	912	-	902 612 088 00	wiring harness NR. 58 terminal NR. 30 fuse holder regulator only together with rear window	/LL	69	1	912 TARGA
-	901 612 003 01	wiring harness dashboard with flat plug	-68	1								
-	901 612 003 02	wiring harness dashboard with round connector	-68	1	911 COUPE	5	901 612 067 00	wiring harness NR. 10 light switch		69	1	
4	901 612 037 00	wiring harness regulator generator - bosch -	-68	1	911 /S/L	6	901 612 022 06	wiring harness NR. 11 ignition starter switch emergency light switch sender		69	1	
(4)	902 612 037 00	wiring harness regulator generator 350 W	-68	1	912	-	905 612 001 00	wiring harness SPM	(USA)	-68	1	911 S/TU/L 911 912
(4)	901 612 037 10	wiring harness regulator generator - MOTOROLA -	-68	1	911 TU	-	999 659 023 50	water protection cap for control valve 905.108.370.00		-68	1	SPM
(4)	902 612 037 02	wiring harness NR. 16 regulator generator 420 W		1	912	-	905 612 001 01	wiring harness NR. 6 back-up light switch bridging switch		69	1	911 T/E SPM
(4)	901 612 037 20	wiring harness NR. 20 regulator generator - bosch -	69	1	911	-	905 612 542 00	cable shoe for wiring harness NR. 6			1	
						-	901 612 065 00	wiring harness NR. 7 series resistor		69	1	911 T

Model	Year	MG	SG	Illustration	Restrictions	UPD	18:16	22.01.2010	PORSCHE	PET	PORSCHE
911-1	1969	9	02	902-15		248					

Pos	Part Number	Description	Remark	Qty	Model	Pos	Part Number	Description	Remark	Qty	Model
-	901 612 002 03	wiring harness rear end	/LL	-68	1	9	901 611 303 00	connecting line NR. 23		69	1 911
-	999 659 021 50	water protection cap for 901.612.002.03			1	0+11	901 612 047 00	wiring harness NR. 38 lights front		69	2
-	901 612 002 04	wiring harness rear end	/RL	-68	1	911 S/TU/L 912	901 612 070 05	wiring harness NR. 19 fuse holder rear window wiper switch	/LL	69	1
-	999 613 017 40	covering for cable holder wiring harness rear end		-68	X		901 612 813 01	support for air conditioner		-68	1 911 /S 912
7	901 612 068 00	wiring harness NR.4 engine compartment injection system		69	1	911 E/S	900 173 004 90	safety fuse 6 A		-68	1
(7)	901 612 022 05	wiring harness NR. 17 engine compartment oil pressure sender oil pressure switch remote temperature sensor		69	1	911	901 612 813 01	fuse holder for warning light (USA)		-68	1
(7)	905 612 001 10	wiring harness NR. 18 engine compartment injection system		69	1	911 SPM	901 612 084 00	wiring harness NR. 28 air conditioner		69	1
(7)	901 612 069 00	wiring harness NR. 24 injection pump engine clutch		69	1	911 E/S	901 612 086 00	wiring harness NR. 29 air conditioner		69	1
(7)	902 612 090 00	wiring harness NR. 59 carburettor engine clutch		69	1	912	911 612 078 00	wiring harness NR. 78 air conditioner fuse holder relay	/LL	69	1
8	901 611 031 21	starter cable		-68	1		911 612 079 00	wiring harness NR. 79 air conditioner electric fan	/LL	69	1 911
-	999 702 051 50	grommet for 901.611.031.20		-68	1		902 612 210 02	wiring harness NR. 80 air conditioner electric fan	/LL	69	1 912
-	901 611 923 00	protective tube for 901.611.031.20		-68	1	COUPE					
(8)	901 611 031 21	battery-starter cable NR. 22		69	1						

Model	Year	MG	SG	Illustration	Restrictions	UPD	18:16	22.01.2010	PORSCHE	PET	PORSCHE
911-1	1969	9	02	902-15		248					

Pos	Part Number	Description	Remark	Qty	Model	Pos	Part Number	Description	Remark	Qty	Model
-	901 612 015 30	wiring harness heater - WEBASTO - F >> 030 8069 F >> 035 5414 F >> 046 2711 F >> 050 0419 F >> 055 0271	-68	1	911 /S	-	900 189 006 02	half-round screw AM 4 X 18 for 644.612.802.00		2	
-	901 612 015 31	wiring harness heater - WEBASTO - F 030 8070 >> F 035 5415 >> F 046 2712 >> F 050 0420 >> F 055 0272 >>	(USA) -68	1	WW 911 S/TU/L 911	-	900 114 014 01	shake-proof washer A 4,3 for 644.612.802.00		2	
-	999 702 052 50	rubber sleeve for 901.612.015.31		1		-	900 198 004 02	square nut M 4 for 644.612.802.00		2	
-	901 612 053 00	wiring harness NR. 30 heater - WEBASTO -	/LL 69	1		-	901 612 075 00	wiring harness NR. 34 sunroof	/LL	69	1
-	999 702 119 50	rubber sleeve for 901.612.053.00		1		-	901 612 096 00	wiring harness NR. 64 sunroof	/RL	69	1
-	901 612 024 21	wiring harness NR. 31 rear window wiper		69	1	-	901 612 071 02	wiring harness NR. 35 power window	/LL	69	1
-	999 702 119 50	rubber sleeve for 901.612.024.21		1		-	901 612 071 03	wiring harness NR. 35A power window		69	2
-	901 612 021 20	wiring harness sunroof	/LL -68	1		-	901 612 097 00	wiring harness NR.65 door power window	/RL	69	1
-	901 612 021 22	wiring harness sunroof	/RL -68	1	911	12	901 612 066 00	wiring harness NR. 36 rear window heating simple		69	1
-	644 612 802 00	fuse holder double sunroof or automatic antenna		-68	1	(12)	901 612 030 00	additional cables NR. 37 rear window heating two-stage heatable		69	1
-	644 612 832 00	type label for 644.612.802.00		1	WW	-	111 971 911 A	rubber sleeve for 901.612.030.00		1	
						(12)	901 612 089 00	wiring harness NR. 56 rear window heating two-stage heatable	/LL	69	1

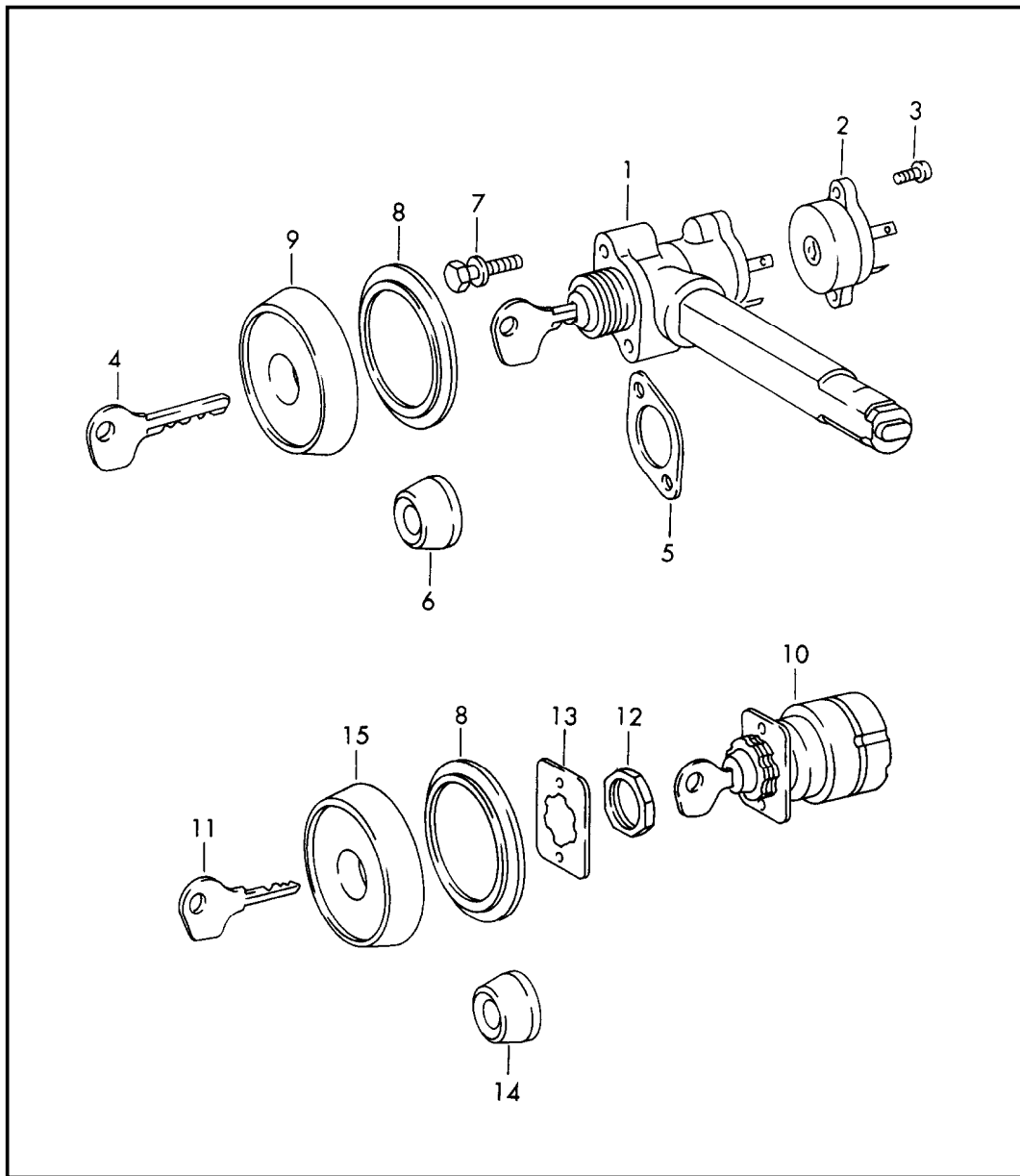
Model	Year	MG	SG	Illustration	Restrictions	UPD	18:16	22.01.2010	PORSCHE	PET	PORSCHE
911-1	1969	9	02	902-15		248					

Pos	Part Number	Description	Remark	Qty	Model	Pos	Part Number	Description	Remark	Qty	Model		
(12)	901 612 089 07	additional cables NR. 75 rear window heating two-stage heatable	/LL	69	1	911	-	901 612 311 21	ground cable instruments	-68	1		
-	901 612 087 00	wiring harness NR. 54 standard type relay rear window heating simple		69	1		-	901 612 031 23	ground cable NR. 9 instruments	69	1		
13	901 612 022 07	wiring harness NR. 39 rear light		69	2		-	901 612 062 00	wiring harness NR. 48 switch power windows	69	3		
-	901 612 022 07	connecting line NR. 5 rear light		69	1		-	901 612 094 00	wiring harness NR. 62 switch rear window wiper	/RL	69	1	911 912
14	901 612 042 00	wiring harness NR. 44 luggage compartment lamp		69	1		-	901 612 043 01	positive cable NR. 71 instruments	69	1	911 SPM	
15	901 612 035 41	wiring harness NR. 42 interior light	/LL	69	1	TARGA	-	901 612 315 20	wiring harness NR. 49 engine compartment lamp	69	1		
(15)	901 612 035 20	wiring harness NR. 45 interior light		69	1	COUPE	18	901 612 092 00	wiring harness NR. 50 ignition H.K.Z.	69	1	911 E/S	
-	901 612 079 00	wiring harness NR. 43 warning light brake	/LL (USA)	69	1	911 T/E/S 912 WW 912	-	901 612 099 00	ground strap NR. 66 ignition transformer H.K.Z.	69	1	911 E/S	
-	999 702 076 50	rubber sleeve for 901.612.079.00		1			-	901 612 070 07	wiring harness NR.32 distributor ignition coil	69	1	911 T	
-	914 613 491 00	protection cap for 901.612.079.00		1			-	616 609 053 00	wiring harness NR. 72 distributor ignition coil	69	1	912	
16	901 612 041 20	wiring harness license plate light		-68	1		-	902 612 087 01	wiring harness NR. 55 vacuum unit emission control	/LL	69	1	912
(16)	901 612 041 21	wiring harness NR. 46 license plate light		69	1		-	901 612 093 00	wiring harness NR. 57 vacuum unit emission control	/LL	69	1	911 T
17	901 612 043 03	wiring harness NR. 47 instruments illumination		69	1								

Model	Year	MG	SG	Illustration	Restrictions	UPD	18:16	22.01.2010	PORSCHE	PET	PORSCHE
911-1	1969	9	02	902-15		248					

Pos	Part Number	Description	Remark	Qty	Model	Pos	Part Number	Description	Remark	Qty	Model
19	901 612 303 20	ground strap NR. 51 tank filler neck	/LL /RL	1 2							
20	999 611 918 20	ground strap transmission	-68	1							
(20)	999 611 918 20	ground strap NR. 52 transmission suspension	69	1							
21	901 612 091 00	wiring harness NR. 8 safety fuse fuel pump	69	1	911 E/S						
-	999 702 076 50	rubber sleeve for 901.612.091.00		1							
(21)	901 612 070 03	wiring harness NR. 13 fuel pump 3-pole WECO connecting piece not for	69	1	911 T SPM						
-	901 612 070 06	ground cable NR. 26 fuel pump	69	1	911 T						
-	901 612 101 00	wiring harness NR. 68 loudspeaker radio - BLAUPUNKT -	69	1							
-	901 612 102 00	wiring harness NR. 69 loudspeaker radio - BECKER -	69	1							
-	901 612 103 00	wiring harness NR. 70 loudspeaker radio - PHILIPS -	69	1							
-	999 513 002 40	tie-wrap 186 MM		X							
-	999 613 017 40	covering for cable holder		X							

Model	Year	MG	SG	Illustration	Restrictions	UPD	18:17	22.01.2010	PORSCHE	PET	PORSCHE
911-1	1969	9	03	903-00		248					



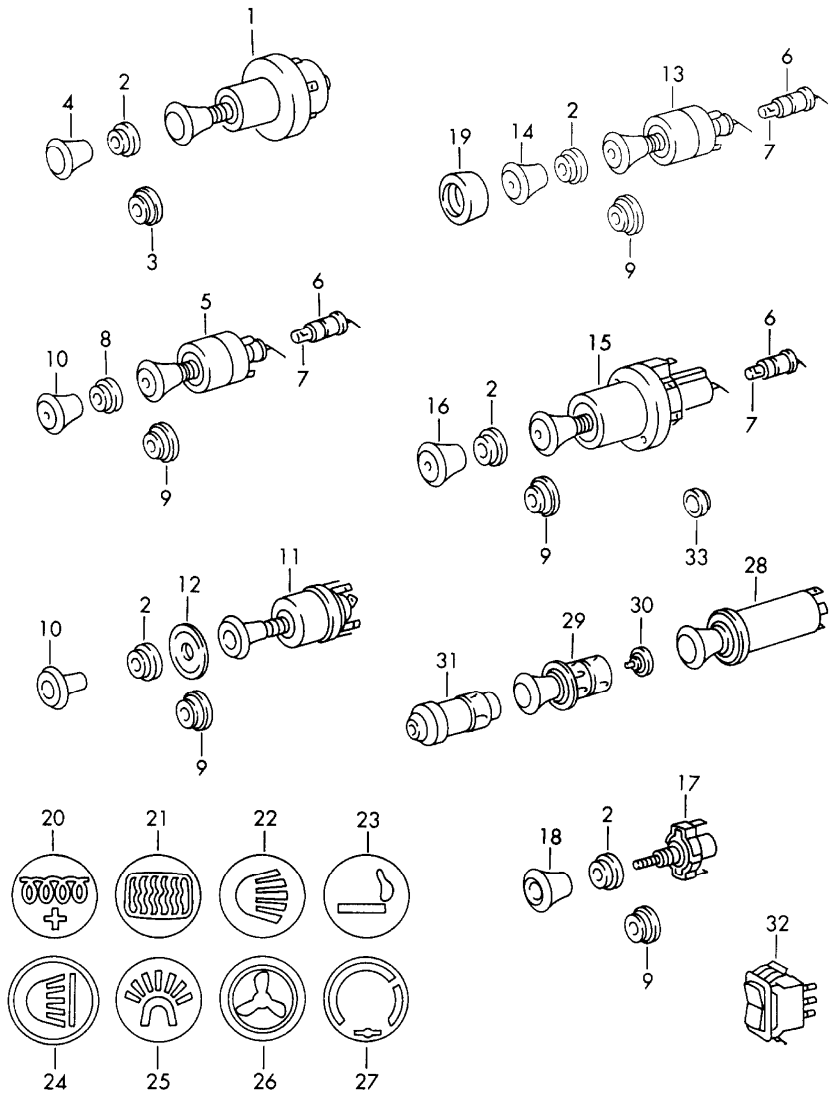
Pos	Part Number	Description	Remark	Qty	Model
1	901 613 101 00	steering lock ignition starter switch			
		ignition starter lock without nut for europe not for (GB)	-68	1	
(1)	901 613 101 01	steering lock without nut	69	1	
2	901 613 103 00	ignition starter switch		1	
3	900 016 014 02	half-round screw AM 4 X 8		2	
4	901 722 314 00	key state lock number		1	
(4)	901 722 314 09	blank key		1	
5	911 347 613 00	shim for 901.613.101.00/01		1	
(5)	911 347 613 00	tab washer for 901.613.101.01		1	911 T/E/S
6	901 613 191 00	nut	-68	1	911 COUPE
7	901 613 193 00	shear bolt		2	
8	902 613 163 00	intermediate ring	-68	1	911 /TU
(8)	901 613 163 50	intermediate ring	-68 69	1	911 S/L 911 T/E/S 912
9	901 613 160 00	trim cover		1	
10	901 613 101 10	ignition starter switch without nut with round connector state lock number for overseas with (GB)	-68	1	911 COUPE

Model	Year	MG	SG	Illustration	Restrictions	UPD	18:17	22.01.2010	PORSCHE	PET	PORSCHE
911-1	1969	9	03	903-00		248					

Pos	Part Number	Description	Remark	Qty	Model	Pos	Part Number	Description	Remark	Qty	Model
(10)	901 613 013 00	ignition starter switch without nut with flat plug state lock number for overseas with (GB)	-68 -68 -68 -68	1							
11	644 613 901 02	key state lock number		2							
(11)	644 613 901 10	blank key		2							
12	901 613 193 10	nut		1							
13	901 613 108 10	centring washer	/LL	1							
(13)	901 613 157 00	centring washer	/RL	1							
14	901 613 191 10	nut	-68	1	911 COUPE						
15	901 613 160 01	trim cover		1							

Model	Year	MG	SG	Illustration	Restrictions	UPD	18:17	22.01.2010	PORSCHE	PET	PORSCHE
911-1	1969	9	03	903-05		248					

Pos	Part Number	Description	Remark	Qty	Model
1	901 613 212 00	switch dashboard trim		1	
-	901 613 213 00	light switch		1	912
-	901 613 213 01	spacer	-68	1	
-	901 613 213 01	washer	69	X	
2	901 613 261 20	rosette	-68	5	911 /TU 912
(2)	911 613 213 00	rosette plastic material not for	69	5	COMFORT
3	901 613 217 50	rosette chrome	-68	1	911 S/L 912
(3)	901 613 216 50	rosette chrome	69	1	911 SPM
4	901 552 821 20	knob		1	
-	901 613 625 31	switch for blower	(USA) -68	1	911 L 911 /TU/L 912
-	901 613 043 00	switch for rear window wiper		1	COUPE
6	999 632 007 00	bulb socket	-68	3	
(6)	999 632 007 00	bulb socket	69	3	
7	900 631 102 90	bulb 12V 2W		3	
8	901 613 261 20	rosette plastic material	-68	3	911 /TU 912
9	901 613 216 50	rosette chrome		5	
10	901 552 821 01	knob for indicator light red	(USA) -68	2	911 /L 912 911
			69	3	
11	901 613 623 02	hazard warning light sw.	69	1	
12	901 613 629 01	sticker hazard warning light sw. german	/LL 69	1	



Model	Year	MG	SG	Illustration	Restrictions	UPD	18:17	22.01.2010	PORSCHE	PET	PORSCHE
911-1	1969	9	03	903-05		248					

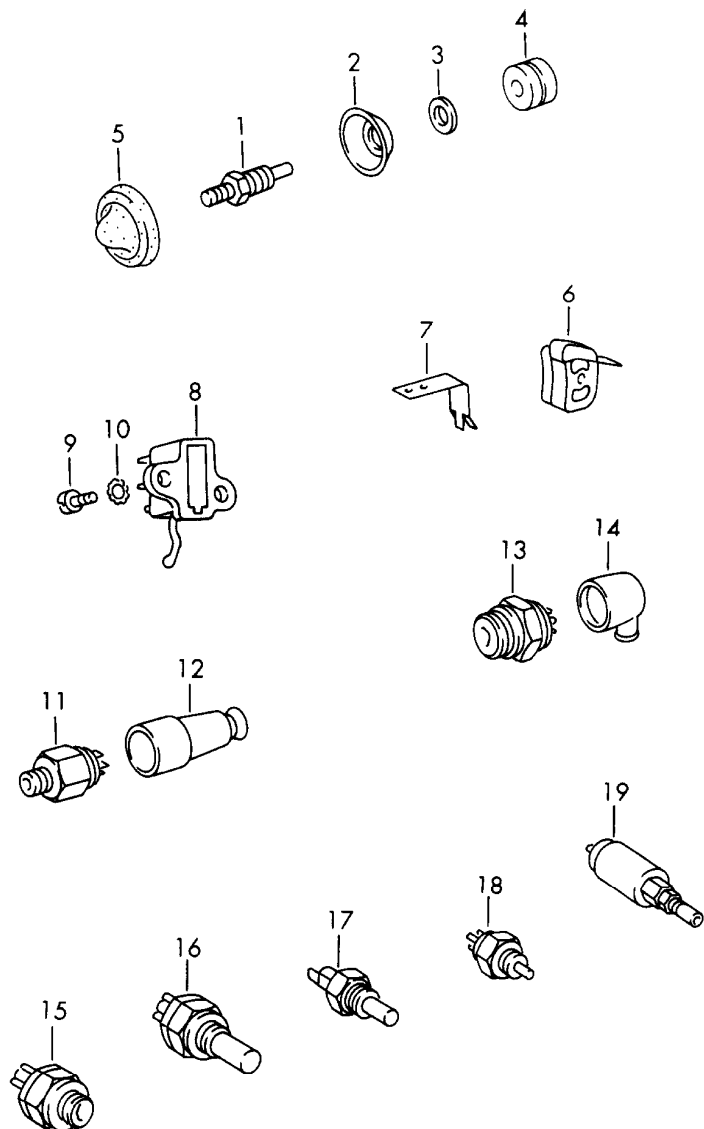
Pos	Part Number	Description	Remark	Qty	Model	Pos	Part Number	Description	Remark	Qty	Model	
(12)	901 613 629 02	sticker hazard warning light sw. english		69	1	16	901 552 821 21	knob	(USA)	-68 69	1 1	911 S/912 911 L/TU 911
(12)	901 613 629 03	sticker hazard warning light sw. french	/LL	69	1	17	901 613 631 00	switch for optional heating	/LL	69	1	
(12)	901 613 629 04	sticker hazard warning light sw. italian	/LL	69	1	18	901 552 823 00	knob	/LL	69	1	
13	901 613 503 20	switch for fog headlamp	(USA)	-68	1	19	901 552 827 00	cap		-68	9	
(13)	902 613 511 91	switch for rear window heating single-stage heating		69	1	20	901 552 833 00	cap with symbol for optional heating			1	
(13)	901 613 045 00	switch for rear window heating two-stage heatable		69	1	21	901 552 837 00	cap with symbol for rear window heating			1	
14	901 552 821 21	knob	(USA)	-68	1	22	901 552 832 00	cap with symbol for illumination			1	
(14)	901 552 821 01	knob		69	1	23	901 552 835 00	cap with symbol for cigarette lighter			1	
15	901 613 625 30	switch for optional heating F >> 030 8069 F >> 035 5414 F >> 046 2711 F >> 050 0419 F >> 055 0271		-68	1	24	901 552 831 00	cap with symbol for fog headlamp		-68	1	
(15)	901 613 626 30	switch for optional heating F 030 8070 >> F 035 5415 >> F 040 2712 >> F 050 0420 >> F 055 0272 >>	(USA)	-68	1	(24)	901 613 802 00	cap with symbol for fog headlamp		69	1	
(15)	911 613 027 00	switch for fog headlamp and rear fog light		69	1	25	901 552 836 00	cap with symbol for hazard warning light sw.			1	
						26	901 552 838 00	cap with symbol for blower		-68	1	
						27	901 552 834 00	cap with symbol for radio			2	
						28	901 652 102 00	cigarette lighter		-68	1	
						(28)	901 652 102 01	cigarette lighter		69	1	
						29	901 652 122 00	connector			1	
						30	644 652 112 00	glower			1	
						31	901 613 801 00	connector			1	

Model	Year	MG	SG	Illustration	Restrictions	UPD	18:17	22.01.2010	PORSCHE	PET	PORSCHE
911-1	1969	9	03	903-05		248					

Pos	Part Number	Description	Remark	Qty	Model	Pos	Part Number	Description	Remark	Qty	Model
32	901 613 621 00	switch for sunroof	-68	1							
(32)	911 613 622 00	tip switch for sunroof	69	1							
(32)	901 613 621 00	switch for power windows	69	3							
-	901 613 635 00	assembly frame	69	1							
33	901 552 881 20	lid		3							

Model	Year	MG	SG	Illustration	Restrictions	UPD	18:17	22.01.2010	PORSCHE	PET	PORSCHE
911-1	1969	9	03	903-10		248					

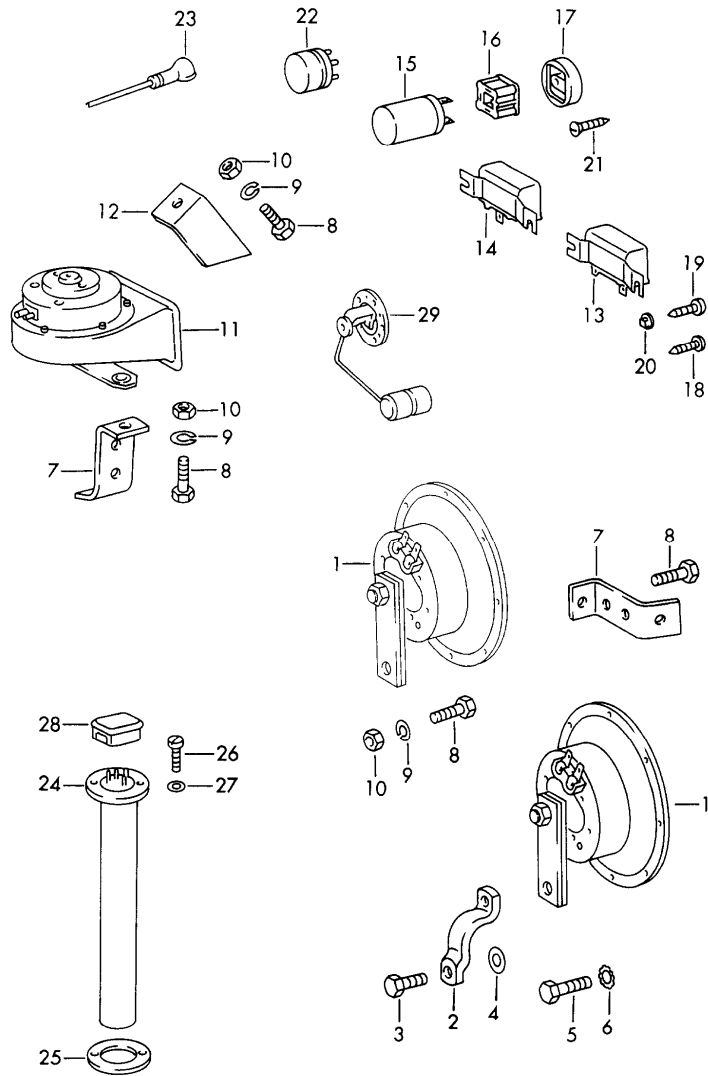
Pos	Part Number	Description	Remark	Qty	Model
1	964 613 601 00	switch door contact switch for interior light and luggage compartment lamp		3	
(1)	901 615 601 02	contact switch for glove compartment light	69	1	
2	901 615 615 20	concave washer		2	
3	900 031 001 60	washer 8,4		2	
4	111 971 911 A	rubber sleeve	-68	2	
(4)	999 702 011 50	rubber sleeve	-68	2	
5	901 615 616 20	rubber cap		2	
6	901 613 521 20	contact switch for indicator light handbrake see group 7/01/05		1	
7	901 613 523 20	contact bow for indicator light handbrake see group 7/01/05		1	
8	-	brake light switch see group 7/02/00	69	1	
9	900 146 011 02	oval-head screw AM 4 X 10	69	1	
10	900 114 014 01	shake-proof washer A 4,3	69	1	
11	901 613 401 00	brake light switch	-68	1	911 /S
-	999 702 015 50	rubber sleeve	-68	1	911 /S
-	999 703 075 40	stopper for wiring harness	-68	1	911 /S
12	914 613 491 00	rubber cap	-68	1	911 /S



Model	Year	MG	SG	Illustration	Restrictions	UPD	18:17	22.01.2010	PORSCHE	PET	PORSCHE
911-1	1969	9	03	903-10		248					

Pos	Part Number	Description	Remark	Qty	Model	Pos	Part Number	Description	Remark	Qty	Model
13	914 613 541 02	back-up light switch		1							
14	914 613 491 00	protection cap		1							
15	-	back-up light switch see group 3/02/00	69	1	911 T/E SPM						
16	-	bridging switch see group 3/07/05	69	1	911 T/E SPM						
17	-	temperature switch see group 3/06/00	69	1	911 T/E SPM						

Model	Year	MG	SG	Illustration	Restrictions	UPD	18:17	22.01.2010	PORSCHE	PET	PORSCHE
911-1	1969	9	03	903-15		248					



Pos	Part Number	Description	Remark	Qty	Model
1	901 635 102 00	horn relay			
		horn low-pitched - BOSCH 390 HZ - only by sets with 901.635.112.00	-68	1	911 COUPE
(1)	901 635 112 00	horn high-pitched - BOSCH 520 HZ - F >> 030 1224	-68	1	911 COUPE
(1)	901 635 102 01	horn low-pitched - BOSCH 290 HZ - only by sets with 901.635.112.01	-68	1	911 COUPE
(1)	901 635 112 01	horn high-pitched - BOSCH 345 HZ - F 030 1225 >> 030 5100	-68	1	911 COUPE
(1)	902 635 102 00	horn low-pitched - BOSCH 335 HZ -	(USA)	1	911 TU/T/E 911 912
(1)	902 635 112 00	horn high-pitched - BOSCH 400 HZ - F >> 035 4000 F >> 045 8100	-68	1	912 COUPE
2	901 635 115 20	terminal F >> 030 5100 F >> 035 4000 F >> 045 8100	-68	4	911 COUPE 912 COUPE 912 COUPE
3	900 075 041 02	hexagon-head bolt M 10 X 25	-68	2	911 COUPE
(3)	900 075 085 02	hexagon-head bolt M 8 X 20	-68	2	912 COUPE
4	900 025 008 09	washer 10,5	-68	4	911 COUPE
(4)	900 025 007 02	washer 8,4	-68	4	912 COUPE
5	900 075 043 02	hexagon-head bolt M 10 X 30	-68	2	911 COUPE

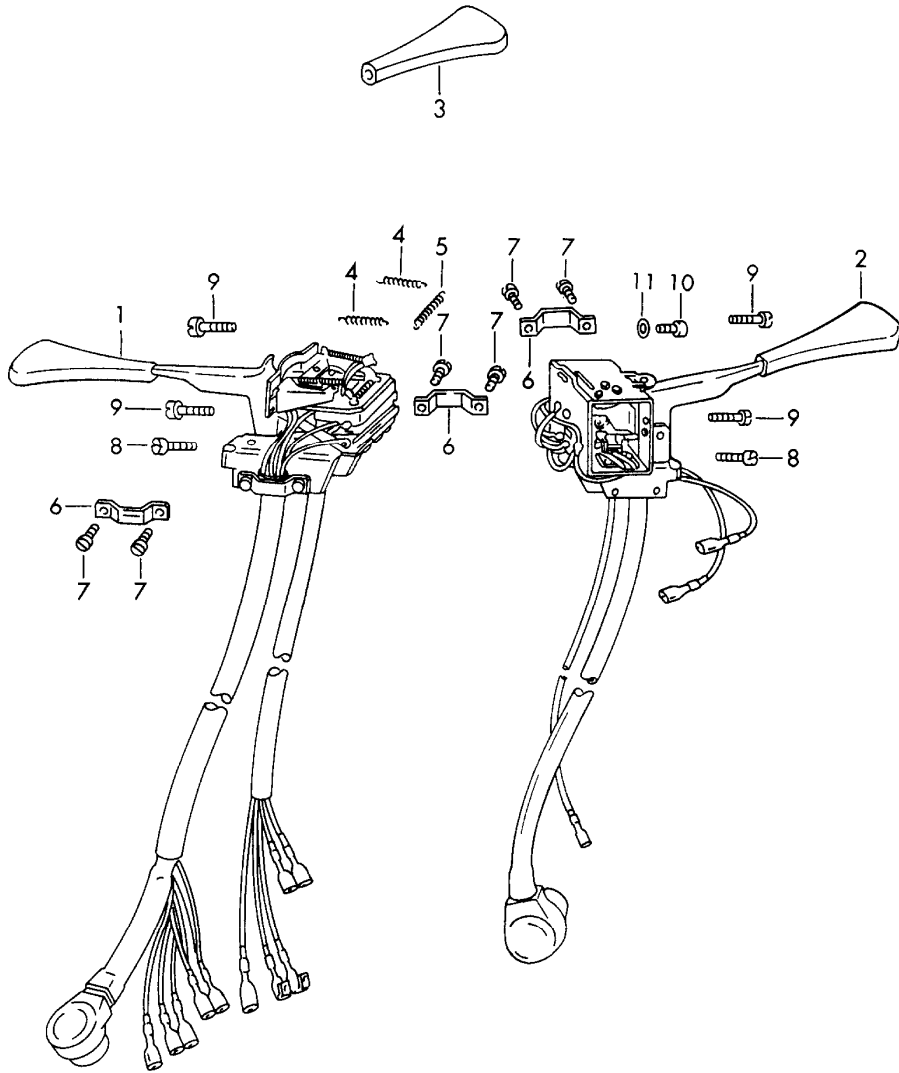
Model	Year	MG	SG	Illustration	Restrictions	UPD	18:17	22.01.2010	PORSCHE	PET	PORSCHE
911-1	1969	9	03	903-15		248					

Pos	Part Number	Description	Remark	Qty	Model	Pos	Part Number	Description	Remark	Qty	Model
(5)	900 075 099 02	hexagon-head bolt M 8 X 30	-68	2	912 COUPE	14	PCG 615 101 10	relay for headlight flasher	-68	1	
6	900 114 011 01	shake-proof washer A 10,5	-68	2	911 COUPE	(15)	644 613 342 10	flasher relay for direction indicator light	-68	1	
(6)	N 012 132 2	shake-proof washer A 8,4	-68	2	912 COUPE	(15)	901 618 303 00	flasher relay for direction indicator light and warning light	69	1	
7	901 635 121 20	support	-68	2							
8	900 075 085 02	hexagon-head bolt M 8 X 20		X							
9	N 012 132 2	shake-proof washer A 8,4	-68	2		16	644 631 107 03	connector	-68	1	
(9)	900 027 015 02	lock ring B 8	69	X		17	644 631 108 00	lower part	-68	1	
10	999 090 004 02	hexagon nut	-68	2		18	900 141 007 02	half-round screw B 3,9 X 13	-68	2	
(10)	900 025 007 02	washer 8,4	69	X		19	N 013 961 2	tapping screw B 3,9 X 13	-68	2	
11	A 901 635 112 02	fanfare - BOSCH 400 HZ - F 030 5101 >> F 035 4001 >> F 045 8101 >>	/L -68 -68 -68	1	911 912 912	20	999 507 401 40	special nut	-68	2	
11	PCG 635 112 02	fanfare - BOSCH 400 HZ - F 030 5101 >> F 035 4001 >> F 045 8101 >>	/L -68 -68 -68	1	911 912 912	21	900 189 006 02	half-round screw AM 4 X 18	-68	1	
(11)	A 901 635 113 02	fanfare - BOSCH 500 HZ - F 030 5101 >>	/R 69 -68 -68	1	911 COMFORT 911 /S/L	-	900 114 014 01	shake-proof washer A 4,3	-68	1	
(11)	PCG 635 113 02	fanfare - BOSCH 500 HZ - F 030 5101 >>	/R 69 -68 -68	1	911 COMFORT 911 /S/L	-	900 198 004 02	square nut M 4	-68	1	
12	901 635 012 00	clip	/R	69	X 911 COMFORT	22	911 615 109 01	relay for horn blower headlight flasher fog headlamp series resistor ignition coil injection system rear window heating 100 W cigarette lighter high beam	69	10	
(12)	901 635 011 00	clip	/L	69	1						
13	901 615 102 00	relay for horn heating blower ignition coil	-68	4		-	901 615 115 00	relay for rear window heating 100/250 W	69	1	
						-	N 015 429 2	speed nut	69	1	

Model	Year	MG	SG	Illustration	Restrictions	UPD	18:17	22.01.2010	PORSCHE	PET	PORSCHE
911-1	1969	9	03	903-15		248					

Pos	Part Number	Description	Remark	Qty	Model	Pos	Part Number	Description	Remark	Qty	Model
-	900 025 002 02	washer 4,3		69	1						
-	900 087 013 02	hexagon-head tapping screw BZ 4,2 X 13		69	1						
-	PCG 615 101 10	relay for license plate light until insert diode	(A)	-68	1	911 /COUPE					
23	901 617 105 00	diode for license plate light	(A)	69	1						
-	999 659 011 50	rubber cap	(A)		1						
-	999 703 002 40	stopper	(A)		2						
24	901 741 801 00	sender for fuel-level indicator fuel tank 62 L			1						
(24)	901 741 801 01	sender for fuel-level indicator fuel tank 100 L			1						
25	914 201 891 00	gasket			1						
26	900 014 058 02	pan-head screw AM 5 X 12			5						
27	900 025 003 30	washer 5,3			5						
28	901 612 891 00	connector		-68	1						
(28)	901 612 891 01	connector		69	1						
29	-	oil-level sender see group 1/04/00			1						

Model	Year	MG	SG	Illustration	Restrictions	UPD	18:17	22.01.2010	PORSCHE	PET	PORSCHE
911-1	1969	9	03	903-20		248					

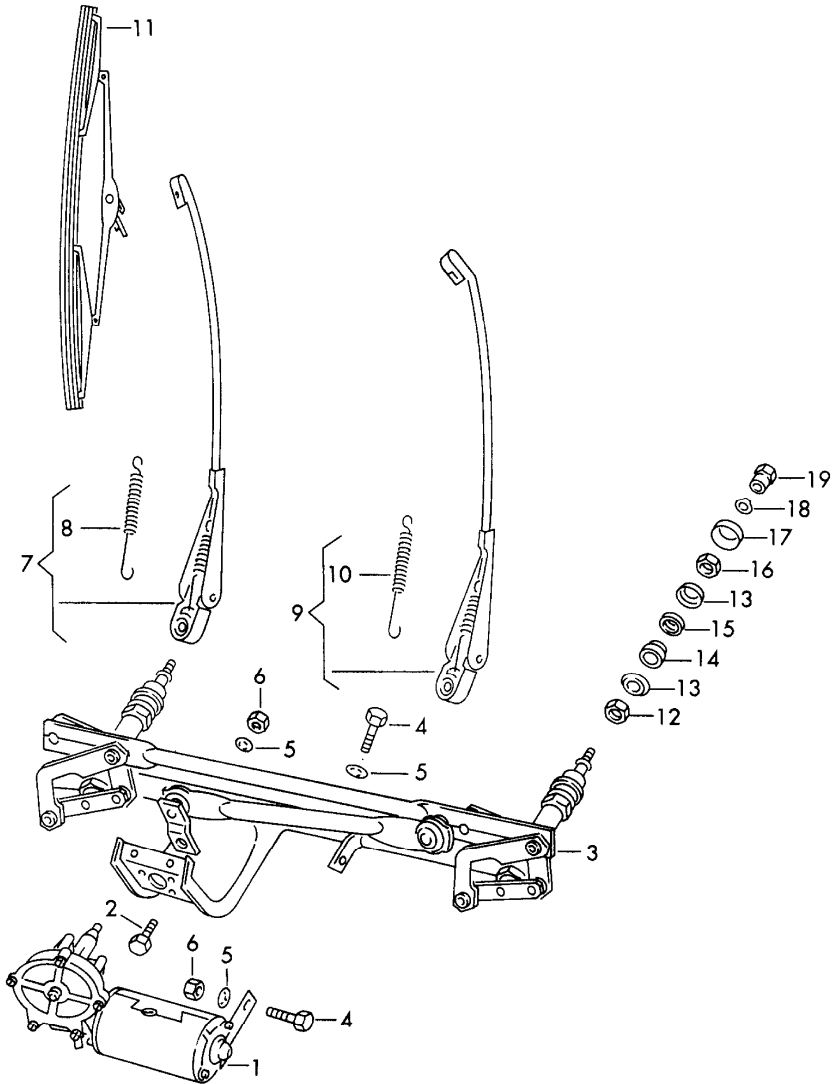


Pos	Part Number	Description	Remark	Qty	Model
-	901 613 035 01	steering column switch			
-	901 613 037 22	steering outer tube	/LL	1	
-	901 613 037 22	steering outer tube with steering column switch see group 4/03/10	/RL	-67	1
1	901 613 301 03	combined switch with picture 4 - 7		-67	1 911 /S 912
(1)	901 613 301 03	combined switch with picture 4 - 7	/RL/R	-67	1 911 /S 912
(1)	901 613 301 02	combined switch		68	1 911 S/TU/L 912
(1)	901 613 301 04	combined switch		69	1
2	901 613 302 03	wiper switch with picture 6 + 7		-67	1 911 /S 912
(2)	901 613 302 03	wiper switch with picture 6 + 7	/RL/L	-67	1 911 /S 912
(2)	901 613 302 03	alarm switch		68	1 911 S/TU/L 912
(2)	901 613 302 04	wiper switch		69	1
3	901 552 853 00	handle for 901.613.301.03/302.03/04			2
(3)	644 552 853 05	handle for 901.613.301.02/302.02			2
4	901 613 352 00	spring		-68	2
(4)	901 613 352 00	tension spring		69	2
5	901 613 918 00	tension spring			1
6	901 613 920 00	clamping piece			3
7	901 613 919 00	pan-head screw			6

Model	Year	MG	SG	Illustration	Restrictions	UPD	18:17	22.01.2010	PORSCHE	PET	PORSCHE
911-1	1969	9	03	903-20		248					

Pos	Part Number	Description	Remark	Qty	Model	Pos	Part Number	Description	Remark	Qty	Model
8	901 613 916 00	pan-head screw	-67	2							
9	900 071 001 02	oval-head screw M 3 X 10	-67	2							
10	900 014 001 02	pan-head screw AM 3 X 6	68	4							
11	900 115 007 01	serrated lock washer A 3,2	68	4							

Model	Year	MG	SG	Illustration	Restrictions	UPD	18:18	22.01.2010	PORSCHE	PET	PORSCHE
911-1	1969	9	04	904-00		248					

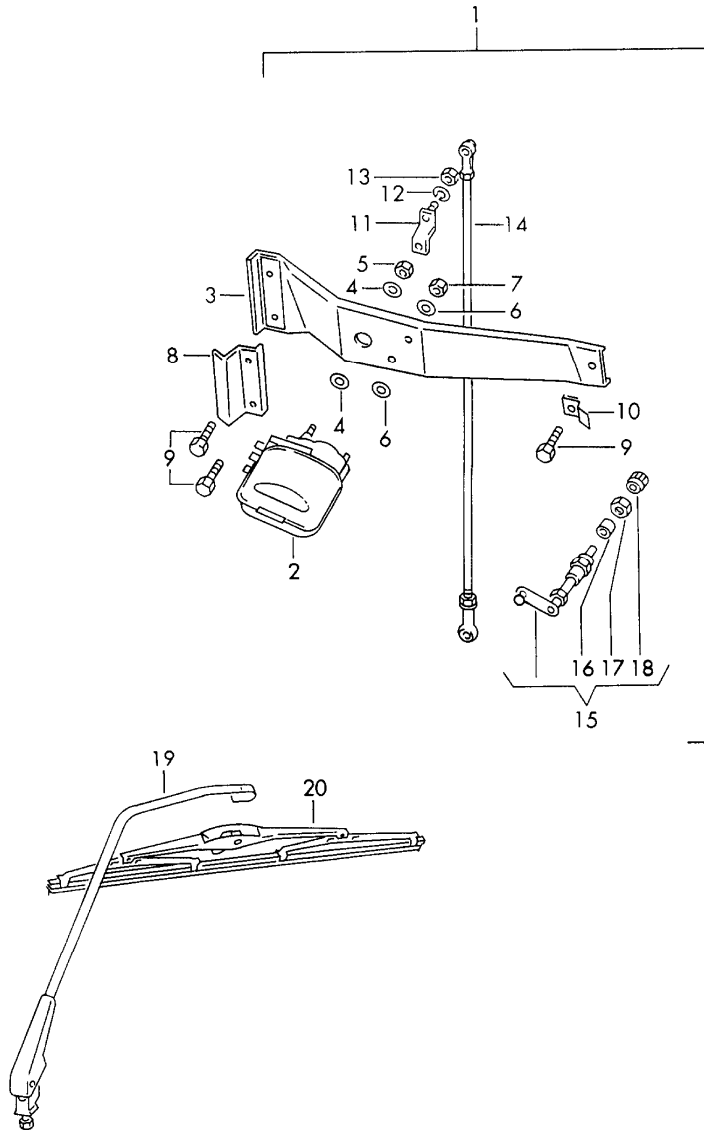


Pos	Part Number	Description	Remark	Qty	Model
		windscreen wiper system			
1	901 628 016 00	engine	/LL	-68	1
(1)	901 628 018 00	engine	/RL	-68	1
(1)	901 628 016 01	engine	/LL	69	1
(1)	901 628 018 01	engine	/RL	69	1
(1)	901 628 018 AX	engine	/RL	69	1
2	N 010 264 4	hexagon-head bolt M 5 X 20		-68	2
3	901 628 021 00	crank drive with picture 12 - 19	/LL	-68	1
(3)	901 628 022 00	crank drive with picture 12 - 19	/RL	-68	1
(3)	901 628 021 01	crank drive with picture 13 - 19	/LL	69	1
(3)	901 628 934 00	crank drive with picture 13 - 19	/RL	69	1
4	900 075 010 02	hexagon-head bolt M 6 X 12			3
5	N 042 121 1	shake-proof washer J 6,4			3
6	900 076 010 02	hexagon nut M 6			2
7	901 628 929 00	wiper arm	/L	-67	1
(7)	914 628 313 10	wiper arm - SWF -	/LL/L /RL/R	68-	1
(7)	914 628 313 10	wiper arm - bosch -	/LL	68-	1
(7)	901 628 014 00	wiper arm	/RL	68-	1
8	901 628 931 00	tension spring		-67	1
9	901 628 930 00	wiper arm		-67	1

Model	Year	MG	SG	Illustration	Restrictions	UPD	18:18	22.01.2010	PORSCHE	PET	PORSCHE
911-1	1969	9	04	904-00		248					

Pos	Part Number	Description	Remark	Qty	Model	Pos	Part Number	Description	Remark	Qty	Model
(9)	914 628 314 10	wiper arm - SWF -	/LL	1		-	999 523 106 01	lock washer		2	
(9)	914 628 314 10	wiper arm - bosch -	/LL	1							
(9)	901 628 014 00	wiper arm	/RL	69	1						
10	901 628 931 00	tension spring		-67	1						
11	964 628 901 01	wiper blade - SWF -		-67	2						
(11)	901 628 311 10	wiper blade - SWF -			2						
(11)	901 628 311 00	wiper blade - bosch -		-67	2						
(11)	901 628 311 20	wiper blade - bosch -			2						
12	904 628 131 00	hexagon nut		-68	2						
13	901 628 922 00	flange washer			4						
14	901 628 923 01	rubber bush			2						
15	901 628 924 00	rubber bush			2						
16	901 628 925 00	hexagon nut			2						
17	901 628 926 00	cap			2						
18	901 628 927 00	spring washer			2						
19	901 628 341 00	cap nut		-67	2						
(19)	901 628 341 00	cap nut			2						
-	901 628 053 20	rubber mounting	/LL		1						
-	901 628 054 20	rubber mounting	/RL		1						
-	901 628 505 20	tab washer			1						
-	900 075 097 02	hexagon-head bolt M 5 X 15			2						
-	900 187 011 02	hexagon-head tapping screw B 4,3 X 13			4						
-	900 151 001 02	washer A 4,3			4						
-	N 015 429 2	speed nut			4						

Model	Year	MG	SG	Illustration	Restrictions	UPD	18:18	22.01.2010	PORSCHE	PET	PORSCHE
911-1	1969	9	04	904-05		248					

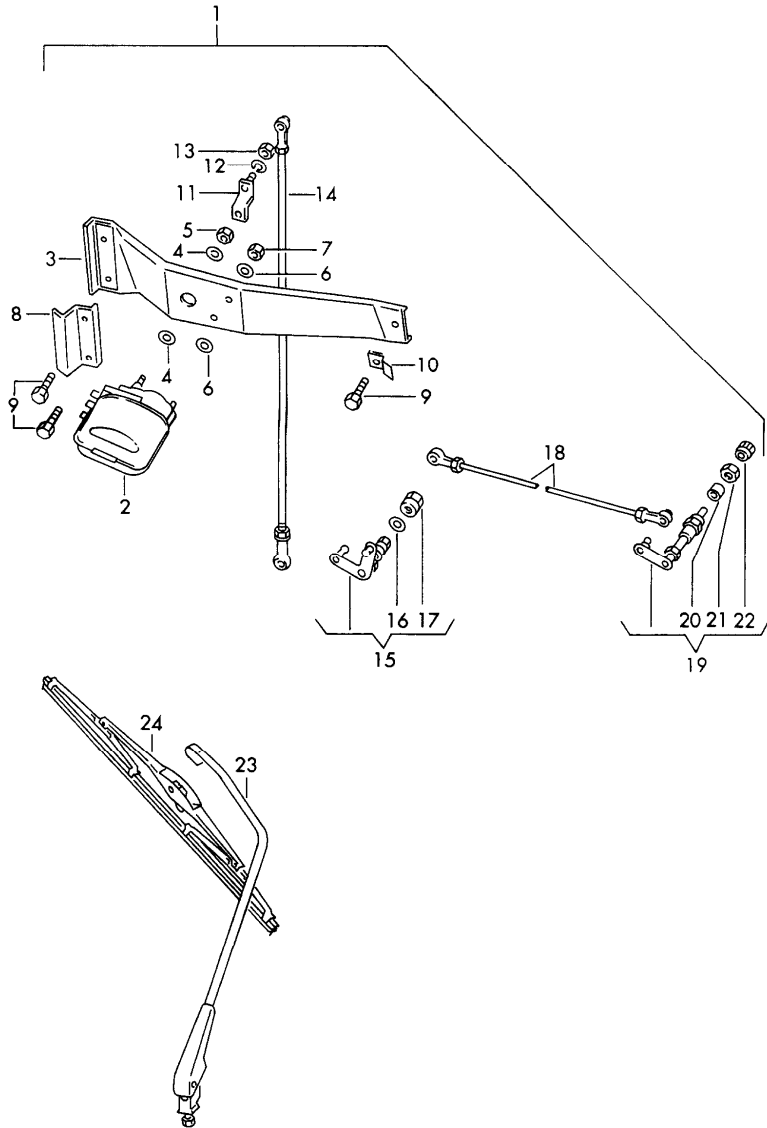


Pos	Part Number	Description	Remark	Qty	Model
-	901 628 061 00	rear window wiper complete with wiper blade silver metallic F 030 5101 >> F 035 4001 >> F 045 8101 >>	/LL M	-68 1	
		differing parts picture NR. 14 + 15 order also: F >> 030 5100 F >> 035 4000 F >> 045 8100		-68	COUPE
(1)	901 628 061 01	rear window wiper without wiper arm wiper blade black		1	
2	911 628 063 00	wiper motor		1	
3	901 628 065 00	assembly frame		1	
4	901 628 338 00	lock ring		2	
5	999 078 014 02	hexagon nut		2	
6	901 628 339 00	washer		4	
7	900 076 027 02	hexagon nut M 5		2	
8	901 628 320 00	bracket		1	
9	N 010 215 13	hexagon-head bolt M 6 X 15		3	
10	901 628 337 00	support		1	
11	901 628 318 00	lever		1	
12	900 027 014 01	lock ring B 6		1	
13	900 076 010 02	hexagon nut M 6		1	

Model	Year	MG	SG	Illustration	Restrictions	UPD	18:18	22.01.2010	PORSCHE	PET	PORSCHE
911-1	1969	9	04	904-05		248					

Pos	Part Number	Description	Remark	Qty	Model	Pos	Part Number	Description	Remark	Qty	Model
14	901 628 317 00	joint rod 404 MM F >> 030 5100 F >> 035 4000 F >> 045 8100	-68	1	COUPE	-	901 612 033 20	ground cable	-68	1	
(14)	901 628 615 00	joint rod 396 MM F 030 5101 >> F 035 4001 >> F 045 8101 >>		1		-	901 612 317 20	positive cable	-68	1	
15	901 628 319 01	wiper bearing F >> 030 5100 F >> 035 4000 F >> 045 8100	-68	1	COUPE	-	901 612 813 01	fuse holder	-68	1	
(15)	901 628 319 02	wiper bearing F 030 5101 >> F 035 4001 >> F 045 8101 >>		1		-	901 612 085 02	fuse holder 4-pole	69	1	
16	901 628 913 00	spacer bush		1		-	999 652 142 40	push-on connector		1	
17	901 628 912 00	hexagon nut		1		-	999 702 046 50	grommet		1	
18	901 628 911 00	cap		1				set for subsequent installation see group 9/98/05			
19	901 628 303 00	wiper arm silver metallic	-68	1							
(19)	901 628 611 00	wiper arm black		1							
20	901 628 313 00	wiper blade silver metallic	-68	1							
(20)	901 628 613 00	wiper blade black		1							
-	901 612 027 20	wiring harness rear window wiper	-68	1							
-	901 612 028 20	wiring harness wiper switch	-68	1							
-	901 612 070 05	wiring harness NR. 19 fuse holder wiper switch		1							
-	901 612 028 21	additional cables tunnel rear window wiper	69	1							
-	901 612 024 21	wiring harness rear window wiper	69	1							

Model	Year	MG	SG	Illustration	Restrictions	UPD	18:18	22.01.2010	PORSCHE	PET	PORSCHE
911-1	1969	9	04	904-10		248					

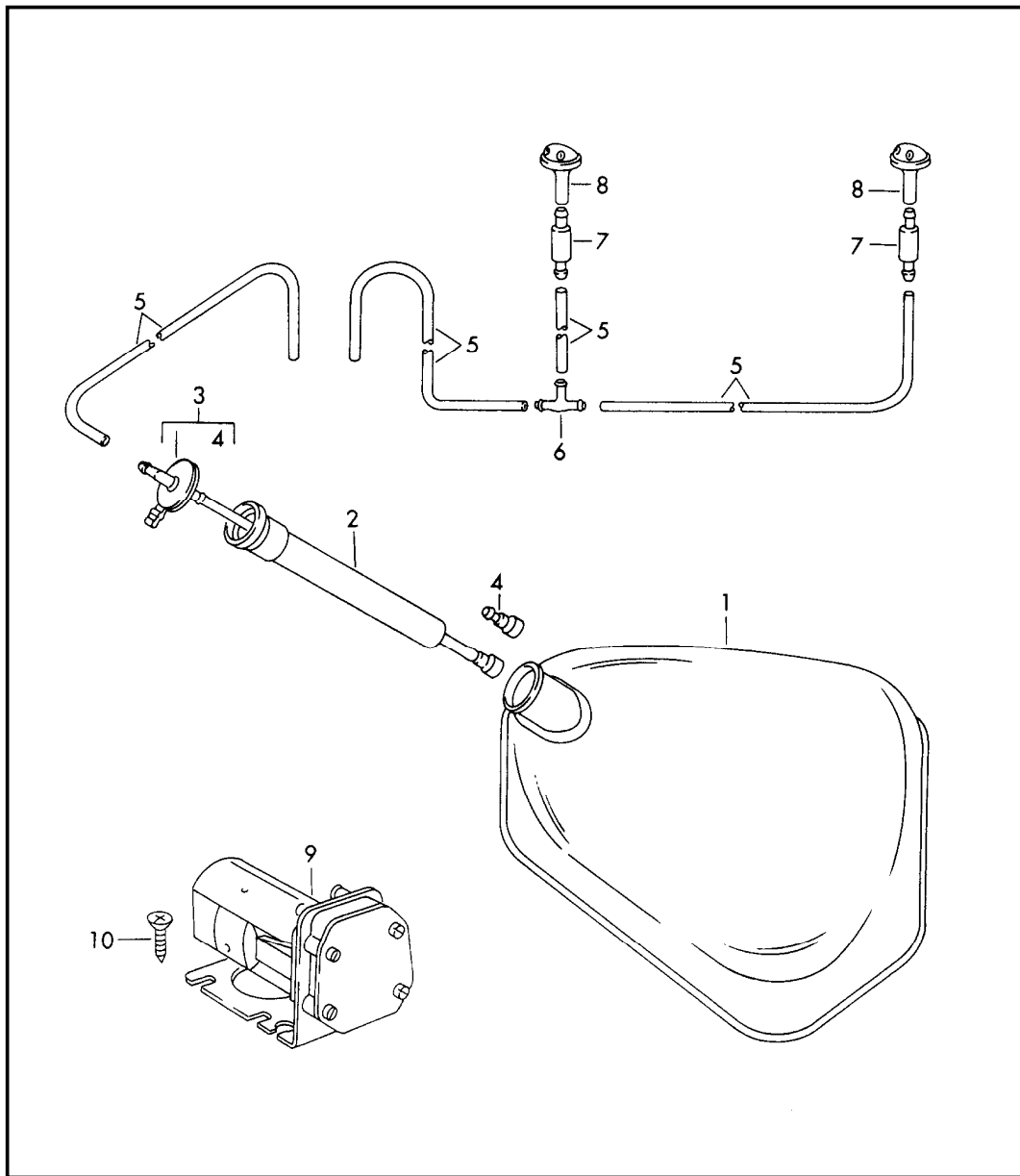


Pos	Part Number	Description	Remark	Qty	Model
		rear window wiper	/RL M		
		F 1180 0379 >>			
		F 1182 0368 >>			
		F 1181 0290 >>			
		F 1280 2005 >>			
		F 1282 0159 >>			
1	901 628 062 00	rear window wiper without wiper arm wiper blade		1	
2	911 628 063 00	wiper motor		1	
3	901 628 065 00	assembly frame		1	
4	901 628 338 00	lock ring		2	
5	999 078 014 02	hexagon nut		2	
6	901 628 339 00	washer		4	
7	900 076 027 02	hexagon nut M 5		2	
8	901 628 320 00	bracket		1	
9	N 010 215 13	hexagon-head bolt M 6 X 15		3	
10	901 628 337 00	support		1	
11	901 628 318 00	lever		1	
12	900 027 014 01	lock ring B 6		1	
13	900 076 010 02	hexagon nut M 6		1	
14	901 628 615 00	joint rod		1	
15	901 628 617 00	wiper bearing		1	
16	901 628 914 00	spring washer		1	
17	901 628 621 00	cap nut		1	
18	901 628 616 00	joint rod		1	
19	901 628 619 00	wiper bearing		1	
20	901 628 913 00	spacer bush		1	
21	901 628 912 00	hexagon nut		1	

Model	Year	MG	SG	Illustration	Restrictions	UPD	18:18	22.01.2010	PORSCHE	PET	PORSCHE
911-1	1969	9	04	904-10		248					

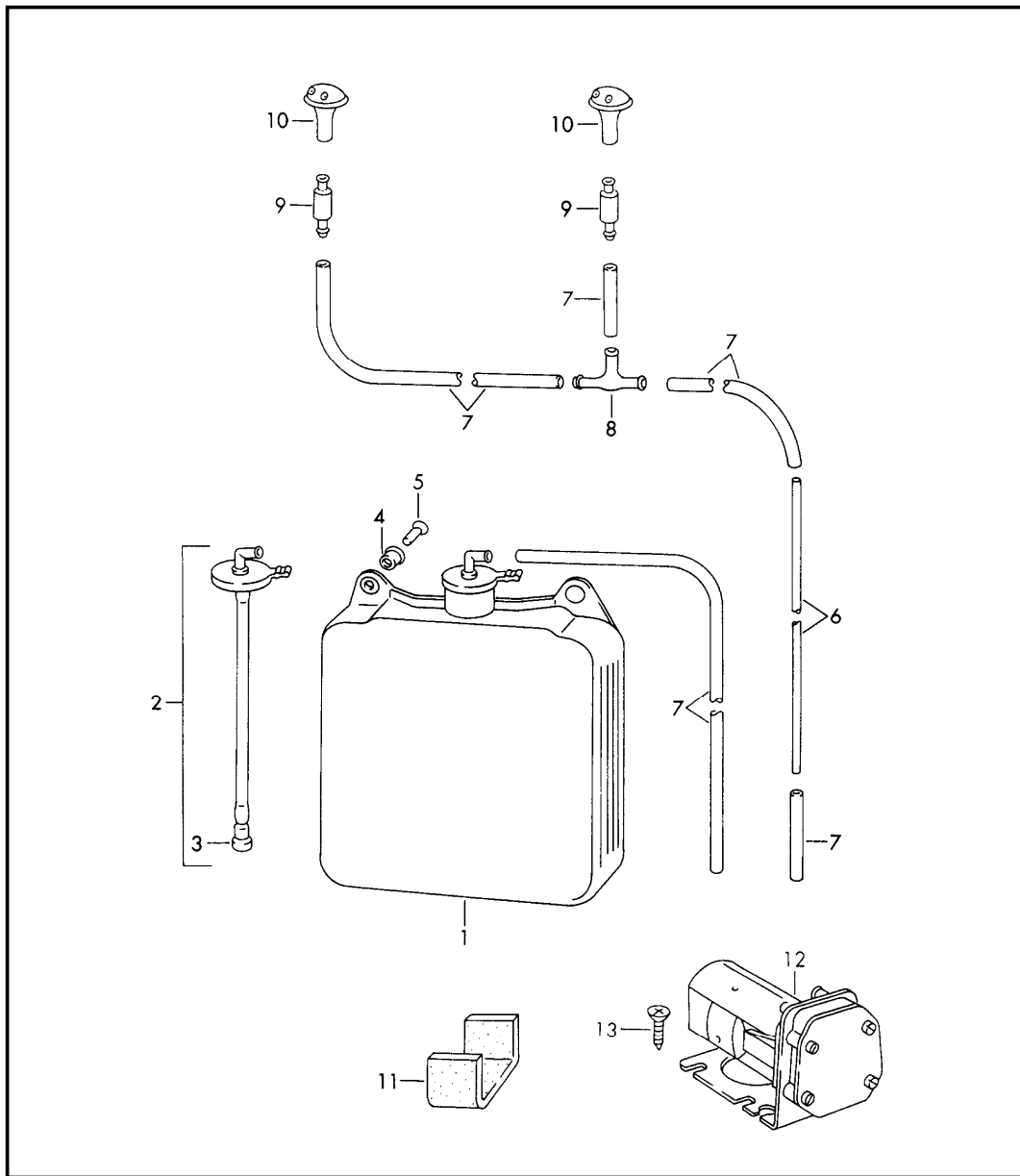
Pos	Part Number	Description	Remark	Qty	Model	Pos	Part Number	Description	Remark	Qty	Model
22	901 628 911 00	cap		1							
23	901 628 612 00	wiper arm		1							
24	901 628 613 00	wiper blade		1							
-	901 612 094 00	wiring harness NR. 62 wiper switch		1							
-	901 612 051 00	extension cable wiper switch		1							
-	901 612 095 00	additional cables tunnel rear window wiper		1							
-	901 612 024 21	wiring harness rear window wiper		1							
-	901 612 085 02	fuse holder 4-pole		1							
-	999 652 142 40	push-on connector		1							
-	999 652 142 40	push-on connector		1							
-	999 702 119 50	rubber sleeve		1							
		set for subsequent installation see group 9/98/05									

Model	Year	MG	SG	Illustration	Restrictions	UPD	18:18	22.01.2010	PORSCHE	PET	PORSCHE
911-1	1969	9	04	904-15		248					



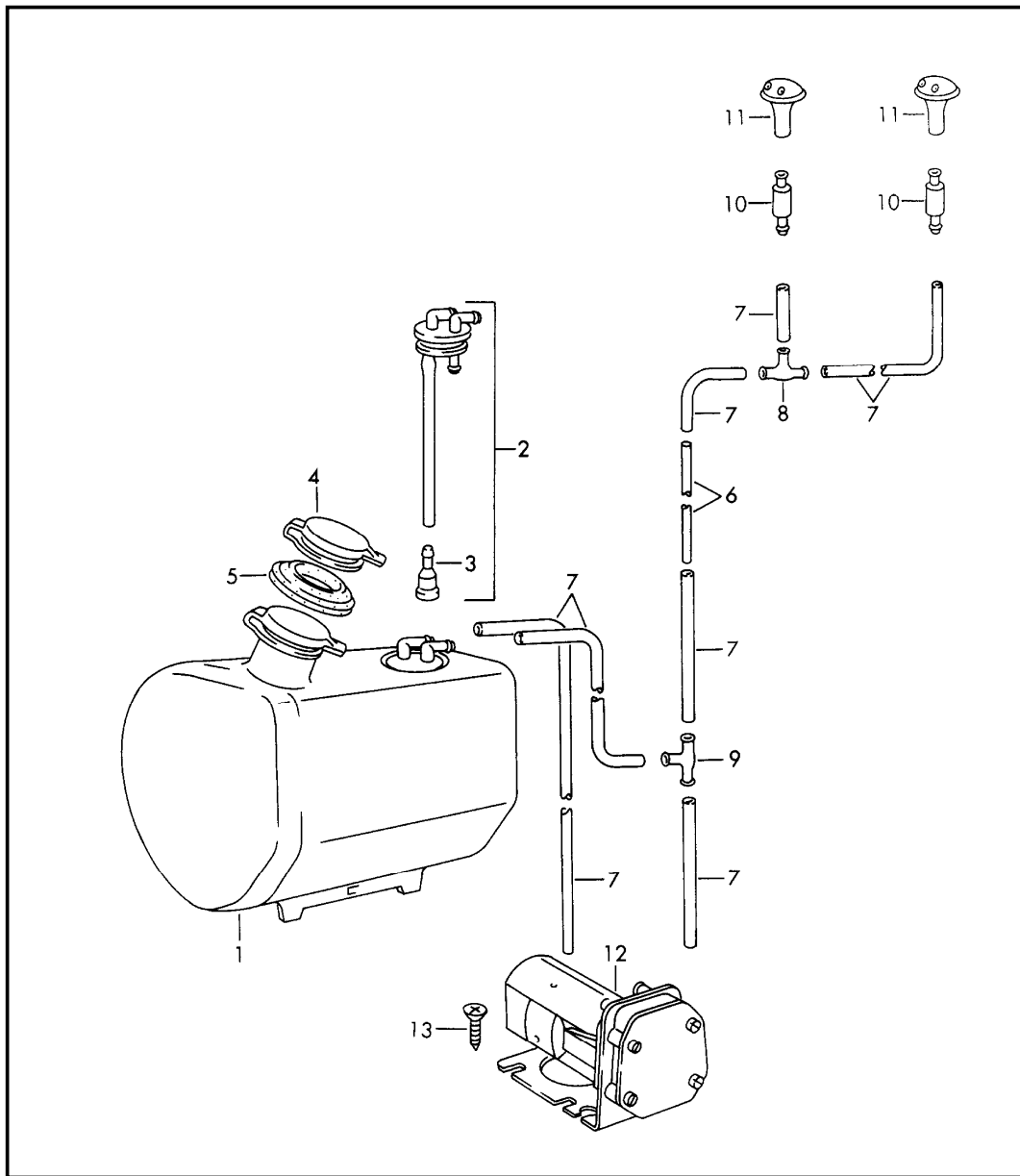
Pos	Part Number	Description	Remark	Qty	Model
		windscreen washer system			
		F >> 030 2694			911 COUPE
		F >> 035 1292			912 COUPE
		F >> 045 1373			
1	901 628 720 20	water reservoir		1	
2	901 628 725 20	funnel		1	
3	901 628 723 20	lid		1	
4	901 628 730 23	lid		1	
5	PCG 628 901 10	hose 3000 MM		1	
6	901 628 745 20	t-piece		1	
7	914 628 215 00	valve		2	
8	901 628 741 20	nozzle		2	
-	644 628 905 00	cap		2	
9	928 628 074 01	pump		1	
10	N 013 961 2	tapping screw B 3,9 X 13		2	

Model	Year	MG	SG	Illustration	Restrictions	UPD	18:18	22.01.2010	PORSCHE	PET	PORSCHE
911-1	1969	9	04	904-20		248					



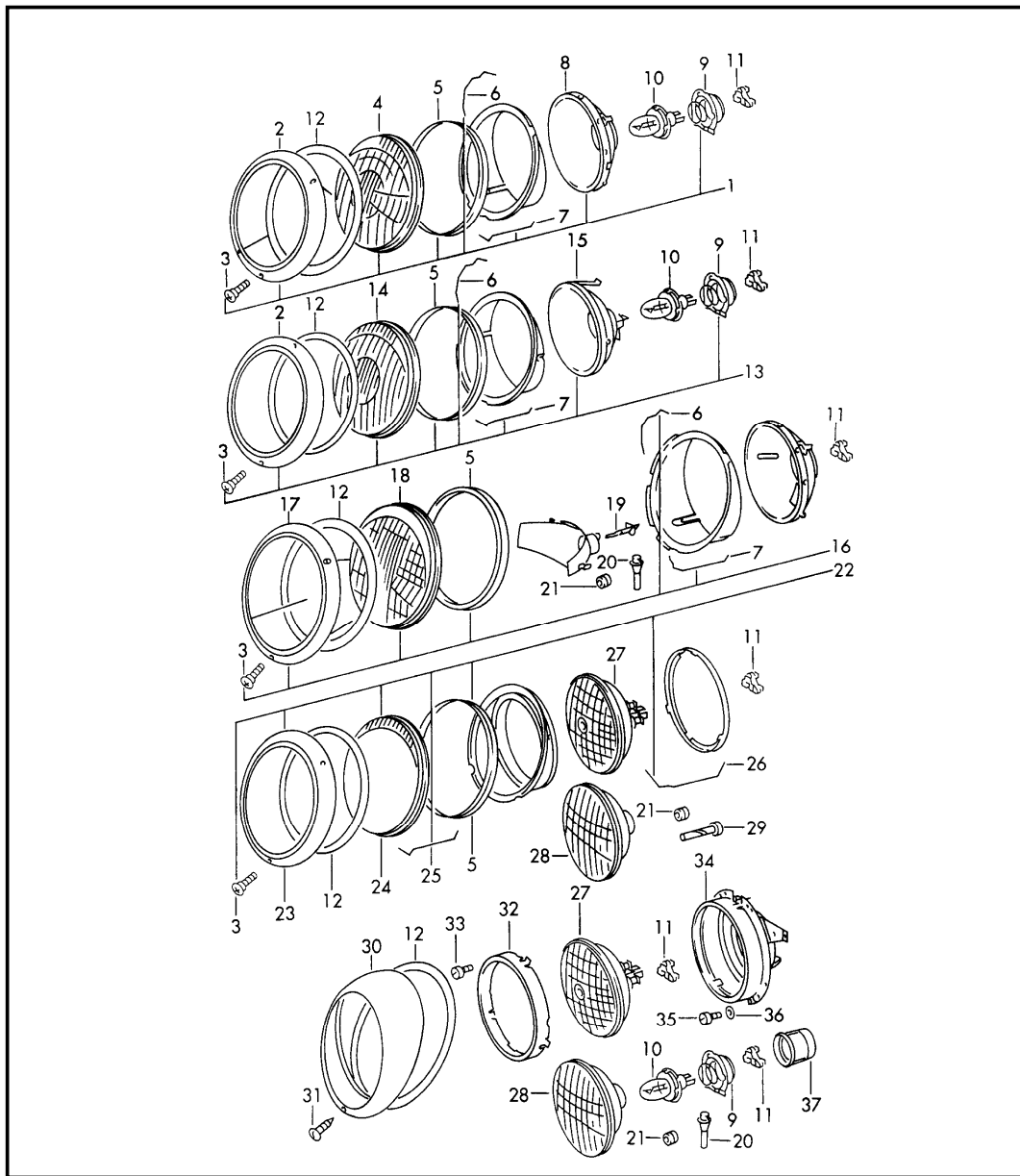
Pos	Part Number	Description	Remark	Qty	Model
		windscreen washer system	-67		
		F 030 2695 >> 030 8454			911 /S
		F >> 050 0700			
		F 035 1293 >>			912
		F 045 1374 >>			
1	PCG 628 720 22	water reservoir		1	
2	901 628 703 21	lid		1	
3	901 628 730 23	lid		1	
4	901 628 753 21	bush		2	
5	900 013 030 02	countersunk-head screw M 5 X 18		2	
6	901 628 739 21	pipe		1	
7	PCG 628 901 10	hose 3000 MM		1	
8	901 628 745 20	t-piece		1	
9	914 628 215 00	valve		2	
10	901 628 741 20	nozzle		2	
-	644 628 905 00	cap		2	
11	901 628 792 21	felt strip		1	
12	928 628 074 01	pump		1	
13	N 013 961 2	tapping screw B 3,9 X 13		2	

Model	Year	MG	SG	Illustration	Restrictions	UPD	18:18	22.01.2010	PORSCHE	PET	PORSCHE
911-1	1969	9	04	904-25		248					



Pos	Part Number	Description	Remark	Qty	Model
		windscreen washer system	68-		
1	901 628 720 26	expansion tank	68	1	
(1)	901 628 720 26	water reservoir	69	1	
2	901 628 730 23	lid		1	
3	901 628 730 23	lid		1	
4	911 628 167 00	lid		1	
5	901 628 183 00	gasket		1	
6	901 628 739 21	pipe		1	
7	PCG 628 901 10	hose 3000 MM		1	
8	901 628 745 20	t-piece		1	
9	901 628 749 20	t-piece		1	
10	914 628 215 00	valve		2	
11	901 628 741 20	nozzle		2	
-	644 628 905 00	cap		2	
0+11	644 628 741 02	nozzle with valve	68	2	
0+11	914 628 203 00	nozzle with valve	69	2	
12	928 628 074 01	pump		1	
13	N 013 961 2	tapping screw B 3,9 X 13		2	

Model	Year	MG	SG	Illustration	Restrictions	UPD	18:19	22.01.2010	PORSCHE	PET	PORSCHE
911-1	1969	9	05	905-00		248					

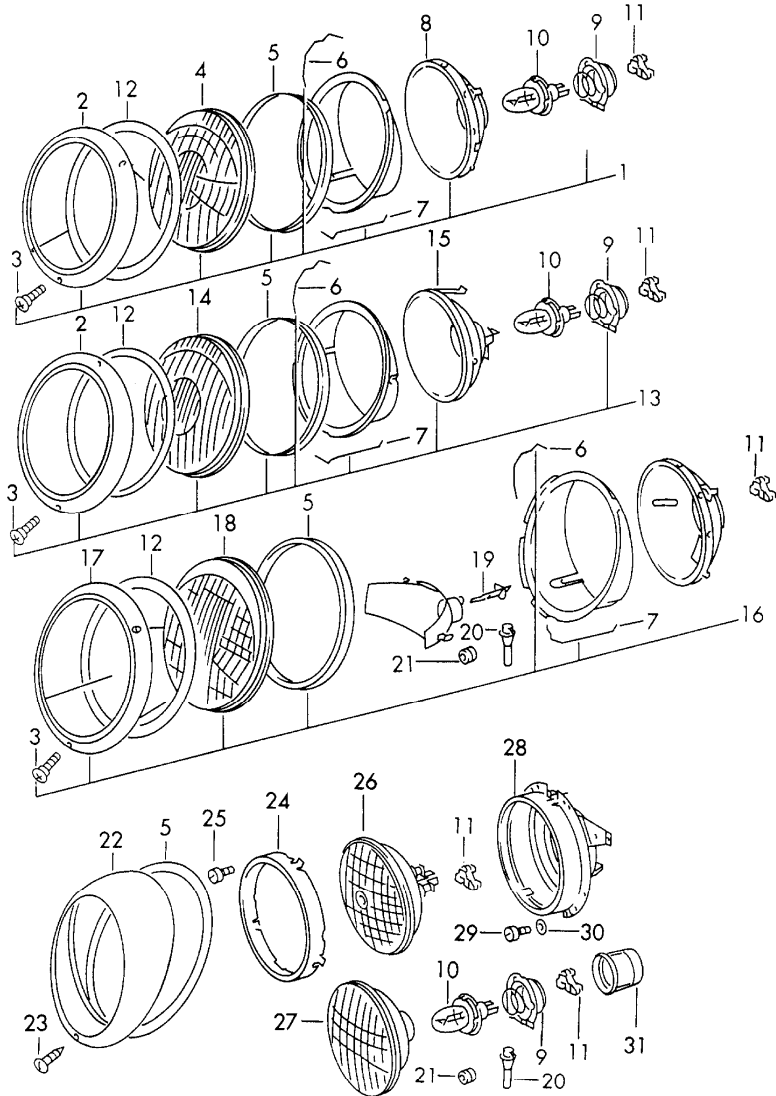


Pos	Part Number	Description	Remark	Qty	Model
1	901 631 101 00	headlamp -BOSCH- asymmetrical not for (USA) F >> 1180 0225 F >> 1185 0064 not for (F)	-68 /LL	2	911 S
2	911 631 933 00	headlamp ring chrome		2	
3	901 631 119 00	fastening screw not for (USA)		2	
(3)	901 631 119 01	fastening screw		2	
4	901 631 111 00	lens (E1 4487)		2	
5	911 631 967 00	gasket		2	
6	901 631 116 02	locking spring		2	
(6)	901 631 116 02	locking spring		1	911 S
7	644 631 122 00	locking spring		3	
8	901 631 103 00	reflector		1	
9	904 631 123 00	bulb socket		3	
10	900 631 109 90	bulb A 12 V 45/40 ES for europe not for (F)		2	
(10)	999 631 109 90	bulb yellow 12 V 45/40 W ES for (F)		2	
11	901 631 107 00	connector -SB-		2	
12	901 631 115 20	rubber seal wing		2	

Model	Year	MG	SG	Illustration	Restrictions	UPD	18:19	22.01.2010	PORSCHE	PET	PORSCHE
911-1	1969	9	05	905-00		248					

Pos	Part Number	Description	Remark	Qty	Model	Pos	Part Number	Description	Remark	Qty	Model
13	901 631 101 01	headlamp -BOSCH- asymmetrical	/RL	2		26	644 631 124 31	locking spring		12	
14	901 631 111 01	lens		2		27	999 631 108 90	headlamp unit "SEALED BEAM" original		2	
15	901 631 103 01	reflector		2		28	914 631 106 00	headlamp unit "SEALED BEAM" replacement not for (USA)	/LL M	2	
16	901 631 101 33	headlamp - bosch - asymmetrical lens white not for (USA) (F) F 1180 0226 >> F 1185 0065 >>	/LL	1	911 S	(28)	904 631 106 00	headlamp unit "SEALED BEAM" replacement	/RL M	2	
(16)	901 631 101 40	headlamp - bosch - asymmetrical lens yellow for (F)		2	911 S	29	911 025 612 00	grommet		2	
(16)	911 631 112 00	headlamp - bosch - symmetrical lens white	/RL	2	911 S	37	901 631 123 00	rubber cap		2	
17	901 631 102 04	headlamp ring chrome		2	911 S						
18	901 631 111 02	lens white for 901.631.101.33		2	911 S						
(18)	901 631 111 03	lens yellow for 901.631.101.40		2	911 S						
(18)	901 631 111 04	lens white for 901.631.101.45		2	911 S						
19	900 631 125 90	halogen bulb		6	911 S						
20	999 702 071 50	water drain sleeve		2	911 S						
21	999 702 119 50	rubber sleeve		2							
25	644 631 122 31	locking spring		14							

Model	Year	MG	SG	Illustration	Restrictions	UPD	18:19	22.01.2010	PORSCHE	PET	PORSCHE
911-1	1969	9	05	905-05		248					

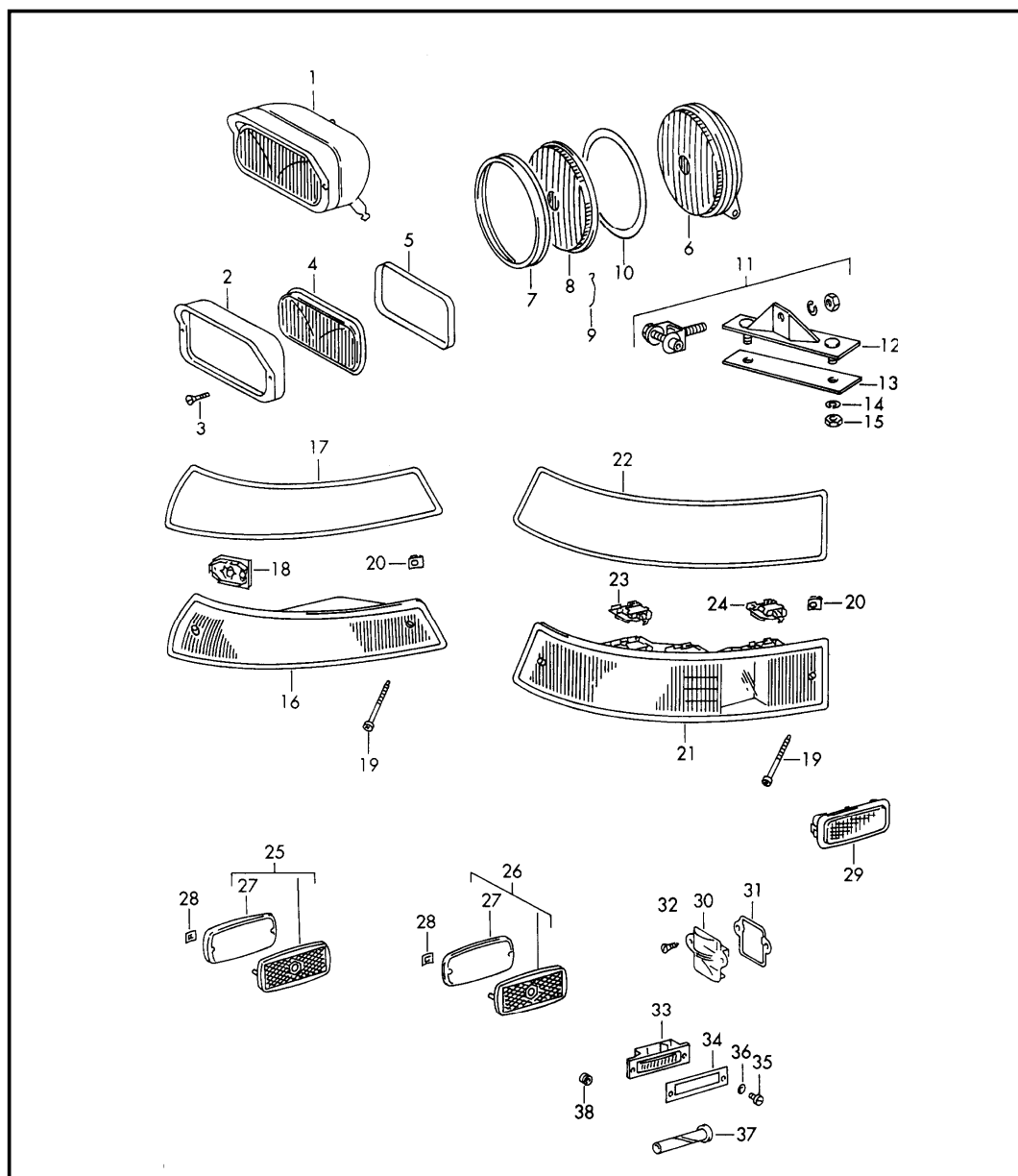


Pos	Part Number	Description	Remark	Qty	Model
		headlamp		69	
1	901 631 101 00	headlamp -BOSCH- asymmetrical not for (USA)	/LL	2	912
2	911 631 933 00	headlamp ring chrome		2	912
3	901 631 119 00	fastening screw		2	
4	901 631 111 00	lens (E1 4487)		2	912
5	911 631 967 00	gasket		2	
6	901 631 116 02	locking spring		10	912
(6)	901 631 116 02	locking spring		6	911
7	644 631 122 00	locking spring		6	
8	901 631 103 00	reflector		1	912
9	904 631 123 00	bulb socket		3	
10	900 631 109 90	bulb A 12 V 45/40 ES for europe not for (F)		2	
(10)	999 631 109 90	bulb yellow 12 V 45/40 W ES for (F)		2	
11	911 631 108 00	terminal sleeve housing -SB-		2	
12	901 631 115 21	rubber seal wing		2	
13	901 631 101 01	headlamp - bosch - asymmetrical	/RL	2	912
14	901 631 111 01	lens	/RL	2	912
15	901 631 103 01	reflector	/RL	2	912

Model	Year	MG	SG	Illustration	Restrictions	UPD	18:19	22.01.2010	PORSCHE	PET	PORSCHE
911-1	1969	9	05	905-05		248					

Pos	Part Number	Description	Remark	Qty	Model	Pos	Part Number	Description	Remark	Qty	Model
16	901 631 101 33	headlamp - bosch - asymmetrical lens white not for (USA) (F)	/LL	1	911	27	914 631 106 00	headlamp unit "SEALED BEAM" replacement	/LL (USA)	2	911 912
(16)	901 631 101 40	headlamp - bosch - asymmetrical lens yellow for (F)	/LL	2	911	(27)	904 631 106 00	headlamp unit "SEALED BEAM" replacement	/RL	2	
(16)	911 631 112 00	headlamp - bosch - symmetrical lens white	/RL	2	911	28	901 631 103 02	mounting piece		2	
17	901 631 102 04	headlamp ring chrome		2	911	29	900 014 046 02	pan-head screw AM 4 X 10		8	
18	911 631 111 00	lens white for 911.631.101.00/01	/LL	2	911	30	900 114 014 01	shake-proof washer A 4,3		8	
(18)	911 631 112 00	headlamp white for 911.631.101.02	/RL	2	911	31	901 631 123 00	rubber cap		2	
19	900 631 125 90	halogen bulb		4	911						
20	999 702 071 50	water drain sleeve		6							
21	999 702 119 50	rubber sleeve		2							
22	901 631 102 05	retaining ring		2							
23	911 631 146 01	lens-head screw AM 5 X 18 Z		2							
24	901 631 102 03	headlamp ring chrome		2							
25	900 016 014 02	half-round screw AM 4 X 8		6							
26	999 631 108 90	headlamp unit "SEALED BEAM" original	/LL (USA)	2	911 912						

Model	Year	MG	SG	Illustration	Restrictions	UPD	18:19	22.01.2010	PORSCHE	PET	PORSCHE
911-1	1969	9	05	905-10		248					



Pos	Part Number	Description	Remark	Qty	Model
		lights fog headlamp	-68		
1	644 631 201 03	fog headlamp lens white with reflector yellow for europe		2	
-	900 631 112 90	bulb 12V 35W		2	
(1)	PCG 631 201 00	fog headlamp with reflector white for halogen bulb not for (USA)		2	
(1)	PCG 631 201 10	fog headlamp with reflector yellow for halogen bulb not for (USA)		2	
-	900 631 125 90	halogen bulb		2	
2	644 631 212 03	ring for fog headlamp		2	
3	900 073 001 02	oval-head screw M 4 X 16 X 2		4	
4	644 631 211 04	lens for 644.631.201.03/04		2	
(4)	901 631 211 02	lens for 901.631.201.00/10		2	
5	644 631 214 03	gasket		2	
6	* 901 631 202 00	fog headlamp with reflector white halogen bulb		2	

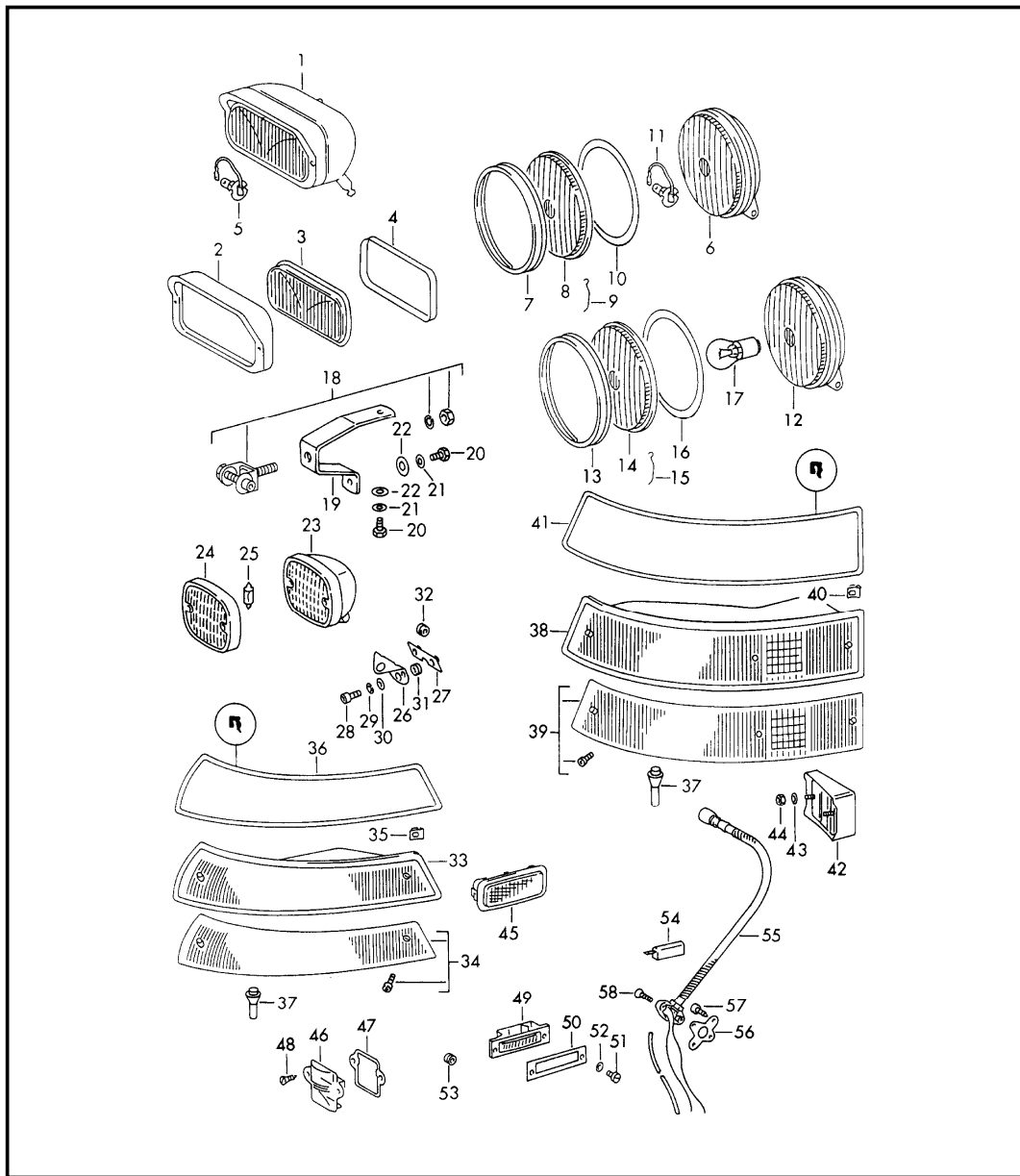
Model	Year	MG	SG	Illustration	Restrictions	UPD	18:19	22.01.2010	PORSCHE	PET	PORSCHE
911-1	1969	9	05	905-10		248					

Pos	Part Number	Description	Remark	Qty	Model	Pos	Part Number	Description	Remark	Qty	Model
(6)	* 901 631 202 10	fog headlamp with reflector yellow halogen bulb		2		(16)	901 631 401 01	direction indicator light left for (I)		1	
(6)	* 901 631 121 01	high-beam headlight		2		(16)	901 631 402 01	direction indicator light right for (I)		1	
-	900 631 126 90	halogen bulb		2		-	900 631 114 90	bulb 12V 15W		2	
7	901 631 212 00	headlamp ring		2		-	999 631 113 90	bulb 12V 3W		2	
8	901 631 211 00	lens for 901.631.202.00/10		2		17	901 631 413 00	rubber seal left		1	
(8)	901 631 211 01	lens for 901.631.121.01		2		(17)	901 631 414 00	rubber seal right		1	
9	901 631 116 01	locking spring		8		18	901 631 411 00	connector for direction indicator light		2	
10	901 631 214 00	gasket		2		(18)	901 631 412 00	connector for position light		2	
11	901 631 125 00	support		2		-	999 702 076 50	rubber sleeve		2	
12	901 631 129 26	retaining bracket left		1		19	901 631 911 00	fastening screw		8	
(12)	901 631 130 26	retaining bracket right		1		20	999 507 311 12	captive nut		8	
13	901 631 133 26	plate		2		-	999 702 006 50	gasket		8	
14	900 027 015 02	lock ring B 8		4		21	> 901 631 403 00	rear light left for europe not for (F)		1	
15	N 011 008 8	hexagon nut M 8		4		(21)	> 901 631 404 00	rear light right for europe not for (F)		1	
16	> 901 631 401 00	direction indicator light left not for (I)		1		-	N 017 737 2	bulb 12V 18W		2	
(16)	901 631 402 00	direction indicator light right not for (I)		1		-	900 631 103 90	bulb 12V 4W		2	
-	N 017 731 2	bulb 12V 18W		2		-	900 631 110 90	bulb 12V 25W		2	

Model	Year	MG	SG	Illustration	Restrictions	UPD	18:19	22.01.2010	PORSCHE	PET	PORSCHE
911-1	1969	9	05	905-10		248					

Pos	Part Number	Description	Remark	Qty	Model	Pos	Part Number	Description	Remark	Qty	Model
(21)	> 901 631 403 00	rear light yellow left for (F)		1		33	901 631 601 00	license plate light		2	
						-	900 631 103 90	bulb 12V 4W		2	
(21)	901 631 404 02	rear light yellow right for (F)		1		34	901 631 605 00	desk pad		2	
						35	900 146 011 02	oval-head screw AM 4 X 10		4	
-	999 702 050 50	rubber sleeve 12 X 14 X 12		2		36	999 523 105 01	lock washer		4	
-	999 702 119 50	rubber sleeve		2		37	911 025 612 00	rubber sleeve		2	
22	901 631 417 00	rubber seal left		1		38	999 702 015 50	grommet		1	
(22)	901 631 418 00	rubber seal right		1		-	999 702 046 50	rubber sleeve		1	
23	901 631 411 00	connector for direction indicator light single pole		2							
(23)	901 631 416 00	connector for back-up light single pole		2							
24	901 631 415 00	connector for brake light and rear light 2-pole		2							
29	901 632 101 28	interior light		2							
-	964 555 153 00	desk pad		2							
-	900 631 106 90	bulb 12V 10W		2							
30	901 632 201 01	luggage compartment lamp		2							
31	901 632 291 00	desk pad		2							
-	900 631 104 90	bulb 12V 5W		2							
32	N 013 961 2	tapping screw B 3,9 X 13		2							

Model	Year	MG	SG	Illustration	Restrictions	UPD	18:19	22.01.2010	PORSCHE	PET	PORSCHE
911-1	1969	9	05	905-15		248					



Pos	Part Number	Description	Remark	Qty	Model
		lights fog headlamp		69	
1	901 631 205 01	fog headlamp with reflector white not for (USA) (NL)		2	
		with reflector yellow not for (USA) (NL)			
2	901 631 212 01	ring for fog headlamp		2	
3	901 631 211 03	lens		2	
4	901 631 214 01	gasket		2	
5	900 631 126 90	halogen bulb		2	
6	901 631 202 01	fog headlamp with reflector white not for (USA) (NL)		2	
-	928 101 303 00	washer 10,5		2	
(6)	901 631 121 01	high-beam headlight not for (USA) (NL)		2	
7	901 631 212 00	headlamp ring		2	
8	901 631 211 00	lens for 901.631.202.01		2	
(8)	901 631 211 01	lens for 901.631.121.01		2	
9	901 631 116 01	locking spring		8	
10	901 631 214 00	gasket		2	
11	900 631 126 90	halogen bulb		2	
18	901 631 125 00	support		2	
19	901 631 137 00	retaining bow		2	

Model	Year	MG	SG	Illustration	Restrictions	UPD	18:19	22.01.2010	PORSCHE	PET	PORSCHE
911-1	1969	9	05	905-15		248					

Pos	Part Number	Description	Remark	Qty	Model	Pos	Part Number	Description	Remark	Qty	Model
20	900 075 010 02	hexagon-head bolt M 6 X 12		4		(33)	901 631 401 05	direction indicator light left for (I)		1	
21	900 114 010 01	shake-proof washer A 6,4		4		(33)	901 631 402 05	direction indicator light right for (I)		1	
22	900 151 006 09	washer B 6,4		4		-	900 631 127 90	bulb 12V 21W		4	
23	901 631 251 00	rear fog light not for (USA) (I) (CH) (S) (SV)		1	911	-	900 631 103 90	linolite lamp 12V 4W		2	
24	911 631 251 29	rear fog light with screw and gasket		1	911	-	PCG 631 935 20	direction indicator light plastic material left without lens it is necessary to rework		1	
25	900 631 123 90	linolite lamp K 12V 18W		1	911	-	PCG 631 935 30	direction indicator light metal left without lens		1	
26	911 631 125 00	fastening angle		1	911	-	PCG 631 936 20	direction indicator light plastic material right without lens it is necessary to rework		1	
27	911 631 126 00	support		1	911	-	PCG 631 936 30	direction indicator light metal right without lens		1	
28	900 067 009 02	pan-head screw M 6 X 15		2	911	34	911 631 921 03	lens left for 901.631.401.03		1	
29	N 012 007 2	lock ring A 6		2	911	(34)	911 631 922 03	lens right for 901.631.402.03		1	
30	N 011 524 7	washer 6,4		2	911	(34)	901 631 903 05	lens left for 901.631.401.05		1	
31	999 702 046 50	rubber sleeve 8 X 10 X 7		1	911						
32	999 702 020 50	rubber sleeve 8 X 12 X 9		1	911						
-	999 652 208 10	cable shoe		1	911						
33	901 631 401 03	direction indicator light left for europe not for (I)		1							
(33)	901 631 402 03	direction indicator light right for europe not for (I)		1							

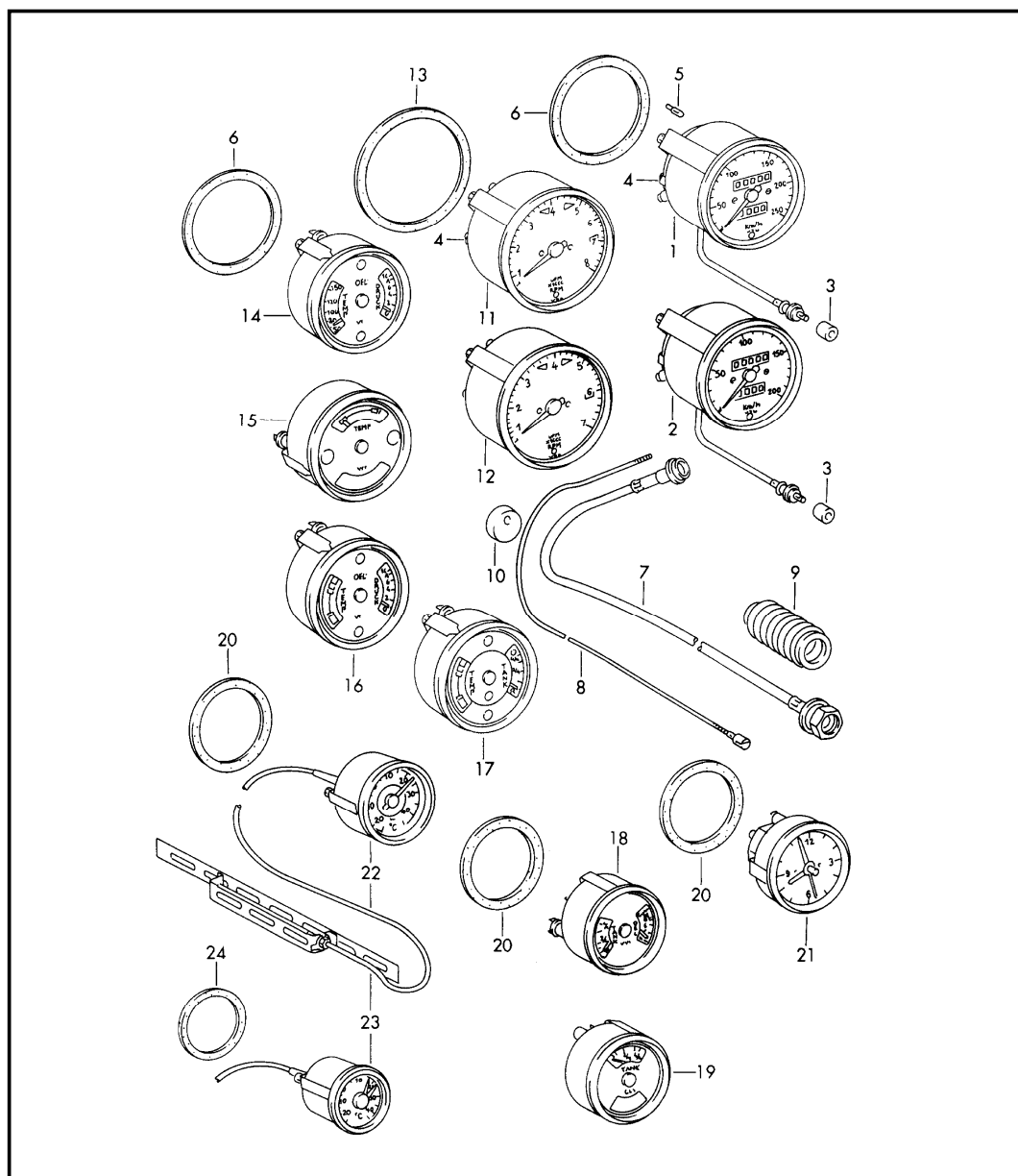
Model	Year	MG	SG	Illustration	Restrictions	UPD	18:19	22.01.2010	PORSCHE	PET	PORSCHE
911-1	1969	9	05	905-15		248					

Pos	Part Number	Description	Remark	Qty	Model	Pos	Part Number	Description	Remark	Qty	Model
(34)	901 631 904 05	lens right for 901.631.402.05		1		(39)	901 631 905 05	lens left for 901.631.403.05		1	
35	999 507 312 12	cable holder		8		(39)	901 631 906 05	lens right for 901.631.404.05		1	
36	911 631 970 01	gasket left		1		40	999 507 312 12	cable holder		4	
(36)	911 631 970 00	gasket right		1		41	911 631 971 01	gasket left		1	
37	999 702 071 50	water drain sleeve		6		(41)	911 631 971 00	gasket right		1	
38	901 631 403 03	rear light left for europe not for (F)		1		42	901 633 010 00	reflector		2	
(38)	901 631 404 03	rear light right for europe not for (F)		1		43	N 012 005 3	lock ring B 5		4	
(38)	901 631 403 05	rear light left for (F)		1		-	900 025 003 02	washer 5,3		4	
(38)	901 631 404 05	rear light right for (F)		1		44	900 076 027 02	hexagon nut M 5		4	
-	900 631 128 90	bulb 12V 21/5W		2		45	901 632 103 00	interior light roll bar glove compartment		2	TARGA
-	N 017 731 2	bulb 12V 15W		2		(45)	901 632 101 28	interior light		2	
39	911 631 923 03	lens left for 901.631.403.03		1		-	964 555 153 00	desk pad		2	
(39)	911 631 924 03	lens right for 901.631.404.03		1		-	900 631 106 90	linolite lamp 12V 10W		2	
						46	901 632 201 01	luggage compartment lamp		X	
						-	900 631 104 90	bulb 12V 5W		2	
						47	901 632 291 00	desk pad		X	
						48	N 013 961 2	tapping screw B 3,9 X 13		X	
						49	901 631 601 00	license plate light		2	
						-	900 631 103 90	bulb 12V 4W		2	
						50	901 631 605 00	desk pad		2	

Model	Year	MG	SG	Illustration	Restrictions	UPD	18:19	22.01.2010	PORSCHE	PET	PORSCHE
911-1	1969	9	05	905-15		248					

Pos	Part Number	Description	Remark	Qty	Model	Pos	Part Number	Description	Remark	Qty	Model
51	900 146 011 02	oval-head screw AM 4 X 10		4							
(51)	900 146 011 02	oval-head screw AM 4 X 10		4							
52	999 523 105 01	lock washer		4							
53	999 702 015 50	grommet		1							
54	911 632 113 00	ashtray light		1	911						
55	901 632 102 01	interior light		1							
56	901 632 155 01	mounting plate		1							
57	900 140 015 02	oval-head sheetmetal screw B 3,5 X 9,5		3							
58	900 019 028 02	rais. counters. h. tap. s. AM 3 X 15		2							

Model	Year	MG	SG	Illustration	Restrictions	UPD	18:19	22.01.2010	PORSCHE	PET	PORSCHE
911-1	1969	9	06	906-00		248					



Pos	Part Number	Description	Remark	Qty	Model
		instruments			
		trim frame chrome	-67		
		trim frame black	68-		
1	901 741 102 01	speedometer 250 KM/H	-67	1	
(1)	901 741 102 03	speedometer 250 KM/H	68-	1	
(1)	901 741 102 11	speedometer M/PH	-67	1	
(1)	901 741 102 13	speedometer M/PH	68-	1	
2	902 741 102 02	speedometer 200 KM/H	-67	1	
(2)	902 741 102 04	speedometer 200 KM/H	68-	1	912
(2)	902 741 102 12	speedometer M/PH	-67	1	
(2)	902 741 102 14	speedometer M/PH	68-	1	912
(2)	911 641 530 00	speedometer 300 KM/H for /50 tyre		1	
3	901 741 191 22	knob		1	
4	999 632 007 00	bulb socket single pole	-67	X	
(4)	644 741 902 01	bulb socket 2-pole	-68	X	
5	900 631 102 90	bulb J 12V 2W		12	
6	999 704 126 50	rubber ring \$ 95MM		2	
7	901 741 111 01	drive shaft for speedometer		1	

Model	Year	MG	SG	Illustration	Restrictions	UPD	18:19	22.01.2010	PORSCHE	PET	PORSCHE
911-1	1969	9	06	906-00		248					

Pos	Part Number	Description	Remark	Qty	Model	Pos	Part Number	Description	Remark	Qty	Model
8	901 741 111 01	drive shaft 2540 MM first version		1		(14) >	901 741 501 13	instrument cluster \$ 100 MM english not for	(USA)	68-	1 911 S 911 L SPM
(8)	901 741 112 01	shaft 2442 MM for 901.741.111.01		1		(14)	901 641 501 00	instrument cluster \$ 100 MM german	/LL	69	1 911 T/E/S
(8)	911 641 913 00	shaft 2480 MM		1		(14) >	901 641 501 10	instrument cluster \$ 100 MM english		69	1 911 T/E/S
9	901 741 291 00	sealing bellows		1		15	901 741 501 02	instrument cluster \$ 100 MM F 030 5101 >> F 035 4001 >> F 045 8101 >>		-67	1 911 912
10	901 741 293 00	seal		1		(15)	901 741 501 04	instrument cluster \$ 100 MM not for	(USA)	68-	1 911 911 TU/L 912 SPM
11 >	901 741 302 01	tachometer		-67	1 911	(15) >	901 641 501 20	instrument cluster \$ 100 MM		69	1 911 T/E 912
(11)	901 741 302 02	tachometer		-67	1 911 S	(16) >	905 641 501 10	instrument cluster \$ 100 MM german		68-	1 911 TU/L/S 911 T/E SPM
(11) >	901 741 302 04	tachometer	(USA)	68-	1 911 L/E 911	(16) >	905 641 501 20	instrument cluster \$ 100 MM english	(USA)	68-	1 911 TU/L/S 911 911 T/E SPM
(11)	901 741 302 05	tachometer		68-	1 911 S	17	902 741 501 01	instrument cluster for 62 L fuel tank F >> 035 4000 F >> 045 8100		-67	1 912 COUPE
(11) >	901 741 302 03	tachometer		68	1 911 TU/T	18	901 741 502 01	instrument cluster \$ 80 MM for 62 L fuel tank F >> 030 5100		-67	1 911 COUPE 911 S
12	902 741 302 01	tachometer		-67	1 912	(18)	901 741 502 05	instrument cluster \$ 80 MM for 62 L fuel tank	(USA)	68-	1 911 S 911 L
(12)	902 741 302 02	tachometer		68-	1 912						
-	901 602 601 00	switch unit for tachometer (BHKZ)		69	1 911 T/E/S						
13	999 704 127 50	rubber ring \$ 110 MM		1							
14	901 741 501 01	instrument cluster \$ 100 MM german F >> 030 5100		-67	1 911 COUPE 911 S						
(14)	901 741 501 05	instrument cluster \$ 100 MM german not for		68-	1 911 S SPM						
(14)	901 741 501 11	instrument cluster \$ 100 MM english F >> 030 5100		-67	1 911 COUPE 911 S						

Model	Year	MG	SG	Illustration	Restrictions	UPD	18:19	22.01.2010	PORSCHE	PET	PORSCHE
911-1	1969	9	06	906-00		248					

Pos	Part Number	Description	Remark	Qty	Model	Pos	Part Number	Description	Remark	Qty	Model	
(18)	901 641 502 00	instrument cluster \$ 80 MM for 62 L fuel tank	69	1	911 T/E/S	21	901 741 702 01	clock \$ 80 MM	-67	1		
(18)	901 741 502 03	instrument cluster \$ 80 MM for 100 L fuel tank F >> 030 5100	-67	1	911 COUPE 911 S	(21)	901 741 702 02	clock \$ 80 MM	68-	1		
(18)	> 901 741 502 07	instrument cluster \$ 80 MM for 100 L fuel tank	68-	1	911 S	22	902 741 601 01	ambient temperature gauge \$ 80 MM F >> 035 4000 F >> 045 8100	-67	1	912 COUPE	
(18)	> 901 641 502 10	instrument cluster \$ 80 MM for 100 L fuel tank	69	1	911 T/E/S	23	644 741 602 06	ambient temperature gauge \$ 60 MM - VDO - with centigrade display	M:	-67	1	911 /S 912
19	901 741 502 02	instrument cluster \$ 80 MM for 62 L fuel tank F 030 5101 >> F 035 4001 >> F 045 8101 >>	-67	1		(23)	644 741 602 08	ambient temperature gauge \$ 60 MM - VDO - with centigrade display	M:	68-	1	911 TU/L/S 912
(19)	> 901 741 502 06	instrument cluster \$ 80 MM for 62 L fuel tank	(USA) 68-	1	911 TU/L/T/E 911 912	(23)	644 741 601 06	ambient temperature gauge \$ 60 MM - MOTO METER - with centigrade display	M:	-67	1	911 /S 912
(19)	901 741 502 04	instrument cluster \$ 80 MM for 100 L fuel tank F 030 5101 >> F 035 4001 >> F 045 8101 >>	-67	1		(23)	644 741 601 08	ambient temperature gauge \$ 60 MM - MOTO METER - with centigrade display	M:	68-	1	911 TU/L/S 912
(19)	901 741 502 08	instrument cluster \$ 80 MM for 100 L fuel tank	68-	1	911 TU/L/T/E 912	24	999 704 124 50	rubber ring \$ 50 MM			1	
20	999 704 125 50	rubber ring \$ 75 MM		2		-	999 512 131 02	hose clamp			2	
						-	901 612 043 03	wiring harness instruments illumination with 7 bulb socket			1	
						-	999 632 003 00	bulb socket			7	
						-	999 652 161 10	tubular rivet			7	

Model	Year	MG	SG	Illustration	Restrictions	UPD	18:20	22.01.2010
911-1	1969	9	98	998-05R		248		

Pos	Part Number	Description	Remark	Qty	Model
		installation set for subsequent installation engine compartment lamp warning light rear window wiper			
>>	>>901 631 901 20	engine compartment lamp installation set for subsequent installation comprising:		1	
-	644 631 315 90	engine compartment lamp	-68	1	
-	911 631 315 01	engine compartment lamp	69	1	
-	900 631 106 90	linolite lamp		1	
-	901 631 391 00	retaining belt		1	
-	900 019 024 02	oval-head screw AM 4 X 10		4	
-	900 025 002 02	washer 4,3		2	
-	900 027 011 01	lock ring B 4		2	
-	N 011 004 6	hexagon nut M 4		2	
-	999 507 311 12	nut lock clip		2	
-	901 612 315 20	wiring harness		1	
>>	>>901 612 901 00	warning light installation set for subsequent installation comprising:		1	
-	901 612 321 20	line		1	
-	901 612 314 20	ground strap		1	
-	901 612 813 01	fuse holder		1	
-	901 613 623 02	alarm switch rosette and bulb see group 9/03/05		1	
-	901 613 629 02	sticker english		1	
-	PCG 615 101 10	relay		1	

Model	Year	MG	SG	Illustration	Restrictions	UPD	18:20	22.01.2010
911-1	1969	9	98	998-05R		248		

Pos	Part Number	Description	Remark	Qty	Model
-	N 013 961 2	tapping screw B 3,9 X 13		2	
-	N 015 429 2	speed nut		2	
-	900 151 028 02	washer B 4,3		2	
-	901 615 341 10	flasher relay		1	
		rear window wiper			
>>	>>901 628 910 00	rear window wiper complete with wiper blade and wiper arm silver metallic installation set for subsequent installation comprising:	/LL -68	1	
-	901 628 061 00	rear window wiper complete		1	
-	901 612 027 20	wiring harness		1	
-	901 612 028 20	wiring harness wiper switch		1	
-	901 612 033 20	ground cable		1	
-	901 612 317 20	positive cable		1	
-	901 612 813 01	fuse holder		1	
-	999 652 142 40	push-on connector		1	
-	999 702 046 50	grommet		1	
-	901 613 043 00	switch rear window wiper		1	
		order also:			
-	901 628 319 01	wiper bearing F >> 030 5100 F >> 035 4000 F >> 045 8100		1	

Model	Year	MG	SG	Illustration	Restrictions	UPD	18:20	22.01.2010
911-1	1969	9	98	998-05R		248		

Pos	Part Number	Description	Remark	Qty	Model
>>	>>901 628 910 01	rear window wiper complete with wiper blade and wiper arm black installation set for subsequent installation comprising:	/LL -68	1	
-	901 628 061 01	rear window wiper complete		1	
-	901 612 027 20	wiring harness		1	
-	901 612 028 20	wiring harness wiper switch		1	
-	901 612 033 20	ground cable		1	
-	901 612 317 20	positive cable		1	
-	901 612 813 01	fuse holder		1	
-	999 652 142 40	push-on connector		1	
-	999 702 046 50	grommet		1	
-	901 613 043 00	switch rear window wiper order also:		1	
-	901 628 319 01	wiper bearing F >> 030 5100 F >> 035 4000 F >> 045 8100		1	
>>	>>901 628 910 02	rear window wiper complete with wiper blade and wiper arm black installation set for subsequent installation F 1180 0379 >> F 1182 0368 >> F 1181 0290 >> F 1280 2005 >> F 1282 0159 >> comprising:	/RL -68	1	
-	901 628 062 00	rear window wiper complete		1	
-	901 628 343 20	pipng		1	
-	901 612 027 20	wiring harness		1	

PORSCHE

PET

PORSCHE

Model	Year	MG	SG	Illustration	Restrictions	UPD	18:20	22.01.2010
911-1	1969	9	98	998-05R		248		

Pos	Part Number	Description	Remark	Qty	Model
-	901 612 028 20	wiring harness wiper switch		1	
-	901 612 033 20	ground cable		1	
-	901 612 317 20	positive cable		1	
-	901 612 051 00	extension cable		1	
-	999 652 142 40	push-on connector		1	
-	901 612 813 01	fuse holder		1	
-	999 652 142 40	push-on connector		1	
-	999 702 046 50	grommet		1	
-	901 613 043 00	switch rear window wiper		1	
>>	>>901 628 910 03	rear window wiper complete installation set for subsequent installation comprising:	/LL	69	
-	901 628 061 01	rear window wiper complete		1	
-	901 628 611 00	wiper arm		1	
-	901 628 613 00	wiper blade		1	
-	901 612 028 21	additional cables tunnel		1	
-	901 612 070 05	wiring harness fuse box wiper switch		1	
-	901 612 024 21	wiring harness		1	
-	901 612 085 02	fuse box 4-pole		1	
-	900 014 074 02	pan-head screw AM 4 X 12		2	
-	900 028 018 01	spring washer B 4		2	
-	N 011 004 6	hexagon nut M 4		2	
-	999 652 142 40	push-on connector		1	
-	901 628 343 20	pipng		1	
-	901 613 043 00	switch rear window wiper		1	

Model	Year	MG	SG	Illustration	Restrictions	UPD	18:20	22.01.2010
911-1	1969	9	98	998-05R		248		

Pos	Part Number	Description	Remark	Qty	Model
>>	>>901 628 910 04	rear window wiper complete installation set for subsequent installation comprising:	/RL 69	1	
-	901 628 062 00	rear window wiper complete for wiper blade		1	
-	901 628 612 00	wiper arm		1	
-	901 628 613 00	wiper blade		1	
-	901 612 095 00	additional cables tunnel		1	
-	901 612 024 21	wiring harness		1	
-	901 612 094 00	wiring harness fuse box wiper switch		1	
-	901 612 085 02	fuse box 4-pole		1	
-	900 014 074 02	pan-head screw AM 4 X 12		2	
-	900 028 018 01	spring washer B 4		2	
-	N 011 004 6	hexagon nut M 4		2	
-	999 652 142 40	push-on connector		1	
-	901 628 343 20	pipng		1	
-	901 613 043 00	switch rear window wiper		1	

Model	Year	MG	SG	Illustration	Restrictions	UPD	18:20	22.01.2010
911-1	1969	9	98	998-10R		248		

Pos	Part Number	Description	Remark	Qty	Model
		installation set for subsequent installation fog headlamp additional headlamp			
>>	>>901 631 912 00	fog headlamp white round 1 set for subsequent installation for 912 with 420 W generator comprising:	-68	1	
-	901 631 202 00	fog headlamp		2	
-	901 631 125 00	support		2	
-	900 631 125 90	halogen bulb		2	
-	901 631 129 26	retaining bracket left		1	
-	901 631 130 26	retaining bracket right		1	
-	901 631 133 26	plate		2	
-	900 027 015 02	lock ring B 8		4	
-	N 011 008 8	hexagon nut M 8		4	
-	PCG 615 101 10	relay		1	
-	901 613 503 20	switch		1	
-	901 613 261 20	rosette plastic material		1	
-	901 613 216 50	rosette chrome		1	
-	901 612 011 25	additional cables		1	
-	901 559 431 25	grille left		1	
-	901 559 432 25	grille right		1	

Model	Year	MG	SG	Illustration	Restrictions	UPD	18:20	22.01.2010
911-1	1969	9	98	998-10R		248		

Pos	Part Number	Description	Remark	Qty	Model
>>	>>901 631 912 01	fog headlamp yellow round 1 set for subsequent installation with 420 W generator comprising:	-68	1	912
-	901 631 202 10	fog headlamp		2	
-	901 631 125 00	support		2	
-	900 631 125 90	halogen bulb		2	
-	901 631 129 26	retaining bracket left		1	
-	901 631 130 26	retaining bracket right		1	
-	901 631 133 26	plate		2	
-	900 027 015 02	lock ring B 8		4	
-	N 011 008 8	hexagon nut M 8		4	
-	PCG 615 101 10	relay		1	
-	901 613 503 20	switch		1	
-	901 613 261 20	rosette plastic material		1	
-	901 613 216 50	rosette chrome		1	
-	901 612 011 25	additional cables		1	
-	901 559 431 25	grille left		1	
-	901 559 432 25	grille right		1	
>>	>>901 631 912 03	fog headlamp white round 1 set for subsequent installation comprising:	69	1	
-	901 631 202 01	fog headlamp		2	
-	901 631 125 00	support		2	
-	900 631 126 90	halogen bulb		2	

PORSCHE

PET

PORSCHE

Model	Year	MG	SG	Illustration	Restrictions	UPD	18:20	22.01.2010
911-1	1969	9	98	998-10R		248		

Pos	Part Number	Description	Remark	Qty	Model
-	999 652 106 02	flat receptacle		2	
-	999 652 235 10	cable shoe		2	
-	901 631 137 00	retaining bow		2	
-	900 151 006 09	washer B 6,4		4	
-	900 114 010 01	shake-proof washer A 6,4		4	
-	900 075 010 02	hexagon-head bolt M 6 X 12		4	
-	911 613 027 00	switch		1	
-	911 613 213 00	rosette plastic material		1	
-	901 552 827 00	cap		1	
-	901 613 802 00	cap with symbol		1	
-	901 612 010 00	additional cables NR. 27		1	
-	911 615 109 01	relay		1	
-	901 559 431 28	grille left		1	
-	901 559 432 28	grille right		1	
>>	>>911 631 903 00	fog headlamp white round 1 set for subsequent installation comprising:	69	1	911
-	911 631 202 00	fog headlamp		2	
-	900 631 126 90	halogen bulb		2	
-	999 703 067 50	grommet		1	
-	999 652 235 10	cable shoe		2	
-	901 631 125 00	support		2	
-	901 631 137 00	retaining bow		2	
-	900 075 217 02	hexagon-head bolt M 6 X 12		4	
-	999 652 116 02	retaining bracket		4	
-	999 652 160 40	sleeve		4	

Model	Year	MG	SG	Illustration	Restrictions	UPD	18:20	22.01.2010
911-1	1969	9	98	998-10R		248		

Pos	Part Number	Description	Remark	Qty	Model
-	901 559 431 28	grille left		1	
-	901 559 432 28	grille right		1	
-	911 612 027 00	additional cables NR. 27		1	
-	911 615 109 01	relay		1	
-	911 613 027 00	switch		1	
-	900 631 102 90	halogen bulb		1	
-	911 613 213 00	rosette plastic material		1	
>>	>>901 631 912 04	fog headlamp yellow round 1 set for subsequent installation for (F) comprising:	69	1	
-	901 631 202 11	fog headlamp		2	
-	901 631 125 00	support		2	
-	900 631 126 90	halogen bulb		2	
-	999 652 106 02	flat receptacle		2	
-	999 652 235 10	cable shoe		2	
-	901 631 137 00	retaining bow		2	
-	900 151 006 09	washer B 6,4		4	
-	900 114 010 01	shake-proof washer A 6,4		4	
-	900 075 010 02	hexagon-head bolt M 6 X 12		4	
-	911 613 027 00	switch		1	
-	911 613 213 00	rosette plastic material		1	
-	901 552 827 00	cap		1	
-	901 613 802 00	cap with symbol		1	
-	901 612 010 00	additional cables NR. 27		1	

PORSCHE

PET

PORSCHE

Model	Year	MG	SG	Illustration	Restrictions	UPD	18:20	22.01.2010
911-1	1969	9	98	998-10R		248		

Pos	Part Number	Description	Remark	Qty	Model
-	911 615 109 01	relay		1	
-	901 559 431 28	grille left		1	
-	901 559 432 28	grille right		1	
>>	>>901 631 912 02	additional headlamp round 1 set for subsequent installation comprising:	-68	1	
-	901 631 121 01	additional headlamp		2	
-	901 631 125 00	support		2	
-	900 631 125 90	halogen bulb		2	
-	901 631 129 26	retaining bracket left		1	
-	901 631 130 26	retaining bracket right		1	
-	901 631 133 26	plate		2	
-	900 027 015 02	lock ring B 8		4	
-	N 011 008 8	hexagon nut M 8		4	
-	901 612 011 25	additional cables for fog headlamp relay		1	
-	901 612 052 00	1 set lines		2	
-	901 559 431 25	grille left		1	
-	901 559 432 25	grille right		1	
-	999 652 149 40	insulated cable connection		2	
>>	>>901 631 912 05	additional headlamp round 1 set for subsequent installation comprising:	69	1	911
-	901 631 121 01	additional headlamp		2	
-	901 631 125 00	support		2	

PORSCHE

PET

PORSCHE

Model	Year	MG	SG	Illustration	Restrictions	UPD	18:20	22.01.2010
911-1	1969	9	98	998-10R		248		

Pos	Part Number	Description	Remark	Qty	Model
-	900 631 126 90	halogen bulb		2	
-	999 652 106 02	flat receptacle		2	
-	999 652 235 10	cable shoe		2	
-	901 631 137 00	retaining bow		2	
-	900 151 006 09	washer B 6,4		4	
-	900 114 010 01	shake-proof washer A 6,4		4	
-	900 075 010 02	hexagon-head bolt M 6 X 12		4	
-	911 615 109 01	relay		1	
-	901 559 431 28	grille left		1	
-	901 559 432 28	grille right		1	
-	901 612 201 00	additional cables NR. 73		1	

Model	Year	MG	SG	Illustration	Restrictions	UPD	18:20	22.01.2010
911-1	1969	9	98	998-15R		248		

Pos	Part Number	Description	Remark	Qty	Model
		installation set for subsequent installation battery high voltage condenser ignition system - bosch -			
>>	>>901 602 010 00	installation set battery high voltage condenser ignition system - bosch - comprising:		1	
-	> 901 602 702 00	switch unit		1	
-	901 602 702 X	switch unit		1	
-	901 602 502 00	ignition transformer		1	
-	901 602 601 00	ballast resistor		1	
-	901 612 092 00	wiring harness		1	
-	901 612 099 00	ground strap		1	
-	901 501 130 00	retaining bracket		1	
-	999 513 002 40	hose clamp 4,8 X 186		2	
-	900 067 008 02	hexagon socket head bolt M 6 X 12		1	
-	900 067 010 01	hexagon socket head bolt M 6 X 18		2	
-	900 075 010 02	hexagon-head bolt M 6 X 12		2	
-	900 027 014 01	lock ring B 6		5	
-	900 076 010 02	nut M 6		4	
-	900 151 006 09	washer B 6,4		3	

Model	Year	MG	SG	Illustration	VIN No.	Update		
911-1	69	0	01	001-00		222	16:00	30.01.2008

EQUIPMENT BY COUNTRY REGULATIONS

=====

(A) AUSTRIA

(AUS) AUSTRALIA

(B) BELGIUM

(CDN) CANADA

(CH) SWITZERLAND

(D) FEDERAL REPUBLIC OF GERMANY

(DK) DENMARK

(E) SPAIN

(F) FRANCE

(GB) GREAT BRITAIN

(GR) GREECE

(HK) HONGKONG

(I) ITALY

(J) JAPAN

(L) LUXEMBURG

Model	Year	MG	SG	Illustration	VIN No.	Update		
911-1	69	0	01	001-00		222	16:00	30.01.2008

(N) NORWAY

(NL) NETHERLANDS

(NZ) NEW ZEALAND

(P) PORTUGAL

(RC) TAIWAN

(S) SWEDEN

(SA) SAUDI ARABIA

(SF) FINLAND

(USA) UNITED STATES OF AMERICA

(ZA) SOUTH AFRICA

Model	Year	MG	SG	Illustration	VIN No.	Update	16:00	30.01.2008
911-1	69	0	01	001-00		222		

IN COLUMN - A -

IDENTIFICATION LETTER FOR PERIOD OF INSTALLATION
 THAT IS REPEATED SEVERAL TIMES IN THE CATALOG GROUP.

EXPLANATION PLEASE FIND IN TEXT COLUMN OF THE CATALOG GROUP

IN COLUMN - QU - = NO. OF PIECES

- 1 NUMBER PER APPLICATION
- X NUMBER AS NEEDED
- * AVAILABLE ONLY IN RUNNING LENGTHS 1 = 1 METRE

IN COLUMN - MODEL/SYMBOL -

- M650 OPTIONAL EQUIPMENT - SEE M-NO. LIST
- 94 LIMITATION OF MODEL YEAR FOR INSTANCE: VALID UP TO
 END OF MODEL YEAR 1994
- /LL LHD
- /RL RHD
- +
- /V FRONT I

Model	Year	MG	SG	Illustration	VIN No.	Update		
911-1	69	0	01	001-00		222	16:00	30.01.2008

```

I
/H      REAR      I
          I----> APPLIES TO
/L      LEFT      I      DIRECTION OF TRAVEL
          I
/R      RIGHT     I
          -----+

WW      THE PART CAN BE USED INSTEAD OF THE
          PRECEDING ONE.
    
```

Model	Year	MG	SG	Illustration	VIN No.	Update		
911-1	69	0	01	001-00		222	16:00	30.01.2008

LEGENDS AND NOTICES

=====

IN COLUMN -S- STATUS

- N NEW ADDITION
- P PART ALREADY IN PROGRAMME, BUT NEW
AT THIS APPLICATION
- E THIS PART NO. IS NO LONGER AVAILABLE FROM PORSCHÉ
- W DELETED AT THIS APPLICATION, BUT CONTINUED, TO BE CARRIED
- A STOCK TO BE USED UP
- U DELETED WITHOUT REPLACEMENT
- * PART ALSO OR ONLY AVAILABLE
IN REPAIR KIT
- > ALSO AVAILABLE IN EXCHANGE

IN COLUMN - ILL. -

- 1 IDENTIFICATION NO. IN ILLUSTRATION
- (1) PART ONLY SIMILAR AS ILLUSTRATED

Model	Year	MG	SG	Illustration	VIN No.	Update	16:00	30.01.2008
911-1	69	0	01	001-00		222		

- PART IS NOT ILLUSTRATED

FIG.-NUMBERS FOR WHICH THERE IS SHOWN NO TEXT ARE
NOT VALID FOR THIS EDITION OF CATALOGUE

IN COLUMN -PART NUMBER/CODE-

000 000 000 00 PART NUMBER EQUALS ORDERING NO., IF A CODE IS
SHOWN, IT WILL HAVE TO BE PART OF ORDERING
NUMBER

01C COLOUR CODE

IN COLUMN -TEXT

INSTALLATION WITH ENGINE OR CHASSIS
NUMBER-RANGE

EXAMPLE:

M 640 0391 >> FROM ENGINE NO.

F >> 914043 0391 UP TO CHASSIS NO.

Model	Year	MG	SG	Illustration	VIN No.	Update		
911-1	69	0	01	001-00		222	15:59	30.01.2008

VEHICLE TYPE		TRANSM.		TRANSMISSION NO.		TECNICAL DATA
		TYPE	MY			
911	COUPE	902.1	65			5-SPEED
912	COUPE	902.0	66			4-SPEED
		902.1				5-SPEED
912	COUPE/KARMANN	902.0	66			4-SPEED
		902.1				5-SPEED
911	COUPE	902.1	66			5-SPEED
912	COUPE/TARGA	902.0	67			4-SPEED
		902.1				5-SPEED
912	COUPE/KARMANN	902.0	67			4-SPEED
		902.1				5-SPEED
911	COUPE/TARGA	902.0	67			4-SPEED
		902.1				5-SPEED
911 S	COUPE/TARGA	901.02	67			5-SPEED
912	COUPE/TARGA	902.02	68	1280001>		5-SPEED
	COUPE/KARMANN					
911 T	COUPE/TARGA	901.10	68	2080001>		4-SPEED
911 T	COUPE/TARGA	905.01	68	4180001>		5-SPEED/SPM
911 L	COUPE/TARGA	902.1	68	3280001>		5-SPEED
911 L	COUPE/TARGA	905.00	68	3180001>		4-SPEED/SPM
911 S	COUPE/TARGA	901.02	68	4280001>		5-SPEED
911 S	COUPE/TARGA	905.01	68	4180001>		4-SPEED/SPM
912	COUPE/TARGA	902.01	68	1080001>		4-SPEED
	(USA) (CDN)					
	COUPE/KARMANN					
	(USA) (CDN)					
911	COUPE/TARGA	902.0	68	3080001>		4-SPEED
	(USA) (CDN)	902.1		3280001>		5-SPEED

Model	Year	MG	SG	Illustration	VIN No.	Update		
911-1	69	0	01	001-00		222	15:59	30.01.2008

911	COUPE/TARGA		905.00	68	3180001>		4-SPEED/SPM	
	(USA) (CDN)							
911 L	COUPE/TARGA		902.0	68	3080001>		4-SPEED	
	(USA) (CDN)		902.1		3280001>		5-SPEED	
911 L	COUPE/TARGA		905.00	68	3180001>		4-SPEED/SPM	
	(USA) (CDN)							
912	COUPE/TARGA		902.04	69	5090001>		4-SPEED	
	COUPE/KARMANN							
	COUPE/TARGA		902.05		5190001>		5-SPEED	
	COUPE/KARMANN							
911 T	COUPE/TARGA		901.06	69	7090001>		4-SPEED	
			901.07		7190001>		5-SPEED	
911 T	COUPE/TARGA		901.13	69	7290001>		4-SPEED/SPM	
911 E	COUPE		901.07	69	7190001>		5-SPEED	
911 E	TARGA		901.13	69	7193001>		5-SPEED	
911 E	COUPE		905.13	69	7293001>		SPM	
911 S	COUPE		901.07	69	7190001>		5-SPEED	
911 S	TARGA		901.13	69	7193001>		5-SPEED	
912	COUPE/TARGA		902.06	69	5195001>		5-SPEED	
	(USA) (CDN)							
911 T	COUPE		901.06	69	7090001>		4-SPEED	
			901.07		7190001>		5-SPEED	
			905.13		7290001>		SPM	

Model	Year	MG	SG	Illustration	VIN No.	Update	15:59	30.01.2008
911-1	69	0	01	001-00		222		

VEHICLE TYPE	TYPE	MY	ENGINE NO.	TECHNICAL DATA
911 COUPE	901/01	65	900001>	6ZYL//95 KW
912 COUPE	616/36	66	740001>	4ZYL//66 KW
912 COUPE/KARMANN	616/36	66	830001>	4ZYL//66 KW
911 COUPE	901/01	66	903551>	6ZYL//95 KW
911 COUPE	901/05	66	907001>	6ZYL//95 KW
912 COUPE	616/36	67	750001>	4ZYL//66 KW
912 TARGA	616/36	67	836001>	4ZYL//66 KW
COUPE/KARMANN				
911 COUPE	901/05	67	909001>	6ZYL//95 KW
911 TARGA	901/05	67	911001>	6ZYL//95 KW
911 S COUPE/TARGA	901/02	67	960001>	6ZYL//117KW
912 COUPE/TARGA	616/36	68	1080001>	4ZYL//66 KW
COUPE/KARMANN				
911 T COUPE/TARGA	901/03	68	2080001>	6ZYL//80 KW
911 T COUPE/TARGA	901/13	68	2180001>	6ZYL//SPM
911 L COUPE/TARGA	901/06	68	3080001>	6ZYL//95 KW
911 L COUPE/TARGA	901/07	68	3180001>	6ZYL//SPM
911 S COUPE/TARGA	901/02	68	4080001>	6ZYL//117KW
911 S COUPE/TARGA	901/08	68	4180001>	6ZYL//SPM
912 COUPE/TARGA (USA) (CDN)	616/39	68	1280001>	4ZYL//66 KW
COUPE/KARM. (USA) (CDN)				
911 COUPE/TARGA (USA) (CDN)	901/14	68	3280001>	6ZYL//95 KW
911 COUPE/TARGA (USA) (CDN)	901/17	68	3380001>	6ZYL//SPM
911 L COUPE/TARGA (USA) (CDN)	901/14	68	3280001>	6ZYL//95 KW
911 L COUPE/TARGA (USA) (CDN)	901/17	68	3380001>	6ZYL//SPM
912 COUPE/TARGA	616/36	69	4090001>	4ZYL//66 KW

Model	Year	MG	SG	Illustration	VIN No.	Update		
911-1	69	0	01	001-00		222	15:59	30.01.2008

COUPE/KARMANN

911 T	COUPE/TARGA			901/03	69	6190001>	6ZYL//80 KW
911 T	COUPE/TARGA			901/13	69	6193001>	6ZYL//SPM
911 E	COUPE/TARGA			901/09	69	6293001>	6ZYL//103KW
911 E	COUPE/TARGA			901/11	69	6298001>	6ZYL//SPM
911 S	COUPE/TARGA			901/10	69	6398001>	6ZYL//125KW
912	COUPE/TARGA	(USA) (CDN)		616/40	69	4093001>	4ZYL//66 KW
911 T	COUPE	(USA) (CDN)		901/16	69	6195001>	6ZYL//80 KW
911 T	COUPE	(USA) (CDN)		901/19	69	6198001>	6ZYL//SPM

Model	Year	MG	SG	Illustration	VIN No.	Update		
911-1	69	0	01	001-00		222	15:59	30.01.2008

VEHICLE TYPE	MY	VEHICLE IDENT.NR.	ENGINE TYPE
911 COUPE	65	300001>	901/01
912 COUPE	66	350001>	616/36
912 COUPE/KARMANN	66	450001>	616/36
911 COUPE	66	300236>	901/01
912 COUPE	67	354001>	616/36
912 TARGA	67	550001>	616/36
912 COUPE/KARMANN	67	458001>	616/36
911 COUPE	67	305101>	901/05
911 TARGA	67	500001>	901/06
911 S COUPE	67	305101 S>	901/02
911 S TARGA	67	500001 S>	901/02
912 COUPE	68	128 00 0001>	616/36
912 TARGA	68	128 00 0001>	616/36
912 COUPE/KARMANN	68	128 00 0001>	616/36
911 T COUPE	68	118 00 0001>	901/03
911 T TARGA	68	118 00 0001>	901/03
911 T COUPE	68	118 00 0001>	901/13 SPM
911 T TARGA	68	118 00 0001>	901/13 SPM
911 L COUPE	68	118 00 0001>	901/06
911 L TARGA	68	118 00 0001>	901/06
911 L COUPE	68	118 00 0001>	901/07 SPM
911 L TARGA	68	118 00 0001>	901/07 SPM
911 S COUPE	68	118 00 0001>	901/02
911 S TARGA	68	118 00 0001>	901/02
911 S COUPE	68	118 00 0001>	901/08 SPM
911 S TARGA	68	118 00 0001>	901/08 SPM
912 COUPE (USA) (CDN)	68	128 00 0001>	616/36

Model	Year	MG	SG	Illustration	VIN No.	Update		
911-1	69	0	01	001-00		222	15:59	30.01.2008

912	TARGA	(USA) (CDN)	68	128 00 0001>	616/36			
912	COUPE/KARMANN	(USA) (CDN)	68	128 00 0001>	616/36			
911	COUPE	(USA) (CDN)	68	118 00 0001>	901/14			
911	TARGA	(USA) (CDN)	68	118 80 0001>	901/14			
911	COUPE	(USA) (CDN)	68	118 35 0001>	901/17	SPM		
911	TARGA	(USA) (CDN)	68	118 80 0001>	901/17	SPM		
911 L	COUPE	(USA) (CDN)	68	118 05 0001>	901/14			
911 L	TARGA	(USA) (CDN)	68	118 55 0001>	901/14			
911 L	COUPE	(USA) (CDN)	68	118 05 0001>	901/17	SPM		
911 L	TARGA	(USA) (CDN)	68	118 55 0001>	901/17	SPM		
912	COUPE		69	129 00 0001>	616/39			
912	TARGA		69	129 01 0001>	616/39			
912	COUPE/KARMANN		69	129 02 0001>	616/39			
911 T	COUPE		69	119 10 0001>	901/03			
911 T	TARGA		69	119 11 0001>	901/03			
911 T	COUPE		69	119 10 0001>	901/13	SPM		
911 T	TARGA		69	119 11 0001>	901/13	SPM		
911 E	COUPE		69	119 20 0001>	901/09			
911 E	TARGA		69	119 21 0001>	901/09			
911 E	COUPE		69	119 22 0001>	901/11			
911 S	COUPE		69	119 30 0001>	901/10			
911 S	TARGA		69	119 31 0001>	901/10			
912	COUPE	(USA) (CDN)	69	129 02 0001>	616/40			
912	TARGA	(USA) (CDN)	69	129 02 0001>	616/40			
911 T	COUPE	(USA) (CDN)	69	119 12 0001>	901/16			
					901/19	SPM		

Model	Year	MG	SG	Illustration	VIN No.	Update		
911-1	69	0	01	001-00		222	15:59	30.01.2008

THIS PARTS CATALOGUE CONTAINS ALL ORDER INFORMATION OF
TYPES 911 FROM MODEL YEAR 1965 - 1969
912 FROM MODEL YEAR 1966 - 1969

IT IS AVAILABLE IN TWO EDITIONS IN THE FOLLOWING LANGUAGES:

EDITION

USA, CANADA - *

EDITION

ALL OTHER COUNTRIES - GERMAN

* - ENGLISH

- FRENCH

- ITALIAN

- SPANISH

UPDATING IS BEING PERFORMED BY CHANGING OF UPDATE.

THE EDITION CAN BE RECOGNIZED BY THE CURRENT NO.

IN THE BOTTOM LINE OF SUBJECT UPDATE.

THE PREVIOUS UPDATE SHOULD NO LONGER BE USED.

ALL ILLUSTRATIONS ARE SUBJECT TO CHANGE WITHOUT OBLIGATION.

WE RESERVE THE RIGHT TO SUPPLY A SUBSEQUENTLY

Model	Year	MG	SG	Illustration	VIN No.	Update		
911-1	69	0	01	001-00		222	15:59	30.01.2008

PRODUCED COMPONENT, ON WHICH ADDITIONAL WORK
IS NECESSARY, INSTEAD OF THE COMPONENT LISTED IN
THE CATALOGUE