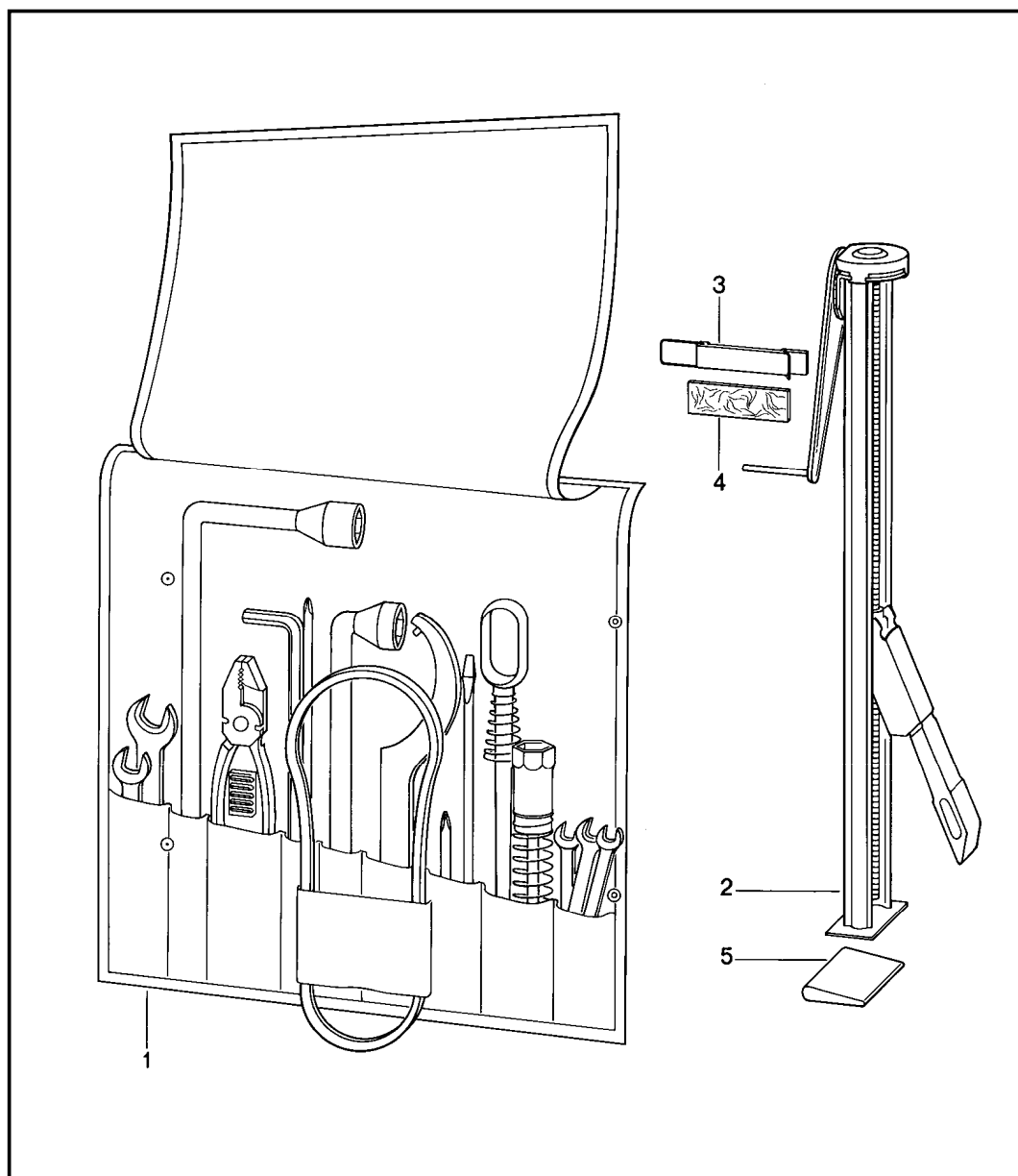


Model	Year	MG	SG	Illustration	Restrictions	UPD	22:30	22.01.2010	PORSCHE	PET	PORSCHE
911	1986	0	01	001-00		248					

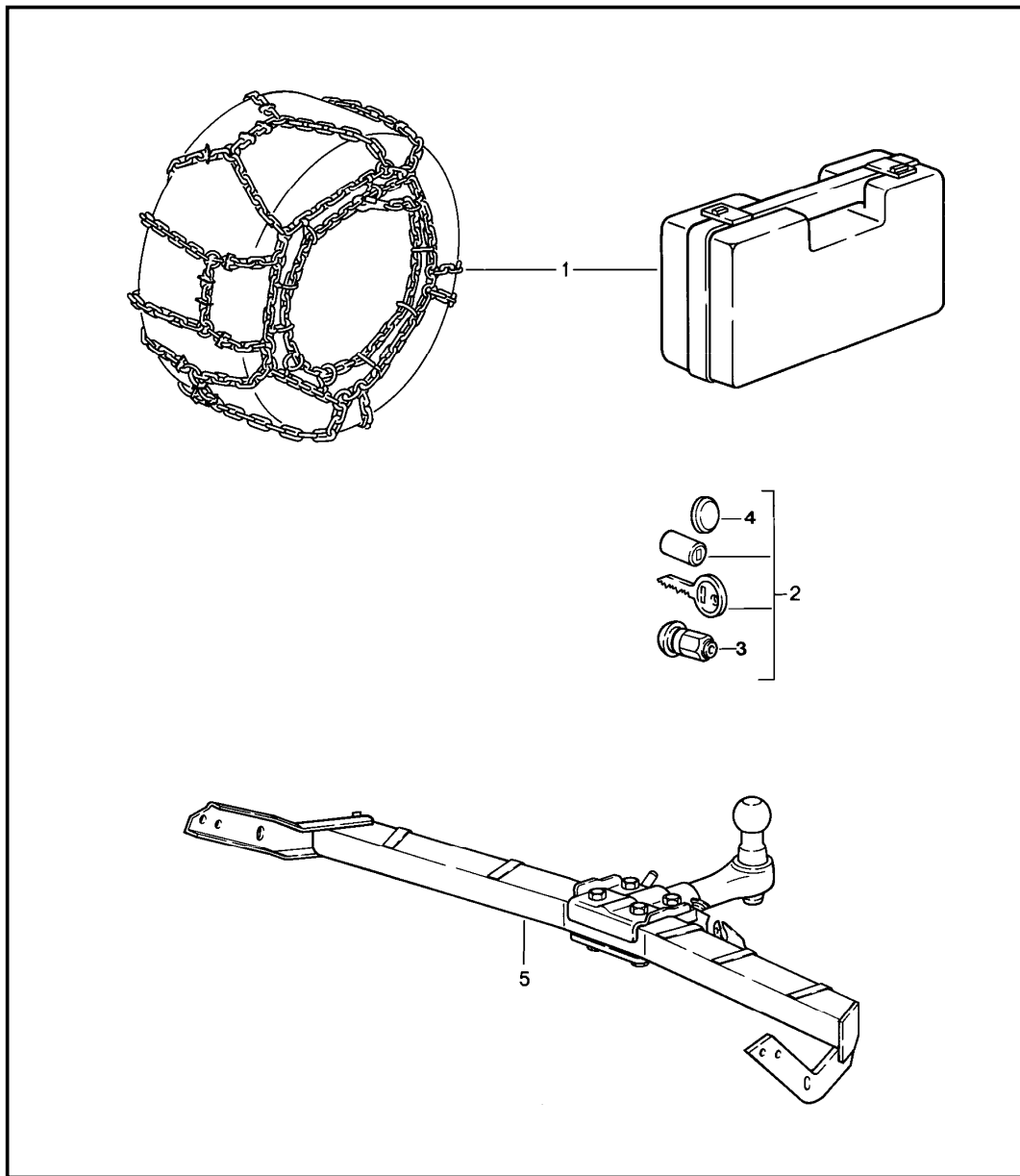


Pos	Part Number	Description	Remark	Qty	Model
		tool jack stickers			
1	911 721 002 12	tool bag with contents comprising: tool bag		1	
-	477 012 203 A	spark plug wrench		1	
-	477 012 227	angular screw driver		1	
-	999 571 045 02	rim wrench SW 19		1	
-	999 195 011 02	double-end spanner 8 X 9		1	
-	999 195 012 02	double-end spanner 10 X 11		1	
-	999 195 013 02	double-end spanner 12 X 13		1	
-	999 195 015 02	double-end spanner 17 X 19		1	
-	999 195 014 02	double-end spanner 14 X 15		1	
-	999 571 046 02	tool SW 24		1	
-	911 721 107 02	screwdriver set		1	
-	999 107 005 02	universal pliers 9,5 X 710		1	
-	999 192 176 50	narrow v-belt 9,5 X 710		1	
-	911 721 013 00	bag with safety fuse		1	
-	911 721 231 00	angular screw driver		5	
-	911 721 235 00	extension rod		2	
-	999 571 047 02	tool key		1	
-	996 721 151 00	towing lug		1	
-	999 571 043 02	double socket wrench		1	

Model	Year	MG	SG	Illustration	Restrictions	UPD	22:30	22.01.2010	PORSCHE	PET	PORSCHE
911	1986	0	01	001-00		248					

Pos	Part Number	Description	Remark	Qty	Model	Pos	Part Number	Description	Remark	Qty	Model
2	911 721 011 04	jack		1		-	930 006 513 27	sticker catalytic converter adjustment	(AUS)	-84	1 CARRERA
3	911 722 021 01	bracket for jack		1		-	930 006 513 28	sticker catalytic converter adjustment	(AUS)	85-	1 CARRERA
4	911 556 208 02	felt strip 50 X 30 X 3		1		-	930 006 535 10	sticker catalytic converter adjustment		-84	1 CARRERA
5	911 721 131 00	clamping piece stickers		1		-	930 006 535 11	sticker catalytic converter adjustment		85-	1 CARRERA
-	911 701 171 00	sticker control part heating ventilation		1		-	930 006 119 03	sticker catalytic converter adjustment	(S)	-84	1 TURBO
-	930 006 501 02	sticker ignition point		1	TURBO	-	930 006 119 05	sticker catalytic converter adjustment	(S)	85-	1 TURBO
-	930 006 509 01	sticker firing order		1		-	930 006 535 07	sticker catalytic converter adjustment	(S)		1 TURBO M559
-	901 006 503 00	sticker valve clearance		1		-	930 006 119 02	sticker catalytic converter adjustment	(CH)	-84	1 TURBO
-	930 006 504 02	sticker engine oil level		1		-	930 006 119 04	sticker catalytic converter adjustment	(CH)	85-	1 TURBO
-	937 701 127 00	sticker tyre pressure		1	CARRERA	-	930 006 537 14	sticker catalytic converter adjustment	(AUS)	-84	1 TURBO
-	930 006 505 01	sticker tyre pressure		1	TURBO M491	-	930 006 537 15	sticker catalytic converter adjustment	(AUS)	85-	1 TURBO
-	911 701 137 01	sticker emergency wheel		1	CARRERA	-	928 006 901 00	sticker trailer coupling drawbar load			1
-	928 701 157 03	sticker emergency wheel		1	TURBO M491	-	944 701 201 01	sticker unleaded regular fuel			1 M298
-	911 006 512 13	sticker tyre pressure 6 J X 16 7 J X 16		1	CARRERA						
-	911 006 521 03	sticker tyre pressure	)	1	CARRERA (AUS)						
-	911 006 522 10	sticker tyre pressure	(AUS)	1	TURBO M491						

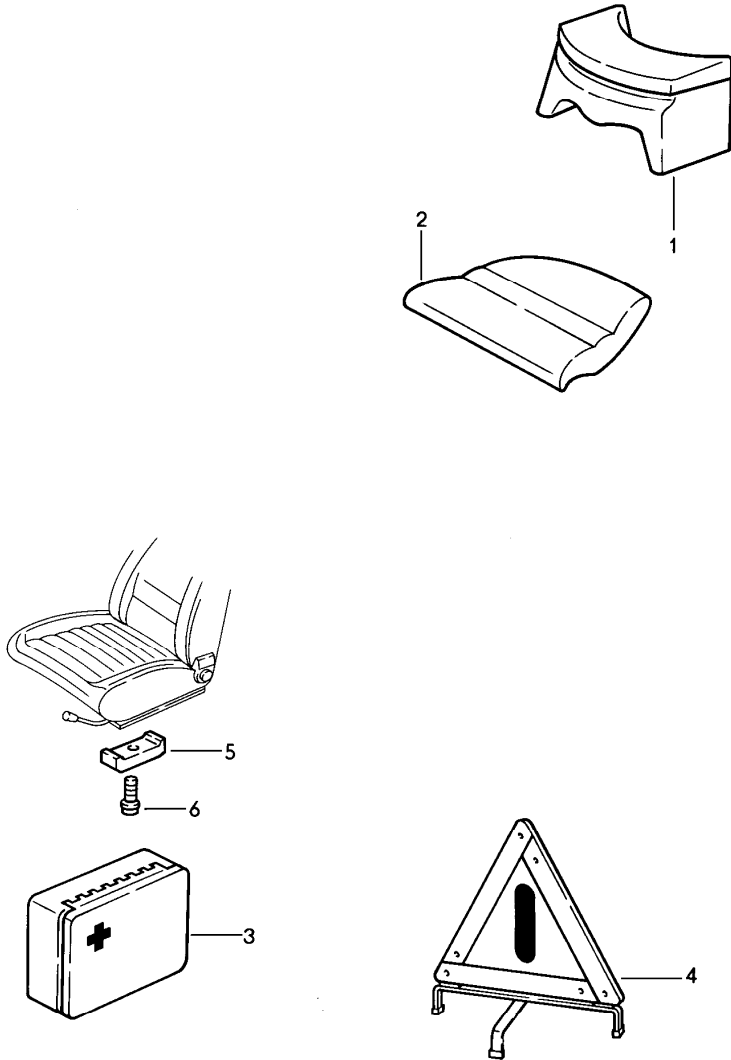
Model	Year	MG	SG	Illustration	Restrictions	UPD	22:30	22.01.2010	PORSCHE	PET	PORSCHE
911	1986	0	02	002-00		248					



Pos	Part Number	Description	Remark	Qty	Model
(1)	911 361 909 00	accessories snow chains wheel nut trailer coupling  snow chains RINGMATIC 1 set for tyre 185/70 R 15 205/55 R 16		1	
(1)	911 361 909 00	snow chains RINGMATIC 1 set for tyre 225/50 R 16		1	
2	928 361 047 03	wheel nut 1 set		1	
3	928 361 306 03	wheel nut lockable without lock set		1	
4	965 361 167 00	cap		4	
5	911 722 031 02	trailer coupling  trailer coupling complete	84-	1	CARRERA TARGA, CABRIO

Model	Year	MG	SG	Illustration	Restrictions	UPD	22:30	22.01.2010	PORSCHE	PET	PORSCHE
911	1986	0	02	002-01		248					

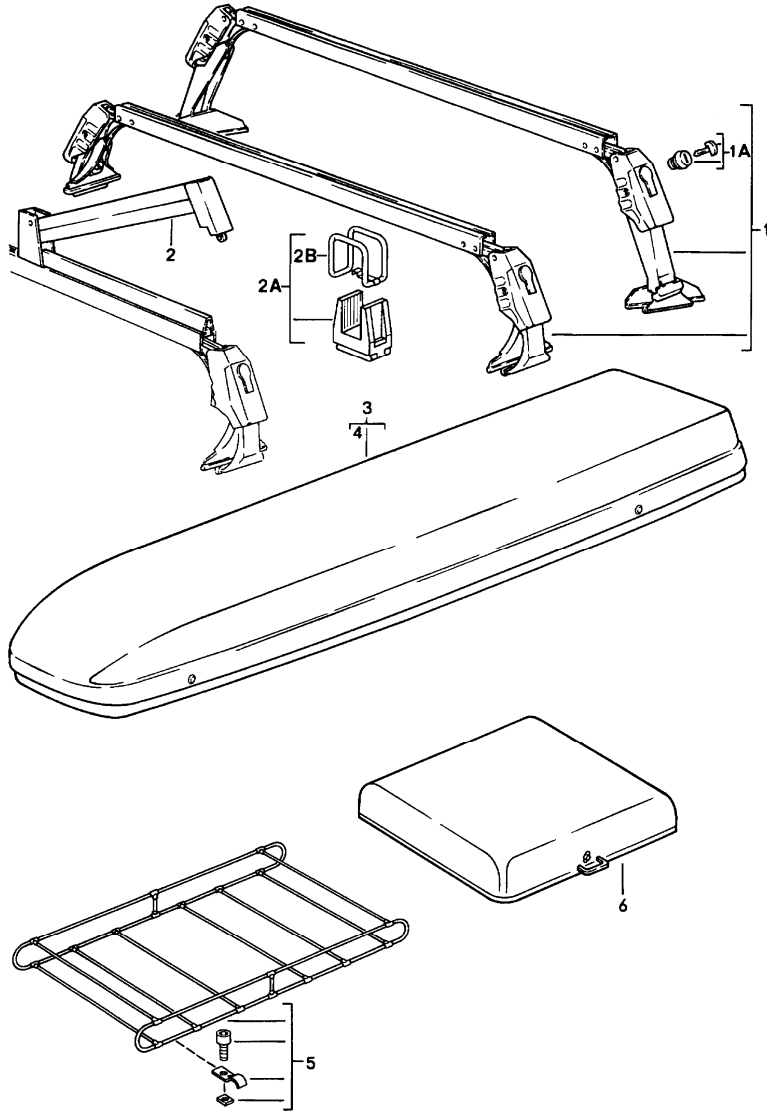
Pos	Part Number	Description	Remark	Qty	Model
		accessories child car seat vehicle cover			
1	928 522 050 00	child car seat for children older than 4 years only together with child car seat cushion		1	
2	911 522 071 00	child car seat cushion with porsche lettering cloth	/L	1	
	4CR	black			
(2)	911 522 072 00	child car seat cushion with porsche lettering cloth	/R	1	
	4CR	black			
	911 522 072 00	black			
	4CR				
3	928 722 041 02	accessories first-aid kit		1	
4	911 721 104 01	warning triangle	(D)	1	
(4)	928 722 105 03	warning triangle		1	
		vertical seat adjustment	-84		
5	911 521 493 00	spacer 13 MM		X	
6	900 067 089 02	pan-head screw M 6 X 25 for spacer 13 MM		X	
(6)	N 014 749 2	pan-head screw M 6 X 40 for spacer 26 MM		X	
-	PCG 043 203 01	vehicle cover porsche crest Ohne Spoiler Aussenspiegel left		1	911



Model	Year	MG	SG	Illustration	Restrictions	UPD	22:30	22.01.2010	PORSCHE	PET	PORSCHE
911	1986	0	02	002-01		248					

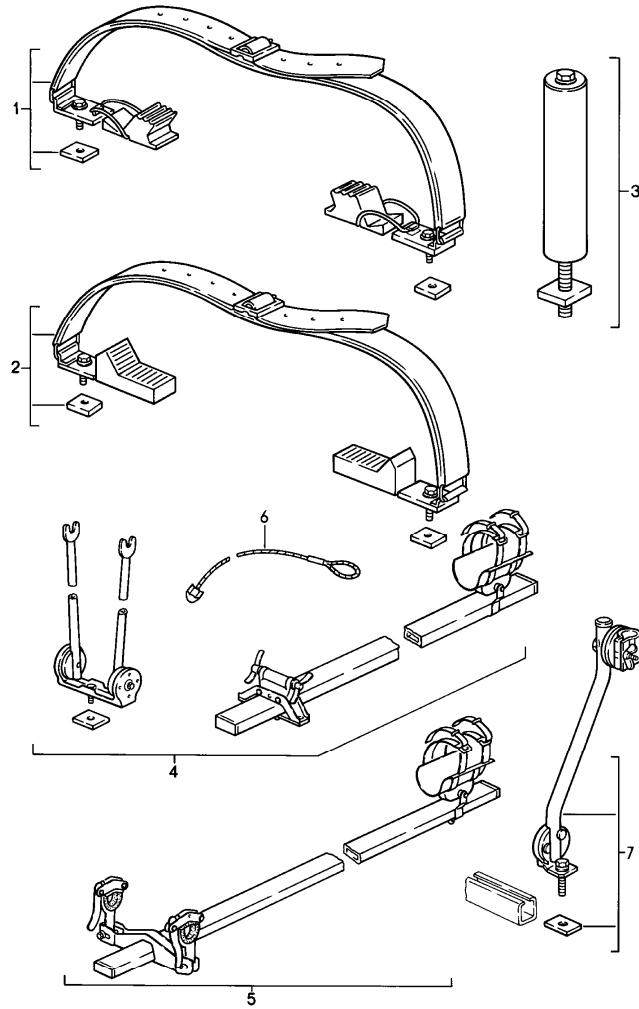
Pos	Part Number	Description	Remark	Qty	Model	Pos	Part Number	Description	Remark	Qty	Model
-	PCG 043 202 01	vehicle cover porsche crest Ohne Spoiler Aussenspiegel left right		1	911						
-	PCG 043 202 02	vehicle cover porsche crest with spoiler Aussenspiegel left right		1	911						

Model	Year	MG	SG	Illustration	Restrictions	UPD	22:31	22.01.2010	PORSCHE	PET	PORSCHE
911	1986	0	02	002-05		248					



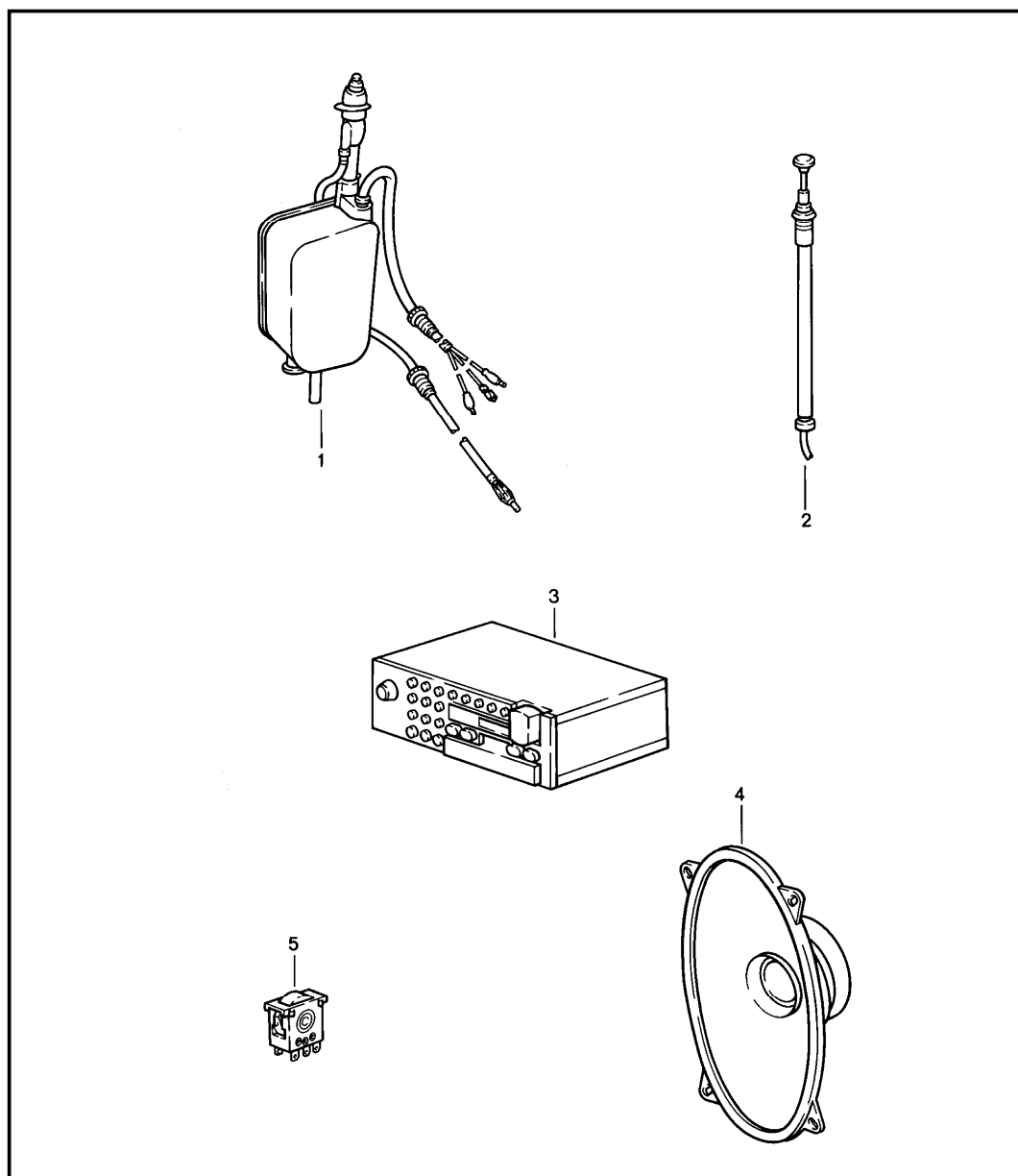
Pos	Part Number	Description	Remark	Qty	Model
		roof transport system			
1	911 801 055 00	set of main supports		1	COUPE
(1)	911 801 055 60	set of main supports MAX. 35KG		1	TARGA/CABRIO
1A	928 801 011 02	cylinder lock with keys state lock number		1	
2	928 801 061 02	retaining strip 1 set 4 pieces		1	
2A	928 801 903 02	rubber support for skis		2	
2B	928 801 193 02	retaining strap		2	
3	928 801 063 02	ski box	/L	1	COUPE
(3)	928 801 064 02	ski box	/R	1	COUPE
5	928 801 081 02	roof rack set		1	
6	928 801 073 02	box for suitcase		1	COUPE

Model	Year	MG	SG	Illustration	Restrictions	UPD	22:31	22.01.2010	PORSCHE	PET	PORSCHE
911	1986	0	02	002-06		248					



Pos	Part Number	Description	Remark	Qty	Model
		roof transport system			
1	928 801 019 02	set of surf board supports		1	
2	928 801 017 02	set - canoe carrier		1	COUPE
3	928 801 085 02	ladder support mandrel set		X	
4	928 801 093 02	set - bike carrier for racing bike		1	
5	928 801 095 02	set - bike carrier for standard bike		1	
6	928 801 079 02	safety rope		1	
7	928 801 097 02	support for bicycle		1	

Model	Year	MG	SG	Illustration	Restrictions	UPD	22:31	22.01.2010	PORSCHE	PET	PORSCHE
911	1986	0	03	003-00		248					



Pos	Part Number	Description	Remark	Qty	Model
		radio installation parts			
1	> 911 645 033 04	automatic antenna		1	
2	477 035 513	antenna rod for automatic antenna 911.645.033.04		1	
(1)	911 645 033 05	automatic antenna		1	
(2)	944 645 913 00	antenna rod for automatic antenna 911.645.033.05		1	
3	> 911 645 106 01	radio KOELN SQR "ARI"	(A) (CH) (D)	1	
(3)	> 911 645 147 01	radio ATLANTA SQR		1	
(3)	> 911 645 157 00	radio HAMBURG SQM 24	85-	1	
(3)	> 911 645 158 00	radio BOSTON SQR 23	85-	1	
(3)	> 911 645 159 00	radio BREMEN SQR 45	(A) (CH) (D)	1	
(3)	> 911 645 139 00	radio TORONTO SQR 45 w/o motorist radio information		1	
-	928 645 173 02	antenna booster		1	
-	911 645 145 02	installation set accessories for radio		1	
4	911 645 409 00	door speaker		2	
(4)	911 645 435 00	rear loudspeaker		2	
(4)	928 645 413 00	mid-range loudspeaker for side trim panel		2	CABRIO
5	911 645 605 00	fader	-85	1	
(5)	911 645 605 01	fader		1	

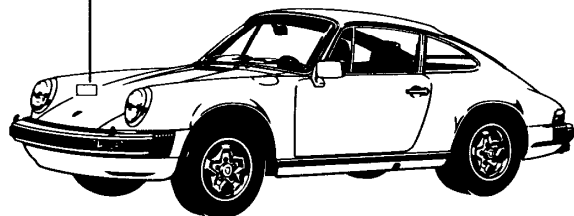


Model	Year	MG	SG	Illustration	Restrictions	UPD	22:31	22.01.2010	PORSCHE	PET	PORSCHE
911	1986	0	04	004-00		248					

FARBNUMMER  
COLOUR NUMBER  
NUMERO DE COULEUR  
NUMERO COLORE  
NUMERO DE COLOR

**80K9 2**  
**GUARDS RED**  
**INDISCHROT**  
**G1**

FARBENENNUNG  
COLOUR  
COULEUR  
COLORE  
COLOR



Pos	Part Number	Description	Remark	Qty	Model
		lacquers basic materials			
-	911 096 050 00	polyester filler 1 KG GLASSIT-NON-FERRO 839-10		X	
-	911 096 051 00	hardener 30 GR GLASSIT 948-36 red		X	
-	911 096 052 00	primer filler 1 LTR GLASSOFIX 238-150		X	
-	911 096 053 00	hardener 500 ML GLASSOFIX 352-228		X	
-	911 096 054 00	primer filler 1 LTR GLASSODUR 285-100 white		X	
-	911 096 055 00	hardener 500 ML GLASSODUR 929-28/1		X	
-	911 096 056 00	wash primer 2 LTR GLASSOFIX 2K 934-200		X	
-	911 096 057 00	hardener 1LTR GLASSOFIX 934-100		X	
-	911 096 058 00	polyurethane plastic putty 1 KG GLASSODUR 995-20		X	
-	911 096 059 00	hardener 1KG GLASSODUR 929-13		X	
-	911 096 060 00	thinner 1 LTR GLASSODUR 352-91		X	
-	911 096 061 00	hardener 500 ML GLASSODUR 929-73		X	
-	911 096 062 00	additional lacquer 1 LTR GLASSODUR 521-111		X	

Model	Year	MG	SG	Illustration	Restrictions	UPD	22:31	22.01.2010	PORSCHE	PET	PORSCHE
911	1986	0	04	004-00		248					

Pos	Part Number	Description	Remark	Qty	Model	Pos	Part Number	Description	Remark	Qty	Model
-	911 096 063 00	underbody protection 1 KG GLASSOHYD 1109-		X			182	CHIFFONWEISS			182
							347	dark blue			347
-	000 043 001 00	tin SN 90% 200 GR		X			673	marble grey			673
							536	pastel beige			536
-	911 095 903 80	synthetic resin prime coat metallic 1 LTR		X			32Z	GLETSCHERBLAU			32Z
	966	light bronze metallic			966	-	911 095 932 20	paint touch-up applicator		X	
	956	zinc metallic			956		027	guards red			027
	655	platinum-metallic			655		700	black			700
	661	SCHIEFERBLAU-METALLIC			661		908	grand prix white			908
	662	RAUCHQUARZ-METALLIC			662		182	CHIFFONWEISS			182
	810	ruby red metallic			810		536	pastel beige			536
	811	ZIEGELROT-METALLIC			811		673	marble grey			673
	33P	iris blue metallic			33P		347	dark blue			347
	20C	moss green metallic			20C	-	911 095 933 20	paint touch-up applicator set comprising: primer clear lacquer		X	
	492	nutmeg brown metallic			492		20C	moss green metallic			20C
	822	garnet red metallic			822		966	light bronze metallic			966
	33N	crystal green metallic			33N		655	platinum-metallic			655
	33X	prussian blue metallic			33X		956	zinc metallic			956
	539	white gold metallic			539		661	SCHIEFERBLAU-METALLIC			661
	936	silver metallic			936		662	RAUCHQUARZ-METALLIC			662
	961	meteor metallic			961		810	ruby red metallic			810
-	911 096 064 00	clear lacquer 1 LTR GLASSODUR-MS 923-85		X			811	ZIEGELROT-METALLIC			811
-	911 095 902 60	top-coat paint 2 K 1 LTR		X			936	silver metallic			936
	027	guards red			027		539	white gold metallic			539
	700	black			700		492	nutmeg brown metallic			492
	908	grand prix white			908		822	garnet red metallic			822
							33P	iris blue metallic			33P

Model	Year	MG	SG	Illustration	Restrictions	UPD	22:31	22.01.2010	PORSCHE	PET	PORSCHE
911	1986	0	04	004-00		248					

Pos	Part Number	Description	Remark	Qty	Model	Pos	Part Number	Description	Remark	Qty	Model
	33X	prussian blue metallic			33X						
	33N	crystal green metallic			33N						
	961	meteor metallic			961						

Model	Year	MG	SG	Illustration	Restrictions	UPD	22:31	22.01.2010
911	1986	0	05	005-00		248		

Pos	Part Number	Description	Remark	Qty	Model
		securing liquid sealing compound preservative agent			
		securing liquid			
-	928 101 921 00	loctite -270- 10 CCM high strength		X	
-	000 043 012 00	loctite -221- 10 CCM low strength		X	
		sealing compound			
-	000 043 010 00	loctite -574- 50 CCM		X	
-	000 043 011 00	loctite -638- 10 CCM for balance shaft		X	
-	000 043 013 00	loctite adhesive remover -80646- spraying can		X	
-	AMV 176 000 05	adhesive sealing compound 310 CCM		1	
		loctite for pasting metal glass ceramics thermoset plastic adhesive set comprising:		X	
-	000 043 051 00	adhesive loctite -317- 50 CCM		X	
-	000 043 202 65	loctite AKTIVATOR NF 736 180 CCM		X	
-	000 043 019 01	sealing compound SILASTIK 730 RTV 90 CCM		X	

Model	Year	MG	SG	Illustration	Restrictions	UPD	22:31	22.01.2010
911	1986	0	05	005-00		248		

Pos	Part Number	Description	Remark	Qty	Model
-	000 043 004 00	mounting paste optimoly ht 1 90-gramme tube		X	
-	000 043 020 00	optimoly mounting paste OPTIMOLY - TA 1 100-gramme tube silver		X	
-	000 043 110 01	grease OPTITEMP PU35 1 100-gramme tube		X	
-	000 043 204 21	grease for lock cylinder spraying can  preservative agent		X	
-	999 571 062 00	care kit comprising: suitcase		1	
-	999 901 013 40	liquid preservative		1	
-	999 901 014 41	cleaning agent		1	
-	999 901 015 40	polisher		1	
-	999 901 016 40	tar remover		1	
-	999 901 017 40	dashboard cleaner		1	
-	999 901 018 40	paint polish		1	
-	999 901 019 41	insect remover		1	
-	999 901 020 40	spot remover		1	
-	999 901 021 40	polishing cotton		1	
-	999 901 022 40	polishing cloth		1	
-	000 044 000 02	preservative agent 250 ML		X	
-	999 901 017 41	window cleaner summer 250 ML		X	
-	999 901 033 40	window cleaner winter 1000 ML		X	
-	999 901 036 40	car shampoo refilling bottle 1000 ML		X	

PORSCHE

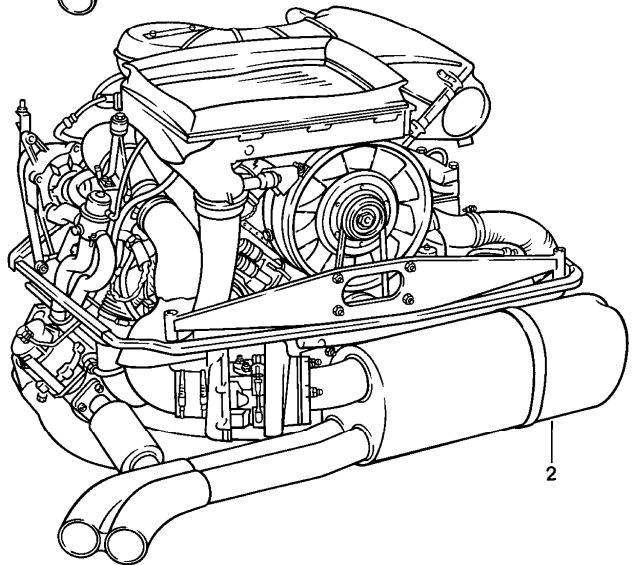
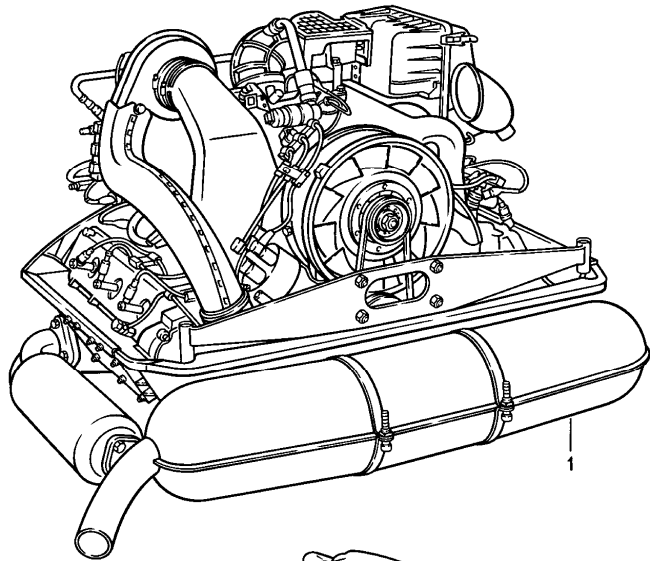
PET

PORSCHE

Model	Year	MG	SG	Illustration	Restrictions	UPD	22:31	22.01.2010
911	1986	0	05	005-00		248		

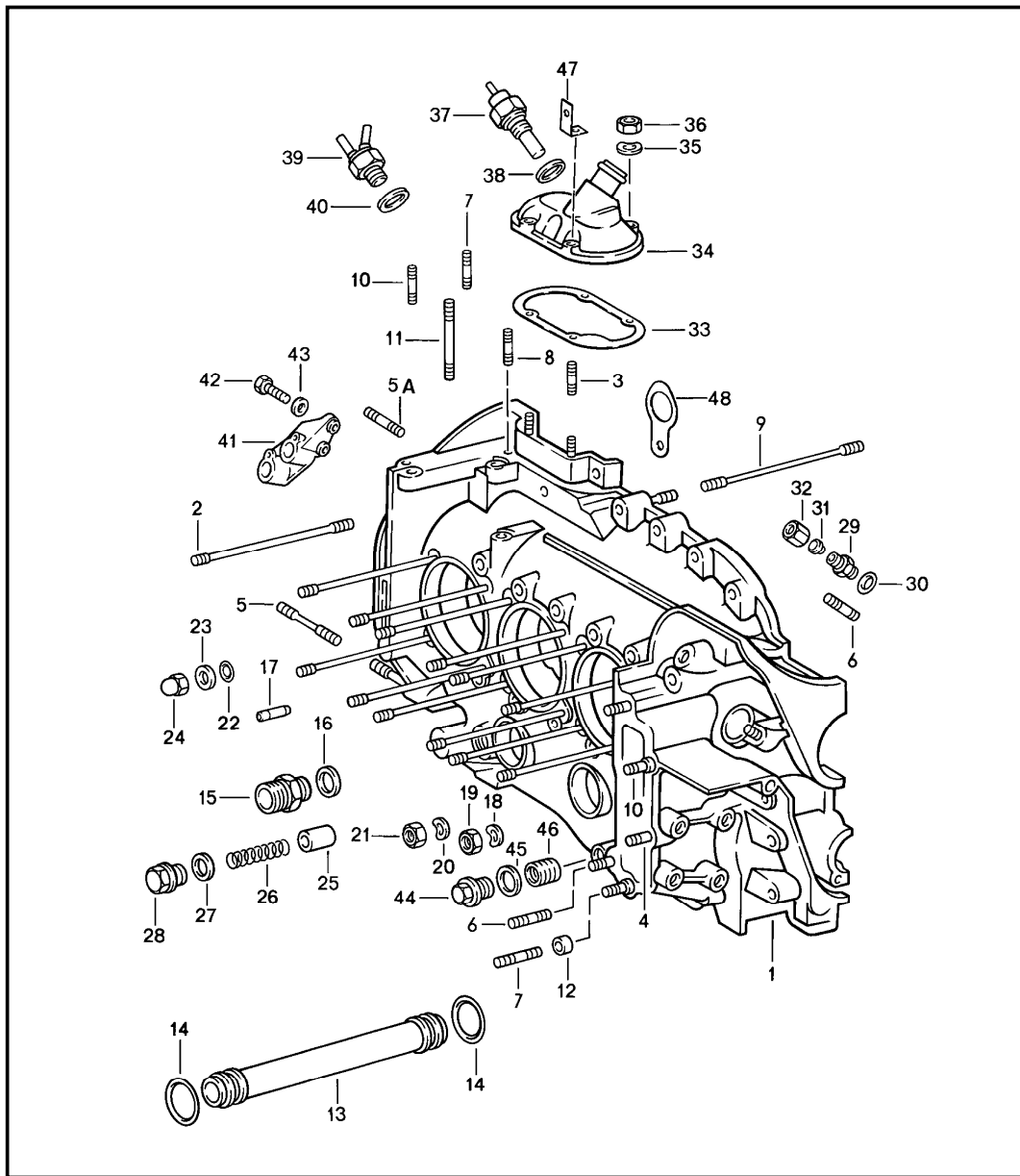
Pos	Part Number	Description	Remark	Qty	Model
-	999 917 803 00	window cleaner spray bottle 250 ML		X	
-	928 628 931 00	silicone remover 1000 ML		X	
-	999 901 030 40	rim cleaner spray bottle 500 ML		X	
-	999 901 031 40	rim cleaner refilling bottle 1000 ML		X	

Model	Year	MG	SG	Illustration	Restrictions	UPD	22:35	22.01.2010	PORSCHE	PET	PORSCHE
911	1986	1	01	101-00		248					



Pos	Part Number	Description	Remark	Qty	Model
		replacement engine ready for installation			
1	> 930 100 220 00	engine		1	930.20 COUPE/TARGA
1	> 930 100 220 01	engine		1	930.20 CABRIO
1	930 100 221 02	engine	(J)	1	930.21 COUPE/TARGA
1	930 100 221 03	engine	(J)	1	930.21 CABRIO
1	> 930 100 221 00	engine		1	930.21 COUPE/TARGA
1	930 100 221 01	engine		1	930.21 CABRIO
1	930 100 226 00	engine	(CH) (AUS) (S)	1	930.26 COUPE/TARGA
1	930 100 226 01	engine	(CH) (AUS) (S)	1	930.26 CABRIO
2	> 930 100 266 04	engine		1	930.66

Model	Year	MG	SG	Illustration	Restrictions	UPD	22:35	22.01.2010	PORSCHE	PET	PORSCHE
911	1986	1	01	101-05		248					



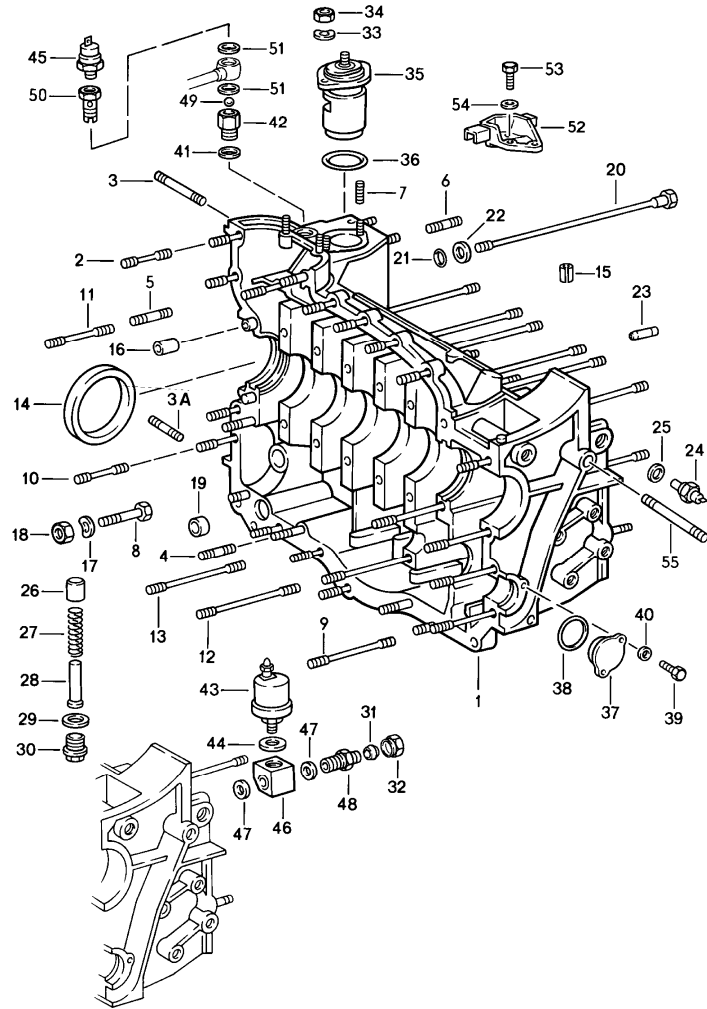
Pos	Part Number	Description	Remark	Qty	Model
1	930 101 917 00	crankcase left		1	930.20/21/26
1	930 101 918 00	crankcase with studs 16 x 11		1	930.66
2	911 101 172 00	stud upper		12	930.20/21/26
2	993 101 170 51	stud lower		12	930.20/21/26
2	993 101 170 51	stud		24	930.66/68
3	999 062 085 02	stud M 6 X 20		4	
4	999 062 006 02	stud M 8 X 20		2	
5	999 061 034 02	stud M 10 X 70		1	930.20/21/26
5	999 062 192 02	stud M 10 X 100		1	930.66/68
5A	999 061 034 02	stud M 10 X 70		1	930.20/21/26
5A	999 062 099 02	stud M 10 X 105		1	930.66/68
6	999 062 007 02	stud M 8 X 22		5	
7	999 062 009 02	stud M 8 X 28		3	
8	999 062 055 02	stud M 6 X 12		1	
9	930 101 174 01	stud		2	
10	999 062 008 02	stud M 8 X 25		3	
11	999 062 147 02	stud M 8 X 62		1	
12	901 101 145 00	dowel sleeve		2	



Model	Year	MG	SG	Illustration	Restrictions	UPD	22:35	22.01.2010	PORSCHE	PET	PORSCHE
911	1986	1	01	101-05		248					

Pos	Part Number	Description	Remark	Qty	Model	Pos	Part Number	Description	Remark	Qty	Model
13	901 107 351 01	oil tube		4		29	901 107 375 00	screw socket		1	
(13)	930 107 040 00	oil tube set divided comprising: oil tube I oil tube II		X		30	* 900 123 101 30	sealing ring A 12 X 18		1	
-	A 900 041 013 01	circlip		1		31	N 020 825 1	cutting ring LL 8		1	
-	900 041 013 01	circlip		1		32	900 104 003 02	union nut A LL 8		1	
-	999 707 113 40	round seal		2		33	* 930 107 791 00	gasket		1	
-	999 707 112 40	round seal		2		34	930 107 073 00	lid		1	
14	* 999 707 112 40	round seal		8		35	N 012 226 5	spring washer B 6		4	
15	999 136 008 09	connection piece		1		36	900 076 010 02	hexagon nut M 6		4	
16	* 900 123 011 30	sealing ring A 22 X 27		1		37	930 606 118 00	temperature switch		1	930.20/21/26
17	911 101 011 01	splash valve		3	930.20/21/26	38	900 123 007 30	sealing ring A 14 X 18		1	930.20/21/26
17	930 101 015 00	splash valve		3	930.66	39	930 110 401 01	thermo valve		1	930.66/68
18	* 900 031 014 30	washer 8,4		24		40	900 123 007 30	sealing ring A 14 X 18		1	930.66/68
19	900 910 022 02	lock nut M 8		24		41	930 101 089 01	support		1	930.20/21/26
20	N 012 242 3	spring washer B 10 X 18		1		42	N 010 217 9	hexagon-head bolt M 6 X 20		2	930.20/21/26
21	900 076 052 02	hexagon nut M 10 X 1		1		43	N 011 524 7	washer A 6,4		2	930.20/21/26
22	* 999 701 006 40	o-ring		12		44	944 107 197 01	screw plug		1	
23	901 101 161 01	washer		12		45	900 123 118 30	sealing ring A 22 X 27		1	
24	930 101 172 01	cap nut		13		46	999 504 127 00	threaded insert M 20 X 1,5		1	
25	911 107 512 00	piston		1		48	901 101 151 00	clip		1	
26	901 107 531 00	compression spring		1							
27	900 123 106 30	sealing ring A 18 X 24		1							
28	999 064 026 02	screw plug		1							

Model	Year	MG	SG	Illustration	Restrictions	UPD	22:35	22.01.2010	PORSCHE	PET	PORSCHE
911	1986	1	01	101-10		248					

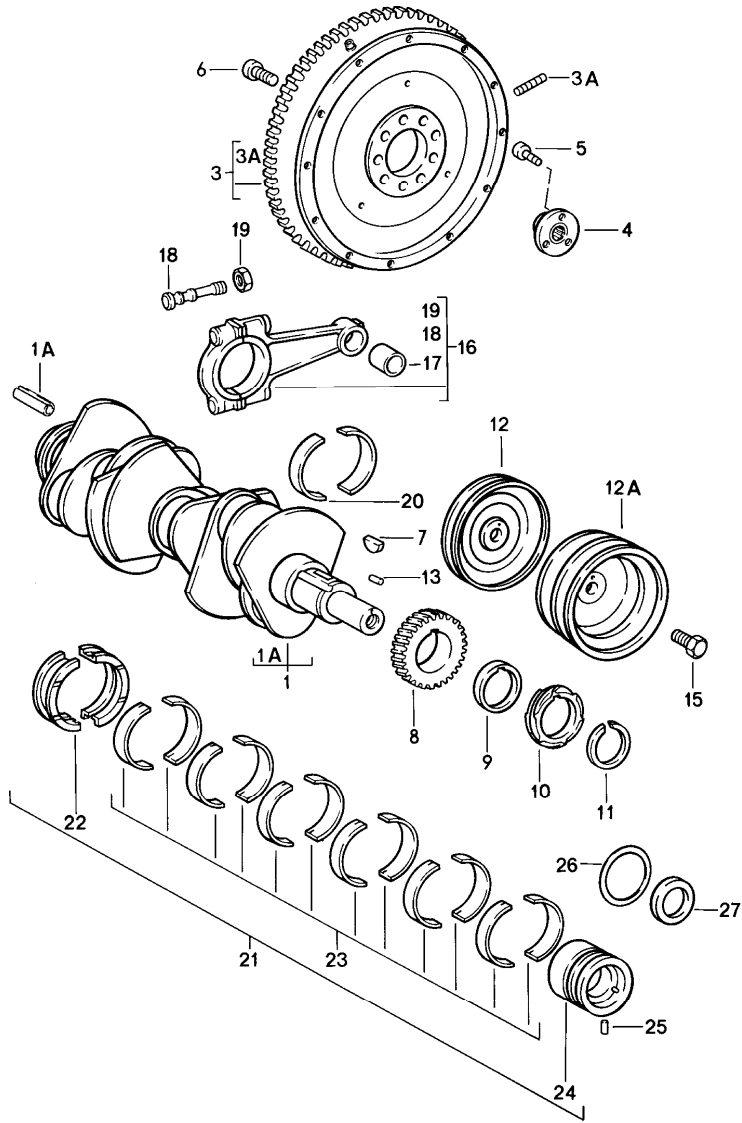


Pos	Part Number	Description	Remark	Qty	Model
1	930 101 917 00	crankcase right		1	930.20/21/26
1	930 101 918 00	crankcase with studs		1	930.66/68
2	999 062 115 02	stud M 8 X 32		15	
3	999 062 192 02	stud M 10 X 102		1	930.20/21/26
3	999 062 225 02	stud M 10 X 140		1	930.66/68
3A	999 061 034 02	stud M 10 X 70		1	930.20/21/26
3A	999 062 099 02	stud M 10 X 105		1	930.66/68
4	999 062 006 02	stud M 8 X 20		3	
5	999 062 009 02	stud M 8 X 28		1	
6	999 062 073 02	stud M 8 X 15		4	
7	999 062 055 02	stud M 6 X 12		3	
8	900 074 139 02	hexagon-head bolt M 8 X 55		1	
9	N 014 432 4	stud M 8 X 78		3	
10	999 062 075 02	stud M 8 X 48		2	
11	999 062 138 02	stud M 8 X 52		1	
12	999 062 051 02	stud M 8 X 108		1	
13	930 101 175 00	stud		1	
14	* 999 113 264 40	radial sealing ring 90 X 110 X 12		1	

Model	Year	MG	SG	Illustration	Restrictions	UPD	22:35	22.01.2010	PORSCHE	PET	PORSCHE
911	1986	1	01	101-10		248					

Pos	Part Number	Description	Remark	Qty	Model	Pos	Part Number	Description	Remark	Qty	Model
15	900 095 025 01	roll pin 8 X 16		1		38	* 999 701 658 40	round seal 33,3 X 2,4		1	
16	901 101 195 00	dowel sleeve		2		39	900 075 057 02	hexagon-head bolt M 6 X 16		2	
17	* 900 031 014 30	washer 8,4		1		40	* N 011 524 7	washer 6,4		2	
18	900 910 022 02	lock nut M 8		1		41	* 900 123 140 30	sealing ring A 18 X 22		1	
19	* 999 704 172 50	sealing ring		1		42	901 101 175 01	adapter		1	930.20/21/26
20	930 101 173 02	screw		11		42	930 107 705 00	reducing socket		1	930.66/68
21	* 999 701 006 40	o-ring		12		43	911 606 135 00	pressure transmitter		1	
22	901 101 161 01	washer		12		44	* 900 123 009 20	sealing ring		1	
23	911 101 011 01	splash valve		3	930.20/21/26	45	A 911 606 230 00	oil pressure switch	-85	1	
23	930 101 015 00	splash valve		3	930.66/68	45	911 606 230 00	oil pressure switch	86-	1	
24	911 606 112 00	remote temperature sensor		1		46	911 107 704 00	connection piece		1	
25	900 123 007 30	sealing ring A 14 X 18		1		47	900 123 101 30	sealing ring A 12 X 18		2	
26	911 107 512 00	piston		1		48	911 107 709 01	screw socket		1	
27	930 107 531 01	compression spring		1		49	900 108 022 00	ball \$ 9 MM		1	930.66/68
28	930 107 533 00	guide sleeve		1		50	930 107 706 00	banjo bolt		1	930.66/68
29	900 123 106 30	sealing ring A 18 X 24		1		51	900 123 007 30	sealing ring A 14 X 18		2	930.66/68
30	999 064 026 02	screw plug		1		52	930 101 191 02	support for pulse sender		1	
31	N 020 825 1	cutting ring LL 8		1		53	N 010 217 9	hexagon-head bolt M 6 X 20		2	M30.20/21/26
32	900 104 003 02	union nut A LL 8		1		54	N 011 524 7	washer A 6,4		2	M30.20/21/26
33	N 012 226 5	spring washer B 6		2		55	999 061 056 02	stud M 10 X 15		1	
34	900 076 010 02	hexagon nut M 6		2							
35	930 107 765 00	oil thermostat		1							
36	* 999 701 053 40	o-ring 39,2 X 3		1							
37	930 105 165 00	cover		1							

Model	Year	MG	SG	Illustration	Restrictions	UPD	22:36	22.01.2010	PORSCHE	PET	PORSCHE
911	1986	1	02	102-00		248					



Pos	Part Number	Description	Remark	Qty	Model
		crankshaft			
1	> 930 102 014 09	crankshaft		1	930.20/21/26
1	> 930 102 014 10	crankshaft		1	930.66/68
1A	900 095 031 00	tensioning sleeve 6 X 16		1	930.20/21/26
3	> 930 102 033 01	flywheel		1	930.20/21/26
(3)	> 930 102 213 00	flywheel		1	930.66/68
3A	930 102 221 00	threaded pin		1	930.20/21/26
4	930 102 042 00	bush		1	
5	900 067 008 02	pan-head screw M 6 X 12		3	
6	930 102 206 00	pan-head screw		9	
7	901 102 147 00	woodruff key		1	
8	901 102 111 00	timing gear number 0		1	
8	901 102 111 10	timing gear number 1		1	
9	901 102 145 00	intermediate ring		1	
10	930 102 112 00	drive wheel		1	930.20/21/26
10	930 102 115 01	drive wheel		1	930.66/68
11	901 102 148 00	circlip number 0		1	
11	901 102 148 01	circlip number 1		1	
11	901 102 148 02	circlip number 2		1	
11	901 102 148 03	circlip number 3		1	
12	930 102 028 08	pulley		1	930.20/21/26
12	930 102 126 02	pulley		1	930.66
12A	930 102 024 03	pulley		1	930.20/21/26 M559
12A	930 102 024 02	pulley		1	930.66 M559/573

Model	Year	MG	SG	Illustration	Restrictions	UPD	22:36	22.01.2010	PORSCHE	PET	PORSCHE
911	1986	1	02	102-00		248					

Pos	Part Number	Description	Remark	Qty	Model	Pos	Part Number	Description	Remark	Qty	Model
13	N 101 090 01	straight pin 5 M 6 X 14		1		17	930 103 134 01	connecting rod bush		6	
15	999 093 005 02	hexagon-head bolt M12 X 1,5 X 22		1		18	964 103 176 00	connecting rod bolt		12	
16	A 930 103 020 73	connecting rod weight group: 3 = 615 - 624 G		6		19	930 103 174 00	connecting rod nut		12	
16	930 103 975 00	connecting rod weight group: 3 = 615 - 624 G  -INTERNTEIL- ZSB 93010397500		6		20	930 103 147 15	connecting-rod bearing set		6	
16	930 103 020 74	connecting rod weight group: 4 = 624 - 633 G		6		20	930 103 147 50	connecting-rod bearing oversize 0,25 MM		12	
16	930 103 020 75	connecting rod weight group: 5 = 633 - 642 G		6		20	930 103 147 60	connecting-rod bearing oversize 0,50 MM		12	
16	930 103 020 76	connecting rod weight group: 6 = 642 - 651 G		6		20	930 103 147 70	connecting-rod bearing oversize 0,75 MM		12	
16	930 103 020 77	connecting rod weight group: 7 = 651 - 660 G		6		20	930 103 147 80	connecting-rod bearing oversize 1,00 MM		12	
16	930 103 020 78	connecting rod weight group: 8 = 660 - 669 G		6		21	930 101 901 00	set of crankshaft bearings comprising:		1	
16	930 103 020 79	connecting rod weight group: 9 = 669 - 678 G		6		22	930 101 131 15	bearing shell I		2	
16	930 103 020 80	connecting rod weight group: 10 = 678 - 687 G		6		23	930 101 132 15	bearing shell II - VII		12	
16	930 103 020 81	connecting rod weight group: 11 = 687 - 696 G		6		24	964 101 138 01	bearing sleeve VIII		1	
-	930 103 975 00	connecting rod 1 set comprising: connecting rods  -INTERNTEIL- ZSB 93010397500		1		21	930 101 901 51	set of crankshaft bearings oversize inner 0,25 MM comprising:		1	
				6		22	930 101 131 51	bearing shell I		2	
						23	930 101 132 51	bearing shell II - VII		12	
						24	964 101 138 54	bearing sleeve VIII		1	
						21	930 101 901 56	set of crankshaft bearings oversize inner 0,50 MM comprising:		1	

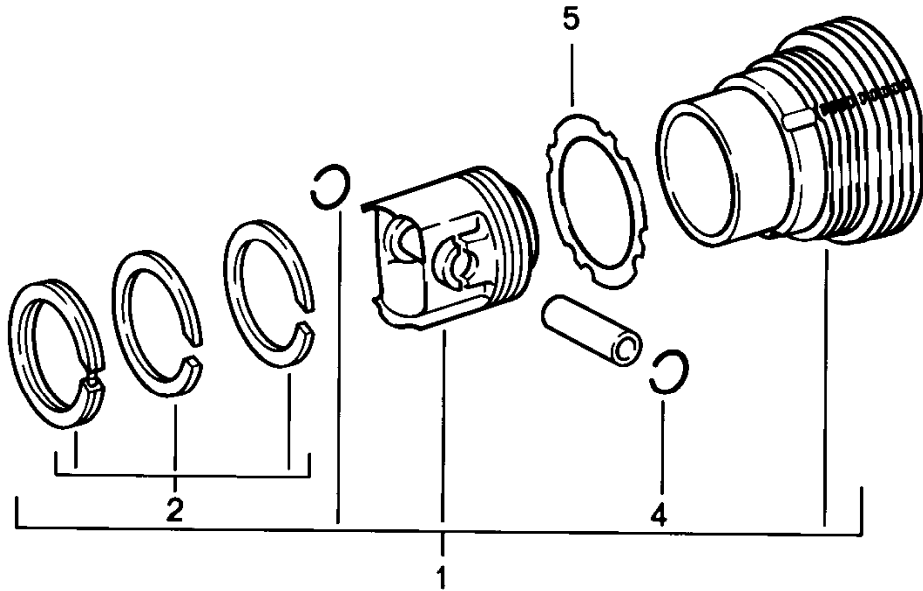
Model	Year	MG	SG	Illustration	Restrictions	UPD	22:36	22.01.2010	PORSCHE	PET	PORSCHE
911	1986	1	02	102-00		248					

Pos	Part Number	Description	Remark	Qty	Model	Pos	Part Number	Description	Remark	Qty	Model
22	930 101 131 56	bearing shell I		2		21	930 101 901 71	set of crankshaft bearings oversize inner 0,25 MM outer 0,25 MM comprising:		1	
23	930 101 132 56	bearing shell II-VII		12							
24	964 101 138 55	bearing sleeve VIII		1							
21	930 101 901 66	set of crankshaft bearings oversize inner 0,75 MM comprising:		1		22	930 101 131 71	bearing shell I		2	
22	930 101 131 66	bearing shell I		2		23	930 101 132 71	bearing shell II - VII		12	
23	930 101 132 66	bearing shell II - VII		12		24	964 101 138 66	bearing sleeve VIII		1	
24	930 101 138 68	bearing sleeve VIII		1		21	930 101 901 76	set of crankshaft bearings oversize inner 0,50 MM outer 0,25 MM comprising:		1	
21	930 101 901 70	set of crankshaft bearings oversize inner 1,00 MM comprising:		1		22	930 101 131 76	bearing shell I		2	
22	930 101 131 70	bearing shell I		2		23	930 101 132 76	bearing shell II - VII		12	
23	930 101 132 70	bearing shell II - VII		12		24	964 101 138 67	bearing sleeve VIII		1	
24	930 101 138 69	bearing sleeve VIII		1		21	930 101 901 86	set of crankshaft bearings oversize inner 0,75 MM outer 0,25 MM comprising:		1	
21	930 101 901 61	set of crankshaft bearings oversize outer 0,25 MM comprising:		1		22	930 101 131 86	bearing shell I		2	
22	930 101 131 61	bearing shell I		2		23	930 101 132 86	bearing shell II - VII		12	
23	930 101 132 61	bearing shell II - VII		12		24	930 101 138 88	bearing sleeve VIII		1	
24	964 101 138 65	bearing sleeve VIII		1							

Model	Year	MG	SG	Illustration	Restrictions	UPD	22:36	22.01.2010	PORSCHE	PET	PORSCHE
911	1986	1	02	102-00		248					

Pos	Part Number	Description	Remark	Qty	Model	Pos	Part Number	Description	Remark	Qty	Model
21	930 101 901 90	set of crankshaft bearings oversize inner 1,00 MM outer 0,25 MM comprising:		1							
22	930 101 131 90	bearing shell I		2							
23	930 101 132 90	bearing shell II - VII		12							
24	930 101 138 89	bearing sleeve VIII		1							
25	900 012 061 00	straight pin 5 H 8 X 10		1							
26	* 999 707 285 40	o-ring 51 X 4,5		1							
27	* 999 113 290 41	sealing ring 30 X 50 X 10		1							

Model	Year	MG	SG	Illustration	Restrictions	UPD	22:36	22.01.2010	PORSCHE	PET	PORSCHE
911	1986	1	02	102-05		248					



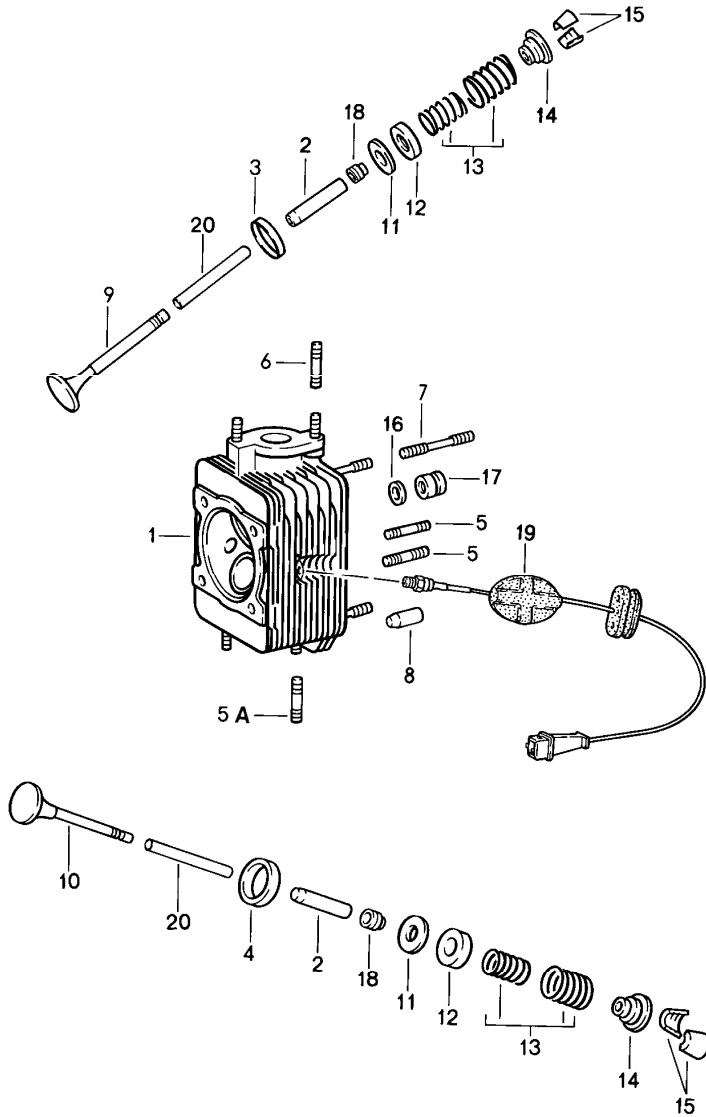
Pos	Part Number	Description	Remark	Qty	Model
		cylinder with piston group 5 - mahle -			
1	A 930 103 989 01	cylinder with piston number plate -- / - 618-626 G	-85	6	930.20/21/26
1	PCG 503 569 2	cylinder with piston complete Fa. Mahle only by sets	84-89	6	930.20/21/26
(1)	A 930 103 981 03	cylinder with piston number plate -- / - 613-621 G	(J) -85	6	930.21
1	930 103 990 01	cylinder with piston number plate -- / - 613-621 G	(J) 86-	6	M30.21
1	A 930 103 989 02	cylinder with piston number plate + / ++ 626-634 G	-85	6	M30.20/21/26
1	930 103 989 02	cylinder with piston number plate + / ++ 626-634 G		6	M30.20/21/26
1	A 930 103 981 04	cylinder with piston number plate + / ++ 621-629 G	(J) -85	6	930.21
1	930 103 990 02	cylinder with piston number plate + / ++ 621-629 G	(J) 86-	6	M30.21
1	PCG 503 989 0	cylinder with piston complete Fa. Mahle only by sets		6	930.66/68
1	930 103 969 03	cylinder with piston number plate -- / - 616-624G		6	930.66/68



Model	Year	MG	SG	Illustration	Restrictions	UPD	22:36	22.01.2010	PORSCHE	PET	PORSCHE
911	1986	1	02	102-05		248					

Pos	Part Number	Description	Remark	Qty	Model	Pos	Part Number	Description	Remark	Qty	Model
1	930 103 969 04	cylinder with piston number plate + / ++ 624-632 G		6	930.66/68			piston rings - mahle -			
		group 6 - mahle -				2	* 930 103 986 00	set of piston rings		6	M30.20/21/26
						2	* 930 103 968 00	set of piston rings		6	M30.66/68
1	930 103 989 03	cylinder with piston number plate -- / - 618-626 G	-85	6	M30.20/21/26	4	N 012 278 1	circlip C 22		12	M30.20/21/26
						4	900 908 019 00	ring C 23		12	M30.66/68
1	930 103 989 03	cylinder with piston number plate -- / - 618-626 G	86-	6	M30.20/21/26	5	* 930 104 194 02	gasket 0,25 MM		6	
						5	930 104 194 01	cylinder base gasket oversize 0.50 mm see technical information GR.1 NR.18		6	
1 A	930 103 981 05	cylinder with piston number plate -- / - 613-621 G	(J)	-85	6	930.21					
1	930 103 990 03	cylinder with piston number plate -- / - 613-621 G	(J)	86-	6	M30.21					
1	930 103 989 04	cylinder with piston number plate + / ++ 626-634 G	-85	6	M30.20/21/26						
1	930 103 989 04	cylinder with piston number plate + / ++ 626-634 G	86-	6	M30.20/21/26						
1 A	930 103 981 06	cylinder with piston number plate + / ++ 621-629 G	(J)	-85	6	930.21					
1	930 103 990 04	cylinder with piston number plate + / ++ 621-629 G	(J)	86-	6	M30.21					
1 A	930 103 969 05	cylinder with piston number plate -- / - 616-624 G		6	930.66/68						
1 A	930 103 969 06	cylinder with piston number plate + / ++ 624-632 G		6	930.66/68						

Model	Year	MG	SG	Illustration	Restrictions	UPD	22:36	22.01.2010	PORSCHE	PET	PORSCHE
911	1986	1	03	103-00		248					

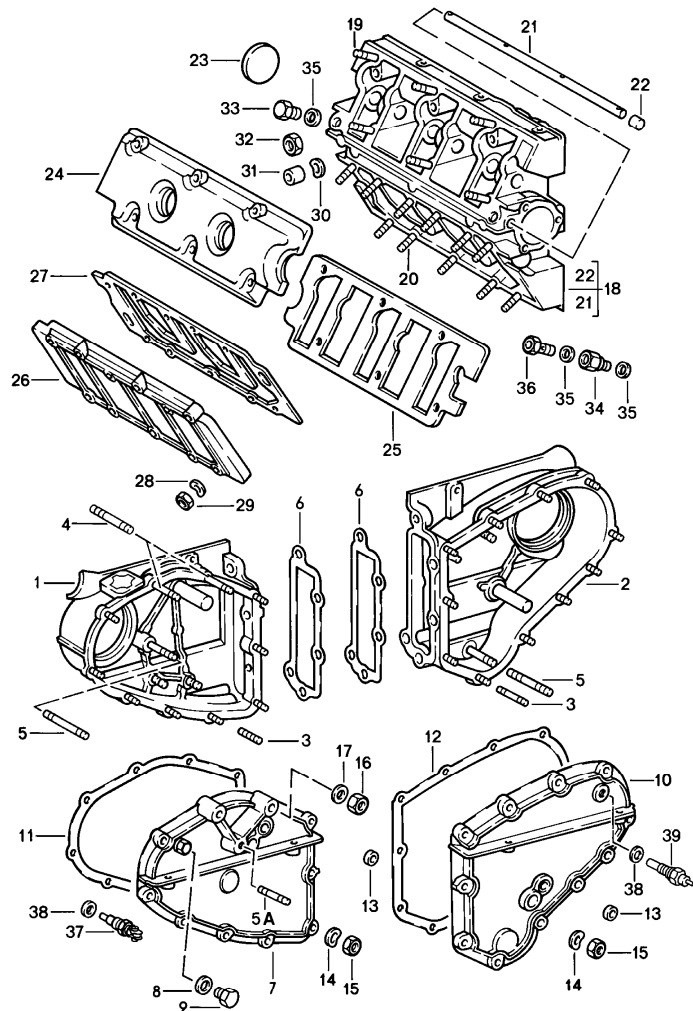


Pos	Part Number	Description	Remark	Qty	Model
		cylinder head			
1	930 104 033 06	cylinder head without valves		6	930.20/21
1	930 104 033 07	cylinder head without valves		6	930.26
1	930 104 043 09	cylinder head without valves		6	930.66/68
(1) A	930 104 011 02	cylinder head with valves ready for installation		6	930.20/21
(1) A	930 104 011 04	cylinder head with valves ready for installation		6	930.26
(1) A	930 104 043 09	cylinder head with valves ready for installation		6	930.66/68
2	930 104 321 50	valve guide 1st oversize		12	
3	930 104 331 50	valve seat ring intake oversize		6	
4	930 104 335 56	valve seat ring exhaust oversize		6	
5	999 062 006 02	stud BM 8 X 20		12	
5A	999 062 239 02	stud BM 8 X 30		12	
6	999 062 010 02	stud BM 8 X 35		12	930.20/21/26
6	999 062 178 02	stud BM 8 X 120		12	930.66/68
7	999 062 041 02	stud BM 8 X 50		24	
8	999 012 006 00	straight pin		12	
9	930 105 409 13	intake valve		6	930.20/21/26
9 W	930 105 409 01	intake valve		6	930.20/21/26
9	964 105 409 06	intake valve		6	930.66/68

Model	Year	MG	SG	Illustration	Restrictions	UPD	22:36	22.01.2010	PORSCHE	PET	PORSCHE
911	1986	1	03	103-00		248					

Pos	Part Number	Description	Remark	Qty	Model	Pos	Part Number	Description	Remark	Qty	Model
10	930 105 419 51	exhaust valve		6	930.20/21/26						
10	930 105 419 50	exhaust valve		6	930.66/68						
11	930 105 461 00	washer		X							
12	901 105 463 00	ring		12							
13	901 105 901 50	set of valve springs		12							
13	901 105 901 51	set of valve springs		12							
14	901 105 421 03	concave washer		12							
15	901 105 417 00	collet		24							
16	999 031 091 01	washer		24							
17	901 104 382 02	cylinder head nut		24							
18	928 104 193 12	valve stem seal		12							
19	930 606 915 00	temperature sensor		1	930.20/21/26						
20	000 043 204 48	sleeve for valve stem seal		X							

Model	Year	MG	SG	Illustration	Restrictions	UPD	22:36	22.01.2010	PORSCHE	PET	PORSCHE
911	1986	1	03	103-05		248					

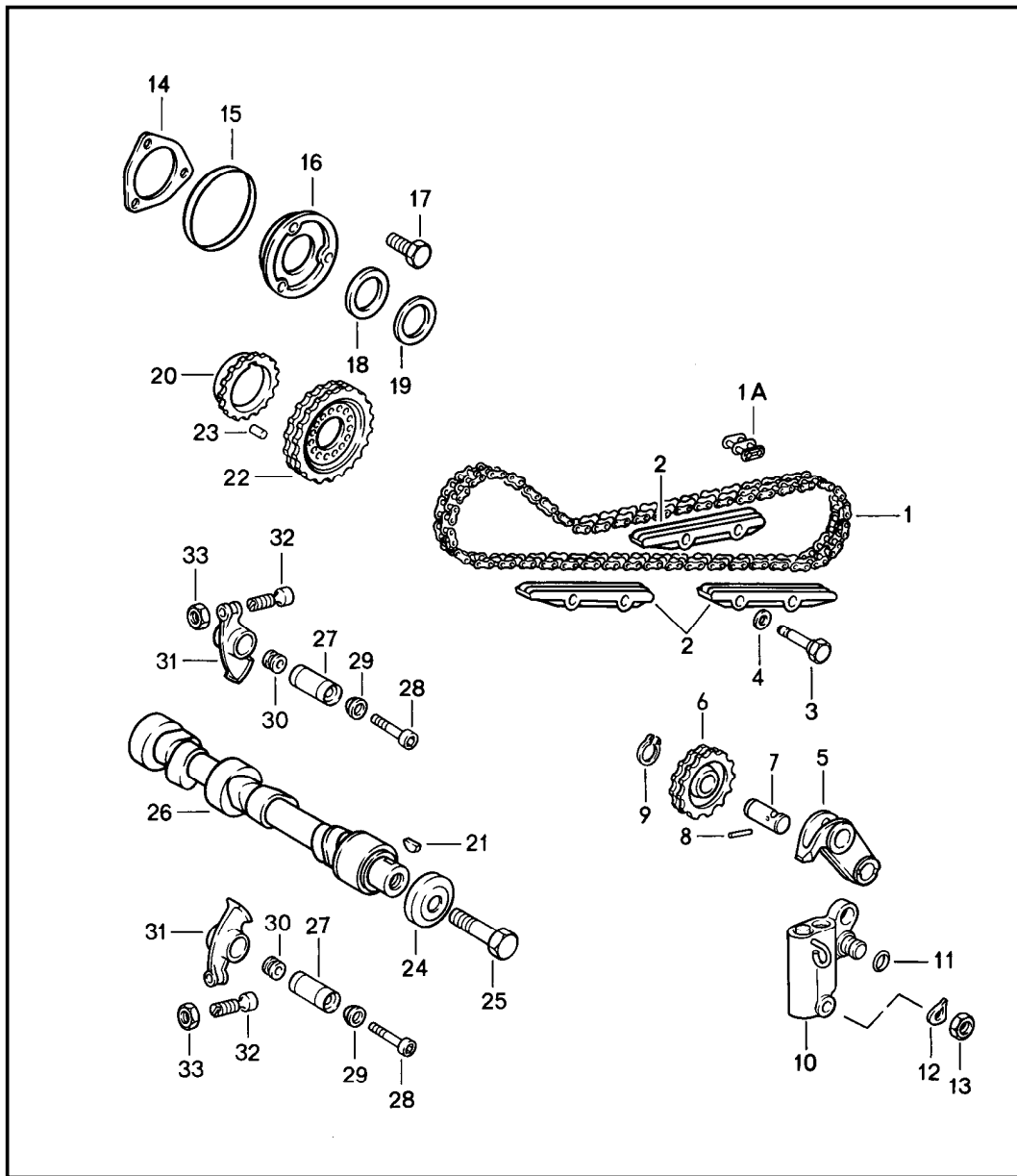


Pos	Part Number	Description	Remark	Qty	Model
1	930 105 061 02	camshaft housing chain case		1	
2	930 105 062 01	chain case for 930.26 use also: 999 062 046 02 - INTERNTEIL-	/L	2	
2	930 105 062 01	chain case - INTERNTEIL-	/R	1	
3	999 062 102 02	stud BM 6 X 22		19	
4	999 062 046 02	stud BM 8 X 65		2	930.26
4	999 062 052 02	stud BM 8 X 42		2	
5	999 062 255 02	stud M 8 X 60	/L	1	
5	999 062 041 02	stud M 8 X 50	/R	1	
5A	999 062 010 02	stud BM 8 X 35		1	930.26
6	* 930 105 193 00	gasket		2	
7	930 105 063 08	lid for 930.26 use also: 999 062 010 02	/L	1	
8	900 123 007 30	sealing ring A 14 X 18		1	
9	N 016 155 3	screw plug M 14 X 1,5		1	930.20/21/26
10	A 930 105 064 10	lid - INTERNTEIL - ZSB 93010506410	/R	1	
10	930 105 064 10	lid - INTERNTEIL - ZSB 93010506410	/R	1	

Model	Year	MG	SG	Illustration	Restrictions	UPD	22:36	22.01.2010	PORSCHE	PET	PORSCHE
911	1986	1	03	103-05		248					

Pos	Part Number	Description	Remark	Qty	Model	Pos	Part Number	Description	Remark	Qty	Model
11	* 930 105 191 03	gasket	/L	1		30	N 012 241 8	spring washer B 8 X 15		40	
12	* 930 105 192 01	gasket	/R	1		31	901 111 271 00	nut		6	
13	900 036 008 02	lid		2		32	900 076 025 02	hexagon nut M 8		34	
14	* 900 031 011 30	washer 6,4		19		33	901 105 374 00	screw plug		2	
15	900 910 012 02	lock nut M 6		19		34	901 105 361 01	intermediate piece		2	
16	900 076 025 02	hexagon nut M 8		4		35	* 900 123 005 00	sealing ring A 12 X 16		4	
17	N 012 241 8	spring washer B 8		4		36	999 134 018 02	banjo bolt A 6		2	
18	930 105 021 00	camshaft housing		2		37	911 617 117 00	temperature switch		1	930.66
19	999 062 009 02	stud BM 8 X 28		12		38	* 900 123 007 70	sealing ring A 14 X 18		1	930.66/68
20	999 062 010 02	stud BM 8 X 35		22		-	930 105 902 00	gasket set for valve cover		1	
21	930 105 362 00	oil splash tube		2		-	930 105 194 01	gasket		2	
22	901 105 379 00	stopper		4		-	930 105 195 05	gasket		2	
23	930 105 161 00	lid		2		-	900 031 014 30	washer		34	
24	901 105 115 03	lid		2		-	900 084 004 02	hexagon nut		34	
25	* 930 105 194 00	gasket		2							
26	930 105 116 00	lid		2	/25 930.20/21						
26	930 105 116 00	lid	/R	1	930.66/68						
26	930 105 116 01	lid	/L	1	930.66/68						
27	* 930 105 195 02	gasket		2	-84						
27	* 930 105 195 05	gasket		2	85-						
28	* 900 031 014 30	washer 8,4		40							
29	900 084 004 02	hexagon nut M 8		40							
29	900 084 004 03	hexagon nut M 8		40							

Model	Year	MG	SG	Illustration	Restrictions	UPD	22:36	22.01.2010	PORSCHE	PET	PORSCHE
911	1986	1	03	103-10		248					

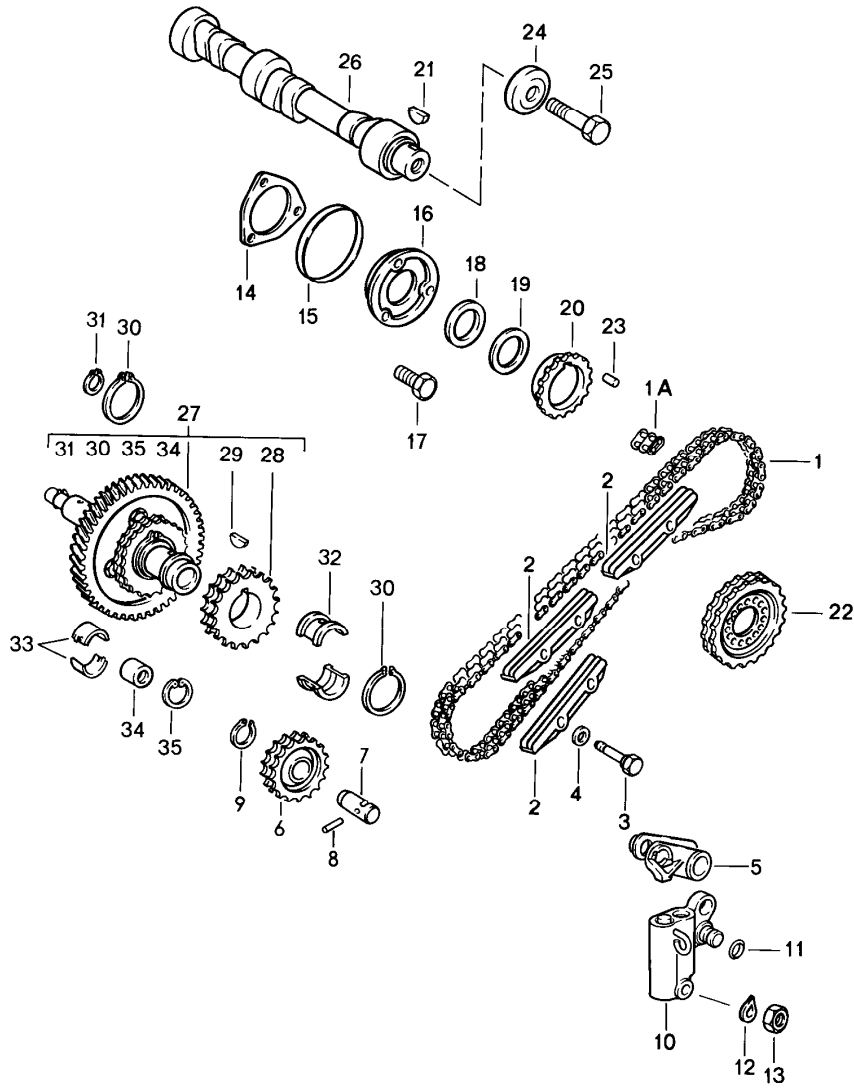


Pos	Part Number	Description	Remark	Qty	Model
		valve control left			
1	993 105 529 00	timing chain		1	
1	911 105 529 50	timing chain with lock		1	
1A	901 105 530 00	connecting link		1	
2	911 105 222 06	guide rail		3	
3	901 105 226 03	bolt		4	
4	* 900 123 066 30	sealing ring A 10 X 16		4	
5	930 105 509 00	chain wheel support		1	
6	901 105 055 00	sprocket		1	
7	901 105 056 01	bolt		1	
8	900 197 010 00	tensioning sleeve 3 X 22		1	
9	N 012 415 1	circlip 15 X 1		1	
10	930 105 058 03	chain adjuster		1	
		- INTERNTEIL - ZSB 93010505803			
11	999 701 690 40	round seal 12 X 1,78		1	
12	N 012 241 8	spring washer B 8 X 15		1	
13	900 076 025 02	hexagon nut M 8		1	
14	* 930 105 197 03	gasket		1	
15	* 999 701 468 40	round seal 67,5 X 75,4 X 4		1	
16	930 105 196 00	cover		1	
17	900 075 341 02	combination screw M 6 X 25		3	
18	901 105 562 00	thrust washer		1	
19	901 105 561 00	shim		X	

Model	Year	MG	SG	Illustration	Restrictions	UPD	22:36	22.01.2010	PORSCHE	PET	PORSCHE
911	1986	1	03	103-10		248					

Pos	Part Number	Description	Remark	Qty	Model	Pos	Part Number	Description	Remark	Qty	Model
20	901 105 583 01	flange		1							
21	A 900 118 005 00	woodruff key		1							
21	N 012 708 2	woodruff key 4 X 5		1							
22	901 105 546 02	sprocket II		1							
23	900 243 001 00	straight pin 6 H 8 X 14		1							
24	993 105 163 50	washer		1							
25	900 082 072 01	hexagon-head bolt M 12 X 1,5 X 50		1							
26	930 105 147 10	camshaft		1	930.20/21/26						
26	930 105 143 03	camshaft		1	930.66/68						
27	901 105 342 04	rocker shaft		12							
28	999 067 008 00	pan-head screw		12							
29	901 105 344 02	bush		12							
30	901 105 376 02	nut		12							
31	930 105 043 00	rocker arm		12							
32	901 105 370 02	adjusting screw		12							
33	999 034 005 00	hexagon nut		12							

Model	Year	MG	SG	Illustration	Restrictions	UPD	22:37	22.01.2010	PORSCHE	PET	PORSCHE
911	1986	1	03	103-15		248					



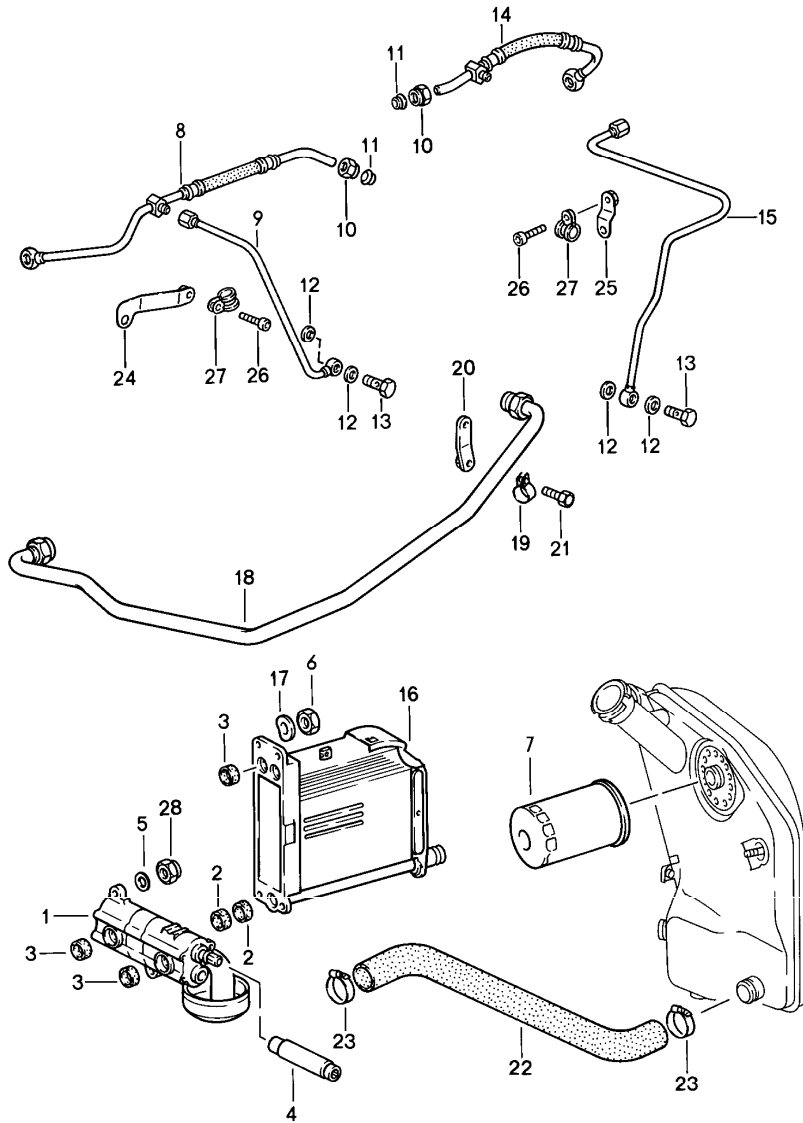
Pos	Part Number	Description	Remark	Qty	Model
1	993 105 529 00	valve control right		1	
1	911 105 529 50	timing chain		1	
1A	901 105 530 00	timing chain with lock		1	
1A	901 105 530 00	connecting link		1	
2	911 105 222 05	guide rail		1	
2	911 105 222 06	guide rail		2	
3	901 105 226 03	guide rail		2	
3	901 105 226 03	bolt		4	
4	* 900 123 066 30	sealing ring A 10 X 16		4	
5	930 105 510 00	chain wheel support		1	
6	901 105 055 00	sprocket		1	
7	901 105 056 01	bolt		1	
8	900 197 010 00	tensioning sleeve 3 X 22		1	
9	N 012 415 1	circlip 15 X 1		1	
10	930 105 058 03	chain adjuster		1	
11	- INTERNEIL - ZSB 93010505803				
11	999 701 690 40	round seal 12 X 1,78		1	
12	N 012 241 8	spring washer B 8 X 15		1	
13	900 076 025 02	hexagon nut M 8		1	
14	* 930 105 197 03	gasket		1	
15	* 999 701 468 40	round seal 67,5 X 75,4 X 4		1	
16	930 105 196 00	cover		1	
17	900 075 341 02	combination screw M 6 X 25		3	
18	901 105 562 00	thrust washer		1	



Model	Year	MG	SG	Illustration	Restrictions	UPD	22:37	22.01.2010	PORSCHE	PET	PORSCHE
911	1986	1	03	103-15		248					

Pos	Part Number	Description	Remark	Qty	Model	Pos	Part Number	Description	Remark	Qty	Model
19	901 105 561 00	shim		X							
20	901 105 583 01	flange		1							
21	N 012 708 2	woodruff key 4 X 5		1							
22	901 105 546 02	sprocket II		1							
23	900 243 001 00	straight pin 6 H 8 X 14		1							
24	993 105 163 50	washer		1							
25	900 082 072 01	hexagon-head bolt M 12 X 1,5 X 50		1							
26	930 105 148 10	camshaft		1	930.20/21/26						
26	930 105 142 03	camshaft		1	930.66/68						
27	> 930 105 013 01	intermediate shaft size 0		1							
27	> 930 105 013 11	intermediate shaft size 1		1							
28	901 105 125 04	sprocket		2							
29	900 118 010 00	woodruff key		2							
30	900 041 025 01	circlip 36 X 1,75		2							
31	900 041 026 01	circlip 13 X 1		1							
32	916 101 137 00	thrust bearing		2							
33	901 101 135 00	bearing		2							
34	901 105 275 00	stopper		1							
35	N 012 296 1	circlip 16 X 1		1							

Model	Year	MG	SG	Illustration	Restrictions	UPD	22:37	22.01.2010	PORSCHE	PET	PORSCHE
911	1986	1	04	104-00		248					

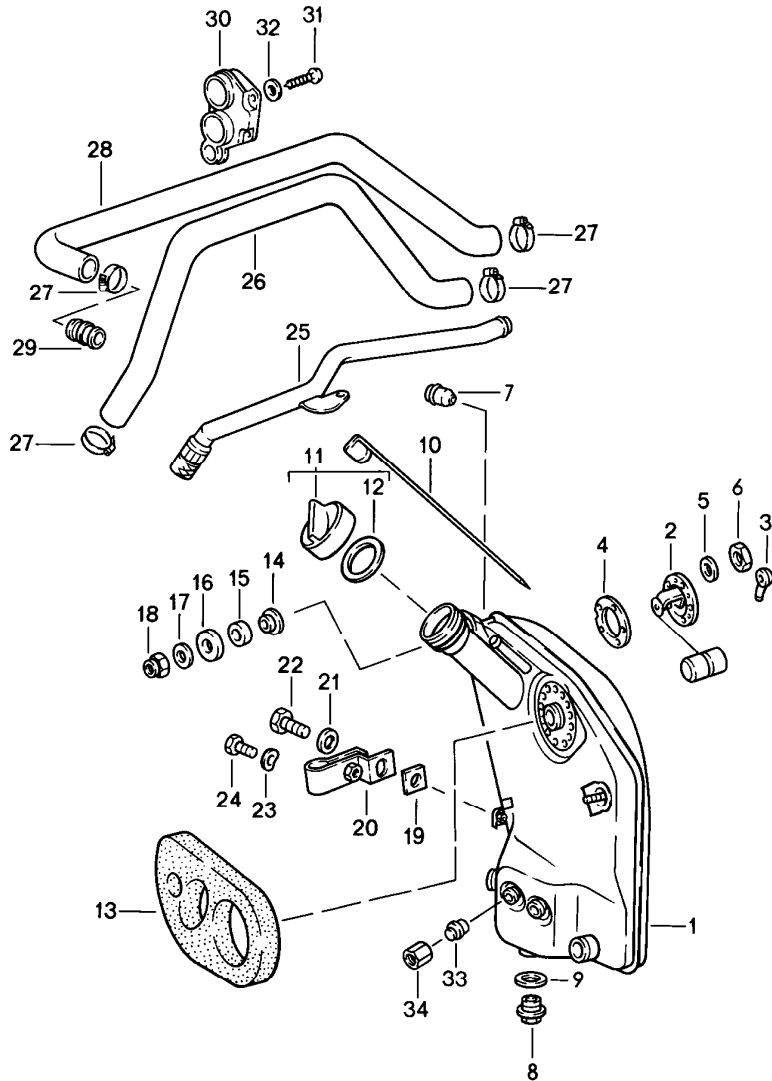


Pos	Part Number	Description	Remark	Qty	Model
		engine lubrication oil pump lines see technical information GR.1 NR.1/1A-85			
1	911 107 008 05	oil pump		1	930.20/21/26
1	911 107 008 05	oil pump		1	930.20/21/26
1	996 107 008 70	oil pump		1	930.66/68
2	999 704 173 50	sealing ring		2	
3	999 704 172 50	sealing ring		4	
4	901 107 121 00	connecting shaft		1	930.20/21/26
4	930 107 143 00	connecting shaft		1	930.66/68
5	W 999 039 001 00	tab washer		3	
5	900 025 007 02	washer A 8,4		3	
6	900 076 025 02	hexagon nut M 8		4	
7	930 107 764 01	oil filter		1	
8	930 107 347 03	oil hose		1	
9	930 107 347 02	oil pipe		1	
10	900 104 003 02	union nut ALL 8		2	
11	N 020 825 1	cutting ring LL 8		2	
12	900 123 115 30	sealing ring A 8 X 11,5		4	
13	N 021 073 1	banjo bolt LL 3-5		2	
14	930 107 348 11	oil hose		1	
15	A 930 107 348 08	oil pipe		1	
15	930 107 348 09	oil pipe		1	
16	> 911 107 041 00	oil cooler		1	
17	N 012 241 8	spring washer B 8		4	

Model	Year	MG	SG	Illustration	Restrictions	UPD	22:37	22.01.2010	PORSCHE	PET	PORSCHE
911	1986	1	04	104-00		248					

Pos	Part Number	Description	Remark	Qty	Model	Pos	Part Number	Description	Remark	Qty	Model
18	911 107 741 14	oil pipe	-84	1	CARRERA						
18	911 107 741 15	oil pipe	85-	1	CARRERA						
18	930 107 741 11	oil pipe		1	TURBO						
19	930 107 407 03	pipe clamp		1							
20	930 107 417 01	retaining bracket		1	CARRERA						
21	999 072 005 09	hexagon-head bolt M 6 X 12		1	CARRERA						
22	911 107 233 00	suction hose		1	CARRERA						
22 A	930 107 233 02	suction hose		1	TURBO						
22	930 107 233 02	suction hose		1	TURBO						
23	999 512 091 00	hose clamp S 40/15		2							
24	930 107 341 00	support	/L	1							
25	930 107 342 01	support	/R	1							
26	900 119 059 02	pan-head screw M 4 X 10		2							
27	999 511 174 02	pipe clamp 4/9		2							
28	999 084 095 02	lock nut M 8		3							

Model	Year	MG	SG	Illustration	Restrictions	UPD	22:37	22.01.2010	PORSCHE	PET	PORSCHE
911	1986	1	04	104-01		248					

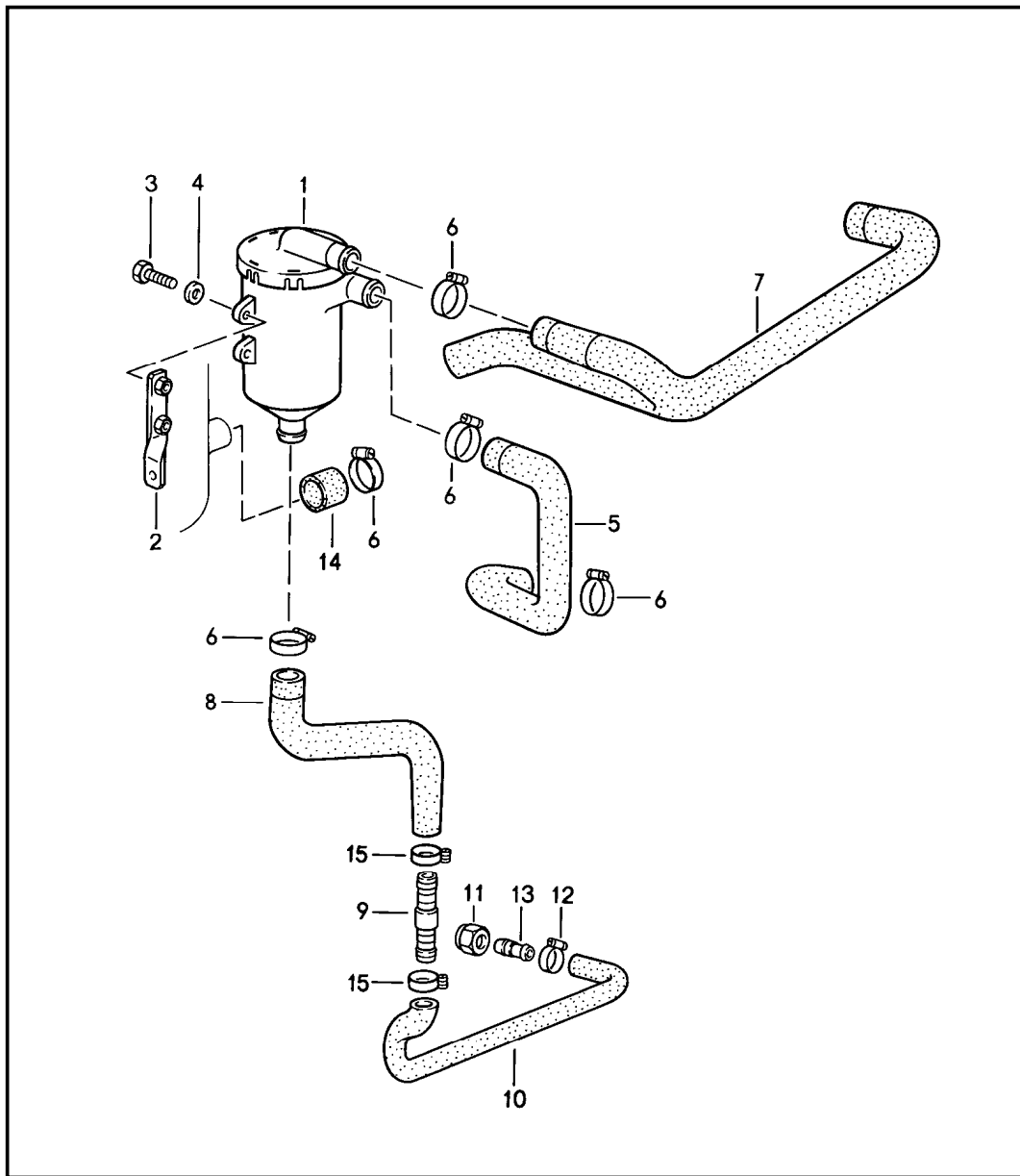


Pos	Part Number	Description	Remark	Qty	Model
(1)	911 107 006 22	engine lubrication oil tank lines		1	930.20/21/26
1	A 930 107 006 00	oil tank with screw plug		1	930.66/68
1	930 107 006 03	oil tank use also:		1	930.66/68
-	944 107 091 01	oil filler cover		1	
-	930 107 601 02	adapter		1	
-	900 104 013 02	union nut		1	
2	911 641 541 02	tank gauge for oil level		1	
3	999 659 011 50	protection cap		1	
4	914 201 891 00	gasket		1	
5	900 025 003 30	washer 5,3		5	
6	N 011 005 14	hexagon nut M 5		5	
7	930 107 289 00	restrictor		1	
8	911 107 176 03	screw plug		1	
9	900 123 011 20	sealing ring A22X27		1	
10	930 107 731 01	oil level dipstick		1	
(11)	911 107 072 02	fuel tank cap with bayonet lock		1	
11	944 107 091 01	oil filler cover with screw cap		1	
12	930 107 272 01	sealing ring for bayonet lock		1	

Model	Year	MG	SG	Illustration	Restrictions	UPD	22:37	22.01.2010	PORSCHE	PET	PORSCHE
911	1986	1	04	104-01		248					

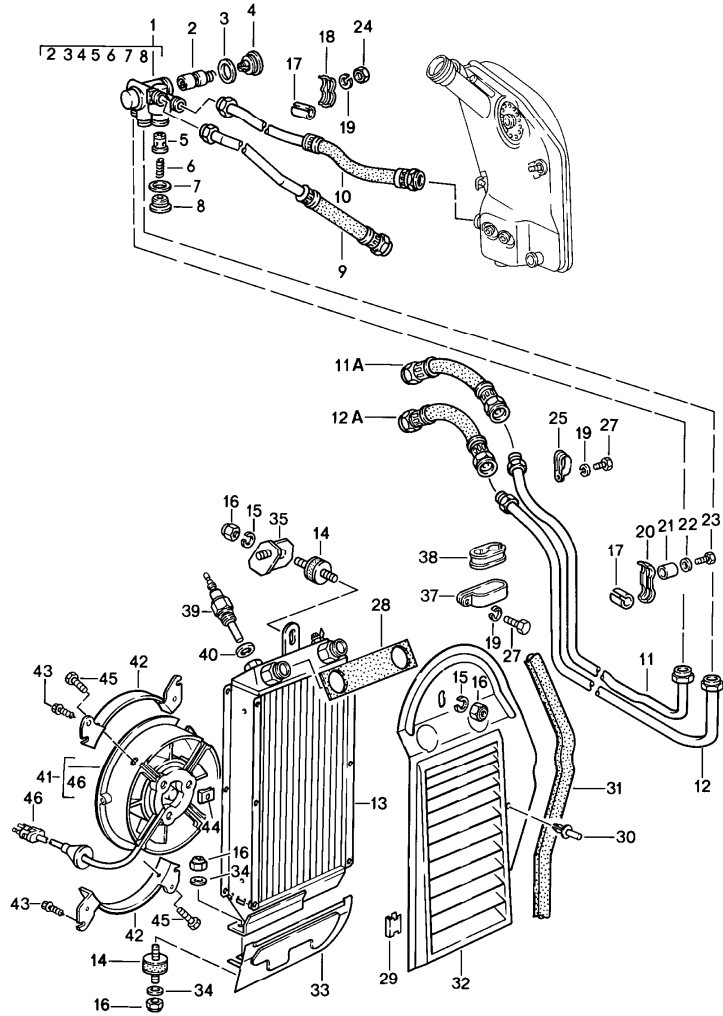
Pos	Part Number	Description	Remark	Qty	Model	Pos	Part Number	Description	Remark	Qty	Model
12	999 701 846 40	o-ring for screw cap		1		34	900 104 015 02	union nut M 16 X 1,5		1	930.66
13	911 107 192 03	gasket		1							
14	901 107 692 00	washer		2							
15	901 107 693 01	washer		2							
16	901 107 661 00	washer		2							
17	900 151 008 02	washer B8,4		2							
18	999 090 004 02	hexagon nut M8		2							
19	901 501 909 20	intermediate layer		1							
20	901 501 930 22	support		1							
21	N 011 524 7	washer A6,4		1							
22	N 010 217 9	hexagon-head bolt M6X20		1							
23	900 028 003 01	spring washer A6		1							
24	N 012 226 5	spring washer M6X16		1							
25	930 107 397 01	line crankcase bleeding		1	930.66/68						
26	930 207 386 01	connecting hose		1	930.20/21/26						
27	999 512 252 02	hose clamp LA 23-35		5							
28	930 207 385 01	connecting hose		1	930.20/21/26						
29	930 110 267 04	connecting piece		1	930.20/21/26						
30	930 207 356 05	retaining bracket		1	930.20/21/26						
31	N 013 969 8	tapping screw BZ 4,8X16		2							
				2	930.20/21/26						
32	900 025 003 02	washer A5,3		2	930.20/21/26						
33	930 107 601 00	round socket		1	930.66						

Model	Year	MG	SG	Illustration	Restrictions	UPD	22:37	22.01.2010	PORSCHE	PET	PORSCHE
911	1986	1	04	104-02		248					



Pos	Part Number	Description	Remark	Qty	Model
		oil separator			930.66/68
1	930 107 321 01	oil separator		1	
2	930 107 323 00	support		1	
3	N 010 217 9	hexagon-head bolt M 6X20		2	
4	900 223 003 02	washer 6,4		2	
5	930 107 391 00	hose		1	
6	999 512 252 02	hose clamp		6	
7	930 107 395 04	hose		1	
8	930 107 389 02	hose		1	
9	930 110 267 00	hose connection		1	
10	930 107 389 03	hose		1	
11	900 104 015 02	union nut M 16 X 1,5		1	
12	900 272 003 02	hose clamp		1	
13	999 230 068 02	hose connection		1	
14	930 107 711 00	cap		1	
15	999 512 346 00	hose clamp		2	

Model	Year	MG	SG	Illustration	Restrictions	UPD	22:37	22.01.2010	PORSCHE	PET	PORSCHE
911	1986	1	04	104-05		248					



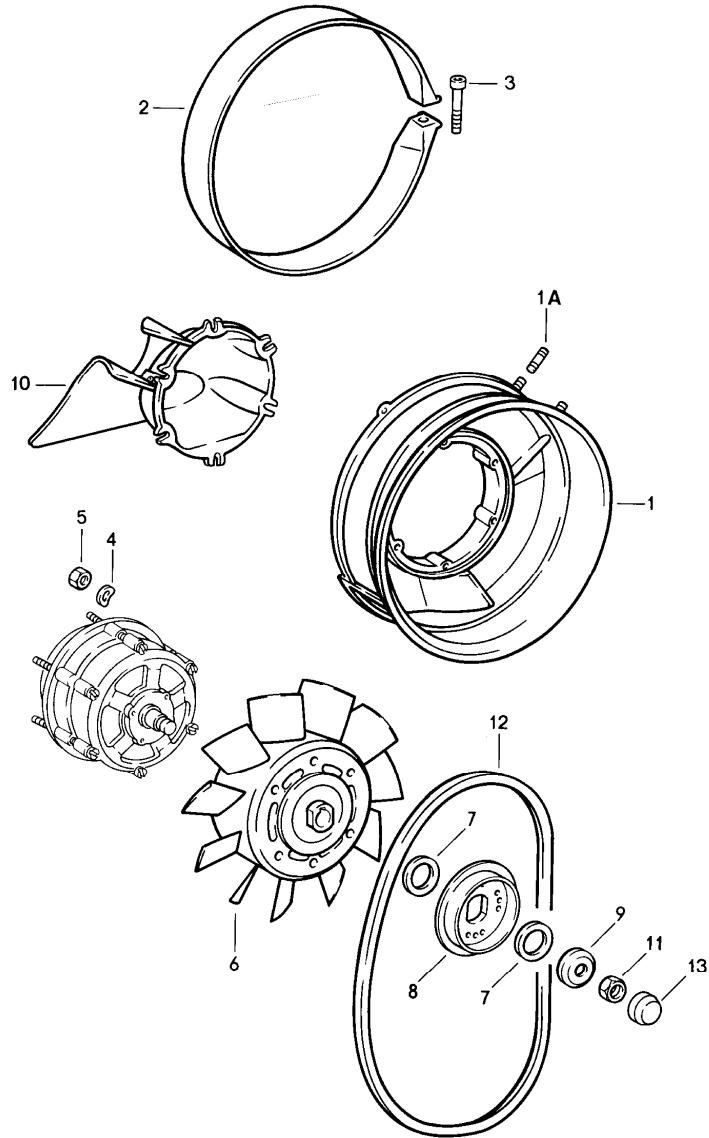
Pos	Part Number	Description	Remark	Qty	Model
		engine lubrication oil cooler			
1	930 107 017 00	regulator housing		1	
2	930 107 155 00	regulator insert		1	
3	900 123 136 30	sealing ring A 42X49		1	
4	911 107 155 00	screw plug		1	
5	930 107 076 00	piston		1	
6	900 280 008 00	compression spring		1	
7	900 123 075 30	sealing ring A 32X38		1	
8	916 107 276 00	screw plug		1	
9 A	930 107 743 12	oil pipe		1	930.20/21/26
9	930 107 743 10	oil pipe		1	930.66/68
10	911 107 730 11	oil pipe		1	
11	930 207 046 01	return pipe		-85	1
(11)	930 207 046 01	return pipe		86-	1
11AA	930 207 113 00	oil pipe		1	
11A	930 207 113 04	oil pipe		1	
12	930 207 045 01	intake tube		-85	1
(12)	930 207 045 01	intake tube		86-	1
12A	930 207 111 00	oil pipe		1	
(12A)	930 207 111 05	oil pipe		1	
13	930 207 053 00	oil cooler		1	
14	930 110 194 00	bonded rubber buffer		3	
14A	930 207 239 01	bonded rubber buffer		3	
15	900 151 008 02	washer B 8,4		6	
16	900 910 022 02	lock nut M8		6	
17	964 207 302 00	hose piece		6	

Model	Year	MG	SG	Illustration	Restrictions	UPD	22:37	22.01.2010	PORSCHE	PET	PORSCHE
911	1986	1	04	104-05		248					

Pos	Part Number	Description	Remark	Qty	Model	Pos	Part Number	Description	Remark	Qty	Model
18	911 207 237 00	support		1		34	900 025 007 02	washer A 8,4		4	
19	N 012 006 4	lock ring B6		4		35	930 207 927 00	support		1	
20	911 207 303 00	support		3		36	930 207 921 00	support		1	
21	911 559 145 00	spacer sleeve 10 MM		3		37	999 511 162 02	pipe clamp		1	
21	911 559 145 01	spacer sleeve 5 MM		3		38	930 207 265 00	rubber mounting		1	
22	900 151 007 02	washer B7,4		3		39	930 606 118 00	temperature switch		1	
23	900 187 032 02	tapping screw BZ 6,3 X 32		3		40	900 123 007 30	sealing ring a 14 x 18		1	
24	900 076 010 02	hexagon nut M 6		1		41	911 624 121 00	blower		1	
25	999 511 084 02	pipe clamp 1100 2 X 22/15		1		42	911 624 104 00	retaining bracket		2	
27	N 010 217 9	hexagon-head bolt M 6 X 20		3		43	999 450 006 02	tapping screw b 4,2 x 13		4	
28	930 207 361 00	gasket		1		44	999 507 229 02	speed nut		4	
29	999 920 005 02	u-clamp		5		45	900 075 363 02	hexagon-head bolt m 6 x 10		4	
30	999 591 429 40	expansion rivet		2		46	999 652 381 00	connector housing		1	
31	930 207 353 00	gasket		1							
32	930 207 319 12	cover plate		1	930.66						
32	930 207 319 12	cover plate		1	930.66						
32	A 930 207 319 13	cover plate	(CDN)	1	930.66/68 (SA)						
32	930 207 319 13	cover plate	(CDN)	1	930.66/68 (SA)						
32	A 930 207 319 14	cover plate	(USA)	1	930.20/21 (SA)						
32	930 207 319 14	cover plate	(USA)	1	930.20/21 (SA)						
32	A 930 207 319 15	cover plate		1	930.20/21/26						
32	930 207 319 15	cover plate		1	930.20/21/26						
33	930 207 121 00	cover plate		1							

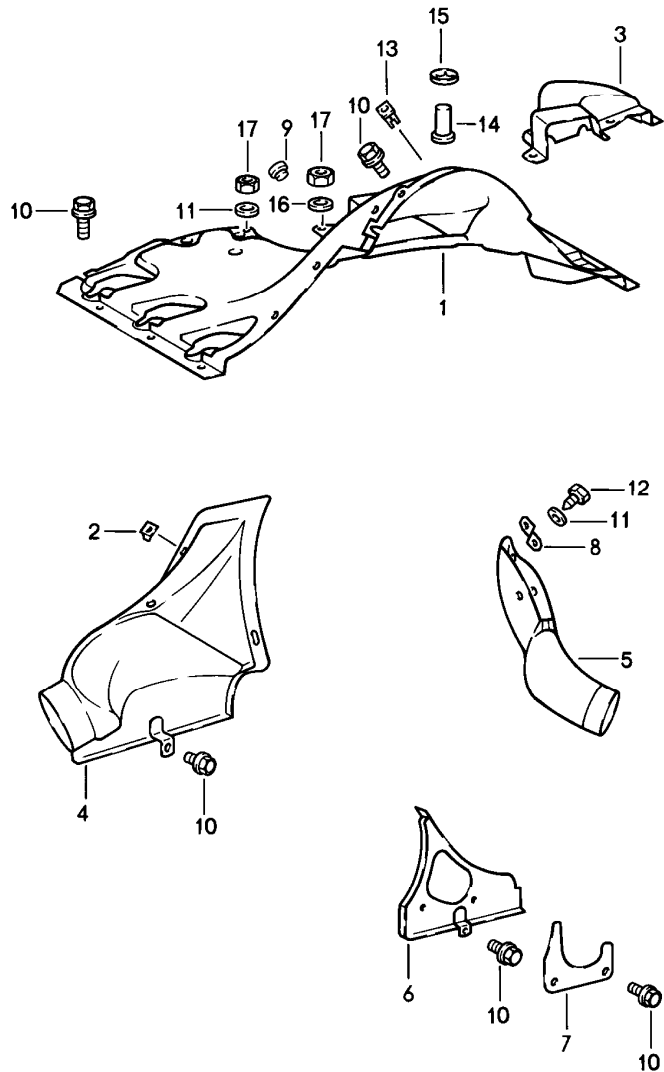


Model	Year	MG	SG	Illustration	Restrictions	UPD	22:38	22.01.2010	PORSCHE	PET	PORSCHE
911	1986	1	05	105-00		248					



Pos	Part Number	Description	Remark	Qty	Model
1	930 106 006 07	air cooling fan housing		1	930.20/21
1	930 106 006 07	fan housing		1	930.26
1	930 106 006 06	fan housing		1	930.66/68
1A	999 062 006 02	stud BM 8 X 20		1	
1A	999 062 073 02	stud BM 8 X 16		1	
2	964 106 251 20	clip		1	
3	A N 014 715 3	pan-head screw M 8 X 45		1	
3	900 067 020 02	pan-head screw M 8 X 50		1	
4	A N 011 523 9	washer		6	
4	900 025 003 02	washer A 5,3		6	
5	900 910 008 02	lock nut M 5		6	
6	930 106 012 00	impeller		1	
-	999 118 008 00	spring		1	
7	930 106 564 00	shim		X	
8	930 106 209 02	pulley half		1	
9	911 603 428 01	tensioning cap		1	
10	911 106 055 01	hub extension		1	
11	A 928 603 904 00	repair kit		1	
-	928 603 904 00	set of fastening parts M 17 X 1,5		1	
12	999 192 176 50	narrow v-belt 9,5 X 710		1	
13	911 603 127 00	protection cap		1	

Model	Year	MG	SG	Illustration	Restrictions	UPD	22:38	22.01.2010	PORSCHE	PET	PORSCHE
911	1986	1	05	105-05		248					

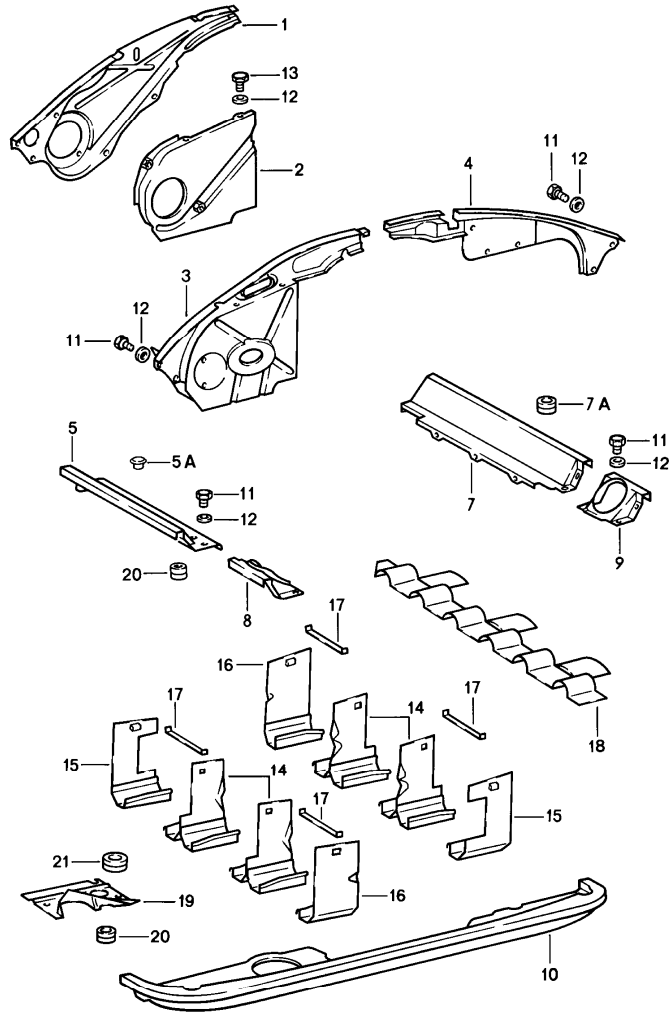


Pos	Part Number	Description	Remark	Qty	Model
		air duct			
1	930 106 041 08	air duct black	-84	1	930.20/21/26
1	930 106 041 09	air duct black	85-	1	930.20/21/26
1	930 106 041 13	air duct red		1	930.66/68
2	999 507 003 02	speed nut B 6,3		4	
3	911 106 406 00	air duct		1	
4	930 106 321 01	hot air socket		1	930.66/68
5	911 106 327 00	hot air socket		1	930.66/68
6	911 106 036 01	cover plate		1	930.20/21/26
(6)	911 106 036 00	cover plate		1	930.66/68
7	911 106 827 00	closing plate		1	930.66/68
8	911 106 331 00	support		1	930.66/68
9	999 703 092 40	stopper 9 X 18,5/14		1	930.66/68
10	999 075 039 02	combination screw M 6 X 12		3	
10 A	999 143 004 08	locking screw		8	
10	999 143 004 08	locking screw M 6 X 12		8	
10	900 075 057 02	hexagon-head bolt M 6 X 16		2	
10	900 075 014 02	hexagon-head bolt M 6 X 18		2	
11	N 011 524 7	washer A 6,4		5	
11	999 025 108 02	washer 6,4 X 14		4	
12	900 187 015 02	tapping screw B 6,3 X 16		2	
12	900 187 027 02	hexagon-head tapping screw BZ 6,3 X 23		1	930.66/68

Model	Year	MG	SG	Illustration	Restrictions	UPD	22:38	22.01.2010	PORSCHE	PET	PORSCHE
911	1986	1	05	105-05		248					

Pos	Part Number	Description	Remark	Qty	Model	Pos	Part Number	Description	Remark	Qty	Model
13	999 591 592 40	special nut		4	/25 930.20/21						
16	N 011 524 7	washer A 6,4		2							
17	900 076 010 02	hexagon nut M 6		2							

Model	Year	MG	SG	Illustration	Restrictions	UPD	22:38	22.01.2010	PORSCHE	PET	PORSCHE
911	1986	1	05	105-10		248					

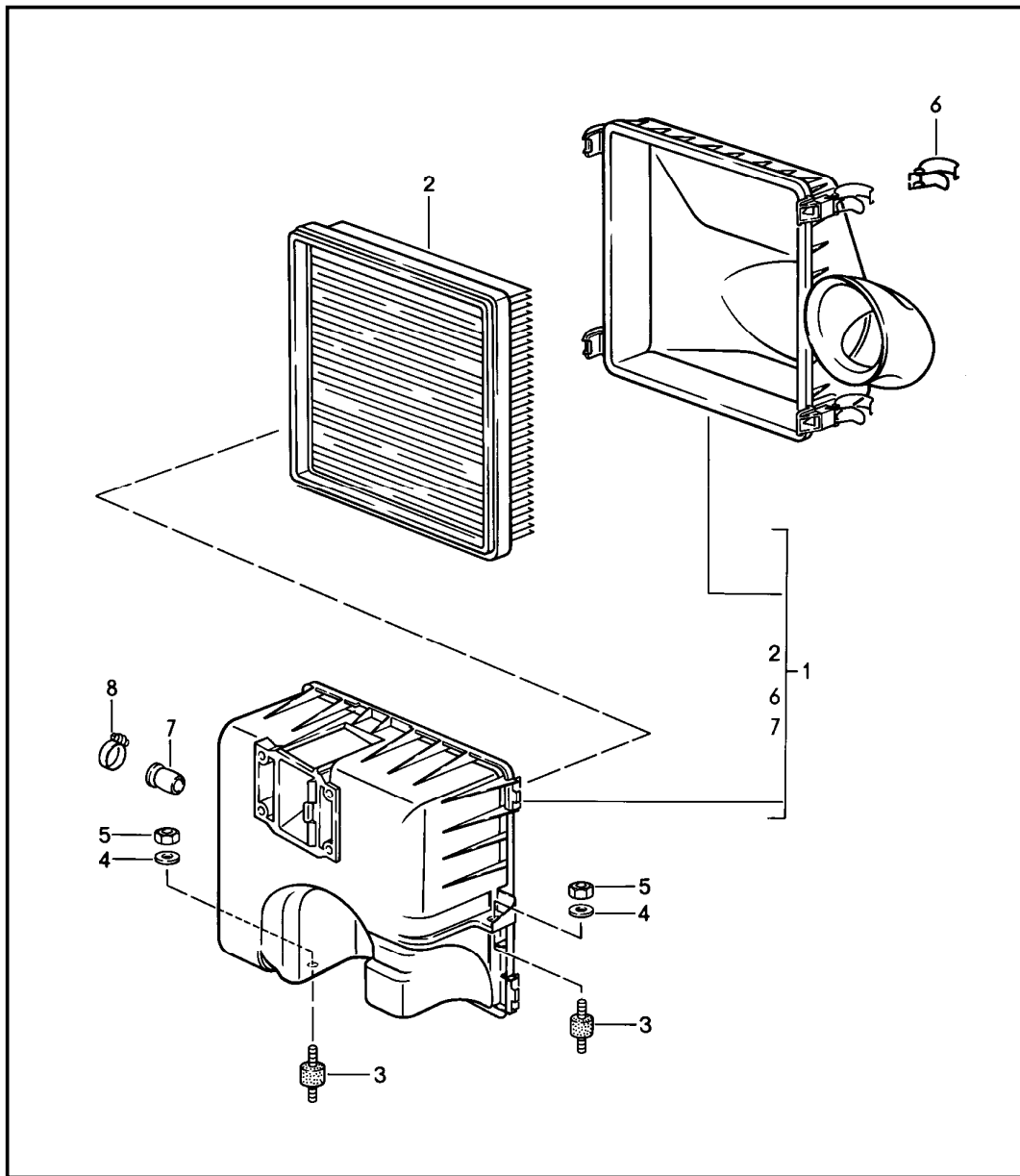


Pos	Part Number	Description	Remark	Qty	Model
		air duct engine cover			
1	930 106 705 01	engine cover		1	930.66/68
2	930 106 707 01	engine cover		1	930.66/68
3	930 106 089 01	engine cover		1	930.20/21/26
4	911 106 802 03	engine cover		1	930.20/21/26
4	930 106 805 00	engine cover		1	930.66/68
5 A	930 106 861 00	engine cover		1	930.20
5	930 106 861 03	engine cover use also:		1	930.20
-	999 703 224 40	cap		1	
-	999 143 004 08	locking screw		2	
5	930 106 861 02	engine cover	(J)	1	930.21
5	911 106 083 01	engine cover		1	930.26
(5)	930 106 703 01	engine cover		1	930.66
5A	999 703 224 40	cap 20,5 MM \$		1	930.20/21/26
7	930 106 862 00	engine cover		1	930.20/21/26
7	930 106 862 01	engine cover use also:		1	930.20/21/26
-	999 143 004 08	locking screw		2	
7 A	930 106 084 03	engine cover		1	930.66
7	930 106 084 03	engine cover		1	930.66
7A	999 702 114 50	grommet 18 MM \$		1	930.66/68
7A	999 702 042 50	grommet 25 MM \$		1	930.66/68
8	901 106 825 00	cover		1	930.66/68
9	930 106 826 01	cover		1	930.66/68
10	930 106 085 11	engine cover		1	930.20/21
10	930 106 085 14	engine cover		1	930.26

Model	Year	MG	SG	Illustration	Restrictions	UPD	22:38	22.01.2010	PORSCHE	PET	PORSCHE
911	1986	1	05	105-10		248					

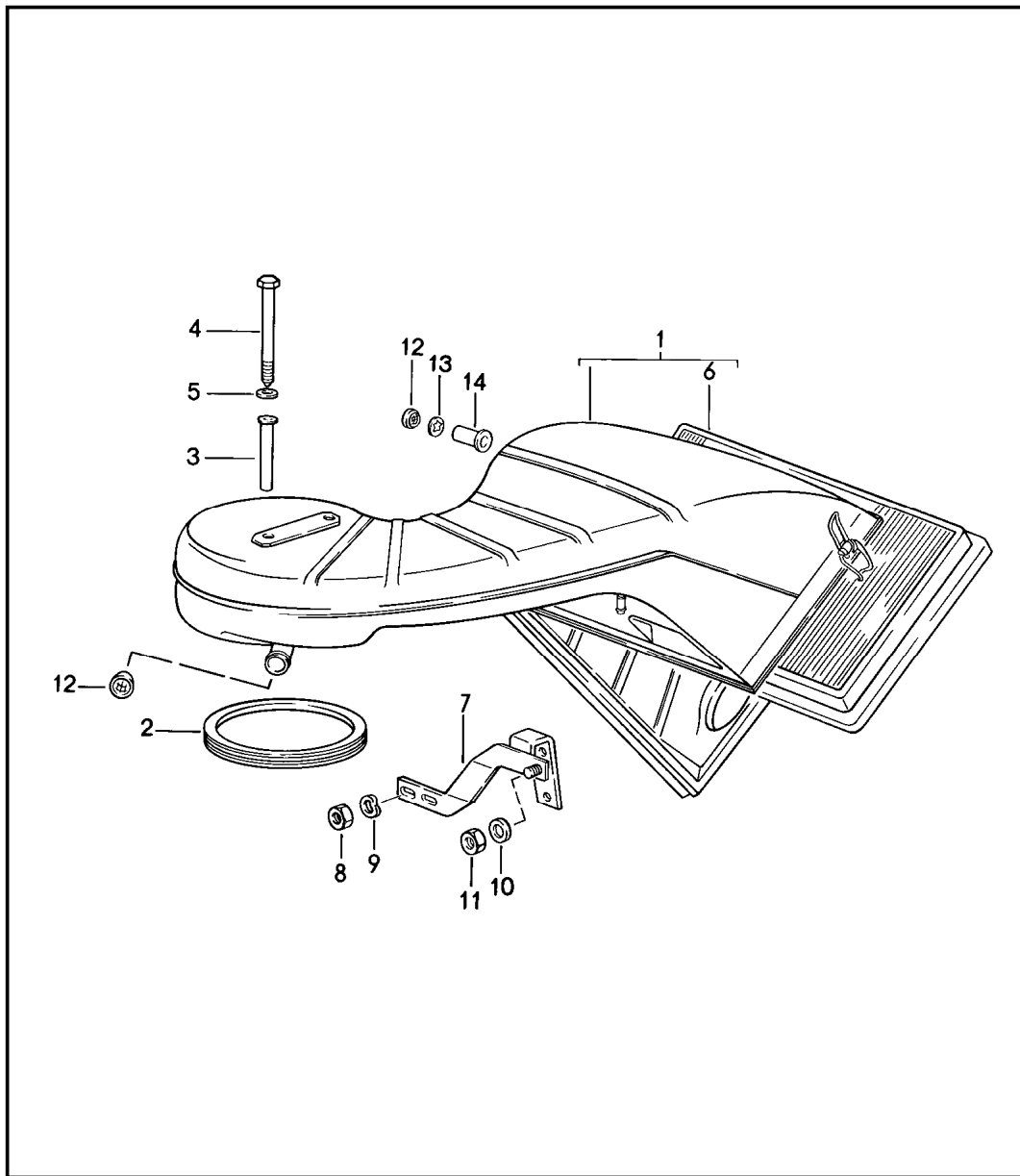
Pos	Part Number	Description	Remark	Qty	Model	Pos	Part Number	Description	Remark	Qty	Model
10	A 930 106 085 12	engine cover		1	930.20/21 M559						
10	930 106 085 17	engine cover use also:		1	930.20/21/26 M559						
-	999 143 004 08	locking screw		2							
10	930 106 085 15	engine cover		1	930.26 M559						
10	930 106 081 11	engine cover		1	930.66/68						
10	930 106 081 12	engine cover		1	930.66/68 M559/573						
11	999 075 039 02	combination screw M 6 X 12		16							
(11)	A 999 143 004 08	locking screw		13							
(11)	999 143 004 08	locking screw M 6 X 12		13							
12	N 011 524 7	washer 6,4		8							
13	N 010 208 5	hexagon-head bolt M 6 X 8		2	930.66/68						
14	930 106 023 00	baffle plate		4	930.20/21/26						
14	930 106 023 01	baffle plate		4	930.66/68						
15	930 106 221 00	baffle plate		2	930.20/21/26						
15	930 106 221 01	baffle plate		2	930.66/68						
16	930 106 222 00	baffle plate		2	930.20/21/26						
16	930 106 222 01	baffle plate		2	930.66/68						
17	930 106 228 00	leaf spring		6							
18	930 106 301 00	cover plate		2	930.20/21/26						
19	930 106 852 01	cover		1	930.66/68						
20	930 106 175 00	rubber sleeve 21,5 \$		3	930.66/68						
21	930 106 176 00	rubber sleeve 34 \$		1	930.66/68						

Model	Year	MG	SG	Illustration	Restrictions	UPD	7:19	23.01.2010	PORSCHE	PET	PORSCHE
911	1986	1	06	106-00		248					



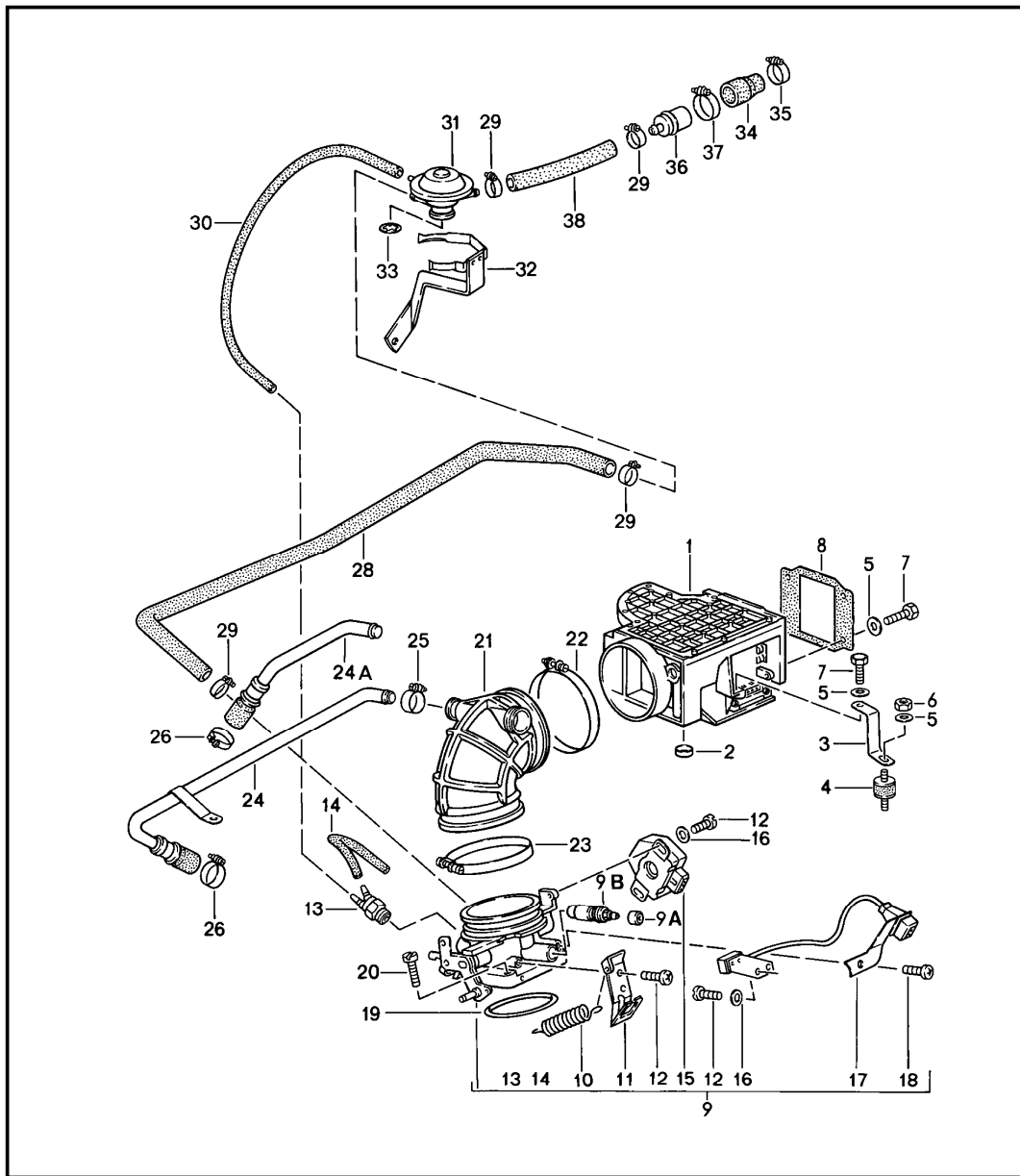
Pos	Part Number	Description	Remark	Qty	Model
		air cleaner			930.20/21/26
1 A	930 110 343 00	air cleaner		1	930.20
1	930 110 343 01	air cleaner use also: Information available		1	930.20
-	930 110 256 00	stopper		1	
-	999 512 554 00	hose clamp		1	
1	930 110 343 01	air cleaner Information available		1	930.21 930.21
1	930 110 343 01	air cleaner Information available	(AUS) (AUS)	1	
2	930 110 393 00	filter element		1	
3	930 110 579 01	bonded rubber buffer		2	
3	999 703 265 00	bonded rubber buffer		2	
4	N 011 666 7	washer B6,4		2	
5 A	900 910 012 02	lock nut		2	
5	999 084 074 02	lock nut M6		2	
6	930 110 902 00	clamp		4	
7	930 110 256 00	stopper		1	
8	999 512 554 00	hose clamp 9 X 18		1	

Model	Year	MG	SG	Illustration	Restrictions	UPD	7:20	23.01.2010	PORSCHE	PET	PORSCHE
911	1986	1	06	106-05		248					



Pos	Part Number	Description	Remark	Qty	Model
		air cleaner			930.66/68
1	930 110 020 01	air cleaner		1	
2	* 930 110 122 00	sealing ring		1	
-	930 110 121 02	support ring		1	
3	930 110 436 01	spacer sleeve		2	
4	900 074 023 02	hexagon-head bolt		2	
5	A N 011 524 7	washer		2	
5	N 011 524 7	washer 6,4		2	
6	930 110 185 02	air cleaner cartridge		1	
7	930 110 331 03	support		1	
8	999 084 423 02	lock nut		1	
9	900 025 007 02	washer 8,4		2	
10	A N 012 241 8	spring washer		2	
10	N 012 241 8	spring washer B 8		2	
11	900 076 025 02	hexagon nut M 8		2	
12	911 106 415 01	pipe		1	
13	999 591 369 02	locking washer		1	
14	911 106 415 01	pipe		1	

Model	Year	MG	SG	Illustration	Restrictions	UPD	7:20	23.01.2010	PORSCHE	PET	PORSCHE
911	1986	1	07	107-00		248					



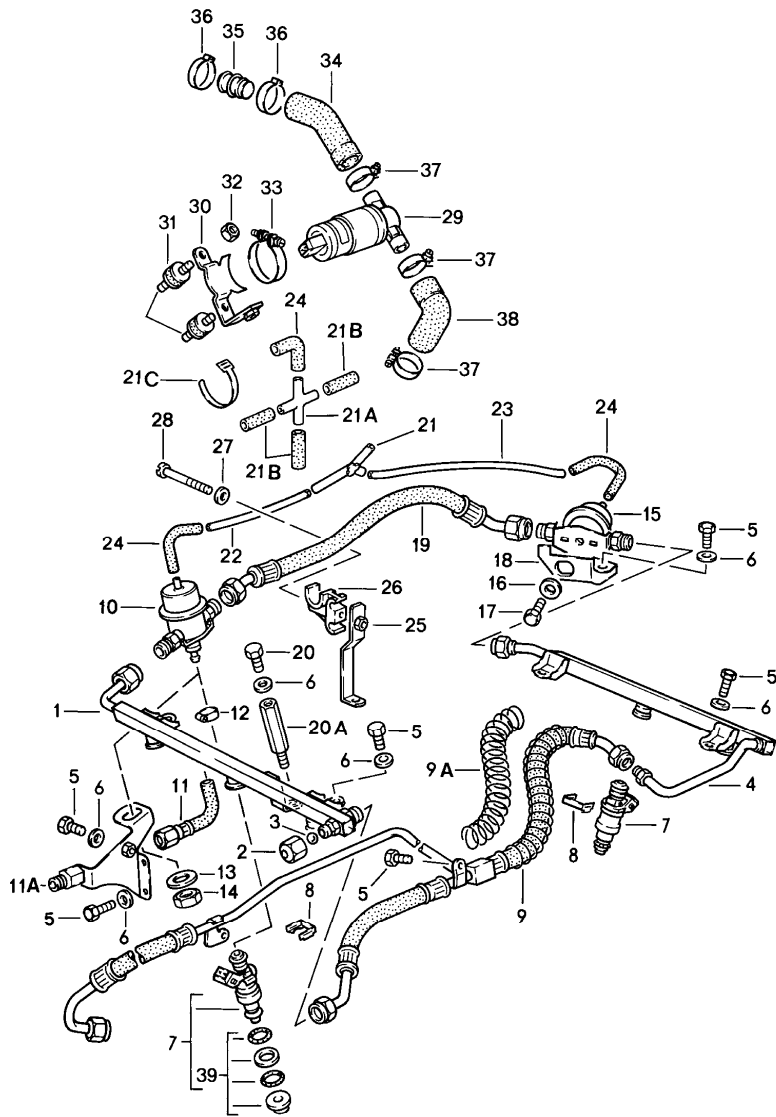
Pos	Part Number	Description	Remark	Qty	Model
		L-JETRONIC I			930.20/21/26
1	> 930 606 123 00	mass air flow meter		1	
2	944 606 935 01	stopper blue		1	
3	930 110 524 00	support		1	
4	930 110 579 01	bonded rubber buffer		1	
4	999 703 265 00	bonded rubber buffer		1	
5	N 011 524 7	washer A6,4		10	
6	A 900 910 012 02	lock nut		1	
6	999 084 074 02	lock nut M6		1	
7	900 075 355 02	combination screw M 6 X 16		5	
8	928 110 201 01	sealing frame		1	
9	930 110 519 03	flap connection		1	
9A	930 110 520 00	cap		1	
9B	930 110 919 00	throttle screw		1	
10	930 110 497 00	tension spring		1	
11	911 110 918 04	support		1	
12	900 146 011 02	oval-head screw M4X10		6	
13	930 207 231 00	thermo valve		1	
14	911 110 953 00	hose		1	
15	944 606 113 01	throttle-valve switch	-85	1	
15	944 606 113 01	throttle-valve switch	86-	1	
16	N 012 224 3	spring washer B4		4	
17	911 606 013 00	microswitch		1	
18	N 014 138 7	oval-head screw M6X10		1	
19	999 701 124 40	o-ring 67,5X4		1	



Model	Year	MG	SG	Illustration	Restrictions	UPD	7:20	23.01.2010	PORSCHE	PET	PORSCHE
911	1986	1	07	107-00		248					

Pos	Part Number	Description	Remark	Qty	Model	Pos	Part Number	Description	Remark	Qty	Model
20	900 067 089 02	pan-head screw M6X25		4							
21	930 110 356 02	air box		1							
22	999 512 302 02	hose clamp S85/9		1							
23	999 512 359 02	hose clamp S89/12ZY		1							
24	930 110 328 03	pipeline	-85	1							
24A	930 110 328 05	pipeline	-85	1	M491						
24A	930 110 328 05	pipeline	86-	1							
25	999 512 554 00	hose clamp A9X18ZY		1							
26	N 023 565 3	hose clamp A9X21ZY		1							
28	930 207 236 00	hose		1							
29	A N 023 569 2	hose clamp S16/9ZY		4							
-	N 023 569 2	hose clamp		4							
-	999 239 010 40	hose 4 X 9		X							
30	-	830MM		1							
(31)	A 930 207 227 00	recirculating air valve		1							
(32)	930 207 237 00	support		1							
33	999 507 337 08	clamping washer 12 X 25 X 2,3		1							
34	A 930 207 243 01	rubber sleeve		1							
34	930 207 243 01	rubber sleeve		1							
35	999 512 554 00	hose clamp A9X18		1							
36	930 207 229 00	valve		1							
37	999 512 552 00	hose clamp S25/9ZY		1							
38	930 207 235 00	hose		1							

Model	Year	MG	SG	Illustration	Restrictions	UPD	7:20	23.01.2010	PORSCHE	PET	PORSCHE
911	1986	1	07	107-05		248					

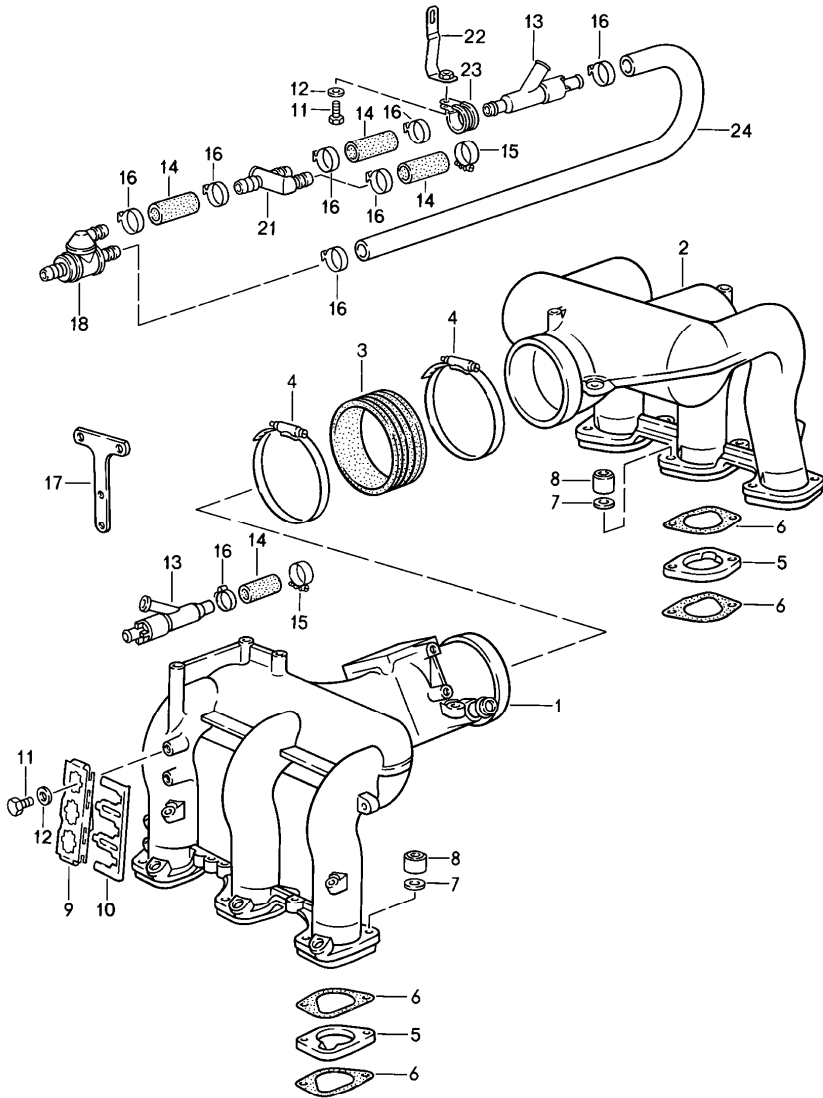


Pos	Part Number	Description	Remark	Qty	Model
		L-JETRONIC II			930.20/21/26
1	930 110 307 04	fuel collection pipe		1	
2	A 928 110 475 01	cap nut		1	
2	928 110 475 03	cap nut		1	
3	900 108 022 00	ball 9MM		1	
4	930 110 308 04	fuel collection pipe		1	
5	900 075 355 02	combination screw M6X16		10	
6	N 011 524 7	washer 6,4		13	
7	930 606 120 00	injector valve		6	
8	930 110 388 00	retaining clip		6	
9	930 110 595 05	fuel line		1	
-	999 521 039 40	spiral 18 X 3		X	
9A	-	345 MM		1	
10	928 110 198 01	pressure regulator		1	
11	930 110 509 01	fuel line		1	
11A	930 110 569 00	retaining bracket		1	
12	999 512 160 02	hose clamp S13/9ZY		1	
13	900 031 013 02	washer 17		1	
14	900 034 013 02	hexagon nut BM16X1,5		1	
15	930 110 602 00	diaphragm damper		1	
16	944 110 312 00	washer		1	
17	N 010 235 3	hexagon-head bolt 8 X 10		1	
18	930 110 594 00	retaining bracket		1	
19	930 110 411 03	connecting hose		1	

Model	Year	MG	SG	Illustration	Restrictions	UPD	7:20	23.01.2010	PORSCHE	PET	PORSCHE
911	1986	1	07	107-05		248					

Pos	Part Number	Description	Remark	Qty	Model	Pos	Part Number	Description	Remark	Qty	Model
20	999 072 005 09	hexagon-head bolt M6X12		1		37	999 512 237 02	hose clamp S26/9ZY		3	
20A	911 607 301 00	spacer		1	930.26	38	930 110 589 02	hose		1	
21	928 573 727 02	distributing piece		1		39	944 110 901 00	gasket set for injector valve		1	
21A	999 137 017 40	double socket KS 4		1	930.26						
-	999 239 003 40	hose 3,2 X 7		X	930.26						
21B	-	40 MM		3							
21C	999 513 021 40	tie-wrap 1,6 - 16		1	930.26						
-	N 020 139 11	pipe 4 X 1		X							
22	-	210MM		1							
23	-	380 MM		1							
24	928 574 717 02	moulded hose		3							
25	930 110 673 00	strut		1							
26	930 110 671 00	support		1							
27	900 025 003 02	washer 5,3		1							
28	N 100 467 01	pan-head screw M5X55		1							
29	930 606 161 00	idle-speed adjuster		1							
30	930 110 597 02	retaining bracket		1							
31	930 110 579 01	bonded rubber buffer		2							
31	999 703 265 00	bonded rubber buffer		2							
32	999 084 074 02	lock nut M6		2							
33	999 512 369 02	clamp SP43/9ZY		1							
34	930 110 665 00	pipeline		1							
35	930 110 267 01	hose connection		1							
36	999 512 380 02	clamp		2							

Model	Year	MG	SG	Illustration	Restrictions	UPD	7:20	23.01.2010	PORSCHE	PET	PORSCHE
911	1986	1	07	107-10		248					



Pos	Part Number	Description	Remark	Qty	Model
		L-JETRONIC III			930.20/21/26
1	A 930 110 036 01	intake distributor	-84	1	
1	930 110 036 03	intake distributor	85-	1	
1	930 110 036 03	intake distributor		1	
2	930 110 338 03	intake distributor		1	
3	930 110 573 01	rubber sleeve		1	
4	999 512 367 02	hose clamp S99/9ZY		2	
5	930 110 459 00	intermediate flange		6	
6	930 110 197 07	gasket	-84	12	
6	* 930 110 197 08	gasket	85-	12	
7	999 025 152 02	washer 8,4		12	
8	901 111 271 00	nut		12	
9	A 911 606 125 00	support		1	
9	911 606 125 01	support use also:		1	
-	911 606 127 01	support		1	
-	N 013 953 2	tapping screw		1	
10	A 911 606 127 00	support		1	
10	911 606 127 01	support use also:		1	
-	911 606 125 01	support		1	
-	N 013 953 2	tapping screw		1	
11	999 072 005 09	hexagon-head bolt M 6 X 12		3	
12	N 011 524 7	washer A 6,4		3	
13	067 133 753 A	venturi tube		1	
-	999 181 022 51	hose 11,8 X 19		*	
14	-	45 MM		4	

Model	Year	MG	SG	Illustration	Restrictions	UPD	7:20	23.01.2010	PORSCHE	PET	PORSCHE
911	1986	1	07	107-10		248					

Pos	Part Number	Description	Remark	Qty	Model	Pos	Part Number	Description	Remark	Qty	Model
15	999 512 554 00	hose clamp A 9 X 18		3							
16	A 999 512 381 02	clamp		9							
16	999 512 497 02	clamp 18,8 - 21,1		9							
17	911 606 083 00	support		1	930.26						
18	930 110 667 01	check valve		1							
21	930 110 691 01	connection piece		1							
22	930 110 689 00	retaining bracket		1							
23	999 512 428 02	clamp		1							
24	999 181 068 41	hose		1							

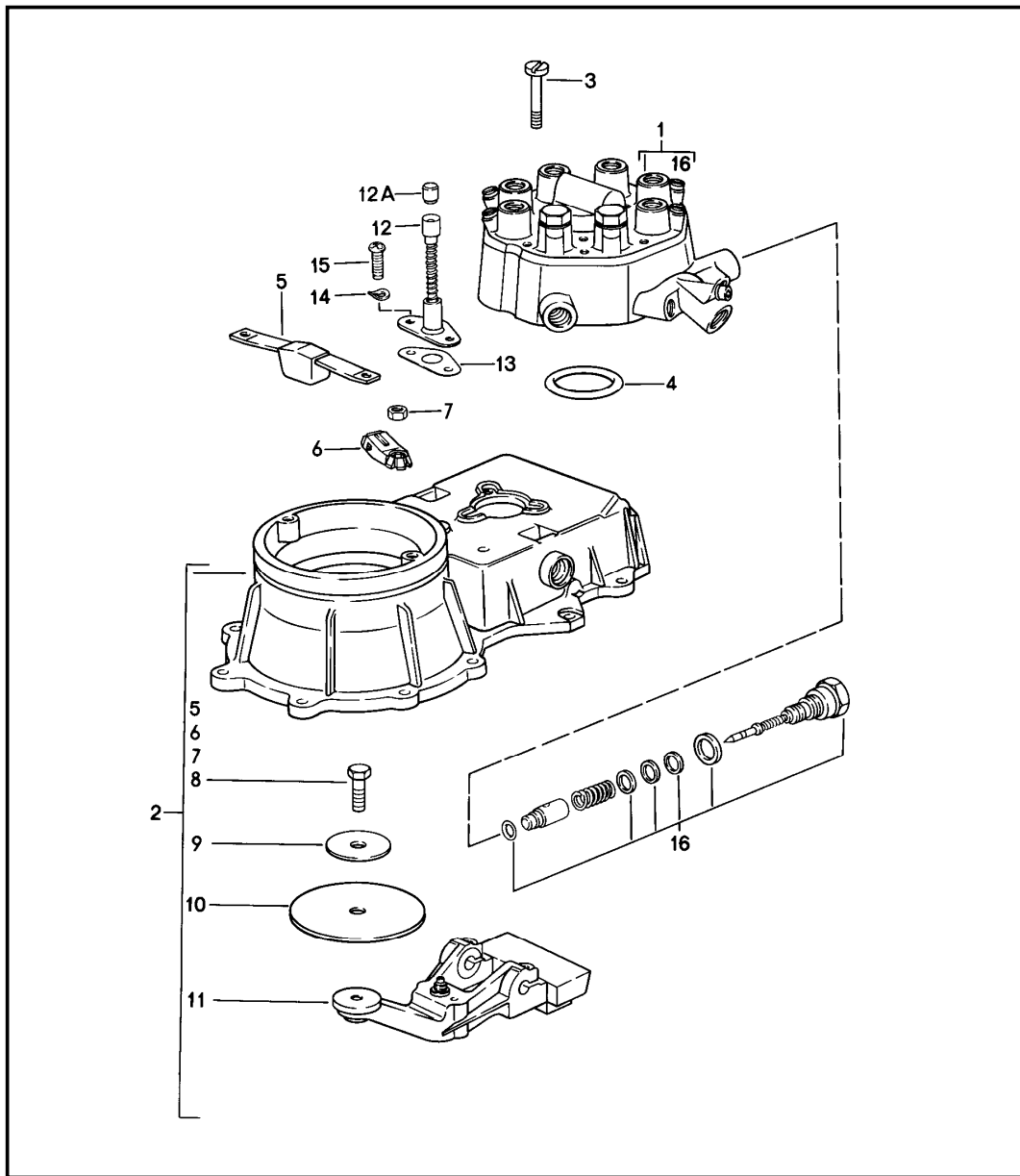
Model	Year	MG	SG	Illustration	Restrictions	UPD	7:20	23.01.2010	PORSCHE	PET	PORSCHE
911	1986	1	07	107-12		248					

		Pos	Part Number	Description	Remark	Qty	Model	
		(1)	A 911 110 091 07	throttle linkage bracket		1	930.20/21/26	
		(1)	A 911 110 091 07	bracket	- INTERNEIL -		1	930.66/68
		1	911 110 091 07	bracket			1	
		2	999 924 069 00	bearing sleeve			2	
		3	900 025 007 02	washer A 8,4			2	
		3A	930 110 572 00	washer			2	
		(4)	911 110 060 03	lever			1	930.20/21/26
		(4)	930 110 060 03	lever		-85	1	930.66/68
		4	930 110 060 06	lever		86-	1	930.66/68
		4	U 930 110 060 06	lever		86-	1	930.66/68
		5	900 076 025 02	hexagon nut M 8			4	
		6	911 110 110 06	lever		-85	1	930.20/21/26
		(6)	911 110 110 06	lever		86-	1	930.20/21/26
		(6)	930 110 110 03	lever		-85	1	930.66/68
		6	930 110 110 06	lever		86-	1	930.66/68
		6	U 930 110 110 06	lever		86-	1	930.66/68
		7	901 110 236 00	spacer tube			1	
		8	A 930 110 098 03	pull rod			1	930.20/21/26
		8	930 110 098 04	pull rod			1	930.20/21/26
		(8)	930 110 079 04	pull rod		-84	1	930.66/68
(8)	930 110 079 05	pull rod		85-	1	930.66/68		
9	A N 012 325 1	lock washer			1			
9	N 012 325 1	lock washer			1			
10	911 110 165 08	tension spring		-85	1	930.20/21/26		
10	911 110 165 08	tension spring		86-	2	930.20/21/26		

Model	Year	MG	SG	Illustration	Restrictions	UPD	7:20	23.01.2010	PORSCHE	PET	PORSCHE
911	1986	1	07	107-12		248					

Pos	Part Number	Description	Remark	Qty	Model	Pos	Part Number	Description	Remark	Qty	Model
(11)	930 110 148 01	steering knuckle spring	-85	1	930.66/68						
11	930 110 148 05	steering knuckle spring	86-	1	930.66/68						
12	930 110 571 00	washer		1	930.20/21/26						
12	930 110 571 01	washer		1	930.66/68						
13	A 900 031 001 02	washer		1	930.66/68						
13	900 025 007 02	washer 8,4		1	930.66/68						

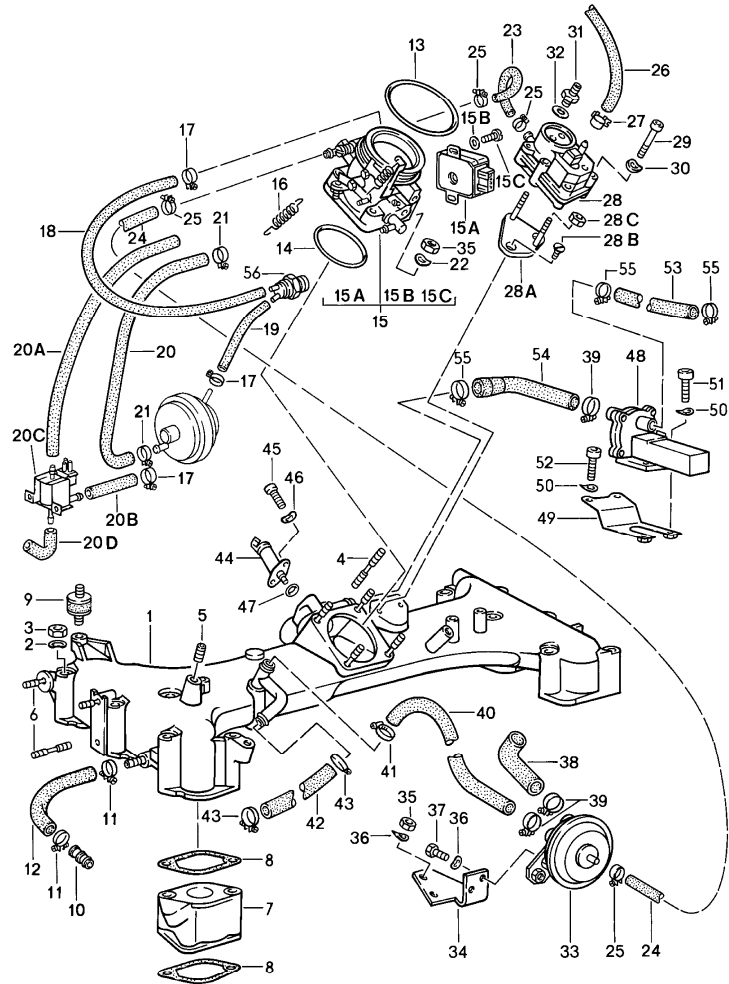
Model	Year	MG	SG	Illustration	Restrictions	UPD	7:21	23.01.2010	PORSCHE	PET	PORSCHE
911	1986	1	07	107-15		248					



Pos	Part Number	Description	Remark	Qty	Model
		mixture control unit			930.66/68
1	> 930 110 909 00	fuel distributor		1	930.66
2	930 110 907 00	mass air flow meter		1	930.66
3	900 146 045 02	oval-head screw AM 5 X 45		3	
4	911 110 936 01	gasket		1	
5	911 110 961 00	stop		1	
6	911 110 929 00	safety contact		1	
7	911 110 945 00	hexagon nut		1	
8	911 110 944 01	hexagon-head bolt		1	
9	911 110 960 00	support washer		1	
10	A 911 110 943 01	air flow sensor plate		1	
10	911 110 943 03	air flow sensor plate		1	
11	911 110 959 00	control lever		1	
12	A 930 110 910 00	adjusting key		1	930.66
13	930 110 911 00	gasket		1	
14	N 012 005 3	lock ring B 5		2	
15	N 014 128 13	oval-head screw AM 5 X 8		2	
16	928 110 920 01	parts kit pressure regulator see workshop manual KD-NR. 256155		1	



Model	Year	MG	SG	Illustration	Restrictions	UPD	7:21	23.01.2010	PORSCHE	PET	PORSCHE
911	1986	1	07	107-20		248					

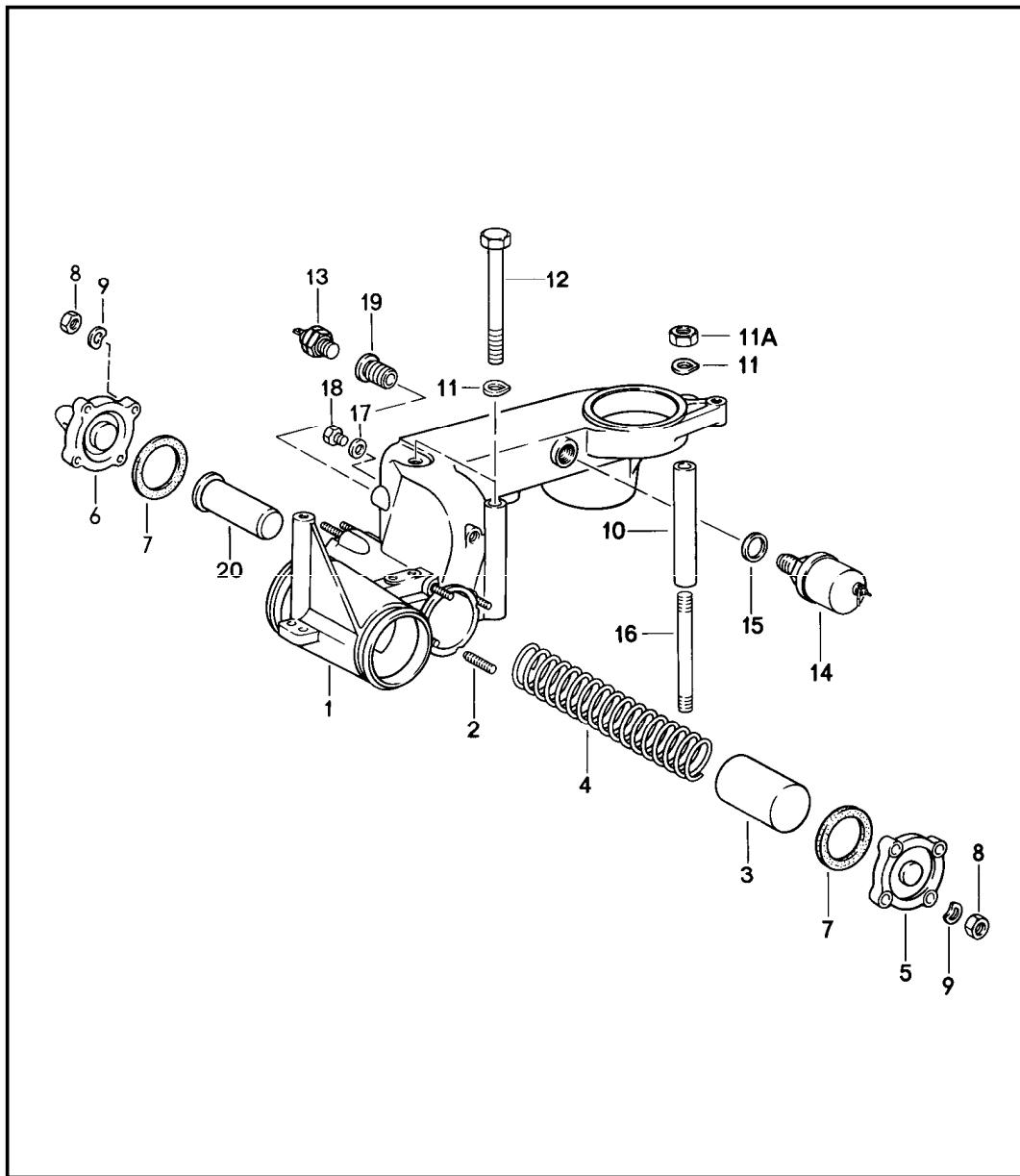


Pos	Part Number	Description	Remark	Qty	Model
		K-JETRONIC I			930.66/68
1	930 110 034 00	intake manifold		1	930.66
2	N 012 241 8	spring washer B 8		12	
3	900 076 025 02	hexagon nut M 8		12	
4	999 062 093 02	screw BM 6 X 35		4	
5	999 504 004 00	threaded insert M 8		3	
6	999 062 009 02	stud BM 8 X 28		3	
7	930 110 141 03	flange		6	
8	* 930 110 197 10	gasket		12	
9	930 110 194 00	bonded rubber buffer		3	
10	930 110 267 00	hose connection		1	
11	999 512 554 00	hose clamp		2	
-	999 239 011 40	hose 12 X 19		*	
12	-	270 MM		1	
13	* 999 701 477 40	round seal		1	
14	* 999 701 468 40	round seal 67,5 X 75,4 X 4		1	
15	930 110 250 08	flap connection		1	930.66
16	930 110 497 00	tension spring		1	
17	999 512 361 02	hose clamp S6/7ZY		6	
-	999 239 020 40	hose red 3,2 X 7		X	
18	-	390 MM		1	
19	-	1000 MM		1	
-	999 239 022 40	hose blue 4 X 10		X	

Model	Year	MG	SG	Illustration	Restrictions	UPD	7:21	23.01.2010	PORSCHE	PET	PORSCHE
911	1986	1	07	107-20		248					

Pos	Part Number	Description	Remark	Qty	Model	Pos	Part Number	Description	Remark	Qty	Model
20	-	575 MM		1	930.66	36	N 012 226 5	spring washer B 6		4	
21	999 512 159 02	hose clamp S9/9ZY		2	930.66	37	999 072 005 09	hexagon-head bolt M 6 X 12		2	
-	A 999 512 082 02	hose clamp		2	930.66	38	930 110 171 01	hose		1	
22	N 012 226 5	spring washer		4		39	999 512 237 02	hose clamp		2	
-	999 239 013 40	hose black 5 X 11		*		-	999 239 007 40	hose 15 X 24		*	
23	-	150 MM		1	930.66	40	-	90 MM		1	
24	-	405 MM		1		41	N 024 115 1	hose clamp		2	
25	A 999 512 082 02	hose clamp		4		-	999 181 284 50	hose 15 X 3,5		*	
25	999 512 082 01	hose clamp		4		42	-	300 MM		1	
-	999 239 006 40	hose black 8 X 14		*		43	999 512 045 02	hose clamp		2	
26	-	120 MM		1		44	930 606 107 01	electric starting valve		1	
27	999 512 160 02	hose clamp		4		45	N 014 740 2	pan-head screw M 6 X 16		2	
28	> 930 606 105 05	warm-up valve		1	930.66	46	N 012 226 5	spring washer A 6		2	
28	930 606 105 EX	warm-up valve		1	930.66	47	* 999 701 395 50	o-ring		1	
29	A N 044 703 3	pan-head screw		2		48	930 606 102 00	auxiliary air regulator		1	
29	N 044 703 3	pan-head screw M 6 X 45		2		49	930 110 229 01	support		1	930.66
29	900 119 055 02	pan-head screw M 6 X 60		2		50	N 012 226 5	spring washer B 6		4	
30	N 012 226 5	spring washer A 6		2		51	900 067 009 02	pan-head screw M 6 X 15		2	
31	900 915 004 02	connection piece		1		52	900 067 008 02	pan-head screw M 6 X 12		2	
32	* 900 123 144 30	sealing ring A 10 X 13,5		1		53	999 239 009 40	hose		1	930.66
33	930 110 173 00	vacuum limiter		1		54	930 110 335 00	air hose		1	930.66
34	930 110 167 00	retaining bracket		1		55	N 024 141 2	hose clamp 9 X 31 ZY		2	
35	900 076 010 02	hexagon nut M 6		6							

Model	Year	MG	SG	Illustration	Restrictions	UPD	7:21	23.01.2010	PORSCHE	PET	PORSCHE
911	1986	1	07	107-30		248					

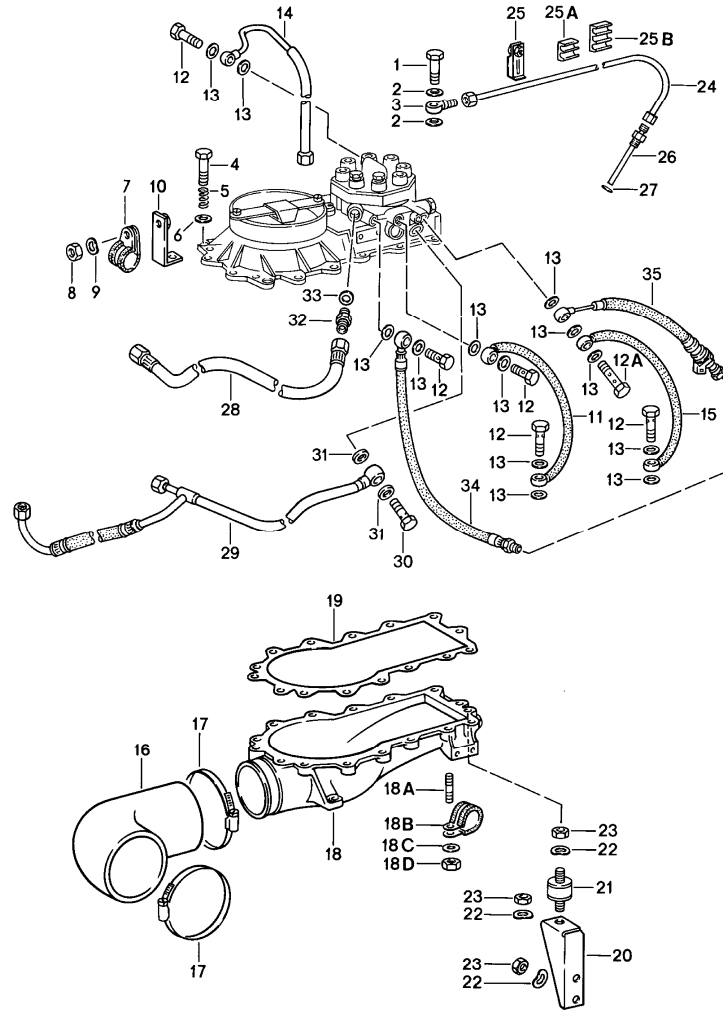


Pos	Part Number	Description	Remark	Qty	Model
		K-JETRONIC II			930.66/68
1 A	930 110 018 03	valve housing		1	930.66
1	930 110 018 03	valve housing		1	
2	999 062 127 02	stud M 6 X 25		8	
-	999 062 001 02	stud M 6 X 10		2	
-	999 504 004 00	threaded insert M 8 X 2 D		2	
-	999 504 116 00	threaded insert M 10 X 1 X 1 D		1	
-	999 504 117 00	threaded insert M 18 X 1,5 X 0,50		1	
3	930 110 151 00	piston		1	
4	930 110 157 00	compression spring		1	
5	930 110 156 06	lid		1	
6	930 110 056 02	lid		1	
7 *	930 110 149 00	gasket		2	
8	900 076 010 02	hexagon nut M 6		8	
9 A N	012 226 5	spring washer B 6		8	
9	N 011 524 7	washer A 6,4		1	
10	930 110 332 00	spacer tube		1	
11	N 012 241 8	spring washer B 8		3	
11A	900 076 025 02	hexagon nut M 8		1	
12	900 074 264 02	hexagon-head bolt M 8 X 135		2	
13	930 606 101 00	switch boost pressure		1	
14	993 606 103 00	pressure transmitter boost pressure		1	

Model	Year	MG	SG	Illustration	Restrictions	UPD	7:21	23.01.2010	PORSCHE	PET	PORSCHE
911	1986	1	07	107-30		248					

Pos	Part Number	Description	Remark	Qty	Model	Pos	Part Number	Description	Remark	Qty	Model
15	A 900 123 009 30	sealing ring		1							
15	900 123 106 30	sealing ring A 18 X 24		1							
16	999 062 234 02	stud BM 8 X 135		1							
19	930 110 367 01	threaded insert M 10 X 1 X 1D		1							
20	930 110 160 00	spring guide		1							

Model	Year	MG	SG	Illustration	Restrictions	UPD	7:21	23.01.2010	PORSCHE	PET	PORSCHE
911	1986	1	07	107-35		248					

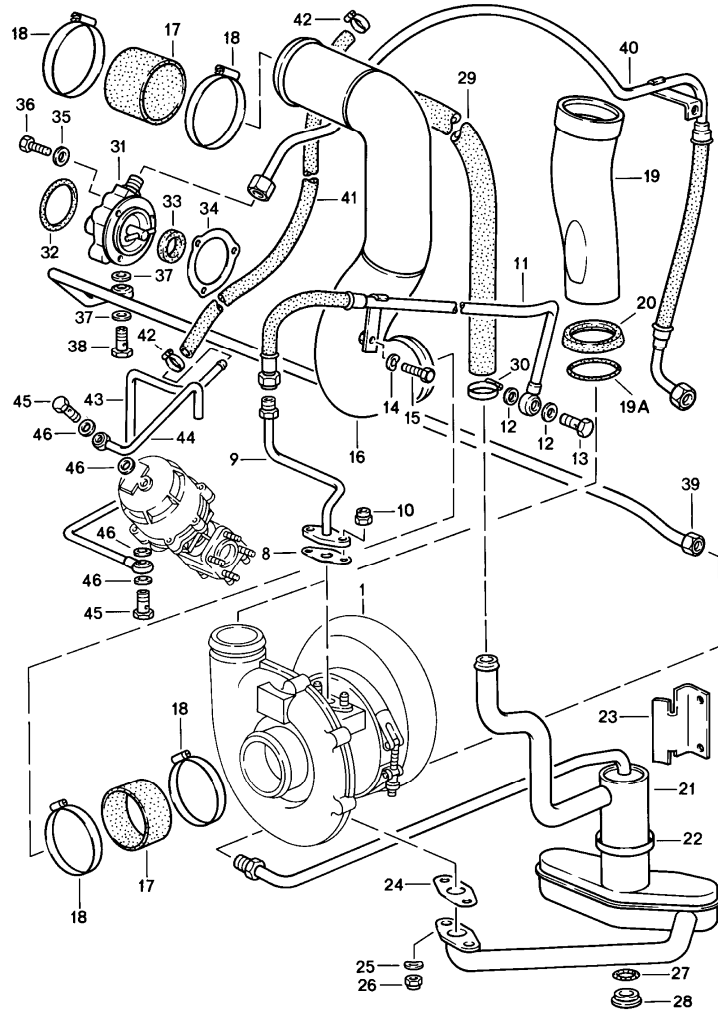


Pos	Part Number	Description	Remark	Qty	Model
		K-JETRONIC III			930.66/68
1	930 110 547 00	banjo bolt		6	
2	* 900 123 144 30	sealing ring A 10 X 13,5		12	
3	999 215 002 02	ring piece		6	
4	900 067 011 02	pan-head screw M 6 X 20		4	
4	900 067 089 02	pan-head screw M 6 X 25		10	
4	A 900 075 017 02	hexagon-head bolt		1	
4	900 075 341 02	combination screw M 6 X 25		1	
5	911 110 364 00	compression spring		11	
6	N 012 226 5	spring washer B 6		15	
7	999 511 085 02	clamp		1	
8	900 075 057 02	hexagon-head bolt M 6 X 16		1	
9	N 012 226 5	spring washer B 6		1	
10	930 110 434 01	clip		1	
11	930 110 303 01	fuel line intake start valve		1	
12	911 110 899 00	banjo bolt A 2/3		6	
13	* 900 123 115 30	sealing ring A 8 X 11,5		13	
14	930 110 302 01	fuel line intake warm-up valve		1	
15	930 110 305 02	fuel line return line warm-up valve		1	
16	930 110 137 02	hose elbow		1	
17	999 512 350 02	hose clamp		2	

Model	Year	MG	SG	Illustration	Restrictions	UPD	7:21	23.01.2010	PORSCHE	PET	PORSCHE
911	1986	1	07	107-35		248					

Pos	Part Number	Description	Remark	Qty	Model	Pos	Part Number	Description	Remark	Qty	Model
18	A 930 110 035 04	lower part		1	930.66	30	N 021 071 2	banjo bolt		1	
		- INTERNTEIL -				31	* 900 123 101 30	sealing ring A 12 X 18		2	
-	999 062 022 02	stud M 8 X 12		2		32	N 020 704 2	connection piece		1	
19	* 930 110 394 00	gasket		1		33	* 900 123 116 30	sealing ring A 12 X 15,5		1	
20	930 110 133 00	retaining bracket		1							
21	930 110 194 00	bonded rubber buffer		3							
22	N 012 241 8	spring washer B 8		7							
23	900 076 025 02	hexagon nut M 8		7							
24	930 110 041 02	injection line cylinder 1		1	930.66						
24	930 110 042 02	injection line cylinder 2		1	930.66						
24	930 110 043 02	injection line cylinder 3		1	930.66						
24	930 110 044 01	injection line cylinder 4		1	930.66						
24	930 110 045 02	injection line cylinder 5		1	930.66						
24	930 110 046 02	injection line cylinder 6		1	930.66						
25	930 110 606 01	pipe clamp	-85	1	930.66						
25	930 110 432 02	pipe clamp double	85-	1	930.66						
25	930 110 607 01	pipe clamp	-85	3	930.66						
25	930 110 432 03	pipe clamp triple	85-	3	930.66						
26	930 110 225 02	injector valve		6	930.66						
27	* 900 123 144 30	sealing ring A 10 X 13,5		6							
28	930 110 301 05	fuel line intake		1							
29	930 110 304 03	fuel line return line		1							

Model	Year	MG	SG	Illustration	Restrictions	UPD	7:21	23.01.2010	PORSCHE	PET	PORSCHE
911	1986	1	07	107-40		248					



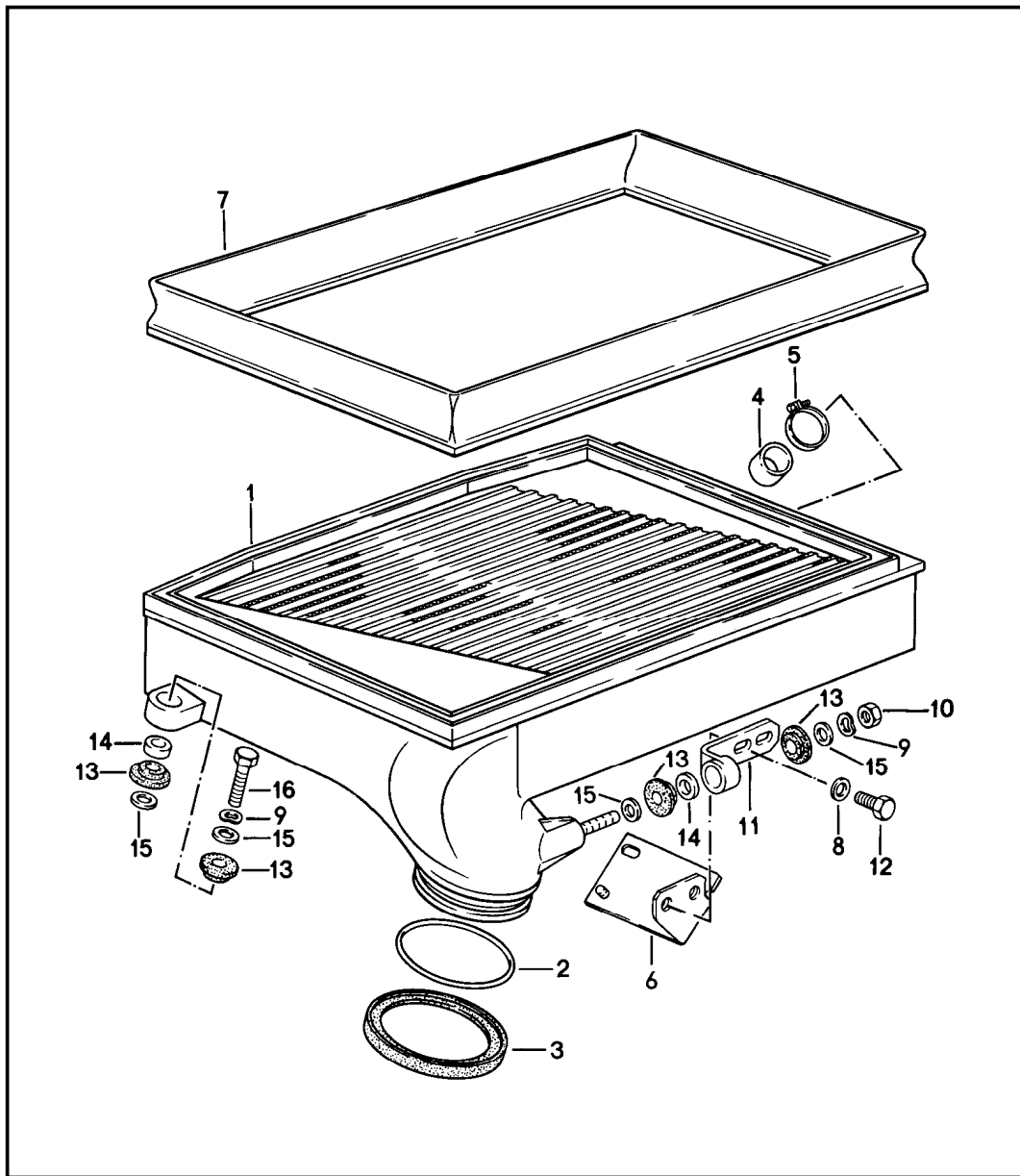
Pos	Part Number	Description	Remark	Qty	Model
1		turbocharging turbocharger see group 2/02/16			
8	* 930 107 123 01	gasket		1	
9	930 107 124 01	oil pipe		1	
10	999 084 052 02	lock nut M 8		2	
11	A 930 107 125 03	oil pipe		1	
11	930 107 125 07	oil pipe it is necessary to rework it is necessary to rework		1	
12	* 900 123 007 30	sealing ring A 14 X 18		2	
13	930 107 706 00	banjo bolt		1	
14	N 012 226 5	spring washer B 6		1	
15	999 072 005 09	hexagon-head bolt M 6 X 12		1	
16	930 110 165 02	intake pipe		1	
17	930 110 158 01	rubber sleeve		2	
18	999 512 351 02	hose clamp		4	
19	930 110 192 01	pressure line		1	
19A	* 999 701 473 40	round seal		1	
20	* 930 110 230 00	sealing ring		1	
21	930 107 001 07	oil collection container		1	
22	A 999 512 341 02	clamp		2	
22	999 512 341 02	clamp		2	
23	930 107 113 01	retaining bracket		1	
24	* 930 107 116 01	gasket		1	
25	N 012 241 8	spring washer B 8		2	

Model	Year	MG	SG	Illustration	Restrictions	UPD	7:21	23.01.2010	PORSCHE	PET	PORSCHE
911	1986	1	07	107-40		248					

Pos	Part Number	Description	Remark	Qty	Model	Pos	Part Number	Description	Remark	Qty	Model
26	999 084 052 02	lock nut M 8		2							
27	* 900 123 055 30	sealing ring A 12 X 17		1							
28	900 219 006 02	screw plug M 12 X 1,5		1							
29	930 107 394 02	connecting hose		1							
30	999 512 252 02	hose clamp		2							
31	964 107 005 21	oil pump		1							
32	* 999 707 289 40	round seal 47 X 2		1							
33	* 999 113 246 40	radial sealing ring		1							
34	* 930 105 197 05	gasket		1							
35	N 012 226 5	spring washer B 6		3							
36	900 074 111 02	hexagon-head bolt M 6 X 50		3							
37	* 900 123 018 30	sealing ring A 16 X 20		2							
38	900 175 005 02	banjo bolt		1							
39	930 107 338 00	oil pipe		1							
40	930 107 336 03	oil pipe		1							
-	999 239 006 40	hose 8 X 14		*							
41	-	380 MM		1							
42	999 512 160 02	hose clamp		2							
43	930 123 053 01	control line		1							
44	930 123 043 04	vent line		1							
45	900 175 020 02	banjo bolt		2							
46	* 900 123 043 30	sealing ring A 12 X 15,5		4							

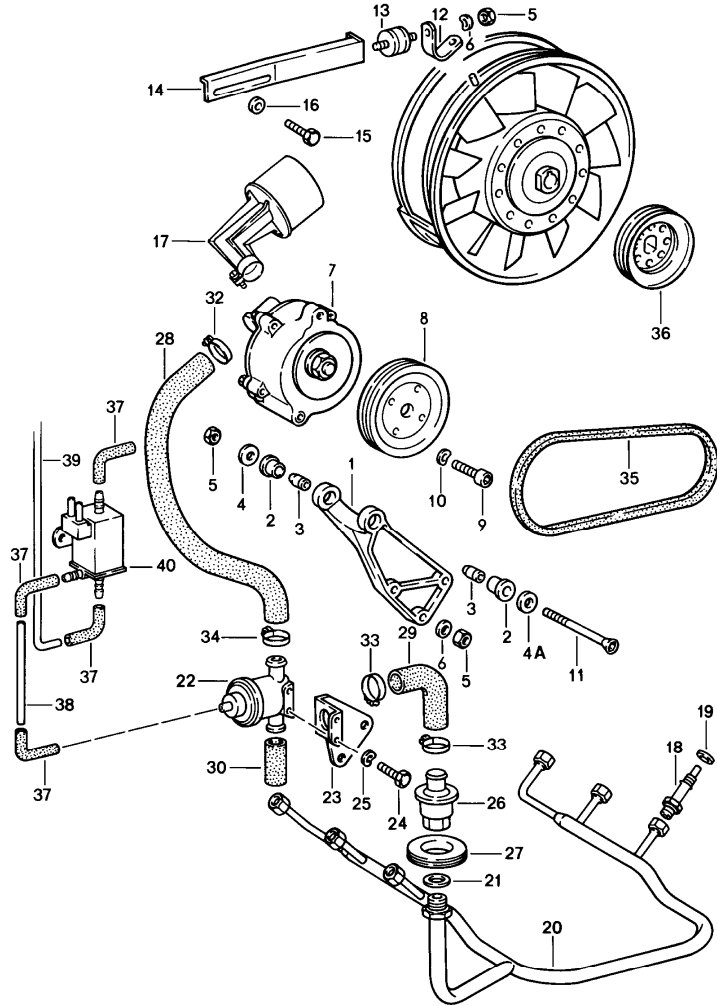


Model	Year	MG	SG	Illustration	Restrictions	UPD	7:22	23.01.2010	PORSCHE	PET	PORSCHE
911	1986	1	07	107-45		248					



Pos	Part Number	Description	Remark	Qty	Model
		charge air cooler			
1	930 110 233 07	charge air cooler		1	
2	* 999 701 469 40	round seal		3	
3	* 930 110 379 00	sealing ring		1	
4	930 110 256 01	cap		1	
5	999 512 045 02	hose clamp		1	
6	930 110 224 01	mounting plate		1	
7	930 110 285 01	gasket		1	
8	900 025 007 02	washer B 8,4		4	
9	N 012 241 8	spring washer B 8		7	
10	900 076 025 02	hexagon nut M 8		3	
11	930 110 223 02	support		1	
12	900 075 087 02	hexagon-head bolt M 8 X 16		2	
13	930 113 430 00	rubber mounting		6	
14	930 110 232 00	spacer sleeve		3	
15	900 151 008 02	washer 8,4		6	
16	900 074 134 02	hexagon-head bolt M 8 X 45		2	
-	930 110 234 02	air duct	/L (D)	1	
-	930 110 234 03	air duct	(D)	1	

Model	Year	MG	SG	Illustration	Restrictions	UPD	7:22	23.01.2010	PORSCHE	PET	PORSCHE
911	1986	1	08	108-00		248					

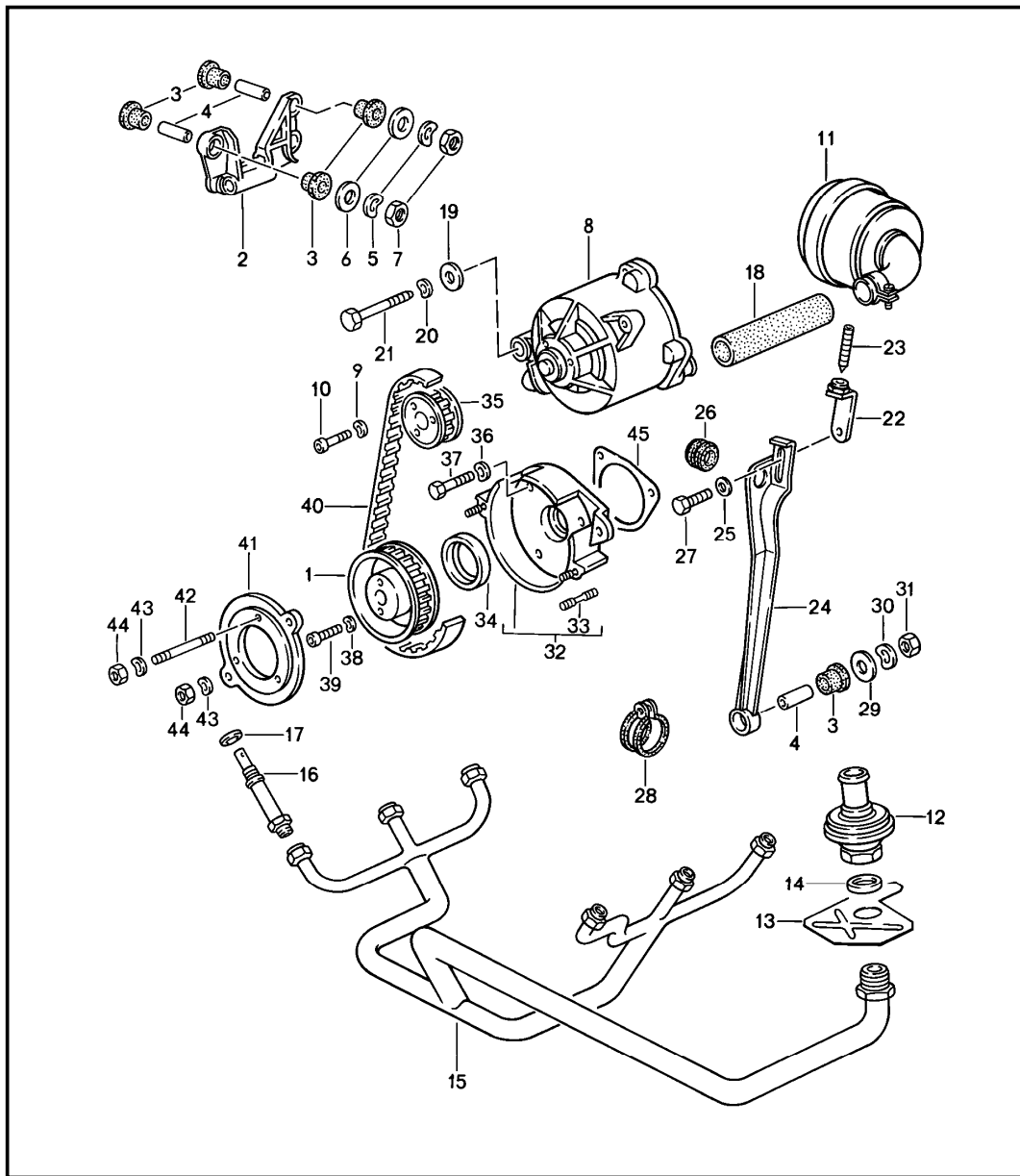


Pos	Part Number	Description	Remark	Qty	Model
		air injection	(AUS) (CH) (S)		930.26
1	911 113 113 02	bracket		1	
2	911 113 121 00	rubber mounting		2	
3	911 113 122 00	spacer sleeve		2	
4	900 151 008 02	washer B 8,4		1	
4A	911 113 162 00	washer		1	
5	900 076 025 02	hexagon nut M 8		7	
6	900 025 007 02	washer A 8,4		4	
7	930 113 122 00	air pump		1	
8	930 113 158 00	pulley		1	
9	900 067 008 02	pan-head screw M 6 X 12		4	
10	N 012 226 5	spring washer A 6		4	
11	900 249 006 02	countersunk-head screw M 8 X 120		1	
12	911 113 126 02	retaining bracket		1	
13	930 110 194 00	bonded rubber buffer		2	
14	911 113 125 02	support		1	
15	900 075 085 02	hexagon-head bolt M 8 X 20		1	
16	900 223 001 02	washer 8,4		1	
17	911 113 117 02	air cleaner		1	
18	911 113 145 02	union		6	
19	900 123 033 20	sealing ring A 10 X 13,5 CU		6	
20	911 113 043 02	air tube		1	
21	900 123 060 30	sealing ring A 24 X 29		1	

Model	Year	MG	SG	Illustration	Restrictions	UPD	7:22	23.01.2010	PORSCHE	PET	PORSCHE
911	1986	1	08	108-00		248					

Pos	Part Number	Description	Remark	Qty	Model	Pos	Part Number	Description	Remark	Qty	Model
22	930 113 147 01	diverter valve		1							
23	930 113 146 01	support		1							
24	999 072 005 09	hexagon-head bolt M 6 X 12		2							
25	N 011 524 7	washer 6,4		2							
26	911 113 115 01	check valve		1							
27	911 113 146 00	gasket		1							
28	930 113 138 03	hose		1							
29	930 113 137 01	hose		1							
30	930 113 139 02	hose		1							
32	999 512 038 02	hose clamp S27/9		1							
33	999 512 237 02	hose clamp S26/9		1							
34	999 512 296 02	hose clamp S25/7		2							
35	900 192 005 50	narrow v-belt 9,5 X 975		1							
36	911 106 208 00	pulley		1							
37	928 574 717 02	moulded hose		4							
-	N 020 139 11	pipe 4 X 1		X							
38	-	500 MM		1							
39	-	400 MM		1							
40	911 618 123 00	change-over valve electric		1							

Model	Year	MG	SG	Illustration	Restrictions	UPD	7:22	23.01.2010	PORSCHE	PET	PORSCHE
911	1986	1	08	108-05		248					

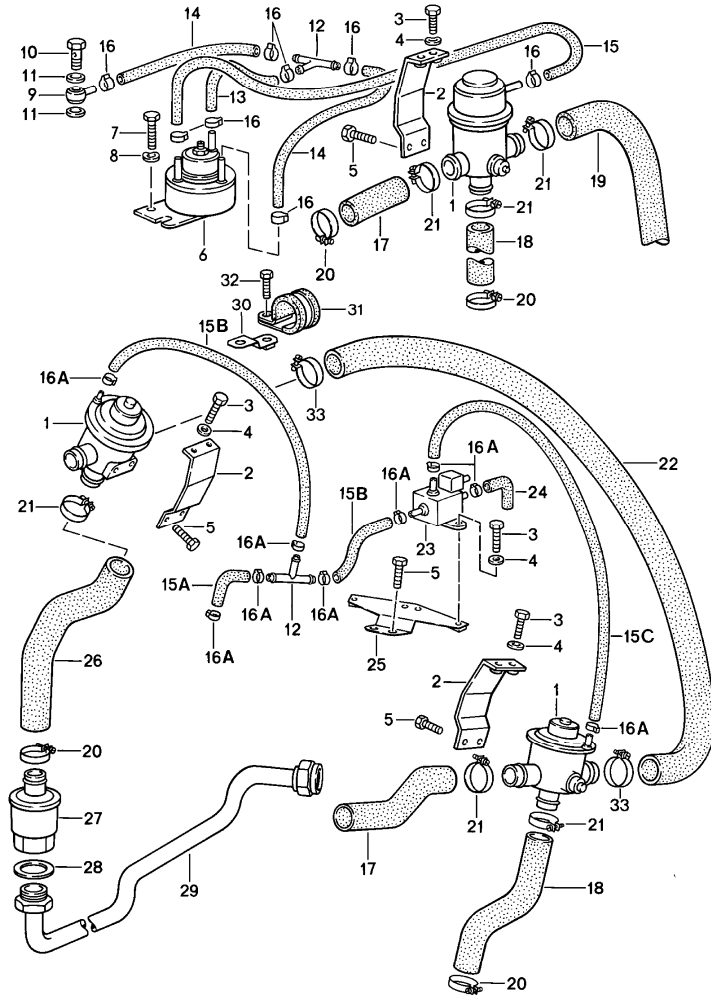


Pos	Part Number	Description	Remark	Qty	Model
		air injection			930.66/68
1	930 113 025 02	pulley		1	
2	930 113 159 02	bracket		1	
3	930 113 161 00	rubber mounting		8	
4	930 113 163 00	spacer sleeve		4	
5	900 025 007 02	washer B 8		3	
6	900 151 008 02	washer B 8,4		3	
7	900 076 025 02	hexagon nut M 8		3	
8	930 113 114 01	air pump		1	
9	N 011 524 7	washer A 6,4		3	
10	900 067 089 02	pan-head screw M 6 X 25		3	
11	930 113 120 01	air cleaner		1	
-	930 113 401 00	filter cartridge		1	
12	911 113 115 01	check valve		1	
13	930 113 135 01	heat shield		1	
14	900 123 060 30	sealing ring A 24 X 29		2	
15	930 113 043 02	air tube		1	
16	911 113 145 02	union		6	
17	900 123 033 20	sealing ring A 10 X 13,5 C 4		6	
18	999 239 004 40	breather hose		1	
19	900 025 007 02	washer B 8,4		2	
20	N 012 241 8	spring washer B 8		1	
21	N 010 391 4	hexagon-head bolt M 8 X 100		1	
22	930 113 187 01	clamping bracket		1	

Model	Year	MG	SG	Illustration	Restrictions	UPD	7:22	23.01.2010	PORSCHE	PET	PORSCHE
911	1986	1	08	108-05		248					

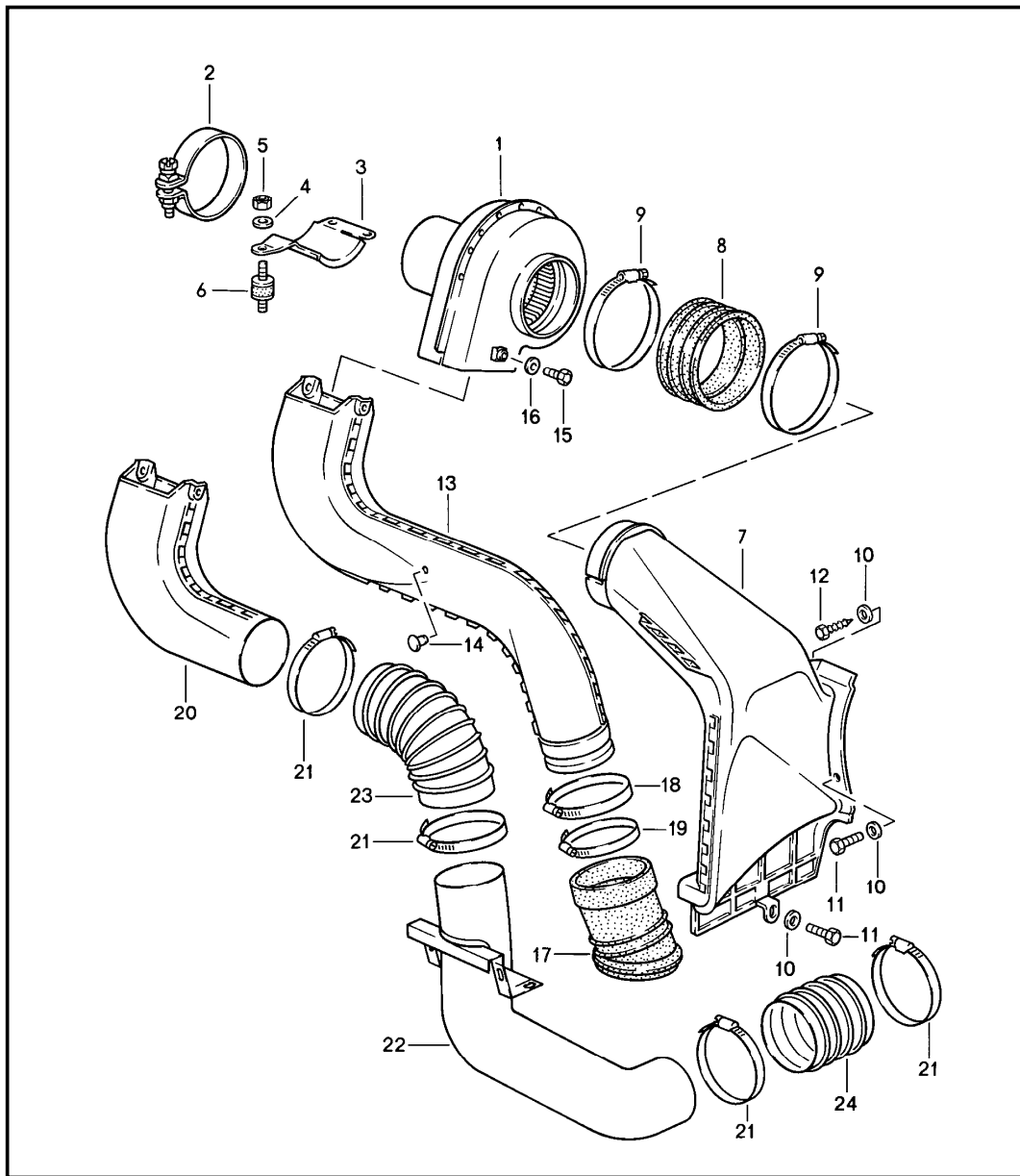
Pos	Part Number	Description	Remark	Qty	Model	Pos	Part Number	Description	Remark	Qty	Model
23	900 068 004 02	threaded pin M 8 X 45		1				- INTERNTTEIL -			
24	930 113 171 00	support		1		42	999 062 123 02	stud BM 6 X 45		3	
25	900 025 007 02	washer B 8,4		1		43	N 012 226 5	spring washer B 6		5	
26	N 012 241 8	spring washer		1		44	900 076 010 02	hexagon nut M 6		5	
27	A N 010 247 7	hexagon-head bolt M 8 X 35		1		45	930 105 197 03	gasket		1	
27	N 010 247 8	hexagon-head bolt M 8 X 35		1							
28	N 020 607 1	clamp 20/20		1							
29	900 151 008 02	washer B 8,4		1							
30	N 012 241 8	spring washer B 8		1							
31	900 076 025 02	hexagon nut M 8		1							
32	930 113 031 04	intermediate flange  - INTERNTTEIL -		1							
33	999 062 055 02	stud BM 6 X 12		2							
33	999 062 009 02	stud BM 8 X 28		1							
34	999 113 464 40	shaft sealing ring		1							
35	930 113 017 06	gear wheel		1							
36	N 012 226 5	spring washer B 6		3							
37	900 075 057 02	hexagon-head bolt M 6 X 16		3							
38	N 012 226 5	spring washer A 6,4		2							
39	900 067 013 02	pan-head screw M 6 X 35		2							
40	999 192 131 50	toothed belt		1							
41	930 113 033 02	lid		1							

Model	Year	MG	SG	Illustration	Restrictions	UPD	7:22	23.01.2010	PORSCHE	PET	PORSCHE
911	1986	1	08	108-07		248					



Pos	Part Number	Description	Remark	Qty	Model
		air injection			930.66/68
1	930 113 127 00	diverter valve		1	930.66
2	930 113 112 00	retaining bracket		2	
3	N 010 217 9	hexagon-head bolt M 6 X 20		6	
4	N 011 524 7	washer A 6,4		6	
5	999 075 039 02	combination screw M 6 X 12		6	
6	930 113 126 02	control valve		1	930.66
7	999 072 005 09	hexagon-head bolt M 6 X 12		2	930.66
8	N 012 226 5	spring washer B 6		2	930.66
9	911 110 382 00	ring piece		1	930.66
10	N 021 053 2	banjo bolt		1	930.66
11	900 123 144 30	sealing ring A 10 X 35		2	930.66
12	999 137 004 40	t-socket		1	
-	999 239 014 40	hose 3,5 X 8,5		*	
13	-	60 MM		1	930.66
14	-	75 MM		2	
15	-	270 MM		2	
16	311 133 343 A	hose clamp		8	
17	930 113 118 01	hose		1	
18	930 113 181 00	hose		1	
19	930 113 182 00	hose		1	930.66
20	999 512 038 02	hose clamp S 28/9 ZY		2	
21	999 512 237 02	hose clamp S 26/9		5	

Model	Year	MG	SG	Illustration	Restrictions	UPD	7:22	23.01.2010	PORSCHE	PET	PORSCHE
911	1986	1	08	108-10		248					



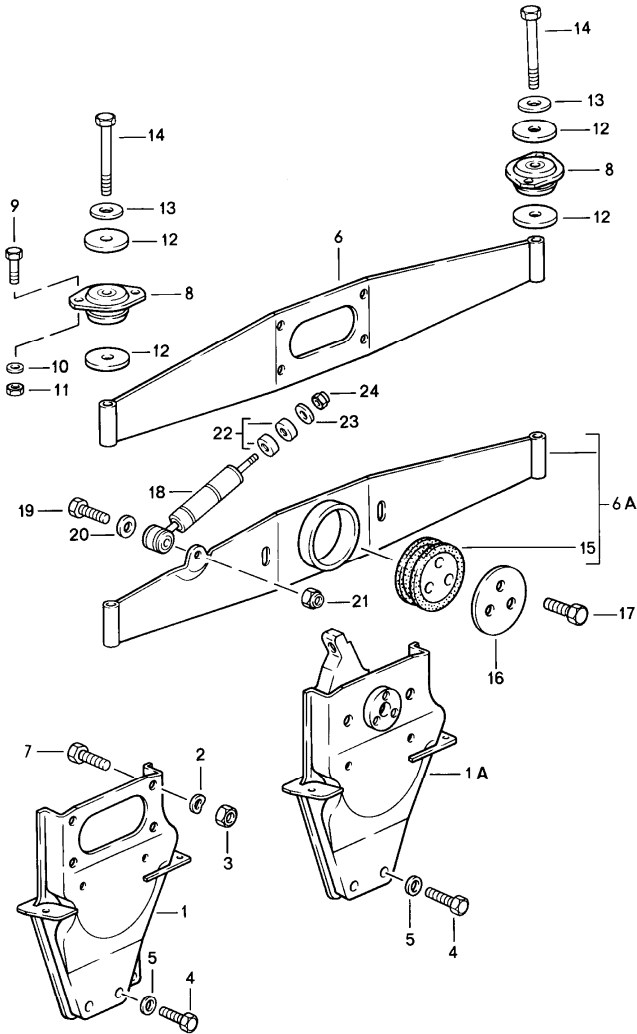
Pos	Part Number	Description	Remark	Qty	Model
		additional blower			930.20/21/26
1	965 624 151 00	blower		1	
2	999 512 244 02	clamp SP 77/20		1	
3	930 211 139 00	support		1	
4	N 011 524 7	washer 6,4		3	
5	900 910 096 02	lock nut M 6		3	
6	930 110 579 01	bonded rubber buffer		3	
6	999 703 265 00	bonded rubber buffer		3	
7	930 211 323 01	hot air socket		1	930.20/21
(7)	930 211 323 02	hot air socket		1	930.26
8	930 211 581 00	rubber sleeve		1	
9	999 512 087 02	hose clamp S94/9ZY		2	
10	999 025 108 02	washer		4	
11	999 072 005 09	hexagon-head bolt M6 X 12		2	
12	900 187 015 02	tapping screw B 6,3 X 16		2	
13	930 211 341 03	hot-air manifold		1	
14	999 703 077 40	cap 10,5 X 6,3		1	
15	N 010 205 6	hexagon-head bolt M 5 X 10		2	
16	900 025 003 02	washer 5,3		2	
17	930 211 337 00	boot		1	
18	999 512 200 02	hose clamp S81/9ZY		1	
19	999 512 235 02	hose clamp S77/9ZY		1	
20	930 211 341 01	hot-air manifold		1	930.26

Model	Year	MG	SG	Illustration	Restrictions	UPD	7:22	23.01.2010	PORSCHE	PET	PORSCHE
911	1986	1	08	108-10		248					

Pos	Part Number	Description	Remark	Qty	Model	Pos	Part Number	Description	Remark	Qty	Model
21	999 512 349 02	hose clamp SGT 50-70/9		4	930.26						
22	930 211 341 02	hot-air manifold		1	930.26						
23	911 211 553 01	flexible pipe		1	930.26						
24	911 211 553 02	flexible pipe		1	930.26						



Model	Year	MG	SG	Illustration	Restrictions	UPD	7:22	23.01.2010	PORSCHE	PET	PORSCHE
911	1986	1	09	109-00		248					



Pos	Part Number	Description	Remark	Qty	Model
		engine suspension			
1	930 115 017 02	engine bracket		1	
1A	930 115 017 09	engine bracket		1	CABRIO
2	N 012 242 3	spring washer		4	
3	900 157 002 02	hexagon nut M 10		4	
4	A N 010 450 5	hexagon-head bolt		2	
4	N 010 450 5	hexagon-head bolt M10X50		2	
4	N 010 253 7	hexagon-head bolt M10X22		1	
4	900 074 064 02	hexagon-head bolt M10X60		1	930.20/21/26
4	A N 010 472 4	hexagon-head bolt		1	930.66/68
4	N 010 472 4	hexagon-head bolt M10X85		1	930.66/68
5	900 025 008 09	washer A10,5		4	
6	930 375 011 01	bracket		1	
6A	911 375 011 06	bracket		1	CABRIO
7	900 156 006 02	hexagon-head bolt M 10 X 18		4	
8	911 375 043 00	bearing		2	
8	911 375 043 07	bearing		2	CABRIO
9	N 010 335 5	hexagon-head bolt M 8 X 35		4	
10	900 027 015 02	lock ring B 8		4	
11	900 076 025 02	hexagon nut M 8		4	
12	901 305 311 00	seat		4	
13	803 199 347	washer		2	
14	N 010 191 2	hexagon-head bolt M 12 X 1,5 X 95		2	

Model	Year	MG	SG	Illustration	Restrictions	UPD	7:23	23.01.2010	PORSCHE	PET	PORSCHE
911	1986	1	09	109-00		248					

Pos	Part Number	Description	Remark	Qty	Model	Pos	Part Number	Description	Remark	Qty	Model
15	911 375 043 05	torsion bearing		1	CABRIO						
16	911 375 313 00	end plate		1	CABRIO						
17	N 010 275 3	hexagon-head bolt M 10X35		3	CABRIO						
18	911 375 175 00	vibration damper		1	CABRIO						
19	N 010 445 2	hexagon-head bolt M 10X45		1	CABRIO						
20	900 025 008 09	washer A 10,5		1	CABRIO						
21	A N 900 876 01	lock nut		1	CABRIO						
21	N 900 876 01	lock nut VM 10		1	CABRIO						
22	911 375 181 00	spacer ring		2	CABRIO						
23	N 900 662 01	washer 6,4 X 21,5		1	CABRIO						
24	900 910 010 09	lock nut VM 6		1	CABRIO						

Model	Year	MG	SG	Illustration	Restrictions	UPD	7:23	23.01.2010
911	1986	1	98	198-00R		248		

Pos	Part Number	Description	Remark	Qty	Model
		gasket set repair kit maintenance set			
>>	>>930 100 907 04	gasket set engine cylinder cylinder head comprising:		1	930.20/21/26
-	999 704 172 50	sealing ring		2	
-	930 104 194 02	gasket		6	
-	928 104 193 12	valve stem seal		12	
-	930 105 193 00	gasket		2	
-	900 031 014 30	washer 8,4		40	
-	999 701 598 40	o-ring 8,3-2,4		2	
-	999 701 596 40	o-ring 20,3-2,4		2	
-	999 701 298 40	o-ring 10-1,3		2	
-	N 013 804 2	sealing ring A 6 X 10		2	
-	930 105 197 03	gasket		2	
-	999 701 124 40	o-ring 67,5 X 4		1	
-	930 105 191 03	gasket		1	
-	930 105 192 01	gasket		1	
-	900 031 011 30	washer 6,4		19	
-	930 105 194 00	gasket		2	
-	930 105 195 05	gasket		2	
-	999 704 173 50	sealing ring		1	
-	900 123 005 30	sealing ring A 12 X 16		7	
-	999 707 112 40	round seal		8	
-	930 110 197 08	gasket		12	
-	999 701 423 40	o-ring 6 X 5		6	

PORSCHE

PET

PORSCHE

Model	Year	MG	SG	Illustration	Restrictions	UPD	7:23	23.01.2010
911	1986	1	98	198-00R		248		

Pos	Part Number	Description	Remark	Qty	Model
-	900 123 050 30	sealing ring A 8 X 11,5		17	
-	900 123 144 30	sealing ring 10 X 13,5		1	
-	999 701 395 50	o-ring 7-2B		1	
-	999 701 210 40	o-ring 20-2,5		1	
-	911 111 191 01	gasket		1	
-	911 111 191 02	gasket		1	
-	930 111 192 01	gasket		2	
-	930 111 193 01	gasket		1	
-	911 111 188 02	support washer		1	
-	911 111 189 03	gasket		6	
-	900 123 033 20	sealing ring A 10 X 13,5		6	
-	900 123 060 30	sealing ring A 24 X 29		1	
-	900 123 008 30	sealing ring A 14 X 20		1	
-	900 123 116 30	sealing ring A 12 X 15,5		3	
-	999 701 135 50	o-ring 15 X 2,5		1	
-	900 123 006 30	sealing ring A 14 X 18		2	
-	930 111 191 06	gasket		6	
-	900 123 007 70	sealing ring A 14 X 18		2	
-	999 701 468 40	round seal		2	
-	911 113 146 00	gasket		1	
-	999 701 446 40	o-ring		6	
-	900 123 007 30	sealing ring		1	
-	900 123 005 00	sealing ring A 12 X 16		8	
-	900 123 115 30	sealing ring A 8 X 11,5		4	

Model	Year	MG	SG	Illustration	Restrictions	UPD	7:23	23.01.2010
911	1986	1	98	198-00R		248		

Pos	Part Number	Description	Remark	Qty	Model
-	999 701 690 40	round seal 12 X 1,78		2	
>>	>>930 100 908 02	gasket set engine cylinder cylinder head comprising:		1	M30.66/68
-	999 704 172 50	sealing ring		6	
-	930 104 194 02	gasket		6	
-	928 104 193 12	valve stem seal		12	
-	930 105 193 00	gasket		2	
-	999 701 598 40	o-ring 8,3 - 2,4		2	
-	999 701 596 40	o-ring 20,3 - 2,4		2	
-	999 701 298 40	o-ring 10 - 1,3		2	
-	N 013 804 2	sealing ring A 6 X 10		2	
-	930 105 197 03	gasket		2	
-	930 105 197 05	gasket		1	
-	930 105 191 03	gasket		1	
-	930 105 192 01	gasket		1	
-	900 031 011 30	washer 6,4		19	
-	930 105 194 00	gasket		2	
-	930 105 195 05	gasket		2	
-	900 031 014 30	washer 8,4		42	
-	999 704 173 50	sealing ring		1	
-	900 123 005 30	sealing ring A 12 X 16		7	
-	999 707 112 40	round seal		8	
-	999 707 289 40	round seal 47 X 2		1	
-	900 123 007 30	sealing ring A 14 X 18		2	

PORSCHE

# PET

PORSCHE

Model	Year	MG	SG	Illustration	Restrictions	UPD	7:23	23.01.2010
911	1986	1	98	198-00R		248		

Pos	Part Number	Description	Remark	Qty	Model
-	999 113 246 40	radial sealing ring		1	
-	900 123 055 30	sealing ring A 12 X 17		1	
-	930 107 116 01	gasket		1	
-	900 123 018 30	sealing ring A 16 X 20		2	
-	930 107 123 01	gasket		1	
-	900 123 033 20	sealing ring A 10 X 13,5		26	
-	930 110 197 10	gasket		12	
-	930 110 149 00	gasket		2	
-	930 110 122 00	sealing ring		1	
-	900 123 101 30	sealing ring A 12 X 18		1	
-	900 123 144 30	sealing ring A 10 X 13,5		1	
-	930 110 394 00	gasket		1	
-	900 123 050 30	sealing ring A 8 X 11,5		10	
-	999 701 395 50	o-ring 7-2		1	
-	930 111 192 03	gasket		2	
-	999 701 468 40	round seal		3	
-	930 110 230 00	sealing ring		1	
-	930 110 379 00	sealing ring		1	
-	930 111 160 01	gasket		2	
-	930 111 162 01	gasket		2	
-	911 111 189 03	gasket		1	
-	930 111 191 01	gasket		6	
-	930 111 193 01	gasket		1	
-	930 123 191 01	gasket		2	
-	999 701 473 40	round seal		1	
-	930 123 192 01	gasket		1	
-	930 123 194 01	gasket		2	

Model	Year	MG	SG	Illustration	Restrictions	UPD	7:23	23.01.2010
911	1986	1	98	198-00R		248		

Pos	Part Number	Description	Remark	Qty	Model
-	999 701 469 40	round seal		3	
-	999 701 477 40	round seal		1	
-	911 113 179 02	gasket		1	
-	911 113 190 01	gasket		6	
-	900 123 009 30	sealing ring		1	
-	900 123 116 30	sealing ring		4	
-	900 123 060 30	sealing ring		2	
-	930 123 134 04	gasket		1	
-	999 113 464 40	shaft sealing ring		1	
-	900 123 005 00	sealing ring A 12 X 16		8	
-	930 111 156 01	support washer		1	
-	930 123 132 02	support washer		1	
>>	>>930 100 901 04	gasket set engine crankcase comprising:		1	
-	999 704 172 50	sealing ring		3	
-	999 701 006 40	o-ring		26	
-	999 113 215 40	sealing ring 90 X 110 X 12		1	
-	930 101 391 01	gasket		2	
-	900 123 118 30	sealing ring A 22 X 27		1	
-	999 113 049 50	radial sealing ring 30 X 50 X 10		1	
-	999 707 285 40	o-ring 51 X 4,5		1	
-	900 123 044 30	sealing ring A 18 X 22		1	
-	900 123 066 30	sealing ring A 10 X 16		8	
-	900 031 011 30	washer 6,4		3	
-	900 123 005 00	sealing ring A 12 X 16		4	

Model	Year	MG	SG	Illustration	Restrictions	UPD	7:23	23.01.2010
911	1986	1	98	198-00R		248		

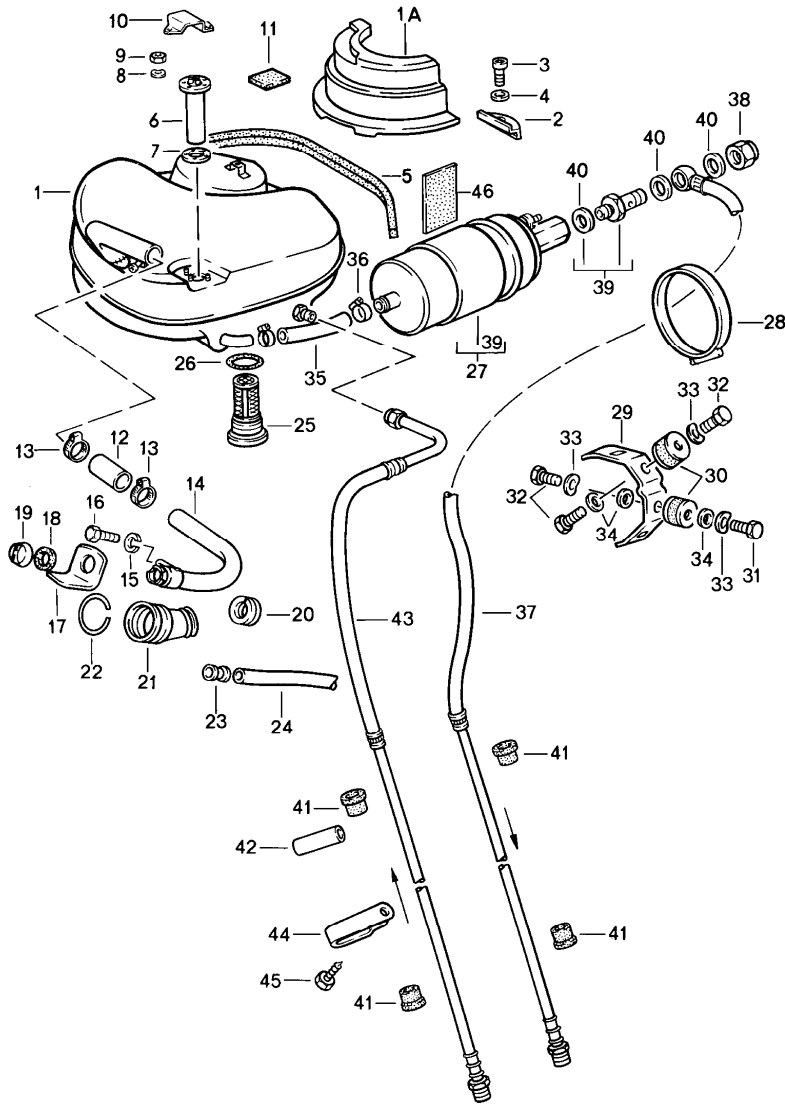
Pos	Part Number	Description	Remark	Qty	Model
-	900 031 014 30	washer 8,4		24	
-	930 105 198 01	gasket		1	
-	999 704 173 50	sealing ring		1	
-	900 123 011 30	sealing ring A 22 X 27		1	
-	999 701 053 50	sealing ring 39,2 X 3		1	
-	900 123 106 30	sealing ring A 18 X 24		2	
-	930 107 791 00	gasket		1	
-	911 602 102 01	sealing ring		1	
-	900 123 009 20	sealing ring A 18 X 24		1	
-	900 123 007 30	sealing ring A 14 X 18		2	
-	901 102 191 00	sealing ring		1	
-	999 701 658 40	round seal 33,3 X 2,4		1	
		piston rings MAHLE			
>>	>>930 103 986 00	set of piston rings		1	M30.20/21/26
>>	>>930 103 968 00	set of piston rings		1	M30.66/68
>>	>>911 100 956 02	maintenance parts for periodic maintenance 1 set comprising:		1	M30.20/21/26
-	930 107 764 01	oil filter		1	
-	928 110 253 06	fuel filter		1	
-	930 105 194 00	gasket		2	
-	930 105 195 05	gasket		2	
-	900 084 004 02	hexagon nut		34	
(-)	900 084 004 03	hexagon nut		34	
-	900 031 014 30	washer		34	
-	930 110 393 00	filter element		1	



Model	Year	MG	SG	Illustration	Restrictions	UPD	7:23	23.01.2010
911	1986	1	98	198-00R		248		

Pos	Part Number	Description	Remark	Qty	Model
-	900 123 118 30	sealing ring		2	
-	999 170 157 90	spark plug		6	
-	911 100 988 01	maintenance set for periodic maintenance 1 set comprising:		1	M30.66
-	930 107 764 01	oil filter		1	
-	928 110 147 05	fuel filter		1	
-	930 105 194 00	gasket		2	
-	930 105 195 05	gasket		2	
-	900 084 004 03	hexagon nut		34	
-	900 031 014 30	washer		34	
-	930 110 185 02	air cleaner cartridge		1	
-	930 113 401 00	filter cartridge		1	
-	900 123 118 30	sealing ring		2	
-	900 123 055 30	sealing ring		1	
-	999 170 128 90	spark plug		6	
>>	>>930 105 902 00	gasket set for valve cover comprising:		1	
-	930 105 194 01	gasket		2	
-	930 105 195 05	gasket		2	
-	900 031 014 30	washer		34	
-	900 084 004 02	hexagon nut		34	
-	900 084 004 03	hexagon nut		34	

Model	Year	MG	SG	Illustration	Restrictions	UPD	7:23	23.01.2010	PORSCHE	PET	PORSCHE
911	1986	2	01	201-00		248					

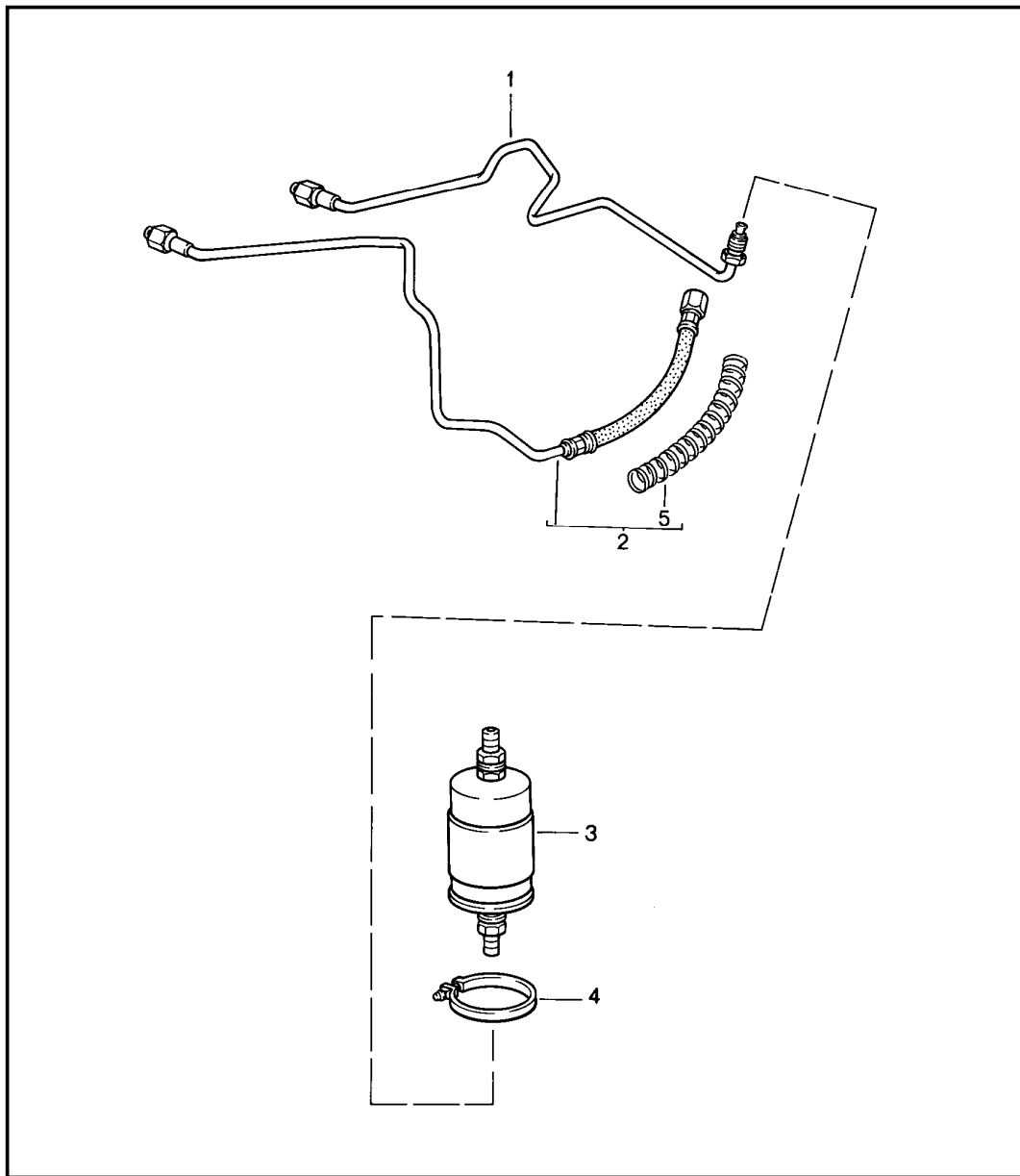


Pos	Part Number	Description	Remark	Qty	Model
		fuel system front			
1	930 201 010 03	fuel tank		1	
2	901 201 311 00	bracket		3	
3	900 067 151 02	pan-head screw M 8 X 25		3	
4	900 031 001 02	washer 8,4		3	
5	901 504 932 20	sealing strap		1	
6	901 741 801 00	sender		1	
7	477 919 133	sealing ring		1	
8	N 012 222 4	spring washer B 5		5	
9	N 011 005 14	hexagon nut M 5		5	
10	901 201 275 30	cap		1	
11	911 201 259 00	desk pad 6 MM	-84	2	
11	911 201 259 02	desk pad 10 MM	85-	2	
11	911 201 259 01	desk pad 15 MM	-84	1	
11	911 201 259 03	desk pad 19 MM	85-	1	
12	911 201 515 00	hose		1	
13	999 512 348 02	hose clamp 40-60/9		2	
14	911 201 049 04	filler neck		1	
14	911 201 049 05	filler neck		1	CARRERA M298
15	N 012 006 4	lock ring B 6		2	
16	900 075 310 02	hexagon-head bolt M 6 X 12		2	
17	911 201 279 01	protective flap		1	

Model	Year	MG	SG	Illustration	Restrictions	UPD	7:23	23.01.2010	PORSCHE	PET	PORSCHE
911	1986	2	01	201-00		248					

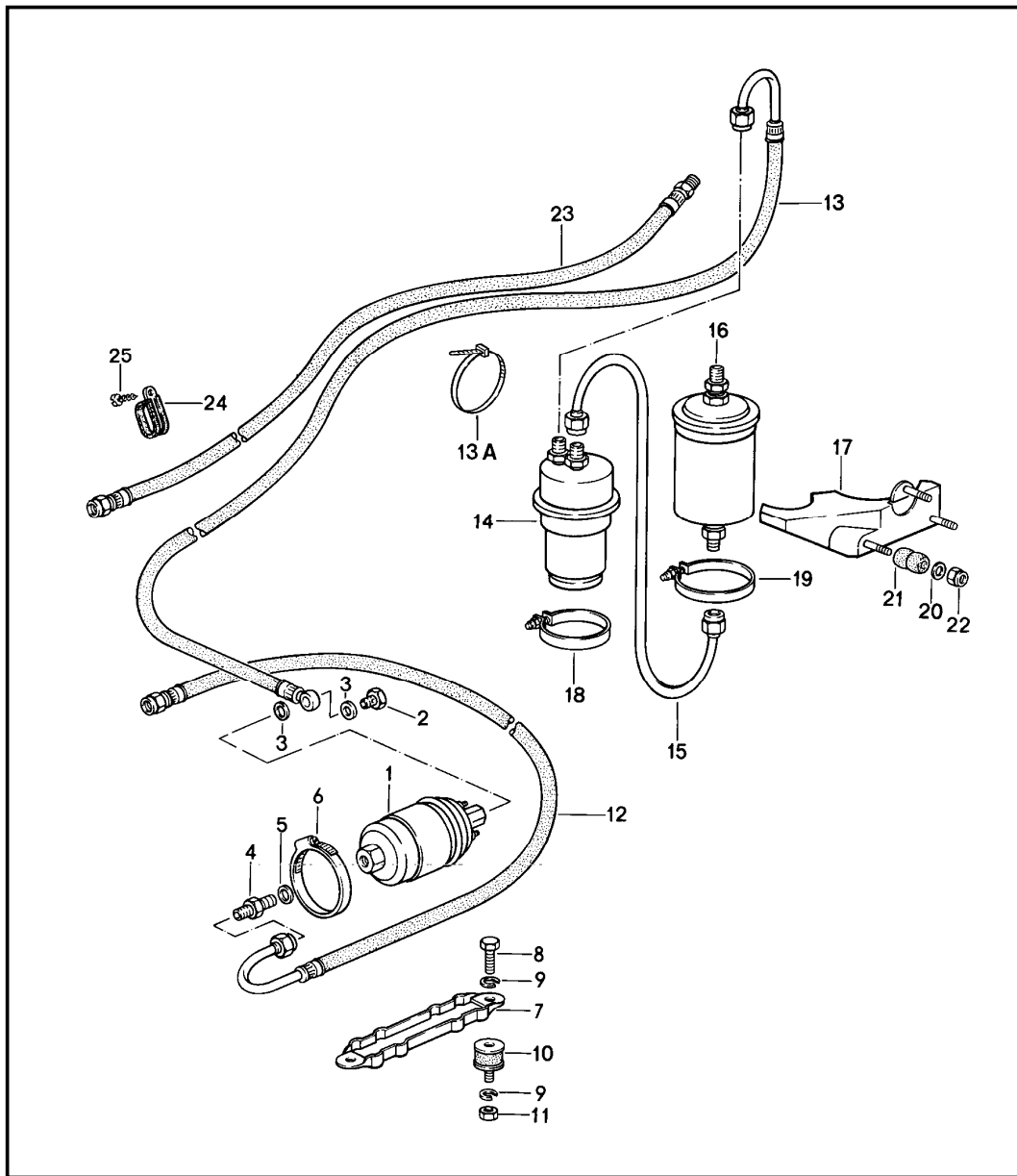
Pos	Part Number	Description	Remark	Qty	Model	Pos	Part Number	Description	Remark	Qty	Model
18	A 944 201 553 00	gasket		1		37	911 356 066 07	pressure line		1	TURBO
18	944 201 553 00	gasket		1		37	911 356 066 08	pressure line		1	CARRERA
19	A 911 201 272 02	fuel tank cap		1		38	A 928 110 475 01	cap nut M 12 X 15,5		1	
13	A 911 201 272 00	fuel tank cap		1		38	928 110 475 03	cap nut M 12 X 15,5		1	
13	993 201 271 00	fuel tank cap		1		(39)	893 906 093	retaining valve		1	TURBO
20	911 201 095 00	gasket		1		39	944 608 951 01	check valve		1	CARRERA
21	901 201 591 20	sleeve		1		40	N 013 812 2	sealing ring A 12 X 15,5		2	CARRERA
22	999 152 004 00	circlip		1		40	900 123 005 20	sealing ring A 12 X 16		2	TURBO
23	911 201 593 00	overflow socket		1		41	911 356 202 03	rubber sleeve		4	
24	911 201 731 00	overflow hose		1		42	999 613 017 40	covering		1	
25	911 201 141 00	fuel filter		1		43	911 356 062 07	return line		1	TURBO
26	911 201 143 00	sealing ring		1		43	911 356 062 08	return line		1	CARRERA
27	911 608 102 02	fuel pump		1	TURBO	44	999 511 093 02	pipe clamp		1	
27	944 608 102 04	fuel pump		1	CARRERA	45	900 187 104 02	tapping screw B 4,8 X 13		1	
28	999 512 394 00	hose clamp 40-60/13	-84	1		46	928 612 494 00	piece of plastic foam		1	
28	999 512 394 00	hose clamp 40-60/13	85-	1							
29	911 608 105 01	support		1							
30	911 608 206 00	bonded rubber buffer		2							
31	999 072 005 09	hexagon-head bolt M 6 X 12		1							
32	N 010 208 5	hexagon-head bolt M 6 X 8		3							
33	N 012 226 5	spring washer B 6		4							
34	N 011 524 7	washer A 6,4		4							
-	999 181 168 50	hose 12 X 18,5		*							
35	-	90 MM		1							
36	999 512 554 00	hose clamp		2							

Model	Year	MG	SG	Illustration	Restrictions	UPD	7:23	23.01.2010	PORSCHE	PET	PORSCHE
911	1986	2	01	201-05		248					



Pos	Part Number	Description	Remark	Qty	Model
		fuel system rear			CARRERA
1	911 356 083 01	pressure line		1	
2	911 356 085 05	return line		1	
3	928 110 253 04	fuel filter		1	(AG) (SA)
3	928 110 253 06	fuel filter		1	
4	999 512 235 02	hose clamp		1	
5	928 355 517 01	spiral		1	

Model	Year	MG	SG	Illustration	Restrictions	UPD	7:23	23.01.2010	PORSCHE	PET	PORSCHE
911	1986	2	01	201-10		248					

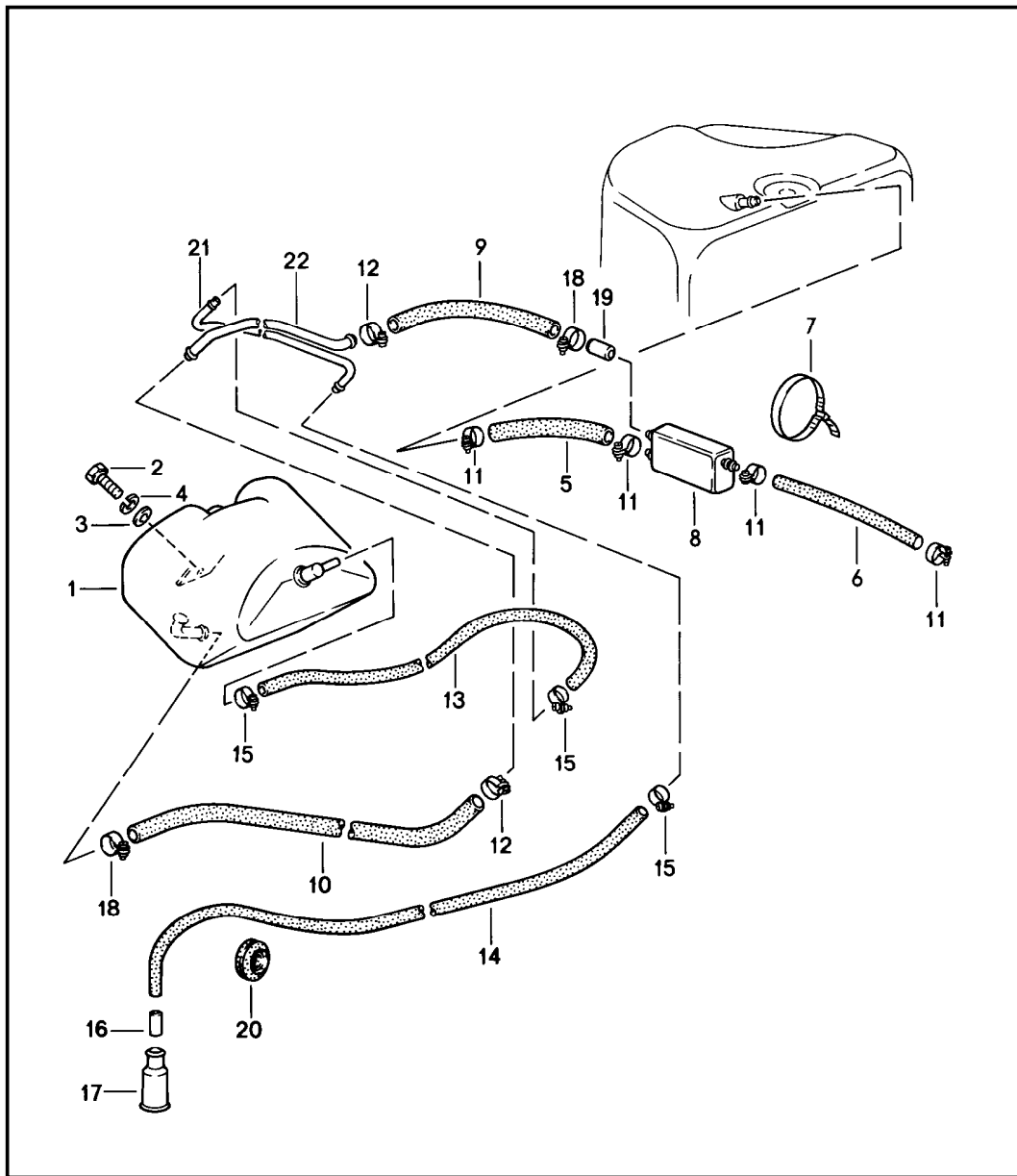


Pos	Part Number	Description	Remark	Qty	Model
		fuel system rear			TURBO
1	930 608 113 00	fuel pump		1	
2	999 134 018 02	banjo bolt M 12 X 1,5		1	
3	900 123 005 20	sealing ring A 12 X 16		2	
4	N 020 702 1	screw socket		1	
5	N 013 849 2	sealing ring A 14 X 18		1	
6	999 512 394 00	hose clamp 40-60/13	-84	1	
6	999 512 394 00	hose clamp 40-60/13	85-	1	
7	911 608 105 00	support		1	
8	N 010 208 5	hexagon-head bolt M 6 X 8		2	
9	N 012 007 2	lock ring A 6		4	
10	A 999 703 384 00	megulastik pivot bearing		2	
10	999 703 384 01	megulastik pivot bearing		2	
11	900 076 010 02	hexagon nut M 6		2	
12	930 356 068 02	fuel line		1	
13	930 356 081 04	fuel line		1	
13A	999 513 010 40	tie-wrap 140 MM		1	
14	911 110 197 02	fuel accumulator		1	
15	911 356 091 02	fuel line	-85	1	
15	911 356 091 02	fuel line	86-	1	
16	928 110 147 05	fuel filter		1	
17	930 356 041 01	bracket		1	
18	999 512 199 02	clamp		1	
19	999 512 235 02	hose clamp		1	

Model	Year	MG	SG	Illustration	Restrictions	UPD	7:23	23.01.2010	PORSCHE	PET	PORSCHE
911	1986	2	01	201-10		248					

Pos	Part Number	Description	Remark	Qty	Model	Pos	Part Number	Description	Remark	Qty	Model
20	999 025 108 02	washer 6,4		3							
21	901 504 859 20	rubber sleeve		3							
22	900 910 012 02	lock nut M 6		3							
23	930 356 062 01	return line		1							
24	999 511 093 02	pipe clamp		1							
25	900 187 104 02	tapping screw B 4,8 X 13		1							

Model	Year	MG	SG	Illustration	Restrictions	UPD	7:23	23.01.2010	PORSCHE	PET	PORSCHE
911	1986	2	01	201-15		248					



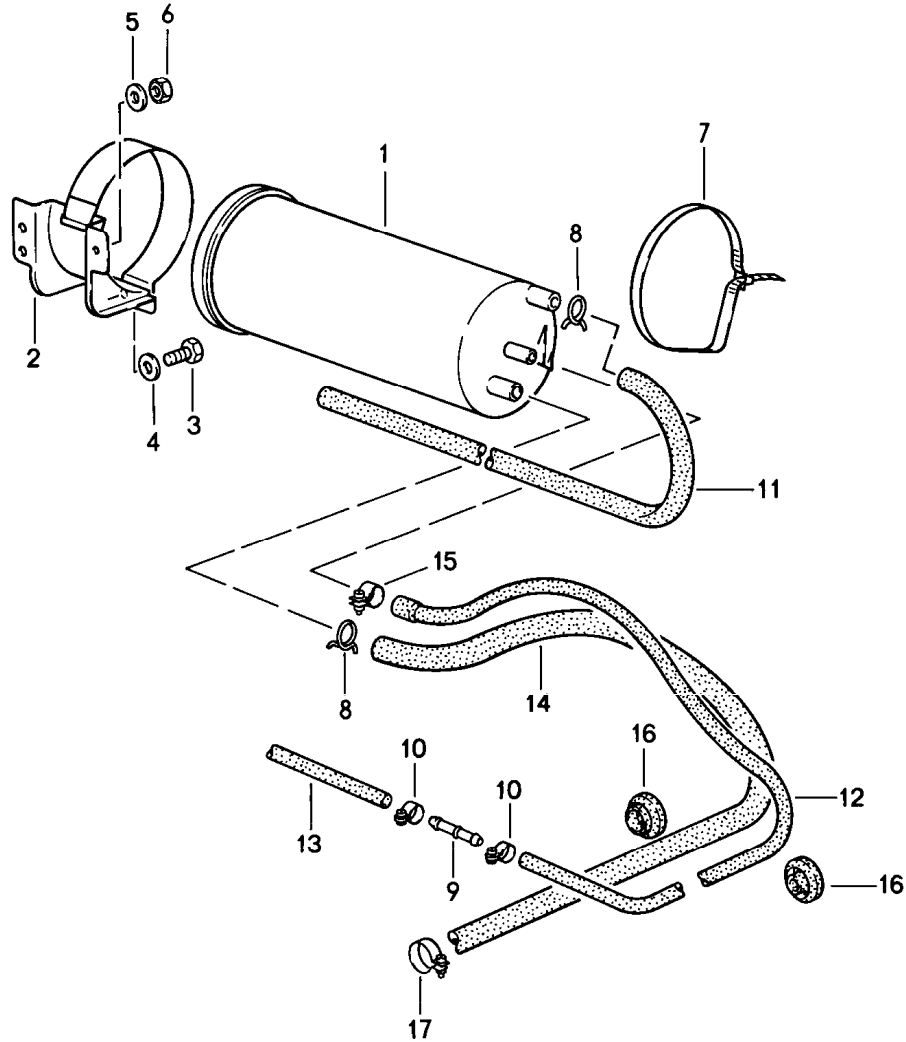
Pos	Part Number	Description	Remark	Qty	Model
		tank ventilation			
1 A	911 201 077 02	expansion tank		1	
1	911 201 077 02	expansion tank		1	
2	900 075 057 02	hexagon-head bolt M 6 X 16		1	
3	N 011 524 7	washer A 6,4		1	
4	N 012 007 02	lock ring A 6		1	
-	999 181 189 50	hose 14 X 2,5		*	
5	-	140 MM 180 MM	-84 85-	1 1	
6	911 201 287 01	hose		1	
7	999 513 003 40	tie-wrap		1	
8	911 201 381 00	expansion tank		1	
-	N 020 359 1	hose 9 X 2,5		X	
9	-	250 MM 350 MM	-84 85-	1	
10	-	390 MM		1	
11	999 512 346 00	hose clamp S 20/9 ZY		4	
12	999 512 160 02	hose clamp S13/9ZY		2	
-	N 020 361 2	hose 4 X 1,5		X	
13	-	370 MM		1	
14	-	1020 MM	/LL	1	
14	-	1170 MM	/RL	1	
15	999 512 069 02	hose clamp S8/7ZY		3	
16	911 201 157 01	sleeve		1	
17	999 659 015 40	protection cap		1	

Model	Year	MG	SG	Illustration	Restrictions	UPD	7:23	23.01.2010	PORSCHE	PET	PORSCHE
911	1986	2	01	201-15		248					

Pos	Part Number	Description	Remark	Qty	Model	Pos	Part Number	Description	Remark	Qty	Model
18	N 023 570 2	hose clamp s15/9ZY		2							
19	A 911 201 263 02	restrictor	-84	1							
19	911 201 263 02	restrictor		1							
20	111 971 911 A	rubber sleeve		1							
21	911 501 657 02	breather pipe D=5	-85	1							
22	911 501 659 01	breather pipe D=10	-85	1							

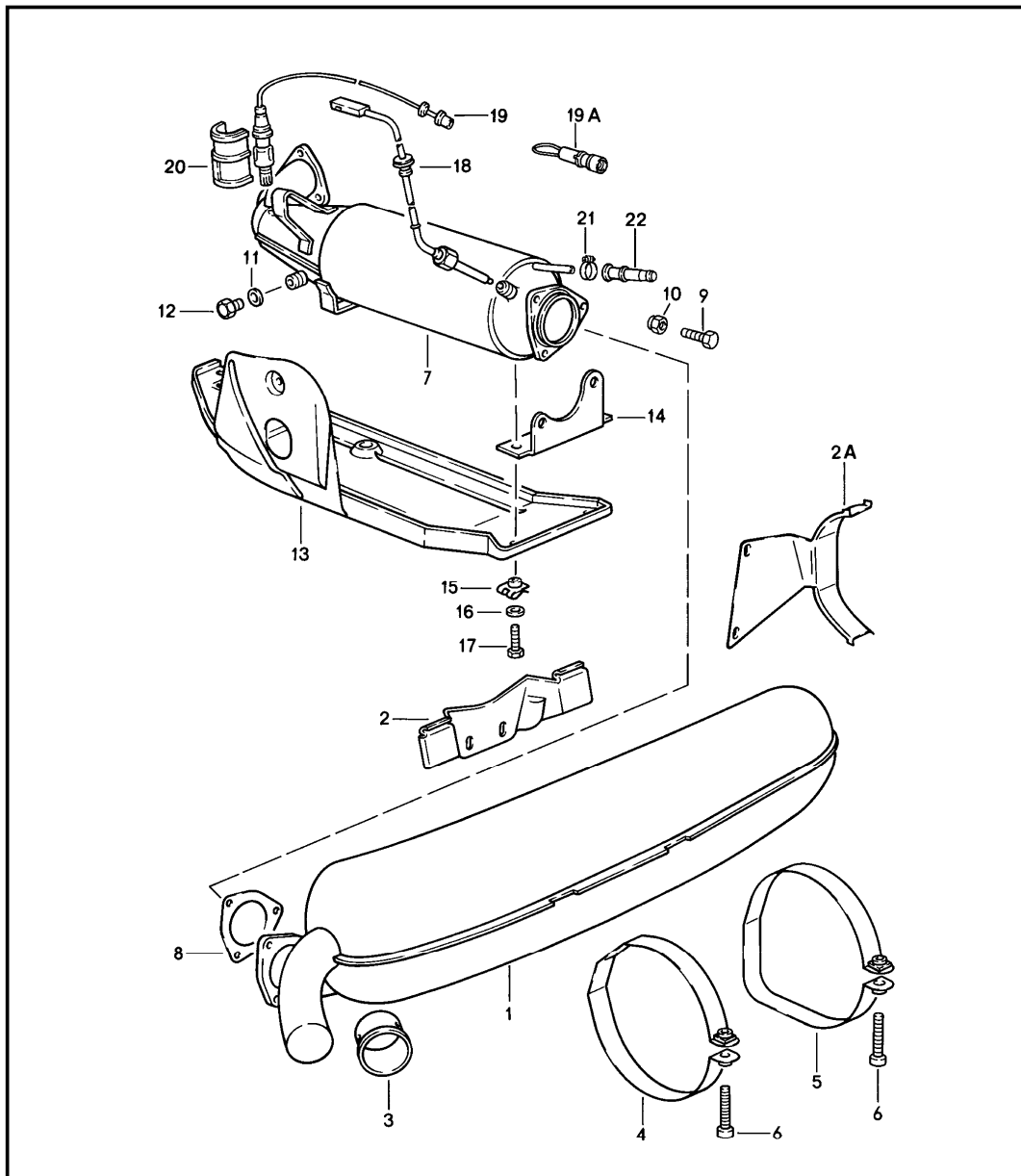


Model	Year	MG	SG	Illustration	Restrictions	UPD	7:24	23.01.2010	PORSCHE	PET	PORSCHE
911	1986	2	01	201-20		248					



Pos	Part Number	Description	Remark	Qty	Model
		carbon canister			
1	993 201 221 01	carbon canister		1	
2	928 201 015 02	bracket		1	
3	900 075 014 02	hexagon-head bolt M 6 X 25		1	
4	803 817 121	washer		1	
5	N 011 524 7	washer A 6,4		2	
6	900 910 010 09	lock nut VM 6		2	
7	N 020 906 3	tie-wrap		1	
8	999 512 265 02	hose clamp 17		1	
9	911 201 415 00	connecting piece		1	
10	900 272 001 02	hose clamp LA8-12		2	
11	477 201 747 B	hose		1	
-	N 020 361 2	hose 4 X 1,5		X	
12	-	1080 MM		1	
13	-	1980 MM		1	
-	N 020 362 1	hose 12 X 2,5		X	
14	-	1750 MM		1	CARRERA
14	-	750 MM		1	TURBO
15	N 023 577 2	hose clamp A 9 X 14ZY		1	
16	999 702 126 50	grommet		2	
17	999 512 069 02	hose clamp S8/7ZY		1	

Model	Year	MG	SG	Illustration	Restrictions	UPD	9:48	28.01.2010	PORSCHE	PET	PORSCHE
911	1986	2	02	202-00		248					

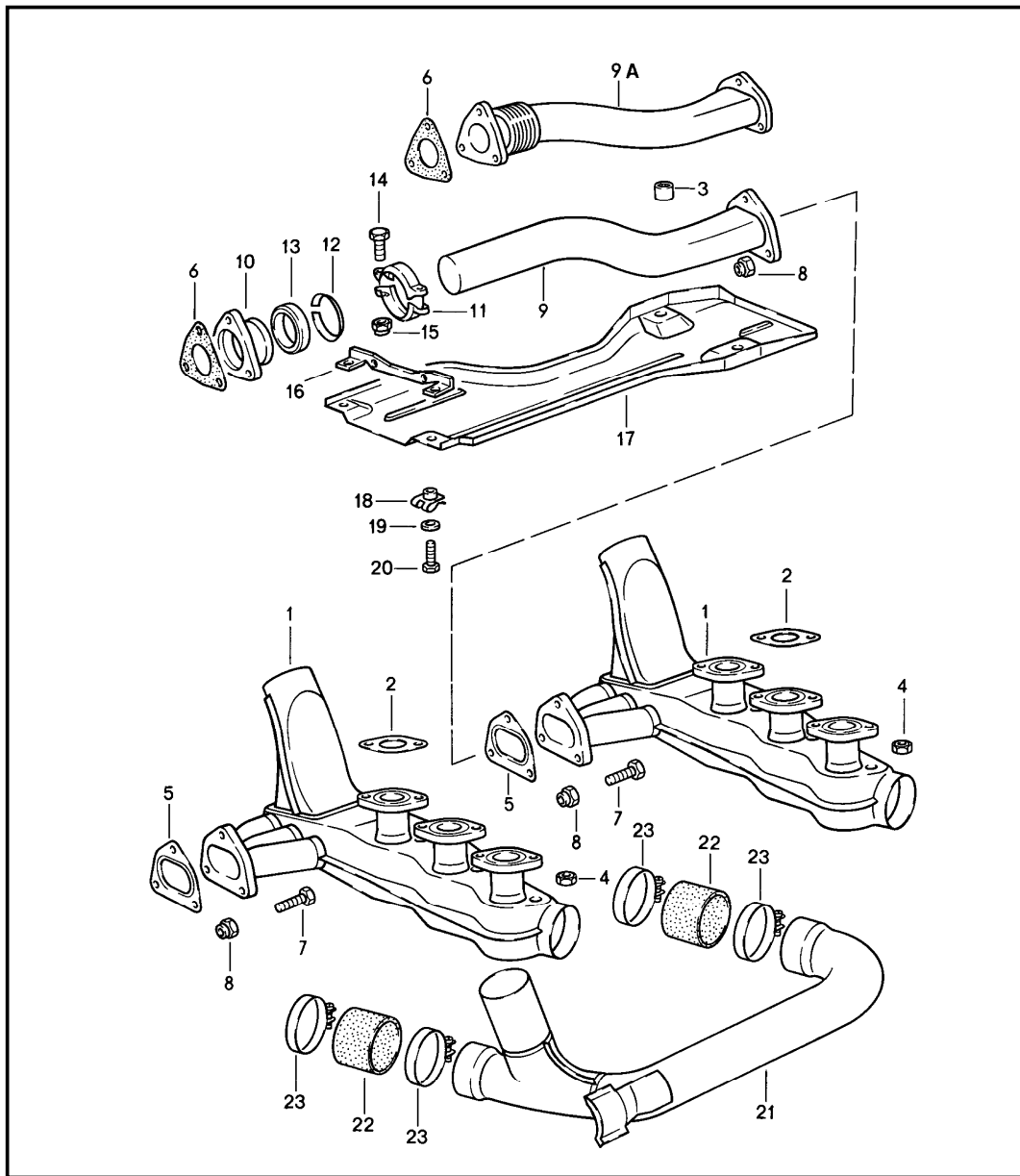


Pos	Part Number	Description	Remark	Qty	Model
		exhaust system			CARRERA
		conversion set for subsequent installation catalytic converter see group 2/98/00			
1	930 111 043 00	exhaust silencer		1	
1	930 111 043 01	exhaust silencer	(J)	1	
1	A 930 111 043 03	exhaust silencer	(AUS) (CH) (S) 85-	1	
1	930 111 043 03	exhaust silencer	(AUS) (CH) (S) 85-	1	
2	930 111 151 01	bracket		1	
2A	930 111 154 06	bracket		1	M559/573
3	911 111 245 00	ornamental exhaust pipe		1	
3	911 111 245 01	ornamental exhaust pipe	(J)	1	
4	930 111 159 00	clamp		1	
5	930 111 175 00	clamp		1	
6	900 067 161 02	pan-head screw AM10X50		2	
7	930 111 183 03	front muffler		1	
7	A 930 113 230 09	catalytic converter		-84	
7	930 113 230 15	catalytic converter		1	
7	930 113 230 25	catalytic converter		1	
7	A 930 113 230 18	catalytic converter	(J)	-84	
7	930 113 230 19	catalytic converter	(J)	1	
7	930 113 230 26	catalytic converter	(J)	1	
8	911 111 191 01	gasket		1	
8	911 111 191 02	gasket		1	
9	900 074 282 02	hexagon-head bolt M8X40		3	
10	900 910 097 02	lock nut		3	

Model	Year	MG	SG	Illustration	Restrictions	UPD	9:48	28.01.2010	PORSCHE	PET	PORSCHE
911	1986	2	02	202-00		248					

Pos	Part Number	Description	Remark	Qty	Model	Pos	Part Number	Description	Remark	Qty	Model
11	900 123 050 20	sealing ring A8X11,5		1							
12	900 083 080 00	hexagon-head bolt		1							
13	930 113 208 07	catalytic converter cover		1							
14	930 113 196 00	retaining bracket		1							
15	999 507 326 02	captive nut		4							
16	N 011 666 7	washer		4							
17	900 075 057 02	hexagon-head bolt M6X16		4							
18	911 606 115 00	temperature sensor	(J)	1							
19	928 606 124 00	oxygen sensor		1					-85		
(19)	930 606 124 00	oxygen sensor		1					86-		
20	911 606 133 00	protection plate		1							

Model	Year	MG	SG	Illustration	Restrictions	UPD	7:37	23.01.2010	PORSCHE	PET	PORSCHE
911	1986	2	02	202-05		248					

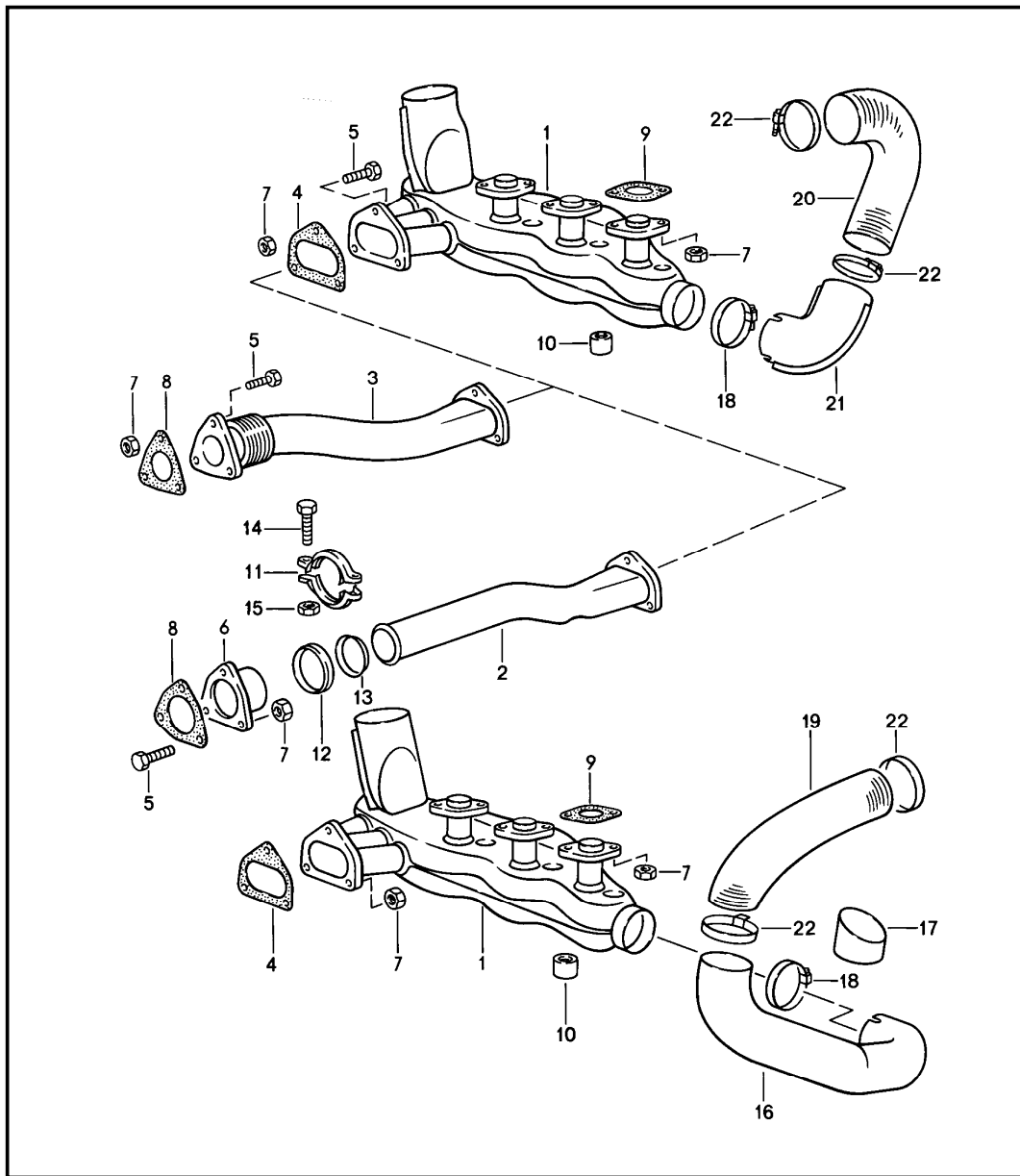


Pos	Part Number	Description	Remark	Qty	Model
		exhaust system			CARRERA
1	930 211 029 01	heat exchanger		2	
2	930 111 191 06	gasket		6	
3	999 085 001 02	socket head nut M 8		6	
4	900 076 025 02	hexagon nut M 8		6	
5	* 930 111 192 03	gasket		2	
6	930 111 193 01	gasket		1	
7	900 074 282 02	hexagon-head bolt M 8 X 40		6	
8	900 910 097 02	lock nut		6	
9	A 930 111 169 05	exhaust line		-84	1
9A	930 111 169 05	exhaust line		1	
9A	930 111 169 05	exhaust line	(J)	1	
10	930 111 157 01	compensating socket		-84	1
11	911 111 187 00	clamp		-84	2
12	911 111 188 02	support washer		-84	1
13	911 111 189 03	gasket		-84	1
14	900 074 267 02	hexagon-head bolt M 6 X 40		-84	2
15	900 910 096 02	lock nut		-84	2
16	930 111 197 03	retaining bracket	(J) (USA)	1	
17	930 111 182 02	cross tube covering	(J) (USA)	1	
18	999 507 326 02	captive nut	(J) (USA)	4	
19	N 011 666 7	washer	(J) (USA)	4	
20	900 075 057 02	hexagon-head bolt M 6 X 16	(J) (USA)	4	
21	930 211 335 00	air distributor tube		1	930.20/21
21	930 211 335 01	air distributor tube		1	930.26
22	930 211 339 01	rubber sleeve		2	

Model	Year	MG	SG	Illustration	Restrictions	UPD	7:37	23.01.2010	PORSCHE	PET	PORSCHE
911	1986	2	02	202-05		248					

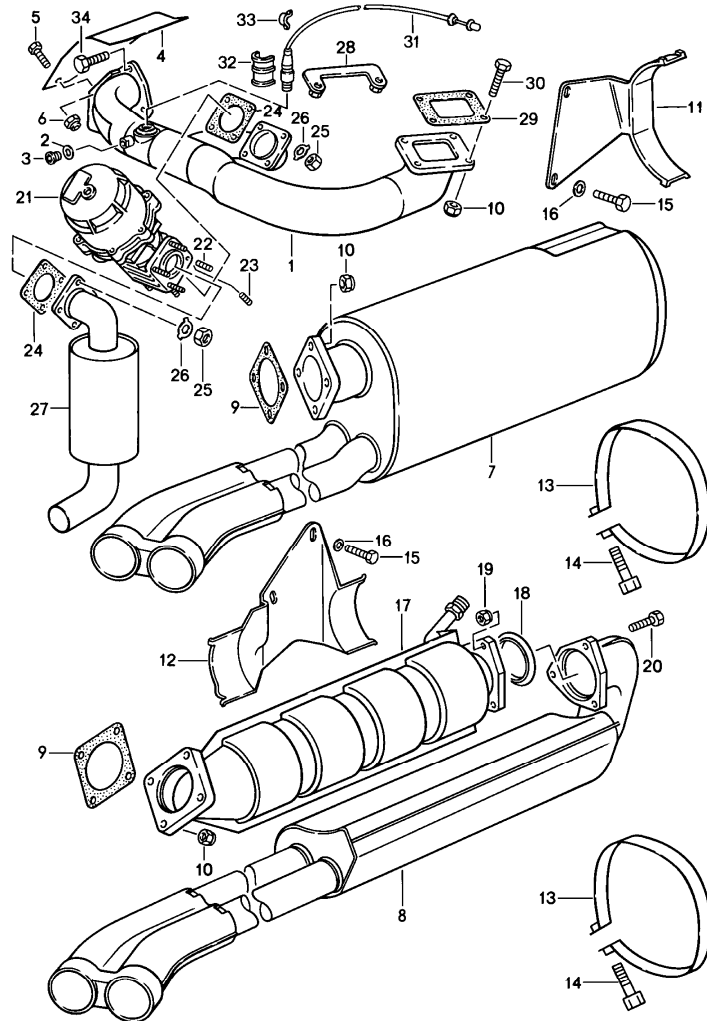
Pos	Part Number	Description	Remark	Qty	Model	Pos	Part Number	Description	Remark	Qty	Model
23	N 100 478 01	hose clamp A 9 X 71		4							

Model	Year	MG	SG	Illustration	Restrictions	UPD	7:37	23.01.2010	PORSCHE	PET	PORSCHE
911	1986	2	02	202-10		248					



Pos	Part Number	Description	Remark	Qty	Model
		exhaust system			TURBO
1	930 211 033 01	heat exchanger		2	
2	930 111 163 04	exhaust line		1	930.66
4	* 930 111 192 01	gasket	-84	2	
4	* 930 111 192 03	gasket	85-	2	
5	900 074 282 02	hexagon-head bolt M 8 X 37		9	
6	930 111 157 00	compensating socket		1	930.66
7	900 910 097 02	lock nut M 8		21	
8	* 930 111 193 01	gasket		1	
9	* 930 111 191 01	gasket		6	
10	999 085 001 02	socket head nut M 8		6	
11	930 111 187 00	clamp		2	930.66
12	* 911 111 189 03	gasket		1	930.66
13	* 930 111 156 01	support washer		1	930.66
14	900 074 283 02	hexagon-head bolt M 8 X 45		2	930.66
15	900 910 097 02	lock nut M 8		2	930.66
16	930 211 123 00	hot air line		1	
17	930 211 197 00	hose		1	
18	999 512 246 02	clamp		2	
19	930 211 196 00	heater hose	/L	1	
20	901 211 194 00	heater hose	/R	1	
21	911 211 131 00	adapter		1	
22	999 512 349 02	hose clamp		4	

Model	Year	MG	SG	Illustration	Restrictions	UPD	7:37	23.01.2010	PORSCHE	PET	PORSCHE
911	1986	2	02	202-15		248					



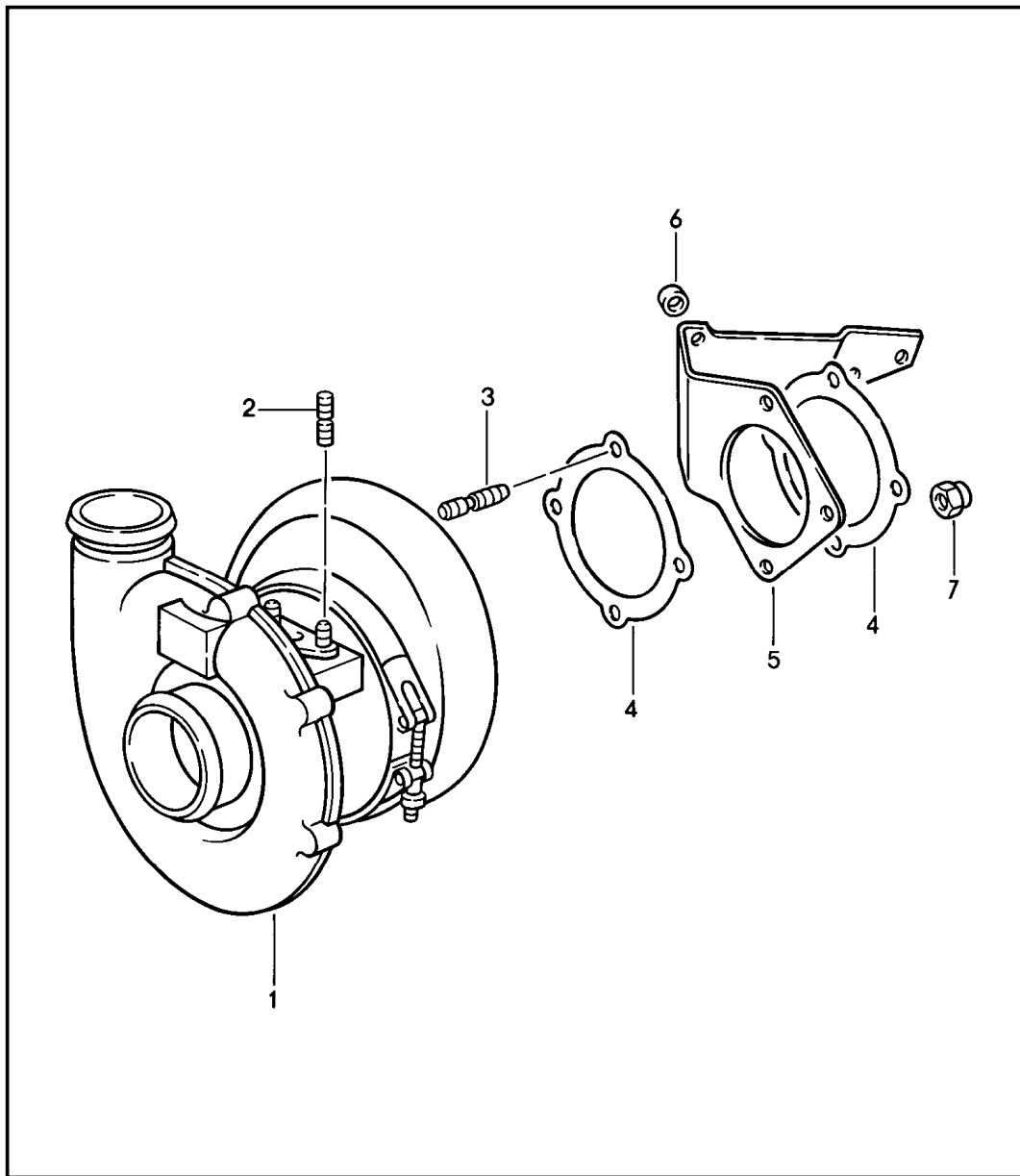
Pos	Part Number	Description	Remark	Qty	Model
		exhaust system			TURBO
1	930 111 003 04	exhaust line		1	930.66
4	930 111 128 03	heat shield		1	
5	900 075 312 02	hexagon-head bolt M 6 X 16		2	
6	900 910 096 02	lock nut M 6		2	
7	930 111 038 06	exhaust silencer		1	930.66
9	930 123 191 01	gasket		1	
10	900 910 099 02	lock nut M 10		6	
11	930 111 154 05	bracket	-84	1	930.66
11	930 111 154 06	bracket	-84	1	930.66 M559/573
11	930 111 154 06	bracket	85-	1	930.66
13	930 111 155 00	clamp		1	930.66
14	900 067 161 02	pan-head screw AM 10 X 50		2	
15	900 075 085 02	hexagon-head bolt M 8 X 20		2	
16	900 151 008 02	washer A 8,4		2	
(17)	930 111 235 01	front muffler		1	930.68 M900
21	930 123 060 12	wastegate		1	
22	900 081 048 02	stud M 8 X 25		4	
23	900 081 049 02	stud M 8 X 32		4	
24	930 123 194 01	gasket		1	
25	900 910 097 02	lock nut M 8		8	
26	999 039 001 00	tab washer		8	
27	930 123 063 01	muffler		1	

Model	Year	MG	SG	Illustration	Restrictions	UPD	7:37	23.01.2010	PORSCHE	PET	PORSCHE
911	1986	2	02	202-15		248					

Pos	Part Number	Description	Remark	Qty	Model	Pos	Part Number	Description	Remark	Qty	Model
28	930 123 114 02	supporting plate		1							
29	930 123 192 01	gasket		1							
30	900 074 284 02	hexagon-head bolt M 10 X 40		4							

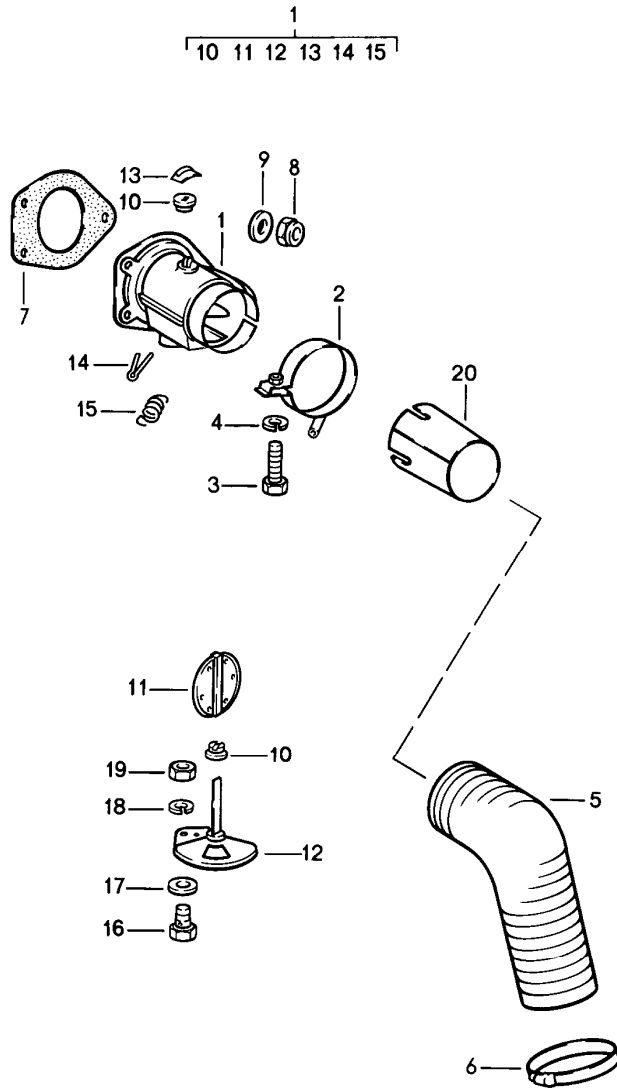


Model	Year	MG	SG	Illustration	Restrictions	UPD	7:37	23.01.2010	PORSCHE	PET	PORSCHE
911	1986	2	02	202-16		248					



Pos	Part Number	Description	Remark	Qty	Model
		turbocharger			TURBO
1	> 930 123 003 01	turbocharger		1	
2	900 081 004 02	stud M 8 X 20		4	
3	900 081 051 02	stud M 10 X 35		4	
4	* 930 123 191 01	gasket		2	
5	A 930 123 121 05	bracket		1	
5	930 123 121 05	bracket		1	
6	930 123 123 00	spacer tube		1	
7	900 910 099 02	lock nut M 10		4	

Model	Year	MG	SG	Illustration	Restrictions	UPD	7:38	23.01.2010	PORSCHE	PET	PORSCHE
911	1986	2	02	202-20		248					



Pos	Part Number	Description	Remark	Qty	Model
		heating air supply			
1	911 211 013 00	heat control box	/L	1	
(1)	911 211 014 00	heat control box	/R	1	
2	901 211 051 21	pipe clamp	/L	1	
(2)	901 211 052 21	pipe clamp	/R	1	
3	N 010 217 9	hexagon-head bolt M 6 X 20		2	
4	N 012 006 4	lock ring B 6		2	
5	930 211 622 01	connecting hose 300 MM		2	
5	930 211 622 01	connecting hose 330 MM		1	
6	999 512 349 02	hose clamp		2	
7	A 911 211 297 00	gasket	-84	2	
7	911 211 297 00	gasket	85-	2	
8	900 076 010 02	hexagon nut M 6		6	
9	N 012 226 5	spring washer B 6		6	
10	901 211 255 21	bearing		4	
11	901 211 028 22	air flap		2	
12	901 211 035 21	rotary slide	/L	1	
(12)	901 211 036 21	rotary slide	/R	1	
13	999 507 222 02	mecano-speed-fix		2	
14	N 012 530 1	cotter pin 3 X 15		2	
15	999 522 013 01	spring		2	
16	901 211 683 00	clamping screw		2	
17	N 011 522 14	washer		4	
18	900 027 011 01	lock ring B 4		2	

Model	Year	MG	SG	Illustration	Restrictions	UPD	7:38	23.01.2010	PORSCHE	PET	PORSCHE
911	1986	2	02	202-20		248					

Pos	Part Number	Description	Remark	Qty	Model	Pos	Part Number	Description	Remark	Qty	Model
19	N 011 004 6	hexagon nut M 4		2							
20	911 659 119 00	connecting piece		1	M424						

Model	Year	MG	SG	Illustration	Restrictions	UPD	7:38	23.01.2010
911	1986	2	98	298-00R		248		

Pos	Part Number	Description	Remark	Qty	Model
>>	>>930 113 911 00	repair kits conversion set for subsequent installation catalytic converter  M >> 63F 02431 M >> 63F 10325  comprising:	-85	1	CARRERA
-	930 113 230 25	catalytic converter		1	
-	911 111 191 01	gasket		1	
-	911 111 191 02	gasket		1	
-	900 074 282 02	hexagon-head bolt M 8 X 40		12	
-	900 910 097 02	lock nut		12	
-	930 111 193 01	gasket		1	
-	930 111 192 01	gasket		2	
-	930 111 191 06	gasket		3	
-	930 111 169 05	exhaust line		1	
-	999 085 001 02	socket head nut		3	
-	900 076 025 02	hexagon nut		3	
-	930 113 208 07	catalytic converter cover		1	
-	930 113 196 00	retaining bracket		1	
-	930 111 197 03	retaining bracket		1	
-	999 507 326 02	captive nut		7	
-	900 075 057 02	hexagon-head bolt M 6 X 16		7	
-	N 011 666 7	washer		7	
-	930 106 861 01	engine cover		1	
-	911 612 173 06	wiring harness		1	
-	999 513 002 40	tie-wrap		10	
-	> 911 618 111 18	control unit		1	
-	911 618 111 LX	control unit		1	
-	911 201 049 05	filler neck		1	
-	928 606 124 00	oxygen sensor		1	

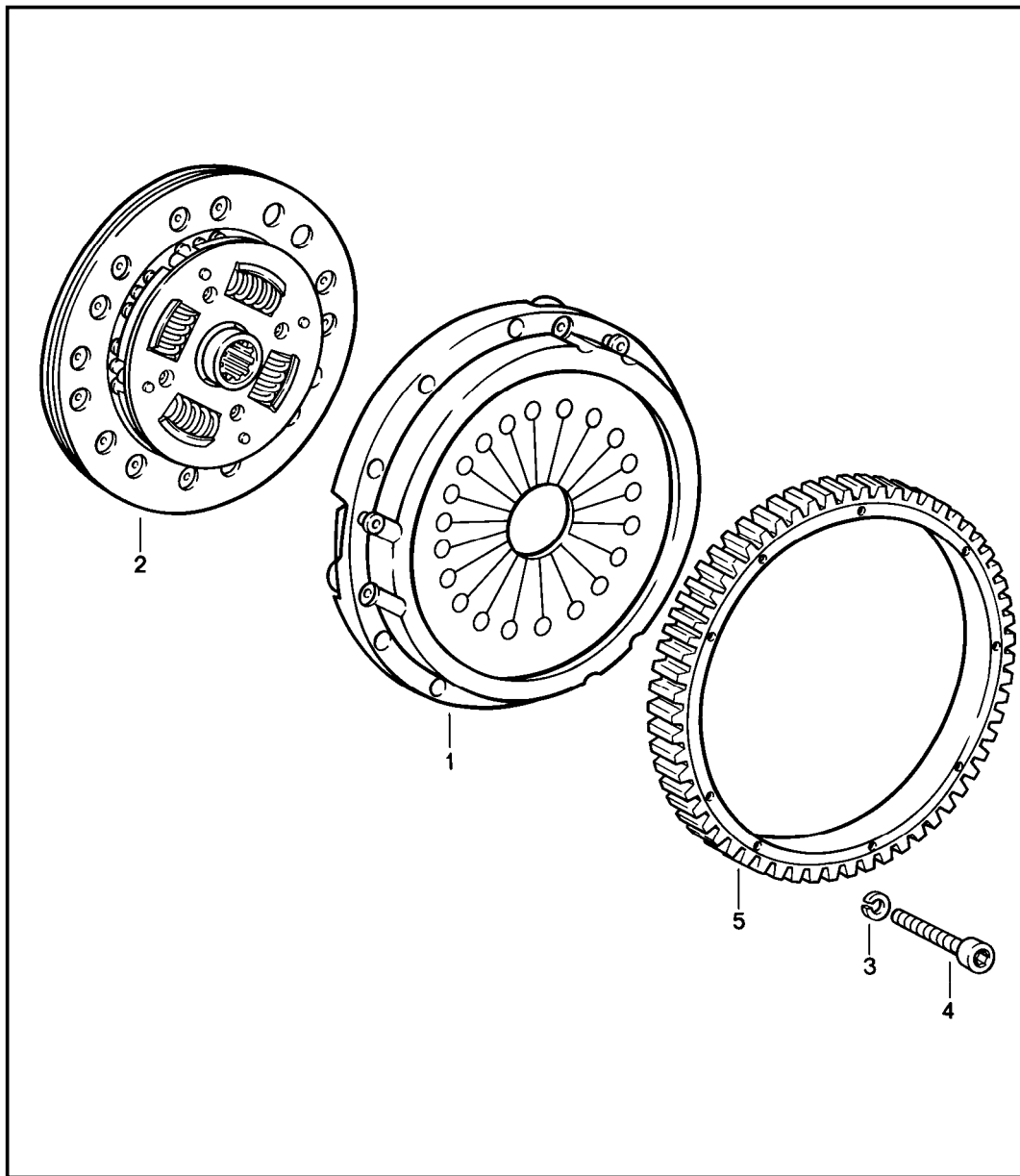
Model	Year	MG	SG	Illustration	Restrictions	UPD	7:38	23.01.2010
911	1986	2	98	298-00R		248		

Pos	Part Number	Description	Remark	Qty	Model
-	911 606 133 00	protection plate		1	
-	944 701 201 02	sticker		1	
-	911 701 241 00	sticker		1	
-	000 043 055 00	installation instructions		1	
-	900 083 080 00	hexagon-head bolt		1	
-	900 123 050 20	sealing ring		1	
>>	>>930 113 911 01	conversion set for subsequent installation catalytic converter	85	1	CARRERA
		M 63F 02432 >> M 63F 10326 >>			
		comprising:			
-	930 113 230 25	catalytic converter		1	
-	911 111 191 01	gasket		1	
-	911 111 191 02	gasket		1	
-	930 111 193 01	gasket		1	
-	930 111 192 01	gasket		1	
-	900 074 282 02	hexagon-head bolt M 8 X 40		9	
-	900 910 097 02	lock nut		9	
-	930 113 208 07	catalytic converter cover		1	
-	930 113 196 00	retaining bracket		1	
-	930 111 197 03	retaining bracket		1	
-	999 507 326 02	captive nut		7	
-	900 075 057 02	hexagon-head bolt M 6 X 16		7	
-	N 011 666 7	washer		7	
-	911 201 049 05	filler neck		1	
-	> 911 618 111 18	control unit		1	
-	911 618 111 LX	control unit		1	
-	928 606 124 00	oxygen sensor		1	
-	911 606 133 00	protection plate		1	
-	944 701 201 02	sticker		1	

Model	Year	MG	SG	Illustration	Restrictions	UPD	7:38	23.01.2010
911	1986	2	98	298-00R		248		

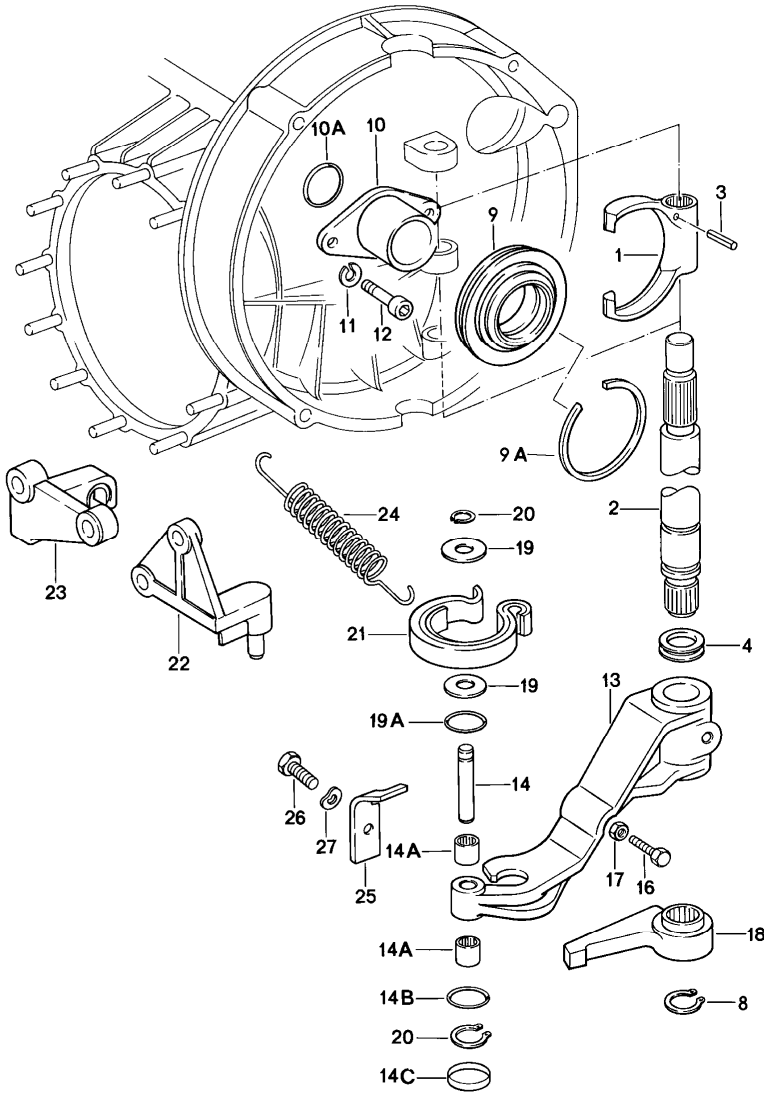
Pos	Part Number	Description	Remark	Qty	Model
-	911 701 241 00	sticker		1	
-	000 043 056 00	installation instructions		1	
-	900 083 080 00	hexagon-head bolt		1	
-	900 123 050 20	sealing ring		1	
>>	>>930 113 911 02	conversion set for subsequent installation catalytic converter	86-	1	CARRERA
		comprising:			
-	930 113 230 25	catalytic converter		1	
-	911 111 191 01	gasket		1	
-	911 111 191 02	gasket		1	
-	930 111 193 01	gasket		1	
-	930 111 192 01	gasket		1	
-	900 074 282 02	hexagon-head bolt M 8 X 40		9	
-	900 910 097 02	lock nut		9	
-	930 113 208 07	catalytic converter cover		1	
-	930 113 196 00	retaining bracket		1	
-	930 111 197 03	retaining bracket		1	
-	999 507 326 02	captive nut		7	
-	900 075 057 02	hexagon-head bolt M 6 X 16		7	
-	N 011 666 7	washer		7	
-	911 201 049 05	filler neck		1	
-	930 606 124 00	oxygen sensor		1	
-	911 606 133 00	protection plate		1	
-	944 701 201 02	sticker		1	
-	911 701 241 00	sticker		1	
-	000 043 057 00	installation instructions		1	
-	900 083 080 00	hexagon-head bolt		1	
-	900 123 050 20	sealing ring		1	

Model	Year	MG	SG	Illustration	Restrictions	UPD	7:38	23.01.2010	PORSCHE	PET	PORSCHE
911	1986	3	01	301-00		248					



Pos	Part Number	Description	Remark	Qty	Model
		clutch			
1	> 915 116 001 27	pressure plate		1	CARRERA
1	> 930 116 021 03	pressure plate		1	TURBO
2	915 116 011 22	clutch plate		1	CARRERA
2	A 930 116 049 14	clutch plate		1	TURBO
2	A 950 116 012 51	clutch plate		1	TURBO
3	900 027 015 02	lock ring B 8		9	CARRERA
3	N 012 241 8	spring washer B 8		9	TURBO
4	900 067 090 02	pan-head screw M 8 X 42		9	CARRERA
4	900 074 136 02	hexagon-head bolt M 8 X 80		9	TURBO
5	911 116 239 00	starter ring		1	CARRERA
5	930 116 230 02	starter ring		1	TURBO
-	915 116 911 00	repair kit for clutch		1	CARRERA
-	A 930 116 911 00	repair kit for clutch		1	TURBO

Model	Year	MG	SG	Illustration	Restrictions	UPD	7:38	23.01.2010	PORSCHE	PET	PORSCHE
911	1986	3	01	301-05		248					



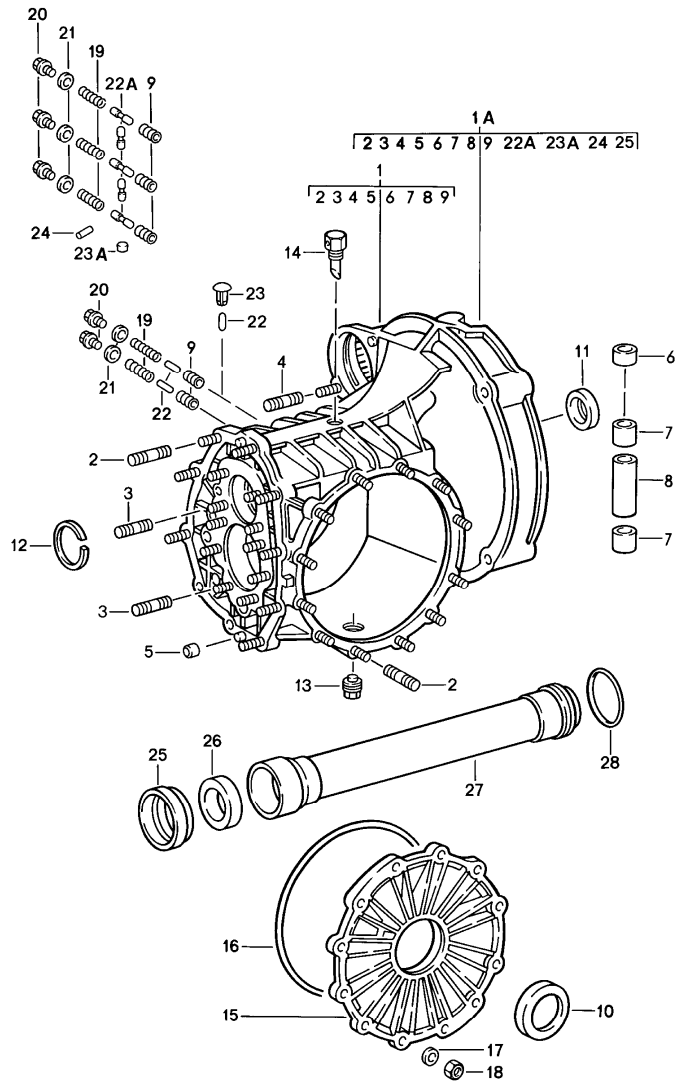
Pos	Part Number	Description	Remark	Qty	Model
		clutch release			
1	915 116 712 01	release fork		1	CARRERA
1	930 116 712 02	release fork		1	TURBO
2	915 116 133 05	bellcrank		1	CARRERA
2	930 116 133 04	bellcrank		1	TURBO
3	900 095 050 00	tensioning sleeve		1	
4	915 301 139 00	sealing ring		3	CARRERA
4	930 301 139 00	sealing ring		2	TURBO
4	930 301 140 00	sealing ring		2	TURBO
8	N 012 418 1	circlip 18 X 1,2		1	
9	915 116 082 80	clutch release bearing		1	CARRERA
9	930 116 081 11	clutch release bearing		1	TURBO
9A	999 152 073 01	circlip SW 50		1	CARRERA
10	930 116 813 00	guide tube		1	TURBO
10	915 116 087 04	guide tube		1	CARRERA
10A	999 701 359 40	o-ring 40 X 1,5		1	CARRERA
11	N 012 006 4	lock ring B 6		2	TURBO
12	900 119 091 02	pan-head screw M 6 X 15		2	TURBO
12	900 270 055 02	countersunk-head screw M 6 X 14		2	CARRERA
13	930 116 713 06	clutch release lever		1	TURBO
13	915 116 713 06	clutch release lever		1	CARRERA
14	915 116 624 00	bolt		1	CARRERA
14A	999 201 212 00	needle sleeve		2	CARRERA
14B	900 234 502 01	support washer		1	CARRERA
14C	900 036 016 02	lid		1	CARRERA
16	930 116 701 00	adjusting screw		1	CARRERA



Model	Year	MG	SG	Illustration	Restrictions	UPD	7:38	23.01.2010	PORSCHE	PET	PORSCHE
911	1986	3	01	301-05		248					

Pos	Part Number	Description	Remark	Qty	Model	Pos	Part Number	Description	Remark	Qty	Model
16	900 075 033 02	hexagon-head bolt M 8 X 40		1	TURBO						
17	N 011 118 11	hexagon nut M 8		1							
18	915 116 717 00	change lever		1	CARRERA						
18	930 116 717 02	change lever		1	TURBO						
19	930 116 617 00	washer		1	CARRERA						
19A	999 701 209 40	o-ring		1	CARRERA						
20	N 012 408 2	circlip 8 X 0,8		2	CARRERA						
21	915 116 064 01	spring		1	CARRERA						
21	930 116 064 09	spring		1	TURBO						
22	915 116 070 00	bearing bracket		1	CARRERA						
22	930 116 611 06	bearing bracket		1	TURBO						
23	915 116 613 01	support		1	CARRERA						
24	915 116 614 02	tension spring		1							
25	930 116 714 06	spring hanger		1	TURBO						
26	900 075 087 02	hexagon-head bolt M 8 X 16		1	TURBO						
27	N 012 241 8	spring washer B 8		1	TURBO						
-	999 701 482 40	o-ring		2	TURBO						

Model	Year	MG	SG	Illustration	Restrictions	UPD	7:38	23.01.2010	PORSCHE	PET	PORSCHE
911	1986	3	02	302-00		248					



Pos	Part Number	Description	Remark	Qty	Model
-	> 930 300 010 34	replacement transmission transmission case		1	930/34
-	> 930 300 911 34	manual transmission 4-speed ready for installation limited-slip differential		1	930/34.12
-	930 300 010 35	manual transmission 4-speed ready for installation	(CH)	1	930/35
-	930 300 911 35	manual transmission 4-speed ready for installation limited-slip differential	(CH)	1	930/35.12
-	> 930 300 010 36	manual transmission 4-speed ready for installation		1	930/36
-	> 930 300 020 36	manual transmission 4-speed ready for installation limited-slip differential		1	930/36.12
-	930 300 010 37	manual transmission 4-speed ready for installation	(CH)	1	930/37
-	930 300 020 37	manual transmission 4-speed ready for installation limited-slip differential	(CH)	1	930/37.12
-	> 915 300 010 67	manual transmission 5-speed ready for installation		1	915/67
-	> 915 300 020 67	manual transmission 5-speed ready for installation limited-slip differential		1	915/67.12
-	915 300 010 68	manual transmission 5-speed ready for installation	(J)	1	915/68
-	915 300 020 68	manual transmission 5-speed ready for installation limited-slip differential	(J)	1	915/68.12

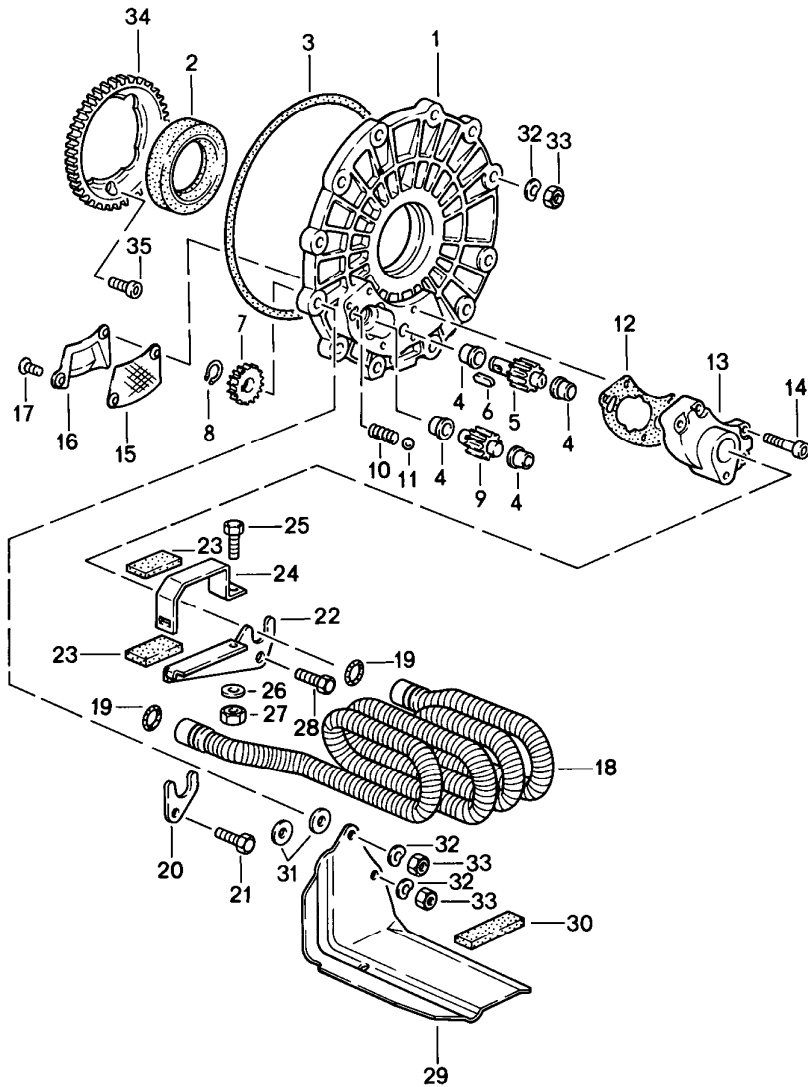
Model	Year	MG	SG	Illustration	Restrictions	UPD	7:38	23.01.2010	PORSCHE	PET	PORSCHE
911	1986	3	02	302-00		248					

Pos	Part Number	Description	Remark	Qty	Model	Pos	Part Number	Description	Remark	Qty	Model
-	915 300 010 69	manual transmission 5-speed ready for installation		1	915/69	3	999 062 008 02	stud M 8 X 25		4	TURBO
-	915 300 020 69	manual transmission 5-speed ready for installation limited-slip differential		1	915/69.12	3	999 062 073 02	stud BM 8 X 15		10	CARRERA
-	915 300 010 70	manual transmission 5-speed ready for installation		1	915/70	-	930 301 141 00	bolt		1	TURBO
-	915 300 020 70	manual transmission 5-speed ready for installation limited-slip differential		1	915/70.12	-	900 061 057 02	stud BM 8 X 15		1	TURBO
-	915 300 010 72	manual transmission 5-speed ready for installation		1	915/72	4	999 062 182 02	stud M 10 X 25		1	
-	915 300 001 X	manual transmission 5-speed ready for installation		1	915/72	5	900 012 110 00	straight pin 10 M 6 X 14		2	
-	915 300 020 72	manual transmission 5-speed ready for installation limited-slip differential		1	915/72.12	6	915 301 119 00	bearing sleeve with bearing		1	
-	915 300 010 73	manual transmission 5-speed ready for installation		1	915/73	7 A	915 301 129 00	bush		2	CARRERA
-	915 300 020 73	manual transmission 5-speed ready for installation limited-slip differential		1	915/73.12	7	915 301 129 01	bush		2	CARRERA
1	915 301 901 06	transmission case		1	CARRERA	7	999 531 010 00	bush		2	TURBO
1A	930 301 901 02	transmission case		1	TURBO	8	915 301 133 00	pipe		1	CARRERA
2	999 062 139 02	stud M 8 X 26		16		9	999 504 047 00	threaded insert		3	
2	999 062 009 02	stud M 8 X 28		8	TURBO	10	999 113 183 40	radial shaft seal		2	
2	999 062 098 02	stud M 8 X 38		4	CARRERA	11	999 113 327 40	shaft sealing ring		1	CARRERA
3	999 062 006 02	stud M 8 X 20		6	TURBO	12	999 152 055 01	circlip SB 55		1	CARRERA
						13	999 064 020 02	screw plug with magnet M 24 X 1,5		1	
						14	904 301 071 00	bleeder		1	
						15	915 301 311 06	transmission cover lateral		1	915/68/70/73
						15	930 301 311 02	transmission cover lateral		1	930/34/35 36/37
						(15)	915 301 311 11	transmission cover lateral		1	915/67/69/72
						16	999 701 392 40	o-ring		1	CARRERA
						16	999 701 437 40	o-ring		1	TURBO

Model	Year	MG	SG	Illustration	Restrictions	UPD	7:38	23.01.2010	PORSCHE	PET	PORSCHE
911	1986	3	02	302-00		248					

Pos	Part Number	Description	Remark	Qty	Model	Pos	Part Number	Description	Remark	Qty	Model
17	N 012 241 8	spring washer B 8		12							
18	900 076 025 02	hexagon nut M 8		12							
19	915 303 232 00	spring		2							
20	900 075 352 02	hexagon-head bolt M 10 X 8		2							
21	900 123 066 30	sealing ring A 10 X 16		2	CARRERA						
22	915 303 131 00	detent		4							
22A	930 303 131 00	detent		2							
23	915 301 126 00	locking bolt		1	CARRERA						
23A	999 501 028 30	stopper		1	TURBO						
24	900 308 026 00	roll pin 3,5 X 22		2	TURBO						
25	930 301 133 00	guide ring		1	TURBO						
26	930 302 332 00	shaft sealing ring		1	TURBO						
27	930 302 053 00	pipe		1	TURBO						
28	999 701 440 40	o-ring		1	TURBO						

Model	Year	MG	SG	Illustration	Restrictions	UPD	7:39	23.01.2010	PORSCHE	PET	PORSCHE
911	1986	3	02	302-01		248					

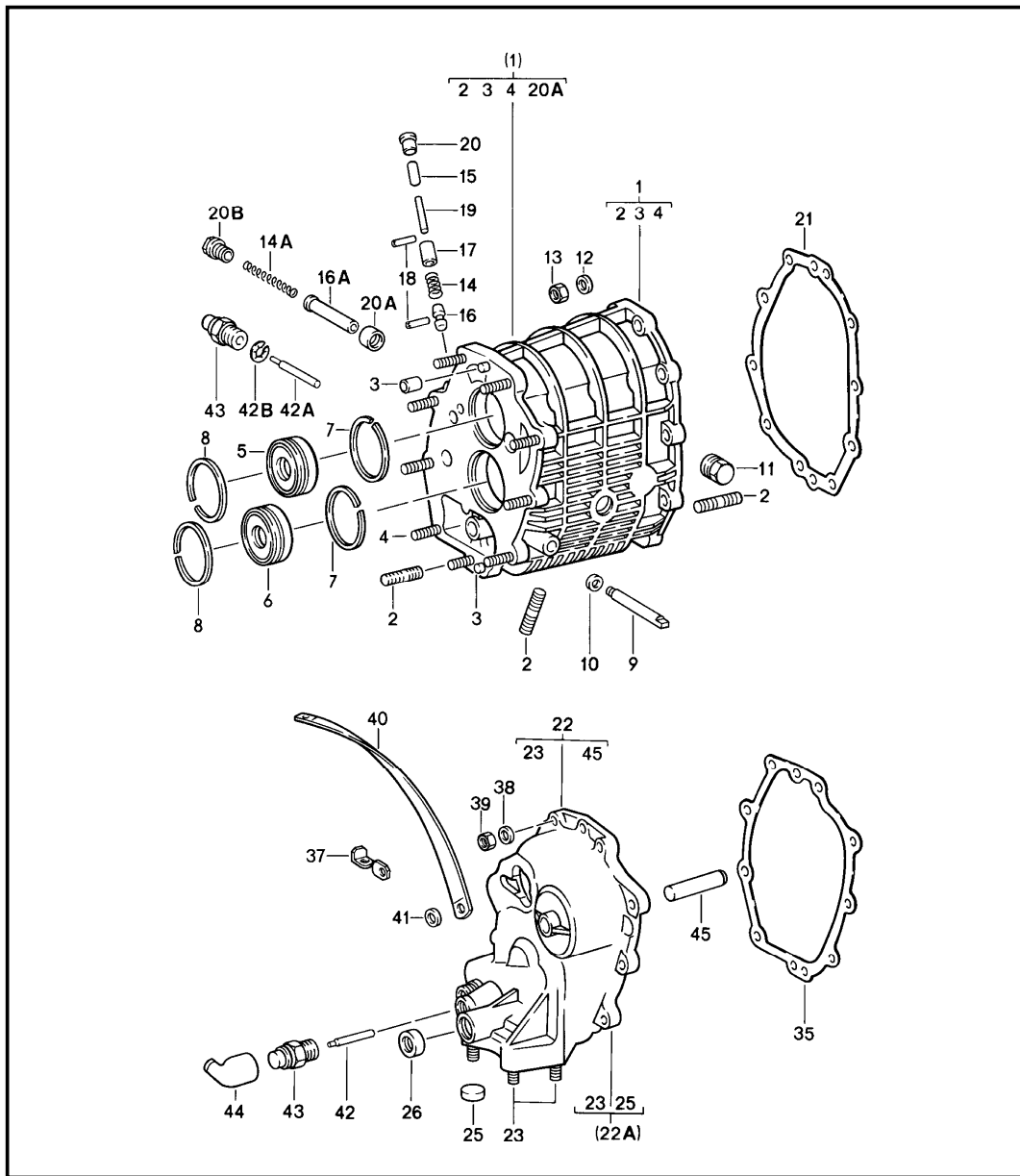


Pos	Part Number	Description	Remark	Qty	Model
		oil pump and oil cooling for transmission			CARRERA
1	915 301 311 11	transmission cover lateral		1	
2	999 113 183 40	radial shaft seal		1	
3	999 701 392 40	o-ring		1	
4	930 307 243 00	bearing sleeve		4	
5	930 307 240 00	oil pump gear		1	
6	900 117 069 00	woodruff key A4X4X8		1	
7	937 307 246 00	drive wheel		1	
8	900 041 005 01	circlip 12X1		1	
9	930 307 241 00	oil pump gear		1	
10	930 307 321 00	compression spring		1	
11	N 025 667 2	ball 01-9 MM		1	
12	915 307 311 11	gasket		1	
13	915 307 053 01	lid		1	
14	900 067 089 02	pan-head screw M6X25		5	
15	915 307 323 10	strainer		1	
16	915 307 325 10	heat shield		1	
17	900 249 008 02	countersunk-head screw M6X12		2	
18	915 307 029 11	radiator coil		1	
19	900 174 033 40	round seal 18X2,5		2	
20	915 307 387 00	connecting flange		1	
21	900 075 057 02	hexagon-head bolt M6X16		1	
22	915 307 389 01	retaining bracket		1	

Model	Year	MG	SG	Illustration	Restrictions	UPD	7:39	23.01.2010	PORSCHE	PET	PORSCHE
911	1986	3	02	302-01		248					

Pos	Part Number	Description	Remark	Qty	Model	Pos	Part Number	Description	Remark	Qty	Model
23	915 307 381 00	rubber		2							
24	915 307 383 00	retaining bar		1							
25	999 072 005 09	hexagon-head bolt M6X12		1							
26	N 011 524 7	washer A6,4		1							
27	900 076 010 02	hexagon nut M6		1							
28	900 075 087 02	hexagon-head bolt M8X16		1							
29	915 307 391 11	protective plate		1							
30	915 307 393 10	rubber		1							
31	N 900 333 02	washer 8,4X20X2,5		4							
32	N 012 241 8	spring washer B8		12							
33	900 076 025 02	hexagon nut M8		12							
34	915 307 327 11	drive wheel		1							
35	900 119 011 02	pan-head screw M5X10		2							

Model	Year	MG	SG	Illustration	Restrictions	UPD	7:39	23.01.2010	PORSCHE	PET	PORSCHE
911	1986	3	02	302-05		248					



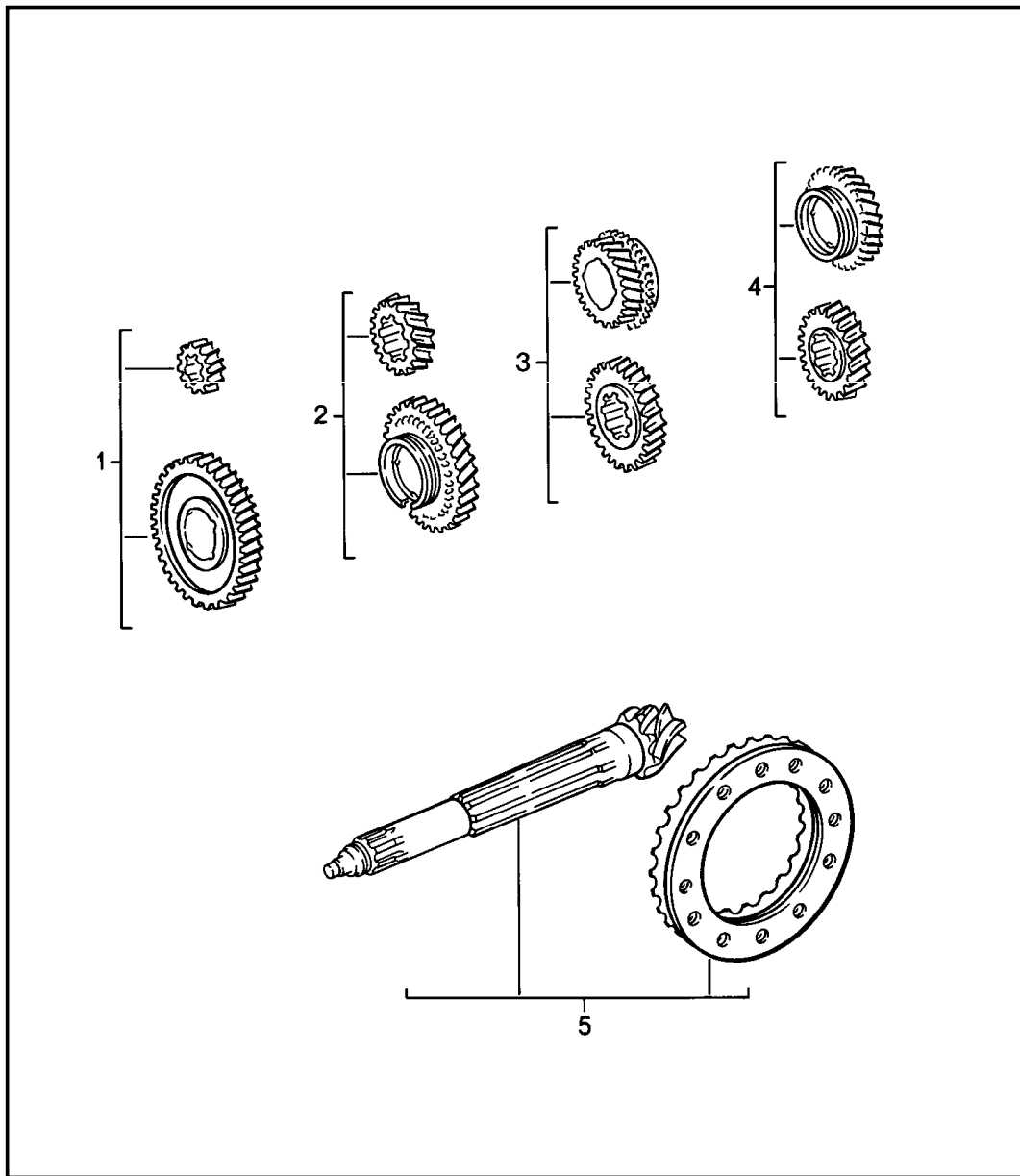
Pos	Part Number	Description	Remark	Qty	Model
		gear housing transmission cover			
1	915 301 902 00	gear housing		1	CARRERA 915/68/70/73
1	915 301 902 01	gear housing		1	CARRERA 915/67/69/72
1	930 301 911 00	gear housing		1	TURBO
2	999 062 139 02	stud M 8 X 26		14	
2	999 062 007 02	stud M 8 X 22		1	TURBO
2	999 062 052 02	stud M 8 X 42		1	TURBO
2	999 062 010 02	stud M 8 X 35		3	TURBO
3	900 012 110 00	straight pin 10M 6 X 14		2	
4	999 062 044 02	stud M 8 X 30		1	CARRERA
4	999 062 009 02	stud M 8 X 28		1	TURBO
5	999 110 025 00	cylindrical-roller bearing		1	
6	915 302 399 05	cylindrical-roller bearing		1	CARRERA
6	915 302 399 06	cylindrical-roller bearing		1	CARRERA
6	999 110 076 00	cylindrical-roller bearing		1	TURBO
7	900 111 001 00	circlip SP 62		2	
8	999 152 031 01	circlip SB 68		2	
9	914 301 307 00	bolt for reverse lever		1	
10	900 025 007 02	washer 8,4		1	
11	999 064 019 02	screw plug		1	CARRERA
11	900 064 009 02	screw plug		1	TURBO

Model	Year	MG	SG	Illustration	Restrictions	UPD	7:39	23.01.2010	PORSCHE	PET	PORSCHE
911	1986	3	02	302-05		248					

Pos	Part Number	Description	Remark	Qty	Model	Pos	Part Number	Description	Remark	Qty	Model
12	N 012 241 8	spring washer B 8		10	CARRERA	39	900 076 025 02	hexagon nut M 8		10	
13	900 076 025 02	hexagon nut M 8		10	CARRERA	40	999 611 920 20	ground strap		1	
14	915 303 232 00	spring		1	CARRERA	41	999 151 022 02	washer 20 X 8,4 X 2		2	
14A	930 303 230 08	spring		1	TURBO	42	915 303 145 00	cam follower		1	CARRERA
15	915 303 131 00	detent		1	CARRERA	42A	930 303 175 01	pin		1	TURBO
16	915 303 130 00	detent		1	CARRERA	42B	999 041 503 01	locking ring		1	TURBO
16A	930 303 135 01	detent		1	TURBO	43	914 613 541 02	back-up light switch		1	
17	915 303 135 00	sleeve		1	CARRERA	44	914 613 491 00	rubber cap		1	CARRERA
18	900 308 009 00	spiral clamping pin 3,5 X 18		2	CARRERA	45	930 302 228 00	bolt		1	TURBO
19	915 303 271 00	pin		1	CARRERA						
20	915 301 126 00	locking bolt		1	CARRERA						
20A	999 504 107 00	threaded insert		1	TURBO						
20B	930 303 253 01	screw plug		1	TURBO						
21	915 301 191 00	gasket		1	CARRERA						
21	930 301 191 00	gasket		1	TURBO						
22	930 301 903 00	transmission cover		1	TURBO						
22A	915 301 903 03	transmission cover		1	CARRERA						
23	999 062 005 02	stud M 8 X 20		4	CARRERA						
23	999 062 007 02	stud M 8 X 22		4	TURBO						
25	999 703 385 40	stopper		1	CARRERA						
26	999 113 185 40	shaft sealing ring		1							
35	915 301 351 00	gasket		1	CARRERA						
35	930 301 351 00	gasket		1	TURBO						
37	915 301 369 00	clip		1							
38	N 012 241 8	spring washer B 8		10							

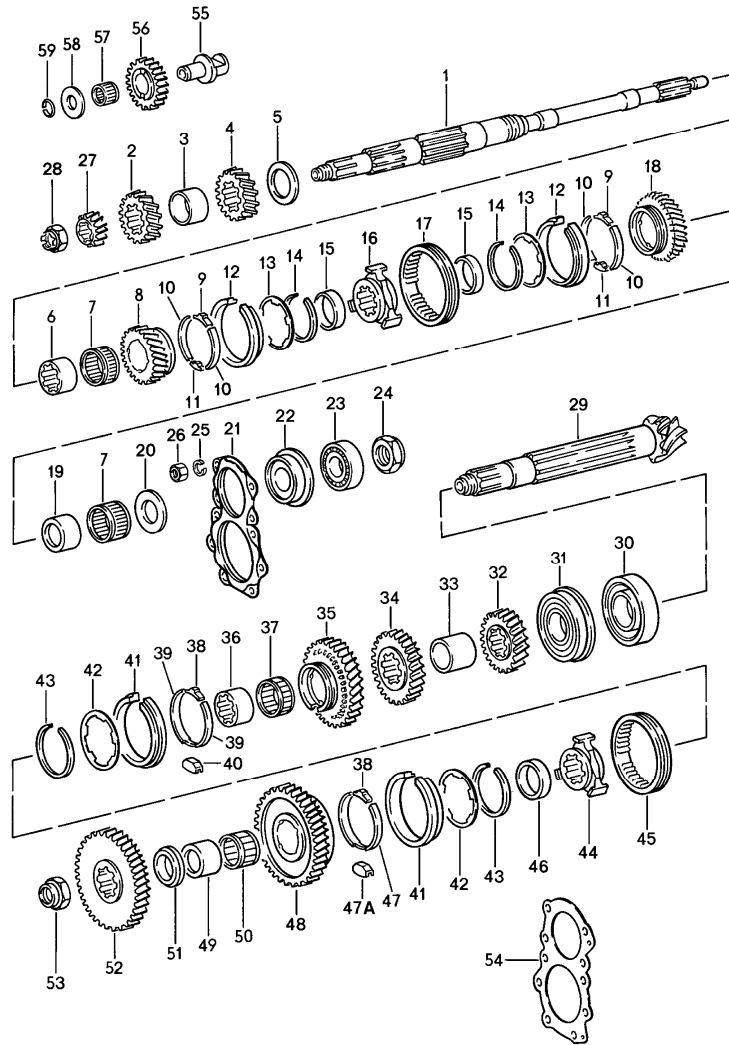


Model	Year	MG	SG	Illustration	Restrictions	UPD	7:39	23.01.2010	PORSCHE	PET	PORSCHE
911	1986	3	03	303-00		248					



Pos	Part Number	Description	Remark	Qty	Model
1	930 302 901 06	gear wheel sets 4-speed gear set 1st gear Z = 16:36 (FA)		1	
2	930 302 902 04	gear set 2nd gear Z = 23:30 (NU)		1	930/34/36
2	930 302 902 05	gear wheel pair 2nd gear Z=24:30	(CH)	1	930/35/37
3	930 302 903 02	gear set 3rd gear Z = 28:25 (SP)		1	
4	930 302 904 03	gear set 4th speed Z = 32:20 (WK)		1	
5	930 302 911 01	ring gear and pinion shaft 9:38		1	

Model	Year	MG	SG	Illustration	Restrictions	UPD	7:39	23.01.2010	PORSCHE	PET	PORSCHE
911	1986	3	03	303-05		248					

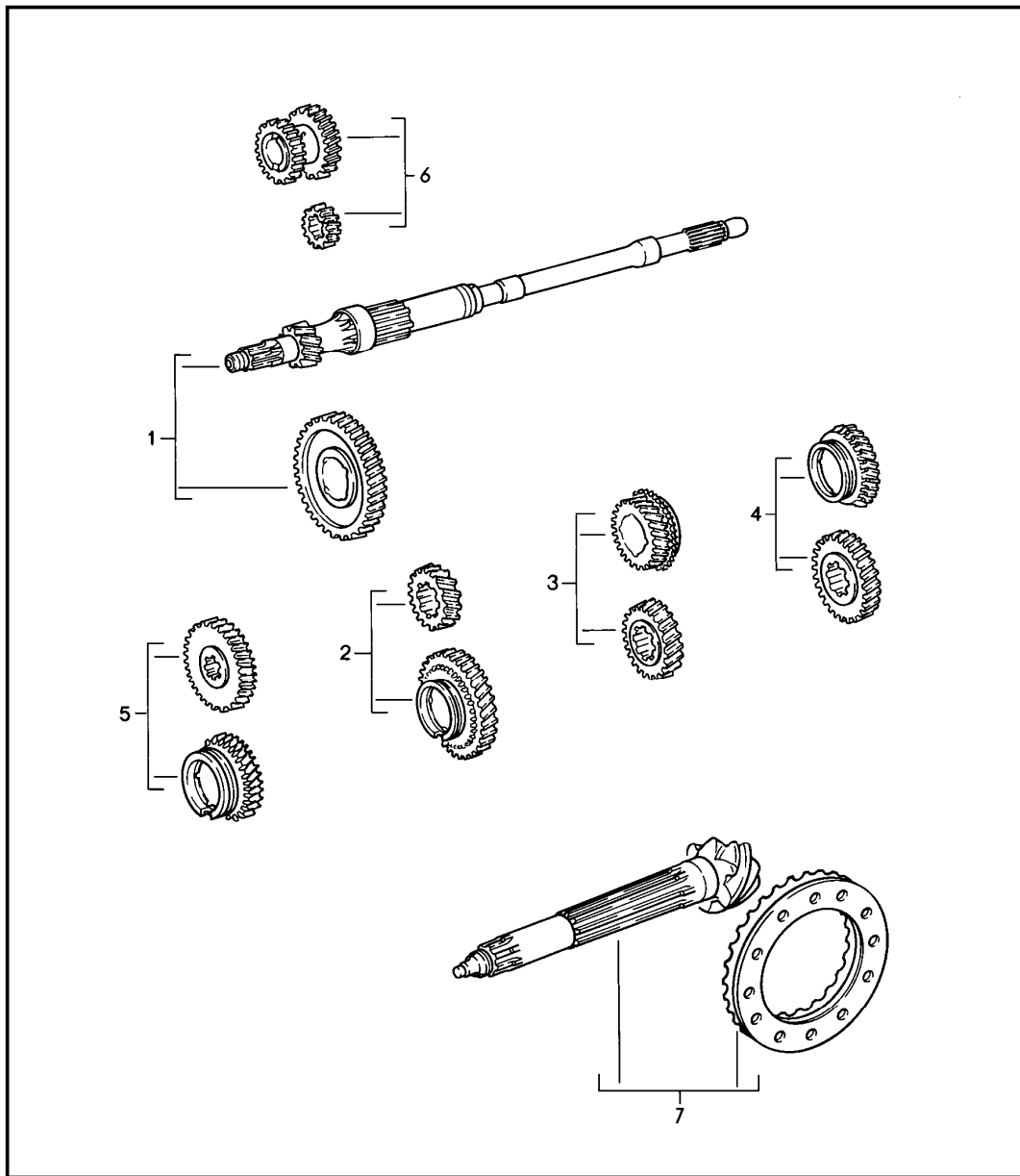


Pos	Part Number	Description	Remark	Qty	Model
		gears and shafts 4-speed			
		gear wheel sets see group 3/03/00			
1	930 302 101 01	drive shaft		1	
2	-	fixed gear wheel 1st gear		1	
3	930 302 265 00	spacer sleeve		1	
4	-	fixed gear wheel 2nd gear		1	
5	930 302 293 00	thrust washer		1	
6	930 302 263 00	bush 3rd gear		1	
7	999 201 470 00	needle cage		2	
8	-	loose gear wheel 3rd gear		1	
9	930 302 325 00	stone 3rd/4th gear		2	
10 A	911 302 316 00	brake band		4	
10	911 302 316 08	brake band 3rd/4th gear		4	
11	911 302 317 01	stop 3rd/4th gear		2	
12	930 302 303 00	synchroniser ring 3rd/4th gear		2	
13	930 302 311 00	lock washer		2	
14	930 302 313 01	circlip		2	
15	930 302 274 00	spacer ring		2	
16	930 302 402 00	guide sleeve		1	
17	911 302 411 20	shift sleeve		1	
18	-	loose gear wheel 4th speed		1	
19	930 302 264 00	bush 4th speed		1	

Model	Year	MG	SG	Illustration	Restrictions	UPD	7:39	23.01.2010	PORSCHE	PET	PORSCHE
911	1986	3	03	303-05		248					

Pos	Part Number	Description	Remark	Qty	Model	Pos	Part Number	Description	Remark	Qty	Model
20	930 302 291 00	thrust washer		1		41	930 302 301 00	synchroniser ring		2	
21	930 302 121 00	tensioning plate		1		42	930 302 331 00	lock washer		2	
22	999 052 030 00	four-point bearing		1		43	930 302 333 01	circlip		2	
23	930 302 391 00	cylindrical-roller bearing		1		44	930 302 401 00	guide sleeve		1	
23	930 302 391 01	cylindrical-roller bearing		1		45	930 302 411 01	shift sleeve		1	
24	930 302 281 00	collar nut		1		46	930 302 271 00	spacer ring		1	
25	900 027 015 02	lock ring		10		47	928 302 319 08	double barricade tape 1st gear		1	
26	900 076 025 02	hexagon nut M 8		10		47A	928 302 320 01	stop 1st gear		1	
27	930 302 221 00	reverse gear wheel		1		48	-	loose gear wheel 1st gear		1	
28	930 302 451 00	collar nut		1		49	930 302 261 00	inner ring		1	
29	-	drive shaft		1		50	999 201 156 00	needle cage		1	
30	A 999 110 146 00	cylindrical-roller bearing		1		51	930 302 292 00	thrust washer		1	
30	999 110 146 01	cylindrical-roller bearing		1		52	930 302 223 00	reverse gear wheel		1	
31	917 301 391 00	four-point bearing		1		53	930 302 453 00	collar nut		1	
32	-	fixed gear wheel 4th speed		1		54	915 302 268 03	adjusting shim 0,10 MM		X	
33	930 302 266 02	spacer ring		1		54	915 302 268 04	adjusting shim 0,15 MM		X	
34	-	fixed gear wheel 3rd gear		1		54	915 302 268 05	adjusting shim 0,20 MM		X	
35	-	loose gear wheel 2nd gear		1		55	930 302 269 01	sleeve		1	
36	930 302 262 00	bush 2nd gear		1		56	930 302 222 00	reverse gear wheel		1	
37	999 201 047 00	needle cage		2		57	999 201 115 00	needle cage		1	
38	930 302 315 00	stone 2nd gear		1		58	930 302 229 00	washer		1	
38	930 302 316 00	stone 1st gear		1		59	999 152 053 01	circlip		1	
39	928 302 318 02	double barricade tape 2nd gear		2							
40	928 302 322 00	stop 2nd gear		1							

Model	Year	MG	SG	Illustration	Restrictions	UPD	7:39	23.01.2010	PORSCHE	PET	PORSCHE
911	1986	3	03	303-10		248					

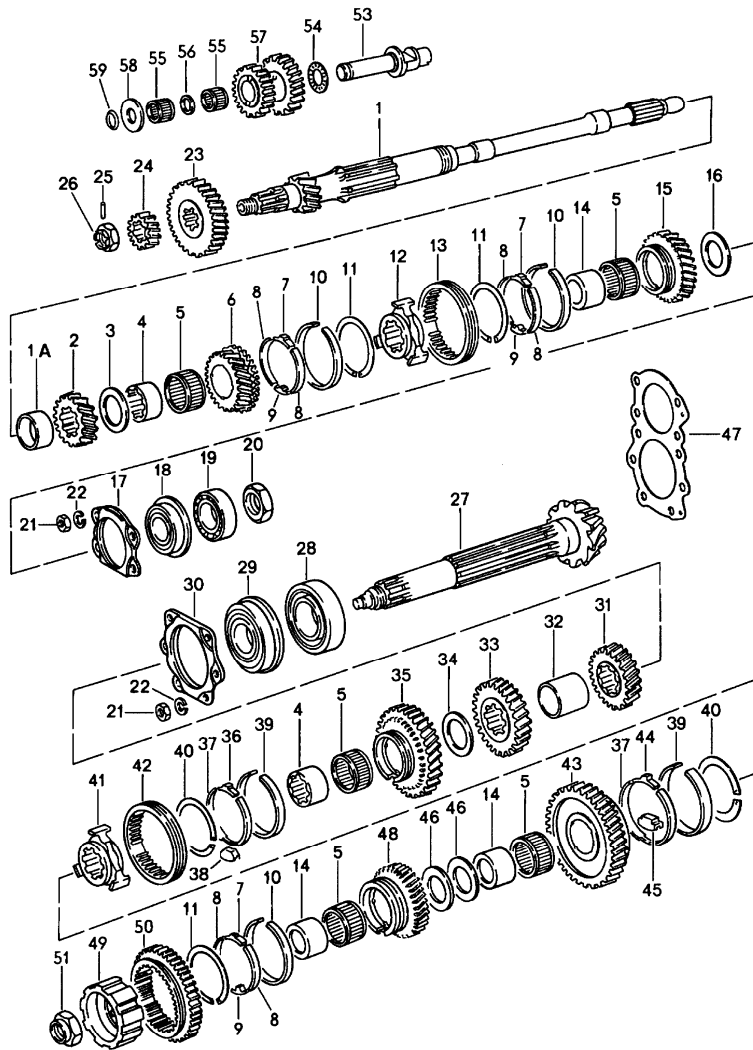


Pos	Part Number	Description	Remark	Qty	Model
		gear wheel sets 5-speed			
		transmission 915.67/69/72			
1	915 302 921 14	gear set 1st gear Z = 11:35 (AZ)		1	
2	915 302 902 39	gear wheel pair 2nd gear Z = 18:33 (HX)		1	
3	923 302 903 23	gear wheel pair 3rd gear Z = 23:29 (NT)		1	
4	915 302 904 74	gear wheel pair 4th speed Z = 29:28		1	
5	915 302 905 82	gear wheel pair 5th gear Z = 38:29		1	
6	915 302 912 04	gear wheel pair reverse gear wheel		1	
7	915 302 911 17	ring gear and pinion shaft 8:31 transmission 915.68/70 (J)		1	
1	915 302 921 14	gear set 1st gear Z = 11:35 (AZ)		1	
2	915 302 902 24	gear wheel pair 2nd gear Z = 18:32 (HX)		1	
3	923 302 903 23	gear wheel pair 3rd gear Z = 23:29 (NT)		1	
4	923 302 904 28	gear wheel pair 4th speed Z = 26:26 (QQ)		1	
5	915 302 905 79	gear wheel pair 5th gear Z = 38:30		1	
6	915 302 912 04	gear wheel pair reverse gear		1	

Model	Year	MG	SG	Illustration	Restrictions	UPD	7:39	23.01.2010	PORSCHE	PET	PORSCHE
911	1986	3	03	303-10		248					

Pos	Part Number	Description	Remark	Qty	Model	Pos	Part Number	Description	Remark	Qty	Model
7	915 302 911 17	ring gear and pinion shaft 8:31		1							

Model	Year	MG	SG	Illustration	Restrictions	UPD	7:40	23.01.2010	PORSCHE	PET	PORSCHE
911	1986	3	03	303-15		248					



Pos	Part Number	Description	Remark	Qty	Model
		gears and shafts 5-speed			
		gear wheel sets see group 3/03/10			
1	-	drive shaft		1	
1A	915 302 267 00	spacer sleeve		1	
2	-	fixed gear wheel 2nd gear		1	
3	915 302 292 00	thrust washer		1	
4	915 302 262 00	bush		5	
5	999 201 470 00	needle cage		1	
6	-	loose gear wheel 3rd gear		1	
7	911 302 315 00	stone 3rd/5th gear		3	
8	911 302 316 08	brake band 3rd/5th gear		6	
9	911 302 317 01	stop 3rd/5th gear		3	
10	911 302 301 06	synchroniser ring 3rd/5th gear		3	
11	911 302 311 01	circlip		3	
12	911 302 402 20	guide sleeve		1	
13	911 302 411 20	shift sleeve		1	
14	915 302 261 00	bush		3	
15	-	loose gear wheel 4th speed		1	
16	915 302 294 01	thrust washer		1	
17	915 302 121 03	tensioning plate		1	
18	999 052 030 00	four-point bearing		1	
19	930 302 391 00	cylindrical-roller bearing \$ 55		1	
19	930 302 391 01	cylindrical-roller bearing \$ 55		1	

Model	Year	MG	SG	Illustration	Restrictions	UPD	7:40	23.01.2010	PORSCHE	PET	PORSCHE
911	1986	3	03	303-15		248					

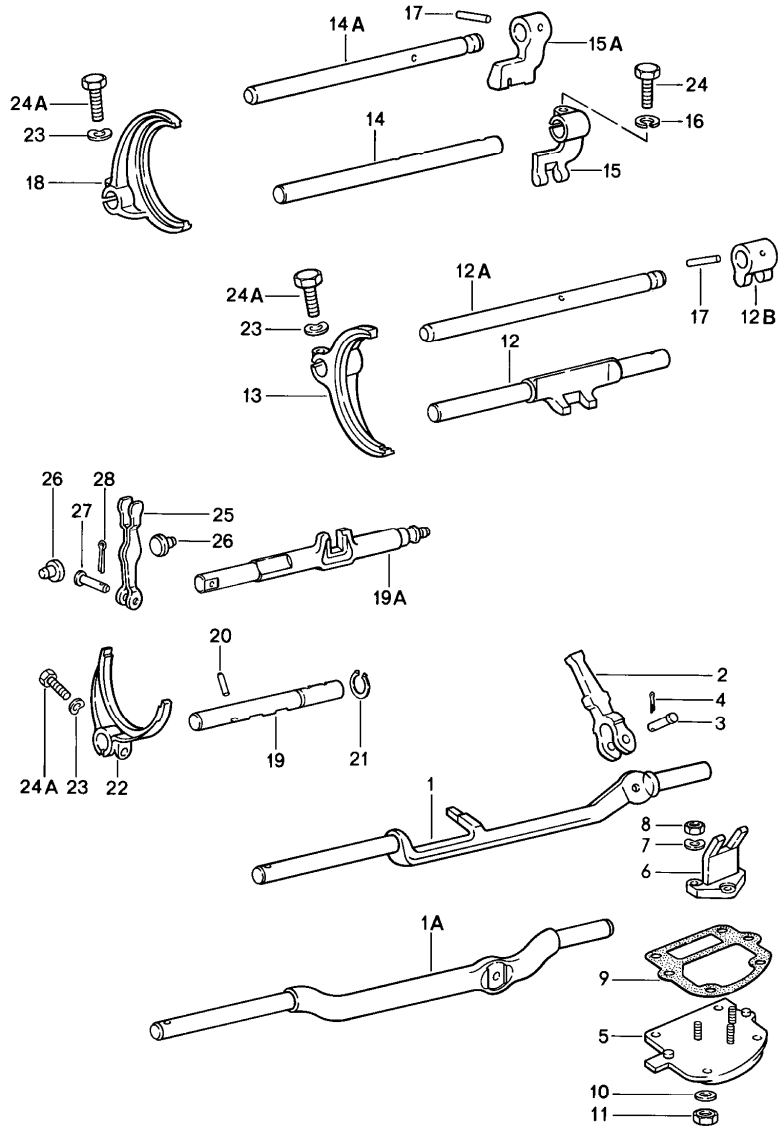
Pos	Part Number	Description	Remark	Qty	Model	Pos	Part Number	Description	Remark	Qty	Model
19	999 110 032 00	cylindrical-roller bearing \$ 62		1		38	928 302 322 00	stop 2nd gear		1	
20	999 034 033 00	hexagon nut		1		39	915 302 301 04	synchroniser ring 2nd gear		1	
21	900 076 025 02	hexagon nut M 8		10		39	915 302 301 06	synchroniser ring 1st gear		1	
22	900 027 015 02	lock ring B 8		10		40	915 302 311 01	circlip		2	
23	-	fixed gear wheel 5th gear		1		41	915 302 401 02	guide sleeve		1	
24	-	reverse gear wheel		1		42	930 302 411 02	shift sleeve		1	
25	900 309 005 00	roll pin 4 X 26		1		43	-	loose gear wheel 1st gear		1	
26	900 079 009 00	castle nut M 18 X 1,5		1		44	915 302 315 01	stone 1st gear		1	
27	-	drive shaft		1		45	928 302 321 00	stop		1	
28	A 999 110 146 00	cylindrical-roller bearing		1		46	915 302 291 00	thrust washer		2	
28	999 110 146 01	cylindrical-roller bearing		1		47	915 302 268 03	adjusting shim 0,10 MM		1	
29	999 052 043 00	four-point bearing		1		47	915 302 268 04	adjusting shim 0,15 MM		X	
30	915 302 123 03	tensioning plate		1		47	915 302 268 05	adjusting shim 0,20 MM		X	
30	915 302 123 04	tensioning plate		1							
31	-	fixed gear wheel 4th speed		1		48	-	loose gear wheel 5th gear		1	
32	915 302 265 01	spacer sleeve		1		49	915 302 405 01	guide sleeve		1	
33	-	fixed gear wheel 3rd gear		1		50	915 302 227 09	shifting gear		1	
34	915 302 293 00	thrust washer		1		51	915 302 282 00	collar nut		1	
35	-	loose gear wheel 2nd gear		1		53	915 302 228 03	bolt		1	
36	915 302 315 01	stone 2nd gear		1		54	999 202 001 00	axial needle bearing cage		1	
37	928 302 318 02	double barricade tape 2nd gear		1		55	999 201 107 00	needle cage		2	
37	928 302 319 08	double barricade tape 1st gear		1		56	915 302 231 00	intermediate ring		1	
						57	-	reverse idler gear		1	
						58	915 302 229 01	thrust washer		1	
						59	999 701 169 40	o-ring		1	

Model	Year	MG	SG	Illustration	Restrictions	UPD	7:40	23.01.2010	PORSCHE	PET	PORSCHE
911	1986	3	03	303-15		248					

Pos	Part Number	Description	Remark	Qty	Model	Pos	Part Number	Description	Remark	Qty	Model
59	999 701 169 40	o-ring		1							



Model	Year	MG	SG	Illustration	Restrictions	UPD	7:40	23.01.2010	PORSCHE	PET	PORSCHE
911	1986	3	04	304-00		248					

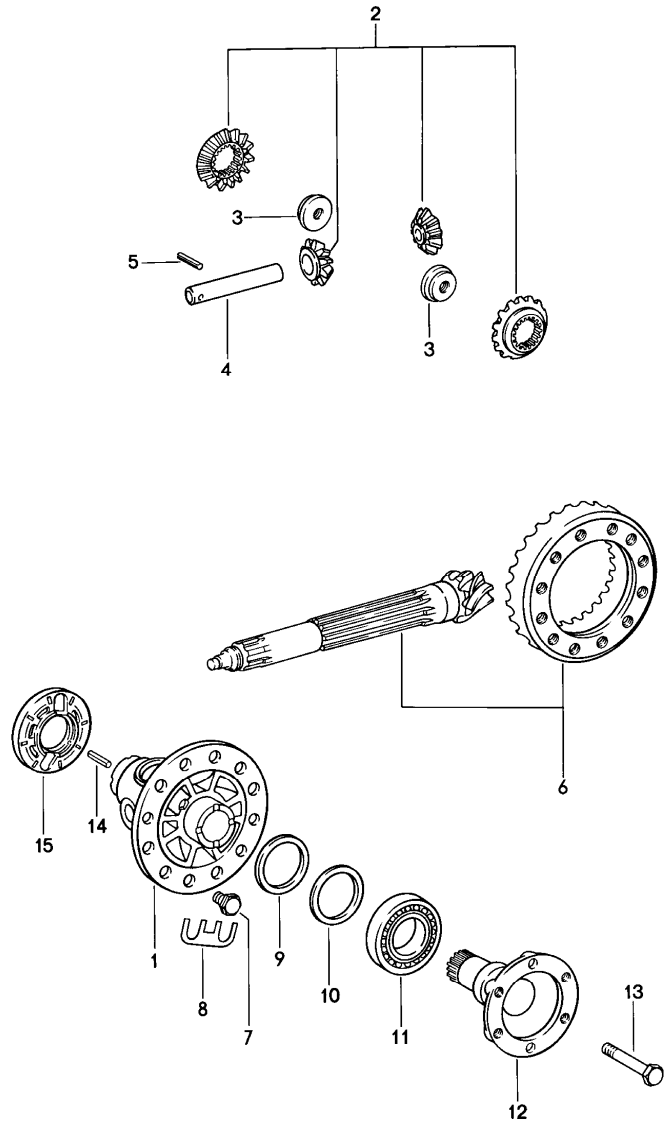


Pos	Part Number	Description	Remark	Qty	Model
		shift rods shift forks for 4-speed and 5-speed			
1	915 303 132 00	gear shift rod		1	CARRERA
1A	930 303 132 00	gear shift rod		1	TURBO
2	915 303 133 00	shift lever		1	CARRERA
2	930 303 133 00	shift lever		1	TURBO
3	901 303 171 01	bolt		1	
4	N 012 512 1	cotter pin 2 X 12		1	
5	915 303 023 02	shift cover		1	
6	915 303 129 09	fork		1	CARRERA
6	930 303 129 02	fork		1	TURBO
7	N 012 006 4	lock ring B 6		3	
8	900 076 010 02	hexagon nut M 6		3	
9	915 303 225 00	gasket		1	
10	N 012 241 8	spring washer B 8		4	
11	900 076 025 02	hexagon nut M 8		4	
12	915 303 101 00	gear shift rod 1st/2nd gear		1	CARRERA
12A	930 303 101 01	gear shift rod 1st/2nd gear		1	TURBO
12B	930 303 111 03	shift fork		1	TURBO
13	915 303 111 00	shift fork 1st/2nd gear		1	CARRERA
13	930 303 110 02	shift fork 1st/2nd gear		1	TURBO
14	915 303 103 50	gear shift rod 3rd/4th gear		1	CARRERA

Model	Year	MG	SG	Illustration	Restrictions	UPD	7:40	23.01.2010	PORSCHE	PET	PORSCHE
911	1986	3	04	304-00		248					

Pos	Part Number	Description	Remark	Qty	Model	Pos	Part Number	Description	Remark	Qty	Model
14A	930 303 103 01	gear shift rod 3rd/4th gear		1	TURBO						
15	915 303 115 09	shift fork		1	CARRERA						
15A	930 303 115 03	shift fork		1	TURBO						
16	900 027 015 02	lock ring B 8		1							
17	900 309 003 00	roll pin 5 X 24		2	TURBO						
18	915 303 112 00	shift fork 3rd/4th gear		1	CARRERA						
(18)	930 303 112 02	shift fork 3rd/4th gear		1	TURBO						
19	915 303 105 09	gear shift rod reverse gear 5th gear		1	CARRERA						
19A	930 303 105 03	gear shift rod reverse gear		1	TURBO						
20	900 309 005 00	roll pin 4 X 26		1	CARRERA						
22	915 303 113 01	shift fork reverse gear 5th gear		1	CARRERA						
23	N 012 228 3	spring washer B 8		3							
24A	900 075 099 02	hexagon-head bolt M 8 X 30		4							
25 U	930 303 019 00	reverse lever		1	TURBO						
25	930 303 019 01	reverse lever use also:		1	TURBO						
27	930 303 123 01	bolt		1							
26	930 303 121 00	spacer bolt		2	TURBO						
27 U	930 303 123 00	bolt		1	TURBO						
27	930 303 123 01	bolt use also:		1	TURBO						
25	930 303 019 01	reverse lever		1							
28	N 012 502 1	cotter pin 1,6 X 10		1	TURBO						

Model	Year	MG	SG	Illustration	Restrictions	UPD	7:40	23.01.2010	PORSCHE	PET	PORSCHE
911	1986	3	05	305-00		248					

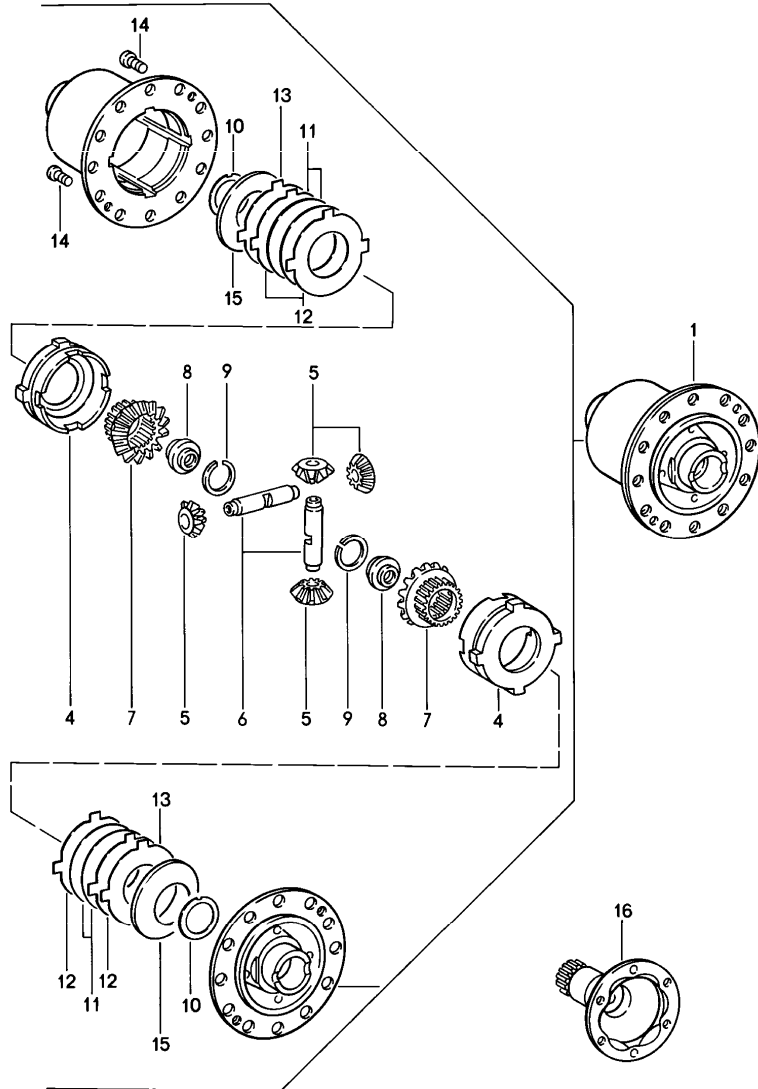


Pos	Part Number	Description	Remark	Qty	Model
		differential			
1	930 332 212 01	differential housing	/37	1	915/68/70/73 930/34/35/36
1	915 332 212 00	differential housing		1	915/67/69/72
2	928 332 902 01	differential pinions set		1	
3	928 332 279 02	nut		2	
4	928 332 207 05	differential bolt		1	
5	900 309 035 00	roll pin		1	
6	915 302 911 17	ring gear and pinion shaft 8 : 31		1	CARRERA
6	930 302 911 01	ring gear and pinion shaft 9 : 38		1	TURBO
7	928 332 276 03	hexagon-head bolt		12	
8	901 332 285 01	tab washer		6	
9	915 332 265 00	adjusting ring 2,4 MM		X	
9	915 332 265 01	adjusting ring 2,5 MM		X	
9	915 332 265 02	adjusting ring 2,6 MM		X	
9	915 332 265 03	adjusting ring 2,7 MM		X	
9	915 332 265 04	adjusting ring 2,8 MM		X	
9	915 332 265 05	adjusting ring 2,9 MM		X	
9	915 332 265 06	adjusting ring 3,0 MM		X	
9	915 332 265 07	adjusting ring 3,1 MM		X	
9	915 332 265 08	adjusting ring 3,2 MM		X	
9	915 332 265 09	adjusting ring 3,3 MM		X	

Model	Year	MG	SG	Illustration	Restrictions	UPD	7:40	23.01.2010	PORSCHE	PET	PORSCHE
911	1986	3	05	305-00		248					

Pos	Part Number	Description	Remark	Qty	Model	Pos	Part Number	Description	Remark	Qty	Model
9	915 332 265 10	adjusting ring 3,4 MM		X							
9	915 332 265 11	adjusting ring 3,5 MM		X							
9	915 332 265 12	adjusting ring 3,6 MM		X							
9	915 332 265 13	adjusting ring 3,7 MM		X							
10	915 332 263 00	adjusting ring 0,25 MM		X							
11	999 059 027 00	taper roller bearing		2	CARRERA						
11	999 059 064 00	taper roller bearing		2	TURBO						
12	930 332 209 03	joint flange		2	930/34/35 915/69/70						
12	915 332 209 12	joint flange		2	915/67/68						
12	930 332 209 05	joint flange		2	930/36/37 915/72/73						
13	900 074 291 02	hexagon-head bolt M 10 X 78		2							
14	900 095 078 00	tensioning sleeve 4 X 14		1							
15	915 318 045 03	magnet carrier disc		1							

Model	Year	MG	SG	Illustration	Restrictions	UPD	7:40	23.01.2010	PORSCHE	PET	PORSCHE
911	1986	3	05	305-05		248					

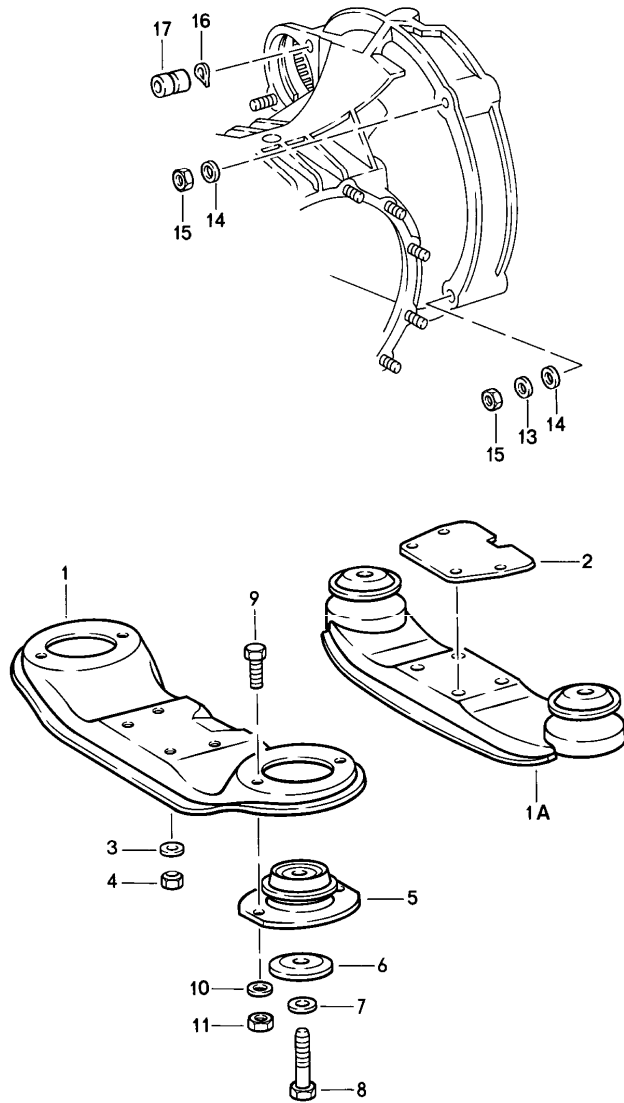


Pos	Part Number	Description	Remark	Qty	Model
1	930 332 053 03	limited-slip differential		1	TURBO
1	915 332 053 21	limited-slip differential 40 %		1	CARRERA
4	901 332 511 11	thrust ring		2	TURBO
4	901 332 511 11	thrust ring		2	TURBO
4	928 332 511 00	thrust ring		2	CARRERA
5	915 332 531 02	bevel pinion		4	TURBO
5	928 332 531 00	bevel pinion		4	CARRERA
6	915 332 541 02	differential shaft		2	TURBO
6	928 332 541 00	differential shaft		2	CARRERA
7	930 332 535 01	shaft bevel gear		2	TURBO
7	928 332 535 00	shaft bevel gear		2	CARRERA
8	928 332 279 01	threaded disc		2	
10	901 332 561 11	thrust washer		2	
11	928 332 551 00	inner disc 2,0 MM		4	
12	917 332 552 10	disc with external splines 1,9 MM		4	
12	917 332 552 11	disc with external splines 2,0 MM		4	
12	917 332 552 12	disc with external splines 2,1 MM		4	
14	N 014 765 2	pan-head screw M 6 X 10		2	
-	900 095 078 00	tensioning sleeve 4 X 14		1	TURBO
-	900 309 035 00	roll pin 5X40		1	CARRERA
15	928 332 555 00	cup spring		2	TURBO
15	928 332 555 20	cup spring		2	CARRERA
16	915 332 209 12	joint flange		2	915/67/68

Model	Year	MG	SG	Illustration	Restrictions	UPD	7:40	23.01.2010	PORSCHE	PET	PORSCHE
911	1986	3	05	305-05		248					

Pos	Part Number	Description	Remark	Qty	Model	Pos	Part Number	Description	Remark	Qty	Model
16	930 332 209 03	joint flange		2	930/34/35 915/69/70						
16	930 332 209 05	joint flange		2	930/36/37 915/72/73						

Model	Year	MG	SG	Illustration	Restrictions	UPD	7:40	23.01.2010	PORSCHE	PET	PORSCHE
911	1986	3	06	306-00		248					



Pos	Part Number	Description	Remark	Qty	Model
		transmission suspension			
1	911 375 033 01	transmission carrier		1	CARRERA
1A	930 375 031 00	transmission carrier		1	TURBO
3	900 025 007 02	washer 8,4		4	
4	900 910 022 02	lock nut		4	
5	911 375 043 00	bearing		2	CARRERA
6	901 305 311 00	seat		4	
7	900 027 017 02	lock ring B 12		2	
8	901 305 317 00	hexagon-head bolt		2	CARRERA
9	900 075 087 02	hexagon-head bolt M 8 X 16		4	CARRERA
10	900 027 015 02	lock ring B 8		4	CARRERA
11	900 076 025 02	hexagon nut M 8		4	CARRERA
13	999 523 103 01	lock washer M 10		2	CARRERA
14	900 031 005 02	washer 10,5		5	CARRERA
15	900 157 002 02	hexagon nut M 10		3	
16	N 012 242 3	spring washer B 10 X 18		5	
17 A	901 104 382 02	cylinder head nut	-85	2	
17	901 104 382 02	cylinder head nut		2	

Model	Year	MG	SG	Illustration	Restrictions	UPD	7:40	23.01.2010
911	1986	3	98	398-00R		248		

Pos	Part Number	Description	Remark	Qty	Model
>>	>>915 300 911 01	gasket set gasket set transmission comprising:		1	915
-	915 301 139 00	sealing ring		1	
-	999 113 183 40	radial shaft seal 45 X 68 X 10		2	
-	999 113 182 40	shaft sealing ring 23 X 40 X 10		1	
-	999 113 327 40	shaft sealing ring 23 X 35 X 8/11		1	
-	999 701 392 40	o-ring OR 195 X 3,5		1	
-	915 301 191 00	gasket		1	
-	900 123 066 30	sealing ring A 10 X 16		2	
-	999 113 185 40	shaft sealing ring 15 X 24 X 7		1	
-	999 701 349 40	o-ring 17,5 X 2,4		1	
-	999 113 175 40	shaft sealing ring 6 X 15 X 6		1	
-	915 301 351 00	gasket		1	
-	999 701 169 40	o-ring 14,3 X 2,4		1	
-	915 303 225 00	gasket		1	
-	915 307 311 11	gasket		1	
-	900 174 033 40	round seal 18 X 2,5		2	
>>	>>930 300 911 00	gasket set transmission comprising:		1	930
-	915 301 139 00	sealing ring		1	
-	999 113 183 40	radial shaft seal		2	
-	999 701 437 40	o-ring		1	
-	930 302 332 00	shaft sealing ring		1	
-	999 701 440 40	o-ring		1	



PORSCHE

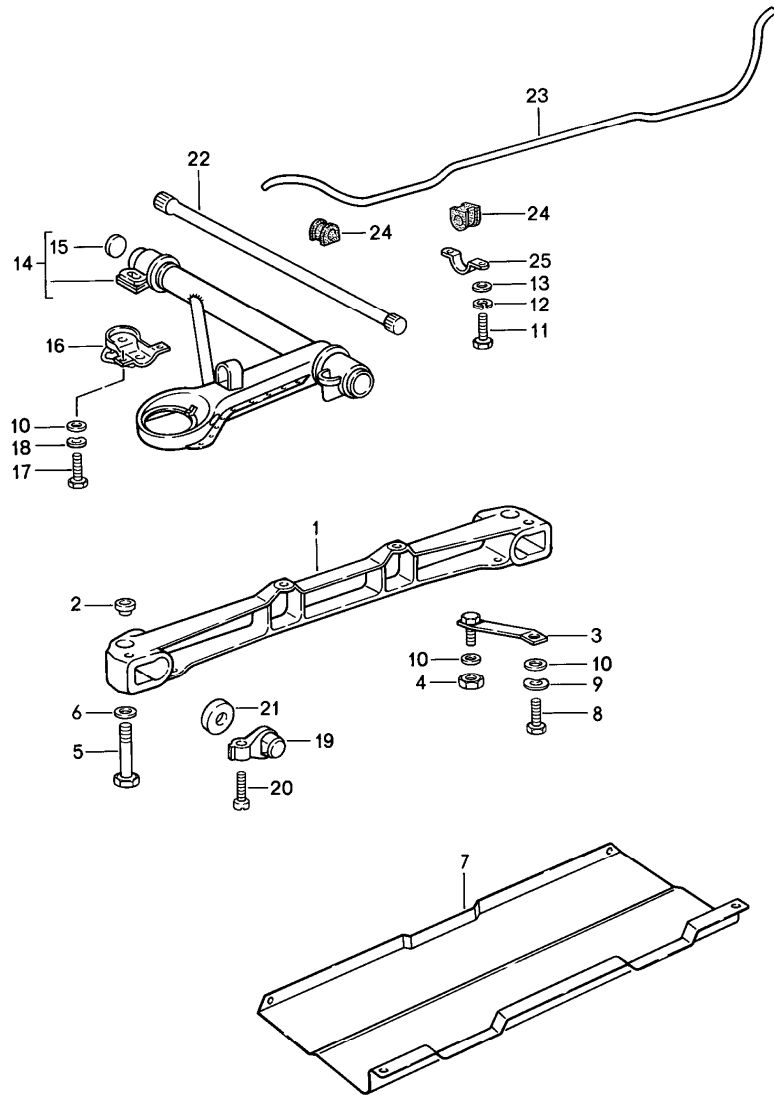
# PET

PORSCHE

Model	Year	MG	SG	Illustration	Restrictions	UPD	7:40	23.01.2010
911	1986	3	98	398-00R		248		

Pos	Part Number	Description	Remark	Qty	Model
-	930 301 191 00	gasket		1	
-	999 113 185 40	shaft sealing ring		1	
-	930 301 351 00	gasket		1	
-	915 303 225 00	gasket		1	

Model	Year	MG	SG	Illustration	Restrictions	UPD	7:41	23.01.2010	PORSCHE	PET	PORSCHE
911	1986	4	01	401-00		248					

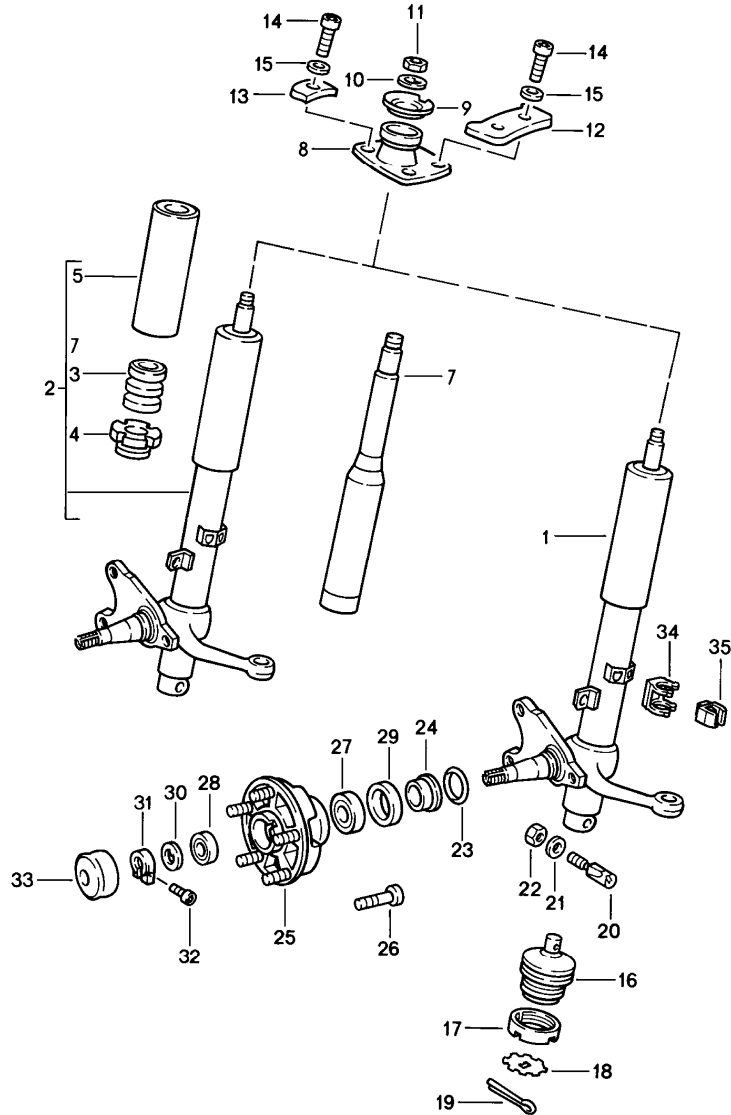


Pos	Part Number	Description	Remark	Qty	Model
		front axle stabiliser			
1	911 341 013 10	auxiliary support		1	
2	930 341 135 00	adapter		2	TURBO
3	930 341 031 02	strut		2	TURBO
3	911 341 031 01	strut		2	CARRERA
4	900 910 031 09	lock nut		2	
5	A 900 082 110 02	hexagon-head bolt M 12 X 1,5 X 85		2	
5	900 082 110 02	hexagon-head bolt M 12 X 1,5 X 85		2	
6	900 028 014 02	spring washer B 12		2	
7	930 341 021 02	protective plate		1	TURBO
7	911 341 161 04	protective plate		1	CARRERA
8	N 014 721 2	pan-head screw M 10 X 25		2	
9	900 027 016 02	lock ring B 10		2	
10	900 025 008 09	washer 10,5		8	
11	900 075 087 02	hexagon-head bolt M 8 X 16		2	
12	A 900 027 015 02	lock ring B 8		2	
12	900 027 015 02	lock ring B 8		2	
13	900 025 007 02	washer 8,4		2	
14	911 341 901 01	wishbone	/L	1	CARRERA
14	911 341 902 01	wishbone	/R	1	CARRERA
14	930 341 901 01	wishbone	/L	1	TURBO
14	930 341 902 01	wishbone	/R	1	TURBO
15	900 040 008 01	cover plate		2	

Model	Year	MG	SG	Illustration	Restrictions	UPD	7:41	23.01.2010	PORSCHE	PET	PORSCHE
911	1986	4	01	401-00		248					

Pos	Part Number	Description	Remark	Qty	Model	Pos	Part Number	Description	Remark	Qty	Model
16	911 341 037 02	protective bracket	/L	1							
16	901 341 159 00	protective bracket	/R	1							
17	N 010 275 3	hexagon-head bolt M 10 X 35		6	CARRERA						
17	N 040 281 1	hexagon-head bolt M 10 X 45		6	TURBO						
18	900 027 016 02	lock ring B 10		6							
19	901 341 033 00	reverse lever		2							
20	911 341 115 00	adjusting screw		2							
21	901 341 475 00	gasket		2							
22	901 343 101 12	torsion bar	/L	1							
22	901 343 102 12	torsion bar	/R	1							
23	911 343 703 10	stabiliser 20 \$		-85	1	CARRERA					
(23)	911 343 703 13	stabiliser 22 \$		86-	1	CARRERA					
(23)	911 343 703 10	stabiliser 20 \$		84	1	TURBO					
(23)	911 343 703 13	stabiliser 22 \$		85-	1	TURBO					
24	911 343 792 03	rubber mounting 20 \$		4							
24	911 343 881 00	rubber mounting 22 \$		4							
25	911 343 775 00	clip		2							

Model	Year	MG	SG	Illustration	Restrictions	UPD	7:41	23.01.2010	PORSCHE	PET	PORSCHE
911	1986	4	02	402-00		248					



Pos	Part Number	Description	Remark	Qty	Model	
1	911 341 041 33	shock absorber strut		1	TURBO	
1	911 341 042 33	shock absorber strut - bilstein -	/L	1	TURBO	
1	911 341 041 33	shock absorber strut - bilstein -	/R	1	TURBO	
1	911 341 041 33	shock absorber strut - bilstein -	/L	1	CARRERA M474/491	
		F >>91FS1 00489				
		F >>91FS1 09584				
		F >>91FS1 40214				
		F >>91FS1 49560				
		F >>91FS1 50204				
		F >>91FS1 59562				
1	911 341 042 33	shock absorber strut - bilstein -	/R	1	CARRERA M474/491	
		F >>91FS1 00489				
		F >>91FS1 09584				
		F >>91FS1 40214				
		F >>91FS1 49560				
		F >>91FS1 50204				
		F >>91FS1 59562				
2	911 341 041 03	shock absorber strut - boge -	/L	-85	1	CARRERA
2	911 341 042 03	shock absorber strut - boge -	/R	-85	1	CARRERA
2	911 341 041 04	shock absorber strut - boge -	/L	86	1	CARRERA
2	911 341 042 04	shock absorber strut - boge -	/R	86	1	CARRERA
2	911 341 041 05	shock absorber strut - boge -	/L	1	1	CARRERA M474/491
		F 91FS1 00490>>				
		F 91FS1 09585>>				
		F 91FS1 40215>>				
		F 91FS1 49561>>				
		F 91FS1 50205>>				
		F 91FS1 59563>>				
2	911 341 042 05	shock absorber strut - boge -	/R	1	1	CARRERA M474/491
		F 91FS1 00490>>				
		F 91FS1 09585>>				
		F 91FS1 40215>>				
		F 91FS1 49561>>				
		F 91FS1 50205>>				
		F 91FS1 59563>>				

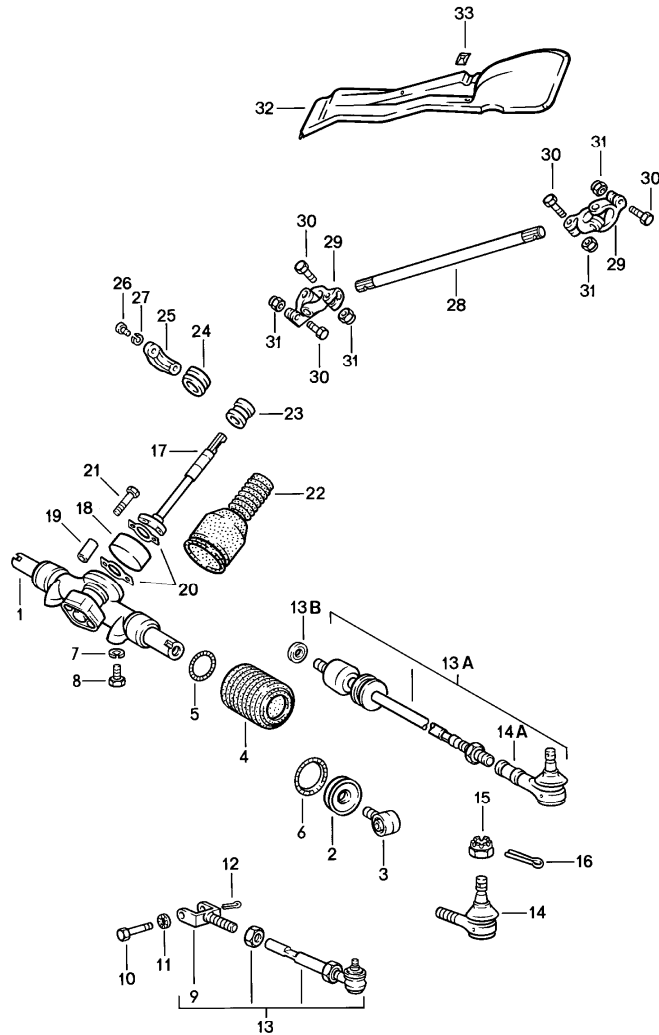
Model	Year	MG	SG	Illustration	Restrictions	UPD	7:41	23.01.2010	PORSCHE	PET	PORSCHE
911	1986	4	02	402-00		248					

Pos	Part Number	Description	Remark	Qty	Model	Pos	Part Number	Description	Remark	Qty	Model
-	911 341 043 02	shock absorber strut outer part - boge -	/L	-85	1 CARRERA	7	911 341 913 05	repair set - boge - F 91FS1 00490>> F 91FS1 09585>> F 91FS1 40215>> F 91FS1 49561>> F 91FS1 50205>> F 91FS1 59563>>		2	CARRERA M474/491
-	911 341 044 02	shock absorber strut outer part - boge -	/R	-85	1 CARRERA						
-	911 341 043 03	shock absorber strut outer part - boge - for 911.341.041.04/05	/L		1 CARRERA	7	911 341 913 06	repair set - boge -	86-	2	CARRERA
-	911 341 044 03	shock absorber strut outer part - boge - for 911.341.042.04/05	/R		1 CARRERA	8	911 341 018 00	supporting mount		2	
						9	901 341 629 00	support washer		2	
						10	900 038 002 01	tab washer 14		2	
3	901 343 301 00	rubber stop - boge - F 91FS1 00490>> F 91FS1 09585>> F 91FS1 40215>> F 91FS1 49561>> F 91FS1 50205>> F 91FS1 59563>>			2 CARRERA M474/491	11	N 011 021 3	hexagon nut M 14 X 1,5		2	
						12	911 501 933 00	double-bore pressure plate		2	
						13	911 501 934 00	one-bore pressure plate		2	
						14	900 067 063 02	pan-head screw M 10 X 20		6	
4	911 341 804 00	screw plug - boge -		-85	2 CARRERA	15	999 523 103 01	lock washer		6	
(4)	911 341 806 00	locking ring - boge -		86-	1 CARRERA	16	911 341 049 01	ball joint		2	
-	911 341 808 00	washer for shock absorber strut 911.341.041/042.04/05		86-	1 CARRERA	17	901 341 425 00	grooved nut		2	
						18	901 341 426 00	tab washer		2	
5	911 341 805 01	protective tube - boge - F 91FS1 00490>> F 91FS1 09585>> F 91FS1 40215>> F 91FS1 49561>> F 91FS1 50205>> F 91FS1 59563>>			2 CARRERA M474/491	19	A N 012 521 1	cotter pin		2	
						19	N 012 521 1	cotter pin		2	
						20	911 341 119 06	threaded pin		2	
						21	900 089 006 02	washer 8		2	
						22	999 084 019 02	lock nut		2	
						23	999 701 084 50	o-ring OR 25,3 - 2,4		2	
7	911 341 913 03	repair set - boge -		-85	2 CARRERA	24	901 341 623 00	spacer ring		2	
						25	911 341 065 06	front wheel hub		2	CARRERA

Model	Year	MG	SG	Illustration	Restrictions	UPD	7:41	23.01.2010	PORSCHE	PET	PORSCHE
911	1986	4	02	402-00		248					

Pos	Part Number	Description	Remark	Qty	Model	Pos	Part Number	Description	Remark	Qty	Model
25	930 341 065 01	front wheel hub		2	TURBO						
				2	CARRERA						
					M491						
26	911 331 671 00	wheel bolt		10	TURBO						
26	904 341 671 00	wheel bolt		10	CARRERA						
26	904 341 671 00	wheel bolt oversize		X							
27	999 059 098 00	taper roller bearing		2							
28	999 059 065 00	taper roller bearing		2							
29	477 405 641	radial sealing ring		2							
30	911 341 663 00	thrust washer		2							
31	911 341 673 00	clamping nut		2							
32	999 119 001 01	pan-head screw		2							
33	911 341 684 00	cap		2	CARRERA						
33	930 341 066 01	cap		2	TURBO						
				2	CARRERA						
					M491						
34	999 651 203 40	cable holder		2							
35	999 651 202 40	cable holder		2							
-	911 341 913 07	repair set - boge - only together with 911.333.051.07	-85	2	CARRERA						

Model	Year	MG	SG	Illustration	Restrictions	UPD	7:41	23.01.2010	PORSCHE	PET	PORSCHE
911	1986	4	03	403-00		248					



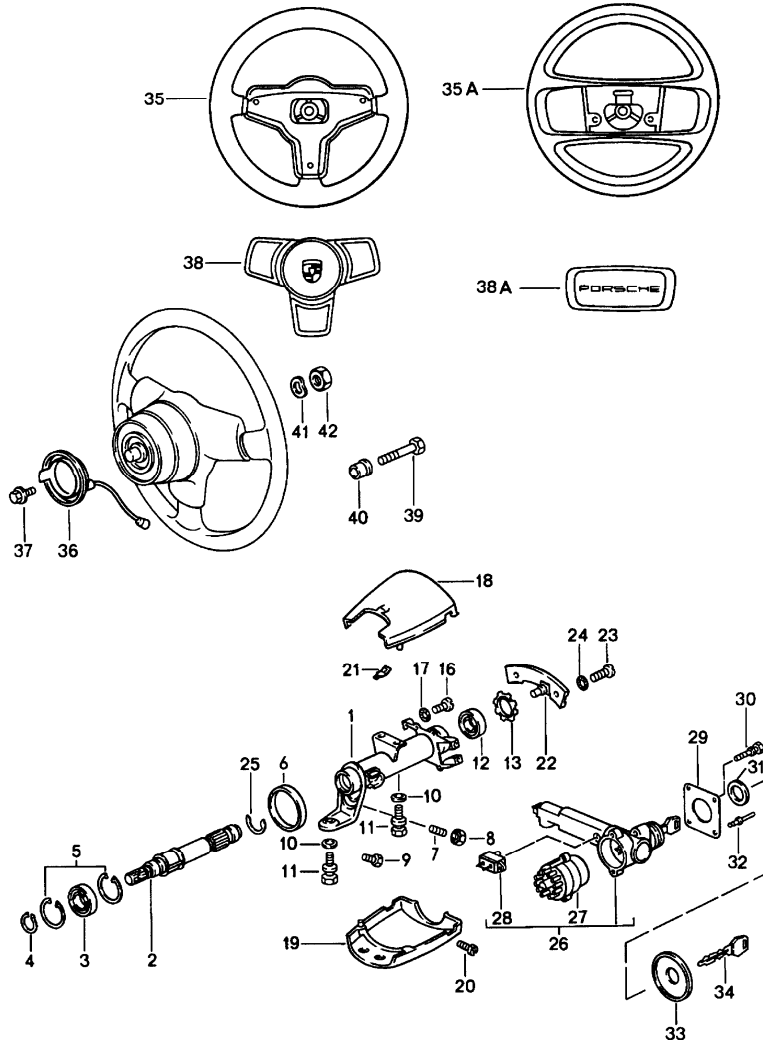
Pos	Part Number	Description	Remark	Qty	Model
		steering parts lower			
1	> 914 347 010 06	steering gear		1	CARRERA
(1)	> 930 347 010 00	steering gear		1	TURBO
(1)	930 347 010 X	steering gear		1	TURBO
(2)	911 347 056 00	bellow support		2	CARRERA
3	914 347 057 00	articulated bush		2	CARRERA
4	901 347 191 02	bellows		2	CARRERA
(4)	930 347 191 02	bellows		2	TURBO
5	901 347 308 00	retainer spring		2	CARRERA
6	901 347 309 00	retainer spring		2	CARRERA
7	A 900 027 016 02	lock ring B 10		2	CARRERA
7	900 027 016 02	lock ring B 10		2	CARRERA
(7)	A 900 028 032 02	spring washer B 10		2	TURBO
(7)	900 025 008 09	washer B 10		2	TURBO
8	900 075 071 07	hexagon-head bolt M 10 X 45		2	CARRERA
8	N 010 275 3	hexagon-head bolt M 10 X 35		2	TURBO
9	A 901 347 315 01	joint fork		2	CARRERA
9	901 347 315 03	joint fork		2	SC
10	911 347 327 00	hexagon-head bolt		2	CARRERA
11	999 523 103 01	lock washer M 10		2	CARRERA
12	900 021 008 00	cotter pin 2 X 15		2	CARRERA
13	911 347 031 00	tie rod		2	CARRERA
13A	930 347 031 01	tie rod		2	TURBO
13B	930 347 313 01	washer		2	TURBO

Model	Year	MG	SG	Illustration	Restrictions	UPD	7:41	23.01.2010	PORSCHE	PET	PORSCHE
911	1986	4	03	403-00		248					

Pos	Part Number	Description	Remark	Qty	Model	Pos	Part Number	Description	Remark	Qty	Model
14	911 347 322 04	ball joint		2	CARRERA						
14A	930 347 322 00	ball joint		2	TURBO						
15	N 011 210 1	castle nut M 10 X 1		2							
16	900 021 013 00	cotter pin 2 X 25		2							
17	901 347 210 03	steering shaft		1							
18	901 347 201 02	steering coupling		1							
19	901 347 215 00	stop bush		2							
20	901 347 248 00	tab washer		1							
21	N 010 353 3	hexagon-head bolt M 8 X 42		2							
22	901 347 393 01	sealing bellows		1							
23	911 347 041 00	steering shaft bearing		1							
-	911 347 029 00	needle-roller bearing		1							
24	901 347 223 03	rubber mounting		1							
25	901 347 221 00	housing		1							
26	900 186 002 02	pan-head screw M 8 X 15		2							
27	900 142 002 01	lock ring 8		2							
28	911 347 211 01	intermed. steering shaft	/LL	1							
(28)	911 347 212 01	intermed. steering shaft	/RL	1							
29	930 347 025 00	universal joint		2							
30	N 010 335 5	hexagon-head bolt M 8 X 35		4							
31	N 021 194 1	lock nut M 8		4							
32	901 347 067 00	cover	/LL	1							
(32)	901 347 068 00	cover	/RL	1							
33	999 507 209 01	speed nut		2							



Model	Year	MG	SG	Illustration	Restrictions	UPD	7:41	23.01.2010	PORSCHE	PET	PORSCHE
911	1986	4	03	403-05		248					



Pos	Part Number	Description	Remark	Qty	Model
		steering parts upper			
1	911 347 073 03	steering outer tube	/LL	1	
(1) A	911 347 072 04	steering outer tube	/RL	-85	1
(1)	911 347 072 04	steering outer tube	/RL		1
2	911 347 061 02	steering shaft		1	
3	900 052 031 00	deep-groove ball bearing		1	
4	900 041 008 00	circlip 17 X 1		1	
5	900 042 008 00	circlip 35 X 1,5		2	
6	911 347 713 00	gasket		1	
7	900 228 002 02	threaded pin M 8 X 16	/LL	1	
8	900 076 025 02	hexagon nut M 8	/LL	1	
9	900 146 044 02	oval-head screw AM 6 X 10	/RL	1	
10 A	N 012 241 8	spring washer B 8		3	
10	N 012 241 8	spring washer B 8		3	
11	901 347 753 00	shear bolt		3	
12	911 347 771 02	ball bearing		1	
13	999 041 102 01	circlip		1	
16	900 014 069 02	pan-head screw AM 3 X 8		8	
17	900 115 007 01	serrated lock washer A 3,2		8	
18	911 613 099 00	switch housing		1	
19	911 613 312 00	switch housing		1	
20 A	900 014 079 02	pan-head screw AM 3 X 10		2	
20	900 014 079 02	pan-head screw AM 3 X 10		2	

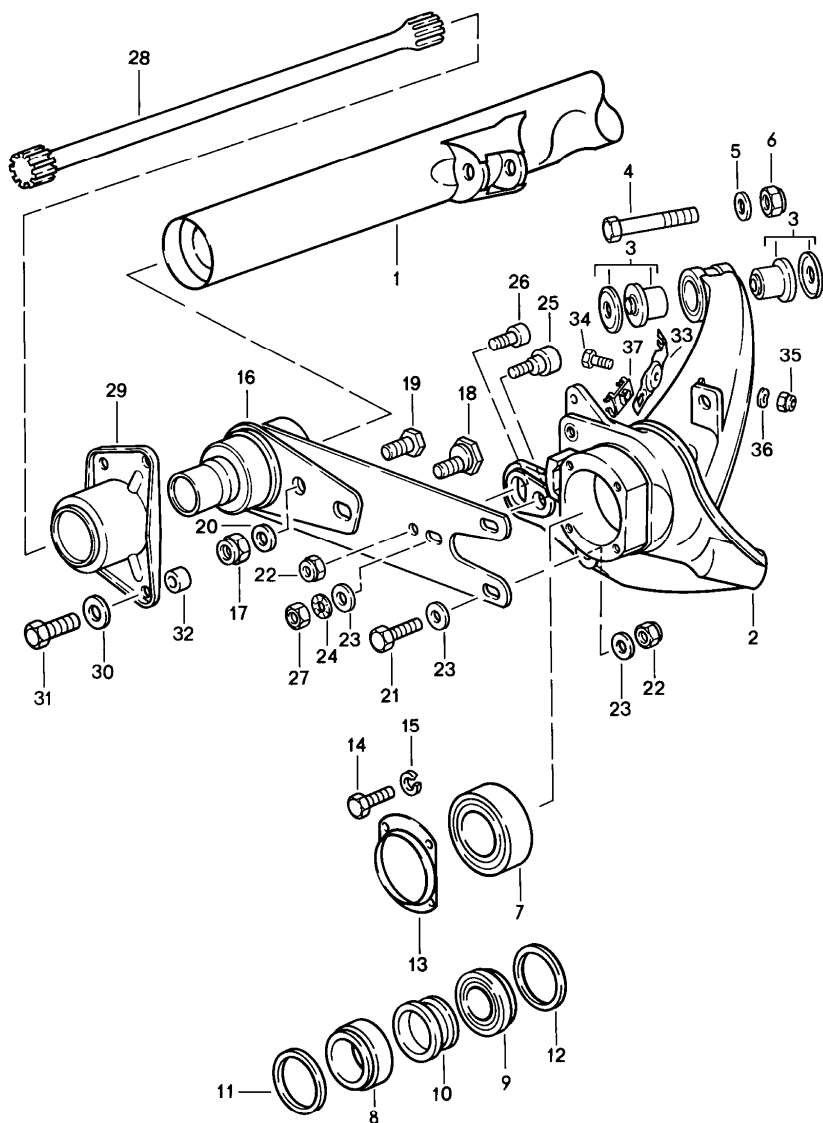
Model	Year	MG	SG	Illustration	Restrictions	UPD	7:41	23.01.2010	PORSCHE	PET	PORSCHE
911	1986	4	03	403-05		248					

Pos	Part Number	Description	Remark	Qty	Model	Pos	Part Number	Description	Remark	Qty	Model
21	999 652 315 02	flat plug		1		(33)	911 613 160 01	rosette	86-	1	
22	911 613 521 00	wiper contact		1			70B	black for ignition starter lock			
23	900 014 046 02	pan-head screw M 4 X 10		2		35	911 347 084 02	sports steering wheel leather	84	1	
24	A N 012 116 1	serrated lock washer A 4,3		2			1AJ	black \$ 380			
24	N 012 116 1	serrated lock washer A 4,3		2		35	911 347 084 07	steering wheel leather	84	1	
25	113 415 531	circlip		1			1AJ	black \$ 380 with elevated hub (30 MM)			
26	A 911 613 902 01	steering lock with buzzer contact w/o stipulated lock number	-84	1		35A	911 347 084 08	sports steering wheel leather \$ 380	85-	1	
26	911 613 902 02	steering lock with buzzer contact w/o stipulated lock number		1			1AJ	black			
26	A 911 613 904 00	steering lock with buzzer contact state lock number	-84	1			4RB	cadbury brown			
26	911 613 904 02	steering lock with buzzer contact state lock number		1			30B	blue			
27	911 613 017 01	ignition starter switch	84	1		(35A)	911 347 084 09	sports steering wheel leather \$ 380 with elevated hub	85-	1	
27	964 613 012 00	ignition starter switch	85-	1			7LD	burgundy			
28	911 613 125 00	buzzer contact		1			5JX	greyish green			
29	911 347 359 01	reinforcement plate	-85	1			1AJ	black			
29	911 347 359 01	tab washer	85-	1			4RB	cadbury brown			
30	999 219 017 02	shear bolt	-85	1			30B	blue			
30	999 219 017 02	shear bolt	86	1			7LD	burgundy			
31	911 613 169 00	washer		1			5JX	greyish green			
32	A 999 190 113 02	blind rivet		1		36	911 347 099 05	slip ring		1	
32	999 190 123 02	blind rivet 3,2 X 6,1		1		37	113 415 869	oval-head screw AM 3,5 X 10		7	
33	911 613 160 00	rosette	-85	1		38	911 347 859 00	padded cap	84	1	
							70B	black			

Model	Year	MG	SG	Illustration	Restrictions	UPD	7:41	23.01.2010	PORSCHE	PET	PORSCHE
911	1986	4	03	403-05		248					

Pos	Part Number	Description	Remark	Qty	Model	Pos	Part Number	Description	Remark	Qty	Model
38A	911 347 859 01	padded cap	85-	1							
	1AJ	black									
	4RB	brown									
	30B	blue									
	7LD	burgundy									
	5JX	greyish green									
39	A N 010 261 3	hexagon-head bolt M 4 X 16		X							
39	N 010 261 3	hexagon-head bolt M 4 X 16		X							
40	321 419 779	insulating bush	84	X							
(40)	321 419 779 A	insulating bush	85-	X							
41	A N 012 239 1	spring washer B 18		1							
41	N 012 239 1	spring washer B 18		1							
42	900 078 007 02	hexagon nut M 18 X 1,5		1							

Model	Year	MG	SG	Illustration	Restrictions	UPD	7:41	23.01.2010	PORSCHE	PET	PORSCHE
911	1986	5	01	501-00		248					

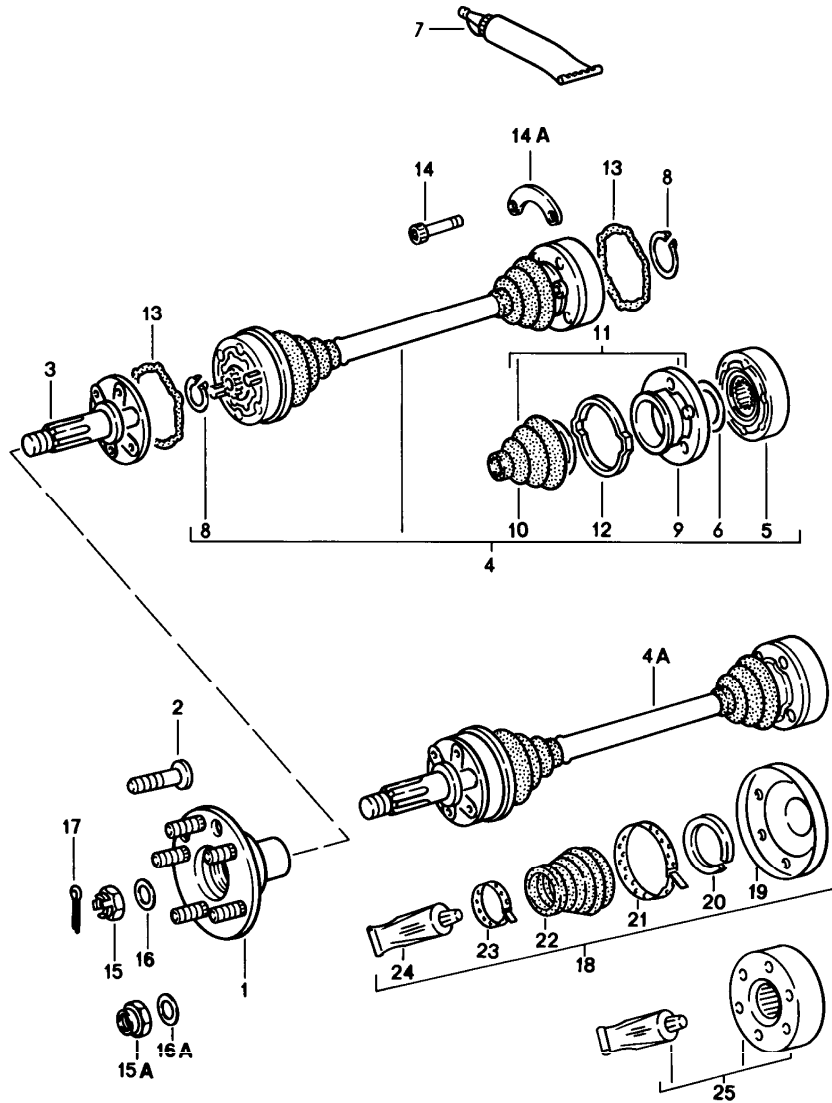


Pos	Part Number	Description	Remark	Qty	Model
1	911 331 010 02	rear axle		1	CARRERA
(1)	930 331 010 02	rear-axle cross-tube		1	TURBO CARRERA M491
2	911 331 513 06	rear-axle trailing arm	/L	1	CARRERA
(2)	911 331 514 06	rear-axle trailing arm	/R	1	CARRERA
(2)	930 331 511 05	rear-axle trailing arm	/L	1	TURBO CARRERA M491
(2)	930 331 512 05	rear-axle trailing arm	/R	1	TURBO CARRERA M491
3	901 331 059 00	block		4	
4	900 082 092 02	hexagon-head bolt M 14 X 1,5 X 80		2	
5	N 011 534 4	washer A 15		2	
6	A 900 910 094 02	lock nut M 14 X 1,5		2	
6	900 910 094 02	lock nut M 14 X 1,5		2	
7	999 053 020 01	angular-contact bearing bearing		2	CARRERA
8	999 059 056 00	taper roller bearing		2	TURBO CARRERA M491
9	999 059 047 00	taper roller bearing		2	TURBO CARRERA M491
10	930 331 609 00	spacer sleeve		2	TURBO CARRERA M491
11	999 113 235 40	shaft sealing ring 65 X 85 X 8		2	TURBO CARRERA M491
12	999 113 218 40	shaft sealing ring 58 X 81,2 X 5		2	TURBO CARRERA M491

Model	Year	MG	SG	Illustration	Restrictions	UPD	7:41	23.01.2010	PORSCHE	PET	PORSCHE
911	1986	5	01	501-00		248					

Pos	Part Number	Description	Remark	Qty	Model	Pos	Part Number	Description	Remark	Qty	Model
13	911 331 561 30	reinforcement cover		2	CARRERA	(28)	911 333 102 12	torsion bar 25\$	/R	86-	1 CARRERA
14	900 075 079 02	hexagon-head bolt M 8 X 22		8	CARRERA	(28)	911 333 101 03	torsion bar 26 \$	/L		1 TURBO
15	A 900 027 015 02	lock ring B 8		8	CARRERA	(28)	911 333 102 03	torsion bar 26 \$	/R		1 TURBO
15	900 027 015 02	lock ring B 8		8	CARRERA	(28)	911 333 101 11	torsion bar 29 \$	/L		1 TURBO
16	911 333 009 00	rear axle strut		2		(28)	911 333 102 11	torsion bar 29 \$	/R		1 TURBO
17	900 910 092 02	lock nut		4		29	901 333 153 00	housing			2
18	911 333 303 00	eccentric screw		2		30	900 025 008 09	washer A 10,5			8
19	911 333 305 00	hexagon-head bolt		2		31	N 010 275 3	hexagon-head bolt M 10 X 35			8
20	911 333 307 00	washer M 10 X 30		4		32	911 331 107 01	spacer ring			2
21	900 083 066 08	hexagon-head bolt M 12 X 1,5 X 40		4		33	911 331 705 00	cable holder			2
22	A N 022 141 4	lock nut VFM 12 X 1,5		6		34	900 075 057 02	hexagon-head bolt M 6 X 16			2
22	N 022 141 4	lock nut M 12 X 1,5		6		35	900 910 012 02	lock nut M 6			2
23	901 333 143 01	washer		10		36	N 012 226 5	spring washer B 6			2
24	999 523 109 02	lock washer M 12		10		37	999 651 203 40	cable holder			2
25	901 333 133 04	eccentric		2							
26	901 333 133 05	eccentric		2							
27	900 078 017 02	hexagon nut M 12 X 1,5		2							
28	911 333 101 09	torsion bar 24,1 \$	/L	-85	1 CARRERA						
(28)	911 333 102 09	torsion bar 24,1 \$	/R	-85	1 CARRERA						
(28)	911 333 101 11	torsion bar 29 \$	/L	-86	1 CARRERA						
(28)	911 333 102 11	torsion bar 29 \$	/R	-86	1 CARRERA						
(28)	911 333 101 12	torsion bar 25\$	/L	86-	1 CARRERA						

Model	Year	MG	SG	Illustration	Restrictions	UPD	7:42	23.01.2010	PORSCHE	PET	PORSCHE
911	1986	5	01	501-05		248					



Pos	Part Number	Description	Remark	Qty	Model
1	911 331 065 33	drive shaft		2	CARRERA
1	930 331 065 03	rear-wheel hub		2	TURBO
				2	CARRERA
				2	M491
2	904 341 671 00	wheel bolt		10	CARRERA
2	901 331 671 01	wheel bolt		10	TURBO
				2	CARRERA
				2	M491
3	923 332 232 01	drive shaft		2	CARRERA
				2	G15.67/68
3	930 332 232 00	drive shaft		2	TURBO
				2	G30.34/35
				2	CARRERA
				2	M491
				2	G15.69/70
3	930 332 232 05	drive shaft		2	TURBO
				2	G30.36/37
				2	CARRERA
				2	M491
				2	G15.72/73
4	923 332 033 02	drive shaft		2	CARRERA
				2	G15.67/68
(4)	930 332 037 00	drive shaft		2	TURBO
				2	G30.34/35
				2	CARRERA
				2	M491
				2	G15.69/70
(4)	930 332 037 04	drive shaft		2	TURBO
				2	G30.36/37
				2	CARRERA
				2	M491
				2	G15.72/73
(4)	930 332 037 04	drive shaft		2	TURBO
				2	G30.36/37
				2	CARRERA
				2	M491
				2	G15.72/73
4A	911 332 024 14	drive shaft		2	CARRERA
				2	G15.72/73
5	923 332 032 00	joint		4	CARRERA
				4	G15.67/68

Model	Year	MG	SG	Illustration	Restrictions	UPD	7:42	23.01.2010	PORSCHE	PET	PORSCHE
911	1986	5	01	501-05		248					

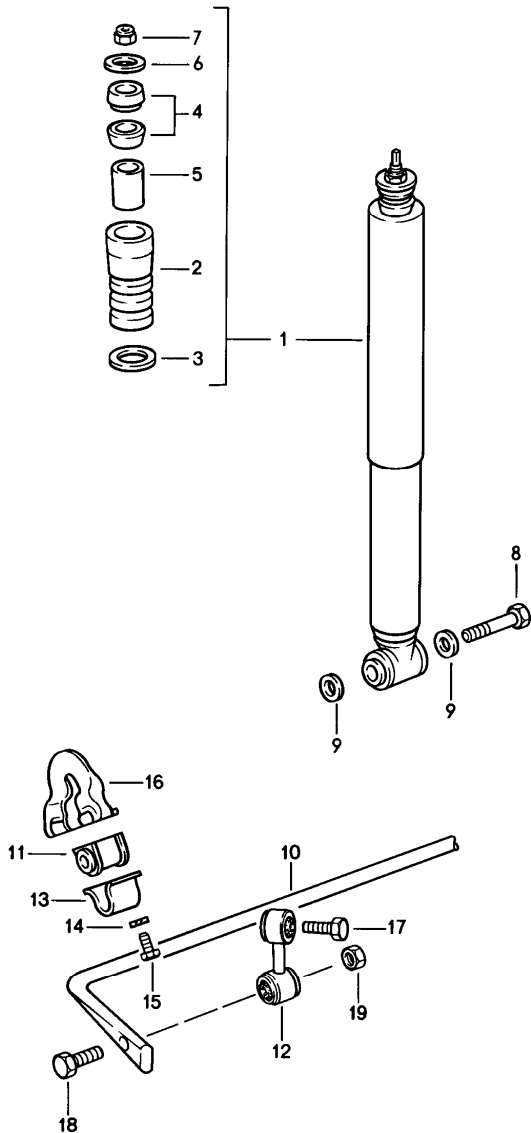
Pos	Part Number	Description	Remark	Qty	Model	Pos	Part Number	Description	Remark	Qty	Model
5	930 332 034 00	joint		4	TURBO G30.34/35	14	900 067 211 09	pan-head screw M 8 X 50		24	CARRERA G15.67/68
				4	CARRERA M491 G15.69/70	14	900 067 118 01	pan-head screw M 10 X 60		24	TURBO G30.34/35 CARRERA M491 G15.69/70
6	901 332 311 10	cup spring		4	CARRERA G15.67/68						
6	901 332 312 00	cup spring		4	TURBO G30.34/35	(14)	900 067 123 01	pan-head screw M 10 X 50		24	TURBO G30.36/37
				4	CARRERA M491 G15.69/70					24	CARRERA M491 G15.72/73
7	000 043 005 00	grease for drive shaft 1 90-gramme tube		X		(14)	900 067 123 01	pan-head screw M 10 X 50		12	CARRERA G15.72/73
8	999 041 016 01	circlip		4	CARRERA G15.67/68	14A	911 332 191 00	plate		4	
8	999 152 084 01	circlip		4	TURBO G30.34/35	15	901 332 806 00	castle nut		2	
				4	CARRERA M491 G15.69/70	15A	900 910 093 02	lock nut self-locking		2	
9	928 332 097 00	joint flange		4	TURBO 930.34	16	999 025 046 01	washer		2	CARRERA G15.67/68
				4	CARRERA M491 915.69/70					2	TURBO G30.34/35/36 G30.37
				4	CARRERA M491 915.69/70					2	CARRERA M491 G15.69/70/72 G15.73
10	901 332 293 12	dust bellows		4	TURBO G30.34/35	16A	928 331 591 02	washer		2	CARRERA G15.72/73
				4	CARRERA M491 G15.69/70	17	N 012 538 1	cotter pin 4 X 40		2	
11	923 332 037 00	dust bellows with flange		4	CARRERA G15.67/68	18	928 332 924 02	repair kit dust bellows		X	CARRERA 915.72/73 TURBO 930.36/37
12	999 512 315 02	clamp		4		18	000 043 301 08	repair kit		X	
13	923 332 297 00	gasket		6	CARRERA G15.67/68	19	997 332 267 00	lid		1	
13	930 332 297 00	gasket		4	TURBO G30.34/35	20	999 152 084 01	circlip		1	
				4	CARRERA M491 G15.69/70	21	911 332 257 00	clip dust bellows		1	
				4		23	928 332 257 01	clip		1	

Model	Year	MG	SG	Illustration	Restrictions	UPD	7:42	23.01.2010	PORSCHE	PET	PORSCHE
911	1986	5	01	501-05		248					

Pos	Part Number	Description	Remark	Qty	Model	Pos	Part Number	Description	Remark	Qty	Model
24	000 043 005 00	grease for drive shaft optimoly		1							
25	911 332 923 00	repair kit constant-velocity joint		1	CARRERA						
		comprising: joint		1	G15.72/73						
				1	TURBO						
				1	G30.36/37						
-	000 043 005 00	grease for drive shaft optimoly 90 GR.		1							



Model	Year	MG	SG	Illustration	Restrictions	UPD	7:42	23.01.2010	PORSCHE	PET	PORSCHE
911	1986	5	02	502-00		248					



Pos	Part Number	Description	Remark	Qty	Model
		vibration damper stabiliser			
1	911 333 051 05	vibration damper - boge -	- 85	2	CARRERA
(1)	911 333 051 06	vibration damper - boge -	86-	2	CARRERA
(1)	911 333 051 07	vibration damper - boge -		2	CARRERA M491 M474
1	911 333 051 49	vibration damper		2	TURBO
1	911 333 051 60	vibration damper - bilstein -		2	TURBO
2	911 333 301 04	additional spring		2	
3	911 333 511 00	washer		2	TURBO
4	911 333 521 00	articulated ring		4	
5	911 333 522 00	articulated bush		2	
6	911 333 523 00	washer		2	TURBO
7	900 084 013 02	lock nut M 10 X 1		2	
8	900 082 054 02	hexagon-head bolt M 14 X 1,5 X 85		2	CARRERA
(8)	900 082 051 01	hexagon-head bolt M 14 X 1,5 X 90		2	TURBO CARRERA M491
9	999 025 062 02	washer		2	CARRERA
9	999 025 062 02	washer		4	TURBO CARRERA M491
10	911 333 701 07	stabiliser 18 \$	85	1	CARRERA
(10)	911 333 701 10	stabiliser 21\$	86-	1	CARRERA
10	930 333 701 23	stabiliser 18 \$	84	1	TURBO
(10) A	930 333 701 25	stabiliser 20 \$	85-	1	TURBO

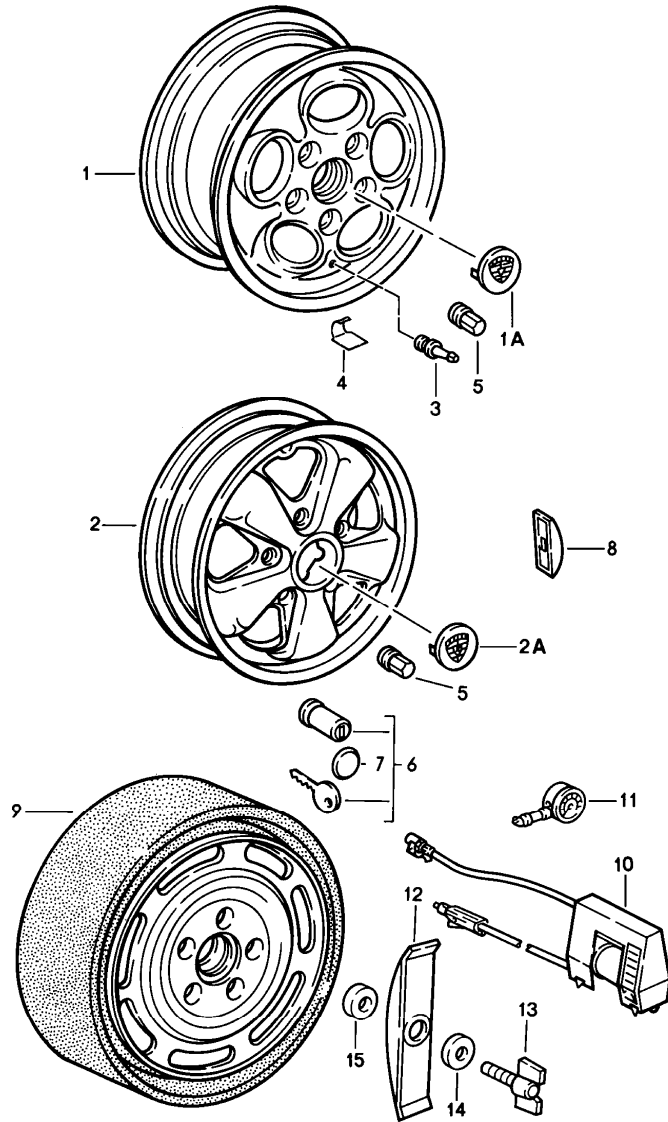
Model	Year	MG	SG	Illustration	Restrictions	UPD	7:42	23.01.2010	PORSCHE	PET	PORSCHE
911	1986	5	02	502-00		248					

Pos	Part Number	Description	Remark	Qty	Model	Pos	Part Number	Description	Remark	Qty	Model
(10)	930 333 701 29	stabiliser 20 \$		85-	1 TURBO						
11	477 411 313 B	stabiliser mounting 18 \$		-85	2 CARRERA						
(11)	477 411 313 D	rubber mounting 21 \$		86-	2 CARRERA						
(11)	477 411 313 B	stabiliser mounting 18 \$		84	2 TURBO						
(11)	477 411 313 C	stabiliser mounting 20 \$		85-	2 TURBO						
12	930 333 071 00	stabiliser mounting	/L		1						
(12)	930 333 072 00	stabiliser mounting	/R		1						
13	113 411 333	retaining bow			2						
14	A 900 027 015 02	lock ring B 8			4						
14	900 027 015 02	lock ring B 8			4						
15	A N 010 239 11	hexagon-head bolt M 8 X 18			4						
15	N 010 239 11	hexagon-head bolt M 8 X 18			4						
16	911 501 180 02	bracket			2						
17	N 010 156 3	hexagon-head bolt M 12 X 1,5 X 70			2						
18	900 082 035 02	hexagon-head bolt M 12 X 1,5 X 60			2						
19	900 910 046 02	lock nut VM 12 X 1,5			2						

Model	Year	MG	SG	Illustration	Restrictions	UPD	7:42	23.01.2010
911	1986	5	98	598-00R		248		

Pos	Part Number	Description	Remark	Qty	Model
		repair kits			
>>	>>928 332 924 02	repair kit dust bellows comprising:		4	CARRERA 915.72/73 930.36/37
>>	>>000 043 301 08	repair kit dust bellows comprising:		4	Carrera 915.72/73 930.36/37
-	997 332 267 00	lid		1	
-	999 152 084 01	circlip		1	
-	911 332 257 00	clip \$ 73 MM dust bellows		1	
-	928 332 257 01	clip \$ 34 MM		1	
-	000 043 005 00	grease for drive shaft optimoly 90 GR.		1	
-	A 911 332 923 00	repair kit constant-velocity joint		2	CARRERA G15.72/73
>>	>>911 332 923 00	repair kit constant-velocity joint comprising: constant-velocity joint		4	TURBO G30.36/37 G15.72/73
-	000 043 005 00	grease for drive shaft optimoly 90 GR.		1	
>>	>>911 332 923 01	repair kit constant-velocity joint		2	CARRERA G15.72/73
>>	>>911 332 923 01	repair kit constant-velocity joint comprising: constant-velocity joint		4	TURBO G30.36/37 G15.72/73
-	997 332 267 00	lid		1	
-	999 152 084 01	circlip dust bellows		1	
-	911 332 257 00	clip \$ 73 MM		1	
-	928 332 257 01	clip \$ 34 MM		1	
-	000 043 005 00	grease for drive shaft optimoly 90 GR.		1	

Model	Year	MG	SG	Illustration	Restrictions	UPD	7:42	23.01.2010	PORSCHE	PET	PORSCHE
911	1986	6	01	601-00		248					



Pos	Part Number	Description	Remark	Qty	Model
		wheels			
1	911 361 023 46	alloy wheel 6 J X 15 ET = 36,0 cast silver metallic		2	CARRERA
1	951 362 104 00	alloy wheel 7 J X 15 ET = 23,3 cast silver metallic		2	CARRERA
1A	928 361 032 01	hub cap silver metallic		4	CARRERA
2	911 361 020 41	alloy wheel 7 J X 15 ET = 23,3 forged aluminium alloy black star rim flange polished		2	
2	911 361 020 93	alloy wheel 7 J X 15 ET = 23,3 forged aluminium alloy unvarnished rim flange polished		2	
2	911 361 020 42	alloy wheel 8 J X 15 ET = 10,6 forged aluminium alloy black star rim flange polished		2	
2	911 361 020 94	alloy wheel 8 J X 15 ET = 10,6 forged aluminium alloy unvarnished rim flange polished ET = 10,6		2	
2	911 362 113 00	alloy wheel 6 J X 16 forged aluminium alloy black star rim flange polished	-84	2	CARRERA

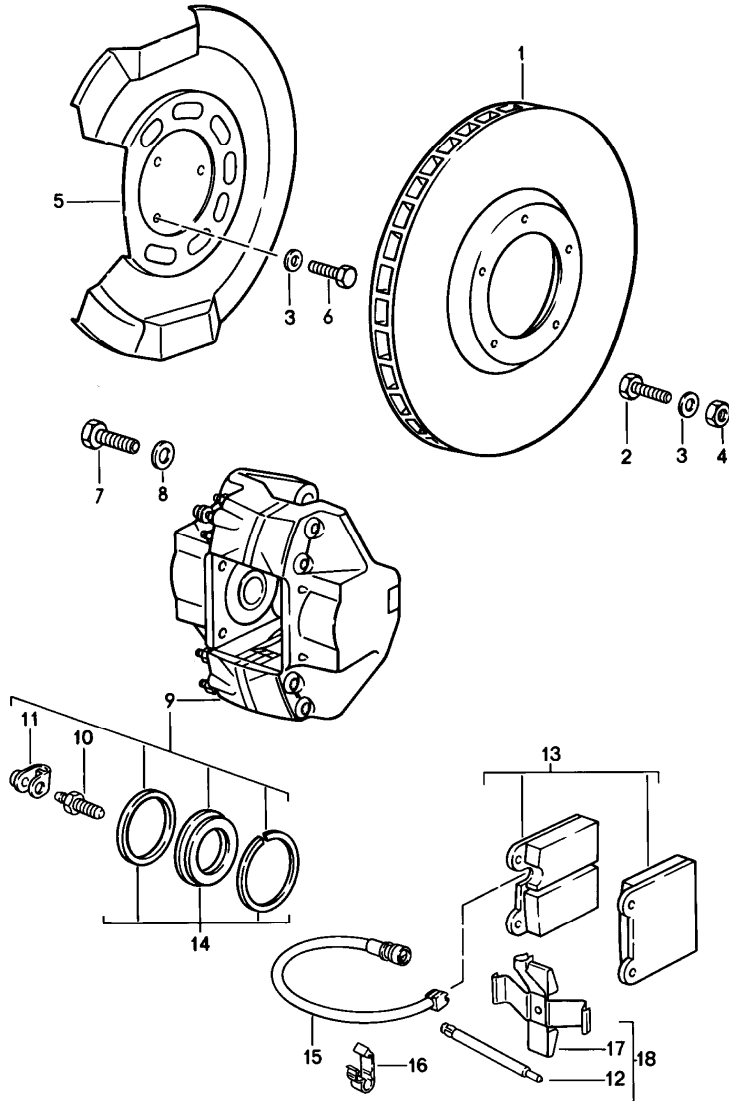
Model	Year	MG	SG	Illustration	Restrictions	UPD	7:42	23.01.2010	PORSCHE	PET	PORSCHE
911	1986	6	01	601-00		248					

Pos	Part Number	Description	Remark	Qty	Model	Pos	Part Number	Description	Remark	Qty	Model
(2)	911 362 113 00	alloy wheel 6 J X 16 ET = 36,0 forged aluminium alloy black star rim flange polished	85-	2	CARRERA	(2)	911 362 117 00	alloy wheel 8 J X 16 ET = 10,6 forged aluminium alloy black star rim flange polished	85-	2	TURBO CARRERA M491
2	911 361 020 97	perforated disc wheel 6 J X 16 forged aluminium alloy unvarnished rim flange polished	-84	2	CARRERA	2	911 361 020 99	perforated disc wheel 8 J X 16 forged aluminium alloy unvarnished rim flange polished	-84	2	TURBO CARRERA M491
(2)	911 362 113 00	alloy wheel 6 J X 16 ET = 36,0 forged aluminium alloy unvarnished rim flange polished	85-	2	CARRERA	(2)	911 362 117 00	alloy wheel 8 J X 16 forged aluminium alloy unvarnished rim flange polished	85	2	TURBO CARRERA M491
2	911 362 115 00	alloy wheel 7 J X 16 forged aluminium alloy black star rim flange polished	-84	2		(2)	911 362 119 90	perforated disc wheel 9 J X 16 ET = 15,0 forged aluminium alloy unvarnished rim flange polished	86-	2	TURBO CARRERA M491
(2)	911 362 115 00	alloy wheel 7 J X 16 ET = 23,3 forged aluminium alloy black star rim flange polished	85-	2		(2)	911 362 119 00	alloy wheel 9 J X 16 forged aluminium alloy black star rim flange polished ET = 15,0	86-	2	TURBO CARRERA M491
2	911 362 115 90	alloy wheel 7 J X 16 ET = 23,3 forged aluminium alloy unvarnished rim flange polished	-84	2		-	951 362 114 00	alloy wheel 7 J X 16 for winter use	/V	2	TURBO CARRERA M491
(2)	911 362 115 90	alloy wheel 7 J X 16 ET = 23,3 forged aluminium alloy unvarnished rim flange polished	85-	2		-	951 362 116 00	alloy wheel 8 J X 16 for winter use	/H	2	TURBO CARRERA M491
2	911 362 117 00	alloy wheel 8 J X 16  ET = 10,6 forged aluminium alloy black star rim flange polished	-84	2	TURBO CARRERA M491	2A	911 361 032 28	hub cap black		4	
						2A	911 361 032 29	hub cap grand prix white		4	
						2A	911 361 032 30	hub cap platinum-metallic		4	
						(2A)	911 361 032 31	hub cap white gold metallic		4	
						3	900 265 001 50	rubber valve		4	
						4	965 361 561 00	valve support		4	

Model	Year	MG	SG	Illustration	Restrictions	UPD	7:42	23.01.2010	PORSCHE	PET	PORSCHE
911	1986	6	01	601-00		248					

Pos	Part Number	Description	Remark	Qty	Model	Pos	Part Number	Description	Remark	Qty	Model
5	999 182 003 36	wheel nut		20		8	901 361 417 50	balance stick-on weight 75 GR.		X	
(5)	928 361 306 01	wheel nut lockable without lock	-85	4		8	901 361 417 00	balance stick-on weight 80 GR.		X	
(5)	928 361 306 03	wheel nut lockable without lock	86	4		9 A	911 361 028 12	emergency wheel with collapsible tire	84	1	
(6)	928 361 047 03	wheel nut set lockable		1		9	928 362 030 02	emergency wheel with collapsible tire		1	
7 A	928 361 310 00	cap	85	4		(10)	911 652 052 00	small electric compressor		1	
7	965 361 167 00	cap		4		-	996 361 521 00	boot for impeller		1	
8	901 361 410 50	balance stick-on weight 5 GR.		X		11	911 722 201 02	tyre pressure gauge		1	
8	901 361 410 00	balance stick-on weight 10 GR.		X		12	911 361 633 01	clamping bow		1	
8	901 361 411 50	balance stick-on weight 15 GR.		X		13	999 074 106 02	wing screw M 8 X 25		1	
8	901 361 411 00	balance stick-on weight 20 GR.		X		14	900 151 008 02	washer B 8,4		1	
8	901 361 412 50	balance stick-on weight 25 GR.		X		15	803 813 583	washer		1	
8	901 361 412 00	balance stick-on weight 30 GR.		X							
8	901 361 413 50	balance stick-on weight 35 GR.		X							
8	901 361 413 00	balance stick-on weight 40 GR.		X							
8	901 361 414 50	balance stick-on weight 45 GR.		X							
8	901 361 414 00	balance stick-on weight 50 GR.		X							
8	901 361 415 50	balance stick-on weight 55 GR.		X							
8	901 361 415 00	balance stick-on weight 60 GR.		X							
8	901 361 416 50	balance stick-on weight 65 GR.		X							
8	901 361 416 00	balance stick-on weight 70 GR.		X							

Model	Year	MG	SG	Illustration	Restrictions	UPD	7:42	23.01.2010	PORSCHE	PET	PORSCHE
911	1986	6	02	602-00		248					



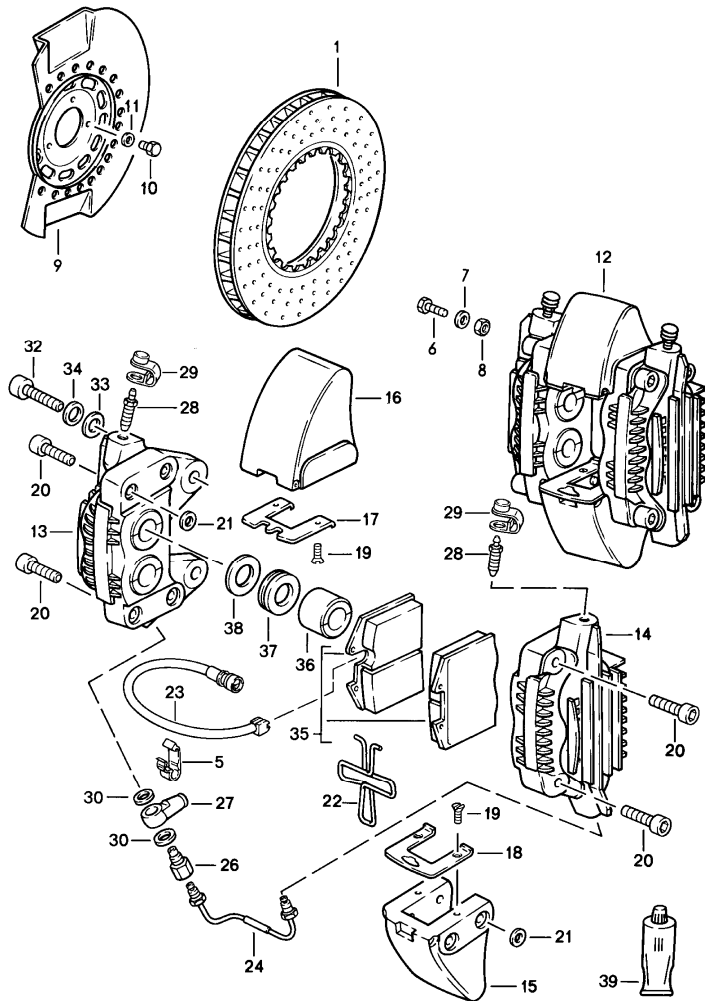
Pos	Part Number	Description	Remark	Qty	Model
		brake front axle			CARRERA
		see technical information GR.4, NR. 4/99			
1	911 351 041 22	brake disc		2	
2	900 075 079 02	hexagon-head bolt M 8 X 22		10	
3	N 012 241 8	spring washer B 8		10	
4	900 076 025 02	hexagon nut M 8		10	
5	901 351 801 17	protective plate		2	
6	N 010 235 3	hexagon-head bolt M 8 X 10		6	
7	900 083 023 02	hexagon-head bolt M 12 X 1,5 X 35		4	
8	A N 012 232 1	spring washer B 12		4	
8	900 028 014 02	spring washer B 12		4	
9	911 351 425 03	fixed calliper without pad	/L	1	
9	911 351 426 03	fixed calliper without pad	/R	1	
10	911 351 919 02	ventilation valve		2	
11	944 351 959 00	dust boot		2	
12	* 911 351 923 00	retaining pin		4	
(13) A	911 351 950 00	brake pad repair set		1	
13	A 911 351 950 01	brake pad repair set		1	
13	911 351 950 06	brake pad repair set - textar - use also: 993.612.965.00		1	
14	* 911 351 946 00	gasket set		1	
15	944 612 211 00	warning contact		2	

Model	Year	MG	SG	Illustration	Restrictions	UPD	7:42	23.01.2010	PORSCHE	PET	PORSCHE
911	1986	6	02	602-00		248					

Pos	Part Number	Description	Remark	Qty	Model	Pos	Part Number	Description	Remark	Qty	Model
(15)	A 993 612 965 01	brake pad wear indicator for brake pad repair set 911.351.950.06		2							
(15)	993 612 965 01	warning contact for brake pad repair set 911.351.950.06  use also:		2							
-	000 043 205 13	sealing compound SILASTIC 732 RTV 90 ML		1							
16	944 612 627 00	line bracket		2							
17	911 351 951 01	parts kit		2							
18	911 351 951 01	parts kit		1							



Model	Year	MG	SG	Illustration	Restrictions	UPD	7:43	23.01.2010	PORSCHE	PET	PORSCHE
911	1986	6	02	602-05		248					

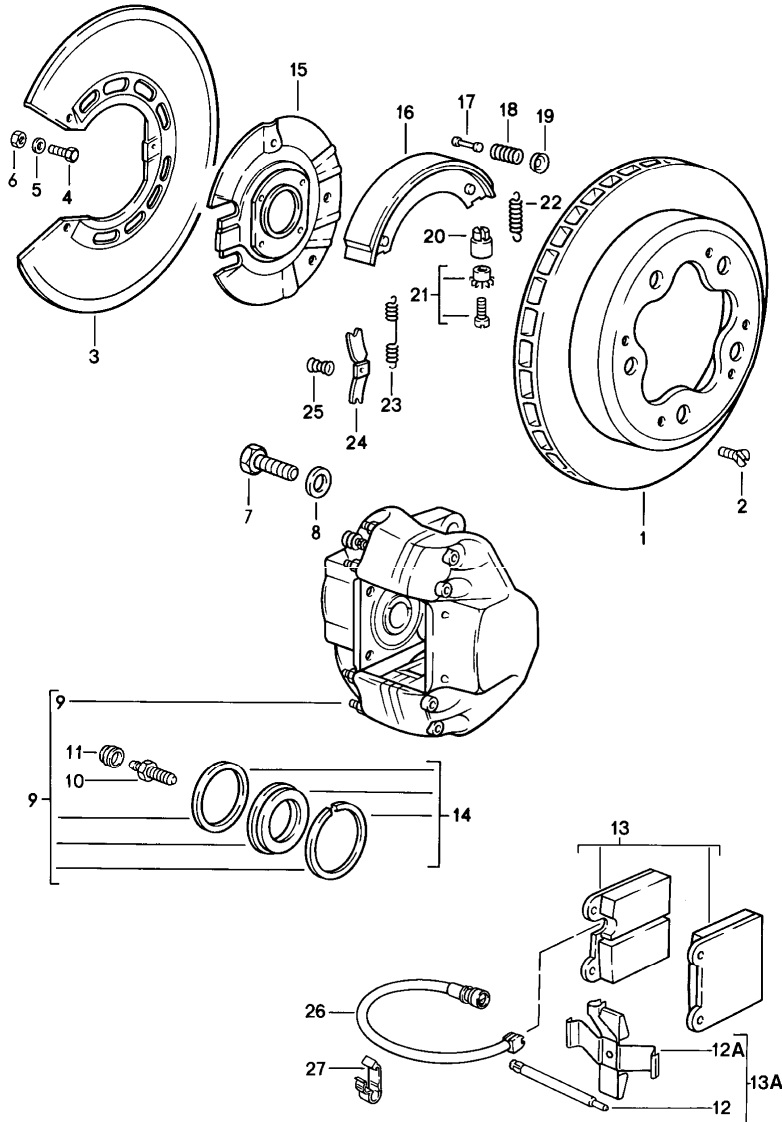


Pos	Part Number	Description	Remark	Qty	Model
		brake front axle			TURBO CARRERA M491
1	930 351 047 01	brake disc	/L	1	
(1)	930 351 048 01	brake disc	/R	1	
5	944 612 627 00	line bracket		2	
6	900 075 079 02	hexagon-head bolt M 8 X 22		10	
7	N 012 241 8	spring washer B 8		10	
8	900 076 025 02	hexagon nut M 8		10	
9	930 351 803 01	protective plate		2	
10	N 010 235 3	hexagon-head bolt M 8 X 10		6	
11	N 012 241 8	spring washer B 8		6	
12	930 351 091 03	brake calliper without pad	/L	1	
(12)	930 351 092 03	brake calliper without pad	/R	1	
13	930 351 951 01	brake calliper inner part comprising: housing inner part sealing ring \$ 38 MM scraper ring \$ 38 MM piston \$ 38 MM		84 1 2 2 2	
13	930 351 091 03	brake calliper inner part comprising: housing inner part sealing ring \$ 38 MM scraper ring \$ 38 MM piston \$ 38 MM	/L	1 1 2 2 2	

Model	Year	MG	SG	Illustration	Restrictions	UPD	7:43	23.01.2010	PORSCHE	PET	PORSCHE
911	1986	6	02	602-05		248					

Pos	Part Number	Description	Remark	Qty	Model	Pos	Part Number	Description	Remark	Qty	Model
(13)	930 351 092 03	brake calliper inner part comprising: housing inner part sealing ring \$ 38 MM scraper ring \$ 38 MM piston \$ 38 MM	/R	1		30	N 013 806 2	sealing ring A 10 X 14	84	4	
				1		32	900 067 170 02	pan-head screw M 12 X 1,5 X 40		4	
				2		33	930 351 553 01	spacer		4	
				2		34	900 028 014 02	spring washer B 12		4	
				2		35	930 351 938 05	brake pad repair set		1	
14	930 351 953 01	brake calliper outer part comprising: housing outer part sealing ring \$ 38 MM scraper ring \$ 38 MM piston \$ 38 MM		2		36 A	930 351 551 04	piston \$ 38 MM		8	
				1		36	930 351 551 04	piston \$ 38 MM		8	
				2		37	930 351 547 00	scraper ring		8	
				2		38 A	930 351 555 01	sealing ring		8	
15	930 351 563 04	bridge		2		38	930 351 555 01	sealing ring		8	
16	930 351 564 03	bridge		2		39	000 043 020 00	optimoly 1 100-gramme tube		1	
17	930 351 541 03	spring plate		2							
18	930 351 542 03	spring plate		2							
19	900 269 017 02	countersunk-head screw M 5 X 12		8							
20	900 067 170 02	pan-head screw M 12 X 1,5 X 40		16							
21	930 351 580 01	spacer sleeve		16							
22 *	951 352 950 00	expanding spring		84							
(22)	951 352 950 00	expanding spring		85-							
23	944 612 211 00	warning contact		2							
24	930 355 061 01	connecting line	/L	1							
(24)	930 355 062 01	connecting line	/R	1							
26	999 135 002 02	screw socket		84							
27	999 215 027 02	ring fitting		84							
28	930 351 919 00	ventilation valve		4							
29	930 351 927 00	dust boot		4							

Model	Year	MG	SG	Illustration	Restrictions	UPD	7:43	23.01.2010	PORSCHE	PET	PORSCHE
911	1986	6	03	603-00		248					

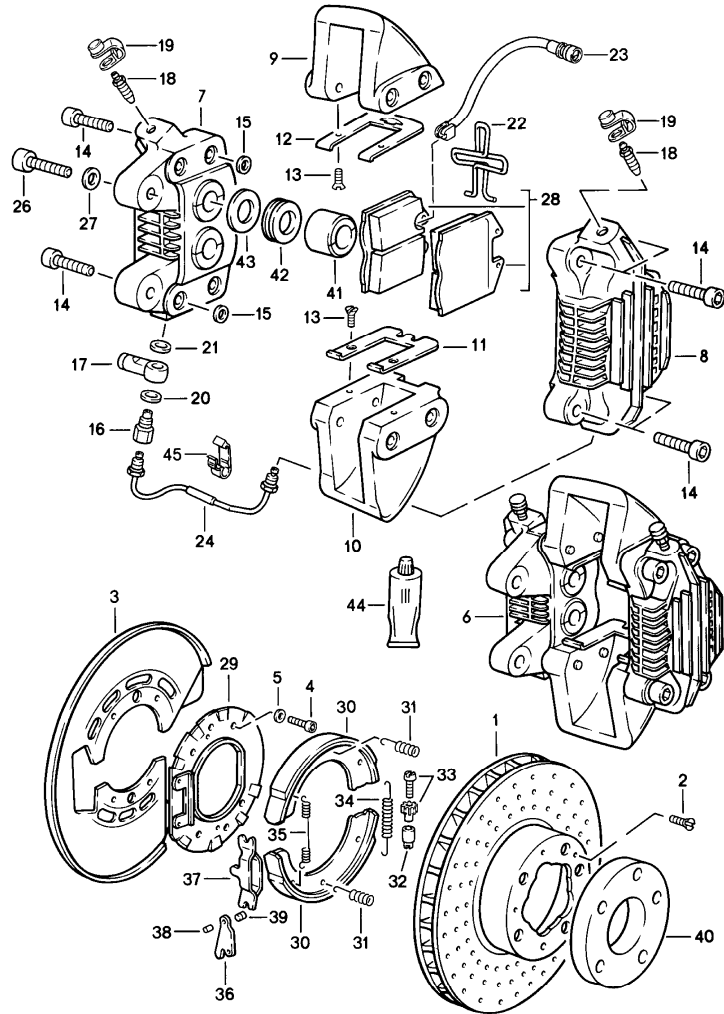


Pos	Part Number	Description	Remark	Qty	Model
		disc brake rear axle			CARRERA
1	911 352 041 08	brake disc		2	
2	N 033 167 1	countersunk-head screw AM 6 X 12		4	
3	911 352 801 20	protective plate		2	
4	900 075 087 02	hexagon-head bolt M 8 X 16		4	
(4)	N 010 235 3	hexagon-head bolt M 8 X 10		2	
5	N 012 241 8	spring washer B 8		6	
6	900 076 025 02	hexagon nut M 8		4	
7	N 010 137 2	hexagon-head bolt M 12 X 1,5 X 35		4	
8	900 027 017 02	lock ring B 12		4	
8	900 027 017 02	lock ring B 12		4	
9	911 352 425 00	fixed calliper without pad	/L	1	
(9)	911 352 426 00	fixed calliper without pad	/R	1	
10	901 352 977 10	bleeder valve		2	
11	901 351 927 10	dust boot		2	
12	* 911 352 923 00	retaining pin		4	
12A	911 352 951 01	parts kit		2	
13	A 911 352 950 01	brake pad repair set		1	
13	911 352 950 04	brake pad repair set - textar -		1	
13A	911 352 951 01	parts kit for brake pad repair set		1	
14	* 911 352 905 00	gasket set handbrake		2	

Model	Year	MG	SG	Illustration	Restrictions	UPD	7:43	23.01.2010	PORSCHE	PET	PORSCHE
911	1986	6	03	603-00		248					

Pos	Part Number	Description	Remark	Qty	Model	Pos	Part Number	Description	Remark	Qty	Model
15	911 352 081 30	brake mounting plate		2							
16	911 352 097 10	brake shoe		4							
17	901 352 959 10	roll pin		4							
18	901 352 957 10	compression spring		4							
19	901 352 955 10	concave washer		4							
20	911 352 944 00	support bush		2							
21	911 352 098 00	adjusting screw		2							
22	901 352 932 10	return spring		2							
23	901 352 954 10	return spring		2							
24	911 352 090 00	expanding bow		4							
25	901 352 953 10	compression spring		2							
26	944 612 211 02	warning contact		2							
27	944 612 627 00	line bracket		2							

Model	Year	MG	SG	Illustration	Restrictions	UPD	7:43	23.01.2010	PORSCHE	PET	PORSCHE
911	1986	6	03	603-05		248					

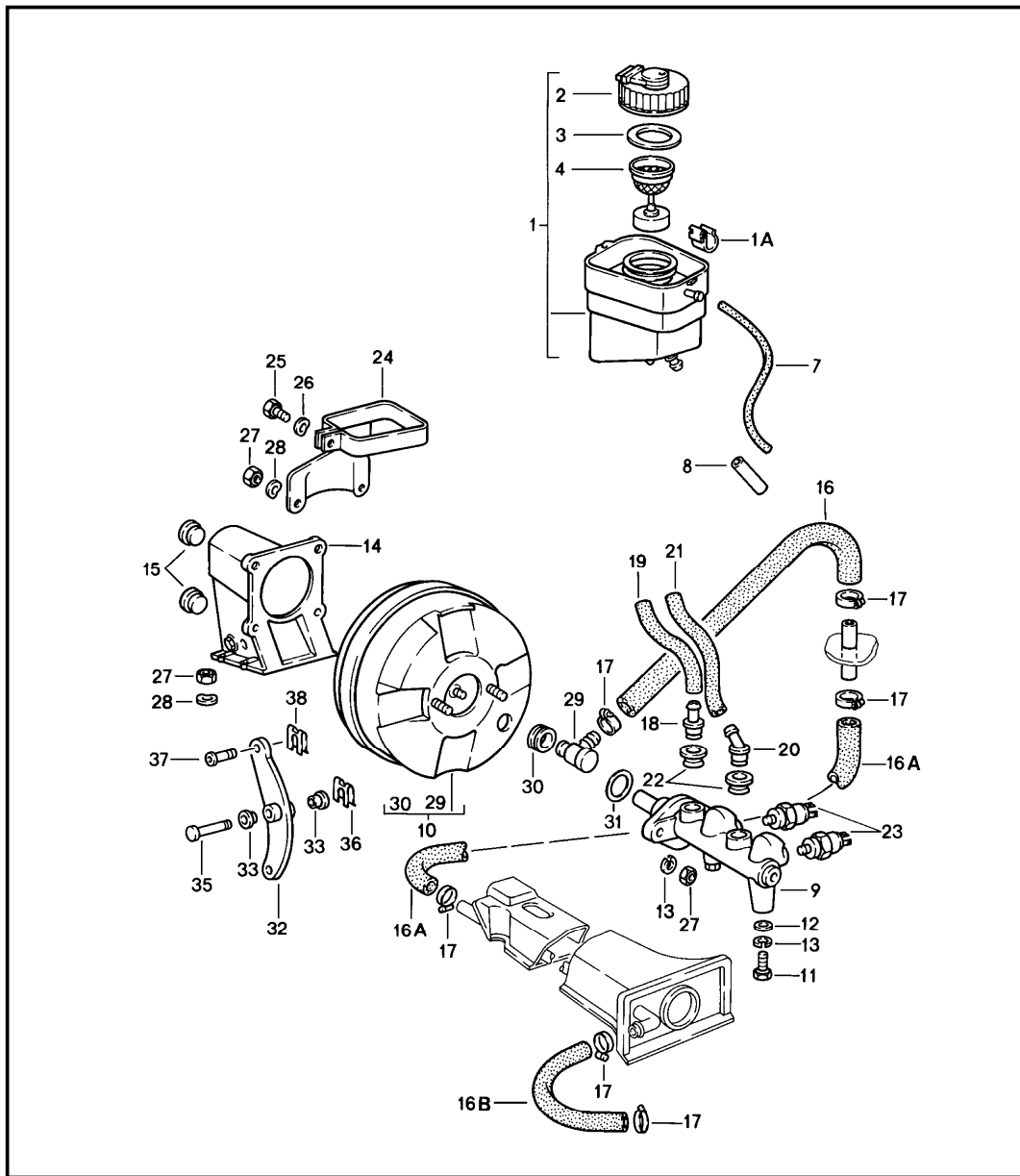


Pos	Part Number	Description	Remark	Qty	Model
		disc brake rear axle			TURBO CARRERA M491
1	930 352 045 00	brake disc	/L	1	
(1)	930 352 046 00	brake disc	/R	1	
2	N 033 167 1	countersunk-head screw M 6 X 12		4	
3	930 352 801 04	protective plate		2	
4	900 067 057 02	pan-head screw M 8 X 20		8	
5	N 012 241 8	spring washer B 8		8	
6	930 352 091 03	brake calliper without pad	/L	1	
(6)	930 352 092 03	brake calliper without pad	/R	1	
7 A	930 352 951 01	brake calliper inner part comprising: housing inner part sealing ring \$ 30 MM scraper ring \$ 30 MM piston \$ 30 MM		84	
(7)	930 352 092 03	brake calliper comprising: housing inner part sealing ring \$ 30 MM scraper ring \$ 30 MM piston \$ 30 MM	/R	1	

Model	Year	MG	SG	Illustration	Restrictions	UPD	7:43	23.01.2010	PORSCHE	PET	PORSCHE
911	1986	6	03	603-05		248					

Pos	Part Number	Description	Remark	Qty	Model	Pos	Part Number	Description	Remark	Qty	Model
(7)	930 352 091 03	brake calliper inner part comprising: housing inner part sealing ring \$ 30 MM scraper ring \$ 30 MM piston \$ 30 MM	/L	1		23	930 612 211 00	warning contact		2	
				1		24	930 355 061 01	connecting line	/L	1	
				2		(24)	930 355 062 01	connecting line	/R	1	
				2		26	900 067 170 02	pan-head screw M 12 X 1,5 X 40		4	
				2		27	900 028 014 02	spring washer B 12		4	
8	930 352 953 01	brake calliper outer part comprising: housing outer sealing ring \$ 30 MM scraper ring \$ 30 MM piston \$ 30 MM		2		28	930 351 938 05	brake pad repair set handbrake		1	
				1		29	930 352 081 03	brake mounting plate		2	
				2		30	928 352 097 00	brake shoe		4	
				2		31	930 352 957 00	compression spring		4	
				2		32	911 352 944 00	support bush		2	
9	930 352 563 03	bridge		2		33	911 352 098 00	adjusting screw		2	
10	930 352 564 04	bridge		2		34	901 352 932 10	return spring		2	
11	930 351 539 03	spring plate		2		35	901 352 954 10	return spring		2	
12	930 351 540 03	spring plate		2		36	993 352 073 00	push-button lock		2	
13	900 269 017 02	countersunk-head screw M 5 X 12		8		37	993 352 073 00	push-button lock		2	
14	900 067 170 02	pan-head screw M 12 X 1,5 X 40		16		38	993 352 737 00	bolt		2	
15	930 351 580 01	spacer sleeve		16		39	928 352 447 00	articulated bolt		2	
16	999 135 002 02	screw socket	84	2		40	930 331 611 04	spacer ring		2	
17	999 215 027 02	ring fitting	84	2		41 A	930 352 555 01	piston \$ 30 MM		8	
18	930 351 919 00	ventilation valve		4		41	930 352 555 01	piston \$ 30 MM		8	
19	930 351 927 00	dust boot		4		42	930 352 554 00	scraper ring		8	
20	N 013 806 2	sealing ring A 10 X 14	84	2		43 A	930 352 553 02	sealing ring		8	
21	N 013 806 2	sealing ring A 10 X 14	84	2		43	930 352 553 02	sealing ring		8	
22	* 951 352 950 00	expanding spring		84		44	000 043 020 00	optimoly 1 100-gramme tube		1	
(22)	951 352 950 00	expanding spring	85-	2		45	944 612 627 00	line bracket		6	

Model	Year	MG	SG	Illustration	Restrictions	UPD	7:43	23.01.2010	PORSCHE	PET	PORSCHE
911	1986	6	04	604-00		248					



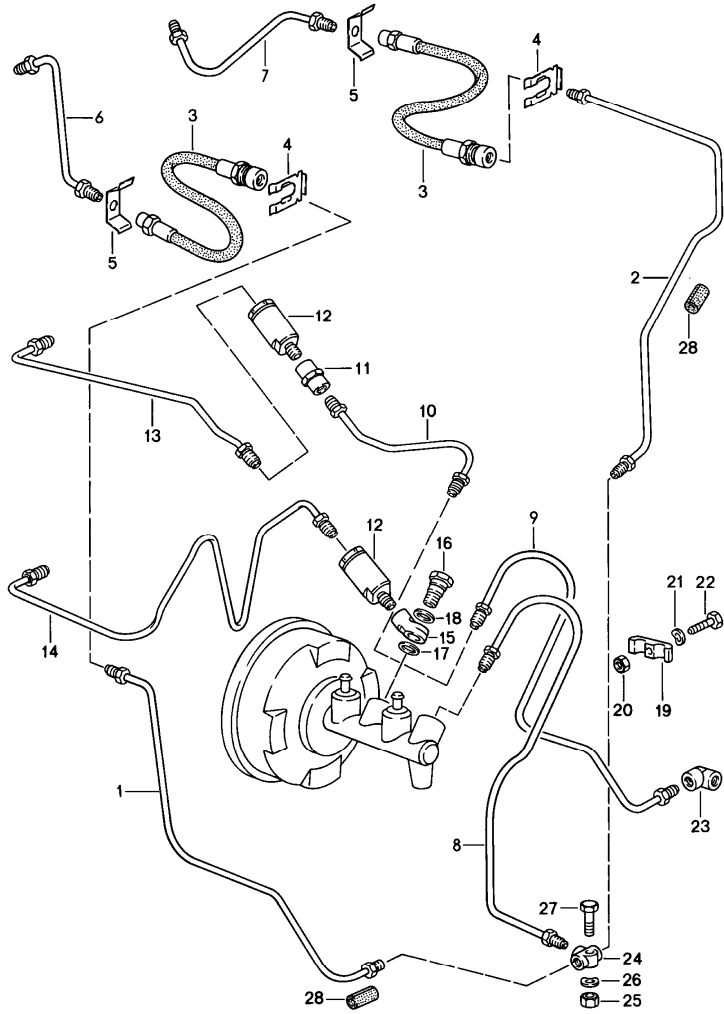
Pos	Part Number	Description	Remark	Qty	Model
		brake fluid reservoir brake master cylinder			
1	A 911 355 013 13	brake fluid reservoir		1	
1	911 355 013 13	brake fluid reservoir		1	
1A	477 971 939	cable terminal		1	
2	911 355 419 02	threaded joint		1	
3	901 355 908 00	gasket		1	
4	911 355 420 01	float with strainer		1	
-	A N 020 361 2	hose		X	
-	N 020 361 2	hose 4 X 1,5		X	
7	-	900 MM	/LL	1	
7	-	1500 MM	/RL	1	
8	911 355 155 00	pipe 5 X 3 X 1280		1	
9	911 355 011 12	brake master cylinder		1	CARRERA
(9)	930 355 011 03	brake master cylinder		1	TURBO CARRERA M491
10	930 355 027 00	vacuum booster		1	CARRERA
10	930 355 027 00	vacuum booster		84	TURBO CARRERA M491
(10)	930 355 027 02	vacuum booster		85-	TURBO CARRERA M491
11	N 010 237 6	hexagon-head bolt M 8 X 12		1	
12	900 151 008 02	washer A 8,4		1	
13	A 900 027 015 02	lock ring B 8		3	
13	900 027 015 02	lock ring B 8		3	

Model	Year	MG	SG	Illustration	Restrictions	UPD	7:43	23.01.2010	PORSCHE	PET	PORSCHE
911	1986	6	04	604-00		248					

Pos	Part Number	Description	Remark	Qty	Model	Pos	Part Number	Description	Remark	Qty	Model
14	911 355 381 01	bearing bracket	/LL	1		26	N 012 226 5	spring washer B 6		1	
(14)	911 355 382 00	bearing bracket	/RL	1		27	A N 022 146 1	lock nut M 8		10	
15	999 703 056 40	stopper		2		27	900 910 022 09	lock nut M 8		10	
16	911 355 609 00	moulded hose	/LL	1		28	N 012 241 8	spring washer B 8		8	
-	999 181 022 51	hose 11,8 X 4	/LL	*		29	191 611 933 F	check valve		1	
16A	-	320 MM tunnel boot floor plate		1		30	911 355 921 00	rubber seal		1	
-	-	790 MM tunnel brake booster	/RL	1		31	251 611 243	sealing ring		1	
16B	-	1430 MM engine tunnel		1	CARRERA	32	911 355 084 00	reverse lever	/RL	1	
16B	-	1700 MM engine tunnel		1	TURBO	(32)	911 355 083 03	reverse lever	/LL	1	
17	900 272 003 02	hose clamp		6		33	928 423 542 00	bearing sleeve		2	
18	911 355 322 00	intake socket		1		35	911 355 511 01	bearing pin		1	
-	999 181 021 50	hose 7,5 X 12,5		*		36	N 012 654 1	lock		1	
19	-	65 MM		1		37	999 166 049 02	bolt		1	
20	911 355 323 00	intake socket		1		38	999 166 034 02	sl-lock		1	
-	999 181 021 50	hose 7,5 X 12,5		*							
21	-	120 MM		1							
22	911 355 922 00	sealing plug		2							
23	113 945 515 H	brake light switch 2-pole		2							
(23)	113 945 515 G	brake light switch 3-pole		2							
24	911 355 038 01	retaining strap		1							
25	900 075 057 02	hexagon-head bolt M 6 X 16		1							



Model	Year	MG	SG	Illustration	Restrictions	UPD	7:43	23.01.2010	PORSCHE	PET	PORSCHE
911	1986	6	04	604-05		248					

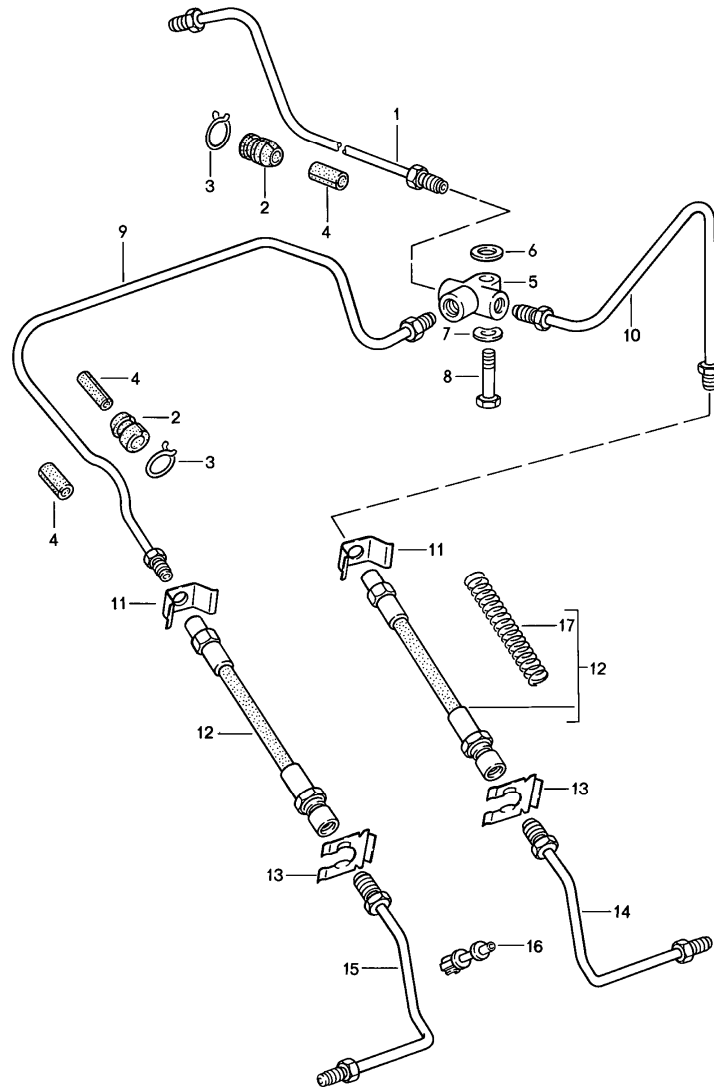


Pos	Part Number	Description	Remark	Qty	Model
		brake line front			
1	911 355 618 01	brake line	/L	1	
2	911 355 617 02	brake line	/R	1	
3	901 355 632 01	brake hose		2	
4	113 611 715 A	brake hose bracket		2	
5	A 803 611 715	retainer spring		2	
5	803 611 715	retainer spring		2	
6	911 355 605 01	brake line		2	CARRERA
6	930 355 063 00	brake line	/L	1	TURBO
7	930 355 064 00	brake line	/R	1	TURBO
8	A 911 355 608 03	connecting line	/LL	1	
8	911 355 608 03	connecting line	/LL	1	
8	911 355 065 00	connecting line	/RL	1	
9	911 355 607 03	connecting line	/LL	1	TURBO
9	911 355 066 00	connecting line	/RL	1	TURBO
10	911 355 077 03	brake line	/LL	1	CARRERA
11	914 355 661 00	intermediate piece M 10 X 1	/LL	1	CARRERA
12	930 355 305 00	regulator		1	CARRERA M491
12	A 928 355 305 00	regulator		84	1 CARRERA
12	A 928 355 305 02	brake pressure regulator		1	CARRERA
12	928 355 305 02	regulator		1	CARRERA
13	911 355 079 00	brake line	/LL	1	CARRERA
14	911 355 069 00	brake line	/RL	1	CARRERA
15	999 230 175 10	ring fitting M 10 X 1	/RL	1	CARRERA
16	901 355 531 00	banjo bolt	/RL	1	CARRERA
17	N 013 808 3	sealing ring A 10 X 16	/RL	1	CARRERA

Model	Year	MG	SG	Illustration	Restrictions	UPD	7:43	23.01.2010	PORSCHE	PET	PORSCHE
911	1986	6	04	604-05		248					

Pos	Part Number	Description	Remark	Qty	Model	Pos	Part Number	Description	Remark	Qty	Model
18	N 013 812 2	sealing ring A 12 X 15,5	/RL	1	CARRERA						
19	999 511 112 40	dual clip		1							
20	999 084 018 02	lock nut M 6		1							
21	A N 012 226 5	spring washer A 6		1							
21	N 012 226 5	spring washer A 6		1							
22	900 075 016 02	hexagon-head bolt M 6 X 22		1							
23	901 355 615 00	angled pipe		1							
24	914 355 667 00	distributor		1							
25	900 076 010 02	hexagon nut M 6		1							
26	N 011 524 7	washer		1							
27	900 075 017 02	hexagon-head bolt M 6 X 25		1							
28	914 355 691 00	hose piece		3							

Model	Year	MG	SG	Illustration	Restrictions	UPD	7:53	23.01.2010	PORSCHE	PET	PORSCHE
911	1986	6	04	604-10		248					



Pos	Part Number	Description	Remark	Qty	Model
		brake line rear			
1	911 355 611 01	brake line	-85	1	
(1)	911 355 611 03	brake line	86-	1	
2	914 355 651 00	rubber sleeve		2	
3	914 355 652 00	clamp		2	
4	914 355 691 00	protective tube		3	
5	914 355 667 00	distributor		1	
6	N 011 666 7	washer B 6,4		1	
7	N 012 226 5	spring washer B 6		1	
8	900 075 017 02	hexagon-head bolt M 6 X 25		1	
9	911 355 627 04	connecting line	/L	1	CARRERA
9 A	930 355 627 04	connecting line	/L	84	TURBO CARRERA M491
9	930 355 627 04	connecting line	/L	1	TURBO CARRERA M491
10	911 355 653 05	connecting line	/R	1	CARRERA
10 A	930 355 653 03	connecting line	/R	84	TURBO CARRERA M491
10 A	930 355 653 05	connecting line		85-	TURBO CARRERA M491
10	930 355 653 05	connecting line	/R	1	TURBO CARRERA M491
11 A	803 611 715	retainer spring		2	
11	803 611 715	retainer spring		2	
12	911 355 087 00	brake hose		2	
13	113 611 715 A	brake hose bracket		2	
14	911 355 622 03	brake line	/R	1	CARRERA

Model	Year	MG	SG	Illustration	Restrictions	UPD	7:53	23.01.2010	PORSCHE	PET	PORSCHE
911	1986	6	04	604-10		248					

Pos	Part Number	Description	Remark	Qty	Model	Pos	Part Number	Description	Remark	Qty	Model
14	930 355 066 00	brake line	/R	1	TURBO						
				1	CARRERA						
					M491						
15	911 355 621 03	brake line	/L	1	CARRERA						
15	930 355 065 00	brake line	/L	1	TURBO						
				1	CARRERA						
					M491						
16	999 507 235 40	pipe clip		2	TURBO						
				2	CARRERA						
					M491						

Model	Year	MG	SG	Illustration	Restrictions	UPD	7:54	23.01.2010
911	1986	6	98	698-00R		248		

Pos	Part Number	Description	Remark	Qty	Model
		repair kits			
		front axle see technical information GR.4, NR. 4/99			
>>	>>911 351 950 06	brake pad repair set comprising: brake pad use also: 993.612.965.00		1 4 2	CARRERA
>>	>>911 351 951 01	parts kit set for brake pad repair set comprising: retaining pin expanding spring		1 4 2	CARRERA
>>	>>911 351 946 00	gasket set for fixed calliper comprising: gasket protection cap circlip		2 2 2	CARRERA
		rear axle			
>>	>>911 352 950 01	brake pad repair set comprising: brake pad		1 4	CARRERA
>>	>>911 352 950 01	brake pad repair set comprising: brake pad		1 4	CARRERA
>>	>>911 352 950 04	brake pad repair set comprising: brake pad		1 4	
>>	>>911 352 951 01	parts kit set for brake pad repair set comprising: retaining pin expanding spring		1 4	CARRERA
>>	>>911 352 905 00	gasket set for fixed calliper comprising: gasket for piston protection cap		2 2 2	CARRERA

PORSCHE

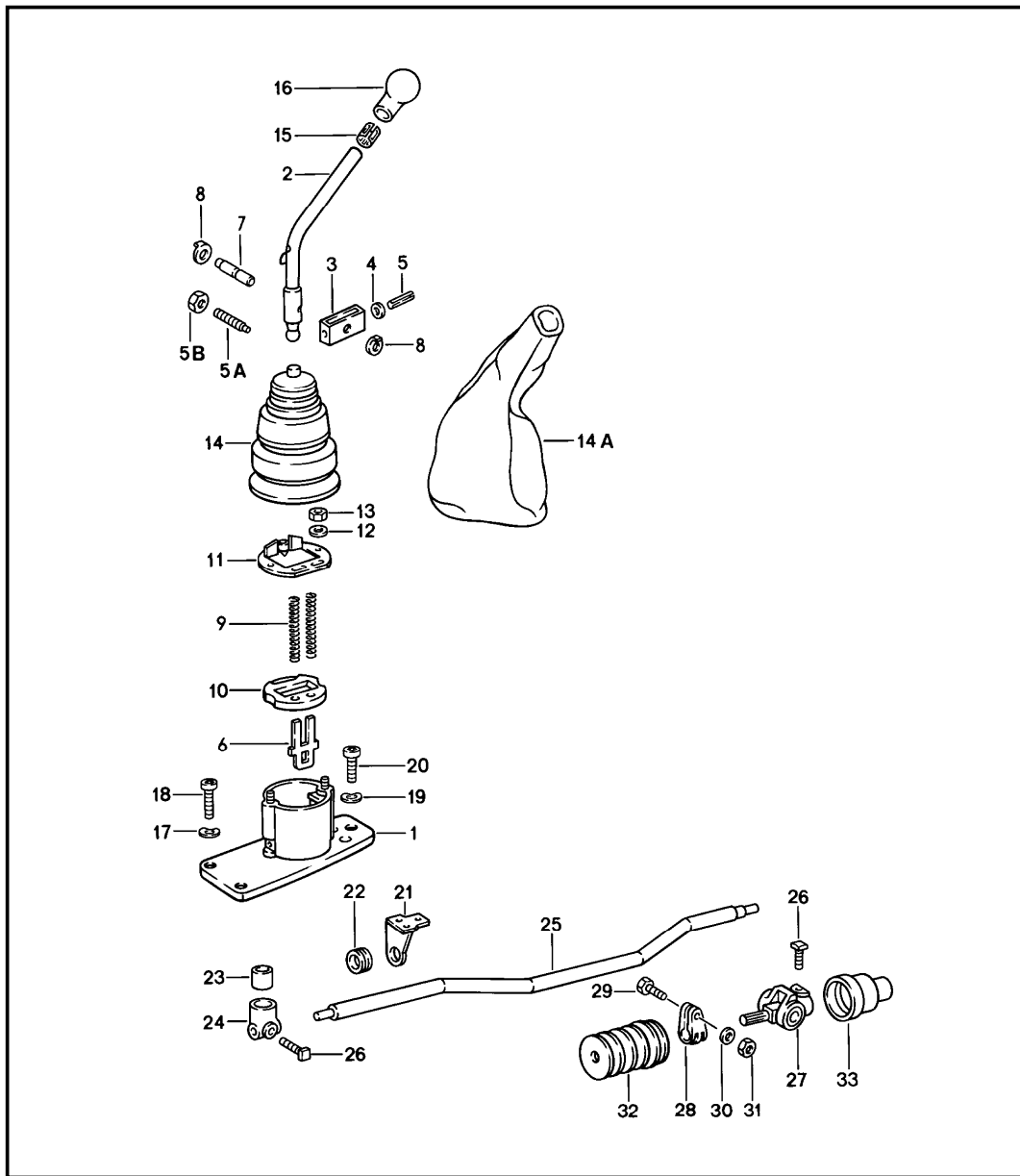
# PET

PORSCHE

Model	Year	MG	SG	Illustration	Restrictions	UPD	7:54	23.01.2010
911	1986	6	98	698-00R		248		

Pos	Part Number	Description	Remark	Qty	Model
>>	>>930 351 938 05	front axle and rear axle  brake pad repair set  comprising: brake pad TEXTAR T 252 see q-information 10.4.85		2 2  4	TURBO CARRERA M491

Model	Year	MG	SG	Illustration	Restrictions	UPD	7:54	23.01.2010	PORSCHE	PET	PORSCHE
911	1986	7	01	701-00		248					



Pos	Part Number	Description	Remark	Qty	Model
		transmission control			
1	911 424 019 06	gearshift bracket		1	
2	911 424 017 07	gearshift lever	84	1	CARRERA
(2)	911 424 017 13	gearshift lever	85-	1	CARRERA
(2)	911 424 017 11	gearshift lever		1	CARRERA M241
(2)	930 424 017 00	gearshift lever	84	1	TURBO
(2)	930 424 017 03	gearshift lever	85-	1	TURBO
3	911 424 124 02	shift-lever bearing	84	1	CARRERA
(3)	911 424 124 03	shift-lever bearing	85-	1	CARRERA
(3)	954 424 124 00	shift-lever bearing		1	CARRERA M241
(3)	930 424 071 00	fork		1	TURBO
-	930 424 125 00	leaf spring		1	TURBO
-	900 234 041 01	shim 10 X 16 X 1,3		1	TURBO
-	900 116 007 01	lock washer		1	TURBO
4	900 025 007 02	washer A 8,4		1	CARRERA
4	911 424 187 01	shim 0,2 MM		1	TURBO
5	900 197 035 01	tensioning sleeve 8 X 28		1	
5A	911 424 335 00	threaded pin		1	
5B	N 011 113 3	hexagon nut M 14		1	
6	911 424 144 00	guide plate	84	1	CARRERA
(6)	911 424 144 01	guide plate	85-	1	CARRERA
(6)	954 424 144 00	guide plate		1	CARRERA M241
7	911 424 129 06	bearing pin		1	CARRERA
(7)	954 424 129 00	bearing pin		1	CARRERA M241

Model	Year	MG	SG	Illustration	Restrictions	UPD	7:54	23.01.2010	PORSCHE	PET	PORSCHE
911	1986	7	01	701-00		248					

Pos	Part Number	Description	Remark	Qty	Model	Pos	Part Number	Description	Remark	Qty	Model
8	999 166 027 02	lock		2	CARRERA	18	900 067 057 02	pan-head screw M 8 X 20		3	
9	911 424 131 01	compression spring	84	2	CARRERA	19	N 012 226 5	spring washer B 6		2	
(9)	911 424 131 07	compression spring	85-	1	CARRERA	20	900 067 011 02	pan-head screw M 6 X 20		2	
(9)	954 424 131 00	compression spring		2	CARRERA M241	21	A 930 424 031 00	bearing bracket		1	
10	911 424 147 00	buffer plate		1	CARRERA	21	930 424 031 01	bearing bracket		1	
(10)	930 424 147 00	buffer plate		1	TURBO	22	914 424 224 00	friction ring		1	
(10)	911 424 147 00	buffer plate		1	CARRERA M241	23	911 424 139 00	ball socket		1	
-	930 424 165 01	retainer plate		1	TURBO	(24)	930 424 241 00	head shift rod		1	
(11) A	911 424 063 04	pawl carrier plate		1	CARRERA	25	911 424 020 00	gear shift rod		1	
(11)	911 424 063 04	pawl carrier plate		1	CARRERA	26	901 424 229 00	conical screw		2	
12	A 900 027 014 01	lock ring B 6		2		27	A 911 424 024 04	shift rod coupling		1	
12	N 012 006 4	lock ring B 6		2		27	911 424 024 04	shift rod coupling		1	
13	900 076 010 02	hexagon nut M 6		2		28	914 424 214 00	clamp		1	
14	911 424 181 01	sleeve		1		29	N 010 335 5	hexagon-head bolt M 8 X 35		1	
14A	911 424 047 00	leather sleeve for gearshift lever		1		30	A 999 523 102 02	lock washer		1	
	1AJ	black				30	999 523 102 02	lock washer		1	
	4RB	brown				31	900 076 025 02	hexagon nut M 8		1	
	30B	blue				32	911 424 292 00	sealing sleeve		1	
	7LD	burgundy				33	911 424 294 00	sealing sleeve		1	
	5JX	greyish green				-	911 424 931 00	installation set for shift travel shortening comprising:		1	CARRERA M241
15	999 532 003 00	retainer		1		-	911 424 017 11	gearshift lever		1	
16	930 424 069 01	gearshift knob 4-speed		1	TURBO	-	954 424 124 00	shift-lever bearing		1	
(16)	911 424 071 01	gearshift knob 5-speed		1	CARRERA	-	954 424 144 00	guide plate		1	
17	N 012 228 3	spring washer B 8		3		-	954 424 129 00	bearing pin		1	



Model	Year	MG	SG	Illustration	Restrictions	UPD	7:54	23.01.2010	PORSCHE	PET	PORSCHE
911	1986	7	01	701-00		248					

Pos	Part Number	Description	Remark	Qty	Model	Pos	Part Number	Description	Remark	Qty	Model
-	954 424 131 00	compression spring		2							
-	911 424 147 00	buffer plate		1							
-	911 424 063 04	pawl carrier plate		1							

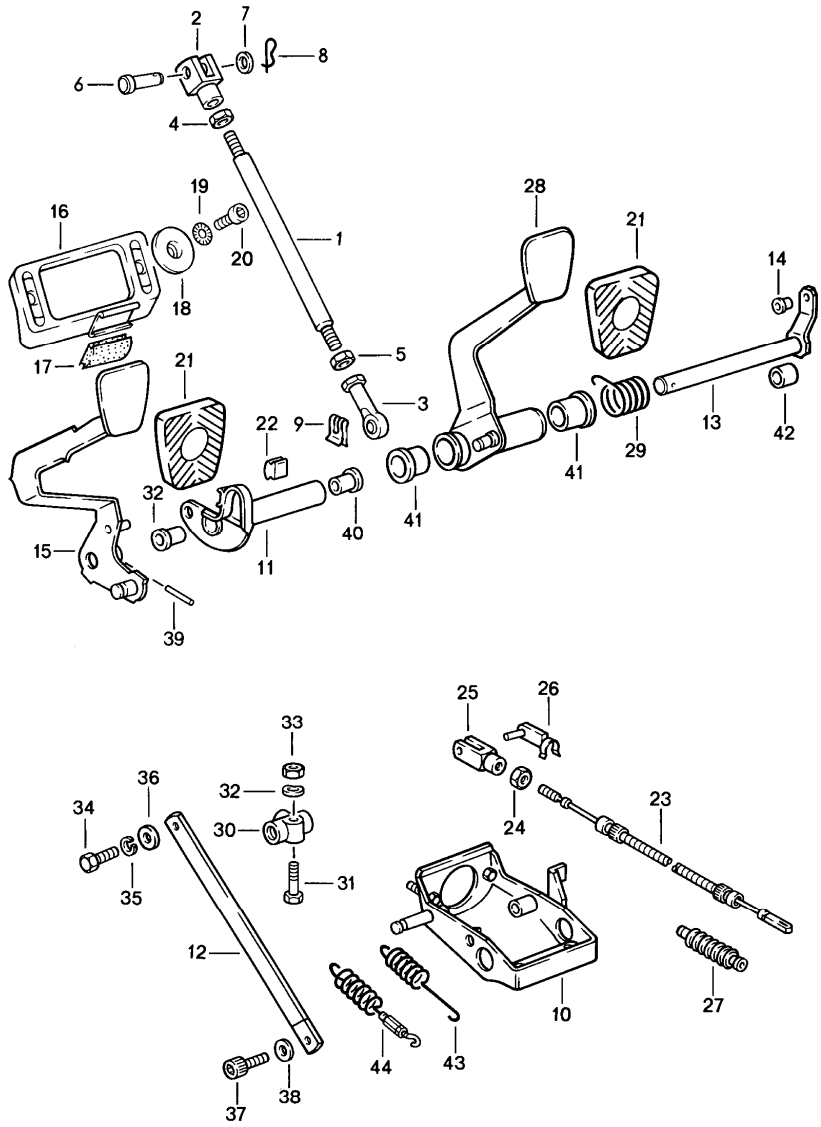
Model	Year	MG	SG	Illustration	Restrictions	UPD	7:54	23.01.2010	PORSCHE	PET	PORSCHE
911	1986	7	01	701-05		248					

Pos	Part Number	Description	Remark	Qty	Model
		parking-brake lever actuating lever for heating			
1	911 424 051 15	parking-brake lever with bearing bracket		1	CARRERA M553 M444
2	911 424 051 16	parking-brake lever with bearing bracket		1	
3	901 424 058 02	bearing bracket		1	
4	901 613 521 20	handbrake contact piece		1	
5	911 613 525 00	heating lever contact		1	CARRERA M553 M444
6	900 015 025 02	oval-head screw AM 4 X 15		1	
7	900 115 005 02	washer A 4,3		1	
8	911 424 059 00	parking-brake lever		1	
9	901 424 509 01	stop		1	
10	901 613 523 20	contact bow		1	
11	900 055 001 20	rivet		2	
12	900 031 012 10	washer 2,8		2	
13	900 206 003 00	tubular rivet 5 X 0,5 X 10		1	
14	901 424 567 03	push rod		1	
15	901 424 508 00	pawl		1	
16	901 424 511 00	bolt		1	
17	914 424 541 00	locking segment		1	
18	911 424 717 01	tensioning sleeve		1	
19	911 424 515 00	collar bolt		1	CARRERA M553 M444
20	911 424 519 02	collar bolt		1	
21	A 911 424 737 00	washer		85	4

Model	Year	MG	SG	Illustration	Restrictions	UPD	7:54	23.01.2010	PORSCHE	PET	PORSCHE
911	1986	7	01	701-05		248					

Pos	Part Number	Description	Remark	Qty	Model	Pos	Part Number	Description	Remark	Qty	Model
22	911 424 735 04	disc		1	CARRERA M553 M444	45	911 424 551 03	parking-brake cable		2	CARRERA
23	911 424 735 03	disc		1	CARRERA M553 M444	45	930 424 051 02	parking-brake cable		2	TURBO
24	999 523 006 00	cup spring		2		47	900 079 012 02	castle nut M 6		2	
25	999 084 019 02	lock nut uni-stop nut M 8		1		48	N 012 507 1	cotter pin 1,6 X 15		2	
26	999 084 043 02	hexagon nut M 5		1		49	N 011 666 7	washer B 6,4		4	
27	911 424 723 00	actuating lever	/L	1	CARRERA M553 M444	50	901 424 557 01	spacer tube		2	CARRERA
28	911 424 724 00	actuating lever	/R	1	CARRERA M553 M444	51	A 911 424 701 01	wire pull	/R	1	CARRERA M553 M444
30	911 424 075 02	connecting lever		84				for heat control box			
(30)	911 424 075 03	connecting lever		85-		51	911 424 701 01	wire pull		2	CARRERA M553 M444
33	911 424 792 03	control button		2				for heat control box			
34	901 424 569 01	fork		1		53	911 424 701 02	wire pull automatic heat control box		1	
35	999 166 010 02	bolt A 6 X 16 X 3		1		54	901 424 704 01	guide		2	
36	999 166 008 02	safety clip		1		55	914 504 319 00	grommet		2	
37	901 424 543 00	compression spring		1		56	900 075 087 02	hexagon-head bolt M 8 X 16		3	
37A	914 424 258 00	guide sleeve		1		57	900 027 015 02	lock ring B 8		3	
38	901 424 593 01	rubber ring		1		58	999 706 009 80	suspension strap		1	
39	901 424 523 01	push button		1		58	911 424 341 01	suspension strap		1	
40	901 424 521 01	handle		1		59	900 075 057 02	hexagon-head bolt M 6 X 16		1	
41	999 166 001 02	bolt 6 X 24		1		60	N 012 226 5	spring washer B 6		1	
42	901 424 568 00	turnbuckle		1		61	900 076 010 02	hexagon nut M 6		1	
43	911 424 591 03	sleeve	84	1	CARRERA						
45	A 911 424 551 02	parking-brake cable		2	CARRERA						

Model	Year	MG	SG	Illustration	Restrictions	UPD	9:54	28.01.2010	PORSCHE	PET	PORSCHE
911	1986	7	02	702-00		248					

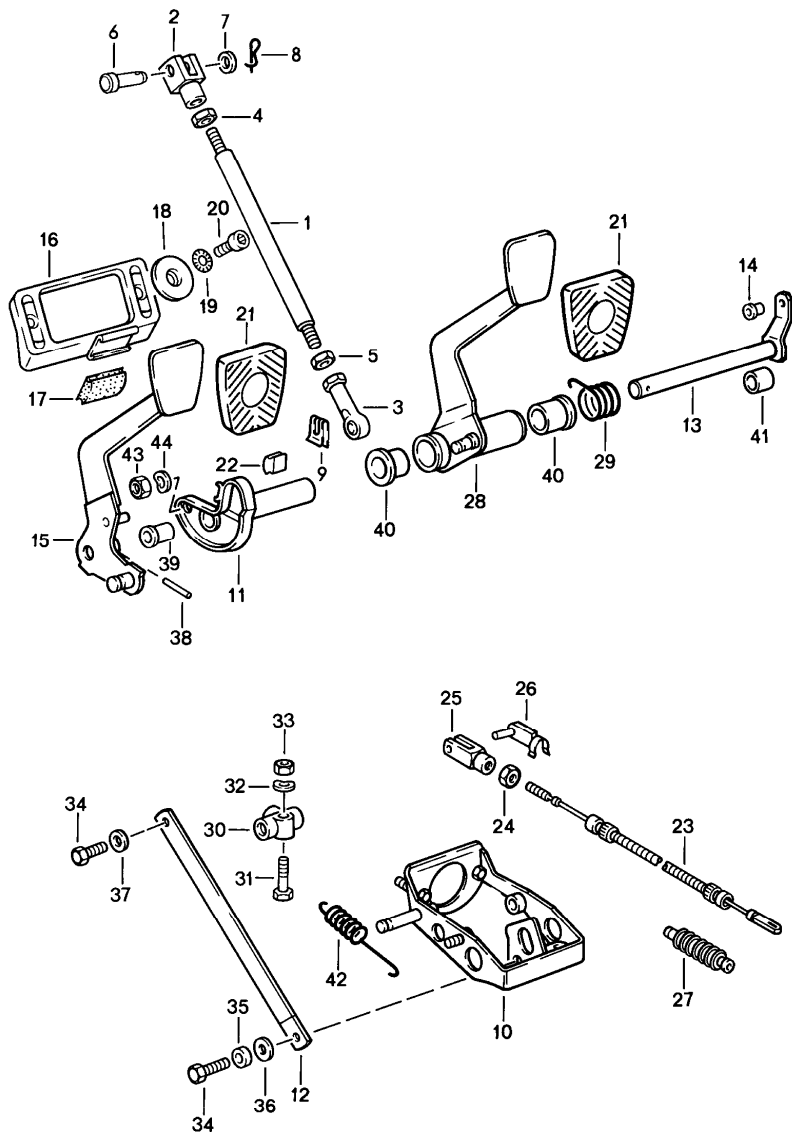


Pos	Part Number	Description	Remark	Qty	Model
		pedals	/LL		
1	911 423 523 01	push rod		1	
2	999 166 039 02	clevis		1	
3	999 593 116 02	swivel head		1	
4	900 157 002 02	hexagon nut M 10		1	
5	900 157 003 02	hexagon nut left thread M 10		1	
6	900 087 037 02	bolt 10 H 11 X 28 X 23,5		1	
7	900 031 005 02	washer 10,5		1	
8	999 021 001 07	connector		1	
9	999 166 034 02	sl-lock		1	
10	911 423 065 04	bearing bracket		1	
11	911 423 062 00	bearing tube		1	
12	911 423 082 00	tension strut		1	
13	930 423 027 01	clutch pedal shaft		1	CARRERA
(13)	930 423 027 04	clutch pedal shaft		1	TURBO
14	901 423 343 00	bush		1	
15	911 423 077 05	clutch pedal		1	
16	901 423 036 00	stop with POS. 17		1	
17	901 423 391 00	rubber stop		1	
18	901 423 368 00	washer		2	
19	N 012 130 2	shake-proof washer		2	
20	900 119 025 02	pan-head screw M 5 X 15		2	
21	914 423 210 00	rubber pad		2	
22	911 423 391 02	protective strip		1	
23	930 423 401 05	clutch cable		1	

Model	Year	MG	SG	Illustration	Restrictions	UPD	9:54	28.01.2010	PORSCHE	PET	PORSCHE
911	1986	7	02	702-00		248					

Pos	Part Number	Description	Remark	Qty	Model	Pos	Part Number	Description	Remark	Qty	Model
24	900 076 010 02	hexagon nut M 6		2		43	911 423 305 06	return spring		1	CARRERA
25	900 166 002 02	clevis G 6 X 24		1		44	930 423 005 00	clutch spring		1	TURBO
26	999 166 001 02	bolt 6 X 24		1							
-	999 512 291 02	hose clamp		1							
27	311 713 269 A	sealing sleeve		1							
28	911 423 053 05	brake pedal		1							
29	911 423 531 03	return spring		1							
30	914 355 667 00	distributor		1							
31 A	900 075 017 02	hexagon-head bolt M 6 X 25		1							
31	900 075 341 02	combination screw M 6 X 25		1							
32	N 011 524 7	washer		1							
33	900 076 010 02	hexagon nut M 6		1							
34	N 010 253 7	hexagon-head bolt M 10 X 22		1							
35	900 027 016 02	lock ring B 10		1							
36 A	900 025 008 02	washer A 10,5		1							
36	900 025 008 09	washer A 10,5		1							
37	900 067 063 02	pan-head screw M 10 X 20		1							
38	999 523 103 02	lock washer 10		1							
39	900 309 002 00	roll pin 6 X 28		1							
40	911 423 341 01	bush		2							
41	911 423 542 00	bush		2							
42	911 423 219 03	spacer sleeve		1							

Model	Year	MG	SG	Illustration	Restrictions	UPD	7:56	23.01.2010	PORSCHE	PET	PORSCHE
911	1986	7	02	702-05		248					

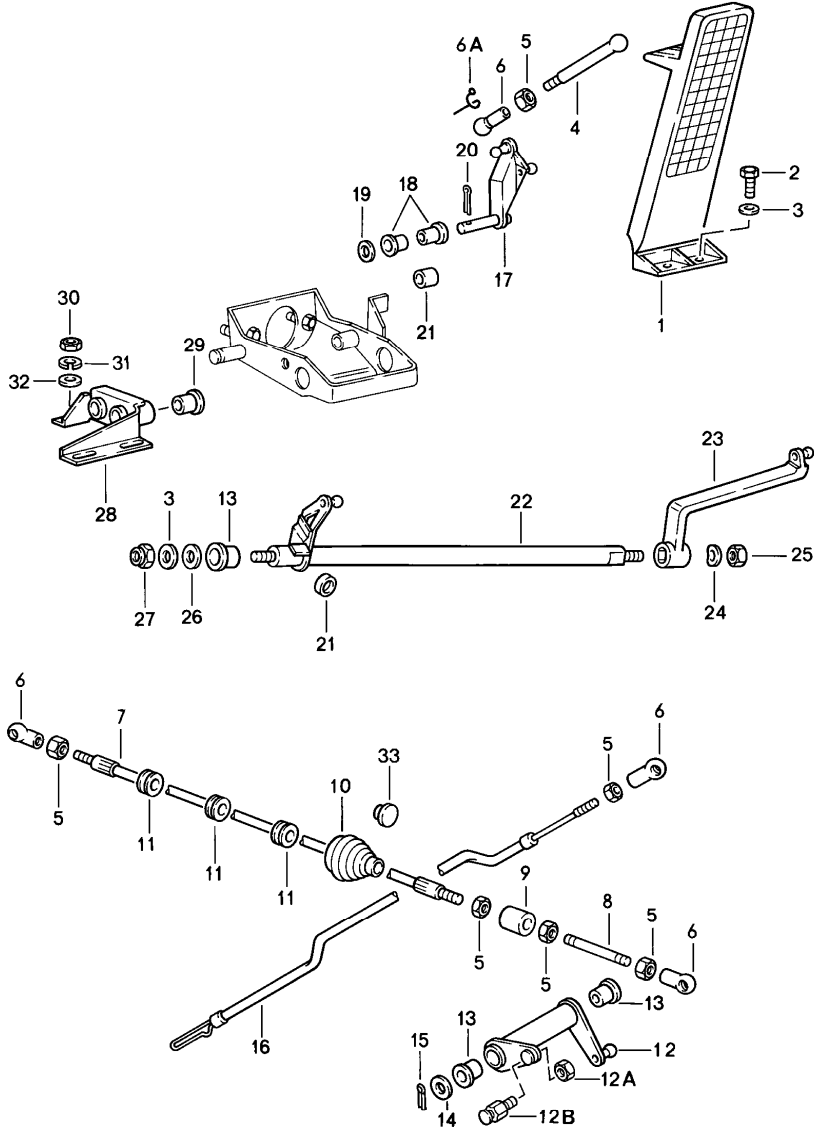


Pos	Part Number	Description	Remark	Qty	Model
		pedals	/RL		
1	911 423 523 01	push rod		1	
2	999 166 039 02	clevis		1	
3	999 593 116 02	swivel head		1	
4	900 157 002 02	hexagon nut M 10		1	
5	900 157 003 02	hexagon nut M 10 LINKS		1	
6	900 087 037 02	bolt 10 H 11 X 28 X 23,5		1	
7	900 031 005 02	washer 10,5		1	
8	999 021 001 07	connector		1	
9	999 166 034 02	sl-lock		1	
10	911 423 066 01	bearing bracket		1	
11	901 423 034 00	bearing tube		1	
12	911 423 086 00	tension strut		1	
13	911 423 028 06	clutch pedal shaft		1	
14	901 423 343 00	bush		1	
15	911 423 078 03	clutch pedal		1	
16	901 423 036 00	stop with POS. 17		1	
17	901 423 391 00	rubber stop		1	
18	901 423 368 00	washer		2	
19	N 012 130 2	shake-proof washer		2	
20	900 119 001 02	pan-head screw M 5 X 12		2	
21	914 423 210 00	rubber pad		2	
22	901 423 391 00	rubber stop		1	
23	930 423 401 05	clutch cable		1	CARRERA
23	930 423 401 06	clutch cable		1	TURBO

Model	Year	MG	SG	Illustration	Restrictions	UPD	7:56	23.01.2010	PORSCHE	PET	PORSCHE
911	1986	7	02	702-05		248					

Pos	Part Number	Description	Remark	Qty	Model	Pos	Part Number	Description	Remark	Qty	Model
24	900 076 010 02	hexagon nut M 6		2		43	N 011 118 11	hexagon nut M 8		1	
25	900 166 002 02	clevis G 6 X 24		1		44	A 900 027 015 02	lock ring B 8		1	
26	999 166 001 02	bolt 6 X 24		1		44	900 027 015 02	lock ring B 8		1	
-	999 512 291 02	hose clamp		1							
27	311 713 269 A	sealing sleeve		1							
28	911 423 054 01	brake pedal		1							
29	911 423 532 01	return spring		1							
30	914 355 667 00	distributor		1							
31	A 900 075 017 02	hexagon-head bolt M 6 X 25		1							
31	900 075 341 02	combination screw M 6 X 25		1							
32	N 011 524 7	washer		1							
33	900 076 010 02	hexagon nut M 6		1							
34	900 075 072 02	hexagon-head bolt M 10 X 18		2							
35	900 027 016 02	lock ring B 10		1							
36	A 900 025 008 02	washer 10,5		1							
36	900 025 008 09	washer A 10,5		1							
37	900 028 032 02	spring washer B 10		1							
38	900 309 002 00	roll pin 6 X 28		1							
39	911 423 341 01	bush		1							
40	911 423 542 00	bush		2							
41	911 423 219 03	spacer sleeve		1							
42	911 423 306 01	return spring		1	TURBO						
42	911 423 306 02	return spring		1	CARRERA						

Model	Year	MG	SG	Illustration	Restrictions	UPD	7:57	23.01.2010	PORSCHE	PET	PORSCHE
911	1986	7	02	702-10		248					



Pos	Part Number	Description	Remark	Qty	Model
		pedals accelerator control			
1	911 423 111 02	accelerator pedal		1	
2	A 900 075 260 02	hexagon-head bolt M 6 X 16		2	
2	N 010 215 13	hexagon-head bolt M 6 X 15		2	
3	N 011 666 7	washer B 6,4		2	
4	914 423 227 00	push rod		1	
5	N 011 005 14	hexagon nut M 5		6	
6	911 423 147 00	ball socket		4	
6A	900 169 014 02	securing clip		1	
7	PCG 423 024 00	throttle linkage		1	
8	901 423 223 01	extension rod		1	
9	911 423 081 02	housing		1	
10	A 911 423 593 01	sealing sleeve	-85	1	
10	911 423 593 01	sealing sleeve		1	
11	901 423 227 00	bush		3	
12	911 423 017 01	reverse lever order also: 911.423.227.00 900.910.096.02		1	CARRERA
(12)	930 423 017 01	reverse lever		1	TURBO
12A	A 900 910 010 02	lock nut		1	
12A	900 910 096 02	lock nut		1	
12B	911 423 227 00	screw bolt		1	
13	914 423 211 00	bush		2	
14	900 025 008 09	washer 10,5		1	
15	N 012 530 1	cotter pin 3,2 X 15		1	
16	911 423 043 01	throttle linkage		1	CARRERA

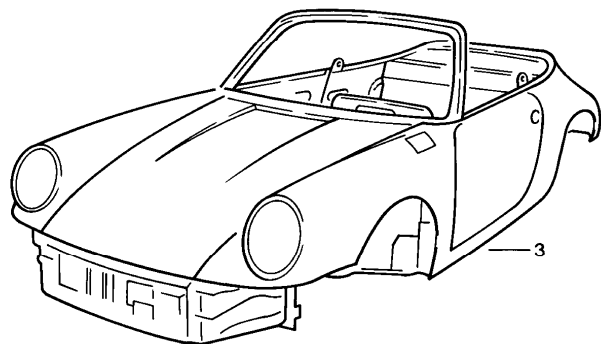
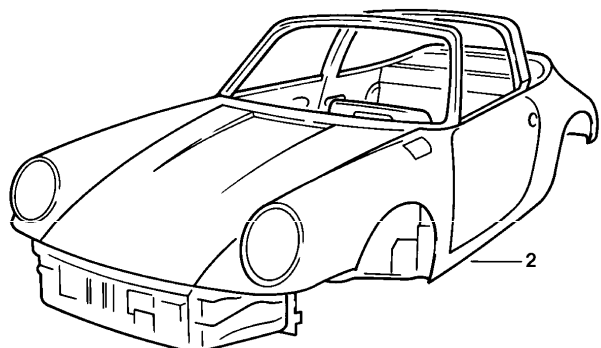
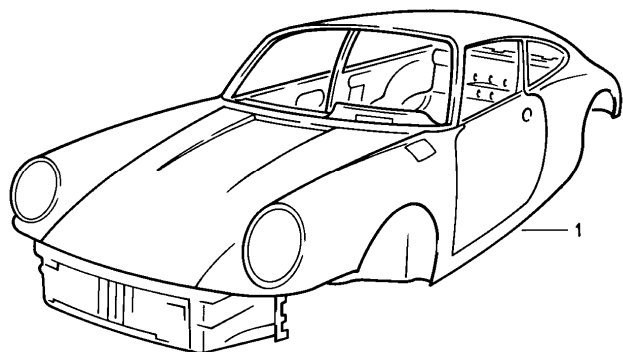


Model	Year	MG	SG	Illustration	Restrictions	UPD	7:57	23.01.2010	PORSCHE	PET	PORSCHE
911	1986	7	02	702-10		248					

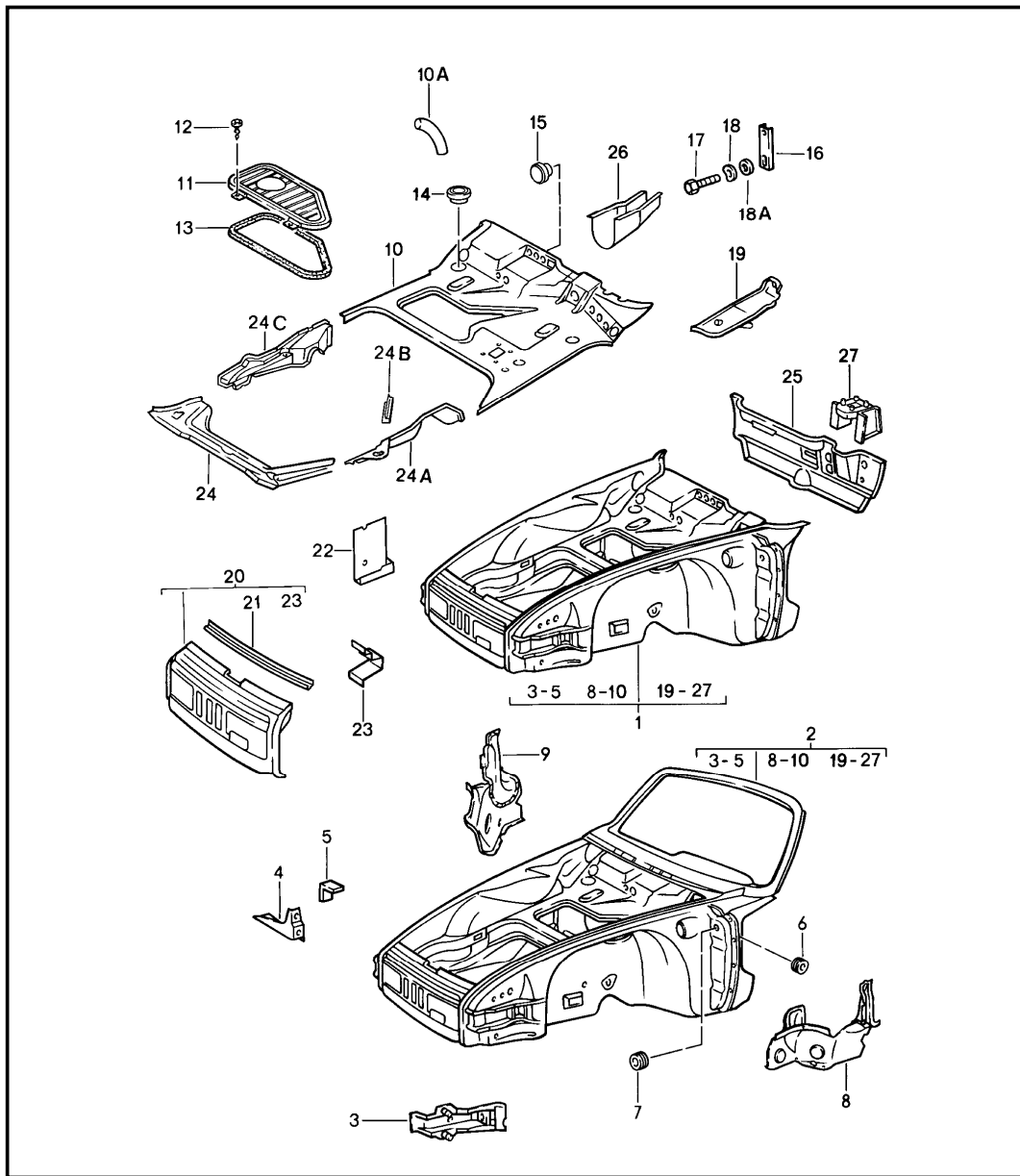
Pos	Part Number	Description	Remark	Qty	Model	Pos	Part Number	Description	Remark	Qty	Model
16	930 423 019 02	throttle linkage		1	TURBO						
17	901 423 250 02	reverse lever		1							
18	901 423 253 00	bearing sleeve		2							
19	A 900 031 001 02	washer 8,4		1							
19	900 025 007 02	washer A 8,4		1							
20	900 021 008 00	cotter pin		1							
21	901 423 193 00	rubber stop		1							
22	901 423 556 00	shaft	/RL	1							
23	901 423 022 00	lever	/RL	1							
24	N 012 226 5	spring washer B 6	/RL	1							
25	900 076 010 02	hexagon nut M 6	/RL	1							
26	911 423 225 00	washer	/RL	3							
27	900 910 012 02	lock nut M 6	/RL	1							
28	901 423 013 00	bearing bracket	/RL	1							
29	911 423 341 01	bush	/RL	1							
30	900 076 025 02	hexagon nut M 8	/RL	5							
31	A 900 027 015 02	lock ring B 8	/RL	5							
31	900 027 015 02	lock ring B 8	/RL	5							
32	900 025 007 02	washer 8,4	/RL	6							

Model	Year	MG	SG	Illustration	Restrictions	UPD	7:57	23.01.2010	PORSCHE	PET	PORSCHE
911	1986	8	01	801-00		248					

Pos	Part Number	Description	Remark	Qty	Model
		body in white prime coated sealed sprayed with filler with underbody protection  bodyshells can only only available from current model year available			
1	911 500 921 27	body in white	/LL	85	1 CARRERA COUPE
1	911 500 921 29	body in white	/LL	86	1 CARRERA COUPE
(1)	911 500 921 28	body in white	/RL	85	1 CARRERA COUPE
(1)	911 500 921 30	body in white	/RL	86	1 CARRERA COUPE
(1)	930 500 921 06	body in white	/LL	85	1 TURBO
(1)	930 500 921 08	body in white	/LL	86-	1 TURBO
(1)	930 500 921 07	body in white	/RL	85	1 TURBO
(1)	930 500 921 09	body in white	/RL	86-	1 TURBO
2	911 500 921 64	body in white	/LL	85	1 TARGA
2	911 500 921 69	body in white	/LL	86	1 TARGA
(2)	911 500 921 65	body in white	/RL	85	1 TARGA
(2)	911 500 921 70	body in white	/RL	86	1 TARGA
3	911 500 921 67	body in white	/LL	85	1 CABRIO
3	911 500 921 71	body in white	/LL	86	1 CABRIO
(3)	911 500 921 68	body in white	/RL	85	1 CABRIO
(3)	911 500 921 72	body in white	/RL	86	1 CABRIO



Model	Year	MG	SG	Illustration	Restrictions	UPD	7:57	23.01.2010	PORSCHE	PET	PORSCHE
911	1986	8	01	801-05		248					



Pos	Part Number	Description	Remark	Qty	Model
		frame front			
1	911 500 913 00	body front section -MOD.85 order also: see tpi NR.19 03/86	/LL	1	COUPE
(1)	930 500 913 00	body front section -MOD.85 order also: see tpi NR.19 03/86	/LL	1	TURBO
(1)	911 501 005 32	body front section	/RL -85	1	COUPE
(1)	930 501 005 07	body front section	/RL -85	1	TURBO
(1)	911 500 914 00	body front section	/RL 86-	1	COUPE
(1)	930 500 914 00	body front section	/RL 86-	1	TURBO
(2)	911 501 005 50	body front section order also: POS. 10 A	/LL -85	1	TARGA CABRIO
(2)	911 501 005 51	body front section order also: POS. 10 A	/RL -85	1	TARGA CABRIO
2	911 500 913 60	body front section	/LL 86-	1	TARGA CABRIO
(2)	911 500 914 60	body front section	/RL 86-	1	TARGA CABRIO
3	911 501 149 02	support for impact absorber	/L	1	
(3)	911 501 150 02	support for impact absorber	/R	1	
4	911 501 490 01	bracket lower for oil cooler		1	
5	911 503 492 01	bracket upper for oil cooler		1	
6	111 971 911 A	rubber sleeve 15 \$		2	

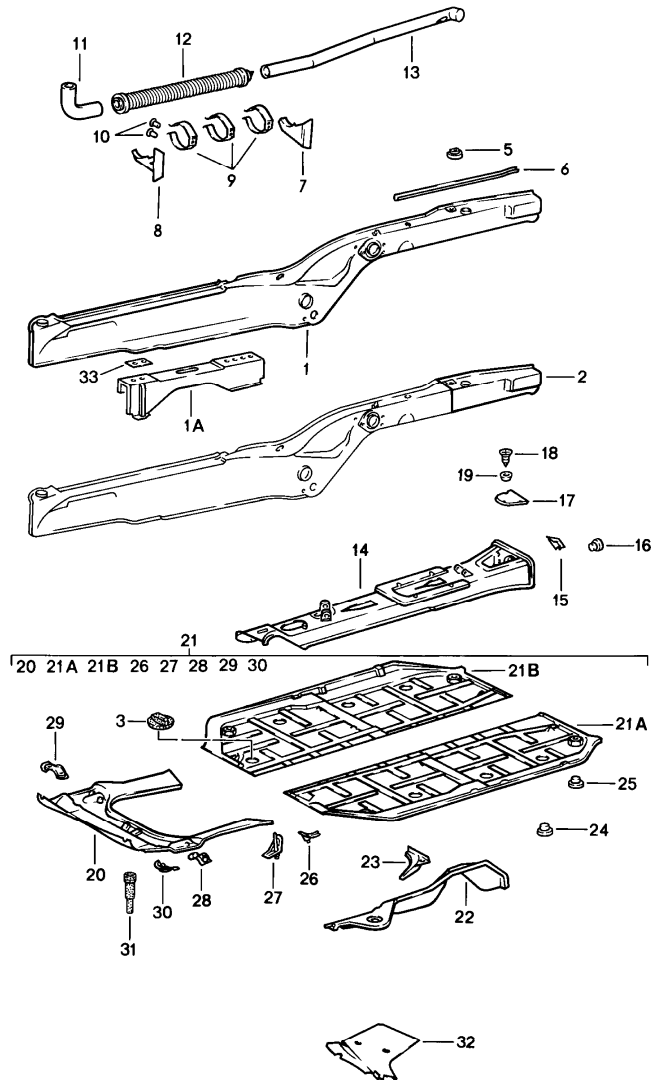
Model	Year	MG	SG	Illustration	Restrictions	UPD	7:57	23.01.2010	PORSCHE	PET	PORSCHE
911	1986	8	01	801-05		248					

Pos	Part Number	Description	Remark	Qty	Model	Pos	Part Number	Description	Remark	Qty	Model
8	911 501 513 40	corner reinforcement with post bracket	/LL/L	1	TARGA	(19)	901 501 411 21	connecting piece	/L	-85	1 COUPE
					CABRIO	19	911 501 815 00	connecting piece boot floor plate wheel housing	/L	86-	1 COUPE
(8)	911 501 527 40	corner reinforcement	/RL/L	1	TARGA						
					CABRIO	(19)	901 501 412 21	connecting piece boot floor plate wheel housing	/R		1 COUPE
9	911 501 514 40	corner reinforcement with post bracket	/LL/R	1	TARGA						
					CABRIO	(19)	911 501 815 40	connecting piece boot floor plate wheel housing	/L		1 CABRIO
(9)	911 501 528 40	corner reinforcement with post bracket	/RL/R	1	TARGA						
					CABRIO	(19) A	901 501 412 41	connecting piece	/R		1 TARGA
(10)	911 501 035 13	boot floor plate	/LL	-85	1						
(10)	911 501 036 06	boot floor plate	/RL	-85	1	(19)	911 501 412 40	connecting piece boot floor plate wheel housing	/R		1 TARGA CABRIO
10	911 501 035 20	boot floor plate	/LL	86	1						
(10)	911 501 036 11	boot floor plate	/RL	86	1	(20)	911 501 099 06	cross panel			1 CARRERA
10A	911 501 551 01	pipe		-85	2	20	911 501 099 07	cross panel			1 TURBO CARRERA M559
(11) A	901 504 043 02	lid	/LL	-85	1	21	911 501 395 00	sealing rail			1
11	911 504 043 01	lid	/LL		1	22	911 501 397 00	support for jack right			1
(11)	911 504 044 00	lid	/RL		1	23	911 501 387 01	support for jack centre			1
12 A	900 144 034 07	tapping screw			4	24	911 501 117 02	fuel tank support holder	/V		1
12	900 144 034 07	tapping screw B 4,2 X 16			4	24A	911 501 111 02	fuel tank support holder order also:	/L		1
13	911 504 491 02	gasket	/LL		1	24B	911 501 143 00	retaining strip for battery			1
(13)	901 504 491 32	gasket	/RL		1	24C	911 501 114 04	fuel tank support holder	/R		1
14	999 703 103 40	stopper 23,5 \$			1	25 A	911 501 213 01	cross panel	/LL		1
15	911 504 405 00	covering			1	25	901 501 041 35	cross panel	/LL		1
16	911 501 347 00	cowl panel support	/LL	-85	1	(25)	911 501 132 00	cross panel	/RL		1
(16)	911 501 409 00	cowl panel support	/RL	-85	1	26	901 501 354 32	cup	/LL		1
17	900 075 260 02	hexagon-head bolt M 6 X 16		-85	2	(26)	911 501 356 00	cup	/RL		1
18	N 012 006 4	lock ring B 6		-85	2						
18A	N 011 524 7	washer 6,4		-85	2						

Model	Year	MG	SG	Illustration	Restrictions	UPD	7:57	23.01.2010	PORSCHE	PET	PORSCHE
911	1986	8	01	801-05		248					

Pos	Part Number	Description	Remark	Qty	Model	Pos	Part Number	Description	Remark	Qty	Model
27	911 501 144 00	reinforcement	/LL	1							
(27)	911 501 142 00	reinforcement for brake booster	/RL	1							
-	927 631 224 01	grommet		1	TURBO						

Model	Year	MG	SG	Illustration	Restrictions	UPD	7:57	23.01.2010	PORSCHE	PET	PORSCHE
911	1986	8	01	801-10		248					



Pos	Part Number	Description	Remark	Qty	Model
		frame centre			
1	A 911 501 962 26	side member inner	/R	-85	1 COUPE
(1)	A 911 501 962 46	side member inner	/R	-85	1 TARGA CABRIO
(1)	A 911 501 961 25	side member inner	/L	-85	1 COUPE
(1)	A 911 501 961 45	side member inner	/L	-85	1 TARGA CABRIO
(1)	901 501 961 43	side member inner	/L		1
1	901 501 962 43	side member inner	/R		1
(1A)	A 911 501 268 01	seat rail support outer F >>91FS1 03130 F >>91FS1 09697 F >>91FS1 41255 F >>91FS1 49564 F >>91FS1 51377 F >>91FS1 59573 F >>93FS0 01011	/R		1 COUPE 1 COUPE 1 TARGA 1 TARGA 1 CABRIO 1 CABRIO 1 TURBO
(1A)	911 501 268 02	seat rail support outer	/R		1
(1A)	911 501 264 01	seat rail support inner F >>91FS1 03130 F >>91FS1 09697 F >>91FS1 41255 F >>91FS1 49564 F >>91FS1 51377 F >>91FS1 59573 F >>93FS0 01011	/R		1 COUPE 1 COUPE 1 TARGA 1 TARGA 1 CABRIO 1 CABRIO 1 TURBO
(1A)	911 501 264 02	seat rail support inner F 91FS1 03131>> F 91FS1 09698>> F 91FS1 41256>> F 91FS1 49565>> F 91FS1 51378>> F 91FS1 59574>> F 93FS0 01012>>	/R		1 COUPE 1 COUPE 1 TARGA 1 TARGA 1 CABRIO 1 CABRIO 1 TURBO

Model	Year	MG	SG	Illustration	Restrictions	UPD	7:57	23.01.2010	PORSCHE	PET	PORSCHE
911	1986	8	01	801-10		248					

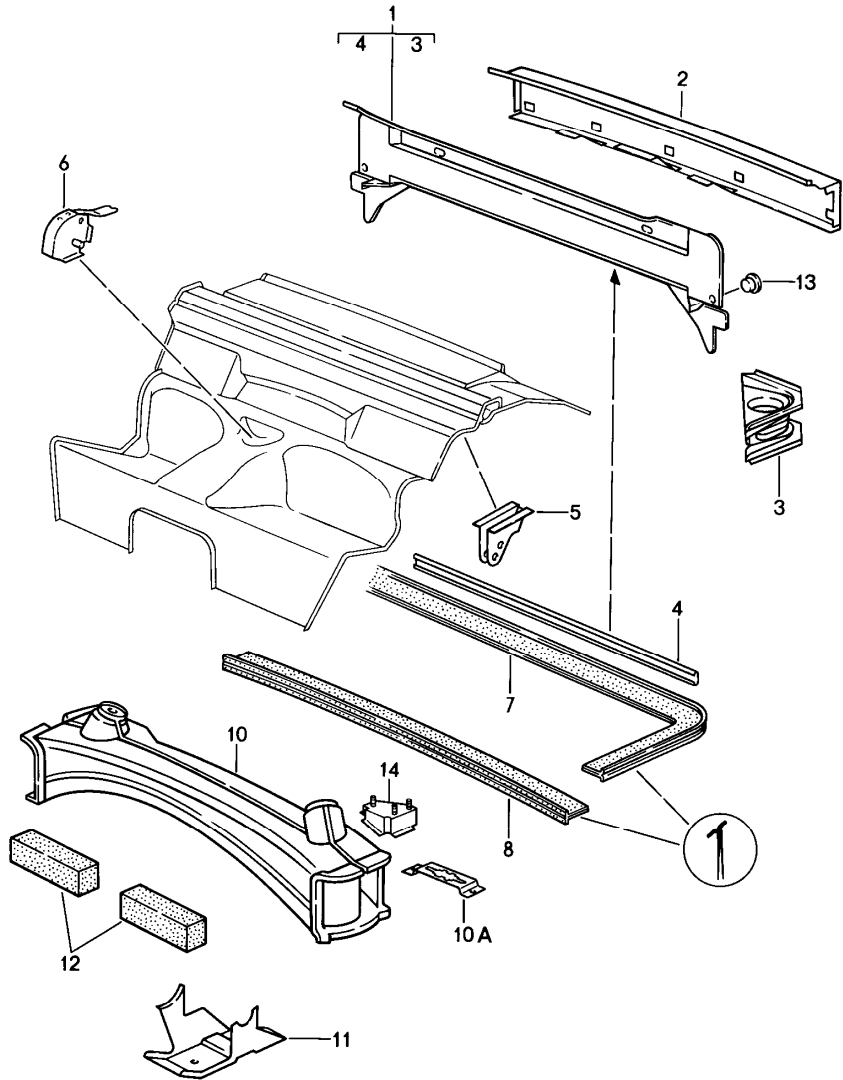
Pos	Part Number	Description	Remark	Qty	Model	Pos	Part Number	Description	Remark	Qty	Model
(1A)	A 911 501 267 01	seat rail support outer F >>91FS1 03130 F >>91FS1 09697 F >>91FS1 41255 F >>91FS1 49564 F >>91FS1 51377 F >>91FS1 59573 F >>93FS0 01011	/L	1	COUPE COUPE TARGA TARGA CABRIO CABRIO TURBO	(6)	930 501 791 00	profile rail	/L	1	TURBO
						7	901 501 263 20	pipe bracket		2	
						8	901 501 264 20	pipe bracket		2	
						9	901 501 128 20	retainer spring		6	
						10	N 013 411 1	rivet 3 X 6		12	
(1A)	911 501 267 02	seat rail support	/L	-85	1	11	A 911 572 211 01	hot air duct front	-85	2	
(1A)	911 501 189 00	seat rail support outer	/L	86-	1	(11)	911 572 211 01	hot air duct front		2	
(1A)	911 501 263 01	seat rail support inner F >>91FS1 03130 F >>91FS1 09697 F >>91FS1 41255 F >>91FS1 49564 F >>91FS1 51377 F >>91FS1 59573 F >>93FS0 01011	/L	1	COUPE COUPE TARGA TARGA CABRIO CABRIO TURBO	(12)	911 572 025 02	muffler not closed		2	
1A	911 501 263 02	seat rail support inner F 91FS1 03131>> F 91FS1 09698>> F 91FS1 41256>> F 91FS1 49565>> F 91FS1 51378>> F 91FS1 59574>> F 93FS0 01012>>	/L	1	COUPE COUPE TARGA TARGA CABRIO CABRIO TURBO	(13)	911 572 222 02	hot air duct rear	/R	1	
						(13)	911 572 221 02	hot air duct rear	/L	1	
						14	911 501 061 48	tunnel with tubes	/LL	-84	1
						(14)	911 501 061 08	tunnel with tubes	/RL	-84	1
						15	911 501 661 00	cross tube reinforcement	/L	1	
2	911 501 962 03	side member inner sub-part	/R	1		(15)	911 501 662 00	cross tube reinforcement	/R	1	
(2)	A 911 501 961 03	side member inner sub-part	/L	-85	1	16	914 552 233 10	filler piece		1	
(2)	911 501 961 05	side member inner sub-part	/L	1			01C	black \$ 10			
3	111 801 177	rubber valve		8		17	901 504 731 30	lid		1	
5	901 501 117 20	mounting plate		2		18	900 143 019 07	oval-head sheetmetal screw B 4,8 X 22		4	
6	901 501 796 20	profile rail	/R	1	CARRERA	19	900 031 006 07	washer 5,3		4	
(6)	930 501 792 00	profile rail	/R	1	TURBO	-	999 591 329 02	speed nut B 4,8		4	
(6)	901 501 795 20	profile rail	/L	1	CARRERA	(20)	911 501 955 00	tank compartment floor		1	
						20	A 911 501 955 01	tank compartment floor		1	

Model	Year	MG	SG	Illustration	Restrictions	UPD	7:57	23.01.2010	PORSCHE	PET	PORSCHE
911	1986	8	01	801-10		248					

Pos	Part Number	Description	Remark	Qty	Model	Pos	Part Number	Description	Remark	Qty	Model
21	A 911 501 051 16	floorpan	/LL	1	CARRERA	29	901 501 427 20	reinforcement for axle mounting		2	
21	911 501 051 21	floorpan	/LL	1	CARRERA						
21	A 911 501 051 18	floorpan	/LL	1	CARRERA	30	901 501 407 22	corner reinforcement	/L	1	
21	A 911 501 052 21	floorpan	/RL	1	CARRERA	(30)	901 501 408 22	corner reinforcement	/R	1	
21	911 501 052 24	floorpan	/RL	1	CARRERA	31	911 025 612 00	grommet		2	
21	A 930 501 051 11	floorpan	/LL	1	TURBO	32	911 501 285 00	carrier plate for battery		1	
21	930 501 051 12	floorpan	/LL	1	TURBO	33	911 501 642 01	compensating plate	86-	X	
21	A 930 501 052 10	floorpan	/RL	1	TURBO						
21	930 501 052 14	floorpan	/RL	1	TURBO						
21A	911 501 935 00	floorpan	/LL/L	1							
21B	911 501 936 00	floorpan	/LL/R	1							
22	911 501 111 02	fuel tank support holder order also:	/L	1							
-	911 501 143 00	retaining strip for battery		1							
(22)	911 501 114 04	fuel tank support holder	/R	1							
23	901 501 457 20	bracket	/L	1							
(23)	901 501 458 20	bracket	/R	1							
24	999 703 121 40	stopper 8 \$		20							
25	999 703 125 40	stopper 8,9 \$		4							
26	901 501 063 23	bracket		2							
27	901 501 359 01	axle mounting	/V/L	1	CARRERA						
(27)	930 501 359 01	axle mounting	/V/L	1	TURBO						
(27)	901 501 360 01	axle mounting	/V/R	1	CARRERA						
(27)	930 501 360 01	axle mounting	/V/R	1	TURBO						
28	901 501 409 23	reinforcement plate	/L	1							
(28)	901 501 410 23	reinforcement plate	/R	1							

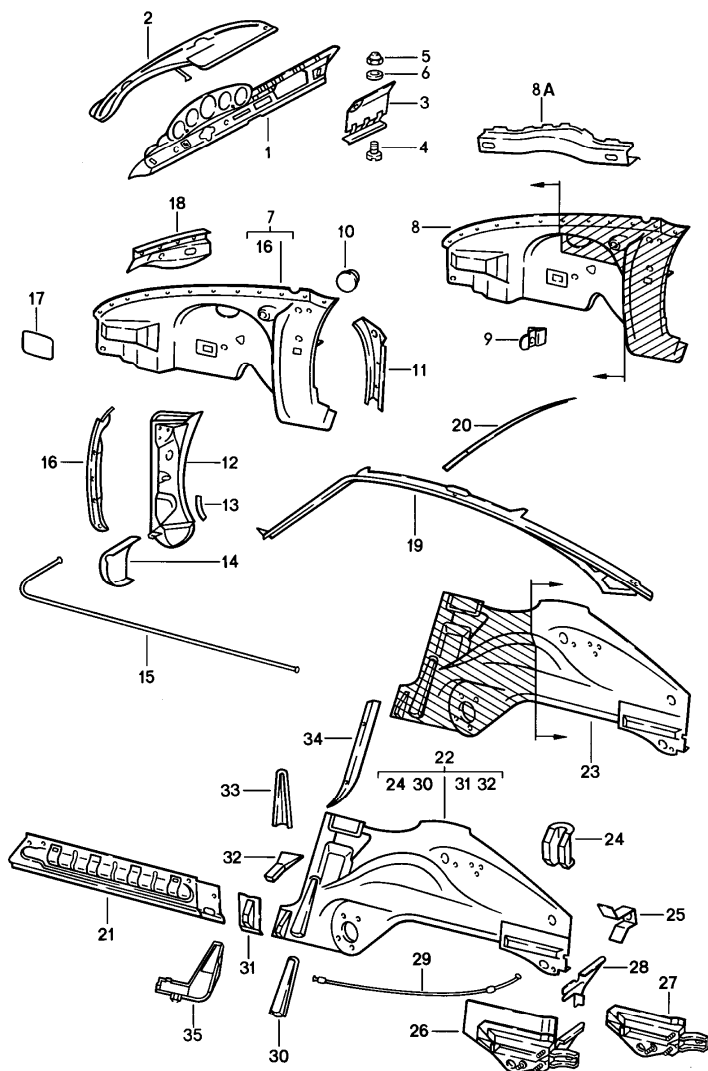


Model	Year	MG	SG	Illustration	Restrictions	UPD	7:57	23.01.2010	PORSCHE	PET	PORSCHE
911	1986	8	01	801-15		248					



Pos	Part Number	Description	Remark	Qty	Model
		frame rear			
1	911 507 080 00	cross member		1	CARRERA
1	930 501 080 00	cross member		1	TURBO
2	911 503 151 00	end plate	-86	1	
3	901 501 083 21	engine mounting		2	
4	901 501 797 20	profile rail it is necessary to rework		1	TURBO
5	911 501 729 01	pneumatic spring mount gas-pressure spring		2	
(6)	911 501 041 00	bearing	-85	1	COUPE/TARGA
6	911 501 041 01	bearing	86-	1	COUPE/TARGA
(6)	911 501 041 60	bearing		1	CABRIO
7	911 504 111 02	engine compartment seal		1	CARRERA
(7)	930 504 170 01	engine compartment seal		1	TURBO
8	911 504 113 02	engine compartment seal		1	CARRERA
(8)	911 504 115 02	engine compartment seal		1	TURBO
10 A	911 501 075 06	cross member	-85	1	
10	911 501 075 07	cross member		1	
10A	911 501 485 01	support		1	
11	911 501 023 02	bracket for fuel pump		1	TURBO
12	911 504 930 00	strap		2	
13	999 703 098 40	cap plug 19 \$		2	

Model	Year	MG	SG	Illustration	Restrictions	UPD	7:58	23.01.2010	PORSCHE	PET	PORSCHE
911	1986	8	01	801-20		248					



Pos	Part Number	Description	Remark	Qty	Model
		interior panelling			
1	911 502 021 02	dashboard lower part	/LL	-85	1
(1) A	911 502 021 15	dashboard lower part	/LL	86	1
(1)	911 502 021 17	dashboard lower part	/LL	86-	1
(1)	911 502 022 34	dashboard lower part	/RL	-85	1
(1) A	911 502 022 36	dashboard lower part	/RL	86	1
(1)	911 502 022 39	dashboard lower part	/RL	86-	1
2	901 502 023 44	dashboard upper part	/LL	-85	1
(2)	911 502 025 42	dashboard upper part	/LL	86-	1
(2)	901 502 024 26	dashboard upper part	/RL	-85	1
(2)	911 502 026 42	dashboard upper part	/RL	86-	1
3 A	911 552 010 02	glove compartment cover		-85	1
(3)	911 552 010 04	glove compartment cover		-85	1
(3)	911 552 010 05	glove compartment cover		86-	1
4 A	900 146 003 02	oval-head screw AM 5 X 10		-85	2
4	999 217 008 02	hexagon-head bolt M 5 X 10			2
5	N 021 196 1	lock nut M 5			4
6	900 025 003 02	washer 5,3			4
(7)	911 501 967 02	wheel housing	/L	-85	1

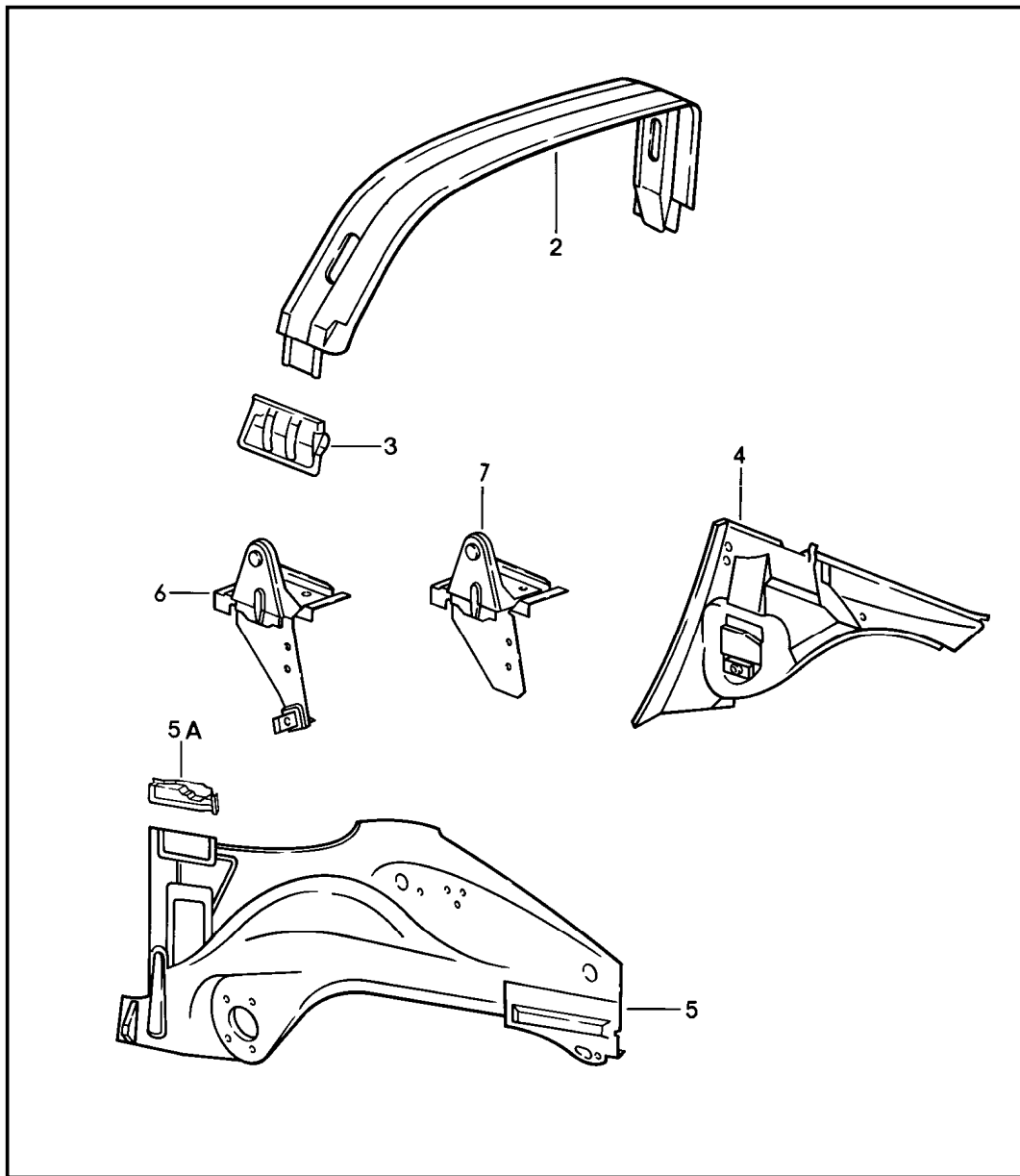
Model	Year	MG	SG	Illustration	Restrictions	UPD	7:58	23.01.2010	PORSCHE	PET	PORSCHE
911	1986	8	01	801-20		248					

Pos	Part Number	Description	Remark	Qty	Model	Pos	Part Number	Description	Remark	Qty	Model
(7)	911 501 968 02	wheel housing -MOD.85 without 7A,12,16,18 see group 8/01/05 POS.19	/R -85	1		17	911 504 101 00	cover plate		2	
7	911 501 967 00	wheel housing	/L 86-	1		18	911 501 223 02	reinforcement bracket	/L	1	
(7)	911 501 968 00	wheel housing	/R 86-	1		(18)	911 501 226 01	reinforcing support	/R	1	
-	911 507 535 00	bracket for jacking point	/L 86-	1		19	911 502 029 00	roof frame with windscreen frame part	/L	1	COUPE
-	911 501 836 00	bracket for jacking point	/R 86-	1		(19)	911 502 030 00	roof frame with windscreen frame part	/R	1	COUPE
8 A	911 501 995 02	wheel housing	/L -85	1		20	911 502 220 00	cross piece for windscreen		1	
(8) A	911 501 996 02	wheel housing	/R -85	1		21	911 501 123 03	side member	/L	1	
9	901 501 419 00	tab for brake hose		2		(21)	911 501 124 03	side member	/R	1	
10	999 703 031 40	stopper 30 \$		2		22	911 501 017 21	side member wheel housing	/L -84	1	COUPE
(10)	999 703 224 40	cap 20 X 25 X 6 for POS.22,23	85-	2		(22)	911 501 017 81	side member wheel housing	/L 85-	1	COUPE
11	901 501 217 21	post bracket	/L	1	COUPE	23	911 501 997 03	side member wheel housing	/L	1	COUPE
(11)	901 501 218 21	post bracket	/R	1	COUPE	(22)	911 501 018 30	side member wheel housing	/R -84	1	COUPE
12	911 501 039 02	hinge pillar	/L	1		(22)	911 501 018 33	side member wheel housing	/R 85-	1	COUPE
(12)	911 501 040 02	hinge pillar	/R	1		(23)	911 501 998 02	side member wheel housing	/R	1	COUPE
13	901 501 305 20	angular bracket	/L	1		24	911 501 115 00	reinforcement side section bracket		2	
(13)	901 501 306 20	angular bracket	/R	1		25	911 501 125 00	threaded support		6	
14	911 501 439 00	filler plate	/L	1		26 A	911 501 921 01	mounting	/L -85	1	
(14)	911 501 440 00	filler plate	/R	1		(26) A	911 501 922 00	mounting	/R -85	1	
15	911 502 181 40	guide tube lid-release cable	-85	1		27	911 501 167 03	mounting	/L	1	
16	911 501 053 00	wing joining plate	/L	1		(27)	911 501 168 00	mounting	/R	1	
(16)	911 501 054 00	wing joining plate	/R	1		28	911 501 313 00	corner reinforcement	/L	1	
						(28)	911 501 314 00	corner reinforcement	/R	1	

Model	Year	MG	SG	Illustration	Restrictions	UPD	7:58	23.01.2010	PORSCHE	PET	PORSCHE
911	1986	8	01	801-20		248					

Pos	Part Number	Description	Remark	Qty	Model	Pos	Part Number	Description	Remark	Qty	Model
29	911 502 483 00	guide tube lid-release cable		1							
30	901 501 145 23	bracket	/L	-84	1						
(30)	901 501 146 23	bracket	/R	-84	1						
31	901 501 151 22	mounting		-84	1						
32	911 501 195 00	jacking point			1						
33	911 501 823 00	bracket	/L		1						COUPE
(33) A	901 501 142 21	bracket	/R	-85	1						COUPE
(33)	911 501 824 00	bracket	/R		1						COUPE
34	901 502 245 00	profile	/L		1						COUPE
(34)	901 502 246 00	profile	/R		1						COUPE
35	911 501 577 00	gusset plate	/L	85-	1						COUPE
35	911 501 577 40	gusset plate	/L	85-	1						TARGA CABRIO
(35)	911 501 578 00	gusset plate	/R	85-	1						COUPE
(35)	911 501 578 40	gusset plate	/R	85-	1						TARGA CABRIO

Model	Year	MG	SG	Illustration	Restrictions	UPD	7:58	23.01.2010	PORSCHE	PET	PORSCHE
911	1986	8	01	801-25		248					

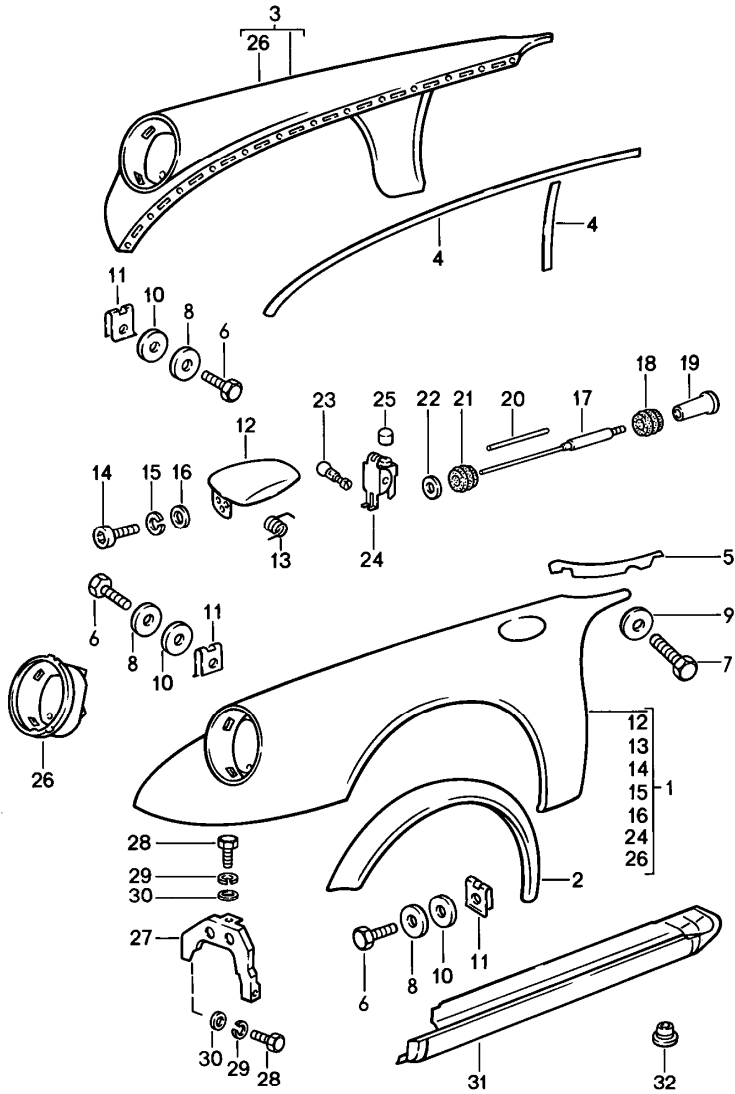


Pos	Part Number	Description	Remark	Qty	Model
		interior panelling			TARGA/CABRIO
2	911 565 001 40	roll bar		1	TARGA
3	911 501 203 40	filler plate	/L	1	TARGA
(3)	911 501 204 40	filler plate	/R	1	TARGA
4	911 501 205 41	rear bulkhead	/L	-85	1 TARGA
(4)	911 501 205 43	rear bulkhead	/L	86-	1 TARGA
(4)	911 501 205 60	rear bulkhead	/L	-85	1 CABRIO
(4)	911 501 205 61	rear bulkhead	/L	86-	1 CABRIO
(4)	911 501 205 65	rear bulkhead	/L	86-	1 CABRIO M439
(4)	911 501 206 41	rear bulkhead	/R	-85	1 TARGA
(4)	911 501 206 43	rear bulkhead	/R	86-	1 TARGA
(4)	911 501 206 60	rear bulkhead	/R	-85	1 CABRIO
(4) A	911 501 206 61	rear bulkhead	/R	86-	1 CABRIO
(4)	911 501 206 65	rear bulkhead	/R	86-	1 CABRIO
5	911 501 017 57	side member wheel housing	/L	-84	1 TARGA
(5)	911 501 017 73	side member wheel housing	/L	85-	1 TARGA
(5)	911 501 997 40	side member wheel housing	/L	85-	1 TARGA
(5)	911 501 017 61	side member wheel housing	/L	-84	1 CABRIO
(5)	911 501 017 68	side member wheel housing	/L	85-	1 CABRIO
5A	911 501 465 60	insert	/L	1	CABRIO
(5)	911 501 018 70	side member wheel housing	/R	-84	1 TARGA
(5)	911 501 018 73	side member wheel housing	/R	85-	1 TARGA
(5) A	911 501 998 40	side member wheel housing	/R	85-	1 TARGA
(5)	911 501 018 60	side member wheel housing	/R	-84	1 CABRIO

Model	Year	MG	SG	Illustration	Restrictions	UPD	7:58	23.01.2010	PORSCHE	PET	PORSCHE
911	1986	8	01	801-25		248					

Pos	Part Number	Description	Remark	Qty	Model	Pos	Part Number	Description	Remark	Qty	Model
(5)	911 501 018 68	side member wheel housing	/R	85-	1 CABRIO						
5A	911 501 466 60	insert	/R		1 CABRIO						
6	911 501 431 60	convertible top support	/L	-85	1 CABRIO						
(6)	911 501 432 60	convertible top support	/R	-85	1 CABRIO						
7	911 501 431 61	convertible top support	/L	86-	1 CABRIO						
(7)	911 501 432 61	convertible top support	/R	86-	1 CABRIO						

Model	Year	MG	SG	Illustration	Restrictions	UPD	7:58	23.01.2010	PORSCHE	PET	PORSCHE
911	1986	8	01	801-30		248					



Pos	Part Number	Description	Remark	Qty	Model
		exterior panelling front			
1	A 911 503 031 08	wing	/L	1	CARRERA
1	911 503 031 09	wing	/L	1	CARRERA
-	911 201 077 02	expansion tank		1	
(1)	930 503 031 08	wing with POS. 2	/L 1	-85	TURBO CARRERA M 49
(1)	930 503 031 10	wing with POS. 2	/L 1	86	TURBO CARRERA M 49
2	930 503 307 00	wing joining plate	/L 1	1	TURBO CARRERA M 49
(2)	930 503 308 00	wing joining plate	/R 1	1	TURBO CARRERA M 49
3	A 911 503 032 03	wing	/R	1	CARRERA
(3)	911 503 032 04	wing	/R	1	CARRERA
(3)	930 503 032 08	wing with POS. 2	/R 1	-85	TURBO CARRERA M 49
(3)	930 503 032 10	wing with POS. 2	/R 1	86	TURBO CARRERA M 49
4	000 043 129 00	sealing strap 25 X 2 MM		*	
5	901 503 394 22	pipng 4,3 MM		2	
(5)	911 799 503 07	wing seal 6,5 MM		X	
6	900 187 010 02	tapping screw BZ 6,3 X 19		32	
7	A 900 067 011 02	pan-head screw		4	
7	900 067 011 02	pan-head screw M 6 X 20		4	
8	N 011 666 7	washer B 6,4		32	

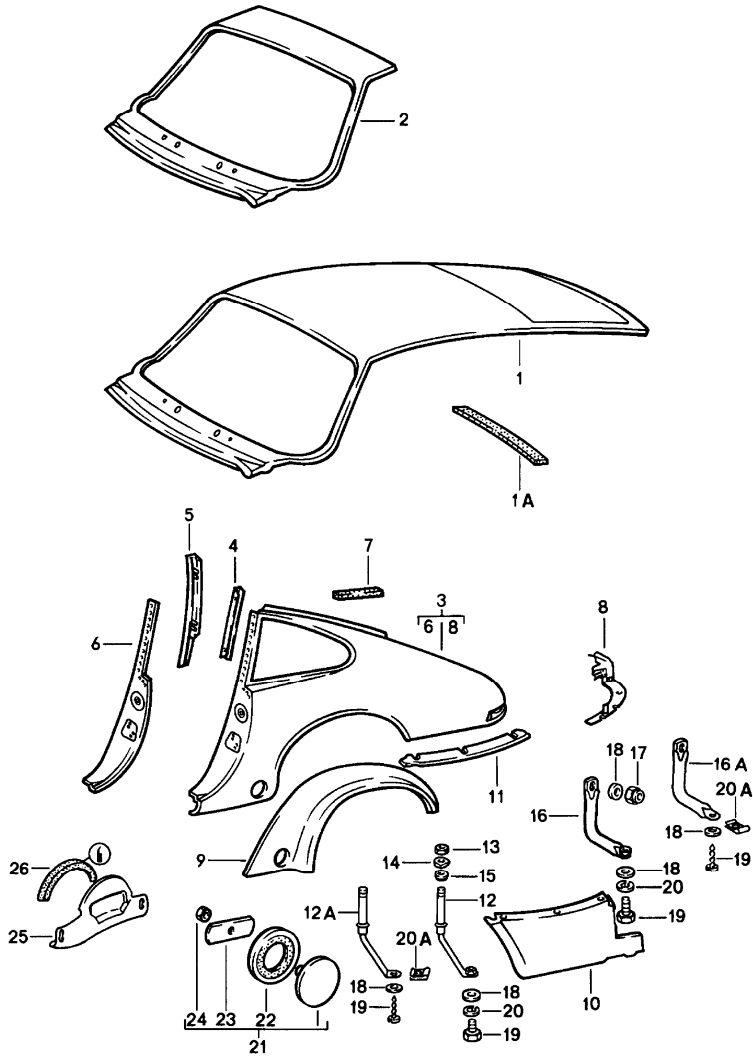
Model	Year	MG	SG	Illustration	Restrictions	UPD	7:58	23.01.2010	PORSCHE	PET	PORSCHE
911	1986	8	01	801-30		248					

Pos	Part Number	Description	Remark	Qty	Model	Pos	Part Number	Description	Remark	Qty	Model
9	N 011 550 1	washer B 6,5		4		30	900 025 007 02	washer A 8,4		4	
10	999 704 157 40	washer		32		31	911 503 401 04	door sill	/L -84	1	
11	999 591 327 02	speed nut B 6,3		32		31	911 503 401 05	door sill	/L 85-	1	
12	911 504 031 00	lid		1		(31)	911 503 402 04	door sill	/R -84	1	
13	911 504 331 00	spring		1		(31)	911 503 402 05	door sill	/R 85-	1	
14	900 067 051 02	pan-head screw M 5 X 10		3		32	411 837 111	cap		4	
15	N 012 005 3	lock ring B 5		3							
16	900 025 003 02	washer A 5,3		3							
17	901 504 317 21	lid-release cable		1							
18	911 504 385 00	rubber washer		1							
19	901 552 822 00	knob		1							
20	901 504 385 20	connecting tube		1							
21	999 702 020 50	rubber sleeve		1							
22	914 504 319 00	grommet		1							
23	999 230 002 02	screw nipple		1							
24	901 504 034 20	bearing		1							
25	911 025 679 00	buffer		1							
26	911 503 015 00	headlamp casing	/L -86	1							
(26)	911 503 016 00	headlamp casing	/R -84	1							
(26) A	911 503 016 02	headlamp casing	/R	1							
(26)	911 503 016 03	headlamp casing	/R	1							
(27)	911 503 079 01	wing strut	/L	1							
(27)	911 503 080 00	bracket	/R -86	1							
28	900 075 087 02	hexagon-head bolt M 8 X 16		4							
29	900 027 015 02	lock ring B 8		4							



Model	Year	MG	SG	Illustration	Restrictions	UPD	7:58	23.01.2010	PORSCHE	PET	PORSCHE
911	1986	8	01	801-35		248					

Pos	Part Number	Description	Remark	Qty	Model
		exterior panelling rear it is necessary to rework			COUPE
-	928 628 077 00	nozzle heatable		85 2	
(1)	911 503 087 08	outer roof panel		1	COUPE
(1)	911 503 087 09	outer roof panel		1	COUPE M650
1A	911 503 507 01	plastic foam strip bleeding		1	COUPE
2 A	901 503 090 21	windscreen frame part order also:	-84	1	COUPE
-	928 628 077 00	nozzle		85 2	
2 A	911 503 987 00	windscreen frame part		85 1	COUPE
2	911 503 987 01	windscreen frame part		1	COUPE
3	911 503 061 10	side section	/L	1	COUPE
(3)	911 503 061 11	side section F 91GS1 03136>> F 91GS1 09693>>	/L	1	COUPE COUPE COUPE
(3)	930 503 061 01	side section F >>91GS1 01337 F >>91GS1 09622 F >>93GS0 00371	/L	1	TURBO COUPE COUPE TURBO
		with POS. 9			COUPE M491
(3)	930 503 061 02	side section F 91GS1 01338>> F 91GS1 09623>> F 93GS0 00372>>	/L	1	TURBO COUPE COUPE TURBO
		with POS. (9)			COUPE M491
(3)	911 503 062 10	side section	/R	1	COUPE
(3)	911 503 062 11	side section F 91GS1 03136>> F 91GS1 09693>>	/R	1	COUPE COUPE COUPE



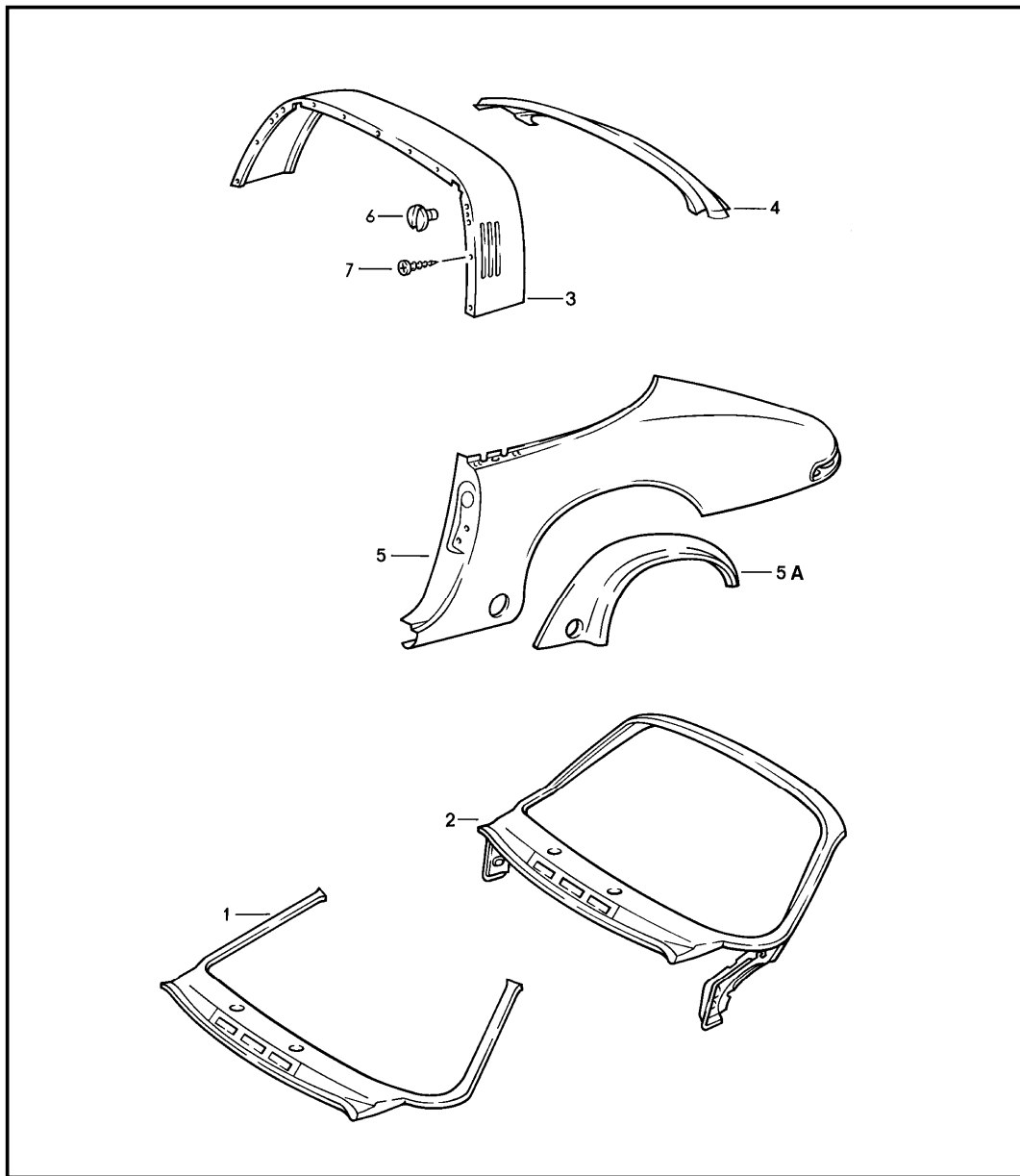
Model	Year	MG	SG	Illustration	Restrictions	UPD	7:58	23.01.2010	PORSCHE	PET	PORSCHE
911	1986	8	01	801-35		248					

Pos	Part Number	Description	Remark	Qty	Model	Pos	Part Number	Description	Remark	Qty	Model
(3)	930 503 062 01	side section F >>91GS1 01337 F >>91GS1 09622 F >>93GS0 00371  with POS. 9	/R	1	TURBO COUPE COUPE TURBO  COUPE M491	(9)	930 503 907 00	wing joining plate  F 91GS1 01338>> F 91GS1 09623>> F 93GS0 00372>>	/L	1	COUPE M491 TURBO COUPE COUPE TURBO
(3)	930 503 062 02	side section F 91GS1 01338>> F 91GS1 09623>> F 93GS0 00372>>  with POS. (9)	/R	1	TURBO COUPE COUPE TURBO  COUPE M491	(9)	930 503 908 00	wing joining plate  F 91GS1 01338>> F 91GS1 09623>> F 93GS0 00372>>	/R	1	TURBO COUPE M491 COUPE COUPE TURBO
4	911 503 193 00	retaining strip sealing frame		2		(9)	930 503 907 00	wing joining plate	/L	1	TARGA CABRIO M491
5	911 502 043 02	lock pillar inner panel	/L	1		(9)	930 503 908 00	wing joining plate	/R	1	TARGA CABRIO M491
(5)	911 502 044 02	lock pillar inner panel	/R	1		10	911 503 067 03	lower part lower part	/L	1	CARRERA
6	911 502 041 03	lock pillar	/L	-86	1	(10)	930 503 067 00	side section lower part	/L 1	1	TURBO CARRERA M 49
(6)	911 502 042 03	lock pillar	/R	-86	1	(10)	911 503 068 03	lower part lower part	/R	1	CARRERA
7	911 504 933 00	seal wheel housing	/L	1		(10)	930 503 068 00	side section lower part	/R 1	1	TURBO CARRERA M 49
(7)	911 504 934 00	seal wheel housing	/R	1		(11)	911 503 185 01	intermediate layer	/L	1	CARRERA
8	911 503 073 00	bar tail light housing	/L	1		(11)	911 503 186 01	intermediate layer	/R	1	CARRERA
(8)	911 503 074 00	bar tail light housing	/R	1		(11)	930 503 197 00	intermediate layer		2	TURBO M491
9	930 503 607 00	welding plate F >>91GS1 01337 F >>91GS1 09622 F >>93GS0 00371	/L	1	TURBO COUPE COUPE TURBO  COUPE M491	(11) A	000 043 204 81	intermediate layer		*	TURBO
						(11)	000 043 204 81	intermediate layer	1	*	TURBO CARRERA M 49
						12A	911 501 623 02	support tube	/V	2	
(9)	930 503 608 00	welding plate F >>91GS1 01337 F >>91GS1 09622 F >>93GS0 00371	/R	1	TURBO COUPE COUPE TURBO	13	900 078 009 02	hexagon nut M 20 X 1,5		2	
						14	900 025 021 02	washer		2	
						15	901 501 913 21	sealing ring		2	

Model	Year	MG	SG	Illustration	Restrictions	UPD	7:58	23.01.2010	PORSCHE	PET	PORSCHE
911	1986	8	01	801-35		248					

Pos	Part Number	Description	Remark	Qty	Model	Pos	Part Number	Description	Remark	Qty	Model	
16	930 501 628 01	support tube	/H/L	-85	1	24	N 011 005 14	hexagon nut M 5	M 491 M 491	2 2	TURBO/COUPE TARGA/CABRIO	
16	A 911 501 628 01	support tube	/H/R	-85	1			F >>91GS1 01337 F >>91GS1 03135			COUPE COUPE	
16A	930 501 628 01	support tube	/H/L	86-	1			F >>91GS1 09692 F >>91GS1 09622			COUPE COUPE	
16A	911 501 628 01	support tube	/H/R		1			F >>93GS0 00371			TURBO	
17	900 084 003 02	lock nut M 6 self-locking			2	24	N 011 005 14	hexagon nut M 5		2	CARRERA	
18	900 151 006 09	washer 6,4			6	25	930 504 753 00	spring cover	/L M 491 /L	1 1	TURBO/COUPE TARGA/CABRIO M491	
19	900 074 221 02	hexagon-head bolt M 6 X 12		-85	4			F 91GS1 01338>> F 91GS1 09623>> F 93GS0 00372>>			COUPE COUPE TURBO	
(19)	900 187 108 02	tapping screw BZ 6,3 X 16		86-	4	(25)	911 504 753 01	spring cover F 91GS1 03136>> F 91GS1 09693>>	/L	1	CARRERA COUPE COUPE	
20	N 012 007 2	lock ring A 6		-85	4	(25)	930 504 754 00	spring cover	/R M 491 /R	1 1	TURBO/COUPE TARGA/CABRIO M491	
20A	999 507 048 03	speed nut B 6,3		86-	4			F 91GS1 01338>> F 91GS1 09623>> F 93GS0 00372>>			COUPE COUPE TURBO	
21	901 504 079 00	spring cover	M 491 M 491		2 2	TURBO/COUPE TARGA/CABRIO	(25)	911 504 754 01	spring cover F 91GS1 03136>> F 91GS1 09693>>	/R	1	CARRERA COUPE COUPE
21	901 504 079 00	spring cover			2	CARRERA	26	911 559 511 00	gasket spring cover	M 491 M 491	2 2	TURBO/COUPE TARGA/CABRIO CARRERA
22	901 504 759 01	desk pad	M 491 M 491		2 2	TURBO/COUPE TARGA/CABRIO			F 91GS1 03136>> F 91GS1 01338>> F 91GS1 09623>> F 91GS1 09693>> F 93GS0 00372>>			COUPE COUPE COUPE COUPE TURBO
22	901 504 759 01	desk pad			2	CARRERA						
23	901 504 755 20	tensioning spring	M 491 M 491		2 2	TURBO/COUPE TARGA/CABRIO						
23	901 504 755 20	tensioning spring			2	CARRERA						

Model	Year	MG	SG	Illustration	Restrictions	UPD	7:58	23.01.2010	PORSCHE	PET	PORSCHE
911	1986	8	01	801-40		248					

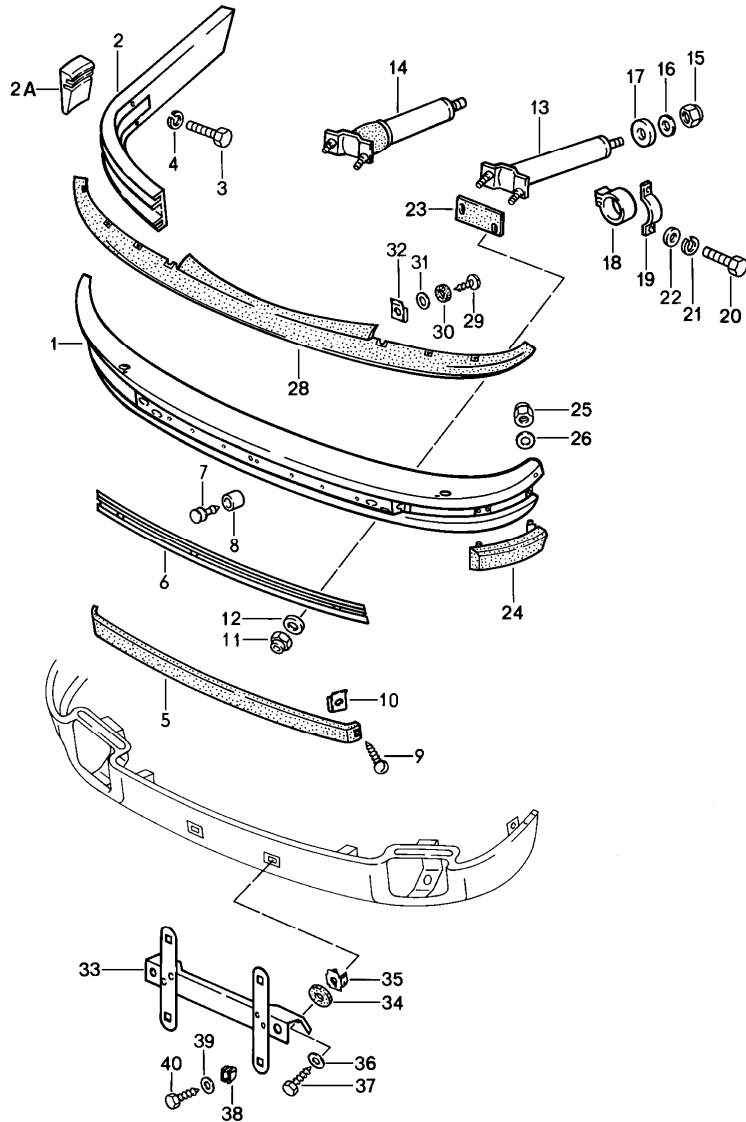


Pos	Part Number	Description	Remark	Qty	Model
		exterior panelling it is necessary to rework			TARGA/CABRIO
1	911 503 087 40	scuttle	-85	1	
(1)	911 503 087 42	scuttle	86-	1	
2	911 599 503 32	windscreen frame	-85	1	
2	911 599 503 33	windscreen frame	86-	1	
3	911 565 043 48	lining		1	TARGA
4	901 503 322 40	centre part		1	
5	911 503 061 50	side section F >>91GS1 41300 F >>91GS1 49999	/L	1	TARGA TARGA TARGA
(5)	911 503 061 51	side section F 91GS1 41301>>	/L	1	TARGA TARGA
(5)	930 503 061 41	side section with POS. 5A F >>91GS1 40695 F >>91GS1 49564	/L	1	TARGA M491 TARGA TARGA
(5)	930 503 061 42	side section with POS. (5A) F 91GS1 40696>> F 91GS1 49565>>	/L	1	TARGA M491 TARGA TARGA
(5)	911 503 061 61	side section F >>91GS1 51676 F >>91GS1 59578	/L	1	CABRIO CABRIO CABRIO
(5)	911 503 061 62	side section F 91GS1 51677>> F 91GS1 59579>>	/L	1	CABRIO CABRIO CABRIO
(5)	930 503 061 60	side section with POS. 5A F >>91GS1 50881 F >>91GS1 59569	/L	1	CABRIO M491 CABRIO CABRIO
(5)	930 503 061 61	side section with POS. (5A) F 91GS1 05882>> F 91GS1 59570>>	/L	1	CABRIO M491 CABRIO CABRIO

Model	Year	MG	SG	Illustration	Restrictions	UPD	7:58	23.01.2010	PORSCHE	PET	PORSCHE
911	1986	8	01	801-40		248					

Pos	Part Number	Description	Remark	Qty	Model	Pos	Part Number	Description	Remark	Qty	Model
(5)	911 503 062 50	side section F >>91GS1 41300 F >>91GS1 49999	/R	1	TARGA TARGA TARGA	(5A)	930 503 907 00	wing joining plate F 91GS1 05882>> F 91GS1 59570>>	/L	1	M491 CABRIO CABRIO
(5)	911 503 062 51	side section F 91GS1 41301>>	/R	1	TARGA TARGA	(5A)	930 503 608 00	welding plate F >>91GS1 40695 F >>91GS1 49564	/R	1	M491 TARGA TARGA
(5)	930 503 062 41	side section  with POS. (5A) F >>91GS1 40695 F >>91GS1 49564	/R	1	TARGA M491  TARGA TARGA	(5A)	930 503 608 00	welding plate F >>91GS1 50881 F >>91GS1 59569	/R	1	M491 CABRIO CABRIO
(5)	930 503 062 42	side section  with POS. (5A) F 91GS1 40696>> F 91GS1 49565>>	/R	1	TARGA M491  TARGA TARGA	(5A)	930 503 908 00	wing joining plate F 91GS1 40696>> F 91GS1 49565>>	/R	1	M491 TARGA TARGA
(5)	911 503 062 61	side section F >>91GS1 51676 F >>91GS1 59578	/R	1	CABRIO CABRIO CABRIO	6	901 801 153 40	screw plug ski rack		4	TARGA
(5)	911 503 062 62	side section F 91GS1 51677>> F 91GS1 59579>>	/R	1	CABRIO CABRIO CABRIO	7	N 013 957 5	tapping screw B 3,5 X 9,5		15	TARGA
(5)	930 503 062 60	side section  with POS. (5A) F >>91GS1 50881 F >>91GS1 59569	/R	1	CABRIO M491  CABRIO CABRIO						
(5)	930 503 062 61	side section  with POS. (5A) F 91GS1 05882>> F 91GS1 59570>>	/R	1	CABRIO M491  CABRIO CABRIO						
5A	930 503 607 00	welding plate F >>91GS1 40695 F >>91GS1 49564	/L	1	M491 TARGA TARGA						
5A	930 503 607 00	welding plate F >>91GS1 50881 F >>91GS1 59569	/L	1	M491 CABRIO CABRIO						
(5A)	930 503 907 00	wing joining plate F 91GS1 40696>> F 91GS1 49565>>	/L	1	M491 TARGA TARGA						

Model	Year	MG	SG	Illustration	Restrictions	UPD	7:59	23.01.2010	PORSCHE	PET	PORSCHE
911	1986	8	02	802-00		248					

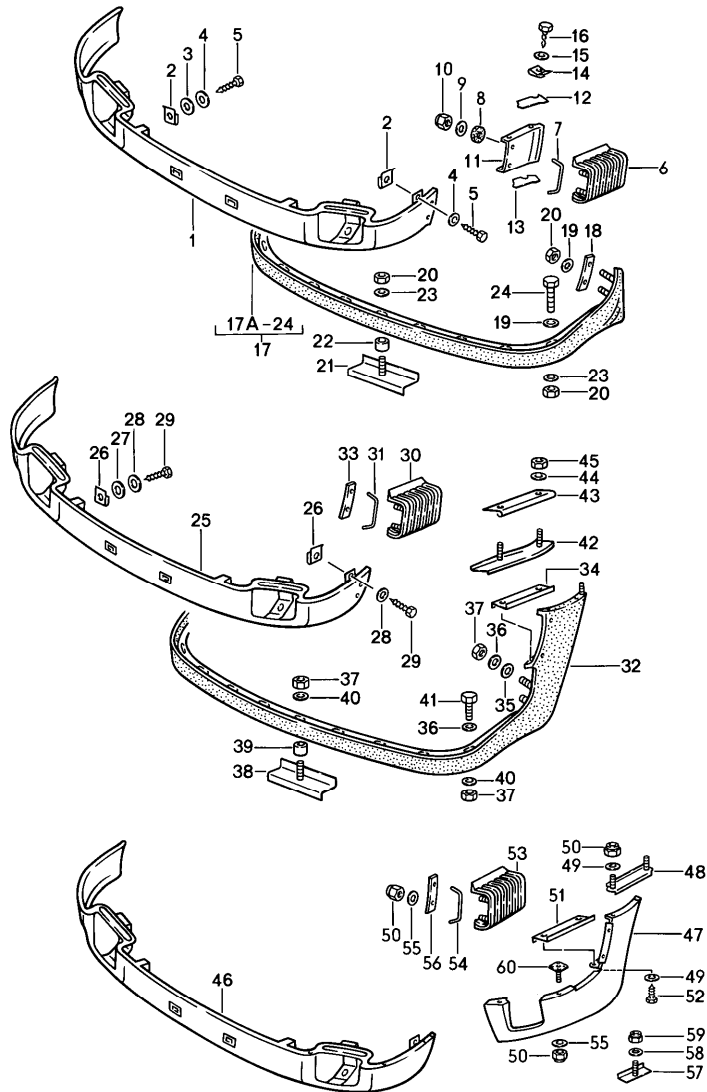


Pos	Part Number	Description	Remark	Qty	Model
		bumper front			
1	A 930 505 011 02	bumper	-84	1	
(1)	930 505 011 02	bumper		1	
5	911 505 147 03	protective moulding		1	
6	911 505 149 02	insert		1	
7	911 505 417 00	moulding plug		7	
8	911 505 418 00	grommet		7	
9	900 143 085 07	tapping screw B 4,2 X 16		2	
10	999 507 018 02	speed nut B 4,2		2	
11	N 011 185 6	hexagon nut M 10		4	
12	900 025 008 09	washer A 10,5		4	
13	911 505 045 03	impact pipe		2	
14	911 505 279 03	impact absorber M 8		2	M058/113
15	900 084 004 02	hexagon nut M 8		2	
15	900 084 004 03	hexagon nut M 8		2	
(15)	999 084 608 02	hexagon nut M 12		2	M058
16	900 151 008 02	washer A 8,4		2	
(16)	900 025 009 02	washer A 13		2	M058
17	911 505 220 01	desk pad		2	
(17)	911 505 219 01	desk pad		2	M058
18	911 505 221 00	stop		2	
19	911 505 223 00	supporting bow		2	
20	900 075 085 02	hexagon-head bolt M 8 X 20		4	

Model	Year	MG	SG	Illustration	Restrictions	UPD	7:59	23.01.2010	PORSCHE	PET	PORSCHE
911	1986	8	02	802-00		248					

Pos	Part Number	Description	Remark	Qty	Model	Pos	Part Number	Description	Remark	Qty	Model
21	900 027 015 02	lock ring A 8		4		35	999 591 354 02	prestole cage		2	
22	900 025 007 02	washer A 8,4		4		36	N 011 524 7	washer A 6,4		2	
23	911 505 311 00	desk pad		2		37	900 187 115 02	combination screw B 5,5 X 16		2	
24	911 505 307 00	cover	/L	1		38	999 591 498 40	special nut		2	
(24)	911 505 308 00	cover	/R	1		39	N 011 522 8	washer A 4,3		2	
25	N 021 196 1	lock nut M 5		4		40	900 143 134 00	tapping screw BZ 4,2 X 9,5		2	
26	N 011 665 3	washer A 5,3		4							
28	911 505 187 01	sealing strip		1							
29	N 013 968 7	tapping screw B 4,8 X 13		10							
30	901 503 399 02	rubber washer		4							
31	N 011 665 3	washer A 5,3		10							
32	999 507 041 09	speed nut B 4,8		10							
		number plate mount									
-	A 911 701 057 00	set of fastening parts front and rear		-85	1						
-	911 701 057 01	set of fastening parts front and rear	) (CDN) (USA) (A) (AUS)	-85	1	(J (CAL) (D					
-	911 701 057 02	set of fastening parts front and rear	(B) (I) (L)	-85	1						
		number plate mount front									
(33)	911 701 201 00	support		1							
33	911 701 053 00	support		1	M218						
(33)	911 701 201 02	support		1	M411						
34	803 955 637	rubber washer		2							

Model	Year	MG	SG	Illustration	Restrictions	UPD	7:59	23.01.2010	PORSCHE	PET	PORSCHE
911	1986	8	02	802-01		248					



Pos	Part Number	Description	Remark	Qty	Model
		front apron front spoiler carrera			
1 A	911 503 049 04	front apron		1	
1	911 503 971 00	front apron		1	
(1)	911 503 049 05	front apron		1	M473
2	999 591 327 02	speed nut B 6,3		4	
3	999 704 157 40	washer		2	
4	N 011 666 7	washer B 6,4		4	
5	900 187 010 02	tapping screw BZ 6,3 X 19		4	
6	911 799 505 63	bellows	/L	1	
(6)	911 799 505 64	bellows	/R	1	
7	911 505 375 00	clamp		2	
8	901 511 791 21	rubber washer		4	
9	900 025 003 02	washer A 5,3		4	
10	900 910 009 02	lock nut NM 5		4	
11	911 503 315 00	front apron	/L	1	
(11)	911 503 316 00	front apron	/R	1	
12	911 503 326 00	intermediate layer		1	
13	911 503 325 00	intermediate layer		1	
14	999 507 041 09	speed nut B 4,8		8	
15	N 011 665 3	washer A 5,3		8	
16	900 187 018 02	hexagon-head tapping screw B 4,8 X 16		8	



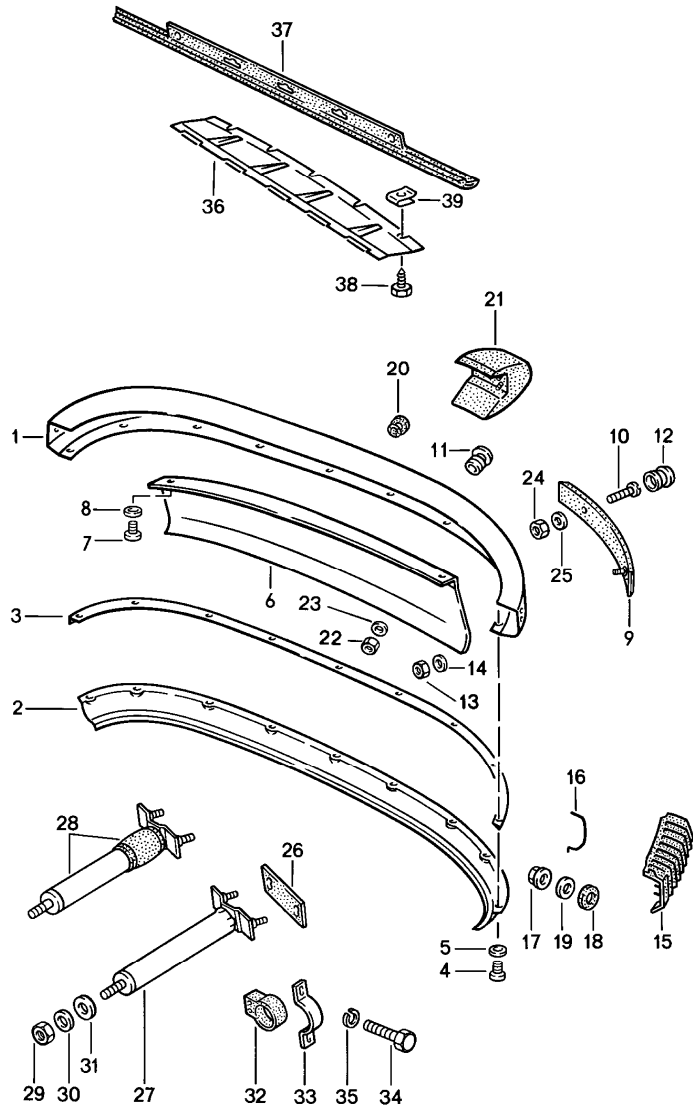
Model	Year	MG	SG	Illustration	Restrictions	UPD	7:59	23.01.2010	PORSCHE	PET	PORSCHE
911	1986	8	02	802-01		248					

Pos	Part Number	Description	Remark	Qty	Model	Pos	Part Number	Description	Remark	Qty	Model
17	911 503 995 00	installation set front spoiler comprising: POS. 17A-24 for subsequent installation only together with		1		31	911 505 375 00	clamp		2	
						32	930 503 055 01	front spoiler		1	
						33	930 503 329 00	desk pad	/L	1	
-	911 512 909 00	installation set or		1		(33)	930 503 330 00	desk pad	/R	1	
						34	930 503 327 01	plate with pressed-in hole		2	
-	930 512 901 00	installation set rear spoiler see group 8/98/00		1		35	901 565 448 40	spacer		4	
						36	N 011 666 7	washer B 6,4		8	
17A	911 503 055 00	front spoiler		1		37	900 910 012 02	lock nut M 6		15	
18	911 503 141 00	desk pad	/L	1		38	911 503 023 00	shim		7	
(18)	911 503 142 00	desk pad	/R	1		39	911 503 349 00	spacer sleeve		11	
19	N 011 666 7	washer B 6,4		8		40	N 011 524 7	washer A 6,4		11	
20	900 910 012 02	lock nut M 6		15		41	N 010 217 9	hexagon-head bolt M 6 X 20		4	
21	911 503 023 00	shim		7		42	930 503 131 00	plate with screw bolt	/L	1	
22	911 503 349 00	spacer sleeve		11		(42)	930 503 132 00	plate with screw bolt	/R	1	
23	N 011 524 7	washer A 6,4		11		43	930 503 197 00	pipng		2	
24	N 010 217 9	hexagon-head bolt M 6 X 20		4		44	N 011 665 3	washer B 5,3		4	
		TURBO / TURBO-LOOK				45	N 011 005 14	hexagon nut M 5		4	
25 A	930 503 049 01	front apron		1				turbo-look front spoiler			
25	930 503 971 00	front apron		1		46 A	930 503 049 01	front apron		1	
26	999 591 327 02	speed nut B 6,3		4		46	930 503 971 00	front apron		1	
27	999 704 157 40	washer		2		47	930 503 391 00	front apron	/L	1	
28	N 011 666 7	washer B 6,4		4		(47)	930 503 392 00	front apron	/R	1	
29	900 187 010 02	tapping screw BZ 6,3 X 19		4		48	930 503 137 00	plate with screw bolt		2	
30	911 799 505 63	bellows	/L	1		49	N 011 665 3	washer B 5,3		8	
(30)	911 799 505 64	bellows	/R	1							

Model	Year	MG	SG	Illustration	Restrictions	UPD	7:59	23.01.2010	PORSCHE	PET	PORSCHE
911	1986	8	02	802-01		248					

Pos	Part Number	Description	Remark	Qty	Model	Pos	Part Number	Description	Remark	Qty	Model
50	900 910 009 02	lock nut M 5		16							
51	930 503 327 01	plate with pressed-in hole		2							
52	900 187 004 02	hexagon-head tapping screw B 4,8 X 19		4							
53	911 799 505 63	bellows	/L	1							
(53)	911 799 505 64	bellows	/R	1							
54	911 505 375 00	clamp		2							
55	900 025 003 02	washer A 5,3		12							
56	930 503 329 00	desk pad	/L	1							
(56)	930 503 330 00	desk pad	/R	1							
57	911 503 173 00	shim		6							
58	N 011 524 7	washer A 6,4		6							
59	900 910 012 02	lock nut M 6		6							
60	999 503 068 02	square screw M 5		4							

Model	Year	MG	SG	Illustration	Restrictions	UPD	7:59	23.01.2010	PORSCHE	PET	PORSCHE
911	1986	8	02	802-05		248					



Pos	Part Number	Description	Remark	Qty	Model
(1)	930 505 012 05	bumper rear		1	
(1)	930 505 112 01	bumper	86-	1	M215
2	911 505 171 08	rear apron		1	CARRERA
(2)	930 505 077 04	rear apron	1	1	TURBO CARRERA M 49
3	911 505 345 03	piping		1	
4	900 278 024 09	screw M 6 X 10		8	
5	N 011 524 7	washer A 6,4		8	
6	930 505 511 00	heat protection		1	TURBO
7	900 278 024 09	screw M 6 X 10		3	TURBO
8	N 011 524 7	washer A 6,4		6	TURBO
(9) A	930 505 100 00	protective moulding	/R 1	-84	1 TURBO CARRERA M 49
(9) A	930 505 099 01	protective moulding	/L 1	-84	1 TURBO CARRERA M 49
(9)	930 505 012 00	protective moulding	/L 1	1	TURBO CARRERA M 49
(9)	930 505 090 00	protective moulding	/R 1	1	TURBO CARRERA M 49
(9)	911 505 099 04	protective moulding	/L	1	CARRERA
(9)	911 505 100 01	protective moulding	/R	1	CARRERA
10	999 141 001 02	half-round screw M 5 X 12		2	
11	999 703 181 40	stopper 25,7 X 32 X 12		1	
12	914 552 233 10	filler piece		2	CARRERA M058
13	W 900 910 009 02	lock nut M 5		2	

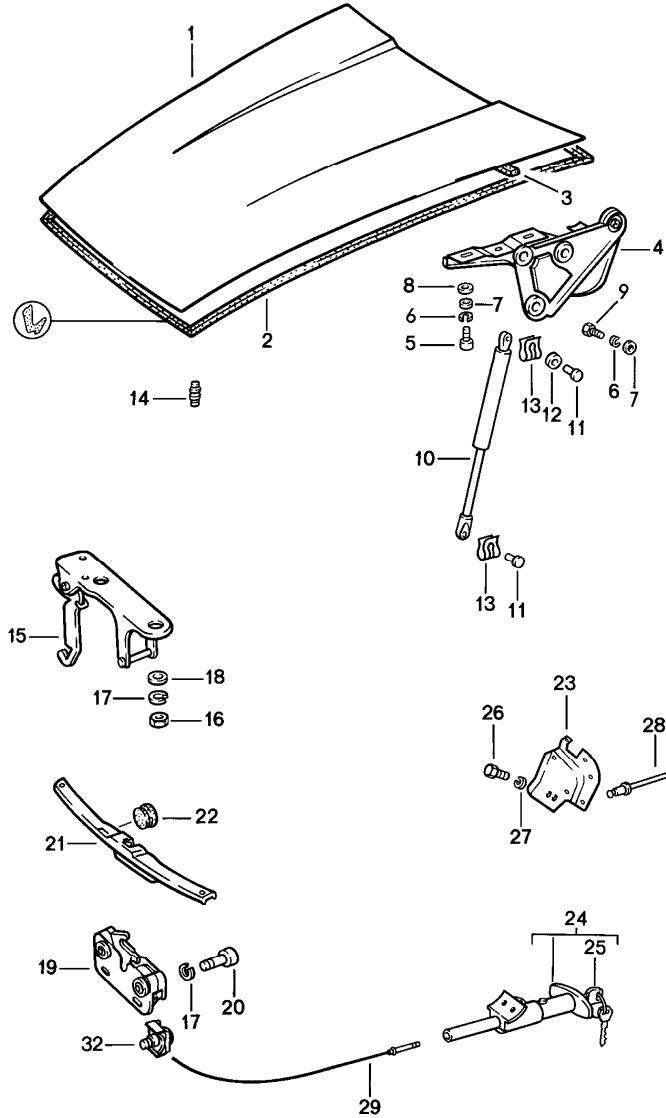
Model	Year	MG	SG	Illustration	Restrictions	UPD	7:59	23.01.2010	PORSCHE	PET	PORSCHE
911	1986	8	02	802-05		248					

Pos	Part Number	Description	Remark	Qty	Model	Pos	Part Number	Description	Remark	Qty	Model
13	900 910 011 02	lock nut M 6		3	TURBO	29	999 084 608 02	hexagon nut M 12		2	
14	W N 011 665 3	washer A 5,3		2		30	900 025 009 02	washer 13		2	
14	900 151 003 02	washer A 6,4		3	TURBO	31	911 505 220 01	desk pad		2	
14	999 704 135 70	washer 7 X 17 X 1,5		3	TURBO	(31)	911 505 219 01	desk pad		2	M058
15	911 799 505 65	bellows	/L	1		32	911 505 221 00	stop		2	
(15)	911 799 505 66	bellows	/R	1		33	911 505 223 00	supporting bow		2	
16	911 505 376 00	clamp		2		34	900 075 085 02	hexagon-head bolt M 8 X 20		4	
17	900 910 009 02	lock nut NM 5		8		35	900 027 015 02	lock ring A 8		4	
18	901 511 791 21	rubber washer		8		36 A	911 503 157 01	heat protection	-85	1	CARRERA
19	900 025 003 02	washer A 5,3		8		36	911 503 157 01	heat protection		1	CARRERA
20	911 505 347 00	rubber sleeve		2		(36)	930 503 157 01	heat protection		1	TURBO
21	930 505 031 00	buffer	/L	1		37 A	911 503 085 05	seal	-85	1	
(21)	930 505 031 01	buffer	/L	86-	M215	37	911 503 085 05	seal		1	
(21)	930 505 032 00	buffer	/R	1		38	N 013 970 5	tapping screw B 4,8 X 9,5		5	
(21)	930 505 032 01	buffer	/R	86-	M215	38	N 106 568 02	tapping screw B 4,8 X 9,5		5	
22	900 084 004 02	hexagon nut M 8		4		38	900 187 104 02	tapping screw B 4,8 X 13		5	
22	900 084 004 03	hexagon nut M 8		4		39	999 507 041 09	speed nut B 4,8		5	
23	900 025 007 02	washer 8,4		4				number plate mount rear			
24	N 011 185 6	hexagon nut M 10		4		-	928 701 050 03	support		1	M218
25	900 025 008 09	washer 10,5		4		-	914 571 903 10	sealing ring		2	
26	911 505 311 00	desk pad		2		-	900 025 003 02	washer A 5,3		2	
27	911 505 046 03	impact pipe		2		-	N 100 818 01	oval-head screw CM 5 X 16		2	
28	911 505 280 03	impact absorber		2	M058/113						

Model	Year	MG	SG	Illustration	Restrictions	UPD	7:59	23.01.2010	PORSCHE	PET	PORSCHE
911	1986	8	02	802-05		248					

Pos	Part Number	Description	Remark	Qty	Model	Pos	Part Number	Description	Remark	Qty	Model
-	999 919 045 02	locking screw M 5 X 15		2	M218						
-	999 591 498 40	special nut		2	M218						
-	N 011 522 8	washer A 4,3		2	M218						
-	900 143 134 00	tapping screw BZ 4,2 X 9,5		2	M218						

Model	Year	MG	SG	Illustration	Restrictions	UPD	7:59	23.01.2010	PORSCHE	PET	PORSCHE
911	1986	8	03	803-00		248					

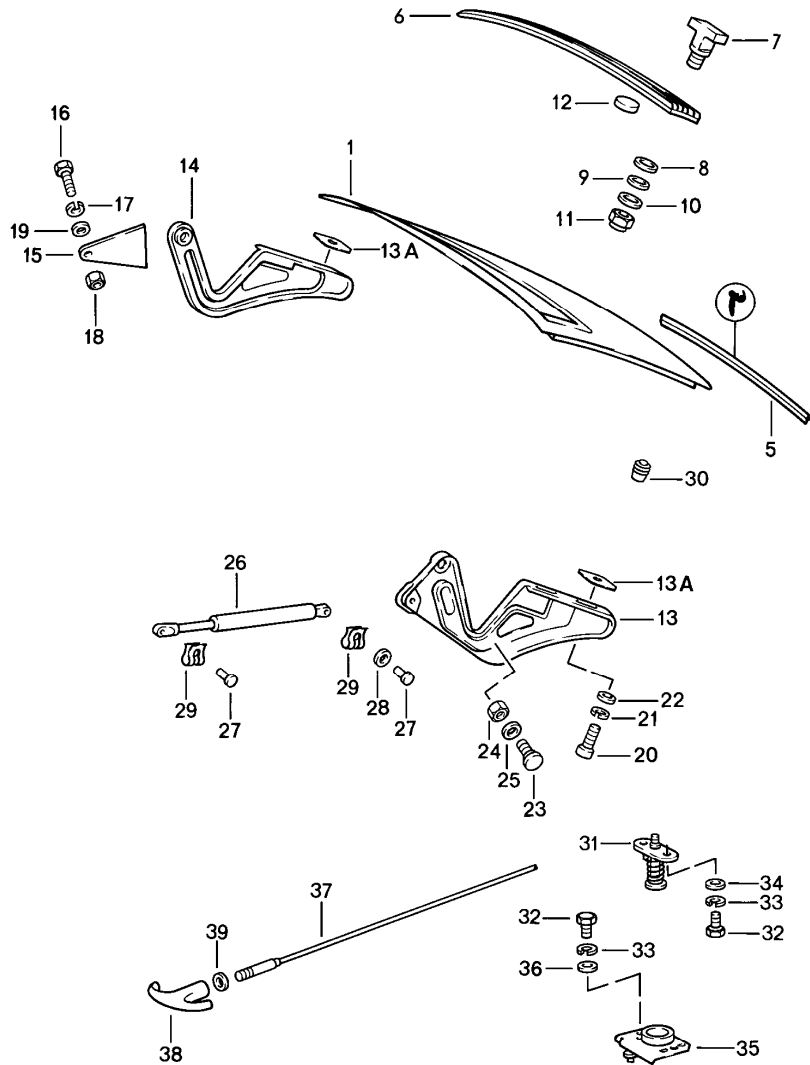


Pos	Part Number	Description	Remark	Qty	Model
		lid front			
1	911 511 010 01	lid		1	
2	911 511 923 02	sealing frame		1	
3	911 511 127 00	sealing frame		1	TARGA
(4)	911 511 031 00	hinge	/L	1	
(4)	911 511 032 00	hinge	/R	1	
5	900 067 057 02	pan-head screw M 8 X 20		4	
6	900 027 015 02	lock ring B 8		10	
7	900 025 007 02	washer 8,4		10	
8	900 151 008 02	washer 8,4		X	
9	900 075 085 02	hexagon-head bolt M 8 X 20		6	
10	911 511 331 01	gas-pressure spring		2	
10	911 511 331 00	gas-pressure spring		2	
11	999 166 043 02	bolt		4	
12	911 511 332 00	spacer		2	
13	N 012 645 2	lock		4	
14	999 703 036 50	rubber stop		2	
15	911 511 051 02	lock upper part		1	
16	900 076 010 02	hexagon nut M 6		2	
17	N 012 007 2	lock ring A 6		4	
18	N 011 666 7	washer B 6,4		2	
19	911 511 052 01	lock lower part		1	
20	N 014 743 2	pan-head screw M 6 X 30		2	

Model	Year	MG	SG	Illustration	Restrictions	UPD	7:59	23.01.2010	PORSCHE	PET	PORSCHE
911	1986	8	03	803-00		248					

Pos	Part Number	Description	Remark	Qty	Model	Pos	Part Number	Description	Remark	Qty	Model
21	911 555 085 00	cover cross panel		1							
22	999 703 119 40	stopper		2							
23	911 511 725 43	support for lock	-85	1							
23	911 502 725 00	support for lock	86-	1							
24	911 511 903 00	lock with 2 secondary keys w/o stipulated lock number	-84	1							
24 A	911 511 904 00	lock with 2 secondary keys state lock number	-84	1							
24	911 511 903 00	lock with 2 secondary keys w/o stipulated lock number	85-	1							
24	911 511 904 00	lock with 2 secondary keys state lock number		1							
25	-	see group 8/04/00									
26	N 010 225 4	hexagon-head bolt M 5 X 8  M 5 X 8		2							
27	900 027 011 01	lock ring A 5	-85	2							
28 A	999 190 113 02	blind rivet	-85	4							
28	999 190 123 02	blind rivet 3,2 X 7,37	-85	2							
29	911 511 071 01	lid-release cable	-85	1							
(29)	911 511 037 00	bowden cable	86-	1							
32	911 511 067 00	clamp		1							

Model	Year	MG	SG	Illustration	Restrictions	UPD	8:02	23.01.2010	PORSCHE	PET	PORSCHE
911	1986	8	03	803-05		248					



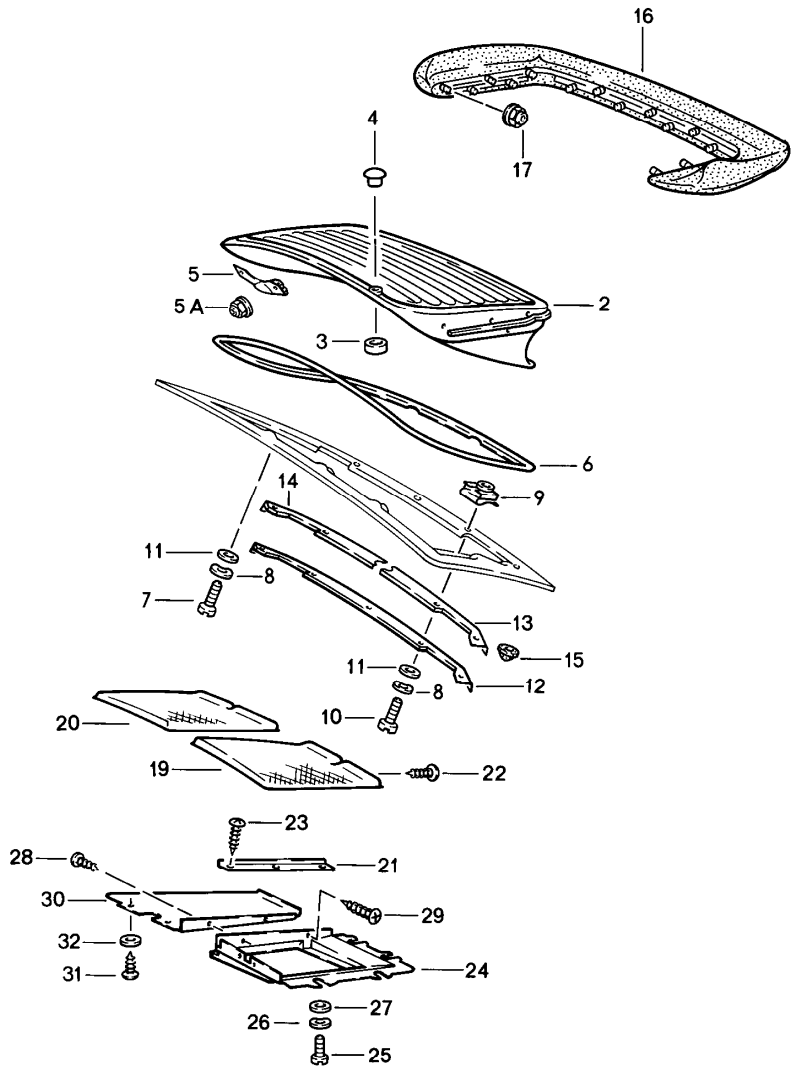
Pos	Part Number	Description	Remark	Qty	Model
		lid rear			
1	911 512 010 56	lid	-85	1	CARRERA
1	911 512 010 65	lid	86-	1	CARRERA
(1)	930 512 010 09	lid		1	TURBO
5	911 512 129 00	gasket	-86	1	
6	911 559 411 00	ventilation grille		1	CARRERA
7	911 559 433 00	t-headed screw		6	CARRERA
(7)	911 559 433 01	t-headed screw		2	M559
8	911 559 435 00	spacer		6	CARRERA
9	113 951 539	washer		6	CARRERA
10	N 011 665 3	washer A 5,3		6	CARRERA
11	900 910 009 02	lock nut NM 5		6	CARRERA
(11)	900 034 006 02	hexagon nut B M 5		2	M559
12	911 559 151 01	base		6	CARRERA
13	911 512 035 00	hinge	/L	1	
13A	999 025 098 02	washer D=9		X	
14	901 512 036 20	hinge	/R	1	CARRERA
(14)	930 512 036 00	lid hinge	/R	1	TURBO M4 73 CARRERA M 49
15	930 512 039 00	fastening plate		1	TURBO M4 73 CARRERA M 49
16	900 075 016 02	hexagon-head bolt M 6 X 22		1	M4 73 CARRERA M 49
17	N 012 226 5	spring washer B 6		1	M4 73 CARRERA M 49
18	900 076 010 02	hexagon nut M 6		1	M4 73 CARRERA M 49



Model	Year	MG	SG	Illustration	Restrictions	UPD	8:02	23.01.2010	PORSCHE	PET	PORSCHE
911	1986	8	03	803-05		248					

Pos	Part Number	Description	Remark	Qty	Model	Pos	Part Number	Description	Remark	Qty	Model
19	N 011 524 7	washer 6,4	1	1	M473 CARRERA M 49	33	N 012 006 4	lock ring B 6		4	
20	900 067 011 02	pan-head screw M 6 X 20		4		34	N 011 666 7	washer B 6,4		2	
21	N 012 006 4	lock ring B 6		4		35	901 512 052 00	lock lower part		1	
22	N 011 666 7	washer B 6,4		4		36	A 900 025 028 02	washer		2	
23	901 512 471 20	collar bolt		2		36	N 011 666 7	washer B 6,4		2	
24	A 900 910 023 02	lock nut M 8		2		37	901 511 073 20	lid-release cable		1	
(24)	999 084 052 02	lock nut M 8		2		38	901 552 813 20	handle		1	
25	900 025 007 02	washer A 8,4		2		39	911 512 531 00	grommet lid-release cable		1	
26	A 911 512 331 01	gas-pressure spring		1	CARRERA						
26	911 512 331 01	gas-pressure spring		1	CARRERA						
(26)	A 911 512 331 02	gas-pressure spring	RBO/ 1	2	/TU M473/559 CARRERA M 49						
(26)	911 512 331 02	gas-pressure spring	3/559	2	TURBO CARRERA M 47						
27	999 166 043 02	bolt		2							
28	911 511 332 00	spacer		1							
29	N 012 645 2	lock		2							
29	N 012 645 2	lock		3	M473						
30	999 703 140 40	rubber buffer		2							
31	930 512 052 00	lock upper part		1	CARRERA						
(31)	930 512 052 00	lock upper part	1	1	TURBO M473 CARRERA M 49						
32	900 075 162 02	hexagon-head bolt M 6 X 16		2	CARRERA						
(32)	N 010 217 9	hexagon-head bolt M 6 X 20		2	TURBO						

Model	Year	MG	SG	Illustration	Restrictions	UPD	9:56	28.01.2010	PORSCHE	PET	PORSCHE
911	1986	8	03	803-10		248					

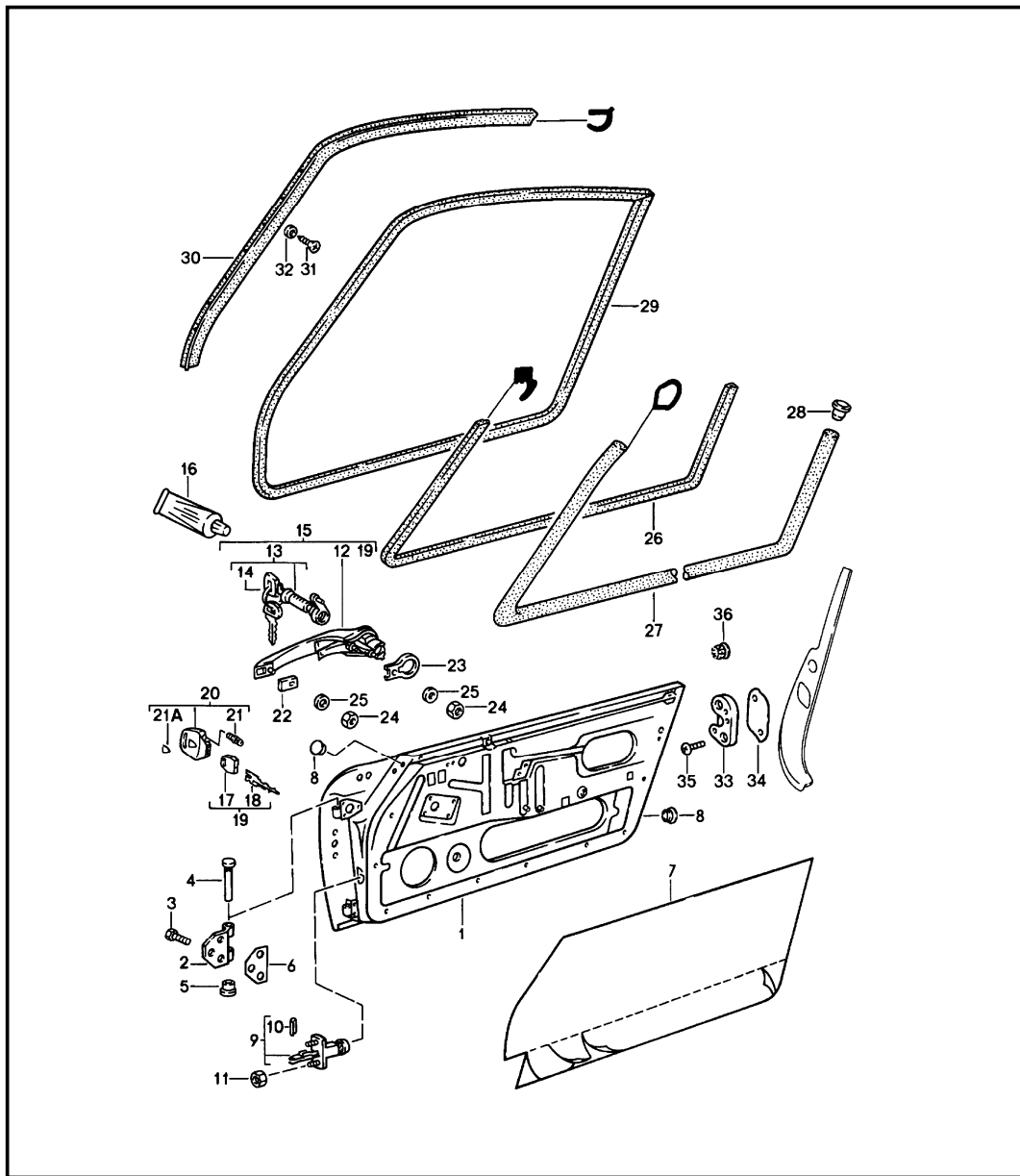


Pos	Part Number	Description	Remark	Qty	Model
-	911 512 909 00	rear spoiler installation set rear spoiler for subsequent installation only together with		1	CARRERA
-	911 503 995 00	installation set front spoiler or		1	CARRERA
-	930 512 901 00	installation set rear spoiler for subsequent installation only together with		1	CARRERA
-	911 503 995 00	installation set front spoiler		1	CARRERA
2	930 512 023 00	rear spoiler		1	TURBO M491
(2)	911 512 043 00	rear spoiler		1	M473
3	930 512 267 00	spacer		2	
4	999 703 169 40	cap		1	
5	930 512 253 01	fastening angle	-85	3	
5	930 512 253 01	fastening angle	86-	3	TURBO CARRERA M 47
(5)	930 512 257 00	fastening angle	3/491 /L	1	
(5)	930 512 258 00	fastening angle	/R	1	
5A	999 084 076 02	lock nut M 4		10	M473
5B	N 040 226 2	hexagon-head bolt M 4 X 15		10	M473
6	930 512 215 00	pipng		1	TURBO M491
6	911 512 215 00	pipng		1	M473
7	N 014 765 2	pan-head screw M 6 X 10		3	
8	N 012 226 5	spring washer A 6		5	
9	999 507 328 02	captive nut M 6		5	

Model	Year	MG	SG	Illustration	Restrictions	UPD	9:56	28.01.2010	PORSCHE	PET	PORSCHE
911	1986	8	03	803-10		248					

Pos	Part Number	Description	Remark	Qty	Model	Pos	Part Number	Description	Remark	Qty	Model
10	900 119 091 02	pan-head screw M 6 X 15		7		27	N 011 666 7	washer B 6,4		4	
11	N 011 666 7	washer 6,4		10		28	900 143 124 07	tapping screw 3,5 X 13		2	
12	930 512 281 00	base rail		1	TURBO M491	29	900 146 053 07	oval-head screw M 4 X 18		2	
13	911 512 289 00	base rail	/L	1	M473	30	930 512 044 00	reinforcement plate	-84	1	TURBO
14	911 512 290 00	base rail	/R	1	M473	31	N 014 086 4	tapping screw 3,5 X 13	-84	4	TURBO
15	999 703 013 50	stopper		2		32	900 025 002 02	washer 4,3	-84	5	TURBO
16	930 512 021 00	polyuret. rim for spoiler		1	TURBO M491						
(16)	911 512 091 00	polyuret. rim for spoiler		1	M473						
(17)	999 084 074 02	lock nut		9	M473						
(17)	999 084 075 02	lock nut		10	M473						
(17)	999 084 075 02	lock nut M 6		17	M491						
19	930 512 031 00	grille	/L	1	TURBO						
(19)	911 512 231 00	perforated plate	/L	1	M473/491						
20	930 512 032 00	grille	/R	1	TURBO						
(20)	911 512 232 00	perforated plate	/R	1	M473/491						
21	930 512 175 00	angular plate		2							
22	900 143 124 07	tapping screw 3,5 X 13		2							
23	900 143 114 07	tapping screw 3,5 X 9,5		6							
24	930 512 241 00	air duct		1	TURBO						
(24)	911 512 037 00	air baffle plate	/L	1	M473/491						
(24)	911 512 038 00	air baffle plate	/R	1	M473/491						
25	A N 014 765 2	pan-head screw M 6 X 10		4							
25	N 014 765 2	pan-head screw M 6 X 10		4							
26	N 012 226 5	spring washer A 6		4							

Model	Year	MG	SG	Illustration	Restrictions	UPD	8:04	23.01.2010	PORSCHE	PET	PORSCHE
911	1986	8	04	804-00		248					



Pos	Part Number	Description	Remark	Qty	Model
		accessories doors			
		order also: see group 8/04/05 POS.4-5B			
(1)	911 531 005 21	bare door shell		1	
-	964 531 201 00	exterior panelling	/L	1	
	GRV	prime coated it is necessary to rework			
(1)	911 531 006 21	bare door shell		1	
-	964 531 202 00	exterior panelling	/R	1	
	GRV	prime coated it is necessary to rework			
2	901 531 303 21	hinge arm		4	
3	999 093 010 02	hexagon-head bolt M 8 X 20		12	
4	901 531 305 20	pin for door hinge		4	
5	901 531 311 20	bush		8	
6	901 531 391 20	desk pad		4	
7	911 531 889 00	seal	/L	1	
7	911 531 890 00	seal	/R	1	
8	999 703 119 40	stopper		10	
9	911 531 057 02	door arrester		2	
10	900 309 032 02	spiral clamping pin		2	
11	900 910 012 02	lock nut M 6		4	
12	A 911 531 941 28	outer door handle black without lock cylinder replacement replacement POS.15	-84	2	
(13)	911 531 943 00	lock cylinder with 2 secondary keys w/o stipulated lock number	/L -84	1	

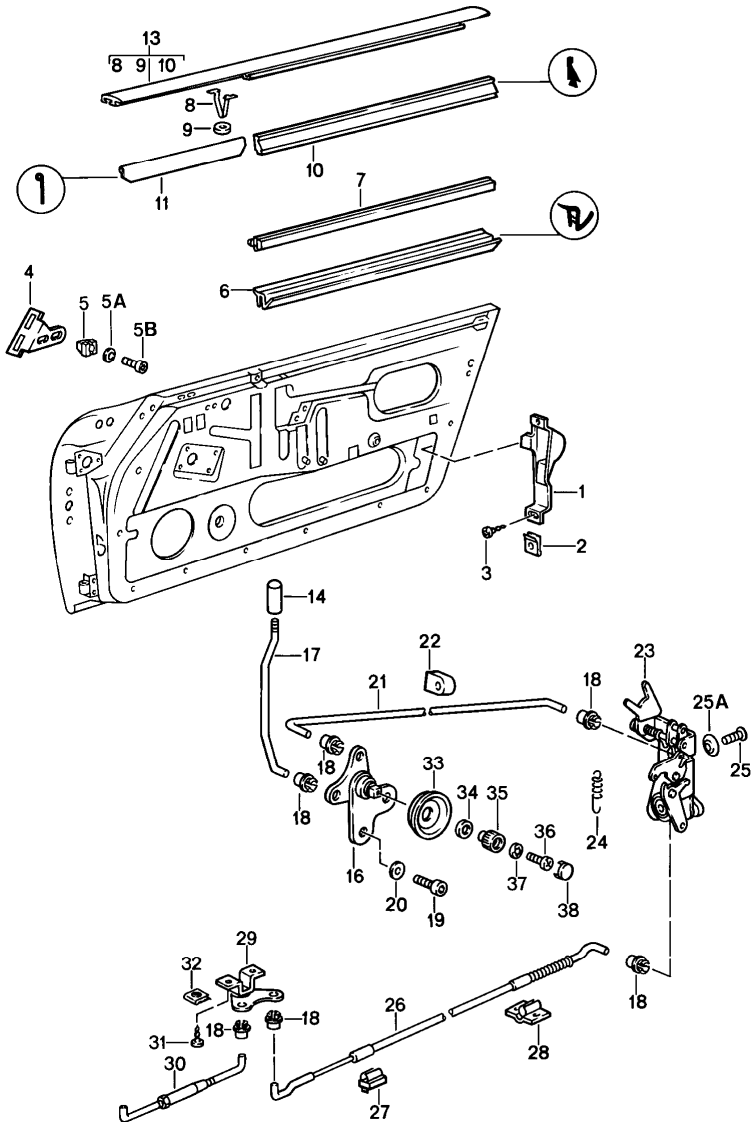
Model	Year	MG	SG	Illustration	Restrictions	UPD	8:04	23.01.2010	PORSCHE	PET	PORSCHE
911	1986	8	04	804-00		248					

Pos	Part Number	Description	Remark	Qty	Model	Pos	Part Number	Description	Remark	Qty	Model
(13)	911 531 947 00	lock cylinder MIT 1 NEBENSCHLUESSEL state lock number	/L	-84	1	(15) A	911 538 941 00	outer door handle	/L	1	
13	911 531 944 00	lock cylinder with 2 secondary keys w/o stipulated lock number	/R	-84	1	(15)	911 538 941 06	outer door handle black with lock cylinder and two spare keys state lock number	/L	1	
13	911 531 948 00	lock cylinder MIT 1 NEBENSCHLUESSEL state lock number	/R	-84	1	(15)	911 538 941 04	outer door handle chrome with lock cylinder and two spare keys state lock number	/L	1	
14 A	911 531 945 00	blank key replacement POS.18,20		-84	2	15 A	911 538 942 01	outer door handle	/R	1	
14 A	911 531 946 00	main key replacement POS.19,20		-84	2	15	911 538 942 07	outer door handle black with lock cylinder and two spare keys w/o stipulated lock number	/R	1	
(14)	914 531 903 11	blank key state lock number		-84	2	15	911 538 942 05	outer door handle chrome with lock cylinder and two spare keys w/o stipulated lock number	/R	1	
(14)	914 531 903 11	blank key secondary key		-84	1	15 A	911 538 942 00	outer door handle	/R	1	
		single parts for key with light		-84		15	911 538 942 06	outer door handle black with lock cylinder and two spare keys state lock number	/R	1	
-	911 531 638 00	cap		-84	1	15	911 538 942 04	outer door handle chrome with lock cylinder and two spare keys state lock number	/R	1	
-	928 537 627 02	pressure spring		-84	1	16	000 043 204 21	grease for lock cylinder		X	
-	911 531 640 00	bulb with contact plate		-84	1	17	944 538 431 00	key cap		1	
-	911 531 641 00	bridge		-84	1	18	911 538 903 00	blank key	-85	1	
-	911 531 642 00	lid		-84	1	18	911 538 903 00	blank key	86-	1	
(15) A	911 538 941 01	outer door handle	/L		1	19 A	911 538 902 00	replacement key Information available		1	
(15)	911 538 941 07	outer door handle black with lock cylinder and two spare keys w/o stipulated lock number	/L		1						
(15)	911 538 941 05	outer door handle chrome with lock cylinder and two spare keys w/o stipulated lock number	/L		1						

Model	Year	MG	SG	Illustration	Restrictions	UPD	8:04	23.01.2010	PORSCHE	PET	PORSCHE
911	1986	8	04	804-00		248					

Pos	Part Number	Description	Remark	Qty	Model	Pos	Part Number	Description	Remark	Qty	Model
19	911 538 902 00	replacement key with key cap state lock number Information available		1		35	999 219 008 00	countersunk-head screw M 8 X 40		4	
						36	911 531 243 00	stopper for cars without alarm system	/L	1	
20	944 538 041 00	key lamp complete		1							
21	928 537 630 02	bulb E 5,5		1							
21A	944 538 443 00	crest		2							
22	911 531 631 00	desk pad		2							
23	911 531 632 00	desk pad		2							
24	900 910 008 02	lock nut M 5		4							
25	900 025 003 02	washer A 5,3		4							
(26)	911 531 095 40	door sealing		2	TARGA CABRIO						
27	-	entfallen			CABRIO						
(28)	911 531 523 65	cap		2	CABRIO						
29	911 531 095 02	door sealing		2	COUPE						
(30)	911 542 403 01	sealing rail	/L	-85	1	COUPE					
30	911 542 404 01	sealing rail	/R	-85	1	COUPE					
(30)	911 542 403 03	sealing rail	/L	86-	1	COUPE					
30	911 542 404 03	sealing rail	/R	86-	1	COUPE					
31	900 145 081 00	tapping screw B 2,9 X 6,5		30	COUPE						
32	999 591 009 12	washer 3,5 MS		30	COUPE						
(33)	993 531 029 00	door lock striker	/L	1							
33	993 531 030 00	door lock striker	/R	1							
34	901 531 703 23	shim 1 MM		X							
(34)	901 531 703 24	shim 2 MM		X							

Model	Year	MG	SG	Illustration	Restrictions	UPD	8:04	23.01.2010	PORSCHE	PET	PORSCHE
911	1986	8	04	804-05		248					



Pos	Part Number	Description	Remark	Qty	Model
		installation parts doors			
(1)	911 537 335 00	cover	/L	1	CARRERA
(1)	911 537 355 00	cover	/L	1	M341
1	911 537 336 00	cover	/R	1	CARRERA
(1)	911 537 356 00	cover for door lock	/R	1	M341
2	N 015 438 1	speed nut B 3,5		5	
3	900 144 028 07	tapping screw B 3,5 X 13		5	
(4)	911 531 955 00	bracket	/L	1	
(4)	911 531 956 00	bracket for cover strip	/R	1	
5A	N 011 524 7	washer A 6,4		4	
(5B)	999 072 005 09	hexagon-head bolt M 6 X 12		4	
6	911 531 951 01	sealing for door slot		2	
(7)	901 531 935 20	sealing for door slot	/L	1	COUPE
(7)	911 531 295 40	sealing for door slot	/L	1	TARGA CABRIO
7	901 531 936 20	sealing for door slot	/R	1	COUPE
(7)	911 531 296 40	sealing for door slot	/R	1	TARGA CABRIO
8	999 591 326 02	moulding clip		14	
8	999 591 326 01	moulding clip		14	
9	911 531 309 00	ring		14	
(10)	911 531 931 02	sealing strip	/L	1	COUPE
(10)	911 531 931 42	sealing strip	/L	1	TARGA CABRIO
10	911 531 932 02	sealing strip	/R	1	COUPE

-86

Model	Year	MG	SG	Illustration	Restrictions	UPD	8:04	23.01.2010	PORSCHE	PET	PORSCHE
911	1986	8	04	804-05		248					

Pos	Part Number	Description	Remark	Qty	Model	Pos	Part Number	Description	Remark	Qty	Model		
(10)	911 531 932 42	sealing strip	/R	1	TARGA CABRIO	(13)	911 531 432 60	moulding	/R	-85	1	CABRIO M070	
(11)	901 531 933 20	sealing strip		2			70K	black					
(11)	911 531 297 00	01C piping		2	COUPE	13	911 531 042 60	moulding	/R	86-	1	CABRIO M070	
		black					70K	black					
11	911 531 297 40	01C piping		2	TARGA/CABRIO	14	928 555 359 02	locking knob			2		
		black				(14)	928 555 565 02	guide sleeve		-84	2		
13	911 531 041 30	70K moulding	/L	1	COUPE	(14)	928 555 569 02	guide bush		85-	2		
		black				(16)	911 531 075 01	mounting for push-button	/L	-84	1		
-	911 531 431 00	70K moulding	/L	1	COUPE	(16)	911 531 075 02	mounting for push-button	/L	85-	1		
		black				(16)	911 531 076 01	mounting for push-button	/R	-84	1		
13	911 531 042 30	70K moulding	/R	1	COUPE	16	911 531 076 02	mounting for push-button	/R	85-	1		
		black				(17)	911 531 707 00	rod for push-button	/L	-84	1		
-	911 531 432 00	70K moulding	/R	1	COUPE	(17)	911 531 707 01	rod for push-button	/L	85-	1		
		black				(17)	911 531 708 00	rod for push-button	/R	-84	1		
(13)	911 531 431 40	70K moulding	/L	-85	1	TARGA CABRIO	17	911 531 708 01	/R	85-	1		
		black				18	993 531 563 00	linkage clip			10		
(13)	911 531 041 50	70K moulding	/L	86-	1	TARGA CABRIO	19	900 186 147 02	pan-head screw M 6 X 10		4		
		black				20	N 012 226 5	spring washer B 6			4		
(13)	911 531 432 40	70K moulding	/R	-85	1	TARGA CABRIO	21	911 531 562 00	connecting rod		-84	2	
		black				21	911 531 562 01	connecting rod		85-	2		
13	911 531 042 50	70K moulding	/R	86-	1	TARGA CABRIO	22	911 531 599 00	rubber mounting		4		
		black				(23) A	911 531 053 06	door lock with antishutout mechanism	/L	-84	1		
(13) A	911 531 431 60	70K moulding	/L	-85	1	CABRIO M070	(23) A	911 531 053 06	door lock with antishutout mechanism	/LL/L	1		
		black				(23)	964 531 053 01	door lock with antishutout mechanism	/LL/L	1	CARRERA		
(13)	911 531 041 60	70K moulding	/L	1	CABRIO M070	(23)	911 531 053 05	door lock without antishutout mechanism	/RL/L	1			
		black											



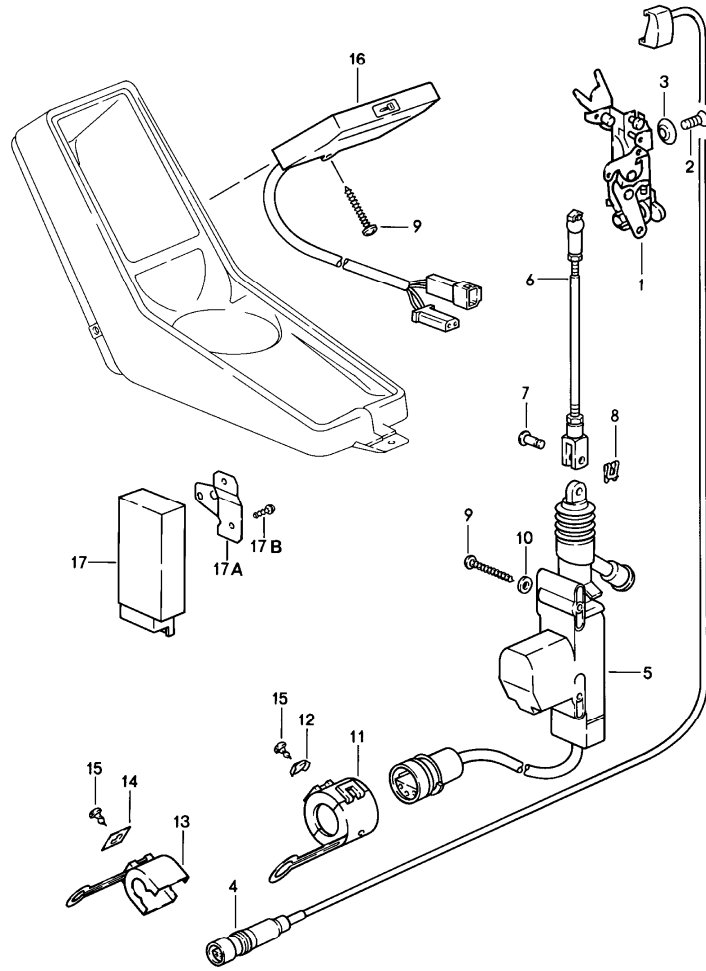
Model	Year	MG	SG	Illustration	Restrictions	UPD	8:04	23.01.2010	PORSCHE	PET	PORSCHE
911	1986	8	04	804-05		248					

Pos	Part Number	Description	Remark	Qty	Model	Pos	Part Number	Description	Remark	Qty	Model
23	A 911 531 054 05	door lock without antishutout mechanism	/LL/R	1		29	911 531 083 00	relay lever F >>91FS1 02173 F >>91FS1 09636 F >>91FS1 40830 F >>91FS1 49563 F >>91FS1 50821 F >>91FS1 59568 F >>93FS0 00693		2	CARRERA CARRERA TARGA TARGA CABRIO CABRIO TURBO
(23)	964 531 054 00	door lock without antishutout mechanism	/LL/R	1	CARRERA						
23	A 911 531 054 06	door lock with antishutout mechanism	/RL/R	1							
(23)	964 531 054 01	door lock with antishutout mechanism	/RL/R	1	CARRERA	29	993 531 083 00	relay lever F 91FS1 02174>> F 91FS1 09637>> F 91FS1 40831>> F 91FS1 49564>> F 91FS1 50822>> F 91FS1 59569>> F 93FS0 00694>>	/L	1	CARRERA CARRERA TARGA TARGA CABRIO CABRIO TURBO
24	993 531 165 00	tension spring		2							
25	999 219 009 00	countersunk-head screw micro-self-locking AM 6 X 16		6							
25A	999 591 118 02	cone washer 6,5 X 90 DEG		6		29	993 531 084 00	relay lever F 91FS1 02174>> F 91FS1 09637>> F 91FS1 40831>> F 91FS1 49564>> F 91FS1 50822>> F 91FS1 59569>> F 93FS0 00694>>	/R	1	CARRERA CARRERA TARGA TARGA CABRIO CABRIO TURBO
(26)	911 531 509 00	bowden cable F >>91FS1 02173 F >>91FS1 09636 F >>91FS1 40830 F >>91FS1 49563 F >>91FS1 50821 F >>91FS1 59568 F >>93FS0 00693	/L	1	CARRERA CARRERA TARGA TARGA CABRIO CABRIO TURBO						
26	911 531 510 00	bowden cable F >>91FS1 02173 F >>91FS1 09636 F >>91FS1 40830 F >>91FS1 49563 F >>91FS1 50821 F >>91FS1 59568 F >>93FS0 00693	/R	1	CARRERA CARRERA TARGA TARGA CABRIO CABRIO TURBO	30	911 531 091 00	pull rod F >>91FS1 02173 F >>91FS1 09636 F >>91FS1 40830 F >>91FS1 49563 F >>91FS1 50821 F >>91FS1 59568 F >>93FS0 00693		2	CARRERA CARRERA TARGA TARGA CABRIO CABRIO TURBO
26	911 531 509 01	bowden cable F 91FS1 02174>> F 91FS1 09637>> F 91FS1 40831>> F 91FS1 49564>> F 91FS1 50822>> F 91FS1 59569>> F 93FS0 00694>>		2	CARRERA CARRERA TARGA TARGA CABRIO CABRIO TURBO	30	911 531 091 01	pull rod F 91FS1 02174>> F 91FS1 09637>> F 91FS1 40831>> F 91FS1 49564>> F 91FS1 50822>> F 91FS1 59569>> F 93FS0 00694>>		2	CARRERA CARRERA TARGA TARGA CABRIO CABRIO TURBO
27	911 531 097 00	support	/V	2		31	N 014 086 4	tapping screw B 3,5 X 13		4	
28	911 531 099 00	support	/H	2		32	999 507 009 02	speed nut 3,5 \$		4	
						33	911 531 692 00	covering	-84	2	
						33	928 537 585 02	bearing shell	85-	2	
						34	911 531 705 00	spacer ring		2	TURBO

Model	Year	MG	SG	Illustration	Restrictions	UPD	8:04	23.01.2010	PORSCHE	PET	PORSCHE
911	1986	8	04	804-05		248					

Pos	Part Number	Description	Remark	Qty	Model	Pos	Part Number	Description	Remark	Qty	Model
35	911 531 696 00	rotary knob	84	2							
35	928 537 581 03	rotary knob	85-	2							
36	N 014 133 8	oval-head screw AM 5 X 12	84	2							
36	999 218 010 02	oval-head screw micro-self-locking M 5 X 12	85-	2							
37	A 900 115 002 01	serrated lock washer	84	2							
37	N 012 130 2	shake-proof washer A 5,3	84	2							
37	900 116 005 02	lock washer 7	85-	2							
38	911 531 703 00	cap		2							

Model	Year	MG	SG	Illustration	Restrictions	UPD	8:04	23.01.2010	PORSCHE	PET	PORSCHE
911	1986	8	04	804-06		248					

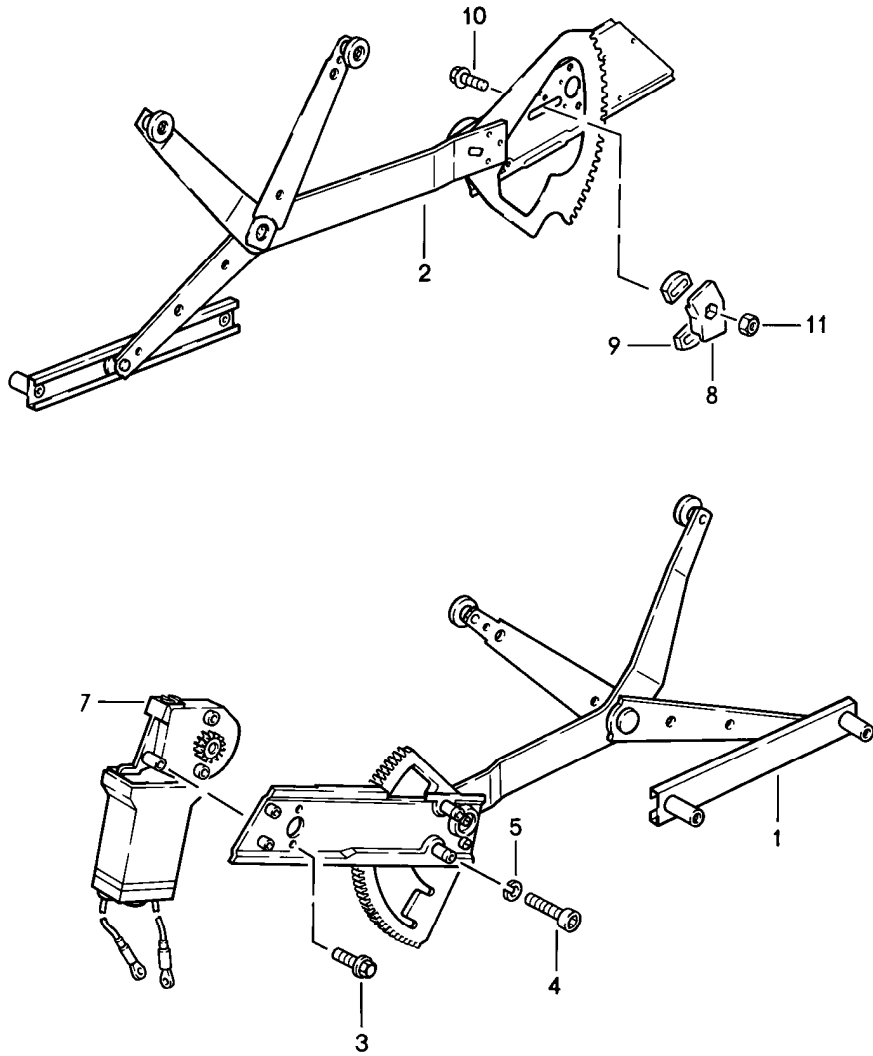


Pos	Part Number	Description	Remark	Qty	Model
		central locking system			
1	A 930 531 053 00	door lock with antishutout mechanism	/LL/L	1	
(1)	964 531 053 03	door lock with antishutout mechanism	/LL/L	1	
1	930 531 053 10	door lock without antishutout mechanism	/RL/L	1	
1	A 930 531 054 10	door lock without antishutout mechanism	/LL/R	1	
(1)	964 531 054 02	door lock without antishutout mechanism	/LL/R	1	
1	930 531 054 00	door lock with antishutout mechanism	/RL/R	1	
2	999 219 009 00	countersunk-head screw micro-self-locking AM 6 X 16		6	
3	999 591 118 02	cone washer 6,5 90 DEG		6	
4	964 613 134 00	microswitch		2	
-	911 531 621 00	cable holder		2	
-	900 278 001 00	countersunk-head screw M 2,5 X 6		2	
(5)	911 624 211 01	transmission element		2	
6	964 537 571 00	operating rod		2	
7	N 100 438 01	bolt		2	
8	N 012 644 1	lock		2	
9	999 141 018 02	half-round screw		5	
10	900 151 001 02	washer		4	
11	944 612 450 01	support		2	
12	999 591 711 02	speed nut		2	
13	944 612 420 00	locking device		2	
14	999 591 351 02	speed nut		2	
15	N 013 956 7	tapping screw BZ 3,5 X 6,5		4	

Model	Year	MG	SG	Illustration	Restrictions	UPD	8:04	23.01.2010	PORSCHE	PET	PORSCHE
911	1986	8	04	804-06		248					

Pos	Part Number	Description	Remark	Qty	Model	Pos	Part Number	Description	Remark	Qty	Model
16	A 911 613 609 00	keypad		1							
16	911 613 609 01	keypad		1							
	01C	793									
17	A 911 618 029 00	control unit		1							
17	911 618 113 00	control unit		1							

Model	Year	MG	SG	Illustration	Restrictions	UPD	8:04	23.01.2010	PORSCHE	PET	PORSCHE
911	1986	8	04	804-10		248					



Pos	Part Number	Description	Remark	Qty	Model
		power windows			
(1)	A 911 542 935 28	cross-arm	/L	1	COUPE
1	A 911 542 936 28	cross-arm valid up to: F >>91FS1 02003 F >>91FS1 09634 F >>93FS0 00636	/R (J)	1	COUPE COUPE COUPE TURBO
(1)	911 542 935 28	cross-arm	/L	1	COUPE
(1)	911 542 936 28	cross-arm valid up to: F >>91GS1 00650 F >>91GS1 09580 F >>93GS0 00194	/R (J)	1	COUPE COUPE TURBO
2	911 542 935 44	cross-arm	/L	1	TARGA CABRIO
(2)	911 542 936 44	cross-arm valid up to: F >>91GS1 50303 F >>91GS1 59562 F >>91GS1 40257 F >>91GS1 49560	/R (J) (J)	1	TARGA CABRIO CABRIO TARGA TARGA
(2)	911 542 935 44	cross-arm	/L	1	
(2)	911 542 936 44	cross-arm valid from: F 91GS1 00651>> F 91GS1 09581>> F 91GS1 40258>> F 91GS1 49561>> F 91GS1 50304>> F 91GS1 59563>> F 93GS0 00195>>	/R (J) (J) (J)	1	COUPE COUPE TARGA TARGA CABRIO CABRIO TURBO
3	999 217 028 02	hexagon-head bolt M 6 X 16		6	
4	999 218 016 02	combination screw micro-self-locking M 6 X 16		12	
(4)	N 010 210 13	hexagon-head bolt M 6 X 10 F >>91GS1 00800 F >>91GS1 09599 F >>91GS1 40332 F >>91GS1 49560 F >>91GS1 50383 F >>91GS1 59563 F >>93GS0 00236		4	COUPE COUPE TARGA TARGA CABRIO CABRIO TURBO

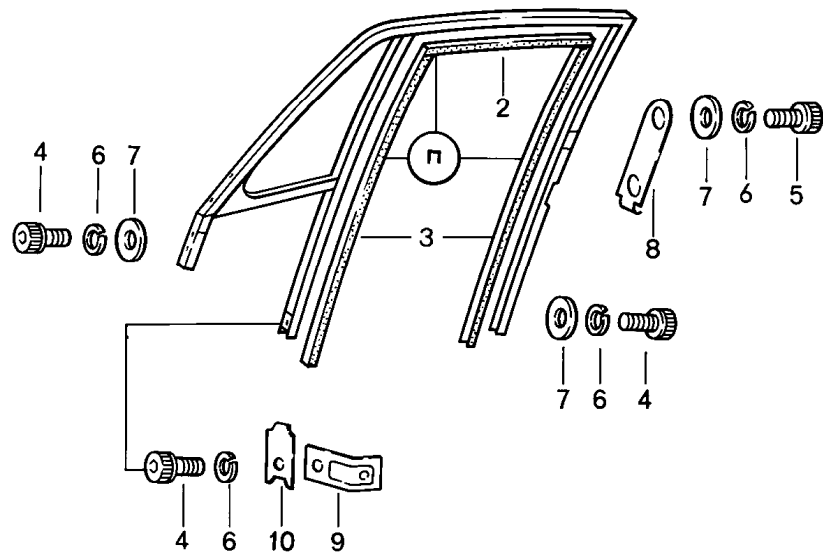
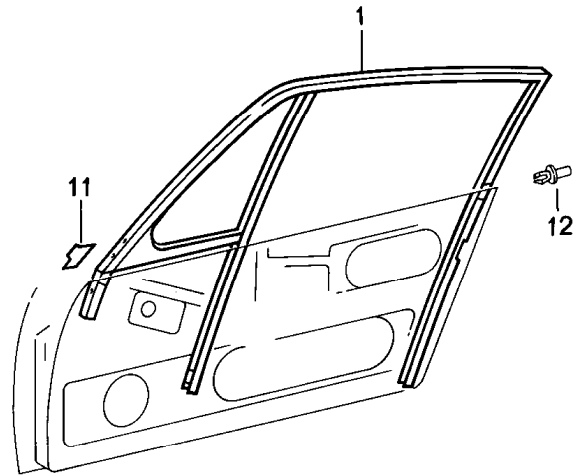
Model	Year	MG	SG	Illustration	Restrictions	UPD	8:04	23.01.2010	PORSCHE	PET	PORSCHE
911	1986	8	04	804-10		248					

Pos	Part Number	Description	Remark	Qty	Model	Pos	Part Number	Description	Remark	Qty	Model
5	N 012 006 4	lock ring B 6 F >>91GS1 00800 F >>91GS1 09599 F >>91GS1 40332 F >>91GS1 49560 F >>91GS1 50383 F >>91GS1 59563 F >>93GS0 00236		4	TARGA CABRIO COUPE COUPE TARGA TARGA CABRIO CABRIO TURBO	(8)	911 542 231 40	stop F >>91GS1 00800 F >>91GS1 09599 F >>91GS1 40332 F >>91GS1 49560 F >>91GS1 50383 F >>91GS1 59563 F >>93GS0 00236	/L	1	TARGA CABRIO COUPE COUPE TARGA TARGA CABRIO CABRIO TURBO
(7)	911 624 015 01	motor F >>91GS1 00800 F >>91GS1 09599 F >>91GS1 40332 F >>91GS1 49560 F >>91GS1 50383 F >>91GS1 59563 F >>93GS0 00236	/L	1	COUPE COUPE COUPE TARGA TARGA CABRIO CABRIO TURBO	8	911 542 232 40	stop F >>91GS1 00800 F >>91GS1 09599 F >>91GS1 40332 F >>91GS1 49560 F >>91GS1 50383 F >>91GS1 59563 F >>93GS0 00236	/R	1	TARGA CABRIO COUPE COUPE TARGA TARGA CABRIO CABRIO TURBO
(7)	911 624 015 41	motor	/L	1	TARGA CABRIO	8	911 542 232 40	stop	/R	1	COUPE
(7)	911 624 015 41	motor F 91GS1 00801>> F 91GS1 09600>> F 91GS1 40333>> F 91GS1 49561>> F 91GS1 50384>> F 91GS1 59564>> F 93GS0 00237>>	/L	1	COUPE COUPE COUPE TARGA TARGA CABRIO CABRIO TURBO	(8)	911 542 231 40	stop valid from: F 91GS1 00651>> F 91GS1 09581>> F 93GS0 00195>> valid up to: F >>91GS1 00800 F >>91GS1 09599 F >>93GS0 00236	(J) (J)	1	COUPE COUPE TURBO COUPE COUPE TURBO
7	911 624 014 01	motor F >>91GS1 00800 F >>91GS1 09599 F >>91GS1 40332 F >>91GS1 49560 F >>91GS1 50383 F >>91GS1 59563 F >>93GS0 00236	/R	1	COUPE COUPE COUPE TARGA TARGA CABRIO CABRIO TURBO	(8)	911 542 231 41	stop bracket M 8 F 91GS1 00801>> F 91GS1 09600>> F 91GS1 40333>> F 91GS1 49561>> F 91GS1 50384>> F 91GS1 59564>> F 93GS0 00237>>	/L	1	COUPE COUPE TARGA TARGA CABRIO CABRIO TURBO
(7)	911 624 014 41	motor	/R	1	TARGA CABRIO	(8)	911 542 232 41	stop bracket M 8 F 91GS1 00801>> F 91GS1 09600>> F 91GS1 40333>> F 91GS1 49561>> F 91GS1 50384>> F 91GS1 59564>> F 93GS0 00237>>	/R	1	COUPE COUPE TARGA TARGA CABRIO CABRIO TURBO
(7)	911 624 014 41	motor F 91GS1 00801>> F 91GS1 09600>> F 91GS1 40333>> F 91GS1 49561>> F 91GS1 50384>> F 91GS1 59564>> F 93GS0 00237>>	/R	1	COUPE COUPE COUPE TARGA TARGA CABRIO CABRIO TURBO	(8)	911 542 232 41	stop bracket M 8 F 91GS1 00801>> F 91GS1 09600>> F 91GS1 40333>> F 91GS1 49561>> F 91GS1 50384>> F 91GS1 59564>> F 93GS0 00237>>	/R	1	COUPE COUPE TARGA TARGA CABRIO CABRIO TURBO

Model	Year	MG	SG	Illustration	Restrictions	UPD	8:04	23.01.2010	PORSCHE	PET	PORSCHE
911	1986	8	04	804-10		248					

Pos	Part Number	Description	Remark	Qty	Model	Pos	Part Number	Description	Remark	Qty	Model
9	911 542 235 40	stop F >>91GS1 00800 F >>91GS1 09599 F >>91GS1 40332 F >>91GS1 49560 F >>91GS1 50383 F >>91GS1 59563 F >>93GS0 00236		2	COUPE COUPE TARGA TARGA CABRIO CABRIO TURBO						
10	999 217 004 02	screw M 6 X 12 F >>91GS1 00800 F >>91GS1 09599 F >>91GS1 40332 F >>91GS1 49560 F >>91GS1 50383 F >>91GS1 59563 F >>93GS0 00236		2	COUPE COUPE TARGA TARGA CABRIO CABRIO TURBO						
(10)	999 217 043 08	hexagon-head bolt M 8 X 16 F 91GS1 00801>> F 91GS1 09600>> F 91GS1 40333>> F 91GS1 49561>> F 91GS1 50384>> F 91GS1 59564>> F 93GS0 00237>>		2	COUPE COUPE TARGA TARGA CABRIO CABRIO TURBO						
11	900 076 010 02	hexagon nut M 6 F >>91GS1 00800 F >>91GS1 09599 F >>91GS1 40332 F >>91GS1 49560 F >>91GS1 50383 F >>91GS1 59563 F >>93GS0 00236		2	COUPE COUPE TARGA TARGA CABRIO CABRIO TURBO						
(11)	N 011 008 20	hexagon nut M 8 F 91GS1 00801>> F 91GS1 09600>> F 91GS1 40333>> F 91GS1 49561>> F 91GS1 50384>> F 91GS1 59564>> F 93GS0 00237>>		2	COUPE COUPE TARGA TARGA CABRIO CABRIO TURBO						

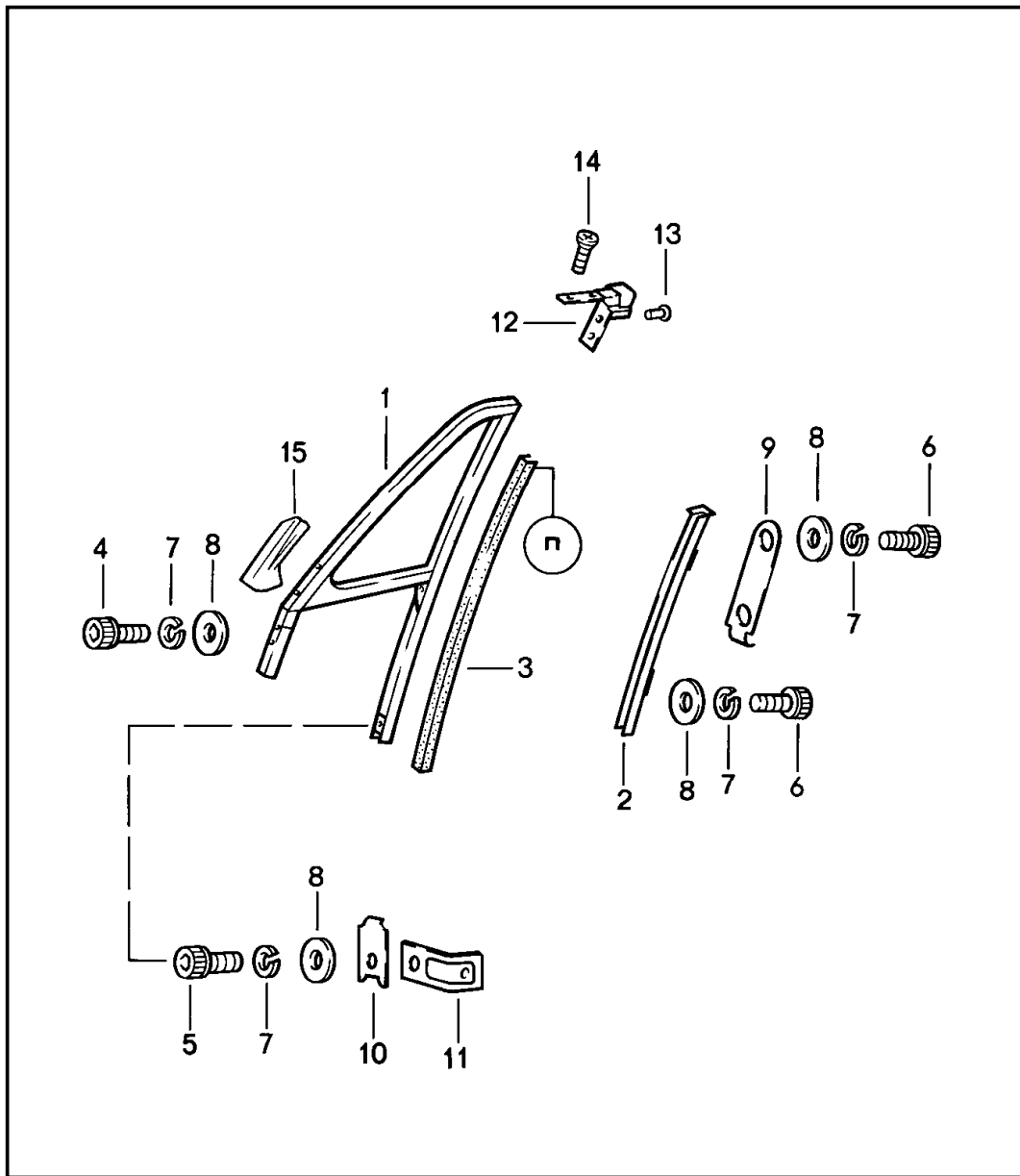
Model	Year	MG	SG	Illustration	Restrictions	UPD	8:04	23.01.2010	PORSCHE	PET	PORSCHE
911	1986	8	04	804-15		248					



Pos	Part Number	Description	Remark	Qty	Model
		door glass frame			COUPE
1	911 542 029 01	door glass frame	/L	1	
	70K	black			
1	911 542 030 01	door glass frame	/R	1	
	70K	black			
2	911 542 905 00	window guide		2	
4	900 119 052 02	pan-head screw M 8 X 16		8	
5	999 218 008 02	pan-head screw M 8 X 12		2	
6	900 027 015 02	lock ring B 8		10	
7	900 025 007 02	washer 8,4		8	
8	901 542 299 25	cover plate		2	
9	911 542 061 00	retaining bracket		2	
10	901 542 252 25	desk pad		2	
(11)	911 531 711 01	joint rubber	/V/L	1	
11	911 531 712 01	joint rubber	/V/R	1	
(11)	911 531 713 01	joint rubber	/H/L	1	
(11)	911 531 714 01	joint rubber	/H/R	1	
12	999 591 429 40	expansion rivet		2	



Model	Year	MG	SG	Illustration	Restrictions	UPD	8:05	23.01.2010	PORSCHE	PET	PORSCHE
911	1986	8	04	804-20		248					

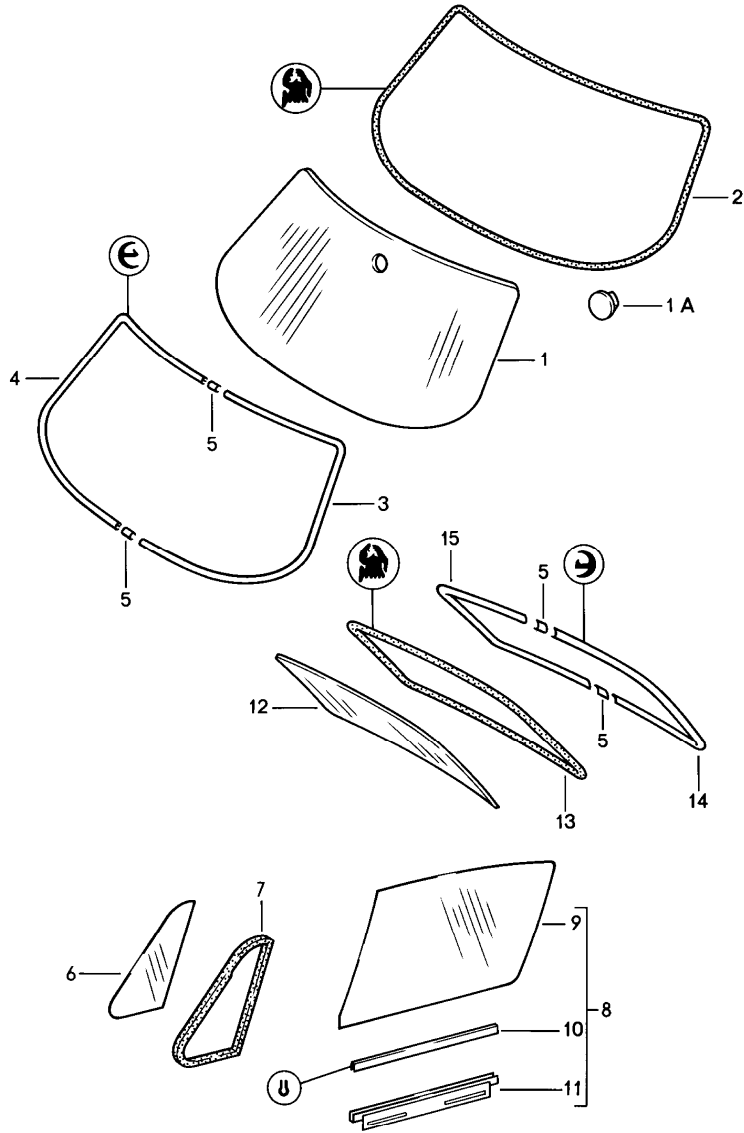


Pos	Part Number	Description	Remark	Qty	Model
		door glass frame			TARGA/CABRIO
(1)	911 542 019 43	door glass frame	/L	1	
	70K	black			
1	911 542 020 43	door glass frame	/R	1	
	70K	black			
(2)	901 542 023 40	window guide rail	/L	1	
	70K	black			
(2)	911 542 036 40	window guide rail	/R	1	
	70K	black			
3	911 542 505 40	window guide		2	
4	900 119 091 02	pan-head screw M 6 X 15		4	
5	900 119 091 02	pan-head screw M 6 X 15		6	
6	900 119 035 02	pan-head screw M 6 X 8		6	
7	N 012 006 4	lock ring B 6		14	
8	N 011 524 7	washer 6,4		14	
9	901 542 299 20	cover plate		2	
10	901 542 252 20	desk pad		2	
11	911 542 061 00	retaining bracket		2	
(12) A	911 542 065 41	frame connection	/L	-85	1
(12)	911 542 065 41	frame connection	/L		1
12 A	911 542 066 41	frame connection	/R	-85	1
12	911 542 066 41	frame connection	/R		1
13	900 056 003 20	rivet		4	
14	900 270 050 07	countersunk-head screw M 5 X 8		4	
(15)	911 531 711 40	joint rubber	/L	1	TARGA CABRIO

Model	Year	MG	SG	Illustration	Restrictions	UPD	8:05	23.01.2010	PORSCHE	PET	PORSCHE
911	1986	8	04	804-20		248					

Pos	Part Number	Description	Remark	Qty	Model	Pos	Part Number	Description	Remark	Qty	Model
15	911 531 712 40	joint rubber	/R	1	TARGA CABRIO						

Model	Year	MG	SG	Illustration	Restrictions	UPD	8:05	23.01.2010	PORSCHE	PET	PORSCHE
911	1986	8	05	805-00		248					

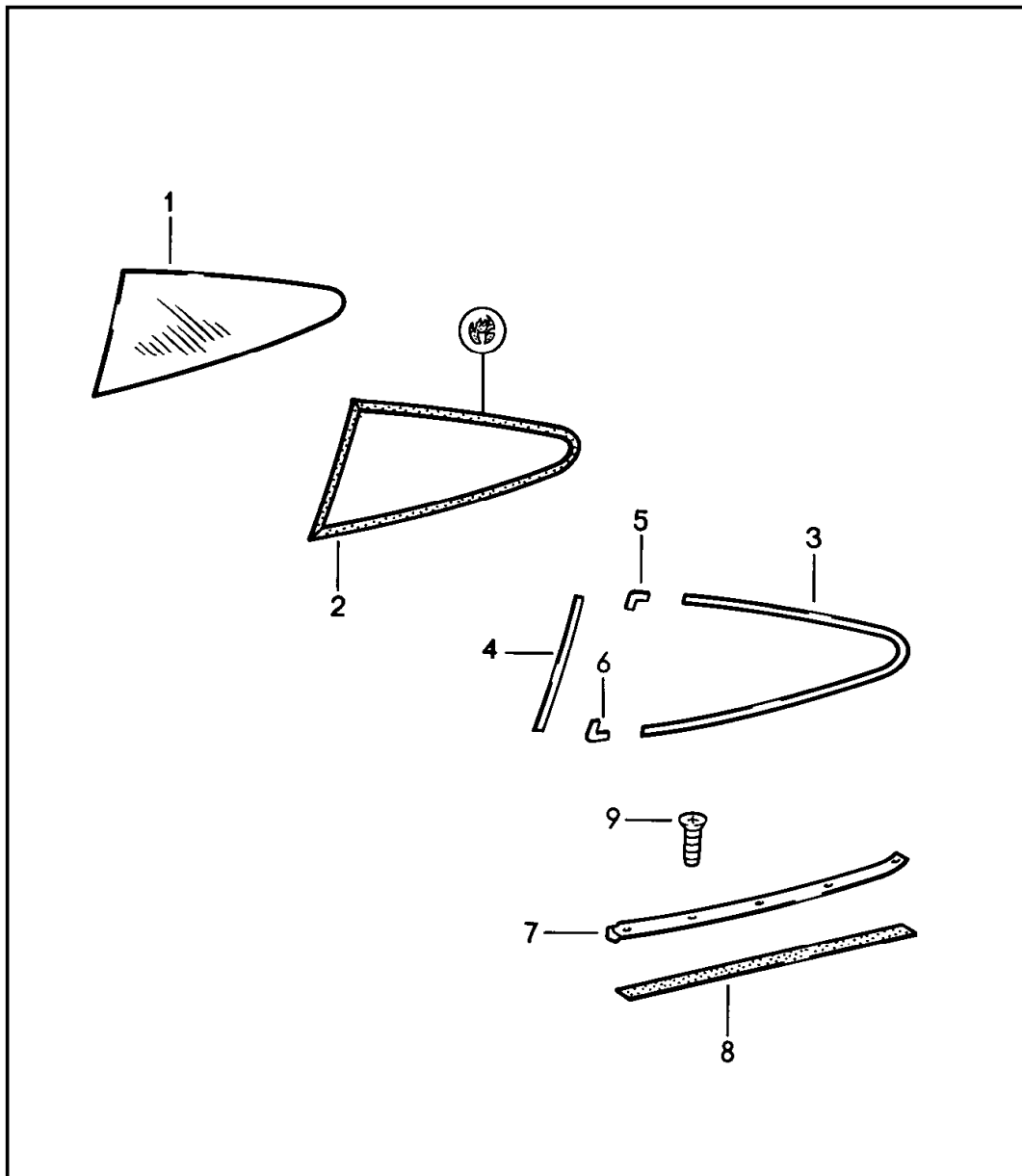


Pos	Part Number	Description	Remark	Qty	Model
		window glazing			
1	911 541 011 00	windscreen clear	-84	1	
1	911 541 011 04	windscreen tinted	-84	1	
1	911 541 011 26	windscreen tinted	-84	1	
1	911 541 011 21	windscreen tinted heated	-84	1	
1	911 541 011 05	windscreen tinted green top tint	-84	1	
		tinted green top tint			
1	930 541 011 02	windscreen tinted green top tint heated	-84	1	
1	911 541 011 04	windscreen tinted with antenna	85-	1	
1	911 541 011 05	windscreen tinted green top tint with antenna	85-	1	
		tinted green top tint with antenna			
1	911 541 011 06	windscreen clear with antenna	85-	1	
		clear with antenna			
1	911 541 011 04	windscreen tinted sekuriflex with antenna	85-	1	

Model	Year	MG	SG	Illustration	Restrictions	UPD	8:05	23.01.2010	PORSCHE	PET	PORSCHE
911	1986	8	05	805-00		248					

Pos	Part Number	Description	Remark	Qty	Model	Pos	Part Number	Description	Remark	Qty	Model
1	911 541 011 05	windscreen tinted green top tint sekuriflex with antenna	85-	1		(6)	901 542 502 27	side window clear	/R	-84	1 COUPE
		tinted green top tint sekuriflex with antenna				(6)	911 542 512 00	side window tinted	/R		1 COUPE
						7	901 542 921 21	sealing frame	/L		1 COUPE
						(7)	901 542 922 21	sealing frame	/R		1 COUPE
						8	911 542 011 01	door window glass clear	/L	-84	1 COUPE
1	911 541 011 06	windscreen clear sekuriflex with antenna	85-	1		(8)	911 542 012 01	door window glass clear	/R	-84	1 COUPE
		clear sekuriflex with antenna				9	901 542 101 25	door window glass clear	/L	-84	1 COUPE
						(9)	901 542 101 35	door window glass tinted	/L		1 COUPE
						(9)	901 542 102 25	door window glass clear	/R	-84	1 COUPE
-	911 541 112 02	film for stickers self-destroying	-84	X		(9)	901 542 102 35	door window glass tinted	/R		1 COUPE
-	911 541 112 02	film for stickers self-destroying	85	X		10	911 542 491 40	rubber ply			2
-	911 541 112 02	film for stickers self-destroying	86-	1		(11)	911 542 057 00	window lifter rail	/L		1 COUPE
1A	477 845 043	adhesive plate		1		(11)	911 542 058 00	window lifter rail	/R		1 COUPE
2	A 911 799 541 18	windscreen sealing	-84	1		12	911 545 105 00	rear window clear single-stage heating		-84	1 COUPE
2	911 541 225 00	windscreen sealing		1		(12)	911 545 107 00	rear window tinted two-stage heatable			1 COUPE
(3)	911 541 911 01	trim frame	/L	1		(13) A	911 545 225 00	sealing frame			1 COUPE
	70K	black				(13)	911 545 225 00	sealing frame			1 COUPE
(4)	911 541 912 01	trim frame-half	/R	1		(14)	911 545 911 00	trim frame	/L		1 COUPE
	70K	black					70K	black			
(5)	911 541 921 01	covering plate		4		(15)	911 545 912 00	trim frame-half	/R		1 COUPE
	70K	black					70K	black			
6	901 542 501 27	side window clear	/L	-84	1 COUPE						
(6)	911 542 511 00	side window tinted	/L	1	COUPE						

Model	Year	MG	SG	Illustration	Restrictions	UPD	8:05	23.01.2010	PORSCHE	PET	PORSCHE
911	1986	8	05	805-05		248					

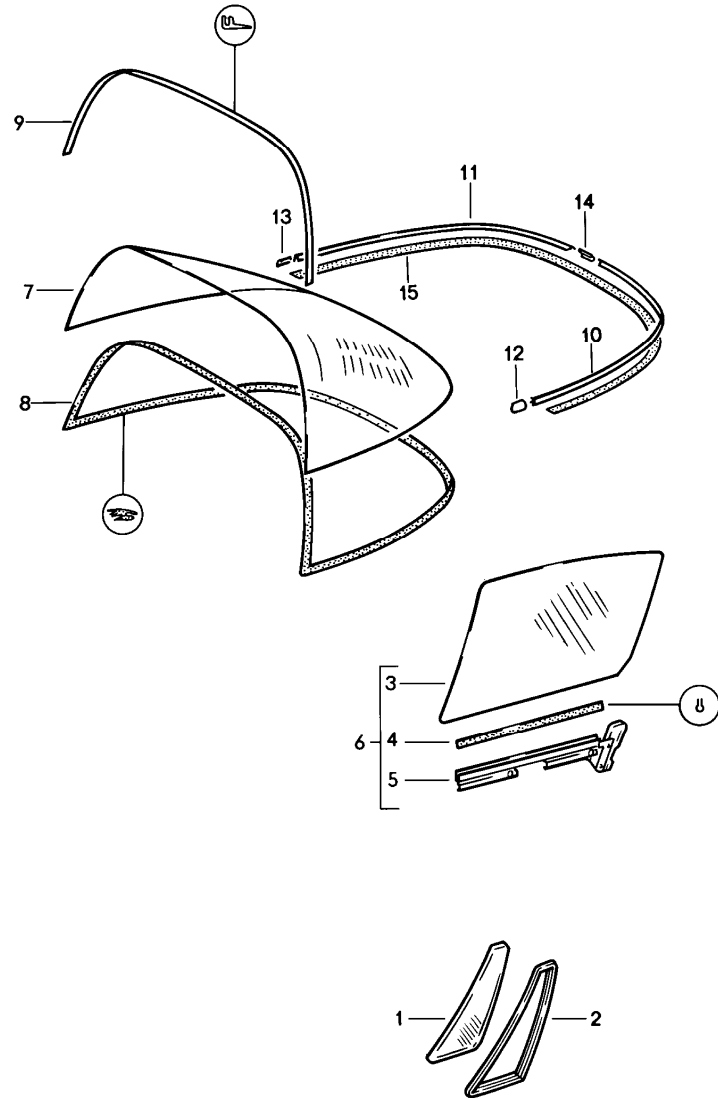


Pos	Part Number	Description	Remark	Qty	Model
		window glazing rear window			COUPE
1	911 543 101 01	rear window clear	/L -84	1	
(1)	911 543 101 02	rear window tinted	/L	1	
(1)	911 543 102 01	rear window clear	/R -84	1	
(1)	911 543 102 02	rear window tinted	/R	1	
2	911 543 035 01	sealing frame	/L	1	
2	911 543 036 01	sealing frame	/R	1	
3	911 543 419 01	moulding black rear	/L	1	
		70K black front			
(3)	911 543 420 01	moulding black rear	/R	1	
		70K black front			
4	911 543 197 02	moulding	/L	1	
		70K black front			
(4)	911 543 198 02	moulding	/R	1	
		70K black front			
5	911 543 187 02	covering plate		2	
		70K black upper			
6	911 543 185 02	covering plate		2	
		70K black lower			
(7)	911 543 195 02	moulding	/L	1	
		70K black			

Model	Year	MG	SG	Illustration	Restrictions	UPD	8:05	23.01.2010	PORSCHE	PET	PORSCHE
911	1986	8	05	805-05		248					

Pos	Part Number	Description	Remark	Qty	Model	Pos	Part Number	Description	Remark	Qty	Model
(7)	911 543 196 02	moulding	/R	1							
	70K	black									
8	000 043 129 00	sealing strap		X							
(9)	900 144 017 07	tapping screw		12							
		B 2,9 X 13									
		black									

Model	Year	MG	SG	Illustration	Restrictions	UPD	8:05	23.01.2010	PORSCHE	PET	PORSCHE
911	1986	8	05	805-10		248					



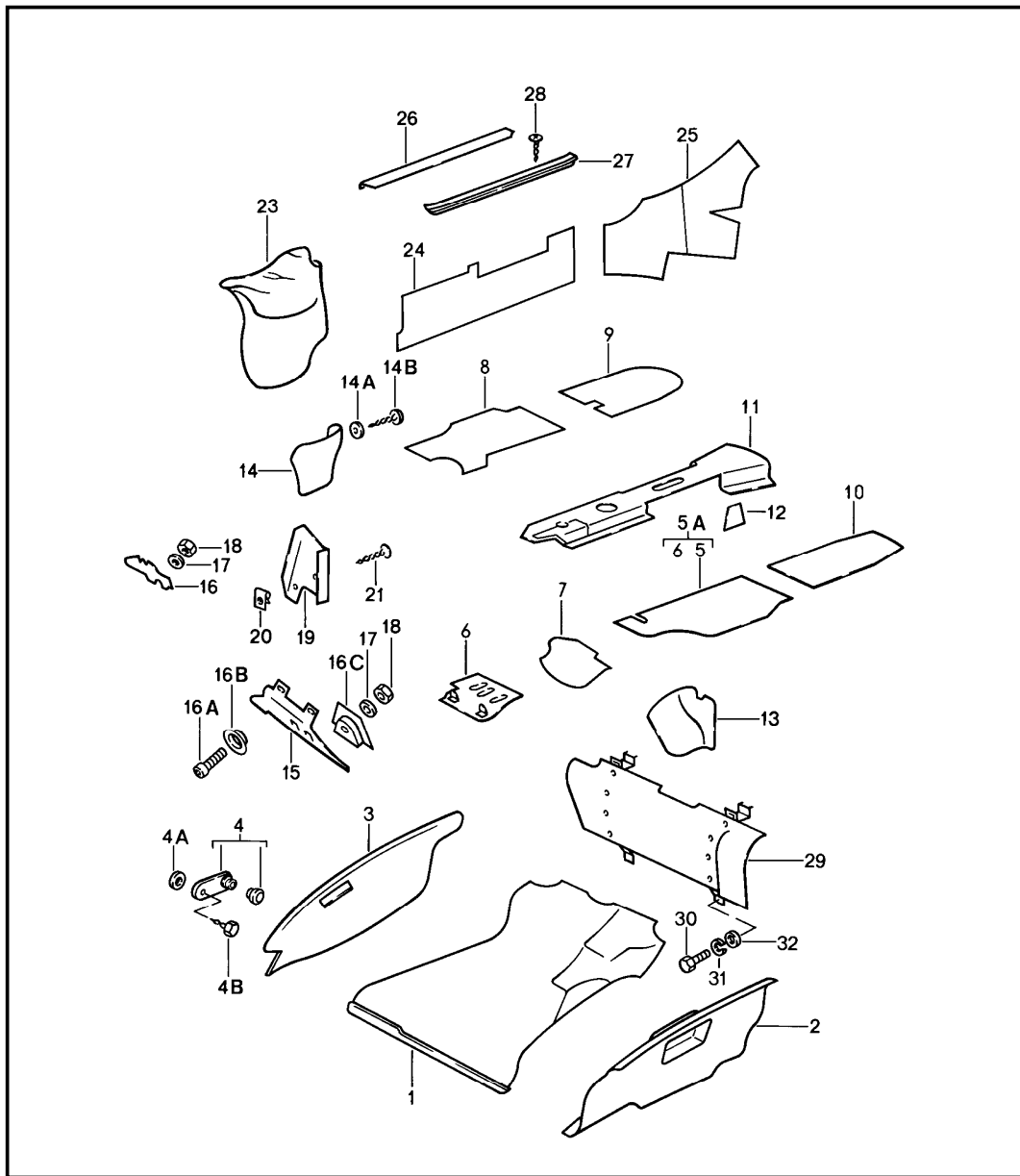
Pos	Part Number	Description	Remark	Qty	Model
		window glazing			TARGA/CABRIO
		windscreen see group 8/05/00			
1	911 542 503 40	door window glass clear	/L	-84	1
(1)	911 542 503 41	side window tinted	/L		1
(1)	911 542 504 40	door window glass clear	/R	-84	1
(1)	911 542 504 41	side window tinted	/R		1
2	911 799 542 85	sealing frame			2
3	911 542 101 40	door window glass clear	/L	-84	1
(3)	911 542 101 45	door window glass tinted	/L		1
(3)	911 542 102 40	door window glass clear	/R	-84	1
(3)	911 542 102 45	door window glass tinted	/R		1
4	911 542 491 40	rubber ply			2
(5)	911 542 057 42	window lifter rail	/L		1
(5)	911 542 058 42	window lifter rail	/R		1
(6)	911 542 011 42	door window glass clear	/L	-84	1
(6) A	911 542 011 43	door window glass	/L		1
(6)	911 542 011 44	door window glass tinted	/L		1
(6)	911 542 012 42	door window glass clear	/R	-84	1
(6) A	911 542 012 43	door window glass	/R		1
(6)	911 542 012 44	door window glass tinted	/R		1

Model	Year	MG	SG	Illustration	Restrictions	UPD	8:05	23.01.2010	PORSCHE	PET	PORSCHE
911	1986	8	05	805-10		248					

Pos	Part Number	Description	Remark	Qty	Model	Pos	Part Number	Description	Remark	Qty	Model
7	911 565 551 03	rear window tinted two-stage heatable		1	TARGA						
8	911 545 051 41	sealing frame		1	TARGA						
9	901 565 930 41	gasket		1	TARGA						
(10)	911 565 555 41	moulding	/L	1	TARGA						
	70K	black									
(11)	911 565 556 41	moulding	/R	1	TARGA						
	70K	black									
(12)	911 565 569 40	moulding	/L	1	TARGA						
	70K	black									
(13)	911 565 570 40	moulding	/R	1	TARGA						
	70K	black									
14	911 541 921 01	covering plate		1							
	70K	black									
15	000 043 129 00	sealing strap		X							



Model	Year	MG	SG	Illustration	Restrictions	UPD	8:05	23.01.2010	PORSCHE	PET	PORSCHE
911	1986	8	07	807-00		248					



Pos	Part Number	Description	Remark	Qty	Model
		interior equipment front			
1	911 551 045 03	front-compartment carpet	/LL	-85	1
(1)	911 551 045 05	front-compartment carpet	/RL	-85	1
(1)	911 551 045 06	front-compartment carpet	/LL	86	1
		70E black			
		30B blue			
		40E brown			
		80E burgundy			
		60A grey			
		8JK greyish green			
		2FL grey-beige			
(1)	911 551 045 07	front-compartment carpet	/RL	86	1
		70E black			
		30B blue			
		40E brown			
		80E burgundy			
		60A grey			
		8JK greyish green			
		2FL grey-beige			
2	911 551 049 02	front boot side wall	/L	-85	1
(2)	911 551 049 03	front boot side wall carpet	/L	86	1
		70E black			
		30B blue			
		40E brown			
		80E burgundy			
		60A grey			
		8JK greyish green			

Model	Year	MG	SG	Illustration	Restrictions	UPD	8:05	23.01.2010	PORSCHE	PET	PORSCHE
911	1986	8	07	807-00		248					

Pos	Part Number	Description	Remark	Qty	Model	Pos	Part Number	Description	Remark	Qty	Model
	2FL	grey-beige				(5)	911 551 021 42	carpet cut pile	/LL/L	1	TARGA/CABRIO
3	911 551 050 01	front boot side wall	/R	-85	1 M479/553 M193		70E	black			
3	911 551 050 01	front boot side wall	/R	-85	1		40E	brown			
(3)	911 551 050 04	front boot side wall carpet	/R	86	1		30B	blue			
	70E	black					80E	burgundy			
	30B	blue					60A	grey			
	40E	brown					2FL	grey-beige	84,	86	
	80E	burgundy					6JD	dark green			
	60A	grey					80S	can-can-red			
	8JK	greyish green					1VD	champagne			
	2FL	grey-beige					8JK	greyish green		85-	
(4) A	911 503 075 00	desk pad		-85	6		2YN	white		85-	
4	911 503 075 00	desk pad			6	(5)	911 551 911 00	floor mat with logo 911	/LL/L	1	
4A	999 704 157 40	washer			6		4KD	brown			
4B	900 187 010 02	tapping screw BZ 6,3 X 19			6		7KD	black			
5	911 551 021 03	carpet cut pile	/LL/L		1 COUPE		3KD	blue			
	70E	black				(5A)	911 551 011 12	carpet cut pile	/RL/L	1	COUPE
	40E	brown					70E	black			
	30B	blue					40E	brown			
	80E	burgundy					30B	blue			
	60A	grey					80E	burgundy			
	2FL	grey-beige	84,	86			60A	grey			
	6JD	dark green					2FL	grey-beige	84,	86	
	80S	can-can-red					6JD	dark green			
	1VD	champagne					80S	can-can-red			
	8JK	greyish green			85-		1VD	champagne			
	2YN	white			85-						

Model	Year	MG	SG	Illustration	Restrictions	UPD	8:05	23.01.2010	PORSCHE	PET	PORSCHE
911	1986	8	07	807-00		248					

Pos	Part Number	Description	Remark	Qty	Model	Pos	Part Number	Description	Remark	Qty	Model
(5A)	911 551 011 13	8JK greyish green	85-	1	COUPE M559 M479/573	(5A)	911 551 011 50	carpet	/RL/L	1	TARGA/CABRIO M479/559
		2YN white	85-					cut pile			
		carpet						70E black			
		cut pile						40E brown			
		70E black						30B blue			
		40E brown						80E burgundy			
		30B blue						60A grey			
		80E burgundy						2FL grey-beige	84, 86		
		60A grey						6JD dark green			
		2FL grey-beige	84, 86					80S can-can-red			
		6JD dark green						1VD champagne			
		80S can-can-red						8JK greyish green	85-		
		1VD champagne						2YN white	85-		
		(5A)	911 551 011 49					8JK greyish green	85-		
2YN white	85-			cut pile							
carpet				70E black							
cut pile				40E brown							
70E black				30B dark blue							
40E brown				80E burgundy							
30B blue				60A grey							
80E burgundy				2FL grey-beige	84, 86						
60A grey				6JD dark green							
2FL grey-beige	84, 86			80S can-can-red							
6JD dark green				1VD champagne							
80S can-can-red				8JK greyish green	85-						
1VD champagne				2YN white	85-						
(5A)	911 551 015 42			8JK greyish green	85-	1	TARGA/CABRIO	(6)	911 551 015 42	carpet	/LL/L
		2YN white	85-	cut pile							
				70E black							
				40E brown							

Model	Year	MG	SG	Illustration	Restrictions	UPD	8:05	23.01.2010	PORSCHE	PET	PORSCHE
911	1986	8	07	807-00		248					

Pos	Part Number	Description	Remark	Qty	Model	Pos	Part Number	Description	Remark	Qty	Model
		30B dark blue					60A	grey			
		80E burgundy					80S	can-can-red			
		60A grey					1VD	champagne			
		2FL grey-beige	84,	86			2FL	grey-beige	84,	86	
		6JD dark green					2YN	white		85-	
		80S can-can-red					8JK	greyish green		85-	
		1VD champagne				8	911 551 012 17	carpet cut pile	/LL/R	-85	1 COUPE
		8JK greyish green		85-			70E	black			
		2YN white		85-			40E	brown			
(7)	911 551 016 08	carpet	/RL/R	1			30B	blue			
		70E black					80E	burgundy			
		6JD dark green					60A	grey			
		40E brown					6JD	dark green			
		30B dark blue					80S	can-can-red			
		80E burgundy					1VD	champagne			
		60A grey					8JK	greyish green		85-	
		80S can-can-red					2YN	white		85-	
		1VD champagne				(8)	911 551 012 18	carpet cut pile	/LL/R	86	1 COUPE
		2FL grey-beige	84,	86			70E	black			
		2YN white		85-			40E	brown			
		8JK greyish green		85-			30B	blue			
7	911 551 017 04	floorboard carpet	/RL/L	1	TURBO CARRERA M559/573		80E	burgundy			
		cut pile					60A	grey			
		70E black					2FL	grey-beige	84,	86	
		6JD dark green					6JD	dark green			
		40E brown					80S	can-can-red			
		30B dark blue					1VD	champagne			
		80E burgundy					8JK	greyish green		85-	

Model	Year	MG	SG	Illustration	Restrictions	UPD	8:05	23.01.2010	PORSCHE	PET	PORSCHE
911	1986	8	07	807-00		248					

Pos	Part Number	Description	Remark	Qty	Model	Pos	Part Number	Description	Remark	Qty	Model
(8)	911 551 022 02	white carpet cut pile	85- /RL/R	1	COUPE		40E	brown			
	70E	black					30B	blue			
	40E	brown					80E	burgundy			
	30B	blue					60A	grey			
	80E	burgundy					6JD	dark green			
	60A	grey					80S	can-can-red			
	2FL	grey-beige	84, 86				1VD	champagne			
	6JD	dark green					8JK	greyish green	85-		
	80S	can-can-red				(8)	911 551 012 56	white carpet cut pile	85- /LL/R	86	1 TARGA/CABRIO
	1VD	champagne					70E	black			
	8JK	greyish green					40E	brown			
(8)	911 551 022 42	white carpet cut pile	85- /RL/R	1	TARGA/CABRIO		30B	blue			
	70E	black					80E	burgundy			
	40E	brown					60A	grey			
	30B	blue					2FL	grey-beige	84, 86		
	80E	burgundy					6JD	dark green			
	60A	grey					80S	can-can-red			
	2FL	grey-beige	84, 86				1VD	champagne			
	6JD	dark green					8JK	greyish green	85-		
	80S	can-can-red				(8)	911 551 912 00	white floor mat with logo 911	85- /LL/R	1	
	1VD	champagne					4KD	brown			
	8JK	greyish green					7KD	black			
	2YN	white					3KD	blue			
(8)	911 551 012 55	white carpet cut pile	85- /LL/R	1	TARGA/CABRIO	9	911 551 014 06	black carpet cut pile	-85 /H/R	1	
	70E	black									

Model	Year	MG	SG	Illustration	Restrictions	UPD	8:05	23.01.2010	PORSCHE	PET	PORSCHE
911	1986	8	07	807-00		248					

Pos	Part Number	Description	Remark	Qty	Model	Pos	Part Number	Description	Remark	Qty	Model
	70E	black					6JD	dark green			
	40E	brown					80S	can-can-red			
	30B	blue					1VD	champagne			
	80E	burgundy					8JK	greyish green	85-		
	60A	grey					2YN	white	85-		
	6JD	dark green				(10)	911 551 013 05	carpet cut pile	/H/L	86-	1
	80S	can-can-red					70E	black			
	1VD	champagne					40E	brown			
	8JK	greyish green	85-				30B	blue			
	2YN	white	85-				80E	burgundy			
(9)	911 551 014 07	carpet cut pile	/H/R	86-	1		60A	grey			
	70E	black					2FL	grey-beige	84,	86	
	40E	brown					6JD	dark green			
	30B	blue					80S	can-can-red			
	80E	burgundy					1VD	champagne			
	60A	grey					8JK	greyish green	85-		
	2FL	grey-beige	84,	86			2YN	white	85-		
	6JD	dark green				(11)	911 551 411 41	carpet for tunnel cut pile		84	1
	80S	can-can-red					70E	black			
	1VD	champagne					40E	brown			
	8JK	greyish green		85-			30B	blue			
	2YN	white		85-			80E	burgundy			
10	911 551 013 04	carpet cut pile	/H/L	-85	1		60A	grey			
	70E	black					6JD	dark green			
	40E	brown					80S	can-can-red			
	30B	blue					1VD	champagne			
	80E	burgundy				11	911 551 411 42	carpet for tunnel cut pile	/LL	85	1
	60A	grey									

Model	Year	MG	SG	Illustration	Restrictions	UPD	8:05	23.01.2010	PORSCHE	PET	PORSCHE
911	1986	8	07	807-00		248					

Pos	Part Number	Description	Remark	Qty	Model	Pos	Part Number	Description	Remark	Qty	Model
	70E	black					6JD	dark green			
	40E	brown					80S	can-can-red			
	30B	blue					1VD	champagne			
	80E	burgundy					2YN	white	85-		
	60A	grey					8JK	greyish green	85-		
(11)	911 551 411 43	carpet for tunnel cut pile	/RL	85	1	(11)	911 551 411 45	carpet for tunnel cut pile	/RL	86	1
	70E	black					70E	black			
	40E	brown					40E	brown			
	30B	blue					30B	blue			
	80E	burgundy					80E	burgundy			
	60A	grey					60A	grey			
	6JD	dark green					2FL	grey-beige	84,	86	
	80S	can-can-red					6JD	dark green			
	1VD	champagne					80S	can-can-red			
	2YN	white					1VD	champagne			
	8JK	greyish green					2YN	white	85-		
(11)	911 551 411 44	carpet for tunnel cut pile	/LL	86	1	12	911 551 451 00	adhesive carpet cut pile		85	2
	70E	black					8JK	greyish green	85-		
	40E	brown					70E	black			
	30B	blue					30B	blue			
	80E	burgundy					40E	brown			
	60A	grey					80E	burgundy			
	2FL	grey-beige	84,	86			60A	grey			
							8JK	greyish green			
							6JD	dark green			
							80S	can-can-red			
							1VD	champagne			
							2YN	white			

Model	Year	MG	SG	Illustration	Restrictions	UPD	8:05	23.01.2010	PORSCHE	PET	PORSCHE
911	1986	8	07	807-00		248					

Pos	Part Number	Description	Remark	Qty	Model	Pos	Part Number	Description	Remark	Qty	Model		
13	911 555 179 00	lining for additional blower cut pile	/L	-85	1	COUPE		70E black					
		70E black						40E brown					
		40E brown						30B blue					
		30B blue						80E burgundy					
		80E burgundy						60A grey					
		60A grey						6JD dark green					
		6JD dark green						80S can-can-red					
		80S can-can-red						1VD champagne					
		1VD champagne						8JK greyish green		85-			
		8JK greyish green						2YN white		85-			
		2YN white											
(13)	911 555 179 01	lining for additional blower cut pile	/L	86-	1	COUPE	(13)	911 555 179 41	lining for additional blower cut pile	/L	86-	1	TARGA/CABRIO
		70E black						70E black					
		40E brown						40E brown					
		30B blue						30B blue					
		80E burgundy						80E burgundy					
		60A grey						60A grey					
		2FL grey-beige	84,	86				2FL grey-beige	84,	86			
		6JD dark green						6JD dark green					
		80S can-can-red						80S can-can-red					
		1VD champagne						1VD champagne					
		8JK greyish green						8JK greyish green		85-			
		2YN white						2YN white		85-			
		2YN white											
(13)	911 555 179 40	lining for additional blower cut pile	/L	-85	1	TARGA/CABRIO	14	911 555 180 00	lining for additional blower cut pile	/R	-85	1	COUPE
		70E black						70E black					
		40E brown						40E brown					
		30B blue						30B blue					



Model	Year	MG	SG	Illustration	Restrictions	UPD	8:05	23.01.2010	PORSCHE	PET	PORSCHE
911	1986	8	07	807-00		248					

Pos	Part Number	Description	Remark	Qty	Model	Pos	Part Number	Description	Remark	Qty	Model
	80E	burgundy					80S	can-can-red			
	60A	grey					1VD	champagne			
	6JD	dark green					8JK	greyish green	85-		
	80S	can-can-red					2YN	white	85-		
	1VD	champagne				(14)	911 555 180 41	lining for additional blower cut pile	/R	86-	1 TARGA/CABRIO
	8JK	greyish green	85-				70E	black			
	2YN	white	85-				40E	brown			
(14)	911 555 180 01	lining for additional blower cut pile	/R	86-	1 COUPE		30B	blue			
	70E	black					80E	burgundy			
	40E	brown					60A	grey			
	30B	blue					2FL	grey-beige	84,	86	
	80E	burgundy					6JD	dark green			
	60A	grey					80S	can-can-red			
	2FL	grey-beige	84,	86			1VD	champagne			
	6JD	dark green					8JK	greyish green	85-		
	80S	can-can-red					2YN	white	85-		
	1VD	champagne				14A	999 591 102 17	washer 3,5 DEG		6	
	8JK	greyish green				14B	900 145 082 07	tapping screw 3,5 X 38		6	
	2YN	white				15	911 551 063 04	pedal floor board	/LL/L	1	COUPE
(14)	911 555 180 40	lining for additional blower cut pile	/R	-85	1 TARGA/CABRIO	(15)	901 551 061 23	floorboard	/RL/L	1	COUPE
	70E	black				(15)	911 551 063 44	pedal floor board	/LL/L	1	TARGA/CABRIO
	40E	brown				(15)	901 551 061 42	floorboard	/RL/L	1	TARGA/CABRIO
	30B	blue				(15) A	911 551 075 41	floorboard	/RL/L	1	TARGA/CABRIO
	80E	burgundy				(15)	911 551 075 41	floorboard	/RL/L	1	TARGA/CABRIO M559
	60A	grey				16	911 551 064 01	floorboard	/LL/R	1	COUPE
	6JD	dark green				(16)	911 551 062 22	pedal floor board	/RL/R	1	COUPE

Model	Year	MG	SG	Illustration	Restrictions	UPD	8:05	23.01.2010	PORSCHE	PET	PORSCHE
911	1986	8	07	807-00		248					

Pos	Part Number	Description	Remark	Qty	Model	Pos	Part Number	Description	Remark	Qty	Model
(16)	A 911 551 075 01	floorboard	/RL/L	1	COUPE	(23)	911 551 402 09	carpet wheel housing cut pile	/LL/R	1	
(16)	911 551 075 01	floorboard	/RL/L	1	COUPE M559/573		70E	black			
(16)	901 551 064 42	floorboard	/LL/R	1	TARGA/CABRIO		30B	blue			
(16)	911 551 062 42	pedal floor board	/RL/R	1	TARGA/CABRIO		40E	brown			
16A	900 119 025 02	pan-head screw M 5 X 15		2			80E	burgundy			
16B	901 423 368 00	washer		2			60A	grey			
16C	901 501 390 00	tab		1			6JD	dark green			
17	N 042 121 3	shake-proof washer A 6,4		1			80S	can-can-red			
18	900 076 010 02	hexagon nut M 6		1			1VD	champagne			
19	901 501 950 22	foot support	/RL	1			2FL	grey-beige	84,	86	
(19)	911 501 950 02	foot support	/RL	1	M559		8JK	greyish green		85-	
20	N 015 429 2	speed nut B 4,2	/RL	2			2YN	white		85-	
21	900 145 035 02	counters. head tapp. screw B 4,2 X 16	/RL	2		(23)	911 551 042 11	carpet wheel housing cut pile	/RL/R	1	
(23)	911 551 401 09	carpet wheel housing cut pile	/L	1			70E	black			
		70E	black				30B	blue			
		30B	blue				40E	brown			
		40E	brown				80E	burgundy			
		80E	burgundy				60A	grey			
		60A	grey				6JD	dark green			
		6JD	dark green				80S	can-can-red			
		80S	can-can-red				1VD	champagne			
		1VD	champagne				2FL	grey-beige	84,	86	
		2FL	grey-beige	84,	86		8JK	greyish green		85-	
		8JK	greyish green				2YN	white		85-	
		2YN	white			24	911 551 032 50	carpet cut pile	/R	-85	1
							70E	black			

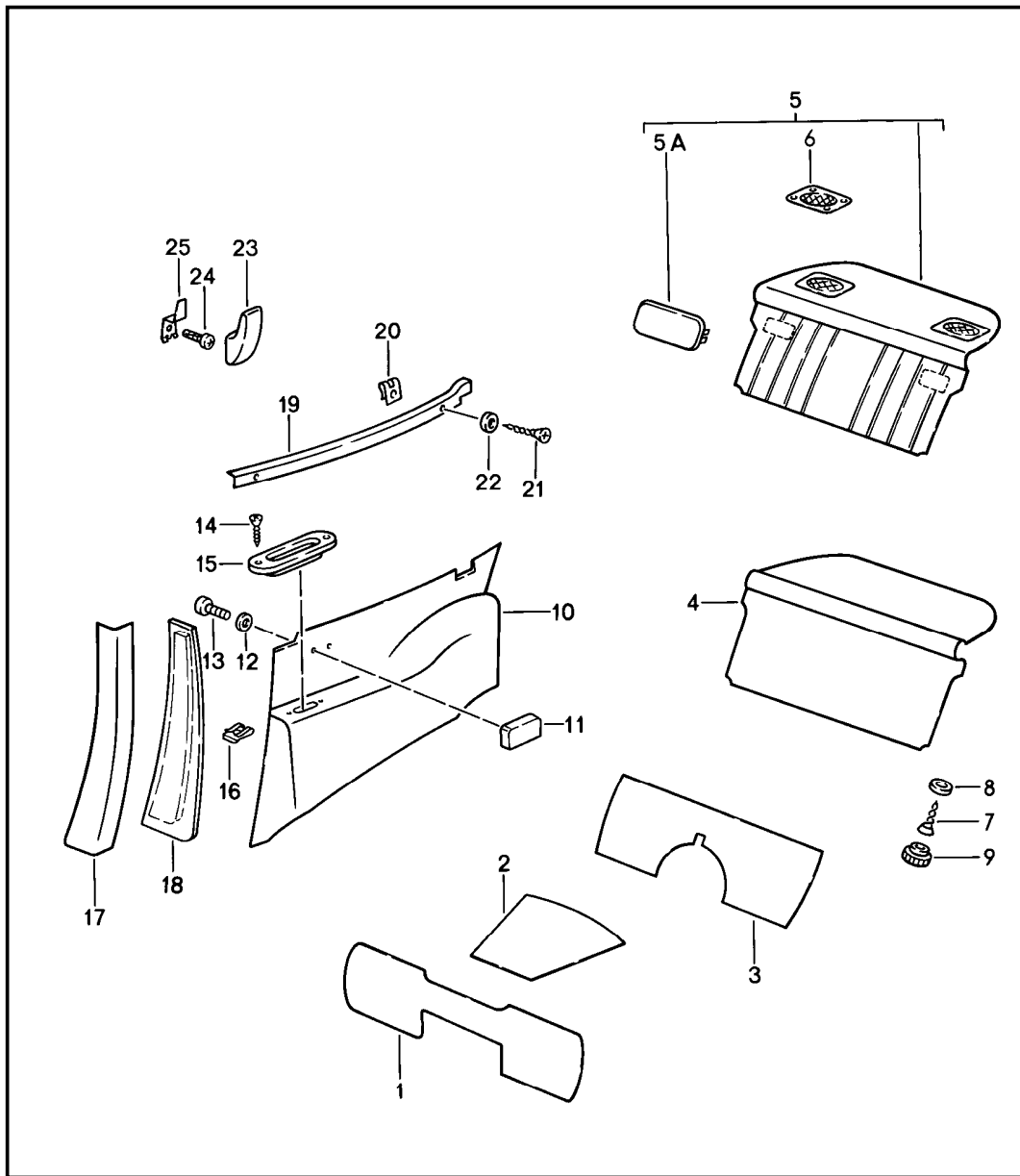
Model	Year	MG	SG	Illustration	Restrictions	UPD	8:05	23.01.2010	PORSCHE	PET	PORSCHE
911	1986	8	07	807-00		248					

Pos	Part Number	Description	Remark	Qty	Model	Pos	Part Number	Description	Remark	Qty	Model
	40E	brown					80S	can-can-red			
	30B	dark blue					1VD	champagne			
	80E	burgundy					8JK	greyish green	85-		
	60A	grey					2YN	white	85-		
	6JD	dark green				24	911 551 032 51	carpet cut pile	/R	86-	1
	80S	can-can-red					70E	black			
	1VD	champagne					40E	brown			
	8JK	greyish green	85-				30B	dark blue			
	2YN	white	85-				80E	burgundy			
(24)	911 551 031 50	carpet cut pile	/L	-85	1		60A	grey			
	70E	black					2FL	grey-beige	84,	86	
	40E	brown					6JD	dark green			
	30B	dark blue					80S	can-can-red			
	80E	burgundy					1VD	champagne			
	60A	grey					8JK	greyish green	85-		
	6JD	dark green					2YN	white	85-		
	80S	can-can-red				25	911 551 034 02	carpet cut pile	/R		1
	1VD	champagne					70E	black			
	8JK	greyish green	85-				40E	brown			
	2YN	white	85-				30B	dark blue			
(24)	911 551 031 51	carpet cut pile	/L	86-	1		80E	burgundy			
	70E	black					60A	grey			
	40E	brown					2FL	grey-beige	84,	86	
	30B	dark blue					6JD	dark green			
	80E	burgundy					80S	can-can-red			
	60A	grey					1VD	champagne			
	2FL	grey-beige	84,	86			8JK	greyish green	85-		
	6JD	dark green					2YN	white	85-		

Model	Year	MG	SG	Illustration	Restrictions	UPD	8:05	23.01.2010	PORSCHE	PET	PORSCHE
911	1986	8	07	807-00		248					

Pos	Part Number	Description	Remark	Qty	Model	Pos	Part Number	Description	Remark	Qty	Model
25	911 551 034 03	carpet cut pile	/R (J) 86-	1			30B	dark blue			
	70E	black					80E	burgundy			
	40E	brown					60A	grey			
	30B	dark blue					2FL	grey-beige	84,	86	
	80E	burgundy					6JD	dark green			
	60A	grey					80S	can-can-red			
	2FL	grey-beige	84,	86			1VD	champagne			
	6JD	dark green					8JK	greyish green		85-	
	80S	can-can-red					2YN	white		85-	
	1VD	champagne				(26) A	901 551 115 20	scuff plate	/L	-85	1
	8JK	greyish green		85-		(26) A	911 551 619 00	rubber pad	/L		1
	2YN	white		85-		(26)	911 551 619 00	rubber pad	/L		1
(25)	911 551 033 02	carpet cut pile	/L	1		26 A	911 551 620 00	rubber pad	/R		1
	70E	black				26	911 551 620 00	rubber pad	/R		1
	40E	brown				27	901 551 419 50	cover strip aluminium			2
	30B	dark blue				27	901 551 419 28	cover strip black			2
	80E	burgundy				28	900 145 041 00	tapping screw B 3,5 X 16			10
	60A	grey				28	900 145 041 07	tapping screw black B 3,5 X 16			10
	2FL	grey-beige	84,	86		(29)	911 551 067 03	luggage compartment trim	/LL		1
	6JD	dark green				(29) A	911 551 068 01	luggage compartment trim	/RL	-85	1
	80S	can-can-red				(29)	911 551 068 01	luggage compartment trim	/RL		1
	1VD	champagne				30	900 075 260 02	hexagon-head bolt M 6 X 16			4
	8JK	greyish green		85-		31	N 012 007 2	lock ring A 6			4
	2YN	white		85-		32	900 151 003 02	washer 6,4			4
(25)	911 551 033 03	carpet cut pile	/L (J) 86-	1							
	70E	black									
	40E	brown									

Model	Year	MG	SG	Illustration	Restrictions	UPD	8:06	23.01.2010	PORSCHE	PET	PORSCHE
911	1986	8	07	807-05		248					



Pos	Part Number	Description	Remark	Qty	Model
1	911 551 051 04	interior equipment rear carpet heel plate cut pile 70E black 40E brown 30B dark blue 80E burgundy 60A grey 2FL grey-beige 6JD dark green 80S can-can-red 1VD champagne 8JK greyish green 2YN white	84, 86	1	COUPE/TARGA
2	911 551 023 00	carpet seat well centre cut pile 70E black 40E brown 30B dark blue 80E burgundy 60A grey 2FL grey-beige 6JD dark green 80S can-can-red 1VD champagne 8JK greyish green 2YN white	84, 86	1	

Model	Year	MG	SG	Illustration	Restrictions	UPD	8:06	23.01.2010	PORSCHE	PET	PORSCHE
911	1986	8	07	807-05		248					

Pos	Part Number	Description	Remark	Qty	Model	Pos	Part Number	Description	Remark	Qty	Model
3	911 551 054 03	carpet seat well cut pile		1		4	911 555 075 80	back wall lining	-84	1	COUPE M981
	70E	black					KZ2	black/black			
	40E	brown					KZ3	blue/blue			
	30B	dark blue					KZ5	brown/brown			
	80E	burgundy					LG7	burgundy/burgundy			
	60A	grey					LG6	dark green			
	2FL	grey-beige	84,	86			KZ4	black/grey-beige			
	6JD	dark green					LG8	black/can-can-red			
	80S	can-can-red					LJ7	black/pearl white			
	1VD	champagne					LL9	black/champagne			
	8JK	greyish green		85-			LL8	burgundy/pearl white			
	2YN	white		85-			LM1	brown/champagne			
(4)	911 555 075 06	back wall lining leatherette upper part/lower part		-84	1 COUPE		LL7	blue/pearl white			
	3MK	burgundy/burgundy					LM2	blue/champagne			
	05T	black/black				(4)	911 555 075 81	back wall lining	-84	1	TARGA M981
	1HH	blue/blue						whole-leather upper part/lower part			
	4RB	brown/brown					KZ2	black/black			
	4FK	black/grey-beige					KZ3	blue/blue			
(4)	911 555 075 46	back wall lining leatherette upper part/lower part		-84	1 TARGA		KZ5	brown/brown			
	3MK	burgundy/burgundy					LG7	burgundy/burgundy			
	05T	black/black					LG6	dark green			
	1HH	blue/blue					KZ4	black/grey-beige			
	4RB	brown/brown					LG8	black/can-can-red			
	4FK	black/grey-beige					LJ7	black/pearl white			
							LL9	black/champagne			
							LL8	burgundy/pearl white			
							LM1	brown/champagne			

Model	Year	MG	SG	Illustration	Restrictions	UPD	8:06	23.01.2010	PORSCHE	PET	PORSCHE
911	1986	8	07	807-05		248					

Pos	Part Number	Description	Remark	Qty	Model	Pos	Part Number	Description	Remark	Qty	Model		
5	911 555 111 00	LL7	blue/pearl white		1	COUPE	05T	black/black					
		LM2	blue/champagne				1HH	blue/blue					
		back wall lining		4RB			brown/brown						
		leatherette		3MK			burgundy/burgundy						
		upper part/lower part		4FK			black/grey-beige	84,	86				
				4JX			greyish green/grey-green		85-				
5	911 555 111 02	back wall lining		1	COUPE M335	911 555 111 01	back wall lining			1	COUPE		
		leatherette				whole-leather							
		upper part/lower part				upper part/lower part							
						KZ2	black/black						
						KZ3	blue/blue						
						KZ5	brown/brown						
						LG7	burgundy/burgundy						
						LG6	dark green						
5	911 555 111 40	back wall lining		1	TARGA	QC2	greyish green/grey-green						
		leatherette				PY9	ocean blue					85-	
		upper part/lower part				PZ1	wild buffalo					85-	
						KZ4	black/grey-beige	84,				86	
						LG8	black/can-can-red						
						LJ7	black/pearl white						
						LL9	black/champagne						
						LL8	burgundy/pearl white						
5	911 555 111 41	back wall lining		1	TARGA M335	LM1	brown/champagne						
		leatherette				LL7	blue/pearl white						
		upper part/lower part				LM2	blue/champagne						
						QC3	greyish green/pearl white					85-	
						911 555 111 03	back wall lining					1	COUPE M335
						whole-leather							
						upper part/lower part							

Model	Year	MG	SG	Illustration	Restrictions	UPD	8:06	23.01.2010	PORSCHE	PET	PORSCHE
911	1986	8	07	807-05		248					

Pos	Part Number	Description	Remark	Qty	Model	Pos	Part Number	Description	Remark	Qty	Model
	KZ3	blue/blue					LL9	black/champagne			
	KZ5	brown/brown					LL8	burgundy/pearl white			
	LG7	burgundy/burgundy					LM1	brown/champagne			
	LG6	dark green					LL7	blue/pearl white			
	QC2	greyish green/grey-green		85-			LM2	blue/champagne			
	PY9	ocean blue		85-			QC3	greyish green/pearl white	85-		
	PZ1	wild buffalo		85-		5	911 555 111 43	back wall lining		1	TARGA M335
	KZ4	black/grey-beige	84,	86				whole-leather upper part/lower part			
	LG8	black/can-can-red					KZ2	black/black			
	LJ7	black/pearl white					KZ3	blue/blue			
	LL9	black/champagne					KZ5	brown/brown			
	LL8	burgundy/pearl white					LG7	burgundy/burgundy			
	LM1	brown/champagne					LG6	dark green			
	LL7	blue/pearl white					QC2	greyish green/grey-green	85-		
	LM2	blue/champagne					PY9	ocean blue	85-		
	QC3	greyish green/pearl white		85-			PZ1	wild buffalo	85-		
5	911 555 111 42	back wall lining whole-leather upper part/lower part		1	TARGA		KZ4	black/grey-beige	84,	86	
	KZ2	black/black					LG8	black/can-can-red			
	KZ3	blue/blue					LJ7	black/pearl white			
	KZ5	brown/brown					LL9	black/champagne			
	LG7	burgundy/burgundy					LL8	burgundy/pearl white			
	LG6	dark green					LM1	brown/champagne			
	QC2	greyish green/grey-green		85-			LL7	blue/pearl white			
	PY9	ocean blue		85-			LM2	blue/champagne			
	PZ1	wild buffalo		85-			QC3	greyish green/pearl white	85-		
	KZ4	black/grey-beige	84,	86		5	911 555 111 08	back wall lining leatherette/leather upper part/lower part	85-	1	COUPE
	LG8	black/can-can-red					QX4	black/black			
	LJ7	black/pearl white									



Model	Year	MG	SG	Illustration	Restrictions	UPD	8:06	23.01.2010	PORSCHE	PET	PORSCHE
911	1986	8	07	807-05		248					

Pos	Part Number	Description	Remark	Qty	Model	Pos	Part Number	Description	Remark	Qty	Model
		QX5 blue/blue					QY5 blue/pearl white				
		QX6 brown/brown					QY6 blue/champagne				
		QX7 burgundy/burgundy					QY7 greyish green/pearl white				
		QX8 greyish green/grey-green					QY8 blue/ocean blue				
		QX9 black/can-can-red					QY9 brown/wild buffalo				
		QY1 black/pearl white					RU5 black/grey-beige	86-			
		QY2 black/champagne				5	911 555 111 48	back wall lining leatherette/leather upper part/lower part	85-	1	TARGA
		QY3 burgundy/pearl white					QX4 black/black				
		QY4 brown/champagne					QX5 blue/blue				
		QY5 blue/pearl white					QX6 brown/brown				
		QY6 blue/champagne					QX7 burgundy/burgundy				
		QY7 greyish green/pearl white					QX8 greyish green/grey-green				
		QY8 blue/ocean blue					QX9 black/can-can-red				
		QY9 brown/wild buffalo					QY1 black/pearl white				
		RU5 black/grey-beige	86-				QY2 black/champagne				
5	911 555 111 09	back wall lining leatherette/leather upper part/lower part	85-	1	COUPE M335		QY3 burgundy/pearl white				
		QX4 black/black					QY4 brown/champagne				
		QX5 blue/blue					QY5 blue/pearl white				
		QX6 brown/brown					QY6 blue/champagne				
		QX7 burgundy/burgundy					QY7 greyish green/pearl white				
		QX8 greyish green/grey-green					QY8 blue/ocean blue				
		QX9 black/can-can-red					QY9 brown/wild buffalo				
		QY1 black/pearl white					RU5 black/grey-beige	86-			
		QY2 black/champagne				5	911 555 111 49	back wall lining leatherette/leather upper part/lower part	85-	1	TARGA M335
		QY3 burgundy/pearl white									
		QY4 brown/champagne									

Model	Year	MG	SG	Illustration	Restrictions	UPD	8:06	23.01.2010	PORSCHE	PET	PORSCHE
911	1986	8	07	807-05		248					

Pos	Part Number	Description	Remark	Qty	Model	Pos	Part Number	Description	Remark	Qty	Model
		QX4 black/black					9FN	black/ grey-beige-white	86- 86-		
		QX5 blue/blue				(5)	911 555 111 05	back wall lining	85-	1	COUPE M335/526
		QX6 brown/brown						upper part/lower part leatherette/ cloth pin stripe velour			
		QX7 burgundy/burgundy					7BN	black/ black-white			
		QX8 greyish green/grey-green					3NN	brown/ brown-beige			
		QX9 black/can-can-red					8GJ	blue/ blue-white			
		QY1 black/pearl white					1MJ	burgundy/ burgundy-white			
		QY2 black/champagne					3JV	greyish green/ greyish green-white			
		QY3 burgundy/pearl white					9FN	black/ grey-beige-white	86- 86-		
		QY4 brown/champagne				(5)	911 555 111 44	back wall lining	85-	1	TARGA M526
		QY5 blue/pearl white						upper part/lower part leatherette/ cloth pin stripe velour			
		QY6 blue/champagne					7BN	black/ black-white			
		QY7 greyish green/pearl white					3NN	brown/ brown-beige			
		QY8 blue/ ocean blue					8GJ	blue/ blue-white			
		QY9 brown/ wild buffalo					1MJ	burgundy/ burgundy-white			
		RU5 black/grey-beige	86-				3JV	greyish green/ greyish green-white			
(5)	911 555 111 04	back wall lining	85-	1	COUPE M526		9FN	black/ grey-beige-white	86- 86-		
		upper part/lower part leatherette/ cloth pin stripe velour									
		7BN black/ black-white									
		3NN brown/ brown-beige									
		8GJ blue/ blue-white									
		1MJ burgundy/ burgundy-white									
		3JV greyish green/ greyish green-white									

Model	Year	MG	SG	Illustration	Restrictions	UPD	8:06	23.01.2010	PORSCHE	PET	PORSCHE
911	1986	8	07	807-05		248					

Pos	Part Number	Description	Remark	Qty	Model	Pos	Part Number	Description	Remark	Qty	Model
(5)	911 555 111 45	back wall lining upper part/lower part leatherette/ cloth pin stripe velour	85-	1	TARGA M335/526		9JF	greyish green/grey-green			
	7BN	black/ black-white				(5)	911 555 111 44	back wall lining upper part/lower part leatherette/ cloth pin stripe flannel	85-	1	TARGA M526
	3NN	brown/ brown-beige					8BF	black/anthracite			
	8GJ	blue/ blue-white					2TF	brown/brown			
	1MJ	burgundy/ burgundy-white					6GF	blue/blue			
	3JV	greyish green/ greyish green-white					1MF	burgundy/burgundy			
	9FN	black/ grey-beige-white	86- 86-				9JF	greyish green/grey-green			
(5)	911 555 111 04	back wall lining upper part/lower part leatherette/ cloth pin stripe flannel	85-	1	COUPE M526	(5)	911 555 111 45	back wall lining upper part/lower part leatherette/ cloth pin stripe flannel	85-	1	TARGA M335/526
	8BF	black/anthracite					8BF	black/anthracite			
	2TF	brown/brown					2TF	brown/brown			
	6GF	blue/blue					6GF	blue/blue			
	1MF	burgundy/burgundy					1MF	burgundy/burgundy			
	9JF	greyish green/grey-green					9JF	greyish green/grey-green			
(5)	911 555 111 05	back wall lining upper part/lower part leatherette/ cloth pin stripe flannel	85-	1	COUPE M335/526	(5)	911 555 111 04	back wall lining upper part/lower part leatherette/ porsche lettering cloth	85-	1	COUPE M526
	8BF	black/anthracite					2CZ	black/black			
	2TF	brown/brown					7NZ	brown/brown			
	6GF	blue/blue					6HZ	blue/blue			
	1MF	burgundy/burgundy					5LZ	burgundy/burgundy			
							1JK	greyish green/grey-green			
							5UY	black/grey-beige	86-		

Model	Year	MG	SG	Illustration	Restrictions	UPD	8:06	23.01.2010	PORSCHE	PET	PORSCHE
911	1986	8	07	807-05		248					

Pos	Part Number	Description	Remark	Qty	Model	Pos	Part Number	Description	Remark	Qty	Model
(5)	911 555 111 05	back wall lining upper part/lower part leatherette/ porsche lettering cloth 2CZ black/black 7NZ brown/brown 6HZ blue/blue 5LZ burgundy/burgundy 1JK greyish green/grey-green 5UY black/grey-beige	85-	1	COUPE M335/526	(5)	911 555 111 06	back wall lining upper part/lower part leather/ cloth pin stripe velour 7BN black/ black-white 3NN brown/ brown-beige 8GJ blue/ blue-white 1MJ burgundy/ burgundy-white	85-	1	COUPE
(5)	911 555 111 44	back wall lining upper part/lower part leatherette/ porsche lettering cloth 2CZ black/black 7NZ brown/brown 6HZ blue/blue 5LZ burgundy/burgundy 1JK greyish green/grey-green 5UY black/grey-beige	85-	1	TARGA M526	(5)	911 555 111 07	back wall lining upper part/lower part leather/ cloth pin stripe velour 7BN black/ black-white 3NN brown/ brown-beige	86- 86- 85-	1	COUPE M335
(5)	911 555 111 45	back wall lining upper part/lower part leatherette/ porsche lettering cloth 2CZ black/black 7NZ brown/brown 6HZ blue/blue 5LZ burgundy/burgundy 1JK greyish green/grey-green 5UY black/grey-beige	85-	1	TARGA M335/526	(5)	911 555 111 46	back wall lining upper part/lower part leather/ cloth pin stripe velour 7BN black/ black-white	86- 86- 85-	1	TARGA

Model	Year	MG	SG	Illustration	Restrictions	UPD	8:06	23.01.2010	PORSCHE	PET	PORSCHE
911	1986	8	07	807-05		248					

Pos	Part Number	Description	Remark	Qty	Model	Pos	Part Number	Description	Remark	Qty	Model
	3NN	brown/ brown-beige				(5)	911 555 111 07	back wall lining	85-	1	COUPE M335
	8GJ	blue/ blue-white						upper part/lower part leather/ cloth pin stripe flannel			
	1MJ	burgundy/ burgundy-white					8BF	black/anthracite			
	3JV	greyish green/ greyish green-white					2TF	brown/brown			
	9FN	black/ grey-beige-white	86- 86-				6GF	blue/blue			
(5)	911 555 111 47	back wall lining	85-	1	TARGA M335		1MF	burgundy/burgundy			
		upper part/lower part leather/ cloth pin stripe velour				(5)	911 555 111 46	back wall lining	85-	1	TARGA
	7BN	black/ black-white						upper part/lower part leather/ cloth pin stripe flannel			
	3NN	brown/ brown-beige					8BF	black/anthracite			
	8GJ	blue/ blue-white					2TF	brown/brown			
	1MJ	burgundy/ burgundy-white					6GF	blue/blue			
	3JV	greyish green/ greyish green-white					1MF	burgundy/burgundy			
	9FN	black/ grey-beige-white	86- 86-				9JF	greyish green/grey-green			
(5)	911 555 111 06	back wall lining	85-	1	COUPE	(5)	911 555 111 47	back wall lining	85-	1	TARGA M335
		upper part/lower part leather/ cloth pin stripe flannel						upper part/lower part leather/ cloth pin stripe flannel			
	8BF	black/anthracite					8BF	black/anthracite			
	2TF	brown/brown					2TF	brown/brown			
	6GF	blue/blue					6GF	blue/blue			
	1MJ	burgundy/burgundy					1MF	burgundy/burgundy			
	9JF	greyish green/grey-green					9JF	greyish green/grey-green			
(5)	911 555 111 06	back wall lining				(5)	911 555 111 06	back wall lining	85-	1	COUPE
		upper part/lower part leather/ porsche lettering cloth						upper part/lower part leather/ porsche lettering cloth			
							2CZ	black/black			

Model	Year	MG	SG	Illustration	Restrictions	UPD	8:06	23.01.2010	PORSCHE	PET	PORSCHE
911	1986	8	07	807-05		248					

Pos	Part Number	Description	Remark	Qty	Model	Pos	Part Number	Description	Remark	Qty	Model
	7NZ	brown/brown					5LZ	burgundy/burgundy			
	6HZ	blue/blue					1JK	greyish green/grey-green			
	5LZ	burgundy/burgundy					5UY	black/grey-beige	86-		
	1JK	greyish green/grey-green				5A	911 555 627 00	trim cover	85-	2	M335
	5UY	black/grey-beige	86-				01C	black			
(5)	911 555 111 07	back wall lining	85-	1	COUPE M335	6	911 555 019 00	loudspeaker grille		2	
		upper part/lower part leather/ porsche lettering cloth				7	900 145 072 07	tapping screw B 3,5 X 22		2	
	2CZ	black/black				(7)	900 145 008 07	tapping screw B 3,5 X 32		2	M335
	7NZ	brown/brown				8	999 591 102 17	washer		2	
	6HZ	blue/blue				8	900 151 024 40	washer A 4,3		4	M335
	5LZ	burgundy/burgundy				9	911 803 521 00	knurled head		4	M335
	1JK	greyish green/grey-green				(10)	911 555 071 05	side trim panel leatherette	/L	1	COUPE
	5UY	black/grey-beige	86-				3MK	burgundy			
(5)	911 555 111 46	back wall lining	85-	1	TARGA		4FK	grey-beige	84,	86	
		upper part/lower part leather/ porsche lettering cloth					05T	black			
	2CZ	black/black					1HH	blue			
	7NZ	brown/brown					4RB	brown			
	6HZ	blue/blue					4JX	greyish green	85-		
	5LZ	burgundy/burgundy				(10)	911 555 071 47	side trim panel leatherette	/L	1	TARGA
	1JK	greyish green/grey-green					3MK	burgundy			
	5UY	black/grey-beige	86-				4FK	grey-beige	84,	86	
(5)	911 555 111 47	back wall lining	85-	1	TARGA M335		05T	black			
		upper part/lower part leather/ porsche lettering cloth					1HH	blue			
	2CZ	black/black					4RB	brown			
	7NZ	brown/brown					4JX	greyish green	85-		
	6HZ	blue/blue				10	911 555 072 05	side trim panel leatherette	/R	1	COUPE

Model	Year	MG	SG	Illustration	Restrictions	UPD	8:06	23.01.2010	PORSCHE	PET	PORSCHE
911	1986	8	07	807-05		248					

Pos	Part Number	Description	Remark	Qty	Model	Pos	Part Number	Description	Remark	Qty	Model
	3MK	burgundy					LG7	burgundy			
	4FK	grey-beige	84,	86			LG4	pearl white			
	05T	black					LG5	champagne			
	1HH	blue					LG6	dark green			
	4RB	brown					KZ2	black			
	4JX	greyish green		85-			KZ3	blue			
(10)	911 555 072 47	side trim panel leatherette	/R	1	TARGA		KZ5	brown			
	3MK	burgundy					KZ4	grey-beige	84,	86	
	4FK	grey-beige	84,	86			KZ6	can-can-red			
	05T	black					QC2	greyish green		85-	
	1HH	blue					PY9	ocean blue		85-	
	4RB	brown					PZ1	wild buffalo		85-	
	4JX	greyish green		85-		(10)	911 555 071 78	side trim panel leather	/L	1	TARGA
(10)	911 555 071 74	side trim panel leather	/L	1	COUPE		LG7	burgundy			
	LG7	burgundy					LG4	pearl white			
	LG4	pearl white					LG5	champagne			
	LG5	champagne					LG6	dark green			
	LG6	dark green					KZ2	black			
	KZ2	black					KZ3	blue			
	KZ3	blue					KZ5	brown			
	KZ5	brown					KZ4	grey-beige	84,	86	
	KZ4	grey-beige	84,	86			KZ6	can-can-red			
	KZ6	can-can-red					QC2	greyish green		85-	
	QC2	greyish green		85-			PY9	ocean blue		85-	
	PY9	ocean blue		85-			PZ1	wild buffalo		85-	
	PZ1	wild buffalo		85-		(10)	911 555 072 78	side trim panel leather	/R	1	TARGA
10	911 555 072 74	side trim panel leather	/R	1	COUPE		LG7	burgundy			
							LG4	pearl white			

Model	Year	MG	SG	Illustration	Restrictions	UPD	8:06	23.01.2010	PORSCHE	PET	PORSCHE
911	1986	8	07	807-05		248					

Pos	Part Number	Description	Remark	Qty	Model	Pos	Part Number	Description	Remark	Qty	Model
	LG5	champagne				10	911 555 072 09	side trim panel	/R	85-	1 COUPE M526
	LG6	dark green						all-cloth pin stripe velour			
	KZ2	black					7BN	black-white			
	KZ3	blue					3NN	brown-beige			
	KZ5	brown					8GJ	blue-white			
	KZ4	grey-beige	84,	86			1MJ	burgundy-white			
	KZ6	can-can-red					3JV	greyish green-white			
	QC2	greyish green		85-			9FN	grey-beige-white		86-	
	PY9	ocean blue		85-		(10)	911 555 072 50	side trim panel	/R	85-	1 TARGA M526
	PZ1	wild buffalo		85-				all-cloth pin stripe velour			
(10)	911 555 071 09	side trim panel	/L	85-	1 COUPE M526		7BN	black-white			
		all-cloth pin stripe velour					3NN	brown-beige			
	7BN	black-white					8GJ	blue-white			
	3NN	brown-beige					1MJ	burgundy-white			
	8GJ	blue-white					3JV	greyish green-white			
	1MJ	burgundy-white					9FN	grey-beige-white		86-	
	3JV	greyish green-white				(10)	911 555 071 09	side trim panel	/L	85-	1 COUPE M526
	9FN	grey-beige-white		86-				pin stripe flannel			
(10)	911 555 071 50	side trim panel	/L	85-	1 TARGA M526		8BF	anthracite			
		all-cloth pin stripe velour					2TF	brown			
	7BN	black-white					6GF	blue			
	3NN	brown-beige					1MF	burgundy			
	8GJ	blue-white					9JF	greyish green			
	1MJ	burgundy-white				(10)	911 555 071 50	side trim panel	/L	85-	1 TARGA M526
	3JV	greyish green-white						pin stripe flannel			
	9FN	grey-beige-white		86-			8BF	anthracite			
							2TF	brown			
							6GF	blue			



Model	Year	MG	SG	Illustration	Restrictions	UPD	8:06	23.01.2010	PORSCHE	PET	PORSCHE
911	1986	8	07	807-05		248					

Pos	Part Number	Description	Remark	Qty	Model	Pos	Part Number	Description	Remark	Qty	Model	
10	1MF	burgundy				10	5LZ	burgundy				
	9JF	greyish green					1JK	greyish green				
	911 555 072 09	side trim panel	/R	85-	1		COUPE M526	5UY	grey-beige	86-		
		pin stripe flannel					911 555 072 09	side trim panel	/R	85-	1	COUPE M526
	8BF	anthracite						porsche lettering cloth				
	2TF	brown					2CZ	black				
	6GF	blue					7NZ	brown				
(10)	1MF	burgundy				(10)	6HZ	blue				
	9JF	greyish green					5LZ	burgundy				
	911 555 072 50	side trim panel	/R	85-	1		TARGA M526	1JK	greyish green			
		pin stripe flannel					5UY	grey-beige	86-			
	8BF	anthracite					911 555 072 50	side trim panel	/R	85-	1	TARGA M526
	2TF	brown						porsche lettering cloth				
	6GF	blue					2CZ	black				
(10)	1MF	burgundy				(10)	7NZ	brown				
	9JF	greyish green					6HZ	blue				
	911 555 071 09	side trim panel	/L	85-	1		COUPE M526	5LZ	burgundy			
		porsche lettering cloth					1JK	greyish green				
	2CZ	black					5UY	grey-beige	86-			
	7NZ	brown					11	477 857 375 A	tray		2	M186
	6HZ	blue					01C	black				
(10)	5LZ	burgundy				(10)	N 011 665 3	washer B 5,3		4	M186	
	1JK	greyish green					N 014 129 6	oval-head screw M 5 X 10		4	M186	
	5UY	grey-beige		86-			N 014 093 3	tapping screw BZ 4,2 X 13		4	COUPE	
	911 555 071 50	side trim panel	/L	85-	1		TARGA M526	911 555 615 01	rosette		2	COUPE
		porsche lettering cloth					999 507 020 02	speed nut 4,2		4	COUPE	
	2CZ	black										
	7NZ	brown										
6HZ	blue											

Model	Year	MG	SG	Illustration	Restrictions	UPD	8:06	23.01.2010	PORSCHE	PET	PORSCHE
911	1986	8	07	807-05		248					

Pos	Part Number	Description	Remark	Qty	Model	Pos	Part Number	Description	Remark	Qty	Model
16	999 507 020 01	speed nut 4,2		4	Coupe		4FK	grey-beige	84,	86	
(17)	911 555 757 00	cover lock pillar leatherette	/L	1	COUPE		05T	black			
	3MK	burgundy					1HH	blue			
	4FK	grey-beige	84,	86			4RB	brown			
	05T	black					4JX	greyish green		85-	
	1HH	blue				(17)	911 555 757 70	cover lock pillar leather	/L	1	COUPE
	4RB	brown					80S	can-can-red			
	4JX	greyish green		85-			LG7	burgundy			
17	911 555 758 00	cover lock pillar leatherette	/R	1	COUPE		KZ4	grey-beige	84,	86	
	3MK	burgundy					8YD	pearl white			
	4FK	grey-beige	84,	86			1VD	champagne			
	05T	black					LG6	dark green			
	1HH	blue					KZ2	black			
	4RB	brown					KZ3	blue			
	4JX	greyish green		85-			KZ5	brown			
(17)	911 555 757 40	cover lock pillar leatherette	/L	1	TARGA		5JX	greyish green		85-	
	3MK	burgundy					6GX	ocean blue		85-	
	4FK	grey-beige	84,	86			5NW	wild buffalo		85-	
	05T	black				17	911 555 758 70	cover lock pillar leather	/R	1	COUPE
	1HH	blue					80S	can-can-red			
	4RB	brown					LG7	burgundy			
	4JX	greyish green		85-			KZ4	grey-beige	84,	86	
(17)	911 555 758 40	cover lock pillar leatherette	/R	1	TARGA		8YD	pearl white			
	3MK	burgundy					1VD	champagne			
							LG6	dark green			
							KZ2	black			
							KZ3	blue			

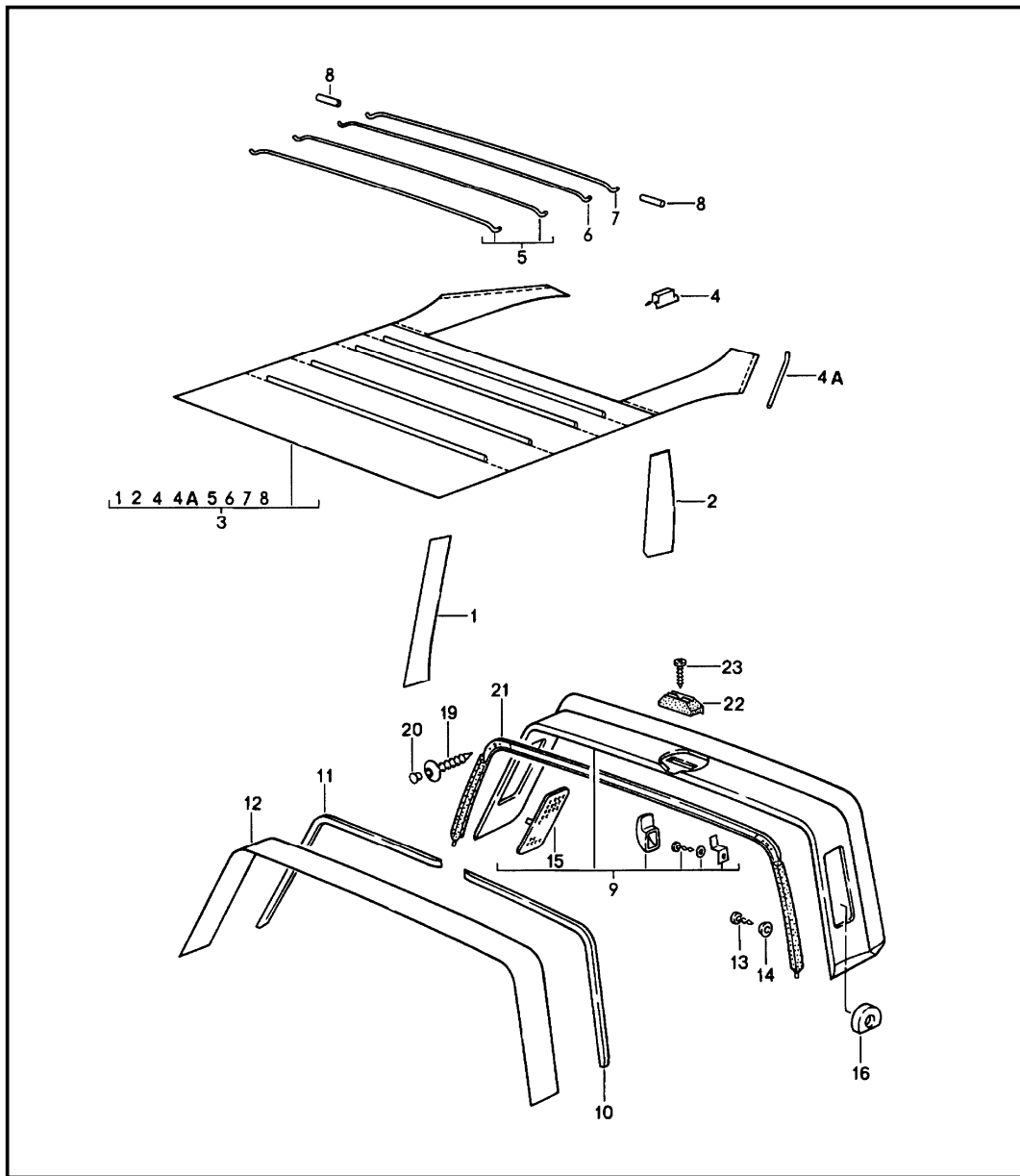
Model	Year	MG	SG	Illustration	Restrictions	UPD	8:06	23.01.2010	PORSCHE	PET	PORSCHE
911	1986	8	07	807-05		248					

Pos	Part Number	Description	Remark	Qty	Model	Pos	Part Number	Description	Remark	Qty	Model
	KZ5	brown					5JX	greyish green	85-		
	5JX	greyish green		85-			6GX	ocean blue	85-		
	6GX	ocean blue		85-			5NW	wild buffalo	85-		
	5NW	wild buffalo		85-		(18)	901 555 023 01	filler piece	/L	1	TARGA
(17)	911 555 757 75	cover lock pillar leather	/L	1	TARGA	18	901 555 024 01	filler piece	/R	1	TARGA
	80S	can-can-red				(19)	911 555 091 00	rear cover moulding leatherette	/L	1	COUPE
	LG7	burgundy					3MK	burgundy			
	KZ4	grey-beige	84,	86			05T	black			
	8YD	pearl white					1HH	blue			
	1VD	champagne					4RB	brown			
	LG6	dark green					4JX	greyish green	85-		
	KZ2	black				19	911 555 092 00	rear cover moulding leatherette	/R	1	COUPE
	KZ3	blue					3MK	burgundy			
	KZ5	brown					05T	black			
	5JX	greyish green		85-			1HH	blue			
	6GX	ocean blue		85-			4RB	brown			
	5NW	wild buffalo		85-			4JX	greyish green	85-		
(17)	911 555 758 75	cover lock pillar leather	/R	1	TARGA	(19)	911 555 091 40	rear cover moulding leatherette	/L	1	TARGA
	80S	can-can-red					3MK	burgundy			
	LG7	burgundy					05T	black			
	KZ4	grey-beige	84,	86			1HH	blue			
	8YD	pearl white					4RB	brown			
	1VD	champagne					4JX	greyish green	85-		
	LG6	dark green				(19)	911 555 092 40	rear cover moulding leatherette	/R	1	TARGA
	KZ2	black					3MK	burgundy			
	KZ3	blue					05T	black			
	KZ5	brown					1HH	blue			

Model	Year	MG	SG	Illustration	Restrictions	UPD	8:06	23.01.2010	PORSCHE	PET	PORSCHE
911	1986	8	07	807-05		248					

Pos	Part Number	Description	Remark	Qty	Model	Pos	Part Number	Description	Remark	Qty	Model
	4RB	brown					PY9	ocean blue	85-		
	4JX	greyish green	85-				PZ1	wild buffalo	85-		
(19)	911 555 091 70	rear cover moulding leather	/L	1	COUPE	(19)	911 555 092 75	rear cover moulding leather	/R	1	TARGA
	LG7	burgundy					LG7	burgundy			
	LG6	dark green					LG6	dark green			
	KZ2	black					KZ2	black			
	KZ3	blue					KZ3	blue			
	KZ5	brown					KZ5	brown			
	QC2	greyish green	85-				QC2	greyish green	85-		
	PY9	ocean blue	85-				PY9	ocean blue	85-		
	PZ1	wild buffalo	85-				PZ1	wild buffalo	85-		
19	911 555 092 70	rear cover moulding leather	/R	1	COUPE	20	999 591 338 02	speed nut B 3,5		4	
	LG7	burgundy				21	900 145 071 07	tapping screw B 3,5 X 13		6	COUPE
	LG6	dark green				21	900 145 071 07	tapping screw B 3,5 X 13		4	TARGA
	KZ2	black				22	999 591 102 17	washer 3,5		6	COUPE
	KZ3	blue				22	999 591 102 17	washer 3,5		4	TARGA
	KZ5	brown				23	901 552 871 40	cover		2	
	QC2	greyish green	85-			24	900 250 007 02	tapping screw AM 5 X 12	-85	2	COUPE
	PY9	ocean blue	85-			(24)	900 025 003 02	washer A 5,3		2	COUPE
	PZ1	wild buffalo	85-			(24)	N 011 005 14	hexagon nut M 5		2	COUPE
(19)	911 555 091 75	rear cover moulding leather	/L	1	TARGA	25	901 552 872 20	coat hook		2	
	LG7	burgundy									
	LG6	dark green									
	KZ2	black									
	KZ3	blue									
	KZ5	brown									
	QC2	greyish green	85-								

Model	Year	MG	SG	Illustration	Restrictions	UPD	8:06	23.01.2010	PORSCHE	PET	PORSCHE
911	1986	8	07	807-06		248					



Pos	Part Number	Description	Remark	Qty	Model
1	901 555 507 20	interior equipment roof roll bar		2	COUPE TARGA
		lining for windscreen frame part			
	702	black			
	1HH	blue			
	3MX	burgundy			
	5FX	grey-beige	-84		
	4RB	brown			
	4JX	greyish green	85-		
1	911 555 507 00	lining for windscreen frame part	/L	1	COUPE
		702	black		
		1HH	blue		
		3MX	burgundy		
		5FX	grey-beige	-84	
		4RB	brown		
		4JX	greyish green	85-	
(1)	911 555 508 00	lining for windscreen frame part	/R	1	COUPE
		702	black		
		1HH	blue		
		3MX	burgundy		
		5FX	grey-beige	-84	
		4RB	brown		
		4JX	greyish green	85-	
2	A 901 555 505 20	lining door pillar		2	COUPE
		702	black		

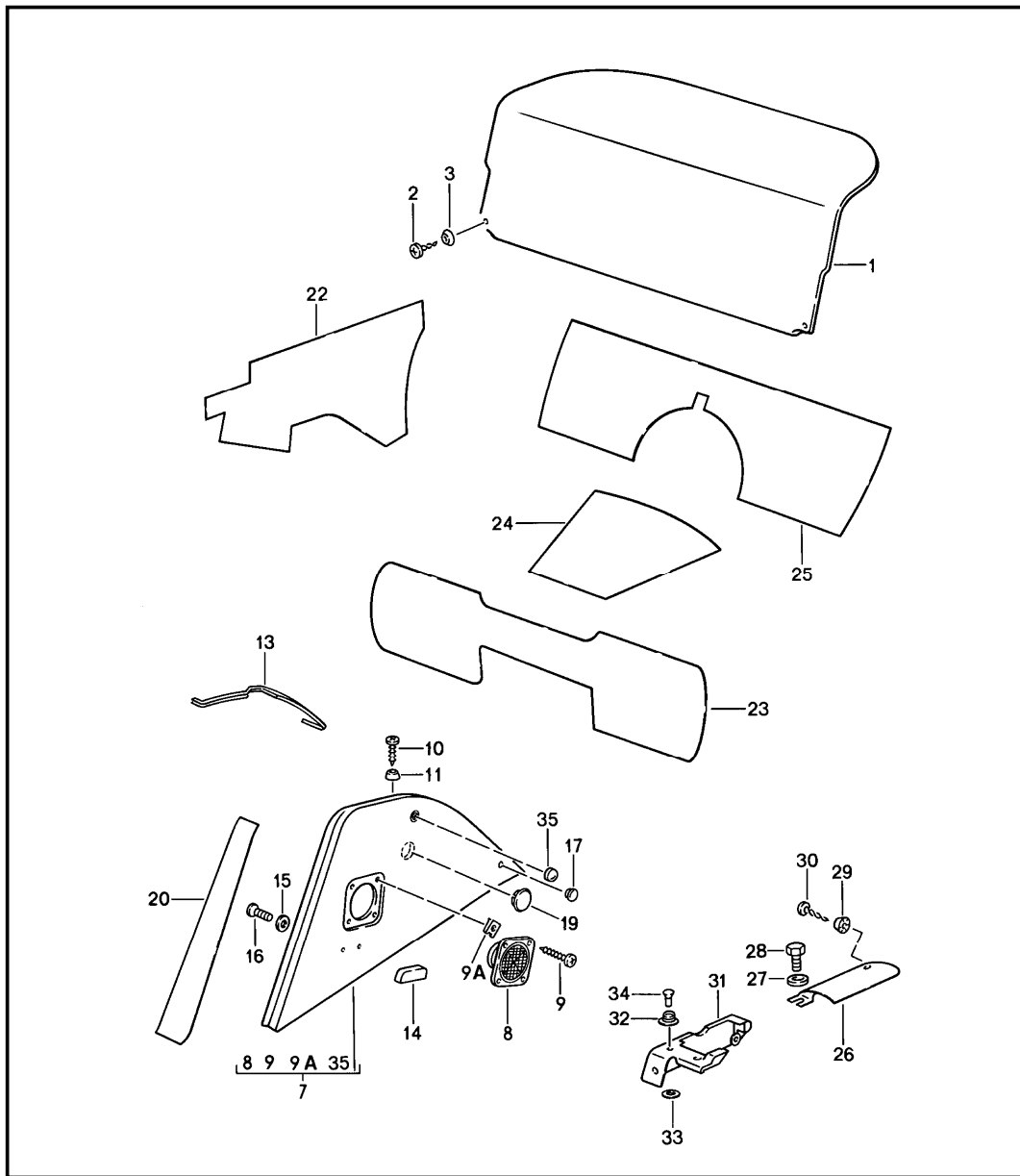
Model	Year	MG	SG	Illustration	Restrictions	UPD	8:06	23.01.2010	PORSCHE	PET	PORSCHE
911	1986	8	07	807-06		248					

Pos	Part Number	Description	Remark	Qty	Model	Pos	Part Number	Description	Remark	Qty	Model						
2	911 555 505 01	1HH blue	/L	1	COUPE	(3)	911 555 055 15	roof lining		1	COUPE M650						
		3MX burgundy						for cars with sunroof									
		5FX grey-beige						-84				700 black					
		4RB brown						85-				500 beige	-84				
		4JX greyish green						85-				8LC burgundy	-84				
		702 black										7FC grey-beige	-84				
		1HH blue										1HH blue					
		3MX burgundy										4RB brown					
		5FX grey-beige						-84				4JX greyish green	85-				
		4RB brown										4	999 591 336 01	fastening clamp	/H	5	COUPE
(2)	911 555 506 01	lining door pillar	/R	1	COUPE	4A	999 591 342 02	u-clamp		5	COUPE						
		4JX greyish green						85-				5	911 555 561 00	tension wire		2	COUPE
		702 black										5	901 555 511 20	transverse strut 1 + 2		2	COUPE
		1HH blue										6	901 555 512 20	transverse strut 3		1	COUPE
		3MX burgundy										7	901 555 513 20	transverse strut 4		1	COUPE
		5FX grey-beige						-84				8	644 555 515 00	rubber profile		8	COUPE
		4RB brown										9	911 565 019 40	interior lining		1	TARGA
		4JX greyish green						85-					702 black				
		roof lining for cars without sunroof										10	911 565 513 40	padding	/L	1	TARGA
		3						911 555 055 05				700 black		1	COUPE	11	911 565 514 40
500 beige	-84		12	901 565 511 40	cover padding		1		TARGA								
8LC burgundy			13	900 145 038 07	oval-head sheetmetal screw B 3,5 X 16		4		TARGA								
7FC grey-beige	-84		14	999 591 102 17	washer 3,5 90 DEG		4		TARGA								
1HH blue			(15)	911 565 157 40	bleeding	/L	1		TARGA								
4RB brown			15	911 565 158 40	bleeding	/R	1		TARGA								
4JX greyish green	85-																

Model	Year	MG	SG	Illustration	Restrictions	UPD	8:06	23.01.2010	PORSCHE	PET	PORSCHE
911	1986	8	07	807-06		248					

Pos	Part Number	Description	Remark	Qty	Model	Pos	Part Number	Description	Remark	Qty	Model
16	911 565 132 00	filler piece		2	TARGA						
19	999 703 186 40	plastic plug		4							
20	999 591 384 40	cap		4							
(21)	911 565 091 45	gasket		1							
21	911 565 091 46	seal roll bar		1							
22	911 565 147 41	rubber stop		2							
23	N 013 953 2	tapping screw B 2,9 X 13		2							

Model	Year	MG	SG	Illustration	Restrictions	UPD	8:06	23.01.2010	PORSCHE	PET	PORSCHE
911	1986	8	07	807-07		248					



Pos	Part Number	Description	Remark	Qty	Model
1	911 555 075 60	interior equipment rear back wall lining carpet	-85	1	CABRIO
	70E	black			
	30B	blue			
	40E	brown			
	80E	burgundy			
	60A	grey			
	2FL	grey-beige	-84		
	80S	can-can-red			
	6JD	dark green			
	1VD	champagne	85		
	8JK	greyish green	85		
	2YN	white	85		
1	911 555 075 61	back wall lining for manual folding top carpet	86-	1	
	70E	black			
	30B	blue			
	40E	brown			
	80E	burgundy			
	60A	grey			
	8JK	greyish green			
	2FL	grey-beige			
(1)	911 555 075 66	back wall lining carpet	86-	1	M439
	70E	black			
	30B	blue			
	40E	brown			
	80E	burgundy			



Model	Year	MG	SG	Illustration	Restrictions	UPD	8:06	23.01.2010	PORSCHE	PET	PORSCHE
911	1986	8	07	807-07		248					

Pos	Part Number	Description	Remark	Qty	Model	Pos	Part Number	Description	Remark	Qty	Model
	60A	grey				(7)	911 555 071 61	side trim panel with loudspeaker opening carpet	/L	-85	1
	8JK	greyish green									
	2FL	grey-beige					70E	black			
2	900 145 072 07	tapping screw B 3,5 X 22		2			30B	blue			
3	999 591 102 17	washer 3,5 90 DEG		2			40E	brown			
(7)	911 555 071 60	side trim panel without loudspeaker carpet	/L	-84	1		80E	burgundy			
	70E	black					6JD	dark green			
	30B	blue					1VD	champagne			
	40E	brown					80S	can-can-red			
	80E	burgundy					60A	grey			
	2FL	grey-beige		-84		(7)	911 555 072 61	side trim panel with loudspeaker opening carpet	/R	-85	1
	6JD	dark green					70E	black			
	1VD	champagne					30B	blue			
	80S	can-can-red					40E	brown			
	60A	grey					80E	burgundy			
(7)	911 555 072 60	side trim panel without loudspeaker carpet	/R	-84	1		6JD	dark green			
	70E	black					1VD	champagne			
	30B	blue					80S	can-can-red			
	40E	brown					60A	grey			
	80E	burgundy					8JK	greyish green		85	
	2FL	grey-beige		-84			2YN	white		85	
	6JD	dark green				(7)	911 555 071 93	side trim panel with loudspeaker opening carpet	/L	86-	1
	1VD	champagne					70E	black			
	80S	can-can-red					30B	blue			
	60A	grey					40E	brown			

Model	Year	MG	SG	Illustration	Restrictions	UPD	8:06	23.01.2010	PORSCHE	PET	PORSCHE
911	1986	8	07	807-07		248					

Pos	Part Number	Description	Remark	Qty	Model	Pos	Part Number	Description	Remark	Qty	Model		
	80E	burgundy				(7)	911 555 072 91	side trim panel with loudspeaker opening carpet	/R	86-	1	M439	
	2FL	grey-beige	84,	86									
	6JD	dark green					70E	black					
	1VD	champagne					30B	blue					
	80S	can-can-red					40E	brown					
	60A	grey					80E	burgundy					
7	911 555 072 93	side trim panel with loudspeaker opening carpet	/R	86-	1		2FL	grey-beige	84,	86			
	70E	black					6JD	dark green					
	30B	blue					1VD	champagne					
	40E	brown					80S	can-can-red					
	80E	burgundy					60A	grey					
	2FL	grey-beige	84,	86		8	928 645 423 00	loudspeaker grille			2		
	6JD	dark green				9	900 143 132 07	tapping screw B 3,9 X 16			8		
	1VD	champagne				9A	999 507 071 00	speed nut B 3,9			8		
	80S	can-can-red				10	N 014 093 3	tapping screw 4,2 X 13			4		
	60A	grey				11	999 591 116 07	cone washer			4		
(7)	911 555 071 91	side trim panel with loudspeaker opening carpet	/L	86-	1	M439	(13)	911 555 417 60	rosette	/L	-85	1	
	70E	black					(13)	911 555 417 00	rosette	/L	86-	1	
	30B	blue					70B	black					
	40E	brown				(13)	911 555 417 66	rosette	/L	86-	1	M439	
	80E	burgundy					70B	black					
	2FL	grey-beige	84,	86		(13)	911 555 418 60	rosette	/R	-85	1		
	6JD	dark green				13	911 555 418 00	rosette	/R	86-	1		
	1VD	champagne					70B	black					
	80S	can-can-red				(13)	911 555 418 66	rosette	/R	86-	1	M439	
	60A	grey					70B	black					
						14	477 857 375 A	support for seatbelt			2		

Model	Year	MG	SG	Illustration	Restrictions	UPD	8:06	23.01.2010	PORSCHE	PET	PORSCHE
911	1986	8	07	807-07		248					

Pos	Part Number	Description	Remark	Qty	Model	Pos	Part Number	Description	Remark	Qty	Model
	01C	black					KZ5	brown			
15	N 011 665 3	washer B 5,3		4			LG6	dark green			
16	900 146 003 02	oval-head screw M 5 X 10		4			LG7	burgundy			
17	N 900 685 01	push button		2			80S	can-can-red			
19	911 555 523 66	cap	86-	2	M439		8YD	pearl white			
	70B	black for emergency control					1VD	champagne			
(20)	911 555 757 40	cover lock pillar leatherette	/L	1			5JX	greyish green	85-		
	05T	black				20	911 555 758 75	cover lock pillar leather	/R	1	
	1HH	blue					KZ2	black			
	4RB	brown					KZ3	blue			
	3MK	burgundy					KZ4	grey-beige	84,	86	
	4FK	grey-beige	84,	86			KZ5	brown			
	4JX	greyish green					LG6	dark green			
20	911 555 758 40	cover lock pillar leatherette	/R	1			LG7	burgundy			
	05T	black					80S	can-can-red			
	1HH	blue					8YD	pearl white			
	4RB	brown					1VD	champagne			
	3MK	burgundy					5JX	greyish green	85-		
	4FK	grey-beige	84,	86			6GX	ocean blue	85-		
	4JX	greyish green					5NW	wild buffalo	85-		
(20)	911 555 757 75	cover lock pillar leather	/L	1		(22)	911 555 171 60	carpet cover rear bulkhead carpet	/L	-85	1
	KZ2	black					70E	black			
	KZ3	blue					30B	blue			
	KZ4	grey-beige	84,	86			40E	brown			
							80E	burgundy			

Model	Year	MG	SG	Illustration	Restrictions	UPD	8:06	23.01.2010	PORSCHE	PET	PORSCHE
911	1986	8	07	807-07		248					

Pos	Part Number	Description	Remark	Qty	Model	Pos	Part Number	Description	Remark	Qty	Model
	60A	grey					8JK	greyish green	85-		
	6JD	dark green					2YN	white	85-		
	1VD	champagne				(22)	911 555 772 61	carpet cover rear bulkhead carpet	/R	86-	1
	80S	can-can-red					70E	black			
	8JK	greyish green	85-				30B	blue			
	2YN	white	85-				40E	brown			
22	911 555 172 60	carpet cover rear bulkhead carpet	/R	-85	1		80E	burgundy			
	70E	black					60A	grey			
	30B	blue					2FL	grey-beige	84,	86	
	40E	brown					6JD	dark green			
	80E	burgundy					1VD	champagne			
	60A	grey					80S	can-can-red			
	6JD	dark green					8JK	greyish green	85-		
	1VD	champagne					2YN	white	85-		
	80S	can-can-red				(22)	911 555 771 65	carpet cover rear bulkhead carpet	/L	86-	1
	8JK	greyish green	85-				70E	black			
	2YN	white	85-				30B	blue			
(22)	911 555 771 61	carpet cover rear bulkhead carpet	/L	86-	1		40E	brown			
	70E	black					80E	burgundy			
	30B	blue					60A	grey			
	40E	brown					2FL	grey-beige	84,	86	
	80E	burgundy					6JD	dark green			
	60A	grey					1VD	champagne			
	2FL	grey-beige	84,	86			80S	can-can-red			
	6JD	dark green					8JK	greyish green	85-		
	1VD	champagne					2YN	white	85-		
	80S	can-can-red									

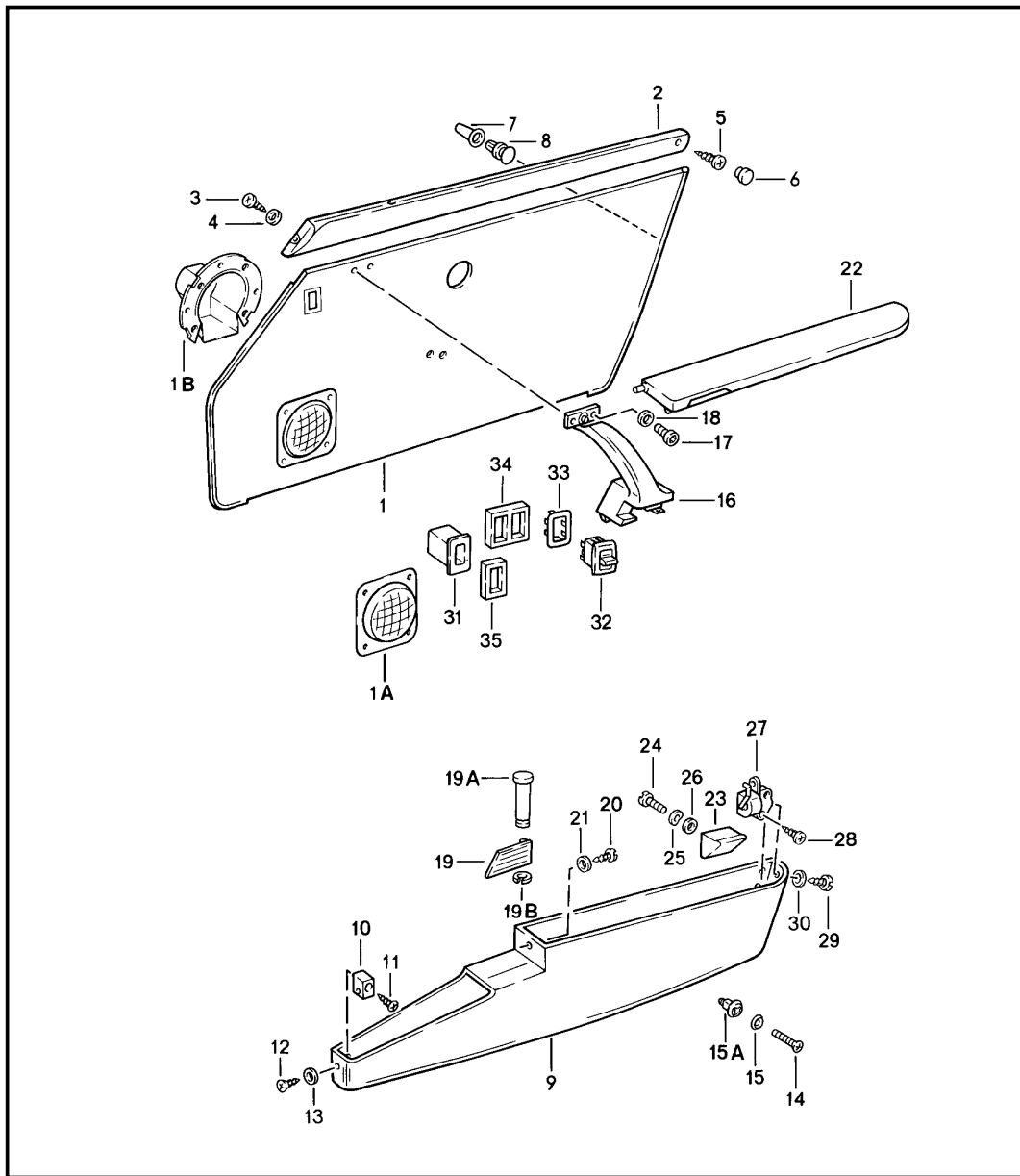
Model	Year	MG	SG	Illustration	Restrictions	UPD	8:06	23.01.2010	PORSCHE	PET	PORSCHE
911	1986	8	07	807-07		248					

Pos	Part Number	Description	Remark	Qty	Model	Pos	Part Number	Description	Remark	Qty	Model
(22)	911 555 772 65	carpet cover rear bulkhead carpet	/R	86-	1	M439		70E black			
		70E black						40E brown			
		30B blue						30B dark blue			
		40E brown						80E burgundy			
		80E burgundy						60A grey			
		60A grey						2FL grey-beige	84,	86	
		2FL grey-beige	84,	86				6JD dark green			
		6JD dark green						80S can-can-red			
		1VD champagne						1VD champagne			
		80S can-can-red						8JK greyish green		85-	
		8JK greyish green		85-				2YN white		85-	
		2YN white		85-				25 911 551 054 03	/H	1	
		adhesive carpet seat well cut pile						70E black			
23	911 551 051 04	adhesive carpet heel plate cut pile			1			40E brown			
		70E black						30B dark blue			
		40E brown						80E burgundy			
		30B dark blue						60A grey			
		80E burgundy						2FL grey-beige	84, 86		
		60A grey						6JD dark green			
		2FL grey-beige	84,	86				80S can-can-red			
		6JD dark green						1VD champagne			
		80S can-can-red						8JK greyish green		85-	
		1VD champagne						2YN white		85-	
		8JK greyish green		85-				26 911 555 077 60	/L	1	
		2YN white		85-				700 black			
		adhesive carpet seat well centre cut pile			1			(26) 911 555 078 60	/R	1	
24	911 551 023 00	adhesive carpet seat well centre cut pile						700 black			
								rear cover moulding leatherette			
								700 black			

Model	Year	MG	SG	Illustration	Restrictions	UPD	8:06	23.01.2010	PORSCHE	PET	PORSCHE
911	1986	8	07	807-07		248					

Pos	Part Number	Description	Remark	Qty	Model	Pos	Part Number	Description	Remark	Qty	Model
27	900 025 007 02	washer 8,4		6							
28	900 075 085 02	hexagon-head bolt M 8 X 20	-85	6							
(28)	900 067 057 02	pan-head screw M 8 X 20	86-	6							
29	999 591 116 07	cone washer		2							
30	N 014 093 3	tapping screw 4,2 X 13		2							
(31)	911 555 763 63	cover	/L -85	1							
(31)	911 555 764 63	cover	/R -85	1							
31 A	911 555 763 61	cover	/L 86-	1							
	70B	black									
(31) A	911 555 764 61	cover	/R 86-	1							
	70B	black									
31	911 555 763 62	cover	/L 86-	1							
	70B	black									
(31)	911 555 764 62	cover	/R 86-	1							
	70B	black									
32	999 591 835 17	snap fastener lower part		2							
33	900 025 001 02	washer A 3,2		2							
34	999 190 162 37	blind rivet		2							
35	911 561 434 00	cap	86-	2							
	70B	black									

Model	Year	MG	SG	Illustration	Restrictions	UPD	8:06	23.01.2010	PORSCHE	PET	PORSCHE
911	1986	8	07	807-10		248					



Pos	Part Number	Description	Remark	Qty	Model
(1)	911 555 931 40	interior equipment doors			
		door trim panel leatherette	/L	1	CARRERA
		3MK burgundy			
		4FK grey-beige	84,	86	
		05T black			
		1HH blue			
		4RB brown			
		4JX greyish green		85-	
1	911 555 932 40	door trim panel leatherette	/R	1	CARRERA
		3MK burgundy			
		4FK grey-beige	84,	86	
		05T black			
		1HH blue			
		4RB brown			
		4JX greyish green		85-	
(1)	911 555 931 50	door trim panel leather	/L	1	
		LG7 burgundy			
		KZ4 grey-beige	84,	86	
		LG6 dark green			
		KZ2 black			
		KZ3 blue			
		KZ5 brown			
		KZ6 can-can-red			
		LG4 pearl white			
		LG5 champagne			
		QC2 greyish green		85-	
		PY9 ocean blue		85-	

Model	Year	MG	SG	Illustration	Restrictions	UPD	8:06	23.01.2010	PORSCHE	PET	PORSCHE
911	1986	8	07	807-10		248					

Pos	Part Number	Description	Remark	Qty	Model	Pos	Part Number	Description	Remark	Qty	Model
	PZ1	wild buffalo	85-				3JV	greyish green-white			
(1)	911 555 932 50	door trim panel leather	/R	1			9FN	grey-beige-white	86-		
	LG7	burgundy				(1)	911 555 931 42	door trim panel all-cloth pin stripe flannel	/L	1	M526
	KZ4	grey-beige	84,	86			8BF	anthracite			
	LG6	dark green					2TF	brown			
	KZ2	black					6GF	blue			
	KZ3	blue					1MF	burgundy			
	KZ5	brown					9JF	greyish green			
	KZ6	can-can-red				(1)	911 555 932 42	door trim panel all-cloth pin stripe flannel	/R	1	M526
	LG4	pearl white					8BF	anthracite			
	LG5	champagne					2TF	brown			
	QC2	greyish green	85-				6GF	blue			
	PY9	ocean blue	85-				1MF	burgundy			
(1)	911 555 931 42	door trim panel all-cloth pin stripe velour	/L	1	M526		9JF	greyish green			
	7BN	black-white				(1)	911 555 931 42	door trim panel all-cloth porsche lettering cloth	/L	1	M526
	3NN	brown-beige					2CZ	black			
	8GJ	blue-white					7NZ	brown			
	1MJ	burgundy-white					6HZ	blue			
	3JV	greyish green-white					5LZ	burgundy			
	9FN	grey-beige-white	86-				1JK	greyish green			
(1)	911 555 932 42	door trim panel all-cloth pin stripe velour	/R	1	M526		5UY	grey-beige	86-		
	7BN	black-white				(1)	911 555 932 42	door trim panel all-cloth porsche lettering cloth	/R	1	M526
	3NN	brown-beige					2CZ	black			
	8GJ	blue-white					7NZ	brown			
	1MJ	burgundy-white					6HZ	blue			



Model	Year	MG	SG	Illustration	Restrictions	UPD	8:06	23.01.2010	PORSCHE	PET	PORSCHE
911	1986	8	07	807-10		248					

Pos	Part Number	Description	Remark	Qty	Model	Pos	Part Number	Description	Remark	Qty	Model
	5LZ	burgundy					4JX	greyish green	85-		
	1JK	greyish green				(2) A	911 555 083 46	cover strip leatherette	/RL/L	84	1 CARRERA
	5UY	grey-beige	86-				7AE	black			
1A	911 555 013 01	loudspeaker grille		2			30B	dark blue			
1B	911 555 217 00	housing		2			3MX	burgundy			
1C	999 507 226 01	clamping washer		6			4RB	brown			
(2) A	911 555 083 45	cover strip leatherette	/LL/L	84	1 CARRERA	(2) A	911 555 084 45	cover strip leatherette	/RL/R	84	1 CARRERA
	7AE	black					7AE	black			
	30B	dark blue					30B	dark blue			
	3MX	burgundy					3MX	burgundy			
	4RB	brown					4RB	brown			
2 A	911 555 084 46	cover strip leatherette	/LL/R	84	1 CARRERA	(2)	911 555 083 48	cover strip leatherette	/RL/L		1
	7AE	black					7AE	black			
	30B	dark blue					30B	dark blue			
	3MX	burgundy					3MX	burgundy			
	4RB	brown					4RB	brown			
(2)	911 555 083 47	cover strip leatherette	/LL/L	1			4JX	greyish green	85-		
	7AE	black				2	911 555 084 47	cover strip leatherette	/RL/R		1
	30B	dark blue					7AE	black			
	3MX	burgundy					30B	dark blue			
	4RB	brown					3MX	burgundy			
	4JX	greyish green	85-				4RB	brown			
2	911 555 084 48	cover strip leatherette	/LL/R	1			4JX	greyish green	85-		
	7AE	black				(2) A	911 555 083 81	cover strip leather	/LL/L		1
	30B	dark blue					KZ2	black			
	3MX	burgundy					KZ3	blue			
	4RB	brown									

Model	Year	MG	SG	Illustration	Restrictions	UPD	8:06	23.01.2010	PORSCHE	PET	PORSCHE
911	1986	8	07	807-10		248					

Pos	Part Number	Description	Remark	Qty	Model	Pos	Part Number	Description	Remark	Qty	Model
	KZ5	brown					KZ5	brown			
	LG7	burgundy					LG7	burgundy			
	QC2	greyish green	85-				QC2	greyish green	85-		
	LG6	dark green					LG6	dark green			
	PY9	ocean blue	85-				PY9	ocean blue	85-		
	PZ1	wild buffalo	85-				PZ1	wild buffalo	85-		
2	A 911 555 084 82	cover strip leather	/LL/R	1		(2)	911 555 083 80	cover strip leather	/RL/L	1	
	KZ2	black					KZ2	black			
	KZ3	blue					KZ3	blue			
	KZ5	brown					KZ5	brown			
	LG7	burgundy					LG7	burgundy			
	QC2	greyish green	85-				QC2	greyish green	85-		
	LG6	dark green					LG6	dark green			
	PY9	ocean blue	85-				PY9	ocean blue	85-		
	PZ1	wild buffalo	85-				PZ1	wild buffalo	85-		
(2)	911 555 083 79	cover strip leather	/LL/L	1		2	911 555 084 79	cover strip leather	/RL/R	1	
	KZ2	black					KZ2	black			
	KZ3	blue					KZ3	blue			
	KZ5	brown					KZ5	brown			
	LG7	burgundy					LG7	burgundy			
	QC2	greyish green	85-				QC2	greyish green	85-		
	LG6	dark green					LG6	dark green			
	PY9	ocean blue	85-				PY9	ocean blue	85-		
	PZ1	wild buffalo	85-				PZ1	wild buffalo	85-		
2	911 555 084 80	cover strip leather	/LL/R	1		3	900 145 071 07	tapping screw B 3,5 X 13		2	
	KZ2	black				4	999 591 116 07	cone washer 4,5 90 DEG		2	
	KZ3	blue									

Model	Year	MG	SG	Illustration	Restrictions	UPD	8:06	23.01.2010	PORSCHE	PET	PORSCHE
911	1986	8	07	807-10		248					

Pos	Part Number	Description	Remark	Qty	Model	Pos	Part Number	Description	Remark	Qty	Model
5	N 013 958 7	tapping screw B 3,5 X 13		2			30B	blue/blue			
6	999 703 077 40	cap		2			40E	brown/brown			
7	999 591 311 40	bush		6			80E	burgundy/burgundy			
8	823 867 299	clip		6			60A	light grey/black			
(9)	911 555 037 04	package box cut pile carpet/ wrapping strap leatherette	/L	1	CARRERA		1VD	champagne/champagne			
	70E	black/black					80S	can-can-red/can-can-red			
	40E	brown/brown					6JD	dark green/dark green			
	30B	blue/blue					2FL	grey-beige/grey-beige	84,	86	
	80E	burgundy/burgundy					5JX	greyish green/grey-green		85-	
	2FL	grey-beige/grey-beige	84,	86			2YN	white/pearl white		85-	
	60A	light grey/black					6GX	blue/ocean blue		85-	
	4JX	greyish green/grey-green		85-			5NW	brown/wild buffalo		85-	
9	911 555 038 04	package box cut pile carpet/ wrapping strap leatherette	/R	1	CARRERA	9	930 555 038 03	package box cut pile carpet/ wrapping strap leather	/R	1	
	70E	black/black					70E	black/black			
	40E	brown/brown					30B	blue/blue			
	30B	blue/blue					40E	brown/brown			
	80E	burgundy/burgundy					80E	burgundy/burgundy			
	2FL	grey-beige/grey-beige	84,	86			60A	light grey/black			
	60A	light grey/black					1VD	champagne/champagne			
	4JX	greyish green/grey-green		85-			80S	can-can-red/can-can-red			
(9)	930 555 037 03	package box cut pile carpet/ wrapping strap leather	/L	1			6JD	dark green/dark green			
	70E	black/black					2FL	grey-beige/grey-beige	84,	86	
							5JX	greyish green/grey-green		85-	
							2YN	white/pearl white		85-	
							6GX	blue/ocean blue		85-	
							5NW	brown/wild buffalo		85-	
						10	911 555 391 00	mounting		2	

Model	Year	MG	SG	Illustration	Restrictions	UPD	8:06	23.01.2010	PORSCHE	PET	PORSCHE
911	1986	8	07	807-10		248					

Pos	Part Number	Description	Remark	Qty	Model	Pos	Part Number	Description	Remark	Qty	Model
11	900 143 046 07	tapping screw B 4,8 X 16		2			4RB	brown			
12	900 145 079 07	tapping screw B 4,8 X 19		2			7LD	burgundy			
13	999 704 605 07	cone washer		2			5JX	greyish green			
14	900 269 058 07	countersunk-head screw M 4 X 25	-84	6			1VD	champagne			
(14)	900 145 026 07	tapping screw B 4,2 X 22	85-	8			80S	can-can-red			
15	999 591 103 17	protection washer	-84	6			6JD	dark green			
15	999 591 103 17	protection washer	85-	8			8YD	pearl white			
15A	999 591 717 40	expander nut B 4,2	85-	8			6GX	ocean blue			
(16)	911 555 097 00	grab handle leatherette	/L	1		16	911 555 098 51	grab handle leather	/R	86-	1
	041	black					6FL	grey-beige			
	1HH	blue					1AJ	black			
	4RB	brown					30B	blue			
	3MK	burgundy					4RB	brown			
	5FX	grey-beige	84,	86			7LD	burgundy			
	9JN	greyish green		85-			5JX	greyish green			
16	911 555 098 00	grab handle leatherette	/R	1			1VD	champagne			
	041	black					80S	can-can-red			
	1HH	blue					6JD	dark green			
	4RB	brown					8YD	pearl white			
	3MK	burgundy					6GX	ocean blue			
	5FX	grey-beige	84,	86			5NW	wild buffalo			
	9JN	greyish green		85-			6FL	grey-beige		86-	
(16)	911 555 097 51	grab handle leather	/L	1		16 A	911 555 098 50	grab handle leather	/R		1
	1AJ	black					1AJ	black			
	30B	blue					30B	blue			
							4RB	brown			
							7LD	burgundy			

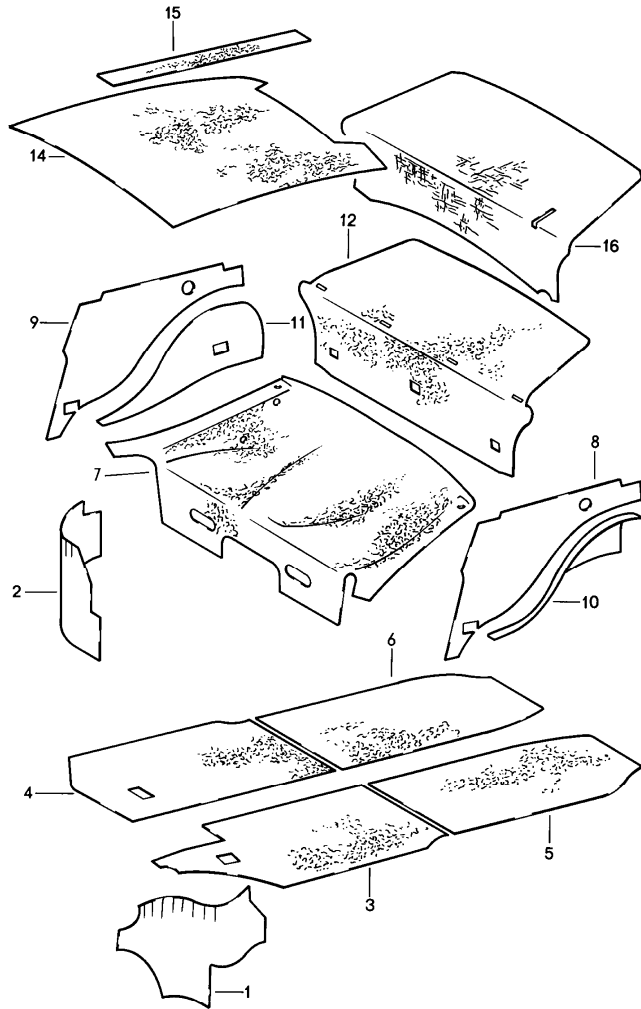
Model	Year	MG	SG	Illustration	Restrictions	UPD	8:06	23.01.2010	PORSCHE	PET	PORSCHE
911	1986	8	07	807-10		248					

Pos	Part Number	Description	Remark	Qty	Model	Pos	Part Number	Description	Remark	Qty	Model
	5JX	greyish green				(22)	911 555 040 03	lid lacquered	/R	1	
	1VD	champagne					041	black			
	80S	can-can-red				(22) A	911 555 039 01	lid lacquered	/L	1	
	6JD	dark green					1HH	blue			
	8YD	pearl white					4RB	brown			
	6GX	ocean blue					3MK	burgundy			
	5NW	wild buffalo					5FX	grey-beige	84,	86	
	6FL	grey-beige	86-				9JN	greyish green		85-	
17	N 014 761 2	pan-head screw M 6 X 12		4		(22)	911 555 039 03	lid lacquered	/L	1	
		M 6 X 12					1HH	blue			
18	N 012 226 5	spring washer B 6		4			4RB	brown			
(19)	911 531 251 00	door opener	/L	1			3MK	burgundy			
	70B	black					5FX	grey-beige	84,	86	
19	911 531 252 00	door opener	/R	1			9JN	greyish green		85-	
	70B	black				22 A	911 555 040 01	lid lacquered	/R	1	
19A	911 555 583 00	bolt		2			1HH	blue			
19A	911 555 583 01	bolt		2			4RB	brown			
19B	900 116 002 01	lock washer		2			3MK	burgundy			
20	900 145 075 07	tapping screw B 4,2 X 16		2			5FX	grey-beige	84,	86	
(22) A	911 555 039 00	lid lacquered	/L	1			9JN	greyish green		85-	
	041	black				22	911 555 040 03	lid lacquered	/R	1	
(22)	911 555 039 03	lid lacquered	/L	1			1HH	blue			
	041	black					4RB	brown			
(22) A	911 555 040 00	lid lacquered	/R	1			3MK	burgundy			
	041	black					5FX	grey-beige	84,	86	
							9JN	greyish green		85-	

Model	Year	MG	SG	Illustration	Restrictions	UPD	8:06	23.01.2010	PORSCHE	PET	PORSCHE
911	1986	8	07	807-10		248					

Pos	Part Number	Description	Remark	Qty	Model	Pos	Part Number	Description	Remark	Qty	Model
(22)	911 555 039 52	lid leather	/L	85-	1	24	900 146 011 02	oval-head screw AM 4 X 10		2	
	1AJ	black				25	N 012 224 3	spring washer B 4		2	
	30B	blue				26	900 151 028 02	washer B 4,3		2	
	4RB	brown				(27) A	911 555 045 03	bearing	/L	-85	1
	7LD	burgundy				(27)	911 555 045 03	bearing	/L		1
	5JX	greyish green				(27) A	911 555 046 03	bearing	/R	-85	1
	1VD	champagne				(27)	911 555 046 03	bearing	/R		1
	80S	can-can-red				28	900 143 046 07	tapping screw B 4,8 X 16		4	
	6JD	dark green				29	900 145 079 07	tapping screw B 4,8 X 19		2	
	8YD	pearl white				30	999 704 605 07	cone washer		2	
	6GX	ocean blue				31	911 613 623 01	grommet		3	
	5NW	wild buffalo				32	911 613 621 03	switch		3	
	6FL	grey-beige		86-		33	911 613 635 20	assembly frame		3	
22	911 555 040 52	lid leather	/R	85-	1						
	1AJ	black									
	30B	blue									
	4RB	brown									
	7LD	burgundy									
	5JX	greyish green									
	1VD	champagne									
	80S	can-can-red									
	6JD	dark green									
	8YD	pearl white									
	6GX	ocean blue									
	5NW	wild buffalo									
	6FL	grey-beige		86-							
23	914 555 059 10	support			2						

Model	Year	MG	SG	Illustration	Restrictions	UPD	8:07	23.01.2010	PORSCHE	PET	PORSCHE
911	1986	8	07	807-15		248					



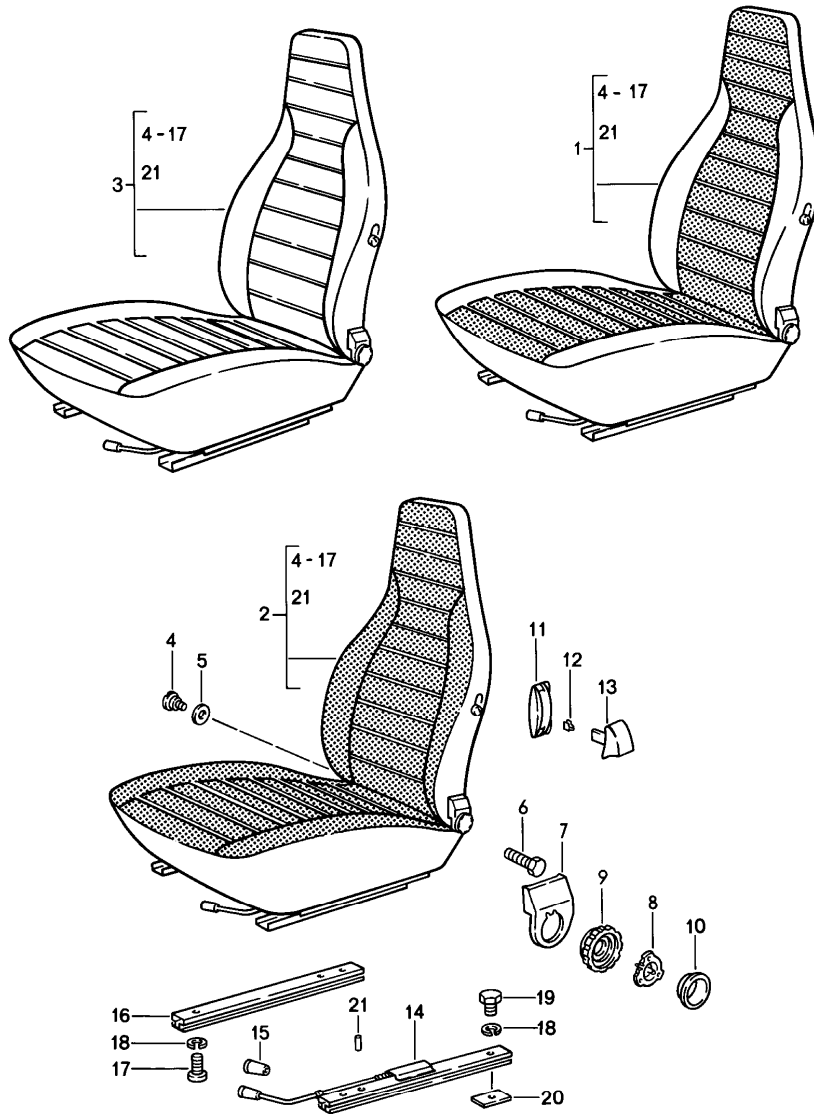
Pos	Part Number	Description	Remark	Qty	Model
		body sound proofing 1			
(1)	A 911 556 902 00	damping mat	/L	1	TARGA/CABRIO
1	A 911 556 902 00	damping mat wheel housing	/L	1	COUPE
(2)	A 911 556 902 00	damping mat	/R	1	COUPE
2	A 911 556 902 00	damping mat wheel housing	/R	1	TARGA/CABRIO
(1-6)	911 556 902 00	damping mat 1000 X 500		*	
3	A 911 556 902 00	damping mat	/LL/L	1	COUPE
(3)	A 911 556 902 00	damping mat	/LL/L	1	TARGA/CABRIO
(3)	A 911 556 902 00	damping mat floor	/RL/L	1	
4	A 911 556 902 00	damping mat	/LL/R	1	COUPE
(4)	A 911 556 902 00	damping mat	/LL/R	1	TARGA/CABRIO
(4)	A 911 556 902 00	damping mat floor	/RL/R	1	
5	A 911 556 902 00	damping mat floor	/L	1	
6	A 911 556 902 00	damping mat floor	/R	1	
(7)	930 556 233 02	damping mat seat well		1	
8-11	999 913 006 00	sound absorber		*	
8	A 999 913 006 00	sound absorber	/L	1	COUPE
(8)	A 999 913 006 00	sound absorber wheel housing panel upper	/L	1	TARGA/CABRIO
9	A 999 913 006 00	sound absorber	/R	1	COUPE
(9)	A 999 913 006 00	sound absorber wheel housing panel upper	/R	1	TARGA/CABRIO
10	A 999 913 006 00	sound absorber	/L	1	COUPE

Model	Year	MG	SG	Illustration	Restrictions	UPD	8:07	23.01.2010	PORSCHE	PET	PORSCHE
911	1986	8	07	807-15		248					

Pos	Part Number	Description	Remark	Qty	Model	Pos	Part Number	Description	Remark	Qty	Model
(10)	A 999 913 006 00	sound absorber wheel housing panel lower	/L	1	TARGA/CABRIO						
11	A 999 913 006 00	sound absorber	/R	1	COUPE						
(11)	A 999 913 006 00	sound absorber wheel housing panel lower	/R	1	TARGA/CABRIO						
12	911 556 239 06	damping mat		1	COUPE/TARGA						
12	911 556 239 61	damping mat for rear panel		1	CABRIO						
14	911 556 023 01	damping mat roof		1							
15	911 556 248 00	damping strip		4							
(16)	911 556 891 01	damping mat		1	CARRERA						
(16)	A 930 556 891 02	damping mat	-85	1	TURBO						
(16)	930 556 891 02	damping mat for engine compartment		1	TURBO						



Model	Year	MG	SG	Illustration	Restrictions	UPD	8:07	23.01.2010	PORSCHE	PET	PORSCHE
911	1986	8	08	808-00		248					



Pos	Part Number	Description	Remark	Qty	Model
		front seat complete	-84		
1	A 911 521 001 82	front seat leatherette/ centre part checker board velour	/L	1	CARRERA
	LD5	black/ light grey-black			
	LJ8	blue/ blue-grey			
	LD6	brown/ brown-grey			
	LJ9	burgundy/ burgundy-grey			
	LK1	grey-beige/ light grey-black			
(1)	A 911 521 002 82	front seat leatherette/ centre part checker board velour	/R	1	CARRERA
	LD5	black/ light grey-black			
	LJ8	blue/ blue-grey			
	LD6	brown/ brown-grey			
	LJ9	burgundy/ burgundy-grey			
	LK1	grey-beige/ light grey-black			
1	A 911 521 001 82	front seat leatherette/ centre part uni-coloured cloth	/L	1	CARRERA
	LK3	brown-brown			
	LK5	burgundy-burgundy			
	LK6	grey-beige/grey-beige			
	JM2	black-black			
	JM5	blue/blue			

Model	Year	MG	SG	Illustration	Restrictions	UPD	8:07	23.01.2010	PORSCHE	PET	PORSCHE
911	1986	8	08	808-00		248					

Pos	Part Number	Description	Remark	Qty	Model	Pos	Part Number	Description	Remark	Qty	Model
(1)	A 911 521 002 82	front seat leatherette/ centre part uni-coloured cloth	/R	1	CARRERA	1	A 911 521 001 82	front seat leatherette/ centre part porsche lettering cloth	/L	1	CARRERA
	LK3	brown-brown					LR6	black/black			
	LK5	burgundy-burgundy					LR7	brown/brown			
	LK6	grey-beige/grey-beige					MN1	blue/blue			
	JM2	black-black					MN2	burgundy/burgundy			
	JM5	blue/blue					LR8	grey-beige/grey-beige			
1	A 911 521 001 82	front seat leatherette/ centre part pin stripe velour	/L	1	CARRERA	(1)	A 911 521 002 82	front seat leatherette/ centre part porsche lettering cloth	/R	1	CARRERA
	JN1	black/ black-white					LR6	black/black			
	LT1	blue/ blue-white					LR7	brown/brown			
	JN2	brown/ brown-beige					MN1	blue/blue			
	LT2	burgundy/ burgundy-white					MN2	burgundy/burgundy			
	LD4	grey-beige/ grey-beige-white					LR8	grey-beige/grey-beige			
(1)	A 911 521 002 82	front seat leatherette/ centre part pin stripe velour	/R	1	CARRERA	1	A 911 521 001 85	front seat leather/ centre part checker board velour	/L	1	
	JN1	black/ black-white					LH1	black/ light grey-black			
	LT1	blue/ blue-white					LH3	blue/ blue-grey			
	JN2	brown/ brown-beige					LH2	brown/ brown-grey			
	LT2	burgundy/ burgundy-white					LH4	burgundy/ burgundy-grey			
	LD4	grey-beige/ grey-beige-white					LH6	grey-beige/ light grey-black			
(1)	A 911 521 002 85	front seat leather/ centre part checker board velour	/R	1		(1)	A 911 521 002 85	front seat leather/ centre part checker board velour	/R	1	
							LH1	black/ light grey-black			

Model	Year	MG	SG	Illustration	Restrictions	UPD	8:07	23.01.2010	PORSCHE	PET	PORSCHE
911	1986	8	08	808-00		248					

Pos	Part Number	Description	Remark	Qty	Model	Pos	Part Number	Description	Remark	Qty	Model
	LH3	blue/ blue-grey					LS9	burgundy/ burgundy-white			
	LH2	brown/ brown-grey					LS7	grey-beige/ grey-beige-white			
	LH4	burgundy/ burgundy-grey				(1) A	911 521 002 85	front seat leather/ centre part pin stripe velour	/R	1	
	LH6	grey-beige/ light grey-black					LS5	black/ black-white			
1	A 911 521 001 85	front seat leather/ centre part uni-coloured cloth	/L	1			LS8	blue/ blue-white			
	LJ1	brown-brown					LS6	brown/ brown-beige			
	LJ2	burgundy-burgundy					LS9	burgundy/ burgundy-white			
	LJ3	grey-beige/grey-beige					LS7	grey-beige/ grey-beige-white			
	JN6	black-black				1	A 911 521 001 85	front seat leather/ centre part porsche lettering cloth	/L	1	
	JT4	blue/blue					MN3	black/black			
(1)	A 911 521 002 85	front seat leather/ centre part uni-coloured cloth	/R	1			MN4	brown/brown			
	LJ1	brown-brown					MN6	blue/blue			
	LJ2	burgundy-burgundy					MN7	burgundy/burgundy			
	LJ3	grey-beige/grey-beige					MN5	grey-beige/grey-beige			
	JN6	black-black				(1)	A 911 521 002 85	front seat leather/ centre part porsche lettering cloth	/R	1	
	JT4	blue/blue					MN3	black/black			
1	A 911 521 001 85	front seat leather/ centre part pin stripe velour	/L	1			MN4	brown/brown			
	LS5	black/ black-white					MN6	blue/blue			
	LS8	blue/ blue-white					MN7	burgundy/burgundy			
	LS6	brown/ brown-beige					MN5	grey-beige/grey-beige			

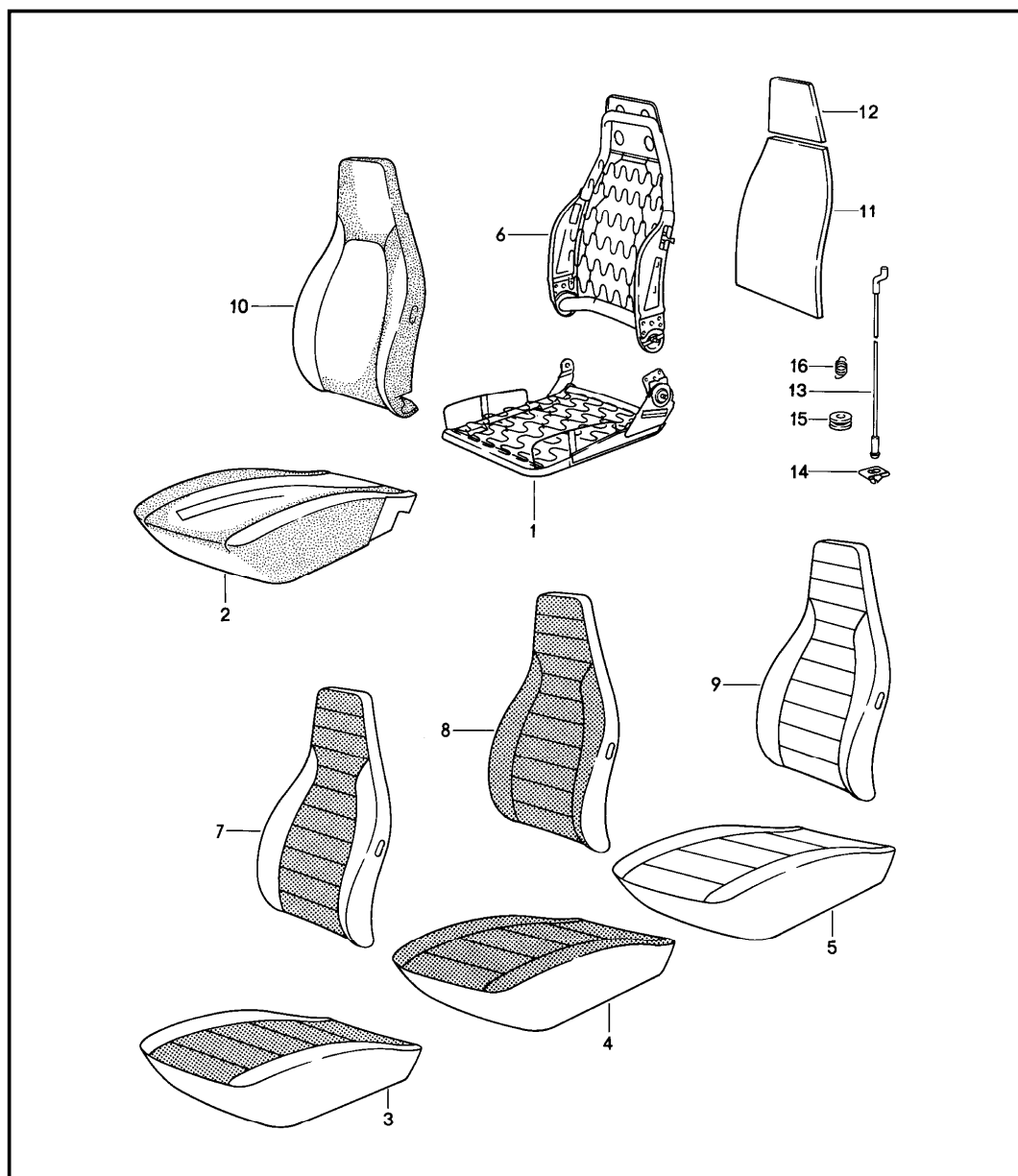
Model	Year	MG	SG	Illustration	Restrictions	UPD	8:07	23.01.2010	PORSCHE	PET	PORSCHE
911	1986	8	08	808-00		248					

Pos	Part Number	Description	Remark	Qty	Model	Pos	Part Number	Description	Remark	Qty	Model
2	A 911 521 001 83	front seat leatherette/ seat and backrest surface porsche lettering cloth	/L	1			LS2	grey-beige/grey-beige			
	LR1	black/black				3	A 911 521 001 84	front seat whole-leather	/L	1	
	LR4	blue/blue					LG7	burgundy			
	LR2	brown/brown					LG4	pearl white			
	LR5	burgundy/burgundy					LG5	champagne			
	LR3	grey-beige/grey-beige					LG6	dark green			
(2)	A 911 521 002 83	front seat leatherette/ seat and backrest surface porsche lettering cloth	/R	1			KZ2	black			
	LR1	black/black					KZ3	blue			
	LR4	blue/blue					KZ4	grey-beige			
	LR2	brown/brown					KZ5	brown			
	LR5	burgundy/burgundy				(3)	A 911 521 002 84	front seat whole-leather	/R	1	
	LR3	grey-beige/grey-beige					LG7	burgundy			
2	A 930 521 001 20	front seat leather/ seat and backrest surface porsche lettering cloth	/L	1			LG4	pearl white			
	LR9	black/black					LG5	champagne			
	LS3	blue/blue					LG6	dark green			
	LS1	brown/brown					KZ2	black			
	LS4	burgundy/burgundy					KZ3	blue			
	LS2	grey-beige/grey-beige					KZ4	grey-beige			
(2)	A 930 521 002 20	front seat leather/ seat and backrest surface porsche lettering cloth	/R	1			KZ5	brown			
	LR9	black/black					KZ6	can-can-red			
	LS3	blue/blue				4	911 521 371 00	screw		2	
	LS1	brown/brown				5	999 025 117 40	washer 12,5 X 32 X 1		X	
	LS4	burgundy/burgundy				6	911 521 547 00	hexagon-head bolt M 10 X 20		4	
						7	911 521 359 02	cover	/L	1	
						(7)	911 521 360 02	cover	/R	1	
						8	911 521 571 00	tensioning spring		2	

Model	Year	MG	SG	Illustration	Restrictions	UPD	8:07	23.01.2010	PORSCHE	PET	PORSCHE
911	1986	8	08	808-00		248					

Pos	Part Number	Description	Remark	Qty	Model	Pos	Part Number	Description	Remark	Qty	Model
9	911 521 381 00	shifting wheel		2							
10	911 521 383 00	cover		2							
11	311 881 607 A	rosette actuating lever		2							
12	311 881 247	clamp		2							
13	911 521 817 00	control button		2							
	01C	satin black									
14	A 911 521 501 00	seat rail	/L	1							
14	A 928 521 489 02	seat rail with locking device	/L	1							
(14)	A 911 521 502 00	seat rail	/R	1							
(14)	A 928 521 490 02	seat rail with locking device	/R	1							
(15)	911 521 533 01	handle for longitudinal adjustment		2							
	01C	satin black									
16	A 944 521 491 00	seat rail		2							
16	944 521 491 00	seat rail without locking device see tpi GR.8 NR.34		2							
17	N 014 761 2	pan-head screw M 6 X 12  M 6 X 12		8							
18	N 012 006 4	lock ring B 6		16							
19	900 075 057 02	hexagon-head bolt M 6 X 16		8							
20	928 521 101 04	threaded plate M 6		8							
21	900 012 123 00	pin A 2,5 X 12		2							

Model	Year	MG	SG	Illustration	Restrictions	UPD	8:07	23.01.2010	PORSCHE	PET	PORSCHE
911	1986	8	08	808-05		248					



Pos	Part Number	Description	Remark	Qty	Model
		front seat single parts	-84		
1	911 521 069 56	seat frame	/L	1	
(1)	911 521 070 56	seat frame	/R	1	
2	911 521 385 02	foam part seat cushion	/L	1	
(2)	911 521 386 02	foam part seat cushion	/R	1	
3 A	911 521 037 11	cover for cushion leatherette/ centre part checker board velour	/L	1	CARRERA
		LD5	black/ light grey-black		
		LJ8	blue/ blue-grey		
		LD6	brown/ brown-grey		
		LJ9	burgundy/ burgundy-grey		
		LK1	grey-beige/ light grey-black		
(3) A	911 521 038 11	cover for cushion leatherette/ centre part checker board velour	/R	1	CARRERA
		LD5	black/ light grey-black		
		LJ8	blue/ blue-grey		
		LD6	brown/ brown-grey		
		LJ9	burgundy/ burgundy-grey		
		LK1	grey-beige/ light grey-black		
3 A	911 521 037 11	cover for cushion leatherette/ centre part uni-coloured cloth	/L	1	CARRERA

Model	Year	MG	SG	Illustration	Restrictions	UPD	8:07	23.01.2010	PORSCHE	PET	PORSCHE
911	1986	8	08	808-05		248					

Pos	Part Number	Description	Remark	Qty	Model	Pos	Part Number	Description	Remark	Qty	Model
	LK3	brown-brown					JN2	brown/ brown-beige			
	LK5	burgundy-burgundy					LT2	burgundy/ burgundy-white			
	LK6	grey-beige/grey-beige					LD4	grey-beige/ grey-beige-white			
	JM2	black-black									
	JM5	blue/blue									
(3)	A 911 521 038 11	cover for cushion leatherette/ centre part uni-coloured cloth	/R	1	CARRERA	3	A 911 521 037 11	cover for cushion leatherette/ centre part porsche lettering cloth	/L	1	CARRERA
	LK3	brown-brown					LR6	black/black			
	LK5	burgundy-burgundy					LR7	brown/brown			
	LK6	grey-beige/grey-beige					MN1	blue/blue			
	JM2	black-black					MN2	burgundy/burgundy			
	JM5	blue/blue					LR8	grey-beige/grey-beige			
3	A 911 521 037 11	cover for cushion leatherette/ centre part pin stripe velour	/L	1	CARRERA	(3)	A 911 521 038 11	cover for cushion leatherette/ centre part porsche lettering cloth	/R	1	CARRERA
	JN1	black/ black-white					LR6	black/black			
	LT1	blue/ blue-white					LR7	brown/brown			
	JN2	brown/ brown-beige					MN1	blue/blue			
	LT2	burgundy/ burgundy-white					MN2	burgundy/burgundy			
	LD4	grey-beige/ grey-beige-white					LR8	grey-beige/grey-beige			
(3)	A 911 521 038 11	cover for cushion leatherette/ centre part pin stripe velour	/R	1	CARRERA	3	A 911 521 037 14	cover for cushion leather/ centre part checker board velour	/L	1	
	JN1	black/ black-white					LH1	black/ light grey-black			
	LT1	blue/ blue-white					LH3	blue/ blue-grey			
							LH2	brown/ brown-grey			
							LH4	burgundy/ burgundy-grey			

Model	Year	MG	SG	Illustration	Restrictions	UPD	8:07	23.01.2010	PORSCHE	PET	PORSCHE
911	1986	8	08	808-05		248					

Pos	Part Number	Description	Remark	Qty	Model	Pos	Part Number	Description	Remark	Qty	Model
(3)	A 911 521 038 14	LH6 grey-beige/ light grey-black cover for cushion leather/ centre part checker board velour	/R	1		(3)	A 911 521 038 14	LS5 black/ black-white LS8 blue/ blue-white LS6 brown/ brown-beige LS9 burgundy/ burgundy-white LS7 grey-beige/ grey-beige-white cover for cushion leather/ centre part pin stripe velour	/R	1	
3	A 911 521 037 14	LH1 black/ light grey-black LH3 blue/ blue-grey LH2 brown/ brown-grey LH4 burgundy/ burgundy-grey LH6 grey-beige/ light grey-black cover for cushion leather/ centre part uni-coloured cloth	/L	1		3	A 911 521 037 14	LS5 black/ black-white LS8 blue/ blue-white LS6 brown/ brown-beige LS9 burgundy/ burgundy-white LS7 grey-beige/ grey-beige-white cover for cushion leather/ centre part porsche lettering cloth	/L	1	
(3)	A 911 521 038 14	LJ1 brown-brown LJ2 burgundy-burgundy LJ3 grey-beige/grey-beige JN6 black-black JT4 blue/blue cover for cushion leather/ centre part uni-coloured cloth	/R	1		(3)	A 911 521 038 14	MN3 black/black MN4 brown/brown MN6 blue/blue MN7 burgundy/burgundy MN5 grey-beige/grey-beige cover for cushion leather/ centre part porsche lettering cloth	/R	1	
3	A 911 521 037 14	LJ1 brown-brown LJ2 burgundy-burgundy LJ3 grey-beige/grey-beige JN6 black-black JT4 blue/blue cover for cushion leather/ centre part pin stripe velour	/L	1				MN3 black/black			



Model	Year	MG	SG	Illustration	Restrictions	UPD	8:07	23.01.2010	PORSCHE	PET	PORSCHE
911	1986	8	08	808-05		248					

Pos	Part Number	Description	Remark	Qty	Model	Pos	Part Number	Description	Remark	Qty	Model
		MN4 brown/brown					LR9 black/black				
		MN6 blue/blue					LS3 blue/blue				
		MN7 burgundy/burgundy					LS1 brown/brown				
		MN5 grey-beige/grey-beige					LS4 burgundy/burgundy				
4	A 911 521 037 12	cover for cushion leatherette/ seat surface porsche lettering cloth	/L	1	CARRERA	5	A 911 521 037 13	cover for cushion whole-leather	/L	1	
		LR1 black/black					LG7 burgundy				
		LR4 blue/blue					LG4 pearl white				
		LR2 brown/brown					LG5 champagne				
		LR5 burgundy/burgundy					LG6 dark green				
		LR3 grey-beige/grey-beige					KZ2 black				
(4)	A 911 521 038 12	cover for cushion leatherette/ seat surface porsche lettering cloth	/R	1	CARRERA		KZ3 blue				
		LR1 black/black					KZ4 grey-beige				
		LR4 blue/blue					KZ5 brown				
		LR2 brown/brown					KZ6 can-can-red				
		LR5 burgundy/burgundy				(5)	A 911 521 038 13	cover for cushion whole-leather	/R	1	
		LR3 grey-beige/grey-beige					LG7 burgundy				
4	A 930 521 037 10	cover for cushion leather/ seat surface porsche lettering cloth	/L	1			LG4 pearl white				
		LR9 black/black					LG5 champagne				
		LS3 blue/blue					LG6 dark green				
		LS1 brown/brown					KZ2 black				
		LS4 burgundy/burgundy					KZ3 blue				
		LS2 grey-beige/grey-beige					KZ4 grey-beige				
(4)	A 930 521 038 10	cover for cushion leather/ seat surface porsche lettering cloth	/R	1		6	911 521 027 58	backrest frame	/L	1	
						(6)	911 521 028 58	backrest frame	/R	1	

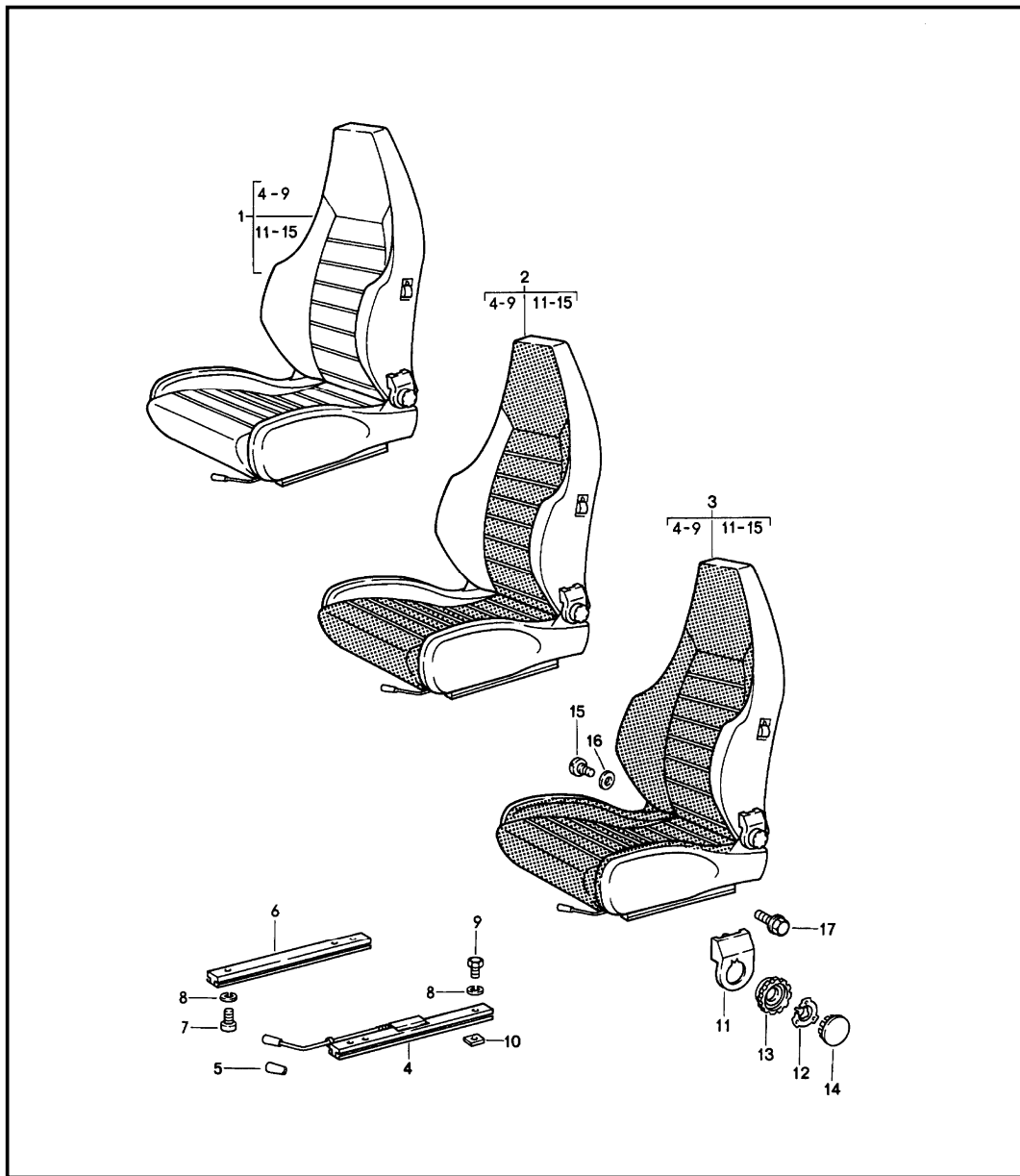
Model	Year	MG	SG	Illustration	Restrictions	UPD	8:07	23.01.2010	PORSCHE	PET	PORSCHE
911	1986	8	08	808-05		248					

Pos	Part Number	Description	Remark	Qty	Model	Pos	Part Number	Description	Remark	Qty	Model
7	A 911 521 072 21	backrest cover leatherette/ centre part checker board velour		2	CARRERA	7	A 911 521 072 21	backrest cover leatherette/ centre part porsche lettering cloth		2	CARRERA
	LD5	black/ light grey-black					LR6	black/black			
	LJ8	blue/ blue-grey					LR7	brown/brown			
	LD6	brown/ brown-grey					MN1	blue/blue			
	LJ9	burgundy/ burgundy-grey					MN2	burgundy/burgundy			
	LK1	grey-beige/ light grey-black					LR8	grey-beige/grey-beige			
7	A 911 521 072 21	backrest cover leatherette/ centre part uni-coloured cloth		2	CARRERA	7	A 911 521 072 24	backrest cover leather/ centre part checker board velour		2	
	LK3	brown-brown					LH1	black/ light grey-black			
	LK5	burgundy-burgundy					LH3	blue/ blue-grey			
	LK6	grey-beige/grey-beige					LH2	brown/ brown-grey			
	JM2	black-black					LH4	burgundy/ burgundy-grey			
	JM5	blue/blue					LH6	grey-beige/ light grey-black			
7	A 911 521 072 21	backrest cover leatherette/ centre part pin stripe velour		2	CARRERA	7	A 911 521 072 24	backrest cover leather/ centre part uni-coloured cloth		2	
	JN1	black/ black-white					LJ1	brown-brown			
	LT1	blue/ blue-white					LJ2	burgundy-burgundy			
	JN2	brown/ brown-beige					LJ3	grey-beige/grey-beige			
	LT2	burgundy/ burgundy-white					JN6	black-black			
	LD4	grey-beige/ grey-beige-white					JT4	blue/blue			
						7	A 911 521 072 24	backrest cover leather/ centre part pin stripe velour		2	
							LS5	black/ black-white			

Model	Year	MG	SG	Illustration	Restrictions	UPD	8:07	23.01.2010	PORSCHE	PET	PORSCHE
911	1986	8	08	808-05		248					

Pos	Part Number	Description	Remark	Qty	Model	Pos	Part Number	Description	Remark	Qty	Model
	LS8	blue/ blue-white				9	A 911 521 072 23	backrest cover whole-leather		2	
	LS6	brown/ brown-beige					LG7	burgundy			
	LS9	burgundy/ burgundy-white					LG4	pearl white			
	LS7	grey-beige/ grey-beige-white					LG5	champagne			
7	A 911 521 072 24	backrest cover leather/ centre part porsche lettering cloth		2			LG6	dark green			
	MN3	black/black					KZ2	black			
	MN4	brown/brown					KZ3	blue			
	MN6	blue/blue				10	911 521 393 02	foam part backrest		2	
	MN7	burgundy/burgundy				11	911 521 575 00	filler piece backrest frame		2	
	MN5	grey-beige/grey-beige				12	911 521 435 00	filler piece		2	
8	A 911 521 072 22	backrest cover leatherette/ backrest surface in cloth porsche lettering cloth		2	CARRERA	13	911 521 361 00	wire pull		2	
	LR1	black/black				14	911 521 369 00	terminal		2	
	LR4	blue/blue				15	911 521 343 00	guide bush		2	
	LR2	brown/brown				16	311 881 287 A	spring for actuating lever		2	
	LR5	burgundy/burgundy									
	LR3	grey-beige/grey-beige									
8	A 930 521 072 20	backrest cover leather/ backrest surface porsche lettering cloth		2							
	LR9	black/black									
	LS3	blue/blue									
	LS1	brown/brown									
	LS4	burgundy/burgundy									
	LS2	grey-beige/grey-beige									

Model	Year	MG	SG	Illustration	Restrictions	UPD	8:07	23.01.2010	PORSCHE	PET	PORSCHE
911	1986	8	08	808-10		248					



Pos	Part Number	Description	Remark	Qty	Model
		sports seat complete	-84		
1	A 911 521 007 61	sports seat whole-leather	/L	1	
	KZ6	can-can-red			
	LG7	burgundy			
	KZ4	grey-beige			
	KZ2	black			
	KZ3	blue			
	KZ5	brown			
	LG4	pearl white			
	LG5	champagne			
	LG6	dark green			
(1)	A 911 521 008 61	sports seat whole-leather	/R	1	
	KZ6	can-can-red			
	LG7	burgundy			
	KZ4	grey-beige			
	KZ2	black			
	KZ3	blue			
	KZ5	brown			
	LG4	pearl white			
	LG5	champagne			
	LG6	dark green			
2	A 911 521 007 62	sports seat leather centre part checker board velour	/L	1	
	LH1	black/light grey-black			
	LH2	brown/brown-grey			

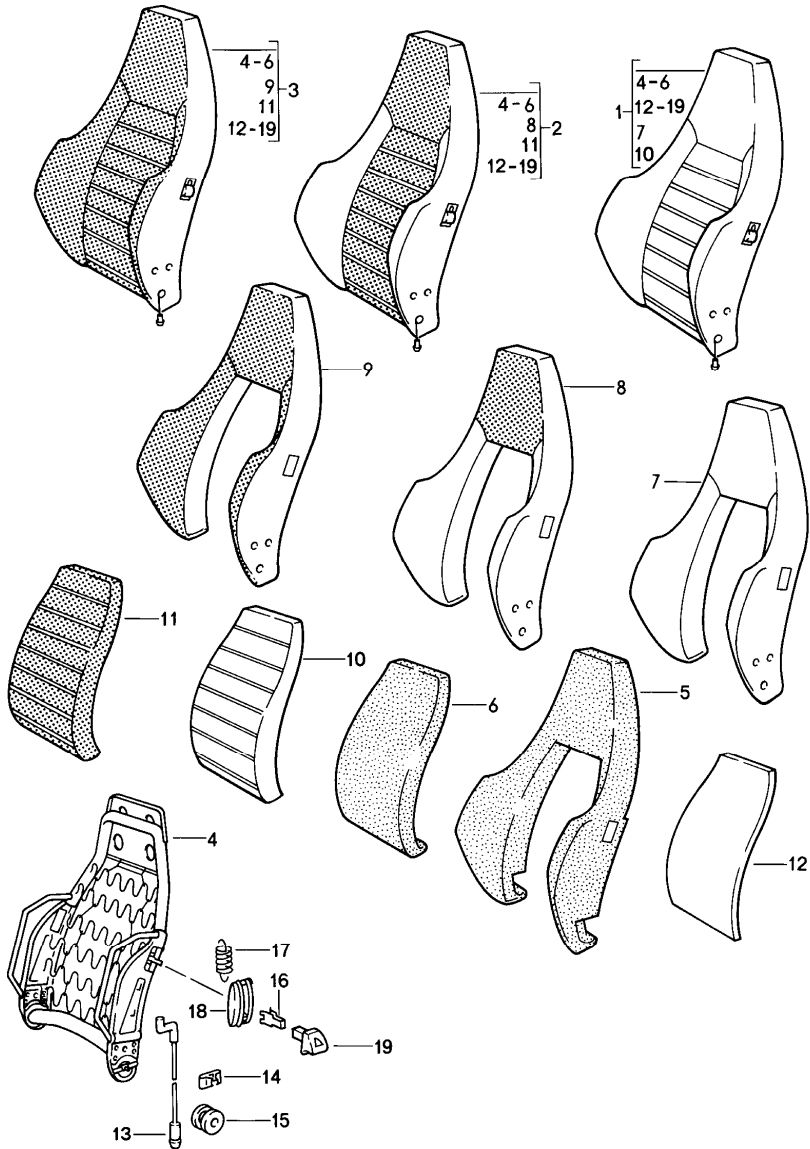
Model	Year	MG	SG	Illustration	Restrictions	UPD	8:07	23.01.2010	PORSCHE	PET	PORSCHE
911	1986	8	08	808-10		248					

Pos	Part Number	Description	Remark	Qty	Model	Pos	Part Number	Description	Remark	Qty	Model
	LH3	blue/ blue-grey					LJ3	grey-beige/grey-beige			
	LH4	burgundy/ burgundy-grey				2	A 911 521 007 62	sports seat leather/ centre part pin stripe velour	/L	1	
	LH6	grey-beige/ light grey-black					LS5	black/ black-white			
(2)	A 911 521 008 62	sports seat leather centre part checker board velour	/R	1			LS6	brown/ brown-beige			
	LH1	black/ light grey-black					LS8	blue/ blue-white			
	LH2	brown/ brown-grey					LS9	burgundy/ burgundy-white			
	LH3	blue/ blue-grey					LS7	grey-beige/ grey-beige-white			
	LH4	burgundy/ burgundy-grey				(2)	A 911 521 008 62	sports seat leather/ centre part pin stripe velour	/R	1	
	LH6	grey-beige/ light grey-black					LS5	black/ black-white			
2	A 911 521 007 62	sports seat leather/ centre part uni-coloured cloth	/L	1			LS6	brown/ brown-beige			
	JN6	black/black					LS8	blue/ blue-white			
	LJ1	brown/brown					LS9	burgundy/ burgundy-white			
	JT4	blue/blue					LS7	grey-beige/ grey-beige-white			
	LJ2	burgundy/burgundy									
	LJ3	grey-beige/grey-beige				2	A 911 521 007 62	sports seat leather/ centre part porsche lettering cloth	/L	1	
(2)	A 911 521 008 62	sports seat leather/ centre part uni-coloured cloth	/R	1			MN3	black/black			
	JN6	black/black					MN4	brown/brown			
	LJ1	brown/brown					MN6	blue/blue			
	JT4	blue/blue					MN7	burgundy/burgundy			
	LJ2	burgundy/burgundy					MN5	grey-beige/grey-beige			

Model	Year	MG	SG	Illustration	Restrictions	UPD	8:07	23.01.2010	PORSCHE	PET	PORSCHE
911	1986	8	08	808-10		248					

Pos	Part Number	Description	Remark	Qty	Model	Pos	Part Number	Description	Remark	Qty	Model
(2)	A 911 521 008 62	sports seat leather/ centre part porsche lettering cloth	/R	1		6	A 944 521 491 00	seat rail		2	
	MN3	black/black				6	944 521 491 00	seat rail without locking device see tpi GR.8 NR.34		2	
	MN4	brown/brown				7	N 014 761 2	pan-head screw M 6 X 12		8	
	MN6	blue/blue						M 6 X 12			
	MN7	burgundy/burgundy				8	N 012 006 4	lock ring B 6		16	
	MN5	grey-beige/grey-beige				9	900 075 057 02	hexagon-head bolt M 6 X 16		8	
3	A 911 521 007 63	sports seat leather seat and backrest surface porsche lettering cloth	/L	1		10	928 521 101 04	threaded plate M 6		8	
	LR9	black/black				11	911 521 359 02	cover	/L	1	
	LS1	brown/brown				(11)	911 521 360 02	cover	/R	1	
	LS3	blue/blue				12	911 521 571 00	tensioning spring		2	
	LS4	burgundy/burgundy				13	911 521 381 00	shifting wheel		2	
	LS2	grey-beige/grey-beige				14	911 521 383 00	cover		2	
(3)	A 911 521 008 63	sports seat leather seat and backrest surface porsche lettering cloth	/R	1		15	911 521 371 00	screw		2	
	LR9	black/black				16	999 025 117 40	washer 12,5 X 32 X 1		X	
	LS1	brown/brown				17	911 521 547 00	hexagon-head bolt M 10 X 20		4	
	LS3	blue/blue									
	LS4	burgundy/burgundy									
	LS2	grey-beige/grey-beige									
4	A 928 521 489 02	seat rail with locking device	/L	1							
(4)	A 928 521 490 02	seat rail with locking device	/R	1							
5	A 911 521 533 00	handle		2							
(5)	911 521 533 01	handle for longitudinal adjustment		2							
	01C	satin black									

Model	Year	MG	SG	Illustration	Restrictions	UPD	8:07	23.01.2010	PORSCHE	PET	PORSCHE
911	1986	8	08	808-15		248					



Pos	Part Number	Description	Remark	Qty	Model
		sports seat backrest single parts	-84		
1	A 911 521 603 50	backrest leather	/L	1	
	KZ6	can-can-red			
	LG7	burgundy			
	KZ4	grey-beige			
	KZ2	black			
	KZ3	blue			
	KZ5	brown			
	LG4	pearl white			
	LG5	champagne			
	LG6	dark green			
(1)	A 911 521 604 50	backrest leather	/R	1	
	KZ6	can-can-red			
	LG7	burgundy			
	KZ4	grey-beige			
	KZ2	black			
	KZ3	blue			
	KZ5	brown			
	LG4	pearl white			
	LG5	champagne			
	LG6	dark green			
2	A 911 521 603 51	backrest leather/centre part checker board velour	/L	1	
	LH1	black/light grey-black			
	LH2	brown/brown-grey			

Model	Year	MG	SG	Illustration	Restrictions	UPD	8:07	23.01.2010	PORSCHE	PET	PORSCHE
911	1986	8	08	808-15		248					

Pos	Part Number	Description	Remark	Qty	Model	Pos	Part Number	Description	Remark	Qty	Model
	LH3	blue/ blue-grey					LJ3	grey-beige/grey-beige			
	LH4	burgundy/ burgundy-grey				2	A 911 521 603 51	backrest leather/ centre part pin stripe velour	/L	1	
	LH6	grey-beige/ black/grey-beige					LS5	black/ black-white			
(2)	A 911 521 604 51	backrest leather/ centre part checker board velour	/R	1			LS6	brown/ brown-beige			
	LH1	black/ light grey-black					LS8	blue/ blue-white			
	LH2	brown/ brown-grey					LS9	burgundy/ burgundy-white			
	LH3	blue/ blue-grey					LS7	grey-beige/ grey-beige-white			
	LH4	burgundy/ burgundy-grey				(2)	A 911 521 604 51	backrest leather/ centre part pin stripe velour	/R	1	
	LH6	grey-beige/ black/grey-beige					LS5	black/ black-white			
2	A 911 521 603 51	backrest leather/ centre part uni-coloured cloth	/L	1			LS6	brown/ brown-beige			
	JN6	black/black					LS8	blue/ blue-white			
	LJ1	brown/brown					LS9	burgundy/ burgundy-white			
	JT4	blue/blue					LS7	grey-beige/ grey-beige-white			
	LJ2	burgundy/burgundy									
	LJ3	grey-beige/grey-beige				2	A 911 521 603 51	backrest leather/ centre part porsche lettering cloth	/L	1	
(2)	A 911 521 604 51	backrest leather/ centre part uni-coloured cloth	/R	1			MN3	black/black			
	JN6	black/black					MN4	brown/brown			
	LJ1	brown/brown					MN6	blue/blue			
	JT4	blue/blue					MN7	burgundy/burgundy			
	LJ2	burgundy/burgundy					MN5	grey-beige/grey-beige			



Model	Year	MG	SG	Illustration	Restrictions	UPD	8:07	23.01.2010	PORSCHE	PET	PORSCHE
911	1986	8	08	808-15		248					

Pos	Part Number	Description	Remark	Qty	Model	Pos	Part Number	Description	Remark	Qty	Model
(2)	A 911 521 604 51	backrest leather/ centre part porsche lettering cloth	/R	1		6	911 521 104 02	foam part backrest side bolster cover		2	
	MN3	black/black				7	A 911 521 072 70	backrest side bolster cover leather		2	
	MN4	brown/brown					LG7	burgundy			
	MN6	blue/blue					KZ4	grey-beige			
	MN7	burgundy/burgundy					KZ2	black			
	MN5	grey-beige/grey-beige					KZ3	blue			
							KZ5	brown			
3	A 911 521 603 52	backrest leather backrest surface porsche lettering cloth	/L	1			LG4	pearl white			
	LR9	black/black					LG5	champagne			
	LS1	brown/brown					LG6	dark green			
	LS3	blue/blue				8	A 911 521 072 71	backrest side bolster cover leather centre part checker board velour		2	
	LS4	burgundy/burgundy					LH1	black/ light grey-black			
	LS2	grey-beige/grey-beige					LH2	brown/ brown-grey			
(3)	A 911 521 604 52	backrest leather backrest surface porsche lettering cloth	/R	1			LH3	blue/ blue-grey			
	LR9	black/black					LH4	burgundy/ burgundy-grey			
	LS1	brown/brown					LH6	grey-beige/ black/grey-beige			
	LS3	blue/blue				8	A 911 521 072 71	backrest side bolster cover leather/ centre part uni-coloured cloth		2	
	LS4	burgundy/burgundy					JN6	black/black			
	LS2	grey-beige/grey-beige					LJ1	brown/brown			
4	A 911 521 613 02	backrest frame	/L	1			JT4	blue/blue			
4	911 521 613 02	backrest frame	/L	1			LJ2	burgundy/burgundy			
(4)	A 911 521 614 02	backrest frame	/R	1			LJ3	grey-beige/grey-beige			
(4)	911 521 614 02	backrest frame	/R	1							
5	911 521 751 02	foam part backrest cushion		2							

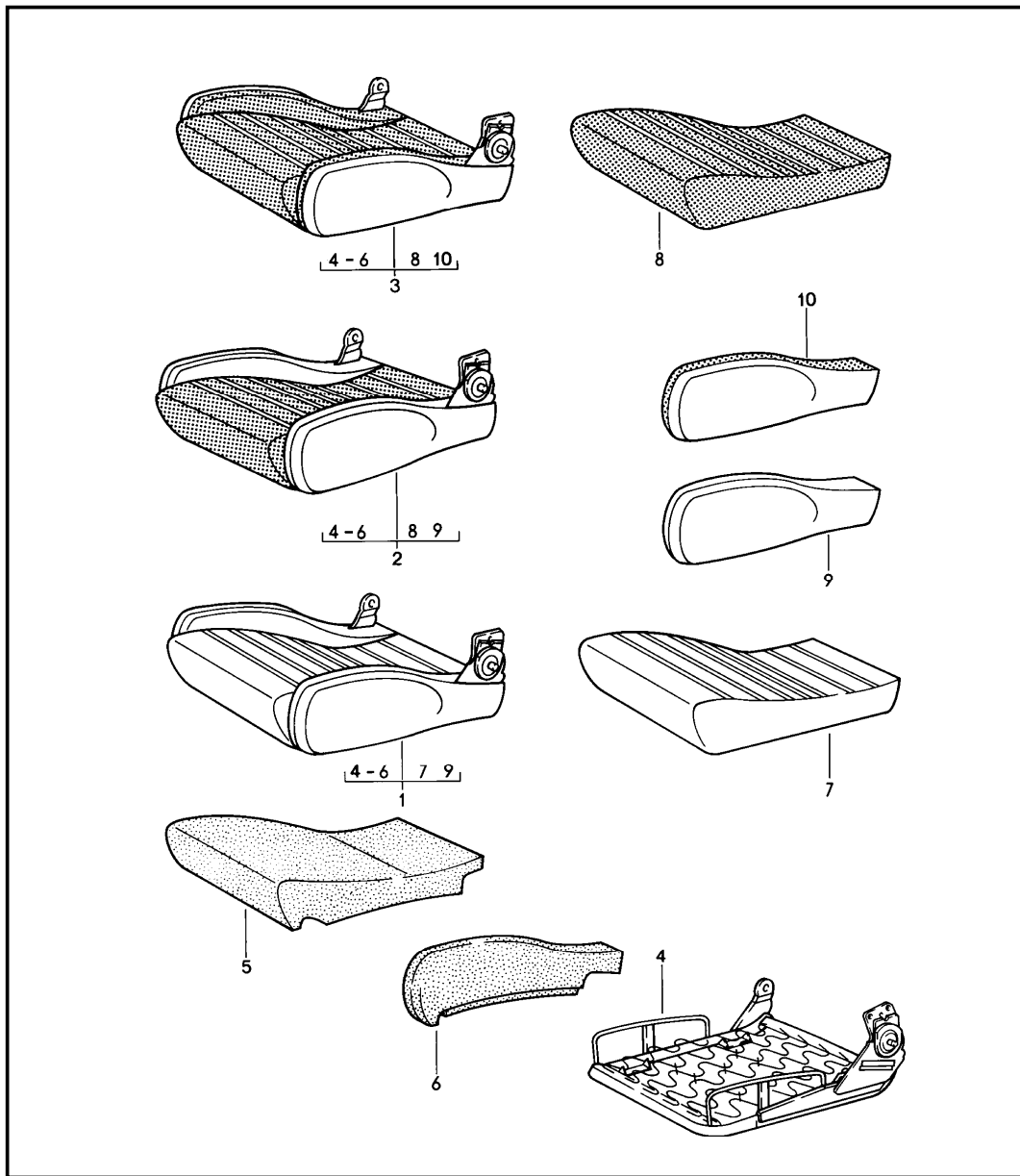
Model	Year	MG	SG	Illustration	Restrictions	UPD	8:07	23.01.2010	PORSCHE	PET	PORSCHE
911	1986	8	08	808-15		248					

Pos	Part Number	Description	Remark	Qty	Model	Pos	Part Number	Description	Remark	Qty	Model
8	A 911 521 072 71	backrest side bolster cover leather/ centre part pin stripe velour		2			KZ4	grey-beige			
	LS5	black/ black-white					KZ2	black			
	LS6	brown/ brown-beige					KZ3	blue			
	LS8	blue/ blue-white					KZ5	brown			
	LS9	burgundy/ burgundy-white					LG4	pearl white			
	LS7	grey-beige/ grey-beige-white					LG5	champagne			
							LG6	dark green			
8	A 911 521 072 71	backrest side bolster cover leather/ centre part porsche lettering cloth		2		11	A 911 521 403 06	backrest cushion cover checker board velour		2	
	MN3	black/black					4FH	light grey-black			
	MN4	brown/brown					5RH	brown-grey			
	MN6	blue/blue					7GH	blue-grey			
	MN7	burgundy/burgundy					9LH	burgundy-grey			
	MN5	grey-beige/grey-beige				11	A 911 521 403 06	backrest cushion cover uni-coloured cloth		2	
							70F	black			
							7NU	brown			
							30C	blue			
							5MU	burgundy			
9	A 911 521 072 72	backrest side bolster cover leather/ backrest surface porsche lettering cloth		2			8FU	grey-beige			
	LR9	black/black				11	A 911 521 403 06	backrest cushion cover pin stripe velour		2	
	LS1	brown/brown					7BN	black-white			
	LS3	blue/blue					3NN	brown-beige			
	LS4	burgundy/burgundy					8GJ	blue-white			
	LS2	grey-beige/grey-beige					1MJ	burgundy-white			
							9FN	grey-beige-white			
10	A 911 521 403 50	backrest cushion cover leather		2		11	A 911 521 403 06	backrest cushion cover porsche lettering cloth		2	
	KZ6	can-can-red					4CR	black			
	LG7	burgundy					6TR	brown			

Model	Year	MG	SG	Illustration	Restrictions	UPD	8:07	23.01.2010	PORSCHE	PET	PORSCHE
911	1986	8	08	808-15		248					

Pos	Part Number	Description	Remark	Qty	Model	Pos	Part Number	Description	Remark	Qty	Model
	5HR	blue									
	2LR	burgundy									
	8RR	grey-beige									
12	911 521 575 00	cover		2							
13	911 521 361 00	wire pull		2							
14	911 521 369 00	terminal		2							
15	911 521 343 00	guide bush		2							
16	311 881 247	clamp		1							
17	311 881 287 A	spring		2							
18	911 521 815 00	rosette		2							
	01C	satin black									
19	911 521 817 00	control button		2							
	01C	satin black									

Model	Year	MG	SG	Illustration	Restrictions	UPD	8:08	23.01.2010	PORSCHE	PET	PORSCHE
911	1986	8	08	808-17		248					



Pos	Part Number	Description	Remark	Qty	Model
1	A 911 521 605 50	sports seat cushion single parts seat cushion leather	-84 /L	1	
	KZ6	can-can-red			
	LG7	burgundy			
	KZ4	grey-beige			
	KZ2	black			
	KZ3	blue			
	KZ5	brown			
	LG4	pearl white			
	LG5	champagne			
	LG6	dark green			
(1)	A 911 521 606 50	seat cushion leather	/R	1	
	KZ6	can-can-red			
	LG7	burgundy			
	KZ4	grey-beige			
	KZ2	black			
	KZ3	blue			
	KZ5	brown			
	LG4	pearl white			
	LG5	champagne			
	LG6	dark green			
2	A 911 521 605 51	seat cushion leather/ centre part checker board velour	/L	1	
	LH1	black/ light grey-black			
	LH2	brown/ brown-grey			

Model	Year	MG	SG	Illustration	Restrictions	UPD	8:08	23.01.2010	PORSCHE	PET	PORSCHE
911	1986	8	08	808-17		248					

Pos	Part Number	Description	Remark	Qty	Model	Pos	Part Number	Description	Remark	Qty	Model
	LH3	blue/ blue-grey					LJ3	grey-beige/grey-beige			
	LH4	burgundy/ burgundy-grey				2	A 911 521 605 51	seat cushion leather/ centre part pin stripe velour	/L	1	
	LH6	grey-beige/ black/grey-beige					LS5	black/ black-white			
(2)	A 911 521 606 51	seat cushion leather/ centre part checker board velour	/R	1			LS6	brown/ brown-beige			
	LH1	black/ light grey-black					LS8	blue/ blue-white			
	LH2	brown/ brown-grey					LS9	burgundy/ burgundy-white			
	LH3	blue/ blue-grey					LS7	grey-beige/ grey-beige-white			
	LH4	burgundy/ burgundy-grey				(2)	A 911 521 606 51	seat cushion leather/ centre part pin stripe velour	/R	1	
	LH6	grey-beige/ black/grey-beige					LS5	black/ black-white			
2	A 911 521 605 51	seat cushion leather/ centre part uni-coloured cloth	/L	1			LS6	brown/ brown-beige			
	JN6	black/black					LS8	blue/ blue-white			
	LJ1	brown/brown					LS9	burgundy/ burgundy-white			
	JT4	blue/blue					LS7	grey-beige/ grey-beige-white			
	LJ2	burgundy/burgundy									
	LJ3	grey-beige/grey-beige				2	A 911 521 605 51	seat cushion leather/ centre part porsche lettering cloth	/L	1	
(2)	A 911 521 606 51	seat cushion leather/ centre part uni-coloured cloth	/R	1			MN3	black/black			
	JN6	black/black					MN4	brown/brown			
	LJ1	brown/brown					MN6	blue/blue			
	JT4	blue/blue					MN7	burgundy/burgundy			
	LJ2	burgundy/burgundy					MN5	grey-beige/grey-beige			

Model	Year	MG	SG	Illustration	Restrictions	UPD	8:08	23.01.2010	PORSCHE	PET	PORSCHE
911	1986	8	08	808-17		248					

Pos	Part Number	Description	Remark	Qty	Model	Pos	Part Number	Description	Remark	Qty	Model
(2)	A 911 521 606 51	seat cushion leather/ centre part porsche lettering cloth	/R	1		(6)	911 521 654 02	foam part seat side bolster left seat	/R	1	
	MN3	black/black				(6)	911 521 653 02	foam part seat side bolster right seat	/L	1	
	MN4	brown/brown				(6)	911 521 684 02	foam part seat side bolster right seat	/R	1	
	MN6	blue/blue				7	A 911 521 439 50	cover for cushion leather		2	
	MN7	burgundy/burgundy					KZ6	can-can-red			
	MN5	grey-beige/grey-beige					LG7	burgundy			
3	A 911 521 605 52	seat cushion leather/ seat surface porsche lettering cloth	/L	1			KZ4	grey-beige			
	LR9	black/black					KZ2	black			
	LS1	brown/brown					KZ3	blue			
	LS3	blue/blue					KZ5	brown			
	LS4	burgundy/burgundy					LG4	pearl white			
	LS2	grey-beige/grey-beige					LG5	champagne			
(3)	A 911 521 606 52	seat cushion leather/ seat surface porsche lettering cloth	/R	1			LG6	dark green			
	LR9	black/black				8	A 911 521 439 06	cover for cushion checker board velour		2	
	LS1	brown/brown					4FH	light grey-black			
	LS3	blue/blue					5RH	brown-grey			
	LS4	burgundy/burgundy					7GH	blue-grey			
	LS2	grey-beige/grey-beige					9LH	burgundy-grey			
4	911 521 621 01	seat frame	/L	1		8	A 911 521 439 06	cover for cushion uni-coloured cloth		2	
(4)	911 521 622 01	seat frame	/R	1			70F	black			
5	911 521 697 02	foam part seat cushion		2			7NU	brown			
6	911 521 683 02	foam part seat side bolster left seat	/L	1			30C	blue			
							5MU	burgundy			
							8FU	grey-beige			

Model	Year	MG	SG	Illustration	Restrictions	UPD	8:08	23.01.2010	PORSCHE	PET	PORSCHE
911	1986	8	08	808-17		248					

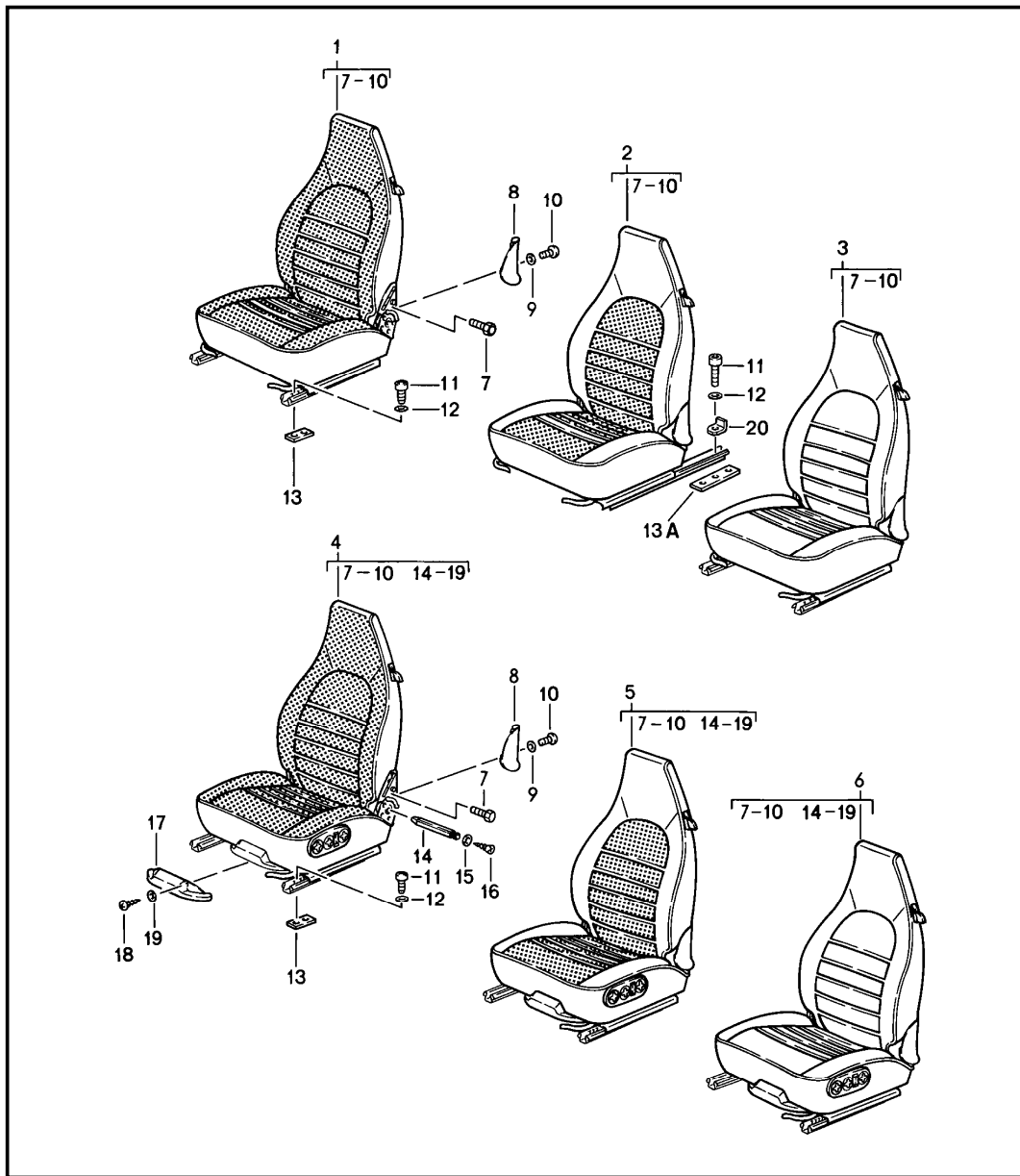
Pos	Part Number	Description	Remark	Qty	Model	Pos	Part Number	Description	Remark	Qty	Model
8	A 911 521 439 06	cover for cushion pin stripe velour		2			KZ2	black			
	7BN	black-white					KZ3	blue			
	3NN	brown-beige					KZ5	brown			
	8GJ	blue-white					LG4	pearl white			
	1MJ	burgundy-white					LG5	champagne			
	9FN	grey-beige-white					LG6	dark green			
8	A 911 521 439 06	cover for cushion porsche lettering cloth		2		(9) A 911 521 633 50		seat side bolster cover right seat leather	/L	1	
	4CR	black					KZ6	can-can-red			
	6TR	brown					LG7	burgundy			
	5HR	blue					KZ4	grey-beige			
	2LR	burgundy					KZ2	black			
	8RR	grey-beige					KZ3	blue			
9	A 911 521 631 50	seat side bolster cover left seat leather	/L	1			KZ5	brown			
	KZ6	can-can-red					LG4	pearl white			
	LG7	burgundy					LG5	champagne			
	KZ4	grey-beige					LG6	dark green			
	KZ2	black				(9) A 911 521 634 50		seat side bolster cover right seat leather	/R	1	
	KZ3	blue					KZ6	can-can-red			
	KZ5	brown					LG7	burgundy			
	LG4	pearl white					KZ4	grey-beige			
	LG5	champagne					KZ2	black			
	LG6	dark green					KZ3	blue			
(9)	A 911 521 632 50	seat side bolster cover left seat leather	/R	1			KZ5	brown			
	KZ6	can-can-red					LG4	pearl white			
	LG7	burgundy					LG5	champagne			
	KZ4	grey-beige					LG6	dark green			

Model	Year	MG	SG	Illustration	Restrictions	UPD	8:08	23.01.2010	PORSCHE	PET	PORSCHE
911	1986	8	08	808-17		248					

Pos	Part Number	Description	Remark	Qty	Model	Pos	Part Number	Description	Remark	Qty	Model
10	A 911 521 631 51	seat side bolster cover left seat leather/ seat surface porsche lettering cloth	/L	1			LS3	blue/blue			
	LR9	black/black					LS4	burgundy/burgundy			
	LS1	brown/brown					LS2	grey-beige/grey-beige			
	LS3	blue/blue									
	LS4	burgundy/burgundy									
	LS2	grey-beige/grey-beige									
(10)	A 911 521 632 51	seat side bolster cover left seat leather/ seat surface porsche lettering cloth	/R	1							
	LR9	black/black									
	LS1	brown/brown									
	LS3	blue/blue									
	LS4	burgundy/burgundy									
	LS2	grey-beige/grey-beige									
(10)	A 911 521 633 51	seat side bolster cover right seat leather/ seat surface porsche lettering cloth	/L	1							
	LR9	black/black									
	LS1	brown/brown									
	LS3	blue/blue									
	LS4	burgundy/burgundy									
	LS2	grey-beige/grey-beige									
(10)	A 911 521 634 51	seat side bolster cover right seat leather/ seat surface porsche lettering cloth	/R	1							
	LR9	black/black									
	LS1	brown/brown									



Model	Year	MG	SG	Illustration	Restrictions	UPD	8:08	23.01.2010	PORSCHE	PET	PORSCHE
911	1986	8	08	808-20		248					



Pos	Part Number	Description	Remark	Qty	Model
1	928 521 001 11	front seat manually adjustable leatherette/ seat and backrest surface pin stripe velour	/RL/L	85-	CARRERA
	NY5	black/ black-white			
	NY7	brown/ brown-beige			
	QA3	blue/ blue-white			
	NY8	burgundy/ burgundy-white			
	QA4	greyish green/ greyish green-white			
	RU3	grey-beige/ grey-beige-white		86- 86-	
(1)	928 521 002 11	front seat manually adjustable leatherette/ seat and backrest surface pin stripe velour	/LL/R		CARRERA
	NY5	black/ black-white			
	NY7	brown/ brown-beige			
	QA3	blue/ blue-white			
	NY8	burgundy/ burgundy-white			
	QA4	greyish green/ greyish green-white			
	RU3	grey-beige/ grey-beige-white		86- 86-	
1	928 521 001 11	front seat manually adjustable leatherette/ seat and backrest surface pin stripe flannel	/RL/L		CARRERA
	NY9	black/anthracite			

Model	Year	MG	SG	Illustration	Restrictions	UPD	8:08	23.01.2010	PORSCHE	PET	PORSCHE
911	1986	8	08	808-20		248					

Pos	Part Number	Description	Remark	Qty	Model	Pos	Part Number	Description	Remark	Qty	Model	
	NZ6	brown/brown					QD9	grey-beige/grey-beige	86-			
	QA6	blue/blue				2	928 521 001 62	front seat manually adjustable leatherette/leather centre part pin stripe velour	/RL/L	1	CARRERA	
	NZ5	burgundy/burgundy					PY1	black/black-white				
	QA5	greyish green/grey-green					PY2	brown/brown-beige				
(1)	928 521 002 11	front seat manually adjustable leatherette/seat and backrest surface pin stripe flannel	/LL/R	1	CARRERA		PY3	blue/blue-white				
	NY9	black/anthracite					PY4	burgundy/burgundy-white				
	NZ6	brown/brown					PY5	greyish green/greyish green-white				
	QA6	blue/blue					RU4	grey-beige/grey-beige-white	86-86-			
	NZ5	burgundy/burgundy				(2)	928 521 002 62	front seat manually adjustable leatherette/leather centre part pin stripe velour	/LL/R	1	CARRERA	
	QA5	greyish green/grey-green					PY1	black/black-white				
1	928 521 001 11	front seat manually adjustable leatherette/seat and backrest surface porsche lettering cloth	/RL/L	1	CARRERA		PY2	brown/brown-beige				
	PX2	black/black					PY3	blue/blue-white				
	PX4	brown/brown					PY4	burgundy/burgundy-white				
	PX7	blue/blue					PY5	greyish green/greyish green-white				
	PX6	burgundy/burgundy					RU4	grey-beige/grey-beige-white	86-86-			
	PX8	greyish green/grey-green					2	928 521 001 62	front seat manually adjustable leatherette/leather centre part pin stripe flannel	/RL/L	1	CARRERA
	QD9	grey-beige/grey-beige		86-			PZ2	black/anthracite				
(1)	928 521 002 11	front seat manually adjustable leatherette/seat and backrest surface porsche lettering cloth	/LL/R	1	CARRERA							
	PX2	black/black										
	PX4	brown/brown										
	PX7	blue/blue										
	PX6	burgundy/burgundy										
	PX8	greyish green/grey-green										

Model	Year	MG	SG	Illustration	Restrictions	UPD	8:08	23.01.2010	PORSCHE	PET	PORSCHE
911	1986	8	08	808-20		248					

Pos	Part Number	Description	Remark	Qty	Model	Pos	Part Number	Description	Remark	Qty	Model	
	PZ3	brown/brown					RU2	grey-beige/grey-beige	86-			
	PZ4	blue/blue				2	928 521 001 66	front seat manually adjustable leather/ centre part pin stripe velour	/RL/L	1	CARRERA	
	PZ5	burgundy/burgundy					LS5	black/ black-white				
	PZ6	greyish green/grey-green					LS6	brown/ brown-beige				
(2)	928 521 002 62	front seat manually adjustable leatherette/leather centre part pin stripe flannel	/LL/R	1	CARRERA		LS8	blue/ blue-white				
	PZ2	black/anthracite					LS9	burgundy/ burgundy-white				
	PZ3	brown/brown					QA7	greyish green/ greyish green-white				
	PZ4	blue/blue					LS7	grey-beige/ grey-beige-white	86- 86-			
	PZ5	burgundy/burgundy				(2)	928 521 002 66	front seat manually adjustable leather/ centre part pin stripe velour	/LL/R	1	CARRERA	
	PZ6	greyish green/grey-green					LS5	black/ black-white				
2	928 521 001 62	front seat manually adjustable leatherette/leather centre part porsche lettering cloth	/RL/L	1	CARRERA		LS6	brown/ brown-beige				
	PZ7	black/black					LS8	blue/ blue-white				
	PZ8	brown/brown					LS9	burgundy/ burgundy-white				
	PZ9	blue/blue					QA7	greyish green/ greyish green-white				
	QA1	burgundy/burgundy					LS7	grey-beige/ grey-beige-white	86- 86-			
	QA2	greyish green/grey-green					2	928 521 001 66	front seat manually adjustable leather/ centre part pin stripe flannel	/RL/L	1	CARRERA
	RU2	grey-beige/grey-beige	86-				QB1	black/anthracite				
(2)	928 521 002 62	front seat manually adjustable leatherette/leather centre part porsche lettering cloth	/LL/R	1	CARRERA							
	PZ7	black/black										
	PZ8	brown/brown										
	PZ9	blue/blue										
	QA1	burgundy/burgundy										
	QA2	greyish green/grey-green										

Model	Year	MG	SG	Illustration	Restrictions	UPD	8:08	23.01.2010	PORSCHE	PET	PORSCHE
911	1986	8	08	808-20		248					

Pos	Part Number	Description	Remark	Qty	Model	Pos	Part Number	Description	Remark	Qty	Model
		QB3 brown/brown						RU1 grey-beige/grey-beige	86-		
		QB5 blue/blue				3	928 521 001 63	front seat manually adjustable leatherette/ seat and backrest surface leather	/RL/L	1	CARRERA
		QB7 burgundy/burgundy						JN3 black/black			
		QA8 greyish green/grey-green						JN4 brown/brown			
(2)	928 521 002 66	front seat manually adjustable leather/ centre part pin stripe flannel	/LL/R	1	CARRERA			QC1 blue/blue			
		QB1 black/anthracite						NZ8 burgundy/burgundy			
		QB3 brown/brown						PX9 greyish green/grey-green			
		QB5 blue/blue						JN5 grey-beige/grey-beige	86-		
		QB7 burgundy/burgundy				(3)	928 521 002 63	front seat manually adjustable leatherette/ seat and backrest surface leather	/LL/R	1	CARRERA
		QA8 greyish green/grey-green						JN3 black/black			
2	928 521 001 66	front seat manually adjustable leather/ centre part porsche lettering cloth	/RL/L	1	CARRERA			JN4 brown/brown			
		QB2 black/black						QC1 blue/blue			
		QB4 brown/brown						NZ8 burgundy/burgundy			
		QB6 blue/blue						PX9 greyish green/grey-green			
		QB8 burgundy/burgundy						JN5 grey-beige/grey-beige	86-		
		QA9 greyish green/grey-green				3	928 521 001 64	front seat manually adjustable whole-leather	/RL/L	1	CARRERA
		RU1 grey-beige/grey-beige	86-					KZ2 black			
(2)	928 521 002 66	front seat manually adjustable leather/ centre part porsche lettering cloth	/LL/R	1	CARRERA			KZ5 brown			
		QB2 black/black						KZ3 blue			
		QB4 brown/brown						LG7 burgundy			
		QB6 blue/blue						QC2 greyish green			
		QB8 burgundy/burgundy						KZ6 can-can-red			
		QA9 greyish green/grey-green						LG4 pearl white			
								LG5 champagne			

Model	Year	MG	SG	Illustration	Restrictions	UPD	8:08	23.01.2010	PORSCHE	PET	PORSCHE
911	1986	8	08	808-20		248					

Pos	Part Number	Description	Remark	Qty	Model	Pos	Part Number	Description	Remark	Qty	Model
	LG6	dark green					QA4	greyish green/ greyish green-white			
	PY9	ocean blue					RU3	grey-beige/ grey-beige-white	86- 86-		
	PZ1	wild buffalo									
	KZ4	grey-beige	86-			(4) A	928 521 004 20	front seat without heating manual longitudinal adjustment elect. vertical adjustment elect. backrest adjustment leatherette/ seat and backrest surface pin stripe velour	/R	1	
(3)	928 521 002 64	front seat manually adjustable whole-leather	/LL/R	1	CARRERA						
	KZ2	black					NY5	black/ black-white			
	KZ5	brown					NY7	brown/ brown-beige			
	KZ3	blue					QA3	blue/ blue-white			
	LG7	burgundy					NY8	burgundy/ burgundy-white			
	QC2	greyish green					QA4	greyish green/ greyish green-white			
	KZ6	can-can-red					RU3	grey-beige/ grey-beige-white	86- 86-		
	LG4	pearl white				4	928 521 003 01	front seat all-electric leatherette/ seat and backrest surface pin stripe velour	/L	1	
	LG5	champagne					NY5	black/ black-white			
	LG6	dark green					NY7	brown/ brown-beige			
	PY9	ocean blue					QA3	blue/ blue-white			
	PZ1	wild buffalo					NY8	burgundy/ burgundy-white			
	KZ4	grey-beige	86-				QA4	greyish green/ greyish green-white			
(4) A	928 521 003 20	front seat without heating manual longitudinal adjustment elect. vertical adjustment elect. backrest adjustment leatherette/ seat and backrest surface pin stripe velour	/L	1			RU3	grey-beige/ grey-beige-white	86- 86-		
	NY5	black/ black-white									
	NY7	brown/ brown-beige									
	QA3	blue/ blue-white									
	NY8	burgundy/ burgundy-white									

Model	Year	MG	SG	Illustration	Restrictions	UPD	8:08	23.01.2010	PORSCHE	PET	PORSCHE
911	1986	8	08	808-20		248					

Pos	Part Number	Description	Remark	Qty	Model	Pos	Part Number	Description	Remark	Qty	Model
(4)	928 521 004 01	front seat all-electric leatherette/ seat and backrest surface pin stripe velour	/R	1		(4) A	928 521 004 25	front seat with heating manual longitudinal adjustment elect. vertical adjustment elect. backrest adjustment leatherette/ seat and backrest surface pin stripe velour	/R	1	
	NY5	black/ black-white					NY5	black/ black-white			
	NY7	brown/ brown-beige					NY7	brown/ brown-beige			
	QA3	blue/ blue-white					QA3	blue/ blue-white			
	NY8	burgundy/ burgundy-white					NY8	burgundy/ burgundy-white			
	QA4	greyish green/ greyish green-white					QA4	greyish green/ greyish green-white			
	RU3	grey-beige/ grey-beige-white					QA4	greyish green/ greyish green-white			
				86- 86-			RU3	grey-beige/ grey-beige-white		86- 86-	
(4) A	928 521 003 25	front seat with heating manual longitudinal adjustment elect. vertical adjustment elect. backrest adjustment leatherette/ seat and backrest surface pin stripe velour	/L	1		4	928 521 003 03	front seat all-electric with seat heating leatherette/ seat and backrest surface pin stripe velour	/L	1	
	NY5	black/ black-white					NY5	black/ black-white			
	NY7	brown/ brown-beige					NY7	brown/ brown-beige			
	QA3	blue/ blue-white					QA3	blue/ blue-white			
	NY8	burgundy/ burgundy-white					NY8	burgundy/ burgundy-white			
	QA4	greyish green/ greyish green-white					QA4	greyish green/ greyish green-white			
	RU3	grey-beige/ grey-beige-white					RU3	grey-beige/ grey-beige-white		86- 86-	

Model	Year	MG	SG	Illustration	Restrictions	UPD	8:08	23.01.2010	PORSCHE	PET	PORSCHE
911	1986	8	08	808-20		248					

Pos	Part Number	Description	Remark	Qty	Model	Pos	Part Number	Description	Remark	Qty	Model
(4)	928 521 004 03	front seat all-electric with seat heating leatherette/ seat and backrest surface pin stripe velour	/R	1			QA6	blue/blue			
	NY5	black/ black-white					NZ5	burgundy/burgundy			
	NY7	brown/ brown-beige					QA5	greyish green/grey-green			
	QA3	blue/ blue-white				4	928 521 003 01	front seat all-electric leatherette/ seat and backrest surface pin stripe flannel	/L	1	
	NY8	burgundy/ burgundy-white					NY9	black/anthracite			
	QA4	greyish green/ greyish green-white					NZ6	brown/brown			
	RU3	grey-beige/ grey-beige-white	86- 86-				QA6	blue/blue			
(4) A	928 521 003 20	front seat without heating manual longitudinal adjustment elect. vertical adjustment elect. backrest adjustment leatherette/ seat and backrest surface pin stripe flannel	/L	1			NZ5	burgundy/burgundy			
	NY9	black/anthracite					QA5	greyish green/grey-green			
	NZ6	brown/brown				(4)	928 521 004 01	front seat all-electric leatherette/ seat and backrest surface pin stripe flannel	/R	1	
	QA6	blue/blue					NY9	black/anthracite			
	NZ5	burgundy/burgundy					NZ6	brown/brown			
	QA5	greyish green/grey-green					QA6	blue/blue			
(4) A	928 521 004 20	front seat without heating manual longitudinal adjustment elect. vertical adjustment elect. backrest adjustment leatherette/ seat and backrest surface pin stripe flannel	/R	1			NZ5	burgundy/burgundy			
	NY9	black/anthracite					QA5	greyish green/grey-green			
	NZ6	brown/brown				(4) A	928 521 003 25	front seat with heating manual longitudinal adjustment elect. vertical adjustment elect. backrest adjustment leatherette/ seat and backrest surface pin stripe flannel	/L	1	
	QA6	blue/blue					NY9	black/anthracite			
	NZ5	burgundy/burgundy					NZ6	brown/brown			
	QA5	greyish green/grey-green					QA6	blue/blue			
	NY9	black/anthracite					NZ5	burgundy/burgundy			
	NZ6	brown/brown					QA5	greyish green/grey-green			

Model	Year	MG	SG	Illustration	Restrictions	UPD	8:08	23.01.2010	PORSCHE	PET	PORSCHE
911	1986	8	08	808-20		248					

Pos	Part Number	Description	Remark	Qty	Model	Pos	Part Number	Description	Remark	Qty	Model
(4)	A 928 521 004 25	front seat with heating manual longitudinal adjustment elect. vertical adjustment elect. backrest adjustment leatherette/ seat and backrest surface pin stripe flannel	/R	1		(4)	A 928 521 003 20	front seat without heating manual longitudinal adjustment elect. vertical adjustment elect. backrest adjustment leatherette/ seat and backrest surface porsche lettering cloth	/L	1	
	NY9	black/anthracite					PX2	black/black			
	NZ6	brown/brown					PX4	brown/brown			
	QA6	blue/blue					PX7	blue/blue			
	NZ5	burgundy/burgundy					PX6	burgundy/burgundy			
	QA5	greyish green/grey-green					PX8	greyish green/grey-green			
4	928 521 003 03	front seat all-electric with seat heating leatherette/ seat and backrest surface pin stripe flannel	/L	1			QD9	grey-beige/grey-beige	86-		
	NY9	black/anthracite				(4)	A 928 521 004 20	front seat without heating manual longitudinal adjustment elect. vertical adjustment elect. backrest adjustment leatherette/ seat and backrest surface porsche lettering cloth	/R	1	
	NZ6	brown/brown					PX2	black/black			
	QA6	blue/blue					PX4	brown/brown			
	NZ5	burgundy/burgundy					PX7	blue/blue			
	QA5	greyish green/grey-green					PX6	burgundy/burgundy			
(4)	928 521 004 03	front seat all-electric with seat heating leatherette/ seat and backrest surface pin stripe flannel	/R	1			PX8	greyish green/grey-green			
	NY9	black/anthracite					QD9	grey-beige/grey-beige	86-		
	NZ6	brown/brown				4	928 521 003 01	front seat all-electric leatherette/ seat and backrest surface porsche lettering cloth	/L	1	
	QA6	blue/blue					PX2	black/black			
	NZ5	burgundy/burgundy					PX4	brown/brown			
	QA5	greyish green/grey-green					PX7	blue/blue			
							PX6	burgundy/burgundy			
							PX8	greyish green/grey-green			



Model	Year	MG	SG	Illustration	Restrictions	UPD	8:08	23.01.2010	PORSCHE	PET	PORSCHE
911	1986	8	08	808-20		248					

Pos	Part Number	Description	Remark	Qty	Model	Pos	Part Number	Description	Remark	Qty	Model
	QD9	grey-beige/grey-beige	86-				PX8	greyish green/grey-green			
(4)	928 521 004 01	front seat all-electric leatherette/ seat and backrest surface porsche lettering cloth	/R	1		4	928 521 003 03	front seat all-electric with seat heating leatherette/ seat and backrest surface porsche lettering cloth	/L	1	
	PX2	black/black					PX2	black/black			
	PX4	brown/brown					PX4	brown/brown			
	PX7	blue/blue					PX7	blue/blue			
	PX6	burgundy/burgundy					PX6	burgundy/burgundy			
	PX8	greyish green/grey-green					PX8	greyish green/grey-green			
	QD9	grey-beige/grey-beige	86-				PX6	burgundy/burgundy			
(4) A	928 521 003 25	front seat with heating manual longitudinal adjustment elect. vertical adjustment elect. backrest adjustment leatherette/ seat and backrest surface porsche lettering cloth	/L	1		(4)	928 521 004 03	front seat all-electric with seat heating leatherette/ seat and backrest surface porsche lettering cloth	/R	1	
	PX2	black/black					PX2	black/black			
	PX4	brown/brown					PX4	brown/brown			
	PX7	blue/blue					PX7	blue/blue			
	PX6	burgundy/burgundy					PX6	burgundy/burgundy			
	PX8	greyish green/grey-green					PX8	greyish green/grey-green			
	QD9	grey-beige/grey-beige	86-				PX8	greyish green/grey-green			
(4) A	928 521 004 25	front seat with heating manual longitudinal adjustment elect. vertical adjustment elect. backrest adjustment leatherette/ seat and backrest surface porsche lettering cloth	/R	1		(5) A	928 521 003 21	front seat without heating manual longitudinal adjustment elect. vertical adjustment elect. backrest adjustment leatherette/leather centre part pin stripe velour	/L	1	
	PX2	black/black					QD9	grey-beige/grey-beige	86-		
	PX4	brown/brown					PY1	black/ black-white			
	PX7	blue/blue					PY2	brown/ brown-beige			
	PX6	burgundy/burgundy									

Model	Year	MG	SG	Illustration	Restrictions	UPD	8:08	23.01.2010	PORSCHE	PET	PORSCHE
911	1986	8	08	808-20		248					

Pos	Part Number	Description	Remark	Qty	Model	Pos	Part Number	Description	Remark	Qty	Model
		PY3 blue/ blue-white					PY5 greyish green/ greyish green-white				
		PY4 burgundy/ burgundy-white					RU4 grey-beige/ grey-beige-white		86- 86-		
		PY5 greyish green/ greyish green-white				(5)	928 521 004 50 front seat all-electric leatherette/leather centre part pin stripe velour	/R		1	
		RU4 grey-beige/ grey-beige-white	86- 86-				PY1 black/ black-white				
(5) A	928 521 004 21	front seat without heating manual longitudinal adjustment elect. vertical adjustment elect. backrest adjustment leatherette/leather centre part pin stripe velour	/R	1			PY2 brown/ brown-beige				
		PY1 black/ black-white					PY3 blue/ blue-white				
		PY2 brown/ brown-beige					PY4 burgundy/ burgundy-white				
		PY3 blue/ blue-white					PY5 greyish green/ greyish green-white				
		PY4 burgundy/ burgundy-white					RU4 grey-beige/ grey-beige-white		86- 86-		
		PY5 greyish green/ greyish green-white				(5) A	928 521 003 26 front seat with heating manual longitudinal adjustment elect. vertical adjustment elect. backrest adjustment leatherette/leather centre part pin stripe velour	/L		1	
		RU4 grey-beige/ grey-beige-white	86- 86-				PY1 black/ black-white				
5	928 521 003 50	front seat all-electric leatherette/leather centre part pin stripe velour	/L	1			PY2 brown/ brown-beige				
		PY1 black/ black-white					PY3 blue/ blue-white				
		PY2 brown/ brown-beige					PY4 burgundy/ burgundy-white				
		PY3 blue/ blue-white					PY5 greyish green/ greyish green-white				
		PY4 burgundy/ burgundy-white					RU4 grey-beige/ grey-beige-white		86- 86-		

Model	Year	MG	SG	Illustration	Restrictions	UPD	8:08	23.01.2010	PORSCHE	PET	PORSCHE
911	1986	8	08	808-20		248					

Pos	Part Number	Description	Remark	Qty	Model	Pos	Part Number	Description	Remark	Qty	Model
(5)	A 928 521 004 26	front seat with heating manual longitudinal adjustment elect. vertical adjustment elect. backrest adjustment leatherette/leather centre part pin stripe velour	/R	1			PY1	black/ black-white			
							PY2	brown/ brown-beige			
							PY3	blue/ blue-white			
							PY4	burgundy/ burgundy-white			
							PY5	greyish green/ greyish green-white			
							RU4	grey-beige/ grey-beige-white	86- 86-		
						(5) A	928 521 003 21	front seat without heating manual longitudinal adjustment elect. vertical adjustment elect. backrest adjustment leatherette/leather centre part pin stripe flannel	/L	1	
5	928 521 003 55	front seat all-electric leatherette/leather centre part pin stripe velour	/L	1	M139		PZ2	black/anthracite			
							PZ3	brown/brown			
							PZ4	blue/blue			
							PZ5	burgundy/burgundy			
							PZ6	greyish green/grey-green			
						(5) A	928 521 004 21	front seat without heating manual longitudinal adjustment elect. vertical adjustment elect. backrest adjustment leatherette/leather centre part pin stripe flannel	/R	1	
							PZ2	black/anthracite			
							PZ3	brown/brown			
							PZ4	blue/blue			
							PZ5	burgundy/burgundy			
							PZ6	greyish green/grey-green			
(5)	928 521 004 55	front seat all-electric leatherette/leather centre part pin stripe velour	/R	1	M340						

Model	Year	MG	SG	Illustration	Restrictions	UPD	8:08	23.01.2010	PORSCHE	PET	PORSCHE
911	1986	8	08	808-20		248					

Pos	Part Number	Description	Remark	Qty	Model	Pos	Part Number	Description	Remark	Qty	Model
5	928 521 003 50	front seat all-electric leatherette/leather centre part pin stripe flannel	/L	1		(5) A	928 521 004 26	front seat with heating manual longitudinal adjustment elect. vertical adjustment elect. backrest adjustment leatherette/leather centre part pin stripe flannel	/R	1	
	PZ2	black/anthracite					PZ2	black/anthracite			
	PZ3	brown/brown					PZ3	brown/brown			
	PZ4	blue/blue					PZ4	blue/blue			
	PZ5	burgundy/burgundy					PZ5	burgundy/burgundy			
	PZ6	greyish green/grey-green					PZ6	greyish green/grey-green			
(5)	928 521 004 50	front seat all-electric leatherette/leather centre part pin stripe flannel	/R	1		5	928 521 003 55	front seat all-electric leatherette/leather centre part pin stripe flannel	/L	1	M139
	PZ2	black/anthracite					PZ2	black/anthracite			
	PZ3	brown/brown					PZ3	brown/brown			
	PZ4	blue/blue					PZ4	blue/blue			
	PZ5	burgundy/burgundy					PZ5	burgundy/burgundy			
	PZ6	greyish green/grey-green					PZ6	greyish green/grey-green			
(5) A	928 521 003 26	front seat with heating manual longitudinal adjustment elect. vertical adjustment elect. backrest adjustment leatherette/leather centre part pin stripe flannel	/L	1		(5)	928 521 004 55	front seat all-electric leatherette/leather centre part pin stripe flannel	/R	1	M340
	PZ2	black/anthracite					PZ2	black/anthracite			
	PZ3	brown/brown					PZ3	brown/brown			
	PZ4	blue/blue					PZ4	blue/blue			
	PZ5	burgundy/burgundy					PZ5	burgundy/burgundy			
	PZ6	greyish green/grey-green					PZ6	greyish green/grey-green			

Model	Year	MG	SG	Illustration	Restrictions	UPD	8:08	23.01.2010	PORSCHE	PET	PORSCHE
911	1986	8	08	808-20		248					

Pos	Part Number	Description	Remark	Qty	Model	Pos	Part Number	Description	Remark	Qty	Model
(5)	A 928 521 003 21	front seat without heating manual longitudinal adjustment elect. vertical adjustment elect. backrest adjustment leatherette/leather centre part porsche lettering cloth	/L	1							
	PZ7	black/black									
	PZ8	brown/brown									
	PZ9	blue/blue									
	QA1	burgundy/burgundy									
	QA2	greyish green/grey-green									
	RU2	grey-beige/grey-beige		86-							
(5)	A 928 521 004 21	front seat without heating manual longitudinal adjustment elect. vertical adjustment elect. backrest adjustment leatherette/leather centre part porsche lettering cloth	/R	1		(5)	928 521 004 50	front seat all-electric leatherette/leather centre part porsche lettering cloth	/R	1	
	PZ7	black/black					PZ7	black/black			
	PZ8	brown/brown					PZ8	brown/brown			
	PZ9	blue/blue					PZ9	blue/blue			
	QA1	burgundy/burgundy					QA1	burgundy/burgundy			
	QA2	greyish green/grey-green					QA2	greyish green/grey-green			
	RU2	grey-beige/grey-beige		86-			RU2	grey-beige/grey-beige		86-	
(5)	A 928 521 003 26	front seat with heating manual longitudinal adjustment elect. vertical adjustment elect. backrest adjustment leatherette/leather centre part porsche lettering cloth	/L	1		(5)	A 928 521 004 26	front seat with heating manual longitudinal adjustment elect. vertical adjustment elect. backrest adjustment leatherette/leather centre part porsche lettering cloth	/R	1	
	PZ7	black/black					PZ7	black/black			
	PZ8	brown/brown					PZ8	brown/brown			
	PZ9	blue/blue					PZ9	blue/blue			
	QA1	burgundy/burgundy					QA1	burgundy/burgundy			
	QA2	greyish green/grey-green					QA2	greyish green/grey-green			
	RU2	grey-beige/grey-beige		86-			RU2	grey-beige/grey-beige		86-	
5	928 521 003 50	front seat all-electric leatherette/leather centre part porsche lettering cloth	/L	1		(5)	A 928 521 004 26	front seat with heating manual longitudinal adjustment elect. vertical adjustment elect. backrest adjustment leatherette/leather centre part porsche lettering cloth	/R	1	
	PZ7	black/black					PZ7	black/black			
	PZ8	brown/brown					PZ8	brown/brown			
	PZ9	blue/blue					PZ9	blue/blue			
	QA1	burgundy/burgundy					QA1	burgundy/burgundy			
	QA2	greyish green/grey-green					QA1	burgundy/burgundy			

Model	Year	MG	SG	Illustration	Restrictions	UPD	8:08	23.01.2010	PORSCHE	PET	PORSCHE
911	1986	8	08	808-20		248					

Pos	Part Number	Description	Remark	Qty	Model	Pos	Part Number	Description	Remark	Qty	Model
	QA2	greyish green/grey-green					LS9	burgundy/ burgundy-white			
	RU2	grey-beige/grey-beige	86-				QA7	greyish green/ greyish green-white			
5	928 521 003 55	front seat all-electric leatherette/leather centre part porsche lettering cloth	/L	1	M139		LS7	grey-beige/ grey-beige-white	86- 86-		
	PZ7	black/black				(5) A	928 521 004 24	front seat without heating manual longitudinal adjustment elect. vertical adjustment elect. backrest adjustment leather/ centre part pin stripe velour	/R	1	
	PZ8	brown/brown					LS5	black/ black-white			
	PZ9	blue/blue					LS6	brown/ brown-beige			
	QA1	burgundy/burgundy					LS8	blue/ blue-white			
	QA2	greyish green/grey-green					LS9	burgundy/ burgundy-white			
(5)	928 521 004 55	front seat all-electric leatherette/leather centre part porsche lettering cloth	/R	1	M340		QA7	greyish green/ greyish green-white			
	PZ7	black/black					LS7	grey-beige/ grey-beige-white	86- 86-		
	PZ8	brown/brown				5	928 521 003 54	front seat all-electric leather/ centre part pin stripe velour	/L	1	
	PZ9	blue/blue					LS5	black/ black-white			
	QA1	burgundy/burgundy					LS6	brown/ brown-beige			
	QA2	greyish green/grey-green					LS8	blue/ blue-white			
(5) A	928 521 003 24	front seat without heating manual longitudinal adjustment elect. vertical adjustment elect. backrest adjustment leather/ centre part pin stripe velour	/L	1			LS9	burgundy/ burgundy-white			
	LS5	black/ black-white					QA7	greyish green/ greyish green-white			
	LS6	brown/ brown-beige									
	LS8	blue/ blue-white									

Model	Year	MG	SG	Illustration	Restrictions	UPD	8:08	23.01.2010	PORSCHE	PET	PORSCHE
911	1986	8	08	808-20		248					

Pos	Part Number	Description	Remark	Qty	Model	Pos	Part Number	Description	Remark	Qty	Model
(5)	928 521 004 54	LS7 grey-beige/ grey-beige-white front seat all-electric leather/ centre part pin stripe velour	/R	1		(5) A	928 521 004 29	front seat with heating manual longitudinal adjustment elect. vertical adjustment elect. backrest adjustment leather/ centre part pin stripe velour	/R	1	
		LS5 black/ black-white					LS5	black/ black-white			
		LS6 brown/ brown-beige					LS6	brown/ brown-beige			
		LS8 blue/ blue-white					LS8	blue/ blue-white			
		LS9 burgundy/ burgundy-white					LS9	burgundy/ burgundy-white			
		QA7 greyish green/ greyish green-white					QA7	greyish green/ greyish green-white			
(5) A	928 521 003 29	LS7 grey-beige/ grey-beige-white front seat with heating manual longitudinal adjustment elect. vertical adjustment elect. backrest adjustment leather/ centre part pin stripe velour	/L	1		5	928 521 003 59	front seat all-electric leather/ centre part pin stripe velour	/L	1	M139
		LS5 black/ black-white					LS5	black/ black-white			
		LS6 brown/ brown-beige					LS6	brown/ brown-beige			
		LS8 blue/ blue-white					LS8	blue/ blue-white			
		LS9 burgundy/ burgundy-white					LS9	burgundy/ burgundy-white			
		QA7 greyish green/ greyish green-white					QA7	greyish green/ greyish green-white			
		LS7 grey-beige/ grey-beige-white				(5)	928 521 004 59	front seat all-electric leather/ centre part pin stripe velour	/R	1	M340
			86- 86-						86- 86-		

Model	Year	MG	SG	Illustration	Restrictions	UPD	8:08	23.01.2010	PORSCHE	PET	PORSCHE
911	1986	8	08	808-20		248					

Pos	Part Number	Description	Remark	Qty	Model	Pos	Part Number	Description	Remark	Qty	Model
	LS5	black/ black-white				5	928 521 003 54	front seat all-electric leather/ centre part pin stripe flannel	/L	1	
	LS6	brown/ brown-beige					QB1	black/anthracite			
	LS8	blue/ blue-white					QB3	brown/brown			
	LS9	burgundy/ burgundy-white					QB5	blue/blue			
	QA7	greyish green/ greyish green-white					QB7	burgundy/burgundy			
	LS7	grey-beige/ grey-beige-white	86- 86-				QA8	greyish green/grey-green			
(5)	A 928 521 003 24	front seat without heating manual longitudinal adjustment elect. vertical adjustment elect. backrest adjustment leather/ centre part pin stripe flannel	/L	1		(5)	928 521 004 54	front seat all-electric leather/ centre part pin stripe flannel	/R	1	
	QB1	black/anthracite					QB1	black/anthracite			
	QB3	brown/brown					QB3	brown/brown			
	QB5	blue/blue					QB5	blue/blue			
	QB7	burgundy/burgundy					QB7	burgundy/burgundy			
	QA8	greyish green/grey-green					QA8	greyish green/grey-green			
(5)	A 928 521 004 24	front seat without heating manual longitudinal adjustment elect. vertical adjustment elect. backrest adjustment leather/ centre part pin stripe flannel	/R	1		(5)	A 928 521 003 29	front seat with heating manual longitudinal adjustment elect. vertical adjustment elect. backrest adjustment leather/ centre part pin stripe flannel	/L	1	
	QB1	black/anthracite					QB1	black/anthracite			
	QB3	brown/brown					QB3	brown/brown			
	QB5	blue/blue					QB5	blue/blue			
	QB7	burgundy/burgundy					QB7	burgundy/burgundy			
	QA8	greyish green/grey-green					QA8	greyish green/grey-green			



Model	Year	MG	SG	Illustration	Restrictions	UPD	8:08	23.01.2010	PORSCHE	PET	PORSCHE
911	1986	8	08	808-20		248					

Pos	Part Number	Description	Remark	Qty	Model	Pos	Part Number	Description	Remark	Qty	Model
(5)	A 928 521 004 29	front seat with heating manual longitudinal adjustment elect. vertical adjustment elect. backrest adjustment leather/ centre part pin stripe flannel	/R	1		(5)	A 928 521 003 24	front seat without heating manual longitudinal adjustment elect. vertical adjustment elect. backrest adjustment leather/ centre part porsche lettering cloth	/L	1	
	QB1	black/anthracite					QB2	black/black			
	QB3	brown/brown					QB4	brown/brown			
	QB5	blue/blue					QB6	blue/blue			
	QB7	burgundy/burgundy					QB8	burgundy/burgundy			
	QA8	greyish green/grey-green					QA9	greyish green/grey-green			
5	928 521 003 59	front seat all-electric leather/ centre part pin stripe flannel	/L	1	M139		RU1	grey-beige/grey-beige	86-		
	QB1	black/anthracite				(5)	A 928 521 004 24	front seat without heating manual longitudinal adjustment elect. vertical adjustment elect. backrest adjustment leather/ centre part porsche lettering cloth	/R	1	
	QB3	brown/brown					QB2	black/black			
	QB5	blue/blue					QB4	brown/brown			
	QB7	burgundy/burgundy					QB6	blue/blue			
	QA8	greyish green/grey-green					QB8	burgundy/burgundy			
(5)	928 521 004 59	front seat all-electric leather/ centre part pin stripe flannel	/R	1	M340		QA9	greyish green/grey-green			
	QB1	black/anthracite					RU1	grey-beige/grey-beige	86-		
	QB3	brown/brown				5	928 521 003 54	front seat all-electric leather/ centre part porsche lettering cloth	/L	1	
	QB5	blue/blue					QB2	black/black			
	QB7	burgundy/burgundy					QB4	brown/brown			
	QA8	greyish green/grey-green					QB6	blue/blue			
							QB8	burgundy/burgundy			
							QA9	greyish green/grey-green			

Model	Year	MG	SG	Illustration	Restrictions	UPD	8:08	23.01.2010	PORSCHE	PET	PORSCHE
911	1986	8	08	808-20		248					

Pos	Part Number	Description	Remark	Qty	Model	Pos	Part Number	Description	Remark	Qty	Model
		RU1 grey-beige/grey-beige	86-				QA9 greyish green/grey-green				
(5)	928 521 004 54	front seat all-electric leather/ centre part porsche lettering cloth	/R	1		5	RU1 grey-beige/grey-beige	86-			
	QB2	black/black					928 521 003 59	front seat all-electric leather/ centre part porsche lettering cloth	/L	1	M139
	QB4	brown/brown					QB2	black/black			
	QB6	blue/blue					QB4	brown/brown			
	QB8	burgundy/burgundy					QB6	blue/blue			
	QA9	greyish green/grey-green					QB8	burgundy/burgundy			
	RU1	grey-beige/grey-beige	86-				QA9	greyish green/grey-green			
(5) A	928 521 003 29	front seat with heating manual longitudinal adjustment elect. vertical adjustment elect. backrest adjustment leather/ centre part porsche lettering cloth	/L	1		(5)	RU1 grey-beige/grey-beige	86-			
	QB2	black/black					928 521 004 59	front seat all-electric leather/ centre part porsche lettering cloth	/R	1	M340
	QB4	brown/brown					QB2	black/black			
	QB6	blue/blue					QB4	brown/brown			
	QB8	burgundy/burgundy					QB6	blue/blue			
	QA9	greyish green/grey-green					QB8	burgundy/burgundy			
	RU1	grey-beige/grey-beige	86-				QA9	greyish green/grey-green			
(5) A	928 521 004 29	front seat with heating manual longitudinal adjustment elect. vertical adjustment elect. backrest adjustment leather/ centre part porsche lettering cloth	/R	1		(6) A	RU1 grey-beige/grey-beige	86-			
	QB2	black/black					928 521 003 22	front seat without heating manual longitudinal adjustment elect. vertical adjustment elect. backrest adjustment leatherette/ seat and backrest surface leather	/L	1	
	QB4	brown/brown					JN3	black/black			
	QB6	blue/blue					JN4	brown/brown			
	QB8	burgundy/burgundy					QC1	blue/blue			
							NZ8	burgundy/burgundy			

Model	Year	MG	SG	Illustration	Restrictions	UPD	8:08	23.01.2010	PORSCHE	PET	PORSCHE
911	1986	8	08	808-20		248					

Pos	Part Number	Description	Remark	Qty	Model	Pos	Part Number	Description	Remark	Qty	Model
	PX9	greyish green/grey-green					PX9	greyish green/grey-green			
	JN5	grey-beige/grey-beige	86-				JN5	grey-beige/grey-beige	86-		
(6) A	928 521 004 22	front seat without heating manual longitudinal adjustment elect. vertical adjustment elect. backrest adjustment leatherette/ seat and backrest surface leather	/R	1		(6) A	928 521 003 27	front seat with heating manual longitudinal adjustment elect. vertical adjustment elect. backrest adjustment leatherette/ seat and backrest surface leather	/L	1	
	JN3	black/black					JN3	black/black			
	JN4	brown/brown					JN4	brown/brown			
	QC1	blue/blue					QC1	blue/blue			
	NZ8	burgundy/burgundy					NZ8	burgundy/burgundy			
	PX9	greyish green/grey-green					PX9	greyish green/grey-green			
	JN5	grey-beige/grey-beige	86-				JN5	grey-beige/grey-beige	86-		
6	928 521 003 51	front seat all-electric leatherette/ seat and backrest surface leather	/L	1		(6) A	928 521 004 27	front seat with heating manual longitudinal adjustment elect. vertical adjustment elect. backrest adjustment leatherette/ seat and backrest surface leather	/R	1	
	JN3	black/black					JN3	black/black			
	JN4	brown/brown					JN4	brown/brown			
	QC1	blue/blue					QC1	blue/blue			
	NZ8	burgundy/burgundy					NZ8	burgundy/burgundy			
	PX9	greyish green/grey-green					PX9	greyish green/grey-green			
	JN5	grey-beige/grey-beige	86-				JN5	grey-beige/grey-beige	86-		
(6)	928 521 004 51	front seat all-electric leatherette/ seat and backrest surface leather	/R	1		6	928 521 003 56	front seat all-electric leatherette/ seat and backrest surface leather	/L	1	M139
	JN3	black/black					JN3	black/black			
	JN4	brown/brown					JN4	brown/brown			
	QC1	blue/blue					QC1	blue/blue			
	NZ8	burgundy/burgundy					NZ8	burgundy/burgundy			

Model	Year	MG	SG	Illustration	Restrictions	UPD	8:08	23.01.2010	PORSCHE	PET	PORSCHE
911	1986	8	08	808-20		248					

Pos	Part Number	Description	Remark	Qty	Model	Pos	Part Number	Description	Remark	Qty	Model
	NZ8	burgundy/burgundy				(6) A	928 521 004 23	front seat without heating	/R	1	
	PX9	greyish green/grey-green						manual longitudinal adjustment			
	JN5	grey-beige/grey-beige	86-					elect. vertical adjustment			
(6)	928 521 004 56	front seat all-electric leatherette/ seat and backrest surface leather	/R	1	M340			elect. backrest adjustment			
	JN3	black/black					KZ2	black			
	JN4	brown/brown					KZ5	brown			
	QC1	blue/blue					KZ3	blue			
	NZ8	burgundy/burgundy					LG7	burgundy			
	PX9	greyish green/grey-green					QC2	greyish green			
	JN5	grey-beige/grey-beige	86-				KZ6	can-can-red			
(6) A	928 521 003 23	front seat without heating manual longitudinal adjustment elect. vertical adjustment elect. backrest adjustment whole-leather	/L	1			LG4	pearl white			
	KZ2	black					LG5	champagne			
	KZ5	brown					LG6	dark green			
	KZ3	blue					PY9	ocean blue			
	LG7	burgundy					PZ1	wild buffalo			
	QC2	greyish green					KZ4	grey-beige	86-		
	KZ6	can-can-red				6	928 521 003 52	front seat all-electric whole-leather	/L	1	
	LG4	pearl white									
	LG5	champagne					KZ2	black			
	LG6	dark green					KZ5	brown			
	PY9	ocean blue					KZ3	blue			
	PZ1	wild buffalo					LG7	burgundy			
	KZ4	grey-beige	86-				QC2	greyish green			
							KZ6	can-can-red			
							LG4	pearl white			
							LG5	champagne			
							LG6	dark green			
							PY9	ocean blue			
							PZ1	wild buffalo			

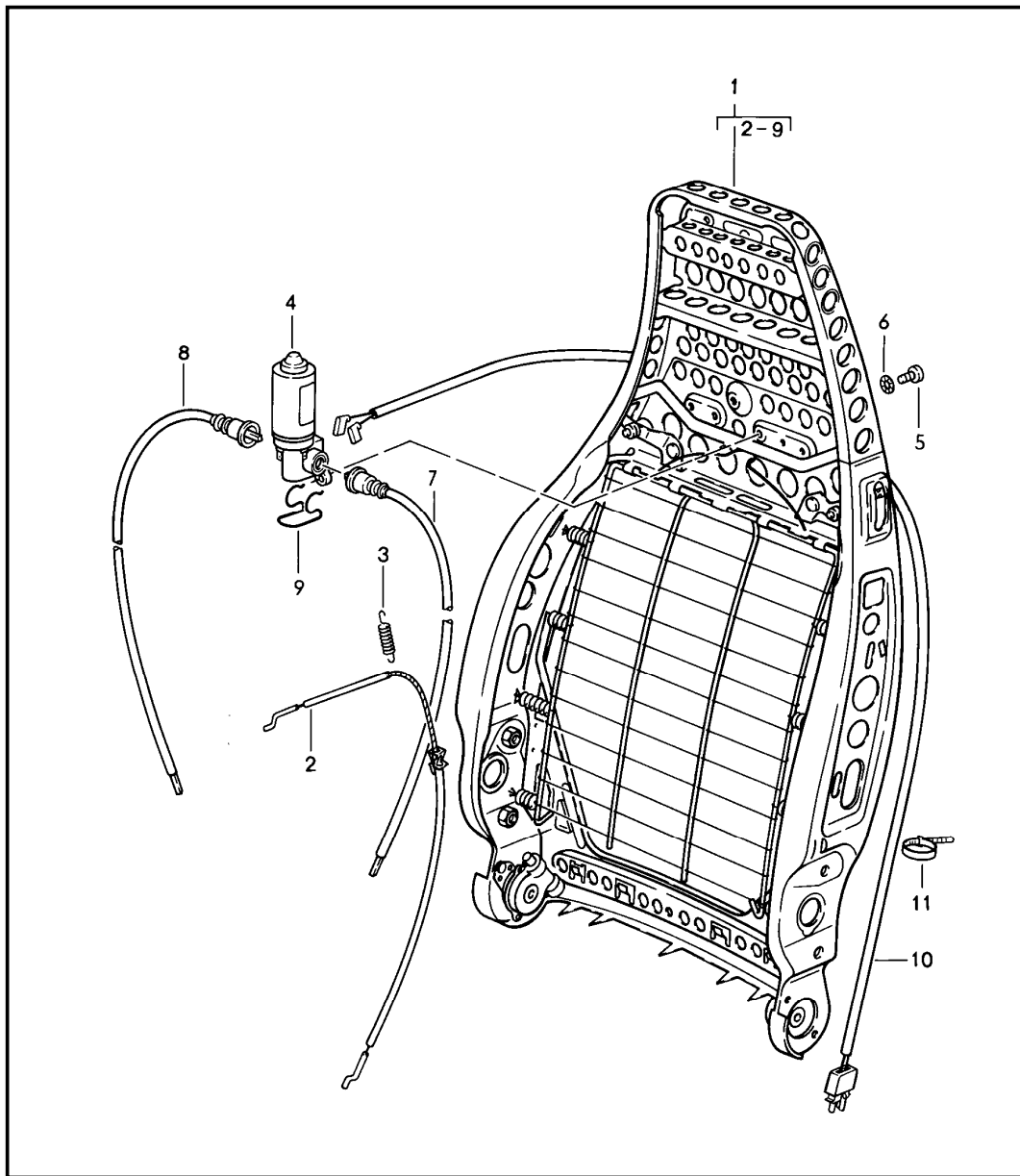
Model	Year	MG	SG	Illustration	Restrictions	UPD	8:08	23.01.2010	PORSCHE	PET	PORSCHE
911	1986	8	08	808-20		248					

Pos	Part Number	Description	Remark	Qty	Model	Pos	Part Number	Description	Remark	Qty	Model
	KZ4	grey-beige	86-				PZ1	wild buffalo			
(6)	928 521 004 52	front seat all-electric whole-leather	/R	1			KZ4	grey-beige	86-		
	KZ2	black				(6) A	928 521 004 28	front seat with heating manual longitudinal adjustment elect. vertical adjustment elect. backrest adjustment whole-leather	/R	1	
	KZ5	brown					KZ2	black			
	KZ3	blue					KZ5	brown			
	LG7	burgundy					KZ3	blue			
	QC2	greyish green					LG7	burgundy			
	KZ6	can-can-red					QC2	greyish green			
	LG4	pearl white					KZ6	can-can-red			
	LG5	champagne					LG4	pearl white			
	LG6	dark green					LG5	champagne			
	PY9	ocean blue					LG6	dark green			
	PZ1	wild buffalo					PY9	ocean blue			
	KZ4	grey-beige	86-				PZ1	wild buffalo			
(6) A	928 521 003 28	front seat with heating manual longitudinal adjustment elect. vertical adjustment elect. backrest adjustment whole-leather	/L	1			KZ4	grey-beige	86-		
	KZ2	black				6	928 521 003 57	front seat all-electric whole-leather	/L	1	M139
	KZ5	brown					KZ2	black			
	KZ3	blue					KZ5	brown			
	LG7	burgundy					KZ3	blue			
	QC2	greyish green					LG7	burgundy			
	KZ6	can-can-red					QC2	greyish green			
	LG4	pearl white					KZ6	can-can-red			
	LG5	champagne					LG4	pearl white			
	LG6	dark green					LG5	champagne			
	PY9	ocean blue					LG6	dark green			

Model	Year	MG	SG	Illustration	Restrictions	UPD	8:08	23.01.2010	PORSCHE	PET	PORSCHE
911	1986	8	08	808-20		248					

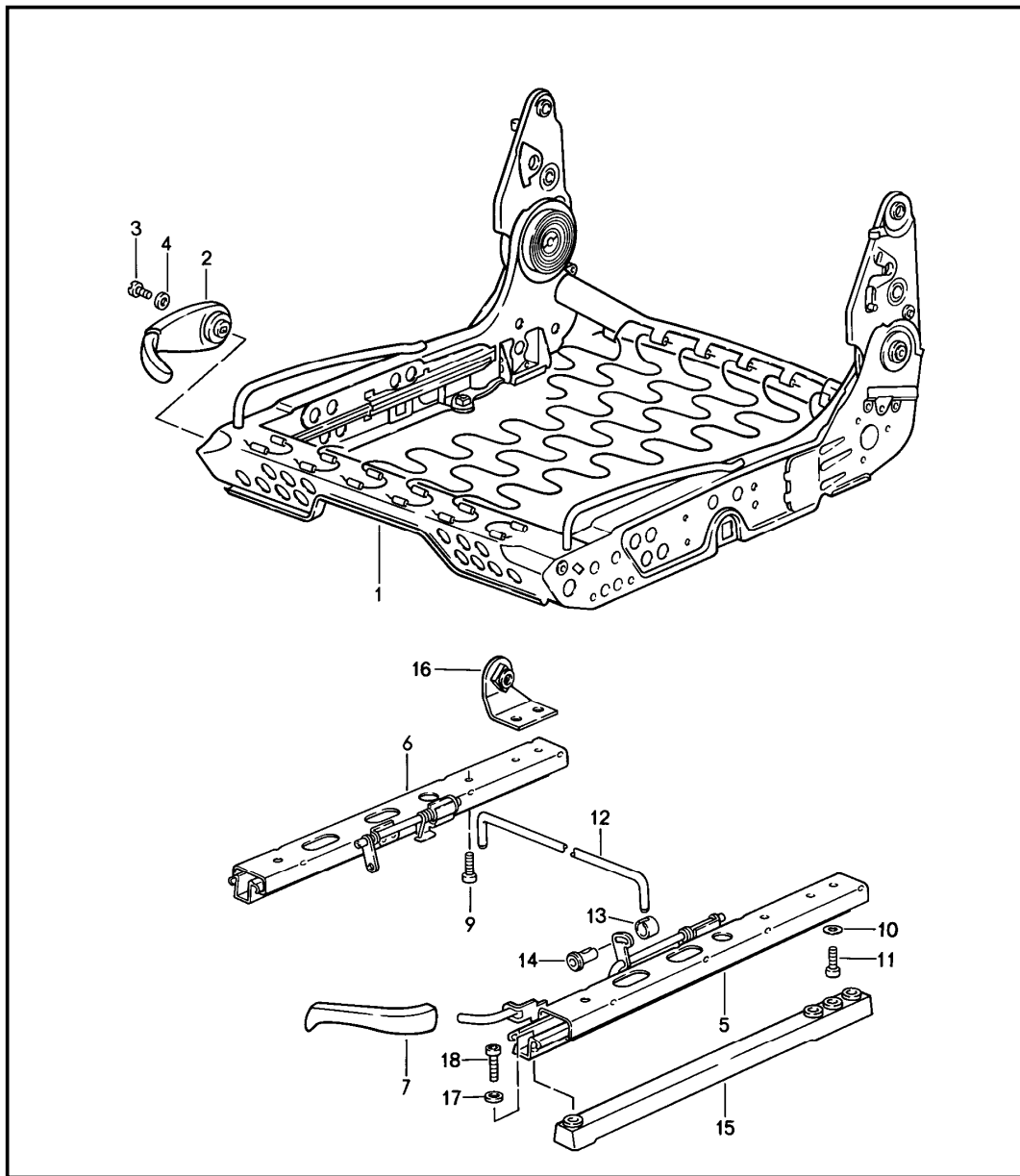
Pos	Part Number	Description	Remark	Qty	Model	Pos	Part Number	Description	Remark	Qty	Model
(6)	PY9	ocean blue					5HJ	blue			
	PZ1	wild buffalo					9MM	burgundy			
	KZ4	grey-beige	86-				1DJ	greyish green			
	928 521 004 57	front seat all-electric whole-leather	/R	1	M340		3UC	grey-beige	86-		
	KZ2	black				9	900 025 044 07	washer A 4,3		8	
	KZ5	brown				10	900 143 113 07	tapping screw B 4,2 X 13		8	
	KZ3	blue				11	900 119 030 02	pan-head screw M 8 X 20	85-	12	
	LG7	burgundy				12	900 089 006 02	washer 8	85-	12	
	QC2	greyish green				13	928 521 101 05	threaded plate		X	
	KZ6	can-can-red				13A	928 521 101 08	threaded plate		X	
	LG4	pearl white				14	928 521 717 02	square rod for backrest adjustment		4	
	LG5	champagne				15	928 521 716 02	lock washer for backrest adjustment		4	
	LG6	dark green				16	900 249 004 02	countersunk-head screw M 4 X 8 for backrest adjustment		4	
	7	911 521 547 00	hexagon-head bolt M 10 X 20		8		(17)	928 521 760 03	cover for partially electrical seat	85-	2
8		928 521 147 02	cover	/L	2		18	N 013 959 3	tapping screw B 3,5 X 16		4
	01C	black				18	900 143 016 01	tapping screw B 3,5 X 16		4	
	4RB	brown				19	900 025 013 07	washer A 3,7		4	
	5HJ	blue				20	911 521 347 00	stop		2	
	9MM	burgundy									
	1DJ	greyish green									
	3UC	grey-beige	86-								
	928 521 148 02	cover	/R	2							
	01C	black									
	4RB	brown									

Model	Year	MG	SG	Illustration	Restrictions	UPD	8:08	23.01.2010	PORSCHE	PET	PORSCHE
911	1986	8	08	808-24		248					



Pos	Part Number	Description	Remark	Qty	Model
		backrest frame			
(1)	928 521 027 08	backrest frame manually adjustable	/LL/R /RL/L	1	CARRERA CARRERA
1 A	928 521 027 10	backrest frame electrically adjustable	/LL/L	2	TURBO CARRERA
1	928 521 027 10	backrest frame electrically adjustable	/LL/L /LL/R /RL/R /RL/L	2	TURBO CARRERA M438 CARRERA M437
2	928 521 093 02	bowden cable		4	
3	311 881 287 A	spring actuating lever		4	
4 A	928 624 126 01	geared motor		2	
4	928 624 126 01	geared motor elect. backrest adjustment		2	
5 A	N 014 128 4	oval-head screw M 5 X 8		4	
6	N 012 130 2	shake-proof washer A 5,3		4	
7	928 521 617 02	shaft elect. backrest adjustment	/L	2	
8	928 521 618 02	shaft elect. backrest adjustment	/R	2	
9	928 521 675 02	moulded spring		2	
10	928 612 343 00	connecting line for backrest adjustment		2	
11	N 020 904 4	tie-wrap		10	TURBO
11	N 020 904 4	tie-wrap 6,5 X 120		5	CARRERA

Model	Year	MG	SG	Illustration	Restrictions	UPD	8:08	23.01.2010	PORSCHE	PET	PORSCHE
911	1986	8	08	808-26		248					



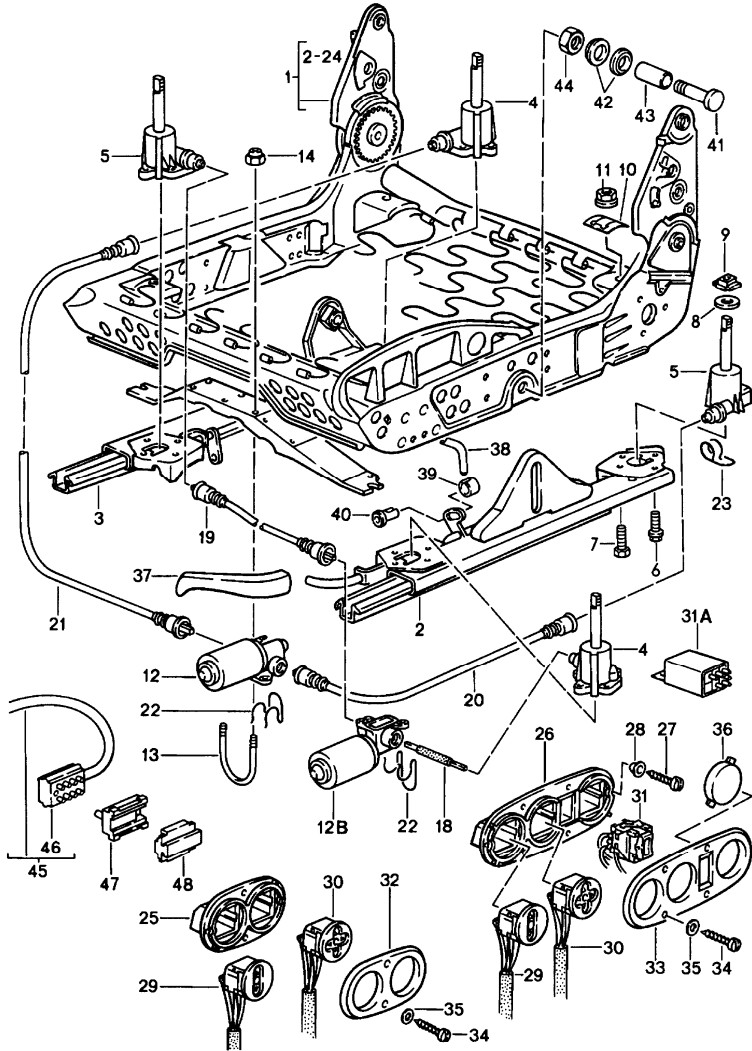
Pos	Part Number	Description	Remark	Qty	Model
		seat frame manually adjustable	85-		CARRERA
1	A 928 521 069 04	seat frame manually adjustable	/RL/L	1	
1	A 928 521 069 16	seat frame manually adjustable	/RL/L	1	
1	993 521 069 00	seat frame manually adjustable	/L	1	
(1)	A 928 521 070 04	seat frame manually adjustable	/LL/R	1	
(1)	A 928 521 070 16	seat frame manually adjustable	/LL/R	1	
(1)	993 521 070 00	seat frame manually adjustable	/R	1	
2	A 928 521 073 04	lever		2	
2	964 521 073 00	lever for backrest adjustment		2	
		01C satin black			
3	900 119 011 07	pan-head screw M 5 X 10		1	
4	900 031 006 07	washer 5,3 X 9,5 X 1		1	
5	A 928 521 489 10	seat rail left seat right seat	/RL/L	1	
(6)	928 521 491 08	seat rail inner left seat	/LL	1	
6	928 521 492 08	seat rail left seat right seat	/RL/R	1	
(5)	A 928 521 490 10	seat rail right seat	/LL/R	1	
7	A 911 521 533 00	handle for longitudinal adjustment	/L	1	
(7)	A 911 521 533 00	handle for longitudinal adjustment	/R	1	
(7)	911 521 533 01	handle for longitudinal adjustment		2	



Model	Year	MG	SG	Illustration	Restrictions	UPD	8:08	23.01.2010	PORSCHE	PET	PORSCHE
911	1986	8	08	808-26		248					

Pos	Part Number	Description	Remark	Qty	Model	Pos	Part Number	Description	Remark	Qty	Model
	01C	satin black									
9	900 119 091 02	pan-head screw M 6 X 16		1							
10	900 025 007 02	washer A 8,4		6							
11	900 119 052 02	pan-head screw M 8 X 16		6							
12	928 521 525 03	connecting rod for longitudinal adjustment		1							
13	N 902 514 01	clamping sleeve for longitudinal adjustment		2							
14	N 902 515 01	guide bush for longitudinal adjustment		2							
15	911 521 493 02	spacer	/LL/R /RL/L	2							
(16)	928 521 065 02	support	/LL/R	1							
16	928 521 066 02	support	/RL/L	1							
17	900 089 006 02	washer A 8,4		6							
18	900 119 081 02	pan-head screw M 8 X 35		6							

Model	Year	MG	SG	Illustration	Restrictions	UPD	8:08	23.01.2010	PORSCHE	PET	PORSCHE
911	1986	8	08	808-28		248					



Pos	Part Number	Description	Remark	Qty	Model
1	928 521 069 12	seat frame electric elect. vertical adjustment elect. backrest adjustment manual longitudinal adjustment	/L	1	
(1)	993 521 069 03	seat frame all-electric	/L	1	
(1)	928 521 070 12	seat frame elect. vertical adjustment elect. backrest adjustment manual longitudinal adjustment	/R	1	
(1)	993 521 070 03	seat frame all-electric	/R	1 1	
2	A 928 521 489 11	seat rail		1	
2	928 521 489 11	seat rail left seat outer elect. vertical adjustment manual longitudinal adjustment		1	
(2)	A 928 521 490 11	seat rail		1	
(2)	928 521 490 11	seat rail right seat outer elect. vertical adjustment manual longitudinal adjustment		1	
3	A 964 521 492 00	seat rail		1	
3	964 521 492 00	seat rail left seat inner elect. vertical adjustment manual longitudinal adjustment		1	
(3)	A 964 521 491 00	seat rail		1	
(3)	964 521 491 00	seat rail right seat inner elect. vertical adjustment manual longitudinal adjustment		1	
(2)	A 928 521 489 08	seat rail		1	
(2)	928 521 489 08	seat rail left seat outer all-electric		1	

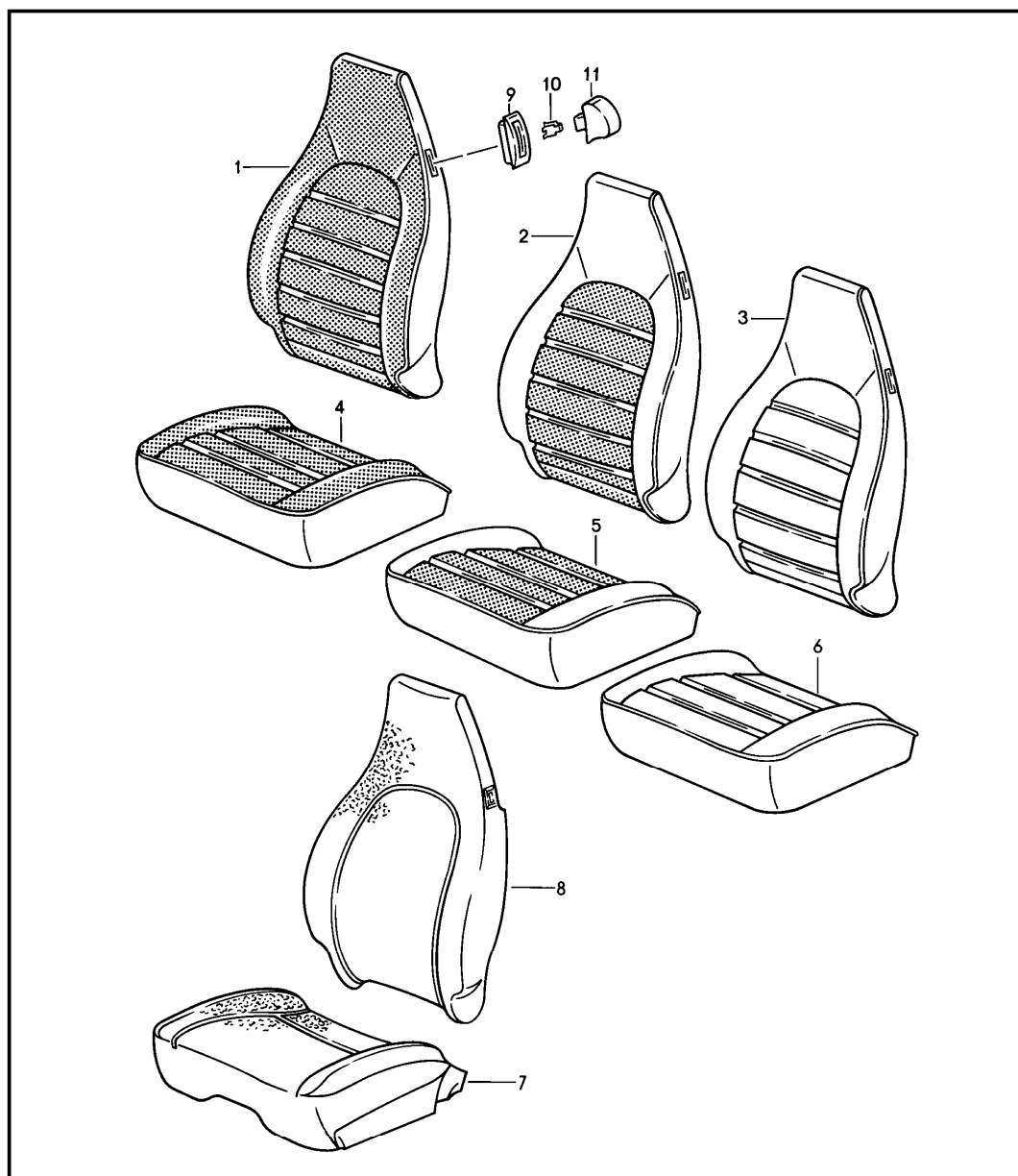
Model	Year	MG	SG	Illustration	Restrictions	UPD	8:08	23.01.2010	PORSCHE	PET	PORSCHE
911	1986	8	08	808-28		248					

Pos	Part Number	Description	Remark	Qty	Model	Pos	Part Number	Description	Remark	Qty	Model
(2)	A 928 521 490 08	seat rail		1		13	999 222 001 02	stirrup bolt M 4		6	
(2)	928 521 490 08	seat rail right seat outer all-electric		1		14	900 910 006 02	lock nut M 4		12	
(3)	A 928 521 492 11	seat rail		1		18	A 928 521 671 03	shaft	/L	2	
(3)	928 521 492 11	seat rail left seat inner all-electric		1		18	928 521 671 03	shaft front vertical adjustment	/L	2	
(3)	A 928 521 491 11	seat rail		1		19	928 521 672 02	pliable shaft front vertical adjustment	/R	2	
(3)	928 521 491 11	seat rail right seat inner all-electric		1		20	A 928 521 673 05	flexible shaft	/L	2	
						20	928 521 673 05	shaft rear vertical adjustment	/L	2	
4	A 928 521 721 03	lifting gear		2		21	928 521 674 02	pliable shaft rear vertical adjustment	/R	2	
4	928 521 721 03	lifting gear left front, right rear		2		22	928 521 675 02	moulded spring for engine		6	
5	A 928 521 722 03	lifting gear		2		23	928 521 699 00	moulded spring		6	
5	928 521 722 03	lifting gear right front, left rear		2		25	928 521 559 04	switch insert		2	
6	999 217 033 01	locking screw M 6 X 16		20		26	928 521 559 02	switch insert	/L	1	M139
7	900 186 032 02	pan-head screw M 6 X 16		8		(26)	928 521 560 02	switch insert	/R	1	M340
8	999 025 129 40	washer 10,2 X 30 X 1,5		8		27	N 013 988 1	tapping screw B 3,5 X 16		2	
9	928 521 727 02	slide		8		28	999 591 849 07	cone washer B 3,5		2	
10	928 521 723 02	guide spring		8		29	928 613 181 00	switch front vertical adjustment		1	
11	928 521 730 02	nut		8		30	928 613 183 00	switch for backrest adjustment rear vertical adjustment		2	
12	A 928 624 126 01	geared motor		2		31	928 613 187 01	switch	/L	1	M139
12	928 624 126 01	geared motor rear vertical adjustment		2		31	928 613 188 01	switch seat heater	/R	1	M340
12B	A 928 624 126 01	geared motor		2		31A	928 618 521 00	relay seat heater		1	M139/340
12B	928 624 126 01	geared motor front vertical adjustment		2		32	928 521 561 04	trim for switch		2	

Model	Year	MG	SG	Illustration	Restrictions	UPD	8:08	23.01.2010	PORSCHE	PET	PORSCHE
911	1986	8	08	808-28		248					

Pos	Part Number	Description	Remark	Qty	Model	Pos	Part Number	Description	Remark	Qty	Model
	01C	satin black				48	999 652 396 40	clip 8-pole		2	
33	928 521 561 03	trim for switch		1	M139/340	-	N 020 904 4	tie-wrap 6,5 X 120		5	
	01C	satin black									
34	N 013 959 3	tapping screw B 3,5 X 16		4							
34	900 143 016 01	tapping screw B 3,5 X 16		4							
35	900 025 013 07	washer A 3,7		4							
36	928 613 425 00	lid		1	M139/340						
37	A 911 521 533 00	handle	/L	1							
(37)	A 911 521 533 00	handle for longitudinal adjustment	/R	1							
(37)	911 521 533 01	handle for longitudinal adjustment		2							
	01C	satin black									
38	928 521 525 03	connecting rod for longitudinal adjustment		2							
39	N 902 514 01	clamping sleeve for longitudinal adjustment		4							
40	N 902 515 01	guide bush for longitudinal adjustment		4							
41	928 521 681 02	bolt		4							
42	928 521 683 02	washer 1,5 PA 6		8							
43	928 521 685 02	bush		4							
44	900 034 003 02	hexagon nut M 10		4							
		wiring harness single parts									
45	911 612 521 01	wiring harness for electric seat equipment		1							
46	944 612 117 00	connector housing 8-pole		2							
47	999 652 395 40	connector housing 8-pole		2							

Model	Year	MG	SG	Illustration	Restrictions	UPD	8:09	23.01.2010	PORSCHE	PET	PORSCHE
911	1986	8	08	808-30		248					



Pos	Part Number	Description	Remark	Qty	Model
1	928 521 071 22	front seat cover	85-	2	
		backrest cover without heating leatherette/ backrest surface pin stripe velour			
		NY5 black/ black-white			
		NY7 brown/ brown-beige			
		QA3 blue/ blue-white			
		NY8 burgundy/ burgundy-white			
		QA4 greyish green/ greyish green-white			
		RU3 grey-beige/ grey-beige-white	86- 86-		
(1) A	928 521 071 63	backrest cover with heating leatherette/ backrest surface pin stripe velour		2	M139/340
		NY5 black/ black-white			
		NY7 brown/ brown-beige			
		QA3 blue/ blue-white			
		NY8 burgundy/ burgundy-white			
		QA4 greyish green/ greyish green-white			
		RU3 grey-beige/ grey-beige-white	86- 86-		
1	928 521 071 22	backrest cover without heating leatherette/ backrest surface pin stripe flannel		2	

Model	Year	MG	SG	Illustration	Restrictions	UPD	8:09	23.01.2010	PORSCHE	PET	PORSCHE
911	1986	8	08	808-30		248					

Pos	Part Number	Description	Remark	Qty	Model	Pos	Part Number	Description	Remark	Qty	Model
		NY9 black/anthracite					PX8	greyish green/grey-green			
		NZ6 brown/brown					QD9	grey-beige/grey-beige	86-		
		QA6 blue/blue				2	928 521 071 50	backrest cover without heating leatherette/ centre part pin stripe velour		2	
		NZ5 burgundy/burgundy					PY1	black/ black-white			
		QA5 greyish green/grey-green					PY2	brown/ brown-beige			
(1)	A 928 521 071 63	backrest cover with heating leatherette/ backrest surface pin stripe flannel		2	M139/340		PY3	blue/ blue-white			
		NY9 black/anthracite					PY4	burgundy/ burgundy-white			
		NZ6 brown/brown					PY5	greyish green/ greyish green-white			
		QA6 blue/blue					RU4	grey-beige/ grey-beige-white	86- 86-		
		NZ5 burgundy/burgundy					(2)	928 521 071 52	backrest cover with heating leatherette/ centre part pin stripe velour	2	M139/340
		QA5 greyish green/grey-green					PY1	black/ black-white			
1	928 521 071 22	backrest cover without heating leatherette/ backrest surface porsche lettering cloth		2			PY2	brown/ brown-beige			
		PX2 black/black					PY3	blue/ blue-white			
		PX4 brown/brown					PY4	burgundy/ burgundy-white			
		PX7 blue/blue					PY5	greyish green/ greyish green-white			
		PX6 burgundy/burgundy					RU4	grey-beige/ grey-beige-white	86- 86-		
		PX8 greyish green/grey-green					2	928 521 071 50	backrest cover without heating leatherette/leather centre part pin stripe flannel	2	
		QD9 grey-beige/grey-beige	86-								
(1)	A 928 521 071 63	backrest cover with heating leatherette/ backrest surface porsche lettering cloth		2	M139/340						
		PX2 black/black									
		PX4 brown/brown									
		PX7 blue/blue									
		PX6 burgundy/burgundy									

Model	Year	MG	SG	Illustration	Restrictions	UPD	8:09	23.01.2010	PORSCHE	PET	PORSCHE
911	1986	8	08	808-30		248					

Pos	Part Number	Description	Remark	Qty	Model	Pos	Part Number	Description	Remark	Qty	Model
	PZ2	black/anthracite					QA2	greyish green/grey-green			
	PZ3	brown/brown					RU2	grey-beige/grey-beige	86-		
	PZ4	blue/blue				2	928 521 071 66	backrest cover without heating leather/ centre part pin stripe velour		2	
	PZ5	burgundy/burgundy					LS5	black/ black-white			
	PZ6	greyish green/grey-green					LS6	brown/ brown-beige			
(2)	928 521 071 52	backrest cover with heating leatherette/leather centre part pin stripe flannel		2	M139/340		LS8	blue/ blue-white			
	PZ2	black/anthracite					LS9	burgundy/ burgundy-white			
	PZ3	brown/brown					QA7	greyish green/ greyish green-white			
	PZ4	blue/blue					LS7	grey-beige/ grey-beige-white	86- 86-		
	PZ5	burgundy/burgundy					2	928 521 071 67	backrest cover with heating leather/ centre part pin stripe velour		2
	PZ6	greyish green/grey-green					LS5	black/ black-white			M139/340
2	928 521 071 50	backrest cover without heating leatherette/leather centre part porsche lettering cloth		2			LS6	brown/ brown-beige			
	PZ7	black/black					LS8	blue/ blue-white			
	PZ8	brown/brown					LS9	burgundy/ burgundy-white			
	PZ9	blue/blue					QA7	greyish green/ greyish green-white			
	QA1	burgundy/burgundy					LS7	grey-beige/ grey-beige-white	86- 86-		
	QA2	greyish green/grey-green					2	928 521 071 66	backrest cover without heating leather/ centre part pin stripe flannel		2
	RU2	grey-beige/grey-beige	86-								
(2)	928 521 071 52	backrest cover with heating leatherette/leather centre part porsche lettering cloth		2	M139/340						
	PZ7	black/black									
	PZ8	brown/brown									
	PZ9	blue/blue									
	QA1	burgundy/burgundy									

Model	Year	MG	SG	Illustration	Restrictions	UPD	8:09	23.01.2010	PORSCHE	PET	PORSCHE
911	1986	8	08	808-30		248					

Pos	Part Number	Description	Remark	Qty	Model	Pos	Part Number	Description	Remark	Qty	Model
		QB1 black/anthracite					QA9	greyish green/grey-green			
		QB3 brown/brown					RU1	grey-beige/grey-beige	86-		
		QB5 blue/blue				3	928 521 071 51	backrest cover without heating leatherette/ backrest surface leather		2	
		QB7 burgundy/burgundy					JN3	black/black			
		QA8 greyish green/grey-green					JN4	brown/brown			
2	928 521 071 67	backrest cover with heating leather/ centre part pin stripe flannel		2	M139/340		QC1	blue/blue			
		QB1 black/anthracite					NZ8	burgundy/burgundy			
		QB3 brown/brown					PX9	greyish green/grey-green			
		QB5 blue/blue					JN5	grey-beige/grey-beige	86-		
		QB7 burgundy/burgundy				(3)	928 521 071 62	backrest cover with heating leatherette/ backrest surface leather		2	M139/340
		QA8 greyish green/grey-green					JN3	black/black			
2	928 521 071 66	backrest cover without heating leather/ centre part porsche lettering cloth		2			JN4	brown/brown			
		QB2 black/black					QC1	blue/blue			
		QB4 brown/brown					NZ8	burgundy/burgundy			
		QB6 blue/blue					PX9	greyish green/grey-green			
		QB8 burgundy/burgundy					JN5	grey-beige/grey-beige	86-		
		QA9 greyish green/grey-green				3	928 521 071 65	backrest cover without heating leather		2	
		RU1 grey-beige/grey-beige	86-				KZ2	black			
2	928 521 071 67	backrest cover with heating leather/ centre part porsche lettering cloth		2	M139/340		KZ5	brown			
		QB2 black/black					KZ3	blue			
		QB4 brown/brown					LG7	burgundy			
		QB6 blue/blue					QC2	greyish green			
		QB8 burgundy/burgundy					KZ6	can-can-red			
							LG4	pearl white			



Model	Year	MG	SG	Illustration	Restrictions	UPD	8:09	23.01.2010	PORSCHE	PET	PORSCHE
911	1986	8	08	808-30		248					

Pos	Part Number	Description	Remark	Qty	Model	Pos	Part Number	Description	Remark	Qty	Model
(3)	928 521 071 64	backrest cover with heating leather		2	M139/340	(4)	944 521 037 14	cover for cushion seat electrically adjustable without heating leatherette/ seat surface pin stripe velour		2	
	LG5	champagne					QA4	greyish green/ greyish green-white			
	LG6	dark green					RU3	grey-beige/ grey-beige-white	86- 86-		
	PY9	ocean blue									
	PZ1	wild buffalo									
	KZ4	grey-beige	86-								
	KZ2	black					NY5	black/ black-white			
	KZ5	brown					NY7	brown/ brown-beige			
	KZ3	blue					QA3	blue/ blue-white			
	LG7	burgundy					NY8	burgundy/ burgundy-white			
	QC2	greyish green					QA4	greyish green/ greyish green-white			
	KZ6	can-can-red					RU3	grey-beige/ grey-beige-white	86- 86-		
	4	944 521 037 11	cover for cushion for manual adjustment leatherette/ seat surface pin stripe velour	/LL/R /RL/L	1		CARRERA	(4) 944 521 037 89	cover for cushion seat electrically adjustable with heating leatherette/ seat surface pin stripe velour		2
	LG4	pearl white									
	LG5	champagne									
	LG6	dark green									
	PY9	ocean blue									
	PZ1	wild buffalo									
	KZ4	grey-beige	86-								
	NY5	black/ black-white				NY5	black/ black-white				
	NY7	brown/ brown-beige				NY7	brown/ brown-beige				
	QA3	blue/ blue-white				QA3	blue/ blue-white				
	NY8	burgundy/ burgundy-white				NY8	burgundy/ burgundy-white				
						QA4	greyish green/ greyish green-white				
						RU3	grey-beige/ grey-beige-white	86- 86-			

Model	Year	MG	SG	Illustration	Restrictions	UPD	8:09	23.01.2010	PORSCHE	PET	PORSCHE
911	1986	8	08	808-30		248					

Pos	Part Number	Description	Remark	Qty	Model	Pos	Part Number	Description	Remark	Qty	Model
4	944 521 037 11	cover for cushion for manual adjustment leatherette/ seat surface pin stripe flannel	/LL/R /RL/L	1	CARRERA		PX2	black/black			
	NY9	black/anthracite					PX4	brown/brown			
	NZ6	brown/brown					PX7	blue/blue			
	QA6	blue/blue					PX6	burgundy/burgundy			
	NZ5	burgundy/burgundy					PX8	greyish green/grey-green			
	QA5	greyish green/grey-green					QD9	grey-beige/grey-beige	86-		
(4)	944 521 037 14	cover for cushion seat electrically adjustable without heating leatherette/ seat surface pin stripe flannel		2		(4)	944 521 037 14	cover for cushion seat electrically adjustable without heating leatherette/ seat surface porsche lettering cloth		2	
	NY9	black/anthracite					PX2	black/black			
	NZ6	brown/brown					PX4	brown/brown			
	QA6	blue/blue					PX7	blue/blue			
	NZ5	burgundy/burgundy					PX6	burgundy/burgundy			
	QA5	greyish green/grey-green					PX8	greyish green/grey-green			
(4)	944 521 037 89	cover for cushion seat electrically adjustable with heating leatherette/ seat surface pin stripe flannel		2	M139/340	(4)	944 521 037 89	cover for cushion seat electrically adjustable with heating leatherette/ seat surface porsche lettering cloth		2	M139/340
	NY9	black/anthracite					QD9	grey-beige/grey-beige	86-		
	NZ6	brown/brown					PX2	black/black			
	QA6	blue/blue					PX4	brown/brown			
	NZ5	burgundy/burgundy					PX7	blue/blue			
	QA5	greyish green/grey-green					PX6	burgundy/burgundy			
4	944 521 037 11	cover for cushion for manual adjustment leatherette/ seat surface porsche lettering cloth	/LL/R /RL/L	1	CARRERA	5	944 521 037 75	cover for cushion for manual adjustment leatherette/leather centre part pin stripe velour	/LL/R /RL/L	2	CARRERA
									86-		

Model	Year	MG	SG	Illustration	Restrictions	UPD	8:09	23.01.2010	PORSCHE	PET	PORSCHE
911	1986	8	08	808-30		248					

Pos	Part Number	Description	Remark	Qty	Model	Pos	Part Number	Description	Remark	Qty	Model
		PY1 black/ black-white					PY3 blue/ blue-white				
		PY2 brown/ brown-beige					PY4 burgundy/ burgundy-white				
		PY3 blue/ blue-white					PY5 greyish green/ greyish green-white				
		PY4 burgundy/ burgundy-white					RU4 grey-beige/ grey-beige-white	86- 86-			
		PY5 greyish green/ greyish green-white				5	944 521 037 75	cover for cushion for manual adjustment leatherette/leather centre part pin stripe flannel	/LL/R /RL/L	2	CARRERA
(5)	944 521 037 79	cover for cushion seat electrically adjustable without heating leatherette/leather centre part pin stripe velour	86- 86-	2			PZ2 black/anthracite				
		PY1 black/ black-white					PZ3 brown/brown				
		PY2 brown/ brown-beige					PZ4 blue/blue				
		PY3 blue/ blue-white					PZ5 burgundy/burgundy				
		PY4 burgundy/ burgundy-white					PZ6 greyish green/grey-green				
		PY5 greyish green/ greyish green-white				(5)	944 521 037 79	cover for cushion seat electrically adjustable without heating leatherette/leather centre part pin stripe flannel		2	
		RU4 grey-beige/ grey-beige-white	86- 86-				PZ2 black/anthracite				
(5)	944 521 037 87	cover for cushion seat electrically adjustable with heating leatherette/leather centre part pin stripe velour	86- 86-	2	M139/340		PZ3 brown/brown				
		PY1 black/ black-white					PZ4 blue/blue				
		PY2 brown/ brown-beige					PZ5 burgundy/burgundy				
							PZ6 greyish green/grey-green				
						(5)	944 521 037 87	cover for cushion seat electrically adjustable with heating leatherette/leather centre part pin stripe flannel		2	M139/340
							PZ2 black/anthracite				
							PZ3 brown/brown				

Model	Year	MG	SG	Illustration	Restrictions	UPD	8:09	23.01.2010	PORSCHE	PET	PORSCHE
911	1986	8	08	808-30		248					

Pos	Part Number	Description	Remark	Qty	Model	Pos	Part Number	Description	Remark	Qty	Model
	PZ4	blue/blue					QA1	burgundy/burgundy			
	PZ5	burgundy/burgundy					QA2	greyish green/grey-green			
	PZ6	greyish green/grey-green					RU2	grey-beige/grey-beige	86-		
5	944 521 037 75	cover for cushion for manual adjustment leatherette/leather centre part porsche lettering cloth	/LL/R /RL/L	2	CARRERA	5	944 521 037 78	cover for cushion for manual adjustment leather/ centre part pin stripe velour	/LL/R /RL/L	1	CARRERA
	PZ7	black/black					LS5	black/ black-white			
	PZ8	brown/brown					LS6	brown/ brown-beige			
	PZ9	blue/blue					LS8	blue/ blue-white			
	QA1	burgundy/burgundy					LS9	burgundy/ burgundy-white			
	QA2	greyish green/grey-green					QA7	greyish green/ greyish green-white			
	RU2	grey-beige/grey-beige	86-				LS7	grey-beige/ grey-beige-white	86- 86-		
(5)	944 521 037 79	cover for cushion seat electrically adjustable without heating leatherette/leather centre part porsche lettering cloth		2		(5)	944 521 037 82	cover for cushion seat electrically adjustable without heating leather/ centre part pin stripe velour		2	
	PZ7	black/black					LS5	black/ black-white			
	PZ8	brown/brown					LS6	brown/ brown-beige			
	PZ9	blue/blue					LS8	blue/ blue-white			
	QA1	burgundy/burgundy					LS9	burgundy/ burgundy-white			
	QA2	greyish green/grey-green					QA7	greyish green/ greyish green-white			
	RU2	grey-beige/grey-beige	86-				LS7	grey-beige/ grey-beige-white	86- 86-		
(5)	944 521 037 87	cover for cushion seat electrically adjustable with heating leatherette/leather centre part porsche lettering cloth		2	M139/340						
	PZ7	black/black									
	PZ8	brown/brown									
	PZ9	blue/blue									

Model	Year	MG	SG	Illustration	Restrictions	UPD	8:09	23.01.2010	PORSCHE	PET	PORSCHE
911	1986	8	08	808-30		248					

Pos	Part Number	Description	Remark	Qty	Model	Pos	Part Number	Description	Remark	Qty	Model
(5)	944 521 037 91	cover for cushion seat electrically adjustable with heating leather/centre part pin stripe velour		2	M139/340		QA8	greyish green/grey-green			
	LS5	black/black-white				(5)	944 521 037 91	cover for cushion seat electrically adjustable with heating leather/centre part pin stripe flannel		2	M139/340
	LS6	brown/brown-beige					QB1	black/anthracite			
	LS8	blue/blue-white					QB3	brown/brown			
	LS9	burgundy/burgundy-white					QB5	blue/blue			
	QA7	greyish green/greyish green-white					QB7	burgundy/burgundy			
	LS7	grey-beige/grey-beige-white	86-86-				QA8	greyish green/grey-green			
5	944 521 037 78	cover for cushion for manual adjustment leather/centre part pin stripe flannel	/LL/R/RL/L	1	CARRERA	5	944 521 037 78	cover for cushion for manual adjustment leather/centre part porsche lettering cloth	/LL/R/RL/L	1	CARRERA
	QB1	black/anthracite					QB2	black/black			
	QB3	brown/brown					QB4	brown/brown			
	QB5	blue/blue					QB6	blue/blue			
	QB7	burgundy/burgundy					QB8	burgundy/burgundy			
	QA8	greyish green/grey-green					QA9	greyish green/grey-green			
							RU1	grey-beige/grey-beige	86-		
(5)	944 521 037 82	cover for cushion seat electrically adjustable without heating leather/centre part pin stripe flannel		2		(5)	944 521 037 82	cover for cushion seat electrically adjustable without heating leather/centre part porsche lettering cloth		2	
	QB1	black/anthracite					QB2	black/black			
	QB3	brown/brown					QB4	brown/brown			
	QB5	blue/blue					QB6	blue/blue			
	QB7	burgundy/burgundy					QB8	burgundy/burgundy			
							QA9	greyish green/grey-green			
							RU1	grey-beige/grey-beige	86-		

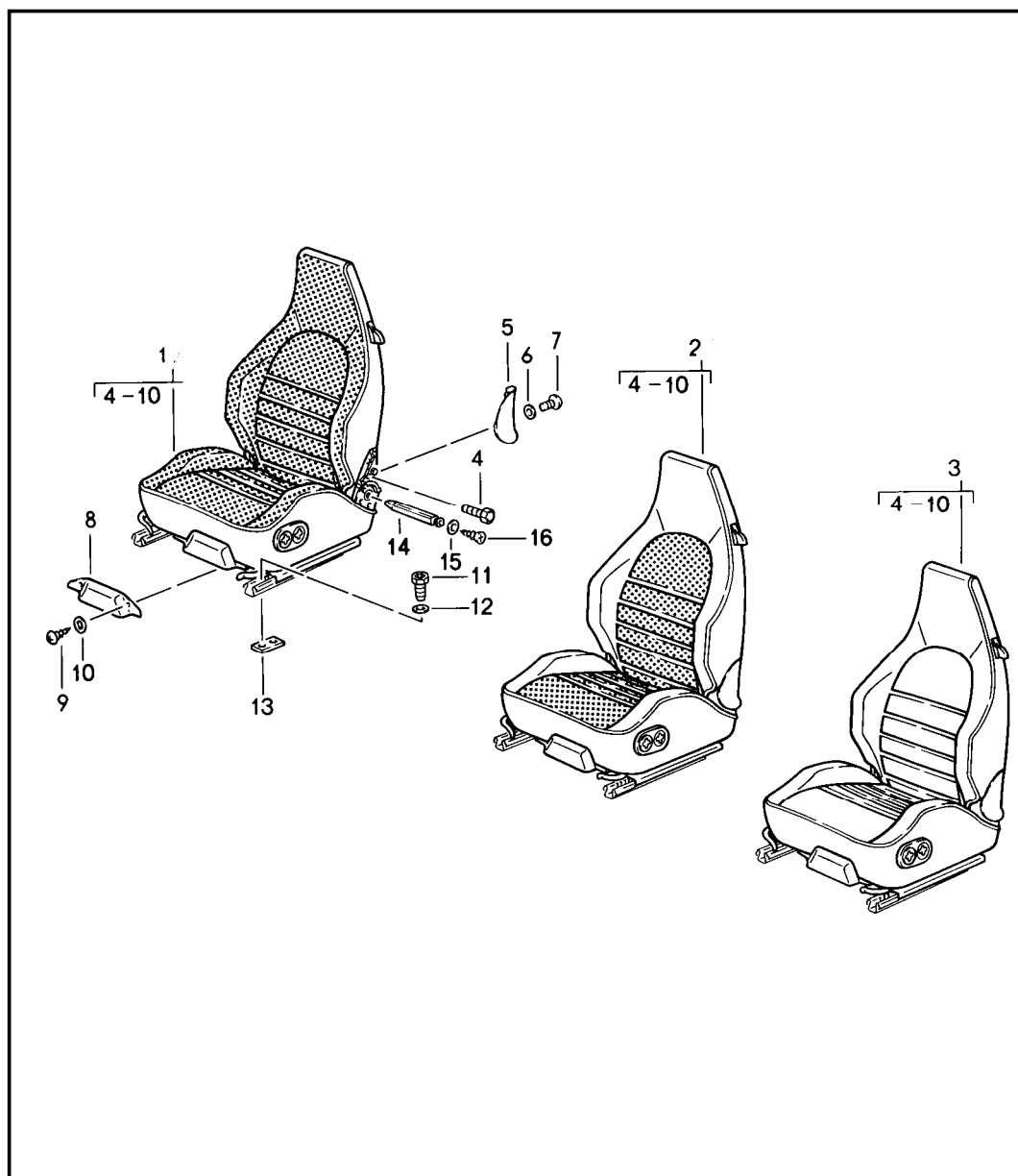
Model	Year	MG	SG	Illustration	Restrictions	UPD	8:09	23.01.2010	PORSCHE	PET	PORSCHE
911	1986	8	08	808-30		248					

Pos	Part Number	Description	Remark	Qty	Model	Pos	Part Number	Description	Remark	Qty	Model
(5)	944 521 037 91	cover for cushion seat electrically adjustable with heating leather/centre part porsche lettering cloth		2	M139/340	(6)	944 521 037 88	cover for cushion seat electrically adjustable with heating leatherette/seat surface leather		2	M139/340
	QB2	black/black					JN3	black/black			
	QB4	brown/brown					JN4	brown/brown			
	QB6	blue/blue					QC1	blue/blue			
	QB8	burgundy/burgundy					NZ8	burgundy/burgundy			
	QA9	greyish green/grey-green					PX9	greyish green/grey-green			
	RU1	grey-beige/grey-beige	86-				JN5	grey-beige	86-		
6	944 521 037 76	cover for cushion for manual adjustment leatherette/seat surface leather	/LL/R /RL/L	2	CARRERA	6	944 521 037 77	cover for cushion for manual adjustment leather	/LL/R /RL/L	1	CARRERA
	JN3	black/black					KZ2	black			
	JN4	brown/brown					KZ5	brown			
	QC1	blue/blue					KZ3	blue			
	NZ8	burgundy/burgundy					LG7	burgundy			
	PX9	greyish green/grey-green					QC2	greyish green			
	JN5	grey-beige	86-				KZ6	can-can-red			
(6)	944 521 037 80	cover for cushion seat electrically adjustable without heating leatherette/seat surface leather		2			LG4	pearl white			
	JN3	black/black					LG5	champagne			
	JN4	brown/brown					LG6	dark green			
	QC1	blue/blue					PY9	ocean blue			
	NZ8	burgundy/burgundy					PZ1	wild buffalo			
	PX9	greyish green/grey-green					KZ4	grey-beige	86-		
	JN5	grey-beige	86-			(6)	944 521 037 81	cover for cushion seat electrically adjustable without heating leather		2	
							KZ2	black			
							KZ5	brown			

Model	Year	MG	SG	Illustration	Restrictions	UPD	8:09	23.01.2010	PORSCHE	PET	PORSCHE
911	1986	8	08	808-30		248					

Pos	Part Number	Description	Remark	Qty	Model	Pos	Part Number	Description	Remark	Qty	Model
	KZ3	blue				(7) A	928 521 386 23	foam part for electric adjustment	/R	1	
	LG7	burgundy				(7)	928 521 385 24	foam part for electric adjustment	/L	1	M139
	QC2	greyish green				(7)	928 521 386 24	foam part for electric adjustment	/R	1	M340
	KZ6	can-can-red				8	928 521 393 13	foam part for manual adjustment	/LL/R /RL/L	2	CARRERA
	LG4	pearl white				(8) A	993 521 393 06	foam part for electric adjustment see technical information 6 ZYL. GR.7D NR.1/94		2	
	LG5	champagne				(8)	993 521 393 06	foam part for electric adjustment see technical information 6 ZYL. GR.7D NR.1/94		2	
	PY9	ocean blue				9	911 521 815 00	rosette		4	
	PZ1	wild buffalo					01C	satin black		4	
	KZ2	black				10	311 881 247	clamp		4	
	KZ5	brown				11	911 521 817 00	control button		4	
	KZ3	blue					01C	satin black			
	LG7	burgundy									
	QC2	greyish green									
	KZ6	can-can-red									
	LG4	pearl white									
	LG5	champagne									
	LG6	dark green									
	PY9	ocean blue									
	PZ1	wild buffalo									
	KZ4	grey-beige									
(6)	944 521 037 90	cover for cushion seat electrically adjustable with heating leather		2	M139/340						
	KZ4	grey-beige	86-								
7	928 521 385 22	foam part for manual adjustment	/LL/R /RL/L	1							
(7) A	928 521 385 23	foam part for electric adjustment	/L	1							

Model	Year	MG	SG	Illustration	Restrictions	UPD	8:09	23.01.2010	PORSCHE	PET	PORSCHE
911	1986	8	08	808-32		248					



Pos	Part Number	Description	Remark	Qty	Model
		sports seat complete	85-		
1	944 521 001 01	sports seat without heating leatherette/ seat and backrest surface pin stripe velour	/L	1	
	NY5	black/ black-white			
	NY7	brown/ brown-beige			
	QA3	blue/ blue-white			
	NY8	burgundy/ burgundy-white			
	QA4	greyish green/ greyish green-white			
	RU3	grey-beige/ grey-beige-white	86- 86-		
(1)	944 521 002 01	sports seat without heating leatherette/ seat and backrest surface pin stripe velour	/R	1	
	NY5	black/ black-white			
	NY7	brown/ brown-beige			
	QA3	blue/ blue-white			
	NY8	burgundy/ burgundy-white			
	QA4	greyish green/ greyish green-white			
	RU3	grey-beige/ grey-beige-white	86- 86-		
(1)	944 521 001 03	sports seat with heating leatherette/ seat and backrest surface pin stripe velour	/L	1	



Model	Year	MG	SG	Illustration	Restrictions	UPD	8:09	23.01.2010	PORSCHE	PET	PORSCHE
911	1986	8	08	808-32		248					

Pos	Part Number	Description	Remark	Qty	Model	Pos	Part Number	Description	Remark	Qty	Model
	NY5	black/ black-white				(1)	944 521 002 01	sports seat without heating leatherette/ seat and backrest surface pin stripe flannel	/R	1	
	NY7	brown/ brown-beige					NY9	black/anthracite			
	QA3	blue/ blue-white					NZ6	brown/brown			
	NY8	burgundy/ burgundy-white					QA6	blue/blue			
	QA4	greyish green/ greyish green-white					NZ5	burgundy/burgundy			
	RU3	grey-beige/ grey-beige-white	86- 86-				QA5	greyish green/grey-green			
(1)	944 521 002 03	sports seat with heating leatherette/ seat and backrest surface pin stripe velour	/R	1		(1)	944 521 001 03	sports seat with heating leatherette/ seat and backrest surface pin stripe flannel	/L	1	
	NY5	black/ black-white					NY9	black/anthracite			
	NY7	brown/ brown-beige					NZ6	brown/brown			
	QA3	blue/ blue-white					QA6	blue/blue			
	NY8	burgundy/ burgundy-white					NZ5	burgundy/burgundy			
	QA4	greyish green/ greyish green-white					QA5	greyish green/grey-green			
	RU3	grey-beige/ grey-beige-white	86- 86-			(1)	944 521 002 03	sports seat with heating leatherette/ seat and backrest surface pin stripe flannel	/R	1	
1	944 521 001 01	sports seat without heating leatherette/ seat and backrest surface pin stripe flannel	/L	1			NY9	black/anthracite			
	NY9	black/anthracite					NZ6	brown/brown			
	NZ6	brown/brown					QA6	blue/blue			
	QA6	blue/blue					NZ5	burgundy/burgundy			
	NZ5	burgundy/burgundy					QA5	greyish green/grey-green			
	QA5	greyish green/grey-green				1	944 521 001 01	sports seat without heating leatherette/ seat and backrest surface porsche lettering cloth	/L	1	
	NY9	black/anthracite					PX2	black/black			
	NZ6	brown/brown					PX4	brown/brown			
	QA6	blue/blue									
	NZ5	burgundy/burgundy									
	QA5	greyish green/grey-green									

Model	Year	MG	SG	Illustration	Restrictions	UPD	8:09	23.01.2010	PORSCHE	PET	PORSCHE
911	1986	8	08	808-32		248					

Pos	Part Number	Description	Remark	Qty	Model	Pos	Part Number	Description	Remark	Qty	Model
		PX7 blue/blue					PX8 greyish green/grey-green				
		PX6 burgundy/burgundy					QD9 grey-beige/grey-beige		86-		
		PX8 greyish green/grey-green				2	944 521 001 50 sports seat without heating leatherette/leather centre part pin stripe velour	/L		1	
(1)	944 521 002 01	QD9 grey-beige/grey-beige	86-	1			PY1 black/black-white				
		sports seat without heating leatherette/seat and backrest surface porsche lettering cloth	/R				PY2 brown/brown-beige				
		PX2 black/black					PY3 blue/blue-white				
		PX4 brown/brown					PY4 burgundy/burgundy-white				
		PX7 blue/blue					PY5 greyish green/greyish green-white				
		PX6 burgundy/burgundy					RU4 grey-beige/grey-beige-white		86-86-		
		PX8 greyish green/grey-green				(2)	944 521 002 50 sports seat without heating leatherette/leather centre part pin stripe velour	/R		1	
(1)	944 521 001 03	QD9 grey-beige/grey-beige	86-	1			PY1 black/black-white				
		sports seat with heating leatherette/seat and backrest surface porsche lettering cloth	/L				PY2 brown/brown-beige				
		PX2 black/black					PY3 blue/blue-white				
		PX4 brown/brown					PY4 burgundy/burgundy-white				
		PX7 blue/blue					PY5 greyish green/greyish green-white				
		PX6 burgundy/burgundy					RU4 grey-beige/grey-beige-white		86-86-		
		PX8 greyish green/grey-green				(2)	944 521 001 55 sports seat with heating leatherette/leather centre part pin stripe velour	/L		1	
(1)	944 521 002 03	QD9 grey-beige/grey-beige	86-	1							
		sports seat with heating leatherette/seat and backrest surface porsche lettering cloth	/R								
		PX2 black/black									
		PX4 brown/brown									
		PX7 blue/blue									
		PX6 burgundy/burgundy									

Model	Year	MG	SG	Illustration	Restrictions	UPD	8:09	23.01.2010	PORSCHE	PET	PORSCHE
911	1986	8	08	808-32		248					

Pos	Part Number	Description	Remark	Qty	Model	Pos	Part Number	Description	Remark	Qty	Model
		PY1 black/ black-white				(2)	944 521 002 50	sports seat without heating leatherette/leather centre part pin stripe flannel	/R	1	
		PY2 brown/ brown-beige						PZ2 black/anthracite			
		PY3 blue/ blue-white						PZ3 brown/brown			
		PY4 burgundy/ burgundy-white						PZ4 blue/blue			
		PY5 greyish green/ greyish green-white						PZ5 burgundy/burgundy			
		RU4 grey-beige/ grey-beige-white	86- 86-					PZ6 greyish green/grey-green			
(2)	944 521 002 55	sports seat with heating leatherette/leather centre part pin stripe velour	/R	1		(2)	944 521 001 55	sports seat with heating leatherette/leather centre part pin stripe flannel	/L	1	
		PY1 black/ black-white						PZ2 black/anthracite			
		PY2 brown/ brown-beige						PZ3 brown/brown			
		PY3 blue/ blue-white						PZ4 blue/blue			
		PY4 burgundy/ burgundy-white						PZ5 burgundy/burgundy			
		PY5 greyish green/ greyish green-white						PZ6 greyish green/grey-green			
		RU4 grey-beige/ grey-beige-white	86- 86-			(2)	944 521 002 55	sports seat with heating leatherette/leather centre part pin stripe flannel	/R	1	
2	944 521 001 50	sports seat without heating leatherette/leather centre part pin stripe flannel	/L	1				PZ2 black/anthracite			
		PZ2 black/anthracite						PZ3 brown/brown			
		PZ3 brown/brown						PZ4 blue/blue			
		PZ4 blue/blue						PZ5 burgundy/burgundy			
		PZ5 burgundy/burgundy						PZ6 greyish green/grey-green			
		PZ6 greyish green/grey-green				2	944 521 001 50	sports seat without heating leatherette/leather centre part porsche lettering cloth	/L	1	
		PZ2 black/anthracite						PZ7 black/black			
		PZ3 brown/brown						PZ8 brown/brown			

Model	Year	MG	SG	Illustration	Restrictions	UPD	8:09	23.01.2010	PORSCHE	PET	PORSCHE
911	1986	8	08	808-32		248					

Pos	Part Number	Description	Remark	Qty	Model	Pos	Part Number	Description	Remark	Qty	Model
	PZ9	blue/blue					QA2	greyish green/grey-green			
	QA1	burgundy/burgundy					RU2	grey-beige/grey-beige	86-		
	QA2	greyish green/grey-green				2	944 521 001 54	sports seat without heating leather/ centre part pin stripe velour	/L	1	
	RU2	grey-beige/grey-beige	86-				LS5	black/ black-white			
(2)	944 521 002 50	sports seat without heating leatherette/leather centre part porsche lettering cloth	/R	1			LS6	brown/ brown-beige			
	PZ7	black/black					LS8	blue/ blue-white			
	PZ8	brown/brown					LS9	burgundy/ burgundy-white			
	PZ9	blue/blue					QA7	greyish green/ greyish green-white			
	QA1	burgundy/burgundy					LS7	grey-beige/ grey-beige-white	86- 86-		
	QA2	greyish green/grey-green					(2)	944 521 002 54	sports seat without heating leather/ centre part pin stripe velour	/R	1
	RU2	grey-beige/grey-beige	86-				LS5	black/ black-white			
(2)	944 521 001 55	sports seat with heating leatherette/leather centre part porsche lettering cloth	/L	1			LS6	brown/ brown-beige			
	PZ7	black/black					LS8	blue/ blue-white			
	PZ8	brown/brown					LS9	burgundy/ burgundy-white			
	PZ9	blue/blue					QA7	greyish green/ greyish green-white			
	QA1	burgundy/burgundy					LS7	grey-beige/ grey-beige-white	86- 86-		
	QA2	greyish green/grey-green					(2)	944 521 001 59	sports seat with heating leather/ centre part pin stripe velour	/L	1
	RU2	grey-beige/grey-beige	86-								
(2)	944 521 002 55	sports seat with heating leatherette/leather centre part porsche lettering cloth	/R	1							
	PZ7	black/black									
	PZ8	brown/brown									
	PZ9	blue/blue									
	QA1	burgundy/burgundy									

Model	Year	MG	SG	Illustration	Restrictions	UPD	8:09	23.01.2010	PORSCHE	PET	PORSCHE
911	1986	8	08	808-32		248					

Pos	Part Number	Description	Remark	Qty	Model	Pos	Part Number	Description	Remark	Qty	Model
	LS5	black/ black-white				(2)	944 521 002 54	sports seat without heating leather/ centre part pin stripe flannel	/R	1	
	LS6	brown/ brown-beige					QB1	black/anthracite			
	LS8	blue/ blue-white					QB3	brown/brown			
	LS9	burgundy/ burgundy-white					QB5	blue/blue			
	QA7	greyish green/ greyish green-white					QB7	burgundy/burgundy			
	LS7	grey-beige/ grey-beige-white	86- 86-				QA8	greyish green/grey-green			
(2)	944 521 002 59	sports seat with heating leather/ centre part pin stripe velour	/R	1		(2)	944 521 001 59	sports seat with heating leather/ centre part pin stripe flannel	/L	1	
	LS5	black/ black-white					QB1	black/anthracite			
	LS6	brown/ brown-beige					QB3	brown/brown			
	LS8	blue/ blue-white					QB5	blue/blue			
	LS9	burgundy/ burgundy-white					QB7	burgundy/burgundy			
	QA7	greyish green/ greyish green-white					QA8	greyish green/grey-green			
	LS7	grey-beige/ grey-beige-white	86- 86-			(2)	944 521 002 59	sports seat with heating leather/ centre part pin stripe flannel	/R	1	
2	944 521 001 54	sports seat without heating leather/ centre part pin stripe flannel	/L	1			QB1	black/anthracite			
	QB1	black/anthracite					QB3	brown/brown			
	QB3	brown/brown					QB5	blue/blue			
	QB5	blue/blue					QB7	burgundy/burgundy			
	QB7	burgundy/burgundy					QA8	greyish green/grey-green			
	QA8	greyish green/grey-green				2	944 521 001 54	sports seat without heating leather/ centre part porsche lettering cloth	/L	1	
	QB2	black/black					QB2	black/black			
	QB4	brown/brown					QB4	brown/brown			

Model	Year	MG	SG	Illustration	Restrictions	UPD	8:09	23.01.2010	PORSCHE	PET	PORSCHE
911	1986	8	08	808-32		248					

Pos	Part Number	Description	Remark	Qty	Model	Pos	Part Number	Description	Remark	Qty	Model
		QB6 blue/blue					QA9	greyish green/grey-green			
		QB8 burgundy/burgundy					RU1	grey-beige/grey-beige	86-		
		QA9 greyish green/grey-green				3	944 521 001 51	sports seat without heating leatherette/seat and backrest surface leather	/L	1	
		RU1 grey-beige/grey-beige	86-				JN3	black/black			
(2)	944 521 002 54	sports seat without heating leather/centre part porsche lettering cloth	/R	1			JN4	brown/brown			
		QB2 black/black					QC1	blue/blue			
		QB4 brown/brown					NZ8	burgundy/burgundy			
		QB6 blue/blue					PX9	greyish green/grey-green			
		QB8 burgundy/burgundy					JN5	grey-beige/grey-beige	86-		
		QA9 greyish green/grey-green				(3)	944 521 002 51	sports seat without heating leatherette/seat and backrest surface leather	/R	1	
		RU1 grey-beige/grey-beige	86-				JN3	black/black			
(2)	944 521 001 59	sports seat with heating leather/centre part porsche lettering cloth	/L	1			JN4	brown/brown			
		QB2 black/black					QC1	blue/blue			
		QB4 brown/brown					NZ8	burgundy/burgundy			
		QB6 blue/blue					PX9	greyish green/grey-green			
		QB8 burgundy/burgundy					JN5	grey-beige/grey-beige	86-		
		QA9 greyish green/grey-green				(3)	944 521 001 56	sports seat with heating leatherette/seat and backrest surface leather	/L	1	
		RU1 grey-beige/grey-beige	86-				JN3	black/black			
(2)	944 521 002 59	sports seat with heating leather/centre part porsche lettering cloth	/R	1			JN4	brown/brown			
		QB2 black/black					QC1	blue/blue			
		QB4 brown/brown					NZ8	burgundy/burgundy			
		QB6 blue/blue					PX9	greyish green/grey-green			
		QB8 burgundy/burgundy					JN5	grey-beige/grey-beige	86-		

Model	Year	MG	SG	Illustration	Restrictions	UPD	8:09	23.01.2010	PORSCHE	PET	PORSCHE
911	1986	8	08	808-32		248					

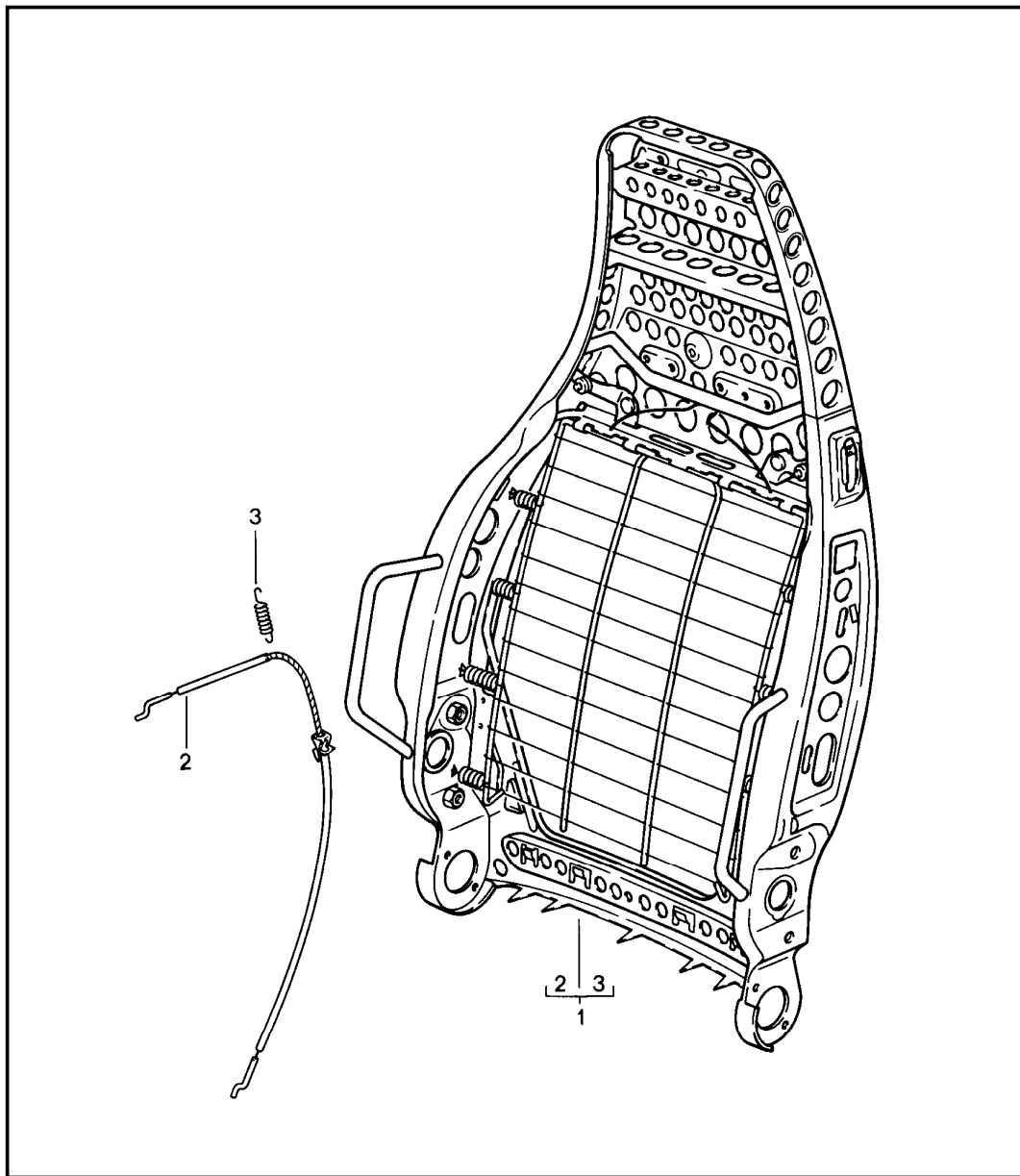
Pos	Part Number	Description	Remark	Qty	Model	Pos	Part Number	Description	Remark	Qty	Model
(3)	944 521 002 56	sports seat with heating leatherette/seat and backrest surface leather	/R	1			QC2	greyish green			
	JN3	black/black					KZ6	can-can-red			
	JN4	brown/brown					LG4	pearl white			
	QC1	blue/blue					LG5	champagne			
	NZ8	burgundy/burgundy					LG6	dark green			
	PX9	greyish green/grey-green					PY9	ocean blue			
	JN5	grey-beige/grey-beige	86-				PZ1	wild buffalo			
							KZ4	grey-beige	86-		
3	944 521 001 52	sports seat without heating leather	/L	1		(3)	944 521 001 57	sports seat with heating leather	/L	1	
	KZ2	black					KZ2	black			
	KZ5	brown					KZ5	brown			
	KZ3	blue					KZ3	blue			
	LG7	burgundy					LG7	burgundy			
	QC2	greyish green					QC2	greyish green			
	KZ6	can-can-red					KZ6	can-can-red			
	LG4	pearl white					LG4	pearl white			
	LG5	champagne					LG5	champagne			
	LG6	dark green					LG6	dark green			
	PY9	ocean blue					PY9	ocean blue			
	PZ1	wild buffalo					PZ1	wild buffalo			
	KZ4	grey-beige	86-				KZ4	grey-beige	86-		
(3)	944 521 002 52	sports seat without heating leather	/R	1		(3)	944 521 002 57	sports seat with heating leather	/R	1	
	KZ2	black					KZ2	black			
	KZ5	brown					KZ5	brown			
	KZ3	blue					KZ3	blue			
	LG7	burgundy					LG7	burgundy			
							QC2	greyish green			

Model	Year	MG	SG	Illustration	Restrictions	UPD	8:09	23.01.2010	PORSCHE	PET	PORSCHE
911	1986	8	08	808-32		248					

Pos	Part Number	Description	Remark	Qty	Model	Pos	Part Number	Description	Remark	Qty	Model
	KZ6	can-can-red				9	900 143 016 01	tapping screw B 3,5 X 16		4	
	LG4	pearl white				10	900 025 013 07	washer A 3,7		4	
	LG5	champagne				11	900 119 030 02	pan-head screw M 8 X 20		12	
	LG6	dark green				12	900 089 006 02	washer 8		12	
	PY9	ocean blue				13	928 521 101 05	threaded plate front		X	
	PZ1	wild buffalo				(13)	928 521 101 08	threaded plate rear		X	
4	911 521 547 00	hexagon-head bolt M 10 X 20		8							
5	928 521 147 02	cover	/L	2							
	01C	black									
	4RB	brown									
	5HJ	blue									
	9MM	burgundy									
	1DJ	greyish green									
	3UC	grey-beige									
(5)	928 521 148 02	cover	/R	2							
	01C	black									
	4RB	brown									
	5HJ	blue									
	9MM	burgundy									
	1DJ	greyish green									
	3UC	grey-beige									
6	900 025 044 07	washer A 4,3		8							
7	900 143 113 07	tapping screw B 4,2 X 13		8							
8	928 521 760 03	cover		2							
9	N 013 959 3	tapping screw B 3,5 X 16		4							

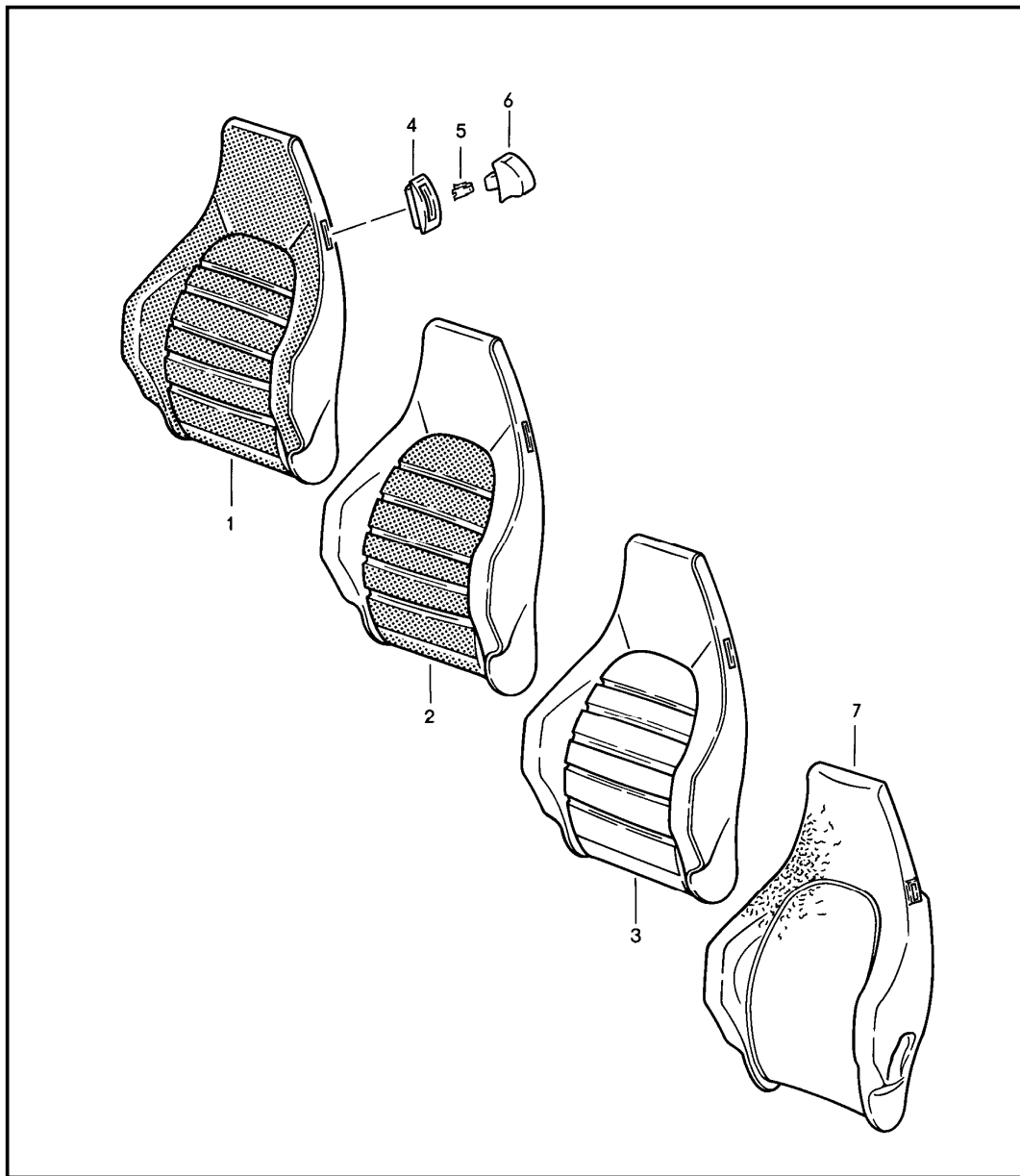


Model	Year	MG	SG	Illustration	Restrictions	UPD	8:09	23.01.2010	PORSCHE	PET	PORSCHE
911	1986	8	08	808-34		248					



Pos	Part Number	Description	Remark	Qty	Model
		sports seat backrest frame			
1	A 944 521 027 01	backrest frame		2	
1	944 521 027 01	backrest frame		2	
2	928 521 093 02	bowden cable		2	
3	311 881 287 A	spring actuating lever		2	

Model	Year	MG	SG	Illustration	Restrictions	UPD	8:09	23.01.2010	PORSCHE	PET	PORSCHE
911	1986	8	08	808-36		248					



Pos	Part Number	Description	Remark	Qty	Model
1	944 521 071 05	sports seat backrest cover backrest cover without heating leatherette/ backrest surface pin stripe velour	85-	2	
		NY5 black/ black-white			
		NY7 brown/ brown-beige			
		QA3 blue/ blue-white			
		NY8 burgundy/ burgundy-white			
		QA4 greyish green/ greyish green-white			
		RU3 grey-beige/ grey-beige-white	86-		
(1)	944 521 071 72	backrest cover with heating leatherette/ backrest surface pin stripe velour		2	
		NY5 black/ black-white			
		NY7 brown/ brown-beige			
		QA3 blue/ blue-white			
		NY8 burgundy/ burgundy-white			
		QA4 greyish green/ greyish green-white			
		RU3 grey-beige/ grey-beige-white	86-		
1	944 521 071 05	backrest cover without heating leatherette/ backrest surface pin stripe flannel		2	

Model	Year	MG	SG	Illustration	Restrictions	UPD	8:09	23.01.2010	PORSCHE	PET	PORSCHE
911	1986	8	08	808-36		248					

Pos	Part Number	Description	Remark	Qty	Model	Pos	Part Number	Description	Remark	Qty	Model
		NY9 black/anthracite					PX8	greyish green/grey-green			
		NZ6 brown/brown					QD9	grey-beige/grey-beige	86-		
		QA6 blue/blue				2	944 521 071 60	backrest cover without heating leatherette/leather centre part pin stripe velour		2	
		NZ5 burgundy/burgundy					PY1	black/ black-white			
		QA5 greyish green/grey-green					PY2	brown/ brown-beige			
(1)	944 521 071 72	backrest cover with heating leatherette/ backrest surface pin stripe flannel		2			PY3	blue/ blue-white			
		NY9 black/anthracite					PY4	burgundy/burgundy burgundy-white			
		NZ6 brown/brown					PY5	greyish green/ greyish green-white			
		QA6 blue/blue					RU4	grey-beige/ grey-beige-white	86-		
		NZ5 burgundy/burgundy					(2)	944 521 071 70	backrest cover with heating leatherette/leather centre part pin stripe velour		2
		QA5 greyish green/grey-green					PY1	black/ black-white			
1	944 521 071 05	backrest cover without heating leatherette/ backrest surface porsche lettering cloth		2			PY2	brown/ brown-beige			
		PX2 black/black					PY3	blue/ blue-white			
		PX4 brown/brown					PY4	burgundy/burgundy burgundy-white			
		PX7 blue/blue					PY5	greyish green/ greyish green-white			
		PX6 burgundy/burgundy					RU4	grey-beige/ grey-beige-white	86-		
		PX8 greyish green/grey-green									
		QD9 grey-beige/grey-beige	86-								
(1)	944 521 071 72	backrest cover with heating leatherette/ backrest surface porsche lettering cloth		2							
		PX2 black/black									
		PX4 brown/brown				2	944 521 071 60	backrest cover without heating leatherette/leather centre part pin stripe flannel		2	
		PX7 blue/blue									
		PX6 burgundy/burgundy									

Model	Year	MG	SG	Illustration	Restrictions	UPD	8:09	23.01.2010	PORSCHE	PET	PORSCHE
911	1986	8	08	808-36		248					

Pos	Part Number	Description	Remark	Qty	Model	Pos	Part Number	Description	Remark	Qty	Model
	PZ2	black/anthracite					QA2	greyish green/grey-green			
	PZ3	brown/brown					RU2	grey-beige/grey-beige	86-		
	PZ4	blue/blue				2	944 521 071 63	backrest cover without heating leather/ centre part pin stripe velour		2	
	PZ5	burgundy/burgundy					LS5	black/ black-white			
	PZ6	grey-beige/grey-beige					LS6	brown/ brown-beige			
(2)	944 521 071 70	backrest cover with heating leatherette/leather centre part pin stripe flannel		2			LS8	blue/ blue-white			
	PZ2	black/anthracite					LS9	burgundy/ burgundy-white			
	PZ3	brown/brown					QA7	greyish green/ greyish green-white			
	PZ4	blue/blue					LS7	grey-beige/ grey-beige-white	86-		
	PZ5	burgundy/burgundy					(2)	944 521 071 74	backrest cover with heating leather/ centre part pin stripe velour		2
	PZ6	grey-beige/grey-beige					LS5	black/ black-white			
2	944 521 071 60	backrest cover without heating leatherette/leather centre part porsche lettering cloth		2			LS6	brown/ brown-beige			
	PZ7	black/black					LS8	blue/ blue-white			
	PZ8	brown/brown					LS9	burgundy/ burgundy-white			
	PZ9	blue/blue					QA7	greyish green/ greyish green-white			
	QA1	burgundy/burgundy					LS7	grey-beige/ grey-beige-white	86-		
	QA2	greyish green/grey-green					2	944 521 071 63	backrest cover without heating leather/ centre part pin stripe flannel		2
	RU2	grey-beige/grey-beige	86-								
(2)	944 521 071 70	backrest cover with heating leatherette/leather centre part porsche lettering cloth		2							
	PZ7	black/black									
	PZ8	brown/brown									
	PZ9	blue/blue									
	QA1	burgundy/burgundy									

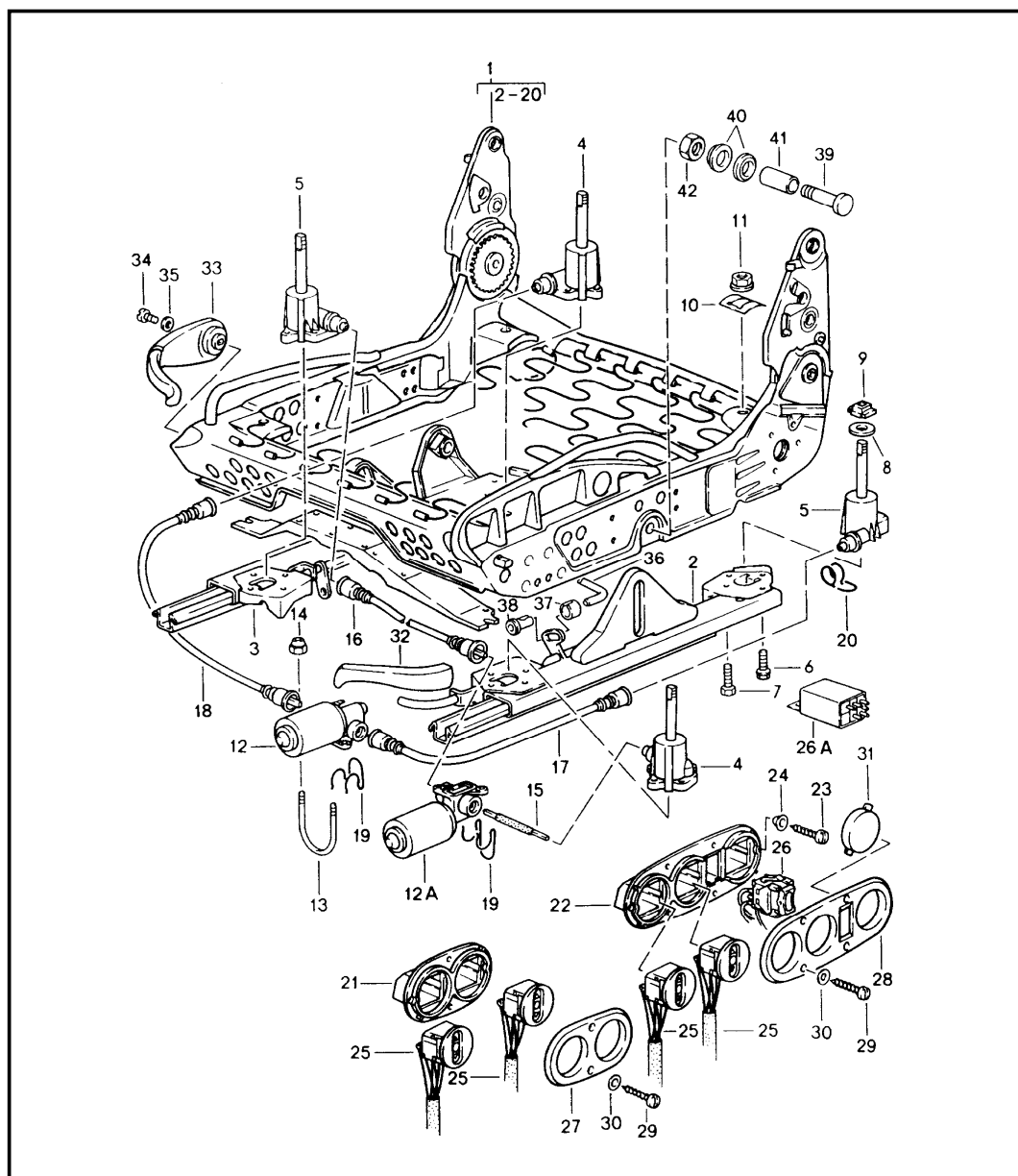
Model	Year	MG	SG	Illustration	Restrictions	UPD	8:09	23.01.2010	PORSCHE	PET	PORSCHE
911	1986	8	08	808-36		248					

Pos	Part Number	Description	Remark	Qty	Model	Pos	Part Number	Description	Remark	Qty	Model
		QB1 black/anthracite					QA9	greyish green/grey-green			
		QB3 brown/brown					RU1	grey-beige/grey-beige	86-		
		QB5 blue/blue				3	944 521 071 61	backrest cover without heating leatherette/ backrest surface leather		2	
		QB7 burgundy/burgundy					JN3	black/black			
(2)	944 521 071 74	backrest cover with heating leather/ centre part pin stripe flannel		2			JN4	brown/brown			
		QB1 black/anthracite					QC1	blue/blue			
		QB3 brown/brown					NZ8	burgundy/burgundy			
		QB5 blue/blue					PX9	greyish green/grey-green			
		QB7 burgundy/burgundy					JN5	grey-beige/grey-beige	86-		
		QB8 burgundy/burgundy				(3)	944 521 071 71	backrest cover with heating leatherette/ backrest surface leather		2	
2	944 521 071 63	backrest cover without heating leather/ centre part porsche lettering cloth		2			JN3	black/black			
		QB2 black/black					JN4	brown/brown			
		QB4 brown/brown					QC1	blue/blue			
		QB6 blue/blue					NZ8	burgundy/burgundy			
		QB8 burgundy/burgundy					PX9	greyish green/grey-green			
		QA9 greyish green/grey-green					JN5	grey-beige/grey-beige	86-		
		RU1 grey-beige/grey-beige	86-			3	944 521 071 62	backrest cover without heating leather		2	
(2)	944 521 071 74	backrest cover with heating leather/ centre part porsche lettering cloth		2			KZ2	black			
		QB2 black/black					KZ5	brown			
		QB4 brown/brown					KZ3	blue			
		QB6 blue/blue					LG7	burgundy			
		QB8 burgundy/burgundy					QC2	greyish green			
							KZ6	can-can-red			
							LG4	pearl white			

Model	Year	MG	SG	Illustration	Restrictions	UPD	8:09	23.01.2010	PORSCHE	PET	PORSCHE
911	1986	8	08	808-36		248					

Pos	Part Number	Description	Remark	Qty	Model	Pos	Part Number	Description	Remark	Qty	Model
		LG5 champagne									
		LG6 dark green									
		PY9 ocean blue									
		PZ1 wild buffalo									
		KZ4 grey-beige	86-								
(3)	A 944 521 071 73	backrest cover with heating leather		2							
		KZ2 black									
		KZ5 brown									
		KZ3 blue									
		LG7 burgundy									
		QC2 greyish green									
		KZ6 can-can-red									
		LG4 pearl white									
		LG5 champagne									
		LG6 dark green									
		PY9 ocean blue									
		PZ1 wild buffalo									
		KZ4 grey-beige	86-								
4	911 521 815 00	rosette		4							
		01C satin black									
5	311 881 247	clamp		4							
6	911 521 817 00	control button		4							
		01C satin black									
7	928 521 393 15	foam part		2							

Model	Year	MG	SG	Illustration	Restrictions	UPD	8:09	23.01.2010	PORSCHE	PET	PORSCHE
911	1986	8	08	808-38		248					



Pos	Part Number	Description	Remark	Qty	Model
		sports seat seat frame			
1	A 944 521 069 05	seat frame	/L	1	
1	993 521 069 02	seat frame	/L	1	
(1)	A 944 521 070 05	seat frame	/R	1	
(1)	993 521 070 02	seat frame	/R	1	
2	A 928 521 489 11	seat rail	/L	1	M383
2	928 521 489 11	seat rail	/L	1	
(2)	A 928 521 491 04	seat rail	/L	1	M387
(2)	964 521 491 00	seat rail	/L	1	
3	A 928 521 492 04	seat rail	/R	1	M383
3	964 521 492 00	seat rail	/R	1	
(3)	A 928 521 490 11	seat rail	/R	1	M387
(3)	928 521 490 11	seat rail	/R	1	
4	A 928 521 721 03	lifting gear left front, right rear		2	
4	928 521 721 03	lifting gear left front, right rear		2	
5	A 928 521 722 03	lifting gear right front, left rear		2	
5	928 521 722 03	lifting gear right front, left rear		2	
6	999 217 033 01	locking screw M 6 X 16		10	
7	900 186 032 02	pan-head screw M 6 X 16		4	
8	999 025 129 40	washer 10,2 X 30 X 1,5		4	
9	928 521 727 02	slide		4	
10	928 521 723 02	guide spring		4	
11	928 521 730 02	nut		4	
12	A 928 624 126 01	geared motor rear vertical adjustment		1	

Model	Year	MG	SG	Illustration	Restrictions	UPD	8:09	23.01.2010	PORSCHE	PET	PORSCHE
911	1986	8	08	808-38		248					

Pos	Part Number	Description	Remark	Qty	Model	Pos	Part Number	Description	Remark	Qty	Model
12	928 624 126 01	geared motor rear vertical adjustment		1		(26)	928 613 188 01	switch seat heater	/R	1	M340
12AA	928 624 126 01	geared motor front vertical adjustment		1		26A	928 618 521 00	relay seat heater		1	
12A	928 624 126 01	geared motor front vertical adjustment		1		27	928 521 561 04	trim for switch		1	
13	999 222 001 02	stirrup bolt M 4		2			01C	satin black			
14	900 910 006 02	lock nut M 4		4		28	928 521 561 03	trim for switch		1	M139/340
		M 4					01C	satin black			
15 A	928 521 671 03	shaft front vertical adjustment	/L	1		29	N 013 959 3	tapping screw B 3,5 X 16		2	
15	928 521 671 03	shaft front vertical adjustment	/L	1		29	900 143 016 01	tapping screw B 3,5 X 16		2	
16	928 521 672 02	pliable shaft front vertical adjustment	/R	1		30	900 025 013 07	washer A 3,7		2	
17 A	928 521 673 05	flexible shaft rear vertical adjustment	/L	1		31	928 613 425 00	lid		1	M139/340
17	928 521 673 05	shaft rear vertical adjustment	/L	1		32 A	911 521 533 00	handle		1	M383
18	928 521 674 02	pliable shaft rear vertical adjustment	/R	1		(32) A	911 521 533 00	handle		1	M387
19	928 521 675 02	moulded spring for engine		2		(32)	911 521 533 01	handle for longitudinal adjustment		2	
20	928 521 699 00	moulded spring transmission		3			01C	satin black			
21	928 521 559 04	switch insert		1		(33) A	928 521 073 04	lever for backrest adjustment		1	M383/387
22	928 521 559 02	switch insert	/L	1	M139	(33)	964 521 073 00	lever for backrest adjustment		2	
(22)	928 521 560 02	switch insert	/R	1	M340		01C	satin black			
23	N 013 988 1	tapping screw B 3,5 X 16		1		34	900 119 011 07	pan-head screw M 5 X 10		1	
24	999 591 849 07	cone washer B 3,5		1		35	900 031 006 07	washer 5,3 X 9,5 X 1		1	
25	928 613 181 00	switch height adjustment		2		36	928 521 525 03	connecting rod for backrest adjustment		2	
26	928 613 187 01	switch	/L	1	M139	37	N 902 514 01	clamping sleeve for backrest adjustment		4	
						38	N 902 515 01	guide bush for backrest adjustment		4	

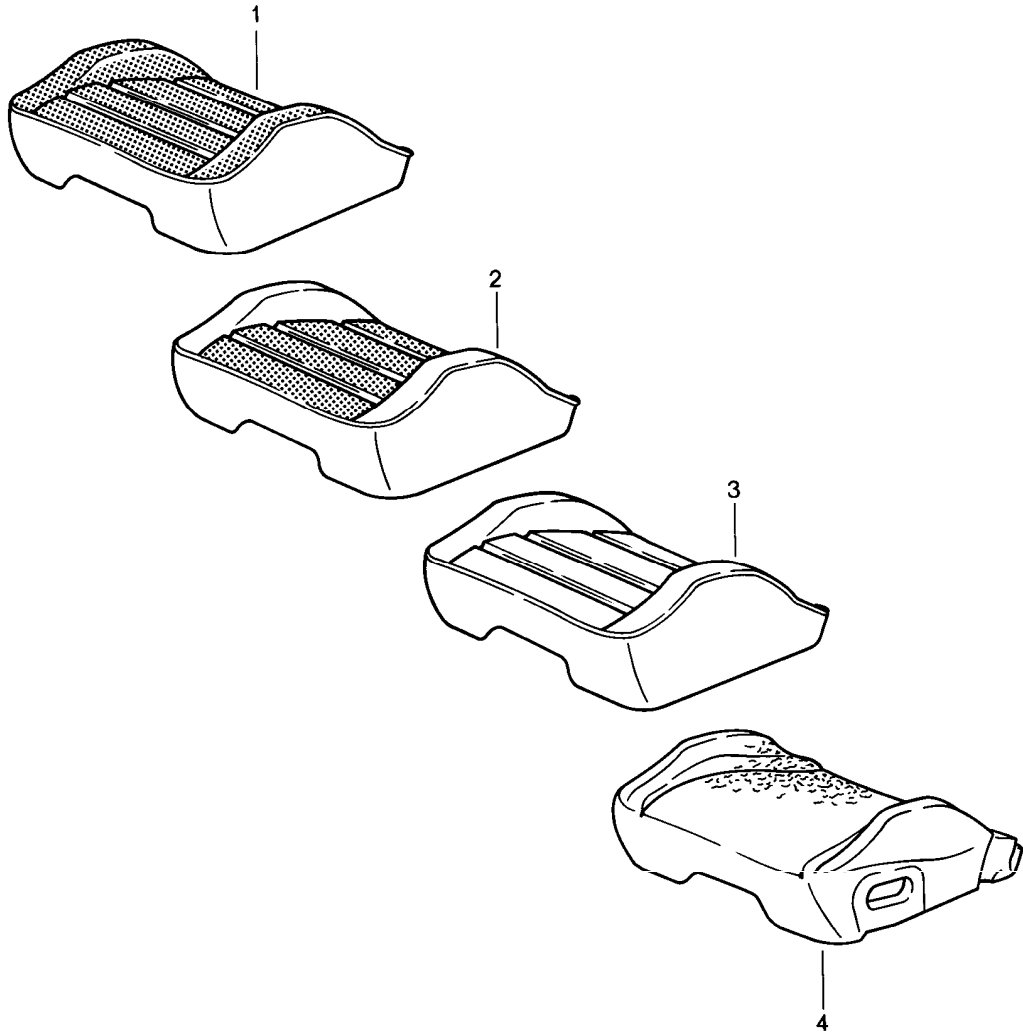


Model	Year	MG	SG	Illustration	Restrictions	UPD	8:10	23.01.2010	PORSCHE	PET	PORSCHE
911	1986	8	08	808-38		248					

Pos	Part Number	Description	Remark	Qty	Model	Pos	Part Number	Description	Remark	Qty	Model
39	928 521 681 02	bolt		4							
40	928 521 683 02	washer 1,5 PA 6		8							
41	928 521 685 02	bush		4							
42	900 034 003 02	hexagon nut M 10		4							

Model	Year	MG	SG	Illustration	Restrictions	UPD	8:10	23.01.2010	PORSCHE	PET	PORSCHE
911	1986	8	08	808-40		248					

Pos	Part Number	Description	Remark	Qty	Model
			85-		
1	944 521 037 16	sports seat cover cover for cushion without heating leatherette/ seat surface pin stripe velour		2	
		NY5 black/ black-white			
		NY7 brown/ brown-beige			
		QA3 blue/ blue-white			
		NY8 burgundy/ burgundy-white			
		QA4 greyish green/ greyish green-white			
		RU3 grey-beige/ grey-beige-white	86-		
(1)	944 521 037 94	cover for cushion with heating leatherette/ seat surface pin stripe velour		2	
		NY5 black/ black-white			
		NY7 brown/ brown-beige			
		QA3 blue/ blue-white			
		NY8 burgundy/ burgundy-white			
		QA4 greyish green/ greyish green-white			
		RU3 grey-beige/ grey-beige-white	86-		
1	944 521 037 16	cover for cushion without heating leatherette/ seat surface pin stripe flannel		2	



Model	Year	MG	SG	Illustration	Restrictions	UPD	8:10	23.01.2010	PORSCHE	PET	PORSCHE
911	1986	8	08	808-40		248					

Pos	Part Number	Description	Remark	Qty	Model	Pos	Part Number	Description	Remark	Qty	Model
		NY9 black/anthracite					PX8	greyish green/grey-green			
		NZ6 brown/brown					QD9	grey-beige/grey-beige	86-		
		QA6 blue/blue				2	944 521 037 83	cover for cushion without heating leatherette/leather centre part pin stripe velour		2	
		NZ5 burgundy/burgundy					PY1	black/ black-white			
(1)	944 521 037 94	cover for cushion with heating leatherette/ seat surface pin stripe flannel		2			PY2	brown/ brown-beige			
		QA5 greyish green/grey-green					PY3	blue/ blue-white			
		NY9 black/anthracite					PY4	burgundy/burgundy burgundy-white			
		NZ6 brown/brown					PY5	greyish green/ greyish green-white			
		QA6 blue/blue					RU4	grey-beige/ grey-beige-white	86-		
		NZ5 burgundy/burgundy					(2)	944 521 037 92	cover for cushion with heating leatherette/leather centre part pin stripe velour		2
		QA5 greyish green/grey-green					PY1	black/ black-white			
1	944 521 037 16	cover for cushion without heating leatherette/ seat surface porsche lettering cloth		2			PY2	brown/ brown-beige			
		PX2 black/black					PY3	blue/ blue-white			
		PX4 brown/brown					PY4	burgundy/burgundy burgundy-white			
		PX7 blue/blue					PY5	greyish green/ greyish green-white			
		PX6 burgundy/burgundy					RU4	grey-beige/ grey-beige-white	86-		
		PX8 greyish green/grey-green									
		QD9 grey-beige/grey-beige	86-				2	944 521 037 83	cover for cushion without heating leatherette/leather centre part pin stripe flannel		2
(1)	944 521 037 94	cover for cushion with heating leatherette/ seat surface porsche lettering cloth		2							
		PX2 black/black									
		PX4 brown/brown									
		PX7 blue/blue									
		PX6 burgundy/burgundy									

Model	Year	MG	SG	Illustration	Restrictions	UPD	8:10	23.01.2010	PORSCHE	PET	PORSCHE
911	1986	8	08	808-40		248					

Pos	Part Number	Description	Remark	Qty	Model	Pos	Part Number	Description	Remark	Qty	Model
	PZ2	black/anthracite					QA2	greyish green/grey-green			
	PZ3	brown/brown					RU2	grey-beige/grey-beige	86-		
	PZ4	blue/blue				2	944 521 037 86	cover for cushion without heating leather/ centre part pin stripe velour		2	
	PZ5	burgundy/burgundy					LS5	black/ black-white			
	PZ6	greyish green/grey-green					LS6	brown/ brown-beige			
(2)	944 521 037 92	cover for cushion with heating leatherette/leather centre part pin stripe flannel		2			LS8	blue/ blue-white			
	PZ2	black/anthracite					LS9	burgundy/ burgundy-white			
	PZ3	brown/brown					QA7	greyish green/ greyish green-white			
	PZ4	blue/blue					LS7	grey-beige/ grey-beige-white	86-		
	PZ5	burgundy/burgundy					(2)	944 521 037 96	cover for cushion with heating leather/ centre part pin stripe velour	2	
	PZ6	greyish green/grey-green					LS5	black/ black-white			
2	944 521 037 83	cover for cushion without heating leatherette/leather centre part porsche lettering cloth		2			LS6	brown/ brown-beige			
	PZ7	black/black					LS8	blue/ blue-white			
	PZ8	brown/brown					LS9	burgundy/ burgundy-white			
	PZ9	blue/blue					QA7	greyish green/ greyish green-white			
	QA1	burgundy/burgundy					LS7	grey-beige/ grey-beige-white	86-		
	QA2	greyish green/grey-green					2	944 521 037 86	cover for cushion without heating leather/ centre part pin stripe flannel	2	
	RU2	grey-beige/grey-beige	86-								
(2)	944 521 037 92	cover for cushion with heating leatherette/leather centre part porsche lettering cloth		2							
	PZ7	black/black									
	PZ8	brown/brown									
	PZ9	blue/blue									
	QA1	burgundy/burgundy									

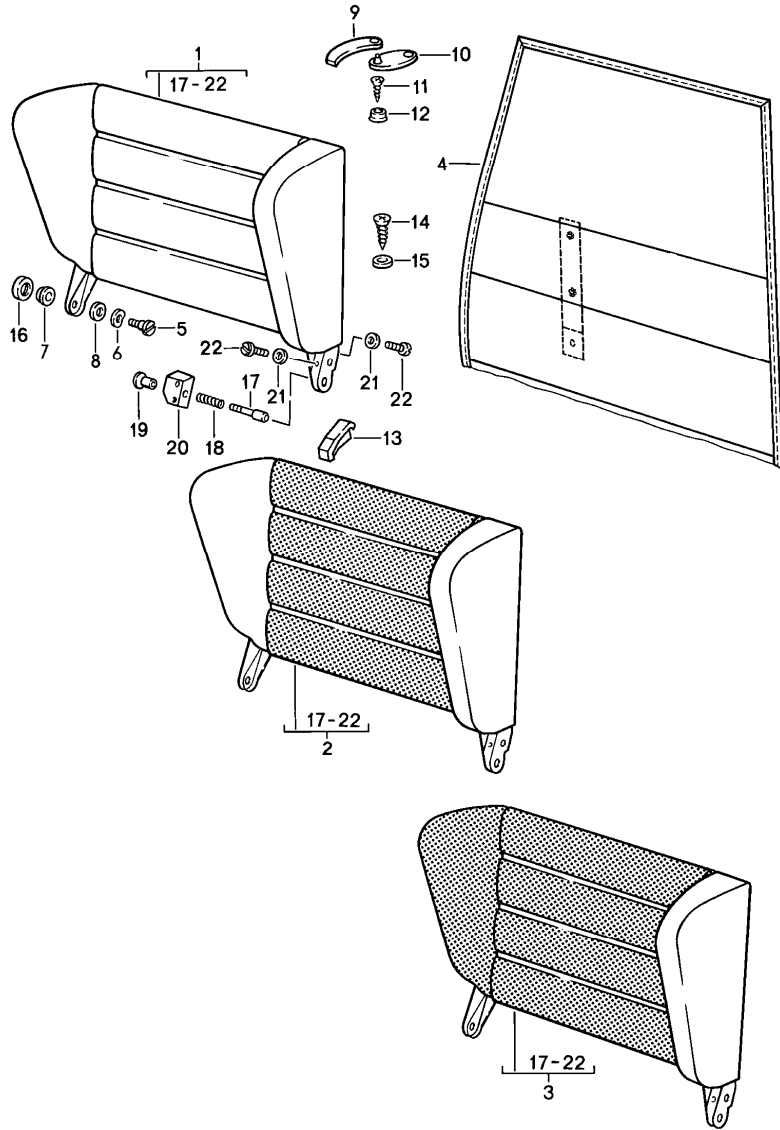
Model	Year	MG	SG	Illustration	Restrictions	UPD	8:10	23.01.2010	PORSCHE	PET	PORSCHE
911	1986	8	08	808-40		248					

Pos	Part Number	Description	Remark	Qty	Model	Pos	Part Number	Description	Remark	Qty	Model
		QB1 black/anthracite					QA9	greyish green/grey-green			
		QB3 brown/brown					RU1	grey-beige/grey-beige	86-		
		QB5 blue/blue				3	944 521 037 84	cover for cushion without heating leatherette/ seat surface leather		2	
		QB7 burgundy/burgundy					JN3	black/black			
		QA8 greyish green/grey-green					JN4	brown/brown			
(2)	944 521 037 96	cover for cushion with heating leather/ centre part pin stripe flannel		2			QC1	blue/blue			
		QB1 black/anthracite					NZ8	burgundy/burgundy			
		QB3 brown/brown					PX9	greyish green/grey-green			
		QB5 blue/blue					JN5	grey-beige/grey-beige	86-		
		QB7 burgundy/burgundy				(3)	944 521 037 93	cover for cushion with heating leatherette/ seat surface leather		2	
		QA8 greyish green/grey-green					JN3	black/black			
2	944 521 037 86	cover for cushion without heating leather/ centre part porsche lettering cloth		2			JN4	brown/brown			
		QB2 black/black					QC1	blue/blue			
		QB4 brown/brown					NZ8	burgundy/burgundy			
		QB6 blue/blue					PX9	greyish green/grey-green			
		QB8 burgundy/burgundy					JN5	grey-beige/grey-beige	86-		
		QA9 greyish green/grey-green				3	944 521 037 85	cover for cushion without heating leather		2	
		RU1 grey-beige/grey-beige	86-				KZ2	black			
(2)	944 521 037 96	cover for cushion with heating leather/ centre part porsche lettering cloth		2			KZ5	brown			
		QB2 black/black					KZ3	blue			
		QB4 brown/brown					LG7	burgundy			
		QB6 blue/blue					QC2	greyish green			
		QB8 burgundy/burgundy					KZ6	can-can-red			
							LG4	pearl white			

Model	Year	MG	SG	Illustration	Restrictions	UPD	8:10	23.01.2010	PORSCHE	PET	PORSCHE
911	1986	8	08	808-40		248					

Pos	Part Number	Description	Remark	Qty	Model	Pos	Part Number	Description	Remark	Qty	Model
		LG5 champagne									
		LG6 dark green									
		PY9 ocean blue									
		PZ1 wild buffalo									
		KZ4 grey-beige	86-								
(3)	944 521 037 95	cover for cushion with heating leather		2							
		KZ2 black									
		KZ5 brown									
		KZ3 blue									
		LG7 burgundy									
		QC2 greyish green									
		KZ6 can-can-red									
		LG4 pearl white									
		LG5 champagne									
		LG6 dark green									
		PY9 ocean blue									
		PZ1 wild buffalo									
		KZ4 grey-beige	86-								
4	A 928 521 385 27	foam part	/L	1							
(4)	928 521 385 28	foam part	/L	1	M139						
(4)	A 928 521 386 27	foam part	/R	1							
(4)	928 521 386 28	foam part	/R	1	M340						

Model	Year	MG	SG	Illustration	Restrictions	UPD	8:10	23.01.2010	PORSCHE	PET	PORSCHE
911	1986	8	08	808-50		248					



Pos	Part Number	Description	Remark	Qty	Model
		back seat backrest			COUPE/TARGA
		for cars with POS. 9 - 13 it is necessary to rework			
(1)	911 522 017 00	back seat backrest leatherette	/L	1	
	3MK	burgundy			
	4FK	grey-beige	-84,	-86	
	43S	black			
	1HH	blue			
	4RB	brown			
	4JX	greyish green		85-	
(1)	911 522 018 00	back seat backrest leatherette	/R	1	
	3MK	burgundy			
	4FK	grey-beige	-84,	-86	
	43S	black			
	1HH	blue			
	4RB	brown			
	4JX	greyish green		85-	
(1)	911 522 017 03	back seat backrest whole-leather	/L	1	
	KZ2	black			
	KZ3	blue			
	KZ4	grey-beige	-84,	-86	
	KZ5	brown			
	KZ6	can-can-red			
	LG4	pearl white			
	LG5	champagne			
	LG6	dark green			
	LG7	burgundy			

Model	Year	MG	SG	Illustration	Restrictions	UPD	8:10	23.01.2010	PORSCHE	PET	PORSCHE
911	1986	8	08	808-50		248					

Pos	Part Number	Description	Remark	Qty	Model	Pos	Part Number	Description	Remark	Qty	Model
		QC2 greyish green	85-86				LD5	black/ light grey-black			
		PY9 ocean blue	85-86				LJ8	blue/ blue-grey			
		PZ1 wild buffalo	85-86				LD6	brown/ brown-grey			
1	911 522 018 03	back seat backrest whole-leather	/R	1			LJ9	burgundy/ burgundy-grey			
		KZ2 black					LK1	grey-beige/ light grey-black			
		KZ3 blue				(2)	911 522 017 01	back seat backrest leatherette/ centre part uni-coloured cloth	/L	1	
		KZ4 grey-beige	-84, -86				LK3	brown-brown			
		KZ5 brown					LK5	burgundy-burgundy			
		KZ6 can-can-red					LK6	grey-beige/grey-beige			
		LG4 pearl white					JM2	black-black			
		LG5 champagne					JM5	blue/blue			
		LG6 dark green				2	911 522 018 01	back seat backrest leatherette/ centre part uni-coloured cloth	/R	1	
		LG7 burgundy					LK3	brown-brown			
		QC2 greyish green	85-86				LK5	burgundy-burgundy			
		PY9 ocean blue	85-86				LK6	grey-beige/grey-beige			
		PZ1 wild buffalo	85-86				JM2	black-black			
(2)	911 522 017 01	back seat backrest leatherette/ centre part in cloth checker board velour	/L	1			JM5	blue/blue			
		LD5 black/ light grey-black					(2)	911 522 017 01	back seat backrest leatherette/ centre part pin stripe velour	/L	1
		LJ8 blue/ blue-grey					JN1	black/ black-white			
		LD6 brown/ brown-grey					LT1	blue/ blue-white			
		LJ9 burgundy/ burgundy-grey									
		LK1 grey-beige/ light grey-black									
2	911 522 018 01	back seat backrest leatherette/ centre part in cloth checker board velour	/R	1							



Model	Year	MG	SG	Illustration	Restrictions	UPD	8:10	23.01.2010	PORSCHE	PET	PORSCHE
911	1986	8	08	808-50		248					

Pos	Part Number	Description	Remark	Qty	Model	Pos	Part Number	Description	Remark	Qty	Model
	JN2	brown/ brown-beige					MN1	blue/blue			
	LT2	burgundy/ burgundy-white					LR7	brown/brown			
	LD4	grey-beige/ grey-beige-white	-84,	-86 -86			MN2	burgundy/burgundy			
	PY5	greyish green/ greyish green-white		85- 85-		(2)	911 522 017 01	back seat backrest leatherette/ centre part porsche lettering cloth	/L	1	
2	911 522 018 01	back seat backrest leatherette/ centre part pin stripe velour	/R	1			LR8	grey-beige/grey-beige			
	JN1	black/ black-white					PZ7	black/black			
	LT1	blue/ blue-white					PZ9	blue/blue			
	JN2	brown/ brown-beige					PZ8	brown/brown			
	LT2	burgundy/ burgundy-white					QA1	burgundy/burgundy			
	LD4	grey-beige/ grey-beige-white	-84,	-86 -86			QA2	greyish green/grey-green			
	PY5	greyish green/ greyish green-white		85- 85-			QD8	grey-beige/grey-beige	86-		
(2)	911 522 017 01	back seat backrest leatherette/ centre part porsche lettering cloth	/L	1		2	911 522 018 01	back seat backrest leatherette/ centre part porsche lettering cloth	/R	1	
	LR6	black/black					PZ7	black/black			
	MN1	blue/blue					PZ9	blue/blue			
	LR7	brown/brown					PZ8	brown/brown			
	MN2	burgundy/burgundy					QA1	burgundy/burgundy			
	LR8	grey-beige/grey-beige					QA2	greyish green/grey-green			
2	911 522 018 01	back seat backrest leatherette/ centre part porsche lettering cloth	/R	1			QD8	grey-beige/grey-beige	86-		
	LR6	black/black					(2)	911 522 017 01	back seat backrest leatherette/ centre part pin stripe flannel	/L	1
							PZ2	black/anthracite			
							PZ4	blue/blue			
							PZ3	brown/brown			
							PZ5	burgundy/burgundy			
							PZ6	greyish green/grey-green			

Model	Year	MG	SG	Illustration	Restrictions	UPD	8:10	23.01.2010	PORSCHE	PET	PORSCHE
911	1986	8	08	808-50		248					

Pos	Part Number	Description	Remark	Qty	Model	Pos	Part Number	Description	Remark	Qty	Model
2	911 522 018 01	back seat backrest leatherette/ centre part pin stripe flannel	/R	1		(2)	911 522 017 04	back seat backrest leather/ centre part uni-coloured cloth	/L	1	
	PZ2	black/anthracite					LJ1	brown/brown			
	PZ4	blue/blue					LJ2	burgundy/burgundy			
	PZ3	brown/brown					LJ3	grey-beige/grey-beige			
	PZ5	burgundy/burgundy					JN6	black/black			
	PZ6	greyish green/grey-green					JT4	blue/blue			
(2)	911 522 017 04	back seat backrest leather/ centre part checker board velour	/L	1		2	911 522 018 04	back seat backrest leather/ centre part uni-coloured cloth	/R	1	
	LH1	black/ light grey-black					LJ1	brown/brown			
	LH3	blue/ blue-grey					LJ2	burgundy/burgundy			
	LH2	brown/ brown-grey					LJ3	grey-beige/grey-beige			
	LH4	burgundy/ burgundy-grey					JN6	black/black			
	LH6	grey-beige/ light grey-black					JT4	blue/blue			
2	911 522 018 04	back seat backrest leather/ centre part checker board velour	/R	1		(2)	911 522 017 04	back seat backrest leather/ centre part pin stripe velour	/L	1	
	LH1	black/ light grey-black					LS5	black/ black-white			
	LH3	blue/ blue-grey					LS8	blue/ blue-white			
	LH2	brown/ brown-grey					LS6	brown/ brown-beige			
	LH4	burgundy/ burgundy-grey					LS9	burgundy/ burgundy-white			
	LH6	grey-beige/ light grey-black					LS7	grey-beige/ grey-beige-white	-84,	-86 -86	
							QA7	greyish green/ greyish green-white		85- 85-	
						2	911 522 018 04	back seat backrest leather/ centre part pin stripe velour	/R	1	

Model	Year	MG	SG	Illustration	Restrictions	UPD	8:10	23.01.2010	PORSCHE	PET	PORSCHE
911	1986	8	08	808-50		248					

Pos	Part Number	Description	Remark	Qty	Model	Pos	Part Number	Description	Remark	Qty	Model
	LS5	black/ black-white					QB1	black/anthracite			
	LS8	blue/ blue-white					QB5	blue/blue			
	LS6	brown/ brown-beige					QB3	brown/brown			
	LS9	burgundy/ burgundy-white					QB7	burgundy/burgundy			
	LS7	grey-beige/ grey-beige-white	-84, -86 -86			2	911 522 018 04	back seat backrest leather/ centre part pin stripe flannel	/R 85-	1	
	QA7	greyish green/ greyish green-white					QA8	greyish green/grey-green			
(2)	911 522 017 04	back seat backrest leather/ centre part porsche lettering cloth	/L	1			QB1	black/anthracite			
	QB2	black/black					QB5	blue/blue			
	QB6	blue/blue				(3)	911 522 017 02	back seat backrest leatherette/ backrest surface porsche lettering cloth	/L -84	1	
	QB4	brown/brown					QB3	brown/brown			
	QB8	burgundy/burgundy					QB7	burgundy/burgundy			
	QA9	greyish green/grey-green					QA8	greyish green/grey-green			
	RU1	grey-beige/grey-beige		86-			LR1	black/black			
2	911 522 018 04	back seat backrest leather/ centre part porsche lettering cloth	/R	1			LR4	blue/blue			
	QB2	black/black					LR2	brown/brown			
	QB6	blue/blue					LR5	burgundy/burgundy			
	QB4	brown/brown					LR3	grey-beige/grey-beige			
	QB8	burgundy/burgundy				3	911 522 018 02	back seat backrest leatherette/ backrest surface porsche lettering cloth	/R -84	1	
	QA9	greyish green/grey-green					LR1	black/black			
	RU1	grey-beige/grey-beige		86-			LR4	blue/blue			
(2)	911 522 017 04	back seat backrest leather/ centre part pin stripe flannel	/L	1			LR2	brown/brown			
							LR5	burgundy/burgundy			
							LR3	grey-beige/grey-beige			

Model	Year	MG	SG	Illustration	Restrictions	UPD	8:10	23.01.2010	PORSCHE	PET	PORSCHE
911	1986	8	08	808-50		248					

Pos	Part Number	Description	Remark	Qty	Model	Pos	Part Number	Description	Remark	Qty	Model
(3)	911 522 017 02	back seat backrest leatherette/ backrest surface porsche lettering cloth	/L	1		3	911 522 018 02	back seat backrest leatherette/ backrest surface pin stripe velour	/R	1	
	PX2	black/black					NY5	black/ black-white			
	PX7	blue/blue					QA3	blue/ blue-white			
	PX4	brown/brown					NY7	brown/ brown-beige			
	PX6	burgundy/burgundy					NY8	burgundy/ burgundy-white			
	PX8	greyish green/grey-green					QA4	greyish green/ greyish green-white			
	QD9	grey-beige/grey-beige	86-				RU3	grey-beige/ grey-beige-white	86- 86-		
3	911 522 018 02	back seat backrest leatherette/ backrest surface porsche lettering cloth	/R	1		(3)	911 522 017 02	back seat backrest leatherette/ backrest surface pin stripe flannel	/L	1	
	PX2	black/black					NY9	black/anthracite			
	PX7	blue/blue					QA6	blue/blue			
	PX4	brown/brown					NZ6	brown/brown			
	PX6	burgundy/burgundy					NZ5	burgundy/burgundy			
	PX8	greyish green/grey-green					QA5	greyish green/grey-green			
	QD9	grey-beige/grey-beige	86-			3	911 522 018 02	back seat backrest leatherette/ backrest surface pin stripe flannel	/R	1	
(3)	911 522 017 02	back seat backrest leatherette/ backrest surface pin stripe velour	/L	1			NY9	black/anthracite			
	NY5	black/ black-white					QA6	blue/blue			
	QA3	blue/ blue-white					NZ6	brown/brown			
	NY7	brown/ brown-beige					NZ5	burgundy/burgundy			
	NY8	burgundy/ burgundy-white					QA5	greyish green/grey-green			
	QA4	greyish green/ greyish green-white				(3)	911 522 005 85	back seat backrest leather/ backrest surface porsche lettering cloth	/L	1	
	RU3	grey-beige/ grey-beige-white	86- 86-								

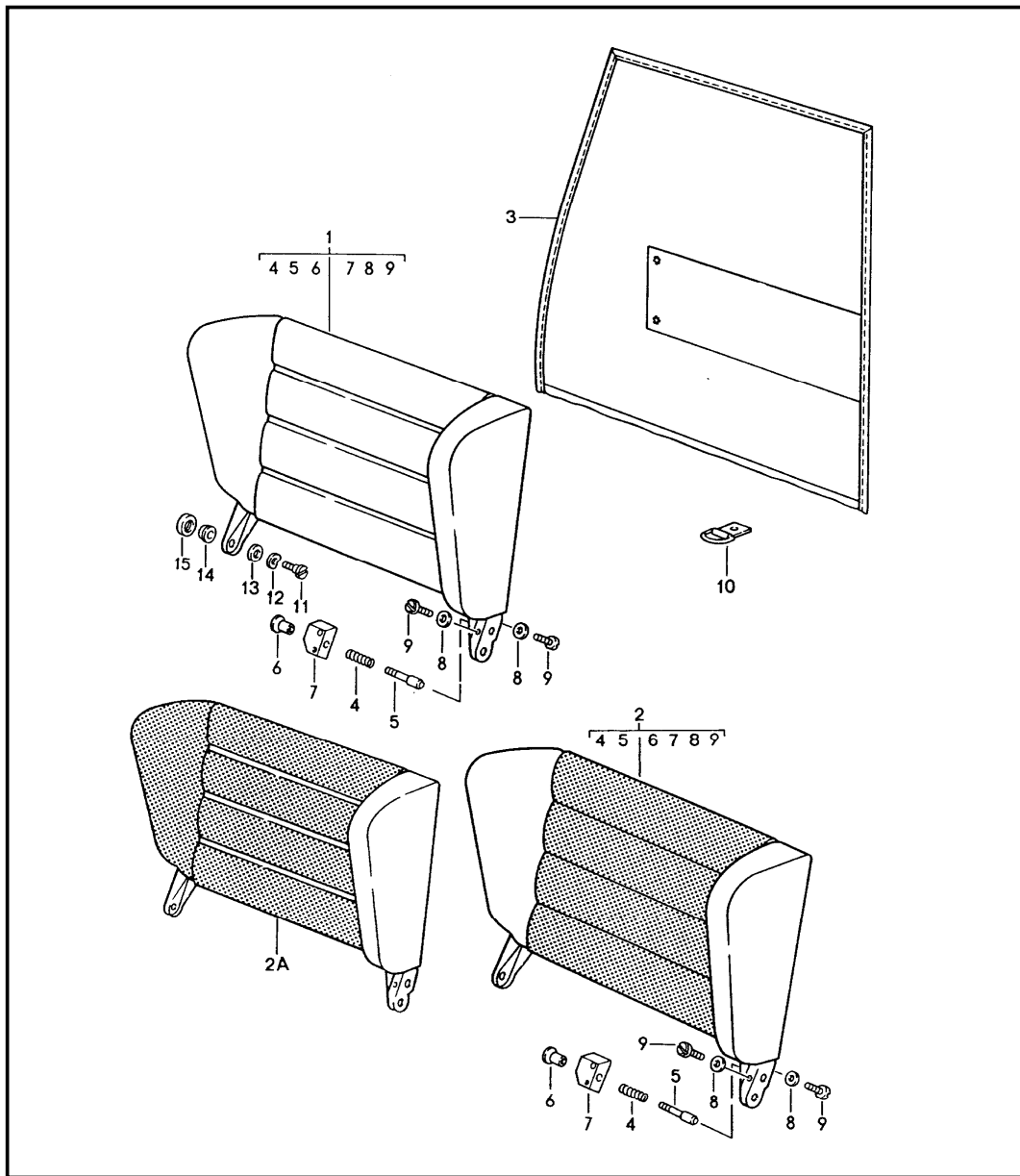
Model	Year	MG	SG	Illustration	Restrictions	UPD	8:10	23.01.2010	PORSCHE	PET	PORSCHE
911	1986	8	08	808-50		248					

Pos	Part Number	Description	Remark	Qty	Model	Pos	Part Number	Description	Remark	Qty	Model
		LR9 black/black				4	911 522 062 03	carpet cut pile	/R	1	
		LS3 blue/blue					70E	black			
		LS1 brown/brown					30B	blue			
		LS4 burgundy/burgundy					40E	brown			
		LS2 grey-beige/grey-beige					80E	burgundy			
(3)	911 522 006 85	back seat backrest leather/ backrest surface porsche lettering cloth	/R	-84 84	1		6JD	dark green			
		LR9 black/black					1VD	champagne			
		LS3 blue/blue					80S	can-can-red			
		LS1 brown/brown					60A	grey			
		LS4 burgundy/burgundy					2FL	grey-beige	-84,	-86	
		LS2 grey-beige/grey-beige					8JK	greyish green		85-	
(3)	911 522 005 86	back seat backrest leather/ backrest surface porsche lettering cloth	/L (AUS) (F)	84 84	1	(4)	911 522 061 03	carpet cut pile	/L	1	COUPE/TARGA
		LR9 black/black					70E	black			
		LS3 blue/blue					30B	blue			
		LS1 brown/brown					40E	brown			
		LS4 burgundy/burgundy					80E	burgundy			
		LS2 grey-beige/grey-beige					6JD	dark green			
(3)	911 522 006 86	back seat backrest leather/ backrest surface porsche lettering cloth	/R (AUS) (F)	84 84	1		1VD	champagne			
		LR9 black/black					80S	can-can-red			
		LS3 blue/blue					60A	grey			
		LS1 brown/brown					2FL	grey-beige	-84,	-86	
		LS4 burgundy/burgundy					8JK	greyish green		85-	
		LS2 grey-beige/grey-beige					2YN	white		85-	
		LR9 black/black				(4)	930 522 061 01	carpet with logo cut pile	/L	1	TURBO
		LS3 blue/blue					70E	black			
		LS1 brown/brown									
		LS4 burgundy/burgundy									
		LS2 grey-beige/grey-beige									

Model	Year	MG	SG	Illustration	Restrictions	UPD	8:10	23.01.2010	PORSCHE	PET	PORSCHE
911	1986	8	08	808-50		248					

Pos	Part Number	Description	Remark	Qty	Model	Pos	Part Number	Description	Remark	Qty	Model
	30B	blue				17	911 522 229 00	bolt for locking device		1	
	40E	brown									
	80E	burgundy				18	911 522 233 00	spring release		1	
	6JD	dark green				19	911 522 231 00	knob release		1	
	1VD	champagne				(20) A	911 522 227 01	bearing	/L	1	
	80S	can-can-red				(20)	911 522 227 01	bearing	/L	1	
	60A	grey				20 A	911 522 228 01	bearing	/R	1	
	2FL	grey-beige	-84,	-86		20	911 522 228 01	bearing	/R	1	
	8JK	greyish green		85-		20	911 522 228 01	bearing	/R	1	
	2YN	white		85-		21	999 523 106 02	lock washer B 5		4	
5	900 236 001 07	oval-head screw M 8 X 10		2		22	N 014 133 8	oval-head screw M 5 X 12		4	
6	N 012 230 1	spring washer B 10		2							
7	901 522 509 20	bearing sleeve		2							
8	911 559 435 00	spacer		4							
9	911 645 039 00	retaining belt stereo rear loudspeaker		2							
10	911 645 037 00	retaining belt extension stereo rear loudspeaker		2							
-	999 591 802 17	cap push button		2							
11 A	900 143 004 00	oval-head sheetmetal screw B 3,5 X 19		2							
12	999 591 805 12	push button		2							
13	911 522 561 60	intermediate piece		1							
14	900 145 041 07	tapping screw 3,5 X 16		4							
15	999 591 102 17	washer 3,5		4							
16	901 522 365 20	cap		2							

Model	Year	MG	SG	Illustration	Restrictions	UPD	8:10	23.01.2010	PORSCHE	PET	PORSCHE
911	1986	8	08	808-55		248					



Pos	Part Number	Description	Remark	Qty	Model
		back seat backrest			CABRIO
(1)	911 522 017 60	back seat backrest leatherette	/L	1	
		43S black			
		1HH blue			
		4RB brown			
		3MK burgundy			
		4FK grey-beige	-84,	-86	
		4JX greyish green		85-	
1	911 522 018 60	back seat backrest leatherette	/R	1	
		43S black			
		1HH blue			
		4RB brown			
		3MK burgundy			
		4FK grey-beige	-84,	-86	
		4JX greyish green		85-	
(1)	911 522 017 62	back seat backrest leather	/L	1	
		KZ2 black			
		KZ3 blue			
		KZ5 brown			
		KZ4 grey-beige	-84,	-86	
		KZ6 can-can-red			
		LG4 pearl white			
		LG5 champagne			
		LG6 dark green			
		LG7 burgundy			
		QC2 greyish green		85-	
		PY9 ocean blue		85-	

Model	Year	MG	SG	Illustration	Restrictions	UPD	8:10	23.01.2010	PORSCHE	PET	PORSCHE
911	1986	8	08	808-55		248					

Pos	Part Number	Description	Remark	Qty	Model	Pos	Part Number	Description	Remark	Qty	Model
	PZ1	wild buffalo		85-			QA1	burgundy/burgundy			
1	911 522 018 62	back seat backrest leather	/R	1			QA2	greyish green/grey-green			
	KZ2	black				(2)	911 522 017 61	back seat backrest leatherette/centre part pin stripe velour	/L	85-	1
	KZ3	blue					QD8	grey-beige/grey-beige		86-	
	KZ5	brown					JN1	black/black-white			
	KZ4	grey-beige	-84,	-86			JN2	brown/brown-beige			
	KZ6	can-can-red					LT1	blue/blue-white			
	LG4	pearl white					LT2	burgundy/burgundy-white			
	LG5	champagne					PY5	greyish green/greyish green-white			
	LG6	dark green					LD4	grey-beige/grey-beige-white		86- 86-	
	LG7	burgundy				2	911 522 018 61	back seat backrest leatherette/centre part pin stripe velour	/R	85-	1
	QC2	greyish green		85-			JN1	black/black-white			
	PY9	ocean blue		85-			JN2	brown/brown-beige			
(2)	911 522 017 61	back seat backrest leatherette/centre part porsche lettering cloth	/L	85-	1		LT1	blue/blue-white			
	PZ7	black/black					LT2	burgundy/burgundy-white			
	PZ9	blue/blue					PY5	greyish green/greyish green-white			
	PZ8	brown/brown					LD4	grey-beige/grey-beige-white		86- 86-	
	QA1	burgundy/burgundy				(2)	911 522 017 61	back seat backrest leatherette/centre part pin stripe flannel	/L	85-	1
	QA2	greyish green/grey-green									
	QD8	grey-beige/grey-beige		86-							
2	911 522 018 61	back seat backrest leatherette/centre part porsche lettering cloth	/R	85-	1						
	PZ7	black/black									
	PZ9	blue/blue									
	PZ8	brown/brown									



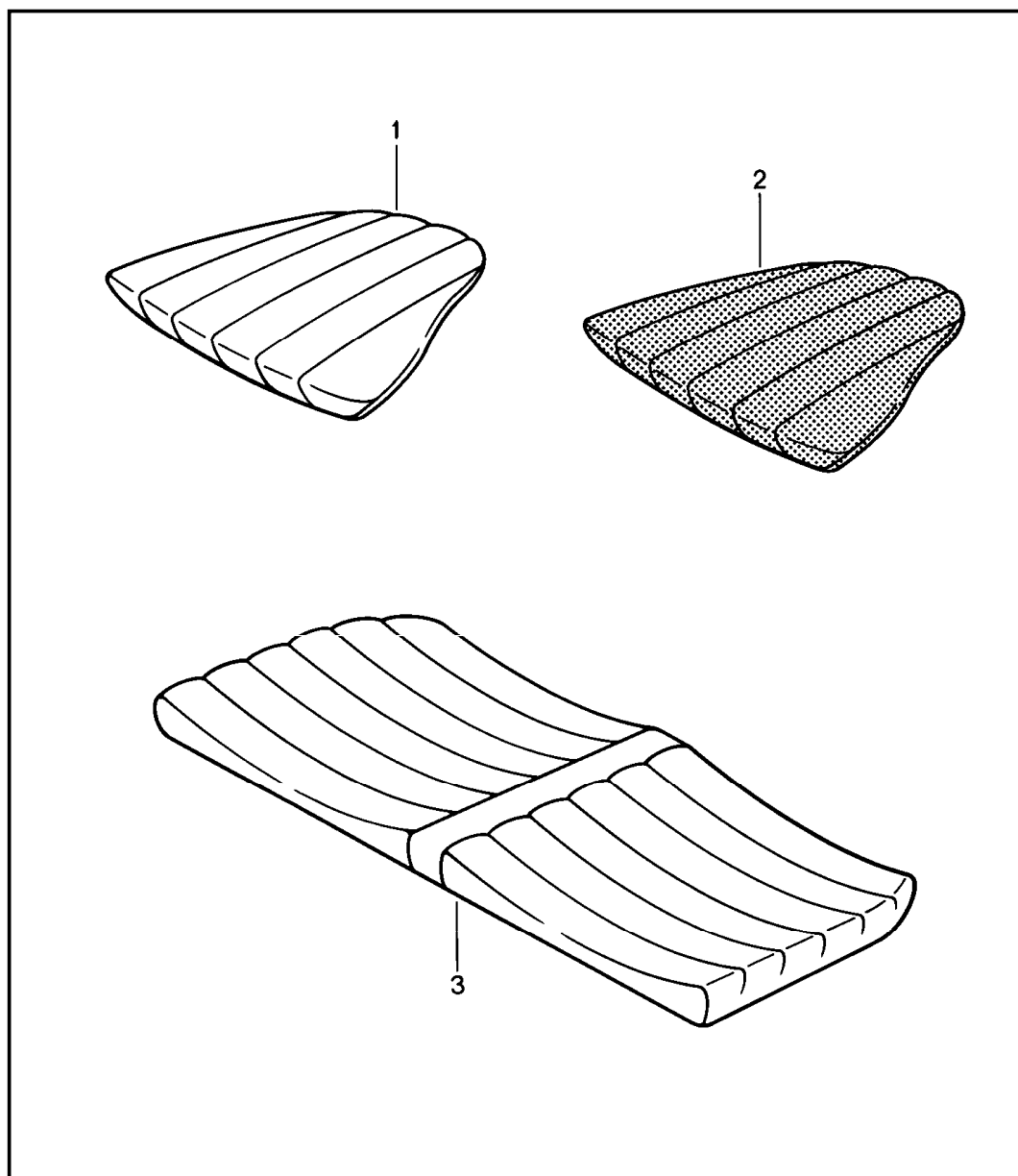
Model	Year	MG	SG	Illustration	Restrictions	UPD	8:10	23.01.2010	PORSCHE	PET	PORSCHE
911	1986	8	08	808-55		248					

Pos	Part Number	Description	Remark	Qty	Model	Pos	Part Number	Description	Remark	Qty	Model
	PZ2	black/anthracite					LS6	brown/ brown-beige			
	PZ3	brown/brown					LS8	blue/ blue-white			
	PZ4	blue/blue					LS9	burgundy/ burgundy-white			
	PZ5	burgundy/burgundy					QA7	greyish green/ greyish green-white			
	PZ6	greyish green/grey-green					LS7	grey-beige/ grey-beige-white	86- 86-		
2	911 522 018 61	back seat backrest leatherette/ centre part pin stripe flannel	/R	85-	1						
	PZ2	black/anthracite				(2)	911 522 017 63	back seat backrest leather/ centre part pin stripe flannel	/L	85-	1 M983
	PZ3	brown/brown					QB1	black/anthracite			
	PZ4	blue/blue					QB3	brown/brown			
	PZ5	burgundy/burgundy					QB5	blue/blue			
	PZ6	greyish green/grey-green					QB7	burgundy/burgundy			
(2)	911 522 017 63	back seat backrest leather/ centre part pin stripe velour	/L	85-	1 M983		QA8	greyish green/grey-green			
	LS5	black/ black-white				2	911 522 018 63	back seat backrest leather/ centre part pin stripe flannel	/R	85-	1 M983
	LS6	brown/ brown-beige					QB1	black/anthracite			
	LS8	blue/ blue-white					QB3	brown/brown			
	LS9	burgundy/ burgundy-white					QB5	blue/blue			
	QA7	greyish green/ greyish green-white					QB7	burgundy/burgundy			
	LS7	grey-beige/ grey-beige-white		86- 86-		(2)	911 522 017 63	back seat backrest leather/ centre part porsche lettering cloth	/L	85-	1 M983
2	911 522 018 63	back seat backrest leather/ centre part pin stripe velour	/R	85-	1 M983		QB2	black/black			
	LS5	black/ black-white					QB4	brown/brown			
							QB6	blue/blue			
							QB8	burgundy/burgundy			

Model	Year	MG	SG	Illustration	Restrictions	UPD	8:10	23.01.2010	PORSCHE	PET	PORSCHE
911	1986	8	08	808-55		248					

Pos	Part Number	Description	Remark	Qty	Model	Pos	Part Number	Description	Remark	Qty	Model
	QA9	greyish green/grey-green					8JK	greyish green	85-		
	RU1	grey-beige/grey-beige	86-				2FL	grey-beige	-84, -86		
2	911 522 018 63	back seat backrest leather/ centre part porsche lettering cloth	/R 85-	1	M983		2YN	white	85-		
	QB2	black/black					1VD	champagne			
	QB4	brown/brown					6JD	dark green			
	QB6	blue/blue				4	911 522 233 00	spring		2	
	QB8	burgundy/burgundy				5	911 522 229 00	bolt		2	
	QA9	greyish green/grey-green				6	911 522 231 00	knob		2	
	RU1	grey-beige/grey-beige	86-			(7) A	911 522 227 01	bearing	/L	1	
(3)	911 522 061 60	carpet	/L	1		(7)	911 522 227 01	bearing	/L	1	
	70E	black				7 A	911 522 228 01	bearing	/R	1	
	30B	blue				7	911 522 228 01	bearing	/R	1	
	40E	brown				8	999 523 106 02	lock washer B 5		4	
	80E	burgundy				9	N 014 133 8	oval-head screw M 5 X 12		4	
	60A	grey				10	911 561 493 00	leather loop		2	
	8JK	greyish green	85-			11	900 236 001 07	oval-head screw M 8 X 10		2	
	2FL	grey-beige	-84, -86			12	N 012 230 1	spring washer		2	
	2YN	white	85-			13	911 559 435 00	spacer		4	
	1VD	champagne				14	901 522 509 20	bearing sleeve		2	
	6JD	dark green				15	901 522 365 20	cap		2	
3	911 522 062 60	carpet	/R	1							
	70E	black									
	30B	blue									
	40E	brown									
	80E	burgundy									
	60A	grey									

Model	Year	MG	SG	Illustration	Restrictions	UPD	8:10	23.01.2010	PORSCHE	PET	PORSCHE
911	1986	8	08	808-56		248					



Pos	Part Number	Description	Remark	Qty	Model
1	911 522 051 06	back seat cushion back seat cushion leatherette	/L	1	
	3MK	burgundy			
	4FK	grey-beige	-84,	-86	
	43S	black			
	1HH	blue			
	4RB	brown			
	4JX	greyish green		85-	
(1)	911 522 052 06	back seat cushion back seat cushion leatherette	/R	1	
	3MK	burgundy			
	4FK	grey-beige	-84,	-86	
	43S	black			
	1HH	blue			
	4RB	brown			
	4JX	greyish green		85-	
1	930 522 051 74	back seat cushion back seat cushion leather	/L	1	
	KZ2	black			
	KZ3	blue			
	KZ5	brown			
	LG7	burgundy			
	KZ4	grey-beige	-84,	-86	
	KZ6	can-can-red			
	LG4	pearl white			
	LG5	champagne			
	LG6	dark green			
	QC2	greyish green		85-	
	PY9	ocean blue		85-	

Model	Year	MG	SG	Illustration	Restrictions	UPD	8:10	23.01.2010	PORSCHE	PET	PORSCHE
911	1986	8	08	808-56		248					

Pos	Part Number	Description	Remark	Qty	Model	Pos	Part Number	Description	Remark	Qty	Model
	PZ1	wild buffalo	85-				LK5	burgundy			
(1)	930 522 052 74	back seat cushion leather	/R	1			LK6	grey-beige			
	KZ2	black					JM2	black			
	KZ3	blue					JM5	blue			
	KZ5	brown				(2)	930 522 052 01	back seat cushion uni-coloured cloth	/R	-84	1
	LG7	burgundy					LK3	brown			
	KZ4	grey-beige	-84,	-86			LK5	burgundy			
	KZ6	can-can-red					LK6	grey-beige			
	LG4	pearl white					JM2	black			
	LG5	champagne					JM5	blue			
	LG6	dark green				2	930 522 051 01	back seat cushion cloth pin stripe velour	/L		1
	QC2	greyish green	85-				JN1	black/white			
	PY9	ocean blue	85-				LT1	blue-white			
	PZ1	wild buffalo	85-				JN2	brown-beige			
2	930 522 051 01	back seat cushion cloth checker board velour	/L	1			LT2	burgundy-white			
	LD5	light grey-black					LD4	grey-beige-white	-84,	-86	
	LJ8	blue-grey					PY5	greyish green-white		85-	
	LD6	brown-grey				(2)	930 522 052 01	back seat cushion cloth pin stripe velour	/R		1
	LJ9	burgundy-grey					JN1	black/white			
(2)	930 522 052 01	back seat cushion cloth checker board velour	/R	1			LT1	blue-white			
	LD5	light grey-black					JN2	brown-beige			
	LJ8	blue-grey					LT2	burgundy-white			
	LD6	brown-grey					LD4	grey-beige-white	-84,	-86	
	LJ9	burgundy-grey					PY5	greyish green-white		85-	
2	930 522 051 01	back seat cushion uni-coloured cloth	/L	1		2	930 522 051 01	back seat cushion cloth pin stripe flannel	/L		1
	LK3	brown								85-	

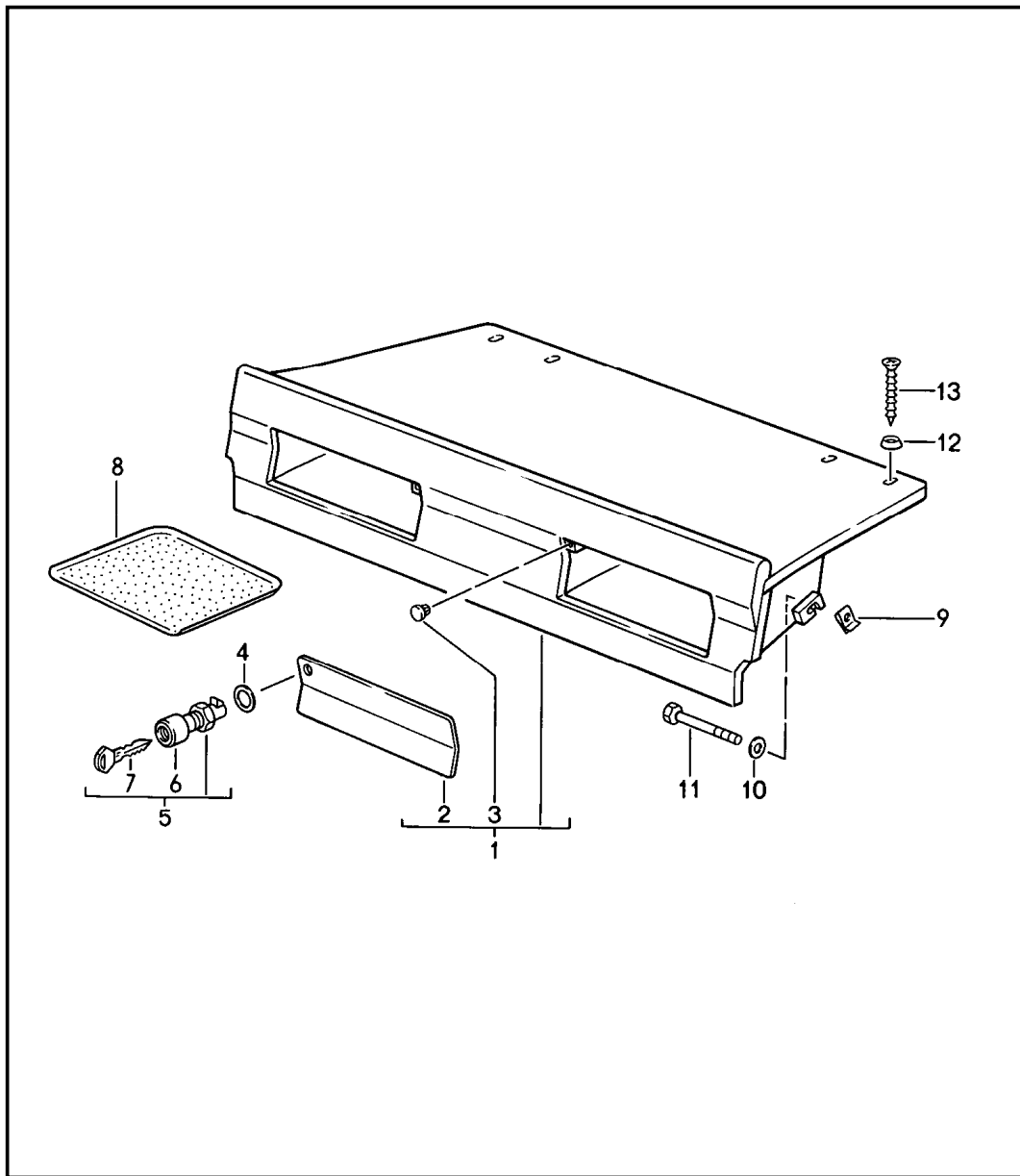
Model	Year	MG	SG	Illustration	Restrictions	UPD	8:10	23.01.2010	PORSCHE	PET	PORSCHE
911	1986	8	08	808-56		248					

Pos	Part Number	Description	Remark	Qty	Model	Pos	Part Number	Description	Remark	Qty	Model
	PZ2	anthracite					PZ9	blue			
	PZ3	brown					QA1	burgundy			
	PZ4	blue					QA2	greyish green			
	PZ5	burgundy					QD8	grey-beige	86-		
	PZ6	greyish green				(2)	930 522 052 01	back seat cushion porsche lettering cloth	/R	85-	1
(2)	930 522 052 01	back seat cushion cloth pin stripe flannel	/R	1			PZ7	black			
	PZ2	anthracite					PZ8	brown			
	PZ3	brown					PZ9	blue			
	PZ4	blue					QA1	burgundy			
	PZ5	burgundy					QA2	greyish green			
	PZ6	greyish green					QD8	grey-beige	86-		
2	930 522 051 01	back seat cushion porsche lettering cloth	/L	1		3	911 522 050 00	back seat cushion leatherette	(J)		1
	LR1	black					3MK	burgundy			
	LR4	blue					4FK	grey-beige	-84,	-86	
	LR2	brown					43S	black			
	LR5	burgundy					1HH	blue			
	LR3	grey-beige					4RB	brown			
(2)	930 522 052 01	back seat cushion porsche lettering cloth	/R	1			4JX	greyish green		85-	
	LR1	black				3	911 522 050 70	back seat cushion leather	(J)		1
	LR4	blue					LG7	burgundy			
	LR2	brown					KZ4	grey-beige	-84,	-86	
	LR5	burgundy					KZ2	black			
	LR3	grey-beige					KZ3	blue			
2	930 522 051 01	back seat cushion porsche lettering cloth	/L	1			KZ5	brown			
	PZ7	black					KZ6	can-can-red			
	PZ8	brown					LG4	pearl white			
							LG5	champagne			

Model	Year	MG	SG	Illustration	Restrictions	UPD	8:10	23.01.2010	PORSCHE	PET	PORSCHE
911	1986	8	08	808-56		248					

Pos	Part Number	Description	Remark	Qty	Model	Pos	Part Number	Description	Remark	Qty	Model
	LG6	dark green									
	QC2	greyish green		85-							
	PY9	ocean blue		85-							
	PZ1	wild buffalo		85-							

Model	Year	MG	SG	Illustration	Restrictions	UPD	8:11	23.01.2010	PORSCHE	PET	PORSCHE
911	1986	8	08	808-60		248					



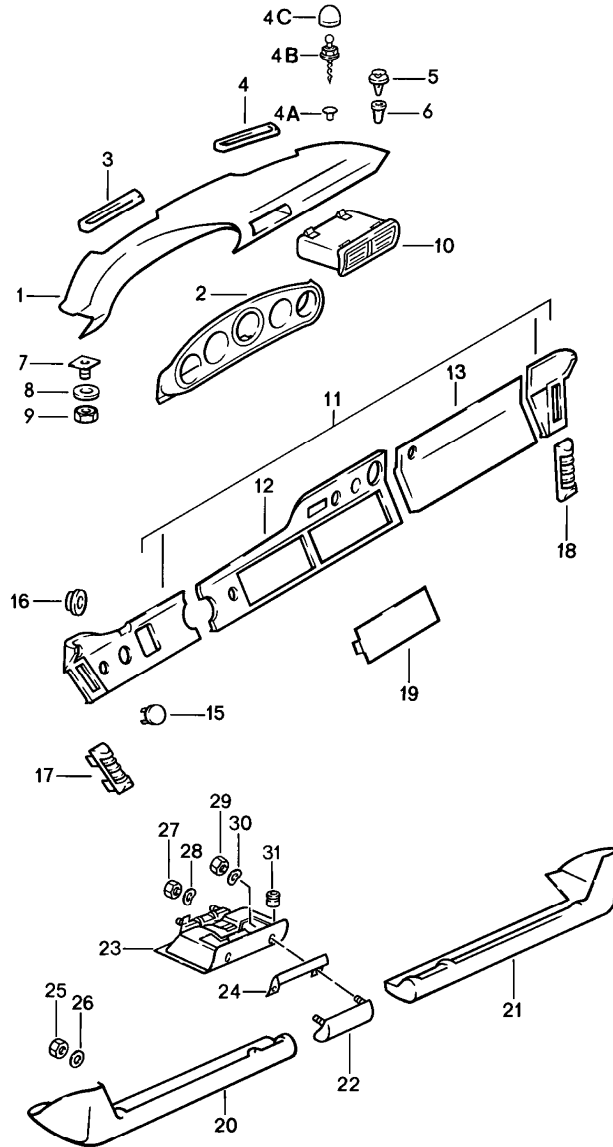
Pos	Part Number	Description	Remark	Qty	Model
		rear luggage dump			CABRIO M419
(1)	A 911 555 123 61	rear luggage dump carpet	-85	1	
	70E	black			
	30B	blue			
	40E	brown			
	80E	burgundy			
	60A	grey			
	6JD	dark green			
	1VD	champagne			
	80S	can-can-red			
	8JK	greyish green	85-		
	2YN	white	85-		
1	A 911 555 123 62	rear luggage dump carpet	86-	1	
	70E	black			
	30B	blue			
	40E	brown			
	80E	burgundy			
	60A	grey			
	2FL	grey-beige	84,	86	
	6JD	dark green			
	1VD	champagne			
	80S	can-can-red			
	8JK	greyish green	85-		
	2YN	white	85-		
2	911 552 488 04	cover		1	
	7AE	black			
3	A 999 703 002 40	stopper 6,5 X 10 X 7		2	

Model	Year	MG	SG	Illustration	Restrictions	UPD	8:11	23.01.2010	PORSCHE	PET	PORSCHE
911	1986	8	08	808-60		248					

Pos	Part Number	Description	Remark	Qty	Model	Pos	Part Number	Description	Remark	Qty	Model
4	911 552 103 01	washer		2		13	900 145 062 07	tapping screw B 3,5 X 25		2	
5	911 552 902 07	glove compartment lock w/o stipulated lock number		2							
5	911 552 902 08	glove compartment lock state lock number		2							
(6)	911 538 961 00	knob	-85	2							
6	911 538 561 00	knob	86-	2							
7	911 538 902 00	replacement key with key cap state lock number Information available		2							
8	911 555 151 61	base seat well carpet		2							
	70E	black									
	30B	blue									
	40E	brown									
	80E	burgundy									
	60A	grey									
	2FL	grey-beige	84,	86							
	6JD	dark green									
	1VD	champagne									
	80S	can-can-red									
	8JK	greyish green		85-							
	2YN	white		85-							
9	999 507 248 02	speed nut M 5		2							
10	N 011 665 3	washer 5,3 X 15 X 1,6		2							
11	N 100 017 01	hexagon-head bolt M 5 X 45		2							
12	999 591 116 07	cone washer A 4,5		2							



Model	Year	MG	SG	Illustration	Restrictions	UPD	8:11	23.01.2010	PORSCHE	PET	PORSCHE
911	1986	8	09	809-00		248					



Pos	Part Number	Description	Remark	Qty	Model
		dashboard trim with installation parts	-85		
1	911 552 055 04	dashboard trim leatherette	/LL	1	
	7AE	black			
	30B	blue			
	3MX	burgundy			
	4RB	brown			
	4JX	greyish green	85		
(1)	911 552 056 04	dashboard trim leatherette	/RL	1	
	7AE	black			
	30B	blue			
	3MX	burgundy			
	4RB	brown			
	4JX	greyish green	85		
1	911 552 055 72	dashboard trim leather	/LL	-85	1
	LG7	burgundy			
	LG6	dark green			
	KZ2	black			
	KZ3	blue			
	KZ5	brown			
	QC2	greyish green	85		
	PY9	ocean blue	85		
	PZ1	wild buffalo	85		
(1)	911 552 056 72	dashboard trim leather	/RL	-85	1
	LG7	burgundy			
	LG6	dark green			
	KZ2	black			

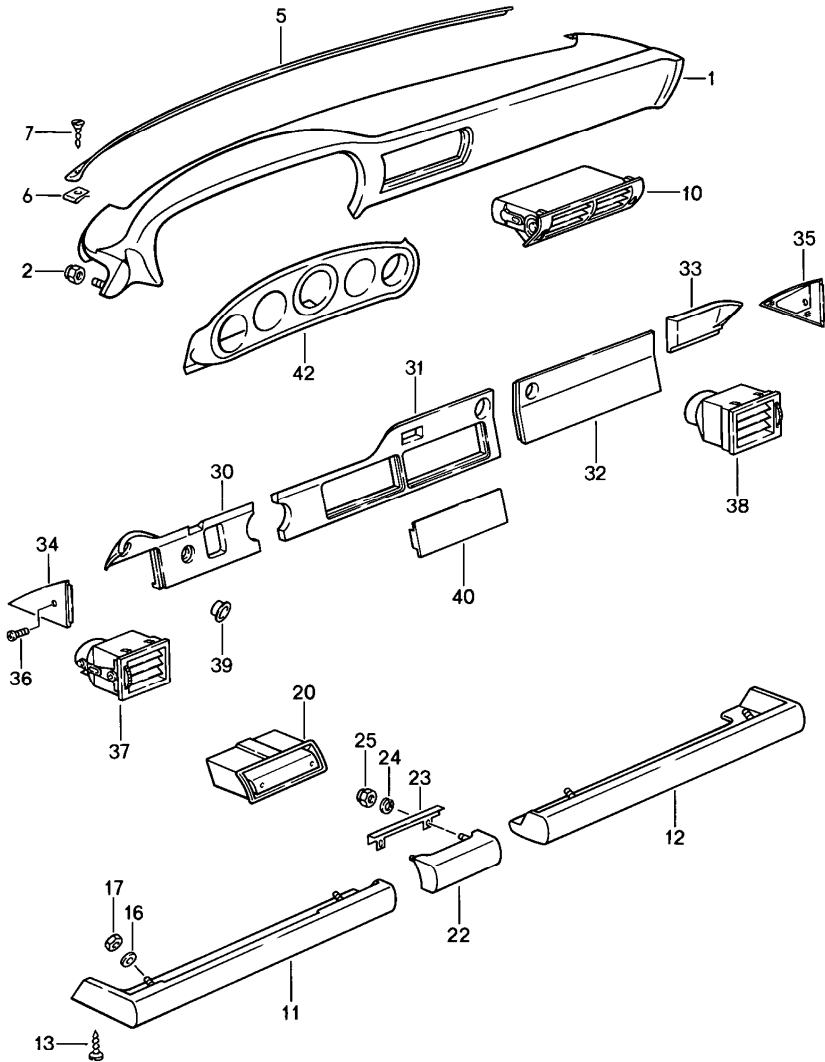
Model	Year	MG	SG	Illustration	Restrictions	UPD	8:11	23.01.2010	PORSCHE	PET	PORSCHE
911	1986	8	09	809-00		248					

Pos	Part Number	Description	Remark	Qty	Model	Pos	Part Number	Description	Remark	Qty	Model
	KZ3	blue				(11)	911 552 942 01	cover set	/RL	1	
	KZ5	brown				12	A 911 552 479 09	cover	/LL	1	
	QC2	greyish green	85				7AE	black centre			
	PY9	ocean blue	85			12	911 552 479 60	cover	/LL	1	
	PZ1	wild buffalo	85				7AE	black centre			
2	911 552 549 00	cover	/LL	1		(12)	A 911 552 480 08	cover	/RL	1	
	700	black dashboard trim				(12)	911 552 480 13	cover	/RL	1	
(2)	911 552 550 00	cover	/RL	1			7AE	black centre			
	700	black dashboard trim				13	911 552 488 04	cover		1	
3	911 552 409 00	cover	/L	1			7AE	black glove compartment cover			
4	911 552 410 00	cover heating nozzle	/R	1		16	911 552 217 00	rosette		1	
4A	999 703 182 40	stopper		3	CABRIO M070		70B	black lid-release cable			
4B	999 591 608 17	tenax lower part B 4,2 X 22		3	CABRIO M070	17	911 552 071 00	side vent	/L	1	
4C	911 561 529 00	cap		3	CABRIO M070	18	911 552 072 00	side vent	/R	1	
5	999 591 310 40	fixing clip		7		19	911 552 463 02	trim cover		1	
6	999 591 311 40	bush		7			70B	black			
7	999 591 344 02	latch		2		20	901 552 035 27	knee protection strip leatherette	/L	1	
8	N 011 666 7	washer B 6,4		7			7AE	black			
9	999 090 003 02	lock nut M 6		7			3MX	burgundy			
(10)	911 571 067 02	centre nozzle		1			4RB	brown			
(10)	911 571 067 03	centre nozzle		1	M559		30B	dark blue			
-	911 571 181 01	gasket centre nozzle		2	M559	20	4JX	greyish green		85	
11	911 552 041 10	cover	/LL	1			901 552 035 70	knee protection strip leather	/L	1	
							LG7	burgundy			
							LG6	dark green			

Model	Year	MG	SG	Illustration	Restrictions	UPD	8:11	23.01.2010	PORSCHE	PET	PORSCHE
911	1986	8	09	809-00		248					

Pos	Part Number	Description	Remark	Qty	Model	Pos	Part Number	Description	Remark	Qty	Model				
21	901 552 036 27	KZ2 black	/R	1		22	911 552 050 70	ashtray handle		1					
		KZ3 blue						leather							
		KZ5 brown						LG7 burgundy							
		QC2 greyish green						85				LG6 dark green			
		PY9 ocean blue						85				KZ2 black			
		PZ1 wild buffalo						85				KZ3 blue			
		knee protection strip										KZ5 brown			
		leatherette										QC2 greyish green	85		
		7AE black										PY9 ocean blue	85		
		3MX burgundy										PZ1 wild buffalo	85		
21	901 552 036 70	4RB brown	/R	1		23	901 552 061 25	ashtray		1					
		30B blue						24				901 552 607 00	fireproof plate	1	
		4JX greyish green						85				25	N 011 005 14	hexagon nut	4
		knee protection strip											M 5		
		leather										26	N 011 665 3	washer	4
		LG7 burgundy											A 5,3		
		LG6 dark green										27	N 011 005 14	hexagon nut	2
		KZ2 black											M 5		
		KZ3 blue										28	N 011 665 3	washer	2
		KZ5 brown											A 5,3		
22	901 552 050 25	QC2 greyish green		1		29	900 070 001 02	cap nut		2					
		85						M 4							
		PY9 ocean blue						85				30	N 012 224 3	spring washer	2
		PZ1 wild buffalo						85					B 4		
		ashtray handle										31	999 591 903 40	rubber stop	2
		leatherette													
		7AE black													
		30B dark blue													
		3MX burgundy													
		4RB brown													
4JX greyish green	85														

Model	Year	MG	SG	Illustration	Restrictions	UPD	8:11	23.01.2010	PORSCHE	PET	PORSCHE
911	1986	8	09	809-01		248					



Pos	Part Number	Description	Remark	Qty	Model
		dashboard trim with installation parts	86-		
1	911 552 055 05	dashboard trim leatherette	/LL	1	
	7AE	black			
	30B	blue			
	4RB	brown			
	3MX	burgundy			
	4JX	greyish green			
(1)	911 552 056 05	dashboard trim leatherette	/RL	1	
	7AE	black			
	30B	blue			
	4RB	brown			
	3MX	burgundy			
	4JX	greyish green			
1	911 552 055 73	dashboard trim leather	/LL	1	
	KZ2	black			
	KZ3	blue			
	KZ5	brown			
	LG7	burgundy			
	QC2	greyish green			
	LG6	dark green			
	PY9	ocean blue			
	PZ1	wild buffalo			
(1)	911 552 056 73	dashboard trim leather	/RL	1	
	KZ2	black			
	KZ3	blue			
	KZ5	brown			

Model	Year	MG	SG	Illustration	Restrictions	UPD	8:11	23.01.2010	PORSCHE	PET	PORSCHE
911	1986	8	09	809-01		248					

Pos	Part Number	Description	Remark	Qty	Model	Pos	Part Number	Description	Remark	Qty	Model
	LG7	burgundy					4RB	brown			
	QC2	greyish green					3MX	burgundy			
	LG6	dark green					4JX	greyish green			
	PY9	ocean blue				(11)	911 552 069 01	knee protection strip leatherette	/RL/L	1	
	PZ1	wild buffalo					7AE	black			
2	999 090 003 02	lock nut M 6		7			30B	blue			
5	A 911 552 411 00	defroster vent		1			4RB	brown			
	1DB	black					3MX	burgundy			
	8HL	blue					4JX	greyish green			
	4RB	brown				11	911 552 151 50	knee protection strip leather	/LL/L	1	
	3MC	burgundy					KZ2	black			
	2DL	greyish green					KZ3	blue			
5	911 552 241 01	defroster vent		1			KZ5	brown			
	1DB	black					LG7	burgundy			
	8HL	blue					QC2	greyish green			
	4RB	brown					LG6	dark green			
	3MC	burgundy					PY9	ocean blue			
	2DL	greyish green					PZ1	wild buffalo			
6	999 591 713 02	speed nut B 4,2		5		(11)	911 552 151 51	knee protection strip leather	/RL/L	1	
7	900 145 084 07	tapping screw B 4,2 X 19		5			KZ2	black			
10	911 572 051 01	centre nozzle	/LL	1			KZ3	blue			
	01C	black					KZ5	brown			
(10)	911 572 052 01	centre nozzle	/RL	1			LG7	burgundy			
	01C	black					QC2	greyish green			
11	911 552 069 00	knee protection strip leatherette	/LL/L	1			LG6	dark green			
	7AE	black					PY9	ocean blue			
	30B	blue					PZ1	wild buffalo			

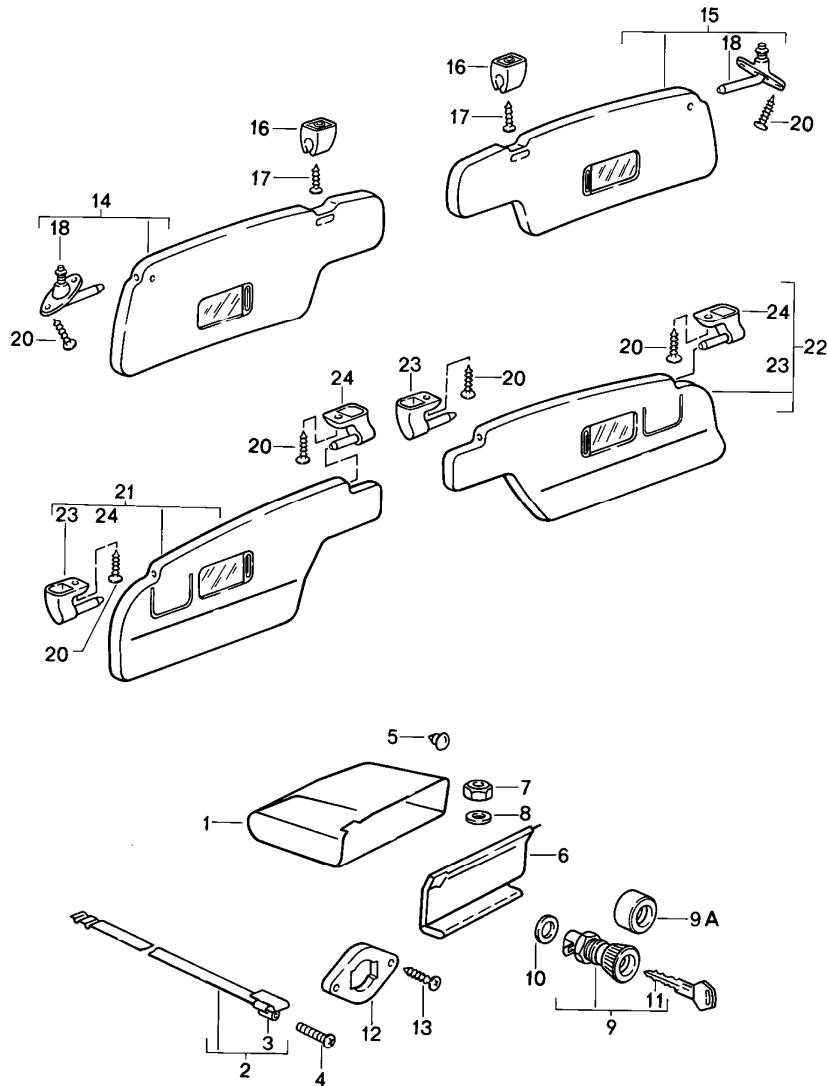
Model	Year	MG	SG	Illustration	Restrictions	UPD	8:11	23.01.2010	PORSCHE	PET	PORSCHE
911	1986	8	09	809-01		248					

Pos	Part Number	Description	Remark	Qty	Model	Pos	Part Number	Description	Remark	Qty	Model
12	911 552 070 00	knee protection strip leatherette	/LL/R	1			LG6	dark green			
	7AE	black					PY9	ocean blue			
	30B	blue					PZ1	wild buffalo			
	4RB	brown				13	999 073 062 02	tapping screw B 4,8 X 19		2	
	3MX	burgundy				16	N 011 665 3	washer B 5,3		4	
	4JX	greyish green				17	N 011 005 14	hexagon nut M 5		4	
(12)	911 552 070 01	knee protection strip leatherette	/RL/R	1		20	911 552 101 00	ashtray		1	
	7AE	black				22	911 552 050 01	ashtray handle leatherette		1	
	30B	blue					7AE	black			
	4RB	brown					30B	blue			
	3MX	burgundy					4RB	brown			
	4JX	greyish green					3MX	burgundy			
12	911 552 152 50	knee protection strip leather	/LL/R	1			4JX	greyish green			
	KZ2	black				22	911 552 049 50	ashtray handle leather		1	
	KZ3	blue					KZ2	black			
	KZ5	brown					KZ3	blue			
	LG7	burgundy					KZ5	brown			
	QC2	greyish green					LG7	burgundy			
	LG6	dark green					QC2	greyish green			
	PY9	ocean blue					LG6	dark green			
	PZ1	wild buffalo					PY9	ocean blue			
(12)	911 552 152 51	knee protection strip leather	/RL/R	1			PZ1	wild buffalo			
	KZ2	black				23	911 552 607 00	fireproof plate		1	
	KZ3	blue					70B	black			
	KZ5	brown				(23)	911 552 607 50	fireproof plate		1	M981
	LG7	burgundy					70B	black			
	QC2	greyish green									

Model	Year	MG	SG	Illustration	Restrictions	UPD	8:11	23.01.2010	PORSCHE	PET	PORSCHE
911	1986	8	09	809-01		248					

Pos	Part Number	Description	Remark	Qty	Model	Pos	Part Number	Description	Remark	Qty	Model
24	N 012 224 3	spring washer B 4		2		37	911 572 041 00	side vent	/LL/L	1	
25	900 070 001 02	cap nut M 4		2			01C	black			
30	911 552 477 09	cover	/LL/L	1		(37)	911 572 075 00	side vent	/RL/L	1	
	7AE	black					01C	black			
(30)	A 911 552 478 06	cover	/RL/R	1		38	911 572 042 00	side vent	/LL/R	1	
	7AE	black					01C	black			
(30)	911 552 478 10	cover	/RL/R	1		(38)	911 572 076 00	side vent	/RL/R	1	
	7AE	black					01C	black			
31	A 911 552 479 09	cover	/LL	1		39	911 552 217 00	rosette		1	
	7AE	black					70B	black lid-release cable			
31	911 552 479 60	cover	/LL	1		40	911 552 463 02	trim cover		1	
	7AE	black					70B	black			
(31)	A 911 552 944 01	cover	/RL	1		42	911 552 549 00	cover	/LL	1	
	7AE	black					700	black dashboard trim			
(31)	911 552 480 13	cover	/RL	1		(42)	911 552 550 00	cover	/RL	1	
	7AE	black					700	black dashboard trim			
32	911 552 488 04	cover		1							
	7AE	black									
33	911 552 594 06	cover	/LL/R	1							
	7AE	black									
(33)	911 552 593 07	cover	/RL/L	1							
	7AE	black									
34	911 552 113 00	cover	/L	1							
	01C	black									
35	911 552 114 00	cover	/R	1							
	01C	black									
36	900 145 003 07	tapping screw BZ 3,5 X 9,5		2							

Model	Year	MG	SG	Illustration	Restrictions	UPD	8:11	23.01.2010	PORSCHE	PET	PORSCHE
911	1986	8	09	809-05		248					



Pos	Part Number	Description	Remark	Qty	Model
		glove compartment sun visors			
1	911 552 501 00	glove compartment		1	
(2) A	901 552 531 20	restraining strap	-85	1	
2	911 552 176 01	restraining strap	/LL	1	
2	911 552 175 01	restraining strap	/RL	1	
4	900 146 010 02	oval-head screw AM 5 X 30		1	
5	999 703 064 50	rubber buffer 14 X 12		1	
(5)	999 703 330 50	buffer 14 X 17,5		1	
6	911 552 010 04	glove compartment cover	-85	1	
6	911 552 010 05	glove compartment cover	86-	1	
7	N 021 196 1	lock nut M 5		4	
8	900 025 003 02	washer 5,3		4	
(9) A	911 552 902 07	glove compartment lock	-84	1	
(9)	911 552 902 07	glove compartment lock w/o stipulated lock number		1	
9	911 552 902 08	glove compartment lock state lock number		1	
(9A)	911 538 961 00	knob	-85	1	
9A	911 538 561 00	knob	86-	1	
10	911 552 103 01	washer		1	
(11) A	911 538 903 00	blank key		2	
(11)	911 538 903 00	blank key		2	
(11)	944 538 041 00	key lamp		2	
11	911 538 902 00	replacement key state lock number Information available		2	
12	911 552 513 02	door lock striker		1	



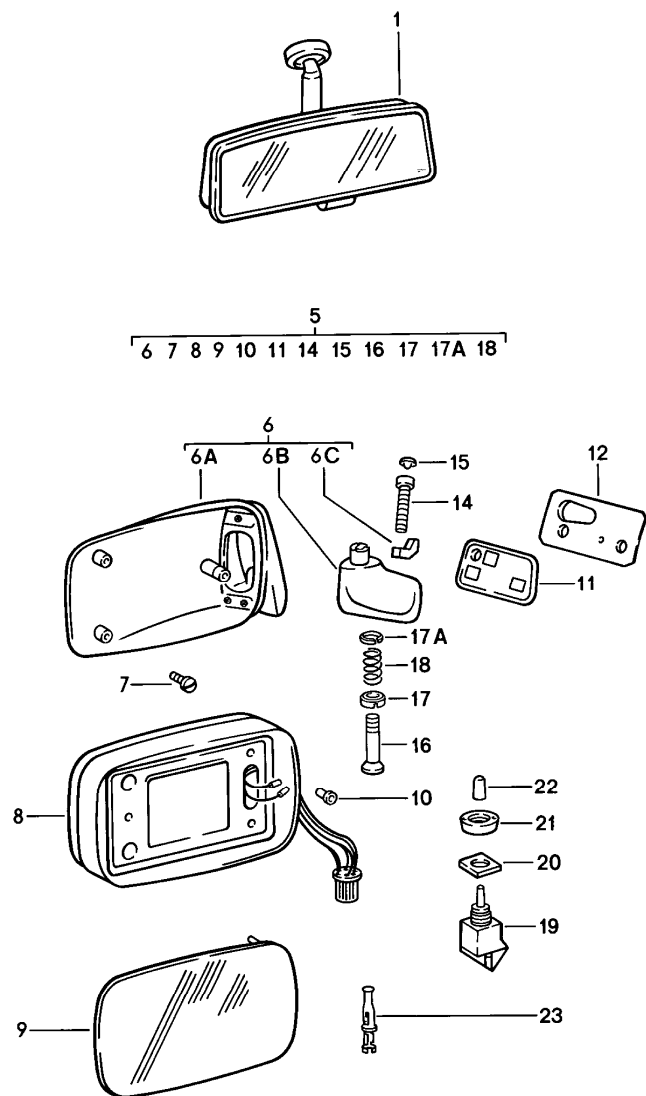
Model	Year	MG	SG	Illustration	Restrictions	UPD	8:11	23.01.2010	PORSCHE	PET	PORSCHE
911	1986	8	09	809-05		248					

Pos	Part Number	Description	Remark	Qty	Model	Pos	Part Number	Description	Remark	Qty	Model
13	900 143 065 07	tapping screw 2,9 X 9,5		2			NY2	greyish green			
(14)	911 731 031 18	sun visor with mirror	/L	-85	1 COUPE	(15)	911 731 032 17	sun visor with mirror	/R	-85	1 COUPE
	JQ5	burgundy					JQ5	burgundy			
	CC4	white/black		-84			CC4	white/black		-84	
	CC1	blue					CC1	blue			
	LA7	brown					LA7	brown			
	CA9	black					CA9	black			
	NY2	greyish green		85			NY2	greyish green		85	
(14)	911 731 031 04	sun visor without mirror	/L (AUS)	-85	1 COUPE	(15)	911 731 032 04	sun visor without mirror	/R (AUS)	-85	1 COUPE
	JQ5	burgundy					JQ5	burgundy			
	CC4	white/black		-84			CC4	white/black		-84	
	CC1	blue					CC1	blue			
	LA7	brown					LA7	brown			
	CA9	black					CA9	black			
	NY2	greyish green		85			NY2	greyish green		85	
14	911 731 031 35	sun visor with mirror	/L	86-	1 COUPE	15	911 731 032 35	sun visor with mirror	/R	86-	1 COUPE
	CA9	black					CA9	black			
	CC1	blue					CC1	blue			
	LA7	brown					LA7	brown			
	JQ5	burgundy					JQ5	burgundy			
	NY2	greyish green					NY2	greyish green			
14	911 731 031 36	sun visor with mirror	/L (AUS) (S)	86-	1 COUPE	15	911 731 032 36	sun visor with mirror	/R (AUS) (S)	86-	1 COUPE
	CA9	black					CA9	black			
	CC1	blue					CC1	blue			
	LA7	brown					LA7	brown			
	JQ5	burgundy					JQ5	burgundy			

Model	Year	MG	SG	Illustration	Restrictions	UPD	8:11	23.01.2010	PORSCHE	PET	PORSCHE
911	1986	8	09	809-05		248					

Pos	Part Number	Description	Remark	Qty	Model	Pos	Part Number	Description	Remark	Qty	Model
	NY2	greyish green									
16	911 731 331 00	support	(AUS)	2	COUPE						
(16)	911 731 331 00	support		2	COUPE						
17	900 143 111 07	oval-head sheetmetal screw B 3,9 X 13		2	COUPE						
18	964 731 319 00	bearing	/L	1	COUPE						
18	964 731 320 00	bearing	/R	1	COUPE						
20	900 145 075 07	tapping screw B 4,2 X 16		4							
(21) A	911 731 031 61	sun visor with mirror	/L	-85	1	TARGA/CABRIO					
21	911 731 031 63	sun visor with mirror	/L	1	TARGA/CABRIO						
	CA9	black									
21	911 731 031 64	sun visor with mirror	/L (S)	1	TARGA/CABRIO (AUS)						
	CA9	black									
(22)	911 731 032 60	sun visor with mirror	/R	-85	1	TARGA/CABRIO					
22	911 731 032 63	sun visor with mirror	/R	86-	1	TARGA/CABRIO					
	CA9	black									
(22)	911 731 032 64	sun visor with mirror	/R (AUS) (S)	86-	1	TARGA/CABRIO					
	CA9	black									
23	964 731 319 40	bearing bracket	/L	2	TARGA/CABRIO						
24	964 731 320 40	bearing	/R	2	TARGA/CABRIO						

Model	Year	MG	SG	Illustration	Restrictions	UPD	8:11	23.01.2010	PORSCHE	PET	PORSCHE
911	1986	8	09	809-10		248					

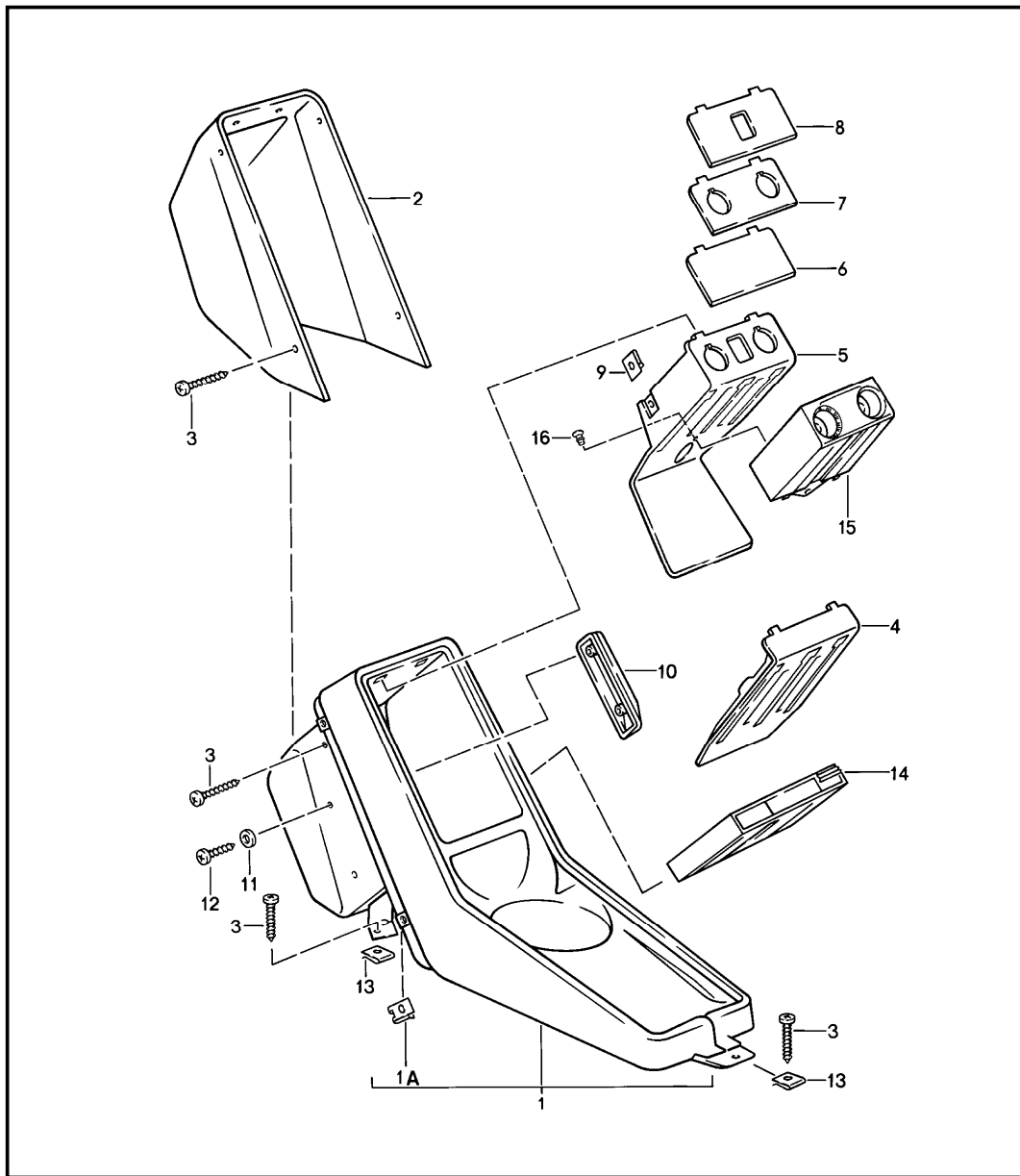


Pos	Part Number	Description	Remark	Qty	Model
1	477 857 511 A	interior mirror door mirror		1	
	01C	black			
-	911 731 901 01	installation set for subsequent installation see tpi NR.22 order also:	/LL/R -84	1	
-	911 612 165 01	wiring harness driver's door		1	
-	911 612 164 03	wiring harness FRONT luggage compartment	/LL	1	
-	911 731 035 08	mirror glass plane		1	
-	911 731 035 09	mirror glass convex	(J) (N) (S)	1	
(5)	911 731 927 01	repair kit	/LL/L	1	
(5)	911 731 928 01	repair kit	/LL/R	1	
(5)	911 731 931 01	repair kit	/RL/L	1	
(5)	911 731 932 01	repair kit door mirror see tpi NR.22	/RL/R	1	
6A	A 911 731 043 03	mirror housing	/L	1	
6A	911 731 043 03	mirror housing	/L	1	
(6A)	A 911 731 044 03	mirror housing	/R	1	
(6A)	911 731 044 03	mirror housing	/R	1	
6B	911 731 241 02	mirror base	/LL/L	1	
(6B)	911 731 287 02	mirror base	/RL/L	1	
(6B)	911 731 288 02	mirror base	/LL/R	1	
(6B)	911 731 242 02	mirror base	/RL/R	1	
6C	911 731 263 00	mounting piece		2	
7	A 999 143 003 02	hexagon-head bolt	-84	3	

Model	Year	MG	SG	Illustration	Restrictions	UPD	8:11	23.01.2010	PORSCHE	PET	PORSCHE
911	1986	8	09	809-10		248					

Pos	Part Number	Description	Remark	Qty	Model	Pos	Part Number	Description	Remark	Qty	Model
7	999 143 003 02	hexagon-head bolt M 5 X 10		3		-	477 957 861	rubber sleeve		1	
8	A 911 731 027 06	covering frame	/L	1		-	803 971 979	plug socket 7-pole		1	
8	911 731 027 06	covering frame	/L	1		23	N 017 562 4	cylindrical socket 1,6 X 0,75		X	
(8)	A 911 731 028 06	covering frame	/R	1		-	111 971 958	flat receptacle 2,8 X 8		6	
(8)	911 731 028 06	covering frame	/R	1							
9	911 731 035 08	mirror glass plane		1							
(9)	A 911 731 035 09	mirror glass	(J) (N) (S)	1							
(9)	911 731 035 09	mirror glass convex	(J) (N) (S)	1							
10	999 703 128 40	grommet		3							
11	911 731 247 00	desk pad	/L	1							
(11)	911 731 248 00	desk pad	/R	1							
12	911 531 197 00	reinforcement	/L	1							
(12)	911 531 198 00	reinforcement	/R	1							
13	999 190 123 02	blind rivet 3,2 X 7,37		2							
14	999 218 021 02	pan-head screw micro-self-locking AM 5 X 35		1							
15	999 703 137 40	cap		1							
16	A 911 731 257 02	guide tube		1							
16	911 731 257 02	guide tube		1							
17	911 731 345 02	centring washer lower		1							
17A	911 731 347 00	centring washer upper		1							
18	911 731 029 01	compression spring		1							
19	911 613 115 00	switch		1							
20	911 731 343 03	gasket		1							
21	911 731 251 00	round nut		1							
22	911 613 633 01	protection cap		1							

Model	Year	MG	SG	Illustration	Restrictions	UPD	8:12	23.01.2010	PORSCHE	PET	PORSCHE
911	1986	8	09	809-15		248					

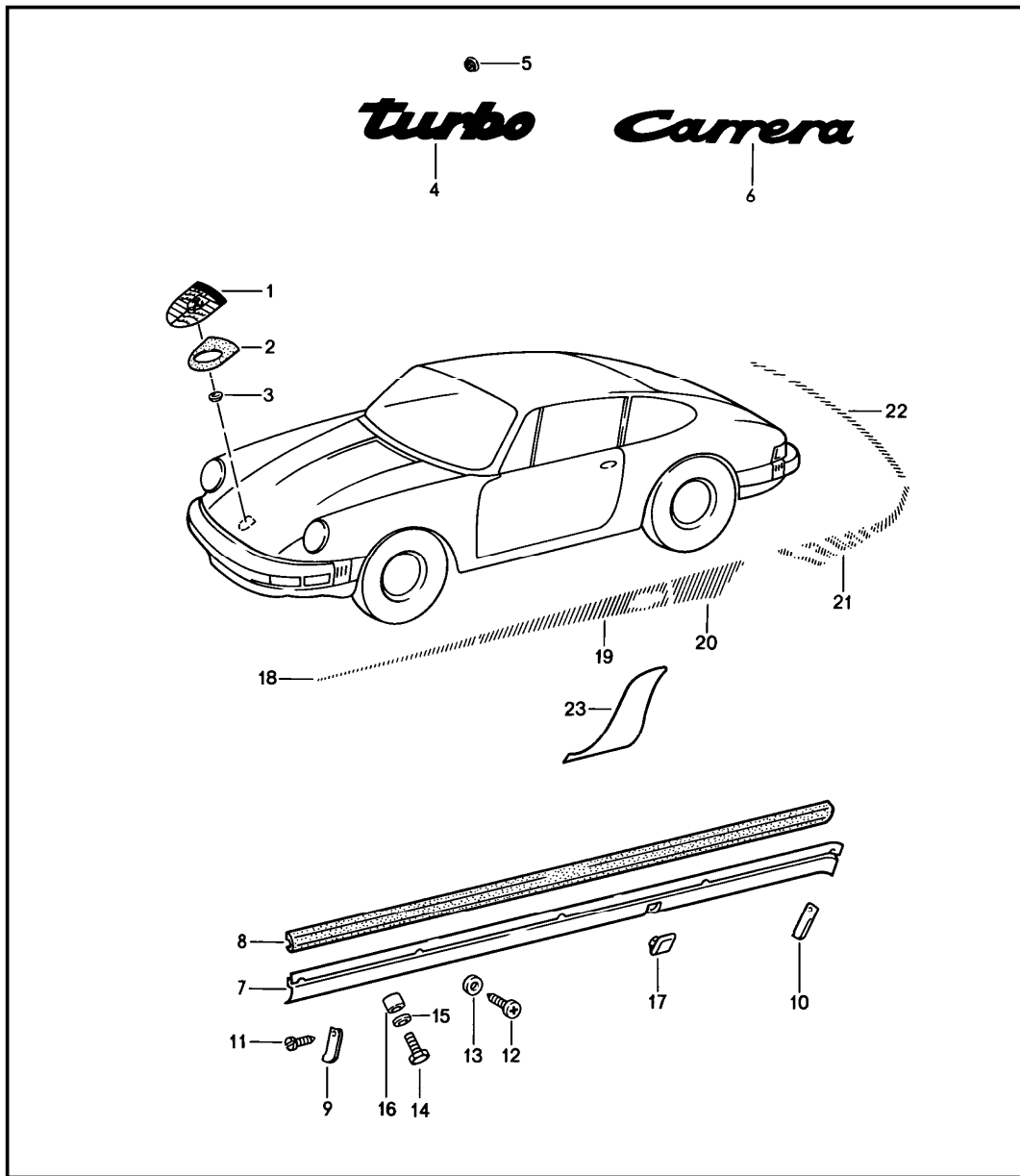


Pos	Part Number	Description	Remark	Qty	Model
1	A 911 552 030 01	centre console centre console leatherette		1	
		05T black			
		4RB brown			
		1HH blue			
		3MK burgundy			
		4JX greyish green	85-		
		5FX grey-beige	84, 86		
1	911 552 030 03	centre console leatherette		1	
		05T black			
		4RB brown			
		1HH blue			
		3MK burgundy			
		4JX greyish green	85-		
		5FX grey-beige	84, 86		
1	911 552 030 50	centre console leather		1	
		KZ2 black			
		KZ3 blue			
		KZ4 grey-beige	84, 86		
		KZ5 brown			
		KZ6 can-can-red	85-		
		LG4 pearl white	85-		
		LG5 champagne	85-		
		LG6 dark green			
		LG7 burgundy			
		QC2 greyish green	85-		
		PZ1 wild buffalo	85-		

Model	Year	MG	SG	Illustration	Restrictions	UPD	8:12	23.01.2010	PORSCHE	PET	PORSCHE
911	1986	8	09	809-15		248					

Pos	Part Number	Description	Remark	Qty	Model	Pos	Part Number	Description	Remark	Qty	Model
	PY9	ocean blue	85-				01C	black			
1A	999 507 018 02	speed nut B 4,2		4		15	911 613 611 01	switch housing	86-	1	TURBO
2	911 552 231 00	cap		1			01C	black			CARRERA M559
3	900 143 121 07	tapping screw B 4,2 X 16		4		16	999 190 363 40	stopper 4,1 X 8	86-	1	TURBO CARRERA M559
4	911 552 259 01	cover	-84	1							
(5)	911 552 169 00	support	-85	1							
5	911 613 069 00	cassette carrier	86-	1							
	70B	black for cars with fader centre console									
(5)	911 613 069 01	cassette carrier	86-	1							
	70B	black for cars with fader radio									
(6)	911 552 273 00	adhesive film		1							
7	911 552 269 00	cover air-conditioning switch	-84	1							
8	911 552 271 00	cover fader	-84	1							
9	999 507 018 02	speed nut B 4,2		2							
10	911 552 177 01	stop		1							
(10)	911 552 519 00	stop	86-	1	TURBO CARRERA M559						
11	900 025 003 02	washer A 5,3		2							
12	N 013 961 2	tapping screw B 3,9 X 13		2							
13	999 507 240 00	speed nut B 4,2		3							
14 A	911 645 226 00	cassette box		X							
14	964 552 753 00	cassette box		X							

Model	Year	MG	SG	Illustration	Restrictions	UPD	8:12	23.01.2010	PORSCHE	PET	PORSCHE
911	1986	8	10	810-00		248					



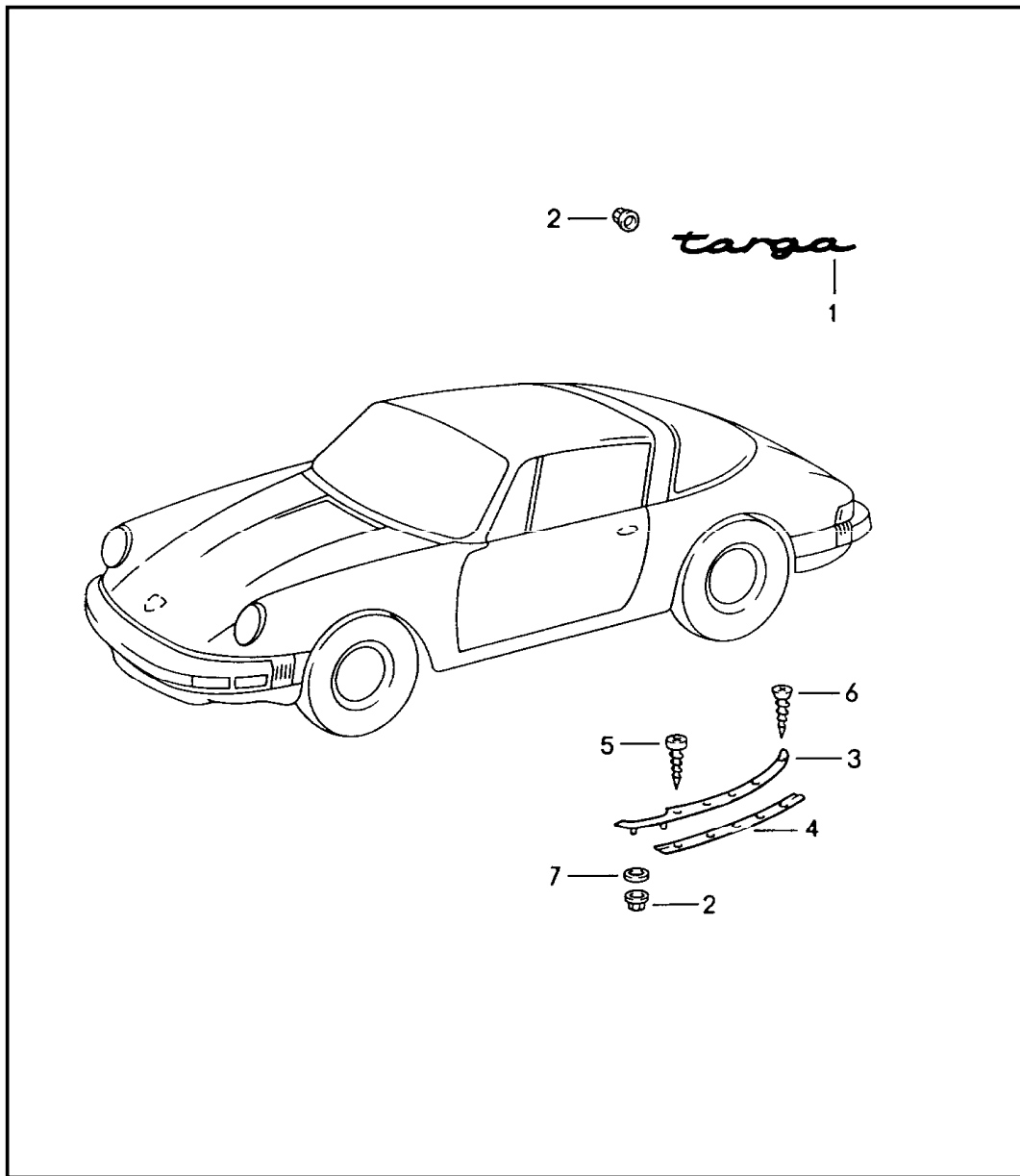
Pos	Part Number	Description	Remark	Qty	Model
		decorative fittings			
1	A 901 559 210 20	lid emblem		1	
1	993 559 211 00	lid emblem		1	
2	901 559 215 20	desk pad		1	
3	999 591 423 03	tapping nut		2	
4	930 559 317 00	logo		1	TURBO
5	999 591 423 03	tapping nut		2	
6	A 911 559 037 00	logo		1	CARRERA
6	911 559 037 00	logo		1	CARRERA
		70C black			
(7)	911 559 047 01	trim cover	/L	1	CARRERA
(7)	930 559 047 01	trim cover	/L	1	TURBO CARRERA M491
(7)	911 559 048 01	trim cover	/R	1	CARRERA
(7)	930 559 048 01	trim cover	/R	1	TURBO CARRERA M491
8	930 559 103 01	rubber moulding		2	CARRERA
(8)	930 559 103 01	rubber moulding		2	TURBO
9	PCG 559 941 04	end piece	/V/R /H/L	2	
10	PCG 559 941 04	end piece	/V/L /H/R	2	
11	900 143 049 07	tapping screw BZ 3,5 X 9,5		8	
12	900 143 031 02	oval-head sheetmetal screw B 4,2 X 9,5		10	
13	900 025 002 02	washer 4,3		10	
14	900 187 032 02	tapping screw B 6,3 X 32		3	
14	900 187 129 02	tapping screw B 6,3 X 38		3	

Model	Year	MG	SG	Illustration	Restrictions	UPD	8:12	23.01.2010	PORSCHE	PET	PORSCHE
911	1986	8	10	810-00		248					

Pos	Part Number	Description	Remark	Qty	Model	Pos	Part Number	Description	Remark	Qty	Model
15	900 151 007 02	washer B 7,4		6		(23)	930 559 322 00	stone guard film	/R	1	TURBO
16	911 559 145 01	spacer sleeve 5 MM		X							
16	911 559 145 00	spacer sleeve 10 MM		X							
17	911 559 149 01	stopper		2							
		adhesive film black hatched									
18	930 559 301 00	adhesive film	/L	1							
(18)	930 559 302 00	adhesive film	/R	1							
19	930 559 303 00	adhesive film	/L	1							
(19)	930 559 304 00	adhesive film	/R	1							
20	930 559 305 00	adhesive film	/L	1							
(20)	930 559 306 00	adhesive film	/R	1							
21	930 559 307 00	adhesive film	/L	1							
(21)	930 559 308 00	adhesive film	/R	1							
22	930 559 309 00	adhesive film	/H	1							
		adhesive film white hatched									
(18)	930 559 301 01	adhesive film	/L	1							
(18)	930 559 302 01	adhesive film	/R	1							
(19)	930 559 303 01	adhesive film	/L	1							
(19)	930 559 304 01	adhesive film	/R	1							
(20)	930 559 305 01	adhesive film	/L	1							
(20)	930 559 306 01	adhesive film	/R	1							
(21)	930 559 307 01	adhesive film	/L	1							
(21)	930 559 308 01	adhesive film	/R	1							
(22)	930 559 309 01	adhesive film	/H	1							
23	930 559 321 00	stone guard film	/L	1	TURBO						

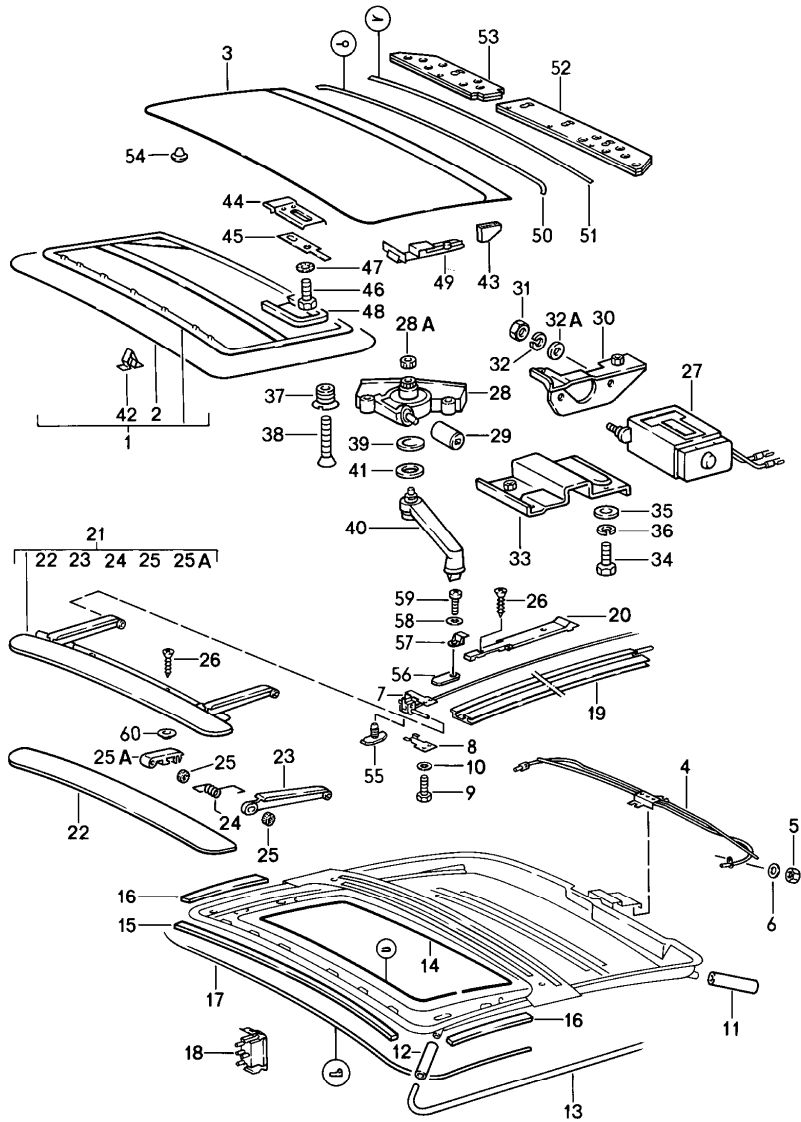


Model	Year	MG	SG	Illustration	Restrictions	UPD	8:12	23.01.2010	PORSCHE	PET	PORSCHE
911	1986	8	10	810-05		248					



Pos	Part Number	Description	Remark	Qty	Model
		decorative fittings			TARGA
1	911 559 307 41	logo		2	
2	999 591 423 03	tapping nut S=3		6	
(3)	911 565 049 40	moulding	/L	1	
	70K	black			
(3)	911 565 050 40	moulding	/R	1	
	70K	black			
4	901 565 557 40	pipng		2	
5	N 013 957 5	tapping screw B 3,5 X 9,5		8	
6	900 144 009 00	counters. head tapp. screw 2,9 X 13		2	
7	900 151 006 40	washer B 6,4		4	

Model	Year	MG	SG	Illustration	Restrictions	UPD	8:12	23.01.2010	PORSCHE	PET	PORSCHE
911	1986	8	11	811-00		248					



Pos	Part Number	Description	Remark	Qty	Model	
1	A 901 564 020 07	sunroof			M650	
		700	black			
		1HH	blue			
		4RB	brown			
		7FC	grey-beige	84		
		8LC	burgundy			
		4JX	greyish green			
	(1)	911 564 020 00	roofliner frame		1	
		700	black			
		1HH	blue			
	4RB	brown				
	7FC	grey-beige	84			
	8LC	burgundy				
	4JX	greyish green				
2	A 901 564 291 07	cover		1		
		700	black			
		8LC	burgundy			
		7FC	grey-beige	-84		
		1HH	blue			
		4RB	brown			
		4JX	greyish green	85-		
	2	911 564 201 00	cover		1	
		700	black			
		8LC	burgundy			
	7FC	grey-beige	-84			
	1HH	blue				
	4RB	brown				
	4JX	greyish green	85-			

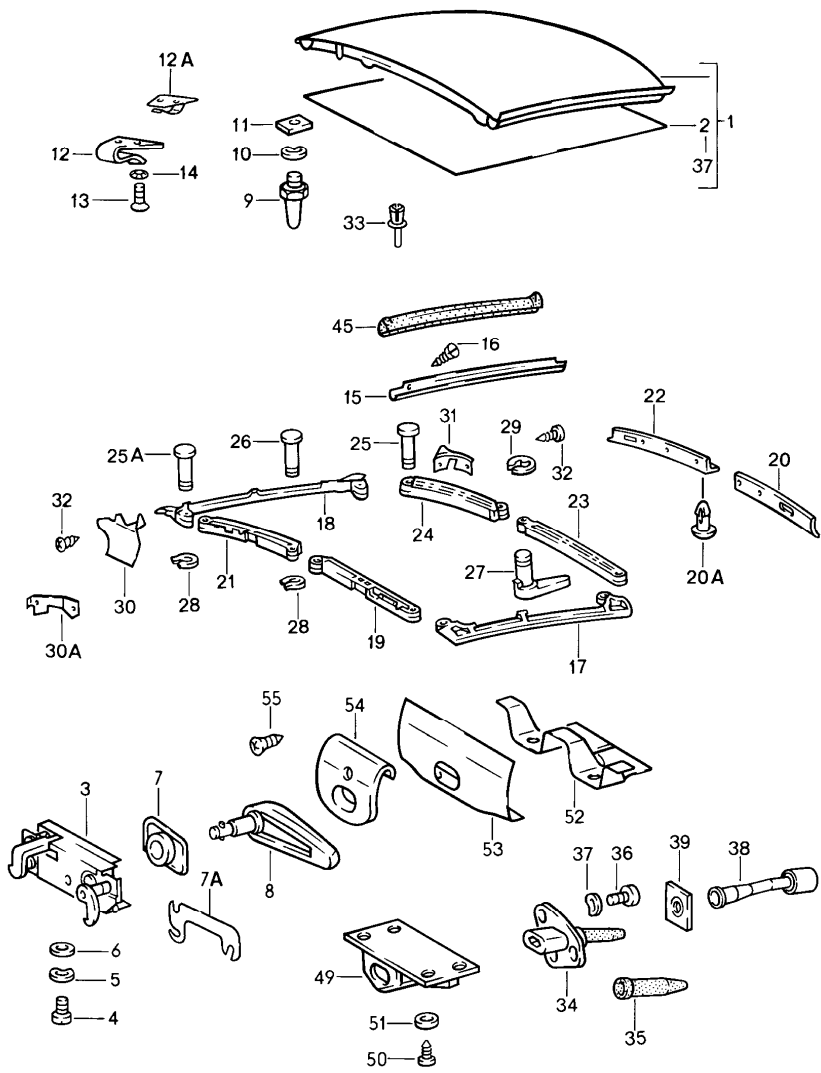
Model	Year	MG	SG	Illustration	Restrictions	UPD	8:12	23.01.2010	PORSCHE	PET	PORSCHE
911	1986	8	11	811-00		248					

Pos	Part Number	Description	Remark	Qty	Model	Pos	Part Number	Description	Remark	Qty	Model
3	930 564 051 01	lid		1		22	911 564 015 00	wind deflector plate		1	
3A	911 564 417 00	leaf spring		2		23	911 564 127 00	hinge		2	
3B	911 564 420 00	knurled nut		4		24	911 564 125 00	spring	/L	1	
(4)	964 564 231 00	pipeline		1		(24)	911 564 126 00	spring	/R	1	
5	N 011 005 14	hexagon nut M 5		2		25	911 564 423 00	rubber stop		4	
6	900 025 003 02	washer A 5,3		2		25A	911 564 123 00	bearing clip		2	
(7)	911 564 043 01	guide	/L	1		26	900 145 009 02	tapping screw B 3,9 X 9,5		2	
7	911 564 044 01	guide	/R	1		(26)	900 145 028 02	tapping screw B 3,9 X 13		2	
8	901 564 451 05	reinforcement		2		27	911 624 016 03	motor		1	
9	900 075 106 02	hexagon-head bolt M 4 X 6		4		28	911 564 601 01	transmission		1	
10	N 012 116 1	serrated lock washer A 4,3		4		28A	928 564 125 02	drive pinion		1	
11	911 564 825 00	water drain hose	/H	2		29	911 624 103 00	clutch		1	
12	911 564 821 01	water drain hose	/V	2		30	911 624 007 01	engine support		1	
13 A	911 503 581 01	water drain tube	/L	1		31	N 011 005 14	hexagon nut M 5		2	
13	911 503 581 02	water drain tube	/L	1		32	N 012 005 3	lock ring B 5		2	
(13) A	911 503 582 01	water drain tube	/R	1		32A	900 025 003 02	washer A 5,3		2	
(13)	911 503 582 02	water drain tube	/R	1		33	964 564 035 00	support		1	
(14)	911 564 465 00	beading		1		34	N 010 225 4	hexagon-head bolt M 5 X 8		1	
15	911 564 409 00	sealing strip		1				M 5 X 8			
16	911 564 409 01	sealing strip lateral		2		35	900 025 003 02	washer A 5,3		2	
17	911 564 191 00	velvet strip		1		36	N 012 005 3	lock ring B 5		2	
18	911 613 622 00	tip switch for electric adjustment		1		37	901 564 661 05	screw		2	
19	911 564 041 01	guide rail	/L	1		38	900 269 012 02	countersunk-head screw M 4 X 25		2	
19	911 564 042 01	guide rail	/R	1		39	901 564 663 05	cap		1	
20	911 564 047 00	intermediate piece		2							
21	911 564 005 01	air deflector		1							

Model	Year	MG	SG	Illustration	Restrictions	UPD	8:12	23.01.2010	PORSCHE	PET	PORSCHE
911	1986	8	11	811-00		248					

Pos	Part Number	Description	Remark	Qty	Model	Pos	Part Number	Description	Remark	Qty	Model
40	901 564 085 05	crank		1							
41	911 564 643 00	washer		3							
42	901 564 299 05	duct clamp		7							
43	901 564 431 05	guide shoe		2							
44	911 564 045 00	guide		2							
45	911 564 451 00	tab washer		2							
46	911 564 459 00	wedge screw AM 5 X 12		4							
47	900 025 003 02	washer A 5,3		4							
48	911 564 401 00	cap/protective strip		2							
49	911 564 433 00	support		4							
50	911 564 193 00	velvet strip		1							
51	901 564 905 05	sealing rubber rear		1							
52	911 564 025 01	cover	/L	-85	1						
(52)	911 564 025 01	cover	/L	86-	1						
53	911 564 026 00	cover	/R		1						
54	999 703 013 50	stopper		2							
55	999 591 774 40	stopper		2							
60	911 564 521 00	protection cap		86-	2						

Model	Year	MG	SG	Illustration	Restrictions	UPD	8:12	23.01.2010	PORSCHE	PET	PORSCHE
911	1986	8	11	811-05		248					



Pos	Part Number	Description	Remark	Qty	Model
		soft top			TARGA
1	911 565 002 40	soft top		-85 1	
(1)	911 565 002 46	soft top		86- 1	
-	901 565 035 41	outer lining soft top		1	
2	901 565 036 43	roofliner		1	
3	911 565 031 41	catch		-85 2	
(3)	911 565 031 63	catch	/L	86- 1	
(3)	911 565 032 63	catch	/R	86- 1	
4	999 509 006 02	pan-head screw M 6 X 15		-85 4	
4	N 014 740 2	pan-head screw M 6 X 16		86- 6	
5	N 012 226 5	spring washer B 6		4	
6	N 011 524 7	washer		-85 4	
6	N 011 524 7	washer A 6,4		86- 6	
7	901 565 299 45	rosette		-85 2	
7A	911 565 707 01	shim		86- X	
8	911 565 075 41	handle		-85 2	
(8)	911 565 075 61	handle		86- 2	
		70B			
9	911 565 074 40	locating peg		2	
10	N 012 241 1	spring washer		2	
11	901 565 203 40	threaded plate		2	
12	964 565 265 00	latch		8	
12A	911 565 263 00	clamp		4	
13	999 219 006 02	countersunk-head screw M 4 X 8		16	
15	901 565 303 45	rain channel	/L	1	
(15)	901 565 304 45	rain channel	/R	1	

Model	Year	MG	SG	Illustration	Restrictions	UPD	8:12	23.01.2010	PORSCHE	PET	PORSCHE
911	1986	8	11	811-05		248					

Pos	Part Number	Description	Remark	Qty	Model	Pos	Part Number	Description	Remark	Qty	Model
16	N 013 957 5	tapping screw B 3,5 X 9,5		18		29	900 116 007 01	lock washer		1	
17	901 565 201 45	roof frame lateral	/L -85	1		(30)	901 565 097 46	lining	/V/L -85	1	
(17)	911 565 029 45	roof frame lateral	/L 86-	1		30	901 565 098 46	lining	/V/R -85	1	
18	901 565 202 45	roof frame lateral	/R -85	1		(30A)	911 565 283 00	cover	/V/L 86-	1	
(18)	911 565 030 45	roof frame lateral	/R 86-	1		30A	911 565 284 00	cover	/V/R 86-	1	
19	911 565 207 40	roof frame front	/L -85	1		(31)	901 565 273 45	cover	/H/L	1	
(19)	911 565 207 46	roof frame front	/L 86-	1		31	901 565 274 45	cover	/H/R	1	
20	901 565 093 46	padded cover	/L	1		32	N 013 953 2	tapping screw B 2,9 X 9,5		12	
20A	999 703 114 40	stopper		10		33	999 591 519 40	expansion rivet		3	
21	911 565 208 40	roof frame front	/R -85	1		34	911 565 037 42	silentbloc bearing	/L	1	
(21)	911 565 208 46	roof frame front	/R 86-	1		(34)	911 565 038 42	silentbloc bearing	/R	1	
22	901 565 094 46	padded cover	/R	1		35	911 565 217 40	covering		2	
23	901 565 211 45	roof frame rear	/L -85	1		36	N 014 765 2	pan-head screw M 6 X 10		6	
(23)	911 565 211 45	roof frame rear	/L 86-	1		37	N 012 226 5	spring washer B 6		6	
24	911 565 212 40	roof frame rear	/R -85	1		38	911 565 220 41	silentbloc bearing		2	
(24)	911 565 212 45	roof frame rear	/R 86-	1		39	901 565 361 40	seal		2	
25	901 565 328 45	bolt	-85	4		45	911 565 259 40	roof frame seal roof frame	/L	1	
25	901 565 328 45	bolt	86-	2		(45)	911 565 260 40	roof frame seal roof frame	/R	1	
25A	911 565 328 45	bolt	86-	2		49	911 565 187 40	mounting locking bolt		1	
26	901 565 209 40	bolt		1		50	N 013 957 5	tapping screw B 3,5 X 9,5		4	
27	964 565 145 00	locking bolt		1		51	900 025 002 02	washer 4,3		4	
28	900 041 004 01	circlip		5		52	911 565 133 40	supporting plate		1	
						53	911 565 135 40	cover plate		1	
						54	911 565 189 41	cover plate		1	

Model	Year	MG	SG	Illustration	Restrictions	UPD	8:12	23.01.2010	PORSCHE	PET	PORSCHE
911	1986	8	11	811-05		248					

Pos	Part Number	Description	Remark	Qty	Model	Pos	Part Number	Description	Remark	Qty	Model
55	900 145 003 07	tapping screw B 3,5 X 9,5		1							

Model	Year	MG	SG	Illustration	Restrictions	UPD	8:13	23.01.2010
911	1986	8	11	811-06		248		

Pos	Part Number	Description	Remark	Qty	Model
		windscreen frame accessories	O		TARGA/CABRI
1	901 555 901 40	lining	-85	1	
2	911 555 059 41	lining	86-	1	TARGA
	702	black			
(2)	911 555 059 61	lining	86-	1	CABRIO
	702	black			
3	911 561 499 00	piping	86-	1	
	70B	black			
(3)	911 799 565 25	piping	86-	1	TARGA
4	911 555 563 40	felt strip	86-	2	
5	911 555 419 00	filler piece	/L 86-	1	
(5)	911 555 420 00	filler piece	/R 86-	1	
6	911 555 553 00	cover	/L 86-	1	
	702	black			
(6)	911 555 554 00	cover	/R 86-	1	
	702	black			
7	911 799 565 80	gasket for cars with POS.20+21		1	
8	911 565 090 47	gasket for cars without POS.20+21		1	
9	911 555 559 60	border strip black	/L -85	1	
10	911 555 560 60	border strip black	/R -85	1	
11	900 145 071 07	tapping screw	-85	5	
(12)	911 555 491 40	guide rose	/L -85	1	
12	911 555 519 42	guide rose	/L 86-	1	TARGA
	70B	black			
(12)	911 555 519 60	guide rose	/L 86-	1	CABRIO
	70B	black			
(13)	911 555 492 40	guide rose	/R -85	1	



Model	Year	MG	SG	Illustration	Restrictions	UPD	8:13	23.01.2010
911	1986	8	11	811-06		248		

Pos	Part Number	Description	Remark	Qty	Model
13	911 555 520 42	guide rose	/R 86-	1	TARGA
	70B	black			
(13)	911 555 520 60	guide rose	/R 86-	1	CABRIO
	70B	black			
14	A 900 143 084 07	oval-head sheetmetal screw	-85	4	
14	900 143 084 07	oval-head sheetmetal screw B 3,5 X 16	-85	4	
14	A 900 143 136 07	oval-head sheetmetal screw	86-	4	
14	N 013 957 5	tapping screw B 3,5 X 9,5		4	
15	911 561 729 03	gate guide	/L 86-	1	
(15)	911 561 739 03	gate guide	/L 86-	1	CABRIO M439
16	911 561 730 03	gate guide	/R 86-	1	
(16)	911 561 740 03	gate guide	/R 86-	1	CABRIO M439
17	900 025 047 07	washer A 6,4	86-	4	
18	999 119 013 07	pan-head screw M 6 X 12	86-	4	
19	911 551 157 51	lining strap leather	/L 86-	1	
	1AJ	black			
	30B	blue			
	4RB	brown			
	7LD	burgundy			
	5JX	greyish green			
	6JD	dark green			
	6GX	ocean blue			
	5NW	wild buffalo			
	8YD	pearl white			
	1VD	champagne			
	80S	can-can-red			
	6FL	grey-beige			

PORSCHE

PET

PORSCHE

Model	Year	MG	SG	Illustration	Restrictions	UPD	8:13	23.01.2010
911	1986	8	11	811-06		248		

Pos	Part Number	Description	Remark	Qty	Model
(19)	911 551 158 51	lining strap leather	/R 86-	1	
	1AJ	black			
	30B	blue			
	4RB	brown			
	7LD	burgundy			
	5JX	greyish green			
	6JD	dark green			
	6GX	ocean blue			
	5NW	wild buffalo			
	8YD	pearl white			
	1VD	champagne			
	80S	can-can-red			
	6FL	grey-beige			
20	911 531 711 40	joint rubber	/L	1	
(20)	911 531 712 40	joint rubber	/R	1	
21	999 703 366 40	fastening plug		2	

PORSCHE

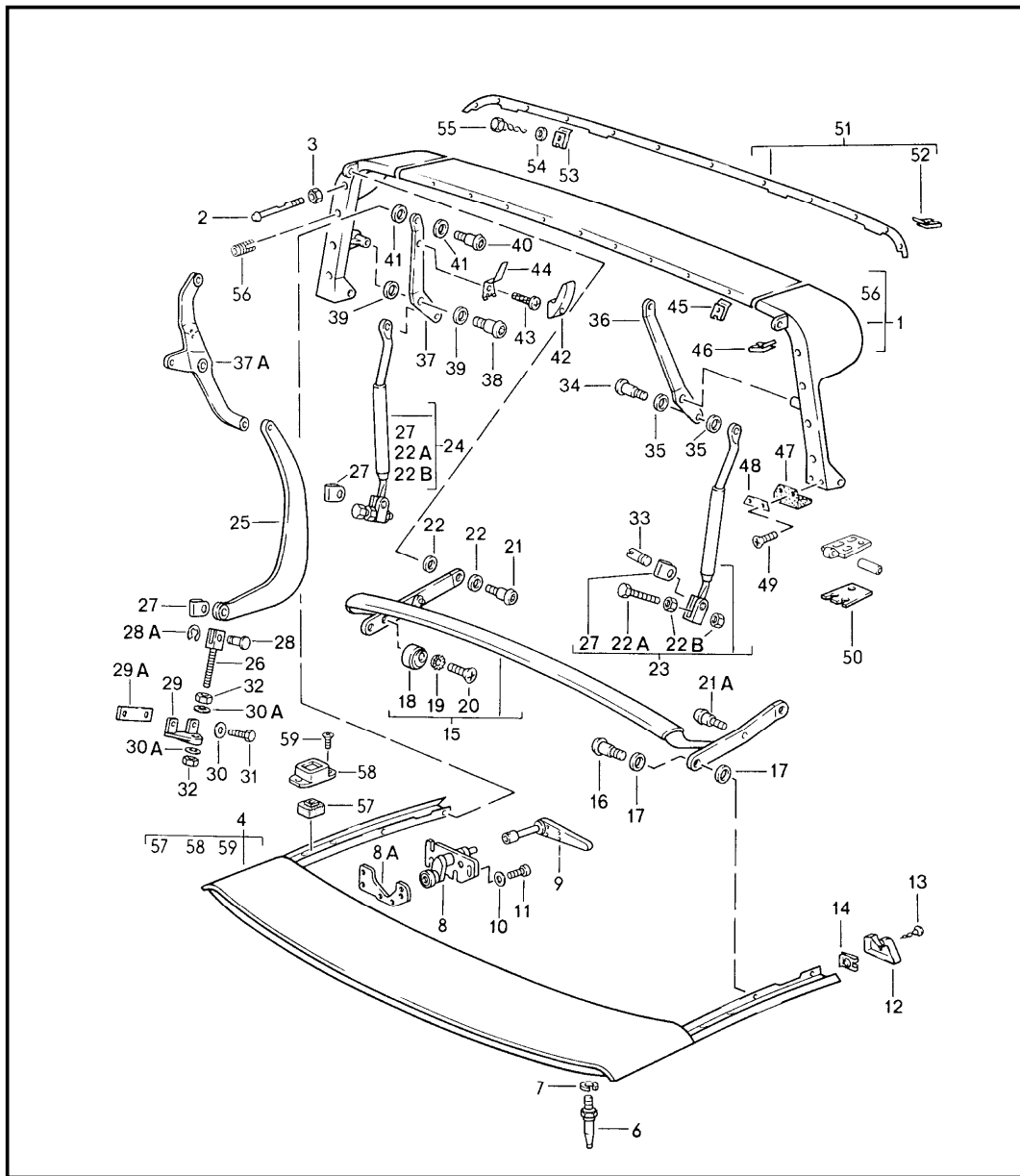
# PET

PORSCHE

Model	Year	MG	SG	Illustration	Restrictions	UPD	8:13	23.01.2010
911	1986	8	11	811-10		248		

Pos	Part Number	Description	Remark	Qty	Model
		convertible top convertible top frame manually			
1	911 561 005 00	convertible top	-85	1	
	3AV	black			
	6HA	dark blue	84-		
	9RA	dark brown			
	4JK	greyish green	85		
	7MK	burgundy	85		
(1)	911 561 005 05	convertible top	86-	1	
	3AV	black			
	6HA	dark blue			
	9RA	dark brown			
	4JK	greyish green			
	7MK	burgundy			
2	911 561 011 00	convertible top frame	-85	1	
(2)	911 561 011 05	convertible top frame	86-	1	
	70B	black			

Model	Year	MG	SG	Illustration	Restrictions	UPD	8:13	23.01.2010	PORSCHE	PET	PORSCHE
911	1986	8	11	811-12		248					



Pos	Part Number	Description	Remark	Qty	Model
		main folding top bow roof frame single parts			
1	911 561 015 00	main folding top bow		-85	1
(1)	911 561 015 65	main folding top bow		86-	1
		70B black			
2	911 561 449 01	retaining pivot		-85	2
(2)	911 561 449 65	retaining pivot		86-	2
3	900 076 062 07	hexagon nut M 8			2
4	911 561 027 00	roof frame		-85	1
(4)	911 561 027 01	roof frame		86-	1
		700 black			
6	911 565 074 40	locating peg		-85	2
(6)	911 565 214 60	locating peg		86-	2
7	N 012 228 3	spring washer B 8			2
(8)	911 565 031 41	catch		-85	2
(8)	911 565 031 63	catch	/L	86-	1
8	911 565 032 63	catch	/R	86-	1
8A	911 561 547 01	threaded plate		86-	1
9	911 565 075 41	handle		-85	2
(9)	911 565 075 61	handle		86-	2
		70B black			
10	N 011 524 7	washer A 6,4		-85	4
10	N 011 524 7	washer A 6,4		86-	6
11	999 218 015 02	pan-head screw M 6 X 12		-85	4
11	N 014 740 2	pan-head screw M 6 X 16		86-	6
12	911 561 139 00	end piece	/L	-85	1

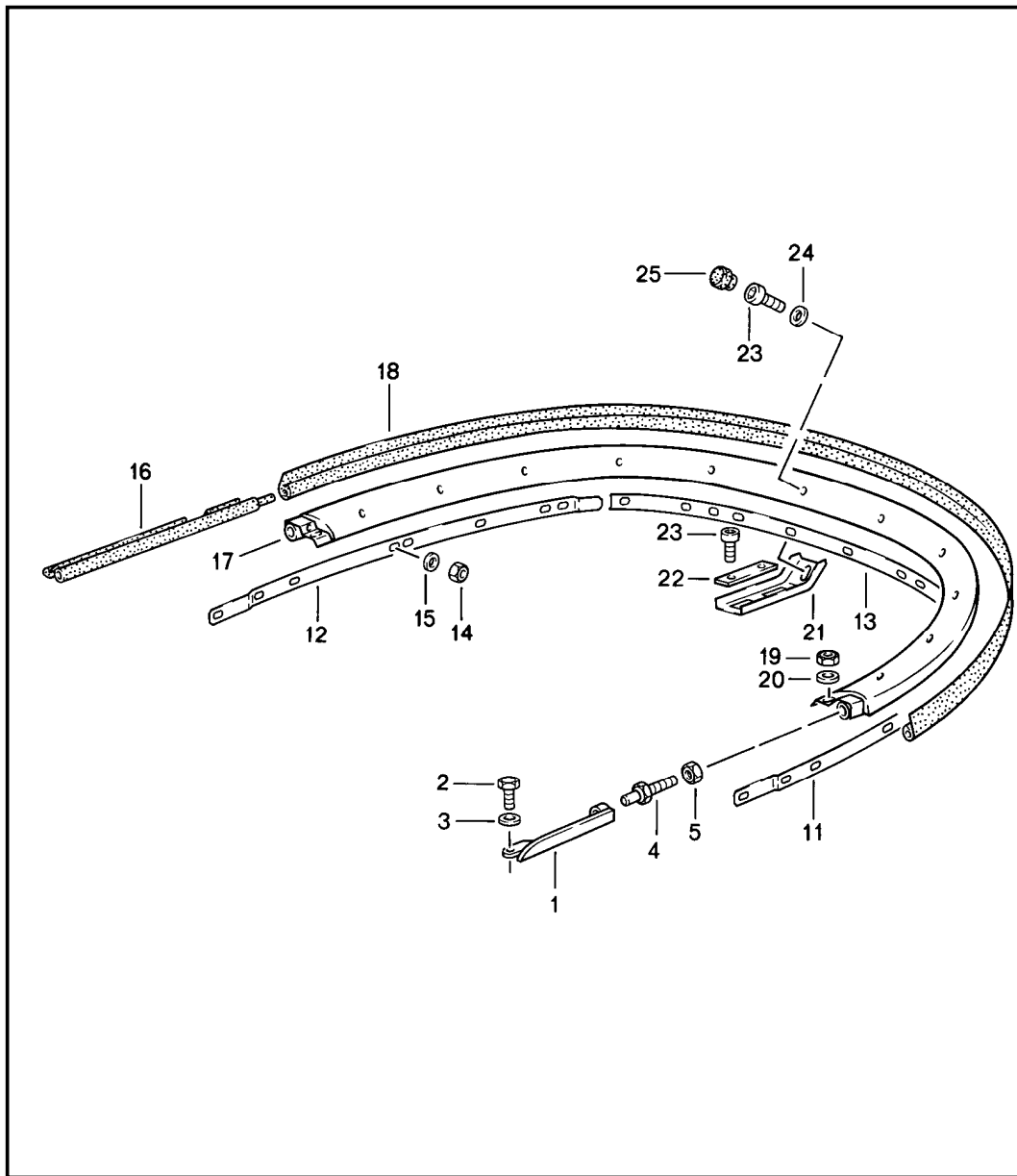
Model	Year	MG	SG	Illustration	Restrictions	UPD	8:13	23.01.2010	PORSCHE	PET	PORSCHE
911	1986	8	11	811-12		248					

Pos	Part Number	Description	Remark	Qty	Model	Pos	Part Number	Description	Remark	Qty	Model
12	911 561 139 65	end piece	/L	86-	1	24	911 561 042 00	steering arm	/R	-85	1
(12)	911 561 140 00	end piece	/R	-85	1	(25)	911 561 157 00	steering arm	/L	86-	1
(12)	911 561 140 65	end piece	/R	86-	1		70B	black			
13	N 014 086 12	tapping screw 3,5 X 13		-85	2	(25)	911 561 158 00	steering arm	/R	86-	1
13	900 145 041 07	tapping screw 3,5 X 16		86-	2		70B	black			
14	999 591 349 02	speed nut B 3,5		-85	2	26	911 561 595 65	joint fork		86-	2
(14)	999 591 762 40	special nut B 3,5		86-	2	27	911 561 429 00	slide		-85	2
15	911 561 019 00	intermed. folding top bow		-85	1	28	911 561 761 65	bolt		86-	2
(15)	911 561 019 65	intermed. folding top bow		86-	1	28A	999 166 034 02	sl-lock 8		86-	2
	70B	black				29	911 561 431 65	bearing bracket		86-	2
		-INTERNTEIL-				29A	911 561 585 65	threaded plate		86-	2
16	911 561 461 00	screw M 8 X 20		2		30	900 025 007 02	washer A 8,4		86-	4
17	911 561 428 00	washer 10,5		4		30A	900 025 008 09	washer A 10,5		86-	4
18	911 561 402 00	eccentric washer		2		31	900 075 087 02	hexagon-head bolt M 8 X 16		86-	4
19	N 012 140 1	shake-proof washer		2		32	N 011 010 13	hexagon nut M 10		86-	4
20	N 033 185 1	countersunk-head screw M 4 X 16		2		33	911 561 425 00	screw			2
21	911 561 421 00	screw M 8 X 24		2		34	911 561 418 00	screw M 8 X 20			2
21A	911 561 426 00	screw M5 x 12		2		35	911 561 428 00	washer 10,5			4
22	911 561 428 00	washer 10,5		4		36	911 561 171 00	steering arm	/L	-85	1
22A	N 040 241 1	hexagon-head bolt M 10 X 60		2		(36)	911 561 119 00	steering arm	/L	86	1
		M 10 X 60					70B	black			
22B	N 011 010 13	hexagon nut M 10		4		37	911 561 172 00	steering arm	/R	-85	1
						(37)	911 561 120 00	steering arm	/R	86	1
23	911 561 041 00	steering arm	/L	-85	1		70B	black			
						(37A)	911 561 119 65	steering arm	/L	86-	1
											M439

Model	Year	MG	SG	Illustration	Restrictions	UPD	8:13	23.01.2010	PORSCHE	PET	PORSCHE
911	1986	8	11	811-12		248					

Pos	Part Number	Description	Remark	Qty	Model	Pos	Part Number	Description	Remark	Qty	Model
	70B	black				54	900 151 028 02	washer B 4,3		11	
(37A)	911 561 120 65	steering arm	/R 86-	1	M439	55	900 187 037 07	hexagon-head tapping screw 4,2 X 16		11	
	70B	black				56	999 504 069 02	threaded insert M 6		4	
38	911 561 420 00	screw M 10 X 28		2		57	911 561 453 00	buffer		2	
39	911 561 430 00	washer 13,5		4		58	911 561 451 00	housing		2	
40	911 561 461 00	screw M 8 X 20		2			70B	black			
41	911 561 428 00	washer 10,5		4		59	900 269 043 02	countersunk-head screw M 4 X 12		4	
42	901 552 871 40	cover		2							
43	900 250 006 02	tapping screw AM 5 X 10		2							
44	901 552 872 20	coat hook		2							
45	999 507 020 02	speed nut 4,2		7							
45	999 507 020 01	speed nut 4,2		7							
46	999 507 018 02	speed nut 4,2		2							
47	911 561 471 00	gasket		2							
48	911 561 475 00	plate		2							
49	900 269 056 07	countersunk-head screw M 4 X 10		4							
50	911 561 423 00	plate 2 MM		X							
50	911 561 423 01	plate 1 MM		X							
51	911 561 035 00	rail		1							
52	999 591 582 02	speed nut 4,2		4							
53	999 507 018 02	speed nut 4,2		11							
54	A 900 151 001 02	washer		11							

Model	Year	MG	SG	Illustration	Restrictions	UPD	8:13	23.01.2010	PORSCHE	PET	PORSCHE
911	1986	8	11	811-13		248					



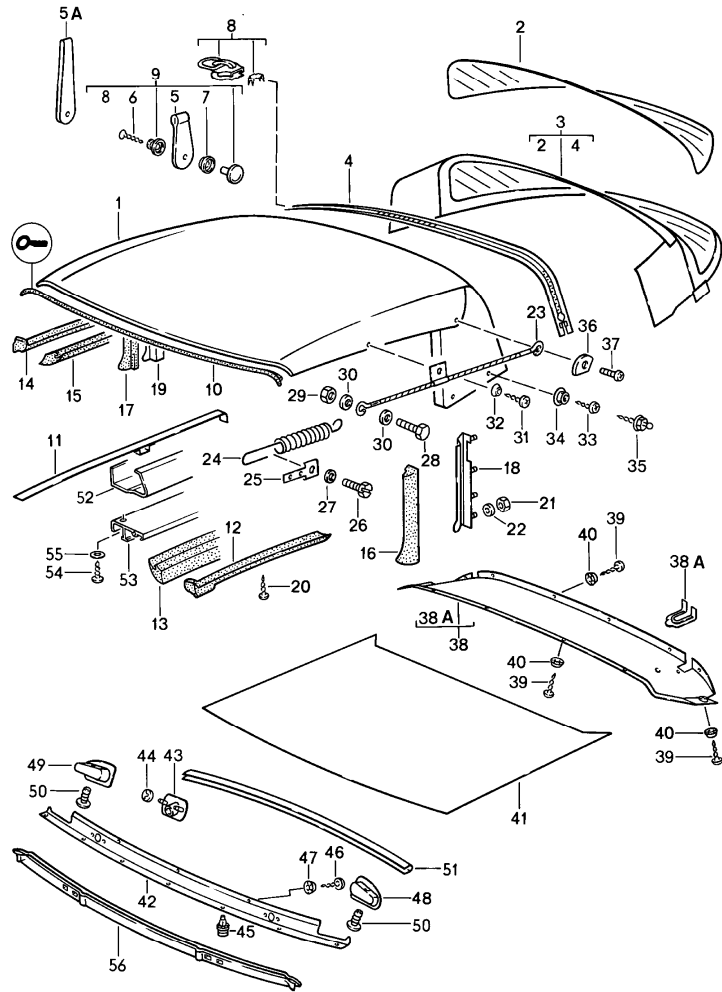
Pos	Part Number	Description	Remark	Qty	Model
		convertible top clamp single parts			
1	911 561 341 01	tensioner blade	/L	1	
(1)	911 561 342 01	tensioner blade	/R	1	
2	A N 010 210 7	hexagon-head bolt		3	
2	N 010 210 13	hexagon-head bolt M 6 X 10		3	
3	900 025 047 07	washer A 6,4		2	
4	911 561 331 00	locating peg		2	
5	900 076 062 07	hexagon nut M 8		2	
11	911 561 283 00	rail	/L	1	
12	911 561 284 00	rail	/R	1	
13	911 561 281 00	rail centre		1	
14	N 011 005 14	hexagon nut M 5		19	
15	900 025 003 02	washer A 5,3		19	
(16)	911 561 463 00	gasket	/L	1	
16	911 561 464 00	gasket	/R	1	
17	911 561 083 01	clamp		1	
18	911 561 371 00	sealing rubber		1	
19	900 076 010 02	hexagon nut M 6		2	
20	N 011 524 7	washer A 6,4		2	
21	911 561 379 00	support		3	
22	911 561 387 00	desk pad		1	
23	N 014 761 2	pan-head screw M 6 X 12		9	
		M 6 X 12			

Model	Year	MG	SG	Illustration	Restrictions	UPD	8:13	23.01.2010	PORSCHE	PET	PORSCHE
911	1986	8	11	811-13		248					

Pos	Part Number	Description	Remark	Qty	Model	Pos	Part Number	Description	Remark	Qty	Model
24	N 011 524 7	washer A 6,4		3							
25	999 703 169 40	cap		3							



Model	Year	MG	SG	Illustration	Restrictions	UPD	8:13	23.01.2010	PORSCHE	PET	PORSCHE
911	1986	8	11	811-15		248					



Pos	Part Number	Description	Remark	Qty	Model
1	911 561 051 00	convertible top seal single parts			
	3AV	black			
	6HA	dark blue	84-		
	9RA	dark brown			
	4JK	greyish green	85-		
	7MK	burgundy	85-		
(1)	911 561 051 01	convertible top covering roof upper	86-	1	
	3AV	black			
	6HA	dark blue	84-		
	9RA	dark brown			
	4JK	greyish green	85-		
	7MK	burgundy	85-		
2	911 561 359 00	rear window	-85	1	
2	911 561 359 65	rear window	86-	1	
3	911 561 053 00	rear window with cover	-85	1	
			/H		
	3AV	black			
	6HA	dark blue	84-		
	9RA	dark brown			
	4JK	greyish green	85-		
	7MK	burgundy	85-		
(3)	911 561 053 65	rear window with cover	86-	1	
			/H		
	3AV	black			
	6HA	dark blue	84-		

Model	Year	MG	SG	Illustration	Restrictions	UPD	8:13	23.01.2010	PORSCHE	PET	PORSCHE
911	1986	8	11	811-15		248					

Pos	Part Number	Description	Remark	Qty	Model	Pos	Part Number	Description	Remark	Qty	Model
	9RA	dark brown				15	911 561 188 00	roof frame seal inner	/R	86-	1
	4JK	greyish green	85-			16	911 561 221 01	gasket	/L	-85	1
	7MK	burgundy	85-			(16)	911 561 681 00	gasket	/L	86-	1
4	911 561 405 01	zip	-85	1		17	911 561 222 01	gasket	/R	-85	1
	3AV	black				(17)	911 561 682 00	gasket	/R	86-	1
(4)	911 561 405 02	zip	86-	1		17A	911 561 913 00	pipng	/L	-85	1
	3AV	black				(17A)	911 561 914 00	pipng	/R	-85	1
5	911 561 523 01	traction noose	-85	1		18	911 561 025 00	rail	/L	-85	1
	1AJ	black				(18)	911 561 025 04	rail	/L	86-	1
5A	911 561 523 02	traction noose	86-	1		19	911 561 026 00	rail	/R	-85	1
	1AJ	black				(19)	911 561 026 04	rail	/R	86-	1
6	900 144 028 07	tapping screw B 3,5 X 13		1		20	N 013 958 7	tapping screw B 3,5 X 13			8
7	911 561 485 00	snap fastener lower part		1		21	N 011 005 14	hexagon nut M 5			8
8	000 043 022 00	zip		X		22	N 011 665 11	washer B 5,3			8
	3AV	black repair kit				23	911 561 239 00	tension rope	/L		1
9	000 043 026 00	zip	-85	X		(23)	911 561 240 00	tension rope	/R		1
	3AV	black repair kit				24	911 561 403 01	tension spring			2
(10)	911 561 244 01	roof frame seal		1		25	911 561 407 00	support			2
11	911 561 153 65	restraining strap	-85	2		26	N 010 211 4	hexagon-head bolt M 6 X 12			2
(11)	911 561 153 65	restraining strap	86-	2		27	N 011 524 7	washer 6,4			4
12	911 561 205 00	seal	/L	-85	1	28	900 075 100 02	hexagon-head bolt M 4 X 12			2
(12)	911 561 189 65	roof frame seal outer	/L	86-	1	29	900 910 006 02	lock nut M 4			4
13	911 561 187 00	roof frame seal inner	/L	86-	1		M 4				4
14	911 561 206 00	seal	/R	-85	1	30	900 025 002 02	washer 4,3			4
(14)	911 561 190 65	roof frame seal outer	/R	86-	1						

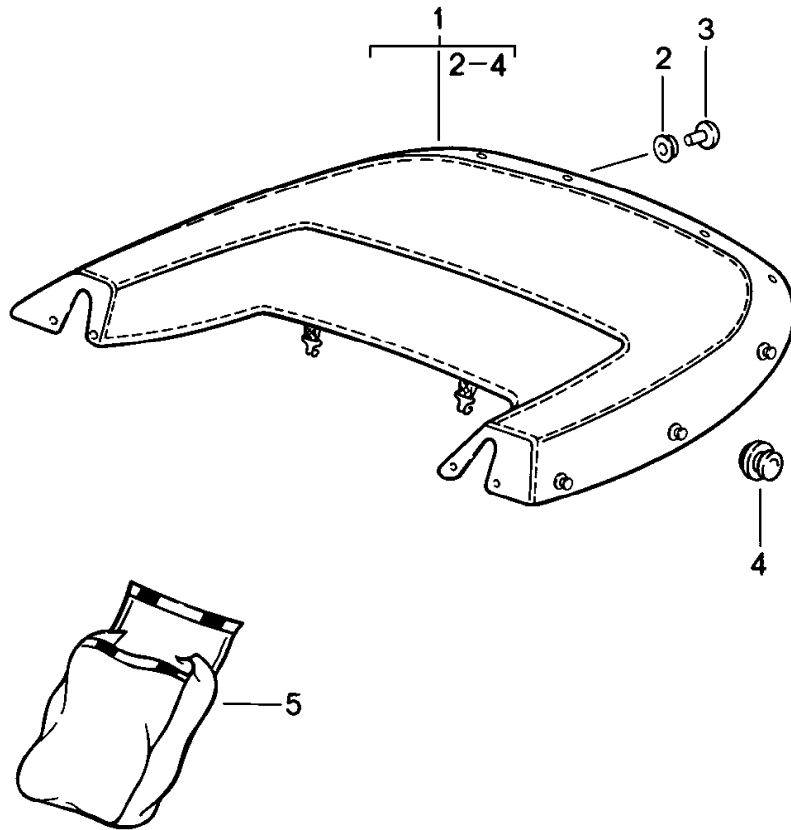
Model	Year	MG	SG	Illustration	Restrictions	UPD	8:13	23.01.2010	PORSCHE	PET	PORSCHE
911	1986	8	11	811-15		248					

Pos	Part Number	Description	Remark	Qty	Model	Pos	Part Number	Description	Remark	Qty	Model
31	900 144 031 07	counters. head tapp. screw B 3,5 X 16		2		39	900 145 096 07	tapping screw 4,2 X 16		13	
32	A 999 591 102 17	washer		2		40	999 591 116 07	cone washer 4,5 90 DEG		13	
32	999 591 102 17	washer \$=3,5		2		40	999 591 116 07	cone washer		15	
33	900 144 028 07	tapping screw B 3,5 X 13		2		41	911 561 050 00	roofliner		1	
34	999 591 835 17	snap fastener lower part		2		42	911 565 093 60	padded cover	-85	1	
35	999 591 598 02	tenax lower part B 4,2 X 16		2		(42)	911 565 093 61	padded cover	86-	1	
(35)	999 591 597 02	tenax lower part B 4,2 X 10		6			700	black			
36	911 561 455 00	corner piece	-85	2		(42)	911 565 093 65	padded cover	86-	1	M439
(36)	911 561 455 01	corner piece	/L	86-	1		700	black			
	70B	black				43	911 565 279 60	rosette	-85	2	
(36)	911 561 456 01	corner piece	/R	86-	1	(43)	911 565 279 61	rosette	/L	86-	1
	70B	black					70B	black			
37	A N 033 203 2	countersunk-head screw		2		(43)	911 565 280 61	rosette	/R	86-	1
37	N 033 203 2	countersunk-head screw M 4 X 18		2			70B	black			
38	911 561 059 00	lining	-85	1		(43)	911 561 781 65	rosette for emergency control	86-	2	M439
(38)	911 561 059 61	lining	86-	1		44	999 591 676 02	clamping washer \$=7		4	
	700	black main folding top bow				45	823 867 299	clip		8	
(38)	911 561 059 65	lining	86-	1	M439	46	N 014 093 3	tapping screw 4,2 X 13		3	
	700	black main folding top bow				47	999 591 116 07	cone washer 4,5 90 DEG		3	
38A	911 561 597 00	rosette	/L	86-	1	48	911 565 271 60	handle	/L	-85	1
	70B	black				(48)	911 565 271 65	handle	/L	86-	1
(38A)	911 561 598 00	rosette	/R	86-	1		70B	black			
	70B	black				49	911 565 272 60	handle	/R	-85	1
(38A)	911 561 598 66	rosette	/R	86-	1	(49)	911 565 272 65	handle	/R	86-	1
	70B	black					70B	black			
						50	999 591 587 40	expansion rivet		2	

Model	Year	MG	SG	Illustration	Restrictions	UPD	8:13	23.01.2010	PORSCHE	PET	PORSCHE
911	1986	8	11	811-15		248					

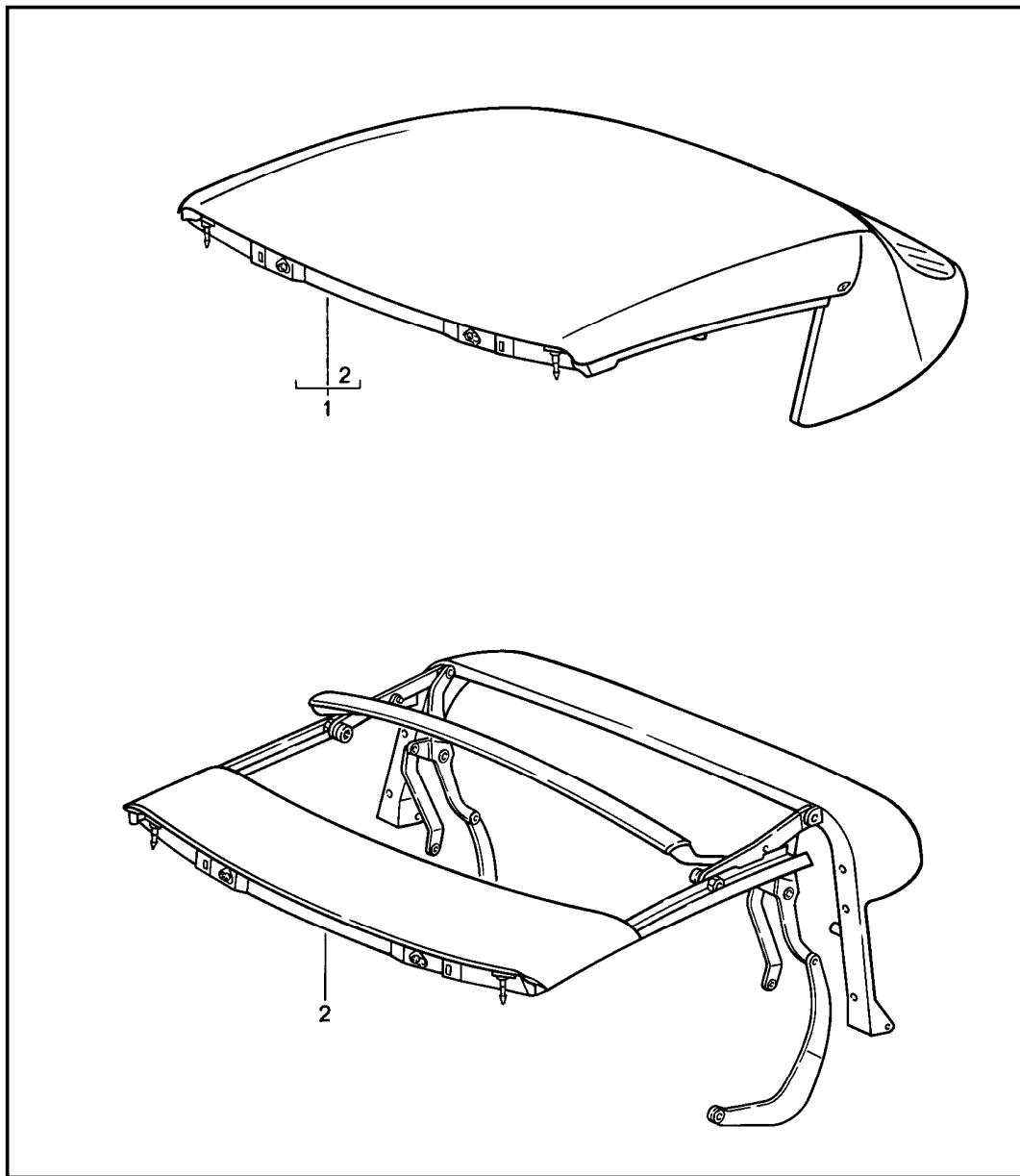
Pos	Part Number	Description	Remark	Qty	Model	Pos	Part Number	Description	Remark	Qty	Model
51	911 555 593 61	edge protection		1							
-	911 565 299 60	moltoprene shim edge protection		2							
-	911 565 297 60	cover edge protection		1							
52	911 561 301 00	rain channel	/L	86-	1						
	70K	black									
(52)	911 561 302 00	rain channel	/R	86-	1						
	70K	black									
52A	999 190 162 37	blind rivet 3,2 X 8,38		12							
53	911 561 793 00	rail	/L	86-	1						
(53)	911 561 794 00	rail	/R	86-	1						
54	N 013 957 5	tapping screw B 3,5 X 9,5		86-	8						
55	900 151 028 02	washer B 4,3		8							
56	911 565 269 60	lining roof frame		-85	1						
(56)	911 561 295 01	cover		86-	1						
	700	black									
(56)	911 561 295 00	cover		86-	1	M439					
	700	black									

Model	Year	MG	SG	Illustration	Restrictions	UPD	8:14	23.01.2010	PORSCHE	PET	PORSCHE
911	1986	8	11	811-16		248					



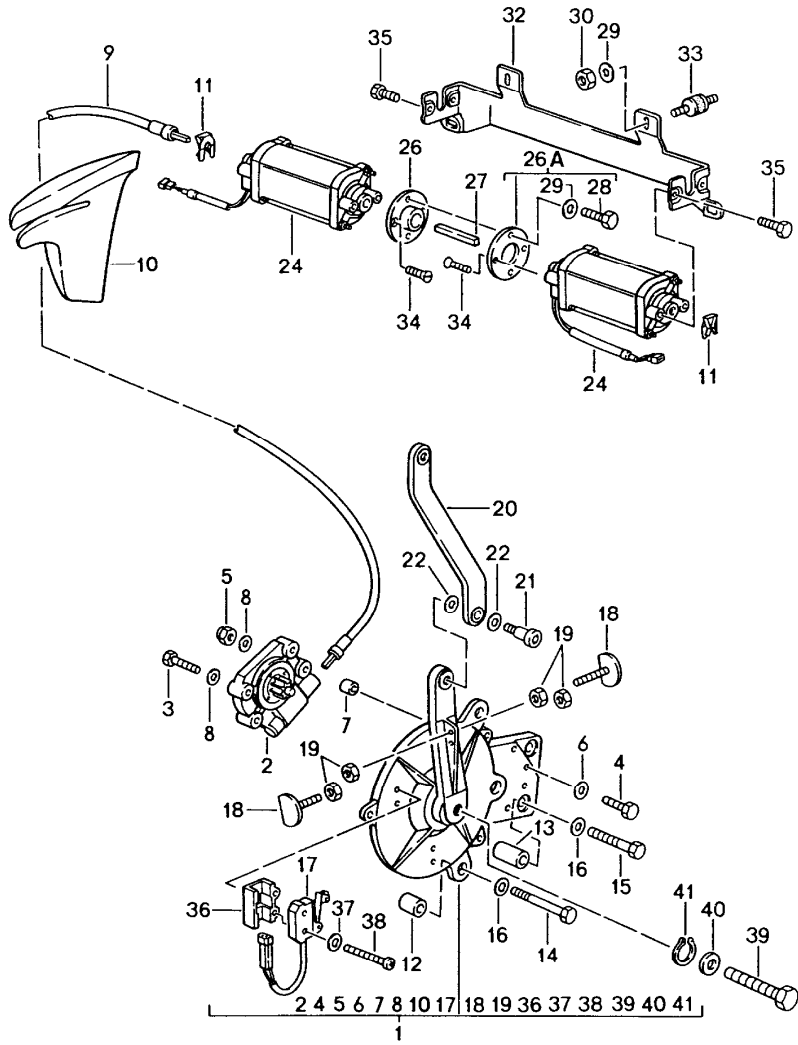
Pos	Part Number	Description	Remark	Qty	Model
1	911 561 023 00	convertible top cover		1	
	3AV	black	-85		
	6HA	dark blue			
	9RA	dark brown			
	4JK	greyish green	85-		
	7MK	burgundy	85-		
	(1)	911 561 023 60	convertible top cover	86-	1
	3AV	black			
	6HA	dark blue			
	9RA	dark brown			
	4JK	greyish green	85-		
	7MK	burgundy	85-		
2	999 591 836 17	push button		6	
3	999 591 838 17	cap		6	
4	999 591 983 12	tenax upper part		8	
5	911 561 087 00	bag		1	

Model	Year	MG	SG	Illustration	Restrictions	UPD	8:14	23.01.2010	PORSCHE	PET	PORSCHE
911	1986	8	11	811-20		248					



Pos	Part Number	Description	Remark	Qty	Model
		convertible top convertible top frame electrically adjustable	86-		M439
1	911 561 005 65	folding top complete		1	
	3AV	black			
	6HA	dark blue			
	9RA	dark brown			
	4JK	greyish green			
	7MK	burgundy			
2	911 561 011 65	convertible top frame		1	
	70B	black complete			
		- INTERTEIL -			

Model	Year	MG	SG	Illustration	Restrictions	UPD	8:14	23.01.2010	PORSCHE	PET	PORSCHE
911	1986	8	11	811-21		248					



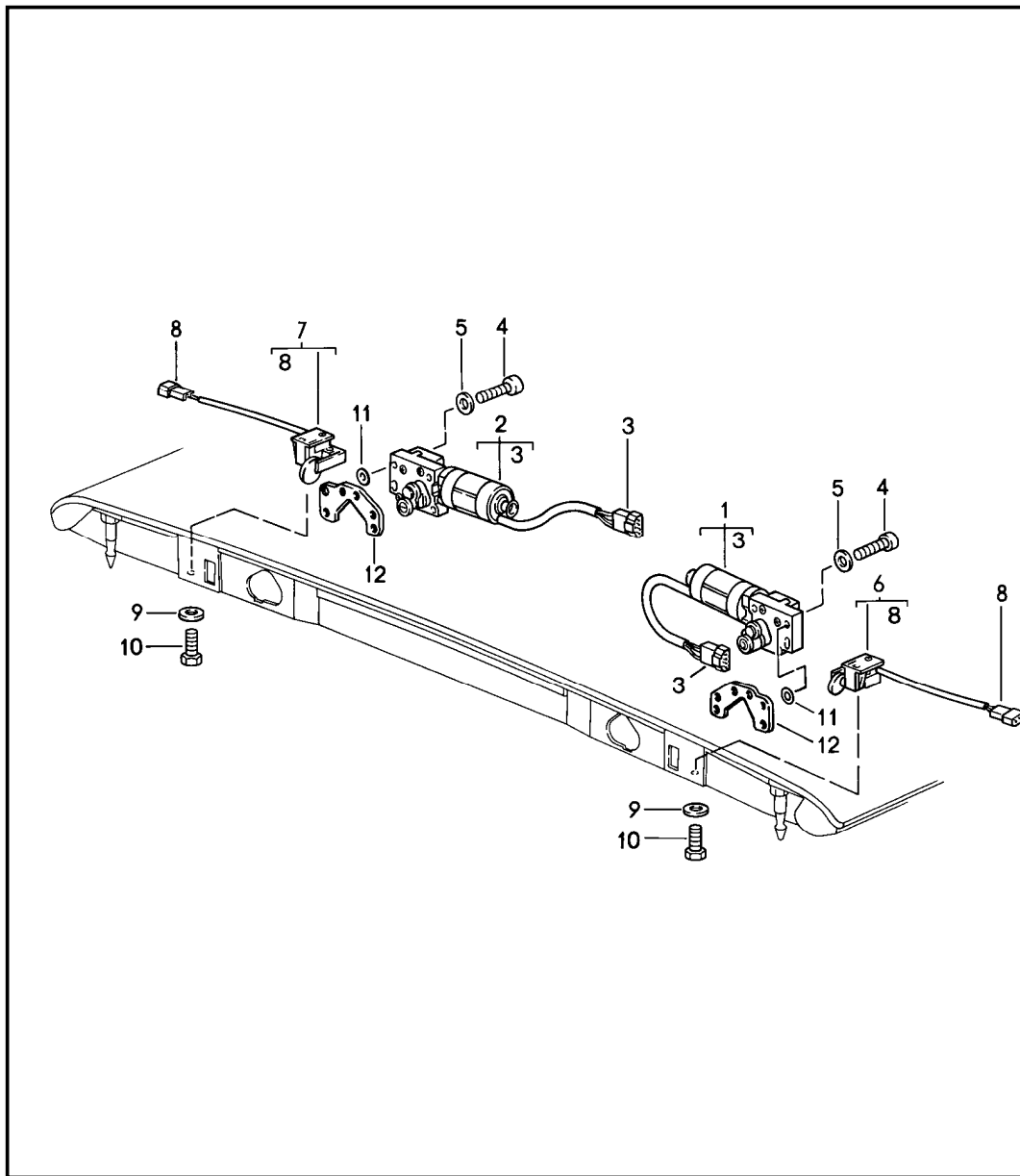
Pos	Part Number	Description	Remark	Qty	Model
		convertible top driving mechanism	86-		M439
(1)	911 561 045 66	transmission	/L	1	
	70B	black			
1	911 561 046 66	transmission	/R	1	
	70B	black			
(2)	911 561 103 65	planetary transmission	/L	1	
(2)	911 561 104 65	planetary transmission	/R	1	
3	N 010 262 2	hexagon-head bolt M 4 X 20		2	
4	N 010 301 1	hexagon-head bolt M 4 X 35		2	
5	900 910 004 02	lock nut M 4		2	
6	N 011 522 14	washer A 4,3		2	
7	911 561 629 65	spacer		2	
8	911 561 518 00	spacer		4	
(9)	993 561 921 03	shaft	/L	1	
9	993 561 922 03	shaft	/R	1	
(10)	911 561 655 65	filler piece	/L	1	
10	911 561 656 65	filler piece for shaft	/R	1	
11	911 561 643 65	spring clamp		2	
12	911 561 746 65	bush		4	
13	911 561 745 65	bush		2	
14	N 010 347 5	hexagon-head bolt M 6 X 35		4	
15	N 040 303 1	hexagon-head bolt M 6 X 50		2	
16	900 151 003 02	washer A 6,4		6	
17	911 613 071 00	microswitch	/R	2	

Model	Year	MG	SG	Illustration	Restrictions	UPD	8:14	23.01.2010	PORSCHE	PET	PORSCHE
911	1986	8	11	811-21		248					

Pos	Part Number	Description	Remark	Qty	Model	Pos	Part Number	Description	Remark	Qty	Model
18	911 561 645 00	adjusting screw		2		39	911 561 756 66	screw for emergency control		2	
19	N 011 002 2	hexagon nut M 3		4		40	N 011 524 7	washer A 6,4		2	
(20)	911 561 169 65	push rod	/L	1		41	N 012 406 2	circlip 6 X 0,7		2	
	70B	black									
(20)	911 561 170 65	push rod	/R	1							
	70B	black									
21	911 561 418 00	screw M 8 X 20		4							
22	911 561 428 00	washer 10,5		8							
24	911 624 117 00	electric motor		2							
25	N 013 994 2	tapping screw B 4,8 X 16		6							
26	911 624 269 01	washer \$ 50		1							
26A	911 624 171 01	washer		1							
27	911 624 273 00	connecting piece		1							
28	N 010 205 6	hexagon-head bolt M 5 X 10		4							
29	900 025 003 02	washer A 5,3		4							
30	N 011 005 14	hexagon nut M 5		4							
32	911 561 185 65	clip		2							
33	999 703 308 00	bonded rubber mounting		4							
34	999 919 045 02	countersunk-head screw M 5 X 16		4							
35	999 919 046 02	hexagon-head bolt M 5 X 16		4							
36	911 613 413 00	support		2							
37	900 025 001 02	washer A 3,2		4							
38	900 146 072 02	oval-head screw M 3 X 25		4							

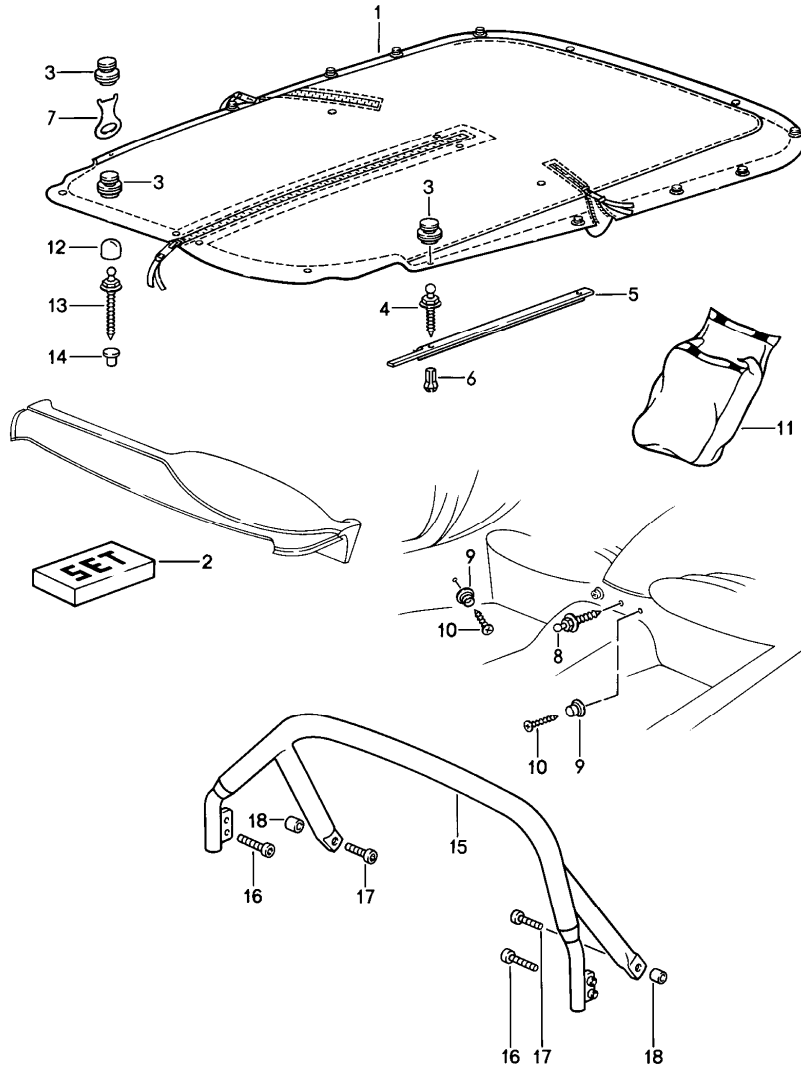


Model	Year	MG	SG	Illustration	Restrictions	UPD	8:14	23.01.2010	PORSCHE	PET	PORSCHE
911	1986	8	11	811-22		248					



Pos	Part Number	Description	Remark	Qty	Model
		convertible top catch electrically adjustable	86-		M439
1	911 624 055 00	engine	/L	1	
2	911 624 056 00	engine	/R	1	
3	171 971 998 C	connector housing		2	
4	N 014 743 2	pan-head screw M 6 X 30		8	
5	N 011 524 7	washer A 6,4		8	
6	911 613 015 00	microswitch	/L	1	
7	911 613 016 00	microswitch	/R	1	
8	171 971 998 A	connector housing		2	
9	900 151 028 02	washer B 4,3		4	
(10)	900 146 011 02	oval-head screw M 4 X 10		4	
11	N 027 401 1	shim 6 X 12 X 1,0		8	
12	911 561 547 01	threaded plate		2	

Model	Year	MG	SG	Illustration	Restrictions	UPD	8:14	23.01.2010	PORSCHE	PET	PORSCHE
911	1986	8	11	811-40		248					

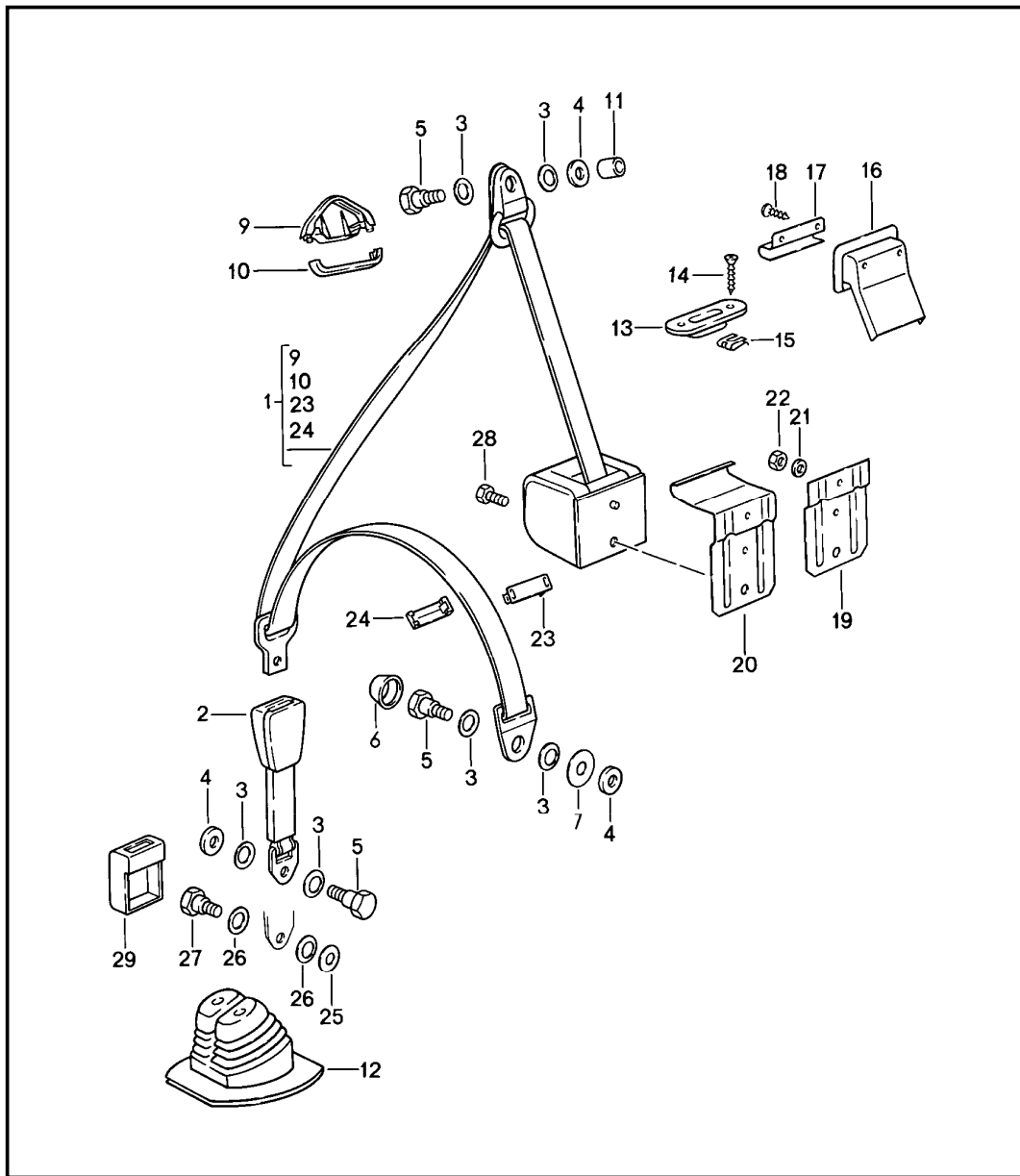


Pos	Part Number	Description	Remark	Qty	Model
1	911 561 923 00	tonneau cover protective bracket	/LL	1	
	3AV	black			
	6HA	dark blue			
	9RA	dark brown			
	4JK	greyish green		85	
	7MK	burgundy			
	1YK	tonneau cover			
(1)	911 561 924 00	tonneau cover F >>91ES1 50895 F >>91ES1 59568	/RL	1	
	3AV	black			
	6HA	dark blue			
	9RA	dark brown			
	4JK	greyish green		85	
	7MK	burgundy			
	1YK	tonneau cover			
1	911 561 089 00	tonneau cover	/LL	-85	1
	3AV	black			
	6HA	dark blue			
	9RA	dark brown			
	4JK	greyish green			
	7MK	burgundy order also: POS.3			
(1)	911 561 090 00	tonneau cover F 91ES1 50896>> F 91ES1 59569>>	/RL	-85	1
	3AV	black			
	6HA	dark blue			
	9RA	dark brown			

Model	Year	MG	SG	Illustration	Restrictions	UPD	8:14	23.01.2010	PORSCHE	PET	PORSCHE
911	1986	8	11	811-40		248					

Pos	Part Number	Description	Remark	Qty	Model	Pos	Part Number	Description	Remark	Qty	Model
	4JK	greyish green				8	999 591 597 02	tenax lower part		1	
	7MK	burgundy order also: POS.3				9	999 591 835 17	snap fastener lower part		4	
(1)	911 561 089 60	tonneau cover	/LL	86-	1	10	900 144 028 07	tapping screw 3,5 X 13		4	
	3AV	black				11	911 561 087 00	bag		1	
	6HA	dark blue				12	911 561 529 00	cap		3	
	9RA	dark brown				13	999 591 608 17	tenax lower part B 4,2 X 22		3	
	4JK	greyish green				14	999 703 182 40	stopper \$=4		3	
	7MK	burgundy order also: POS.3				(15)	911 565 907 61	protective bracket leatherette black	-85	1	
(1)	911 561 090 60	tonneau cover	/RL	86-	1	(15)	911 565 907 62	protective bracket leather black	-85	1	
	3AV	black				15	911 565 006 65	protective bracket leatherette black	86-	1	
	6HA	dark blue				15	911 565 006 66	protective bracket leather black	86-	1	
	9RA	dark brown				16	900 119 090 07	pan-head screw M 10 X 40		4	
	4JK	greyish green				17	900 119 006 07	pan-head screw M 10 X 35		2	
	7MK	burgundy order also: POS.3				(18)	911 565 247 60	bush	-85	2	
2	911 561 921 00	installation set F >>91ES1 50895 F >>91ES1 59568			1	18	911 565 247 65	bush	86-	2	
3	999 591 983 12	tenax upper part			9						
4	999 591 598 02	tenax lower part			4						
5	911 531 041 60	moulding	/L		1						
	70K	black									
(5) A	911 531 432 60	moulding	/R		1						
	70K	black									
(5)	911 531 042 60	moulding	/R		1						
	70K	black									
6	999 591 708 02	prestole cage			4						
7	000 043 032 00	key			X						

Model	Year	MG	SG	Illustration	Restrictions	UPD	8:15	23.01.2010	PORSCHE	PET	PORSCHE
911	1986	8	12	812-00		248					

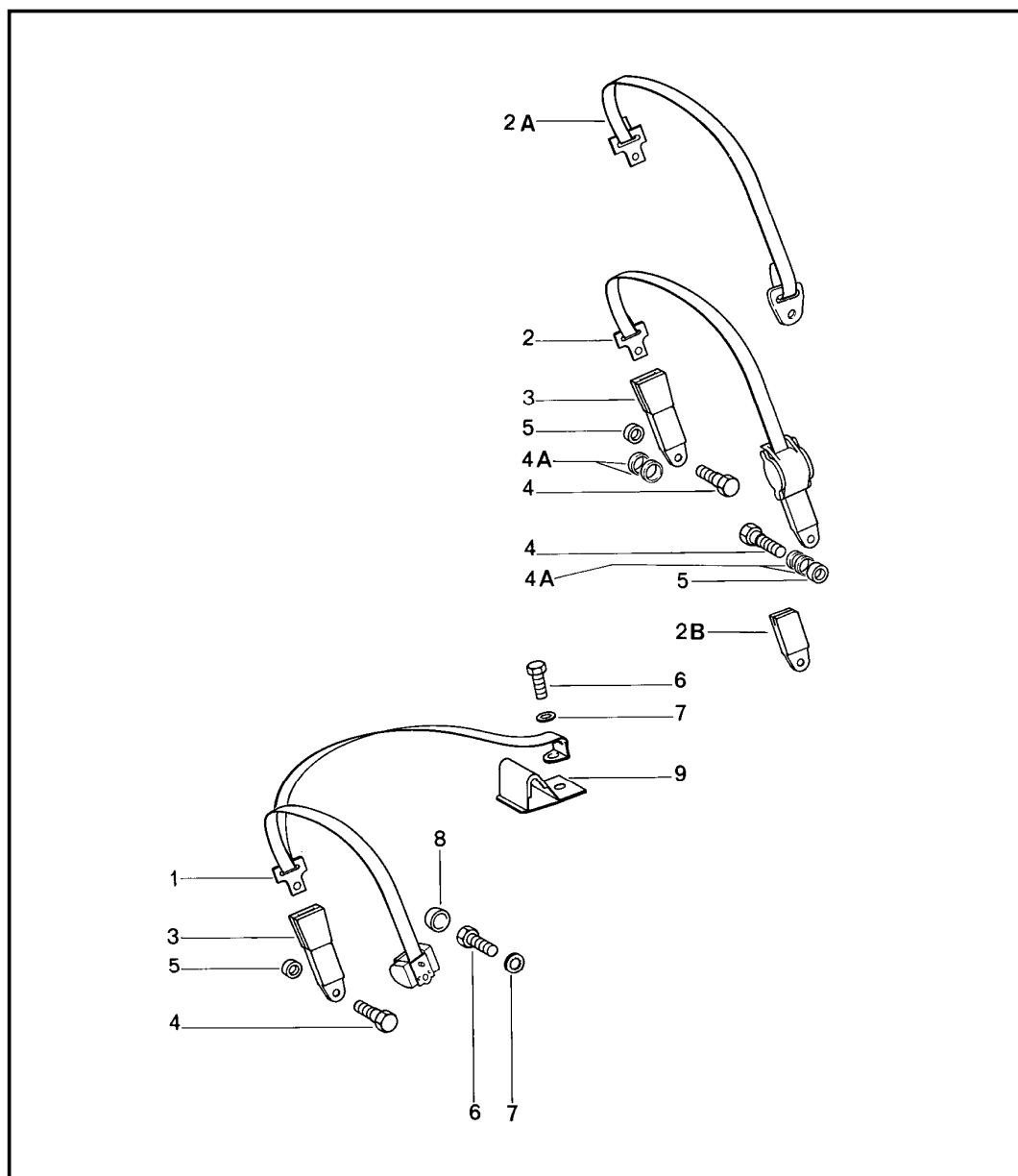


Pos	Part Number	Description	Remark	Qty	Model
1	A 928 803 126 09	seat belt front		85	2
1	928 803 126 09	seat belt automatic	-	-85	2
1	928 803 126 10	seat belt		86-	2
	70B	black automatic			
(2)	928 803 183 05	seat-belt buckle		-84	2
(2)	928 803 183 09	seat-belt buckle		85-	1
	70B	black driver's side			
(2)	928 803 183 08	seat-belt buckle		85-	1
	70B	black passenger's side			
3	211 857 771	washer			8
4	999 025 113 02	washer		-85	4 TARGA
4	999 025 113 02	washer 11,5 X 21 X 2		-85	6 COUPE
4	999 025 113 02	washer 11,5 X 21 X 2		86-	2 COUPE
(4)	810 019 829	guide sleeve		86-	2
5	111 857 793 E	fastening screw			6 COUPE
5	111 857 793 E	fastening screw			4 TARGA/CABRIO
(5)	111 857 793 E	fastening screw			2 TARGA/CABRIO
6	811 857 845	screw-on cap			2
7	901 803 144 00	protection washer		-85	2
8	928 803 157 02	washer		-85	2 TARGA/CABRIO
9	928 803 141 00	cover upper part		-85	2
10	928 803 143 00	cover lower part		-85	2
(10)	944 803 141 00	cover		86-	2

Model	Year	MG	SG	Illustration	Restrictions	UPD	8:15	23.01.2010	PORSCHE	PET	PORSCHE
911	1986	8	12	812-00		248					

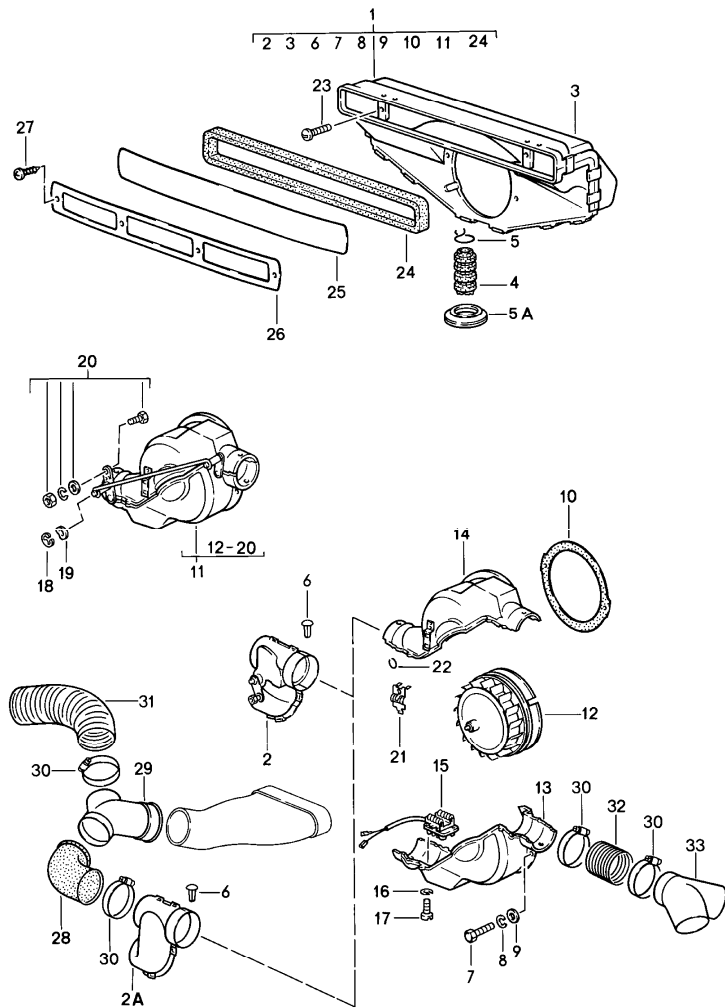
Pos	Part Number	Description	Remark	Qty	Model	Pos	Part Number	Description	Remark	Qty	Model
	70B	black									
11	928 803 259 02	spacer sleeve		2	TARGA/CABRIO						
12	911 555 102 01	bellows	-84	1							
13	911 555 615 01	rosette		2	COUPE						
14	N 014 093 3	tapping screw BZ 4,2 X 13		4	COUPE						
15	999 507 020 02	speed nut 4,2		4	COUPE						
15	999 507 020 01	speed nut 4,2		4	COUPE						
16	901 803 139 00	rosette		2	TARGA						
17	911 555 619 40	relay lever		2	TARGA						
(17)	911 555 619 60	relay lever	/L	-85	1	CABRIO					
(17)	911 555 620 60	relay lever	/R	-85	1	CABRIO					
18	900 145 071 07	tapping screw B 3,5 X 13		4	TARGA						
19	911 555 625 00	support for seatbelt		2	COUPE						
(19)	911 501 461 61	support for seatbelt		2	CABRIO						
20	911 555 613 41	support for seatbelt		2	TARGA						
21	900 031 011 02	washer 6,4		2							
22	900 076 010 02	hexagon nut M 6		2							
23	928 803 151 02	clip upper part		2							
24	928 803 153 02	clip lower part		2							
25	911 803 531 00	paper washer	85-	2							
26	911 803 533 00	cup spring	85-	4							
27	914 803 468 10	screw	85-	2							
28	911 803 150 00	screw		2							
29	911 803 453 00	cap	85-	2							

Model	Year	MG	SG	Illustration	Restrictions	UPD	8:15	23.01.2010	PORSCHE	PET	PORSCHE
911	1986	8	12	812-05		248					



Pos	Part Number	Description	Remark	Qty	Model
(1)	911 803 049 06	seat belt rear automatic	(A) (AUS) (N) (SF)	2	M335
(2)	477 857 787 C	seat belt automatic		2	M185/215
2A	477 857 795	lap belt manually		2	M186
(2B)	477 857 750 B	cap		2	M185
(3)	477 857 739 A	seat-belt buckle		2	
4	911 803 451 00	fastening screw		2	M335
4	911 803 451 00	fastening screw		4	M185/186
4A	211 857 771	washer		4	M185/186
4A	211 857 771	washer		2	M335
(5)	901 803 116 40	spacer sleeve		4	M185/186
(5)	901 803 116 40	spacer sleeve		2	M335
6	111 857 799 A	fastening screw		2	M335
6	111 857 799	screw		2	M335
8	811 857 845	screw-on cap		2	M335
(8)	911 803 259 01	cap		2	M335
(8)	911 803 259 01	cap		4	M185/186
9	911 803 059 04	relay lever	- 84	2	M335
(9)	911 803 479 00	relay lever	85-	2	M335 COUPE/TARGA
-	928 803 151 02	clip upper part		2	
-	928 803 153 02	clip lower part		2	

Model	Year	MG	SG	Illustration	Restrictions	UPD	8:15	23.01.2010	PORSCHE	PET	PORSCHE
911	1986	8	13	813-00		248					



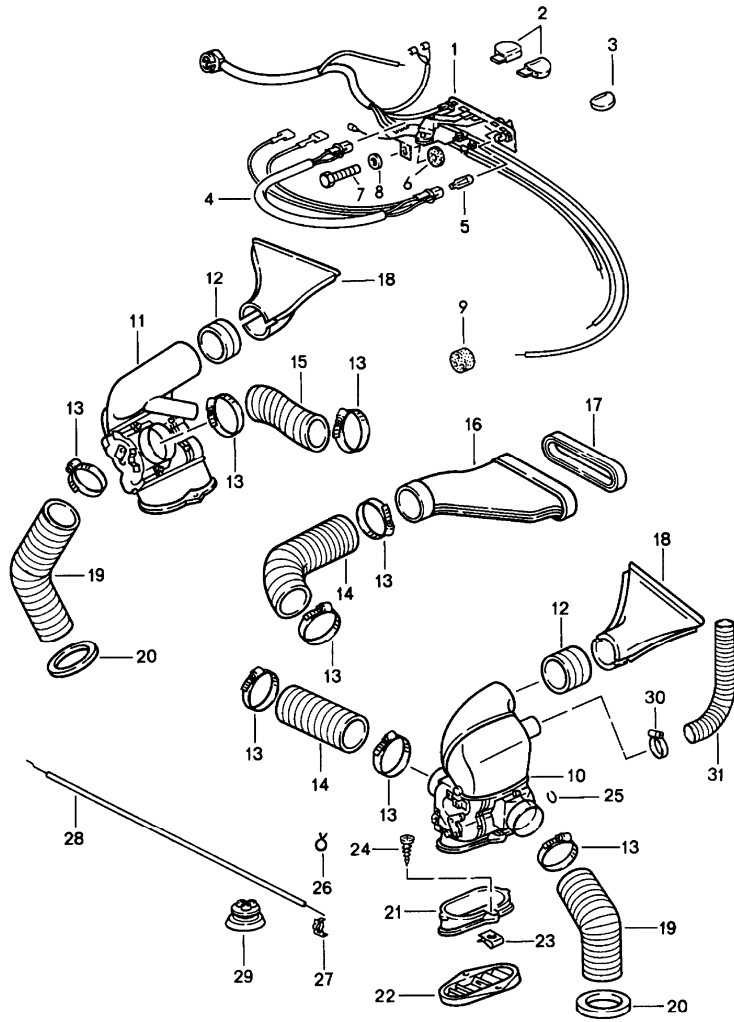
Pos	Part Number	Description	Remark	Qty	Model
		ventilation heating system 1			
(1)	911 571 031 01	fresh air inlet box ready for installation order also:	/LL	1	
			/LL		CARRERA
-	911 571 039 00	distributing piece		-85	1
-	911 571 039 01	distributing piece		86-	1
-	999 591 565 40	clip			2
(1)	911 571 032 01	fresh air inlet box ready for installation order also:	/RL	1	
			/RL		CARRERA
-	911 571 040 00	distributing piece		-85	1
-	911 571 040 01	distributing piece		86-	1
-	999 591 565 40	clip			2
1 A	911 571 035 00	fresh air inlet box ready for installation	/LL	-85	1 CARRERA
(1) A	911 571 036 00	fresh air inlet box ready for installation	/RL	-85	1 CARRERA
2	911 571 039 00	distributing piece	/LL	-85	1 CARRERA
(2)	911 571 040 00	distributing piece	/RL	-85	1 CARRERA
2A	911 571 039 01	distributing piece	/LL	86-	1 CARRERA
(2A)	911 571 040 01	distributing piece	/RL	86-	1 CARRERA
3 A	911 571 041 01	fresh air inlet box	/LL	-85	1
(3) A	911 571 042 01	fresh air inlet box	/RL	-85	1
(3)	911 571 041 01	fresh air inlet box	/LL		1
(3)	911 571 042 01	fresh air inlet box	/RL		1
4	911 571 224 00	water drain hose 520 MM	/LL		1
4	911 571 224 00	water drain hose 600 MM	/LL		1
(4)	901 571 064 20	water drain tube	/RL		1
5	999 512 145 02	hose clamp	/RL		1
(5A)	901 571 326 32	water drain hose	/RL		1

Model	Year	MG	SG	Illustration	Restrictions	UPD	8:15	23.01.2010	PORSCHE	PET	PORSCHE
911	1986	8	13	813-00		248					

Pos	Part Number	Description	Remark	Qty	Model	Pos	Part Number	Description	Remark	Qty	Model
6	999 591 565 40	clip 6,2		2		27	A N 014 086 12	tapping screw		4	
7	900 075 145 02	hexagon-head bolt M 5 X 15		2		27	N 014 086 12	tapping screw B 3,5 X 13		4	
8	900 027 011 01	lock ring B 4		2		-	901 559 491 20	spacer		2	
9	900 025 003 02	washer 5,3		2		28	911 572 325 00	heater hose	/LL	86-	1 CARRERA
10	901 571 922 00	sealing ring		1		28	911 572 325 00	heater hose LW 62 X 150		86-	1 CARRERA
11	A 911 571 017 00	blower	-85	1		(28)	911 572 325 00	heater hose	/RL	86-	1 CARRERA
(11)	911 571 018 00	blower	-85	1	M559/573	29	911 573 254 00	branch piece	/LL	86-	1
11	911 571 018 00	blower		1		(29)	911 573 253 00	branch piece	/RL	86-	1
12	911 571 320 32	blower motor		1		(29)	911 573 253 00	branch piece	/LL 9	86-	1 TURBO CARRERA M 55
13	911 571 905 00	housing		1		29	911 573 254 00	branch piece	/RL 9	86-	1 TURBO CARRERA M 55
14	911 571 907 00	housing		1		30	999 512 349 02	hose clamp 50-70/9		86-	3
15	911 618 151 00	thermo bi-metal switch	-85	1		31	911 573 115 00	hose		86-	2 CARRERA
15	911 618 051 00	thermo bi-metal switch	86-	1		31	911 573 115 00	hose 60 X 420		86-	1 TURBO CARRERA M 55
16	N 012 004 2	lock ring B 4		2		31	911 573 115 00	hose 60 X 420	9	86-	1 TURBO CARRERA M 55
17	900 014 046 02	pan-head screw AM 4 X 10		2		32	911 571 239 00	air hose		86-	2 CARRERA
18	N 012 434 1	lock washer 4		2		33	911 571 251 00	branch piece		86-	1 CARRERA
19	N 012 221 3	spring washer A 4,3		2							
20	901 211 683 00	clamping screw M 4		1							
21	901 571 919 00	terminal		1							
22	901 571 921 00	retainer		6							
23	N 014 153 1	oval-head screw M 5 X 40		2							
24	901 571 325 32	sealing frame		1							
25	911 559 410 00	grille		1							
26	911 559 401 00	grille frame		1							



Model	Year	MG	SG	Illustration	Restrictions	UPD	8:15	23.01.2010	PORSCHE	PET	PORSCHE
911	1986	8	13	813-01		248					

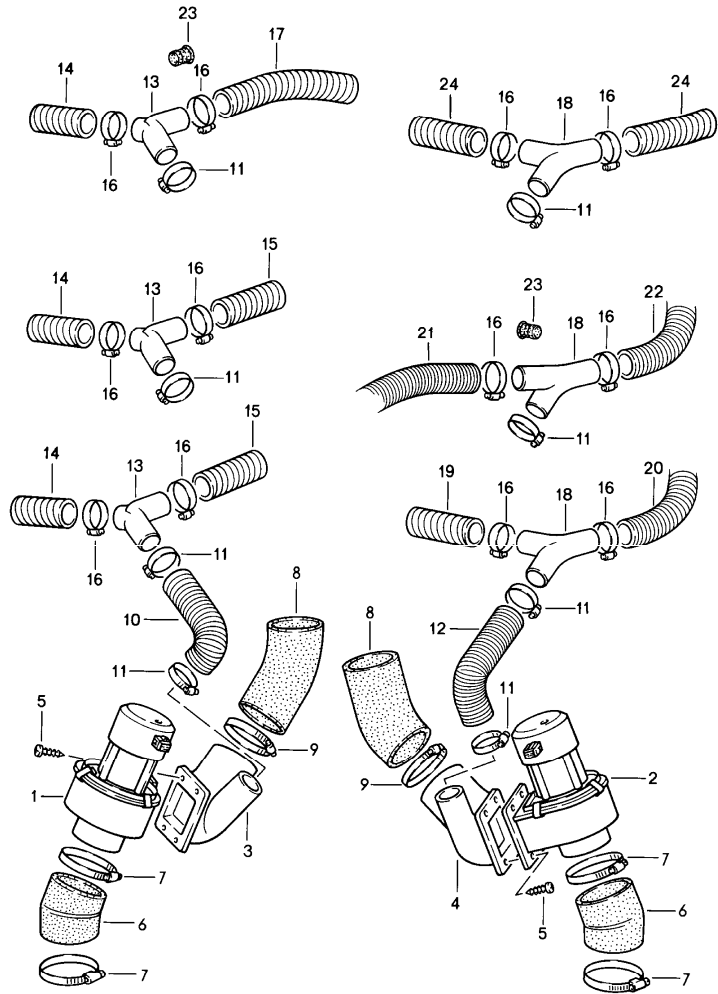


Pos	Part Number	Description	Remark	Qty	Model
		ventilation heating system 2			
1	911 613 111 10	control switch	/LL	-85	1
1	911 613 111 07	control switch	/LL	-85	1 M559/573
1	911 613 111 08	control switch	/LL (J)	-85	1
(1)	911 613 111 10	control switch	/LL	86-	1
(1)	911 613 112 07	control switch	/RL		1
2	911 613 995 00	knob black		-85	2
(2)	911 613 139 00	knob 01C black		86-	2
3	901 571 918 00	knob red		-85	1
3	901 571 917 00	knob black		-85	1
(3)	911 613 135 00	knob K51 red		86-	1
(3)	911 613 135 01	knob 01C black		86-	1
4	911 612 172 01	wiring harness			1
5	900 631 132 90	bulb 12V 1,2W			2
6	914 571 903 10	sealing ring			1
7	N 010 217 9	hexagon-head bolt M 6 X 20			1
8	N 011 524 7	washer 6,4			1
9	914 571 151 10	rubber sleeve			1
10	911 571 049 07	control box	/L	-85	1
(10)	911 571 049 07	control box	/L	-85	1 M559/573
(10)	911 571 049 07	control box	/L	86-	1
11	911 571 050 07	control box	/R	-85	1

Model	Year	MG	SG	Illustration	Restrictions	UPD	8:15	23.01.2010	PORSCHE	PET	PORSCHE
911	1986	8	13	813-01		248					

Pos	Part Number	Description	Remark	Qty	Model	Pos	Part Number	Description	Remark	Qty	Model
(11)	911 571 050 07	control box	/R	-85	1	M559/573					
(11)	911 571 050 07	control box	/R	86-	1						
12	901 571 345 32	hose piece		-85	2						
(12)	901 571 345 32	hose piece		86-	2						
13	999 512 349 02	hose clamp			8						
14	473 261 233 A	air hose			2						
14	911 571 243 00	air hose	/RL	-85	1						
15	911 571 239 00	air hose		-85	1						
16	911 571 085 00	air duct	/LL	-85	1						
(16)	911 571 086 01	air duct	/RL	-85	1						
(16)	911 571 085 01	air duct	/LL	86-	1						
(16)	911 571 086 01	air duct	/RL	86-	1						
17	911 571 189 00	sealing ring			1						
18	901 572 045 31	heating nozzle		-85	2						
19	914 572 123 10	air hose			2						
20	901 572 913 01	sealing ring			2						
21	911 571 051 00	connecting flange			2						
22	911 571 347 01	air distributor	/L		1						
(22)	911 571 348 01	air distributor	/R		1						
23	999 591 574 02	speed nut B4,8			4						
24	900 143 039 02	tapping screw BZ 4,8 X 19			4						
25	901 571 921 00	retainer			16						
26	999 512 162 02	clamping spring			8						
(27)	477 819 343	spring clamp			4						
28	911 572 114 00	bowden control			2						
29	911 612 863 00	grommet			1						
30	999 512 356 02	hose clamp			2						
31	911 571 228 00	air hose		-85	2						

Model	Year	MG	SG	Illustration	Restrictions	UPD	8:15	23.01.2010	PORSCHE	PET	PORSCHE
911	1986	8	13	813-02		248					

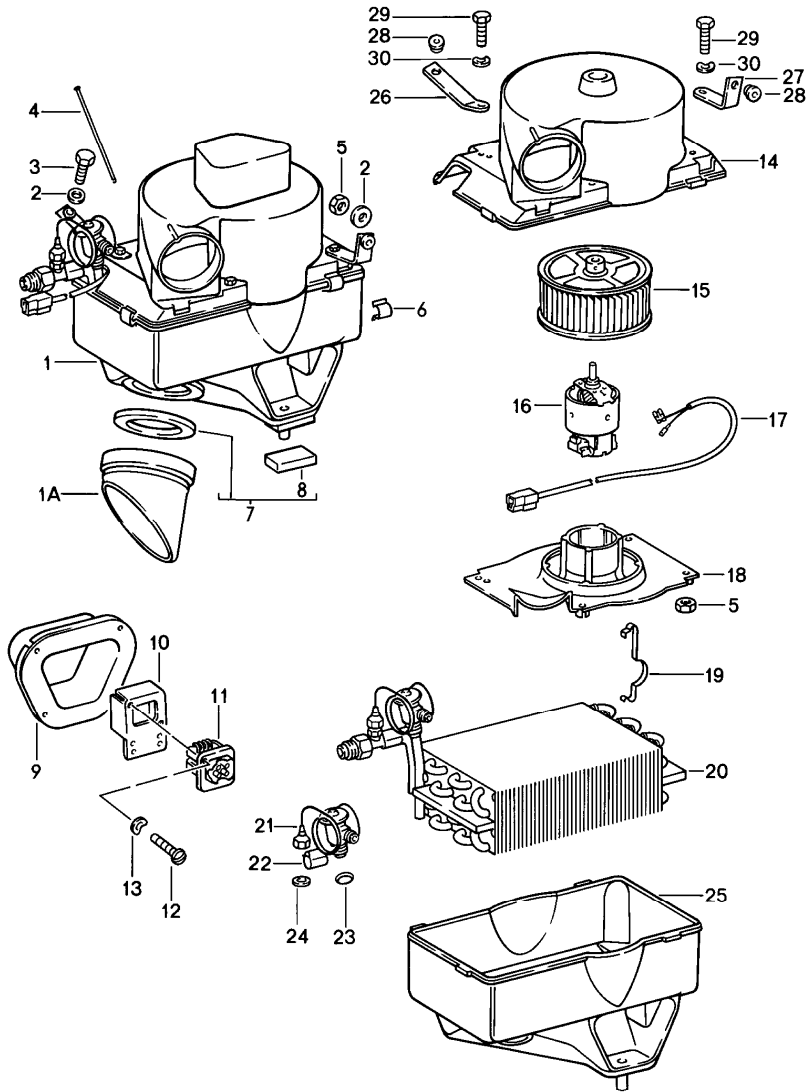


Pos	Part Number	Description	Remark	Qty	Model
		additional blower			
(1)	911 624 043 02	radial blower	/L	1	
(2)	911 624 044 02	radial blower	/R	1	
3	911 571 137 00	double socket	/L	1	
4	911 571 138 00	double socket	/R	1	
5	999 919 018 00	screw KA 35 X 10		8	
6	930 571 101 01	hot air socket		2	
7	999 512 349 02	hose clamp		4	
8	914 572 123 10	air hose LW 60 X 165		2	
9	999 512 349 02	hose clamp		2	
10	A 911 571 228 00	air hose LW 36 X 180	/LL	-85	1
10	911 571 228 00	air hose LW 36 X 390		-85	1
10	A 911 573 211 00	air hose LW 36 X 120	/RL	-85	1
(10)	A 911 572 223 00	air hose LW 36 X 200		86-	1
(10)	911 572 223 00	air hose LW 38 X 240		86-	1
11	999 512 356 02	hose clamp		-85	4
12	911 571 228 00	air hose LW 36 X 390		-85	1
(12)	911 572 223 00	air hose LW 38 X 240		86-	1
13	911 571 255 00	air distributor		-85	1
(13)	911 572 259 00	air distributor side vent	/L	86-	1
14	A 911 571 221 00	air hose LW 38 X 140		-85	1
14	911 572 223 00	air hose LW 38 X 240		-85	1

Model	Year	MG	SG	Illustration	Restrictions	UPD	8:15	23.01.2010	PORSCHE	PET	PORSCHE
911	1986	8	13	813-02		248					

Pos	Part Number	Description	Remark	Qty	Model	Pos	Part Number	Description	Remark	Qty	Model
15	A 911 573 212 00	air hose LW 38 X 60		-85	1	22	A 911 571 246 00	air hose LW 36 X 90	/LL	-85	1
15	911 572 223 00	air hose LW 38 X 240		-85	1	22	911 571 228 00	air hose LW 36 X 390	/LL	-85	1
(15)	911 573 115 00	hose LW 60 X 420		86-	1	23	911 573 207 00	closure for pipe adapter		-85	1
16	999 512 356 02	hose clamp		-85	X	24	911 572 223 00	air hose LW 38 X 240		-85	1
(16)	999 512 349 02	hose clamp 50-70/9		86-	X						
17	A 911 573 209 00	air hose LW 36 X 385	/RL	-85	1						
17	911 573 204 00	air hose LW 36 X 1000	/RL	-85	1						
(17)	911 573 115 00	hose LW 60 X 420		86-	1						
18	911 573 235 00	air distributor		-85	1						
(18)	911 572 260 00	air distributor side vent	/R	86-	1						
19	A 911 573 212 00	air hose LW 38 X 60		-85	1						
19	911 572 223 00	air hose LW 38 X 240		-85	1						
(19)	911 573 115 00	hose LW 60 X 420		86-	1						
20	A 911 571 246 00	air hose LW 36 X 90	/LL	-85	1						
20	911 571 228 00	air hose LW 36 X 390	/LL	-85	1						
(20)	A 911 573 212 00	air hose LW 38 X 60	/RL	-85	1						
(20)	911 572 223 00	air hose LW 38 X 240	/RL	-85	1						
21	A 911 573 203 00	air hose LW 36 X 480	/LL	-85	1						
21	911 573 204 00	air hose LW 36 X 1000	/LL	-85	1						
(21)	911 573 115 00	hose LW 60 X 420		86-	1						

Model	Year	MG	SG	Illustration	Restrictions	UPD	8:16	23.01.2010	PORSCHE	PET	PORSCHE
911	1986	8	13	813-05		248					



Pos	Part Number	Description	Remark	Qty	Model
		air conditioner evaporator housing single parts			
-	911 573 915 00	air conditioner for subsequent installation	/LL	-85	1 CARRERA
-	911 573 915 01	air conditioner for subsequent installation	/RL	-85	1 CARRERA
-	930 573 915 00	air conditioner for subsequent installation	/LL	-85	1 TURBO
-	930 573 915 01	air conditioner for subsequent installation	/RL	-85	1 TURBO
-	930 573 915 02	air conditioner for subsequent installation	/RL	-85	1 TURBO M573
-	911 624 899 00	electric motor		85	1
-	911 624 903 00	clamp			4
-	911 573 323 00	engine support			1
-	911 573 915 04	air conditioner for subsequent installation	/LL	86-	1 CARRERA
1 A	911 573 021 02	evaporator housing use also:	/LL	-85	1
-	911 504 043 01	lid			1
(1) A	911 573 021 04	evaporator housing F >>91GS1 02235 F >>91GS1 40880 F >>91GS1 51209 F >>93GS0 00628 F >>91GS1 03535 F >>91GS1 09713 F >>91GS1 41576 F >>91GS1 49579 F >>91GS1 52001 F >>91GS1 59580 F >>93GS0 01053	/LL		1 COUPE 1 TARGA 1 CABRIO 1 TURBO 1 COUPE 1 COUPE 1 TARGA 1 TARGA 1 CABRIO 1 CABRIO 1 TURBO
(1)	911 573 021 04	evaporator housing	/LL		1
(1)	911 573 022 03	evaporator housing	/RL		1
1A	901 501 631 30	connecting piece	/LL		1

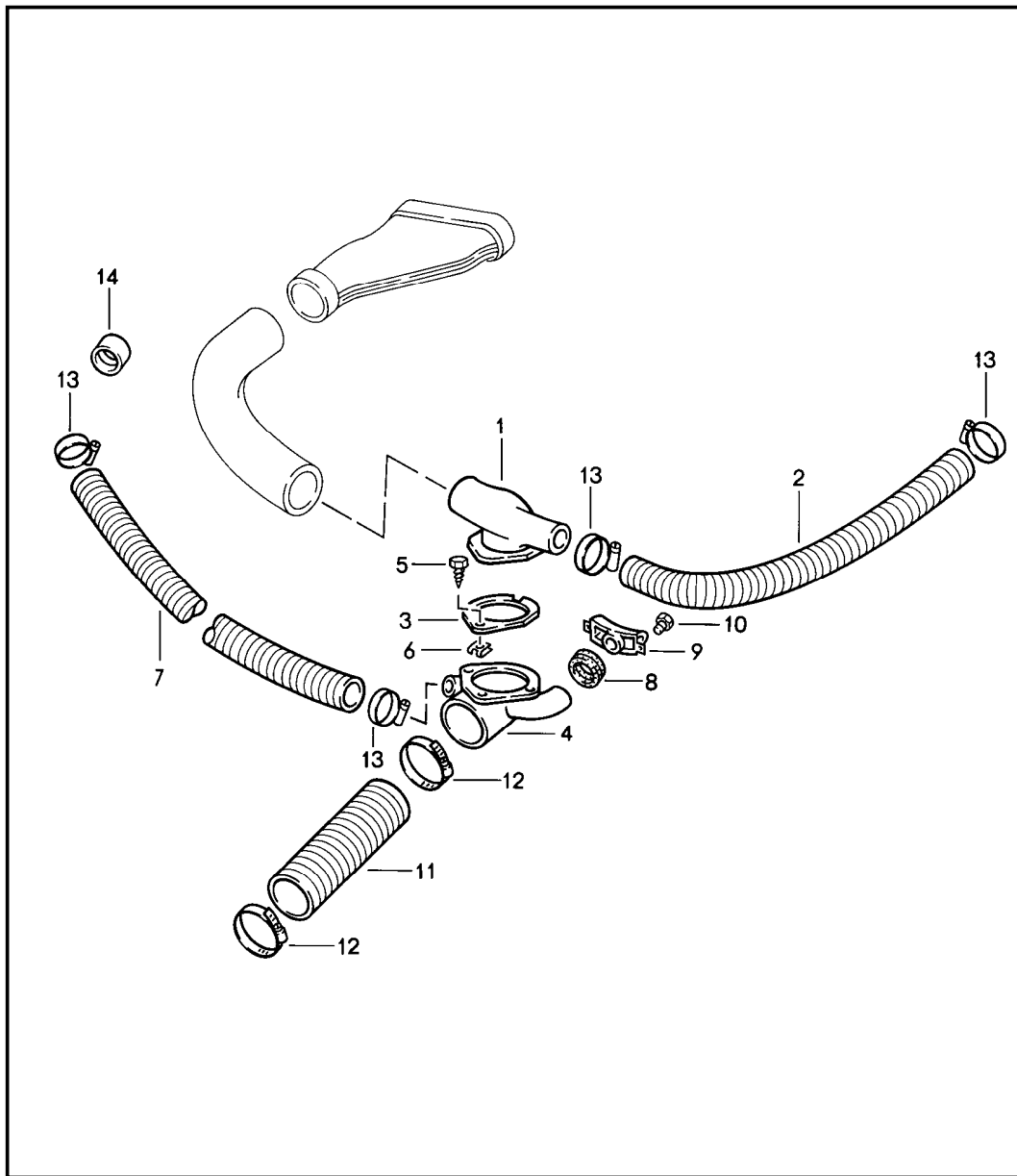
Model	Year	MG	SG	Illustration	Restrictions	UPD	8:16	23.01.2010	PORSCHE	PET	PORSCHE
911	1986	8	13	813-05		248					

Pos	Part Number	Description	Remark	Qty	Model	Pos	Part Number	Description	Remark	Qty	Model
2	900 151 003 02	washer A 6,4	-85	2		(9)	911 573 073 01	connection piece	/LL	1	
2	900 151 003 02	washer A 6,4	/LL 86-	2		10	478 820 209	bracket	/LL	-85	1
(2)	N 042 121 1	shake-proof washer A 6,4	/RL 86-	2		11	911 618 151 00	thermo bi-metal switch	/LL	1	
3	900 075 057 02	hexagon-head bolt M 6 X 16		1		12	900 146 011 02	oval-head screw AM 4 X 10	/LL	-85	2
4	901 573 903 00	guide tube temperature switch		1		13	N 012 224 3	spring washer B 4	/LL	-85	2
5	900 076 010 02	hexagon nut M 6		5		14	911 573 023 00	housing cover		-85	1
6	901 573 904 00	tensioning spring		4		(14)	911 573 923 00	housing cover	/LL	86-	1
-	911 573 135 37	protection cap	/RL	1		(14)	911 573 924 00	housing cover	/RL	86-	1
-	911 573 131 37	water drain sleeve F >>91GS1 02235 F >>91GS1 40880 F >>91GS1 51209 F >>93GS0 00628 F >>91GS1 03535 F >>91GS1 09713 F >>91GS1 41576 F >>91GS1 49579 F >>91GS1 52001 F >>91GS1 59580 F >>93GS0 01053	/RL	1	COUPE TARGA CABRIO TURBO	15	901 573 906 00	fan		-85	1
-	911 573 131 39	water drain sleeve F 91GS1 02236>> F 91GS1 40881>> F 91GS1 51210>> F 93GS0 00629>> F 91GS1 03536>> F 91GS1 09714>> F 91GS1 41577>> F 91GS1 49580>> F 91GS1 52002>> F 91GS1 59581>> F 93GS0 01054>>	/RL	1	COUPE TARGA CABRIO TURBO	(15)	911 624 906 00	blower with POS.16	/LL	86-	1
-	911 573 143 00	rubber sleeve	/RL	1	COUPE TARGA CABRIO TURBO	16	901 624 901 00	electric motor		-84	1
7	901 573 901 00	parts kit comprising:	/LL	1	COUPE TARGA CABRIO TURBO	(16)	911 624 899 00	electric motor		85	1
-	-	sealing ring		1	COUPE TARGA CABRIO TURBO	(16)	911 624 899 00	electric motor	/RL	86-	1
(8)	-	shim		2	COUPE TARGA CABRIO TURBO	17	901 612 084 00	wiring harness		-85	1
					COUPE TARGA CABRIO TURBO	17	901 612 084 00	wiring harness	/RL	86-	1
					COUPE TARGA CABRIO TURBO	(17)	911 612 984 00	wiring harness	/LL	86-	1
					COUPE TARGA CABRIO TURBO	18	911 573 323 00	engine support		-85	1
					COUPE TARGA CABRIO TURBO	18	911 573 323 00	engine support	/RL	86-	1
					COUPE TARGA CABRIO TURBO	(18)	911 573 927 00	engine support	/LL	86-	1
					COUPE TARGA CABRIO TURBO	19	901 624 903 00	clamp		-84	4
					COUPE TARGA CABRIO TURBO	(19)	911 624 903 00	clamp		85-	4
					COUPE TARGA CABRIO TURBO	20	911 573 929 01	evaporator		-85	1
					COUPE TARGA CABRIO TURBO	(20)	911 573 929 00	evaporator	/LL	86-	1
					COUPE TARGA CABRIO TURBO	20	911 573 929 01	evaporator	/RL	86-	1
					COUPE TARGA CABRIO TURBO	21	911 573 925 00	expansion valve		1	1
					COUPE TARGA CABRIO TURBO	22	901 573 914 00	clip		1	1

Model	Year	MG	SG	Illustration	Restrictions	UPD	8:16	23.01.2010	PORSCHE	PET	PORSCHE
911	1986	8	13	813-05		248					

Pos	Part Number	Description	Remark	Qty	Model	Pos	Part Number	Description	Remark	Qty	Model
23	999 707 250 40	o-ring 3/4"		1		27	911 572 471 00	fastening angle F 91GS1 02236>> F 91GS1 40881>> F 91GS1 51210>> F 93GS0 00629>> F 91GS1 03536>> F 91GS1 09714>> F 91GS1 41577>> F 91GS1 49580>> F 91GS1 52002>> F 91GS1 59581>> F 93GS0 01054>>	/LL	1	COUPE TARGA CABRIO TURBO COUPE COUPE TARGA TARGA CABRIO CABRIO TURBO
24	W 901 573 916 00	gasket		1							
24	911 573 916 00	o-ring 7/16"		1							
25	901 573 908 00	housing	/LL	1							
(25)	911 573 122 00	housing lower part	/RL	1							
26	911 572 473 00	fastening angle F >>91GS1 02235 F >>91GS1 40880 F >>91GS1 51209 F >>93GS0 00628 F >>91GS1 03535 F >>91GS1 09713 F >>91GS1 41576 F >>91GS1 49579 F >>91GS1 52001 F >>91GS1 59580 F >>93GS0 01053	/LL	1	COUPE TARGA CABRIO TURBO COUPE COUPE TARGA TARGA CABRIO CABRIO TURBO	28	901 573 133 00	rubber sleeve		2	
						29	N 010 217 9	hexagon-head bolt M 6 X 20		4	
						30	N 012 226 5	spring washer B 6		4	
26	911 572 473 00	fastening angle F 91GS1 02236>> F 91GS1 40881>> F 91GS1 51210>> F 93GS0 00629>> F 91GS1 03536>> F 91GS1 09714>> F 91GS1 41577>> F 91GS1 49580>> F 91GS1 52002>> F 91GS1 59581>> F 93GS0 01054>>	/LL	1	COUPE TARGA CABRIO TURBO COUPE COUPE TARGA TARGA CABRIO CABRIO TURBO						
27	911 572 471 00	fastening angle F >>91GS1 02235 F >>91GS1 40880 F >>91GS1 51209 F >>93GS0 00628 F >>91GS1 03535 F >>91GS1 09713 F >>91GS1 41576 F >>91GS1 49579 F >>91GS1 52001 F >>91GS1 59580 F >>93GS0 01053	/LL	1	COUPE TARGA CABRIO TURBO COUPE COUPE TARGA TARGA CABRIO CABRIO TURBO						

Model	Year	MG	SG	Illustration	Restrictions	UPD	8:16	23.01.2010	PORSCHE	PET	PORSCHE
911	1986	8	13	813-10		248					



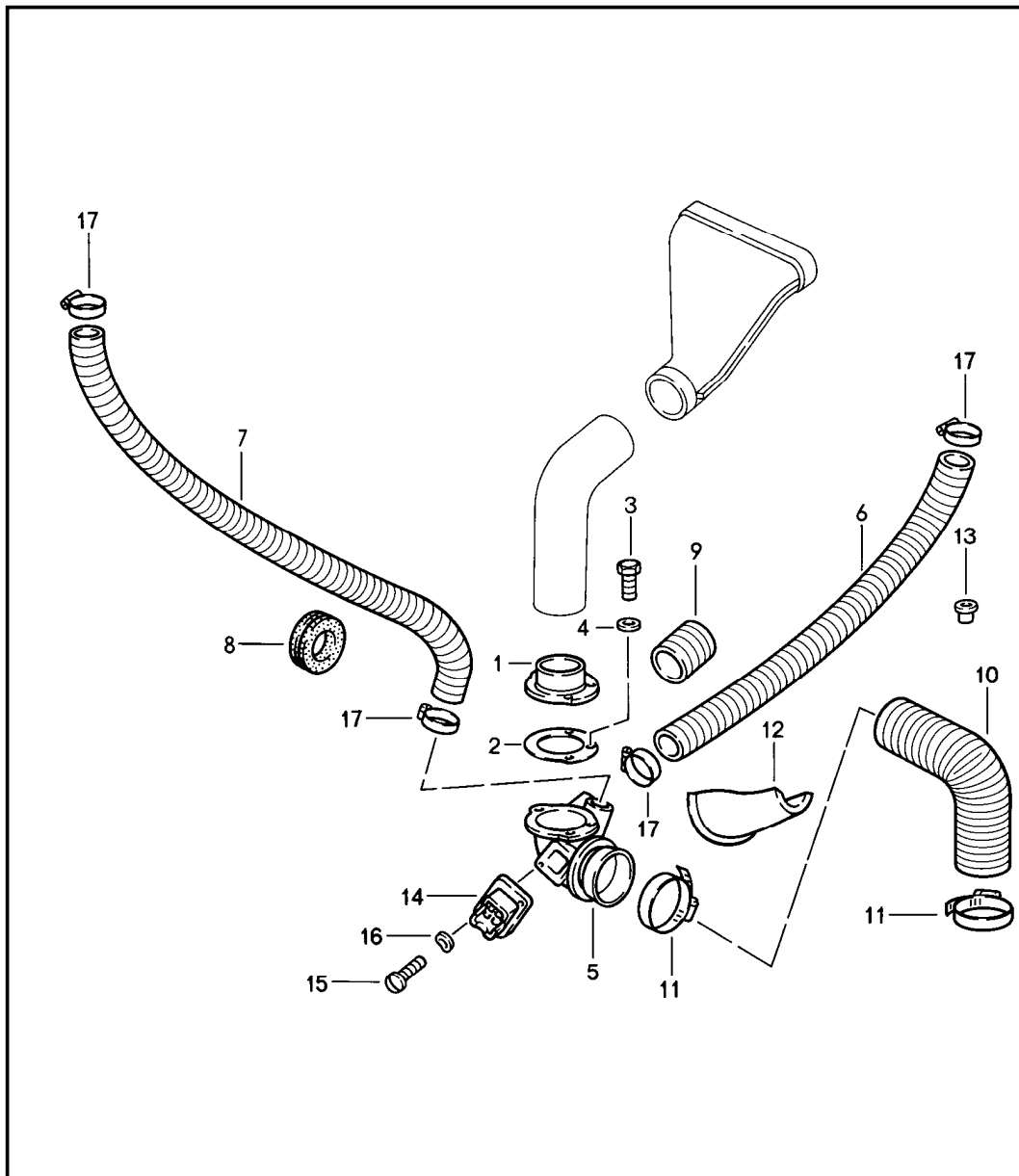
Pos	Part Number	Description	Remark	Qty	Model
		cooling air duct left-hand drive			
1	911 573 179 00	air distributor	-85	1	
(1)	911 573 179 01	air distributor	86-	1	
2 A	911 573 204 00	air hose LW 36 X 630	-85	1	
2	911 573 204 00	air hose LW 36 X 1000	-85	1	
(2)	911 573 117 00	air hose 60 X 750	86-	1	
3	911 573 173 00	gasket		1	
4	911 573 181 00	connecting piece	-85	1	
(4)	911 573 181 01	connecting piece	86-	1	
5	900 187 014 02	hexagon-head tapping screw B 4,2 X 16	-85	3	
(5)	900 143 007 02	tapping screw B 4,2 X 13	86-	2	
(5)	900 143 047 07	tapping screw B 4,2 X 19	86-	1	
-	900 025 003 02	washer A 5,3	86-	3	
6	999 591 457 02	speed nut B 4,2		3	
7	911 571 228 00	air hose	-85	1	
8	911 573 185 00	rubber sleeve		2	
9	911 573 183 00	footwell outlet vent		1	
10	N 010 207 6	hexagon-head bolt M 5 X 12		2	
11	911 571 240 01	air hose		1	
12	999 512 351 02	hose clamp 76-92 X 9		2	
13	999 512 356 02	hose clamp 25-40/9	-85	4	
(13)	999 512 349 02	hose clamp 50-70/9	86-	2	



Model	Year	MG	SG	Illustration	Restrictions	UPD	8:16	23.01.2010	PORSCHE	PET	PORSCHE
911	1986	8	13	813-10		248					

Pos	Part Number	Description	Remark	Qty	Model	Pos	Part Number	Description	Remark	Qty	Model
14	911 573 207 00	closure for pipe adapter	-85	1							

Model	Year	MG	SG	Illustration	Restrictions	UPD	8:16	23.01.2010	PORSCHE	PET	PORSCHE
911	1986	8	13	813-11		248					

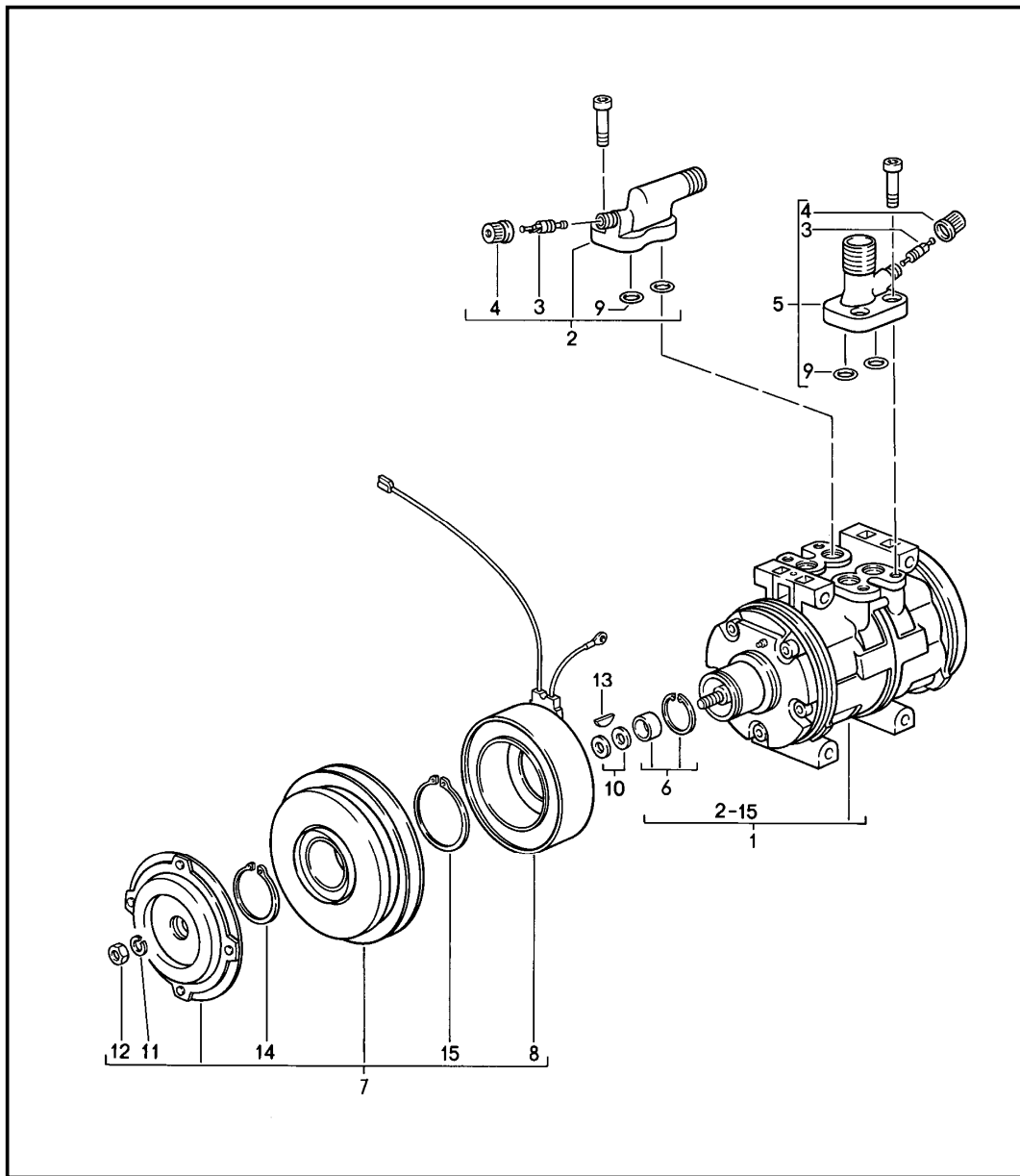


Pos	Part Number	Description	Remark	Qty	Model
		cooling air duct right-hand drive			
1	911 573 191 00	flange socket	-85	1	
(1)	911 573 180 01	air distributor	86-	1	
2	901 572 527 00	sealing washer		1	
3	N 010 207 6	hexagon-head bolt M 5 X 12		3	
4	900 025 003 02	washer 5,3		3	
5	911 573 088 00	connecting piece	-85	1	
(5)	911 573 088 01	connecting piece	86-	1	
6	911 573 203 00	air hose	-85	1	
(6)	911 573 118 00	air hose S=60 X 950	86-	1	
7	911 573 204 00	air hose LW 36 X 1000	-85	1	
8	901 573 143 00	rubber sleeve	-85	3	
9	999 702 062 50	grommet		1	
10 A	911 573 523 02	air hose		1	
10	911 573 523 02	air hose		1	
11	999 512 351 02	hose clamp 76-92 X 9		2	
12 A	911 551 607 00	covering		1	
13	900 121 015 02	tubular rivet A 6 X 0,5 X 15		4	
-	911 551 075 01	floorboard	/L	1	COUPE
-	911 551 075 41	floorboard see group 8/07/00		1	TARGA/CABRIO
14	911 618 151 00	thermo bi-metal switch		1	
15	900 146 011 02	oval-head screw AM 4 X 10		2	
16	N 012 224 3	spring washer A 4		2	

Model	Year	MG	SG	Illustration	Restrictions	UPD	8:16	23.01.2010	PORSCHE	PET	PORSCHE
911	1986	8	13	813-11		248					

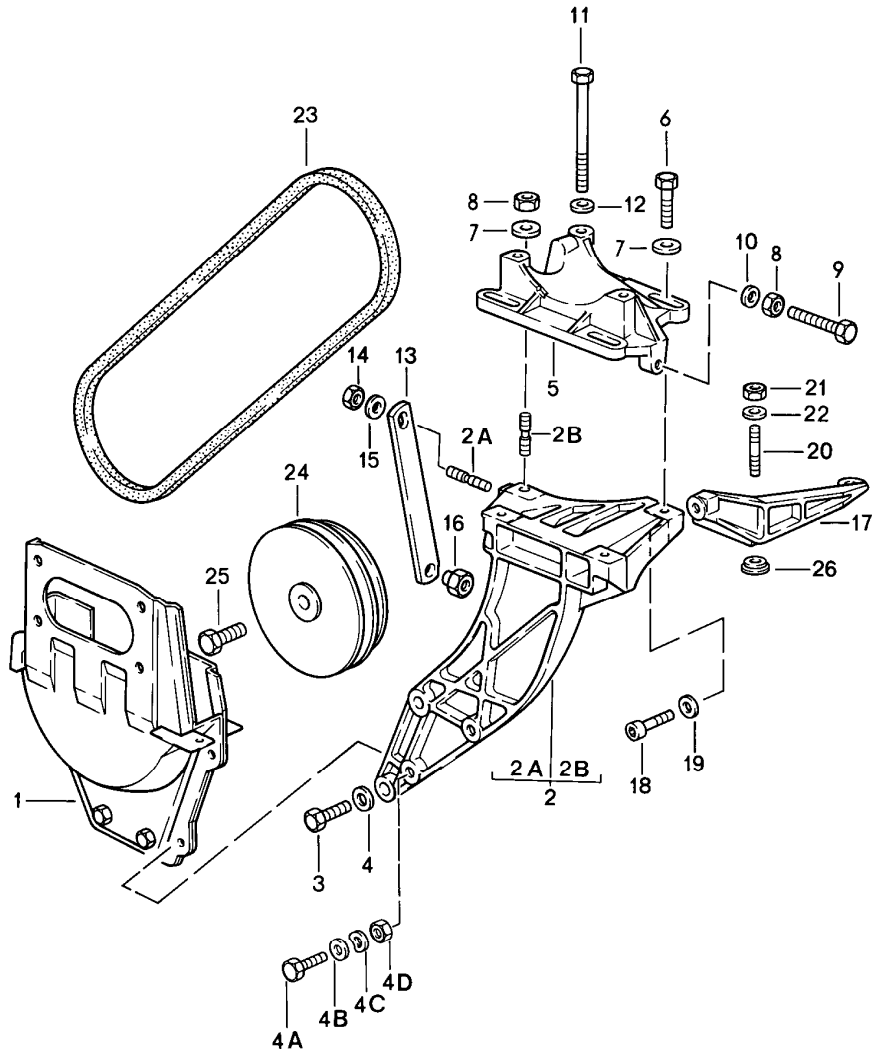
Pos	Part Number	Description	Remark	Qty	Model	Pos	Part Number	Description	Remark	Qty	Model
17	999 512 356 02	hose clamp	-85	4							
(17)	999 512 349 02	hose clamp 50-70/9	86-	2							

Model	Year	MG	SG	Illustration	Restrictions	UPD	8:16	23.01.2010	PORSCHE	PET	PORSCHE
911	1986	8	13	813-15		248					



Pos	Part Number	Description	Remark	Qty	Model
		compressor			
1	930 126 021 01	compressor complete		1	
2	930 126 925 00	pressure valve		1	
3	928 573 908 03	valve insert		2	
4	928 573 909 02	cap		2	
5	930 126 923 00	suction valve		1	
6	930 126 921 00	set of shaft seals		1	
7	930 126 903 00	clutch complete		1	
8	930 126 907 00	solenoid coil		1	
9	944 126 935 01	o-ring		4	
10	477 298 829	spacer 0,1 MM		X	
(10)	477 298 829 A	spacer 0,2 MM		X	
(10)	477 298 829 B	spacer 0,5 MM		X	
(10)	477 298 829 C	spacer 0,8 MM		X	
(10)	477 298 829 B	spacer 1,0 MM		X	
11	900 027 015 02	lock ring B 8		1	
12	N 011 008 8	hexagon nut M 8		1	
13	944 126 905 00	spring 12 X 4		1	
14	477 298 843	circlip $\text{\textcircled{S}}=37$ MM		1	
15	477 298 841	circlip $\text{\textcircled{S}}=45,8$ MM		1	

Model	Year	MG	SG	Illustration	Restrictions	UPD	8:16	23.01.2010	PORSCHE	PET	PORSCHE
911	1986	8	13	813-20		248					

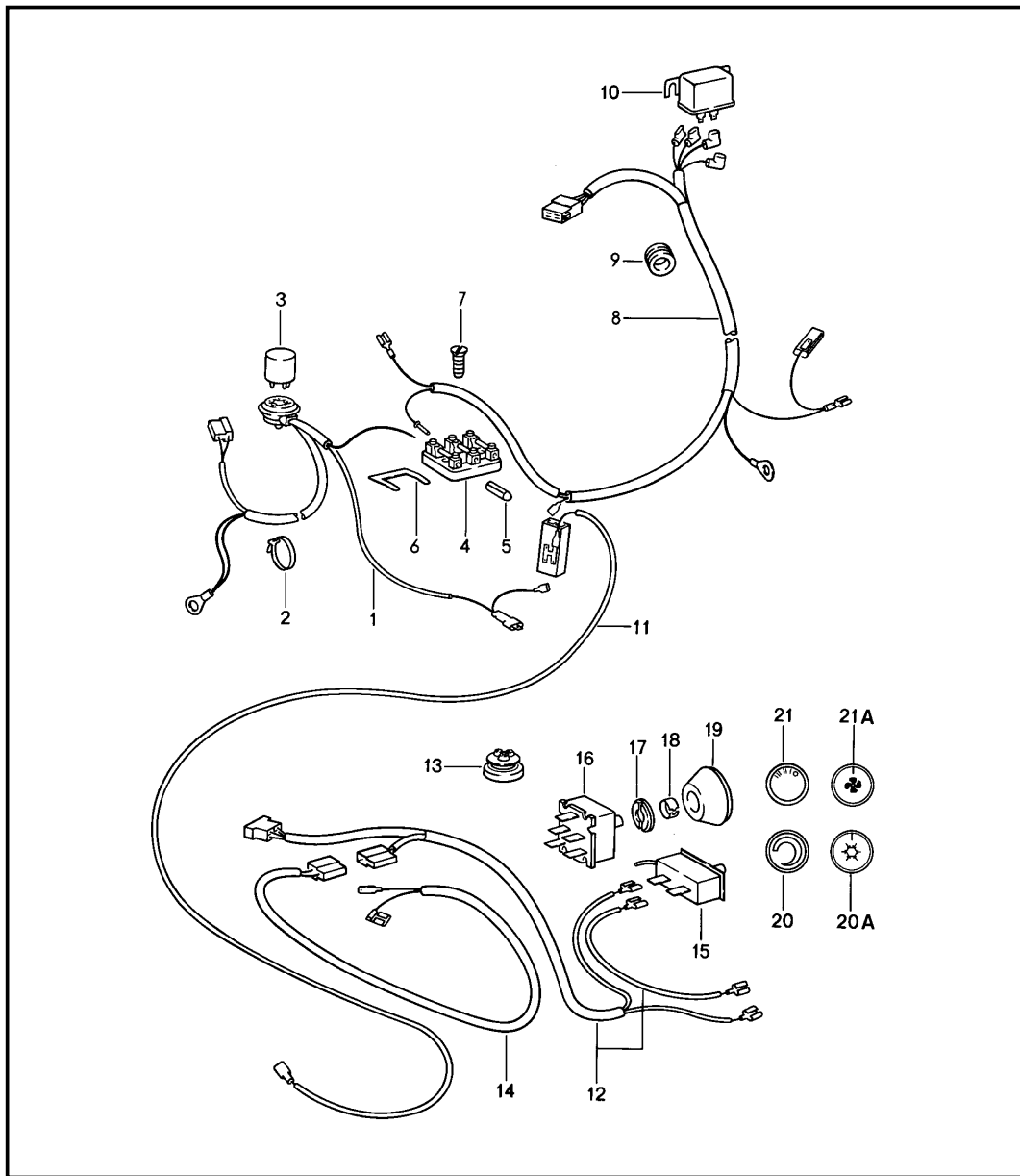


Pos	Part Number	Description	Remark	Qty	Model
1	-	compressor mounting and driving mechanism			
		see group 1/09/00			
2	930 126 015 00	bracket		1	
2A	A 999 062 073 02	stud		1	
2A	999 062 073 02	stud M 8 X 16		1	
2B	900 081 019 02	stud M 8 X 25		1	
3	N 010 289 4	hexagon-head bolt M 10 X 32		2	
4	900 025 008 09	washer 10,5		2	
4A	900 075 085 02	hexagon-head bolt M 8 X 20		2	
4B	900 025 007 02	washer 8,4		2	
4C	N 012 229 3	spring washer A 8		2	
4D	900 910 097 02	lock nut M 8		2	
5	930 126 118 01	compressor plate		1	CARRERA
(5)	930 126 119 00	compressor plate		1	TURBO
6	N 010 335 5	hexagon-head bolt M 8 X 35		3	
7	900 223 001 02	washer 8,4		4	
8	900 076 025 02	hexagon nut M 8		2	
9	N 040 237 1	hexagon-head bolt M 8 X 55		1	
10	900 025 007 02	washer 8,4		1	
11	N 010 388 3	hexagon-head bolt M 8 X 90		3	

Model	Year	MG	SG	Illustration	Restrictions	UPD	8:16	23.01.2010	PORSCHE	PET	PORSCHE
911	1986	8	13	813-20		248					

Pos	Part Number	Description	Remark	Qty	Model	Pos	Part Number	Description	Remark	Qty	Model
12	900 025 007 02	washer 8,4		3							
13	911 126 124 02	strut		1							
14	900 076 025 02	hexagon nut M 8		1							
15	900 025 007 02	washer 8,4		1							
16	964 126 125 20	nut		1							
17	930 126 116 02	fastening angle		1							
18	999 218 009 02	pan-head screw micro-self-locking M 8 X 40		1							
19	900 025 007 02	washer 8,4		1							
20	999 062 127 02	stud BM 6 X 25		2							
21	900 910 010 02	lock nut M 6		2							
22	N 011 666 7	washer 6,4		2							
23	999 192 254 50	v-belt		1	CARRERA						
23	999 192 255 50	v-belt		1	TURBO						
24	-	see group 1/02/00									
25	-	see group 1/02/00		1							
26	930 126 135 01	washer		2							

Model	Year	MG	SG	Illustration	Restrictions	UPD	8:17	23.01.2010	PORSCHE	PET	PORSCHE
911	1986	8	13	813-40		248					



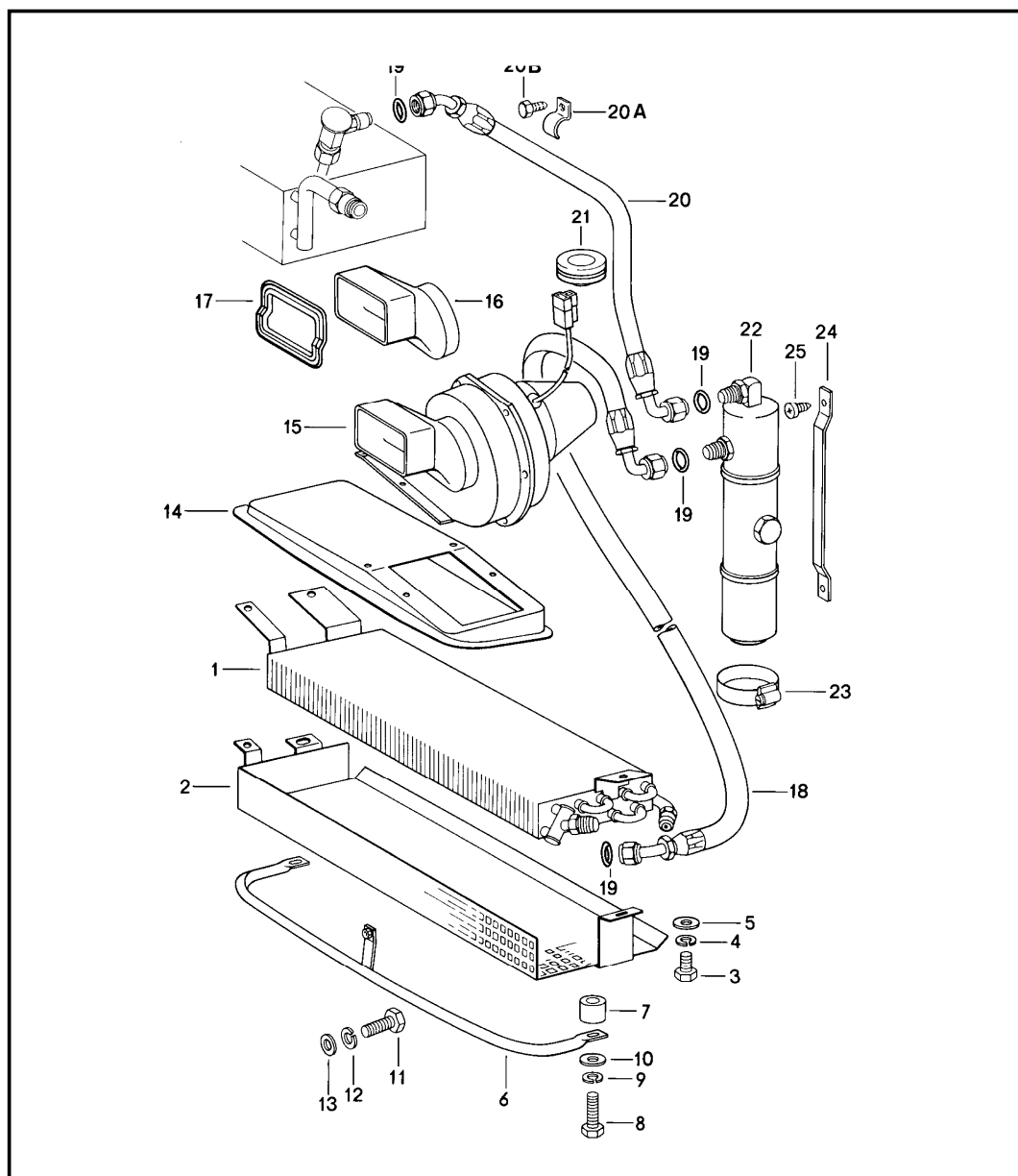
Pos	Part Number	Description	Remark	Qty	Model
1	911 612 080 01	wiring harness NR. 80	9	-85	1 TURBO CARRERA M 55
(1)	911 612 080 02	wiring harness NR.80		-84	1 TURBO M573
(1)	911 612 080 04	wiring harness NR.80	9	86-	1 TURBO CARRERA M 55
2	999 513 008 40	tie-wrap			1 M559
3	911 615 109 01	standard type relay			1 M559
4	911 612 093 05	fuse box triple			1
5	N 017 121 5	safety fuse 25 A			1
6	901 612 835 01	connecting rail			1
7	900 146 009 02	oval-head screw AM 4 X 12			2
(8)	911 612 078 01	wiring harness NR. 78		-84	1
8	911 612 078 04	wiring harness NR.78		85-	1
9	999 702 119 50	rubber sleeve			1
10	911 615 103 01	relay			1
11	911 612 079 00	wiring harness NR. 79			1
12	911 612 029 01	wiring harness NR. 29		-85	1
12	911 612 029 01	wiring harness NR.29	/LL 9	86-	1 TURBO CARRERA M 55
(12)	911 612 029 02	wiring harness NR.29	/RL 9	86-	1 TURBO CARRERA M 55
13	911 612 863 00	grommet			1
14	-	see group 8/13/05			

Model	Year	MG	SG	Illustration	Restrictions	UPD	8:17	23.01.2010	PORSCHE	PET	PORSCHE
911	1986	8	13	813-40		248					

Pos	Part Number	Description	Remark	Qty	Model	Pos	Part Number	Description	Remark	Qty	Model
15	911 613 121 01	temperature switch it is necessary to rework		1							
16	911 613 243 00	blower switch		1							
17	911 613 119 02	rosette blower switch	-85	1							
17	911 613 120 01	rosette temperature switch	-85	1							
18	999 591 619 01	knob holder	-85	2							
19	911 613 141 00	knob	-85	2							
(20)	911 613 237 02	cap with symbol temperature switch	-85	1							
20A	911 613 103 02	knob	86-	1							
	70B	black temperature switch									
(21)	911 613 238 02	cap with symbol blower switch	-85	1							
21A	911 613 104 02	knob	86-	1							
	70B	black blower switch									



Model	Year	MG	SG	Illustration	Restrictions	UPD	8:17	23.01.2010	PORSCHE	PET	PORSCHE
911	1986	8	13	813-45		248					

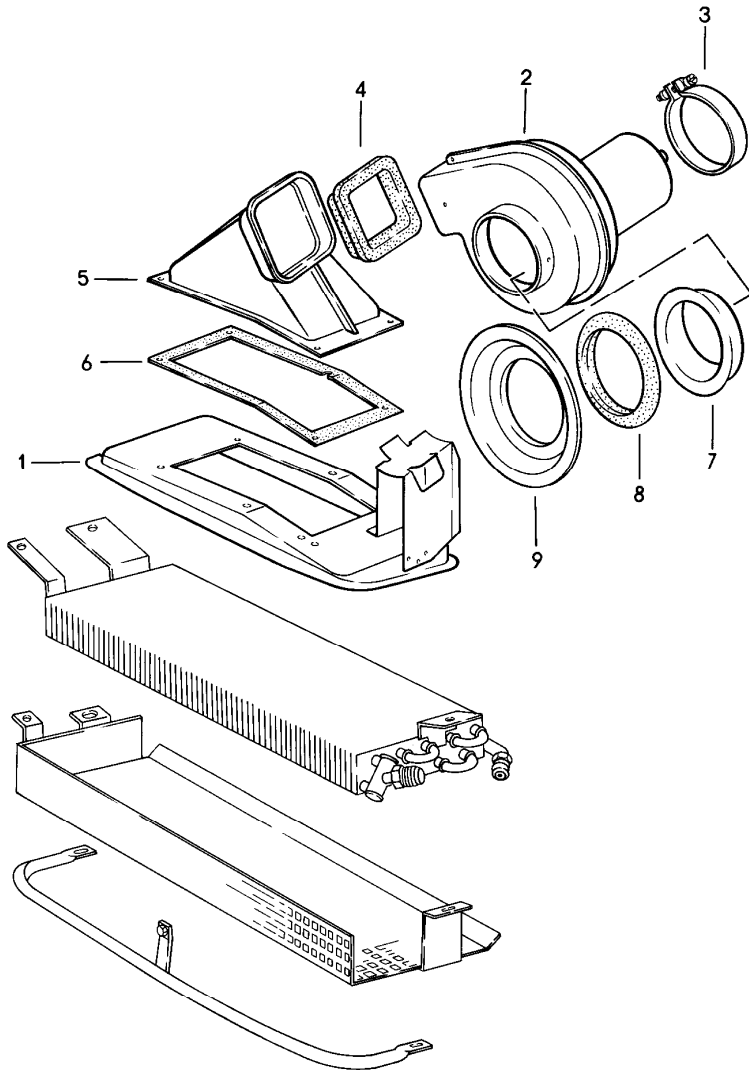


Pos	Part Number	Description	Remark	Qty	Model
		condenser refrigerant line accessories and others front			
1	911 573 056 03	condenser		1	
2	911 573 058 01	stone guard		1	
3	900 075 057 02	hexagon-head bolt M 6 X 16		3	
4	N 012 007 2	lock ring A 6		3	
5	A N 011 524 7	washer		3	
5	N 011 524 7	washer A 6,4		3	
6	911 573 055 00	impact protection		1	
7	911 573 513 01	spacer		2	
8	N 040 281 1	hexagon-head bolt M 10 X 45		2	
9	900 027 016 02	lock ring B 10		2	
10	900 151 026 02	washer B 10,5 X 30		2	
11	900 075 085 02	hexagon-head bolt M 8 X 20		1	
12	900 027 015 02	lock ring B 8		1	
13	900 025 007 02	washer A 8,4 X 16 X 1,6		1	
14	911 501 581 01	air baffle plate		1	
(15)	911 624 013 01	blower		1	
16	911 573 161 00	intake manifold		1	
17	911 573 515 00	gasket		1	
18	911 573 154 03	hose line NW 8		1	
19	999 707 247 40	o-ring 5/8"		4	
(20)	911 573 152 03	hose line	/LL	1	

Model	Year	MG	SG	Illustration	Restrictions	UPD	8:17	23.01.2010	PORSCHE	PET	PORSCHE
911	1986	8	13	813-45		248					

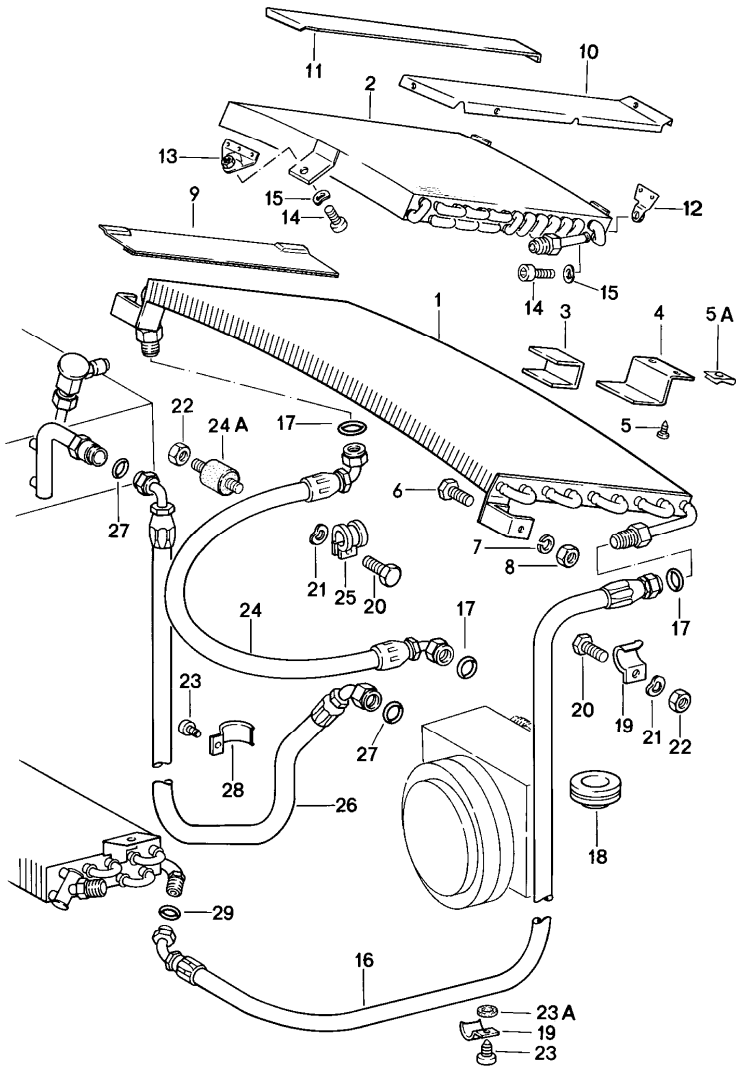
Pos	Part Number	Description	Remark	Qty	Model	Pos	Part Number	Description	Remark	Qty	Model
(20)	911 573 159 01	hose line	/RL	1							
20AA	999 511 061 02	clamp		4							
20A	999 511 061 01	clamp		4							
20B	900 187 025 02	hexagon-head tapping screw B 5,5 X 13		2							
20BA	900 075 145 02	hexagon-head bolt		2							
20B	900 075 145 02	hexagon-head bolt M 5 X 16		2							
-	N 011 005 14	hexagon nut M 5		2							
21	901 573 143 00	rubber sleeve		1							
22	A 911 573 939 03	desiccator		1							
22	911 573 939 03	desiccator		1							
23	901 573 141 00	hose clamp		2							
24	901 573 140 00	retaining bar		1							
25	900 143 029 02	oval-head sheetmetal screw B 4,2 X 16		2							

Model	Year	MG	SG	Illustration	Restrictions	UPD	8:18	23.01.2010	PORSCHE	PET	PORSCHE
911	1986	8	13	813-50		248					



Pos	Part Number	Description	Remark	Qty	Model
		fan front	/RL		M573
1	930 501 057 00	air baffle plate		1	
2	911 624 151 05	fan		1	
3	999 512 244 02	clamp		1	
4	930 573 171 01	gasket		1	
5	930 573 065 00	air duct		1	
6	930 573 173 00	gasket		1	
7	930 573 511 00	intake manifold		1	
8	930 573 517 01	gasket		1	
9	930 501 593 00	insert		1	

Model	Year	MG	SG	Illustration	Restrictions	UPD	8:19	23.01.2010	PORSCHE	PET	PORSCHE
911	1986	8	13	813-55		248					



Pos	Part Number	Description	Remark	Qty	Model
(1)	911 573 057 04	condenser refrigerant line accessories and others rear		1	CARRERA
2	930 573 053 01	condenser		1	TURBO
3	901 573 138 00	moltoprene shim 6 X 65 X 85		1	CARRERA
(3)	911 573 141 00	moltoprene shim 9 X 65 X 85	5	1	CARRERA M 42
(4)	911 573 147 00	bracket		1	CARRERA
(4)	911 573 059 00	retaining bar		1	
5	900 143 031 02	oval-head sheetmetal screw B 4,2 X 9,5		2	
5A	999 591 575 02	speed nut B 4,2		2	CARRERA
6	900 075 145 02	hexagon-head bolt M 5 X 15		2	
7	900 025 003 02	washer A 5,3		2	
8	999 507 248 02	speed nut M 5		2	
9	911 573 027 00	cover plate		2	
10	930 512 263 00	cover plate		1	TURBO
11	930 512 264 00	cover plate		1	TURBO
(12)	930 512 047 01	support	1	2	TURBO CARRERA M 49
13	930 512 258 00	fastening angle		1	TURBO
14	900 067 008 02	hexagon socket head bolt M 6 X 12		3	TURBO
15	N 012 226 5	spring washer A 6		3	TURBO
16	A 911 573 153 05	hose line NW 10	-85	1	CARRERA
16	911 573 153 05	hose line		1	CARRERA

Model	Year	MG	SG	Illustration	Restrictions	UPD	8:19	23.01.2010	PORSCHE	PET	PORSCHE
911	1986	8	13	813-55		248					

Pos	Part Number	Description	Remark	Qty	Model	Pos	Part Number	Description	Remark	Qty	Model
(16)	930 573 151 03	hose line NW 10		1	TURBO	(24)	930 573 150 04	hose line NW 10		1	TURBO
17	999 707 250 40	o-ring 3/4"		3		24A	999 703 312 00	bonded rubber buffer \$=15 MM M 5 X 10		1	TURBO
18	901 573 143 00	rubber sleeve		1		25 A	999 511 061 02	clamp		1	CARRERA
18	901 573 143 00	rubber sleeve	/RL	3		25	999 511 061 01	clamp		1	CARRERA
(19)	911 573 144 00	clamp		18		25	999 512 080 02	hose clamp		2	TURBO
(19)	999 511 061 02	clamp		10		(26)	911 573 149 03	hose line NW 13		1	
20	N 010 207 6	hexagon-head bolt M 5 X 12		2		-	911 573 525 02	hose line	/RL	1	
20	N 010 209 5	hexagon-head bolt M 5 X 25		1	TURBO	27	999 707 251 40	o-ring 7/8"		2	
-	911 573 517 00	spacer sleeve		2	TURBO	28	911 573 145 00	clamp		16	
21	N 012 005 3	lock ring B 5		2		(28)	999 511 115 02	pipe clamp 22/20		3	
22	N 011 005 14	hexagon nut M 5		2		(28)	999 511 080 02	clamp		2	
23	900 187 115 02	combination screw B 5,5 X 16		16		29	999 707 247 40	o-ring 5/8"		1	
(23)	N 090 183 1	combination screw B 6,3 X 16		3							
(23) A	900 075 145 02	hexagon-head bolt		11							
(23)	900 075 145 02	hexagon-head bolt M 5 X 16		11							
-	N 011 005 14	hexagon nut M 5		11							
-	N 012 005 3	lock ring B 5		11							
23A	999 704 134 40	sealing washer 4 X 15 X 4,5		13							
(23A)	N 011 524 7	washer A 6,4		1							
-	901 543 423 00	edge protection		1	TURBO						
24	911 573 150 03	hose line NW 10		1	CARRERA						









Model	Year	MG	SG	Illustration	Restrictions	UPD	8:20	23.01.2010
911	1986	8	98	898-00R		248		

Pos	Part Number	Description	Remark	Qty	Model
-	911 512 043 00	rear spoiler		1	
-	911 512 091 00	polyuret. rim for spoiler		1	
-	911 512 215 00	piping		1	
-	911 512 289 00	base rail	/L	1	
-	911 512 290 00	base rail	/R	1	
-	911 512 231 00	perforated plate	/L	1	
-	911 512 232 00	perforated plate	/R	1	
-	911 512 037 00	air baffle plate	/L	1	
-	911 512 038 00	air baffle plate	/R	1	
-	930 512 253 01	fastening angle		3	
-	930 512 257 00	fastening angle	/L	1	
-	930 512 258 00	fastening angle	/R	1	
-	999 703 169 40	cap		1	
-	999 703 013 50	stopper		2	
-	999 084 074 02	lock nut M 6		9	
-	999 084 075 02	lock nut M 6		10	
-	999 084 076 02	lock nut M 4		10	
-	N 040 226 2	hexagon-head bolt M 4 X 15		10	
-	900 119 091 02	pan-head screw M 6 X 15		7	
-	999 507 328 02	captive nut M 6		5	
-	900 143 124 07	tapping screw BZ 3,5 X 13		6	
-	900 143 114 07	tapping screw BZ 3,5 X 9,5		6	
-	900 269 037 07	countersunk-head screw M 4 X 20		2	
-	N 014 765 2	pan-head screw M 6 X 10		7	
-	N 011 666 7	washer B 6,4		14	

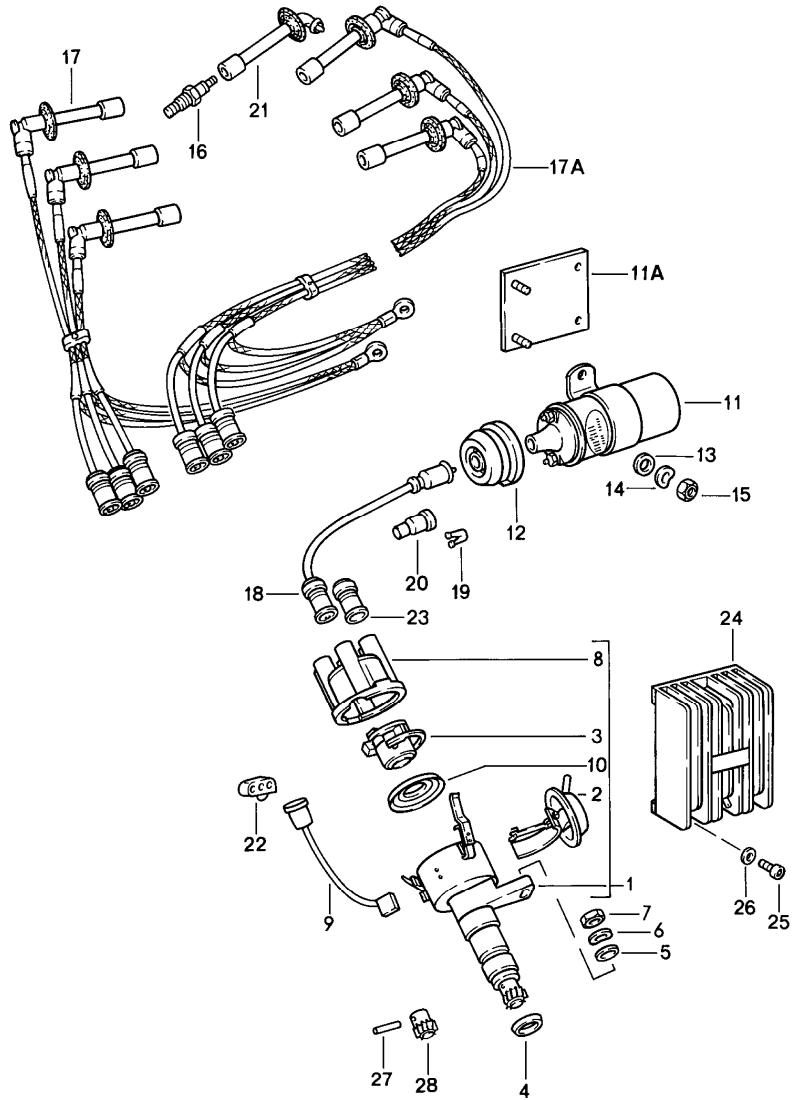
Model	Year	MG	SG	Illustration	Restrictions	UPD	8:20	23.01.2010
911	1986	8	98	898-00R		248		

Pos	Part Number	Description	Remark	Qty	Model
-	930 512 039 00	fastening plate		1	
-	911 512 331 02	gas-pressure spring		2	
-	999 166 043 02	bolt		1	
-	N 012 645 2	lock 5		1	
-	930 512 052 00	lock upper part	/H	1	
-	900 075 016 02	hexagon-head bolt M 6 X 22		1	
-	N 012 226 5	spring washer B 6		15	
-	N 011 524 7	washer A 6,4		6	
-	900 076 010 02	hexagon nut M 6		1	
-	999 591 102 17	washer 3,5		6	
>>	>>930 512 901 00	installation set rear spoiler only together with front spoiler comprising:		1	CARRERA
-	930 512 023 00	rear spoiler		1	
-	930 512 021 00	polyuret. rim for spoiler		1	
-	999 084 075 02	lock nut M 6		17	
-	930 512 253 01	fastening angle		3	
-	930 512 257 00	fastening angle	/L	1	
-	930 512 258 00	fastening angle	/R	1	
-	N 040 226 2	hexagon-head bolt M 4 X 15		10	
-	999 084 076 02	lock nut M 4		10	
-	930 512 215 00	pipng		1	
-	930 512 281 00	base rail		1	
-	999 507 328 02	captive nut M 6		5	
-	900 119 091 02	pan-head screw M 6 X 15		7	

Model	Year	MG	SG	Illustration	Restrictions	UPD	8:20	23.01.2010
911	1986	8	98	898-00R		248		

Pos	Part Number	Description	Remark	Qty	Model
-	N 011 666 7	washer B 6,4		10	
-	N 012 226 5	spring washer B 6		16	
-	N 014 765 2	pan-head screw M 6 X 10		7	
-	930 512 175 00	angular plate		2	
-	930 512 039 00	fastening plate		1	
-	930 512 052 00	lock upper part	/H	1	
-	911 512 037 00	air baffle plate	/L	1	
-	911 512 038 00	air baffle plate	/R	1	
-	911 512 231 00	perforated plate	/L	1	
-	911 512 232 00	perforated plate	/R	1	
-	999 703 169 40	cap		1	
-	999 703 013 50	stopper		2	
-	911 512 331 02	gas-pressure spring		2	
-	999 166 043 02	bolt		1	
-	N 012 645 2	lock 5		1	
-	900 075 016 02	hexagon-head bolt M 6 X 22		1	
-	N 011 524 7	washer A 6,4		6	
-	900 076 010 02	hexagon nut M 6		1	
-	900 143 114 07	tapping screw BZ 3,5 X 9,5		6	
-	900 143 124 07	tapping screw BZ 3,5 X 13		6	
-	900 269 037 07	countersunk-head screw M 4 X 20		2	
-	999 591 102 17	washer 3,5		6	

Model	Year	MG	SG	Illustration	Restrictions	UPD	8:20	23.01.2010	PORSCHE	PET	PORSCHE
911	1986	9	01	901-00		248					

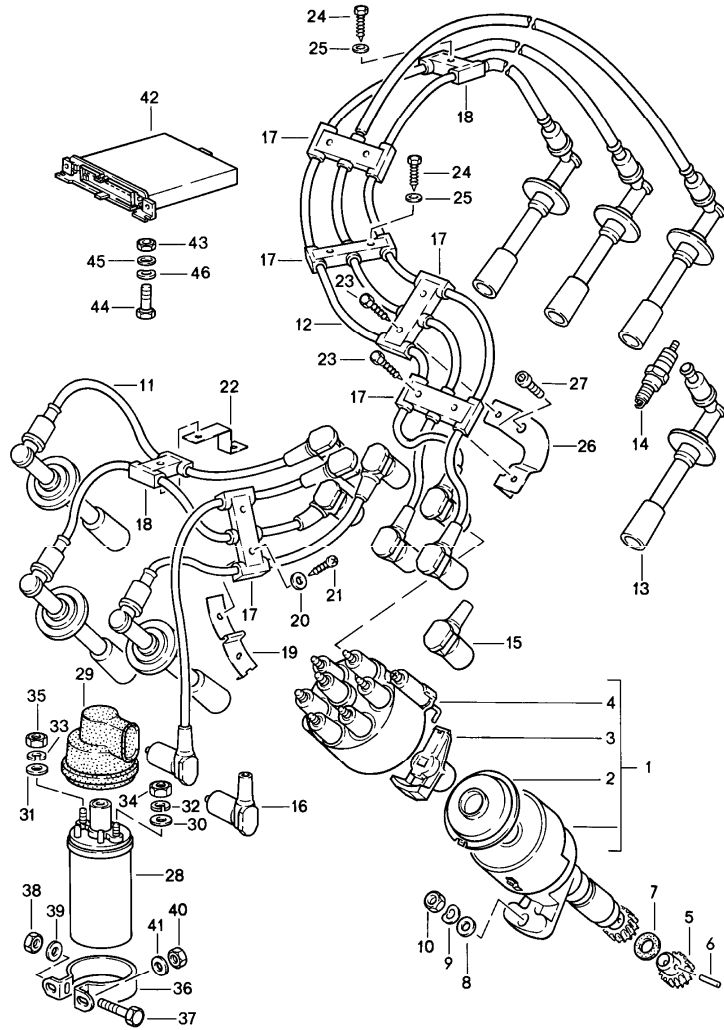


Pos	Part Number	Description	Remark	Qty	Model
		engine electrics 1			TURBO
1	> 930 602 103 00	distributor		1	M30.66
2	930 602 917 00	vacuum unit		1	
3	930 602 901 01	rotor		1	M30.66
4	911 602 102 01	sealing ring		1	
5	900 025 007 02	washer A 8,4		1	
6	N 012 241 8	spring washer B 8		1	
7	900 076 025 02	hexagon nut M 8		1	
(8)	930 602 904 00	distributor cap		1	
9	930 602 907 01	electric line		1	
10	930 602 909 00	dust cover		1	
11	901 602 502 00	ignition transformer		1	
11A	901 126 121 01	mounting plate		1	
12	911 602 801 00	protection cap		1	
13	900 025 007 02	washer 8,4		2	
14	N 012 241 8	spring washer B 8		2	
15	900 076 025 02	hexagon nut M 8		2	
16	999 170 128 90	spark plug W3DP - bosch -		6	
17	911 609 011 07	set of ignition cables geschirmt	/L	1	
17A	911 609 010 07	set of ignition cables geschirmt	/R	1	
18	911 609 061 07	ignition lead ignition transformer		1	
19	911 609 510 00	cable plug		1	
20	999 659 001 40	water protection cap		1	

Model	Year	MG	SG	Illustration	Restrictions	UPD	8:20	23.01.2010	PORSCHE	PET	PORSCHE
911	1986	9	01	901-00		248					

Pos	Part Number	Description	Remark	Qty	Model	Pos	Part Number	Description	Remark	Qty	Model
21	911 602 315 00	spark plug connector screened connector	84	6							
21	911 602 315 00	spark plug connector	85-	6							
22	901 609 591 00	cable holder		4							
23	122 035 281	suppression connector		7							
24	> 930 602 702 00	switch unit		1							
24	930 602 702 X	switch unit		1							
25	N 014 703 2	pan-head screw M 6 X 18		3							
26	900 031 011 02	washer 6,4		3							
27	930 602 922 00	pin		1							
28	930 602 422 03	pinion		1	M30.66						

Model	Year	MG	SG	Illustration	Restrictions	UPD	8:20	23.01.2010	PORSCHE	PET	PORSCHE
911	1986	9	01	901-02		248					

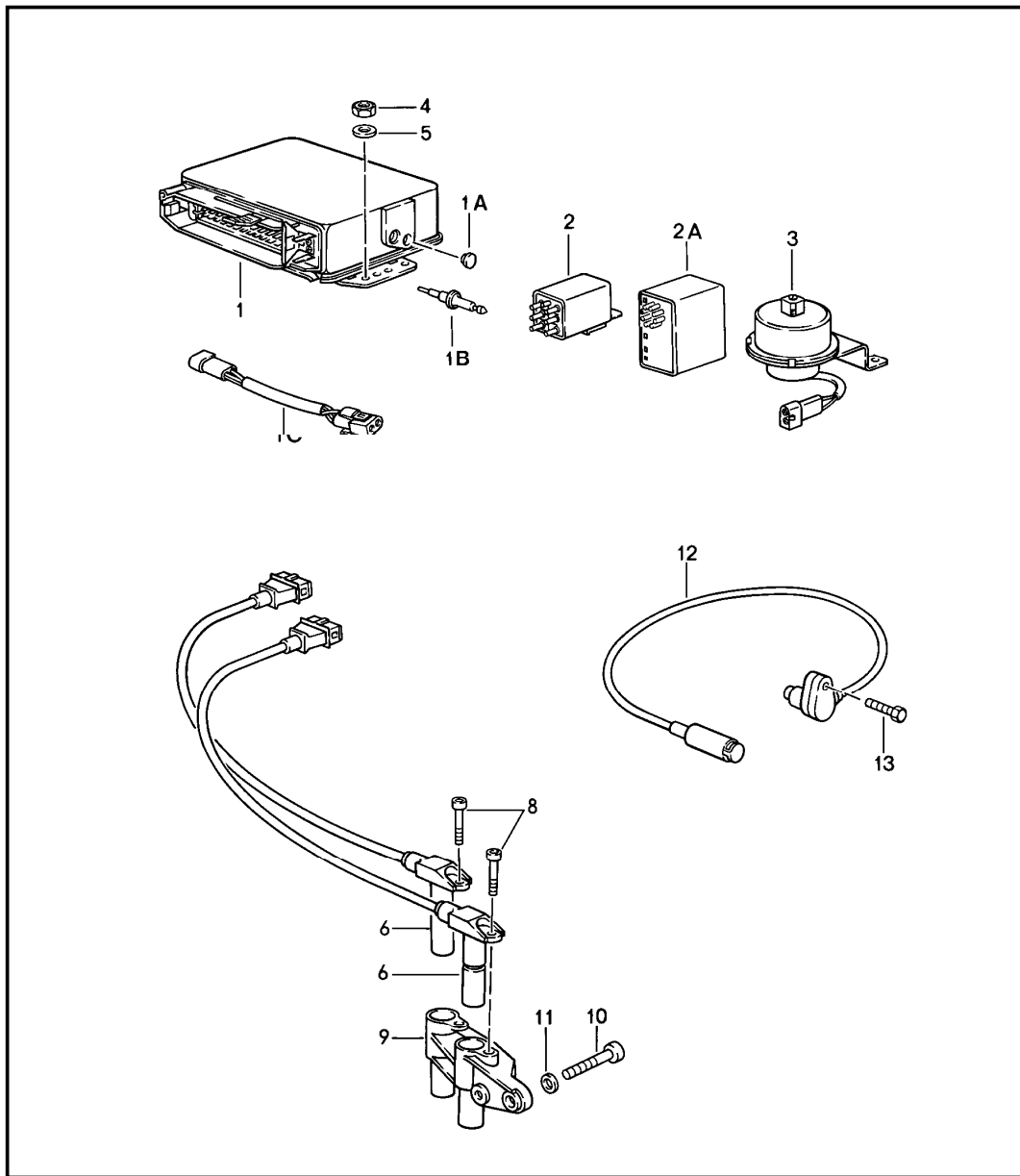


Pos	Part Number	Description	Remark	Qty	Model
		engine electrics 2			CARRERA M30.20/21/26
(1) >	930 602 923 00	distributor M >> 63E 00700		1	
1 >	930 602 023 00	distributor M 63E 00701 >>		1	
2	930 602 909 00	dust cover		1	
3	930 602 902 01	rotor		1	
4	930 602 919 00	distributor cap		1	
5	930 602 424 00	pinion		1	
5	930 602 424 02	pinion		1	
6	930 602 922 00	pin		1	
7	911 602 102 01	sealing ring		1	
8	900 025 007 02	washer A 8,4		1	
9	N 012 241 8	spring washer B 8		1	
10	900 076 025 02	hexagon nut M 8		1	
11	911 602 011 00	set of ignition cables	/L	84	1
11	911 602 011 04	set of ignition cables	/L		1 M30.20/21
(11)	911 602 011 03	set of ignition cables	/L	85-	1 M30.26
12	911 602 012 00	set of ignition cables	/R	84	1
(12)	911 602 012 03	set of ignition cables	/R	85-	1 M30.20/21 M30.26
13	911 602 315 00	spark plug connector screened connector		84	6
(13)	911 602 315 00	spark plug connector screened connector		85-	6
14	999 170 157 90	spark plug WR4CC - bosch -		6	M30.20/26
14	999 170 156 90	spark plug WR7DC - bosch -		6	M30.21

Model	Year	MG	SG	Illustration	Restrictions	UPD	8:20	23.01.2010	PORSCHE	PET	PORSCHE
911	1986	9	01	901-02		248					

Pos	Part Number	Description	Remark	Qty	Model	Pos	Part Number	Description	Remark	Qty	Model
15	944 609 133 00	distributor plug	84	7		32	N 012 005 3	lock ring B 5		1	
(15)	928 602 557 01	suppression connector	85-	7		33	N 012 006 4	lock ring B 6		1	
16	944 609 131 00	ignition coil plug	84	1		34	N 011 005 14	hexagon nut M 5		1	
(16)	928 602 131 00	ignition coil plug	85-	1		35	900 076 010 02	hexagon nut M 6		1	
17	911 609 591 00	cable holder		10		36	944 602 117 00	clamp		1	
-	911 602 183 03	cable holder	85-	1		37	900 146 045 02	oval-head screw M 5 X 45		1	
-	928 602 554 00	cable clip for ignition cable	85-	1		38	N 011 005 14	hexagon nut M 5		1	
18	911 609 593 00	cable holder		4		39	900 025 003 02	washer 5,3		1	
19	911 602 081 01	support		1		40	900 076 025 02	hexagon nut M 8		2	
-	911 602 187 00	support	84	1		41	900 025 007 02	washer A 8,4		2	
-	911 602 083 02	support	85-	1		-	999 075 048 02	hexagon-head bolt M 6 X 22		2	
20	900 025 003 02	washer A 5,3		2							
-	113 142 261 A	clip		2							
21	N 044 132 2	oval-head screw M 5 X 20		2							
22	911 602 083 01	support		1							
23	900 187 017 02	tapping screw BZ 4,2 X 19		2							
24	900 187 020 02	tapping screw BZ 4,2 X 25		4							
25	900 025 002 02	washer 4,3		4							
26	911 609 595 00	retaining bracket		1							
27	900 119 052 02	pan-head screw M 8 X 15		1							
28	944 602 115 00	ignition coil		1							
29	944 602 801 00	protection cap		1							
30	900 025 003 02	washer 5,3		1							
31	N 011 524 7	washer A 6,4		1							

Model	Year	MG	SG	Illustration	Restrictions	UPD	8:20	23.01.2010	PORSCHE	PET	PORSCHE
911	1986	9	01	901-03		248					



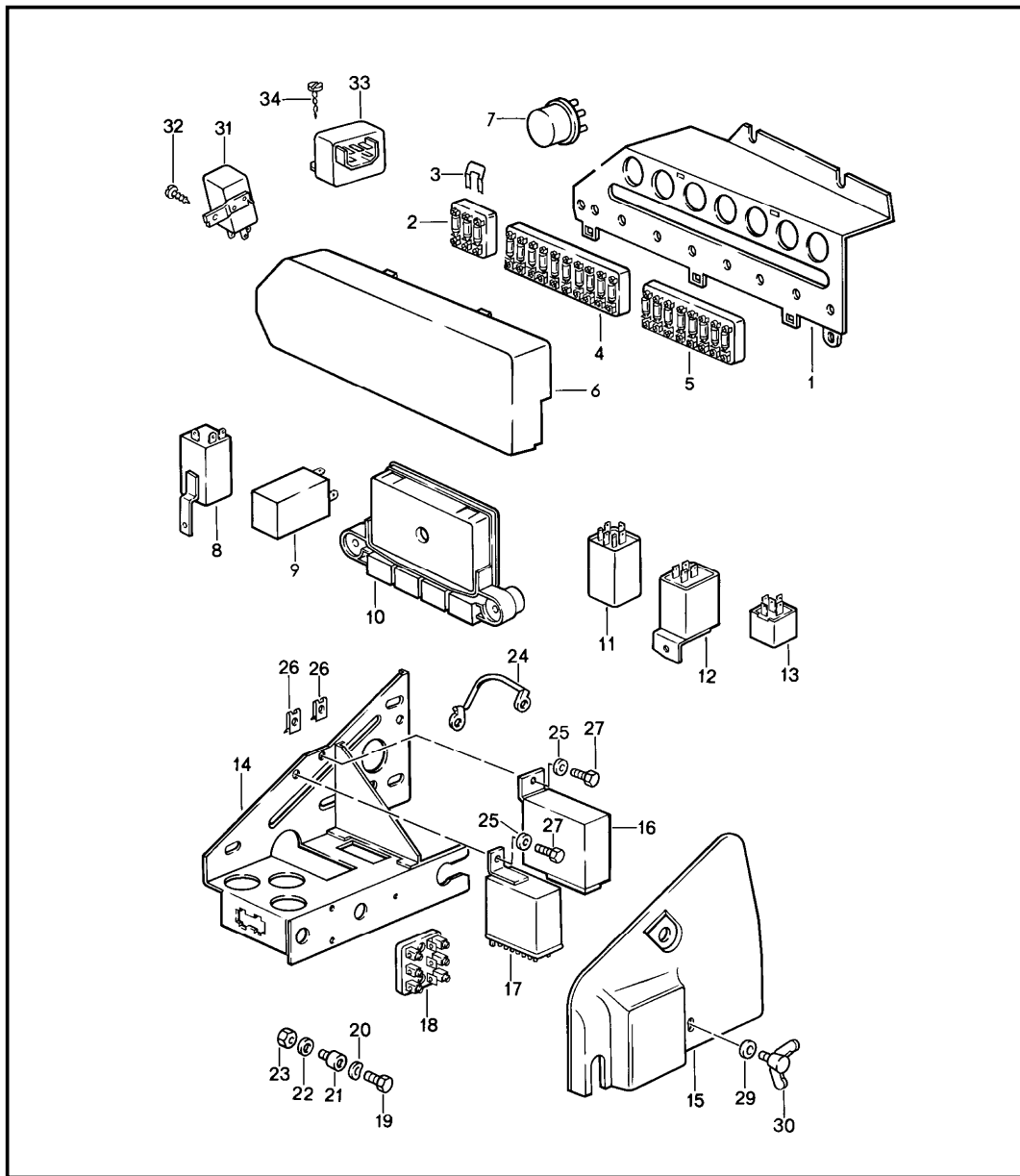
Pos	Part Number	Description	Remark	Qty	Model
		engine electrics 3			CARRERA M30.20/21/26
1	> 911 618 111 05	control unit - dme -	(J)	1	M30.21
1	> 911 618 111 08	control unit - dme -	-85	1	M30.20
1	> 911 618 111 09	control unit - dme -	-85	1	M30.20 M240
1	> 911 618 111 10	control unit - dme -	-85	1	M30.26
1	911 618 111 11	control unit - dme -	(AUS)	-85	M30.26
1	> 911 618 111 18	control unit	86-	1	930.20/26
1	911 618 111 LX	control unit - dme -	86-	1	930.20/26
1	> 911 618 111 19	control unit - dme -	86-	1	M30.20 M240
1	> 911 618 111 05	control unit	86-	1	930.21
1	911 618 111 EX	control unit - dme -	(AUS) (A) (D) (CH)	86-	930.21 M298
1A	911 606 411 01	stopper red		1	
1B	944 618 940 00	adjusting key		1	
1C	911 612 421 00	adapter for -DME- wiring harness	86-	1	
(1C)	911 612 422 00	adapter plug for -DME- wiring harness	86-	1	
2	A 911 618 154 00	switch unit -DME-		1	
3	944 606 051 00	altitude capsule  Internteil zu 944.606.051.		1	



Model	Year	MG	SG	Illustration	Restrictions	UPD	8:20	23.01.2010	PORSCHE	PET	PORSCHE
911	1986	9	01	901-03		248					

Pos	Part Number	Description	Remark	Qty	Model	Pos	Part Number	Description	Remark	Qty	Model
4	900 076 010 02	hexagon nut M 6		7							
5	N 011 524 7	washer A 6,4		7							
6	911 606 215 01	pulse sender		2							
8	N 014 740 2	pan-head screw M 6 X 16		2							
9	930 101 089 01	support pulse sender		1							
10	N 010 217 9	hexagon-head bolt M 6 X 20		2							
11	N 011 524 7	washer A 6,4		2							
12	911 606 108 00	timing mark sender		1							
13	900 067 089 02	pan-head screw M 6 X 25		1 1							

Model	Year	MG	SG	Illustration	Restrictions	UPD	8:21	23.01.2010	PORSCHE	PET	PORSCHE
911	1986	9	02	902-00		248					

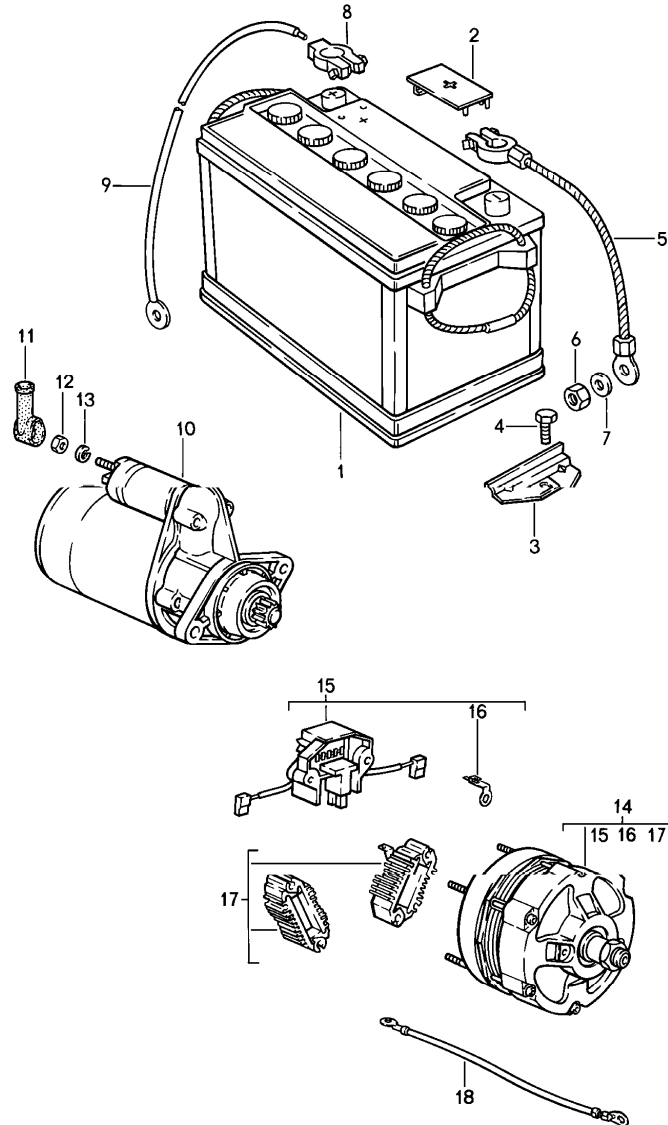


Pos	Part Number	Description	Remark	Qty	Model
1	911 612 197 00	control unit relay fuse box		1	
2	911 612 093 05	mounting plate		1	CARRERA
(2)	911 612 093 05	fuse box triple		1	TURBO
3	901 612 835 01	connecting rail		2	
4	911 612 086 01	fuse box 10-fold		1	
5	911 612 087 01	fuse box 8-fold		1	
6	911 612 161 05	lid	84	1	CARRERA
(6)	911 612 161 06	lid	-85	1	CARRERA
(6)	930 612 161 02	lid	84	1	TURBO
(6)	930 612 161 03	lid	-85	1	TURBO
(6)	911 612 161 08	lid	86-	1	
-	911 612 243 00	assignment sticker	86-	1	CARRERA
-	930 612 243 00	assignment sticker	86-	1	TURBO
7	911 615 108 01	relay standard type relay red		1	
7	911 615 109 01	relay standard type relay black		X	
(7)	944 615 112 02	relay power window	85-	1	
8	911 618 121 00	relay engine-speed shutoff		1	930.26
9	> 914 618 303 11	flasher relay	84	1	
(9)	111 953 227 D	flasher relay	85-	1	
(9)	911 618 103 00	flasher relay for cars with trailer coupling		1	

Model	Year	MG	SG	Illustration	Restrictions	UPD	8:21	23.01.2010	PORSCHE	PET	PORSCHE
911	1986	9	02	902-00		248					

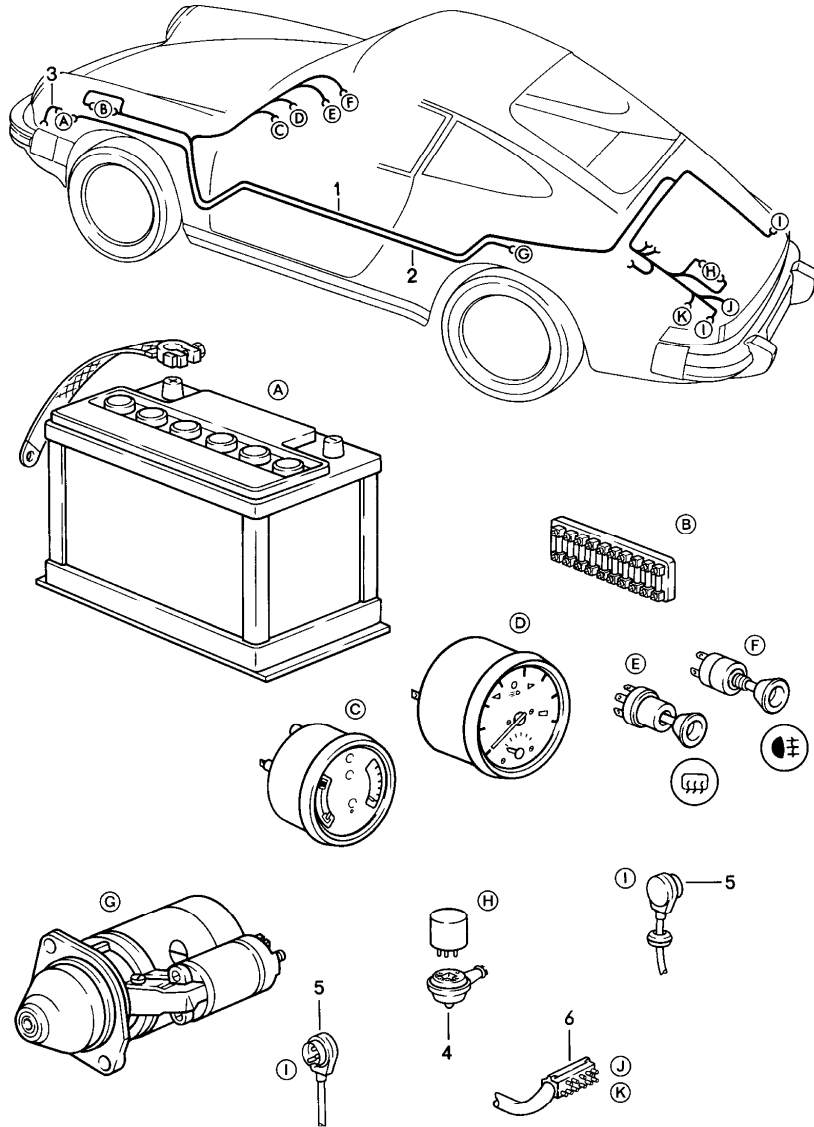
Pos	Part Number	Description	Remark	Qty	Model	Pos	Part Number	Description	Remark	Qty	Model
10	911 618 313 00	control unit for convertible top see technical information GR.6, NR. 6/96		1		25	900 151 028 02	washer B 4,3 X 12		2	
11	A 928 618 113 01	relay intensive windscreen washer		1		26	N 015 429 2	speed nut B 4,2		2	
12	A 930 617 117 01	relay ignition cut-off		1	TURBO	27	900 187 013 02	tapping screw BZ 4,2 X 13		2	
13	A 821 951 253	relay for oxygen sensor		1	CARRERA	29	900 151 003 02	washer A 6,4		2	
13	PCG 951 253 00	relay for oxygen sensor		1	CARRERA	30	900 029 102 02	wing screw		2	
14	911 610 013 00	mounting plate	84	1	CARRERA	-	N 017 121 1	safety fuse 8 A		X	
(14)	911 610 013 01	mounting plate	85	1	CARRERA	-	N 017 121 5	safety fuse 25 A		X	
(14)	911 610 103 03	mounting plate	-85	1	TURBO	-	N 017 121 4	safety fuse 16 A		X	
(14)	930 610 103 01	mounting plate	86-	1	TURBO	-	900 173 006 90	safety fuse 5 A		X	
15	911 610 105 04	cover		1		-	911 612 401 00	spacer		1	
16	911 615 115 00	relay rear window heating two-stage heatable		1		-	900 143 076 02	oval-head sheetmetal screw 4,2 X 25		1	
17	911 618 153 00	relay additional blower		1		-	900 146 009 02	oval-head screw 4 X 12			
18	911 612 093 05	fuse box triple		1	CARRERA	-	999 507 401 40	special nut		X	
19	N 010 208 5	hexagon-head bolt M 6 X 8		3							
20	N 012 226 5	spring washer B 6		3							
21	A 999 703 384 00	megulastik pivot bearing		3							
21	999 703 384 01	megulastik pivot bearing		3							
22	900 031 011 02	washer 6,4		3							
23	900 910 096 02	lock nut VM 6		3							
24	911 612 008 00	ground strap for mounting plate		1							

Model	Year	MG	SG	Illustration	Restrictions	UPD	8:21	23.01.2010	PORSCHE	PET	PORSCHE
911	1986	9	02	902-05		248					



Pos	Part Number	Description	Remark	Qty	Model
		battery starter generator			
1	928 611 101 00	battery 66 AH		1	
(1)	999 611 088 20	battery 88 AH		1	
2	999 611 104 00	pole covering		1	
3	911 611 209 00	bracket		1	
4	999 075 032 02	hexagon-head bolt M 8 X 20		1	
5	911 611 899 00	ground cable		1	
6	900 076 030 02	hexagon nut M 8		1	
7	900 025 007 02	washer A 8,4		1	
8	911 611 898 01	terminal		1	
9	911 612 022 28	battery-starter cable		1	
10	> 911 604 101 01	starter		1	
11	999 659 006 50	protection cap		1	
12	900 076 025 02	hexagon nut M 8		1	
13	900 027 015 02	lock ring B 8		1	
14	> 911 603 120 05	generator		1	
15	911 603 913 01	electronic regulator		1	
16	911 603 911 00	connector		1	
17	911 603 910 01	diode plate		1	
18	911 612 233 00	ground strap		1	

Model	Year	MG	SG	Illustration	Restrictions	UPD	8:21	23.01.2010	PORSCHE	PET	PORSCHE
911	1986	9	02	902-10		248					

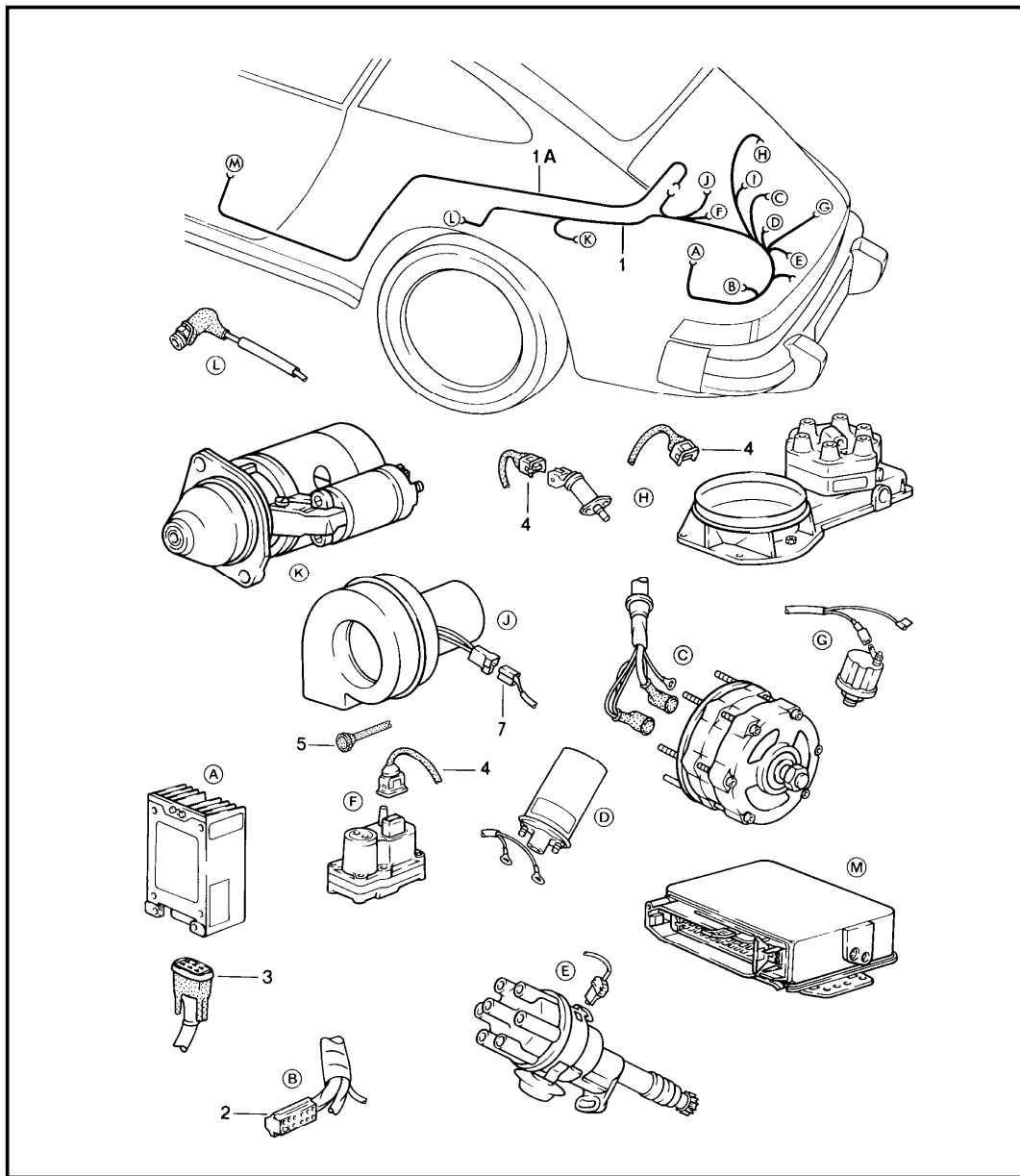


Pos	Part Number	Description	Remark	Qty	Model
		wiring harnesses passenger compartment battery-starter cable boot floor plate			
1	911 612 001 31	wiring harness tunnel	/LL	84	1 CARRERA
(1)	911 612 001 32	wiring harness tunnel	/LL	85	1 CARRERA
(1)	911 612 001 34	wiring harness tunnel	/LL	86-	1 CARRERA
(1)	930 612 001 07	wiring harness tunnel	/LL	85	1 TURBO
(1)	930 612 001 09	wiring harness tunnel	/LL	86-	1 TURBO
(1)	911 612 061 28	wiring harness tunnel	/RL	84	1 CARRERA
(1)	911 612 061 29	wiring harness tunnel	/RL	85	1 CARRERA
(1)	911 612 061 31	wiring harness tunnel	/RL	86-	1 CARRERA
(1)	930 612 061 07	wiring harness tunnel	/RL	85	1 TURBO
(1)	930 612 061 09	wiring harness tunnel	/RL	86-	1 TURBO
2	911 612 022 28	battery-starter cable		1	
-	901 612 107 00	ground strap for bonnet		2	
		mounting parts			
-	999 513 002 40	tie-wrap		1	
-	999 702 132 50	rubber sleeve		1	
-	999 513 023 40	tie-wrap		5	
-	911 612 821 00	covering		1	
3	911 611 899 00	ground cable battery		1	
-	999 611 920 20	ground strap transmission		1	

Model	Year	MG	SG	Illustration	Restrictions	UPD	8:21	23.01.2010	PORSCHE	PET	PORSCHE
911	1986	9	02	902-10		248					

Pos	Part Number	Description	Remark	Qty	Model	Pos	Part Number	Description	Remark	Qty	Model
4	901 612 333 00	plug socket relay		1							
5	901 612 330 00	multiple plug connection 6-pole rear light		2							
6	911 612 113 05	connector housing 14-pole		1							
(6)	911 612 884 00	connector housing 12-pole		1							
-	901 612 334 00	plug socket for relay		1							

Model	Year	MG	SG	Illustration	Restrictions	UPD	8:21	23.01.2010	PORSCHE	PET	PORSCHE
911	1986	9	02	902-11		248					



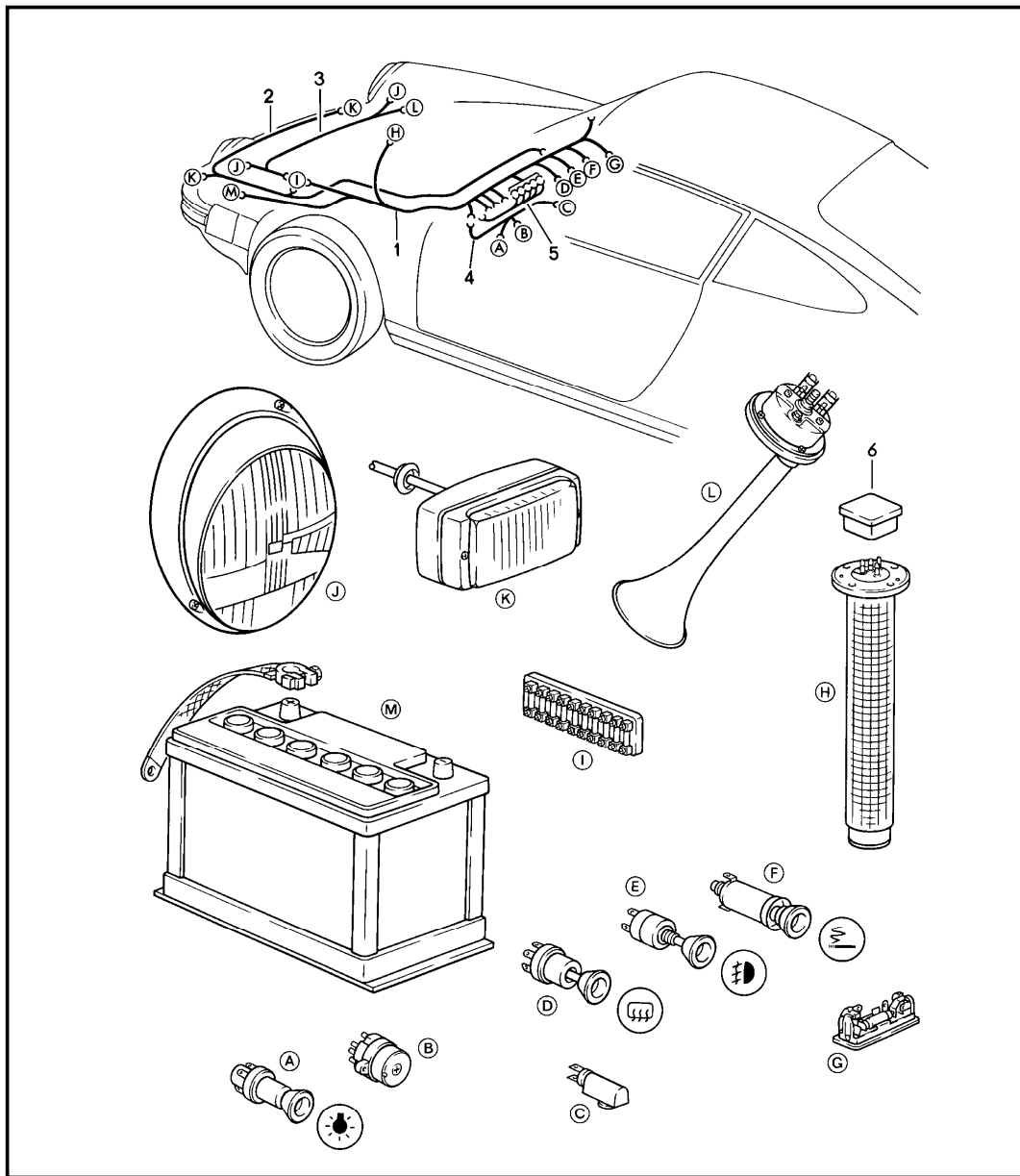
Pos	Part Number	Description	Remark	Qty	Model
1	911 607 016 00	wiring harnesses engine		1	CARRERA
(1)	930 607 016 02	wiring harness engine		1	TURBO
-	911 607 174 03	wiring harness injector valve	-85	1	CARRERA
-	911 607 174 04	wiring harness injector valve	86-	1	CARRERA
-	911 612 907 00	contact pin for back-up light switch		2	
1A	911 612 173 07	wiring harness - dme - control unit	-85	1	
(1A)	911 612 173 09	wiring harness - dme - control unit	86-	1	
(1A)	911 612 173 06	wiring harness - dme - control unit with o2 sensor closed-loop ctrl	(J)	1	M298
(1A)	911 612 173 08	wiring harness - dme - control unit	(AUS) (CH) (S) -85	1	
(1A)	911 612 173 10	wiring harness - dme - control unit	(AUS) (CH) (S) 86-	1	
2	911 612 115 03	connector housing 14-pole		1	
3	928 612 421 00	connector housing without cap control unit		1	TURBO
4	022 906 231 A	connector housing		1	TURBO
(4)	022 906 233 B	connector housing 3-pole		1	

Model	Year	MG	SG	Illustration	Restrictions	UPD	8:21	23.01.2010	PORSCHE	PET	PORSCHE
911	1986	9	02	902-11		248					

Pos	Part Number	Description	Remark	Qty	Model	Pos	Part Number	Description	Remark	Qty	Model
(4)	A 022 906 231 B	terminal sleeve housing 2-pole		1							
5	022 906 102	protection cap		1							
6	999 659 033 50	rubber cap		2							
-	999 911 041 00	edge protection		1							
7	999 652 167 40	terminal sleeve housing		1							
-	914 613 491 00	rubber cap temperature switch		1							
-	911 612 233 00	ground strap generator engine		1							
-	999 511 081 02	pipe clamp for wiring harness POS.1		1							



Model	Year	MG	SG	Illustration	Restrictions	UPD	8:21	23.01.2010	PORSCHE	PET	PORSCHE
911	1986	9	02	902-12		248					

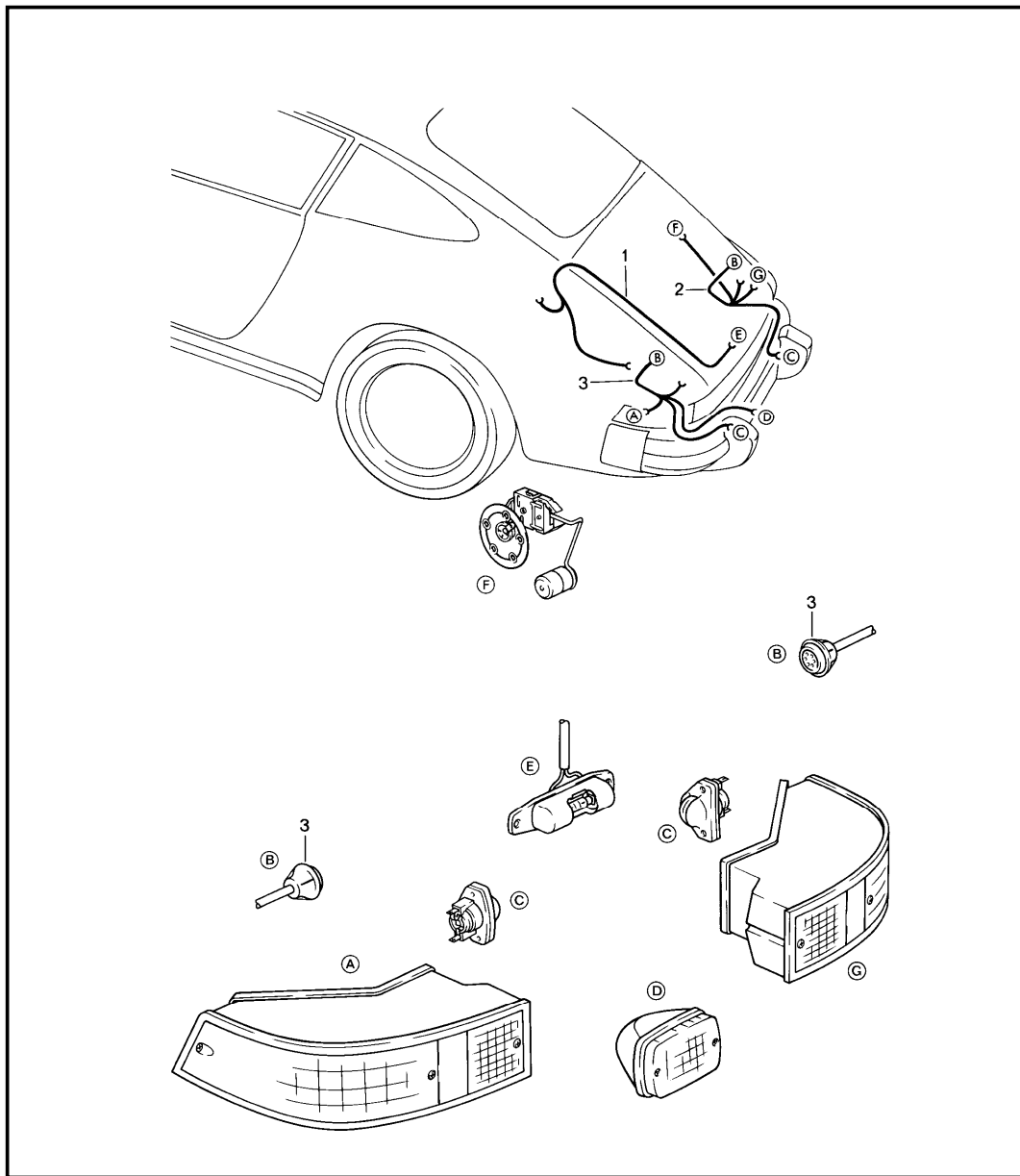


Pos	Part Number	Description	Remark	Qty	Model
1	911 612 002 15	wiring harness FRONT luggage compartment	/LL	84	1 CARRERA
1	911 612 002 18	wiring harness FRONT luggage compartment	/LL	-85	1 CARRERA
(1)	911 612 002 19	wiring harness FRONT luggage compartment	/LL	86-	1 CARRERA
1	911 612 002 14	wiring harness FRONT luggage compartment	/LL	84	1 TURBO
(1)	930 612 002 00	wiring harness FRONT luggage compartment	/LL	-85	1 TURBO
(1)	930 612 002 02	wiring harness FRONT luggage compartment	/LL	86-	1 TURBO
1	911 612 060 05	wiring harness FRONT luggage compartment	/RL	84	1 CARRERA
(1)	911 612 060 04	wiring harness FRONT luggage compartment	/RL	84	1 TURBO
(1)	911 612 060 07	wiring harness FRONT luggage compartment	/RL	-85	1 CARRERA
(1)	911 612 060 09	wiring harness FRONT luggage compartment	/RL	86-	1 CARRERA
(1)	930 612 060 00	wiring harness FRONT luggage compartment	/RL	-85	1 TURBO
(1)	930 612 060 02	wiring harness FRONT luggage compartment	/RL	86-	1 TURBO
2	911 612 027 03	additional cables fog headlamp		1	
-	911 612 027 01	ground cable ground strap fog headlamp		1	
3	911 612 003 01	wiring harness fuse box headlamp horn		1	
4	911 612 011 32	wiring harness ignition starter switch	-84	1	
(4)	911 612 011 34	wiring harness ignition starter switch	85-	1	

Model	Year	MG	SG	Illustration	Restrictions	UPD	8:21	23.01.2010	PORSCHE	PET	PORSCHE
911	1986	9	02	902-12		248					

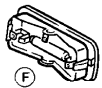
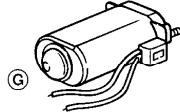
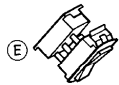
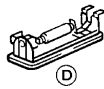
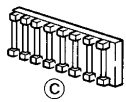
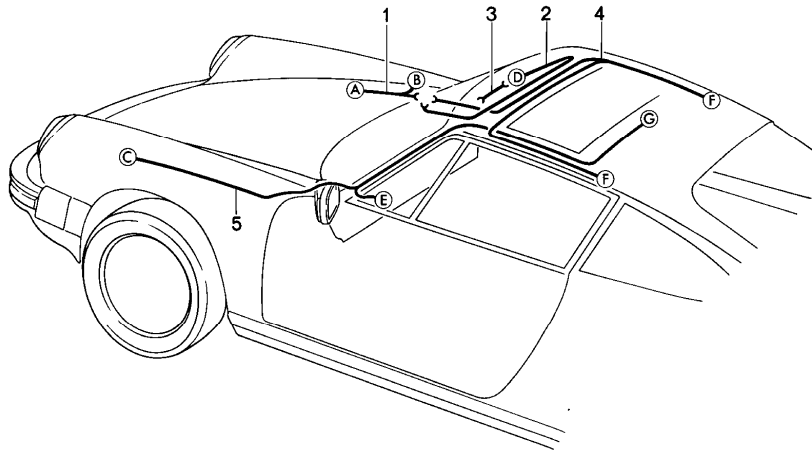
Pos	Part Number	Description	Remark	Qty	Model	Pos	Part Number	Description	Remark	Qty	Model
5	911 612 047 00	wiring harness instruments		1							
-	911 612 177 01	wiring harness direction indicator light	-85	1							
-	911 612 177 02	wiring harness direction indicator light	86-	1							
-	477 953 331	grommet direction indicator light		2							
-	911 612 010 03	wiring harness light switch		1							
-	930 612 091 00	single line indicator light generator diode		1	TURBO						
-	111 971 977	plug with guide single line		1	TURBO						
-	911 617 108 00	diode indicator light generator		1	TURBO						
-	911 612 083 00	ground cable ashtray light		1							
-	901 612 303 20	ground strap fuel tank connection piece		1							
-	911 612 014 30	wiring harness emergency light switch	84	1							
-	911 612 014 31	wiring harness emergency light switch	85-	1							
-	911 612 091 02	single line switch fog headlamp	(CH)	1							
-	901 612 064 00	ground cable switch fog headlamp		1							
6	901 612 891 01	connector housing		1							

Model	Year	MG	SG	Illustration	Restrictions	UPD	8:22	23.01.2010	PORSCHE	PET	PORSCHE
911	1986	9	02	902-13		248					



Pos	Part Number	Description	Remark	Qty	Model
1	911 612 049 00	wiring harness engine compartment lamp rear light		-85	1
(1)	911 612 049 02	wiring harness engine compartment lamp		86-	1
2	911 612 039 01	wiring harness rear light	/R	1	
3	911 612 039 10	wiring harness rear light	/L	1	
-	911 612 026 00	wiring harness switch for rear fog light fuse box		1	
-	901 612 066 02	wiring harness switch for rear fog light		1	
-	911 612 091 02	single line switch for fog headlamp	(CH)	1	
-	901 612 064 00	ground cable switch for fog headlamp and switch for rear fog light		1	
-	911 612 154 00	additional cables rear fog light right-hand drive		1	
-	911 612 155 01	wiring harness for - 2 - rear fog light		1	
3	901 612 330 00	multiple plug connection		1	

Model	Year	MG	SG	Illustration	Restrictions	UPD	8:22	23.01.2010	PORSCHE	PET	PORSCHE
911	1986	9	02	902-14		248					

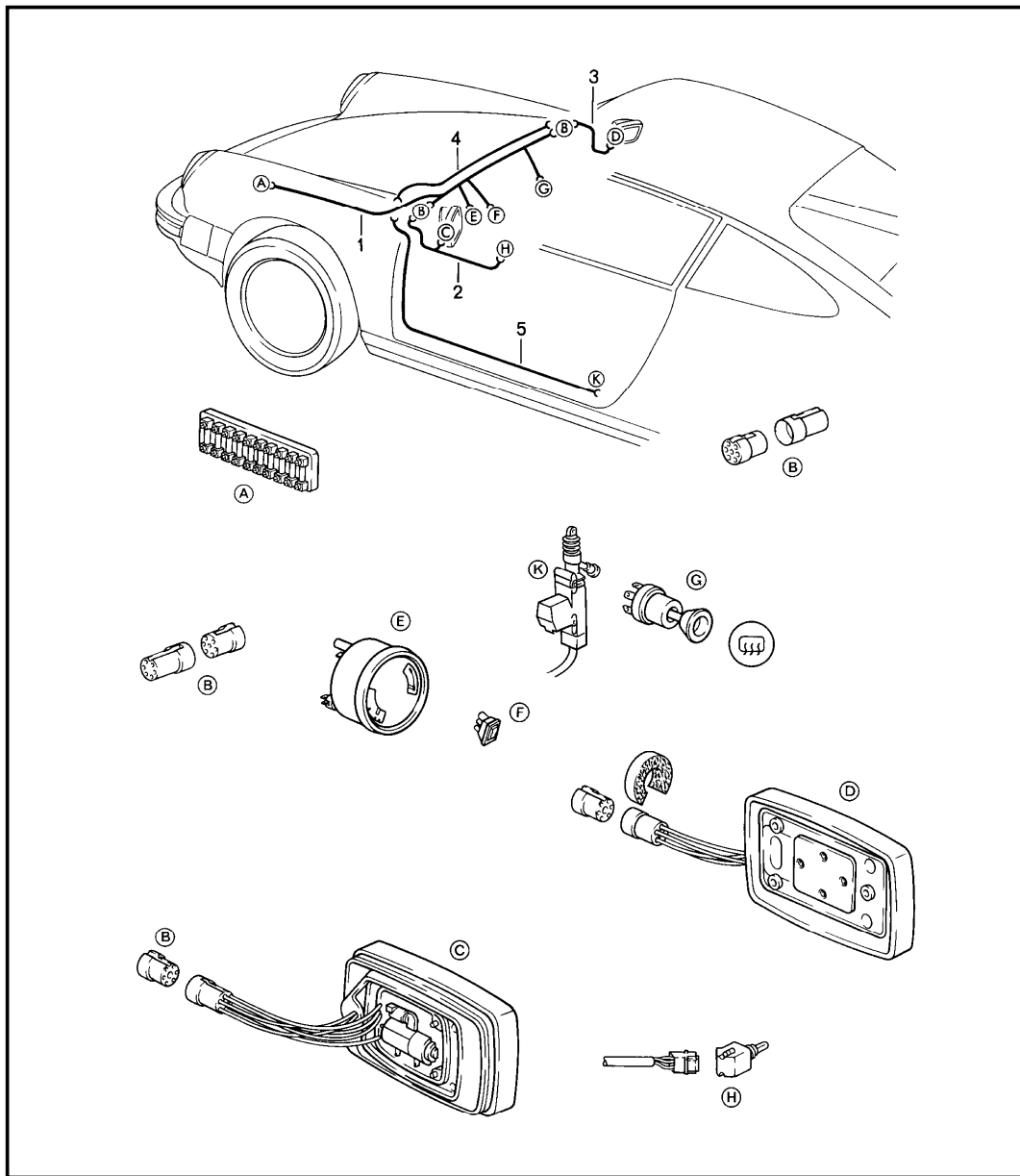


Pos	Part Number	Description	Remark	Qty	Model
		wiring harnesses FRONT luggage compartment interior lights sunroof convertible top control electric			
1 A	911 612 044 21	wiring harness luggage compartment lamp	-85	1	
(1)	911 612 044 21	wiring harness luggage compartment lamp		1	
2	901 612 035 41	wiring harness interior light		1	TARGA
3	911 612 226 00	ground strap interior light		1	TARGA, COUPE
(3)	911 612 042 60	wiring harness interior light	-85	1	CABRIO
(3)	911 612 042 61	wiring harness interior light	86-	1	CABRIO
4	901 612 035 20	wiring harness interior lights	84	1	COUPE
(4)	911 612 045 01	wiring harness interior lights	-85	1	
(4)	911 612 045 02	wiring harness interior light	86-	1	
5	911 612 034 00	wiring harness sunroof	/LL	84	1
(5)	911 612 034 01	wiring harness sunroof	/LL	-85	1
(5)	911 612 034 02	wiring harness sunroof	86-	1	
(5)	911 612 064 01	wiring harness sunroof	/RL	84	1
(5)	911 612 064 02	wiring harness sunroof	/RL	85-	1
(5)	911 612 064 03	wiring harness sunroof	86-	1	
-	993 612 563 00	wiring harness convertible top control electric	86-	1	CABRIO

Model	Year	MG	SG	Illustration	Restrictions	UPD	8:22	23.01.2010	PORSCHE	PET	PORSCHE
911	1986	9	02	902-14		248					

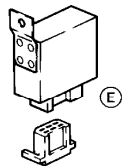
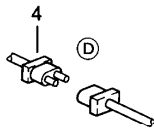
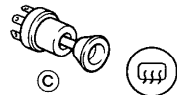
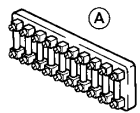
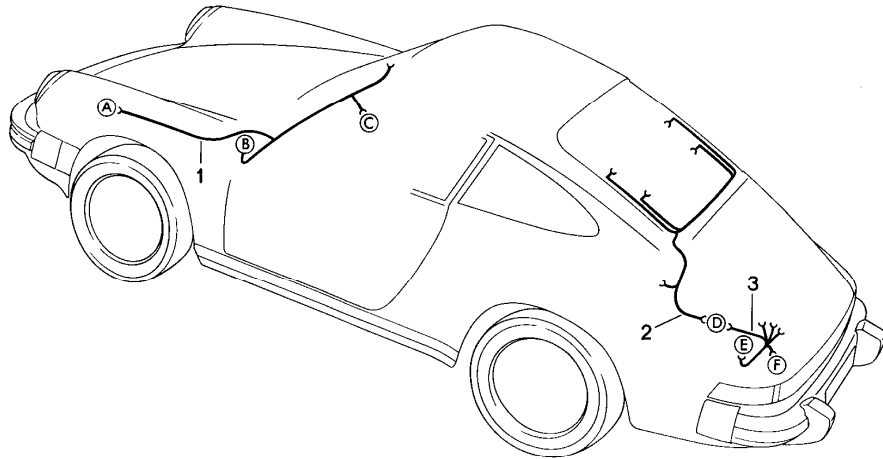
Pos	Part Number	Description	Remark	Qty	Model	Pos	Part Number	Description	Remark	Qty	Model
-	911 612 561 01	wiring harness convertible top control electric	/LL	86-	1 CABRIO						
-	911 612 562 00	wiring harness convertible top control electric	/RL	86-	1 CABRIO						
-	911 612 415 00	wiring harness switch		1							

Model	Year	MG	SG	Illustration	Restrictions	UPD	8:22	23.01.2010	PORSCHE	PET	PORSCHE
911	1986	9	02	902-15		248					



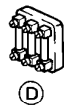
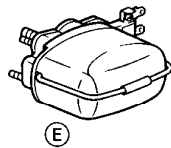
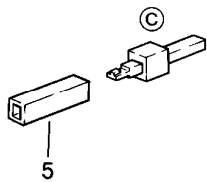
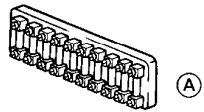
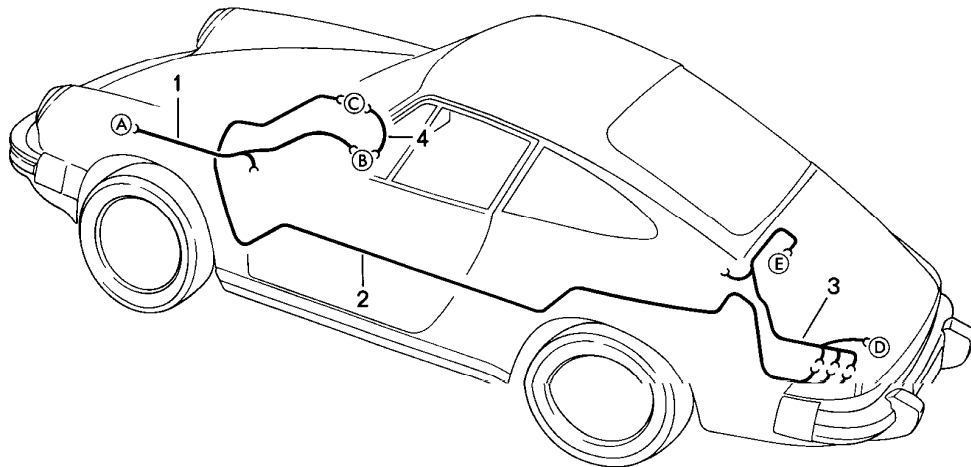
Pos	Part Number	Description	Remark	Qty	Model
		wiring harnesses door mirror electrically adjustable central locking system			
		door mirror driver's side		84	
1	911 612 162 03	wiring harness boot floor plate	/LL	1	
(1)	911 612 162 02	wiring harness boot floor plate	/RL	1	
2	911 612 163 01	wiring harness driver's door		1	
		door mirror driver's side and passenger's side			
1	911 612 164 03	wiring harness boot floor plate	/LL	-84	1
(1)	911 612 164 02	wiring harness boot floor plate	/RL	-84	1
2	911 612 165 01	wiring harness driver's door		1	
3	911 612 166 01	wiring harness passenger's door		1	
		wiring harnesses central locking system			
4	911 612 263 01	wiring harness		85-	1
5	911 612 264 00	wiring harness		85-	2
-	911 612 521 00	wiring harness seat electrically adjustable heated		-85	1
-	911 612 521 01	wiring harness seat electrically adjustable heated		86-	1

Model	Year	MG	SG	Illustration	Restrictions	UPD	8:22	23.01.2010	PORSCHE	PET	PORSCHE
911	1986	9	02	902-16		248					



Pos	Part Number	Description	Remark	Qty	Model
		wiring harnesses windscreen heating rear window heating			
1	911 612 057 00	wiring harness windscreen heating	/LL	1	
(1)	911 612 057 01	wiring harness windscreen heating	/RL	1	
2	911 612 032 02	wiring harness rear window heating	-85	1	
2	911 612 032 03	wiring harness rear window heating	86-	1	COUPE/TARGA
-	999 652 381 00	connector housing	-85	1	
-	944 612 436 00	connector		1	
-	911 612 037 01	wiring harness rear window	-85	2	COUPE
-	911 612 075 00	additional cable rear window	-85	2	TARGA
-	911 612 091 04	single line rear window	86-	2	COUPE/TARGA
3	911 612 035 00	wiring harness washer relay		1	
4	999 652 381 00	connector housing 2-pole for cable 911 612 032 02		1	
5	901 612 333 00	plug socket relay		1	
-	901 612 066 02	wiring harness switch		1	

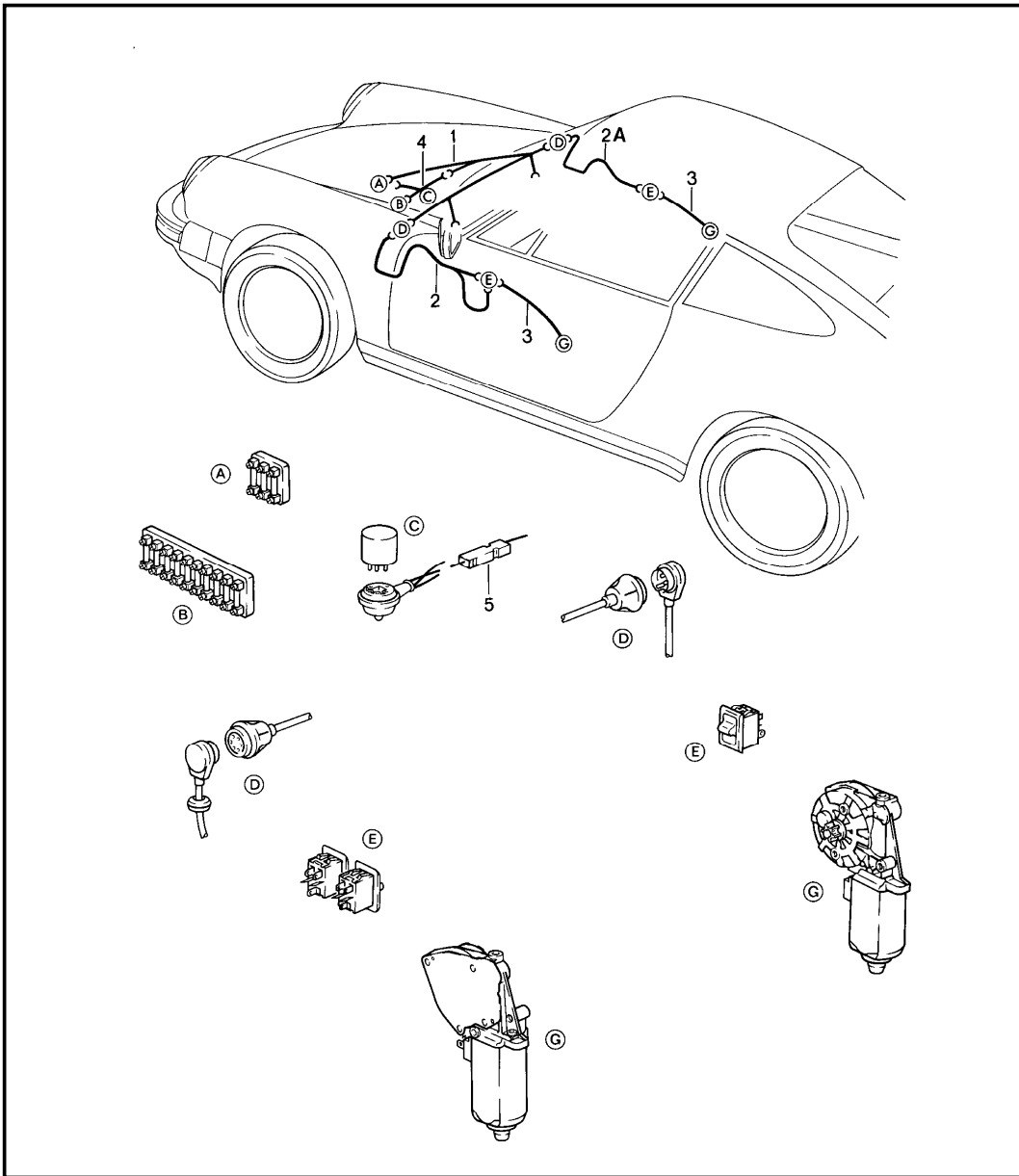
Model	Year	MG	SG	Illustration	Restrictions	UPD	8:22	23.01.2010	PORSCHE	PET	PORSCHE
911	1986	9	02	902-17		248					



Pos	Part Number	Description	Remark	Qty	Model
		wiring harnesses rear window wiper			
1	911 612 019 00	wiring harness switch fuse box	/LL	1	
1	911 612 099 00	wiring harness switch fuse box	/RL	1	
2	911 612 025 01	wiring harness tunnel	/LL	1	
2	911 612 063 01	wiring harness tunnel	/RL	1	
3	911 612 031 02	wiring harness fuse box engine		1	CARRERA
(3)	911 612 031 01	wiring harness fuse box engine		1	TURBO
4	911 612 223 00	single line switch diode		1	
5	111 971 977	plug with guide		1	
-	911 617 106 01	diode		1	

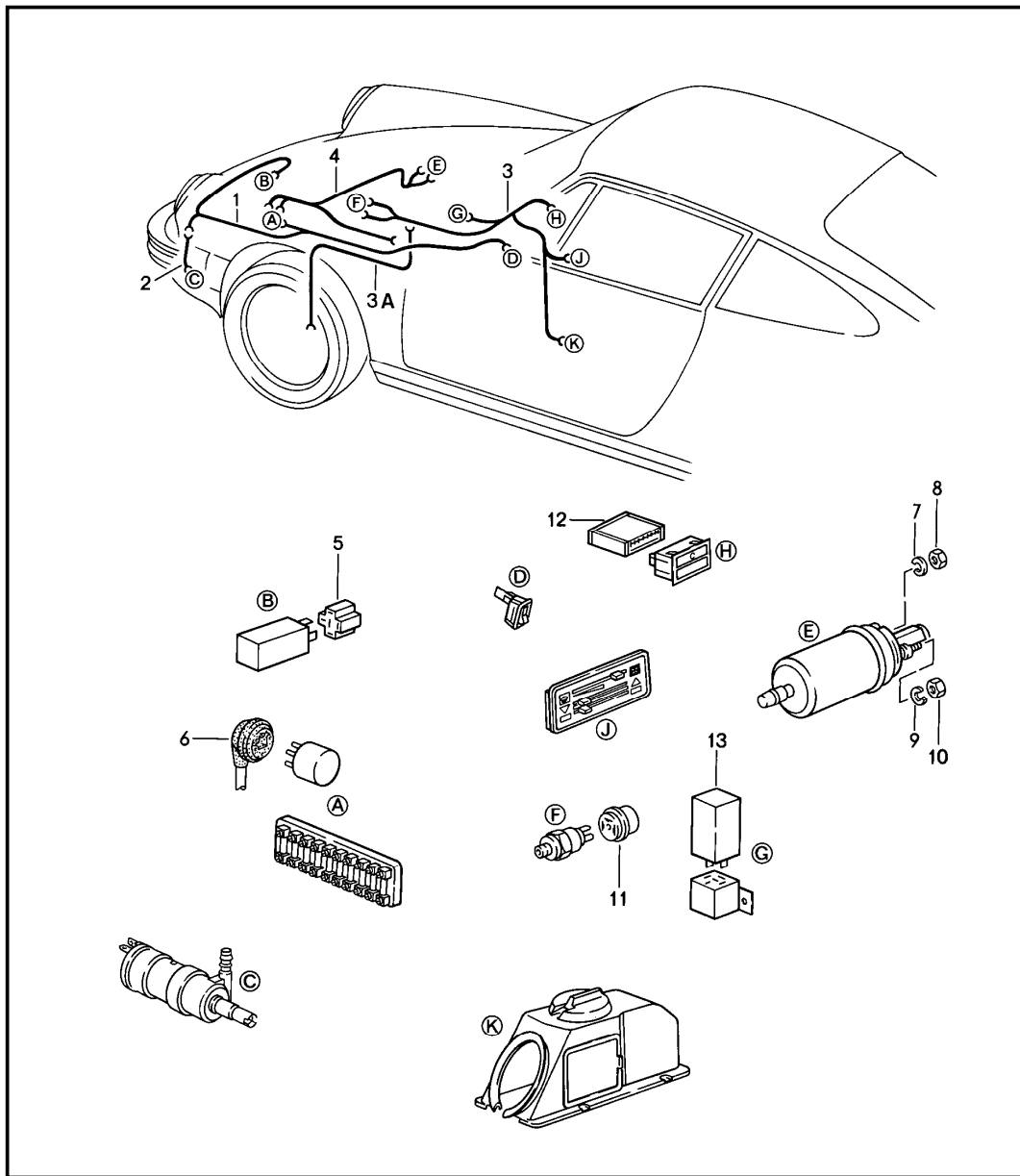


Model	Year	MG	SG	Illustration	Restrictions	UPD	8:23	23.01.2010	PORSCHE	PET	PORSCHE
911	1986	9	02	902-18		248					



Pos	Part Number	Description	Remark	Qty	Model
		wiring harnesses FRONT luggage compartment power window			
1	911 612 167 00	wiring harness		1	
2	911 612 104 01	wiring harness connection point switch	/L	1	
2A	911 612 104 02	wiring harness connection point switch	/R	1	
3	911 612 048 00	wiring harness switch engine		2	
4	911 612 147 01	wiring harness relay	/LL	1	
(4)	911 612 147 02	wiring harness relay	/RL	1	
5	111 971 977	plug with guide		1	

Model	Year	MG	SG	Illustration	Restrictions	UPD	8:23	23.01.2010	PORSCHE	PET	PORSCHE
911	1986	9	02	902-19		248					

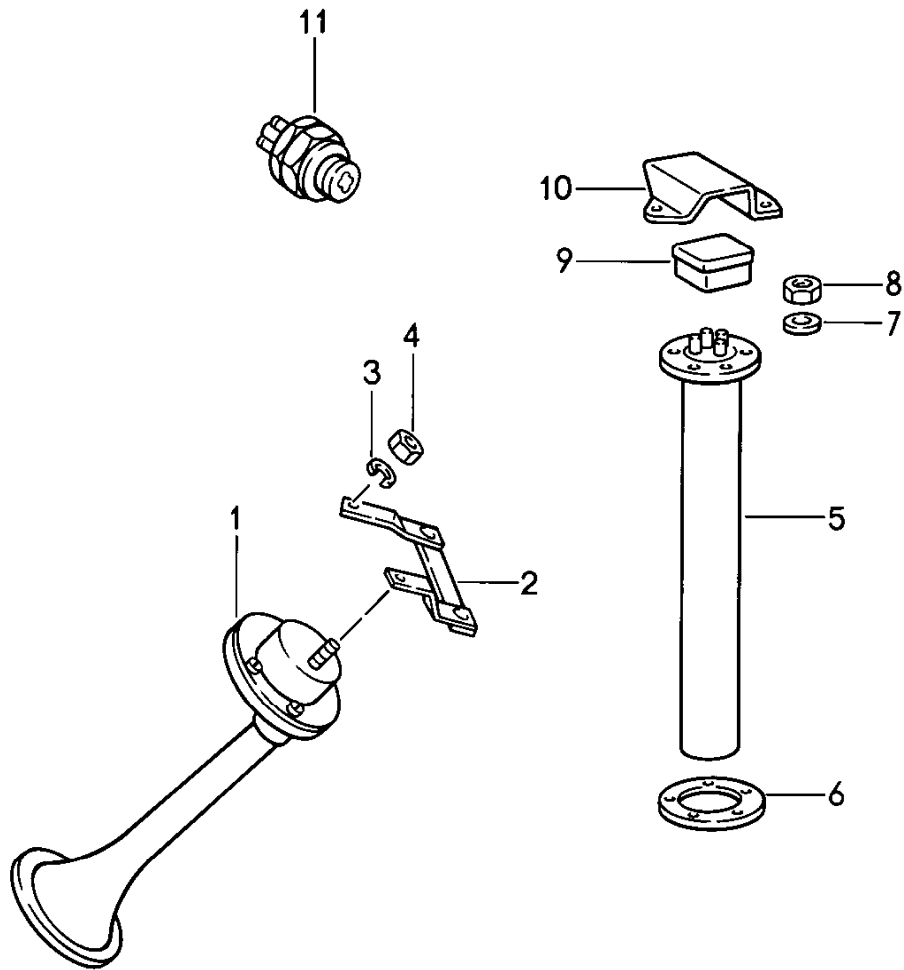


Pos	Part Number	Description	Remark	Qty	Model
		wiring harnesses headlight washer system indicator lights fuel pump			
1	911 612 076 01	wiring harness headlight washer system		1	
2	911 612 179 01	wiring harness headlight washer system		1	
3	911 612 041 15	wiring harness	/RL (AUS)	84	1
		brake circuit monitoring			
(3)	911 612 041 23	wiring harness	/RL (AUS)	85-	1
		brake circuit monitoring			
3	911 612 041 16	wiring harness seat belt and brake circuit monitoring	/RL	84	1
(3)	911 612 041 19	wiring harness seat belt and brake circuit monitoring	/RL	85-	1
(3)	911 612 041 14	wiring harness seat belt and brake circuit monitoring	/LL	84	1 (SA)
(3)	911 612 041 18	wiring harness seat belt and brake circuit monitoring			1 (SA)
(3)	911 612 041 13	wiring harness seat belt and brake circuit monitoring	/LL	84	1
(3)	911 612 041 17	wiring harness seat belt and brake circuit monitoring		85-	1
3A	911 612 051 00	wiring harness brake pad wear indicator rear axle			1
(3A)	911 612 052 00	wiring harness brake fluid warning system front axle			1

Model	Year	MG	SG	Illustration	Restrictions	UPD	8:23	23.01.2010	PORSCHE	PET	PORSCHE
911	1986	9	02	902-19		248					

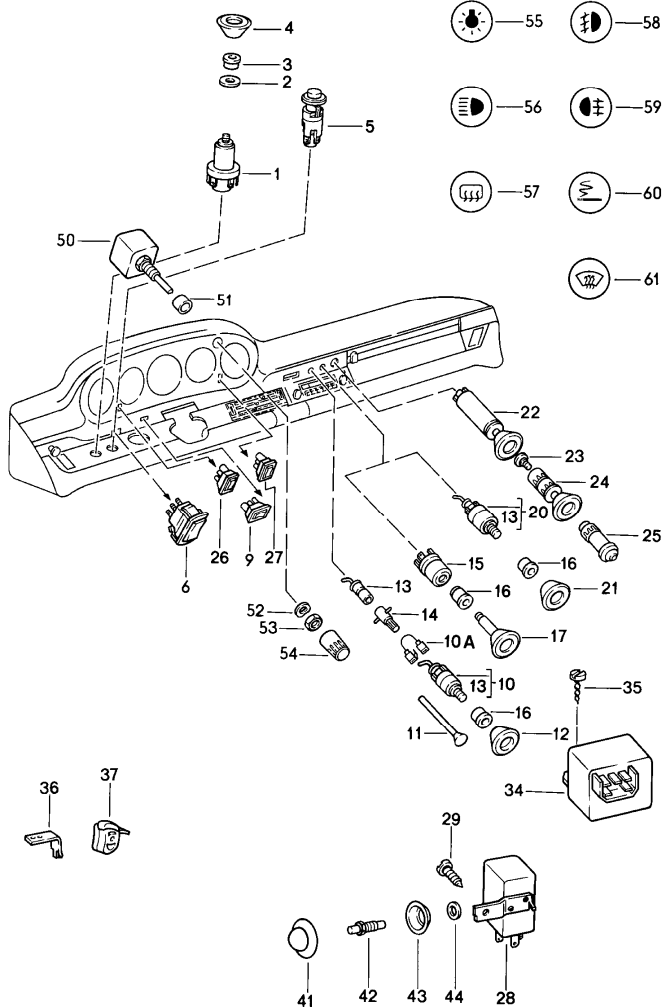
Pos	Part Number	Description	Remark	Qty	Model	Pos	Part Number	Description	Remark	Qty	Model
-	911 612 170 01	wiring harness brake circuit monitoring warning system		1							
-	911 612 015 00	wiring harness warning light bridge	(J)	1							
4	911 612 072 15	wiring harness fuel pump		1	CARRERA						
(4)	930 612 072 02	wiring harness fuel pump		1	TURBO						
(4)	930 612 072 03	wiring harness fuel pump rear		1	TURBO						
5	803 971 835 A	terminal sleeve housing		1							
6	901 612 333 00	plug socket		1							
7	900 027 011 01	lock ring B 4		1							
8	N 011 004 6	hexagon nut M 4		1							
9	N 012 005 3	lock ring B 5		1							
10	N 011 005 14	hexagon nut M 5		1							
11	113 945 525	terminal sleeve housing brake light switch		2							
12	113 971 998 B	connector housing brake circuit monitoring		1							
-	999 652 192 47	connector housing connecting line POS. 1 + POS. 2		1							
-	815 971 989	connector housing connecting line POS. 1 + POS. 2		1							
13	911 618 102 00	warning time relay seat belt	/LL	1							
(13)	911 618 102 01	relay seat belt	/RL	1							

Model	Year	MG	SG	Illustration	Restrictions	UPD	8:23	23.01.2010	PORSCHE	PET	PORSCHE
911	1986	9	03	903-00		248					



Pos	Part Number	Description	Remark	Qty	Model
		fanfare sender fuel-level indicator back-up light switch			
1	911 635 101 20	fanfare short high-pitched		1	
1	911 635 101 21	fanfare short high-pitched		1	
(1)	911 635 102 20	fanfare long low-pitched		1	
(1)	911 635 102 21	fanfare long low-pitched		1	
2	911 635 091 00	support		1	
3	N 042 121 3	shake-proof washer 6,4		2	
4	900 076 010 02	hexagon nut M 6		2	
5	901 741 801 00	sender fuel-level indicator		1	
6	477 919 133	sealing ring		1	
7	N 012 222 4	spring washer A 5		5	
8	N 011 005 14	hexagon nut M 5		5	
9	901 612 891 01	connector housing		1	
10	901 201 275 30	cap		1	
11	914 613 541 02	back-up light switch		1	

Model	Year	MG	SG	Illustration	Restrictions	UPD	8:23	23.01.2010	PORSCHE	PET	PORSCHE
911	1986	9	03	903-05		248					

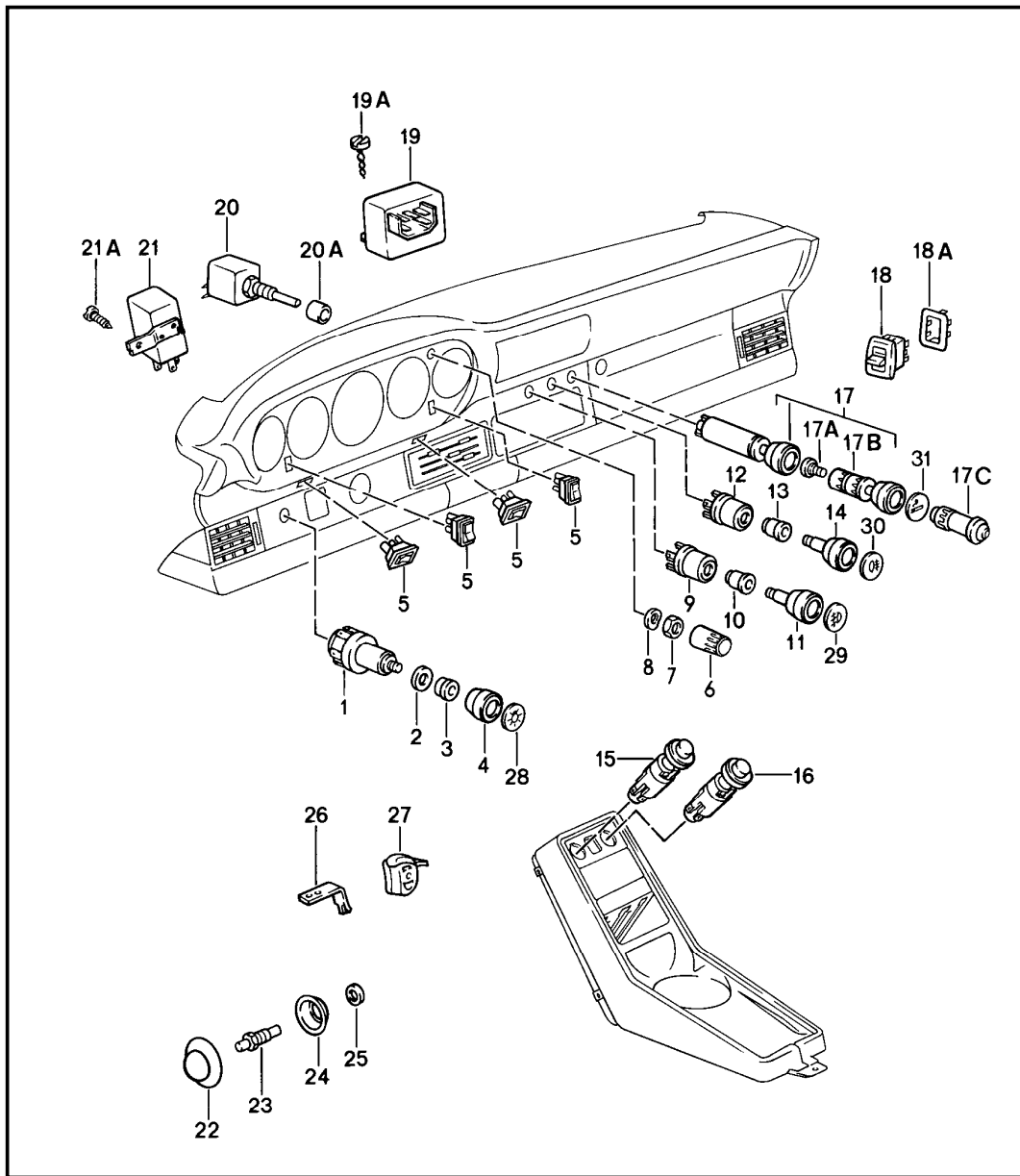


Pos	Part Number	Description	Remark	Qty	Model
		switch relay	-85		
1	911 613 029 03	push-pull light switch		1	
2	900 151 026 02	washer B 10,5		1	
(3)	911 613 213 02	rosette		1	
4	911 613 215 00	knob		1	
5	911 613 124 32	hazard warning light sw.		1	
-	900 631 102 90	bulb 2 W		1	
(5)	911 613 159 00	switch door mirror heated		1	CABRIO
6	911 613 622 00	tip switch for sliding roof		1	
-	911 613 621 03	switch for window opener		3	
-	911 613 635 20	assembly frame for window opener		3	
9	911 613 113 00	changeover switch for door mirror electrically adjustable without cap with symbol		1	
(10)	911 613 149 00	switch rear window heating		1	
(10)	911 613 147 00	switch rear window heating two-stage heatable		1	
-	999 703 067 50	grommet		1	
(12)	911 613 028 03	knob		1	
13	999 632 007 00	bulb socket		1	
14	900 631 132 90	bulb		1	
15	911 613 147 00	switch fog headlamp switch for rear fog light	-84	1	
16	911 613 213 03	rosette		2	

Model	Year	MG	SG	Illustration	Restrictions	UPD	8:23	23.01.2010	PORSCHE	PET	PORSCHE
911	1986	9	03	903-05		248					

Pos	Part Number	Description	Remark	Qty	Model	Pos	Part Number	Description	Remark	Qty	Model
17	911 613 028 03	knob		1		(42)	901 615 601 02	door contact switch for glove compartment light		1	
(20)	911 613 149 00	switch fog headlamp switch for rear fog light	85-	1		43	901 615 615 20	concave washer		2	
(21)	911 613 028 03	knob		1		44	900 031 001 60	washer 8,4		2	
22	911 652 102 06	cigarette lighter		1		50	911 618 147 01	potentiometer wipe interval		1	
23	644 652 112 00	glower cigarette lighter		1		51	911 618 207 00	spacer sleeve		1	
24	911 652 122 02	connector cigarette lighter		1		52	900 028 019 01	spring washer B 7		1	
25	901 613 801 00	connector for auxiliary unit		1		53	911 618 209 00	hexagon nut M 7 X 0,75		1	
26	911 613 321 01	tip switch rear window wiper		1		54	911 618 011 00	knob with spring		1	
27	911 613 319 01	tip switch headlight washer system		1				cap with symbol			
28	928 618 111 00	relay headlight washer system		1		55	911 613 239 01	cap with symbol light switch		1	
29	N 013 968 7	tapping screw B 4,8 X 13		1		57 A	911 613 232 01	cap with symbol rear window heating		1	
34	911 618 149 01	pulse sender wipe interval		1		58	911 613 233 01	cap with symbol fog headlamp		1	
35	N 013 970 5	tapping screw B 4,8 X 9,5		1		57	911 613 232 02	cap with symbol		1	
35	N 106 568 02	tapping screw B 4,8 X 9,5		1			01C	satin black rear window heating			
36	901 613 523 20	contact bow handbrake indicator light		1		59	911 613 234 01	cap with symbol rear fog light		1	
37	901 613 521 20	handbrake contact piece		1		60	911 613 235 01	cap with symbol cigarette lighter		1	
41	901 615 616 20	rubber cap		2		61	911 613 240 01	cap with symbol windscreen heating		1	
42	964 613 601 00	door contact switch for luggage compartment lamp		3							
(42)	928 613 147 00	door contact switch interior light		2							

Model	Year	MG	SG	Illustration	Restrictions	UPD	8:23	23.01.2010	PORSCHE	PET	PORSCHE
911	1986	9	03	903-06		248					



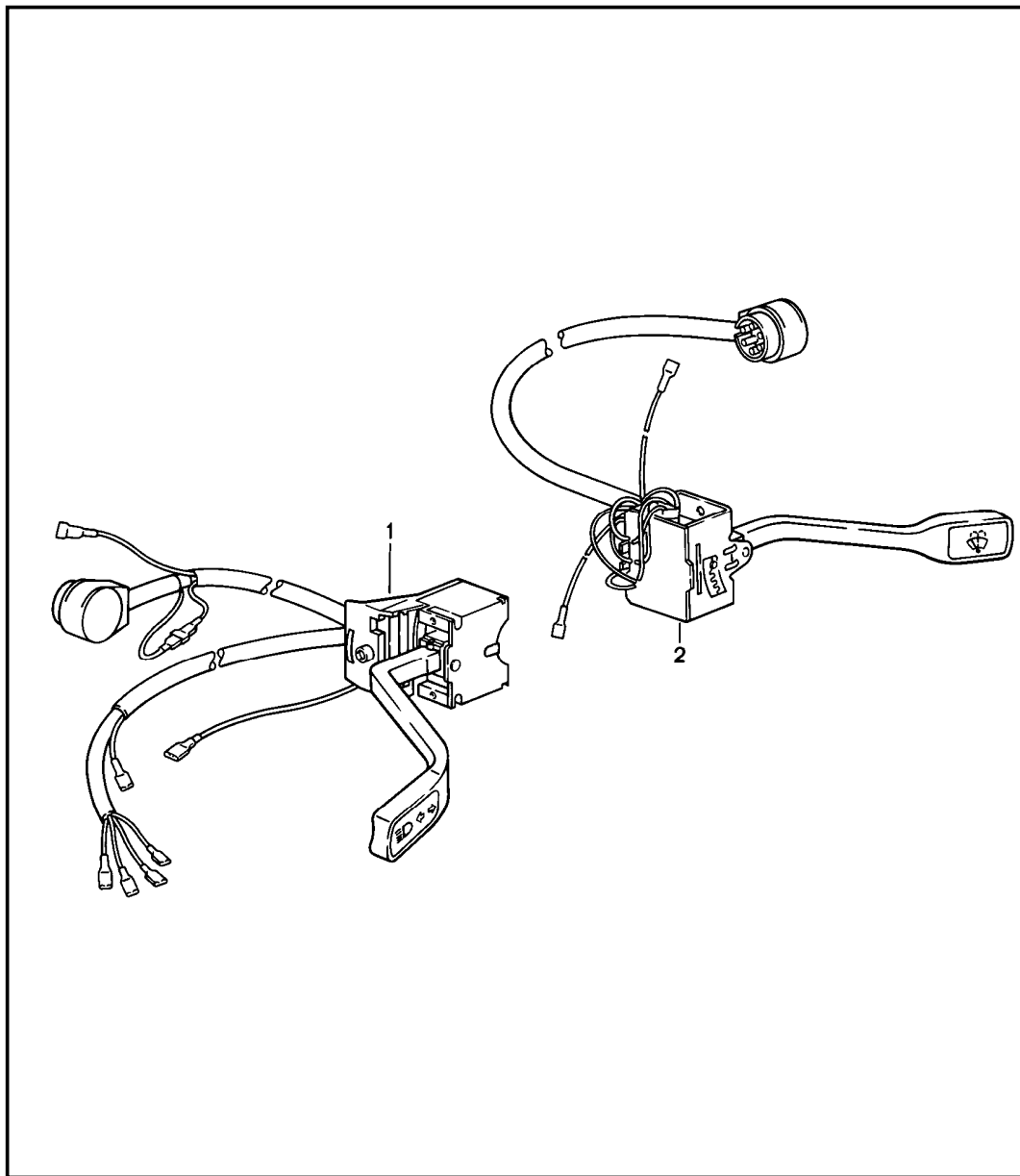
Pos	Part Number	Description	Remark	Qty	Model
		switch relay	86-		
1	911 613 029 03	push-pull light switch		1	
2	900 151 026 02	washer		1	
3	911 613 213 02	rosette		1	
4	911 613 214 05	knob		1	
5	911 613 622 00	tip switch for sliding roof		1	
5	911 613 622 00	tip switch convertible top electric		1	CABRIO
5	911 613 319 02	tip switch intensive windscreen washer		1	
5	911 613 113 00	changeover switch door mirror electrically adjustable		1	
5	911 613 319 01	tip switch headlight washer system		1	
5	911 613 321 01	tip switch rear window wiper		1	
6	911 618 011 00	knob potentiometer		1	
7	911 618 209 00	hexagon nut		1	
8	900 028 019 01	spring washer		1	
9	911 613 149 00	switch fog headlamp		1	
10	911 613 213 03	rosette		1	
-	900 631 132 90	bulb		1	
11	911 613 028 10	knob		1	
12	911 613 149 00	switch rear fog light		1	
13	911 613 213 03	rosette		1	
-	900 631 132 90	bulb		1	
14	911 613 028 10	knob		1	
15	911 613 124 32	hazard warning light sw.		1	

Model	Year	MG	SG	Illustration	Restrictions	UPD	8:23	23.01.2010	PORSCHE	PET	PORSCHE
911	1986	9	03	903-06		248					

Pos	Part Number	Description	Remark	Qty	Model	Pos	Part Number	Description	Remark	Qty	Model
-	900 631 102 90	bulb 2 W		1		(23)	901 615 601 02	door contact switch glove compartment light		1	
16	911 613 148 00	switch rear window heating		1		24	901 615 615 20	concave washer		2	
(16)	911 613 159 00	switch door mirror heated		1	CABRIO	25	900 031 001 60	washer 8,4		2	
17	911 652 102 06	cigarette lighter		1		26	901 613 523 20	contact bow handbrake indicator light		1	
17A	644 652 112 00	glower cigarette lighter		1		27	901 613 521 20	handbrake contact piece		1	
17B	911 652 122 02	connector cigarette lighter		1				cap with symbol			
17C	901 613 801 00	connector connector for auxiliary units		1		28	911 613 239 01	cap with symbol light switch		1	
18	911 613 621 03	switch for window opener		3		29	911 613 233 02	cap with symbol fog headlamp		1	
18A	911 613 635 20	assembly frame		1		30	911 613 234 02	cap with symbol rear fog light		1	
19	911 618 149 01	pulse sender wipe interval		1		31	911 613 235 01	cap with symbol cigarette lighter		1	
19A	N 013 970 5	tapping screw B 4,8 X 9,5		1							
19A	N 106 568 02	tapping screw B 4,8 X 9,5		1							
20	911 618 147 01	potentiometer wipe interval		1							
20A	911 618 207 00	spacer sleeve		1							
21	928 618 111 00	relay headlight washer system		1							
21A	N 013 968 7	tapping screw B 4,8 X 13		1							
22	901 615 616 20	rubber cap		1							
23	964 613 601 00	door contact switch luggage compartment lamp		3							
(23)	928 613 147 00	door contact switch interior light		3							

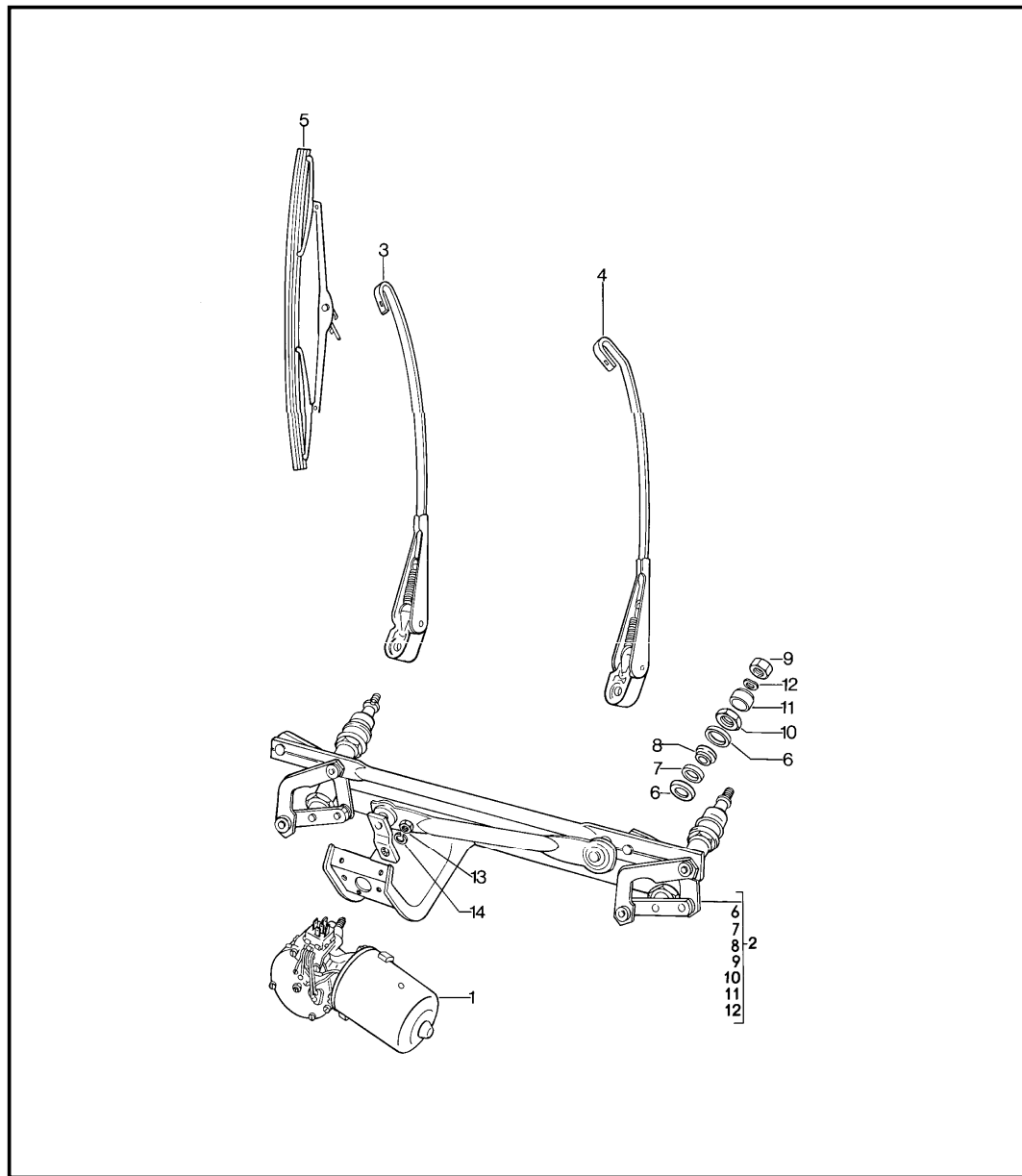


Model	Year	MG	SG	Illustration	Restrictions	UPD	8:24	23.01.2010	PORSCHE	PET	PORSCHE
911	1986	9	03	903-10		248					



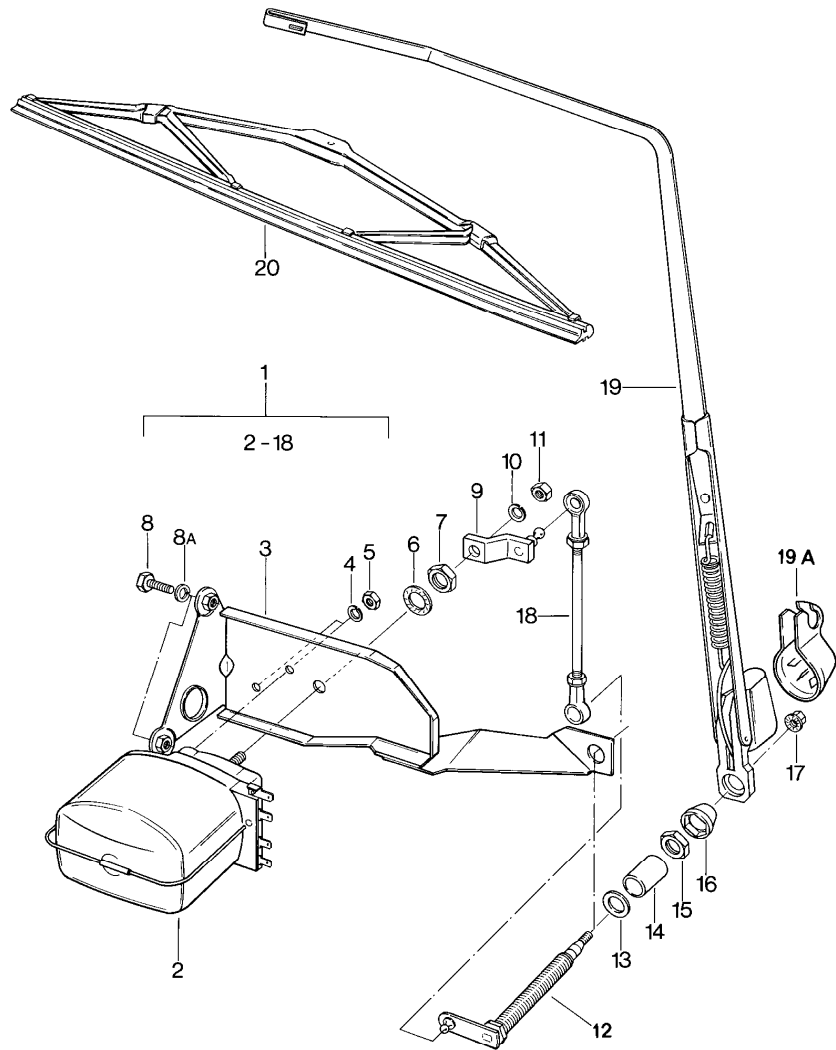
Pos	Part Number	Description	Remark	Qty	Model
		steering column switch			
1	911 613 305 01	steering column switch left		1	
2	911 613 306 02	steering column switch right		1	

Model	Year	MG	SG	Illustration	Restrictions	UPD	8:24	23.01.2010	PORSCHE	PET	PORSCHE
911	1986	9	04	904-00		248					



Pos	Part Number	Description	Remark	Qty	Model
		windscreen wiper system			
1	911 628 115 01	wiper motor	/LL	84	1
(1)	911 628 115 02	wiper motor	/LL	85-	1
(1)	911 628 114 00	wiper motor	/RL	84	1
(1)	911 628 114 01	wiper motor	/RL	85-	1
2 A	911 628 961 00	crank drive with POS. 6-12	/LL	-84	1
(2)	911 628 961 01	crank drive with POS. 6-12	/RL	-84	1
2	911 628 035 01	crank drive	/LL	85-	1
(2)	911 628 036 01	crank drive	/RL	85-	1
3	911 628 313 00	wiper arm	/LL/L /RL/R		1
4	911 628 314 00	wiper arm	/LL/R		1
(4)	911 628 312 00	wiper arm	/RL/L		1
5	964 628 901 00	wiper blade			2
6	911 628 963 00	flange washer			4
7	901 628 923 01	rubber bush			2
8	901 628 924 00	rubber bush			2
9 A	N 011 118 11	hexagon nut BM 8			2
9	N 011 118 11	hexagon nut			2
10	901 628 925 00	hexagon nut			2
11	901 628 926 00	cap			2
12	901 628 927 00	spring washer			2
13	900 076 010 02	hexagon nut M 6			1
14 A	N 012 226 5	spring washer 6,4			1
14	N 012 226 5	spring washer			1

Model	Year	MG	SG	Illustration	Restrictions	UPD	8:24	23.01.2010	PORSCHE	PET	PORSCHE
911	1986	9	04	904-05		248					

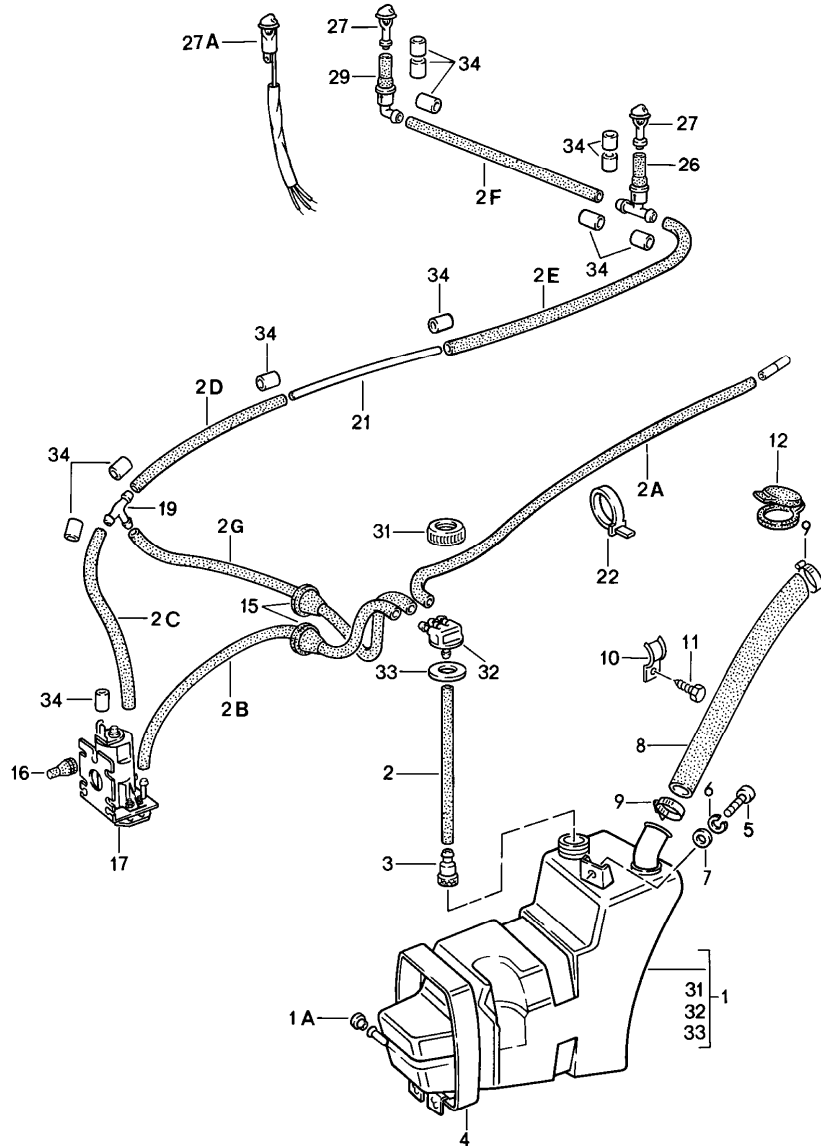


Pos	Part Number	Description	Remark	Qty	Model
1	911 628 019 03	rear window wiper without wiper arm and wiper blade		1	CARRERA
(1)	911 628 019 05	rear window wiper without wiper arm and wiper blade		1	CARRERA M473/491 TURBO
2	911 628 063 00	wiper motor		1	
3	911 628 037 01	assembly frame		1	
4	N 012 006 4	lock ring		2	
5	999 076 023 02	hexagon nut M 5		2	
6	911 628 338 00	washer 14,2		1	
7	999 078 014 02	hexagon nut M 14 X 1		1	
8	999 072 005 09	hexagon-head bolt M 6 X 12		2	
8A	N 012 006 4	lock ring B 6		1	
9	901 628 318 00	lever		1	
10	N 012 006 4	lock ring A 6		1	
11	999 076 024 02	hexagon nut M 6		1	
12	911 628 256 02	wiper bearing		1	CARRERA
(12)	911 628 256 01	wiper bearing		1	CARRERA M473/491 TURBO
13	999 040 002 00	round seal B 10		1	
14	911 628 251 03	bush 14 MM		1	
(14)	911 628 251 01	bush 23 MM		1	

Model	Year	MG	SG	Illustration	Restrictions	UPD	8:24	23.01.2010	PORSCHE	PET	PORSCHE
911	1986	9	04	904-05		248					

Pos	Part Number	Description	Remark	Qty	Model	Pos	Part Number	Description	Remark	Qty	Model
(14)	911 628 251 04	bush 4 MM		1							
(14)	911 628 251 02	bush 27 MM		1							
15	999 183 004 02	hexagon nut M 12 X 1		1							
16	911 628 193 00	cap		1							
17	999 084 045 02	lock nut M 6		1							
18	911 628 145 00	joint rod		1							
19	911 628 611 01	wiper arm		1							
19A	911 628 623 00	cap		1							
20	911 628 613 01	wiper blade		1							
-	911 613 321 01	tip switch		1							
-	911 612 031 02	wiring harness rear window wiper		1	CARRERA						
-	911 612 031 01	wiring harness rear window wiper		1	TURBO M491						
-	911 612 025 01	wiring harness rear window wiper switch	/LL	1							
-	911 612 063 01	wiring harness rear window wiper switch	/RL	1							
-	911 612 223 00	single line rear window wiper switch		1							
-	911 612 019 00	wiring harness rear window wiper switch	/LL	1							
-	911 612 099 00	wiring harness rear window wiper switch	/RL	1							
-	911 617 106 01	diode		1							

Model	Year	MG	SG	Illustration	Restrictions	UPD	8:24	23.01.2010	PORSCHE	PET	PORSCHE
911	1986	9	04	904-10		248					

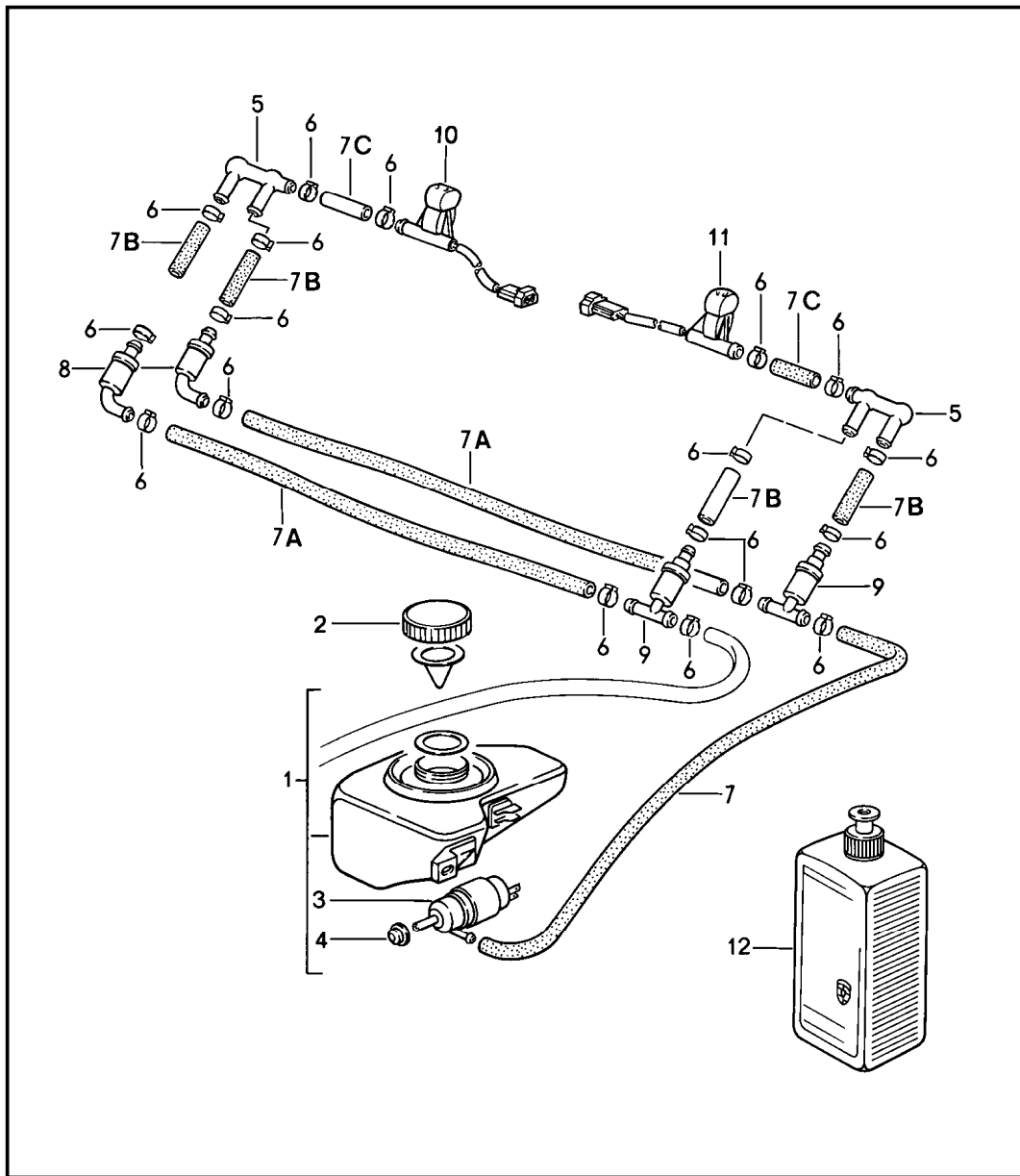


Pos	Part Number	Description	Remark	Qty	Model
1	911 628 075 08	windscreen washer system water reservoir when required order also:		1	
1A	999 703 013 50	stopper for water reservoir		1	
-	N 020 301 1	hose 4 X 6	-84	X	
2	-	300 MM		1	
2A	-	800 MM		1	
2B	-	650 MM		1	
2C	-	150 MM		1	
2D	-	360 MM		1	
2E	-	360 MM		1	
2F	-	900 MM		1	
2G	-	500 MM		1	
-	999 181 722 40	hose 4,6 X 8,2 300 MM 800 MM 650 MM 150 MM 1790 MM 1060 MM 500 MM	85-	X	
3	911 628 749 00	t-piece		1	
4	911 628 081 00	restraining strap		1	
5	N 010 217 9	hexagon-head bolt M 6 X 20		1	
6	N 012 007 2	lock ring A 6		1	
7	900 151 003 02	washer A 6		1	
8	911 628 236 00	filling hose 25 X 32 X 710		1	
9	999 512 356 02	hose clamp		2	
10	911 573 145 00	clamp		1	

Model	Year	MG	SG	Illustration	Restrictions	UPD	8:24	23.01.2010	PORSCHE	PET	PORSCHE
911	1986	9	04	904-10		248					

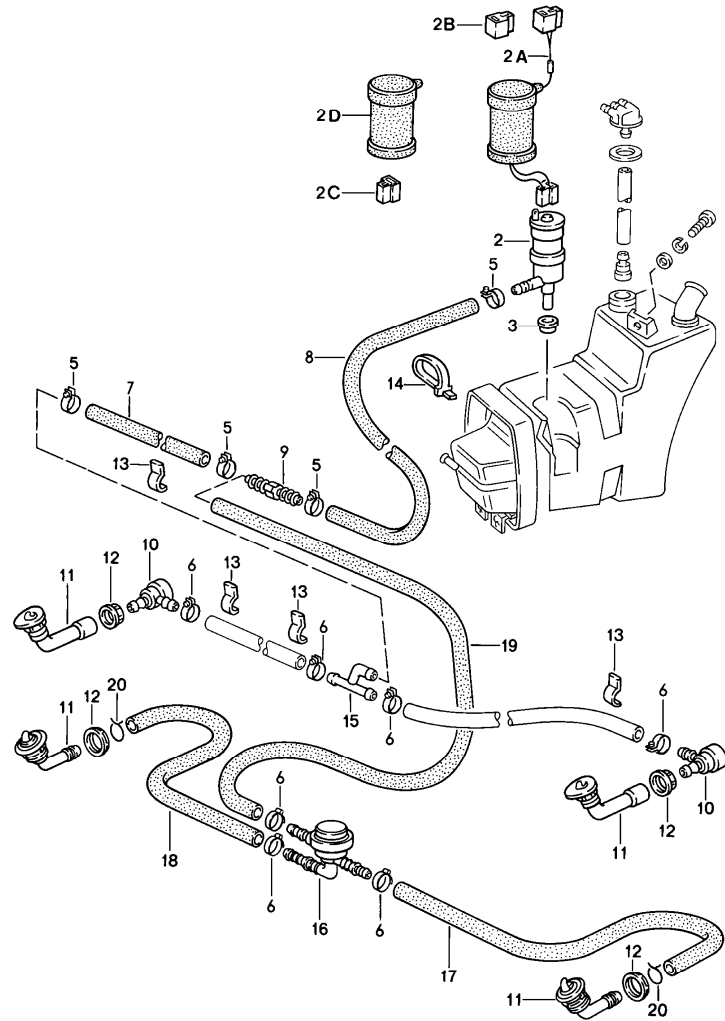
Pos	Part Number	Description	Remark	Qty	Model	Pos	Part Number	Description	Remark	Qty	Model
11	900 187 025 02	hexagon-head tapping screw B 5,5 X 13		1							
12	964 201 507 00	lid filler neck		1							
15	911 612 413 00	rubber sleeve		1							
16	914 628 741 00	stopper		3							
17	928 628 074 01	pump		1							
19	901 628 749 20	t-piece		1							
21	911 628 237 00	pipe 4 X 5 X 1100 MM		1							
22	999 513 023 40	tie-wrap		2							
26	914 628 433 00	valve		1							
27	914 628 203 11	nozzle	84	2							
27A	928 628 077 00	nozzle heated	85-	2							
29	477 955 481	valve		1							
31	911 628 735 00	threaded cover		1							
32	911 628 737 00	centre piece		1							
33	911 628 743 00	closing gasket		1							
34	111 971 521 A	hose protecting sleeve		8							

Model	Year	MG	SG	Illustration	Restrictions	UPD	8:24	23.01.2010	PORSCHE	PET	PORSCHE
911	1986	9	04	904-15		248					



Pos	Part Number	Description	Remark	Qty	Model
		intensive windscreen washer			
1	911 628 027 00	water reservoir		1	
2	911 628 077 00	threaded cover with gasket		1	
3	431 955 651	pump		1	
4	431 955 465 B	gasket		1	
5	911 628 617 00	connecting piece		1	
6	N 100 020 01	clamp		20	
-	999 181 722 40	hose 4,6 X 8,2		*	
7	-	600 MM		1	
7A	-	915 MM		2	
7B	-	20 MM		4	
7C	-	140 MM		2	
8	477 955 481	valve		2	
9	914 628 433 00	valve		2	
10	928 628 077 00	nozzle	/R	1	
	01C	black			
11	944 628 077 00	nozzle	/L	1	
	01C	black			
12	928 628 931 00	silicone remover 1 LITER		X	

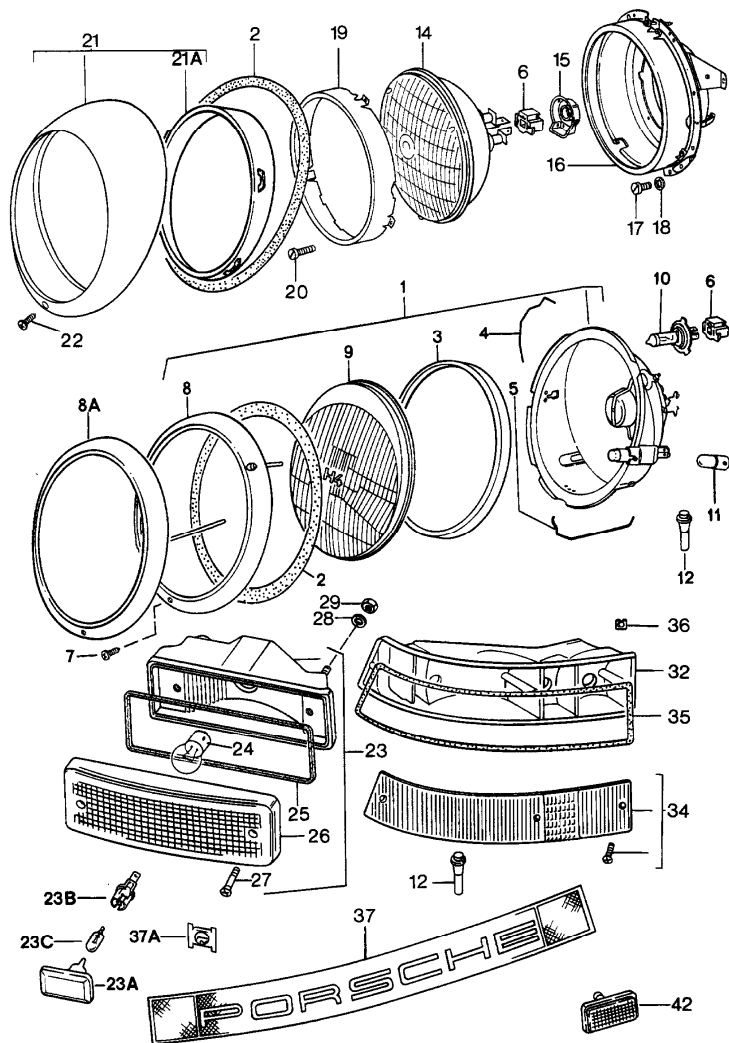
Model	Year	MG	SG	Illustration	Restrictions	UPD	8:25	23.01.2010	PORSCHE	PET	PORSCHE
911	1986	9	04	904-20		248					



Pos	Part Number	Description	Remark	Qty	Model
		headlight washer system			
2	191 955 681	pump		1	
2A	911 612 179 01	wiring harness		1	
2B	999 652 192 47	connector housing		1	
2C	999 652 167 40	terminal sleeve housing		1	
2D	477 971 921	protection cap		1	
3	928 628 193 00	gasket		1	
5	N 023 570 2	hose clamp		4	
6	999 512 160 02	hose clamp		4	
(6)	999 512 335 02	clamp		7	
-	999 181 806 40	hose PVC 10 X 16		X	
7	-	420 MM		1	
8	-	230 MM		1	
9	999 137 023 40	hose connection		1	
10	477 955 183	pressure control valve		2	
11	911 628 085 01	jet carrier	84	2	
(11)	911 628 071 01	jet carrier	85-	2	
12	900 281 002 40	hexagon nut		2	
13	999 613 017 40	covering for cable holder		X	
14	999 513 008 40	tie-wrap		1	
15	914 628 413 10	distributing piece		1	
16	281 955 187	valve		1	
-	999 181 806 40	hose 610 MM 630 MM 640 MM		X 1 1 1	



Model	Year	MG	SG	Illustration	Restrictions	UPD	8:25	23.01.2010	PORSCHE	PET	PORSCHE
911	1986	9	05	905-00		248					

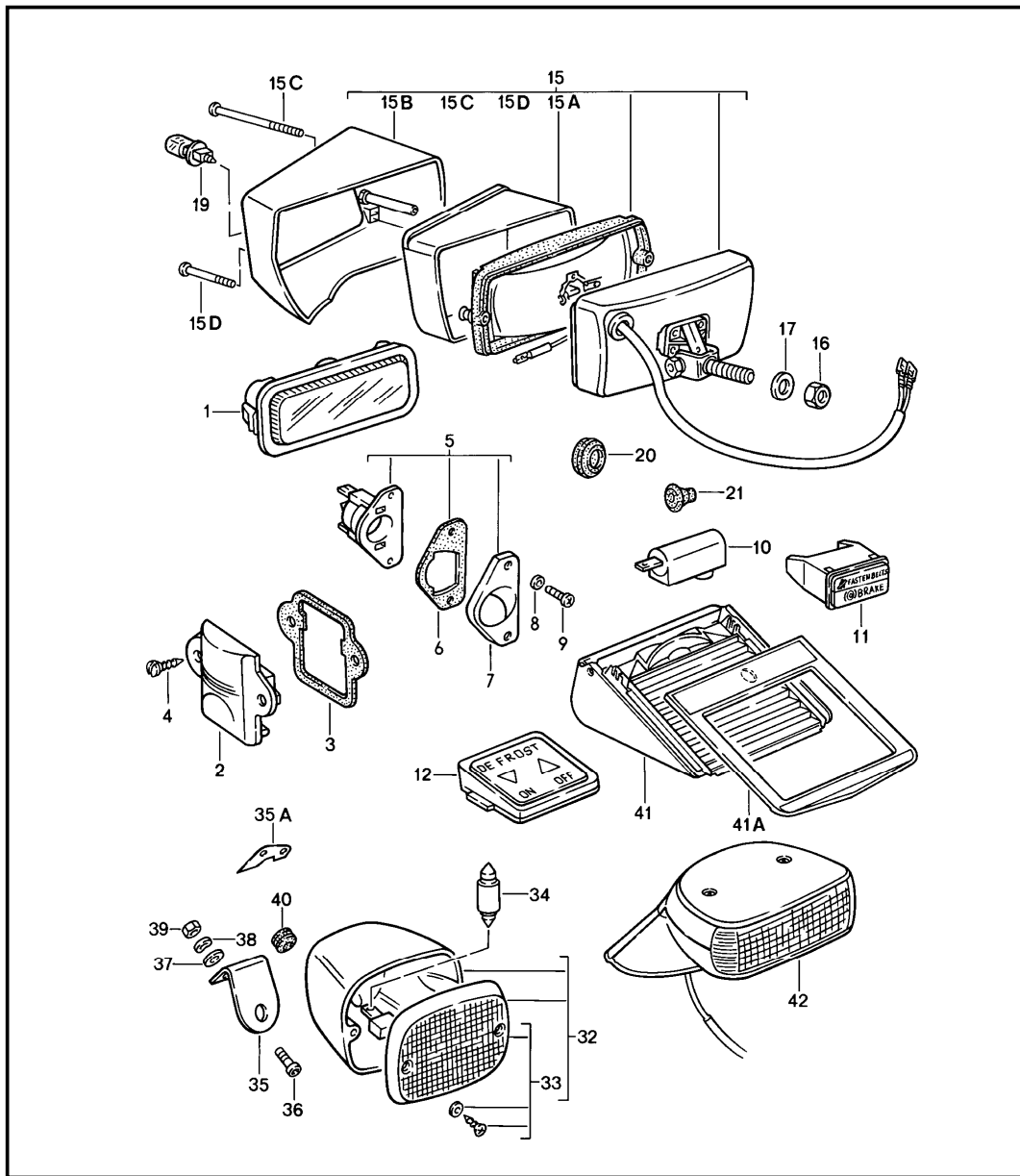


Pos	Part Number	Description	Remark	Qty	Model
1	911 631 112 02	headlamp lights			
		headlamp	/RL (AUS) (GB)	2	
		H 4 with ring resicoated	(ZA)		(HK)
1	911 631 113 02	headlamp	/LL	2	
		H 4 with ring resicoated			
2	911 631 115 02	gasket		2	
3	911 631 967 00	gasket		2	
4	901 631 116 02	locking spring upper		6	
5	644 631 122 00	locking spring lower		5	
6	911 631 108 00	terminal sleeve housing		2	
7	911 631 132 00	oval-head screw M 4 X 9		2	
8	911 631 933 00	headlamp ring chrome		2	
8	911 631 933 01	headlamp ring resicoated		2	
8A	911 631 141 00	headlamp ring prime coated		2	
8A	911 631 141 00	headlamp ring		2	
-	911 631 033 00	ball screw		2	
-	911 631 132 00	oval-head screw M 4 X 9		2	
-	113 951 539	washer		2	
-	911 631 139 00	spacer sleeve		2	
9	911 631 927 01	lens for 911.631.112.02		2	

Model	Year	MG	SG	Illustration	Restrictions	UPD	8:25	23.01.2010	PORSCHE	PET	PORSCHE
911	1986	9	05	905-00		248					

Pos	Part Number	Description	Remark	Qty	Model	Pos	Part Number	Description	Remark	Qty	Model
(9)	911 631 927 00	lens for 911.631.113.02		2		-	999 591 379 01	cable clamp		4	
10	999 631 202 90	halogen bulb H 4 12 V - 60/55 W		2		32	911 631 939 00	tail light housing	/L	1	
(10)	999 631 202 91	halogen bulb H 4 12 V - 60/55 W yellow	(F)	2		(32)	911 631 940 00	tail light housing	/R	1	
11	900 631 103 90	bulb 12 V - 4 W		2		34	911 631 949 00	lens	/L	1	
(12)	911 631 259 02	water drain sleeve		4		(34)	911 631 950 00	lens	/R	1	
(14)	911 631 114 00	headlamp	(J)	2		35	911 631 971 01	gasket	/L	1	
-	900 631 109 90	bulb 12 V - 45/40 W for 911.631.114.00	(J)	2		(35)	911 631 971 00	gasket	/R	1	
15	911 631 116 00	cap for 911.631.114.00  M 4 X 8	(J)	2		36	999 507 312 12	captive nut M 5		4	
23	911 631 405 00	direction indicator light		2		37	911 631 432 03	covering with reflector		1	
23A	4A0 949 101	direction indicator light		2		(37)	911 631 432 02	covering  without reflector		1	TURBO M491
23B	161 949 111	bulb holder		2		37A	999 591 447 02	cage		10	
23C	999 631 032 90	bulb		2		42 A	930 633 101 01	reflector	84	2	TURBO M491
24	-	bulb see group 9/05/05		2		42	930 633 101 01	reflector		2	TURBO M491
25	911 631 961 00	rubber seal direction indicator light		2							
26	911 631 914 00	lens direction indicator light		2							
27	911 631 918 00	oval-head sheetmetal screw with washer		4							
28	900 025 003 02	washer 5,3		4							
29	N 021 196 1	lock nut M 5		4							

Model	Year	MG	SG	Illustration	Restrictions	UPD	8:25	23.01.2010	PORSCHE	PET	PORSCHE
911	1986	9	05	905-05		248					



Pos	Part Number	Description	Remark	Qty	Model
(1)	901 632 101 28	interior light		2	COUPE
(1)	911 632 102 00	fog headlamp lights		1	TARGA/CABRIO
(1)	911 632 102 00	light		1	
-	964 555 153 00	desk pad interior light		2	CARRERA COUPE
2	901 632 201 01	luggage compartment lamp		1	
3	901 632 291 00	desk pad luggage compartment lamp		1	
4	N 013 961 2	tapping screw B 3,9 X 13		2	
5	911 631 620 04	license plate light		2	
6	911 631 608 00	gasket license plate light		2	
7	911 631 606 00	lens		2	
8	911 631 604 00	sealing washer		4	
9	900 146 041 07	oval-head screw BM 3 X 15		4	
-	999 591 381 02	cable clamp		2	
-	999 591 381 01	cable clamp		2	
10	911 632 904 00	ashtray light		1	
-	911 632 017 00	indicator light convertible top electric	86-	1	CABRIO
11	944 632 211 00	combination warning light for belt brake	-85	1	
(11)	911 632 211 00	indicator light for belt brake	86-	1	
(11)	945 632 212 00	indicator light ("PARK-BRAKE"/"BRAKE")	(AUS)	1	

Model	Year	MG	SG	Illustration	Restrictions	UPD	8:25	23.01.2010	PORSCHE	PET	PORSCHE
911	1986	9	05	905-05		248					

Pos	Part Number	Description	Remark	Qty	Model	Pos	Part Number	Description	Remark	Qty	Model
-	911 632 116 01	grommet for double indicator light		1		33	911 631 251 29	rear fog light with screw and gasket		2	
15	911 631 203 00	fog headlamp light-diffusing lens clear	/L	1		34	A 900 631 127 90	bulb 12 V - 21 W		2	
15	911 631 203 01	fog headlamp light-diffusing lens yellow	/L	1		34	900 631 127 90	bulb 12 V - 21 W		2	
15	911 631 204 00	fog headlamp light-diffusing lens clear	/R	1		(35)	911 631 125 02	fastening angle		1	
15	911 631 204 01	fog headlamp light-diffusing lens yellow	/R	1		35A	911 631 153 00	desk pad fastening angle		1	
15A	911 631 941 00	light-diffusing lens yellow	/L	1		36	900 067 117 07	pan-head screw M 6 X 16		4	
(15A)	911 631 941 01	light-diffusing lens clear	/L	1		37	A 900 151 006 09	washer 6,4		4	
15A	911 631 942 00	light-diffusing lens yellow	/R	1		37	N 011 666 7	washer B 6,4		4	
(15A)	911 631 942 01	light-diffusing lens clear	/R	1		38	A N 012 006 4	lock ring B 6		4	
15B	911 631 981 00	frame for light	/L	1		38	N 012 006 4	lock ring B 6		4	
(15B)	911 631 982 00	frame for light	/R	1		39	900 076 010 07	hexagon nut		4	
15C	911 631 983 00	oval-head screw M 4 X 80		1		40	999 702 020 50	rubber sleeve 8 X 12 X 9		2	
15D	911 631 984 00	oval-head screw M 4 X 37		1		-	999 703 066 50	grommet		1	
16	N 011 185 6	hexagon nut M 10		2		-	999 652 208 10	cable shoe rear fog light		2	
17	900 151 026 02	washer B 10,5 X 30		2		-	999 591 381 02	cable clamp		6	
19	900 631 126 90	halogen bulb H 3		2		-	999 591 381 01	cable clamp		6	
20	999 702 084 50	rubber sleeve		2		-	999 703 067 50	grommet		1	
21	911 612 132 00	rubber sleeve		2		-	911 631 315 01	engine compartment lamp bulb		1	
32	911 631 251 29	rear fog light		2		-	999 631 202 90	halogen bulb H 4 12 V - 60/55 W		2	

Model	Year	MG	SG	Illustration	Restrictions	UPD	8:25	23.01.2010	PORSCHE	PET	PORSCHE
911	1986	9	05	905-05		248					

Pos	Part Number	Description	Remark	Qty	Model	Pos	Part Number	Description	Remark	Qty	Model
-	999 631 202 91	halogen bulb H 4 12 V - 60/55 W yellow	(F)	2							
-	A 900 631 109 90	bulb 12 V - 45/40 W	(J)	2							
-	900 631 109 90	bulb 12 V - 45/40 W	(J)	2							
-	900 631 126 90	halogen bulb H 3 fog headlamp		2							
-	A 900 631 127 90	bulb 12 V - 21 W		2							
-	900 631 127 90	bulb 12 V - 21 W		2							
-	900 631 128 90	bulb 12 V - 21/5 W		2							
-	900 631 103 90	bulb  direction indicator light 12 V - 4 W	(DK) (I) (N) (J)	2							
-	900 631 115 90	bulb luggage compartment lamp 12 V - 10 W		1							
-	900 631 106 90	linolite lamp interior light engine compartment lamp 12 V - 10 W		3							
-	900 631 132 90	bulb 12 V - 1,2 W for switch fog headlamp additional headlamp rear window heating		X							
-	900 631 123 90	linolite lamp rear fog light 12 V - 18 W		2							
-	900 631 104 90	bulb license plate light 12 V - 5 W		2							

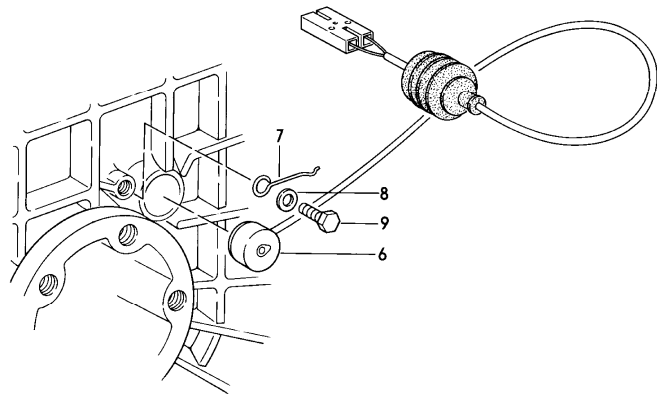
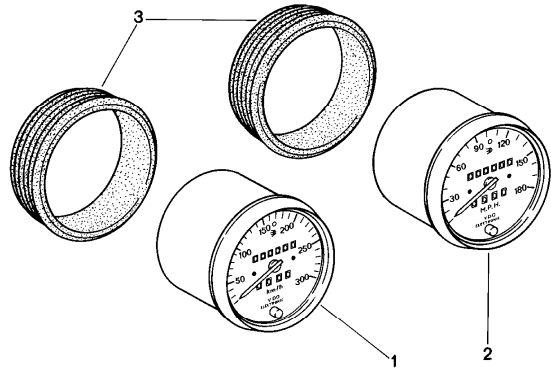
Model	Year	MG	SG	Illustration	Restrictions	UPD	8:25	23.01.2010	PORSCHE	PET	PORSCHE
911	1986	9	06	906-00		248					

Pos	Part Number	Description	Remark	Qty	Model
		instruments			
1 >	911 641 923 00	instrument cluster 100 \$		1	
3	911 641 902 00	rubber ring 100 \$	-85	2	
(3)	911 641 902 01	rubber ring 100 \$	86-	2	
4 >	911 641 301 06	tachometer 115 \$		1	CARRERA
(4)	911 641 301 FX	tachometer 115 \$		1	CARRERA
5	930 641 302 01	tachometer with boost pressure gauge 115 \$		1	TURBO
6	911 641 903 00	rubber ring 115 \$	-85	2	
(6)	911 641 903 01	rubber ring 115 \$	86-	2	
7 >	911 641 202 03	instrument cluster 80 \$		1	
7	911 641 202 DX	instrument cluster 80 \$		1	
8	911 641 701 29	clock 80 \$		1	
9	911 641 901 00	rubber ring 80 \$	-85	2	
(9)	911 641 901 01	rubber ring 80 \$	86-	2	
-	900 631 132 90	bulb		X	
-	900 631 103 90	bulb charging control indicator		1	
11	999 632 007 00	bulb socket with flat plug		X	

Model	Year	MG	SG	Illustration	Restrictions	UPD	8:25	23.01.2010	PORSCHE	PET	PORSCHE
911	1986	9	06	906-00		248					

Pos	Part Number	Description	Remark	Qty	Model	Pos	Part Number	Description	Remark	Qty	Model
(11)	999 632 009 10	bulb socket double flat plug for glass-base bulb small		1							
(11)	999 632 002 00	bulb socket flat plug double		1							
-	911 612 047 00	wiring harness for instrument illumination with 8 bulb socket		1							
-	999 652 161 10	tubular rivet		8							

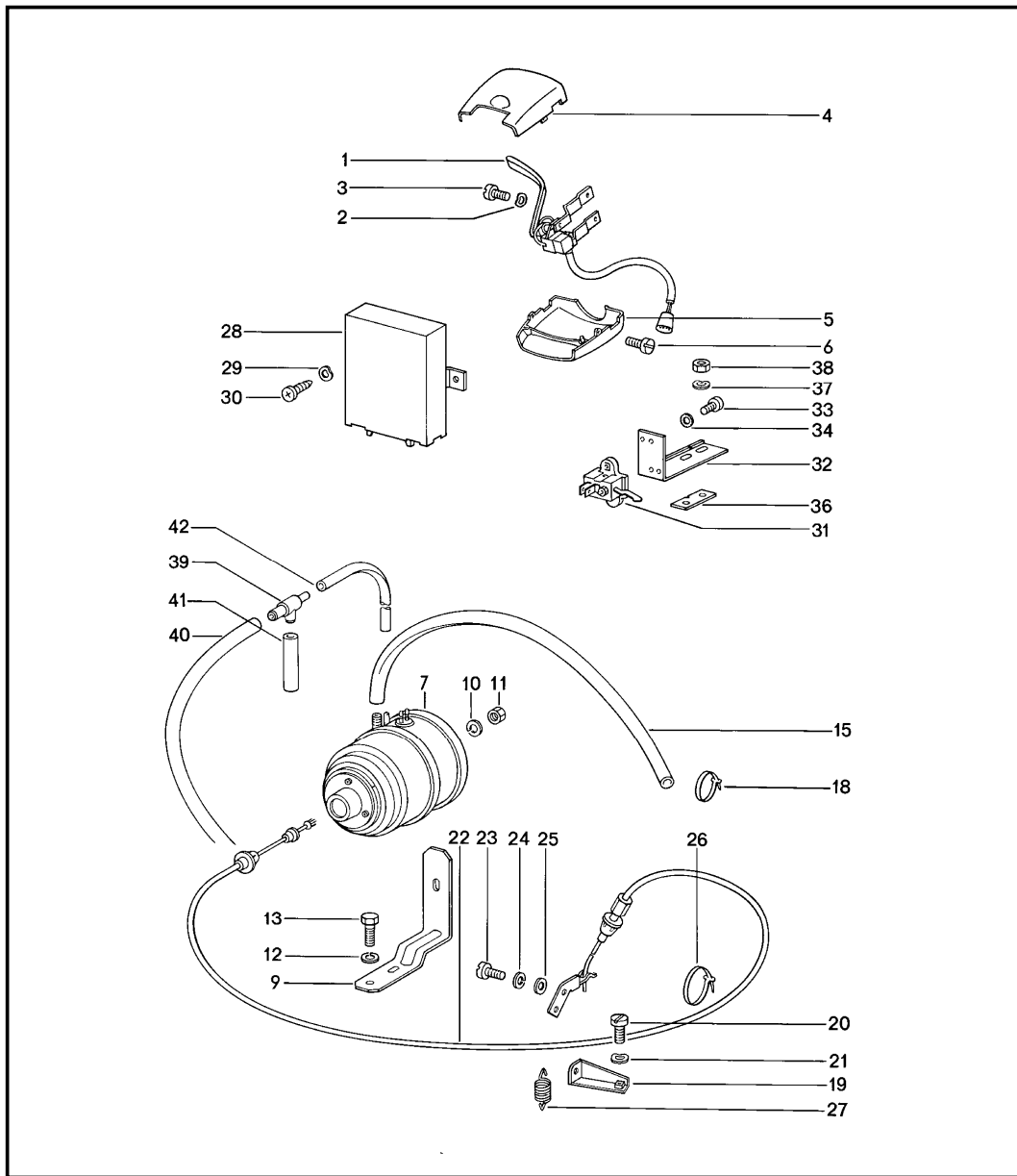
Model	Year	MG	SG	Illustration	Restrictions	UPD	8:26	23.01.2010	PORSCHE	PET	PORSCHE
911	1986	9	06	906-05		248					



Pos	Part Number	Description	Remark	Qty	Model
		speedometer 260 KM/H			
(1) >	911 641 516 06	speedometer		1	CARRERA
(1)	911 641 516 FX	speedometer 260 KM/H		1	CARRERA
(1) >	911 641 516 04	speedometer 260 KM/H		1	CARRERA (SA)
1 A	930 641 507 01	speedometer		1	TURBO
1	930 641 507 AX	speedometer 300 KM/H		1	TURBO
1	930 641 507 03	speedometer 300 KM/H		1	TURBO (SA)
-	911 641 111 00	buzzer relay	(J)	1	, (SA)
(1) >	911 641 537 04	speedometer 250 KM/H with warning function	(J)	1	CARRERA
(2) A	930 641 508 00	speedometer	(GB)	1	(HK)
(2)	930 641 508 X	speedometer MPH 170 + KM/H 270	(GB)	1	(HK)
3	911 641 902 00	rubber ring		-85 4	
3	911 641 902 01	rubber ring 100 \$		86- 4	
6	911 606 209 00	pulse sender		84 1	
6	911 606 209 01	pulse sender		85- 1	
7	915 660 509 00	tensioning spring		1	
8	N 011 524 7	washer A 6,4		1	
9	999 072 005 09	hexagon-head bolt M 6 X 12		1	
-	911 612 406 01	cable holder		1	
-	900 093 010 02	grooved nail 3 X 8		1	
-	999 513 002 40	tie-wrap		1	TURBO



Model	Year	MG	SG	Illustration	Restrictions	UPD	8:26	23.01.2010	PORSCHE	PET	PORSCHE
911	1986	9	07	907-00		248					

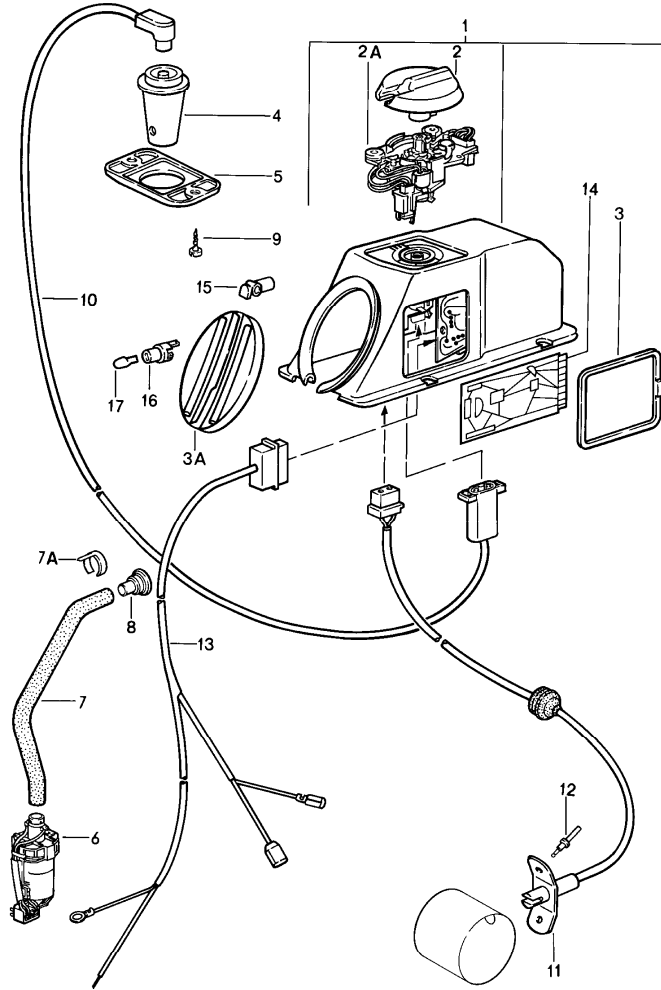


Pos	Part Number	Description	Remark	Qty	Model
		cruise control			
1	911 613 102 01	switch		1	
2	900 115 007 01	serrated lock washer 3,2		2	
3	900 014 079 02	pan-head screw M 3 X 10		2	
4	911 613 311 02	switch housing upper part		1	
5	911 613 312 02	switch housing lower part		1	
6	900 014 079 02	pan-head screw M 3 X 10		2	
7	911 617 123 02	drive link		1	
9	911 617 127 00	support		1	
10	900 027 015 02	lock ring B 8		1	
11	900 076 025 02	hexagon nut M 8		1	
12	N 011 524 7	washer A 6,4		2	
13	900 075 260 02	hexagon-head bolt M 6 X 16 SB		2	
-	N 020 359 1	hose		*	
15	-	670 MM		1	
18	999 513 010 40	tie-wrap 140 MM		1	
19	911 110 226 00	retaining bracket		1	
20	900 071 005 02	oval-head screw M 5 X 10		1	
21	N 012 222 4	spring washer A 5		1	
(22)	911 617 124 04	bowden cable		1	
23	N 014 128 13	oval-head screw M 5 X 8		2	
24	N 012 005 3	lock ring B 5		2	

Model	Year	MG	SG	Illustration	Restrictions	UPD	8:26	23.01.2010	PORSCHE	PET	PORSCHE
911	1986	9	07	907-00		248					

Pos	Part Number	Description	Remark	Qty	Model	Pos	Part Number	Description	Remark	Qty	Model
25	900 025 003 02	washer A 5,3		2		-	911 612 157 06	wiring harness cruise control regulator tunnel	/RL	84	1
26	999 513 010 40	tie-wrap 250 MM		2		-	911 612 157 07	wiring harness cruise control regulator tunnel	/LL	84	1
27	911 110 227 00	gas prop		1							
28	928 617 127 00	cruise control regulator		1		-	911 612 157 08	wiring harness cruise control regulator tunnel	/RL	85	1
29	N 012 222 4	spring washer B 5	/LL	2		-	911 612 157 09	wiring harness cruise control regulator tunnel	/LL	85	1
30	999 217 008 02	hexagon-head bolt M 5 X 10	/LL	2		-	911 612 157 10	wiring harness cruise control regulator tunnel		86-	1
-	999 507 028 02	speed nut B 4,2	/RL	1		-	911 612 158 01	wiring harness tunnel drive link		85	1
-	900 143 007 02	tapping screw B 4,2 X 13	/RL	1		-	911 612 158 02	wiring harness tunnel drive link			1
31	911 613 411 00	brake light switch		1							
32	911 613 131 00	support		1							
33	900 146 011 02	oval-head screw M 4 X 10		2							
34	900 114 014 01	shake-proof washer A 4,3		2							
36	911 613 132 00	plate		1							
37	N 012 226 5	spring washer B 6		2							
38	900 076 010 02	hexagon nut M 6		2							
39	321 611 813	t-socket		1							
-	N 020 359 1	hose C 9 X 15 45 MM		X							
40	-	130 MM		1							
-	999 181 167 50	hose C 4,5 X 9,5		X							
42	-	500 MM		1							

Model	Year	MG	SG	Illustration	Restrictions	UPD	8:26	23.01.2010	PORSCHE	PET	PORSCHE
911	1986	9	08	908-00		248					

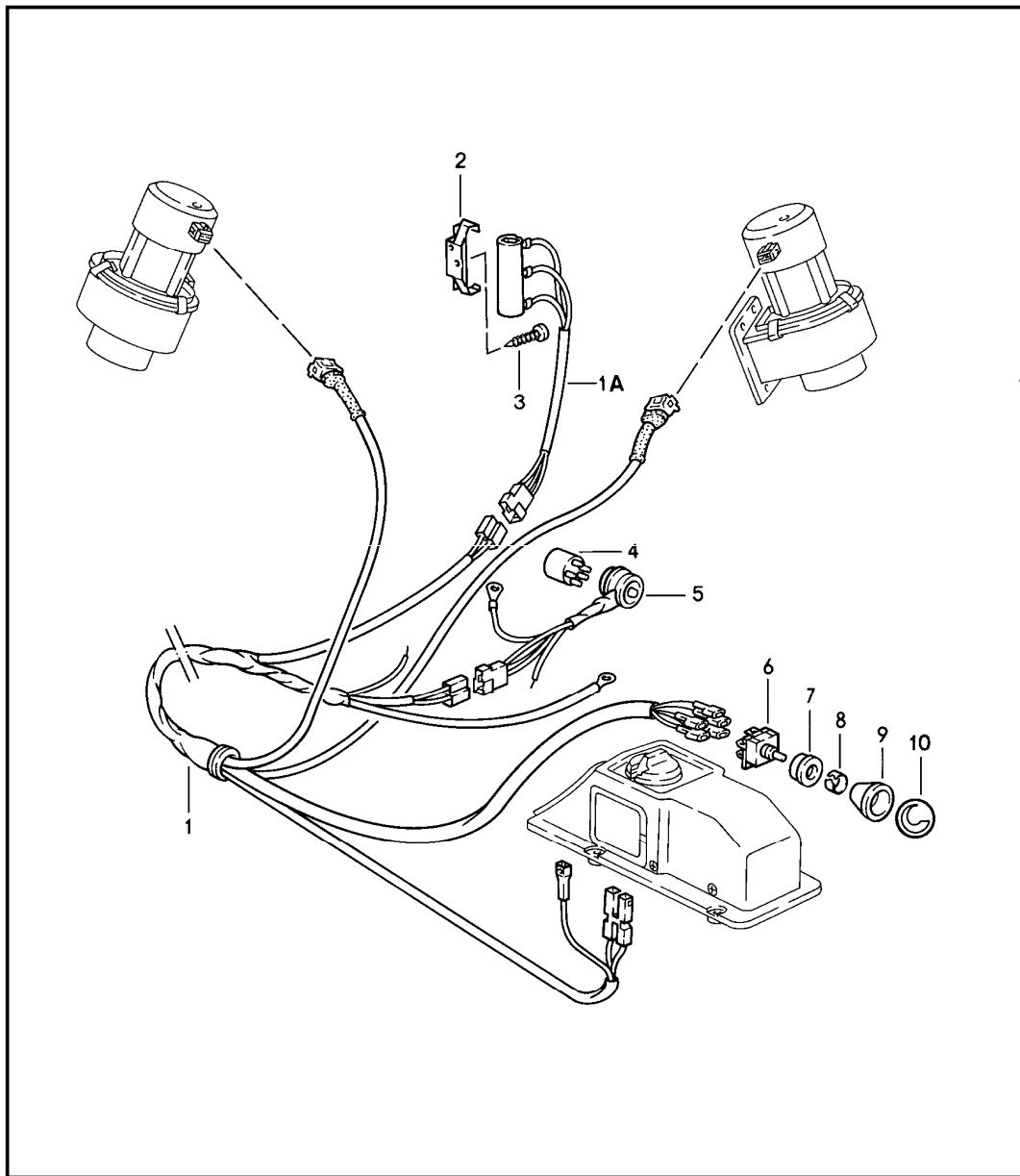


Pos	Part Number	Description	Remark	Qty	Model
		heating system 1			
1	911 659 053 00	control mechanism manually	84	1	CABRIO
(1)	911 659 053 01	control mechanism manually	85-	1	CABRIO
(1) >	911 659 049 02	control mechanism automatic	84	1	COUPE, TARGA
(1) >	911 659 049 03	control mechanism automatic	85- 86- 86-	1	COUPE, TARGA M424 CABRIO
(1)	930 659 059 00	control mechanism automatic	-85	1	TURBO
(1)	930 659 059 01	control mechanism automatic	86-	1	TURBO
2	911 659 110 00	knob		1	
2A	911 659 045 01	switch	84	1	M424
(2A)	911 659 045 03	switch	85-	1	M424
3	911 659 108 00	lid		2	
3A	911 424 591 05	sleeve for governor automatic		1	
(3A)	911 424 591 02	sleeve for governor manually		1	
4	911 659 105 01	interior sensor	-85	1	
5	911 571 235 01	rosette	-85	1	
-	911 659 123 00	cap connector		1	
6	911 624 065 00	interior sensor	86-	1	
-	911 552 357 00	bracket	86-	1	
-	A 900 138 001 02	tapping screw B 2,6 X 6,5	86-	2	
-	N 013 932 1	tapping screw B 2,9 X 6,5	86-	2	

Model	Year	MG	SG	Illustration	Restrictions	UPD	8:26	23.01.2010	PORSCHE	PET	PORSCHE
911	1986	9	08	908-00		248					

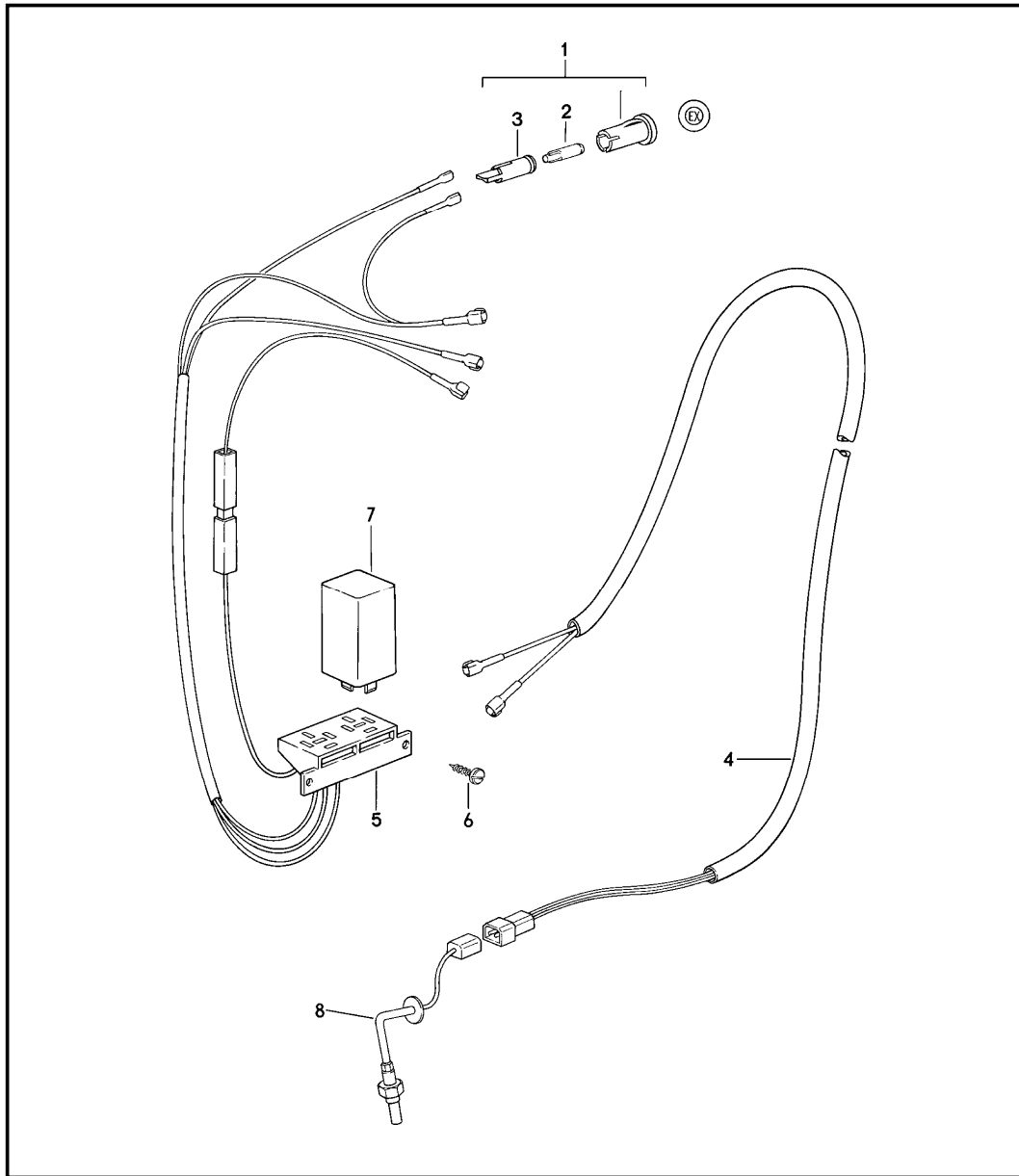
Pos	Part Number	Description	Remark	Qty	Model	Pos	Part Number	Description	Remark	Qty	Model
-	944 612 217 00	connector housing clutch 4-pole		86-	1						
7	911 572 527 00	connecting hose	/LL	86-	1						
(7)	911 572 528 00	connecting hose	/RL	86-	1						
7A	911 572 525 00	clamping piece for intake manifold		86-	1						
8	911 572 523 00	intake manifold		86-	1						
	01C	black									
9	900 143 065 07	tapping screw B 2,9 X 9,5		-85	2						
10	911 612 150 00	wiring harness for interior sensor		-85	1						
11	911 659 101 00	caloric feeler			1						
-	-	connecting piece see group 2/02/00									
12	999 190 129 02	blind rivet			2						
13	911 612 152 00	wiring harness	/LL		1						
(13)	911 612 152 01	wiring harness	/RL		1						
-	N 012 225 2	spring washer B 5			4						
-	900 075 154 07	hexagon-head bolt M 5 X 18			4						
14	911 659 058 02	printed circuit board		-85	1						
14	911 659 058 02	printed circuit board		86	1						
15	999 168 021 40	ball socket			2						
16	914 631 179 10	bulb socket		84	1						
(16)	999 632 015 00	bulb socket		85-	1						
17	900 631 132 90	bulb 12 V - 1,2 W			1						

Model	Year	MG	SG	Illustration	Restrictions	UPD	8:26	23.01.2010	PORSCHE	PET	PORSCHE
911	1986	9	08	908-05		248					



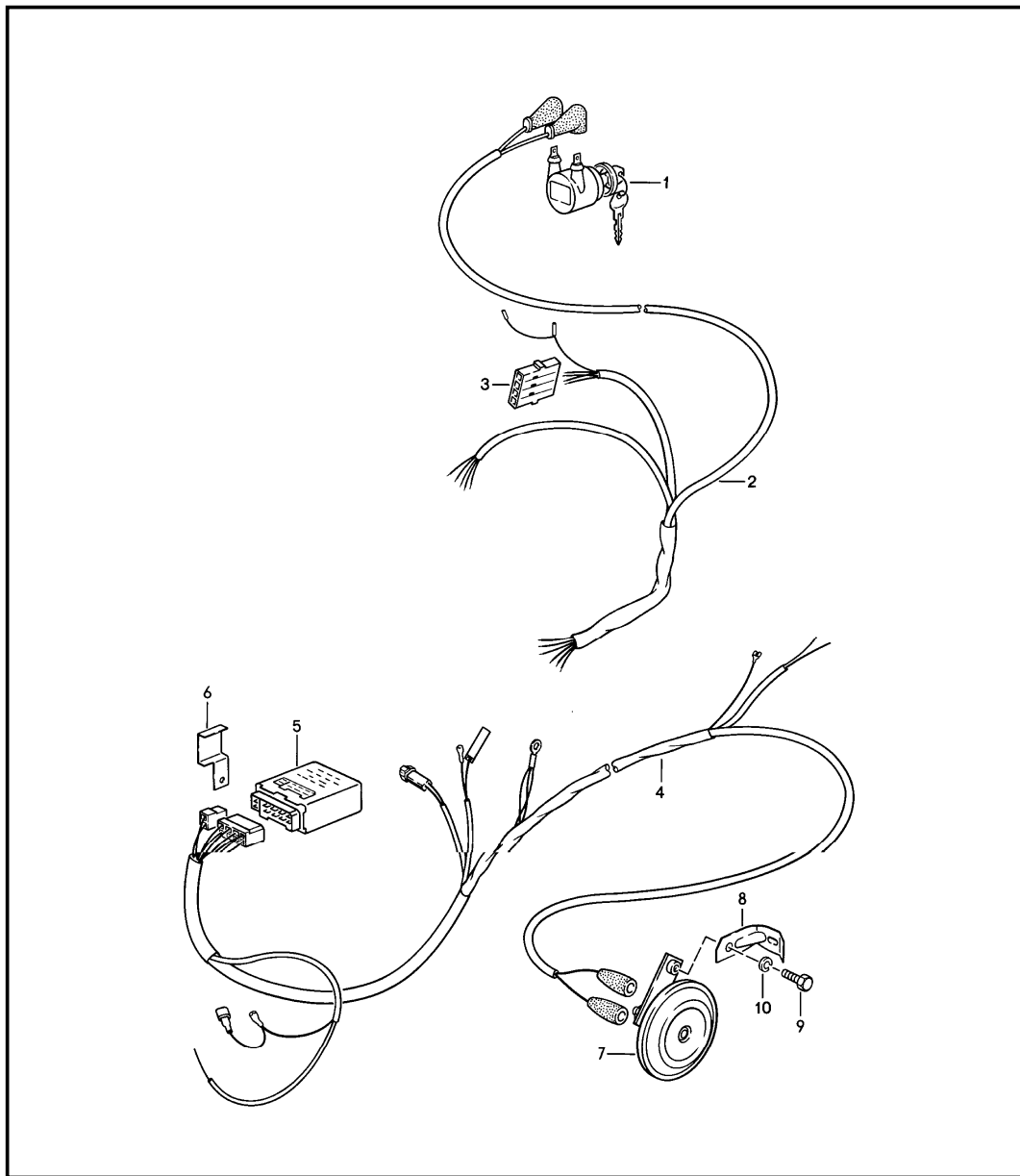
Pos	Part Number	Description	Remark	Qty	Model
		heating system 2			
1	930 612 113 05	wiring harness	/LL	1	TURBO
(1)	930 612 113 04	wiring harness	/RL	1	TURBO
1A	930 616 011 00	resistor		1	TURBO
(1A)	911 616 011 00	resistor		1	CARRERA
2	930 616 113 00	support	-85	1	TURBO
2	911 616 113 01	support	86-	1	TURBO
(2)	911 616 113 01	support		1	CARRERA
3	900 143 058 02	tapping screw		2	TURBO
4	911 615 109 01	standard type relay		1	
5	930 612 115 00	wiring harness		1	TURBO
6	911 613 243 00	blower switch		1	TURBO
7	911 613 213 06	rosette		1	TURBO
8	999 591 619 01	knob holder		1	TURBO
9	911 613 141 00	knob	-85	1	TURBO
(9)	911 613 103 02	knob	86-	1	TURBO
		70B black temperature switch			
10	911 613 237 02	cap with symbol	-85	1	TURBO

Model	Year	MG	SG	Illustration	Restrictions	UPD	8:26	23.01.2010	PORSCHE	PET	PORSCHE
911	1986	9	09	909-00		248					



Pos	Part Number	Description	Remark	Qty	Model
		emission control	(J)		
1	911 632 015 01	indicator light -EX-		1	
2	900 631 132 90	bulb		1	
3	111 919 243	bulb socket		1	
4	930 612 171 00	wiring harness for temperature sensor		1	
5	930 612 169 00	wiring harness for indicator light	84	1	
(5)	930 612 169 02	wiring harness for indicator light	85-	1	
6	N 013 970 5	tapping screw B 4,8 X 9,5		1	
6	N 106 568 02	tapping screw B 4,8 X 9,5		1	
7	911 617 119 00	switch unit temperature monitoring		1	SC
(7)	043 906 086	switch unit temperature monitoring		1	TURBO
8	-	see group 2/02/00		1	

Model	Year	MG	SG	Illustration	Restrictions	UPD	8:27	23.01.2010	PORSCHE	PET	PORSCHE
911	1986	9	10	910-00		248					



Pos	Part Number	Description	Remark	Qty	Model
1	911 637 101 00	alarm system left-hand drive alarm switch with 2 secondary keys		1	
2	911 612 163 02	wiring harness driver's door passenger's door without Spiegel	-84	1	
(2)	911 612 165 02	wiring harness driver's door passenger's door with Spiegel		1	
3	111 971 977	plug with guide		1	
4	911 612 176 01	wiring harness		1	
5 >	911 637 104 02	alarm control unit		1	CARRERA
(5)	911 637 104 03	alarm control unit	(CH)	1	CARRERA
(5) >	911 637 104 00	alarm control unit		1	TURBO
(5)	911 637 104 01	alarm control unit	(CH)	1	TURBO
6	911 637 117 00	support		1	
7	944 637 103 01	horn		1	
8	911 635 093 00	retaining bracket		1	
9	N 010 239 11	hexagon-head bolt M 8 X 18		1	
10	900 027 015 02	lock ring B 8		1	

M000 ! SUMMARY OF OPTIONAL EXTRAS "M!"  
M018 SPORTS STEERING WHEEL  
M018 WITH ELEVATED HUB 30MM  
M020 SPEEDOMETER WITH TWO SCALES MPH-KM/H  
M026 WITH ACTIVATED CHARCOAL CANISTER  
M027 VERSION FOR CALIFORNIA  
M058 IMPACT ABSORBERS FRONT AND REAR  
M062 VERSION FOR SWEDEN  
M070 TARPAULIN  
M113 VERSION FOR CANADA  
M124 VERSION FOR FRANCE  
M139 SEAT HEATING SYSTEM, LEFT SEAT  
M154 CONTROL UNIT ENGINE FOR  
M154 IMPROVED EMISSION RESULTS  
M157 THREE-BED CATALYST, OXYGEN SENSOR AND DIGITAL  
M157 ELECTRICAL ENGINE EQUIPMENT  
M185 THREE-POINT BELT, BELT-LOCK WITH  
M185 CABLES, FOR DRIVER'S SEAT ONLY AND  
M185 TWO-POINT BELT, REAR  
M186 SAFETY BELTS 2-POINT, REAR  
M186 MANUAL  
M187 HEADLAMPS WITH SEALED-BEAM  
M187 INSERT "ASYMMETRIC"  
M190 INCREASED SIDE DOOR STRENGTH  
M193 VERSION FOR JAPAN  
M197 STRONGER BATTERY  
M215 VERSION FOR SAUDI ARABIA  
M220 LOCKING DIFFERENTIAL 40 %  
M240 VERSION FOR COUNTRIES HAVING  
M240 INFERIOR FUEL QUALITIES  
M241 SHORTER SHIFTING TRAVEL  
M261 OUTSIDE MIRROR - PLAIN - PASSENGER'S SIDE,  
M261 ELECTRICALLY ADJUSTABLE AND HEATABLE  
M277 VERSION FOR SWITZERLAND  
M298 PREPARED FOR UNLEADED  
M298 FUEL  
M298 MANUAL TRANSMISSION  
M335 AUTOMATIC SAFETY BELT, 3-POINT,  
M335 REAR  
M340 SEAT HEATING SYSTEM, RIGHT SEAT  
M341 CENTRAL LOCKING SYSTEM  
M348 FORGED WHEELS, LACQUERED - GRANDPRIX WHITE -  
M383 SPORT SEAT LEFT, ELECTRICAL  
M383 VERTICALLY ADJUSTABLE  
M387 SPORT SEAT RIGHT, ELECTRICAL  
M387 VERTICALLY ADJUSTABLE  
M395 LIGHT-METAL RIMS,  
M395 FORGED, 16 IN.  
M401 LIGHT-METAL RIMS, FORGED  
M401 15 IN.  
M409 SPORT SEATS



M419 REAR LUGGAGE DUMP  
M424 AUTOMATIC HEATING CONTROL  
M425 REAR WINDOW WIPER  
M437 COMFORT SEAT LEFT,  
M437 ELECTRICALLY ADJUSTABLE  
M438 COMFORT SEAT RIGHT,  
M438 ELECTRICALLY ADJUSTABLE  
M439 ELECTRICAL  
M439 ROOF CATCH  
M441 PREPARED FOR RADIO  
M443 TINTED WINDSHIELD GLASS AND TINTED  
M443 LATERAL GLASSES WITH ELECTRICALLY  
M443 HEATABLE, WINDSHIELD, 1-STAGE  
M444 CABRIO  
M454 AUTOMATIC SPEED CONTROL  
M462 WINDSHIELD "SEKURIFLEX"  
M463 WINDSHIELD CLEAR  
M467 OUTSIDE MIRROR FOR DRIVER'S SIDE, CONVEX,  
M467 ELECTRICALLY HEATABLE AND ADJUSTABLE  
M468 SIDE GLASSES GREEN AND WINDSHIELD GREEN -  
M468 UPPER PART DARKER COLORED  
M470 WITHOUT FRONT-SPOILER  
M470 AND REAR-SPOILER  
M473 WITH FRONT SPOILER AND REAR SPOILER  
M474 SHOCK ABSORBER (SPORTING) FRONT AND REAR  
M479 VERSION FOR AUSTRALIA  
M484 VERSION FOR USA  
M491 TURBO-LOOK  
M492 FOR LEFT-HAND TRAFFIC  
M525 ANTI-THEFT DEVICE WITH CONTINUOUS SOUND  
M526 DOOR PANELS (CLOTH)  
M528 OUTER REAR VIEW MIRROR FOR PASSENGER'S SIDE  
M528 - CONVEX - ELECTRICALLY HEATABLE AND ADJUSTABLE  
M533 ANTI-THEFT DEVICE  
M553 VERSION FOR USA, CANADA  
M559 AIR CONDITIONER  
M573 AIR CONDITIONER WITH HEAVY  
M573 DUTY BLOWER  
M650 ELECTRICAL SLIDING ROOF  
M981 LEATHER EQUIPMENT  
M986 PARTIAL LEATHER EQUIPMENT

Model	Year	MG	SG	Illustration	VIN No.	Update		
911	86					248	9:29	28.01.2010

THIS PARTS CATALOGUE CONTAINS ALL ORDER INFORMATION OF  
TYPE 911 FROM MODEL YEAR 1984 TO MODEL YEAR 1986

IT IS AVAILABLE IN TWO EDITIONS IN THE FOLLOWING LANGUAGES:

EDITION

USA, CANADA - \*

EDITION

ALL OTHER COUNTRIES - GERMAN

\* - ENGLISH

- FRENCH

- ITALIAN

- SPANISH

UPDATING IS BEING PERFORMED BY CHANGING OF UPDATE.

THE EDITION CAN BE RECOGNIZED BY THE CURRENT NO.  
YEAR IN THE BOTTOM LINE OF SUBJECT UPDATE.

THE PREVIOUS UPDATE SHOULD NO LONGER BE USED.

ALL ILLUSTRATIONS ARE SUBJECT TO CHANGE WITHOUT OBLIGATION.

Model	Year	MG	SG	Illustration	VIN No.	Update		
911	86					248	9:29	28.01.2010

ALL ILLUSTRATIONS ARE SUBJECT TO  
CHANGE WITHOUT OBLIGATION.

Model	Year	MG	SG	Illustration	VIN No.	Update	9:30	28.01.2010
911	86					248		

EXPLANATION OF THE ABRIDGED VERSION OF THE VEHICLE IDENT. NUMBERS (VIN)

=====
USED IN THE CATALOGUE
=====

DIGIT: 1 2 3 4 5 6 7 8 9 10 11 12 13 14 15 16 17

EXAMPLE: W P O Z Z Z 9 1 Z G S 1 0 0 1 2 5

====
! ! ! !
VEHICLE TYPE 1ST+2ND DIGIT-----+ ! ! ! !
! ! ! !
MODEL YEAR-----+ ! ! !
! ! !
MANUFACTURING LOCATION-----+ ! !
! !
VEHICLE TYPE 3RD DIGIT-----+ !
!
SERIAL NUMBER-----+

Model 911	Year 86	MG	SG	Illustration	VIN No.	Update 248	9:30	28.01.2010
--------------	------------	----	----	--------------	---------	---------------	------	------------

VEHICLE TYPE	MY	VEHICLE IDENT.NR.	ENGINE	TYPE
911 CARRERA COUPE/TURBO-LOOK	84 E	91ES1 00001>05000	930.20	170 KW
911 CARRERA TARGA	84 E	91ES1 40001>45000	930.20	170 KW
911 CARRERA CABRIO	84 E	91ES1 50001>55000	930.20	170 KW
911 CARRERA COUPE/TURBO-LOOK (J)	84 E	91ES1 09501>09999	930.21	152 KW
911 CARRERA TARGA (J)	84 E	91ES1 49501>49999	930.21	152 KW
911 CARRERA CABRIO (J)	84 E	91ES1 59501>59999	930.21	152 KW
911 CARRERA COUPE/TURBO-LOOK (USA) (CDN)	84 E	91ES1 20001>25000	930.21	152 KW
911 CARRERA TARGA (USA) (CDN)	84 E	91ES1 60001>65000	930.21	152 KW
911 CARRERA CABRIO (USA) (CDN)	84 E	91ES1 70001>75000	930.21	152 KW
911 TURBO COUPE	84 E	93ES0 00001>01000	930.66	221 KW
911 TURBO COUPE (CDN)	84 E	93ES0 50001>52000	930.66	221 KW
911 CARRERA COUPE	85 F	91FS1 00001>05000	930.20	170 KW
911 CARRERA TARGA	85 F	91FS1 40001>45000	930.20	170 KW
911 CARRERA CABRIO	85 F	91FS1 50001>55000	930.20	170 KW
911 CARRERA COUPE M298	85 F	91FS1 00001>05000	930.21	152 KW
911 CARRERA TARGA M298	85 F	91FS1 40001>45000	930.21	152 KW
911 CARRERA CABRIO M298	85 F	91FS1 50001>55000	930.21	152 KW
911 CARRERA COUPE (AUS) (S) (CH)	85 F	91FS1 00001>05000	930.26	170 KW
911 CARRERA TARGA (AUS) (S) (CH)	85 F	91FS1 40001>45000	930.26	170 KW
911 CARRERA CABRIO (AUS) (S) (CH)	85 F	91FS1 50001>55000	930.26	170 KW
911 CARRERA COUPE (J)	85 F	91FS1 09501>09999	930.21	152 KW
911 CARRERA TARGA (J)	85 F	91FS1 49501>49999	930.21	152 KW
911 CARRERA CABRIO (J)	85 F	91FS1 59501>59999	930.21	152 KW
911 CARRERA COUPE (USA) (CDN)	85 F	91FS1 20001>25000	930.21	152 KW

Model	Year	MG	SG	Illustration	VIN No.	Update		
911	86					248	9:30	28.01.2010

911 CARRERA TARGA	(USA) (CDN)	85 F	91FS1	60001>65000	930.21	152	KW	
911 CARRERA CABRIO	(USA) (CDN)	85 F	91FS1	70001>75000	930.21	152	KW	
911 TURBO COUPE		85 F	93FS0	00001>02000	930.66	221	KW	
911 TURBO COUPE	(CDN)	85 F	93FS0	50001>52000	930.66	221	KW	
911 CARRERA COUPE		86 G	91GS1	00001>05000	930.20	170	KW	
911 CARRERA TARGA		86 G	91GS1	40001>45000	930.20	170	KW	
911 CARRERA CABRIO		86 G	91GS1	50001>55000	930.20	170	KW	
911 CARRERA COUPE	M298	86 G	91GS1	00001>05000	930.21	152	KW	
911 CARRERA TARGA	M298	86 G	91GS1	40001>45000	930.21	152	KW	
911 CARRERA CABRIO	M298	86 G	91GS1	50001>55000	930.21	152	KW	
911 CARRERA COUPE	(S) (CH)	86 G	91GS1	00001>05000	930.26	170	KW	
911 CARRERA TARGA	(S) (CH)	86 G	91GS1	40001>45000	930.26	170	KW	
911 CARRERA CABRIO	(S) (CH)	86 G	91GS1	50001>55000	930.26	170	KW	
911 CARRERA COUPE	(J)	86 G	91GS1	09501>09999	930.21	152	KW	
911 CARRERA TARGA	(J)	86 G	91GS1	49501>49999	930.21	152	KW	
911 CARRERA CABRIO	(J)	86 G	91GS1	59501>59999	930.21	152	KW	
911 CARRERA COUPE	(USA) (CDN)	86 G	91GS1	20001>25000	930.21	152	KW	
911 CARRERA TARGA	(USA) (CDN)	86 G	91GS1	60001>65000	930.21	152	KW	
911 CARRERA CABRIO	(USA) (CDN)	86 G	91GS1	70001>75000	930.21	152	KW	
911 TURBO COUPE		86 G	93GS0	00001>02000	930.66	221	KW	
911 TURBO COUPE	(CDN)	86 G	93GS0	55001>57000	930.66	221	KW	
911 TURBO COUPE	(USA)	86 G	93GS0	50001>52000	930.68	209	KW	

Model	Year	MG	SG	Illustration	VIN No.	Update	9:30	28.01.2010
911	86					248		

EXPLANATION OF THE MOTOR-NUMBERS USED IN THE CATALOGUE

=====

DIGIT: 1 2 3 4 5 6 7 8

EXAMPLE: 6 4 G 0 0 1 3 6

= = = =====

! ! ! !

ENGINE TYPE (6 = 6-CYL.-ENGINE) -----+ ! ! !

! ! !

ENGINE VERSION-----+ ! !

! !

MODEL YEAR-----+ !

!

SERIAL NUMBER-----+ !

Model	Year	MG	SG	Illustration	VIN No.	Update	9:30	28.01.2010
911	86					248		

ENGINE

VEHICLE TYPE	TYPE	MY	ENGINE NO.	TECHNICAL DATA
911 CARRERA	930.20	84 E	63E 00001>10000	6ZYL/3,2L/170 KW
911 CARRERA (USA) (CDN) (J)	930.21	84 E	64E 00001>10000	6ZYL/3,2L/152 KW
911 TURBO	930.66	84 E	67E 00001>01000	6ZYL/3,3L/221 KW^
911 CARRERA	930.20	85 F	63F 00001>10000	6ZYL/3,2L/170 KW
911 CARRERA (USA) (CDN) (J) /M298	930.21	85 F	64F 00001>10000	6ZYL/3,2L/152 KW
911 CARRERA (AUS) (S) (CH)	930.26	85 F	63F 10001>11000	6ZYL/3,2L/170 KW
911 TURBO	930.66	85 F	67F 00001>01000	6ZYL/3,3L/221 KW
911 CARRERA	930.20	86 G	63G 00001>10000	6ZYL/3,2L/170 KW
911 CARRERA (USA) (CDN) (J) (AUS) /M298	930.21	86 G	64G 00001>10000	6ZYL/3,2L/152 KW
911 CARRERA (S) (CH)	930.26	86 G	63G 10001>11000	6ZYL/3,2L/170 KW
911 TURBO	930.66	86 G	67G 00001>02000	6ZYL/3,3L/221 KW
911 TURBO (USA)	930.68	86 G	68G 00001>02000	6ZYL/3,3L/209 KW



Model	Year	MG	SG	Illustration	VIN No.	Update		
911	86					248	9:31	28.01.2010

EXPLANATION OF THE TRANSMISSION-NUMBERS USED IN THE CATALOGUE

=====

DIGIT: :	1	2	3	4	5	6	7	8
EXAMPLE:	7	4	G	0	0	1	4	3
	=	=	=	=	=	=	=	=
	!	!	!				!	
TRANSMISSION TYPE-----				+	!	!		!
					!	!		!
TRANSMISSION VERSION-----					+	!		!
						!		!
MODEL YEAR-----							+	!
								!
SERIAL NUMBER-----								+

Model	Year	MG	SG	Illustration	VIN No.	Update		
911	86					248	9:31	28.01.2010

VEHICLE TYPE	TRANSM. TYPE	MY	TRANSMISSION NO.	TECHNICAL DATA
911 CARRERA	915.67	84 E	73E 00001>10000	5-SPEED
911 CARRERA TURBO-LOOK	915.69	84 E	73E 10001>11000	5-SPEED
911 CARRERA (USA) (CDN) (J)	915.68	84 E	74E 00001>10000	5-SPEED
911 CARRERA TURBO-LOOK (USA) (CDN) (J)	915.70	84 E	74E 10001>11000	5-SPEED
911 TURBO	930.34	84 E	77E 00001>02000	4-SPEED
911 CARRERA	915.72	85 F	73F 00001>10000	5-SPEED
911 CARRERA (USA) (CDN) (J)	915.68	85 F	74F 00001>10000	5-SPEED
911 CARRERA (USA) (CDN) (J) /M298	915.73	85 F	74F 00001>10000	5-SPEED
911 TURBO	930.36	85 F	77F 00001>02000	4-SPEED
911 TURBO (CH)	930.67	85 F	77F 00001>02000	4-SPEED
911 CARRERA	915.72	86 G	73G 00001>10000	5-SPEED
911 CARRERA (USA) (CDN) (J) (AUS) /M298	915.73	86 G	74G 00001>10000	5-SPEED
911 TURBO	930.36	86 G	77G 00001>02000	4-SPEED
911 TURBO (CH)	930.37	86 G	77G 00001>02000	4-SPEED

Model	Year	MG	SG	Illustration	VIN No.	Update	9:31	28.01.2010
911	86					248		

LEGENDS AND NOTICES

=====

IN COLUMN -S- STATUS

-----

- N NEW ADDITION
- P PART ALREADY IN PROGRAMME, BUT NEW  
AT THIS APPLICATION
- W DELETED AT THIS APPLICATION, BUT CONTINUED  
TO BE CARRIED
- A STOCK TO BE USED UP
- U DELETED WITHOUT REPLACEMENT
- \* PART ALSO OR ONLY AVAILABLE  
IN REPAIR KIT
- > ALSO AVAILABLE IN EXCHANGE

IN COLUMN - ILL. -

-----

- 1 IDENTIFICATION NO. IN ILLUSTRATION
- (1) PART ONLY SIMILAR AS ILLUSTRATED
- PART IS NOT ILLUSTRATED

Model	Year	MG	SG	Illustration	VIN No.	Update	9:31	28.01.2010
911	86					248		

FIG.-NUMBERS FOR WHICH THERE IS SHOWN NO TEXT ARE  
NOT VALID FOR THIS EDITION OF CATALOGUE

IN COLUMN -PART NUMBER/CODE-

-----

000 000 000 00 PART NUMBER EQUALS ORDERING NO., IF A CODE IS  
SHOWN, IT WILL HAVE TO BE PART OF ORDERING  
NUMBER

AC3 COLOUR CODE

IN COLUMN -TEXT

-----

INSTALLATION WIRH ENGINE OR CHASSIS  
NUMBER-RANGE

EXAMPLE:

M 65H 00134 >> FROM ENGINE NO.

F >> 95 HS90 00143 UP TO VIN

Model	Year	MG	SG	Illustration	VIN No.	Update	9:31	28.01.2010
911	86					248		

IN COLUMN - A -

-----

IDENTIFICATION LETTER FOR PERIOD OF INSTALLATION  
 THAT IS REPEATED SEVERAL TIMES IN THE CATALOG GROUP.

EXPLANATION PLEASE FIND IN TEXT COLUMN OF THE CATALOG GROUP

IN COLUMN - QU - = NO. OF PIECES

-----

1 NUMBER PER APPLICATION

X NUMBER AS NEEDED

\* AVAILABLE ONLY IN RUNNING LENGTHS 1 = 1 METRE

IN COLUMN - MODEL/SYMBOL -

-----

M650 OPTIONAL EQUIPMENT - SEE M-NO. LIST

-88 LIMITATION OF MODEL YEAR FOR INSTANCE: VALID UP TO  
 END OF MODEL YEAR 1988

/LL LHD

/RL RHD

-----+

/V FRONT I

Model	Year	MG	SG	Illustration	VIN No.	Update	9:31	28.01.2010
911	86					248		

			I					
/H	REAR		I					
				I---->	APPLIES TO			
/L	LEFT		I		DIRECTION OF TRAVEL			
/R	RIGHT		I					
				-----+				
AUT.	AUTOMATIC							
WW					THE PART CAN BE USED INSTEAD OF THE			
					PRECEDING ONE			

Model	Year	MG	SG	Illustration	VIN No.	Update		
911	86					248	9:32	28.01.2010

## EQUIPMENT BY COUNTRY REGULATIONS

=====

(A) AUSTRIA  
(AG) THE GULF STATES  
(AUS) AUSTRALIA  
  
(B) BELGIUM  
  
(CDN) CANADA  
  
(CH) SWITZERLAND  
  
(D) FEDERAL REPUBLIC OF GERMANY  
  
(DK) DENMARK  
  
(E) SPAIN  
  
(F) FRANCE  
  
(GB) GREAT BRITAIN  
  
(GR) GREECE  
  
(HK) HONGKONG  
  
(I) ITALY  
  
(J) JAPAN  
  
(L) LUXEMBURG

Model	Year	MG	SG	Illustration	VIN No.	Update		
911	86					248	9:32	28.01.2010

(N) NORWAY

(NL) NETHERLANDS

(NS) NEW ZEALAND

(P) PORTUGAL

(RC) TAIWAN

(S) SWEDEN

(SA) SAUDI ARABIA

(SF) FINLAND

(USA) UNITED STATES OF AMERICA