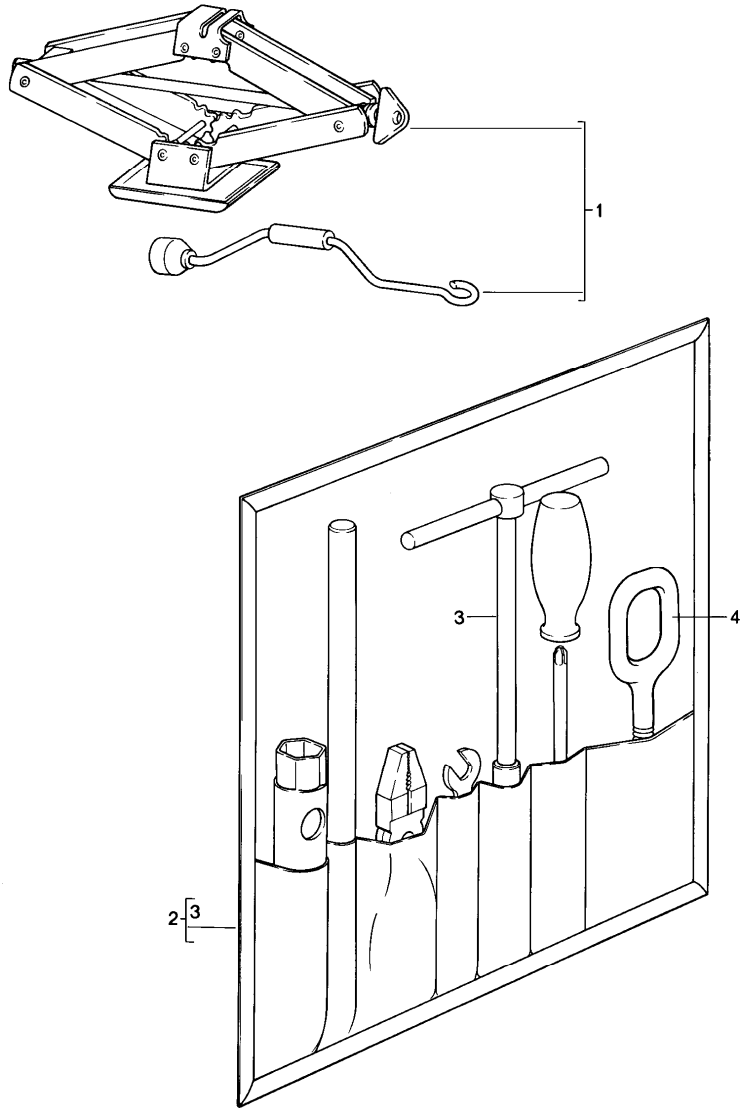


Model	Year	MG	SG	Illustration	Restrictions	UPD	20:55	23.01.2010	PORSCHE	PET	PORSCHE
944	1985	0	01	001-00		248					



Pos	Part Number	Description	Remark	Qty	Model
		accessories			
1	477 011 033	scissors type jack		1	
2	944 721 027 05	tool bag with contents comprising: tool bag angular screw driver		1	
3	477 012 233	spark plug wrench rim wrench operating rod for rim wrench double-end spanner 10 X 13 handle insert for cross-recess screw and slotted screw universal pliers		1 1 1 1 1 1 1 1	
-	928 361 311 00	hook for cover wheel nut use also:		1	
4	996 721 151 00	towing lug		1	
4	928 722 101 05	towing lug		1	M058

PORSCHE

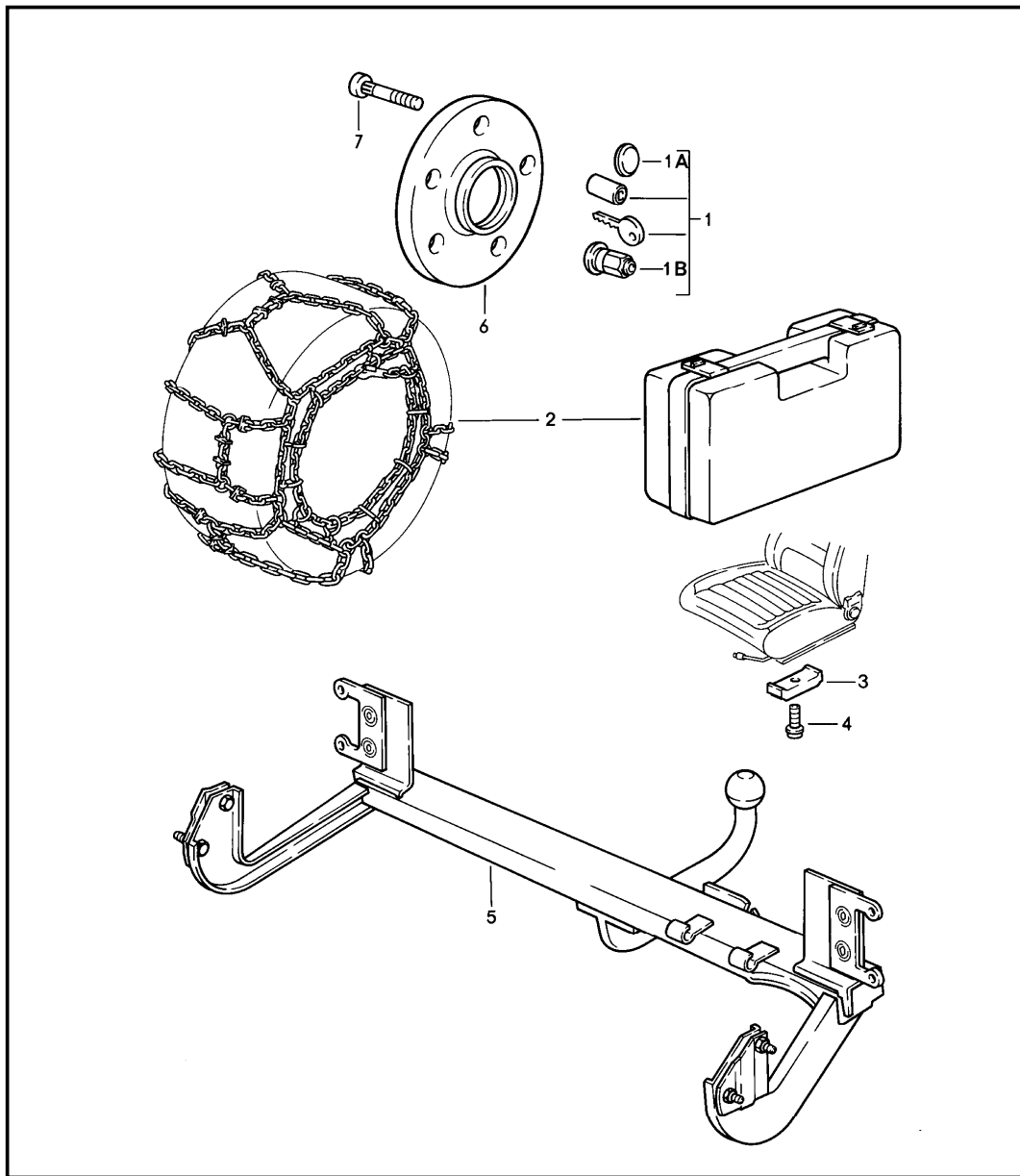
PET

PORSCHE

Model	Year	MG	SG	Illustration	Restrictions	UPD	20:55	23.01.2010
944	1985	0	01	001-05		248		

Pos	Part Number	Description	Remark	Qty	Model
-	944 701 179 00	stickers sticker tyre pressure 185/70 - VR 15	(AUS)	1	
-	937 701 127 00	sticker tyre pressure 205/55 - VR 16		1	
-	944 701 181 00	sticker tyre pressure	(AUS)	1	
-	944 701 193 00	sticker emergency wheel		1	
-	944 006 113 00	sticker engine specifications	(S)	1	
-	944 006 119 01	sticker engine specifications	(CH) -84	1	
-	477 000 285	sticker high voltage		1	

Model	Year	MG	SG	Illustration	Restrictions	UPD	20:55	23.01.2010	PORSCHE	PET	PORSCHE
944	1985	0	02	002-00		248					

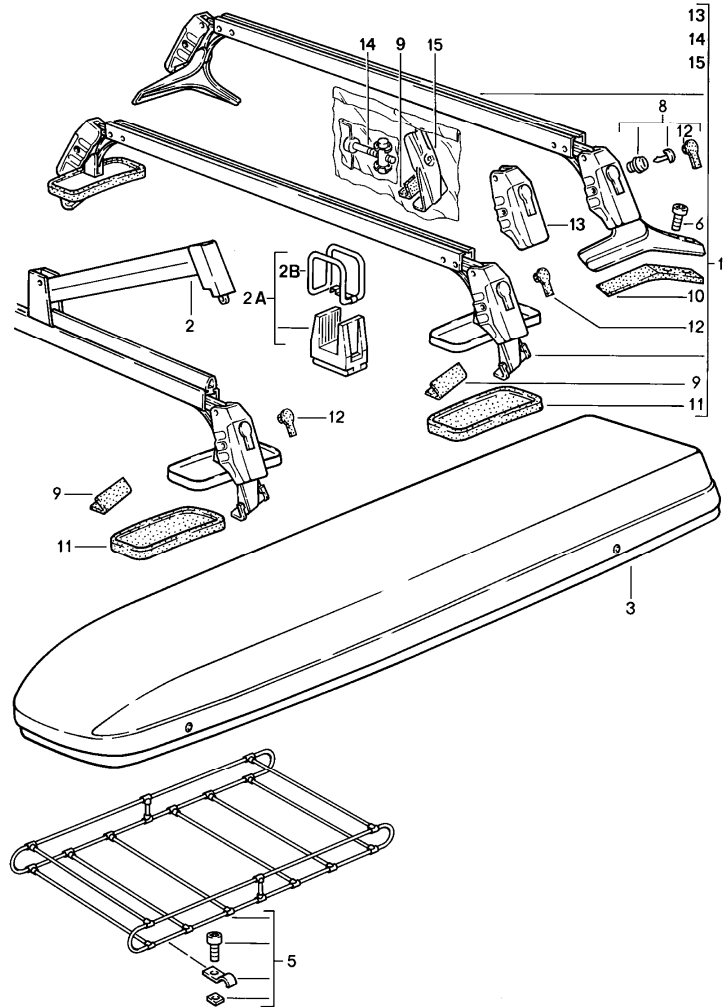


Pos	Part Number	Description	Remark	Qty	Model
		accessories			
1	928 361 047 01	wheel nut lockable 1 set comprising:		1	
-	928 361 306 01	wheel nut lockable without lock lock		4	
1A	928 361 310 00	protection cap snow chains		4	
2	911 361 909 00	snow chains 1 set for tyre 185/70 R 15 205/55 R 16 215/60 R 15 vertical seat adjustment		1	
3	911 521 493 00	spacer 13 MM		X	
4	900 067 089 02	pan-head screw M 6 X 25 for 13 MM elevation		X	
(4)	N 014 749 2	pan-head screw M 6 X 40 for 26 MM elevation		X	
5	944 722 901 00	trailer coupling trailer coupling with detachable ball-pin complete with electric installation set use also: 944.111.064.00		1	
				2	

Model	Year	MG	SG	Illustration	Restrictions	UPD	20:55	23.01.2010	PORSCHE	PET	PORSCHE
944	1985	0	02	002-00		248					

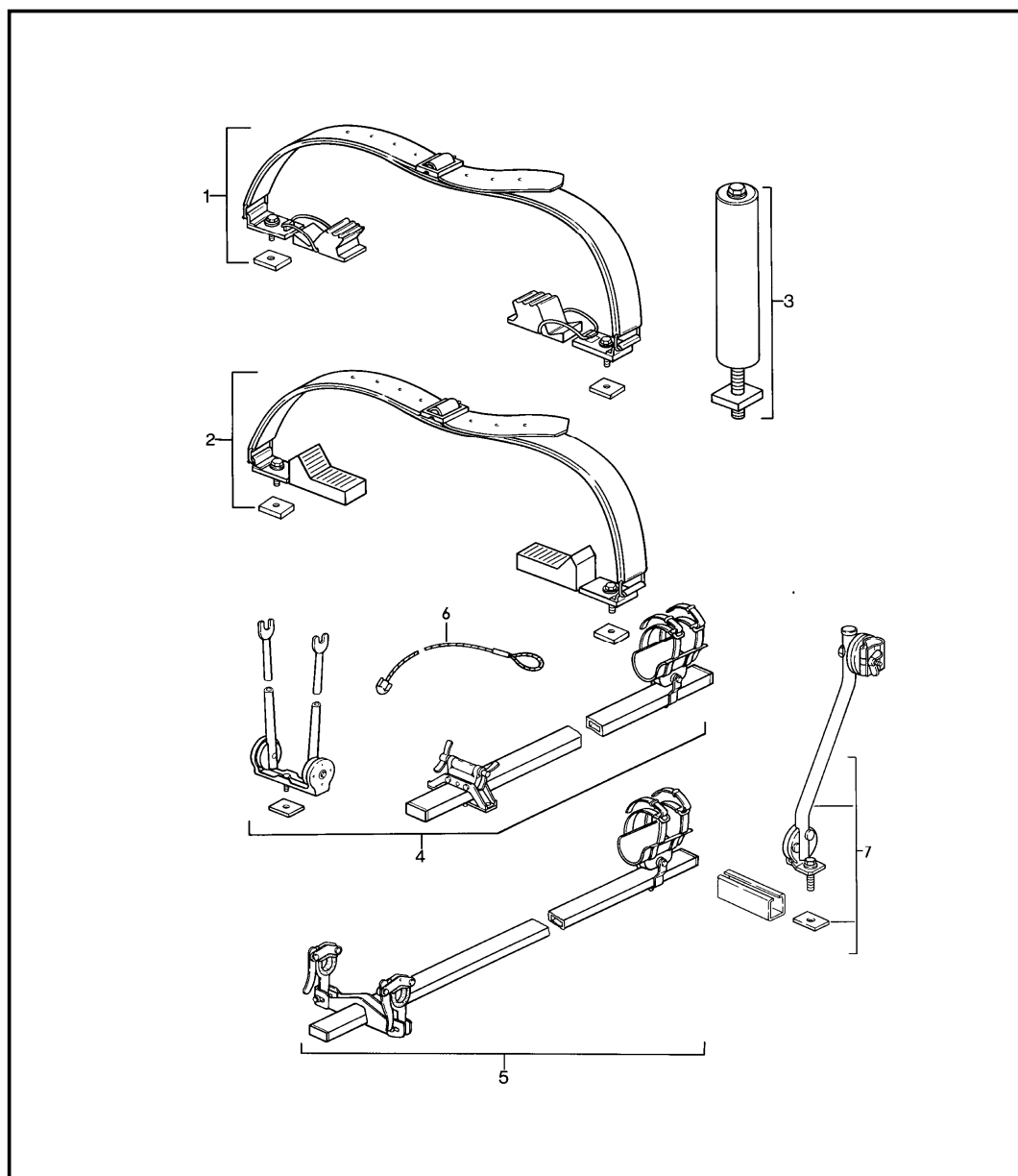
Pos	Part Number	Description	Remark	Qty	Model	Pos	Part Number	Description	Remark	Qty	Model
(5)	944 722 901 01	trailer coupling with detachable ball-pin complete with electric installation set use also: 944.111.064.00		1	M058						
-	928 006 901 00	sticker drawbar load		1							
-	111 919 209 A	indicator light		1							
-	900 631 132 90	bulb 12V, 1,2W		1							
-	431 953 231	relay		1							
		spacer ring									
6	930 331 611 04	spacer ring 28 MM		2							
7	901 331 671 01	wheel bolt 72 MM		10							

Model	Year	MG	SG	Illustration	Restrictions	UPD	20:55	23.01.2010	PORSCHE	PET	PORSCHE
944	1985	0	02	002-06		248					



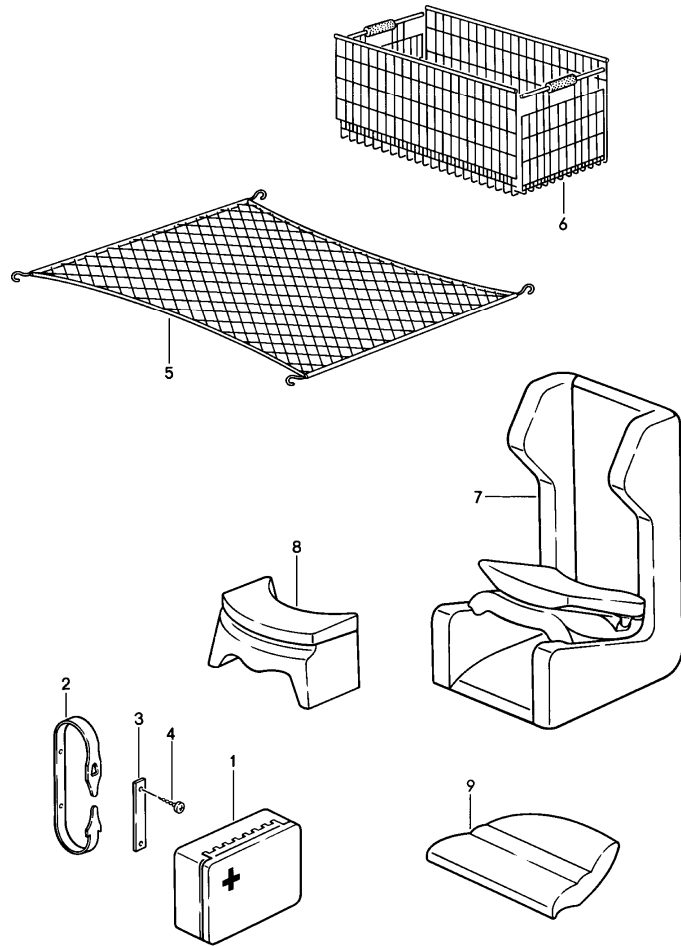
Pos	Part Number	Description	Remark	Qty	Model
		roof transport system			
1	944 801 005 00	main support 1 set		1	
2	928 801 061 02	clamping bow 1 set		1	
2A	928 801 903 02	rubber support for skis 1 set		1	
2B	928 801 193 02	retaining strap 1 set		1	
3	928 801 063 02	ski box	/L	1	
(3)	928 801 064 02	ski box	/R	1	
5	928 801 081 02	roof rack set		1	
6	999 119 012 07	pan-head screw		4	
8	928 801 011 02	cylinder lock with keys		1	
9	477 091 145	protection cap		2	
10	477 091 151 A	protective rubber	/L	1	
(10)	477 091 152 A	protective rubber	/R	1	
11	928 801 267 02	rubber plate front		2	
12	928 801 111 02	protection cap		4	
13	928 801 107 02	lid		2	
14	944 801 901 01	parts kit	/V	1	
15	944 801 901 01	parts kit	/V	1	

Model	Year	MG	SG	Illustration	Restrictions	UPD	20:55	23.01.2010	PORSCHE	PET	PORSCHE
944	1985	0	02	002-07		248					



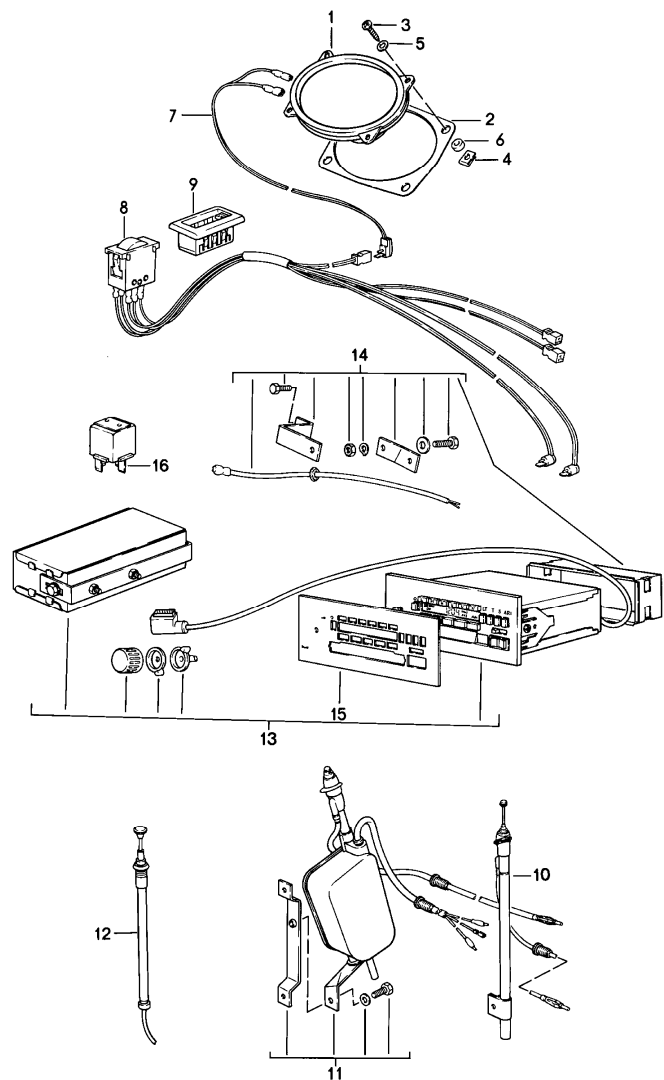
Pos	Part Number	Description	Remark	Qty	Model
		roof transport system			
1	928 801 019 02	set of surf board supports		1	
2	928 801 017 02	set - canoe carrier		1	
3	928 801 085 02	ladder support mandrel		X	
4	928 801 093 02	set - bike carrier racing bike		1	
5	928 801 095 02	set - bike carrier standard bike		1	
6	928 801 079 02	safety rope for anti-theft protection		1	
7	928 801 097 02	support for bicycle		1	

Model	Year	MG	SG	Illustration	Restrictions	UPD	20:56	23.01.2010	PORSCHE	PET	PORSCHE
944	1985	0	02	002-10		248					



Pos	Part Number	Description	Remark	Qty	Model
		accessories			
1	928 722 041 02	first-aid kit		1	
2	171 860 273	retaining strap first-aid kit		1	
3	171 860 269	retaining bracket first-aid kit		1	
4	900 145 035 02	counters. head tapp. screw 4,2 X 16		2	
5	477 863 539	luggage net		1	
6	000 043 002 00	car basket		1	
7	944 522 051 01	child car seat up to 4 years		1	
8	928 522 050 00	child car seat for children older than 4 years only together with child car seat cushion		1	
9	944 522 159 00	child car seat cushion	/L	1	
	4CR	black for back seat			
(9)	944 522 160 00	child car seat cushion	/R	1	
	4CR	black for back seat			

Model	Year	MG	SG	Illustration	Restrictions	UPD	20:56	23.01.2010	PORSCHE	PET	PORSCHE
944	1985	0	03	003-00		248					

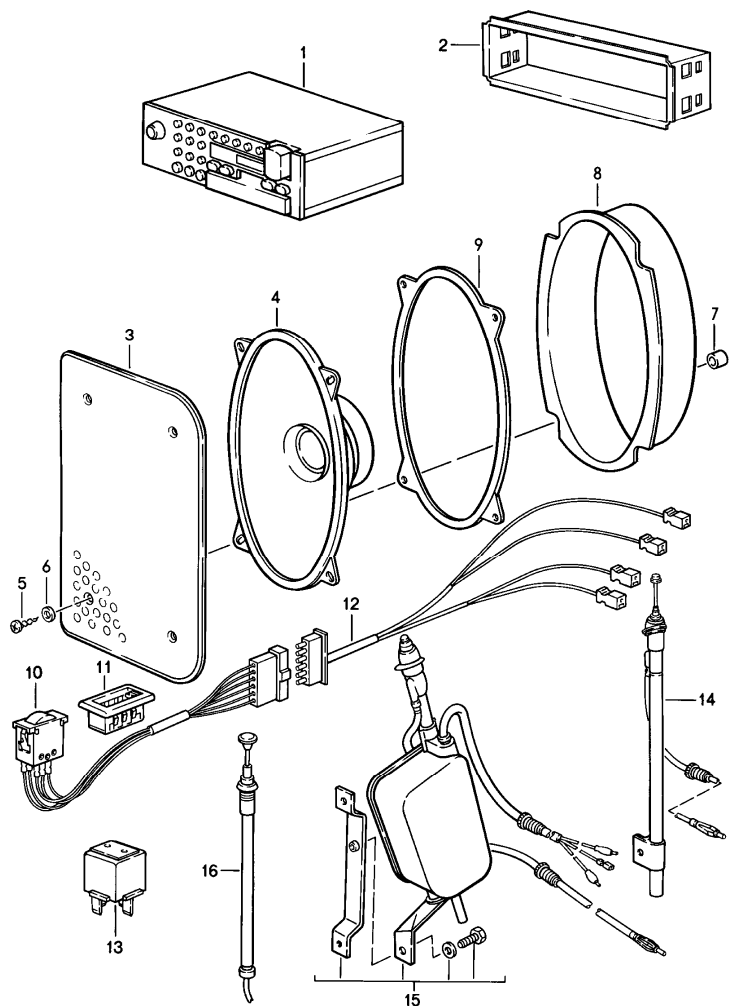


Pos	Part Number	Description	Remark	Qty	Model
		radio with 3 loudspeaker			
		F >>94CN4 03921 F >>94DN4 00108	(J)		
1	944 645 451 00	loudspeaker		3	
2	477 035 999	gasket loudspeaker rear		2	
3	N 013 962 2	tapping screw 3,9 X 16		12	
4	999 507 071 00	speed nut B 3,9 X 11,6		12	
5	900 151 028 02	washer 4,1		12	
6	477 035 375	bush		8	
7	477 035 440	cabl for loudspeaker front		1	
(7)	477 035 440 B	cabl for loudspeaker rear	/L	1	
(7)	477 035 440 A	cabl for loudspeaker rear	/R	1	
8	477 035 461	fader		1	
8	477 035 465	fader		1	
9	477 035 463 A	rosette fader		1	
10	944 645 101 00	antenna manually		1	
11	> 944 645 911 00	automatic antenna		1	
12	477 035 513	antenna rod for automatic antenna 477.035.510		1	
(11)	> 944 645 911 00	automatic antenna		1	
(12)	944 645 913 00	antenna rod for automatic antenna 944 645 911 00		1	

Model	Year	MG	SG	Illustration	Restrictions	UPD	20:56	23.01.2010	PORSCHE	PET	PORSCHE
944	1985	0	03	003-00		248					

Pos	Part Number	Description	Remark	Qty	Model	Pos	Part Number	Description	Remark	Qty	Model
		car radio									
13	477 035 105	radio BAMBERG DIGITAL SUPERARIMAT "DE"	(A) (CH) (D)	1							
14	477 035 619	installation set		1							
15	477 035 915	cover	(A) (CH) (D)	1							
(13)	477 035 108	radio BAMBERG DIGITAL SUPERARIMAT "RW"		1							
14	477 035 619	installation set		1							
15	477 035 917	cover		1							
16	321 919 505	relay		1							

Model	Year	MG	SG	Illustration	Restrictions	UPD	20:56	23.01.2010	PORSCHE	PET	PORSCHE
944	1985	0	03	003-05		248					

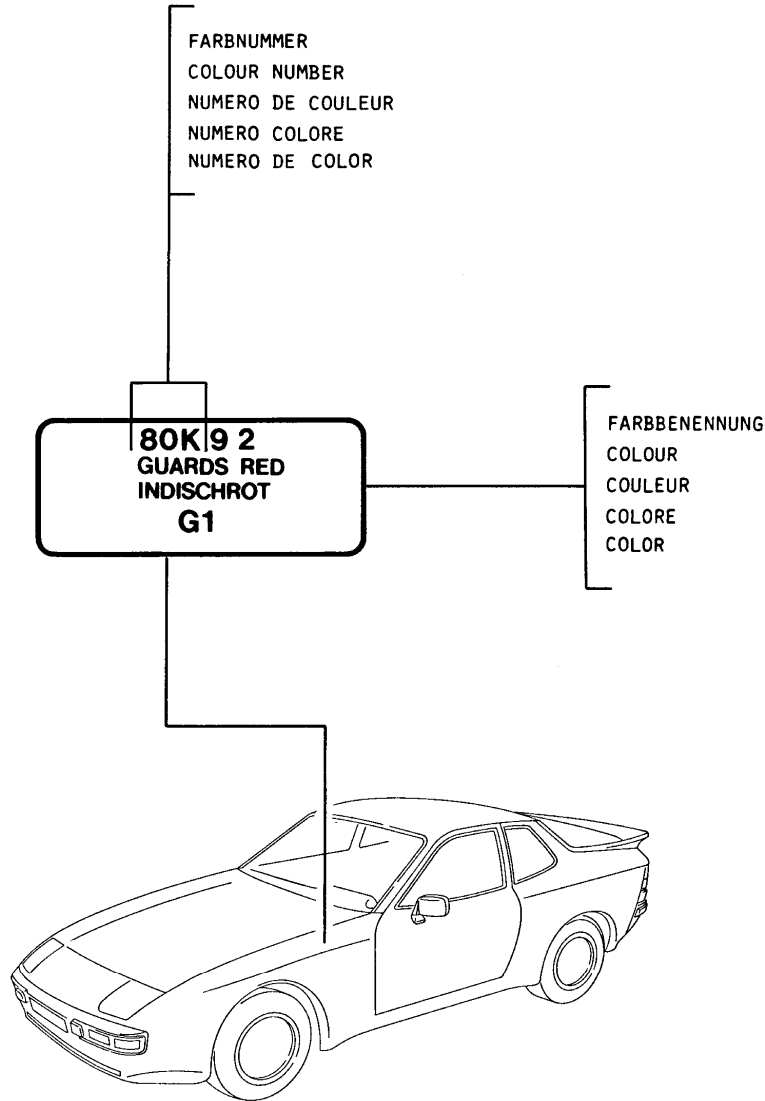


Pos	Part Number	Description	Remark	Qty	Model
		radio with 4 loudspeaker			
		F 94CN4 00111>> F 94DN4 00109>>	(J)		
1	> 911 645 106 00	radio KOELN SQR 22	(A) (CH) (D)	1	
(1)	> 911 645 106 01	radio KOELN SQR 23	(A) (CH) (D)	1	
1	> 911 645 147 00	radio ATLANTA SQR22		1	
(1)	> 911 645 147 01	radio ATLANTA SQR 23		1	
(1)	> 911 645 157 00	radio HAMBURG SQM 24	(A) (CH) (D) 85-	1	
(1)	> 911 645 158 00	radio BOSTON SQM 23	85-	1	
2	911 645 173 02	retaining frame		1	
3	477 867 081	loudspeaker grille	/V	2	
		01C black			
		4RB brown			
4	944 645 421 00	loudspeaker		4	
5	900 145 041 07	tapping screw	/V	8	
(5)	N 013 962 2	tapping screw 3,9 X 16	/H	8	
6	900 151 028 02	washer	/H	8	
7	477 867 373	bush	/V	8	
(7)	477 035 375	bush	/H	8	
8	944 645 015 00	water protection	/V	2	
9	477 035 999	gasket	/H	2	
10	477 035 465 A	fader		1	
11	477 035 463 A	rosette		1	
12	477 035 440 C	wiring harness		1	

Model	Year	MG	SG	Illustration	Restrictions	UPD	20:56	23.01.2010	PORSCHE	PET	PORSCHE
944	1985	0	03	003-05		248					

Pos	Part Number	Description	Remark	Qty	Model	Pos	Part Number	Description	Remark	Qty	Model
13	321 919 505	relay	-83	1							
(13)	944 615 103 00	switch unit for radio lifting roof	84-	1							
14	944 645 101 00	antenna manually		1							
15	> 944 645 911 00	automatic antenna		1							
16	477 035 513	antenna rod		1							

Model	Year	MG	SG	Illustration	Restrictions	UPD	20:56	23.01.2010	PORSCHE	PET	PORSCHE
944	1985	0	04	004-00		248					



Pos	Part Number	Description	Remark	Qty	Model
		lacquers basic materials			
-	911 096 050 00	polyester filler 1 KG GLASSIT-NON-FERRO 839-10		X	
-	911 096 051 00	hardener 30 GR GLASSIT 948-36 red		X	
-	911 096 052 00	primer filler 1 LTR GLASSOFIX 238-150		X	
-	911 096 053 00	hardener 500 ML GLASSOFIX 352-228		X	
-	911 096 054 00	primer filler 1 LTR GLASSODUR 285-100 white		X	
-	911 096 055 00	hardener 500 ML GLASSODUR 929-28/1		X	
-	911 096 056 00	wash primer 2 LTR GLASSOFIX 2K 934-200		X	
-	911 096 057 00	hardener 1 LTR GLASSOFIX 934-100		X	
-	911 096 058 00	polyurethane plastic putty 1 KG GLASSODUR 995-20		X	
-	911 096 059 00	hardener 1 KG GLASSODUR 929-13		X	
-	911 096 060 00	thinner 1 LTR GLASSODUR 352-91		X	
-	911 096 061 00	hardener 500 ML GLASSODUR 929-73		X	
-	911 096 062 00	additional lacquer 1 LTR GLASSODUR 521-111		X	

Model	Year	MG	SG	Illustration	Restrictions	UPD	20:56	23.01.2010	PORSCHE	PET	PORSCHE
944	1985	0	04	004-00		248					

Pos	Part Number	Description	Remark	Qty	Model	Pos	Part Number	Description	Remark	Qty	Model
-	911 096 063 00	underbody protection 1 KG GLASSOHYD 1109-		X			810	ruby red metallic			L M3V
-	000 043 001 00	tin SN 90 % 200 G synthetic resin prime coat metallic 1 LTR		X		-	911 096 064 00	clear lacquer 1 LTR GLASSODUR-MS 923-85 top-coat paint 2K 1 LTR		X	
-	ALD 645 97A	diamond silver metallic		X	L 97A	-	ALN 769 90E	alpine white		X	L 90E
-	ALD 645 Z7Z	gemini grey metallic		X	L Z7Z	-	ALN 769 Y7A	gabon grey		X	L Y7A
-	ALD 645 B7V	graphite metallic		X	L B7V	-	ALN 769 A3B	gambia red		X	L A3B
-	ALD 645 A1Y	KALAHARI-METALLIC		X	L A1Y	-	ALN 769 D8A	havana brown		X	L D8A
-	ALD 645 A6V	lhasa metallic		X	L A6V	-	ALN 769 Y5B	copenhagen blue		X	L Y5B
-	ALD 645 Y7Z	meteor metallic		X	L Y7Z	-	ALN 769 Y5A	mauritius blue		X	L Y5A
-	ALD 645 Y9V	montego black metallic		X	L Y9V	-	ALN 769 Y1L	pasadena yellow		X	L Y1L
-	ALD 645 B8Z	MAHAGONI-METALLIC		X	L B8Z	-	911 095 902 60	top-coat paint		X	
-	ALD 645 Y5V	SAPHIR-METALLIC		X	L Y5V		700	black			L 041
-	ALD 645 D3V	sienna red metallic		X	L D3V		536	pastel beige			L M1N
-	ALD 645 Y7U	stone grey metallic		X	L Y7U		027	guards red			L M3A
-	ALD 645 A3Y	surinam metallic		X	L A3Y		451	mocha black			L M9V
-	ALD 645 Y7Y	zermatt silver metallic		X	L Y7Y	-		paint touch-up applicator			
-	ALD 645 Y8V	sable brown metallic		X	L Y8V	-	L 090 E01	alpine white		X	L 90E
-	911 095 903 80	synthetic resin prime coat metallic		X		-	L 0Y7 A01	gabon grey		X	L Y7A
	822	garnet red metallic			L M3Y	-	L 0A3 B01	gambia red		X	L A3B
	30T	light blue metallic			L M5Z	-	L 0D8 A01	havana brown		X	L D8A
	966	light bronze metallic			L M1V	-	L 0Y5 B01	copenhagen blue		X	L Y5B
	33N	crystal green metallic			L M6Y	-	L 0Y5 A01	mauritius blue		X	L Y5A
	20C	moss green metallic			L M6V	-	L 0Y1 L01	pasadena yellow		X	L Y1L
	655	platinum-metallic			L M8U	-	911 095 932 20	paint touch-up applicator		X	
	708	black-metallic			L M9Y		536	pastel beige			L M1N
							700	black			L 041
							027	guards red			L M3A

Model	Year	MG	SG	Illustration	Restrictions	UPD	20:56	23.01.2010	PORSCHE	PET	PORSCHE
944	1985	0	04	004-00		248					

Pos	Part Number	Description	Remark	Qty	Model	Pos	Part Number	Description	Remark	Qty	Model
	451	mocha black			L M9V						
		paint touch-up applicator set comprising: paint touch-up applicator top-coat paint paint touch-up applicator clear lacquer									
-	L 097 A02	diamond silver metallic		X	L 97A						
-	L 0Z7 Z02	gemini grey metallic		X	L Z7Z						
-	L 0B7 V02	graphite metallic		X	L B7V						
-	L 0A1 Y02	KALAHARI-METALLIC		X	L A1Y						
-	L 0B8 Z02	MAHAGONI-METALLIC		X	L B8Z						
-	L 0Y7 U02	stone grey metallic		X	L Y7U						
-	L 0A6 V02	lhasa metallic		X	L A6V						
-	L 0Y7 Z02	meteor metallic		X	L Y7Z						
-	L 0Y9 V02	montego black metallic		X	L Y9V						
-	L 0Y5 V02	SAPHIR-METALLIC		X	L Y5V						
-	L 0A3 Y02	surinam metallic		X	L A3Y						
-	L 0D3 V02	sienna red metallic		X	L D3V						
-	L 0Y7 Y02	zermatt silver metallic		X	L Y7Y						
-	L 0Y8 V02	sable brown metallic		X	L Y8V						
-	911 095 933 20	paint touch-up applicator set		X							
	966	light bronze metallic			L M1V						
	20C	moss green metallic			L M6V						
	30T	light blue metallic			L M5Z						
	655	platinum-metallic			L M8U						
	708	black-metallic			L M9V						
	822	garnet red metallic			L M3Y						
	33N	crystal green metallic			L M6Y						

Model	Year	MG	SG	Illustration	Restrictions	UPD	20:56	23.01.2010
944	1985	0	05	005-00		248		

Pos	Part Number	Description	Remark	Qty	Model
		securing liquid sealing compound preservative agent			
		securing liquid			
-	928 101 921 00	loctite -270- 10 CCM high strength		X	
-	000 043 012 00	loctite -221- 10 CCM low strength		X	
		sealing compound			
-	000 043 010 00	loctite -574- 50 CCM		X	
-	000 043 011 00	loctite -638- 10 CCM for balance shaft		X	
-	000 043 013 00	loctite adhesive remover -80646- spraying can		X	
-	AMV 176 000 05	adhesive sealing compound 310 CCM		1	
		loctite for pasting metal glass ceramics thermoset plastic adhesive set comprising:		X	
-	000 043 051 00	adhesive loctite -317- 50 CCM		X	
-	000 043 202 65	loctite AKTIVATOR NF 736 180 CCM		X	
-	000 043 019 01	sealing compound SILASTIK 730 RTV 90 CCM		X	

Model	Year	MG	SG	Illustration	Restrictions	UPD	20:56	23.01.2010
944	1985	0	05	005-00		248		

Pos	Part Number	Description	Remark	Qty	Model
-	000 043 004 00	mounting paste optimoly ht 1 90-gramme tube		X	
-	000 043 020 00	optimoly mounting paste OPTIMOLY - TA 1 100-gramme tube silver		X	
-	000 043 110 01	grease OPTITEMP PU35 1 100-gramme tube		X	
-	000 043 204 21	grease for lock cylinder spraying can preservative agent		X	
-	999 571 062 00	care kit comprising: suitcase		1	
-	999 901 013 40	liquid preservative		1	
-	999 901 014 41	cleaning agent		1	
-	999 901 015 40	polisher		1	
-	999 901 016 40	tar remover		1	
-	999 901 017 40	dashboard cleaner		1	
-	999 901 018 40	paint polish		1	
-	999 901 019 41	insect remover		1	
-	999 901 020 40	spot remover		1	
-	999 901 021 40	polishing cotton		1	
-	999 901 022 40	polishing cloth		1	
-	000 044 000 02	preservative agent 250 ML		X	
-	999 901 017 41	window cleaner summer 250 ML		X	
-	999 901 033 40	window cleaner winter 1000 ML		X	
-	999 901 036 40	car shampoo refilling bottle 1000 ML		X	

PORSCHE

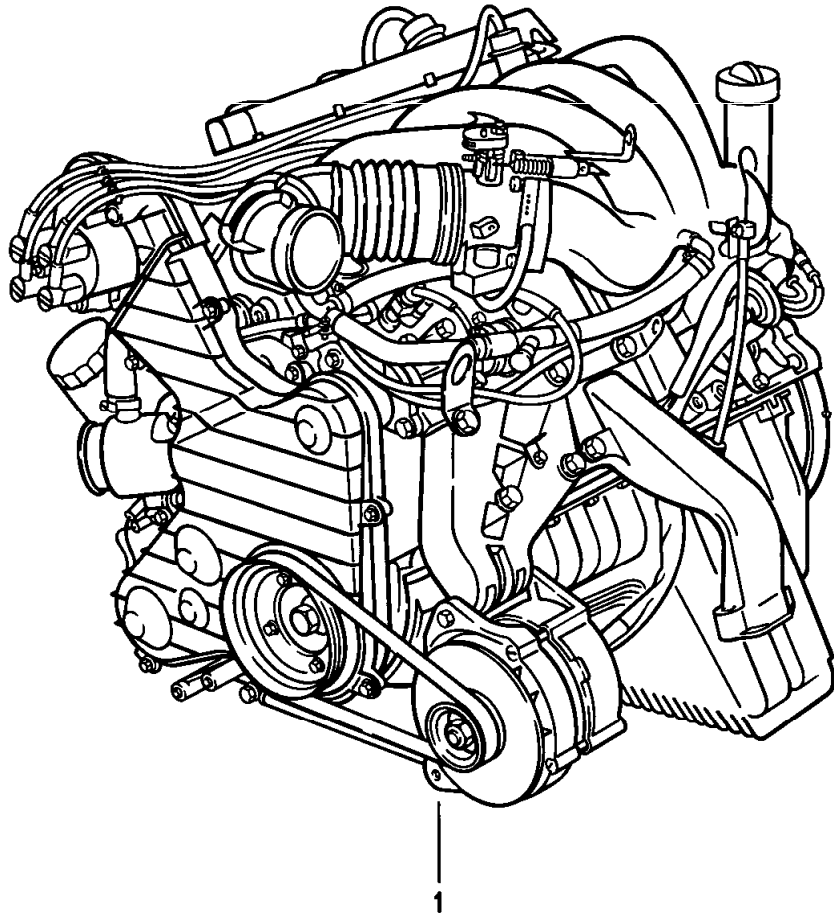
PET

PORSCHE

Model	Year	MG	SG	Illustration	Restrictions	UPD	20:56	23.01.2010
944	1985	0	05	005-00		248		

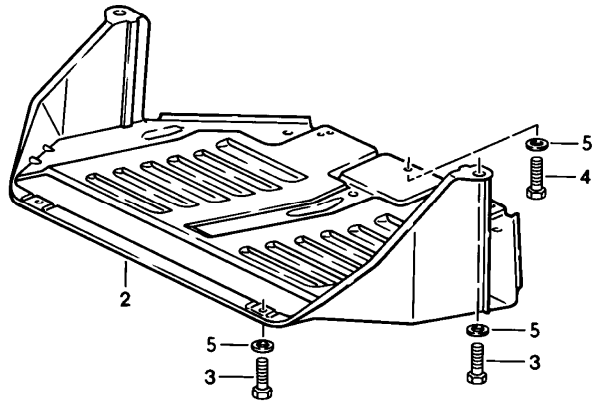
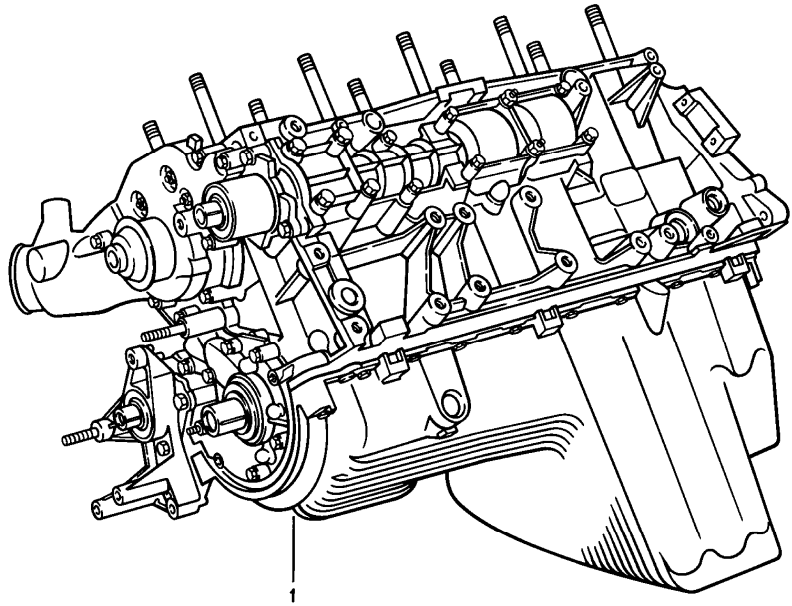
Pos	Part Number	Description	Remark	Qty	Model
-	999 917 803 00	window cleaner spray bottle 250 ML		X	
-	928 628 931 00	silicone remover 1000 ML		X	
-	999 901 030 40	rim cleaner spray bottle 500 ML		X	
-	999 901 031 40	rim cleaner refilling bottle 1000 ML		X	

Model	Year	MG	SG	Illustration	Restrictions	UPD	20:57	23.01.2010	PORSCHE	PET	PORSCHE
944	1985	1	01	101-00		248					



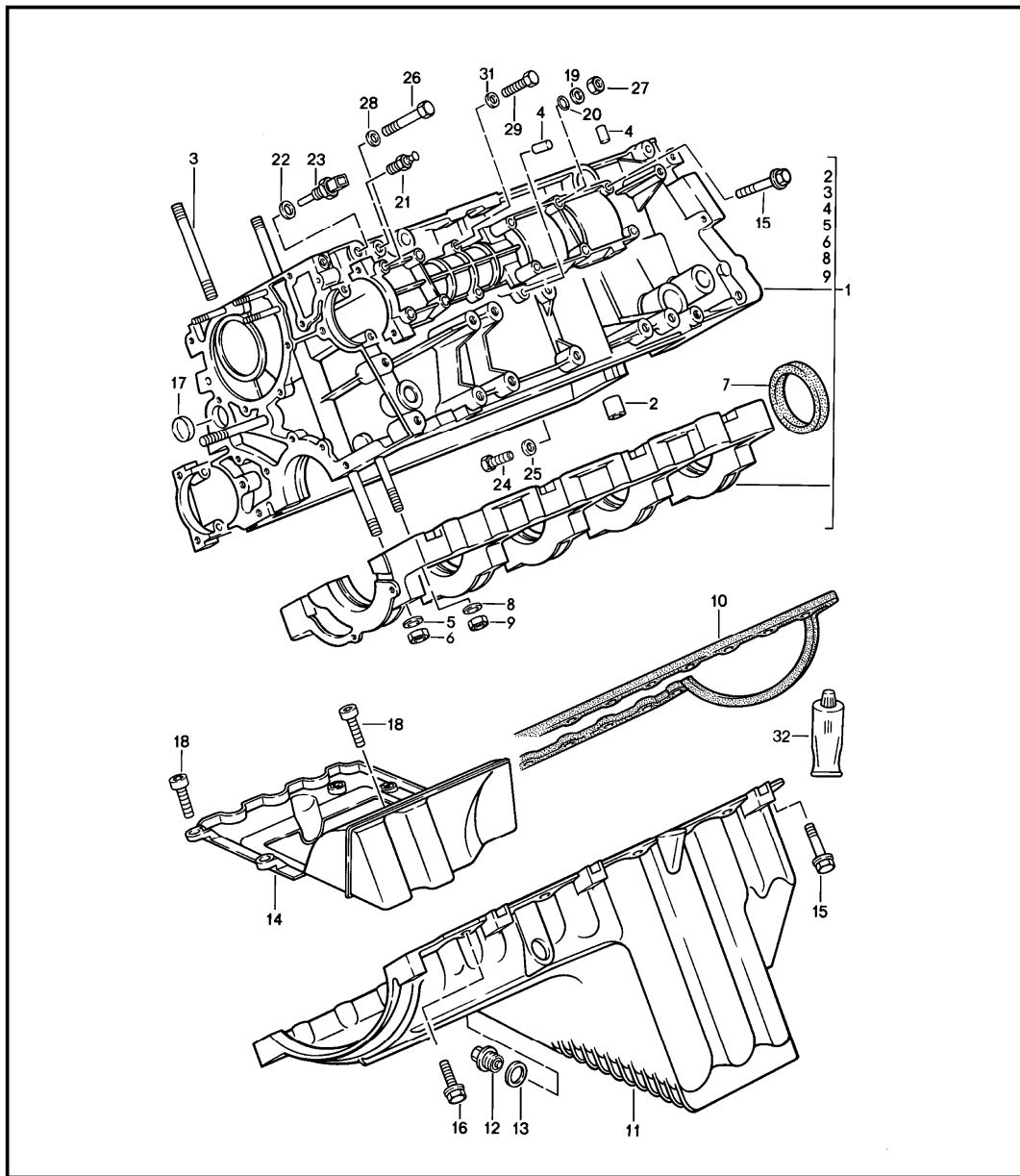
Pos	Part Number	Description	Remark	Qty	Model
		short engine			
1	> 944 100 902 00	short engine		1	M44.01/03 M44..A
1	> 944 100 902 01	short engine		1	M44.02/04 M44..B

Model	Year	MG	SG	Illustration	Restrictions	UPD	20:57	23.01.2010	PORSCHE	PET	PORSCHE
944	1985	1	01	101-05		248					



Pos	Part Number	Description	Remark	Qty	Model
		protective plate			
1	944 341 161 03	protective plate		1	
2	N 010 215 13	hexagon-head bolt M 6 X 15		4	
3	900 075 014 02	hexagon-head bolt M 6 X 18		3	
4	900 151 003 02	washer 6,1		7	

Model	Year	MG	SG	Illustration	Restrictions	UPD	20:57	23.01.2010	PORSCHE	PET	PORSCHE
944	1985	1	01	101-10		248					

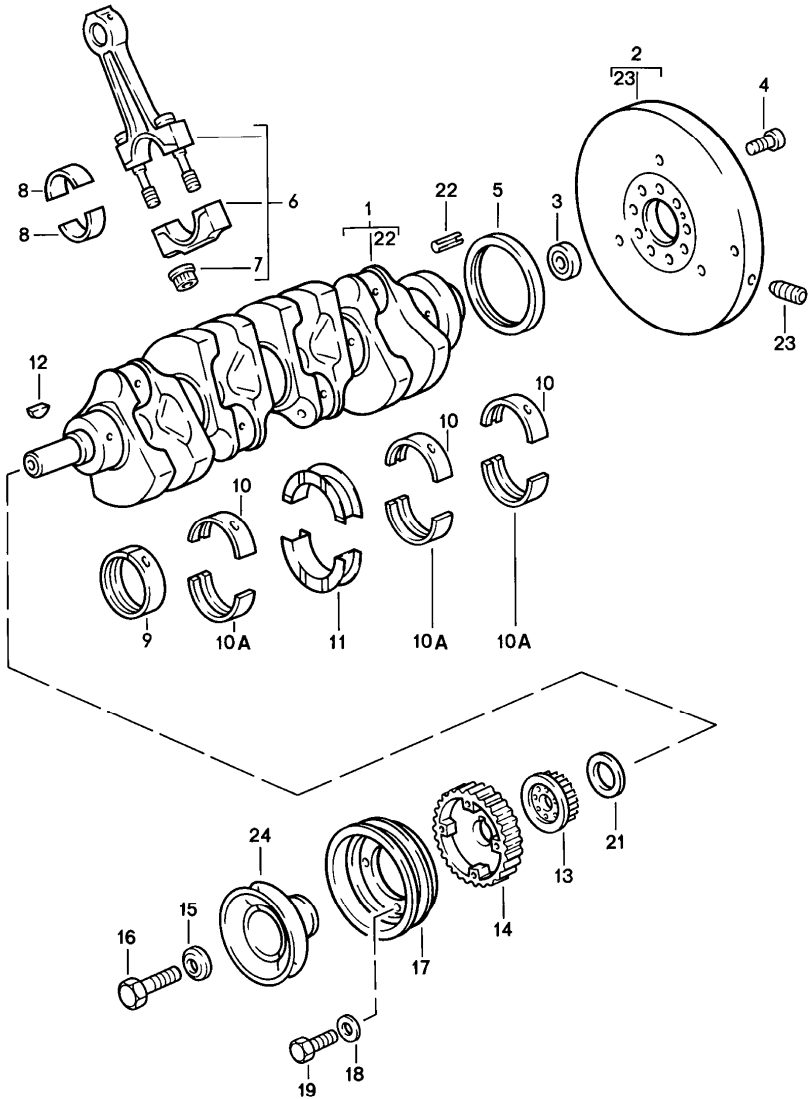


Pos	Part Number	Description	Remark	Qty	Model
		crankcase			
2	928 101 195 03	fitting bushing		1	
3	944 101 197 00	stud		10	
4	999 012 034 00	straight pin 8 X 12		4	
5	944 104 229 00	washer		10	
6	N 011 020 8	hexagon nut M 12 X 1,5		10	
7	999 113 264 40	radial sealing ring		1	
8	928 101 303 00	washer		7	
9	N 011 010 13	hexagon nut M 10		7	
10	* 944 101 205 02	oil sump gasket		1	
11	944 101 201 11	oil pan see tpi GR. 1 NR. 21		1	
12	944 107 197 01	screw plug		1	
13	* 900 123 118 30	sealing ring 22 X 27		1	
14	944 107 389 01	insert for oil sump		1	
15	900 075 344 02	hexagon-head bolt M 6 X 50		12	
16	900 075 341 02	combination screw M 6 X 25		18	
17	N 011 919 1	lid		2	
18	900 119 001 02	pan-head screw M 5 X 12		7	
19	928 107 165 00	washer		4	
20	999 701 006 40	o-ring		4	
21	047 919 501 A	temperature sensor M >> 41E 09029 M >> 41E 20779 M >> 43E 14858 M >> 43E 21783		1	

Model	Year	MG	SG	Illustration	Restrictions	UPD	20:57	23.01.2010	PORSCHE	PET	PORSCHE
944	1985	1	01	101-10		248					

Pos	Part Number	Description	Remark	Qty	Model	Pos	Part Number	Description	Remark	Qty	Model
21	928 606 201 01	remote temperature sensor M 41E 09030 >> M 41E 20779 >> M 43E 14858 >> M 43E 21783 >>		1							
22	* 900 123 006 30	sealing ring 12 X 18		1							
23	944 606 125 00	temperature sensor		1							
24	900 075 087 02	hexagon-head bolt M 8 X 16		1							
25	900 123 105 30	sealing ring 8 X 14		1							
26	900 074 139 02	hexagon-head bolt M 8 X 55		8							
(26)	900 074 139 02	hexagon-head bolt M 8 X 55	/L	4	M657						
(26)	N 010 361 4	hexagon-head bolt M 8 X 65	/R	4	M657						
27	N 011 008 8	hexagon nut M 8		4							
28	N 011 525 13	washer A 8,4		12							
29	900 074 015 02	hexagon-head bolt M 6 X 30 M >> 41D C147 M >> 41D 5642 M >> 43D C671 M >> 43D 6575		4	M44.01 M44.03 M44.02 M44.04						
(29)	900 075 349 02	hexagon-head bolt M 6 X 42 M 41D C148 >> M 41D 5643 >> M 43D C672 >> M 43D 6576 >>		4	M44.01 M44.03 M44.02 M44.04						
31	N 011 524 7	washer A 6,4		4							
-	944 101 147 00	bracket		-84	1						
-	944 101 147 01	bracket		85	1						
32	000 043 019 01	sealing compound SILASTIK RTV 730 1 tube 125 ML		X							

Model	Year	MG	SG	Illustration	Restrictions	UPD	20:57	23.01.2010	PORSCHE	PET	PORSCHE
944	1985	1	02	102-00		248					

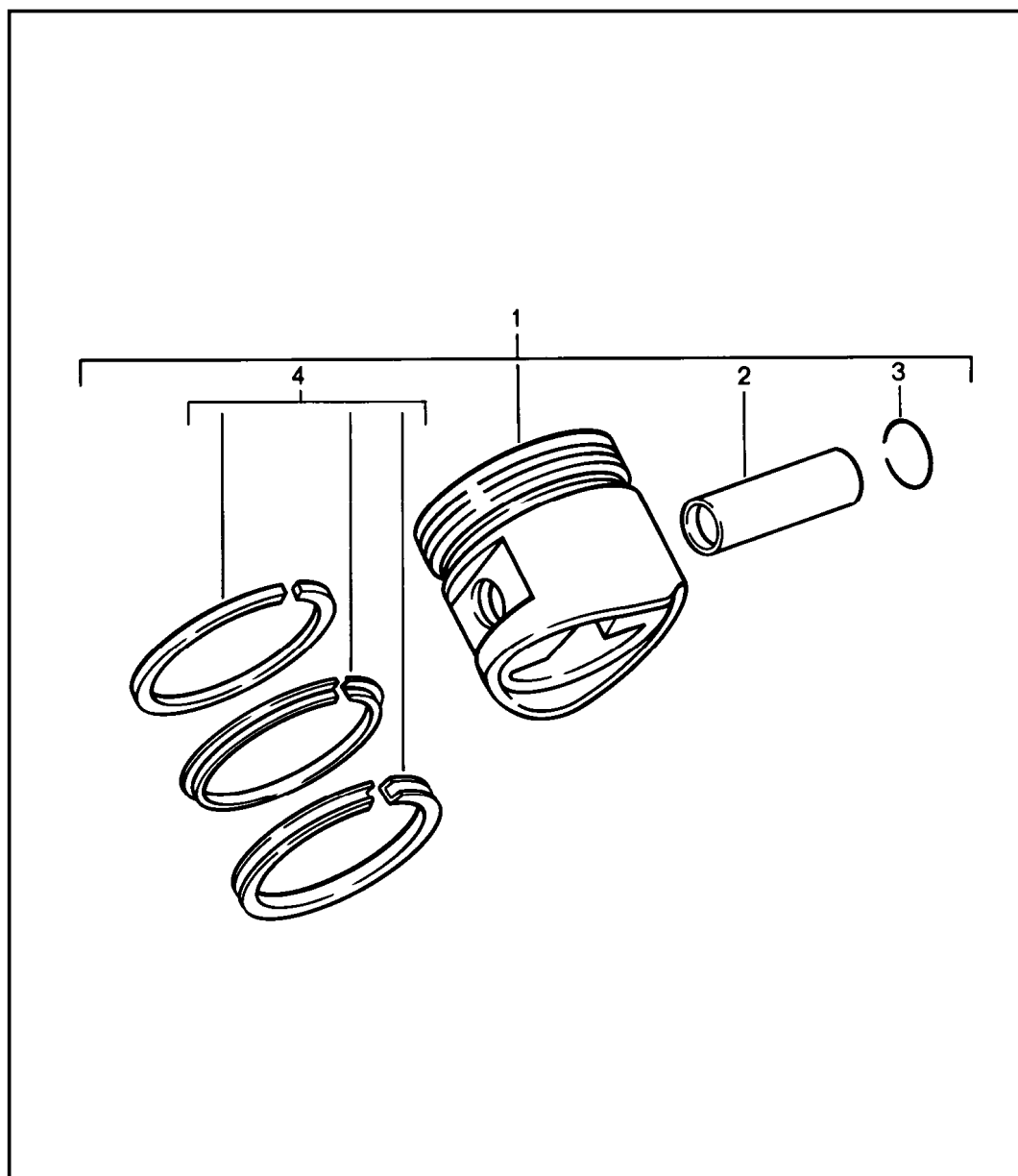


Pos	Part Number	Description	Remark	Qty	Model
		crankshaft connecting rod			
		see tpi group 1 NR. 13			
1	944 102 015 13	crankshaft		1	
		M >> 41D 1955			M44.01
		M >> 41D 5237			M44.03
		M >> 43D 4359			M44.02
		M >> 43D 5621			M44.04
		use also: 944.102.210.02			
2	944 102 051 00	flywheel		1	M44.01/02
2	944 102 053 01	flywheel		1	M44.03/04
3	931 102 111 00	deep-groove ball bearing		1	
4	930 102 206 00	pan-head screw		9	
5	* 999 113 264 40	radial sealing ring		1	
6	944 103 001 01	connecting rod		4	
		for engine			
		M 41D A760 >> 41D B069			M44.01
		M 41D A760 >> 41D B069			M44.03
		M 41D 5521 >> 41D 5574			M44.02
		M 43D E052 >> 43D E682			M44.04
		M 43D 6294 >> 43D 6313			M44.02
		M 43E 04625 >> 43E 04630			M44.02
		M 43E 04645 >> 43E 04867			M44.02
		connecting rods only by sets			
(7)	928 103 172 02	connecting rod nut		8	
8	928 103 143 02	conrod bearing shell		8	
(8)	928 103 143 52	conrod bearing shell oversize 0.25 mm		X	
9	928 101 117 08	main bearing bush i		1	
9	928 101 117 58	main bearing bush i undersize 0.25 mm		1	
9	928 101 117 60	main bearing bush i undersize 0.50 mm		1	
10	928 101 115 00	main bearing upper half 2,4,5		3	

Model	Year	MG	SG	Illustration	Restrictions	UPD	20:57	23.01.2010	PORSCHE	PET	PORSCHE
944	1985	1	02	102-00		248					

Pos	Part Number	Description	Remark	Qty	Model	Pos	Part Number	Description	Remark	Qty	Model
10A	928 101 115 01	main bearing shell lower half 2,4,5		3		21	900 234 127 00	support washer		1	
10	928 101 115 50	main bearing shell upper half 2,4,5 undersize 0.25 mm		3		22	900 095 031 00	tensioning sleeve 6 X 16		1	
10A	928 101 115 51	main bearing shell lower half 2,4,5 undersize 0.25 mm		3		23	477 105 276	threaded pin		1	
10	928 101 115 60	main bearing shell upper half 2,4,5 undersize 0.50 mm		3		24	944 102 214 02	pulley		1	M657
10A	928 101 115 61	main bearing shell lower half 2,4,5 undersize 0.50 mm		3							
11	928 101 133 03	thrust bearing		2							
11	928 101 133 53	thrust bearing undersize 0.25 mm		2							
11	928 101 133 63	thrust bearing undersize 0.50 mm		2							
12	N 012 713 1	woodruff key 5 X 6,5		X							
		M >> 41C 2375			M44.01						
		M >> 41C 5240			M44.03						
		M >> 43D 0817			M44.02						
		M >> 43D 5133			M44.04						
12	900 117 036 00	feather key 5 X 5 X 22		1							
13	944 105 125 02	gear wheel camshaft driving mechanism		1							
14	944 102 209 11	gear wheel balance shaft driving mechanism		1							
15	944 102 210 02	washer		1							
16	900 082 085 02	hexagon-head bolt M 16 X 1,5 X 60		1							
17	944 102 116 07	pulley		1							
18	N 011 524 7	washer A 6,4		4							
19	900 075 057 02	hexagon-head bolt M 6 X 16		4							

Model	Year	MG	SG	Illustration	Restrictions	UPD	20:57	23.01.2010	PORSCHE	PET	PORSCHE
944	1985	1	02	102-05		248					

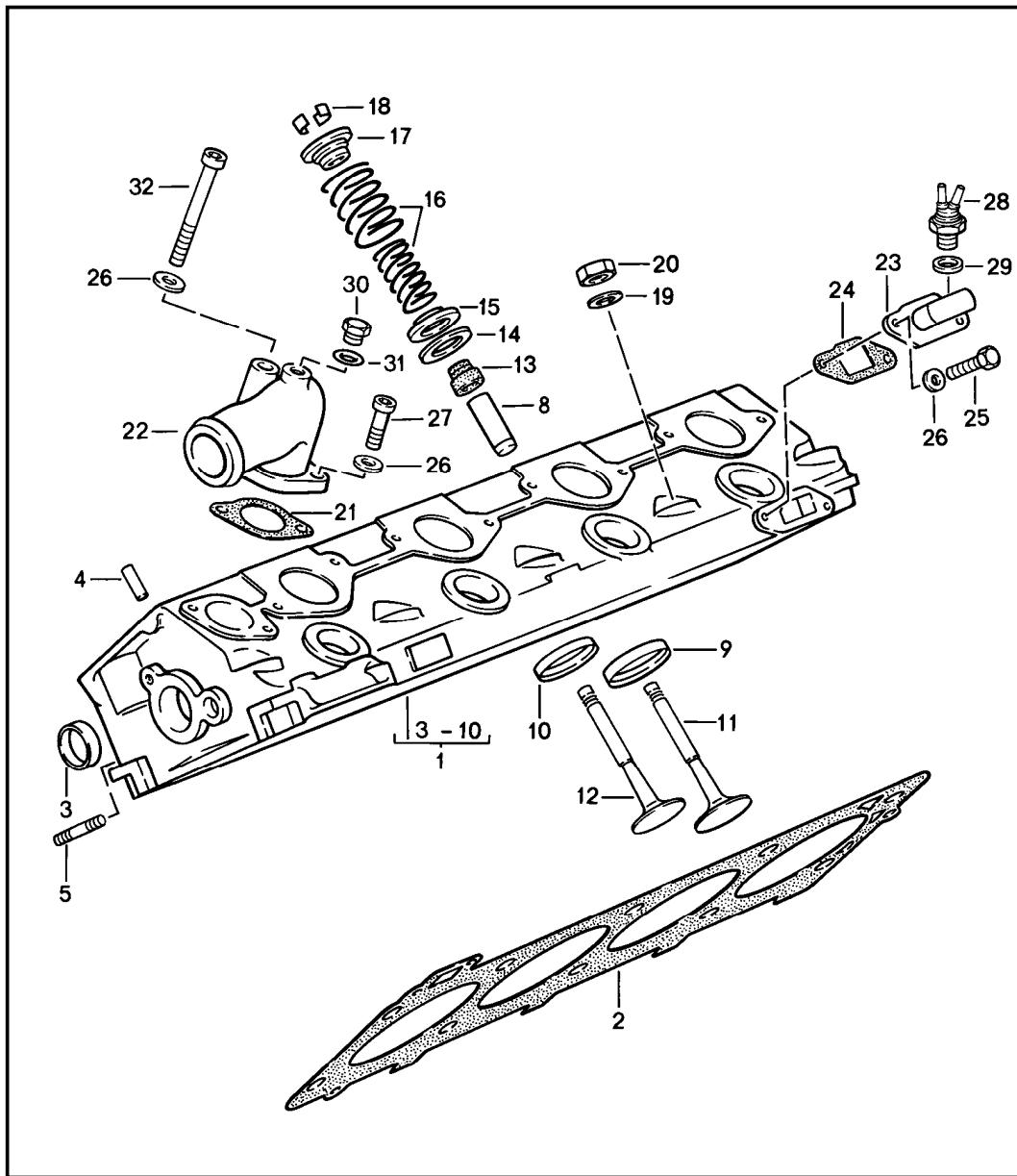


Pos	Part Number	Description	Remark	Qty	Model
		piston piston rings			
1	944 103 074 04	piston 100,00 MM tolerance group 0		4	M44.01/03
1	944 103 074 14	piston 100,00 MM tolerance group 1		4	M44.01/03
1	944 103 074 24	piston 100,00 MM tolerance group 2		4	M44.01/03
1	944 103 074 53	piston 100,50 MM tolerance group 0		4	M44.01/03
1	944 103 074 63	piston 100,50 MM tolerance group 1		4	M44.01/03
1	944 103 074 73	piston 100,50 MM tolerance group 2		4	M44.01/03
1	944 103 091 07	piston 100,00 MM MAHLE tolerance group 0		4	M44.02/04
1	944 103 091 17	piston 100,00 MM MAHLE tolerance group 1		4	M44.02/04
1	944 103 091 27	piston 100,00 MM MAHLE tolerance group 2		4	M44.02/04
1	944 103 091 57	piston 100,50 MM MAHLE tolerance group 0		4	M44.02/04
1	944 103 091 67	piston 100,50 MM MAHLE tolerance group 1		4	M44.02/04
1	944 103 091 77	piston 100,50 MM MAHLE tolerance group 2		4	M44.02/04

Model	Year	MG	SG	Illustration	Restrictions	UPD	20:57	23.01.2010	PORSCHE	PET	PORSCHE
944	1985	1	02	102-05		248					

Pos	Part Number	Description	Remark	Qty	Model	Pos	Part Number	Description	Remark	Qty	Model
2	900 401 003 00	piston pin for - ks - piston		4							
3	N 012 277 1	circlip		8							
4	* 944 103 902 82	set of piston rings 100,00 MM		4							
4	944 103 902 92	set of piston rings 100,50 MM		4							

Model	Year	MG	SG	Illustration	Restrictions	UPD	20:58	23.01.2010	PORSCHE	PET	PORSCHE
944	1985	1	03	103-00		248					

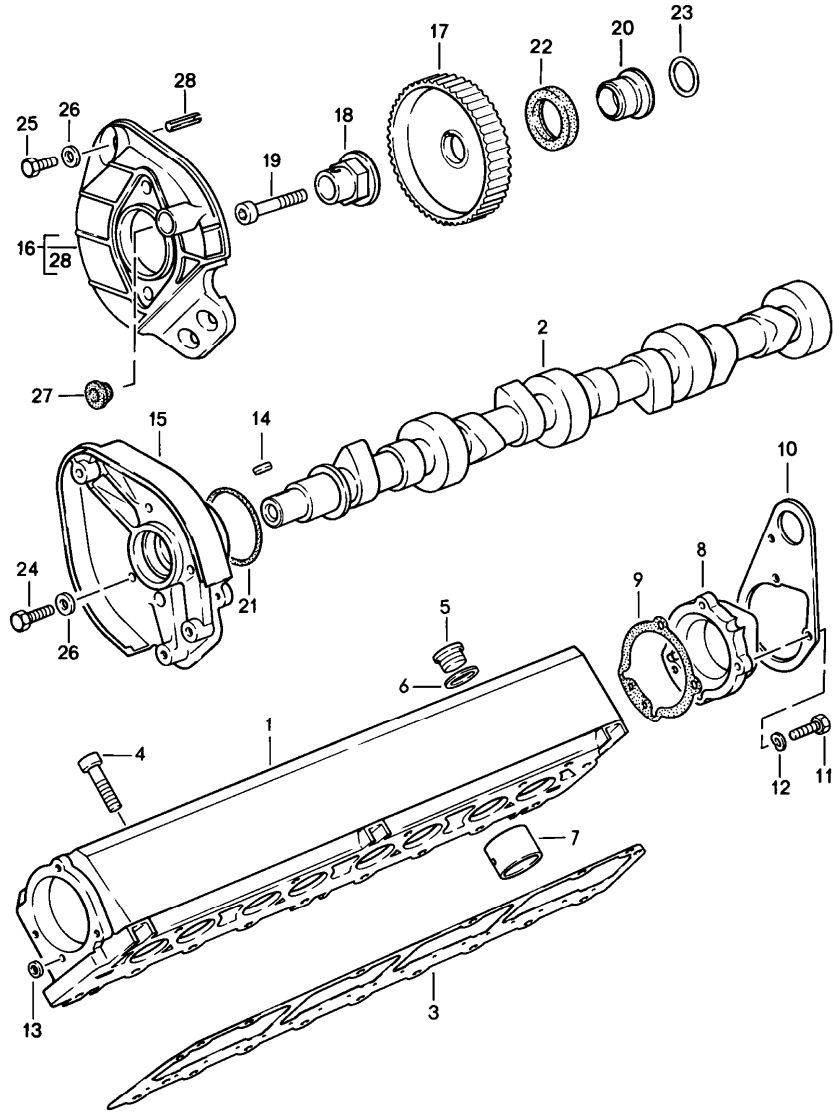


Pos	Part Number	Description	Remark	Qty	Model
1	> 944 104 033 05	cylinder head valves		1	
2	951 104 374 02	cylinder head gasket		1	
(2)	951 104 374 50	cylinder head gasket for recond. cylinder heads		1	
3	900 036 005 02	lid		2	
4	900 302 019 00	straight pin		2	
5	999 062 044 02	stud M 8 X 30		8	
8 A	944 104 328 51	valve guide		8	
8	944 104 328 51	valve guide oversize		8	
9	944 104 331 51	valve seat ring intake oversize		4	
10	944 104 333 50	valve seat ring exhaust oversize		4	
11	928 105 409 02	intake valve		4	
12	928 105 410 04	exhaust valve		4	
13	* 928 104 193 12	valve stem seal		8	
14	928 105 468 03	washer 0,5 MM		X	
14	928 105 470 03	washer 1,0 MM		X	
15	928 105 469 06	washer		8	
16	928 105 905 09	set of valve springs		8	
17	928 105 449 04	concave washer		8	
18	901 105 417 00	collet		16	
19	944 104 229 00	washer		10	
20	999 076 043 02	hexagon nut M 12 X 1,5		10	
21	* 944 104 311 00	gasket		1	

Model	Year	MG	SG	Illustration	Restrictions	UPD	20:58	23.01.2010	PORSCHE	PET	PORSCHE
944	1985	1	03	103-00		248					

Pos	Part Number	Description	Remark	Qty	Model	Pos	Part Number	Description	Remark	Qty	Model
22	944 104 315 04	cooling water socket M >> 41D 1285 M >> 41D 5164 M >> 43D 3439 M >> 43D 5517 use also: 944.106.239.02		1	M44.01 M44.03 M44.02 M44.04						
23	944 104 317 04	adapter		1							
(23)	944 104 317 05	adapter	(AUS) (J)	1							
24 *	928 106 197 04	gasket		1							
25	900 075 079 02	hexagon-head bolt M 8 X 20		2							
26	N 011 525 13	washer A 8,4		4							
27	900 119 048 02	pan-head screw M 8 X 25		-83 2							
27	N 014 725 2	pan-head screw M 8 X 25		84- 2							
28	058 131 851 A	thermo valve	(AUS) (J)	1							
29	N 013 808 3	sealing ring A 10 X 16	(AUS) (J)	1							
30	931 106 156 00	screw plug		1							
31	N 013 830 7	sealing ring A 8 X 12		1							
32	900 119 086 02	pan-head screw M 8 X 75		-83 1							
32	N 044 732 1	pan-head screw M 8 X 75		84- 1							

Model	Year	MG	SG	Illustration	Restrictions	UPD	20:58	23.01.2010	PORSCHE	PET	PORSCHE
944	1985	1	03	103-05		248					

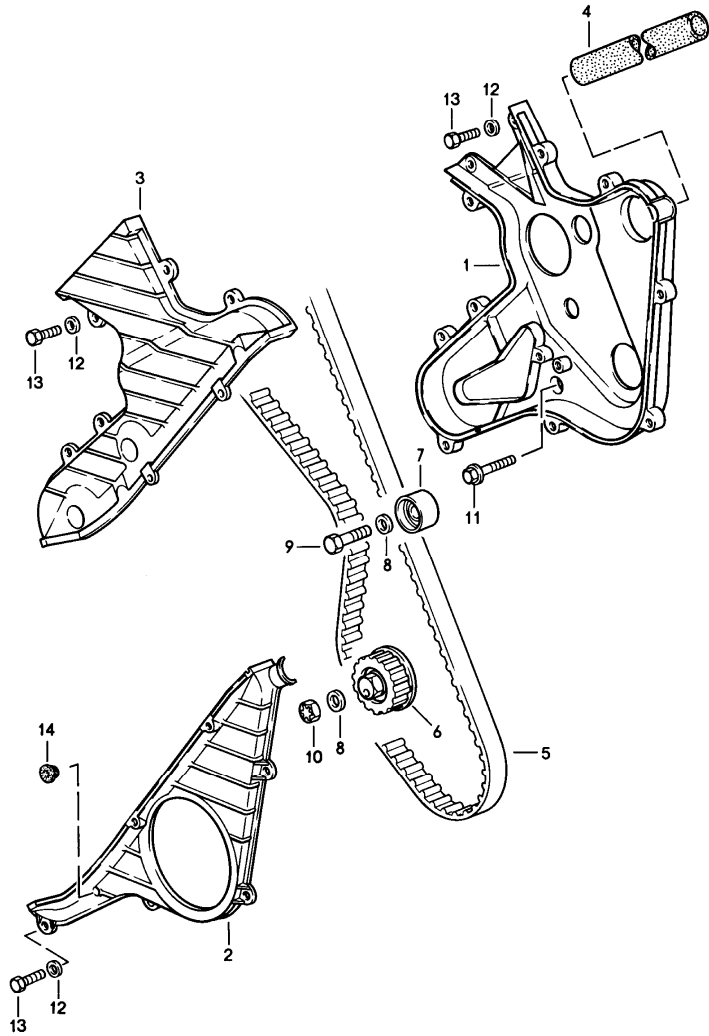


Pos	Part Number	Description	Remark	Qty	Model
1	944 105 250 07	camshaft housing		1	
2	944 105 155 05	camshaft		1	
3	* 928 105 199 12	gasket		1	
4	900 067 214 02	pan-head screw M 8 X 35		15	
5	900 219 009 30	screw plug M 18 X 1,5		6	
6	* 900 123 140 30	sealing ring A 18 X 22		6	
7	928 105 311 06	hydraulic valve tappet		8	
8	928 105 153 04	lid		1	
9	* 928 105 189 02	gasket		1	
10	944 101 413 02	engine lifting bracket		1	
11	900 075 016 02	hexagon-head bolt M 6 X 22		3	
12	N 012 226 5	spring washer B 6		3	
13	* 928 105 184 00	sealing ring		1	
14	900 117 045 00	feather key 4 X 4		1	
15	944 105 119 03	camshaft bearing		1	
16	944 105 029 01	bracket		1	
17	944 105 545 03	camshaft timing gear		1	
18	944 105 142 00	driver		1	
19	999 510 022 08	pan-head screw M 10 X 65		1	
20	928 105 139 02	spacer sleeve M >> 41F 42953 M >> 41F 50390		1	M44.01 M44.03
20	928 105 139 04	spacer sleeve M 41F 42953 >> M 41F 50391 >>		1	M44.01 M44.03

Model	Year	MG	SG	Illustration	Restrictions	UPD	20:58	23.01.2010	PORSCHE	PET	PORSCHE
944	1985	1	03	103-05		248					

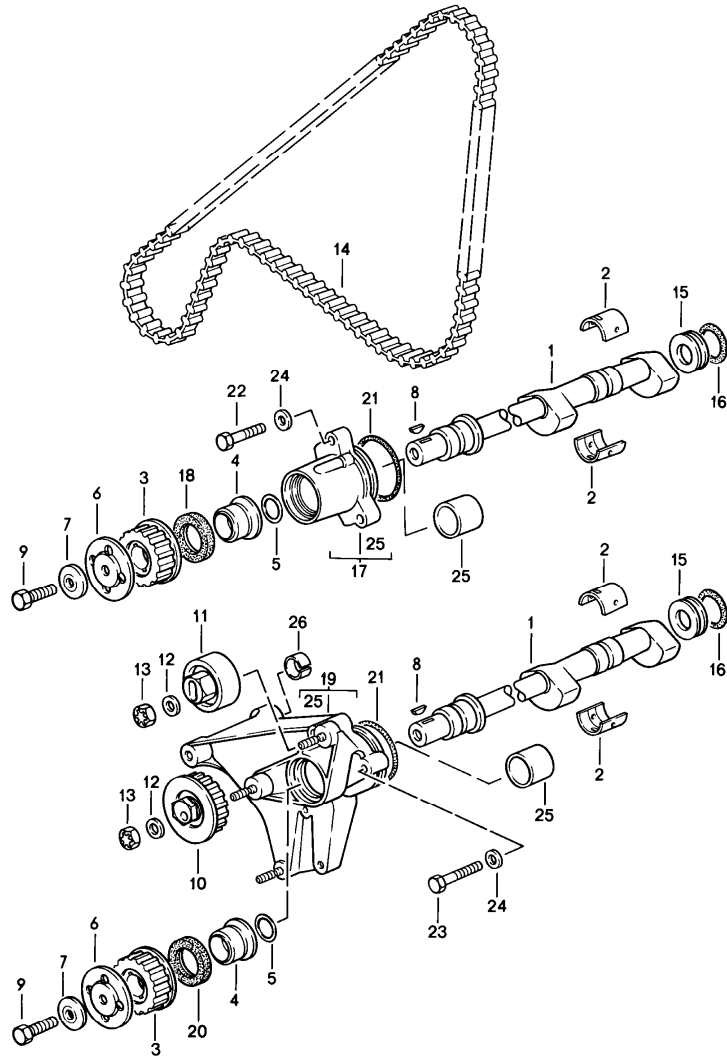
Pos	Part Number	Description	Remark	Qty	Model	Pos	Part Number	Description	Remark	Qty	Model
21	* 999 701 602 40	o-ring 50 X 5		1							
22	* 999 113 282 40	shaft sealing ring 30 X 47 M >> 41F 42952 M >> 41F 50390		1	M44.01 M44.03						
22	999 113 349 40	shaft sealing ring 32 X 47 M 41F 42953 >> M 41F 50391 >>		1	M44.01 M44.03						
23	* 944 105 321 00	gasket		1							
24	N 010 347 3	hexagon-head bolt M 6 X 35		3							
25	900 074 015 02	hexagon-head bolt M 6 X 30		3							
26	N 011 524 7	washer A 6,4		6							
27	944 105 131 00	stopper		1							
28	999 095 103 01	roll pin 8 X 16		2							

Model	Year	MG	SG	Illustration	Restrictions	UPD	20:58	23.01.2010	PORSCHE	PET	PORSCHE
944	1985	1	03	103-10		248					



Pos	Part Number	Description	Remark	Qty	Model
		driving mechanism camshaft			
1	944 105 045 04	toothed belt covering		1	
2	944 105 048 00	toothed belt covering		1	
3	944 105 047 00	toothed belt covering		1	
4	944 105 149 01	hose		1	
5	944 105 157 04	toothed belt		1	
6	944 105 027 04	tensioning roller		1	
7	944 105 273 02	roller		1	
8	N 011 527 12	washer A 10,5		2	
9	900 075 111 08	hexagon-head bolt M 10 X 35		1	
10	N 022 149 2	lock nut M 10		1	
11	900 075 344 02	hexagon-head bolt M 6 X 50		2	
12	N 011 524 7	washer A 6,4		11	
13	999 072 005 09	hexagon-head bolt M 6 X 12		11	
14	999 703 164 40	stopper		1	

Model	Year	MG	SG	Illustration	Restrictions	UPD	20:58	23.01.2010	PORSCHE	PET	PORSCHE
944	1985	1	03	103-15		248					

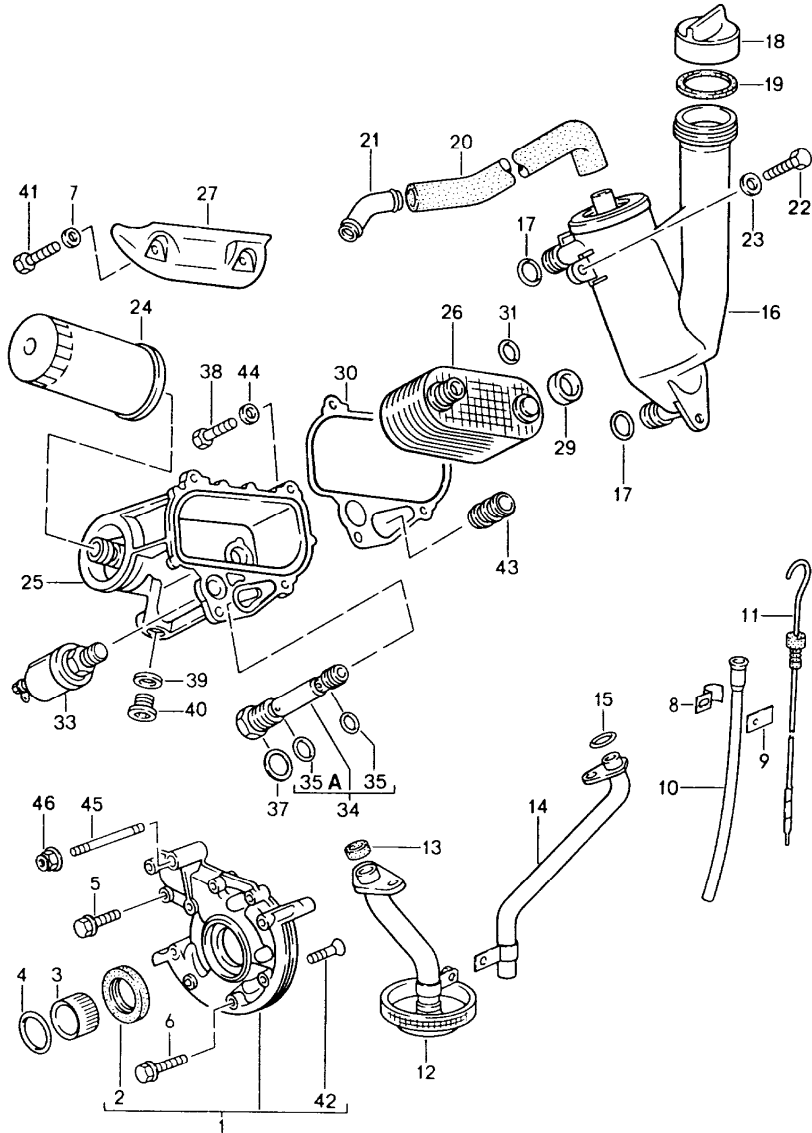


Pos	Part Number	Description	Remark	Qty	Model
1	944 102 201 07	driving mechanism balance shaft		2	
1	944 102 923 00	balance shaft	-84	2	
2	944 101 121 07	bearing shell	85	4	
2	944 101 121 50	bearing shell oversize 0.50 mm		4	
3	944 102 205 04	gear wheel		2	
4	928 105 139 02	spacer sleeve		2	
5	* 944 105 321 00	gasket		2	
6	944 102 281 04	flange washer		2	
7	944 102 213 00	washer		2	
8	900 118 005 00	woodruff key		2	
9	N 010 275 3	hexagon-head bolt M 10 X 35		2	
10	944 102 025 07	tensioning roller		1	
11	944 102 277 06	roller		1	
12	N 011 527 12	washer A 10,5		2	
13	N 022 149 2	lock nut M 10		2	
14	944 102 219 04	toothed belt technical information group 1 NR.15/95 attention		1	
15	944 101 145 02	locking ring		2	
16	* 999 701 614 40	round seal 23,16 X 5,33		2	
17	944 101 045 00	bearing case	/L	1	
18	* 999 113 282 40	shaft sealing ring 30 X 47	/L	1	
19	944 101 042 00	bearing case	/R	1	
20	* 999 113 281 40	shaft sealing ring 30 X 48	/R	1	

Model	Year	MG	SG	Illustration	Restrictions	UPD	20:58	23.01.2010	PORSCHE	PET	PORSCHE
944	1985	1	03	103-15		248					

Pos	Part Number	Description	Remark	Qty	Model	Pos	Part Number	Description	Remark	Qty	Model
21	* 999 701 652 40	o-ring 56,7 X 3,53		2							
22	N 010 335 5	hexagon-head bolt M 8 X 35		3							
23	900 074 040 02	hexagon-head bolt M 8 X 50	-83	3							
23	N 010 360 6	hexagon-head bolt M 8 X 60		3	M657						
24	900 025 007 02	washer A 8,4		6							
25	944 101 125 02	bearing sleeve		2							
25	944 101 125 50	bearing sleeve oversize 0.50 mm		2							
26	944 347 441 00	dowel sleeve		1							

Model	Year	MG	SG	Illustration	Restrictions	UPD	20:58	23.01.2010	PORSCHE	PET	PORSCHE
944	1985	1	04	104-00		248					



Pos	Part Number	Description	Remark	Qty	Model
		engine lubrication			
1	944 107 014 09	oil pump M >> 41E 09029 M >> 41E 20779 M >> 43E 14858 M >> 43E 21783		1	M44.01 M44.03 M44.02 M44.04
		use also: 944.102.216.01 944.102.243.00		1 1	
(1)	944 107 014 11	oil pump M 41E 09030 >> M 41E 20780 >> M 43E 14859 >> M 43E 21784 >>		1	M44.01 M44.03 M44.02 M44.04
		use also: 944.107.911.01		1	
2	* 999 113 268 40	shaft sealing ring 38 X 55 X 7 M >> 41E 09029 M >> 41E 20779 M >> 43E 14858 M >> 43E 21783	-84	1	M44.01 M44.03 M44.02 M44.04
(2)	999 113 331 40	shaft sealing ring 38 X 52 X 7 M 41E 09030 >> M 41E 20780 >> M 43E 14859 >> M 43E 21784 >>		1	M44.01 M44.03 M44.02 M44.04
3	944 107 161 01	toothed sleeve M >> 41E 09029 M >> 41E 20779 M >> 43E 14858 M >> 43E 21783		1	M44.01 M44.03 M44.02 M44.04
(3)	944 107 161 02	toothed sleeve M 41E 09030 >> M 41E 20780 >> M 43E 14859 >> M 43E 21784 >>		1	M44.01 M44.03 M44.02 M44.04
4	* 999 707 283 40	round seal 28 X 2,58		1	
5	900 075 345 02	hexagon-head bolt M 6 X 35 M 6 X 35		4	
6	900 075 343 02	hexagon-head bolt M 6 X 45		3	

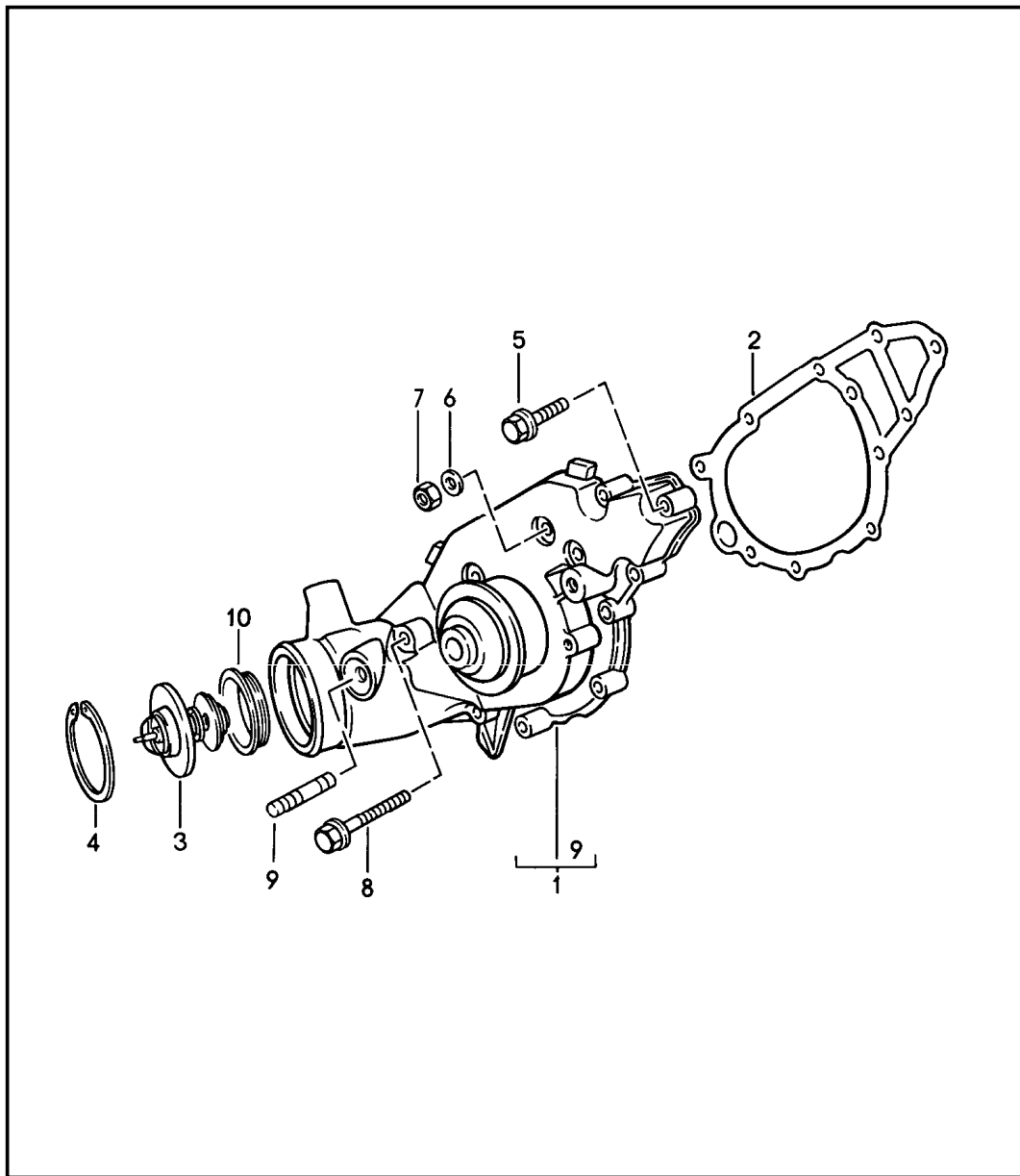
Model	Year	MG	SG	Illustration	Restrictions	UPD	20:58	23.01.2010	PORSCHE	PET	PORSCHE
944	1985	1	04	104-00		248					

Pos	Part Number	Description	Remark	Qty	Model	Pos	Part Number	Description	Remark	Qty	Model
7	N 011 524 7	washer A 6,4		9		16	944 107 180 06	oil separator M >> 41D A683 M >> 41D 5520 M >> 43D D868 M >> 43D 6293		1	M44.01 M44.03 M44.02 M44.04
8	944 101 225 00	clip		1							
9	944 101 231 00	retaining bracket		1							
10	944 101 223 00	guide tube		1		16	944 107 180 08	oil separator M 41D A684 >> M 41D 5521 >> M 43D D869 >> M 43D 6294 >>		1	M44.01 M44.03 M44.02 M44.04
11	944 107 221 01	oil level dipstick M >> 41D A683 M >> 41D 5520 M >> 43D D868 M >> 43D 6293		1		17	* 999 701 613 40	round seal 20 X 5 M >> 41D A683 M >> 41D 5520 M >> 43D D868 M >> 43D 6293		2	M44.01 M44.03 M44.02 M44.04
11	944 107 221 02	oil level dipstick M 41D A684 >> M 41D 5521 >> M 43D D869 >> M 43D 6294 >>		1							
12	944 107 032 06	suction tube M >> 41D A683 M >> 41D 5520 M >> 43D D868 M >> 43D 6293		1		17	999 701 661 40	round seal 24 X 5 M 41D A684 >> M 41D 5521 >> M 43D D869 >> M 43D 6294 >>		2	M44.01 M44.03 M44.02 M44.04
12	944 107 032 06	suction tube M 41D A684 >> M 41D 5521 >> M 43D D869 >> M 43D 6294 >>		1		18	944 107 191 02	oil filler cover		1	
13	* 944 107 136 03	sealing ring 21 X 2,8		1		19	999 701 653 40	o-ring 3,53 X 44,04		1	
14	944 107 183 05	return pipe M >> 41D A683 M >> 41D 5520 M >> 43D D868 M >> 43D 6293		1		20	944 107 187 01	moulded hose		1	
14	944 107 183 03	return pipe M 41D A684 >> M 41D 5521 >> M 43D D869 >> M 43D 6294 >>		1		21	944 107 367 00	connecting piece		1	
15	* 999 701 647 40	o-ring 14 X 1,5 M >> 41D A683 M >> 41D 5520 M >> 43D D868 M >> 43D 6293		1		(21)	944 107 367 01	connecting piece	(AUS) (J)	1	
						22	N 010 240 7	hexagon-head bolt M 8 X 20		3	
						23	900 025 007 02	washer A 8,4		7	
						24	944 107 201 03	oil filter		1	WW
						25	944 107 149 05	housing		1	
						26	944 107 165 01	oil-water radiator		1	
						27	944 107 163 01	cover plate		1	
						29	944 107 153 02	rubber ring		1	
						30	944 107 147 03	gasket		1	
						31	* 999 707 043 40	o-ring		2	

Model	Year	MG	SG	Illustration	Restrictions	UPD	20:58	23.01.2010	PORSCHE	PET	PORSCHE
944	1985	1	04	104-00		248					

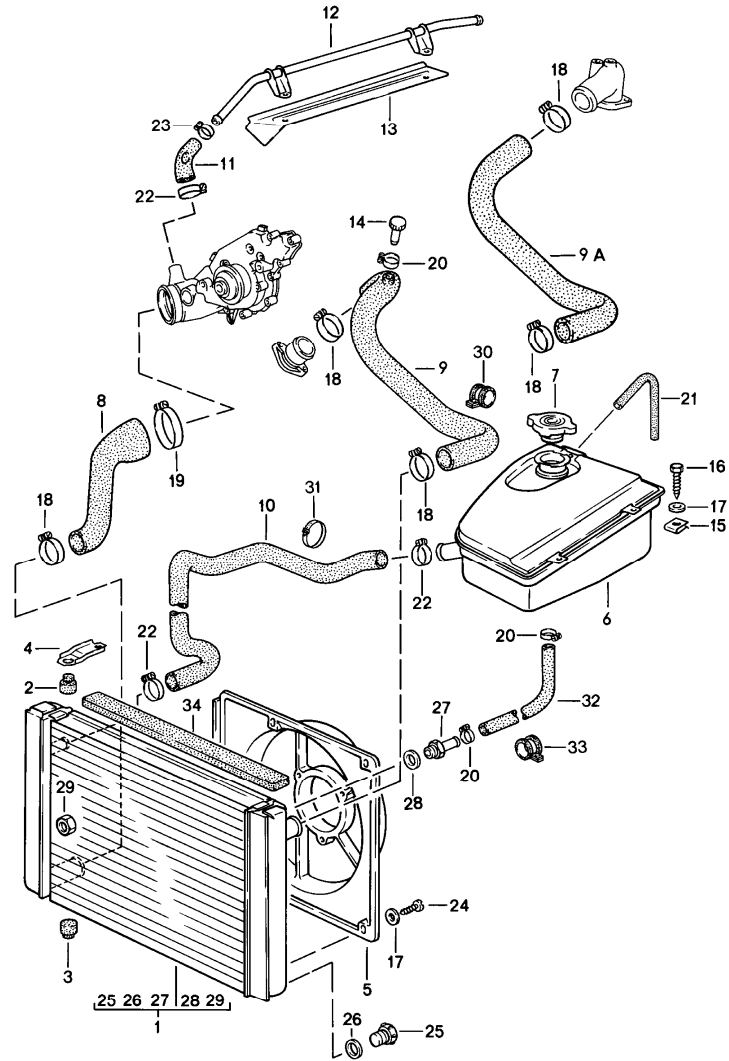
Pos	Part Number	Description	Remark	Qty	Model	Pos	Part Number	Description	Remark	Qty	Model
33	928 606 203 01	oil pressure sender		1							
33	928 606 203 04	oil pressure sender		1							
34	944 107 035 11	relief valve		1							
35	999 707 145 40	o-ring		1							
35A	999 707 146 40	o-ring		1							
37	* N 043 815 3	sealing ring A 20 X 24		1							
38	900 075 029 09	hexagon-head bolt M 8 X 25		4							
39	* 900 123 106 30	sealing ring A 18 X 24		1							
40	N 016 161 1	screw plug		1							
41	999 072 005 09	hexagon-head bolt M 6 X 12		2							
42	900 249 017 02	countersunk-head screw M 6 X 25		2							
43	944 101 181 01	guide sleeve		1							
44	900 232 004 02	washer		4							
45	944 102 216 01	stud		1							
46	944 102 243 00	collar nut		1							

Model	Year	MG	SG	Illustration	Restrictions	UPD	20:59	23.01.2010	PORSCHE	PET	PORSCHE
944	1985	1	05	105-00		248					



Pos	Part Number	Description	Remark	Qty	Model
1	> 944 106 021 20	water pump use also: 944.105.213.01 999.084.092.02 944.105.241.03		1	
2	* 944 106 132 04	gasket		1	
3	944 106 129 05	thermostat		1	
4	900 042 025 01	circlip 55 X 2		1	
5	900 075 345 02	hexagon-head bolt M 6 X 35		7	
5	900 075 345 01	hexagon-head bolt M 6 X 35		7	
6	N 011 524 7	washer A 6,4		4	
7	900 076 010 02	hexagon nut M 6		3	
8	900 074 302 02	hexagon-head bolt M 6 X 70		1	
8	900 074 302 01	hexagon-head bolt M 6 X 70		1	
9	900 081 060 02	stud M 6 X 16		1	
10	951 106 155 00	sealing ring		1	
-	944 106 929 05	sealing ring for thermostat		1	

Model	Year	MG	SG	Illustration	Restrictions	UPD	20:59	23.01.2010	PORSCHE	PET	PORSCHE
944	1985	1	05	105-05		248					

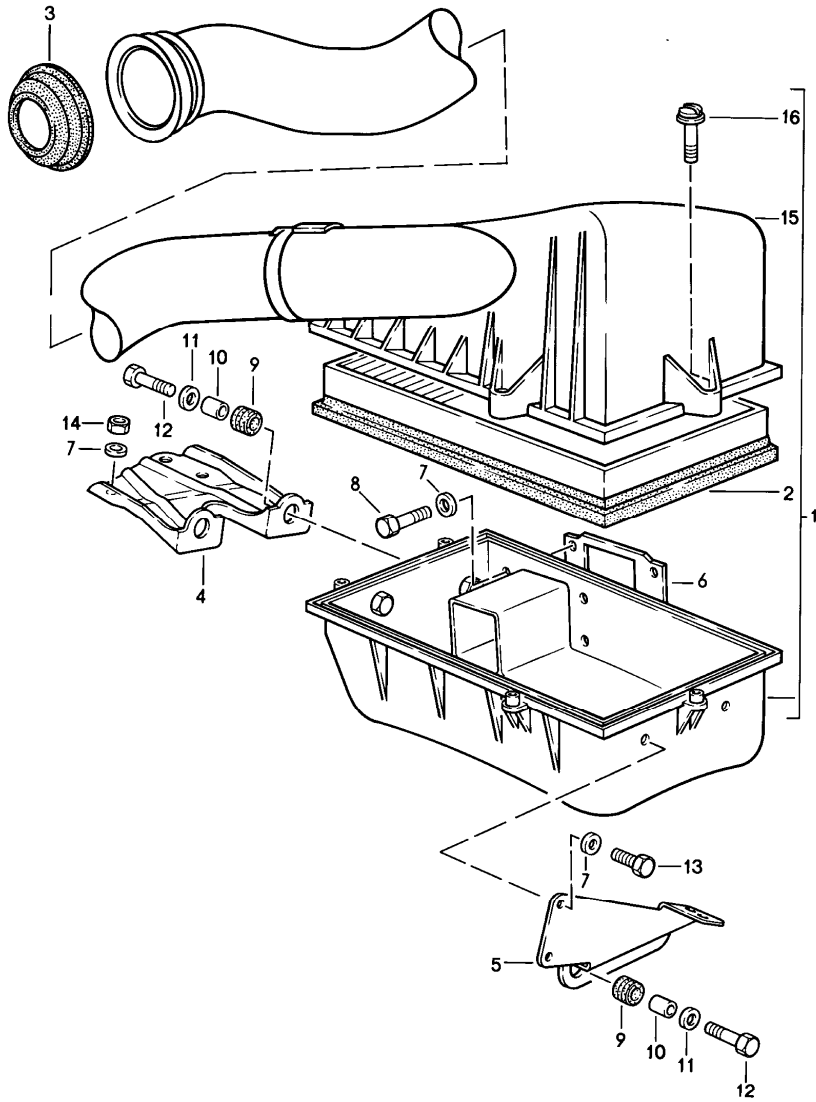


Pos	Part Number	Description	Remark	Qty	Model
		water cooling			
1	944 106 031 01	radiator		1	
(1)	944 106 027 03	radiator	AUT.	1	
2	944 106 153 00	rubber mounting		2	
3	944 106 155 00	rubber mounting		2	
4	944 106 151 02	support		2	
5	944 106 141 02	airscoop		1	
(5)	944 106 143 02	airscoop air conditioner		1	
6	944 106 125 06	expansion tank		1	
7	928 106 257 03	catch		1	
8	944 106 237 05	water hose		1	
8	944 106 237 05	water hose		1	M573
9	944 106 239 01	water hose M >> 41D 1285 M >> 41D 5164 M >> 43D 3439 M >> 43D 5517		1	M44.01 M44.03 M44.02 M44.04
9A	944 106 239 02	water hose M 41D 1286 >> M 41D 5165 >> M 43D 3440 >> M 43D 5518 >>		1	M44.01 M44.03 M44.02 M44.04
10	944 106 245 01	water hose		1	
11	944 106 241 03	water hose		1	
12	944 106 243 02	water tube		1	
13	944 106 247 00	heat shield	AUT.	1	
14	046 121 099	stopper		1	
15	477 955 461	speed nut		2	
16	N 090 172 1	combination screw 6,3 X 19		2	
17	N 011 524 7	washer A 6,4		6	
18	999 512 499 00	hose clamp 32 - 50		3	

Model	Year	MG	SG	Illustration	Restrictions	UPD	20:59	23.01.2010	PORSCHE	PET	PORSCHE
944	1985	1	05	105-05		248					

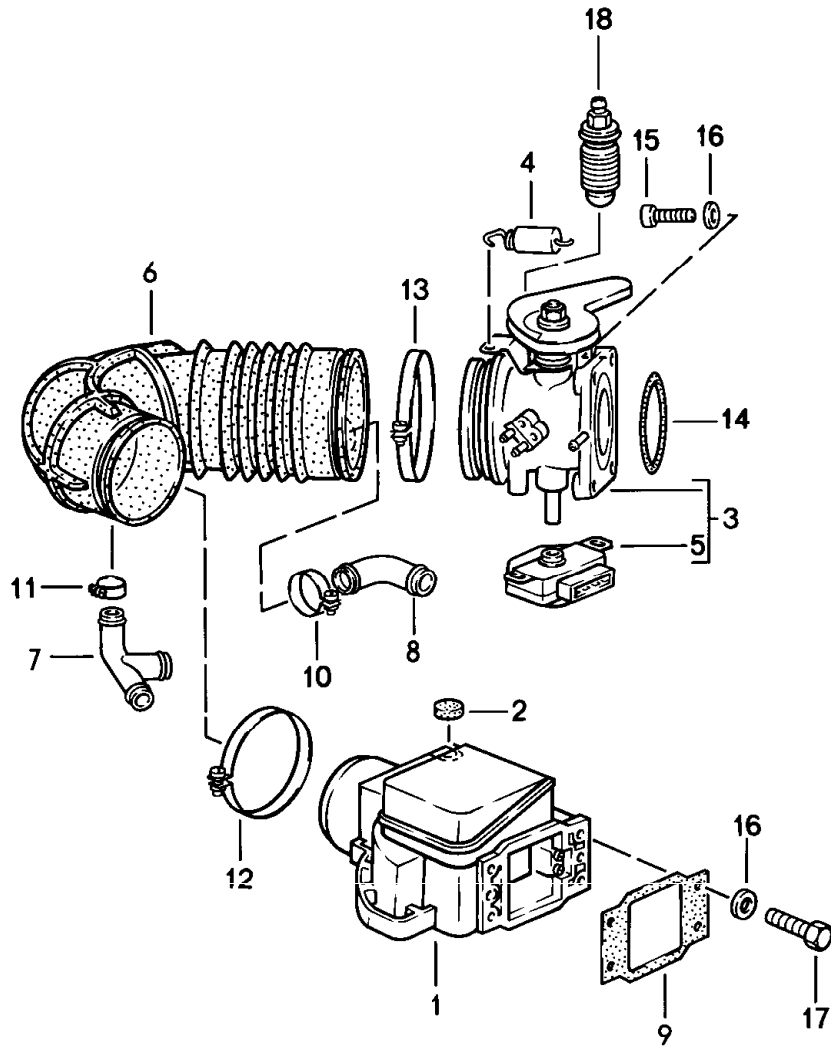
Pos	Part Number	Description	Remark	Qty	Model	Pos	Part Number	Description	Remark	Qty	Model
19	999 512 317 00	clip 60 - 80		1							
20	999 512 554 00	hose clamp 12 - 20		3							
21	944 106 251 00	water hose		1							
22	999 512 252 02	hose clamp 23 - 35		3							
23	999 512 346 00	hose clamp 16 - 25		1							
24	900 187 111 02	combination screw 6,3 X 12		4							
(24)	900 187 111 01	combination screw 6,3 X 12		4							
25	944 106 353 00	screw plug M 10 X 1		1							
26	944 106 354 00	sealing ring		1							
27	944 106 351 00	connection piece		1							
28	944 106 352 00	sealing ring		1							
29	944 106 355 00	nut	AUT.	2							
30	999 511 130 02	pipe clamp 44/20		1							
31	999 513 010 40	tie-wrap 9 X 140		2							
32	944 106 249 01	water hose		1							
33	N 020 602 1	pipe clamp B 15		1							
34	944 556 837 00	sealing rubber		1							

Model	Year	MG	SG	Illustration	Restrictions	UPD	20:59	23.01.2010	PORSCHE	PET	PORSCHE
944	1985	1	06	106-00		248					



Pos	Part Number	Description	Remark	Qty	Model
		air cleaner system			
1	944 110 012 06	air cleaner ready for installation		1	
2	944 110 186 02	air cleaner cartridge		1	
3	944 110 195 00	bellows		1	
4	944 110 067 00	support	/V	1	
5	944 110 155 01	support	/H	1	
6	944 110 353 00	gasket		1	
7	N 011 524 7	washer A 6,4		9	
8	N 010 305 5	hexagon-head bolt M 6 X 32		X	
8	900 074 151 02	hexagon-head bolt M 6 X 38		X	
9	056 129 669 B	grommet		4	
10	052 109 135	spacer sleeve		4	
11	N 011 612 3	washer 6,6		4	
12	900 075 014 02	hexagon-head bolt M 6 X 18		4	
13	N 010 210 13	hexagon-head bolt M 6 X 10		2	
14	900 076 010 02	hexagon nut M 6		3	
15	944 110 221 00	air cleaner cover without screw		1	
16	944 110 225 00	combination screw		5	

Model	Year	MG	SG	Illustration	Restrictions	UPD	20:59	23.01.2010	PORSCHE	PET	PORSCHE
944	1985	1	07	107-00		248					

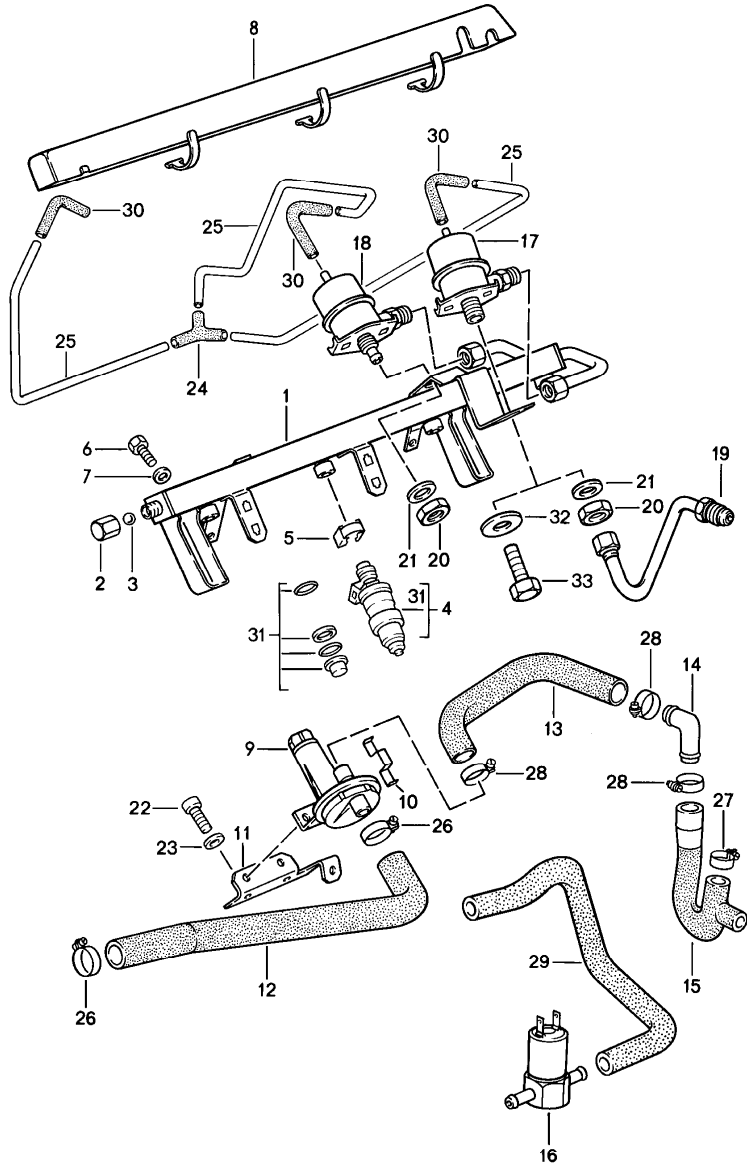


Pos	Part Number	Description	Remark	Qty	Model
		l-jetronic 1			
1	> 944 606 121 00	mass air flow meter		1	
2	944 606 935 01	stopper blue		1	
3	944 110 091 04	flap connection		1	M44.01
3	944 110 094 01	flap connection	(AUS) (J)	1	M44.01/02
3	944 110 093 01	flap connection	AUT.	1	M44.03
3	944 110 095 01	flap connection	AUT. (AUS) (J)	1	M44.03/04
4	944 110 071 00	return spring		1	M44.01/02
4	944 110 071 01	return spring	AUT. -84	1	M44.03/04
5	944 606 113 01	throttle-valve switch		1	
6	944 110 358 04	air box		1	
7	944 110 363 02	connecting piece		1	
8	944 107 367 00	connecting piece		1	
(8)	944 107 367 01	connecting piece	(AUS) (J)	1	
9	944 110 353 00	gasket		1	
10	999 512 552 00	hose clamp 25/9		1	
11	999 512 045 02	hose clamp 22/9		1	
12	999 512 235 02	hose clamp 77/9		1	
13	999 512 302 02	hose clamp 85/9		1	
14	* 999 701 468 40	round seal 67,5 X 4		1	
15	900 067 089 02	pan-head screw M 6 X 25		4	
16	N 011 524 7	washer A 6,4		8	
17	N 010 305 5	hexagon-head bolt M 6 X 32		X	

Model	Year	MG	SG	Illustration	Restrictions	UPD	20:59	23.01.2010	PORSCHE	PET	PORSCHE
944	1985	1	07	107-00		248					

Pos	Part Number	Description	Remark	Qty	Model	Pos	Part Number	Description	Remark	Qty	Model
17	900 074 151 02	hexagon-head bolt M 6 X 38		X							
18	930 110 919 00	throttle screw		1							

Model	Year	MG	SG	Illustration	Restrictions	UPD	20:59	23.01.2010	PORSCHE	PET	PORSCHE
944	1985	1	07	107-05		248					

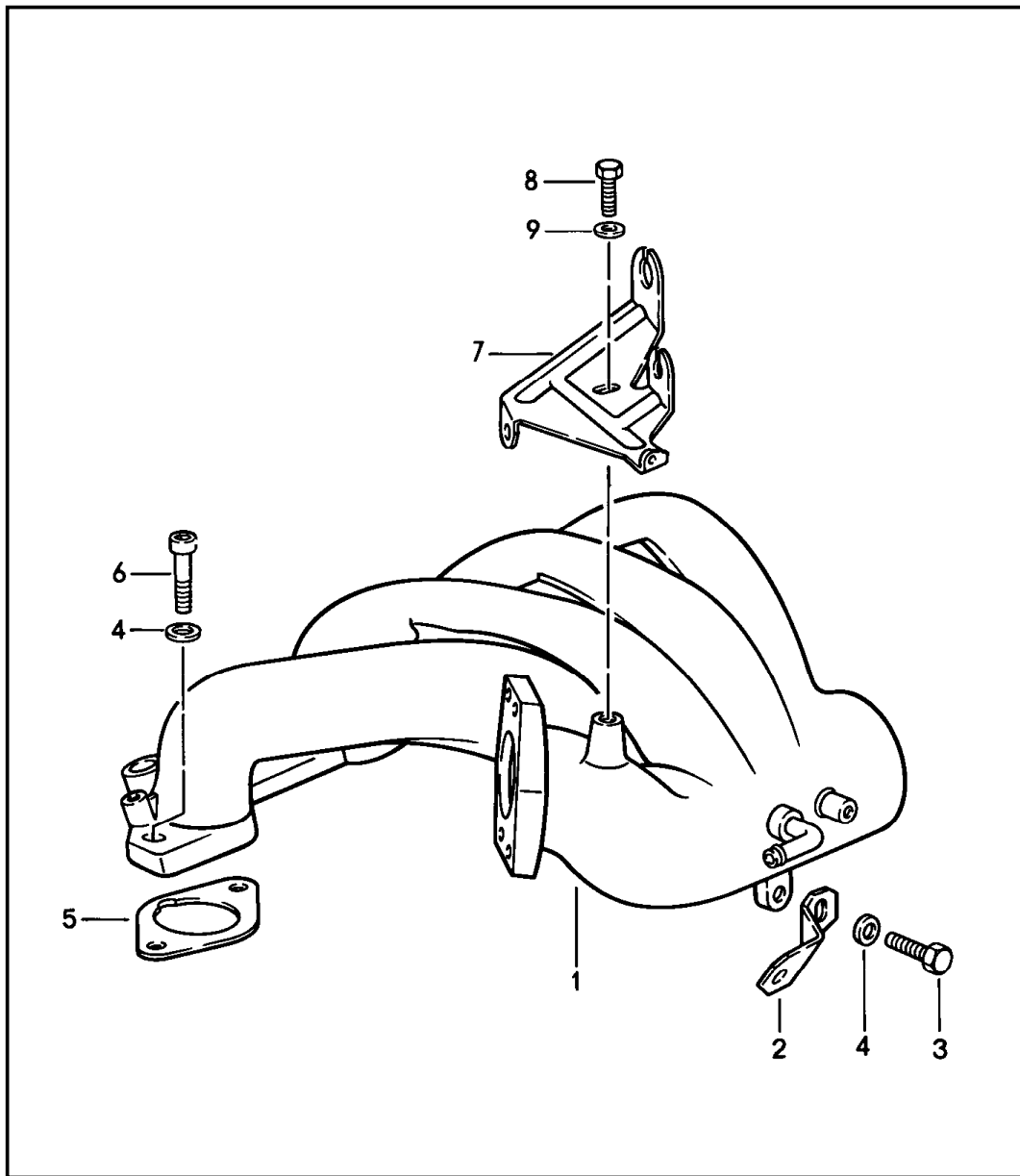


Pos	Part Number	Description	Remark	Qty	Model
		1-jetronic			
		2			
1	944 110 080 04	fuel collection pipe		1	
		M >> 41D C454			M44.01
		M >> 41D 5672			M44.03
		M >> 43E 00229			M44.02
		M >> 43E 20061			M44.04
(1)	944 110 080 07	fuel collection pipe		1	
		M 41D C455 >>			M44.01
		M 41D 5673 >>			M44.03
		M 43E 00230 >>			M44.02
		M 43E 20062 >>			M44.04
2	A 928 110 475 01	cap nut		1	
2	928 110 475 03	cap nut		1	
3	900 108 022 00	ball		1	
4	944 606 110 01	injector valve		4	
5	944 110 393 01	retaining clip		4	
		M >> 41D C454			M44.01
		M >> 41D 5672			M44.03
		M >> 43E 00229			M44.02
		M >> 43E 20061			M44.04
(5)	930 110 388 00	retaining clip		4	
		M 41D C455 >>			M44.01
		M 41D 5673 >>			M44.03
		M 43E 00230 >>			M44.02
		M 43E 20062 >>			M44.04
6	999 072 005 09	hexagon-head bolt		4	
		M 6 X 12			
7	N 011 524 7	washer		4	
		A 6,4			
(8)	944 607 081 02	cover		1	
9	944 606 103 00	auxiliary air regulator		1	
10	477 133 527	retaining clip		1	
11	944 110 181 02	support		1	
12	944 110 187 01	hose		1	
13	944 110 173 00	hose		1	
14	944 110 184 01	connecting piece		1	
15	944 110 177 00	hose		1	M573

Model	Year	MG	SG	Illustration	Restrictions	UPD	20:59	23.01.2010	PORSCHE	PET	PORSCHE
944	1985	1	07	107-05		248					

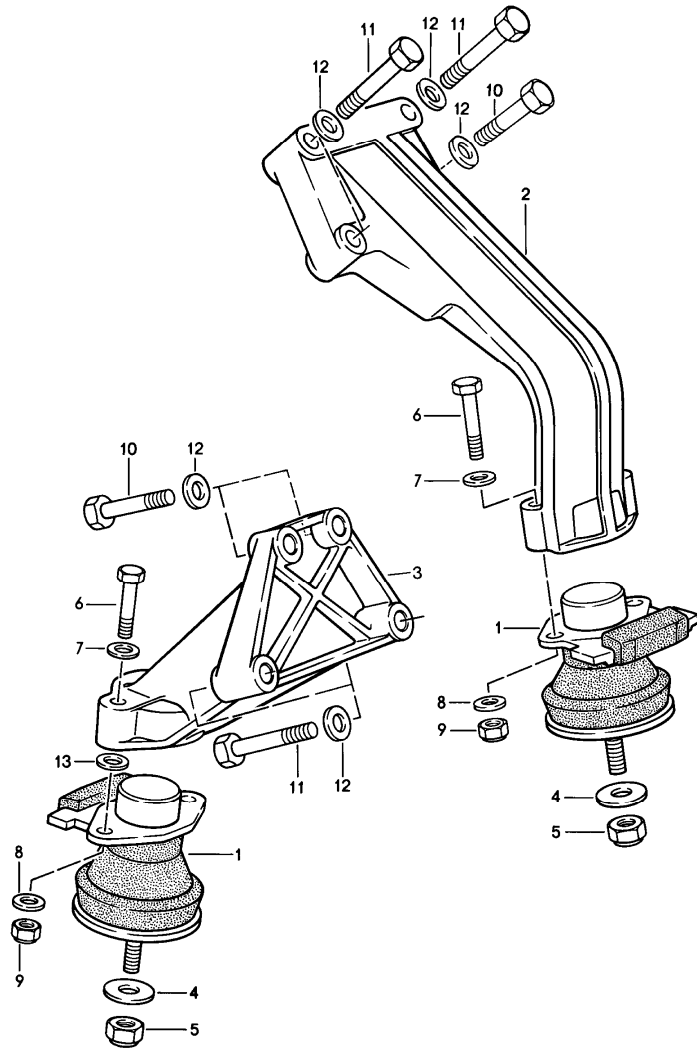
Pos	Part Number	Description	Remark	Qty	Model	Pos	Part Number	Description	Remark	Qty	Model
(15)	944 110 177 01	hose		1		31	944 110 901 00	gasket set for injector valve		4	
16	944 606 215 00	electric air valve		1	M573						
17	944 110 201 03	diaphragm damper		1		32	944 110 312 00	washer		1	
		M >> 41D C454			M44.01						
		M >> 41D 5672			M44.03	33	N 010 235 3	hexagon-head bolt M 8 X 10		1	
		M >> 43E 00229			M44.02						
		M >> 43E 20061			M44.04						
(17)	944 110 201 01	diaphragm damper		1							
		M 41D C455 >>			M44.01						
		M 41D 5672 >>			M44.03						
		M 43E 00230 >>			M44.02						
		M 43E 20062 >>			M44.04						
18	944 110 198 01	pressure regulator		1							
19	944 110 411 00	fuel line		1							
		M >> 41D C454			M44.01						
		M >> 41D 5672			M44.03						
		M >> 43E 00229			M44.02						
		M >> 43E 20061			M44.04						
20	900 034 013 02	hexagon nut		2							
		M 16									
21	N 012 238 5	spring washer		2							
		A 16									
22	900 067 057 02	pan-head screw		2							
		M 8 X 20									
23	900 025 007 02	washer		2							
		A 8,4									
24	928 573 727 02	distributing piece		2							
-	N 020 139 1	hose		*							
		4 X 1									
25	-	370 MM		1							
26	999 512 045 02	hose clamp		2							
		22/9									
27	999 512 056 02	hose clamp		1							
		18/9									
28	999 512 346 00	hose clamp		3							
		20/9									
29	944 110 178 00	hose		1	M573						
30	928 574 717 02	moulded hose		3							

Model	Year	MG	SG	Illustration	Restrictions	UPD	20:59	23.01.2010	PORSCHE	PET	PORSCHE
944	1985	1	07	107-10		248					



Pos	Part Number	Description	Remark	Qty	Model
		1-jetronic 3			
1	944 110 051 09	intake manifold		1	
2	944 110 165 00	bracket		1	
(2)	944 110 165 01	bracket		1	M657
3	900 075 085 02	hexagon-head bolt M 8 X 20		1	
4	N 011 525 13	washer 8,4		9	
5	* 944 110 163 05	gasket		4	
6	900 067 081 02	pan-head screw M 8 X 35		8	
7	944 110 161 04	support		1	
8	900 075 057 02	hexagon-head bolt M 6 X 16		1	
9	N 011 666 7	washer B 6,4		1	

Model	Year	MG	SG	Illustration	Restrictions	UPD	21:00	23.01.2010	PORSCHE	PET	PORSCHE
944	1985	1	09	109-00		248					



Pos	Part Number	Description	Remark	Qty	Model
		engine suspension			
1	944 375 042 02	hydraulic mount		2	
2	944 375 123 03	engine carrier	/L	1	M657
3	944 375 124 02	engine carrier	/R	1	
4	477 407 425	washer		2	
5	N 022 149 2	lock nut VM 10		2	
6	900 074 139 02	hexagon-head bolt M 8 X 55		4	
6	N 010 351 6	hexagon-head bolt M 8 X 52		4	
7	900 223 001 02	washer 8,4		4	
8	900 025 007 02	washer A 8,4		4	
9	900 910 022 09	lock nut VM 8		4	
10	N 010 445 3	hexagon-head bolt M 10 X 45		3	
11	N 010 455 3	screw M 10 X 55		5	
12	900 025 008 09	washer A 10,5		8	
13	999 704 143 40	washer		2	

Model	Year	MG	SG	Illustration	Restrictions	UPD	21:00	23.01.2010
944	1985	1	98	198-00R		248		

Pos	Part Number	Description	Remark	Qty	Model
		maintenance set gasket set repair kit			
>>	>>944 100 901 01	gasket set for crankcase comprising:		1	
-	999 701 614 40	round seal		2	
-	999 113 282 40	shaft sealing ring		1	
-	999 113 281 40	shaft sealing ring		1	
-	999 701 652 40	o-ring		2	
-	944 101 205 02	oil sump gasket		1	
-	N 043 815 3	sealing ring		2	
-	999 113 264 40	radial sealing ring		1	
-	944 105 321 00	gasket		2	
-	944 106 132 04	gasket		1	
-	999 113 268 40	shaft sealing ring		1	
-	999 707 283 40	round seal		1	
-	944 107 136 00	sealing ring		1	
-	900 123 106 30	sealing ring		1	
-	944 107 153 02	rubber ring		1	
-	999 707 043 40	o-ring		2	
-	944 107 147 03	gasket		1	
-	999 701 613 40	round seal		2	
-	999 701 647 40	o-ring		1	
-	900 123 006 30	sealing ring		1	
-	900 123 007 30	sealing ring		1	
-	900 123 118 30	sealing ring		1	
>>	>>944 100 901 00	gasket set for cylinder head comprising:		1	
-	944 104 374 06	cylinder head gasket		1	
-	928 104 193 03	valve stem seal		8	
-	928 111 193 12	gasket		4	

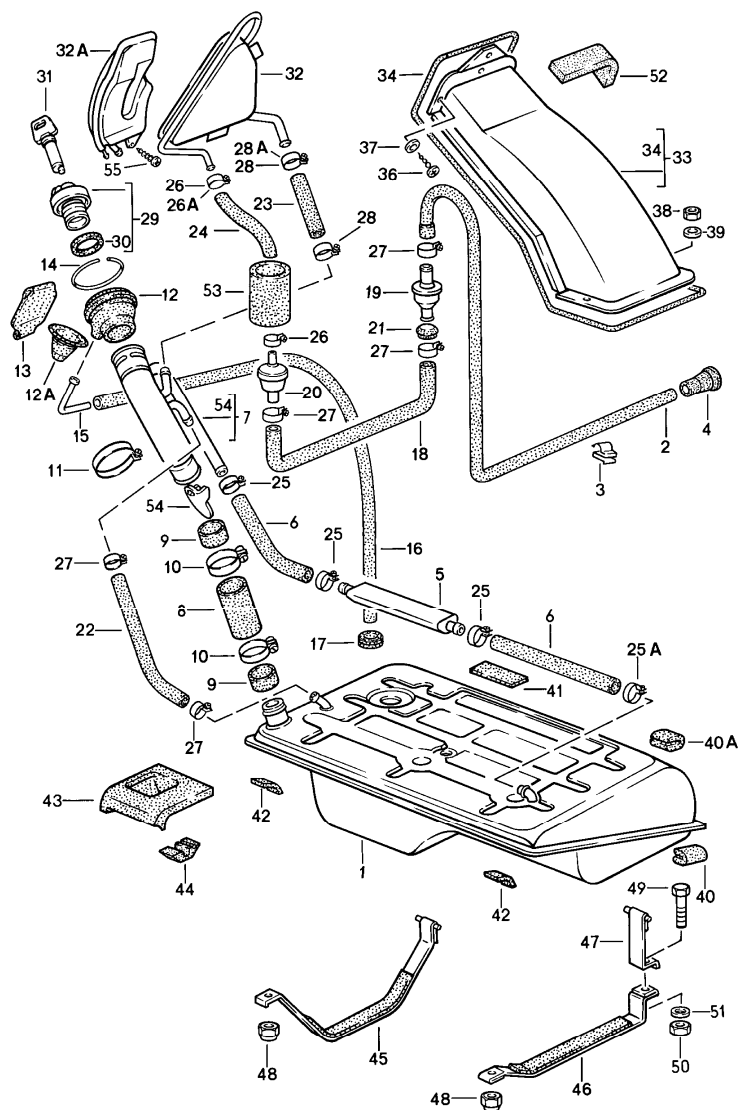
Model	Year	MG	SG	Illustration	Restrictions	UPD	21:00	23.01.2010
944	1985	1	98	198-00R		248		

Pos	Part Number	Description	Remark	Qty	Model
-	928 105 199 12	gasket		1	
-	944 110 163 05	gasket		4	
-	928 106 197 04	gasket		1	
-	944 104 311 00	gasket		1	
-	928 105 184 00	sealing ring		1	
-	999 701 602 40	o-ring		1	
-	999 113 282 40	shaft sealing ring		1	
-	928 105 189 02	gasket		1	
-	944 105 321 00	gasket		1	
-	900 123 044 30	sealing ring		6	
-	999 701 468 40	round seal		1	
-	944 111 135 01	gasket		2	
>>	>>944 103 901 00	set of piston rings 100,00 MM		X	
>>	>>944 100 930 00	maintenance set for 20,000 km intervals comprising:		1	M44.01/03
-	944 107 201 03	oil filter		1	
-	944 110 186 02	air cleaner cartridge		1	
-	928 110 253 06	fuel filter		1	
-	900 123 118 30	sealing ring		1	
-	999 170 156 90	spark plug		4	
>>	>>944 100 930 01	maintenance parts for 15,000 km intervals comprising:		1	M44.02/04
-	944 107 201 03	oil filter		1	
-	944 110 186 02	air cleaner cartridge		1	
-	928 110 253 06	fuel filter		1	
-	900 123 118 30	sealing ring		1	
-	999 170 062 90	spark plug		4	

Model	Year	MG	SG	Illustration	Restrictions	UPD	21:00	23.01.2010
944	1985	1	98	198-00R		248		

Pos	Part Number	Description	Remark	Qty	Model
>>	>>944 110 901 00	gasket set for injector valve comprising: o-ring sleeve support washer		X 2 1 1	
>>	>>000 043 095 00	installation set for oil level instrument comprising:		1	
-	944 612 911 01	wiring harness		1	
-	944 612 921 01	wiring harness		1	
-	944 617 150 00	relay		1	
-	944 101 033 00	heat shield		1	
-	900 075 085 02	hexagon-head bolt		2	
-	900 025 007 02	washer		2	
-	477 971 881 A	retaining bracket		1	
-	999 651 162 40	cable holder		1	
-	999 513 002 40	tie-wrap		3	
-	N 017 490 6	flat connector		1	
-	813 972 641 E	terminal sleeve housing		1	
-	813 972 641 A	terminal sleeve housing		1	
-	000 043 095 01	installation instructions		1	

Model	Year	MG	SG	Illustration	Restrictions	UPD	21:00	23.01.2010	PORSCHE	PET	PORSCHE
944	1985	2	01	201-00		248					



Pos	Part Number	Description	Remark	Qty	Model
1	477 201 021 F	fuel tank		1	
2	944 201 159 01	breather hose shorten 430 MM		1	
3	477 971 939	cable terminal		4	
4	321 201 890 A	end piece		1	
5	477 201 035	expansion tank		1	
-	N 020 363 1	hose 15 X 2,5		*	
6	-	running meter		2	
7	944 201 039 00	filler neck		1	
7	931 201 049 01	filler neck	(J)	1	
8	N 901 235 01	hose shorten 30 MM		1	
9	944 201 217 00	hose		2	
10	111 501 159 B	hose clamp		2	
11	999 513 003 40	tie-wrap		2	
12	931 201 281 01	sleeve F	>>94EN4 00060	1	
12	931 201 281 02	sleeve F 94EN4 00061>>		1	
12A	944 201 461 00	grommet		1	
13	928 201 057 02	protective flap		1	
14	900 906 045 03	circlip B 105		1	
15	477 201 283 A	connection piece		1	
16	477 201 393 A	hose		1	
17	021 119 569	rubber sleeve		1	
18	944 201 449 00	hose		1	
19	928 201 083 02	shut-off valve		1	
20	810 201 186 A	bleeder valve		1	

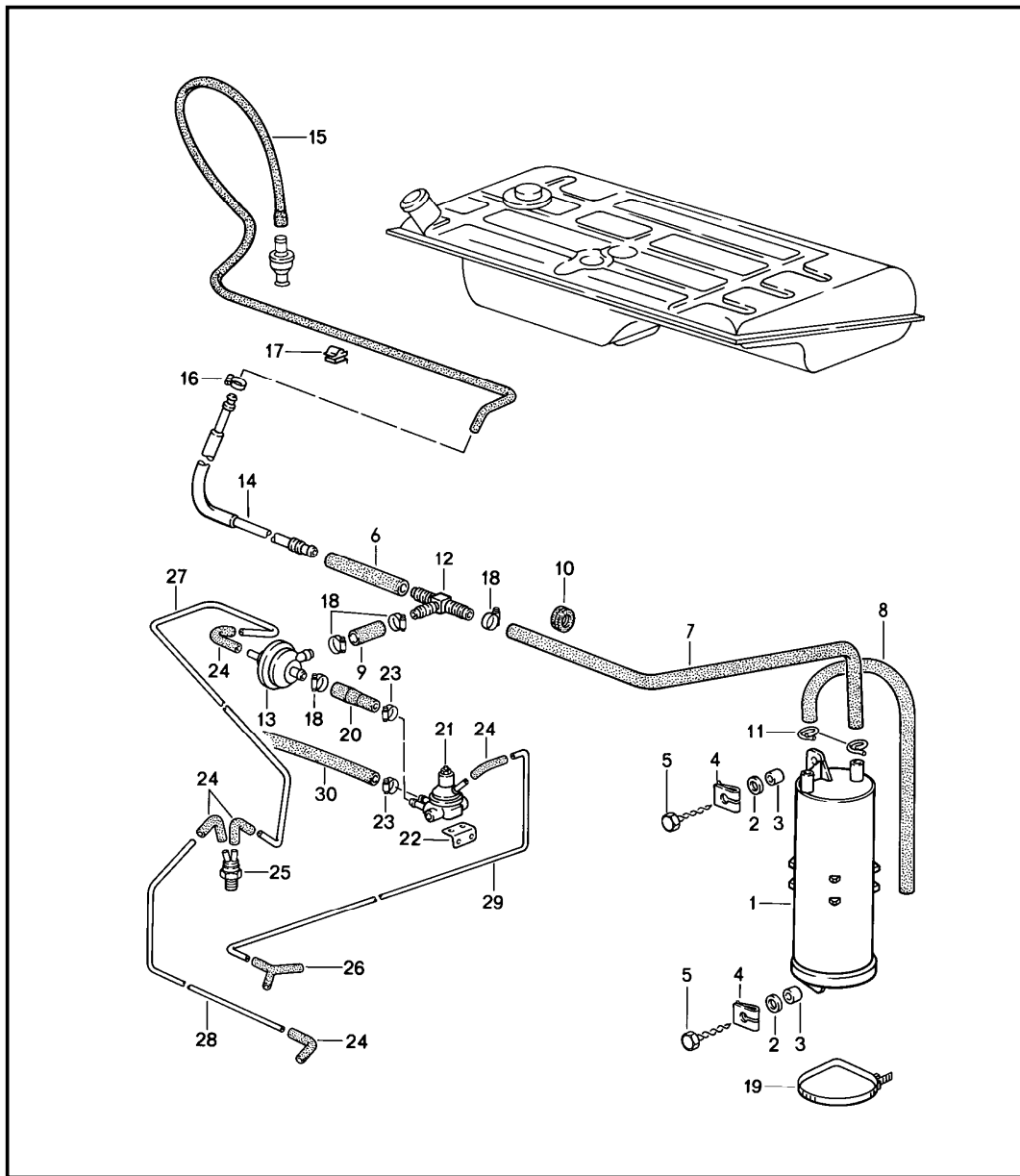
Model	Year	MG	SG	Illustration	Restrictions	UPD	21:00	23.01.2010	PORSCHE	PET	PORSCHE
944	1985	2	01	201-00		248					

Pos	Part Number	Description	Remark	Qty	Model	Pos	Part Number	Description	Remark	Qty	Model
21	111 971 911 A	rubber sleeve		1		32A	944 201 041 03	expansion tank	84-	1	
-	N 020 378 1	hose 10 X 2,5		*		33	944 201 047 03	cover		1	
22	-	270 MM		1		33	944 201 047 03	cover		1	
-	N 020 362 1	hose 12 X 2,5		*		-	000 043 202 08	packing cord		*	
23	-	80 MM	-83	1		-	000 043 202 08	packing cord		*	
(23)	999 181 354 40	hose	84-	1		34	-	\$ 6 MM		1	
-	N 020 379 1	hose 6 X 2,5		*		36	N 013 957 5	tapping screw B 3,5 X 9,5		5	
24	-	285 MM	-83	1		37	900 151 028 02	washer 4,3		3	
(24)	944 201 453 01	hose	84-	1		38	N 011 005 14	hexagon nut M 5		2	
25	N 024 125 2	hose clamp A 9 X 19		3		39	900 025 003 02	washer A 5,3		2	
25A	N 023 565 3	hose clamp A 9 X 21		1		40	481 201 647	intermediate piece		2	
26	N 024 528 1	clip LC 8 - 12		2		40A	944 201 647 00	intermediate piece		2	
26A	999 512 160 02	hose clamp 9 X 13	84-	1		41	477 201 295 B	intermediate layer		4	
27	N 023 570 2	hose clamp A 9 X 15		5		42	477 201 295 B	intermediate layer		2	
28	N 023 569 2	hose clamp AR 9 X 16		2		43	477 863 160	gasket		1	
28A	999 512 198 02	hose clamp 9 X 17	84-	1		43	477 863 160 A	gasket	(AUS) (J)	1	
29	944 201 061 01	fuel tank cap without lock cylinder		1		44	477 863 162 A	sound absorber		1	
30	944 201 553 00	gasket		1		45	477 201 302	restraining strap	/R	1	
31	477 201 594	lock cylinder with 1 key state lock number		1		46	477 201 311 B	restraining strap	/L	1	
31	477 201 594 A	lock cylinder with 1 key state lock number		1		47	477 201 395	restraining strap	/L	1	
32	944 201 041 00	expansion tank	-83	1		48	311 101 463	hexagon nut M 8		2	
						49	N 010 335 5	hexagon-head bolt M 8 X 35		1	
						50	900 910 022 09	lock nut M 8		1	
						51	N 011 525 13	washer A 8,4		1	

Model	Year	MG	SG	Illustration	Restrictions	UPD	21:00	23.01.2010	PORSCHE	PET	PORSCHE
944	1985	2	01	201-00		248					

Pos	Part Number	Description	Remark	Qty	Model	Pos	Part Number	Description	Remark	Qty	Model
-	000 043 205 05	sound absorber		*							
52	-	100 MM		1							
-	999 181 046 40	insulating hose		*							
53	-	60 MM		1							
54	931 201 359 02	flap		1							
55	N 043 864 1	screw BM 3 X 6	84-	1							

Model	Year	MG	SG	Illustration	Restrictions	UPD	21:00	23.01.2010	PORSCHE	PET	PORSCHE
944	1985	2	01	201-05		248					

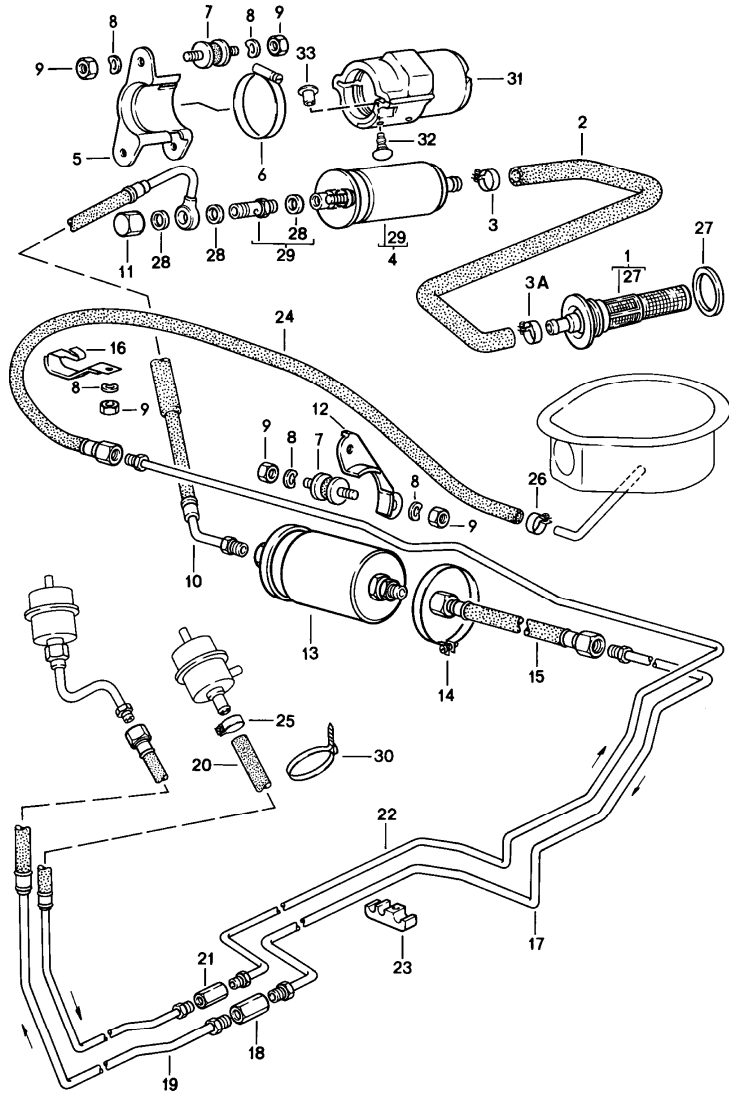


Pos	Part Number	Description	Remark	Qty	Model
		carbon canister tank ventilation (AUS) (J)			
1	993 201 221 01	carbon canister		1	
2	900 151 029 02	washer 6,1		2	
3	477 201 279	sleeve		2	
4	N 015 433 1	speed nut B 6,3		2	
5	N 013 891 1	tapping screw B 6,3 X 19		2	
-	999 181 716 50	hose 9,5 X 15		*	
6	-	150 MM		1	
-	N 020 362 1	hose 12 X 2,5		*	
7	-	460 MM		1	
8	-	480 MM		1	
9	-	40 MM		1	
10	021 119 569 A	rubber sleeve		1	
11	999 512 265 02	hose clamp		2	
12	477 201 767 B	t-piece	-83	1	
12	477 201 767 B	t-piece	84-	1	
13	928 110 429 08	vacuum valve		1	
14	477 201 743 D	pipeline	-83	1	
14	477 201 743 D	pipeline	84-	1	
15	944 201 159 01	breather hose		1	
16	N 023 558 1	hose clamp A 9 X 10		1	
17	477 971 939	cable terminal		4	
18	999 512 346 00	hose clamp LC 16 - 25		5	
19	N 020 906 3	tie-wrap 6,5 X 450		1	

Model	Year	MG	SG	Illustration	Restrictions	UPD	21:00	23.01.2010	PORSCHE	PET	PORSCHE
944	1985	2	01	201-05		248					

Pos	Part Number	Description	Remark	Qty	Model	Pos	Part Number	Description	Remark	Qty	Model
20	944 110 182 02	hose		1							
21	944 110 429 00	control valve		1							
22	944 110 366 00	retaining bracket		1							
23	999 512 160 02	hose clamp S 13/9		2							
24	928 574 717 02	moulded hose		4							
25	058 131 851 A	thermo valve		1							
26	928 573 727 02	distributing piece									
-	N 020 139 1	hose 4 X 1		*							
27	-	850 MM		1							
28	-	480 MM		1							
29	-	580 MM		1							
-	999 181 152 50	hose 7,5 X 13,5		*							
30	-	730 MM		1							

Model	Year	MG	SG	Illustration	Restrictions	UPD	21:00	23.01.2010	PORSCHE	PET	PORSCHE
944	1985	2	01	201-10		248					

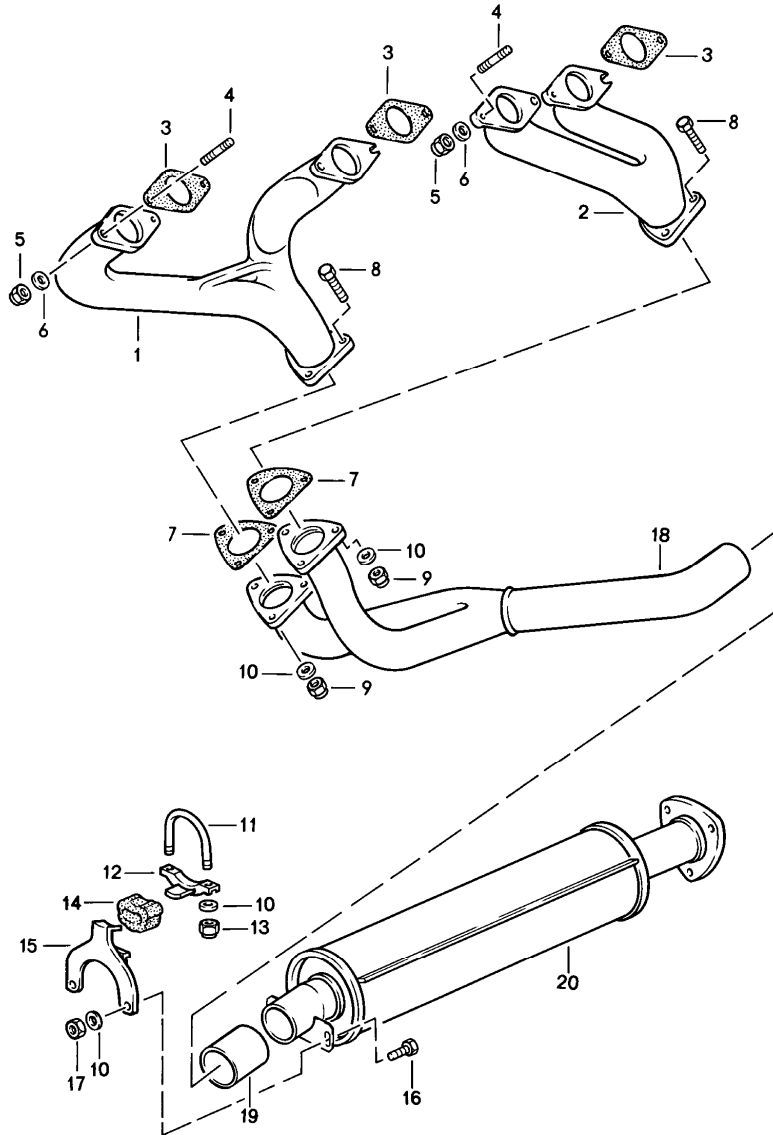


Pos	Part Number	Description	Remark	Qty	Model
		fuel system			
1	928 201 081 04	fuel filter		1	
2	944 356 557 00	fuel hose		1	
3	N 023 526 2	hose clamp A 9 X 18		1	
3A	999 512 346 00	hose clamp A 9 X 20		1	
4	A 944 608 102 01	fuel pump		1	
4	944 608 102 04	fuel pump		1	
5	944 356 295 00	support		1	
6	999 512 394 00	hose clamp		1	
7	944 610 115 00	bonded rubber mounting		5	
8	N 012 226 5	spring washer A 6		10	
9	900 076 010 02	hexagon nut M 6		10	
10	A 944 356 041 07	fuel hose		1	
10	944 356 041 12	fuel hose		1	
11	N 011 069 1	cap nut M 12 X 1,5		1	
12	944 356 471 01	support		1	
13	928 110 253 04	fuel filter		1	(AG) (SA)
13	928 110 253 06	fuel filter		1	
14	N 024 316 1	hose clamp A 12 X 75		1	
15	944 356 048 02	fuel hose		1	
16	944 356 593 01	support		1	
17	477 209 178 A	fuel line		1	
18	477 209 169	connecting piece		1	
19	944 356 943 00	fuel line F >>94DN4 08234		1	
(19)	944 356 943 01	fuel line F 94DN4 08235>>		1	

Model	Year	MG	SG	Illustration	Restrictions	UPD	21:00	23.01.2010	PORSCHE	PET	PORSCHE
944	1985	2	01	201-10		248					

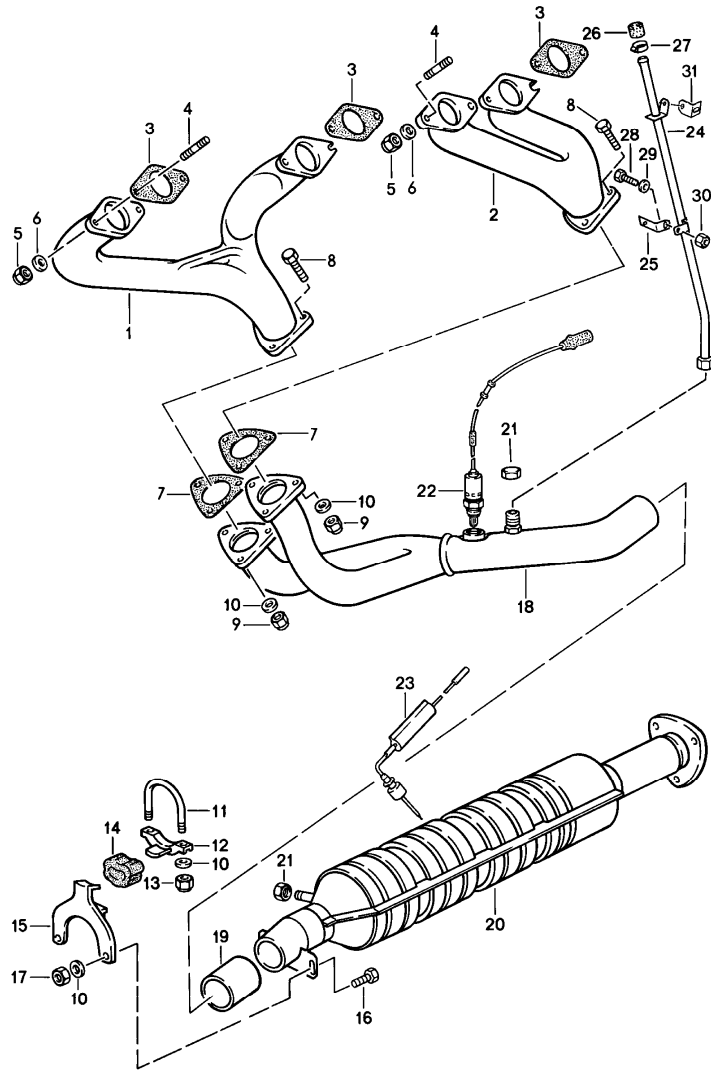
Pos	Part Number	Description	Remark	Qty	Model	Pos	Part Number	Description	Remark	Qty	Model
20	944 356 945 01	fuel line return line		1							
21	477 209 161	connecting piece		1							
22	477 209 176 A	fuel line return line		1							
23	944 356 591 00	support		12							
24	477 209 071 C	fuel hose		1							
25	N 023 577 2	hose clamp A 9 X 14		1							
26	999 512 160 02	hose clamp A 9 X 13		1							
27	928 201 187 02	sealing ring		1							
28	N 013 812 3	sealing ring A 12 X 15,5		2							
29	944 608 951 01	check valve		1							
30	N 020 902 1	tie-wrap		2							
31	944 356 297 00	cover		1							
32	999 591 825 40	catch		1							
33	999 591 826 40	catch		1							

Model	Year	MG	SG	Illustration	Restrictions	UPD	21:01	23.01.2010	PORSCHE	PET	PORSCHE
944	1985	2	02	202-00		248					



Pos	Part Number	Description	Remark	Qty	Model
		exhaust system front muffler			
1	944 111 127 05	exhaust manifold cylinders 1 and 4		1	
2	944 111 129 04	exhaust manifold cyl. 2 and 3		1	
3	* 928 111 193 12	gasket		4	
4	999 062 044 02	stud M 8 X 30		8	
5	999 084 052 02	lock nut M 8		8	
6	928 111 181 00	washer		8	
7	* 944 111 135 01	gasket		2	
8	900 074 287 02	hexagon-head bolt M 8 X 35		6	
9	N 022 008 4	lock nut VM 8		6	
10	N 011 525 13	washer A 8,4		8	
11	477 253 139	clip		1	
12	944 111 307 00	support		1	
13	900 910 097 02	lock nut VM 8		2	
14	477 253 140 A	rubber mounting		1	
15	931 111 061 02	hook		1	
16	N 010 240 16	hexagon-head bolt M 8 X 20		2	
17	900 076 025 02	hexagon nut M 8		2	
18	944 111 983 00	exhaust pipe		1	
19	944 111 981 00	sleeve		1	
20	944 111 985 00	front muffler		1	
		heat shield see group 8/01/05			

Model	Year	MG	SG	Illustration	Restrictions	UPD	21:01	23.01.2010	PORSCHE	PET	PORSCHE
944	1985	2	02	202-05		248					

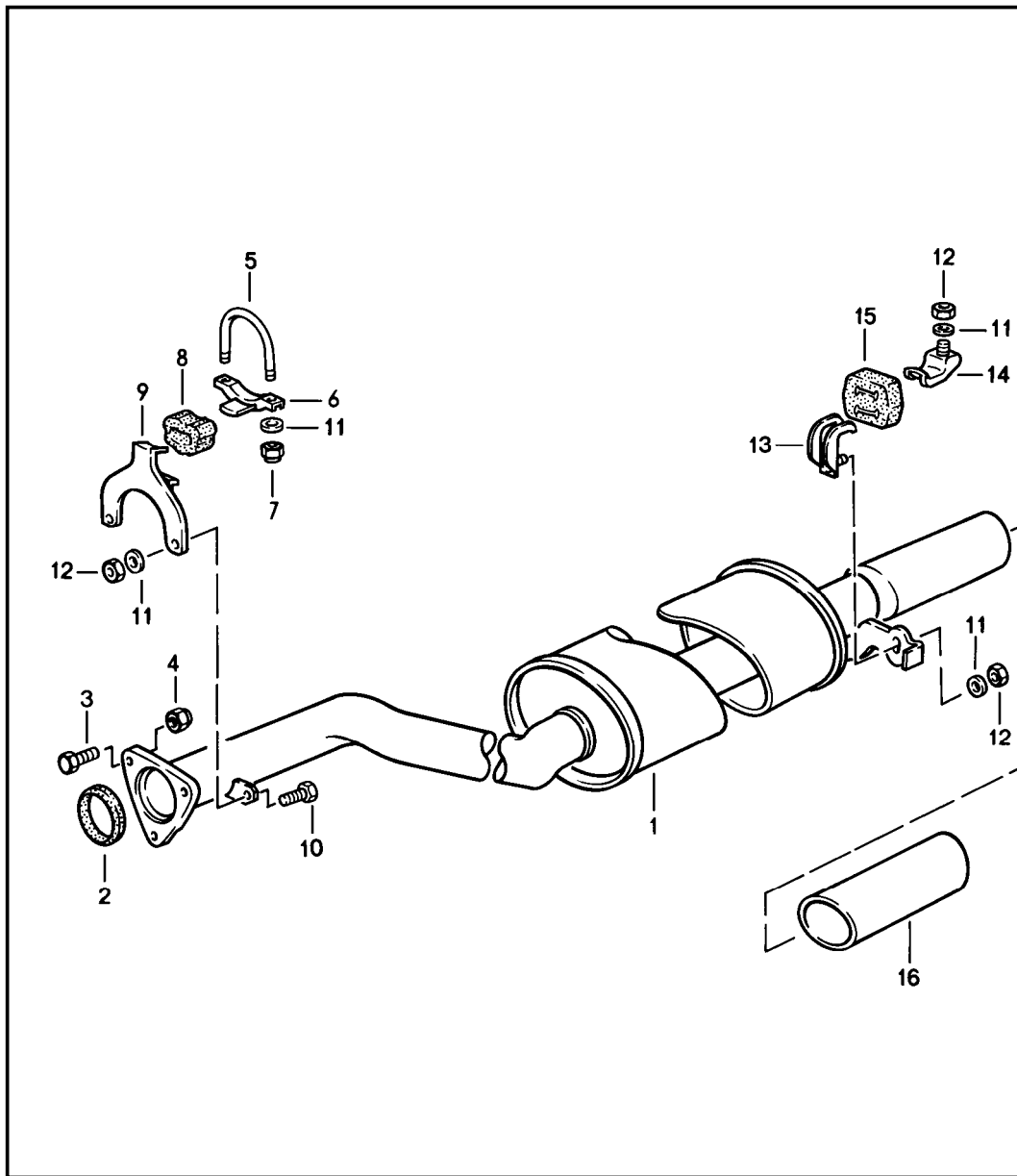


Pos	Part Number	Description	Remark	Qty	Model
		exhaust system catalytic converter (J)			
1	944 111 127 05	exhaust manifold cylinders 1 and 4		1	
2	944 111 129 04	exhaust manifold cyl. 2 and 3		1	
3	* 928 111 193 12	gasket		4	
4	999 062 044 02	stud M 8 X 30		8	
5	999 084 052 02	lock nut M 8		8	
6	928 111 181 00	washer		8	
7	* 944 111 135 01	gasket		2	
8	900 074 287 02	hexagon-head bolt M 8 X 35	84-	6	
9	N 022 008 4	lock nut VM 8		6	
10	N 011 525 13	washer A 8,4		8	
11	477 253 139	clip		1	
12	944 111 307 00	support		1	
13	900 910 097 02	lock nut VM 8		2	
14	477 253 140 A	rubber mounting		1	
15	931 111 061 02	hook		1	
16	N 010 240 16	hexagon-head bolt M 8 X 20		2	
17	900 076 025 02	hexagon nut M 8		2	
18	944 111 987 03	exhaust pipe		1	
19	944 111 981 00	sleeve		1	
20	944 111 991 01	catalytic converter	83	1	
20	944 111 991 01	catalytic converter	84-	1	
21	930 113 153 00	cap		1	

Model	Year	MG	SG	Illustration	Restrictions	UPD	21:01	23.01.2010	PORSCHE	PET	PORSCHE
944	1985	2	02	202-05		248					

Pos	Part Number	Description	Remark	Qty	Model	Pos	Part Number	Description	Remark	Qty	Model
22	944 606 133 00	oxygen sensor	(J)	1							
23	944 606 019 00	temperature sensor		1							
24	944 111 175 04	exhaust emission tube		1							
25	944 111 177 02	support		1							
26	035 133 335 B	cap		1							
27	999 512 160 02	hose clamp		1							
28	999 072 005 09	hexagon-head bolt M 6 X 12		1							
29	N 011 524 7	washer A 6,4		1							
30	900 076 010 02	hexagon nut M 6		1							
31	944 111 179 00	support heat shield see group 8/01/05		1							

Model	Year	MG	SG	Illustration	Restrictions	UPD	21:01	23.01.2010	PORSCHE	PET	PORSCHE
944	1985	2	02	202-10		248					



Pos	Part Number	Description	Remark	Qty	Model
		exhaust system rear muffler			
1	944 111 083 01	rear muffler		1	
(1)	944 111 084 00	rear muffler	(S)	1	
2	944 111 203 00	sealing ring		1	
3	900 074 287 02	hexagon-head bolt M 8 X 35		3	
4	N 022 008 4	lock nut VM 8		3	
5	477 253 139	clip		1	
6	944 111 307 00	support		1	
7	900 910 097 02	lock nut VM 8		2	
8	477 253 140 A	bearing		1	
9	931 111 061 02	hook		1	
10	N 010 240 16	hexagon-head bolt M 8 X 20		2	
11	N 011 525 13	washer A 8,4		7	
12	900 076 025 02	hexagon nut M 8		6	
13	931 111 264 01	hook		2	
13	944 111 064 00	hook with trailer coupling		2	
14	931 111 121 01	hook		2	
15	928 111 259 02	rubber mounting		2	
16	477 253 191 C	ornamental exhaust pipe chrome		1	
16	477 253 191 D	ornamental exhaust pipe black		1	
		heat shield see group 8/01/05			

Model	Year	MG	SG	Illustration	Restrictions	UPD	21:01	23.01.2010
944	1985	2	98	298-00R		248		

Pos	Part Number	Description	Remark	Qty	Model
		repair kits			
>>	>>944 113 911 00	conversion set for subsequent installation catalytic converter comprising:		1	
-	000 043 059 00	installation instructions		1	
-	944 111 081 05	catalytic converter		1	
-	944 111 135 01	gasket		2	
-	944 111 203 00	sealing ring		1	
-	900 074 287 02	hexagon-head bolt		9	
-	N 011 525 13	washer		6	
-	N 022 008 4	lock nut		9	
-	944 606 135 00	oxygen sensor		1	
-	944 423 193 01	support		1	
-	N 020 680 1	clamp		1	
-	N 010 207 6	hexagon-head bolt		1	
-	N 012 225 2	spring washer		1	
-	N 011 005 14	hexagon nut		1	
-	951 504 869 00	heat shield		1	
-	999 591 485 02	speed nut		4	
-	N 090 239 1	combination screw		4	
-	944 111 175 02	exhaust emission tube		1	
-	944 111 177 02	support		1	
-	944 111 179 00	support		1	
-	999 072 005 09	hexagon-head bolt		2	
-	N 011 524 7	washer		2	
-	900 076 010 02	hexagon nut		2	
-	035 133 335 B	cap		1	
-	999 512 160 02	hose clamp		1	
-	944 701 201 02	sticker		1	
-	944 201 901 00	sleeve		1	
-	944 612 002 06	wiring harness		1	

PORSCHE

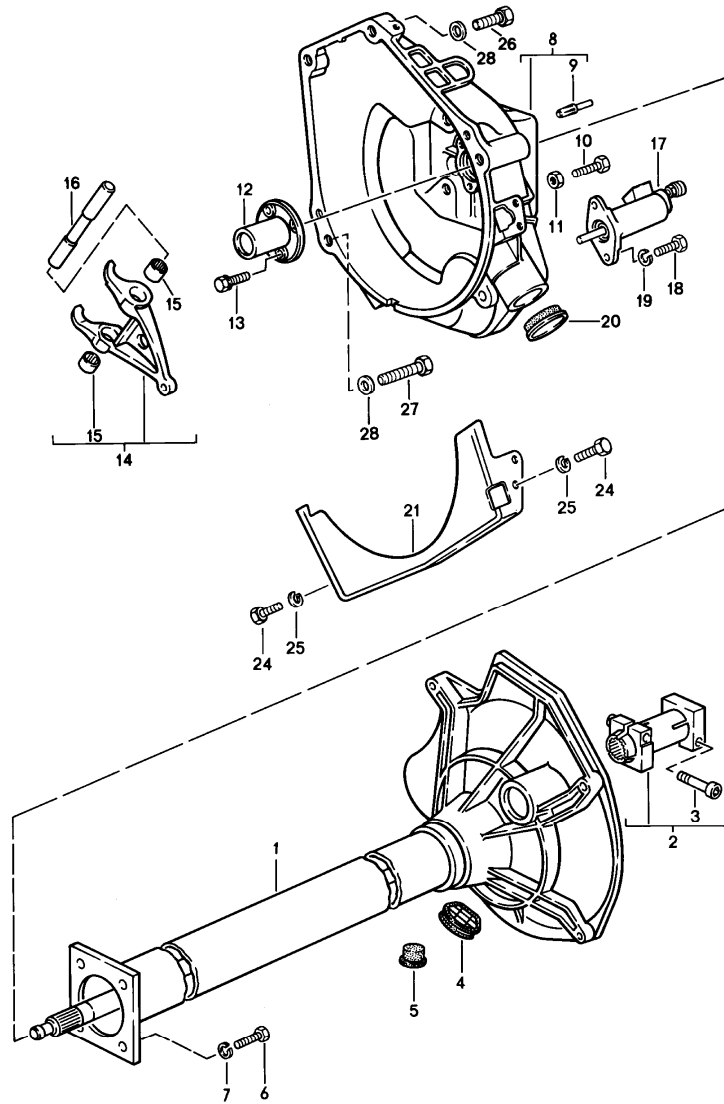
PET

PORSCHE

Model	Year	MG	SG	Illustration	Restrictions	UPD	21:01	23.01.2010
944	1985	2	98	298-00R		248		

Pos	Part Number	Description	Remark	Qty	Model
-	999 513 002 40	tie-wrap		10	
-	> 944 618 121 04	control unit		1	
-	944 618 121 DX	control unit		1	
-	> 944 606 121 01	mass air flow meter		1	
-	944 606 121 AX	mass air flow meter		1	
-	928 110 201 01	sealing frame		1	
-	N 011 524 7	washer		4	
-	900 074 220 02	screw		4	
-	951 101 327 01	heat protection plate		1	

Model	Year	MG	SG	Illustration	Restrictions	UPD	21:01	23.01.2010	PORSCHE	PET	PORSCHE
944	1985	3	01	301-00		248					

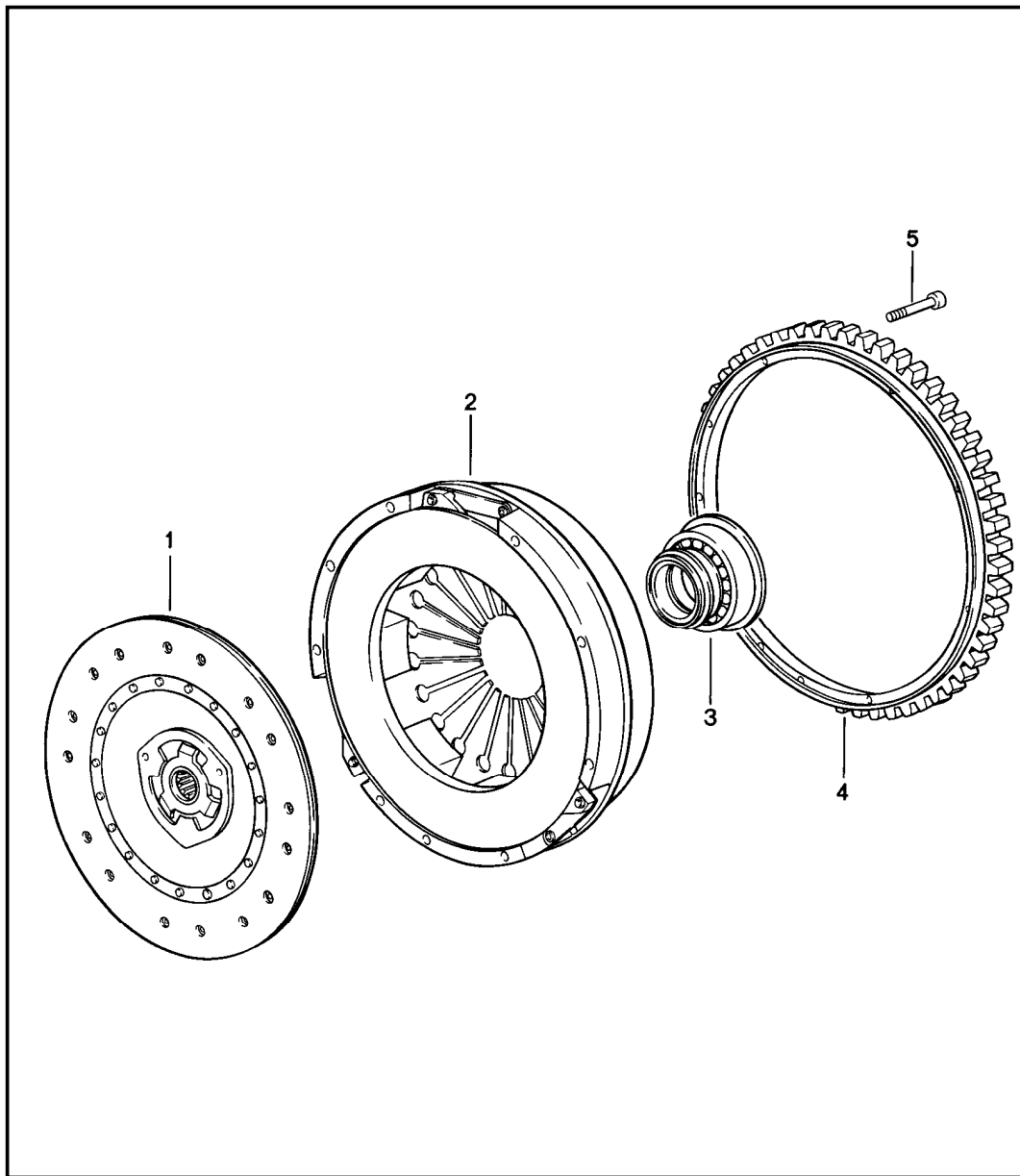


Pos	Part Number	Description	Remark	Qty	Model
		central tube for manual transmission			
1	> 944 421 012 02	central tube		1	
2	922 421 051 02	clamping sleeve		1	
3	931 421 240 00	clamping screw		2	
4	477 521 277 C	cap		1	
5	477 521 177	cap		1	
6	N 010 275 4	hexagon-head bolt M 10 X 35		4	
7	N 012 028 1	lock ring 10		4	
8	944 116 043 06	clutch housing		1	
9	N 012 690 1	grooved pin 10 X 32		3	
10	N 010 221 3	hexagon-head bolt M 6 X 35		1	
11	900 076 010 02	hexagon nut M 6		1	
12	016 141 181	guide sleeve		1	
13	N 090 194 2	hexagon-head bolt M 7 X 16		3	
14	931 116 085 00	clutch release lever		1	
15	999 201 213 00	needle sleeve		2	
16	951 116 133 00	clutch control shaft		1	
17	944 116 237 00	clutch operating cylinder		1	
-	* 928 116 901 00	repair kit clutch operating cylinder		1	
18	N 010 233 6	hexagon-head bolt M 8 X 28		2	
19	N 012 038 1	lock ring B 8		2	
20	931 116 177 00	cap		1	
21	944 116 093 01	protective plate		1	

Model	Year	MG	SG	Illustration	Restrictions	UPD	21:01	23.01.2010	PORSCHE	PET	PORSCHE
944	1985	3	01	301-00		248					

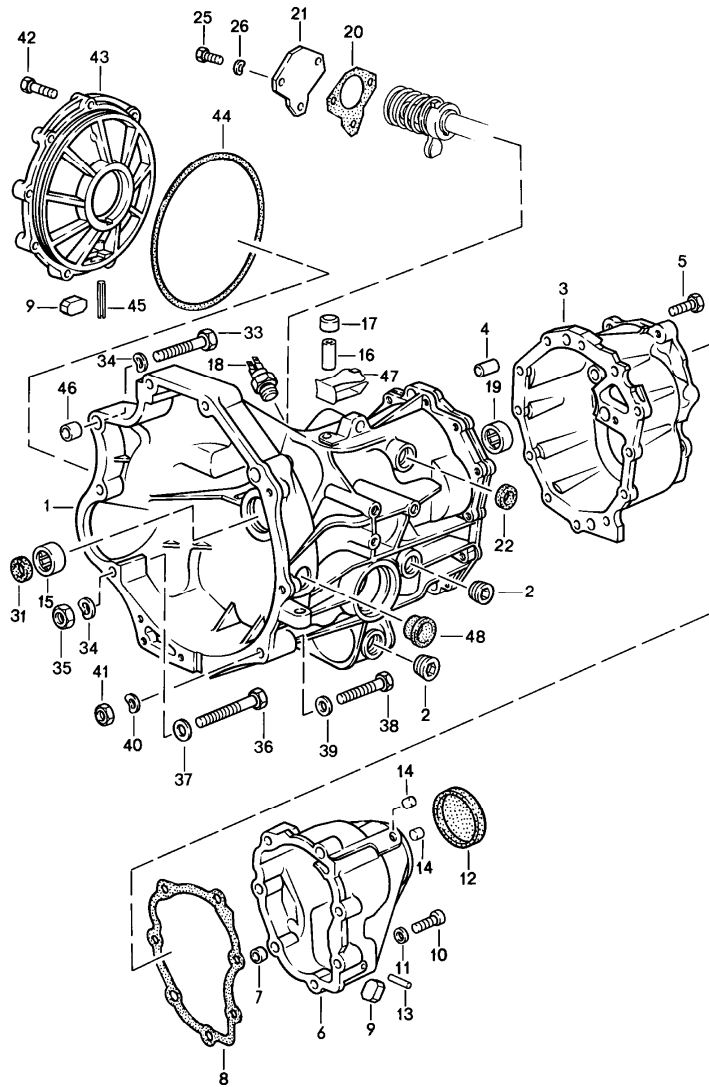
Pos	Part Number	Description	Remark	Qty	Model	Pos	Part Number	Description	Remark	Qty	Model
24	N 010 254 6	hexagon-head bolt M 10 X 25		2							
25	N 012 028 1	lock ring A 10		2							
26	N 010 142 2	hexagon-head bolt M 12 X 50		2							
27	N 010 191 2	hexagon-head bolt M 12 X 95		2							
28	N 011 531 7	washer A 13		4							

Model	Year	MG	SG	Illustration	Restrictions	UPD	21:02	23.01.2010	PORSCHE	PET	PORSCHE
944	1985	3	01	301-05		248					



Pos	Part Number	Description	Remark	Qty	Model
		clutch			
1	944 116 012 08	clutch plate		1	M44.01/02
2	> 944 116 023 01	pressure plate		1	M44.01/02
3	931 116 082 04	clutch release bearing		1	
4	944 116 239 03	starter ring		1	
5	900 067 020 02	pan-head screw M 8 X 50		9	
-	944 116 911 00	repair kit for clutch		1	

Model	Year	MG	SG	Illustration	Restrictions	UPD	21:02	23.01.2010	PORSCHE	PET	PORSCHE
944	1985	3	02	302-00		248					

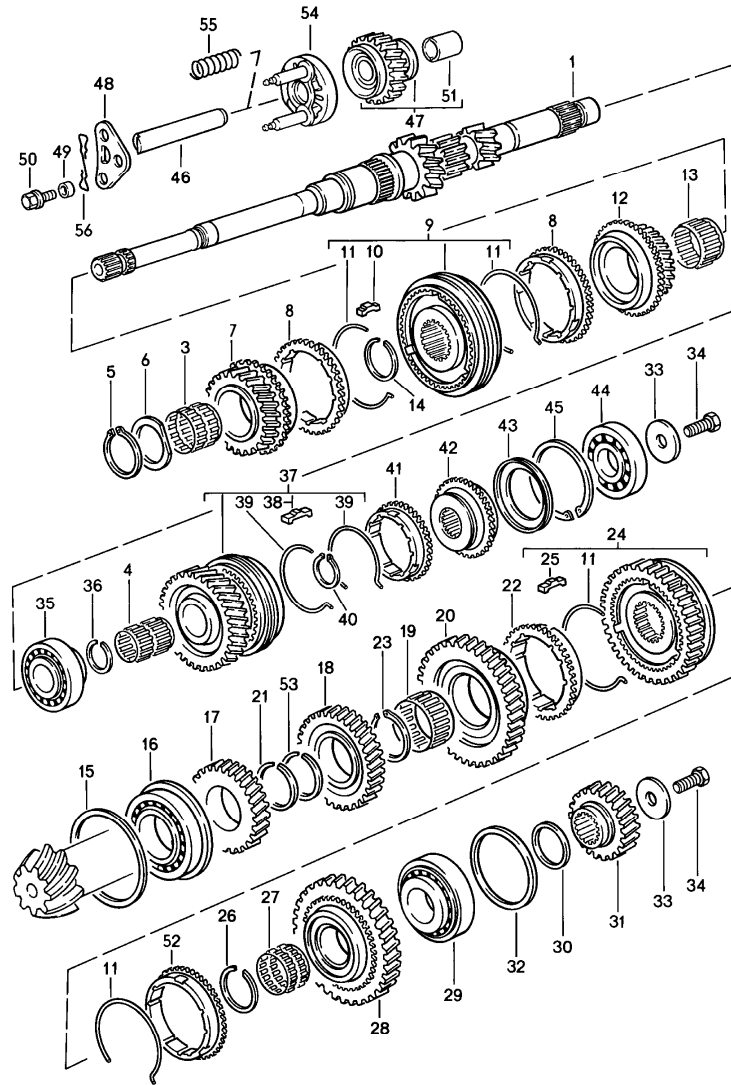


Pos	Part Number	Description	Remark	Qty	Model
		replacement transmission transmission case manual transmission			
		replacement transmission (J) QL will be replaced by QM			
		4M will be replaced by 8Q			
- >	016 300 045 C	replacement transmission		1	QK
- >	016 300 045 E	replacement transmission		1	QM QL
- >	016 300 045 Q	replacement transmission with limited-slip differential		1	7Q
-	016 300 045 P	replacement transmission with limited-slip differential		1	8Q 4M
1	016 301 103 AF	transmission case		1	
2	111 301 127 E	screw plug M 24 X 1,5		2	
3	016 301 211 F	end plate see tpi GR. 3/1		1	
4	014 301 473	guide sleeve		2	
5	N 010 332 4	hexagon-head bolt M 8 X 32		8	
(5)	N 010 369 2	hexagon-head bolt M 8 X 58		4	
6	016 301 231 F	lid use also: 2X 019.301.115		1	
7	016 301 299	dowel sleeve		2	
8 *	016 301 235 C	gasket		1	
9	084 301 143 A	magnet		2	
10	N 014 715 1	pan-head screw M 8 X 45		7	

Model	Year	MG	SG	Illustration	Restrictions	UPD	21:02	23.01.2010	PORSCHE	PET	PORSCHE
944	1985	3	02	302-00		248					

Pos	Part Number	Description	Remark	Qty	Model	Pos	Part Number	Description	Remark	Qty	Model
11	900 031 001 02	washer 8,4		7		39	N 011 527 2	washer A 10,5		1	
12	088 301 467 B	lid		1		40	N 012 230 6	spring washer B 10		1	
13	N 013 371 1	straight pin 6 M 6 X 24		1		41	N 011 010 13	hexagon nut M 10		1	
14	019 301 115	stopper		2		42	N 090 191 1	hexagon-head bolt M 8 X 35		7	
15	083 311 123	needle sleeve		1		43	088 409 131 C	lid		1	
	TPP					44	* 113 301 185 A	sealing ring G >> QK 16 04 4 G >> 7Q 16 04 4 G >> QL 16 04 4 G >> 4M 16 04 4 G >> QM 16 04 4 G >> 8Q 16 04 4		1	
16	014 301 473	guide sleeve		1		45	N 013 291 1	tensioning sleeve		1	
17	014 301 485	cap		1		46	019 301 153	dowel sleeve		2	
18	084 941 521	switch		1		47	016 301 349	cover plate		1	
19	088 311 123	needle sleeve		1		48	477 521 177	cap		1	
20	* 016 301 455 A	gasket		1							
21	016 301 453 B	lid		1							
22	* 928 303 120 01	shaft sealing ring		1							
25	900 075 193 08	hexagon-head bolt M 6 X 16		3							
26	N 012 226 5	spring washer B 6		3							
31	* 088 311 113	sealing ring		1							
32	N 090 194 2	hexagon-head bolt M 7 X 16		3							
33	N 010 183 1	hexagon-head bolt M 12 X 75		2							
34	900 028 014 02	spring washer B 12		3							
35	N 011 020 8	hexagon nut M 12		1							
36	N 010 185 3	hexagon-head bolt M 12 X 80		1							
37	N 011 531 7	washer A 13		1							
38	N 010 460 2	hexagon-head bolt M 10 X 60		1							

Model	Year	MG	SG	Illustration	Restrictions	UPD	21:02	23.01.2010	PORSCHE	PET	PORSCHE
944	1985	3	03	303-00		248					



Pos	Part Number	Description	Remark	Qty	Model
		gears and shafts manual transmission			
1	016 311 105 S	drive shaft		1	
3	016 311 115	needle-roller bearing 4th speed		1	
4	016 311 116 A	needle-roller bearing 5th gear		1	
5	088 311 287	circlip 1,65		1	
(5)	088 311 287 B	circlip 1,75		X	
5	016 311 344	circlip together with drive shaft 016.311.105.S		1	
6	088 311 155 A	thrust washer		1	
7	016 311 351 B	shifting gear 4th speed		1	
8	088 311 295 B	synchroniser ring 3rd/4th gear		2	
9	088 311 301 B	synchronising hub 3rd/4th gear with operating sleeve		1	
10	088 311 245	detent 3rd/4th gear		3	
11	088 311 311 D	spring 1st gear 4th speed		4	
12	005 311 285	shifting gear 3rd gear		1	
13	016 311 213 H	needle-roller bearing 3rd gear		1	
14	088 311 317	circlip 1,50		1	
(14)	088 311 317 B	circlip 1,56		X	
(14)	088 311 317 C	circlip 1,62		X	

Model	Year	MG	SG	Illustration	Restrictions	UPD	21:02	23.01.2010	PORSCHE	PET	PORSCHE
944	1985	3	03	303-00		248					

Pos	Part Number	Description	Remark	Qty	Model	Pos	Part Number	Description	Remark	Qty	Model
15	088 311 391	shim 0,20		1		21	016 311 363	circlip 2,24		1	
(15)	088 311 391 A	shim 0,25		X		(21)	016 311 363 A	circlip 2,26		X	
(15)	088 311 391 B	shim 0,30		X		(21)	016 311 363 B	circlip 2,28		X	
(15)	088 311 391 C	shim 0,35		X		(21)	016 311 363 C	circlip 2,30		X	
(15)	088 311 391 D	shim 0,40		X		(21)	016 311 363 D	circlip 2,32		X	
(15)	088 311 391 E	shim 0,65		X		(21)	016 311 363 E	circlip 2,34		X	
(15)	088 311 391 F	shim 0,90		X		(21)	016 311 363 F	circlip 2,36		X	
(15)	088 311 391 G	shim 1,15		X		(21)	016 311 363 G	circlip 2,38		X	
16	016 311 220 E	taper roller bearing		1		(21)	016 311 363 H	circlip 2,40		X	
17	016 311 149 F	gear wheel 4th speed		1				circlip G QK 04 08 2 >> G QL 04 08 2 >>			
		G >> QK 03 08 2									
		G >> QL 03 08 2									
17	016 311 149 H	gear wheel 4th speed		1		21	016 311 363 AA	circlip 2,24		1	
		G QK 04 08 2 >>				(21)	016 311 363 AB	circlip 2,26		X	
		G QL 04 08 2 >>									
18	016 311 131 D	gear wheel 3rd gear		1		(21)	016 311 363 AC	circlip 2,28		X	
		G >> QK 03 08 2				(21)	016 311 363 AD	circlip 2,30		X	
		G >> QL 03 08 2									
18	016 311 131 E	gear wheel 3rd gear		1		(21)	016 311 363 AE	circlip 2,32		X	
		G QK 04 08 2 >>				(21)	016 311 363 AF	circlip 2,34		X	
		G QL 04 08 2 >>									
19	016 311 229 A	needle-roller bearing 2nd gear		1		(21)	016 311 363 AG	circlip 2,36		X	
20	016 311 271	shifting gear 2nd gear		1		(21)	016 311 363 AH	circlip 2,38		X	
		circlip				(21)	016 311 363 AJ	circlip 2,40		X	
		G >> QK 03 08 2									
		G >> QL 03 08 2									

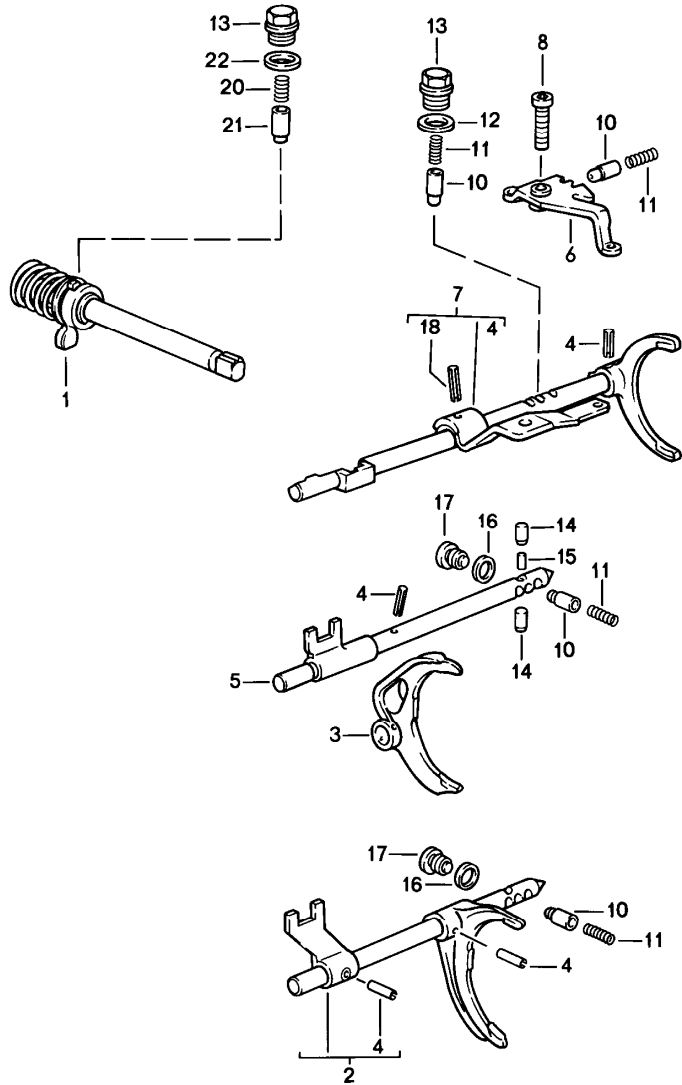
Model	Year	MG	SG	Illustration	Restrictions	UPD	21:02	23.01.2010	PORSCHE	PET	PORSCHE
944	1985	3	03	303-00		248					

Pos	Part Number	Description	Remark	Qty	Model	Pos	Part Number	Description	Remark	Qty	Model
22	016 311 295	synchroniser ring 2nd gear		1		(32)	016 311 393 A	shim 0,27		X	
23	016 311 287	circlip 1,65		1		(32)	016 311 393 B	shim 0,30		X	
(23)	016 311 287 A	circlip 1,70		X		(32)	016 311 393 C	shim 0,33		X	
(23)	016 311 287 B	circlip 1,75		X		(32)	016 311 393 D	shim 0,36		X	
24	016 311 239 E	synchronising hub 1st/2nd gear with operating sleeve		1		(32)	016 311 393 E	shim 0,39		X	
25	088 311 313	detent 1st/2nd gear		3		(32)	016 311 393 F	shim 0,42		X	
26	016 311 327	circlip 1,50		1		(32)	016 311 393 G	shim 0,45		X	
(26)	016 311 327 A	circlip 1,55		X		(32)	016 311 393 H	shim 0,69		X	
(26)	016 311 327 B	circlip 1,60		X		(32)	016 311 393 J	shim 0,93		X	
27	016 311 207 A	needle-roller bearing 1st gear		1		(32)	016 311 393 K	shim 1,17		X	
28	016 311 257	shifting gear 1st gear		1		(32)	016 311 393 L	shim 1,41		X	
29	016 311 375 B	taper roller bearing		1		33	N 902 582 01	clamping screw		2	
30	016 311 391	adjusting shim 1,10		1		34	N 902 582 01	clamping screw M 10 X 22		2	
(30)	016 311 391 A	adjusting shim 1,40		X		35	016 311 427	cylindrical-roller bearing		1	
(30)	016 311 391 B	adjusting shim 1,70		X		36	N 900 606 01	circlip A 27 X 1,35		1	
(30)	016 311 391 C	adjusting shim 2,00		X		(36)	N 900 606 02	circlip A 27 X 1,40		X	
(30)	016 311 391 D	adjusting shim 2,30		X		(36)	N 900 606 03	circlip A 27 X 1,45		X	
31	016 311 159 C	gear wheel 5th gear		1	QK	37	016 311 353 B	shifting gear 5th gear		1	QK
32	016 311 393	shim 0,24		1		(37)	016 311 353 E	shifting gear 5th gear		1	QL
						38	016 311 246	detent 5th gear		3	

Model	Year	MG	SG	Illustration	Restrictions	UPD	21:02	23.01.2010	PORSCHE	PET	PORSCHE
944	1985	3	03	303-00		248					

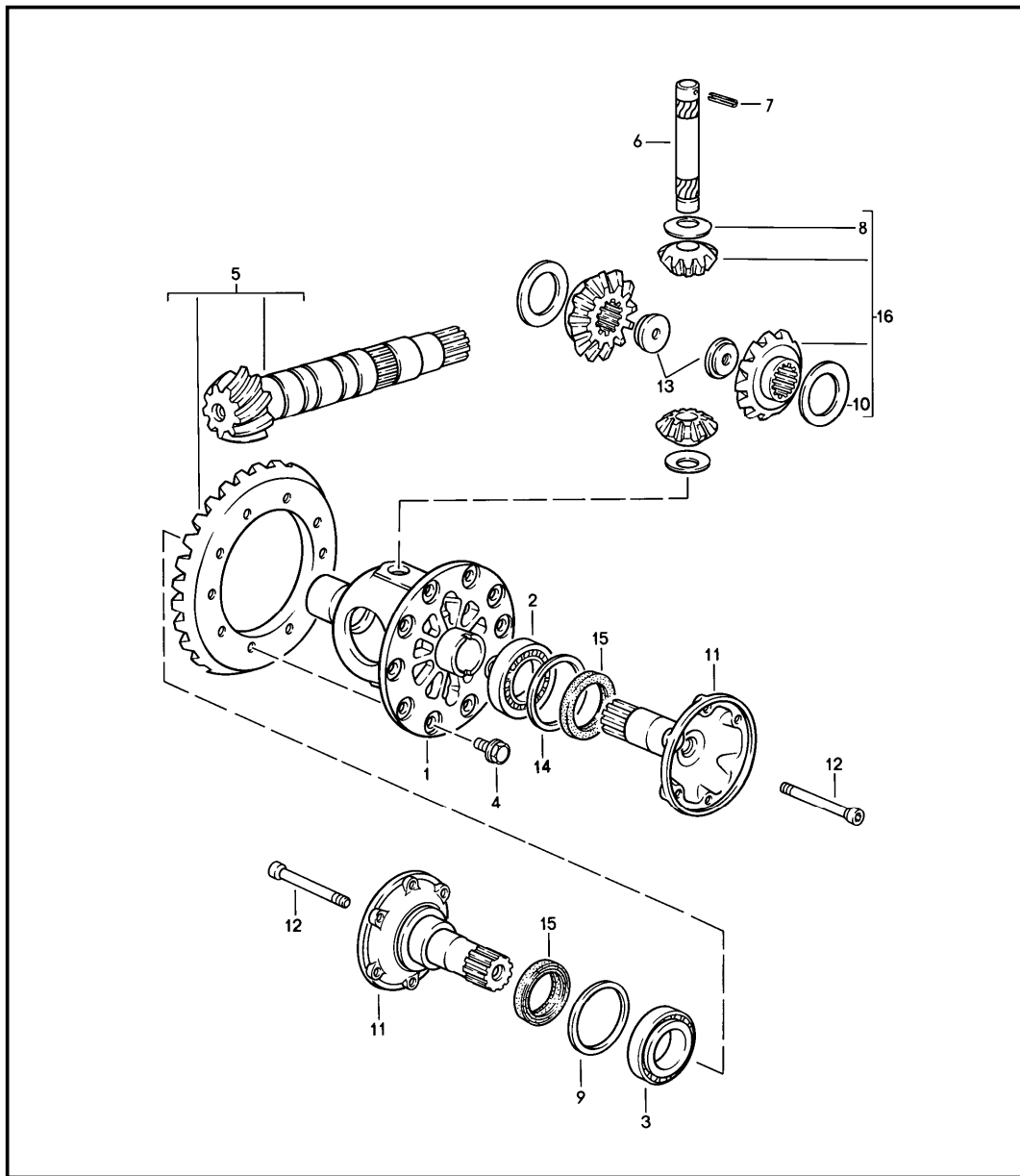
Pos	Part Number	Description	Remark	Qty	Model	Pos	Part Number	Description	Remark	Qty	Model
39	014 311 311 C	spring 5th gear		2							
40	N 900 607 01	circlip A 27 X 1,9		1							
41	014 311 295 E	synchroniser ring 5th gear		1							
42	016 311 192 A	clutch hub 5th gear		1							
43	016 311 449	dust plate		1							
44	016 311 445	four-point bearing		1							
45	N 900 608 01	circlip A 68 X 2,83		1							
(45)	N 900 608 02	circlip A 68 X 2,90		X							
46	016 311 519 B	reverse idler gear shaft		1							
47	016 311 529 D	reverse idler gear		1							
48	016 311 853 B	retainer plate		1							
49	088 301 291 A	shouldered bolt		1							
50	088 301 291 A	shouldered bolt M 8 X 16		1							
51	088 311 533	bush		1							
52	016 311 247	synchroniser ring 1st gear		1							
53	016 311 363 H	circlip 2,40 G >> QK 03 08 2 G >> QL 03 08 2		1							
53	016 311 363 AJ	circlip 2,40 G QK 04 08 2 >> G QL 04 08 2 >>		1							
54	016 311 839 C	synchroniser ring		1							
55	016 311 859 C	compression spring		1							
56	016 311 861 C	spring		1							

Model	Year	MG	SG	Illustration	Restrictions	UPD	21:02	23.01.2010	PORSCHE	PET	PORSCHE
944	1985	3	04	304-00		248					



Pos	Part Number	Description	Remark	Qty	Model
1	016 311 475 G	shift rods shift forks shift rod ready for installation		1	
2	016 311 549 A	shift fork 1st/2nd gear		1	
3	016 311 561 A	shift fork 3rd/4th gear		1	
4	N 900 073 01	tensioning sleeve 6 X 22		4	
5	016 311 567	gear shift rod 3rd/4th gear		1	
6	016 311 573 B	reverse lever		1	
7	016 311 575 C	gear shift rod 5th gear and reverse gear		1	
8	084 311 589 B	pan-head screw M 10 X 32		1	
10	084 311 621 D	bush		4	
11	014 311 641 A	compression spring		4	
12	900 123 140 30	sealing ring A 18 X 22		1	
13	005 311 689	screw plug		1	
14	014 311 629	detent		2	
15	014 311 635	intermediate piece		1	
16	* 088 311 599	sealing ring		2	
17	088 311 721	stop screw		2	
18	N 013 336 1	tensioning sleeve 6 X 26		1	
20	016 311 735 A	compression spring		1	
21	016 311 717 C	bush		1	
22	* 005 311 599	sealing washer		1	

Model	Year	MG	SG	Illustration	Restrictions	UPD	21:02	23.01.2010	PORSCHE	PET	PORSCHE
944	1985	3	05	305-00		248					

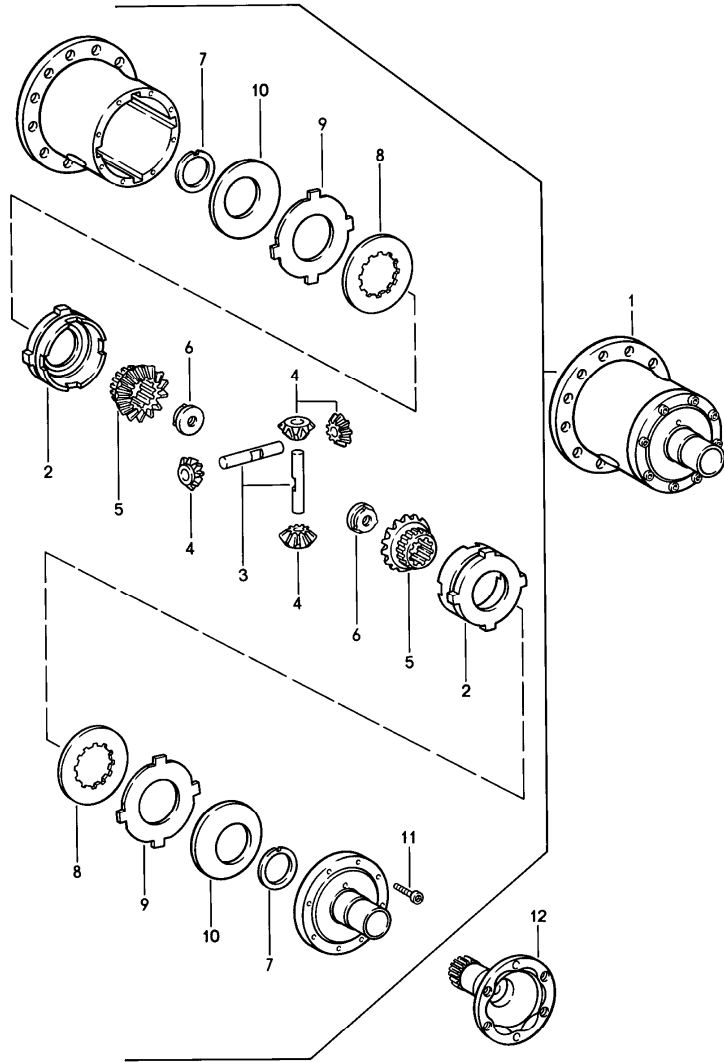


Pos	Part Number	Description	Remark	Qty	Model
1	088 409 121 B	differential for manual transmission		1	
2	016 409 123	taper roller bearing	/L	1	
3	113 517 185 C	taper roller bearing	/R	1	
4	088 409 135 A	hexagon-head bolt M 10 X 18		10	
5	016 409 143 BG	ring gear and pinion shaft 9 : 35 G >> QK 03 08 2 G >> QL 03 08 2		1	
5	016 409 143 BF	ring gear and pinion shaft 9 : 35 G QK 04 08 2 >> G QL 04 08 2 >>		1	
6	005 409 177	bolt		1	
7	N 013 319 1	tensioning sleeve 5 X 36		1	
8	* 016 409 170	thrust washer		2	
9	113 517 201 A	shim 0,15	/R	1	
9	113 517 202 A	shim 0,20	/R	X	
9	113 517 203 A	shim 0,30	/R	X	
9	113 517 204 A	shim 0,40	/R	X	
9	113 517 205 A	shim 0,50	/R	X	
9	113 517 206 A	shim 0,60	/R	X	
9	02A 409 210 A	shim 0,70	/R	X	
9	02A 409 210 C	shim 0,80	/R	X	
9	02A 409 210 E	shim 0,90	/R	X	

Model	Year	MG	SG	Illustration	Restrictions	UPD	21:02	23.01.2010	PORSCHE	PET	PORSCHE
944	1985	3	05	305-00		248					

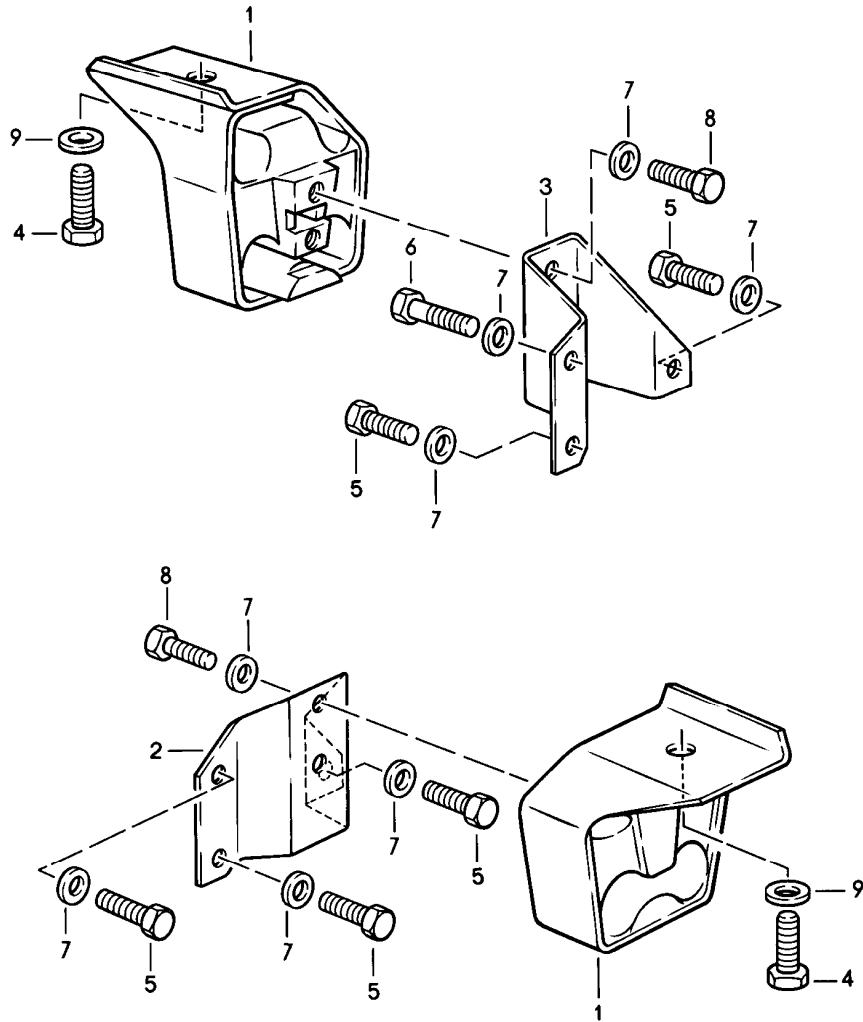
Pos	Part Number	Description	Remark	Qty	Model	Pos	Part Number	Description	Remark	Qty	Model
9	02A 409 210 G	shim 1,00	/R	X							
9	113 517 211 A	shim 1,20	/R	X							
10	* 011 519 215	thrust washer 0,50		2							
10	088 409 249	thrust washer 0,60		X							
10	088 409 249 A	thrust washer 0,70		X							
10	088 409 249 B	thrust washer 0,80		X							
11	088 409 355 C	flanged shaft		2							
12	088 409 359	screw		2							
13	016 409 161	nut		2							
14	018 409 381	shim 0,15	/L	1							
14	018 409 383	shim 0,20	/L	X							
14	018 409 385	shim 0,25	/L	X							
14	018 409 387	shim 0,50	/L	X							
14	018 409 389	shim 0,80	/L	X							
14	018 409 391	shim 1,00	/L	X							
14	018 409 393	shim 1,50	/L	X							
15	* 016 409 399 B	radial shaft seal		2							
16	* 016 598 081 A	repair kit for differential		1							

Model	Year	MG	SG	Illustration	Restrictions	UPD	21:02	23.01.2010	PORSCHE	PET	PORSCHE
944	1985	3	05	305-05		248					



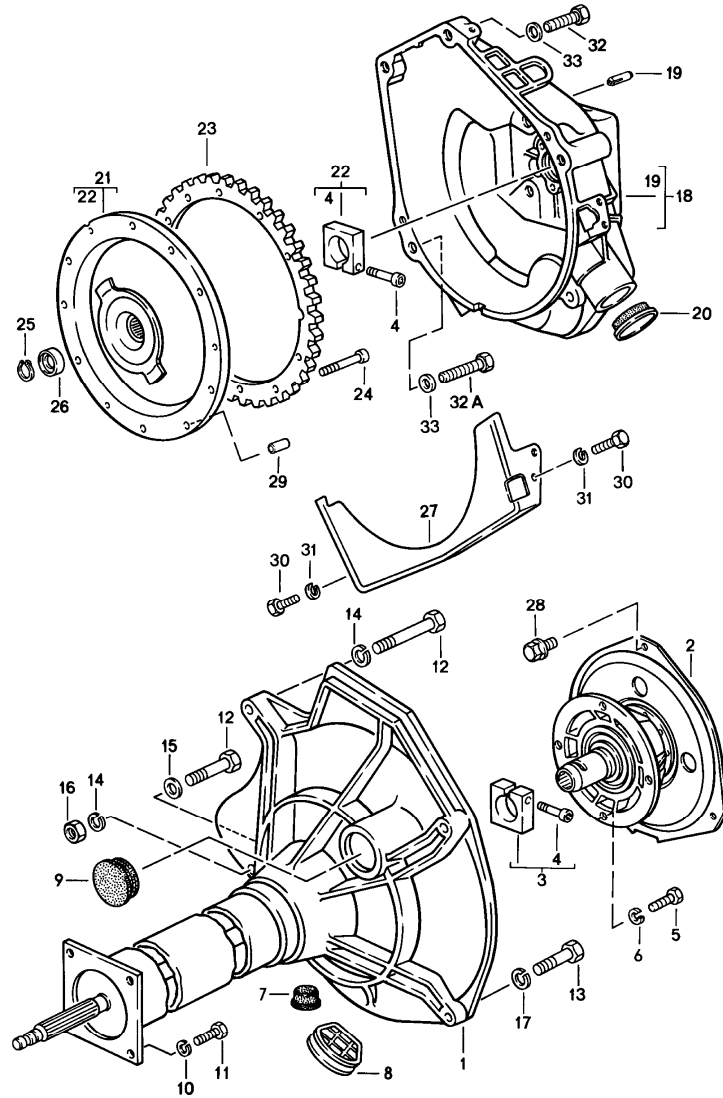
Pos	Part Number	Description	Remark	Qty	Model
		limited-slip differential for manual transmission			M220
1	944 332 053 00	limit.-slip different. 40%		1	
2	951 332 511 00	thrust ring		2	
3	928 332 541 00	differential shaft		2	
4	944 332 531 00	bevel pinion		4	
5	944 332 535 00	shaft bevel gear		2	
6	016 409 161	nut		2	
7	944 332 561 00	thrust washer		2	
8	917 332 551 10	inner disc 2,00		2	
9	917 332 552 10	disc with external splines 1,90		2	
9	917 332 552 11	disc with external splines 2,00		X	
9	917 332 552 12	disc with external splines 2,10		X	
10	928 332 555 00	cup spring 2,00		2	
11	999 119 011 00	pan-head screw M 8 X 1 X 25		8	
12	088 409 355 C	flanged shaft		2	

Model	Year	MG	SG	Illustration	Restrictions	UPD	21:03	23.01.2010	PORSCHE	PET	PORSCHE
944	1985	3	06	306-00		248					



Pos	Part Number	Description	Remark	Qty	Model
		transmission suspension for manual transmission			
1	944 375 045 00	transmission mounting yellow		2	
1	944 375 045 05	transmission mounting white see q-information GRP. 3		2	
2	477 399 167 E	suspender bracket	/L	1	
3	477 399 168 E	suspender bracket	/R	1	
4	900 075 111 08	hexagon-head bolt M 10 X 30		2	
5	N 010 240 7	hexagon-head bolt M 8 X 20		2	
6	N 010 359 4	hexagon-head bolt M 8 X 38		2	
7	N 011 525 13	washer A 8,4		8	
8	900 075 029 09	hexagon-head bolt M 8 X 25		4	
9	N 011 527 12	washer A 10,5		2	

Model	Year	MG	SG	Illustration	Restrictions	UPD	21:03	23.01.2010	PORSCHE	PET	PORSCHE
944	1985	3	07	307-00		248					

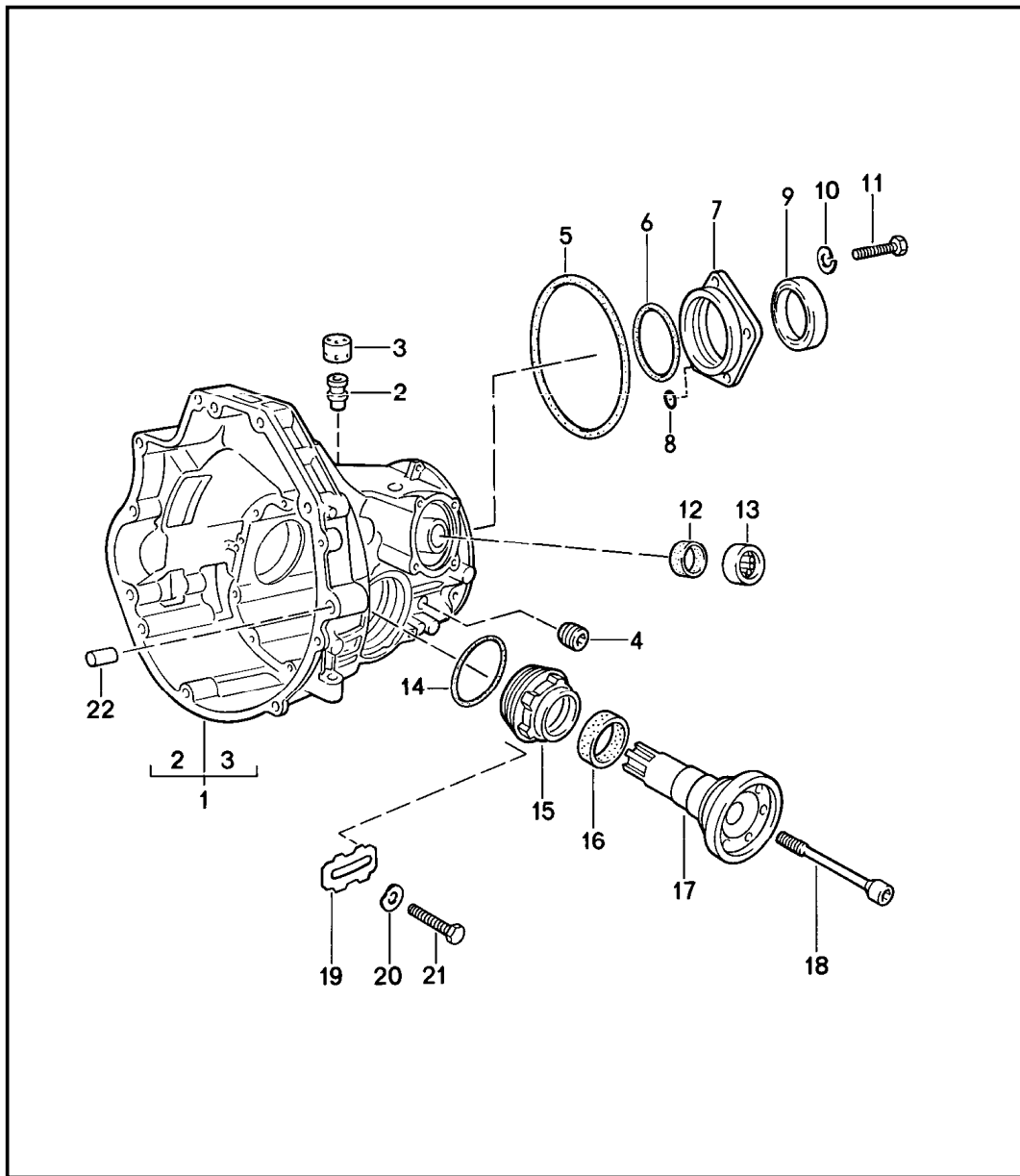


Pos	Part Number	Description	Remark	Qty	Model
		central tube automatic transmission			
1	> 944 421 107 03	central tube		1	
2	944 421 110 00	converter mounting		1	
3	922 421 239 02	clamping piece		1	
4	931 421 240 00	clamping screw		2	
5	900 075 029 09	hexagon-head bolt M 8 X 25		4	
6	N 012 241 11	spring washer B 8		4	
7	477 521 177	cap		1	
8	477 521 277 C	cap		1	
9	477 521 277 A	cap		1	
10	900 027 016 02	lock ring B 10		4	
11	N 010 275 4	hexagon-head bolt M 10 X 35		4	
12	N 010 185 3	hexagon-head bolt M 12 X 80		3	
13	N 040 240 2	hexagon-head bolt M 10 X 50		1	
14	900 028 014 02	spring washer B 12		3	
15	N 011 531 7	washer A 13		1	
16	N 011 020 8	hexagon nut M 12		1	
17	N 012 230 1	spring washer B 10		1	
18	944 116 043 06	clutch housing		1	
19	N 012 690 1	grooved pin 10 X 32		3	
20	931 116 177 00	cap		2	
21	944 116 065 02	damper		1	
22	922 421 255 00	clamping piece		1	

Model	Year	MG	SG	Illustration	Restrictions	UPD	21:03	23.01.2010	PORSCHE	PET	PORSCHE
944	1985	3	07	307-00		248					

Pos	Part Number	Description	Remark	Qty	Model	Pos	Part Number	Description	Remark	Qty	Model
23	944 116 239 02	starter ring		1							
24	N 014 717 2	pan-head screw M 8 X 40		9							
25	900 273 002 01	circlip 17 X 1		1							
26	944 116 631 00	spacer sleeve 1,00		1							
26	944 116 631 01	spacer sleeve 2,00		X							
26	944 116 631 02	spacer sleeve 3,00		X							
26	944 116 631 03	spacer sleeve 4,00		X							
26	944 116 631 04	spacer sleeve 5,00		X							
26	944 116 631 05	spacer sleeve 6,00		X							
26	944 116 631 06	spacer sleeve 7,00		X							
26	944 116 631 07	spacer sleeve 8,00		X							
27	944 116 093 01	protective plate		1							
28	003 323 699 A	hexagon-head bolt		3							
29	999 095 019 00	clamping pin S 10 X 20		2							
30	N 010 254 6	hexagon-head bolt M 10 X 25		2							
31	N 012 028 1	lock ring A 10		2							
32	N 010 142 2	hexagon-head bolt M 12 X 50		2							
32A	N 010 191 2	hexagon-head bolt M 12 X 95		2							
33	N 011 531 7	washer A 13		4							

Model	Year	MG	SG	Illustration	Restrictions	UPD	21:03	23.01.2010	PORSCHE	PET	PORSCHE
944	1985	3	08	308-00		248					

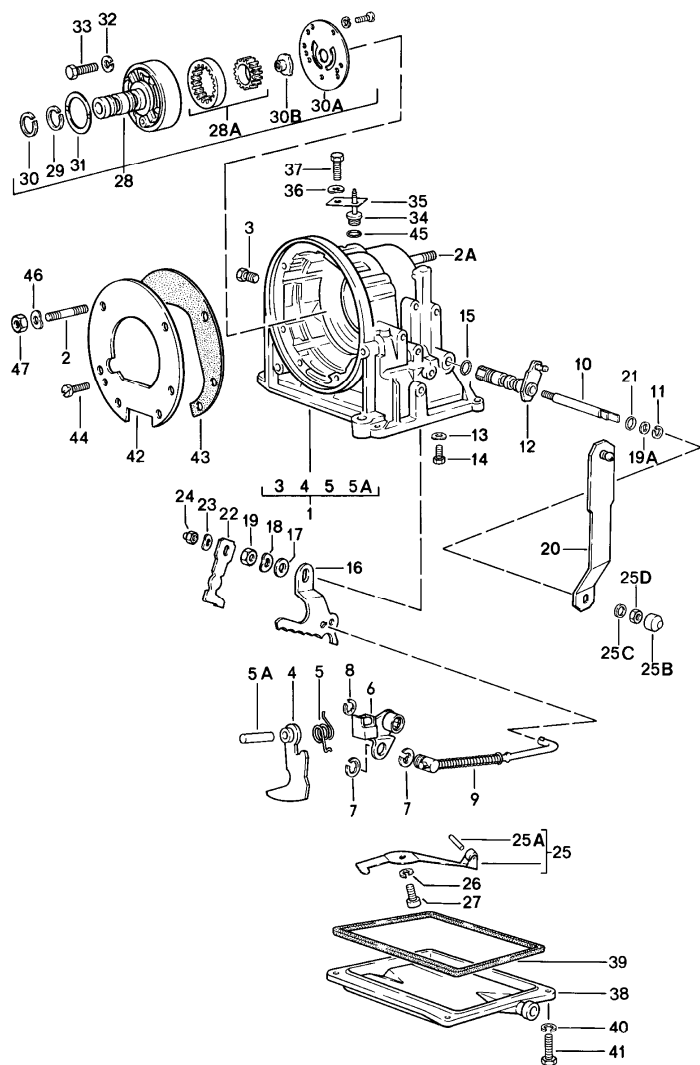


Pos	Part Number	Description	Remark	Qty	Model
		replacement transmission final-drive housing automatic transmission			
- >	087 300 038	replacement transmission		1	RCA RH
- >	087 300 038 C	replacement transmission		1	RCD
- >	087 300 038 A	replacement transmission		1	RCB
1	087 409 051 N	final-drive housing		1	RH RCA RCB
1	087 409 051 H	final-drive housing		1	RCD
2	010 409 847	breather pipe		2	
3	087 409 841	cap		2	
4	111 301 127 E	screw plug M 24 X 1,5		1	
5	* 010 409 549 B	round seal		1	
6	* 087 409 549	round seal		1	
7	087 409 623 A	lid		1	
8	* 089 409 637 A	sealing ring		1	
9	* 087 409 529 B	radial shaft seal		2	
10	N 012 028 1	lock ring A 10		5	
11	900 075 111 08	hexagon-head bolt M 10 X 30		5	
12	087 409 133 C	radial shaft seal		1	
13	082 409 139	needle-roller bearing		1	
14	* 011 519 345	round seal		2	
15	087 409 173	adjusting ring		2	
16	* 016 409 399 B	radial shaft seal		1	
17	087 409 355	flanged shaft	/L	1	
(17)	087 409 356	flanged shaft	/R	1	
18	087 409 359	screw	/L	1	
(18)	087 409 360	screw	/R	1	
19	010 409 257	tab washer		2	

Model	Year	MG	SG	Illustration	Restrictions	UPD	21:03	23.01.2010	PORSCHE	PET	PORSCHE
944	1985	3	08	308-00		248					

Pos	Part Number	Description	Remark	Qty	Model	Pos	Part Number	Description	Remark	Qty	Model
20	N 012 226 5	spring washer B 6		2							
21	N 010 215 13	hexagon-head bolt M 6 X 15		2							
22	019 301 153	dowel sleeve		2							

Model	Year	MG	SG	Illustration	Restrictions	UPD	21:03	23.01.2010	PORSCHE	PET	PORSCHE
944	1985	3	09	309-00		248					

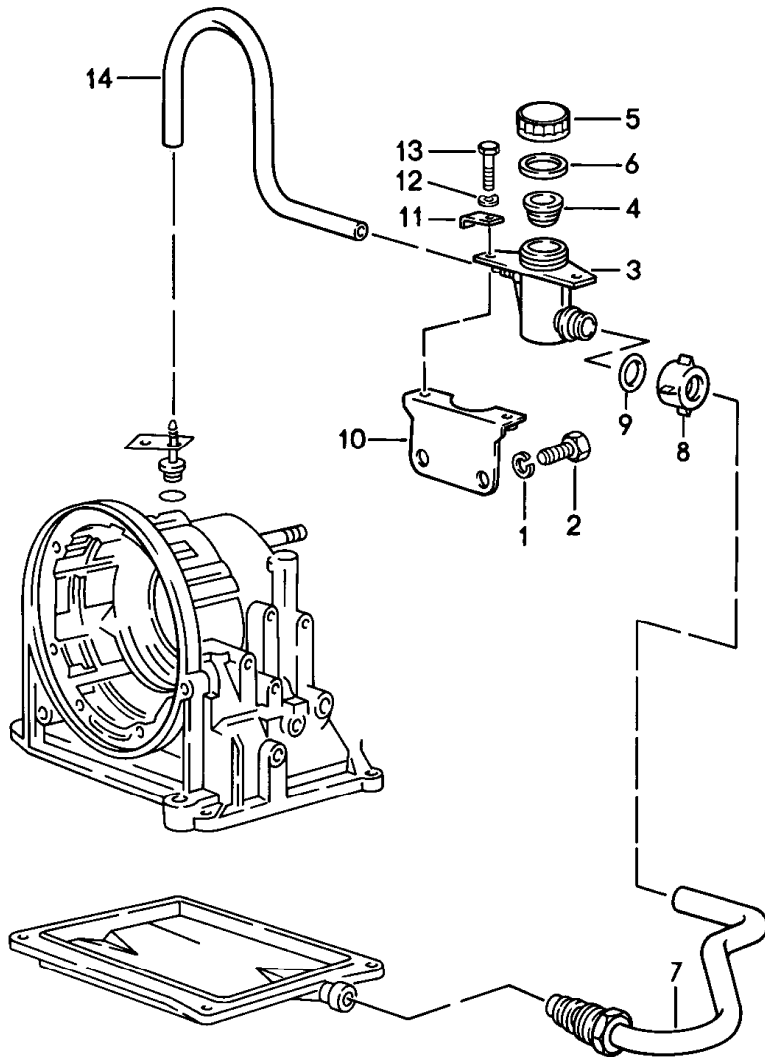


Pos	Part Number	Description	Remark	Qty	Model
		transmission case automatic transmission			
1	010 321 101 G	transmission case		1	
2	N 900 044 02	stud AM 8A X 56		4	
2A	N 014 523 2	stud AM 10A X 38		2	
3	003 507 133 A	screw plug M 10 X 1		3	
4	010 321 117 B	lever parking lock		1	
5	010 321 121 A	torsion spring		1	
5A	010 321 123	bolt		1	
6	010 321 135	engaging lever parking lock		1	
7	N 012 436 2	lock washer		2	
8	N 012 438 1	lock washer		1	
9	010 321 153 A	operating rod		1	
10	010 321 209 C	shaft		1	
11	N 023 641 1	circlip A 10 X 1		1	
12	087 321 171 C	lever for cable control		1	
13	N 012 226 5	spring washer B 6		1	
14	N 010 224 1	hexagon-head bolt M 6 X 3,5		1	
15	* N 028 201 2	round seal 14 X 2,5		1	
16	010 321 193 B	locking segment		1	
17	211 611 179	washer A 16		1	
18	N 012 238 5	spring washer B 16		1	
19	N 011 164 2	hexagon nut M 16 X 1,5		1	

Model	Year	MG	SG	Illustration	Restrictions	UPD	21:03	23.01.2010	PORSCHE	PET	PORSCHE
944	1985	3	09	309-00		248					

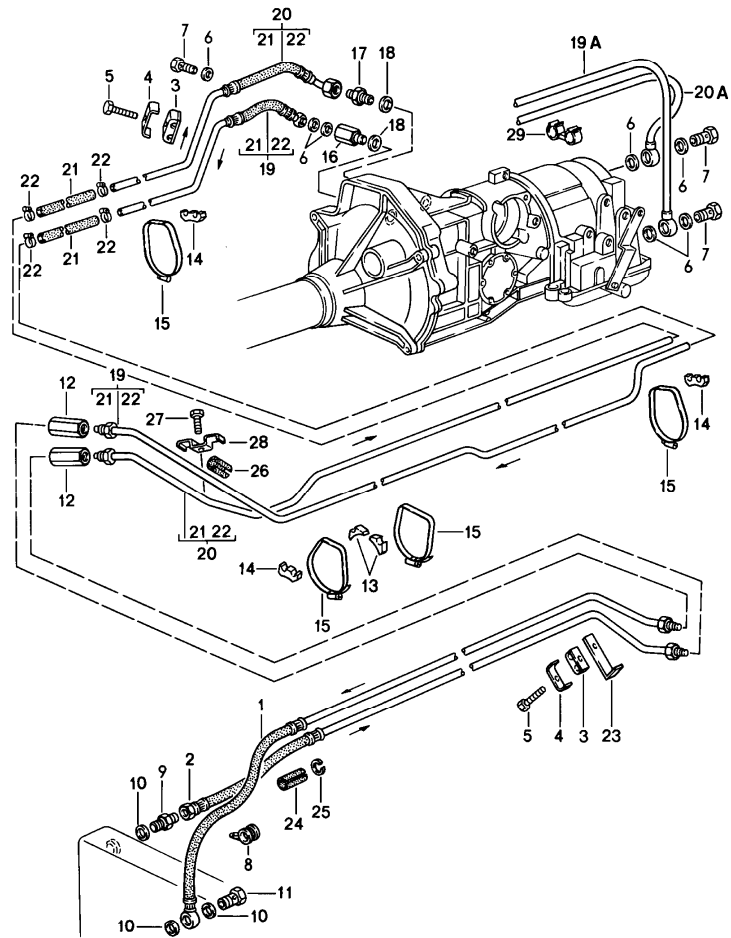
Pos	Part Number	Description	Remark	Qty	Model	Pos	Part Number	Description	Remark	Qty	Model
19A	010 321 180 B	support washer		1		35	011 321 307	clip		1	
20	087 321 201 D	lever for cable control		1		36	N 012 226 5	spring washer B 6		1	
21	* 010 321 182	round seal		1		37	999 072 005 09	hexagon-head bolt M 6 X 12		1	
22	010 321 215 E	lever kickdown control		1		38	010 321 359 F	oil pan		1	
23	N 012 228 3	spring washer B 8		1		39	* 010 321 371 B	gasket		1	
24	N 011 008 8	hexagon nut M 8		1		40	N 012 038 1	lock ring A 8		4	
25	010 321 221	leaf spring		1		41	N 010 240 16	hexagon-head bolt M 8 X 20		4	
25A	N 013 325 1	tensioning sleeve 6 X 22		1		42	010 321 383 B	intermediate plate		1	
25B	010 321 227	protection cap		1		43	* 010 321 385 B	gasket		2	
25C	010 321 229	spacer		1		44	900 014 004 02	pan-head screw AM 5 X 15		1	
25D	N 011 137 1	hexagon nut M 10 X 1		1		45	* 003 321 419	round seal 24,5		1	
26	N 012 038 1	lock ring B 8		1		46	N 012 228 3	spring washer B 8		4	
27	N 010 239 11	hexagon-head bolt M 8 X 18		1		47	N 011 008 8	hexagon nut M 8		4	
28	010 321 241 F	oil pump		1							
28A	003 321 263	gear set oil pump		1							
29	003 321 261	piston ring		2							
30	010 321 261	piston ring		2							
30A	010 321 279	plate		1							
30B	003 321 273	driver		1							
31	010 323 161 A	thrust washer		1							
32	N 012 006 4	lock ring B 6		5							
33	N 010 347 3	hexagon-head bolt M 6 X 35		5							
34	477 321 303 A	lid		1							

Model	Year	MG	SG	Illustration	Restrictions	UPD	21:03	23.01.2010	PORSCHE	PET	PORSCHE
944	1985	3	09	309-05		248					



Pos	Part Number	Description	Remark	Qty	Model
		oil inlet automatic transmission			
1	N 012 028 1	lock ring B 10		2	
2	N 010 253 7	hexagon-head bolt M 10 X 22		2	
3	477 321 475	filling container		1	
4	477 321 479 A	strainer		1	
5	477 321 481	screw-on cap		1	
6	477 321 483 A	gasket		1	
7	477 321 405	filler tube		1	
8	477 321 485	union nut		1	
9	477 321 487	o-ring 18 X 3		2	
10	477 321 491	support		1	
11	477 321 494	packing plate		2	
12	N 012 226 5	spring washer B 6		2	
13	N 010 215 13	hexagon-head bolt M 6 X 15		2	
14	477 321 495	hose 340 MM		1	

Model	Year	MG	SG	Illustration	Restrictions	UPD	21:04	23.01.2010	PORSCHE	PET	PORSCHE
944	1985	3	09	309-10		248					

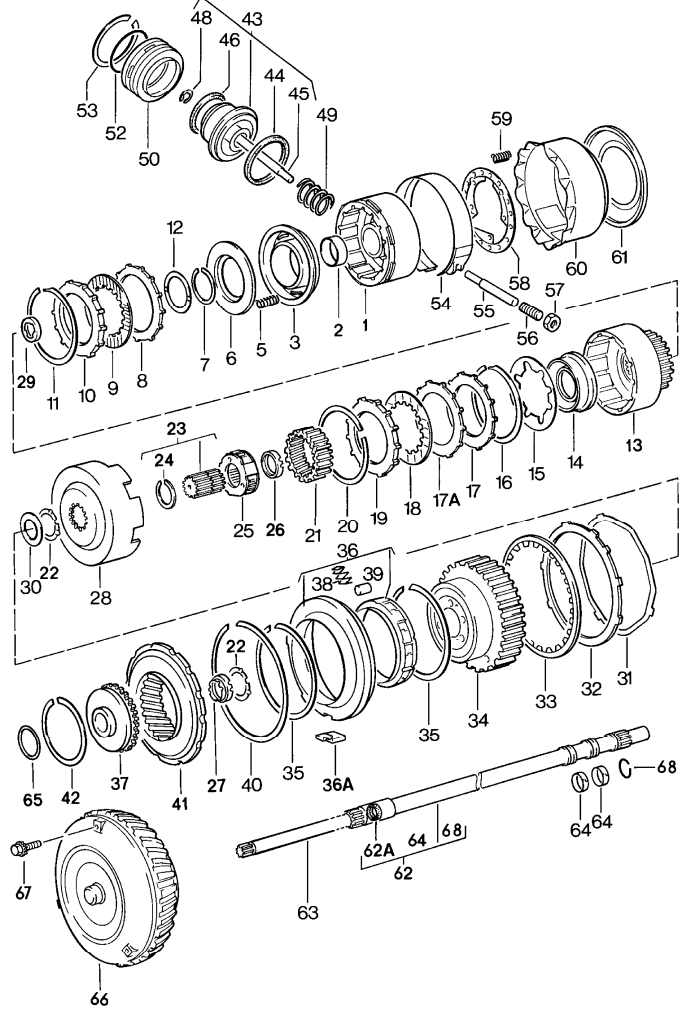


Pos	Part Number	Description	Remark	Qty	Model
		transmission oil cooler automatic transmission			
1	944 307 010 02	pressure line		1	
2	944 307 011 01	return line		1	
3	999 511 121 40	clip		3	
4	928 347 455 00	shim		3	
5	N 010 220 3	hexagon-head bolt M 6 X 30		3	
6	900 123 043 30	sealing ring A 12 X 15,5		3	
7	999 134 018 02	banjo bolt A 6		1	
8	N 020 602 1	pipe clamp B 15		1	
9	N 900 450 01	connection piece ALL 10		1	
10	900 123 007 30	sealing ring A 14 X 18		3	
11	900 134 007 02	banjo bolt A 8		1	
12	477 209 169	connecting piece		2	
13	477 723 567	support		2	
14	944 307 190 00	support		3	
15	999 512 350 02	hose clamp LA 80 - 100		4	
16	087 409 057	union		1	
17	087 409 057 B	union		1	
18	010 409 563 A	sealing ring A 16 X 2,5		2	
19	944 307 004 03	pressure line		1	
19	944 307 004 03	pressure line	(J)	1	
19A	944 307 004 05	pressure line	84-	1	
20	944 307 005 02	return line		1	
20	944 307 005 02	return line	(J)	1	

Model	Year	MG	SG	Illustration	Restrictions	UPD	21:04	23.01.2010	PORSCHE	PET	PORSCHE
944	1985	3	09	309-10		248					

Pos	Part Number	Description	Remark	Qty	Model	Pos	Part Number	Description	Remark	Qty	Model
20A	944 307 005 04	return line	84-	1							
21	999 181 532 50	connecting hose		2							
22	999 512 554 00	hose clamp LB 12-22		4							
23	944 107 237 00	support		2							
24	922 307 121 00	hose piece		2							
25	900 906 024 00	circlip		2							
26	431 609 781	breather hose		2							
27	N 010 215 13	hexagon-head bolt M 6 X 15		1							
28	999 511 140 02	pipe clamp		1							
29	999 591 616 40	hose holder	84-	2							

Model	Year	MG	SG	Illustration	Restrictions	UPD	21:07	23.01.2010	PORSCHE	PET	PORSCHE
944	1985	3	10	310-00		248					



Pos	Part Number	Description	Remark	Qty	Model
1	010 323 109 F	transmission parts automatic transmission clutch drum		1	RH RCA RCB
		G	>>RCA 01 08 3		
		G	>>RCB 01 08 3		
1	087 323 109	clutch drum		1	RCA RCB RCD
		G RCA 02 08 3>>			
		G RCB 02 08 3>>			
2	010 323 115	bearing sleeve		1	
3	010 323 121 B	piston		1	
5	010 323 129 A	compression spring		24	
6	010 323 131 A	concave washer		1	
7	003 323 135 A	circlip 55		1	
8	010 323 139 A	disc with external splines		4	RH RCA RCB
		G	>>RCA 01 08 3		
		G	>>RCB 01 08 3		
8	087 323 139	disc with external splines		4	RCA RCB RCD
		G RCA 02 08 3>>			
		G RCB 02 08 3>>			
9	010 323 141 C	disc with external splines		4	RH RCA RCB
		G	>>RCA 01 08 3		
		G	>>RCB 01 08 3		
9	087 323 141 A	disc with external splines		4	RCA RCB RCD
		G RCA 02 08 3>>			
		G RCB 02 08 3>>			
10	010 323 153	pressure plate		1	RH RCA RCB
		G	>>RCA 01 08 3		
		G	>>RCB 01 08 3		
10	087 323 153	pressure plate		1	RCA RCB RCD
		G RCA 02 08 3>>			
		G RCB 02 08 3>>			

Model	Year	MG	SG	Illustration	Restrictions	UPD	21:07	23.01.2010	PORSCHE	PET	PORSCHE
944	1985	3	10	310-00		248					

Pos	Part Number	Description	Remark	Qty	Model	Pos	Part Number	Description	Remark	Qty	Model
11	010 323 157	circlip 2,03 G G	>>RCA 01 08 3 >>RCB 01 08 3	1	RH RCA RCB	11	087 323 157 D	circlip 2,50 G RCA 02 08 3>> G RCB 02 08 3>>		X	RCA RCB RCD
11	087 323 157 B	circlip 2,03 G RCA 02 08 3>> G RCB 02 08 3>>		1	RCA RCB RCD	12	010 323 161 A	thrust washer		1	
11	010 323 157 A	circlip 1,50 G G	>>RCA 01 08 3 >>RCB 01 08 3	X	RH RCA RCB	13	087 323 209	clutch bell-housing		1	
11	087 323 157	circlip 1,50 G RCA 02 08 3>> G RCB 02 08 3>>		X	RCA RCB RCD	14	010 323 217 A	piston		1	
11	010 323 157 B	circlip 1,70 G G	>>RCA 01 08 3 >>RCB 01 08 3	X	RH RCA RCB	15	010 323 229 D	cup spring forward clutch		1	
11	087 323 157 A	circlip 1,70 G RCA 02 08 3>> G RCB 02 08 3>>		X	RCA RCB RCD	16	010 323 157	circlip 2,03		1	
11	010 323 157 H	circlip 2,30 G G	>>RCA 01 08 3 >>RCB 01 08 3	X	RH RCA RCB	17	010 323 237 A	pressure plate		1	
11	087 323 157 C	circlip 2,30 G RCA 02 08 3>> G RCB 02 08 3>>		X	RCA RCB RCD	17A	010 323 139	disc with external splines forward clutch		4	
11	010 323 157 J	circlip 2,50 G G	>>RCA 01 08 3 >>RCB 01 08 3	X	RH RCA RCB	18	010 323 241 B	inner disc		4	
						19	010 323 253 G	pressure plate 2,30		1	
						19	010 323 253 H	pressure plate 2,70		X	
						19	010 323 253 J	pressure plate 3,10		X	
						19	010 323 253 K	pressure plate 3,50		X	
						19	010 323 253 L	pressure plate 3,90		X	
						20	010 323 159 B	lock ring		1	
						21	010 323 273 B	ring gear		1	RH
						21	010 323 273 C	ring gear		1	RCA RCB RCD
						22	010 323 291 A	thrust washer		1	
						23	010 323 285 E	sun gear		1	RH
						23	010 323 285 F	sun gear		1	RCA RCB RCD
						24	N 042 451 1	circlip		1	RH

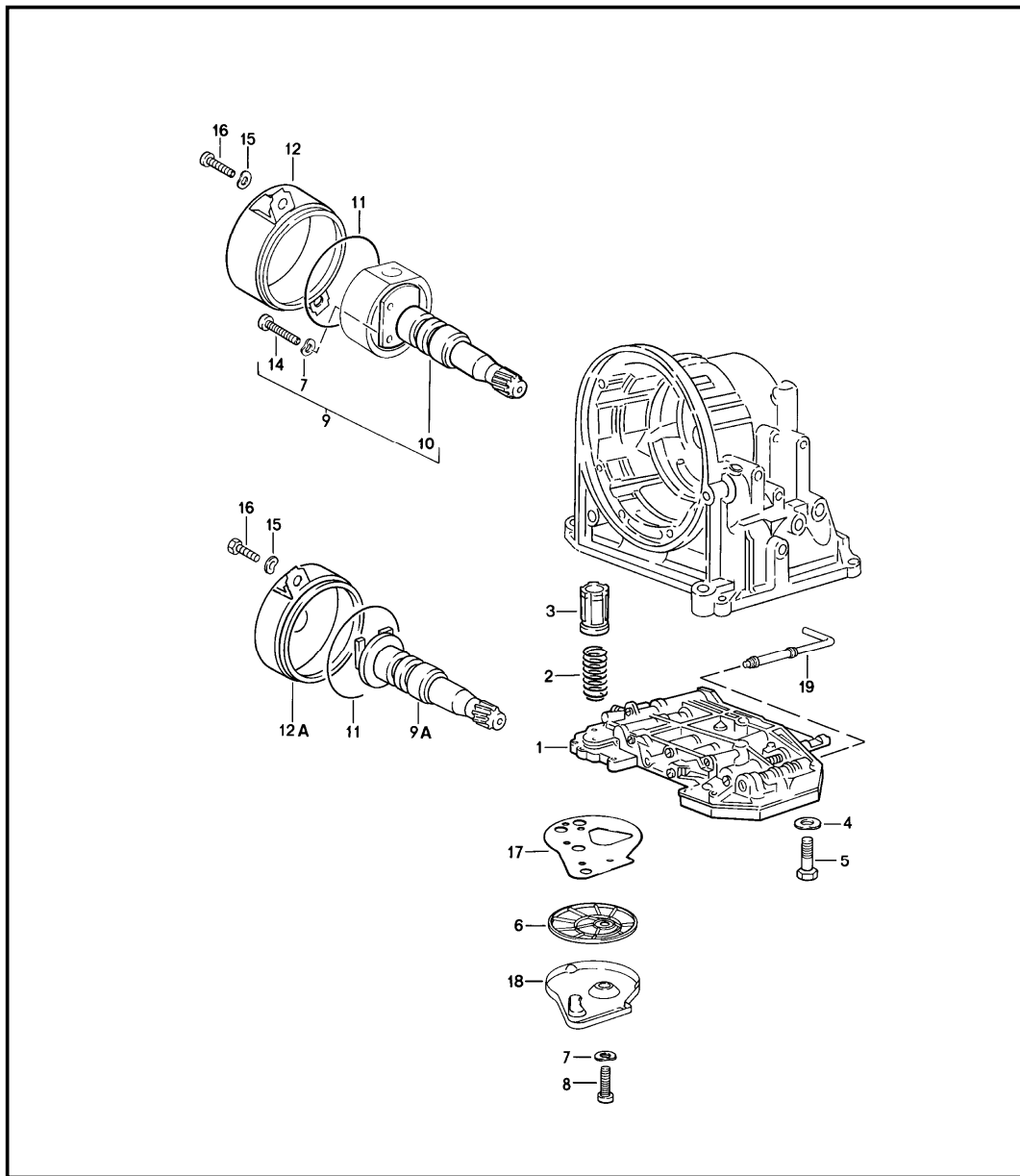
Model	Year	MG	SG	Illustration	Restrictions	UPD	21:07	23.01.2010	PORSCHE	PET	PORSCHE
944	1985	3	10	310-00		248					

Pos	Part Number	Description	Remark	Qty	Model	Pos	Part Number	Description	Remark	Qty	Model
24	N 042 465 1	circlip		1	RCA RCB RCD	39	N 026 360 1	roller		10	
25	010 323 303 B	planet-gear carrier		1	RH	40	010 323 653 A	circlip		1	
25	010 323 303 F	planet-gear carrier		1	RCA RCB RCD	41	090 323 363 A	ring gear		1	RH
26	010 323 340 D	needle-roller bearing		1		41	090 323 363 B	ring gear		1	RCA RCB RCD
27	010 323 339 D	needle-roller bearing		1		42	090 323 369	circlip		1	RH
28	010 323 281	driving shell		1	RH	42	010 323 369 A	circlip		1	RCA RCB RCD
28	010 323 281 F	driving shell G >>RCA 01 08 3 G >>RCB 01 08 3		1	RCA RCB	43	010 323 511 K	piston G >>RCA 01 08 3 G >>RCB 01 08 3		1	RH RCA RCB
28	087 323 281	driving shell G RCA 02 08 3>> G RCB 02 08 3>>		1	RCA RCB RCD	(43)	087 323 512 A	piston G RCA 02 08 3>> G RCB 02 08 3>>		1	RCA RCB RCD
29	010 321 157 A	needle-roller bearing		1		44	003 323 525 A	sealing ring		1	
30	010 323 293 B	thrust washer		1	RH	45	010 323 517 D	piston rod G >>RCA 01 08 3 G >>RCB 01 08 3		1	RCA RCB
30	010 323 293 C	thrust washer		1	RCA RCB RCD	46	010 323 487 C	sealing ring		1	
31	010 323 295 C	spring washer G >>RCA 03 03 3 G >>RCB 03 03 3		1		48	010 323 541 B	lock washer G >>RCA 01 08 3 G >>RCB 01 08 3		1	RCA RCB
32	010 323 227 A	disc with external splines		4		49	010 323 505 A	compression spring		1	
33	010 323 231 C	inner disc		4		50	087 323 529	lid		1	RCA RCB
34	010 323 805 D	planet-gear carrier		1	RH	50	087 323 529	lid		1	RCD
34	010 323 805 F	planet-gear carrier		1	RCA RCB RCD	52	010 323 533	round seal		3	
35	010 323 651	circlip		2		53	010 323 537 A	circlip		1	
36	010 323 383 C	free wheel lock 1st gear		1		54	010 323 461 A	brake band		1	
36A	010 323 389 E	feather key		1		55	010 323 543 A	bolt G >>RCA 01 08 3 G >>RCB 01 08 3		1	
37	087 323 373 A	hub		1	RH	55	087 323 543	bolt G RCA 02 08 3>> G RCB 02 08 3>>		1	RCA RCB RCD
37	087 323 373	hub		1	RCA RCB RCD						
38	010 323 643	compression spring		10							

Model	Year	MG	SG	Illustration	Restrictions	UPD	21:07	23.01.2010	PORSCHE	PET	PORSCHE
944	1985	3	10	310-00		248					

Pos	Part Number	Description	Remark	Qty	Model	Pos	Part Number	Description	Remark	Qty	Model
56	010 323 455 A	adjusting screw		1							
57	N 011 162 9	hexagon nut M 12 X 1,5		1							
58	010 323 497 C	supporting plate		1							
59	010 323 489 B	compression spring		20							
60	010 323 493 D	pipe		1	RH RCA RCB						
		G >>RCA 03 03 3 G >>RCB 03 03 3									
60	010 323 493 G	pipe		1	RCA RCB RCD						
		G RCA 04 03 3>> G RCB 04 03 3>>									
61	010 323 479 A	piston		1	RH RCA RCB						
		G >>RCA 03 03 3 G >>RCB 03 03 3									
61	010 323 477	piston		1	RCA RCB RCD						
		G RCA 04 03 3>> G RCB 04 03 3>>									
62	087 323 553 A	turbine shaft		1							
62A	087 323 559	gasket		1							
63	010 323 561 A	oil pump shaft		1							
64	010 323 557 A	piston ring		2							
65	010 323 345 C	adjusting shim 0,40		1							
65	010 323 346 C	adjusting shim 1,20		X							
66	003 323 571 J	converter		1	RH RCA RCD						
66	082 323 571	converter		1	RCB						
67	003 323 699 A	hexagon-head bolt		3							
68	010 323 558	wire ring		1							

Model	Year	MG	SG	Illustration	Restrictions	UPD	21:08	23.01.2010	PORSCHE	PET	PORSCHE
944	1985	3	10	310-05		248					

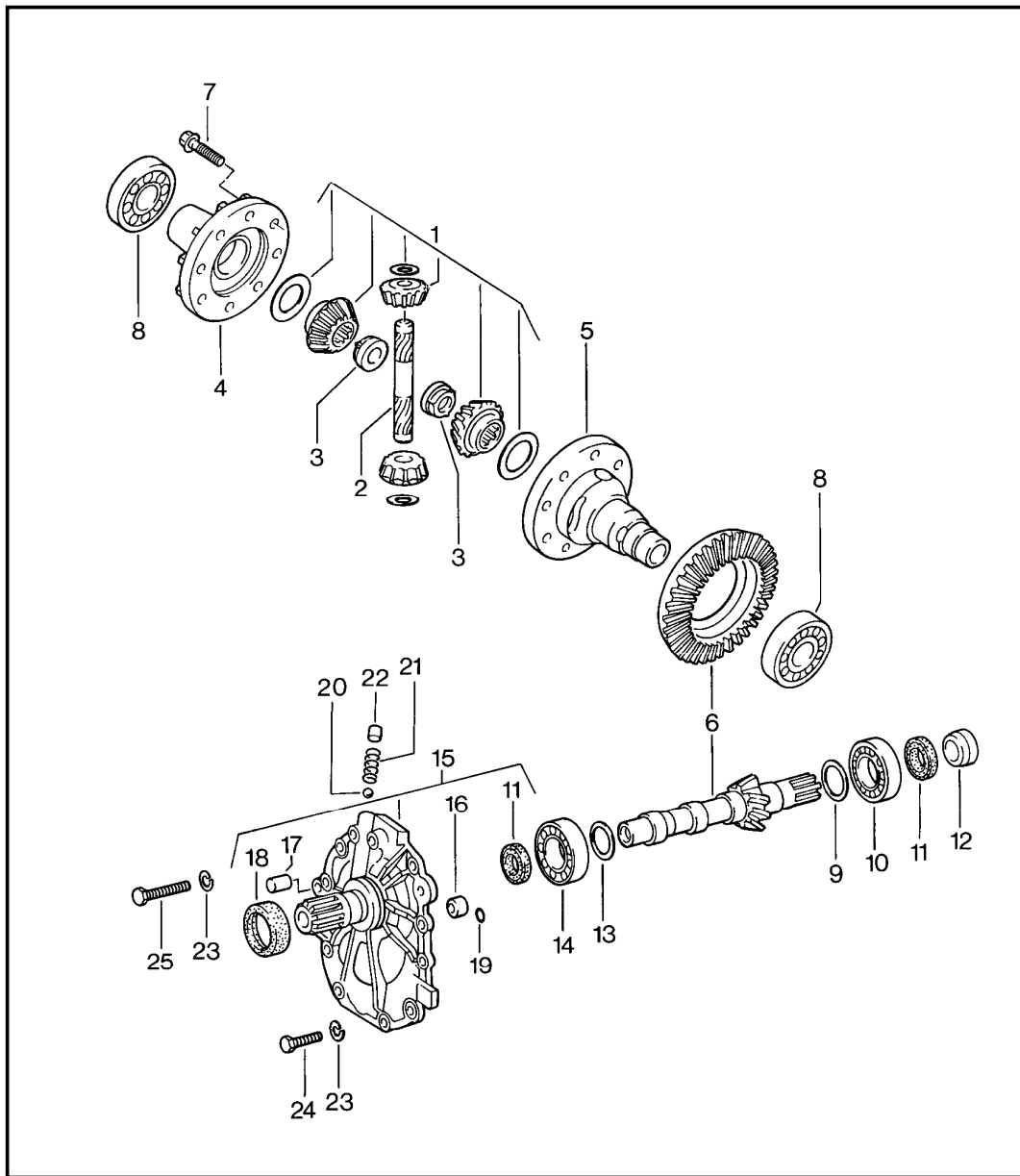


Pos	Part Number	Description	Remark	Qty	Model
		slide-valve gearbox regulator oil strainer automatic transmission			
1	087 325 032 P	slide-valve gearbox		1	RH
1	087 325 037 C	slide-valve gearbox		1	RCA RCB
1	087 325 037 H	slide-valve gearbox		1	RCD
2	003 325 417	compression spring		1	
3	003 325 405 F	piston		1	
4	N 012 226 5	spring washer B 6		11	
5	N 010 346 5	hexagon-head bolt M 6 X 30		11	
6	010 325 421 A	oil strainer		1	
7	N 012 222 4	spring washer B 5		4	
8	900 014 004 02	pan-head screw AM 5 X 15		2	
9	087 325 041	regulator		1	RH RCA RCB
		G >>RCA 30 03 3 G >>RCB 30 03 3			
9A	087 325 041 B	regulator		1	RCA RCB RCD
		G RCA 31 03 3>> G RCB 31 03 3>>			
10	087 325 305	governor shaft		1	RH RCA RCB
		G >>RCA 30 03 3 G >>RCB 30 03 3			
11	* 011 519 345	round seal		1	
12	089 325 371	lid		1	RH RCA RCB
		G >>RCA 30 03 3 G >>RCB 30 03 3			
12A	089 325 371 A	lid		1	RCA RCB RCD
		G RCA 31 03 3>> G RCB 31 03 3>>			

Model	Year	MG	SG	Illustration	Restrictions	UPD	21:08	23.01.2010	PORSCHE	PET	PORSCHE
944	1985	3	10	310-05		248					

Pos	Part Number	Description	Remark	Qty	Model	Pos	Part Number	Description	Remark	Qty	Model
14	N 014 153 1	oval-head screw M 5 X 40		2							
15	N 012 228 3	spring washer B 8		2							
16	N 010 240 16	hexagon-head bolt 8 X 20		2							
17	010 325 443	gasket		1							
18	010 325 429 A	lid		1							
19	010 325 277	manual valve		1							

Model	Year	MG	SG	Illustration	Restrictions	UPD	21:08	23.01.2010	PORSCHE	PET	PORSCHE
944	1985	3	11	311-00		248					



Pos	Part Number	Description	Remark	Qty	Model
1	* 016 598 081 A	differential automatic transmission repair kit for differential		1	
2	087 409 177	axle		1	
3	016 409 161	nut		2	
4	087 409 365	lid		1	
5	087 409 121	differential housing		1	
6	087 409 143 K	ring gear and pinion shaft 12:37		1	RH RCA RCD
6	087 409 143 J	ring gear and pinion shaft 11:38		1	RCB
7	087 409 135 A	hexagon-head bolt M 10 X 1 X 24		10	
8	113 517 185 C	taper roller bearing		2	
9	087 409 641 D	adjusting shim 1,10		1	
9	087 409 641 E	adjusting shim 1,125		X	
9	087 409 641 F	adjusting shim 1,15		X	
9	087 409 641 G	adjusting shim 1,175		X	
9	087 409 641 H	adjusting shim 1,20		X	
9	087 409 641 J	adjusting shim 1,225		X	
9	087 409 641 K	adjusting shim 1,25		X	
9	087 409 641 L	adjusting shim 1,275		X	
9	087 409 641 M	adjusting shim 1,30		X	
9	087 409 641 N	adjusting shim 1,325		X	

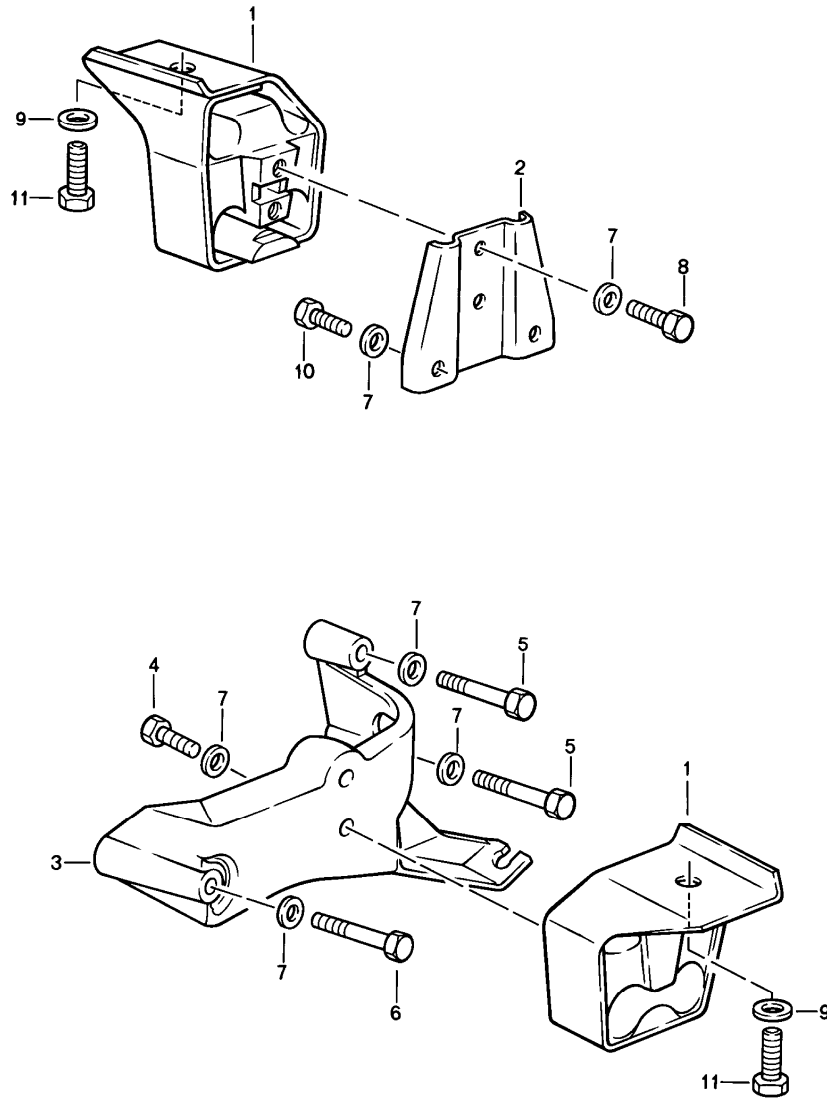
Model	Year	MG	SG	Illustration	Restrictions	UPD	21:08	23.01.2010	PORSCHE	PET	PORSCHE
944	1985	3	11	311-00		248					

Pos	Part Number	Description	Remark	Qty	Model	Pos	Part Number	Description	Remark	Qty	Model
9	087 409 641 P	adjusting shim 1,35		X		9	087 409 641 AQ	adjusting shim 1,825		X	
9	087 409 641 Q	adjusting shim 1,375		X		9	087 409 641 AR	adjusting shim 1,85		X	
9	087 409 641 R	adjusting shim 1,40		X		9	087 409 641 AS	adjusting shim 1,875		X	
9	087 409 641 S	adjusting shim 1,425		X		9	087 409 641 AT	adjusting shim 1,90		X	
9	087 409 641 T	adjusting shim 1,45		X		10	087 409 551 C	taper roller bearing		1	
9	087 409 641 AA	adjusting shim 1,475		X		11	087 409 085 B	radial shaft seal		2	
9	087 409 641 AB	adjusting shim 1,50		X		12	087 409 639 A	bush		1	
9	087 409 641 AC	adjusting shim 1,525		X		13	082 519 141 AE	adjusting shim 1,10		1	
9	087 409 641 AD	adjusting shim 1,55		X		13	082 519 141 AF	adjusting shim 1,125		X	
9	087 409 641 AE	adjusting shim 1,575		X		13	082 519 141 AG	adjusting shim 1,15		X	
9	087 409 641 AF	adjusting shim 1,60		X		13	082 519 141 AH	adjusting shim 1,175		X	
9	087 409 641 AG	adjusting shim 1,625		X		13	082 519 141 AJ	adjusting shim 1,20		X	
9	087 409 641 AH	adjusting shim 1,65		X		13	082 519 141 AK	adjusting shim 1,225		X	
9	087 409 641 AJ	adjusting shim 1,675		X		13	082 519 141 AL	adjusting shim 1,25		X	
9	087 409 641 AK	adjusting shim 1,70		X		13	082 519 141 AM	adjusting shim 1,275		X	
9	087 409 641 AL	adjusting shim 1,725		X		13	082 519 141 AN	adjusting shim 1,30		X	
9	087 409 641 AM	adjusting shim 1,75		X		13	082 519 141 AP	adjusting shim 1,325		X	
9	087 409 641 AN	adjusting shim 1,775		X		13	082 519 141 AQ	adjusting shim 1,35		X	
9	087 409 641 AP	adjusting shim 1,80		X		13	082 519 141 AR	adjusting shim 1,375		X	
						13	082 519 141 AS	adjusting shim 1,40		X	

Model	Year	MG	SG	Illustration	Restrictions	UPD	21:08	23.01.2010	PORSCHE	PET	PORSCHE
944	1985	3	11	311-00		248					

Pos	Part Number	Description	Remark	Qty	Model	Pos	Part Number	Description	Remark	Qty	Model
13	082 519 141 AT	adjusting shim 1,425		X		13	082 519 141 CA	adjusting shim 1,90		X	
13	082 519 141 BA	adjusting shim 1,45		X		14	003 519 251	taper roller bearing		1	
13	082 519 141 BB	adjusting shim 1,475		X		15	087 409 524 C	lid		1	
13	082 519 141 BC	adjusting shim 1,50		X		16	019 301 153	dowel sleeve		1	
13	082 519 141 BD	adjusting shim 1,525		X		17	N 022 301 1	straight pin A 10 X 20		1	
13	082 519 141 BE	adjusting shim 1,55		X		18	* 010 409 568	radial shaft seal		1	
13	082 519 141 BF	adjusting shim 1,575		X		19	089 409 637 A	sealing ring 6 X 2		2	
13	082 519 141 BG	adjusting shim 1,60		X		20	N 025 657 1	ball		1	
13	082 519 141 BH	adjusting shim 1,625		X		21	089 409 713	spring		1	
13	082 519 141 BJ	adjusting shim 1,65		X		22	087 409 095	lid		2	
13	082 519 141 BK	adjusting shim 1,675		X		23	N 012 038 1	lock ring A 8		11	
13	082 519 141 BL	adjusting shim 1,70		X		24	N 010 233 6	hexagon-head bolt M 8 X 28		9	
13	082 519 141 BL	adjusting shim 1,70		X		25	N 040 276 1	hexagon-head bolt M 8 X 52		2	
13	082 519 141 BM	adjusting shim 1,725		X							
13	082 519 141 BN	adjusting shim 1,75		X							
13	082 519 141 BP	adjusting shim 1,775		X							
13	082 519 141 BQ	adjusting shim 1,80		X							
13	082 519 141 BR	adjusting shim 1,825		X							
13	082 519 141 BS	adjusting shim 1,85		X							
13	082 519 141 BT	adjusting shim 1,875		X							

Model	Year	MG	SG	Illustration	Restrictions	UPD	21:08	23.01.2010	PORSCHE	PET	PORSCHE
944	1985	3	12	312-00		248					



Pos	Part Number	Description	Remark	Qty	Model
		transmission suspension automatic transmission			
1	944 375 045 00	transmission mounting		2	
2	477 399 169 C	suspension plate	/R	1	
3	477 399 171 E	suspender bracket	/L -83	1	
3	477 399 171 E	suspender bracket	/L 84-	1	
4	N 010 244 11	hexagon-head bolt M 8 X 30		2	
5	N 040 262 2	hexagon-head bolt M 8 X 50		2	
6	N 010 385 3	hexagon-head bolt M 8 X 85		1	
7	N 011 525 13	washer 8,4		9	
8	900 075 029 09	hexagon-head bolt M 8 X 25		2	
9	900 025 008 09	washer 10,5		2	
10	N 010 240 7	hexagon-head bolt M 8 X 20		2	
11	N 010 254 6	hexagon-head bolt M 10 X 25		2	

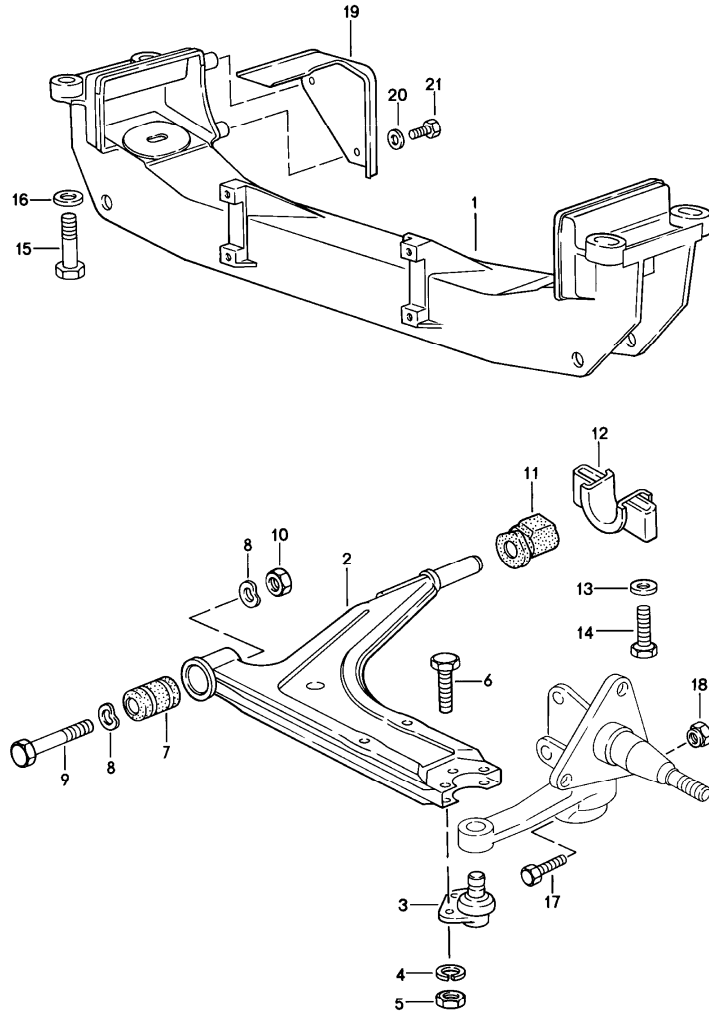
Model	Year	MG	SG	Illustration	Restrictions	UPD	21:08	23.01.2010
944	1985	3	98	398-00R		248		

Pos	Part Number	Description	Remark	Qty	Model
>>	>>477 300 912 B	repair kits gasket set for transmission comprising:		1	QK QL QM
-	928 303 120 01	shaft sealing ring		1	
-	016 409 399 B	radial shaft seal		2	
-	113 301 185 A	sealing ring		1	
-	016 301 235 C	gasket		1	
-	088 311 599	sealing ring		2	
-	016 311 113 C	radial shaft seal		1	
-	016 301 455 A	gasket		1	
-	005 311 599	sealing washer		1	
>>	>>477 398 001	gasket set for automatic transmission comprising:		1	RH RCA RCB
-	010 321 182	round seal		1	
-	010 321 371 B	gasket		1	
-	010 321 385 B	gasket		1	
-	003 321 419	round seal		2	
-	010 323 117	sealing ring		1	
-	010 323 119	sealing ring		1	
-	010 323 487 C	sealing ring		1	
-	003 323 525 A	sealing ring		1	
-	010 323 533	round seal		3	
-	087 409 085 B	radial shaft seal		2	
-	087 409 133	radial shaft seal		1	
-	016 409 399 B	radial shaft seal		2	
-	087 409 529 B	radial shaft seal		2	
-	010 409 549 B	round seal		1	
-	087 409 549	round seal		1	

Model	Year	MG	SG	Illustration	Restrictions	UPD	21:08	23.01.2010
944	1985	3	98	398-00R		248		

Pos	Part Number	Description	Remark	Qty	Model
-	010 409 568	radial shaft seal		1	
-	089 409 637 A	sealing ring		1	
-	011 519 345	round seal		3	
-	N 028 201 2	round seal		1	
>>	>>016 598 081 A	repair kit differential comprising: differential pinions large differential pinions small		1 2 2	RH RCA RCB RCD QK QL QM
-	011 519 215	thrust washer for differential pinions large		2	
-	016 409 170	thrust washer for differential pinions small use also: 088.409.249.A 088.409.249 B		2	
>>	>>928 116 901 00	repair kit clutch operating cylinder comprising: bellows lock washer boot dust boot ring		1 1 1 1 2	QK QL QM
-	944 116 911 00	repair kit for clutch comprising: pressure plate clutch plate clutch release bearing		1 1 1 1	

Model	Year	MG	SG	Illustration	Restrictions	UPD	21:08	23.01.2010	PORSCHE	PET	PORSCHE
944	1985	4	01	401-00		248					

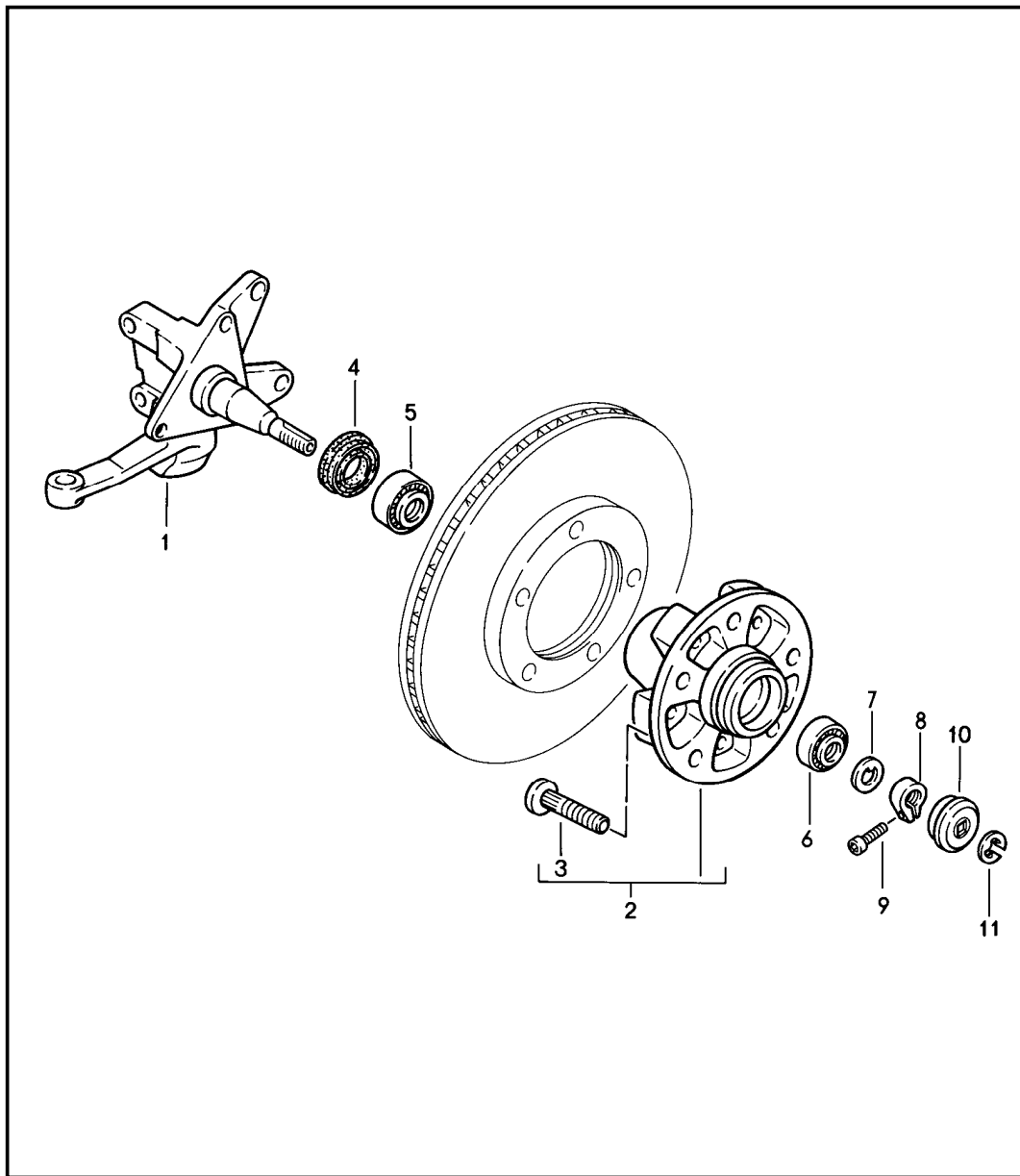


Pos	Part Number	Description	Remark	Qty	Model
1	944 341 103 06	wishbone cross member		1	
(1)	945 341 103 04	cross member	/LL	1	
2	171 407 153 D	wishbone	/RL	2	
3	171 407 365 G	ball joint § 17 MM		2	
4	N 042 001 1	lock ring A 7		6	
5	N 011 007 7	hexagon nut M 7		6	
6	N 040 204 3	hexagon-head bolt M 7 X 20		6	
7	171 407 182 D	rubber mounting		2	
8	900 025 009 02	washer A 13		4	
9	900 082 039 02	hexagon-head bolt M 12 X 1,5 X 100		2	
10	N 021 131 1	lock nut M 12 X 1,5		2	
11	477 407 181 A	rubber mounting		2	
12	477 407 169	clip		2	
13	477 407 425	washer		4	
14	N 040 321 1	hexagon-head bolt M 10 X 65		4	
15	N 010 183 1	hexagon-head bolt M 12 X 75		4	
16	999 025 074 02	washer		4	
16	999 025 074 01	washer		4	
17	N 010 445 6	hexagon-head bolt M 10 X 45		2	
18	N 021 130 2	lock nut M 10		2	
19	944 341 107 01	heat protection plate	/LL	-84	1
19	951 341 108 02	heat protection plate	/LL	85-	1

Model	Year	MG	SG	Illustration	Restrictions	UPD	21:08	23.01.2010	PORSCHE	PET	PORSCHE
944	1985	4	01	401-00		248					

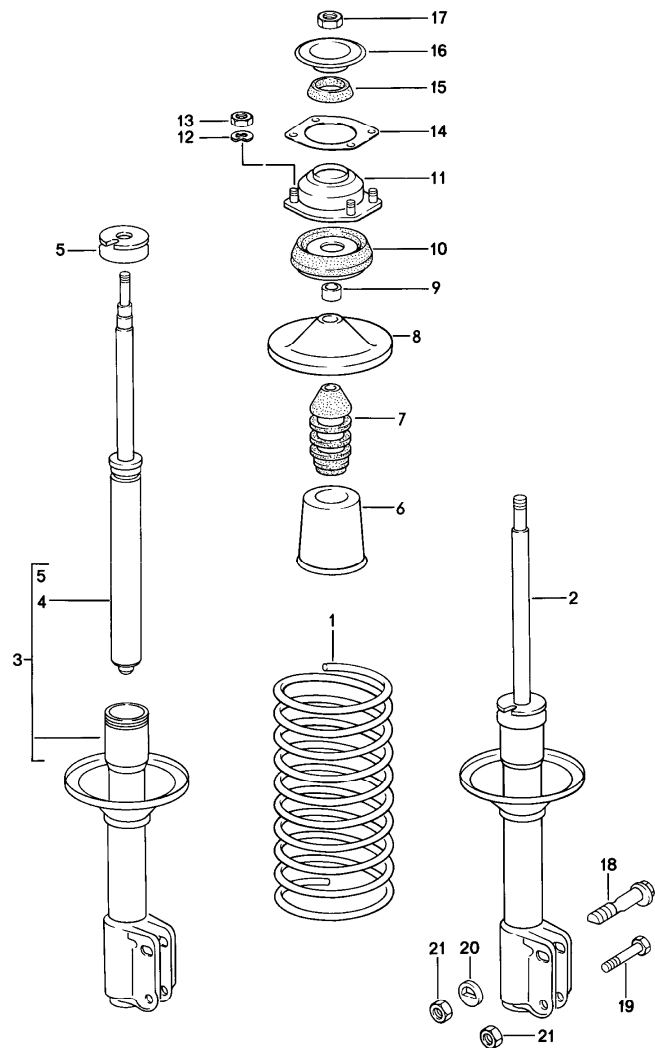
Pos	Part Number	Description	Remark	Qty	Model	Pos	Part Number	Description	Remark	Qty	Model
(19)	945 341 107 01	heat protection plate	/RL -84	1							
(19)	952 341 108 02	heat protection plate	/RL 85-	1							
20	N 011 524 7	washer A 6		2							
21	N 010 215 13	hexagon-head bolt M 6 X 15		2							

Model	Year	MG	SG	Illustration	Restrictions	UPD	21:09	23.01.2010	PORSCHE	PET	PORSCHE
944	1985	4	01	401-05		248					



Pos	Part Number	Description	Remark	Qty	Model
		steering knuckle			
1	477 407 311 L	steering knuckle	/L	1	
(1)	477 407 312 L	steering knuckle	/R	1	
2	477 405 065 B	front wheel hub		2	
3	904 341 671 00	wheel bolt		10	
4	477 405 641	radial sealing ring		2	
5	999 059 098 00	taper roller bearing		2	
6	999 059 065 00	taper roller bearing		2	
7	911 341 663 00	thrust washer		2	
8	911 341 673 00	clamping nut		2	
9	999 119 001 01	pan-head screw		2	
10	477 405 691 C	cap	/L	1	
(10)	477 405 692 C	cap	/R	1	
11	900 116 003 02	lock washer		1	

Model	Year	MG	SG	Illustration	Restrictions	UPD	21:09	23.01.2010	PORSCHE	PET	PORSCHE
944	1985	4	02	402-00		248					

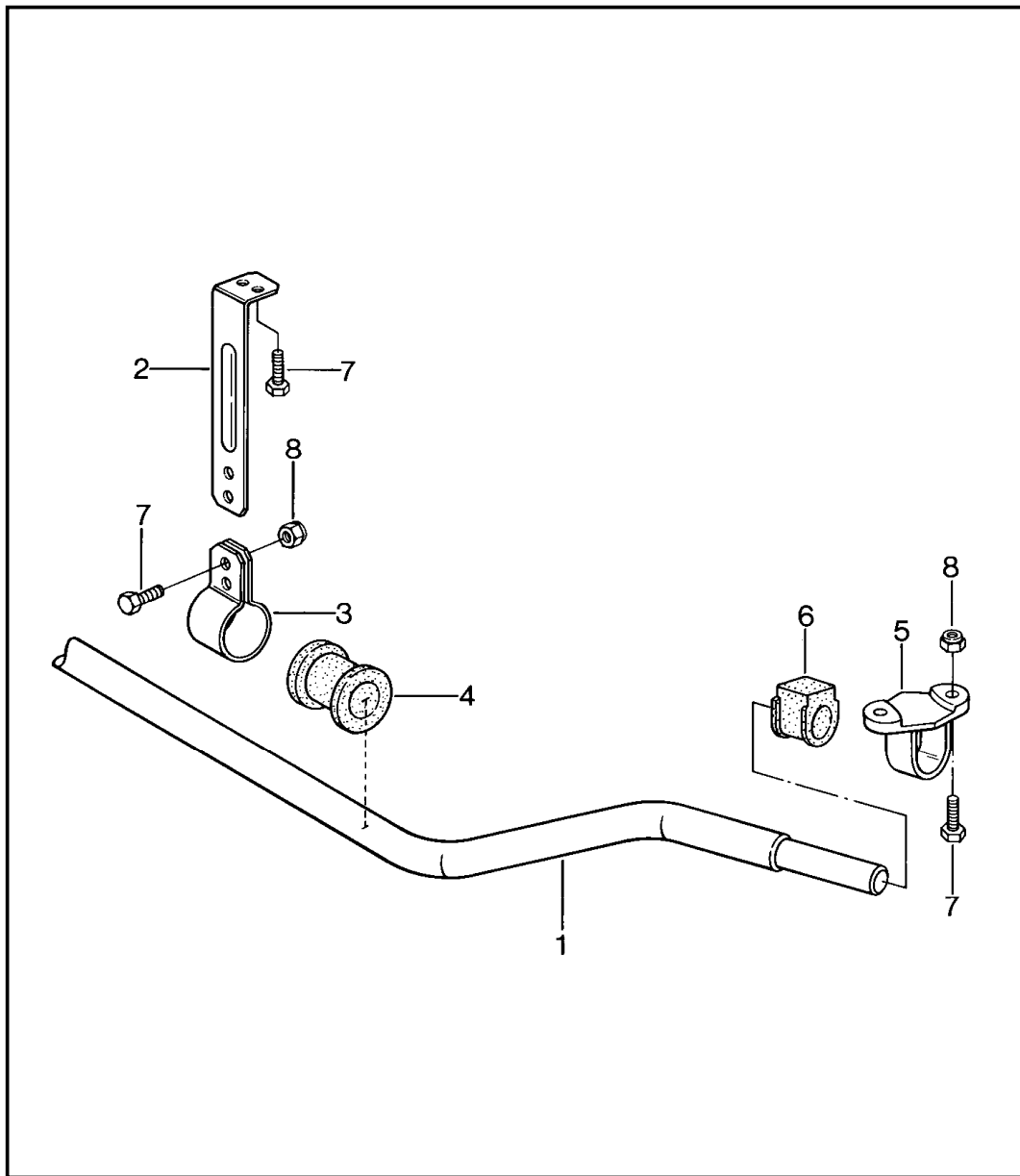


Pos	Part Number	Description	Remark	Qty	Model
1	477 411 105 Q	suspension shock absorber front		1	
		coil spring			
		1 set			
		identification			
	954	blue			
2	944 343 031 12	vibration damper - koni -	/L	1	
(2)	944 343 032 12	vibration damper - koni -	/R	1	
3	944 343 031 11	vibration damper - koni -	/L	1	M474
(3)	944 343 032 11	vibration damper - koni -	/R	1	M474
4	944 343 059 00	vibration damper insert - koni -		2	M474
5	171 412 045	union nut		2	
6	171 412 135	boot		2	
7	171 412 303 C	rubber stop		2	
8	133 412 341	concave washer		2	
9	823 412 365	spacer sleeve		2	
10	944 343 071 00	suspension strut mounting		2	
11	477 412 345	bearing flange		2	
12	N 012 228 3	spring washer B 12		8	
13	N 011 008 8	hexagon nut M 8		8	
(14)	133 412 367	sealing ring		2	
15	477 412 411	stop ring		2	
16	477 412 147	stop		2	
17	N 022 150 1	lock nut VM 14 X 1,5		2	
18	171 407 265	eccentric screw		2	

Model	Year	MG	SG	Illustration	Restrictions	UPD	21:09	23.01.2010	PORSCHE	PET	PORSCHE
944	1985	4	02	402-00		248					

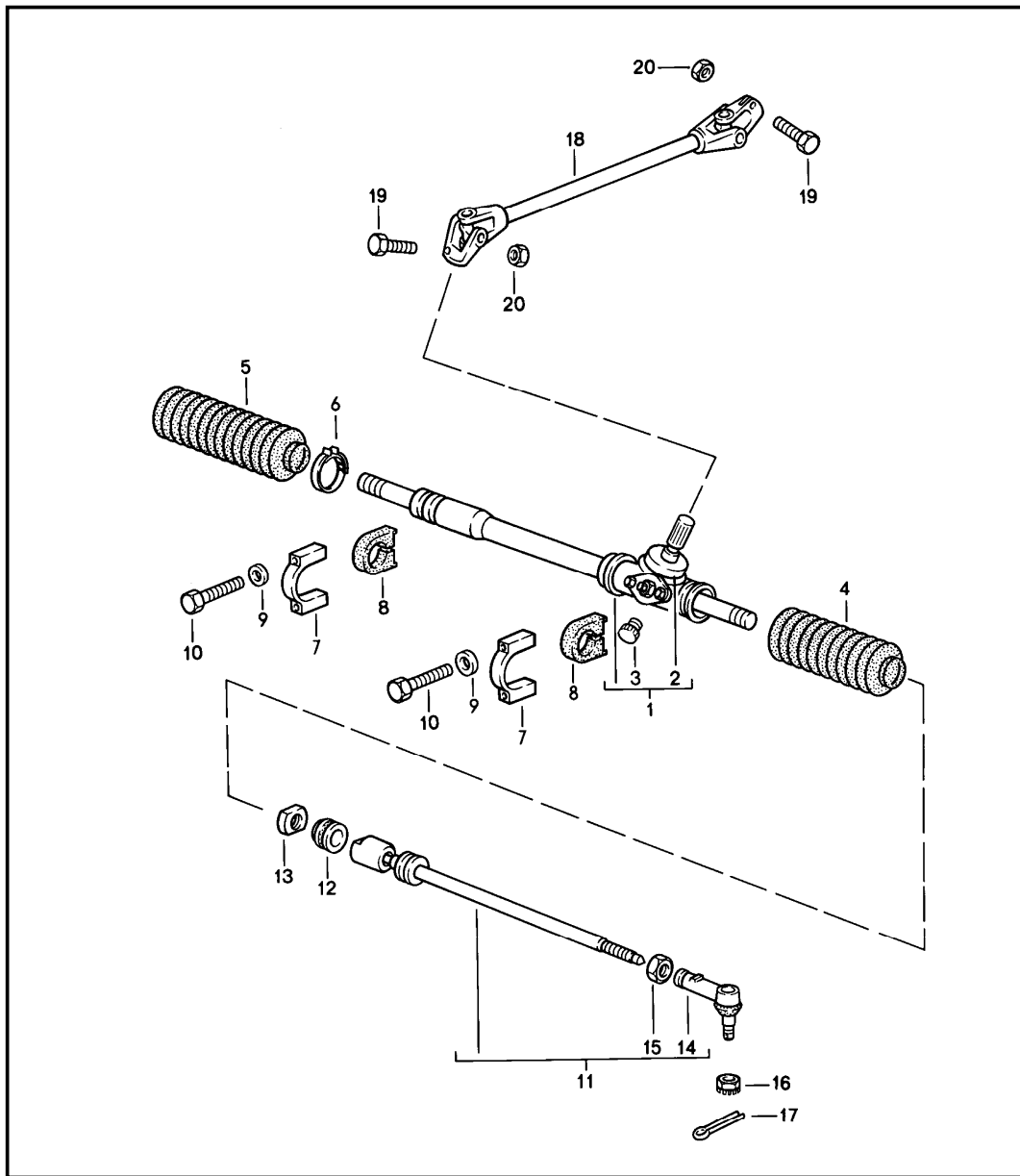
Pos	Part Number	Description	Remark	Qty	Model	Pos	Part Number	Description	Remark	Qty	Model
19	900 082 058 02	hexagon-head bolt M 12 X 1,5 X 55		2							
20	944 343 175 00	eccentric washer		2							
21	N 022 141 4	lock nut VM 12 X 1,5		4							

Model	Year	MG	SG	Illustration	Restrictions	UPD	21:09	23.01.2010	PORSCHE	PET	PORSCHE
944	1985	4	02	402-05		248					



Pos	Part Number	Description	Remark	Qty	Model
		stabiliser			
1	944 343 707 00	stabiliser \$ 20 MM		1	
1	944 343 707 01	stabiliser \$ 21,5 MM	-83	1	M404
(1)	944 343 706 00	stabiliser \$ 23 MM	84-	1	M404
2	944 343 733 00	suspension		2	
3	944 343 731 00	clip		2	
4	477 411 053 G	rubber bush \$ 20 MM		2	
(4)	477 411 053 N	rubber bush \$ 21,5 MM	-83	2	M404
(4)	477 411 053 J	rubber bush \$ 23 MM	84-	2	M404
5	944 343 735 00	bearing bracket	/L	1	
(5)	944 343 736 00	bearing bracket	/R	1	
6	171 411 314 A	rubber bush		2	
7	900 075 079 02	hexagon-head bolt M 8 X 22		12	
8	900 910 022 09	lock nut VM 8		8	

Model	Year	MG	SG	Illustration	Restrictions	UPD	21:09	23.01.2010	PORSCHE	PET	PORSCHE
944	1985	4	03	403-00		248					

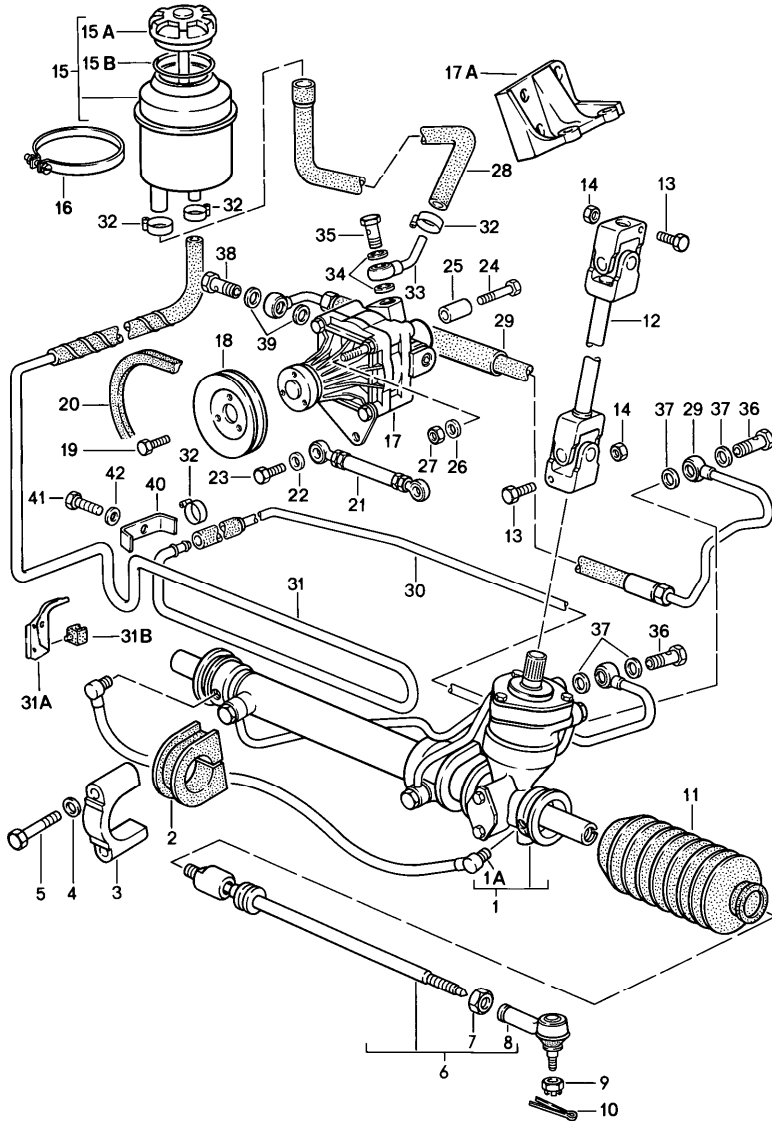


Pos	Part Number	Description	Remark	Qty	Model
		steering gear tie rod			
1	944 347 011 00	steering gear	/LL	1	
(1)	945 347 011 00	steering gear	/RL	1	
2	477 419 321	cap		1	
3	477 419 115	stopper		1	
4	171 419 831 C	boot	/L	1	
5	171 419 832 C	boot	/R	1	
6	823 419 843	terminal \$ 45 MM		1	
7	944 347 223 01	clip	/LL	2	
(7)	945 347 223 00	clip	/RL	2	
8	944 347 137 00	rubber insert	/L	1	
(8)	944 347 139 00	rubber insert	/R	1	
9	900 025 007 02	washer A 8,4		2	
10	N 010 360 6	hexagon-head bolt M 8 X 60	/LL	4	
(10)	900 074 134 02	hexagon-head bolt M 8 X 45	/RL	4	
11	944 347 033 00	tie rod F >>94DN4 02644 F >>94DN4 02812	/LL /RL	2	
11	944 347 033 01	tie rod F 94DN4 02645>> F 94DN4 02813>>	/LL /RL	2	
12	477 419 827	stop ring		2	
13	171 419 855	nut M 22 X 1,5		2	
14	944 347 333 00	ball joint F >>94DN4 02644 F >>94DN4 02812	/LL /RL	2	
14	944 347 333 01	ball joint F 94DN4 02645>> F 94DN4 02813>>	/LL /RL	2	

Model	Year	MG	SG	Illustration	Restrictions	UPD	21:09	23.01.2010	PORSCHE	PET	PORSCHE
944	1985	4	03	403-00		248					

Pos	Part Number	Description	Remark	Qty	Model	Pos	Part Number	Description	Remark	Qty	Model
15	N 011 163 3	hexagon nut M 14		2							
16	N 011 212 2	castle nut M 12		2							
17	N 012 532 1	cotter pin 3 X 25		2							
18	944 347 027 01	drive shaft	/LL	1							
(18)	945 347 027 00	drive shaft	/RL	1							
19	N 010 335 7	hexagon-head bolt M 8 X 35		2							
20	900 910 022 09	lock nut VM 8		2							

Model	Year	MG	SG	Illustration	Restrictions	UPD	21:10	23.01.2010	PORSCHE	PET	PORSCHE
944	1985	4	03	403-02		248					

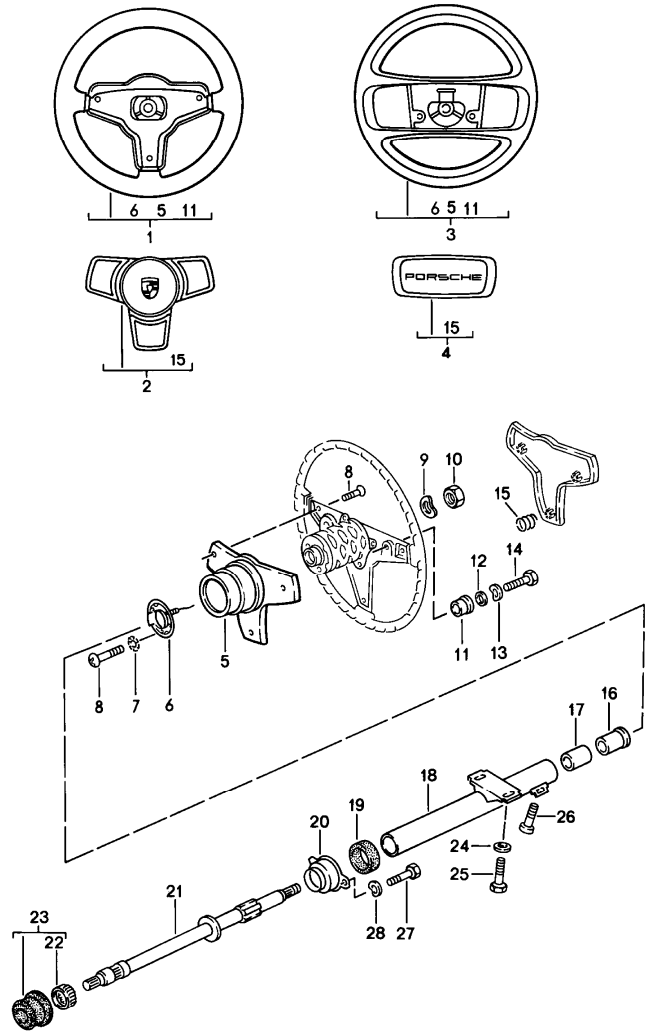


Pos	Part Number	Description	Remark	Qty	Model
		power steering steering gear vane type pump lines			M657
		see technical information GR.4, NR.6/90			
1	> 944 347 011 24	steering gear	/LL	1	
(1)	> 945 347 011 22	steering gear	/RL	1	
1A	944 347 311 00	compensating line		1	
2	944 347 137 00	rubber insert	/L	1	
(2)	944 347 139 01	rubber insert	/R	1	
(3)	945 347 023 00	clip	/RL	2	
3	944 347 223 01	clip	/LL	2	
4	900 025 007 02	washer A 8,4		4	
5	N 010 360 6	hexagon-head bolt M 8 X 60		4	
6	944 347 033 20	tie rod		2	
7	N 011 163 3	hexagon nut M 14		2	
8	944 347 333 00	ball joint		2	
9	N 011 212 2	castle nut		2	
10	N 012 532 1	cotter pin		2	
11	171 419 831 C	boot		2	
12	944 347 027 02	drive shaft	/LL	1	
(12)	945 347 027 00	drive shaft	/RL	1	
13	N 010 335 7	hexagon-head bolt M 8 X 35		2	
14	900 910 022 09	lock nut VM 8		2	
15	928 347 015 05	oil tank		1	
15A	928 347 925 00	lid		1	
15B	928 347 927 00	gasket		1	

Model	Year	MG	SG	Illustration	Restrictions	UPD	21:10	23.01.2010	PORSCHE	PET	PORSCHE
944	1985	4	03	403-02		248					

Pos	Part Number	Description	Remark	Qty	Model	Pos	Part Number	Description	Remark	Qty	Model
16	999 512 350 02	hose clamp		1		31B	944 347 467 00	cable clip for line bracket		4	
17	> 944 347 432 08	vane type pump		1							
17A	944 101 147 00	bracket for vane type pump	-84	1		32	999 512 554 00	hose clamp LA 12-22		2	
(17A)	944 101 147 01	bracket for vane type pump	85-	1		32A	999 512 346 02	hose clamp 16 - 25		1	
						32B	999 512 554 00	hose clamp 12 - 22		1	
18	944 347 437 03	pulley		1		33	999 230 158 02	nipple with elastic ring		1	
19	999 072 005 09	hexagon-head bolt M 6 X 12		3		34	N 100 184 01	sealing ring D 16 X 20		2	
20	999 192 236 50	narrow v-belt 9,5 X 950		1		35	900 134 014 02	banjo bolt		1	
21	944 347 053 00	strut		1		36	999 134 018 02	banjo bolt 12	/LL	2	
22	900 025 007 02	washer A 8,4		1		36	999 134 018 02	banjo bolt 12	/RL	1	
23	900 075 029 09	hexagon-head bolt M 8 X 25		2		36	N 021 053 2	banjo bolt 10	/RL	1	
24	N 010 361 4	hexagon-head bolt M 8 X 65		1		37	900 123 026 20	sealing ring D 12 X 15,5	/LL	4	
25	944 347 443 00	sleeve		1		37	900 123 026 20	sealing ring D 12 X 15,5	/RL	2	
26	900 025 007 02	washer A 8,4		1		37	N 100 390 01	sealing ring D 10 X 13,5	/RL	2	
27	900 076 025 02	hexagon nut M 8		1		38	900 134 007 02	banjo bolt		1	
28	944 347 445 02	moulded hose		1		39	900 123 042 20	sealing ring D 14 X 18		2	
29	944 347 447 00	pressure line	/LL	1		40	928 347 455 00	shim		1	
(29)	945 347 447 02	pressure line	/RL	1		41	900 074 015 02	hexagon-head bolt M 6 X 30		1	
30	944 347 449 01	return line	/LL	1		42	N 011 524 7	washer A 6,4		1	
(30)	945 347 449 02	return line	/RL	1							
31	944 347 459 00	return line	-83	1							
31	944 347 459 02	return line	84-	1							
31A	944 347 465 02	support return line		1							

Model	Year	MG	SG	Illustration	Restrictions	UPD	21:10	23.01.2010	PORSCHE	PET	PORSCHE
944	1985	4	03	403-05		248					

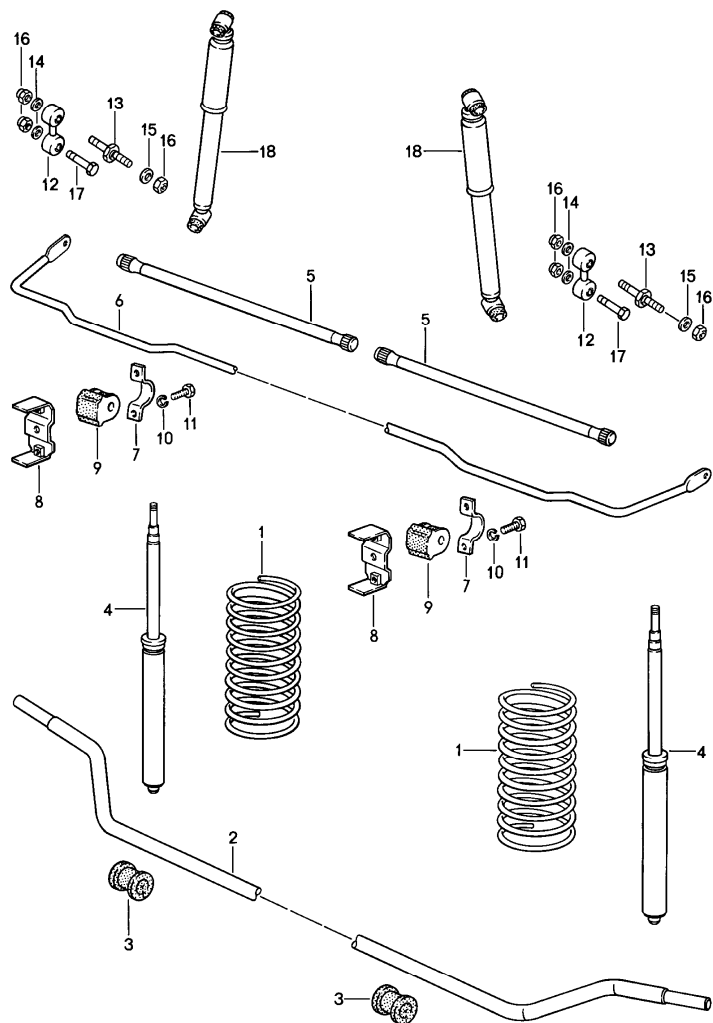


Pos	Part Number	Description	Remark	Qty	Model
1	944 347 084 01	steering wheel steering column sports steering wheel leatherette \$ 380 MM 1DB black 4RB brown		1	
(1)	944 347 084 04	sports steering wheel leather \$ 380 MM 1AJ black 4RB brown		1	M416
1	944 347 084 03	sports steering wheel leather \$ 380 MM with elevated hub 1DB black 4RB brown		1	M018
2	944 347 859 04	padded cap 1DB black 4RB brown		1	
3	944 347 084 02	sports steering wheel leather \$ 363 MM 1AJ black 4RB brown		1	M431
4	944 347 859 05	padded cap 1AJ black 4RB brown		1	M431
5	944 347 057 00	lining 1DB black 4RB brown		1	
(5)	944 347 857 00	lining 1DB black		1	M431

Model	Year	MG	SG	Illustration	Restrictions	UPD	21:10	23.01.2010	PORSCHE	PET	PORSCHE
944	1985	4	03	403-05		248					

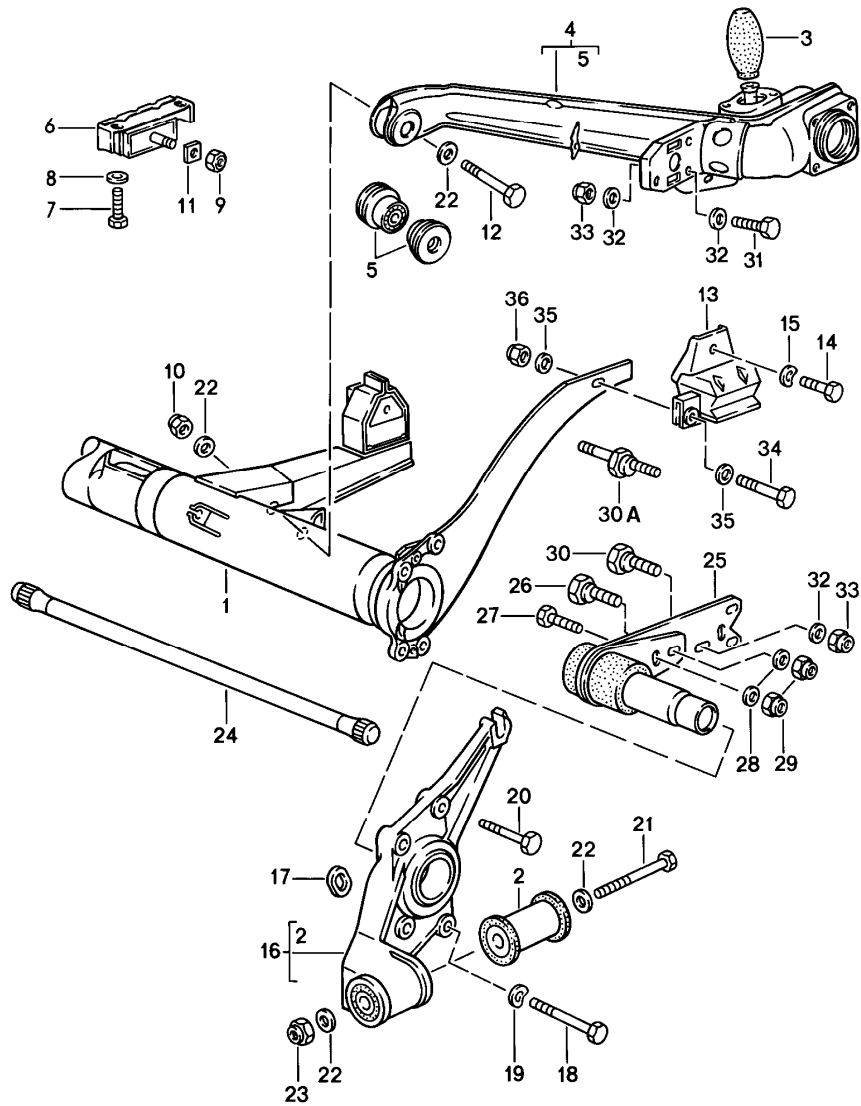
Pos	Part Number	Description	Remark	Qty	Model	Pos	Part Number	Description	Remark	Qty	Model
	4RB	brown				26	N 014 707 4	pan-head screw M 8 X 16		1	
6	113 415 660 A	slip ring		1		27	N 010 215 13	hexagon-head bolt M 6 X 15	/LL	2	
7	N 012 131 2	shake-proof washer J 3,7		3		(27)	999 072 005 09	hexagon-head bolt M 6 X 12	/RL	2	
8	113 415 869	oval-head screw AM 3,5 X 10		6		28	211 805 243	spring washer		2	
9	N 012 238 5	spring washer B 16		1							
10	900 078 006 01	hexagon nut M 16 X 1,5		1							
11	321 419 779	insulating bush		3							
11	321 419 779 A	insulating bush		3	M431						
12	900 025 002 02	washer A 4,3		3							
13	N 042 122 2	shake-proof washer A 4,3		3							
14	N 010 261 3	hexagon-head bolt M 4 X 15		3							
15	171 419 697	spring		3							
16	171 419 341	support ring		1							
17	171 419 549	clamping sleeve		1							
18	477 419 563 B	steering column tube		1							
19	411 417 613	rubber mounting		1							
20	411 417 605	support ring		1							
21	477 419 505 J	steering column	/LL	1							
(21)	478 419 505 B	steering column	/RL	1							
(21)	944 347 019 00	steering column	/LL	1	M657						
(21)	945 347 019 00	steering column	/RL	1	M657						
22	113 415 511	needle-roller bearing		1							
23	477 419 059	needle sleeve		1							
24	111 129 720	washer A 8,4		2							
25	411 417 549	shear bolt		2							

Model	Year	MG	SG	Illustration	Restrictions	UPD	21:10	23.01.2010	PORSCHE	PET	PORSCHE
944	1985	4	04	404-00		248					



Pos	Part Number	Description	Remark	Qty	Model
		sports suspension			
>>	>>944 343 901 00	conversion set for cars without M 404 + M 474 comprising:		X	
1	477 411 105 G	coil spring 1 set identification	/V	1	
	954	red			
2	944 343 706 00	stabiliser \$ 23 MM	/V	1	
3	477 411 053 J	rubber bush	/V	2	
4	944 343 059 00	vibration damper insert	/V	2	
5	944 333 103 00	torsion bar \$ 24,5 MM	/HL	1	
(5)	944 333 104 00	torsion bar \$ 24,5 MM	/HR	1	
6	477 511 415	stabiliser \$ 20 MM	/H	1	
7	113 411 333	retaining bow	/H	2	
8	477 501 095	clip	/H	2	
9	477 411 313 C	rubber mounting	/H	2	
10	900 027 015 02	lock ring B 8	/H	4	
11	900 075 085 02	hexagon-head bolt M 8 X 20	/H	4	
12	477 511 051 A	stabiliser mounting	/H	2	
13	477 511 515	camber eccentric	/H	2	
14	901 333 143 02	washer	/H	2	
15	N 011 527 12	washer	/H	2	
16	N 022 141 4	lock nut	/H	2	
17	N 010 452 4	hexagon-head bolt	/H	2	
18	944 333 031 00	vibration damper	/H	2	

Model	Year	MG	SG	Illustration	Restrictions	UPD	21:11	23.01.2010	PORSCHE	PET	PORSCHE
944	1985	5	01	501-00		248					



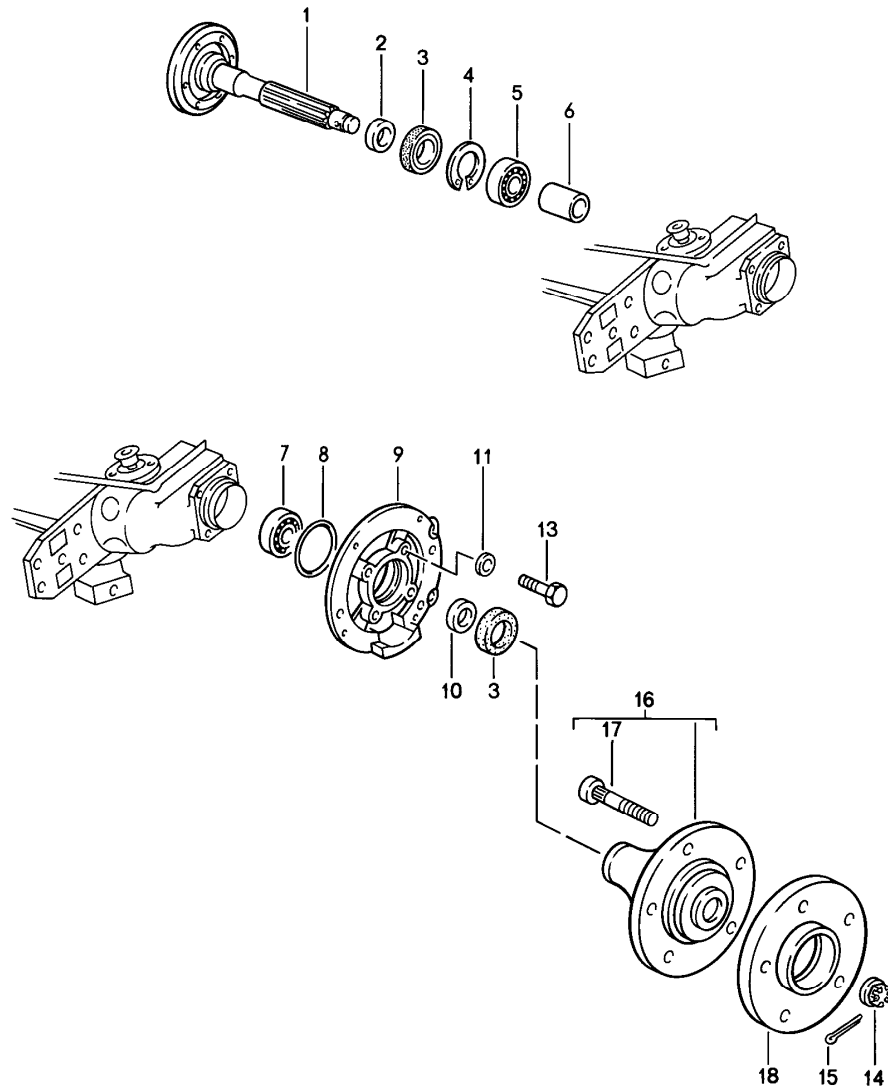
Pos	Part Number	Description	Remark	Qty	Model
(1)	477 500 053 F	rear axle carrier		1	
2	477 501 069 A	rear axle link		2	
3	311 501 191	rubber bush		2	
4	944 331 021 00	rubber stop	/L	1	
(4)	944 331 022 00	rear axle link	/R	1	
5	477 501 541	rear axle carrier		4	
6	477 501 089	rubber bush		2	
7	900 075 043 02	mounting		4	
8	900 025 008 09	hexagon-head bolt M 10 X 30		4	
9	N 022 149 2	washer A 10,5		2	
10	N 021 131 1	lock nut VM 10		2	
11	477 501 697	lock nut VM 12 X 1,5		2	
12	N 010 190 4	washer		2	
13	944 331 075 00	hexagon-head bolt M 12 X 90	/L	1	
(13)	944 331 076 00	supporting mount	/R	1	
14	900 075 040 02	supporting mount		8	
15	N 012 230 6	hexagon-head bolt M 10 X 20		8	
16	944 331 059 00	spring washer B 10	/L	1	
(16)	944 331 060 00	bearing flange	/R	1	
17	477 501 667	bearing flange		2	
18	900 074 248 09	washer		2	
19	N 012 230 6	hexagon-head bolt M 10 X 65		8	
		spring washer B 10			

Model	Year	MG	SG	Illustration	Restrictions	UPD	21:11	23.01.2010	PORSCHE	PET	PORSCHE
944	1985	5	01	501-00		248					

Pos	Part Number	Description	Remark	Qty	Model	Pos	Part Number	Description	Remark	Qty	Model
20	N 010 455 3	hexagon-head bolt M 10 X 55		6							
21	900 082 059 02	hexagon-head bolt M 12 X 1,5 X 115		2							
22	803 199 347	washer		8							
23	N 022 141 4	lock nut VM 12 X 1,5		2							
24	944 333 115 00	torsion bar 23,5 \$	/L	1							
(24)	944 333 116 00	torsion bar 23,5 \$	/R	1							
25	477 511 201	rear axle strut	/L	1							
(25)	477 511 202	rear axle strut	/R	1							
26	911 333 303 00	eccentric screw		2							
27	911 333 305 00	hexagon-head bolt		2							
28	911 333 307 00	washer		4							
29	900 910 092 02	lock nut VM 16 X 1,5		4							
30	477 511 519	camber eccentric		2							
30A	477 511 515	camber eccentric only together with stabiliser \$ 14 MM		2							
31	N 010 138 1	hexagon-head bolt M 12 X 1,5 X 38		4							
32	900 025 009 02	washer A 13		8							
33	N 022 141 4	lock nut VM 12 X 1,5		4							
34	900 075 029 09	hexagon-head bolt M 8 X 25		2							
35	900 025 007 02	washer A 8,4		4							
36	900 910 022 09	lock nut VM 8		2							

Model	Year	MG	SG	Illustration	Restrictions	UPD	21:11	23.01.2010	PORSCHE	PET	PORSCHE
944	1985	5	01	501-05		248					

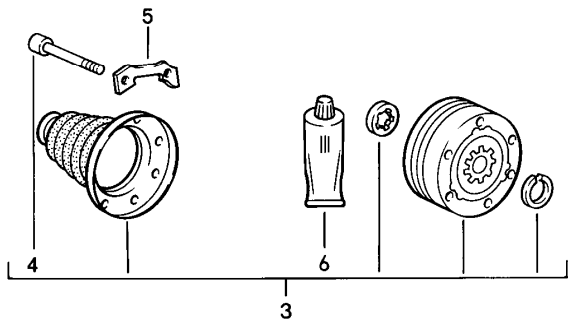
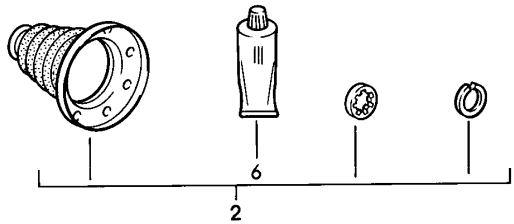
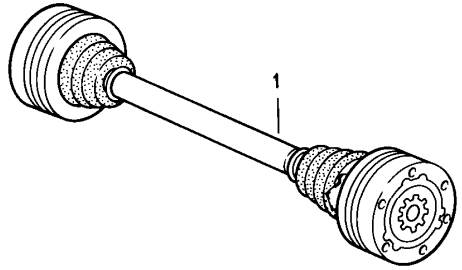
Pos	Part Number	Description	Remark	Qty	Model
		rear wheel shaft			
1	477 501 263	rear wheel shaft		2	
2	113 501 305	spacer ring inner		2	
3	113 501 315 H	sealing ring		4	
4	937 331 133 00	circlip 62 X 2,00 MM		2	
(4)	937 331 133 01	circlip 62 X 2,05 MM		X	
(4)	937 331 133 02	circlip 62 X 2,10 MM		X	
(4)	937 331 133 03	circlip 62 X 2,15 MM		X	
(4)	937 331 133 04	circlip 62 X 2,20 MM		X	
5	113 501 283	deep-groove ball bearing		2	
6	113 501 243	spacer tube		2	
7	113 501 277 A	cylindrical-roller bearing		2	
8	113 501 291 B	sealing ring		2	
9	477 609 111	calliper carrier	/L	1	
(9)	477 609 112	calliper carrier	/R	1	
10	113 501 303	spacer ring outer		2	
11	999 025 076 09	washer 10,2 X 18		8	
13	N 010 450 5	hexagon-head bolt M 10 X 50		8	
14	311 501 221	castle nut		2	
15	900 021 025 02	cotter pin 5 X 45		2	
16	477 501 065	wheel hub		2	
17	911 331 671 00	wheel bolt for 21 MM spacer ring		10	



Model	Year	MG	SG	Illustration	Restrictions	UPD	21:11	23.01.2010	PORSCHE	PET	PORSCHE
944	1985	5	01	501-05		248					

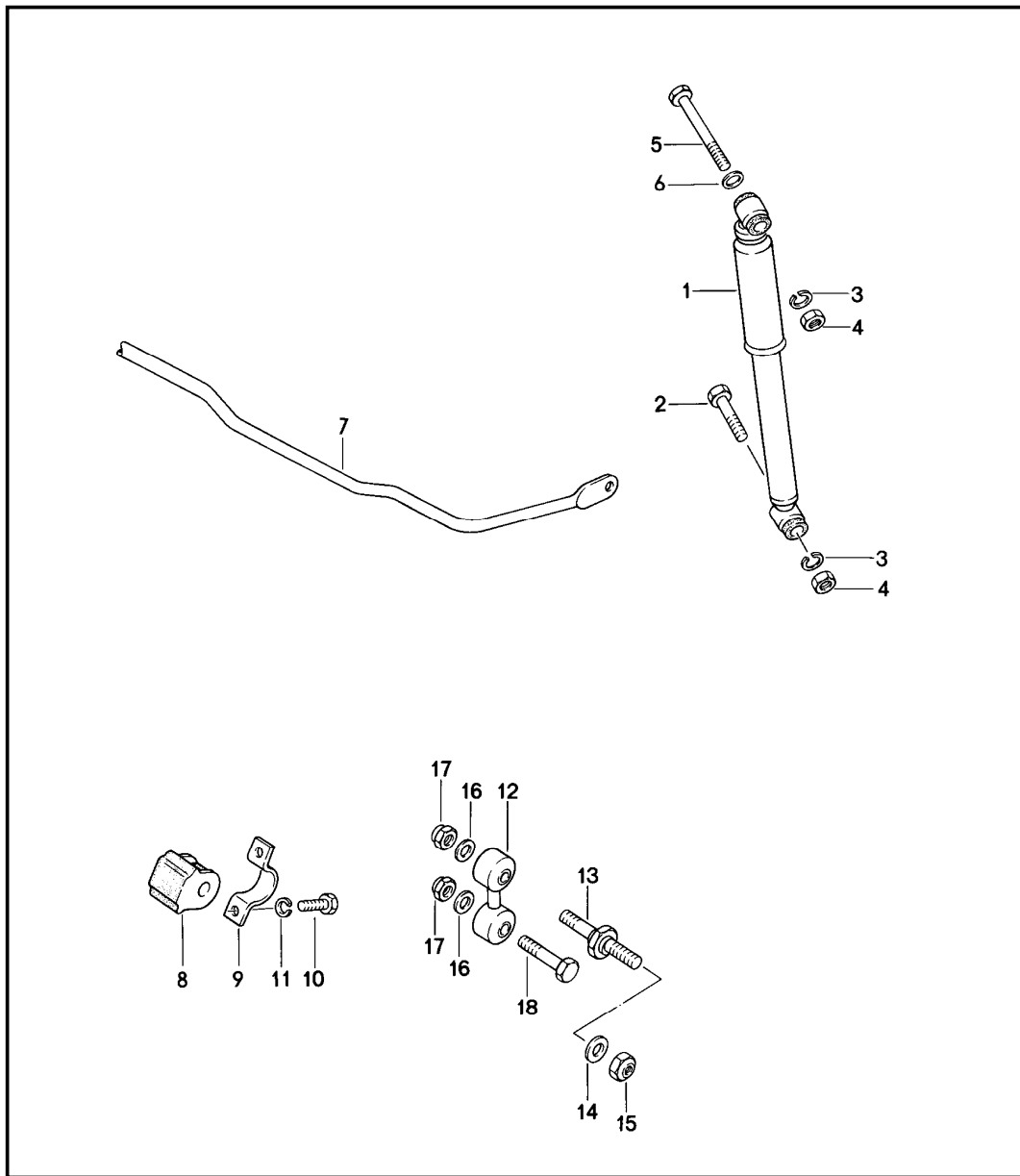
Pos	Part Number	Description	Remark	Qty	Model	Pos	Part Number	Description	Remark	Qty	Model
(17)	901 331 671 01	wheel bolt for 28 MM spacer ring		10							
18	477 501 701	spacer ring 21 MM		2							
(18)	930 331 611 04	spacer ring 28 MM		2							

Model	Year	MG	SG	Illustration	Restrictions	UPD	21:11	23.01.2010	PORSCHE	PET	PORSCHE
944	1985	5	01	501-10		248					



Pos	Part Number	Description	Remark	Qty	Model
		drive shaft			
1	477 501 103	drive shaft		2	
1	477 501 101 A	drive shaft	/L	1	M249
1	477 501 102 A	drive shaft	/R	1	M249
2	944 331 903 00	repair kit dust bellows		4	
3	944 331 901 00	repair kit constant-velocity joint		4	
4	893 407 237	pan-head screw		24	
5	944 332 191 00	plate		12	
6	000 043 110 01	grease 1 100-gramme tube		X	

Model	Year	MG	SG	Illustration	Restrictions	UPD	21:11	23.01.2010	PORSCHE	PET	PORSCHE
944	1985	5	02	502-00		248					

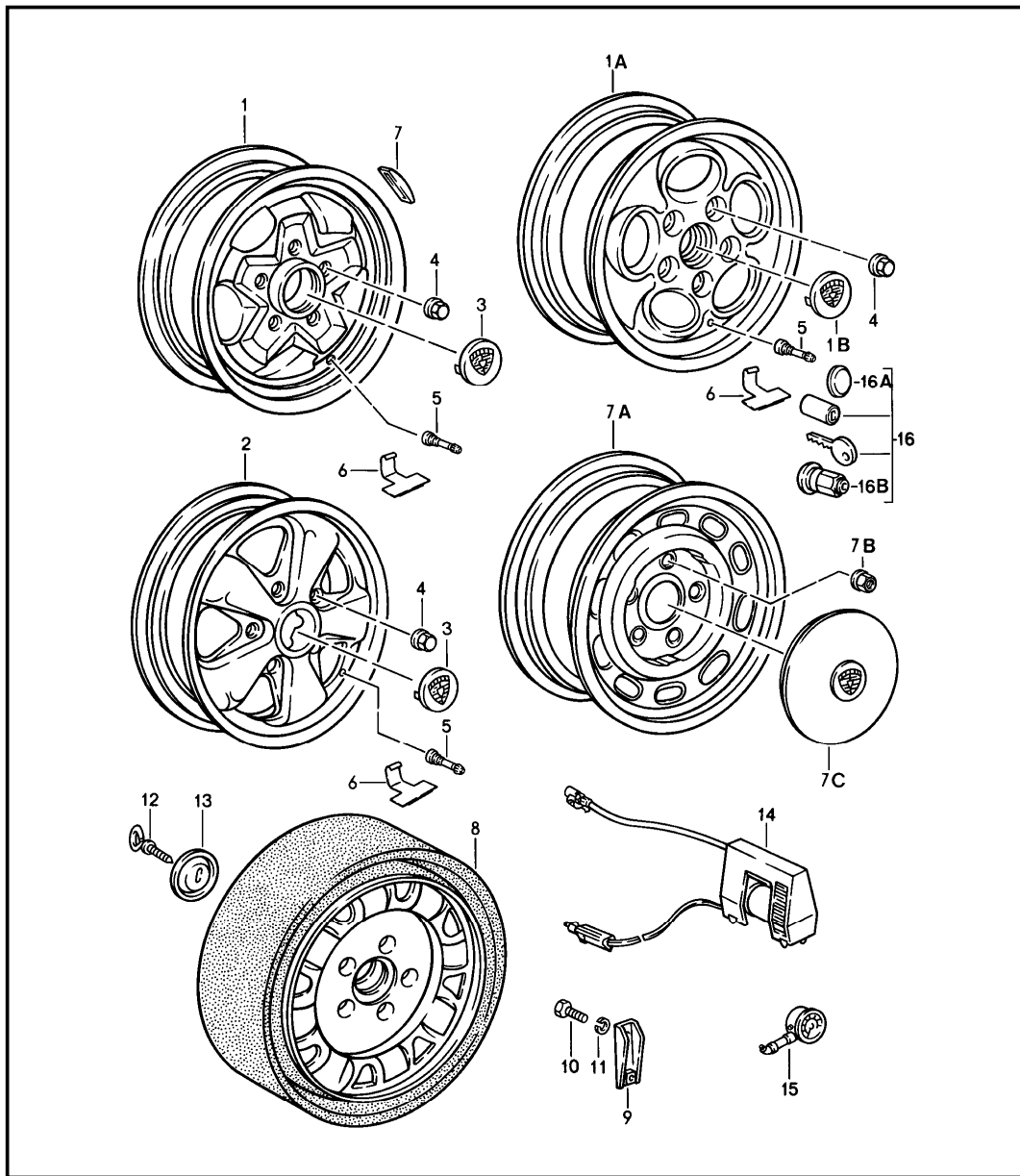


Pos	Part Number	Description	Remark	Qty	Model
		vibration damper stabiliser			
1	477 513 031 H	vibration damper - fichtel + sachs -		2	
(1)	944 333 031 00	vibration damper - koni -		2	M474
2	N 010 156 3	hexagon-head bolt M 12 X 1,5 X 70		2	
3	N 012 042 4	lock ring B 12		4	
4	N 011 020 8	hexagon nut M 12 X 1,5		4	
5	900 082 044 02	hexagon-head bolt M 12 X 1,5 X 125		2	
6	043 101 129	washer 12,2 X 22		2	
7	477 511 411 A	stabiliser \$ 14 MM		1	
8	477 411 313 F	rubber mounting \$ 14 MM		2	
9	113 411 333	retaining bow		2	
10	900 075 085 02	hexagon-head bolt M 8 X 20		4	
11	900 027 015 02	lock ring B 8		4	
12	477 511 051 A	stabiliser mounting		2	
13	477 511 515	camber eccentric		2	
14	900 025 009 02	washer A 13		2	
15	N 022 141 4	lock nut VM 12 X 1,5		2	
16	900 025 008 09	washer A 10,5		4	
17	N 022 149 2	lock nut VM 10		4	

Model	Year	MG	SG	Illustration	Restrictions	UPD	21:11	23.01.2010	PORSCHE	PET	PORSCHE
944	1985	5	02	502-00		248					

Pos	Part Number	Description	Remark	Qty	Model	Pos	Part Number	Description	Remark	Qty	Model
18	N 010 452 4	hexagon-head bolt M 10 X 52		2							

Model	Year	MG	SG	Illustration	Restrictions	UPD	21:11	23.01.2010	PORSCHE	PET	PORSCHE
944	1985	6	01	601-00		248					



Pos	Part Number	Description	Remark	Qty	Model
1	911 361 023 55	disc wheel alloy wheel 7J X 15 ET 23,3 cast black star		4	
1A	951 362 104 00	alloy wheel 7J X 15 ET 23,3 cast silver metallic	(CH) 84-	4	
1B	928 361 032 01	hub cap		4	
2	911 362 115 00	forged wheel 7J X 16 ET 23,3 forged aluminium alloy rim flange polished black star		4	
(2)	911 362 115 90	perforated disc wheel 7J X 16 ET 23,3 forged aluminium alloy rim flange polished unvarnished		4	
(2)	911 361 020 41	alloy wheel 7J X 15 ET 23,3 forged aluminium alloy rim flange polished black star	/V	2	
(2)	911 361 020 93	alloy wheel 7J X 15 ET 23,3 forged aluminium alloy unvarnished rim flange polished	/V	2	
(2)	911 361 020 42	alloy wheel 8J X 15 ET 10,6 black star rim flange polished	/H	2	
(2)	911 361 020 94	alloy wheel 8J X 15 ET 10,6 forged aluminium alloy unvarnished rim flange polished	/H	2	

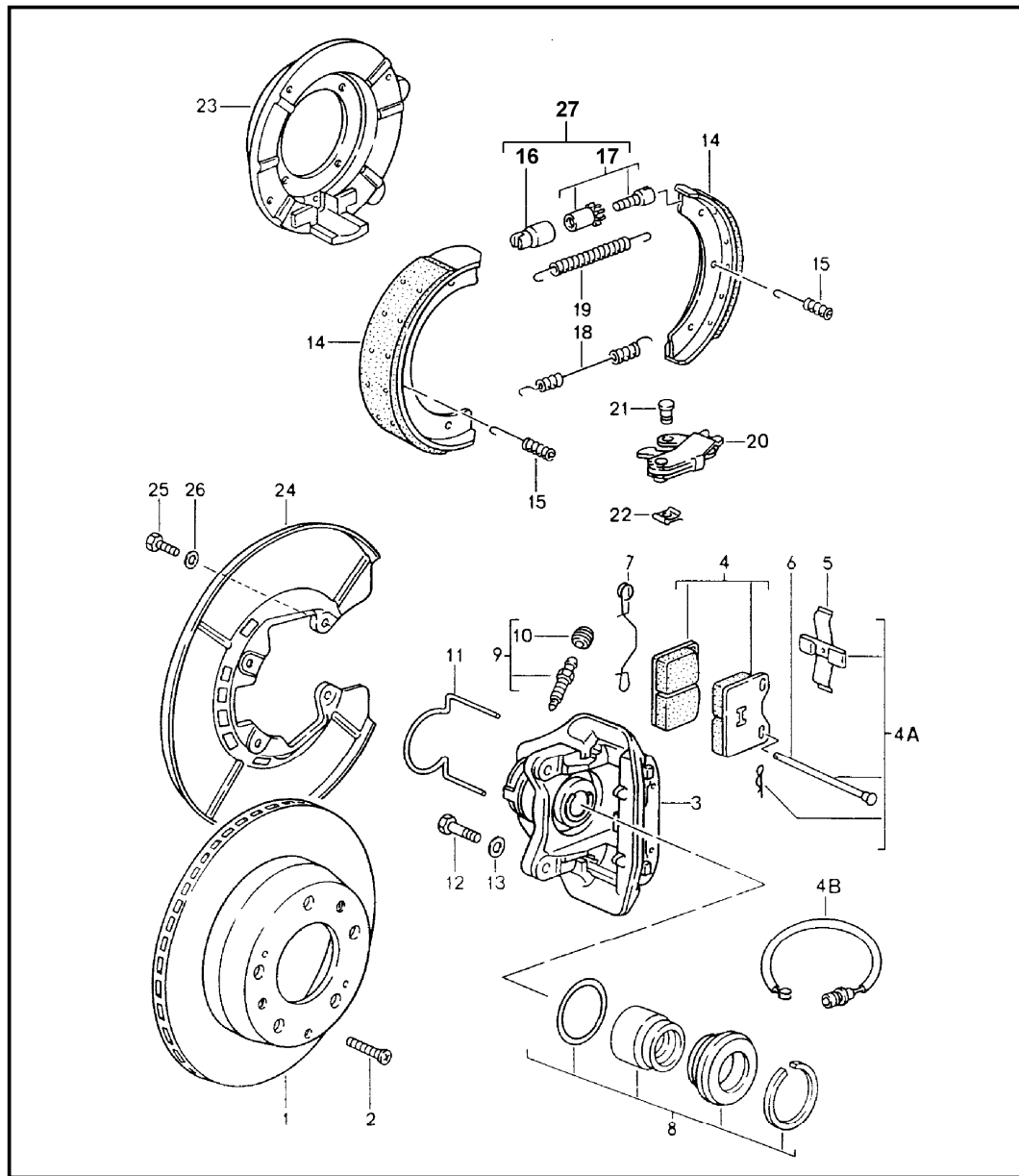
Model	Year	MG	SG	Illustration	Restrictions	UPD	21:11	23.01.2010	PORSCHE	PET	PORSCHE
944	1985	6	01	601-00		248					

Pos	Part Number	Description	Remark	Qty	Model	Pos	Part Number	Description	Remark	Qty	Model
3	911 361 032 28	hub cap		4		8	928 362 030 02	emergency wheel alloy wheel with collapsible tire		1	
3	911 361 032 29	hub cap grand prix white		4		9	477 813 191	support		1	
3	911 361 032 30	hub cap platinum-metallic		4		10	N 010 251 2	hexagon-head bolt M 10 X 18		1	
3	911 361 032 31	hub cap white gold metallic		4		11	900 027 016 02	lock ring		1	
4	999 182 003 36	wheel nut		20		(12)	914 722 104 10	wing screw M 10 X 75		1	
5	900 265 001 50	rubber valve \$ 15,2		4		13	477 813 157	washer		1	
6	965 361 561 00	valve support		4		(14)	964 652 053 00	small electric compressor		1	
7	901 361 410 00	balance stick-on weight 10 G		X		15	911 722 201 02	tyre pressure gauge		1	
(7)	901 361 411 00	balance stick-on weight 20 G		X		16	928 361 047 03	wheel nut 1 set lockable		1	
(7)	901 361 412 00	balance stick-on weight 30 G		X		16B	928 361 306 03	wheel nut lockable without lock		4	
7	901 361 413 00	balance stick-on weight 40 G		X		16A	928 361 310 00	cap		4	
(7)	901 361 414 00	balance stick-on weight 50 G		X		-	928 361 312 01	blank key for wheel nut lockable		X	
(7)	901 361 415 00	balance stick-on weight 60 G		X							
(7)	901 361 416 00	balance stick-on weight 70 G		X							
(7)	901 361 417 00	balance stick-on weight 80 G		X							
7A	U 911 361 022 00	disc wheel for winter use perforated disc wheel steel 5 1/2 J X 15		4							
7B	N 020 112 1	ball seat nut		20							
7C	901 361 031 01	hub cap emergency wheel		4							

Model	Year	MG	SG	Illustration	Restrictions	UPD	21:12	23.01.2010	PORSCHE	PET	PORSCHE
944	1985	6	02	602-00		248					

Pos	Part Number	Description	Remark	Qty	Model	Pos	Part Number	Description	Remark	Qty	Model
18	944 351 952 01	mounting parts		1							
19	928 351 941 00	gasket set		1							
20	944 612 211 00	warning contact		2							
-	944 341 705 00	cable holder		1							
-	944 612 635 00	clip		4							

Model	Year	MG	SG	Illustration	Restrictions	UPD	21:12	23.01.2010	PORSCHE	PET	PORSCHE
944	1985	6	03	603-00		248					

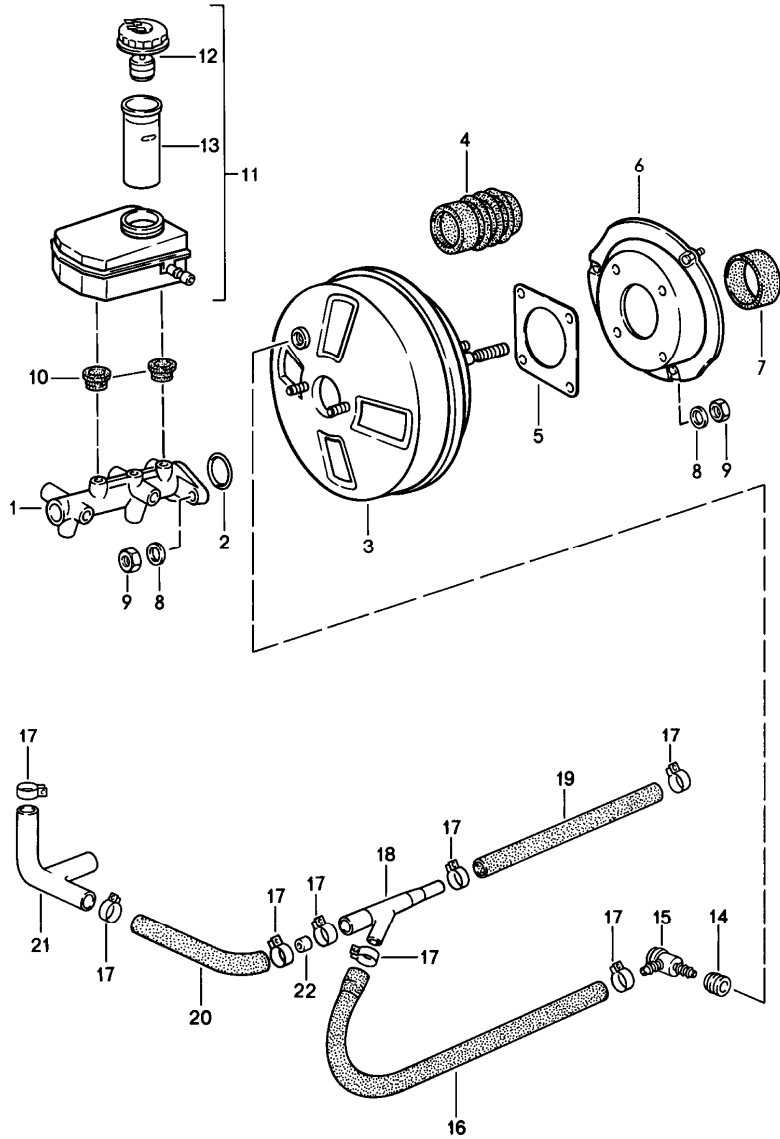


Pos	Part Number	Description	Remark	Qty	Model
		disc brake rear axle			
1	944 352 041 02	brake disc		2	
2	N 033 167 1	countersunk-head screw M 6 X 12		2	
3	944 352 429 00	floating calliper	/L	1	
(3)	944 352 430 00	floating calliper	/R	1	
4	944 352 951 02	brake pad repair set without asbestos		1	
4A	944 352 952 00	mounting parts		1	
4B	944 612 211 01	warning contact	84-	2	
-	944 331 705 00	cable holder	84-	1	
5 *	928 352 935 00	expanding spring		2	
6 *	928 351 936 00	retaining pin		4	
7	928 352 937 00	retaining spring	-83	2	
(7)	944 352 963 00	safety seal	84-	2	
8	928 352 941 00	gasket set		2	
9	901 352 977 10	ventilation valve		2	
10	901 351 927 10	dust boot		2	
11	944 352 953 00	guide spring	/L -83	1	
(11)	944 352 954 00	guide spring	/R -83	1	
(11)	944 352 954 00	guide spring	/L 84-	1	
(11)	944 352 953 00	guide spring	/R 84-	1	
12	900 082 077 02	hexagon-head bolt M 12 X 1,5 X 37		4	
13	900 028 014 02	spring washer B 12		4	
		handbrake			
14 A	996 352 993 00	repair kit without asbestos		4	

Model	Year	MG	SG	Illustration	Restrictions	UPD	21:12	23.01.2010	PORSCHE	PET	PORSCHE
944	1985	6	03	603-00		248					

Pos	Part Number	Description	Remark	Qty	Model	Pos	Part Number	Description	Remark	Qty	Model
(14)	997 352 993 02	repair kit 1 set only together with compression spring 996.352.741.00 adjusting screw 993.352.071.00		1							
15	928 352 957 02	compression spring		4							
(15)	996 352 741 00	compression spring only together with repair kit 997.352.993.02		4							
16	911 352 944 00	support bush		2							
17	911 352 098 00	adjusting screw		2							
18	901 352 954 10	return spring		2							
19	901 352 932 10	return spring		2							
20	951 352 090 00	expanding bow		2							
21	477 609 459	bolt		2							
22	N 900 588 01	lock		2							
23	477 609 111	calliper carrier	/L	1							
23	477 609 112	calliper carrier	/R	1							
24	937 352 801 00	protective plate		2							
25	999 072 005 09	hexagon-head bolt M 6 X 12		8							
26	N 012 226 5	spring washer B 6		8							
27	993 352 071 00	adjusting screw only together with repair kit 997.352.993.02		2							

Model	Year	MG	SG	Illustration	Restrictions	UPD	21:12	23.01.2010	PORSCHE	PET	PORSCHE
944	1985	6	04	604-00		248					

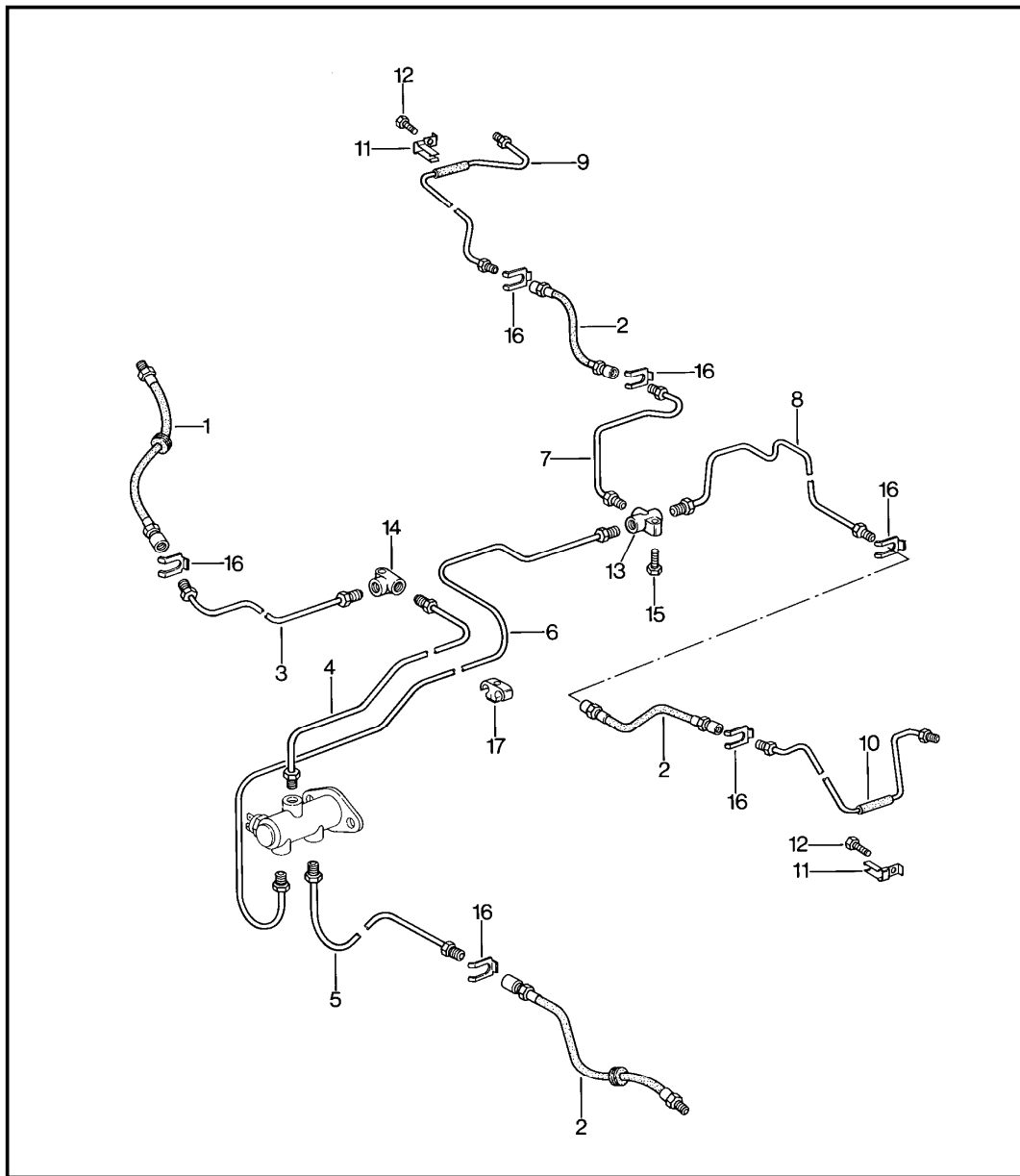


Pos	Part Number	Description	Remark	Qty	Model
1	944 355 011 00	brake master cylinder brake booster expansion tank		1	
1	944 355 011 01	brake master cylinder - ate -		1	
2	251 611 243	brake light switch see group 9/06/00		1	
3	944 355 023 00	sealing ring		1	
3	944 355 023 11	brake booster - girling -		1	
4	944 355 323 00	brake booster - ate -		1	
5	477 611 951	bellows		1	
6	477 611 945 D	gasket		1	
7	477 611 969 D	intermediate piece		1	
8	900 025 007 02	gasket		1	
9	900 076 025 02	washer		9	
9	900 076 025 02	hexagon nut M 8		9	
10	911 355 922 00	sealing plug		2	
11	477 611 303 B	expansion tank		1	
12	477 611 351 B	lid with float		1	
13	477 611 385 A	restrictor bush		1	
14	911 355 921 00	rubber seal		1	
15	191 611 933 F	check valve		1	
(15)	477 611 933 A	check valve	(J)	1	
(15)	477 611 933 A	check valve		1	M573
16	944 355 401 00	elbow		1	
17	999 512 346 00	hose clamp		9	
18	035 133 753 A	venturi tube		1	

Model	Year	MG	SG	Illustration	Restrictions	UPD	21:12	23.01.2010	PORSCHE	PET	PORSCHE
944	1985	6	04	604-00		248					

Pos	Part Number	Description	Remark	Qty	Model	Pos	Part Number	Description	Remark	Qty	Model
-	944 110 365 01	support for venturi tube		1							
-	999 239 011 40	hose		1							
19	-	140 MM									
20	944 110 361 02	moulded hose		1							
(20)	944 110 361 03	moulded hose		1	M573						
21	944 110 363 02	connecting piece		1							
22	944 110 241 01	restrictor bush		1							

Model	Year	MG	SG	Illustration	Restrictions	UPD	21:12	23.01.2010	PORSCHE	PET	PORSCHE
944	1985	6	04	604-05		248					

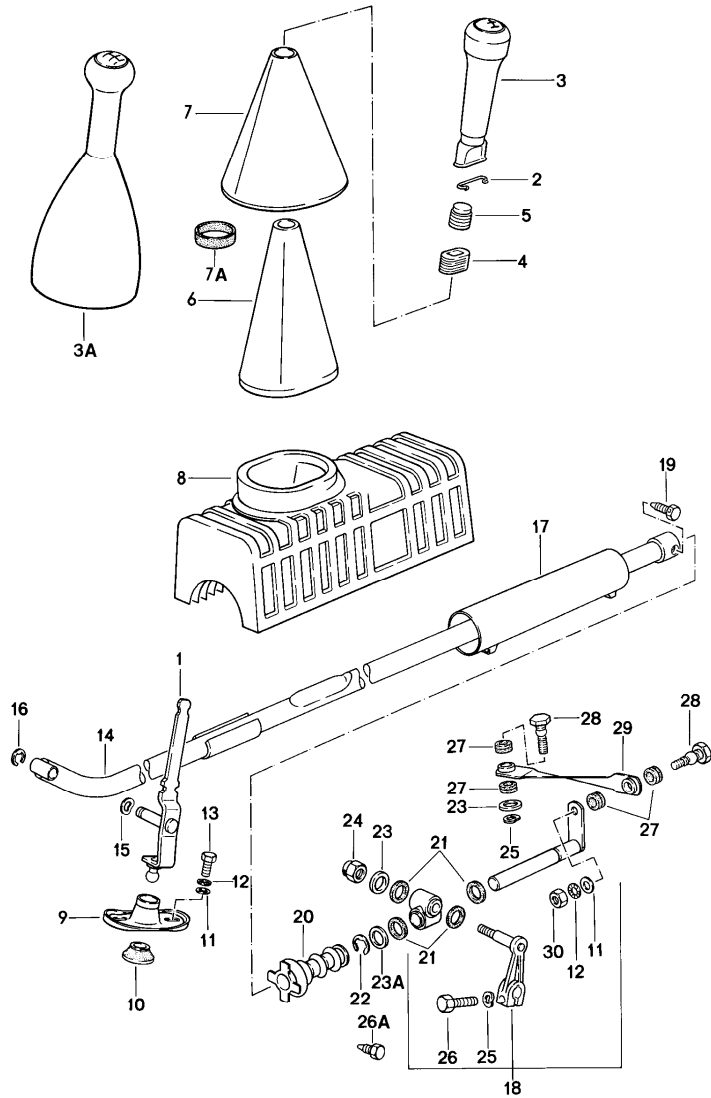


Pos	Part Number	Description	Remark	Qty	Model
		brake lines			
1	477 611 071 B	brake hose	/V	2	
2	944 355 081 01	brake hose	/H	2	
3	477 611 724 A	brake line	/R	1	
4	937 355 630 00	brake line	/R	1	
5	944 355 029 01	brake line	/L	1	
6	937 355 631 00	brake line		1	
7	937 355 632 00	brake line	/R	1	
8	944 355 033 00	brake line	/L	1	
9	477 611 782 A	brake line	/R	1	
10	477 611 781 A	brake line	/L	1	
11	477 611 783	support		2	
12	N 010 210 13	hexagon-head bolt		2	
13	914 355 667 00	distributor		1	
14	901 355 615 00	angled pipe		1	
15	N 011 116 5	hexagon nut		1	
16	113 611 715 A	brake hose bracket		6	
17	811 611 797	clip		14	

Model	Year	MG	SG	Illustration	Restrictions	UPD	21:13	23.01.2010
944	1985	6	98	698-00R		248		

Pos	Part Number	Description	Remark	Qty	Model
		repair kits			
>>	>>944 351 951 02	brake pad repair set without asbestos comprising: brake pad	/V	1 4	
>>	>>944 351 952 01	mounting parts for brake pad repair set comprising: expanding spring retaining pin safety seal	/V	1 2 4 2	
>>	>>928 351 941 00	gasket set for floating calliper comprising: sealing ring clamping washer protection cap	/V	2 1 1 1	
>>	>>944 352 951 02	brake pad repair set without asbestos	/H	1	
>>	>>944 352 952 00	mounting parts for brake pad repair set comprising: expanding spring retaining pin safety seal	/H	1 2 4 2	
>>	>>928 352 941 00	gasket set for floating calliper comprising: gasket protection cap clamping washer slide	/H	2 1 1 1 2	
>>	>>944 355 011 00	brake master cylinder for brake master cylinder - girling -		1	
>>	>>944 355 911 01	repair kit for brake master cylinder - ate -		1	

Model	Year	MG	SG	Illustration	Restrictions	UPD	21:13	23.01.2010	PORSCHE	PET	PORSCHE
944	1985	7	01	701-00		248					

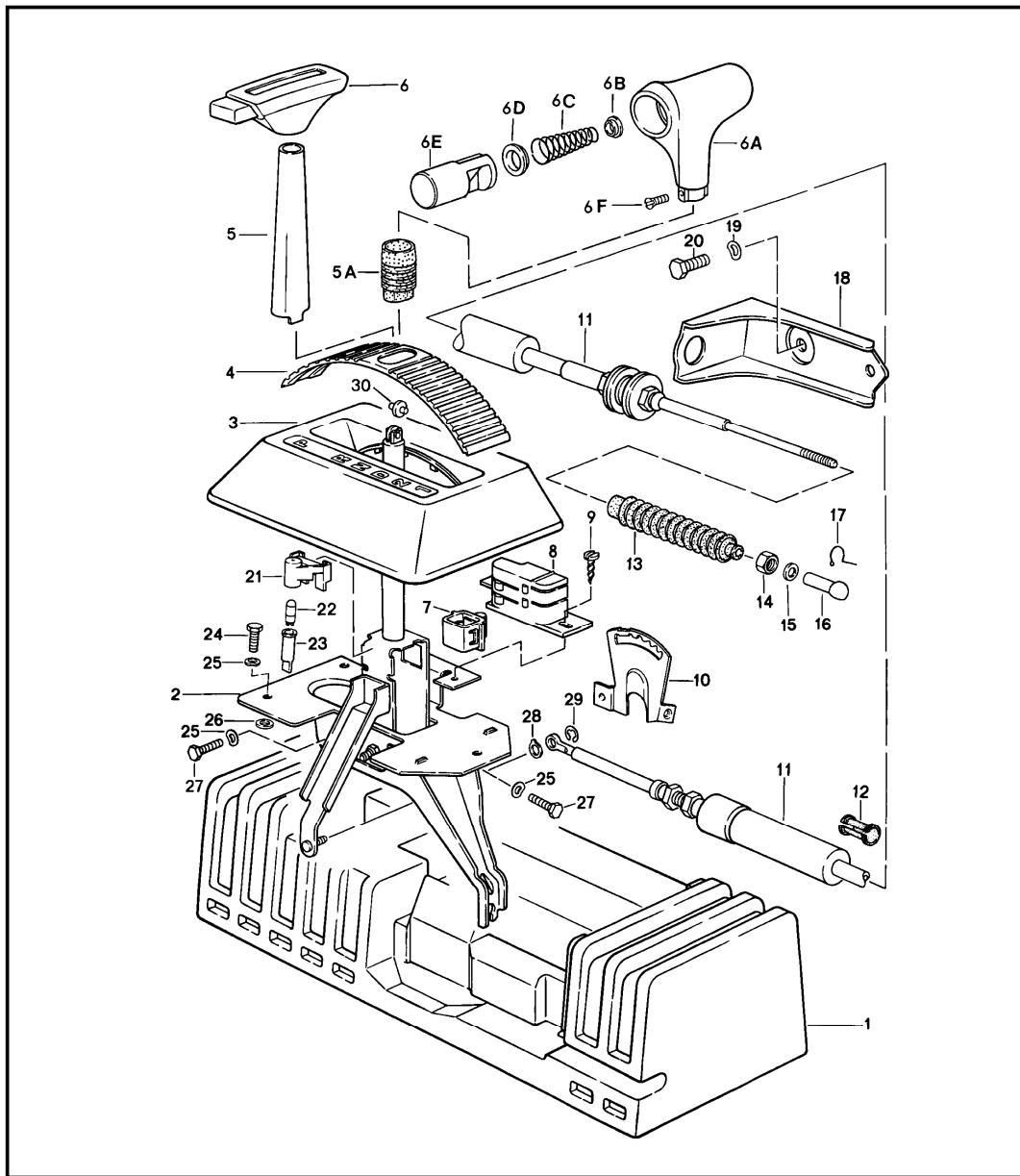


Pos	Part Number	Description	Remark	Qty	Model
		shift mechanism manual transmission			
1	477 711 205 D	gearshift lever		1	
2	477 711 269	retainer spring		1	
3	477 711 289 A	gearshift knob leatherette		1	
		01C	black		
3A	931 424 075 00	gearshift knob with boot leather		1	M416
		1AJ	black		
		4RB	brown		
4	477 711 219	vibration damper		1	
(4)	931 424 111 00	vibration damper		1	M416
5	477 711 217	vibration damper		1	
(5)	931 424 110 00	vibration damper		1	M416
6	477 711 270 B	inner sleeve		1	
7	944 424 023 00	boot		1	
		05T	black		
7A	477 711 257	rubber ring		1	
8	477 711 239	sound absorber		1	
9	944 424 229 00	bearing bracket		1	
10	944 424 231 01	bearing shell		1	
11	900 025 007 02	washer A 8,4		3	
12	N 012 108 2	serrated lock washer 8,4		3	
13	N 010 237 6	hexagon-head bolt M 8 X 12		2	
14	944 424 019 00	gear shift rod		1	
15	900 028 005 02	spring washer A 10		1	

Model	Year	MG	SG	Illustration	Restrictions	UPD	21:13	23.01.2010	PORSCHE	PET	PORSCHE
944	1985	7	01	701-00		248					

Pos	Part Number	Description	Remark	Qty	Model	Pos	Part Number	Description	Remark	Qty	Model
16	900 116 005 02	lock washer		1							
17	477 711 285	protective tube		1							
18	944 424 013 02	intermediate shift lever		1							
19	823 711 833	hexagon-head bolt		1							
20	477 711 159 B	bellows		1							
21	477 711 149	sealing ring		4							
22	N 012 415 1	circlip 15 X 1		1							
23	311 827 181	washer		2							
23A	477 711 139 A	washer		1							
24	803 253 111	lock nut M 8		1							
25	N 012 241 11	spring washer B 8		2							
26A	443 711 189 A	hexagon-head bolt		1							
27	477 711 155 A	sealing ring		4							
28	477 711 147 A	ball pin		2							
29	944 424 141 00	joint rod		1							
30	N 011 008 8	hexagon nut M 8		1							

Model	Year	MG	SG	Illustration	Restrictions	UPD	21:13	23.01.2010	PORSCHE	PET	PORSCHE
944	1985	7	01	701-05		248					

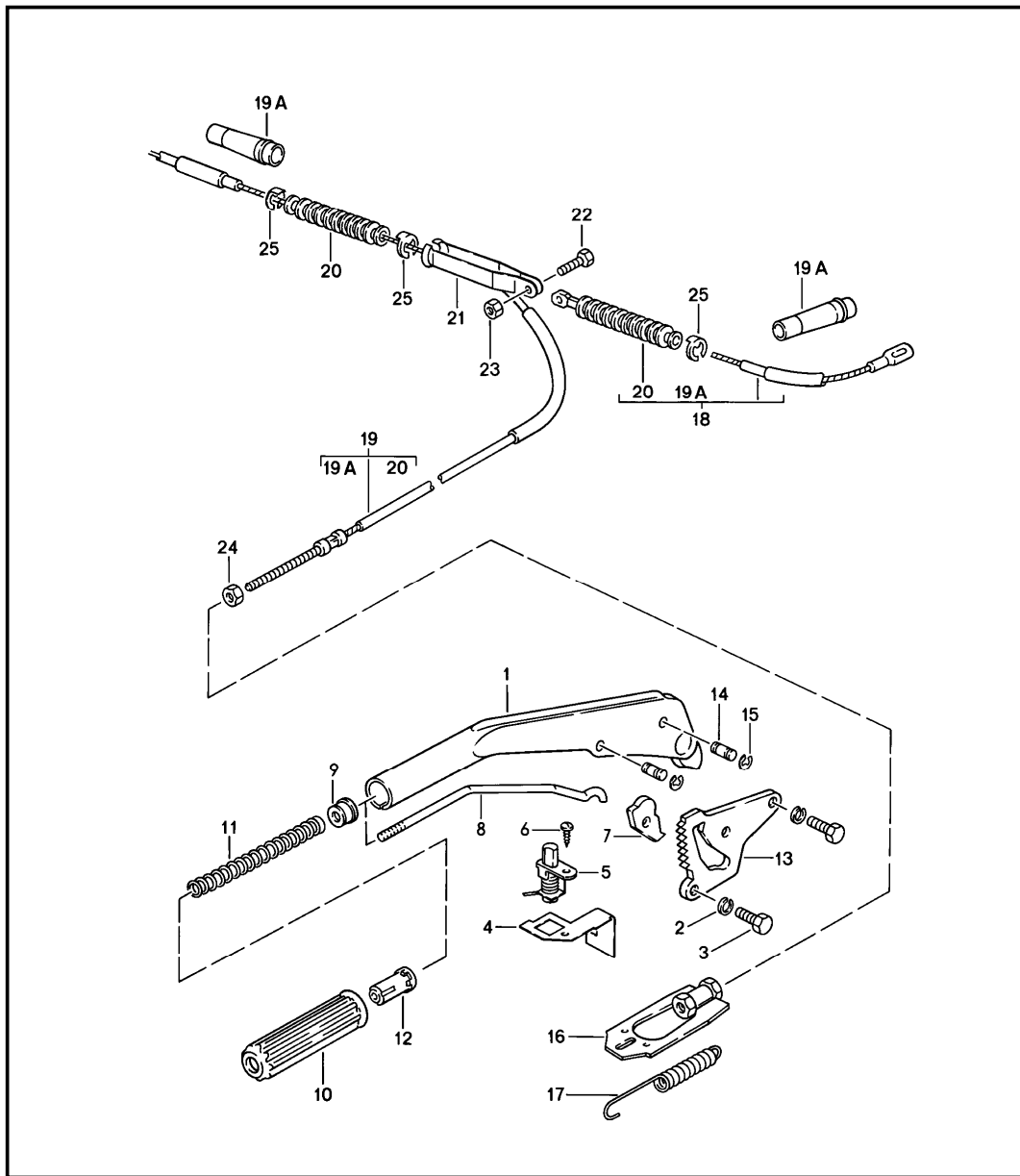


Pos	Part Number	Description	Remark	Qty	Model
		shift mechanism automatic transmission			
1	944 426 182 00	sound absorber		1	
2	477 713 025 A	shift mechanism	82	1	
(2)	944 426 025 02	shift mechanism	83-	1	
3	477 713 111 A	cover		1	
		1DB			black
		4RB			brown
4	477 713 277	cover strip		1	
5	477 713 279	cover	82	1	
5A	944 426 279 00	cover	83-	1	
		01C			black
		89S			brown
6	447 713 139 A	selector knob	82	1	
		01C			black
6A	928 426 077 00	selector knob	83-	1	
		1AJ			black
		4RB			brown
6B	922 424 203 00	concave washer	83-	1	
6C	922 424 176 03	compression spring	83-	1	
6D	922 424 201 00	concave washer	83-	1	
6E	928 426 174 01	key	83-	1	
6F	N 033 165 1	countersunk-head screw M 4 X 8	83-	2	
				1	
7	171 927 145 A	contacts		1	
8	311 927 147 B	support for contact		1	
9	N 013 968 1	tapping screw B 4,8 X 13		2	
10	944 426 109 01	locking segment		1	
11	477 713 265 C	cable		1	

Model	Year	MG	SG	Illustration	Restrictions	UPD	21:13	23.01.2010	PORSCHE	PET	PORSCHE
944	1985	7	01	701-05		248					

Pos	Part Number	Description	Remark	Qty	Model	Pos	Part Number	Description	Remark	Qty	Model
12	431 609 781	breather hose		2							
13	477 609 715	sealing sleeve		1							
14	N 011 005 14	hexagon nut M 5		1							
15	900 151 027 02	washer B 5,3		1							
16	911 423 147 00	ball socket		1							
17	900 169 014 02	securing clip		1							
18	477 713 281 A	retaining bracket		1							
19	900 027 015 02	lock ring B 8		2							
20	900 075 085 02	hexagon-head bolt M 8 X 20		2							
21	321 713 855 A	bulb holder		1							
22	900 631 132 90	bulb 12V 1,2W		1							
23	111 919 243	bulb socket		1							
24	900 378 030 09	hexagon-head bolt M 6 X 20		3							
25	N 012 226 5	spring washer B 6		5							
26	N 900 067 01	washer 6,4		3							
27	N 010 215 13	hexagon-head bolt M 6 X 15		2							
28	473 867 471	sealing ring		1							
29	N 012 325 1	lock washer		1							
30	321 713 137	roller		1							

Model	Year	MG	SG	Illustration	Restrictions	UPD	21:13	23.01.2010	PORSCHE	PET	PORSCHE
944	1985	7	01	701-10		248					

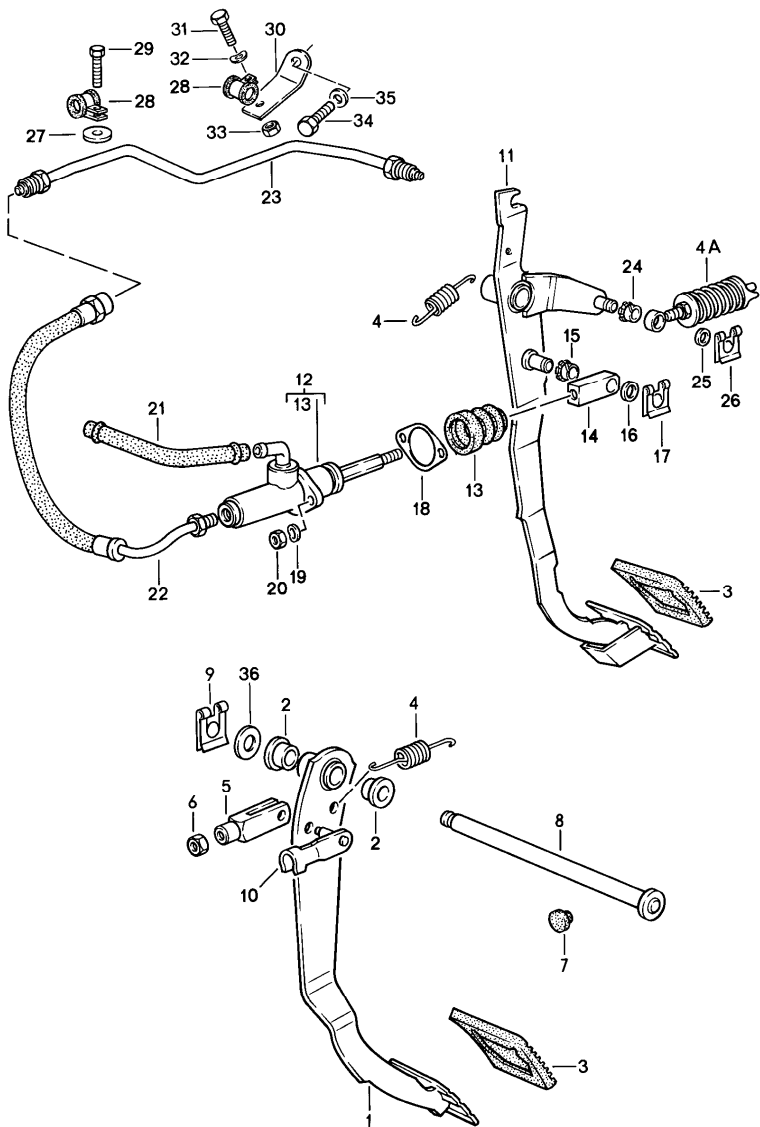


Pos	Part Number	Description	Remark	Qty	Model
(1)	944 424 052 00	parking-brake lever		1	
2	900 027 015 02	lock ring B 8		2	
3	N 010 239 11	hexagon-head bolt M 8 X 18		2	
4	477 711 317	support	/LL	1	
(4)	478 711 318	support	/RL	1	
5	968 613 601 00	contact switch		1	
6	N 013 957 5	tapping screw B 3,5 X 9,5		1	
7	823 711 321	pawl		1	
8	481 711 325	ratchet rod		1	
9	481 711 327	spring sleeve		1	
10	839 711 327	grip handle		1	
		041	black		
11	191 711 329	pressure spring		1	
12	113 711 333 B	push button		1	
		01C	black		
		043	brown		
(13)	944 424 252 00	tooth sector		1	
14	251 711 341 A	bearing pin	-83	2	
(14)	944 424 352 00	bearing pin	84-	1	
14	251 711 341 A	bearing pin	84-	1	
-	900 910 022 09	lock nut VF M 8	84-	1	
15	900 116 005 02	lock washer		4	
16	477 711 973	turnbuckle		1	
17	477 711 975	return spring		1	
18	477 609 719 C	parking-brake cable 925 MM		1	

Model	Year	MG	SG	Illustration	Restrictions	UPD	21:13	23.01.2010	PORSCHE	PET	PORSCHE
944	1985	7	01	701-10		248					

Pos	Part Number	Description	Remark	Qty	Model	Pos	Part Number	Description	Remark	Qty	Model
		925 MM									
19	477 609 720 C	parking-brake cable		1							
		1975 MM									
19A	477 609 723	guide tube		2							
20	477 609 715	sealing sleeve		2							
-	N 020 906 3	tie-wrap 6,5 X 450		2							
21	477 711 965	compensating bow		1							
22	900 378 030 09	hexagon-head bolt M 6 X 20		1							
23	900 910 012 02	lock nut M 6		1							
24	900 076 010 02	hexagon nut M 6		1							
25	999 166 027 02	lock 8		3							
-	477 711 979	retaining strap		2							
-	N 013 530 3	rivet		2							
-	N 013 510 1	compression rivet		2							

Model	Year	MG	SG	Illustration	Restrictions	UPD	21:13	23.01.2010	PORSCHE	PET	PORSCHE
944	1985	7	02	702-00		248					

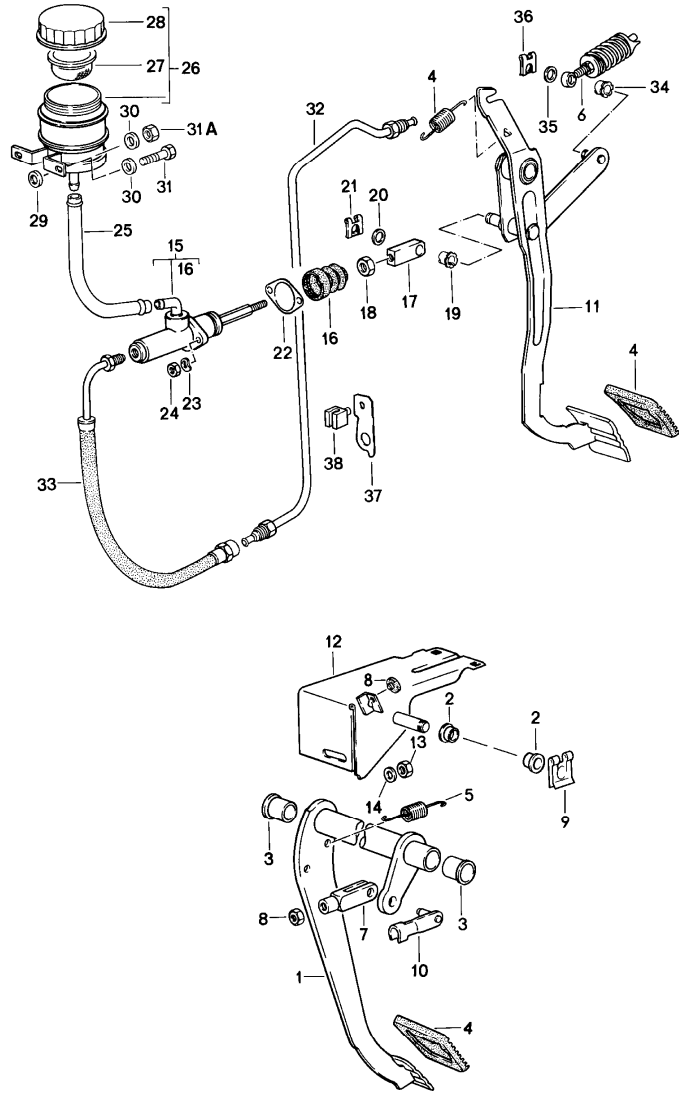


Pos	Part Number	Description	Remark	Qty	Model
		pedals left-hand drive			
1	477 721 141	brake pedal		1	
(1)	477 723 141	brake pedal		1	AUT.
2	443 721 153 A	bearing sleeve		4	
3	823 721 173	cap		2	
(3)	827 723 173	cap		1	AUT.
4	321 721 191	return spring		2	
4A	477 721 353 A	clutch power spring		1	
5	803 721 213	clevis		1	
6	N 011 010 6	hexagon nut M 10		1	
7	999 703 183 40	buffer		1	
8	843 721 309	bolt 12 X 185 X 180		1	
(8)	N 023 151 2	bolt 12 X 144 X 139		1	AUT.
9	N 012 653 1	lock		1	
10	N 023 476 1	bolt 8 X 32		1	
11	477 721 315 D	clutch pedal		1	
12	477 721 171	clutch master cylinder		1	
13	928 423 908 00	bellows		1	
14	928 423 517 00	clevis		1	
15	999 924 002 40	plain bearing		1	
16	900 025 008 09	washer A 10,5		1	
17	999 166 034 02	lock		1	
18	928 423 191 00	gasket		1	
19	900 027 015 02	lock ring B 8		2	
20	900 076 025 02	hexagon nut M 8		3	

Model	Year	MG	SG	Illustration	Restrictions	UPD	21:13	23.01.2010	PORSCHE	PET	PORSCHE
944	1985	7	02	702-00		248					

Pos	Part Number	Description	Remark	Qty	Model	Pos	Part Number	Description	Remark	Qty	Model
-	999 181 021 50	hose 12,5 X 7,5		*							
21	-	220 MM		1							
22	477 721 189 A	clutch hose		1							
23	944 423 091 00	clutch pipeline		1							
24	999 924 001 40	bush		1							
25	900 025 007 02	washer A 8,4		1							
26	N 900 470 01	lock washer		1							
27	N 900 067 01	washer		1							
28	N 020 680 1	clamp		1							
29	N 010 264 4	hexagon-head bolt M 5 X 20		1							
30	944 423 193 01	support		1							
31	N 010 207 6	hexagon-head bolt M 5 X 12		1							
32	N 012 225 2	spring washer B 5		1							
33	N 011 005 14	hexagon nut M 5		1							
34	N 010 239 11	hexagon-head bolt M 8 X 18		1							
35	900 025 007 02	washer		1							
36	311 955 255	washer		1							

Model	Year	MG	SG	Illustration	Restrictions	UPD	21:14	23.01.2010	PORSCHE	PET	PORSCHE
944	1985	7	02	702-05		248					

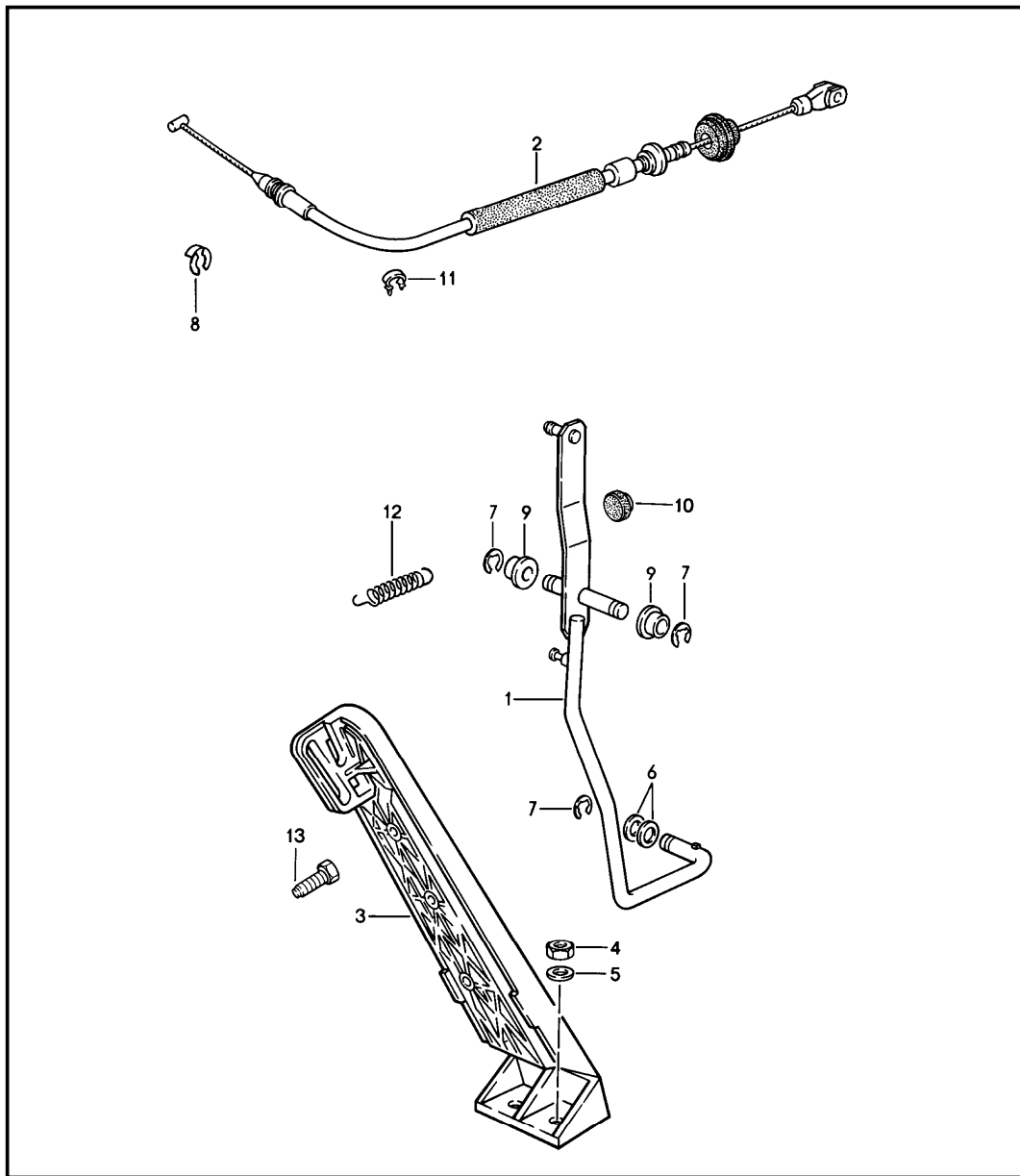


Pos	Part Number	Description	Remark	Qty	Model
		pedals right-hand drive			
1	478 721 141	brake pedal		1	
(1)	478 723 141	brake pedal		1	AUT.
2	443 721 153 A	bearing sleeve		2	
3	478 721 153	bearing sleeve		2	
4	823 721 173	cap		2	
(4)	827 723 173	cap		1	AUT.
5	321 721 191	return spring		2	
6	477 721 353 A	clutch power spring		1	
7	803 721 213	clevis		1	
8	N 011 010 6	hexagon nut M 10		1	
9	N 012 653 1	lock		1	
10	N 023 476 1	bolt 8 X 32		1	
11	478 721 315 A	clutch pedal		1	
12	478 721 113 A	bracket		1	
13	900 076 025 02	hexagon nut M 8		3	
14	N 012 229 3	spring washer A 8		3	
15	478 721 171	clutch master cylinder		1	
16	928 423 908 00	bellows		1	
17	478 721 179	intermediate piece		1	
18	N 011 118 14	hexagon nut BM 8		1	
19	999 924 002 40	bush		1	
20	900 025 008 09	washer A 10,5		1	
21	999 166 034 02	lock		1	
22	928 423 191 00	gasket		1	

Model	Year	MG	SG	Illustration	Restrictions	UPD	21:14	23.01.2010	PORSCHE	PET	PORSCHE
944	1985	7	02	702-05		248					

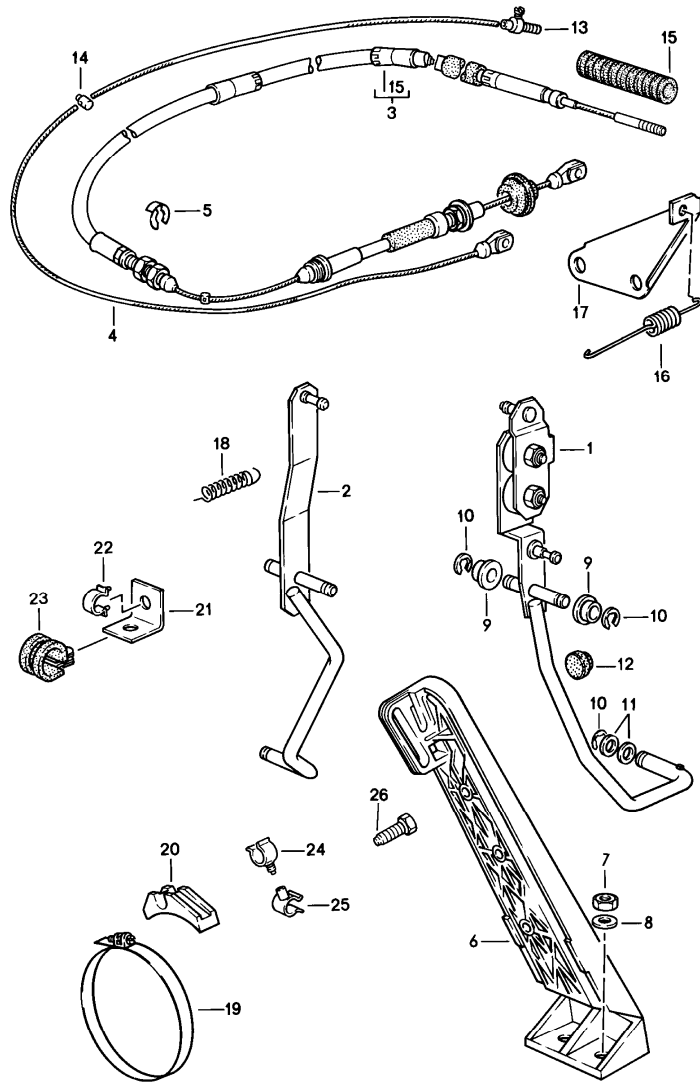
Pos	Part Number	Description	Remark	Qty	Model	Pos	Part Number	Description	Remark	Qty	Model
23	N 012 229 3	spring washer A 8		2							
24	900 076 025 02	hexagon nut M 8		2							
25	478 721 219	connecting hose F >>94DN4 00050		1							
(25)	999 181 021 50	hose F 94DN4 00051>>		1							
26	944 423 210 00	expansion tank		1							
27	211 611 381 B	strainer		1							
28	477 611 361	lid		1							
29	052 109 135	spacer sleeve		2							
30	N 012 226 5	spring washer B 6		2							
31	900 075 014 02	hexagon-head bolt M 6 X 15		2							
31A	900 076 010 02	hexagon nut M 6		2							
32	945 423 091 01	clutch tube	-84	1							
(32)	945 423 091 02	clutch tube	85-	1							
33	478 721 189	clutch hose		1							
34	999 924 001 40	bush		1							
35	900 025 007 02	washer A 8,4		1							
36	N 900 470 01	lock washer		1							
37	945 423 193 00	support	-84	1							
(37)	945 423 193 01	support	85-	1							
38	999 591 578 40	clip		1							

Model	Year	MG	SG	Illustration	Restrictions	UPD	21:14	23.01.2010	PORSCHE	PET	PORSCHE
944	1985	7	02	702-10		248					



Pos	Part Number	Description	Remark	Qty	Model
		accelerator pedal accelerator cable for cars with manual transmission			
1	944 423 031 00	accelerator control	/LL	1	
(1)	945 423 031 01	accelerator control	/RL	1	
(1)	944 423 034 00	accelerator control	/LL	1	M454
2	944 423 023 02	accelerator cable	/LL	1	
(2)	945 423 023 02	accelerator cable	/RL	1	
3	827 723 511 A	accelerator pedal		1	
4	900 076 010 02	hexagon nut M 6		2	
5	803 817 121	washer		2	
6	900 025 038 40	washer		2	
7	N 012 436 2	lock washer		3	
8	N 012 323 1	circlip		1	
9	477 721 543	bearing sleeve		2	
10	999 703 183 40	buffer		1	
11	477 971 851	cable clip	/RL	1	
12	944 423 831 00	spring		1	
13	944 423 731 00	adjusting screw		1	

Model	Year	MG	SG	Illustration	Restrictions	UPD	21:14	23.01.2010	PORSCHE	PET	PORSCHE
944	1985	7	02	702-15		248					

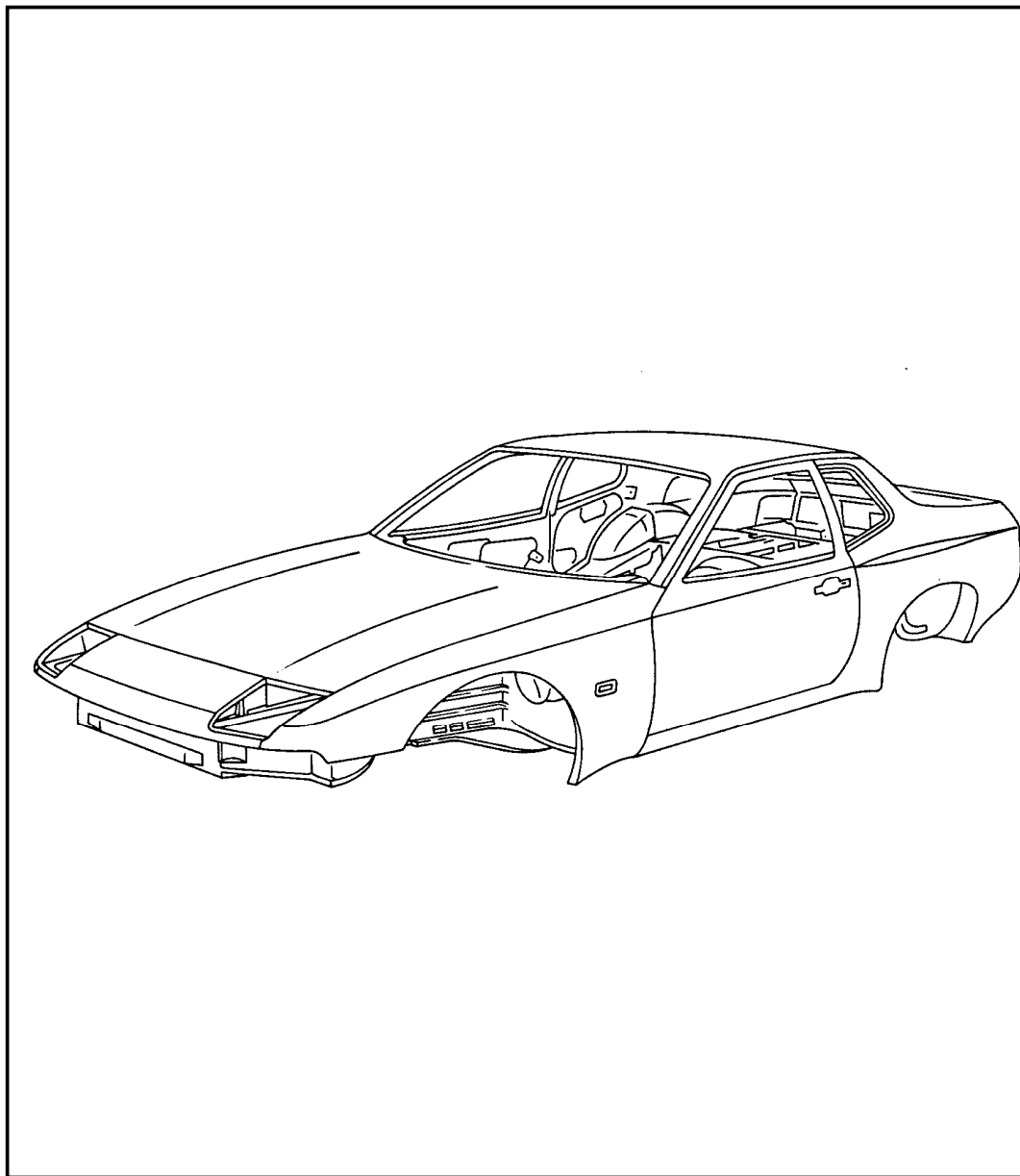


Pos	Part Number	Description	Remark	Qty	Model
		accelerator pedal accelerator cable for cars with automatic transmission			
1	944 423 033 00	accelerator control	/LL	1	
2	945 423 031 01	accelerator control	/RL	1	
3	944 423 071 03	accelerator cable	/LL	1	
(3)	945 423 071 03	accelerator cable	/RL	1	
4	944 423 973 02	cable	/LL	1	
(4)	945 423 973 02	cable	/RL	1	
5	N 012 323 1	circlip		1	
6	827 723 511 A	accelerator pedal		1	
7	900 076 010 02	hexagon nut M 6		2	
8	803 817 121	washer		2	
9	477 721 543	bearing sleeve		2	
10	N 012 436 2	lock washer		3	
11	900 025 038 40	washer		2	
12	999 703 183 40	buffer		1	
13	477 723 601	nipple		1	
14	477 723 611	nipple		1	
15	311 713 269 A	sealing sleeve		1	
16	477 723 563 C	tension spring		1	
17	944 423 141 00	support		1	
18	944 423 833 00	spring		1	
19	999 512 350 02	hose clamp		1	
20	477 723 567	support		1	
21	477 971 881 A	retaining bracket		1	
22	477 971 851	cable clip		1	
23	999 511 116 02	clamp		X	
24	999 591 573 40	hose holder		3	

Model	Year	MG	SG	Illustration	Restrictions	UPD	21:14	23.01.2010	PORSCHE	PET	PORSCHE
944	1985	7	02	702-15		248					

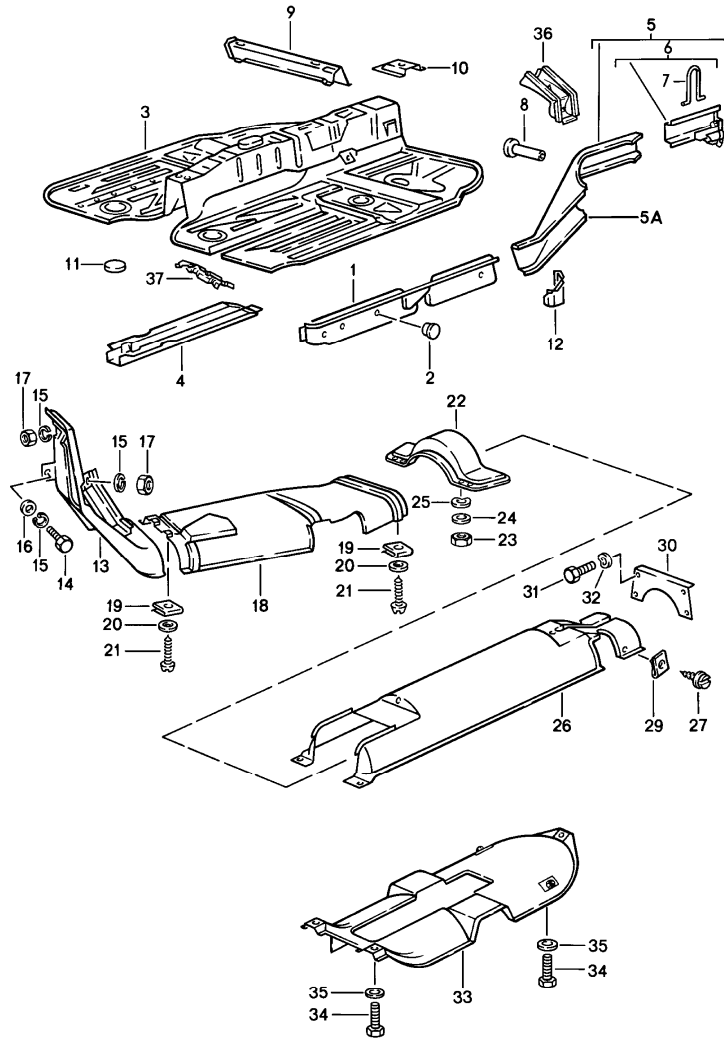
Pos	Part Number	Description	Remark	Qty	Model	Pos	Part Number	Description	Remark	Qty	Model
25	999 591 572 40	hose holder		3							
26	944 423 731 00	adjusting screw		1							

Model	Year	MG	SG	Illustration	Restrictions	UPD	21:14	23.01.2010	PORSCHE	PET	PORSCHE
944	1985	8	01	801-00		248					



Pos	Part Number	Description	Remark	Qty	Model
		body in white prime coated sealed with underbody protection bodyshells can only only available from current model year available			
1	944 500 901 00	body in white	/LL	1	
(1)	944 500 901 01	body in white	/LL	1	M650
(1)	945 500 901 00	body in white	/RL	1	
(1)	945 500 901 01	body in white	/RL	1	M650

Model	Year	MG	SG	Illustration	Restrictions	UPD	21:14	23.01.2010	PORSCHE	PET	PORSCHE
944	1985	8	01	801-05		248					

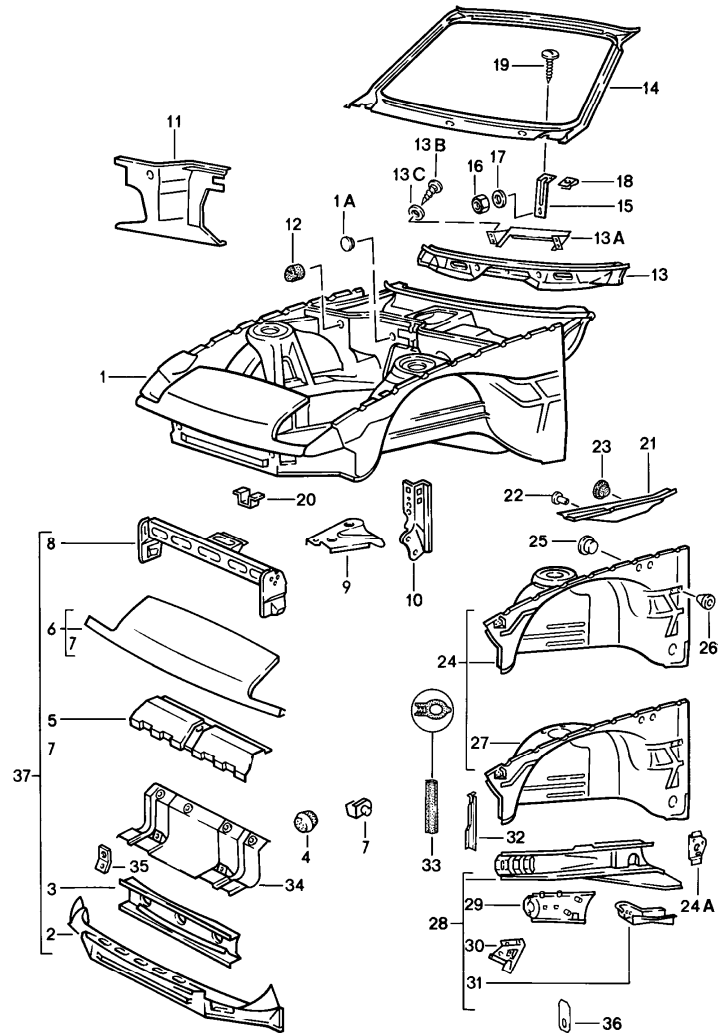


Pos	Part Number	Description	Remark	Qty	Model
1	477 803 103 A	side member heat shield		1	
(1)	478 803 104 B	side member centre	/L	1	
2	999 703 119 40	stopper side member	/R	2	
(2)	803 803 583	drain bush		2	
(2)	803 803 583 A	cap		10	
3	944 501 501 00	floor section centre		1	
4	477 803 283	side member floor section centre		2	
5	477 803 105 A	side member use also: 477.803.145	/L	1	
(5A)	477 803 116 A	side member use also: 477.803.145	/R	1	
6	477 803 125 A	end piece	/L	1	
(6)	944 502 066 00	end piece	/R	1	
7	477 803 129	retaining bow		2	
8	477 803 145	bush		2	
9	477 803 231	cross member front seat	/V/L	1	
(9)	477 803 232	cross member front seat	/V/R	1	
10	477 803 241	bracket front seat	/H	4	
11	411 803 595	lid 136 MM \$		2	
12	477 803 871 A	jacking point	/L	1	
(12)	477 803 872 A	jacking point	/R	1	
13	477 809 214 A	cover plate		1	

Model	Year	MG	SG	Illustration	Restrictions	UPD	21:14	23.01.2010	PORSCHE	PET	PORSCHE
944	1985	8	01	801-05		248					

Pos	Part Number	Description	Remark	Qty	Model	Pos	Part Number	Description	Remark	Qty	Model
14	999 072 005 09	hexagon-head bolt M 6 X 12		1							
15	N 012 006 4	lock ring B 6		3							
16	N 011 524 7	washer A 6,4		1							
17	900 076 010 02	hexagon nut M 6		2							
18	477 803 387 B	heat shield		1							
19	N 015 458 1	speed nut B 4,8 X 20		4							
20	900 151 027 02	washer B 5,3		4							
21	N 013 968 7	tapping screw B 4,8 X 13		4							
22	477 803 253	transverse strut		1							
23	N 011 008 8	hexagon nut M 8		4							
24	N 011 525 13	washer A 8,4		4							
25	900 027 015 02	lock ring B 8		4							
30	477 803 291	transverse strut		2							
31	N 010 237 6	hexagon-head bolt M 8 X 12		8							
32	N 012 229 3	spring washer A 8		8							
33	944 503 139 00	heat shield		1							
34	999 072 005 09	hexagon-head bolt M 6 X 12		4							
35	900 151 029 02	washer 6,4		4							
36	944 201 049 00	cover		1							
37	477 803 729	foot support	/LL	1							

Model	Year	MG	SG	Illustration	Restrictions	UPD	21:15	23.01.2010	PORSCHE	PET	PORSCHE
944	1985	8	01	801-10		248					



Pos	Part Number	Description	Remark	Qty	Model
		body front section			
1	944 501 011 12	body front section without carbon canister use also: stopper 999 703 103 40	/LL	-83	1
(1)	944 501 011 12	body front section use also: stopper 999 703 103 40	/LL		1 M573
(1)	945 501 011 05	body front section without carbon canister use also: stopper 999 703 103 40	/RL	-83	1
(1)	945 501 011 14	body front section	/RL	84-	1
1A	111 971 911 A	rubber sleeve			1
2	944 503 043 00	end plate lower			1
3	944 502 077 00	cross member	/V		1
-	999 507 336 02	captive nut M 6 F 94EN4 07236>>			2 M573
4	803 803 583	drain bush			3
5	944 502 061 00	air duct			1
6	477 805 593	end plate upper			1
7	477 805 567	bracket	/L		1
(7)	477 805 568	bracket	/R		1
8	944 501 933 01	lock carrier it is necessary to rework	/V		1
9	477 805 699	corner plate	/L		1
(9)	477 805 699 A	corner plate	/L		1 M573
10	477 805 057 A	reinforcement	/L		1
(10)	477 805 058 A	reinforcement	/R		1
(11)	944 502 021 01	firewall	/L		1

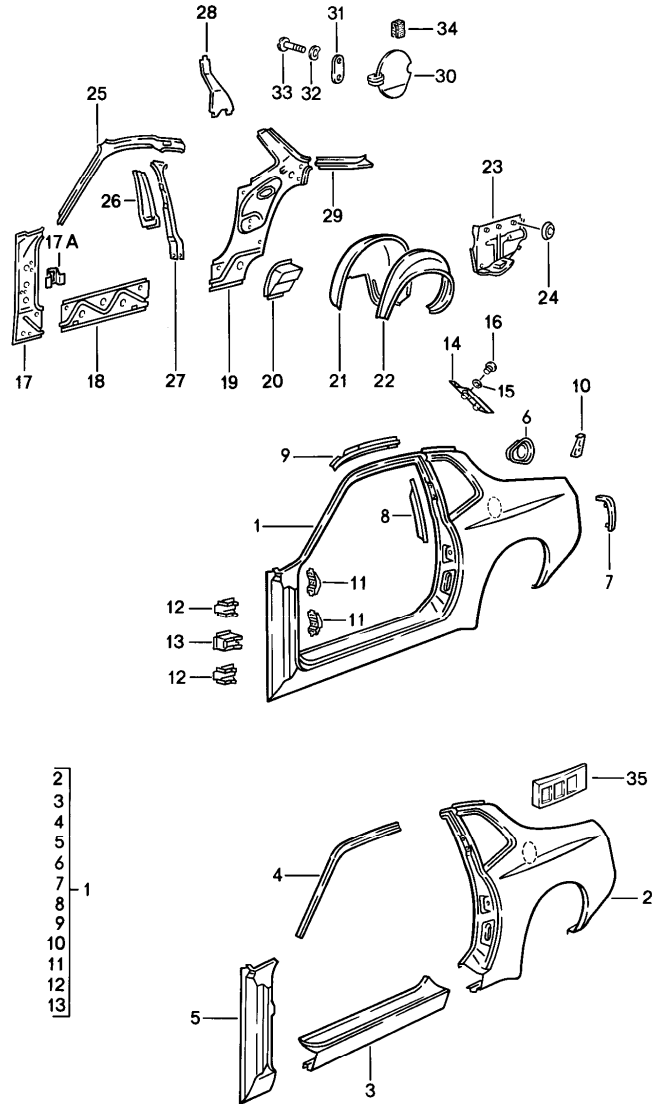
Model	Year	MG	SG	Illustration	Restrictions	UPD	21:15	23.01.2010	PORSCHE	PET	PORSCHE
944	1985	8	01	801-10		248					

Pos	Part Number	Description	Remark	Qty	Model	Pos	Part Number	Description	Remark	Qty	Model
11	944 502 202 00	firewall	/R	1		24	944 501 901 01	wheel housing without carbon canister	/L	1	
12	477 805 667	water drain valve		2				use also: stopper 999 703 103 40		2	
13	944 502 079 00	cross member	/LL	1				use also: POS.24A			
(13)	945 502 079 00	cross member	/RL	1					84-		
13A	944 572 377 00	bracket heating		1		(24)	944 501 902 00	wheel housing complete	/R	1	
13B	N 013 883 3	tapping screw B 4,8 X 9,5		4				use also: 478.809.446	/RL		
13C	N 011 523 9	washer A 5,3 X 10		4		-	478 809 446	bearing bracket accelerator pedal	/RL	1	
14	477 805 571 A	windscreen frame		1		24A	944 502 071 00	mounting release	/V	84-	1
15	477 805 592	cowl panel support		2		25	999 703 103 40	stopper	/L	2	
16	900 910 012 02	lock nut M 6		2		26	N 020 025 1	stopper		X	
17	N 011 612 3	washer R 7		2		(26)	999 703 179 40	stopper		X	
18	N 015 458 1	speed nut 4,8 X 14,8		4		27	944 501 101 02	wheel housing	/L	1	
19	900 143 046 07	tapping screw B 4,8 X 16		4		(27)	477 809 108 C	wheel housing	/R	1	
20	477 805 693	support horn		1		28	944 501 017 00	side member	/L	1	
21	477 809 119	side member upper left	/LL	1		(28)	944 501 018 00	side member	/R	1	
(21)	945 502 119 02	side member	/RL	1		29	944 501 081 00	filler plate side member	/L	1	
(21)	477 809 120	side member upper right	/LL	1		(29)	944 501 082 00	filler plate	/R	1	
(21)	478 809 120	side member	/RL	1		30	944 501 065 00	separator	/L	1	
22	311 881 945 A	stopper	/R	2		(30)	944 501 066 00	separator	/R	1	
23	803 803 583 A	lid		6		31	951 501 165 00	closing element	/L	1	
						(31)	951 501 166 00	closing element	/R	1	
						32	944 501 065 00	separator	/L	1	
						(32)	944 501 066 00	separator	/R	1	
						33	944 025 115 00	sealing rubber		2	
						34	944 575 021 00	cooling air duct		1	
						35	999 049 001 40	plastic nut		8	

Model	Year	MG	SG	Illustration	Restrictions	UPD	21:15	23.01.2010	PORSCHE	PET	PORSCHE
944	1985	8	01	801-10		248					

Pos	Part Number	Description	Remark	Qty	Model	Pos	Part Number	Description	Remark	Qty	Model
36	477 809 035	support water reservoir		1							
37	944 503 031 00	terminal piece		1							
	GRV	prime coated complete									

Model	Year	MG	SG	Illustration	Restrictions	UPD	21:15	23.01.2010	PORSCHE	PET	PORSCHE
944	1985	8	01	801-15		248					

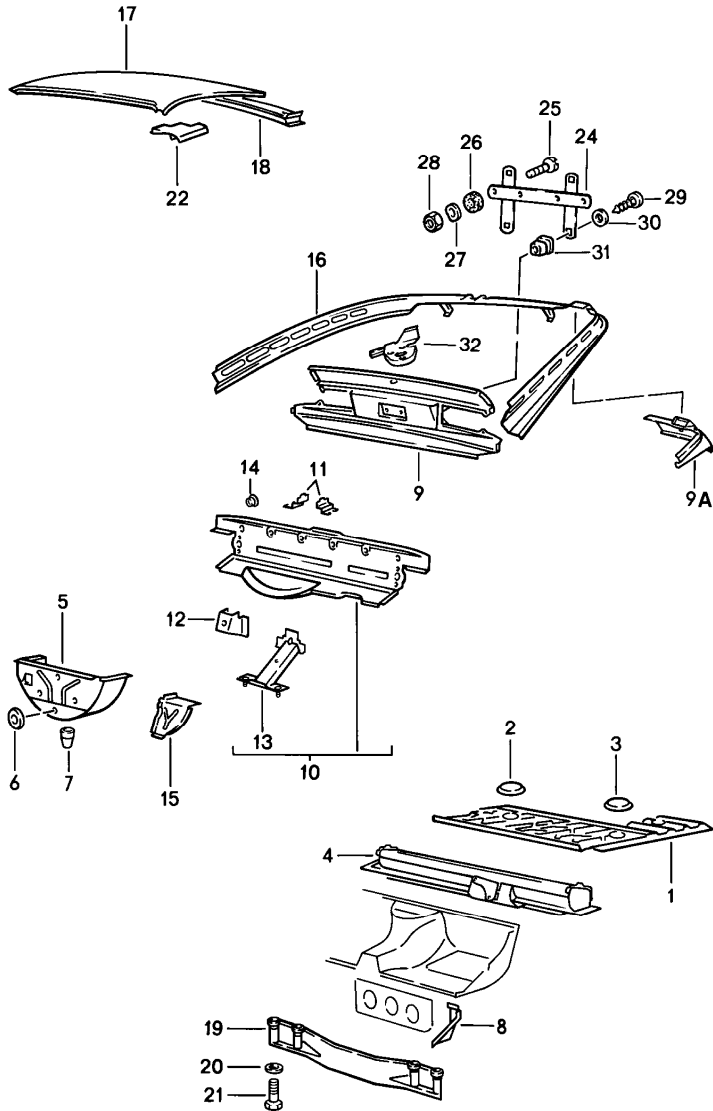


Pos	Part Number	Description	Remark	Qty	Model
		side section			
1	931 503 601 02	side section	/L	1	
(1)	931 503 602 02	side section	/R	1	
2	931 503 901 00	side section	/L	1	
(2)	931 503 902 00	side section	/R	1	
3	944 503 611 00	door sill	/L	1	
(3)	944 503 612 00	door sill	/R	1	
4	931 503 517 00	roof frame	/L	1	
(4)	931 503 518 00	roof frame	/R	1	
5	931 503 411 00	hinge pillar	/L	1	
(5)	931 503 412 00	hinge pillar	/R	1	
6	944 503 068 00	pot tank filler neck		1	
7	477 809 375 A	bracket for light	/L	1	
(7)	477 809 376 A	bracket for light	/R	1	
8	477 809 445	reinforcement	/L	1	
(8)	477 809 446	reinforcement	/R	1	
9	477 809 585	filler plate	/L	1	
(9)	477 809 586	filler plate	/R	1	
10	477 809 617	retaining bracket lid boot floor lining	/L	1	
(10)	477 809 618	retaining bracket	/R	1	
11	477 809 653	mounting plate		4	
12	477 809 655	hinge reinforcement		4	
13	477 809 625	reinforcement		2	
14	944 503 097 00	reinforcement	/L	1	
(14)	944 503 098 00	reinforcement	/R	1	
15	928 504 355 02	gasket		4	
16	999 015 005 07	half-round screw		4	

Model	Year	MG	SG	Illustration	Restrictions	UPD	21:15	23.01.2010	PORSCHE	PET	PORSCHE
944	1985	8	01	801-15		248					

Pos	Part Number	Description	Remark	Qty	Model	Pos	Part Number	Description	Remark	Qty	Model
17	477 809 393 A	hinge pillar inner use also: POS.17A	/L /LL 84-	1		(25) A	477 809 038	separator	/R	1	M650
(17)	477 809 394 A	hinge pillar use also: POS.17A	/R /RL 84-	1		(26)	477 809 397	centre pillar inner	/L	1	
17A	944 502 373 00	mounting switch rear lid release	84-	1		(27)	944 502 049 00	reinforcement inner	/L	1	
18	477 809 433	separator		2		(27)	944 502 050 00	reinforcement	/R	1	
19	944 502 901 00	side section inner	/L -83	1		29	944 502 439 00	reinforcement	/L	1	
19	944 502 901 01	side section inner	/L 84-	1		(29)	477 809 440	reinforcement	/R	1	
(19)	944 502 902 00	side section inner with expansion tank	/R -83	1		30	931 504 095 00	flap F >>94EN4 09877		1	
(19)	944 502 902 01	side section inner	/R 84-	1		30	944 504 095 00	flap F 94EN4 09878>>		1	
20	931 502 387 01	corner plate	/L	1		31	477 853 403	desk pad		X	
(20)	931 502 388 01	corner plate	/R	1		32	N 012 222 4	spring washer A 5		2	
21	944 501 043 00	wheel housing inner	/L	1		33	900 146 003 02	oval-head screw M5 X 10		2	
(21)	944 501 044 00	wheel housing	/R	1		34	931 504 397 00	stop rubber F >>94EN4 09877		1	
22	931 502 411 01	wheel housing outer	/L	1		34	944 504 397 00	stop F 94EN4 09878>>		1	
(22)	931 502 412 01	wheel housing	/R	1		35	944 555 275 00	filler piece	/L -83	1	
23	944 502 025 00	side section inner	/L/H	1		(35)	944 555 275 01	filler piece	/L 84-	1	
(23)	944 502 026 00	side section	/R	1		(35)	944 555 276 00	filler piece	/R	1	
24	803 803 583	drain bush		X							
(24)	021 119 569	rubber sleeve		X	M650						
25	477 809 037	separator	/L	1							
(25)	477 809 037	separator	/L	1	M650						
(25)	477 809 038	separator	/R	1							

Model	Year	MG	SG	Illustration	Restrictions	UPD	21:15	23.01.2010	PORSCHE	PET	PORSCHE
944	1985	8	01	801-20		248					

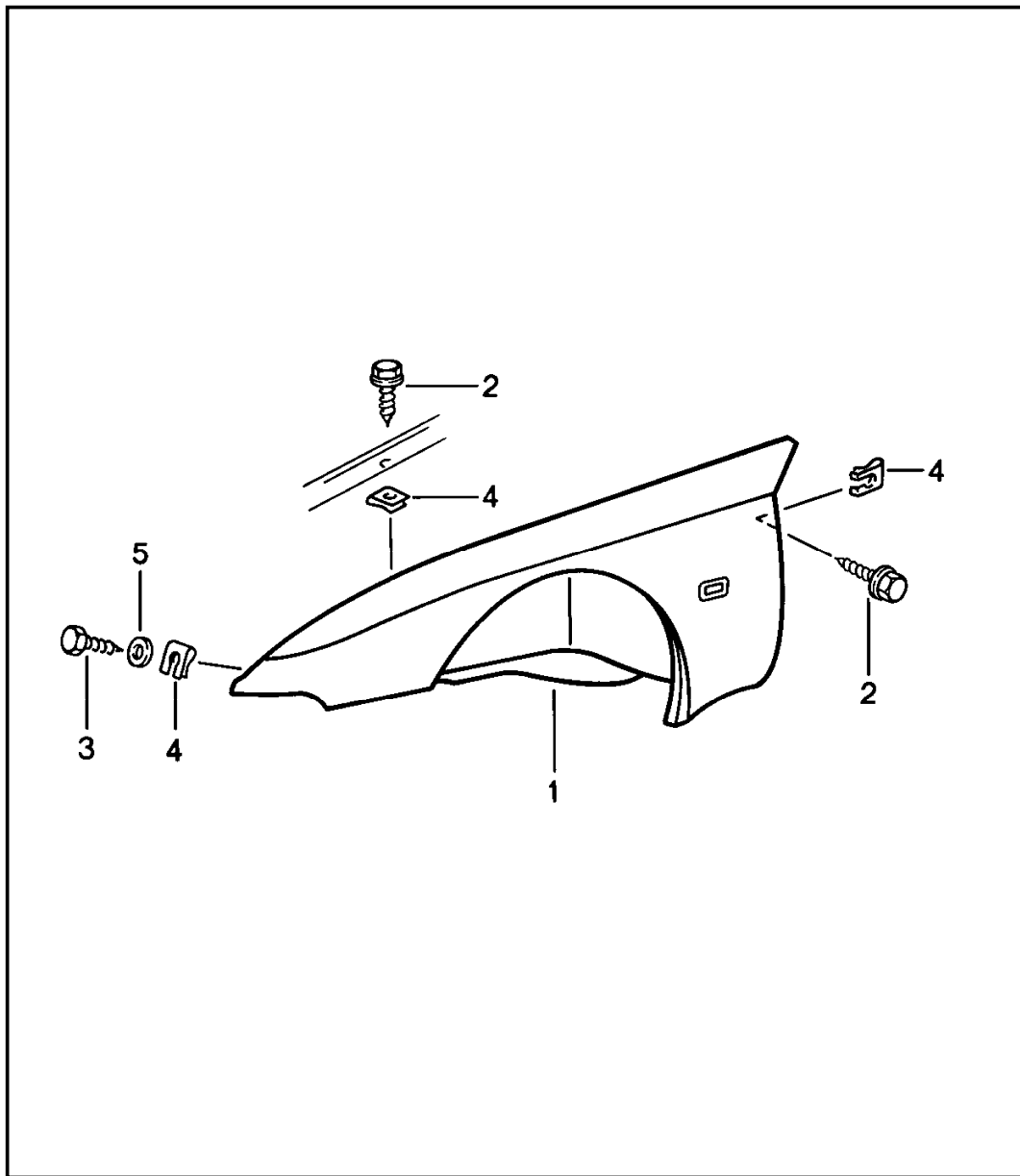


Pos	Part Number	Description	Remark	Qty	Model
		transmission carrier boot floor plate roof			
1	944 501 075 00	boot floor plate		1	
2	477 803 581	lid		1	
3	411 803 595	lid 136 MM \$		1	
4	944 501 073 00	transmission carrier		1	
5	477 813 131	spare-wheel well	/V	1	
6	803 803 583	drain bush		3	
7	111 701 309	rubber sleeve		1	
8	477 813 145 B	corner panel	/L	1	
(8)	477 813 146 B	corner panel	/R	1	
9	944 503 037 01	end plate		1	
9A	477 813 345 A	reinforcement	/L	1	
(9A) A	477 813 346 A	reinforcement	/R	1	
(9A)	944 502 346 01	reinforcement	/R	1	
10	944 503 901 01	end plate		1	
11	477 813 169	fastening angle scissors type jack	/L	1	
(11)	477 813 170	fastening angle scissors type jack	/R	1	
12	477 813 165	support		1	
13	944 502 091 00	support muffler		1	
14	999 703 179 40	stopper	/H	1	
15	477 813 309	corner panel	/L	1	
(15)	944 502 210 00	corner panel	/R	1	
-	951 512 447 00	reinforcement plate		2	
16	944 502 035 02	lock carrier	/H	1	
(17) A	944 503 912 01	roof		-83	M650
(17)	944 503 912 01	roof		-83	M650

Model	Year	MG	SG	Illustration	Restrictions	UPD	21:15	23.01.2010	PORSCHE	PET	PORSCHE
944	1985	8	01	801-20		248					

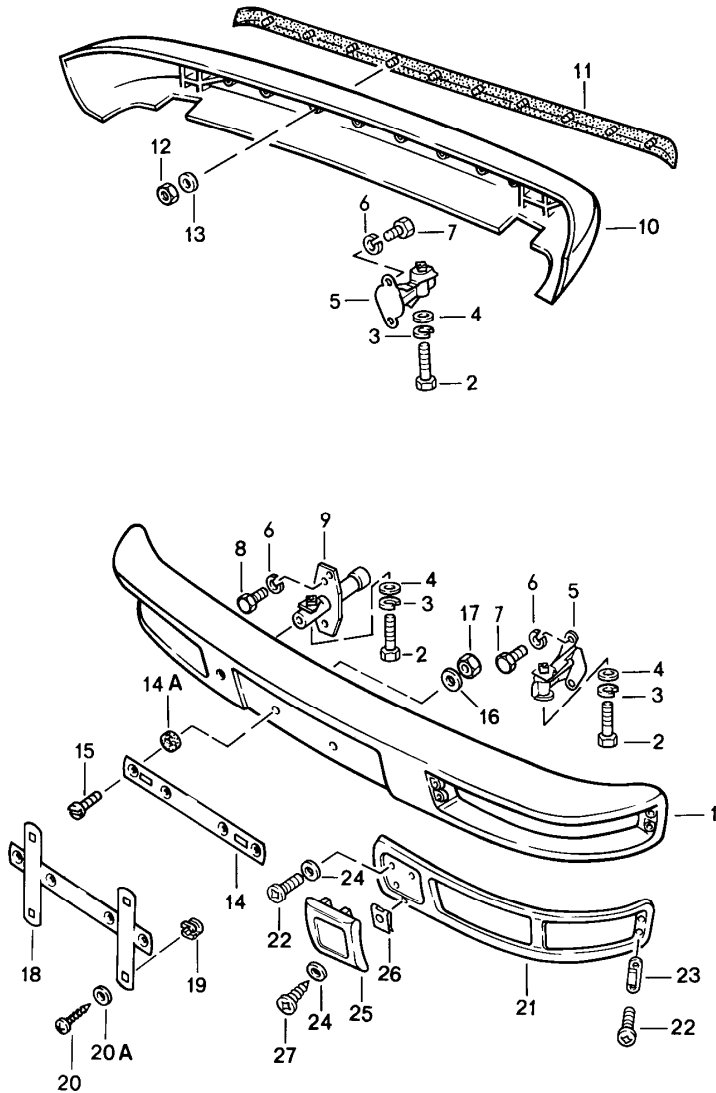
Pos	Part Number	Description	Remark	Qty	Model	Pos	Part Number	Description	Remark	Qty	Model
(17)	A 944 502 031 01	roof	84-	1	M650	31	999 591 498 40	special nut	(CH) (J) (USA)	4	
(17)	944 503 912 00	roof	84-	1	M650	32	944 501 207 01	retaining bracket		1	
17	A 477 817 111 B	roof		1							
17	944 503 912 02	roof		1							
18	477 817 171	cross member	/H -83	1							
18	477 817 171 A	roof frame	/H 84-	1							
19	477 813 285	transverse strut seat well		1							
20	900 074 181 02	screw M 10 X 95		4							
21	900 025 008 09	washer 10,5		4							
22	477 817 033	reinforcement	/V/L	1							
(22)	477 817 034	reinforcement	/V/R	1							
-	N 015 430 1	speed nut for support number plate		2							
24	928 701 050 03	support number plate	H) (J) (USA)	1	(C						
25	N 014 143 1	oval-head screw AM 6 X 22		2							
(25)	N 100 457 01	countersunk-head screw M 5 X 25	(CH) (J) (USA)	2							
26	803 011 243	rubber washer		2							
27	900 151 027 02	washer A 5,3	(CH) (J) (USA)	2							
28	900 910 009 02	lock nut M 5	(CH) (J) (USA)	2							
29	900 143 134 00	tapping screw BZ 4,2 X 9,5	(CH) (J) (USA)	4							
30	N 011 522 8	washer 4,3	(CH) (J) (USA)	4							

Model	Year	MG	SG	Illustration	Restrictions	UPD	21:15	23.01.2010	PORSCHE	PET	PORSCHE
944	1985	8	01	801-25		248					



Pos	Part Number	Description	Remark	Qty	Model
		wing			
1	931 503 021 02	wing	/L	1	
(1)	931 503 022 02	wing	/R	1	
2	N 090 172 1	combination screw		22	
3	N 013 891 1	tapping screw 6,3 X 19		24	
4	999 507 003 02	speed nut B 6,3 X 17		24	
5	N 011 524 7	washer A 6,4		2	

Model	Year	MG	SG	Illustration	Restrictions	UPD	21:15	23.01.2010	PORSCHE	PET	PORSCHE
944	1985	8	02	802-00		248					

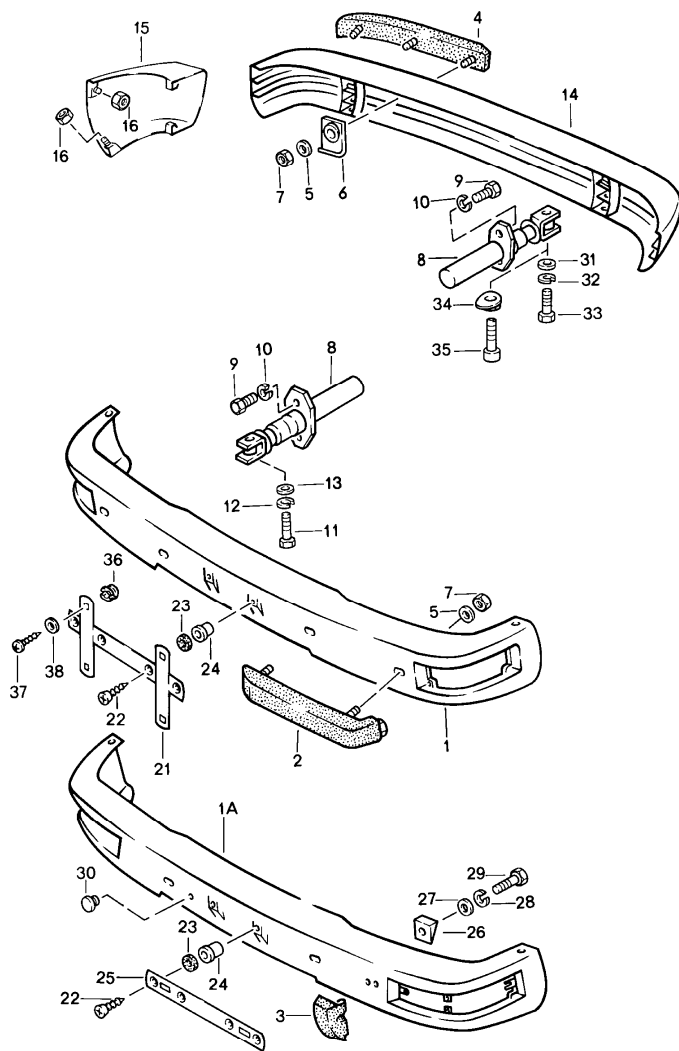


Pos	Part Number	Description	Remark	Qty	Model
		bumper without impact absorber			
1	931 505 087 00	bumper	/V	1	
(1)	931 505 087 01	bumper	/V	1	M288
2	900 074 064 02	hexagon-head bolt M 10 X 60		4	
3	900 027 016 02	lock ring B 10		4	
4	900 025 008 09	washer A 10,5		4	
5	477 807 131 A	bumper reinforcement		3	
6	N 012 009 3	lock ring A 8		8	
7	900 075 087 02	hexagon-head bolt M 8 X 20		6	
8	900 075 029 09	hexagon-head bolt M 8 X 25		2	
9	944 505 039 01	bumper reinforcement	/V/R	1	
10	931 505 387 00	bumper	/H	1	
11	477 807 319	protective moulding	/H	1	
12	900 910 010 09	lock nut M 6		10	
13	N 011 524 7	washer A 6,4		10	
(14)	911 701 121 03	support number plate		1	
14A	914 571 903 10	sealing ring		4	
15	N 100 457 01	countersunk-head screw M 5 X 25		2	
16	900 151 027 02	washer A 5,3		2	
17	900 910 009 02	lock nut M 5		2	
18	928 701 050 03	support number plate	/V (J)	1	

Model	Year	MG	SG	Illustration	Restrictions	UPD	21:15	23.01.2010	PORSCHE	PET	PORSCHE
944	1985	8	02	802-00		248					

Pos	Part Number	Description	Remark	Qty	Model	Pos	Part Number	Description	Remark	Qty	Model
19	999 591 498 40	special nut		X							
20	900 143 134 00	tapping screw BZ 4,2 X 9,5		X							
20A	N 011 522 8	washer 4,3 towing lug see group 0/01/00		X							
21	931 505 195 01	frame for light	/L	1							
(21)	931 505 196 01	frame for light	/R	1							
22	N 014 117 9	oval-head screw M 4 X 15		10							
23	931 505 199 00	clip		2							
24	900 025 002 02	washer A 4,3		6							
25	931 505 201 00	bumper horn	/L	1							
(25)	931 505 202 00	bumper horn	/R	1							
26	999 507 018 02	speed nut B 4,2		2							
27	900 143 047 07	tapping screw B 4,2 X 19		2							

Model	Year	MG	SG	Illustration	Restrictions	UPD	21:16	23.01.2010	PORSCHE	PET	PORSCHE
944	1985	8	02	802-05		248					

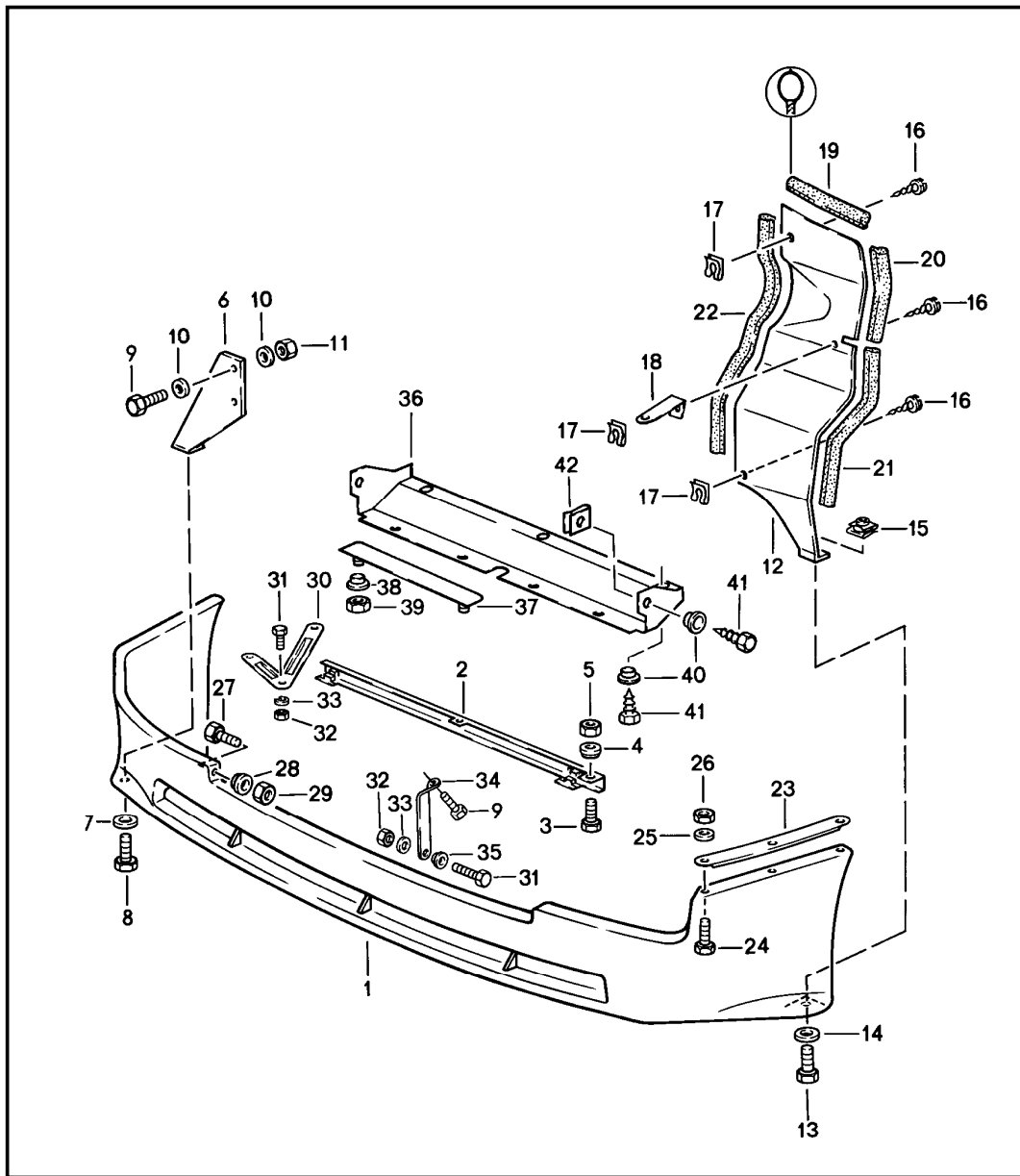


Pos	Part Number	Description	Remark	Qty	Model
		bumper with impact absorber			
1A	931 505 109 01	bumper	/V	1	M058
(1A)	931 505 109 02	bumper	/V	1	M058/288
3	477 807 353	bumper horn	/L	1	M058
(3)	477 807 354	bumper horn	/R	1	M058
(4)	944 505 061 00	rubber moulding	/L	1	
4	944 505 062 00	rubber moulding	/R	1	
5	N 011 612 3	washer R 7		6	M058
6	477 807 197	support	/H	6	
7	113 101 175	hexagon nut		6	M058
8	944 505 017 03	impact absorber		4	
9	N 010 240 16	hexagon-head bolt M 8 X 20		8	
10	900 027 015 02	lock ring A 8		8	
11	N 010 165 2	hexagon-head bolt M 12 X 65	/V	2	
12	N 012 042 4	lock ring B 12	/V	2	
13	N 011 531 7	washer A 13	/V	2	
14	944 505 301 00	bumper	/H		
(15)	931 505 059 00	cover prime coated	/L	1	
15	931 505 060 00	cover prime coated	/R	1	
16	900 910 007 02	lock nut M 5		4	
(17)	477 807 347	cap	/L	1	
17	944 505 348 00	cap	/R	1	
18	N 014 260 1	oval-head screw AM 4 X 14		2	

Model	Year	MG	SG	Illustration	Restrictions	UPD	21:16	23.01.2010	PORSCHE	PET	PORSCHE
944	1985	8	02	802-05		248					

Pos	Part Number	Description	Remark	Qty	Model	Pos	Part Number	Description	Remark	Qty	Model
19	900 151 028 02	washer B 4,3		2		38	N 011 522 8	washer 4,3		X	
20	N 011 004 6	hexagon nut		2							
22	N 043 983 1	tapping screw B 5,5 X 32		2							
23	944 505 351 00	spacer rubber		2							
24	N 902 508 01	special nut		2							
25	911 701 121 03	support number plate		1							
26	477 807 361	plate	/L	1	M058						
(26)	477 807 362	plate	/R	1	M058						
27	N 011 652 1	washer 7		2	M058						
28	N 012 006 4	lock ring B 6		2	M058						
29	N 010 339 3	hexagon-head bolt M 6 X 40		2	M058						
30	999 703 181 40	stopper towing lug see group 0/01/00		1	M058						
31	N 011 531 7	washer A 13 F >>94EN4 03821	/H	2							
32	N 012 042 4	lock ring B 12 F >>94EN4 03821	/H	2							
33	N 010 165 2	hexagon-head bolt M 12 X 65 F >>94EN4 03821	/H	2							
34	944 505 243 00	eccentric washer F 94EN4 03822>>	/H	2							
35	N 100 436 02	pan-head screw M 12 X 1,5 X 65 F 94EN4 03822>>	/H	2							
36	999 591 498 40	special nut		X							
37	900 143 134 00	tapping screw BZ 4,2 X 9,5		X							

Model	Year	MG	SG	Illustration	Restrictions	UPD	21:16	23.01.2010	PORSCHE	PET	PORSCHE
944	1985	8	02	802-10		248					

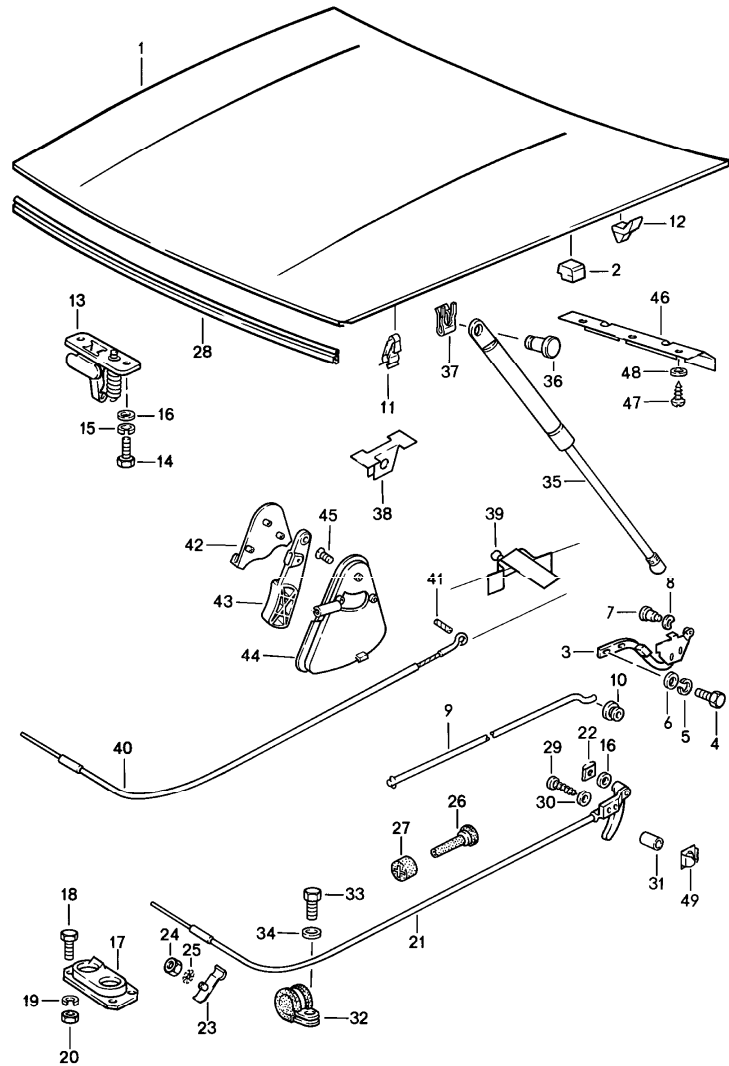


Pos	Part Number	Description	Remark	Qty	Model
1	931 505 371 03	front spoiler front spoiler up to model 84 use also: POS.36-42		1	
(1)	931 505 371 05	front spoiler for fog lamp up to model 84 use also: POS.36-42		1	
2	931 501 051 00	attachment strip		1	
3	N 010 215 13	hexagon-head bolt M6 X 12		3	
4	937 503 255 00	spacer		3	
5	900 910 010 09	lock nut M 6		3	
6	931 505 032 00	bracket	/R	1	
7	999 217 013 00	hexagon-head bolt M6 X 12		1	
8	937 503 255 00	spacer		1	
9	999 072 005 09	hexagon-head bolt M6 X 12		2	
10	N 011 524 7	washer A 6,4		4	
11	900 910 010 09	lock nut M 6		2	
12	944 503 321 01	cover	/L	1	
13	999 217 014 00	hexagon-head bolt M6 X 16		1	
14	N 011 666 7	washer A 6,4		1	
15	999 507 335 02	nut M 6		1	
16	N 090 172 1	combination screw B6,3 X 19		3	
17	999 507 003 02	speed nut B6,3 X 17		3	
18	944 503 419 00	retaining bracket		1	

Model	Year	MG	SG	Illustration	Restrictions	UPD	21:16	23.01.2010	PORSCHE	PET	PORSCHE
944	1985	8	02	802-10		248					

Pos	Part Number	Description	Remark	Qty	Model	Pos	Part Number	Description	Remark	Qty	Model
19	944 025 115 00	sealing rubber		1		42	999 507 246 02	speed nut M 6		2	
20	944 025 115 00	sealing rubber		1							
21	944 025 115 00	sealing rubber		1							
22	944 025 115 00	sealing rubber		1							
23	944 503 513 00	attachment strip		2							
24	N 010 215 13	hexagon-head bolt M6 X 15		6							
25	N 011 524 7	washer A 6,4		6							
26	900 910 010 09	lock nut M 6		6							
27	N 010 215 13	hexagon-head bolt M6 X 15		2							
28	937 503 255 00	spacer		2							
29	900 910 010 09	lock nut M 6		2							
30	944 503 514 00	support F 94DN4 08353>>		1							
31	N 010 215 13	hexagon-head bolt M 6 X 15		1							
32	900 910 010 09	lock nut M 6		1							
33	N 011 524 7	washer A 6,4		1							
34	944 505 179 00	retaining bracket		1							
35	944 503 255 00	spacer		1							
36	944 575 921 00	air duct		1							
37	944 505 055 00	attachment strip		2							
38	928 503 255 00	spacer		4							
39	900 910 010 09	lock nut M 6		4							
40	937 503 255 01	spacer		5							
41	N 010 215 13	hexagon-head bolt M 6 X 15		5							

Model	Year	MG	SG	Illustration	Restrictions	UPD	21:16	23.01.2010	PORSCHE	PET	PORSCHE
944	1985	8	03	803-00		248					

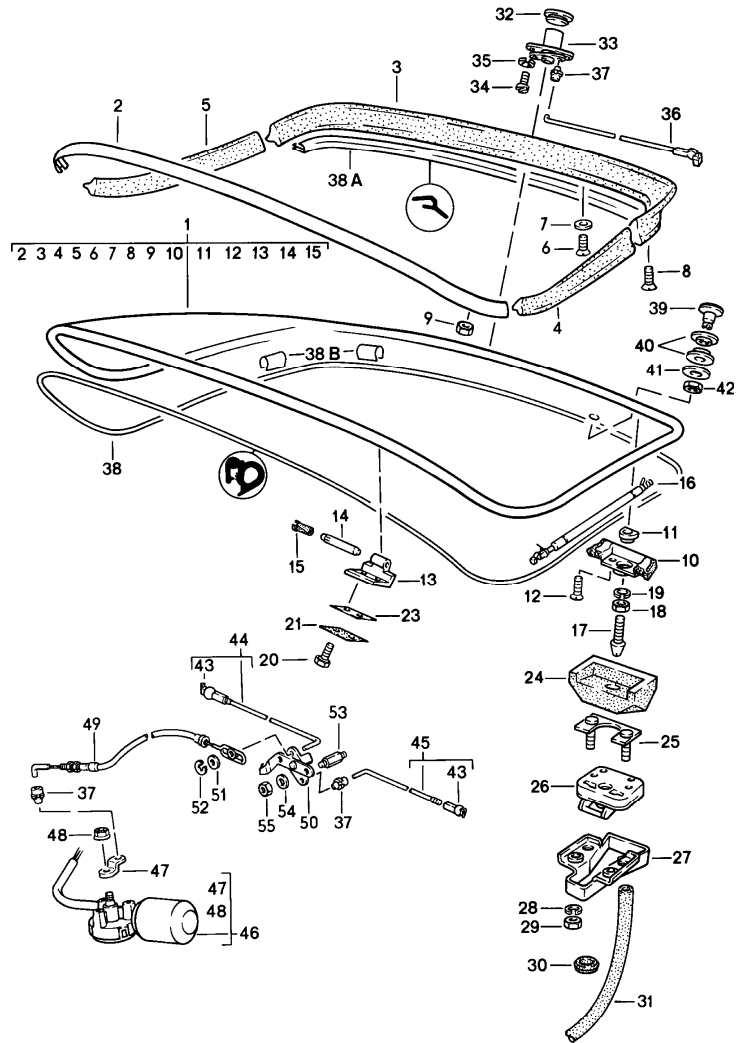


Pos	Part Number	Description	Remark	Qty	Model
		lid front actuator lid lock			
1	944 511 905 00	lid		1	
2	477 823 185	filler piece		2	
3	944 511 301 00	hinge	/L	1	
(3)	944 511 302 00	hinge	/R	1	
4	N 010 240 16	hexagon-head bolt M 8 X 20		8	
5	900 027 015 02	lock ring B 8		8	
6	900 025 007 02	washer A 8,4		8	
7	477 823 307	bearing pin	-84	2	
7	944 511 307 00	bearing pin	85-	2	
8	N 012 230 6	spring washer B 10	-84	2	
8	944 511 309 00	washer	85-	2	
9	477 823 363 A	hood stay		1	
10	171 823 395	rubber mounting		1	
11	431 823 397	support		1	
12	937 511 237 00	guide piece		4	
13	477 823 507	lock upper part lid lock		1	
14	999 072 005 09	hexagon-head bolt M 6 X 12		2	
16	999 025 049 02	washer	-83	2	
17	928 511 027 02	lid lock lower part		1	
18	900 075 116 02	hexagon-head bolt M 4 X 8		4	
19	N 012 004 2	lock ring B 4		4	

Model	Year	MG	SG	Illustration	Restrictions	UPD	21:16	23.01.2010	PORSCHE	PET	PORSCHE
944	1985	8	03	803-00		248					

Pos	Part Number	Description	Remark	Qty	Model	Pos	Part Number	Description	Remark	Qty	Model
20	N 011 004 6	hexagon nut M 4		4			70B	black			
21	477 823 531 A	lid lock cable	-83	1		44	928 511 173 02	cup	84-	1	
22	N 012 855 1	clamping washer	-83	1			70B	black			
23	477 823 551	clamping piece		1		45	900 249 001 02	countersunk-head screw M 6 X 15	84-	2	
24	900 076 010 02	hexagon nut M 6		1				M 6 X 15			
25	N 042 121 3	shake-proof washer A 6,4		1		46	944 511 201 00	tab washer		1	M533
26	477 823 591	grommet		1		47	900 143 007 02	tapping screw BZ 4,2 X 13		3	M533
27	477 823 593	stopper		1		48	900 025 002 02	washer BZ 4,3 X 9		3	M533
28	928 511 141 04	gasket		1		49	999 591 468 02	prestole cage B 4,8 mount lid-release cable		2	
29	N 013 952 1	tapping screw 4,8 X 50	-83	2							
30	900 025 003 02	washer A 5,3	-83	2							
31	477 823 165 A	bush	-83	2							
32	999 511 177 02	clamp		1							
33	999 072 005 09	hexagon-head bolt M 6 X 12		1							
34	N 011 524 7	washer		1							
35	944 511 351 01	gas-pressure spring		2							
36	999 094 011 09	bolt		2							
37	N 900 470 01	lock washer		2							
38	944 511 373 00	pneumatic spring mount		2							
39	944 501 371 00	pneumatic spring mount	/L	1							
(39)	944 501 372 00	pneumatic spring mount	/R	1							
40	944 511 037 00	bowden cable	84-	1							
41	900 197 018 00	roll pin 4 X 12	84-	1							
42	928 511 143 02	cover	84-	1							
43	928 511 175 02	pull handle	84-	1							

Model	Year	MG	SG	Illustration	Restrictions	UPD	21:16	23.01.2010	PORSCHE	PET	PORSCHE
944	1985	8	03	803-05		248					



Pos	Part Number	Description	Remark	Qty	Model
1	477 827 027 J	rear lid with rear window rear spoiler		1	
1	944 512 027 01	rear lid ----- rear lid together with wiper motor see group 9/04/05 ----- F 94FN4 22085>>		1	
2	477 853 313 A	trim frame		1	
3	937 512 555 00	rear spoiler centre F 94CN4 02335>>		1	
(3)	937 512 555 00	rear spoiler centre F >>94CN4 02334		1	
		TPP			
4	937 512 557 00	rear spoiler lateral F 94CN4 02335>>	/L	1	
(4)	937 512 557 00	rear spoiler lateral F >>94CN4 02334	/L	1	
		TPP			
5	937 512 558 00	rear spoiler lateral F 94CN4 02335>>	/R	1	
(5)	937 512 558 00	rear spoiler lateral F >>94CN4 02334	/R	1	
		TPP			
6	N 033 183 1	countersunk-head screw M 5 X 20		7	
7	477 827 453 A	washer		7	
8	N 033 185 1	countersunk-head screw M 4 X 16		4	

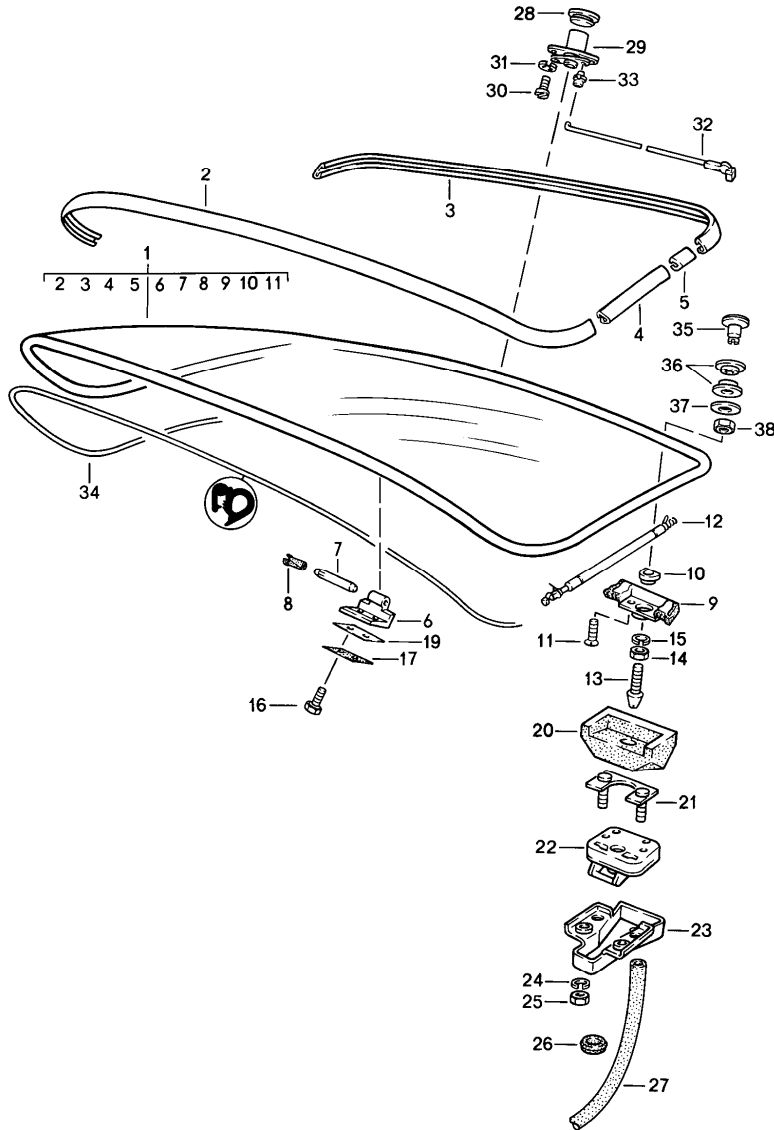
Model	Year	MG	SG	Illustration	Restrictions	UPD	21:16	23.01.2010	PORSCHE	PET	PORSCHE
944	1985	8	03	803-05		248					

Pos	Part Number	Description	Remark	Qty	Model	Pos	Part Number	Description	Remark	Qty	Model
9	N 021 255 1	slotted nut M 4		12		24	944 512 365 01	gasket F 94FN4 22085>>	/L	1	
10	477 827 033 A	housing F >>94FN4 22084	/L	1		(24)	477 827 366 D	gasket F >>94FN4 22084	/R	1	
10	944 512 033 01	housing F 94FN4 22085>>	/L	1		(24)	944 512 366 01	gasket F 94FN4 22085>>	/R	1	
(10)	477 827 034 A	housing F >>94FN4 22084	/R	1		25	951 512 447 00	reinforcement plate		2	
(10)	944 512 034 01	housing F 94FN4 22085>>	/R	1		26	477 827 505 A	rear lid lock F >>94FN4 22084	/L	1	
11	477 827 035	rubber mounting		2		26	944 538 955 01	rear lid lock F 94FN4 22085>>	/L	1	
12	999 219 011 07	countersunk-head screw M 6 X 16,		4		(26)	477 827 506 A	rear lid lock F >>94FN4 22084	/R	1	
13	477 827 305 B	hinge half		2		(26)	944 538 956 01	rear lid lock F 94FN4 22085>>	/R	1	
14	A 944 512 311 00	hinge pin		2		27	477 827 541	water drip pan		2	
14	944 512 311 00	hinge pin		2		28	N 012 006 4	lock ring B 6		4	
15	477 827 441	bush hinge pin		2		29	900 076 010 02	hexagon nut M 6		4	
(16)	477 827 348 F	gas-pressure spring	/R	1		30	111 971 911 A	rubber sleeve		2	
(16)	944 512 348 00	gas-pressure spring	/R	1		31	477 827 547	hose 400 MM		2	
16	944 512 349 00	gas-pressure spring	/L	1		32	477 827 529 A	sealing ring		1	
17	477 827 527	lock pin F >>94FN4 22084		2		33	477 898 082	lock cylinder w/o stipulated lock number		1	
17	944 538 547 00	lock pin F 94FN4 22085>>		2		(33)	477 827 573 B	lock cylinder with stipulated lock number		1	
18	N 011 008 8	hexagon nut M 8		2		34	N 014 139 5	oval-head screw M 6 X 12		2	
19	900 027 015 02	lock ring B 8		2		35	N 012 007 2	lock ring A 6		2	
20	999 218 045 07	pan-head screw M 8 X 12		4		36	477 827 583	pull rod	-83	2	
21	928 512 417 03	plate		2		37	993 531 563 00	linkage clip		2	
23	944 512 413 00	gasket lid hinge		2		38	944 512 043 00	seal for rear lid		1	
24	477 827 365 D	gasket F >>94FN4 22084	/L	1		38AA	944 512 463 00	additional gasket		1	

Model	Year	MG	SG	Illustration	Restrictions	UPD	21:16	23.01.2010	PORSCHE	PET	PORSCHE
944	1985	8	03	803-05		248					

Pos	Part Number	Description	Remark	Qty	Model	Pos	Part Number	Description	Remark	Qty	Model
38A	944 512 463 00	additional gasket		1							
38B	999 591 342 02	u-clamp		4							
39	477 845 333	screw plug		1							
40	477 955 439	grommet		2							
41	477 845 331	washer		1							
42	N 011 118 14	hexagon nut M 8		1							
43	N 015 704 1	ball socket	84-	1							
44	944 512 092 01	pull rod	/R	84-							
45	944 512 091 00	pull rod	/L	84-							
46	944 624 024 01	electric motor see technical information GR.5,NR.1/93		84-							
47	944 624 824 00	lever	84-	1							
48	999 084 045 02	lock nut	84-	1							
49	944 512 097 02	bowden cable	84-	1							
50	944 512 095 00	lever	84-	1							
51	999 704 104 50	rubber washer	84-	1							
52	N 012 054 2	clamping washer	84-	1							
53	944 512 201 00	stud	84-	2							
54	N 011 524 7	washer B 6	84-	2							
55	900 076 010 02	hexagon nut M 6	84-	2							

Model	Year	MG	SG	Illustration	Restrictions	UPD	21:16	23.01.2010	PORSCHE	PET	PORSCHE
944	1985	8	03	803-10		248					

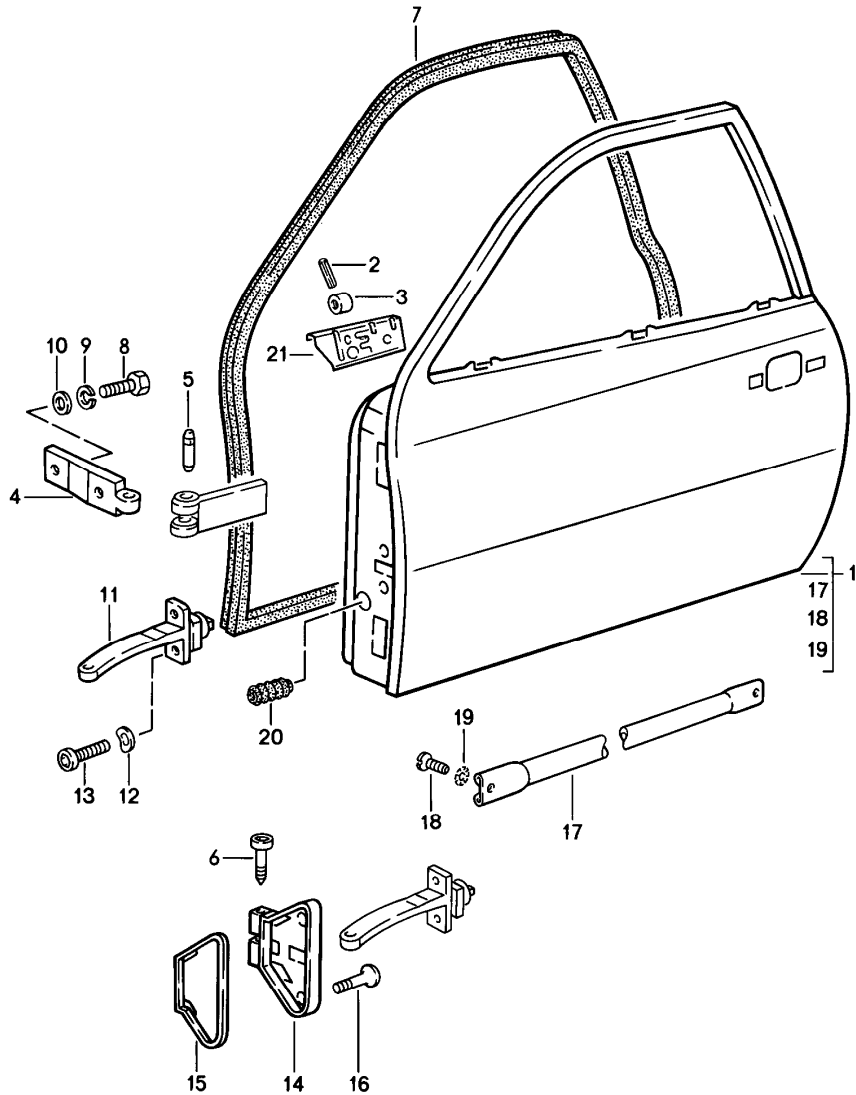


Pos	Part Number	Description	Remark	Qty	Model
		rear lid with rear window without rear spoiler	(J)		
(1)	477 827 027 G	rear lid without see group 8/03/05 order also: POS.35-38 F >>94FN4 22084		1	M425 M425
1	944 512 027 02	rear lid F 94FN4 22085>>		1	
2	477 853 313	trim frame		1	
3	477 853 311	trim frame		1	
4	477 853 315	trim frame	/L	1	
(4)	477 853 316	trim frame	/R	1	
5	477 853 367	sleeve trim frame		4	
6	477 827 305 B	hinge half		2	
7 A	944 512 311 00	hinge pin		2	
7	944 512 311 00	hinge pin		2	
8	477 827 441	bush hinge pin		2	
9	477 827 033	housing F >>94FN4 22084	/L	1	
9	944 512 033 01	housing F 94FN4 22085>>	/L	1	
(9)	477 827 034	housing F >>94FN4 22084	/R	1	
(9)	944 512 034 01	housing F 94FN4 22085>>	/R	1	
10	477 827 035	rubber mounting		2	
11	999 219 011 07	countersunk-head screw M 6 X 16		4	
12	477 827 348 F	gas-pressure spring	/R	1	
(12)	477 827 349 D	gas-pressure spring	/L	1	

Model	Year	MG	SG	Illustration	Restrictions	UPD	21:16	23.01.2010	PORSCHE	PET	PORSCHE
944	1985	8	03	803-10		248					

Pos	Part Number	Description	Remark	Qty	Model	Pos	Part Number	Description	Remark	Qty	Model
13	477 827 527	lock pin F >>94FN4 22084		2		27	477 827 547	hose 400 MM		2	
13	944 538 547 00	lock pin F 94FN4 22085>>		2		28	477 827 529 A	sealing ring		1	
14	N 011 008 8	hexagon nut M 8		2		29	477 898 082	lock cylinder w/o stipulated lock number		1	
15	900 027 015 02	lock ring B 8		2		(29)	477 827 573 B	lock cylinder with stipulated lock number		1	
16	999 218 045 07	pan-head screw M 8 X 12		4		30	N 014 139 5	oval-head screw M 6 X 12		2	
17	928 512 417 03	plate		2		31	N 012 007 2	lock ring A 6		2	
19	944 512 413 00	gasket lid hinge		2		32	477 827 583	pull rod		2	
20	477 827 365 A	gasket F >>94FN4 22084	/L	1		33	993 531 563 00	linkage clip		2	
20	944 512 365 01	gasket F 94FN4 22085>>	/L	1		34	944 512 043 00	seal for rear lid		1	
(20)	477 827 366 A	gasket F >>94FN4 22084	/R	1		-	999 591 342 02	u-clamp		4	
(20)	944 512 366 01	gasket F 94FN4 22085>>	/R	1		35	477 845 333	screw plug		1	
21	951 512 447 00	reinforcement plate		2		36	477 955 439	grommet		2	
22	477 827 505 A	rear lid lock F >>94FN4 22084	/L	1		37	477 845 331	washer		1	
22	944 538 955 01	rear lid lock F 94FN4 22085>>	/L	1		38	N 011 118 14	hexagon nut M 8		1	
(22)	477 827 506 A	rear lid lock F >>94FN4 22084	/R	1							
(22)	944 538 956 01	rear lid lock F 94FN4 22085>>	/R	1							
23	477 827 541	water drip pan		2							
24	N 012 006 4	lock ring B 6		4							
25	900 076 010 02	hexagon nut M 6		4							
26	111 971 911 A	rubber sleeve		2							

Model	Year	MG	SG	Illustration	Restrictions	UPD	12:39	29.01.2010	PORSCHE	PET	PORSCHE
944	1985	8	04	804-00		248					

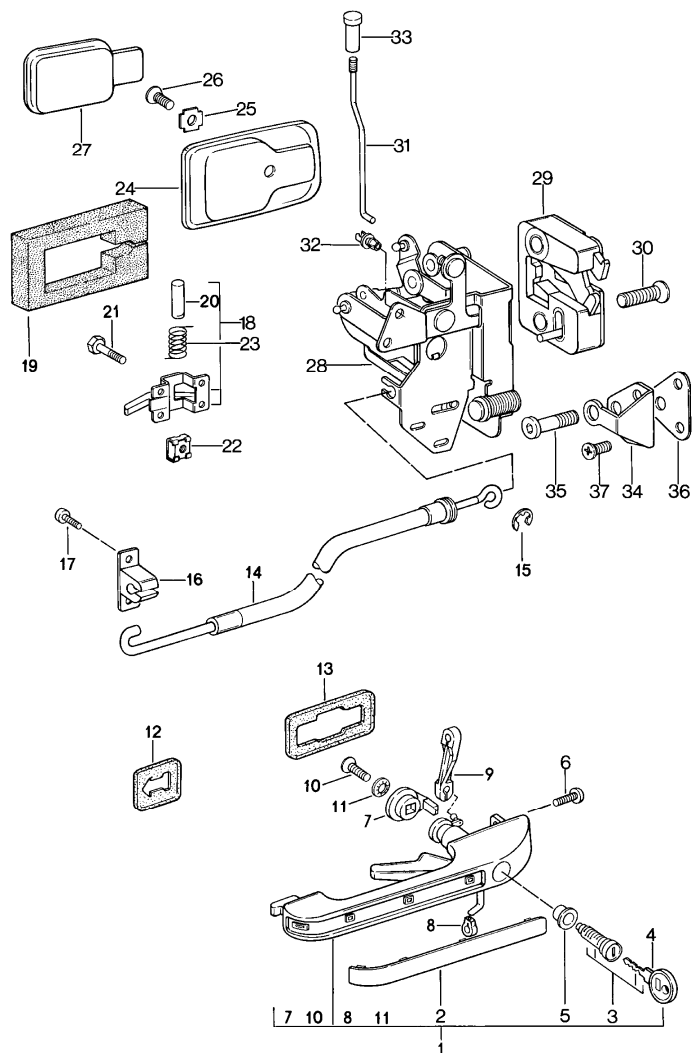


Pos	Part Number	Description	Remark	Qty	Model
1	944 531 005 01	door			
		door in white prepared for door mirror	/L	1	
1	478 831 051 R	door in white not prepared for door mirror	/RL/L	1	
(1)	478 831 052 R	door in white prepared for door mirror	/R	1	
(1)	944 531 006 02	door in white not prepared for door mirror	/R	1	
2	N 013 295 1	tensioning sleeve		2	
3	928 531 235 03	threaded piece		2	
4	171 831 403	hinge half		4	
5	321 831 421	hinge pin		4	
6	928 537 419 03	pan-head screw		2	
7	944 537 091 00	door seal	/L	1	
(7)	944 537 092 00	door seal	/R	1	
8	900 119 052 02	pan-head screw M 8 X 15		8	
9	900 027 015 02	lock ring B 8		8	
10	823 711 815	washer		8	
11	944 537 609 00	door support		2	
11	944 537 609 00	door support		2	
12	N 011 524 7	washer B 6		4	
13	900 067 008 02	pan-head screw M 6 X 12		4	
14	928 537 417 02	bearing bracket	/L	1	
(14)	928 537 418 02	bearing bracket	/R	1	
15	928 537 425 02	desk pad bearing bracket	/L	1	

Model	Year	MG	SG	Illustration	Restrictions	UPD	12:39	29.01.2010	PORSCHE	PET	PORSCHE
944	1985	8	04	804-00		248					

Pos	Part Number	Description	Remark	Qty	Model	Pos	Part Number	Description	Remark	Qty	Model
(15)	928 537 426 02	desk pad bearing bracket	/R	1							
16	928 537 459 02	oval-head screw M 6 X 20		4							
17	477 831 155	reinforcement		2	M190						
18	999 147 006 02	oval-head screw M 8 X 16		4	M190						
19	N 012 133 1	shake-proof washer V 8,4		4	M190						
20	477 971 910	bellows		2							
21	477 831 139 C	reinforcement door mirror	/L	1							
(21)	477 831 140 C	reinforcement door mirror	/R	1							

Model	Year	MG	SG	Illustration	Restrictions	UPD	21:17	23.01.2010	PORSCHE	PET	PORSCHE
944	1985	8	04	804-05		248					

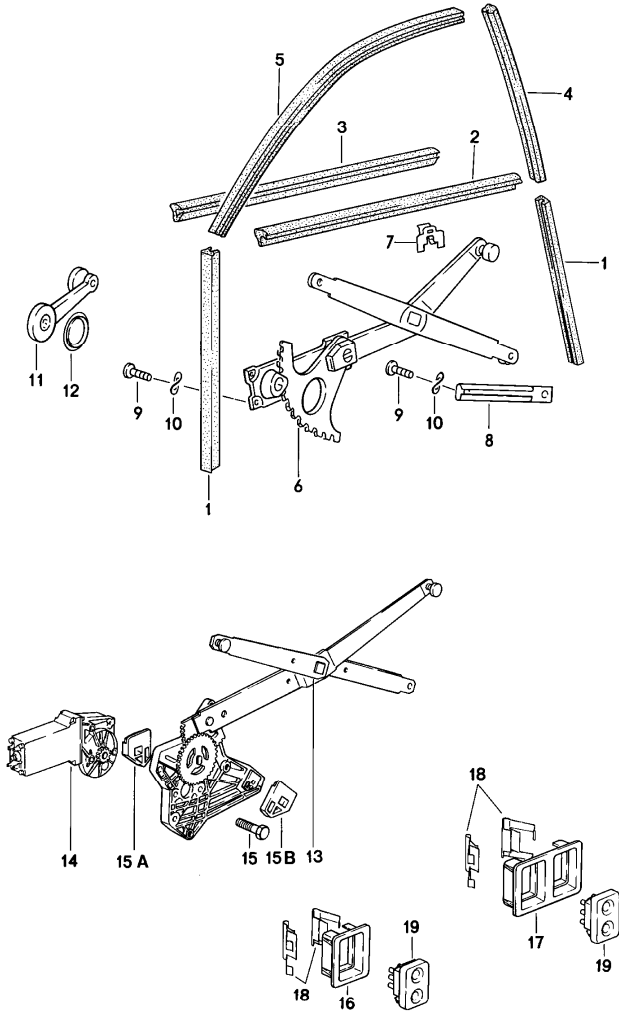


Pos	Part Number	Description	Remark	Qty	Model
1	477 837 037 H	installation parts door door lock			
		outer door handle with lock cylinder w/o stipulated lock number	/L	1	
(1)	477 837 038 H	outer door handle with lock cylinder w/o stipulated lock number	/R	1	
2	823 837 239	cover		2	
3	944 538 903 00	lock cylinder with keys w/o stipulated lock number		2	
(3)	944 538 903 01	lock cylinder with keys with stipulated lock number		2	
-	-	grease for lock cylinder see group 0/05/00			
4	477 837 219	blank key		2	
(4)	944 538 933 00	key with stipulated lock number Information available		1	
5	111 837 227 B	sealing ring		2	
6	803 837 951	self-lock. fillister screw		2	
7	477 837 497	driver		2	
8	999 168 004 40	ball socket		2	
9 A	477 837 505 A	connecting piece F >>94CN4 03921 F >>94DN4 00108	/L (J)	1	
9	477 837 505 A	connecting piece	/L	1	
(9)	477 837 506 A	connecting piece	/R	1	
10	N 033 165 1	countersunk-head screw AM 4 X 8		2	
11	N 012 116 1	serrated lock washer V 4,3		2	
12	867 837 209	desk pad	/V	2	

Model	Year	MG	SG	Illustration	Restrictions	UPD	21:17	23.01.2010	PORSCHE	PET	PORSCHE
944	1985	8	04	804-05		248					

Pos	Part Number	Description	Remark	Qty	Model	Pos	Part Number	Description	Remark	Qty	Model
13	171 837 211 A	desk pad	/H	2			043	black			
14	477 837 017 A	bowden cable		2			90V	brown			
15	900 116 002 02	lock washer 3,2		2		28	928 537 907 03	lock inner part	/LL/L	1	
16	477 837 115 A	support		2		(28)	928 537 908 04	lock inner part	/LL/R	1	
17	A 999 217 029 02	hexagon-head bolt M 6 X 10, SELBSTSICHERND		4		(28)	927 537 907 04	lock inner part	/RL/L	1	
17	999 217 029 02	hexagon-head bolt M 6 X 10 self-locking M 6 X 10, SELBSTSICHERND		4		(28)	927 537 908 03	lock inner part	/RL/R	1	
18	171 837 019	inner door release	/L	1		29	928 537 153 03	door lock outer part	/L	1	
	041	black				(29)	928 537 154 03	door lock outer part	/R	1	
	90V	brown				30	928 537 721 02	oval-head screw M 8 X 35		4	
(18)	171 837 020	inner door release	/R	1		31	477 837 183 A	locking rod		2	
	041	black				32	477 837 187	clip		2	
	90V	brown				33	111 837 187 B	knob		2	
19	477 831 304 A	seal		2			043	black			
20	N 013 666 1	rivet B 4 X 32		2		34	928 537 133 02	door lock striker		2	
21	999 217 029 02	hexagon-head bolt M 6 X 10, SELBSTSICHERND		8		35	928 537 131 03	lock pin		2	
22	477 837 521	captive nut		8		36	928 537 135 04	desk pad		2	
23	811 837 723	spring for operating lever		2		37	900 269 027 02	countersunk-head screw M 8 X 16		4	
24	171 837 235	rosette		2							
	01C	black									
	90V	brown									
25	111 837 291	cone washer		2							
26	N 014 216 1	countersunk-head screw AM 5 X 10		2							
27	311 837 247	finger plate		2							

Model	Year	MG	SG	Illustration	Restrictions	UPD	21:17	23.01.2010	PORSCHE	PET	PORSCHE
944	1985	8	04	804-10		248					

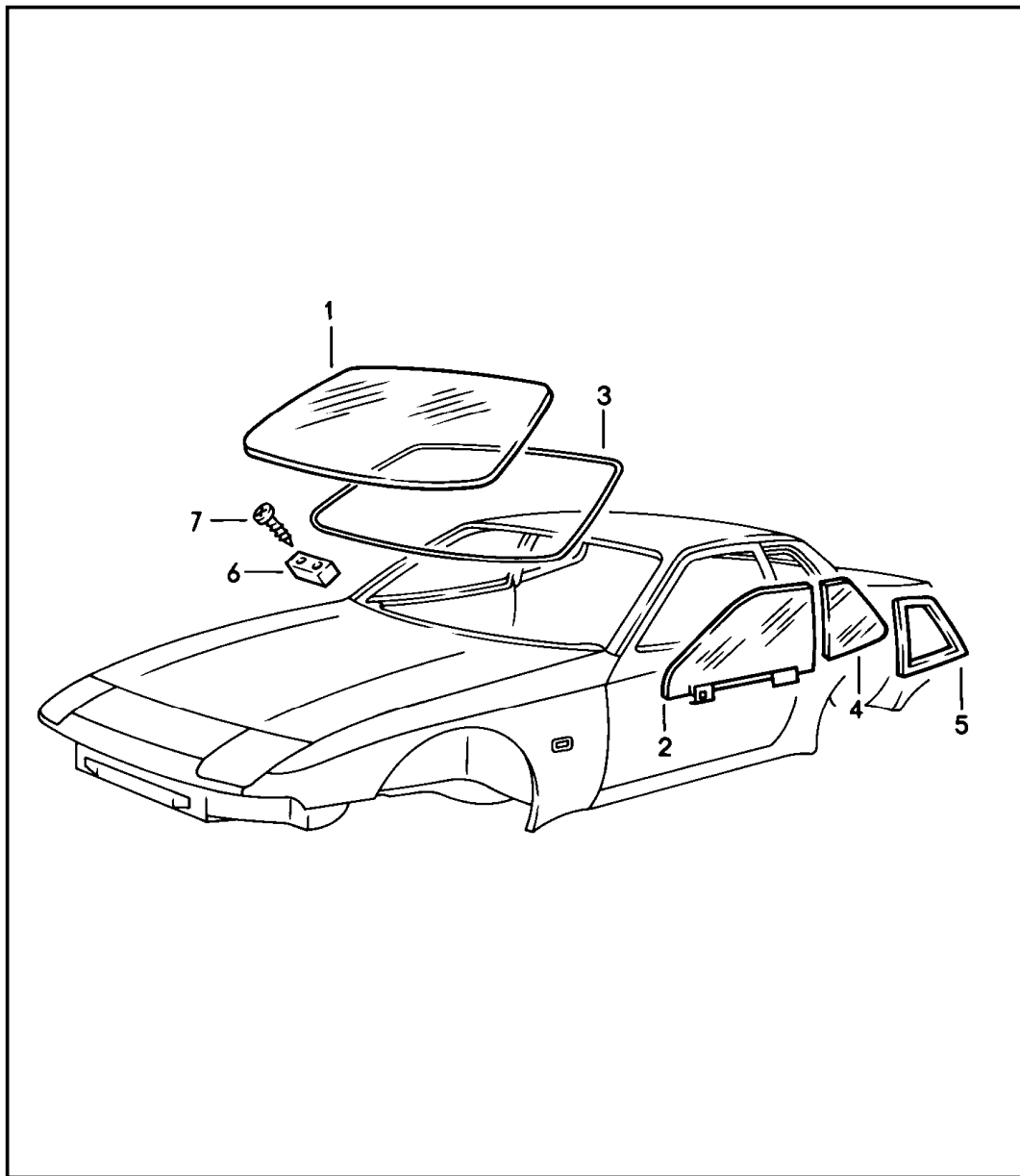


Pos	Part Number	Description	Remark	Qty	Model
		installation parts door window glass power windows			
1	477 837 385	window guide		4	
2	477 837 469 A	sealing strip outer	/L	1	
(2)	477 837 470 A	sealing strip outer	/R	1	
3	477 837 471 A	seal inner		2	
4	477 837 479 A	window guide		2	
5	477 837 493 A	window guide	/L	1	
(5)	477 837 494 A	window guide	/R	1	
6	477 837 441 A	power windows	/L	1	
(6)	477 837 442 A	power windows	/R	1	
7	171 837 485	clamp		10	
8	477 837 589	guide rail		2	
9	999 217 029 02	hexagon-head bolt M 6 X 10 self-locking		12	
		M 6 X 10, SELBSTSICHERND			
10	N 011 652 1	washer A 7 X 12		12	
11	321 837 581	window crank		2	
		01C black			
		90V brown			
12	111 837 595 A	desk pad		2	
		01C black			
		90V brown			
13	477 837 391 C	cross-arm power window	/L	1	
(13)	477 837 392 C	cross-arm power window	/R	1	
14	477 959 123 A	engine and transmission	/L	1	

Model	Year	MG	SG	Illustration	Restrictions	UPD	21:17	23.01.2010	PORSCHE	PET	PORSCHE
944	1985	8	04	804-10		248					

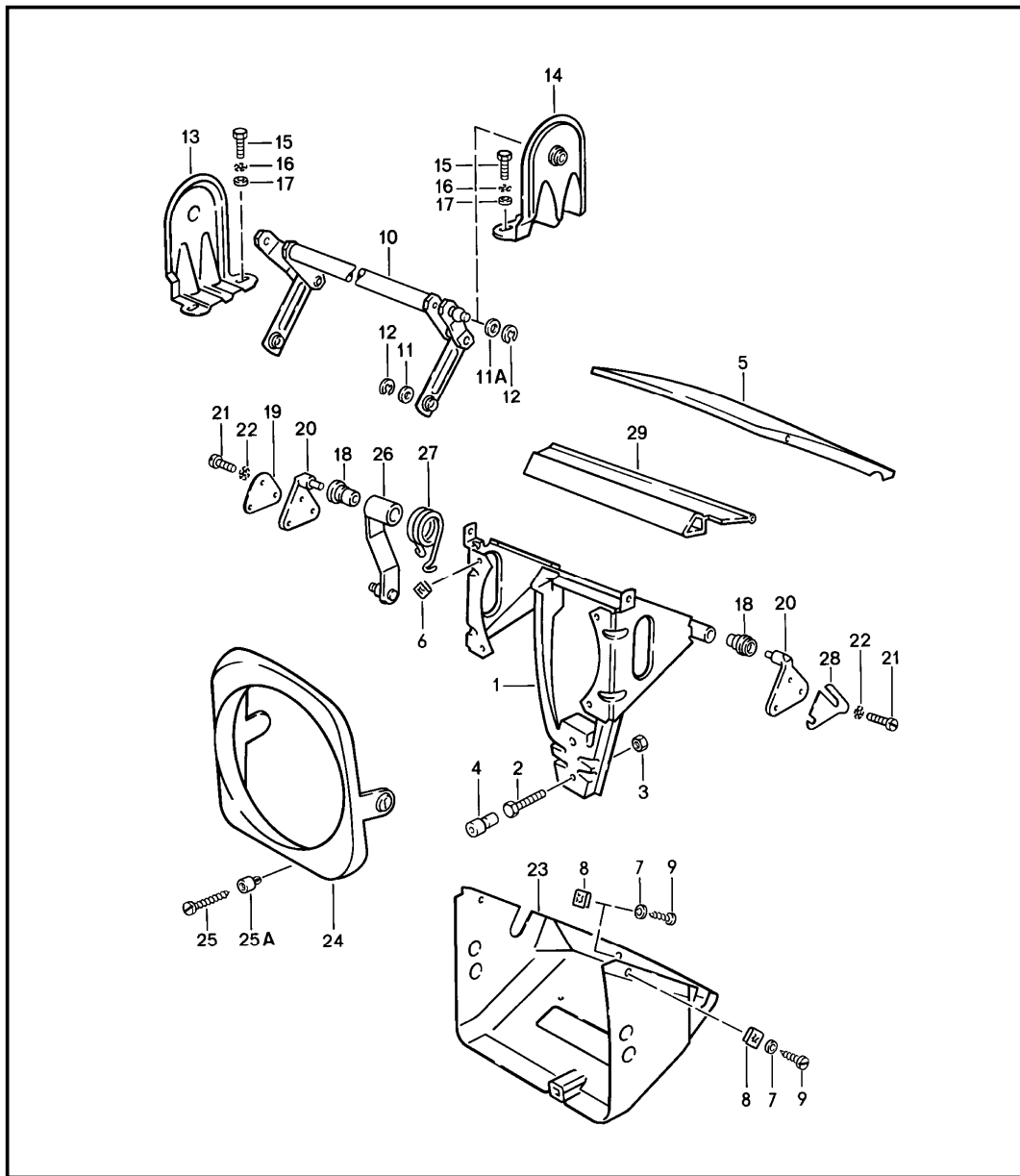
Pos	Part Number	Description	Remark	Qty	Model	Pos	Part Number	Description	Remark	Qty	Model
(14)	477 959 124 A	engine and transmission	/R	1		-	321 919 505	relay	-83	1	
15	N 014 228 4	countersunk-head screw AM 6 X 12		6		-	944 615 112 01	relay	84-	1	
15A	477 837 397	stop upper	/L	1		-	N 017 121 5	safety fuse 25 A		1	
15B	477 837 398	stop	/R	1							
15A	477 837 397	stop lower	/R	1							
15B	477 837 398	stop	/L	1							
16	477 867 185 A	mounting piece		1							
	1DB	black									
	4RB	brown									
17	477 867 187 A	mounting piece		1							
	1DB	black									
	4RB	brown									
18	477 867 189	spring clamp		4							
19	477 959 622	tip switch		3							
	01C	black									
	89S	brown									
		wiring harness for power window									
-	477 971 160 A	wiring harness dashboard	/LL	-83	1						
-	944 612 031 00	wiring harness dashboard	/LL	84-	1						
-	945 612 031 00	wiring harness dashboard	/RL	-83	1						
-	945 612 031 00	wiring harness dashboard	/RL	84-	1						
-	477 971 161	wiring harness dashboard		1							
-	477 971 162	wiring harness passenger's door		1							

Model	Year	MG	SG	Illustration	Restrictions	UPD	21:18	23.01.2010	PORSCHE	PET	PORSCHE
944	1985	8	05	805-00		248					



Pos	Part Number	Description	Remark	Qty	Model
		window glazing			
1	477 845 011 D	windscreen clear		1	
(1)	477 845 011 E	windscreen tinted		1	
(1)	477 845 011 F	windscreen tinted green top tint		1	
-	477 845 043	adhesive plate interior mirror		1	
2	944 542 023 00	door window glass clear	/L	1	
(2)	944 542 023 01	door window glass tinted	/L	1	
(2)	944 542 024 00	door window glass clear	/R	1	
(2)	944 542 024 01	door window glass tinted	/R	1	
3	477 898 011 A	sealing set windscreen		1	
4	477 845 311	side window clear	/L	1	
(4)	477 845 311 A	side window tinted	/L	1	
(4)	477 845 312	side window clear	/R	1	
(4)	477 845 312 A	side window tinted	/R	1	
5	944 557 321 00	rubber seal side window	/L	1	
(5)	944 557 322 00	rubber seal side window	/R	1	
6	477 845 613 A	stop		2	
7	900 143 046 07	tapping screw B 4,8 X 16		4	

Model	Year	MG	SG	Illustration	Restrictions	UPD	21:18	23.01.2010	PORSCHE	PET	PORSCHE
944	1985	8	06	806-00		248					

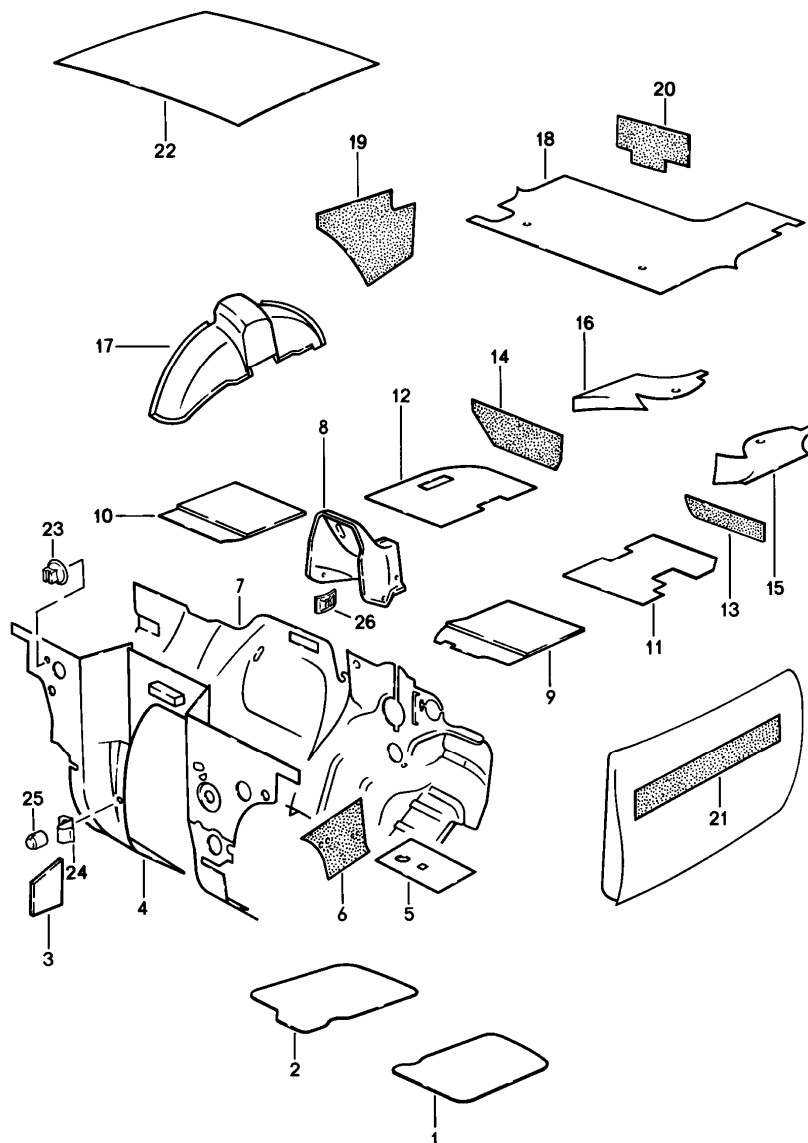


Pos	Part Number	Description	Remark	Qty	Model
		pop-up headlight			
1	944 750 605 00	swivel frame	/L	1	
(1)	944 750 606 00	swivel frame	/R	1	
2	N 010 221 3	hexagon-head bolt M 6 X 35		2	
3	900 076 010 02	hexagon nut M 6		2	
4	914 504 319 00	grommet		2	
5	477 805 611	housing cover	/L	1	
(5)	477 805 612	housing cover	/R	1	
6	999 507 252 02	nut B 4,2 X 17		8	
7	900 151 028 02	washer 4,1		4	
8	N 015 438 1	speed nut B 3,5 X 16,5		10	
9	N 014 086 4	tapping screw B 3,5 X 9,13		10	
10	477 805 615	control shaft		1	
11	N 011 525 13	washer		2	
11A	477 805 695	washer		1	
12	N 012 436 2	lock washer 6		3	
13	477 805 617	bearing bracket		1	
14	477 805 622	bearing bracket		1	
15	N 010 215 13	hexagon-head bolt M 6 X 15		4	
16	N 012 105 3	serrated lock washer A 6,4		4	
17	N 011 524 7	washer A 6,4		4	
18	477 805 623	bush		4	
19	914 750 169 10	plate		4	
20	914 750 271 10	bearing bracket		4	

Model	Year	MG	SG	Illustration	Restrictions	UPD	21:18	23.01.2010	PORSCHE	PET	PORSCHE
944	1985	8	06	806-00		248					

Pos	Part Number	Description	Remark	Qty	Model	Pos	Part Number	Description	Remark	Qty	Model
21	N 010 210 7	hexagon-head bolt M 6 X 10		12							
22	N 012 105 3	serrated lock washer A 6,4		12							
23	944 750 631 00	housing	/L	1							
(23)	944 750 632 00	housing	/R	1							
24	477 805 633	retaining ring	/L	1							
(24)	477 805 634	retaining ring	/R	1							
25	N 043 979 2	tapping screw BZ 4,2 X 45		2							
25A	477 857 173	clip		2							
26	477 805 651	lever		2							
27	477 805 661	spring	/L	1							
(27)	477 805 662	spring	/R	1							
28	477 805 663	desk pad		X							
29	477 853 363	cover strip	/L	1							
(29)	477 853 364	cover strip	/R	1							

Model	Year	MG	SG	Illustration	Restrictions	UPD	21:18	23.01.2010	PORSCHE	PET	PORSCHE
944	1985	8	07	807-00		248					

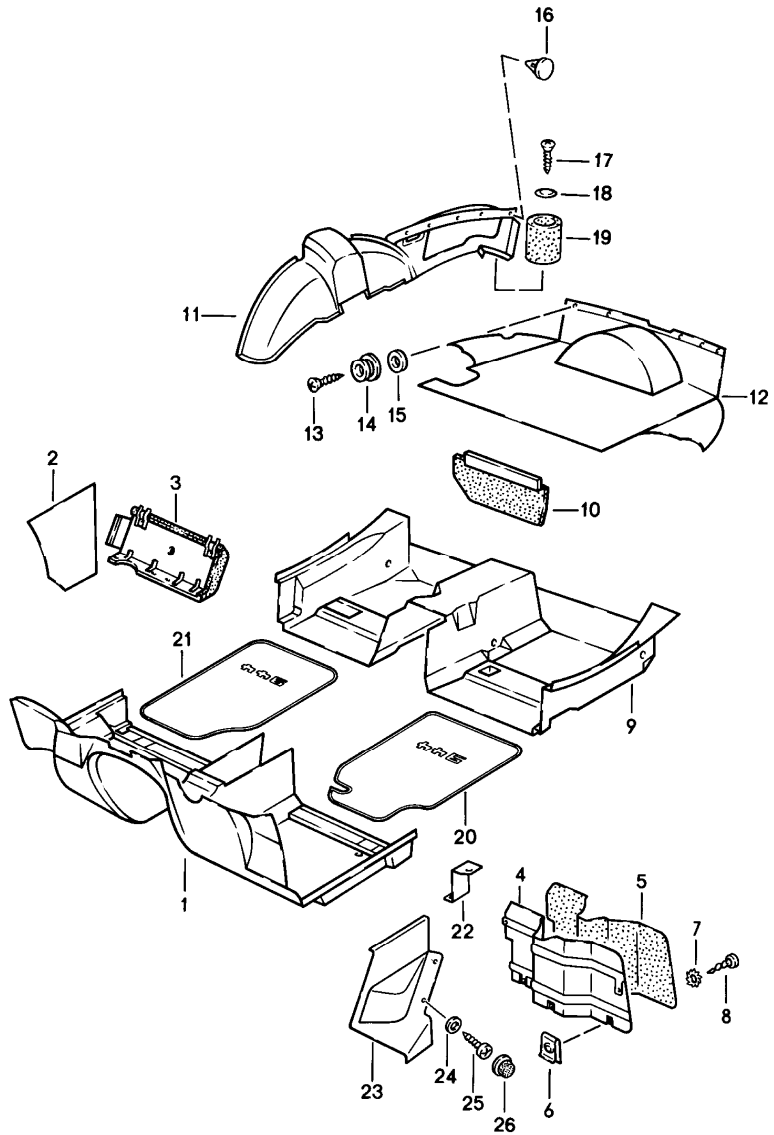


Pos	Part Number	Description	Remark	Qty	Model
		sound absorber			
1	477 863 771	sound absorber engine compartment	/L	1	
2	477 863 772	sound absorber	/R	1	
3	477 863 871	heat protection side member	/R	1	
4	944 556 089 00	insulation	/LL	1	
(4)	945 556 089 01	insulation for engine compartment	/RL	1	
5	477 863 849	insulation	/L	1	
6	477 863 837	sound absorber	/L	-83	1
(6)	477 863 838	sound absorber side section	/R	-83	1
6	944 556 083 00	sound absorber	/LL/L	84-	1
(6)	944 556 084 00	sound absorber side section	/LL/R	84-	1
6	945 556 083 00	sound absorber	/RL/L	84-	1
(6)	945 556 084 00	sound absorber side section	/RL/R	84-	1
7	477 863 855 E	insulation	/LL	1	
(7)	477 863 855 F	insulation firewall	/LL	1	M573
8	477 863 667 A	sound absorber	/V	1	
9	477 863 775	sound absorber floor	/V	1	
(9)	478 863 775	sound absorber	/RL/L	1	
10	477 863 776	sound absorber	/LL/R	1	
(10)	478 863 776	sound absorber	/RL/R	1	
11	477 863 773	sound absorber floor	/H/L	1	
12	477 863 774	sound absorber	/R	1	
13	944 556 085 00	sound absorber	/L	1	
(13)	944 556 086 00	sound absorber cross member	/R	1	

Model	Year	MG	SG	Illustration	Restrictions	UPD	21:18	23.01.2010	PORSCHE	PET	PORSCHE
944	1985	8	07	807-00		248					

Pos	Part Number	Description	Remark	Qty	Model	Pos	Part Number	Description	Remark	Qty	Model
(14)	477 863 845 A	sound absorber	/L	1							
14	477 863 846 A	sound absorber heel plate	/R	1							
15	944 556 777 01	sound absorber	/L	1							
16	944 556 778 01	sound absorber	/R	1							
(17)	944 556 885 00	sound absorber	/L	1							
17	944 556 886 00	sound absorber wheel housing	/R	1							
18	944 556 079 00	sound absorber boot floor plate		1							
(19)	477 863 865	insulation side section	/L	1							
19	477 863 866	sound absorber side section	/R	1							
20	477 863 867	insulation spare-wheel well		1 1							
21	993 556 521 00	insulation door		2							
22	944 556 609 00	sound absorber roof		1							
23	999 049 002 40	push button		13							
24	944 556 849 00	clip		6							
25	999 049 001 40	plastic nut		6							
26	N 900 661 01	clamping washer		5							

Model	Year	MG	SG	Illustration	Restrictions	UPD	21:18	23.01.2010	PORSCHE	PET	PORSCHE
944	1985	8	07	807-05		248					



Pos	Part Number	Description	Remark	Qty	Model
1	477 863 703 G	linings floor mat	/LL/V	1	
	3BF	black			
	1NF	beige	-82		
	8NF	brown			
	4BF	grey			
	3FF	grey-beige	83-		
(1)	477 863 703 M	linings floor mat	/LL/V	1	M573
	3BF	black			
	1NF	beige	-82		
	8NF	brown			
	4BF	grey			
	3FF	grey-beige	83-		
(1)	478 863 703 G	linings floor mat	/RL/V	1	
	3BF	black			
	1NF	beige	-82		
	8NF	brown			
	4BF	grey			
	3FF	grey-beige	83-		
(2)	477 863 581 A	linings lining	/L	1	
	3BF	black			
	1NF	beige	-82		
	8NF	brown			
	4BF	grey			
	3FF	grey-beige	83-		
2	477 863 582 A	linings lining	/R	1	
	3BF	black			
	1NF	beige	-82		
	8NF	brown			

Model	Year	MG	SG	Illustration	Restrictions	UPD	21:18	23.01.2010	PORSCHE	PET	PORSCHE
944	1985	8	07	807-05		248					

Pos	Part Number	Description	Remark	Qty	Model	Pos	Part Number	Description	Remark	Qty	Model
	4BF	grey					21S	brown F >>94CN4 03921 F >>94DN4 00108			(J)
	3FF	grey-beige	83-				1DB	black F 94DN4 00111>> F 94DN4 00109>>			(J)
(2)	477 863 582 B	lining	/LL/R	1	M573		4RB	brown F 94DN4 00111>> F 94DN4 00109>>			(J)
	3BF	black									
	1NF	beige	-82								
	8NF	brown									
	4BF	grey				4	478 863 751	foot support	/RL/L	1	M573
	3FF	grey-beige	83-			5	478 863 381	carpet foot support	/RL/L	1	M573
(2)	945 555 081 00	lining	/L	84-	1		3BF	black			
	3BF	black					1NF	beige		82	
	8NF	brown					8NF	brown			
	4BF	grey					4BF	grey			
	3FF	grey-beige					3FF	grey-beige		83-	
-	478 863 767	carpet foot support	/RL/R		1	6	N 015 458 1	speed nut	/RL	5	M573
	3BF	black				7	900 151 027 02	washer	/RL	5	M573
	1NF	beige	-82			8	N 013 968 7	tapping screw 4,8 X 13	/RL	5	M573
	8NF	brown									
	4BF	grey				9	477 863 717 B	floor mat	/LL/H	1	
	3FF	grey-beige	83-				3BF	black			
	478 863 767 A	carpet foot support	/RL/R		1		1NF	beige		82	
	3BF	black					8NF	brown			
	1NF	beige	-82				4BF	grey			
	8NF	brown					3FF	grey-beige		83-	
	4BF	grey				(9)	478 863 717 B	floor mat	/RL/H	1	
	3FF	grey-beige	83-				3BF	black			
	477 820 412	knee protection trim	/LL		1		1NF	beige		82	
3	05T	black F >>94CN4 03921 F >>94DN4 00108					8NF	brown			
							4BF	grey			
							3FF	grey-beige		83-	

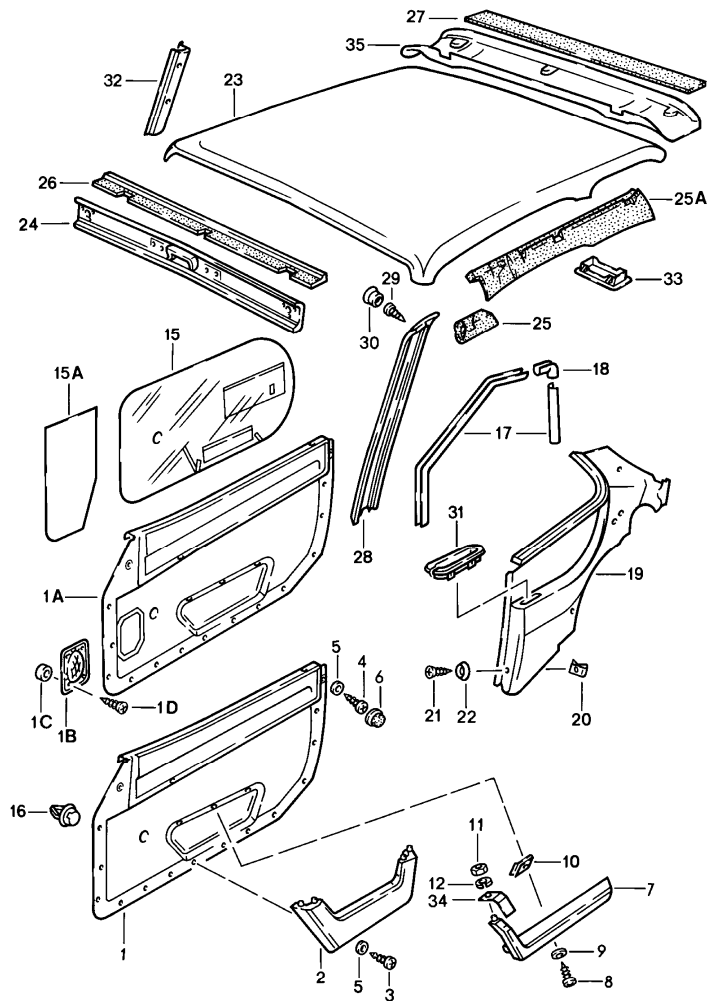
Model	Year	MG	SG	Illustration	Restrictions	UPD	21:18	23.01.2010	PORSCHE	PET	PORSCHE
944	1985	8	07	807-05		248					

Pos	Part Number	Description	Remark	Qty	Model	Pos	Part Number	Description	Remark	Qty	Model
(10)	477 863 571 A	lining	/L	1		11	944 555 083 03	side trim panel	/L 1. (AUS) 84-	1	
	3BF	black					3BF	black			
	1NF	beige		82			4BF	grey			
	8NF	brown					8NF	brown			
	4BF	grey					3FF	grey-beige			
	3FF	grey-beige		83-		(11)	944 555 084 02	side trim panel	/R 1. (AUS) 84-	1	
10	477 863 572 A	lining	/R	1			3BF	black			
	3BF	black					4BF	grey			
	1NF	beige		82			8NF	brown			
	8NF	brown					3FF	grey-beige			
	4BF	grey				12	944 555 063 01	boot floor lining	-83	1	
	3FF	grey-beige		83-			3BF	black			
(11)	944 555 083 01	side trim panel	/L	-83	1		1NF	beige		82	
	3BF	black					8NF	brown			
	1NF	beige		82			4BF	grey			
	8NF	brown					3FF	grey-beige		83	
	4BF	grey				12 A	944 555 063 07	boot floor lining	84-	1	
	3FF	grey-beige		83			3BF	black			
11	944 555 084 01	side trim panel	/R	1			4BF	grey			
	3BF	black					8NF	brown			
	1NF	beige		82			3FF	grey-beige			
	8NF	brown				12	944 555 063 03	boot floor lining		1	
	4BF	grey					3BF	black			
	3FF	grey-beige		83			4BF	grey			
11	944 555 083 02	side trim panel	/L	84-	1		8NF	brown			
	3BF	black					3FF	grey-beige			
	4BF	grey				12	944 555 063 02	boot floor lining	(GB)	-83	1
	8NF	brown					3BF	black			
	3FF	grey-beige									

Model	Year	MG	SG	Illustration	Restrictions	UPD	21:18	23.01.2010	PORSCHE	PET	PORSCHE
944	1985	8	07	807-05		248					

Pos	Part Number	Description	Remark	Qty	Model	Pos	Part Number	Description	Remark	Qty	Model
	4BF	grey					8NF	brown			
	8NF	brown				22	944 555 263 00	bracket	/LL	1	
	3FF	grey-beige				(22)	945 555 263 00	bracket	/RL	1	
12	944 555 063 08	boot floor lining	(GB) 84-	1		23	944 555 061 00	lining		1	
	3BF	black					01C	black			
	4BF	grey				24	900 151 028 02	washer 4,1 X 12 X 0,8		2	
	8NF	brown				25	999 450 003 02	tapping screw B 3,9 X 16		2	
	3FF	grey-beige				26	311 867 169	cap		2	
13	N 013 957 5	tapping screw B 3,5 X 9,5		6			01C	black			
14	968 555 901 00	set of fastening parts		6			90V	saddle tan			
15	900 151 027 02	washer 5,3		6							
16	477 863 747	clip		12							
	01C	black									
	90V	saddle tan									
	83S	beige	82								
	4BF	grey									
	3FF	grey-beige									
17	900 143 064 07	tapping screw B 3,5 X 25		2							
18	N 011 521 3	washer A 3,7 X 8		2							
19	999 703 176 40	round buffer		2							
20	944 555 913 00	floor mat with logo	/LL/L	1							
	3BF	black									
	8NF	brown									
21	944 555 914 00	floor mat with logo	/LL/R	1							
	3BF	black									

Model	Year	MG	SG	Illustration	Restrictions	UPD	21:18	23.01.2010	PORSCHE	PET	PORSCHE
944	1985	8	07	807-10		248					



Pos	Part Number	Description	Remark	Qty	Model
1	477 867 011 K	door trim panel rooflining		1	
		DF9 black			
		DG1 brown			
		DG2 beige/brown			
(1)	477 867 012 K	door trim panel power windows manually adjustable leatherette	/R	1	
		F >>94CN4 03921	(J)		
		F >>94DN4 00108			
		DF9 black			
		DG1 brown			
		DG2 beige/brown			
1	477 867 011 K	door trim panel leatherette/ checker board velour	/L	1	
		FE5 black/ grey/black			
		FE6 brown/ beige/brown			
(1)	477 867 012 K	door trim panel F >>94CN4 03921 F >>94DN4 00108 leatherette/ checker board velour	/R	1	
		FE5 black/ grey/black	(J)		
		FE6 brown/ beige/brown			
(1A)	477 867 011 Q	door trim panel power windows manually adjustable leatherette	/L	1	
		DG1 brown			
		F >>94DN4 03821			

Model	Year	MG	SG	Illustration	Restrictions	UPD	21:18	23.01.2010	PORSCHE	PET	PORSCHE
944	1985	8	07	807-10		248					

Pos	Part Number	Description	Remark	Qty	Model	Pos	Part Number	Description	Remark	Qty	Model
		JS3 grey-beige F >>94DN4 03821					DF9	black			
		KZ8 brown F 94DN4 03822>>					DG1	brown			
		KZ9 grey-beige F 94DN4 03822>>					DG2	beige/brown			
1A	477 867 012 Q	door trim panel power windows manually adjustable F 94DN4 00111>> F 94DN4 00109>> leatherette	/R (J)	1		(1)	477 867 012 L	door trim panel power windows electrically adjustable leatherette	/LL/R	1	
		DG1 brown F >>94DN4 03821					DF9	black			
		JS3 grey-beige F >>94DN4 03821					DG1	brown			
		KZ8 brown F 94DN4 03822>>					DG2	beige/brown			
		KZ9 grey-beige F 94DN4 03822>>				(1)	478 867 011 K	door trim panel power windows electrically adjustable leatherette	/RL/L	1	
(1A)	477 867 011 M	door trim panel power windows manually adjustable leatherette	/L	1		(1)	478 867 012 K	door trim panel power windows electrically adjustable F >>94CN4 03921 F >>94DN4 00108 leatherette	/RL/R (J)	1	
		DF9 black F >>94DN4 03821					DF9	black			
		KZ7 black F 94DN4 03822>>					DG1	brown			
1A	477 867 012 M	door trim panel power windows manually adjustable F 94DN4 00111>> F 94DN4 00109>> leatherette	/R (J)	1		(1)	477 867 011 L	door trim panel leatherette/ checker board velour	/LL/L	1	
		DF9 black F >>94DN4 03821					DG2	beige/brown			
		KZ7 black F 94DN4 03822>>					FE5	black/ grey/black			
(1)	477 867 011 L	door trim panel power windows electrically adjustable leatherette	/LL/L	1		(1)	477 867 012 L	door trim panel leatherette/ checker board velour	/LL/R	1	
							FE6	brown/ beige/brown			
							FE5	black/ grey/black			

Model	Year	MG	SG	Illustration	Restrictions	UPD	21:18	23.01.2010	PORSCHE	PET	PORSCHE
944	1985	8	07	807-10		248					

Pos	Part Number	Description	Remark	Qty	Model	Pos	Part Number	Description	Remark	Qty	Model
(1)	478 867 011 K	FE6 brown/ beige/brown door trim panel leatherette/ checker board velour	/RL/L	1		(1A)	478 867 011 N	KZ9 brown/grey-beige F 94DN4 03822>> door trim panel power windows electrically adjustable leatherette	/RL/L	1	
(1)	478 867 012 K	FE5 black/ grey/black FE6 brown/ beige/brown door trim panel F >>94CN4 03921 F >>94DN4 00108 leatherette/ checker board velour	/RL/R (J)	1			DG1 brown F >>94DN4 03821 JS3 brown/grey-beige F >>94DN4 03821 KZ8 brown F 94DN4 03822>> KZ9 brown/grey-beige F 94DN4 03822>>				
(1A)	477 867 011 R	FE5 black/ grey/black FE6 brown/ beige/brown door trim panel power windows electrically adjustable leatherette	/LL/L	1		1A	478 867 012 N	door trim panel power windows electrically adjustable F 94DN4 00111>> F 94DN4 00109>> leatherette	/RL/R (J)	1	
1A	477 867 012 R	DG1 brown F >>94DN4 03821 JS3 brown/grey-beige F >>94DN4 03821 KZ8 brown F 94DN4 03822>> KZ9 brown/grey-beige F 94DN4 03822>> door trim panel power windows electrically adjustable leatherette	/LL/R	1		(1A)	477 867 011 R	door trim panel leatherette/ checker board velour	/LL/L	1	
		DG1 brown F >>94DN4 03821 JS3 brown/grey-beige F >>94DN4 03821 KZ8 brown F 94DN4 03822>>				1A	477 867 012 R	door trim panel leatherette/ checker board velour	/LL/R	1	
						(1A)	478 867 011 N	JS1 brown/ brown-grey door trim panel leatherette/ checker board velour	/RL/L	1	

Model	Year	MG	SG	Illustration	Restrictions	UPD	21:18	23.01.2010	PORSCHE	PET	PORSCHE
944	1985	8	07	807-10		248					

Pos	Part Number	Description	Remark	Qty	Model	Pos	Part Number	Description	Remark	Qty	Model
		JS1 brown/ brown-grey				(1A)	477 867 011 N	door trim panel power windows electrically adjustable leatherette	/LL/L	1	
1A	478 867 012 N	door trim panel F 94DN4 00111>> F 94DN4 00109>> leatherette/ checker board velour	/RL/R (J)	1			DF9 black F >>94DN4 03821				
		JS1 brown/ brown-grey					KZ7 black F 94DN4 03822>>				
(1A)	477 867 011 R	door trim panel leatherette/ pin stripe velour	/LL/L	1		1A	477 867 012 N	door trim panel power windows electrically adjustable leatherette	/LL/R	1	
		JS5 brown/ brown-beige					DF9 black F >>94DN4 03821				
		JS2 brown/ grey-beige-white					KZ7 black F 94DN4 03822>>				
1A	477 867 012 R	door trim panel leatherette/ pin stripe velour	/LL/R	1		(1A)	478 867 011 M	door trim panel power windows electrically adjustable leatherette	/RL/L	1	
		JS5 brown/ brown-beige					DF9 black F >>94DN4 03821				
		JS2 brown/ grey-beige-white					KZ7 black F 94DN4 03822>>				
(1A)	478 867 011 N	door trim panel leatherette/ pin stripe velour	/RL/L	1		1A	478 867 012 M	door trim panel power windows electrically adjustable F 94DN4 00111>> F 94DN4 00109>> leatherette	/RL/R (J)	1	
		JS5 brown/ brown-beige					DF9 black F >>94DN4 03821				
		JS2 brown/ grey-beige-white					KZ7 black F 94DN4 03822>>				
1A	478 867 012 N	door trim panel F 94DN4 00111>> F 94DN4 00109>> leatherette/ pin stripe velour	/RL/R (J)	1		(1A)	477 867 011 N	door trim panel leatherette pin stripe velour	/LL/L	1	
		JS5 brown/ brown-beige					GM5 black/ black-white				
		JS2 brown/ grey-beige-white				1A	477 867 012 N	door trim panel leatherette pin stripe velour	/LL/R	1	

Model	Year	MG	SG	Illustration	Restrictions	UPD	21:18	23.01.2010	PORSCHE	PET	PORSCHE
944	1985	8	07	807-10		248					

Pos	Part Number	Description	Remark	Qty	Model	Pos	Part Number	Description	Remark	Qty	Model
(1A)	478 867 011 M	GM5 black/ black-white door trim panel leatherette pin stripe velour	/RL/L	1		1B	477 867 081 A	89S brown F >>94DN4 05889 cover loudspeaker		2	
1A	478 867 012 M	GM5 black/ black-white door trim panel F 94DN4 00111>> F 94DN4 00109>> leatherette pin stripe velour	/RL/R (J)	1		1C	477 035 375	4RB brown F 94DN4 05890>> bush		8	
(1A)	477 867 011 N	GM5 black/ black-white door trim panel power windows electrically adjustable leatherette/ pin stripe velour	/L	1		1D	N 014 091 4	tapping screw B 3,9 X 16		8	
1A	477 867 012 N	PL9 black/ black-red door trim panel power windows electrically adjustable leatherette/ pin stripe velour	/R	1		-	N 100 472 01	speed nut		8	
(1A)	477 867 011 N	PL9 black/ black-red door trim panel leatherette/ checker board velour	/L	1		-	999 507 071 00	speed nut		2	
1A	477 867 012 N	JR9 black/ light grey-black door trim panel leatherette/ checker board velour	/R	1		(2)	477 867 033 A	package box	/L	1	
(1A)	477 867 011 N	JR9 black/ light grey-black door trim panel leatherette/ checker board velour	/L	1			1NF	beige	-6.82		
1A	477 867 012 N	JR9 black/ light grey-black door trim panel leatherette/ checker board velour	/R	1			3BF	black F >>94DN4 03821			
1B	477 867 081	cover loudspeaker		2			8NF	brown F >>94DN4 03821			
	01C	black					3FF	grey-beige F >>94DN4 03821			
							1DB	black			
							4RB	brown F 94DN4 03822>>			
						2	477 867 034 A	1DX grey-beige F 94DN4 03822>> package box	/R	1	
							1NF	beige	-6.82		
							3BF	black F >>94DN4 03821			
							8NF	brown F >>94DN4 03821			
							3FF	grey-beige F >>94DN4 03821			
							1DB	black			
							4RB	brown F 94DN4 03822>>			

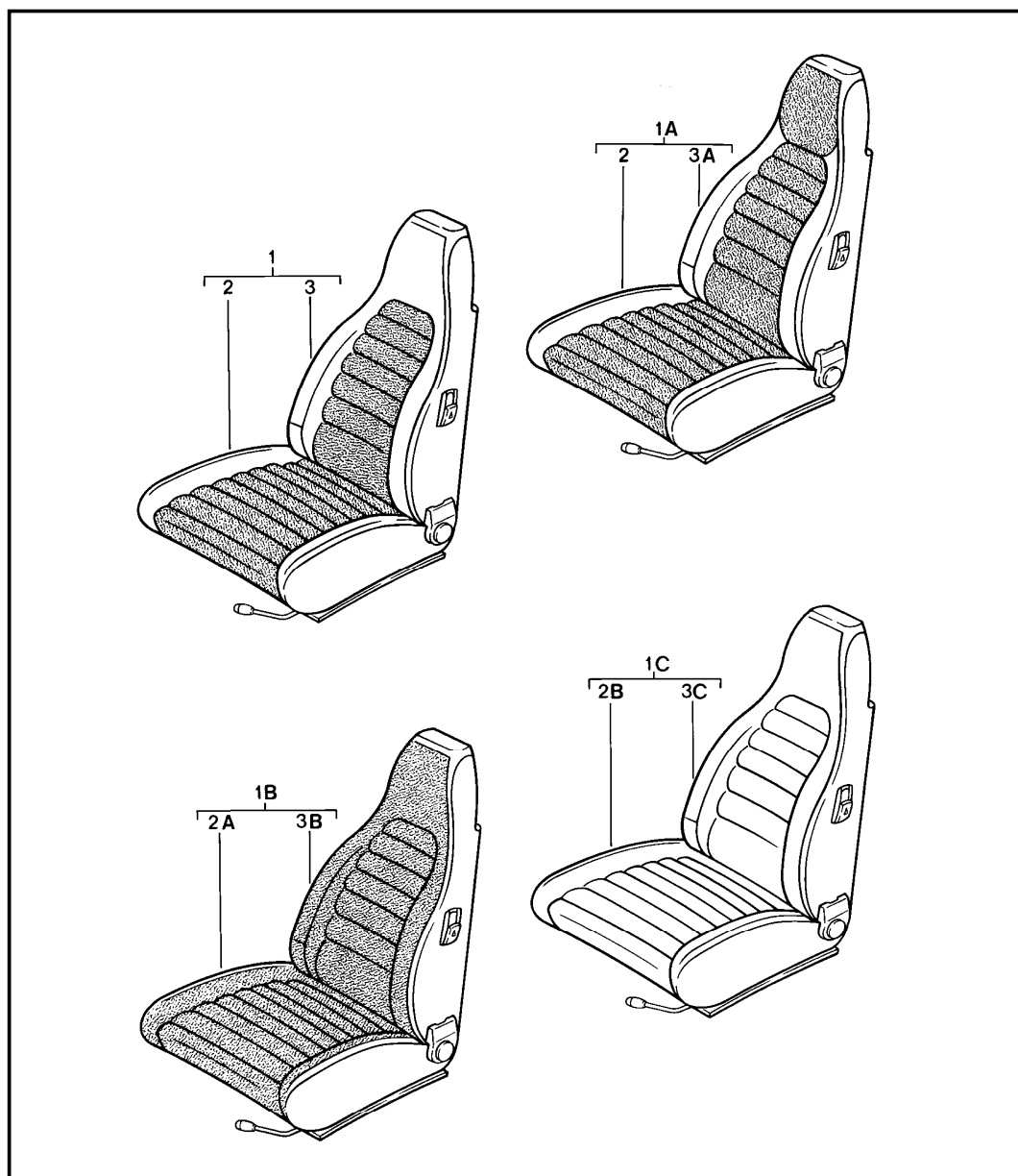
Model	Year	MG	SG	Illustration	Restrictions	UPD	21:18	23.01.2010	PORSCHE	PET	PORSCHE
944	1985	8	07	807-10		248					

Pos	Part Number	Description	Remark	Qty	Model	Pos	Part Number	Description	Remark	Qty	Model
	1DX	grey-beige F 94DN4 03822>>				15A	477 867 180	sealing film loudspeaker	/R	1	
3	N 013 962 2	tapping screw B 3,9 X 16		6		16	823 867 299	clip		27	
4	311 867 167	tapping screw 4,2		4		17	477 867 367	pipng door		4	
5	900 151 028 02	washer 4,3		10		18	477 867 371	corner piece		2	
6	311 867 169	cap		4		(19)	944 555 021 00	side trim panel	/L	1	
	01C	black					1DB	black			
	90V	saddle tan					4RB	brown			
(7)	477 867 171	armrest	/L	1		19	944 555 022 00	side trim panel	/R	1	
	041	black					1DB	black			
	89S	brown					4RB	brown			
	5FX	grey-beige				(19)	944 555 021 01	side trim panel	/L	1	M186
7	477 867 172	armrest	/R	1			1DB	black			
	041	black					4RB	brown			
	89S	brown				19	944 555 022 01	side trim panel	/R	1	M186
	5FX	grey-beige					1DB	black			
8	900 143 046 02	tapping screw B 4,8 X 16		6			4RB	brown			
9	N 012 222 4	spring washer A 5		6		-	111 857 785	stopper		2	
10	999 591 722 02	speed nut B 4,8 X 19,8		6		-	111 857 795	cover disc		2	
11	900 910 010 09	lock nut M 6		2		20	N 015 438 1	speed nut B 3,5 X 16,5		2	
12	N 011 524 7	washer 6		2		21	N 014 087 5	rais. counters. h. tap. s. B 3,5 X 16		4	
(15)	477 867 177 D	sealing film	/L	1		22	N 011 578 1	cone washer 3,7		4	
15	477 867 178 D	sealing film door trim panel	/R	1		23	477 867 503	rooflining		1	
(15A)	477 867 179	sealing film	/L	1			05T	black			
							21S	brown F >>94DN4 03821			
							4RB	brown F 94DN4 03822>>			

Model	Year	MG	SG	Illustration	Restrictions	UPD	21:18	23.01.2010	PORSCHE	PET	PORSCHE
944	1985	8	07	807-10		248					

Pos	Part Number	Description	Remark	Qty	Model	Pos	Part Number	Description	Remark	Qty	Model
(23)	477 867 501 A	rooflining	-83	1	M650	30	914 552 233 10	filler piece		6	
	05T	black					01C	black			
	21S	brown					90V	saddle tan			
	F	>>94DN4 03821									
	4RB	brown				31	477 867 653	rosette		2	
	F 94DN4 03822>>					32	477 867 655	lining centre pillar	/L	1	
(23)	A 944 555 051 01	rooflining	84-	1	M650		05T	black			
	4RB	brown					21S	brown			
(23)	944 555 519 00	rooflining	84-	1	M650		F	>>94DN4 03821			
	05T	black					4RB	brown			
	4RB	brown					F 94DN4 03822>>				
-	477 867 543	roof strut		3		(32)	477 867 656	lining centre pillar	/R	1	
24	477 867 511	lining roof frame	/V	1			05T	black			
	1DB	black					21S	brown			
	4RB	brown					F	>>94DN4 03821			
25A	944 555 115 00	roof frame padding	/L	1			4RB	brown			
							F 94DN4 03822>>				
(25)	944 555 116 00	roof frame padding	/R	-83	1	33	477 867 923 A	cap		2	
(25A)	944 555 116 00	roof frame padding	/R	84-	1		01C	black			
26	477 867 531	roof frame padding	/V	-83	1	M650	89S	cadbury brown			
(26)	944 564 531 01	roof frame padding	/V	84-	1	M650	(34)	477 867 153	fastening hook	/L	1
27	477 867 533	roof frame padding	/H	-83	1	M650	34	477 867 154	fastening hook armrest	/R	1
28	477 867 553 A	lining windscreen frame	/L	1		35	944 555 941 00	lining roof frame	/H	84-	1
	1DB	black					05T	black			M650
	4RB	brown					4RB	brown			
(28)	477 867 554 A	lining windscreen frame	/R	1							
	1DB	black									
	4RB	brown									
29	N 013 962 2	tapping screw B 3,9 X 16		6							

Model	Year	MG	SG	Illustration	Restrictions	UPD	21:19	23.01.2010	PORSCHE	PET	PORSCHE
944	1985	8	08	808-00		248					



Pos	Part Number	Description	Remark	Qty	Model
		front seat complete seat cover			
1 A	477 881 021 E	front seat leatherette/centre part pin stripe velour	/L	1	
	FD5	black/black-white F >>94DN4 03821			
	FD6	brown/brown-beige F >>94DN4 03821			
	FD7	beige/brown-beige	-6.82		
	JR7	grey-beige/grey-beige-white F >>94DN4 03821			
	JN1	black/black-white F 94DN4 03822>>			
	JN2	brown/brown-beige F 94DN4 03822>>			
	LD4	grey-beige/grey-beige-white F 94DN4 03822>>			
(1) A	477 881 022 E	front seat leatherette/centre part pin stripe velour	/R	1	
	FD5	black/black-white F >>94DN4 03821			
	FD6	brown/brown-beige F >>94DN4 03821			
	FD7	beige/brown-beige	-6.82		
	JR7	grey-beige/grey-beige-white F >>94DN4 03821			

Model	Year	MG	SG	Illustration	Restrictions	UPD	21:19	23.01.2010	PORSCHE	PET	PORSCHE
944	1985	8	08	808-00		248					

Pos	Part Number	Description	Remark	Qty	Model	Pos	Part Number	Description	Remark	Qty	Model
	JN1	black/ black-white F 94DN4 03822>>					FD9	brown/ beige/brown	-6.82		
	JN2	brown/ brown-beige F 94DN4 03822>>					FE1	beige/ beige/brown	-6.82		
	LD4	grey-beige/ grey-beige-white F 94DN4 03822>>					JR4	black/ light grey-black F >>94DN4 03821			
1A	A 477 881 021 E	front seat leatherette/ centre part checker board velour	/L	1			JR5	brown/ brown-grey F >>94DN4 03821			
	FD8	black/ grey/black	-6.82				JR6	grey-beige/ brown-grey F >>94DN4 03821			
	FD9	brown/ beige/brown	-6.82				LD5	black/ light grey-black F 94DN4 03822>>			
	FE1	beige/ beige/brown	-6.82				LD6	brown/ brown-grey F 94DN4 03822>>			
	JR4	black/ light grey-black F >>94DN4 03821					LD7	grey-beige/ brown-grey F 94DN4 03822>>			
	JR5	brown/ brown-grey F >>94DN4 03821				1A	A 477 881 021 E	front seat leatherette/ centre part porsche lettering cloth	/L	1	
	JR6	grey-beige/ brown-grey F >>94DN4 03821					LR6	black/black		84	
	LD5	black/ light grey-black F 94DN4 03822>>					LR7	brown/brown		84	
	LD6	brown/ brown-grey F 94DN4 03822>>					LR8	grey-beige/grey-beige		84	
	LD7	grey-beige/ brown-grey F 94DN4 03822>>					PX1	black/black		85	
(1A)	A 477 881 022 E	front seat leatherette/ centre part checker board velour	/R	1			PX3	brown/brown		85	
	FD8	black/ grey/black	-6.82				QD8	grey-beige/grey-beige		85	
						(1A)	A 477 881 022 E	front seat leatherette/ centre part porsche lettering cloth	/R	1	
							LR6	black/black		84	
							LR7	brown/brown		84	
							LR8	grey-beige/grey-beige		84	

Model	Year	MG	SG	Illustration	Restrictions	UPD	21:19	23.01.2010	PORSCHE	PET	PORSCHE
944	1985	8	08	808-00		248					

Pos	Part Number	Description	Remark	Qty	Model	Pos	Part Number	Description	Remark	Qty	Model
	PX1	black/black		85			JM3	black/ grey/black			
	PX3	brown/brown		85			F 94DN4 03822>>				
	QD8	grey-beige/grey-beige		85			JM4	brown/ beige/brown			
1B	A 477 881 021 E	front seat leatherette/ seat and backrest surface berber cloth	/L	1			F 94DN4 03822>>				
	GE9	black/ grey/black				1B	A 477 881 021 L	front seat leatherette/ seat and backrest surface porsche lettering cloth	/L	84-	1
	F	>>94DN4 03821					LR1	black/black		84	
	FE3	brown/ beige/brown					LR2	brown/brown		84	
	F	>>94DN4 03821					LR3	grey-beige/grey-beige		84	
	FE4	beige/ beige/brown	-6.82				PX2	black/black		85	
	JR8	grey-beige/ grey-beige-grey					PX4	brown/brown		85	
	F	>>94DN4 03821					QD9	grey-beige/grey-beige		85	
	JM3	black/ grey/black				(1B)	A 477 881 022 L	front seat leatherette/ seat and backrest surface porsche lettering cloth	/R	84-	1
	F	>>94DN4 03822>>					LR1	black/black		84	
	JM4	brown/ beige/brown					LR2	brown/brown		84	
	F	>>94DN4 03822>>					LR3	grey-beige/grey-beige		84	
	JM9	grey-beige/ grey-beige-grey					PX2	black/black		85	
	F	>>94DN4 03822>>					PX4	brown/brown		85	
(1B)	A 477 881 022 E	front seat leatherette/ seat and backrest surface berber cloth	/R	1			QD9	grey-beige/grey-beige		85	
	GE9	black/ grey/black				1B	A 477 881 021 L	front seat leatherette/ seat and backrest surface pin stripe velour	/L	84-	1
	F	>>94DN4 03821					PL8	black/ black-red	(CH)	84	
	FE3	brown/ beige/brown									
	F	>>94DN4 03821									
	FE4	beige/ beige/brown	-6.82								
	JR8	grey-beige/ grey-beige-grey									
	F	>>94DN4 03821									

Model	Year	MG	SG	Illustration	Restrictions	UPD	21:19	23.01.2010	PORSCHE	PET	PORSCHE
944	1985	8	08	808-00		248					

Pos	Part Number	Description	Remark	Qty	Model	Pos	Part Number	Description	Remark	Qty	Model
(1B)	A 477 881 022 L	front seat leatherette/ seat and backrest surface pin stripe velour	/R 84-	1		1C	A 477 881 021 K	front seat leatherette/leather centre part not perforated	/L	1	
	PL8	black/ black-red	(CH) 84				QE1	black/black F 94DN4 03822>>94EN4 02899			
1C	A 477 881 021 F	front seat leatherette	/L	1			QE2	brown/brown F 94DN4 03822>>94EN4 02899			
	DD2	beige	-6.82				QE3	grey-beige/grey-beige F 94DN4 03822>>94EN4 02899			
	DD4	brown F >>94DN4 03821				(1C)	A 477 881 022 K	front seat leatherette/leather centre part not perforated	/R	1	
	DD6	black F >>94DN4 03821					QE1	black/black F 94DN4 03822>>94EN4 02899			
	4FK	grey-beige F >>94DN4 03821					QE2	brown/brown F 94DN4 03822>>94EN4 02899			
	MC3	black F 94DN4 03822>>					QE3	grey-beige/grey-beige F 94DN4 03822>>94EN4 02899			
	MC4	brown F 94DN4 03822>>				1C	A 477 881 021 K	front seat leatherette/leather centre part perforated	/L	1	
	MC5	grey-beige F 94DN4 03822>>					JN3	black/black F 94EN4 02900>>			
(1C)	A 477 881 022 F	front seat leatherette	/R	1			JN4	brown/brown F 94EN4 02900>>			
	DD2	beige	-6.82				JN5	grey-beige/grey-beige F 94EN4 02900>>			
	DD4	brown F >>94DN4 03821				(1C)	A 477 881 022 K	front seat leatherette/leather centre part perforated	/R	1	
	DD6	black F >>94DN4 03821					JN3	black/black F 94EN4 02900>>			
	4FK	grey-beige F >>94DN4 03821					JN4	brown/brown F 94EN4 02900>>			
	MC3	black F 94DN4 03822>>					JN5	grey-beige/grey-beige F 94EN4 02900>>			
	MC4	brown F 94DN4 03822>>									
	MC5	grey-beige F 94DN4 03822>>									

Model	Year	MG	SG	Illustration	Restrictions	UPD	21:19	23.01.2010	PORSCHE	PET	PORSCHE
944	1985	8	08	808-00		248					

Pos	Part Number	Description	Remark	Qty	Model	Pos	Part Number	Description	Remark	Qty	Model
2	A 911 521 037 58	seat cover leatherette/ centre part pin stripe velour	/L	1			JN2	brown/ brown-beige F 94DN4 03822>>			
	FD5	black/ black-white F >>94DN4 03821					LD4	grey-beige/ grey-beige-white F 94DN4 03822>>			
	FD6	brown/ brown-beige F >>94DN4 03821				2	A 911 521 037 58	seat cover leatherette/ centre part checker board velour	/L	1	
	FD7	beige/ brown-beige	-6.82				FD8	black/ grey/black	-6.82		
	JR7	grey-beige/ grey-beige-white F >>94DN4 03821					FD9	brown/ beige/brown	-6.82		
	JN1	black/ black-white F 94DN4 03822>>					FE1	beige/ beige/brown	-6.82		
	JN2	brown/ brown-beige F 94DN4 03822>>					JR4	black/ light grey-black F >>94DN4 03821			
	LD4	grey-beige/ grey-beige-white F 94DN4 03822>>					JR5	brown/ brown-grey F >>94DN4 03821			
(2)	A 911 521 038 58	seat cover leatherette/ centre part pin stripe velour	/R	1			JR6	grey-beige/ brown-grey F >>94DN4 03821			
	FD5	black/ black-white F >>94DN4 03821					LD5	black/ light grey-black F 94DN4 03822>>			
	FD6	brown/ brown-beige F >>94DN4 03821					LD6	brown/ brown-grey F 94DN4 03822>>			
	FD7	beige/ brown-beige	-6.82				LD7	grey-beige/ brown-grey F 94DN4 03822>>			
	JR7	grey-beige/ grey-beige-white F >>94DN4 03821				(2)	A 911 521 038 58	seat cover leatherette/ centre part checker board velour	/R	1	
	JN1	black/ black-white F 94DN4 03822>>					FD8	black/ grey/black	-6.82		
							FD9	brown/ beige/brown	-6.82		

Model	Year	MG	SG	Illustration	Restrictions	UPD	21:19	23.01.2010	PORSCHE	PET	PORSCHE
944	1985	8	08	808-00		248					

Pos	Part Number	Description	Remark	Qty	Model	Pos	Part Number	Description	Remark	Qty	Model
	FE1	beige/ beige/brown	-6.82				PX3	brown/brown		85	
	JR4	black/ light grey-black F >>94DN4 03821					QD8	grey-beige/grey-beige		85	
	JR5	brown/ brown-grey F >>94DN4 03821				2A A 911 521 037 58		seat cover leatherette/ seat surface berber cloth	/L	1	
	JR6	grey-beige/ brown-grey F >>94DN4 03821					GE9	black/ grey/black F >>94DN4 03821			
	LD5	black/ light grey-black F 94DN4 03822>>					FE3	brown/ beige/brown F >>94DN4 03821			
	LD6	brown/ brown-grey F 94DN4 03822>>					FE4	beige/ beige/brown	-6.82		
	LD7	grey-beige/ brown-grey F 94DN4 03822>>					JR8	grey-beige/ grey-beige-grey F >>94DN4 03821	-12.82		
2	A 911 521 037 58	seat cover leatherette/ centre part porsche lettering cloth	/L	1			JM3	black/ grey/black F 94DN4 03822>>	1.	83-	
	LR6	black/black		84			JM4	brown/ beige/brown F 94DN4 03822>>	1.	83-	
	LR7	brown/brown		84			JM9	grey-beige/ grey-beige-grey F 94DN4 03822>>	1.	83-	
	LR8	grey-beige/grey-beige		84		(2A) A 911 521 038 58		seat cover leatherette/ seat surface berber cloth	/R	1	
	PX1	black/black		85			GE9	black/ grey/black F >>94DN4 03821			
	PX3	brown/brown		85			FE3	brown/ beige/brown F >>94DN4 03821			
	QD8	grey-beige/grey-beige		85			FE4	beige/ beige/brown	-6.82		
(2)	A 911 521 038 58	seat cover leatherette/ centre part porsche lettering cloth	/R	1			JR8	grey-beige/ grey-beige-grey F >>94DN4 03821	-12.82		
	LR6	black/black		84							
	LR7	brown/brown		84							
	LR8	grey-beige/grey-beige		84							
	PX1	black/black		85							

Model	Year	MG	SG	Illustration	Restrictions	UPD	21:19	23.01.2010	PORSCHE	PET	PORSCHE
944	1985	8	08	808-00		248					

Pos	Part Number	Description	Remark	Qty	Model	Pos	Part Number	Description	Remark	Qty	Model
	JM3	black/ grey/black F 94DN4 03822>>	1.	83-		2B	A 911 521 037 57	seat cover leatherette	/L	1	
	JM4	brown/ beige/brown F 94DN4 03822>>	1.	83-			DD2	beige	-6.82		
	JM9	grey-beige/ grey-beige-grey F 94DN4 03822>>	1.	83-			DD4	brown F >>94DN4 03821			
2A	A 911 521 037 17	seat cover leatherette/ seat surface porsche lettering cloth	/L	84-	1		DD6	black F >>94DN4 03821			
	LR1	black/black		84			4FK	grey-beige F >>94DN4 03821			
	LR2	brown/brown		84			MC3	black F 94DN4 03822>>			
	PX2	black/black		85			MC4	brown F 94DN4 03822>>			
	PX4	brown/brown		85			MC5	grey-beige F 94DN4 03822>>			
	QD9	grey-beige/grey-beige		85		(2B)	A 911 521 038 57	seat cover leatherette	/R	1	
(2A)	A 911 521 038 17	seat cover leatherette/ seat surface porsche lettering cloth	/R	84-	1		DD2	beige	-6.82		
	LR1	black/black		84			DD4	brown F >>94DN4 03821			
	LR2	brown/brown		84			DD6	black F >>94DN4 03821			
	PX2	black/black		85			4FK	grey-beige F >>94DN4 03821			
	PX4	brown/brown		85			MC3	black F 94DN4 03822>>			
	QD9	grey-beige/grey-beige		85			MC4	brown F 94DN4 03822>>			
2A	A 911 521 037 17	seat cover leatherette/ seat surface pin stripe velour	/L	84-	1		MC5	grey-beige F 94DN4 03822>>			
	PL8	black/ black-red	(CH)	84		2B	A 911 521 037 75	seat cover leatherette/leather centre part not perforated	/L	1	
(2A)	A 911 521 038 17	seat cover leatherette/ seat surface pin stripe velour	/R	84-	1		QE1	black/black F 94DN4 03822>>94EN4 02899			
	PL8	black/ black-red	(CH)	84			QE2	brown/brown F 94DN4 03822>>94EN4 02899			

Model	Year	MG	SG	Illustration	Restrictions	UPD	21:19	23.01.2010	PORSCHE	PET	PORSCHE
944	1985	8	08	808-00		248					

Pos	Part Number	Description	Remark	Qty	Model	Pos	Part Number	Description	Remark	Qty	Model
(2B)	A 911 521 038 75	QE3 grey-beige/grey-beige F 94DN4 03822>>94EN4 02899 seat cover leatherette/leather centre part not perforated	/R	1			FD6	brown/ brown-beige F >>94DN4 03821			
		QE1 black/black F 94DN4 03822>>94EN4 02899					FD7	beige/ brown-beige	-6.82		
		QE2 brown/brown F 94DN4 03822>>94EN4 02899					JR7	grey-beige/ grey-beige-white F >>94DN4 03821			
		QE3 grey-beige/grey-beige F 94DN4 03822>>94EN4 02899					JN1	black/ black-white F 94DN4 03822>>			
2B	A 911 521 037 75	JN3 black/black F 94EN4 02900>>	/L	1			JN2	brown/ brown-beige F 94DN4 03822>>			
		JN4 brown/brown F 94EN4 02900>>					LD4	grey-beige/ grey-beige-white F 94DN4 03822>>			
		JN5 grey-beige/grey-beige F 94EN4 02900>>				3A	A 911 521 072 59	backrest cover leatherette/ centre part checker board velour		2	
(2B)	A 911 521 038 75	FD8 black/ grey/black					FD8	black/ grey/black	-6.82		
		JN3 black/black F 94EN4 02900>>	/R	1			FD9	brown/ beige/brown	-6.82		
		JN4 brown/brown F 94EN4 02900>>					FE1	beige/ beige/brown	-6.82		
		JN5 grey-beige/grey-beige F 94EN4 02900>>					JR4	black/ light grey-black F >>94DN4 03821			
3	A 911 521 072 59	JR5 brown/ brown-grey F >>94DN4 03821		2			JR5	brown/ brown-grey F >>94DN4 03821			
		FD5 black/ black-white F >>94DN4 03821					JR6	grey-beige/ brown-grey F >>94DN4 03821			
							LD5	black/ light grey-black F 94DN4 03822>>			
							LD6	brown/ brown-grey F 94DN4 03822>>			

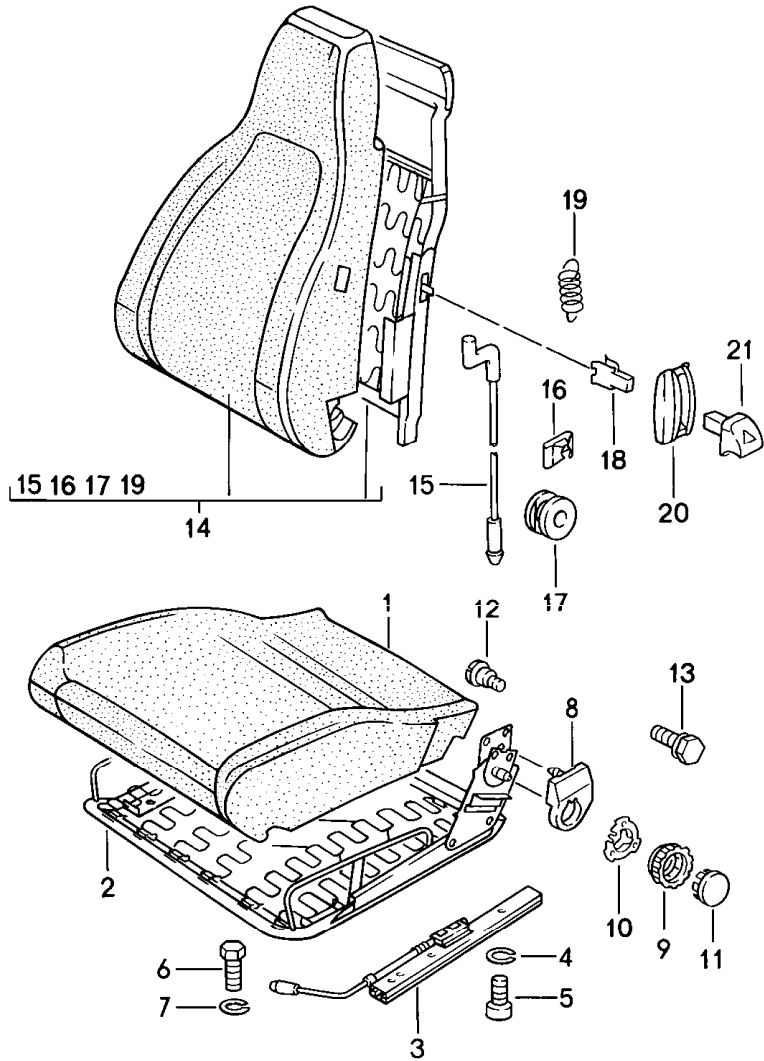
Model	Year	MG	SG	Illustration	Restrictions	UPD	21:19	23.01.2010	PORSCHE	PET	PORSCHE
944	1985	8	08	808-00		248					

Pos	Part Number	Description	Remark	Qty	Model	Pos	Part Number	Description	Remark	Qty	Model
	LD7	grey-beige/ brown-grey F 94DN4 03822>>					LR1	black/black		84	
							LR2	brown/brown		84	
3A	A 911 521 072 59	backrest cover leatherette/ centre part porsche lettering cloth		2			LR3	grey-beige/grey-beige		84	
	LR6	black/black		84			PX2	black/black		85	
	LR7	brown/brown		84			PX4	brown/brown		85	
	LR8	grey-beige/grey-beige		84			QD9	grey-beige/grey-beige		85	
	PX1	black/black		85		3B	A 911 521 072 25	backrest cover leatherette/ backrest surface pin stripe velour		84-	2
	PX3	brown/brown		85			PL8	black/ black-red	(CH)	84	
	QD8	grey-beige/grey-beige		85							
3B	A 911 521 072 59	backrest cover leatherette/ backrest surface berber cloth		2		3C	A 911 521 072 57	backrest cover leatherette			2
	GE9	black/ grey/black F >>94DN4 03821					DD2	beige	-6.82		
	FE3	brown/ beige/brown F >>94DN4 03821					DD4	brown F >>94DN4 03821			
	FE4	beige/ beige/brown	-6.82				DD6	black F >>94DN4 03821			
	JR8	grey-beige/ grey-beige-grey F >>94DN4 03821					4FK	grey-beige F >>94DN4 03821			
	JM3	black/ grey/black F 94DN4 03822>>					MC3	black F 94DN4 03822>>			
	JM4	brown/ beige/brown F 94DN4 03822>>					MC4	brown F 94DN4 03822>>			
	JM9	grey-beige/ grey-beige-grey F 94DN4 03822>>					MC5	grey-beige F 94DN4 03822>>			
3B	A 911 521 072 25	backrest cover leatherette/ backrest surface porsche lettering cloth		84-	2	3C	A 911 521 072 75	backrest cover leatherette/leather centre part not perforated			2
							QE1	black/black F 94DN4 03822>>94EN4 02899			
							QE2	brown/brown F 94DN4 03822>>94EN4 02899			
							QE3	grey-beige/grey-beige F 94DN4 03822>>94EN4 02899			

Model	Year	MG	SG	Illustration	Restrictions	UPD	21:19	23.01.2010	PORSCHE	PET	PORSCHE
944	1985	8	08	808-00		248					

Pos	Part Number	Description	Remark	Qty	Model	Pos	Part Number	Description	Remark	Qty	Model
3C	A 911 521 072 75	backrest cover leatherette/leather centre part perforated		2							
	JN3	black/black F 94EN4 02900>>									
	JN4	brown/brown F 94EN4 02900>>									
	JN5	grey-beige/grey-beige F 94EN4 02900>>									

Model	Year	MG	SG	Illustration	Restrictions	UPD	21:19	23.01.2010	PORSCHE	PET	PORSCHE
944	1985	8	08	808-01		248					

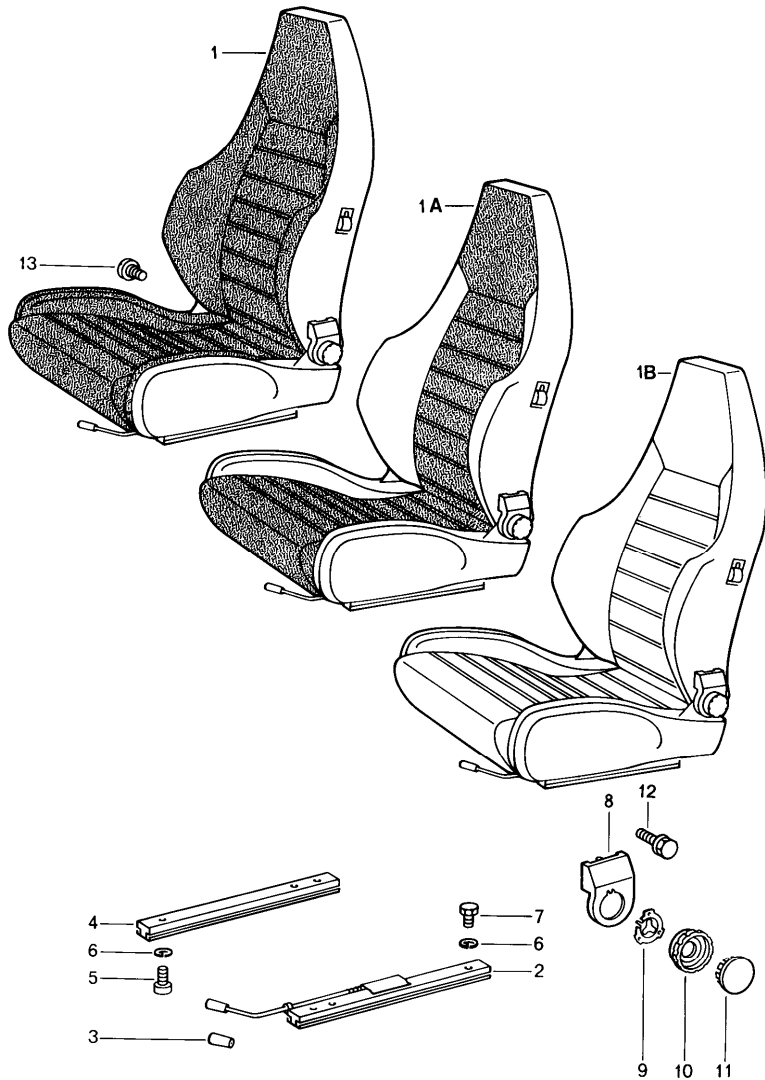


Pos	Part Number	Description	Remark	Qty	Model
		front seat single parts			
1	911 521 385 01	foam part seat cushion	/L	1	
(1)	911 521 386 01	foam part seat cushion	/R	1	
2	911 521 069 56	seat frame	/L	1	
(2)	911 521 070 56	seat frame	/R	1	
3	A 477 881 211	seat rail with locking device	/L	1	
(3)	A 477 881 212	seat rail with locking device	/R	1	
(3)	A 944 521 491 00	seat rail		2	
(3)	944 521 491 00	seat rail inner see tpi GR.8 NR.34		2	
4	N 012 006 4	lock ring B 6		8	
5	900 067 009 02	pan-head screw M 6 X 15		8	
6	N 010 215 13	hexagon-head bolt M 6 X 15		8	
7	N 012 006 4	lock ring B 6		8	
8	911 521 359 02	cover	/L	1	
(8)	911 521 360 02	cover	/R	1	
9	911 521 381 00	shifting wheel for backrest adjustment		2	
10	911 521 571 00	tensioning spring		2	
11	911 521 383 00	cover		2	
12	911 521 371 00	screw inner		2	
13	911 521 547 00	hexagon-head bolt		4	
14	A 477 881 047	backrest	/L	1	
(14)	A 477 881 048	backrest	/R	1	

Model	Year	MG	SG	Illustration	Restrictions	UPD	21:19	23.01.2010	PORSCHE	PET	PORSCHE
944	1985	8	08	808-01		248					

Pos	Part Number	Description	Remark	Qty	Model	Pos	Part Number	Description	Remark	Qty	Model
15	911 521 361 00	cable for release		2							
16	911 521 369 00	terminal for cable		2							
17	911 521 343 00	guide bush		2							
18	311 881 247	clamp		2							
19	311 881 287 A	spring		2							
20	311 881 607 A	rosette		2							
21	113 881 633 E	knob		2							
	01C	black									
-	477 898 021	repair seat complete with seat rail without foam part without cover for seat and backrest surface	/L	1							
-	477 898 022	repair seat complete with seat rail without foam part without cover for seat and backrest surface	/R	1							

Model	Year	MG	SG	Illustration	Restrictions	UPD	21:19	23.01.2010	PORSCHE	PET	PORSCHE
944	1985	8	08	808-05		248					



Pos	Part Number	Description	Remark	Qty	Model
1	A 911 521 007 06	sports seat complete	/L	1	
	GE9	black/ grey/black F >>94DN4 03821			
	FE3	brown/ beige/brown F >>94DN4 03821			
	FE4	beige/ beige/brown	-6.82		
	JR8	grey-beige/ grey-beige-grey F >>94DN4 03821			
	JM3	black/ grey/black F 94DN4 03822>>			
	JM4	brown/ beige/brown F 94DN4 03822>>			
	JM9	grey-beige/ grey-beige-grey F 94DN4 03822>>			
1	A 911 521 007 07	sports seat leatherette/ seat and backrest surface berber cloth	/L	1	
	GE9	black/ grey/black F >>94DN4 03821			
	FE3	brown/ beige/brown F >>94DN4 03821			
	FE4	beige/ beige/brown	-6.82		
	JR8	grey-beige/ grey-beige-grey F >>94DN4 03821			

Model	Year	MG	SG	Illustration	Restrictions	UPD	21:19	23.01.2010	PORSCHE	PET	PORSCHE
944	1985	8	08	808-05		248					

Pos	Part Number	Description	Remark	Qty	Model	Pos	Part Number	Description	Remark	Qty	Model
	JM3	black/ grey/black F 94DN4 03822>>					FE4	beige/ beige/brown	-6.82		
	JM4	brown/ beige/brown F 94DN4 03822>>					JR8	grey-beige/ grey-beige-grey F >>94DN4 03821			
	JM9	grey-beige/ grey-beige-grey F 94DN4 03822>>					JM3	black/ grey/black F 94DN4 03822>>			
(1)	A 911 521 008 06	sports seat leatherette/ seat and backrest surface berber cloth	/R	1			JM4	brown/ beige/brown F 94DN4 03822>>			
	GE9	black/ grey/black F >>94DN4 03821					JM9	grey-beige/ grey-beige-grey F 94DN4 03822>>			
	FE3	brown/ beige/brown F >>94DN4 03821				1	A 911 521 007 06	sports seat leatherette/ seat and backrest surface porsche lettering cloth	/L	1	
	FE4	beige/ beige/brown	-6.82				LR1	black/black		84	
	JR8	grey-beige/ grey-beige-grey F >>94DN4 03821					LR2	brown/brown		84	
	JM3	black/ grey/black F 94DN4 03822>>					LR3	grey-beige/grey-beige		84	
	JM4	brown/ beige/brown F 94DN4 03822>>					PX2	black/black		85	
	JM9	grey-beige/ grey-beige-grey F 94DN4 03822>>					PX4	brown/brown		85	
(1)	A 911 521 008 07	sports seat leatherette/ seat and backrest surface berber cloth	/R	1			QD9	grey-beige/grey-beige		85	
	GE9	black/ grey/black F >>94DN4 03821				1	A 911 521 007 07	sports seat leatherette/ seat and backrest surface porsche lettering cloth	/L	1	
	FE3	brown/ beige/brown F >>94DN4 03821					LR1	black/black		84	
							LR2	brown/brown		84	
							LR3	grey-beige/grey-beige		84	
							PX2	black/black		85	
							PX4	brown/brown		85	
							QD9	grey-beige/grey-beige		85	
						(1)	A 911 521 008 06	sports seat leatherette/ seat and backrest surface porsche lettering cloth	/R	1	

Model	Year	MG	SG	Illustration	Restrictions	UPD	21:19	23.01.2010	PORSCHE	PET	PORSCHE
944	1985	8	08	808-05		248					

Pos	Part Number	Description	Remark	Qty	Model	Pos	Part Number	Description	Remark	Qty	Model
	LR1	black/black		84			PL8	black/ black-red		84	
	LR2	brown/brown		84						84	
	LR3	grey-beige/grey-beige		84			QE5	black/ black-white		84	
	PX2	black/black		85		(1) A	911 521 008 07	sports seat leatherette/ seat and backrest surface pin stripe velour	/R	1	
	PX4	brown/brown		85							
	QD9	grey-beige/grey-beige		85							
(1) A	911 521 008 07	sports seat leatherette/ seat and backrest surface porsche lettering cloth	/R	1			PL8	black/ black-red		84	
	LR1	black/black		84						84	
	LR2	brown/brown		84						84	
	LR3	grey-beige/grey-beige		84		1A A	911 521 007 06	sports seat leatherette/ centre part head rest porsche lettering cloth	/L	1	
	PX2	black/black		85							
	PX4	brown/brown		85			LR6	black/black		84	
	QD9	grey-beige/grey-beige		85			LR7	brown/brown		84	
1 A	911 521 007 06	sports seat leatherette/ seat and backrest surface pin stripe velour	/L	1			LR8	grey-beige/grey-beige		84	
	PL8	black/ black-red		84			PX1	black/black		85	
				84			PX3	brown/brown		85	
	QE5	black/ black-white		84			QD8	grey-beige/grey-beige		85	
1 A	911 521 007 07	sports seat leatherette/ seat and backrest surface pin stripe velour	/L	1		1A A	911 521 007 07	sports seat leatherette/ centre part head rest porsche lettering cloth	/L	1	
	PL8	black/ black-red		84						84	
				84			LR6	black/black		84	
	QE5	black/ black-white		84			LR7	brown/brown		84	
				84			LR8	grey-beige/grey-beige		84	
				84			PX1	black/black		85	
				84			PX3	brown/brown		85	
(1) A	911 521 008 06	sports seat leatherette/ seat and backrest surface pin stripe velour	/R	1			QD8	grey-beige/grey-beige		85	

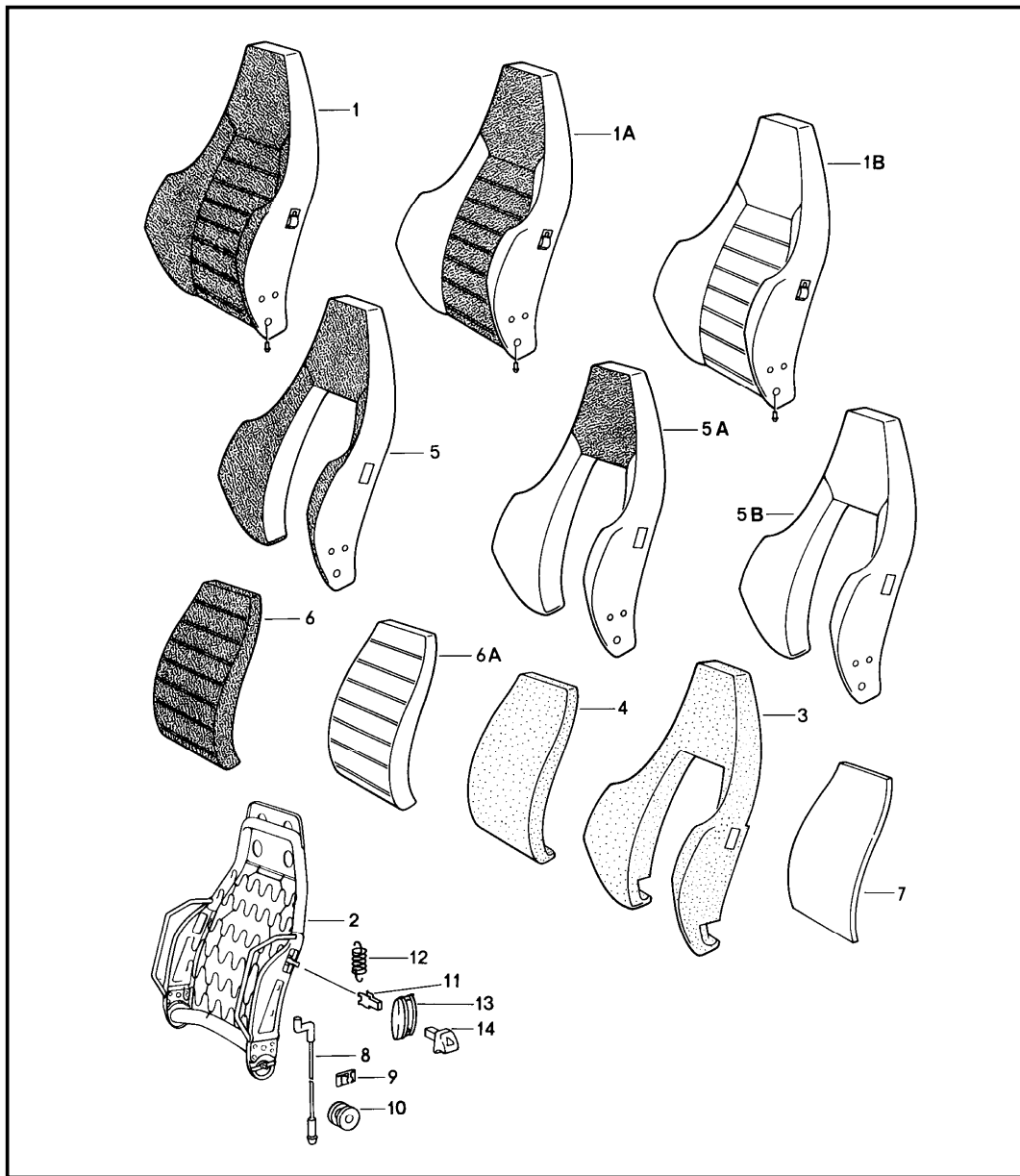
Model	Year	MG	SG	Illustration	Restrictions	UPD	21:19	23.01.2010	PORSCHE	PET	PORSCHE
944	1985	8	08	808-05		248					

Pos	Part Number	Description	Remark	Qty	Model	Pos	Part Number	Description	Remark	Qty	Model
(1A)	A 911 521 008 06	sports seat leatherette/ centre part head rest porsche lettering cloth	/R	1			KZ4	grey-beige F 94DN4 03822>>			
	LR6	black/black		84		1B	A 911 521 007 64	sports seat leather	/L	1	
	LR7	brown/brown		84			1AJ	black F >>94DN4 03821			
	LR8	grey-beige/grey-beige		84			2NF	beige	-6.82		
	PX1	black/black		85			3NG	brown F >>94DN4 03821			
	PX3	brown/brown		85			6FL	grey-beige F >>94DN4 03821			
	QD8	grey-beige/grey-beige		85			KZ2	black F 94DN4 03822>>			
(1A)	A 911 521 008 07	sports seat leatherette/ centre part head rest porsche lettering cloth	/R	1			KZ5	brown F 94DN4 03822>>			
	LR6	black/black		84			KZ4	grey-beige F 94DN4 03822>>			
	LR7	brown/brown		84		(1B)	A 911 521 008 61	sports seat leather	/R	1	
	LR8	grey-beige/grey-beige		84			1AJ	black F >>94DN4 03821			
	PX1	black/black		85			2NF	beige	-6.82		
	PX3	brown/brown		85			3NG	brown F >>94DN4 03821			
	QD8	grey-beige/grey-beige		85			6FL	grey-beige F >>94DN4 03821			
1B	A 911 521 007 61	sports seat leather	/L	1			KZ2	black F 94DN4 03822>>			
	1AJ	black F >>94DN4 03821					KZ5	brown F 94DN4 03822>>			
	2NF	beige	-6.82				KZ4	grey-beige F 94DN4 03822>>			
	3NG	brown F >>94DN4 03821				(1B)	A 911 521 008 64	sports seat leather	/R	1	
	6FL	grey-beige F >>94DN4 03821					1AJ	black F >>94DN4 03821			
	KZ2	black F 94DN4 03822>>					2NF	beige	-6.82		
	KZ5	brown F 94DN4 03822>>									

Model	Year	MG	SG	Illustration	Restrictions	UPD	21:19	23.01.2010	PORSCHE	PET	PORSCHE
944	1985	8	08	808-05		248					

Pos	Part Number	Description	Remark	Qty	Model	Pos	Part Number	Description	Remark	Qty	Model
	3NG	brown F >>94DN4 03821				13	911 521 547 00	hexagon-head bolt		4	
	6FL	grey-beige F >>94DN4 03821									
	KZ2	black F 94DN4 03822>>									
	KZ5	brown F 94DN4 03822>>									
	KZ4	grey-beige F 94DN4 03822>>									
2	A 928 521 489 02	seat rail with locking device	/L	1							
(2)	A 928 521 490 02	seat rail with locking device	/R	1							
(3)	911 521 533 01	handle for longitudinal adjustment		2							
	01C	satin black									
4	A 944 521 491 00	seat rail		2							
4	944 521 491 00	seat rail without locking device see tpi GR.8 NR.34		2							
5	N 014 761 2	pan-head screw M 6 X 12		8							
6	N 012 006 4	lock ring B 6		16							
7	N 010 215 13	hexagon-head bolt M 6 X 15		8							
8	911 521 359 02	cover	/L	1							
(8)	911 521 360 02	cover	/R	1							
9	911 521 571 00	tensioning spring		2							
10	911 521 381 00	shifting wheel		2							
11	911 521 383 00	cover		2							
12	911 521 371 00	screw inner		2							

Model	Year	MG	SG	Illustration	Restrictions	UPD	21:19	23.01.2010	PORSCHE	PET	PORSCHE
944	1985	8	08	808-10		248					



Pos	Part Number	Description	Remark	Qty	Model
1	A 911 521 603 07	sports seat backrest single parts		1	
		backrest complete leatherette/ backrest surface berber cloth	/L		
	GE9	black/ grey/black F >>94DN4 03821			
	FE3	brown/ beige/brown F >>94DN4 03821			
	FE4	beige/ beige/brown	-6.82		
	JR8	grey-beige/ grey-beige-grey F >>94DN4 03821			
	JM3	black/ grey/black F 94DN4 03822>>			
	JM4	brown/ beige/brown F 94DN4 03822>>			
	JM9	grey-beige/ grey-beige-grey F 94DN4 03822>>			
(1)	A 911 521 604 07	backrest complete leatherette/ backrest surface berber cloth	/R	1	
	GE9	black/ grey/black F >>94DN4 03821			
	FE3	brown/ beige/brown F >>94DN4 03821			
	FE4	beige/ beige/brown	-6.82		
	JR8	grey-beige/ grey-beige-grey F >>94DN4 03821			

Model	Year	MG	SG	Illustration	Restrictions	UPD	21:19	23.01.2010	PORSCHE	PET	PORSCHE
944	1985	8	08	808-10		248					

Pos	Part Number	Description	Remark	Qty	Model	Pos	Part Number	Description	Remark	Qty	Model
	JM3	black/ grey/black F 94DN4 03822>>					QE5	black/ black-white	(F)	84	
	JM4	brown/ beige/brown F 94DN4 03822>>				(1) A	911 521 604 07	backrest complete leatherette/ backrest surface pin stripe velour	/R	1	
	JM9	grey-beige/ grey-beige-grey F 94DN4 03822>>					PL8	black/ black-red	(CH)	84	
1	A 911 521 603 07	backrest complete leatherette/ backrest surface porsche lettering cloth	/L	1			QE5	black/ black-white	(F)	84	
	LR1	black/black		84		1A	A 911 521 603 06	backrest complete leatherette/ centre part head rest porsche lettering cloth	/L	1	
	LR2	brown/brown		84			LR6	black/black		84	
	LR3	grey-beige/grey-beige		84			LR7	brown/brown		84	
	PX2	black/black		85			LR8	grey-beige/grey-beige		84	
	PX4	brown/brown		85			PX1	black/black		85	
	QD9	grey-beige/grey-beige		85			PX3	brown/brown		85	
(1)	A 911 521 604 07	backrest complete leatherette/ backrest surface porsche lettering cloth	/R	1			QD8	grey-beige/grey-beige		85	
	LR1	black/black		84		1A	A 911 521 603 07	backrest complete leatherette/ centre part head rest porsche lettering cloth	/L	1	
	LR2	brown/brown		84			LR6	black/black		84	
	LR3	grey-beige/grey-beige		84			LR7	brown/brown		84	
	PX2	black/black		85			LR8	grey-beige/grey-beige		84	
	PX4	brown/brown		85			PX1	black/black		85	
	QD9	grey-beige/grey-beige		85			PX3	brown/brown		85	
1	A 911 521 603 07	backrest complete leatherette/ backrest surface pin stripe velour	/L	1			QD8	grey-beige/grey-beige		85	
	PL8	black/ black-red	(CH)	84							

Model	Year	MG	SG	Illustration	Restrictions	UPD	21:19	23.01.2010	PORSCHE	PET	PORSCHE
944	1985	8	08	808-10		248					

Pos	Part Number	Description	Remark	Qty	Model	Pos	Part Number	Description	Remark	Qty	Model
(1A)	A 911 521 604 06	backrest complete leatherette/ centre part head rest porsche lettering cloth	/R	1			KZ5	brown F 94DN4 03822>>			
	LR6	black/black		84			KZ4	grey-beige F 94DN4 03822>>			
	LR7	brown/brown		84		1B	A 911 521 603 53	backrest complete leather	/L	1	
	LR8	grey-beige/grey-beige		84			1AJ	black F >>94DN4 03821			
	PX1	black/black		85			2NF	beige	-6.82		
	PX3	brown/brown		85			3NG	brown F >>94DN4 03821			
	QD8	grey-beige/grey-beige		85			6FL	grey-beige F >>94DN4 03821			
(1A)	A 911 521 604 07	backrest complete leatherette/ centre part head rest porsche lettering cloth	/R	1			KZ2	black F 94DN4 03822>>			
	LR6	black/black		84			KZ5	brown F 94DN4 03822>>			
	LR7	brown/brown		84			KZ4	grey-beige F 94DN4 03822>>			
	LR8	grey-beige/grey-beige		84		(1B)	A 911 521 604 50	backrest complete leather	/R	1	
	PX1	black/black		85			1AJ	black F >>94DN4 03821			
	PX3	brown/brown		85			2NF	beige	-6.82		
	QD8	grey-beige/grey-beige		85			3NG	brown F >>94DN4 03821			
1B	A 911 521 603 50	backrest complete leather	/L	1			6FL	grey-beige F >>94DN4 03821			
	1AJ	black F >>94DN4 03821					KZ2	black F 94DN4 03822>>			
	2NF	beige					KZ5	brown F 94DN4 03822>>			
	3NG	brown F >>94DN4 03821					KZ4	grey-beige F 94DN4 03822>>			
	6FL	grey-beige F >>94DN4 03821				(1B)	A 911 521 604 53	backrest complete leather	/R	1	
	KZ2	black F 94DN4 03822>>									

Model	Year	MG	SG	Illustration	Restrictions	UPD	21:19	23.01.2010	PORSCHE	PET	PORSCHE
944	1985	8	08	808-10		248					

Pos	Part Number	Description	Remark	Qty	Model	Pos	Part Number	Description	Remark	Qty	Model
	1AJ	black F >>94DN4 03821					JM9	grey-beige/ grey-beige-grey F 94DN4 03822>>			
	2NF	beige	-6.82			5 A	911 521 072 06	backrest side bolster cover leatherette/ backrest surface porsche lettering cloth		2	
	3NG	brown F >>94DN4 03821					LR1	black/black		84	
	6FL	grey-beige F >>94DN4 03821					LR2	brown/brown		84	
	KZ2	black F 94DN4 03822>>					LR3	grey-beige/grey-beige		84	
	KZ5	brown F 94DN4 03822>>					PX2	black/black		85	
	KZ4	grey-beige F 94DN4 03822>>					PX4	brown/brown		85	
2	911 521 613 02	backrest frame	/L	1			QD9	grey-beige/grey-beige		85	
(2)	911 521 614 02	backrest frame	/R	1		5 A	911 521 072 06	backrest side bolster cover leatherette/ backrest surface pin stripe velour		2	
3	911 521 751 02	foam part backrest side bolster		2			PL8	black/ black-red	(CH)	84	
4	911 521 104 02	foam part backrest cushion		2			QE5	black/ black-white	(F)	84	
5 A	911 521 072 06	backrest side bolster cover leatherette/ backrest surface berber cloth		2		5A A	911 521 072 06	backrest side bolster cover leatherette/ head rest porsche lettering cloth		2	
	GE9	black/ grey/black F >>94DN4 03821					LR6	black/black		84	
	FE3	brown/ beige/brown F >>94DN4 03821					LR7	brown/brown		84	
	FE4	beige/ beige/brown	-6.82				LR8	grey-beige/grey-beige		84	
	JR8	grey-beige/ grey-beige-grey F >>94DN4 03821					PX1	black/black		85	
	JM3	black grey/black F 94DN4 03822>>					PX3	brown/brown		85	
	JM4	brown/ beige/brown F 94DN4 03822>>				5B A	911 521 072 70	backrest side bolster cover leather		2	
							1AJ	black F >>94DN4 03821			
							2NF	beige	-6.82		

Model	Year	MG	SG	Illustration	Restrictions	UPD	21:19	23.01.2010	PORSCHE	PET	PORSCHE
944	1985	8	08	808-10		248					

Pos	Part Number	Description	Remark	Qty	Model	Pos	Part Number	Description	Remark	Qty	Model
	3NG	brown F >>94DN4 03821					3NG	brown F >>94DN4 03821			
	6FL	grey-beige F >>94DN4 03821					6FL	grey-beige F >>94DN4 03821			
	KZ2	black F 94DN4 03822>>					KZ2	black F 94DN4 03822>>			
	KZ5	brown F 94DN4 03822>>					KZ5	brown F 94DN4 03822>>			
	KZ4	grey-beige F 94DN4 03822>>					KZ4	grey-beige F 94DN4 03822>>			
6	A 911 521 403 06	backrest cushion cover backrest surface berber cloth		2		7	911 521 575 00	cover		2	
	1GB	grey/black				8	911 521 361 00	cable for release		2	
	8NB	beige/brown				9	911 521 369 00	terminal for cable		2	
	1FB	grey-beige-grey	83-			10	911 521 343 00	guide bush		2	
6	A 911 521 403 06	backrest cushion cover backrest surface porsche lettering cloth		2		11	311 881 247	clamp		2	
	4CR	black		84		12	311 881 287 A	spring		2	
	6TR	brown		84		13	911 521 815 00	rosette		2	
	8RR	grey-beige		84			01C	satin black			
	2CZ	black/black		85		14	911 521 817 00	control button		2	
	7NZ	brown/brown		85			01C	satin black			
	5UY	grey-beige		85							
6	A 911 521 403 06	backrest cushion cover backrest surface pin stripe velour		2							
	2LN	black-red	(CH)	84							
	7BN	black-white	(F)	84							
6A	A 911 521 403 50	backrest cushion cover leather		2							
	1AJ	black F >>94DN4 03821									
	2NF	beige	-6.82								

Model	Year	MG	SG	Illustration	Restrictions	UPD	21:19	23.01.2010	PORSCHE	PET	PORSCHE
944	1985	8	08	808-15		248					

				Pos	Part Number	Description	Remark	Qty	Model
	1	A	911 521 605 06	sports seat seat cushion single parts seat cushion complete leatherette/ seat surface berber cloth	/L	1			
			GE9	black/ grey/black F >>94DN4 03821					
			FE3	brown/ beige/brown F >>94DN4 03821					
			FE4	beige/ beige/brown	-6.	-82			
			JR8	grey-beige/ grey-beige-grey F >>94DN4 03821					
			JM3	black/ grey/black F 94DN4 03822>>					
			JM4	brown/ beige/brown F 94DN4 03822>>					
			JM9	grey-beige/ grey-beige-grey F 94DN4 03822>>					
		(1)	A	911 521 606 06	seat cushion complete leatherette/ seat surface berber cloth	/R	1		
			GE9	black/ grey/black F >>94DN4 03821					
			FE3	brown/ beige/brown F >>94DN4 03821					
			FE4	beige/ beige/brown	-6.	-82			
		JR8	grey-beige/ grey-beige-grey F >>94DN4 03821						

Model	Year	MG	SG	Illustration	Restrictions	UPD	21:19	23.01.2010	PORSCHE	PET	PORSCHE
944	1985	8	08	808-15		248					

Pos	Part Number	Description	Remark	Qty	Model	Pos	Part Number	Description	Remark	Qty	Model
	JM3	black/ grey/black F 94DN4 03822>>					QE5	black/ black-white	(F)	84	
	JM4	brown/ beige/brown F 94DN4 03822>>				(1) A	911 521 606 06	seat cushion complete leatherette/ seat surface pin stripe velour	/R	1	
	JM9	grey-beige/ grey-beige-grey F 94DN4 03822>>					PL8	black/ black-red	(CH)	84	
1	A 911 521 605 06	seat cushion complete leatherette/ seat surface porsche lettering cloth	/L	1			QE5	black/ black-white	(F)	84	
	LR1	black/black		84							
	LR2	brown/brown		84							
	LR3	grey-beige/grey-beige		84			LR6	black/black		84	
	PX2	black/black		85			LR7	brown/brown		84	
	PX4	brown/brown		85			LR8	grey-beige/grey-beige		84	
	QD9	grey-beige/grey-beige		85			PX1	black/black		85	
(1)	A 911 521 606 06	seat cushion complete leatherette/ seat surface porsche lettering cloth	/R	1			PX3	brown/brown		85	
	LR1	black/black		84			QD8	grey-beige/grey-beige		85	
	LR2	brown/brown		84		(1A) A	911 521 606 06	seat cushion complete leatherette/ centre part porsche lettering cloth	/R	1	
	LR3	grey-beige/grey-beige		84			LR6	black/black		84	
	PX2	black/black		85			LR7	brown/brown		84	
	PX4	brown/brown		85			LR8	grey-beige/grey-beige		84	
	QD9	grey-beige/grey-beige		85			PX1	black/black		85	
1	A 911 521 605 06	seat cushion complete leatherette/ seat surface pin stripe velour	/L	1			PX3	brown/brown		85	
	PL8	black/ black-red	(CH)	84			QD8	grey-beige/grey-beige		85	
						1B	A 911 521 605 50	seat cushion complete leather	/L	1	
							1AJ	black F >>94DN4 03821			

Model	Year	MG	SG	Illustration	Restrictions	UPD	21:19	23.01.2010	PORSCHE	PET	PORSCHE
944	1985	8	08	808-15		248					

Pos	Part Number	Description	Remark	Qty	Model	Pos	Part Number	Description	Remark	Qty	Model
	2NF	beige	-6.82			(4)	911 521 653 02	foam part seat side bolster right seat	/L	1	
	3NG	brown F >>94DN4 03821				(4)	911 521 684 02	foam part seat side bolster right seat	/R	1	
	6FL	grey-beige F >>94DN4 03821				5 A	911 521 439 06	cover for cushion seat surface berber cloth		2	
	KZ2	black F 94DN4 03822>>					1GB	grey/black			
	KZ5	brown F 94DN4 03822>>					8NB	beige/brown			
	KZ4	grey-beige F 94DN4 03822>>					1FB	grey-beige-grey			
(1B) A	911 521 606 50	seat cushion complete leather	/R	1		5 A	911 521 439 06	cover for cushion seat surface porsche lettering cloth		2	
	1AJ	black F >>94DN4 03821					4CR	black		84	
	2NF	beige	-6.82				6TR	brown		84	
	3NG	brown F >>94DN4 03821					8RR	grey-beige		84	
	6FL	grey-beige F >>94DN4 03821					2CZ	black		85	
	KZ2	black F 94DN4 03822>>					7NZ	brown		85	
	KZ5	brown F 94DN4 03822>>				5 A	911 521 439 06	cover for cushion seat surface pin stripe velour		2	
	KZ4	grey-beige F 94DN4 03822>>					2LN	black-red	(CH)	84	
2	911 521 621 01	seat frame	/L	1			7BN	black-white	(F)	84	
(2)	911 521 622 01	seat frame	/R	1		5A A	911 521 439 50	cover for cushion leather		2	
3	911 521 697 02	foam part seat cushion		2			1AJ	black F >>94DN4 03821			
4	911 521 683 02	foam part seat side bolster left seat	/L	1			2NF	beige	-6.82		
(4)	911 521 654 02	foam part seat side bolster left seat	/R	1			3NG	brown F >>94DN4 03821			
							6FL	grey-beige F >>94DN4 03821			

Model	Year	MG	SG	Illustration	Restrictions	UPD	21:19	23.01.2010	PORSCHE	PET	PORSCHE
944	1985	8	08	808-15		248					

Pos	Part Number	Description	Remark	Qty	Model	Pos	Part Number	Description	Remark	Qty	Model
	KZ2	black F 94DN4 03822>>					FE4	beige/ beige/brown	-6.82		
	KZ5	brown F 94DN4 03822>>					JR8	grey-beige/ grey-beige-grey F >>94DN4 03821			
	KZ4	grey-beige F 94DN4 03822>>					JM3	black/ grey/black F 94DN4 03822>>			
6	A 911 521 631 06	seat side bolster cover left seat leatherette/ seat surface berber cloth	/L	1			JM4	brown/ beige/brown F 94DN4 03822>>			
	GE9	black/ grey/black F >>94DN4 03821					JM9	grey-beige/ grey-beige-grey F 94DN4 03822>>			
	FE3	brown/ beige/brown F >>94DN4 03821				(6)	A 911 521 633 06	seat side bolster cover right seat leatherette/ seat surface berber cloth	/L	1	
	FE4	beige/ beige/brown	-6.82				GE9	black/ grey/black F >>94DN4 03821			
	JR8	grey-beige/ grey-beige-grey F >>94DN4 03821					FE3	brown/ beige/brown F >>94DN4 03821			
	JM3	black/ grey/black F 94DN4 03822>>					FE4	beige/ beige/brown	-6.82		
	JM4	brown/ beige/brown F 94DN4 03822>>					JR8	grey-beige/ grey-beige-grey F >>94DN4 03821			
	JM9	grey-beige/ grey-beige-grey F 94DN4 03822>>					JM3	black/ grey/black F 94DN4 03822>>			
(6)	A 911 521 632 06	seat side bolster cover left seat leatherette/ seat surface berber cloth	/R	1			JM4	brown/ beige/brown F 94DN4 03822>>			
	GE9	black/ grey/black F >>94DN4 03821					JM9	grey-beige/ grey-beige-grey F 94DN4 03822>>			
	FE3	brown/ beige/brown F >>94DN4 03821				(6)	A 911 521 634 06	seat side bolster cover right seat leatherette/ seat surface berber cloth	/R	1	

Model	Year	MG	SG	Illustration	Restrictions	UPD	21:19	23.01.2010	PORSCHE	PET	PORSCHE
944	1985	8	08	808-15		248					

Pos	Part Number	Description	Remark	Qty	Model	Pos	Part Number	Description	Remark	Qty	Model
	GE9	black/ grey/black F >>94DN4 03821					PX2	black/black		85	
	FE3	brown/ beige/brown F >>94DN4 03821					PX4	brown/brown		85	
	FE4	beige/ beige/brown	-6.82				QD9	grey-beige/grey-beige		85	
	JR8	grey-beige/ grey-beige-grey F >>94DN4 03821				(6) A 911 521 633 06		seat side bolster cover right seat leatherette/ seat surface porsche lettering cloth	/L	1	
	JM3	black/ grey/black F 94DN4 03822>>					LR1	black/black		84	
	JM4	brown/ beige/brown F 94DN4 03822>>					LR2	brown/brown		84	
	JM9	grey-beige/ grey-beige-grey F 94DN4 03822>>					LR3	grey-beige/grey-beige		84	
6	A 911 521 631 06	seat side bolster cover left seat leatherette/ seat surface porsche lettering cloth	/L	1			PX2	black/black		85	
	LR1	black/black		84			PX4	brown/brown		85	
	LR2	brown/brown		84			QD9	grey-beige/grey-beige		85	
	LR3	grey-beige/grey-beige		84		(6) A 911 521 634 06		seat side bolster cover right seat leatherette/ seat surface porsche lettering cloth	/R	1	
	PX2	black/black		85			LR1	black/black		84	
	PX4	brown/brown		85			LR2	brown/brown		84	
	QD9	grey-beige/grey-beige		85			LR3	grey-beige/grey-beige		84	
(6) A	911 521 632 06	seat side bolster cover left seat leatherette/ seat surface porsche lettering cloth	/R	1			PX2	black/black		85	
	LR1	black/black		84			PX4	brown/brown		85	
	LR2	brown/brown		84			QD9	grey-beige/grey-beige		85	
	LR3	grey-beige/grey-beige		84		6	A 911 521 631 06	seat side bolster cover left seat leatherette/ seat surface pin stripe velour	/L	1	
							PL8	black/ black-red	(CH)	84	
							QE5	black/ black-white	(F)	84	

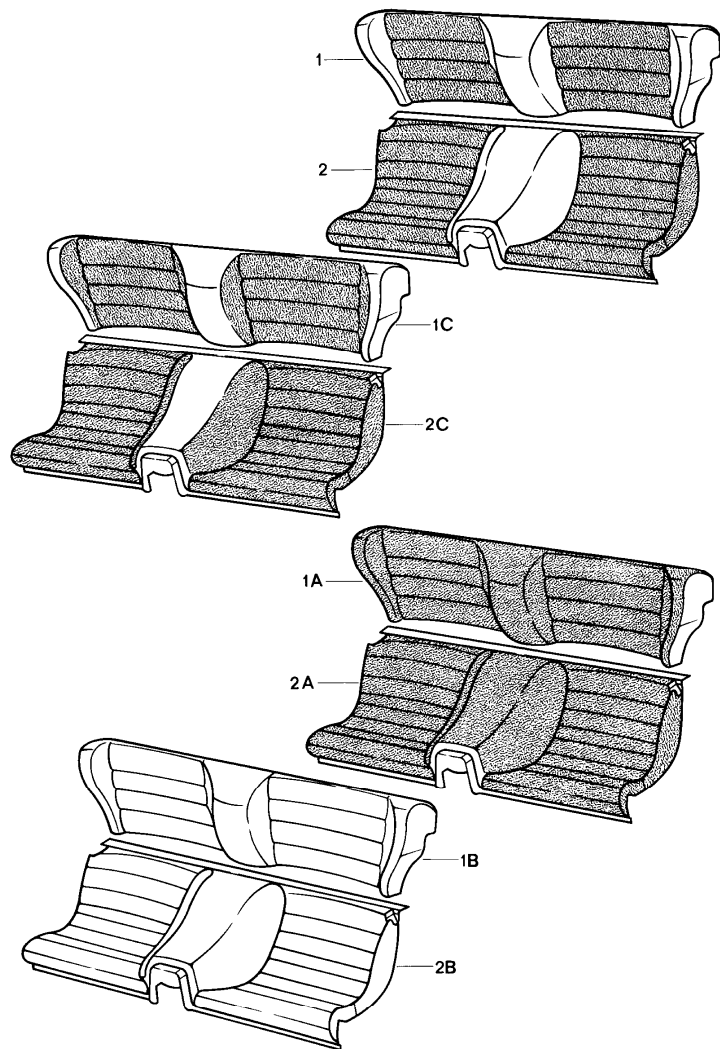
Model	Year	MG	SG	Illustration	Restrictions	UPD	21:19	23.01.2010	PORSCHE	PET	PORSCHE
944	1985	8	08	808-15		248					

Pos	Part Number	Description	Remark	Qty	Model	Pos	Part Number	Description	Remark	Qty	Model
(6)	A 911 521 632 06	seat side bolster cover left seat leatherette/ seat surface pin stripe velour	/R	1			LR7	brown		84	
							LR8	grey-beige		84	
							PX1	black		85	
	PL8	black/ black-red	(CH)	84			PX3	brown		85	
	QE5	black/ black-white	(F)	84			QD8	grey-beige		85	
(6)	A 911 521 633 06	seat side bolster cover right seat leatherette/ seat surface pin stripe velour	/L	1		(6A)	A 911 521 633 06	seat side bolster cover right seat leatherette	/L	1	
							LR6	black		84	
							LR7	brown		84	
	PL8	black/ black-red	(CH)	84			LR8	grey-beige		84	
	QE5	black/ black-white	(F)	84			PX1	black		85	
							PX3	brown		85	
(6)	A 911 521 634 06	seat side bolster cover right seat leatherette/ seat surface pin stripe velour	/R	1			QD8	grey-beige		85	
						(6A)	A 911 521 634 06	seat side bolster cover right seat leatherette	/R	1	
							LR6	black		84	
							LR7	brown		84	
	PL8	black/ black-red	(CH)	84			LR8	grey-beige		84	
	QE5	black/ black-white	(F)	84			PX1	black		85	
6A	A 911 521 631 06	seat side bolster cover left seat leatherette	/L	1			PX3	brown		85	
							QD8	grey-beige		85	
	LR6	black		84							
	LR7	brown		84		6A	A 911 521 631 50	seat side bolster cover left seat leather	/L	1	
	LR8	grey-beige		84							
	PX1	black		85			1AJ	black F		>>94DN4 03821	
	PX3	brown		85			2NF	beige		-6.82	
	QD8	grey-beige		85			3NG	brown F		>>94DN4 03821	
(6A)	A 911 521 632 06	seat side bolster cover left seat leatherette	/R	1			6FL	grey-beige F		>>94DN4 03821	
	LR6	black		84							

Model	Year	MG	SG	Illustration	Restrictions	UPD	21:19	23.01.2010	PORSCHE	PET	PORSCHE
944	1985	8	08	808-15		248					

Pos	Part Number	Description	Remark	Qty	Model	Pos	Part Number	Description	Remark	Qty	Model
(6A)	A 911 521 632 50	seat side bolster cover left seat leather	/R	1		(6A)	A 911 521 634 50	seat side bolster cover right seat leather	/R	1	
	KZ2	black F 94DN4 03822>>					1AJ	black F >>94DN4 03821			
	KZ5	brown F 94DN4 03822>>					2NF	beige -6.82			
	KZ4	grey-beige F 94DN4 03822>>					3NG	brown F >>94DN4 03821			
	1AJ	black F >>94DN4 03821					6FL	grey-beige F >>94DN4 03821			
	2NF	beige -6.82					KZ2	black F 94DN4 03822>>			
	3NG	brown F >>94DN4 03821					KZ5	brown F 94DN4 03822>>			
	6FL	grey-beige F >>94DN4 03821					KZ4	grey-beige F 94DN4 03822>>			
	KZ2	black F 94DN4 03822>>									
	KZ5	brown F 94DN4 03822>>									
	KZ4	grey-beige F 94DN4 03822>>									
(6A)	A 911 521 633 50	seat side bolster cover right seat leather	/L	1							
	1AJ	black F >>94DN4 03821									
	2NF	beige -6.82									
	3NG	brown F >>94DN4 03821									
	6FL	grey-beige F >>94DN4 03821									
	KZ2	black F 94DN4 03822>>									
	KZ5	brown F 94DN4 03822>>									
	KZ4	grey-beige F 94DN4 03822>>									

Model	Year	MG	SG	Illustration	Restrictions	UPD	21:20	23.01.2010	PORSCHE	PET	PORSCHE
944	1985	8	08	808-20		248					



Pos	Part Number	Description	Remark	Qty	Model
1	477 885 045 C	back seat complete single parts see group 8/08/25		1	
		backrest leatherette/ centre part pin stripe velour			
	FD5	black/ black-white F >>94DN4 03821			
	FD6	brown/ brown-beige F >>94DN4 03821			
	FD7	beige/ brown-beige	-6.82		
	JR7	grey-beige/ grey-beige-white F >>94DN4 03821			
	JN1	black/ black-white F 94DN4 03822>>			
	JN2	brown/ brown-beige F 94DN4 03822>>			
	LD4	grey-beige/ grey-beige-white F 94DN4 03822>>			
1	477 885 045 C	backrest leatherette/ centre part checker board velour		1	
	FD8	black/ grey/black	-6.82		
	FD9	brown/ beige/brown	-6.82		
	FE1	beige/ beige/brown	-6.82		
	JR4	black/ light grey-black F >>94DN4 03821			

Model	Year	MG	SG	Illustration	Restrictions	UPD	21:20	23.01.2010	PORSCHE	PET	PORSCHE
944	1985	8	08	808-20		248					

Pos	Part Number	Description	Remark	Qty	Model	Pos	Part Number	Description	Remark	Qty	Model
	JR5	brown/ brown-grey F >>94DN4 03821					JN5	grey-beige F 94DN4 03822>>			
	JR6	grey-beige/ brown-grey F >>94DN4 03821				1	944 522 045 00	backrest leatherette/ centre part pin stripe velour	84-	1	
	LD5	black/ light grey-black F 94DN4 03822>>					JN1	black/ black-white			
	LD6	brown/ brown-grey F 94DN4 03822>>					JN2	brown/ brown-beige			
	LD7	grey-beige/ brown-grey F 94DN4 03822>>				1	944 522 045 00	backrest leatherette/ centre part checker board velour	84-	1	
1A	477 885 045 C	backrest leatherette/ backrest surface berber cloth		1			LD4	grey-beige/ grey-beige-white			
	GE9	black/ grey/black					LD5	black/ light grey-black			
	FE3	brown/ beige/brown					LD6	brown/ brown-grey			
	FE4	beige/ beige/brown				1	944 522 045 00	backrest leatherette/ centre part porsche lettering cloth	84-	1	
	JR8	grey-beige/ grey-beige-grey					LD7	grey-beige/ brown-grey			
1B	477 885 045 C	backrest leatherette		1			LR6	black/black	84		
	DD2	beige	-6.82				LR7	brown/brown	84		
	DD4	brown F >>94DN4 03821					LR8	grey-beige/grey-beige	84		
	DD6	black F >>94DN4 03821					PX1	black/black	85		
	4FK	grey-beige F >>94DN4 03821					PX3	brown/brown	85		
	JN3	black F 94DN4 03822>>				1A	944 522 045 00	backrest leatherette/ backrest surface porsche lettering cloth	84-	1	
	JN4	brown F 94DN4 03822>>					QD8	grey-beige/grey-beige	85		
							LR1	black/black	84		
							LR2	brown/brown	84		

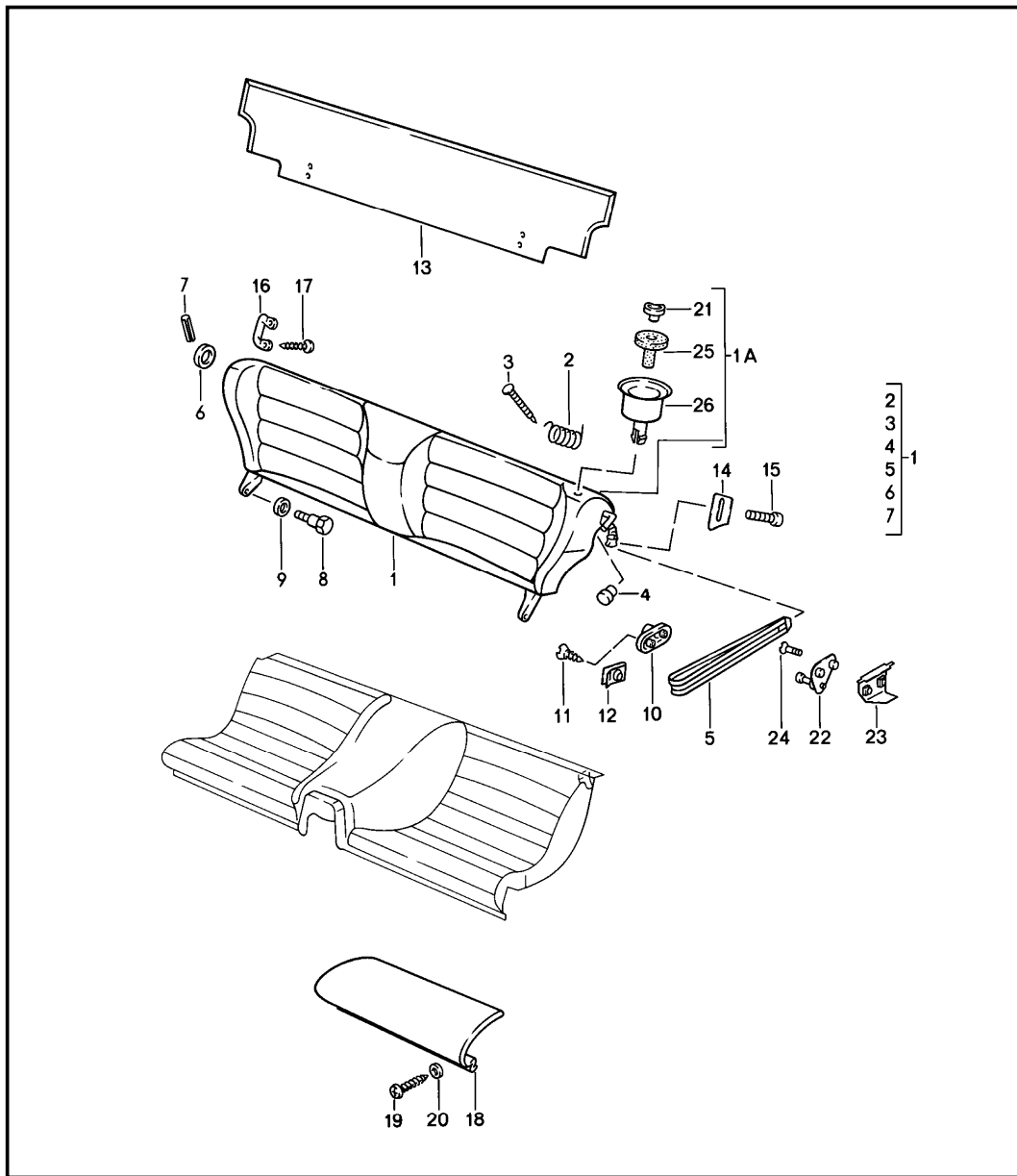
Model	Year	MG	SG	Illustration	Restrictions	UPD	21:20	23.01.2010	PORSCHE	PET	PORSCHE
944	1985	8	08	808-20		248					

Pos	Part Number	Description	Remark	Qty	Model	Pos	Part Number	Description	Remark	Qty	Model
	LR3	grey-beige/grey-beige		84			JN2	brown/ brown-beige F 94DN4 03822>>			
	PX2	black/black		85			LD4	grey-beige/ grey-beige-white F 94DN4 03822>>			
	PX4	brown/brown		85							
	QD9	grey-beige/grey-beige		85							
1A	944 522 045 00	backrest leatherette/ backrest surface pin stripe velour		84-	1	2	477 885 871 B	seat cushion leatherette/ centre part checker board velour		1	
	QE5	black/ black-white	84		(F)		FD8	black/ grey/black	-6.82		
1B	944 522 045 00	backrest leatherette		84-	1		FD9	brown/ beige/brown	-6.82		
	JN3	black					FE1	beige/ beige/brown	-6.82		
	JN4	brown					JR4	black/ light grey-black F >>94DN4 03821			
1C	944 522 045 00	backrest leatherette/ centre part pin stripe velour		84-	1		JR5	brown/ brown-grey F >>94DN4 03821			
	PL8	black/ black-red		84 84			JR6	grey-beige/ brown-grey F >>94DN4 03821			
2	477 885 871 B	seat cushion leatherette/ centre part pin stripe velour			1		LD5	black/ light grey-black F 94DN4 03822>>			
	FD5	black/ black-white F >>94DN4 03821					LD6	brown/ brown-grey F 94DN4 03822>>			
	FD6	brown/ brown-beige F >>94DN4 03821					LD7	grey-beige/ brown-grey F 94DN4 03822>>			
	FD7	beige/ brown-beige	-6.82			2	477 885 871 B	seat cushion leatherette/ centre part porsche lettering cloth		1	
	JR7	grey-beige/ grey-beige-white F >>94DN4 03821					LR6	black		84	
	JN1	black/ black-white F 94DN4 03822>>					LR7	brown		84	
							LR8	grey-beige		84	

Model	Year	MG	SG	Illustration	Restrictions	UPD	21:20	23.01.2010	PORSCHE	PET	PORSCHE
944	1985	8	08	808-20		248					

Pos	Part Number	Description	Remark	Qty	Model	Pos	Part Number	Description	Remark	Qty	Model
	PX1	black/black		85			DD6	black F >>94DN4 03821			
	PX3	brown/brown		85			4FK	grey-beige F >>94DN4 03821			
	QD8	grey-beige/grey-beige		85			JN3	black F 94DN4 03822>>			
2A	477 885 871 B	seat cushion leatherette/ seat surface berber cloth		1			JN4	brown F 94DN4 03822>>			
	GE9	black/ grey/black					JN5	grey-beige F 94DN4 03822>>			
	FE3	brown/ beige/brown				2C	477 885 871 B	seat cushion leatherette/ centre part pin stripe velour		1	
	FE4	beige/ beige/brown					PL8	black/ black-red		84 84	
	JR8	grey-beige/ grey-beige-grey									
2A	477 885 871 B	seat cushion leatherette/ seat surface porsche lettering cloth		1							
	LR1	black/black		84							
	LR2	brown/brown		84							
	LR3	grey-beige/grey-beige		84							
	PX2	black/black		85							
	PX4	brown/brown		85							
	QD9	grey-beige/grey-beige		85							
2A	477 885 871 B	seat cushion leatherette/ seat surface pin stripe velour		1							
	QE5	black/ black-white	84		(F)						
2B	477 885 871 B	seat cushion leatherette		1							
	DD2	beige	-6.82								
	DD4	brown F >>94DN4 03821									

Model	Year	MG	SG	Illustration	Restrictions	UPD	21:20	23.01.2010	PORSCHE	PET	PORSCHE
944	1985	8	08	808-25		248					

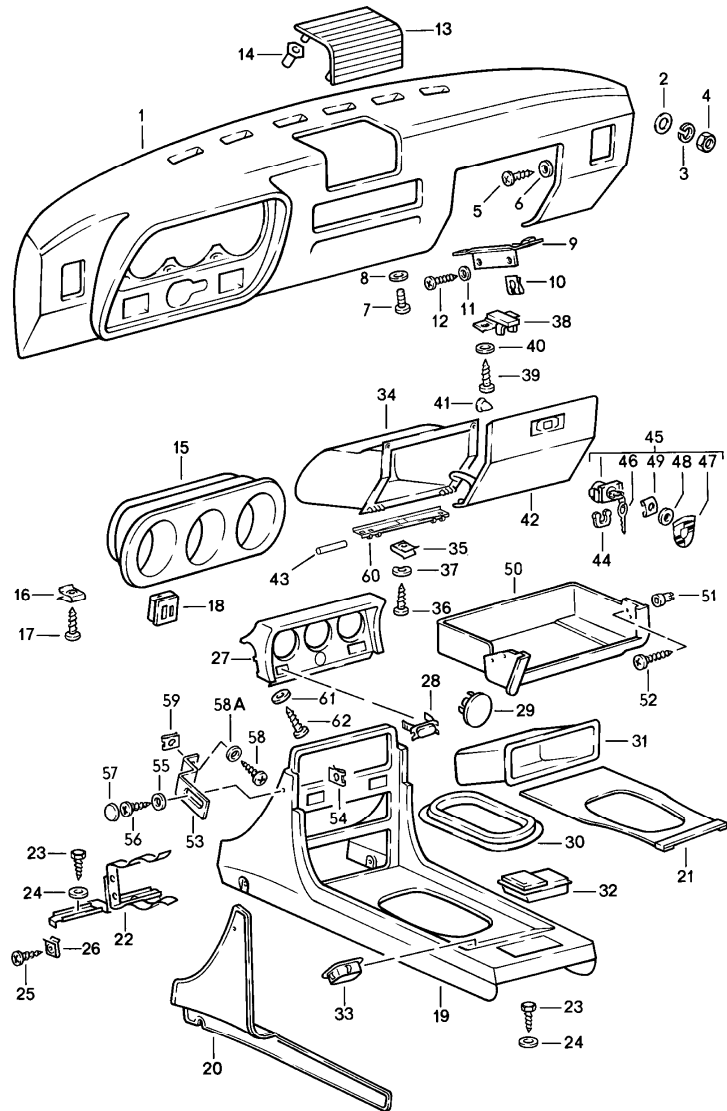


Pos	Part Number	Description	Remark	Qty	Model
1	477 885 045 C	back seat single parts backrest please state the colour see group 8 / 08 / 20	-83	1	
1A	944 522 045 00	backrest please state the colour see group 8 / 08 / 20	84-	1	
2	111 885 657	spring	-83	1	
3	113 881 899	special tack	-83	1	
4	477 885 699 B	plug	/L	-83	1
(4)	477 885 699 C	plug	/R	-83	1
5	477 885 667	traction noose	/L	-83	1
	05T	black			
	21S	brown			
	F	>>94DN4 03821			
	4FK	grey-beige	7.	82-	
	4RB	brown			
	F 94DN4	03822>>			
6	477 885 555	cover	-83	1	
7	900 197 010 00	roll pin 3 X 22	-83	1	
8	477 885 767	hexagon-head bolt		2	
9	900 025 007 02	washer A 8,4		2	
10	111 867 329 A	locking lug	/L	-83	1
(10)	111 867 330 A	locking lug	/R	-83	1
11	N 014 002 1	counters. head tapp. screw B 6,3 X 22	-83	4	
12	999 591 327 02	speed nut	-83	4	
13	477 885 831 A	cover	-83	1	
	3BF	black			
	1NF	beige		82	

Model	Year	MG	SG	Illustration	Restrictions	UPD	21:20	23.01.2010	PORSCHE	PET	PORSCHE
944	1985	8	08	808-25		248					

Pos	Part Number	Description	Remark	Qty	Model	Pos	Part Number	Description	Remark	Qty	Model
	8NF	brown					4RB	brown F 94DN4 03822>>			
	4BF	grey				19	N 043 940 3	tapping screw 4,2 X 25	(J)	6	
	3FF	grey-beige	83-			20	900 151 028 02	washer 4,3	(J)	6	
13	944 522 831 00	carpet for back seat backrest	84-	1		21	944 522 317 00	push button	84-	2	
	3BF	black					01C	satin black			
	4BF	grey				22	944 522 029 00	locking lug	/L	84-	1
	8NF	brown				(22)	944 522 030 00	locking lug	/R	84-	1
	3FF	grey-beige				23	944 522 031 00	support		84-	2
14	477 885 865	stop	/L	-83	1	24	999 219 012 07	countersunk-head screw M 6 X 22		84-	4
(14)	477 885 866	stop	/R	-83	1	25	944 522 319 00	guide piece			2
15	N 014 155 1	oval-head screw M 5 X 22		-83	4	26	944 522 315 00	rosette			2
16	477 885 761	retaining bar			2		01C	satin black			
17	N 014 096 3	tapping screw B 4,2 X 22			4						
18	477 885 041 B	back seat extension leatherette	/L (J)		1						
	43S	black									
	83S	beige	-6.82								
	87S	brown F >>94DN4 03821									
	4FK	grey-beige	7.	82-							
	4RB	brown F 94DN4 03822>>									
(18)	477 885 042 B	back seat extension leatherette	/R (J)		1						
	43S	black									
	83S	beige	-6.82								
	87S	brown F >>94DN4 03821									
	4FK	grey-beige	7.	82-							

Model	Year	MG	SG	Illustration	Restrictions	UPD	21:20	23.01.2010	PORSCHE	PET	PORSCHE
944	1985	8	09	809-00		248					



Pos	Part Number	Description	Remark	Qty	Model
1	477 857 881 C	dashboard	/LL	1	
	1DB	black	-6.82		
	4RB	brown			
(1)	478 857 881 C	dashboard	/RL	1	
	1DB	black	-6.82		
	4RB	brown			
1	477 857 881 A	dashboard	/LL	1	
	1DB	black	7. 82-		
(1)	478 857 881 A	dashboard	/RL	1	
	1DB	black	7. 82-		
2	N 011 612 3	washer R 7		2	
3	N 012 036 1	lock ring 6		2	
4	900 076 010 02	hexagon nut M 6		2	
5	900 143 007 02	tapping screw B 4,2 X 13		4	
6	900 151 028 02	washer B 4,3		4	
7	N 014 140 5	oval-head screw M 6 X 15		1	
8	N 011 524 7	washer A 6,4		1	
9	477 857 195 B	support	/LL	1	
10	N 015 429 2	speed nut	/LL	2	
11	900 025 002 02	washer A 4,3	/LL	2	
12	N 013 964 4	tapping screw B 4,2 X 16	/LL	2	
13	477 857 187	loudspeaker grille		1	
	01C	black			

Model	Year	MG	SG	Illustration	Restrictions	UPD	21:20	23.01.2010	PORSCHE	PET	PORSCHE
944	1985	8	09	809-00		248					

Pos	Part Number	Description	Remark	Qty	Model	Pos	Part Number	Description	Remark	Qty	Model
	89S	brown					3BF	black			
14	477 857 821	grommet loudspeaker grille		4			8NF	brown			
15	477 857 283 A	dashboard trim	(CH) (F)	84			1NF	beige			
	FP7	black					4BF	grey			
15	477 857 283 A	dashboard trim		1		(20)	477 863 742	grey-beige lining	/R	1	
	FP7	black					3BF	black			
16	999 591 722 02	speed nut B 4,8 X 19,8		2			8NF	brown			
17	N 014 098 6	tapping screw B 4,8 X 16		2			1NF	beige			
18	477 857 137 A	cover light switch		83-			4BF	grey			
	1DB	black				21	477 863 749	grey-beige carpet		1	
	4RB	brown					1DR	black			
18	477 857 137	cover light switch		-82			8NF	brown			
	01C	black					1NF	beige			
	89S	brown					4BF	grey			
(18)	477 857 138 A	cover switch rear window heating		83-			3FF	grey-beige			
	1DB	black				22	477 857 067 A	support centre console		1	
	4RB	brown				23	N 013 891 1	tapping screw B 6,3 X 19		4	
(18)	477 857 138	cover switch rear window heating		-82		24	N 011 533 2	washer A 7		4	
	01C	black				25	N 013 957 5	tapping screw BZ 3,5 X 9,5		2	
	89S	brown				26	N 015 438 1	speed nut		2	
19	477 857 931 A	centre console		1		27	477 857 977 B	instrument insert	(CH) (F)	84	
	1DB	black					1DB	black			
	4RB	brown				27	477 857 977 C	instrument insert		1	
20	477 863 741	lining	/L	1			1DB	black			
							4RB	brown			

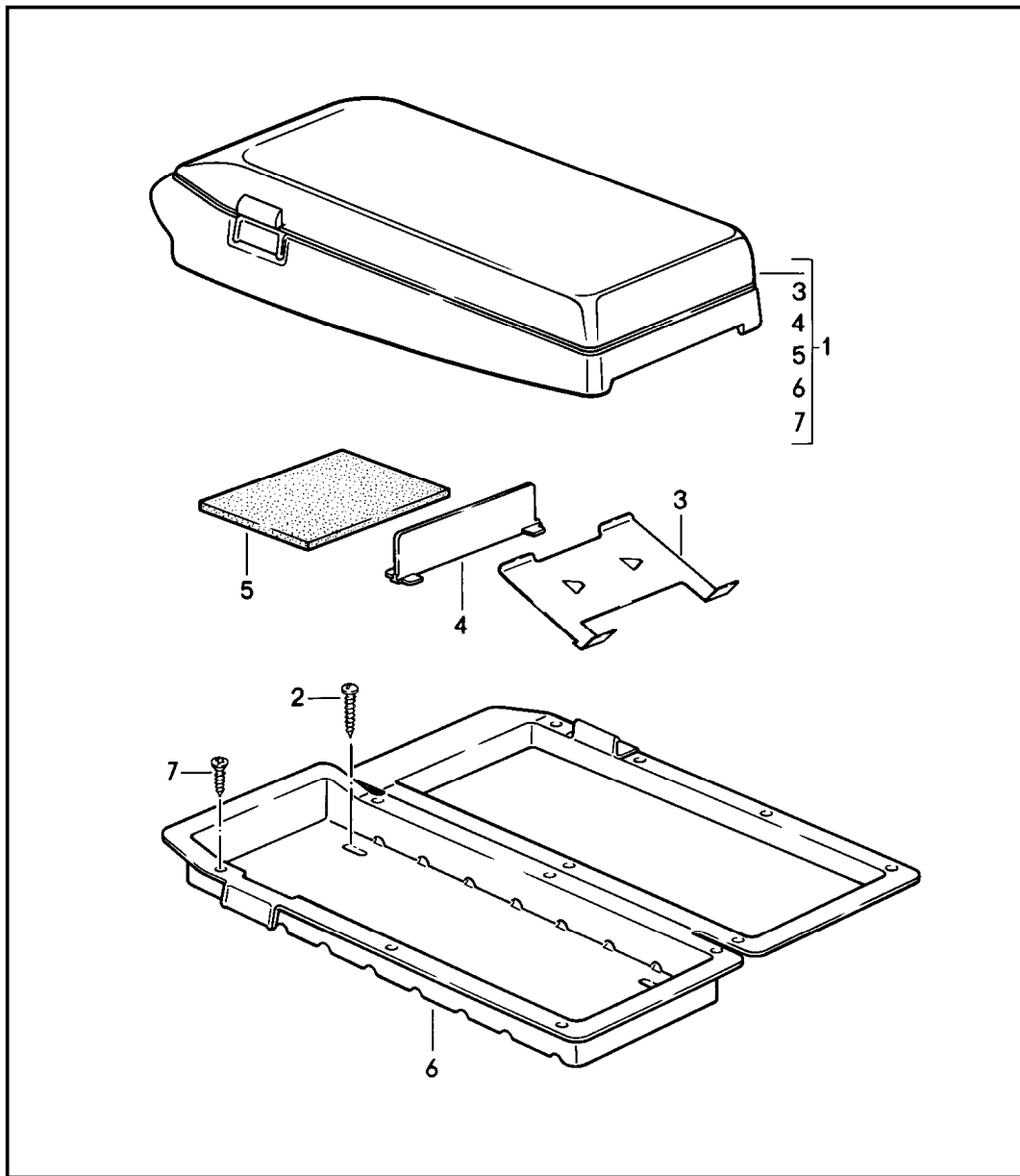
Model	Year	MG	SG	Illustration	Restrictions	UPD	21:20	23.01.2010	PORSCHE	PET	PORSCHE
944	1985	8	09	809-00		248					

Pos	Part Number	Description	Remark	Qty	Model	Pos	Part Number	Description	Remark	Qty	Model
28	944 552 387 00	cover		1		42	477 857 123 A	glove compartment cover	/LL	1	
29	841 863 267	cover	(J)	1			4RB	brown			
	041	black				(42)	478 857 123 A	glove compartment cover	/RL	1	
30	477 857 975	support frame		1			4RB	brown			
	01C	black				43	N 013 209 2	straight pin 4 H 8 X 36		2	
	89S	brown				44	133 857 119	clamp		1	
31	481 857 233 A	package box		1			01C	black			
32	944 552 305 00	ashtray		1		45	477 857 133 C	lock with keys		1	
	1DB	black					01C	black			
	4RB	brown					90V	brown			
33	911 552 469 00	cover		X							
34	477 857 095 B	glove compartment F >>94DN4 08113		1		46	477 857 135 A	blank key		2	
(34)	477 857 095 C	glove compartment F 94DN4 08114>>		1		46	477 857 136 A	key with stipulated lock number state lock number		1	
35	999 507 252 02	nut B 3,9 X 16,5		2		47	944 559 097 00	crest		1	
36	N 013 962 3	tapping screw B 3,9 X 16		5		48	N 011 536 1	washer A 2,2		1	
37	N 011 692 3	washer		5		49	N 012 852 1	clamping washer		1	
38	477 857 143	lock bearing		1		50	477 857 836	shelf		1	
	01C	black					01C	black			
							89S	brown			
39	900 143 007 02	tapping screw B 4,2 X 13		2		51	477 857 173	clip	/LL	1	
40	900 025 002 02	washer A 4,3		2		52	N 043 940 3	tapping screw B 4,8 X 25	/LL	1	
41	N 020 022 3	stopper A 8 X 1		1		53	477 857 941	bracket		2	
42	477 857 123	glove compartment cover	/LL	1		54	N 015 422 2	speed nut		2	
	1DB	black				55	900 151 028 02	washer B 4,3		2	
(42)	478 857 123	glove compartment cover	/RL	1		56	311 867 167	tapping screw		2	
	1DB	black				57	311 867 169	cap		2	

Model	Year	MG	SG	Illustration	Restrictions	UPD	21:20	23.01.2010	PORSCHE	PET	PORSCHE
944	1985	8	09	809-00		248					

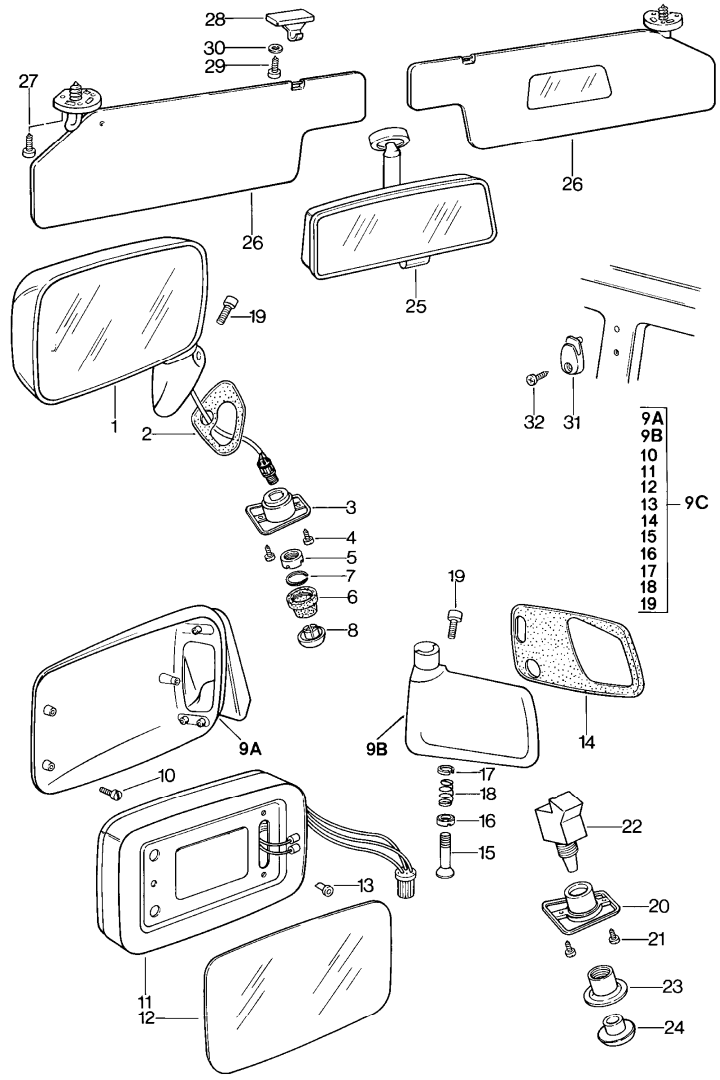
Pos	Part Number	Description	Remark	Qty	Model	Pos	Part Number	Description	Remark	Qty	Model
	01C	black									
	90V	brown									
58	900 143 007 02	tapping screw B 4,2 X 13		2							
58A	900 904 013 02	washer A 4,55		2							
59	999 591 850 02	speed nut		2							
59	999 591 850 01	speed nut		2							
60	944 552 195 00	hinge F 94DN4 08114>>		1							
-	N 013 981 3	tapping screw B 3,9 X 13 F 94DN4 08114>>		1							
61	N 011 535 5	washer A 3,2		2							
62	N 013 953 9	tapping screw B 2,9 X 9,5		2							

Model	Year	MG	SG	Illustration	Restrictions	UPD	21:20	23.01.2010	PORSCHE	PET	PORSCHE
944	1985	8	09	809-01		248					



Pos	Part Number	Description	Remark	Qty	Model
1	477 857 059	cassette box		1	
	05T	black	/LL		
	4RB	brown			
(1)	478 857 059	cassette box	/RL	1	
	05T	black			
	4RB	brown			
2	999 450 001 07	round head screw B4,2 X 25		4	
3	928 555 731 02	cassette rack		6	
	01C	satin black			
4	928 555 741 02	partition panel		1	
5	928 555 735 03	cover		1	
6	928 555 729 03	container insert	/LL	1	
	01C	satin black			
(6)	927 555 729 03	container insert	/RL	1	
	01C	satin black			
7	900 143 065 07	tapping screw B 2,9 X 9,5		14	

Model	Year	MG	SG	Illustration	Restrictions	UPD	21:21	23.01.2010	PORSCHE	PET	PORSCHE
944	1985	8	09	809-05		248					



Pos	Part Number	Description	Remark	Qty	Model
1	477 857 521 E	interior mirror door mirror sun visor		1	
(1)	478 857 522 F	door mirror plane	/LL/L	1	
(1)	477 857 522 B	door mirror plane	/RL/R	1	
(1)	477 857 522 B	door mirror convex	/LL/R	1	
(1)	477 857 522 C	door mirror plane	/LL/R	1	
-	477 857 611 B	mirror glass plane		1	
-	477 857 611 C	mirror glass convex	(S)	1	
2	477 857 579	desk pad	/L	1	
(2)	478 857 579	desk pad	/R	1	
3	477 867 523	mounting piece		1	
	01C	black			
4	N 014 090 5	tapping screw 3,9 X 13		2	
5	477 857 615	threaded bush		1	
	01C	black			
6	477 857 619	bellows		1	
7	477 857 641	retainer		1	
8	477 857 617	knob		1	
	01C	black			
9A	911 731 043 03	door mirror electrically adjustable mirror housing	/L	1	
(9A)	911 731 044 03	mirror housing	/R	1	
9B	928 731 141 06	mirror base	/LL/L	1	
(9B)	928 731 143 08	mirror base	/LL/R	1	
(9B)	927 731 141 06	mirror base	/RL/R	1	

Model	Year	MG	SG	Illustration	Restrictions	UPD	21:21	23.01.2010	PORSCHE	PET	PORSCHE
944	1985	8	09	809-05		248					

Pos	Part Number	Description	Remark	Qty	Model	Pos	Part Number	Description	Remark	Qty	Model
(9B)	927 731 143 08	mirror base	/RL/L	1		19	999 067 026 07	pan-head screw M 5 X 40 X 25		1	
9C	477 898 027	door mirror plane	/LL/L	1		20	477 867 181	mounting piece		1	
(9C)	477 898 028	door mirror plane	/LL/R	1		21	N 014 090 5	tapping screw 3,9 X 13		2	
(9C)	477 898 029	door mirror convex	/LL/L	1		22	911 613 115 00	switch		1	
(9C)	477 898 030	door mirror convex	/LL/R (J) (N) (S)	1		23	928 555 463 02	threaded bush		1	
(9C)	478 898 027	door mirror plane	/RL/L	1		24	928 613 462 00	knob		1	
(9C)	478 898 028	door mirror plane	/RL/R	1				electrical components door mirror		1	
(9C)	478 898 029	door mirror convex	/RL/L	1		-	477 971 111	wiring harness door mirror driver's door		1	
10	999 143 003 02	hexagon-head bolt M 5 X 10		3		-	477 971 115 A	wiring harness door mirror dashboard	/LL	1	
11	911 731 027 06	covering frame	/L	1		-	478 971 115 A	wiring harness door mirror dashboard	/RL	1	
(11)	911 731 028 06	covering frame	/R	1		-	477 971 910	bellows see group 8/04/00		1	
12	911 731 035 08	mirror glass plane		1				electrical components door mirror		2	
(12)	911 731 035 09	mirror glass convex		1		-	477 971 115	wiring harness door mirror dashboard	/LL	1	
13	999 703 128 40	grommet		3		-	478 971 115	wiring harness door mirror dashboard	/RL	1	
14	944 731 505 00	desk pad	/LL/L	1							
(14)	944 731 508 00	desk pad	/LL/R	1		-	477 971 113	wiring harness door mirror passenger's door		1	
(14)	945 731 506 00	desk pad	/RL/R	1		-	477 955 703	rocker switch passenger's side	/LL	1	
(14)	945 731 507 00	desk pad	/RL/L	1		-	478 955 703	mirror changeover switch passenger's side	/RL	1	
15	911 731 257 02	guide tube		1		-	803 971 979	plug socket 7-pole		X	
16	911 731 345 02	centring washer lower		1							
17	911 731 347 00	centring washer upper		1							
18	911 731 029 01	compression spring		1							

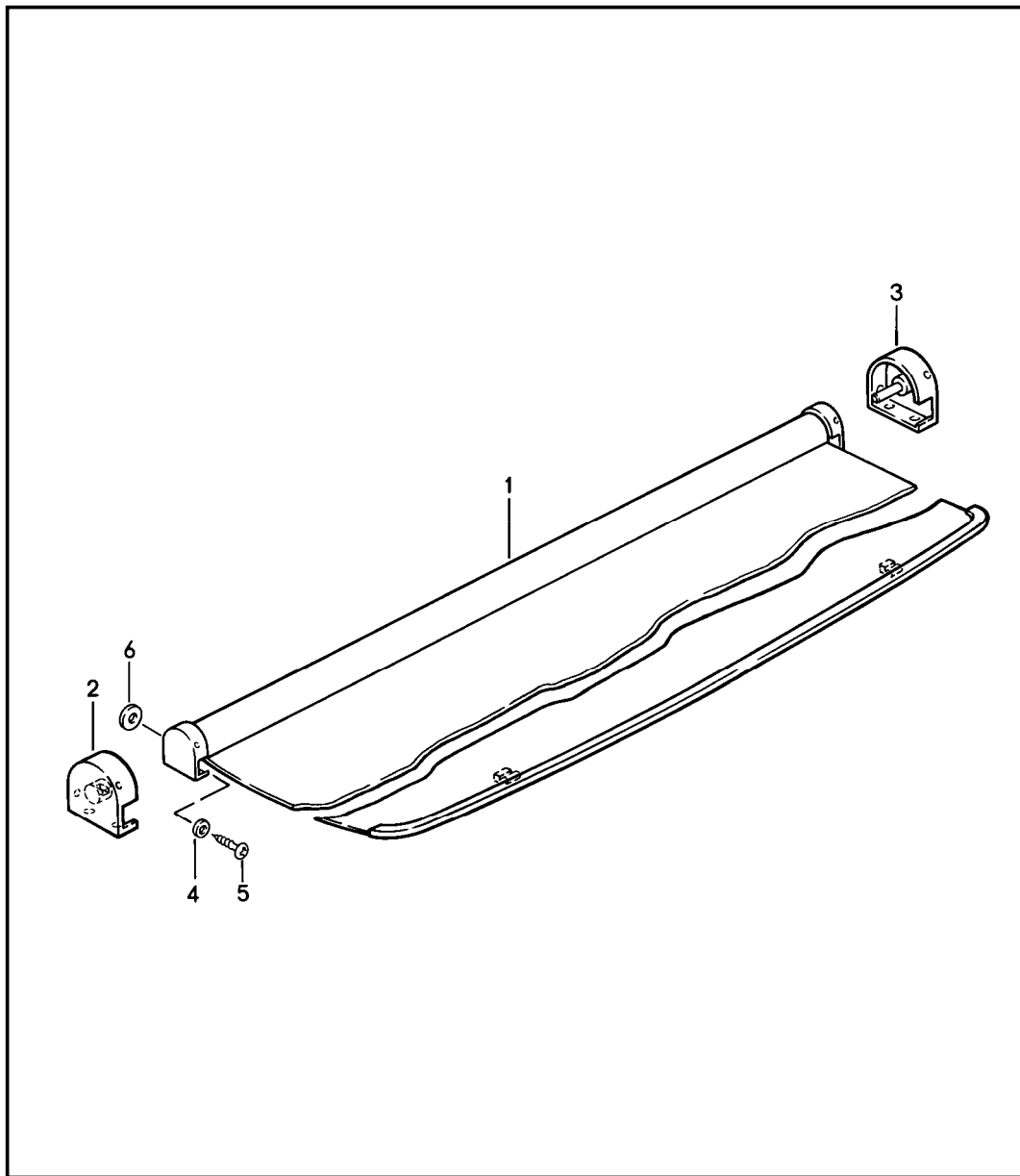
Model	Year	MG	SG	Illustration	Restrictions	UPD	21:21	23.01.2010	PORSCHE	PET	PORSCHE
944	1985	8	09	809-05		248					

Pos	Part Number	Description	Remark	Qty	Model	Pos	Part Number	Description	Remark	Qty	Model
-	477 971 910	bellows see group 8/04/00		2			21S	brown F >>94DN4 03821			
- *	477 898 025	installation set electric adjustable and heatable door mirror plane	/LL/L	1			4RB	brown F 94DN4 03822>>			
- *	477 898 026	installation set electric adjustable and heatable door mirror plane	/LL/R	1		(26)	477 857 552 A	sun visor without mirror	/R	-84	1
							05T	black			
25	477 857 511	interior mirror		1			21S	brown F >>94DN4 03821			
26	A 477 857 551	sun visor without mirror	/L	-84	1	(26)	477 857 552 B	sun visor without mirror	/R (AUS)	-84	1
		05T black					05T	black			
		21S brown F >>94DN4 03821					21S	brown F >>94DN4 03821			
		4RB brown F 94DN4 03822>>					4RB	brown F 94DN4 03822>>			
(26)	478 857 551 A	sun visor with mirror	/L	-84	1	(26)	944 731 031 01	sun visor	/L	85-	1
		05T black					05T	black			
		21S brown F >>94DN4 03821					4RB	brown			
		4RB brown F 94DN4 03822>>					3MX	burgundy			
(26)	477 857 551 D	sun visor with mirror	/L (AUS)	-84	1	(26)	944 731 032 01	sun visor	/R	85-	1
		05T black					05T	black			
		21S brown F >>94DN4 03821					4RB	brown			
		4RB brown F 94DN4 03822>>					3MX	burgundy			
(26)	477 857 552 C	sun visor with mirror	/R	-84	1	27	N 014 096 3	tapping screw B 4,2 X 22			6
		05T black				28	803 857 561 A	support		-84	2
							01C	satin black			
(26)						(28)	944 731 439 00	support sun visor		85-	2
						29	900 143 047 07	tapping screw B 4,2 X 19			4

Model	Year	MG	SG	Illustration	Restrictions	UPD	21:21	23.01.2010	PORSCHE	PET	PORSCHE
944	1985	8	09	809-05		248					

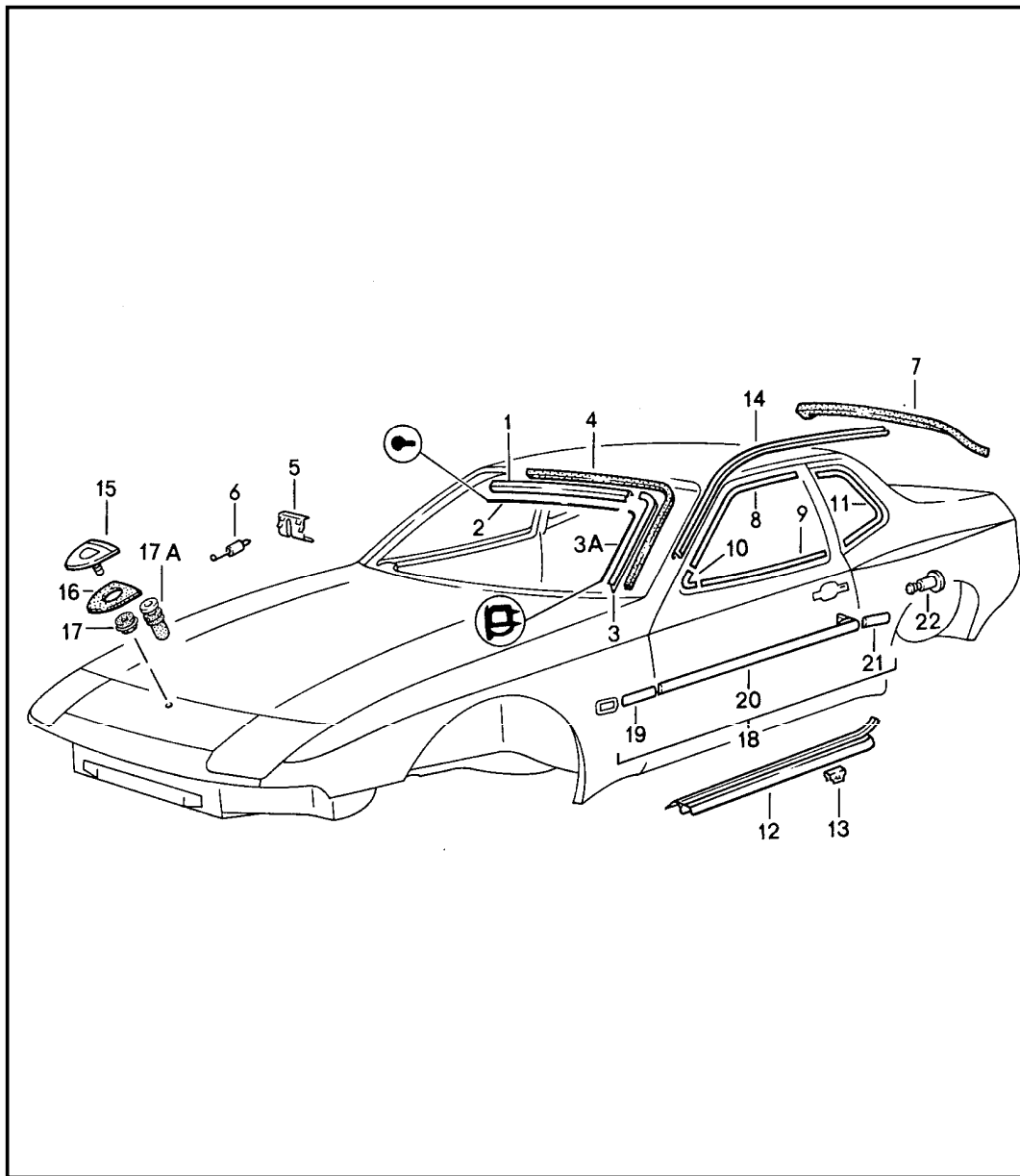
Pos	Part Number	Description	Remark	Qty	Model	Pos	Part Number	Description	Remark	Qty	Model
30	900 151 028 02	washer B 4,3		4							
31	171 857 635	coat hook		2							
	01C	black									
32	171 857 650	screw 4,8 X 16		2							

Model	Year	MG	SG	Illustration	Restrictions	UPD	21:21	23.01.2010	PORSCHE	PET	PORSCHE
944	1985	8	09	809-10		248					



Pos	Part Number	Description	Remark	Qty	Model
		luggage compartment cover			
1	477 863 511 A	luggage compartment cover		1	
	05T	black			
	89S	brown			
-	477 863 521 B	hook		2	
2	477 863 517 A	lid	/L	1	
		luggage compartment cover			
		square wrench			
		17,5 MM			
	05T	black			
	89S	brown			
3	477 863 518 A	lid	/R	1	
		luggage compartment cover			
		pin			
		17,5 MM			
	05T	black			
	89S	brown			
(2)	477 863 517 B	lid	/L	1	
		luggage compartment cover			
		hole			
		16 MM			
	05T	black			
(3)	477 863 518 B	lid	/R	1	
		luggage compartment cover			
		square wrench			
		16 MM			
	05T	black			
4	900 025 003 02	washer		2	
		A 5,3			
5	N 013 971 3	tapping screw		2	
		4,8 X 22			
6	999 704 139 40	spacer	84-	2	

Model	Year	MG	SG	Illustration	Restrictions	UPD	21:21	23.01.2010	PORSCHE	PET	PORSCHE
944	1985	8	10	810-00		248					

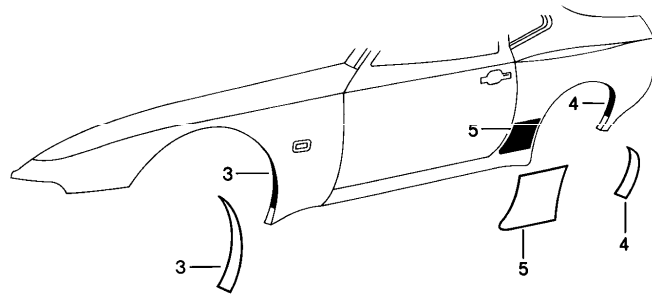
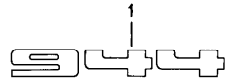
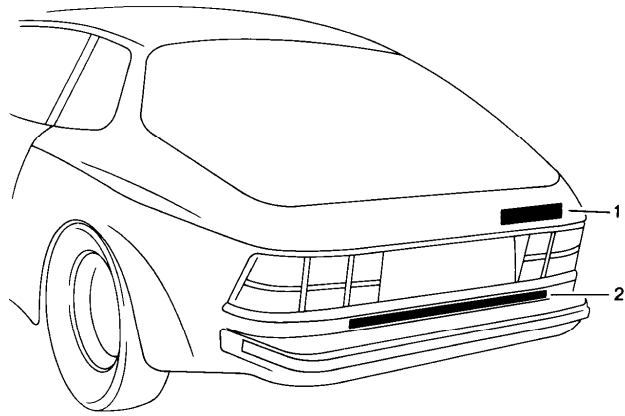


Pos	Part Number	Description	Remark	Qty	Model
		trim frame			
1	944 559 043 00	moulding upper		1	
2	944 559 043 00	moulding F >>94CN4 03921		1	
3	944 559 045 00	moulding	/L	1	
(3)	944 559 046 00	moulding	/R	1	
3A	944 559 027 00	gasket F 94EN4 00551>>	/L	1	
(3A)	944 559 028 00	gasket F 94EN4 00551>>	/R	1	
5	477 853 659 B	clamp		16	
6	431 805 121 A	bolt		16	
7	477 853 313 A	trim frame rear window upper	/H	1	
8	477 853 373 B	moulding	/L	1	
(8)	477 853 374 B	moulding door	/R	1	
9	477 853 371 B	moulding	/L	1	
(9)	477 853 372 B	moulding door	/R	1	
10	477 853 375 A	moulding		2	
11	477 853 365 A	trim frame	/L	1	
(11)	477 853 366 A	trim frame	/R	1	
12	477 853 657 A	scuff plate	/L	1	
(12)	477 853 658 A	scuff plate	/R	1	
13	477 853 655	clamp		10	
14	477 853 705	roof moulding	/L	1	
(14)	477 853 706	roof moulding	/R	1	
-	944 559 159 02	plastic foam strip roof moulding		2	
15 A	901 559 210 20	lid emblem		1	

Model	Year	MG	SG	Illustration	Restrictions	UPD	21:21	23.01.2010	PORSCHE	PET	PORSCHE
944	1985	8	10	810-00		248					

Pos	Part Number	Description	Remark	Qty	Model	Pos	Part Number	Description	Remark	Qty	Model
15	993 559 211 00	lid emblem		1							
16	901 559 215 20	desk pad		1							
17	999 591 423 03	tapping nut F >>94CN4 01716 F >>94DN4 00076	(J)	2							
17AA	999 702 175 50	grommet		2							
17A	999 702 175 50	grommet		2							
18 *	931 559 901 00	set of moldings order also: adhesive AMV 176.000.05		1	M418						
19	931 559 137 00	side guard wing	/V	2							
20	931 559 133 00	side guard	/L	1							
(20)	931 559 134 00	side guard door	/R	1							
21	931 559 141 00	side guard	/L	1							
(21)	931 559 142 00	side guard side section	/R	1							
-	931 559 175 00	adhesive tape side guard wing	/V	2							
-	931 559 165 00	adhesive tape side guard door		4							
- A	931 559 182 00	adhesive tape	/L	1							
-	931 559 182 00	adhesive tape side guard side section		2							
-	AMV 176 000 05	adhesive sealing compound		1							
22	999 190 326 40	rivet		2							

Model	Year	MG	SG	Illustration	Restrictions	UPD	21:21	23.01.2010	PORSCHE	PET	PORSCHE
944	1985	8	10	810-05		248					

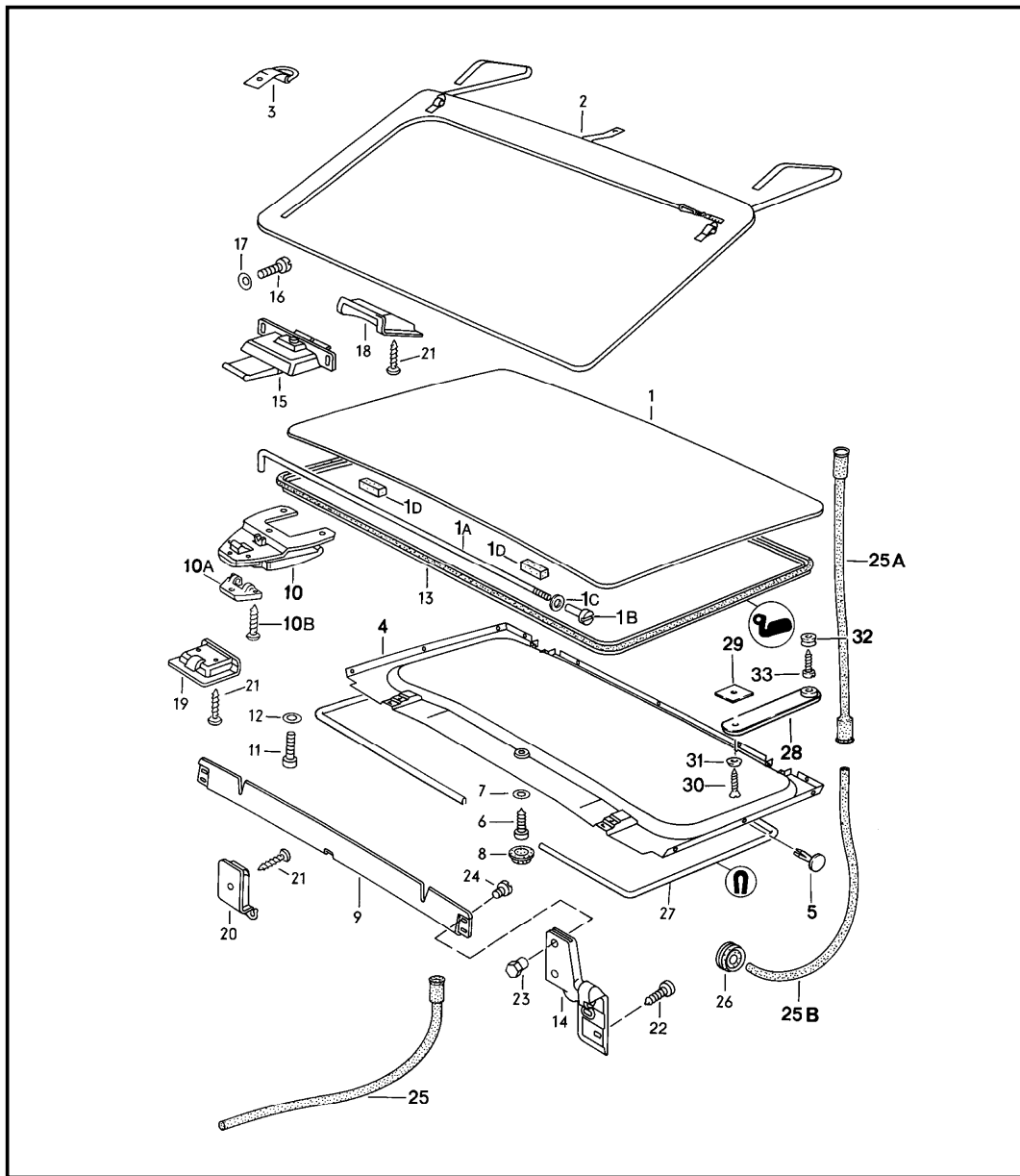


Pos	Part Number	Description	Remark	Qty	Model
1	944 559 193 00	insignias stone guard film		1	
1 A	944 559 193 01	logo adhesive film white	-6.82	1	
1	944 559 295 02	logo adhesive film red	(CH) 84	1	
1	944 559 193 01	logo silver		1	
2	477 853 635 B	logo adhesive film black	/H	1	
2	477 853 635 C	logo adhesive film silver	/H	1	
2	477 853 635 D	logo porsche red	(CH) 84	1	
3	944 559 321 00	stone guard film clear	/L	1	
3	944 559 321 01	stone guard film 90E alpine white Y7Y zermatt silver metallic	/L	1	
(3)	944 559 322 00	stone guard film clear	/R	1	
(3)	944 559 322 01	stone guard film 90E alpine white Y7Y zermatt silver metallic	/R	1	
4	944 559 323 00	stone guard film clear	/L	1	
4	944 559 323 01	stone guard film 90E alpine white Y7Y zermatt silver metallic	/L	1	

Model	Year	MG	SG	Illustration	Restrictions	UPD	21:21	23.01.2010	PORSCHE	PET	PORSCHE
944	1985	8	10	810-05		248					

Pos	Part Number	Description	Remark	Qty	Model	Pos	Part Number	Description	Remark	Qty	Model
(4)	944 559 324 00	stone guard film clear	/R	1							
(4)	944 559 324 01	stone guard film	/R	1							
	90E	alpine white									
	Y7Y	zermatt silver metallic									
5	944 559 325 00	stone guard film clear	/L	1							
5	944 559 325 01	stone guard film	/L	1							
	90E	alpine white									
	Y7Y	zermatt silver metallic									
(5)	944 559 326 00	stone guard film clear	/R	1							
(5)	944 559 326 01	stone guard film	/R	1							
	90E	alpine white									
	Y7Y	zermatt silver metallic									

Model	Year	MG	SG	Illustration	Restrictions	UPD	21:21	23.01.2010	PORSCHE	PET	PORSCHE
944	1985	8	11	811-00		248					

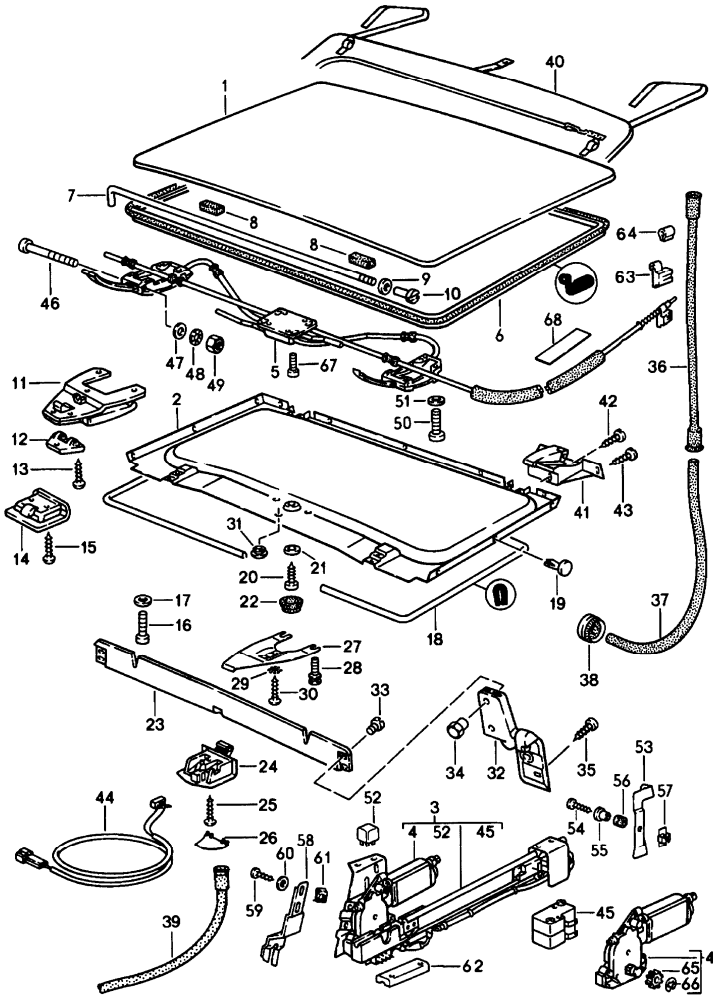


Pos	Part Number	Description	Remark	Qty	Model
		lifting roof	-83		M650
1	477 871 021	roof		1	
1A	477 871 761	tensioning device		1	
1B	477 871 763 A	threaded sleeve		1	
1C	N 011 524 7	washer B 6		1	
1D	477 871 789	sealing strip		2	
2	477 871 027	retaining pocket		1	
	05T	black			
	21S	brown			
2	477 871 027	retaining pocket F >>94DN4 03821		1	
	4RB	brown F 94DN4 03822>>			
3	477 871 029	support		1	
	041	black			
	90V	dark brown			
4	477 871 047 B	lining		1	
	05T	black			
	21S	brown	-6.82		
	4RB	brown	7.	82-	
	1DB	black			
5	477 871 053	clip		11	
6	311 867 167	tapping screw 4,2		1	
7	900 151 028 02	washer 4,3		1	
8	311 867 169	cap		1	
	01C	black			
	90V	brown			
9	944 564 993 00	air deflector		1	

Model	Year	MG	SG	Illustration	Restrictions	UPD	21:21	23.01.2010	PORSCHE	PET	PORSCHE
944	1985	8	11	811-00		248					

Pos	Part Number	Description	Remark	Qty	Model	Pos	Part Number	Description	Remark	Qty	Model
10	477 871 217	roof catch	/V	2		28	477 871 501	securing strap		1	
10A	477 871 219	bearing bracket		2			43S	black			
	01C	black					87S	brown			
10B	N 033 174 1	countersunk-head screw 3 X 6		6		28	477 871 501	securing strap F >>94DN4 03821		1	
11	N 033 018 1	lens-head screw M 5 X 12		2			4RB	brown F 94DN4 03822>>			
12	999 704 605 07	cone washer		2		29	477 871 505	reinforcement plate		1	
13	944 564 114 01	gasket		1		30	N 014 091 4	tapping screw B 3,9 X 16		1	
14	477 871 635 A	hinge	/L	1		31	N 011 590 1	cone washer		1	
(14)	477 871 636 A	hinge	/R	1		32	477 871 509	ball knob		1	
15	477 871 649	roof catch	/H	2		33	900 143 003 00	tapping screw B 3,5 X 16		1	
16	900 146 003 02	oval-head screw AM 5 X 11		8		34	477 871 159	lever		2	
17	N 012 222 4	spring washer B 5		8		35	N 013 327 1	roll pin 3 X 18		2	
18	477 871 651 A	locking bracket		2							
19	477 871 665 A	centring wedge	/V	2							
20	477 871 683 A	bearing		1							
21	N 013 964 4	tapping screw B 4,2 X 16		9							
22	900 143 031 02	oval-head sheetmetal screw B 4,2 X 9,5		4							
23	477 871 701 A	cap nut		4							
24	477 837 959	self-lock. fillister screw		4							
25	321 877 233 C	water drain hose	/V	2							
25A	944 564 235 00	water drain hose	/L/H	1							
25B	944 564 237 00	water drain tube	/L/H	1							
(25A)	944 564 064 00	water drain hose	/R/H	1							
(25B)	944 564 238 00	water drain tube	/R/H	1							
26	021 119 569	rubber sleeve		X							
27	944 564 621 00	edge protection		1							

Model	Year	MG	SG	Illustration	Restrictions	UPD	21:22	23.01.2010	PORSCHE	PET	PORSCHE
944	1985	8	11	811-05		248					



Pos	Part Number	Description	Remark	Qty	Model
		lifting roof	84-		M650
1	944 564 021 01	roof		1	
2	944 564 047 00	lining		1	
	05T	black			
	4RB	brown			
3	944 624 055 00	electric drive		1	
4	944 624 011 00	electric motor		1	
5	944 564 941 00	assembly kit see tpi group 8 NR. 43		1	
6	944 564 114 01	gasket		1	
7	477 871 761	tensioning device		2	
8	477 871 789	sealing strip		2	
9	N 012 226 5	spring washer B 6		2	
10	477 871 763 A	threaded sleeve		2	
11	477 871 217	roof catch	/V	2	
12	477 871 219	bearing bracket		2	
	01C	black			
13	N 033 174 1	countersunk-head screw M 3 X 6		6	
14	477 871 665 A	centring wedge	/V	2	
15	N 013 964 4	tapping screw B 4,2 X 16		4	
16	N 033 018 1	lens-head screw M 5 X 12		2	
17	999 704 605 07	cone washer		2	
18	944 564 621 00	edge protection		1	
19	477 871 053	clip		11	
20	311 867 167	tapping screw		1	
21	900 151 028 02	washer		1	

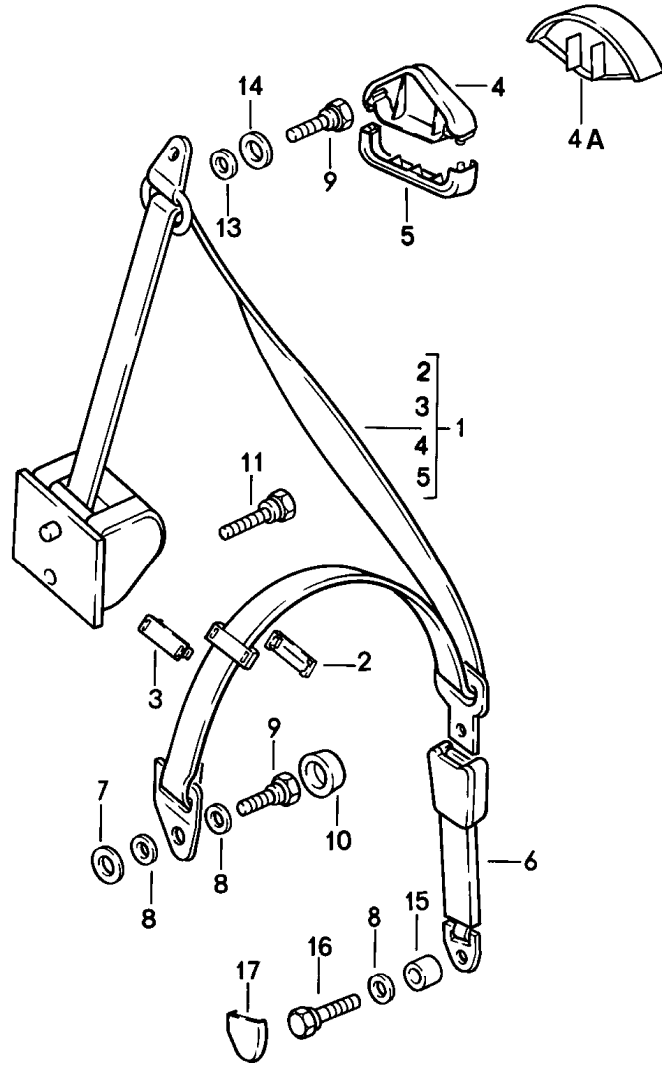
Model	Year	MG	SG	Illustration	Restrictions	UPD	21:22	23.01.2010	PORSCHE	PET	PORSCHE
944	1985	8	11	811-05		248					

Pos	Part Number	Description	Remark	Qty	Model	Pos	Part Number	Description	Remark	Qty	Model
22	311 867 169	cap		1			05T	black			
	01C	black					4RB	brown			
	90V	brown				41	944 564 161 00	gate guide	/L/H	1	
23	944 564 093 00	air deflector		1		(41)	944 564 162 00	gate guide	/R/H	1	
24	944 564 683 00	bearing		1		42	N 014 133 8	oval-head screw M 5 X 12		2	
25	N 013 964 4	tapping screw 4,2 X 16		1		43	N 014 264 4	oval-head screw AM 5 X 10		4	
26	944 564 685 00	flap		1		44	944 613 033 00	microswitch		1	
27	944 564 223 00	fastening part centre		1		45	944 613 127 00	microswitch		2	
28	944 564 224 00	adjusting screw		2		46	N 100 718 01	pan-head screw M 5 X 70		2	
29	N 012 222 4	spring washer A 5		1		47	900 025 003 02	washer A 5,3		2	
30	N 014 133 8	oval-head screw M 5 X 12		1		48	N 012 104 2	serrated lock washer 5,3		2	
31	944 564 233 00	cap		3		49	N 011 005 14	hexagon nut M 5		2	
	01C	black				50	999 218 005 02	pan-head screw M 6		4	
	90V	brown				51	N 011 524 7	washer A 6,4		4	
32	477 871 635 A	hinge	/L	1		52	431 951 253 D	relay		2	
(32)	477 871 636 A	hinge	/R	1		53	944 564 521 00	support		1	
33	477 837 959	self-lock. fillister screw		4		54	N 013 967 5	tapping screw BZ 4,2 X 19		1	
34	477 871 701 A	cap nut		4		55	944 624 415 00	spacer sleeve		1	
35	900 143 031 02	oval-head sheetmetal screw B 4,2 X 9,5		4		56	944 624 417 00	rubber sleeve		1	
36	944 564 235 00	water drain hose	/L/H	1		57	N 902 577 01	speed nut B 4,2		1	
(36)	944 564 064 00	water drain hose	/R/H	1		58	944 564 433 00	support		1	
37	944 564 237 00	water drain tube	/L/H	1		59	N 013 884 4	tapping screw BZ 4,8 X 13		2	
(37)	944 564 238 00	water drain tube	/R/H	1		60	N 012 201 2	washer 5,5		2	
38	021 119 569	rubber sleeve		X							
39	321 877 233 C	water drain hose	/V	2							
40	477 871 027	retaining pocket		1							

Model	Year	MG	SG	Illustration	Restrictions	UPD	21:22	23.01.2010	PORSCHE	PET	PORSCHE
944	1985	8	11	811-05		248					

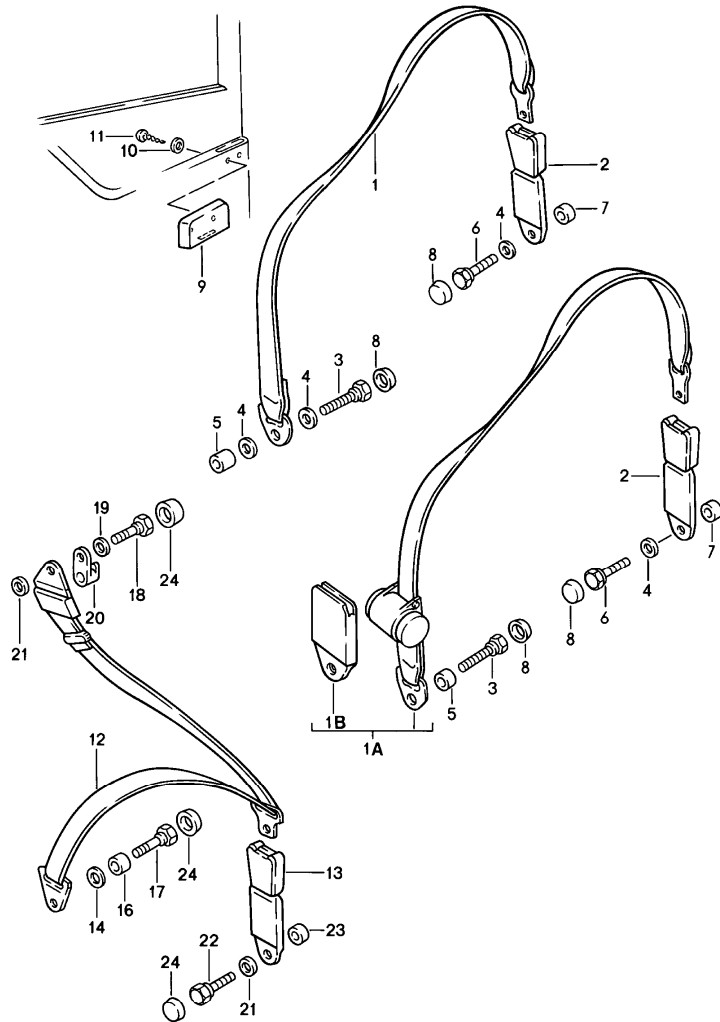
Pos	Part Number	Description	Remark	Qty	Model	Pos	Part Number	Description	Remark	Qty	Model
61	999 591 722 02	speed nut B 4,8 X 19		2							
62	944 564 517 00	lid		1							
63	944 564 425 01	driver		1							
64	944 564 427 00	clamping sleeve		1							
64	944 564 427 00	clamping sleeve		1							
65	944 564 437 00	pinion		1							
66	900 116 003 02	circlip		1							
67	N 014 745 2	pan-head screw M 6 X 14 micro-self-locking		4							
68	944 556 441 00	felt strip		1							

Model	Year	MG	SG	Illustration	Restrictions	UPD	21:22	23.01.2010	PORSCHE	PET	PORSCHE
944	1985	8	12	812-00		248					



Pos	Part Number	Description	Remark	Qty	Model
		seat belt front			
1	477 857 705 E	seat belt	/L	1	
(1)	477 857 705 G	seat belt	/L (AUS)	1	
(1)	944 803 125 00	seat belt	/L	1	
(1)	477 857 706 E	seat belt	/R	1	
(1)	477 857 706 G	seat belt	/R (AUS)	1	
(1)	944 803 126 00	seat belt	/R	1	
2	928 803 151 02	clip upper part		2	
3	928 803 153 02	clip lower part		2	
4	928 803 141 00	cover upper part		2	
4A	944 803 141 00	cover		2	
	70B	black			
5	928 803 143 00	cover lower part		2	
6	928 803 183 05	seat-belt buckle		2	
7	111 857 707 A	spacer		2	
8	911 803 533 00	cup spring		8	
9	111 857 793 E	fastening screw		4	
10	811 857 845	screw-on cap		2	
11	111 857 799 A	fastening screw		2	
13	928 803 212 02	spacer		2	
14	928 803 157 02	washer		2	
15	928 803 259 02	spacer sleeve		2	
16	111 857 793 E	fastening screw		2	
17	477 857 889	cap		2	

Model	Year	MG	SG	Illustration	Restrictions	UPD	21:22	23.01.2010	PORSCHE	PET	PORSCHE
944	1985	8	12	812-05		248					

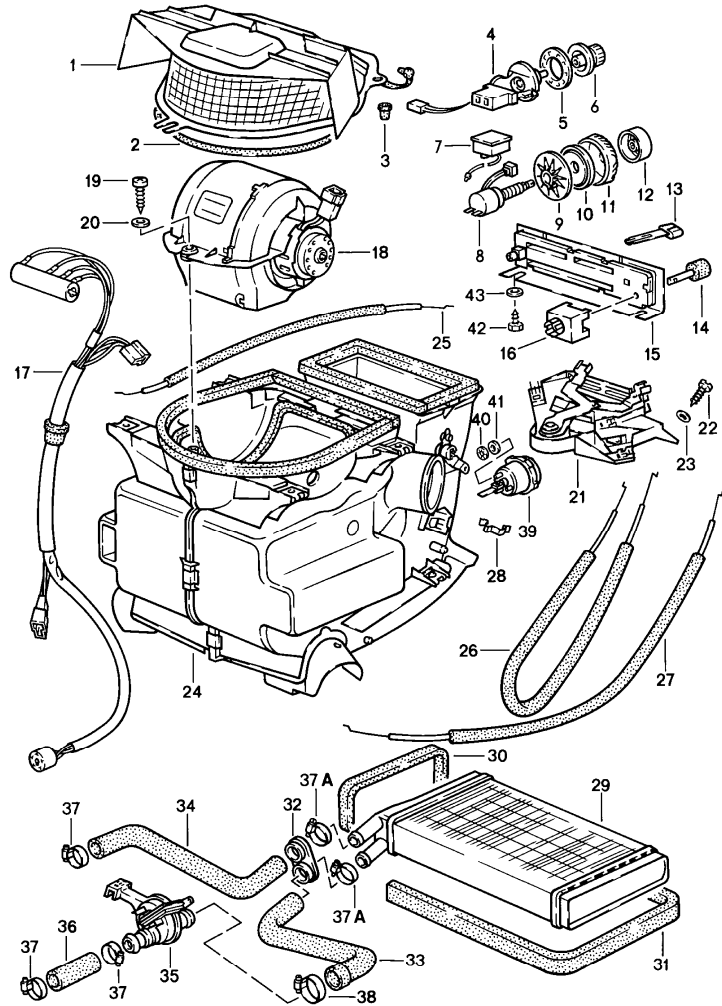


Pos	Part Number	Description	Remark	Qty	Model
		seat belt rear			
1	477 857 795	lap belt		2	
2	477 857 739 A	seat-belt buckle		2	
3	A 803 019 811 B	screw		2	
3	111 857 793 E	fastening screw		2	
4	211 857 771	washer		6	
5	928 803 259 02	spacer sleeve		2	
6	477 857 853	screw		2	
7	A 477 857 643	spacer sleeve		2	
(7)	999 209 033 02	spacer sleeve		2	
8	811 857 845	screw-on cap		4	
9	477 857 375 A	support for seatbelt		2	
	01C	black			
	89S	brown			
10	900 151 027 02	washer B 5,3 X 15		4	
11	900 146 003 02	oval-head screw M 5 X 11		4	
12		three-point seat belt manually	-11.83 (AUS)		
12	478 857 811 A	seat belt		2	
13	477 857 739 A	seat-belt buckle		2	
14	477 857 823	reducing ring		2	
16	901 803 114 40	spacer tube 8 MM		2	
17	111 857 799	screw		2	
18	111 857 793 E	fastening screw		2	
19	810 019 829	guide sleeve		2	
20	477 857 825 A	suspension hook		2	
21	911 803 533 00	cup spring		2	

Model	Year	MG	SG	Illustration	Restrictions	UPD	21:22	23.01.2010	PORSCHE	PET	PORSCHE
944	1985	8	12	812-05		248					

Pos	Part Number	Description	Remark	Qty	Model	Pos	Part Number	Description	Remark	Qty	Model
22	477 857 853	screw		2							
23	A 477 857 643	spacer sleeve		2							
(23)	999 209 033 02	spacer sleeve		2							
24	811 857 845	screw-on cap		6							
		three-point seat belt automatic	1. (AUS) (N) 84- (SF)								
(12)	945 803 021 00	seat belt	/L	1							
(12)	945 803 021 01	seat belt	/L (AUS) (N)	1							
(12)	945 803 022 01	seat belt	/R	1							
13	477 857 739 A	seat-belt buckle		2							
5	928 803 259 02	spacer sleeve		2							
3	111 857 793 E	fastening screw		2							
18	111 857 793 E	fastening screw		2							
19	945 803 311 00	spacer ring		2							
21	911 803 533 00	cup spring		2							
(21)	928 803 157 02	washer		2							
22	477 857 853	screw		2							
23	A 477 857 643	spacer sleeve		2							
(23)	999 209 033 02	spacer sleeve		2							
24	811 857 845	screw-on cap		6							
-	911 803 150 00	screw		2							

Model	Year	MG	SG	Illustration	Restrictions	UPD	21:22	23.01.2010	PORSCHE	PET	PORSCHE
944	1985	8	13	813-00		248					

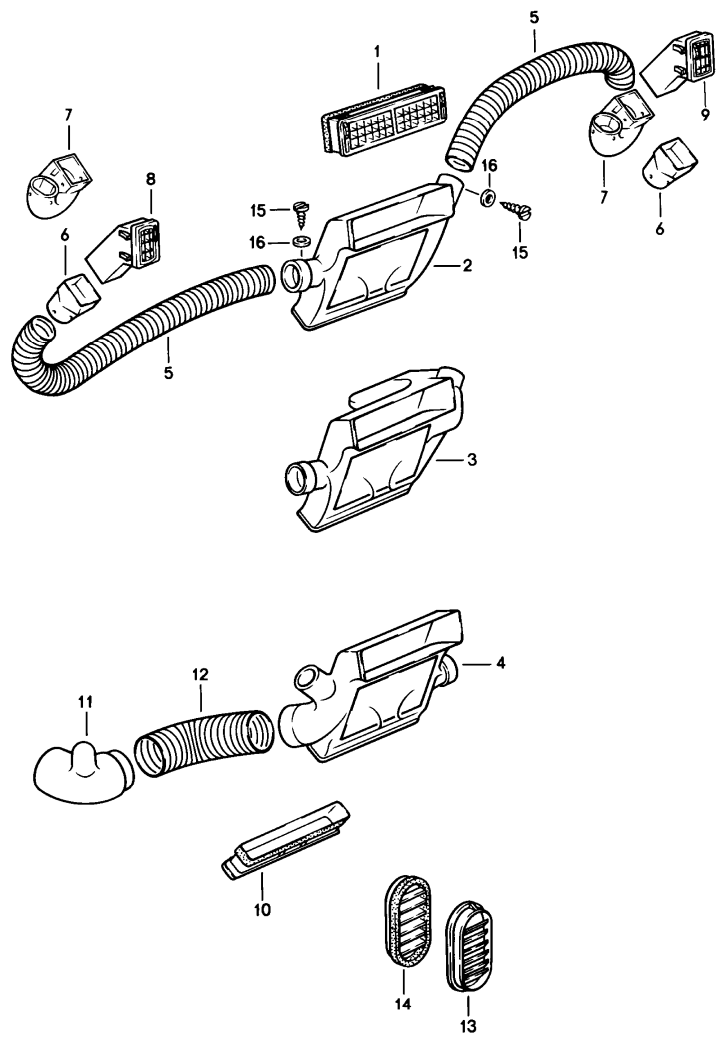


Pos	Part Number	Description	Remark	Qty	Model
		heating ventilation heat exchanger			
1	944 572 145 00	cover		1	
-	AMV 152 109 03	sealing cord 9 MM \$ roller 4,5 METER		X	
2	-	740 MM		1	
3	477 819 253	grommet		3	
4	478 959 519	switch	/RL	1	M573
5	477 959 517	rosette	/RL	1	M573
6	477 959 513	knob	/RL	1	M573
7	477 959 531	booster		1	M573
8	477 959 530	air-conditioning switch		1	M573
9	477 959 527	fastening washer		1	M573
10	477 959 526	spacer		1	M573
11	477 959 528	adjusting wheel		1	M573
12	477 959 529	knob		1	M573
13	944 572 350 00	knob		3	
14	944 572 349 00	knob		1	
15	944 572 049 00	cover		1	
15	477 857 115	cover	(CH) (F)	84	
16	321 959 511 A	blower switch		1	
17	477 971 281	resistor		1	
18	321 820 015 B	blower		1	
19	900 143 046 02	tapping screw B 4,8 X 16		1	
20	N 011 692 3	washer B 5,1		1	
21	321 819 045 C	control switch		1	
22	900 143 007 02	tapping screw B 4,2 X 13		2	

Model	Year	MG	SG	Illustration	Restrictions	UPD	21:22	23.01.2010	PORSCHE	PET	PORSCHE
944	1985	8	13	813-00		248					

Pos	Part Number	Description	Remark	Qty	Model	Pos	Part Number	Description	Remark	Qty	Model
23	900 025 002 02	washer A 4,3		2							
24	944 572 023 00	flap control box		1							
(24)	944 573 023 00	flap control box		1	M573						
25	944 572 649 00	bowden cable		1							
26	944 572 648 00	bowden cable		1							
27	944 572 647 00	bowden cable		1							
28	477 819 343	spring clamp		1							
29	171 819 031 D	heat exchanger		1							
30	321 819 069 B	rubber seal		1							
31	191 819 069	gasket		1							
32	823 819 699 A	drain bush		1							
33	944 572 383 01	hose		1							
34	944 572 381 02	hose		1							
35	944 572 085 02	valve		1							
36	944 572 385 01	heater hose		1							
37	999 512 346 00	hose clamp LC 16-25		X							
37A	999 512 346 00	hose clamp SGT 16-25		2							
38	999 512 272 02	hose clamp LA 25-40		X							
39	944 573 053 00	vacuum unit			M573						
40	999 507 243 02	kronen-fix		3	M573						
41	928 574 465 02	rubber washer		3	M573						
42	900 187 114 07	tapping screw B 2,9 X 13		2							
43	N 011 662 1	washer 3,2		2							

Model	Year	MG	SG	Illustration	Restrictions	UPD	21:22	23.01.2010	PORSCHE	PET	PORSCHE
944	1985	8	13	813-05		248					

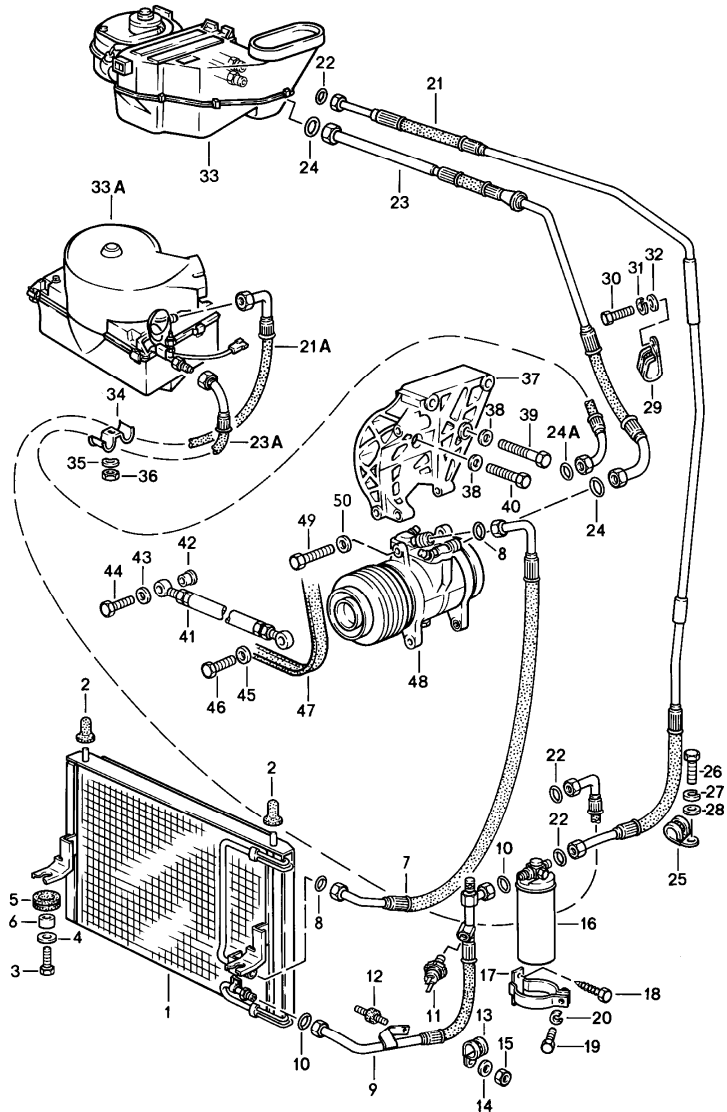


Pos	Part Number	Description	Remark	Qty	Model
1	944 572 059 00	air vent cover air hose		1	
		1DB black			
		4RB brown			
2	944 572 067 00	mixing chamber	/LL	1	
3	944 573 067 00	mixing chamber	/LL	1	M573
4	945 572 067 00	mixing chamber	/RL	1	
(4)	945 573 067 00	mixing chamber	/RL	1	M573
5	477 819 395	hose		2	
6	477 819 717	connecting piece	/LL/L	1	
6	477 819 717	connecting piece	/RL/R	1	
7	477 820 409	connecting piece	/LL/R	1	
7	477 820 409	connecting piece	/RL/L	1	
8	944 572 291 00	side vent	/L	1	
		1DB black			
		4RB brown			
9	944 572 292 00	side vent	/R	1	
		1DB black			
		4RB brown			
10	944 572 065 00	adapter		1	
11	478 820 211 A	intermediate piece	/RL	1	M573
12	478 820 231	hose	/RL	1	M573
13	477 819 175	cover lock pillar		2	
14	477 819 179 A	cover door	/L	1	
(14)	477 819 180	cover door	/R	1	
15	900 143 031 02	oval-head sheetmetal screw B 4,2 X 9,5		4	

Model	Year	MG	SG	Illustration	Restrictions	UPD	21:22	23.01.2010	PORSCHE	PET	PORSCHE
944	1985	8	13	813-05		248					

Pos	Part Number	Description	Remark	Qty	Model	Pos	Part Number	Description	Remark	Qty	Model
16	900 151 028 02	washer B 4,3 X 12		4							

Model	Year	MG	SG	Illustration	Restrictions	UPD	21:23	23.01.2010	PORSCHE	PET	PORSCHE
944	1985	8	13	813-10		248					

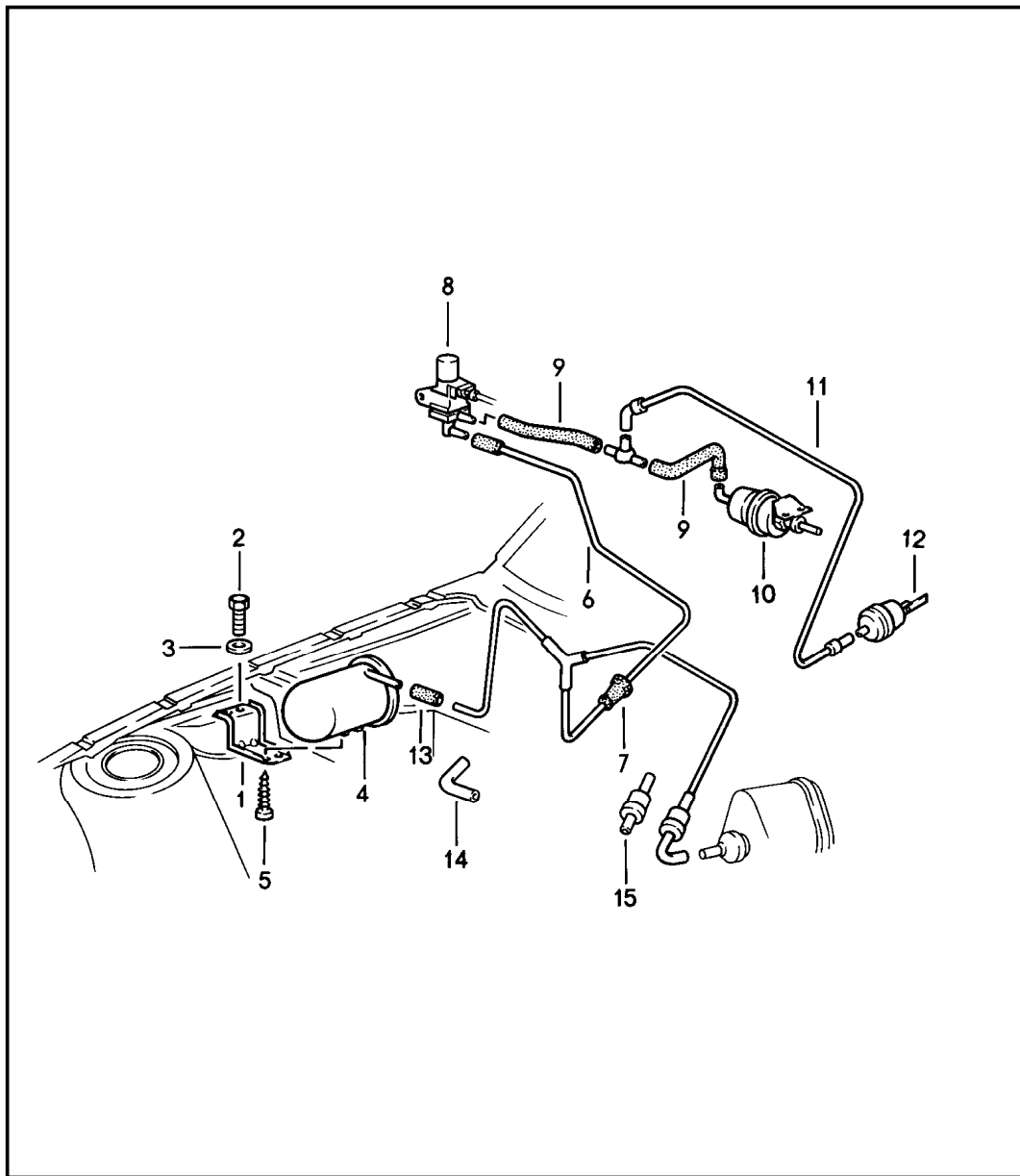


Pos	Part Number	Description	Remark	Qty	Model
		air conditioner			M573
1	944 573 011 01	condenser		1	
2	944 573 457 00	rubber sleeve		2	
3	N 010 217 9	hexagon-head bolt M 6 X 20		2	
4	N 011 612 3	washer R 6,6		2	
5	056 129 669 B	grommet		2	
6	052 109 135	spacer sleeve		2	
7	944 573 097 01	refrigerant line		1	
8	999 707 250 40	o-ring		2	
9	944 573 095 01	refrigerant line		1	
10	999 707 247 40	o-ring		2	
11	A 959 613 137 00	low pressure switch		1	
11	959 613 137 00	low pressure switch		1	
12	928 110 191 00	bonded rubber buffer M 5		1	
12	928 110 191 00	bonded rubber buffer M 6		1	
13	N 020 647 1	clamp RSGU 1100 23/15		1	
14	N 011 524 7	washer A 6,4		1	
15	900 076 010 02	hexagon nut M 6		1	
16	944 573 943 00	desiccator		1	
17	944 573 081 00	support		1	
18	N 013 884 5	tapping screw B 4,8 X 13		2	
19	N 010 264 4	hexagon-head bolt M 5 X 20		1	
20	N 012 005 3	lock ring B 5		1	
21	944 573 093 01	refrigerant line	/LL	1	

Model	Year	MG	SG	Illustration	Restrictions	UPD	21:23	23.01.2010	PORSCHE	PET	PORSCHE
944	1985	8	13	813-10		248					

Pos	Part Number	Description	Remark	Qty	Model	Pos	Part Number	Description	Remark	Qty	Model
21A	478 820 735	refrigerant line	/RL	1		40	N 010 450 5	hexagon-head bolt M 10 X 50		1	
22	999 707 247 40	o-ring		2		41	944 126 021 03	strut		1	
23	944 573 091 01	refrigerant line	/LL	1		42	944 126 127 01	bush		1	
23A	945 573 091 00	refrigerant line	/RL	1		43	900 025 007 02	washer A 8,4		1	
24	999 707 251 40	o-ring	/LL	2		44	N 010 332 4	hexagon-head bolt M 8 X 32		1	
24A	478 820 731	o-ring	/RL	1		45	900 025 008 09	washer A 10,5		1	
25	999 511 066 02	clamp B 15 X 18		1		46	N 040 125 1	hexagon-head bolt M 10 X 1,25 X 30		1	
26	N 010 215 13	hexagon-head bolt M 6 X 15		1		47	999 192 206 50	v-belt K 5 X 1005		1	
27	N 012 006 4	lock ring B 6		1		48	944 126 007 02	compressor		1	
28	N 011 524 7	washer A 6,4		1		49	900 082 088 02	hexagon-head bolt M 10 X 1,25 X 50		2	
29	999 511 136 02	clamp RSGU 18-25/15	/LL	1		50	N 011 527 12	washer A 10,5		2	
30	N 010 217 9	hexagon-head bolt M 6 X 20	/LL	1		-	944 126 125 00	sleeve		1	
31	N 012 006 4	lock ring B6	/LL	1							
32	N 011 524 7	washer B 6	/LL	1							
33	477 820 002 A	air conditioner	/LL	1							
33A	478 820 017 A	evaporator	/RL	1							
34	477 820 757	clip	/RL	2							
35	N 012 006 4	lock ring B6	/RL	2							
36	900 076 010 02	hexagon nut M6	/RL	2							
37	944 126 017 04	bracket		1							
38	N 011 527 12	washer A 10,5		4							
39	N 010 480 3	hexagon-head bolt M 10 X 80		3							

Model	Year	MG	SG	Illustration	Restrictions	UPD	21:23	23.01.2010	PORSCHE	PET	PORSCHE
944	1985	8	13	813-15		248					

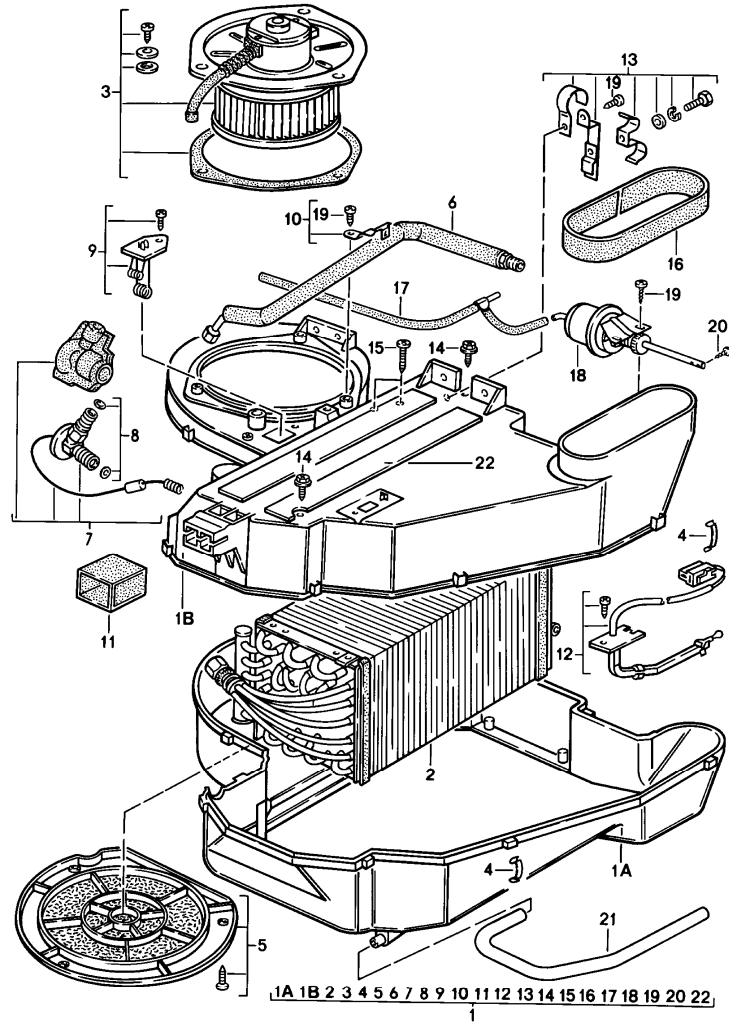


Pos	Part Number	Description	Remark	Qty	Model
		vacuum control			M573
1	944 573 465 00	support	/LL	-83	1
(1)	945 573 465 00	support	/RL	-83	1
(1)	944 573 465 01	support		84-	1
2	N 010 215 13	hexagon-head bolt M 6 X 15		-83	2
3	N 011 524 7	washer A 6,4		-83	2
-	900 076 010 02	hexagon nut M 6		84-	2
-	N 012 006 4	lock ring B 6		84-	2
4	945 573 808 00	vacuum reservoir			1
5	N 090 186 1	tapping screw B 4,8 X 13			1
6	944 573 099 00	vacuum line F >>94CN4 02411	/LL		1
(6)	944 573 099 02	vacuum line F 94CN4 02412>>	/LL		1
(6)	945 573 099 00	vacuum line F >>94CN4 02411	/RL		1
(6)	945 573 099 01	vacuum line F 94CN4 02412>>	/RL	-83	1
(6)	945 573 099 02	vacuum line	/RL	84-	1
7	477 819 849	grommet			1
8	944 573 165 00	solenoid valve	/LL		1
(8)	928 573 691 02	solenoid valve	/RL		1
9	477 820 557	vacuum line	/LL		1
10	477 820 545	vacuum unit	/LL		1
11	944 573 101 00	vacuum line	/LL		1
12	944 573 053 00	vacuum unit			1
13	928 574 747 03	connecting piece		-83	1
14	928 574 717 02	moulded hose		84-	1

Model	Year	MG	SG	Illustration	Restrictions	UPD	21:23	23.01.2010	PORSCHE	PET	PORSCHE
944	1985	8	13	813-15		248					

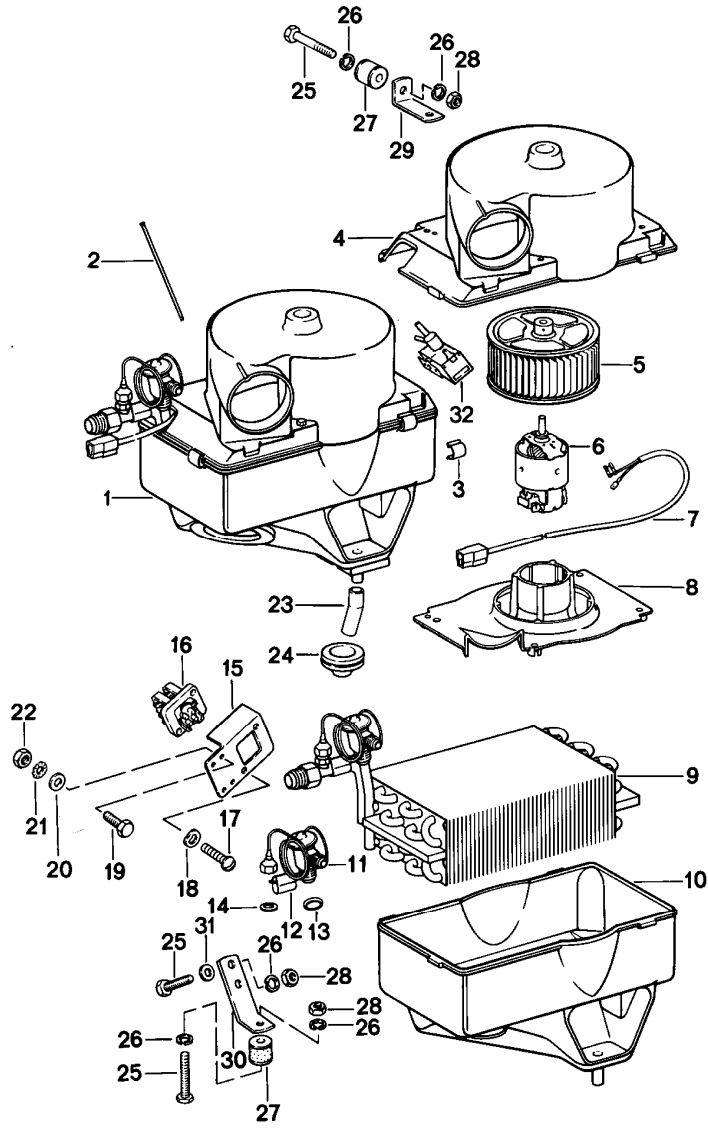
Pos	Part Number	Description	Remark	Qty	Model	Pos	Part Number	Description	Remark	Qty	Model
15	928 537 361 02	valve		1							

Model	Year	MG	SG	Illustration	Restrictions	UPD	21:23	23.01.2010	PORSCHE	PET	PORSCHE
944	1985	8	13	813-20		248					



Pos	Part Number	Description	Remark	Qty	Model
		air conditioner left-hand drive			M573
1	477 820 002 A	air conditioner		1	
1A	477 820 421 A	housing lower part		1	
1B	477 820 420 A	housing upper part		1	
2	477 820 903	evaporator		1	
3	477 820 905	blower		1	
4	477 820 449	clamp		11	
5	477 820 907	air cleaner		1	
6	477 820 459	pressure line		1	
7	477 820 909	expansion valve		1	
8	477 820 911	set of o-rings		1	
9	477 820 915	resistor		1	
10	477 820 917	retaining bow		1	
11	477 820 447 A	rubber boot		1	
12	477 820 901	temperature sensor		1	
13	477 820 919	pipe clamp		1	
14	477 820 437	tapping screw		2	
15	477 820 435 A	tapping screw		2	
16	477 820 507 A	insulator		1	
17	477 820 557	vacuum line		1	
18	477 820 545	vacuum unit		1	
19	477 820 435 D	tapping screw		2	
20	477 820 555	pan-head screw		2	
21	477 820 523	water drain hose		1	
22	477 820 447	gasket		2	

Model	Year	MG	SG	Illustration	Restrictions	UPD	21:23	23.01.2010	PORSCHE	PET	PORSCHE
944	1985	8	13	813-25		248					

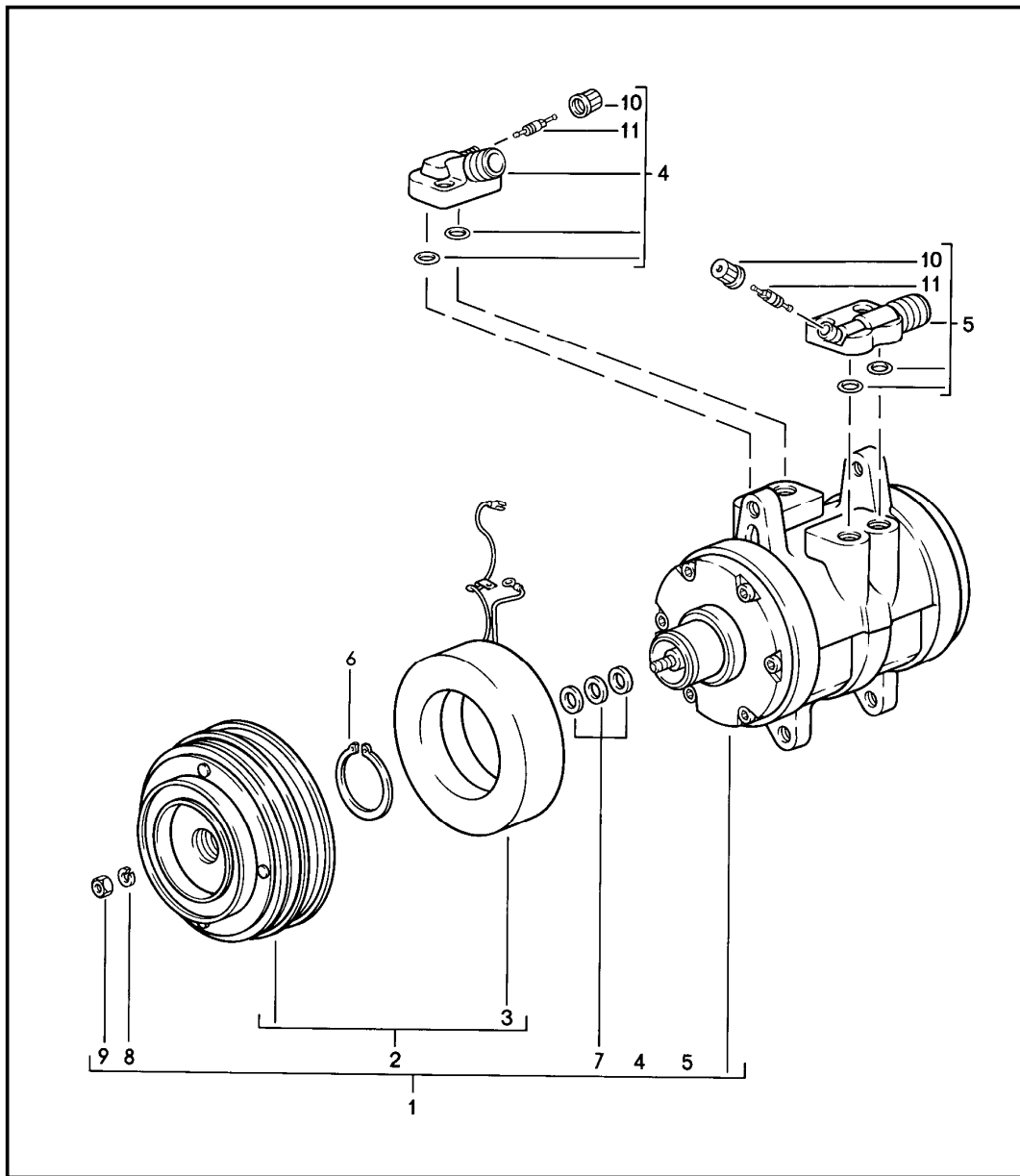


Pos	Part Number	Description	Remark	Qty	Model
1	478 820 017 A	air conditioner right-hand drive		1	M573
2	901 573 903 00	evaporator with housing		1	
3	901 573 904 00	guide tube for temperature switch		1	
4	944 573 905 00	tensioning spring		4	
5	901 573 906 00	housing upper part		1	
6	901 573 906 00	fan		1	
7	901 624 901 00	electric motor		1	
8	901 612 084 00	wiring harness		1	
9	901 573 323 00	engine support		1	
10	901 573 907 00	evaporator		1	
11	478 898 117	housing lower part		1	
12	901 573 915 00	expansion valve		1	
13	901 573 914 00	clip		1	
14	901 573 147 00	gasket 3/4"		1	
15	901 573 916 00	gasket 7/16"		1	
16	478 820 209	bracket		1	
17	911 618 151 00	thermo bi-metal switch		1	
18	900 146 011 02	oval-head screw AM 4 X 10		2	
19	N 012 224 3	spring washer A 4		2	
20	N 010 207 6	hexagon-head bolt M 5 X 12		2	
21	900 025 003 02	washer A 5,3		2	
22	N 012 130 2	shake-proof washer A 5,3		2	

Model	Year	MG	SG	Illustration	Restrictions	UPD	21:23	23.01.2010	PORSCHE	PET	PORSCHE
944	1985	8	13	813-25		248					

Pos	Part Number	Description	Remark	Qty	Model	Pos	Part Number	Description	Remark	Qty	Model
22	N 011 005 14	hexagon nut M 5		2							
-	N 020 363 1	hose 15 X 2,5		*							
23	-	70 MM		1							
24	901 573 143 00	rubber sleeve		1							
25	N 010 210 13	hexagon-head bolt M 6 X 10		4							
26	N 012 006 4	lock ring B 6		6							
27	999 703 302 00	metalastik pivot bearing		2							
28	900 076 010 02	hexagon nut M 6		4							
29	478 820 201	fastening angle		1							
30	478 820 207	fastening angle		1							
31	N 011 524 7	washer A 6,4		2							
32	928 573 691 02	solenoid valve		1							

Model	Year	MG	SG	Illustration	Restrictions	UPD	21:23	23.01.2010	PORSCHE	PET	PORSCHE
944	1985	8	13	813-30		248					



Pos	Part Number	Description	Remark	Qty	Model
		compressor			M573
1	944 126 007 02	compressor		1	
2	944 126 923 00	clutch		1	
3	928 126 925 00	solenoid coil		1	
4	944 126 939 00	pressure valve		1	
5	477 298 837	suction valve		1	
6	477 298 843	circlip		1	
7	477 298 829	spacer 0,1 MM		X	
(7)	477 298 829 A	spacer 0,2 MM		X	
(7)	477 298 829 B	spacer 0,5 MM		X	
(7)	477 298 829 C	spacer 0,8 MM		X	
(7)	477 298 829 B	spacer 1,0 MM		X	
8	900 027 015 02	lock ring B 8		1	
9	N 011 008 8	hexagon nut M 8		1	
10	928 573 909 02	cap		2	
11	928 573 908 03	valve insert		2	

Model	Year	MG	SG	Illustration	Restrictions	UPD	21:24	23.01.2010
944	1985	8	98	898-00R		248		

Pos	Part Number	Description	Remark	Qty	Model
-	928 531 235 03	threaded piece		1	
-	N 013 295 1	tensioning sleeve		1	
-	944 731 505 00	desk pad		1	
-	911 731 257 02	guide tube		1	
-	911 731 345 02	centring washer lower		1	
-	911 731 347 00	centring washer upper		1	
-	911 731 029 01	compression spring		1	
-	900 186 042 02	pan-head screw M 5 X 40		1	
-	477 867 181	mounting piece		1	
-	N 014 090 5	tapping screw 3,9 X 13		2	
-	999 507 071 00	speed nut		2	
-	911 613 115 00	switch		1	
-	928 555 463 02	threaded bush		1	
-	928 613 462 00	knob		1	
-	477 971 111	wiring harness		1	
-	477 971 115 A	wiring harness		1	
-	477 971 910	bellows		1	
-	803 971 979	plug socket		1	
>>	>>477 898 026	installation set door mirror electrically adjustable heatable plane comprising:	/LL/R	1	
-	911 731 044 00	mirror housing		1	
-	928 731 143 08	mirror base		1	
-	999 143 003 02	hexagon-head bolt M 5 X 10		3	
-	911 731 028 02	covering frame with transmission		1	
-	911 731 035 08	mirror glass plane		1	

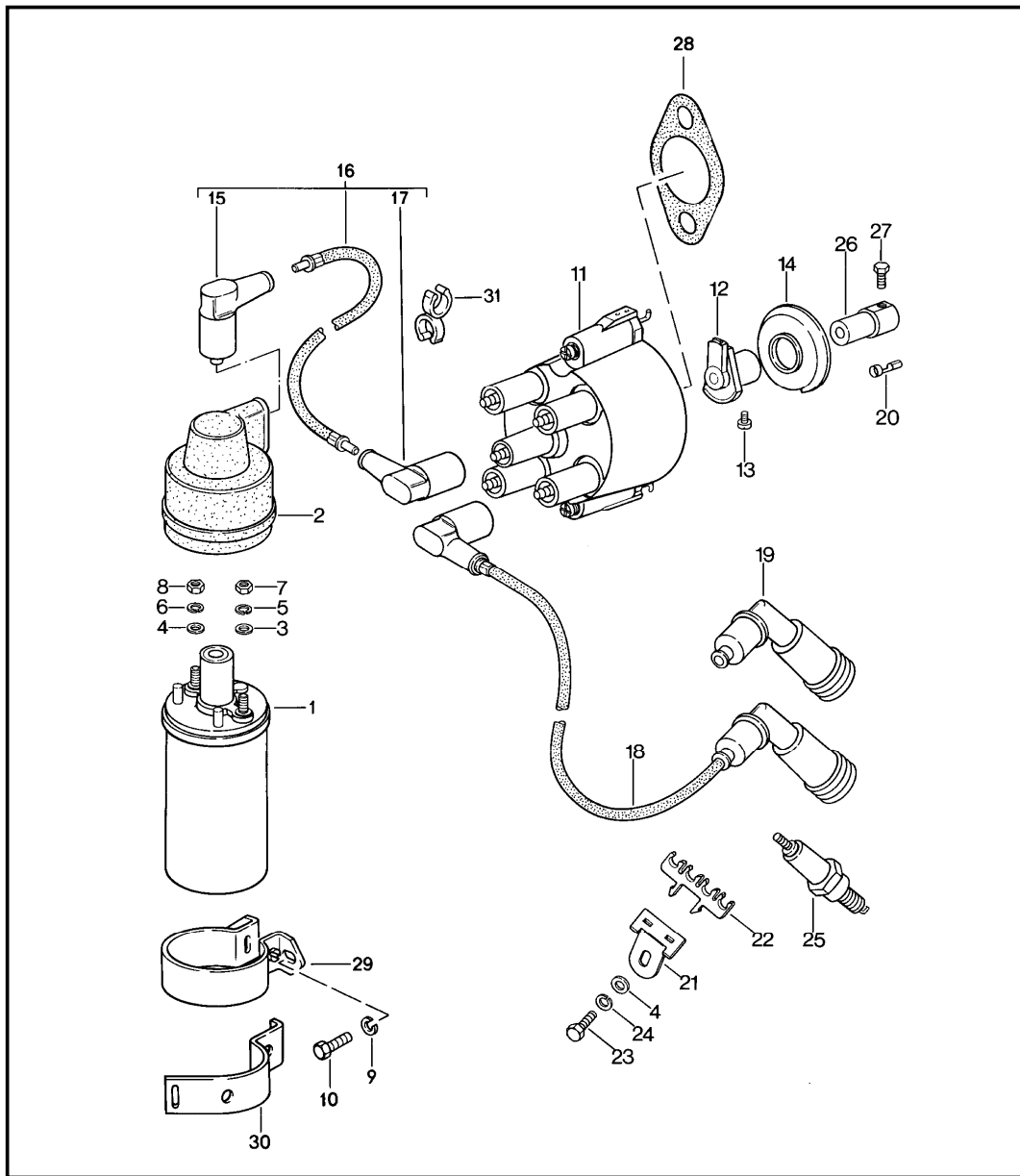
Model	Year	MG	SG	Illustration	Restrictions	UPD	21:24	23.01.2010
944	1985	8	98	898-00R		248		

Pos	Part Number	Description	Remark	Qty	Model
-	999 703 128 40	grommet for mirror glass		3	
-	477 831 140 C	reinforcement		1	
-	928 531 235 03	threaded piece		1	
-	N 013 295 1	tensioning sleeve		1	
-	944 731 508 00	desk pad		1	
-	911 731 257 02	guide tube		1	
-	911 731 345 02	centring washer lower		1	
-	911 731 347 00	centring washer upper		1	
-	911 731 029 01	compression spring		1	
-	900 186 042 02	pan-head screw M 5 X 40		1	
-	477 867 181	mounting piece		1	
-	N 014 090 5	tapping screw 3,9 X 13		2	
-	999 507 071 00	speed nut		2	
-	911 613 115 00	switch		1	
-	928 555 463 02	threaded bush		1	
-	928 613 462 00	knob		1	
-	477 971 113	wiring harness		1	
-	477 971 115	wiring harness		1	
-	477 971 910	bellows		1	
-	477 955 703	rocker switch		1	
-	803 971 979	plug socket 7-pole		1	
>>	>>944 501 941 00	repair kit blind rivet comprising: blind rivet blind rivet blind rivet assembly sleeve		1 10 5 5 1	
>>	>>931 559 901 00	set of moldings moulding comprising:		1	M418

Model	Year	MG	SG	Illustration	Restrictions	UPD	21:24	23.01.2010
944	1985	8	98	898-00R		248		

Pos	Part Number	Description	Remark	Qty	Model
-	931 559 137 00	side guard wing	/V	2	
-	931 559 133 00	side guard door	/L	1	
-	931 559 134 00	side guard door	/R	1	
-	931 559 141 00	side guard side section	/L	1	
-	931 559 142 00	side guard side section use also:	/R	1	
-	AMV 176 000 05	adhesive sealing compound		1	
>>	>>944 573 901 00	air conditioner for subsequent installation use also:	/LL	1	
-	944 573 099 00	vacuum line F >>94CN4 02411		1	
-	944 573 099 02	vacuum line F 94CN4 02412>>		1	
-	477 820 412	knee protection trim		1	
	05T	black	-82		
	21S	brown	-82		
	1DB	black	83-		
	4RB	brown	83-		
		when required order also:			
-	477 971 196 CB	wiring harness for centre console		1	
-	A 944 615 113 01	relay		2	
-	944 615 113 02	relay		2	
-	141 951 253 B	relay		1	
-	171 959 141	relay		1	
-	477 971 561 B	wiring harness		1	

Model	Year	MG	SG	Illustration	Restrictions	UPD	21:24	23.01.2010	PORSCHE	PET	PORSCHE
944	1985	9	01	901-00		248					

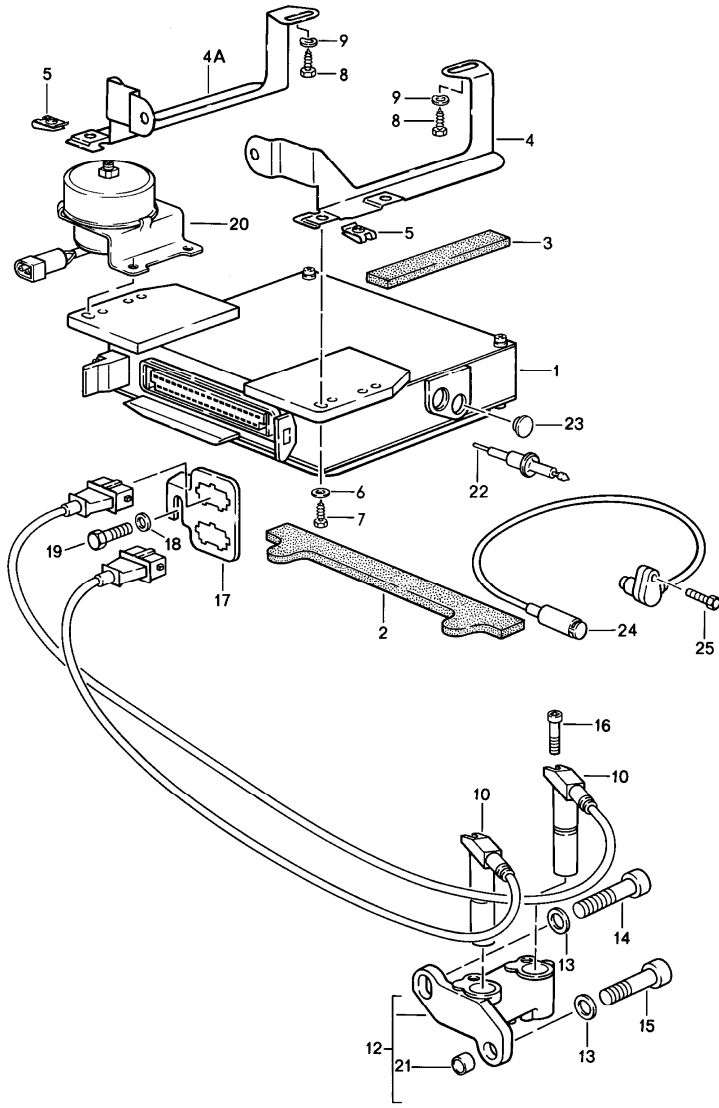


Pos	Part Number	Description	Remark	Qty	Model
		engine electrics 1			
1	944 602 115 00	ignition coil		1	
2	944 602 801 00	protection cap		1	
3	900 025 003 02	washer A 5,3		1	
4	N 011 524 7	washer A 6,4		1	
5	N 012 005 3	lock ring B 5		1	
6	N 012 006 4	lock ring B 6		1	
7	N 011 005 14	hexagon nut M 5		1	
8	900 076 010 02	hexagon nut M 6		1	
9	900 025 007 02	washer A 8,4		2	
10	N 014 706 7	pan-head screw M 8 X 12		2	
11	944 602 251 00	distributor cap		1	
-	944 602 901 00	rotor comprising: POS. 12, 13, 26		1	
12	-	rotor		1	
13	-	pan-head screw		1	
14	944 602 803 00	dust cover		1	
15	944 609 131 00	ignition coil plug		1	
16	944 609 017 01	ignition lead		1	
17	944 609 133 00	distributor plug		5	
18	944 609 015 19	ignition lead cylinder 1		1	
(18)	944 609 015 20	ignition lead cylinder 2		1	
(18)	944 609 015 21	ignition lead cylinder 3		1	

Model	Year	MG	SG	Illustration	Restrictions	UPD	21:24	23.01.2010	PORSCHE	PET	PORSCHE
944	1985	9	01	901-00		248					

Pos	Part Number	Description	Remark	Qty	Model	Pos	Part Number	Description	Remark	Qty	Model
(18)	944 609 015 22	ignition lead cylinder 4		1							
19	928 609 105 03	ignition cable connector		4							
20	911 609 310 00	cable screw		X							
21	944 609 217 00	support ignition lead		1							
22	052 905 471 A	support ignition lead		4							
23	999 072 005 09	hexagon-head bolt M 6 X 12		1							
24	N 012 226 5	spring washer B 6		1							
25	999 170 156 90	spark plug WR 7 DC - bosch -		4							
26	-	connecting piece		1							
27	999 217 008 02	hexagon-head bolt M 5 X 10		1							
28	944 602 257 00	sealing sleeve		1							
29	944 602 117 00	clamp		1							
30	944 602 294 00	clamping bow		1							
31	944 609 227 00	support ignition lead		1							

Model	Year	MG	SG	Illustration	Restrictions	UPD	21:24	23.01.2010	PORSCHE	PET	PORSCHE
944	1985	9	01	901-05		248					

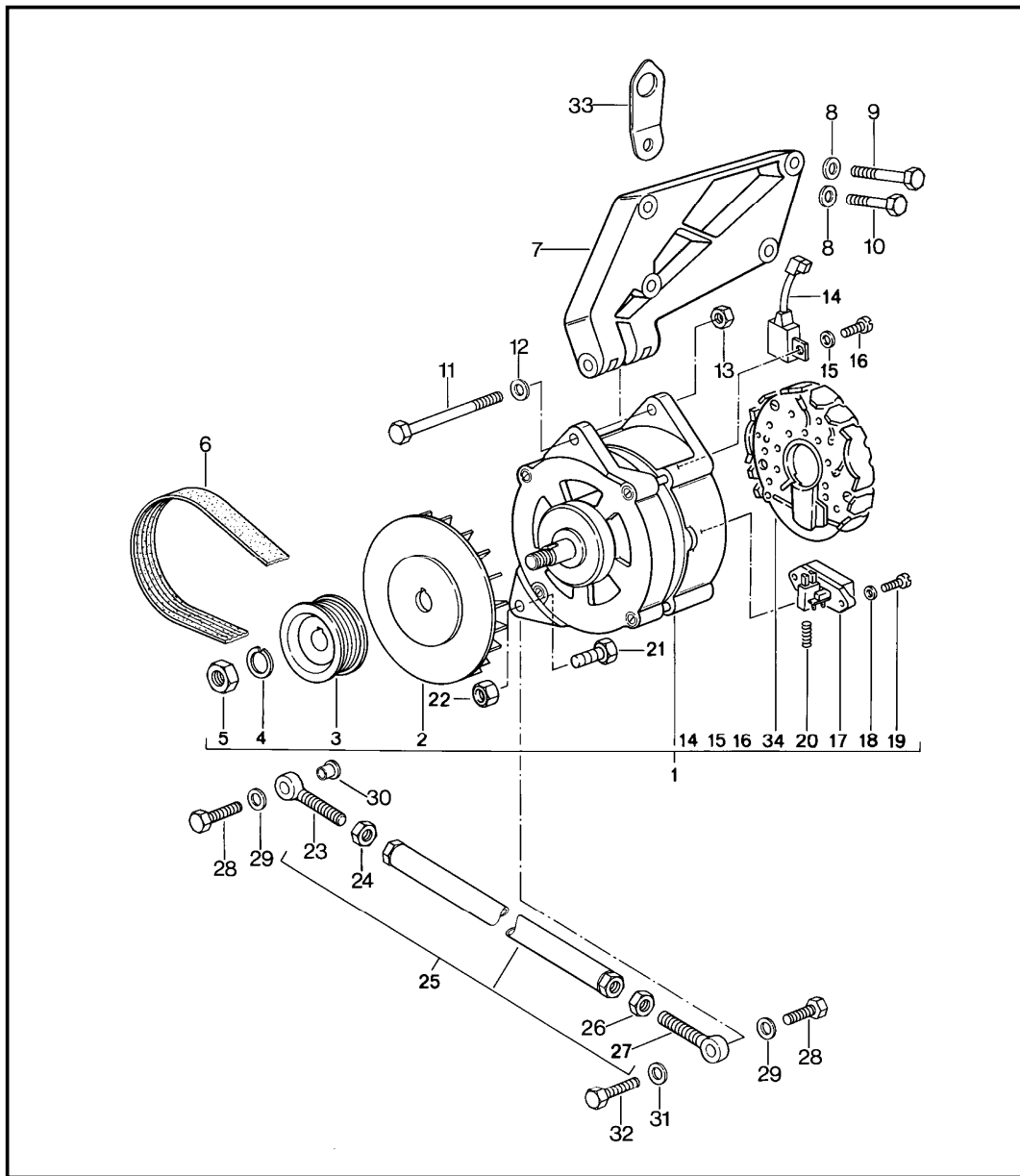


Pos	Part Number	Description	Remark	Qty	Model
		engine electrics 2			
1	> 944 618 111 00	control unit DME		1	
1	944 618 111 X	control unit DME		1	
(1)	> 944 618 111 00	control unit DME	(CH)	82	1
(1)	944 618 111 X	control unit DME	(CH)	82	1
(1)	> 944 618 111 02	control unit DME	(CH)	83-	1
(1)	> 944 618 111 02	control unit DME	(AUS) (S)		1 (HK), (NZ)
1	> 944 618 111 01	control unit DME	(J)	1	
(1)	> 944 618 111 03	control unit DME	(B) (F) (GB) (GR) (I) (L) (E)	1	, (P)
(1)	944 618 111 CX	control unit DME	(B) (F) (GB) (GR) (I) (L) (E)	1	, (P)
2	944 618 119 00	plastic foam strip		1	
3	944 618 120 00	plastic foam strip		1	
4	944 618 141 00	bracket	/L	1	
4A	944 618 142 00	bracket	/R	1	
5	N 901 561 01	speed nut		4	
6	900 025 003 02	washer A 5,3		4	
7	900 187 004 02	hexagon-head tapping screw B 4,8 X 19		4	
8	N 013 884 5	tapping screw B 4,8 X 13	/LL	2	
9	N 012 225 2	spring washer B 5	/LL	2	
10	944 606 115 00	pulse sender		2	
12	944 101 031 03	support		1	

Model	Year	MG	SG	Illustration	Restrictions	UPD	21:24	23.01.2010	PORSCHE	PET	PORSCHE
944	1985	9	01	901-05		248					

Pos	Part Number	Description	Remark	Qty	Model	Pos	Part Number	Description	Remark	Qty	Model
13	900 025 007 02	washer A 8,4		2							
14	N 014 726 3	pan-head screw M 8 X 30		1							
15	N 014 725 2	pan-head screw M 8 X 25		1							
16	999 217 026 02	locking screw M 6 X 16									
17	944 612 151 00	support		1							
18	N 011 524 7	washer A 6,4		1							
19	N 010 215 13	hexagon-head bolt M 6 X 15		1							
21	900 197 047 08	tensioning sleeve		1							
22	944 618 940 00	adjusting key		1							
23	944 606 935 00	cap		1							
24	911 606 108 00	timing mark sender	84-	1							
25	900 067 089 02	pan-head screw M 6X25		1							

Model	Year	MG	SG	Illustration	Restrictions	UPD	21:24	23.01.2010	PORSCHE	PET	PORSCHE
944	1985	9	02	902-00		248					

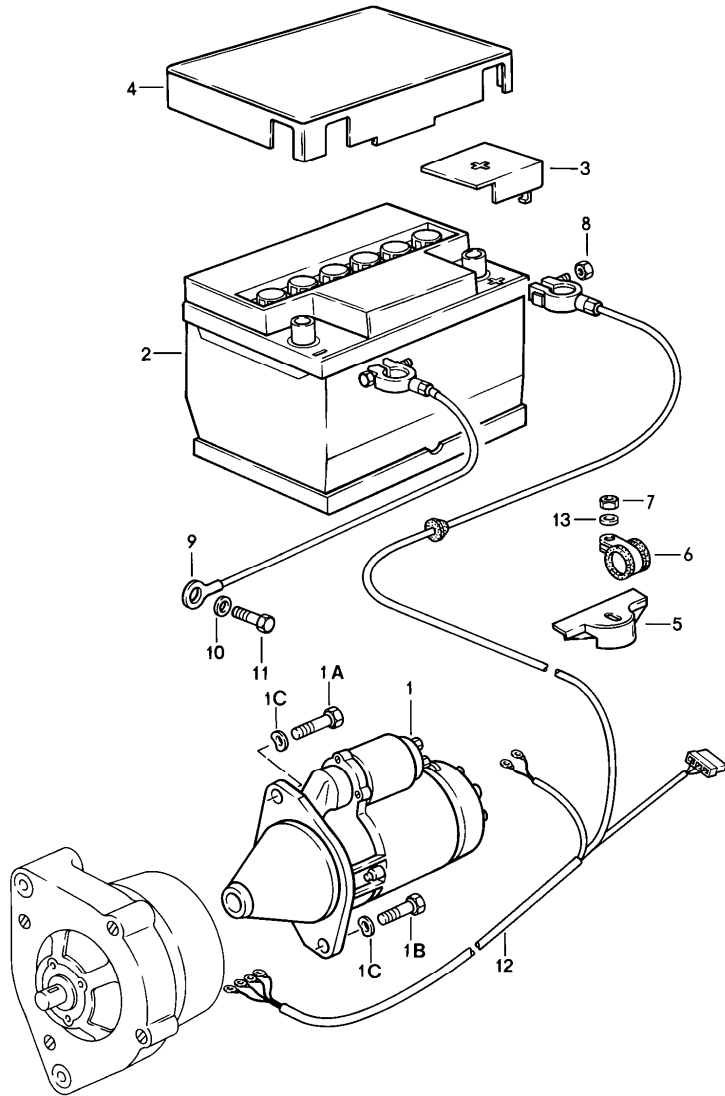


Pos	Part Number	Description	Remark	Qty	Model
		generator with mounting parts			
1	> 944 603 108 01	generator		1	
2	063 903 171	fan		1	
3	944 603 121 06	pulley		1	
4	N 012 016 1	lock ring A 14		1	
5	N 011 163 3	hexagon nut M 14 X 1,5		1	
6	999 192 204 50	poly-rib belt K 5 X 736		1	
(6)	999 192 206 50	poly-rib belt K 5 X 1005		1	M573
7	944 603 134 01	bracket		1	
(7)	944 126 123 02	bracket		1	M573
-	944 126 125 00	sleeve		1	
8	N 011 527 12	washer A 10,5		4	
9	N 010 470 7	hexagon-head bolt M 10 X 70		4	
(9)	N 010 480 3	hexagon-head bolt M 10 X 80		3	M573
10	N 010 450 5	hexagon-head bolt M 10 X 50		1	M573
11	900 074 052 02	screw M 8 X 130		1	
11	900 025 007 02	washer A 8,4		1	
13	900 910 022 09	lock nut VM 8		1	
14	944 603 143 00	condenser		1	
15	N 012 226 5	spring washer B 6		1	
16	N 010 710 8	pan-head screw AM 6 X 10		1	

Model	Year	MG	SG	Illustration	Restrictions	UPD	21:24	23.01.2010	PORSCHE	PET	PORSCHE
944	1985	9	02	902-00		248					

Pos	Part Number	Description	Remark	Qty	Model	Pos	Part Number	Description	Remark	Qty	Model
(17)	928 603 142 00	regulator		1		34	944 603 901 00	diode plate		1	
18	N 012 004 2	lock ring B 4		2							
19	N 014 125 1	oval-head screw AM 4 X 18		2							
20	059 903 519	compression spring		1							
21	N 010 340 6	hexagon-head bolt M 8 X 40		1	M573						
22	900 910 022 09	lock nut VM 8		1	M573						
23	900 037 016 02	eye screw		1							
(23)	900 037 018 02	eye screw		1	M573						
24	N 011 008 24	hexagon nut M 8 L		1							
(24)	900 076 033 02	hexagon nut M 10 L		1	M573						
25	944 603 011 01	strut		1							
(25)	944 126 021 03	strut		1	M573						
26	900 076 025 02	hexagon nut M 8		1							
(26)	N 011 010 6	hexagon nut M 10		1	M573						
27	900 037 019 02	eye screw		1							
(27)	900 037 017 02	eye screw		1	M573						
28	N 010 233 6	hexagon-head bolt M 8 X 28		2							
(28)	N 010 332 4	hexagon-head bolt M 8 X 32		1	M573						
29	900 025 007 02	washer		2							
30	944 126 127 01	bush		1	M573						
31	900 025 008 09	washer A 10,5		1	M573						
32	N 040 125 1	hexagon-head bolt M 10 X 1,25 X 30		1	M573						
33	944 101 411 02	bracket for transportation		1							

Model	Year	MG	SG	Illustration	Restrictions	UPD	21:24	23.01.2010	PORSCHE	PET	PORSCHE
944	1985	9	02	902-10		248					

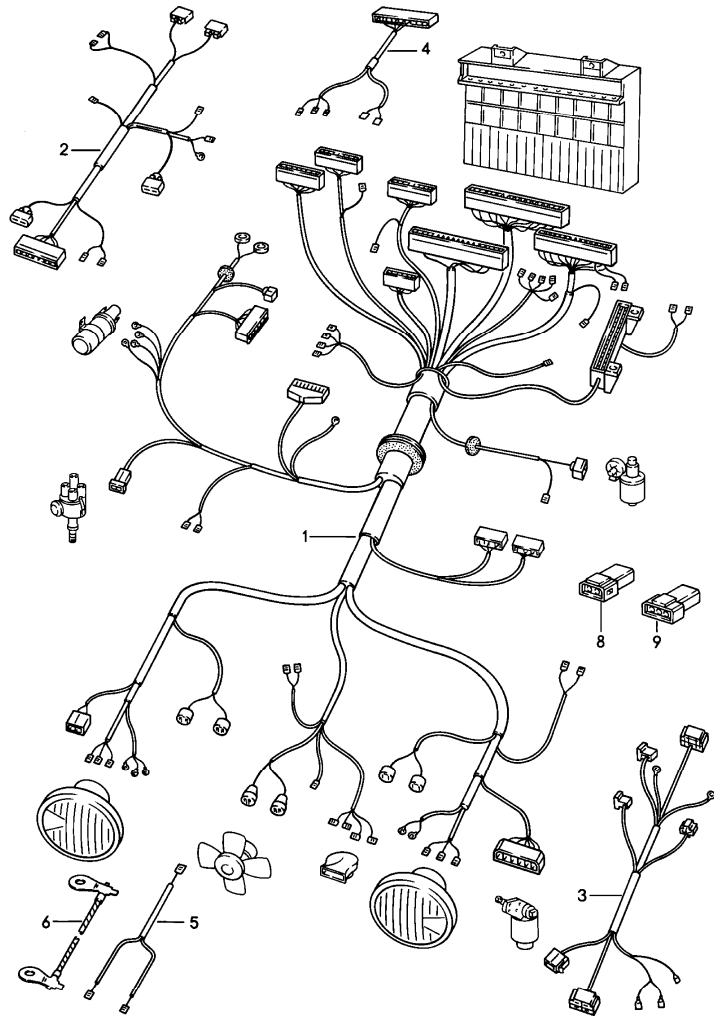


Pos	Part Number	Description	Remark	Qty	Model
1	> 951 604 101 00	starter battery wiring harnesses		1	
1A	N 010 491 1	hexagon-head bolt M 12 X 50		1	
1B	N 040 253 1	hexagon-head bolt M 12 X 35		1	
1C	900 028 014 02	spring washer B 12		2	
2	944 611 101 00	battery 50 AH	/LL	1	
2	945 611 101 00	battery 50 AH	/RL	1	
2	477 915 107 A	battery 63 AH		1	
3	477 915 429	pole covering	/RL	1	
4	281 915 411 F	battery cover for battery 50 AH		1 1	
(4)	477 915 411 A	battery cover for battery 63 AH		1	
5	914 611 233 10	tension terminal		1	
6	N 020 607 1	clamp B 20 X 20 GI		1	
7	477 915 489	hexagon nut M 8		1	
8	900 076 010 02	hexagon nut M 6		2	
9	477 971 221	ground strap		1	
10	900 027 015 02	lock ring B 8		1	
11	N 010 239 11	hexagon-head bolt M 8 X 18		1	

Model	Year	MG	SG	Illustration	Restrictions	UPD	21:24	23.01.2010	PORSCHE	PET	PORSCHE
944	1985	9	02	902-10		248					

Pos	Part Number	Description	Remark	Qty	Model	Pos	Part Number	Description	Remark	Qty	Model
12	944 612 015 01	wiring harness starter generator	/LL	1							
(12)	945 612 015 00	wiring harness starter generator	/RL	1							

Model	Year	MG	SG	Illustration	Restrictions	UPD	21:25	23.01.2010	PORSCHE	PET	PORSCHE
944	1985	9	02	902-20		248					

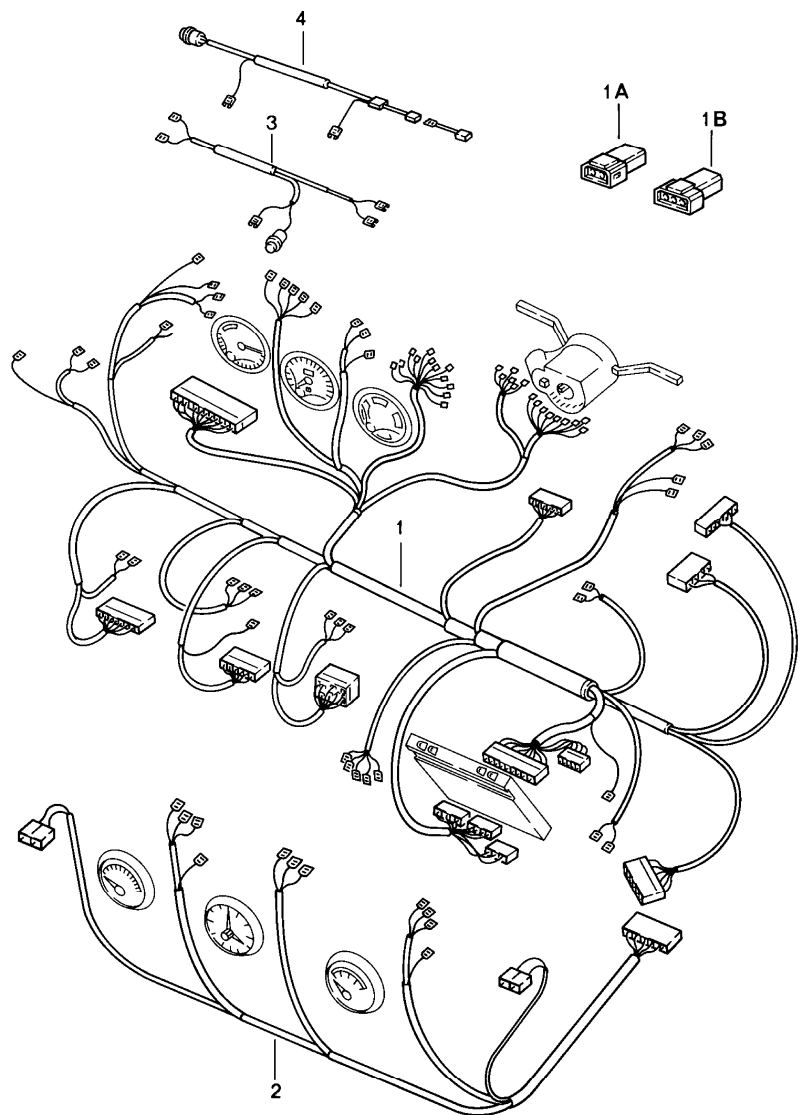


Pos	Part Number	Description	Remark	Qty	Model
		wiring harness engine compartment - dme - headlight washer system			
(1)	944 612 001 07	wiring harness engine compartment F >>94DN4 01549	/LL	-83	1
(1)	944 612 001 13	wiring harness engine compartment F 94DN4 01550>>	/LL	-83	1
(1)	944 612 001 17	wiring harness engine compartment	/LL	84	1
(1)	944 612 001 24	wiring harness engine compartment	/LL	85-	1
(1)	944 612 001 09	wiring harness engine compartment F >>94DN4 01549	/LL	-83	1 M573
(1)	944 612 001 14	wiring harness engine compartment F 94DN4 01550>>	/LL	-83	1 M573
(1)	944 612 001 18	wiring harness engine compartment	/LL	84	1 M573
(1)	944 612 001 25	wiring harness engine compartment	/LL	85-	1 M573
(1)	945 612 001 04	wiring harness engine compartment F >>94DN4 01549	/RL	-83	1
(1)	945 612 001 06	wiring harness engine compartment F 94DN4 01550>>	/RL	-83	1
(1)	945 612 001 08	wiring harness engine compartment	/RL	84	1
(1)	945 612 001 12	wiring harness engine compartment	/RL	85-	1
(1)	945 612 001 05	wiring harness engine compartment F >>94DN4 01549	/RL	-83	1 M573
(1)	945 612 001 07	wiring harness engine compartment F 94DN4 01550>>	/RL	-83	1 M573
(1)	945 612 001 09	wiring harness engine compartment	/RL	84	1 M573

Model	Year	MG	SG	Illustration	Restrictions	UPD	21:25	23.01.2010	PORSCHE	PET	PORSCHE
944	1985	9	02	902-20		248					

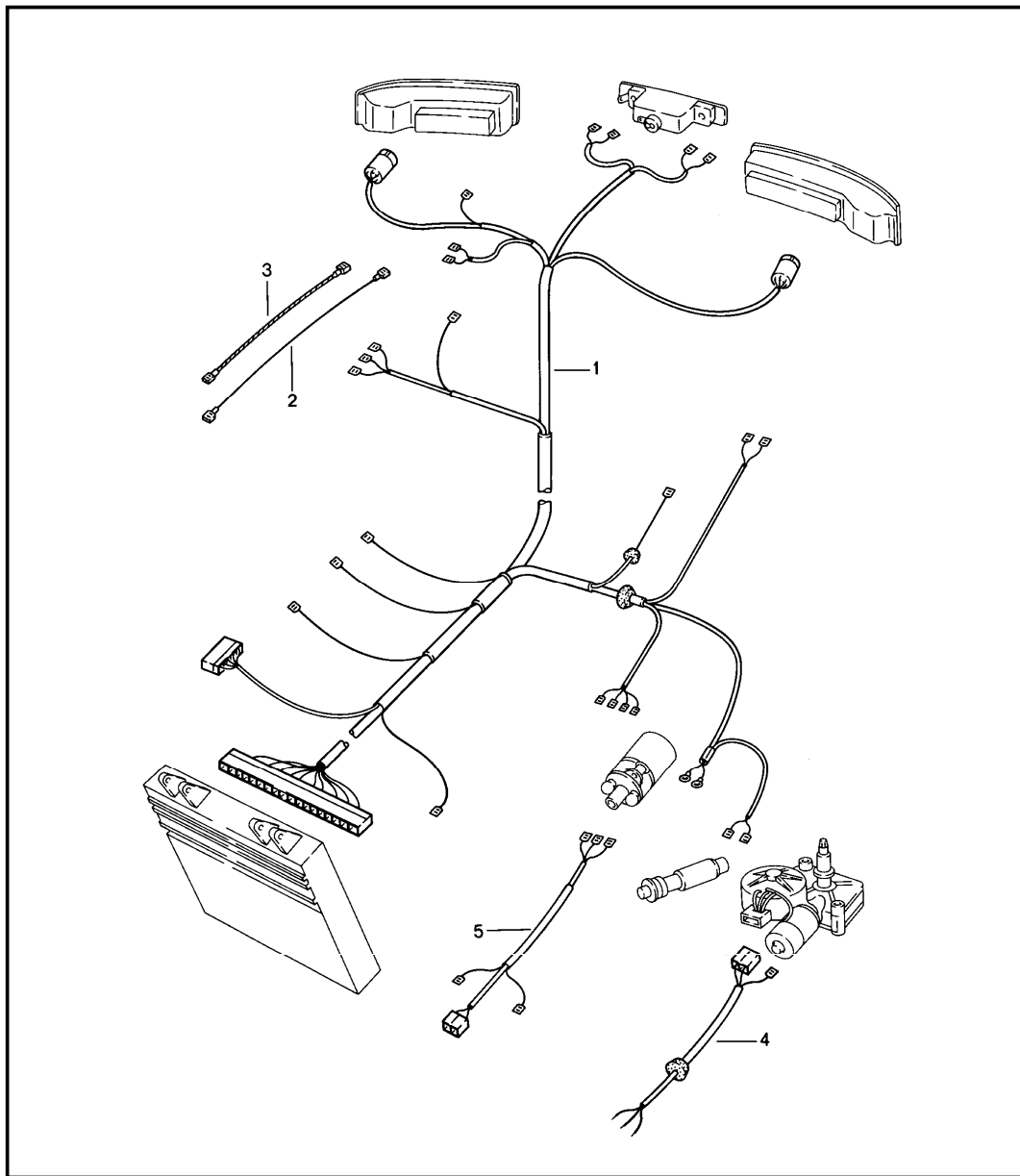
Pos	Part Number	Description	Remark	Qty	Model	Pos	Part Number	Description	Remark	Qty	Model
(1)	945 612 001 13	wiring harness engine compartment	/RL 85-	1	M573						
(1)	944 612 001 11	wiring harness engine compartment	(J)	1							
(1)	944 612 001 12	wiring harness engine compartment F >>94DN4 01549	(J)	1							
1	944 612 001 16	wiring harness engine compartment F 94DN4 01550>>	(J) -83	1							
(1)	944 612 001 20	wiring harness engine compartment	/LL (J) 84	1	M215						
(1)	944 612 001 27	wiring harness engine compartment	/LL (J) 85-	1	M215						
2	944 612 002 07	wiring harness - dme - see technical information GR. 2 NR. 3/85		1							
2	944 612 002 06	wiring harness - dme -	(J)	1							
3	477 971 563 A	wiring harness air conditioner	/LL	1							
(3)	478 971 561 A	wiring harness air conditioner headlight washer system	/RL	1							
4	477 971 205	wiring harness		1							
5	477 971 322 B	double line		1							
6	477 971 235	ground strap engine body		1							
7	171 971 999 A	terminal sleeve housing 2-pole		1							
8	171 971 999 B	terminal sleeve housing 3-pole		1							

Model	Year	MG	SG	Illustration	Restrictions	UPD	21:25	23.01.2010	PORSCHE	PET	PORSCHE
944	1985	9	02	902-25		248					



Pos	Part Number	Description	Remark	Qty	Model
1	477 971 050 DF	wiring harness dashboard	/LL	-83	1
(1)	944 612 005 00	wiring harness dashboard	/LL	84-	1
(1)	478 971 050 BE	wiring harness dashboard	/RL	-83	1
(1)	945 612 005 00	wiring harness dashboard	/RL	84-	1
(1)	477 971 050 FF	wiring harness dashboard	/LL	-83	1 AUT.
(1)	944 612 005 02	wiring harness dashboard	/LL	84-	1 AUT.
(1)	478 971 050 CE	wiring harness dashboard	/RL	-83	1 AUT.
(1)	945 612 005 01	wiring harness dashboard	/RL	84-	1 AUT.
(1)	944 612 005 04	wiring harness dashboard			1 M215
1A	171 971 998 A	connector housing 2-pole			1
1B	171 971 998 B	connector housing 3-pole			1
2	477 971 196 CB	wiring harness centre console			1 M573
2	477 971 196 DB	wiring harness centre console			1
3	477 971 565 C	wiring harness with diode	(J)		1
4	478 971 109 B	wiring harness additional headlamp	/RL		1
-	944 612 121 00	wiring harness lifting roof			1

Model	Year	MG	SG	Illustration	Restrictions	UPD	21:25	23.01.2010	PORSCHE	PET	PORSCHE
944	1985	9	02	902-30		248					



Pos	Part Number	Description	Remark	Qty	Model
1	944 612 004 00	wiring harnesses rear end			
		wiring harness rear end	-83	1	
		when required order also:			
-	171 971 519 A	ground connector		1	
(1)	944 612 004 05	wiring harness rear end	84-	1	
(1)	944 612 004 01	wiring harness rear end	-83	1	AUT.
		when required order also:			
-	171 971 519 A	ground connector		1	
(1)	944 612 004 06	wiring harness rear end	84-	1	AUT.
2	477 971 257 B	line gas-pressure spring rear window		2	
3	477 971 263 B	ground strap gas-pressure spring		2	
4	477 971 345	wiring harness for rear window wiper	-83	1	
(4)	477 971 345 A	wiring harness for rear window wiper	83-	1	
5	477 971 346	wiring harness switch rear window wiper		1	

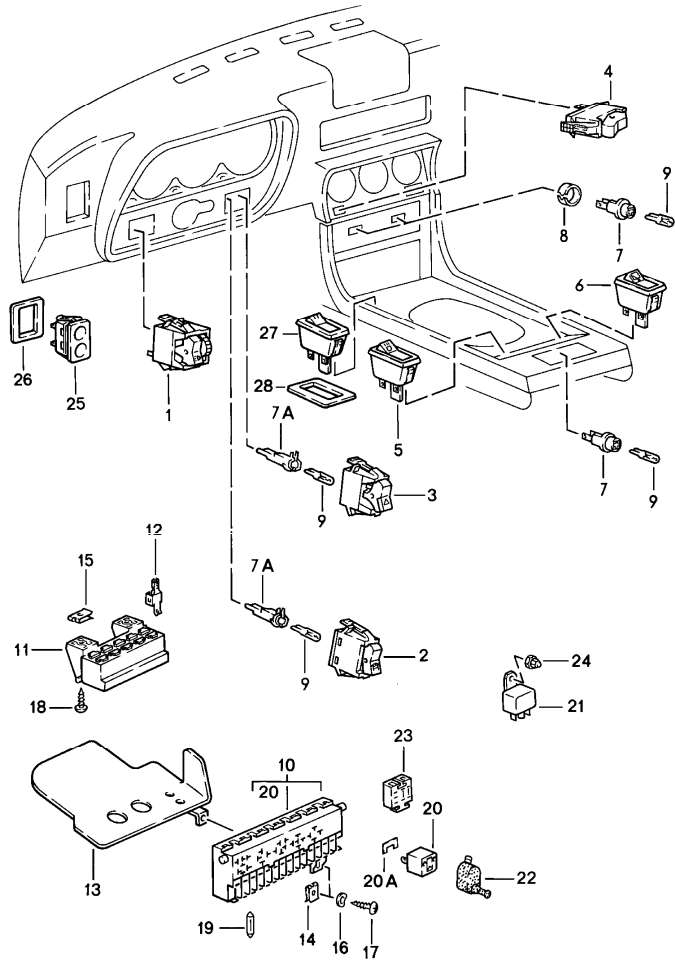
Model	Year	MG	SG	Illustration	Restrictions	UPD	21:25	23.01.2010	PORSCHE	PET	PORSCHE
944	1985	9	02	902-35		248					

Pos	Part Number	Description	Remark	Qty	Model	Pos	Part Number	Description	Remark	Qty	Model
(6)	171 971 999 C	terminal sleeve housing 4-pole		X		(23)	431 971 995	terminal sleeve housing single pole		X	
(6)	171 971 999 E	connector housing 6-pole		X		24	823 971 990	terminal sleeve housing single pole		X	
7	477 971 999	terminal sleeve housing for light switch		1		26	111 971 977	plug with guide		X	
8	803 971 831	terminal sleeve housing 6-pole		1		28	914 612 417 10	fuse holder		1	
(8)	803 971 971	connector housing 8-pole		X		29	111 971 921	protection cap for flat connector		X	
10	914 612 327 10	connector housing 3-pole		X		(29)	111 971 921 B	connector housing flat connector		X	
12	803 971 835 A	terminal sleeve housing 3-pole		1		30	803 957 855 B	protective grommet for connector housing		1	
13	821 971 970	connector housing 3-pole		1		31	431 971 866	protective grommet for terminal sleeve housing		1	
14	821 971 975	terminal sleeve housing 3-pole		1		32	477 971 871 B	rubber sleeve for wiring harness engine compartment		X	
15	113 945 525	terminal sleeve housing 3-pole		6		33	477 971 911	protective grommet for wiring harness starter battery		1	
16	815 971 989	connector housing 2-pole		X		34	022 906 102	protection cap		1	
17	815 971 988 A	connector housing 2-pole		X		(34)	944 612 128 00	protection cap		X	
18	815 971 989 A	connector housing 2-pole		X		35	411 941 189	grommet		X	
19	810 971 993	terminal sleeve housing 2-pole		X		36	477 971 909	rubber sleeve		X	
20	810 971 989	terminal sleeve housing 2-pole		X		(36)	111 941 189	drain bush		X	
21	022 906 231 A	connector housing 2-pole		X		37	113 927 249	protection cap		X	
(21)	171 971 934	connector housing 2-pole		X		38	059 971 891	sleeve		X	
22	823 971 976	connector housing single pole		X		39	477 971 850 A	tie-wrap 360 X 4,5		X	
23	825 971 990	terminal sleeve housing single pole		X		(39)	N 020 902 1	tie-wrap 120 X 6,5		X	
						(39)	999 513 001 40	tie-wrap 140 X 3,6		X	

Model	Year	MG	SG	Illustration	Restrictions	UPD	21:25	23.01.2010	PORSCHE	PET	PORSCHE
944	1985	9	02	902-35		248					

Pos	Part Number	Description	Remark	Qty	Model	Pos	Part Number	Description	Remark	Qty	Model
(39)	999 513 049 40	tie-wrap		X		(47)	111 971 959	flat receptacle 6,3 X 1		X	
(39)	999 513 010 40	tie-wrap		X		(47)	999 652 106 02	flat receptacle 6,3 X 1		X	
40	171 971 519 A	ground connector		1		(47)	N 017 491 8	flat receptacle with clip 6,3 X 2,5		X	
41	999 652 275 10	contact		X		(47)	N 017 491 8	flat receptacle 6,3 X 2,5		X	
42	N 017 242 1	flat receptacle 6,3 X 1		X		(47)	N 017 453 1	flat receptacle with clip 7,7 X 2,5		X	
43	N 017 589 4	round connector 1,6 X 1		X		(47)	N 017 245 1	flat receptacle with clip 7,7 X 10		X	
(43)	N 017 586 2	round connector 2,1 X 1		X		48	N 017 518 2	cable shoe		X	
44	N 017 593 4	cylindrical socket 1,6 X 1		X		(48)	N 017 516 2	cable shoe		X	
(44)	N 017 592 2	cylindrical socket 1,6 X 2,5		X		(48)	N 017 515 4	cable shoe		X	
(44)	N 017 599 4	cylindrical socket with clip 3,5 X 6		X		(48)	N 017 505 4	cable shoe		X	
45	111 971 985	flat plug 6,3 X 1		X		49	477 971 853	cable clip	82-	X	
(45)	N 017 457 2	flat plug 2,8 X 1		X		50	171 906 231	connector housing 2-pole		X	
(45)	111 971 986	flat plug 6,3 X 2,5		X		51	N 017 498 2	flat receptacle 6,3 X 0,8		X	
46	111 971 958	flat receptacle with clip 2,8 X 0,8		X		52	211 971 921	protection cap		X	
(46)	111 971 958	flat receptacle 2,8 X 1		X		53	N 903 353 03	contact spring		X	
(46)	111 971 958	flat receptacle 2,8 X 1		X							
(46)	N 017 243 1	flat receptacle with clip 2,8 X 1,5		X							
47	111 971 959	flat receptacle 6,3 X 0,8		X							

Model	Year	MG	SG	Illustration	Restrictions	UPD	21:25	23.01.2010	PORSCHE	PET	PORSCHE
944	1985	9	03	903-00		248					

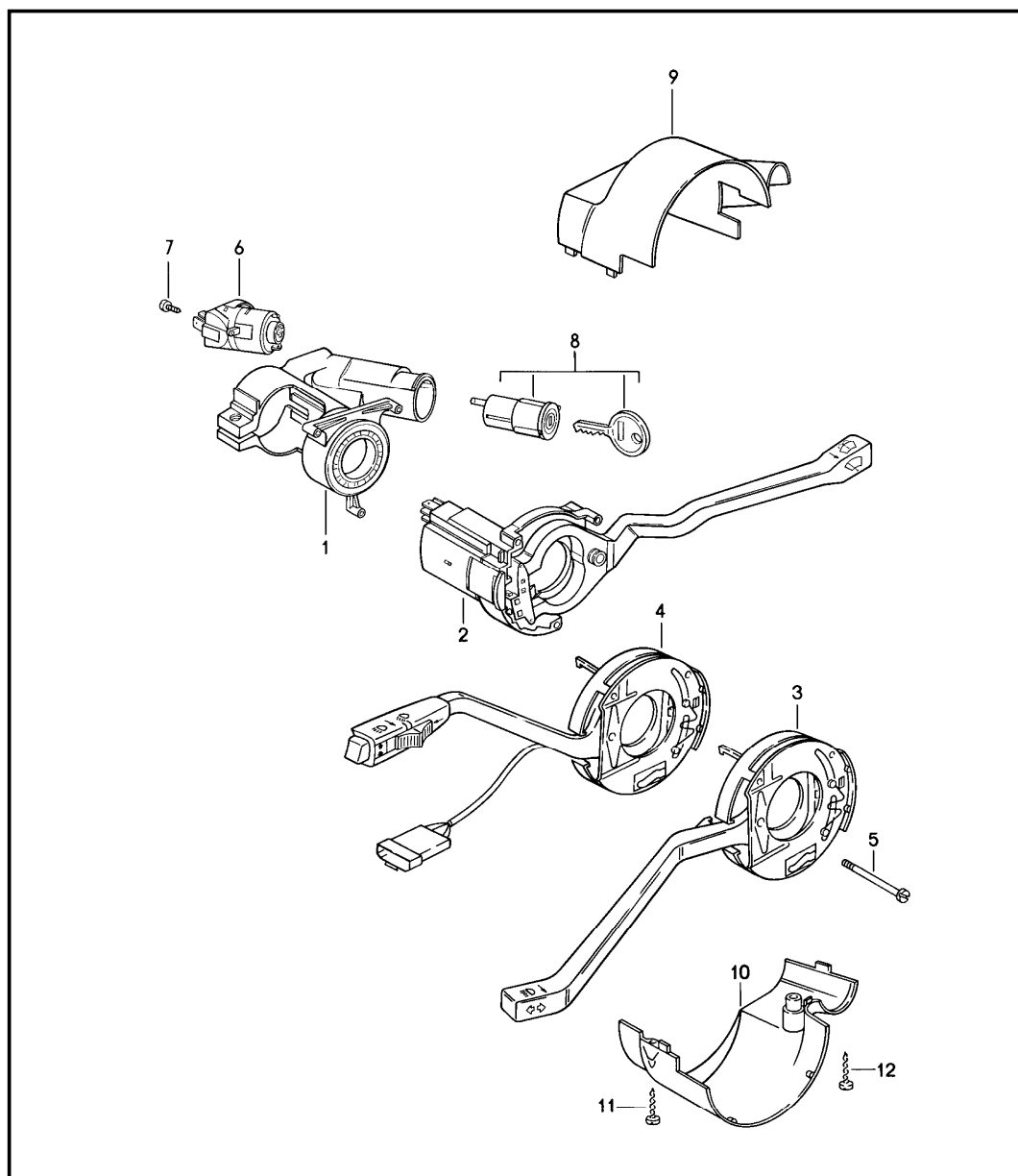


Pos	Part Number	Description	Remark	Qty	Model
		switch fuse box relay			
1	477 941 531 F	light switch		1	
2	477 959 623	switch rear window heating		1	
3	477 953 235 A	emergency light switch		1	
4	944 613 110 00	switch for rear fog light		1	
(4)	944 613 112 00	switch fog headlamp rear fog light		1	
5	477 941 563 A	switch additional headlamp	(GB)	1	
(5)	911 613 113 00	changeover switch		X	
6	477 955 701	rocker switch rear window wiper		1	
(6)	477 955 702	tip switch headlight washer system		1	
(6)	477 955 703	mirror changeover switch		1	
7	914 631 179 10	bulb socket		3	
7A	141 957 397 A	bulb socket		1	
8	477 919 333	knob holder		2	
9	900 631 132 90	bulb 12 V, 1,2 W		X	
10	477 941 813	mounting plate		1	
11	477 937 511	fuse holder 9-pole		1	
12	999 652 275 10	contact		X	
13	477 941 802	cover	/LL	1	
(13)	478 941 802	cover	/RL	1	
14	N 015 438 1	speed nut B 3,5 X 16,5		1	
15	N 045 421 1	tapping screw B 4,2		2	

Model	Year	MG	SG	Illustration	Restrictions	UPD	21:25	23.01.2010	PORSCHE	PET	PORSCHE
944	1985	9	03	903-00		248					

Pos	Part Number	Description	Remark	Qty	Model	Pos	Part Number	Description	Remark	Qty	Model
16	N 011 663 1	washer B 3,7		1		(20)	928 618 102 03	relay with warning function		1	M215
17	900 143 072 02	oval-head sheetmetal screw B 3,5 X 19		1		(20)	944 615 103 00	switch unit radio lifting roof		1	
18	N 013 964 4	tapping screw B 4,2 X 16		2		(20)	911 617 119 00	switch unit exhaust gas temperature monitoring	(J)	1	
19	N 017 121 1	safety fuse 8 A		X		(20)	A 111 943 383 C	relay electric motor pop-up headlight		1	
(19)	N 017 121 4	safety fuse 16 A		X		20A	171 937 545	plug bridge		1	
(19)	N 017 121 5	safety fuse 25 A		1		(21)	944 615 231 00	relay fog headlamp		1	
20	111 953 227 D	flasher relay		1		(21)	944 615 223 00	relay fog headlamp	(CH) (N) (S)	1	
(20)	141 951 253 B	relay additional headlamp electric fan rear window heating		3		22	477 971 923	protection cap relay electric motor pop-up headlight		1	
(20)	944 615 102 01	relay seat belt rear window heating	84-	1		23	135 937 501 A	terminal sleeve housing		X	
(20)	141 951 253 B	relay horn F >>94CN4 09209		1		24	999 070 007 40	cap nut	/LL	1	
(20)	443 963 141	relay horn F 94CN4 09210>>		1		25	944 613 129 01	tip switch		1	
(20)	A 944 615 113 01	relay air conditioner		1			01C	satin black rear lid release			
(20)	944 615 113 02	relay air conditioner		1		26	477 867 185 B	mounting piece		1	
(20)	477 955 531 A	interval relay		1		27	951 613 123 00	switch lifting roof		1	
(20)	A 993 615 227 00	relay fuel pump		1		28	944 613 124 00	rosette		1	
(20)	993 615 227 01	relay fuel pump		1							
-	944 615 915 01	relay see technical information GR.2 NR.3/85		1							

Model	Year	MG	SG	Illustration	Restrictions	UPD	21:26	23.01.2010	PORSCHE	PET	PORSCHE
944	1985	9	03	903-05		248					

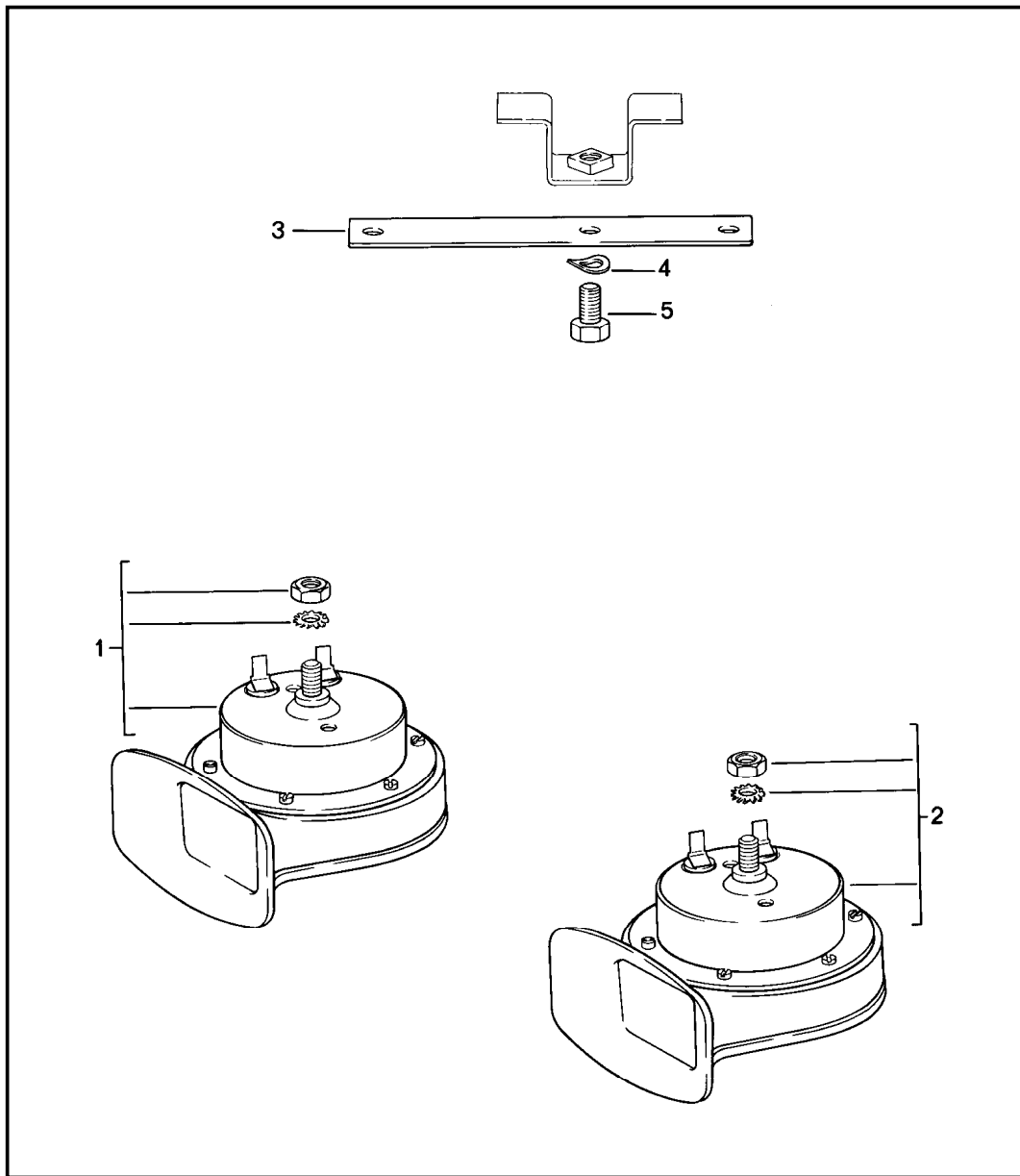


Pos	Part Number	Description	Remark	Qty	Model
		steering lock housing steering column switch			
1	321 905 851 D	steering lock housing		1	
2	477 953 902	wiper switch		1	
	01C	black			
	89S	brown			
3	477 953 901	direction indicator switch		1	
	01C	black			
	89S	brown			
4	477 953 903	direction indicator switch cruise control		1	M454
	01C	black			
	89S	brown			
(4)	477 953 905	direction indicator switch cruise control	(F)	1	M454
	01C	black			
	89S	brown			
5	321 953 573	screw		3	
6	111 905 865 L	ignition starter switch		1	
7	900 146 104 02	combination screw		1	
8	477 905 855 C	lock cylinder w/o stipulated lock number		1	
(8)	477 905 855 D	lock cylinder with stipulated lock number		1	
9	477 953 515 B	lining upper part		1	
	1DB	black			
	4RB	cadbury brown			
10	477 953 516 B	lining lower part		1	
	1DB	black			
	4RB	cadbury brown			

Model	Year	MG	SG	Illustration	Restrictions	UPD	21:26	23.01.2010	PORSCHE	PET	PORSCHE
944	1985	9	03	903-05		248					

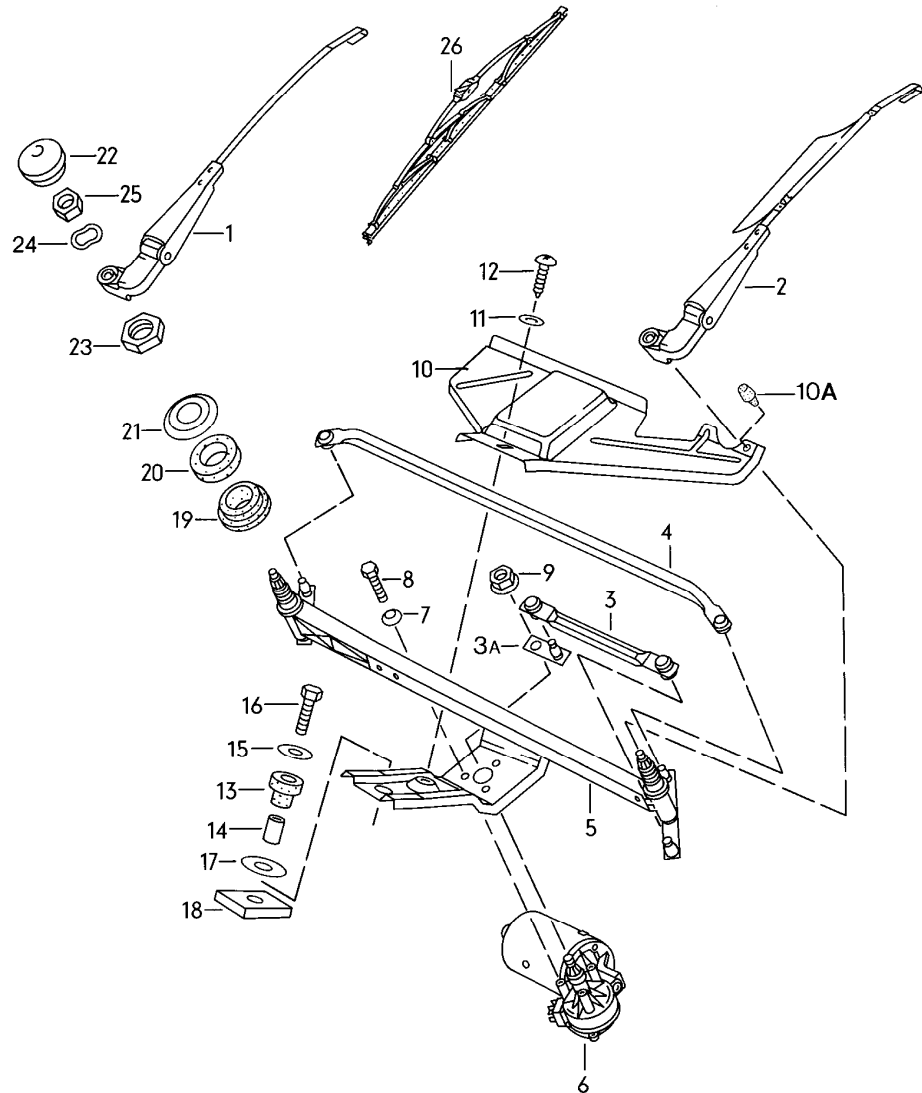
Pos	Part Number	Description	Remark	Qty	Model	Pos	Part Number	Description	Remark	Qty	Model
11	N 043 959 1	tapping screw B 2,9 X 22		2							
(11)	N 043 959 1	tapping screw B 2,9 X 22		1	M454						
12	N 013 953 10	tapping screw B 2,9 X 9,5		1	M454						

Model	Year	MG	SG	Illustration	Restrictions	UPD	21:26	23.01.2010	PORSCHE	PET	PORSCHE
944	1985	9	03	903-10		248					



Pos	Part Number	Description	Remark	Qty	Model
		horn			
1	928 635 222 00	fanfare low-pitched		1	
2	928 635 221 00	fanfare high-pitched		1	
3	810 951 229	spring clip		1	
4	N 012 228 3	spring washer B 8		1	
5	900 075 078 02	hexagon-head bolt M 8 X 15		1	

Model	Year	MG	SG	Illustration	Restrictions	UPD	21:26	23.01.2010	PORSCHE	PET	PORSCHE
944	1985	9	04	904-00		248					

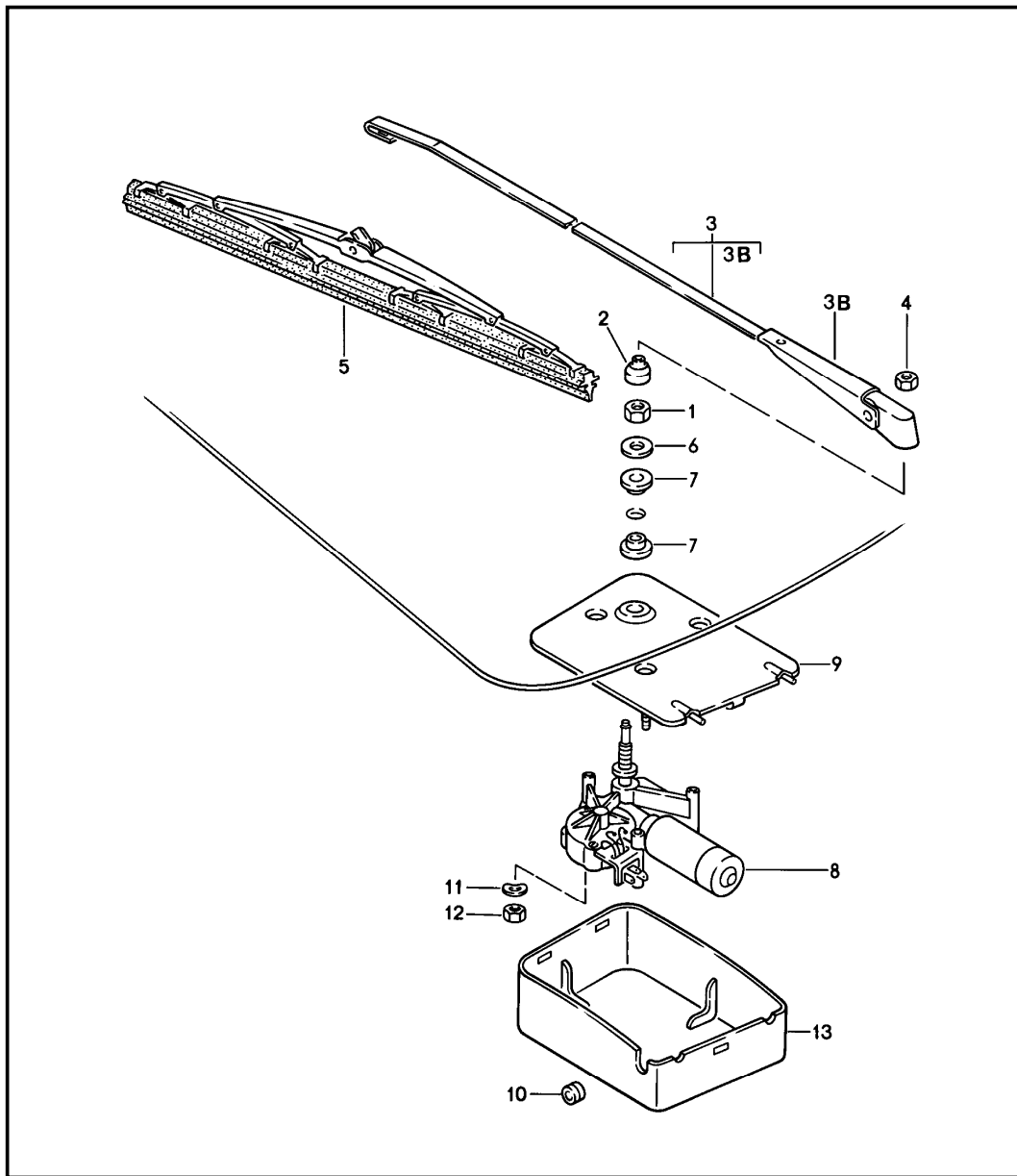


Pos	Part Number	Description	Remark	Qty	Model
		windscreen wiper system			
1	477 955 028	wiper arm passenger's side		1	
(2)	478 955 027 A	wiper arm driver's side	/RL	1	
2	477 955 027	wiper arm driver's side with spoiler	/LL	1	
3	477 955 035 B	connecting rod short		1	
3A	477 955 039 A	crank		1	
4	477 955 036 B	connecting rod long		1	
5	477 955 041 B	frame		1	
6	477 955 113 B	windscreen wiper motor		1	
7	N 012 105 3	serrated lock washer A 6,4		3	
8	999 072 005 09	hexagon-head bolt M 6 X 12		3	
9	999 084 045 02	pawl nut M 6		1	
10	477 955 123	cover	/LL	1	
(10)	478 955 123	cover	/RL	1	
10A	803 827 589 A	buffer		1	
11	N 011 692 3	washer B 5,1		1	
12	N 013 957 5	tapping screw BZ 3,5 X 9,5		1	
13	477 955 127	rubber bush		1	
14	477 955 128	spacer sleeve		1	
15	N 011 666 7	washer B 6,4		1	
16	900 378 030 09	hexagon-head bolt M 6 X 20		1	
17	281 711 135	washer 12,2 X 28 X 2		1	

Model	Year	MG	SG	Illustration	Restrictions	UPD	21:26	23.01.2010	PORSCHE	PET	PORSCHE
944	1985	9	04	904-00		248					

Pos	Part Number	Description	Remark	Qty	Model	Pos	Part Number	Description	Remark	Qty	Model
18	477 955 129	desk pad		1							
19	901 628 924 00	rubber bush		2							
20	901 628 923 01	rubber bush		2							
21	911 628 963 00	flange washer		2							
22	477 955 205	cap		2							
23	481 955 243 A	hexagon nut M 16 X 1		2							
24	803 955 437	washer		2							
25	N 011 008 8	hexagon nut M 8		2							
26	478 955 425	wiper blade		2							

Model	Year	MG	SG	Illustration	Restrictions	UPD	21:26	23.01.2010	PORSCHE	PET	PORSCHE
944	1985	9	04	904-05		248					

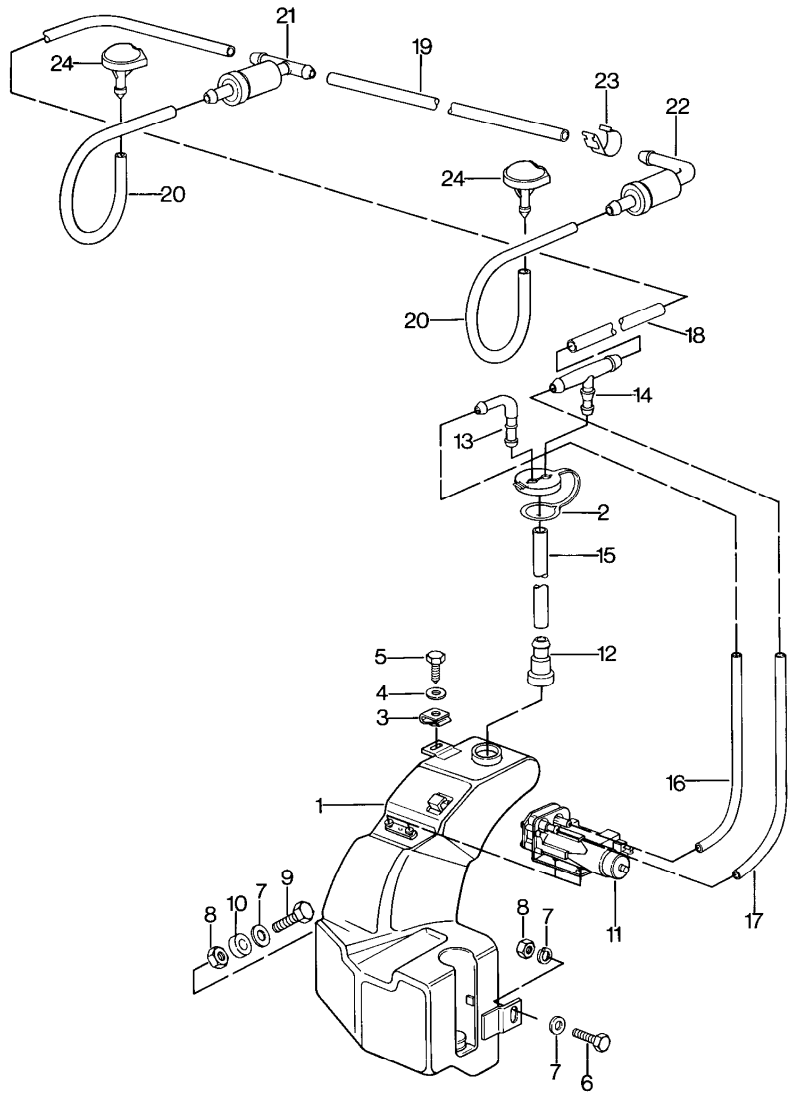


Pos	Part Number	Description	Remark	Qty	Model
		rear window wiper			M425
1	311 955 243 A	hexagon nut M 12 X 1		1	
2	211 955 275 A	cap		1	
(3)	477 955 409 A	wiper arm		1	
3B	477 955 415	cap		1	
4	999 084 045 02	pawl nut		1	
(5) A	928 628 218 01	wiper blade		1	
(5)	928 628 218 02	wiper blade		1	
(6)	477 955 435 A	washer		1	
7	477 955 439	grommet		2	
8	477 955 713 A	wiper motor together with rear lid MOD.88- use also:		1	
-	944 628 071 02	mounting plate		1	
	03C	black			
-	445 955 753	bush		1	
-	533 955 758	grommet		1	
-	944 628 103 00	bush		1	
-	N 014 133 8	oval-head screw M 5 X 12		2	
-	N 011 524 7	washer A 6,4		4	
-	999 209 017 02	spacer sleeve		2	
-	999 702 180 40	rubber sleeve		2	
9	477 955 715 B	mounting plate		1	
10	111 941 189	drain bush		1	
11	N 012 226 5	spring washer B 6		3	
12	900 076 010 02	hexagon nut M 6		3	

Model	Year	MG	SG	Illustration	Restrictions	UPD	21:26	23.01.2010	PORSCHE	PET	PORSCHE
944	1985	9	04	904-05		248					

Pos	Part Number	Description	Remark	Qty	Model	Pos	Part Number	Description	Remark	Qty	Model
13	477 955 737	cap		1							
-	311 949 149 B	grommet for wiring harness		1							
-	171 971 999 A	connector housing		1							

Model	Year	MG	SG	Illustration	Restrictions	UPD	21:27	23.01.2010	PORSCHE	PET	PORSCHE
944	1985	9	04	904-10		248					

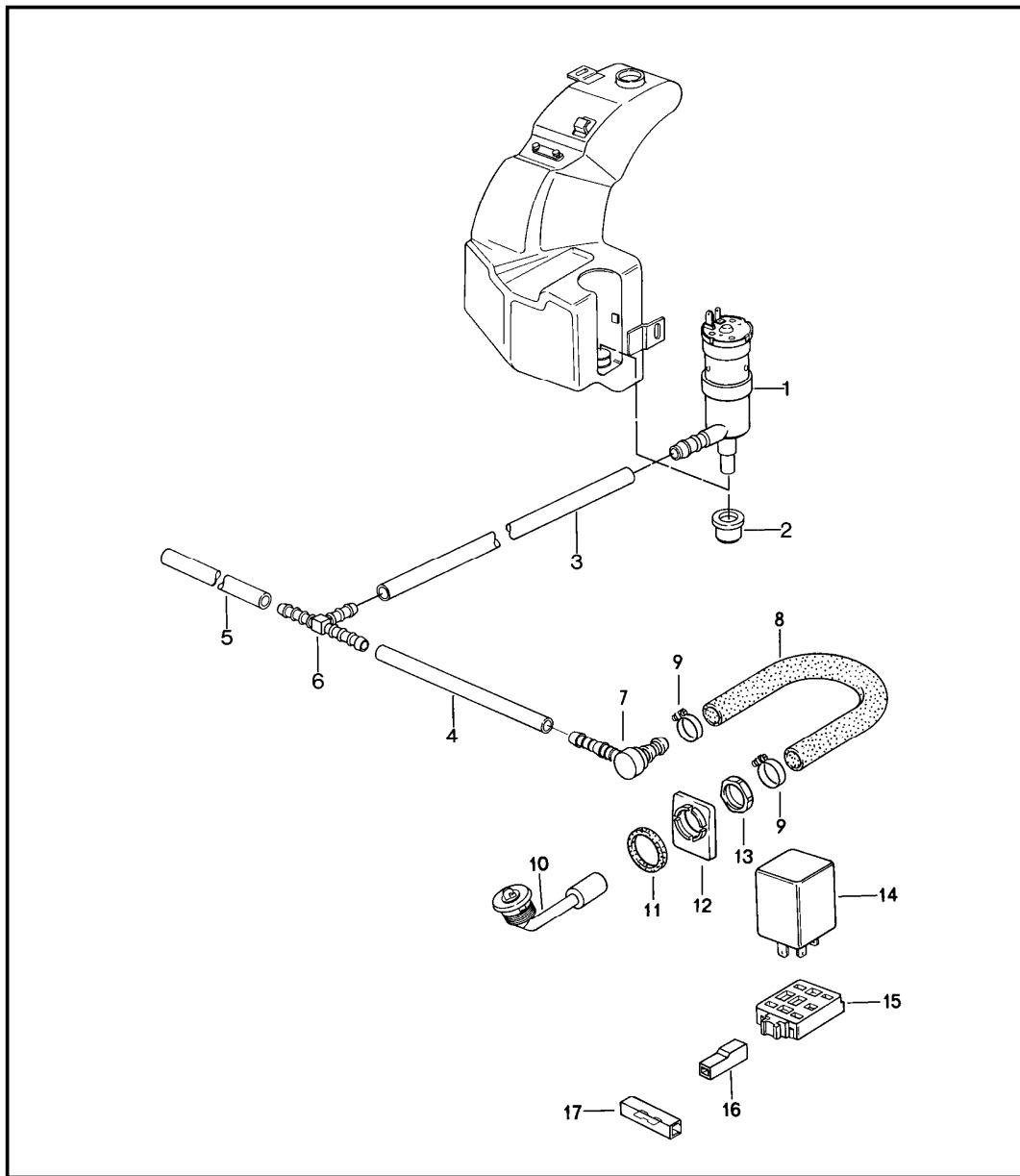


Pos	Part Number	Description	Remark	Qty	Model
		windscreen washer system			
1	477 955 451 D	fluid tank		1	
2	477 955 455	lid		1	
3	477 955 461	speed nut 6,3 X 22		1	
4	N 011 666 7	washer A 6,4		1	
5	N 013 891 1	tapping screw B 6,3 X 19		1	
6	N 010 218 6	hexagon-head bolt M 6 X 25		1	
7	N 011 612 3	washer R 7		4	
8	900 076 010 02	hexagon nut M 6		2	
9	N 010 220 3	hexagon-head bolt M 6 X 30		1	
10	052 109 135	spacer sleeve		1	
11	823 955 651	pump		1	
--	477 955 743	clip for pump		1	
12	911 628 749 00	t-piece		1	
13	477 955 456	connection piece		1	
14	477 955 459	t-socket		1	
-	N 020 301 1	hose 4 X 1		*	
15	-	500 MM		2	
16	-	260 MM		1	
17	-	280 MM		1	
18	-	1640 MM	-84	1	
19	-	390 MM	-84	1	
20	-	160 MM	-84	2	

Model	Year	MG	SG	Illustration	Restrictions	UPD	21:27	23.01.2010	PORSCHE	PET	PORSCHE
944	1985	9	04	904-10		248					

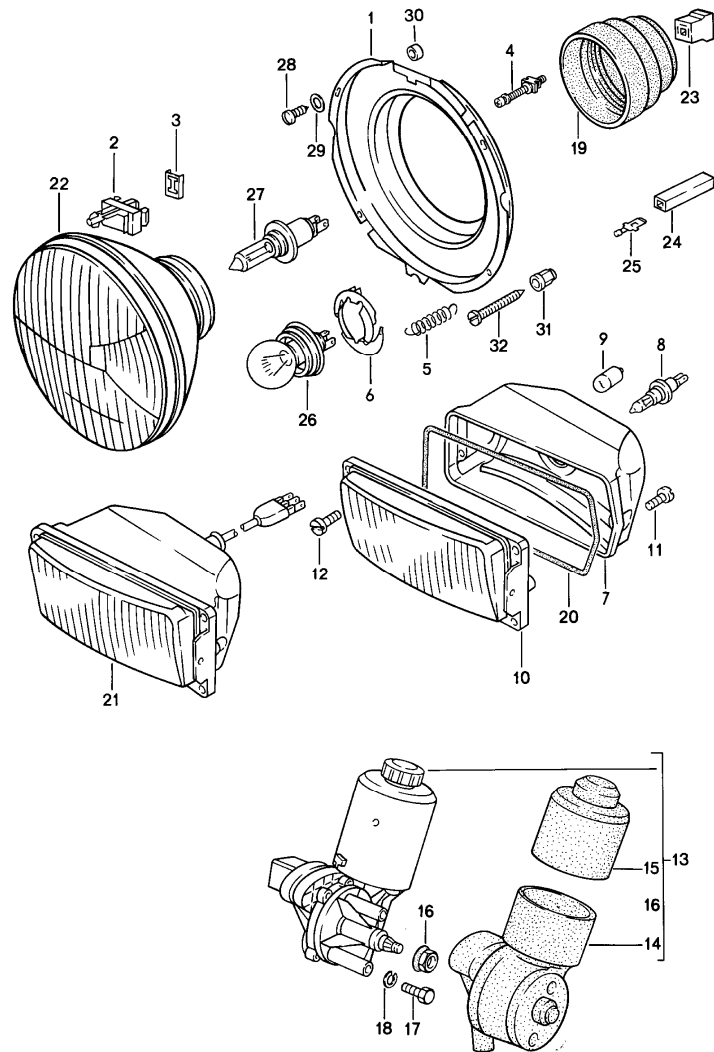
Pos	Part Number	Description	Remark	Qty	Model	Pos	Part Number	Description	Remark	Qty	Model
-	999 181 722 40	hose 4,6 X 1,8		X							
(18)	-	1680 MM		85-	1						
(19)	-	500 MM		85-	1						
(20)	-	250 MM	/R	85-	1						
(20)	-	330 MM	/L	85-	1						
-	N 100 020 01	clamp		85-	8						
21	914 628 433 00	valve			1						
22	477 955 481	valve			1						
23	477 971 939	cable terminal		-84	4						
(23)	477 955 981	cable terminal		85-	1						
(23)	944 628 181 00	retaining clip		85-	6						
24	914 628 203 11	nozzle		-84	2						
(24)	944 628 911 00	nozzle heatable		-84	2						
(24)	944 628 077 00	nozzle	/R	85-	1						
	01C	black heatable									
(24)	928 628 077 00	nozzle	/L	85-	1						
	70B	black heatable									

Model	Year	MG	SG	Illustration	Restrictions	UPD	21:27	23.01.2010	PORSCHE	PET	PORSCHE
944	1985	9	04	904-15		248					



Pos	Part Number	Description	Remark	Qty	Model
		headlight washer system			M288
1	191 955 681	motor pump		1	
2	431 955 465 A	gasket		1	
-	N 020 126 1	pipe 12,5 X 1,25		*	
3	-	410 MM		1	
4	-	800 MM		1	
5	-	60 MM		1	
6	113 955 975 B	t-piece		1	
7	477 955 183	pressure control valve		2	
8	928 528 161 02	hose		2	
9	N 023 570 2	hose clamp		4	
10	928 528 071 02	jet carrier		2	
		03C black			
(10)	477 955 177	jet carrier		2	M036/058
11	944 628 803 00	rubber washer		2	
12	944 628 801 00	torsion protection		2	
13	N 019 121 1	nut MPG 11		2	
14	928 618 111 00	relay		1	
15	135 937 501 A	terminal sleeve housing		1	
16	825 971 990	terminal sleeve housing		1	
17	111 937 077 E	line distributor		1	

Model	Year	MG	SG	Illustration	Restrictions	UPD	21:27	23.01.2010	PORSCHE	PET	PORSCHE
944	1985	9	05	905-00		248					

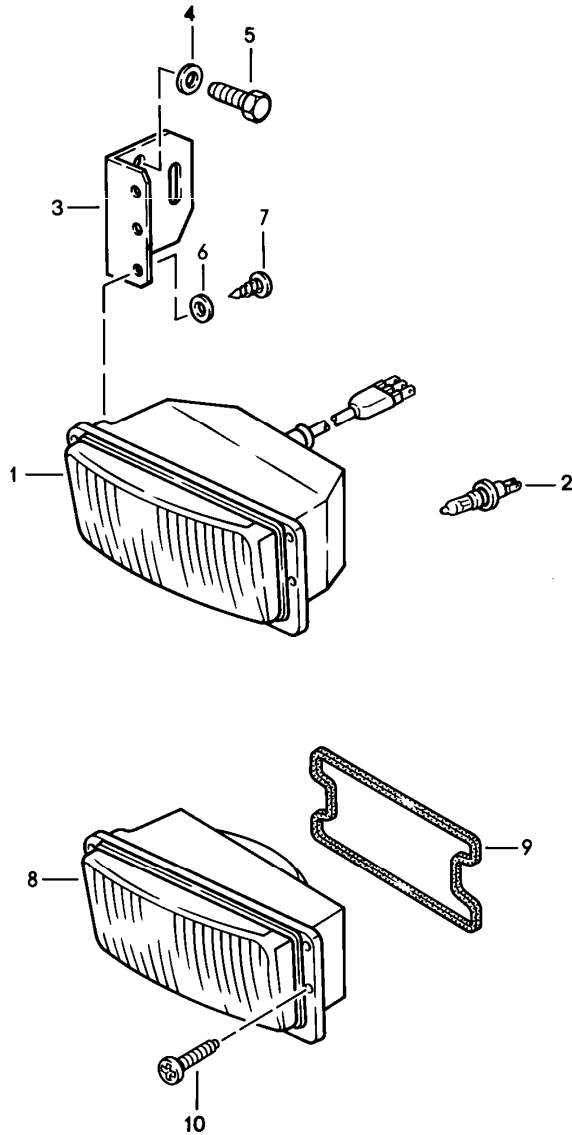


Pos	Part Number	Description	Remark	Qty	Model
		headlamp electric motor pop-up headlight			
1	477 941 046	retaining frame		2	
2	321 941 133	articulated piece		2	
3	321 941 135	tab washer for articulated piece		2	
4	113 941 141	adjusting screw with threaded piece		4	
5	321 941 157	tension spring		2	
6	111 941 160	retainer spring	(J)	2	
7	477 941 311	reflector	/L	1	
(7)	477 941 311 A	reflector	/R	1	
8	900 631 126 90	halogen bulb H 3		2	
9	900 631 103 90	bulb 12 V 4 W		2	
10	944 631 407 00	additional headlamp with retaining frame	/L	1	
(10)	944 631 409 00	additional headlamp yellow with retaining frame	/L (F)	1	
(10)	944 631 408 00	additional headlamp with retaining frame	/R	1	
(10)	944 631 410 00	additional headlamp yellow with retaining frame	/R (F)	1	
11	N 014 122 8	oval-head screw M 4 X 8		6	
		M 4 X 8			
12	900 146 053 07	oval-head screw AM 4 X 18		6	

Model	Year	MG	SG	Illustration	Restrictions	UPD	21:27	23.01.2010	PORSCHE	PET	PORSCHE
944	1985	9	05	905-00		248					

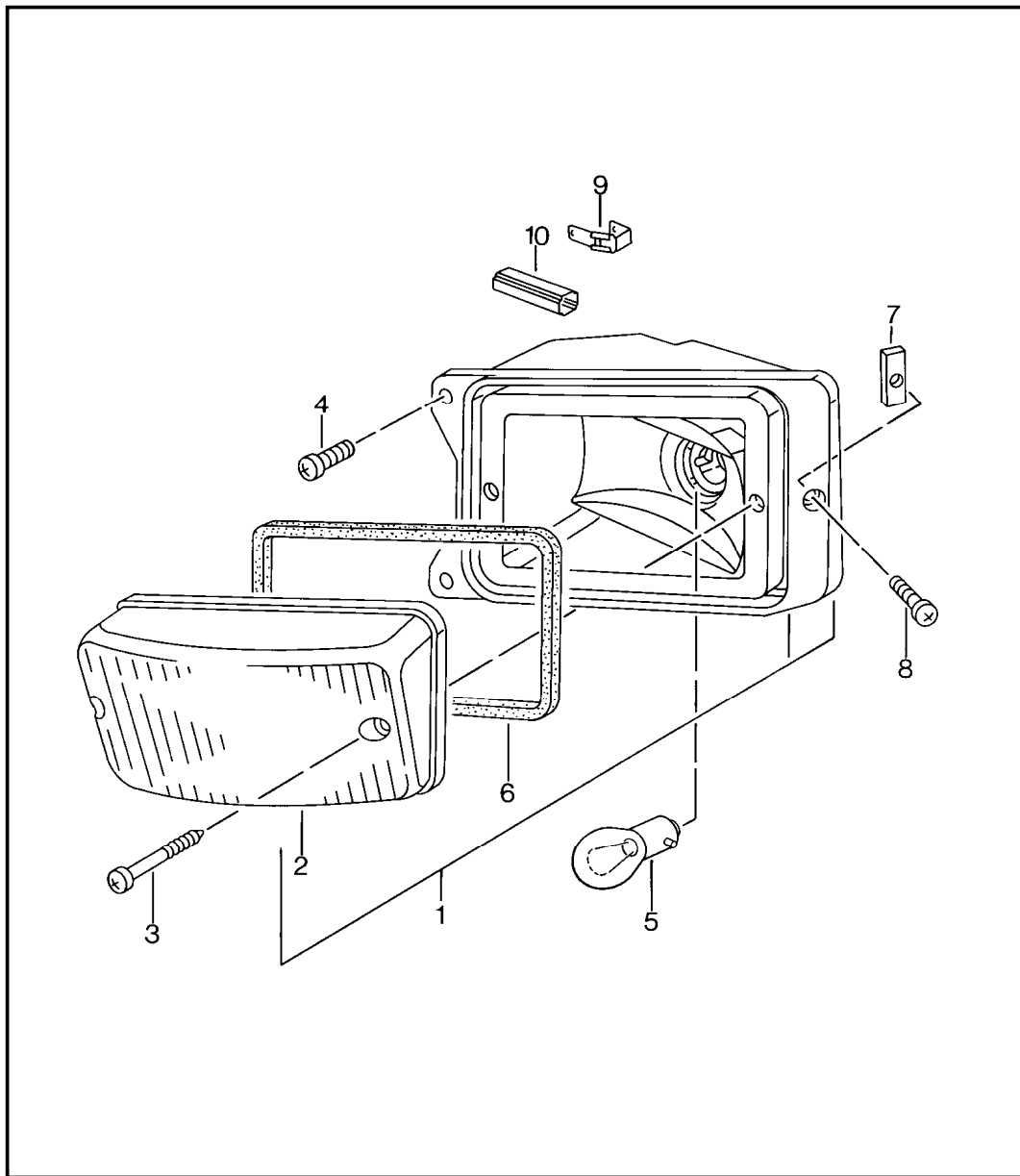
Pos	Part Number	Description	Remark	Qty	Model	Pos	Part Number	Description	Remark	Qty	Model
13	477 941 379 B	electric motor pop-up headlight		1		28	900 143 041 00	tapping screw B 3,9 X 19		8	
14	477 941 386	protection cap lower		1		30	477 941 543	spacer sleeve		X	
15	477 941 387	protection cap upper		1		31	477 857 173	clip		2	
16	999 084 049 02	lock nut		1		32	N 043 979 2	tapping screw BZ 4,2 X 45		2	
17	999 072 005 09	hexagon-head bolt M 6 X 12		3							
18	N 012 007 2	lock ring B 6		3							
19	477 941 659 A	cap headlamp unit		2							
20	477 941 715	gasket		2							
21	477 941 751 D	high-beam headlight white	/L	1							
(21)	944 631 409 00	additional headlamp yellow	/L (F)	1							
(21)	477 941 752 D	high-beam headlight white	/R	1							
(21)	944 631 410 00	additional headlamp yellow	/R (F)	1							
22	477 941 771 B	headlamp		2							
(22)	477 941 773	headlamp		2	M492						
(22)	477 941 775 C	headlamp	(J)	2							
23	111 941 341	connector housing 3-pole		2							
24	111 971 977	plug with guide		6							
25	111 971 986	flat plug 6,3 X 0,8		6							
26	900 631 109 90	bulb 12 V 45/50 W	(J)	2							
27	999 631 202 90	halogen bulb H 4		2							
(27)	999 631 202 91	halogen bulb H 4	(F)	2							

Model	Year	MG	SG	Illustration	Restrictions	UPD	21:27	23.01.2010	PORSCHE	PET	PORSCHE
944	1985	9	05	905-06		248					



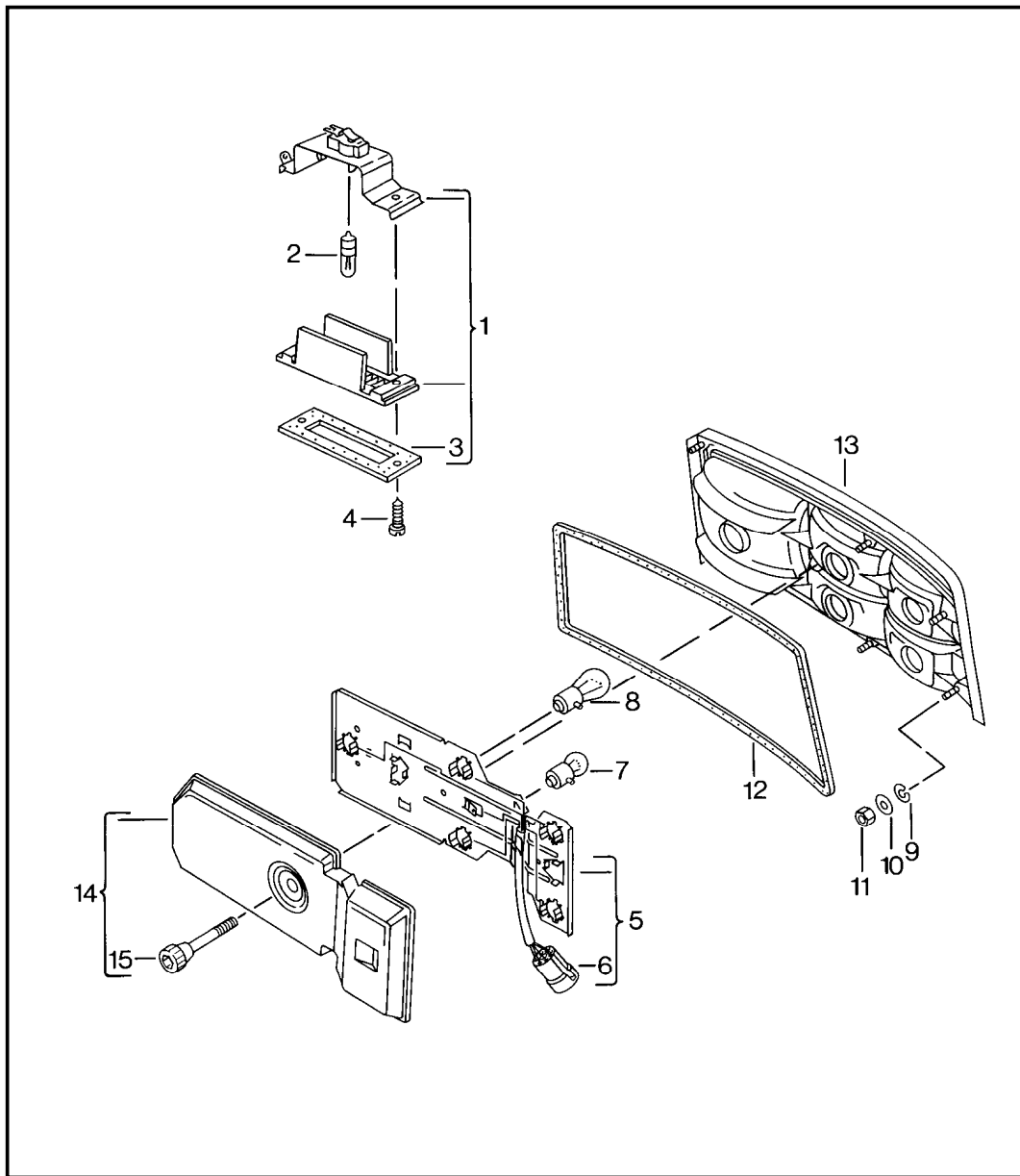
Pos	Part Number	Description	Remark	Qty	Model
1	944 631 201 01	fog headlamp fog headlamp white	/L	1	
1	944 631 203 01	fog headlamp yellow	/L	1	
(1)	944 631 202 01	fog headlamp white	/R	1	
(1)	944 631 204 01	fog headlamp yellow	/R	1	
2	900 631 126 90	bulb H 3		2	
3	944 501 375 00	support		2	
4	900 025 003 02	washer A 5,3		8	
5	N 013 971 3	tapping screw B 4,8 X 22		8	
6	N 011 524 7	washer A 6,4		4	
7	999 072 005 09	hexagon-head bolt M 6 X 12		4	
8	944 631 901 00	lens white	/L	1	
(8)	944 631 902 00	lens white	/R	1	
(8)	944 631 903 00	lens yellow	/L	1	
(8)	944 631 904 00	lens yellow	/R	1	
9	437 941 715	gasket		2	
10	N 010 707 2	oval-head screw		4	
-	944 612 177 00	wiring harness	(CH) (N) (S)	1	

Model	Year	MG	SG	Illustration	Restrictions	UPD	21:27	23.01.2010	PORSCHE	PET	PORSCHE
944	1985	9	05	905-10		248					



Pos	Part Number	Description	Remark	Qty	Model
		direction indicator light front			
1	477 953 043	direction indicator light	/L	1	
(1)	477 953 044	direction indicator light	/R	1	
2	477 953 161	lens	/L	1	
(2)	477 953 162	lens	/R	1	
3	331 945 185	oval-head screw		4	
4	900 146 011 02	oval-head screw M 4 X 10		4	
5	900 631 127 90	bulb 12 V - 21 W		2	
6	477 953 165	gasket		2	
7	931 505 181 00	threaded plate		2	
8	N 014 119 1	oval-head screw M 4 X 20		2	
9	111 971 511	line distributor		1	
10	111 971 921	protection cap for flat connector		4	

Model	Year	MG	SG	Illustration	Restrictions	UPD	21:28	23.01.2010	PORSCHE	PET	PORSCHE
944	1985	9	05	905-15		248					

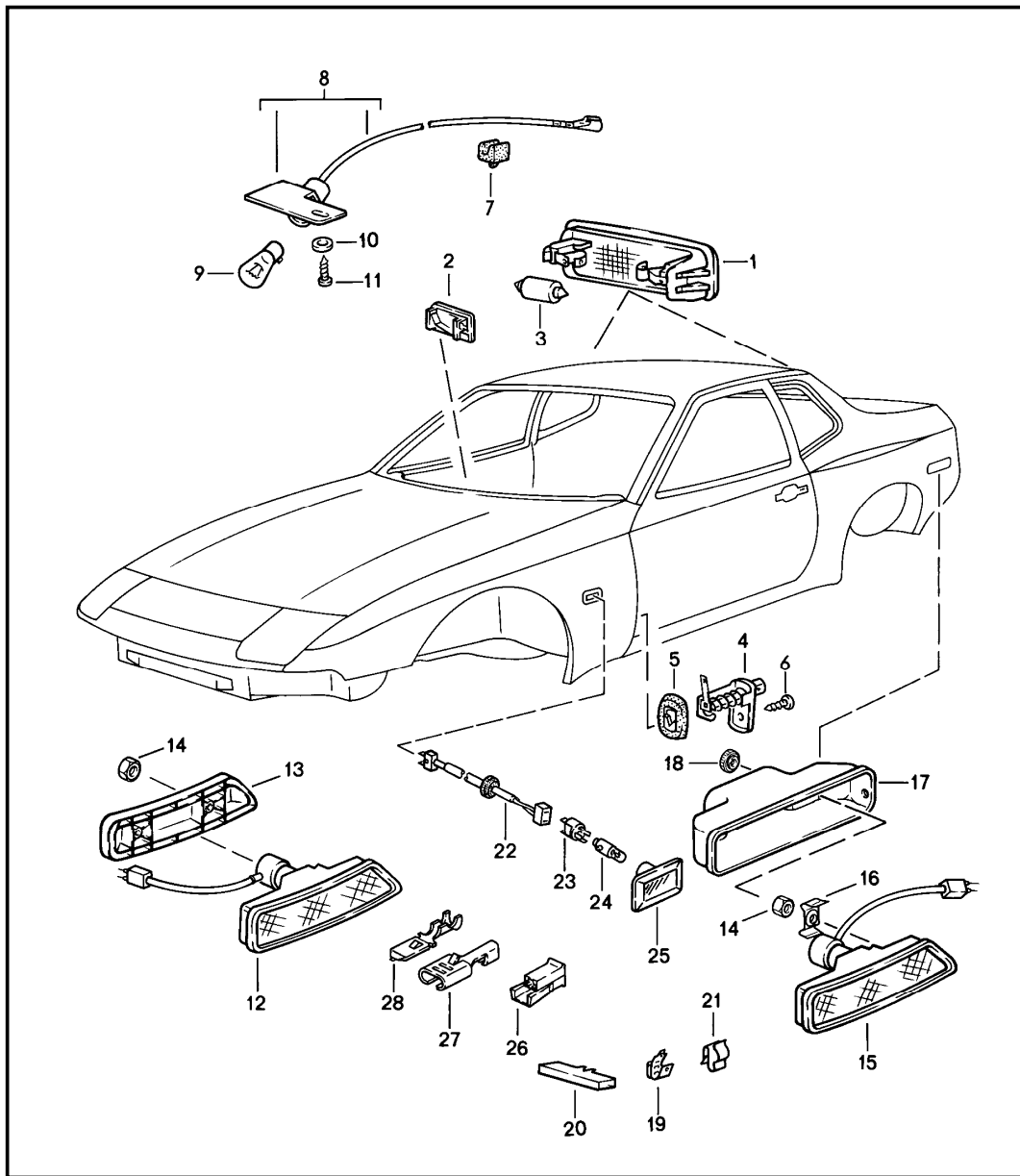


Pos	Part Number	Description	Remark	Qty	Model
		license plate light rear light			
1	477 943 021 A	license plate light		2	
2	900 631 103 90	bulb 12 V - 4 W		2	
3	477 943 131	gasket		2	
4	N 013 961 2	tapping screw B 3,9 X 13		2	
5	477 945 113	bulb holder	/L	1	
(5)	477 945 114	bulb holder	/R	1	
6	803 971 980	pin connector socket 7-pole		2	
7	900 631 104 90	bulb 12 V - 5 W		2	
8	900 631 127 90	bulb 12 V - 21 W		7	
9	N 012 005 3	lock ring B 5		12	
10	N 012 222 4	spring washer A 5		12	
11	N 011 005 14	hexagon nut M 5		12	
-	000 043 172 00	sealing cord 9 MM \$ roller 10 M		*	
12	-	1070 MM		2	
13	477 945 205	housing with lens	/L	1	
(13)	477 945 206	housing with lens	/R	1	
(13)	477 945 215	housing with lens for cars with rear fog light	/L	1	

Model	Year	MG	SG	Illustration	Restrictions	UPD	21:28	23.01.2010	PORSCHE	PET	PORSCHE
944	1985	9	05	905-15		248					

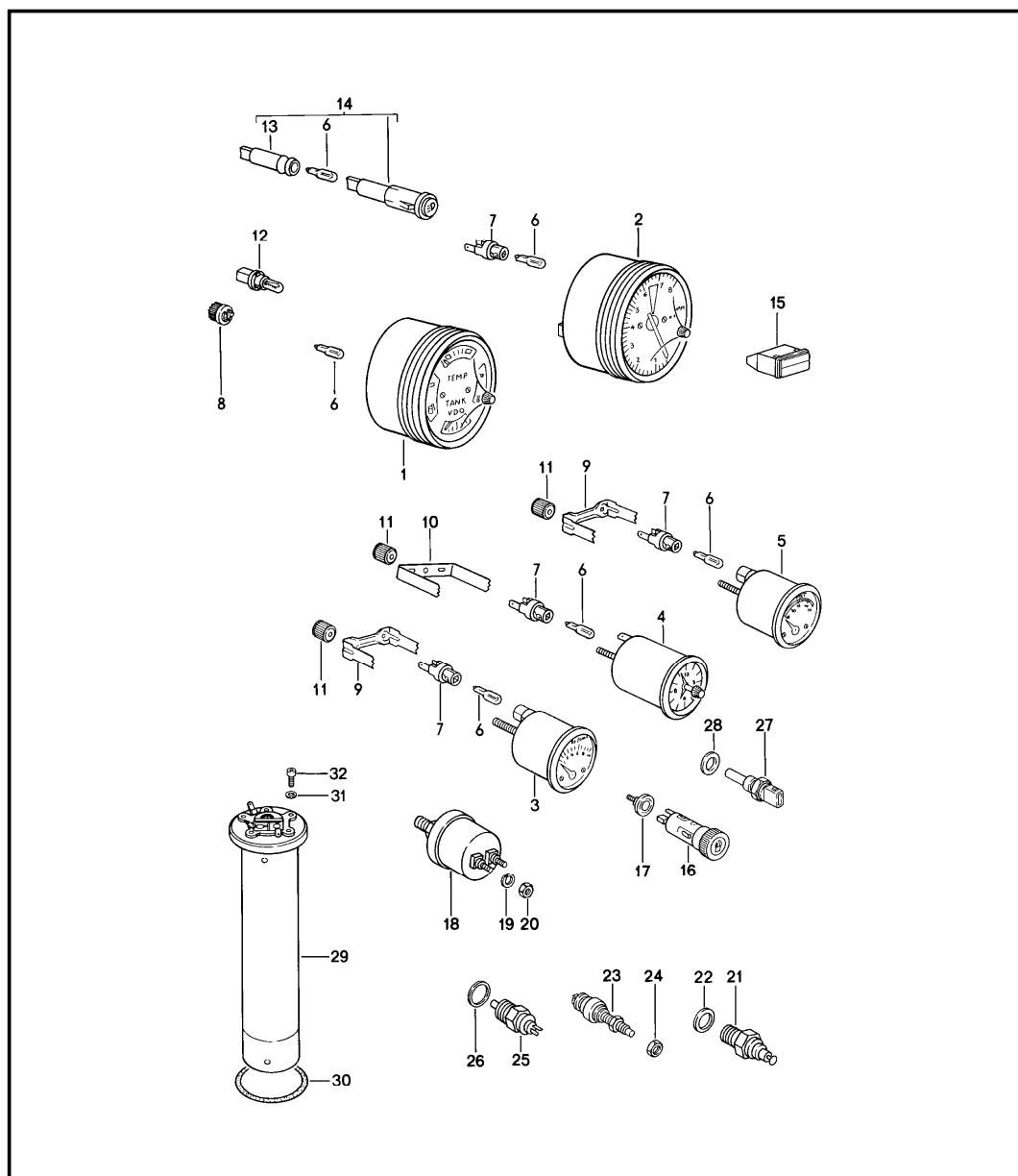
Pos	Part Number	Description	Remark	Qty	Model	Pos	Part Number	Description	Remark	Qty	Model
(13)	477 945 216	housing with lens for cars with rear fog light	/R	1							
14	477 945 285	cap		2							
15	477 945 285	cap		2							

Model	Year	MG	SG	Illustration	Restrictions	UPD	21:28	23.01.2010	PORSCHE	PET	PORSCHE
944	1985	9	05	905-20		248					



Pos	Part Number	Description	Remark	Qty	Model
1	823 947 105 B	interior light direction indicator light		2	
2	171 947 311	interior light luggage compartment lamp		1	
3	900 631 106 90	glove compartment light		2	
(3)	999 631 018 90	linolite lamp 12 V - 10 W		1	
4	968 613 601 00	bulb 12 V - 3W		2	
5	944 613 114 00	contact switch		2	
6	N 013 957 5	gasket		2	
7	477 947 633	tapping screw BZ 3,5 X 9,5		3	
8	477 947 601 A	clip		1	
9	900 631 115 90	engine compartment lamp		1	
10	900 151 028 02	bulb 12 V - 10 W		1	
11	900 143 031 02	washer 4,3		1	
19	111 971 511	oval-head sheetmetal screw B 4,2 X 9,5		2	
20	111 971 977	line distributor		2	
22	477 971 193	plug with guide simple		2	
23	161 949 111	wiring harness direction indicator light		2	
24	999 631 032 90	bulb holder		2	
25	4A0 949 101	bulb		2	
		direction indicator light		2	

Model	Year	MG	SG	Illustration	Restrictions	UPD	21:28	23.01.2010	PORSCHE	PET	PORSCHE
944	1985	9	06	906-00		248					

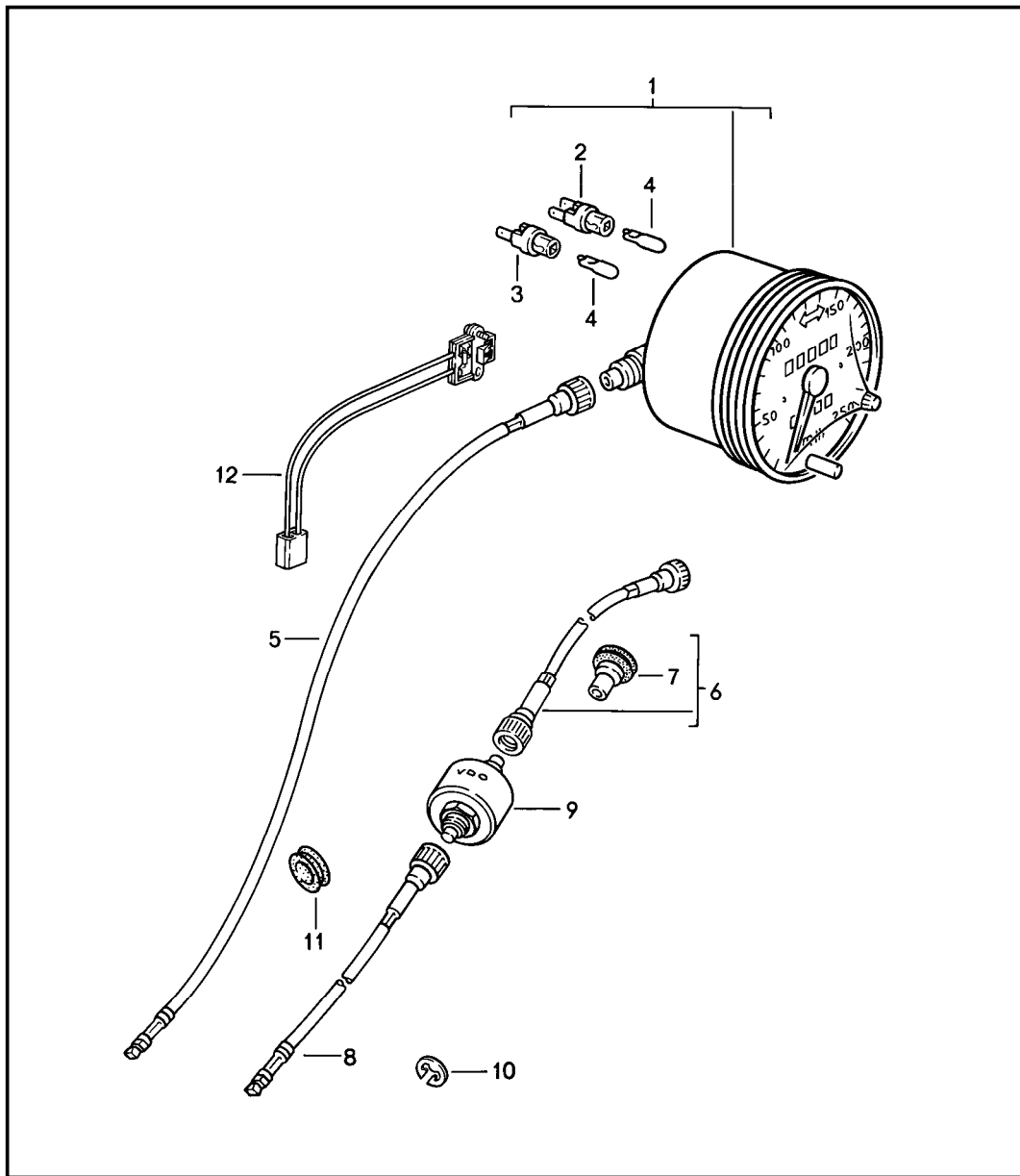


Pos	Part Number	Description	Remark	Qty	Model
1	944 641 310 00	instruments		1	
2	944 641 203 00	instrument cluster		1	
(2)	944 641 205 01	tachometer without consumption indicator		82	1
(2)	944 641 207 01	tachometer with consumption indicator	(GB)	1	1
3	944 641 117 01	tachometer with consumption indicator		1	
4	944 641 115 00	oil pressure indicator		1	
5	944 641 119 00	clock		1	
6	900 631 132 90	voltmeter		1	
7	999 632 017 02	bulb 12 V - 1,2 W		X	
8	928 641 927 00	bulb socket single pole		X	
9	321 919 115 C	bulb socket indicator light generator		1	
10	477 919 115	retaining bar		2	
11	411 957 117	retaining bar		1	
12	999 631 301 90	knurled nut M 4		5	
13	111 919 243	bulb		7	
14	477 919 210 A	bulb socket		1	
(14)	477 919 210 B	indicator light high beam	(GB)	1	
(14)	477 919 210 B	indicator light exhaust gas temperature monitoring	(J)	1	
15	171 919 235	combination warning light	/LL	-83	1
(15)	944 632 211 00	combination warning light		84-	1
(15)	171 919 235 Q	combination warning light	/RL	-83	1
(15)	945 632 212 00	combination warning light	(AUS)	84-	1

Model	Year	MG	SG	Illustration	Restrictions	UPD	21:28	23.01.2010	PORSCHE	PET	PORSCHE
944	1985	9	06	906-00		248					

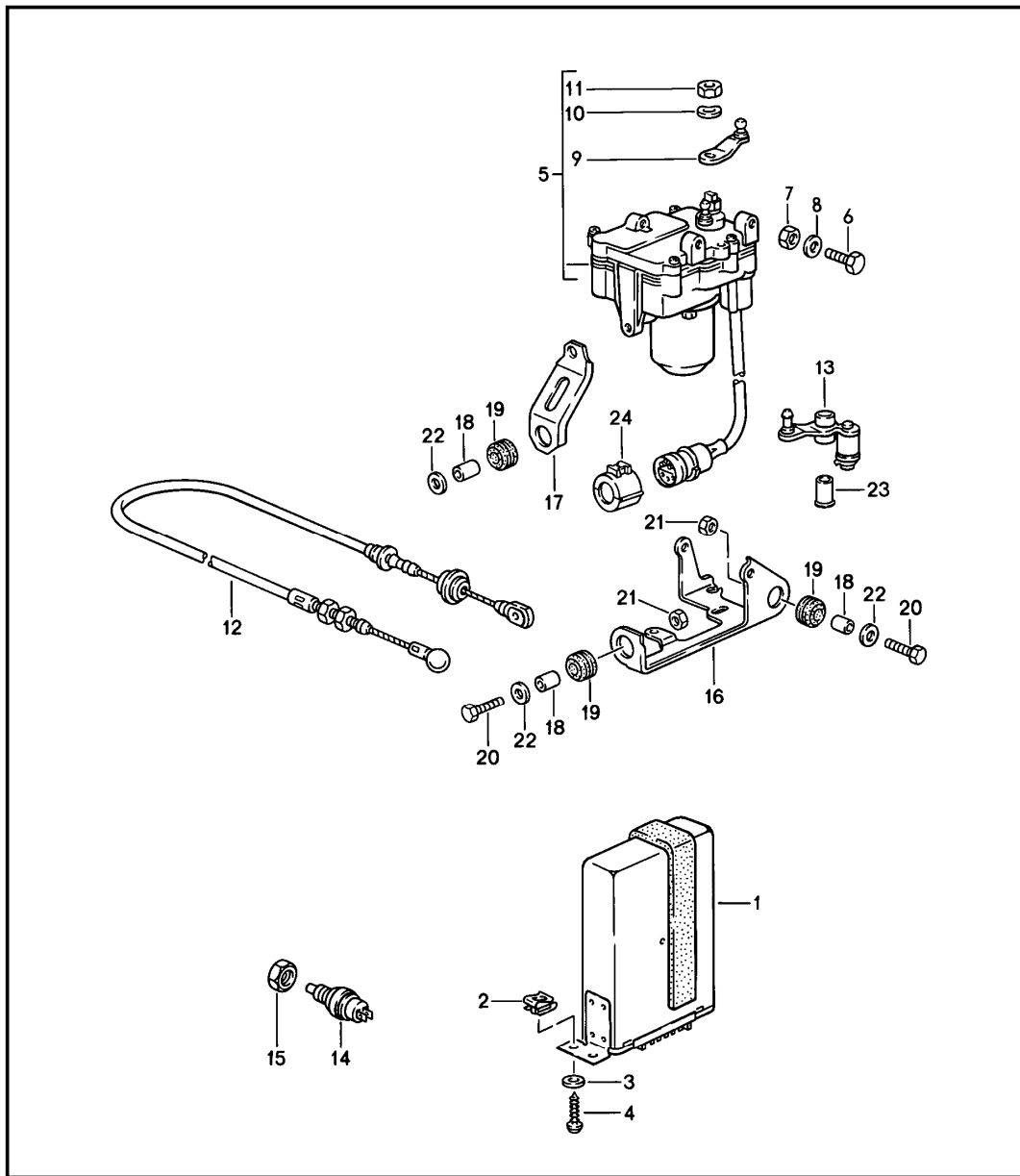
Pos	Part Number	Description	Remark	Qty	Model	Pos	Part Number	Description	Remark	Qty	Model
(15)	944 632 213 00	combination warning light		1	(SA)						
16	477 919 305	cigarette lighter	-84	1							
16	477 919 307	cigarette lighter	85-	1							
-	N 012 469 1	circlip for cigarette lighter		1							
17	644 652 112 00	glower		1							
18	928 606 203 01	oil pressure sender		1							
19	N 012 224 3	spring washer A 4		2							
20	N 011 004 6	hexagon nut M 4		2							
21	047 919 501 A	temperature sensor		1							
22	N 013 806 2	sealing ring		1							
23	477 945 515	brake light switch		1							
24	481 945 529	nut M 12		1							
25	084 941 521	back-up light switch		1							
26	900 123 106 30	sealing ring		1							
27	944 606 125 00	temperature sensor		1							
28	900 123 101 30	sealing ring		1							
29	477 919 051 B	tank gauge		1							
30	477 919 133	sealing ring		1							
31	N 013 802 1	sealing ring		5							
32	N 044 734 1	pan-head screw M 5 M 5 X 15		5							

Model	Year	MG	SG	Illustration	Restrictions	UPD	21:28	23.01.2010	PORSCHE	PET	PORSCHE
944	1985	9	06	906-05		248					



Pos	Part Number	Description	Remark	Qty	Model
1	944 641 030 00	speedometer 260 KM/H	/LL	1	
1	944 641 036 00	speedometer 260 KM/H - 170 MPH	/RL (GB)	1	, (HK)
1	944 641 034 00	speedometer 260 KM/H	(J)	1	
2	914 631 179 10	bulb socket 2-pole		1	
3	999 632 017 02	bulb socket single pole		2	
4	900 631 132 90	bulb 12 V - 1,2 W		3	
5	142 957 801 C	drive shaft	/LL	1	
(5)	211 957 801 E	drive shaft	/RL	1	
6	944 641 801 00	drive shaft	(J)	1	(SA)
7	477 957 861	rubber sleeve	/LL	1	
(7)	311 611 743	grommet	/RL	1	
8	477 957 809 E	drive shaft	(J)	1	(SA)
9	477 957 901 B	switch speed warning device	(J)	1	
(9)	944 641 237 00	switch speed warning device		1	(SA)
10	900 116 003 02	lock washer		1	
-	321 951 307	buzzer	(J)	1	(SA)
11	113 957 855	rubber sleeve		1	
12	944 641 251 00	hall sender		1	

Model	Year	MG	SG	Illustration	Restrictions	UPD	21:28	23.01.2010	PORSCHE	PET	PORSCHE
944	1985	9	07	907-00		248					

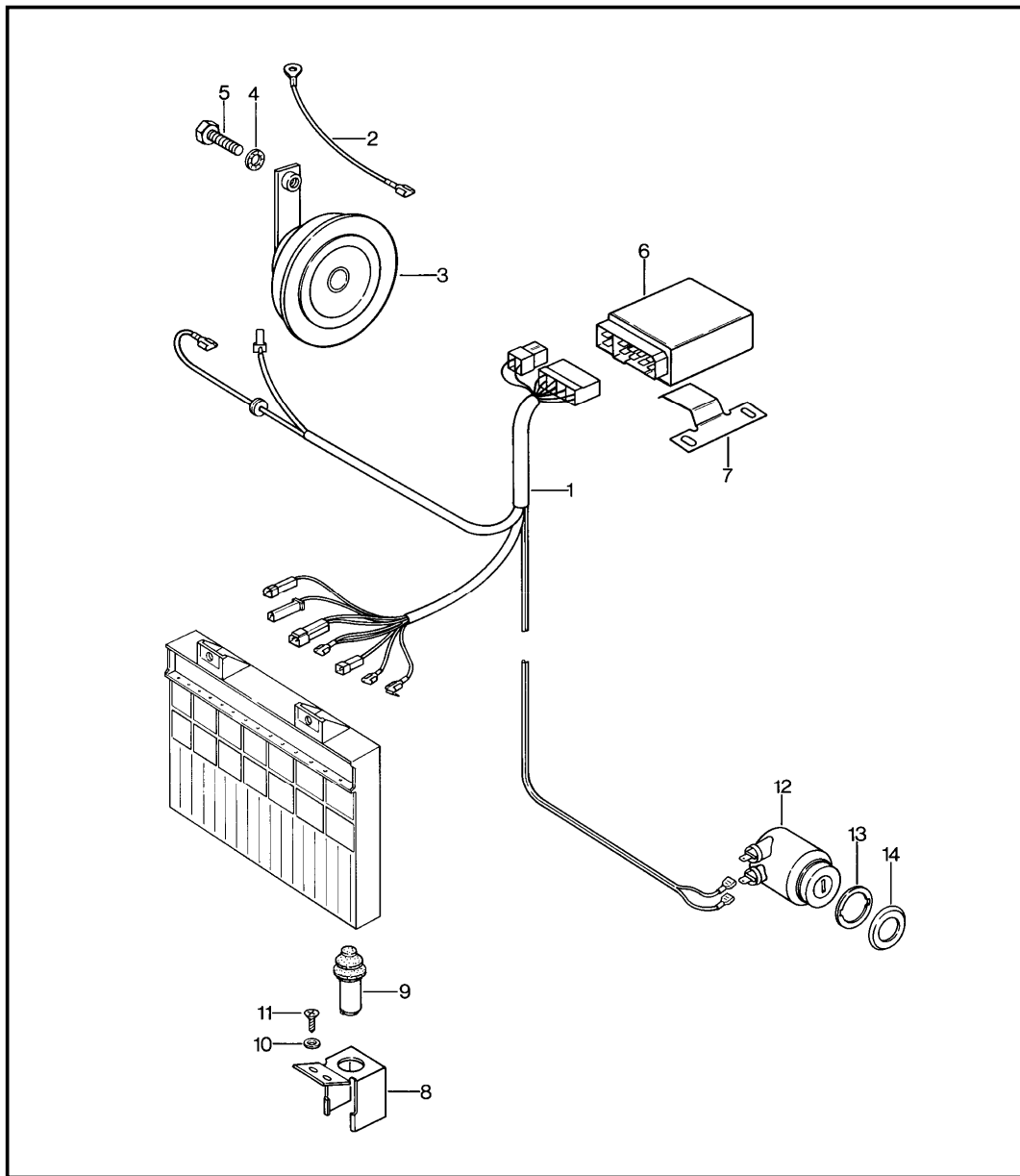


Pos	Part Number	Description	Remark	Qty	Model
		cruise control			M454
1	944 617 127 00	control unit		1	
2	N 015 422 2	speed nut B 4,2 X 17		2	
3	N 012 225 3	spring washer B 5		2	
4	N 013 964 4	tapping screw B 4,2 X 16		2	
5	944 617 021 00	drive link		1	
6	999 072 005 09	hexagon-head bolt M 6 X 12		2	
7	900 076 010 02	hexagon nut M 6		2	
8	N 011 524 7	washer A 6,4		2	
9	944 423 047 00	lever for drive link		1	
10	N 012 229 3	spring washer A 8		1	
11	N 011 018 4	hexagon nut M 8 X 1		1	
12	944 423 025 02	cable		1	
13	944 423 055 00	reverse lever		1	
14	944 613 413 00	switch		1	
15	481 945 529	nut M 12 X 1		1	
16	944 423 215 02	support		1	
17	944 423 115 02	strut		1	
18	999 531 014 02	bush		3	
19	999 702 133 40	rubber mounting		3	
20	900 075 017 02	hexagon-head bolt M 6 X 25		2	
21	900 076 010 02	hexagon nut M 6		2	

Model	Year	MG	SG	Illustration	Restrictions	UPD	21:28	23.01.2010	PORSCHE	PET	PORSCHE
944	1985	9	07	907-00		248					

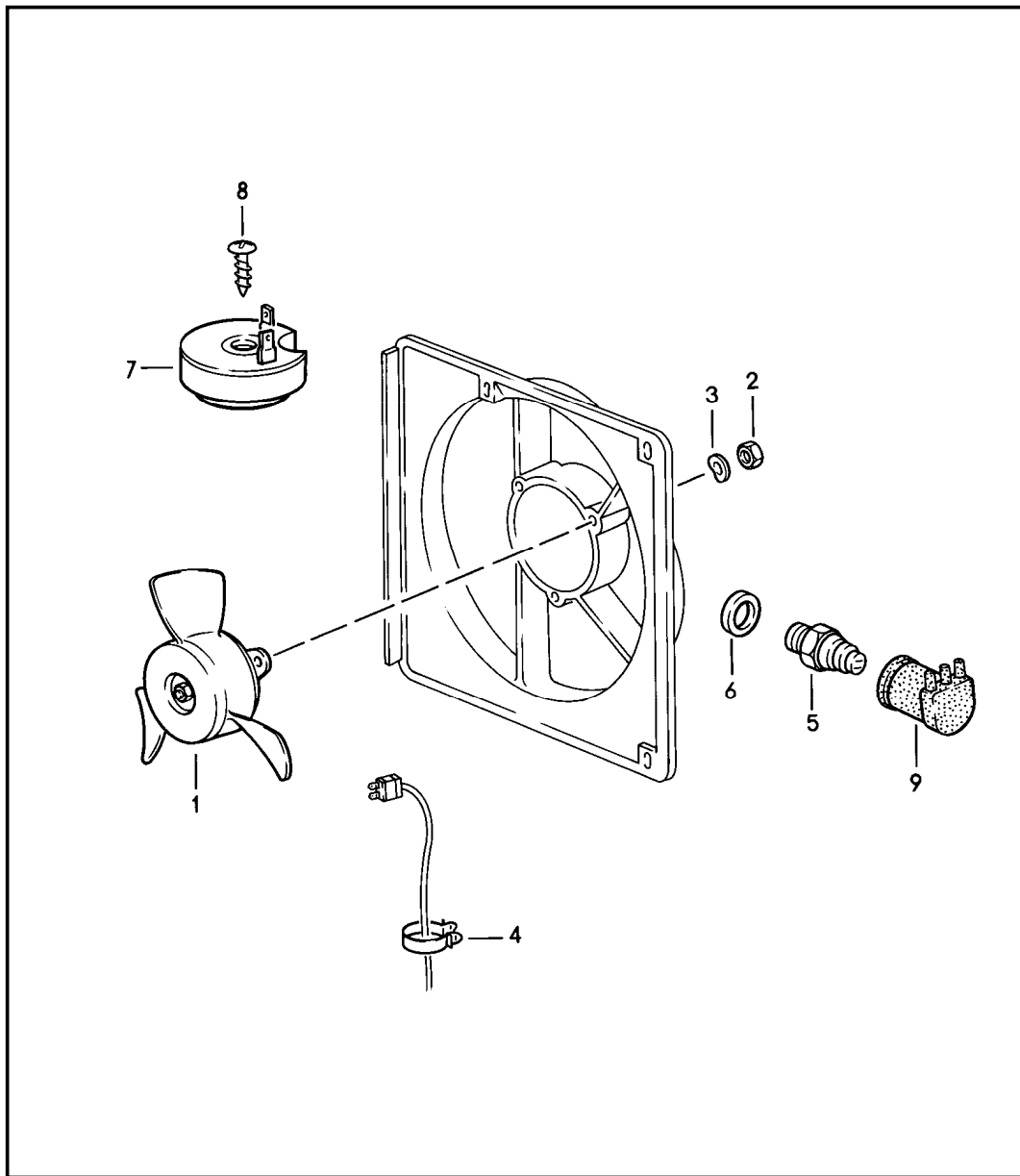
Pos	Part Number	Description	Remark	Qty	Model	Pos	Part Number	Description	Remark	Qty	Model
22	N 011 666 7	washer B 6,4		4							
23	999 924 001 40	bush		2							

Model	Year	MG	SG	Illustration	Restrictions	UPD	21:29	23.01.2010	PORSCHE	PET	PORSCHE
944	1985	9	09	909-00		248					



Pos	Part Number	Description	Remark	Qty	Model
		alarm system			M533
1	477 971 163	wiring harness		1	
2	477 971 325	single line		1	
3	944 637 103 01	high volume horn		1	
4	999 523 102 02	shake-proof washer J 8,4		1	
5	900 075 087 02	hexagon-head bolt M 8 X 16		1	
6	> 911 637 104 00	alarm control unit		1	
6	911 637 104 01	alarm control unit	(CH)	1	
7	477 857 069	support		1	
8	477 805 713	support		1	
9	928 613 173 00	contact switch		1	
-	477 971 837	connector housing for contact switch		1	
10	N 011 521 3	washer A 3,7		2	
11	N 013 957 5	tapping screw 3,5 X 9,5		2	
12	911 637 101 00	alarm switch with keys		1	
13	477 951 255	washer		1	
14	477 951 251	rosette		1	
		01C black			

Model	Year	MG	SG	Illustration	Restrictions	UPD	21:29	23.01.2010	PORSCHE	PET	PORSCHE
944	1985	9	10	910-00		248					



Pos	Part Number	Description	Remark	Qty	Model
		electric fan			
1	944 624 021 01	electric fan F >>94DN4 01734		1	
(1)	944 624 021 03	electric fan F 94DN4 01735>>		1	
(1)	944 624 021 01	electric fan F >>94DN4 01734		2	M573
(1)	944 624 021 03	electric fan F 94DN4 01735>>		2	M573
2	900 910 012 02	lock nut M 6		3	
3	N 011 666 7	washer B 6,4		3	
4	999 651 168 40	cablE holder		1	
5	823 959 481 F	switch		1	
6	900 123 118 30	sealing ring A 22 X 27		1	
7	477 905 053	series resistor		1	
8	N 013 964 4	tapping screw B 4,2 X 16		1	
9	477 971 934	protection cap		1	

Model	Year	MG	SG	Illustration	Restrictions	UPD	21:29	23.01.2010
944	1985	9	98	998-00R		248		

Pos	Part Number	Description	Remark	Qty	Model
		repair kits			
>>	>>944 628 997 00	installation set headlight washer system comprising:		1	
-	191 955 681	pump		1	
-	431 955 465 A	gasket		1	
-	N 020 126 1	pipe 12,5 X 1,25		X	
-	-	410 MM		1	
-	-	890 MM		1	
-	-	100 MM		1	
-	113 955 975 B	t-piece		1	
-	477 955 183	pressure control valve		2	
-	928 528 071 02	jet carrier		2	
-	944 628 803 00	rubber washer		2	
-	944 628 801 00	torsion protection		2	
-	N 019 121 1	nut		2	
-	N 019 121 1	nut MPG 11		2	
-	928 618 111 00	relay		1	
-	135 937 501 A	terminal sleeve housing		1	
-	825 971 990	terminal sleeve housing		1	
-	111 937 077 E	line distributor		1	
-	477 971 827 B	cable connection		1	
-	477 971 205	wiring harness		1	
-	477 971 322 A	double line		1	
-	477 955 702	switch		1	
>>	>>477 955 995	installation set for rear window wiper comprising:		1	
-	477 955 713 A	wiper motor		1	
-	477 955 715 B	mounting plate		1	

Model	Year	MG	SG	Illustration	Restrictions	UPD	21:29	23.01.2010
944	1985	9	98	998-00R		248		

Pos	Part Number	Description	Remark	Qty	Model
-	N 012 226 5	spring washer B 6		3	
-	900 076 010 02	hexagon nut M 6		3	
-	477 955 737	cap		1	
-	477 955 439	grommet		2	
-	477 955 437	washer		1	
-	311 955 243 A	hexagon nut M 12 X 1		1	
-	211 955 275 A	cap		1	
-	477 955 409 A	wiper arm TRICO		1	
-	999 084 045 02	lock nut		1	
-	A 928 628 218 01	wiper blade		1	
-	928 628 218 02	wiper blade		1	
-	477 971 345	wiring harness		1	
-	477 971 346	wiring harness		1	
-	477 955 701	rocker switch		1	
-	111 941 189	drain bush		1	
-	999 652 106 02	flat receptacle 6,3 X 1		3	
-	N 018 007 4	insulating hose 100 MM		1	
>>	>>000 043 095 00	installation set oil level warning system comprising:		1	
-	944 612 911 01	wiring harness		1	
-	944 612 923 01	wiring harness		1	
-	944 617 150 00	relay		1	
-	944 101 033 00	heat shield		1	
-	900 075 085 02	hexagon-head bolt M 8 X 20		2	
-	900 025 007 02	washer A 8,4		2	
-	477 971 881 A	retaining bracket		1	

PORSCHE

PET

PORSCHE

Model	Year	MG	SG	Illustration	Restrictions	UPD	21:29	23.01.2010
944	1985	9	98	998-00R		248		

Pos	Part Number	Description	Remark	Qty	Model
-	999 651 162 40	cable holder		1	
-	999 513 002 40	tie-wrap		3	
-	N 017 490 6	flat connector		1	
-	171 971 999	terminal sleeve housing		2	
-	000 043 095 01	installation instructions		1	

M000 ! SUMMARY OF OPTIONAL EXTRAS "M!"
M020 SPEEDOMETER WITH TWO SCALES MPH-KM/H
M026 WITH ACTIVATED CHARCOAL CANISTER
M036 IMPACT ABSORBERS
M036 FRONT AND REAR
M058 IMPACT ABSORBERS FRONT AND REAR
M062 VERSION FOR SWEDEN
M124 VERSION FOR FRANCE
M157 THREE-BED CATALYST, OXYGEN SENSOR AND DIGITAL
M157 ELECTRICAL ENGINE EQUIPMENT
M190 INCREASED SIDE DOOR STRENGTH
M193 VERSION FOR JAPAN
M215 VERSION FOR SAUDI ARABIA
M220 LOCKING DIFFERENTIAL 40 %
M249 AUTOMATIC TRANSMISSION
M255 FUEL CONSUMTION INDICATOR
M288 HEADLAMP WASHER
M395 LIGHT-METAL RIMS, FORGED
M395 6J X 16 WITH TIRES 205/55 VR16
M404 STABILIZER, FRONT AND REAR
M409 SPORT SEATS, LEATHER
M410 SPORT SEATS, SEAT AND BACKREST SURFACE
M410 CLOTH/LEATHERETTE
M418 SIDE PROTECTION MOLDINGS
M423 BOX FOR CASSETTES AND COINS
M425 REAR WINDOW WIPER
M454 AUTOMATIC SPEED CONTROL
M463 SIDE GLASSES TINTED
M468 SIDE GLASSES GREEN AND WINDSHIELD GREEN -
M468 UPPER PART DARKER COLORED
M474 SHOCK ABSORBER (SPORTING) FRONT AND REAR
M475 BRAKE PADS WITHOUT ASBESTOS
M479 VERSION FOR AUSTRALIA
M484 VERSION FOR USA
M492 FOR LEFT-HAND TRAFFIC
M533 ANTI-THEFT DEVICE
M553 VERSION FOR USA, CANADA
M560 DETACHABLE ROOF
M568 TINTED SIDE GLASSES AND TINTED WINDSHIELD
M573 AIR CONDITIONER
M651 ELECTRIC WINDOW OPENER
M657 POWER ASSISTED STEERING

Model	Year	MG	SG	Illustration	VIN No.	Update		
944	85	0				230	16:02	12.08.2008

EQUIPMENT BY COUNTRY REGULATIONS

=====

(A) AUSTRIA
(AG) THE GULF STATES
(AUS) AUSTRALIA

(B) BELGIUM

(CDN) CANADA

(CH) SWITZERLAND

(D) FEDERAL REPUBLIC OF GERMANY

(DK) DENMARK

(E) SPAIN

(F) FRANCE

(GB) GREAT BRITAIN

(GR) GREECE

(HK) HONGKONG

(I) ITALY

(J) JAPAN

(L) LUXEMBURG

Model	Year	MG	SG	Illustration	VIN No.	Update		
944	85	0				230	16:02	12.08.2008

(N) NORWAY

(NL) NETHERLANDS

(NS) NEW ZEALAND

(P) PORTUGAL

(RC) TAIWAN

(S) SWEDEN

(SA) SAUDI ARABIA

(SF) FINLAND

(USA) UNITED STATES OF AMERICA

Model	Year	MG	SG	Illustration	VIN No.	Update	16:02	12.08.2008
944	85	0				230		

IN COLUMN - A -

IDENTIFICATION LETTER FOR PERIOD OF INSTALLATION
 THAT IS REPEATED SEVERAL TIMES IN THE CATALOG GROUP.

EXPLANATION PLEASE FIND IN TEXT COLUMN OF THE CATALOG GROUP

IN COLUMN - QU - = NO. OF PIECES

- 1 NUMBER PER APPLICATION
- X NUMBER AS NEEDED
- * AVAILABLE ONLY IN RUNNING LENGTHS 1 = 1 METRE

IN COLUMN - MODEL/SYMBOL -

- M650 OPTIONAL EQUIPMENT - SEE M-NO. LIST
- 85 LIMITATION OF MODEL YEAR FOR INSTANCE: VALID UP TO
 END OF MODEL YEAR 1985
- /LL LHD
- /RL RHD
- +
- /V FRONT I

Model	Year	MG	SG	Illustration	VIN No.	Update		
944	85	0				230	16:02	12.08.2008

I

/H REAR I

I----> APPLIES TO

/L LEFT I DIRECTION OF TRAVEL

I

/R RIGHT I

-----+

AUT. AUTOMATIC

WW THE PART CAN BE USED INSTEAD OF THE
PRECEDING ONE

Model	Year	MG	SG	Illustration	VIN No.	Update	16:02	12.08.2008
944	85	0				230		

LEGENDS AND NOTICES

=====

IN COLUMN -S- STATUS

- N NEW ADDITION

- P PART ALREADY IN PROGRAMME, BUT NEW
AT THIS APPLICATION

- W DELETED AT THIS APPLICATION, BUT CONTINUED
TO BE CARRIED

- A STOCK TO BE USED UP

- U DELETED WITHOUT REPLACEMENT

- * PART ALSO OR ONLY AVAILABLE
IN REPAIR KIT

- > ALSO AVAILABLE IN EXCHANGE

IN COLUMN - ILL. -

- 1 IDENTIFICATION NO. IN ILLUSTRATION

- (1) PART ONLY SIMILAR AS ILLUSTRATED

- PART IS NOT ILLUSTRATED

Model	Year	MG	SG	Illustration	VIN No.	Update		
944	85	0				230	16:02	12.08.2008

FIG.-NUMBERS FOR WHICH THERE IS SHOWN NO TEXT ARE
NOT VALID FOR THIS EDITION OF CATALOGUE

IN COLUMN -PART NUMBER/CODE-

000 000 000 00 PART NUMBER EQUALS ORDERING NO., IF A CODE IS
SHOWN, IT WILL HAVE TO BE PART OF ORDERING
NUMBER

AC3 COLOUR CODE

IN COLUMN -TEXT

INSTALLATION WIRH ENGINE OR CHASSIS
NUMBER-RANGE

EXAMPLE:

M 44F 01291 >> FROM ENGINE NO.

F >> 94 FN40 01291 UP TO VIN

Model 944	Year 85	MG 0	SG	Illustration	VIN No.	Update 230	16:02	12.08.2008
--------------	------------	---------	----	--------------	---------	---------------	-------	------------

VEHICLE TYPE	TRANSM.			TRANSMISSION NO.	TECHNICAL DATA
	TYPE	MY			
944	016 J	82 C	QK.....		5-SPEED
944 M220	016 J	82 C	7Q.....		5-SPEED
944 M249	087 M	82 C	RH.....		3-SPEED
944	016 J	83 D	QK.....		5-SPEED
944 M220	016 J	83 D	7Q.....		5-SPEED
944 M249	087 M	83 D	RH.....		3-SPEED
944 M249	087 M	83 D	RCA 07102>>		3-SPEED
944 (USA) (CDN)	016 J	83 D	QM.....		5-SPEED
944 M220 (USA) (CDN)	016 J	83 D	8Q.....		5-SPEED
944 M249 (USA) (CDN) (J)	087 N	83 D	RCB.....		3-SPEED
944 (J)	016 K	83 D	QL.....		5-SPEED
944 M220 (J)	016 K	83 D	4M.....		5-SPEED
944	016 J	84 E	QK.....		5-SPEED
944 M220	016 J	84 E	7Q.....		5-SPEED
944 M249	087 M	84 E	RCA.....		3-SPEED
944 M249	087 M	84 E	RCD 21123>>		3-SPEED
944 (USA) (CDN)	016 K	84 E	QM.....		5-SPEED
944 M220 (USA) (CDN)	016 K	84 E	8Q.....		5-SPEED
944 M249 (USA) (CDN) (J)	087 N	84 E	RCB.....		3-SPEED
944 (J)	016 K	84 E	QL.....		5-SPEED
944 M220 (J)	016 K	84 E	4M.....		5-SPEED
944	016 J	85 F	QK.....		5-SPEED
944 M220	016 J	85 F	7Q.....		5-SPEED
944 M249	087 M	85 F	RCD.....		3-SPEED
944 (USA) (CDN)	016 K	85 F	QM.....		5-SPEED
944 M220 (USA) (CDN)	016 K	85 F	8Q.....		5-SPEED
944 M249 (USA) (CDN) (J)	087 N	85 F	RCB.....		3-SPEED

Model	Year	MG	SG	Illustration	VIN No.	Update		
944	85	0				230	16:02	12.08.2008

944 (J)			016 K	85 F QL.....		5-SPEED		
944 M220			016 K	85 F 4M.....		5-SPEED		

Model	Year	MG	SG	Illustration	VIN No.	Update		
944	85	0				230	16:02	12.08.2008

EXPLANATION OF THE TRANSMISSION-NUMBERS USED IN THE CATALOGUE

=====

DIGIT:		1	2	3	4	5	6	7	8
EXAMPLE:		R	C	D	0	7	1	0	2
		=====		===		===		=	
			!		!		!		!
			!		!		!		!
IDENTIFICATION LETTER-----+					!		!		!
					!		!		!
MANUFACTURING DAY-----+							!		!
							!		!
MANUFACTURING MONTH-----+									!
									!
MANUFACTURING YEAR-----+									!

Model	Year	MG	SG	Illustration	VIN No.	Update	16:01	12.08.2008
944	85	0				230		

ENGINE							
ENGINE TYPE	TYPE	MY	ENGINE-NUMBER	TECHNICAL DATA			
944	M44.01	82 C	41C 0001>5000	4ZYL/2,5L/120KW			
944 M249	M44.03	82 C	41C 5001>8000	4ZYL/2,5L/120KW			
944	M44.01	83 D	41D 0001>E999	4ZYL/2,5L/120KW			
944 M249	M44.03	83 D	41D 5001>9999	4ZYL/2,5L/120KW			
944 (USA) (CDN) (J)	M44.02	83 D	43D 0001>J999	4ZYL/2,5L/110KW			
944 M249 (USA) (CDN) (J)	M44.04	82 D	43D 5001>9999	4ZYL/2,5L/110KW			
944	M44.01	84 E	41E 00001>20000	4ZYL/2,5L/120KW			
944 M249	M44.03	84 E	41E 20001>30000	4ZYL/2,5L/120KW			
944 (USA) (CDN) (J)	M44.02	84 E	43E 00001>20000	4ZYL/2,5L/110KW			
944 M249 (USA) (CDN) (J)	M44.04	84 E	43E 20001>30000	4ZYL/2,5L/110KW			
944	M44.01	85 F	41F 40001>50000	4ZYL/2,5L/120KW			
944 M249	M44.03	85 F	41F 50001>60000	4ZYL/2,5L/120KW			
944 (USA) (CDN) (J)	M44.02	85 F	43F 40001>50000	4ZYL/2,5L/110KW			
944 M249 (USA) (CDN) (J)	M44.04	85 F	43F 50001>60000	4ZYL/2,5L/110KW			

Model	Year	MG	SG	Illustration	VIN No.	Update	16:01	12.08.2008
944	85	0				230		

EXPLANATION OF THE MOTOR-NUMBERS USED IN THE CATALOGUE

=====

```

DIGIT:                1 2 3   4 5 6 7 8

EXAMPLE:              4 3 F   0 0 1 3 6
                    = = =   =====
                    ! ! !       !

ENGINE TYPE (4 = 4-CYL.-ENGINE)-----+ ! !       !
                                       ! !       !

ENGINE VERSION-----+ !       !
                                       !       !

MODEL YEAR-----+       !
                                       !

SERIAL NUMBER-----+
    
```

Model	Year	MG	SG	Illustration	VIN No.	Update		
944	85	0				230	16:01	12.08.2008

FAHRZEUGTYP	MJ	FAHRZEUG-IDENT.NR	MOTORTYP
944	82 C 94	CN40 0051>>	M44.01/03 120KW
944	83 C 94	DN40 0051>>	M44.01/03 120KW
944 (USA) (CDN)	83 C 94	DN45 0051>>	M44.02/04 110KW
944 (J)	83 C 94	DN40 0051>>	M44.02/04 110KW
944	84 D 94	EN40 0051>>	M44.01/03 120KW
944 (USA) (CDN)	84 D 94	EN45 0051>>	M44.02/04 110KW
944 (J)	84 D 94	EN40 0051>>	M44.02/04 110KW
944	85 F 94	FN42 0051>>	M44.01/03 120KW
944 (USA) (CDN)	85 F 94	FN47 0051>>	M44.02/04 110KW
944 (J)	85 F 94	FN42 0051>>	M44.02/04 110KW

Model	Year	MG	SG	Illustration	VIN No.	Update	16:01	12.08.2008
944	85	0				230		

EXPLANATION OF THE ABRIDGED VERSION OF THE VEHICLE IDENT. NUMBERS (VIN)

=====
USED IN THE CATALOGUE
=====

DIGIT: 1 2 3 4 5 6 7 8 9 10 11 12 13 14 15 16 17

EXAMPLE: W P O Z Z Z 9 4 Z F N 4 0 0 1 2 5

=== = = = =====

! ! ! ! !

VEHICLE TYPE 1ST+2ND DIGIT-----+ ! ! ! !

! ! ! !

MODEL YEAR-----+ ! ! !

! ! !

MANUFACTURING LOCATION-----+ ! !

! !

VEHICLE TYPE 3RD DIGIT-----+ !

!

SERIAL NUMBER-----+

Model	Year	MG	SG	Illustration	VIN No.	Update		
944	85	0				230	16:01	12.08.2008

THIS PARTS CATALOGUE CONTAINS ALL ORDER INFORMATION OF
TYPE 944 FROM MODEL YEAR 1982 TO MODEL YEAR 1985

IT IS AVAILABLE IN TWO EDITIONS IN THE FOLLOWING LANGUAGES:

EDITION

USA, CANADA - *

EDITION

ALL OTHER COUNTRIES - GERMAN

* - ENGLISH

- FRENCH

- ITALIAN

- SPANISH

UPDATING IS BEING PERFORMED BY CHANGING OF UPDATE.

THE EDITION CAN BE RECOGNIZED BY THE CURRENT NO.
YEAR IN THE BOTTOM LINE OF SUBJECT UPDATE.

THE PREVIOUS UPDATE SHOULD NO LONGER BE USED.

ALL ILLUSTRATIONS ARE SUBJECT TO CHANGE WITHOUT OBLIGATION.