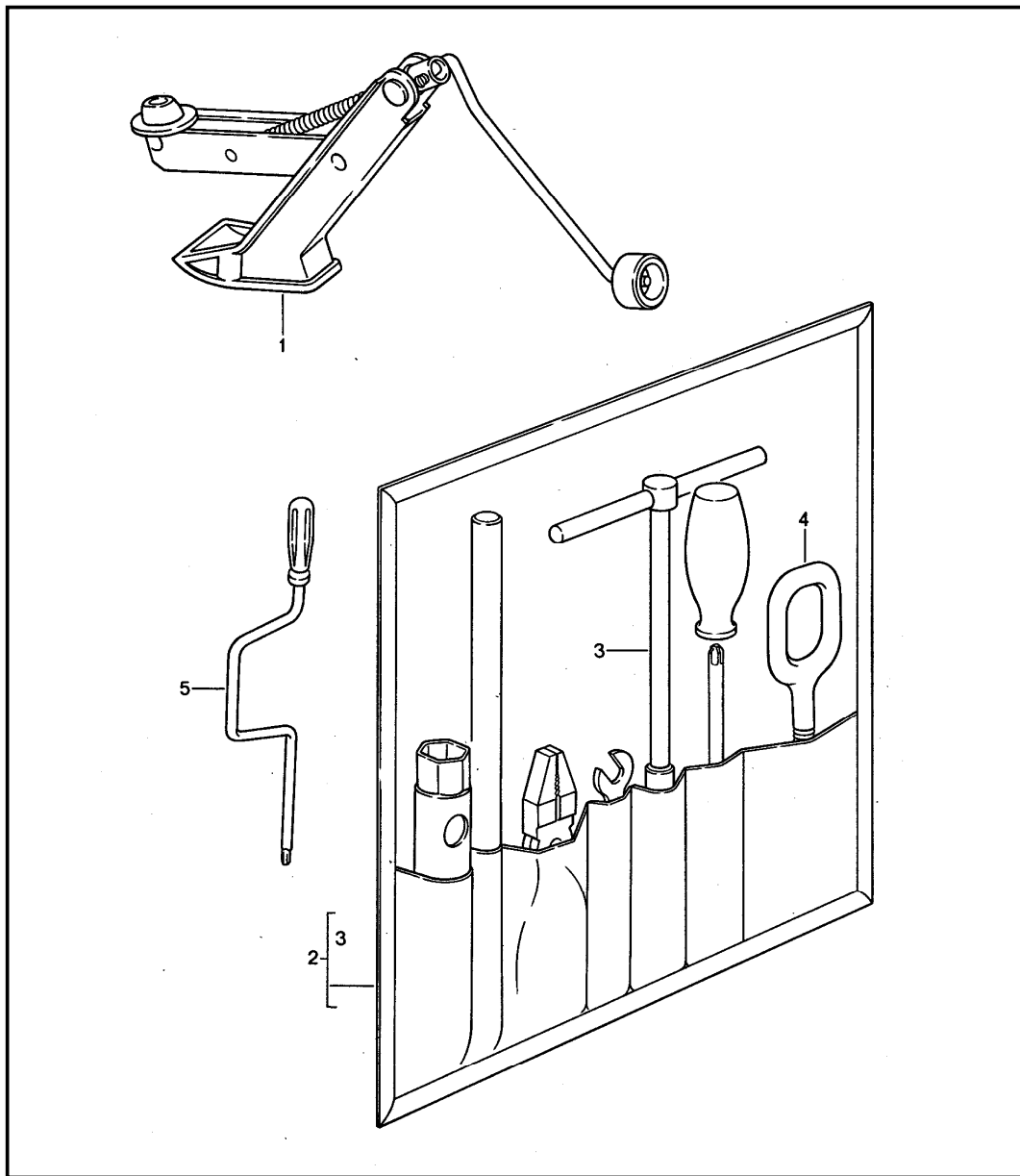
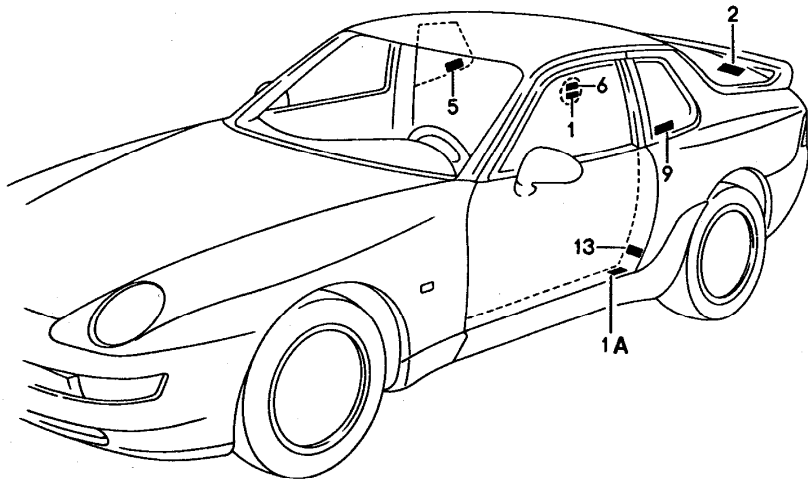
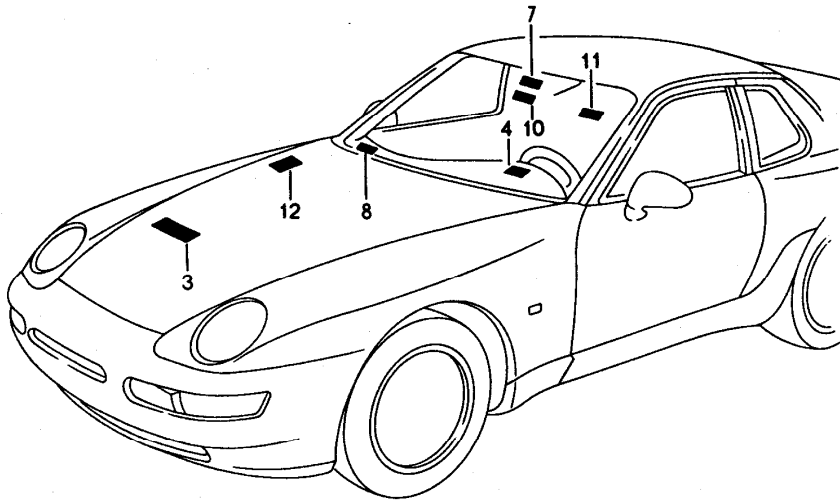


Model	Year	MG	SG	Illustration	Restrictions	UPD	9:47	24.01.2010	PORSCHE	PET	PORSCHE
968	1995	0	01	001-00		248					



Pos	Part Number	Description	Remark	Qty	Model
		accessories			
1	000 721 710 01	jack		1	
(1) A	000 721 711 01	jack	(AUS) -93	1	
(1)	000 721 711 01	jack	(AUS)	1	
2	944 721 027 05	tool bag with contents comprising: tool bag angular screw driver		1 1	
3	477 012 233	spark plug wrench rim wrench operating rod for rim wrench double-end spanner 10 X 13 handle insert for cross-recess screw and slotted screw universal pliers		1 1 1 1 1 1 1	
-	928 361 311 00	hook for cover wheel nut use also:		1 1	
4	928 722 101 05	towing lug		1	
5	928 521 907 02	crank for emergency control		1	M437/438

Model	Year	MG	SG	Illustration	Restrictions	UPD	9:47	24.01.2010	PORSCHE	PET	PORSCHE
968	1995	0	01	001-05		248					



Pos	Part Number	Description	Remark	Qty	Model
		stickers			
		stickers			
		tyre pressure			
1	964 701 287 03	sticker	92	1	
1	944 701 287 31	sticker	93-	1	
1	944 701 287 23	sticker	(AUS) 92	1	
1	944 701 287 26	sticker	(AUS) 92	1	M403
1	944 701 287 29	sticker	(AUS) 93-	1	M402 M403
1	944 701 287 33	sticker	(AUS) 93-	1	M030
1A	944 701 287 31	sticker	93-	1	CABRIO
1A	944 701 287 29	sticker	(AUS) 93-	1	CABRIO
		stickers			
		emergency wheel			
2	928 701 145 05	sticker german		1	
2	996 361 701 00	sticker english		1	
2	996 361 701 01	sticker french		1	
2	928 701 148 05	sticker italian		1	
2	928 701 149 00	sticker spanish		1	
2	928 701 150 00	sticker "MAX 80 KM/H"		1	
		stickers			
		engine specifications			
3	944 006 113 12	sticker	(S) -93	1	
3	944 006 113 13	sticker	(S) 94-	1	
3	944 006 115 33	sticker	(AUS) 92	1	/(RC)
3	944 006 115 34	sticker	(AUS) 93	1	
3	944 006 115 35	sticker	(AUS) 94	1	
3	944 006 115 37	sticker	(AUS) 95	1	

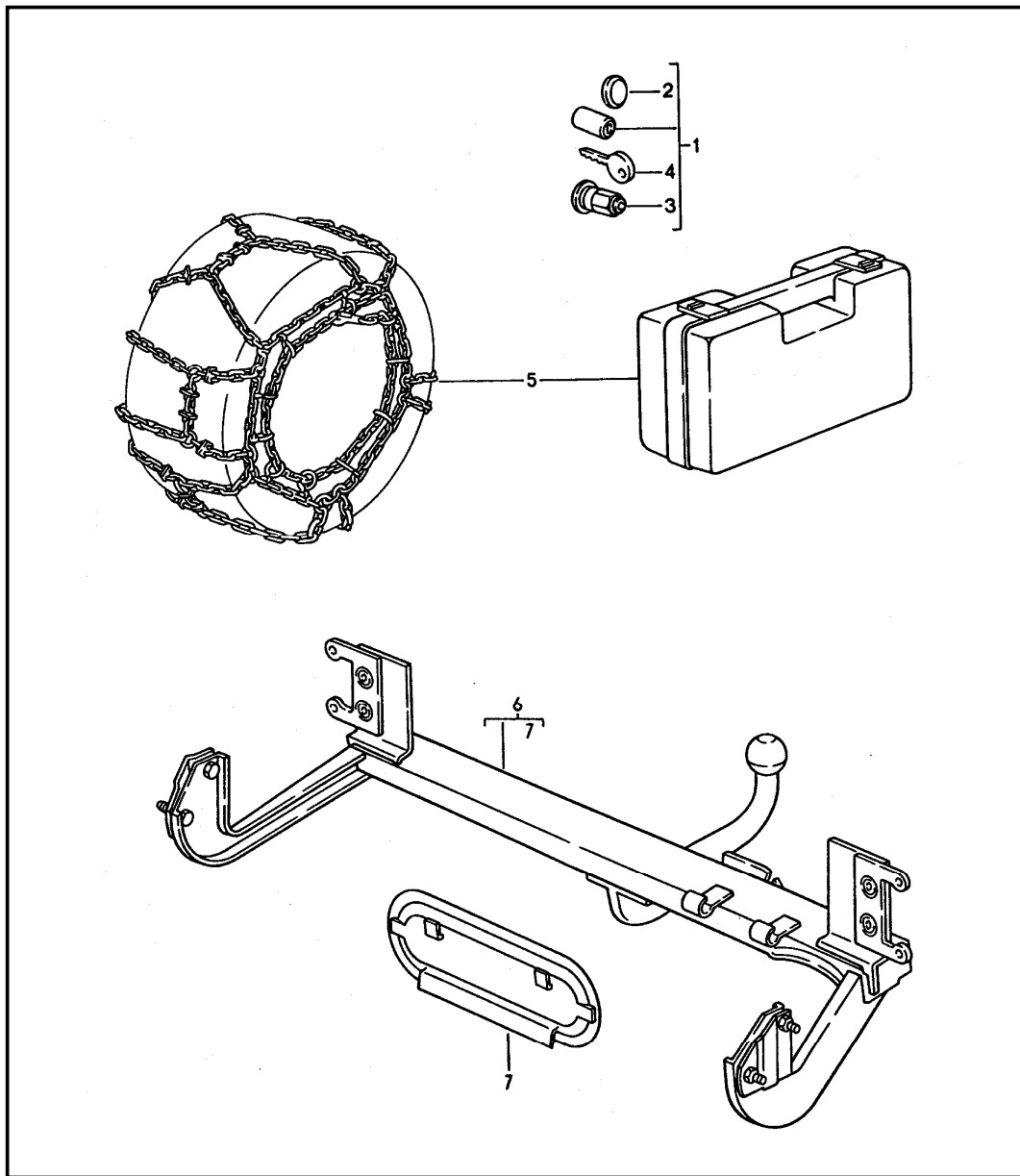
Model	Year	MG	SG	Illustration	Restrictions	UPD	9:47	24.01.2010	PORSCHE	PET	PORSCHE
968	1995	0	01	001-05		248					

Pos	Part Number	Description	Remark	Qty	Model	Pos	Part Number	Description	Remark	Qty	Model
3	944 006 117 16	sticker	(AUS) 92	1		6	944 701 201 06	sticker swedish		1	
3	944 006 117 17	sticker	(AUS) 93	1				stickers octane rating			
3	944 006 117 18	sticker	(AUS) 94	1							
3	944 006 117 19	sticker	(AUS) 95	1		6	928 006 117 14	sticker swedish		1	98ROZ
		stickers unleaded dashboard				6	928 006 117 13	sticker german		1	98ROZ
4	928 701 173 02	sticker english		1		6	928 006 117 15	sticker english		1	98ROZ
4	928 701 173 06	sticker swedish		1		6	928 006 117 19	sticker english		1	98ROZ M150
		stickers unleaded side window			COUPE	6	928 006 117 18	sticker french		1	98ROZ
5	477 000 258	sticker english		1		6	928 006 117 16	sticker italian		1	98ROZ
5	944 701 201 08	sticker german		1		6	928 006 117 17	sticker spanish		1	98ROZ
5	928 701 171 02	sticker french		1		6	930 701 203 05	sticker english		1	93ROZ
5	944 701 201 05	sticker swedish		1				stickers airbag			
5	911 701 257 02	sticker italian		1		7	944 701 422 03	sticker german		1	
5	911 701 257 03	sticker spanish		1		7	944 701 422 04	sticker english		1	
		stickers unleaded			CABRIO	7	945 701 422 00	sticker english	/RL	1	
6	911 701 257 00	sticker english french		1		7	944 701 422 05	sticker french		1	
6	944 701 201 09	sticker german		1		8	928 701 421 03	sticker german english		1	
6	911 701 257 04	sticker italian		1		8	928 701 421 04	sticker french english		1	
6	911 701 257 05	sticker spanish		1				sticker alarm system			

Model	Year	MG	SG	Illustration	Restrictions	UPD	9:47	24.01.2010	PORSCHE	PET	PORSCHE
968	1995	0	01	001-05		248					

Pos	Part Number	Description	Remark	Qty	Model	Pos	Part Number	Description	Remark	Qty	Model
9	911 701 250 00	sticker stickers convertible top control electric		2	CABRIO						
10	941 701 151 22	sticker german		1							
10	941 701 151 26	sticker spanish		1							
10	941 701 151 25	sticker italian		1							
10	941 701 151 27	sticker japanese		1							
10	941 701 151 24	sticker french		1							
10	941 701 151 23	sticker english stickers convertible top latch		1	CABRIO						
11	941 701 153 10	sticker	/L	1							
(11)	941 701 154 10	sticker	/R	1							
		sticker contains asbestos									
12	944 006 222 00	sticker	(CH)	1							

Model	Year	MG	SG	Illustration	Restrictions	UPD	9:47	24.01.2010	PORSCHE	PET	PORSCHE
968	1995	0	02	002-00		248					

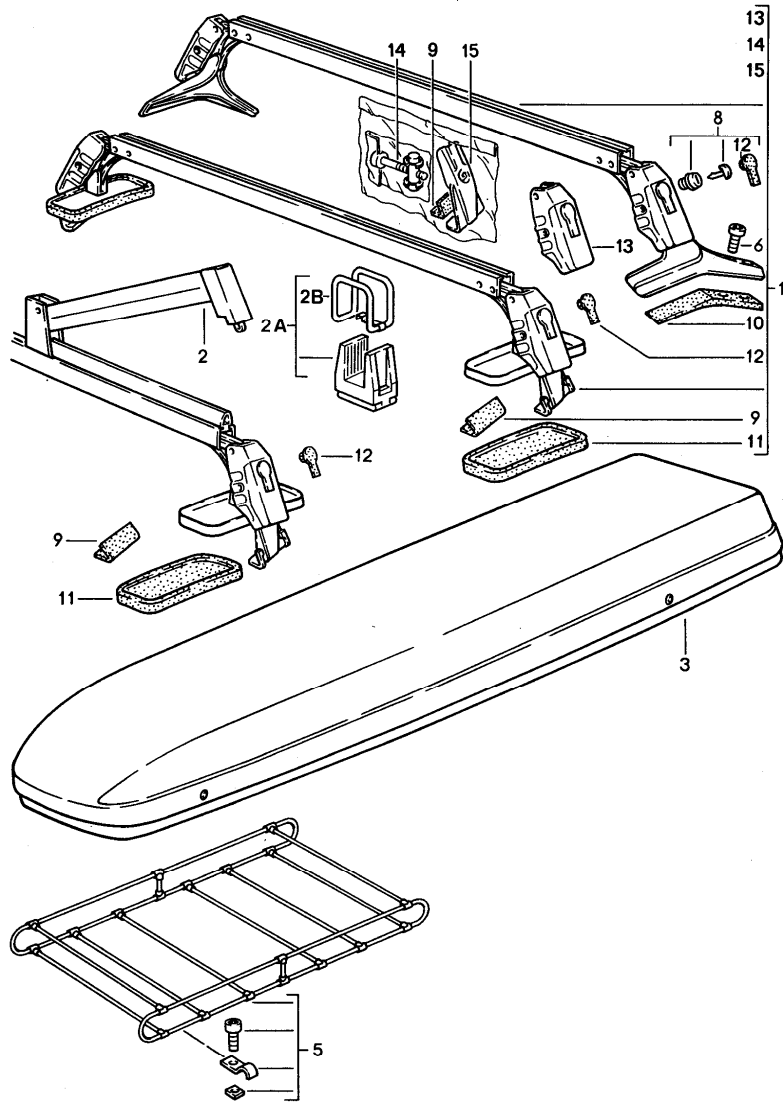


Pos	Part Number	Description	Remark	Qty	Model
		accessories			
1	A 965 361 955 00	wheel nut lockable 1 set comprising: wheel nut lock cap	92	1	
				4	
				4	
				4	
1	A 993 361 057 00	set lockable 1 set comprising: wheel nut lock cap	93	1	
				4	
				4	
				4	
(1)	993 361 057 00	wheel nut lockable 1 set	94-	1	
2	965 361 167 00	cap		4	
3	965 361 170 00	wheel nut lockable without lock	92	4	
3	993 361 057 00	set lockable without lock	93	4	
4	965 361 169 00	blank key for wheel nut lockable	92	X	
4	968 361 169 00	blank key for wheel nut lockable	93	X	
		snow chains			
5	993 361 931 00	snow chains 1 set for tyre 225/50 R 16		1	
5	911 361 924 00	snow chains 1 set for tyre 225/45 R 17		1	
		trailer coupling			

Model	Year	MG	SG	Illustration	Restrictions	UPD	9:47	24.01.2010	PORSCHE	PET	PORSCHE
968	1995	0	02	002-00		248					

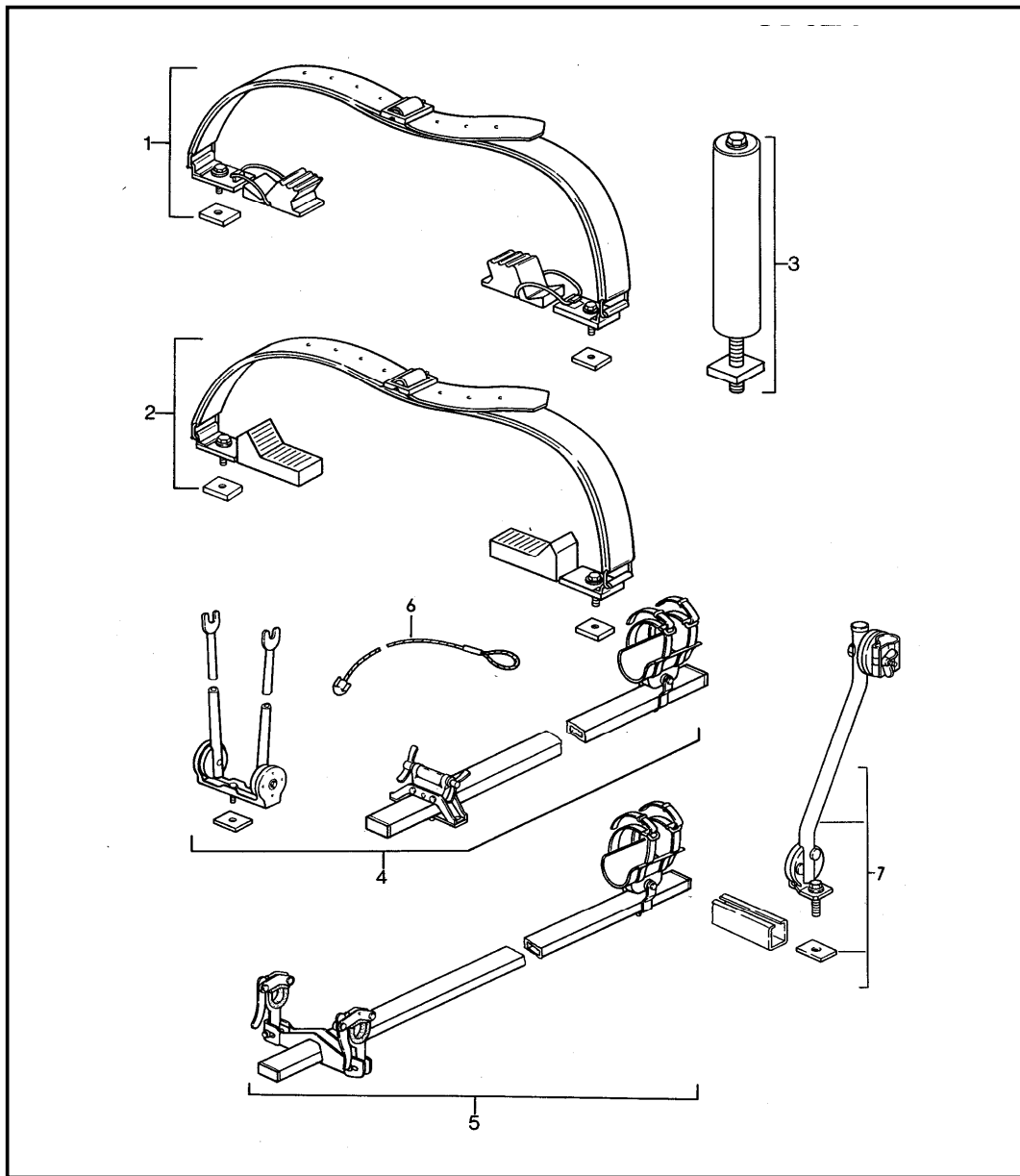
Pos	Part Number	Description	Remark	Qty	Model	Pos	Part Number	Description	Remark	Qty	Model
(6)	968 722 901 00	trailer coupling complete with electric installation set		1							
7	944 722 709 00	trim cover for rear apron		1							
-	968 722 901 10	retaining clip for trim cover		2							

Model	Year	MG	SG	Illustration	Restrictions	UPD	9:47	24.01.2010	PORSCHE	PET	PORSCHE
968	1995	0	02	002-06		248					



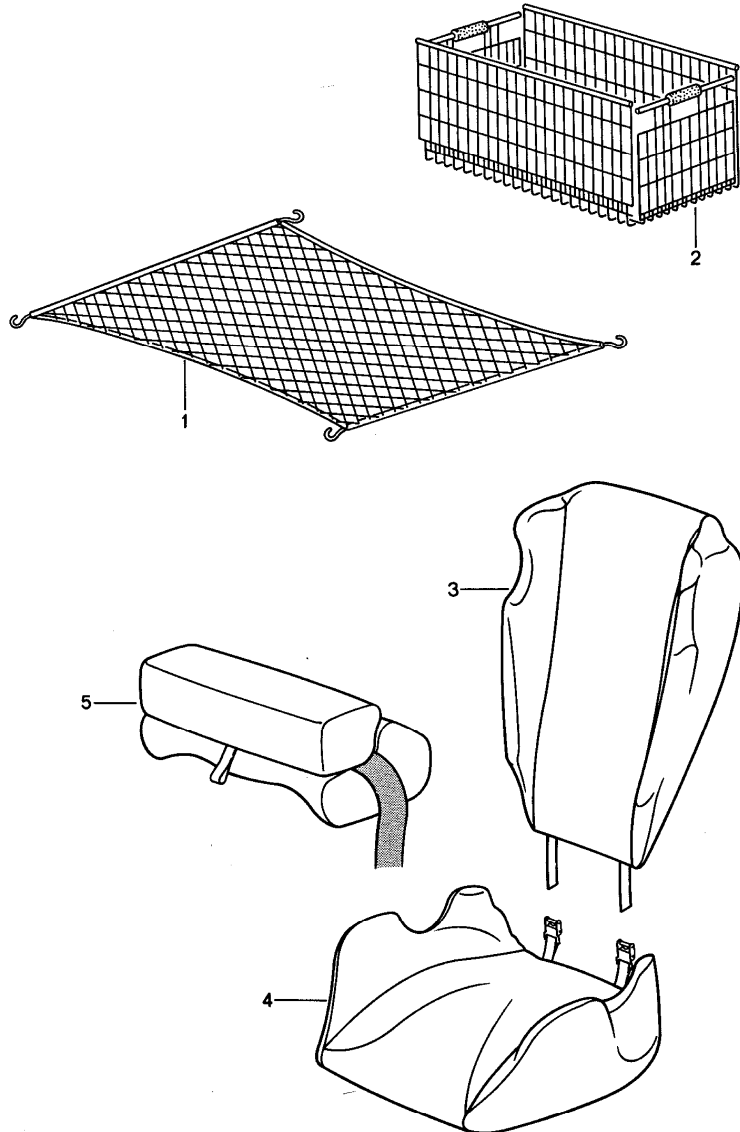
Pos	Part Number	Description	Remark	Qty	Model
		roof transport system			
1	944 801 005 00	main support 1 set		1	
2	928 801 061 02	retaining strip 1 set		1	
2A	928 801 903 02	rubber support for skis		1	
2B	928 801 193 02	retaining strap		1	
3	928 801 063 02	ski box	/L	1	
3	928 801 064 02	ski box	/R	1	
5	928 801 081 02	roof luggage rack set		1	
6	999 119 012 07	pan-head screw		4	
8	928 801 011 02	cylinder lock with keys		2	
9	477 091 145	protection cap		2	
10	477 091 151 A	protective rubber	/L	1	
(10)	477 091 152 A	protective rubber	/R	1	
11	928 801 267 02	rubber plate		2	
12	928 801 111 02	protection cap		4	
13	928 801 107 02	lid		2	
14	944 801 901 01	parts kit comprising: bolt screw lock		X 1 1 2	
15	944 801 901 00	parts kit comprising: support desk pad screw washer		X 2 2 2 2	

Model	Year	MG	SG	Illustration	Restrictions	UPD	9:47	24.01.2010	PORSCHE	PET	PORSCHE
968	1995	0	02	002-07		248					



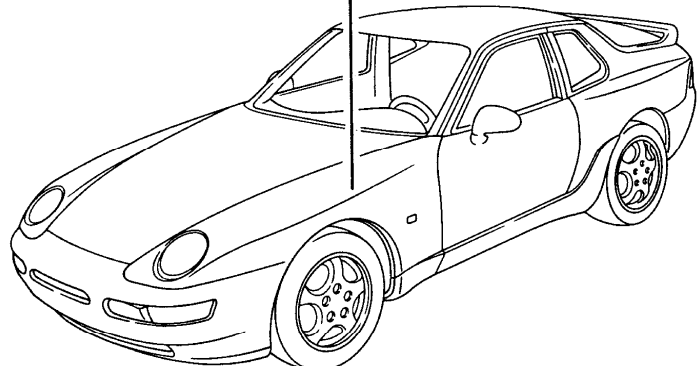
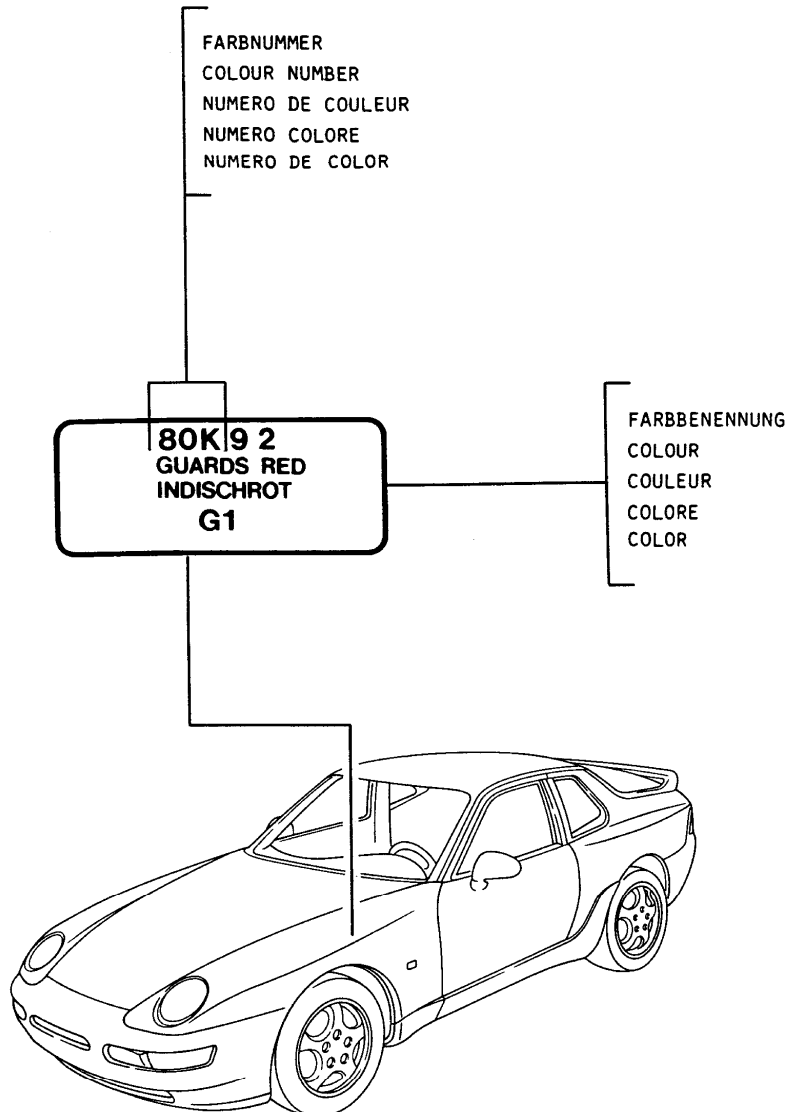
Pos	Part Number	Description	Remark	Qty	Model
		roof transport system			
1	928 801 019 02	set of surf board supports		1	
2	928 801 017 02	set - canoe carrier		1	
3	928 801 085 02	ladder support mandrel 1 set		1	
4	928 801 093 02	set - bike carrier for racing bike		1	
5	928 801 095 02	set - bike carrier for standard bike		1	
6	928 801 079 02	safety rope for anti-theft protection		1	
7	928 801 097 02	support for bicycle		1	

Model	Year	MG	SG	Illustration	Restrictions	UPD	9:47	24.01.2010	PORSCHE	PET	PORSCHE
968	1995	0	02	002-10		248					



Pos	Part Number	Description	Remark	Qty	Model
		accessories child car seat			
1	477 863 539	luggage net		1	
2	000 043 002 00	car basket foldable		1	
		child car seat			
		picture 3 - 5 for 9 - 18 KG			
		picture 4 - 5 for 15 - 25 KG			
		picture 4 for 15 - 36 KG			
3	000 802 031 00	child car seat backrest		1	
		2CZ black/ multicoloured			
		6WC porsche lettering cloth classic grey			
4	000 802 021 00	child car seat cup		1	
		2CZ black/ multicoloured			
		6WC porsche lettering cloth classic grey			
5	000 802 041 00	child car seat foam part		1	
		2CZ black/ multicoloured			
		6WC porsche lettering cloth classic grey			

Model	Year	MG	SG	Illustration	Restrictions	UPD	9:48	24.01.2010	PORSCHE	PET	PORSCHE
968	1995	0	04	004-00		248					



Pos	Part Number	Description	Remark	Qty	Model
-	911 095 932 20	paint touch-up applicator		X	
	908	grand prix white			
	38B	maritime blue	-93		
	22R	mint green	-93		
	700	black			
	719	black	93-		
	82N	rubystone red	92		
	22S	signal green	-93		
	80K	guards red			
	12G	speed yellow	93-		
	39E	riviera blue	94-		
	39D	amaranth violet	94-		
-	911 095 933 20	paint touch-up applicator set comprising: paint touch-up applicator top-coat paint paint touch-up applicator clear lacquer		X	
	39A	amazon green metallic	-93		
	38A	amethyst metallic	-93		
	37U	cobalt blue metallic	-93		
	82H	coral red metallic	92		
	37W	midnight blue metallic			
	37X	horizon blue metallic	-93		
	35V	marine blue metallic	92		
	738	black-metallic	-92		
	746	black-metallic	93-		
	22D	slate grey metallic			
	92E	polar silver metallic	-93		
	22L	oak green metallic	-93		

Model	Year	MG	SG	Illustration	Restrictions	UPD	9:48	24.01.2010	PORSCHE	PET	PORSCHE
968	1995	0	04	004-00		248					

Pos	Part Number	Description	Remark	Qty	Model	Pos	Part Number	Description	Remark	Qty	Model
	83E	raspberry red metallic		93							
	23I	wimbledon green metallic		93							
	37E	violet blue metallic		93							
	39N	iris blue metallic		94-							
	39R	aventurine green metallic		94-							

Model	Year	MG	SG	Illustration	Restrictions	UPD	9:48	24.01.2010
968	1995	0	05	005-00		248		

Pos	Part Number	Description	Remark	Qty	Model
		securing liquid sealing compound preservative agent			
		securing liquid			
-	928 101 921 00	loctite -270- 10 CCM high strength		X	
-	000 043 012 00	loctite -221- 10 CCM low strength		X	
		sealing compound			
-	000 043 010 00	loctite -574- 50 CCM		X	
-	000 043 011 00	loctite -638- 10 CCM for balance shaft		X	
-	000 043 013 00	loctite adhesive remover -80646- spraying can		X	
-	AMV 176 000 05	adhesive sealing compound 310 CCM		1	
		loctite for pasting metal glass ceramics thermoset plastic adhesive set comprising:		X	
-	000 043 051 00	adhesive loctite -317- 50 CCM		X	
-	000 043 202 65	loctite AKTIVATOR NF 736 180 CCM		X	
-	000 043 019 01	sealing compound SILASTIK 730 RTV 90 CCM		X	

Model	Year	MG	SG	Illustration	Restrictions	UPD	9:48	24.01.2010
968	1995	0	05	005-00		248		

Pos	Part Number	Description	Remark	Qty	Model
-	000 043 004 00	mounting paste optimoly ht 1 90-gramme tube		X	
-	000 043 020 00	optimoly mounting paste OPTIMOLY - TA 1 100-gramme tube silver		X	
-	000 043 110 01	grease OPTITEMP PU35 1 100-gramme tube		X	
-	000 043 204 21	grease for lock cylinder spraying can preservative agent		X	
-	999 571 062 00	care kit comprising: suitcase		1	
-	999 901 013 40	liquid preservative		1	
-	999 901 014 41	cleaning agent		1	
-	999 901 015 40	polisher		1	
-	999 901 016 40	tar remover		1	
-	999 901 017 40	dashboard cleaner		1	
-	999 901 018 40	paint polish		1	
-	999 901 019 41	insect remover		1	
-	999 901 020 40	spot remover		1	
-	999 901 021 40	polishing cotton		1	
-	999 901 022 40	polishing cloth		1	
-	000 044 000 02	preservative agent 250 ML		X	
-	999 901 017 41	window cleaner summer 250 ML		X	
-	999 901 033 40	window cleaner winter 1000 ML		X	
-	999 901 036 40	car shampoo refilling bottle 1000 ML		X	

PORSCHE

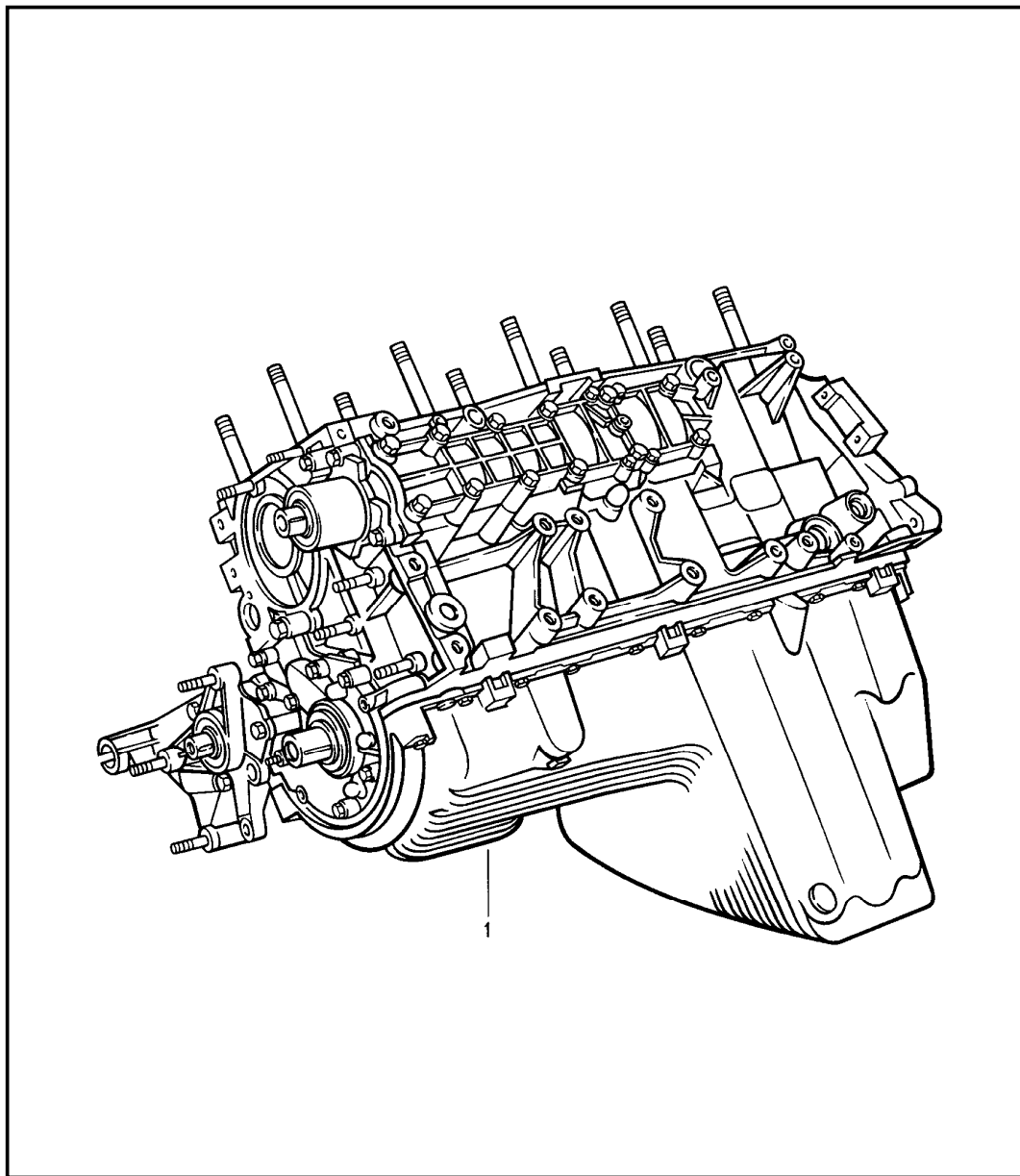
PET

PORSCHE

Model	Year	MG	SG	Illustration	Restrictions	UPD	9:48	24.01.2010
968	1995	0	05	005-00		248		

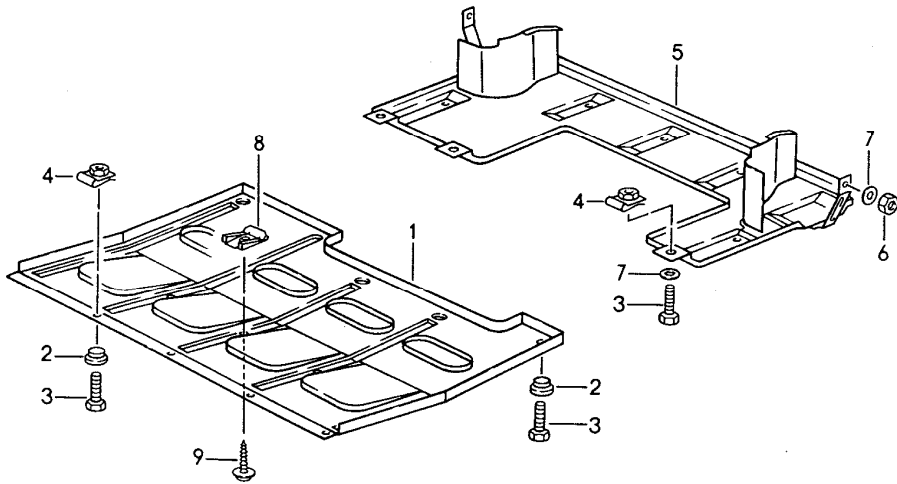
Pos	Part Number	Description	Remark	Qty	Model
-	999 917 803 00	window cleaner spray bottle 250 ML		X	
-	928 628 931 00	silicone remover 1000 ML		X	
-	999 901 030 40	rim cleaner spray bottle 500 ML		X	
-	999 901 031 40	rim cleaner refilling bottle 1000 ML		X	

Model	Year	MG	SG	Illustration	Restrictions	UPD	9:48	24.01.2010	PORSCHE	PET	PORSCHE
968	1995	1	01	101-00		248					



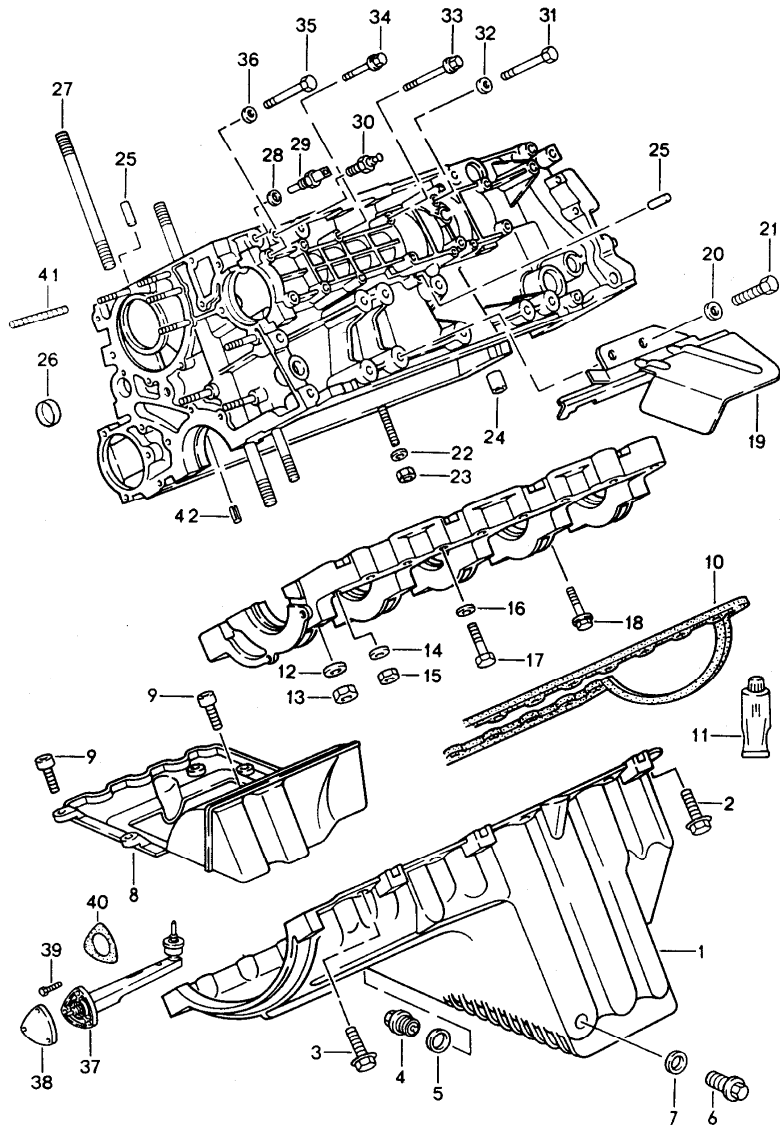
Pos	Part Number	Description	Remark	Qty	Model
		short engine			M44.43/44
1	> 944 100 902 07	short engine		1	M44.43/44

Model	Year	MG	SG	Illustration	Restrictions	UPD	9:48	24.01.2010	PORSCHE	PET	PORSCHE
968	1995	1	01	101-05		248					



Pos	Part Number	Description	Remark	Qty	Model
		protective plate			
1	944 504 167 03	protective plate		1	
2	944 503 257 00	spacer		8	
3	N 010 215 13	hexagon-head bolt M 6 X 15		11	
4	999 507 326 02	captive nut		6	
5	951 504 069 00	protective plate		1	
6	900 076 010 02	hexagon nut		2	
7	N 011 666 7	washer		5	
8	999 591 699 02	speed nut		3	
8	999 591 699 01	speed nut		3	
9	900 143 159 07	combination screw B 4,8 X 19 Z2		3	

Model	Year	MG	SG	Illustration	Restrictions	UPD	9:48	24.01.2010	PORSCHE	PET	PORSCHE
968	1995	1	01	101-10		248					

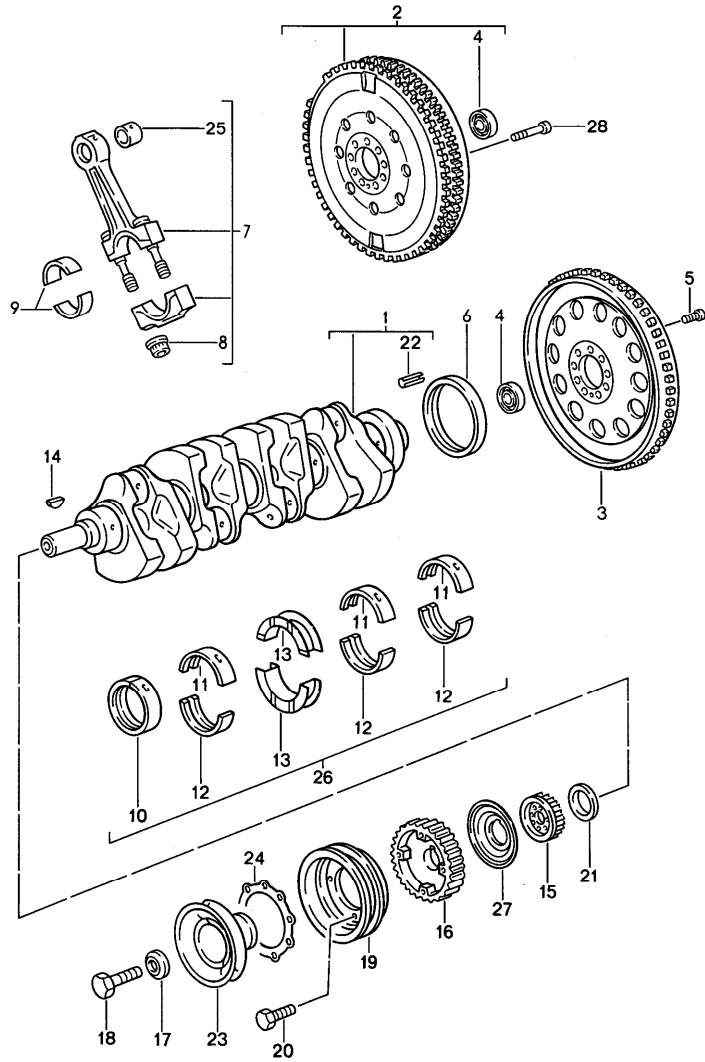


Pos	Part Number	Description	Remark	Qty	Model
		crankcase mounting parts			M44.43/44
1	944 101 204 00	oil pan		1	
2	900 075 344 02	hexagon-head bolt M 6 X 50 Z1		4	
3	900 075 341 02	combination screw M 6 X 25 Z1		18	
4	944 107 197 01	screw plug		1	
5	900 123 118 30	sealing ring		1	
6	N 016 164 1	screw plug		1	
7	900 123 049 30	sealing ring		1	
8	944 107 389 03	insert for oil sump		1	
9	900 119 001 02	pan-head screw M 5 X 12		7	
10	944 101 205 02	oil sump gasket		1	
11	000 043 019 01	sealing compound 1 tube SILASTIK 730 RTV		X	
(11)	000 043 010 00	loctite 574 1 50-g tube		1	
12	944 104 229 00	washer		10	
13	N 011 020 8	hexagon nut M 12 X 1,5		10	
14	928 101 303 00	washer		6	
15	N 011 010 13	hexagon nut M 10		7	
16	900 025 007 02	washer		7	
17	900 074 040 02	hexagon-head bolt M 8 X 50		6	
18	900 075 345 02	hexagon-head bolt M 6 X 35 Z1		5	
		M 6 X 35 Z1			
19	944 101 033 04	heat shield		1	

Model	Year	MG	SG	Illustration	Restrictions	UPD	9:48	24.01.2010	PORSCHE	PET	PORSCHE
968	1995	1	01	101-10		248					

Pos	Part Number	Description	Remark	Qty	Model	Pos	Part Number	Description	Remark	Qty	Model
20	900 025 007 02	washer A 8,4		2		39	999 074 035 02	hexagon-head bolt M 5 X 20		3	
21	900 075 085 02	hexagon-head bolt M 8 X 20		2		40	A 944 101 233 02	gasket		1	
22	N 011 524 7	washer A 6,4		1		40	944 101 233 02	gasket		1	
23	900 076 010 02	hexagon nut M 6		1		41	999 062 044 02	stud M 8 X 30 for tensioner for toothed belt		1	
24	928 101 195 03	fitting bushing		1		42	N 013 315 1	roll pin 5 X 10		1	
25	999 012 034 00	straight pin 8 X 12		4		-	999 062 258 08	stud M 10 X 55		7	
26	N 011 919 1	lid \$ 25 MM		2		-	944 101 185 05	stud		2	
(26)	N 011 920 1	lid \$ 26 MM		2		-	944 101 185 06	stud M 12 X 110		8	
27	944 101 197 03	stud		10							
28	900 123 101 30	sealing ring A 12 X 18		1							
29	944 606 125 00	temperature sensor		1							
30	928 606 201 01	remote temperature sensor		1							
31	900 074 326 08	hexagon-head bolt M 8 X 58		4							
32	999 025 141 02	washer 8,1 X 17 X 3		4							
33	900 075 344 02	hexagon-head bolt M 6 X 50 Z1		16							
34	900 075 349 02	hexagon-head bolt M 6 X 42 Z1		4							
35	900 074 139 02	hexagon-head bolt M 8 X 55		X							
36	900 025 007 02	washer A 8,4		8							
37	944 613 150 00	sender for oil level		1							
38	944 101 329 01	lid		1							

Model	Year	MG	SG	Illustration	Restrictions	UPD	9:49	24.01.2010	PORSCHE	PET	PORSCHE
968	1995	1	02	102-00		248					

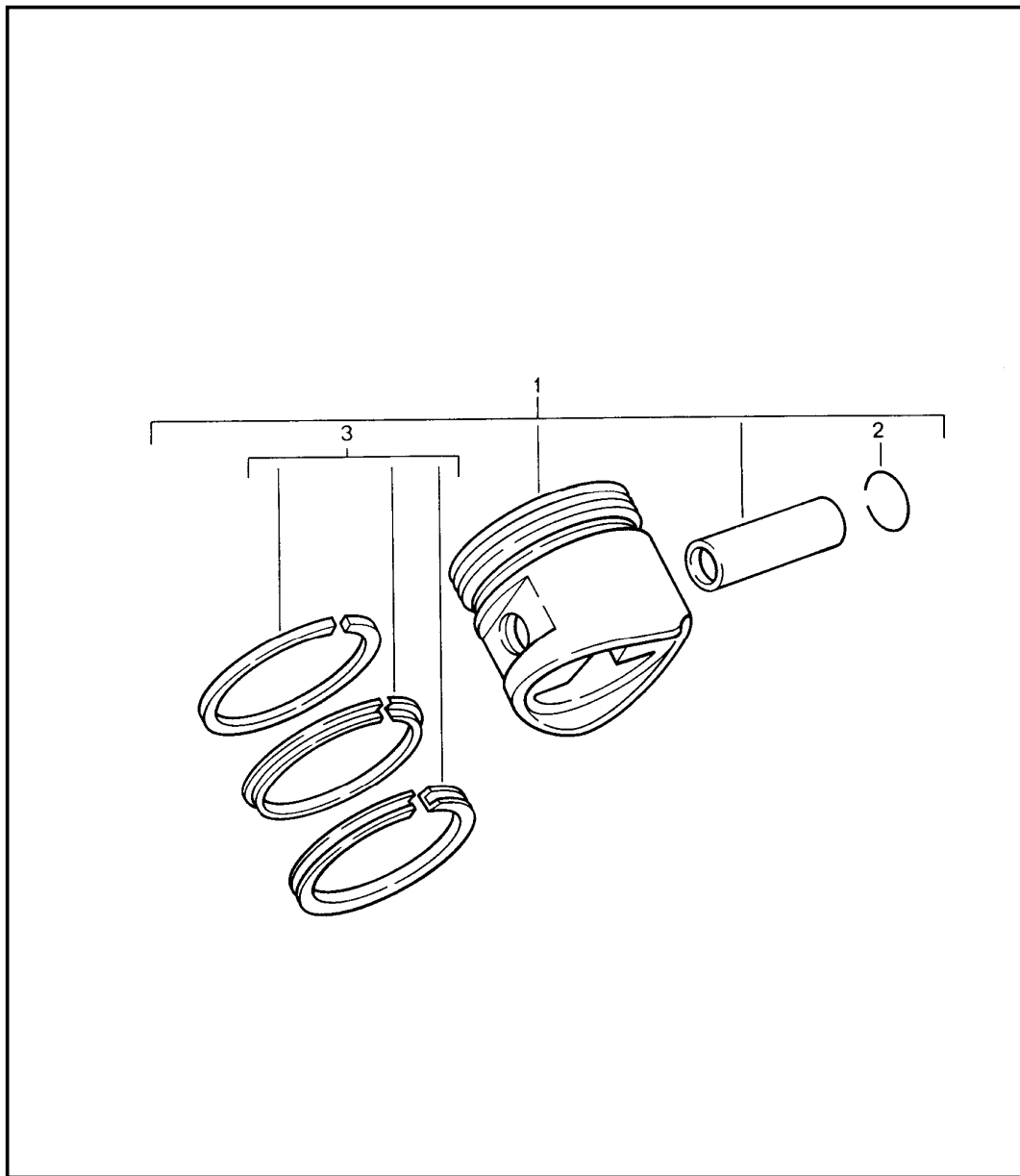


Pos	Part Number	Description	Remark	Qty	Model
		crankshaft connecting rod			M44.43/44
1	> 944 102 015 15	crankshaft		1	
1	> 944 102 901 CX	crankshaft		1	
2	944 114 012 01	double-mass flywheel		1	M44.43
3	944 102 153 06	flywheel		1	M44.44
4	931 102 111 00	deep-groove ball bearing		1	
5	930 102 206 00	pan-head screw M 10 X 1,25 X 20		9	
6	999 113 264 40	radial sealing ring		1	
7	U 944 103 008 04	connecting rod		4	
7	944 103 008 04	connecting rod		4	
8	928 103 172 02	connecting rod nut		8	
9	A 928 103 143 05	conrod bearing shell		8	
	002	yellow pieces			
9	928 103 143 15	conrod bearing shell set		4	
9	928 103 143 52	conrod bearing shell oversize 0.25 mm		X	
9	928 103 143 57	conrod bearing shell oversize 0.50 mm		X	
10	* 928 101 117 08	main bearing bush i		1	
10	* 928 101 117 58	main bearing bush i undersize 0.25 mm		X	
10	* 928 101 117 68	main bearing bush i undersize 0.50 mm		X	
11	* 928 101 115 02	main bearing shell		3	
	002	yellow			
11	* 928 101 115 50	main bearing shell undersize 0.25 mm		X	
11	* 928 101 115 60	main bearing shell undersize 0.50 mm		X	
12	* 928 101 115 03	main bearing shell		3	

Model	Year	MG	SG	Illustration	Restrictions	UPD	9:49	24.01.2010	PORSCHE	PET	PORSCHE
968	1995	1	02	102-00		248					

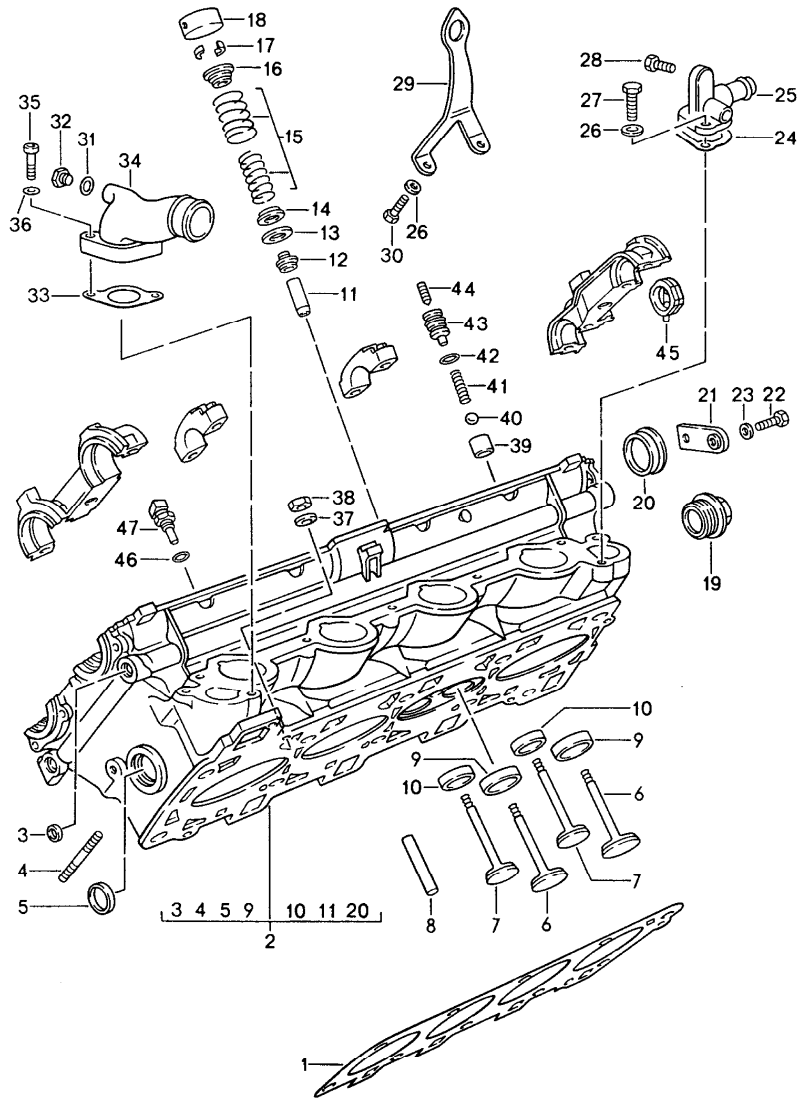
Pos	Part Number	Description	Remark	Qty	Model	Pos	Part Number	Description	Remark	Qty	Model
	002	yellow				26	* 928 101 901 62	set of crankshaft bearings 1 set undersize 0.50 mm		1	
12	* 928 101 115 51	main bearing shell undersize 0.25 mm		X		27	944 105 126 00	flange washer		1	
12	* 928 101 115 61	main bearing shell undersize 0.50 mm		X		28	999 119 017 01	pan-head screw M 10 X 1,25 X 62		9	
13	* 944 101 139 00	thrust bearing		2							
	002	yellow									
13	* 928 101 133 53	thrust bearing undersize 0.25 mm		X							
13	* 928 101 133 63	thrust bearing undersize 0.50 mm		X							
14	900 117 036 00	feather key 5 X 5 X 22		1							
15	944 105 125 07	gear wheel driving mechanism camshaft balance shaft		1							
16	944 102 209 11	gear wheel driving mechanism balance shaft		1							
17	944 102 210 02	washer		1							
18	900 082 085 02	hexagon-head bolt M 16 X 1,5 X 60		1							
19	944 102 116 12	pulley		1							
20	900 067 279 08	pan-head screw M 6 X 25		8							
21	900 234 127 00	support washer		1							
22	900 095 031 00	tensioning sleeve 6 X 16		1							
23	944 102 214 03	pulley		1							
24	944 102 124 00	packing plate		1							
25	944 103 133 02	piston pin bush		4							
26	* 944 101 901 00	set of crankshaft bearings		1							
26	* 928 101 901 52	set of crankshaft bearings 1 set undersize 0.25 mm		1							

Model	Year	MG	SG	Illustration	Restrictions	UPD	9:49	24.01.2010	PORSCHE	PET	PORSCHE
968	1995	1	02	102-05		248					



Pos	Part Number	Description	Remark	Qty	Model
		piston piston rings			M44.43/44
1	944 103 058 00	piston tolerance group 0 104,00 MM		4	
1	944 103 058 10	piston tolerance group 1 104,00 MM		4	
1	944 103 058 20	piston tolerance group 2 104,00 MM		4	
1	944 103 058 50	piston tolerance group 0 104,50 MM		4	
1	944 103 058 60	piston tolerance group 1 104,50 MM		4	
1	944 103 058 70	piston tolerance group 2 104,50 MM		4	
2	N 012 277 1	circlip		8	
3	944 103 902 60	set of piston rings 104,00 MM		4	
3	944 103 902 61	set of piston rings 104,50 MM		4	

Model	Year	MG	SG	Illustration	Restrictions	UPD	9:49	24.01.2010	PORSCHE	PET	PORSCHE
968	1995	1	03	103-00		248					

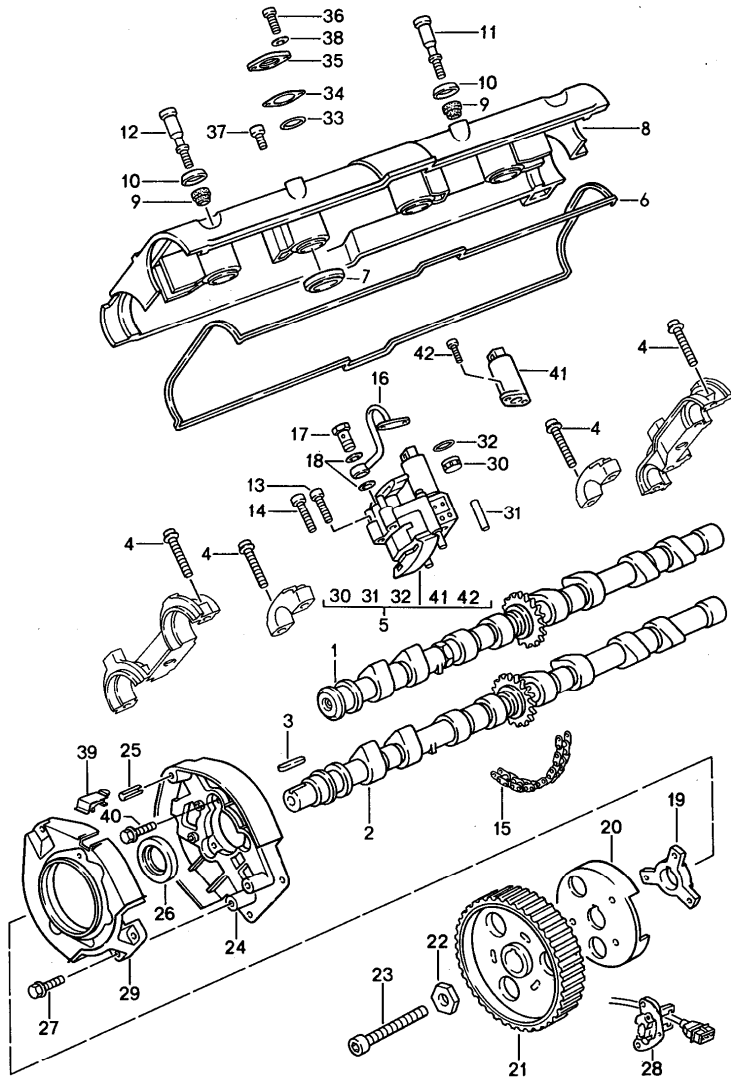


Pos	Part Number	Description	Remark	Qty	Model
		cylinder head valves			M44.43/44
1	944 104 394 04	cylinder head gasket		1	
(1)	944 104 394 51	cylinder head gasket for recon. cylinder heads		1	
2	> 944 104 054 00	cylinder head		1	
3	N 011 918 1	lid		X	
4	999 062 139 02	stud BM 8 X 26		12	
5	900 036 014 02	lid		1	
6	928 105 641 06	intake valve		8	
7	928 105 642 06	exhaust valve		8	
8	000 043 204 45	sleeve for valve stem seal		X	
9	928 104 611 18	valve seat ring intake oversize 0.25 mm		8	
10	944 104 612 11	valve seat ring exhaust oversize 0.25 mm		8	
11	944 104 327 51	valve guide exhaust 1st oversize		8	
(11)	944 104 327 52	valve guide intake 1st oversize		8	
12	928 104 601 07	valve stem seal		16	
13	944 105 465 02	washer 0,5 MM		X	
(13)	944 105 465 03	washer 1,0 MM		X	
(13)	944 105 465 04	washer 1,5 MM		X	
14	944 105 463 02	washer		16	
15	944 105 907 03	set of valve springs		16	

Model	Year	MG	SG	Illustration	Restrictions	UPD	9:49	24.01.2010	PORSCHE	PET	PORSCHE
968	1995	1	03	103-00		248					

Pos	Part Number	Description	Remark	Qty	Model	Pos	Part Number	Description	Remark	Qty	Model
15	944 105 907 07	set of valve springs		16		40	N 025 669 2	ball		1	
16	944 105 467 03	concave washer		16		41	928 104 129 00	compression spring		1	
17	928 105 221 10	valve collet		32		42	999 701 654 40	o-ring		1	
18	928 105 312 02	hydraulic valve tappet		16		43	928 104 119 01	spring guide		1	
19	944 104 228 01	screw plug		1		44	999 218 035 02	threaded pin M 6 X 20		1	
20	928 105 215 00	lid		3		(45)	928 105 262 00	pin		2	
21	928 105 205 00	support		3		46	900 123 101 30	sealing ring A 12 X 18		1	
22	900 075 016 02	hexagon-head bolt M 6 X 22		3		47	964 624 110 00	temperature sensor		1	
23	N 011 524 7	washer A 6,4		3							
24	928 106 167 01	gasket		1							
25	928 104 713 03	adapter		1							
26	900 025 007 02	washer A 8,4		7							
27	900 075 029 09	hexagon-head bolt M 8 X 25		2							
28	N 010 113 4	hexagon-head bolt		1							
29	944 104 415 01	shackle for transportation		1							
30	900 075 357 02	combination screw M 6 X 12 Z1		2							
31	N 013 830 7	sealing ring		1							
32	931 106 156 00	screw plug		1							
33	944 104 365 04	gasket		1							
34	944 104 312 03	cooling water socket		1							
35	N 014 726 1	pan-head screw M 8 X 30		2							
36	900 031 001 02	washer		2							
37	944 104 229 00	washer		10							
38	999 076 043 02	hexagon nut M 12 X 1,5		10							
39	928 104 121 00	valve seat		1							

Model	Year	MG	SG	Illustration	Restrictions	UPD	9:49	24.01.2010	PORSCHE	PET	PORSCHE
968	1995	1	03	103-05		248					

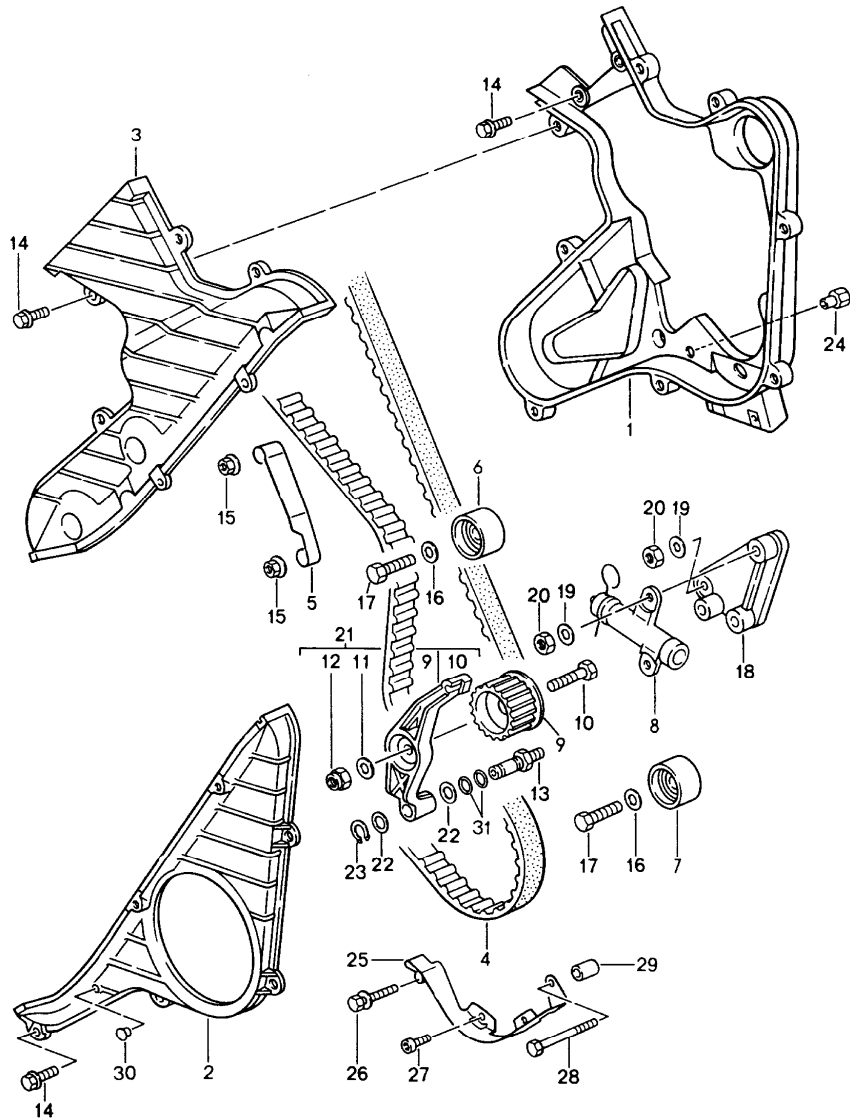


Pos	Part Number	Description	Remark	Qty	Model
		camshaft			M44.43/44
1	944 105 277 09	camshaft intake		1	
2	944 105 275 10	camshaft exhaust		1	
3	900 117 073 00	feather key		1	
4	999 510 029 02	combination screw M 8 X 40		24	
5 A	944 105 201 00	chain adjuster		1	
5 >	944 105 201 01	chain adjuster		1	
-	944 105 509 00	guide rail upper		1	
6	928 104 447 09	gasket		1	
7	928 104 443 08	sealing ring		4	
8	944 104 461 03	cylinder head cover		1	
9	928 104 115 02	thrust ring		13	
10	928 104 116 00	thrust washer		13	
11	928 104 117 01	pan-head screw long		9	
12	928 104 111 01	pan-head screw short		4	
13	N 014 744 1	pan-head screw M 6 X 32		2	
14	N 014 749 2	pan-head screw M 6 X 40		1	
15	944 105 501 05	timing chain		1	
16	944 105 167 06	pipeline		1	
17	928 105 476 00	banjo bolt		1	
18	900 123 050 30	sealing ring		2	
19	928 105 459 00	hub		1	
20	944 105 229 03	rotor trim		1	
21	944 105 545 12	camshaft timing gear		1	
22	928 105 457 02	washer		1	

Model	Year	MG	SG	Illustration	Restrictions	UPD	9:49	24.01.2010	PORSCHE	PET	PORSCHE
968	1995	1	03	103-05		248					

Pos	Part Number	Description	Remark	Qty	Model	Pos	Part Number	Description	Remark	Qty	Model
23	999 510 022 08	pan-head screw M 10 X 65		1							
24	944 105 179 08	toothed belt covering rear		1							
24	944 105 179 09	toothed belt covering rear		1							
25	999 095 103 01	roll pin		1							
26	999 113 282 40	shaft sealing ring		1							
27	999 074 031 02	hexagon-head bolt M 6 X 20 Z1		3							
28	-	hall sender see group 9/01/01									
29	944 105 189 04	toothed belt covering front		1							
30	944 105 508 00	check valve		1							
31	944 105 507 00	threaded pin		4							
32	999 701 844 40	o-ring 8 X 1,5		1							
33	999 701 693 40	o-ring 25 X 2,5		1							
34	944 104 463 02	gasket		1							
35	944 104 462 01	lid		1							
36	900 067 111 02	pan-head screw M 5 X 18		2							
37	999 703 388 00	mounting for absorber 18 X 15		2							
38	900 025 003 02	washer A 5,3		2							
39	944 105 131 01	stopper		1							
40	999 074 031 02	hexagon-head bolt M 6 X 20 Z1		3							
41	944 605 123 00	solenoid valve		1							
42	900 067 080 02	pan-head screw M 4 X 10		2							

Model	Year	MG	SG	Illustration	Restrictions	UPD	9:51	24.01.2010	PORSCHE	PET	PORSCHE
968	1995	1	03	103-10		248					

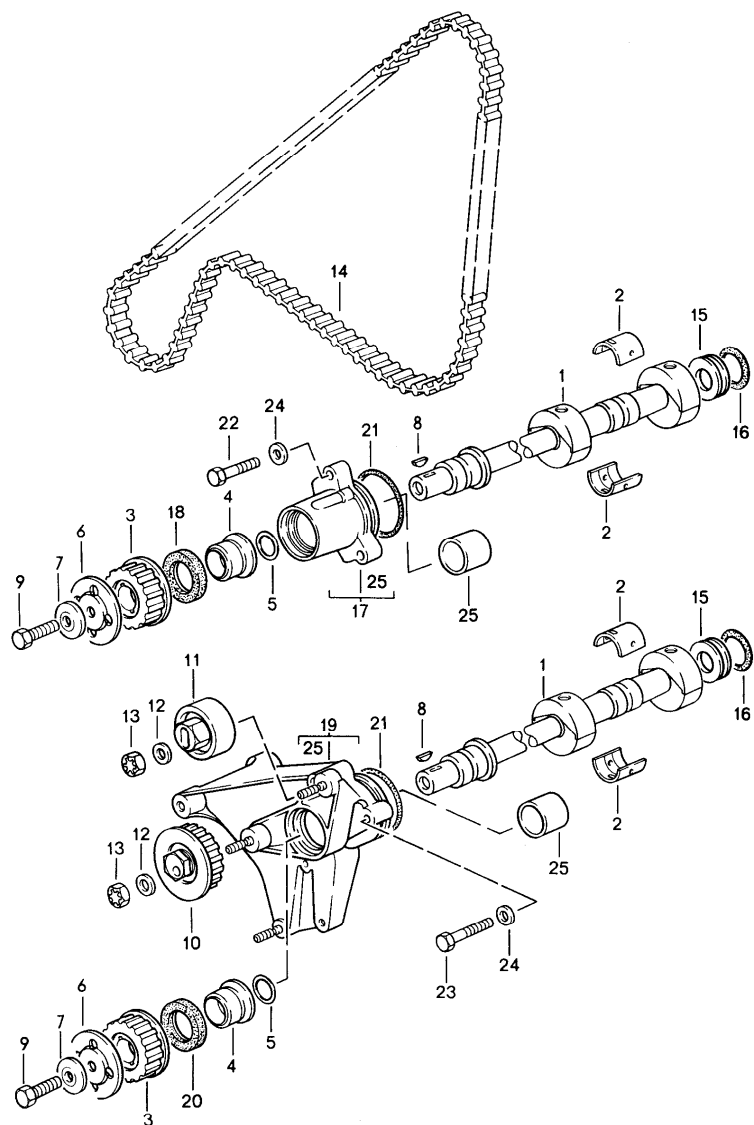


Pos	Part Number	Description	Remark	Qty	Model
		driving mechanism camshaft			M44.43/44
1	944 105 033 07	toothed belt covering		1	
2	944 105 037 01	toothed belt covering		1	
3	944 105 035 01	toothed belt covering		1	
4	944 105 323 02	toothed belt		1	
5	944 105 213 01	securing clip		1	
6	944 105 241 03	roller		1	
7	944 105 241 02	roller		1	
8	944 105 172 03	tensioner for toothed belt		1	
9	944 105 631 10	tensioning roller		1	
10	N 010 445 2	hexagon-head bolt M 10 X 45		1	
11	900 025 008 09	washer		1	
12	900 910 034 02	lock nut M 10		1	
13	944 105 170 04	bearing pin	-94	1	
13	944 105 170 04	bearing pin	95-	1	
14	900 075 357 02	combination screw M 6 X 12 Z1		11	
15	999 084 092 02	lock nut		2	
16	900 025 008 09	washer A 10,5		2	
17	900 075 043 02	hexagon-head bolt M 10 X 30		2	
18	944 105 173 08	bracket		1	
19	900 025 007 02	washer A 8,4		3	
20	900 076 025 02	hexagon nut M 8		3	
21	944 105 074 06	tensioner for toothed belt		1	
22	900 234 182 02	shim 14 X 20 X 0,5		2	

Model	Year	MG	SG	Illustration	Restrictions	UPD	9:51	24.01.2010	PORSCHE	PET	PORSCHE
968	1995	1	03	103-10		248					

Pos	Part Number	Description	Remark	Qty	Model	Pos	Part Number	Description	Remark	Qty	Model
23	900 041 023 01	circlip 14 X 1		1							
24	944 102 249 00	spacer		3							
25	944 102 245 01	guide rail		1							
26	900 075 349 02	hexagon-head bolt M 6 X 42 Z1		1							
27	N 014 761 2	pan-head screw M 6 X 12 M 6 X 12		2							
28	900 074 164 02	hexagon-head bolt M 6 X 70		1							
29	944 102 247 00	spacer sleeve		1							
30	999 703 164 40	stopper		1							
31	999 707 078 40	o-ring 12 X 1,5		2							

Model	Year	MG	SG	Illustration	Restrictions	UPD	9:52	24.01.2010	PORSCHE	PET	PORSCHE
968	1995	1	03	103-15		248					

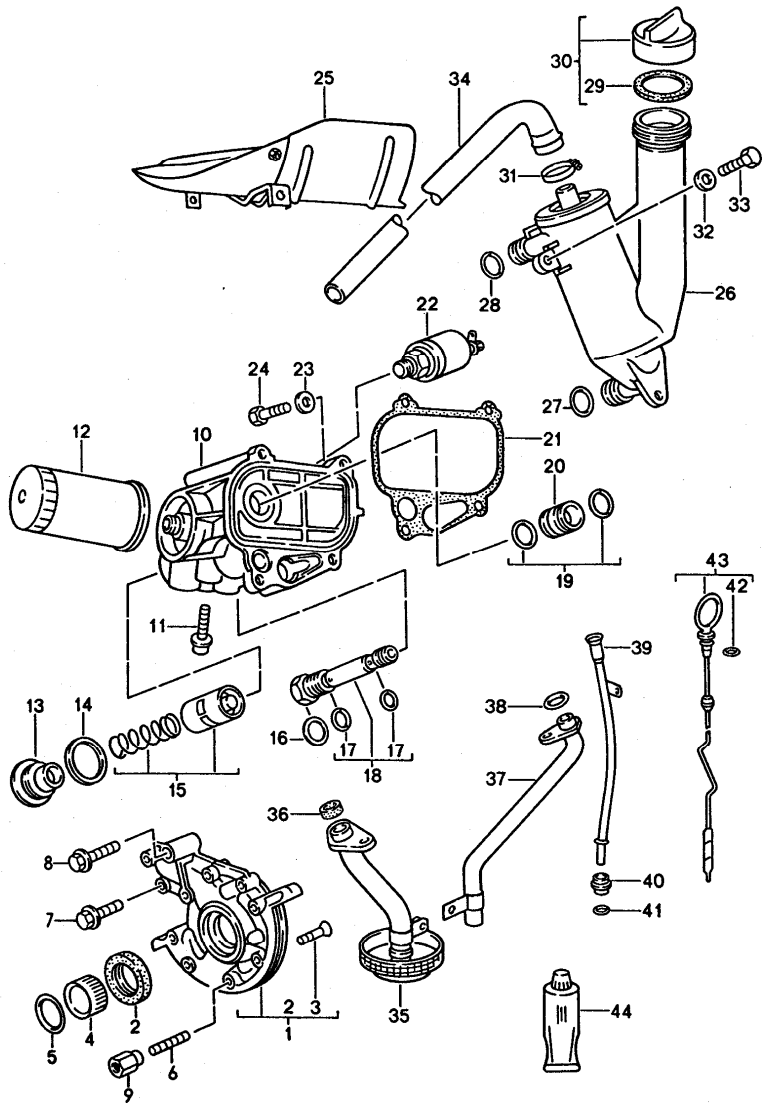


Pos	Part Number	Description	Remark	Qty	Model
		driving mechanism balance shaft			M44.43/44
1	944 102 923 00	balance shaft		2	
2	944 101 121 10	bearing shell		4	
3	944 102 205 04	gear wheel		2	
4	928 105 139 02	spacer sleeve		2	
5	944 105 321 00	gasket		2	
6	944 102 281 04	flange washer		2	
7	944 102 213 00	washer		2	
8	N 012 708 2	woodruff key		2	
9	N 010 275 3	hexagon-head bolt M 10 X 35		2	
10	944 102 025 07	tensioning roller		1	
11	944 102 277 06	roller		1	
12	N 011 527 12	washer A 10,5		2	
13	N 022 149 2	lock nut M 10		2	
14	944 102 219 04	toothed belt technical information group 1 NR.15/95 attention		1	
15	944 101 145 03	locking ring		2	
16	999 701 875 40	round seal		2	
17	944 101 045 01	bearing case	/L	1	
18	999 113 425 40	shaft sealing ring 30 X 47 X 7	/L	1	
19	944 101 042 03	bearing case	/R	1	
20	999 113 424 40	shaft sealing ring 30 X 48 X 7	/R	1	
21	999 701 652 40	o-ring 56,7 X 3,53		2	
22	N 010 335 5	hexagon-head bolt M 8 X 35		3	

Model	Year	MG	SG	Illustration	Restrictions	UPD	9:52	24.01.2010	PORSCHE	PET	PORSCHE
968	1995	1	03	103-15		248					

Pos	Part Number	Description	Remark	Qty	Model	Pos	Part Number	Description	Remark	Qty	Model
23	N 010 360 6	hexagon-head bolt M 8 X 60		2							
(23)	N 014 715 3	pan-head screw M 8 X 45		1							
24	900 025 007 02	washer A 8,4		6							
25	944 101 125 02	bearing sleeve		2							
(25)	944 101 125 50	bearing sleeve 0,5 MM oversize		2							

Model	Year	MG	SG	Illustration	Restrictions	UPD	9:52	24.01.2010	PORSCHE	PET	PORSCHE
968	1995	1	04	104-00		248					

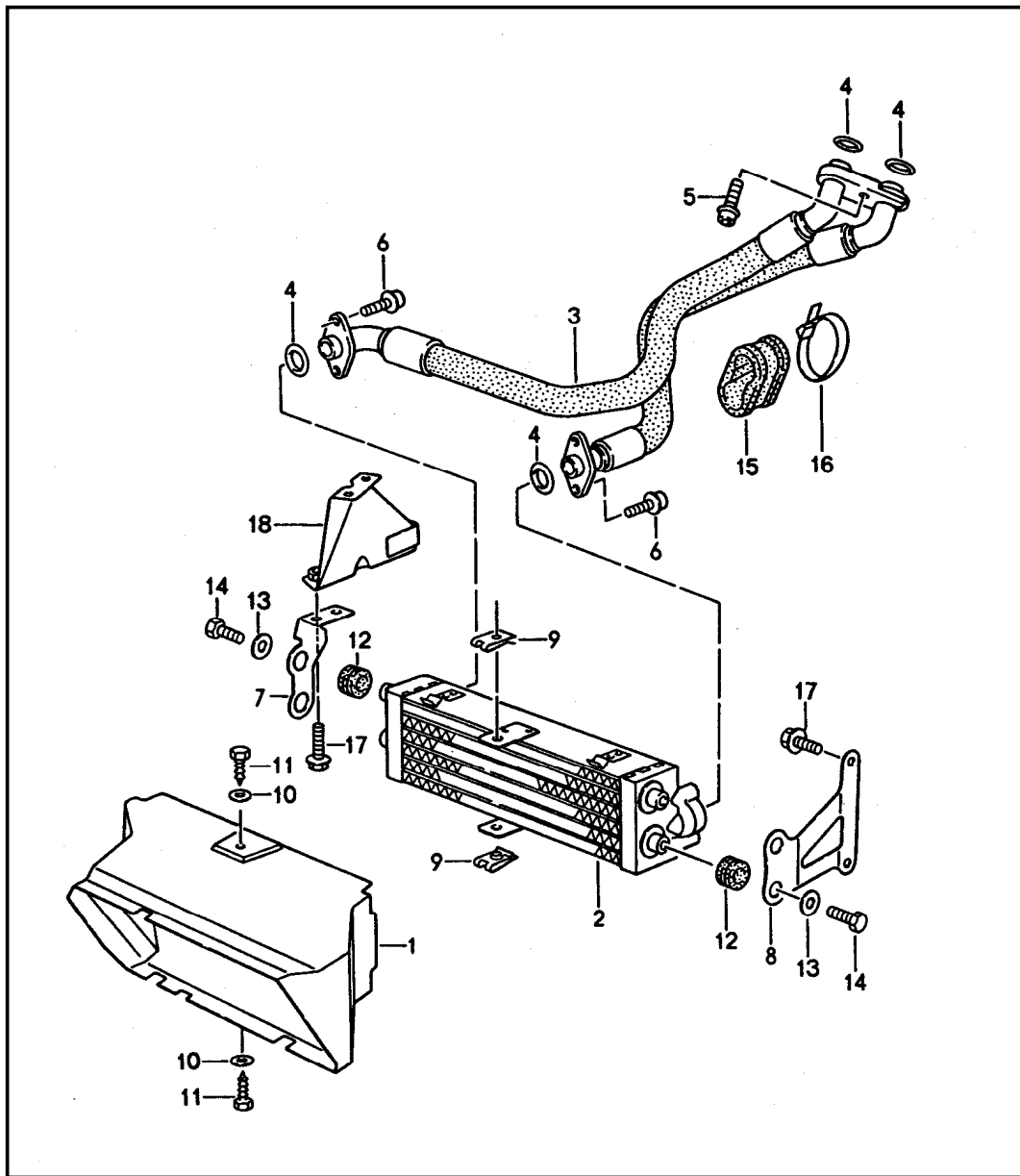


Pos	Part Number	Description	Remark	Qty	Model
		engine lubrication			M44.43/44
1	944 107 014 11	oil pump		1	
2	999 113 331 40	shaft sealing ring 38 X 52 X 7		1	
3	900 249 017 02	countersunk-head screw M 6 X 25		2	
4	944 107 161 02	toothed sleeve		1	
5	999 707 283 40	round seal 28 X 2,5		1	
6	999 062 123 02	stud M 6 X 45		3	
7	900 075 345 02	hexagon-head bolt M 6 X 35		4	
8	900 074 317 02	hexagon-head bolt M 10 X 45 Z1		1	
9	944 102 249 00	spacer		3	
10	944 107 056 00	thermostat housing		1	
11	N 090 378 1	pan-head screw M 8 X 25 Z1		1	
12	944 107 201 08	oil filter		1	
13	951 107 153 01	screw plug		1	
14	900 123 136 30	sealing ring A 42 X 49		1	
15	951 107 155 01	thermostat		1	
16	N 043 815 3	sealing ring A 20 X 24		1	
17	999 707 144 40	sealing ring		2	
18	944 107 035 02	relief valve		1	
19	999 707 043 40	o-ring		2	
20	951 107 152 03	connection piece		1	
21	944 107 147 03	gasket		1	
22	928 606 203 01	oil pressure sender		1	

Model	Year	MG	SG	Illustration	Restrictions	UPD	9:52	24.01.2010	PORSCHE	PET	PORSCHE
968	1995	1	04	104-00		248					

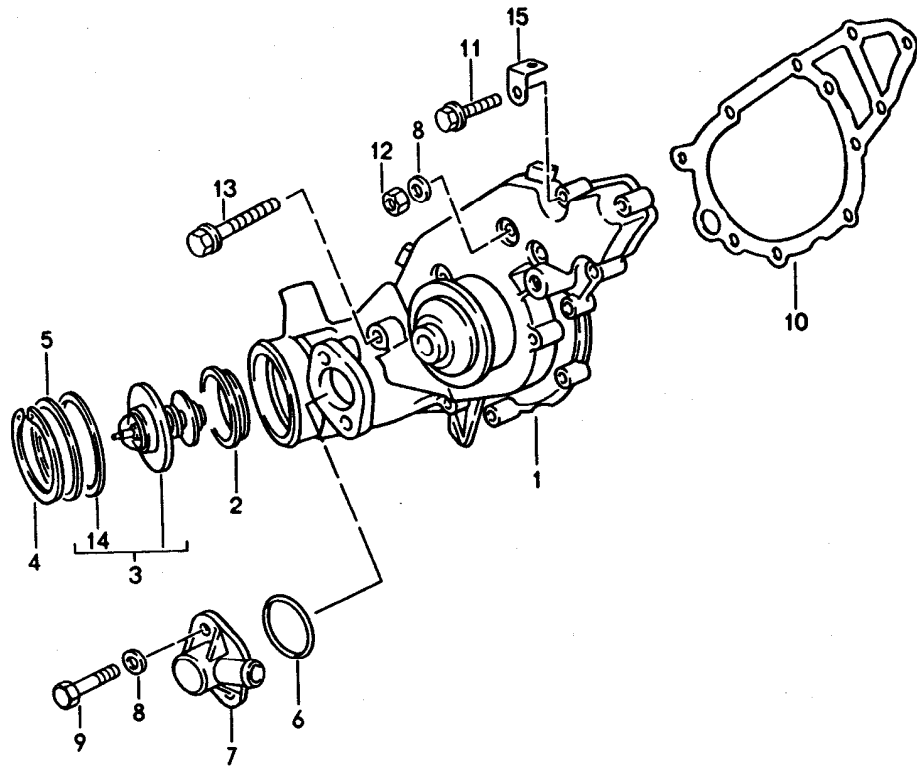
Pos	Part Number	Description	Remark	Qty	Model	Pos	Part Number	Description	Remark	Qty	Model
23	900 232 004 02	washer		4							
24	900 075 029 09	hexagon-head bolt M 8 X 25		4							
25	944 107 053 04	cover plate		1							
26	944 107 180 11	oil separator		1							
27	999 707 192 40	round seal 24 X 5		1							
28	999 707 191 40	round seal 20 X 5		1							
29	999 701 846 40	o-ring 4,00 X 45,00		1							
30	944 107 091 01	oil filler cover		1							
31	999 512 252 02	hose clamp		1							
32	900 025 007 02	washer A 8.4		3							
33	900 075 029 09	hexagon-head bolt M 8 X 25		3							
34	944 107 311 06	moulded hose		1							
35	944 107 032 07	suction tube		1							
36	944 107 136 03	sealing ring		1							
37	944 107 052 01	return pipe		1							
38	999 707 079 40	o-ring 20 X 1,3		1							
39	944 101 024 09	guide tube		1							
40	944 107 329 00	spacer sleeve		1							
41	900 174 044 40	round seal		1							
42	900 331 013 40	o-ring 6,7 X 1,8		1							
43	944 107 025 01	oil level dipstick		1							
44	000 043 010 00	loctite -574- 50 ML		1							
44	000 043 124 00	loctite ACTIVATOR N -764- 120 ML		1							

Model	Year	MG	SG	Illustration	Restrictions	UPD	9:52	24.01.2010	PORSCHE	PET	PORSCHE
968	1995	1	04	104-05		248					



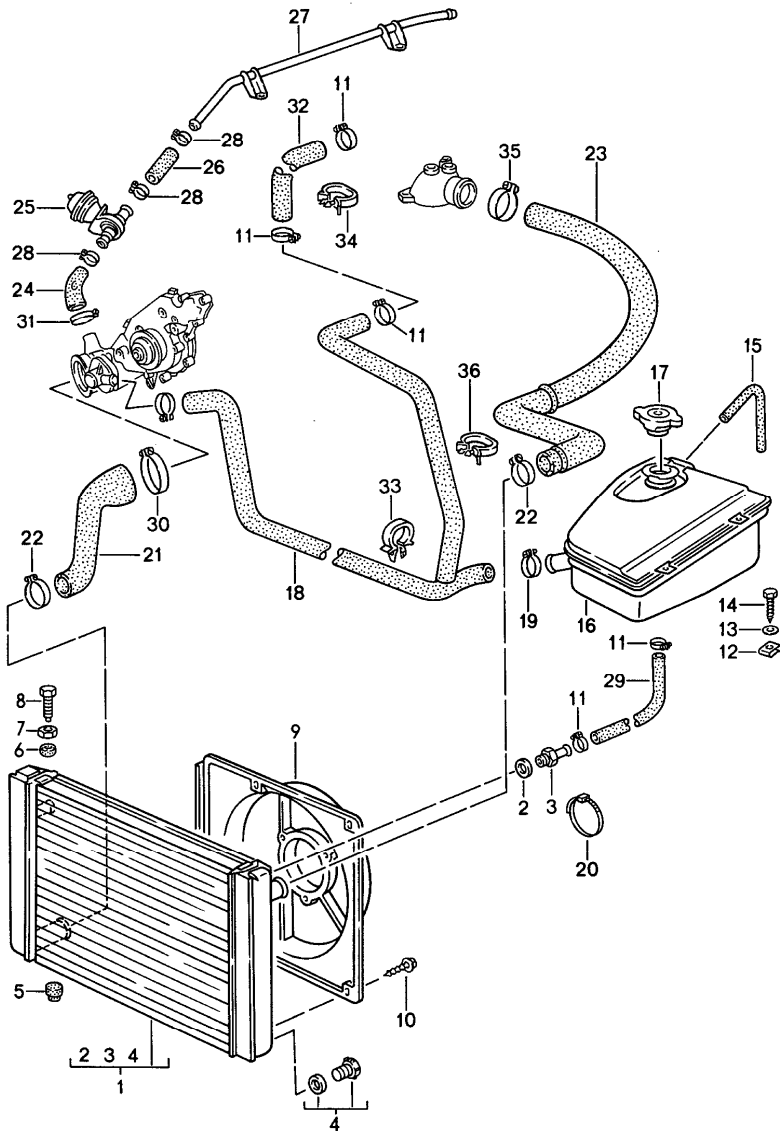
Pos	Part Number	Description	Remark	Qty	Model
		oil cooling			M44.43/44
1	944 207 311 02	air duct		1	
2	944 207 309 01	oil cooler		1	
3	944 207 011 04	oil pipe		1	
4	900 331 022 40	o-ring		4	
5	N 090 378 1	pan-head screw M 8 X 25 Z1		1	
6	900 067 009 02	pan-head screw M 6 X 15		4	
7	944 207 315 02	support		1	
8	944 207 317 00	support		1	
9	999 591 489 02	speed nut		2	
9	999 591 489 01	speed nut		2	
10	N 011 665 3	washer		2	
11	N 013 884 4	tapping screw		2	
12	056 129 669 B	grommet		4	
13	N 011 612 3	washer		4	
14	999 072 005 09	hexagon-head bolt		4	
15	930 207 265 00	rubber mounting		1	
16	N 020 906 3	tie-wrap		1	
17	900 075 374 02	combination screw M 6 X 14 Z2		6	
18	944 504 509 00	support		1	

Model	Year	MG	SG	Illustration	Restrictions	UPD	9:52	24.01.2010	PORSCHE	PET	PORSCHE
968	1995	1	05	105-00		248					



Pos	Part Number	Description	Remark	Qty	Model
		water pump			M44.43/44
1	> 944 106 003 00	water pump		1	
2	951 106 155 00	sealing ring		1	
3	944 106 019 00	thermostat		1	
4	900 042 025 01	circlip 55 X 2		1	
5	900 234 160 00	shim		1	
6	999 707 283 40	round seal 28 X 2,5		1	
7	951 106 313 00	housing black		1	
8	N 011 524 7	washer A 6,4		4	
9	900 067 207 02	hexagon-head bolt M 6 X 20 Z1		2	
10	944 106 132 12	gasket without asbestos		1	
11	900 075 345 02	hexagon-head bolt M 6 X 35 Z1		4	
11	900 075 345 01	hexagon-head bolt M 6 X 35 Z1		4	
(11)	900 075 346 02	hexagon-head bolt M 6 X 40 Z1		2	
12	900 076 010 02	hexagon nut M 6		4	
13	900 074 302 02	hexagon-head bolt M 6 X 70 Z1		1	
13	900 074 302 01	hexagon-head bolt M 6 X 70 Z1		1	
14	944 106 929 08	sealing ring		1	
15	477 971 881 A	retaining bracket		1	

Model	Year	MG	SG	Illustration	Restrictions	UPD	9:52	24.01.2010	PORSCHE	PET	PORSCHE
968	1995	1	05	105-05		248					

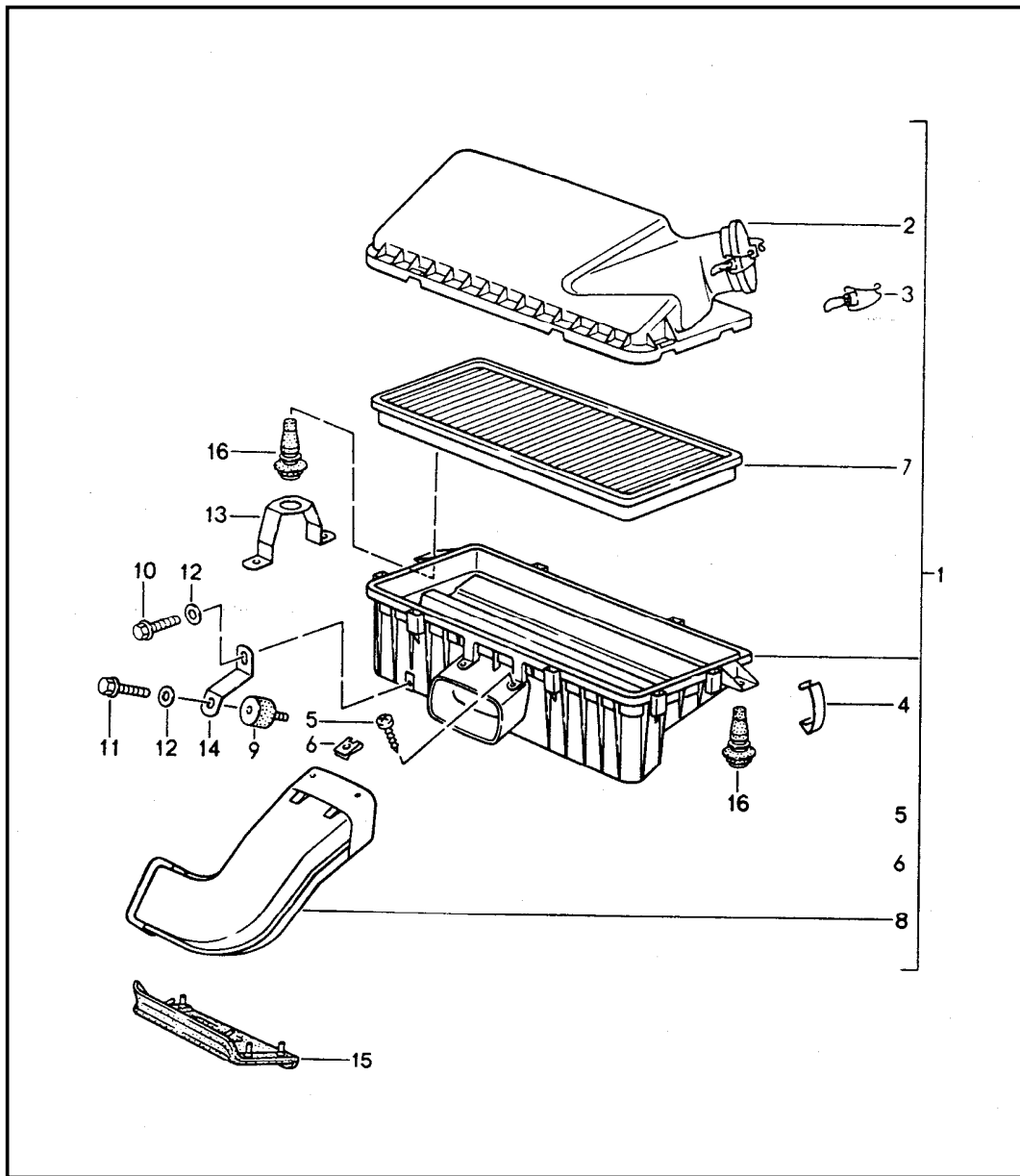


Pos	Part Number	Description	Remark	Qty	Model
		water cooling			M44.43/44
1	951 106 031 05	radiator		1	M44.43
1	951 106 031 06	radiator	AUT.	1	M44.44
2	944 106 928 00	sealing ring		1	
3	944 106 927 00	screw socket		1	
4	944 106 353 01	screw plug		1	
5	951 106 107 00	rubber mounting		2	
6	951 106 053 00	rubber mounting		2	
7	N 011 118 11	hexagon nut		2	
8	900 069 006 02	threaded pin		2	
9	944 106 141 02	airscoop		1	968 CS
(9)	951 106 143 00	airscoop		1	968
10	900 187 111 02	combination screw 6,3 X 12		6	
10	900 187 111 01	combination screw 6,3 X 12		6	
11	900 272 002 02	hose clamp 10 - 16		2	
12	477 955 461	speed nut		2	
13	N 011 524 7	washer A 6,4		6	
14	N 090 172 1	combination screw 6,3 X 19		2	
15	944 106 251 00	water hose		1	
16	944 106 125 08	expansion tank		1	
17	944 106 257 00	lid		1	
18	944 106 217 05	water hose	92	1	
18	944 106 217 05	water hose	93-	1	
19	999 512 392 00	hose clamp		4	
20	999 513 003 40	tie-wrap		4	
21	951 106 237 04	water hose		1	

Model	Year	MG	SG	Illustration	Restrictions	UPD	9:52	24.01.2010	PORSCHE	PET	PORSCHE
968	1995	1	05	105-05		248					

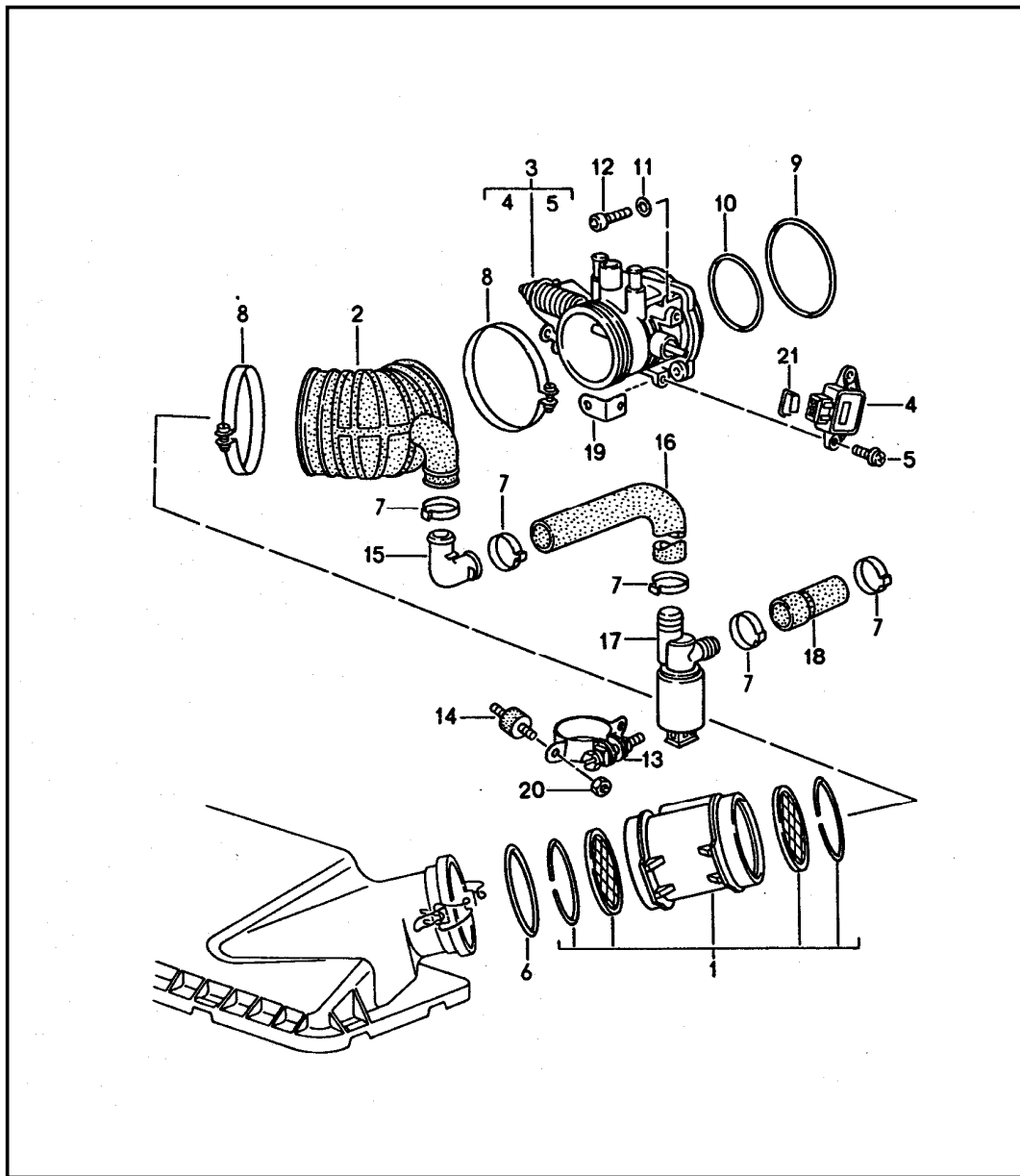
Pos	Part Number	Description	Remark	Qty	Model	Pos	Part Number	Description	Remark	Qty	Model
22	999 512 500 00	hose clamp 32 - 50		5							
23	U 944 106 239 11	water hose		1							
23	944 106 239 11	water hose		1							
24	944 106 241 04	water hose		1							
25	928 574 573 03	disc valve		1							
26	944 106 253 01	water hose		1							
27	944 106 243 09	cooling water tube		1							
28	999 512 391 00	hose clamp 16 - 25		3							
29	951 106 249 01	water hose		1							
30	999 512 390 00	hose clamp 60 - 80		1							
31	999 512 421 02	hose clamp 23 - 35		1							
32	944 106 236 04	water hose		1							
33	321 971 847 A	clip		1							
34	171 971 847 A	clip		1							
35	999 512 384 02	hose clamp 25 - 40		3							
36	321 971 847 B	clip		1							

Model	Year	MG	SG	Illustration	Restrictions	UPD	9:52	24.01.2010	PORSCHE	PET	PORSCHE
968	1995	1	06	106-00		248					



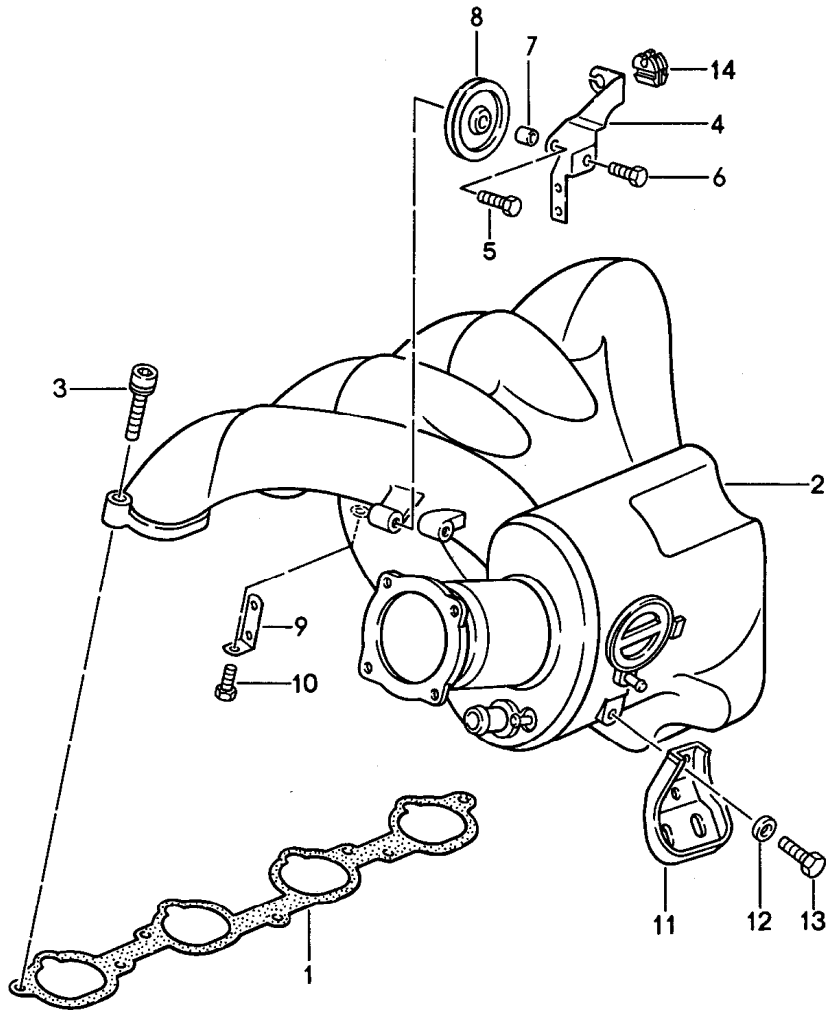
Pos	Part Number	Description	Remark	Qty	Model
		air cleaner			M44.43/44
1	944 110 016 10	air cleaner		1	
2	944 110 016 51	air cleaner cover		1	
3	944 110 116 03	retaining clip		2	
4	944 110 116 02	clamp		4	
5	900 143 152 07	combination screw		2	
6	999 507 030 02	speed nut		2	
7	944 110 166 10	air cleaner cartridge		1	
8	944 110 016 71	intake manifold		1	
9	999 703 315 00	bonded rubber buffer		1	
10	900 075 221 02	pan-head screw		1	
11	900 075 363 02	hexagon-head bolt		1	
12	N 011 666 7	washer		2	
13	944 110 334 04	support		1	
14	944 110 333 02	support		1	
15	944 504 532 00	sealing ring		1	
16	944 110 326 00	rubber mounting		2	

Model	Year	MG	SG	Illustration	Restrictions	UPD	9:53	24.01.2010	PORSCHE	PET	PORSCHE
968	1995	1	07	107-00		248					



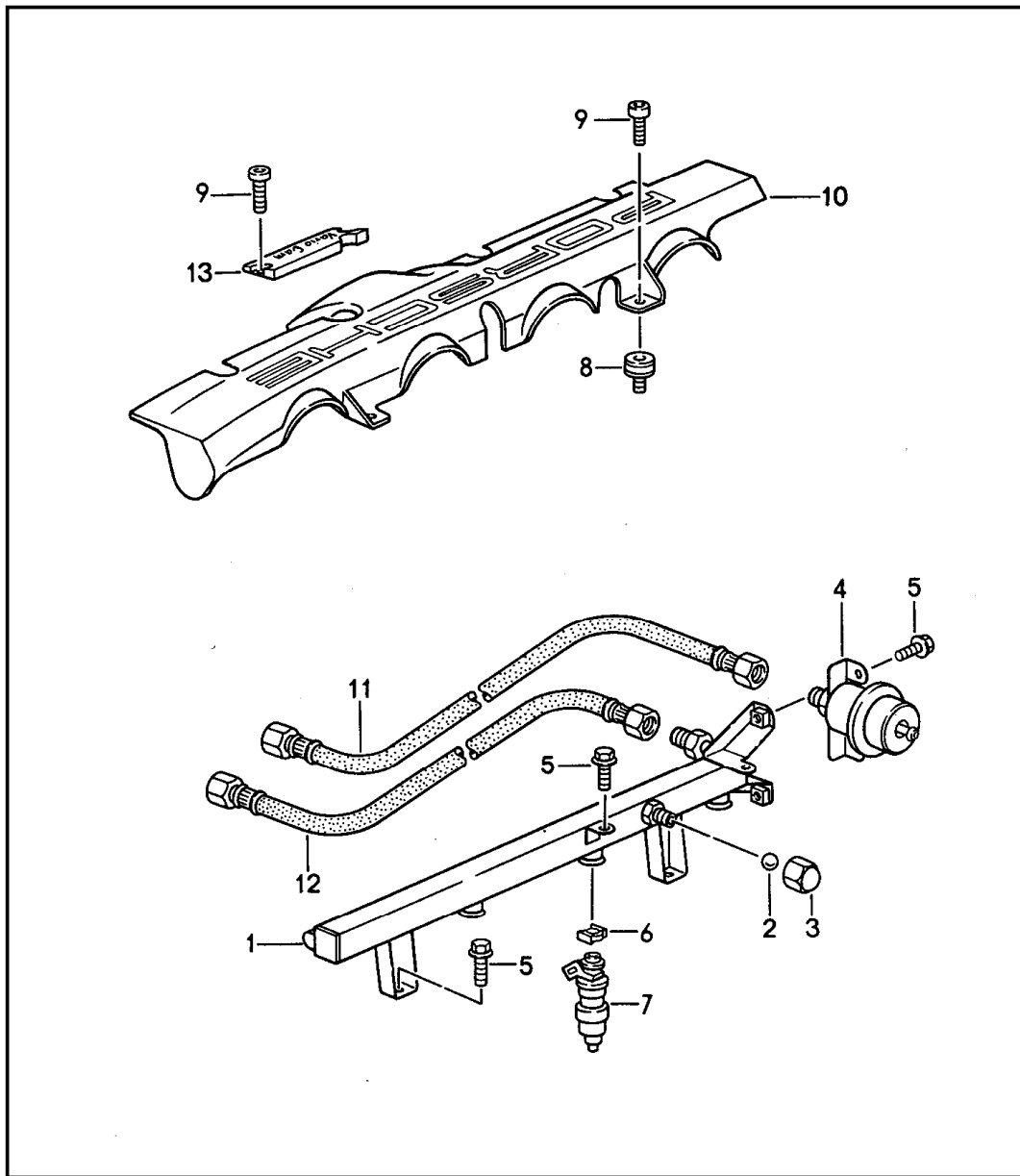
Pos	Part Number	Description	Remark	Qty	Model
		lh-jetronic 1			M44.43/44
1	> 951 606 125 02	mass air flow meter		1	
2	944 110 308 02	air box		1	
3	944 110 025 03	throttle body		1	
4	944 606 116 00	throttle-valve switch		1	
5	900 146 120 02	screw M 4 X 10 Z1		2	
6	999 707 206 40	o-ring		1	
7	999 512 455 00	hose clamp		5	
8	999 512 351 02	hose clamp 70 - 90		2	
9	999 707 036 40	round seal 82 X 2,5		1	
10	999 701 331 40	round seal 65 X 3		1	
11	N 011 524 7	washer A 6,4		4	
12	900 067 089 02	pan-head screw M 6 X 25		4	
13	944 110 147 01	clamp with bracket		1	
14	999 703 396 00	bonded rubber buffer		2	
15	944 110 212 01	connecting piece		1	
16	944 110 235 03	connecting hose		1	
17	944 606 161 01	idle-speed adjuster		1	
18	944 110 214 06	moulded hose		1	
19	477 971 881 A	retaining bracket		1	
20	900 076 010 02	hexagon nut M 6		2	
21	944 606 118 00	safety clip		1	

Model	Year	MG	SG	Illustration	Restrictions	UPD	9:53	24.01.2010	PORSCHE	PET	PORSCHE
968	1995	1	07	107-05		248					



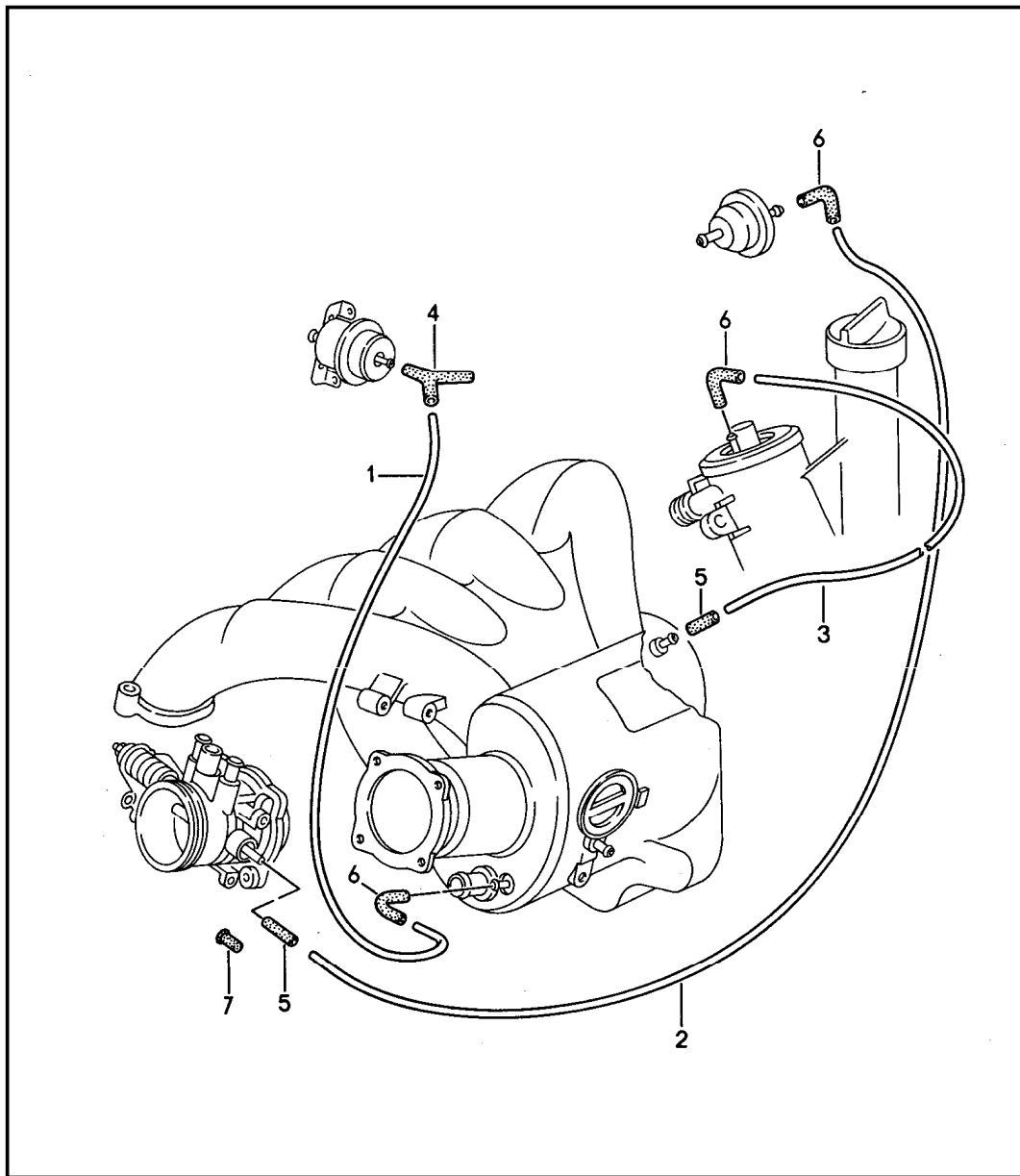
Pos	Part Number	Description	Remark	Qty	Model
		lh-jetronic 2			M44.43/44
1	944 110 305 12	gasket without asbestos		1	
2	944 110 035 04	intake manifold		1	
3	999 067 035 02	pan-head screw M 8 X 35		7	
4	944 110 224 04	support		1	
5	900 075 016 02	hexagon-head bolt M 6 X 22		1	
6	N 040 268 1	hexagon-head bolt M 6 X 14		1	
7	944 110 220 00	bush		1	
8	944 110 222 01	deflection roller		1	
9	944 107 267 00	retaining bracket		1	
10	900 075 357 02	combination screw M 6 X 12 Z1		1	
11	944 110 164 04	bracket		1	
12	900 223 001 02	washer 8,4		3	
13	900 075 079 02	hexagon-head bolt M 8 X 22		3	
14	964 423 435 00	clip		1	

Model	Year	MG	SG	Illustration	Restrictions	UPD	9:53	24.01.2010	PORSCHE	PET	PORSCHE
968	1995	1	07	107-10		248					



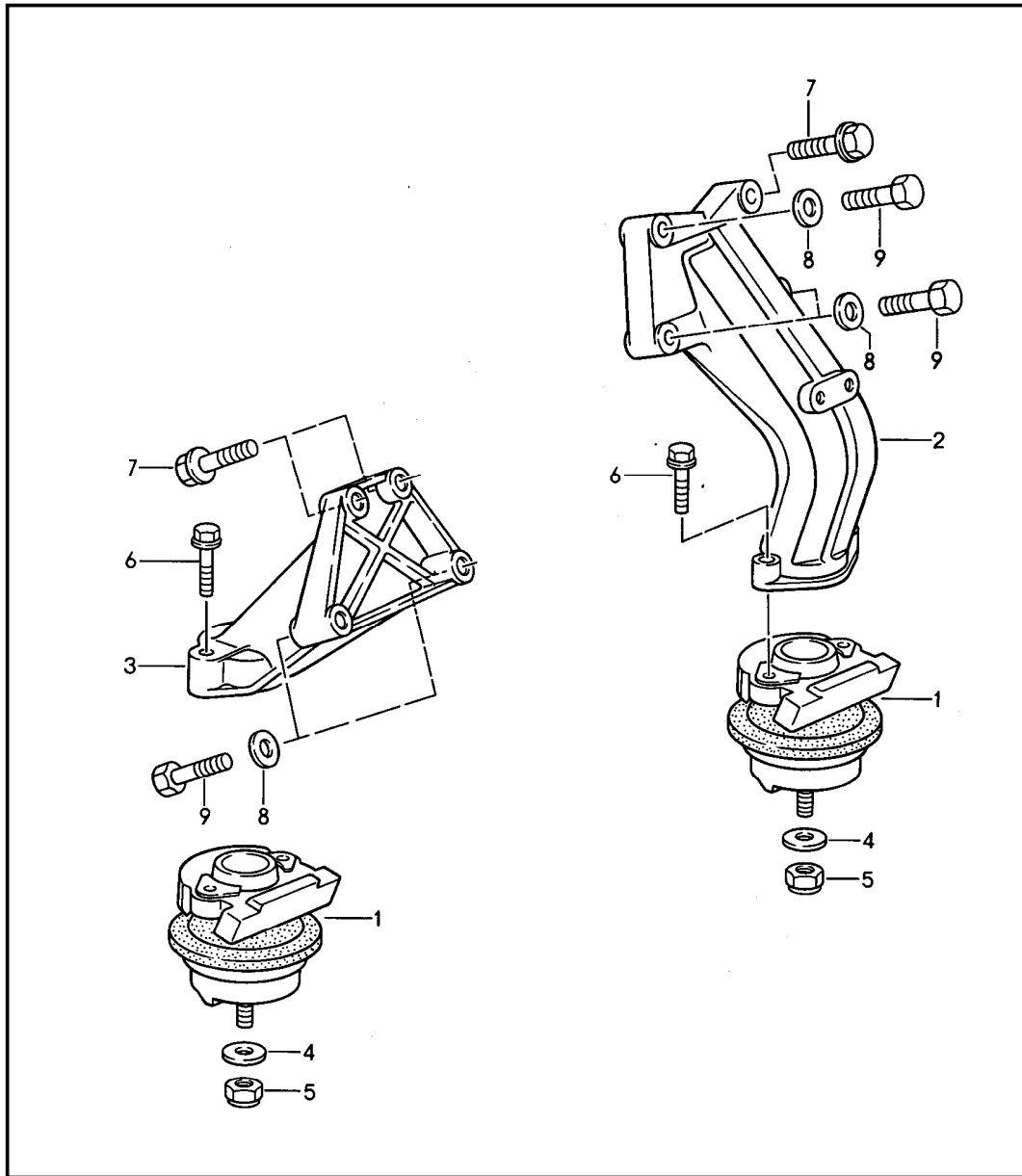
Pos	Part Number	Description	Remark	Qty	Model
		lh-jetronic 3			M44.43/44
1	A 944 110 080 19	fuel collection pipe		1	
1	944 110 080 19	fuel collection pipe		1	
2	900 108 022 00	ball		1	
3	A 928 110 475 01	cap nut		1	
3	928 110 475 03	cap nut		1	
4	944 110 198 06	pressure regulator		1	
5	900 075 357 02	combination screw M 6 X 12 Z1		6	
6	930 110 388 00	retaining clip		4	
7	944 606 130 00	injector valve		4	
8	999 703 388 00	mounting for absorber 18 X 15 M 5		4	
9	900 067 051 02	pan-head screw M 5 X 10		4	
10	944 110 380 01	cover		1	
11	944 356 027 15	return line		1	
12	944 356 029 13	feed line		1	
13	944 104 464 00	cover		1	
14	944 110 901 01	o-ring		2	

Model	Year	MG	SG	Illustration	Restrictions	UPD	9:53	24.01.2010	PORSCHE	PET	PORSCHE
968	1995	1	07	107-15		248					



Pos	Part Number	Description	Remark	Qty	Model
		lh-jetronic 4			M44.43/44
-	N 020 139 11	pipe 4 X 1		*	
1	-	500 MM		1	
2	-	720 MM		1	
3	-	175 MM		1	
4	928 573 727 03	y-piece		1	
5	928 574 747 03	connecting piece		2	
6	928 574 717 03	protective tube		3	
7	930 110 292 00	stopper		1	M150

Model	Year	MG	SG	Illustration	Restrictions	UPD	9:53	24.01.2010	PORSCHE	PET	PORSCHE
968	1995	1	09	109-00		248					



Pos	Part Number	Description	Remark	Qty	Model
		engine suspension			M44.43/44
1	951 375 042 04	hydraulic mount		2	
1	951 375 042 07	hydraulic mount		2	TIPTRONIC
2	944 375 123 06	engine carrier	/L	1	
3	944 375 124 02	engine carrier	/R	1	
4	477 407 425	washer 30 X 5		2	
5	N 022 149 2	lock nut VM 10		2	
6	900 378 015 02	hexagon-head bolt M 8 X 35 Z1		4	
7	900 074 317 02	hexagon-head bolt M 10 X 45 Z1		3	
8	900 025 008 09	washer A 10,5		5	
9	900 074 063 02	hexagon-head bolt M 10 X 55		5	

Model	Year	MG	SG	Illustration	Restrictions	UPD	9:54	24.01.2010
968	1995	1	98	198-00R		248		

Pos	Part Number	Description	Remark	Qty	Model
		repair kits maintenance set gasket set			M44.43/44
>>	>>944 100 901 07	gasket set for crankcase comprising:		1	
-	999 701 875 40	round seal		2	
-	999 113 282 40	shaft sealing ring		1	
-	999 113 424 40	shaft sealing ring		1	
-	999 113 425 40	shaft sealing ring		1	
-	999 701 652 40	o-ring		2	
-	944 101 205 02	oil sump gasket		1	
-	N 043 815 3	sealing ring		2	
-	999 113 264 40	radial sealing ring		1	
-	944 105 321 00	gasket		2	
-	944 106 132 12	gasket		1	
-	999 113 331 40	shaft sealing ring		1	
-	999 707 283 40	round seal		1	
-	944 107 136 03	sealing ring		1	
-	900 123 106 30	sealing ring		1	
-	999 707 043 40	o-ring		2	
-	944 107 147 03	gasket		1	
-	999 701 693 40	o-ring		2	
-	900 123 101 30	sealing ring		1	
-	900 123 118 30	sealing ring		1	
-	951 107 241 02	sealing ring		1	
-	900 123 007 30	sealing ring		1	
>>	>>944 101 901 00	set of crankshaft bearings comprising:		1	
-	928 101 117 08	main bearing bush i		1	
-	928 101 115 02	main bearing shell		3	
	002	yellow lower			

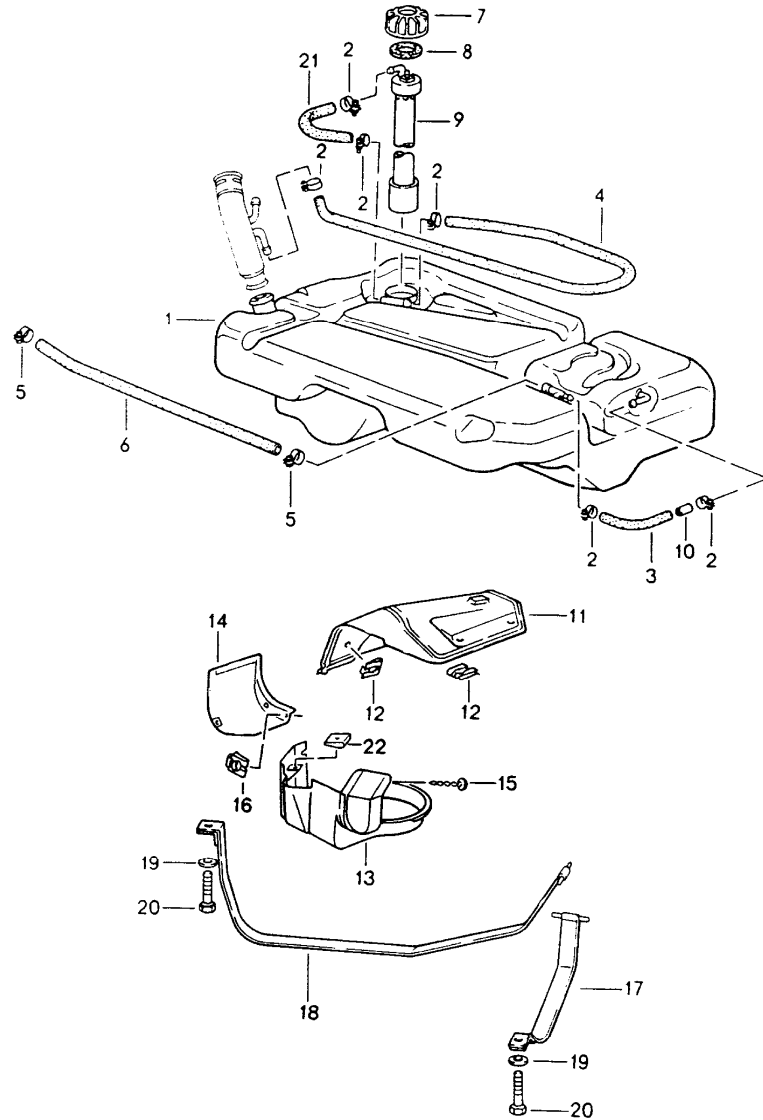
Model	Year	MG	SG	Illustration	Restrictions	UPD	9:54	24.01.2010
968	1995	1	98	198-00R		248		

Pos	Part Number	Description	Remark	Qty	Model
-	928 101 115 01	main bearing shell		3	
-	944 101 139 00	thrust bearing		2	
	002	yellow			
>>	>>928 101 901 52	set of crankshaft bearings 1 set undersize 0.25 mm comprising:		1	
-	928 101 117 58	main bearing bush i		1	
-	928 101 115 50	main bearing shell upper		3	
-	928 101 115 51	main bearing shell lower		3	
-	928 101 133 53	thrust bearing		2	
>>	>>928 101 901 62	set of crankshaft bearings 1 set undersize 0.50 mm comprising:		1	
-	928 101 117 68	main bearing bush i		1	
-	928 101 115 60	main bearing shell upper		3	
-	928 101 115 61	main bearing shell lower		3	
-	928 101 133 63	thrust bearing		2	
>>	>>944 104 901 02	gasket set for cylinder head comprising:		1	
-	944 104 394 04	cylinder head gasket		1	
-	928 104 601 07	valve stem seal		16	
-	944 104 365 04	gasket		1	
-	928 106 167 01	gasket		1	
-	928 104 447 09	gasket		1	
-	999 113 282 40	shaft sealing ring		1	
-	900 123 050 30	sealing ring		4	
-	928 104 115 02	thrust ring		13	
-	944 110 305 12	gasket		1	
-	999 701 331 40	round seal		1	

Model	Year	MG	SG	Illustration	Restrictions	UPD	9:54	24.01.2010
968	1995	1	98	198-00R		248		

Pos	Part Number	Description	Remark	Qty	Model
-	999 707 036 40	round seal		1	
-	944 111 205 00	sealing ring		4	
-	944 111 135 01	gasket		2	
-	928 104 443 08	sealing ring		4	
>>	>>944 103 902 60	set of piston rings 104,00 MM		4	
>>	>>944 103 902 61	set of piston rings 104,50 MM		4	
>>	>>944 100 930 05	maintenance parts for periodic maintenance 20000 KM / 12000 MLS comprising:		1	M150
-	944 107 201 08	oil filter		1	
-	900 123 118 30	sealing ring		1	
-	999 170 189 90	spark plug		4	
>>	>>944 100 930 06	maintenance parts for periodic maintenance 40000 KM / 24000 MLS comprising:		1	
-	944 107 201 08	oil filter		1	
-	944 110 166 10	air cleaner cartridge		1	
-	900 123 118 30	sealing ring		1	
-	999 170 189 90	spark plug		4	
-	928 110 253 05	fuel filter		1	
>>	>>000 043 202 61	subsequent installation FUER AU	(D)	1	M44.43/44

Model	Year	MG	SG	Illustration	Restrictions	UPD	9:54	24.01.2010	PORSCHE	PET	PORSCHE
968	1995	2	01	201-00		248					

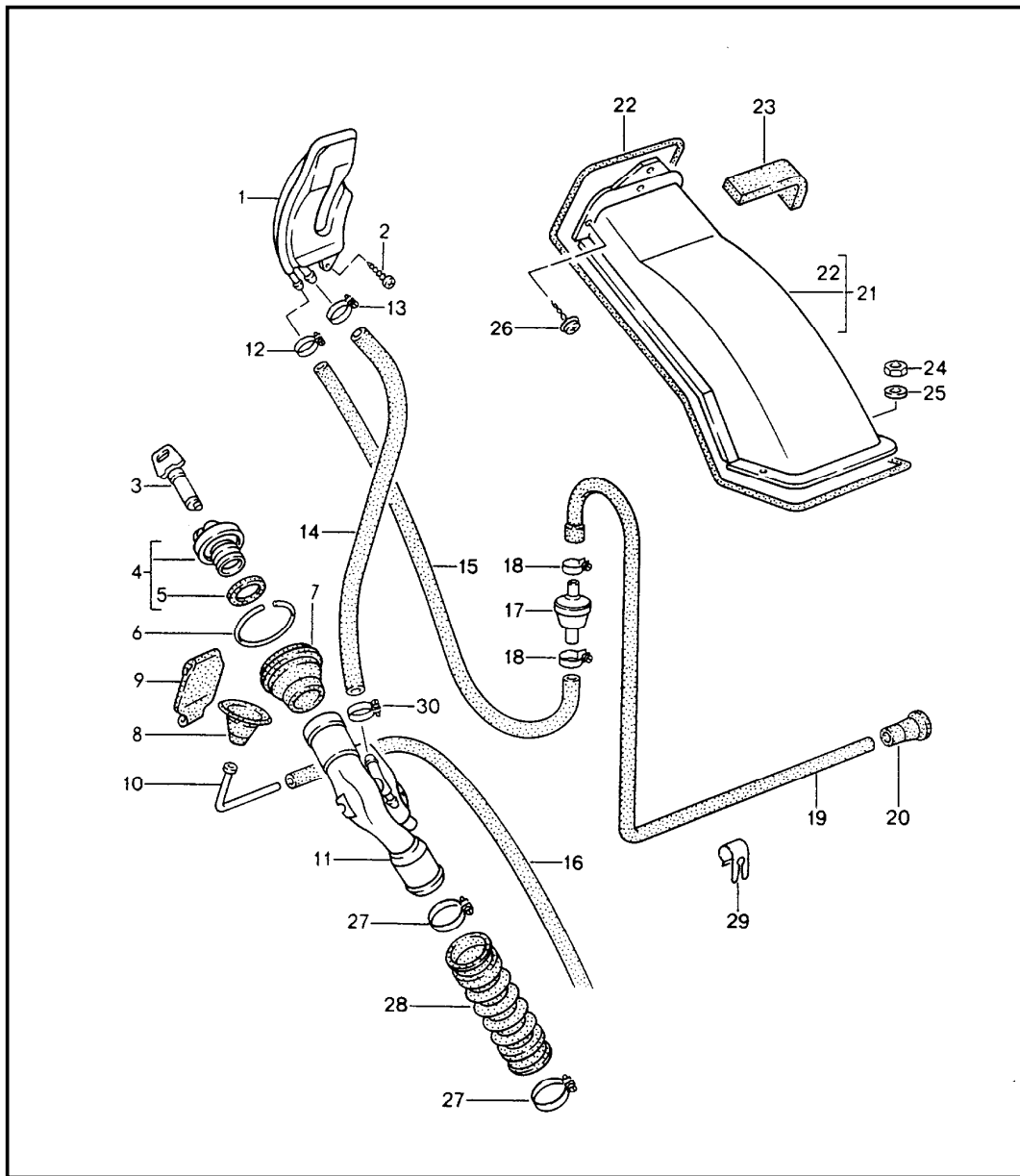


Pos	Part Number	Description	Remark	Qty	Model
		fuel tank			
1	944 201 021 04	fuel tank		1	
2	N 023 570 2	hose clamp A 9 X 15 ZY		6	
-	999 181 716 50	hose 9,5 X 15,5		*	
3	-	190 MM		1	
4	-	1950 MM		1	COUPE
4	941 201 713 11	hose		1	CABRIO
5	N 023 569 2	hose clamp A 9 X 16 ZY		2	
6	951 201 123 03	hose 886 MM		1	COUPE
6	941 201 711 11	hose 1250 MM		1	CABRIO
7	951 201 375 00	union nut		1	
8	944 201 327 00	sealing ring		1	
9	944 641 037 01	tank gauge		1	
10	911 201 263 02	restrictor		1	
11	944 201 435 00	heat protection plate		1	
12	N 012 653 3	lock washer		4	
13	944 201 331 00	covering		1	
14	951 201 025 00	lid		1	
15	900 143 124 07	tapping screw 3,5 X 13		3	
16	N 015 482 1	speed nut		3	
17	944 201 345 01	restraining strap	/L	1	
18	944 201 342 02	restraining strap	/R	1	
19	N 900 741 01	washer 8,4		2	
20	900 075 444 02	hexagon-head bolt M 8 X 40 SP		2	
21	951 201 227 01	hose		1	

Model	Year	MG	SG	Illustration	Restrictions	UPD	9:54	24.01.2010	PORSCHE	PET	PORSCHE
968	1995	2	01	201-00		248					

Pos	Part Number	Description	Remark	Qty	Model	Pos	Part Number	Description	Remark	Qty	Model
22	951 201 233 00	edge protection		1							

Model	Year	MG	SG	Illustration	Restrictions	UPD	9:54	24.01.2010	PORSCHE	PET	PORSCHE
968	1995	2	01	201-05		248					

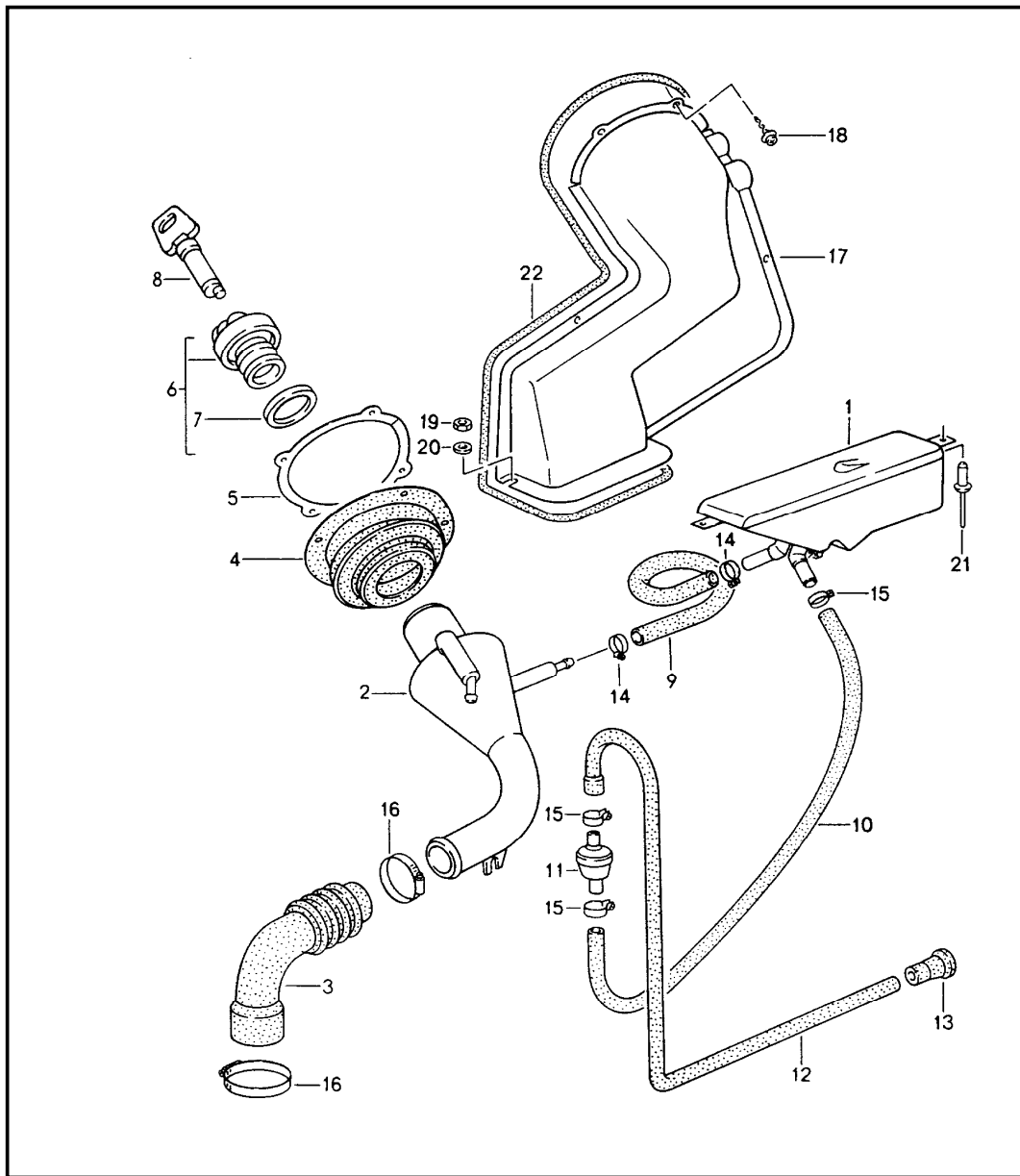


Pos	Part Number	Description	Remark	Qty	Model
		filler neck			COUPE
1	A 944 201 041 03	expansion tank		92	1
1	944 201 041 03	expansion tank		93-	1
2	N 043 864 1	screw BM 3 X 6			1
3	477 201 594	lock cylinder with 1 key w/o stipulated lock number			1
3	477 201 594 A	lock cylinder with 1 key state lock number			1
4	944 201 061 01	fuel tank cap			1
5	944 201 553 00	gasket			1
6	900 906 045 03	circlip			1
7	931 201 281 02	sleeve			1
8	944 201 461 00	grommet			1
9	928 201 057 02	protective flap			1
10	477 201 283 A	connection piece			1
11	A 944 201 043 04	filler neck		92	1
11	944 201 043 04	filler neck		93-	1
11	A 944 201 043 03	filler neck		92	1 M150
11	A 944 201 043 03	filler neck	(J)	92	1
11	944 201 043 03	filler neck		93-	1 M150
11	944 201 043 03	filler neck	(J)	93-	1
12	999 512 160 02	hose clamp			1
13	999 512 198 02	hose clamp			1
14	944 201 451 04	hose			1
15	951 201 449 01	hose			1
16	477 201 393 A	hose			1
17	928 201 083 02	shut-off valve			1
18	N 023 570 2	hose clamp			2

Model	Year	MG	SG	Illustration	Restrictions	UPD	9:54	24.01.2010	PORSCHE	PET	PORSCHE
968	1995	2	01	201-05		248					

Pos	Part Number	Description	Remark	Qty	Model	Pos	Part Number	Description	Remark	Qty	Model
19	944 201 159 01	breather hose it is necessary to rework		1							
20	321 201 890 A	end piece		1							
21	944 201 047 03	cover		1							
22	000 043 202 08	packing cord roller		*							
-	000 043 205 05	sound absorber		*							
23	-	100 MM		X							
24	N 011 005 14	hexagon nut M 5		2							
25	900 025 003 02	washer A 5,3		2							
26	900 143 117 02	tapping screw 4,2 X 9,5 Z1		3							
27	113 201 281 B	hose clamp		2							
28	944 201 319 00	hose		1							
29	431 971 848 A	clip		2							
30	N 023 569 2	hose clamp		1							

Model	Year	MG	SG	Illustration	Restrictions	UPD	9:54	24.01.2010	PORSCHE	PET	PORSCHE
968	1995	2	01	201-10		248					

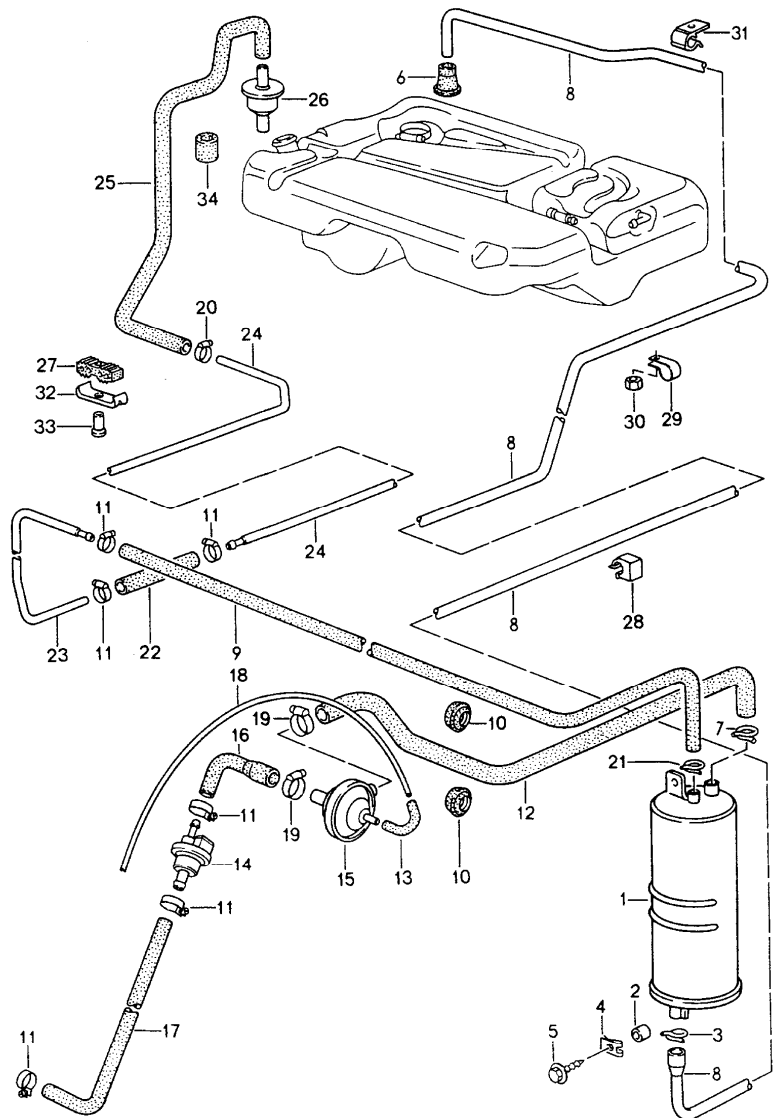


Pos	Part Number	Description	Remark	Qty	Model
		filler neck			CABRIO
1	A 941 201 165 11	expansion tank	92	1	
1	941 201 165 11	expansion tank	93-	1	
2	941 201 351 10	filler neck		1	M150
2	941 201 351 11	filler neck		1	
2	941 201 043 13	filler neck		1	M150
3	941 201 353 10	bellows		1	
4	941 201 349 10	sealing rubber		1	
5	941 201 393 10	support		1	
6	944 201 061 01	fuel tank cap		1	
7	944 201 553 00	gasket		1	
8	477 201 594	lock cylinder with key w/o stipulated lock number		1	
8	477 201 594 A	lock cylinder with 1 key state lock number		1	
9	941 201 717 10	hose		1	
10	A 941 201 715 11	hose it is necessary to rework	92	1	
10	941 201 715 11	hose	93-	1	
11	928 201 083 02	shut-off valve		1	
12	944 201 159 01	breather hose it is necessary to rework		1	
13	321 201 890 A	end piece		1	
14	N 023 565 3	hose clamp A 9 X 21		2	
15	N 023 569 2	hose clamp AR 9 X 16		3	
16	113 201 281 B	hose clamp		2	
17	941 201 149 10	cover		1	
18	900 143 117 02	tapping screw 4,2 X 9,5 Z1		4	

Model	Year	MG	SG	Illustration	Restrictions	UPD	9:54	24.01.2010	PORSCHE	PET	PORSCHE
968	1995	2	01	201-10		248					

Pos	Part Number	Description	Remark	Qty	Model	Pos	Part Number	Description	Remark	Qty	Model
19	N 011 005 14	hexagon nut M 5		2							
20	N 011 665 3	washer B 5,1		2							
21	941 201 273 10	rivet		2							
22	000 043 202 08	packing cord roller		* 1							

Model	Year	MG	SG	Illustration	Restrictions	UPD	9:54	24.01.2010	PORSCHE	PET	PORSCHE
968	1995	2	01	201-15		248					

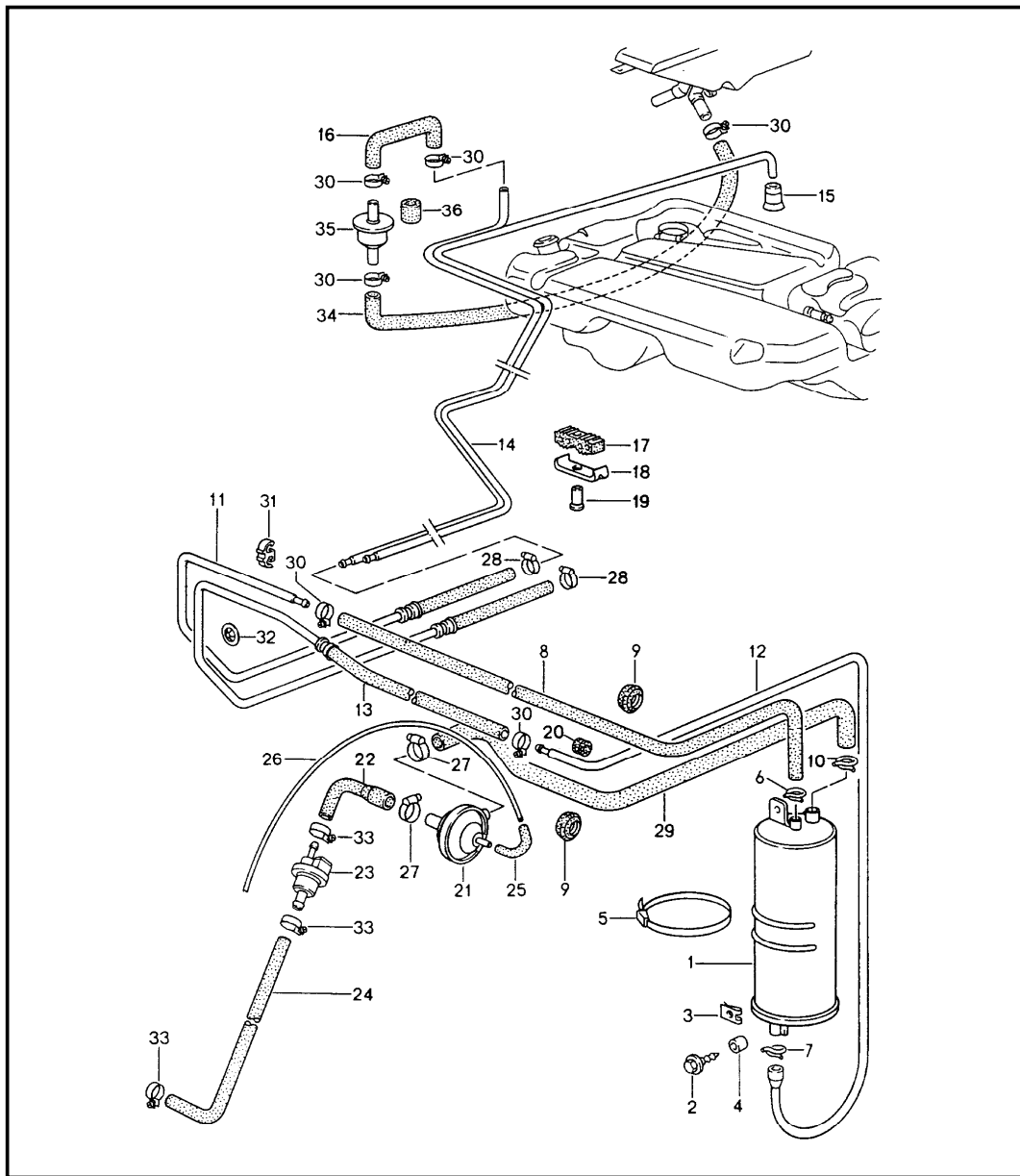


Pos	Part Number	Description	Remark	Qty	Model
		tank ventilation			COUPE
1	993 201 221 01	carbon canister		1	
2	477 201 279	sleeve		2	
3	999 512 364 02	hose clamp		1	
4	N 015 449 1	speed nut		2	
5	N 090 172 1	combination screw B 6,3 X 19 Z2		2	
6	321 201 890 A	end piece		1	
7	999 512 140 02	hose clamp		1	
8	944 201 737 01	vent line		1	
9	944 201 723 00	breather hose		1	
10	477 201 381	rubber sleeve		2	
11	999 512 160 02	hose clamp		6	
12	944 201 735 00	moulded hose		1	
13	928 574 717 03	hose elbow		1	
14	944 605 240 01	bleeder valve		1	
15	928 110 429 08	vacuum valve		1	
16	944 110 182 04	moulded hose		1	
17	944 110 180 01	moulded hose		1	
-	N 020 139 11	polyamide tube 4 X 1		*	
18	-	720 MM		1	
19	999 512 554 00	hose clamp 12 - 22		2	
20	N 024 528 1	hose clamp 11 X 9		1	
21	999 512 265 02	hose clamp		1	
22	944 201 775 00	hose		1	
23	944 201 153 01	breather pipe		1	
24	944 201 743 00	breather pipe		1	
25	944 201 159 01	breather hose		1	

Model	Year	MG	SG	Illustration	Restrictions	UPD	9:54	24.01.2010	PORSCHE	PET	PORSCHE
968	1995	2	01	201-15		248					

Pos	Part Number	Description	Remark	Qty	Model	Pos	Part Number	Description	Remark	Qty	Model
26	928 201 083 02	shut-off valve mounting parts		1							
27	941 356 533 10	rubber mounting		9							
28	999 507 054 40	cable holder		2							
29	999 511 200 40	clip		7							
30	999 049 008 40	plastic nut		7							
31	431 971 848 A	clip		5							
32	941 356 555 11	support		9							
33	999 511 199 40	clamp		9							
34	477 971 951	protective tube		2							

Model	Year	MG	SG	Illustration	Restrictions	UPD	9:55	24.01.2010	PORSCHE	PET	PORSCHE
968	1995	2	01	201-20		248					

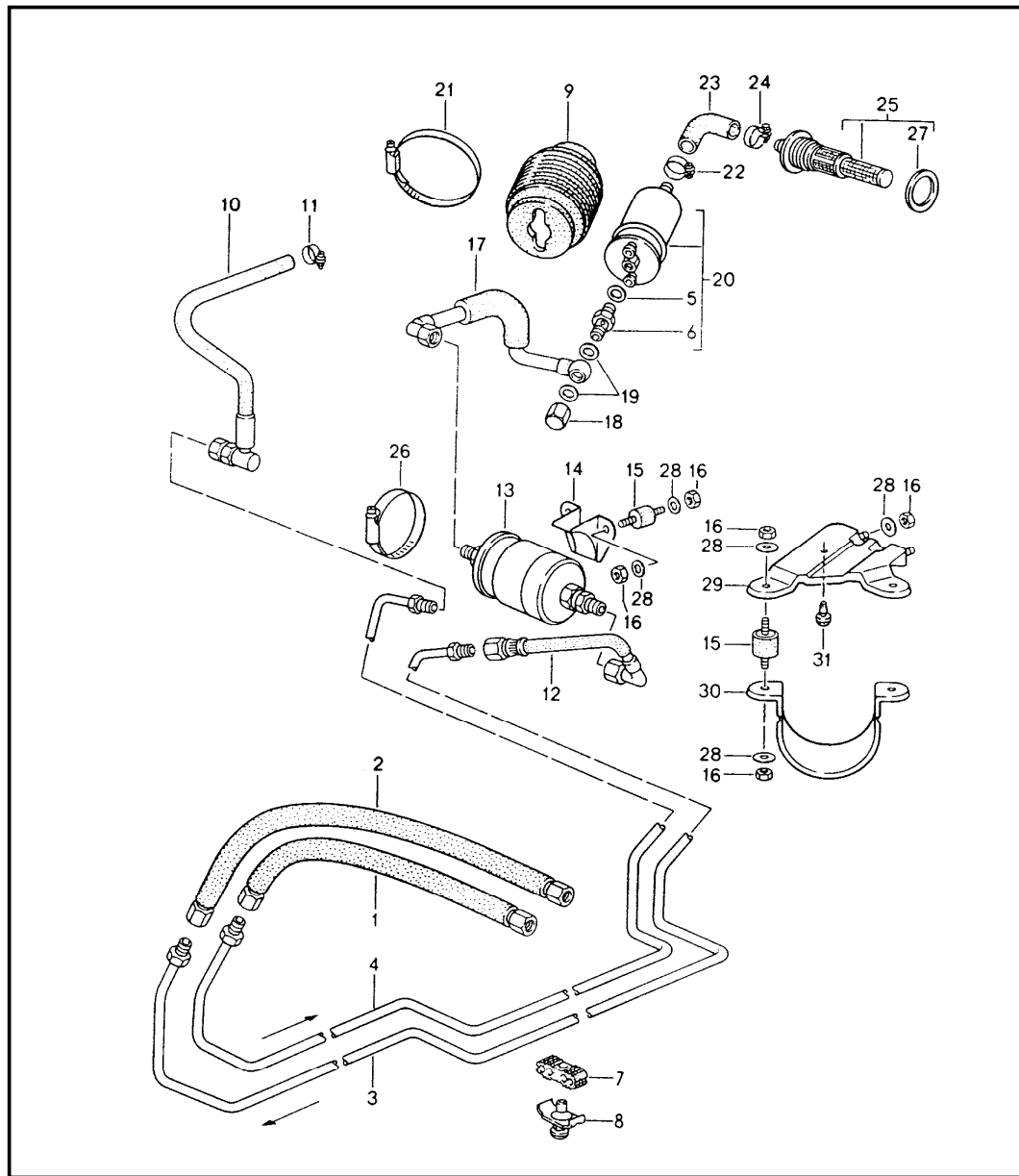


Pos	Part Number	Description	Remark	Qty	Model
		tank ventilation			CABRIO
1	993 201 221 01	carbon canister		1	
2	N 090 172 1	combination screw B 6,3 X 19 Z2		2	
3	N 015 449 1	speed nut		2	
4	477 201 279	sleeve		2	
5	N 020 906 3	tie-wrap		1	
6	999 512 265 02	hose clamp		1	
7	999 512 364 02	hose clamp		1	
8	944 201 723 00	breather hose		1	
9	477 201 381	rubber sleeve		2	
10	999 512 140 02	hose clamp		1	
11	941 201 153 11	breather pipe		1	
12	941 201 737 00	vent line		1	
13	941 201 163 10	line	/LL	1	
13	942 201 163 10	line	/RL	1	
14	941 201 173 10	line		1	
15	321 201 890 A	end piece		1	
16	944 201 449 00	hose		1	
17	941 356 533 10	rubber mounting		7	
18	941 356 555 11	support		7	
19	999 511 199 40	clamp		7	
20	999 702 119 50	rubber sleeve		1	
21	928 110 429 08	vacuum valve		1	
22	944 110 182 04	moulded hose		1	
23	944 605 240 01	bleeder valve		1	
24	944 110 180 01	moulded hose		1	
25	928 574 717 03	hose elbow		1	
-	N 020 139 11	polyamide tube 4 X 1		*	

Model	Year	MG	SG	Illustration	Restrictions	UPD	9:55	24.01.2010	PORSCHE	PET	PORSCHE
968	1995	2	01	201-20		248					

Pos	Part Number	Description	Remark	Qty	Model	Pos	Part Number	Description	Remark	Qty	Model
26	-	720 MM		1							
27	999 512 554 00	hose clamp 12 - 22		2							
28	N 023 564 1	hose clamp		2							
29	944 201 735 00	moulded hose		1							
30	N 023 569 2	hose clamp		6							
31	999 591 740 40	cable holder		1							
32	N 903 350 01	clamping washer		1							
33	999 512 160 02	hose clamp		3							
34	941 201 715 11	hose it is necessary to rework		1							
34	941 201 715 11	moulded hose		1							
35	928 201 083 02	shut-off valve		1							
36	477 971 951	protective tube		2							

Model	Year	MG	SG	Illustration	Restrictions	UPD	9:55	24.01.2010	PORSCHE	PET	PORSCHE
968	1995	2	01	201-25		248					

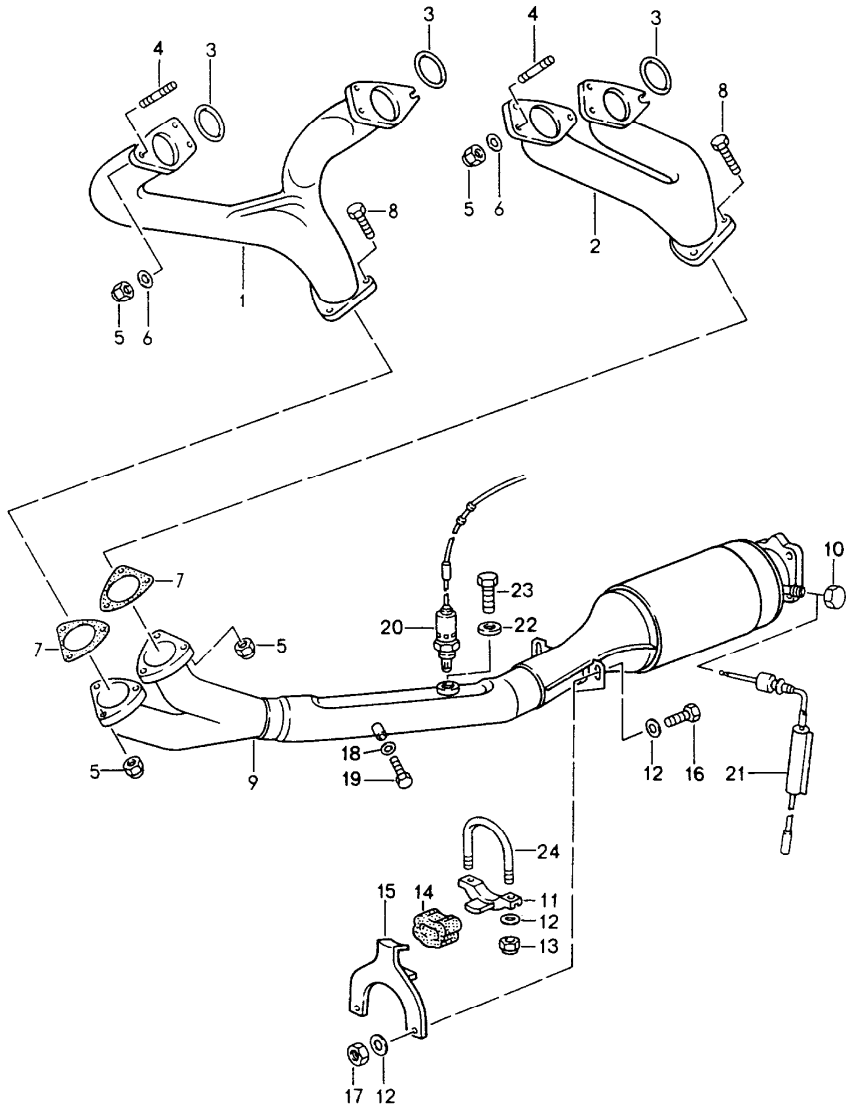


Pos	Part Number	Description	Remark	Qty	Model
		fuel system			
1	944 356 029 13	fuel hose		1	
2	944 356 027 15	fuel hose		1	
3	944 356 069 10	fuel line	92	1	COUPE
3	944 356 069 11	fuel line	93-	1	COUPE
(3)	941 356 069 10	fuel line	92	1	CABRIO
(3)	941 356 069 11	fuel line	93-	1	CABRIO
4	944 356 037 10	fuel return line	92	1	COUPE
4	944 356 037 11	fuel return line	93-	1	COUPE
(4)	941 356 037 10	fuel return line	92	1	CABRIO
(4)	941 356 037 11	fuel return line	93-	1	CABRIO
5	N 013 812 3	sealing ring		1	
6	944 608 951 01	check valve		1	
7	999 591 975 40	rubber mounting		9	COUPE
7	941 356 533 10	rubber mounting		7	CABRIO
8	999 511 199 40	support		9	COUPE
8	941 356 555 11	support		7	CABRIO
9	944 356 091 00	housing		1	
(10)	951 356 061 02	fuel hose	92	1	
10	944 356 361 01	fuel hose	92	1	M030
10	944 356 361 01	fuel hose	93-	1	
11	N 023 569 2	hose clamp		1	
(12)	944 356 047 01	fuel hose	92	1	COUPE
(12)	941 356 047 11	fuel hose	92	1	CABRIO
12	944 356 047 02	fuel hose	93-	1	
13	928 110 253 05	fuel filter		1	
14	944 356 473 00	support	92	1	
15	999 703 229 00	bonded rubber mounting		2	

Model	Year	MG	SG	Illustration	Restrictions	UPD	9:55	24.01.2010	PORSCHE	PET	PORSCHE
968	1995	2	01	201-25		248					

Pos	Part Number	Description	Remark	Qty	Model	Pos	Part Number	Description	Remark	Qty	Model
16	900 076 010 02	hexagon nut M 6		4							
17	944 356 041 09	fuel line	92	1							
(17)	944 356 041 10	fuel line	93-	1							
18	A 928 110 475 01	cap nut		1							
18	928 110 475 03	cap nut		1							
19	N 013 812 2	sealing ring		2							
20	944 608 102 06	fuel pump		1							
21	999 512 397 00	hose clamp		1							
22	999 512 554 00	hose clamp		1							
23	951 356 557 00	fuel hose		1							
24	999 512 346 00	hose clamp		1							
25	928 201 081 04	fuel filter		1							
26	999 512 390 00	hose clamp		1							
27	928 201 187 02	sealing ring		1							
28	N 011 524 7	washer A 6,4		4							
29	944 356 473 01	support	92	1	M030						
29	944 356 473 01	support	93-	1							
30	944 356 475 00	support	92	1	M030						
30	944 356 475 00	support	93-	1							
31	999 703 086 40	rubber buffer	92	1	M030						
31	999 703 086 40	rubber buffer	93-	1							

Model	Year	MG	SG	Illustration	Restrictions	UPD	9:55	24.01.2010	PORSCHE	PET	PORSCHE
968	1995	2	02	202-00		248					

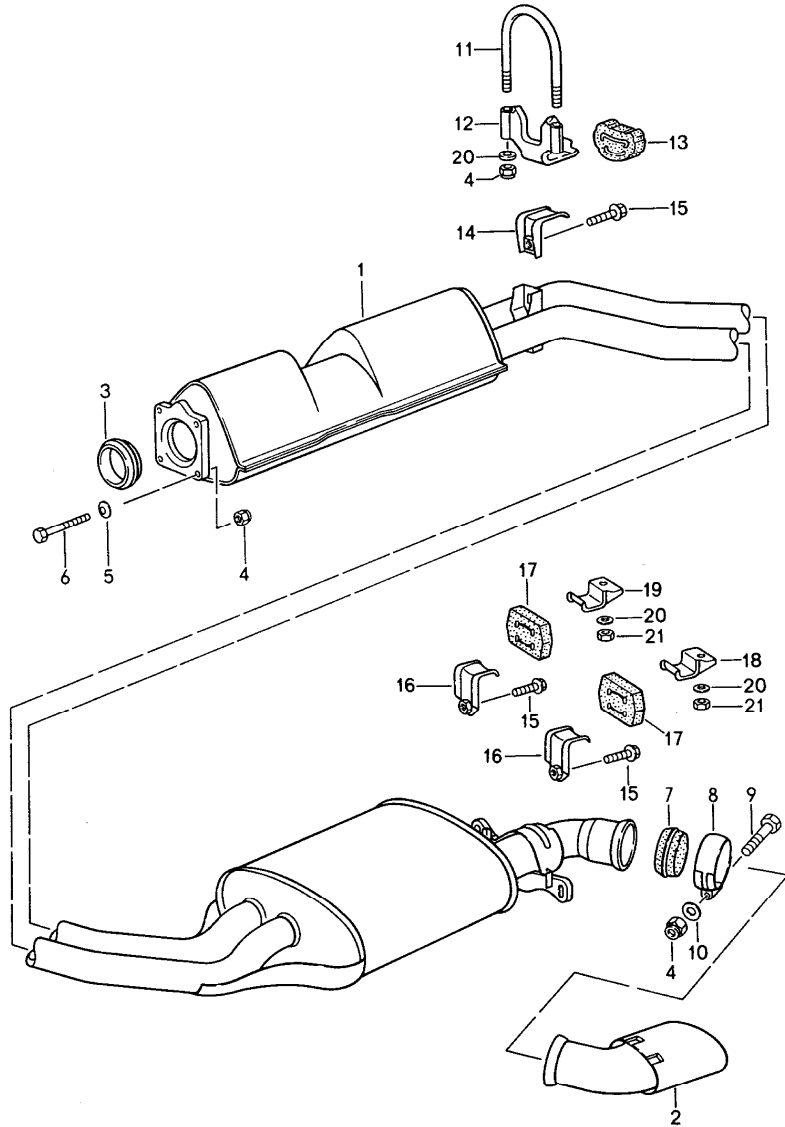


Pos	Part Number	Description	Remark	Qty	Model
1	944 111 183 03	exhaust system catalytic converter exhaust manifold cylinders 1 and 4		1	
2	944 111 184 02	exhaust manifold cyl. 2 and 3		1	
3	944 111 205 00	sealing ring		4	
4	999 062 139 02	stud		12	
5	999 084 052 02	lock nut M 8		18	
6	928 111 181 00	washer		12	
7	944 111 135 01	gasket		2	
8	900 074 282 02	hexagon-head bolt M 8 X 37		6	
9 A	944 111 081 12	catalytic converter		92	1
9 A	944 111 089 11	catalytic converter	(J)	92	1
9	944 111 991 11	catalytic converter use also:		93-	1
10	951 111 171 00	cap		1	
11	944 111 307 01	support		1	
12	900 025 007 02	washer		6	
13	900 910 003 02	lock nut VM 8		2	
14	944 111 142 01	rubber mounting		1	
15	931 111 061 02	hook		1	
16	900 075 078 02	hexagon-head bolt		2	
17	900 076 025 02	hexagon nut		2	
18	N 043 813 3	sealing ring		1	
19	900 083 080 00	hexagon-head bolt		1	
20	944 606 135 02	oxygen sensor		1	
21	951 606 019 00	temperature sensor	(J)	1	
22	900 123 009 20	sealing ring		1	M150

Model	Year	MG	SG	Illustration	Restrictions	UPD	9:55	24.01.2010	PORSCHE	PET	PORSCHE
968	1995	2	02	202-00		248					

Pos	Part Number	Description	Remark	Qty	Model	Pos	Part Number	Description	Remark	Qty	Model
23	900 219 015 00	screw plug		1	M150						
24	944 111 239 00	clip		1							
25	944 113 061 00	catalytic converter cover	(J)	1							

Model	Year	MG	SG	Illustration	Restrictions	UPD	9:55	24.01.2010	PORSCHE	PET	PORSCHE
968	1995	2	02	202-05		248					



Pos	Part Number	Description	Remark	Qty	Model
		exhaust system central muffler rear muffler			
1	944 111 041 11	central muffler and rear muffler		1	
1	944 111 049 01	central muffler and rear muffler	(CH)	1	
2	944 111 231 06	tail pipe		1	
3	928 111 244 03	sealing ring		1	
4	999 084 052 02	lock nut		7	
5	900 336 005 00	washer		4	
6	900 074 268 02	hexagon-head bolt M 8 X 40		4	
7	964 111 247 01	sealing ring		1	
8	964 111 336 00	clip		1	
9	900 074 339 02	hexagon-head bolt M 8 X 70		1	
10	999 025 125 09	washer 8,4 X 17 X 3,1		1	
11	944 111 239 03	clip		1	
(11)	944 111 239 01	clip		1	M249
12	944 111 307 06	support		1	
13	944 111 142 01	rubber mounting		1	
14	944 111 264 04	hook		1	
(14)	944 111 264 07	hook		1	M249
15	900 075 366 02	hexagon-head bolt M 8 X 16 Z1		3	
16	944 111 064 02	hook		2	
17	928 111 259 02	rubber mounting		2	
18	944 111 121 00	hook	/L	1	
19	944 111 121 01	hook	/R	1	
20	900 025 007 02	washer		4	

Model	Year	MG	SG	Illustration	Restrictions	UPD	9:55	24.01.2010	PORSCHE	PET	PORSCHE
968	1995	2	02	202-05		248					

Pos	Part Number	Description	Remark	Qty	Model	Pos	Part Number	Description	Remark	Qty	Model
21	900 076 025 02	hexagon nut		2							

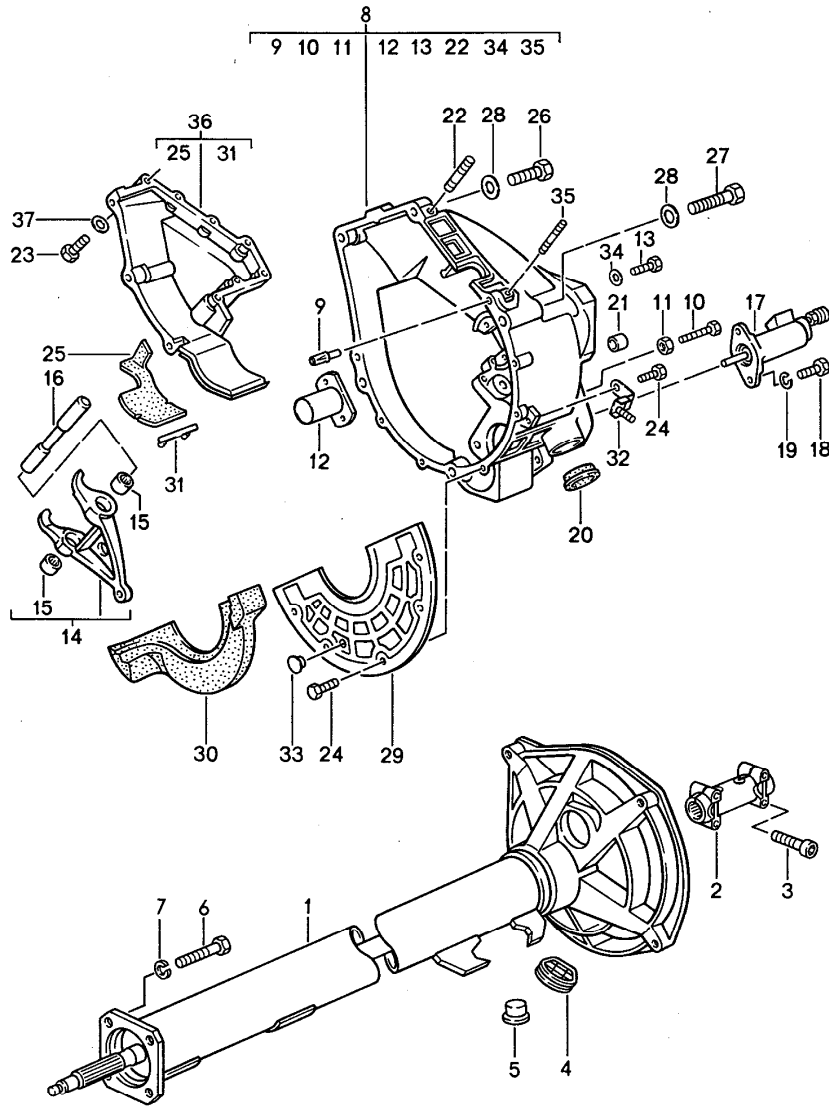
Model	Year	MG	SG	Illustration	Restrictions	UPD	9:55	24.01.2010
968	1995	2	98	298-00R		248		

Pos	Part Number	Description	Remark	Qty	Model
		repair kits			
>>	>>944 111 901 06	gasket set and set of fastening parts for catalytic converter comprising:		1	
-	944 111 135 01	gasket		2	
-	999 084 052 02	lock nut		10	
-	944 111 142 01	rubber mounting		1	
-	900 025 007 02	washer		4	
-	900 075 078 02	hexagon-head bolt		2	
-	900 074 282 02	hexagon-head bolt		6	
-	928 111 244 03	sealing ring		1	
-	900 336 005 00	washer		4	
-	900 074 268 02	hexagon-head bolt		4	
>>	>>944 111 901 07	gasket set and set of fastening parts for rear muffler comprising:		1	
-	928 111 244 03	sealing ring		1	
-	999 084 052 02	lock nut		5	
-	900 336 005 00	washer		4	
-	900 074 268 02	hexagon-head bolt		4	
-	944 111 142 01	rubber mounting		1	
-	944 111 264 04	hook		1	
-	900 075 366 02	hexagon-head bolt		3	
-	944 111 064 02	hook		2	
-	928 111 259 02	rubber mounting		2	
-	964 111 247 01	sealing ring		1	
-	964 111 336 00	clip		1	
-	900 074 339 02	hexagon-head bolt		1	
-	999 025 125 09	washer		1	

Model	Year	MG	SG	Illustration	Restrictions	UPD	9:55	24.01.2010
968	1995	2	98	298-00R		248		

Pos	Part Number	Description	Remark	Qty	Model
>>	>>944 111 901 08	gasket set and set of fastening parts for exhaust system complete comprising:		1	
-	944 111 135 01	gasket		2	
-	999 084 052 02	lock nut		10	
-	944 111 142 01	rubber mounting		2	
-	900 025 007 02	washer		4	
-	900 075 078 02	hexagon-head bolt		2	
-	900 074 282 02	hexagon-head bolt		6	
-	928 111 244 03	sealing ring		1	
-	900 336 005 00	washer		4	
-	900 074 268 02	hexagon-head bolt		4	
-	944 111 264 04	hook		1	
-	900 075 366 02	hexagon-head bolt		3	
-	944 111 064 02	hook		2	
-	928 111 259 02	rubber mounting		2	
-	964 111 247 01	sealing ring		1	
-	964 111 336 00	clip		1	
-	900 074 339 02	hexagon-head bolt		1	
-	999 025 125 09	washer		1	

Model	Year	MG	SG	Illustration	Restrictions	UPD	9:56	24.01.2010	PORSCHE	PET	PORSCHE
968	1995	3	01	301-00		248					

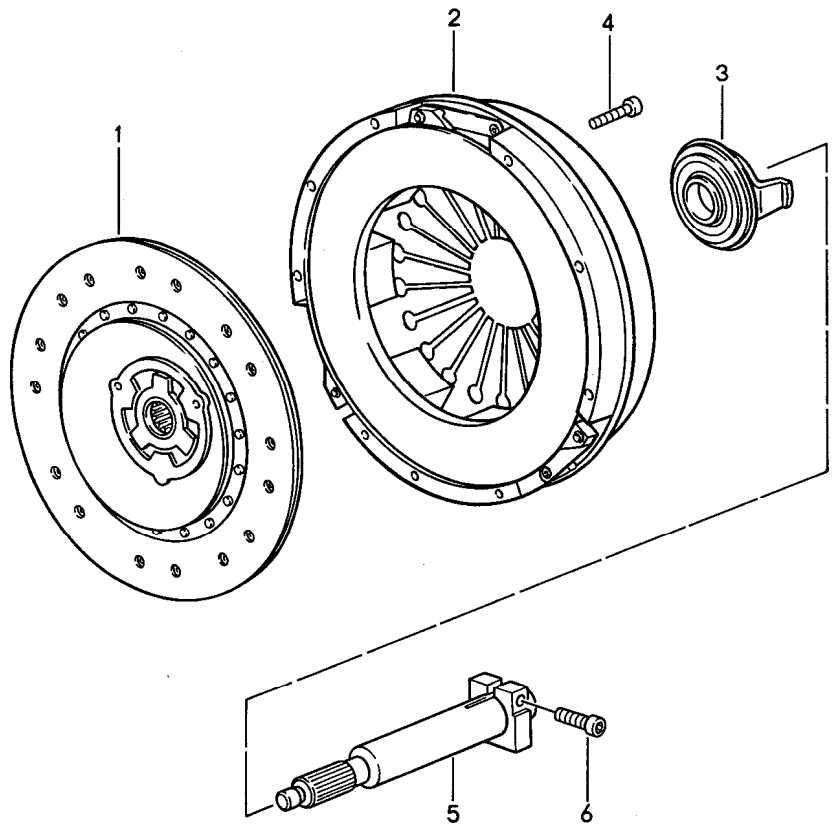


Pos	Part Number	Description	Remark	Qty	Model
		manual transmission central tube			G44.00
1	944 421 012 21	central tube ready for installation		1	
2	944 421 241 01	clamping sleeve		1	
3	931 421 240 00	clamping screw		4	
4	477 521 277 C	cap		1	
5	477 521 177	cap		1	
6	N 010 275 4	hexagon-head bolt M 10 X 35		4	
7	N 012 028 1	lock ring 10		4	
8	944 116 043 09	clutch housing		1	
9	N 012 798 1	grooved pin 5 X 36		1	
10	N 010 221 3	hexagon-head bolt M 6 X 35		1	
11	900 076 010 02	hexagon nut M 6		1	
12	944 116 087 01	guide sleeve		1	
13	900 075 057 02	hexagon-head bolt M 6 X 16		2	
14	944 116 085 01	clutch release lever		1	
15	999 201 213 00	needle sleeve		2	
16	951 116 133 00	clutch control shaft		1	
17	944 116 237 02	clutch operating cylinder		1	
18	N 010 233 6	hexagon-head bolt M 8 X 28		2	
19	900 027 015 02	lock ring B 8		2	
20	931 116 177 00	cap		1	
21	999 209 008 02	dowel sleeve 10,3 X 15 X 11		2	
22	999 062 073 02	stud M 8 X 15		1	

Model	Year	MG	SG	Illustration	Restrictions	UPD	9:56	24.01.2010	PORSCHE	PET	PORSCHE
968	1995	3	01	301-00		248					

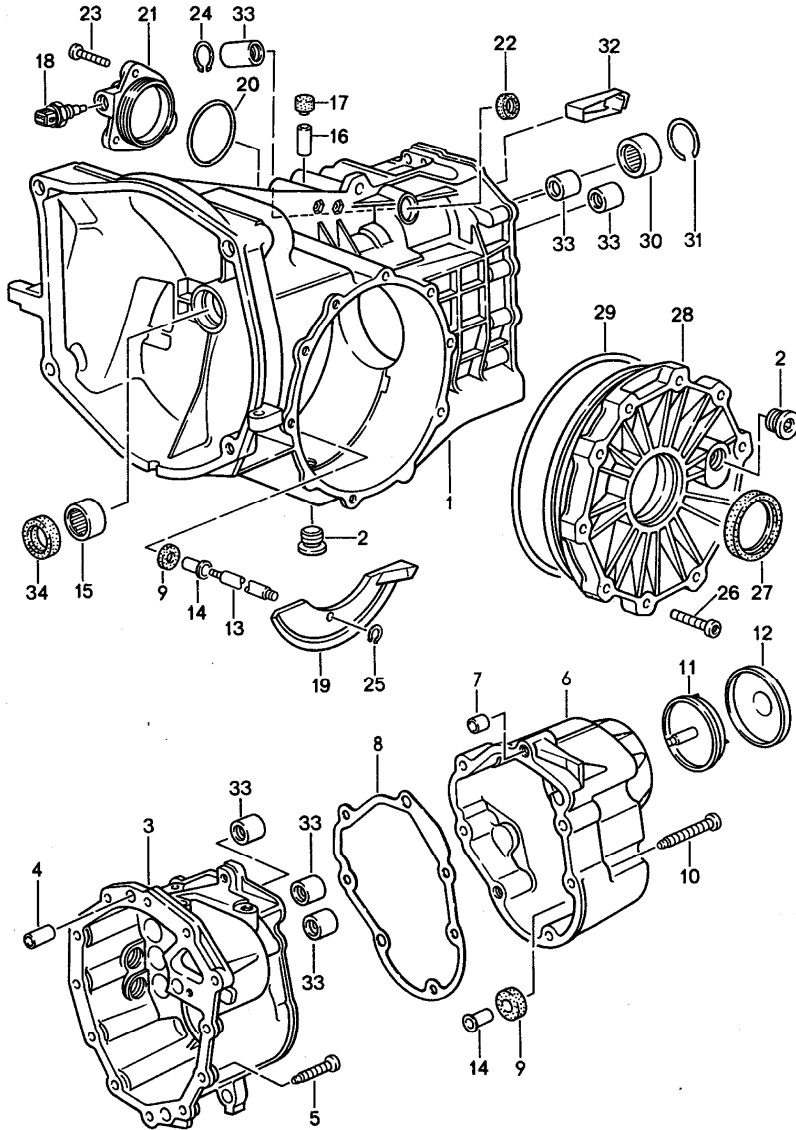
Pos	Part Number	Description	Remark	Qty	Model	Pos	Part Number	Description	Remark	Qty	Model
23	N 040 222 2	hexagon-head bolt M 8 X 32		9							
24	999 072 005 09	hexagon-head bolt M 6 X 12		6							
25	944 116 383 00	sound absorber		1							
26	N 010 142 2	hexagon-head bolt M 12 X 50		2							
27	N 010 191 2	hexagon-head bolt M 12 X 95		1							
28	900 025 009 02	washer A 13		3							
29	944 116 403 04	protective plate		1							
30	944 116 473 00	sound absorber		1							
31	944 116 381 00	stop		1							
32	944 612 129 00	retaining bracket		1							
33	999 703 380 40	stopper		1							
34	N 011 524 7	washer A 6,4		2							
35	999 062 174 02	stud M 5 X 12		1							
36	944 116 083 00	lid		1							
37	900 025 007 02	washer A 8,4		9							

Model	Year	MG	SG	Illustration	Restrictions	UPD	9:56	24.01.2010	PORSCHE	PET	PORSCHE
968	1995	3	01	301-05		248					



Pos	Part Number	Description	Remark	Qty	Model
		manual transmission clutch			G44.00
1	944 116 014 90	clutch plate alternative parts: 944.116.013.02 944.116.014.00		1	
2	> 964 116 027 90	pressure plate alternative parts: 964.116.027.01 964.116.028.00		1	
3	944 116 080 01	clutch release bearing		1	
4	999 510 015 02	pan-head screw M 8 X 40		9	
5	944 421 235 03	central shaft		1	
6	931 421 240 00	clamping screw		1	
-	968 116 911 00	repair kit for clutch		1	

Model	Year	MG	SG	Illustration	Restrictions	UPD	9:56	24.01.2010	PORSCHE	PET	PORSCHE
968	1995	3	02	302-00		248					

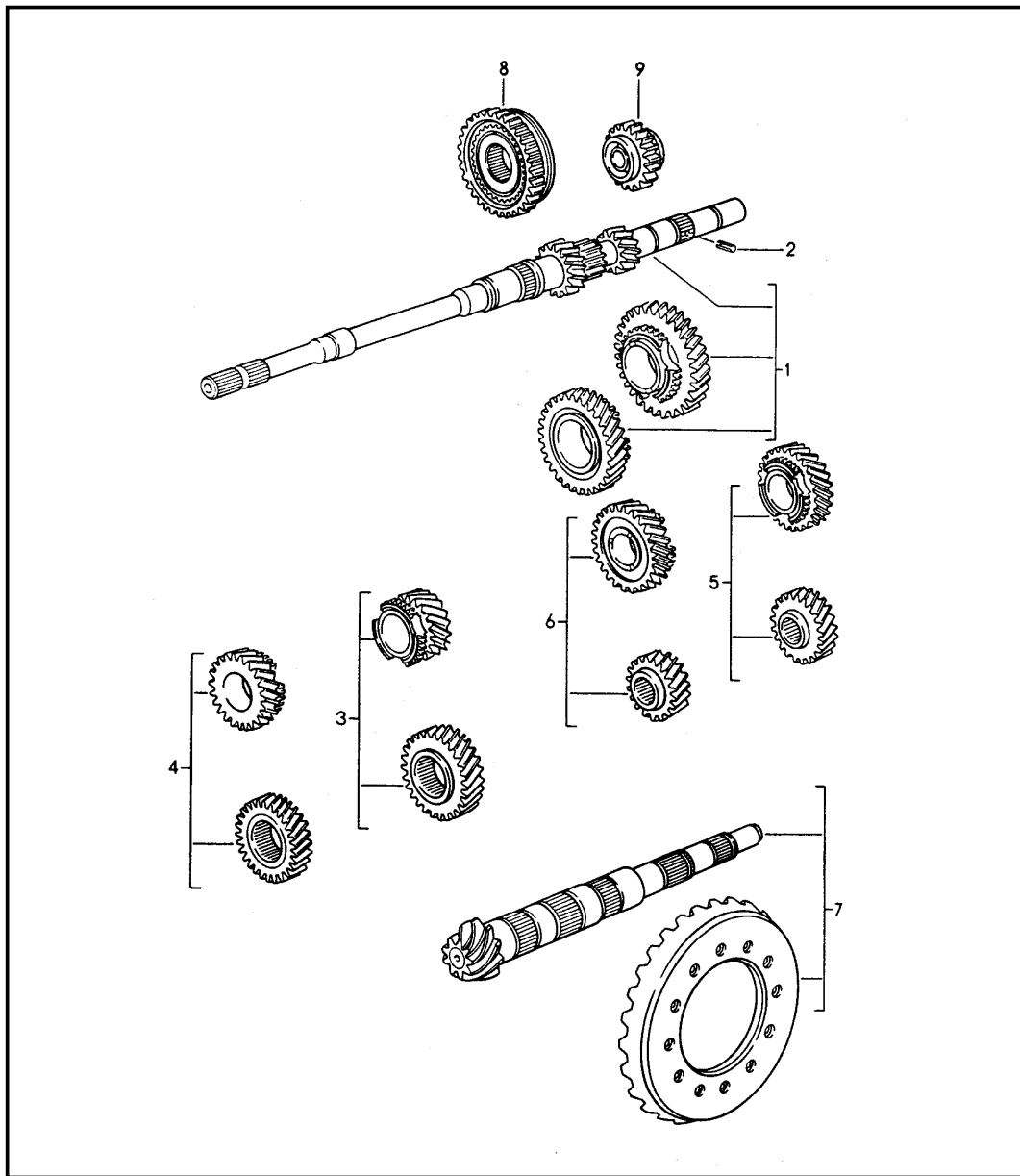


Pos	Part Number	Description	Remark	Qty	Model
		manual transmission replacement transmission transmission case			G44.00
- >	01E 300 042 J	replacement transmission complete		1	G44.00 M219
- A	01E 300 042 K	replacement transmission complete limit.-slip different. 40%		1	G44.00 M220
- >	01E 300 042 S	replacement transmission complete TORSEN limit.-slip different. 40%		1	G44.00 M220
1	01E 301 103 B	transmission case		1	
2	N 100 371 02	screw plug M 22 X 1,5		2	
3	01E 301 211 C	transmission cover		1	
4	014 301 473	guide sleeve		2	
5	N 903 660 01	torx screw M 8 X 36		12	
6	01E 301 231 Q	cover		1	
7	016 301 299	dowel sleeve		2	
8	01E 301 235	gasket		1	
9	012 301 143	magnet		2	
10	N 903 664 01	torx screw M 8 X 60		7	
11	01E 301 279	insert		1	
12	01E 301 467	lid		1	
13	01E 409 093	screw socket		1	
14	012 301 183 A	bush		2	
15	005 311 807	needle sleeve		1	
16	014 301 473	guide sleeve		1	
17	014 301 485	cap		1	
18	01E 941 521	back-up light switch		1	
19	01E 409 077	guide plate		1	

Model	Year	MG	SG	Illustration	Restrictions	UPD	9:56	24.01.2010	PORSCHE	PET	PORSCHE
968	1995	3	02	302-00		248					

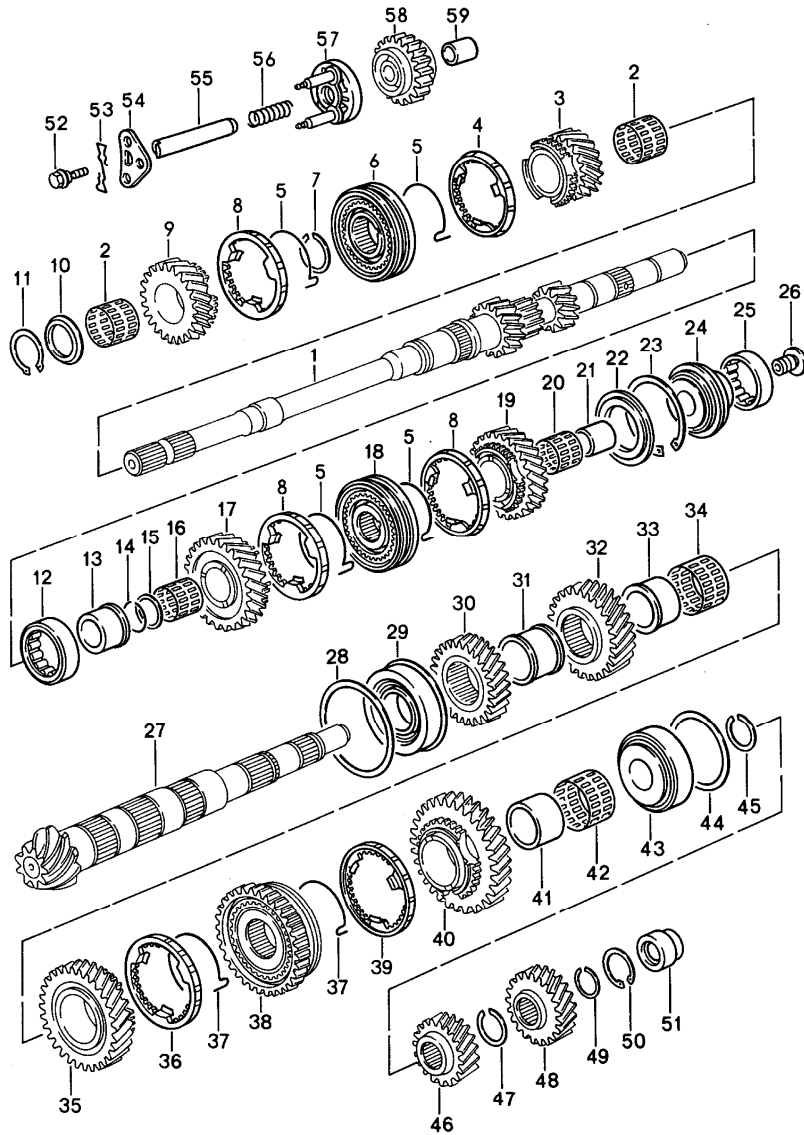
Pos	Part Number	Description	Remark	Qty	Model	Pos	Part Number	Description	Remark	Qty	Model
20	010 409 580	round seal		1							
21	01E 301 453 D	lid for shift rod		1							
22	012 301 457 C	shaft sealing ring		1							
23	N 903 659 01	torx screw M 8 X 22		3							
24	N 012 301 1	circlip 24 X 1,2		1							
25	N 012 410 1	circlip 10 X 1		1							
26	N 903 661 01	torx screw M 8 X 42		10							
27	999 113 347 40	shaft sealing ring		2							
28	01E 409 131 A	lid		1							
29	999 707 038 40	round seal		1							
30	012 311 123	needle sleeve		1							
31	N 102 298 01	circlip 42 X 1,5		1							
32	01E 301 349 A	cover plate		1							
33	01E 311 572	round socket		6							
34	016 311 113 C	radial shaft seal		1							

Model	Year	MG	SG	Illustration	Restrictions	UPD	9:56	24.01.2010	PORSCHE	PET	PORSCHE
968	1995	3	03	303-00		248					



Pos	Part Number	Description	Remark	Qty	Model
		manual transmission gear wheel sets			G44.00
1	944 302 901 00	gear set 1st gear Z 35 : 11 and gear set 2nd gear Z 38 : 19		1	
2	N 013 315 1	roll pin 5 X 10		1	
3	944 302 903 00	gear set 3rd gear Z 33 : 23		1	
4	944 302 904 00	gear set 4th speed Z 30 : 27		1	
5	944 302 905 00	gear set 5th gear Z 31 : 34		1	
6	944 302 906 00	gear set 6th gear Z 28 : 36		1	
7	01E 409 143 E	ring gear and pinion shaft Z 31 : 9		1	
8	01E 311 239 G	synchronising hub reverse gear for 1st gear 2nd gear with operating sleeve		1	
9	01E 311 529 A	reverse idler gear		1	

Model	Year	MG	SG	Illustration	Restrictions	UPD	9:56	24.01.2010	PORSCHE	PET	PORSCHE
968	1995	3	03	303-05		248					



Pos	Part Number	Description	Remark	Qty	Model
		manual transmission gears and shafts			G44.00
		gear wheel sets see group 3/03/00			
1	-	drive shaft		1	
2	01E 311 115	needle-roller bearing		2	
3	-	loose gear wheel 3rd gear		1	
4	012 311 295 D	synchroniser ring		1	
5	012 311 312 A	spring		4	
6	01E 311 301	synchronising hub		1	
7	N 902 944 01	circlip 37 X 1,90		X	
7	N 902 944 02	circlip 37 X 1,93		X	
7	N 902 944 03	circlip 37 X 1,96		X	
7	N 902 944 04	circlip 37 X 1,99		X	
7	N 902 944 05	circlip 37 X 2,02		X	
7	N 902 944 06	circlip 37 X 2,05		X	
8	012 311 295 B	synchroniser ring		3	
9	-	loose gear wheel 4th speed		1	
10	01E 311 155	thrust washer		1	
11	N 902 944 05	circlip 37 X 2,02		1	
12	01E 311 423	cylindrical-roller bearing		1	
13	01E 311 431	inner ring		1	
14	N 042 455 1	circlip		1	
15	01E 311 413	thrust washer		1	
16	01E 311 117	needle cage		1	

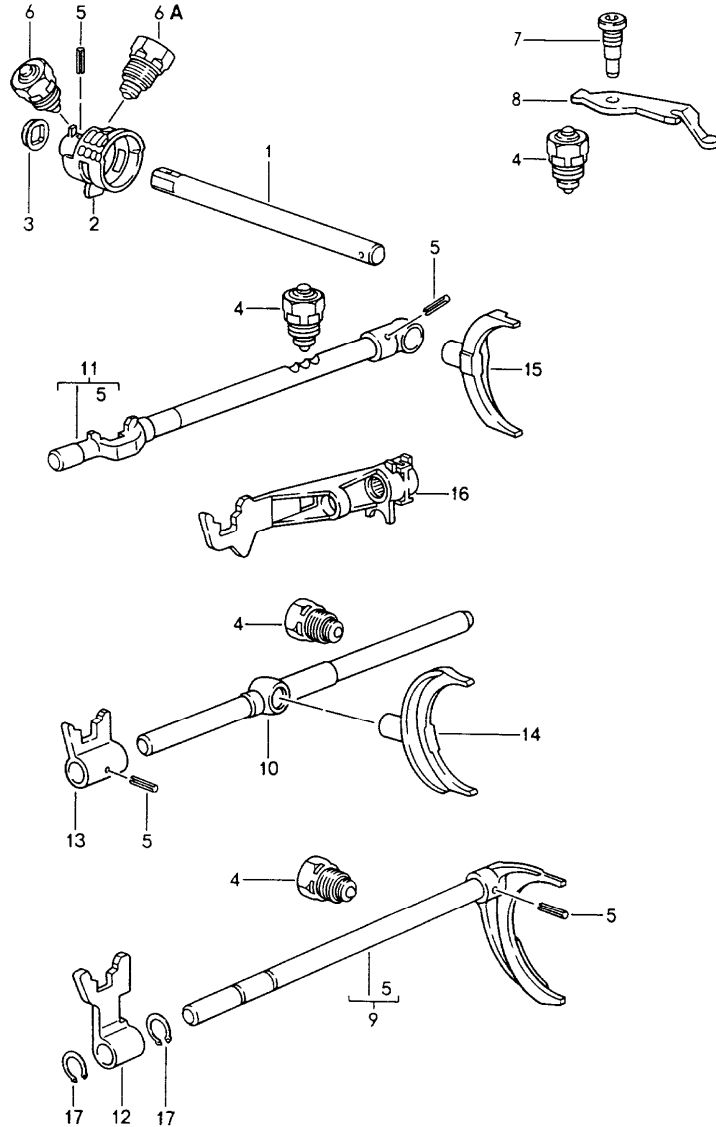
Model	Year	MG	SG	Illustration	Restrictions	UPD	9:56	24.01.2010	PORSCHE	PET	PORSCHE
968	1995	3	03	303-05		248					

Pos	Part Number	Description	Remark	Qty	Model	Pos	Part Number	Description	Remark	Qty	Model
17	-	loose gear wheel 6th gear		1		28	01E 311 391 H	shim 0,85 MM		X	
18	01E 311 302	synchronising hub		1		29	01E 311 220	four-point bearing		1	
19	-	loose gear wheel 5th gear		1		30	-	fixed gear wheel 4th speed		1	
20	01E 311 118	needle-roller bearing		1		31	01E 311 470	spacer sleeve		1	
21	01E 311 122	inner ring		1		32	-	fixed gear wheel 3rd gear		1	
22	01E 311 449	insert		1		33	01E 311 277 A	inner ring		1	
23	N 905 140 01	circlip 78 X 2,55		X		34	01E 311 229	needle-roller bearing		1	
23	N 905 140 02	circlip 78 X 2,60		X		35	-	loose gear wheel 2nd gear		1	
23	N 905 140 03	circlip 78 X 2,65		X		36	012 311 247 D	synchroniser ring		1	
23	N 905 140 04	circlip 78 X 2,70		X		37	012 311 311 A	spring		2	
24	01E 311 445	four-point bearing		1		38	01E 311 239 G	synchronising hub for reverse gear 1st gear 2nd gear with operating sleeve		1	
25	01E 311 125	cylindrical-roller bearing		1		39	A 012 311 247 C	synchroniser ring		1	
26	01E 311 308 A	torx screw		1		39	012 311 247 E	synchroniser ring		1	
27	-	output shaft		1		40	-	loose gear wheel 1st gear		1	
28	01E 311 391	shim 0,45 MM		X		41	01E 311 267	inner ring		1	
28	01E 311 391 A	shim 0,50 MM		X		42	01E 311 207	needle-roller bearing		1	
28	01E 311 391 B	shim 0,55 MM		X		43	01E 311 375	four-point bearing		1	
28	01E 311 391 C	shim 0,60 MM		X		44	01E 311 393	shim 0,45 MM		X	
28	01E 311 391 D	shim 0,65 MM		X		44	01E 311 393 A	shim 0,50 MM		X	
28	01E 311 391 E	shim 0,70 MM		X		44	01E 311 393 B	shim 0,55 MM		X	
28	01E 311 391 F	shim 0,75 MM		X		44	01E 311 393 C	shim 0,60 MM		X	
28	01E 311 391 G	shim 0,80 MM		X							

Model	Year	MG	SG	Illustration	Restrictions	UPD	9:56	24.01.2010	PORSCHE	PET	PORSCHE
968	1995	3	03	303-05		248					

Pos	Part Number	Description	Remark	Qty	Model	Pos	Part Number	Description	Remark	Qty	Model
44	01E 311 393 D	shim 0,65 MM		X		47	N 905 130 10	circlip 31 X 2,23		X	
44	01E 311 393 E	shim 0,70 MM		X		47	N 905 130 11	circlip 31 X 2,26		X	
44	01E 311 393 F	shim 0,75 MM		X		47	N 905 130 12	circlip 31 X 2,29		X	
44	01E 311 393 G	shim 0,80 MM		X		48	-	fixed gear wheel 5th gear		1	
44	01E 311 393 H	shim 0,85 MM		X		49	N 900 607 01	circlip 27 X 1,90		1	
44	01E 311 393 J	shim 1,25 MM		X		50	999 041 036 00	circlip 37 X 1,50		1	
45	N 905 130 01	circlip 31 X 1,66		X		51	01E 311 429	cylindrical-roller bearing		1	
45	N 905 130 02	circlip 31 X 1,75		X		52	088 301 291 A	shouldered bolt		1	
45	N 905 130 03	circlip 31 X 1,84		X		53	016 311 861 C	spring		1	
45	N 905 130 04	circlip 31 X 1,93		X		54	016 311 853 B	retainer plate		1	
45	N 905 130 05	circlip 31 X 2,02		X		55	016 311 519 B	reverse idler gear shaft		1	
45	N 905 130 06	circlip 31 X 2,11		X		56	016 311 859 C	compression spring		1	
45	N 905 130 09	circlip 31 X 2,20		X		57	016 311 839 D	synchroniser ring		1	
45	N 905 130 12	circlip 31 X 2,29		X		58	-	reverse idler gear		1	
46	-	fixed gear wheel 6th gear		1		59	088 311 533	bush		1	
47	N 905 130 06	circlip 31 X 2,11		X							
47	N 905 130 07	circlip 31 X 2,14		X							
47	N 905 130 08	circlip 31 X 2,17		X							
47	N 905 130 09	circlip 31 X 2,20		X							

Model	Year	MG	SG	Illustration	Restrictions	UPD	9:56	24.01.2010	PORSCHE	PET	PORSCHE
968	1995	3	04	304-00		248					

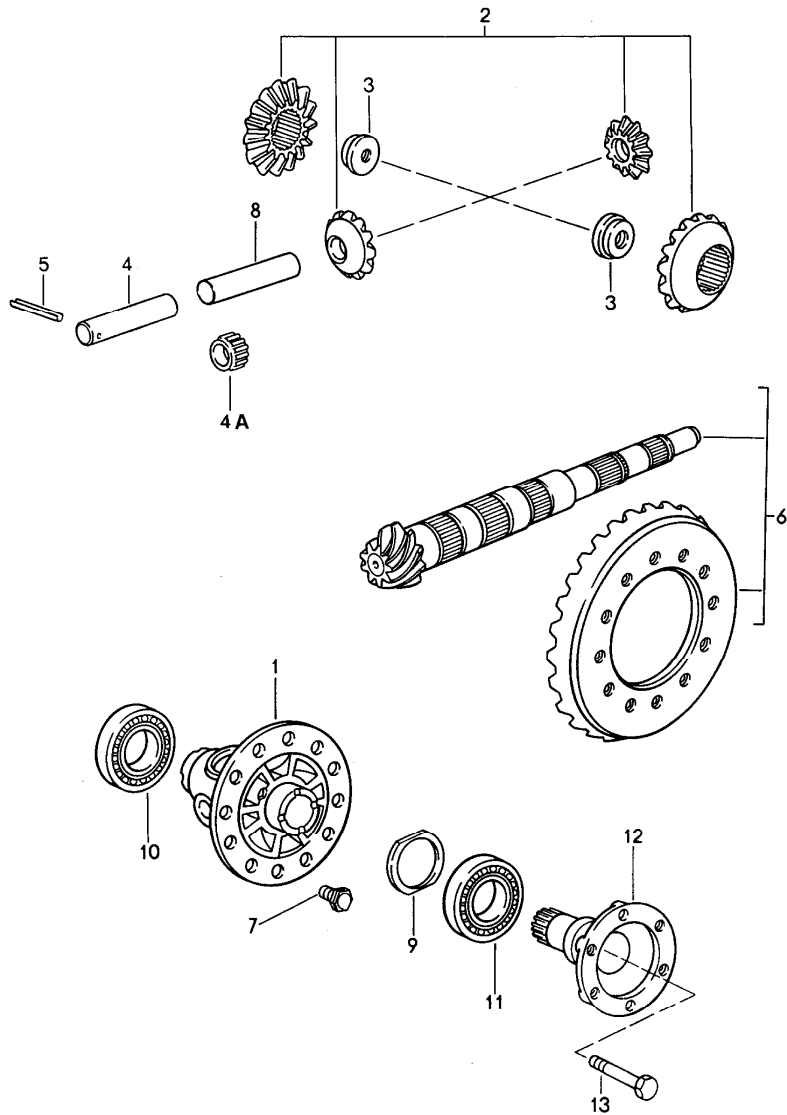


Pos	Part Number	Description	Remark	Qty	Model
		manual transmission shift rods shift forks			G44.00
1	01E 311 543 C	shift rod		1	
2	U 01E 311 545 E	driver		1	
2	01E 311 545 E	driver		1	
3	012 311 722 A	damping washer		1	
4	01E 301 242 F	shift control lock device		4	
5	N 013 288 1	tensioning sleeve 6 X 24		4	
6	01E 301 242 E	shift control lock device		2	
7	01E 311 589	torx screw M 14 X 1,5		1	
8	01E 311 583	reverse lever		1	
9	01E 311 549	gear shift rod 1st gear and 2nd gear		1	
10	01E 311 559 A	gear shift rod 3rd gear and 4th speed		1	
11	01E 311 575	gear shift rod 5th gear and 6th gear		1	
12	01E 311 550 B	driver 1st gear and 2nd gear		1	
13	01E 311 560 A	driver 3rd gear and 4th speed		1	
14	01E 311 561 A	shift fork 3rd gear and 4th speed		1	

Model	Year	MG	SG	Illustration	Restrictions	UPD	9:56	24.01.2010	PORSCHE	PET	PORSCHE
968	1995	3	04	304-00		248					

Pos	Part Number	Description	Remark	Qty	Model	Pos	Part Number	Description	Remark	Qty	Model
15	01E 311 561 A	shift fork 5th gear and 6th gear		1							
16	01E 311 579 B	driver for reverse gear		1							
17	N 900 811 01	circlip 16 X 1,5		2							

Model	Year	MG	SG	Illustration	Restrictions	UPD	9:57	24.01.2010	PORSCHE	PET	PORSCHE
968	1995	3	05	305-00		248					

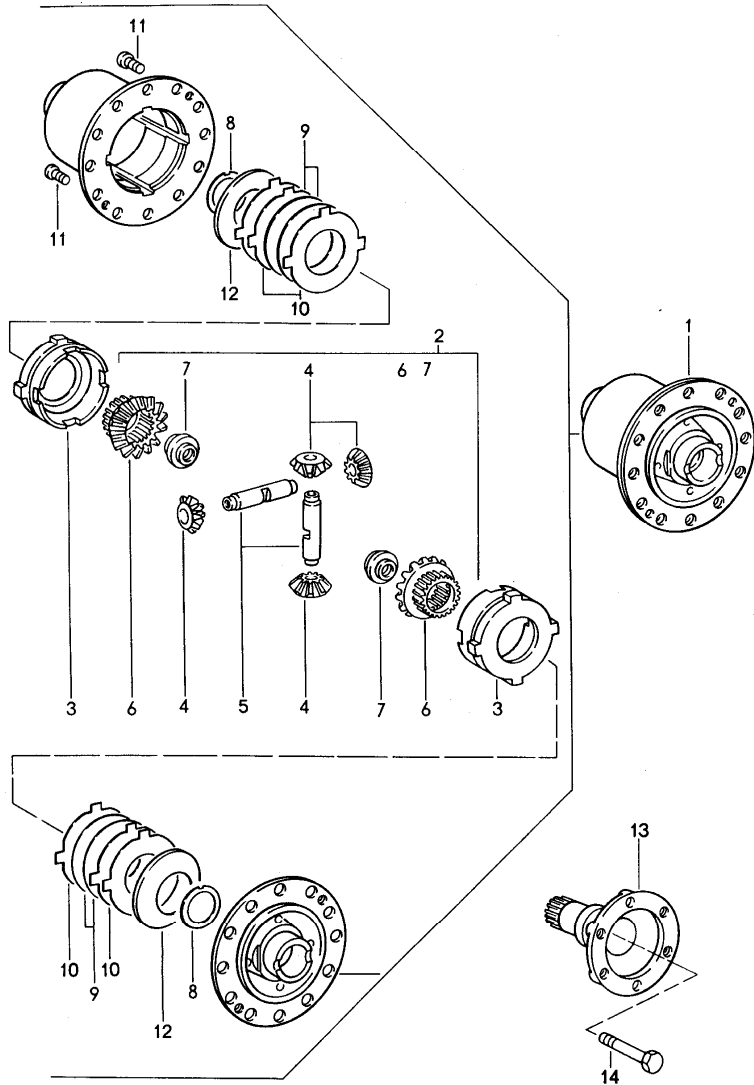


Pos	Part Number	Description	Remark	Qty	Model
		manual transmission differential			G44.00
1	950 332 212 01	differential housing		1	
2	950 332 902 00	gear set 1 set		1	
3	928 332 279 03	threaded disc		2	
4	928 332 207 07	differential bolt		1	
4A	999 201 347 00	needle cage 18 X 22 X 19,8		2	
5	900 309 035 00	roll pin 5 X 40		1	
6	01E 409 143 E	ring gear and pinion shaft 34:9		1	
7	928 332 276 05	hexagon-head bolt		12	
8	950 332 205 00	spacer sleeve		1	
9	950 332 268 00	adjusting ring 0,25 MM		X	
9	950 332 268 01	adjusting ring 1,6 MM		X	
9	950 332 268 02	adjusting ring 1,7 MM		X	
9	996 332 266 56	adjusting ring 1,8 MM		X	
9	950 332 268 04	adjusting ring 1,9 MM		X	
9	950 332 268 05	adjusting ring 2,0 MM		X	
9	950 332 268 06	adjusting ring 2,1 MM		X	
9	950 332 268 07	adjusting ring 2,2 MM		X	
9	950 332 268 08	adjusting ring 2,3 MM		X	
9	950 332 268 09	adjusting ring 2,4 MM		X	
9	950 332 268 10	adjusting ring 2,5 MM		X	

Model	Year	MG	SG	Illustration	Restrictions	UPD	9:57	24.01.2010	PORSCHE	PET	PORSCHE
968	1995	3	05	305-00		248					

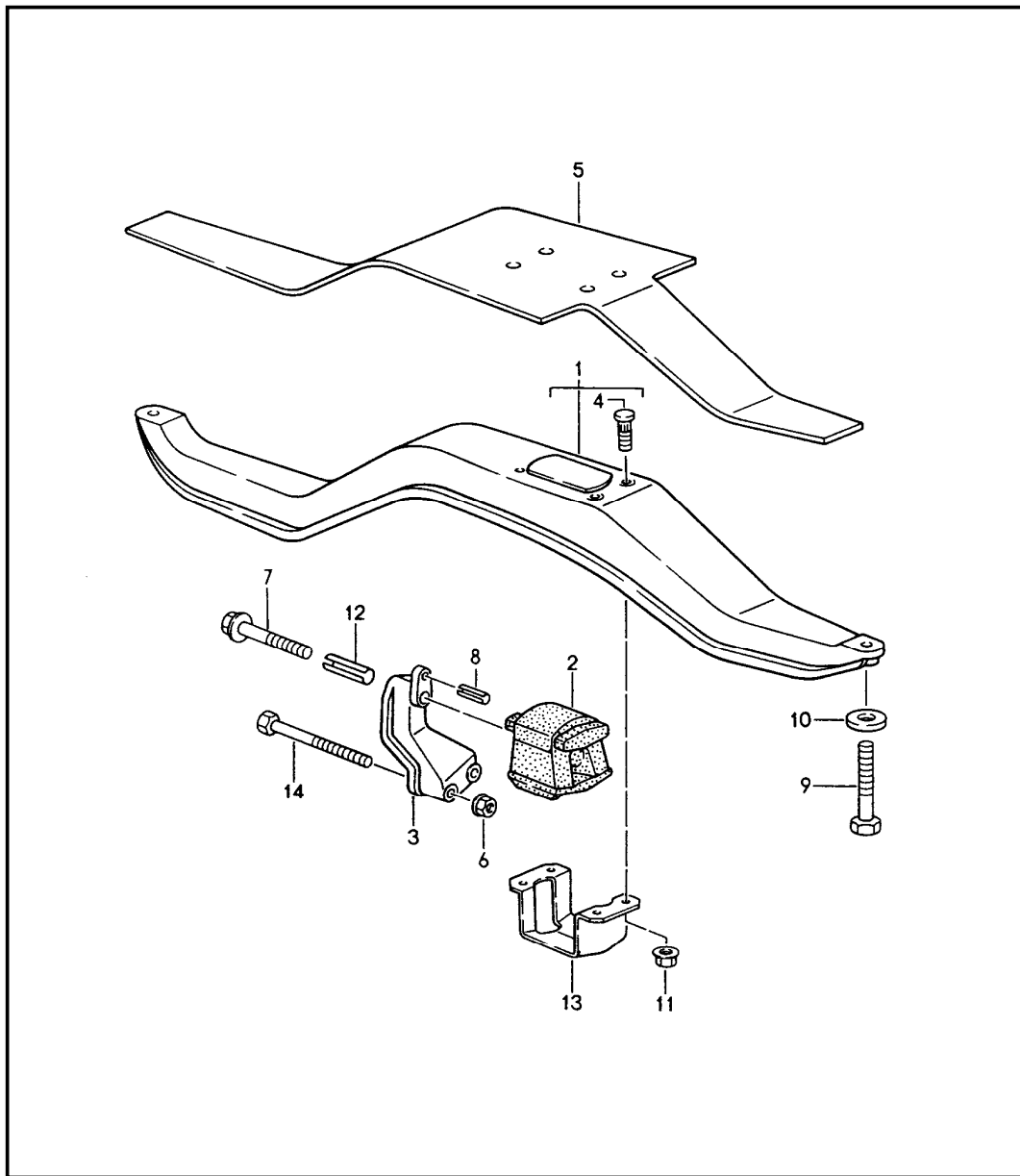
Pos	Part Number	Description	Remark	Qty	Model	Pos	Part Number	Description	Remark	Qty	Model
9	950 332 268 11	adjusting ring 2,6 MM		X							
9	950 332 268 12	adjusting ring 2,7 MM		X							
9	996 332 266 76	adjusting ring 2,8 MM		X							
9	950 332 268 14	adjusting ring 2,9 MM		X							
9	996 332 266 50	adjusting ring 3,0 MM		X							
9	950 332 268 16	adjusting ring 3,1 MM		X							
10	999 059 066 01	taper roller bearing 50 X 80 X 20		1							
11	999 059 064 00	taper roller bearing 50 X 90 X 21,7		1							
12	01E 409 355 B	flanged shaft		2							
13	N 010 472 4	hexagon-head bolt M 10 X 85		2							

Model	Year	MG	SG	Illustration	Restrictions	UPD	9:57	24.01.2010	PORSCHE	PET	PORSCHE
968	1995	3	05	305-05		248					



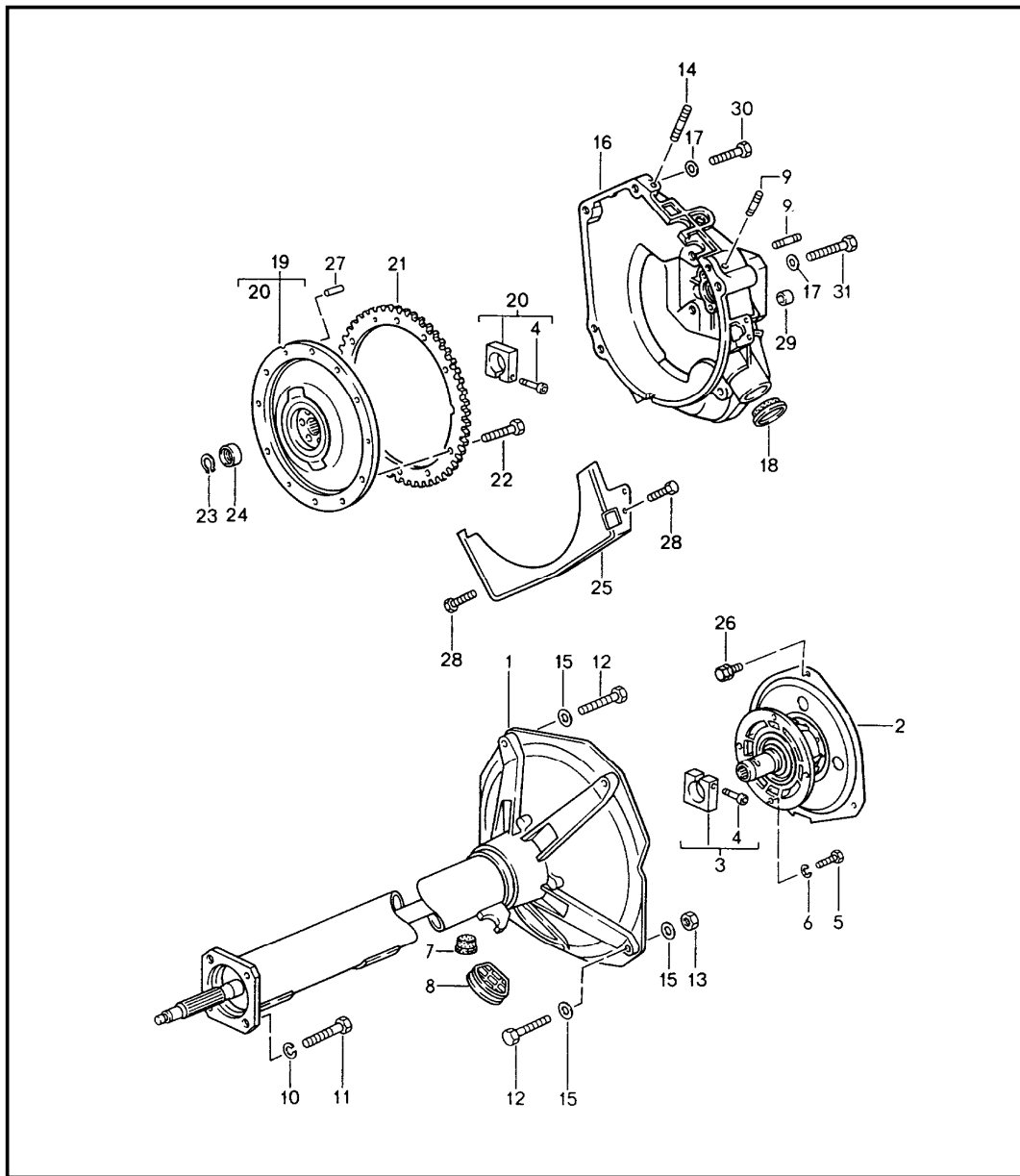
Pos	Part Number	Description	Remark	Qty	Model
		manual transmission limited-slip differential			G44.00 M220
(1)	950 332 053 06	limited-slip differential 40 % TORSEN		1	
1	950 332 053 06	limited-slip differential 40 % ZF		1	
2	928 332 905 00	differential pinions 1 set		1	
3	928 332 511 00	thrust ring		2	
4	-	bevel pinion		4	
5	928 332 541 00	differential shaft		2	
6	-	shaft bevel gear		2	
7	928 332 279 01	threaded disc		2	
8	901 332 561 11	thrust washer		2	
9	928 332 551 00	inner disc 2,0 MM		2	
10	917 332 552 10	disc with external splines 1,9 MM		4	
10	917 332 552 11	disc with external splines 2,0 MM		4	
10	917 332 552 12	disc with external splines 2,1 MM		2	
11	N 014 765 2	pan-head screw M 6 X 10		2	
12	928 332 555 20	cup spring		2	
13	01E 409 355 B	flanged shaft		2	
14	N 010 472 4	hexagon-head bolt M 10 X 85		2	

Model	Year	MG	SG	Illustration	Restrictions	UPD	9:57	24.01.2010	PORSCHE	PET	PORSCHE
968	1995	3	06	306-00		248					



Pos	Part Number	Description	Remark	Qty	Model
		manual transmission transmission suspension			G44.00
1	944 375 024 06	transmission carrier		1	
2	944 375 045 11	transmission mounting		1	
3	944 375 287 11	bracket		1	
4	999 080 019 02	screw M 8 X 24		4	
5	944 375 291 01	sound absorber		1	
6	N 015 083 2	hexagon nut M 8		2	
7	999 072 004 02	hexagon-head bolt M 10 X 70 Z1		1	
8	900 095 031 00	tensioning sleeve 6 X 16		1	
9	N 040 321 1	hexagon-head bolt M 10 X 65		2	
10	999 025 195 02	washer 10,3 X 25 X 3		2	
11	900 380 006 02	lock nut M 8		4	
12	900 197 060 01	roll pin 13 X 45		1	
13	944 375 275 08	housing		1	
14	900 074 049 02	screw M 8 X 110		2	

Model	Year	MG	SG	Illustration	Restrictions	UPD	9:57	24.01.2010	PORSCHE	PET	PORSCHE
968	1995	3	10	310-00		248					

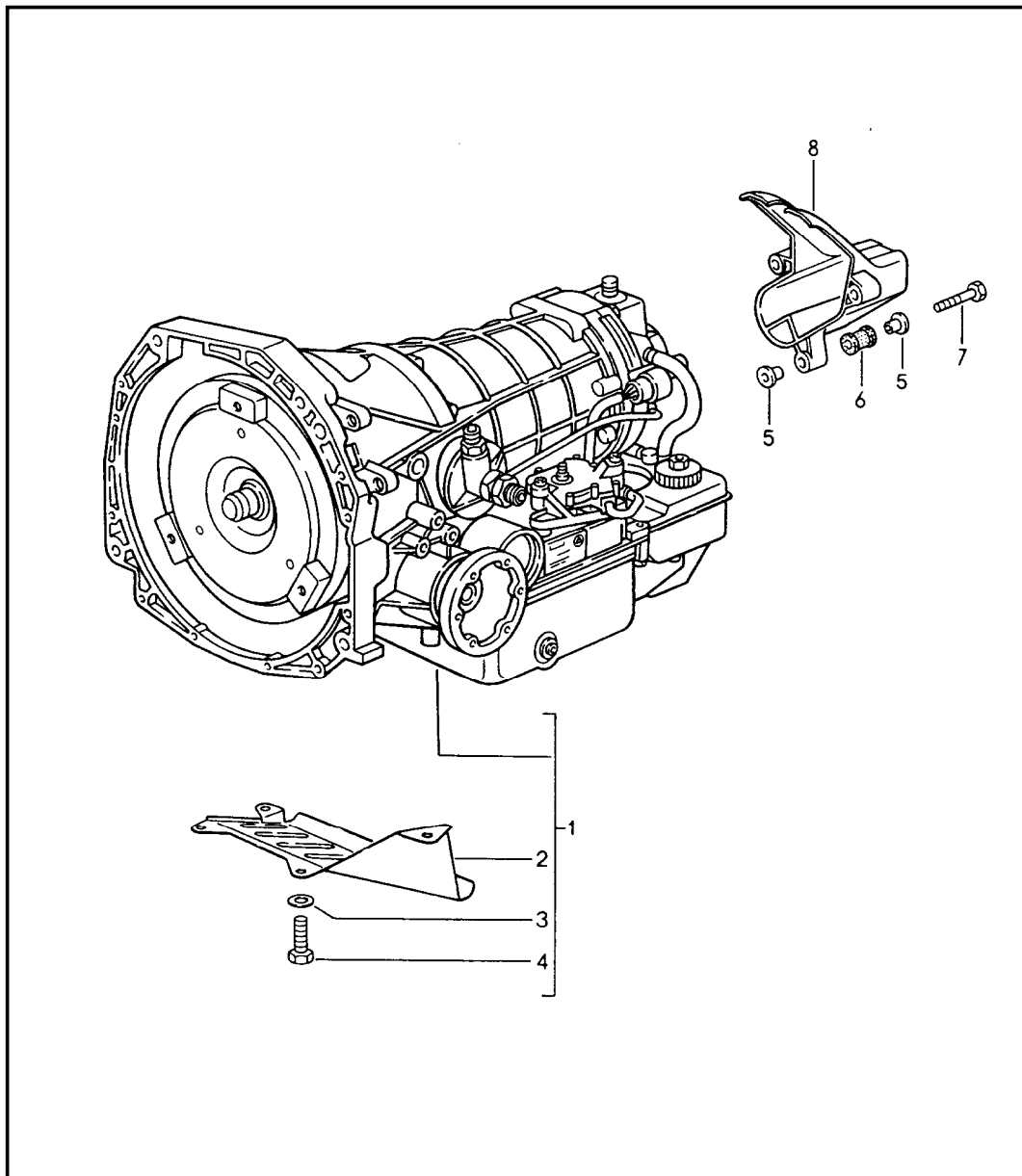


Pos	Part Number	Description	Remark	Qty	Model
		tiptronic central tube			A44.00
1	> 944 421 107 05	central tube		1	
2	944 421 110 01	converter mounting		1	
3	922 421 239 02	clamping piece		1	
4	931 421 240 00	clamping screw		2	
5	900 075 029 09	hexagon-head bolt M 8 X 25		4	
6	N 012 241 1	spring washer B 8		4	
7	477 521 177	cap		1	
8	477 521 277 C	cap		1	
9	999 062 055 02	stud M 6 X 12		2	
10	900 027 016 02	lock ring B 10		4	
11	N 010 275 4	hexagon-head bolt M 10 X 35		4	
12	900 075 411 02	hexagon-head bolt M 10 X 65		4	
13	N 011 010 6	hexagon nut M 10		2	
14	999 062 073 02	stud M 8 X 15		1	
15	900 025 008 09	washer A 10,5		6	
16	944 116 111 05	clutch housing		1	
17	900 025 009 02	washer A 13		4	
18	931 116 177 00	cap		2	
19	944 116 065 04	damper		1	
20	922 421 255 00	clamping piece		1	
21	944 116 239 04	starter ring		1	
22	N 014 717 2	pan-head screw M 8 X 40		9	

Model	Year	MG	SG	Illustration	Restrictions	UPD	9:57	24.01.2010	PORSCHE	PET	PORSCHE
968	1995	3	10	310-00		248					

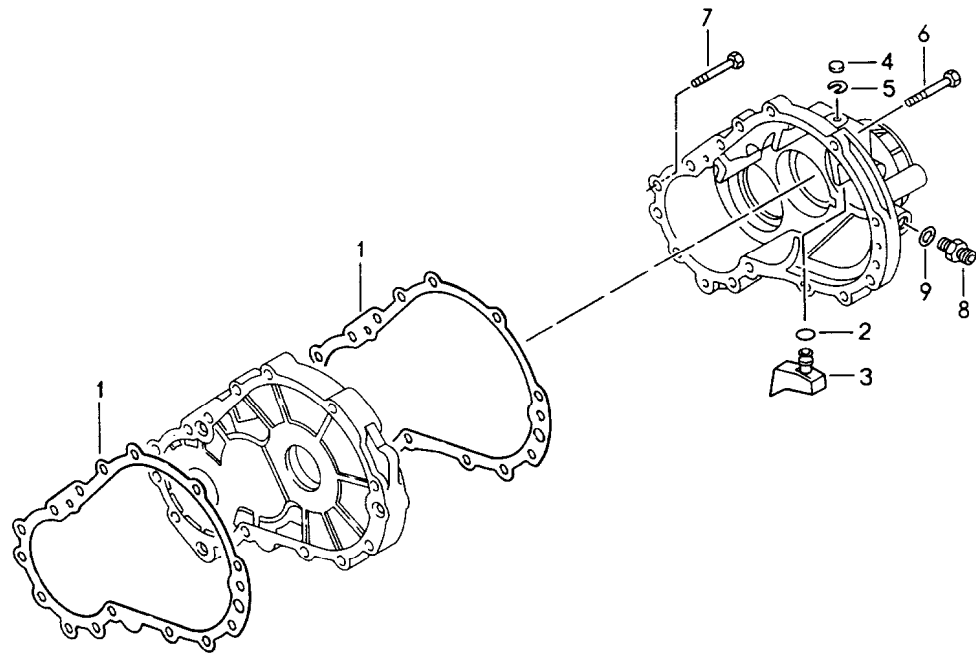
Pos	Part Number	Description	Remark	Qty	Model	Pos	Part Number	Description	Remark	Qty	Model
23	900 273 002 01	circlip 17 X 1		1							
24	944 116 631 00	spacer sleeve 1,00		1							
24	944 116 631 01	spacer sleeve 2,00		X							
24	944 116 631 02	spacer sleeve 3,00		X							
24	944 116 631 03	spacer sleeve 4,00		X							
24	944 116 631 04	spacer sleeve 5,00		X							
24	944 116 631 05	spacer sleeve 6,00		X							
24	944 116 631 06	spacer sleeve 7,00		X							
24	944 116 631 07	spacer sleeve 8,00		X							
25	944 116 093 01	protective plate		1							
26	900 378 012 02	hexagon-head bolt M 10 X 1,25 X 20		3							
27	N 013 210 2	straight pin 6 M 6 X 16		3							
28	900 075 040 02	hexagon-head bolt M 10 X 20		2							
29	999 209 008 02	dowel sleeve 10,3 X 15 X 11		2							
30	N 010 142 2	hexagon-head bolt M 12 X 1,5 X 50		2							
31	N 010 191 2	hexagon-head bolt M 12 X 1,5 X 95		2							

Model	Year	MG	SG	Illustration	Restrictions	UPD	9:57	24.01.2010	PORSCHE	PET	PORSCHE
968	1995	3	20	320-00		248					



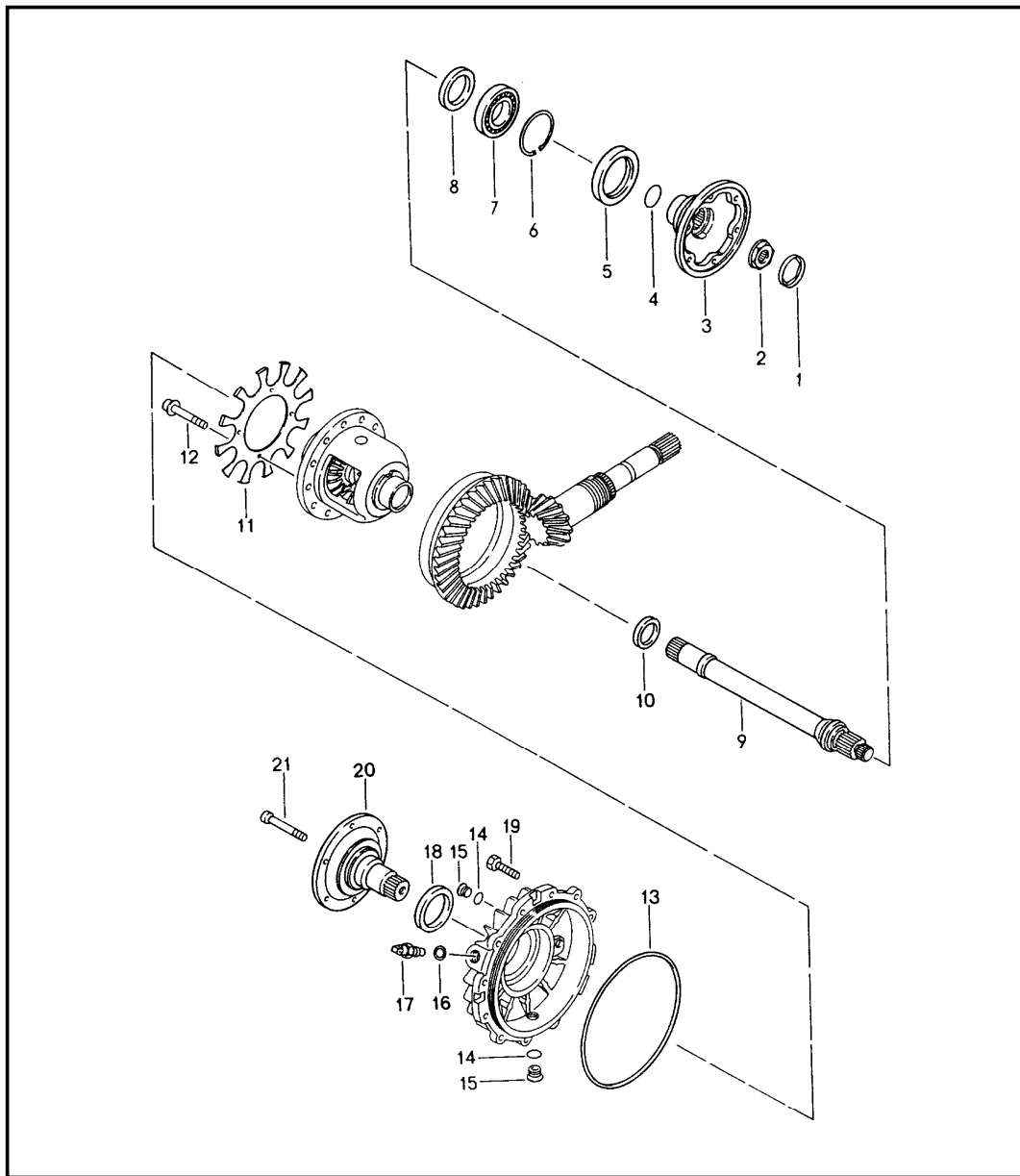
Pos	Part Number	Description	Remark	Qty	Model
		tiptronic replacement transmission			A44.00
1	> 944 300 010 00	replacement transmission ready for installation	92	1	
1	> 944 300 010 01	replacement transmission ready for installation	93-	1	
2	944 385 481 00	protective plate		1	
3	900 025 007 02	washer A 8,4		4	
4	N 010 239 11	hexagon-head bolt M 8 X 18		4	

Model	Year	MG	SG	Illustration	Restrictions	UPD	9:58	24.01.2010	PORSCHE	PET	PORSCHE
968	1995	3	20	320-02		248					



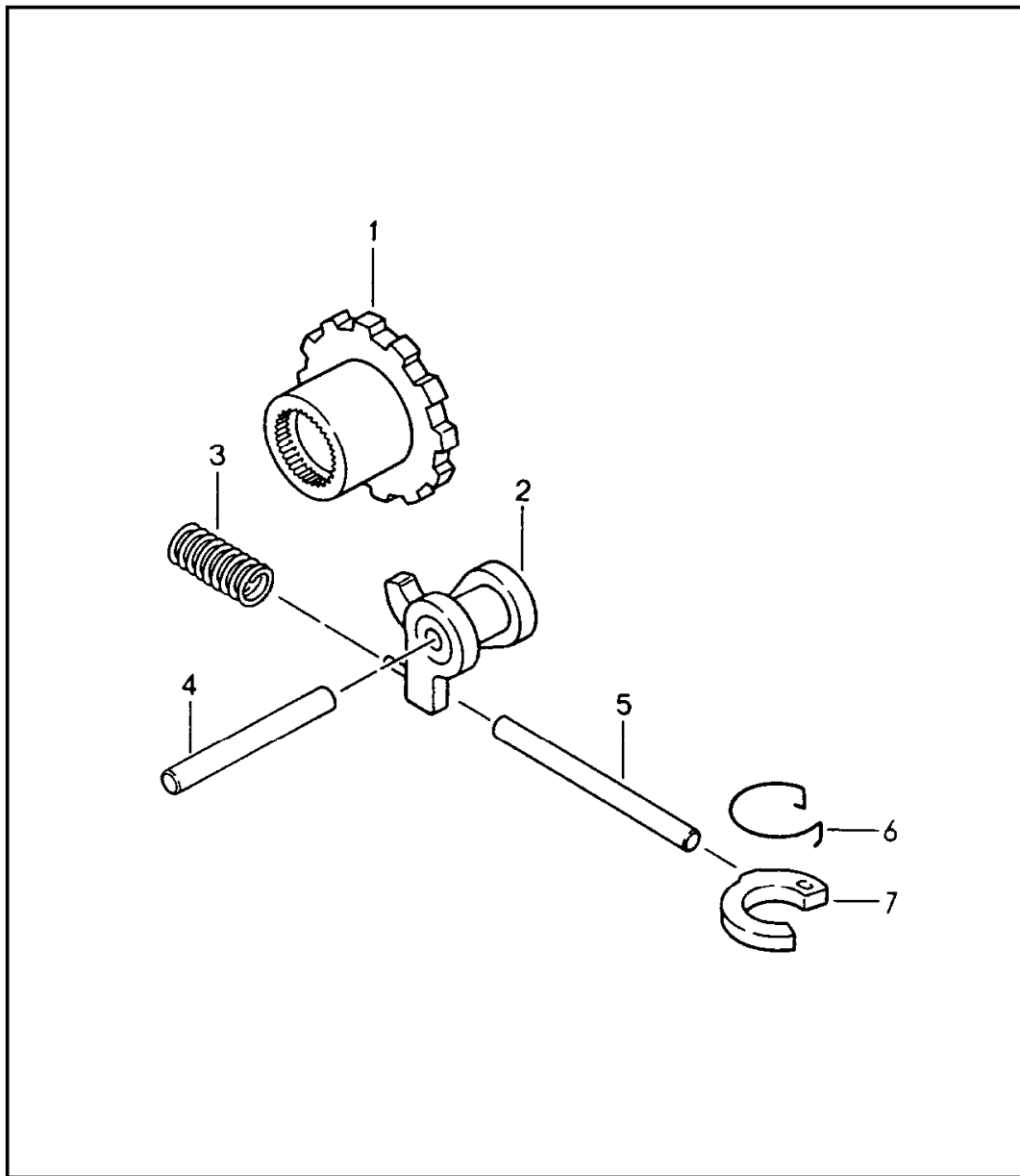
Pos	Part Number	Description	Remark	Qty	Model
		tiptronic transmission case			A44.00
1	944 321 138 00	gasket		2	
2	944 397 004 00	round seal		1	
3	944 397 301 00	bleeder		1	
4	944 397 040 00	lid		1	
5	944 397 020 00	retaining spring		1	
6	944 397 008 01	hexagon-head bolt M 8 X 55 Z3		8	
7	944 397 008 02	hexagon-head bolt M 8 X 105 Z3		5	
8	944 397 050 00	connection piece		1	
9	944 397 025 00	sealing ring A 1,20		1	

Model	Year	MG	SG	Illustration	Restrictions	UPD	9:58	24.01.2010	PORSCHE	PET	PORSCHE
968	1995	3	20	320-03		248					



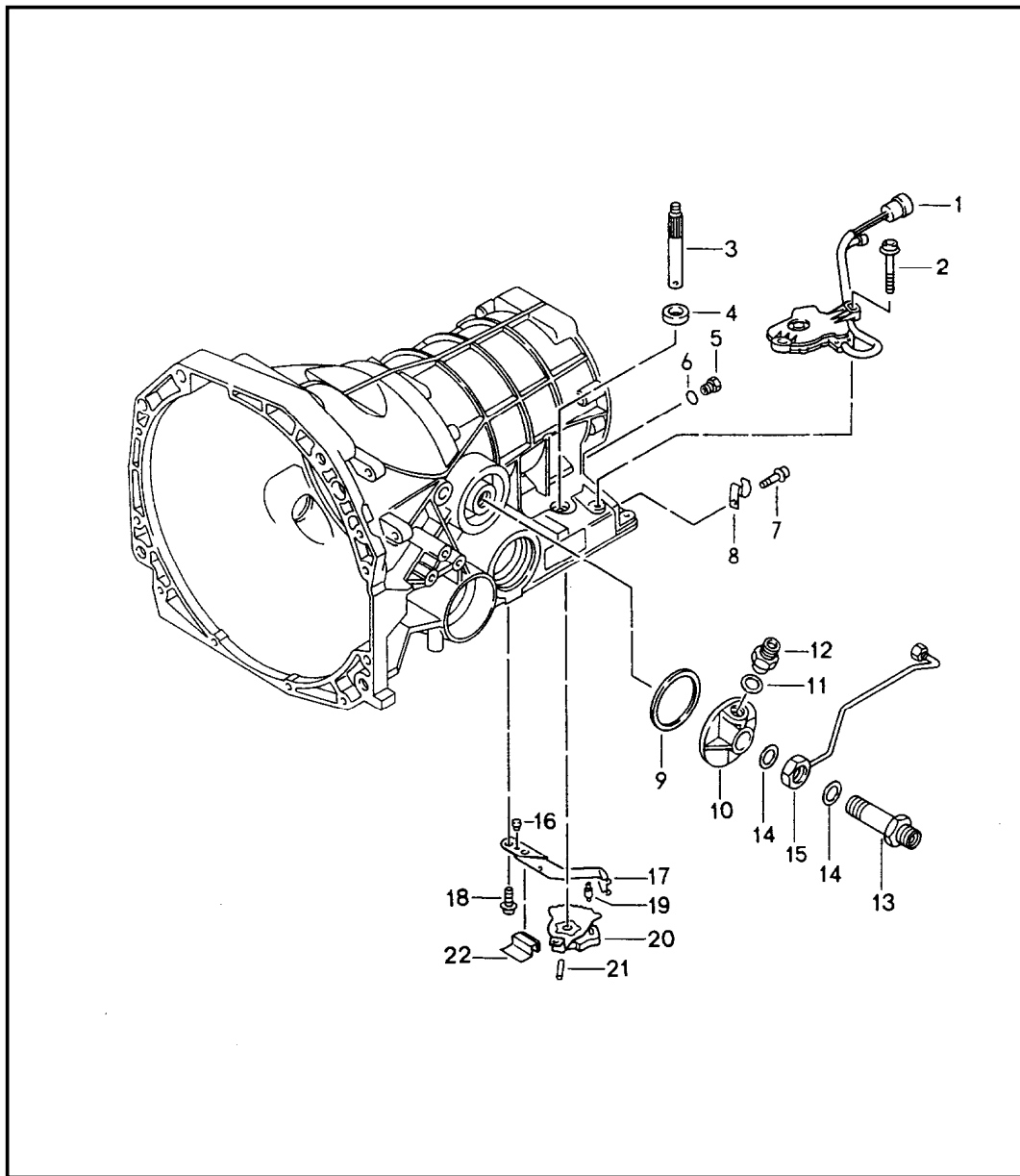
Pos	Part Number	Description	Remark	Qty	Model
		tiptronic differential housing			A44.00
1	944 332 291 00	tab washer		1	
2	944 332 293 00	collar nut M 20 X 1,5		1	
3	944 332 209 00	joint flange		1	
4	996 397 013 00	round seal		1	
5	944 397 017 00	shaft sealing ring		1	
6	944 397 018 00	circlip 62 X 2		1	
7	944 332 231 00	ball bearing 35 X 62 X 14		1	
8	944 397 017 01	shaft sealing ring 53,9 x 88,9 x 19,0		1	
9	944 332 211 00	drive shaft		1	
10	944 397 017 02	shaft sealing ring		1	
11	944 332 233 00	washer		1	
12	944 397 006 03	pan-head screw M 6 X 10		4	
13	944 397 022 00	round seal		1	
14	944 397 016 00	sealing ring A 18 X 22		2	
15	944 397 035 00	screw plug M 18 X 1,5		2	
16	944 397 002 00	o-ring		1	
17	944 325 608 01	inductive transmitter		1	
18	944 397 017 03	shaft sealing ring		1	
19	944 397 008 00	hexagon-head bolt M 8 X 25 Z3		12	
20	944 332 209 01	joint flange		1	
21	944 332 587 00	elastic bolt		1	

Model	Year	MG	SG	Illustration	Restrictions	UPD	9:58	24.01.2010	PORSCHE	PET	PORSCHE
968	1995	3	20	320-04		248					



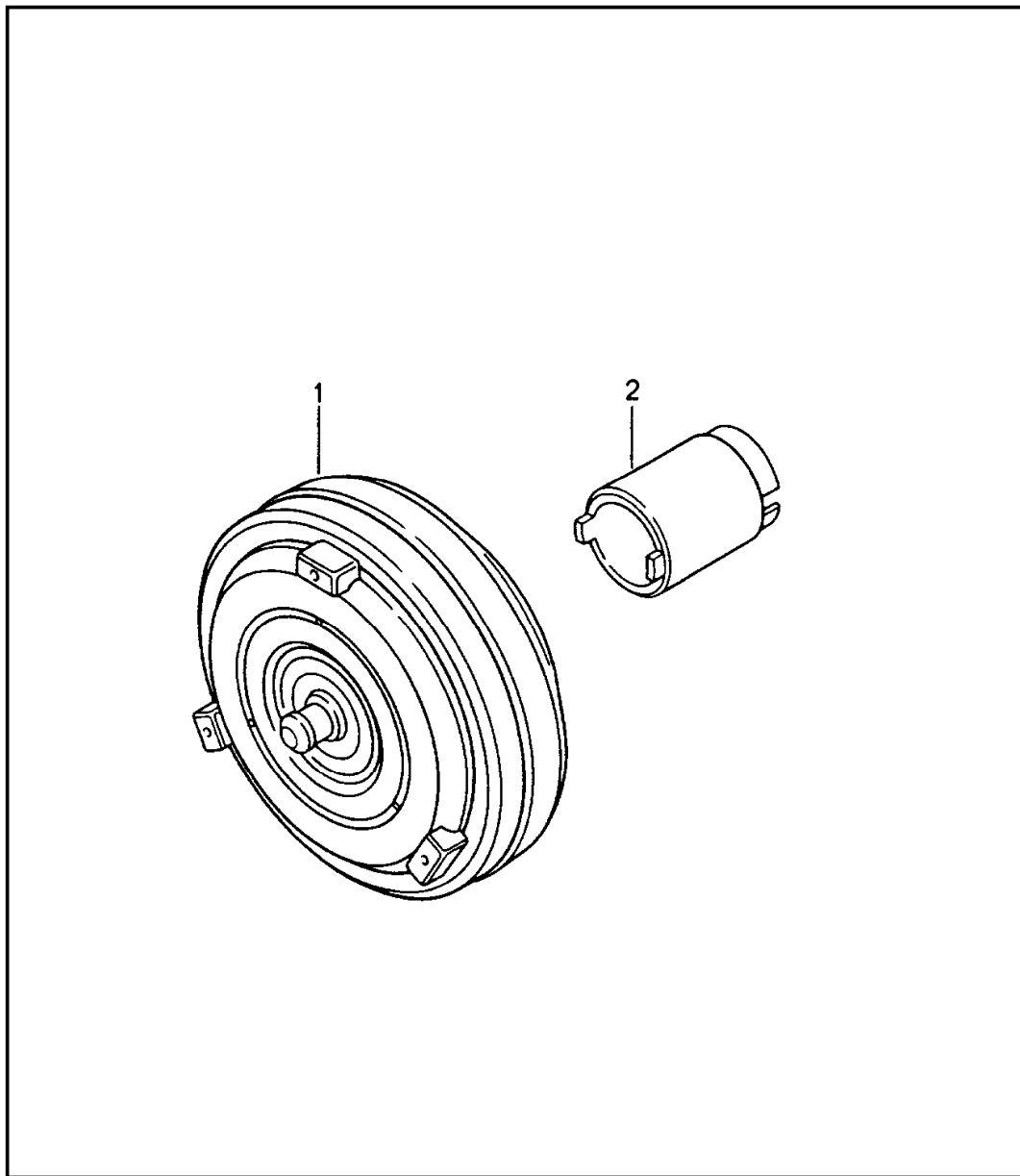
Pos	Part Number	Description	Remark	Qty	Model
		tiptronic parking lock			A44.00
1	944 324 121 00	parking lock		1	
2	944 324 111 00	stop		1	
3	944 324 109 00	compression spring		1	
4	944 324 107 00	bolt		1	
5	944 324 101 00	push rod		1	
6	944 324 225 00	spring clip		1	
7	944 324 103 00	locking segment		1	

Model	Year	MG	SG	Illustration	Restrictions	UPD	9:58	24.01.2010	PORSCHE	PET	PORSCHE
968	1995	3	20	320-05		248					



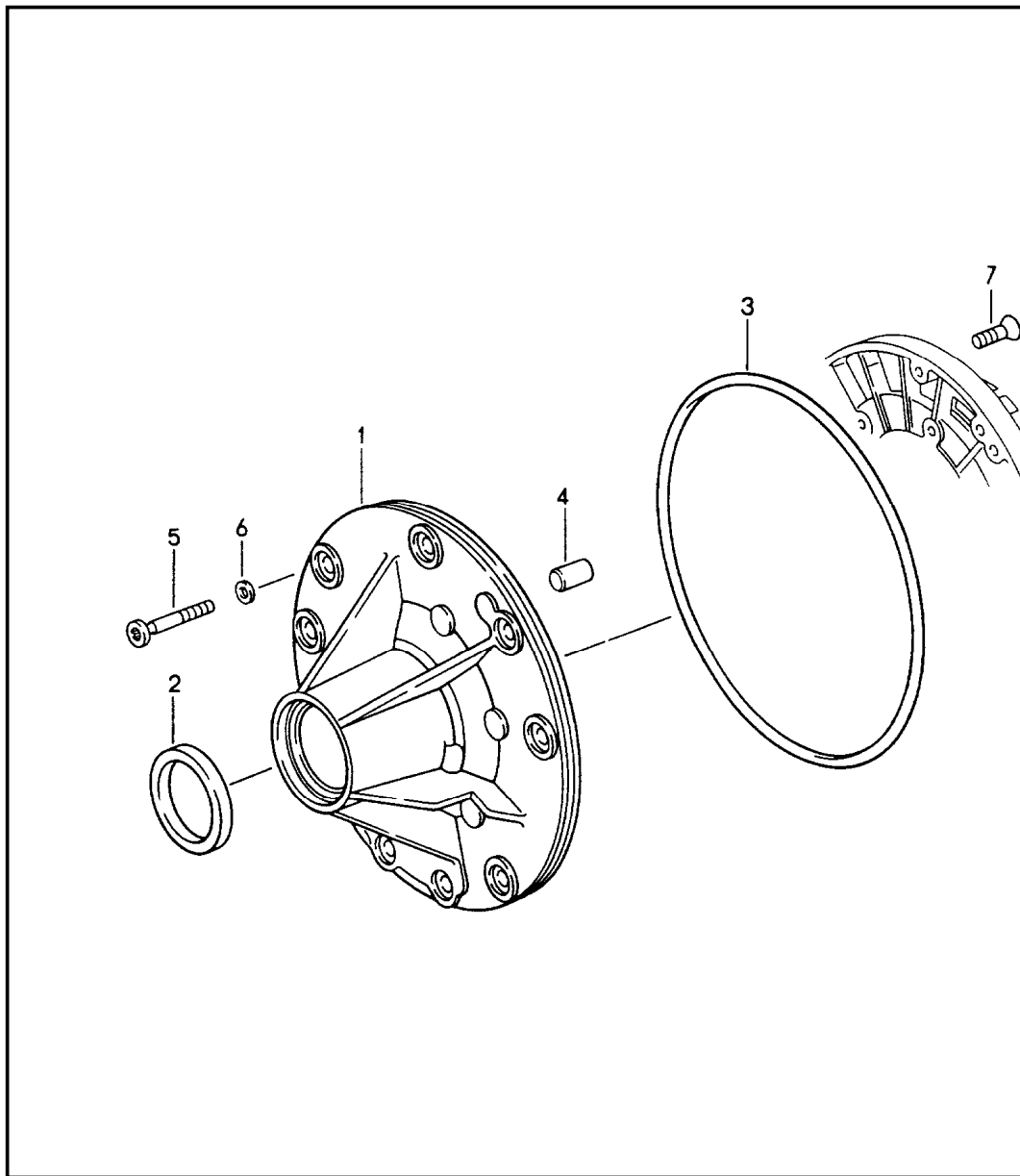
Pos	Part Number	Description	Remark	Qty	Model
		tiptronic selector switch			A44.00
1	944 613 212 00	selector switch		1	
2	944 397 006 02	pan-head screw M 6 X 27		2	
3	944 325 321 00	shaft		1	
4	944 397 019 00	shaft sealing ring 12 X 22 X 7		1	
5	944 397 031 00	screw plug M 10 X 1		2	
6	944 397 025 00	sealing ring A 1,20		2	
7	944 397 006 01	pan-head screw M 6 X 10		1	
8	944 321 211 00	support		1	
9	944 397 015 00	gasket		1	
10	944 321 115 00	adapter		1	
11	944 397 037 00	sealing ring A 16 X 20		1	
12	944 397 053 00	connection piece M 16 X 1,5		1	
13	944 397 039 00	banjo bolt M 20 X 1,5		1	
14	944 397 009 00	sealing ring A 20 X 26		2	
15	944 321 117 00	pipe		1	
16	944 324 210 00	bolt		1	
17	944 324 110 00	locking segment		1	
18	944 397 006 04	pan-head screw M 6 X 13		2	
19	944 324 117 00	roller		1	
20	944 324 115 00	shift segment		1	
21	944 397 038 00	roll pin		1	
22	944 324 119 00	clamping spring		1	

Model	Year	MG	SG	Illustration	Restrictions	UPD	9:58	24.01.2010	PORSCHE	PET	PORSCHE
968	1995	3	30	330-00		248					



Pos	Part Number	Description	Remark	Qty	Model
		tiptronic converter			A44.00
1	944 316 001 00	converter		1	
2	944 316 110 00	spacer tube		1	

Model	Year	MG	SG	Illustration	Restrictions	UPD	9:59	24.01.2010	PORSCHE	PET	PORSCHE
968	1995	3	30	330-01		248					



Pos	Part Number	Description	Remark	Qty	Model
		tiptronic oil pump			A44.00
1	944 307 115 00	oil pump		1	
2	996 397 010 00	shaft sealing ring		1	
3	944 397 011 00	round seal		1	
4	944 397 030 00	straight pin		1	
5	944 397 006 00	pan-head screw M 6 X 40		9	
6	944 397 023 00	sealing ring		9	
7	944 397 051 00	countersunk-head screw M 6		6	

PORSCHE

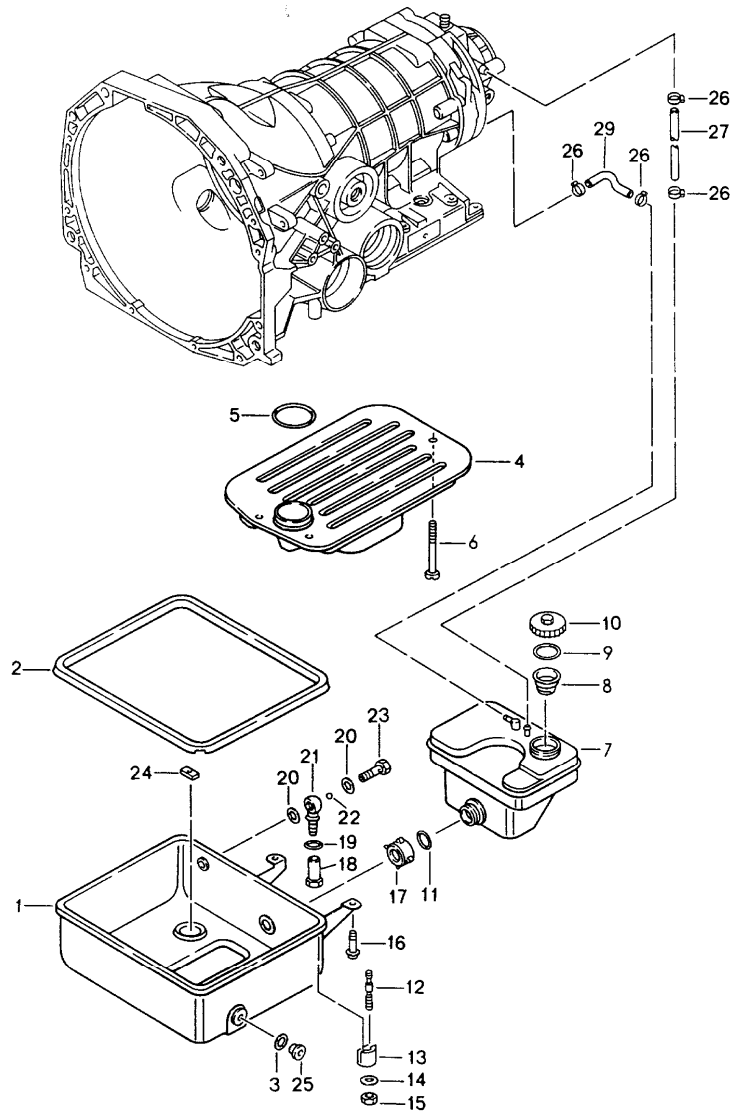
PET

PORSCHE

Model	Year	MG	SG	Illustration	Restrictions	UPD	9:59	24.01.2010
968	1995	3	30	330-02		248		

Pos	Part Number	Description	Remark	Qty	Model
		tiptronic seal OELRAUM see workshop manual			A44.00
1	944 302 211 00	intermediate piece		1	
2	944 397 048 00	pan-head screw M 8 X 17		1	
3	944 397 013 01	round seal		1	
4	944 397 013 02	round seal		1	
5	944 397 017 04	shaft sealing ring		1	
6	944 397 017 05	shaft sealing ring		1	

Model	Year	MG	SG	Illustration	Restrictions	UPD	9:59	24.01.2010	PORSCHE	PET	PORSCHE
968	1995	3	40	340-01		248					

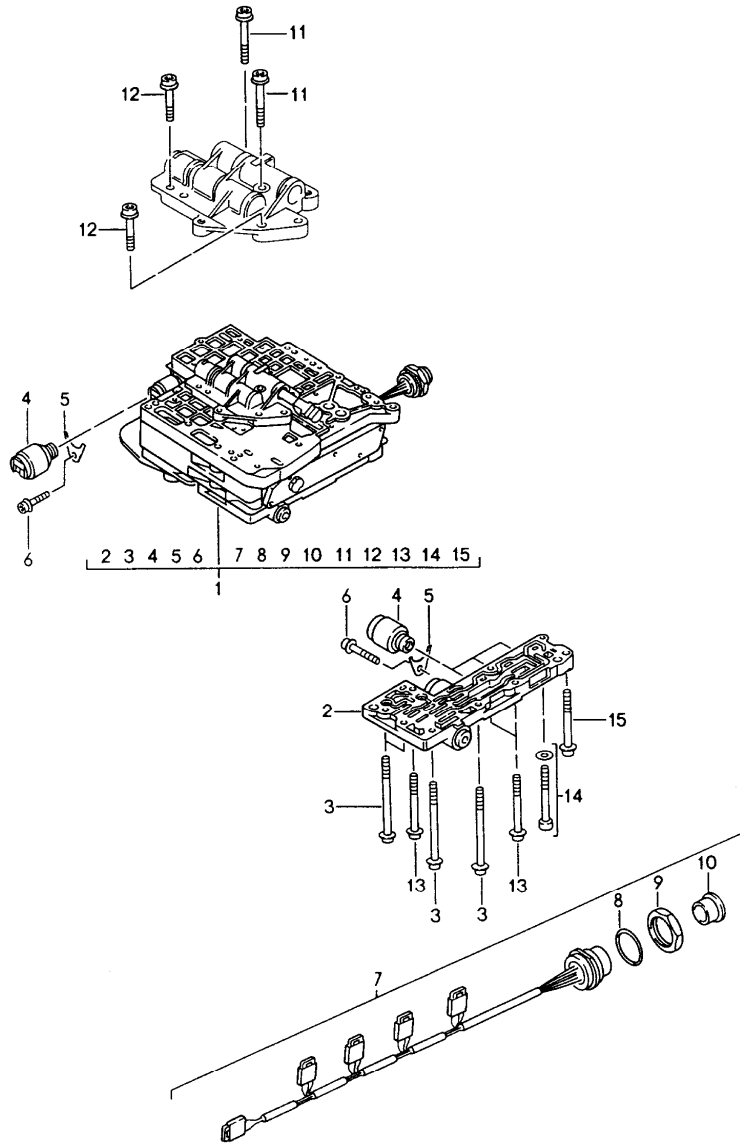


Pos	Part Number	Description	Remark	Qty	Model
		tiptronic oil pan oil strainer			A44.00
1	944 321 025 00	oil pan		1	
2	* 944 321 124 00	oil sump gasket		1	
3	* 944 397 025 00	sealing ring A 1,20		1	
4	* 944 307 110 00	oil strainer		1	
5	* 944 397 001 00	round seal		1	
6	943 397 006 00	pan-head screw M 6 X 80		7	
7	944 307 475 00	filling container		1	
8	477 321 479 A	strainer		1	
9	477 321 483 A	round seal		1	
10	477 321 481	screw-on cap		1	
11	477 321 487	o-ring		1	
12	944 397 060 00	stud M 6		4	
13	943 321 161 01	retaining bracket		4	
14	944 397 021 00	washer		4	
15	944 397 027 00	hexagon nut M 6		4	
16	944 397 006 01	pan-head screw M 6 X 10		2	
17	477 321 485	union nut M 26 X 1,5		1	
18	944 397 028 00	cap nut M 14 X 1,5		1	
19	944 397 029 01	sealing ring A 14 X 18		1	
20	944 397 029 01	sealing ring A 14 X 18		2	
21	943 307 101 00	connection piece		1	
22	944 397 033 00	ball 6 MM		1	

Model	Year	MG	SG	Illustration	Restrictions	UPD	9:59	24.01.2010	PORSCHE	PET	PORSCHE
968	1995	3	40	340-01		248					

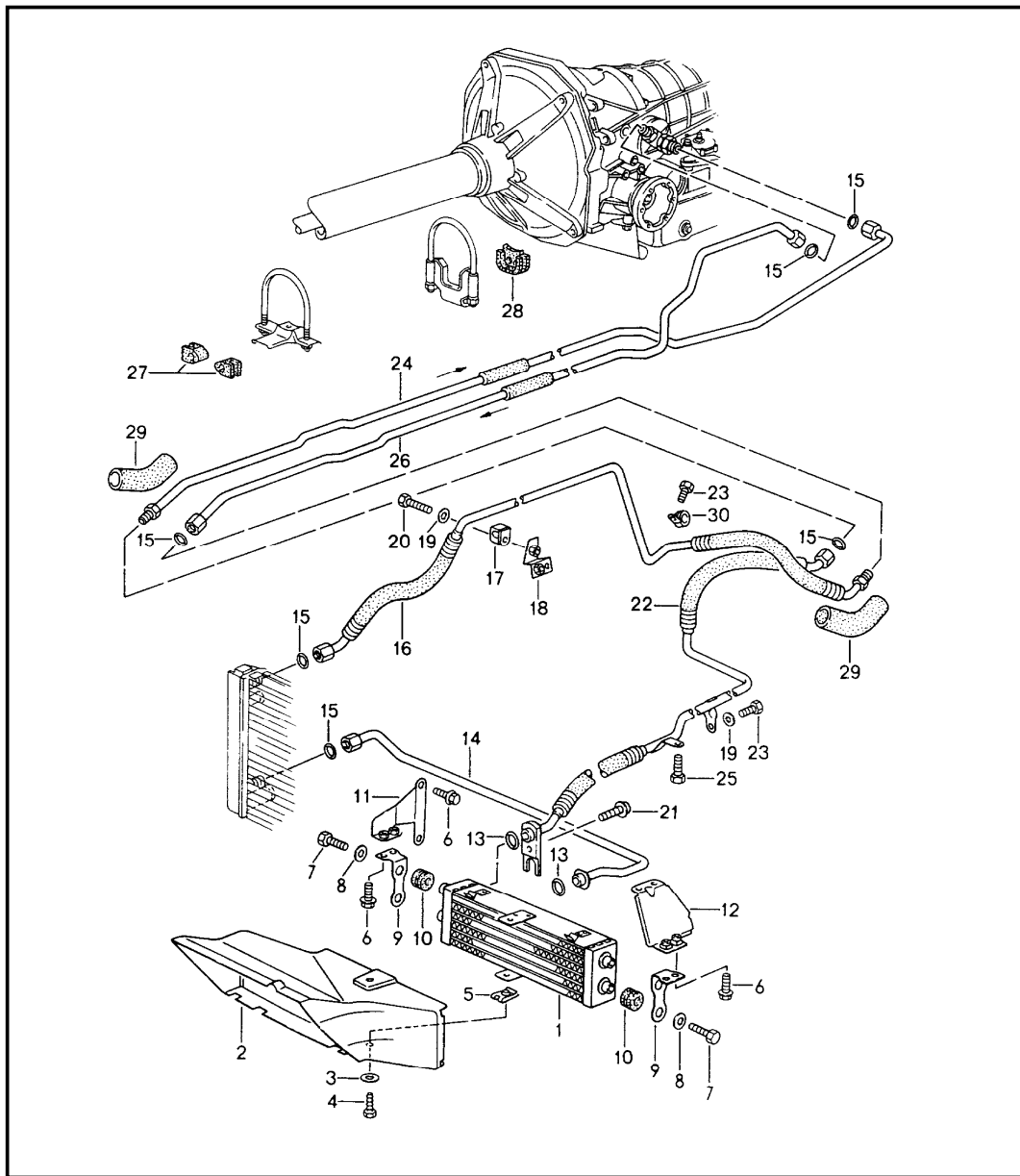
Pos	Part Number	Description	Remark	Qty	Model	Pos	Part Number	Description	Remark	Qty	Model
23	944 397 034 00	banjo bolt 10		1							
24	943 321 119 00	magnet		1							
25	944 397 031 00	screw plug M 10 X 1		1							
26	944 397 032 00	hose clamp 14,0		4							
27	944 307 121 00	hose		1							
29	944 307 121 01	hose		1							

Model	Year	MG	SG	Illustration	Restrictions	UPD	9:59	24.01.2010	PORSCHE	PET	PORSCHE
968	1995	3	40	340-02		248					



Pos	Part Number	Description	Remark	Qty	Model
		tiptronic switch unit solenoid valve			A44.00
1	> 944 325 001 00	switch unit		1	
2	944 325 010 00	valve housing with pressure regulator		1	
3	943 397 006 00	pan-head screw M 6 X 80		X	
4	944 325 602 00	solenoid valve		4	
5	943 325 111 00	retaining bracket		4	
6	943 397 045 00	pan-head screw M 5 X 12		4	
7	944 325 605 00	wiring harness		1	
8	943 397 007 00	sealing ring 26,7 X 1,78		1	
9	944 397 026 00	nut M 26 X 1		1	
10	944 397 041 00	protection cap		1	
11	944 397 005 02	pan-head screw M 5 X 35		2	
12	944 397 005 03	pan-head screw M 5 X 25		2	
13	944 397 005 06	pan-head screw M 5 X 70		X	
14	944 397 005 04	pan-head screw M 5 X 60		X	
15	944 397 005 05	pan-head screw M 5 X 65		2	

Model	Year	MG	SG	Illustration	Restrictions	UPD	9:59	24.01.2010	PORSCHE	PET	PORSCHE
968	1995	3	60	360-00		248					

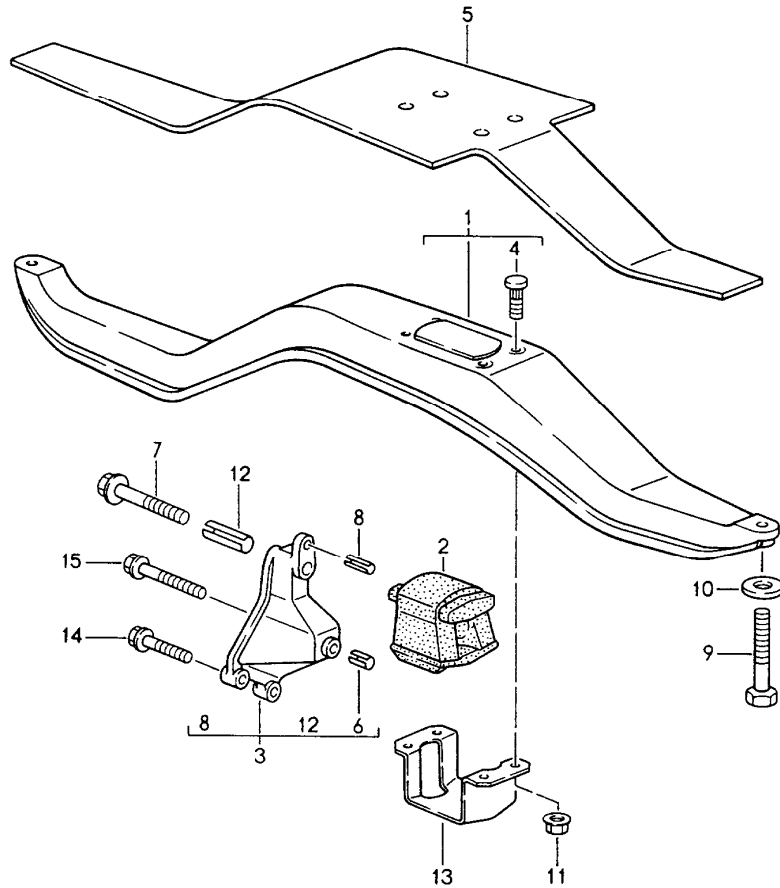


Pos	Part Number	Description	Remark	Qty	Model
		tiptronic atf cooler atf lines			A44.00
1	944 207 309 00	transmission oil cooler		1	
2	944 307 411 00	air duct		1	
3	900 151 027 02	washer B 5,3		2	
4	N 013 884 4	tapping screw 4,8 X 13		2	
5	999 591 489 02	speed nut B 4,8		2	
5	999 591 489 01	speed nut B 4,8		2	
6	900 075 374 02	hexagon-head bolt M 6 X 14 Z2		6	
7	999 072 005 09	hexagon-head bolt M 6 X 12		4	
8	N 011 612 3	washer R 7 X 22 X 2		4	
9	944 207 315 02	support		2	
10	056 129 669 B	grommet		4	
11	944 307 407 00	support		1	
12	944 504 507 00	support		1	
13	900 331 022 40	o-ring		2	
14	944 307 017 01	oil tube		1	
15	900 331 010 40	o-ring		6	
16	944 307 010 06	oil pipe		1	
17	999 511 223 40	clip		2	
18	944 107 333 00	support		2	
19	N 011 524 7	washer A 6,4		3	
20	N 010 220 3	hexagon-head bolt M 6 X 30		2	
21	N 090 378 1	pan-head screw M 8 X 25 Z1		1	

Model	Year	MG	SG	Illustration	Restrictions	UPD	9:59	24.01.2010	PORSCHE	PET	PORSCHE
968	1995	3	60	360-00		248					

Pos	Part Number	Description	Remark	Qty	Model	Pos	Part Number	Description	Remark	Qty	Model
22	944 307 011 05	oil pipe		1							
23	N 010 215 13	hexagon-head bolt M 6 X 15		2							
24	944 307 009 05	oil pipe		1							
25	900 075 079 02	hexagon-head bolt M 8 X 22		1							
26	944 307 008 04	oil pipe		1							
27	944 307 190 01	rubber mounting		2							
28	944 307 190 03	rubber mounting		1							
29	999 181 743 40	protective tube		2							
30	999 511 069 02	clip		1							

Model	Year	MG	SG	Illustration	Restrictions	UPD	9:59	24.01.2010	PORSCHE	PET	PORSCHE
968	1995	3	70	370-00		248					

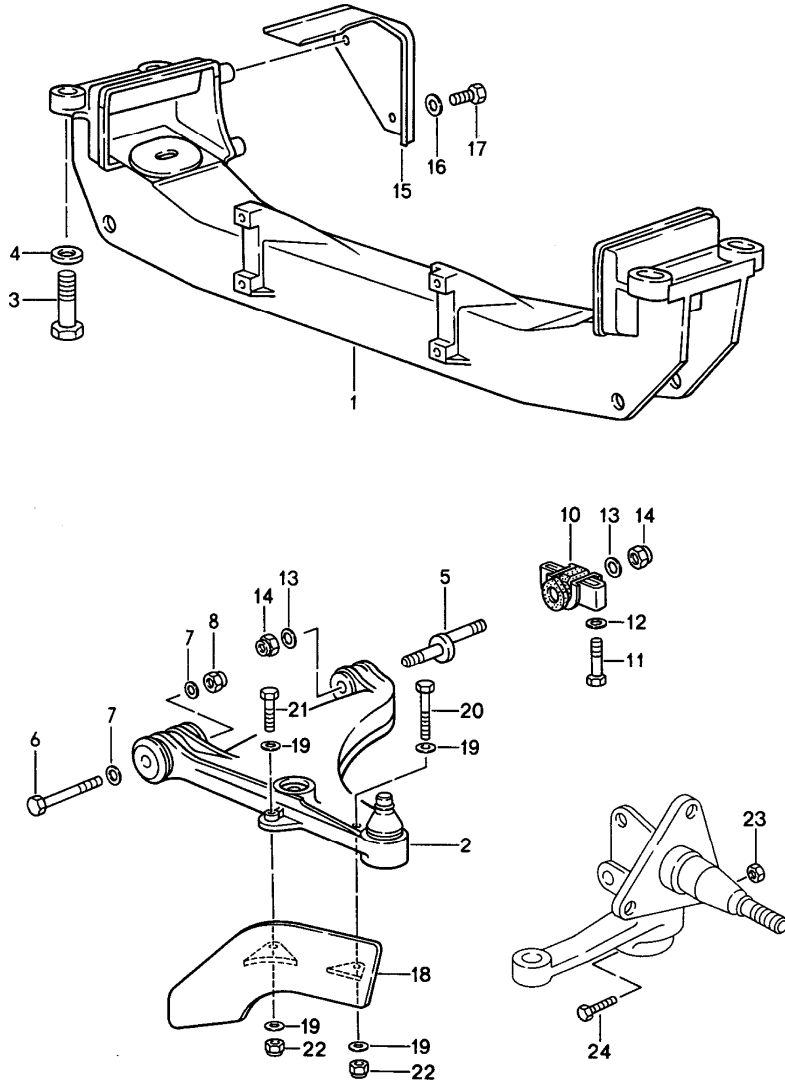


Pos	Part Number	Description	Remark	Qty	Model
		tiptronic transmission suspension			A44.00
1	944 375 024 06	transmission carrier		1	
2	944 375 045 11	transmission mounting		1	
3	944 375 087 00	bracket		1	
4	999 080 019 02	screw M 8 X 24		4	
5	944 375 291 01	sound absorber		1	
6	900 197 043 01	roll pin 10 X 14		1	
7	999 072 004 02	hexagon-head bolt M 10 X 70 Z1		1	
8	900 095 031 00	tensioning sleeve 6 X 16		1	
9	N 040 321 1	hexagon-head bolt M 10 X 65		2	
10	999 025 195 02	washer 10,3 X 25 X 3		2	
11	900 380 006 02	lock nut M 8		4	
12	900 197 060 01	roll pin 13 X 45		1	
13	944 375 275 08	housing		1	
14	900 378 055 02	hexagon-head bolt M 8 X 40		2	
15	900 378 056 02	hexagon-head bolt M 8 X 60		1	

Model	Year	MG	SG	Illustration	Restrictions	UPD	10:00	24.01.2010
968	1995	3	98	398-00R		248		

Pos	Part Number	Description	Remark	Qty	Model
		repair kits manual transmission tiptronic			G44.00 A44.00
>>	>>944 300 901 00	gasket set comprising:		1	G44.00
-	01E 301 235	gasket		1	
-	01E 301 467	lid		1	
-	010 409 580	round seal		1	
-	012 301 457 C	shaft sealing ring		1	
-	999 113 347 40	shaft sealing ring		2	
-	999 707 038 40	round seal		1	
-	016 311 113 C	radial shaft seal		1	
		oil filter set tiptronic		1	A44.00
>>	>>944 307 901 00	oil filter set comprising:		1	
-	944 321 124 00	oil sump gasket		1	
-	944 307 110 00	oil strainer		1	
-	944 397 001 00	round seal		1	
-	944 397 025 00	gasket		1	
-	968 116 911 00	repair kit for clutch comprising: drive plate pressure plate clutch release bearing		1 1 1 1	

Model	Year	MG	SG	Illustration	Restrictions	UPD	10:00	24.01.2010	PORSCHE	PET	PORSCHE
968	1995	4	01	401-00		248					

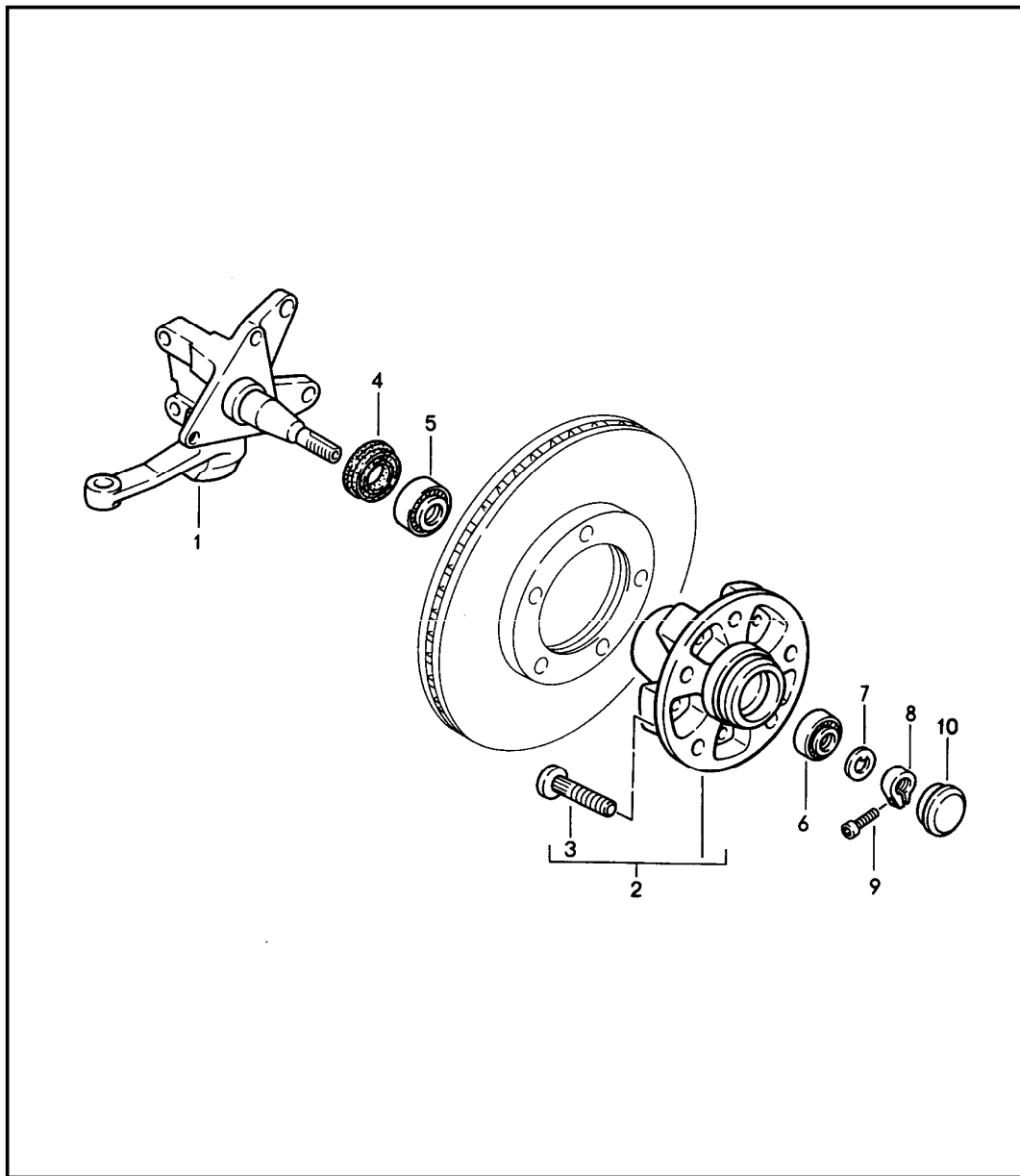


Pos	Part Number	Description	Remark	Qty	Model
		wishbone cross member			
1	944 341 103 07	cross member	/LL	1	
(1)	945 341 103 04	cross member	/RL	1	
2	944 341 027 02	wishbone	/L	1	
(2)	944 341 028 02	wishbone	/R	1	
3	900 082 140 01	hexagon-head bolt M 12 X 75		4	
4	A 999 025 074 02	washer 12,4 X 34 X 5		4	
4	999 025 074 01	washer 12,4 X 34 X 5		4	
5	951 341 431 02	eccentric bolt		2	
6	900 082 039 02	hexagon-head bolt M 12 X 1,5 X 100		2	
7	900 025 009 02	washer A 13		4	
8	N 021 131 1	lock nut M 12 X 1,5		2	
10	951 341 023 01	rubber mounting		2	
11	N 040 321 1	hexagon-head bolt M 10 X 65		4	
12	999 025 221 02	washer 10,5		4	
13	900 223 010 02	washer 13		4	
14	900 910 115 02	lock nut		4	
15	951 341 108 02	heat protection plate right	/LL	1	
(15)	952 341 108 02	heat protection plate right	/RL	1	
16	N 011 524 7	washer A 6,4		2	
17	N 010 215 13	hexagon-head bolt M 6 X 15		2	
18	944 341 051 01	air baffle plate	/L	1	

Model	Year	MG	SG	Illustration	Restrictions	UPD	10:00	24.01.2010	PORSCHE	PET	PORSCHE
968	1995	4	01	401-00		248					

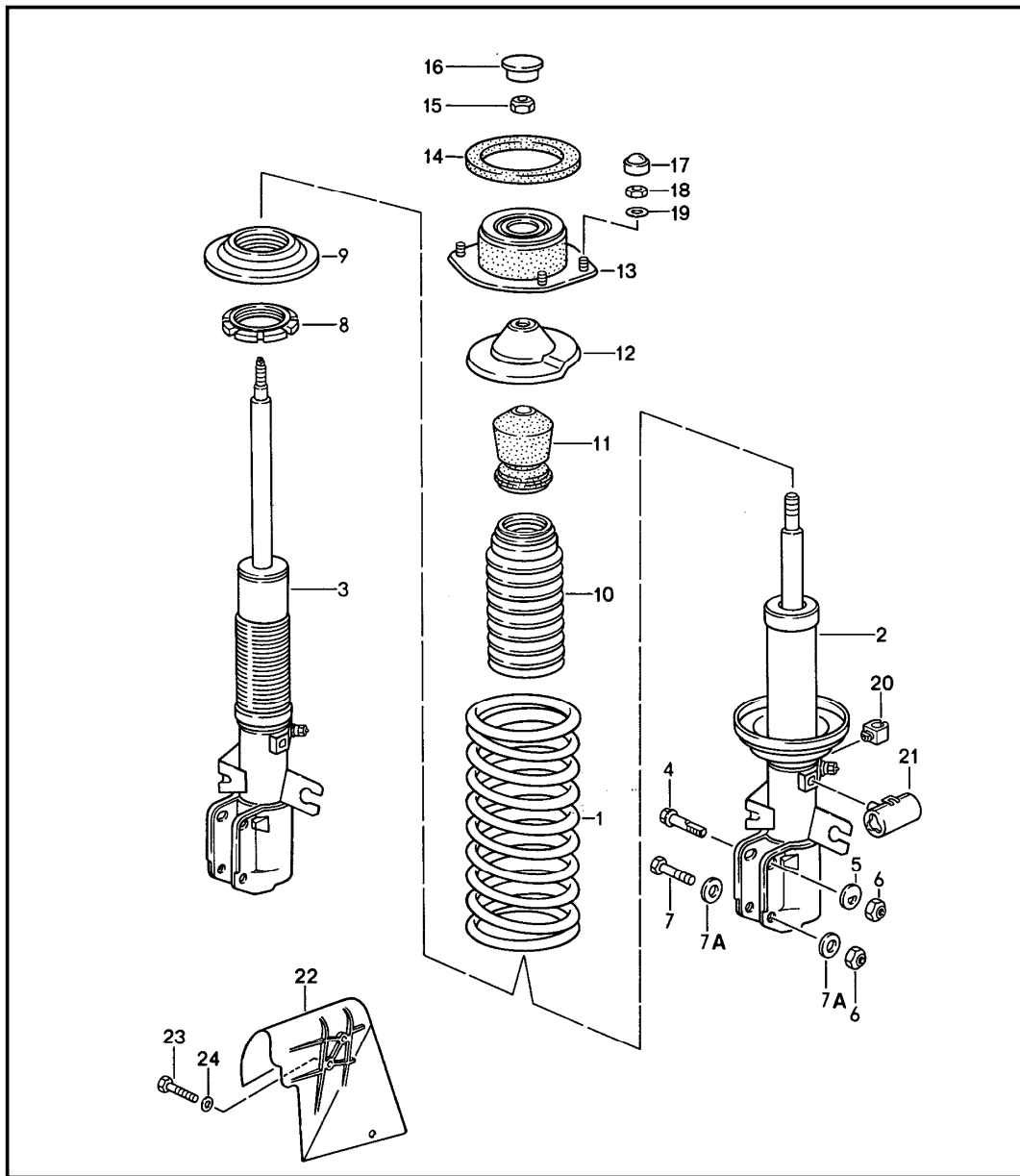
Pos	Part Number	Description	Remark	Qty	Model	Pos	Part Number	Description	Remark	Qty	Model
(18)	944 341 052 01	air baffle plate	/R	1							
19	N 011 666 7	washer B 6,4		8							
20	N 010 349 5	hexagon-head bolt M 6 X 45		2							
21	N 010 347 5	hexagon-head bolt M 6 X 35		2							
22	900 380 003 02	hexagon nut M 6		4							
23	N 021 130 2	lock nut VM 10		2							
24	N 010 445 6	hexagon-head bolt M 10 X 45 X 20		2							

Model	Year	MG	SG	Illustration	Restrictions	UPD	10:00	24.01.2010	PORSCHE	PET	PORSCHE
968	1995	4	01	401-05		248					



Pos	Part Number	Description	Remark	Qty	Model
		steering knuckle			
1	951 341 655 06	steering knuckle	/L	1	
1	951 341 656 06	steering knuckle	/R	1	
1	951 341 655 34	steering knuckle	/L	1	M030
1	951 341 656 34	steering knuckle	/R	1	M030
2	951 341 065 06	front wheel hub		2	
2	951 341 065 08	front wheel hub		2	M030
3	928 341 671 02	wheel bolt		10	
4	477 405 641	radial sealing ring		2	
5	999 059 090 00	taper roller bearing		2	
6	999 059 089 01	taper roller bearing		2	
7	911 341 663 00	thrust washer		2	
8	911 341 673 00	clamping nut		2	
9	999 119 001 01	pan-head screw M 7X 18		2	
10	477 405 692 C	cap		2	

Model	Year	MG	SG	Illustration	Restrictions	UPD	10:00	24.01.2010	PORSCHE	PET	PORSCHE
968	1995	4	02	402-00		248					

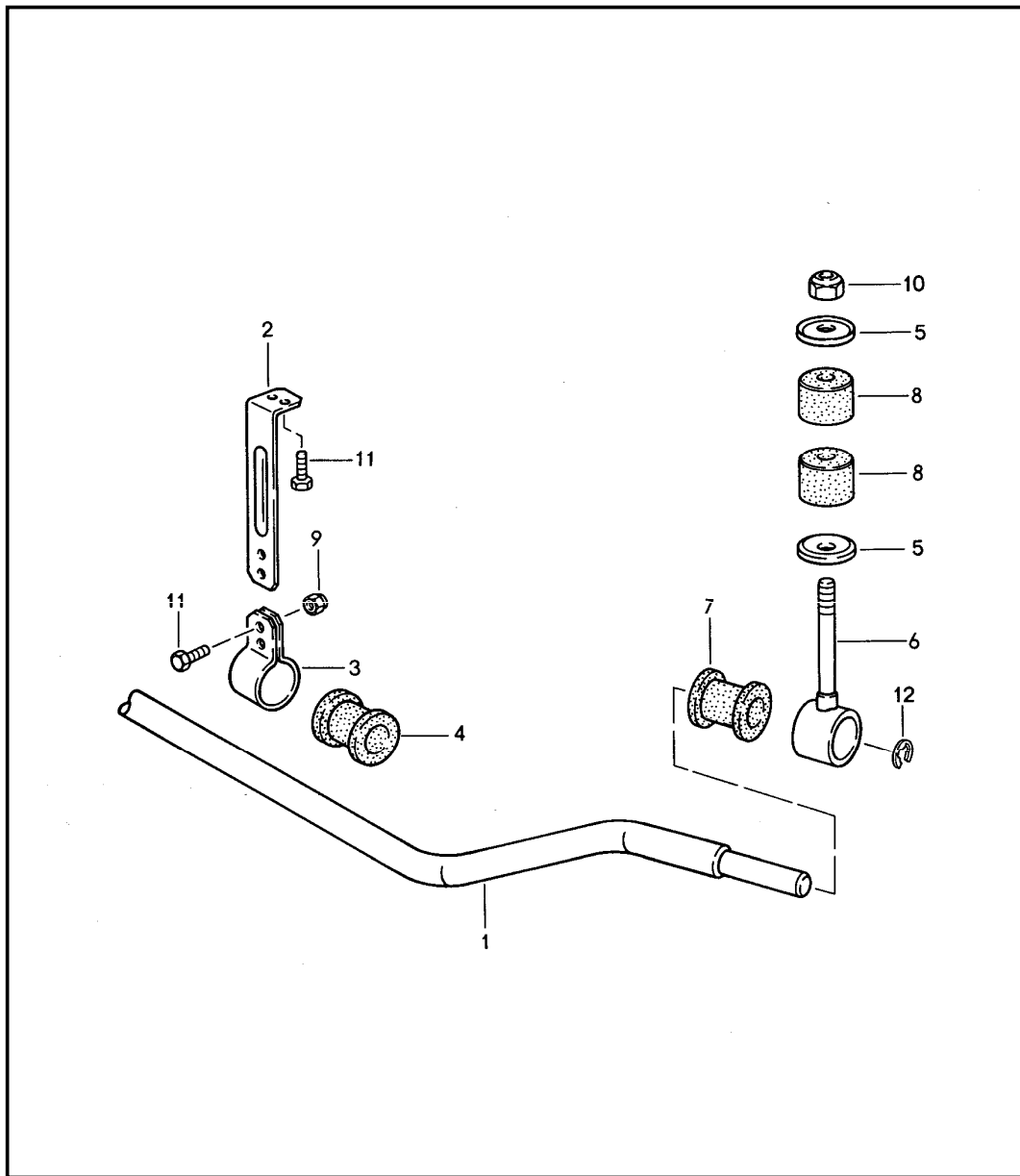


Pos	Part Number	Description	Remark	Qty	Model
		suspension shock absorber front			
		see technical information GR.4, NR.2/92			
1	944 343 531 04	coil spring 1 set identification		1	COUPE
	904	beige			
1	944 343 531 09	coil spring 1 set identification		1	968CS
	904	blue			
1	951 343 531 03	coil spring 1 set identification		1	CABRIO
	904	grey			
1	944 343 531 01	coil spring 1 set identification		1	M030
	104	white yellow			
2	951 343 031 12	shock absorber - fichtel + sachs -	/L	1	
(2)	951 343 032 12	shock absorber - fichtel + sachs -	/R	1	
3	944 343 031 28	shock absorber - koni -	/L	1	M030
(3)	944 343 032 28	shock absorber - koni -	/R	1	M030
4	171 407 265	eccentric screw		2	
5	944 343 175 00	eccentric washer		2	
6	N 022 141 4	lock nut M 12 X 1,5		4	
7	900 082 058 02	hexagon-head bolt M 12 X 1,5 X 55 use also: POS. 7A		2	

Model	Year	MG	SG	Illustration	Restrictions	UPD	10:00	24.01.2010	PORSCHE	PET	PORSCHE
968	1995	4	02	402-00		248					

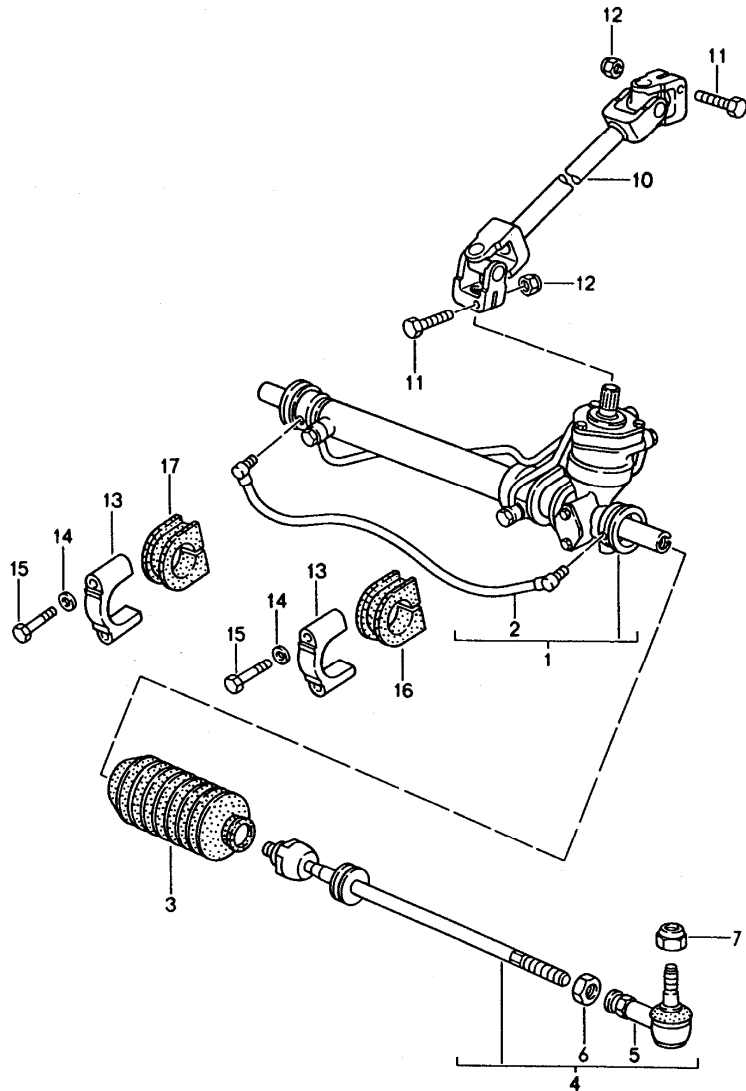
Pos	Part Number	Description	Remark	Qty	Model	Pos	Part Number	Description	Remark	Qty	Model
7A	901 333 143 02	washer 12,4 X 25 X 4		4		24	N 011 666 7	washer B 6,4		4	
8	951 343 524 00	adjusting nut		2	M030						
9	951 343 525 32	concave washer		2	M030						
10	951 343 529 01	boot		2							
(10)	951 343 529 30	boot		2	M030						
11	951 343 527 00	rubber stop		2							
12	951 343 528 00	concave washer		2							
(12)	133 412 341	concave washer		2	M030						
13 A	951 343 018 04	suspension strut mounting		2							
-	944 343 903 01	insulation for suspension strut mounting		2							
(13)	951 343 018 04	suspension strut mounting with insulation		2							
14	133 412 367	sealing ring		2							
15	N 022 150 2	lock nut M 14 X 1,5		2							
16	999 703 346 40	stopper		2							
(16)	999 703 355 40	cap		2	M030						
17	999 703 387 40	cap		8							
18	900 076 025 02	hexagon nut M 8		8							
19	900 025 041 02	washer A 8,4		8							
20	928 612 409 00	clip		2							
21	928 612 531 00	push-on connector	/L	1							
(21)	928 612 531 01	push-on connector	/R	1							
22	944 341 555 01	air duct	/L	1							
(22)	944 341 556 01	air duct	/R	1							
23	N 010 217 9	hexagon-head bolt M 6 X 20		4							

Model	Year	MG	SG	Illustration	Restrictions	UPD	10:00	24.01.2010	PORSCHE	PET	PORSCHE
968	1995	4	02	402-05		248					



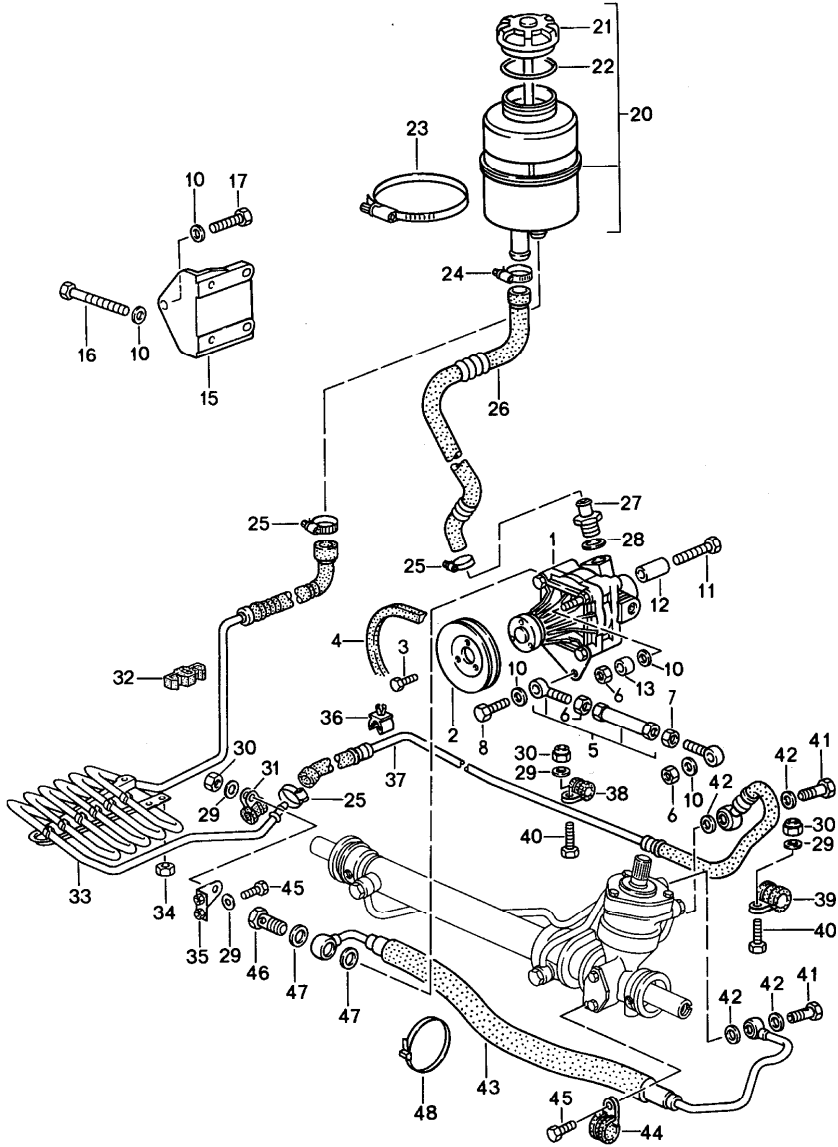
Pos	Part Number	Description	Remark	Qty	Model
		stabiliser			
1	944 343 706 05	stabiliser \$ 26,8 MM		1	
1	944 343 706 30	stabiliser \$ 30 MM		1	M030
2	944 343 733 31	suspension		2	
3	944 343 731 02	clip		2	
4	951 343 794 02	rubber bush		2	
4	951 343 794 05	rubber bush		2	M030
5	477 411 043	concave washer		4	
6	951 343 075 00	bush		2	
7	951 343 793 30	rubber bush		2	
7	951 343 793 31	rubber bush		2	M030
8	951 343 795 01	rubber mounting		4	
9	900 910 022 09	lock nut VM 8		4	
10	N 021 130 2	lock nut VM 10		2	
11	900 075 079 02	hexagon-head bolt M 8 X 22		4	
12	N 012 449 1	lock washer 19		2	M030

Model	Year	MG	SG	Illustration	Restrictions	UPD	10:01	24.01.2010	PORSCHE	PET	PORSCHE
968	1995	4	03	403-00		248					



Pos	Part Number	Description	Remark	Qty	Model
		power steering steering gear tie rod			
1	> 944 347 011 24	steering gear	/LL	1	
(1)	> 945 347 011 22	steering gear	/RL	1	
2	944 347 311 00	compensating line		1	
3	171 419 831 C	boot		2	
4	944 347 033 23	tie rod		2	
5	944 347 333 04	ball joint		2	
6	900 034 024 07	hexagon nut M 14 X 1,5		2	
7	N 022 141 1	lock nut M 12 X 1,5		2	
10	944 347 027 02	drive shaft	/LL	1	
(10)	945 347 027 00	drive shaft	/RL	1	
11	N 010 335 7	hexagon-head bolt M 8 X 35		2	
12	900 910 022 09	lock nut M 8		2	
13	944 347 223 01	clip	/LL	2	
(13)	945 347 023 00	clip	/RL	2	
14	900 025 007 02	washer A 8,4		4	
15	U N 010 360 6	hexagon-head bolt M 8 X 60	/LL	4	
15	900 074 281 08	hexagon-head bolt M 8 X 60	/LL	4	
(15)	900 074 134 02	hexagon-head bolt M 8 X 45	/RL	4	
16	944 347 137 00	rubber insert	/L	1	
17	944 347 139 01	rubber insert	/R	1	

Model	Year	MG	SG	Illustration	Restrictions	UPD	10:01	24.01.2010	PORSCHE	PET	PORSCHE
968	1995	4	03	403-02		248					

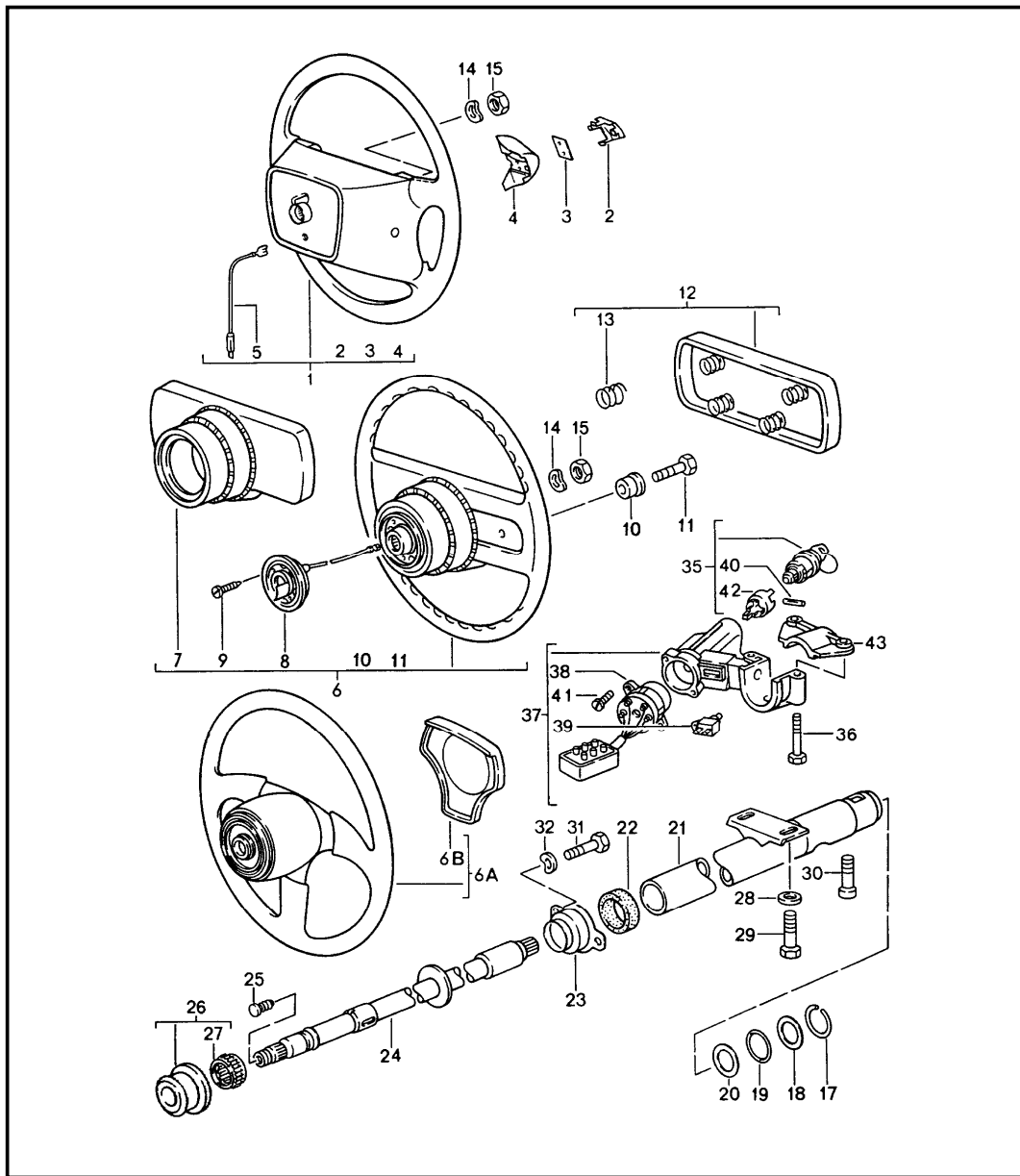


Pos	Part Number	Description	Remark	Qty	Model
		power steering vane type pump lines			
1	> 944 347 432 08	vane type pump		1	
2	944 347 437 03	pulley		1	
3	999 072 005 09	hexagon-head bolt M 6 X 12		3	
4	999 192 236 50	narrow v-belt 9,5 X 950		1	
5	944 347 053 02	strut		1	
6	900 076 025 02	hexagon nut M 8		3	
7	N 011 008 24	hexagon nut M 8 left		1	
8	900 075 029 09	hexagon-head bolt M 8 X 25		1	
10	900 025 007 02	washer A 8,4		8	
11	N 010 359 4	hexagon-head bolt M 8 X 38		1	
12	944 347 441 02	sleeve 26 MM		1	
13	944 347 442 00	dowel sleeve 13 MM		1	
15	944 101 147 01	bracket		1	
16	N 010 361 4	hexagon-head bolt M 8 X 65		4	
17	N 010 335 5	hexagon-head bolt M 8 X 35		1	
20	928 347 015 05	oil tank		1	
21	928 347 925 00	lid		1	
22	928 347 927 00	gasket		1	
23	999 512 350 02	hose clamp \$ 80-100 MM		1	
24	999 512 346 02	hose clamp 16-25		1	

Model	Year	MG	SG	Illustration	Restrictions	UPD	10:01	24.01.2010	PORSCHE	PET	PORSCHE
968	1995	4	03	403-02		248					

Pos	Part Number	Description	Remark	Qty	Model	Pos	Part Number	Description	Remark	Qty	Model
25	N 023 570 2	hose clamp A 15X9		3		42	900 123 026 20	sealing ring 12 X 15,5	/RL	2	
26	944 347 445 05	moulded hose		1		(42)	N 100 390 01	gasket	/RL	2	
27	999 230 357 02	connection piece		1		43	944 347 447 02	pressure line	/LL	1	
28	N 100 184 01	sealing ring 16 X 20		1		(43)	945 347 447 02	pressure line	/RL	1	
29	N 011 524 7	washer A 6,4		5		44	999 511 066 02	clamp 18 X 15	/LL	1	
30	900 910 012 02	lock nut M 6		3		(44)	999 511 111 02	pipe clamp 23	/RL	1	
31	999 511 116 02	clamp 10 X 15 10 X 15		1		45	999 072 005 09	hexagon-head bolt M 6 X 12		3	
32	999 507 374 40	line bracket		1		46	900 134 007 02	banjo bolt A 8		1	
33	944 347 069 01	radiator coil		1		47	900 123 042 20	sealing ring 14 X 18		2	
34	N 015 082 2	hexagon nut M 6		3		48	999 513 010 40	tie-wrap 9 X 250		1	
35	944 347 278 00	support		1							
36	944 347 467 00	cable clip		1							
37	944 347 449 06	return line	/LL	1							
(37)	945 347 449 02	return line	/RL	1							
38	999 511 153 02	clip 8 X 15		1							
39	N 020 626 2	clamp 16 X 15		1							
40	900 075 016 02	hexagon-head bolt M 6 X 22		2							
41	999 134 032 02	banjo bolt M 12 X 1,5	/LL	2							
41	999 134 032 02	banjo bolt M 12 X 1,5	/RL	1							
(41)	N 021 053 2	banjo bolt	/RL	1							
42	900 123 026 20	sealing ring 12 X 15,5	/LL	4							

Model	Year	MG	SG	Illustration	Restrictions	UPD	10:01	24.01.2010	PORSCHE	PET	PORSCHE
968	1995	4	03	403-05		248					



Pos	Part Number	Description	Remark	Qty	Model
1	944 347 804 51	steering wheel steering column steering lock sports steering wheel airbag		1	
	1AJ	black			
	9WW	cobalt blue	-93		
	4XW	magenta	-93		
	2JZ	marine blue	-93		
1	944 347 804 52	sports steering wheel airbag		1	
	6XL	classic grey			
	9WW	cobalt blue	-93		
	2JZ	marine blue	-93		
	H24	midnight blue	94-		
	T15	chestnut brown	94-		
2	944 347 835 00	horn button	/L	1	
	01C	black			
	4XC	classic grey			
	6ZF	cobalt blue	-93		
	6WX	magenta	-93		
	9JJ	marine blue	-93		
	2GS	midnight blue	94-		
	4PV	chestnut brown	94-		
2	944 347 836 00	horn button	/R	1	
	01C	black			
	4XC	classic grey			
	6ZF	cobalt blue	-93		
	6WX	magenta	-93		
	9JJ	marine blue	-93		
	2GS	midnight blue	94-		

Model	Year	MG	SG	Illustration	Restrictions	UPD	10:01	24.01.2010	PORSCHE	PET	PORSCHE
968	1995	4	03	403-05		248					

Pos	Part Number	Description	Remark	Qty	Model	Pos	Part Number	Description	Remark	Qty	Model
	4PV	chestnut brown	94-			6	928 347 084 08	sports steering wheel leather with elevated hub \$ 363		1	M018
3	944 347 884 00	contact spring		2							
4	944 347 831 00	switch housing	/L	1			1AJ	black			
	01C	satin black					8YR	black			
	4XC	classic grey					7WH	classic grey			
	6ZF	cobalt blue	-93				9WW	cobalt blue	-93		
	6WX	magenta	-93				4XW	magenta	-93		
	9JJ	marine blue	-93				2JZ	marine blue	-93		
	2GS	midnight blue	94-			6A	968 347 084 00	sports steering wheel leather		1	968CS
	4PV	chestnut brown	94-				8YR	black			
4	944 347 832 00	switch housing	/R	1		6B	968 347 059 00	padded cap leather		1	968CS
	01C	satin black					8YR	black			
	4XC	classic grey				7	928 347 857 02	lining		1	
	6ZF	cobalt blue	-93				1DB	black			
	6WX	magenta	-93				5XL	classic grey			
	9JJ	marine blue	-93				6ZH	cobalt blue	-93		
	2GS	midnight blue	94-				5XW	magenta	-93		
	4PV	chestnut brown	94-				5KF	marine blue	-93		
5	944 612 355 00	wiper contact		1		8	928 347 099 00	slip ring		1	
6	928 347 084 07	sports steering wheel leather \$ 363		1	M431	(8)	968 347 099 00	slip ring		1	968 CS
	1AJ	black				9	113 415 869	oval-head screw M 3,5 X 10		3	
	8YR	black				10	321 419 779 A	insulating bush		3	
	7WH	classic grey				11	113 415 867 A	hexagon-head bolt M 4 X 15		3	
	6XL	classic grey				12	944 347 859 05	padded cap leather		1	
	9WW	cobalt blue	-93				8YR	black			
	4XW	magenta	-93				6XL	classic grey			
	2JZ	marine blue	-93								

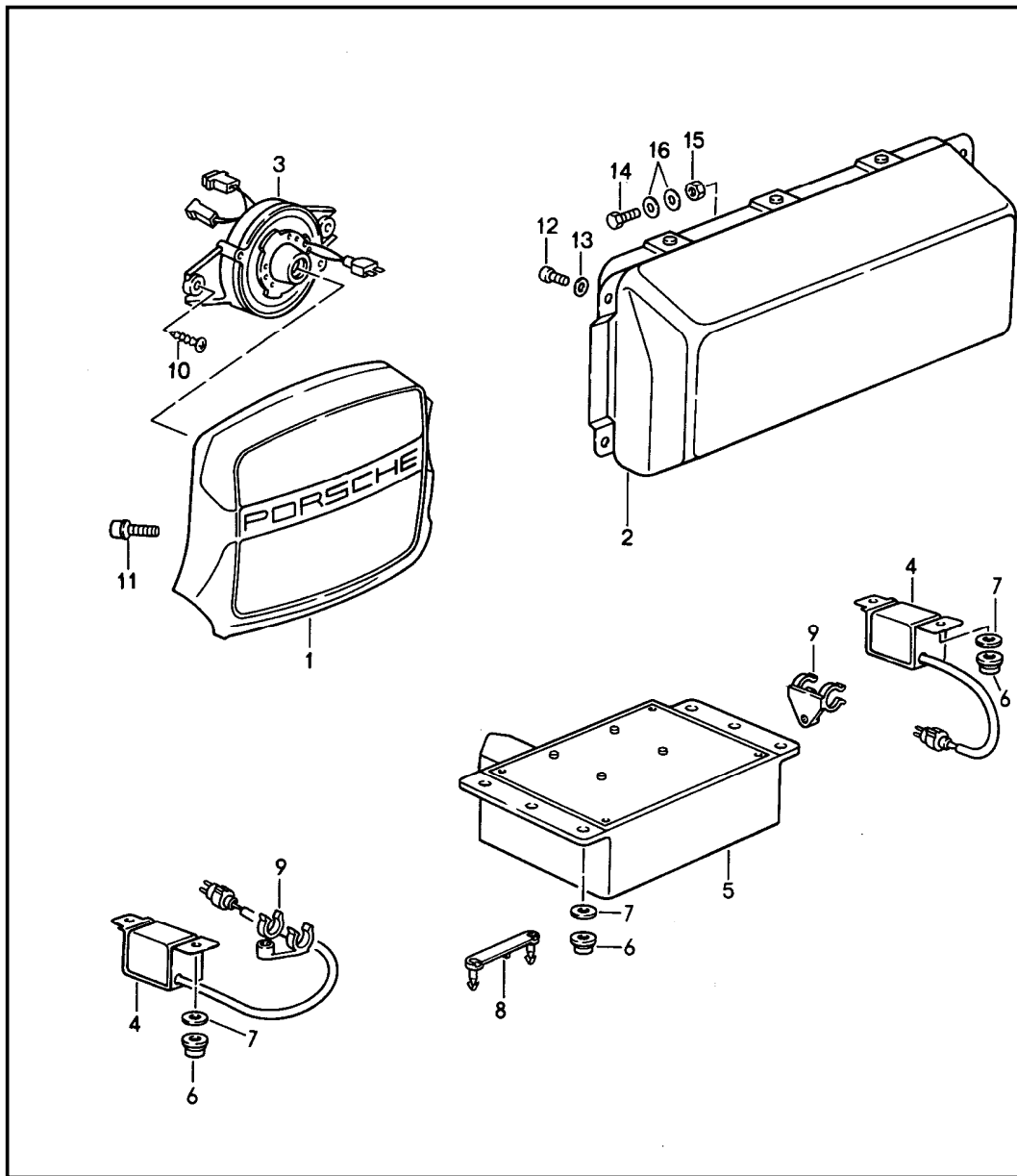
Model	Year	MG	SG	Illustration	Restrictions	UPD	10:01	24.01.2010	PORSCHE	PET	PORSCHE
968	1995	4	03	403-05		248					

Pos	Part Number	Description	Remark	Qty	Model	Pos	Part Number	Description	Remark	Qty	Model
	9WW	cobalt blue	-93			28	900 025 041 02	washer A 8,4		2	
	4XW	magenta	-93			29	999 074 028 02	shear bolt		2	
	2JZ	marine blue	-93			30	900 067 342 02	pan-head screw M 8 X 22		1	
13	171 419 697	spring		3		31	N 010 215 13	hexagon-head bolt M 6 X 15		2	
14	N 012 238 1	spring washer B 16		1		32	211 805 243	spring washer		2	
15	900 078 006 01	hexagon nut M 16 X 1,5		1				steering lock			
17	U 999 234 004 00	shim		1		35	944 538 075 00	lock cylinder w/o stipulated lock number		1	
18	U 999 042 039 01	snap ring		1		(35)	944 538 075 01	lock cylinder with stipulated lock number for steering lock 944.347.075.03		1	
17	999 042 017 01	snap ring		1		(35)	944 538 075 02	lock cylinder w/o stipulated lock number		1	
18	999 234 023 01	shim		1		(35)	944 538 975 02	lock cylinder with stipulated lock number for steering lock 944.347.075.06		1	
19	999 707 138 40	o-ring		1				shear bolt		2	
20	999 234 022 01	shim		1		37	A 944 347 975 03	housing for steering lock		1	
21	944 347 063 07	steering column tube airbag		1		37	944 347 075 06	housing for steering lock		1	
21	944 347 063 04	steering column tube		1		38	944 613 024 01	ignition starter switch		1	
22	999 707 008 40	o-ring airbag		1		(39)	911 613 125 00	buzzer contact		1	(SA)
22	411 417 613	rubber mounting		1		40	944 347 363 00	lock		1	
23	944 347 076 00	support ring airbag		1		41	N 014 122 8	oval-head screw M 4 X 8		2	
23	411 417 605	support ring		1		42	944 538 183 00	control cams for steering lock 944.347.075.03		1	
24	944 347 019 04	steering column	/LL	1							
(24)	944 347 019 10	steering column airbag	/LL	1							
(24)	945 347 019 04	steering column	/RL	1							
(24)	945 347 019 10	steering column airbag use also:	/RL	1							
25	944 347 483 00	stopper		1							
26	477 419 059	needle sleeve		1							
27	113 415 511	needle-roller bearing		1							

Model	Year	MG	SG	Illustration	Restrictions	UPD	10:01	24.01.2010	PORSCHE	PET	PORSCHE
968	1995	4	03	403-05		248					

Pos	Part Number	Description	Remark	Qty	Model	Pos	Part Number	Description	Remark	Qty	Model
42	944 347 169 00	control cams for steering lock 944.347.075.06		1							
43	944 347 351 02	retainer plate		1							

Model	Year	MG	SG	Illustration	Restrictions	UPD	10:02	24.01.2010	PORSCHE	PET	PORSCHE
968	1995	4	03	403-06		248					

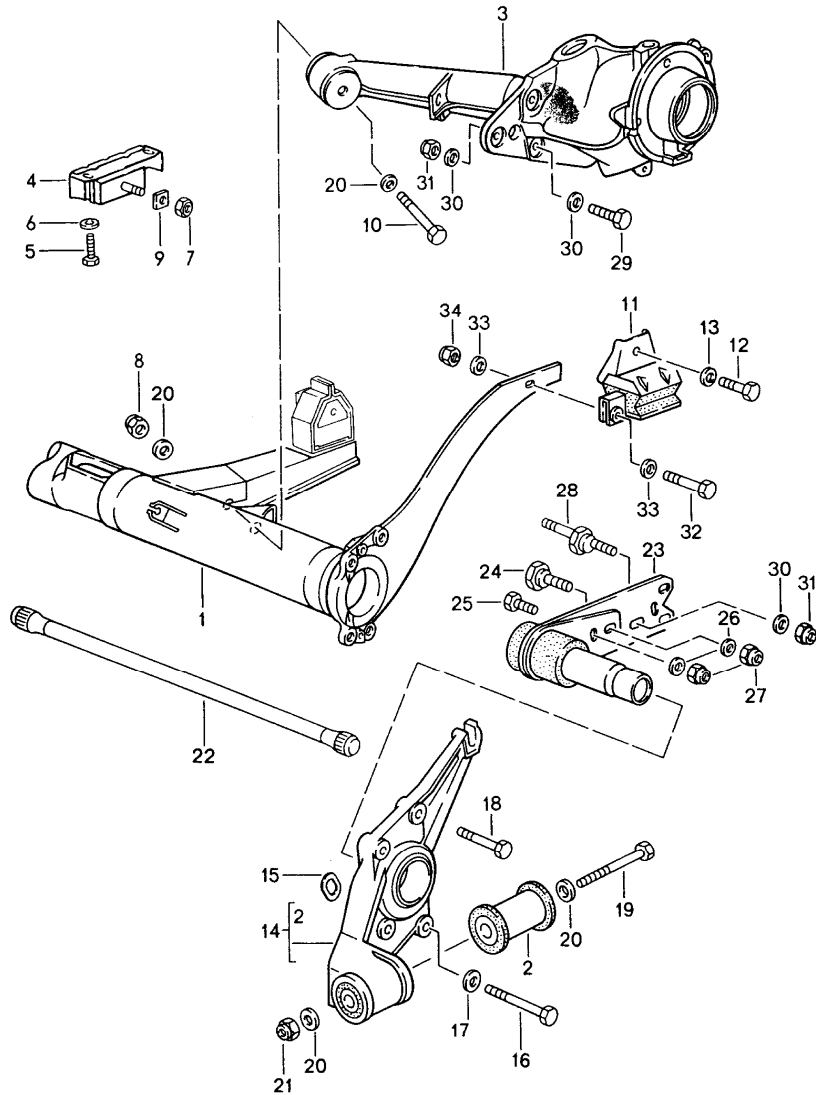


Pos	Part Number	Description	Remark	Qty	Model
		airbag			
(1)	968 347 089 00	airbag unit driver's side		1	
	2JZ	marine blue	-93		
	9WW	cobalt blue	-93		
	7WH	classic grey			
	4XW	magenta use also: POS. 11	-93		
1	968 347 089 01	airbag unit driver's side		1	
	8YR	black			
	6XL	classic grey			
	2JZ	marine blue	-93		
	9WW	cobalt blue	-93		
	4XW	magenta	-93		
	H24	midnight blue	94-		
	T15	chestnut brown use also: POS. 11	94-		
2	944 803 071 02	airbag unit passenger's side		1	
3	A 928 652 211 00	support for contact	-93	1	
3	928 652 211 01	support for contact	94-	1	
4	928 613 220 02	front sensor		2	
5	944 618 217 02	control unit	/LL	1	
(5)	945 618 217 00	control unit	/RL	1	
-	944 612 083 02	wiring harness control unit airbag	/LL	1	
6	944 618 401 00	nut M 6		6	
(6)	900 076 010 02	hexagon nut M 6		2	

Model	Year	MG	SG	Illustration	Restrictions	UPD	10:02	24.01.2010	PORSCHE	PET	PORSCHE
968	1995	4	03	403-06		248					

Pos	Part Number	Description	Remark	Qty	Model	Pos	Part Number	Description	Remark	Qty	Model
7	N 011 524 7	washer A 6,4		4							
8	964 612 901 00	securing clip blue		1							
9	321 971 898 B	support		2							
10	N 013 968 7	tapping screw B 4,8 X 13	-93	2							
(10)	N 014 133 8	oval-head screw M 5 X 12	94-	2							
11	999 073 030 02	pan-head screw M 6 X 19		2							
12	999 218 030 08	pan-head screw M 6 X 10		4							
13	N 011 524 7	washer A 6,4		4							
14	999 072 005 09	hexagon-head bolt M 6 X 12		1							
15	900 076 010 02	hexagon nut M 6		1							
16	N 011 666 7	washer B 6,4		2							

Model	Year	MG	SG	Illustration	Restrictions	UPD	10:02	24.01.2010	PORSCHE	PET	PORSCHE
968	1995	5	01	501-00		248					

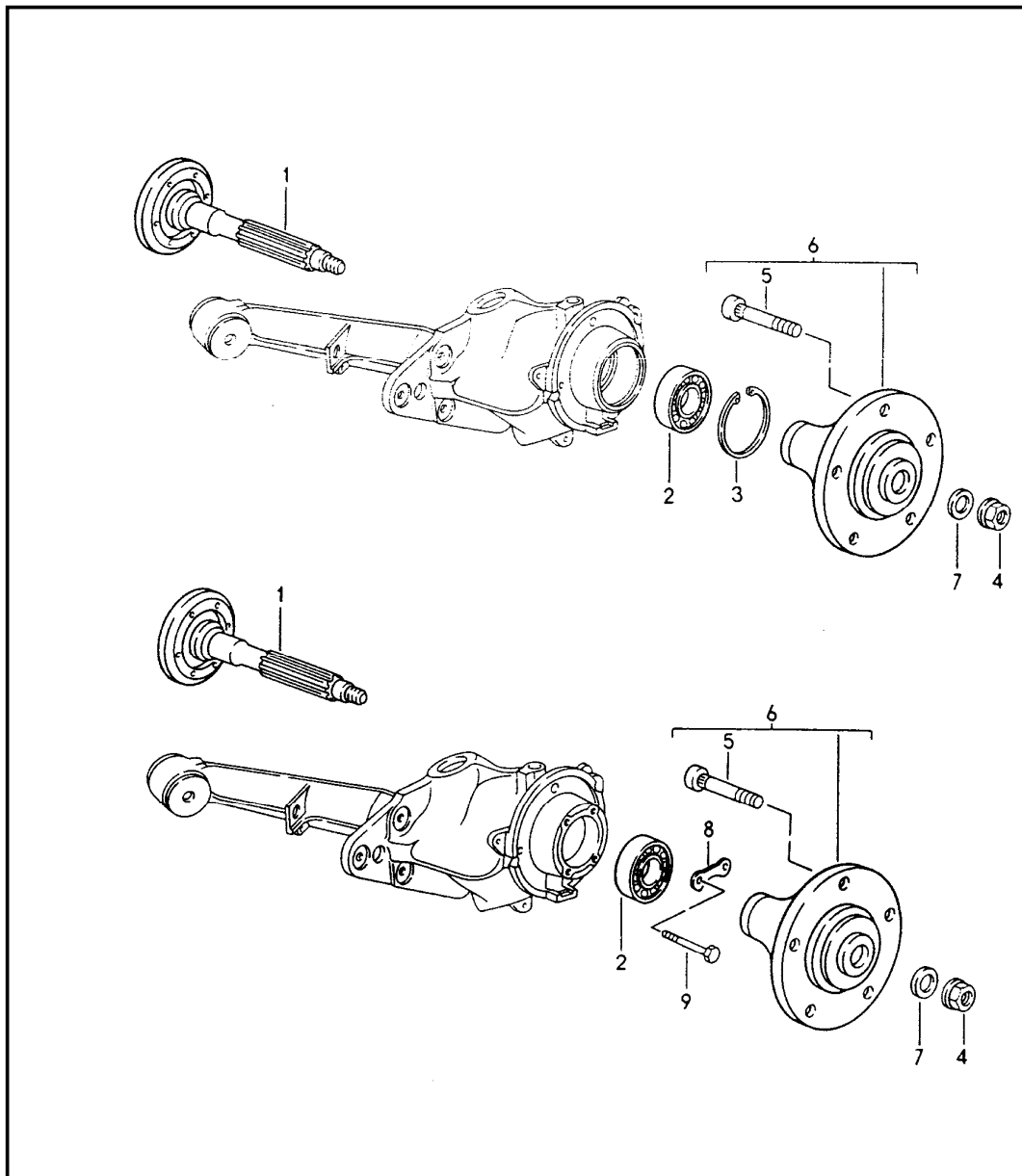


Pos	Part Number	Description	Remark	Qty	Model
1	944 331 045 02	rear-axle carrier rear-axle trailing arm rear-axle cross-tube F >>96PS8 30593 F >>96RS8 00065 F >>96RS8 15062		1	
1	944 331 045 05	rear-axle cross-tube F 96PS8 30594>> F 96RS8 00066>> F 96RS8 15062>>		1	
2	477 501 069 A	rubber bush		2	
3	A 951 331 021 32	rear-axle trailing arm	/L	-92	1
3	944 331 021 01	rear-axle trailing arm	/L	93-	1
(3)	A 951 331 022 32	rear-axle trailing arm	/R	-92	1
(3)	944 331 022 01	rear-axle trailing arm	/R	93-	1
4	951 333 088 30	mounting		2	
5	N 040 272 2	hexagon-head bolt M 10 X 35		4	
6	N 011 527 12	washer A 10,5		4	
7	N 900 876 01	lock nut VM 10		2	
8	N 021 131 1	lock nut M 12 X 1,5		2	
9	477 501 697	washer		2	
10	N 010 190 4	hexagon-head bolt		2	
11	944 331 075 00	supporting mount F >>96PS8 30593 F >>96RS8 00065 F >>96RS8 15061	/L	1	
11	944 331 075 00	supporting mount F 96PS8 30594>> F 96RS8 00066>> F 96RS8 15062>>	/L	1	
(11)	944 331 076 00	supporting mount F >>96PS8 30593 F >>96RS8 00065 F >>96RS8 15061	/R	1	

Model	Year	MG	SG	Illustration	Restrictions	UPD	10:02	24.01.2010	PORSCHE	PET	PORSCHE
968	1995	5	01	501-00		248					

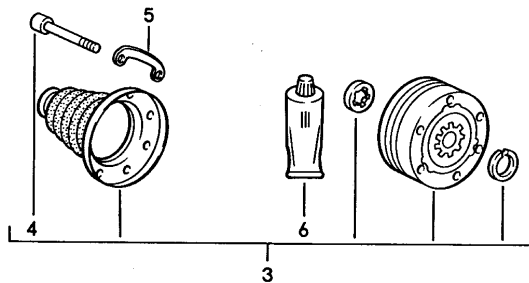
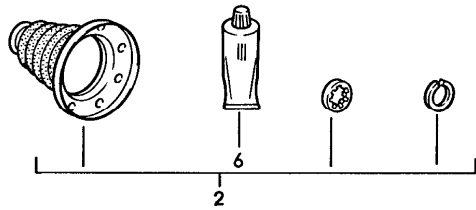
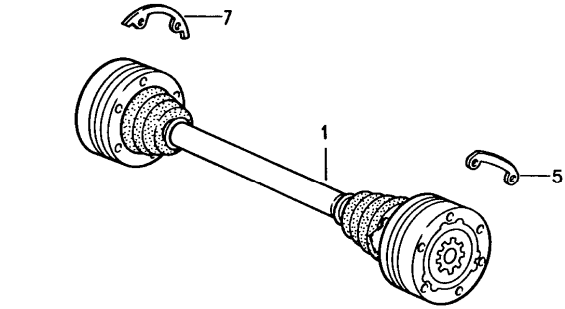
Pos	Part Number	Description	Remark	Qty	Model	Pos	Part Number	Description	Remark	Qty	Model
(11)	944 331 076 00	supporting mount F 96PS8 30594>> F 96RS8 00066>> F 96RS8 15062>>	/R	1		29	N 040 108 2	hexagon-head bolt M 12 X 1,5 X 40		4	
12	N 010 253 7	hexagon-head bolt M 10 X 22		2		30	901 333 143 01	washer A 13		8	
13	N 012 230 6	spring washer B 10		8		31	N 022 141 4	lock nut VM 12 X 1,5		4	
14	944 331 059 00	bearing flange	/L	1		32	N 010 233 6	hexagon-head bolt M 8 X 28		2	
(14)	944 331 060 00	bearing flange	/R	1		33	900 025 007 02	washer A 8,4		4	
15	951 331 667 00	washer		2		34	900 910 022 09	lock nut VM 8		2	
16	N 010 465 5	hexagon-head bolt M 10 X 65		2							
16	900 074 248 03	hexagon-head bolt M 10 X 65		2							
17	N 012 230 6	spring washer B 10		8							
18	900 074 063 02	hexagon-head bolt M 10 X 55		6							
19	900 082 059 02	hexagon-head bolt M 12 X 1,5 X 115		2							
20	803 199 347	washer		8							
21	N 022 141 1	lock nut VM 12 X 1,5		2							
22	951 333 103 30	torsion bar \$ 25,5 MM	/L	1							
(22)	951 333 104 30	torsion bar \$ 25,5 MM	/R	1							
23	951 333 021 00	rear axle strut		2							
24	911 333 303 00	eccentric screw		2							
25	911 333 305 00	hexagon-head bolt		2							
26	999 025 135 02	washer		4							
27	900 910 092 02	lock nut VM 16 X 1,5		4							
28	477 511 515	camber eccentric		2							

Model	Year	MG	SG	Illustration	Restrictions	UPD	10:03	24.01.2010	PORSCHE	PET	PORSCHE
968	1995	5	01	501-05		248					



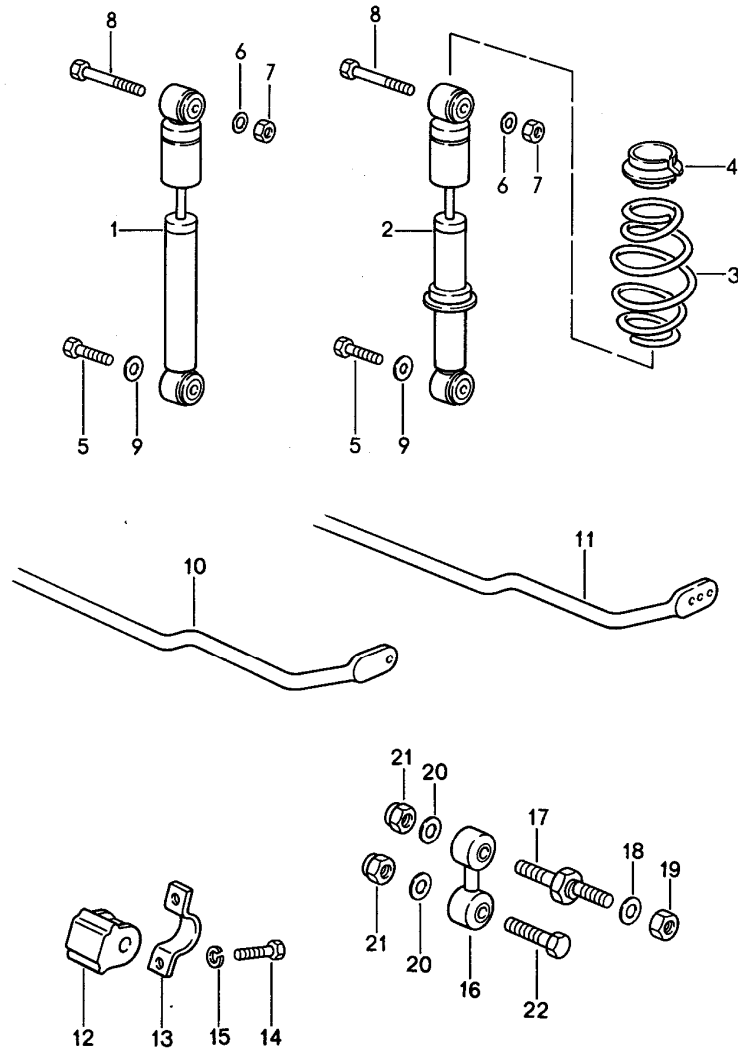
Pos	Part Number	Description	Remark	Qty	Model
		rear wheel shaft			
1	951 332 235 35	rear wheel shaft		2	
2	999 053 020 01	angular-contact bearing		2	
3	N 012 350 1	circlip	-92	2	
4	900 910 093 02	lock nut M 22 X 1,5		2	
5	904 341 671 00	wheel bolt		10	
6	944 331 067 01	wheel hub		2	
7	928 331 591 02	washer		2	
8	964 331 199 02	retainer plate	93-	4	
9	N 010 340 6	hexagon-head bolt M 8 X 40	93-	8	

Model	Year	MG	SG	Illustration	Restrictions	UPD	10:03	24.01.2010	PORSCHE	PET	PORSCHE
968	1995	5	01	501-10		248					



Pos	Part Number	Description	Remark	Qty	Model
		drive shaft			
1	944 332 037 06	drive shaft	/L	1	
1	944 332 038 06	drive shaft	/R	1	
1	944 332 037 07	drive shaft	/L	1	TIPTRONIC
1	944 332 037 09	drive shaft	/L	1	TIPTRONIC
1	944 332 038 07	drive shaft	/R	1	TIPTRONIC
1	944 332 038 12	drive shaft	/R	1	TIPTRONIC
(2)	951 332 903 00	repair kit dust bellows		4	
(3)	951 332 901 00	repair kit constant-velocity joint		4	
4	893 407 237	pan-head screw		24	
5	944 332 191 00	plate		6	
6	000 043 110 01	grease 1 100-gramme tube		X	
7	951 332 233 01	plate		6	

Model	Year	MG	SG	Illustration	Restrictions	UPD	10:03	24.01.2010	PORSCHE	PET	PORSCHE
968	1995	5	02	502-00		248					



Pos	Part Number	Description	Remark	Qty	Model
1	944 333 032 04	vibration damper stabiliser		2	
2	944 333 032 03	vibration damper - fichtel + sachs -		2	M030
3	951 333 531 31	additional spring 1 set identification		1	M030
	504	green			
4	944 333 526 01	concave washer		2	M030
5	900 082 054 02	hexagon-head bolt M 14 X 1,5 X 85		2	
6	043 101 129	washer B 12		2	
7	N 022 141 1	lock nut M 12 X 1,5		2	
8	900 082 044 02	hexagon-head bolt M 12 X 1,5 X 125		2	
9	999 025 062 02	washer stabiliser		2	
10	477 511 411	stabiliser \$ 16 MM		1	
10	477 511 413	stabiliser \$ 18 MM		1	M030/249
11	944 333 701 01	stabiliser \$ 19 MM		1	M030/480
12	477 411 313 A	stabiliser mounting \$ 16 MM		2	
12	477 411 313 B	stabiliser mounting \$ 18 MM		2	M030/249
12	964 333 792 00	rubber mounting \$ 19 MM		2	M030/480
13	113 411 333	retaining bow		2	
14	900 075 085 02	hexagon-head bolt M 8 X 20		4	

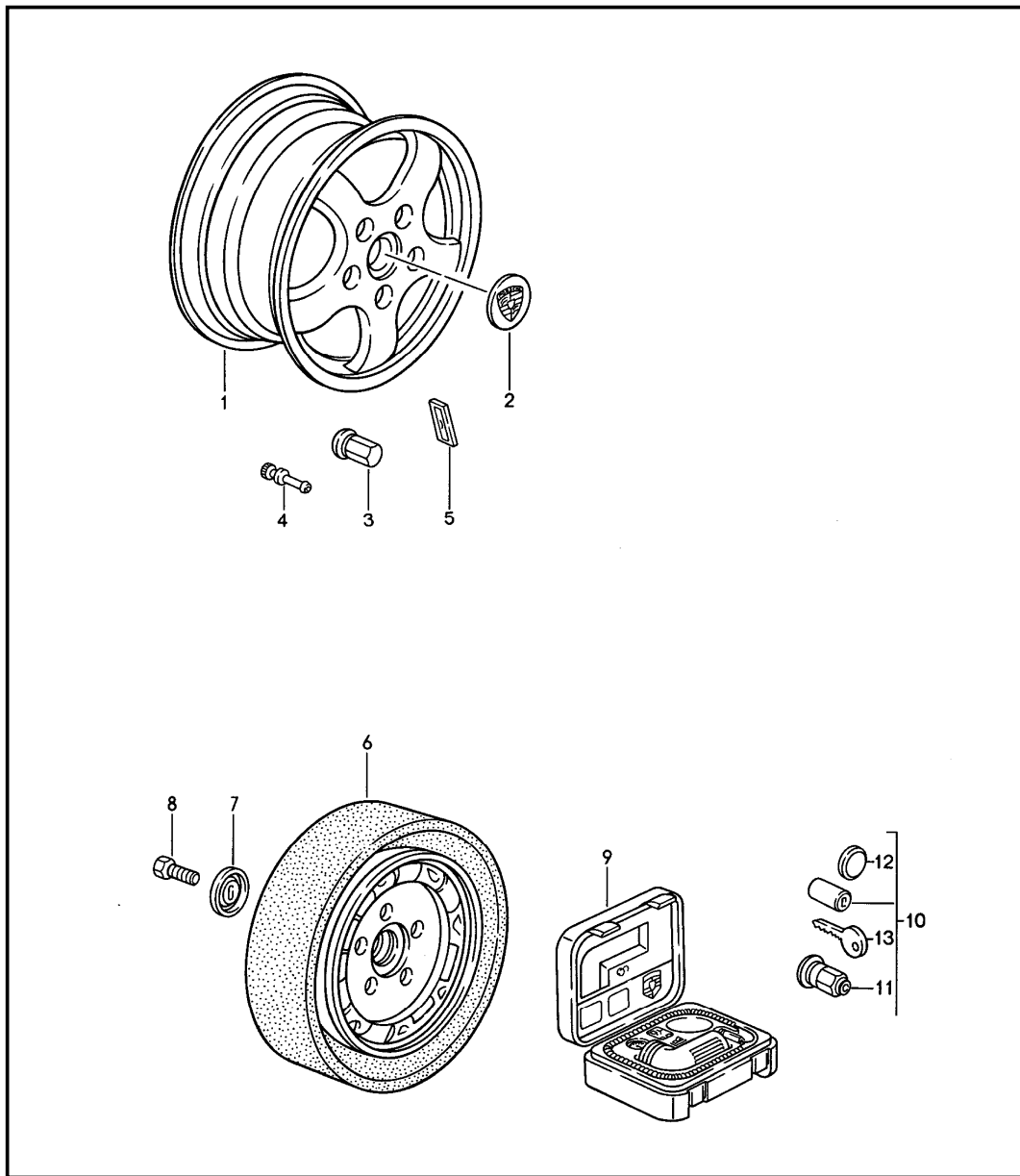
Model	Year	MG	SG	Illustration	Restrictions	UPD	10:03	24.01.2010	PORSCHE	PET	PORSCHE
968	1995	5	02	502-00		248					

Pos	Part Number	Description	Remark	Qty	Model	Pos	Part Number	Description	Remark	Qty	Model
15	900 027 015 02	lock ring B 8		4							
16	477 511 051 A	stabiliser mounting		2							
17	477 511 515	camber eccentric		2							
18	N 011 531 7	washer A 13		2							
19	N 022 141 4	lock nut M 12 X 1,5		2							
20	N 011 527 12	washer A 10,5		4							
21	N 022 149 2	lock nut M 10		4							
22	N 010 452 4	hexagon-head bolt M 10 X 52		2							

Model	Year	MG	SG	Illustration	Restrictions	UPD	10:03	24.01.2010
968	1995	5	98	598-00R		248		

Pos	Part Number	Description	Remark	Qty	Model
		repair kits			
>>	>>951 332 903 00	repair kit dust bellows comprising: dust bellows bellow support		4	
-	911 332 257 00	clip		1	
-	928 332 257 01	clip		1	
-	900 041 013 01	circlip		1	
-	000 043 110 01	grease 1 100-gramme tube		1	
>>	>>951 332 901 00	repair kit constant-velocity joint comprising: constant-velocity joint dust bellows bellow support		4	
-	911 332 257 00	clip		1	
-	928 332 257 01	clip		1	
-	900 041 013 01	circlip		1	
-	000 043 110 01	grease 1 100-gramme tube		1	
-	893 407 237	pan-head screw		12	

Model	Year	MG	SG	Illustration	Restrictions	UPD	10:03	24.01.2010	PORSCHE	PET	PORSCHE
968	1995	6	01	601-00		248					

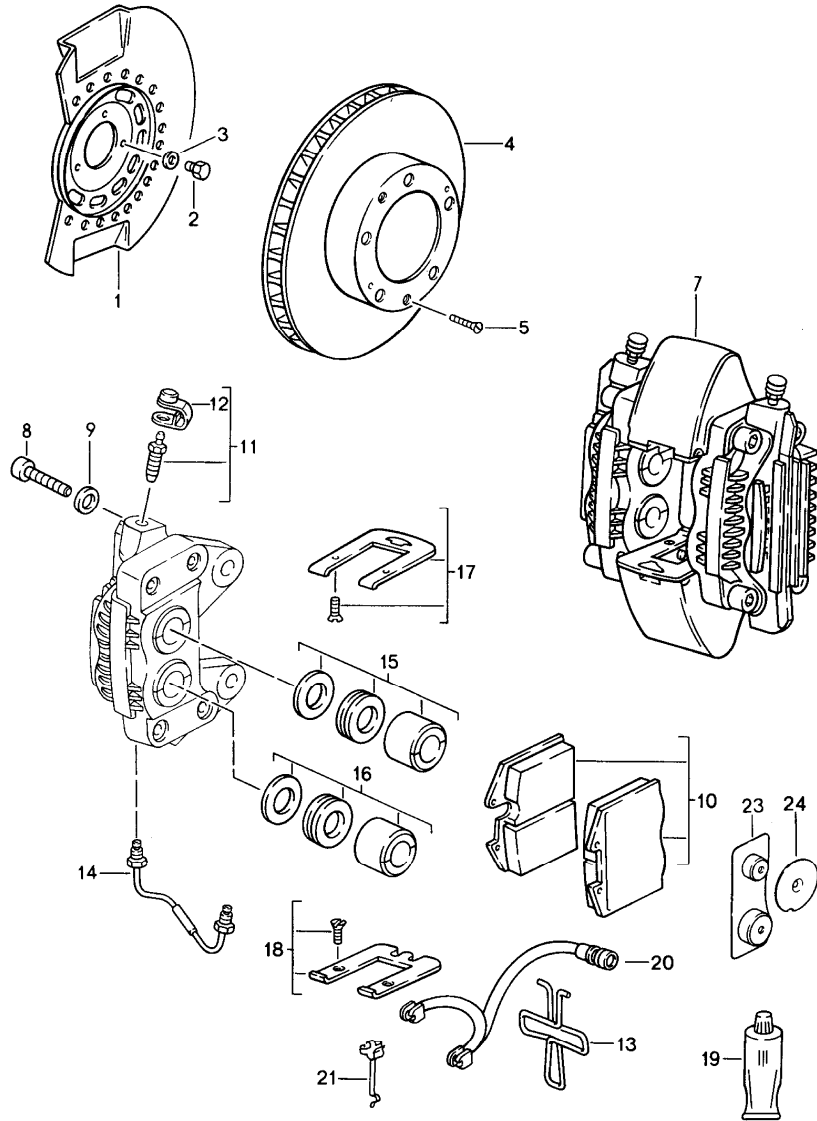


Pos	Part Number	Description	Remark	Qty	Model
		disc wheel			
		see technical information GR. 4, NR.5/91			
1	944 362 114 00	alloy wheel 7 J X 16 ET 55 silver	/V	2	
1	944 362 116 00	alloy wheel 8 J X 16 ET 52 silver	/H	2	
1	965 362 124 05	alloy wheel	/V	2	M030/403
	61M	silver metallic 7,5 J X 17 ET 65 silver		-93	
1	993 362 124 05	alloy wheel	/V	2	M398
	61M	silver metallic 7,5 J X 17 ET 65		94-	
1	965 362 128 00	alloy wheel 9 J X 17 ET 55 silver	/H	2	M030/403
1	993 362 128 00	alloy wheel	/H	2	M398
	61M	silver metallic 9 J X 17 ET 55		94-	
1	965 362 126 01	alloy wheel 8 J X 17 ET 52 silver		2	
1	993 362 126 00	alloy wheel	/H	2	
	61M	silver metallic 8 J X 17 ET 52 for winter use		94-	
1	965 362 128 05	alloy wheel 9,5 J X 17 ET 68 silver only together with	/H	2	

Model	Year	MG	SG	Illustration	Restrictions	UPD	10:03	24.01.2010	PORSCHE	PET	PORSCHE
968	1995	6	01	601-00		248					

Pos	Part Number	Description	Remark	Qty	Model	Pos	Part Number	Description	Remark	Qty	Model
-	951 331 611 02	spacer ring 17 MM		2		5	901 361 416 00	balance stick-on weight 70 G		X	
-	904 341 671 00	wheel bolt		10		5	901 361 417 50	balance stick-on weight 75 G		X	
-	999 182 003 36	wheel nut		10		5	901 361 417 00	balance stick-on weight 80 G		X	
2	928 361 303 00	hub cap silver	-93	4		6	965 362 030 00	emergency wheel alloy wheel with collapsible tire		1	
2	993 361 303 00	hub cap 61M silver metallic	94-	4		7	477 813 157	fastening plate		1	
3	999 182 003 36	wheel nut		16		8	900 075 411 02	hexagon-head bolt M 10 X 65		1	
4	900 265 001 50	rubber valve \$ 15,2		4		9	964 652 053 00	small compressor for emergency wheel		1	
5	901 361 410 50	balance stick-on weight 5 G		X		10	A 965 361 955 00	wheel nut lockable 1 set	92	1	
5	901 361 410 00	balance stick-on weight 10 G		X		10	A 993 361 057 00	set lockable 1 set	93	1	
5	901 361 411 50	balance stick-on weight 15 G		X		(10)	993 361 057 00	wheel nut lockable 1 set	94-	1	
5	901 361 411 00	balance stick-on weight 20 G		X		11	965 361 170 00	wheel nut lockable without lock	92	4	
5	901 361 412 50	balance stick-on weight 25 G		X		11	993 361 057 00	set lockable without lock	93	4	
5	901 361 412 00	balance stick-on weight 30 G		X		12	965 361 167 00	cap		4	
5	901 361 413 50	balance stick-on weight 35 G		X		13	965 361 169 00	blank key for wheel nut lockable	92	X	
5	901 361 413 00	balance stick-on weight 40 G		X		13	968 361 169 00	blank key for wheel nut lockable	93	X	
5	901 361 414 50	balance stick-on weight 45 G		X							
5	901 361 414 00	balance stick-on weight 50 G		X							
5	901 361 415 50	balance stick-on weight 55 G		X							
5	901 361 415 00	balance stick-on weight 60 G		X							
5	901 361 416 50	balance stick-on weight 65 G		X							

Model	Year	MG	SG	Illustration	Restrictions	UPD	10:04	24.01.2010	PORSCHE	PET	PORSCHE
968	1995	6	02	602-00		248					

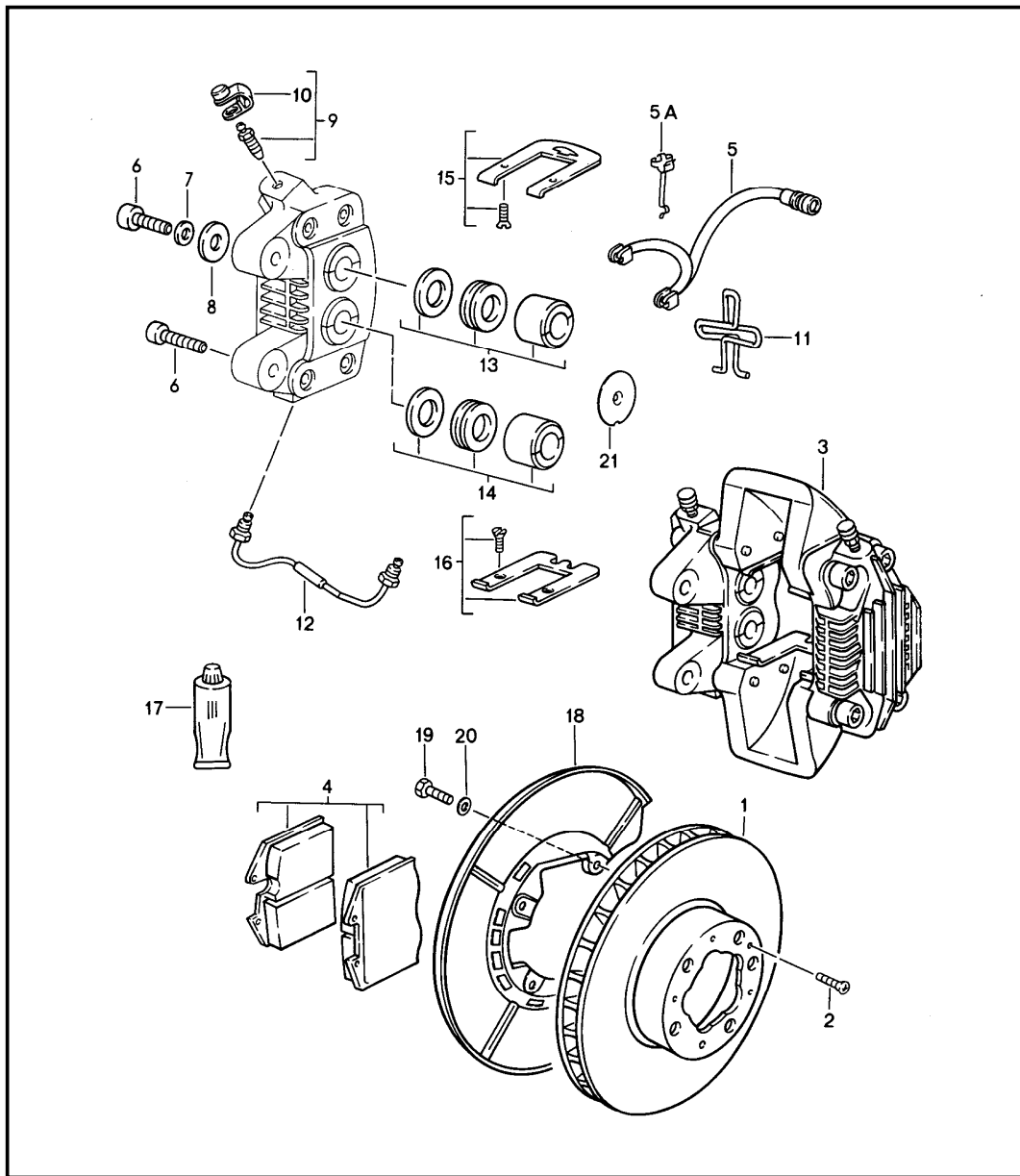


Pos	Part Number	Description	Remark	Qty	Model
		disc brake front axle			
		see technical information GR.4, NR.1/93			
1	951 351 085 03	cover plate	/L	1	
(1)	951 351 086 03	cover plate	/R	1	
2	N 010 227 2	hexagon-head bolt M 7 X 12		6	
3	900 028 019 08	spring washer B 7		6	
4	951 351 041 02	brake disc		2	
(4)	965 351 041 01	brake disc	/L	1	M030
(4)	965 351 042 01	brake disc	/R	1	M030
5	N 033 167 1	countersunk-head screw M 6 X 12		4	
7	951 351 421 03	fixed calliper with protection cap piston \$ 36/40	/L	1	
7	928 351 421 03	fixed calliper with protection cap piston \$ 36/44	/L	1	M030
(7)	951 351 422 03	fixed calliper with protection cap piston \$ 36/40	/R	1	
(7)	928 351 422 03	fixed calliper with protection cap piston \$ 36/44	/R	1	M030
8	N 010 137 2	hexagon-head bolt M 12 X 1,5 X 35		4	
8	900 067 154 02	pan-head screw M 12 X 1,5 X 70		4	M030
9	900 028 014 02	spring washer B 12		4	

Model	Year	MG	SG	Illustration	Restrictions	UPD	10:04	24.01.2010	PORSCHE	PET	PORSCHE
968	1995	6	02	602-00		248					

Pos	Part Number	Description	Remark	Qty	Model	Pos	Part Number	Description	Remark	Qty	Model
9	N 011 564 2	washer B 13		4	M030	20	944 612 365 01	warning contact use also:		2	
10	951 351 939 08	brake pad repair set without asbestos		1		21	928 612 361 00	cable holder		2	
10	A 993 351 939 01	brake pad repair set		1	M030	23	951 351 089 03	vibration damper for fixed calliper \$ 19,7/27,3		4	M030
10	993 351 939 01	brake pad repair set without asbestos		1	M030						
11	930 351 919 00	ventilation valve		4		24	964 351 096 01	damping plate for piston \$ 36		4	
12	930 351 927 00	dust boot		4							
13	951 352 950 00	expanding spring		2		(24)	964 351 096 02	damping plate for piston \$ 40		4	
13	928 351 950 01	expanding spring		2	M030						
14	951 351 971 00	connecting line		2							
14	928 351 971 00	connecting line		2	M030						
15	951 351 919 11	gasket set with protection cap \$ 40		2							
15	928 351 919 10	repair kit with protection cap \$ 44		2	M030						
16	951 351 919 10	repair kit with protection cap \$ 36		2							
17	964 351 959 01	repair kit spring plate		2							
17	993 351 959 01	repair kit spring plate		2	M030						
18	964 351 959 00	repair kit spring plate		2							
18	993 351 959 00	repair kit spring plate		2	M030						
19	000 043 020 00	optimoly TA 1 100-gramme tube		X							
(19)	000 043 117 00	brake cylinder paste 1 50-g tube		X							

Model	Year	MG	SG	Illustration	Restrictions	UPD	10:04	24.01.2010	PORSCHE	PET	PORSCHE
968	1995	6	03	603-00		248					

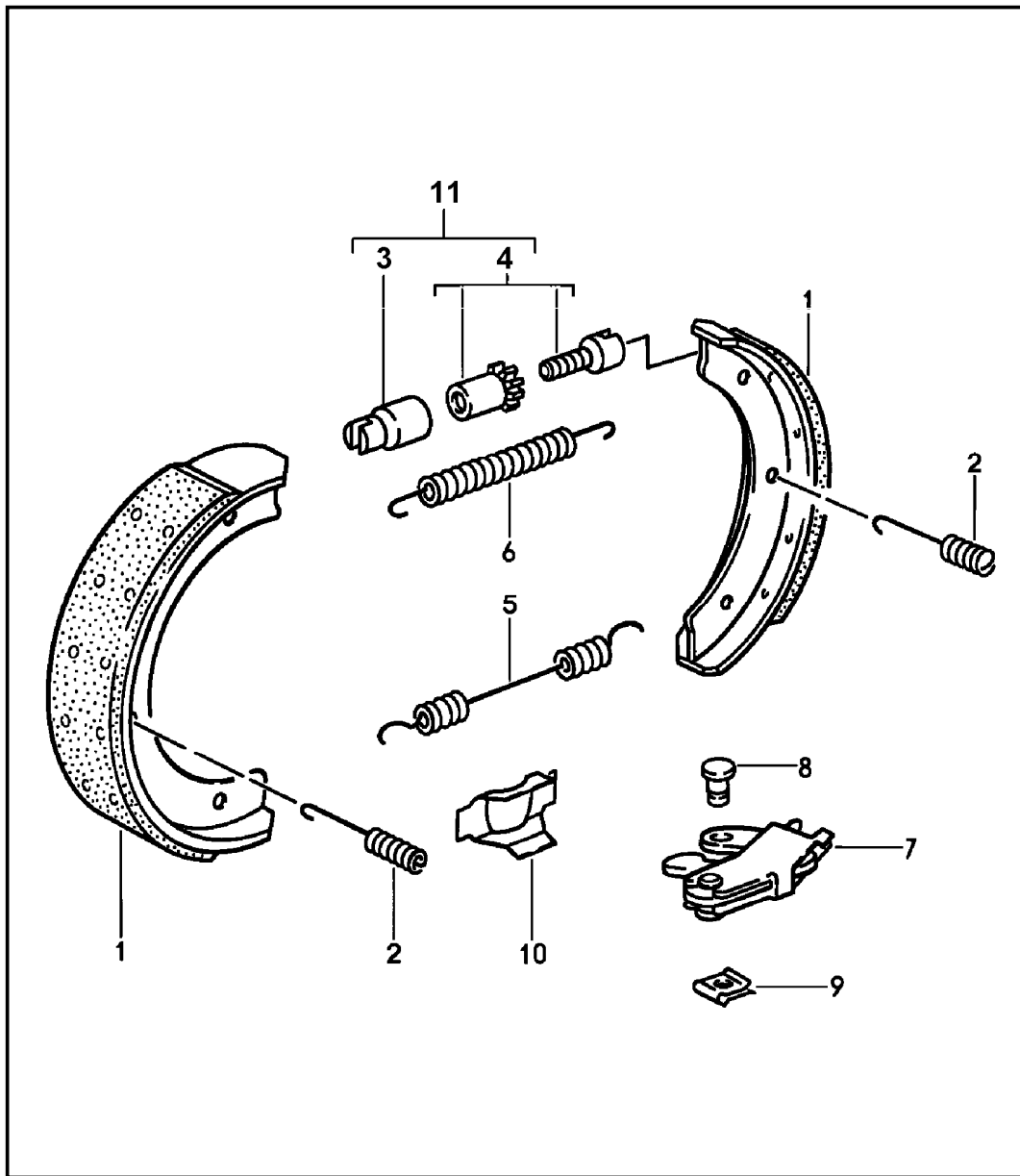


Pos	Part Number	Description	Remark	Qty	Model
		disc brake rear axle			
		see technical information GR.4, NR1/93			
1	951 352 041 02	brake disc		2	
(1)	951 352 041 91	brake disc		2	M030
2	N 033 167 1	countersunk-head screw M 6 X 12		2	
3	951 352 421 02	fixed calliper with protection cap piston	/L	1	
(3)	951 352 422 02	fixed calliper with protection cap piston \$ 28/30	/R	1	
4	951 351 939 08	brake pad repair set without asbestos		1	
4	965 352 939 04	brake pad repair set without asbestos		1	M030
5	944 612 365 01	warning contact use also:		2	
5A	928 612 361 00	cable holder		2	
6	N 040 108 1	hexagon-head bolt M 12 X 1,5 X 40		4	
7	900 028 014 02	spring washer B 12		4	
8	999 025 131 01	spacer		4	
9	930 351 919 00	ventilation valve		4	
10	930 351 927 00	dust boot		4	
11	951 352 950 00	expanding spring		2	
12	951 352 971 00	connecting line		2	
13	951 352 919 11	gasket set with protection cap \$ 30		2	

Model	Year	MG	SG	Illustration	Restrictions	UPD	10:04	24.01.2010	PORSCHE	PET	PORSCHE
968	1995	6	03	603-00		248					

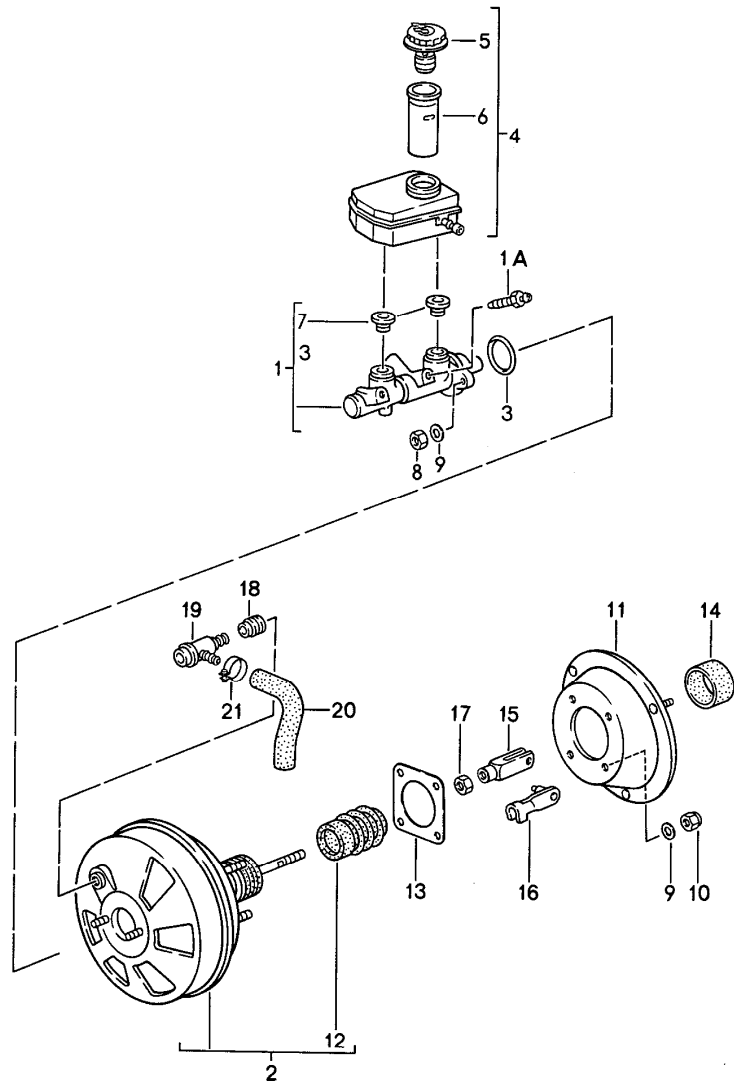
Pos	Part Number	Description	Remark	Qty	Model	Pos	Part Number	Description	Remark	Qty	Model
14	951 352 919 10	gasket set with protection cap \$ 28		2							
15	993 352 959 01	repair kit spring plate		2							
16	993 352 959 00	repair kit spring plate		2							
17	000 043 020 00	optimoly TA 1 100-gramme tube		X							
(17)	000 043 117 00	brake cylinder paste 1 50-g tube		X							
18	964 352 801 00	protective plate		2							
19	999 072 005 09	hexagon-head bolt M 6 X 12		8							
20	N 012 226 5	spring washer		8							
21	964 352 096 00	damping plate for piston \$ 30		4							
21	964 352 096 01	damping plate for piston \$ 28		4							

Model	Year	MG	SG	Illustration	Restrictions	UPD	10:04	24.01.2010	PORSCHE	PET	PORSCHE
968	1995	6	03	603-04		248					



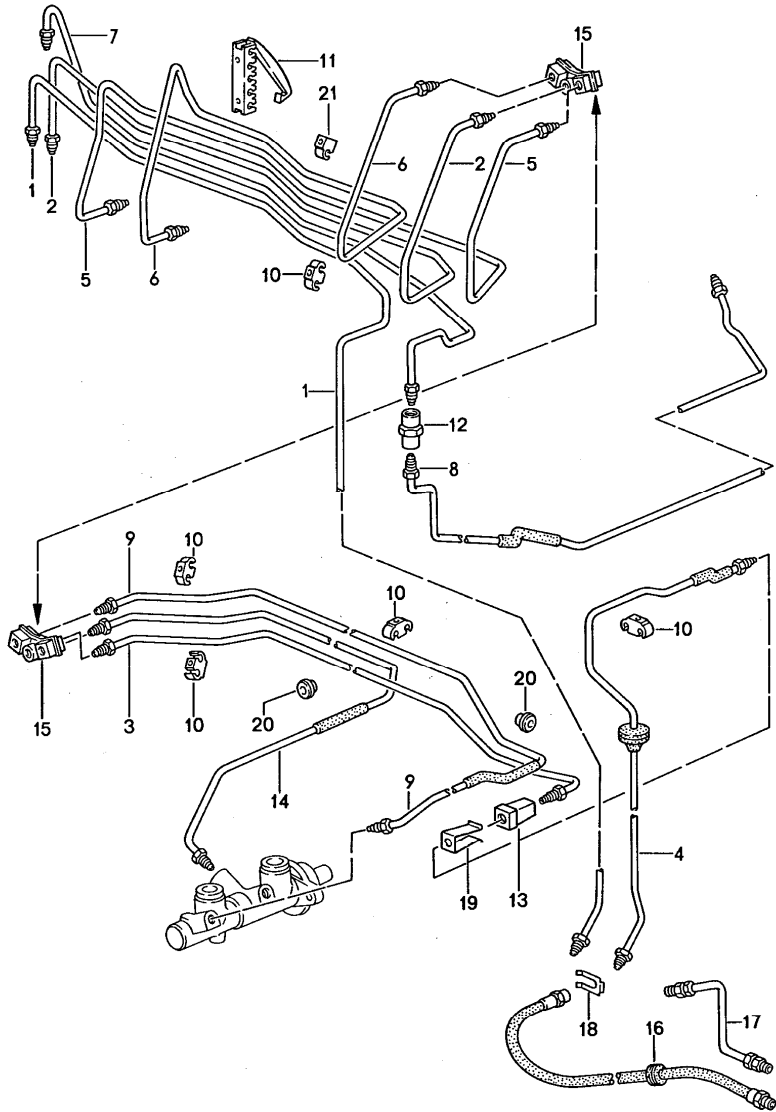
Pos	Part Number	Description	Remark	Qty	Model
		handbrake			
1	996 352 993 00	repair kit without asbestos		1	
(1)	997 352 993 02	repair kit 1 set only together with compression spring 996.352.741.00 adjusting screw 993.352.071.00		1	
2	928 352 957 02	compression spring		4	
(2)	996 352 741 00	compression spring only together with repair kit 997.352.993.02		4	
3	911 352 944 00	support bush		2	
4	911 352 098 00	adjusting screw		2	
5	951 352 454 00	return spring		2	
5	996 352 723 00	return spring		2	
6	901 352 932 10	return spring		2	
7	951 352 090 00	expanding bow		2	
8	477 609 459	bolt		2	
9	N 900 588 01	lock		2	
10	951 352 807 00	supporting plate		2	
11	993 352 071 00	adjusting screw only together with repair kit 997.352.993.02		2	

Model	Year	MG	SG	Illustration	Restrictions	UPD	10:04	24.01.2010	PORSCHE	PET	PORSCHE
968	1995	6	04	604-00		248					



Pos	Part Number	Description	Remark	Qty	Model
1	951 355 011 01	brake master cylinder brake booster expansion tank brake master cylinder - ate - use also:		1	
1A	930 351 919 00	ventilation valve		1	
2	944 355 023 11	brake booster - ate -		1	
3	251 611 243	sealing ring		1	
4	951 355 303 02	expansion tank		1	
5	951 355 351 00	lid		1	
6	951 355 385 00	restrictor bush		1	
7	911 355 922 00	sealing plug		2	
8	999 084 425 02	lock nut M 8		2	
9	900 025 007 02	washer A 8,4		9	
10	900 910 022 09	lock nut M 8		7	
11	951 355 021 01	intermediate piece		1	
12	477 611 115	bellows		1	
13	477 611 951	gasket		1	
14	477 611 969 D	gasket		1	
15	999 166 061 30	clevis		1	
16	N 023 476 1	bolt		1	
17	N 011 010 6	hexagon nut M 10		1	
18	911 355 921 00	rubber seal		1	
19	191 611 933 F	check valve		1	
20	944 110 435 03	moulded hose		1	
21	999 512 554 00	hose clamp		2	

Model	Year	MG	SG	Illustration	Restrictions	UPD	10:04	24.01.2010	PORSCHE	PET	PORSCHE
968	1995	6	04	604-05		248					

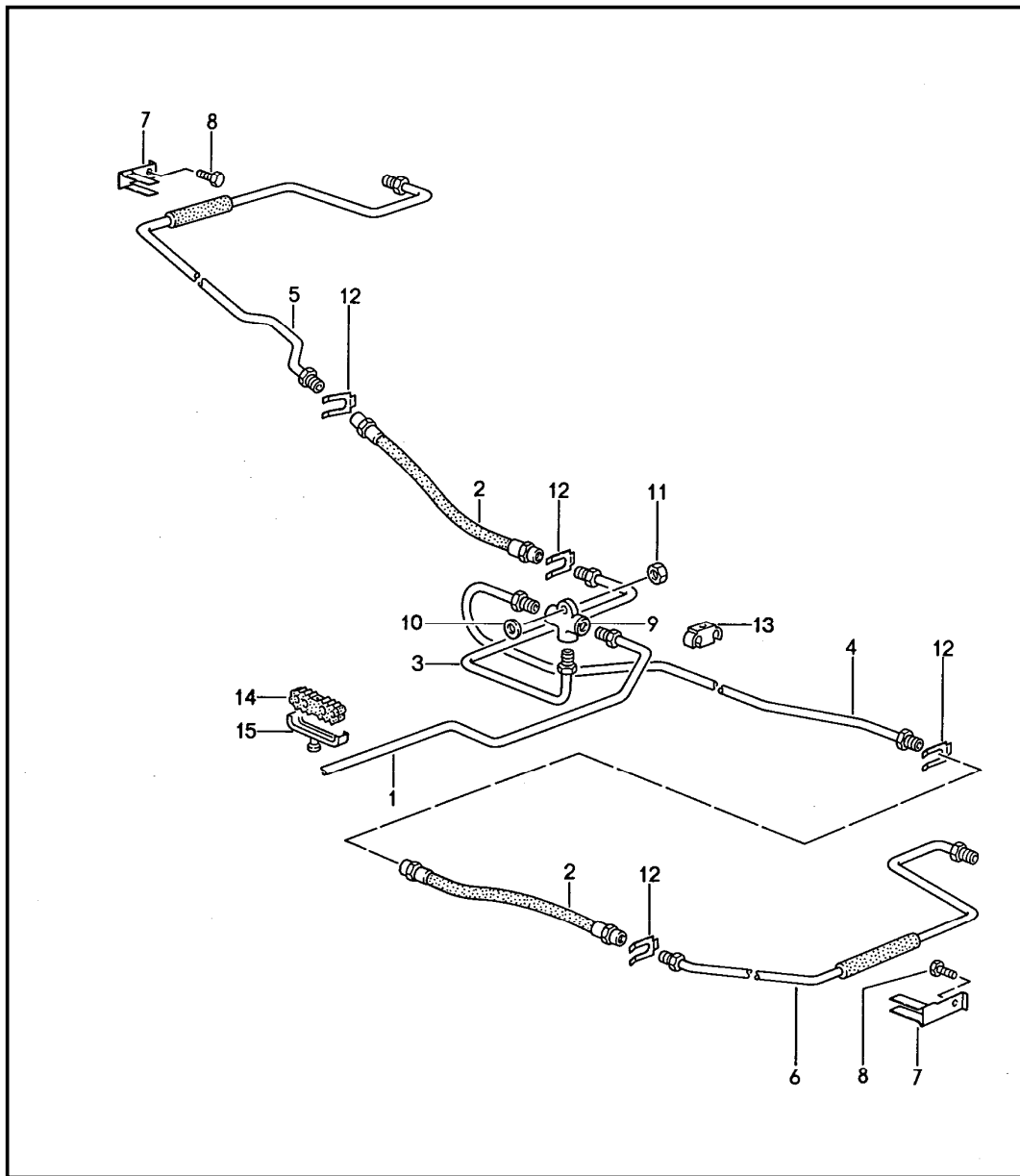


Pos	Part Number	Description	Remark	Qty	Model
		brake lines front			
1	944 355 045 10	brake line	/R	1	COUPE
(1)	941 355 045 05	brake line	/R	1	CABRIO
2	944 355 047 15	brake line	/L	1	
3	944 355 049 00	brake line	/L	1	
4	944 355 051 01	brake line	/L	1	COUPE
(4)	941 355 051 05	brake line	/L	1	CABRIO
5	944 355 073 10	brake line	/V	1	
6	944 355 055 10	brake line	/H	1	
7	944 355 061 00	brake line	/H	1	
8	951 355 059 01	brake line	/H	1	COUPE
(8)	941 355 059 12	brake line	/H	1	CABRIO
9	944 355 034 10	brake line		1	
10	811 611 797	clip		6	
11	928 355 637 01	support		1	
12	914 355 661 00	intermediate piece		1	
13	944 355 665 00	intermediate piece		1	
14	951 355 031 15	brake line		1	
15	944 355 083 03	intermediate piece		1	
16 A	951 355 079 31	brake hose	/V	-92	M030
16	951 355 079 31	brake hose	/V	2	M030
(16) A	944 355 079 01	brake hose	/V	-92	
(16)	944 355 079 01	brake hose	/V	2	
17	951 355 041 30	brake line	/L	1	M030
17	951 355 042 30	brake line	/R	1	M030
18	113 611 715 A	brake hose bracket		4	
19	803 611 715	retainer spring		1	
20	951 355 755 00	rubber sleeve		2	

Model	Year	MG	SG	Illustration	Restrictions	UPD	10:04	24.01.2010	PORSCHE	PET	PORSCHE
968	1995	6	04	604-05		248					

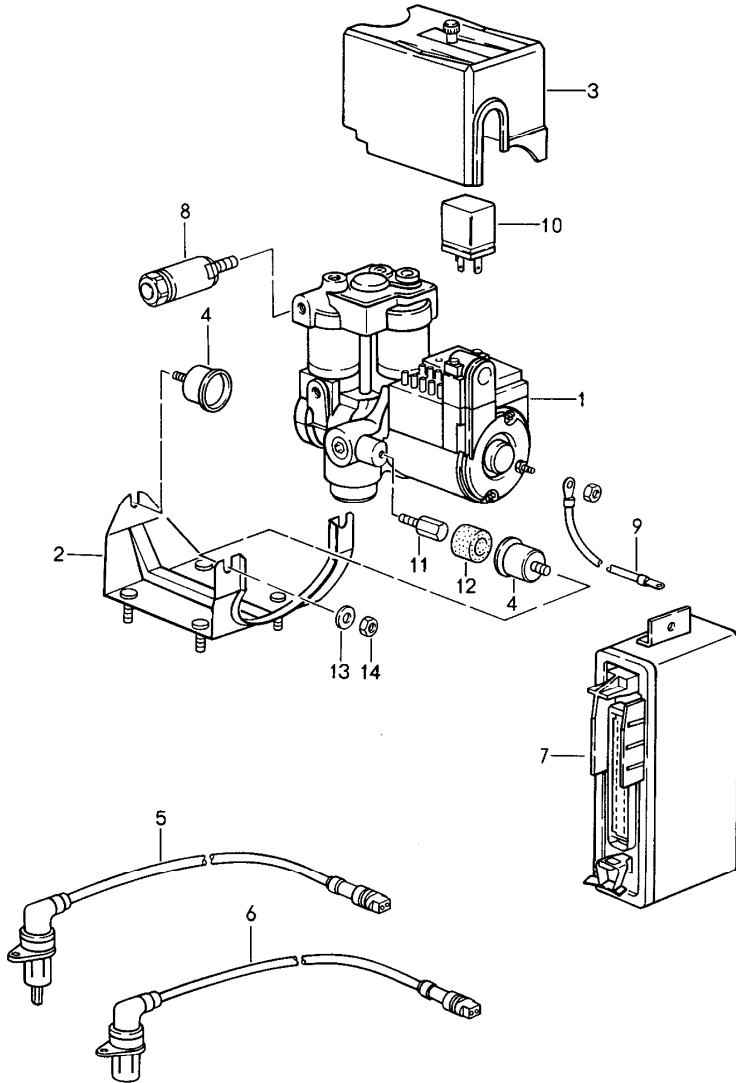
Pos	Part Number	Description	Remark	Qty	Model	Pos	Part Number	Description	Remark	Qty	Model
21	944 355 637 00	support		1							

Model	Year	MG	SG	Illustration	Restrictions	UPD	10:05	24.01.2010	PORSCHE	PET	PORSCHE
968	1995	6	04	604-10		248					



Pos	Part Number	Description	Remark	Qty	Model
		brake lines rear			
1	951 355 059 01	brake line	/H	1	COUPE
(1)	941 355 059 12	brake line	/H	1	CABRIO
2	A 944 355 081 01	brake hose	/H	2	
2	944 355 081 01	brake hose	/H	2	
3	951 355 062 03	brake line	/R	1	
4	951 355 061 02	brake line	/L	1	
5	951 355 036 02	brake line	/R	1	
6	951 355 035 02	brake line	/L	1	
7	477 611 783	support		2	
8	N 010 210 13	hexagon-head bolt		2	
9	914 355 667 00	distributor		1	
10	N 015 404 1	washer		1	
11	900 076 010 02	hexagon nut		1	
12	113 611 715 A	brake hose bracket		4	
13	811 611 797	clip		2	
14	999 591 975 40	rubber mounting		7	
15	999 511 199 40	clamp		7	

Model	Year	MG	SG	Illustration	Restrictions	UPD	10:05	24.01.2010	PORSCHE	PET	PORSCHE
968	1995	6	05	605-00		248					



Pos	Part Number	Description	Remark	Qty	Model
		hydraulic unit anti-lock brake system			
1	951 355 913 00	hydraulic unit		1	
2	944 355 063 00	support		1	
3	928 355 960 01	cap		1	
4	944 355 631 00	bearing sleeve		3	
5	928 606 404 02	speed sensor	/V	2	
6	944 606 401 02	speed sensor	/H	2	
7	928 618 118 00	control unit		1	
8	951 355 305 01	brake pressure regulator		1	
9	928 612 189 01	ground strap		1	
10	928 618 931 01	relay for valve		1	
10	928 618 930 01	relay for engine		1	
11	944 355 667 00	bolt M 6		3	
12	437 614 177	rubber buffer		3	
13	N 011 666 7	washer B 6,4		3	
14	N 011 062 3	cap nut M 6		3	

Model	Year	MG	SG	Illustration	Restrictions	UPD	10:05	24.01.2010
968	1995	6	98	698-00R		248		

Pos	Part Number	Description	Remark	Qty	Model
		repair kits			
>>	>>951 351 939 08	brake pad repair set without asbestos comprising: brake pad	/V	1	
				4	
		use also:			
-	964 351 096 02	damping plate for piston \$ 40 MM		4	
-	964 351 096 01	damping plate for piston \$ 36 MM		4	
>>	>>951 351 919 11	gasket set for fixed calliper comprising: piston \$ 40 MM sealing ring protection cap	/V	2	
				1	
				1	
				1	
>>	>>951 351 919 10	repair kit for fixed calliper comprising: piston \$ 36 MM sealing ring protection cap	/V	2	
				1	
				1	
				1	
>>	>>964 351 959 01	repair kit comprising: spring plate countersunk-head screw	/V	2	
				1	
				2	
>>	>>964 351 959 00	repair kit comprising: spring plate countersunk-head screw	/V	2	
				1	
				2	
>>	>>993 351 939 01	brake pad repair set without asbestos comprising: brake pad	/V	1	M030
				4	
		use also:			
-	951 351 089 03	vibration damper for fixed calliper \$ 19,7/27,3	/V	4	M030

Model	Year	MG	SG	Illustration	Restrictions	UPD	10:05	24.01.2010
968	1995	6	98	698-00R		248		

Pos	Part Number	Description	Remark	Qty	Model
>>	>>928 351 919 10	repair kit for fixed calliper comprising: piston \$ 44 MM sealing ring protection cap	/V	2	M030
				1	
				1	
				1	
>>	>>993 351 959 01	repair kit comprising: spring plate countersunk-head screw	/V	2	M030
				1	
				2	
>>	>>993 351 959 00	repair kit comprising: spring plate countersunk-head screw	/V	2	M030
				1	
				2	
>>	>>951 351 939 08	brake pad repair set without asbestos comprising: brake pad	/H	1	
		use also:		4	
-	964 352 096 00	damping plate for piston \$ 30 MM		4	
-	964 352 096 01	damping plate for piston \$ 28 MM		4	
>>	>>965 352 939 04	brake pad repair set without asbestos comprising: brake pad	/H	1	M030
		use also:		4	
-	964 352 096 00	damping plate for piston \$ 30 MM		4	
-	964 352 096 01	damping plate for piston \$ 28 MM		4	

PORSCHE

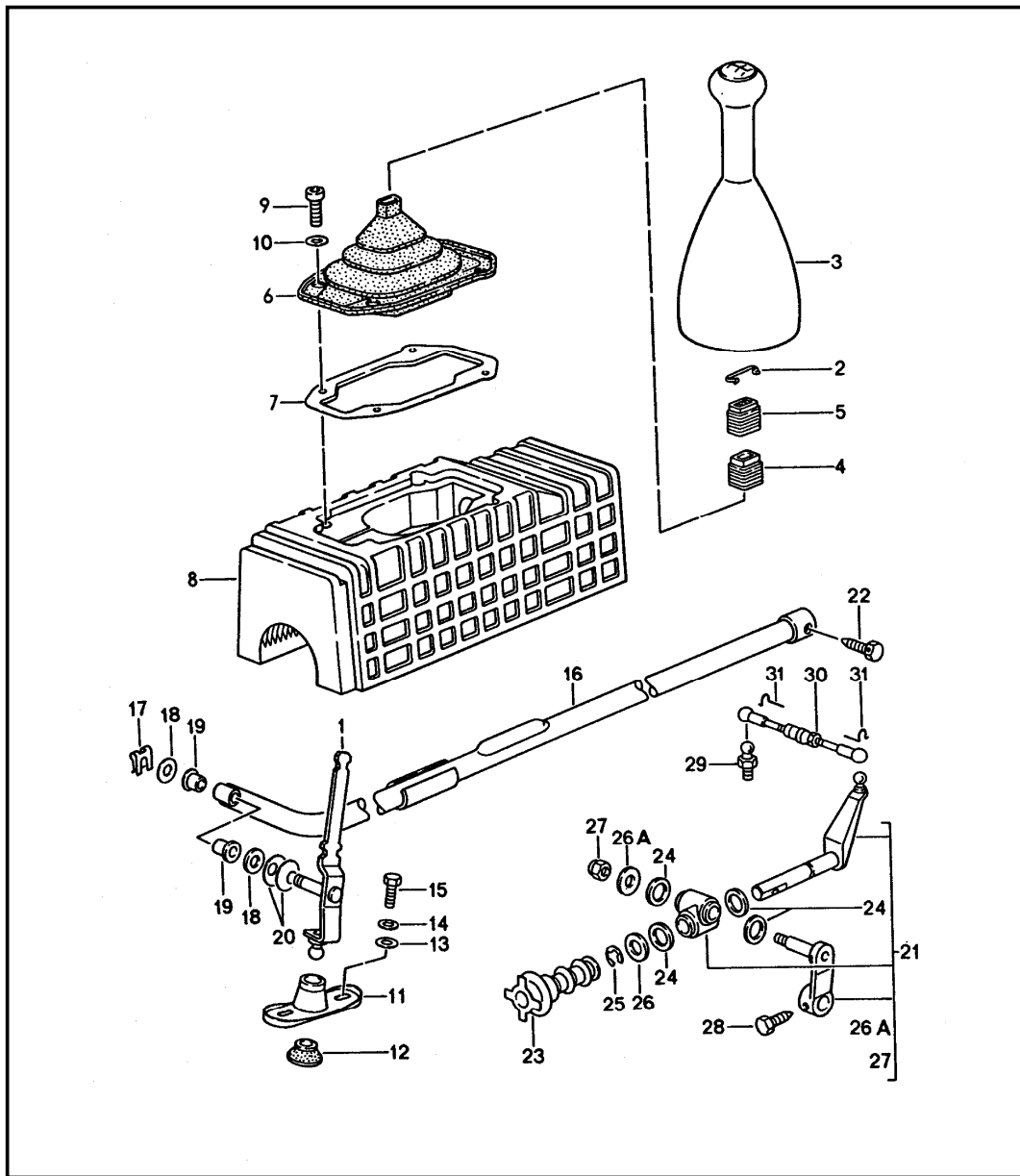
PET

PORSCHE

Model	Year	MG	SG	Illustration	Restrictions	UPD	10:05	24.01.2010
968	1995	6	98	698-00R		248		

Pos	Part Number	Description	Remark	Qty	Model
>>	>>951 352 919 11	gasket set for fixed calliper comprising: piston \$ 30 MM sealing ring protection cap	/H	2	
				1	
				1	
				1	
>>	>>951 352 919 10	gasket set for fixed calliper comprising: piston \$ 28 MM sealing ring protection cap	/H	2	
				1	
				1	
				1	
>>	>>993 352 959 01	repair kit comprising: spring plate countersunk-head screw	/H	2	
				1	
				2	
>>	>>993 352 959 00	repair kit comprising: spring plate countersunk-head screw	/H	2	
				1	
				2	

Model	Year	MG	SG	Illustration	Restrictions	UPD	10:05	24.01.2010	PORSCHE	PET	PORSCHE
968	1995	7	01	701-00		248					

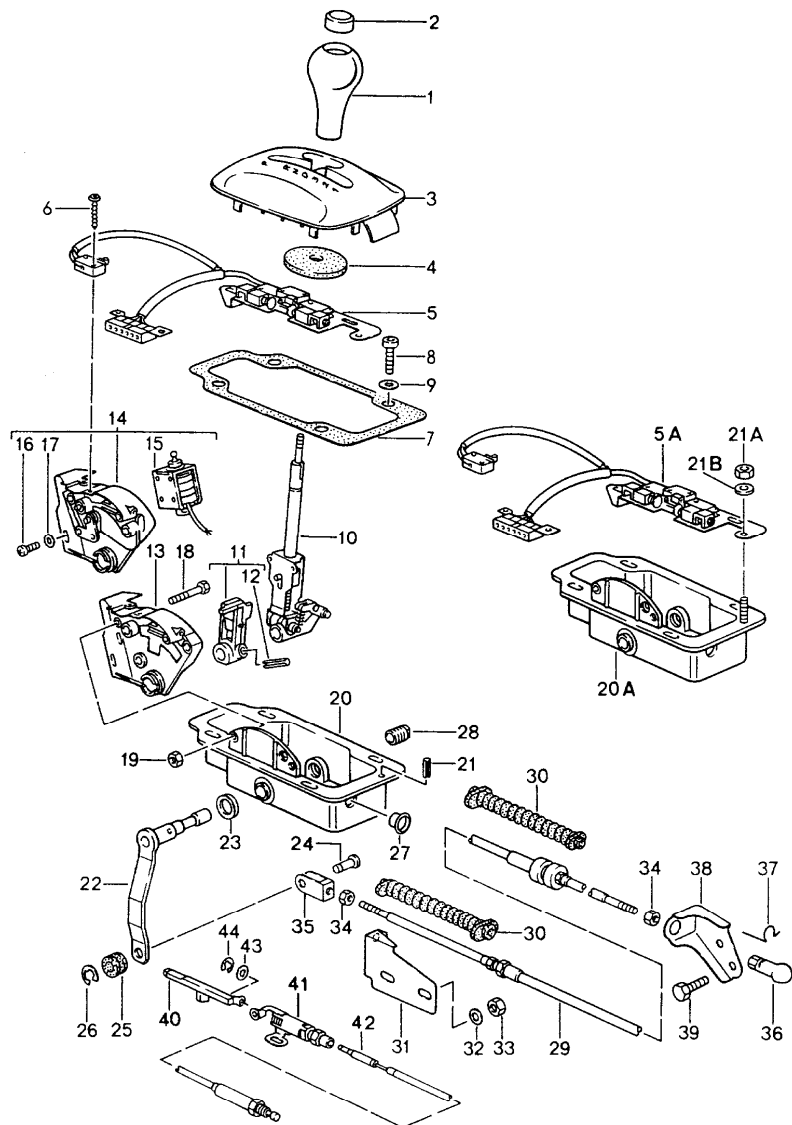


Pos	Part Number	Description	Remark	Qty	Model
1	944 424 015 02	actuator for manual transmission		1	
2	477 711 269	gearshift lever		1	
3	944 424 075 02	retainer spring		1	
		8YR black			
		5YW classic grey			
		F04 cobalt blue	-93		
		M15 magenta	-93		
		2KR marine blue	-93		
		1GP midnight blue	94-		
		3PK chestnut brown	94-		
4	931 424 111 00	gearshift knob with boot leather		1	
5	931 424 110 00	vibration damper		1	
6	944 424 139 01	vibration damper		1	
7	944 424 134 01	bellows		1	
8	944 424 180 00	retaining frame		1	
9	N 014 740 2	sound absorber		1	
10	900 031 011 02	pan-head screw M 6 X 16		4	
11	944 424 229 00	washer A 6,4		4	
12	944 424 231 01	bearing bracket		1	
13	900 025 007 02	bearing shell		1	
14	N 012 108 2	washer A 8,4		3	
15	N 010 237 6	serrated lock washer 8,4		3	
		hexagon-head bolt M 8 X 12		2	

Model	Year	MG	SG	Illustration	Restrictions	UPD	10:05	24.01.2010	PORSCHE	PET	PORSCHE
968	1995	7	01	701-00		248					

Pos	Part Number	Description	Remark	Qty	Model	Pos	Part Number	Description	Remark	Qty	Model
16	944 424 019 06	gear shift rod		1							
17	999 166 034 02	sl-lock		1							
18	N 027 381 2	shim		2							
19	999 924 002 40	bush		2							
20	900 222 015 01	cup spring		2							
21	944 424 013 01	intermediate shift lever		1							
22	999 074 042 02	fit bolt		1							
23	477 711 159 B	bellows		1							
24	477 711 149	sealing ring		4							
25	N 012 415 1	circlip 15 X 1		1							
26	477 711 139 A	washer		1							
26A	477 711 139	washer		1							
27	900 910 003 02	lock nut M 8 VM 8		1							
28	443 711 189 A	hexagon-head bolt		1							
29	999 167 046 00	ball pin		1							
30	944 424 041 02	joint rod		1							
31	900 169 016 02	clip		2							

Model	Year	MG	SG	Illustration	Restrictions	UPD	10:05	24.01.2010	PORSCHE	PET	PORSCHE
968	1995	7	01	701-05		248					

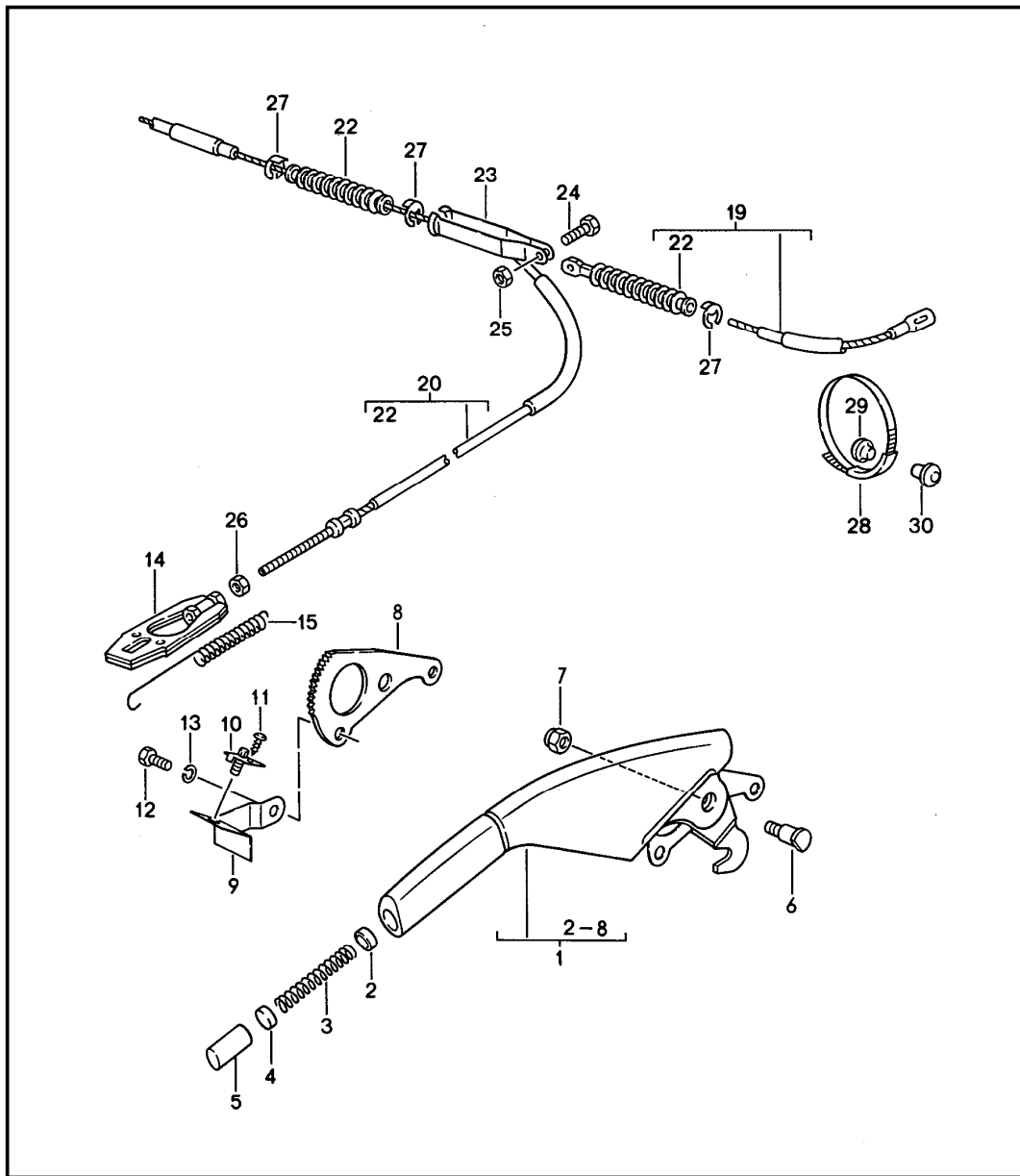


Pos	Part Number	Description	Remark	Qty	Model
		selector lever tiptronic SHIFT-LOCK KEY-LOCK			M249
1	944 426 069 01	selector knob		1	
	1AJ	black			
	6XL	classic grey			
	9YL	cobalt blue	-93		
	6YL	magenta	-93		
	H05	marine blue	-93		
	H24	midnight blue	94-		
	T15	chestnut brown	94-		
2	943 426 275 05	key		1	
	01C	satin black			
3	944 552 169 00	trim cover		1	
	1DB	black			
4	999 704 168 40	cover disc		1	
5	944 613 043 01	switch		1	
5A	944 613 043 01	switch		1	
6	999 919 020 08	oval-head screw 3,0 X 16		2	
7	944 426 129 01	gasket		1	
8	900 067 011 02	pan-head screw M 6 X 20		4	
9	N 011 666 7	washer B 6,4		4	
10	944 426 051 00	selector lever	-92	1	
(10)	944 426 051 01	selector lever SHIFT-LOCK		1	
11	944 426 043 00	driver		1	
12	N 013 317 1	roll pin		1	
13	944 426 141 00	gate guide	-92	1	

Model	Year	MG	SG	Illustration	Restrictions	UPD	10:05	24.01.2010	PORSCHE	PET	PORSCHE
968	1995	7	01	701-05		248					

Pos	Part Number	Description	Remark	Qty	Model	Pos	Part Number	Description	Remark	Qty	Model
14	944 426 039 00	gate guide SHIFT-LOCK		1		34	N 011 005 14	hexagon nut M 5		2	
15	928 624 170 00	solenoid SHIFT-LOCK		1		35	943 426 047 00	clevis		1	
16	N 014 121 8	oval-head screw M 4 X 6		2		36	911 423 147 00	ball socket		1	
17	900 151 028 02	washer B 4,3		2		37	900 169 014 02	securing clip		1	
18	900 074 318 02	hexagon-head bolt M 5 X 40		2		38	944 426 111 01	support		1	
19	900 380 001 02	nut M 5		2		39	900 075 085 02	hexagon-head bolt M 8 X20		2	
20	944 426 031 01	housing		1		-	944 426 063 01	selector lever transmission		1	
20A	944 426 031 01	housing		1		-	N 011 018 4	hexagon nut M 8 X 1 for selector lever		1	
21	N 013 302 1	roll pin		2				KEY - LOCK			
21A	N 011 004 6	nut M 4		2		40	944 426 379 02	slide		1	
21B	900 025 002 02	washer A 4,3		2		41	944 426 073 00	housing		1	
22	944 426 066 01	reverse lever		1		42	944 426 173 02	cable	/LL	1	
23	999 699 020 40	sealing ring		1		(42)	944 426 174 00	cable	/RL	1	
24	943 426 149 00	bolt		1		43	900 904 009 02	washer A 3,2		1	
25	943 426 261 00	rubber mounting		1		44	900 116 014 01	lock washer		1	
26	N 012 436 2	lock washer		1							
27	999 703 164 40	stopper		1							
28	944 426 133 00	bearing screw		1							
29	944 426 033 05	cable		1							
30	944 426 103 00	bellows		2							
31	944 426 111 03	support		1							
32	900 025 007 02	washer A 8,4		2							
33	900 076 025 02	hexagon nut M 8		2							

Model	Year	MG	SG	Illustration	Restrictions	UPD	10:05	24.01.2010	PORSCHE	PET	PORSCHE
968	1995	7	01	701-10		248					

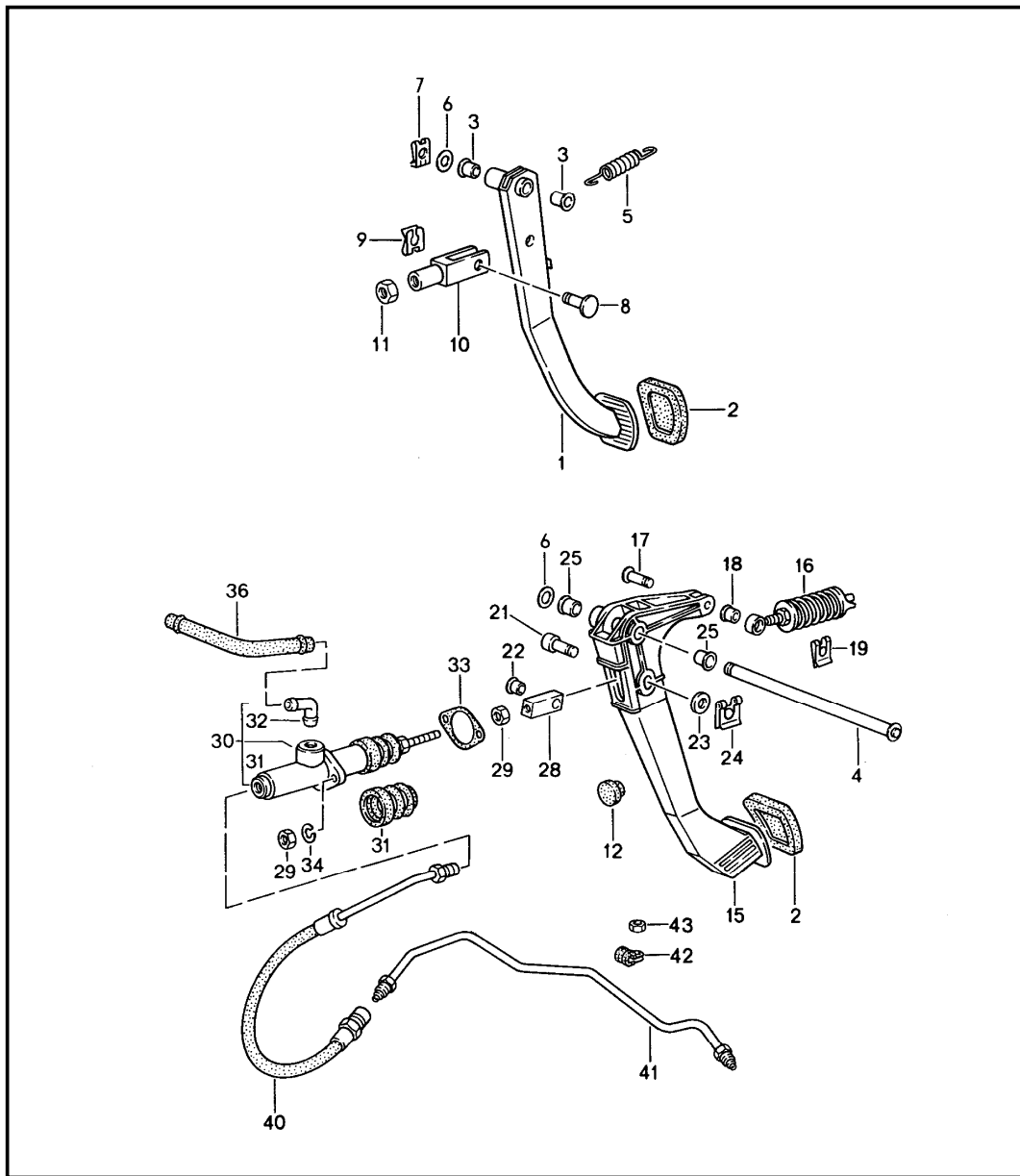


Pos	Part Number	Description	Remark	Qty	Model
1	944 424 051 01	parking-brake lever parking-brake lever leatherette		1	
	8YR	black			
	6XL	classic grey			
	6YL	magenta	-93		
(1)	944 424 051 50	parking-brake lever leather		1	
	8YR	black			
	6XL	classic grey			
	9YL	cobalt blue	-93		
	6YL	magenta	-93		
	8ZL	light grey	-93		
	4YU	cashmere beige			
	H05	marine blue	-93		
	M05	matador red	-93		
	D35	carrara grey	-93		
	J25	sherwood green	-93		
	H24	midnight blue	94-		
	T15	chestnut brown	94-		
	3QN	marble grey	94-		
	G43	provence blue	94-		
	K03	cedar green	94-		
	8SE	flamenco red	94-		
2	914 424 258 00	guide sleeve		1	
3	901 424 543 00	compression spring		1	
4	901 424 593 01	rubber ring		1	
5	944 424 523 00	push button		1	
6	928 424 527 00	bearing pin		1	
7	900 084 004 02	hexagon nut		1	

Model	Year	MG	SG	Illustration	Restrictions	UPD	10:05	24.01.2010	PORSCHE	PET	PORSCHE
968	1995	7	01	701-10		248					

Pos	Part Number	Description	Remark	Qty	Model	Pos	Part Number	Description	Remark	Qty	Model
7	900 084 004 03	hexagon nut		1							
8	928 424 541 14	locking segment		1							
9	944 424 535 00	support	/LL	1							
(9)	945 424 535 00	support	/RL	1							
10	968 613 601 00	contact switch		1							
11	N 013 957 5	tapping screw B 3,5 X 9,5		1							
12	N 010 241 0	hexagon-head bolt M 8 X 22 SB		2							
13	900 025 007 02	washer A 8,4		2							
-	999 703 387 40	cap		1							
14	928 424 033 00	turnbuckle		1							
15	944 424 537 00	return spring		1							
19	951 424 071 02	parking-brake cable short		1							
20	951 424 072 02	parking-brake cable long		1							
22	477 609 715	sealing sleeve		2							
23	477 711 965	compensating bow		1							
24	N 010 217 9	hexagon-head bolt M 6 X 20		1							
25	900 910 012 02	lock nut M 6		1							
26	900 076 010 02	hexagon nut M 6		1							
27	999 166 027 02	lock 8		3							
28	477 711 979	retaining strap		2							
29	N 013 530 3	rivet		2							
30	N 013 510 1	compression rivet		2							
31	901 424 509 01	stop		1							

Model	Year	MG	SG	Illustration	Restrictions	UPD	10:06	24.01.2010	PORSCHE	PET	PORSCHE
968	1995	7	02	702-00		248					

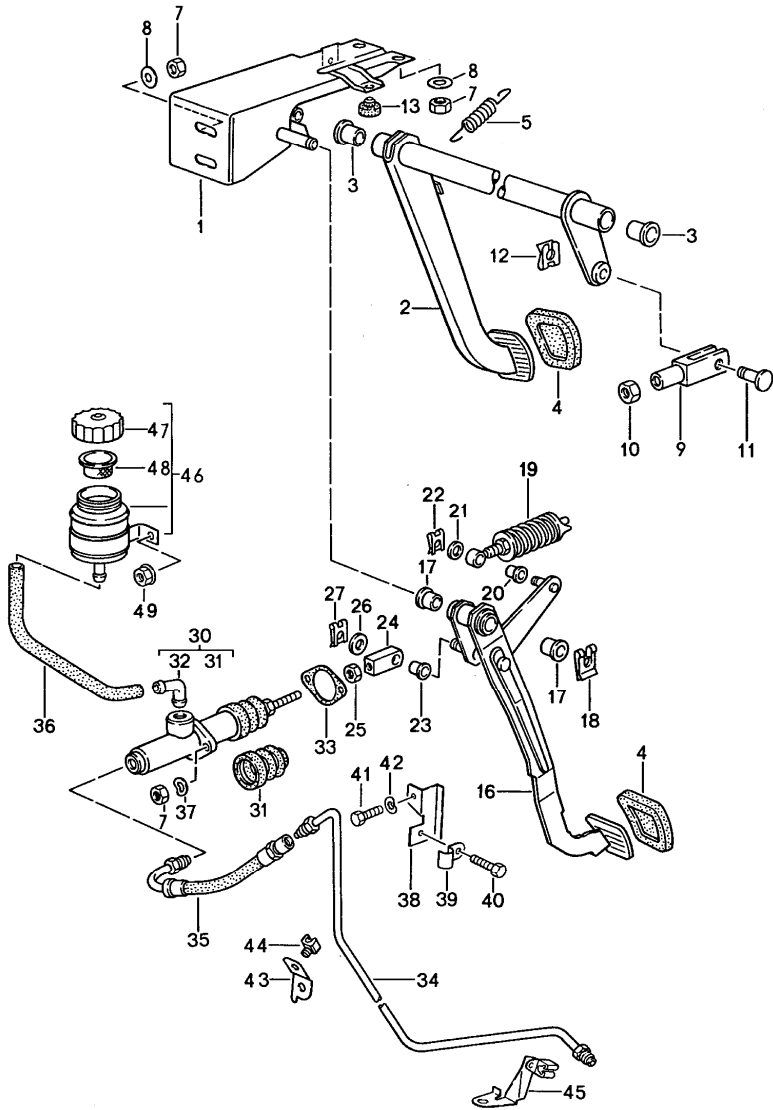


Pos	Part Number	Description	Remark	Qty	Model
		brake clutch pedals left-hand drive			
		see technical information GR. 3, NR.2/93			
1	944 423 051 03	brake pedal		1	
(1)	944 423 051 05	brake pedal		1	TIPTRONIC
2	321 721 173	pedal cap		2	
(2)	827 723 173	pedal cap		1	TIPTRONIC
3	999 924 003 40	bush 12 X 13,6		2	
4	944 423 085 00	bolt		1	
(4)	944 423 061 06	bolt		1	TIPTRONIC
5	321 721 191	return spring		1	
6	311 955 255	washer		2	
7	999 166 077 02	safety clip		1	
8	999 088 010 02	bolt 10 X 28 X 23,5		1	
9	999 021 001 07	connector		1	
10	999 166 061 30	clevis		1	
11	N 011 010 6	hexagon nut M 10		1	
12	999 703 183 40	buffer		1	TIPTRONIC
15	944 423 038 02	clutch pedal		1	
16	477 721 353 A	clutch power spring		1	
17	999 088 019 02	bolt		1	
18	999 924 001 40	bush		1	
19	999 166 075 02	safety clip		1	
21	944 423 387 00	bolt		1	
22	999 924 002 40	plain bearing		1	
23	900 025 008 09	washer A 10,5		1	

Model	Year	MG	SG	Illustration	Restrictions	UPD	10:06	24.01.2010	PORSCHE	PET	PORSCHE
968	1995	7	02	702-00		248					

Pos	Part Number	Description	Remark	Qty	Model	Pos	Part Number	Description	Remark	Qty	Model
24	999 166 076 02	safety clip		1							
25	999 924 039 00	bush		2							
28	928 423 517 00	clevis		1							
29	900 076 025 02	hexagon nut M 8		3							
30	944 423 149 00	clutch master cylinder		1							
31	928 423 908 00	bellows		1							
32	477 721 177	angled pipe		1							
33	928 423 191 00	gasket		1							
34	N 012 229 3	spring washer A 8		2							
-	999 181 021 50	hose 12,5 X 7,5		*							
36	-	270 MM		1							
40	944 423 177 01	clutch hose		1							
41	944 423 091 23	clutch pipeline		1							
42	N 020 680 1	clamp		1							
43	N 011 005 14	hexagon nut M 5		1							

Model	Year	MG	SG	Illustration	Restrictions	UPD	13:46	01.02.2010	PORSCHE	PET	PORSCHE
968	1995	7	02	702-05		248					

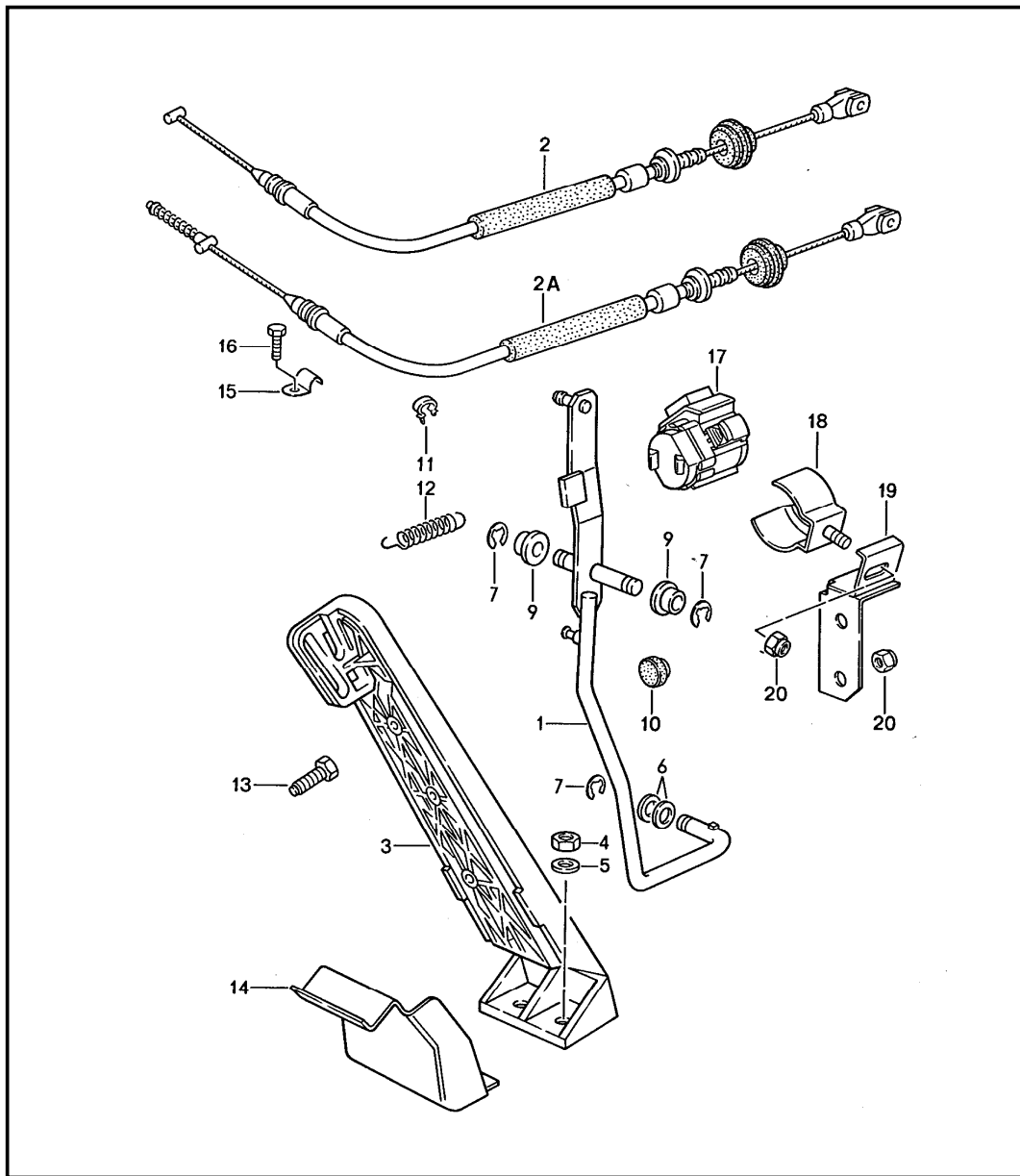


Pos	Part Number	Description	Remark	Qty	Model
		brake clutch pedals right-hand drive			
		see technical information GR. 3, NR. 2/93			
1	945 423 021 11	bracket		1	
2	945 423 051 01	brake pedal		1	
(2)	945 423 051 03	brake pedal		1	TIPTRONIC
3	478 721 153	bearing sleeve		2	
4	321 721 173	pedal cap		2	
(4)	827 723 173	pedal cap		1	TIPTRONIC
5	321 721 191	return spring		1	
7	900 076 025 02	hexagon nut M 8		5	
8	N 011 670 1	washer B 8,4		3	
9	999 166 061 30	clevis		1	
10	N 011 010 6	hexagon nut M 10		1	
11	999 088 010 02	bolt		1	
12	999 021 001 07	connector		1	
13	999 703 183 40	buffer		1	
16	945 423 037 01	clutch pedal		1	
17	443 721 153 A	bearing sleeve		2	
18	N 012 653 1	lock		1	
19	477 721 353 A	clutch power spring		1	
20	999 924 001 40	bush		1	
21	900 025 007 02	washer A 8,4		1	
22	999 166 075 02	safety clip		1	
23	999 924 002 40	plain bearing		1	
24	478 721 179	intermediate piece		1	

Model	Year	MG	SG	Illustration	Restrictions	UPD	13:46	01.02.2010	PORSCHE	PET	PORSCHE
968	1995	7	02	702-05		248					

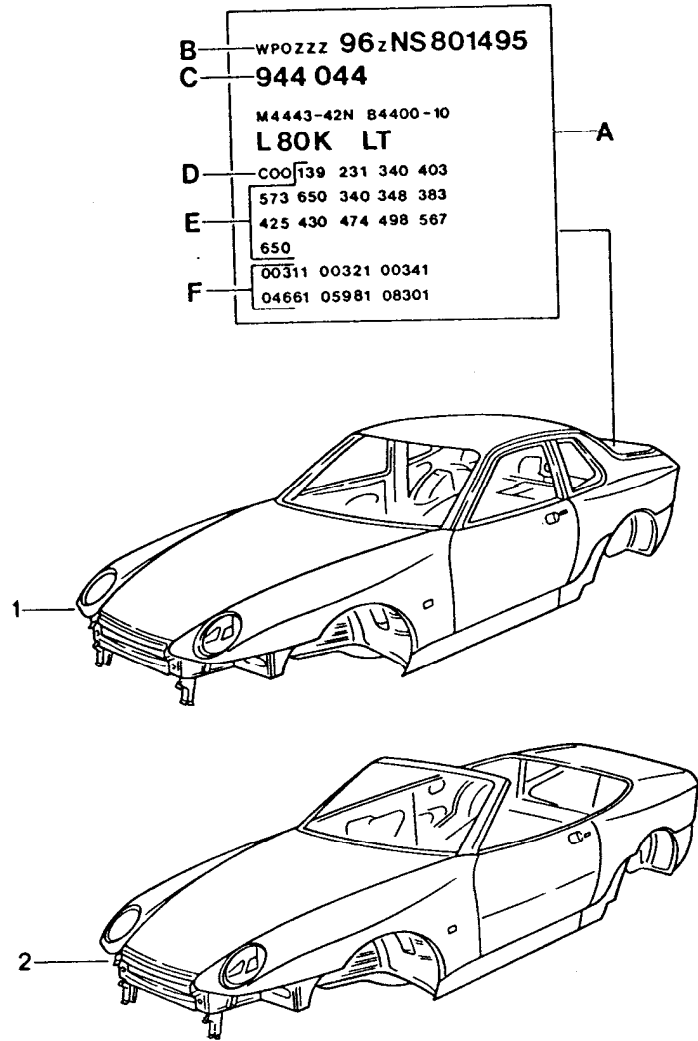
Pos	Part Number	Description	Remark	Qty	Model	Pos	Part Number	Description	Remark	Qty	Model
25	N 011 118 14	hexagon nut M 8		1							
26	900 025 008 09	washer A 10,5		1							
27	999 166 076 02	safety clip		1							
30	945 423 149 00	clutch master cylinder		1							
31	928 423 908 00	bellows		1							
32	477 721 177	angled pipe		1							
33	928 423 191 00	gasket		1							
34	945 423 091 21	clutch tube		1							
35	945 423 089 12	clutch hose		1							
36	478 721 219	connecting hose it is necessary to rework		1							
37	N 012 229 3	spring washer A 8		2							
38	945 423 093 21	support		1							
39	N 020 680 1	clamp		1							
40	N 010 205 6	hexagon-head bolt M 5 X 10		1							
41	N 010 210 13	hexagon-head bolt M 6 X 10		1							
42	N 012 226 5	spring washer B 6		1							
43	945 423 193 01	support		1							
44	999 591 578 40	clip		X							
45	945 423 095 01	support		1							
46	944 423 210 00	expansion tank		1							
47	477 611 361	lid		1							
48	211 611 381 B	strainer		1							
49	N 015 082 2	hexagon nut M 6		2							

Model	Year	MG	SG	Illustration	Restrictions	UPD	10:07	24.01.2010	PORSCHE	PET	PORSCHE
968	1995	7	02	702-10		248					



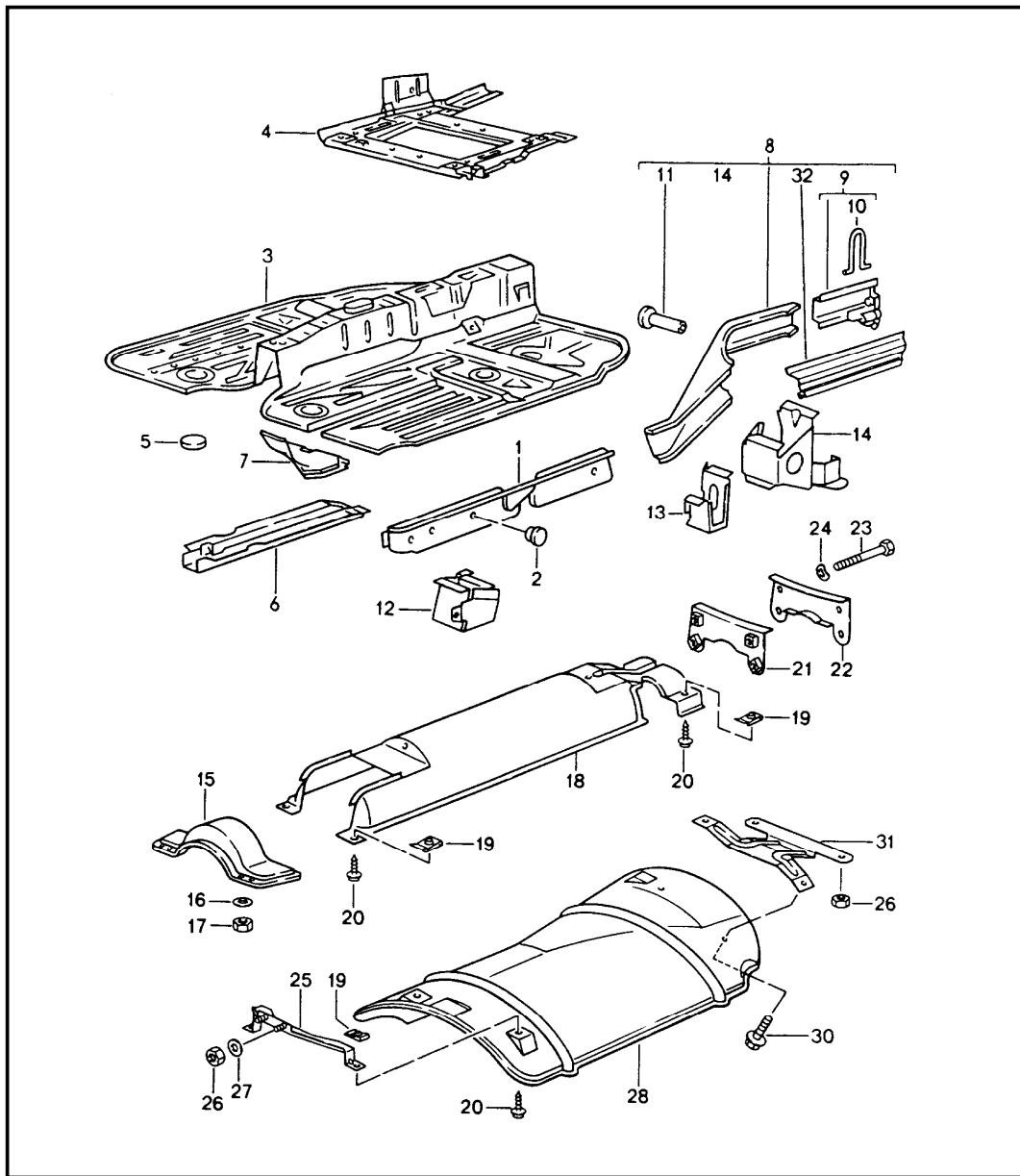
Pos	Part Number	Description	Remark	Qty	Model
1	944 423 031 02	accelerator control	/LL	1	
(1)	945 423 031 02	accelerator control	/RL	1	
2	944 423 023 22	accelerator cable	/LL	1	
(2)	945 423 023 21	accelerator cable	/RL	1	
2A	944 423 071 22	accelerator cable	/LL	1	TIPTRONIC
(2A)	945 423 071 21	accelerator cable	/RL	1	TIPTRONIC
3	944 423 111 01	accelerator pedal		1	
4	900 076 010 02	hexagon nut M 6		2	
5	803 817 121	washer		2	
6	900 025 038 40	washer		2	
7	999 166 060 02	lock washer		3	
9	477 721 543	bearing sleeve		2	
10	999 703 183 40	buffer		1	
11	477 971 851	cable clip	/RL	1	
12	944 423 833 00	spring		1	
13	999 217 120 02	adjusting screw		1	
14	944 423 411 01	stop airbag		1	
15	999 511 118 02	pipe clamp B 15		1	
15	999 511 118 01	pipe clamp B 15		1	
16	999 072 005 09	hexagon-head bolt M 6 X 12		1	
17	964 613 211 00	kickdown switch		1	TIPTRONIC
18	944 423 243 00	support		1	TIPTRONIC
19	944 423 139 00	support	/LL	1	TIPTRONIC
20	900 380 003 02	hexagon nut M 6		3	TIPTRONIC

Model	Year	MG	SG	Illustration	Restrictions	UPD	10:07	24.01.2010	PORSCHE	PET	PORSCHE
968	1995	8	01	801-00		248					



Pos	Part Number	Description	Remark	Qty	Model
		body in white prime coated sealed sprayed with filler with underbody protection			
		bodyshells can only only available from current model year available			
		the data required for your order can be found on the vehicle data carrier please indicate this data in your order			
A	-	vehicle data carrier			
B	-	vehicle identification no.			
C	-	order type			
D	-	country equipment			
E	-	optional extras			
F	-	additional applications			
1	968 500 901 00	body in white		1	COUPE
2	968 500 901 10	body in white		1	CABRIO

Model	Year	MG	SG	Illustration	Restrictions	UPD	10:07	24.01.2010	PORSCHE	PET	PORSCHE
968	1995	8	01	801-05		248					

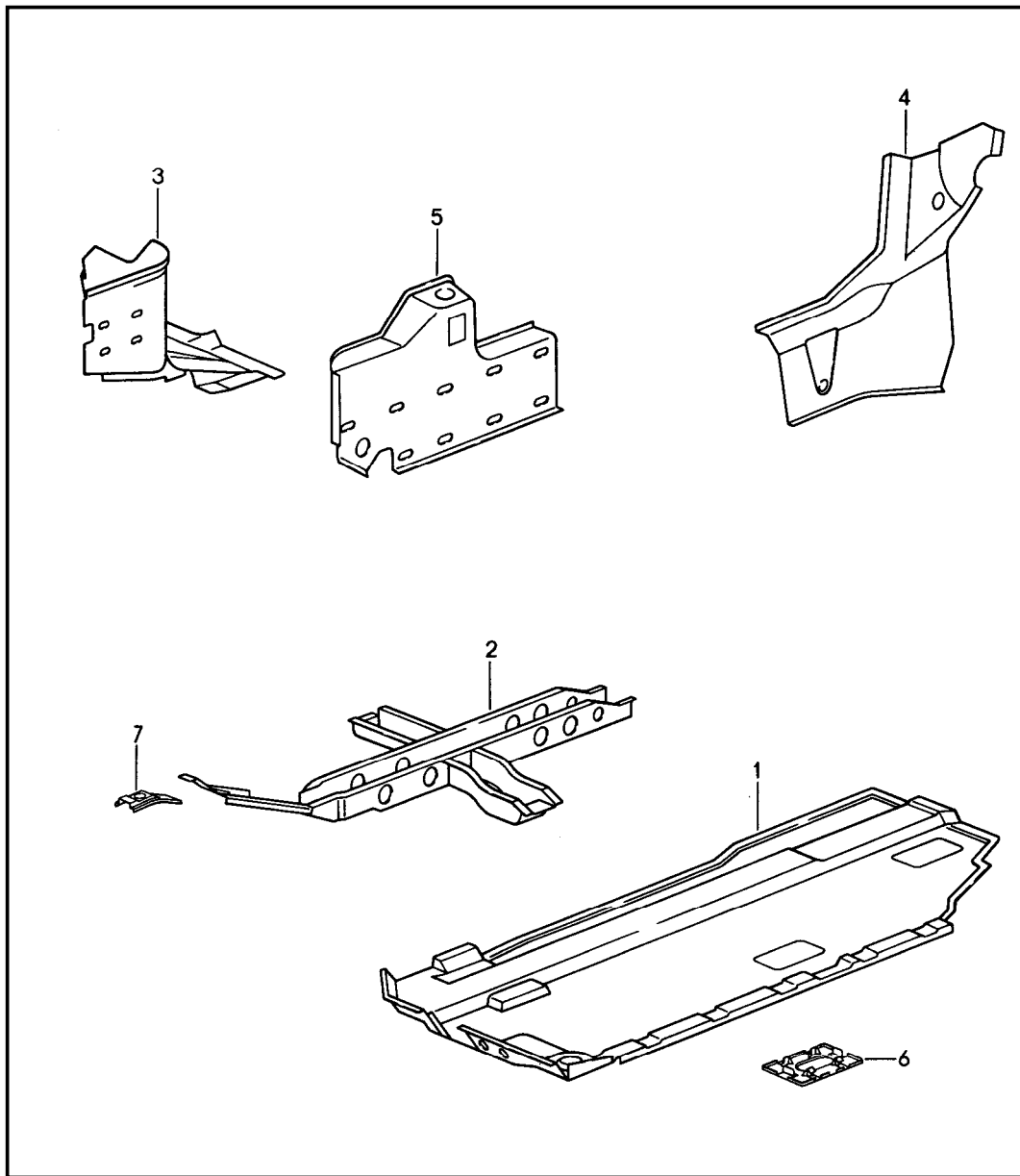


Pos	Part Number	Description	Remark	Qty	Model
1	944 501 119 01	side member heat shield		1	
		side member centre	/L	1	
(1)	944 501 120 01	side member centre	/R	1	
-	944 501 221 00	support	/LL	1	
		GRV prime coated for parking-brake lever			
-	945 501 221 00	support	/RL	1	
		GRV prime coated for parking-brake lever			
2	999 703 119 40	stopper		2	
(2)	803 803 583	drain bush		2	
(2)	803 803 583 A	cap		10	
3	944 501 501 00	floor section centre		1	
4	944 501 027 02	seat support	/L	1	
(4)	944 501 028 02	seat support	/R	1	
5	411 803 595	lid 136 MM \$		2	
6	477 803 283	side member		2	
7	951 501 181 00	gusset plate	/L	1	
(7)	951 501 182 00	gusset plate	/R	1	
8	944 501 173 01	side member	/L	1	
(8)	944 501 174 00	side member	/R	1	
9	951 502 065 01	side member rear	/L	1	
(9)	951 502 066 00	side member rear	/R	1	
10	477 803 129	retaining bow		2	
11	477 803 145	bush		2	

Model	Year	MG	SG	Illustration	Restrictions	UPD	10:07	24.01.2010	PORSCHE	PET	PORSCHE
968	1995	8	01	801-05		248					

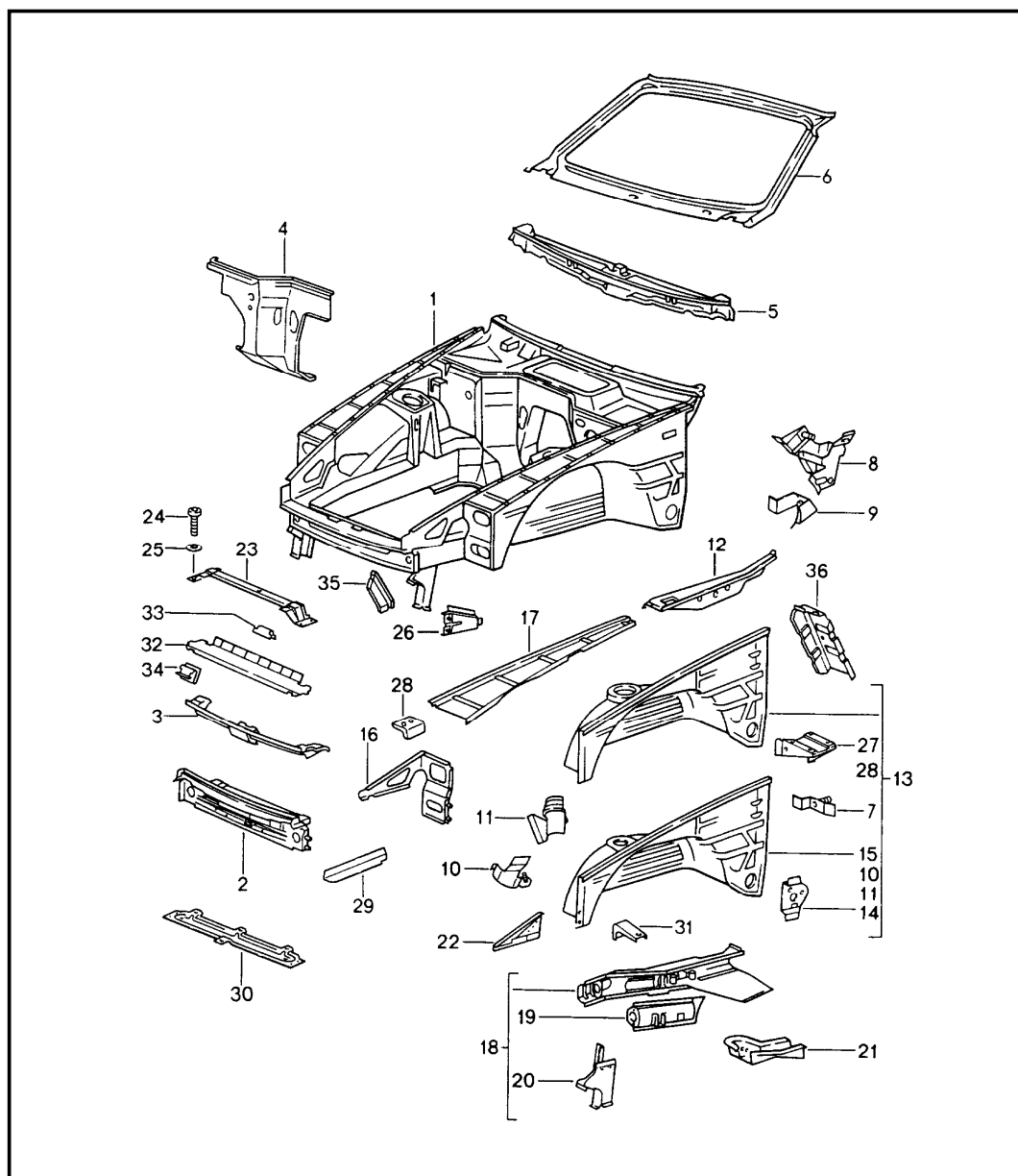
Pos	Part Number	Description	Remark	Qty	Model	Pos	Part Number	Description	Remark	Qty	Model
12	944 501 581 00	jacking point	/L/V	1	COUPE	28	944 504 137 00	heat shield		1	
(12)	941 501 581 10	jacking point	/L/V	1	CABRIO	(28)	944 504 137 01	heat shield		1	M249
(12)	944 501 582 00	jacking point	/R/V	1	COUPE	30	900 075 374 02	combination screw M6X14		4	
(12)	941 501 582 10	jacking point	/R/V	1	CABRIO						
13	944 501 593 00	jacking point	/L/H	1		31	951 504 437 00	support		1	
(13)	944 501 594 00	jacking point	/R/H	1		32	944 501 235 01	reinforcement		2	
14	944 501 583 00	mounting rear axle	/L	1			GRV	prime coated			
(14)	944 501 584 00	mounting rear axle	/R	1							
15	477 803 253	transverse strut		1	COUPE						
(15)	941 501 255 10	transverse strut		1	CABRIO						
16	999 025 078 02	washer A8,4		4	COUPE						
(16)	900 151 008 02	washer B8,4		4	CABRIO						
17	900 076 025 02	hexagon nut M8		4							
18	944 504 869 00	heat shield catalytic converter		1							
19	999 591 485 02	speed nut B4,8		2							
20	N 090 239 1	combination screw B4,8X13		2							
21	944 504 091 01	transverse strut	/V	1							
22	944 504 491 03	transverse strut	/H	1							
23	900 074 044 02	hexagon-head bolt M8X70		4							
24	N 012 229 3	spring washer A8		4							
25	944 504 435 00	support		1							
26	900 076 010 02	hexagon nut M6		3							
27	N 011 524 7	washer A6,4		2							

Model	Year	MG	SG	Illustration	Restrictions	UPD	10:07	24.01.2010	PORSCHE	PET	PORSCHE
968	1995	8	01	801-07		248					



Pos	Part Number	Description	Remark	Qty	Model
		floor section reinforcement			CABRIO
1	941 501 961 10	floorpan	/L	1	
(1)	941 501 962 10	floorpan	/R	1	
2	941 502 909 10	reinforcement	/L	1	
(2)	941 502 910 10	reinforcement	/R	1	
(3)	941 501 107 10	reinforcement wheel housing	/V/L	1	
3	941 501 108 10	reinforcement wheel housing	/V/R	1	
(4)	941 502 253 10	reinforcement	/H/L	1	
4	941 502 254 10	reinforcement	/H/R	1	
(5)	941 502 345 10	reinforcement	/V/L	1	
5	941 502 346 10	reinforcement	/V/R	1	
6	941 501 595 10	cover		6	
7	941 501 457 10	reinforcement	/V/L	1	
(7)	941 501 458 10	reinforcement	/V/R	1	
-	941 501 459 10	reinforcing support	/L	1	
	GRV	prime coated for floorpan			
-	941 501 460 10	reinforcing support	/R	1	
	GRV	prime coated for floorpan			

Model	Year	MG	SG	Illustration	Restrictions	UPD	10:08	24.01.2010	PORSCHE	PET	PORSCHE
968	1995	8	01	801-10		248					

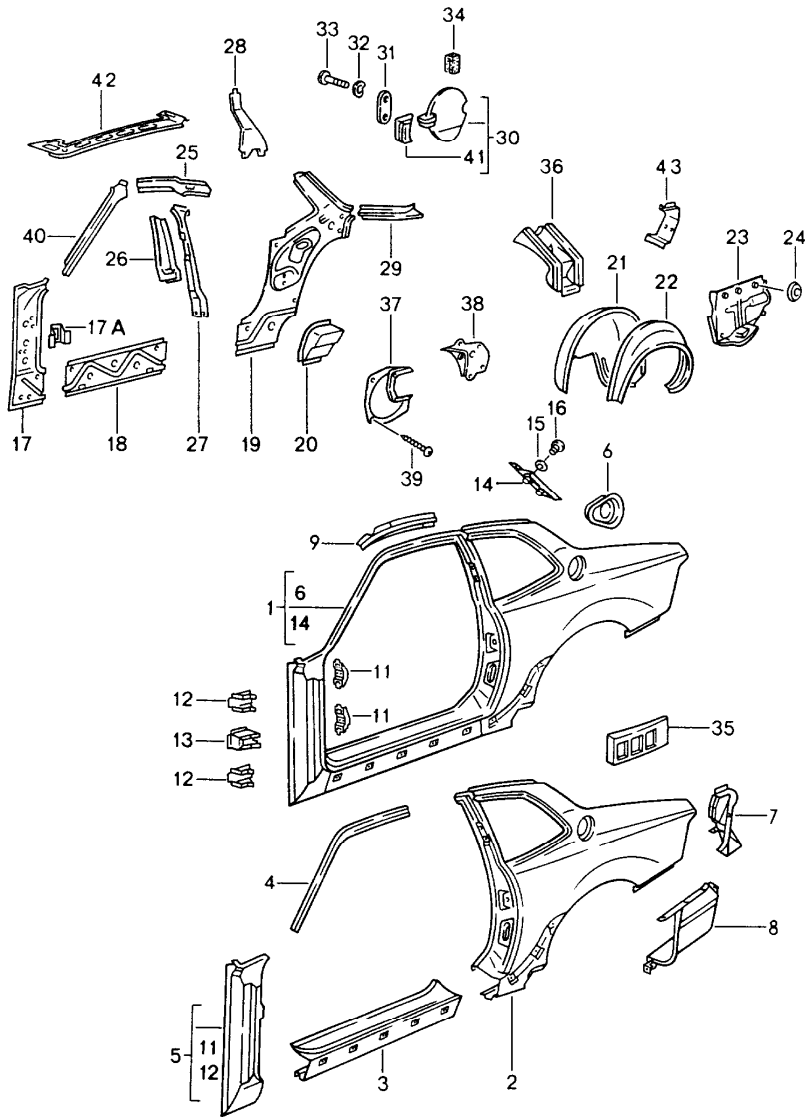


Pos	Part Number	Description	Remark	Qty	Model
1	944 501 011 32	body front section		1	
	GRV	prime coated	/LL		
(1)	945 501 011 26	body front section	/RL	1	
	GRV	prime coated			
2	944 502 051 05	cross member with end plate		1	
3	944 503 395 00	lock carrier		1	
4	951 502 201 00	firewall	/L	1	
(4)	944 502 202 03	firewall	/R	1	
5	944 502 079 03	cross member		1	
6	944 502 911 02	windscreen frame		1	
7	945 501 183 00	bracket	/RL	1	
8	945 501 346 01	bearing bracket	/RL	1	
9	945 501 551 00	stop	/RL	1	
10	944 501 094 01	support ignition coil		1	
11	944 501 292 00	support expansion tank		1	
12	944 502 119 04	side member upper	/L	1	
(12)	944 502 120 04	side member upper	/LL/R	1	
(12)	945 502 120 04	side member upper	/RL/R	1	
13	944 501 901 05	wheel housing order also: POS.7	/L /RL	1	
(13)	944 501 902 05	wheel housing order also: POS.8,9	/R /RL	1	
14	944 502 071 00	mounting		1	
15	944 501 101 04	wheel housing	/L	1	

Model	Year	MG	SG	Illustration	Restrictions	UPD	10:08	24.01.2010	PORSCHE	PET	PORSCHE
968	1995	8	01	801-10		248					

Pos	Part Number	Description	Remark	Qty	Model	Pos	Part Number	Description	Remark	Qty	Model
(15)	944 501 102 04	wheel housing	/R	1			GRV	prime coated			
16	A 944 501 345 00	wheel housing front part	/L	1		28	944 501 731 00	support		2	
16	944 501 345 01	wheel housing front part	/L	1			GRV	prime coated			
		GRV				29	944 501 873 00	reinforcement	/L	1	
(16)	A 944 501 346 00	wheel housing front part	/R	1		(29)	944 501 874 00	reinforcement	/R	1	
(16)	944 501 346 01	wheel housing front part	/R	1			GRV	prime coated			
		GRV				30	951 501 251 00	bracket		1	
17	944 501 531 00	wheel housing upper part	/L	1		31	944 503 523 01	support	/L	1	
(17)	944 501 212 00	wheel housing upper part	/R	1		(31)	944 503 524 01	support	/R	1	
18	944 501 017 02	side member	/L	1			GRV	prime coated			
(18)	944 501 018 02	side member	/R	1		32	951 504 321 01	air duct		1	
19	944 501 081 03	filler plate	/L	1		33	999 591 342 02	clamp		5	
(19)	944 501 082 03	filler plate	/R	1		34	477 819 212	clamp		4	
20	944 501 045 00	separator	/L	1		35	941 501 755 10	support	/L	1	CABRIO
(20)	944 501 046 00	separator	/R	1			GRV	prime coated			
21	951 501 165 00	closing element	/L	1		(35)	941 501 756 10	support	/R	1	CABRIO
(21)	951 501 166 00	closing element	/R	1			GRV	prime coated			
22	944 501 461 00	supporting plate	/L	1		36	944 501 719 00	foot support	/LL	1	
(22)	944 501 862 00	supporting plate	/R	1			GRV	prime coated			
23	944 504 175 00	cross member		1		-	944 504 112 01	water protection hydraulic unit		1	M593
24	N 014 701 7	pan-head screw M 6 X 12		4							
25	N 011 524 7	washer A 6,4		4							
26	944 501 493 00	mounting	/L	1							
(26)	944 501 494 00	mounting	/R	1							
27	944 501 096 00	bracket		1							

Model	Year	MG	SG	Illustration	Restrictions	UPD	10:08	24.01.2010	PORSCHE	PET	PORSCHE
968	1995	8	01	801-15		248					



Pos	Part Number	Description	Remark	Qty	Model
		side section			COUPE
1	944 503 061 10	side section	/L	1	
(1)	944 503 062 10	side section	/R	1	
2	944 503 903 04	side section outer	/L	1	
(2)	944 503 904 04	side section outer	/R	1	
3	944 503 611 01	door sill	/L	1	
(3)	944 503 612 01	door sill	/R	1	
4	944 503 517 00	roof frame	/L	1	
(4)	944 503 518 00	roof frame	/R	1	
5	944 503 605 01	hinge pillar	/L	1	
(5)	944 503 606 01	hinge pillar	/R	1	
6	944 503 068 00	pot tank filler neck		1	
7	951 502 215 00	terminal piece outer	/L	1	
(7)	951 502 216 00	terminal piece outer	/R	1	
8	944 503 417 00	side section lower	/L	1	
(8) A	944 503 418 00	side section lower	/R	1	
(8)	944 503 418 00	side section lower	/R	1	
9	477 809 585	filler plate	/L	1	
(9)	477 809 586	filler plate	/R	1	
11	477 809 653	mounting plate		4	
12	477 809 655	hinge reinforcement		4	
13	477 809 625	reinforcement		2	
14	944 503 097 00	reinforcement	/L	1	
(14)	944 503 098 00	reinforcement	/R	1	
15	928 504 355 02	gasket		4	

Model	Year	MG	SG	Illustration	Restrictions	UPD	10:08	24.01.2010	PORSCHE	PET	PORSCHE
968	1995	8	01	801-15		248					

Pos	Part Number	Description	Remark	Qty	Model	Pos	Part Number	Description	Remark	Qty	Model
16	999 015 005 07	half-round screw		4		26	477 809 397	centre pillar	/L	1	
17	477 809 393 A	hinge pillar use also: POS.17A	/L	1		(26)	477 809 398	centre pillar	/R	1	
(17)	477 809 394 A	hinge pillar use also: POS.17A	/LL	1		27	944 502 049 00	reinforcement	/L	1	
17A	944 502 373 00	mounting switch rear lid release	/R	1		(27)	944 502 050 00	reinforcement	/R	1	
18	477 809 433	separator	/RL	1		29	944 502 439 00	reinforcement	/L	1	
19	944 502 901 04	side section order also: POS.37 POS.39 M490: POS.38 POS.39		1		(29)	944 502 440 01	reinforcement	/R	1	
(19)	944 502 902 04	side section order also: POS.(37) POS.39 M490: POS.(38) POS.39	/L	2		30	944 504 095 00	flap flap see group 8/02/25		1	COUPE
20	944 502 387 00	corner plate		1		31	944 504 403 00	desk pad		X	CABRIO
(20)	944 502 388 00	corner plate	/L	1		32	N 012 222 4	spring washer A 5		2	
21	944 501 043 00	wheel housing	/R	1		33	900 146 106 07	oval-head screw M 5 X 12		2	
(21)	944 501 044 01	wheel housing		1		34	944 504 397 00	stop		1	
22	944 502 401 00	wheel housing	/R	1		(35)	944 555 276 00	filler piece	/R	1	
(22)	944 502 402 00	wheel housing		1		36	951 201 049 01	cover lower part filler neck		1	
23	944 502 425 01	filler plate	/L	1		37	944 504 621 00	adapter for loudspeaker	/L	92	1
(23)	944 502 426 02	filler plate	/R	1		(37)	944 504 622 00	adapter for loudspeaker	/R	92	1
24	803 803 583	drain bush		X		38	944 504 611 01	adapter for loudspeaker	/L	92	1
(24)	021 119 569	rubber sleeve		X	M650	38	944 504 611 01	adapter for loudspeaker	/L	94-	1
25	944 502 059 00	side section upper	/R	1		(38)	944 504 612 01	adapter for loudspeaker	/R	92	1
(25)	944 502 060 00	side section upper		1							M490

Model	Year	MG	SG	Illustration	Restrictions	UPD	10:08	24.01.2010	PORSCHE	PET	PORSCHE
968	1995	8	01	801-15		248					

Pos	Part Number	Description	Remark	Qty	Model	Pos	Part Number	Description	Remark	Qty	Model
(38)	944 504 612 01	adapter for loudspeaker	/R	93	1						
(38)	944 504 612 01	adapter for loudspeaker	/R	94-	1						
39	N 090 114 1	tapping screw B 3,9 X 9,5			8						
40	944 502 041 00	side section inner	/L		1						
(40)	944 502 042 00	side section inner	/R		1						
41	944 504 391 00	hinge			1						
42	944 502 581 00	reinforcement	/L		1	M650					
(42)	944 502 582 00	reinforcement	/R		1	M650					
43	945 502 261 00	mounting three-point seat belt	/L		1						
(43)	945 502 262 00	mounting three-point seat belt	/R		1						

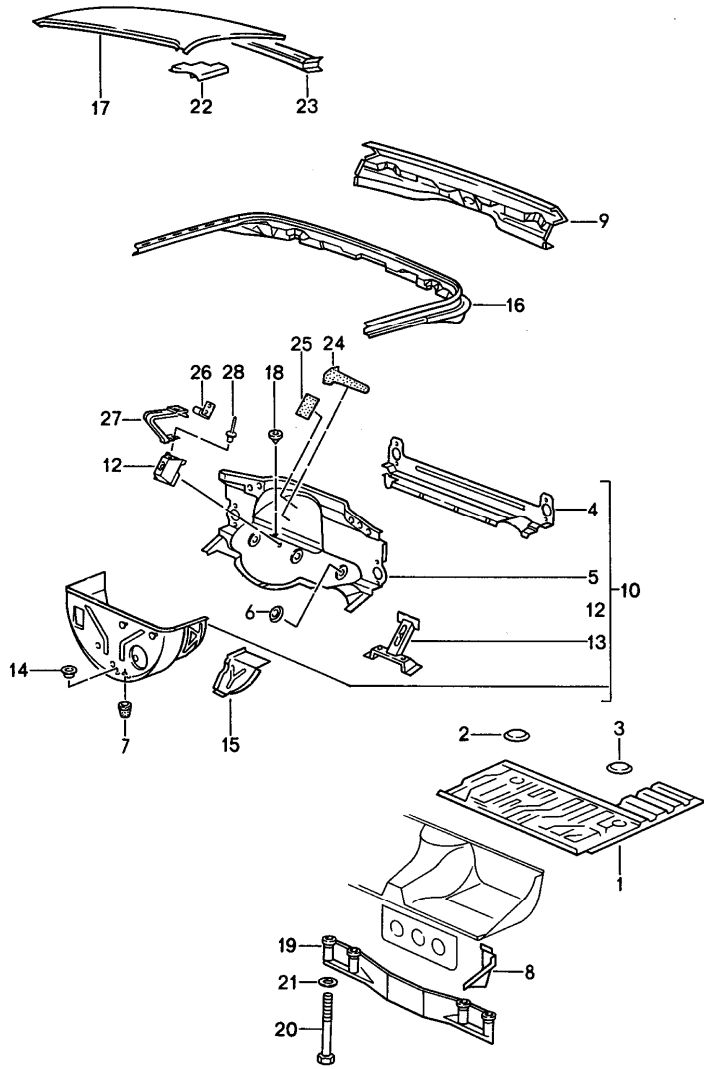
Model	Year	MG	SG	Illustration	Restrictions	UPD	10:08	24.01.2010	PORSCHE	PET	PORSCHE
968	1995	8	01	801-17		248					

Pos	Part Number	Description	Remark	Qty	Model
		side section windscreen frame terminal piece			CABRIO
1	941 201 341 10	reinforcement side section	/L	1	
(1)	941 201 342 10	reinforcement side section	/R	1	
2	941 502 325 10	reinforcement windscreen frame	/L	1	
(2)	941 502 326 10	reinforcement windscreen frame	/R	1	
3	941 201 347 10	reinforcement tank filler neck lower part	/R	1	
4	941 503 311 11	door sill	/L	1	
(4)	941 503 312 11	door sill	/R	1	
5	941 502 433 10	separator	/L	1	
(5)	941 502 434 10	separator	/R	1	
6	941 502 395 10	hinge pillar	/L	1	
(6)	941 502 396 10	hinge pillar	/R	1	
7	941 503 901 12	side section	/L	1	
(7)	941 503 902 12	side section	/R	1	
8	941 501 901 10	side section	/L	1	
(8)	941 501 902 10	side section	/R	1	
9	941 502 907 10	convertible top support	/L	1	
(9)	941 502 908 10	convertible top support	/R	1	
10	941 502 901 10	cross member		1	
11	941 502 913 11	end plate		1	
12	941 502 903 11	terminal piece		1	
13	941 502 905 10	windscreen frame		1	
14	941 502 443 10	support	/V	1	
15	941 502 441 10	support	/H	1	
16	941 504 701 10	buffer		2	

Model	Year	MG	SG	Illustration	Restrictions	UPD	10:08	24.01.2010	PORSCHE	PET	PORSCHE
968	1995	8	01	801-17		248					

Pos	Part Number	Description	Remark	Qty	Model	Pos	Part Number	Description	Remark	Qty	Model
17	A 941 504 105 11	vibration damper		1							
17	941 504 105 11	vibration damper		1							
18	941 504 813 10	nut M10		2							
19	941 503 331 10	reinforcement	/L	1							
	GRV	prime coated									
(19)	941 503 332 10	reinforcement	/R	1							
	GRV	prime coated									

Model	Year	MG	SG	Illustration	Restrictions	UPD	10:08	24.01.2010	PORSCHE	PET	PORSCHE
968	1995	8	01	801-20		248					

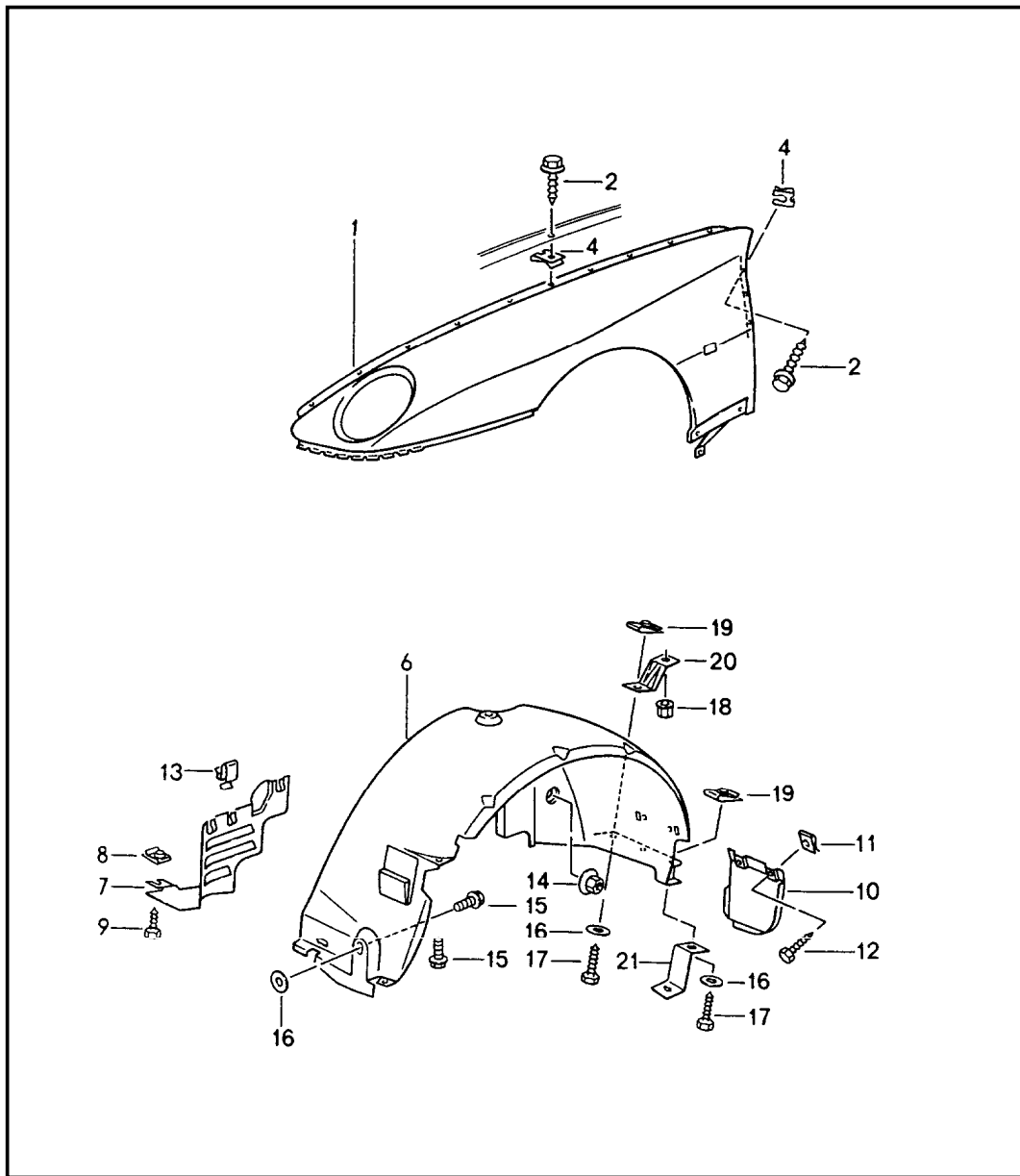


Pos	Part Number	Description	Remark	Qty	Model
		transmission carrier boot floor plate roof			
1	944 501 075 01	boot floor plate		1	
2	944 504 207 00	lid tank gauge		1	
3	411 803 595	lid 136 MM \$		1	
4	951 502 063 00	cross member		1	
5	951 502 801 00	end plate		1	
6	803 803 583	drain bush		3	
7	111 701 309	rubber sleeve		1	
8	477 813 145 B	corner panel	/L	1	
(8)	477 813 146 B	corner panel	/R	1	
9	951 503 037 00	terminal piece upper		1	
10	951 502 081 00	terminal piece lower		1	
12	944 502 605 00	support		1	
13	951 502 091 01	support rear muffer		1	
14	803 803 583 A	lid		2	
15	477 813 309	corner panel	/L	1	
(15)	944 502 210 00	corner panel	/R	1	
16	951 502 035 00	reinforcement	/H	1	
17	944 503 912 02	roof		1	
(17)	944 503 912 03	roof		1	M650
18	N 020 024 1	stopper		2	
19	477 813 285	transverse strut seat well		1	
20	900 074 181 02	screw M 10 X 95		4	
21	900 025 008 09	washer 10,5		4	

Model	Year	MG	SG	Illustration	Restrictions	UPD	10:08	24.01.2010	PORSCHE	PET	PORSCHE
968	1995	8	01	801-20		248					

Pos	Part Number	Description	Remark	Qty	Model	Pos	Part Number	Description	Remark	Qty	Model
22	477 817 033	reinforcement	/V/L	1							
(22)	477 817 034	reinforcement	/V/R	1							
23	477 817 171 A	roof frame		1							
24	944 721 701 00	rubber support		1							
25	944 721 703 00	rubber support		3							
26	928 502 845 02	retaining bracket		1							
27	944 722 021 00	restraining strap		1							
28	999 190 395 30	blind rivet A5X6		1							

Model	Year	MG	SG	Illustration	Restrictions	UPD	10:08	24.01.2010	PORSCHE	PET	PORSCHE
968	1995	8	01	801-25		248					

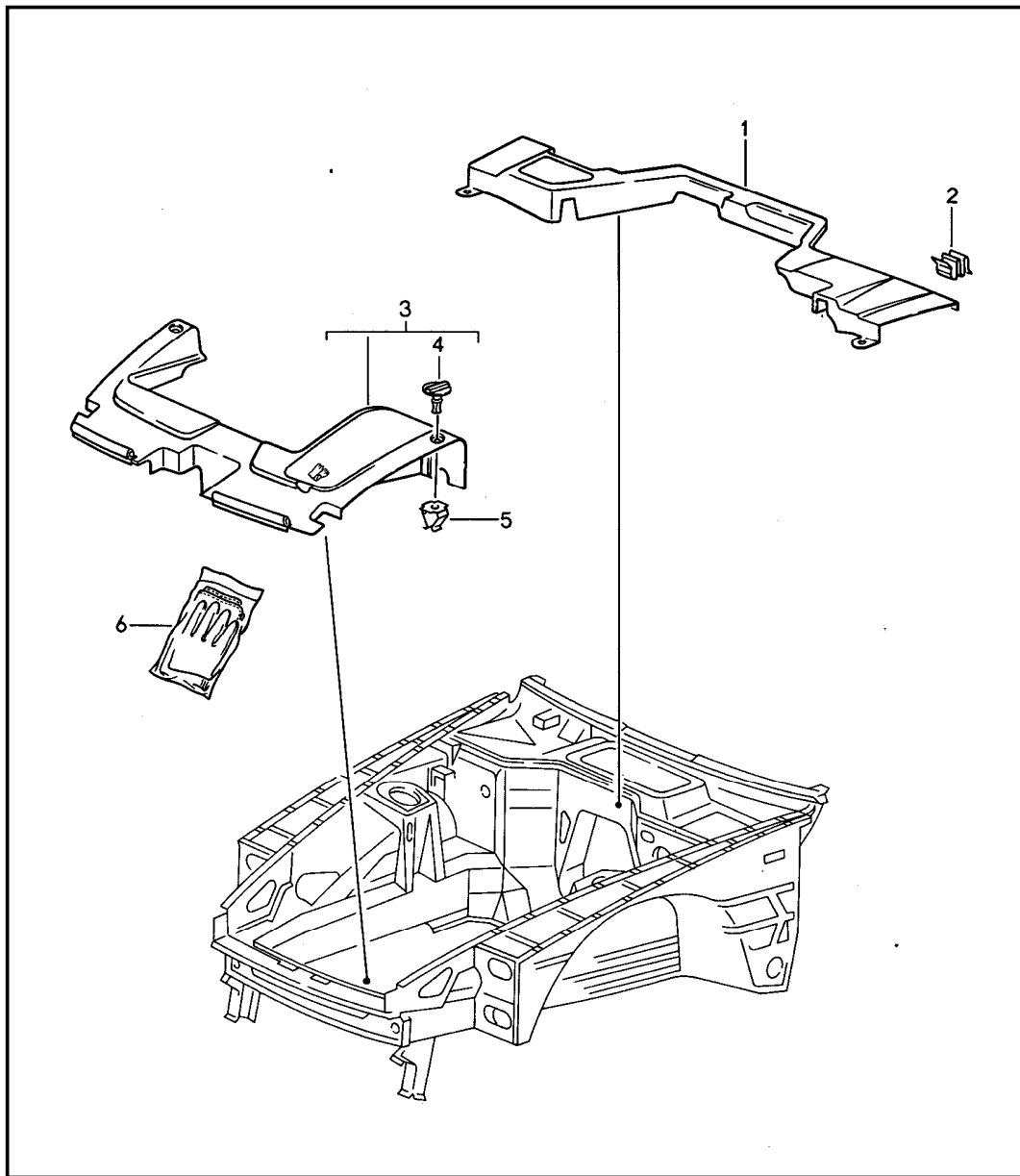


Pos	Part Number	Description	Remark	Qty	Model
		wing			
1	A 944 503 021 01	wing	/L	1	
(1)	A 944 503 022 01	wing	/R	1	
(1)	944 503 021 01	wing	/L	1	
(1)	944 503 022 01	wing	/R	1	
2	N 090 172 1	combination screw		22	
3	N 013 891 1	tapping screw 6,3 X 19		24	
4	999 507 003 02	speed nut B 6,3 X 17		24	
5	N 011 524 7	washer A 6,4		2	
6	944 504 381 10	wheel-housing liner	/L	1	
(6)	944 504 382 11	wheel-housing liner	/R	1	
7	944 504 385 01	extension wheel-housing liner	/L	1	
(7)	944 504 386 01	extension wheel-housing liner	/R	1	
8	999 591 699 02	speed nut 4,8		2	
8	999 591 699 01	speed nut 4,8		2	
9	900 187 138 00	combination tapping screw B 4,8 X 22		2	
10	944 504 567 00	lid	/L	1	
(10)	944 504 568 00	lid	/R	1	
11	999 591 485 02	speed nut B 4,8		4	
12	900 143 159 07	combination screw B 4,8 X 19		4	
13	999 507 420 02	clamp		2	
14	999 049 022 40	plastic nut T 5		8	
15	900 075 355 02	combination screw M 6 X 16		4	

Model	Year	MG	SG	Illustration	Restrictions	UPD	10:08	24.01.2010	PORSCHE	PET	PORSCHE
968	1995	8	01	801-25		248					

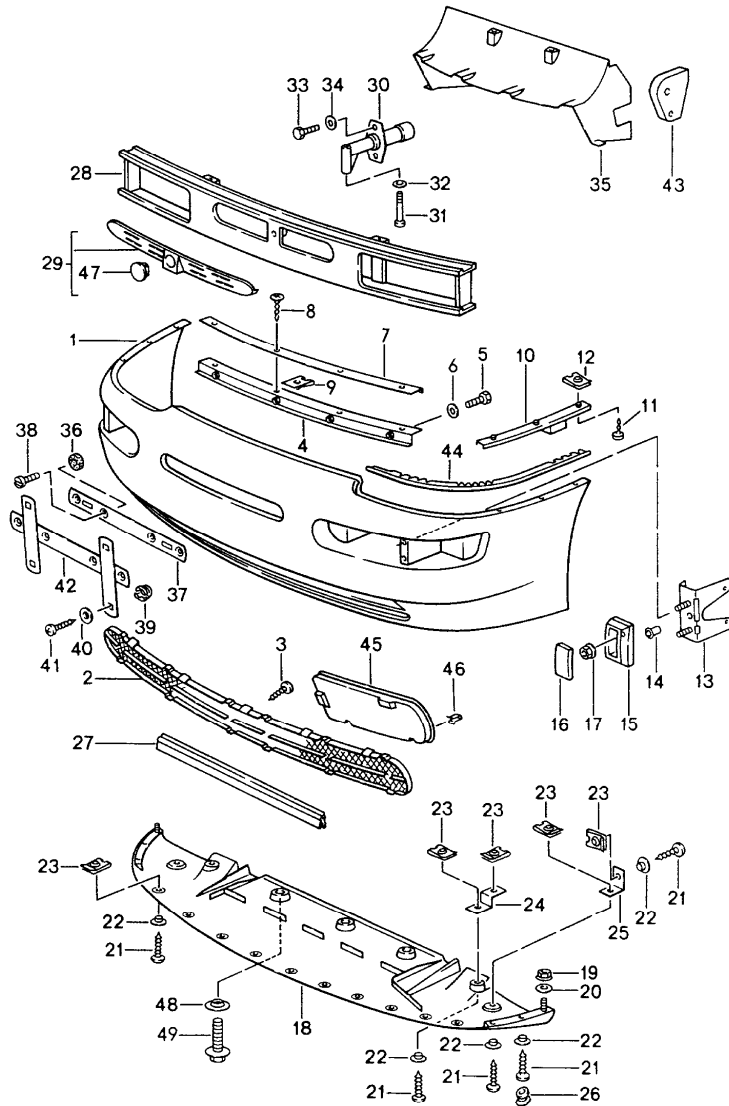
Pos	Part Number	Description	Remark	Qty	Model	Pos	Part Number	Description	Remark	Qty	Model
16	N 011 666 7	washer B 6,4		6							
17	N 013 891 1	tapping screw B 6,3		4							
18	999 049 008 40	plastic nut T 5		2	COUPE						
19	999 591 486 02	speed nut 6,3		4							
20	944 504 281 01	support		2	COUPE						
	GRV	prime coated									
21	944 504 893 00	support	/L	1	COUPE						
	GRV	prime coated									
(21)	944 504 894 00	support	/R	1	COUPE						
	GRV	prime coated									
(21)	944 504 893 01	support	/L	1	CABRIO						
	GRV	prime coated									
(21)	944 504 894 01	support	/R	1	CABRIO						
	GRV	prime coated									

Model	Year	MG	SG	Illustration	Restrictions	UPD	10:09	24.01.2010	PORSCHE	PET	PORSCHE
968	1995	8	01	801-30		248					



Pos	Part Number	Description	Remark	Qty	Model
		lining engine compartment	-93		
1	944 504 533 00	cover	/H	1	
	01C	satin black			
2	999 507 385 09	clamp		6	
3	944 504 143 00	cover	/V	1	
	01C	satin black			
4	999 590 033 40	locking bolt		2	
5	999 507 386 09	clamp		2	
6	944 722 910 00	set comprising:		X	
-	944 722 131 00	gloves		1	
-	944 722 233 00	cleaning rag		1	
-	944 722 231 00	bag		1	

Model	Year	MG	SG	Illustration	Restrictions	UPD	10:09	24.01.2010	PORSCHE	PET	PORSCHE
968	1995	8	02	802-00		248					

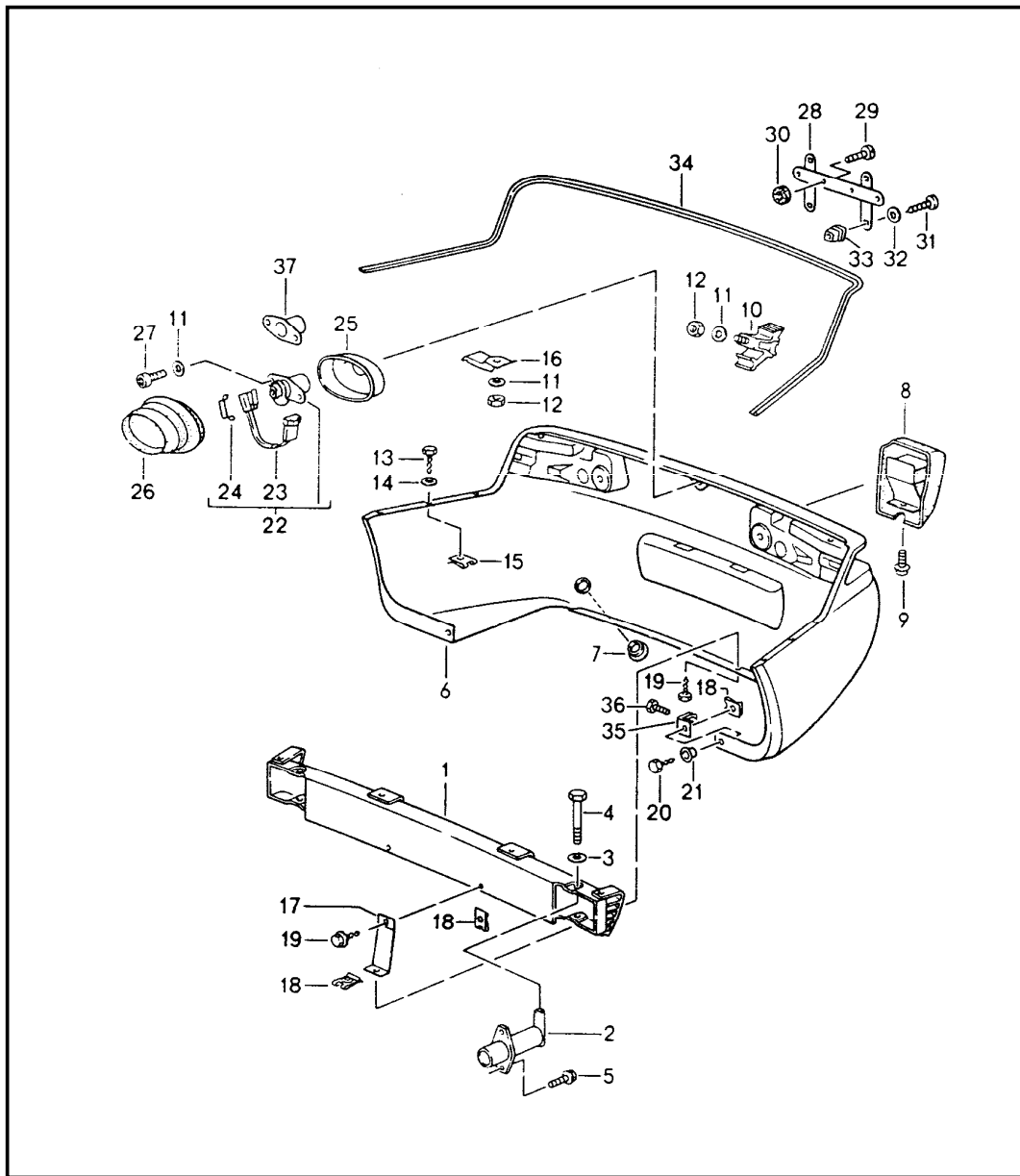


Pos	Part Number	Description	Remark	Qty	Model
1	A 944 505 113 00	front apron bumper		1	
		G2X prime coated			
1	944 505 113 02	lining		1	
		G2X prime coated			
(1)	A 944 505 113 01	lining		1	M288
		G2X prime coated			
(1)	944 505 113 03	lining		1	M288
		G2X prime coated			
2	944 505 121 00	ventilation grille		1	
3	999 919 020 08	oval-head screw M3X16		18	
4	944 505 145 00	retaining strip		1	
5	900 075 260 02	hexagon-head bolt M6X16		4	
6	N 011 666 7	washer B6,4		4	
7	944 505 143 00	rail		1	
8	900 145 092 07	tapping screw B4,8X22		4	
9	999 591 699 02	speed nut B4,8		7	
9	999 591 699 01	speed nut B4,8		7	
10	944 505 173 00	retaining strip	/L	1	
(10)	944 505 174 00	retaining strip	/R	1	
11	900 187 138 00	combination tapping screw B4,8X22		11	
12	999 591 485 02	speed nut B4,8		7	
		M 5			
18	944 505 075 00	lining		1	

Model	Year	MG	SG	Illustration	Restrictions	UPD	10:09	24.01.2010	PORSCHE	PET	PORSCHE
968	1995	8	02	802-00		248					

Pos	Part Number	Description	Remark	Qty	Model	Pos	Part Number	Description	Remark	Qty	Model
	01C	satin black				37	944 701 121 00	support		1	
19	900 910 007 02	lock nut M5		2		38	N 014 001 1	tapping screw B4,8X25		2	
20	900 151 027 02	washer B5,3		2		39	999 591 498 40	special nut		X	
21	900 143 085 07	tapping screw B4,2X16		19		40	N 011 522 8	washer A4,3		4	
22	951 505 157 00	spacer		15		41	900 143 134 00	tapping screw BZ4,2X9,5		4	
23	N 902 689 01	speed nut B4,2		19		43	951 575 137 01	grommet		1	M573
23	999 591 742 01	speed nut B4,2		19		44	944 505 531 00	pipng	/L	1	
24	944 505 359 00	support		2		(44)	944 505 532 00	pipng	/R	1	
25	951 505 355 00	bracket		2			01C	satin black			
26	944 505 347 00	stopper		2		45	944 505 561 00	cover		1	M480
	01C	satin black				46	999 591 773 03	clamp		3	M480
27	944 505 523 00	pipng		1		47	944 505 103 00	cap		1	
28	944 505 010 00	bumper		1			01C	satin black			
29	944 505 131 00	trim cover		1		48	944 503 257 00	spacer		3	
	01C	satin black				49	900 075 422 00	combination screw M6X20		3	
30	944 505 017 04	impact absorber		2	M058						
(30)	944 505 018 00	impact pipe		2							
31	900 067 084 02	pan-head screw M12X110		2							
32	900 025 009 02	washer A13		2							
33	900 075 339 08	hexagon-head bolt M8X30		4							
34	900 025 007 02	washer A8,4		4							
35	944 575 141 00	air duct		1							
(35)	944 575 141 01	air duct		1	M573						
36	928 701 133 02	spacer		2							

Model	Year	MG	SG	Illustration	Restrictions	UPD	10:09	24.01.2010	PORSCHE	PET	PORSCHE
968	1995	8	02	802-05		248					

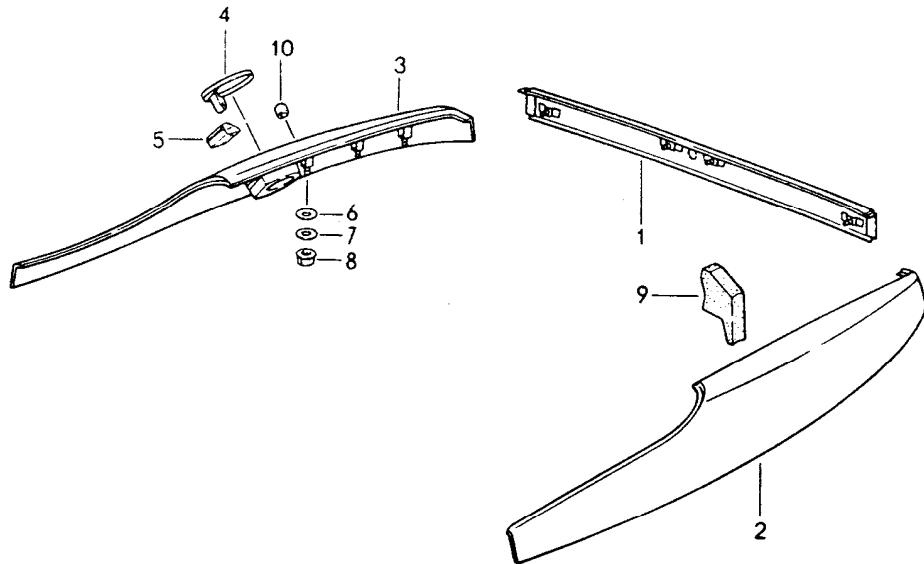


Pos	Part Number	Description	Remark	Qty	Model
		rear apron bumper			
1	951 505 021 00	bracket		1	
2	A 944 505 018 00	impact pipe		2	
2	944 505 018 00	impact pipe		2	
(2)	A 944 505 017 04	impact absorber		2	M058
(2)	944 505 017 04	impact absorber		2	M058
3	900 025 009 02	washer A13		2	
4	N 010 463 1	hexagon-head bolt M12X110		2	
5	900 075 358 02	hexagon-head bolt M8X20		4	
6	944 505 023 00	lining G2X prime coated		1	
7	951 505 103 00	cap G2X prime coated		1	
10	951 505 151 00	clamping piece		4	
11	900 025 003 02	washer A5,3		8	
12	900 910 007 02	lock nut VM5		4	
13	900 187 138 00	combination tapping screw B4,8X22		10	
14	999 704 158 40	washer 5,3X18		10	
15	999 591 997 02	speed nut B4,8		10	
16	951 505 361 01	clamping piece		2	
17	951 505 279 00	rear support		2	
18	999 591 699 02	speed nut B4,8		6	
18	999 591 699 01	speed nut B4,8		6	

Model	Year	MG	SG	Illustration	Restrictions	UPD	10:09	24.01.2010	PORSCHE	PET	PORSCHE
968	1995	8	02	802-05		248					

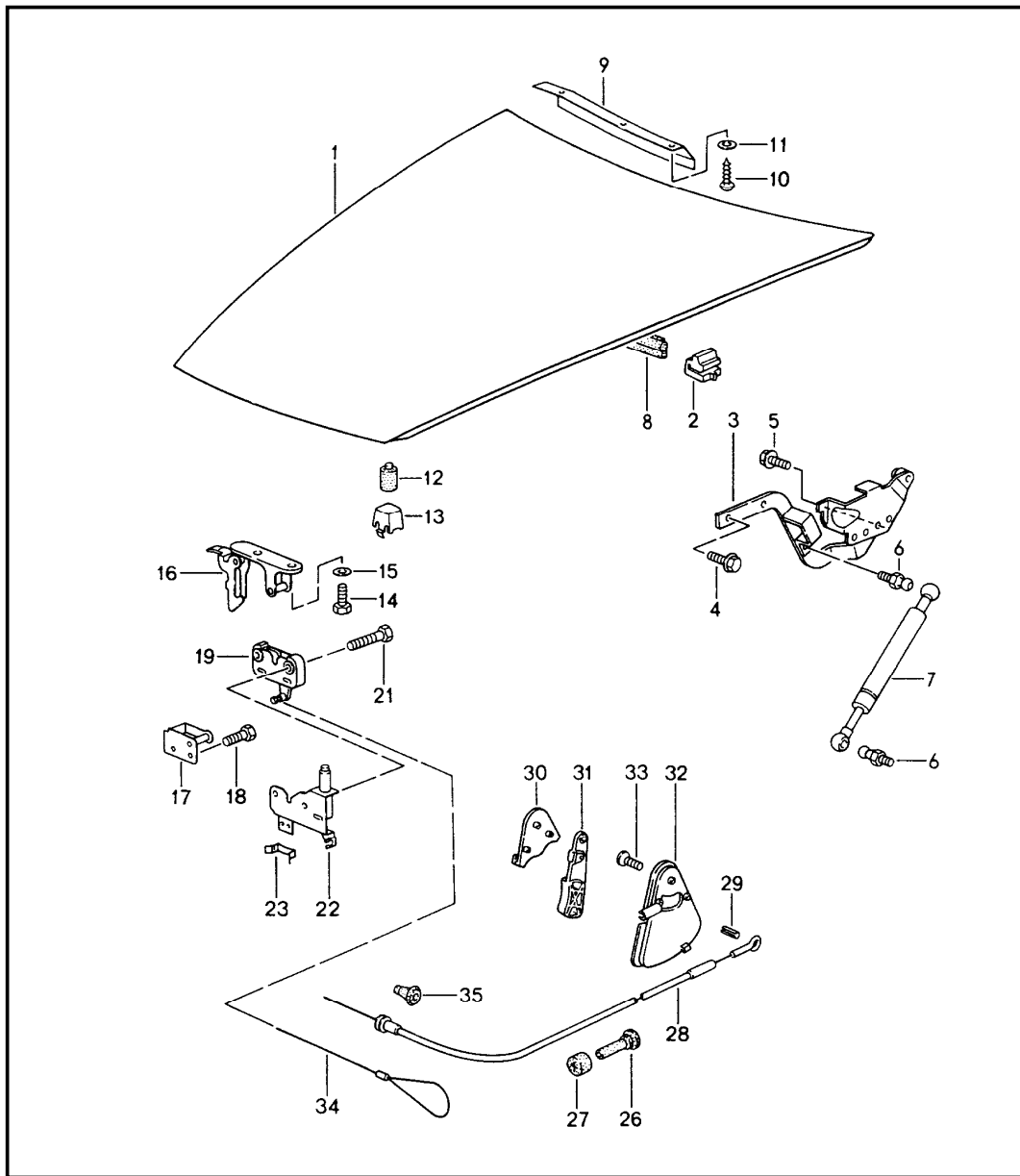
Pos	Part Number	Description	Remark	Qty	Model	Pos	Part Number	Description	Remark	Qty	Model
19	900 187 103 02	combination screw B4,8X16Z2		4							
20	900 187 134 07	tapping screw B4,8X16		2							
21	951 505 157 00	spacer		2							
22	944 538 073 01	lock cylinder with stipulated lock number state lock number		1	COUPE						
(22)	944 538 911 02	lock cylinder w/o stipulated lock number with 2 secondary keys		1	COUPE						
(22)	941 538 073 10	lock cylinder with stipulated lock number state lock number		1	CABRIO						
(22)	941 538 911 10	lock cylinder w/o stipulated lock number with 2 secondary keys		1	CABRIO						
23	944 624 030 00	microswitch		1							
24	999 591 910 00	clamp		1							
25	951 505 705 00	mounting piece		1							
26	951 505 707 00	boot		1							
27	900 067 051 02	pan-head screw M 5 X 10		2							
29	N 013 968 7	tapping screw B4,8X13Z1		2							
30	914 571 903 10	sealing ring		X							
34	944 505 283 01	piping		1							
35	944 505 765 00	support		2							
36	900 378 058 07	hexagon-head bolt M 5 X 10		2							
37	944 505 671 00	cap		1	968CS						
	01C	black									

Model	Year	MG	SG	Illustration	Restrictions	UPD	10:09	24.01.2010	PORSCHE	PET	PORSCHE
968	1995	8	02	802-25		248					



Pos	Part Number	Description	Remark	Qty	Model
		linings	/H		CABRIO
1	941 503 627 11	terminal piece	/H	1	
2	941 503 625 10	side section	/L	1	
3	941 503 626 10	side section	/R	1	
4	941 504 095 10	flap		1	
5	944 504 391 00	hinge		1	
6	941 504 875 10	rubber washer		14	
7	941 504 857 10	washer		14	
8	900 377 009 02	hexagon nut M5		14	
9	941 504 731 10	filler piece		4	
10	941 201 361 10	rubber buffer		2	

Model	Year	MG	SG	Illustration	Restrictions	UPD	10:09	24.01.2010	PORSCHE	PET	PORSCHE
968	1995	8	03	803-00		248					

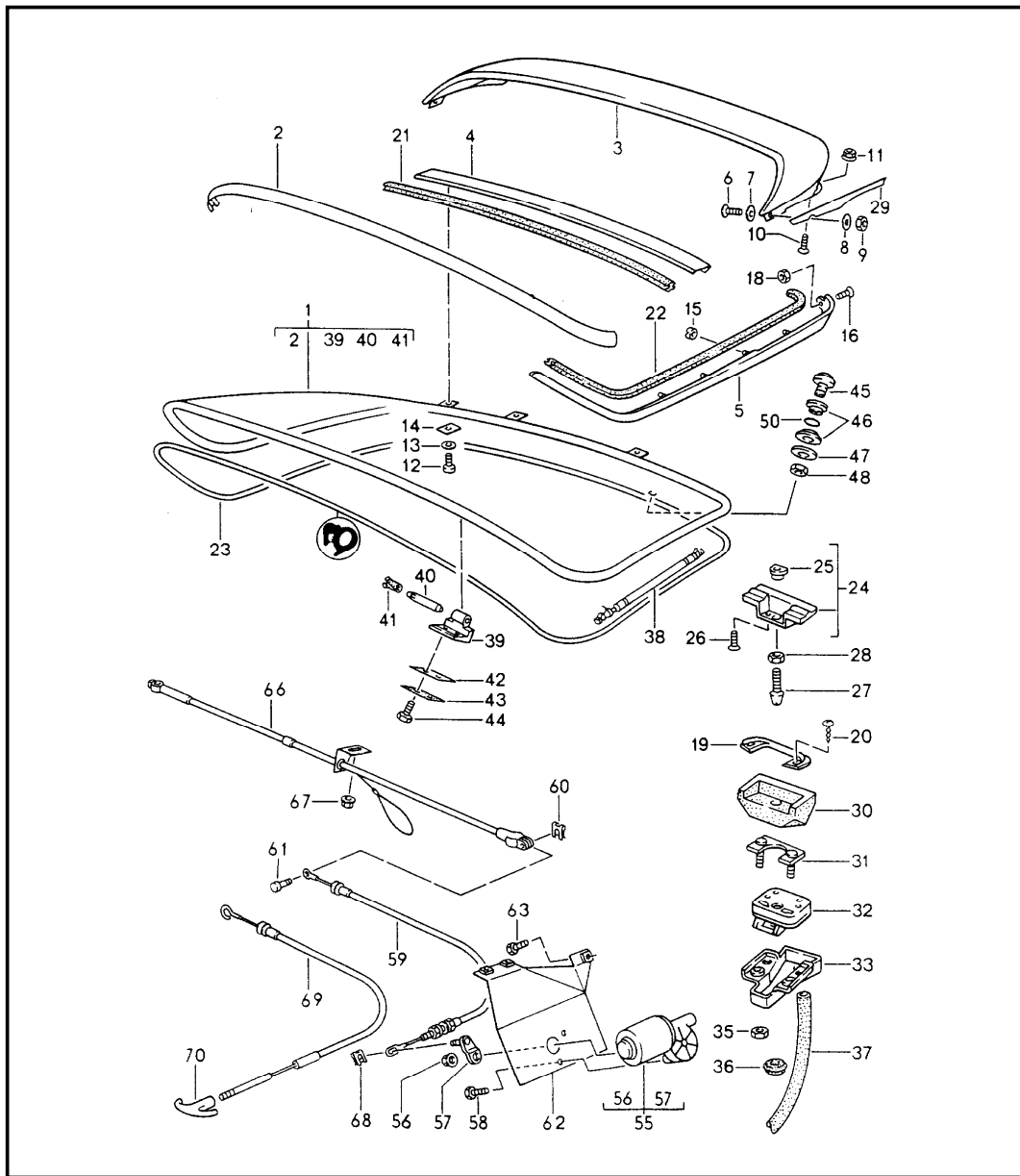


Pos	Part Number	Description	Remark	Qty	Model
		lid front actuator			
1	944 511 005 13	lid		1	
2	944 511 485 00	filler piece		2	
3	944 511 301 01	lid hinge	/L	1	
(3)	944 511 302 01	lid hinge	/R	1	
4	N 014 331 2	hexagon-head bolt M 8 X 18		4	
5	N 902 180 01	combination screw M 8 X 16		4	
6	999 167 042 02	ball pin		4	
7	944 511 351 03	gas-pressure spring		2	
8	928 511 141 04	gasket it is necessary to rework		1	
9	944 511 201 01	tab washer	/LL	1	
10	900 143 157 07	combination screw BZ4,2X13	/LL	3	
12	999 703 140 40	rubber buffer		2	
13	928 511 203 02	support		2	
14	999 072 005 09	hexagon-head bolt M 6 X 12		2	
15	N 015 404 1	washer A 6,4		2	
16	944 511 051 00	lid lock upper part		1	
17	944 511 431 00	mounting		1	
18	900 075 260 02	hexagon-head bolt M 6 X 16		2	
19	944 511 027 00	lid lock lower part		1	
21	900 075 378 02	combination screw M 6 X 35		2	
22	944 511 331 00	mounting		1	
23	999 591 998 00	spring clamp		1	

Model	Year	MG	SG	Illustration	Restrictions	UPD	10:09	24.01.2010	PORSCHE	PET	PORSCHE
968	1995	8	03	803-00		248					

Pos	Part Number	Description	Remark	Qty	Model	Pos	Part Number	Description	Remark	Qty	Model
26	477 823 591	grommet		1							
27	477 823 593	stopper		1							
28	944 511 037 01	bowden cable		1							
29	900 197 018 00	roll pin 4 X 12		1							
30	928 511 143 02	cover		1							
	70B	black									
31	928 511 175 02	pull handle		1							
32	928 511 173 02	cup		1							
33	900 249 001 02	countersunk-head screw M 6 X 15		2							
		M 6 X 15									
34	964 512 521 00	emergency operation		1							
35	911 612 132 00	grommet		1	968CS						

Model	Year	MG	SG	Illustration	Restrictions	UPD	10:10	24.01.2010	PORSCHE	PET	PORSCHE
968	1995	8	03	803-05		248					



Pos	Part Number	Description	Remark	Qty	Model
1	A 968 512 929 00	rear lid rear spoiler		1	
1	968 512 929 00	rear lid		1	
1	A 968 512 929 01	rear lid		1	M602
1	968 512 929 01	rear lid		1	M602
2	477 853 313 A	trim frame		1	
3	951 512 101 00	rear spoiler		1	
		03C rally black			
4	944 512 103 00	rear spoiler		1	
		03C rally black			
(4)	944 512 103 01	rear spoiler		1	M602
		03C rally black			
5	951 512 405 00	rear spoiler	/L	1	
		03C rally black			
(5)	951 512 406 00	rear spoiler	/R	1	
		03C rally black			
6	N 033 184 1	countersunk-head screw M 5 X 22		2	
7	803 955 637	rubber washer		4	
8	900 151 027 07	washer B 5,3 X 15		2	
9	900 034 033 07	nut M 5		2	
10	900 269 054 07	countersunk-head screw M 5 X 25		2	
11	900 380 001 02	nut M 5		2	
12	N 102 158 01	pan-head screw M 5 X 8		4	
13	900 025 053 07	washer A 5,3 X 10		4	
14	951 512 733 01	compensating plate		X	

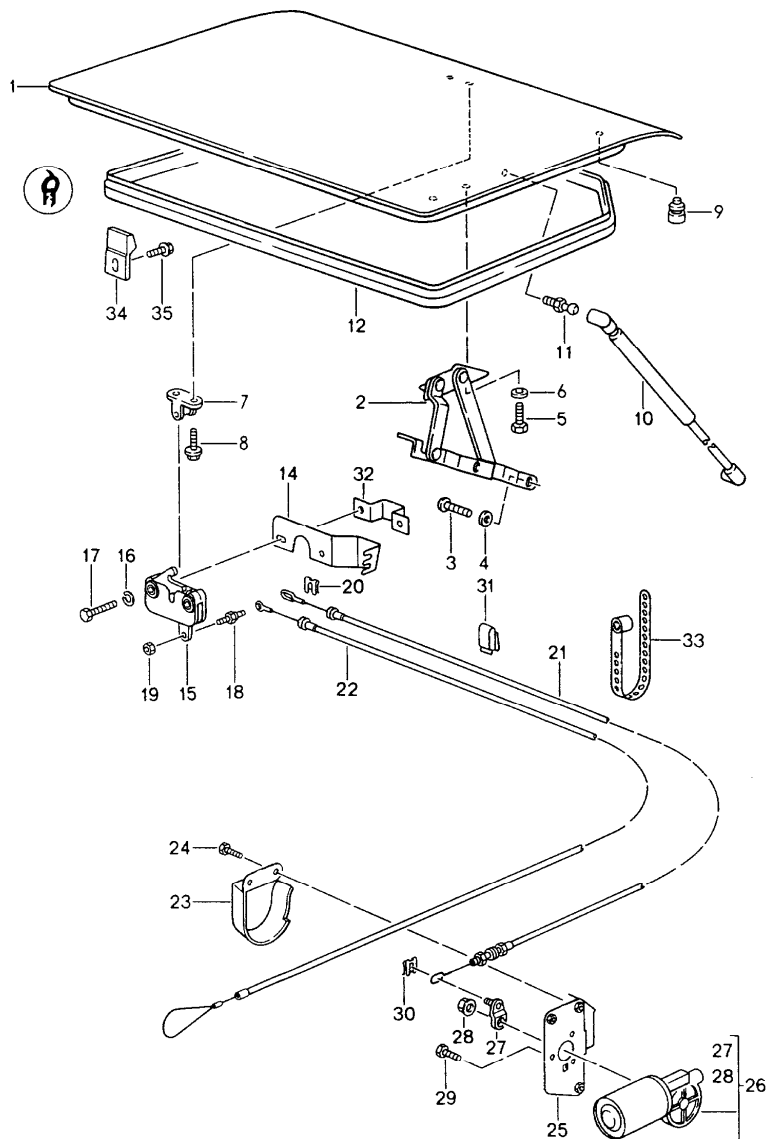
Model	Year	MG	SG	Illustration	Restrictions	UPD	10:10	24.01.2010	PORSCHE	PET	PORSCHE
968	1995	8	03	803-05		248					

Pos	Part Number	Description	Remark	Qty	Model	Pos	Part Number	Description	Remark	Qty	Model
15	N 021 255 1	slotted nut M 4		14		34	N 011 524 7	washer A 6,4		4	
16	900 269 017 02	countersunk-head screw M 5 X 12		2		35	900 910 010 09	lock nut M 6		4	
18	900 380 001 02	lock nut M 5		2		36	111 971 911 A	rubber sleeve		2	
19	944 512 465 02	additional gasket	/L	1		37	477 827 547	hose 400 MM		2	
(19)	944 512 466 02	additional gasket	/R	1		38	944 512 349 00	gas-pressure spring	/L	1	
20	999 073 040 00	tapping screw BZ 4,2 X 9,5		4		(38)	944 512 348 00	gas-pressure spring	/R	1	
21	951 512 603 00	gasket		1		39	477 827 305 B	hinge half		2	
22	951 512 605 02	gasket	/L	1		40	944 512 311 00	hinge pin		2	
	01C	black				41	477 827 441	bush		2	
(22)	951 512 606 02	gasket	/R	1		42	944 512 413 00	gasket		2	
	01C	black				43	928 512 417 03	plate		2	
23	944 512 043 00	seal for rear lid		1		44	999 218 045 07	pan-head screw M 8 X 16 micro-self-locking		4	
24	944 512 021 03	housing	/L	1		45	477 845 333	screw plug		1	
(24)	944 512 022 03	housing	/R	1		46	477 955 439	grommet		2	
25	477 827 035	rubber mounting		2		47	477 845 331	washer		1	
26	999 219 011 07	countersunk-head screw M 6 X 16		4		48	N 011 118 14	hexagon nut M 8		1	
27	944 538 547 00	lock pin		2		49	477 827 529 A	sealing ring		1	
28	N 011 151 3	hexagon nut M 8		2		50	999 707 301 40	o-ring		1	
29	944 512 613 00	adhesive film	/L	1		55	951 624 024 01	electric motor		1	
(29)	944 512 614 00	adhesive film	/R	1		56	999 084 045 02	lock nut		1	
30	944 512 365 02	gasket	/L	1		57	944 624 814 00	lever		1	
(30)	944 512 366 02	gasket	/R	1		58	999 217 004 02	combination screw M 6 X 12		2	
31	951 512 447 00	reinforcement plate		2		59	944 512 097 04	bowden cable		1	
32	944 538 056 04	rear lid lock		2		60	900 116 002 01	lock washer		1	
33	477 827 541	water drip pan		2		61	999 088 022 02	bolt M 6		1	

Model	Year	MG	SG	Illustration	Restrictions	UPD	10:10	24.01.2010	PORSCHE	PET	PORSCHE
968	1995	8	03	803-05		248					

Pos	Part Number	Description	Remark	Qty	Model	Pos	Part Number	Description	Remark	Qty	Model
62	951 504 409 00	bracket		1							
63	900 075 363 02	hexagon-head bolt M 6 X 10		3							
65	999 168 025 00	ball socket		1							
66	951 504 411 00	pull rod		1							
67	900 377 010 09	hexagon nut M 6		1							
68	999 166 054 02	sl-lock		1							
69	944 512 097 05	bowden cable		1	968CS						
70	901 552 813 20	handle		1	968CS						

Model	Year	MG	SG	Illustration	Restrictions	UPD	10:10	24.01.2010	PORSCHE	PET	PORSCHE
968	1995	8	03	803-10		248					

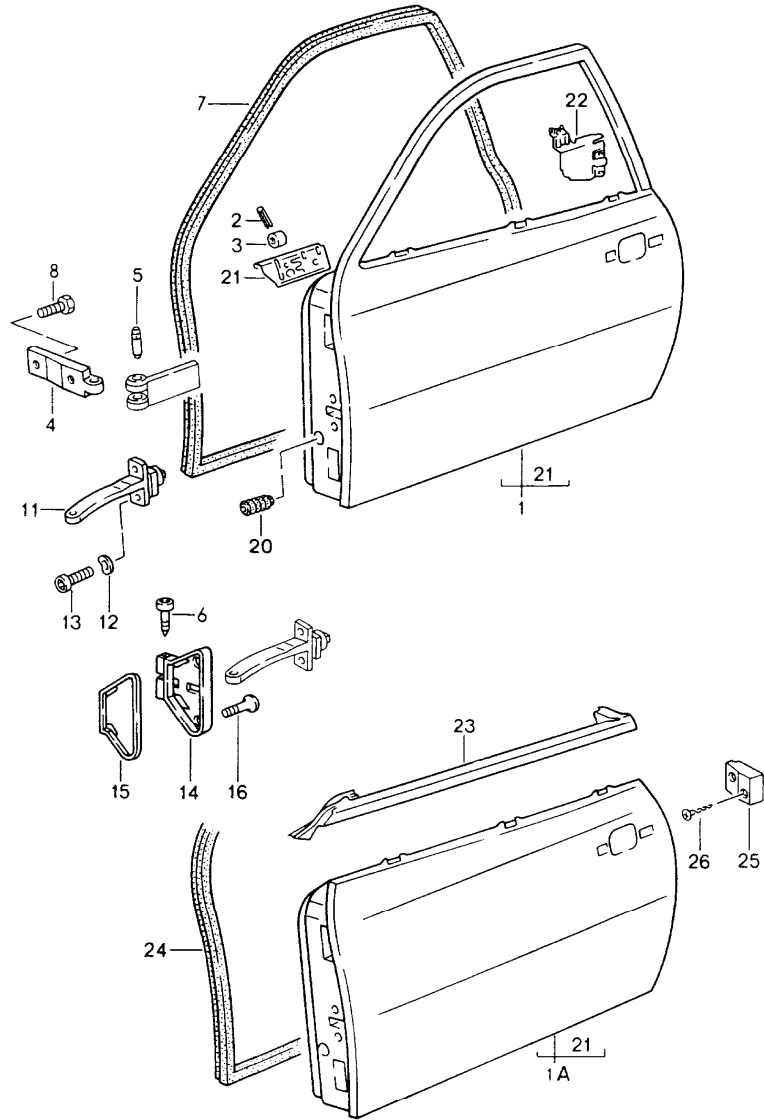


Pos	Part Number	Description	Remark	Qty	Model
		rear lid			CABRIO
1	941 512 107 10	lid		1	
2	941 512 131 12	lid hinge	/L	1	
	GRV	prime coated			
(2)	941 512 132 12	lid hinge	/R	1	
	GRV	prime coated			
3	900 075 366 02	combination screw M 8 X 16		4	
4	900 151 008 02	washer		4	
5	900 075 366 02	combination screw M 8 X 16		4	
6	900 151 008 02	washer		4	
7	941 512 103 10	lock upper part		1	
8	N 902 180 01	combination screw M 8 X 16		2	
9	A 999 703 140 40	rubber buffer	-92	2	
9	999 703 140 40	rubber buffer		2	
10	941 512 349 11	gas-pressure spring		2	
11	941 512 341 10	ball pin		4	
12	941 504 351 10	seal for rear lid		1	
14	941 512 793 10	mounting plate		1	
15	944 511 027 00	lock lower part it is necessary to rework		1	
16	N 012 007 2	lock ring		2	
17	900 074 015 02	hexagon-head bolt M 6 X 30		2	
18	941 512 729 10	threaded bolt		1	
19	900 910 004 02	hexagon nut M 4		1	
20	999 166 054 02	sl-lock		1	
21	941 512 097 10	bowden cable electric		1	

Model	Year	MG	SG	Illustration	Restrictions	UPD	10:10	24.01.2010	PORSCHE	PET	PORSCHE
968	1995	8	03	803-10		248					

Pos	Part Number	Description	Remark	Qty	Model	Pos	Part Number	Description	Remark	Qty	Model
22	941 512 197 10	bowden cable manually		1							
23	941 512 791 10	cap		1							
24	999 217 049 08	hexagon-head bolt M 5 X 12		3							
25	941 502 629 11	mounting plate		1							
26	951 624 024 01	electric motor		1							
27	944 624 814 00	lever		1							
28	999 084 045 02	nut		1							
29	999 217 004 02	hexagon-head bolt M 6 X 12		2							
30	999 166 054 02	sl-lock		1							
31	944 628 181 00	retaining clip		2							
32	941 502 635 10	support		1							
33	999 513 049 40	tie-wrap		2							
34	941 504 571 10	stop		2							
35	N 014 325 1	hexagon-head bolt M 5 X 14		2							

Model	Year	MG	SG	Illustration	Restrictions	UPD	10:10	24.01.2010	PORSCHE	PET	PORSCHE
968	1995	8	04	804-00		248					

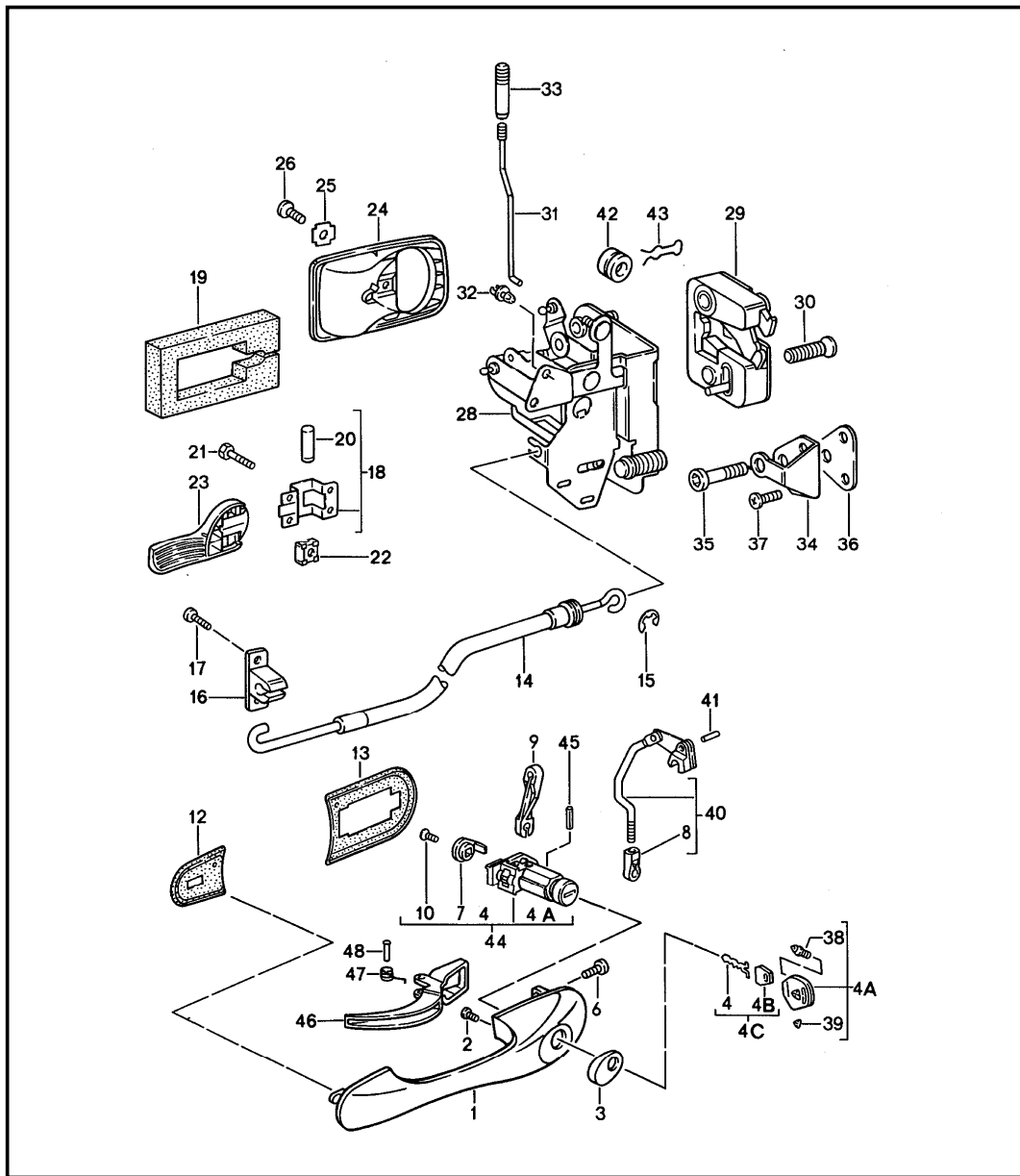


Pos	Part Number	Description	Remark	Qty	Model
		door			
1	944 531 005 06	door	/L	1	COUPE
		GRV prime coated			
(1)	944 531 006 06	door	/R	1	COUPE
		GRV prime coated			
1A	941 531 901 10	door	/LL/L	1	CABRIO
(1A)	941 531 902 10	door	/LL/R	1	CABRIO
(1A)	942 531 901 10	door	/RL/L	1	CABRIO
(1A)	942 531 902 10	door	/RL/R	1	CABRIO
2	N 013 295 1	tensioning sleeve		2	
3	928 531 235 03	threaded piece		2	
4	171 831 403	hinge half		4	
5	321 831 421	hinge pin		4	
6	928 537 419 03	pan-head screw		2	
7 A	944 537 091 03	door seal	/L	1	
7	944 537 091 03	door seal	/L	1	
(7) A	944 537 092 03	door seal	/R	1	
(7)	944 537 092 03	door seal	/R	1	
8	N 902 180 01	combination screw M 8 X 16		8	
11	944 537 609 00	door support		2	
12	N 011 524 7	washer B 6		4	
13	900 067 008 02	pan-head screw M 6 X 12		4	
14	928 537 417 02	bearing bracket	/L	1	
(14)	928 537 418 02	bearing bracket	/R	1	
15	928 537 425 02	desk pad	/L	1	
(15)	928 537 426 02	desk pad	/R	1	
16	928 537 459 02	oval-head screw M 6 X 20		4	

Model	Year	MG	SG	Illustration	Restrictions	UPD	10:10	24.01.2010	PORSCHE	PET	PORSCHE
968	1995	8	04	804-00		248					

Pos	Part Number	Description	Remark	Qty	Model	Pos	Part Number	Description	Remark	Qty	Model
20	477 971 910	bellows		2							
21	944 531 239 04	reinforcement door mirror	/L	1	COUPE						
	GRV	prime coated									
(21)	944 531 240 04	reinforcement door mirror	/R	1	COUPE						
	GRV	prime coated									
(21)	941 531 239 13	reinforcement door mirror	/LL/L	1	CABRIO						
(21)	941 531 240 13	reinforcement door mirror	/LL/R	1	CABRIO						
(21)	942 531 239 13	reinforcement door mirror	/RL/L	1	CABRIO						
(21)	942 531 240 13	reinforcement door mirror	/RL/R	1	CABRIO						
22	944 531 135 00	cover plate	/L	1							
(22)	944 531 136 00	cover plate	/R	1							
23	941 537 093 10	sealing strip outer	/L	1	CABRIO						
(23)	941 537 094 10	sealing strip outer	/R	1	CABRIO						
(23)	941 537 572 10	sealing for door slot inner	/L	1	CABRIO						
(23)	941 537 572 10	sealing for door slot inner	/R	1	CABRIO						
24	941 537 091 10	door seal	/L	1	CABRIO						
(24)	941 537 092 10	door seal	/R	1	CABRIO						
25	941 504 911 10	wedge		2	CABRIO						
26	900 144 034 07	tapping screw B 4,2 X 16		4	CABRIO						

Model	Year	MG	SG	Illustration	Restrictions	UPD	10:10	24.01.2010	PORSCHE	PET	PORSCHE
968	1995	8	04	804-05		248					



Pos	Part Number	Description	Remark	Qty	Model
1	944 537 661 04	outer door handle door lock	/L	1	
	G2X	prime coated			
(1)	944 537 662 04	outer door handle	/R	1	
	G2X	prime coated			
2	999 218 079 02	oval-head screw M3X5 micro-self-locking		2	
3	944 537 611 00	rosette	/L	1	
(3)	944 537 612 00	rosette	/R	1	
4	944 538 331 00	blank key		2	
4A	944 538 041 00	key lamp		1	
4B	944 538 431 00	key cap		1	
4C	944 538 933 00	key with stipulated lock number state lock number Information available		1	
6	900 067 328 02	pan-head screw M 6 X 10		2	
7	477 837 497	driver		2	
8	999 168 004 40	ball socket		2	
9	477 837 505 A	connecting piece	/L	1	
(9)	477 837 506 A	connecting piece	/R	1	
10	N 033 165 1	countersunk-head screw AM 4 X 8		2	
12	944 537 621 00	desk pad	/L/V	1	
(12)	944 537 622 00	desk pad	/R/V	1	
13	944 537 631 00	desk pad	/L/H	1	
(13)	944 537 632 00	desk pad	/R/H	1	
14	477 837 017 A	bowden cable		2	
15	999 166 054 02	sl-lock 3,2		2	

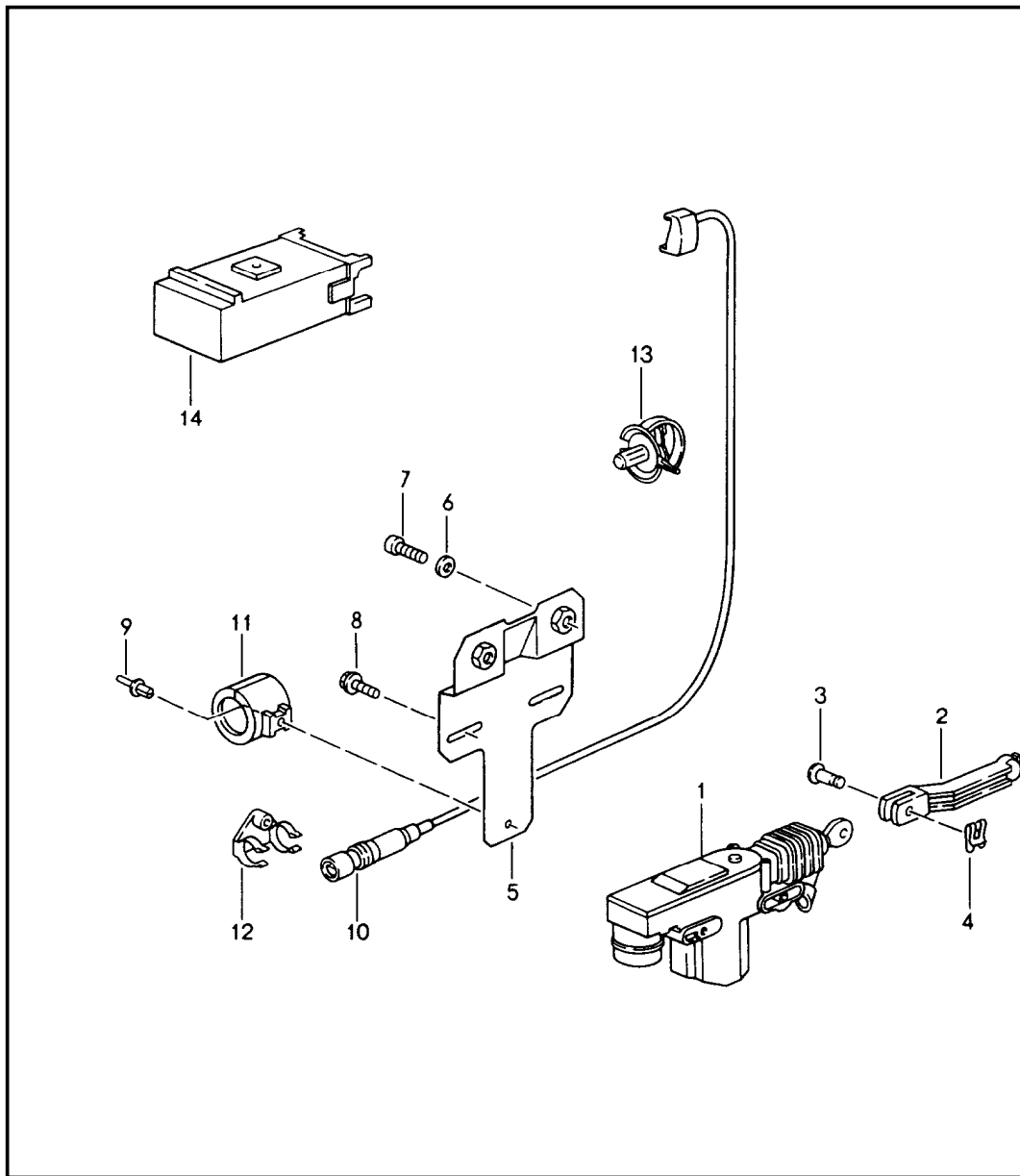
Model	Year	MG	SG	Illustration	Restrictions	UPD	10:10	24.01.2010	PORSCHE	PET	PORSCHE
968	1995	8	04	804-05		248					

Pos	Part Number	Description	Remark	Qty	Model	Pos	Part Number	Description	Remark	Qty	Model
16	477 837 115 A	support		2			9ZN	light grey	-93		
17	999 217 029 02	hexagon-head bolt M 6 X 10 self-locking M 6 X 10, SELBSTSICHERND		4			3UD	cashmere beige			
18	944 537 029 00	inner door release	/L	1			9JJ	marine blue	-93		
(18)	944 537 030 00	inner door release	/R	1			2GS	midnight blue	94-		
19	477 831 304 A	seal		2		24	944 537 229 00	rosette		2	
20	N 013 666 1	rivet B 4 X 32		2			4PV	chestnut brown	94-		
21	999 217 029 02	hexagon-head bolt M 6 X 10, SELBSTSICHERND		8			3BE	marble grey	94-		
22	477 837 521	captive nut		8			3DL	black			
23	944 537 225 00	handle inner door release	/L	1			4XC	classic grey			
		3DL black					6ZF	cobalt blue	-93		
		4XC classic grey					6WX	magenta	-93		
		6ZF cobalt blue	-93				9ZN	light grey	-93		
		6WX magenta	-93				3UD	cashmere beige			
		9ZN light grey	-93			26	N 014 216 1	countersunk-head screw AM 5 X 10		2	
		3UD cashmere beige					28	928 537 053 09	door lock inner part	/LL/L	1
		9JJ marine blue	-93			(28)	928 537 054 10	door lock inner part	/LL/R	1	
		2GS midnight blue	94-			(28)	927 537 053 10	door lock inner part	/RL/L	1	
		4PV chestnut brown	94-			(28)	927 537 054 09	door lock inner part	/RL/R	1	
		3BE marble grey	94-			29	928 537 153 03	door lock outer part	/L	1	
(23)	944 537 226 00	handle inner door release	/R	1		(29)	928 537 154 03	door lock outer part	/R	1	
		3DL black				30	928 537 721 02	oval-head screw M 8 X 35		4	
		4XC classic grey									
		6ZF cobalt blue	-93								
		6WX magenta	-93								

Model	Year	MG	SG	Illustration	Restrictions	UPD	10:10	24.01.2010	PORSCHE	PET	PORSCHE
968	1995	8	04	804-05		248					

Pos	Part Number	Description	Remark	Qty	Model	Pos	Part Number	Description	Remark	Qty	Model
31	477 837 183 A	locking rod		2		(44)	944 537 938 01	lock cylinder	/R	1	
(31)	477 837 183 B	locking rod		2	M525/533			with stipulated lock number		1	
32	477 837 187	clip		2				when required order also:			
33	944 637 238 00	knob		2		-	---	microswitch		1	
	01C	black						911.613.133.00			
(33)	944 555 359 01	knob		2	968CS			grease			
	01C	black				45	900 309 041 00	for lock cylinder		2	
34	928 537 133 04	door lock striker		2		46	944 537 671 00	see group			
35	928 537 131 03	lock pin		2		(46)	944 537 672 00	0/05/00			
36	928 537 135 04	desk pad		2		47	944 537 655 00	roll pin	/L	1	
37	900 249 022 02	countersunk-head screw		4		48	944 537 243 00	2X12			
		M 8 X 20						actuating lever	/R	1	
38	928 537 630 02	bulb		1				actuating lever			
		E 5,5						tensioning spring		2	
39	944 538 443 00	crest		1				clinch pin		2	
40	944 537 261 02	reverse lever	/L	1							
(40)	944 537 262 02	reverse lever	/R	1							
(41)	944 537 637 00	pin		2							
42	928 537 613 02	weight		2							
43	928 537 615 02	spring clamp		2							
44	944 537 937 00	lock cylinder	/L	1							
		w/o stipulated lock number									
		when required order also:									
		microswitch		1							
		911.613.133.00									
(44)	944 537 937 01	lock cylinder	/L	1							
		with stipulated lock number									
		when required order also:									
		microswitch		1							
		911.613.133.00									
(44)	944 537 938 00	lock cylinder	/R	1							
		w/o stipulated lock number									
		when required order also:									
		microswitch		1							
		911.613.133.00									

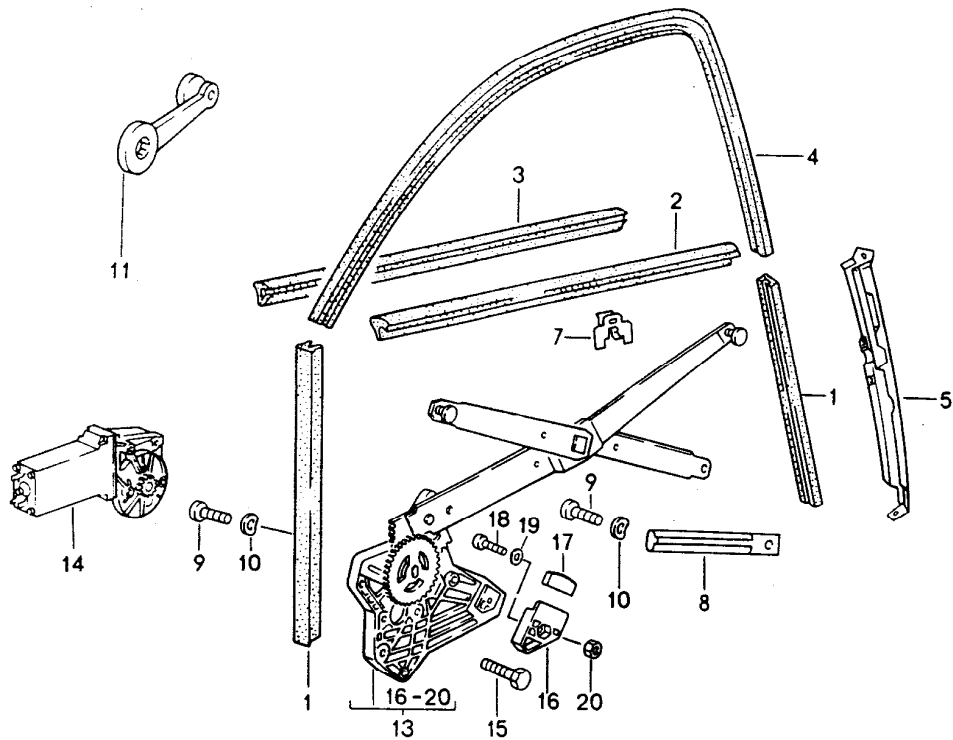
Model	Year	MG	SG	Illustration	Restrictions	UPD	10:10	24.01.2010	PORSCHE	PET	PORSCHE
968	1995	8	04	804-06		248					



Pos	Part Number	Description	Remark	Qty	Model
		central locking system			
1	928 624 211 00	transmission element		2	
2	944 537 511 00	operating rod		2	
3	N 100 438 01	bolt		2	
4	N 012 644 1	lock		2	
5	944 537 151 00	mounting plate		2	
6	N 011 524 7	washer A 6,4		4	
7	N 014 765 2	pan-head screw M 6 X 10		4	
8	999 919 035 02	hexagon-head bolt		4	
9	N 038 504 1	expansion rivet 15 X 7,5		2	
10	964 613 134 00	microswitch		2	
11	944 612 450 01	support		2	
12	321 971 898 B	support		2	
13	944 612 555 00	cable holder		14	
14	--- --- --- ---	alarm control unit see group 9/09/00		1	

Model	Year	MG	SG	Illustration	Restrictions	UPD	10:10	24.01.2010	PORSCHE	PET	PORSCHE
968	1995	8	04	804-10		248					

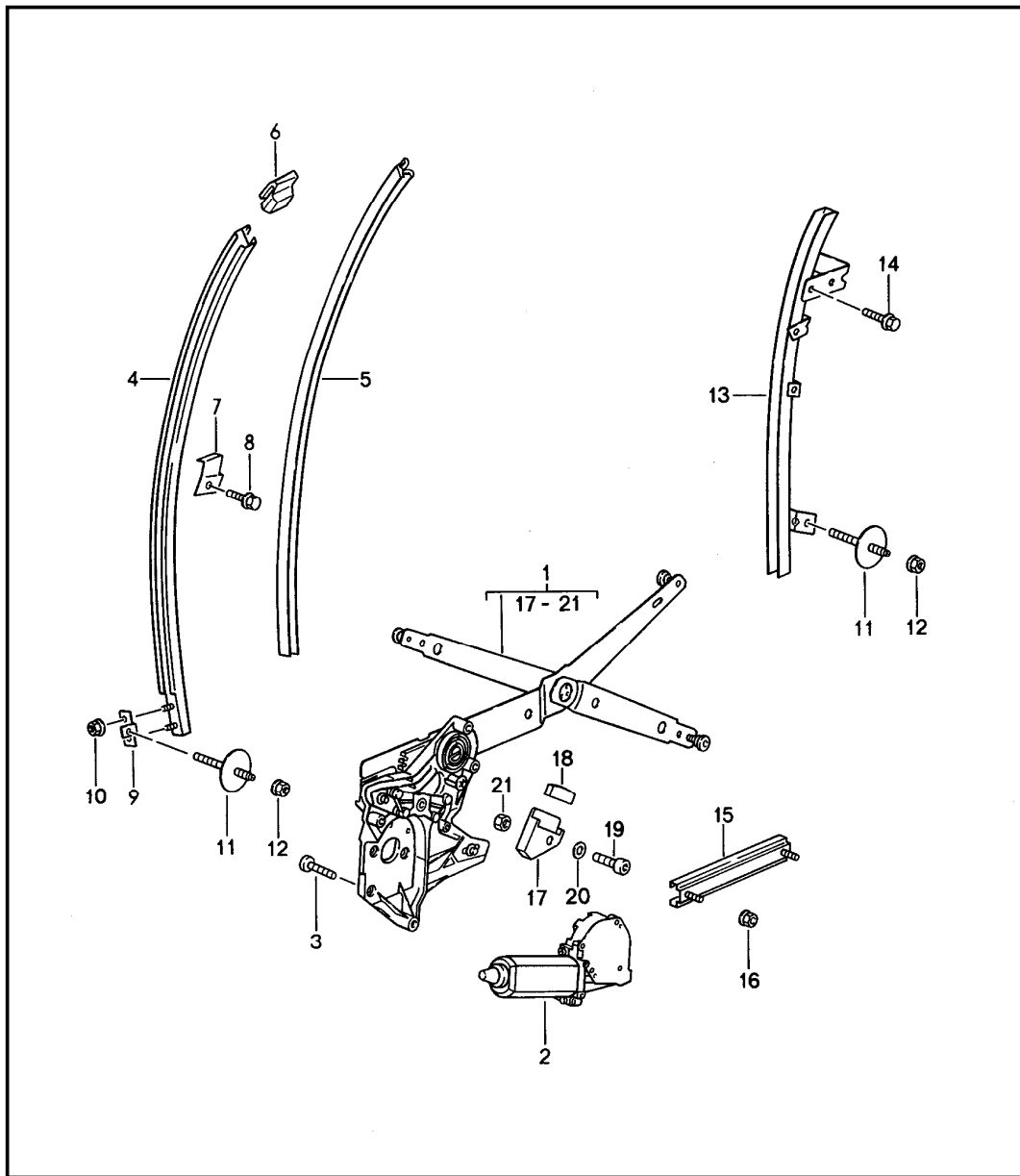
Pos	Part Number	Description	Remark	Qty	Model
		power windows window guide			COUPE
1	477 837 385	window guide		4	
2	477 837 469 A	sealing strip outer	/L	1	
(2)	477 837 470 A	sealing strip outer	/R	1	
3	477 837 471 A	seal inner		2	
4	944 537 079 00	window guide	/L	1	
(4)	944 537 080 00	window guide	/R	1	
5	944 531 103 00	window guide rail	/L	1	
(5)	944 531 104 00	window guide rail	/R	1	
7	171 837 485	clamp		10	
8	944 537 589 00	guide rail		2	
9	999 217 029 02	hexagon-head bolt M 6 X 10 self-locking		12	
		M 6 X 10, SELBSTSICHERND			
10	N 011 652 1	washer A 7 X 12		12	
11	944 555 057 01	window crank		2	968CS
		3DL black			
13	944 537 941 01	cross-arm	/L	1	
(13)	944 537 942 01	cross-arm	/R	1	
(13)	944 537 041 00	cross-arm	/L	1	968CS
(13)	944 537 042 00	cross-arm	/R	1	968CS
14	477 959 123 A	engine and transmission	/L	1	
(14)	477 959 124 A	engine and transmission	/R	1	
15	N 014 228 4	countersunk-head screw AM 6 X 12		6	
16	944 537 981 00	stop lower	/L	1	



Model	Year	MG	SG	Illustration	Restrictions	UPD	10:10	24.01.2010	PORSCHE	PET	PORSCHE
968	1995	8	04	804-10		248					

Pos	Part Number	Description	Remark	Qty	Model	Pos	Part Number	Description	Remark	Qty	Model
16	944 537 981 00	stop upper	/R	1							
(16)	944 537 982 00	stop upper	/L	1							
(16)	944 537 982 00	stop lower	/R	1							
17	944 537 983 00	insert		4							
18	N 014 707 2	pan-head screw M8X15		4							
19	900 336 004 02	lock washer		4							
20	N 011 118 8	nut M8		4							
		electrical components power windows see group 9/02/27,9/03/00									

Model	Year	MG	SG	Illustration	Restrictions	UPD	10:11	24.01.2010	PORSCHE	PET	PORSCHE
968	1995	8	04	804-15		248					

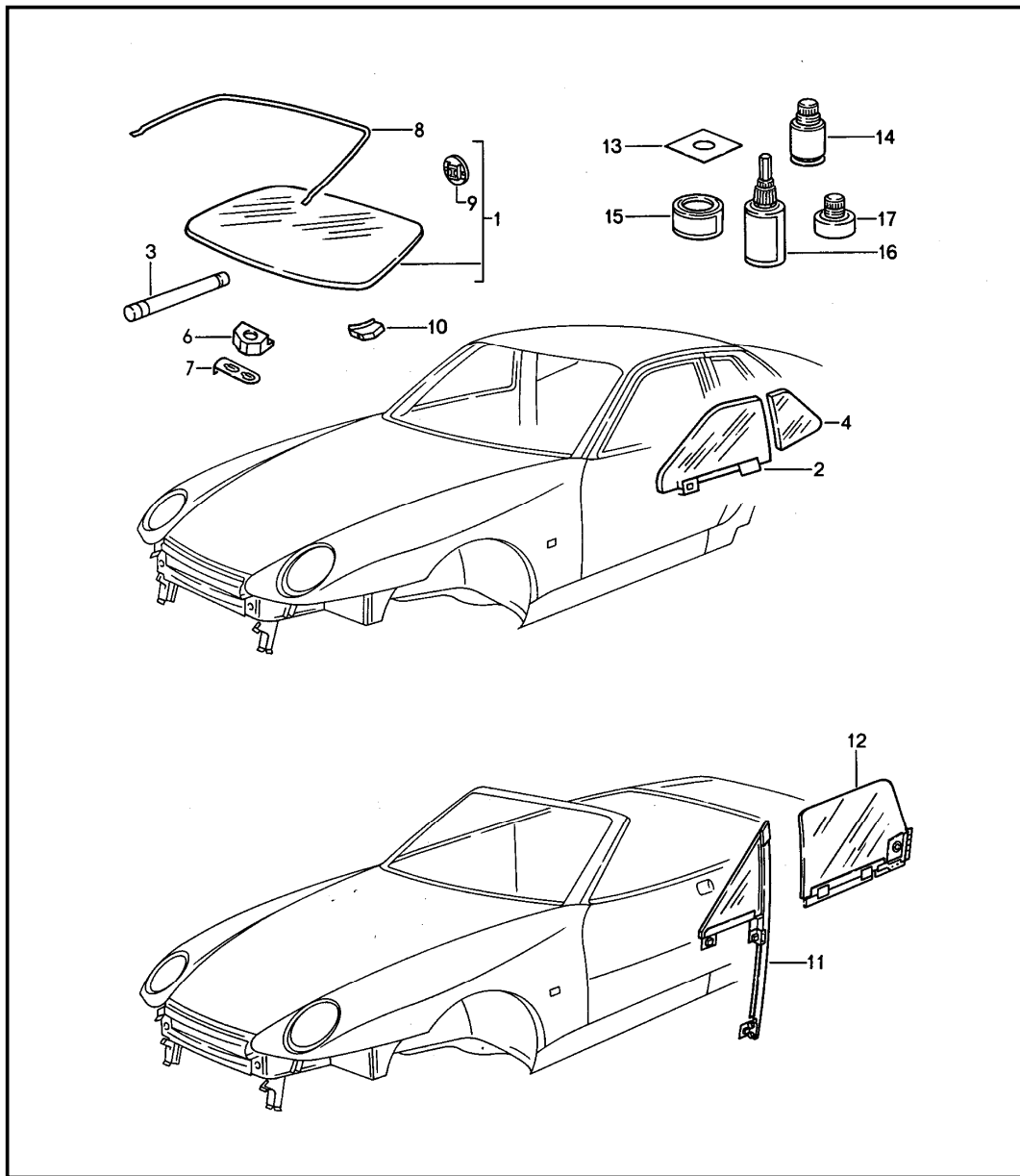


Pos	Part Number	Description	Remark	Qty	Model
		power windows window guide			CABRIO
(1)	941 537 901 10	cross-arm	/L	1	
1	941 537 902 10	cross-arm	/R	1	
(2)	477 959 123 A	engine and transmission	/L	1	
2	477 959 124 A	engine and transmission	/R	1	
3	N 014 228 4	countersunk-head screw AM 6 X 12		6	
(4)	941 531 505 10	window guide rail	/V/L	1	
4	941 531 506 10	window guide rail	/V/R	1	
5	941 531 530 10	window guide		2	
(6)	941 531 527 10	terminal piece	/L	1	
6	941 531 528 10	terminal piece	/R	1	
(7)	941 531 521 10	support	/L	1	
7	941 531 522 10	support	/R	1	
8	900 075 355 02	combination screw M6X16		2	
(9)	941 531 525 10	support	/L	1	
9	941 531 524 10	support	/R	1	
10	941 531 637 10	hexagon nut M6		4	
11	A 941 504 723 12	threaded bolt		4	
11	941 504 723 12	threaded bolt		4	
12	941 531 637 10	hexagon nut M6		4	
(13)	941 531 511 10	window guide rail	/H/L	1	
13	941 531 512 10	window guide rail	/H/R	1	
14	900 075 355 02	combination screw M6X16		2	
15	941 537 499 10	guide rail		2	
16	941 531 637 10	hexagon nut M6		4	

Model	Year	MG	SG	Illustration	Restrictions	UPD	10:11	24.01.2010	PORSCHE	PET	PORSCHE
968	1995	8	04	804-15		248					

Pos	Part Number	Description	Remark	Qty	Model	Pos	Part Number	Description	Remark	Qty	Model
17	944 537 982 00	stop lower	/R	1							
17	944 537 982 00	stop upper	/L	1							
(17)	944 537 981 00	stop upper	/R	1							
(17)	944 537 981 00	stop lower	/L	1							
18	944 537 983 00	insert		4							
19	N 014 707 2	pan-head screw M8X15		4							
20	900 336 004 02	lock washer		4							
21	N 011 118 8	nut M8		4							

Model	Year	MG	SG	Illustration	Restrictions	UPD	10:11	24.01.2010	PORSCHE	PET	PORSCHE
968	1995	8	05	805-00		248					

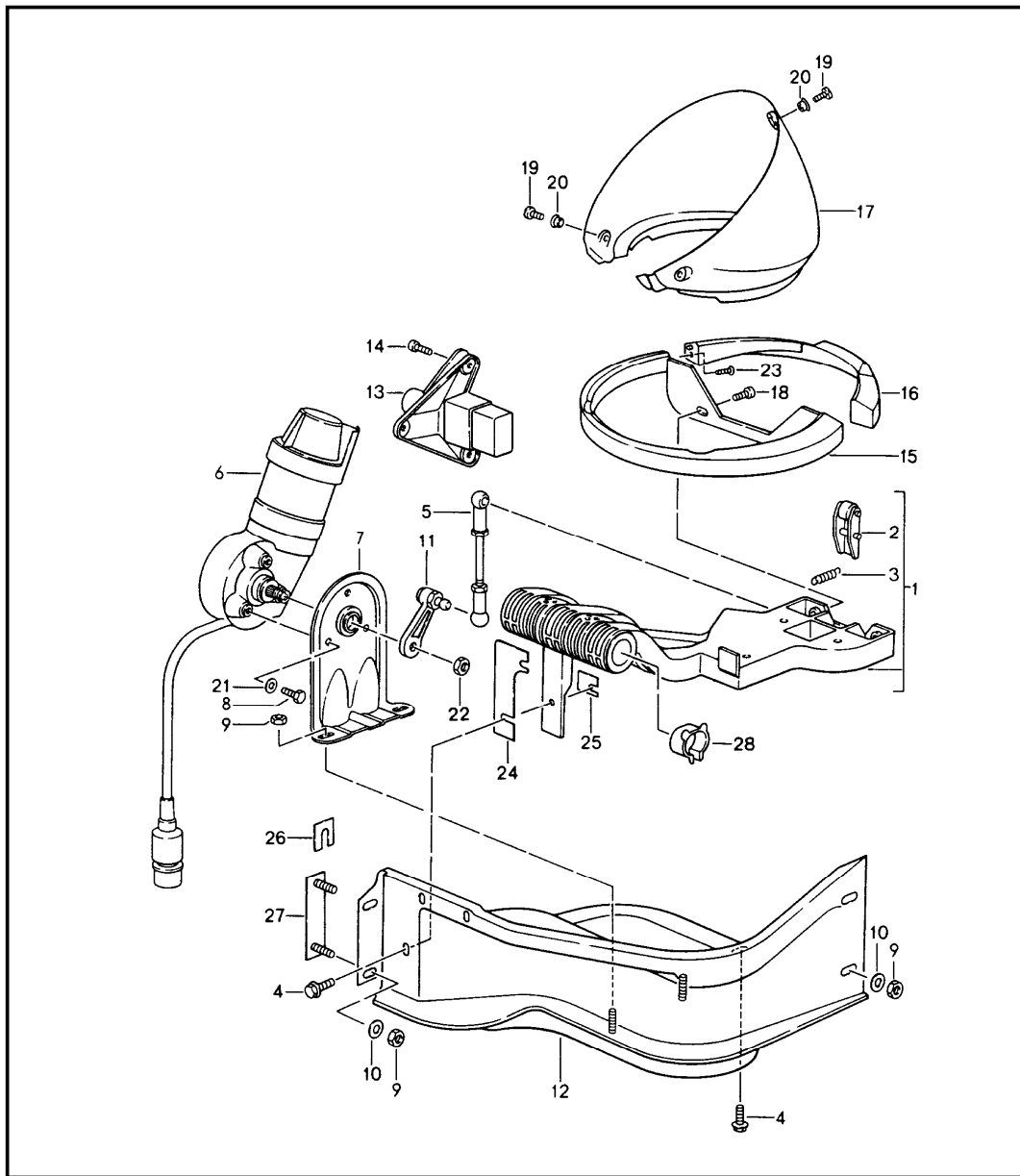


Pos	Part Number	Description	Remark	Qty	Model
1	944 541 011 13	window glazing windscreen clear		1	COUPE
(1)	944 541 011 12	windscreen tinted		1	COUPE
(1)	944 541 011 14	windscreen green top tint		1	COUPE
(1)	941 541 011 10	windscreen tinted with antenna		1	CABRIO
(1)	941 541 011 11	windscreen clear with antenna		1	CABRIO
2	944 542 023 01	door window glass tinted	/L	1	COUPE
(2)	944 542 024 01	door window glass tinted	/R	1	COUPE
3	A 999 915 509 40	adhesive set		1	
3	000 043 038 01	adhesive set windscreen side window		1	COUPE
(3)	000 043 204 82	adhesive for cover strip		X	
4	944 543 011 00	side window tinted	/L	1	
(4)	944 543 012 00	side window tinted	/R	1	
6	944 559 031 02	spacer		2	
7	944 559 337 00	fastening part		2	
8	944 559 535 03	cover strip		1	
		it is necessary to rework			CABRIO
9	477 845 043	adhesive plate interior mirror		1	
10	944 559 341 00	stopper	/L	1	
(10)	944 559 342 00	stopper	/R	1	

Model	Year	MG	SG	Illustration	Restrictions	UPD	10:11	24.01.2010	PORSCHE	PET	PORSCHE
968	1995	8	05	805-00		248					

Pos	Part Number	Description	Remark	Qty	Model	Pos	Part Number	Description	Remark	Qty	Model
11	941 542 901 10	side window tinted	/L	1	CABRIO						
(11)	941 542 902 10	side window tinted	/R	1	CABRIO						
12	941 542 903 10	door window glass tinted	/L	1	CABRIO						
(12)	941 542 904 10	door window glass tinted	/R	1	CABRIO						
		adhesive for interior mirror see technical information GR.6 NR.5/91									
13	000 043 177 00	cover foil		1							
14	000 043 157 00	cleaning agent		X							
15	000 043 158 00	primer PRIMER		X							
16	000 043 051 00	adhesive		X							
17	000 043 202 65	loctite AKTIVATOR NF 736		X							

Model	Year	MG	SG	Illustration	Restrictions	UPD	10:11	24.01.2010	PORSCHE	PET	PORSCHE
968	1995	8	06	806-00		248					

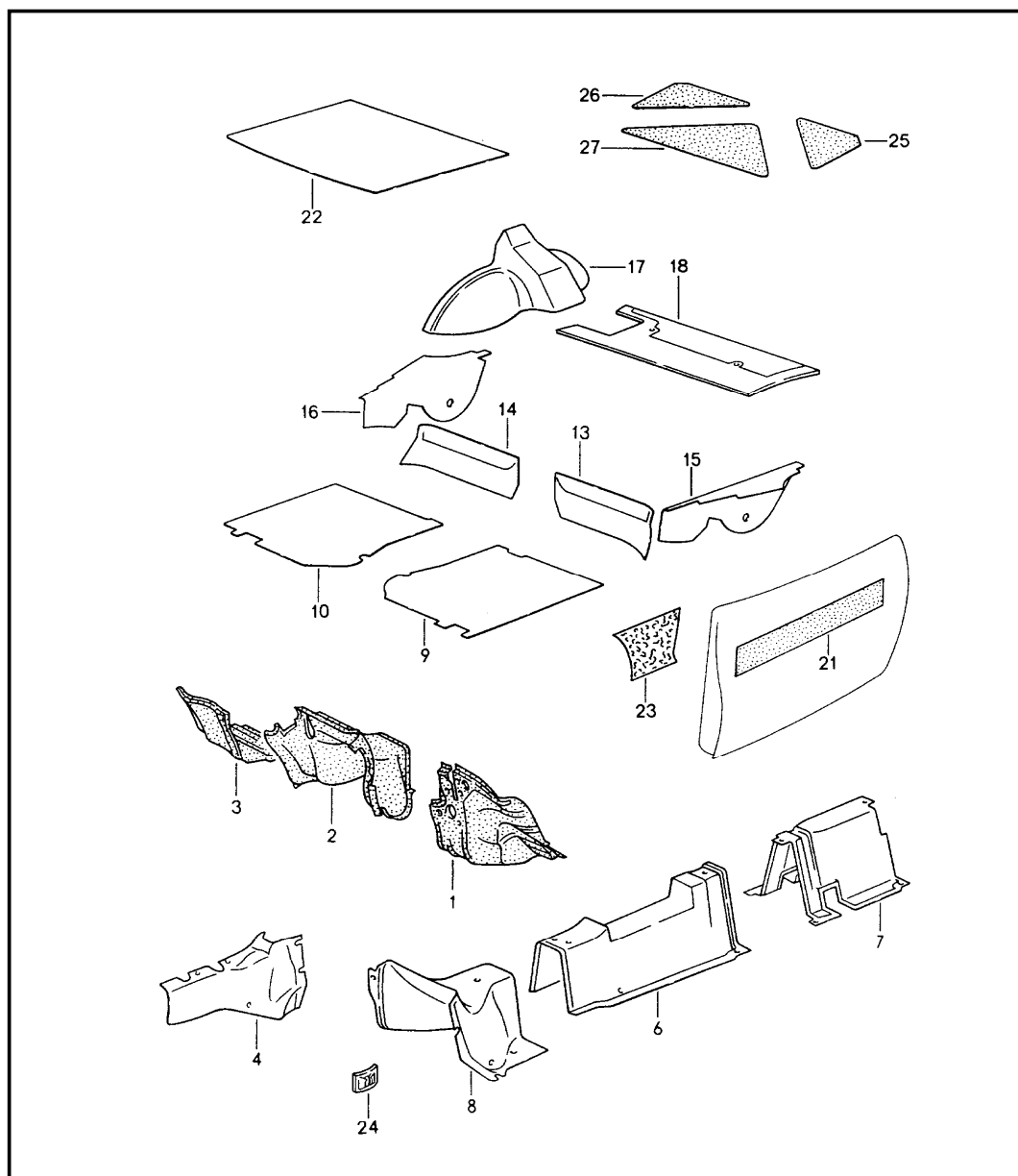


Pos	Part Number	Description	Remark	Qty	Model
		pop-up headlight			
1	944 750 073 01	swivel frame	/L	1	
(1)	944 750 074 01	swivel frame	/R	1	
2	928 750 079 02	locking segment		2	
3	928 750 291 02	tension spring		2	
4	900 075 355 02	combination screw M6X16		10	
5	999 168 031 02	joint rod		2	
6	944 624 051 00	electric motor	/L	1	
(6)	944 624 052 00	electric motor	/R	1	
7	944 750 621 01	bearing bracket	/L	1	
(7)	944 750 622 01	bearing bracket	/R	1	
8	999 072 005 09	hexagon-head bolt M6X12		6	
9	900 910 010 09	lock nut M6		10	
10	N 011 524 7	washer A6,4		8	
11	944 750 412 00	reverse lever		2	
12	944 750 093 00	bracket	/L	1	
(12)	944 750 094 00	bracket	/R	1	
13	944 750 321 00	release		2	
14	900 075 426 07	combination screw M6X16		6	
15	944 750 151 00	retaining ring front		2	
16	944 750 153 00	retaining ring rear		2	
17	944 750 121 00	housing		2	
18	999 217 124 02	combination screw M6X12 micro-self-locking		4	
19	N 013 965 9	oval-head sheetmetal screw BZ4,2X9,5		6	

Model	Year	MG	SG	Illustration	Restrictions	UPD	10:11	24.01.2010	PORSCHE	PET	PORSCHE
968	1995	8	06	806-00		248					

Pos	Part Number	Description	Remark	Qty	Model	Pos	Part Number	Description	Remark	Qty	Model
20	951 505 157 00	spacer		6							
21	N 012 007 2	lock ring A6		6							
22	999 084 613 02	lock nut M6		2							
23	900 146 038 02	oval-head screw M4X16		4							
24	944 750 585 00	spacer 1,0 MM		X							
24	944 750 585 01	spacer 0,5 MM		X							
25	944 750 587 00	spacer 1,0 MM		X							
25	944 750 587 01	spacer 0,5 MM		X							
26	944 750 801 00	spacer		X							
27	944 750 777 00	plate with screw bolt		2							
28	944 612 342 00	edge protection		4							

Model	Year	MG	SG	Illustration	Restrictions	UPD	10:11	24.01.2010	PORSCHE	PET	PORSCHE
968	1995	8	07	807-00		248					

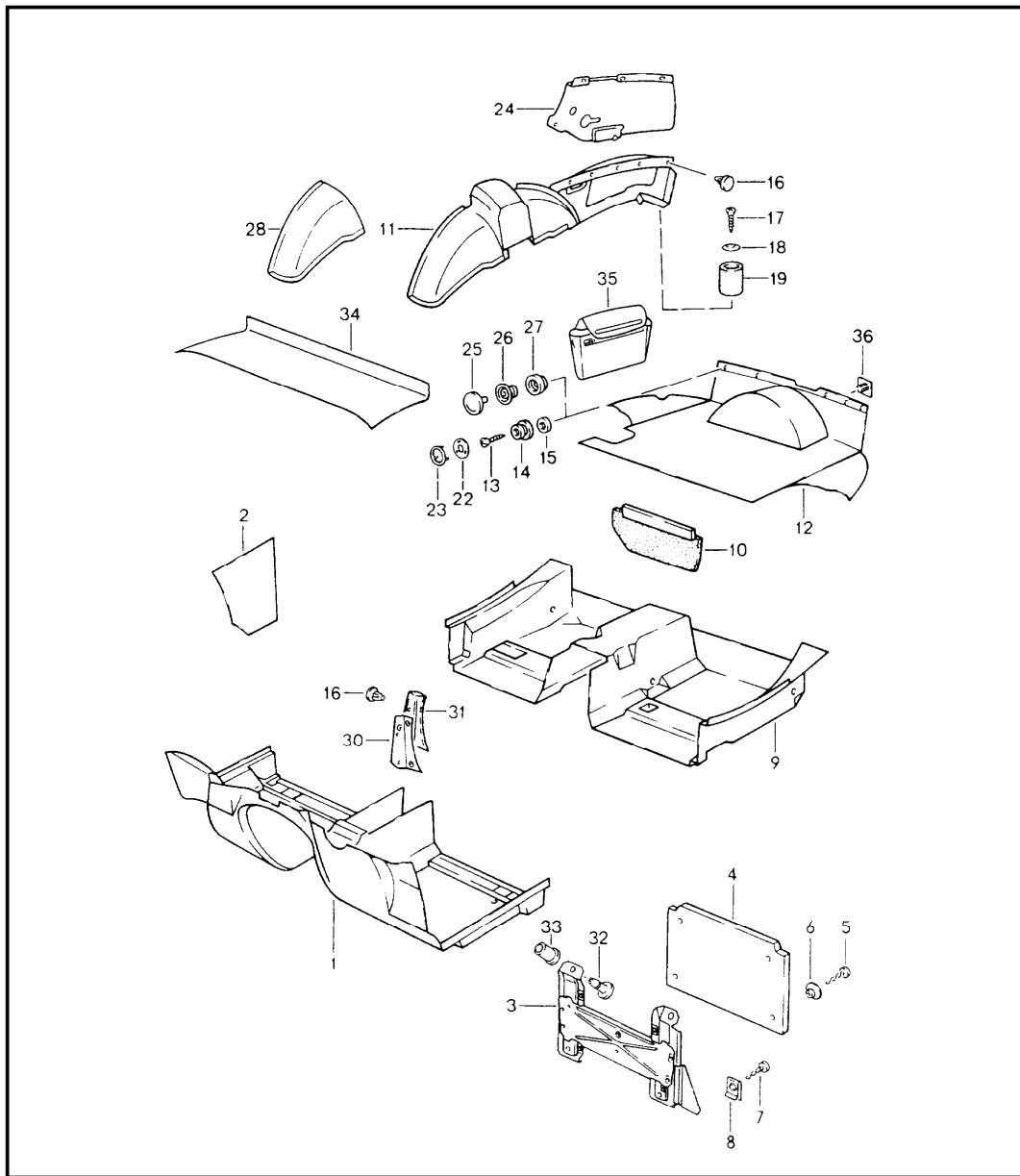


Pos	Part Number	Description	Remark	Qty	Model
		sound absorber			
1	A 944 556 865 02	sound absorber	/LL/L	1	
1	944 556 865 02	sound absorber	/LL/L	1	
(1)	945 556 865 01	sound absorber	/RL/L	1	
(1)	945 556 865 01	sound absorber firewall	/RL/L	1	968CS
2	944 556 855 02	sound absorber	/LL	1	
2	944 556 855 02	sound absorber	/LL	1	968CS
(2)	A 945 556 855 01	sound absorber	/RL	1	
(2)	945 556 855 01	sound absorber firewall centre	/RL	1	
3	A 944 556 866 00	sound absorber	/LL/R	1	
3	A 944 556 866 03	sound absorber	/LL/R	1	
3	944 556 866 03	sound absorber	/LL/R	1	
(3)	945 556 866 03	sound absorber	/RL/R	1	
(3)	945 556 866 03	sound absorber firewall	/RL/R	1	968CS
4	944 556 074 00	sound absorber	/R	1	
6	951 556 071 01	sound absorber		1	
7	944 556 621 00	sound absorber		1	
8	944 556 077 00	sound absorber	/LL	1	
(8)	945 556 077 00	sound absorber	/RL	1	
9	944 556 775 01	sound absorber	/LL/L	1	
9	944 556 775 01	sound absorber	/LL/L	1	968CS
(9)	945 556 775 01	sound absorber	/RL/L	1	
(9)	945 556 775 01	sound absorber	/RL/L	1	968CS
10	944 556 776 01	sound absorber	/LL/R	1	
10	944 556 776 01	sound absorber	/LL/R	1	968CS
(10)	945 556 776 01	sound absorber	/RL/R	1	
(10)	945 556 776 01	sound absorber	/RL/R	1	968CS

Model	Year	MG	SG	Illustration	Restrictions	UPD	10:11	24.01.2010	PORSCHE	PET	PORSCHE
968	1995	8	07	807-00		248					

Pos	Part Number	Description	Remark	Qty	Model	Pos	Part Number	Description	Remark	Qty	Model
13	944 556 085 00	sound absorber	/L	1							
14	944 556 086 00	sound absorber	/R	1							
15	944 556 777 01	sound absorber	/L	1							
15	944 556 777 01	sound absorber	/L	1	968CS						
16	944 556 778 01	sound absorber	/R	1							
16	944 556 778 01	sound absorber	/R	1	968CS						
(17)	944 556 885 00	sound absorber	/L	1							
(17)	944 556 885 00	sound absorber	/L	1	968 CS						
17	944 556 886 00	sound absorber	/R	1							
17	944 556 886 00	sound absorber	/R	1	968 CS						
18	944 556 081 00	sound absorber boot floor plate		1							
21	993 556 521 00	insulation door		2							
22	944 556 609 00	sound absorber roof		1							
23	A 944 556 853 02	insulation	/LL/L	1							
23	944 556 853 02	sound absorber	/LL/L	1							
(23)	A 945 556 853 02	insulation	/RL/L	1							
(23)	945 556 853 02	sound absorber	/RL/L	1							
(23)	A 944 556 854 03	insulation	/LL/R	1							
(23)	944 556 854 04	sound absorber	/LL/R	1							
(23)	A 945 556 854 04	insulation	/RL/R	1							
(23)	945 556 854 05	sound absorber	/RL/R	1							
24	N 900 661 01	clamping washer		X							
25	941 556 315 11	sound absorber	/L	1	CABRIO						
26	941 556 316 11	sound absorber	/R	1	CABRIO						
27	941 556 317 11	sound absorber centre		1	CABRIO						

Model	Year	MG	SG	Illustration	Restrictions	UPD	10:11	24.01.2010	PORSCHE	PET	PORSCHE
968	1995	8	07	807-05		248					



Pos	Part Number	Description	Remark	Qty	Model
1	944 555 055 02	linings floor mat	/LL	1	COUPE
	1DR	black			
	D06	classic grey			
	G47	cobalt blue	-93		
	L52	magenta	-93		
	D42	light grey	-93		
	8HP	midnight blue	94-		
	8RP	chestnut brown	94-		
	2BQ	marble grey	94-		
	T32	cashmere beige			
	4KF	marine blue	-93		
	N02	matador red	-93		
	E12	carrara grey	-93		
	J22	sherwood green	-93		
	7HE	provence blue	94-		
	1JE	cedar green	94-		
	4UP	flamenco red	94-		
(1)	945 555 055 02	floor mat	/RL	1	COUPE
	1DR	black			
	D06	classic grey			
	G47	cobalt blue	-93		
	L52	magenta	-93		
	D42	light grey	-93		
	8HP	midnight blue	94-		
	8RP	chestnut brown	94-		
	2BQ	marble grey	94-		
	T32	cashmere beige			
	4KF	marine blue	-93		

Model	Year	MG	SG	Illustration	Restrictions	UPD	10:11	24.01.2010	PORSCHE	PET	PORSCHE
968	1995	8	07	807-05		248					

Pos	Part Number	Description	Remark	Qty	Model	Pos	Part Number	Description	Remark	Qty	Model
	N02	matador red	-93				8HP	midnight blue	94-		
	E12	carrara grey	-93				8RP	chestnut brown	94-		
	J22	sherwood green	-93				2BQ	marble grey	94-		
	7HE	provence blue	94-				T32	cashmere beige			
	1JE	cedar green	94-				4KF	marine blue	-93		
	4UP	flamenco red	94-				N02	matador red	-93		
(1)	941 555 055 11	floor mat	/LL	1	CABRIO		E12	carrara grey	-93		
	1DR	black					J22	sherwood green	-93		
	D06	classic grey					7HE	provence blue	94-		
	G47	cobalt blue	-93				1JE	cedar green	94-		
	L52	magenta	-93				4UP	flamenco red	94-		
	D42	light grey	-93			(2)	944 555 081 00	lining	/LL/L	1	COUPE
	8HP	midnight blue	94-				1DR	black			
	8RP	chestnut brown	94-				D06	classic grey			
	2BQ	marble grey	94-				G47	cobalt blue	-93		
	T32	cashmere beige					L52	magenta	-93		
	4KF	marine blue	-93				D42	light grey	-93		
	N02	matador red	-93				8HP	midnight blue	94-		
	E12	carrara grey	-93				8RP	chestnut brown	94-		
	J22	sherwood green	-93				2BQ	marble grey	94-		
	7HE	provence blue	94-				T32	cashmere beige			
	1JE	cedar green	94-				4KF	marine blue	-93		
	4UP	flamenco red	94-				N02	matador red	-93		
(1)	942 555 055 11	floor mat	/RL	1	CABRIO		E12	carrara grey	-93		
	1DR	black					J22	sherwood green	-93		
	D06	classic grey					7HE	provence blue	94-		
	G47	cobalt blue	-93				1JE	cedar green	94-		
	L52	magenta	-93				4UP	flamenco red	94-		
	D42	light grey	-93			2	944 555 082 02	lining	/LL/R	1	COUPE

Model	Year	MG	SG	Illustration	Restrictions	UPD	10:11	24.01.2010	PORSCHE	PET	PORSCHE
968	1995	8	07	807-05		248					

Pos	Part Number	Description	Remark	Qty	Model	Pos	Part Number	Description	Remark	Qty	Model
	1DR	black					J22	sherwood green	-93		
	D06	classic grey					7HE	provence blue	94-		
	G47	cobalt blue	-93				1JE	cedar green	94-		
	L52	magenta	-93				4UP	flamenco red	94-		
	D42	light grey	-93			(2)	941 555 544 10	lining	/LL/R	1	CABRIO
	8HP	midnight blue	94-				1DR	black			
	8RP	chestnut brown	94-				D06	classic grey			
	2BQ	marble grey	94-				G47	cobalt blue	-93		
	T32	cashmere beige					L52	magenta	-93		
	4KF	marine blue	-93				D42	light grey	-93		
	N02	matador red	-93				8HP	midnight blue	94-		
	E12	carrara grey	-93				8RP	chestnut brown	94-		
	J22	sherwood green	-93				2BQ	marble grey	94-		
	7HE	provence blue	94-				T32	cashmere beige			
	1JE	cedar green	94-				4KF	marine blue	-93		
	4UP	flamenco red	94-				N02	matador red	-93		
(2)	941 555 543 10	lining	/LL/L	1	CABRIO		E12	carrara grey	-93		
	1DR	black					J22	sherwood green	-93		
	D06	classic grey					7HE	provence blue	94-		
	G47	cobalt blue	-93				1JE	cedar green	94-		
	L52	magenta	-93				4UP	flamenco red	94-		
	D42	light grey	-93			(2)	945 555 081 00	lining	/RL/L	1	COUPE
	8HP	midnight blue	94-				1DR	black			
	8RP	chestnut brown	94-				D06	classic grey			
	2BQ	marble grey	94-				G47	cobalt blue	-93		
	T32	cashmere beige					L52	magenta	-93		
	4KF	marine blue	-93				D42	light grey	-93		
	N02	matador red	-93				8HP	midnight blue	94-		
	E12	carrara grey	-93				8RP	chestnut brown	94-		

Model	Year	MG	SG	Illustration	Restrictions	UPD	10:11	24.01.2010	PORSCHE	PET	PORSCHE
968	1995	8	07	807-05		248					

Pos	Part Number	Description	Remark	Qty	Model	Pos	Part Number	Description	Remark	Qty	Model
	2BQ	marble grey		94-			G47	cobalt blue		-93	
	T32	cashmere beige					L52	magenta		-93	
	4KF	marine blue		-93			D42	light grey		-93	
	N02	matador red		-93			8HP	midnight blue		94-	
	E12	carrara grey		-93			8RP	chestnut brown		94-	
	J22	sherwood green		-93			2BQ	marble grey		94-	
	7HE	provence blue		94-			T32	cashmere beige			
	1JE	cedar green		94-			4KF	marine blue		-93	
	4UP	flamenco red		94-			N02	matador red		-93	
(2)	945 555 082 03	lining	/RL/R	1	COUPE		E12	carrara grey		-93	
	1DR	black					J22	sherwood green		-93	
	D06	classic grey					7HE	provence blue		94-	
	G47	cobalt blue		-93			1JE	cedar green		94-	
	L52	magenta		-93			4UP	flamenco red		94-	
	D42	light grey		-93		(2)	942 555 544 10	lining	/RL/R	1	CABRIO
	8HP	midnight blue		94-			1DR	black			
	8RP	chestnut brown		94-			D06	classic grey			
	2BQ	marble grey		94-			G47	cobalt blue		-93	
	T32	cashmere beige					L52	magenta		-93	
	4KF	marine blue		-93			D42	light grey		-93	
	N02	matador red		-93			8HP	midnight blue		94-	
	E12	carrara grey		-93			8RP	chestnut brown		94-	
	J22	sherwood green		-93			2BQ	marble grey		94-	
	7HE	provence blue		94-			T32	cashmere beige			
	1JE	cedar green		94-			4KF	marine blue		-93	
	4UP	flamenco red		94-			N02	matador red		-93	
(2)	942 555 543 10	lining	/RL/L	1	CABRIO		E12	carrara grey		-93	
	1DR	black					J22	sherwood green		-93	
	D06	classic grey					7HE	provence blue		94-	

Model	Year	MG	SG	Illustration	Restrictions	UPD	10:11	24.01.2010	PORSCHE	PET	PORSCHE
968	1995	8	07	807-05		248					

Pos	Part Number	Description	Remark	Qty	Model	Pos	Part Number	Description	Remark	Qty	Model
	1JE	cedar green	94-			(9)	945 555 071 01	floor mat	/RL	-93	1
	4UP	flamenco red	94-				1DR	black			
(2)	945 555 081 00	lining	/L	1	968CS		D06	classic grey			
	1DR	black					G47	cobalt blue		-93	
(2)	944 555 082 02	lining	/LL/R	1	968CS		L52	magenta		-93	
	1DR	black					D42	light grey		-93	
(2)	945 555 082 05	lining	/RL/R	1	968CS		T32	cashmere beige			
	1DR	black					4KF	marine blue		-93	
3	944 551 049 01	bracket	/LL	1			N02	matador red		-93	
(3)	945 551 049 02	bracket	/RL	1			E12	carrara grey		-93	
4	944 551 149 02	foot support	/LL	1			J22	sherwood green		-93	
(4)	945 551 149 02	foot support	/RL	1		9	944 555 071 02	floor mat	/LL	94-	1
5	N 013 971 3	tapping screw B 4,8 X 22		4			1DR	black			
6	901 423 368 00	washer		4			D06	classic grey			
7	N 013 968 7	tapping screw B 4,8 X 13		2			8HP	midnight blue		94-	
8	999 591 348 02	speed nut B 4,8		2			8RP	chestnut brown		94-	
9	944 555 071 01	floor mat	/LL	-93	1		2BQ	marble grey		94-	
	1DR	black					T32	cashmere beige			
	D06	classic grey					7HE	provence blue		94-	
	G47	cobalt blue		-93			1JE	cedar green		94-	
	L52	magenta		-93		(9)	945 555 071 02	floor mat	/RL	94-	1
	D42	light grey		-93			1DR	black			
	T32	cashmere beige		-93			D06	classic grey			
	4KF	marine blue		-93			8HP	midnight blue		94-	
	N02	matador red		-93			8RP	chestnut brown		94-	
	E12	carrara grey		-93			2BQ	marble grey		94-	
	J22	sherwood green		-93			T32	cashmere beige			
							7HE	provence blue		94-	

Model	Year	MG	SG	Illustration	Restrictions	UPD	10:11	24.01.2010	PORSCHE	PET	PORSCHE
968	1995	8	07	807-05		248					

Pos	Part Number	Description	Remark	Qty	Model	Pos	Part Number	Description	Remark	Qty	Model			
(10)	477 863 571 A	cedar green	94-	1		(11)	951 555 083 01	marble grey	/L	1	COUPE			
		flamenco red	94-											
		lining	/L				-93							
		black												
		classic grey												
		cobalt blue												
		magenta												
		light grey												
		cashmere beige												
		marine blue												
		matador red												
10	477 863 572 A	cedar green	94-	1		(11)	951 555 084 01	marble grey	/R	1	COUPE			
		flamenco red	94-											
		lining	/R				-93							
		black												
		classic grey												
		cobalt blue												
		magenta												
		light grey												
		cashmere beige												
		marine blue												
		matador red												
(10)	944 551 231 00	cedar green	94-	1		(11)	951 555 083 01	cashmere beige						
		flamenco red	94-											
		lining												
		black												
		classic grey												
		cobalt blue												
		magenta												
		light grey												
		cashmere beige												
		marine blue												
		matador red												
(10)	944 551 231 00	cedar green	94-	1		(11)	951 555 084 01	cashmere beige						
		flamenco red	94-											
		lining												
		black												
		classic grey												
		cobalt blue												
		magenta												
		light grey												
		cashmere beige												
		marine blue												
		matador red												

Model	Year	MG	SG	Illustration	Restrictions	UPD	10:11	24.01.2010	PORSCHE	PET	PORSCHE
968	1995	8	07	807-05		248					

Pos	Part Number	Description	Remark	Qty	Model	Pos	Part Number	Description	Remark	Qty	Model
	8RP	chestnut brown	94-				D06	classic grey			
	2BQ	marble grey	94-				G47	cobalt blue	-93		
	T32	cashmere beige					L52	magenta	-93		
	4KF	marine blue	-93				D42	light grey	-93		
	N02	matador red	-93				8HP	midnight blue	94-		
	E12	carrara grey	-93				8RP	chestnut brown	94-		
	J22	sherwood green	-93				2BQ	marble grey	94-		
	7HE	provence blue	94-				T32	cashmere beige			
	1JE	cedar green	94-				4KF	marine blue	-93		
	4UP	flamenco red	94-				N02	matador red	-93		
(11)	941 555 083 11	side trim panel	/L	1	CABRIO		E12	carrara grey	-93		
	1DR	black					J22	sherwood green	-93		
	D06	classic grey					7HE	provence blue	94-		
	G47	cobalt blue	-93				1JE	cedar green	94-		
	L52	magenta	-93				4UP	flamenco red	94-		
	D42	light grey	-93			(11)	944 555 083 05	side trim panel	/L	1	968CS
	8HP	midnight blue	94-				1DR	black			
	8RP	chestnut brown	94-			(11)	944 555 083 06	side trim panel	/L	94-	1 968CS M685
	2BQ	marble grey	94-				1DR	black			
	T32	cashmere beige				(11)	944 555 084 05	side trim panel	/R	1	968CS
	4KF	marine blue	-93				1DR	black			
	N02	matador red	-93			12	951 555 063 00	boot floor lining	-94	1	COUPE
	E12	carrara grey	-93				1DR	black			
	J22	sherwood green	-93				D06	classic grey			
	7HE	provence blue	94-				G47	cobalt blue	-93		
	1JE	cedar green	94-				L52	magenta	-93		
	4UP	flamenco red	94-				D42	light grey	-93		
(11)	941 555 084 11	side trim panel	/R	1	CABRIO		8HP	midnight blue	94-		
	1DR	black									

Model	Year	MG	SG	Illustration	Restrictions	UPD	10:11	24.01.2010	PORSCHE	PET	PORSCHE
968	1995	8	07	807-05		248					

Pos	Part Number	Description	Remark	Qty	Model	Pos	Part Number	Description	Remark	Qty	Model
	8RP	chestnut brown	94-				D06	classic grey			
	2BQ	marble grey	94-				8HP	midnight blue			
	T32	cashmere beige					8RP	chestnut brown			
	4KF	marine blue	-93				2BQ	marble grey			
	N02	matador red	-93				T32	cashmere beige			
	E12	carrara grey	-93				7HE	provence blue			
	J22	sherwood green	-93				1JE	cedar green			
	7HE	provence blue	94-				4UP	flamenco red			
	1JE	cedar green	94-			(12)	944 555 063 14	boot floor lining	95-	1	COUPE
	4UP	flamenco red	94-				1DR	black			
(12)	941 555 063 11	boot floor lining		1	CABRIO		D06	classic grey			
	1DR	black					8HP	midnight blue			
	D06	classic grey					8RP	chestnut brown			
	G47	cobalt blue	-93				2BQ	marble grey			
	L52	magenta	-93				T32	cashmere beige			
	D42	light grey	-93				7HE	provence blue			
	8HP	midnight blue	94-				1JE	cedar green			
	8RP	chestnut brown	94-				4UP	flamenco red			
	2BQ	marble grey	94-			13	N 013 957 5	tapping screw B 3,5 X 9,5		6	
	T32	cashmere beige				14	968 555 901 00	set of fastening parts		6	
	4KF	marine blue	-93			15	N 011 665 3	washer 5,3		6	
	N02	matador red	-93			16	477 863 747	clip		X	
	E12	carrara grey	-93				01C	black			
	J22	sherwood green	-93				4XC	classic grey			
	7HE	provence blue	94-				6ZF	cobalt blue	-93		
	1JE	cedar green	94-				6WX	magenta	-93		
	4UP	flamenco red	94-				9ZN	light grey	-93		
12	951 555 063 00	boot floor lining	(AUS) 95-	1	COUPE		2GS	midnight blue	94-		
	1DR	black									

Model	Year	MG	SG	Illustration	Restrictions	UPD	10:11	24.01.2010	PORSCHE	PET	PORSCHE
968	1995	8	07	807-05		248					

Pos	Part Number	Description	Remark	Qty	Model	Pos	Part Number	Description	Remark	Qty	Model
	4PV	chestnut brown	94-				D06	classic grey			
	3BE	marble grey	94-				G47	cobalt blue	-93		
	3UD	cashmere beige					L52	magenta	-93		
	9JJ	marine blue	-93				D42	light grey	-93		
17	900 143 064 07	tapping screw B 3,5 X 25		2			8HP	midnight blue	94-		
18	N 011 521 3	washer A 3,7 X 8		2			8RP	chestnut brown	94-		
19	999 703 176 40	round buffer		2			2BQ	marble grey	94-		
22	968 555 901 00	set of fastening parts		6			T32	cashmere beige			
23	968 555 901 00	set of fastening parts		6			4KF	marine blue	-93		
24	944 555 389 00	cover	/LL	1	M650		N02	matador red	-93		
(24)	945 555 389 00	cover	/RL	1	M650		E12	carrara grey	-93		
25	999 591 885 13	push button cap		6			J22	sherwood green	-93		
	041	black					7HE	provence blue	94-		
	C01	classic grey					1JE	cedar green	94-		
	G42	cobalt blue	-93			28	941 555 326 10	lining	/H/R	1	CABRIO
	F30	magenta	-93				1DR	black			
	E28	light grey	-93				D06	classic grey			
	2GE	midnight blue	94-				G47	cobalt blue	-93		
	9QA	chestnut brown	94-				L52	magenta	-93		
	4AS	marble grey	94-				D42	light grey	-93		
	R07	cashmere beige					8HP	midnight blue	94-		
26	999 591 834 17	snap fastener lower part 10,2X4,7		4			8RP	chestnut brown	94-		
(26)	999 507 393 12	snap fastener lower part 10,2X9		2			2BQ	marble grey	94-		
27	999 591 836 17	push button		6			T32	cashmere beige			
(28)	941 555 325 10	lining	/H/L	1	CABRIO		4KF	marine blue	-93		
	1DR	black					N02	matador red	-93		
							E12	carrara grey	-93		
							J22	sherwood green	-93		

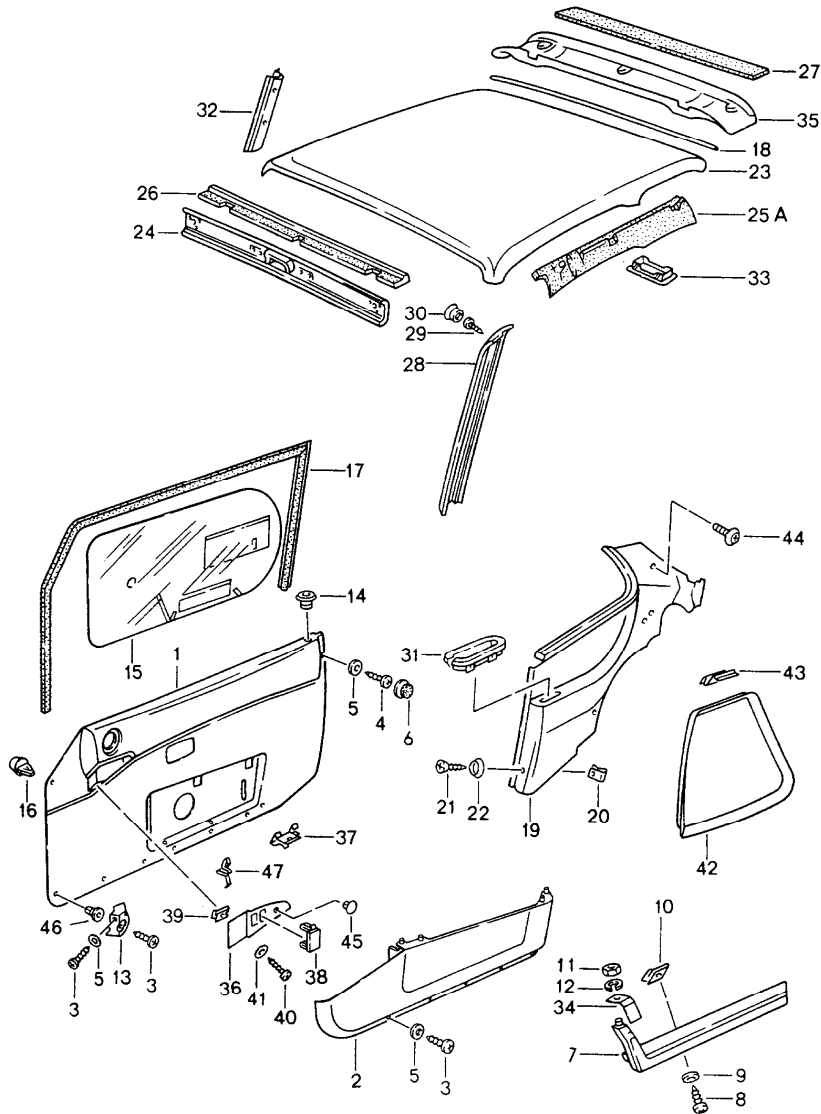
Model	Year	MG	SG	Illustration	Restrictions	UPD	10:11	24.01.2010	PORSCHE	PET	PORSCHE
968	1995	8	07	807-05		248					

Pos	Part Number	Description	Remark	Qty	Model	Pos	Part Number	Description	Remark	Qty	Model
	7HE	provence blue	94-				D42	light grey	-93		
	1JE	cedar green	94-				8HP	midnight blue	94-		
	4UP	flamenco red	94-				8RP	chestnut brown	94-		
30	478 863 765	foot support	/RL/R	1			2BQ	marble grey	94-		
(30)	478 863 763 A	foot support	/RL/R	1	M249		T32	cashmere beige			
31	478 863 767	carpet	/RL/R	1			4KF	marine blue	-93		
	1DR	black					N02	matador red	-93		
	D06	classic grey					E12	carrara grey	-93		
	G47	cobalt blue	-93				J22	sherwood green	-93		
	L52	magenta	-93				7HE	provence blue	94-		
	D42	light grey	-93				1JE	cedar green	94-		
	8HP	midnight blue	94-				4UP	flamenco red	94-		
	8RP	chestnut brown	94-			35	941 555 673 10	lining		1	CABRIO
	2BQ	marble grey	94-					cd changer			M692
	T32	cashmere beige					1DR	black			
	4KF	marine blue	-93				D06	classic grey			
	N02	matador red	-93				G47	cobalt blue	-93		
	E12	carrara grey	-93				L52	magenta	-93		
	J22	sherwood green	-93				D42	light grey	-93		
	7HE	provence blue	94-				8HP	midnight blue	94-		
	1JE	cedar green	94-				8RP	chestnut brown	94-		
	4UP	flamenco red	94-				2BQ	marble grey	94-		
32	999 591 837 40	push button		2			T32	cashmere beige			
33	944 551 437 00	sleeve		2			4KF	marine blue	-93		
34	941 555 119 10	luggage compartment trim		1	CABRIO		N02	matador red	-93		
	1DR	black					E12	carrara grey	-93		
	D06	classic grey					J22	sherwood green	-93		
	G47	cobalt blue	-93				7HE	provence blue	94-		
	L52	magenta	-93				1JE	cedar green	94-		

Model	Year	MG	SG	Illustration	Restrictions	UPD	10:11	24.01.2010	PORSCHE	PET	PORSCHE
968	1995	8	07	807-05		248					

Pos	Part Number	Description	Remark	Qty	Model	Pos	Part Number	Description	Remark	Qty	Model
	4UP	flamenco red	94-								
36	999 902 019 40	velcro fastener 26,15 X 26,15 not for	(AUS)	95- 6	COUPE						

Model	Year	MG	SG	Illustration	Restrictions	UPD	10:12	24.01.2010	PORSCHE	PET	PORSCHE
968	1995	8	07	807-10		248					



Pos	Part Number	Description	Remark	Qty	Model
(1) A	944 555 917 00	door trim panel rooflining	/L	-93	1
		BQN black			
		BQP classic grey			
		BQQ cobalt blue			
		ASP magenta			
		CCA black/light grey			
		CCC classic grey/light grey			
		CCE cobalt blue/light grey			
		CCG magenta/light grey			
		CCJ black/cashmere beige			
		CCL marine blue when required order also:			
1 A	944 555 918 00	door trim panel leatherette	/R	-93	1
		BQN black			
		BQP classic grey			
		BQQ cobalt blue			
		ASP magenta			
		CCA black/light grey			
		CCC classic grey/light grey			
		CCE cobalt blue/light grey			
		CCG magenta/light grey			
		CCJ black/cashmere beige			
		CCL marine blue when required order also:			
-	477 837 471 A	sealing for door slot			X COUPE
-	941 537 572 10	sealing for door slot	/L		X CABRIO
-	941 537 572 10	sealing for door slot	/R		X CABRIO

Model	Year	MG	SG	Illustration	Restrictions	UPD	10:12	24.01.2010	PORSCHE	PET	PORSCHE
968	1995	8	07	807-10		248					

Pos	Part Number	Description	Remark	Qty	Model	Pos	Part Number	Description	Remark	Qty	Model
(1)	944 555 067 00	door trim panel leatherette	/L	1			DBK	midnight blue			
	BQN	black					DCH	chestnut brown			
	BQP	classic grey					DDH	black/marble grey			
	DBK	midnight blue					DBN	midnight blue/marble grey			
	DCH	chestnut brown					CCJ	black/cashmere beige			
	DDH	black/marble grey				(1)	944 555 917 01	door trim panel leatherette/ multicolour	/L	-93	1 M526
	DBN	midnight blue/marble grey					SQ8	black			
	CCJ	black/cashmere beige					AQY	classic grey			
1	944 555 068 00	door trim panel leatherette	/R	1			AQX	cobalt blue			
	BQN	black					ASS	magenta			
	BQP	classic grey					SQ3	black/light grey			
	DBK	midnight blue					CFF	classic grey/light grey			
	DCH	chestnut brown					CFG	cobalt blue/light grey			
	DDH	black/marble grey					CFH	magenta/light grey			
	DBN	midnight blue/marble grey					CFJ	black/cashmere beige			
	CCJ	black/cashmere beige					SQ7	marine blue			
(1)	944 555 067 03	door trim panel leatherette	/L	94-	1 M490	(1)	944 555 918 01	door trim panel leatherette/ multicolour	/R	-93	1 M526
	BQN	black					SQ8	black			
	BQP	classic grey					AQY	classic grey			
	DBK	midnight blue					AQX	cobalt blue			
	DCH	chestnut brown					ASS	magenta			
	DDH	black/marble grey					SQ3	black/light grey			
	DBN	midnight blue/marble grey					CFF	classic grey/light grey			
	CCJ	black/cashmere beige					CFG	cobalt blue/light grey			
(1)	944 555 068 03	door trim panel leatherette	/R	94-	1 M490		CFH	magenta/light grey			
	BQN	black					CFJ	black/cashmere beige			
	BQP	classic grey					SQ7	marine blue			

Model	Year	MG	SG	Illustration	Restrictions	UPD	10:12	24.01.2010	PORSCHE	PET	PORSCHE
968	1995	8	07	807-10		248					

Pos	Part Number	Description	Remark	Qty	Model	Pos	Part Number	Description	Remark	Qty	Model
(1)	944 555 917 01	door trim panel leatherette/ porsche lettering cloth	/L -93	1	M526	1	A 944 555 917 02	door trim panel leather	/L -93	1	
	NU5	black					QD4	black			
	APJ	classic grey					APQ	classic grey			
	ARJ	cobalt blue					ARQ	cobalt blue			
	ASY	magenta					ASQ	magenta			
	CFK	black/light grey					CCB	black/light grey			
	CFL	classic grey/light grey					CCD	classic grey/light grey			
	CFM	cobalt blue/light grey					CCF	cobalt blue/light grey			
	CFN	magenta/light grey					CCH	magenta/light grey			
	CFP	black/cashmere beige					CCK	black/cashmere beige			
	SM9	marine blue when required order also:					CCM	marine blue			
(1)	944 555 918 01	door trim panel leatherette/ porsche lettering cloth	/R -93	1	M526		BQR	matador red			
	NU5	black					BQS	carrara grey			
	APJ	classic grey					BQT	sherwood green when required order also:			
	ARJ	cobalt blue				(1)	A 944 555 918 02	door trim panel leather	/R -93	1	
	ASY	magenta					QD4	black			
	CFK	black/light grey					APQ	classic grey			
	CFL	classic grey/light grey					ARQ	cobalt blue			
	CFM	cobalt blue/light grey					ASQ	magenta			
	CFN	magenta/light grey					CCB	black/light grey			
	CFP	black/cashmere beige					CCD	classic grey/light grey			
	SM9	marine blue when required order also:					CCF	cobalt blue/light grey			
-	477 837 471 A	sealing for door slot		X	COUPE		CCH	magenta/light grey			
-	941 537 572 10	sealing for door slot	/L	X	CABRIO		CCK	black/cashmere beige			
-	941 537 572 10	sealing for door slot	/R	X	CABRIO		CCM	marine blue			
							BQR	matador red			
							BQS	carrara grey			

Model	Year	MG	SG	Illustration	Restrictions	UPD	10:12	24.01.2010	PORSCHE	PET	PORSCHE
968	1995	8	07	807-10		248					

Pos	Part Number	Description	Remark	Qty	Model	Pos	Part Number	Description	Remark	Qty	Model
	BQT	sherwood green when required order also:					DFG	flamenco red			
-	477 837 471 A	sealing for door slot		X	COUPE	(1)	944 555 067 05	door trim panel leather	/L 94-	1	M490
-	941 537 572 10	sealing for door slot	/L	X	CABRIO		ATT	black			
-	941 537 572 10	sealing for door slot	/R	X	CABRIO		APQ	classic grey			
(1)	944 555 067 02	door trim panel leather	/L	1			DBM	midnight blue			
	ATT	black					DCK	chestnut brown			
	APQ	classic grey					DDK	black/marble grey			
	DBM	midnight blue					DBQ	midnight blue/marble grey			
	DCK	chestnut brown					CCK	black/cashmere beige			
	DDK	black/marble grey					DFC	black/provence blue			
	DBQ	midnight blue/marble grey					DFD	midnight bl./provence blue			
	CCK	black/cashmere beige					DFE	cedar green			
	DFC	black/provence blue					DFG	flamenco red			
	DFD	midnight bl./provence blue				(1)	944 555 068 05	door trim panel leather	/R 94-	1	M490
	DFE	cedar green					ATT	black			
	DFG	flamenco red					APQ	classic grey			
1	944 555 068 02	door trim panel leather	/R	1			DBM	midnight blue			
	ATT	black					DCK	chestnut brown			
	APQ	classic grey					DDK	black/marble grey			
	DBM	midnight blue					DBQ	midnight blue/marble grey			
	DCK	chestnut brown					CCK	black/cashmere beige			
	DDK	black/marble grey					DFC	black/provence blue			
	DBQ	midnight blue/marble grey					DFD	midnight bl./provence blue			
	CCK	black/cashmere beige					DFE	cedar green			
	DFC	black/provence blue					DFG	flamenco red			
	DFD	midnight bl./provence blue				(1)	944 555 017 06	door trim panel leatherette	/L	1	968CS
	DFE	cedar green					BQN	black			

Model	Year	MG	SG	Illustration	Restrictions	UPD	10:12	24.01.2010	PORSCHE	PET	PORSCHE
968	1995	8	07	807-10		248					

Pos	Part Number	Description	Remark	Qty	Model	Pos	Part Number	Description	Remark	Qty	Model
(1)	944 555 018 06	door trim panel leatherette	/R	1	968CS		1JE	cedar green	94-		
	BQN	black					4UP	flamenco red	94-		
2	944 555 043 01	shelf	/L	1		(2)	944 555 273 00	shelf	/L	1	968CS
	1DR	black					1DR	black			
	D06	classic grey				(2)	944 555 274 00	shelf	/R	1	968CS
	G47	cobalt blue	-93				1DR	black			
	L52	magenta	-93			3	N 013 962 3	tapping screw B 3,9 X 16		6	
	D42	light grey	-93			4	311 867 167	tapping screw 4,2		4	
	8HP	midnight blue	94-			5	N 011 664 13	washer 4,3		10	
	8RP	chestnut brown	94-			6	311 867 169	cap		4	
	2BQ	marble grey	94-				01C	black			
	T32	cashmere beige					4XC	classic grey			
	4KF	marine blue	-93				6ZF	cobalt blue	-93		
	7HE	provence blue	94-				6WX	magenta	-93		
	1JE	cedar green	94-				9JJ	marine blue	-93		
	4UP	flamenco red	94-				2GS	midnight blue	94-		
(2)	944 555 044 01	shelf	/R	1			4PV	chestnut brown	94-		
	1DR	black				(7)	944 555 075 01	armrest leatherette	/L	-93	1
	D06	classic grey					05T	black			
	G47	cobalt blue	-93				2WJ	classic grey			
	L52	magenta	-93				9ZH	cobalt blue			
	D42	light grey	-93				4WY	magenta			
	8HP	midnight blue	94-				1ZU	light grey			
	8RP	chestnut brown	94-				7RT	cashmere beige			
	2BQ	marble grey	94-				1KX	marine blue			
	T32	cashmere beige				7	944 555 076 01	armrest leatherette	/R	-93	1
	4KF	marine blue	-93								
	7HE	provence blue	94-								

Model	Year	MG	SG	Illustration	Restrictions	UPD	10:12	24.01.2010	PORSCHE	PET	PORSCHE
968	1995	8	07	807-10		248					

Pos	Part Number	Description	Remark	Qty	Model	Pos	Part Number	Description	Remark	Qty	Model
		05T black					6YL magenta		-93		
		2WJ classic grey					8ZL light grey		-93		
		9ZH cobalt blue					H24 midnight blue		94-		
		4WY magenta					T15 chestnut brown		94-		
		1ZU light grey					3QN marble grey		94-		
		7RT cashmere beige					4YU cashmere beige				
		1KX marine blue					H05 marine blue		-93		
(7)	944 555 075 51	armrest leather	/L	1	M981		M05 matador red		-93		
		8YR black					D35 carrara grey		-93		
		6XL classic grey					J25 sherwood green		-93		
		9YL cobalt blue					G43 provence blue		94-		
		6YL magenta					K03 cedar green		94-		
		8ZL light grey					8SE flamenco red		94-		
		H24 midnight blue				8	900 143 019 07	oval-head sheetmetal screw B 4,8 X 22		6	
		T15 chestnut brown				9	N 012 225 3	spring washer B 5		6	
		3QN marble grey				10	999 591 722 02	speed nut B 4,8 X 19,8		6	
		4YU cashmere beige				11	900 910 010 09	lock nut M 6		2	
		H05 marine blue				12	N 011 524 7	washer 6		2	
		M05 matador red				(13)	944 555 449 00	mounting	/L	2	
		D35 carrara grey				13	944 555 450 00	mounting	/R	2	
		J25 sherwood green				14	928 555 569 02	guide bush		2	
		G43 provence blue				(15) A	944 555 177 05	seal	/L	1	
		K03 cedar green				(15)	944 555 177 05	sealing film	/L	1	
		8SE flamenco red				15 A	944 555 178 05	seal	/R	1	
(7)	944 555 076 51	armrest leather	/R	1	M981	15	944 555 178 05	sealing film	/R	1	
		8YR black				16	823 867 299	clip		27	
		6XL classic grey									
		9YL cobalt blue									

Model	Year	MG	SG	Illustration	Restrictions	UPD	10:12	24.01.2010	PORSCHE	PET	PORSCHE
968	1995	8	07	807-10		248					

Pos	Part Number	Description	Remark	Qty	Model	Pos	Part Number	Description	Remark	Qty	Model
(17)	944 555 031 01	door seal	/L -92	1		19	944 555 021 13	side trim panel	/L 93	1	COUPE
(17)	944 555 032 01	door seal	/R -92	1			05T	black			
(17)	944 555 031 01	door seal	/L 93-	1			B05	classic grey			
(17)	944 555 032 01	door seal	/R 93-	1			G01	cobalt blue			
18	477 867 543	roof strut		3			F61	magenta			
19	944 555 021 11	side trim panel	/L 92	1	COUPE		3KY	marine blue			
	05T	black				(19)	944 555 021 13	side trim panel	/R 93	1	COUPE
	B05	classic grey					05T	black			
	G01	cobalt blue					B05	classic grey			
	F61	magenta					G01	cobalt blue			
	3KY	marine blue					F61	magenta			
(19)	944 555 021 13	side trim panel	/L 92	1	M490		3KY	marine blue			
	05T	black				(19)	944 555 021 16	side trim panel	/L 94-	1	COUPE
	B05	classic grey					05T	black			
	G01	cobalt blue					B05	classic grey			
	F61	magenta					1HS	midnight blue			
	3KY	marine blue					4PL	chestnut brown			
(19)	944 555 022 11	side trim panel	/R 92	1	COUPE	(19)	944 555 022 16	side trim panel	/R 94-	1	COUPE
	05T	black					05T	black			
	B05	classic grey					B05	classic grey			
	G01	cobalt blue					1HS	midnight blue			
	F61	magenta					4PL	chestnut brown			
	3KY	marine blue				(19)	944 555 021 15	side trim panel	/L	1	968CS
(19)	944 555 022 13	side trim panel	/R 92	1	M490		05T	black			
	05T	black				(19)	944 555 022 15	side trim panel	/R	1	968CS
	B05	classic grey					05T	black			
	G01	cobalt blue				20	N 015 438 1	speed nut		2	
	F61	magenta						B 3,5 X 16,5			
	3KY	marine blue				21	N 014 087 5	rais. counters. h. tap. s.		4	
								B 3,5 X 16			

Model	Year	MG	SG	Illustration	Restrictions	UPD	10:12	24.01.2010	PORSCHE	PET	PORSCHE
968	1995	8	07	807-10		248					

Pos	Part Number	Description	Remark	Qty	Model	Pos	Part Number	Description	Remark	Qty	Model
22	N 011 578 1	cone washer 3,7		4			6PN	chestnut brown	94-		
23	477 867 503	rooflining		1		25A	944 555 115 01	roof frame padding	/L	1	M650
	05T	black	-93			(25A)	944 555 116 01	roof frame padding	/R	1	M650
	4WH	classic grey	-93			26	944 564 531 02	roof frame padding	/V	1	M650
	2YR	cobalt blue	-93			27	944 555 533 00	roof frame padding	/H	1	M650
	5VW	magenta	-93			28	944 555 053 00	lining windscreen frame	/L	1	
	1KX	marine blue	-93				05T	black			
	5VE	black	94-				9WH	classic grey			
	6WP	classic grey	94-				7YG	cobalt blue	-93		
	1GE	midnight blue	94-				9YF	magenta	-93		
	1NE	chestnut brown	94-				1KX	marine blue	-93		
(23)	944 555 519 00	rooflining		1	M650		3HP	midnight blue	94-		
	05T	black	-93				6PN	chestnut brown	94-		
	4YW	classic grey	-93			(28)	944 555 054 00	lining windscreen frame	/R	1	
	3YW	cobalt blue	-93				05T	black			
	N01	magenta	-93				9WH	classic grey			
	3KY	marine blue	-93				7YG	cobalt blue	-93		
	5VE	black	94-				9YF	magenta	-93		
	6WP	classic grey	94-				1KX	marine blue	-93		
	1GE	midnight blue	94-				3HP	midnight blue	94-		
	1NE	chestnut brown	94-				6PN	chestnut brown	94-		
24	944 555 037 00	lining roof frame	/V	1		29	N 013 962 2	tapping screw B 3,9 X 16		6	
	05T	black				30	914 552 233 10	filler piece		6	
	9WH	classic grey					01C	black			
	7YG	cobalt blue	-93				4XC	classic grey			
	9YF	magenta	-93				6ZF	cobalt blue			
	1KX	marine blue	-93				6WX	magenta			
	3HP	midnight blue	94-								

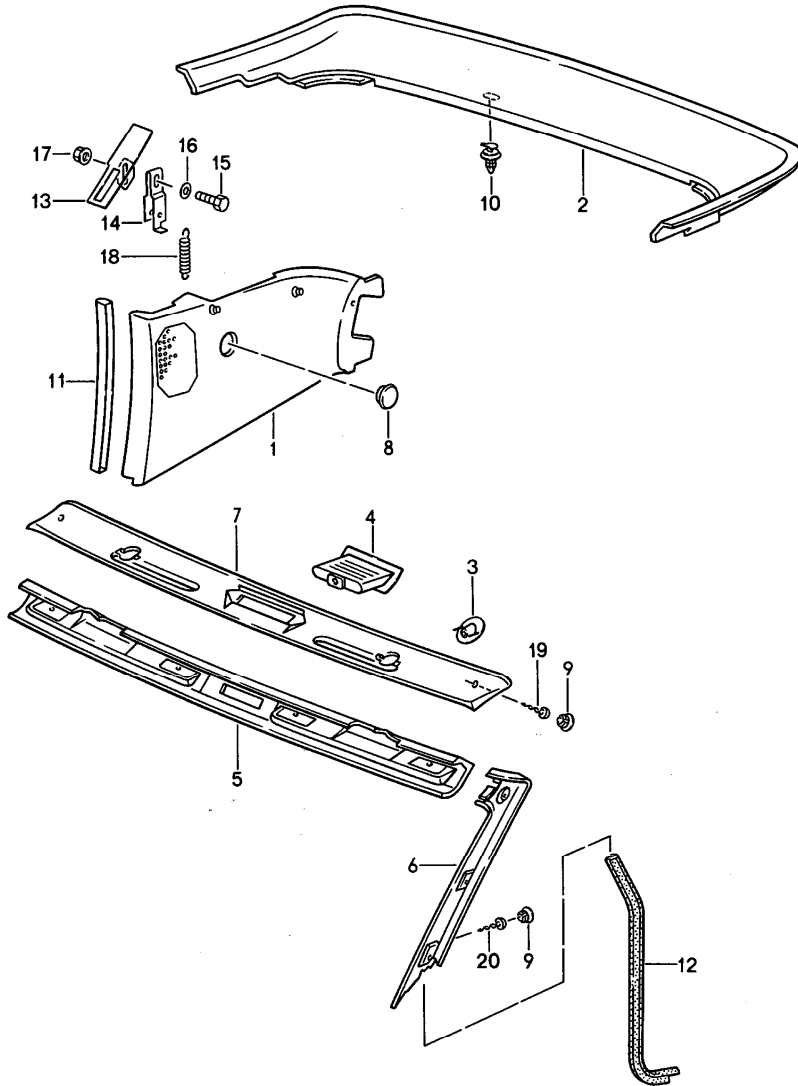
Model	Year	MG	SG	Illustration	Restrictions	UPD	10:12	24.01.2010	PORSCHE	PET	PORSCHE
968	1995	8	07	807-10		248					

Pos	Part Number	Description	Remark	Qty	Model	Pos	Part Number	Description	Remark	Qty	Model
	9JJ	marine blue					5PW	chestnut brown	94-		
31	477 867 653	rosette		2		(34)	477 867 153	fastening hook	/L	1	
32	477 867 655	lining	/L	1		34	477 867 154	fastening hook	/R	1	
	05T	black		-93		35	944 555 041 01	lining	/H	1	M650
	4YW	classic grey		-93			05T	black			
	3YW	cobalt blue		-93			B17	classic grey			
	N01	magenta		-93			G23	cobalt blue	-93		
	3KY	marine blue		-93			L35	magenta	-93		
	5VE	black		94-			3KY	marine blue	-93		
	6WP	classic grey		94-			1HS	midnight blue	94-		
	1GE	midnight blue		94-			4PL	chestnut brown	94-		
	1NE	chestnut brown		94-		(36)	944 555 271 00	cover	/LL/L	1	
(32)	477 867 656	lining	/R	1			1DB	black			
	05T	black		-93		36	944 555 272 01	cover	/LL/R	1	
	4YW	classic grey		-93			1DB	black			
	3YW	cobalt blue		-93		(36)	945 555 271 01	cover	/RL/L	1	
	N01	magenta		-93			1DB	black			
	3KY	marine blue		-93		(36)	945 555 272 00	cover	/RL/R	1	
	5VE	black		94-			1DB	black			
	6WP	classic grey		94-		37	944 555 437 00	clamp		2	
	1GE	midnight blue		94-		38	951 613 255 00	cover		X	
	1NE	chestnut brown		94-			1DB	black			
33	477 867 923 A	cap		2		39	N 100 509 02	speed nut		4	
	01C	black				40	N 013 959 3	tapping screw B 3,5 X 16		4	
	4XC	classic grey				40	900 143 016 01	tapping screw B 3,5 X 16		4	
	6ZF	cobalt blue		-93		41	N 011 554 6	washer 3,7		4	
	6WX	magenta		-93		(42)	944 555 535 00	covering frame	/L	1	
	9JJ	marine blue		-93							
	3HE	midnight blue		94-							

Model	Year	MG	SG	Illustration	Restrictions	UPD	10:12	24.01.2010	PORSCHE	PET	PORSCHE
968	1995	8	07	807-10		248					

Pos	Part Number	Description	Remark	Qty	Model	Pos	Part Number	Description	Remark	Qty	Model
	01C	black									
42	944 555 536 00	covering frame	/R	1							
	01C	black									
43	999 507 364 02	clamp		4							
44	999 703 403 40	stopper		2	968CS						
45	999 703 404 40	cap		1	968CS						
	1DB	black									
46	999 507 043 40	expander nut		2							
47	944 555 453 00	clamp		2							

Model	Year	MG	SG	Illustration	Restrictions	UPD	10:12	24.01.2010	PORSCHE	PET	PORSCHE
968	1995	8	07	807-15		248					



Pos	Part Number	Description	Remark	Qty	Model
		linings			CABRIO
(1)	941 555 021 10	side trim panel	/L	1	
	05T	black			
	B10	classic grey			
	G12	cobalt blue	-93		
	M24	magenta	-93		
	3KY	marine blue	-93		
	1HS	midnight blue	94-		
	4PL	chestnut brown	94-		
1	941 555 022 10	side trim panel	/R	1	
	05T	black			
	B10	classic grey			
	G12	cobalt blue	-93		
	M24	magenta	-93		
	3KY	marine blue	-93		
	1HS	midnight blue	94-		
	4PL	chestnut brown	94-		
2	941 555 232 10	lining		1	
	A15	anthracite			
3	941 555 335 10	rosette		2	
	01C	satin black			
4	941 555 339 10	finger plate		1	
	01C	black			
5	941 555 037 10	lining windscreen frame		1	
	05T	black			
	B10	classic grey			
	G12	cobalt blue	-93		
	M24	magenta	-93		

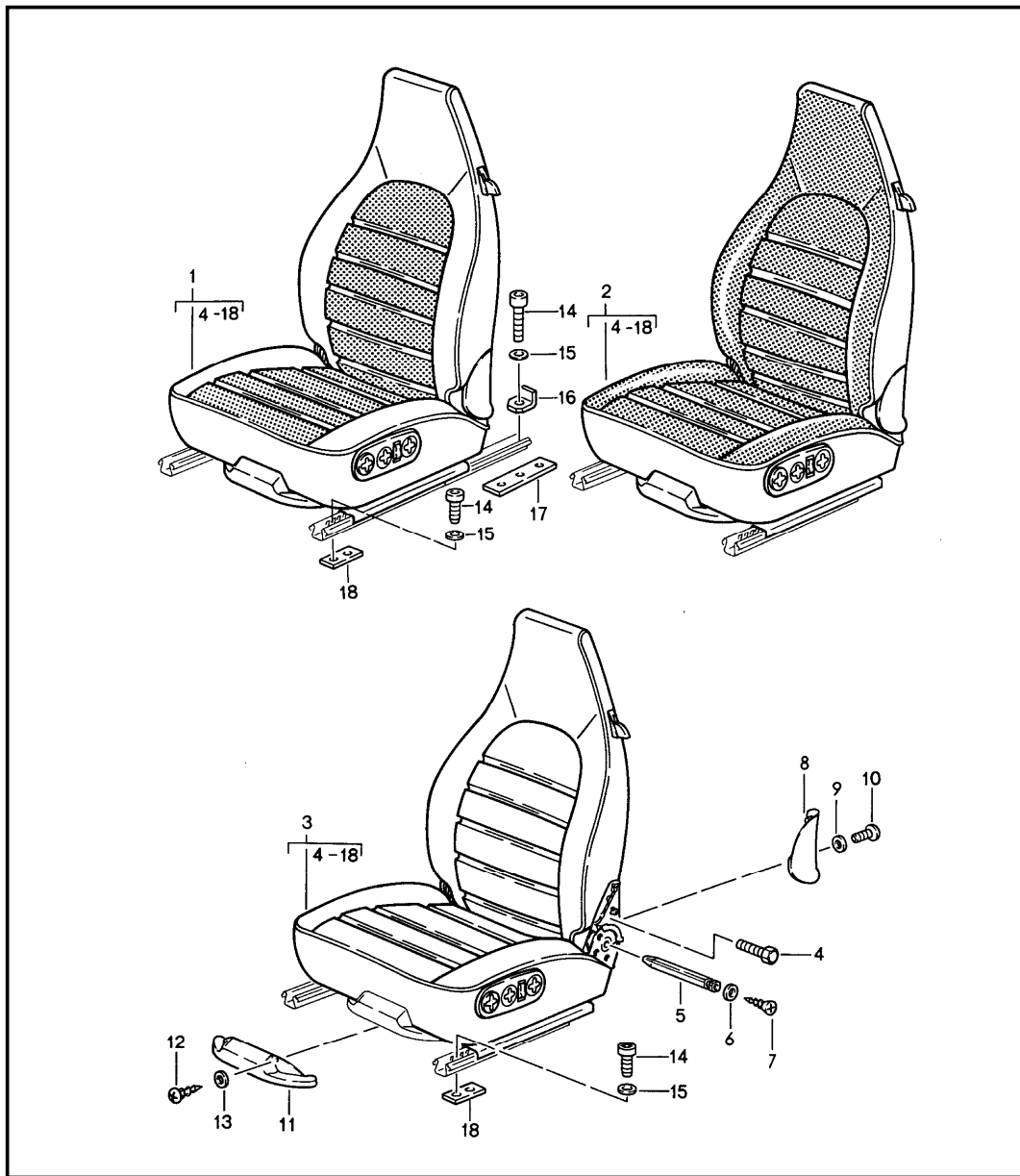
Model	Year	MG	SG	Illustration	Restrictions	UPD	10:12	24.01.2010	PORSCHE	PET	PORSCHE
968	1995	8	07	807-15		248					

Pos	Part Number	Description	Remark	Qty	Model	Pos	Part Number	Description	Remark	Qty	Model
	3KY	marine blue	-93				70B	black			
	1HS	midnight blue	94-				4XC	classic grey			
	4PL	chestnut brown	94-				6ZF	cobalt blue	-93		
6	941 555 053 10	lining windscreen frame	/L	1			6WX	magenta	-93		
	05T	black					9JJ	marine blue	-93		
	B10	classic grey					2GS	midnight blue	94-		
	G12	cobalt blue	-93				4PV	chestnut brown	94-		
	M24	magenta	-93			9	941 504 710 10	filler piece		8	
	3KY	marine blue	-93				01C	black			
	1HS	midnight blue	94-				6ZF	cobalt blue magenta	-93 -93		
	4PL	chestnut brown	94-				9JJ	marine blue	-93		
(6)	941 555 054 10	lining windscreen frame	/R	1			2GS	midnight blue	94-		
	05T	black					4PV	chestnut brown	94-		
	B10	classic grey				10	941 504 715 10	fastening plug		8	
	G12	cobalt blue	-93			11	941 555 593 10	pipings		2	
	M24	magenta	-93			12	941 555 743 11	gasket	/L	1	
	3KY	marine blue	-93			(12)	941 555 744 11	gasket hinge pillar	/R	1	
	1HS	midnight blue	94-			(13)	941 555 131 10	cover	/L	1	
	4PL	chestnut brown	94-				A15	anthracite			
7	941 555 337 10	lining		1		13	941 555 132 10	cover	/R	1	
	05T	black					A15	anthracite			
	B10	classic grey				(14)	941 555 355 10	joint fork	/L	1	
	G12	cobalt blue	-93			14	941 555 356 10	joint fork	/R	1	
	M24	magenta	-93			15	941 504 806 10	hexagon-head bolt M 6 X 16		2	
	3KY	marine blue	-93			16	N 011 524 7	washer A 6,4		2	
	1HS	midnight blue	94-			17	900 910 010 09	lock nut M 6		2	
	4PL	chestnut brown	94-								
8	911 555 523 66	cap		2							

Model	Year	MG	SG	Illustration	Restrictions	UPD	10:12	24.01.2010	PORSCHE	PET	PORSCHE
968	1995	8	07	807-15		248					

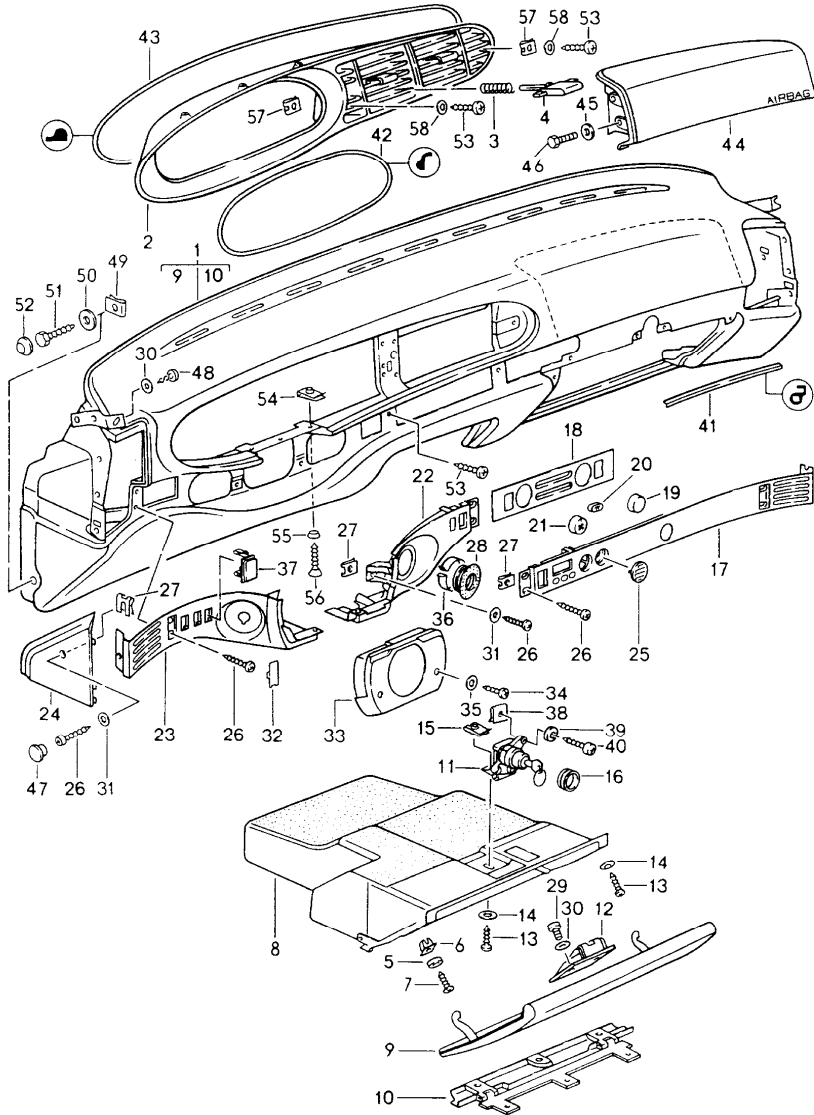
Pos	Part Number	Description	Remark	Qty	Model	Pos	Part Number	Description	Remark	Qty	Model
18	941 555 525 10	spring		2							
19	900 143 085 07	tapping screw B 4,2 X 16		4							
20	900 143 146 07	tapping screw B 4,2 X 9,5		10							

Model	Year	MG	SG	Illustration	Restrictions	UPD	10:12	24.01.2010	PORSCHE	PET	PORSCHE
968	1995	8	08	808-00		248					



Pos	Part Number	Description	Remark	Qty	Model
		seat complete			
		group			
		8/08/00 - 8/08/60			
		see group			
		8/04/60 - 8/04/86			
		catalogue			
		STZ.18			

Model	Year	MG	SG	Illustration	Restrictions	UPD	10:12	24.01.2010	PORSCHE	PET	PORSCHE
968	1995	8	09	809-00		248					



Pos	Part Number	Description	Remark	Qty	Model
1	944 552 085 00	dashboard trim	/LL	92	1 M564
	NW8	black			
	APN	classic grey			
	ARN	cobalt blue	-93		
	CCN	magenta	-93		
	CCQ	black/light grey	-93		
	CCS	classic grey/light grey	-93		
	CCU	cobalt blue/light grey	-93		
	CCW	magenta/light grey	-93		
	CCY	black/cashmere beige			
	US1	marine blue	-93		
1	944 552 085 02	dashboard trim	/LL	93-	1 M564
	NW8	black			
	APN	classic grey			
	ARN	cobalt blue	-93		
	CCN	magenta	-93		
	CCQ	black/light grey	-93		
	CCS	classic grey/light grey	-93		
	CCU	cobalt blue/light grey	-93		
	CCW	magenta/light grey	-93		
	DBF	midnight blue	94-		
	DCF	chestnut brown	94-		
	DDF	black/marble grey	94-		
	DBH	midnight blue/marble grey	94-		
	CCY	black/cashmere beige			
	US1	marine blue	-93		
(1)	944 552 085 25	dashboard trim airbag	/LL	1	

Model	Year	MG	SG	Illustration	Restrictions	UPD	10:12	24.01.2010	PORSCHE	PET	PORSCHE
968	1995	8	09	809-00		248					

Pos	Part Number	Description	Remark	Qty	Model	Pos	Part Number	Description	Remark	Qty	Model
	NW8	black				1	944 552 085 50	dashboard trim leather	/LL	92	1 M564
	APN	classic grey					ATP	black			
	ARN	cobalt blue	-93				APP	classic grey			
	CCN	magenta	-93				ARP	cobalt blue	-93		
	CCQ	black/light grey	-93				CCP	magenta	-93		
	CCS	classic grey/light grey	-93				CCR	black/light grey	-93		
	CCU	cobalt blue/light grey	-93				CCT	classic grey/light grey	-93		
	CCW	magenta/light grey	-93				CCV	cobalt blue/light grey	-93		
	DBF	midnight blue	94-				CCX	magenta/light grey	-93		
	DCF	chestnut brown	94-				CCZ	black/cashmere beige			
	DDF	black/marble grey	94-				CFA	marine blue	-93		
	DBH	midnight blue/marble grey	94-				CFB	matador red	-93		
	CCY	black/cashmere beige					CFC	carrara grey	-93		
	US1	marine blue	-93				CFD	sherwood green	-93		
(1)	945 552 085 00	dashboard trim	/RL	1		1	944 552 085 03	dashboard trim leather	/LL	93-	1 M564
	NW8	black					ATP	black			
	APN	classic grey					APP	classic grey			
	ARN	cobalt blue	-93				ARP	cobalt blue	-93		
	CCN	magenta	-93				CCP	magenta	-93		
	CCQ	black/light grey	-93				CCR	black/light grey	-93		
	CCS	classic grey/light grey	-93				CCT	classic grey/light grey	-93		
	CCU	cobalt blue/light grey	-93				CCV	cobalt blue/light grey	-93		
	CCW	magenta/light grey	-93				CCX	magenta/light grey	-93		
	DBF	midnight blue	94-				DBG	midnight blue	94-		
	DCF	chestnut brown	94-				DCG	chestnut brown	94-		
	DDF	black/marble grey	94-				DDG	black/marble grey	94-		
	DBH	midnight blue/marble grey	94-				DBJ	midnight blue/marble grey	94-		
	CCY	black/cashmere beige					CCZ	black/cashmere beige			
	US1	marine blue	-93								

Model	Year	MG	SG	Illustration	Restrictions	UPD	10:12	24.01.2010	PORSCHE	PET	PORSCHE
968	1995	8	09	809-00		248					

Pos	Part Number	Description	Remark	Qty	Model	Pos	Part Number	Description	Remark	Qty	Model
	CFA	marine blue	-93				DEU	cedar green	94-		
	CFB	matador red	-93				DEV	flamenco red	94-		
	CFC	carrara grey	-93			(1)	945 552 085 50	dashboard trim leather	/RL	1	
	CFD	sherwood green	-93				ATP	black			
	DER	black/provence blue	94-				APP	classic grey			
	DES	midnight bl./provence blue	94-				ARP	cobalt blue	-93		
	DEU	cedar green	94-				CCP	magenta	-93		
	DEV	flamenco red	94-				CCR	black/light grey	-93		
(1)	944 552 085 26	dashboard trim airbag leather	/LL	1			CCT	classic grey/light grey	-93		
	ATP	black					CCV	cobalt blue/light grey	-93		
	APP	classic grey					CCX	magenta/light grey	-93		
	ARP	cobalt blue	-93				DBG	midnight blue	94-		
	CCP	magenta	-93				DCG	chestnut brown	94-		
	CCR	black/light grey	-93				DDG	black/marble grey	94-		
	CCT	classic grey/light grey	-93				DBJ	midnight blue/marble grey	94-		
	CCV	cobalt blue/light grey	-93				CCZ	black/cashmere beige			
	CCX	magenta/light grey	-93				CFA	marine blue	-93		
	DBG	midnight blue	94-				CFB	matador red	-93		
	DCG	chestnut brown	94-				CFC	carrara grey	-93		
	DDG	black/marble grey	94-				CFD	sherwood green	-93		
	DBJ	midnight blue/marble grey	94-				DER	black/provence blue	94-		
	CCZ	black/cashmere beige					DES	midnight bl./provence blue	94-		
	CFA	marine blue	-93				DEU	cedar green	94-		
	CFB	matador red	-93				DEV	flamenco red	94-		
	CFC	carrara grey	-93			2	944 552 023 00	dashboard trim	/LL	1	
	CFD	sherwood green	-93				1DB	black			
	DER	black/provence blue	94-			(2) A	944 552 023 01	dashboard trim airbag	/LL	1	
	DES	midnight bl./provence blue	94-				1DB	black			

Model	Year	MG	SG	Illustration	Restrictions	UPD	10:12	24.01.2010	PORSCHE	PET	PORSCHE
968	1995	8	09	809-00		248					

Pos	Part Number	Description	Remark	Qty	Model	Pos	Part Number	Description	Remark	Qty	Model
(2)	945 552 023 00	dashboard trim	/RL	1			4PL	chestnut brown	94-		
	1DB	black					9EB	marble grey	94-		
3	944 572 421 00	spring		1			R04	cashmere beige			
4	944 572 419 00	knob		1			3KY	marine blue	-93		
5	944 552 259 00	plug		2		(9) A	944 552 123 21	glove compartment cover airbag	/LL	-93	1
6	999 591 679 40	special nut		2			05T	black			
7	N 902 662 01	combination tapping screw B 3,5 X 16		2			B10	classic grey			
8	944 552 049 00	glove compartment	/LL	1	M564		G12	cobalt blue	-93		
(8)	944 552 049 01	glove compartment	/LL	1	M564/573		M24	magenta	-93		
(8)	945 552 049 00	glove compartment	/RL	1			B44	light grey	-93		
(8)	944 552 049 20	glove compartment airbag		1			R04	cashmere beige			
(8)	944 552 049 21	glove compartment airbag		1	M573	(9)	944 552 123 23	glove compartment cover airbag			1
9	944 552 123 00	glove compartment cover	/LL	92	M564		05T	black			
	05T	black					B10	classic grey			
	B10	classic grey					G12	cobalt blue	-93		
	G12	cobalt blue	-93				M24	magenta	-93		
	M24	magenta	-93				B44	light grey	-93		
	B44	light grey	-93				1HS	midnight blue	94-		
	R04	cashmere beige					4PL	chestnut brown	94-		
	3KY	marine blue	-93				9EB	marble grey	94-		
9	944 552 123 02	glove compartment cover	/LL	93-	M564		R04	cashmere beige			
	05T	black					3KY	marine blue	-93		
	B10	classic grey				(9)	945 552 123 00	glove compartment cover	/RL		1
	G12	cobalt blue	-93				05T	black			
	M24	magenta	-93				B10	classic grey			
	B44	light grey	-93				G12	cobalt blue	-93		
	1HS	midnight blue	94-				M24	magenta	-93		

Model	Year	MG	SG	Illustration	Restrictions	UPD	10:12	24.01.2010	PORSCHE	PET	PORSCHE
968	1995	8	09	809-00		248					

Pos	Part Number	Description	Remark	Qty	Model	Pos	Part Number	Description	Remark	Qty	Model
	B44	light grey		-93			M05	matador red		-93	
	1HS	midnight blue		94-			D35	carrara grey		-93	
	4PL	chestnut brown		94-			J25	sherwood green		-93	
	9EB	marble grey		94-			G43	provence blue		94-	
	R04	cashmere beige					K03	cedar green		94-	
	3KY	marine blue		-93			8SE	flamenco red		94-	
9	944 552 123 50	glove compartment cover leather	/LL	92	1 M564/981	(9) A	944 552 123 52	glove compartment cover airbag leather	/LL	-93	1 M981
	8YR	black					8YR	black			
	6XL	classic grey					6XL	classic grey			
	9YL	cobalt blue		-93			9YL	cobalt blue		-93	
	6YL	magenta		-93			6YL	magenta		-93	
	8ZL	light grey		-93			8ZL	light grey		-93	
	4YU	cashmere beige					4YU	cashmere beige			
	H05	marine blue		-93			H05	marine blue		-93	
	M05	matador red		-93			M05	matador red		-93	
	D35	carrara grey		-93			D35	carrara grey		-93	
	J25	sherwood green		-93			J25	sherwood green		-93	
9	944 552 123 55	glove compartment cover leather	/LL	93-	1 M564/981	(9)	944 552 123 54	glove compartment cover airbag leather	/LL		1 M981
	8YR	black					8YR	black			
	6XL	classic grey					6XL	classic grey			
	9YL	cobalt blue		-93			9YL	cobalt blue		-93	
	6YL	magenta		-93			6YL	magenta		-93	
	8ZL	light grey		-93			8ZL	light grey		-93	
	H24	midnight blue		94-			H24	midnight blue		94-	
	T15	chestnut brown		94-			T15	chestnut brown		94-	
	3QN	marble grey		94-			3QN	marble grey		94-	
	4YU	cashmere beige					4YU	cashmere beige			
	H05	marine blue		-93							

Model	Year	MG	SG	Illustration	Restrictions	UPD	10:12	24.01.2010	PORSCHE	PET	PORSCHE
968	1995	8	09	809-00		248					

Pos	Part Number	Description	Remark	Qty	Model	Pos	Part Number	Description	Remark	Qty	Model
	H05	marine blue	-93			(11)	944 538 951 03	twist lock for glove compartment with stipulated lock number		1	
	M05	matador red	-93								
	D35	carrara grey	-93			(12)	944 538 061 21	closing element twist lock		1	
	J25	sherwood green	-93								
	G43	provence blue	94-			13	N 013 958 14	tapping screw 3,5 X 13		1	
	K03	cedar green	94-								
	8SE	flamenco red	94-			14	N 011 663 4	washer B 3,7		1	
(9)	945 552 123 50	glove compartment cover leather	/RL	1	M981	15	999 591 349 02	speed nut B 3,5		1	
	8YR	black				16	944 538 529 00	sealing ring glove compartment lock		1	
	6XL	classic grey				(16)	944 552 585 00	retaining ring		1	
	9YL	cobalt blue	-93			17	944 552 436 00	strip for switches	/LL/R	1	
	6YL	magenta	-93				1DB	black			
	8ZL	light grey	-93			(17)	945 552 435 00	strip for switches	/RL/R	1	
	H24	midnight blue	94-				1DB	black			
	T15	chestnut brown	94-			18		cover see group 8/13/30			
	3QN	marble grey	94-								
	4YU	cashmere beige				19		knob blower switch see group 8/13/30		1	
	H05	marine blue	-93								
	M05	matador red	-93								
	D35	carrara grey	-93			20		knob slide see group 8/13/30		1	
	J25	sherwood green	-93								
	G43	provence blue	94-			21		knob thermostat see group 8/13/30		1	
	K03	cedar green	94-								
	8SE	flamenco red	94-								
10	928 552 055 03	hinge		1		22	944 552 431 00	strip for switches	/LL	1	
(11)	944 538 951 02	twist lock for glove compartment w/o stipulated lock number		1			1DB	black			
						(22)	945 552 431 00	strip for switches centre	/RL	1	
							1DB	black			

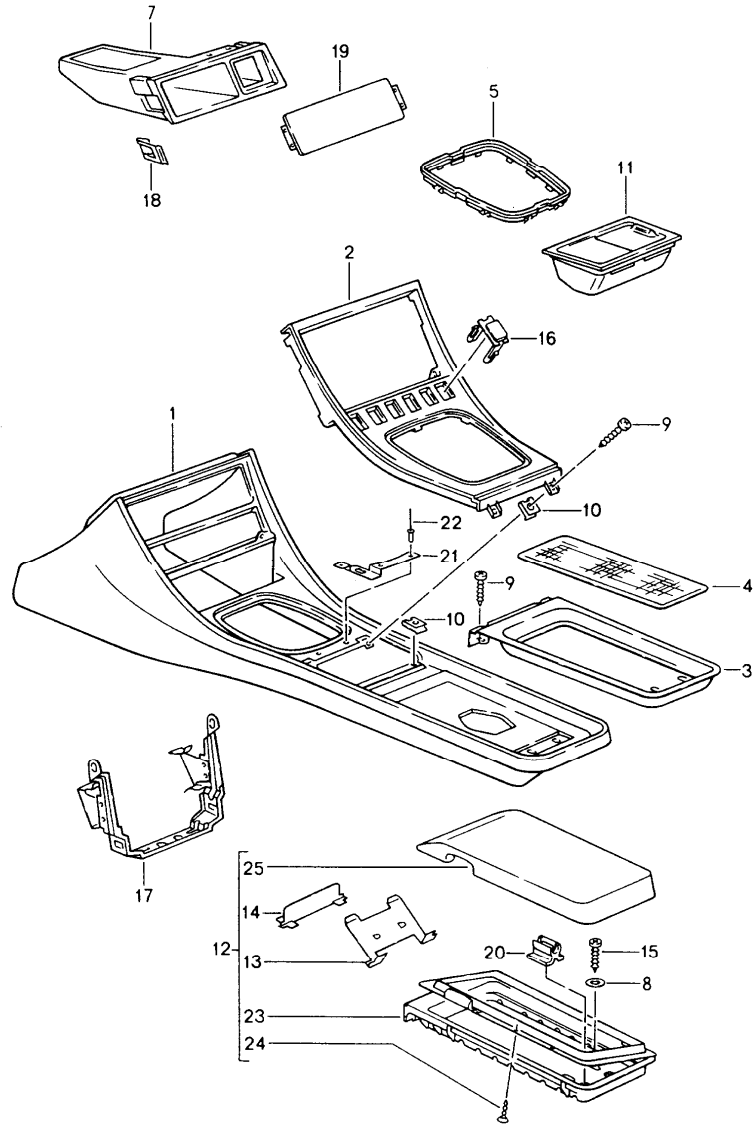
Model	Year	MG	SG	Illustration	Restrictions	UPD	10:12	24.01.2010	PORSCHE	PET	PORSCHE
968	1995	8	09	809-00		248					

Pos	Part Number	Description	Remark	Qty	Model	Pos	Part Number	Description	Remark	Qty	Model
23	944 552 429 00	strip for switches	/LL/L	1		(33)	944 552 273 20	lining airbag		1	
	1DB	black					1DB	black			
(23)	945 552 429 00	strip for switches	/RL/L	1		(33)	944 552 373 20	boot airbag		1	
	1DB	black					01C	black			
24	944 552 083 00	trim cover	/L	1		34	999 073 047 02	tapping screw	94	2	
	1DB	black				34	999 073 047 02	tapping screw B 3,5 X 9,5	95-	2	
(24)	944 552 084 00	trim cover	/R	1		35	N 011 554 6	washer 3,7		2	
	1DB	black				36	944 552 452 00	clip		1	
25	944 552 451 00	rosette interior sensor		1		37	944 613 257 00	cover	/LL	1	
26	N 013 959 3	tapping screw 3,5 X 16		X		(37)	945 613 257 00	cover	/RL	1	
		B 3,5 X 16				(37)	944 613 256 00	cover rear window heating		1	CABRIO
27	N 015 438 1	speed nut B 4,8 X 16		X			1DB	black			
28	944 552 447 00	cover ignition starter lock		1		38	999 591 763 02	speed nut B 4,8 push-button lock		3	
29	N 014 128 13	oval-head screw M 5 X 8		2		(38)	999 591 777 02	speed nut B 4,8 twist lock		3	
30	N 011 665 10	washer B 5,3		4		39	N 011 556 2	washer 5,3		3	
31	N 011 554 6	washer B 3,7 DIN 433		X		40	N 013 975 4	tapping screw B 4,8 X 19 push-button lock		3	
32	944 552 449 00	cover strip for switches	/L	1		(40)	900 143 046 02	tapping screw B 4,8 X 16 twist lock		3	
	1DB	black				41	944 552 035 00	gasket		1	
(32)	944 552 450 00	cover strip for switches	/R	1		42	999 911 342 40	pipng dashboard trim inner		1	
	1DB	black				43	999 911 320 40	pipng dashboard trim outer		1	
33	944 552 073 00	lining		1							
	1DB	black									
(33)	944 552 073 01	lining		1	M454						
	1DB	black									

Model	Year	MG	SG	Illustration	Restrictions	UPD	10:12	24.01.2010	PORSCHE	PET	PORSCHE
968	1995	8	09	809-00		248					

Pos	Part Number	Description	Remark	Qty	Model	Pos	Part Number	Description	Remark	Qty	Model
44	944 552 385 00	lid airbag		1		57	N 015 438 1	speed nut 3,5		3	
	05T	black				58	N 011 554 6	washer 3,7		3	
	9WH	classic grey									
	7YG	cobalt blue	-93								
	9YF	magenta	-93								
	1KX	marine blue	-93								
	3HP	midnight blue	94-								
	6PN	chestnut brown	94-								
45	N 011 666 7	washer B 6,4		4	M562						
46	999 217 020 02	hexagon-head bolt M 6 X 10 micro-self-locking		4	M562						
47	944 552 767 00	cap		2							
	01C	black									
48	N 013 968 7	tapping screw B 4,8 X 13		2							
49	N 015 449 1	speed nut B 6,3		2							
50	999 025 167 07	washer B 7,4		2							
51	900 187 123 07	tapping screw B 6,3 X 22		2							
52	928 555 383 02	cap		2							
	70B	black									
53	N 013 959 3	tapping screw 3,5 X 16 B 3,5 X 16		10							
54	999 591 733 07	speed nut 3,5		2							
55	N 100 401 02	cone washer B 4,2		2							
56	900 145 070 07	tapping screw 3,5 X 19		2							

Model	Year	MG	SG	Illustration	Restrictions	UPD	10:12	24.01.2010	PORSCHE	PET	PORSCHE
968	1995	8	09	809-01		248					



Pos	Part Number	Description	Remark	Qty	Model
1	944 552 051 01	cassette box centre console leatherette		1	
	05T	black			
	B10	classic grey			
	G12	cobalt blue	-93		
	M24	magenta	-93		
	B44	light grey	-93		
	1HS	midnight blue	94-		
	4PL	chestnut brown	94-		
	9EB	marble grey	94-		
	R04	cashmere beige			
	3KY	marine blue	-93		
(1) A	944 552 051 02	centre console leatherette	-93	1	M249
	05T	black			
	B10	classic grey			
	G12	cobalt blue	-93		
	M24	magenta	-93		
	B44	light grey	-93		
	R04	cashmere beige			
	3KY	marine blue	-93		
(1)	944 552 051 51	centre console leather		1	M981
	8YR	black			
	6XL	classic grey			
	9YL	cobalt blue	-93		
	6YL	magenta	-93		
	8ZL	light grey	-93		
	H24	midnight blue	94-		

Model	Year	MG	SG	Illustration	Restrictions	UPD	10:12	24.01.2010	PORSCHE	PET	PORSCHE
968	1995	8	09	809-01		248					

Pos	Part Number	Description	Remark	Qty	Model	Pos	Part Number	Description	Remark	Qty	Model
	T15	chestnut brown	94-			7	944 641 248 00	package box		1	
	3QN	marble grey	94-				1DB	black			
	4YU	cashmere beige				(7)	944 552 157 00	package box		1	968CS
	H05	marine blue	-93				1DB	black			
	M05	matador red	-93			8	900 151 028 07	washer B 4,3		2	
	D35	carrara grey	-93			9	N 013 958 14	tapping screw 3,5 X 13		6	
	J25	sherwood green	-93			10	999 591 349 02	speed nut		4	
	G43	provence blue	94-			11	944 552 171 01	ashtray		1	
	K03	cedar green	94-				1DB	black			
	8SE	flamenco red	94-			12	A 944 552 063 01	cassette box leatherette	/LL	1	
(1)	A 944 552 051 52	centre console leather	-93	1	M249/981						
	8YR	black					05T	black			
	6XL	classic grey					B10	classic grey			
	9YL	cobalt blue	-93				G12	cobalt blue	-93		
	6YL	magenta	-93				M24	magenta	-93		
	8ZL	light grey	-93				B44	light grey	-93		
	4YU	cashmere beige					6HP	midnight blue	94-		
	H05	marine blue	-93				7PD	chestnut brown	94-		
	M05	matador red	-93				8CF	marble grey	94-		
	D35	carrara grey	-93				R04	cashmere beige			
	J25	sherwood green	-93				3KY	marine blue	-93		
2	944 552 117 00	trim cover		1		(12)	A 945 552 063 01	cassette box leatherette	/RL	1	
	1DB	black					05T	black			
3	944 552 155 00	tray		1			B10	classic grey			
	1DB	black centre console					G12	cobalt blue	-93		
4	944 552 161 00	insert		1			M24	magenta	-93		
	01C	black					B44	light grey	-93		
5	944 552 257 00	frame		1	M480		6HP	midnight blue	94-		

Model	Year	MG	SG	Illustration	Restrictions	UPD	10:12	24.01.2010	PORSCHE	PET	PORSCHE
968	1995	8	09	809-01		248					

Pos	Part Number	Description	Remark	Qty	Model	Pos	Part Number	Description	Remark	Qty	Model
	7PD	chestnut brown	94-				T15	chestnut brown	94-		
	8CF	marble grey	94-				3QN	marble grey	94-		
	R04	cashmere beige					4YU	cashmere beige			
	3KY	marine blue	-93				H05	marine blue	-93		
12	A 944 552 063 51	cassette box leather	/LL	1	M981		M05	matador red	-93		
	8YR	black					D35	carrara grey	-93		
	6XL	classic grey					J25	sherwood green	-93		
	9YL	cobalt blue	-93				G43	provence blue	94-		
	6YL	magenta	-93				K03	cedar green	94-		
	8ZL	light grey	-93				8SE	flamenco red	94-		
	H24	midnight blue	94-			13	928 555 731 02	cassette rack		8	
	T15	chestnut brown	94-				01C	satin black			
	3QN	marble grey	94-			13	928 555 731 02	cassette rack		4	CABRIO
	4YU	cashmere beige					01C	satin black			
	H05	marine blue	-93			14	928 555 741 02	partition panel		1	
	M05	matador red	-93			15	N 902 663 01	oval-head sheetmetal screw 4,2 X 25		2	
	D35	carrara grey	-93			16	944 613 256 00	cover		1	
	J25	sherwood green	-93				1DB	black fader			
	G43	provence blue	94-			(16)	944 613 259 02	cover switch		5	
	K03	cedar green	94-				1DB	black			
(12)	A 945 552 063 51	cassette box leather	/RL	1	M981	17	944 552 067 02	support		1	M564
	8YR	black				18	944 552 557 00	spring clamp		2	
	6XL	classic grey				19	944 552 261 02	cover		1	
	9YL	cobalt blue	-93				1DB	black			
	6YL	magenta	-93			20	999 507 367 40	support		2	CABRIO
	8ZL	light grey	-93			21	944 552 623 00	fastening angle		1	M249
	H24	midnight blue	94-			22	900 190 002 02	rivet A3X7		3	M249

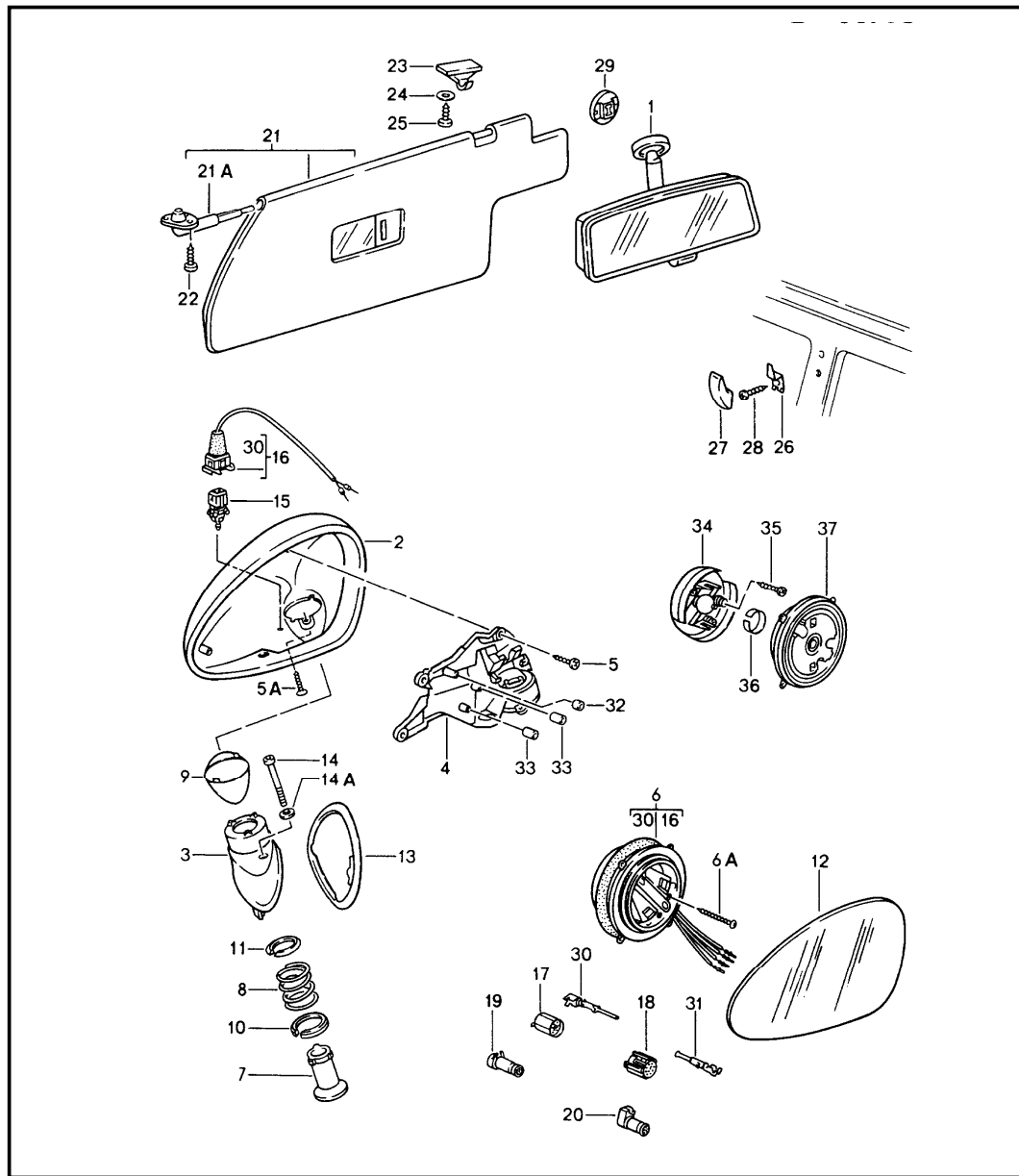
Model	Year	MG	SG	Illustration	Restrictions	UPD	10:12	24.01.2010	PORSCHE	PET	PORSCHE
968	1995	8	09	809-01		248					

Pos	Part Number	Description	Remark	Qty	Model	Pos	Part Number	Description	Remark	Qty	Model
23	944 552 553 01	frame cassette box	/LL	1			8CF	marble grey	94-		
	01C	black				25	944 552 165 50	lid leather	/LL	1	
(23)	945 552 553 01	frame cassette box	/RL	1			8YR	black			
	01C	black					6XL	classic grey			
24	900 144 017 07	tapping screw 2,9 X 13		8			9YL	cobalt blue	-93		
25	944 552 165 00	lid leatherette	/LL	1			6YL	magenta	-93		
	05T	black					8ZL	light grey	-93		
	2WJ	classic grey					4YU	cashmere beige			
	9ZH	cobalt blue	-93				H05	marine blue	-93		
	4WY	magenta	-93				M05	matador red	-93		
	1ZU	light grey	-93				D35	carrara grey	-93		
	7RT	cashmere beige					J25	sherwood green	-93		
	1KX	marine blue	-93				H24	midnight blue	94-		
	6HP	midnight blue	94-				T15	chestnut brown	94-		
	7PD	chestnut brown	94-				3QN	marble grey	94-		
	8CF	marble grey	94-				G43	provence blue	94-		
(25)	945 552 165 00	lid leatherette	/RL	1		(25)	945 552 165 50	lid leather	/RL	1	
	05T	black					8YR	black			
	2WJ	classic grey					6XL	classic grey			
	9ZH	cobalt blue	-93				9YL	cobalt blue	-93		
	4WY	magenta	-93				6YL	magenta	-93		
	1ZU	light grey	-93				8ZL	light grey	-93		
	7RT	cashmere beige					4YU	cashmere beige			
	1KX	marine blue	-93				H05	marine blue	-93		
	6HP	midnight blue	94-				M05	matador red	-93		
	7PD	chestnut brown	94-				D35	carrara grey	-93		

Model	Year	MG	SG	Illustration	Restrictions	UPD	10:12	24.01.2010	PORSCHE	PET	PORSCHE
968	1995	8	09	809-01		248					

Pos	Part Number	Description	Remark	Qty	Model	Pos	Part Number	Description	Remark	Qty	Model
	J25	sherwood green		-93							
	H24	midnight blue		94-							
	T15	chestnut brown		94-							
	3QN	marble grey		94-							
	G43	provence blue		94-							
	K03	cedar green		94-							
	8SE	flamenco red		94-							

Model	Year	MG	SG	Illustration	Restrictions	UPD	10:13	24.01.2010	PORSCHE	PET	PORSCHE
968	1995	8	09	809-05		248					



Pos	Part Number	Description	Remark	Qty	Model
1	477 857 511 A	interior mirror		1	
	01C	black			
2	965 731 243 00	mirror housing	/L	1	
	G2L	prime coated			
(2)	965 731 244 00	mirror housing	/R	1	
	G2L	prime coated			
3	944 731 241 00	mirror base	/LL/L	1	
	G2M	prime coated			
(3)	944 731 242 00	mirror base	/LL/R	1	
	G2M	prime coated			
(3)	945 731 241 00	mirror base	/RL/L	1	
	G2M	prime coated			
(3)	945 731 242 00	mirror base	/RL/R	1	
	G2M	prime coated			
4	965 731 245 01	reinforcement plate	/L	1	
(4)	965 731 246 01	reinforcement plate	/R	1	
5	999 919 109 02	countersunk-head screw 3,0 X 12		6	
5A	999 919 110 02	oval-head screw 3,0 X 14		2	
6	965 624 901 00	adjusting motor when required order also: POS.17 POS.19		2	
6A	900 278 013 02	oval-head screw M 3 X 30		6	
7	965 731 257 00	bolt		2	
8	965 731 259 00	compression spring		2	
9	965 731 143 00	gasket	/L	1	
(9)	965 731 144 00	gasket	/R	1	

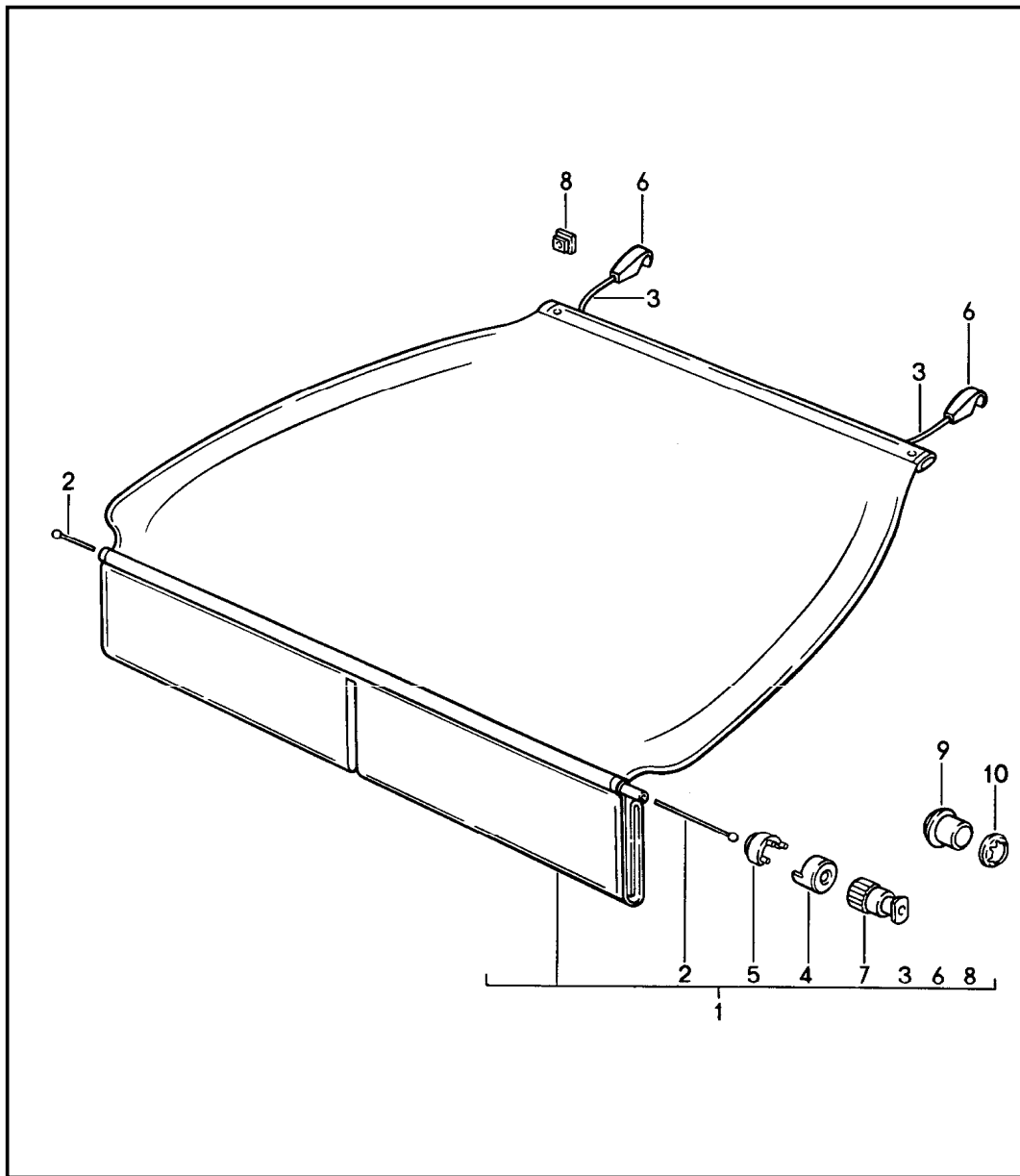
Model	Year	MG	SG	Illustration	Restrictions	UPD	10:13	24.01.2010	PORSCHE	PET	PORSCHE
968	1995	8	09	809-05		248					

Pos	Part Number	Description	Remark	Qty	Model	Pos	Part Number	Description	Remark	Qty	Model
10	965 731 345 00	centring washer lower		2		21	944 731 031 01	sun visor	/L	1	COUPE
11	965 731 347 00	centring washer upper		2			70A	black			
12	965 731 035 00	mirror glass plane	/L	1			6WJ	classic grey			
(12)	965 731 036 00	mirror glass plane	/R	1			7YU	cobalt blue	-93		
(12)	965 731 037 00	mirror glass convex	/L	1		(21)	944 731 031 02	sun visor	/L (AUS) (S)	1	COUPE
(12)	965 731 038 00	mirror glass convex	/R	1			70A	black			
(12)	964 731 035 00	mirror glass plane	/L	1	968CS		6WJ	classic grey			
(12)	964 731 036 00	mirror glass plane	/R	1	968CS		7YU	cobalt blue	-93		
(12)	964 731 037 00	mirror glass convex	/L	1	968CS		8YA	magenta	-93		
(12)	964 731 038 00	mirror glass convex	/R	1	968CS		5GS	midnight blue	94-		
13	944 731 247 00	desk pad	/L	1		(21)	944 731 032 01	sun visor	/R	1	COUPE
(13)	944 731 248 00	desk pad	/R	1			70A	black			
14	999 218 078 02	pan-head screw micro-self-locking M 5 X 40 X 25		2			6WJ	classic grey			
14A	999 025 233 40	washer 5,1 X 8,5		2			7YU	cobalt blue	-93		
15	928 641 142 00	temperature sensor		1			8YA	magenta	-93		
16	964 612 909 00	wiring harness		1			5GS	midnight blue	94-		
17	928 612 615 00	pin connector socket 15-pole		1		(21)	944 731 032 02	sun visor	/R (AUS) (S)	1	COUPE
18	928 612 515 03	plug socket 15-pole		1			70A	black			
19	964 612 516 00	pin connector socket 6-pole		1			6WJ	classic grey			
20	964 612 616 00	plug socket 6-pole		1			7YU	cobalt blue	-93		
						(21)	941 731 031 10	sun visor	/L	92	CABRIO
							70A	black			
							6WJ	classic grey			
							7YU	cobalt blue	-93		

Model	Year	MG	SG	Illustration	Restrictions	UPD	10:13	24.01.2010	PORSCHE	PET	PORSCHE
968	1995	8	09	809-05		248					

Pos	Part Number	Description	Remark	Qty	Model	Pos	Part Number	Description	Remark	Qty	Model
		8YA magenta		-93		25	900 143 047 07	tapping screw B 4,2 X 19		4	
(21)	941 731 031 11	sun visor	/L	93-	1 CABRIO	26	901 552 872 20	coat hook		2	
		70A black				27	901 552 871 40	cover		2	
		6WJ classic grey				28	900 250 007 02	tapping screw AM 5 X 12		2	
		7YU cobalt blue		-93		29	477 845 043	adhesive plate adhesive see group 8/05/00		1	
		8YA magenta		-93		30	999 652 710 10	pin		X	
		5GS midnight blue		94-		31	999 652 711 10	bush		X	
(21)	941 731 032 10	sun visor	/R	92	1 CABRIO	32	964 731 765 00	bush 3,8		2	968CS
		70A black				33	964 731 769 00	bush 8,8		4	968CS
		6WJ classic grey				34	964 731 767 00	plate with ball		2	968CS
		7YU cobalt blue		-93		35	900 278 013 02	oval-head screw M 3 X 30		6	968CS
		8YA magenta		-93		36	964 731 771 00	circular spring		2	968CS
(21)	941 731 032 11	sun visor	/R	93-	1 CABRIO	37	964 731 763 00	disc with spherical hole		2	968CS
		70A black									
		6WJ classic grey									
		7YU cobalt blue		-93							
		8YA magenta		-93							
		5GS midnight blue		94-							
21A	944 731 437 00	bearing	/L		1 COUPE						
		01C black									
(21A)	944 731 438 00	bearing	/R		1 COUPE						
		01C black									
22	N 014 096 3	tapping screw B 4,2 X 22			6						
23	944 731 439 00	support			2 COUPE						
(23)	964 731 319 40	bearing bracket	/L		2 CABRIO						
(23)	964 731 320 40	bearing	/R		2 CABRIO						
24	900 151 028 02	washer B 4,3			4						

Model	Year	MG	SG	Illustration	Restrictions	UPD	10:13	24.01.2010	PORSCHE	PET	PORSCHE
968	1995	8	09	809-10		248					

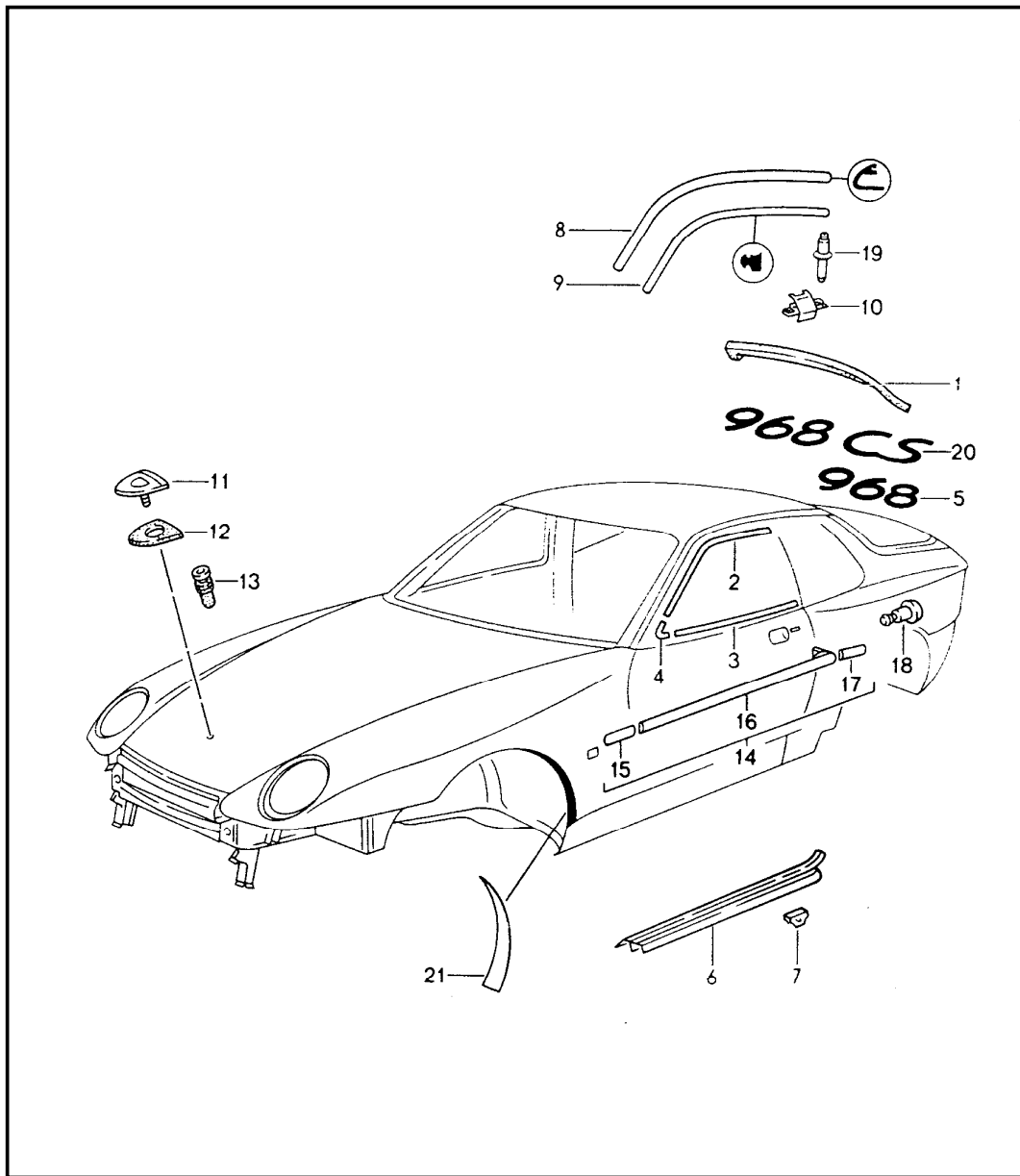


Pos	Part Number	Description	Remark	Qty	Model
		luggage compartment cover			
1	A 944 555 027 00	luggage compartment cover	92	1	
	70G	black			
	5WG	classic grey			
	7ZF	cobalt blue	-93		
	7YM	magenta	-93		
	5KG	marine blue	-93		
(1)	A 944 555 027 01	luggage compartment cover	93	1	
	70G	black			
	5WG	classic grey			
	7ZF	cobalt blue	-93		
	7YM	magenta	-93		
	5KG	marine blue	-93		
(1)	944 555 027 02	luggage compartment cover		1	
	70G	black			
	5WG	classic grey			
	7ZF	cobalt blue	-93		
	7YM	magenta	-93		
	5KG	marine blue	-93		
	5GQ	midnight blue	94-		
	1QL	chestnut brown	94-		
-	999 701 639 40	round rubber cord 1265 MM 875 MM		*	
				1	
				2	
4	928 555 795 02	end piece of pipe		2	
5	928 555 785 02	clamp for fabric		2	
6	A 944 555 775 00	hook		2	
6	944 555 775 00	hook		2	
	70B	black			
7	928 555 775 02	belt end piece		2	

Model	Year	MG	SG	Illustration	Restrictions	UPD	10:13	24.01.2010	PORSCHE	PET	PORSCHE
968	1995	8	09	809-10		248					

Pos	Part Number	Description	Remark	Qty	Model	Pos	Part Number	Description	Remark	Qty	Model
8	928 555 791 02	rosette		2							
9	928 555 777 02	end piece of rope		2							
10	999 591 484 02	clamping washer		2							

Model	Year	MG	SG	Illustration	Restrictions	UPD	10:13	24.01.2010	PORSCHE	PET	PORSCHE
968	1995	8	10	810-00		248					

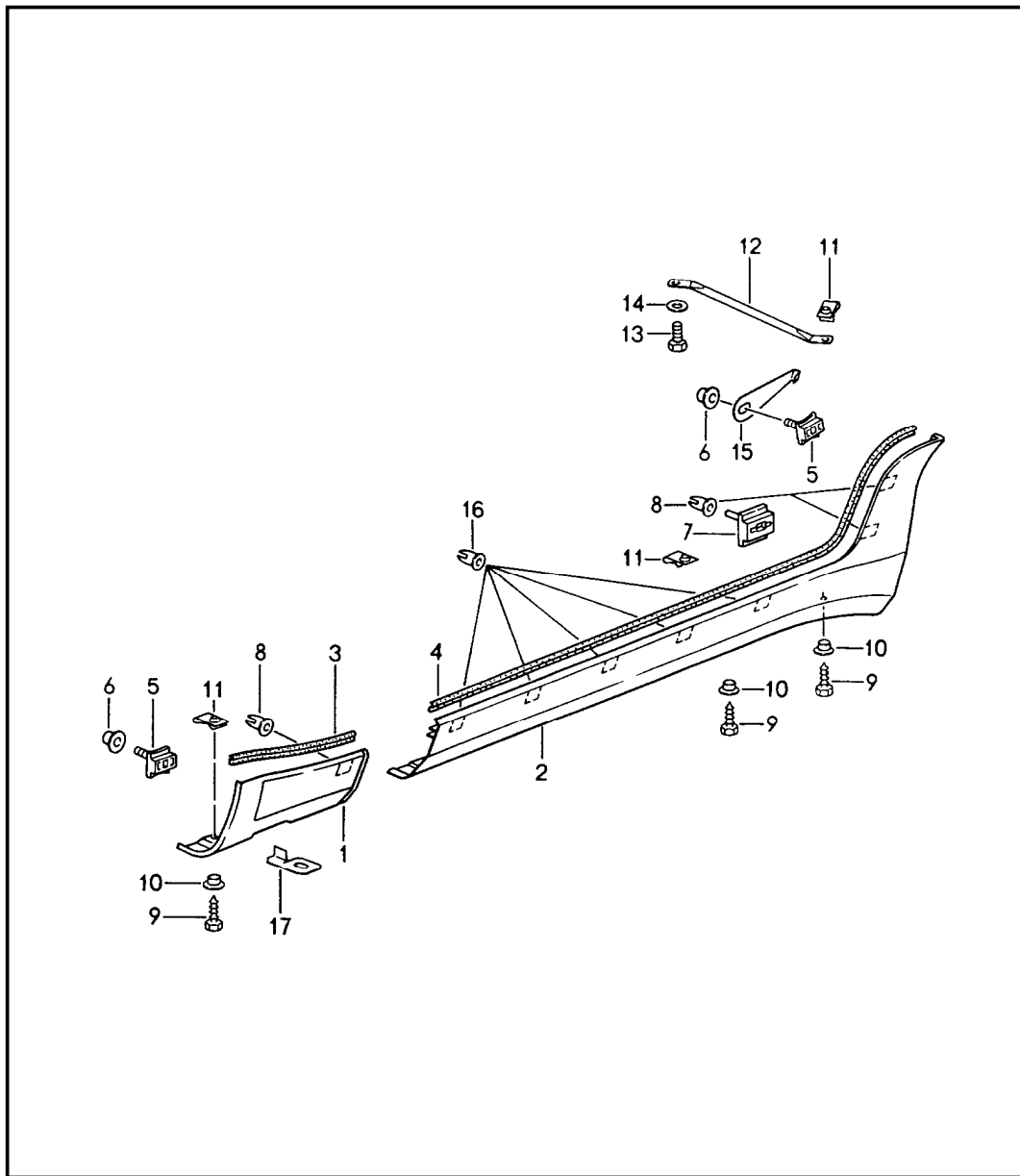


Pos	Part Number	Description	Remark	Qty	Model
		moulding			
1	477 853 313 A	trim frame	/H	1	
2	477 853 373 B	moulding	/L	1	
(2)	477 853 374 B	moulding	/R	1	
3	477 853 371 B	moulding	/L	1	
(3)	477 853 372 B	moulding	/R	1	
4	477 853 375 A	moulding		2	
5	944 559 220 03	logo		1	
		70C rally black			
6	944 551 121 00	scuff plate	/L	1	
(6)	944 551 122 00	scuff plate	/R	1	
7	477 853 655	clamp		10	
8	944 559 705 00	roof edge strip	/L	1	
(8)	944 559 706 00	roof edge strip	/R	1	
9	944 559 707 00	sealing rubber		2	
10	999 591 732 02	clamp		12	
11	A 901 559 210 20	lid emblem		1	
11	993 559 211 00	lid emblem		1	
12	901 559 215 20	desk pad		1	
13	999 702 175 50	grommet		2	
14	931 559 901 00	set of moldings use also: adhesive AMV 176.000.05		1	
15	931 559 137 00	side guard wing	/V	2	
16	931 559 133 00	side guard	/L	1	
(16)	931 559 134 00	side guard door	/R	1	
17	931 559 141 00	side guard	/L	1	
(17)	931 559 142 00	side guard side section	/R	1	

Model	Year	MG	SG	Illustration	Restrictions	UPD	10:13	24.01.2010	PORSCHE	PET	PORSCHE
968	1995	8	10	810-00		248					

Pos	Part Number	Description	Remark	Qty	Model	Pos	Part Number	Description	Remark	Qty	Model
-	931 559 175 00	adhesive tape side guard wing		2							
-	931 559 165 00	adhesive tape side guard door		2							
-	931 559 182 00	adhesive tape side guard side section		2							
-	AMV 176 000 05	adhesive sealing compound		1							
18	999 190 326 40	rivet		2							
19	431 805 121 A	bolt		X							
20	944 559 127 00	logo		1	968CS						
	70C	rally black									
21	944 559 321 00	stone guard film	/L	1							
	3YK	clear									
(21)	944 559 322 00	stone guard film	/R	1							
	3YK	clear									
(21)	944 559 321 01	stone guard film	/L	1							
	3YB	grand prix white									
	Z07	polar silver metallic									
(21)	944 559 322 01	stone guard film	/R	1							
	3YB	grand prix white									
	Z07	polar silver metallic									

Model	Year	MG	SG	Illustration	Restrictions	UPD	10:13	24.01.2010	PORSCHE	PET	PORSCHE
968	1995	8	10	810-05		248					

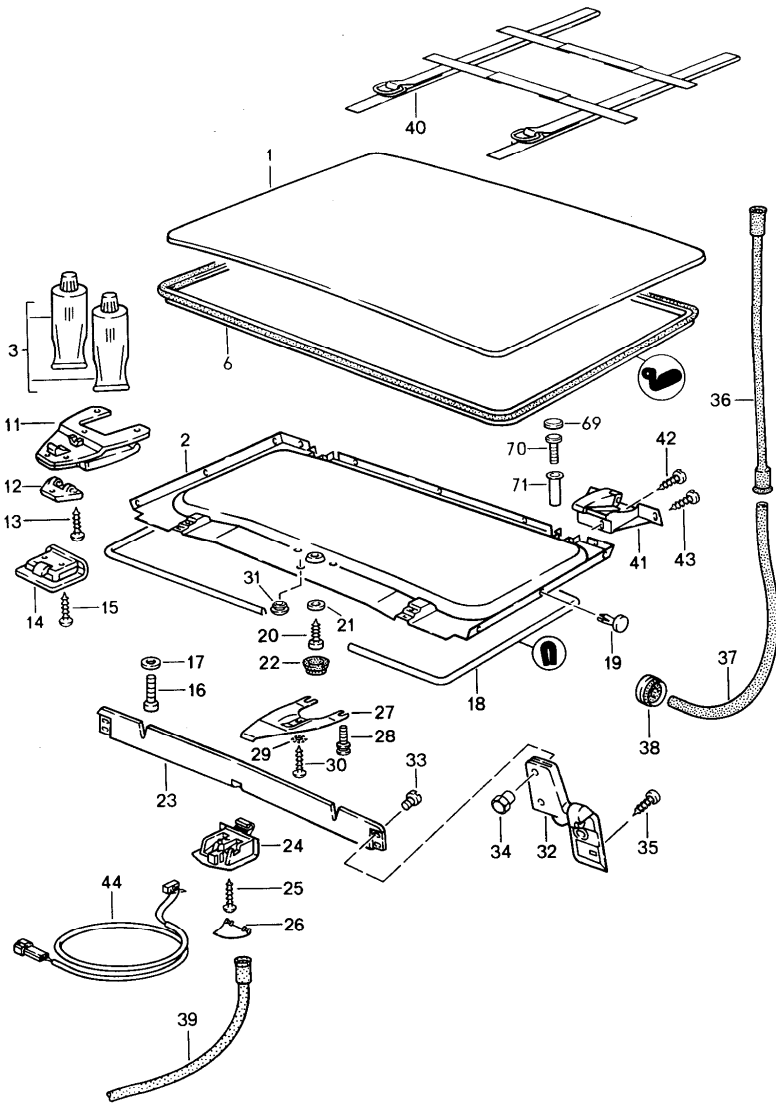


Pos	Part Number	Description	Remark	Qty	Model
		sill cover			
1	944 559 171 00	sill cover	/V/L	1	
(1)	944 559 172 00	sill cover	/V/R	1	
2	944 559 173 00	sill cover	/H/L	1	
(2)	944 559 174 00	sill cover	/H/R	1	
3	944 559 271 00	cover strip	/V/L	1	
	01C	black			
(3)	944 559 272 00	cover strip	/V/R	1	
	01C	black			
4	944 559 273 00	cover strip	/H/L	1	
	01C	black			
(4)	944 559 274 00	cover strip	/H/R	1	
	01C	black			
5	999 591 990 00	support T5		6	
6	999 049 008 40	plastic nut T5		4	
7	999 591 991 40	clip		16	
8	999 702 160 40	grommet		6	
9	900 187 015 02	tapping screw B 6,3 X 16		14	
10	928 559 313 02	spacer sleeve		14	
11	999 591 486 02	speed nut B 6,3		14	
12	944 559 501 00	bracket		2	
13	900 075 017 02	hexagon-head bolt M 6 X 25		2	
14	N 011 666 12	washer B 6,4		2	
-	900 377 010 09	hexagon nut M 6		2	
15	944 559 775 00	retainer spring	/L	1	

Model	Year	MG	SG	Illustration	Restrictions	UPD	10:13	24.01.2010	PORSCHE	PET	PORSCHE
968	1995	8	10	810-05		248					

Pos	Part Number	Description	Remark	Qty	Model	Pos	Part Number	Description	Remark	Qty	Model
(15)	944 559 776 00	retainer spring	/R	1							
16	999 702 202 50	grommet		10							
17	944 559 771 00	clamping piece		2							

Model	Year	MG	SG	Illustration	Restrictions	UPD	10:13	24.01.2010	PORSCHE	PET	PORSCHE
968	1995	8	11	811-00		248					

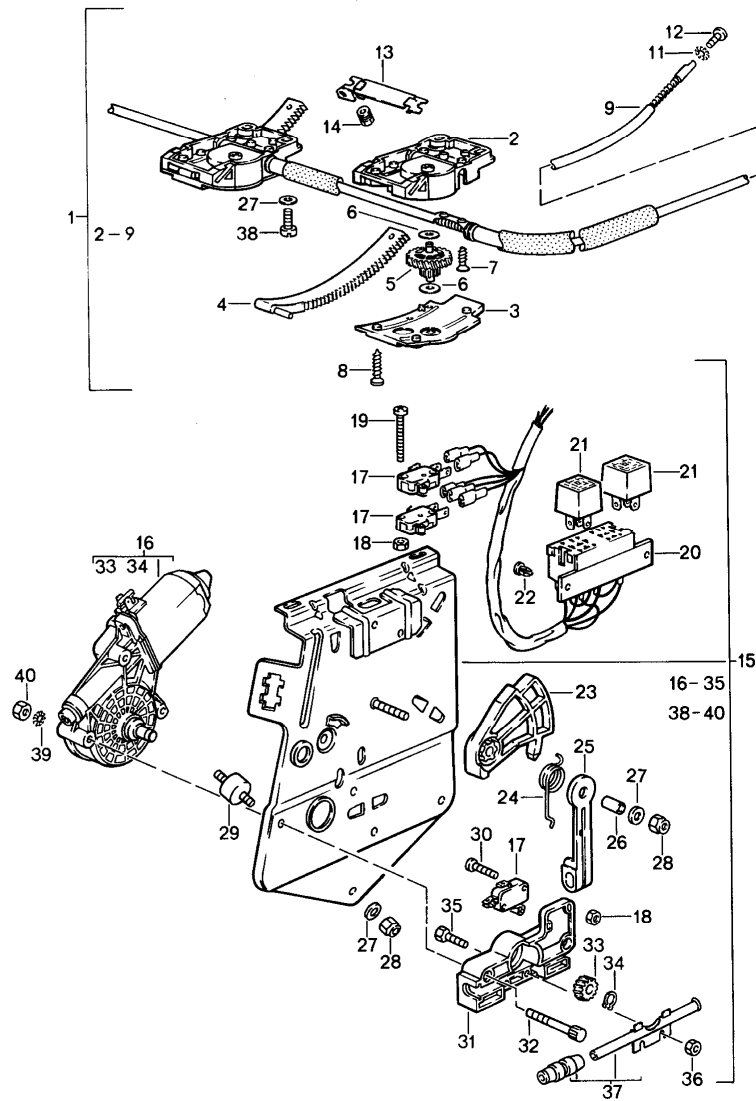


Pos	Part Number	Description	Remark	Qty	Model
		lifting roof			M650
1	A 944 564 917 01	roof		1	
1	944 564 917 01	roof		1	
2	944 564 047 02	lining		1	
	05T	black			
	B17	classic grey			
	G23	cobalt blue	-93		
	L35	magenta	-93		
	3KY	marine blue	-93		
	1HS	midnight blue	94-		
	4PL	chestnut brown	94-		
3	000 043 204 86	adhesive set comprising: adhesive 150 ML hardener 150 ML		X	
6	944 564 114 05	gasket		1	
11	477 871 217	roof catch	/V	2	
12	477 871 219	bearing bracket		2	
13	N 033 174 1	countersunk-head screw M 3 X 6		6	
14	477 871 665 A	centring wedge		2	
	01C	black			
15	N 013 964 4	tapping screw B 4,2 X 16		5	
16	900 270 064 07	countersunk-head screw M 5 X 16		2	
17	999 704 606 17	cone washer		6	
18	944 564 623 00	edge protection		1	
19	477 871 053	clip		11	
20	311 867 167	tapping screw		1	
21	900 151 028 02	washer		1	

Model	Year	MG	SG	Illustration	Restrictions	UPD	10:13	24.01.2010	PORSCHE	PET	PORSCHE
968	1995	8	11	811-00		248					

Pos	Part Number	Description	Remark	Qty	Model	Pos	Part Number	Description	Remark	Qty	Model
22	311 867 169	cap		1		(32)	477 871 636 A	hinge	/R	1	
	01C	black				33	477 837 959	self-lock. fillister screw		4	
	4XC	classic grey				34	477 871 701 A	cap nut		4	
	6ZF	cobalt blue	-93			35	900 143 031 02	oval-head sheetmetal screw B 4,2 X 9,5		4	
	6WX	magenta	-93			36	944 564 235 00	water drain hose	/L/H	1	
	9JJ	marine blue	-93			(36)	944 564 064 00	water drain hose	/R/H	1	
	2GS	midnight blue	94-			37	944 564 237 00	water drain tube	/L/H	1	
	4PV	chestnut brown	94-			(37)	944 564 238 00	water drain tube	/R/H	1	
23	944 564 093 00	air deflector		1		38	021 119 569	rubber sleeve		X	
24	944 564 683 00	bearing		1		39	321 877 233 C	water drain hose	/V	2	
	01C	black				40	944 721 811 00	belt		1	
25	N 013 964 4	tapping screw 4,2 X 16		5		41	944 564 161 00	gate guide	/L/H	1	
26	944 564 685 00	flap		1		(41)	944 564 162 00	gate guide	/R/H	1	
27	944 564 223 00	fastening part		1		42	N 014 133 8	oval-head screw M 5 X 12		2	
	01C	black				43	N 014 264 4	oval-head screw AM 5 X 10		4	
28	944 564 224 00	adjusting screw		2		44	944 613 033 00	microswitch		1	
29	N 012 222 4	spring washer A 5		5		69	999 703 347 40	cap		4	
30	N 014 133 8	oval-head screw M 5 X 12		1		70	999 119 016 40	adjusting screw M 4 X 10		5	
31	944 564 233 00	cap		3		71	999 500 033 17	blind rivet nut M 4		4	
	01C	black									
	4XC	classic grey									
	6ZF	cobalt blue	-93								
	6WX	magenta	-93								
	9JJ	marine blue	-93								
	2GS	midnight blue	94-								
	4PV	chestnut brown	94-								
32	477 871 635 A	hinge	/L	1							

Model	Year	MG	SG	Illustration	Restrictions	UPD	10:14	24.01.2010	PORSCHE	PET	PORSCHE
968	1995	8	11	811-05		248					

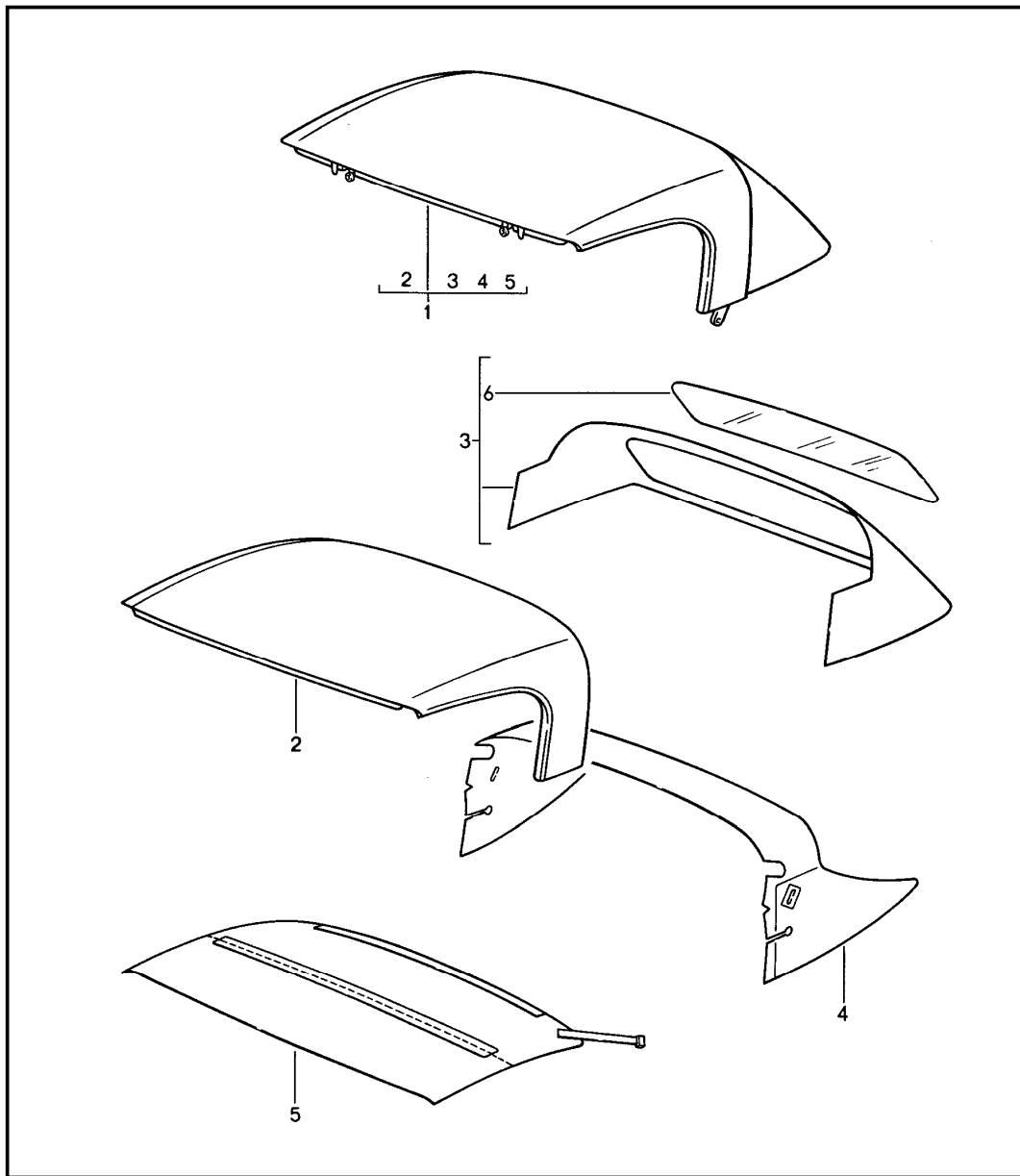


Pos	Part Number	Description	Remark	Qty	Model
		lifting roof driving mechanism			M650
1	944 564 041 01	assembly kit		1	
2	944 564 507 01	guide		2	
3	944 564 509 01	plate		2	
4	944 564 501 01	segment	/L	1	
(4)	944 564 502 01	segment	/R	1	
5	944 564 430 01	gear wheel		2	
6	944 564 459 01	shim		4	
7	999 919 051 02	countersunk-head screw M 4 X 8		4	
8	999 919 052 02	countersunk-head screw M 4 X 18		10	
9	944 564 043 02	shaft		1	
11	999 523 116 01	lock washer		3	
12	N 014 121 6	oval-head screw M 4 X 6		1	
13	944 564 461 00	support	/L	1	
(13)	944 564 462 00	support	/R	1	
14	999 076 036 02	adjusting nut M 4		4	
15	944 624 055 01	electric drive		1	
16	944 624 011 01	electric motor		1	
17	944 613 128 01	microswitch		3	
18	N 011 002 2	hexagon nut		4	
19	900 146 072 02	oval-head screw M 3 X 25		2	
20	944 612 011 01	wiring harness		1	
21	431 951 253 D	relay		2	
22	999 591 854 40	expansion rivet		2	
23	944 564 535 00	lever		1	
24	944 564 539 00	spring		1	

Model	Year	MG	SG	Illustration	Restrictions	UPD	10:14	24.01.2010	PORSCHE	PET	PORSCHE
968	1995	8	11	811-05		248					

Pos	Part Number	Description	Remark	Qty	Model	Pos	Part Number	Description	Remark	Qty	Model
25	944 564 537 00	lever		1							
26	944 564 541 00	sleeve		1							
27	N 011 524 7	washer 6,4		6							
28	900 910 012 02	lock nut M 6		2							
29	999 703 349 00	rubber mounting		1							
30	N 044 134 2	oval-head screw M 3 X 20		2							
31	944 564 515 01	housing		1							
32	944 564 543 00	screw		2							
33	944 564 437 01	pinion		1							
34	900 116 003 02	circlip		1							
35	900 075 100 02	hexagon-head bolt M 4 X 12		2							
36	N 011 004 6	hexagon nut M 4		2							
37	944 564 048 00	pipe		1							
38	900 067 011 02	pan-head screw		4							
39	999 523 117 01	lock washer		3							
40	900 076 010 02	hexagon nut M 6		3							

Model	Year	MG	SG	Illustration	Restrictions	UPD	10:14	24.01.2010	PORSCHE	PET	PORSCHE
968	1995	8	11	811-10		248					

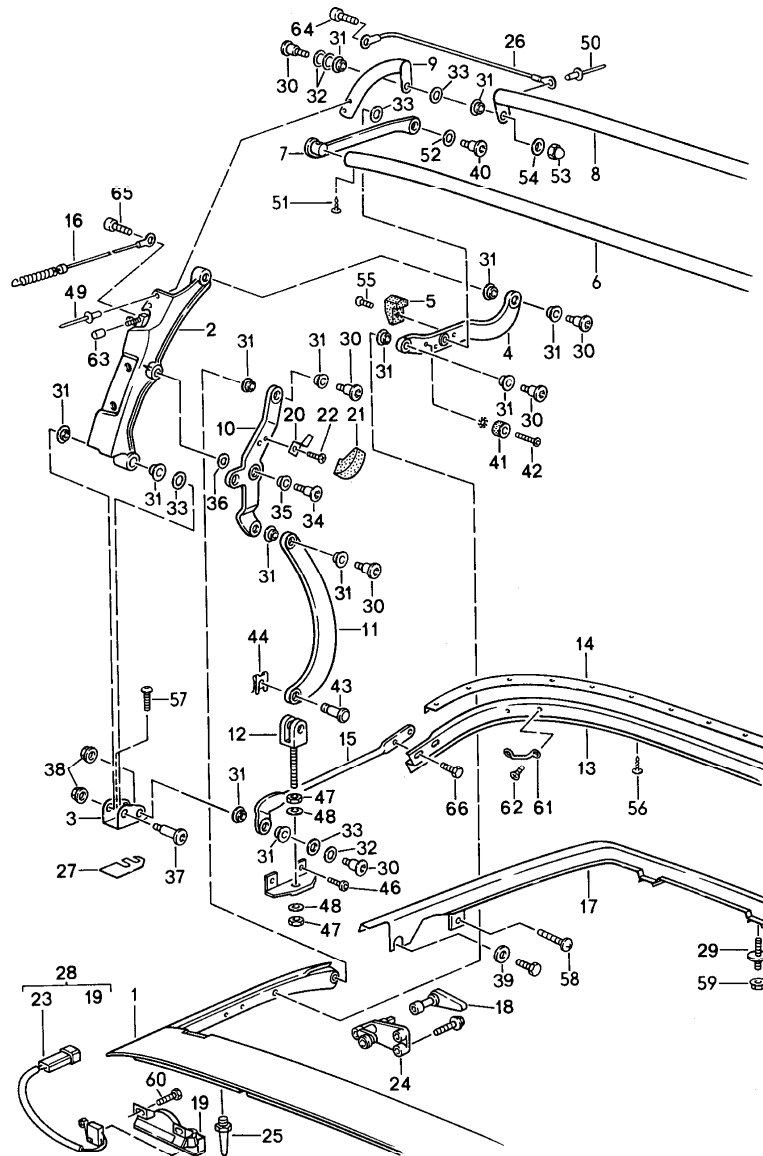


Pos	Part Number	Description	Remark	Qty	Model
1	941 561 901 10	convertible top convertible top covering convertible top ready for installation		1	CABRIO
	2XW	black see tpi GR.8 NR.44			
	A03	black see tpi GR.8 NR.44			
	3ZL	cobalt blue	-93		
	5YH	magenta	-93		
	7JW	dark blue			
	5XF	classic grey			
	B39	florentine grey	94-		
	8PZ	chestnut brown	94-		
2	941 561 051 10	convertible top covering	/V	1	
	2XW	black see tpi GR.8 NR.44			
	A03	black see tpi GR.8 NR.44			
	3ZL	cobalt blue	-93		
	5YH	magenta	-93		
	7JW	dark blue			
	5XF	classic grey			
	B39	florentine grey	94-		
	8PZ	chestnut brown	94-		
3	941 561 053 10	convertible top covering with rear window	/H	1	
	2XW	black see tpi GR.8 NR.44			

Model	Year	MG	SG	Illustration	Restrictions	UPD	10:14	24.01.2010	PORSCHE	PET	PORSCHE
968	1995	8	11	811-10		248					

Pos	Part Number	Description	Remark	Qty	Model	Pos	Part Number	Description	Remark	Qty	Model
	A03	black see tpi GR.8 NR.44									
	3ZL	cobalt blue		-93							
	5YH	magenta		-93							
	7JW	dark blue									
	5XF	classic grey									
	B39	florentine grey		94-							
	8PZ	chestnut brown		94-							
4	941 561 150 10	roofliner	/H	1							
	A20	black									
5	941 561 149 10	roofliner	/V	1							
	A20	black									
6	941 561 359 10	rear window it is necessary to rework		1							

Model	Year	MG	SG	Illustration	Restrictions	UPD	10:14	24.01.2010	PORSCHE	PET	PORSCHE
968	1995	8	11	811-20		248					



Pos	Part Number	Description	Remark	Qty	Model
		convertible top frame			CABRIO
1	941 561 125 10	roof frame		1	
(2)	941 561 201 11	main folding top bow	/L	1	
2	941 561 202 11	main folding top bow	/R	1	
(3)	941 561 507 10	convertible top support	/L	1	
3	941 561 508 10	convertible top support	/R	1	
(4)	941 561 563 10	lever	/L	1	
		03C rally black			
4	941 561 564 10	lever	/R	1	
		03C rally black			
5	941 561 565 10	buffer		2	
6	941 561 561 10	intermed. folding top bow	/V	1	
(7)	941 561 569 10	lever	/L	1	
		03C rally black			
7	941 561 570 10	lever	/R	1	
		03C rally black			
8	941 561 503 10	main folding top bow		1	
(9)	941 561 505 10	extension	/L	1	
9	941 561 506 10	extension	/R	1	
(10)	941 561 555 10	lever	/L	1	
		03C rally black			
10	941 561 556 10	lever	/R	1	
		03C rally black			
(11)	941 561 557 10	lever	/L	1	
		03C rally black			
11	941 561 558 10	lever	/R	1	
		03C rally black			
12	941 561 559 10	joint fork		2	
13	941 561 509 10	intermed. folding top bow	/H	1	

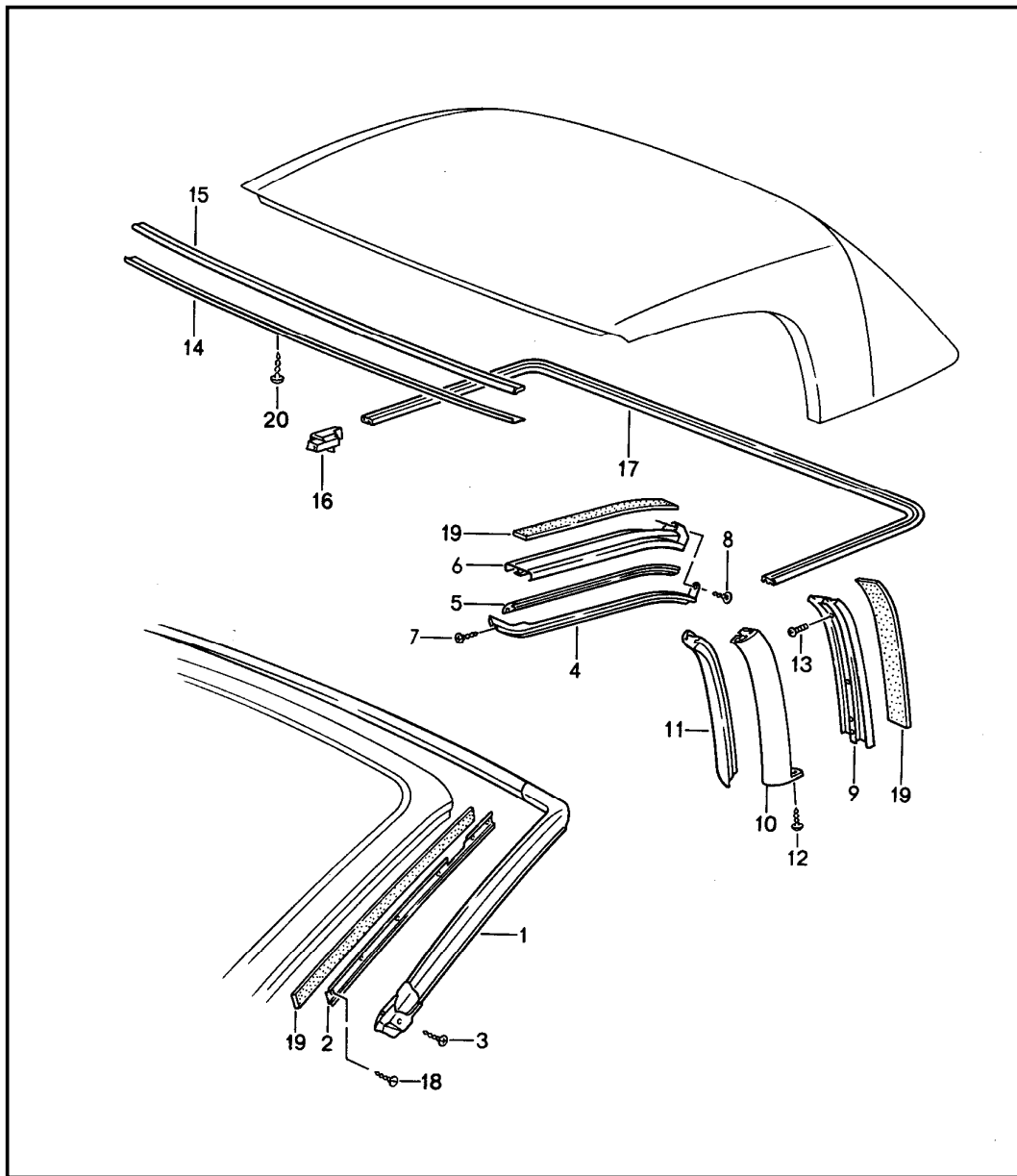
Model	Year	MG	SG	Illustration	Restrictions	UPD	10:14	24.01.2010	PORSCHE	PET	PORSCHE
968	1995	8	11	811-20		248					

Pos	Part Number	Description	Remark	Qty	Model	Pos	Part Number	Description	Remark	Qty	Model
14	941 561 515 10	connecting rail		1		35	999 924 028 00	bearing sleeve		2	
(15)	941 561 531 10	connecting piece	/L	1		36	911 561 430 00	washer		2	
15	941 561 532 10	connecting piece	/R	1		37	941 504 829 10	screw M 8 X 42 micro-self-locking		2	
16	941 561 535 10	tension rope		2		38	900 377 003 02	hexagon nut		4	
17	941 561 471 10	clamp		1		39	941 504 865 10	washer		2	
18	911 565 075 62	lever		2		40	941 504 818 10	screw M 8 X 16,8		2	
	70B	black				41	911 561 402 00	eccentric washer		2	
(19)	941 561 963 10	gate guide	/L	1		42	N 033 185 1	countersunk-head screw		2	
19	941 561 964 10	gate guide	/R	1		43	911 561 761 65	bolt		2	
20	901 552 872 20	coat hook		2		44	999 166 034 02	sl-lock		2	
21	901 552 871 40	cover		2		45	911 561 431 65	bearing bracket		2	
22	900 250 007 02	tapping screw AM 5 X 12		2		46	941 504 801 10	screw M 8 X 20		4	
23	941 613 103 10	microswitch		2		47	N 011 010 13	hexagon nut M 10		4	
(24)	941 565 031 10	catch	/L	1		48	900 025 008 09	washer A 10,5		4	
24	941 565 032 10	catch	/R	1		49	999 190 405 00	blind rivet 4,8 X 13,9		4	
25	941 565 214 10	locating peg		2		50	N 901 499 01	blind rivet 4 X 7,4		2	
26	941 561 537 10	tension rope		2		51	941 504 839 10	screw 4,2 X 16		2	
27	941 561 527 10	spacer plate		2		52	941 504 835 10	washer		2	
(28)	941 561 963 10	gate guide	/L	1		53	900 096 003 07	cap nut M 8		2	
28	941 561 964 10	gate guide	/R	1		54	900 025 048 07	washer A8		2	
29	941 504 717 10	threaded bolt		4		55	941 504 825 10	screw M 4 X 8		2	
30	941 504 817 10	screw M 8 X 22,5 micro-self-locking		12		56	941 504 837 10	screw		X	
31	941 504 815 10	bearing sleeve		24							
32	941 504 838 10	lock washer		6							
33	941 561 574 10	spacer sleeve		8							
34	941 504 826 10	screw M 10 X 21,5 micro-self-locking		2							

Model	Year	MG	SG	Illustration	Restrictions	UPD	10:14	24.01.2010	PORSCHE	PET	PORSCHE
968	1995	8	11	811-20		248					

Pos	Part Number	Description	Remark	Qty	Model	Pos	Part Number	Description	Remark	Qty	Model
57	941 504 801 10	screw M 8 X 20		4							
58	941 504 844 10	screw 4,8 X 16		2							
59	941 504 843 10	nut M 6		4							
60	941 504 849 10	screw M 6 X 10		4							
61	941 561 585 10	retaining bar		2							
62	N 013 997 2	tapping screw B 4,2 X 13		4							
63	941 504 713 10	rubber stop		2							
64	941 504 873 10	screw M 4 X 11		2							
65	999 217 078 07	hexagon-head bolt M 4 X 6		2							
66	941 504 841 10	hexagon socket head bolt M 5 X 12		4							

Model	Year	MG	SG	Illustration	Restrictions	UPD	10:14	24.01.2010	PORSCHE	PET	PORSCHE
968	1995	8	11	811-25		248					

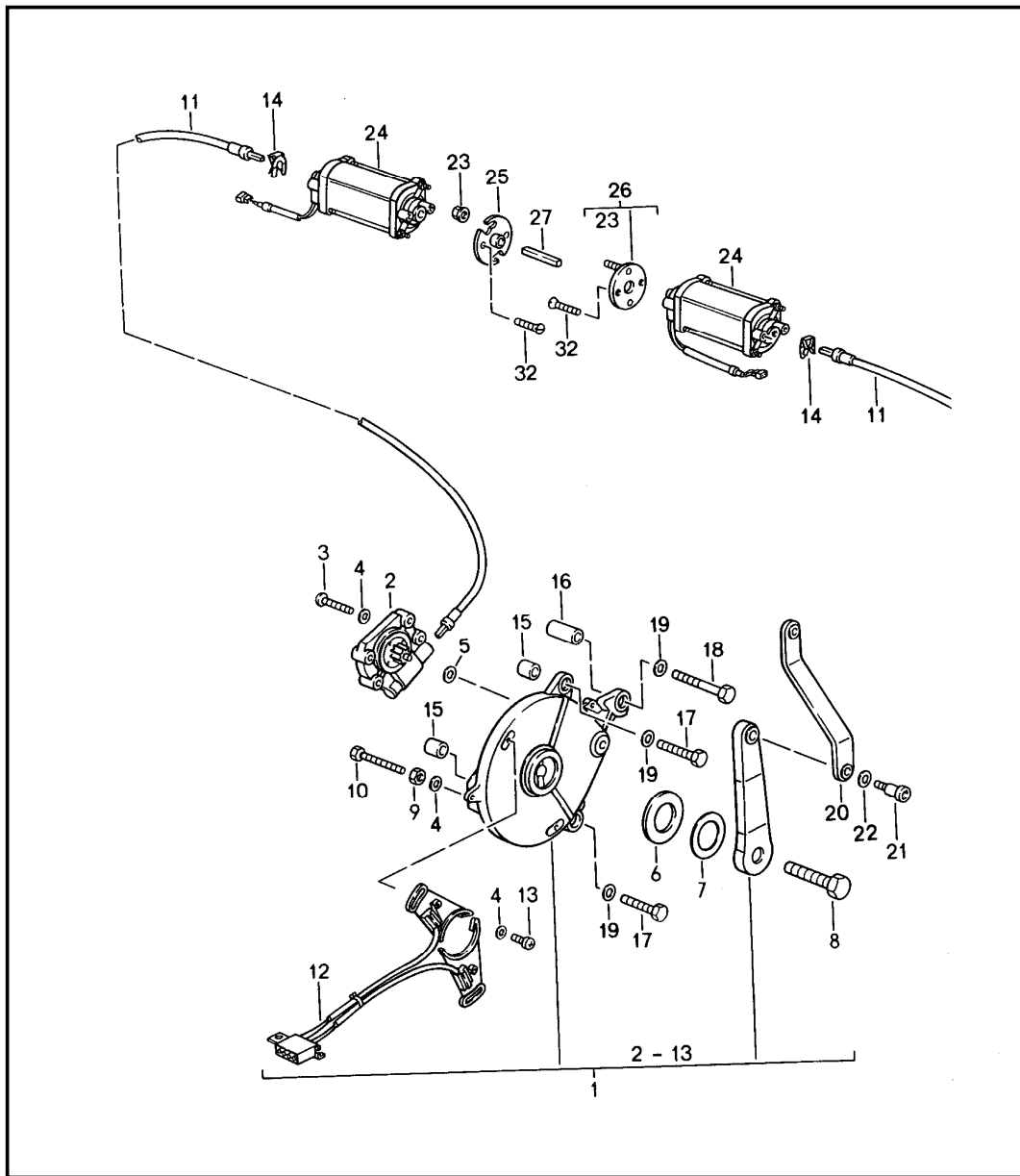


Pos	Part Number	Description	Remark	Qty	Model
		seal			CABRIO
1	941 555 546 10	gasket windscreen frame		1	
2	941 555 541 10	rail	/L	1	
(2)	941 555 542 10	rail	/R	1	
3	941 504 708 10	fastening plug		2	
4	941 561 387 11	roof frame seal outer uncoated	/L	1	
(4)	941 561 388 11	roof frame seal outer uncoated	/R	1	
5	941 561 385 10	roof frame seal inner	/L	1	
(5)	941 561 386 10	roof frame seal inner	/R	1	
6	941 561 389 10	rail	/L	1	
(6)	941 561 390 10	rail	/R	1	
7	900 143 113 07	tapping screw B 4,2 X 13,0		2	
8	941 504 708 10	fastening plug		4	
9	941 561 551 11	rail	/L	1	
(9)	941 561 552 11	rail	/R	1	
10	941 561 517 11	gasket outer uncoated	/L	1	
(10)	941 561 518 11	gasket outer uncoated	/R	1	
11	941 561 519 10	gasket inner	/L	1	
(11)	941 561 520 10	gasket inner	/R	1	
12	941 504 708 10	fastening plug		4	
13	900 143 084 07	oval-head sheetmetal screw B 3,5 X 16,0		9	

Model	Year	MG	SG	Illustration	Restrictions	UPD	10:14	24.01.2010	PORSCHE	PET	PORSCHE
968	1995	8	11	811-25		248					

Pos	Part Number	Description	Remark	Qty	Model	Pos	Part Number	Description	Remark	Qty	Model
14	941 561 417 10	rail		1							
15	941 561 419 10	roof frame seal	/V	1							
16	941 803 301 11	cover	/L	1							
	01C	satin black									
(16)	941 803 302 11	cover	/R	1							
	01C	satin black									
17	941 504 361 10	gasket	/H	1							
18	N 013 957 5	tapping screw B 3,5 X 9,5		1							
19	941 504 709 10	sealing strap roller 15,3 M		X							
20	900 144 038 07	tapping screw B2,9X6,5		9							

Model	Year	MG	SG	Illustration	Restrictions	UPD	10:14	24.01.2010	PORSCHE	PET	PORSCHE
968	1995	8	11	811-30		248					

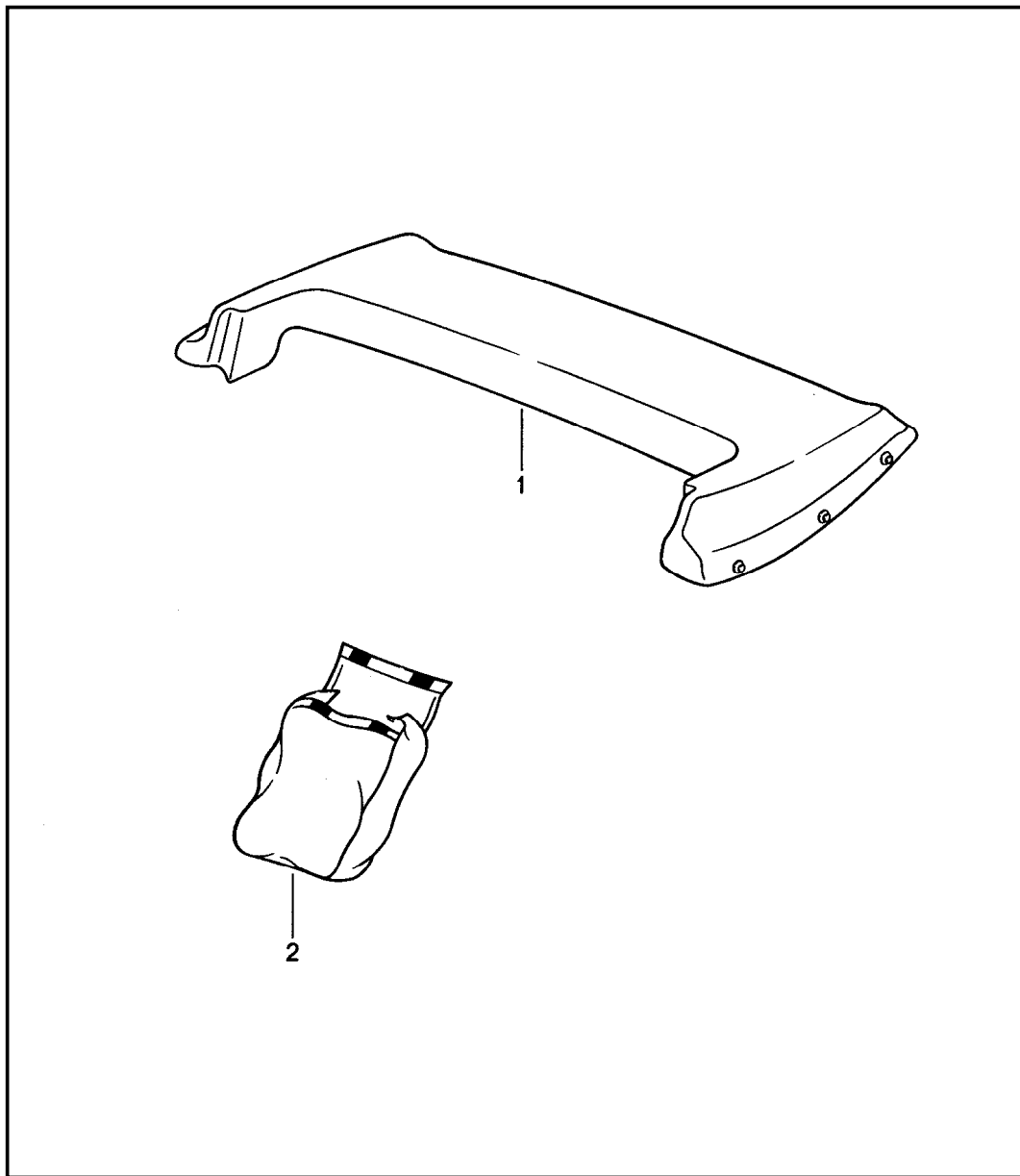


Pos	Part Number	Description	Remark	Qty	Model
		convertible top control electric			CABRIO
(1)	911 561 045 68	transmission	/L	1	
1	911 561 046 68	transmission	/R	1	
(2)	911 561 103 65	planetary transmission	/L	1	
2	911 561 104 65	planetary transmission	/R	1	
3	900 146 025 02	screw M 4 X 18		2	
4	900 025 002 02	washer A 4,3		6	
5	900 234 003 02	shim 8 X 14 X 1,0		2	
6	999 025 254 10	washer 30 X 50 X 1,5		2	
7	900 234 143 02	shim 30 X 42 X 0,1		X	
8	900 378 288 01	hexagon-head bolt M 12 X 30 micro-self-locking		2	
9	N 011 004 6	hexagon nut M 4		2	
10	N 040 257 1	hexagon-head bolt M 4 X 22		2	
(11)	911 561 107 66	shaft	/L	1	
11	911 561 108 66	shaft	/R	1	
12	911 613 037 00	microswitch with plate		1	
13	N 014 122 8	oval-head screw M 4 X 8		2	
14	911 561 643 65	spring clamp		2	
15	941 561 831 10	bush		4	
16	941 561 833 10	bush		2	
17	N 010 347 5	hexagon-head bolt M 6 X 35		4	

Model	Year	MG	SG	Illustration	Restrictions	UPD	10:14	24.01.2010	PORSCHE	PET	PORSCHE
968	1995	8	11	811-30		248					

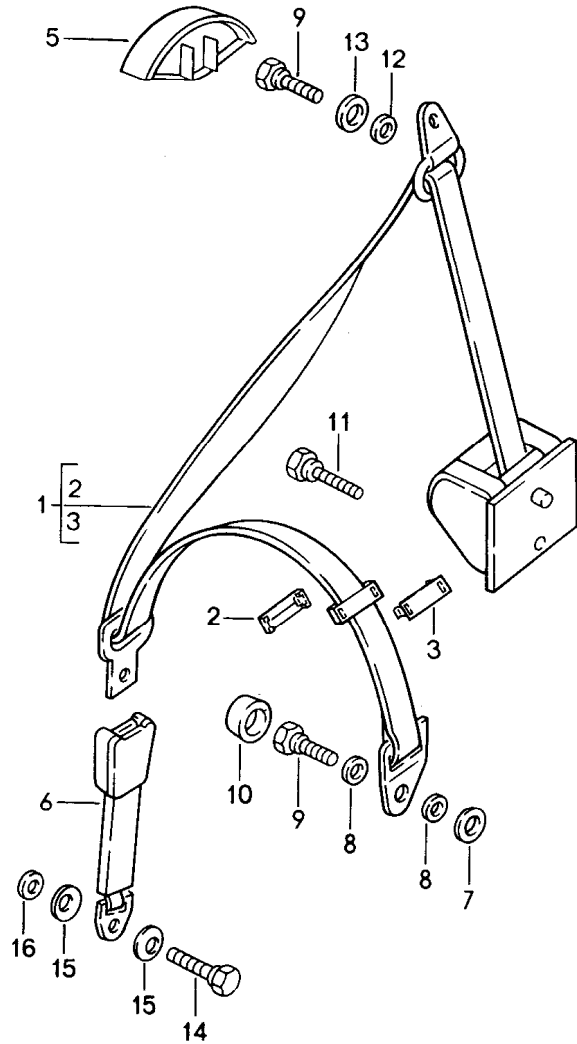
Pos	Part Number	Description	Remark	Qty	Model	Pos	Part Number	Description	Remark	Qty	Model
18	N 040 303 1	hexagon-head bolt M 6 X 50		2							
19	N 015 404 1	washer A 6,4		6							
20	941 561 681 10	push rod		2							
21	911 561 418 00	screw M 8 X 20		2							
22	941 504 815 10	bearing sleeve		4							
23	999 084 078 02	hexagon nut M 5		2							
24	911 624 117 00	electric motor		2							
25	911 624 269 01	washer		1							
26	911 624 171 01	washer		1							
27	911 624 273 00	connecting piece		1							
32	999 919 045 02	locking screw M 5 X 16		4							

Model	Year	MG	SG	Illustration	Restrictions	UPD	10:14	24.01.2010	PORSCHE	PET	PORSCHE
968	1995	8	11	811-35		248					



Pos	Part Number	Description	Remark	Qty	Model
1	941 561 023 10	convertible top cover		1	CABRIO
		convertible top cover			
		A03 black			
		3ZL cobalt blue	-93		
		5YH magenta	-93		
		7JW dark blue			
		5XF classic grey			
		B39 florentine grey	94-		
		8PZ chestnut brown	94-		
2	941 561 087 10	bag convertible top cover		1	
		700 black			

Model	Year	MG	SG	Illustration	Restrictions	UPD	10:15	24.01.2010	PORSCHE	PET	PORSCHE
968	1995	8	12	812-00		248					

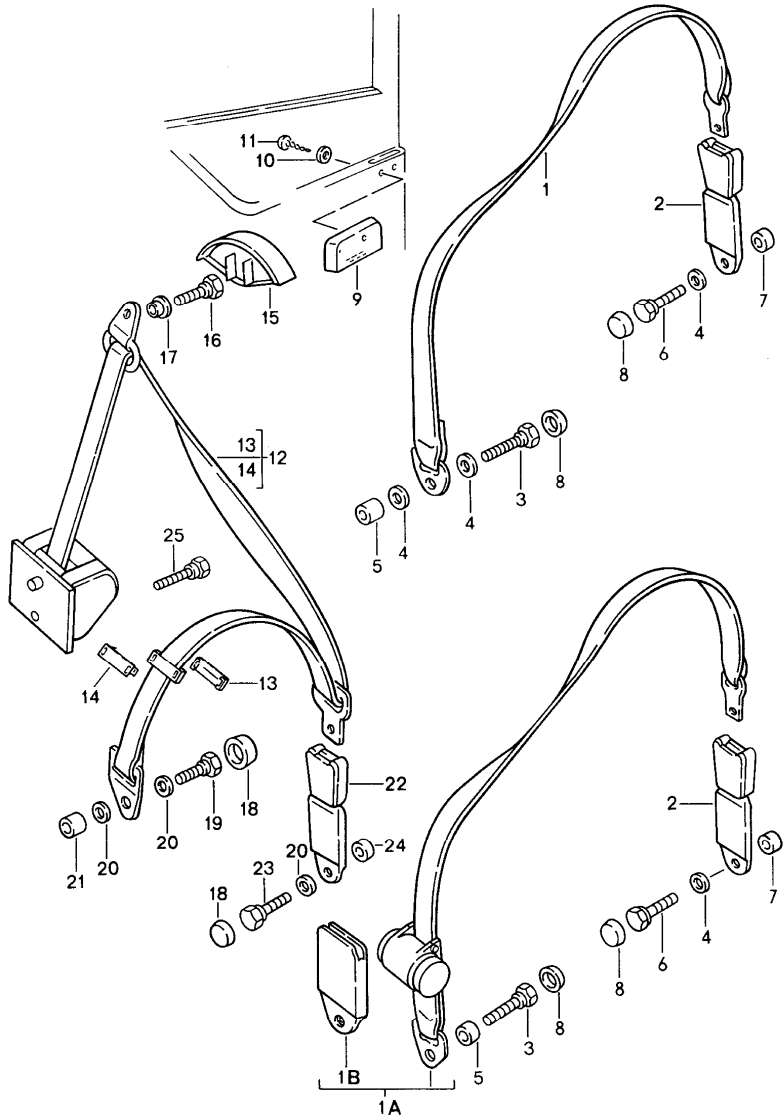


Pos	Part Number	Description	Remark	Qty	Model
1	944 803 033 02	seat belt front		1	COUPE
	70B	satin black	/L		
1	941 803 033 12	seat belt		1	CABRIO
	70B	satin black	/L		
(1)	944 803 034 02	seat belt		1	COUPE
	70B	satin black	/R		
(1)	941 803 034 12	seat belt		1	CABRIO
	70B	satin black	/R		
2	928 803 151 02	clip upper part		2	
3	928 803 153 02	clip lower part		2	
5	944 803 141 00	cover		2	
	70B	black			
(5)	941 555 311 10	cover		1	CABRIO
	70B	satin black	/L		
(5)	941 555 312 10	cover		1	CABRIO
	70B	satin black	/R		
6	964 803 183 01	seat-belt buckle driver's side		1	
	70B	black			
(6)	964 803 183 00	seat-belt buckle passenger's side		1	
	70B	black			
6	964 803 183 05	seat-belt buckle driver's side		1	M383/387
	70B	black			
(6)	964 803 183 04	seat-belt buckle passenger's side		1	M383/387
	70B	black			

Model	Year	MG	SG	Illustration	Restrictions	UPD	10:15	24.01.2010	PORSCHE	PET	PORSCHE
968	1995	8	12	812-00		248					

Pos	Part Number	Description	Remark	Qty	Model	Pos	Part Number	Description	Remark	Qty	Model
7	111 857 707 A	spacer		2							
(7)	999 924 063 02	spacer sleeve airbag		2							
8	911 803 533 00	cup spring		2							
9	111 857 793 E	fastening screw		2							
10	811 857 845	screw-on cap		2							
11	111 857 799 A	fastening screw		2							
12	928 803 212 02	spacer		2							
13	928 803 157 02	washer		2							
14	959 803 701 00	hexagon-head bolt		2							
15	999 028 014 02	spring washer		2							
16	N 011 655 2	washer		2							

Model	Year	MG	SG	Illustration	Restrictions	UPD	10:15	24.01.2010	PORSCHE	PET	PORSCHE
968	1995	8	12	812-05		248					

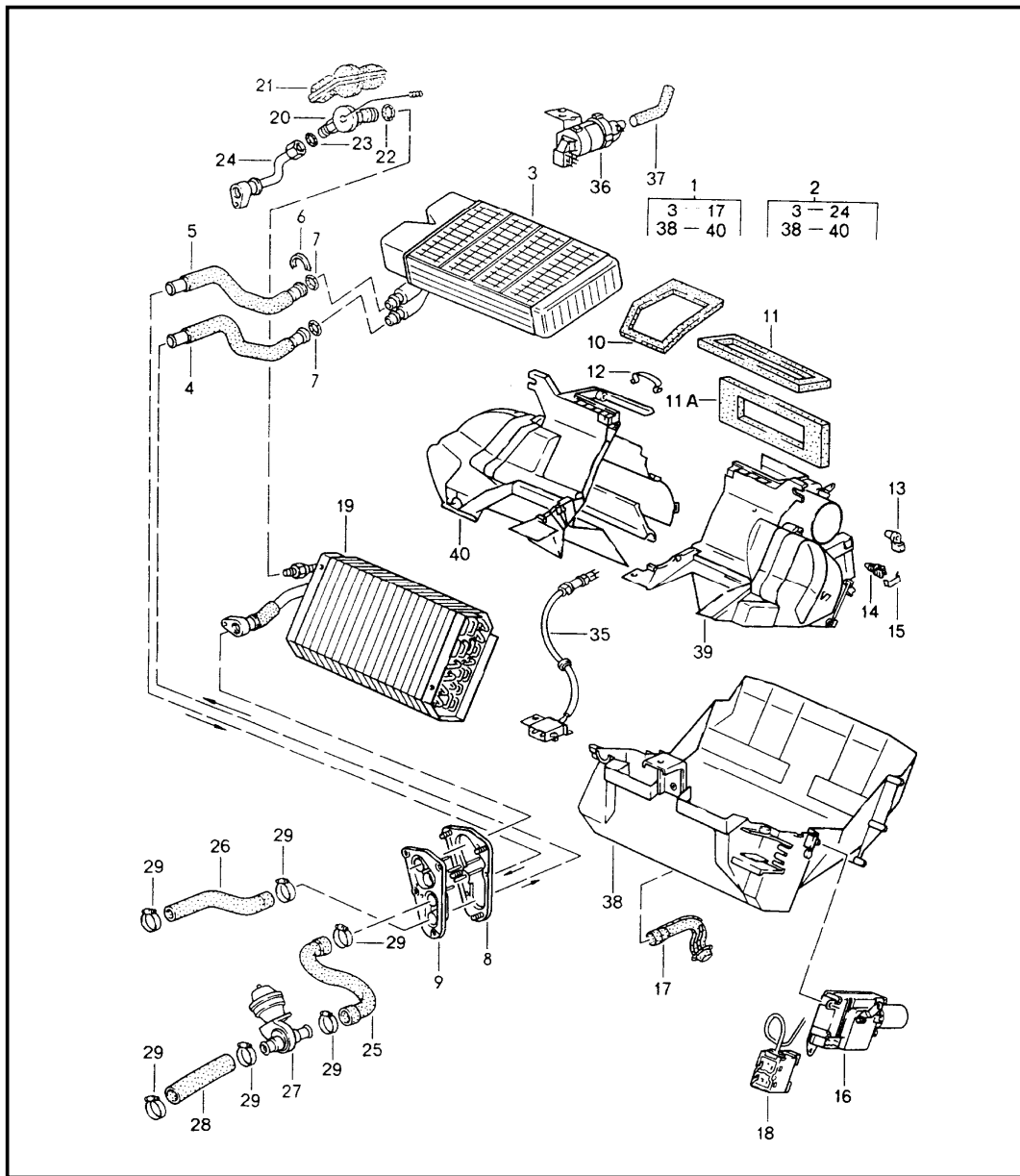


Pos	Part Number	Description	Remark	Qty	Model
1	477 857 795	seat belt rear		2	M186
		lap belt			
		belt manually			
		70B satin black			
1A	477 857 787 C	seat belt automatic		2	M185/215
1B	477 857 750 B	cap		2	M185
2	477 857 739 A	seat-belt buckle		2	
3	111 857 793 E	fastening screw		4	
4	211 857 771	washer		6	
5	928 803 259 02	spacer sleeve		2	
6	477 857 853	screw		2	
7	999 209 033 02	spacer sleeve		2	
8	811 857 845	screw-on cap		4	
9	477 857 375 A	support for seatbelt		2	
		01C black			
		4XC classic grey			
		6ZF cobalt blue			
		6WX magenta			
10	N 011 665 3	washer B 5,3 X 15		4	
11	900 146 003 02	oval-head screw M 5 X 11		4	
		three-point seat belt automatic			M335
(12)	944 803 021 02	seat belt	/L	1	
		70B satin black			
12	944 803 022 02	seat belt	/R	1	
		70B satin black			

Model	Year	MG	SG	Illustration	Restrictions	UPD	10:15	24.01.2010	PORSCHE	PET	PORSCHE
968	1995	8	12	812-05		248					

Pos	Part Number	Description	Remark	Qty	Model	Pos	Part Number	Description	Remark	Qty	Model
13	928 803 151 02	clip upper part		2							
14	928 803 153 02	clip lower part		2							
15	944 803 141 00	cover		2							
	70B	black									
16	111 857 793 E	fastening screw		2							
17	945 803 311 00	spacer ring		2							
18	811 857 845	screw-on cap		4							
19	803 019 811 B	screw		2							
20	211 857 771	washer		6							
21	928 803 259 02	spacer sleeve		2							
22	477 857 739 A	seat-belt buckle		2							
23	477 857 853	screw		2							
24	999 209 033 02	spacer sleeve		2							
25	911 803 150 00	screw		2							

Model	Year	MG	SG	Illustration	Restrictions	UPD	10:15	24.01.2010	PORSCHE	PET	PORSCHE
968	1995	8	13	813-00		248					

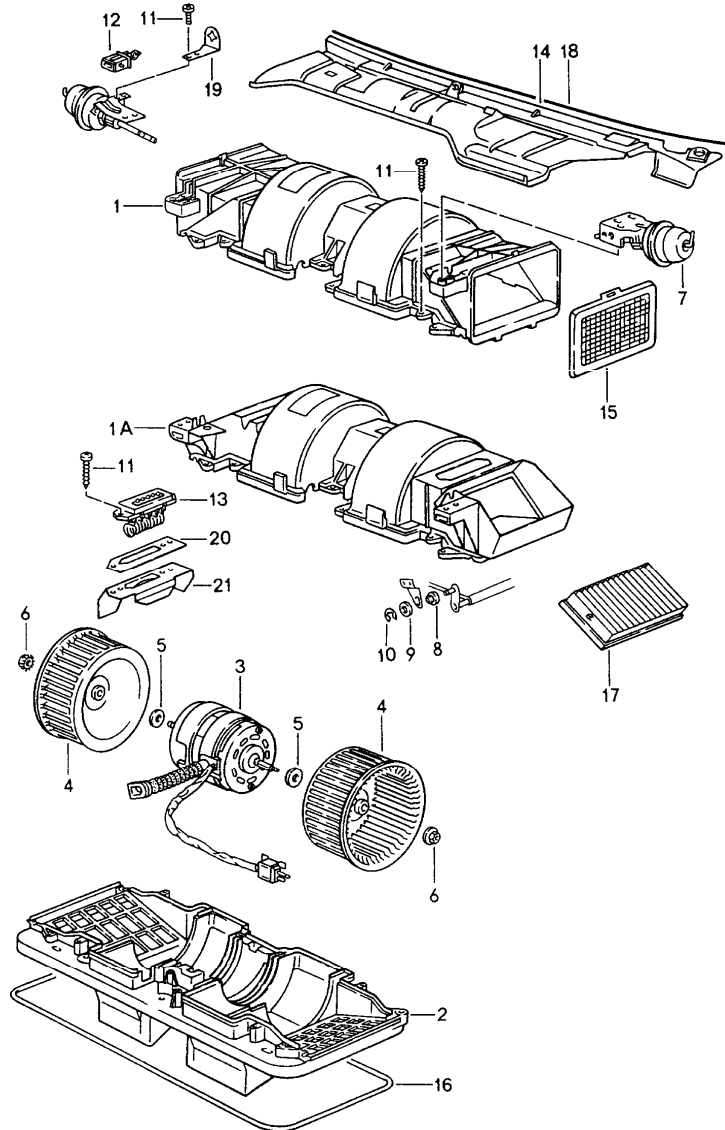


Pos	Part Number	Description	Remark	Qty	Model
1	944 572 020 03	heater air conditioner		1	
2	944 573 020 04	heater	-92	1	M573
2	944 573 020 05	heater	93-	1	M573
3	944 572 130 00	heat exchanger		1	
4	944 572 184 00	water tube return line		1	
5	944 572 185 00	water tube supply		1	
6	944 572 287 00	clip		2	
7	944 572 188 00	o-ring		2	
8	944 572 262 00	mounting plate		1	
(9)	944 572 264 00	gasket		1	
9	944 573 264 00	gasket		1	M573
10	944 572 201 00	gasket	/L	1	
(10)	944 572 202 00	gasket	/R	1	
11	944 572 162 01	gasket		1	
11A	944 572 162 02	gasket		1	
12	944 572 215 00	spring clamp		9	
13	944 572 313 00	bearing		3	
14	944 572 314 00	bearing		3	
15	944 572 217 00	spring clamp		3	
16	944 624 119 00	electric motor 60 degrees		2	
(16)	944 624 120 00	electric motor 98 degrees		1	
17	944 572 221 00	water drain hose		1	
18	944 659 221 00	temperature sensor		1	M573
19	944 573 211 01	evaporator	-92	1	M573
19	944 573 211 02	evaporator	93-	1	M573

Model	Year	MG	SG	Illustration	Restrictions	UPD	10:15	24.01.2010	PORSCHE	PET	PORSCHE
968	1995	8	13	813-00		248					

Pos	Part Number	Description	Remark	Qty	Model	Pos	Part Number	Description	Remark	Qty	Model
20	944 573 201 00	expansion valve	-92	1	M573						
20	944 573 201 01	expansion valve	93-	1	M573						
21	477 820 447 B	insulator		1	M573						
22	944 573 215 00	o-ring	-92	1	M573						
22	944 573 217 00	o-ring	93-	1	M573						
23	944 573 216 00	o-ring	-92	1	M573						
23	944 573 218 00	o-ring	93-	1	M573						
24	944 573 213 00	refrigerant line	-92	1	M573						
24	944 573 213 01	refrigerant line	93-	1	M573						
25	944 572 587 02	water hose supply		1							
26	944 572 589 00	water hose return line		1							
27	928 574 573 03	disc valve		1							
28	944 572 385 01	heater hose		1							
29	999 512 346 00	hose clamp SGT 16-25		X							
35	944 653 121 00	temperature sensor		1							
36	944 624 013 00	interior sensor		1							
37	944 572 529 00	hose interior sensor		1							
38	944 572 135 01	housing lower part		1							
39	944 572 121 01	housing	/L	1							
40	944 572 122 01	housing	/R	1							

Model	Year	MG	SG	Illustration	Restrictions	UPD	10:15	24.01.2010	PORSCHE	PET	PORSCHE
968	1995	8	13	813-05		248					

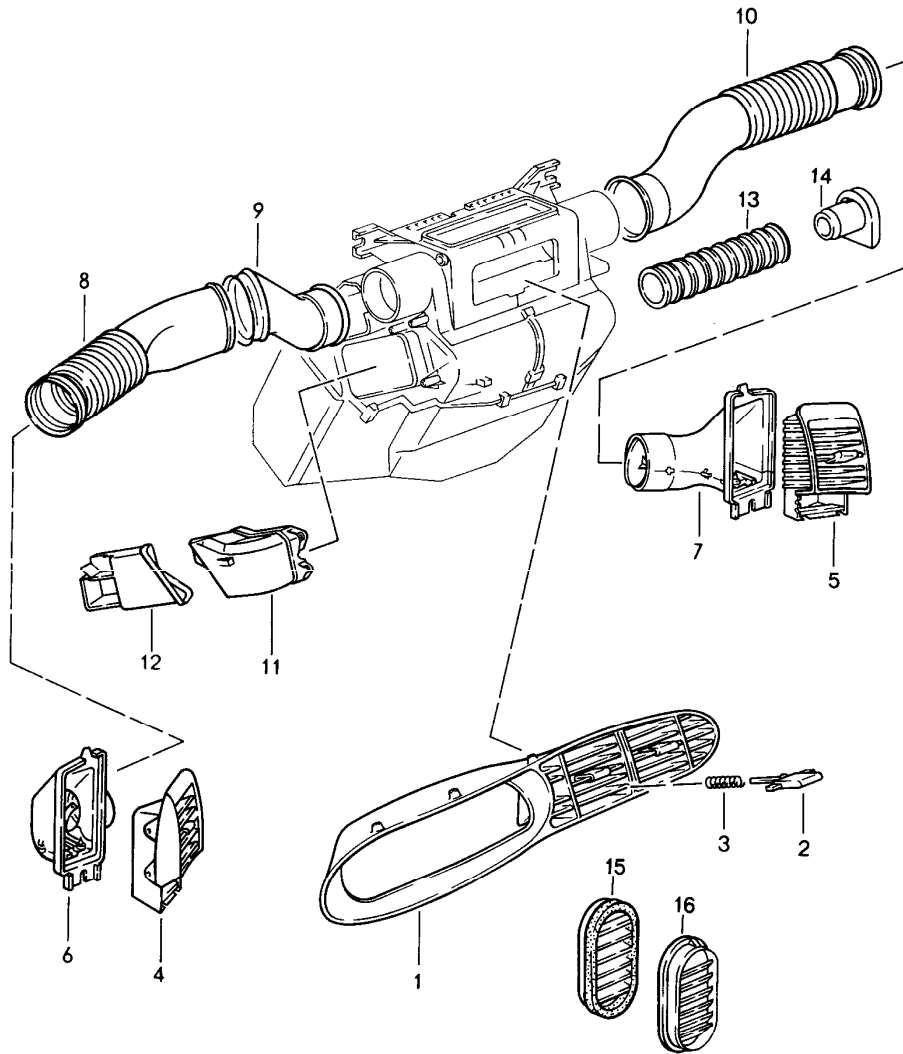


Pos	Part Number	Description	Remark	Qty	Model
1	944 572 105 01	blower housing upper part	-93	1	
1A	944 572 105 02	housing upper part	94-	1	
2	944 572 103 01	housing lower part		1	
3	944 624 117 00	electric motor		1	
(3)	944 624 117 00	electric motor		1	M573
4	944 572 211 00	fan	/L	1	
(4)	944 572 212 00	fan	/R	1	
5	944 572 470 00	washer		2	
6	477 820 471 A	nut M 5		2	
7	944 572 119 00	vacuum unit	/L	1	
(7)	944 572 120 00	vacuum unit	/R	1	
8	944 572 183 00	bearing		2	
9	944 572 225 00	washer		2	
10	944 572 222 00	circlip		2	
11	944 572 464 00	tapping screw B 5 X 12		X	
12	964 659 120 00	outer sensor		1	
13	944 616 105 00	ballast resistor		1	
14 A	944 572 063 07	cover	/LL -93	1	
	01C	satin black			
(14)	944 572 063 08	cover	/LL	1	
	01C	satin black			
(14)	945 572 063 07	cover	/RL -93	1	
	01C	satin black			
(14)	945 572 063 08	cover	/RL 94-	1	
	01C	satin black			

Model	Year	MG	SG	Illustration	Restrictions	UPD	10:15	24.01.2010	PORSCHE	PET	PORSCHE
968	1995	8	13	813-05		248					

Pos	Part Number	Description	Remark	Qty	Model	Pos	Part Number	Description	Remark	Qty	Model
15	944 572 104 00	air cleaner	-93	2							
16	477 898 011 A	sealing cord		16							
17	944 572 479 00	particle filter	94-	2							
18	000 043 204 87	adhesive tape roller 5 M		1							
19	944 572 213 01	support		1							
20	944 572 593 00	gasket		1							
21	944 616 106 00	cover		1							

Model	Year	MG	SG	Illustration	Restrictions	UPD	10:15	24.01.2010	PORSCHE	PET	PORSCHE
968	1995	8	13	813-10		248					

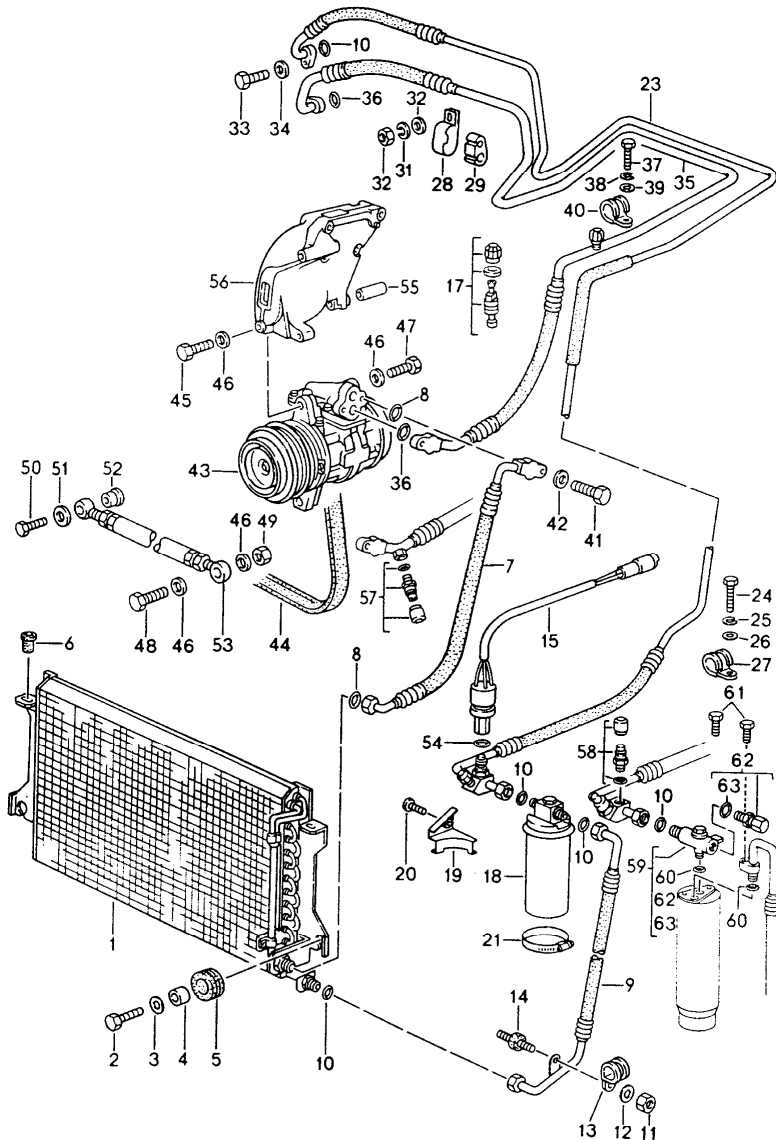


Pos	Part Number	Description	Remark	Qty	Model
1	944 552 023 00	air duct dashboard trim airbag	/LL	1	M564
		1DB black			
(1)	944 552 023 01	dashboard trim airbag	/LL	1	
		1DB black			
(1)	945 552 023 00	dashboard trim	/RL	1	
		1DB black			
2	944 572 419 00	knob		1	
3	944 572 421 00	spring		1	
4	944 572 251 00	side vent	/L	1	
		QE7 black			
		APY classic grey			
		ARY cobalt blue	-93		
		CFE magenta	-93		
		UR5 marine blue	-93		
		DBE midnight blue	94-		
		DCE chestnut brown	94-		
5	944 572 252 00	side vent	/R	1	
		QE7 black			
		APY classic grey			
		ARY cobalt blue	-93		
		CFE magenta	-93		
		UR5 marine blue	-93		
		DBE midnight blue	94-		
		DCE chestnut brown	94-		
6	944 572 241 00	air duct	/L	1	
7	944 572 242 00	air duct	/R	1	
8	944 572 425 00	air duct	/LL	1	

Model	Year	MG	SG	Illustration	Restrictions	UPD	10:15	24.01.2010	PORSCHE	PET	PORSCHE
968	1995	8	13	813-10		248					

Pos	Part Number	Description	Remark	Qty	Model	Pos	Part Number	Description	Remark	Qty	Model
(8)	941 572 425 10	air duct	/LL	1	CABRIO M562						
(8)	945 572 425 00	air duct	/RL	92							
(8)	945 572 425 01	air duct	/RL	93-							
9	944 572 427 00	air duct	/LL	1							
(9)	941 572 427 11	air duct	/LL	1	CABRIO						
(9)	945 572 427 00	air duct	/RL	92							
(9)	945 572 427 01	air duct	/RL	93-							
10	944 572 426 00	air duct		1							
11	944 572 125 00	footwell outlet vent	/L	1							
(11)	944 572 126 00	footwell outlet vent	/R	1							
12	944 572 415 00	footwell outlet vent	/LL/L	1							
(12)	945 572 415 00	footwell outlet vent	/RL/L	1							
(12)	944 572 416 00	footwell outlet vent	/LL/R	1							
(12)	945 572 416 00	footwell outlet vent	/RL/R	1							
15	477 819 179 A	cover	/L	1	COUPE						
	01C	black									
(15)	477 819 180 A	cover	/R	1	COUPE						
	01C	black									
(15)	477 819 177 A	cover		2	CABRIO						
	01C	black									
16	477 819 175	cover		2							

Model	Year	MG	SG	Illustration	Restrictions	UPD	10:16	24.01.2010	PORSCHE	PET	PORSCHE
968	1995	8	13	813-15		248					



Pos	Part Number	Description	Remark	Qty	Model
		refrigerant circuit			M573
1	944 573 011 05	condenser	-92	1	
1	944 573 011 05	condenser	93-	1	
2	N 010 217 9	hexagon-head bolt M 6 X 20		2	
3	N 011 612 3	washer R 6,6		2	
4	052 109 135	spacer sleeve		2	
5	056 129 669 B	grommet		2	
6	944 573 457 00	rubber sleeve		2	
7	944 573 097 11	refrigerant line		1	
8	999 707 250 40	o-ring		2	
9	944 573 095 12	refrigerant line	-92	1	
(9)	944 573 095 13	refrigerant line	93-	1	
10	999 707 247 40	o-ring	-92	4	
10	999 707 247 40	o-ring	93-	4	
11	900 076 010 02	hexagon nut M 6		1	
12	900 025 008 09	washer A 6,4		1	
13	N 020 647 1	clamp 23/15	-92	1	
(13)	999 511 065 02	clamp 26/15	93-	1	
14	928 110 191 00	bonded rubber buffer		1	
15	964 613 137 00	pressure switch	-92	1	
(15)	964 613 137 01	pressure switch	93-	1	
17	928 573 096 03	valve	-92	1	
18	944 573 943 00	desiccator	-92	1	
(18)	944 573 143 01	desiccator	93-	1	
19	944 573 331 00	support		1	

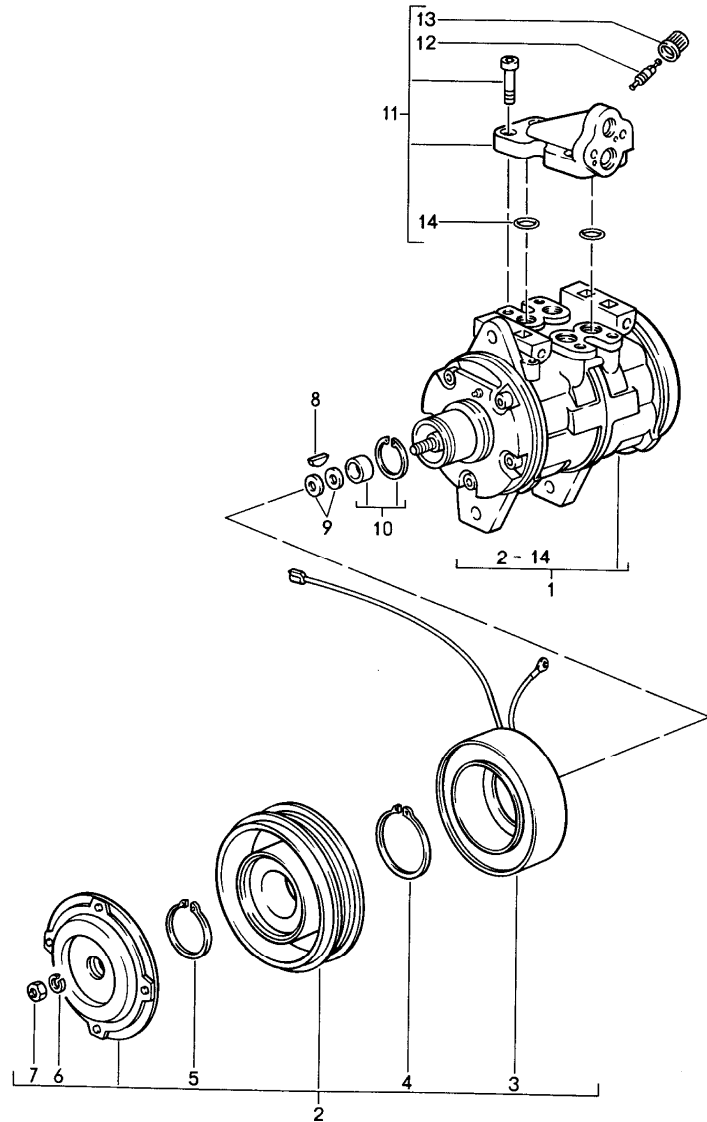
Model	Year	MG	SG	Illustration	Restrictions	UPD	10:16	24.01.2010	PORSCHE	PET	PORSCHE
968	1995	8	13	813-15		248					

Pos	Part Number	Description	Remark	Qty	Model	Pos	Part Number	Description	Remark	Qty	Model
20	900 075 357 02	combination screw M 6 X 12		1		36	999 707 251 40	o-ring	-92	2	
21	999 512 390 00	hose clamp 60 - 80	-92	1		36	999 707 251 40	o-ring	93-	2	
(21)	999 512 565 00	hose clamp 50 - 70	93-	1		37	900 378 030 09	hexagon-head bolt M 6 X 20		1	
23 A	944 573 093 08	refrigerant line	-92	1		38	N 012 006 4	lock ring B 6		1	
(23)	944 573 093 10	refrigerant line order also:	-92	1		39	N 011 524 7	washer A 6,4		1	
-	999 652 787 40	connector housing		1		40	N 902 512 01	pipe clamp RSGW 1,5 X 15/15		1	
-	999 652 786 12	flat connector		4		41	N 040 222 1	hexagon-head bolt M 8 X 32		1	
-	999 652 788 40	seal		4		42	900 025 007 02	washer A 8,4		1	
24	N 010 215 13	hexagon-head bolt M 6 X 15		1		43	944 126 008 00	compressor	-92	1	
25	N 012 006 4	lock ring B 6		1		43	944 126 008 01	compressor	93-	1	
26	N 011 524 7	washer A 6,4		1		44	999 192 285 50	poly-rib belt K 6 - 1000 LW		1	
27	999 511 116 02	clamp B 15 X 10 GI B 15 X 10 GI		1		45	900 082 088 02	hexagon-head bolt M 10 X 1,25 X 50		1	
28	944 573 453 00	support		1		46	900 025 008 09	washer A 10,5		4	
29	944 573 455 00	spacer rubber		1		47	900 074 139 02	hexagon-head bolt M 8 X 55		1	
30	900 076 010 02	hexagon nut M 6		1		48	N 040 125 1	hexagon-head bolt M 10 X 1,25 X 30		1	
31	N 012 006 4	lock ring B 6		1		49	N 021 194 1	lock nut M 10		1	
32	N 011 524 7	washer A 6,4		1		50	N 010 359 4	hexagon-head bolt M 8 X 38		1	
33	900 075 016 02	hexagon-head bolt M 6 X 22		2		51	900 025 007 02	washer A 8,4		1	
34	N 011 524 7	washer A 6,4		2		52	944 126 127 01	bush		1	
35	944 573 091 08	refrigerant line	-92	1		53	944 126 021 03	strut		1	
(35)	944 573 091 08	refrigerant line	93-	1		54	999 707 261 40	o-ring		1	
						55	944 126 135 00	sleeve		1	

Model	Year	MG	SG	Illustration	Restrictions	UPD	10:16	24.01.2010	PORSCHE	PET	PORSCHE
968	1995	8	13	813-15		248					

Pos	Part Number	Description	Remark	Qty	Model	Pos	Part Number	Description	Remark	Qty	Model
56	944 126 123 06	bracket		1							
57	928 573 465 00	valve	93-	1							
58	928 573 466 00	valve	93-	1							
59	993 573 243 00	distributing piece	93	1							
59	993 573 243 00	distributing piece	94-	1							
60	999 707 262 40	o-ring	93-	2							
61	999 075 048 02	hexagon-head bolt M 6 X 22	93-	2							
62	928 573 311 00	relief valve	93-	1							
63	999 707 261 40	o-ring	93-	1							

Model	Year	MG	SG	Illustration	Restrictions	UPD	10:16	24.01.2010	PORSCHE	PET	PORSCHE
968	1995	8	13	813-20		248					

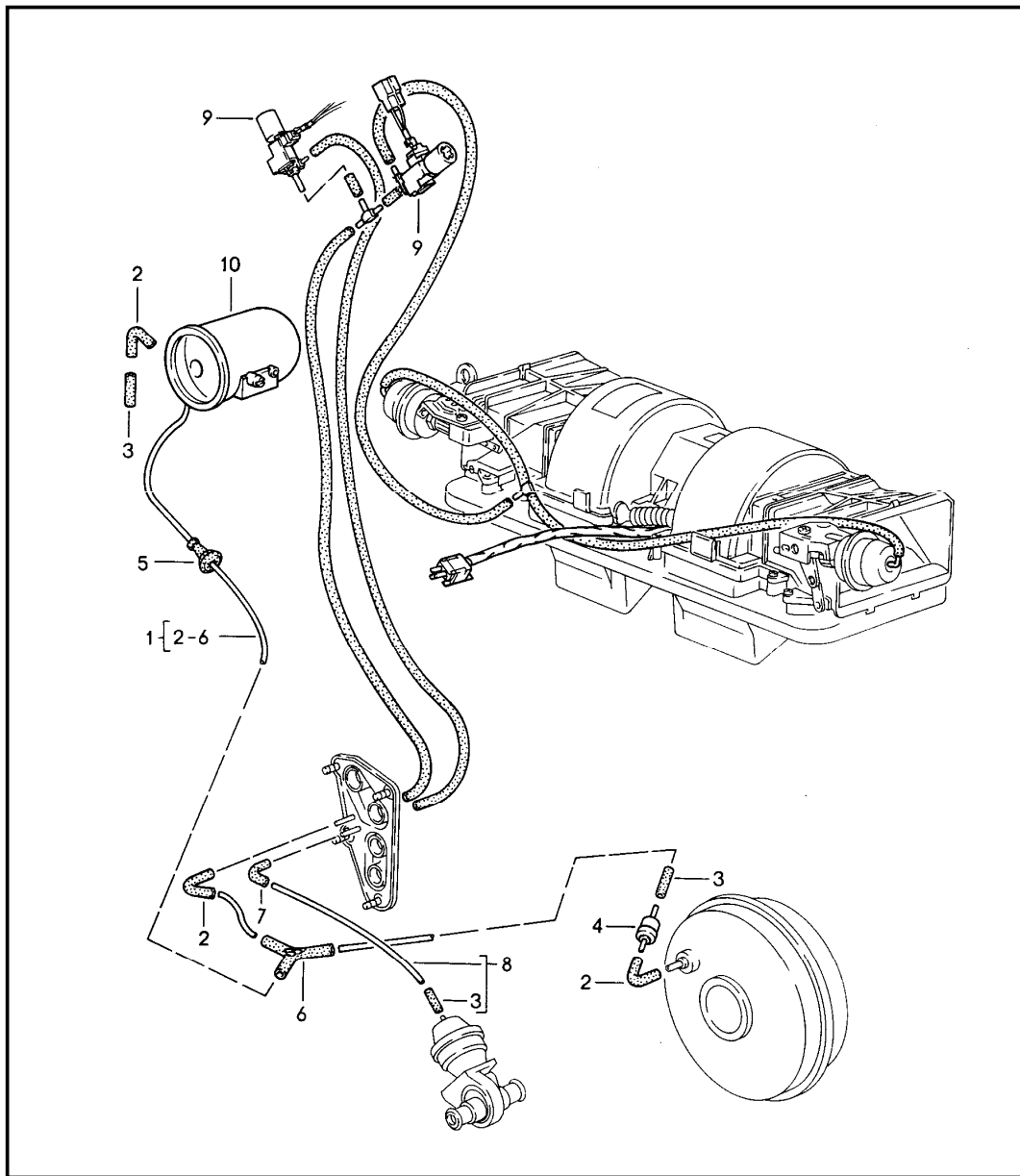


Pos	Part Number	Description	Remark	Qty	Model
		compressor			M573
1	944 126 008 00	compressor	-92	1	
1	944 126 008 01	compressor	93-	1	
2	944 126 923 01	clutch	-92	1	
(2)	944 126 923 02	clutch	93-	1	
3	944 126 925 01	solenoid coil	-92	1	
4	477 298 841	circlip \$ 37 MM		1	
5	477 298 843	circlip \$ 45,8 MM		1	
6	900 027 015 02	lock ring B 8	-92	1	
7	N 011 008 8	hexagon nut M 8	-92	1	
8	944 126 905 00	spring	-92	1	
9	477 298 829	spacer 0,1 MM		X	
(9)	477 298 829 A	spacer 0,2 MM		X	
(9)	477 298 829 B	spacer 0,5 MM		X	
(9)	477 298 829 C	spacer 0,8 MM		X	
(9)	477 298 829 B	spacer 1,0 MM		X	
10	930 126 921 00	set of shaft seals	-92	1	
11	944 126 940 00	suction + press. connect.	-92	1	
(11)	944 126 940 01	suction + press. connect.	93-	1	
12	928 573 908 03	valve insert	-92	1	
(12)	928 126 902 01	valve insert with cap	93-	1	
13	928 573 909 02	cap	-92	1	
14	944 126 935 01	o-ring	-92	X	

Model	Year	MG	SG	Illustration	Restrictions	UPD	10:16	24.01.2010	PORSCHE	PET	PORSCHE
968	1995	8	13	813-20		248					

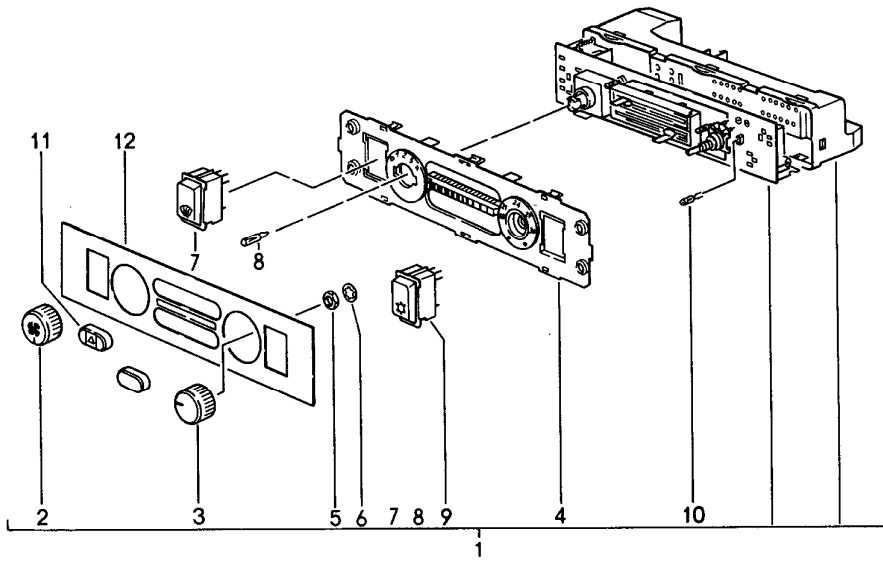
Pos	Part Number	Description	Remark	Qty	Model	Pos	Part Number	Description	Remark	Qty	Model
14	944 126 935 01	o-ring	93-	X							

Model	Year	MG	SG	Illustration	Restrictions	UPD	10:16	24.01.2010	PORSCHE	PET	PORSCHE
968	1995	8	13	813-25		248					



Pos	Part Number	Description	Remark	Qty	Model
		vacuum control			
1	944 572 710 00	vacuum line	/LL	1	
(1)	945 572 710 00	vacuum line	/RL	1	
2	928 574 717 03	moulded hose	/LL	3	
3	928 574 747 03	connecting piece	/RL	3	
4	928 537 361 02	valve		1	
5	477 819 849	grommet		1	
6	928 573 727 02	distributing piece		1	
7	928 574 717 03	moulded hose		1	
8	944 572 709 00	vacuum line		1	
9	944 659 215 01	recirculating air valve		1	
(9)	944 659 215 02	heater valve		1	
10	945 573 808 00	vacuum reservoir		1	

Model	Year	MG	SG	Illustration	Restrictions	UPD	10:16	24.01.2010	PORSCHE	PET	PORSCHE
968	1995	8	13	813-30		248					

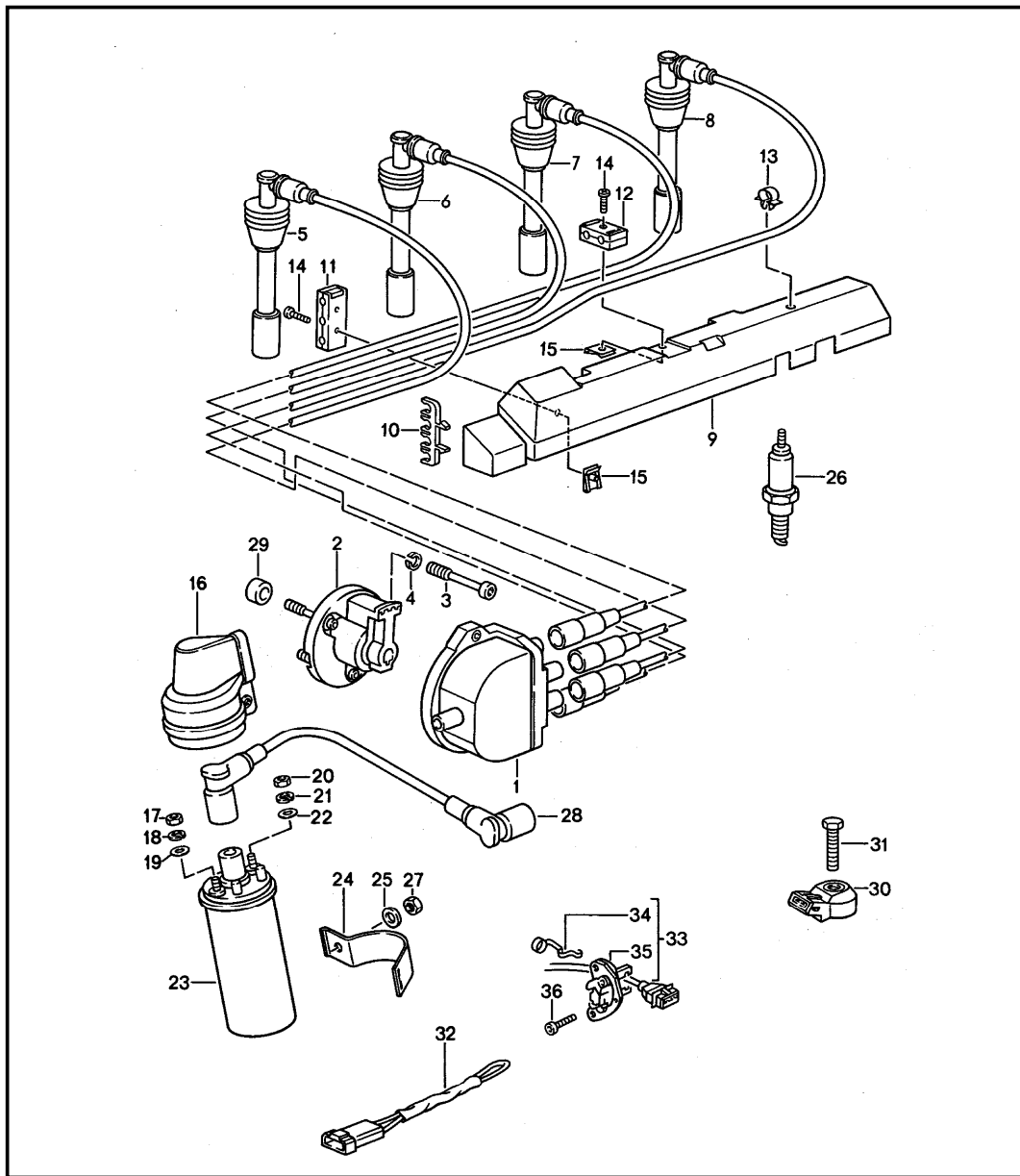


Pos	Part Number	Description	Remark	Qty	Model
		control switch			
1	944 653 021 03	control switch		1	
	01C	satin black			
(1)	944 653 021 02	control switch		1	968CS
	01C	satin black			
(1)	944 653 021 04	control switch		1	M573
	01C	satin black			
2	944 653 207 00	knob blower switch		1	
	01C	black			
3	944 653 208 00	knob temperature control		1	
	01C	black			
4	944 653 912 00	cover clear		1	
(4)	944 653 911 00	cover clear		1	968CS
5	999 034 021 30	hexagon nut M 7 X 0,75		1	
6	900 028 045 02	spring washer A 8		1	
7	944 653 923 00	tip switch		1	
(7)	944 653 921 00	tip switch		1	M573
8	900 631 134 90	bulb 1,2W		1	
9	944 653 924 00	tip switch		1	
(9)	944 653 922 00	tip switch		1	M573
10	999 631 031 90	bulb		3	
11	944 653 205 00	knob		2	
	01C	black			
12	944 653 203 00	cover		1	
	1DB	black			

Model	Year	MG	SG	Illustration	Restrictions	UPD	10:16	24.01.2010
968	1995	8	98	898-00R		248		

Pos	Part Number	Description	Remark	Qty	Model
		repair kits			
>>	>>944 538 001 49	set of locks		1	
>>	>>944 538 001 49	set of locks		1	
		comprising:			
		lock cylinder	/L	1	
		door handle			
		lock cylinder	/R		
		door handle			
		steering lock		1	
		lock cylinder		1	
		rear lid lock			
		lock cylinder		1	
		fuel tank cap			
		glove compartment lock		1	
		secondary key		3	
		key ring		1	
		key tag		1	
>>	>>000 043 300 94	adhesive set		1	
		windscreen			
		windscreen			
>>	>>944 501 941 00	repair kit		1	
		blind rivet			
		comprising:			
		blind rivet		10	
		blind rivet		5	
		blind rivet		5	
		assembly sleeve		1	
>>	>>931 559 901 00	set of moldings		1	M418
		comprising:			
-	931 559 137 00	side guard	/V	2	
		wing			
-	931 559 133 00	side guard	/L	1	
		door			
-	931 559 134 00	side guard	/R	1	
		door			
-	931 559 141 00	side guard	/L	1	
		side section			
-	931 559 142 00	side guard	/R	1	
		side section			
		use also:			
		adhesive			
		AMV 176.000.05			

Model	Year	MG	SG	Illustration	Restrictions	UPD	10:17	24.01.2010	PORSCHE	PET	PORSCHE
968	1995	9	01	901-00		248					

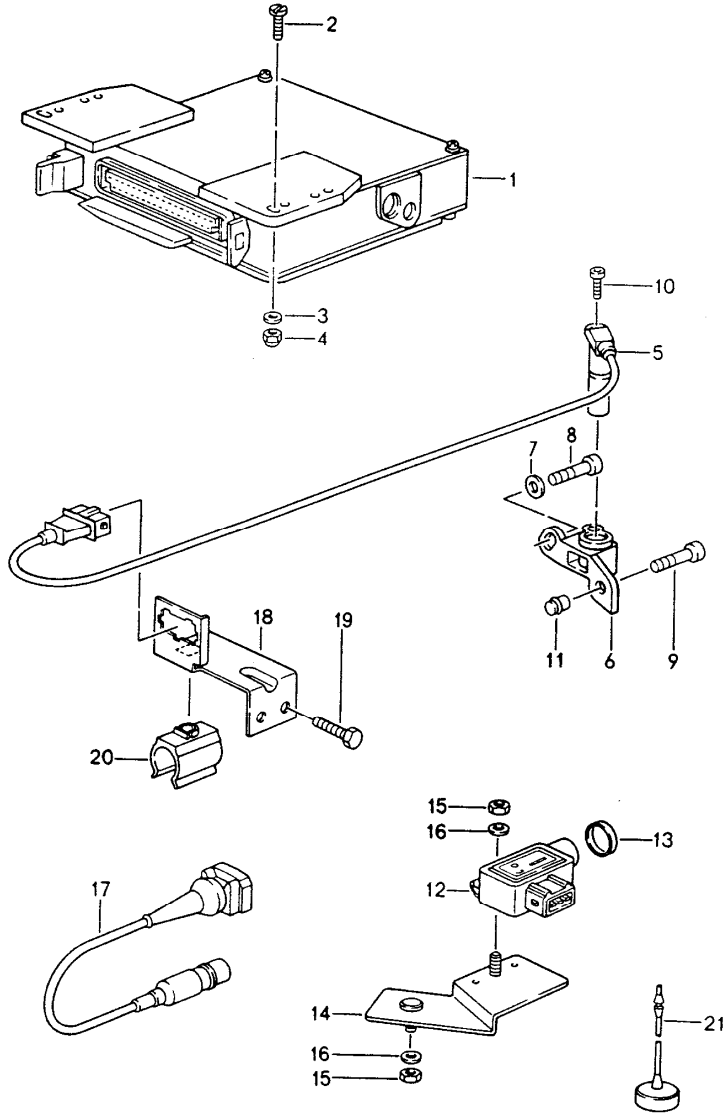


Pos	Part Number	Description	Remark	Qty	Model
		engine electrics 1			M44.43/44
1	928 602 211 01	distributor cap		1	
2	A 944 602 213 00	rotor		1	
2	944 602 213 01	rotor		1	
3	928 602 223 00	screw		3	
4	N 012 005 3	lock ring B 5		3	
5	944 602 070 10	ignition lead cylinder 1		1	
6	944 602 070 11	ignition lead cylinder 2		1	
7	944 602 070 12	ignition lead cylinder 3		1	
8	944 602 070 13	ignition lead cylinder 4		1	
9	944 110 280 02	cable guide		1	
10	052 905 471 A	support		1	
11	928 602 323 00	support		1	
12	928 602 322 00	cable holder		1	
13	477 971 851	cable clip		1	
14	N 044 132 2	oval-head screw M 5 X 20		2	
15	999 507 067 02	speed nut		2	
16	944 602 801 00	protection cap		1	
17	900 076 010 02	hexagon nut M 6		1	
18	N 012 006 4	lock ring B 6		1	
19	N 011 524 7	washer A 6.4		1	
20	N 011 005 14	hexagon nut M 5		1	
21	N 012 005 3	lock ring B 5		1	

Model	Year	MG	SG	Illustration	Restrictions	UPD	10:17	24.01.2010	PORSCHE	PET	PORSCHE
968	1995	9	01	901-00		248					

Pos	Part Number	Description	Remark	Qty	Model	Pos	Part Number	Description	Remark	Qty	Model
22	900 025 003 02	washer A 5.3		1							
23	944 602 115 00	ignition coil		1							
24	944 602 294 01	clamping bow		1							
25	N 011 524 7	washer A 6,4		1							
26	999 170 189 90	spark plug - bosch - WR 7 DTC		4							
27	900 076 010 02	hexagon nut M 6		1							
28	944 602 060 09	ignition lead		1							
29	A 944 105 137 01	spacer sleeve		3							
29	944 105 137 02	spacer sleeve		3							
30	944 606 145 00	knock sensor		2							
31	999 217 082 02	hexagon-head bolt		2							
32	944 612 492 00	adapter		1	M150						
33	944 606 170 02	hall sender		1							
34	928 606 282 00	tensioning spring		1							
35	928 606 180 01	cap		1							
36	900 067 255 02	pan-head screw M 5 X 12		2							

Model	Year	MG	SG	Illustration	Restrictions	UPD	10:17	24.01.2010	PORSCHE	PET	PORSCHE
968	1995	9	01	901-05		248					

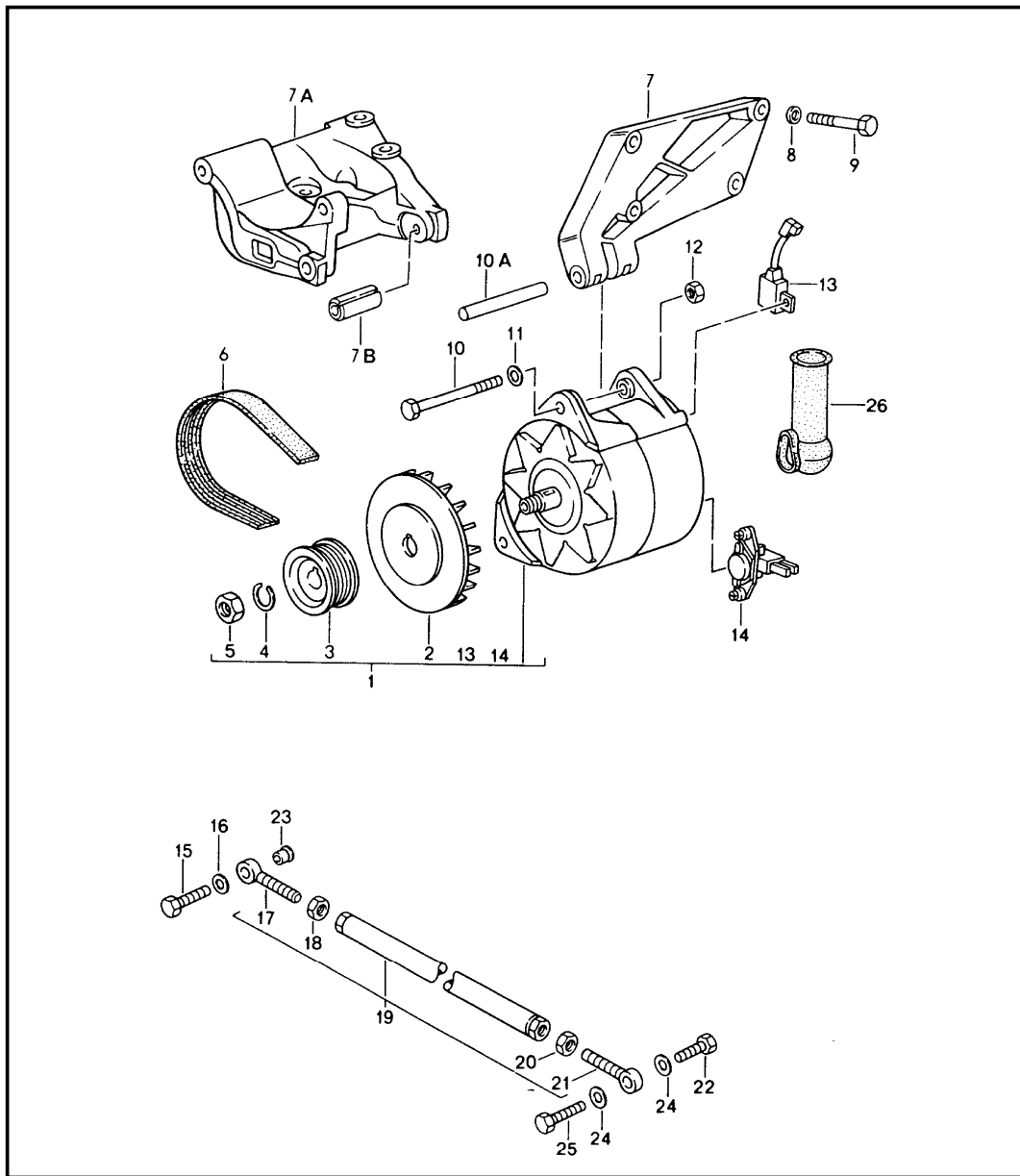


Pos	Part Number	Description	Remark	Qty	Model
		engine electrics 2			
1	> 944 618 123 02	control unit - dme -		1	
2	900 146 003 02	oval-head screw M 5 X 10		3	
3	900 025 003 02	washer A 5,3		3	
4	N 011 125 2	cap nut M 5		3	
5	944 606 115 00	pulse sender		1	
6	944 101 321 11	support		1	
7	900 025 007 02	washer A 8,4		1	
8	N 014 725 2	pan-head screw M 8 X 25		1	
9	900 067 247 02	combination screw M 8 X 30		1	
10	999 218 005 02	pan-head screw M 6 X 24		1	
11	900 197 047 08	tensioning sleeve		1	
12	944 606 212 00	potentiometer		1	M150
13	944 606 935 00	cap red		1	M150
14	944 606 053 01	support		1	M150
15	900 076 010 02	hexagon nut M 6		2	M150
16	N 011 524 7	washer A 6,4		2	M150
17	944 607 175 00	adapter wiring harness		1	M150
18	944 607 127 00	support		1	
19	N 010 210 13	hexagon-head bolt M 6 X 10		2	
20	999 651 224 40	cable holder		1	

Model	Year	MG	SG	Illustration	Restrictions	UPD	10:17	24.01.2010	PORSCHE	PET	PORSCHE
968	1995	9	01	901-05		248					

Pos	Part Number	Description	Remark	Qty	Model	Pos	Part Number	Description	Remark	Qty	Model
21	928 612 273 00	cap for plug socket		1							

Model	Year	MG	SG	Illustration	Restrictions	UPD	10:17	24.01.2010	PORSCHE	PET	PORSCHE
968	1995	9	02	902-00		248					

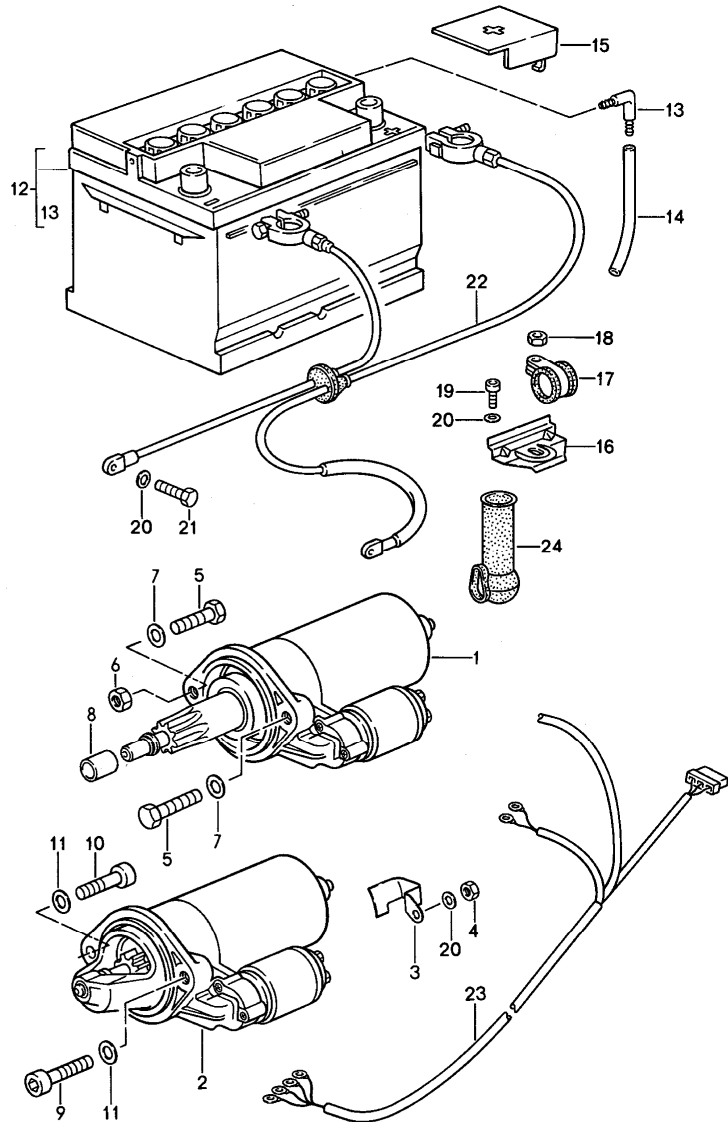


Pos	Part Number	Description	Remark	Qty	Model
1	> 928 603 011 05	generator with mounting parts		1	968 968CS M573
1	> 944 603 109 00	generator		1	968CS
2	928 603 443 02	fan		1	968 968CS M573
(2)	068 903 171 A	fan		1	968CS
3	928 603 021 01	pulley		1	968 968CS M573
3	944 603 021 01	pulley		1	968CS
4	N 012 016 1	lock ring		1	
5	900 034 013 02	hexagon nut M 16 X 1,5		1	
6	999 192 290 50	poly-rib belt K 6 X 720		1	
(6)	999 192 299 50	poly-rib belt K 6 X 1000		1	M573
7	944 603 134 02	bracket		1	
7A	944 126 123 06	bracket		1	M573
7B	944 126 135 00	sleeve		1	M573
8	900 025 008 09	washer A 10,5		4	
9	N 010 470 7	hexagon-head bolt M 10 X 70		4	
10	900 074 197 02	hexagon-head bolt M 10 X130		1	968 968CS M573
(10)	900 074 052 02	screw M 8 X 130		1	968CS
10A	944 126 127 03	spacer sleeve		1	968CS
11	900 025 008 09	washer A 10,5		1	968 968CS M573

Model	Year	MG	SG	Illustration	Restrictions	UPD	10:17	24.01.2010	PORSCHE	PET	PORSCHE
968	1995	9	02	902-00		248					

Pos	Part Number	Description	Remark	Qty	Model	Pos	Part Number	Description	Remark	Qty	Model
(11)	900 025 007 02	washer A 8,4		1	968CS	23	944 126 127 01	bush		1	968 968CS M573
12	900 910 031 09	lock nut VF M 10		1		23	944 126 127 01	bush		2	968CS
(12)	900 910 097 02	lock nut VF M 8		1	968CS	24	900 025 008 09	washer A 10,5		1	968 968CS M573
13	944 603 143 00	condenser		1		(24)	900 025 007 02	washer A 8,4		1	968CS
14	928 603 142 00	regulator		1		25	N 040 125 1	hexagon-head bolt M 10 X 1,25 X 30		1	M573
-	900 910 097 02	lock nut VF M 8		1		26	999 659 006 50	protection cap B + generator		1	
-	900 025 007 02	washer A 8,4 for terminal clamp B + generator		1							
-	900 910 007 02	lock nut VF M 5		1							
-	900 025 003 02	washer A 5,3 for terminal clamp 61 generator		1							
15	N 010 359 4	hexagon-head bolt M 8 X 38		1							
16	900 025 007 02	washer A 8,4		1							
17	N 100 692 01	eye screw		1							
18	900 076 033 02	hexagon nut M 10		1							
19	944 126 021 03	strut		1							
20	N 011 010 6	hexagon nut M 10		1							
21	N 100 693 01	eye screw		1							
22	N 010 445 2	hexagon-head bolt M 10 X 45		1	968 968CS M573						
(22)	N 010 359 4	hexagon-head bolt M 8 X 38		1	968CS						

Model	Year	MG	SG	Illustration	Restrictions	UPD	10:17	24.01.2010	PORSCHE	PET	PORSCHE
968	1995	9	02	902-10		248					

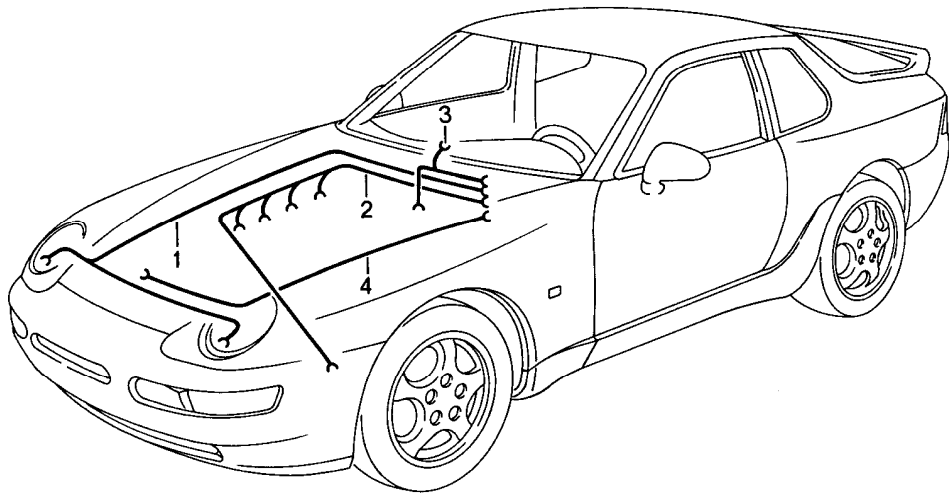


Pos	Part Number	Description	Remark	Qty	Model
		starter battery wiring harnesses			
1	> 944 604 104 00	starter 1,7 KW		1	
2	> 944 604 103 00	starter 1,7 KW		1	TIPTRONIC
3	944 604 122 00	insulating piece		1	TIPTRONIC
4	900 084 004 02	hexagon nut M 8		1	TIPTRONIC
4	900 084 004 03	hexagon nut		1	TIPTRONIC
5	N 040 281 1	hexagon-head bolt M 10 X 45		2	
6	N 011 010 6	hexagon nut M 10		1	
7	900 025 008 09	washer A 10,5		2	
8	999 531 017 10	bush		1	
9	900 067 032 02	pan-head screw M 12 X 50		1	TIPTRONIC
10	900 067 283 02	pan-head screw M 12 X 35		1	TIPTRONIC
11	N 011 564 2	washer B 13		2	TIPTRONIC
12	999 611 065 20	battery 65 AH	/LL	1	
12	999 611 070 20	battery 75 AH tech. information memo 911 NR. 02/97	/RL	1	
12	999 611 050 20	battery 50 AH		1	
13	893 915 507	angled pipe		1	
-	477 915 505	hose		*	
14	-	250 MM		1	
15	477 915 429 A	pole covering	/LL	1	
15	477 915 429	pole covering	/RL	1	

Model	Year	MG	SG	Illustration	Restrictions	UPD	10:17	24.01.2010	PORSCHE	PET	PORSCHE
968	1995	9	02	902-10		248					

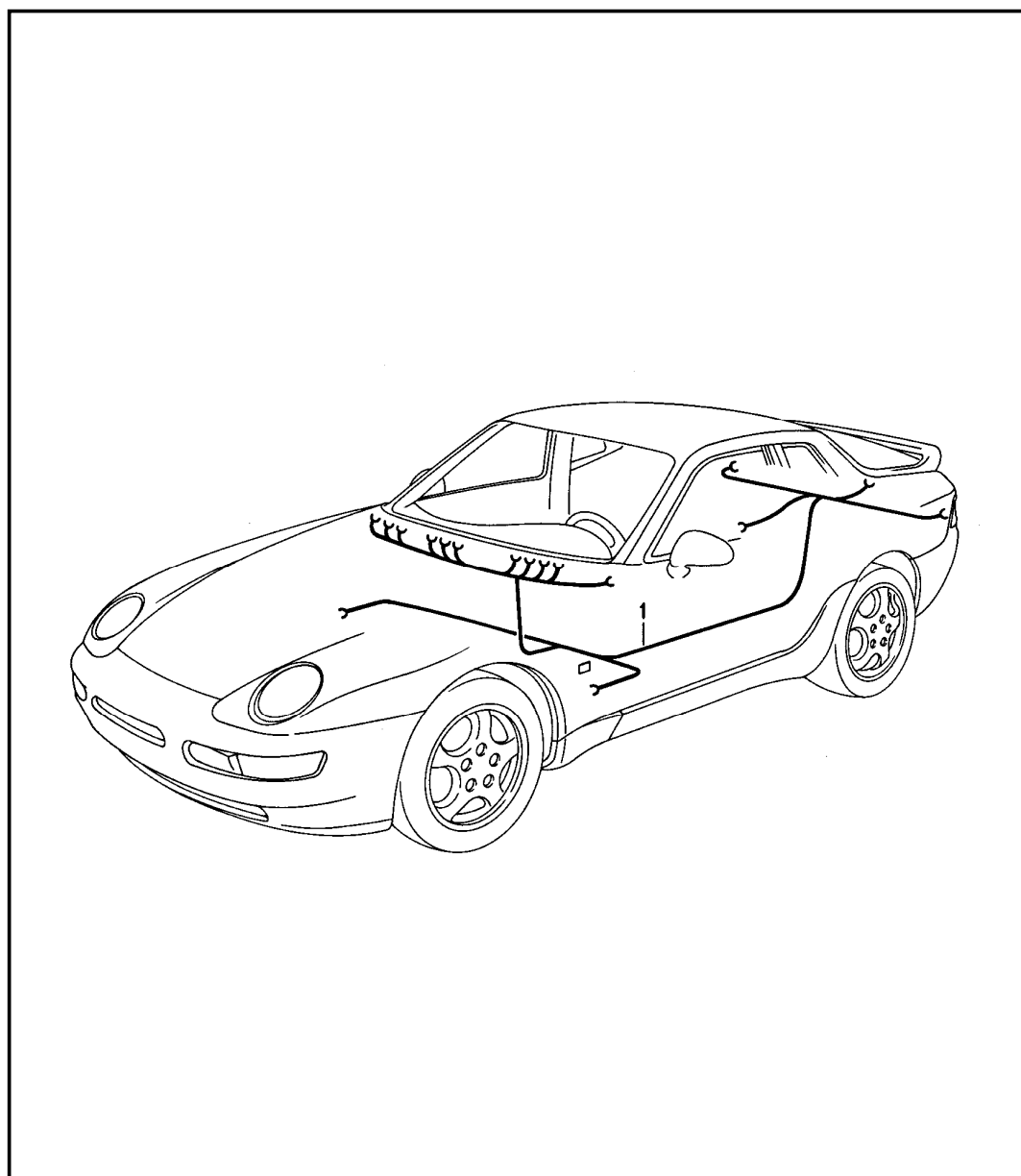
Pos	Part Number	Description	Remark	Qty	Model	Pos	Part Number	Description	Remark	Qty	Model
16	914 611 233 10	tension terminal	/LL	1		-	477 971 235	ground strap body clutch housing	/RL	1	
(16)	945 611 021 00	bracket	/RL	1							
17	999 511 077 02	clamp	/LL	1							
18	477 915 489	hexagon nut M 8	/LL	1							
19	900 067 057 02	pan-head screw M 8 X 20	/RL	1							
20	900 025 007 02	washer A 8,4		3							
21	N 010 241 0	hexagon-head bolt M 8 X 20		1							
22	944 612 027 03	wiring harness battery starter	/LL	1							
22	944 612 027 04	wiring harness battery starter	/LL	1	TIPTRONIC						
(22)	945 612 027 05	wiring harness battery starter	/RL	1							
(22)	945 612 027 06	wiring harness battery starter	/RL	1	TIPTRONIC						
(22)	945 611 041 00	ground strap battery	/RL	1							
23	944 607 029 04	wiring harness starter generator		1							
23	944 607 029 08	wiring harness starter generator		1	TIPTRONIC						
(23)	945 612 013 01	line starter hydraulic unit	/RL	1							
(23)	945 612 013 02	line starter hydraulic unit	/RL	1	TIPTRONIC						
24	999 659 006 50	protection cap starter		1							

Model	Year	MG	SG	Illustration	Restrictions	UPD	10:17	24.01.2010	PORSCHE	PET	PORSCHE
968	1995	9	02	902-20		248					



Pos	Part Number	Description	Remark	Qty	Model
		wiring harness engine compartment heating air conditioner			
1	944 612 008 10	wiring harness engine compartment	/LL	92	1
1	968 612 008 00	wiring harness engine compartment	/LL	93-	1
1	944 612 008 12	wiring harness engine compartment	/LL (J)	92	1
1	968 612 008 03	wiring harness engine compartment	/LL (J)	93-	1
1	945 612 008 10	wiring harness engine compartment	/RL	92	1
1	968 612 008 02	wiring harness engine compartment	/RL	93-	1
1	945 612 008 11	wiring harness engine compartment	/RL (J)	92	1
1	968 612 008 04	wiring harness engine compartment	/RL (J)	93-	1
2	944 607 173 04	wiring harness - dme -			1
2	944 607 173 05	wiring harness - dme -			1 TIPTRONIC
3	944 612 633 00	wiring harness air conditioner heater			1
4	944 612 081 00	wiring harness engine compartment lamp			1

Model	Year	MG	SG	Illustration	Restrictions	UPD	10:17	24.01.2010	PORSCHE	PET	PORSCHE
968	1995	9	02	902-25		248					

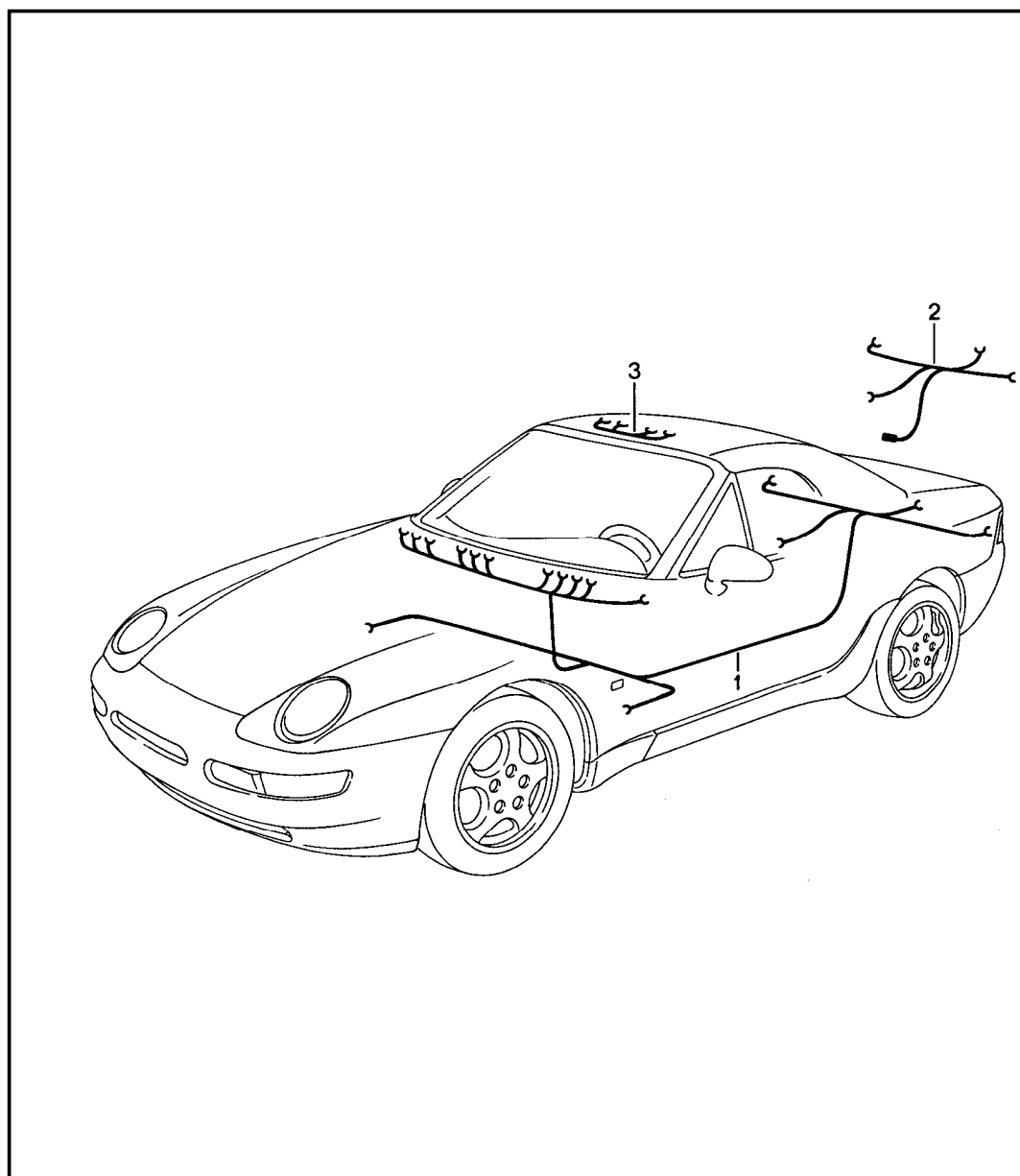


Pos	Part Number	Description	Remark	Qty	Model
		wiring harnesses passenger compartment			COUPE
1	944 612 060 00	wiring harness passenger compartment	/LL	92	1
1	968 612 060 09	wiring harness passenger compartment	/LL	93	1
1	968 612 060 66	wiring harness passenger compartment	/LL	94	1
1	944 612 060 01	wiring harness passenger compartment	/LL	92	1 TIPTRONIC
1	968 612 060 13	wiring harness passenger compartment	/LL	93	1 TIPTRONIC
1	968 612 060 42	wiring harness passenger compartment	/LL	94	1 TIPTRONIC
1	944 612 060 06	wiring harness passenger compartment		92	1 (SA)
1	968 612 060 05	wiring harness passenger compartment		93	1 (SA)
1	968 612 060 65	wiring harness passenger compartment		94	1 (SA)
1	944 612 060 07	wiring harness passenger compartment		92	1 (SA) TIPTRONIC
1	968 612 060 07	wiring harness passenger compartment		93	1 (SA) TIPTRONIC
1	968 612 060 36	wiring harness passenger compartment		94	1 (SA) TIPTRONIC
1	945 612 060 00	wiring harness passenger compartment	/RL	92	1
1	968 612 060 21	wiring harness passenger compartment	/RL	93	1
1	968 612 060 67	wiring harness passenger compartment	/RL	94	1
1	945 612 060 01	wiring harness passenger compartment	/RL	92	1 TIPTRONIC
1	968 612 060 22	wiring harness passenger compartment	/RL	93	1 TIPTRONIC
1	968 612 060 52	wiring harness passenger compartment	/RL	94	1 TIPTRONIC

Model	Year	MG	SG	Illustration	Restrictions	UPD	10:17	24.01.2010	PORSCHE	PET	PORSCHE
968	1995	9	02	902-25		248					

Pos	Part Number	Description	Remark	Qty	Model	Pos	Part Number	Description	Remark	Qty	Model
-	928 612 220 00	bridge adapter		1	M564						

Model	Year	MG	SG	Illustration	Restrictions	UPD	10:18	24.01.2010	PORSCHE	PET	PORSCHE
968	1995	9	02	902-26		248					

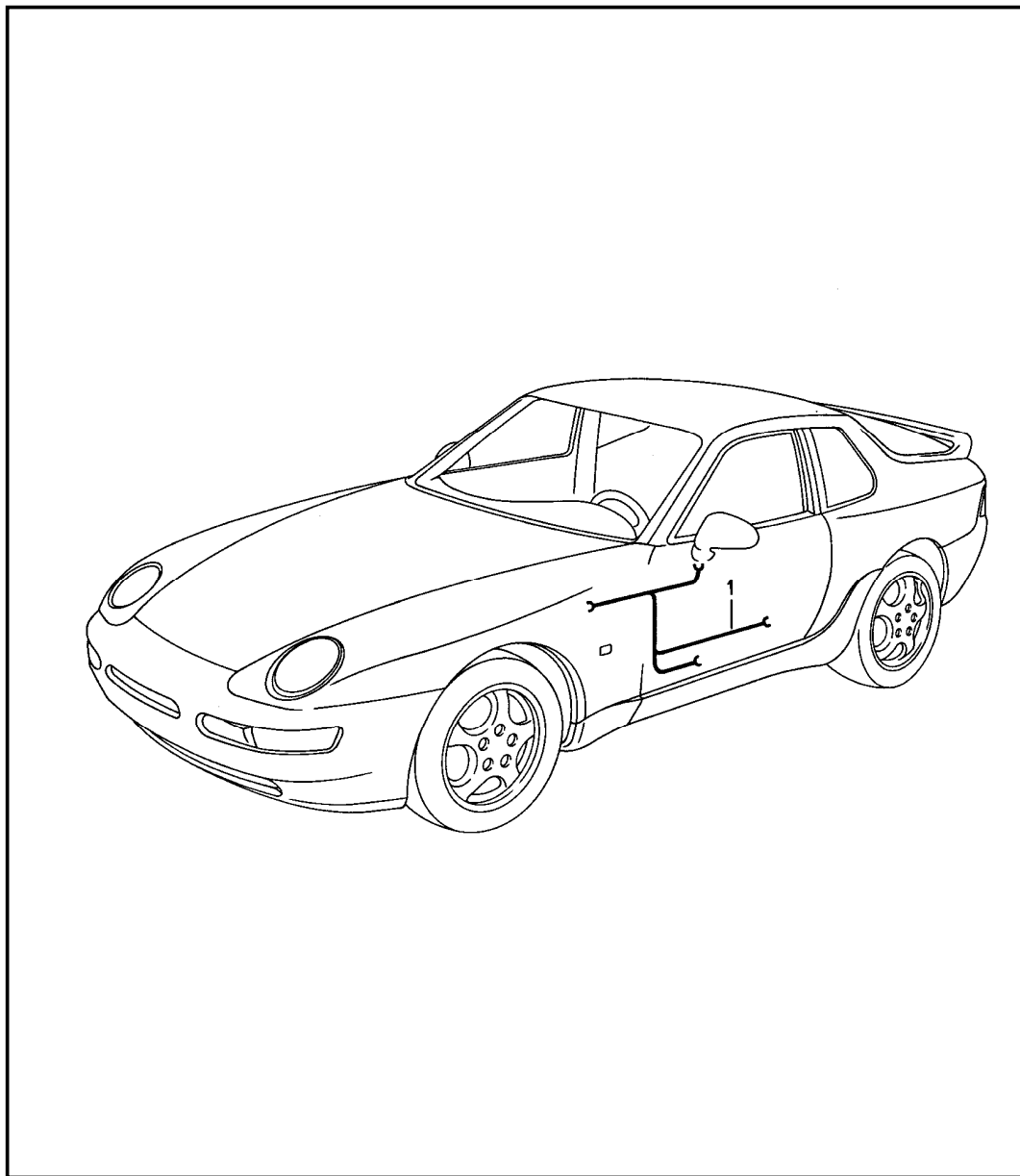


Pos	Part Number	Description	Remark	Qty	Model
		wiring harnesses passenger compartment			CABRIO
1	941 612 060 10	wiring harness passenger compartment	/LL	92	1
1	968 612 060 11	wiring harness passenger compartment	/LL	93	1
1	968 612 060 40	wiring harness passenger compartment	/LL	94	1
1	941 612 060 11	wiring harness passenger compartment	/LL	92	1 TIPTRONIC
1	968 612 060 14	wiring harness passenger compartment	/LL	93	1 TIPTRONIC
1	968 612 060 43	wiring harness passenger compartment	/LL	94	1 TIPTRONIC
1	941 612 060 16	wiring harness passenger compartment		92	1 (SA)
1	968 612 060 06	wiring harness passenger compartment		93	1 (SA)
1	968 612 060 35	wiring harness passenger compartment		94	1 (SA)
1	941 612 060 17	wiring harness passenger compartment		92	1 (SA) TIPTRONIC
1	968 612 060 08	wiring harness passenger compartment		93	1 (SA) TIPTRONIC
1	968 612 060 37	wiring harness passenger compartment		94	1 (SA) TIPTRONIC
1	942 612 060 10	wiring harness passenger compartment	/RL	92	1
1	968 612 060 23	wiring harness passenger compartment	/RL	93	1
1	968 612 060 53	wiring harness passenger compartment	/RL	94	1
1	942 612 060 11	wiring harness passenger compartment	/RL	92	1 TIPTRONIC
1	968 612 060 24	wiring harness passenger compartment	/RL	93	1 TIPTRONIC
1	968 612 060 54	wiring harness passenger compartment	/RL	94	1 TIPTRONIC

Model	Year	MG	SG	Illustration	Restrictions	UPD	10:18	24.01.2010	PORSCHE	PET	PORSCHE
968	1995	9	02	902-26		248					

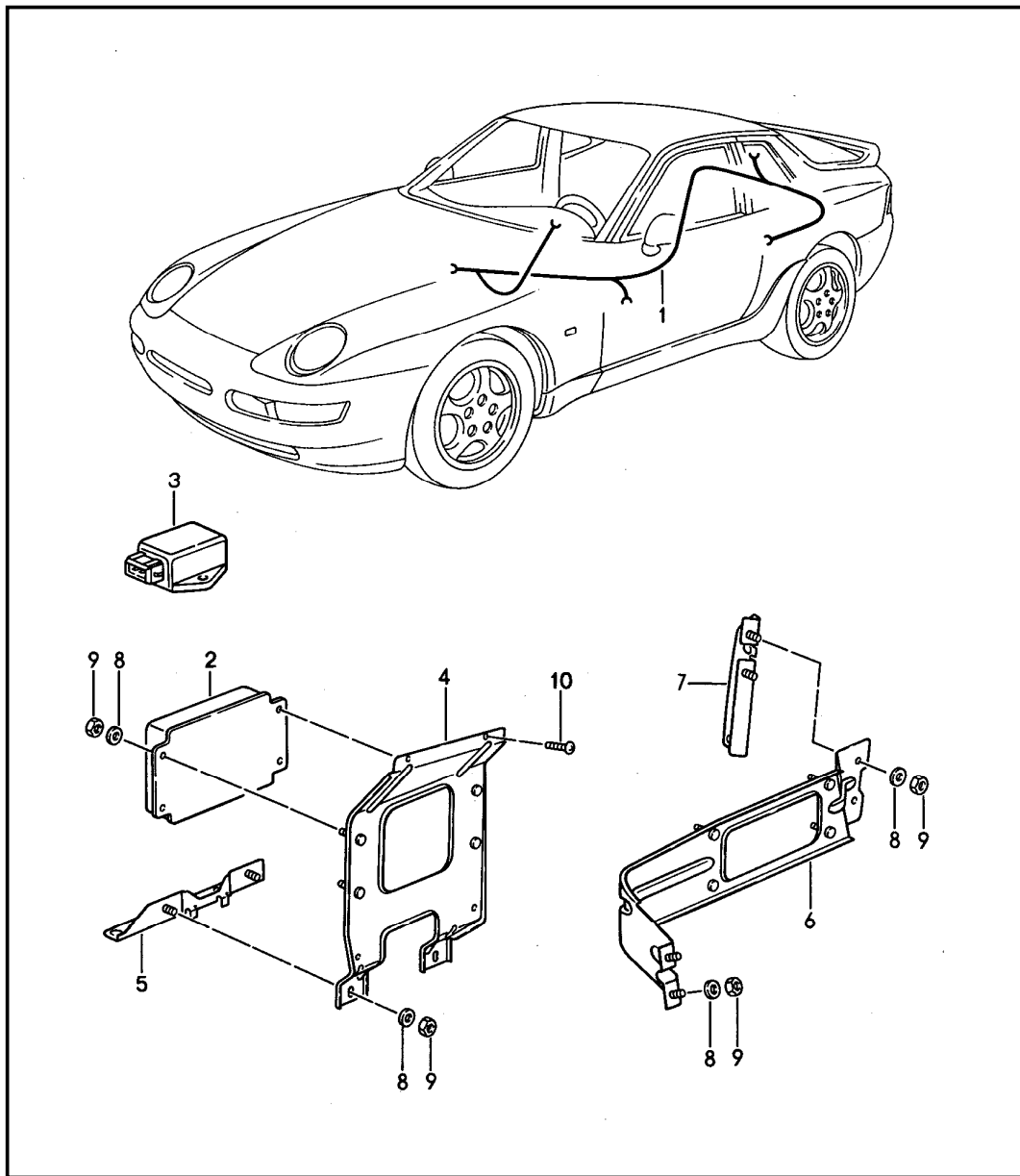
Pos	Part Number	Description	Remark	Qty	Model	Pos	Part Number	Description	Remark	Qty	Model
2	941 612 017 11	wiring harness for convertible top		1							
3	941 612 911 00	wiring harness for microswitch		1							
-	928 612 220 00	bridge adapter		1	M564						

Model	Year	MG	SG	Illustration	Restrictions	UPD	10:18	24.01.2010	PORSCHE	PET	PORSCHE
968	1995	9	02	902-27		248					



Pos	Part Number	Description	Remark	Qty	Model
		wiring harnesses doors			COUPE/CABRIO
1	944 612 033 07	wiring harness driver's door	-93	1	COUPE
1	968 612 033 00	wiring harness driver's door	94-	1	COUPE
1	941 612 033 12	wiring harness driver's door	-93	1	CABRIO
1	968 612 033 01	wiring harness driver's door	94-	1	CABRIO
1	944 612 034 07	wiring harness passenger's door	-93	1	
1	968 612 034 00	wiring harness passenger's door	94-	1	

Model	Year	MG	SG	Illustration	Restrictions	UPD	10:18	24.01.2010	PORSCHE	PET	PORSCHE
968	1995	9	02	902-28		248					

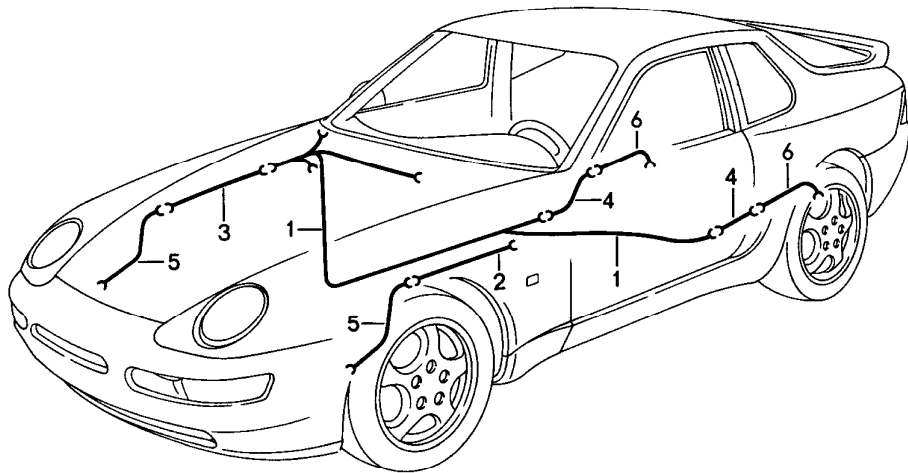


Pos	Part Number	Description	Remark	Qty	Model
		wiring harnesses control units tiptronic			
1	944 612 014 00	wiring harness	/LL	1	
(1)	968 612 014 00	wiring harness	/RL	1	
-	968 612 901 00	wiring harness repair kit for 944.612.014.00 968.612.014.00	/LL /RL	1	
2	944 618 114 01	control unit		1	
3	993 606 153 00	lateral accelerat. sensor		1	
4	944 618 062 01	support		1	COUPE
5	944 618 072 00	retaining strip		1	COUPE
6	941 618 062 10	support		1	CABRIO
7	941 618 072 10	retaining bracket		1	CABRIO
8	N 011 524 7	washer A 6,4		8	
9	900 076 010 02	hexagon nut M 6		8	
10	900 146 117 02	combination screw M 5 X 12 Z1		2	COUPE

Model	Year	MG	SG	Illustration	Restrictions	UPD	10:18	24.01.2010	PORSCHE	PET	PORSCHE
968	1995	9	02	902-30		248					

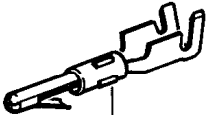

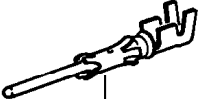










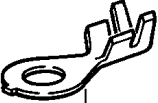
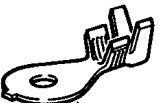
Pos	Part Number	Description	Remark	Qty	Model
1	477 971 257 B	wiring harnesses rear end line gas-pressure spring rear window		2	COUPE CABRIO
2	951 612 065 01	wiring harness rear window wiper and additional brake light		1	
4	951 612 070 01	wiring harness license plate light		1	
5	968 612 087 00	wiring harness luggage compartment lamp and additional brake light		1	CABRIO
(5)	968 612 087 01	wiring harness luggage compartment lamp use also:		1	CABRIO
-	941 613 105 10	switch		1	
-	941 613 205 10	washer		1	
-	941 613 305 10	adhesive film		1	
6	944 612 051 01	wiring harness fuel pump		1	

Model	Year	MG	SG	Illustration	Restrictions	UPD	10:18	24.01.2010	PORSCHE	PET	PORSCHE
968	1995	9	02	902-31		248					



Pos	Part Number	Description	Remark	Qty	Model
		wiring harnesses anti-lock brake system brake pad wear indicator			
1	944 612 067 01	wiring harness anti-lock brake system	/LL	1	
1	945 612 067 01	wiring harness anti-lock brake system	/RL	1	
2	944 612 111 01	additional cable for anti-lock brake system and brake pad wear indicator		1	
3	944 612 110 01	additional cable for ABS UND brake pad wear indicator		1	
4	944 612 112 00	additional cable for ABS UND brake pad wear indicator		2	
5	928 606 404 02	speed sensor		2	
6	944 606 401 02	speed sensor		2	

Model	Year	MG	SG	Illustration	Restrictions	UPD	10:19	24.01.2010	PORSCHE	PET	PORSCHE
968	1995	9	02	902-50		248					

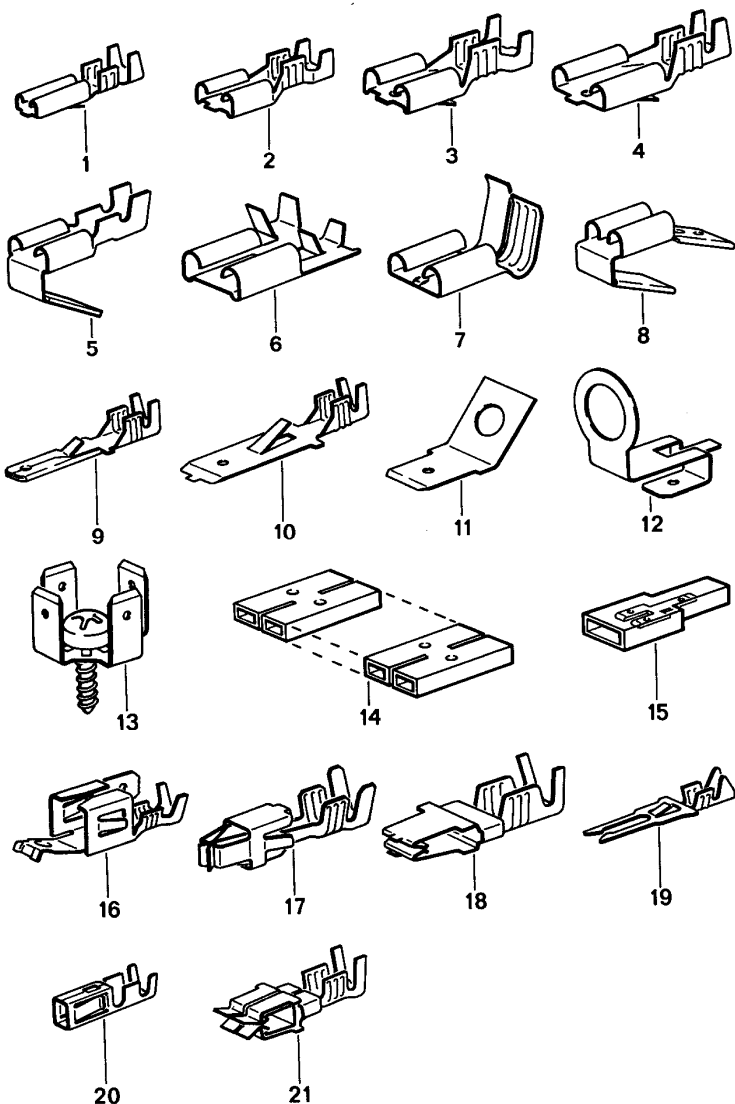
				Pos	Part Number	Description	Remark	Qty	Model
				1	N 017 586 2	round connector contact pin cable shoe		X	
				2	944 612 428 00	round connector \$ 0,75 - 1,5 CUSN		X	
				3	N 017 564 1	round connector \$ 0,5 - 1,0 CUSN		X	
				4	N 017 562 4	cylindrical socket \$ 0,5 - 1,0 CUSN		X	
				6	N 017 599 4	cylindrical socket \$ 2,5 - 6,0 CUSN		X	
				7	944 612 427 00	contact bush \$ 0,75 - 1,5 CUSN		X	
				8	999 652 369 12	pin \$ 0,5 - 2,0 CUAG		X	
				9	911 612 907 00	contact pin \$ 0,5 - 2,0 CUAG		X	
				9	944 612 546 00	contact pin \$ 0,5 - 2,0		X	
				10	944 612 548 00	contact bush \$ 0,5 - 2,0 CUAG		X	
				11	999 652 351 22	contact bush \$ 0,5 - 2,0 CUBE		X	
				12	999 652 371 12	bush \$ 0,5 - 2,0 CUAG		X	
				13	N 017 505 4	cable shoe \$ 5,0 - 1,0		X	
				(13)	N 017 515 4	cable shoe \$ 5,0 - 2,5		X	
				(13)	N 017 516 2	cable shoe \$ 6,0 - 2,5		X	
				(13)	N 017 518 2	cable shoe \$ 8,0 - 2,5 CUSN		X	
				(13)	999 652 246 10	cable shoe \$ 8,0 - 2,5 CUSN		X	
				(13)	999 652 235 10	cable shoe \$ 10 - 2,5		X	

Model	Year	MG	SG	Illustration	Restrictions	UPD	10:19	24.01.2010	PORSCHE	PET	PORSCHE
968	1995	9	02	902-50		248					

Pos	Part Number	Description	Remark	Qty	Model	Pos	Part Number	Description	Remark	Qty	Model
14	999 652 208 10	cable shoe \$ 6,0 - 2,5		X							

Model	Year	MG	SG	Illustration	Restrictions	UPD	10:19	24.01.2010	PORSCHE	PET	PORSCHE
968	1995	9	02	902-52		248					

Pos	Part Number	Description	Remark	Qty	Model
1	111 971 958	flat plug push-on connector		X	
(1)	N 017 243 1	flat receptacle without clip		X	
2	111 971 959	flat receptacle with clip		X	
2	N 017 491 8	flat receptacle with clip		X	
2	N 017 494 3	flat receptacle with clip		X	
(2)	999 652 106 02	flat receptacle without clip		X	
3	N 017 453 1	flat receptacle without clip		X	
3	N 017 245 1	flat receptacle without clip		X	
5	N 017 242 1	flat receptacle with push-on connector		X	
6	N 017 498 2	flat receptacle		X	
7	999 652 116 02	flat receptacle		X	
8	999 652 122 10	multiple plug connector		X	



Model	Year	MG	SG	Illustration	Restrictions	UPD	10:19	24.01.2010	PORSCHE	PET	PORSCHE
968	1995	9	02	902-52		248					

Pos	Part Number	Description	Remark	Qty	Model	Pos	Part Number	Description	Remark	Qty	Model
9	N 017 457 2	flat plug with clip 2,8 X 1		X		21	999 652 456 22	contact spring \$ 0,75 - 1,5		X	
10	111 971 985	flat plug with clip 6,3 X 1		X							
10	111 971 986	flat plug with clip 6,3 X 2,5		X							
11	999 652 125 10	flat plug 6,3/\$ 2,8		X							
11	999 652 315 02	flat plug 6,3/\$ 5,3 CUSN		X							
(11)	999 652 315 02	flat plug 6,3/\$ 5,3		X							
12	911 603 911 00	connector 6,3		X							
13	171 971 519 A	ground connector 6,3		X							
14	999 652 142 40	push-on connector 6,3		X							
(14)	999 652 142 40	push-on connector 6,3 5-FACH 6,3 1-FACH		X							
15	999 652 151 40	push-on connector 6,3		X							
16	999 652 275 10	contact 6,3		X							
17	N 903 353 03	contact spring \$ 2,5 - 3,5		X							
18	999 652 451 22	coding element 6,3/\$ 0,5 - 1,0		X							
19	999 652 380 12	contact spring \$ 0,4 - 0,75		X							
20	999 652 269 12	contact spring		X							

Model	Year	MG	SG	Illustration	Restrictions	UPD	10:19	24.01.2010	PORSCHE	PET	PORSCHE
968	1995	9	02	902-54		248					

Pos	Part Number	Description	Remark	Qty	Model
		insulated cable connection connector housing single pole			
1	999 652 149 40	insulated cable connection \$ 1,5		X	
2	111 971 921	protection cap 6,3		X	
3	999 652 160 40	protection cap 6,3		X	
5	211 971 921	protection cap 6,3		X	
6	059 905 371	diode connector 6,3		X	
7	111 971 921 B	connector housing 6,3		X	
8	999 652 119 40	connector housing 6,3		X	
9	825 971 990	terminal sleeve housing 6,3		X	
11	431 971 995	terminal sleeve housing 6,3		X	
12	823 971 976	connector housing 2,8		X	
13	823 971 990	terminal sleeve housing 2,8		X	
16	171 971 998	connector housing 1,6		X	
17	171 971 999	terminal sleeve housing 1,6		X	
18	999 653 002 90	connector housing with		X	
-	999 652 371 12	bush		X	
21	111 971 977	plug with guide 6,3		X	
22	813 972 643 A	flat connector socket		X	

Model	Year	MG	SG	Illustration	Restrictions	UPD	10:19	24.01.2010	PORSCHE	PET	PORSCHE
968	1995	9	02	902-56		248					

Pos	Part Number	Description	Remark	Qty	Model
1	999 652 370 40	connector housing 2-pole		X	
-	999 652 371 12	bush		X	
2	999 652 372 40	clip		X	
3	999 652 368 40	connector housing for		X	
-	999 652 369 12	pin		X	
4	911 612 887 00	connector housing for		X	
-	999 652 351 22	contact bush		X	
5	928 612 557 00	connector housing for		X	
-	944 612 548 00	contact bush		X	
6	999 652 381 00	connector housing with contact bush		X	
7	911 645 112 00	adapter plug with contact bush		X	
8	944 612 547 00	connector housing for		X	
-	944 612 548 00	contact bush		X	
9	911 612 118 00	connector housing with contact bush		X	
10	999 652 167 40	terminal sleeve housing 6,3		X	
11	999 652 192 47	connector housing 6,3		X	
12	810 971 989	connector housing 6,3		X	
13	171 906 231	connector housing 6,3		X	
14	171 971 934	connector housing 6,3		X	

Model	Year	MG	SG	Illustration	Restrictions	UPD	10:19	24.01.2010	PORSCHE	PET	PORSCHE
968	1995	9	02	902-56		248					

Pos	Part Number	Description	Remark	Qty	Model	Pos	Part Number	Description	Remark	Qty	Model
15	815 971 989	connector housing 6,3		X							
16	022 906 231 A	connector housing grey for		X							
-	N 903 353 03	contact spring		X							
16	928 612 825 00	connector housing beige		X							
18	810 971 993	terminal sleeve housing		X							
19	171 971 998 A	terminal sleeve housing 1,6		X							
20	171 971 999 A	connector housing 1,6		X							
21	171 971 999 A	terminal sleeve housing 1,6		X							
22	944 612 439 00	connector housing for cigarette lighter		X							

Model	Year	MG	SG	Illustration	Restrictions	UPD	10:19	24.01.2010	PORSCHE	PET	PORSCHE
968	1995	9	02	902-58		248					

Pos	Part Number	Description	Remark	Qty	Model
1	165 941 165	connector housing 3-pole		X	
2	113 945 525	connector housing 3,5		X	
3	944 612 436 00	terminal sleeve housing 6,3		X	
4	944 612 428 00	connector for round connector		X	
5	944 612 435 00	connector housing for		X	
6	944 612 427 00	contact bush		X	
7	171 971 998 B	connector housing 1,6		X	
8	171 971 999 B	terminal sleeve housing 1,6		X	
9	113 919 113	connector housing 1,6		X	
10	821 971 970	connector housing 6,3		X	
11	821 971 975	terminal sleeve housing 6,3		X	
12	111 941 341	terminal sleeve housing 6,3		X	
13	914 612 327 10	connector housing 6,3		X	
	311 906 231 B	connector housing		X	
	022 906 233 B	connector housing		X	

Model	Year	MG	SG	Illustration	Restrictions	UPD	10:20	24.01.2010	PORSCHE	PET	PORSCHE
968	1995	9	02	902-60		248					

Pos	Part Number	Description	Remark	Qty	Model
1	901 612 891 01	connector housing 4-pole		X	
-	999 652 371 12	bush		X	
2	901 612 891 00	connector housing with		X	
-	999 652 371 12	bush		X	
3	944 612 217 00	connector housing with		X	
-	999 652 351 22	contact bush		X	
4	171 971 999 C	connector housing 1,6		X	
5	171 971 998 C	terminal sleeve housing 1,6		X	
6	914 612 325 00	plug socket 1,6		X	
7	928 612 131 00	connector housing		X	
8	901 612 334 00	plug socket		X	
9	928 631 108 00	connector housing 6,3		X	
10	803 905 897	connector housing 6,3		X	

Model	Year	MG	SG	Illustration	Restrictions	UPD	10:20	24.01.2010	PORSCHE	PET	PORSCHE
968	1995	9	02	902-62		248					

Pos	Part Number	Description	Remark	Qty	Model
		connector housing 5-pole 6-pole 7-pole			
1	113 971 835	terminal sleeve housing 2,8		X	
2	901 612 333 00	plug socket for standard type relay		X	
3	928 612 411 00	clutch with contact bush		X	
4	803 971 835 A	terminal sleeve housing for relay		X	
5	928 612 335 25	coding element		X	
6	928 612 332 00	module housing		X	
-	999 652 451 22	coding element		X	
7	928 612 331 00	initial housing		X	
8	928 612 542 00	clutch housing		X	
9	944 612 539 00	clutch 6-pole		X	
13	171 971 999 E	connector housing 1,6		X	
14	171 971 998 E	connector housing 1,6		X	
15	803 971 831	terminal sleeve housing 6,3		X	
16	911 612 868 01	clutch with contact bush		X	
(16)	911 612 868 01	clutch with contact bush		X	
17	911 612 867 02	connector with contact pin		X	

Model	Year	MG	SG	Illustration	Restrictions	UPD	10:20	24.01.2010	PORSCHE	PET	PORSCHE
968	1995	9	02	902-62		248					

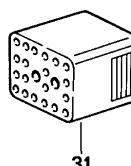
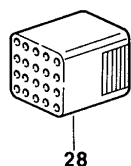
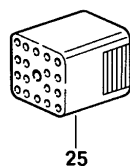
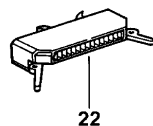
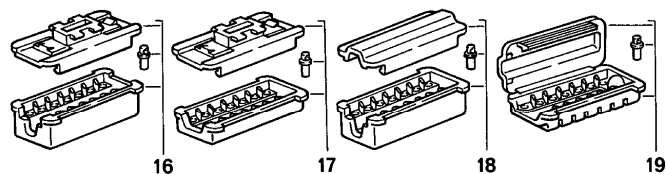
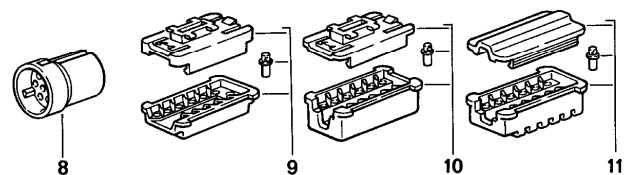
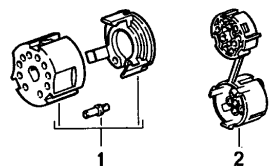
Pos	Part Number	Description	Remark	Qty	Model	Pos	Part Number	Description	Remark	Qty	Model
18	928 612 469 00	clutch for contact pin		X							
19	944 612 537 00	clutch		X							
20	901 612 330 00	multiple plug connection		X							
21	901 612 061 00	clutch 7-pole		X							
27	911 612 332 00	plug socket		X							
28	911 612 331 00	connector		X							
29	803 971 980	pin connector socket		X							
30	803 971 979	plug socket		X							
31	071 906 233	terminal sleeve housing		X							
32	111 953 631	terminal sleeve housing		X							

Model	Year	MG	SG	Illustration	Restrictions	UPD	10:20	24.01.2010	PORSCHE	PET	PORSCHE
968	1995	9	02	902-64		248					

Pos	Part Number	Description	Remark	Qty	Model
1	944 612 117 00	connector housing 8-pole 9-pole		X	
-	999 652 371 12	bush		8	
2	928 612 117 01	connector housing with		X	
-	999 652 371 12	bush		8	
3	999 652 395 40	connector housing		X	
4	999 652 396 40	clip		X	
5	944 612 554 00	connector housing for		X	
-	944 612 548 00	contact bush		X	
6	944 612 553 00	connector housing		X	
7	803 971 971	connector housing 6,3		X	
8	113 971 998 B	connector housing		X	
9	321 971 999 A	terminal sleeve housing		X	
10	911 612 120 00	connector housing 6,3		X	
16	135 937 501 A	terminal sleeve housing 9-pole		X	
17	849 941 593	connector housing		X	

Model	Year	MG	SG	Illustration	Restrictions	UPD	10:20	24.01.2010	PORSCHE	PET	PORSCHE
968	1995	9	02	902-66		248					

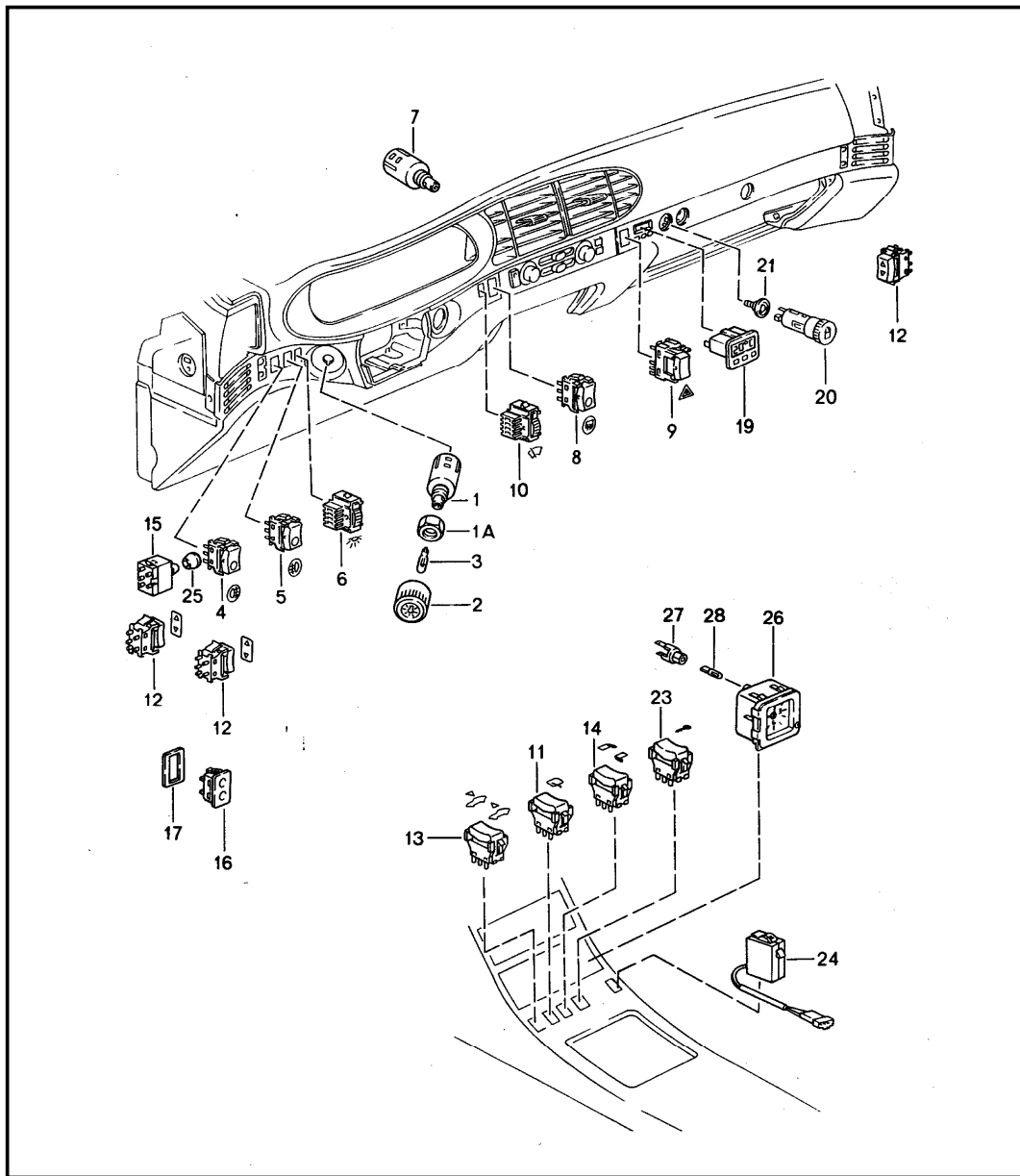
Pos	Part Number	Description	Remark	Qty	Model
		connector housing 10-pole until 22-pole			
1	911 612 889 00	connector housing with contact bush		X 10	
(2)	944 613 531 01	connector housing for		X	
-	944 612 548 00	contact bush		X	
8	861 972 524	connector housing		X	
9	911 612 122 02	connector housing with contact bush		X 12	
10	928 612 423 00	connector housing		X	
11	911 612 884 00	connector housing		X	
11	911 612 121 01	connector housing		X	
16	911 612 115 02	connector housing		X	
17	911 612 113 05	connector housing		X	
18	911 612 115 03	connector housing		X	
19	944 612 215 00	connector housing with contact bush		X 14	
		17-pole			
22	944 612 311 00	connector housing for		X	
-	999 652 380 12	contact spring		X	
		19-pole			
25	171 971 971 C	connector housing beige		X	
25	171 971 971 E	connector housing white		X	



Model	Year	MG	SG	Illustration	Restrictions	UPD	10:20	24.01.2010	PORSCHE	PET	PORSCHE
968	1995	9	02	902-66		248					

Pos	Part Number	Description	Remark	Qty	Model	Pos	Part Number	Description	Remark	Qty	Model
		20-pole									
28	171 971 971	connector housing yellow		X							
28	171 971 971 D	connector housing red		X							
		22-pole									
31	171 971 971 A	connector housing black		X							
31	171 971 971 B	connector housing blue		X							

Model	Year	MG	SG	Illustration	Restrictions	UPD	10:20	24.01.2010	PORSCHE	PET	PORSCHE
968	1995	9	03	903-00		248					

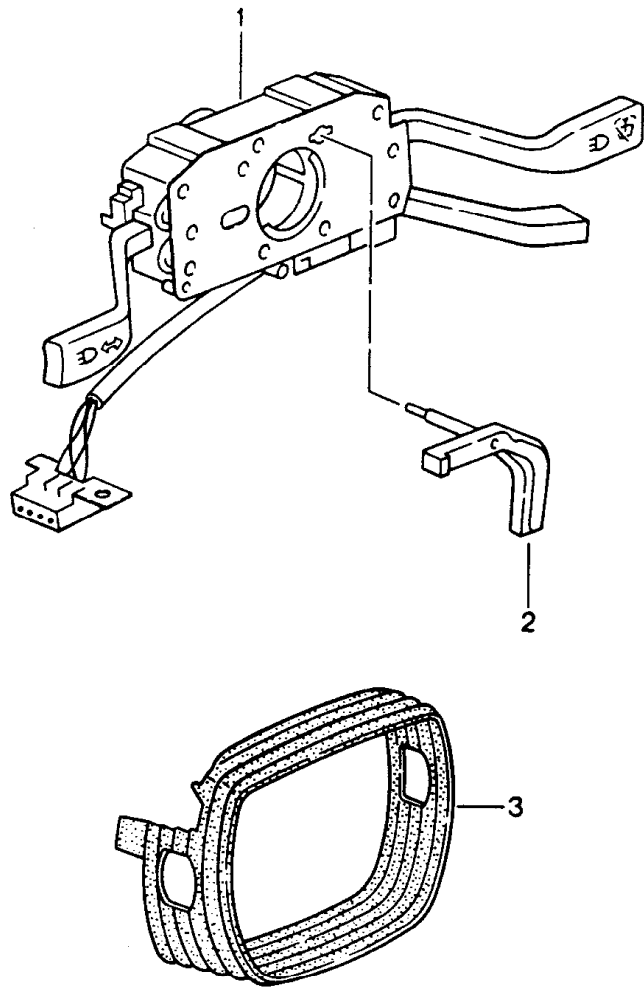


Pos	Part Number	Description	Remark	Qty	Model
		switch ambient temperature gauge clock			
1	993 613 531 00	light switch		1	
1A	900 034 013 02	hexagon nut		1	
2	944 613 533 01	knob		1	
3	999 631 130 90	bulb 0,30 W		1	
4	944 613 121 01	switch for fog headlamp		1	
5	944 613 120 04	switch for rear fog light		1	
6	944 613 131 00	potentiometer		1	
7	944 641 321 00	tip switch trip meter		1	
8	944 613 117 00	rocker switch for rear window heating		1	
9	944 613 235 01	hazard warning light sw. N05 red		1	
10	944 613 115 00	potentiometer windscreen wiper system		1	
11	951 613 113 00	rocker switch 01C satin black for rear window wiper		1	
12	951 613 133 00	tip switch for power window		3	
13	944 613 123 00	tip switch 01C satin black lifting roof		1	
13	944 613 123 00	tip switch 01C satin black for convertible top electric		1	CABRIO

Model	Year	MG	SG	Illustration	Restrictions	UPD	10:20	24.01.2010	PORSCHE	PET	PORSCHE
968	1995	9	03	903-00		248					

Pos	Part Number	Description	Remark	Qty	Model	Pos	Part Number	Description	Remark	Qty	Model
14	944 613 220 00	rocker switch mirror changeover switch		1			01C	satin black for headlight levelling system			
15	928 613 241 00	switch door mirror		1		25	944 613 265 00	knob for switch door mirror		1	
16	944 613 129 01	tip switch		1		26	944 641 148 00	clock		1	
	01C	satin black for rear lid release				27	999 632 017 02	bulb socket		1	
17	477 867 185 B	mounting piece for switch		1		28	900 631 132 90	bulb 12 V , 1,2 W		1	
-	477 867 189	spring clamp for mounting piece		2							
19	944 641 223 00	ambient temperature gauge		1							
	01C	satin black									
(19)	944 641 913 00	clock		1	968CS						
	01C	satin black									
-	944 641 900 00	glass-base bulb		1							
20	944 652 307 00	cigarette lighter		1							
21	644 652 112 00	glower		1							
-	999 632 014 00	bulb socket for cigarette lighter and ashtray		1							
-	N 012 469 1	circlip for cigarette lighter		1							
-	999 591 383 02	clamp for bulb socket ashtray		1							
23	951 613 147 00	switch		1							
	01C	satin black door latch									
24	944 631 230 01	potentiometer		1							

Model	Year	MG	SG	Illustration	Restrictions	UPD	10:21	24.01.2010	PORSCHE	PET	PORSCHE
968	1995	9	03	903-02		248					

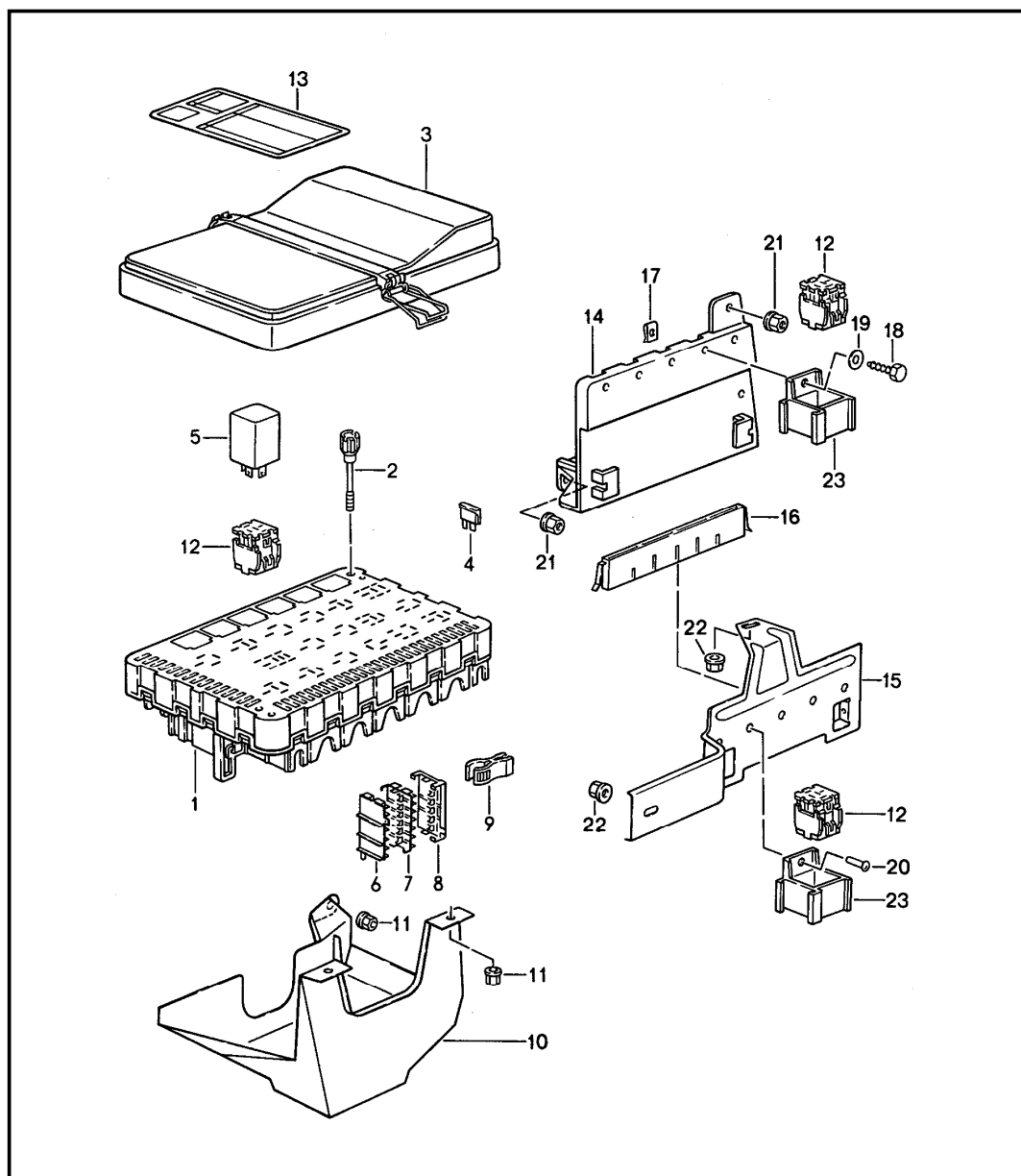


Pos	Part Number	Description	Remark	Qty	Model
		steering column switch			
1	928 613 316 00	steering column switch	-93	1	
	01C	black for cars without headlight washer system			
1	928 613 316 01	steering column switch	94-	1	
	01C	black for cars without headlight washer system			
1	928 613 312 00	steering column switch	-93	1	M454/488
	01C	black for cars without headlight washer system			
1	928 613 312 01	steering column switch	94-	1	M454/488
	01C	black for cars without headlight washer system			
1	928 613 314 00	steering column switch	-93	1	M126/454
	01C	black for cars without headlight washer system			
1	928 613 314 01	steering column switch	94-	1	M126/454
	01C	black for cars without headlight washer system			
1	928 613 313 00	steering column switch	-93	1	M130/454
	01C	black for cars without headlight washer system			
1	928 613 313 01	steering column switch	94-	1	M130/454
	01C	black for cars without headlight washer system			
1	928 613 308 00	steering column switch	-93	1	
	01C	black for cars with headlight washer system			
1	928 613 308 01	steering column switch	94-	1	

Model	Year	MG	SG	Illustration	Restrictions	UPD	10:21	24.01.2010	PORSCHE	PET	PORSCHE
968	1995	9	03	903-02		248					

Pos	Part Number	Description	Remark	Qty	Model	Pos	Part Number	Description	Remark	Qty	Model
	01C	black for cars with headlight washer system									
1	928 613 304 00	steering column switch	-93	1	M454/488						
	01C	black for cars with headlight washer system									
1	928 613 304 01	steering column switch	94-	1	M454/488						
	01C	black for cars with headlight washer system									
1	928 613 306 00	steering column switch	-93	1	M126/454						
	01C	black for cars with headlight washer system									
1	928 613 306 01	steering column switch	94-	1	M126/454						
	01C	black for cars with headlight washer system									
1	928 613 305 00	steering column switch	-93	1	M130/454						
	01C	black for cars with headlight washer system									
1	928 613 305 01	steering column switch	94-	1	M130/454						
	01C	black for cars with headlight washer system									
2	928 652 104 00	contact plate		1							
3	944 552 373 20	boot		1							
	01C	black for steering column switch airbag									

Model	Year	MG	SG	Illustration	Restrictions	UPD	10:21	24.01.2010	PORSCHE	PET	PORSCHE
968	1995	9	03	903-05		248					



Pos	Part Number	Description	Remark	Qty	Model
		central electrical system 1 + 2			
		central electrical system 1			
1	944 610 110 00	mounting plate		1	
2	944 610 611 00	screw		2	
3	944 610 017 02	lid		1	
4	999 607 005 00	fuse 7,5 A		X	
4	999 607 007 00	fuse 15 A		X	
4	999 607 009 00	fuse 25 A		X	
4	999 607 010 00	fuse 30 A		X	
5		relay			
G1	944 615 119 00	relay for blower		1	
G2	141 951 253 B	relay for KL 15		1	
G3	928 615 203 00	relay for rear window heating		1	
G4	111 953 227 D	flasher relay		1	
G4	928 615 131 00	flasher relay for cars with trailer coupling		1	
G5 A	993 615 227 00	relay for - dme - fuel pump		1	
G5	993 615 227 01	relay for - dme - fuel pump		1	

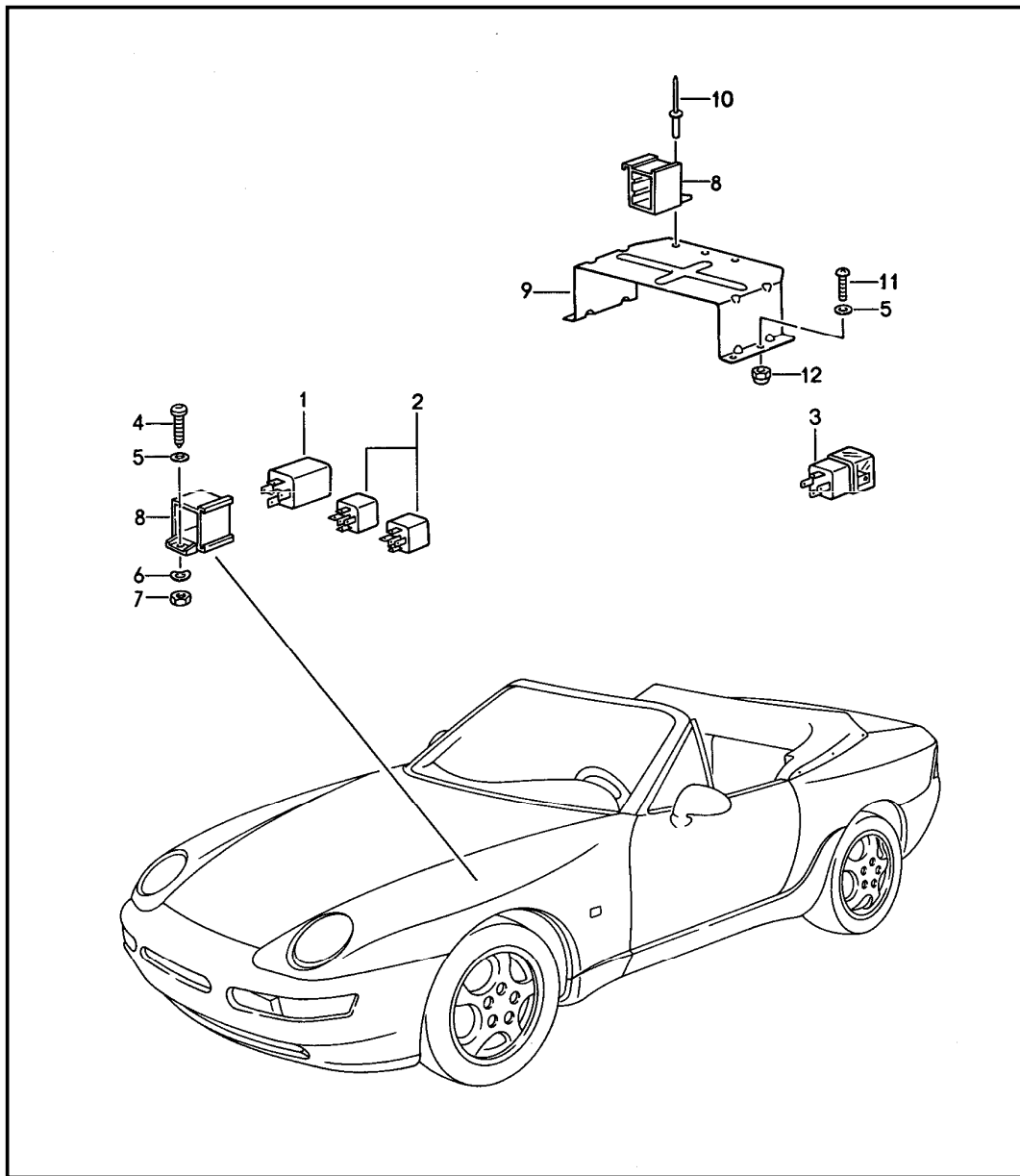
Model	Year	MG	SG	Illustration	Restrictions	UPD	10:21	24.01.2010	PORSCHE	PET	PORSCHE
968	1995	9	03	903-05		248					

Pos	Part Number	Description	Remark	Qty	Model	Pos	Part Number	Description	Remark	Qty	Model
G6	964 610 183 04	adapter for cars with fog headlamp rear fog light		1		G17	944 618 205 00	control unit		1	
						G18	-	for electric motor pop-up headlight		.	
G6	944 610 183 13	adapter for cars with fog headlamp rear fog light	(N)	1		G19	964 615 215 00	relay for air conditioner		1	
G7	944 615 112 02	relay for power window		1		G19	999 657 018 90	relay for air conditioner		1	
G7	944 615 116 00	relay for power window	(AUS)	1		G20	141 951 253 B	relay for starter		1	TIPTRONIC
G8	944 618 215 00	relay buzzer		1	(SA)	G21	944 615 117 02	relay for lifting roof		1	
G9	993 615 101 00	switch unit		1		G21	941 615 101 11	relay for convertible top electric		1	CABRIO
G10A	944 615 104 03	relay for motor fan		1	968 968CS M573	G22	928 615 124 01	relay for -ABS-		1	
G10	944 615 104 04	relay for motor fan		1	968 968CS M573	6	928 612 331 00	initial housing black		X	
G10	944 615 105 02	relay for motor fan		1	968CS	7	928 612 332 00	module housing		X	
G11	141 951 253 B	relay for fog headlamp rear fog light		1		8	928 612 335 25	coding element		X	
G13	141 951 253 B	relay for fanfare		1		9	443 941 802	tool		1	
G14	191 937 503	relay for KL.X		1		10	944 610 219 02	cover		1	
G15	928 618 111 00	relay for headlight washer system		1		11	999 591 839 40	hexagon nut		3	
G16	964 618 220 00	control unit frequency converter		1		12	928 610 511 00	relay carrier		X	
								assignment sticker			
						13	944 610 221 06	assignment sticker german	92	1	
						13	968 610 221 00	assignment sticker german	93-	1	
						13	944 610 231 06	assignment sticker english	92	1	

Model	Year	MG	SG	Illustration	Restrictions	UPD	10:21	24.01.2010	PORSCHE	PET	PORSCHE
968	1995	9	03	903-05		248					

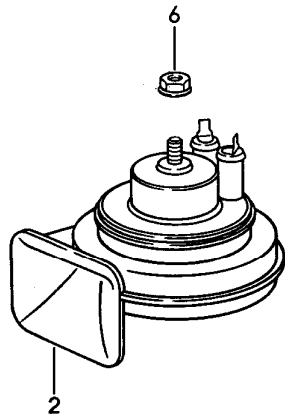
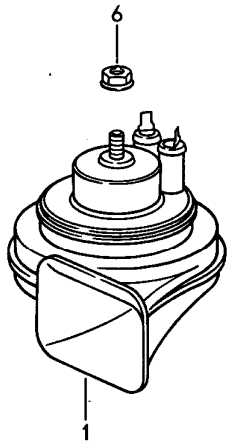
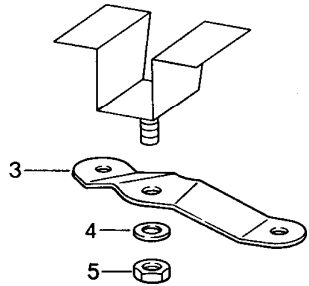
Pos	Part Number	Description	Remark	Qty	Model	Pos	Part Number	Description	Remark	Qty	Model
13	968 610 231 00	assignment sticker english	93-	1		G24	911 617 119 00	switch unit for exhaust gas temperature monitoring	(J)	1	
13	944 610 241 06	assignment sticker french	92	1							
13	968 610 241 00	assignment sticker french	93-	1		G25	928 618 102 03	relay warning time relay		1	
13	944 610 251 06	assignment sticker italian	92	1		G26	141 951 253 B	relay for fog headlamp	(J)	1	
13	968 610 251 00	assignment sticker italian	93-	1							
13	944 610 261 06	assignment sticker spanish	92	1							
13	968 610 261 00	assignment sticker spanish	93-	1							
		central electrical system 2									
14	944 610 135 00	bracket	/LL	1							
15	945 610 135 00	bracket	/RL	1							
16	443 937 501 A	fuse holder		1							
17	999 591 925 02	speed nut B 4,2	/LL	5							
18	900 187 013 02	tapping screw BZ 4,2 X 13	/LL	5							
19	900 151 028 02	washer B 4,3	/LL	5							
20	999 591 765 40	expansion rivet	/RL	4							
21	900 377 010 09	hexagon nut M 6	/LL	2							
22	900 377 009 02	hexagon nut M 5	/RL	2							
23	928 615 511 00	relay holder		X							
-	-	relay									
G23	964 618 145 00	control unit selector lever lock		1	TIPTRONIC						

Model	Year	MG	SG	Illustration	Restrictions	UPD	10:21	24.01.2010	PORSCHE	PET	PORSCHE
968	1995	9	03	903-06		248					



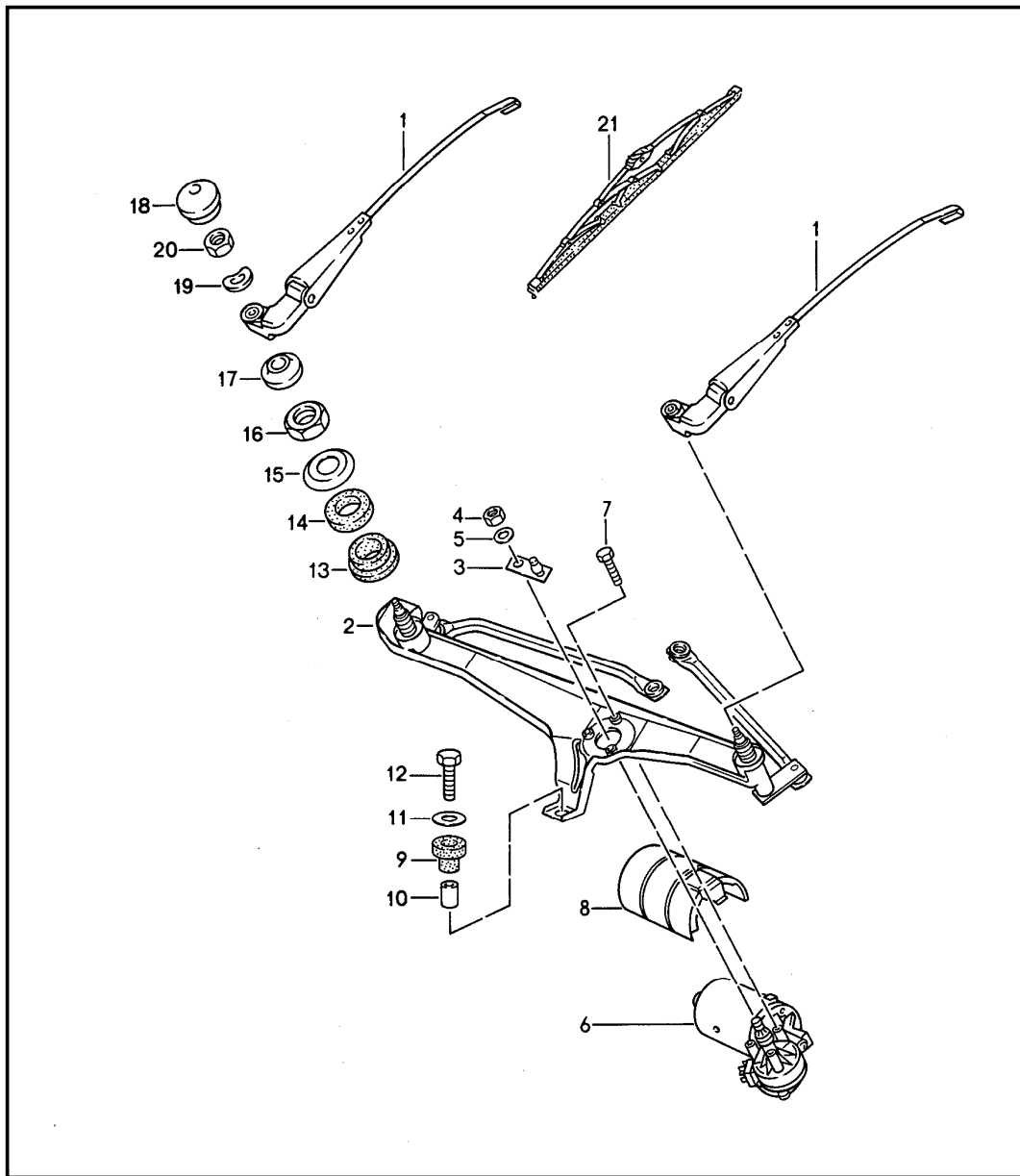
Pos	Part Number	Description	Remark	Qty	Model
		relay for convertible top control			CABRIO
1	944 615 122 00	slow-action relay		1	
2	944 615 119 00	relay for window lowering		2	
3	431 951 253 D	relay for convertible top control		2	
4	900 146 003 02	oval-head screw M 5 X 10		2	
5	900 025 003 02	washer A 5,3		4	
6	N 012 035 1	lock ring A 5		2	
7	N 011 005 14	hexagon nut M 5		2	
8	928 615 511 00	relay holder		3	
9	944 618 551 00	clip for relay		1	
10	999 190 119 30	blind rivet A 4,0 X 6,8		3	
11	N 014 129 6	oval-head screw M 5 X 10		3	
12	N 011 125 2	cap nut M 5		3	

Model	Year	MG	SG	Illustration	Restrictions	UPD	10:21	24.01.2010	PORSCHE	PET	PORSCHE
968	1995	9	03	903-10		248					



Pos	Part Number	Description	Remark	Qty	Model
1	928 635 222 00	horn fanfare low-pitched -KLAXON-		1	
1	944 635 205 00	fanfare low-pitched -FIAMM-		1	
2	928 635 221 00	fanfare high-pitched -KLAXON-		1	
2	944 635 206 00	fanfare high-pitched -FIAMM-		1	
3	893 951 229	support		1	
4	900 025 007 02	washer A 8,4		1	
5	N 011 118 11	hexagon nut M 8		1	
6	900 380 003 02	hexagon nut M 6		2	

Model	Year	MG	SG	Illustration	Restrictions	UPD	10:21	24.01.2010	PORSCHE	PET	PORSCHE
968	1995	9	04	904-00		248					

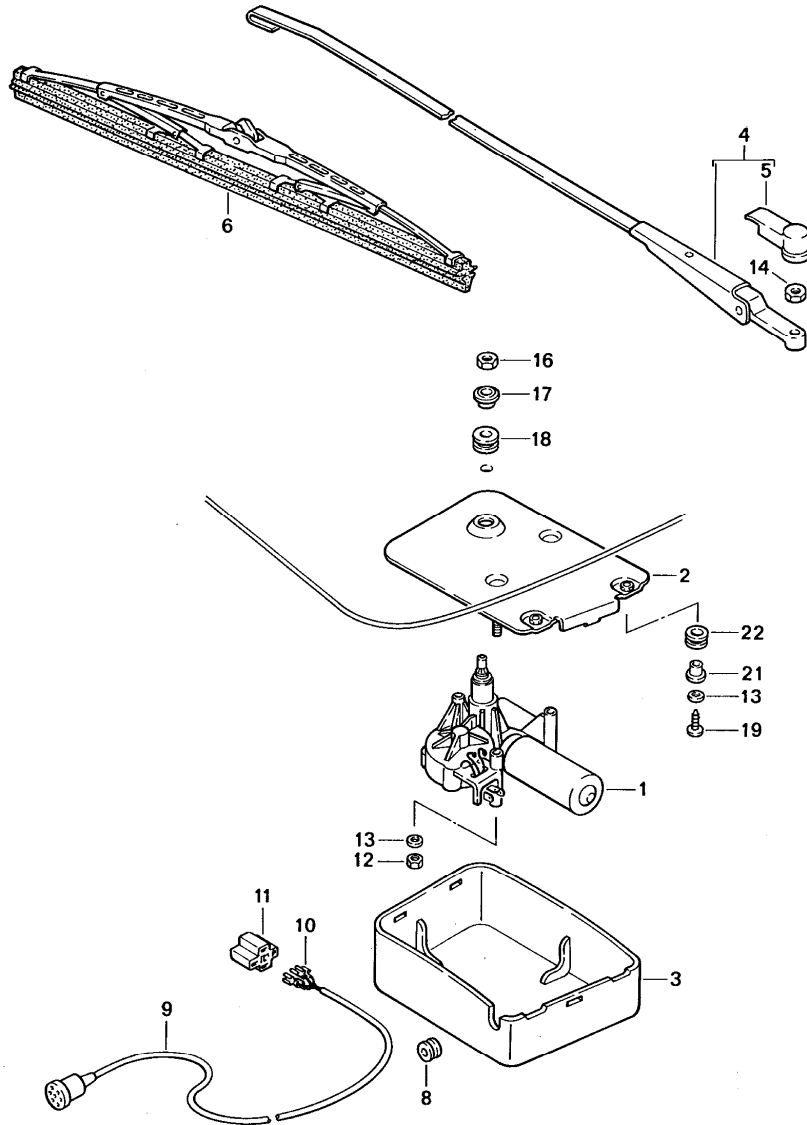


Pos	Part Number	Description	Remark	Qty	Model
		windscreen wiper system			
1	944 628 028 12	wiper arm	/LL	2	
1	945 628 028 22	wiper arm	/RL	2	
2	944 628 920 00	frame	/LL	1	
(2)	945 628 919 00	frame	/RL	1	
3	944 628 330 00	crank		1	
4	900 076 025 02	hexagon nut M 8		1	
5	N 012 229 3	spring washer A 8		1	
6	944 628 303 01	wiper motor		1	
7	999 217 164 02	hexagon-head bolt M 6 X 15		3	
8	944 628 101 01	cover		1	
		01C satin black			
8	944 628 101 02	cover	/LL	94-	1
		01C satin black			
9	944 628 126 00	grommet		1	
10	944 628 127 00	bush		1	
11	N 902 707 01	washer B 6,4		1	
12	900 075 341 02	combination screw M 6 X 20		1	
13	944 628 129 00	rubber bush		2	
14	944 628 128 01	rubber bush		2	
15	944 628 125 01	flange washer		2	
16	999 034 013 07	hexagon nut M 18 X 1,5		2	
17	944 628 339 00	bush		1	
18	944 628 305 01	cap		2	
19	803 955 437	washer		2	

Model	Year	MG	SG	Illustration	Restrictions	UPD	10:21	24.01.2010	PORSCHE	PET	PORSCHE
968	1995	9	04	904-00		248					

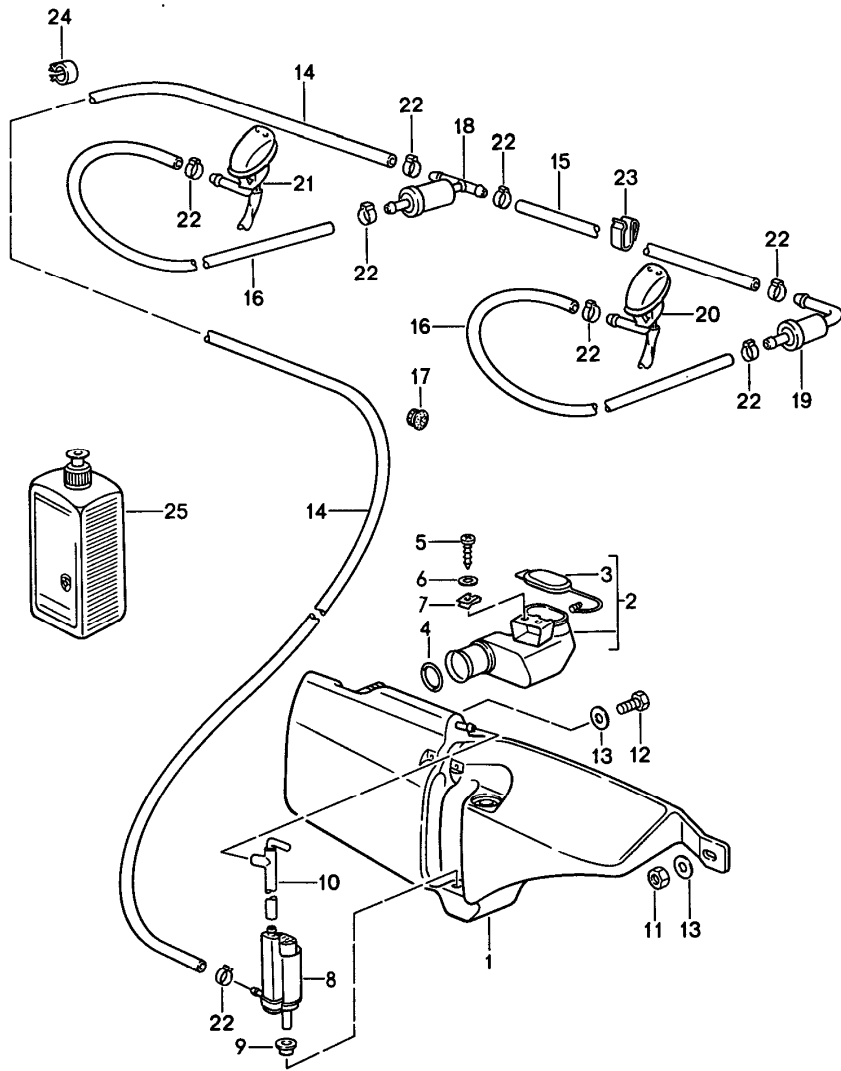
Pos	Part Number	Description	Remark	Qty	Model	Pos	Part Number	Description	Remark	Qty	Model
20	N 011 151 3	hexagon nut M 8		2							
21	928 628 901 01	wiper blade		2							
21	928 628 901 03	wiper blade		2							

Model	Year	MG	SG	Illustration	Restrictions	UPD	10:21	24.01.2010	PORSCHE	PET	PORSCHE
968	1995	9	04	904-05		248					



Pos	Part Number	Description	Remark	Qty	Model
		rear window wiper			
1	944 628 030 00	wiper motor		1	
2	944 628 071 02	mounting plate		1	
	03C	black			
3	477 955 737 A	cap		1	
	01C	satin black			
4	944 628 032 00	wiper arm		1	
5	944 628 122 00	cap		1	
6	944 628 132 00	windscreen wiper blade		1	
(6)	944 628 132 01	windscreen wiper blade		1	
8	111 941 189	drain bush		1	
9	951 612 065 01	wiring harness		1	
10	N 017 490 6	flat connector 6,3 X 1		3	
11	803 971 835 A	terminal sleeve housing		1	
12	900 076 010 02	hexagon nut M 6		2	
13	N 011 524 7	washer A 6,4		4	
14	N 011 151 3	hexagon nut M 8		1	
16	477 955 149	hexagon nut		1	
17	445 955 753	bush		1	
18	533 955 758	grommet		1	
19	N 014 133 8	oval-head screw M 5 X 12		2	
21	999 209 017 02	spacer sleeve		2	
22	999 702 180 40	rubber sleeve		2	

Model	Year	MG	SG	Illustration	Restrictions	UPD	10:22	24.01.2010	PORSCHE	PET	PORSCHE
968	1995	9	04	904-10		248					

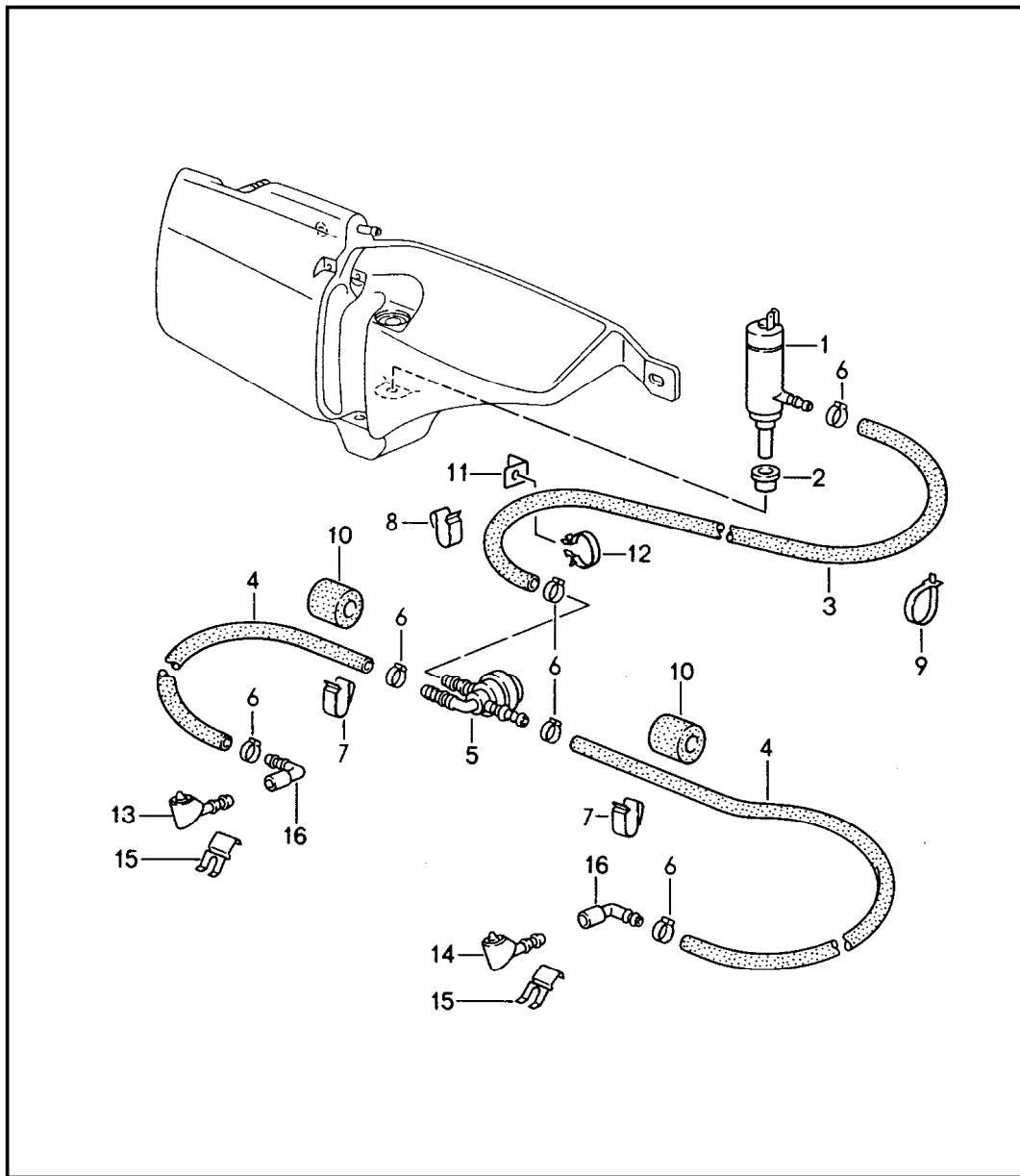


Pos	Part Number	Description	Remark	Qty	Model
		windscreen washer system			
1	A 944 528 375 02	fluid tank for cars with headlight washer system	92	1	
1	944 528 375 02	fluid tank for cars with headlight washer system		1	
(1)	944 528 375 03	fluid tank for cars without headlight washer system		1	
2	944 528 373 00	filler neck		1	
3	944 528 621 00	lid		1	
4	999 701 723 40	o-ring		1	
5	900 143 124 07	tapping screw BZ 3.5 X 13		2	
6	900 025 050 07	washer A 3,5		2	
7	999 591 349 02	speed nut B 3,5		2	
8	944 628 072 00	pump		1	
9	944 628 321 00	gasket		1	
10	944 628 063 00	vent hose		1	
11	900 076 010 02	hexagon nut M 6		1	
12	N 010 210 13	hexagon-head bolt M 6 X 10		1	
13	N 011 666 7	washer B 6,4		2	
-	999 181 722 40	hose 4,6 X 1,8		*	
14	-	1950 MM	/LL	1	
14	-	1880 MM	/RL	1	
15	-	660 MM		1	
16	-	300 MM		2	
17	999 702 137 40	rubber sleeve		1	

Model	Year	MG	SG	Illustration	Restrictions	UPD	10:22	24.01.2010	PORSCHE	PET	PORSCHE
968	1995	9	04	904-10		248					

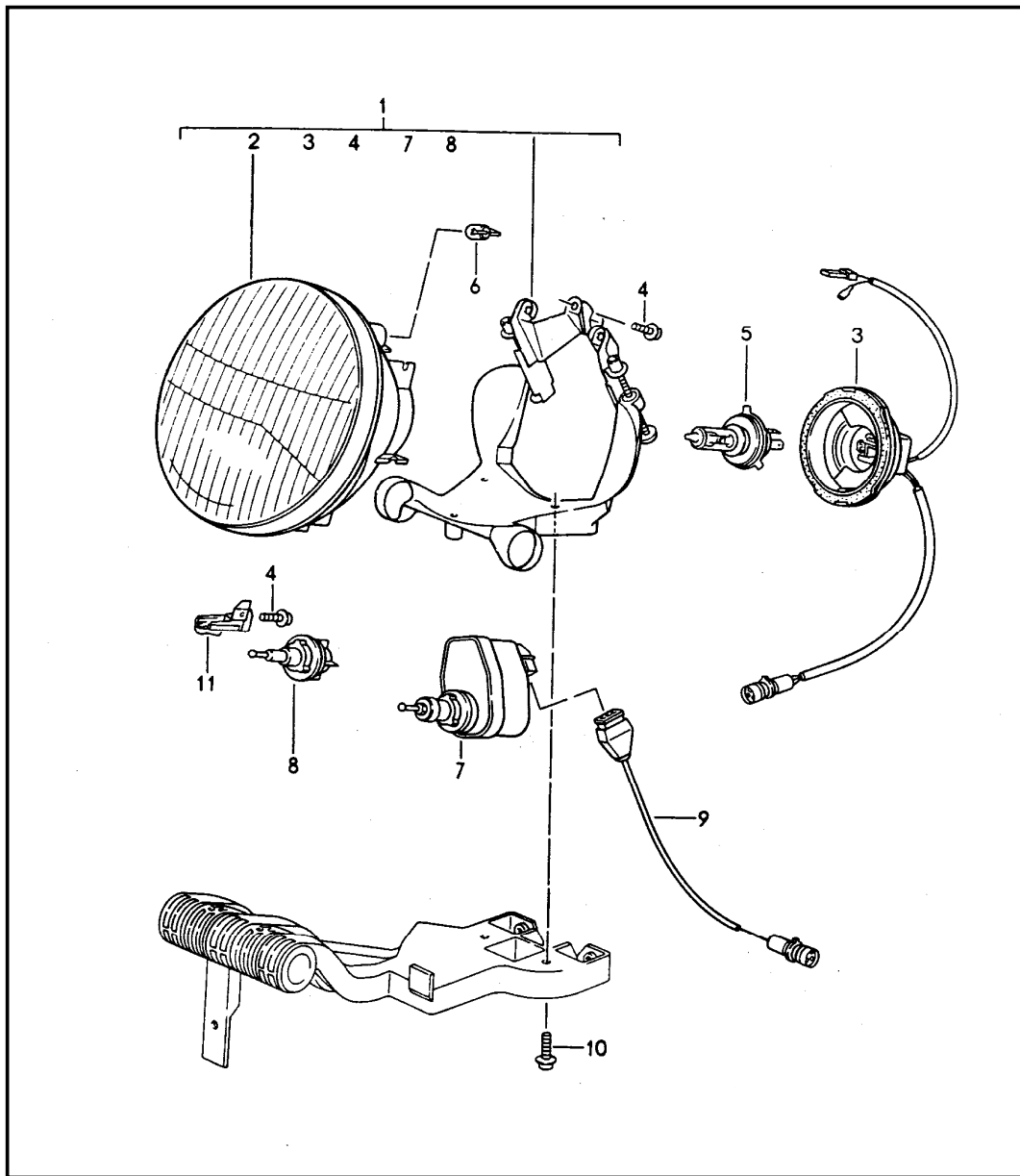
Pos	Part Number	Description	Remark	Qty	Model	Pos	Part Number	Description	Remark	Qty	Model
18	914 628 433 00	valve		1							
19	477 955 481	valve		-93 1							
19	914 628 215 00	valve		94- 1							
20	928 628 077 00	nozzle	/L	-93 1							
	70B	black heatable									
20	993 628 077 00	nozzle	/L	94- 1							
	01C	black heatable									
21	944 628 077 00	nozzle	/R	-93 1							
	01C	black heatable									
21	993 628 077 01	nozzle	/R	94- 1							
	01C	black heatable									
22	N 100 020 01	clamp 10/6		8							
23	944 628 181 00	retaining clip		8							
24	431 971 848 A	retaining clip		2							
(24)	999 507 391 40	retaining clip	/RL	1							
25	999 901 017 41	window cleaner 250 ML summer		X							
25	999 901 033 40	window cleaner 1000 ML winter		X							

Model	Year	MG	SG	Illustration	Restrictions	UPD	10:22	24.01.2010	PORSCHE	PET	PORSCHE
968	1995	9	04	904-15		248					



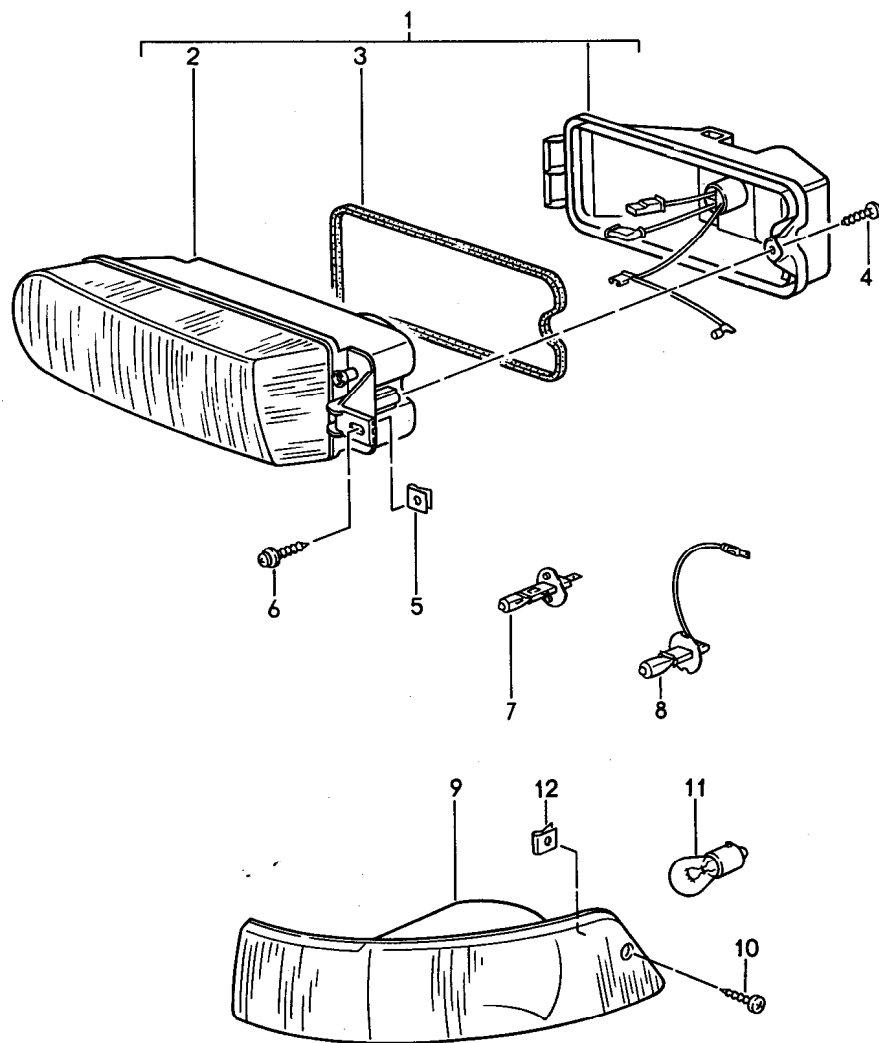
Pos	Part Number	Description	Remark	Qty	Model
		headlight washer system			M288
1	357 955 681	pump		1	
2	928 628 193 00	gasket		1	
-	999 181 806 40	hose 10 X 3		*	
3	-	1800 MM		1	
4	-	550 MM		2	
5	281 955 187	valve		1	
6	999 512 489 00	hose clamp		8	
7	999 651 259 02	hose holder		2	
8	999 651 254 02	hose holder		3	
9	999 513 041 40	tie-wrap		2	
10	477 971 951	protective tube		2	
11	477 971 881 B	retaining bracket		1	
12	171 971 847 A	clip		1	
13	944 628 073 00	nozzle	/L	1	
	01C				
14	944 628 074 00	nozzle	/R	1	
	01C				
15	944 628 273 00	clamp		2	
16	944 628 274 00	angled pipe		2	

Model	Year	MG	SG	Illustration	Restrictions	UPD	10:22	24.01.2010	PORSCHE	PET	PORSCHE
968	1995	9	05	905-00		248					



Pos	Part Number	Description	Remark	Qty	Model
		headlamp			
1	944 631 929 00	headlamp	/L	1	
(1)	944 631 930 00	headlamp	/R	1	
1	944 631 927 00	headlamp	/L	1	M492
(1)	944 631 928 00	headlamp	/R	1	M492
2	944 631 910 01	headlamp unit		2	
(2)	944 631 911 01	headlamp unit		2	M492
3	944 612 957 01	cap		2	
4	944 631 942 00	cross-recess screw 5 X 12,5		10	
5	999 631 202 90	halogen bulb		2	
5	999 631 202 91	halogen bulb	(F)	2	
6	999 631 032 90	bulb 12 V - 5 W		2	
7	944 624 909 00	electric motor headlight levelling system		2	
9	944 612 082 00	wiring harness headlight levelling system		2	
10	999 218 016 02	combination screw M 6 X 16 micro-self-locking		6	
11	944 631 915 00	articulated piece	/L	1	
(11)	944 631 916 00	articulated piece	/R	1	

Model	Year	MG	SG	Illustration	Restrictions	UPD	10:22	24.01.2010	PORSCHE	PET	PORSCHE
968	1995	9	05	905-05		248					

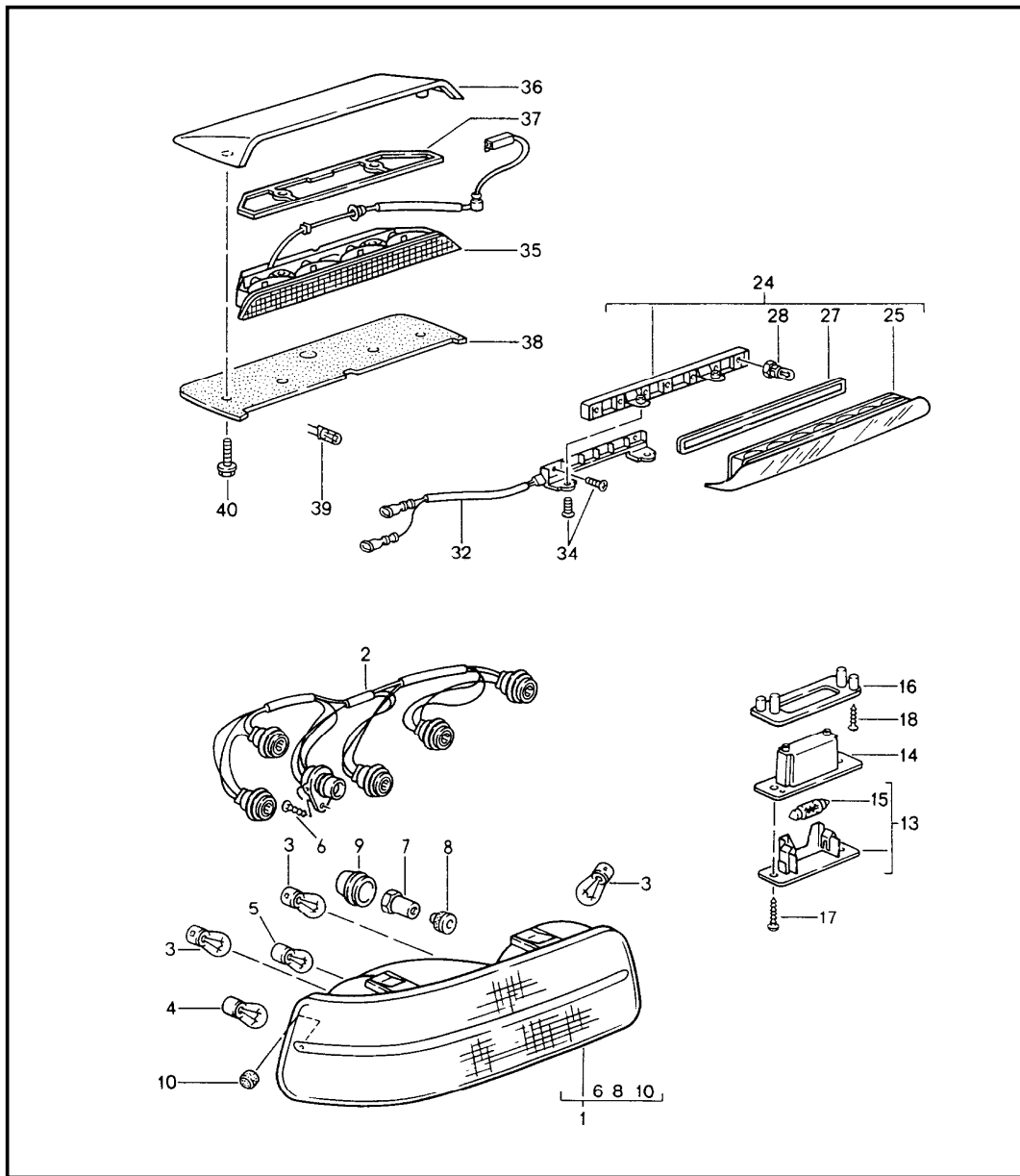


Pos	Part Number	Description	Remark	Qty	Model
		additional headlamp direction indicator light			
1	944 631 033 00	combined lights white	/L	1	
(1)	944 631 034 00	combined lights white	/R	1	
1	944 631 047 00	combined lights	/L (J)	1	
(1)	944 631 048 00	combined lights	/R (J)	1	
1	944 631 037 00	combined lights yellow	/L (F)	1	
(1)	944 631 038 00	combined lights yellow	/R (F)	1	
2	944 631 033 00	combined lights white	/L	1	
(2)	944 631 034 00	combined lights white	/R	1	
2 A	944 631 047 00	combined lights	/L (J)	1	
(2) A	944 631 048 00	combined lights	/R (J)	1	
2 A	944 631 037 00	combined lights yellow	/L (F)	1	
(2) A	944 631 038 00	combined lights yellow	/R (F)	1	
3	944 631 421 00	gasket		2	
4	944 631 941 00	cross-recess screw 5 X 16		2	
5	999 591 943 02	speed nut B 4,2		2	
6	900 143 181 02	combination screw B 4,2X 22		2	
7	900 631 125 90	halogen bulb H 1		2	
8	900 631 126 90	halogen bulb H 3		2	
9	944 631 051 00	direction indicator light	/L	1	
(9)	944 631 052 00	direction indicator light	/R	1	

Model	Year	MG	SG	Illustration	Restrictions	UPD	10:22	24.01.2010	PORSCHE	PET	PORSCHE
968	1995	9	05	905-05		248					

Pos	Part Number	Description	Remark	Qty	Model	Pos	Part Number	Description	Remark	Qty	Model
10	900 143 087 00	tapping screw B 4,8 X 25		2							
11	900 631 127 90	bulb 12 V - 21 W		2							
12	999 591 699 02	speed nut B 4,8		2							
12	999 591 699 01	speed nut B 4,8		2							

Model	Year	MG	SG	Illustration	Restrictions	UPD	10:22	24.01.2010	PORSCHE	PET	PORSCHE
968	1995	9	05	905-15		248					

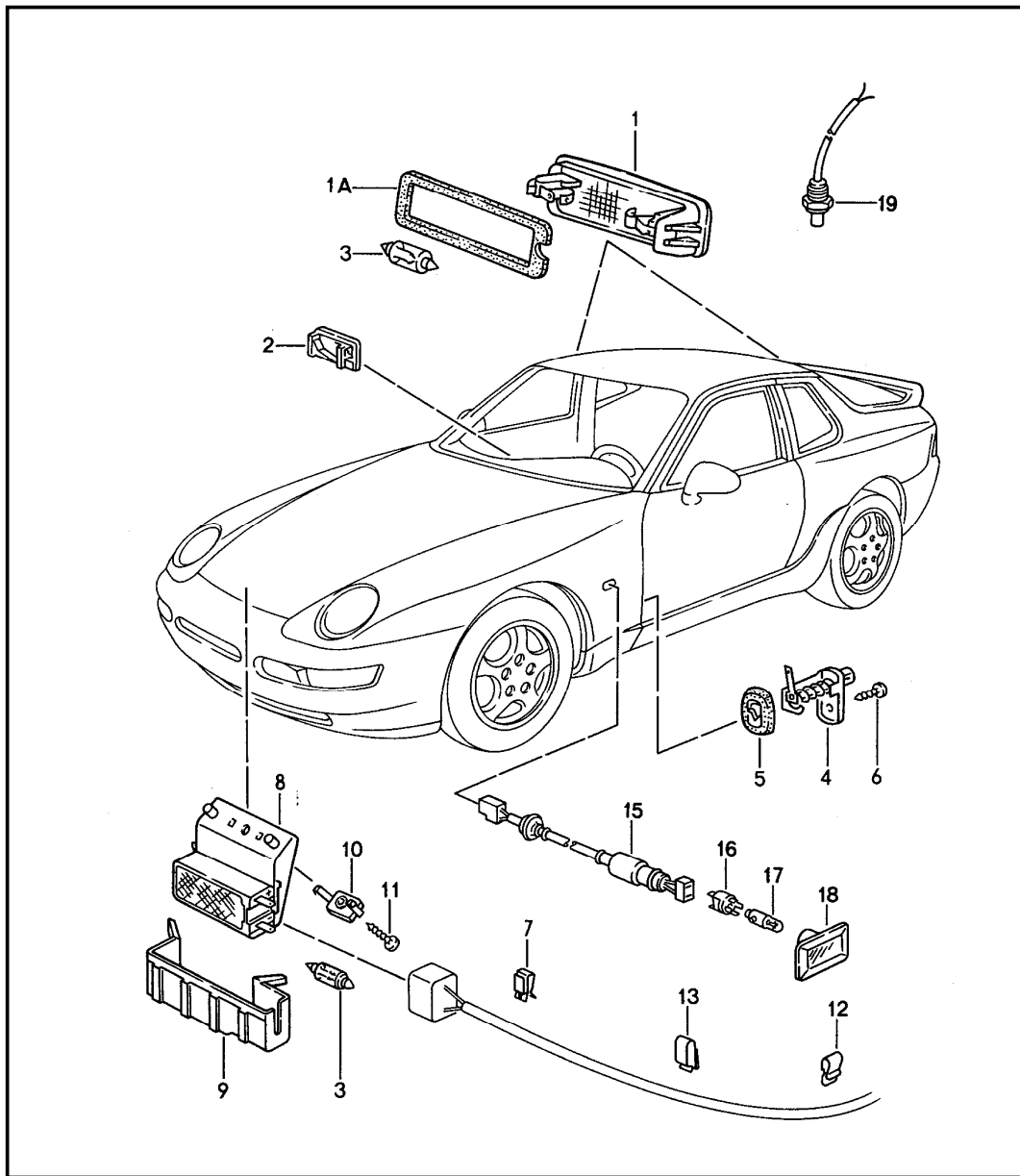


Pos	Part Number	Description	Remark	Qty	Model
		rear light license plate light additional brake light			
1	951 631 923 00	rear light without rear foglamp	/L	1	
1	951 631 925 00	rear light with rear foglamp	/L	1	
1	944 631 943 00	rear light with rear foglamp	/L (J)	1	
(1)	951 631 924 00	rear light without rear foglamp	/R	1	
(1)	944 631 944 00	rear light with rear foglamp	/R (J)	1	
(1)	951 631 926 00	rear light with rear foglamp	/R	1	
2	951 631 235 00	wiring harness for cars without rear fog light		2	
2	951 631 234 00	wiring harness for cars with rear fog light		2	
3	900 631 127 90	bulb 12V-21W		6	
4	900 631 128 90	bulb 12V-21/5W		2	
5	900 631 104 90	bulb 12V-5W		2	
6	999 919 164 09	oval-head screw 5 X 12		2	
7	951 631 033 00	plastic nut M 5		2	
8	951 631 144 00	sealing washer		2	
9	951 631 126 00	cap		2	
10	951 631 155 00	rubber stop		2	
13	964 631 620 00	license plate light		2	
		01C black			
14	964 612 620 00	cap		2	

Model	Year	MG	SG	Illustration	Restrictions	UPD	10:22	24.01.2010	PORSCHE	PET	PORSCHE
968	1995	9	05	905-15		248					

Pos	Part Number	Description	Remark	Qty	Model	Pos	Part Number	Description	Remark	Qty	Model
15	900 631 105 90	bulb 12V-5W		2							
16	928 631 603 00	mounting plate		2							
17	999 919 084 07	tapping screw 4 X 16		4							
18	999 919 067 02	countersunk-head screw 3 X 10		4							
24	951 631 060 00	additional brake light		1	COUPE						
25	951 631 261 00	housing		1							
27	965 631 281 00	gasket		1							
28	999 631 030 90	bulb		7							
32	951 631 121 00	bracket		1							
34	N 014 123 4	lens-head screw M 4 X 10		4							
-	944 612 222 00	cable cover		1							
35	941 631 261 10	lamp insert for additional brake light		1	CABRIO						
36	941 631 911 00	housing		1							
37	941 631 911 30	gasket		1							
38	941 631 911 10	gasket		1							
39	941 631 911 20	bulb		1							
40	999 217 127 02	combination screw M 6 X 20		2							

Model	Year	MG	SG	Illustration	Restrictions	UPD	10:23	24.01.2010	PORSCHE	PET	PORSCHE
968	1995	9	05	905-20		248					

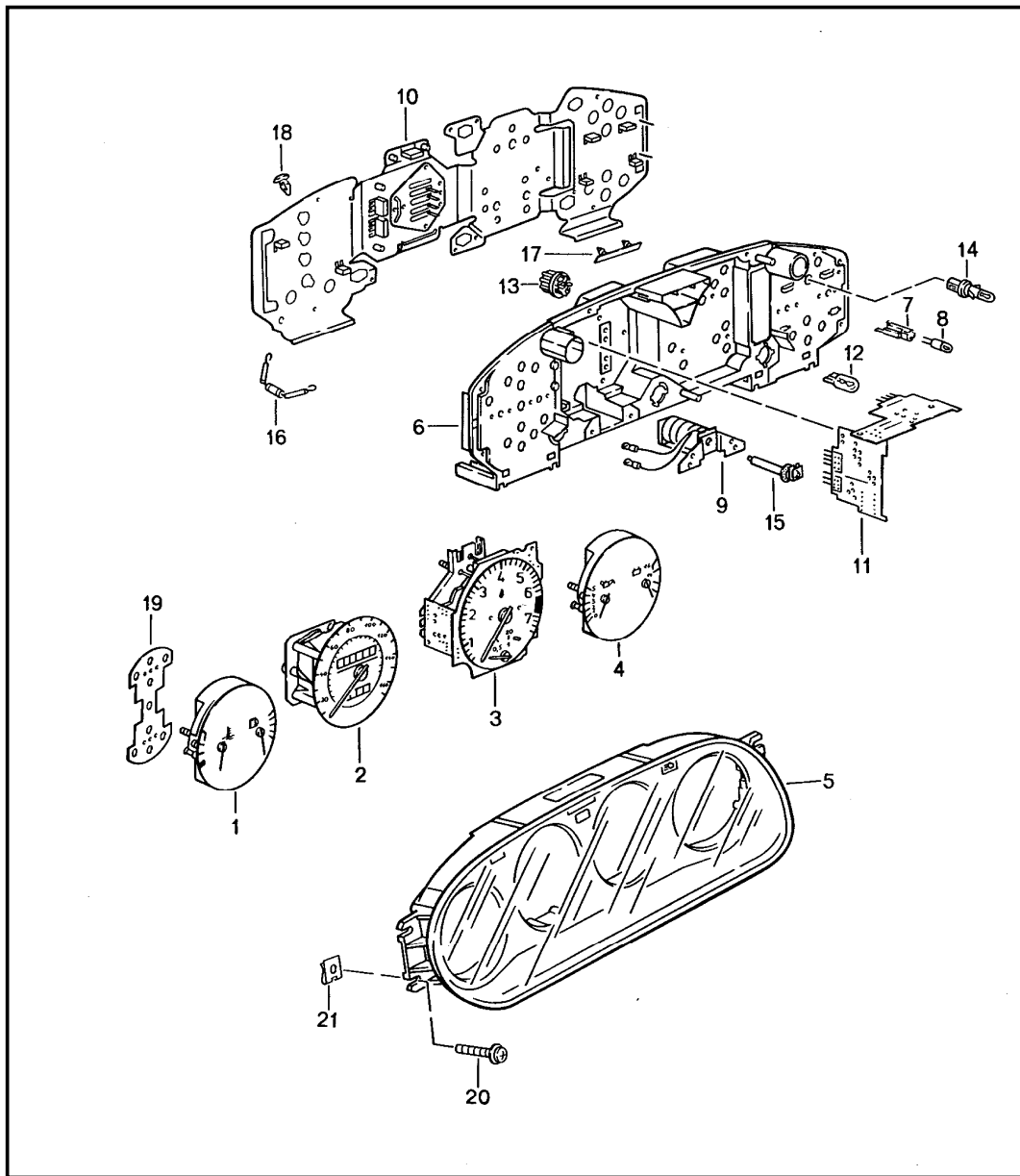


Pos	Part Number	Description	Remark	Qty	Model
1	823 947 105 B	interior light direction indicator light		2	
1A	941 632 101 10	interior light luggage compartment lamp gasket for luggage compartment lamp		1	CABRIO
2	944 632 114 00	glove compartment light		1	
3	900 631 106 90	bulb K 12V, 10W		3	
(3)	999 631 018 90	bulb M 12V, 3W		1	
4	968 613 601 00	contact switch		2	
5	944 613 114 00	gasket		2	
6	N 013 958 7	tapping screw B 3,5 X 13		2	
7	893 971 847	clip		8	
8	928 632 111 01	light		1	
9	928 632 112 00	protection cap		1	
10	928 632 113 00	cap		1	
11	900 143 164 02	combination screw BZ 4,2 X 13Z1		1	
12	999 507 377 07	retaining clip		2	
13	944 628 181 00	retaining clip		2	
14	999 702 137 40	rubber sleeve		1	
15	944 612 103 00	wiring harness direction indicator light		2	
16	161 949 111	bulb holder		2	
17	999 631 032 90	bulb		2	
18	4A0 949 101	direction indicator light		2	
19	941 613 105 10	switch for luggage compartment lamp use also:		1	CABRIO
-	941 613 205 10	washer		1	

Model	Year	MG	SG	Illustration	Restrictions	UPD	10:23	24.01.2010	PORSCHE	PET	PORSCHE
968	1995	9	05	905-20		248					

Pos	Part Number	Description	Remark	Qty	Model	Pos	Part Number	Description	Remark	Qty	Model
-	941 613 305 10	adhesive film		1							

Model	Year	MG	SG	Illustration	Restrictions	UPD	10:23	24.01.2010	PORSCHE	PET	PORSCHE
968	1995	9	06	906-00		248					



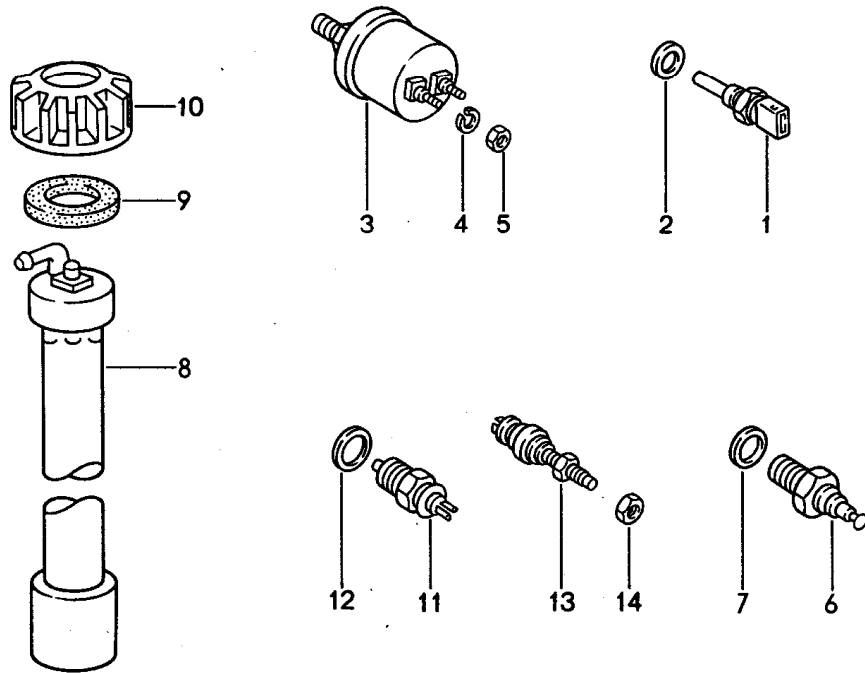
Pos	Part Number	Description	Remark	Qty	Model
		instrument cluster			
1	944 641 953 06	instrument insert left - temperat. - fuel gauge - german		1	
1	944 641 953 07	instrument insert left - temperat. - fuel gauge - english		1	
1	944 641 953 08	instrument insert left - temperat. - fuel gauge - french		1	
2	944 641 951 26	speedometer 300 KM/H		1	
2	944 641 951 27	speedometer 180 MPH + 300 KM/H	(GB)	1	
2	944 641 951 28	speedometer 300 KM/H with speed warning device		1	(SA)
2	944 641 951 22	speedometer 300 KM/H		1	TIPTRONIC
2	944 641 951 23	speedometer 180 MPH + 300 KM/H	(GB)	1	TIPTRONIC
2	944 641 951 24	speedometer 300 KM/H with speed warning device		1	(SA) TIPTRONIC
3	944 641 952 14	tachometer		1	
3	944 641 952 13	tachometer		1	TIPTRONIC
4	944 641 954 06	instrument insert right - volt - oil - german		1	
4	944 641 954 07	instrument insert right - volt - oil - english		1	
4	944 641 954 08	instrument insert right - volt - oil - french		1	

Model	Year	MG	SG	Illustration	Restrictions	UPD	10:23	24.01.2010	PORSCHE	PET	PORSCHE
968	1995	9	06	906-00		248					

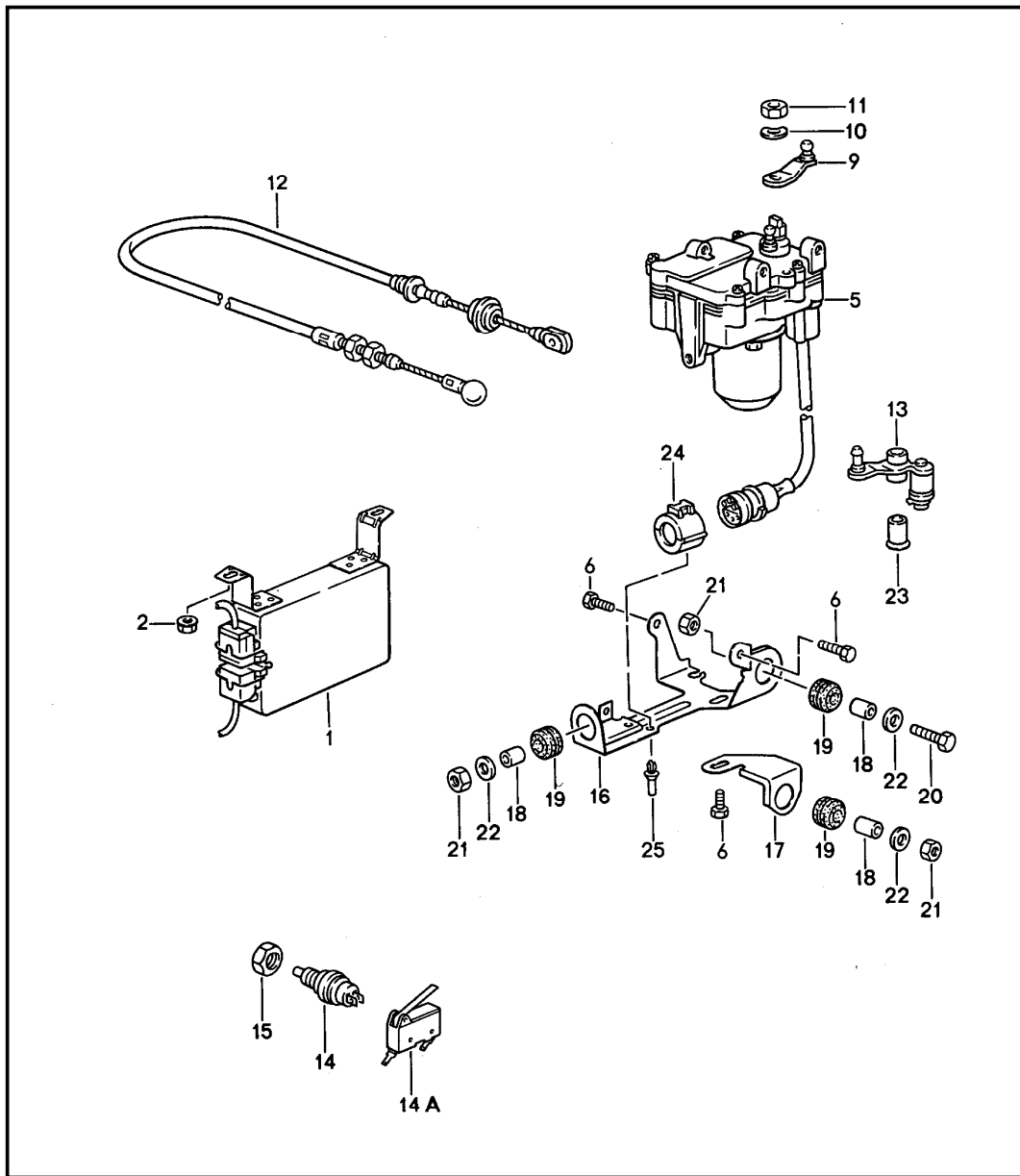
Pos	Part Number	Description	Remark	Qty	Model	Pos	Part Number	Description	Remark	Qty	Model
5	944 641 941 01	covering frame		1							
6	928 641 968 01	mounting plate		1							
7	928 641 982 00	bulb socket		X							
8	928 641 983 00	bulb		X							
9	928 641 921 00	solenoid coil		1							
10	944 641 961 02	printed circuit board		1							
11	944 641 959 02	printed circuit board		1							
12	900 631 019 90	glass-base bulb 12 V - 3 W		3							
13	928 641 927 00	bulb socket		3							
(13)	964 641 920 00	glass-base bulb indicator light airbag		1							
14	999 631 301 90	bulb		X							
15	928 641 960 00	zero adjustment shaft		1							
16	928 641 981 01	resistor		1							
17	928 641 985 00	clip		3							
18	928 641 984 00	clip		4							
19	928 641 986 00	gasket		1							
20	900 143 151 02	combination tapping screw B 4,2 X 16		4							
21	N 015 429 2	speed nut B 4,2		4							

Model	Year	MG	SG	Illustration	Restrictions	UPD	10:23	24.01.2010	PORSCHE	PET	PORSCHE
968	1995	9	06	906-05		248					

Pos	Part Number	Description	Remark	Qty	Model
		switch and sender			
1	944 606 125 00	temperature sensor		1	
2	900 123 101 30	sealing ring 12 X 18		1	
3	928 606 203 01	oil pressure sender		1	
4	N 012 224 3	spring washer A 4		2	
5	N 011 004 6	hexagon nut M 4		2	
6	928 606 201 01	remote temperature sensor for cooling water		1	
7	900 123 007 30	sealing ring A 14 X 18		1	
8	944 641 037 01	tank gauge		1	
9	944 201 327 00	sealing ring		1	
10	951 201 375 00	union nut		1	
11	01E 941 521	back-up light switch		1	
12	900 123 106 30	sealing ring		1	
13	477 945 515	brake light switch		1	
14	481 945 529	nut		1	



Model	Year	MG	SG	Illustration	Restrictions	UPD	10:23	24.01.2010	PORSCHE	PET	PORSCHE
968	1995	9	07	907-00		248					



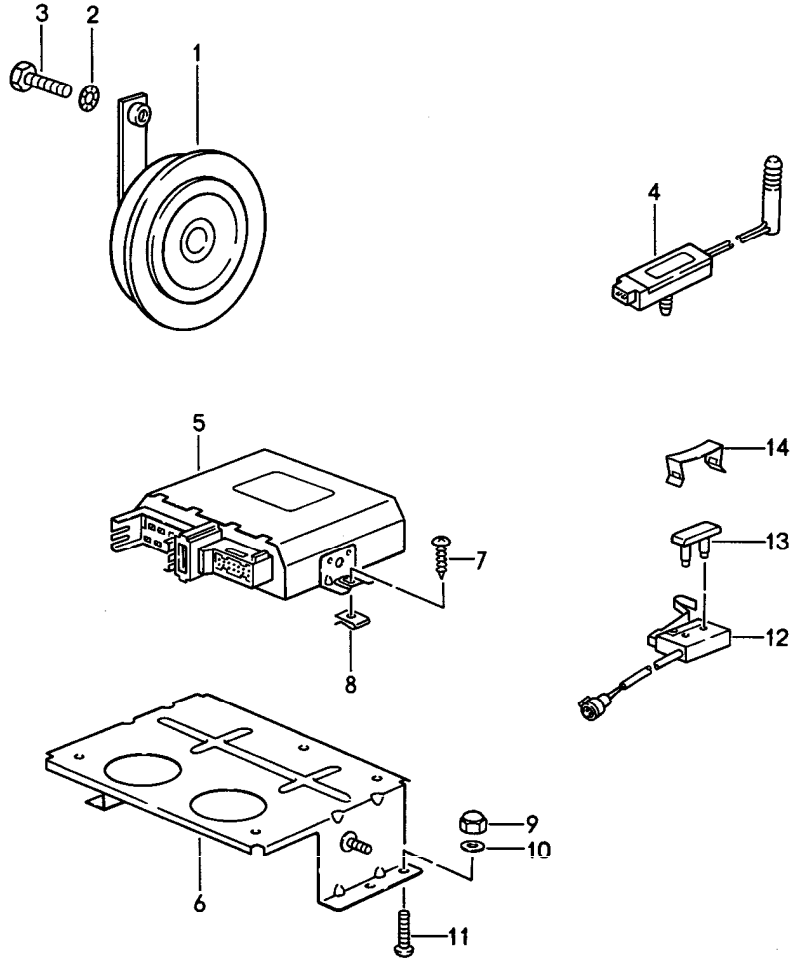
Pos	Part Number	Description	Remark	Qty	Model
		cruise control			M454
1	944 617 132 00	control unit		1	
2	900 377 010 09	hexagon nut M 6		2	
5	944 617 121 00	drive link		1	
6	999 072 005 09	hexagon-head bolt M 6 X 12		3	
9	944 423 047 00	lever for electric motor		1	
10	N 012 229 3	spring washer A 8		1	
11	N 011 018 4	hexagon nut M 8 X 1		1	
12	944 423 025 05	cable	/LL	1	
(12)	945 423 025 03	cable	/RL	1	
13	944 423 055 00	reverse lever	/LL	1	
13	945 423 055 00	reverse lever	/RL	1	
14	944 613 413 00	switch for clutch pedal	/LL	1	
14A	928 613 413 01	microswitch for clutch pedal	/RL	1	
15	481 945 529	nut M 12 X 1		1	
16	944 617 125 01	support		1	
17	944 617 123 01	support		1	
18	999 531 014 02	bush		3	
19	999 702 133 40	rubber mounting		3	
20	900 075 017 02	hexagon-head bolt M 6 X 25		1	
21	900 076 010 02	hexagon nut M 6		3	
22	N 011 666 7	washer B 6,1		4	

Model	Year	MG	SG	Illustration	Restrictions	UPD	10:23	24.01.2010	PORSCHE	PET	PORSCHE
968	1995	9	07	907-00		248					

Pos	Part Number	Description	Remark	Qty	Model	Pos	Part Number	Description	Remark	Qty	Model
23	999 924 001 40	bush		2							
24	944 612 450 01	support		1							
25	999 591 429 40	expansion rivet		2							
-	171 721 570 A	locking plate for cable		1							

Model	Year	MG	SG	Illustration	Restrictions	UPD	10:23	24.01.2010	PORSCHE	PET	PORSCHE
968	1995	9	09	909-00		248					

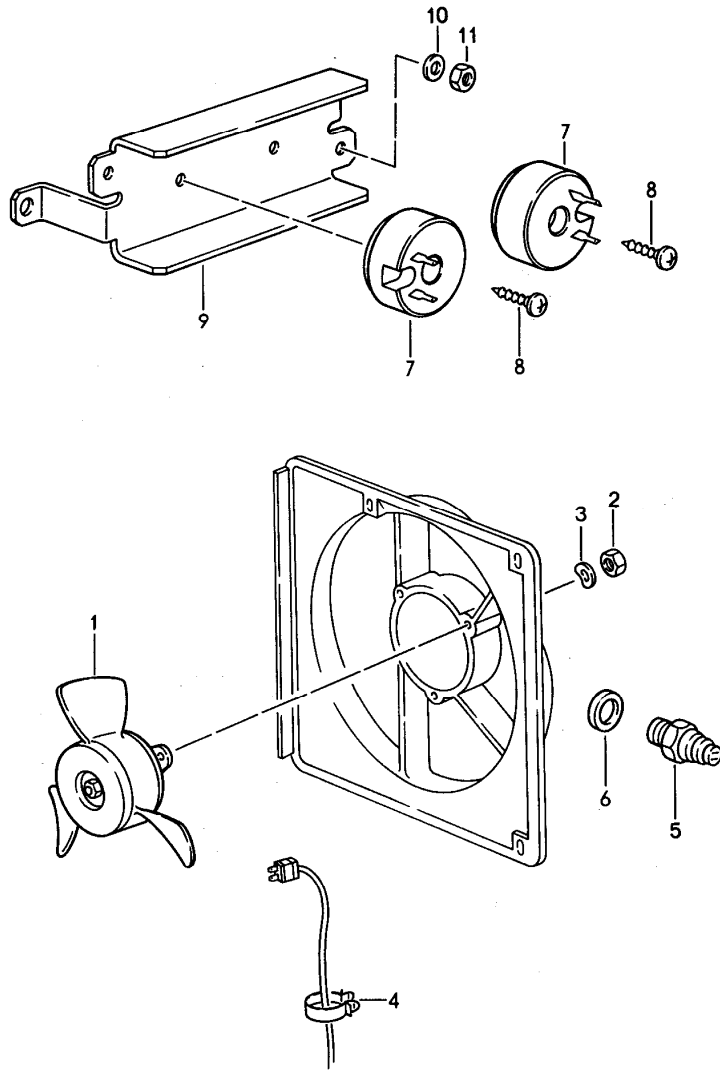
Pos	Part Number	Description	Remark	Qty	Model
		alarm system			
1	944 637 103 01	horn		1	
2	999 523 102 02	lock washer J 8,4		1	
3	900 075 087 02	hexagon-head bolt M 8 X 16		1	
4	944 637 238 00	knob		2	
		01C black door latch with lamp insert			
5 A	928 618 260 01	alarm control unit alarm system central locking system		1	
5	928 618 260 03	alarm control unit alarm system central locking system		1	
6	945 618 152 00	clip for alarm control unit	/RL	1	
7	N 013 965 9	oval-head sheetmetal screw 4,2 X 9,5	/RL	2	
8	999 591 723 02	speed nut B 4,2	/RL	2	
9	N 011 125 2	cap nut M 5		3	
10	900 025 003 02	washer A 5,3		3	
11	N 014 129 6	oval-head screw M 5 X 10		3	
12	964 613 431 00	microswitch		1	
13	911 613 417 00	support		1	
14	999 591 998 00	spring clamp		1	
-	928 612 925 00	wiring harness adapter for additional function use also:		1	
-	928 612 547 00	connector housing		1	



Model	Year	MG	SG	Illustration	Restrictions	UPD	10:23	24.01.2010	PORSCHE	PET	PORSCHE
968	1995	9	09	909-00		248					

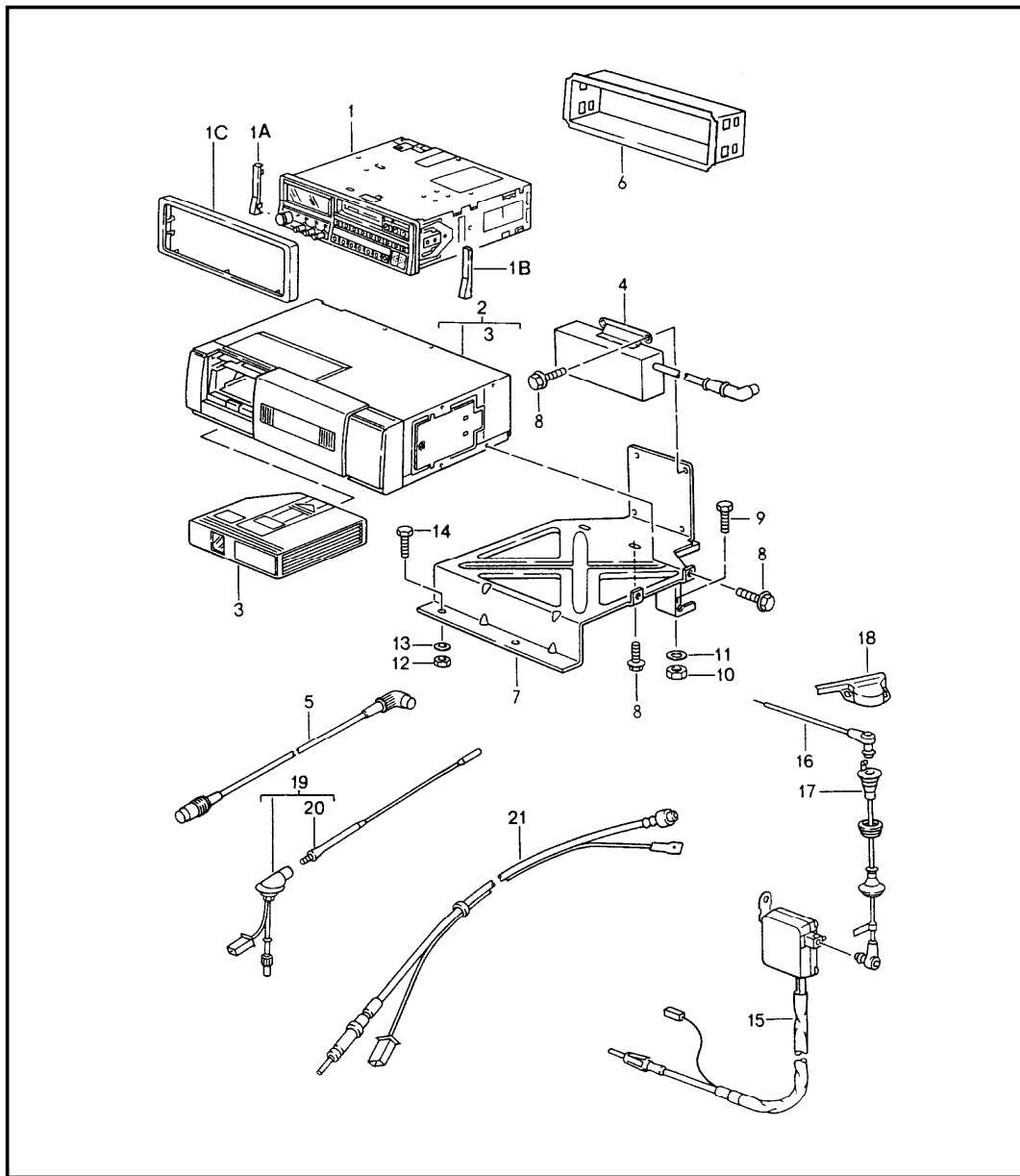
Pos	Part Number	Description	Remark	Qty	Model	Pos	Part Number	Description	Remark	Qty	Model
-	171 971 998 C	connector housing		1							
-	944 612 637 01	protective tube		1							

Model	Year	MG	SG	Illustration	Restrictions	UPD	10:24	24.01.2010	PORSCHE	PET	PORSCHE
968	1995	9	10	910-00		248					



Pos	Part Number	Description	Remark	Qty	Model
1	944 624 021 03	electric fan		2	968 968CS M573
1	944 624 021 03	electric fan		1	968CS
2	900 910 012 02	lock nut M 6		6	
3	N 011 666 7	washer A 6,4		6	
4	999 651 168 40	cablE holder		1	
5	951 606 481 00	switch		1	
6	N 043 808 1	sealing ring A 22 X 29		1	
7	944 616 522 00	series resistor 70 W/0,6 OHM		2	
8	900 250 016 02	tapping screw AM 5 X 16		2	
9	944 616 511 01	heat dissipator	/LL	1	
(9)	944 616 511 00	heat dissipator	/RL	1	
10	N 012 226 5	spring washer A 6		2	
11	900 076 010 02	hexagon nut M 6		2	

Model	Year	MG	SG	Illustration	Restrictions	UPD	10:24	24.01.2010	PORSCHE	PET	PORSCHE
968	1995	9	11	911-00		248					

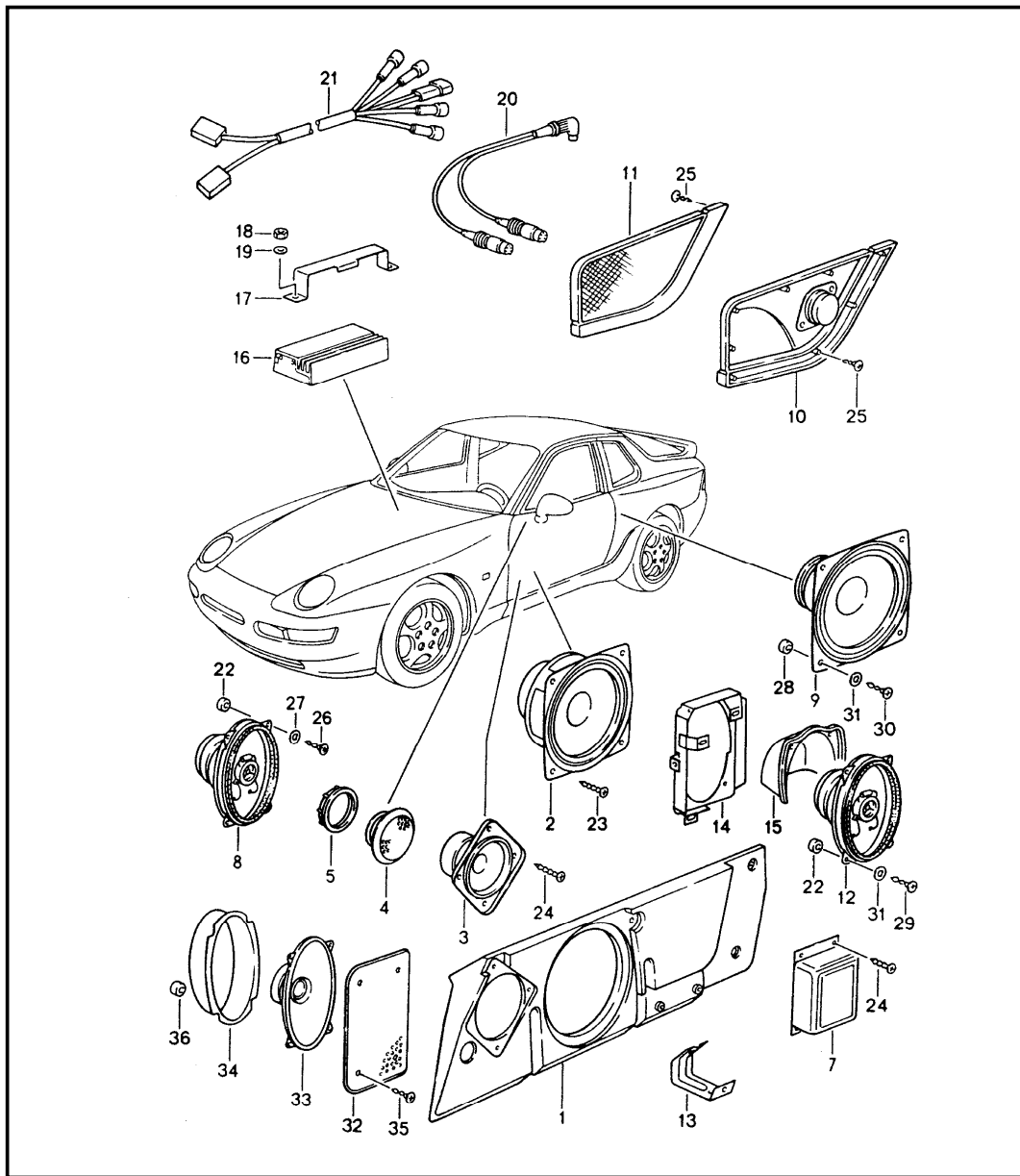


Pos	Part Number	Description	Remark	Qty	Model
1	> 964 645 103 00	radio cd changer			
		radio SYMPHONY RDS	-93	1	M327
1A	928 645 903 00	cover for cover	/L	1	M327
1B	928 645 904 00	cover for cover	/R	1	M327
1C	928 645 071 00	frame		1	
		01C black for CR-2, CD-10			
(1)	> 993 645 101 00	radio BREMEN RCM 43	94-	1	M334
(1)	> 993 645 103 00	radio BREMEN RCM 43	94-	1	M334/692
(1)	964 645 108 00	radio PARIS RCR 41	93	1	M333
(1)	> 993 645 108 00	radio PARIS RCR 42	94-	1	M333
(1)	964 645 015 00	radio CR-2	(J)	1	
(1)	> 928 645 018 00	cd player CD-10	-92	1	M690
(1)	> 964 645 107 00	radio LONDON RDM 42	93	1	M693
(1)	> 993 645 107 00	radio LONDON RDM 42	94-	1	M693
2	> 964 645 111 00	cd changer CDC-1		1	M692
3	964 645 113 00	magazine for cd changer		1	
4	> 964 645 112 00	adapter for cd changer		1	M327/334

Model	Year	MG	SG	Illustration	Restrictions	UPD	10:24	24.01.2010	PORSCHE	PET	PORSCHE
968	1995	9	11	911-00		248					

Pos	Part Number	Description	Remark	Qty	Model	Pos	Part Number	Description	Remark	Qty	Model
5	944 645 450 00	connecting line for radio cd changer		1	COUPE	20	928 645 902 00	antenna rod		1	
(5)	928 645 450 00	connecting line for radio cd changer		1	CABRIO	21	944 645 202 00	extension cable for antenna		1	COUPE
6	911 645 173 03	retaining frame		1							
7	944 645 051 00	retaining frame cd changer		1	COUPE						
(7)	941 645 051 00	retaining frame cd changer		1	CABRIO						
8	999 075 067 09	combination screw M 4 X 8Z1		8							
9	900 075 040 02	hexagon-head bolt M 10 X 20		1							
10	900 096 009 02	cap nut M 10		1							
11	900 025 008 09	washer A 10,5		1							
12	900 076 010 02	hexagon nut M 6		2							
13	N 011 524 7	washer A 6,4		2							
14	900 075 057 02	hexagon-head bolt M 6 X 16		2							
15	928 645 173 02	antenna booster		1	CABRIO						
16	944 645 185 01	connecting cable for antenna booster		1	CABRIO						
17	941 645 183 00	extension cable for antenna booster		1	CABRIO						
18	944 645 414 00	cover		1	CABRIO						
	01C	satin black									
19	928 645 201 00	antenna with booster		1	COUPE						

Model	Year	MG	SG	Illustration	Restrictions	UPD	10:24	24.01.2010	PORSCHE	PET	PORSCHE
968	1995	9	11	911-05		248					

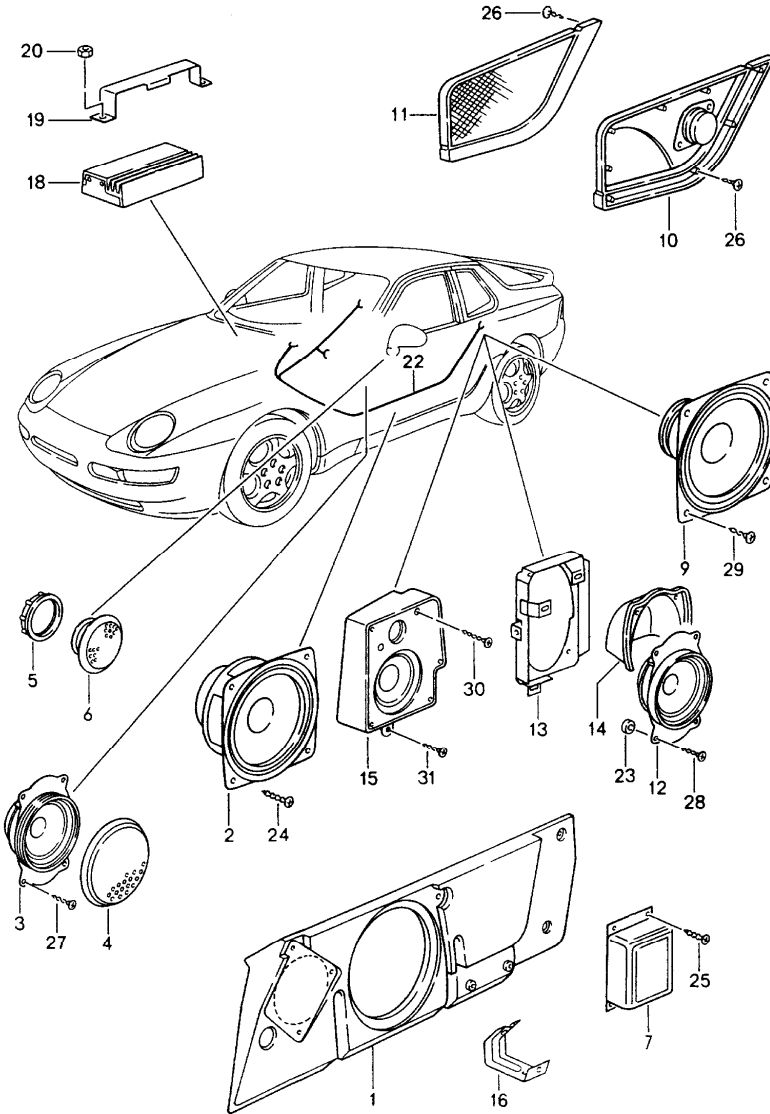


Pos	Part Number	Description	Remark	Qty	Model
		loudspeaker sound system booster	-93		M490 M494
(1) A	944 555 143 02	retaining frame	/L	1	
(1)	944 555 143 02	retaining frame	/L	1	
1 A	944 555 144 02	retaining frame	/R	1	
1	944 555 144 02	retaining frame	/R	1	
(1)	944 555 943 00	retaining frame	/L	1	M490
1	944 555 944 00	retaining frame	/R	1	M490
2	944 645 504 00	woofer		2	
(2)	944 645 429 00	woofer		2	M490
3	944 645 419 00	mid-range loudspeaker		2	M490
4	944 645 502 00	tweeter		2	
5	944 645 503 00	1DB retaining ring		2	
7	944 645 437 00	diplexer		2	M490
(7)	944 645 937 00	connecting cable		2	
8	944 645 461 01	loudspeaker rear		92	2 COUPE
-	477 035 999	use also: gasket		92	2
9	944 645 505 00	loudspeaker rear		93	2 COUPE
9	944 645 425 00	woofer rear		2	COUPE M490
10	944 645 047 00	loudspeaker grille rear	/L	93	1 COUPE
10	944 645 045 00	1DB loudspeaker rear	/L	1	COUPE M490
		01C satin black			

Model	Year	MG	SG	Illustration	Restrictions	UPD	10:24	24.01.2010	PORSCHE	PET	PORSCHE
968	1995	9	11	911-05		248					

Pos	Part Number	Description	Remark	Qty	Model	Pos	Part Number	Description	Remark	Qty	Model	
11	944 645 048 00	loudspeaker grille rear	/R	93	1	COUPE	22	944 645 480 00	spacer sleeve	92	8	CABRIO
	1DB	black					22	477 035 375	spacer sleeve	93	8	CABRIO
11	944 645 046 00	loudspeaker rear	/R		1	COUPE M490	23	900 143 031 02	oval-head sheetmetal screw B 4,2 X 9,5		10	
	01C	satin black					24	N 013 953 2	tapping screw B 2,9 X 9,5		16	M490
12	944 645 463 00	loudspeaker rear		92	2	CABRIO	25	999 919 032 02	oval-head screw 3,5 X 10		18	
12	941 645 505 10	loudspeaker rear		93	2	CABRIO	26	N 013 962 2	tapping screw B 3,9 X 16		8	
12	944 645 464 00	loudspeaker rear			2	CABRIO M490	27	900 151 028 02	washer		8	
13	944 531 243 00	retaining bracket for retaining frame			4		28	477 035 375	bush		8	
14	941 555 573 10	mounting for loudspeaker	/L		1	CABRIO	29	900 143 037 02	tapping screw B 3,9 X 22		8	CABRIO
(14)	941 555 574 10	mounting for loudspeaker	/R		1	CABRIO	30	N 013 961 2	tapping screw B 3,9 X 13		8	COUPE
15	941 555 575 10	covering for loudspeaker			2	CABRIO	31	900 025 002 02	washer A 4,3		8	
16	> 944 645 301 00	booster			2	M494	32	477 867 081	loudspeaker grille front		2	968CS
-	944 645 301 X	booster			2	M494		01C	satin black			
-	999 607 101 00	fuse for booster			2	M494	33	944 645 451 00	loudspeaker front		2	968CS
17	944 645 311 00	bracket			2	M494	34	944 645 015 00	water protection		2	968CS
18	N 011 005 14	hexagon nut M 5			4	M494	35	N 014 091 4	tapping screw 3,9 X 16		8	968CS
19	900 025 003 02	washer A 5,3			4	M494	36	477 867 373	bush		8	968CS
20	944 645 331 00	connecting cable			1	M494						
21	944 612 049 00	wiring harness			1	M494						

Model	Year	MG	SG	Illustration	Restrictions	UPD	10:24	24.01.2010	PORSCHE	PET	PORSCHE
968	1995	9	11	911-06		248					

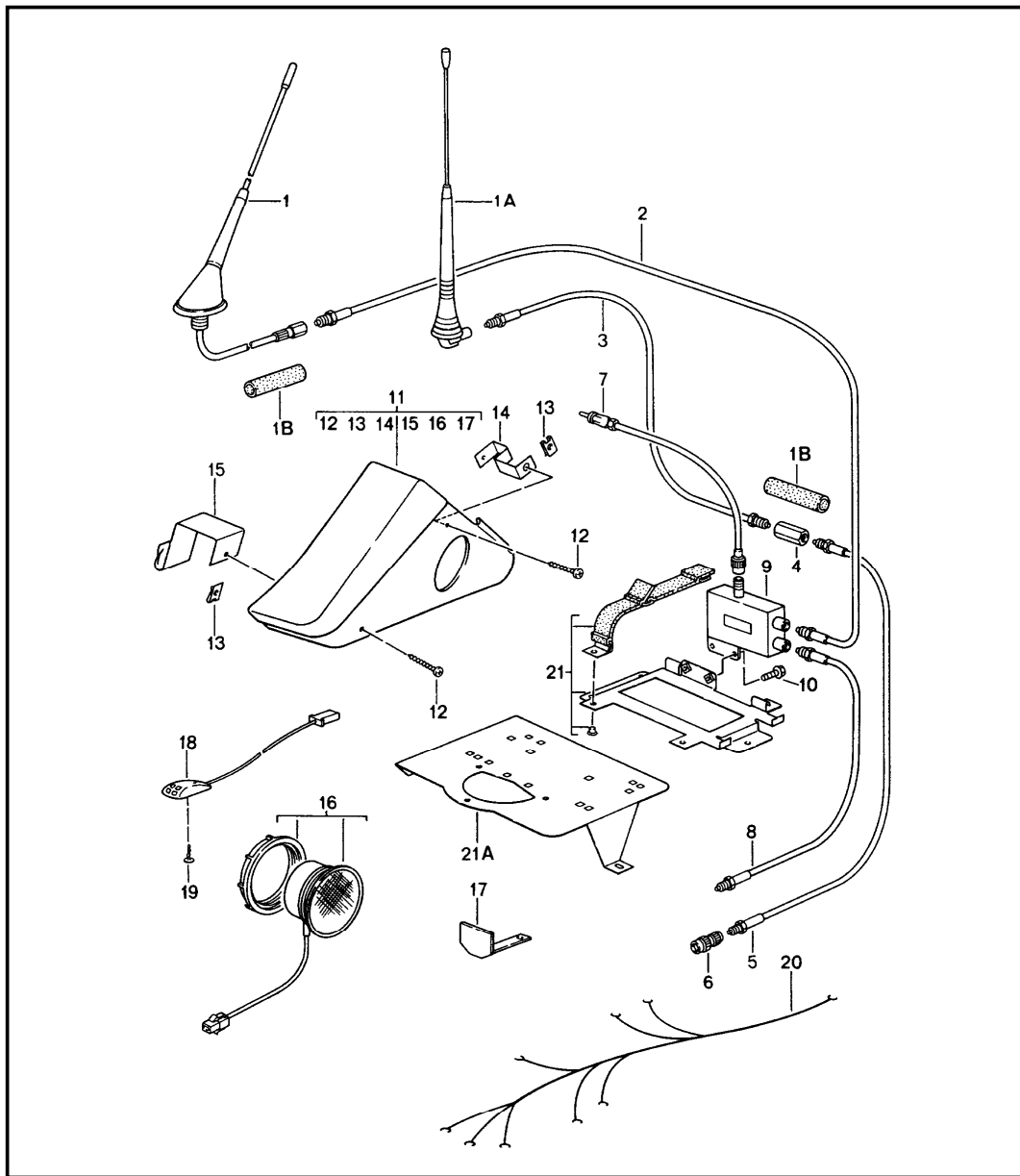


Pos	Part Number	Description	Remark	Qty	Model
		loudspeaker sound system booster	94-		M490
		loudspeaker see group 9/11/05			968CS
(1)	944 555 143 02	retaining frame	/L	1	
1	944 555 144 02	retaining frame	/R	1	
2	944 645 504 00	woofer		2	
2	944 645 508 00	woofer		2	M490
3	944 645 507 00	mid-range loudspeaker		2	M490
4	944 645 577 00	loudspeaker grille mid-range loudspeaker		2	M490
		1DB black			
5	944 645 503 00	retaining ring		2	
6	944 645 502 00	tweeter		2	
		1DB black			
6	944 645 506 00	tweeter		2	M490
		1DB black			
7	944 645 201 00	diplexer		2	M490
(7)	944 645 937 00	connecting cable		2	
9	944 645 505 00	loudspeaker rear		2	COUPE
(9)	944 645 032 00	woofer rear		2	COUPE M490
10	944 645 047 00	loudspeaker grille rear	/L	1	COUPE
		1DB black			
10	944 645 049 00	loudspeaker rear	/L	1	COUPE M490
		1DB black			
11	944 645 048 00	loudspeaker grille rear	/R	1	COUPE

Model	Year	MG	SG	Illustration	Restrictions	UPD	10:24	24.01.2010	PORSCHE	PET	PORSCHE
968	1995	9	11	911-06		248					

Pos	Part Number	Description	Remark	Qty	Model	Pos	Part Number	Description	Remark	Qty	Model
		1DB black				24	900 143 031 02	oval-head sheetmetal screw B 4,2 X 9,5		10	
11	944 645 050 00	loudspeaker rear	/R	1	COUPE M490	25	N 013 953 2	tapping screw B 2,9 X 9,5		8	M490
		1DB black				26	999 919 032 02	oval-head screw 3,5 X 10		18	
12	941 645 505 10	loudspeaker rear		2	CABRIO	27	900 143 151 02	tapping screw B 4,2 X 16		8	M490
(13)	941 555 573 10	mounting for loudspeaker	/L	1	CABRIO	28	900 143 181 02	tapping screw B 4,2 X 22		8	CABRIO
13	941 555 574 10	mounting for loudspeaker	/R	1	CABRIO	29	900 143 151 02	tapping screw B 4,2 X 16		8	COUPE
14	941 555 575 10	covering for loudspeaker		2	CABRIO	30	900 143 153 07	tapping screw ST 4,2 X 32		4	CABRIO M490
(15)	941 645 049 10	loudspeaker rear	/L	1	CABRIO M490	31	900 143 113 07	tapping screw B 4,2 X 13		2	CABRIO M490
15	941 645 050 10	loudspeaker rear	/R	1	CABRIO M490						
16	944 531 243 00	retaining bracket for retaining frame		4							
18	> 944 645 301 00	booster		1	M490						
-	944 645 301 X	booster		1	M490						
-	999 607 101 00	fuse for booster		1	M490						
19	944 645 311 00	bracket		1	M490						
20	900 377 009 02	hexagon nut M 5		2	M490						
22	968 612 062 00	wiring harness		1	COUPE M490						
(22)	968 612 062 01	wiring harness		1	CABRIO M490						
23	477 035 375	spacer sleeve		8	CABRIO						

Model	Year	MG	SG	Illustration	Restrictions	UPD	10:24	24.01.2010	PORSCHE	PET	PORSCHE
968	1995	9	11	911-10		248					



Pos	Part Number	Description	Remark	Qty	Model
		preparation for telephone			M611/614
1	964 646 314 00	antenna		1	COUPE
1A	964 646 315 00	antenna		1	CABRIO
1B	928 612 636 01	protective tube		1	
2	996 612 086 00	extension cable		1	COUPE
3	944 646 060 00	extension cable		1	CABRIO
4	944 646 501 00	adapter plug		1	CABRIO M611
5	944 646 066 00	extension cable		1	CABRIO M611
6	964 646 318 00	adapter plug		1	CABRIO
7	944 646 064 00	cable antenna two-way splitter radio		1	COUPE
8	944 646 065 00	cable		1	COUPE M614
(8)	944 646 066 00	antenna two-way splitter telephone		1	COUPE M611
9	993 646 313 00	antenna two-way splitter		1	COUPE
10	999 075 067 09	combination screw M4 X 8		2	
11	944 646 201 00	bracket		1	
		1DR black			
		D06 classic grey			
		8HP midnight blue			
		8RP chestnut brown			
		2BQ marble grey			
		T32 cashmere beige			
		7HE provence blue			
		1JE cedar green			

Model	Year	MG	SG	Illustration	Restrictions	UPD	10:24	24.01.2010	PORSCHE	PET	PORSCHE
968	1995	9	11	911-10		248					

Pos	Part Number	Description	Remark	Qty	Model	Pos	Part Number	Description	Remark	Qty	Model
	4UP	flamenco red									
12	900 143 089 07	tapping screw 4,2 X 38		2							
13	999 507 036 02	speed nut 4,2		2							
14	944 646 245 00	retaining bracket		1							
15	944 646 246 00	retaining bracket		1							
16	993 646 241 00	loudspeaker		1							
17	993 646 247 01	stop for seat		1							
18	964 646 307 00	microphone		1	M614						
18	993 646 307 00	microphone		1	M611						
19	999 919 039 02	counters. head tapp. screw 3,5 X 8		2							
20	944 646 050 00	wiring harness		1							
-	928 646 510 00	screw for mount connector housing		2	M611						
21	944 646 026 00	bracket		1							
21A	944 646 111 00	bracket		1	M611						

M000 ! SUMMARY OF OPTIONAL EXTRAS "M!"
M018 SPORTS STEERING WHEEL
M018 WITH ELEVATED HUB 30MM
M020 SPEEDOMETER WITH TWO SCALES MPH-KM/H
M024 VERSION FOR GREECE
M030 SPORT-TYPE RUNNING GEAR
M034 VERSION FOR ITALY
M036 IMPACT ABSORBERS
M036 FRONT AND REAR
M058 IMPACT ABSORBERS FRONT AND REAR
M061 VERSION FOR GREAT BRITAIN
M062 VERSION FOR SWEDEN
M063 VERSION LUXEMBURG
M113 VERSION FOR CANADA
M114 VERSION FOR TAIWAN
M119 VERSION FOR SPAIN
M124 VERSION FOR FRANCE
M126 CONTROL AND INDICATIONS IN FRENCH LETTERING
M127 CONTROL AND INDICATIONS IN SCHWEDISCH
M130 CONTROL AND INDICATIONS IN ENGLISH LETTERING
M139 SEAT HEATING SYSTEM, LEFT SEAT
M150 OPERATES WITH LEADED GAS
M185 SAFETY BELTS 2-POINT,
M185 REAR AUTOMATIC
M186 SAFETY BELTS 2-POINT, REAR
M186 MANUAL
M193 VERSION FOR JAPAN
M195 PREPARED FOR CELLULAR-TELEPHONE SYSTEM
M197 STRONGER BATTERY
M208 TRAILER COUPLING
M215 VERSION FOR SAUDI ARABIA
M219 DIFFERENTIAL
M220 LOCKING DIFFERENTIAL 40 %
M225 VERSION FOR BELGIUM, ENGINE MARKED: -B-
M249 TIPTRONIC TRANSMISSION
M261 OUTSIDE MIRROR - PLAIN - PASSENGER'S SIDE,
M261 ELECTRICALLY ADJUSTABLE AND HEATABLE
M277 VERSION FOR SWITZERLAND
M288 HEADLAMP WASHER
M298 CATALYST TOGETHER WITH
M298 MANUAL TRANSMISSION
M299 CATALYST TOGETHER WITH
M299 AUTOMATIC TRANSMISSION
M317 EQUIPMENT FOR COUNTRIES
M317 WITH DUST-LADEN AIR
M325 VERSION FOR SOUTH AFRICA/NEW ZEALAND
M327 RADIO "SYMPHONY RDS"
M331 RADIO "PORSCHE CR-1"
M332 RADIO "PORSCHE CR-2"
M333 RADIO PARIS RCR 41
M334 RADIO/CASSETTE PLAYER BREMEN RCM 42

M340 SEAT HEATING SYSTEM, RIGHT SEAT
M341 CENTRAL LOCKING SYSTEM
M379 SERIES SEAT, LEFT,
M379 ELECTRICAL VERTICAL ADJUSTMENT
M380 SERIES SEAT, RIGHT,
M380 ELECTRICAL VERTICAL ADJUSTMENT
M381 SERIES SEAT LEFT,
M381 MANUELLY ADJUSTABLE
M382 SERIES SEAT RIGHT,
M382 MANUALLY ADJUSTABLE
M383 SPORT SEAT LEFT, ELECTRICAL
M383 VERTICALLY ADJUSTABLE
M384 BUCKET SEAT, LEFT
M385 BUCKET SEAT, RIGHT
M387 SPORT SEAT RIGHT, ELECTRICAL
M387 VERTICALLY ADJUSTABLE
M398 CUP WHEEL, 17 INCHES
M402 CAST WHEEL "CUP", 16 INCHES
M403 CAST WHEEL "CUP", 17 INCHES
M406 REAR SEATS WITH STATIC BELTS
M418 SIDE PROTECTION MOLDINGS
M419 REAR LUGGAGE DUMP
M423 BOX FOR CASSETTES AND COINS
M425 REAR WINDOW WIPER
M431 4-SPOKES STEERING WHEEL (LEATHER), DIAMETER 363 MM
M433 LEATHER STEERING WHEEL ATIVE
M437 COMFORT SEAT LEFT,
M437 ELECTRICALLY ADJUSTABLE
M438 COMFORT SEAT RIGHT,
M438 ELECTRICALLY ADJUSTABLE
M441 PREPARED FOR RADIO
M451 REDUCE RADIOPREPARATION
M454 AUTOMATIC SPEED CONTROL
M463 WINDSHIELD CLEAR
M466 2ND REAR FOG LAMP
M467 OUTSIDE MIRROR FOR DRIVER'S SIDE, CONVEX,
M467 ELECTRICALLY HEATABLE AND ADJUSTABLE
M474 SHOCK ABSORBER (SPORTING) FRONT AND REAR
M479 VERSION FOR AUSTRALIA
M480 6-SPEED MANUAL TRANSMISSION
M484 VERSION FOR USA
M488 INSCRIPTIONS IN GERMAN LANGUAGE
M489 SWITCHES AND INSIGNIAS IN GERMAN LANGUAGE
M490 SOUND SYSTEM
M492 FOR LEFT-HAND TRAFFIC
M494 ADDITIONAL AMPLIFIER
M498 WITHOUT VEHICLE-TYPE-LETTERING ON REAR END
M499 VERSION FOR GERMANY
M513 BACK-SUPPORT (LORDOSE) RIGHT SEAT
M526 DOOR PANELS (CLOTH)
M533 ANTI-THEFT DEVICE

M553 VERSION FOR USA, CANADA
M561 AIRBAGDRIVER'S SIDE
M562 AIRBAGDRIVER'S SIDE AND FRONT PASSENGER'S SIDE
M564 WITHOUT AIRBAG
M566 FOG-HEADLAMPS, WHITE
M567 WINDSHIELD TINTED, UPPER PART
M567 DARKER COLOURED
M573 AIR CONDITIONER
M586 BACK-SUPPORT (LORDOSE) LEFT SEAT
M595 REAR SPOILER WITH COLOR OF THE CAR
M602 ARAISED STOP LAMP
M605 HEADLIGHT VERTICAL AIM CONTROL
M611 PREPARATION OF TELEPHONE INSTALLATION
M611 NOKIA (D-NETWORK)
M612 PREPARED FOR PHILIPS TELEPHONE "C2"-NETWORK
M614 PREPARATION OF TELEPHONE INSTALLATION
M614 MOTOROLA (D-NETWORK)
M650 DETACHABLE ROOF, ELECTRICAL
M651 ELECTRIC WINDOW OPENER
M655 FOLDING TOP CONTROL, ELECTRICAL
M657 POWER ASSISTED STEERING
M685 REAR SEATS, DEVIDED
M690 CD-PLAYER "CD-10"
M690 RADIO + ARI
M691 CD-PLAYER "CD-2" WITH RADIO
M692 CD-CHANGER "PORSCHÉ "
M693 CD-RADIO LONDON RDM 42
M900 TOURIST'S
M900 CARS
M930 SEAT COVERS REAR, LEATHER
M931 SEAT COVERS REAR, LEATHERETTE
M932 SEAT COVERS, REAR
M932 CLOTH/LEATHERETTE/LEATHERETTE
M933 SEAT COVERS, REAR
M933 CLOTH/LEATHER/LEATHER
M934 SEAT COVERS REAR,
M934 CLOTH/CLOTH/LEATHERETTE
M935 SEAT COVERS REAR, DRAPED LEATHER
M945 SEAT COVERS FRONT
M945 CLOTH/LEATHERETTE/LEATHERETTE
M946 SEAT COVERS FRONT,
M946 LEATHER/LEATHER/LEATHERETTE
M947 SEAT COVERS
M947 FRONT: CLOTH/LEATHER/LEATHERETTE
M947 REAR: CLOTH/LEATHERETTE/LEATHERETTE
M948 SEAT COVERS, FRONT
M948 CLOTH/LEATHER/LEATHER
M980 SEAT COVER - DRAPED LEATHER
M981 LEATHER EQUIPMENT WITHOUT SEAT COVERS
M983 SEAT COVERS FRONT, LEATHER
M986 PARTIAL LEATHER EQUIPMENT

M990 SEAT COVERS FRONT,
M990 CLOTH/CLOTH/LEATHERETTE

Model	Year	MG	SG	Illustration	VIN No.	Update		
968	95					230	16:36	12.08.2008

EQUIPMENT BY COUNTRY REGULATIONS

=====

- (A) AUSTRIA
- (AG) ARABIAN GULF STATES
- (AUS) AUSTRALIA
- (B) BELGIUM
- (CDN) CANADA
- (CH) SWITZERLAND
- (D) FEDERAL REPUBLIC OF GERMANY
- (DK) DENMARK
- (E) SPAIN
- (F) FRANCE
- (GB) GREAT BRITAIN
- (GR) GREECE
- (HK) HONGKONG
- (I) ITALY
- (J) JAPAN

Model	Year	MG	SG	Illustration	VIN No.	Update		
968	95					230	16:36	12.08.2008

(L) LUXEMBURG

(N) NORWAY

(NL) NETHERLANDS

(NZ) NEW ZEALAND

(P) PORTUGAL

(RC) TAIWAN

(S) SWEDEN

(SA) SAUDI ARABIA

(SF) FINLAND

(USA) UNITED STATES OF AMERICA

(ZA) SOUTH AFRICA

Model	Year	MG	SG	Illustration	VIN No.	Update	16:36	12.08.2008
968	95					230		

IN COLUMN - A -

IDENTIFICATION LETTER FOR PERIOD OF INSTALLATION
 THAT IS REPEATED SEVERAL TIMES IN THE CATALOG GROUP.

EXPLANATION PLEASE FIND IN TEXT COLUMN OF THE CATALOG GROUP

IN COLUMN - QU - = NO. OF PIECES

- 1 NUMBER PER APPLICATION
- X NUMBER AS NEEDED
- * AVAILABLE ONLY IN RUNNING LENGTHS 1 = 1 METRE

IN COLUMN - MODEL/SYMBOL -

- M650 OPTIONAL EQUIPMENT - SEE M-NO. LIST
- 93 LIMITATION OF MODEL YEAR FOR INSTANCE: VALID UP TO
 END OF MODEL YEAR 1984
- /LL LHD
- /RL RHD
- +
- /V FRONT I

Model	Year	MG	SG	Illustration	VIN No.	Update		
968	95					230	16:36	12.08.2008

I
 /H REAR I
 I----> APPLIES TO
 /L LEFT I DIRECTION OF TRAVEL
 I
 /R RIGHT I
 -----+
 WW THE PART CAN BE USED INSTEAD OF THE
 PRECEDING ONE

Model	Year	MG	SG	Illustration	VIN No.	Update	16:35	12.08.2008
968	95					230		

LEGENDS AND NOTICES

=====

IN COLUMN -S- STATUS

- N NEW ADDITION

- P PART ALREADY IN PROGRAMME, BUT NEW
AT THIS APPLICATION

- W DELETED AT THIS APPLICATION, BUT CONTINUED
TO BE CARRIED

- A STOCK TO BE USED UP

- U DELETED WITHOUT REPLACEMENT

- * PART ALSO OR ONLY AVAILABLE
IN REPAIR KIT

- > ALSO AVAILABLE IN EXCHANGE

IN COLUMN - ILL. -

- 1 IDENTIFICATION NO. IN ILLUSTRATION

- (1) PART ONLY SIMILAR AS ILLUSTRATED

- PART IS NOT ILLUSTRATED

Model	Year	MG	SG	Illustration	VIN No.	Update	16:35	12.08.2008
968	95					230		

FIG.-NUMBERS FOR WHICH THERE IS SHOWN NO TEXT ARE
NOT VALID FOR THIS EDITION OF CATALOGUE

IN COLUMN -PART NUMBER/CODE-

000 000 000 00 PART NUMBER EQUALS ORDERING NO., IF A CODE IS
SHOWN, IT WILL HAVE TO BE PART OF ORDERING
NUMBER

AC3 COLOUR CODE

IN COLUMN -TEXT

INSTALLATION WITH ENGINE OR CHASSIS
NUMBER-RANGE

EXAMPLE:

M 42N 00501 >> FROM ENGINE NO.

F >> 96NS8 00561 UP TO CHASSIS NO.

Model	Year	MG	SG	Illustration	VIN No.	Update		
968	95					230	16:35	12.08.2008

VEHICLE TYPE	TRANSM.			TECHNICAL		
	TYPE	MY	TRANSMISSION NO.	DATA		
968	G44.00	92 N	G4400 1002001>999999	6-SPEED		
968 M220	G44.00	92 N	G4400 2002001>999999	6-SPEED		
968 TIPTRONIC	A44.00	92 N	A4400 1002001>999999	4-SPEED		
968	G44.00	93 P	G4400 1002001>999999	6-SPEED		
968 M220	G44.00	93 P	G4400 2002001>999999	6-SPEED		
968 TIPTRONIC	A44.00	93 P	A4400 1002001>999999	4-SPEED		
968	G44.00	94 R	G4400 1002001>999999	6-SPEED		
968 M220	G44.00	94 R	G4400 2002001>999999	6-SPEED		
968 TIPTRONIC	A44.00	94 R	A4400 1002001>999999	4-SPEED		
968	G44.00	95 S	G4400 1002001>999999	6-SPEED		
968 M220	G44.00	95 S	G4400 2002001>999999	6-SPEED		
968 TIPTRONIC	A44.00	95 S	A4400 1002001>999999	4-SPEED		

Model	Year	MG	SG	Illustration	VIN No.	Update		
968	95					230	16:35	12.08.2008

EXPLANATION OF THE TRANSMISSION-NUMBERS USED IN THE CATALOGUE

=====

DIGIT: 1 2 3 4 5 6 7 8 9 10 11 12

EXAMPLE: G 4 4 0 0 3 0 0 2 5 4 3

= ===== = =====

! ! ! !

! ! ! !

TRANSMISSION TYPE-----+ ! !

! ! !

TRANSMISSION VERSION-----+ ! !

! !

INDEX OF VARIANTS-----+ !

!

SERIEL NUMBER-----+ !

Model	Year	MG	SG	Illustration	VIN No.	Update		
968	95					230	16:35	12.08.2008

ENGINE

VEHICLE TYPE	TYPE	MY	ENGINE NO.	TECHNICAL DATA
968	M44.43	92 N 42N	00501>20000	4CYL/3,0L/176 KW
968 M249	M44.44	92 N 42N	50501>60000	4CYL/3,0L/176 KW
968	M44.43	93 P 42P	00501>20000	4CYL/3,0L/176 KW
968 M249	M44.44	93 P 42P	50501>60000	4CYL/3,0L/176 KW
968	M44.43	94 R 42R	00501>20000	4CYL/3,0L/176 KW
968 M249	M44.44	94 R 42R	50501>60000	4CYL/3,0L/176 KW
968	M44.43	95 S 42S	00501>20000	4CYL/3,0L/176 KW
968 M249	M44.44	95 S 42S	50501>60000	4CYL/3,0L/176 KW

Model	Year	MG	SG	Illustration	VIN No.	Update		
968	95					230	16:35	12.08.2008

EXPLANATION OF THE MOTOR-NUMBERS USED IN THE CATALOGUE

=====

DIGIT: 1 2 3 4 5 6 7 8

EXAMPLE: 4 2 N 0 0 5 0 1

= = = =====

! ! ! !

ENGINE TYPE (4 = 4-CYL.-ENGINE) -----+ ! ! !

! ! !

ENGINE VERSION-----+ ! !

! !

MODEL YEAR-----+ !

!

SERIAL NUMBER-----+ !

Model 968	Year 95	MG	SG	Illustration	VIN No.	Update 230	16:35	12.08.2008
--------------	------------	----	----	--------------	---------	---------------	-------	------------

VEHICLE TYPE	MY	VEHICLE IDENT.NR.	ENGINE TYPE
968 COUPE	92 N	96NS8 00061>05000	M44.43/44 176 KW
968 CABRIO	92 N	96NS8 30061>35000	M44.43/44 176 KW
968 COUPE (USA) (CDN)	92 N	96NS8 20061>25000	M44.43/44 176 KW
968 CABRIO (USA) (CDN)	92 N	96NS8 40061>45000	M44.43/44 176 KW
968 COUPE	93 P	96PS8 00061>05000	M44.43/44 176 KW
968 COUPE CS	93 P	96PS8 15061>19000	M44.43 176 KW
968 CABRIO	93 P	96PS8 30061>34000	M44.43/44 176 KW
968 COUPE (USA) (CDN)	93 P	96PS8 20061>24000	M44.43/44 176 KW
968 CABRIO (USA) (CDN)	93 P	96PS8 40061>45000	M44.43/44 176 KW
968 COUPE	94 R	96RS8 00061>05000	M44.43/44 176 KW
968 COUPE CS	94 R	96RS8 15061>19000	M44.43 176 KW
968 CABRIO	94 R	96RS8 30061>34000	M44.43/44 176 KW
968 COUPE (USA) (CDN)	94 R	96RS8 20061>25000	M44.43/44 176 KW
968 CABRIO (USA) (CDN)	94 R	96RS8 40061>44000	M44.43/44 176 KW
968 COUPE	95 S	96SS8 00061>05000	M44.43/44 176 KW
968 COUPE CS	95 S	96SS8 15061>15800	M44.43 176 KW
968 CABRIO	95 S	96SS8 30061>34000	M44.43/44 176 KW
968 COUPE (USA) (CDN)	95 S	96SS8 20061>25000	M44.43/44 176 KW
968 VABRIO (USA) (CDN)	95 S	96SS8 40061>44000	M44.43/44 176 KW

Model	Year	MG	SG	Illustration	VIN No.	Update	16:35	12.08.2008
968	95					230		

EXPLANATION OF THE ABRIDGED VERSION OF THE VEHICLE IDENT. NUMBERS (VIN)

=====

USED IN THE CATALOGUE

=====

DIGIT: 1 2 3 4 5 6 7 8 9 10 11 12 13 14 15 16 17

EXAMPLE: W P O Z Z Z 9 6 Z N S 8 0 0 0 6 1

 === = = = =====

 ! ! ! ! !

VEHICLE TYPE 1ST+2ND DIGIT-----+ ! ! ! !

 ! ! ! !

MODEL YEAR-----+ ! ! !

 ! ! !

MANUFACTURING LOCATION-----+ ! !

 ! !

VEHICLE TYPE 3RD DIGIT-----+ !

 !

SERIAL NUMBER-----+ !

Model	Year	MG	SG	Illustration	VIN No.	Update		
968	95					230	16:34	12.08.2008

THIS PARTS CATALOGUE CONTAINS ALL ORDER INFORMATION OF
TYPE 968 FROM MODEL YEAR 1992 TO MODEL YEAR 1995

IT IS AVAILABLE IN TWO EDITIONS IN THE FOLLOWING LANGUAGES:

EDITION

USA, CANADA - *

EDITION

ALL OTHER COUNTRIES - GERMAN

* - ENGLISH

- FRENCH

- ITALIAN

- SPANISH

UPDATING IS BEING PERFORMED BY CHANGING OF UPDATE.

THE EDITION CAN BE RECOGNIZED BY THE CURRENT NO.
YEAR IN THE BOTTOM LINE OF SUBJECT UPDATE.

THE PREVIOUS UPDATE SHOULD NO LONGER BE USED.

ALL ILLUSTRATIONS ARE SUBJECT TO CHANGE WITHOUT OBLIGATION.