

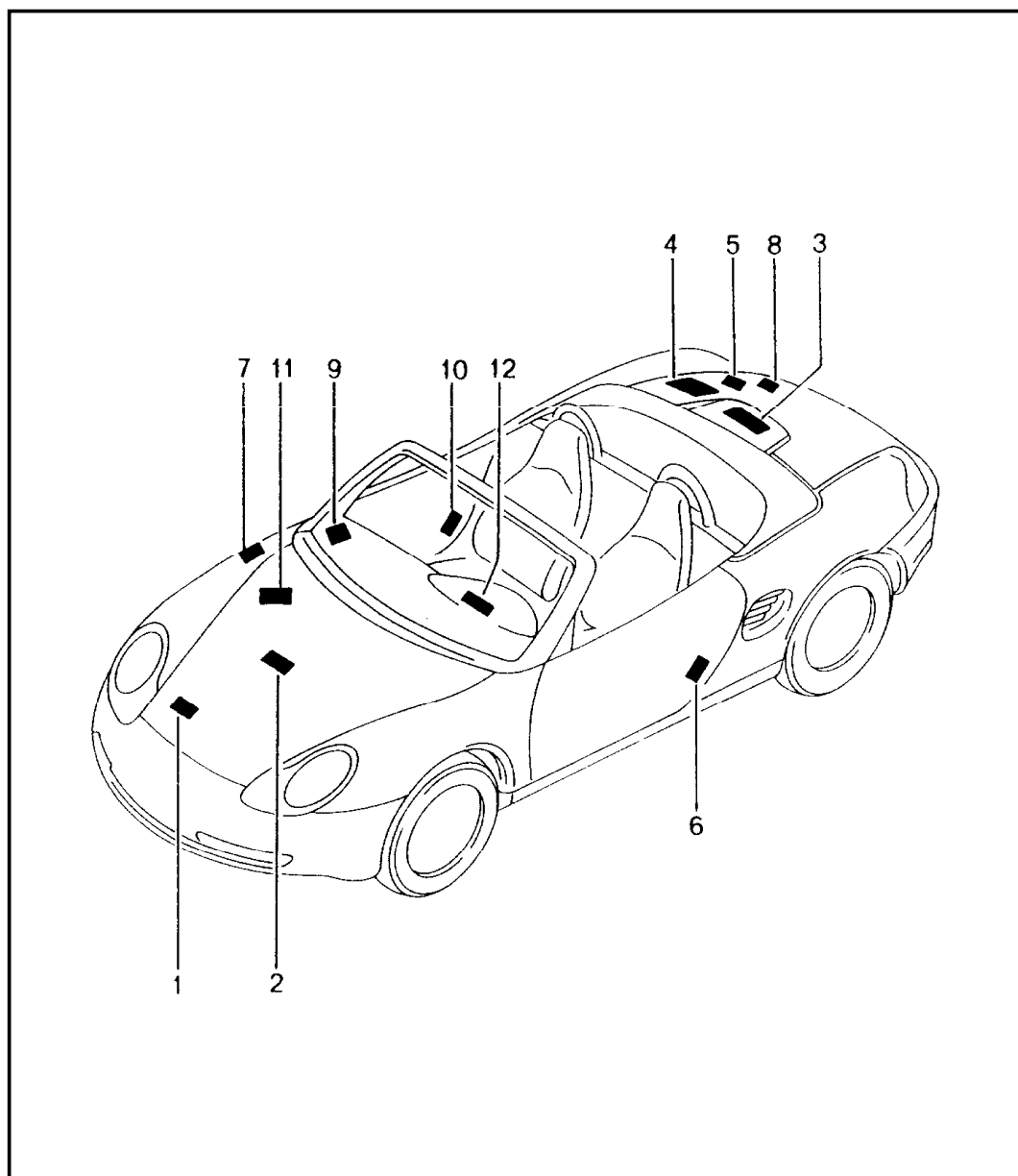
Model	Year	MG	SG	Illustration	Restrictions	UPD	10:25	24.01.2010	PORSCHE	PET	PORSCHE
986	2004	0	01	001-00		248					

Pos	Part Number	Description	Remark	Qty	Model
1	996 721 115 00	tool jack		1	
-	996 721 415 00	tool bag with contents comprising:		1	
-	996 721 415 00	tool bag without content		1	
-	996 361 521 00	boot for tyre		1	
-	999 914 001 40	plastic gloves		1	
-	996 721 151 00	towing lug		1	
-	477 012 229	double-end spanner 10 X 13		1	
-	477 012 231	screwdriver		1	
-	111 012 287	handle for screwdriver		1	
-	999 571 076 02	socket wrench - 5 - for headlamp		1	
-	999 571 074 30	threaded bolt for assembly wheels		1	
-	477 012 221 A	rim wrench		1	
-	999 571 070 30	operating rod for rim wrench		1	
2	996 721 211 00	scissors type jack		1	
3	996 722 101 00	foam part		1	
4	996 721 701 00	fastening part		1	
5	477 813 157	fastening plate		1	
7	900 029 004 02	winged nut M 10		1	

Model	Year	MG	SG	Illustration	Restrictions	UPD	10:25	24.01.2010	PORSCHE	PET	PORSCHE
986	2004	0	01	001-00		248					

Pos	Part Number	Description	Remark	Qty	Model	Pos	Part Number	Description	Remark	Qty	Model
8	-	see group 8/07/00 POS.19		1							
-	000 722 722 02	warning triangle		1							
-	993 722 041 00	first-aid kit		1							

Model	Year	MG	SG	Illustration	Restrictions	UPD	10:25	24.01.2010	PORSCHE	PET	PORSCHE
986	2004	0	01	001-05		248					



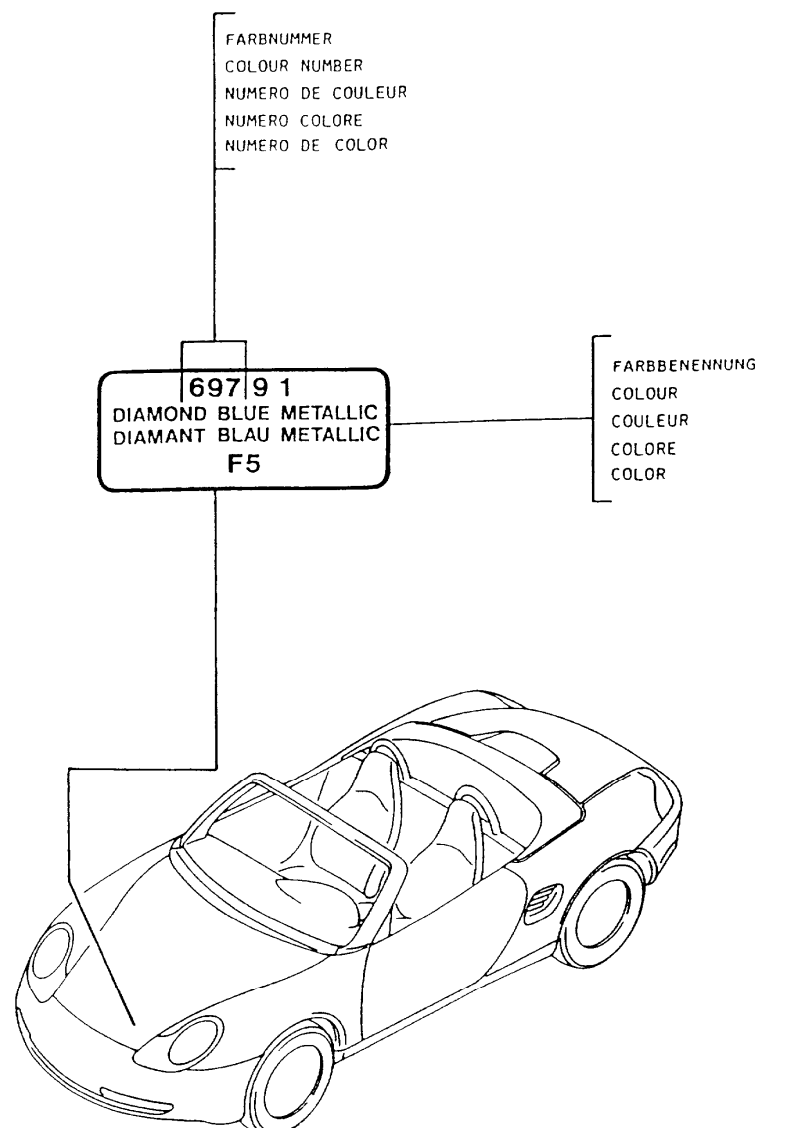
Pos	Part Number	Description	Remark	Qty	Model
		stickers			
		stickers			
		tyre pressure			
1	986 701 287 20	sticker		1	M009
1	986 701 287 23	sticker		1	M008
1	986 701 287 22	sticker	(AUS)	1	M009
1	986 701 287 25	sticker	(AUS)	1	M008
		stickers		1	
		emergency wheel			
2	996 361 701 10	sticker	(AUS)	1	
		english			
2	928 701 150 00	sticker		1	
		"MAX 80 KM/H"			
		stickers			
		engine specifications			
4	986 006 107 00	sticker	(AUS)	97	1 M009
4	986 006 107 01	sticker	(AUS)	98	1 M009
4	986 006 107 02	sticker	(AUS)	99	1 M009
4	986 006 107 05	sticker	(AUS)	00	1 M009
4	000 043 204 77	sticker	(AUS)	01	1 M009
4	986 006 107 09	sticker	(AUS)	02	1 M009
4	986 006 107 11	sticker	(AUS)	03	1 M009
4	986 006 107 13	sticker	(AUS)	04	1 M009
4	986 006 107 06	sticker	(AUS)	00	1 M008
4	986 006 107 08	sticker	(AUS)	01	1 M008
4	986 006 107 10	sticker	(AUS)	02	1 M008
4	986 006 107 12	sticker	(AUS)	03	1 M008
4	986 006 107 14	sticker	(AUS)	04	1 M008
4	993 006 108 00	sticker		97	1 M068
4	993 006 108 02	sticker	-01	1	M068
4	996 006 108 00	sticker	02-	1	M068

Model	Year	MG	SG	Illustration	Restrictions	UPD	10:25	24.01.2010	PORSCHE	PET	PORSCHE
986	2004	0	01	001-05		248					

Pos	Part Number	Description	Remark	Qty	Model	Pos	Part Number	Description	Remark	Qty	Model
(4)	996 006 120 00	indication sticker lid expansion tank coolant	00-	1		9	986 701 430 03	sticker child car seat swedish english	01-	1	
5	928 701 140 04	sticker exhaust gas stickers type of fuel		1	M068/325	9	986 701 430 04	sticker child car seat arabic english	04	1	
7	996 006 117 00	sticker 98 ROZ		1		11	986 701 141 01	sticker air conditioner		1	
7	996 006 117 01	sticker 98 ROZ/RON		1	M150			stickers convertible top control see group 8/09/05			
7	996 006 117 02	sticker 96 ROZ	(AUS)	1							
7	996 006 117 03	sticker 93 RON/MON/2	(J)	1							
7	996 701 190 00	sticker fuel tank cap		01-	1						
8	A 993 006 544 01	sticker engine oil - MOBIL 1 -		1							
8	997 006 544 00	sticker engine oil - MOBIL 1 - stickers airbag		1							
9	996 701 421 01	sticker child car seat		98	1						
9	3B0 010 219 B	sticker child car seat		99-	1						
9	986 701 430 00	sticker child car seat german english		01-	1						
9	986 701 430 01	sticker child car seat italian french		01-	1						
9	986 701 430 02	sticker child car seat english spanish		01-	1						

Model	Year	MG	SG	Illustration	Restrictions	UPD	10:26	24.01.2010	PORSCHE	PET	PORSCHE
986	2004	0	04	004-00		248					

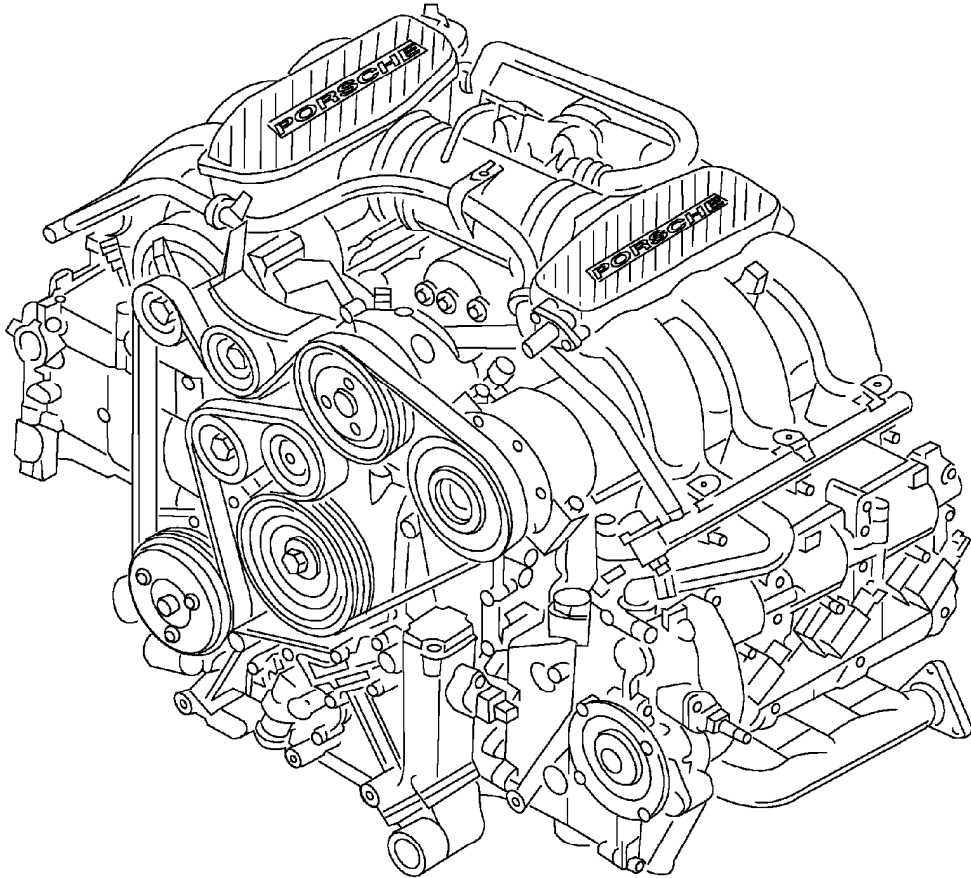
Pos	Part Number	Description	Remark	Qty	Model
-	911 095 932 20	paint touch-up applicator		X	
	719	black			A 1
	80K	guards red			G 1
	3AT	glacier white			Z 1
	9A3	biarritz white			Z 2
	12L	pastel yellow			Q 1
	3AR	blue turquoise			J 1
	12G	speed yellow			50 / X 4
	347	dark blue			55
	B9A	carrara white			B 4
-	911 095 933 20	paint touch-up applicator set comprising: paint touch-up applicator primer paint touch-up applicator clear lacquer		X	
	92T	arctic silver metallic			X 1
	3AY	ocean blue metallic			E 1
	3AW	zenith blue metallic			F 1
	84R	arena red metallic			H 8
	25H	ocean jade metallic			J 3
	746	black-metallic			Z 8
	23I	wimbledon green metallic			51
	22E	forest green metallic			53
	2A2	rainforest green metallic			J 4
	39G	violet metallic			54
	37U	cobalt blue metallic			56
	92E	polar silver metallic			58
	22D	slate grey metallic			59
	39N	iris blue metallic			61



Model	Year	MG	SG	Illustration	Restrictions	UPD	10:26	24.01.2010	PORSCHE	PET	PORSCHE
986	2004	0	04	004-00		248					

Pos	Part Number	Description	Remark	Qty	Model	Pos	Part Number	Description	Remark	Qty	Model
	37W	midnight blue metallic	03-	-02 -02	62 E 9						
	8A4	orient red metallic			L 1						
	3A9	lapis blue metallic		-02	E 3						
	M5W	lapis blue metallic		03-	J 2						
	6A7	meridian metallic	04	-03 -03	X 2 64						
	1A9	zanzibar red	03	-02 -02	N 1 63						
	6B5	seal grey metallic			Y 1						
	C9Z	basalt black metallic			Z 4						
	M6W	lagoon green metallic			G 4						
	M3W	carmon red metallic			E 4						
	M7X	atlas grey metallic			E 7						
	M7Z	gt silver metallic		04							

Model	Year	MG	SG	Illustration	Restrictions	UPD	10:26	24.01.2010	PORSCHE	PET	PORSCHE
986	2004	1	01	101-00		248					

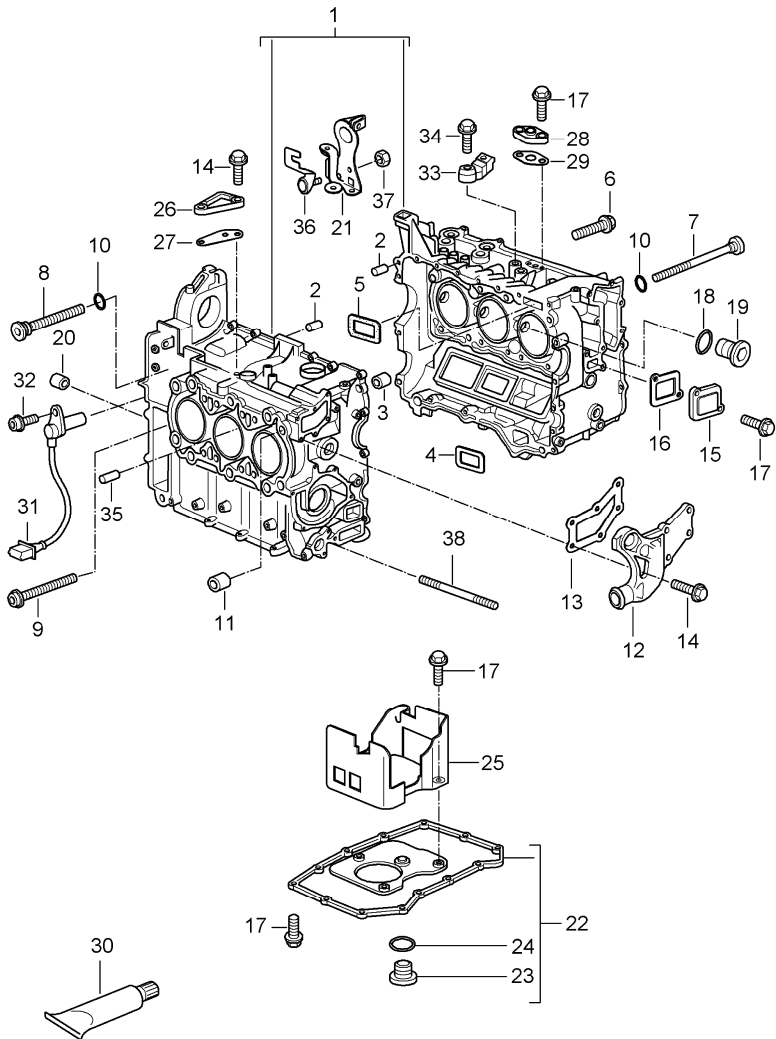


Pos	Part Number	Description	Remark	Qty	Model
		replacement engine	-99 00-02 03-		M96.20 M96.21/22 M96.23/24
		without drive plate tiptronic without flywheel manual transmission without compressor			
1	> 986 100 920 00	replacement engine	-99	1	M96.20 M481
1	> 986 100 920 01	replacement engine	-99	1	M96.20 M249
1	> 986 100 921 00	replacement engine	00	1	M96.21 M480
1	> 986 100 921 04	replacement engine	01	1	M96.21 M480
1	> 986 100 921 08	replacement engine	02	1	M96.21 M480
1	> 986 100 924 00	replacement engine	03	1	M96.24 M480
1	> 986 100 924 04	replacement engine	04	1	M96.24 M480
1	> 986 100 924 08	replacement engine	04 04	1	M96.24 M091/480
1	> 986 100 921 01	replacement engine	00	1	M96.21 M249
1	> 986 100 921 05	replacement engine	01	1	M96.21 M249
1	> 986 100 921 09	replacement engine	02	1	M96.21 M249
1	> 986 100 924 01	replacement engine	03	1	M96.24 M249
1	> 986 100 924 05	replacement engine	04	1	M96.24 M249
1	> 986 100 924 09	replacement engine	04	1	M96.24 M091/249
1	> 986 100 922 00	replacement engine	00	1	M96.22 M481

Model	Year	MG	SG	Illustration	Restrictions	UPD	10:26	24.01.2010	PORSCHE	PET	PORSCHE
986	2004	1	01	101-00		248					

Pos	Part Number	Description	Remark	Qty	Model	Pos	Part Number	Description	Remark	Qty	Model
1	> 986 100 922 04	replacement engine		01	1 M96.22 M481						
1	> 986 100 922 08	replacement engine		02	1 M96.22 M481						
1	> 986 100 923 00	replacement engine		03	1 M96.23 M481						
1	> 986 100 923 04	replacement engine		04	1 M96.23 M481						
1	> 986 100 922 01	replacement engine		00	1 M96.22 M249						
1	> 986 100 922 05	replacement engine		01	1 M96.22 M249						
1	> 986 100 922 09	replacement engine		02	1 M96.22 M249						
1	> 986 100 923 01	replacement engine		03	1 M96.23 M249						
1	> 986 100 923 05	replacement engine		04	1 M96.23 M249						

Model	Year	MG	SG	Illustration	Restrictions	UPD	10:26	24.01.2010	PORSCHE	PET	PORSCHE
986	2004	1	01	101-05		248					

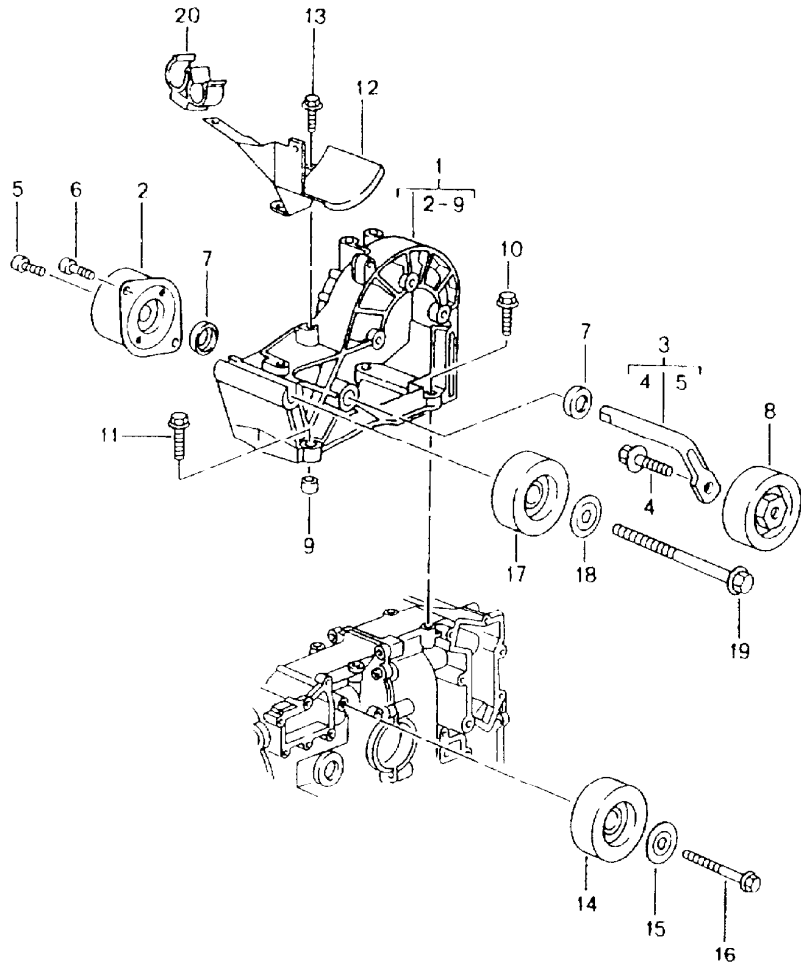


Pos	Part Number	Description	Remark	Qty	Model
		crankcase	-99		M96.20
			00-02		M96.21/22
			03-		M96.23/24
1	996 101 901 00	crankcase M >> 65X 17100	-99	1	M96.20
		use also: 996 101 012 64		1	
		996 101 018 51		6	
1	996 101 901 02	crankcase	00-02	1	M96.21
1	996 101 901 04	crankcase	03-	1	M96.24
1	996 101 901 03	crankcase	00-02	1	M96.22
1	996 101 901 05	crankcase	03-	1	M96.23
2	999 012 049 00	straight pin 12M 6 X 22		3	
3	996 101 253 50	dowel sleeve		1	
3	996 101 253 51	dowel sleeve		1	
4	996 101 361 51	gasket		1	
5	996 101 363 50	gasket		1	
6	900 378 174 09	hexagon-head bolt M 6 X 35		25	
(6)	999 217 151 09	hexagon-head bolt M 6 X 35		25	
7	996 101 219 52	screw 9 X 150		1	
8	996 101 229 00	screw M 9 X 94		1	
9	996 101 203 00	screw 9 X 94		1	
10	999 701 789 40	o-ring 12 X 2 use also: grease 999 917 788 00		2	
11	999 095 043 01	dowel sleeve 17M 6 X 18,5		4	
12	996 101 021 00	lid		1	
12	996 101 021 01	lid		1	

Model	Year	MG	SG	Illustration	Restrictions	UPD	10:26	24.01.2010	PORSCHE	PET	PORSCHE
986	2004	1	01	101-05		248					

Pos	Part Number	Description	Remark	Qty	Model	Pos	Part Number	Description	Remark	Qty	Model
13	996 101 331 50	gasket		1		-	999 650 181 40	plug socket		1	
14	900 378 030 09	hexagon-head bolt M 6 X 20		10		-	999 652 771 12	connector		3	
15	996 101 216 51	lid		1		-	999 704 161 40	gasket		3	
15	996 101 016 00	lid		1		32	999 218 005 02	pan-head screw M 6 X 16		1	
16	996 101 336 50	gasket		1		33 A	996 606 121 00	knock sensor		2	
17	900 378 035 01	hexagon-head bolt M 6 X 16		24		33	996 606 125 00	knock sensor		2	
18	900 123 147 30	sealing ring A 27 X 32		1		-	999 650 167 40	plug socket		2	
19	900 219 017 30	screw plug M 27 X 2		1		-	999 650 052 12	connector		4	
20	014 301 153 B	dowel sleeve 13 X 16 X13,5		2		-	999 704 161 40	gasket		4	
21	996 101 213 56	retaining bar		1		34	900 378 033 09	hexagon-head bolt AM 8 X 30		2	
21	996 101 213 57	retaining bar		1		34	900 378 108 09	hexagon-head bolt AM 8 X 35		2	
22	996 107 031 55	oil pan		1		35	900 095 137 01	roll pin 5,0 X 12		2	
23	900 219 009 30	screw plug M 18 X 1,5		1		36	996 101 613 50	support		1	M249
24	900 123 106 30	sealing ring A 18 X 24		1		37	900 377 010 09	hexagon nut M 6		1	M249
25	996 107 243 51	bulkhead		1		--	900 036 029 02	lid B 16		2	
26	996 113 140 53	lid		1		--	999 036 005 02	lid B 50		2	
27	996 113 233 50	gasket		1							
28	996 113 340 50	lid		1							
29	996 113 213 51	gasket		1							
30	000 043 203 73	sealing compound 30 ML		X							
(30)	000 043 204 35	sealing compound 50 ML		X							
31 A	986 606 112 01	pulse sender		1							
31	986 606 112 02	pulse sender	-02	1							
31	986 606 112 03	pulse sender	03-	1							

Model	Year	MG	SG	Illustration	Restrictions	UPD	10:26	24.01.2010	PORSCHE	PET	PORSCHE
986	2004	1	01	101-10		248					

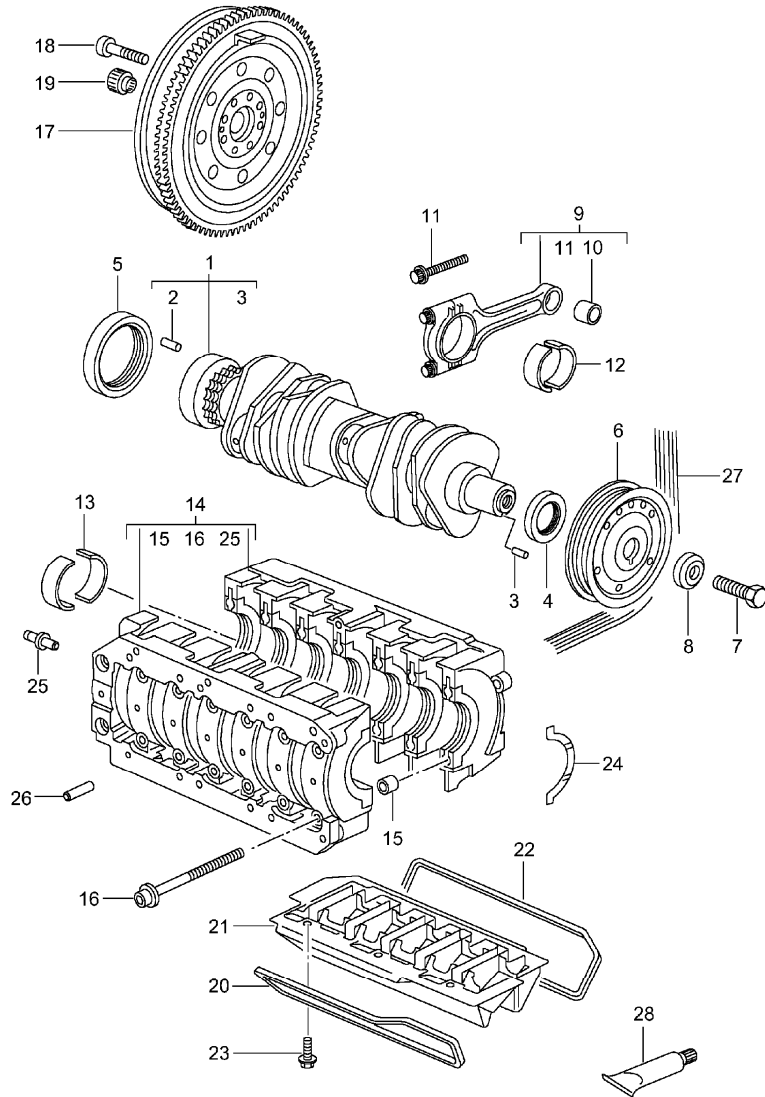


Pos	Part Number	Description	Remark	Qty	Model
		belt tensioner	-99		M96.20
		belt drive	00-02		M96.21/22
			03-		M96.23/24
1	996 102 016 67	bracket	-03	1	M96.20/21
					M96.22
1	996 102 016 69	bracket	03-	1	M96.23/24
2	996 102 260 50	tensioner		1	
3	996 102 360 51	lever		1	
4	A 999 072 039 09	hexagon-head bolt M 10 X 30	-98	1	
4	999 072 041 09	hexagon-head bolt M 10 X 30	99-	1	
5	900 067 117 09	pan-head screw M 6 X 16		1	
6	999 067 045 09	pan-head screw M 8 X 22		2	
7	996 102 365 50	dust boot		2	
8	A 996 102 117 53	tensioning roller	-98	1	
8	996 102 117 56	tensioning roller	99-	1	
9	999 095 064 00	dowel sleeve 12 M 6 X 13		2	
10	900 378 022 09	hexagon-head bolt AM 8 X 25		2	
11	900 378 108 09	hexagon-head bolt AM 8 X 35		2	
12	996 102 211 05	cover		1	
13	900 378 163 09	hexagon-head bolt M 6 X 16		2	
14	A 996 102 119 54	deflection roller		1	M96.20
14	A 996 102 119 55	deflection roller		1	M96.21/22
14	996 102 119 58	deflection roller		1	M96.23/24
15	996 102 127 50	cover disc	-98	1	M96.20
15	996 102 127 51	cover disc	99	1	M96.20
15	996 102 127 52	cover disc	-02	1	M96.21/22

Model	Year	MG	SG	Illustration	Restrictions	UPD	10:26	24.01.2010	PORSCHE	PET	PORSCHE
986	2004	1	01	101-10		248					

Pos	Part Number	Description	Remark	Qty	Model	Pos	Part Number	Description	Remark	Qty	Model
15	996 102 127 54	cover disc	03-	1	M96.23/24						
16	900 378 150 09	hexagon-head bolt AM 8 X 55		1	M96.20						
(16)	900 378 056 02	hexagon-head bolt AM 8 X 60		1	M96.21/22 M96.23/24						
17	A 996 102 118 52	deflection roller		1	M96.20						
17	A 996 102 118 53	deflection roller		1	M96.21/22 M96.23/24						
17	996 102 118 56	deflection roller		1							
18	A 996 102 125 50	cover disc	-98	1	M96.20						
18	996 102 125 51	cover disc	99	1	M96.20						
18	996 102 125 52	cover disc	00-	1	M96.21/22						
18	996 102 125 53	cover disc	03-	1	M96.23/24						
19	900 378 181 09	hexagon-head bolt M 10 X 145		1							
20	U 964 573 471 00	support		1							
(20)	964 573 471 01	support		1							

Model	Year	MG	SG	Illustration	Restrictions	UPD	10:27	24.01.2010	PORSCHE	PET	PORSCHE
986	2004	1	02	102-00		248					

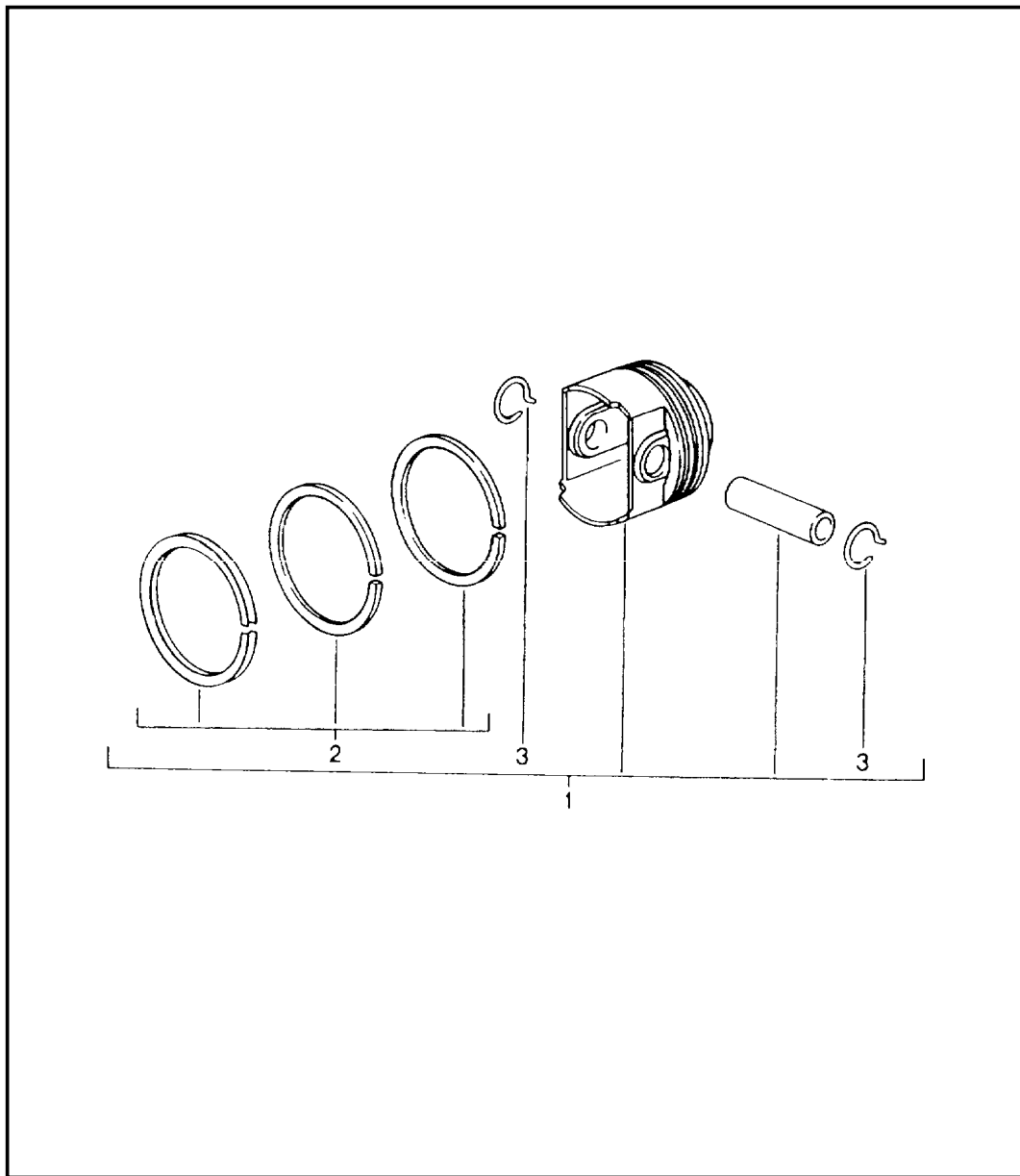


Pos	Part Number	Description	Remark	Qty	Model
		crankshaft	-99 00-02 03-		M96.20 M96.21/22 M96.23/24
1	996 102 011 06	crankshaft M >> 65X 23559 see technical information group 1 NR. 8/00		1	M96.20
(1)	996 102 011 07	crankshaft M 65X 23560 >> see technical information group 1 NR. 8/00		1	M96.20
1	996 102 011 57	crankshaft see technical information group 1 NR. 8/00	00	1	M96.21/22
(1)	996 102 011 56	crankshaft see technical information group 1 NR. 8/00	01-02 03-	1	M96.21/22 M96.23/24
2	900 095 031 01	roll pin 6,0 X 16		1	
3	900 012 154 00	straight pin A 4,0 X 10	-01	1	
3	900 302 021 00	straight pin A 4,0 X 10	02-	1	
4	999 113 475 40	shaft sealing ring 40 X 62 X 10 85 X 105 X 11		1	
5	U 999 113 490 40	shaft sealing ring 85 X 105 X 11		1	
5	997 101 212 00	shaft sealing ring 85 x 105 x 11		1	
6	996 102 115 63	pulley		1	
7	900 082 085 09	hexagon-head bolt M 16 X 1,5 X 60		1	
8	996 102 315 50	thrust washer		1	

Model	Year	MG	SG	Illustration	Restrictions	UPD	10:27	24.01.2010	PORSCHE	PET	PORSCHE
986	2004	1	02	102-00		248					

Pos	Part Number	Description	Remark	Qty	Model	Pos	Part Number	Description	Remark	Qty	Model
(9)	996 103 975 01	connecting rod connecting rods comprising: 6 connecting rods see workshop manual 986 GR.1-1		1		18	999 073 092 09	pan-head screw M 10 X 1 X 50		8	
						19	034 105 313 A	needle sleeve		1	
						20	996 101 241 51	gasket		1	
10	996 103 111 51	connecting rod bush		6		21	996 101 016 50	oil separator		1	
11 U	996 103 115 51	connecting rod bolt		12		22	996 101 242 51	gasket		1	
11	997 103 115 01	connecting rod bolt		12		23	999 218 005 02	pan-head screw M 6 X 16		6	
12	996 103 121 62	connecting-rod bearing		12		24 A	996 101 129 51	thrust washer		2	
13	996 101 131 62	crankshaft bearing		14	M96.20	24	996 101 129 52	thrust washer		2	
13	996 101 205 10	crankshaft bearing		14	M96.21/22 M96.23/24	25	996 101 117 53	straight pin		1	
14 A	996 101 012 54	bearing case	-97	1	M96.20	26	996 101 018 51	splash valve		6	
14 A	996 101 012 62	bearing case use also: 996 101 018 51	-98	1	M96.20	27	996 102 151 65	poly-rib belt		1	
				6		27	996 102 151 64	poly-rib belt		1	M573
14	996 101 012 64	bearing case use also: 996 101 018 51	-02	1		28	000 043 204 17	extreme-pressure grease 100 GR.		X	
				6							
14	996 101 007 05	bearing case	03-	1	M96.23/24						
15	999 095 064 00	dowel sleeve 12 M 6 X 13 M 9 X 129		3							
16	996 101 115 59	screw M 9 X 127		14							
17	986 114 012 01	double-mass flywheel	-99	1	M96.20 M481 M96.22 M481 M96.23 M481						
17	986 114 012 05	double-mass flywheel		1							
17	986 114 012 04	double-mass flywheel		1	M96.21 M480 M96.24 M480						
17	986 114 012 06	double-mass flywheel		1	M96.21						

Model	Year	MG	SG	Illustration	Restrictions	UPD	10:27	24.01.2010	PORSCHE	PET	PORSCHE
986	2004	1	02	102-05		248					

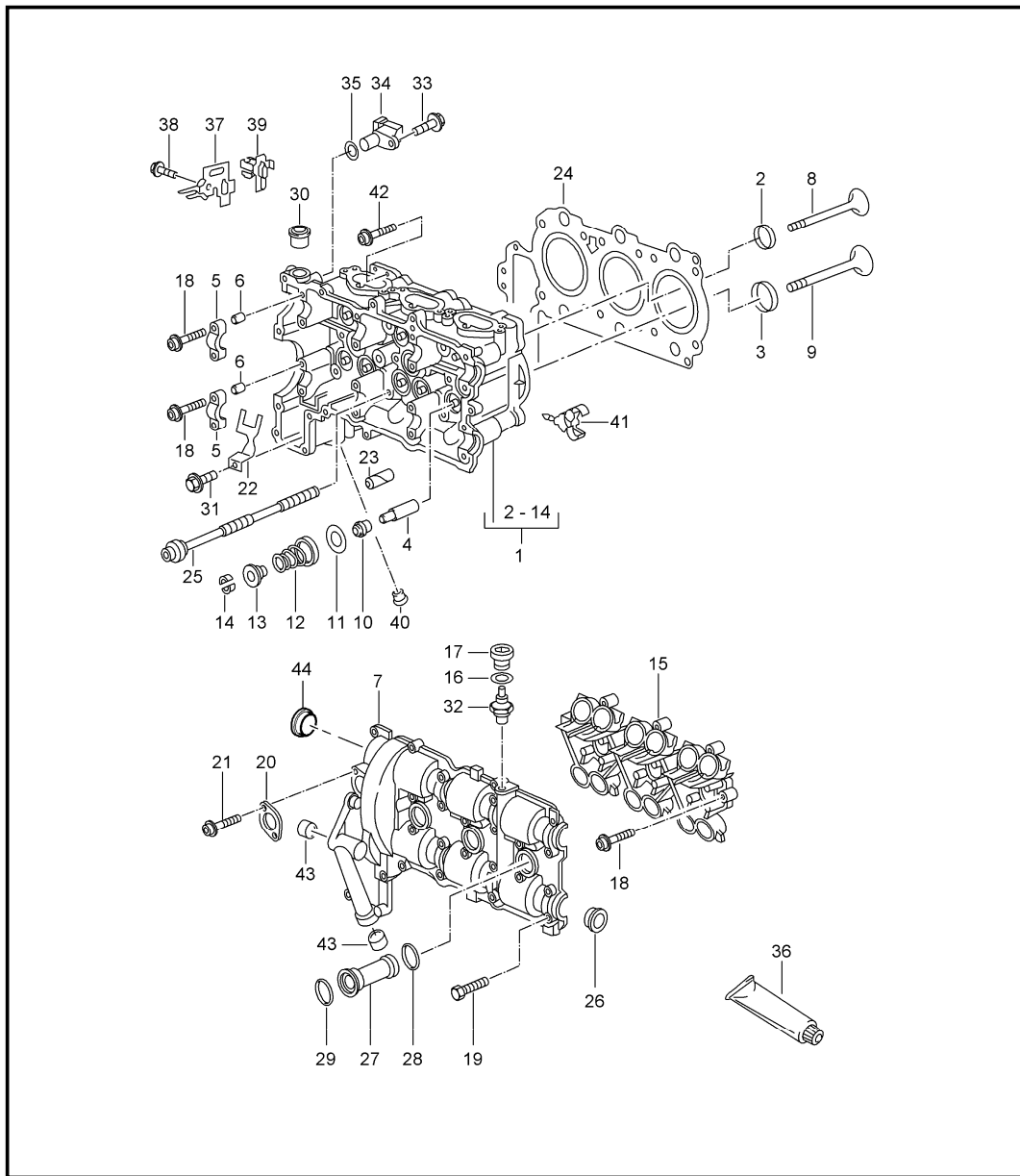


Pos	Part Number	Description	Remark	Qty	Model
		piston	-99 00-02 03-		M96.20 M96.21/22 M96.23/24
1	996 103 031 11	piston tolerance range X number plate - 476 - 482 G		6	M96.20
1	996 103 031 12	piston tolerance range X number plate + 482 - 488 G		6	M96.20
1	996 103 031 59	piston tolerance range X number plate - 529 - 535 G		6	M96.21
1	996 103 032 10	piston tolerance range X number plate - 532 - 538 G		6	M96.24
1	996 103 031 60	piston tolerance range X number plate + 535 - 541 G		6	M96.21
1	996 103 032 11	piston tolerance range X number plate + 538 - 544 G		6	M96.24
1	996 103 071 04	piston tolerance range X number plate - 460 - 466 G		6	M96.22

Model	Year	MG	SG	Illustration	Restrictions	UPD	10:27	24.01.2010	PORSCHE	PET	PORSCHE
986	2004	1	02	102-05		248					

Pos	Part Number	Description	Remark	Qty	Model	Pos	Part Number	Description	Remark	Qty	Model
1	A 996 103 071 09	piston tolerance range X number plate - 460 - 466 G		6	M96.23						
1	996 103 071 05	piston tolerance range X number plate + 466 - 472 G		6	M96.22						
1	996 103 071 15	piston tolerance range X number plate + 466 - 472 G		6	M96.23						
1	996 103 071 14	piston tolerance range X number plate - 460 - 466 G		6	M96.23						
2	996 103 033 02	set of piston rings		6	M96.20						
2	996 103 033 51	set of piston rings		6	M96.21 M96.24						
2	996 103 073 00	set of piston rings		6	M96.22 M96.23						
3	999 178 018 00	circlip C 22		12	M96.20						
3	A 996 103 141 02	circlip		12	M96.21/22						
3	996 103 141 03	circlip		12	M96.21/22 M96.23/24						

Model	Year	MG	SG	Illustration	Restrictions	UPD	10:27	24.01.2010	PORSCHE	PET	PORSCHE
986	2004	1	03	103-00		248					



Pos	Part Number	Description	Remark	Qty	Model
		cylinder head	-99 00-02 03-		M96.20 M96.21/22 M96.23/24
1	996 104 001 09	cylinder head complete cylinder 1-3		1	M96.20
(1)	996 104 921 00	cylinder head complete cylinder 1-3		1	M96.21
(1)	996 104 941 00	cylinder head complete cylinder 1-3		1	M96.22
(1)	996 104 931 00	cylinder head complete cylinder 1-3		1	M96.23
(1)	996 104 951 00	cylinder head complete cylinder 1-3		1	M96.24
1	996 104 002 09	cylinder head complete cylinder 4-6		1	M96.20
(1)	996 104 922 00	cylinder head complete cylinder 4-6		1	M96.21
(1)	996 104 942 00	cylinder head complete cylinder 4-6		1	M96.22
(1)	996 104 932 00	cylinder head complete cylinder 4-6		1	M96.23
(1)	996 104 952 00	cylinder head complete cylinder 4-6		1	M96.24
5	---	housing matching with: cylinder head		4	

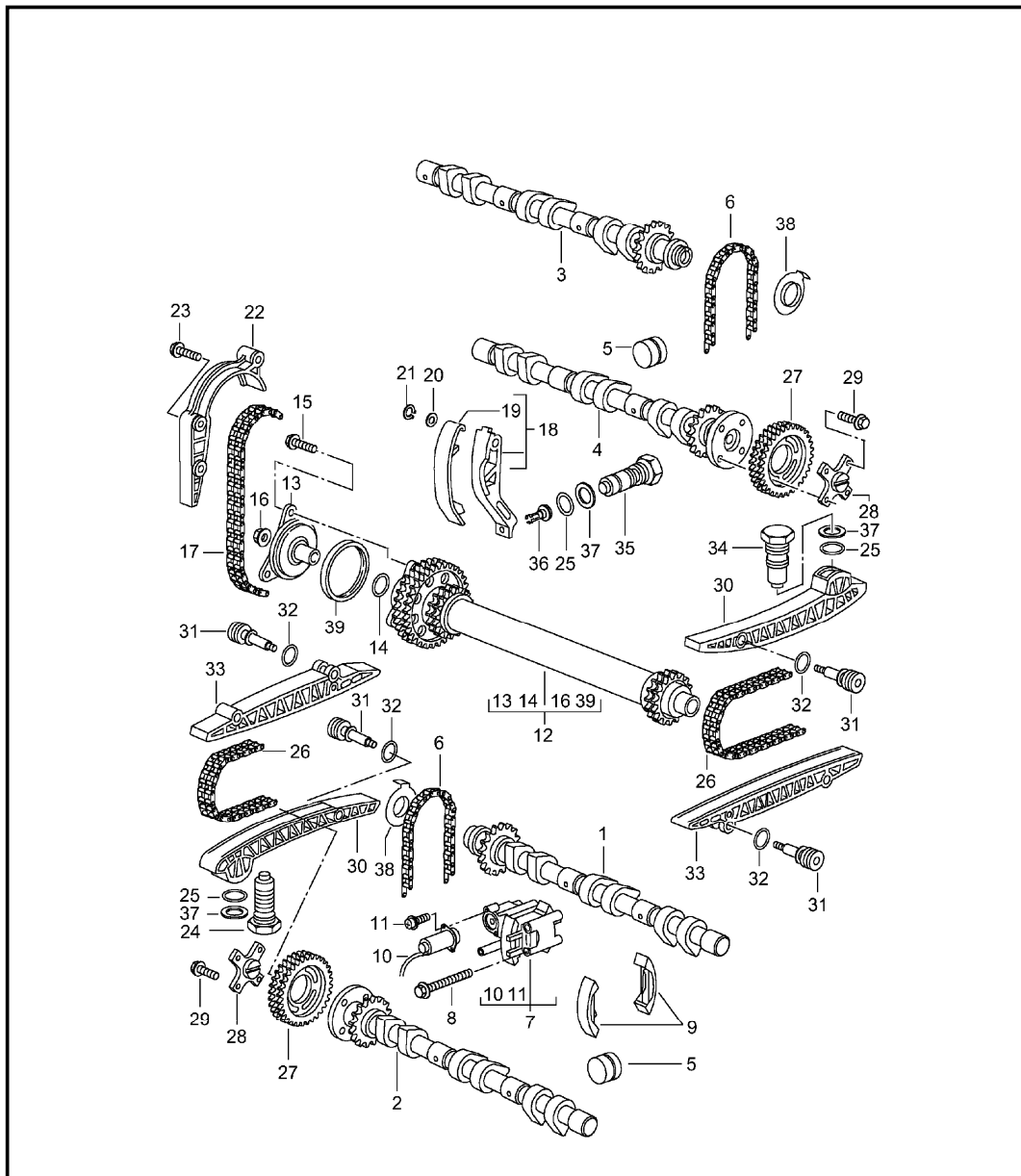
Model	Year	MG	SG	Illustration	Restrictions	UPD	10:27	24.01.2010	PORSCHE	PET	PORSCHE
986	2004	1	03	103-00		248					

Pos	Part Number	Description	Remark	Qty	Model	Pos	Part Number	Description	Remark	Qty	Model
6	996 104 117 50	dowel sleeve		16		21	900 378 030 09	hexagon-head bolt M 6 X 20		4	
7	---	lid matching with: cylinder head		2		22	996 104 233 01	heat shield		1	
8	996 105 111 02	intake valve		12	M96.20/22 M96.23	23	000 043 203 64	assembly kit for valve stem seal		1	
8	996 105 111 52	intake valve		12	M96.21 M96.24	24 A	996 104 170 04	cylinder head gasket cylinder 1-3	-97	1	
9	996 105 113 04	exhaust valve		12	M96.20/22 M96.23	24	996 104 170 05	cylinder head gasket cylinder 1-3	98-	1	M96.20
9	996 105 247 00	exhaust valve		12	M96.21 M96.24	24	996 104 170 05	cylinder head gasket cylinder 1-3		1	M96.22
10	996 105 115 52	valve stem seal		24		24	996 104 170 05	cylinder head gasket cylinder 1-3		1	M96.21
11	996 105 117 51	concave washer		24		24 A	996 104 170 56	cylinder head gasket cylinder 1-3		1	M96.21
12	996 105 119 53	valve spring		24		24	996 104 170 59	cylinder head gasket cylinder 1-3		1	M96.21
12	996 105 119 56	valve spring		24	M96.23/24	24	996 104 170 07	cylinder head gasket cylinder 1-3		1	M96.23
13	996 105 121 54	concave washer		24		24	996 104 170 07	cylinder head gasket cylinder 1-3		1	M96.23
14	996 105 123 51	valve collet		48		24	996 104 170 58	cylinder head gasket cylinder 1-3		1	M96.24
15	996 104 105 53	housing		2		24	996 104 170 58	cylinder head gasket cylinder 1-3		1	M96.24
15 A	996 104 105 06	housing		2	M96.23/24	(24) A	996 104 169 00	cylinder head gasket cylinder 4-6		1	M96.20
15	996 104 042 03	housing		2	M96.23/24	(24) A	996 104 169 01	cylinder head gasket cylinder 4-6		1	M96.22
16	900 123 007 30	sealing ring A 14 X 18		1		(24)	996 104 169 03	cylinder head gasket cylinder 4-6		1	M96.20/22
17	900 219 018 30	screw plug M 14 X 1,5		1		(24) A	996 104 169 50	cylinder head gasket cylinder 4-6		1	M96.21
18 A	900 067 316 02	combination screw M 6 X 35		38		(24)	996 104 169 52	cylinder head gasket cylinder 4-6		1	M96.21
19 U	900 378 177 09	hexagon-head bolt		23		(24)					
(19)	999 217 155 09	hexagon-head bolt AM 6 X 30		23		(24) A					
20 A	996 105 223 51	lid		2		(24)					
20	996 105 223 52	lid		2		(24)					
(20)	996 105 244 03	lid	03-	2	M96.23/24	(24)					

Model	Year	MG	SG	Illustration	Restrictions	UPD	10:27	24.01.2010	PORSCHE	PET	PORSCHE
986	2004	1	03	103-00		248					

Pos	Part Number	Description	Remark	Qty	Model	Pos	Part Number	Description	Remark	Qty	Model
(24)	996 104 170 07	cylinder head gasket cylinder 4-6		1	M96.23	-	999 704 161 40	gasket		3	
(24)	996 104 170 58	cylinder head gasket cylinder 4-6		1	M96.24	35	999 707 404 40	o-ring 17,05 X 1,78		1	
25	A 996 104 180 54	screw M 10 X 234	-97	24		36	A 000 043 203 73	sealing compound 30 ML		X	
25	A 996 104 180 55	screw M 10 X 230	-98	24		(36)	000 043 204 35	sealing compound 50 ML		X	
25	996 104 180 56	screw M 10 X 230	99-	24		(36)	000 043 024 00	extreme-pressure grease 1 tube 80 Gr. camshaft		1	
26	996 104 215 54	lid		6		37	986 607 101 03	support		1	
27	996 105 325 52	pipe use also: grease 999 917 788 00		6		38	900 378 036 09	hexagon-head bolt M 6 X 12		1	
28	999 707 343 40	o-ring 25,07 X 2,62		1		39	986 607 104 00	support		1	
29	999 707 215 40	o-ring 27,94 X 5,33		6		40	999 036 026 02	lid 10 MM		X	
30	996 104 207 53	connection piece		6		41	999 507 075 40	cable holder 3,0 - 12,0		2	
31	900 378 035 01	hexagon-head bolt M 6 X 16		1		42	900 067 377 09	pan-head screw M 6 X 30		8	
32	986 606 203 02	oil pressure switch	-97	1		42	U 900 987 004 01	combination screw M 6 x 30		8	
32	986 606 203 02	oil pressure switch	98-	1		42	900 387 004 01	combination screw M 6 x 30		8	
-	999 652 447 40	plug socket		1		43	900 036 023 02	lid D 18		2	
-	999 652 444 12	connector		1		44	996 104 216 02	lid		2	M96.23/24
33	999 218 005 02	pan-head screw M 6 X 16		2							
34	996 606 106 01	hall sender		2	M660						
34	996 606 106 02	hall sender	98-02	2	M660						
(34)	996 606 106 02	hall sender	98-02	1							
34	996 606 106 03	hall sender	03-	2							
-	999 652 916 40	plug socket		1							
-	999 652 694 12	contact bush		3							

Model	Year	MG	SG	Illustration	Restrictions	UPD	14:25	01.02.2010	PORSCHE	PET	PORSCHE
986	2004	1	03	103-10		248					



Pos	Part Number	Description	Remark	Qty	Model
		camshaft driving mechanism	-99 00-02 03-		M96.20 M96.21/22 M96.23/24
1	996 105 221 04	camshaft intake cylinder 1 - 3		1	M96.20
1	996 105 221 55	camshaft intake cylinder 1 - 3		1	M96.21
1	996 105 221 05	camshaft intake cylinder 1 - 3		1	M96.22
(1)	996 105 045 00	camshaft intake cylinder 1 - 3		1	M96.23
(1)	996 105 039 00	camshaft intake cylinder 1 - 3		1	M96.24
1A	996 105 051 03	camshaft adjuster intake cylinder 1 - 3		1	M96.23/24
1B	987 105 254 00	hexagon-head bolt for camshaft adjuster		1	
2	996 105 222 04	camshaft exhaust cylinder 1 - 3		1	M96.20
2	996 105 222 55	camshaft exhaust cylinder 1 - 3		1	M96.21
2	996 105 222 05	camshaft exhaust cylinder 1 - 3		1	M96.22
2	996 105 065 00	camshaft exhaust cylinder 1 - 3		1	M96.23

Model	Year	MG	SG	Illustration	Restrictions	UPD	14:25	01.02.2010	PORSCHE	PET	PORSCHE
986	2004	1	03	103-10		248					

Pos	Part Number	Description	Remark	Qty	Model	Pos	Part Number	Description	Remark	Qty	Model
2	996 105 063 00	camshaft exhaust cylinder 1 - 3		1	M96.24	4	996 105 066 00	camshaft exhaust cylinder 4 - 6		1	M96.23
3	996 105 216 04	camshaft intake cylinder 4 - 6		1	M96.20	4	996 105 064 00	camshaft exhaust cylinder 4 - 6		1	M96.24
3	996 105 216 55	camshaft intake cylinder 4 - 6		1	M96.21	5	996 105 041 50	hydraulic valve tappet		24	
						6	996 105 170 53	timing chain		2	
3	996 105 216 05	camshaft intake cylinder 4 - 6		1	M96.22	7 A	996 105 051 56	tensioner cylinder 1 - 3	-97	1	
(3)	996 105 046 00	camshaft intake cylinder 4 - 6		1	M96.23	7 A	996 105 051 57	tensioner cylinder 1 - 3	-98	1	
(3)	996 105 040 00	camshaft intake cylinder 4 - 6		1	M96.24	7	996 105 051 58	tensioner cylinder 1 - 3	99-	1	
3A	996 105 052 01	camshaft adjuster intake cylinder 4 - 6		1	M96.23/24	(7) A	996 105 053 56	tensioner cylinder 4 - 6	-97	1	
3B	987 105 254 00	hexagon-head bolt for camshaft adjuster		1		(7)	996 105 053 58	tensioner cylinder 4 - 6	99-	1	
4	996 105 218 04	camshaft exhaust cylinder 4 - 6		1	M96.20	-	996 105 303 05	actuator camshaft camshaft		2	M96.23/24
4	996 105 218 55	camshaft exhaust cylinder 4 - 6		1	M96.21	-	999 650 167 40	plug socket		2	
4	996 105 218 05	camshaft exhaust cylinder 4 - 6		1	M96.22	-	999 652 694 12	contact bush		4	
						-	999 704 161 40	gasket		4	
						8	900 067 372 09	combination screw M 6 X 95		6	
						9	996 105 253 00	parts kit guide rail		1	

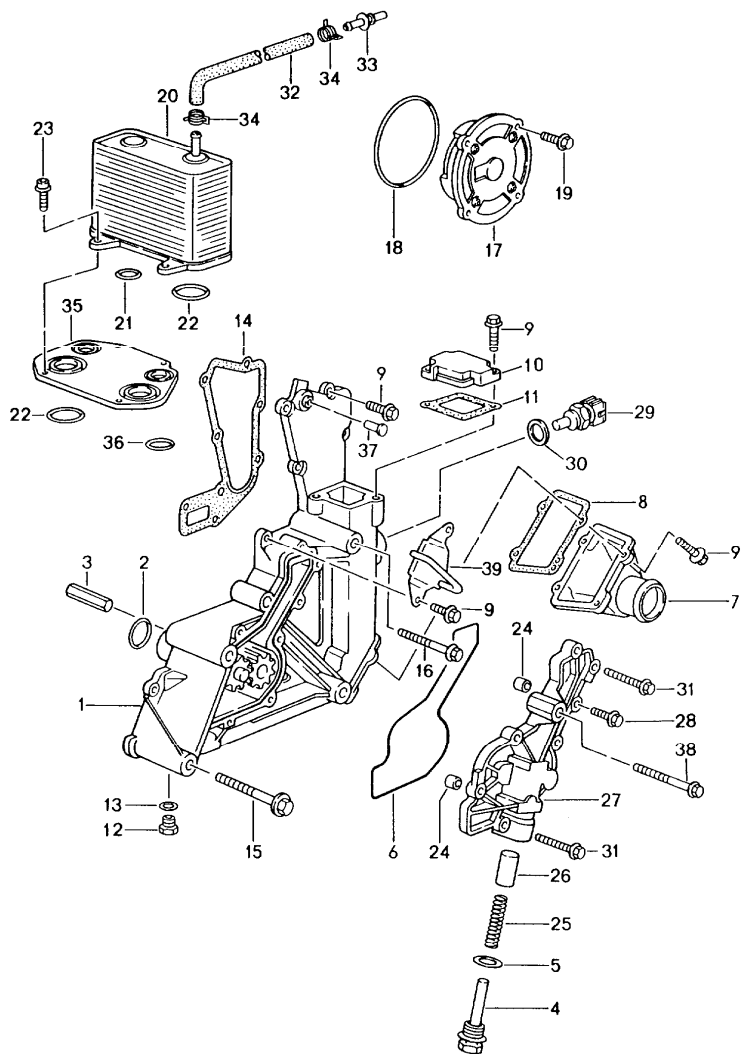
Model	Year	MG	SG	Illustration	Restrictions	UPD	14:25	01.02.2010	PORSCHE	PET	PORSCHE
986	2004	1	03	103-10		248					

Pos	Part Number	Description	Remark	Qty	Model	Pos	Part Number	Description	Remark	Qty	Model
10	996 605 901 00	solenoid valve cylinder 1 - 3 black		1		14	999 707 392 40	o-ring 7 X 2 see technical information group 1 NR. 8/00		1	
10	996 605 902 00	solenoid valve cylinder 4 - 6 grey see workshop manual GR.1 15/05/33		1		15 U	900 378 156 09	hexagon-head bolt M 6 X 20 see technical information group 1 NR. 8/00		3	
11	999 141 032 07	screw		2		(15) A	999 217 150 09	hexagon-head bolt M 6 X 20 see technical information group 1 NR. 8/00		3	
12	A 996 105 015 58	intermediate shaft	-98	1							
12	A 996 105 015 63	intermediate shaft	-00	1							
(12)	996 105 901 00	intermediate shaft see technical information group 1 NR. 8/00	-00	1		16	900 380 019 02	hexagon nut M 8 X 1 see technical information group 1 NR. 8/00		1	
(12)	996 105 901 01	intermediate shaft M >> 651 12851 M >> 671 11237 see technical information group 1 NR. 8/00		1	M96.22 M96.21	17	996 105 171 55	timing chain see technical information group 1 NR. 8/00	-00	1	
(12)	996 105 901 02	intermediate shaft M 651 12852 >> M 671 11238 >> see technical information group 1 NR. 8/00		1	M96.23/24 M96.22 M96.21	(17)	996 105 171 56	timing chain see technical information group 1 NR. 8/00	01-	1	
13	U 999 707 391 40	o-ring 52 X 2,5 see technical information group 1 NR. 8/00		1		18	996 105 165 54	tensioner blade	-97	1	
(13)	996 105 017 02	housing M >> 651 12851 M >> 671 11237 see technical information group 1 NR. 8/00		1	M96.22 M96.21	18	996 105 165 55	tensioner blade	98-	1	
(13)	996 105 024 01	housing M 651 12852 >> M 671 11238 >> see technical information group 1 NR. 8/00		1	M96.22 M96.21	19	996 105 195 00	pad		1	
						20	900 234 040 01	shim 10 X 16 X 1,2		1	
						21	900 041 004 01	circlip 10 X 1		1	
						22	996 105 166 51	guide rail		1	
						23	900 075 486 01	combination screw AM 6 X 40		3	
						24 A	996 105 179 57	chain adjuster	-98	1	
						24	996 105 179 58	chain adjuster	99-	1	
						25	999 707 344 40	o-ring 18,77 X 1,78		3	

Model	Year	MG	SG	Illustration	Restrictions	UPD	14:25	01.02.2010	PORSCHE	PET	PORSCHE
986	2004	1	03	103-10		248					

Pos	Part Number	Description	Remark	Qty	Model	Pos	Part Number	Description	Remark	Qty	Model
26	996 105 177 52	timing chain		2		37	900 123 147 30	sealing ring A 27 X 32		3	
(26)	996 105 152 00	timing chain		2	M96.23/24	38	996 105 129 52	rotor trim		1	
27	A 996 105 178 52	sprocket	-98	2		39	996 105 112 01	gasket see technical information group 1 NR. 8/00		1	
(27)	996 105 178 53	sprocket with driver		2		--	000 043 024 00	extreme-pressure grease 1 tube 80 Gr. for camshaft		1	
28	A 996 105 185 54	driver	-98	2							
29	U 900 378 162 09	hexagon-head bolt M 6 X 15 for 996 105 178 52		8							
29	900 378 162 01	hexagon-head bolt M 6 X 15 for 996 105 178 52		8							
29	900 378 204 09	hexagon-head bolt M 6 X 12 for 996 105 178 53		8							
30	996 105 175 52	tensioner blade		2							
31	996 105 162 52	screw M 6		6							
32	999 707 346 40	o-ring 15 X 3		6							
33	996 105 173 53	guide rail		2							
(33)	996 105 054 01	guide rail cyl. 1 - 3	03-04	1	M96.23/24						
(33)	996 105 164 00	guide rail cyl. 4 - 6	03-04	1	M96.23/24						
34	996 105 176 51	chain adjuster		1							
35	996 105 180 54	chain adjuster see technical information group 1 NR. 8/00	-00	1							
(35)	996 105 180 55	chain adjuster see technical information group 1 NR. 8/00	01-	1							
36	996 105 197 00	pressure pin		1							

Model	Year	MG	SG	Illustration	Restrictions	UPD	10:28	24.01.2010	PORSCHE	PET	PORSCHE
986	2004	1	04	104-00		248					

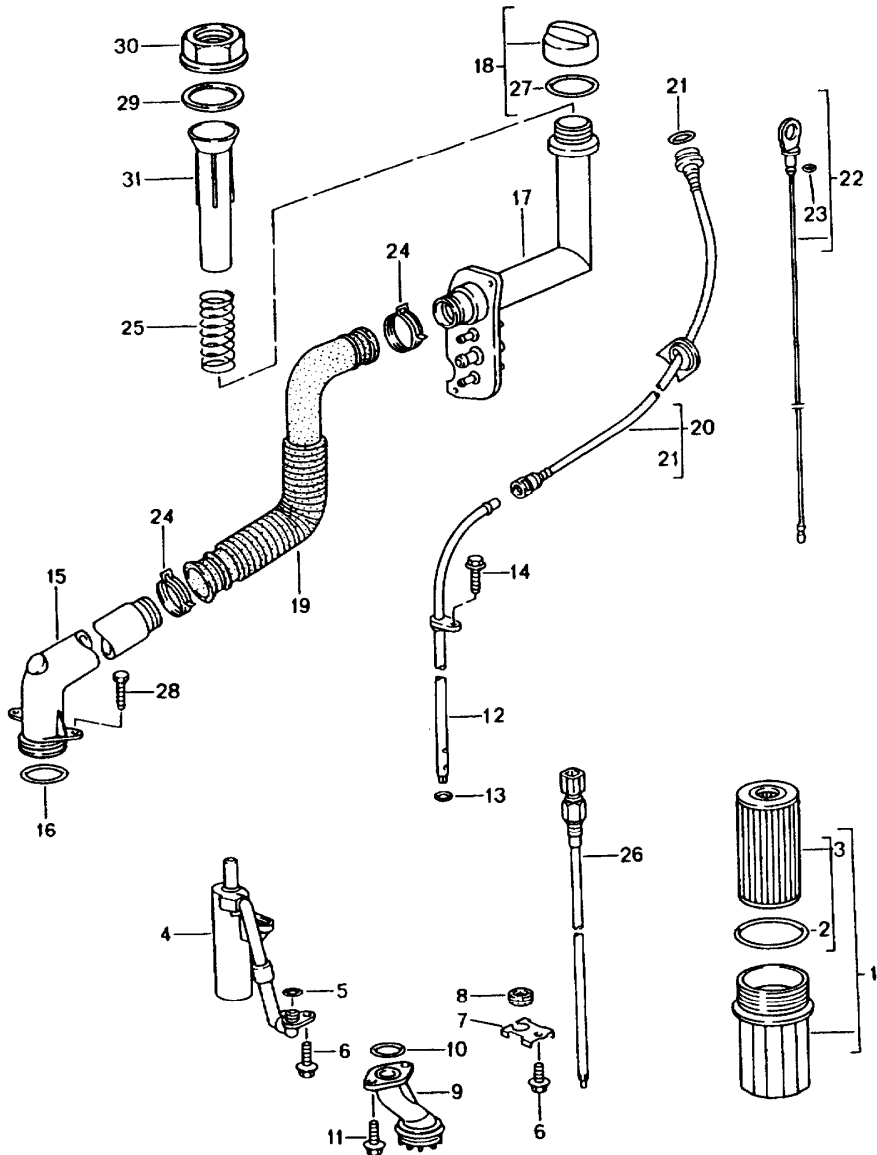


Pos	Part Number	Description	Remark	Qty	Model
		oil pump			
1	A 996 107 012 54	oil pump	-97	1	
1	A 996 107 012 55	oil pump	-97	1	
1	A 996 107 012 56	oil pump	-98	1	
1	A 996 107 012 57	oil pump		1	
1	996 107 012 58	oil pump		1	
2	996 107 103 51	o-ring 29,1 X 2,55 use also: grease 999 917 788 00		2	
3	996 107 121 50	driver		1	
4	996 107 105 51	screw plug		1	
5	996 107 123 50	gasket		1	
6	996 107 261 50	sealing ring		1	
7	996 106 215 00	connection piece		1	M249
7	996 106 216 02	connection piece		1	M480/481
8	996 106 316 51	gasket		1	
9	900 378 030 09	hexagon-head bolt M 6 X 20		14	
10	996 106 217 01	lid		1	
11	996 106 321 50	gasket		1	
12	900 219 007 02	screw plug M 10 X 1		1	
13	900 123 144 30	sealing ring A 10 X 13,5		1	
14	996 107 337 50	gasket		1	
15	999 072 027 09	hexagon-head bolt M 10 X 120		3	
16	900 378 095 09	hexagon-head bolt M 10 X 100		1	
17	996 107 021 52	oil pump	-97	2	
17	996 107 021 54	oil pump	-01	2	

Model	Year	MG	SG	Illustration	Restrictions	UPD	10:28	24.01.2010	PORSCHE	PET	PORSCHE
986	2004	1	04	104-00		248					

Pos	Part Number	Description	Remark	Qty	Model	Pos	Part Number	Description	Remark	Qty	Model
17	996 107 021 55	oil pump	02-	2		27	996 107 212 54	lid for 996 107 012 57/58		1	
18	996 107 221 51	o-ring 95 X 2,5 use also: grease 999 917 788 00		2		28	900 075 333 02	hexagon-head bolt M 6 X 25		7	
19	U 900 378 156 09	hexagon-head bolt M 6 X 20		8		(29)	996 606 410 00	temperature sensor		1	M96.21/22 M96.23/24
(19)	A 999 217 150 09	hexagon-head bolt M 6 X 20		8		29	996 606 405 01	temperature sensor		1	M96.20
20	A 996 107 025 05	heat exchanger	-97	1	M96.20	-	999 650 168 40	plug socket		1	
20	996 107 025 07	heat exchanger		1	M96.20/22 M96.23	-	999 650 214 12	connector		4	
20	996 107 025 57	heat exchanger		1	M96.21/24	30	-	sealing ring		1	
21	999 707 409 40	o-ring 26 X 3		2				see technical information group 1 NR. 8 A/97			
22	999 707 389 40	o-ring 35 X 4		4		31	900 378 151 09	hexagon-head bolt M 6 X 70		2	
(22)	999 707 344 40	o-ring 18,77 X 1,78 see technical information group 1 NR. 8/97		2		32	996 106 249 00	breather hose		1	
23	900 067 269 09	pan-head screw M 6 X 16		4		33	996 106 255 00	flat connector		1	
(23)	900 067 354 02	pan-head screw M 6 X 25		4		34	999 512 584 09	hose clamp 14 X 12	-98	2	
24	996 106 103 50	dowel sleeve 8,2 X 7		2		34	999 512 650 09	hose clamp 14 X 12	99-	2	
25	996 107 127 53	spring		1		35	996 107 129 00	intermediate plate		1	
26	996 107 125 51	piston		1		36	999 707 193 40	o-ring 28 X 2,5		4	
27	996 107 212 52	lid for 996 107 012 54		1		37	996 107 119 00	stopper		1	
27	996 107 212 53	lid for 996 107 012 55/56		1		38	900 378 098 09	hexagon-head bolt AM 10 X 60		1	
						39	A 996 102 235 00	clip		1	M573
						39	996 102 235 01	clip		1	M573

Model	Year	MG	SG	Illustration	Restrictions	UPD	10:28	24.01.2010	PORSCHE	PET	PORSCHE
986	2004	1	04	104-05		248					

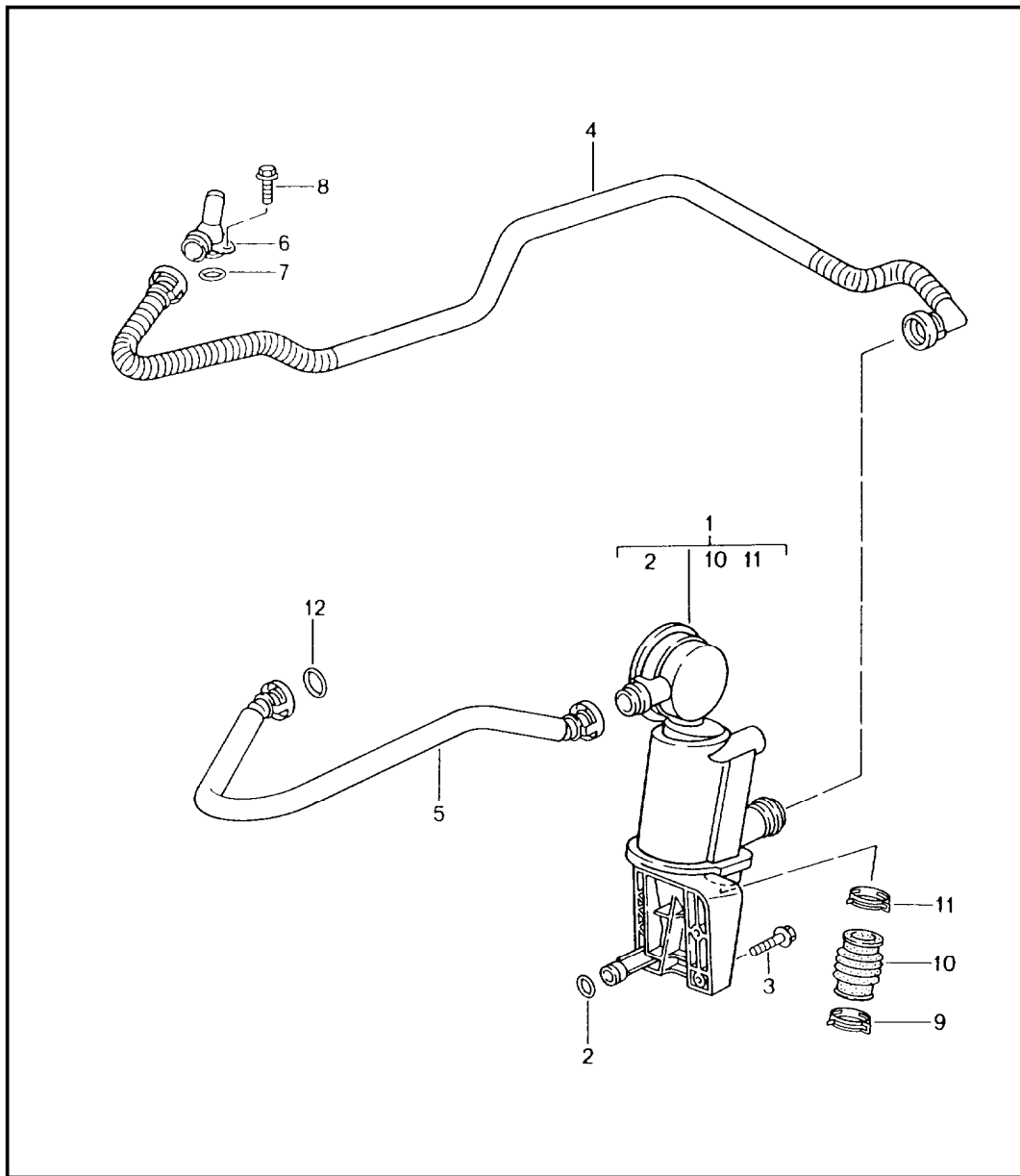


Pos	Part Number	Description	Remark	Qty	Model
		engine lubrication			
1	A 996 107 020 53	oil filter		1	
1	996 107 020 54	oil filter		1	
2	996 107 313 51	sealing ring use also: grease 999 917 788 00		1	
3	996 107 225 60	filter element		1	
4	996 107 080 54	oil separator		2	
5	999 701 789 40	o-ring 12 X 2		2	
6	900 378 036 09	hexagon-head bolt M 6 X 12		5	
7	996 107 333 50	support		1	
8	999 702 206 50	grommet 9,5 X 18,0 X 1,2		1	
9	996 107 075 57	suction tube		1	
10	999 707 375 40	o-ring 30 X 3		1	
11	900 378 030 09	hexagon-head bolt M 6 X 20		2	
12	996 107 113 03	guide tube		1	
13	999 707 369 40	o-ring 9,5 X 3,5 use also: grease 999 917 788 00		1	
14	900 378 035 01	hexagon-head bolt M 6 X 16		1	
15	996 107 150 02	oil tube	-97	1	
15	996 107 150 03	oil tube	98-	1	
15	996 107 150 05	oil tube		1	
16	999 707 348 40	o-ring 42 X 4 use also: grease 999 917 788 00		1	

Model	Year	MG	SG	Illustration	Restrictions	UPD	10:28	24.01.2010	PORSCHE	PET	PORSCHE
986	2004	1	04	104-05		248					

Pos	Part Number	Description	Remark	Qty	Model	Pos	Part Number	Description	Remark	Qty	Model
17	996 107 273 04	filler tube for model year 97 use also:		1							
--	996 106 287 01	overflow hose		1							
--	996 106 297 01	overflow hose		1							
--	996 106 207 03	hose		1							
18 A	996 107 035 50	lid		1							
(18)	996 107 035 51	lid		1							
19	996 107 254 03	oil hose		1							
20	996 107 183 03	guide tube		1							
21	999 707 385 40	o-ring 19,8 X 3,53		1							
22	996 107 014 02	oil level dipstick		1							
23	999 707 366 40	o-ring 8 X 1,8		1							
24	999 512 612 09	hose clamp 44 X 12	-98	2							
24	999 512 667 09	hose clamp 44 X 12	99-	2							
25	996 107 343 00	spring		1							
26	996 606 150 00	oil-level sender		1							
-	999 650 168 40	plug socket		1							
-	999 650 214 12	connector		4							
-	999 650 215 40	gasket		4							
27 A	999 707 285 40	o-ring 51 X 4,5		1							
(27)	996 107 336 00	gasket		1							
28	900 378 163 09	hexagon-head bolt M 6 X 16		2							
29	996 107 303 00	gasket		1							
30	996 107 367 00	lock nut		1							
31	996 107 323 00	funnel		1							

Model	Year	MG	SG	Illustration	Restrictions	UPD	10:28	24.01.2010	PORSCHE	PET	PORSCHE
986	2004	1	04	104-10		248					

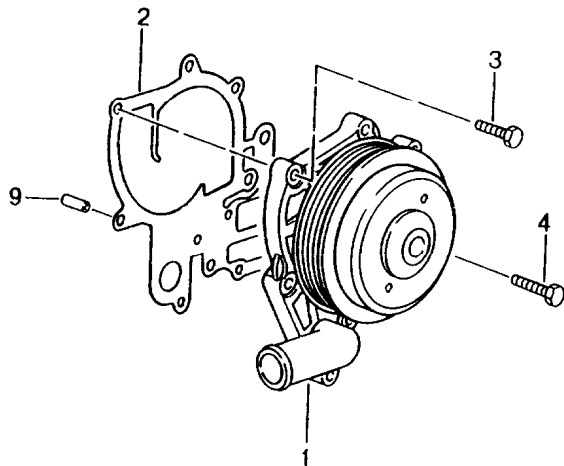
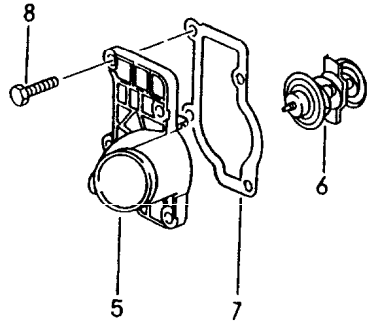


Pos	Part Number	Description	Remark	Qty	Model
		crankcase bleeding			
(1)	A 996 107 231 55	oil separator		1	
(1)	A 996 107 023 51	oil separator	-97	1	
1	996 107 023 01	oil separator	-98	1	
1	U 996 107 023 02	oil separator	99-	1	
1	A 996 107 023 03	oil separator	99-	1	
1	996 107 023 04	oil separator	99-	1	
1	U 996 107 026 00	oil separator	03-	1	
1	996 107 026 01	oil separator	03-	1	
2	A 999 707 256 40	o-ring 14 X 1,78	-99	1	
(2)	996 107 122 00	sealing ring	99-	1	
3	900 378 177 09	hexagon-head bolt M 6 X 30		2	
4	A 996 107 147 53	breather hose		1	
4	996 107 147 54	breather hose		1	
4	996 107 147 55	breather hose	-02	1	
(4)	996 107 147 58	vent line	03-	1	
5	996 107 145 05	breather hose M >> 65X 01419		1	M96.20
5	996 107 145 06	vent line M 65X 01420 >>		1	M96.20
(5)	996 107 146 00	vent line		1	M96.21/22 M96.23/24
6	996 107 047 51	connection piece	-02	1	
(6)	996 107 047 00	connection piece	03-	1	
7	999 707 154 40	o-ring 18,77 X 1,78		1	
8	900 378 163 09	hexagon-head bolt M 6 X 16		1	
9	999 512 630 00	hose clamp 32 X 12		1	

Model	Year	MG	SG	Illustration	Restrictions	UPD	10:28	24.01.2010	PORSCHE	PET	PORSCHE
986	2004	1	04	104-10		248					

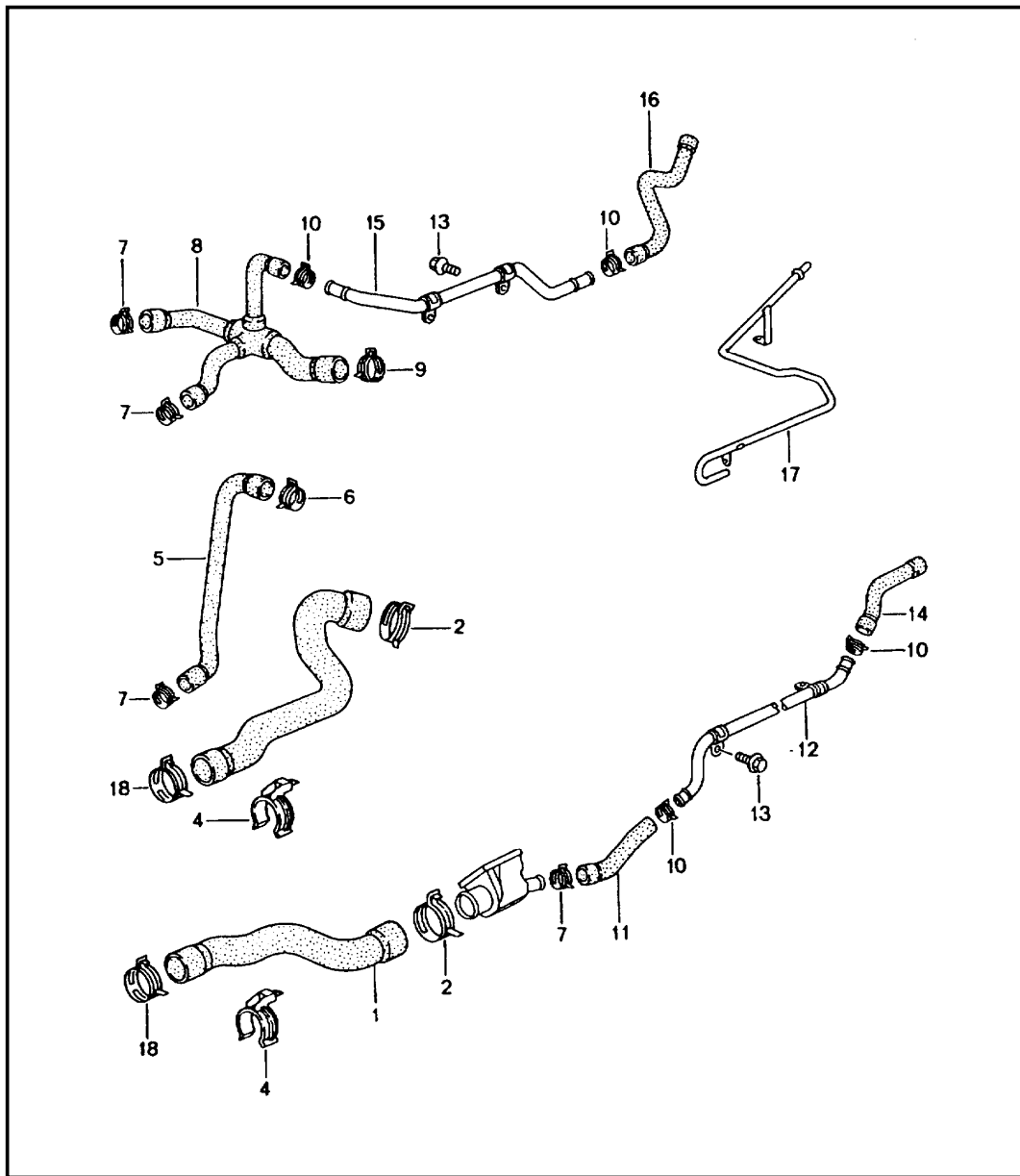
Pos	Part Number	Description	Remark	Qty	Model	Pos	Part Number	Description	Remark	Qty	Model
10	A 996 107 237 51	bellows		1							
(10)	996 107 237 52	bellows		1							
11	999 512 607 09	hose clamp 30 X 12	-98	1							
11	999 512 551 00	hose clamp 30 X 12	99-	1							
12	999 707 446 40	o-ring 18,0 X 2,5		4							

Model	Year	MG	SG	Illustration	Restrictions	UPD	10:29	24.01.2010	PORSCHE	PET	PORSCHE
986	2004	1	05	105-00		248					



Pos	Part Number	Description	Remark	Qty	Model
		water pump thermostat housing			
1	996 106 011 53	water pump	-98	1	
1	996 106 011 53	water pump	99-	1	
2	996 106 340 51	gasket		1	
3	900 378 013 09	hexagon-head bolt M 6 X 25		5	
4	900 378 177 09	hexagon-head bolt AM 6 X 30		2	
5	996 106 121 53	lid		1	
6	996 106 125 52	thermostat insert		1	
7	996 106 326 50	gasket		1	
8	900 378 030 09	hexagon-head bolt M 6 X 20		4	
9	996 106 103 50	dowel sleeve 8,2 X 7		2	

Model	Year	MG	SG	Illustration	Restrictions	UPD	10:29	24.01.2010	PORSCHE	PET	PORSCHE
986	2004	1	05	105-05		248					

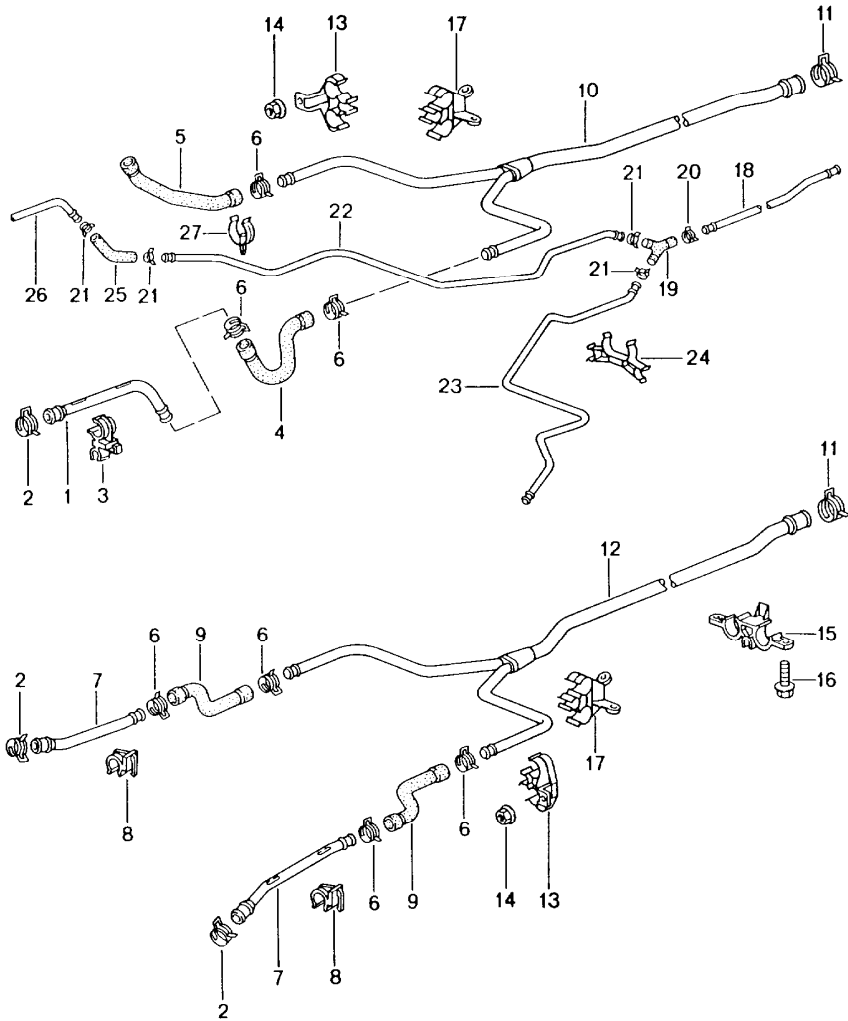


Pos	Part Number	Description	Remark	Qty	Model
		water cooling 1			
1	996 106 501 03	hose	-98	1	
1	U 996 106 501 04	hose		1	
1	996 106 501 05	hose	99-	1	
2	999 512 594 09	hose clamp 53 X 12	-98	2	
2	999 512 669 09	hose clamp 53 X 12	99-	2	
2	999 512 348 02	hose clamp 40 - 70		2	
3	996 106 502 03	hose	-98	1	
3	996 106 502 04	hose	99-	1	
4	996 106 425 02	support		2	
5	996 106 212 03	hose	-98	1	
5	996 106 212 04	hose	-99	1	M96.20
5	996 106 212 04	hose	00-	1	M480/481
5	996 106 212 06	hose	00-	1	M249
6	999 512 606 09	hose clamp 29 X 12	-98	1	
6	999 512 660 09	hose clamp 29 X 12	99-	1	
6	999 512 551 00	hose clamp 25 - 40	03-	1	
7	999 512 589 09	hose clamp 25 X 12	-98	4	
7	999 512 656 09	hose clamp 25 X 12	99-	4	
7	999 512 552 00	hose clamp 24 X 12	03-	4	
(8)	996 106 222 07	hose	-98	1	
(8) A	996 106 222 10	hose	-98	1	
(8)	996 106 222 12	hose	99-	1	
8	996 106 222 09	hose	-98	1	M249

Model	Year	MG	SG	Illustration	Restrictions	UPD	10:29	24.01.2010	PORSCHE	PET	PORSCHE
986	2004	1	05	105-05		248					

Pos	Part Number	Description	Remark	Qty	Model	Pos	Part Number	Description	Remark	Qty	Model
8	A 996 106 222 11	hose	-98	1	M249						
8	996 106 222 13	hose	-99	1	M249						
(8)	996 106 522 02	hose	00-	1	M249						
9	999 512 609 09	hose clamp 36 X 12	-98	1							
9	999 512 664 09	hose clamp 36 X 12	99-	1							
10	999 512 587 09	hose clamp 21 X 12	-98	6	M249						
10	996 106 552 00	hose 21 X 12	99-	6	M249						
11	996 106 552 00	hose	-98	1							
11	996 106 552 01	hose	99-	1							
12	996 106 655 02	cooling water tube	-99	1	M249						
(12)	996 106 674 01	cooling water tube	00-	1	M249						
13	900 378 036 09	hexagon-head bolt M 6 X 12		4	M249						
14	996 106 555 00	hose	-98	1	M249						
14	996 106 555 01	hose	99-	1	M249						
15	996 106 657 03	line	-99	1	M249						
(15)	996 106 672 01	cooling water tube	00-	1	M249						
16	996 106 557 01	hose	-98	1	M249						
16	996 106 557 02	hose	99-	1	M249						
17	996 106 210 02	vent line		1							
18	999 512 668 09	hose clamp 49 X 12		2							

Model	Year	MG	SG	Illustration	Restrictions	UPD	10:29	24.01.2010	PORSCHE	PET	PORSCHE
986	2004	1	05	105-10		248					



Pos	Part Number	Description	Remark	Qty	Model	
		water cooling 2				
1	996 106 611 00	water tube		2		
1	996 106 611 01	water tube	03-	2		
(1)	996 106 611 53	water tube supply		2	M008	
2	A 999 512 634 09	hose clamp 34 X 12		4		
(2)	A 999 512 640 09	hose clamp 34 X 12		4		
(2)	U 999 512 671 09	hose clamp 34 X 12		4		
(2)	999 512 551 00	hose clamp 25 - 40		4		
3	996 106 414 03	support		4		
3	996 106 414 04	support		4		
(3)	996 106 414 55	support		4	M96.21	
4	A 996 106 623 01	hose supply	/L	-98	1	
4	996 106 623 02	hose supply	/L	-00	1	M96.20/22
4	996 106 623 02	hose	/L	01-	1	M009/480
(4)	996 106 623 53	water hose	/L	01-	1	M009/249
(4)	996 106 623 53	water hose supply	/L	99-	1	M008
5	A 996 106 624 01	hose supply	/R	-98	1	
5	996 106 624 02	hose supply	/R	-00	1	M96.20/22
5	996 106 624 02	hose	/R	01-	1	M009/480
(5)	996 106 624 53	water hose	/R	01-	1	M009/249
(5)	996 106 624 53	water hose supply	/R	99-	1	M008
6	999 512 607 09	hose clamp 30 X 12		-98	10	

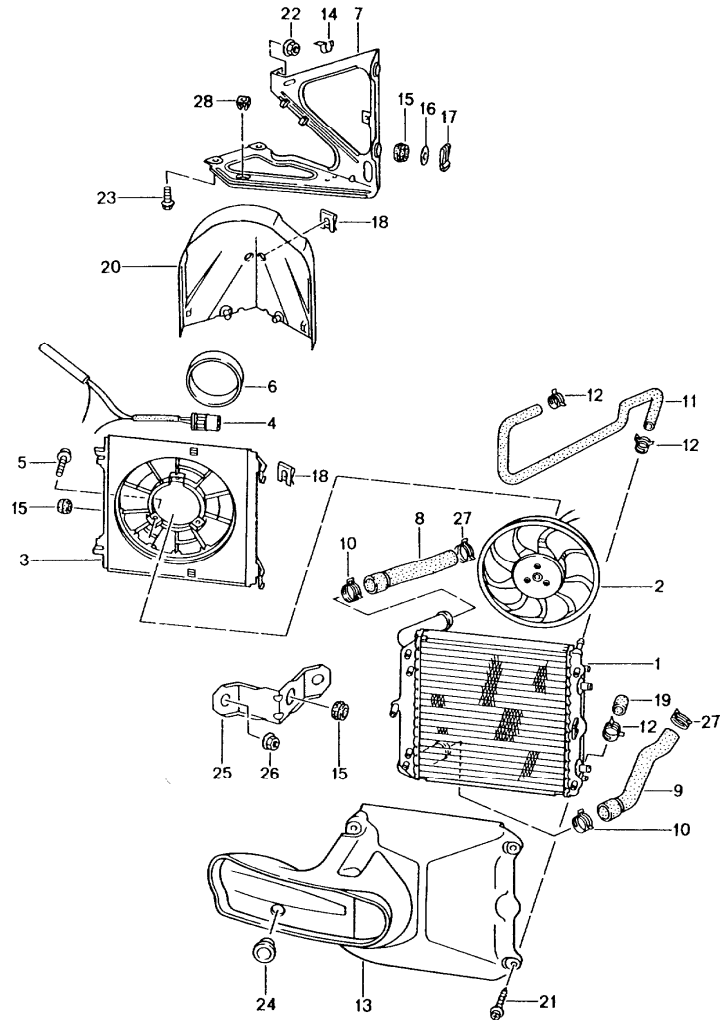
Model	Year	MG	SG	Illustration	Restrictions	UPD	10:29	24.01.2010	PORSCHE	PET	PORSCHE
986	2004	1	05	105-10		248					

Pos	Part Number	Description	Remark	Qty	Model	Pos	Part Number	Description	Remark	Qty	Model
6	999 512 661 09	hose clamp 30 X 12	99-	10		(12)	996 106 652 54	distributing piece return line		1	
6	999 512 672 09	hose clamp 40 X 12	01-	10	M009/249	13	996 106 413 01	support		2	
6	999 512 499 00	hose clamp 32 - 50 MM	99-	10	M008	(13)	996 106 413 52	support	00- 01-	2	M008 M009/249
7	996 106 615 01	water tube return line		2		14	999 084 629 09	hexagon nut M 6		2	
7	996 106 615 02	water tube return line	03-	2		15	996 106 415 02	support		2	
(7)	996 106 615 54	water tube return line		2	M008	16	900 378 035 01	hexagon-head bolt M 6 X 16		6	
8	996 106 419 02	support		4		17	996 106 420 02	support		2	
(8)	996 106 419 52	support	00- 01-	4	M008 M009/249	(17)	996 106 420 52	support	00- 01-	2	M008 M009/249
9	996 106 627 01	water hose	-98	2		18	996 106 127 51	vent line	-98	1	
9	996 106 627 02	water hose	99-	2		18	996 106 127 52	vent line	99-	1	
(9)	996 106 627 52	water hose		2	M008	18	996 106 127 53	vent line	03-	1	
(9)	996 106 627 52	water hose	01-	2	M009/249	19	996 106 546 51	y-piece	-98	1	
10	996 106 651 02	distributing piece	-98	1		19	996 106 546 52	y-piece	99-	1	
10 A	996 106 651 03	distributing piece	99-	1		19	996 106 546 54	y-piece		1	
10	996 106 651 04	distributing piece		1	M009/481	20	999 512 586 09	hose clamp 20 X 12	-98	1	
(10)	996 106 651 54	distributing piece		1	M008 M009/249	20	999 512 653 09	hose clamp 20 X 12	99-	1	
11	999 512 593 09	hose clamp 49 X 12	-98	2		21	999 512 584 09	hose clamp 14 X 12	-98	8	
11	999 512 668 09	hose clamp 49 X 12	99-	2		21	999 512 650 09	hose clamp 14 X 12		8	
11	999 512 348 02	hose clamp 40 - 60 MM		2		21	999 512 554 00	hose clamp 12 - 22	99-	8	
12	996 106 652 02	distributing piece return line	-98	1		22	996 106 126 53	vent line	/R	1	
12	996 106 652 03	distributing piece return line	99-	1		22	996 106 126 54	vent line	/R	1	
12	996 106 652 04	distributing piece return line	03-	1		23	996 106 225 53	vent line	/L	1	
						23	996 106 225 54	vent line	/L	1	

Model	Year	MG	SG	Illustration	Restrictions	UPD	10:29	24.01.2010	PORSCHE	PET	PORSCHE
986	2004	1	05	105-10		248					

Pos	Part Number	Description	Remark	Qty	Model	Pos	Part Number	Description	Remark	Qty	Model
24	996 106 412 00	support		1							
25	996 106 135 51	breather hose	-98	2							
25	996 106 135 52	breather hose	99-	2							
26	996 106 685 52	vent line		2							
26	996 106 685 53	vent line		2							
27	999 507 378 40	support		2							
--	996 106 425 03	support engine water hose	01-	2							

Model	Year	MG	SG	Illustration	Restrictions	UPD	10:29	24.01.2010	PORSCHE	PET	PORSCHE
986	2004	1	05	105-15		248					

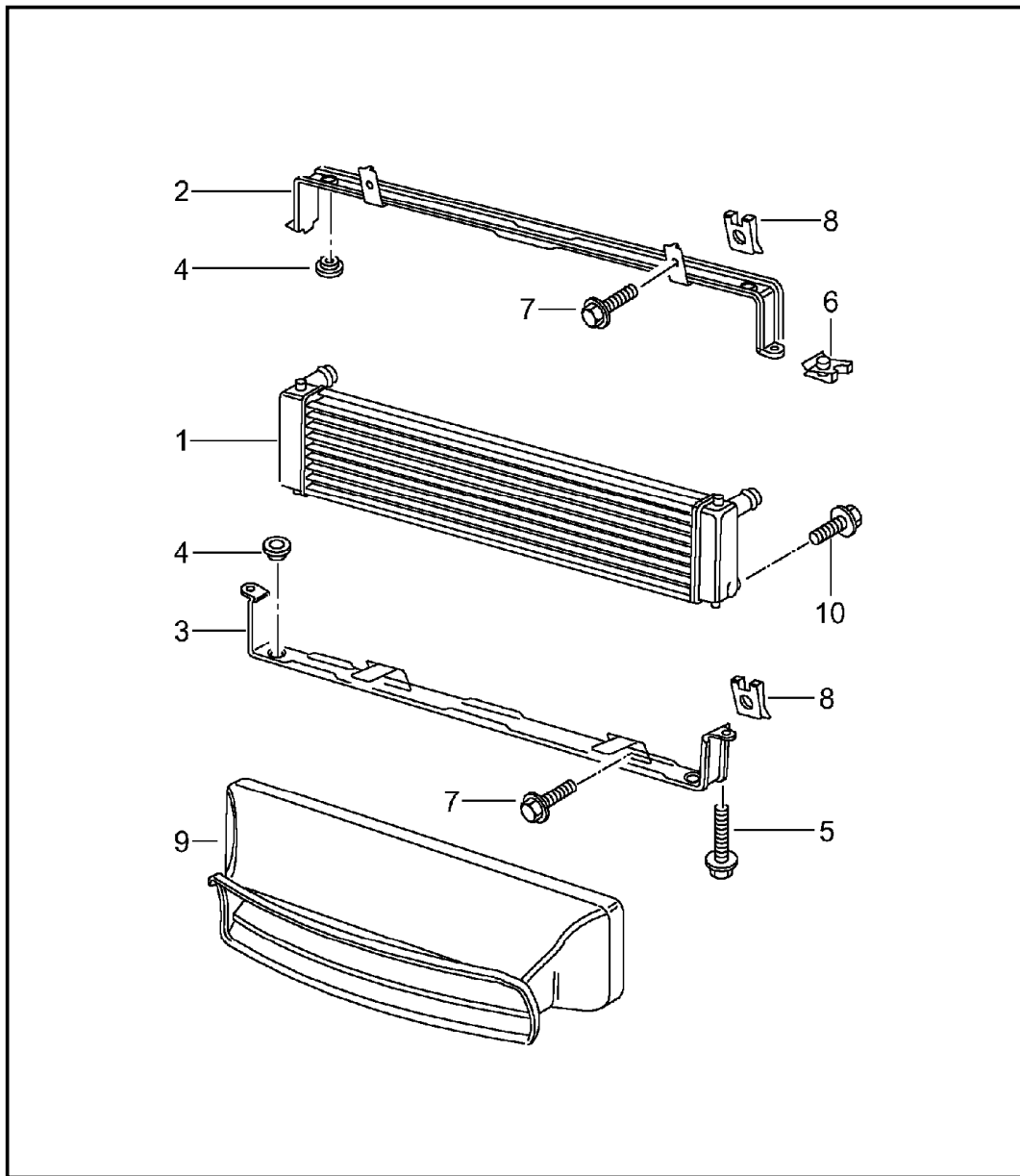


Pos	Part Number	Description	Remark	Qty	Model
		water cooling 3			
1	A 996 106 131 50	radiator		2	
(1)	996 106 131 51	radiator	/L	1	
(1)	996 106 132 51	radiator	/R	1	
2	996 624 135 00	fan		2	
-	999 652 936 40	plug socket		2	
-	999 652 776 22	connector		6	
-	999 652 778 40	gasket		6	
-	999 652 811 40	stopper		2	
3	996 624 131 00	air box		2	
4	996 616 101 00	series resistor		2	
5	900 146 116 09	screw M 5 X 16		6	
6	996 624 136 00	protection cap		2	
7	996 504 175 03	bracket	/L	-97	1
7	996 504 175 04	bracket	/L	98-	1
7	996 504 175 09	bracket			1
(7)	996 504 176 03	bracket	/R	-97	1
(7)	996 504 176 04	bracket	/R	98-	1
(7)	996 504 176 09	bracket			1
8	996 106 621 01	hose supply	/L	-98	1
8	996 106 621 02	hose supply	/L	99-	1
(8)	996 106 665 53	hose supply with one conection radiator centre			1
(8)	996 106 665 55	hose supply with one conection radiator centre	/L	00-	1 M008

Model	Year	MG	SG	Illustration	Restrictions	UPD	10:29	24.01.2010	PORSCHE	PET	PORSCHE
986	2004	1	05	105-15		248					

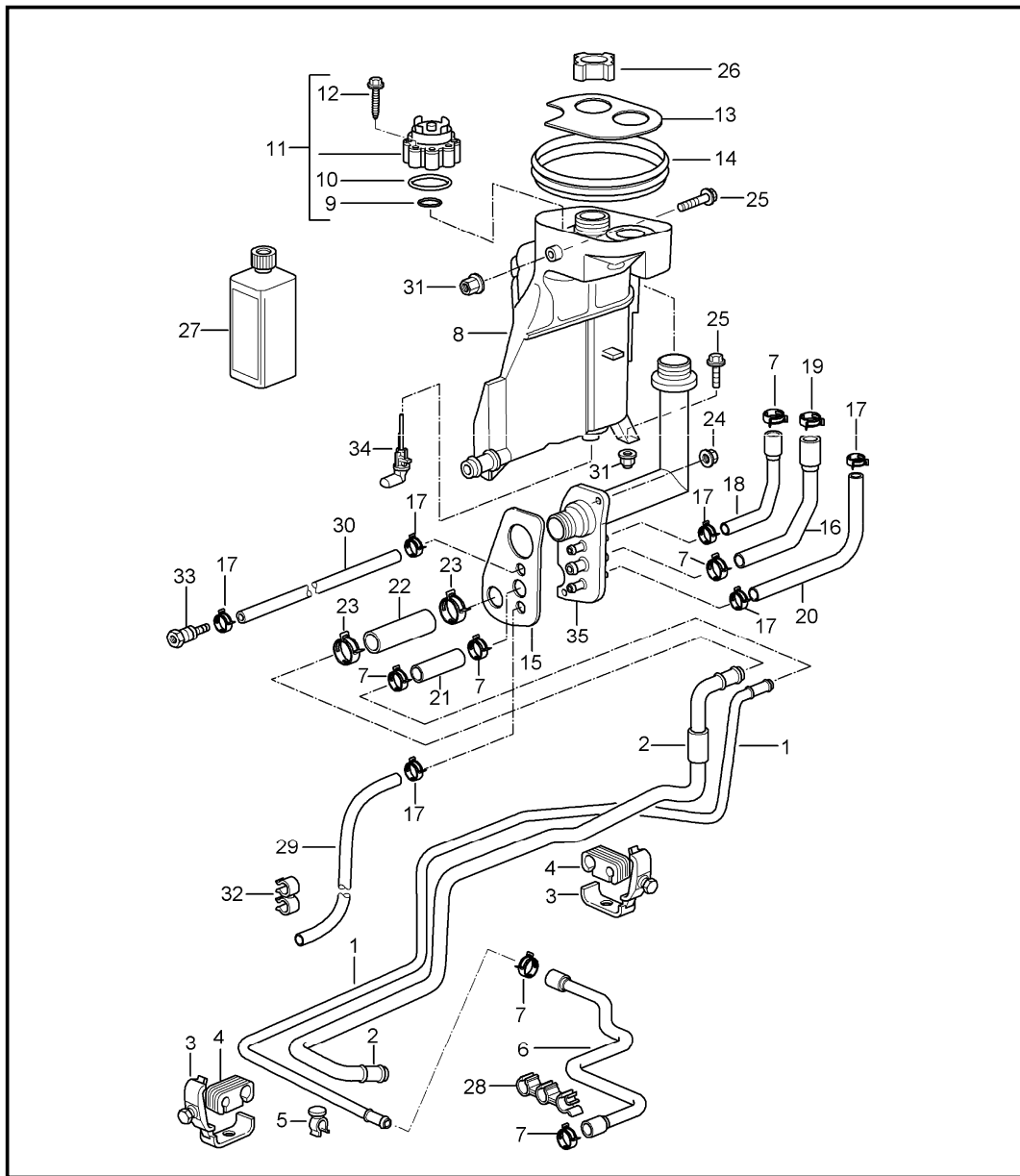
Pos	Part Number	Description	Remark	Qty	Model	Pos	Part Number	Description	Remark	Qty	Model	
(8)	996 106 622 00	hose supply	/R	-98	1	15	999 702 214 40	grommet 14 X 20,5 X 7,5		6		
(8)	996 106 622 01	hose supply	/R	99-	1	16	999 025 255 02	washer		4		
(8)	996 106 622 52	hose supply	/R	00-	1	M008	17	999 166 083 09	tab washer B 25	4		
9	996 106 625 01	hose return line	/L	-98	1	18	999 166 077 02	safety clip B 22		6		
9	996 106 625 02	hose return line	/L	99-	1	19	U 999 703 418 40	rubber cap		2		
(9)	996 106 625 54	hose return line	/L	00-	1	M008	(19)	996 106 334 00	rubber cap	2		
(9)	996 106 666 51	hose return line with one connection radiator centre	/R	00-	1	M008	20	996 575 341 03	air duct	-98	2	
(9)	996 106 666 52	hose return line with one connection radiator centre			1		20	996 575 341 04	air duct	/L	99-	1
(9)	996 106 626 00	hose return line	/R	-98	1		(20)	996 575 342 00	air duct	/R	99-	1
(9)	996 106 626 01	hose return line	/R	99-	1		21	999 919 134 09	oval-head screw 6,0 X 16		14	
10	999 512 611 09	hose clamp 42 X 12		-98	4		22	999 084 630 09	hexagon nut M 8		2	
10	999 512 666 09	hose clamp 42 X 12		99-	4		23	900 378 074 09	hexagon-head bolt M 8 X 16		4	
10	999 512 499 00	hose clamp 32 - 50 MM			4		24	803 803 583	lid 30,0 X 40,0	/R	1	
11	996 106 137 53	breather hose	/L		1		25	996 504 721 00	support		1	
(11)	996 106 138 53	breather hose	/R		1			GRV	prime coated			
12	999 512 585 09	hose clamp 15 X 12			6		26	900 377 003 02	hexagon nut M 8		4	
13	996 575 321 00	air duct	/L		1		27	999 512 659 09	hose clamp 28 X 12		2	
(13)	996 575 322 00	air duct	/R		1		27	999 512 552 00	hose clamp		1	
14	999 651 305 02	cable holder			2		28	999 507 590 02	captive nut		1	

Model	Year	MG	SG	Illustration	Restrictions	UPD	10:29	24.01.2010	PORSCHE	PET	PORSCHE
986	2004	1	05	105-17		248					



Pos	Part Number	Description	Remark	Qty	Model
		radiator centre	00-		M008
1	996 106 037 50	radiator		1	
1	996 106 037 51	radiator		1	
2	996 504 487 02	retaining frame		1	
3	996 504 485 02	retaining frame		1	
4	930 113 430 00	rubber mounting		4	
5	900 378 036 09	hexagon-head bolt M 6 X 12		2	
6	999 507 550 02	speed nut M 6		2	
7	900 378 074 09	hexagon-head bolt M 8 X 16		4	
8	999 591 869 02	speed nut M 8		4	
9	996 575 141 02	air duct		1	
10	996 106 901 00	screw plug		1	

Model	Year	MG	SG	Illustration	Restrictions	UPD	10:30	24.01.2010	PORSCHE	PET	PORSCHE
986	2004	1	05	105-20		248					



Pos	Part Number	Description	Remark	Qty	Model
		water cooling 4			
1	996 106 681 01	vent line	-98	1	
1	996 106 681 02	vent line	99-	1	
1	996 106 681 03	vent line		1	
2	996 106 663 00	filler tube	-98	1	
2	996 106 663 01	filler tube	99-	1	
2	996 106 663 02	filler tube		1	
3	999 511 230 40	cable holder		2	
4	999 511 231 41	rubber mounting		2	
5	999 507 500 40	cable holder		1	
6	996 106 135 01	breather hose	-98	1	
6	996 106 135 02	breather hose	99-	1	
7	999 512 653 09	hose clamp 20 X 12		6	
7	999 512 554 00	hose clamp 20 X 12		6	
8 A	996 106 147 03	expansion tank	-97	1	
8 A	996 106 147 04	expansion tank	-98	1	
8 A	996 106 147 06	expansion tank		1	
8 A	996 106 147 07	expansion tank		1	
8	996 106 147 08	expansion tank		1	
9	999 707 371 40	o-ring 17 X 4		1	
10	999 707 370 40	o-ring 47 X 4		1	
11	996 106 347 00	bleeder valve	-97	1	
11	996 106 347 01	bleeder valve	98-	1	
12	999 919 058 02	hexagon-head bolt 5,0 X 40		8	
13	996 106 234 01	cover		1	
14	986 504 644 00	gasket		1	

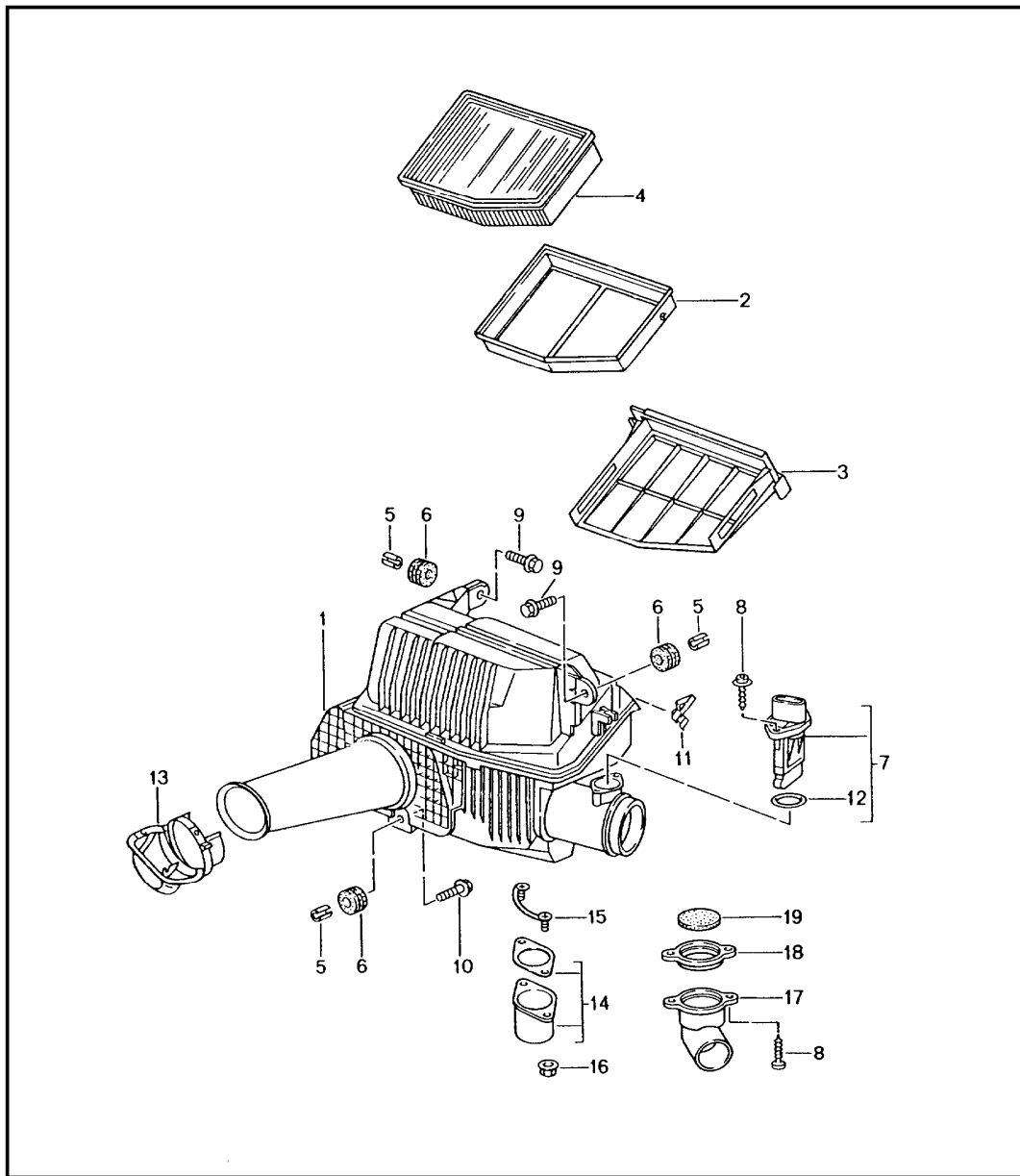
Model	Year	MG	SG	Illustration	Restrictions	UPD	10:30	24.01.2010	PORSCHE	PET	PORSCHE
986	2004	1	05	105-20		248					

Pos	Part Number	Description	Remark	Qty	Model	Pos	Part Number	Description	Remark	Qty	Model
15	996 106 235 01	gasket	-97	1		(27) A	000 043 203 79	antifreeze 25 LTR. container		X	
15	996 106 235 02	gasket	98-	1							
16	996 106 237 00	hose		1		(27)	000 043 300 31	antifreeze 20 LTR. container		X	
17	999 512 585 09	hose clamp 15 X 12		5							
18	996 106 247 00	hose		1		28	996 106 411 01	support	-97	1	
19	999 512 587 09	hose clamp 21 X 12	-98	1		28	996 106 411 02	support	98-	1	
19	999 512 654 09	hose clamp 21 X 12	99-	1		29	996 106 297 01	overflow hose for model year 97 use also:		1	
20 A	996 106 287 00	overflow hose	-97	1		--	996 107 273 04	filler tube		1	
20	996 106 287 01	overflow hose for model year 97 use also:	97-	1		--	996 106 287 01	overflow hose		1	
--	996 107 273 04	filler tube		1		--	996 106 207 03	hose		1	
--	996 106 297 01	overflow hose		1		30 A	996 106 207 00	hose	-97	1	
--	996 106 207 03	hose		1		30 U	996 106 207 01	hose	98-	1	
21	996 106 257 00	breather hose		1		(30)	996 106 207 03	hose for model year 97 use also:	97-	1	
22	996 106 267 00	hose		1		--	996 107 273 04	filler tube		1	
23	999 512 552 00	hose clamp 27 X 12		2		--	996 106 287 01	overflow hose		1	
24	999 084 629 09	hexagon nut M 6		2		--	996 106 297 01	overflow hose		1	
25	900 075 333 02	hexagon-head bolt M 6 X 25		2		31	999 500 084 02	special nut M 6		2	
26	443 121 321	lid	-97	1		32	999 507 570 40	hose holder 11,0/18,0		2	
26	996 106 447 00	lid	98-	1		33	996 106 253 00	hose connection		1	
26	996 106 447 01	lid see technical manual group 1 Nr.190101		1		34	996 641 503 00	switch		1	
27	000 043 203 78	antifreeze 1 LTR. container		X		35		see illustrations 01/04/05			
						-	999 652 912 40	plug socket		1	
						-	999 650 490 40	plug socket		1	

Model	Year	MG	SG	Illustration	Restrictions	UPD	10:30	24.01.2010	PORSCHE	PET	PORSCHE
986	2004	1	05	105-20		248					

Pos	Part Number	Description	Remark	Qty	Model	Pos	Part Number	Description	Remark	Qty	Model
-	999 652 934 22	contact bush		2							

Model	Year	MG	SG	Illustration	Restrictions	UPD	10:30	24.01.2010	PORSCHE	PET	PORSCHE
986	2004	1	06	106-00		248					

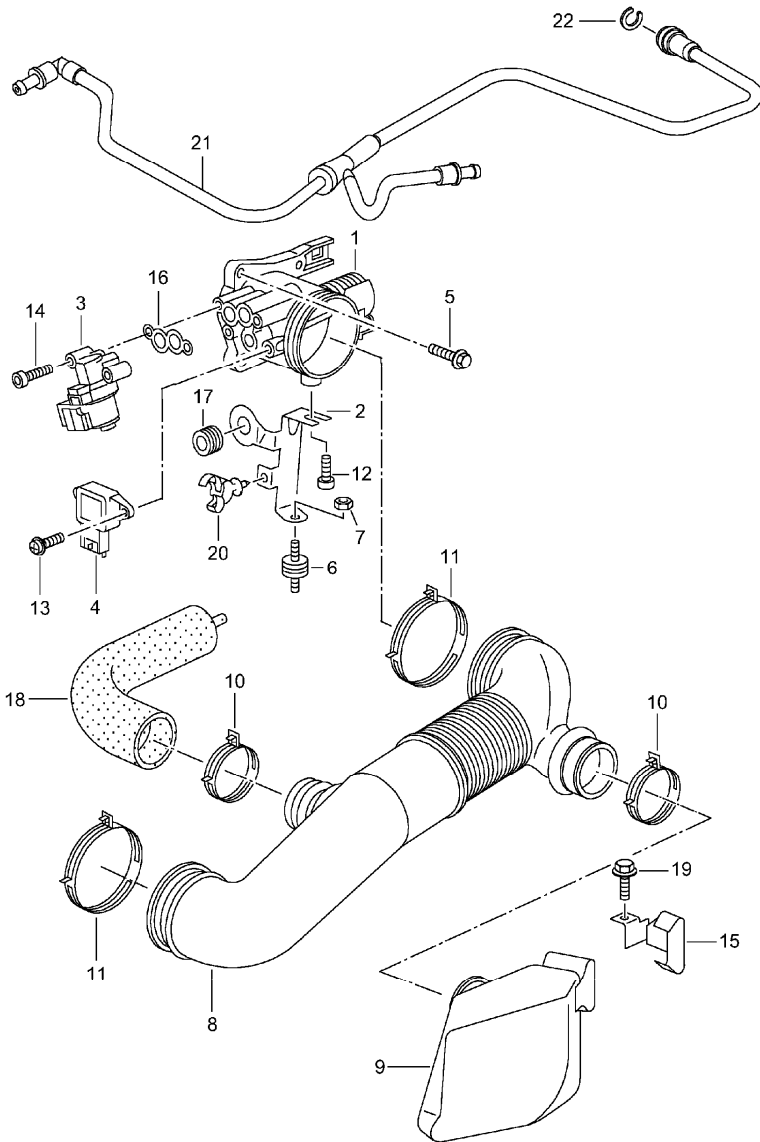


Pos	Part Number	Description	Remark	Qty	Model
		air cleaner			
1	A 996 110 121 05	air cleaner	-97	1	
1	996 110 121 06	air cleaner for M 96.20/22 order also: 996 110 297 00 996 110 295 00 999 919 198 09 for M 96.21 order also: 996 110 297 01 996 110 295 00 999 919 198 09	98-	1	
(1)	987 110 021 00	air cleaner		1	M091
2	996 110 133 01	frame		1	
3	996 110 123 02	frame		1	
4	996 110 131 03	air cleaner cartridge		1	
(4)	U 987 110 132 00	air cleaner cartridge		1	M091
(4)	987 110 133 00	air cleaner cartridge		1	M091
5	900 095 099 02	roll pin 12 X 14		3	
6	999 702 246 40	grommet 12,0 X 17,0 X 3		3	
7	996 606 123 00	mass air flow meter	-99	1	
-	999 650 169 40	plug socket		1	
-	999 652 886 22	connector		5	
-	999 704 161 40	gasket		5	
(7)	996 606 124 00	mass air flow meter F >>98YS6 02145 F >>98YS6 42000 see technical information group 2 NR. 1/00	00-	1	M620
(7)	986 606 125 00	mass air flow meter F 98YS6 02146>> F 98YS6 42001>> see technical information group 2 NR. 1/00		1	M620

Model	Year	MG	SG	Illustration	Restrictions	UPD	10:30	24.01.2010	PORSCHE	PET	PORSCHE
986	2004	1	06	106-00		248					

Pos	Part Number	Description	Remark	Qty	Model	Pos	Part Number	Description	Remark	Qty	Model
(7)	987 606 125 00	mass air flow meter	04	1	M091						
8	999 919 160 07	oval-head screw 5,0 X 20		4							
9	900 075 333 02	hexagon-head bolt M 6 X 25		2							
10	900 075 482 09	combination screw M 6 X 30		1							
11	000 043 300 60	spring clamp		2							
12	986 606 925 00	o-ring		1							
13	996 110 903 00	cup		1							
14	996 110 905 00	water drip pan	-97	1							
14	996 110 905 01	water drip pan	98-	1							
15	996 110 907 00	support		1							
16	900 377 001 02	hexagon nut M 6		2							
17	996 110 297 01	lid		1	M96.21						
18	996 110 297 00	water drain tube		1	M96.20/22						
19	996 110 295 00	washer		1							

Model	Year	MG	SG	Illustration	Restrictions	UPD	10:30	24.01.2010	PORSCHE	PET	PORSCHE
986	2004	1	07	107-00		248					

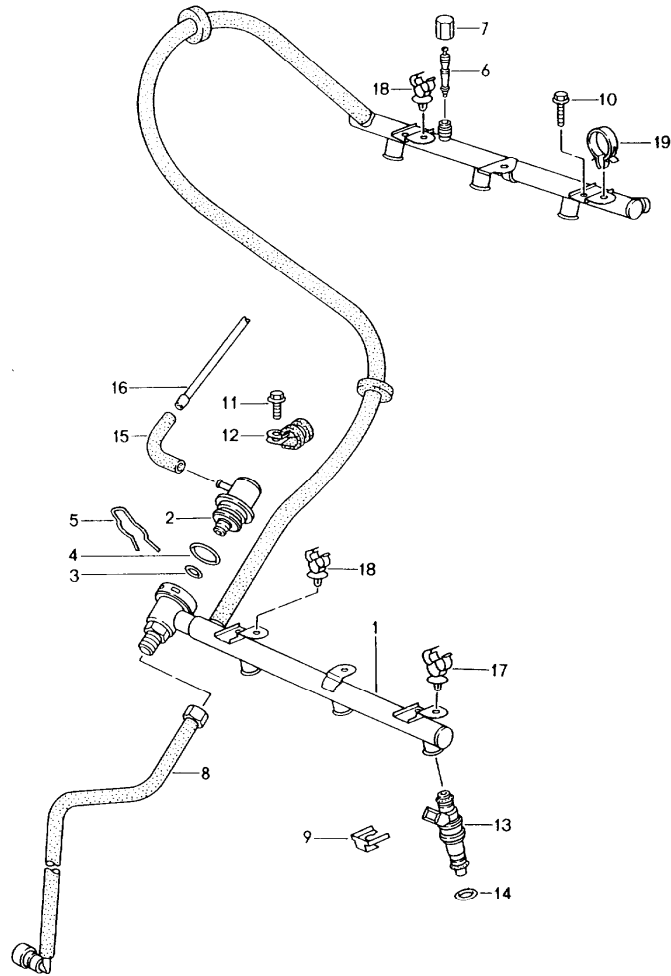


Pos	Part Number	Description	Remark	Qty	Model
		throttle body			
1	> 996 110 025 08	throttle body		1	M96.20
1	986 605 115 01	throttle body		1	M96.21/22 M96.23/24
2	996 110 223 01	bracket	-97	1	
2	996 110 223 03	bracket	98-	1	
3	996 606 160 01	idle-speed adjuster		1	M96.20
-	999 650 089 40	plug socket		1	M96.20
-	999 652 771 12	connector		3	M96.20
-	999 704 161 40	gasket		3	M96.20
4	996 606 116 00	throttle-valve switch		1	
-	999 652 916 40	plug socket		1	
-	999 652 886 22	connector		3	
-	999 704 161 40	gasket		3	
5	900 378 013 09	hexagon-head bolt AM 6 X 25		4	
6	A 930 110 579 01	bonded rubber buffer 20 X 15/M 6		1	
6	999 703 265 00	bonded rubber mounting 20 X 15/M 6		1	
7	900 377 010 09	hexagon nut M 6		1	
8	996 110 221 07	air box	-99	1	M249 M073/481
8	996 110 221 08	air box	-99	1	M481
(8)	996 110 027 03	air box with muffler	00	1	M249
(8)	996 110 027 05	air box with muffler	01-	1	M249
(8)	996 110 027 04	air box with muffler	00-	1	M480/481
9	996 110 222 00	muffler	-99	1	

Model	Year	MG	SG	Illustration	Restrictions	UPD	10:30	24.01.2010	PORSCHE	PET	PORSCHE
986	2004	1	07	107-00		248					

Pos	Part Number	Description	Remark	Qty	Model	Pos	Part Number	Description	Remark	Qty	Model
10	999 512 669 09	hose clamp 40 - 60 MM		2							
10	999 512 348 02	hose clamp 53 X 12		2							
11	999 512 628 02	hose clamp 86 X 12	-99	2							
11	999 512 628 02	hose clamp 86 X 12 air box throttle body	00-	1							
(11)	N 024 522 3	clip 60 X 80 air box air cleaner	00-	1							
12	-	pan-head screw		1							
13	900 146 150 02	round head screw M 4 X 16		2							
14	996 110 965 00	pan-head screw M 6 X 32		2							
15	996 110 212 01	support		1							
16	996 110 310 50	gasket		1							
17	999 702 246 40	rubber sleeve 12,0 X 17,0 X 3		1	M249						
18	996 110 242 00	pipe		1	M249 M073/481						
19	900 378 163 09	hexagon-head bolt M 6 X 16		1							
20	999 507 544 40	cable holder 4,0 - 12,0		1							
21	996 110 170 00	venturi tube	01-	1	M249						
22	999 230 535 40	lock		3	M249						

Model	Year	MG	SG	Illustration	Restrictions	UPD	10:30	24.01.2010	PORSCHE	PET	PORSCHE
986	2004	1	07	107-05		248					

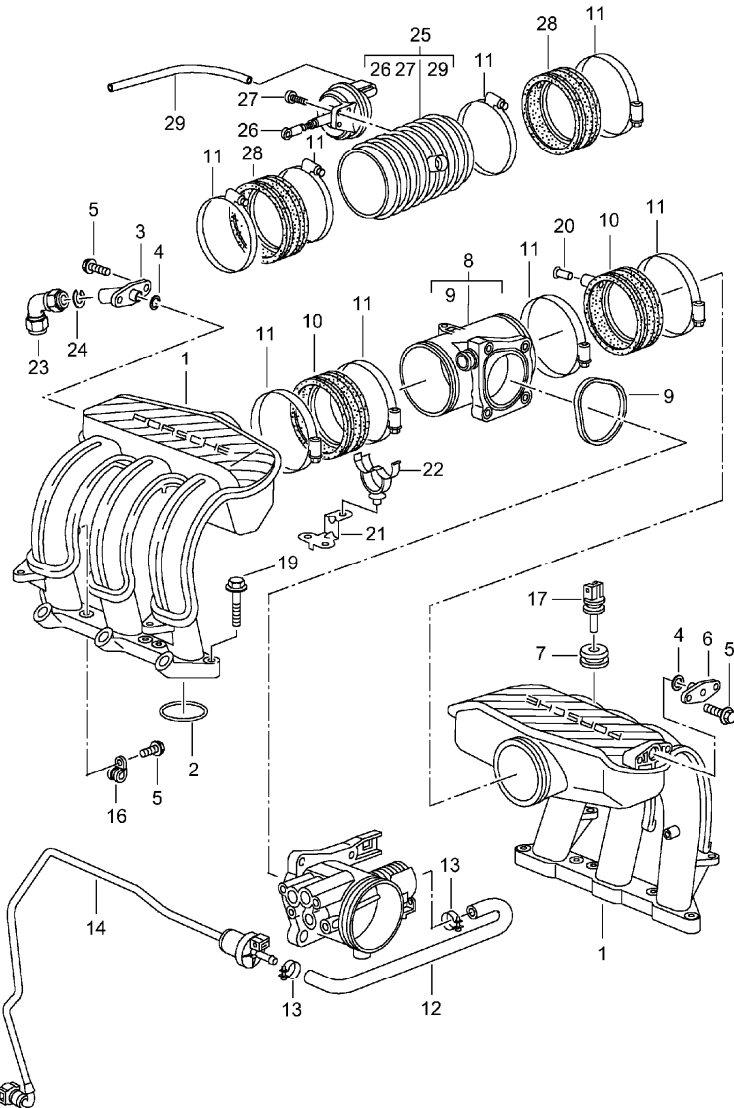


Pos	Part Number	Description	Remark	Qty	Model
		fuel collection pipe			
1	A 996 110 031 04	fuel collection pipe		1	M96.20
1	996 110 031 05	fuel collection pipe	-97	1	M96.20
1	996 110 031 07	fuel collection pipe	98-	1	M96.20
1	U 996 110 035 01	fuel collection pipe		1	M96.21
1	996 110 035 03	fuel collection pipe	00	1	M96.21/22
(1)	996 110 035 04	fuel collection pipe	01	1	M96.21/22
(1)	996 110 036 02	fuel collection pipe	02-	1	M96.21/22 M96.23/24
(1)	996 110 036 30	fuel collection pipe	M 091	04	M96.24
2	993 110 199 01	pressure regulator	-01	1	
3	999 707 276 40	o-ring 5 X 2,5		1	
4	999 707 277 40	o-ring 20 X 2,5		1	
5	993 110 196 00	retaining clip		1	
6	993 110 217 00	valve		1	
7	993 110 218 01	cap		1	
8	996 110 316 07	fuel hose	-97	1	
8	996 110 316 08	feed line	-99	1	M96.20
(8)	996 110 316 10	feed line	00-01	1	M96.21/22
9	996 110 113 52	retaining clip		6	
10	900 378 036 09	hexagon-head bolt M 6 X 12		4	
11	999 919 085 02	hexagon-head bolt 6 X 22		1	
12	999 511 234 02	clamp 16 X 15		1	
13	A 996 606 120 00	injector valve	-99	6	
(13)	996 606 120 01	injector valve	00	6	
(13)	996 606 122 00	injector valve	01-	6	
-	999 652 840 40	plug socket		6	

Model	Year	MG	SG	Illustration	Restrictions	UPD	10:30	24.01.2010	PORSCHE	PET	PORSCHE
986	2004	1	07	107-05		248					

Pos	Part Number	Description	Remark	Qty	Model	Pos	Part Number	Description	Remark	Qty	Model
-	999 652 771 12	connector		12							
-	999 704 161 40	gasket		12							
14	944 110 901 01	o-ring 7,52 X 3,53		12							
15	928 574 717 03	protective tube		1							
-	000 043 205 01	pipe 4 X 1		*							
16	-	340 MM		1							
17	999 511 240 40	cable holder 11,0 - 18		2							
18	999 511 239 40	cable holder 6,0 - 12		2							
19	321 971 847 B	clip		2							

Model	Year	MG	SG	Illustration	Restrictions	UPD	10:30	24.01.2010	PORSCHE	PET	PORSCHE
986	2004	1	07	107-10		248					

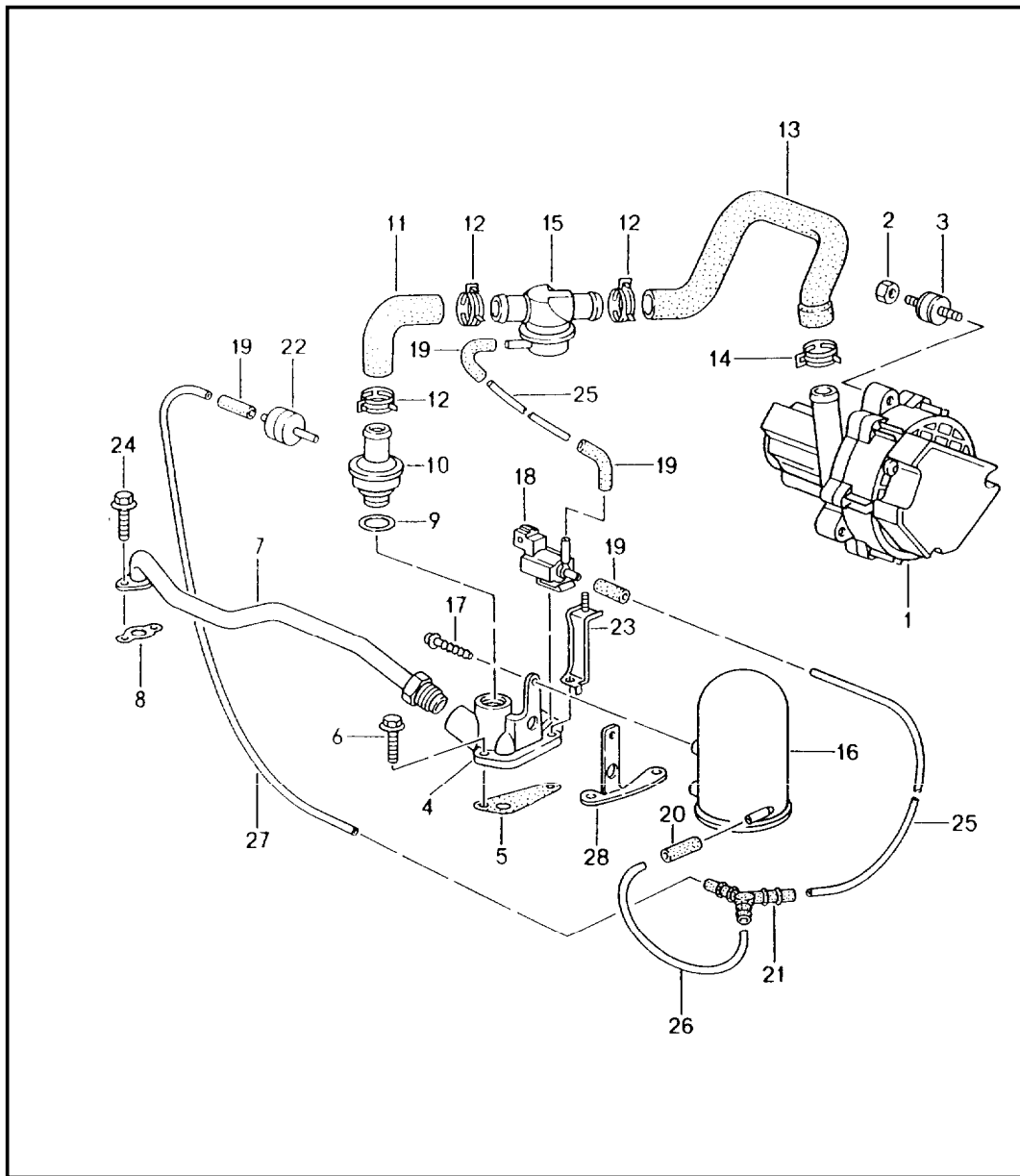


Pos	Part Number	Description	Remark	Qty	Model
1	996 110 015 03	intake distributor		2	M96.20
(1)	996 110 045 01	intake distributor		2	M96.21/22 M96.23/24
2	996 110 247 01	gasket		6	M96.20
2	996 110 247 03	gasket		6	M96.21/22 M96.23/24
3	996 110 151 00	adapter		1	
(3)	996 110 151 51	adapter	01-	1	M249
4	999 701 163 40	o-ring 11 X 2,5		2	
5	999 919 125 09	hexagon-head bolt 6,0 X 16		5	
6	996 110 251 51	lid		1	
7	993 110 530 00	grommet		1	
8	996 110 215 53	intermediate piece		1	M96.20
(8)	996 110 055 00	intermediate piece		1	M96.21/22 M96.23/24
9	996 110 317 50	sealing ring		1	
(9) A	996 110 318 01	sealing ring		1	M96.21/22 M96.23/24
(9)	996 110 318 02	sealing ring		1	M96.21/22 M96.23/24
10 A	996 110 685 51	rubber sleeve	-97	2	
10	996 110 685 52	rubber sleeve	98-	2	
(10)	996 110 685 01	rubber sleeve		2	M96.21/22 M96.23/24
11	999 512 539 00	hose clamp 90 - 110/9		4	M96.20
11	999 512 539 01	hose clamp 90 - 110/9		4	M96.20
(11)	999 512 350 02	hose clamp 80 - 100/9		8	M96.21/22 M96.23/24
12	996 110 127 01	vent line	-99	1	M96.20

Model	Year	MG	SG	Illustration	Restrictions	UPD	10:30	24.01.2010	PORSCHE	PET	PORSCHE
986	2004	1	07	107-10		248					

Pos	Part Number	Description	Remark	Qty	Model	Pos	Part Number	Description	Remark	Qty	Model
(12)	996 110 137 01	vent line	00-02 03-	1	M96.21/22 M96.23/24	28	996 110 686 01	rubber sleeve		2	M96.21/22 M96.23/24
13	999 512 427 02	hose clamp 8 - 16/9		3		-	000 043 204 99	hose 3,5 X 2		*	
14	996 110 129 04	vent line		1		29	-	120 MM		1	
-	999 652 839 40	plug socket		1							
-	999 652 771 12	connector		2							
-	999 704 161 40	gasket		2							
16	999 511 116 02	clamp 10 X 15		1							
17	996 606 113 00	temperature sensor	-02	1							
17	996 606 113 01	temperature sensor	03-	1							
-	999 650 167 40	plug socket		1							
-	999 652 771 12	connector		2							
-	999 704 161 40	gasket		2							
19 A	900 378 172 09	hexagon-head bolt AM 6 X 35		12							
19	900 385 017 01	torx screw AM 6 X 35		12							
20	900 312 012 02	locking bolt		1							
21	986 607 103 00	support	-97	1							
21	986 607 103 01	support	98-	1							
22	999 511 244 40	cable holder		1							
23	999 230 498 40	angled pipe		1							
24	999 230 535 40	lock		1							
25 A	996 110 130 01	resonance tube		1	M96.21/22 M96.23/24						
(25)	996 110 130 02	resonance tube		1	M96.21/22 M96.23/24						
26	993 110 462 02	vacuum unit		1	M96.21/22 M96.23/24						
27	900 146 123 02	screw M 5 X 16		2							

Model	Year	MG	SG	Illustration	Restrictions	UPD	10:31	24.01.2010	PORSCHE	PET	PORSCHE
986	2004	1	08	108-05		248					

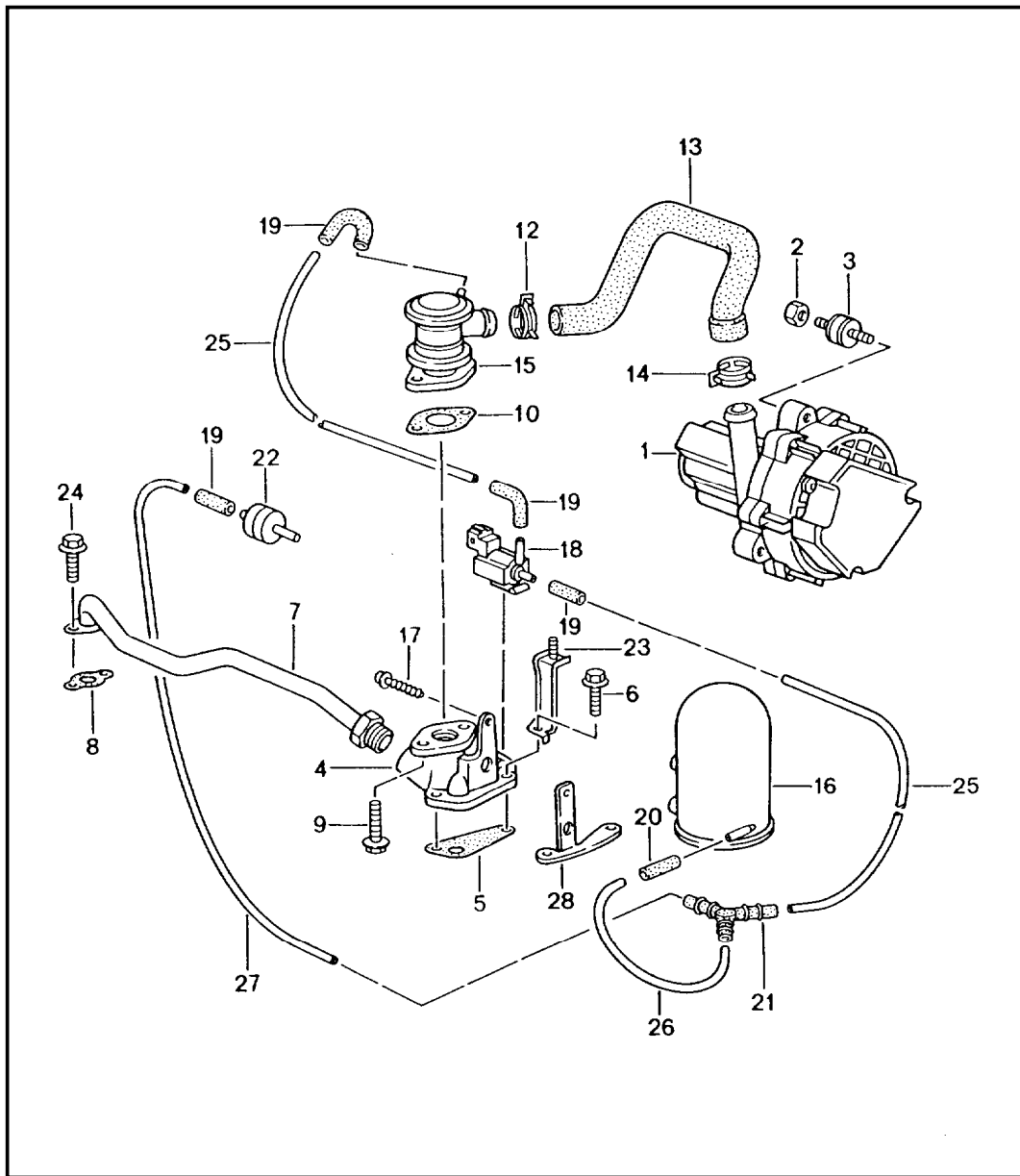


Pos	Part Number	Description	Remark	Qty	Model
		air injection		-99	M96.20
1	A 986 624 103 00	air pump		-97	1
1	A 986 624 103 01	air pump		-98	1
1	986 624 104 00	air pump		-99	1
-	999 652 971 40	plug socket			1
-	999 652 776 22	connector			2
-	999 652 778 40	gasket			2
2	900 377 010 09	hexagon nut M 6			3
3	999 703 465 00	bonded rubber buffer 20 X 20 / m6		99	3
4	996 113 131 52	distributor housing			1
5	996 113 233 50	gasket			1
6	900 378 030 09	hexagon-head bolt M 6 X 20			2
7	996 113 117 55	air tube			1
8	996 113 213 51	gasket			1
9	900 123 011 30	sealing ring A 22 X 27			1
10	993 113 250 03	check valve		99	1
11	996 113 241 53	hose			1
12	999 512 603 09	hose clamp 26 X 12		-98	3
12	999 512 657 09	hose clamp 26 X 12		99	3
13	996 113 239 03	hose F >>98WU6 20657 F >>98WS6 20860			1
13	996 113 239 04	hose F 98WU6 20658>> F 98WS6 20861>>			1
14	999 512 605 09	hose clamp 28 X 12		-98	1
14	999 512 659 09	hose clamp 28 X 12		99	1

Model	Year	MG	SG	Illustration	Restrictions	UPD	10:31	24.01.2010	PORSCHE	PET	PORSCHE
986	2004	1	08	108-05		248					

Pos	Part Number	Description	Remark	Qty	Model	Pos	Part Number	Description	Remark	Qty	Model
14	999 512 552 00	hose clamp 28 X 12		1							
15	993 113 245 00	change-over valve	99	1							
16	993 110 140 02	vacuum reservoir	-97	1							
16	993 110 140 03	vacuum tank	98-	1							
17	999 919 115 02	oval-head screw 5 X 22		1							
18	993 605 123 00	valve	-98	1							
18	996 605 123 01	change-over valve	99	1							
-	999 652 838 40	plug socket		1							
-	999 652 771 12	connector		2							
-	999 704 161 40	gasket		2							
19	928 574 717 03	moulded hose		4							
20	999 239 040 40	connecting piece		1							
21	928 573 727 03	y-piece		1							
(21)	928 573 729 03	distributing piece fourfold		1	M249						
22	964 110 950 01	check valve		1							
23	986 607 102 01	support		1							
24	900 378 035 01	hexagon-head bolt M 6 X 16		2							
-	000 043 205 01	pipe 4 X 1,0		*							
25	-	120 MM		2							
26	-	40 MM		1							
27	-	240 MM		1							
28	996 113 145 50	support		1							
--	996 113 901 00	stopper for cars without m 661		1							

Model	Year	MG	SG	Illustration	Restrictions	UPD	10:31	24.01.2010	PORSCHE	PET	PORSCHE
986	2004	1	08	108-06		248					

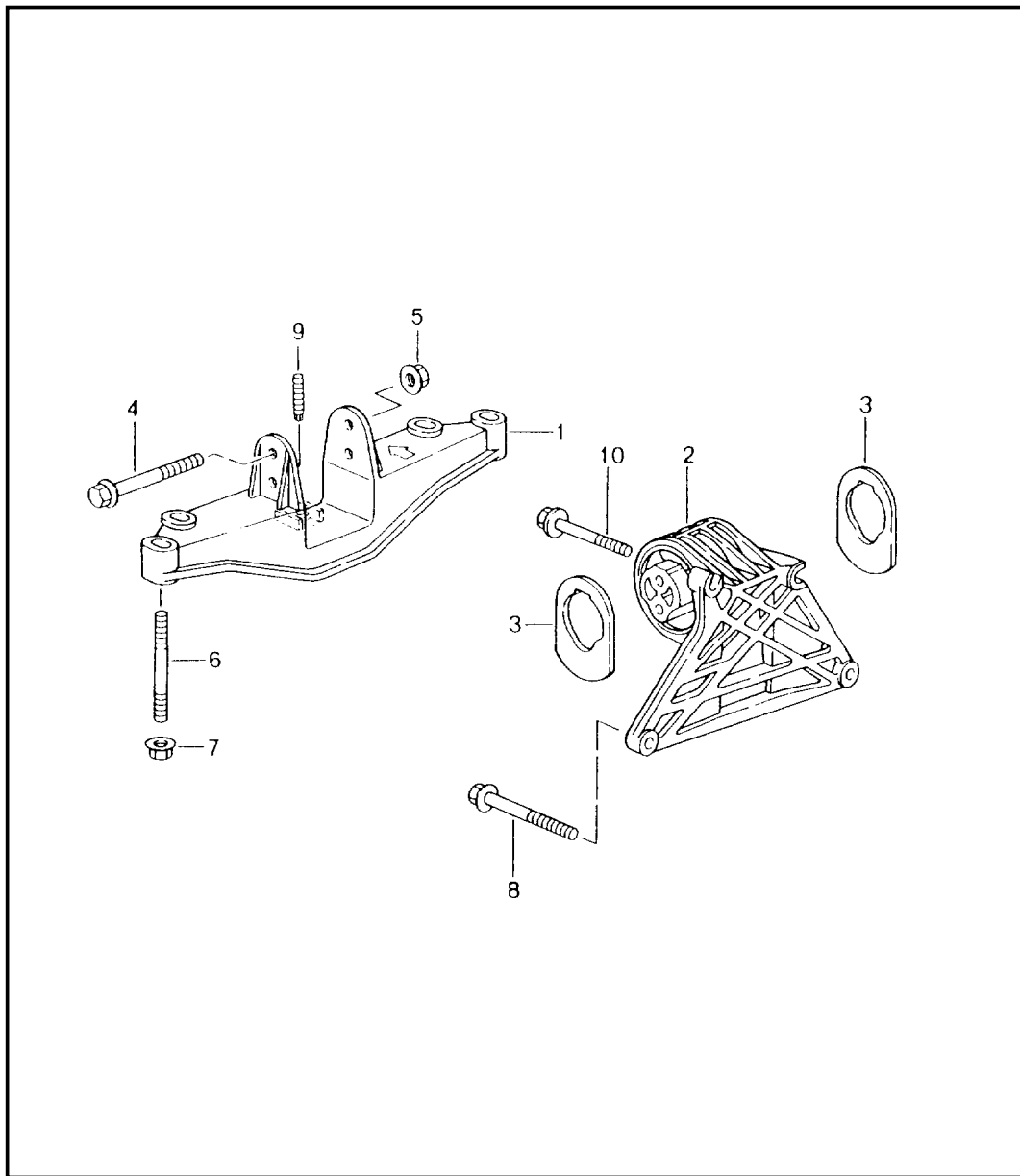


Pos	Part Number	Description	Remark	Qty	Model
		air injection	00-02 03-		M96.21/22 M96.23/24
1	996 605 104 00	air pump		1	
-	999 652 971 40	plug socket		1	
-	999 652 776 22	connector		2	
-	999 652 778 40	gasket		2	
2	900 377 010 09	hexagon nut M 6		3	
3	999 703 477 40	bonded rubber buffer 20 X 20 / M6		3	
4	996 113 131 01	distributor housing		1	
5	996 113 233 50	gasket		1	
6	900 378 030 09	hexagon-head bolt M 6 X 20		2	
7	996 113 117 55	air tube		1	
8	996 113 213 51	gasket		1	
9	900 378 035 01	hexagon-head bolt M 6 X 16		2	
10	993 113 258 51	gasket		1	
12	999 512 657 09	hose clamp 26 X 12		1	
13	996 113 239 06	hose		1	M660/661
13	996 113 239 05	hose		1	M661
(13)	996 113 164 00	air hose		1	M661
14	999 512 659 09	hose clamp 28 X 12		1	
14	999 512 552 00	hose clamp 28 X 12		1	
15	996 113 249 01	shut-off valve		1	
16	993 110 140 03	vacuum tank		1	
17	999 919 115 02	oval-head screw 5 X 22		1	
18	996 605 123 01	change-over valve		1	

Model	Year	MG	SG	Illustration	Restrictions	UPD	10:31	24.01.2010	PORSCHE	PET	PORSCHE
986	2004	1	08	108-06		248					

Pos	Part Number	Description	Remark	Qty	Model	Pos	Part Number	Description	Remark	Qty	Model
-	999 652 838 40	plug socket		1							
-	999 652 771 12	connector		2							
-	999 704 161 40	gasket		2							
19	928 574 717 03	moulded hose		4							
20	999 239 040 40	connecting piece		1							
21	928 573 727 03	y-piece		1							
22	964 110 950 01	check valve		1							
23	986 607 102 01	support		1							
24	900 378 035 01	hexagon-head bolt M 6 X 16		2							
--	000 043 205 01	pipe 4 X 1,0		X							
25		120 MM		2							
26		40 MM		1							
27		240 MM		1							
28	996 113 145 50	support		1							
-- U	911 101 185 00	stopper for cars without M 661		1							
--	996 113 901 00	stopper for cars without M 661		1							
--	996 113 160 01	damper		1	M661						
--	999 507 726 40	cable strap		1							

Model	Year	MG	SG	Illustration	Restrictions	UPD	10:31	24.01.2010	PORSCHE	PET	PORSCHE
986	2004	1	09	109-00		248					



Pos	Part Number	Description	Remark	Qty	Model
		engine suspension			
1	986 375 309 01	engine carrier		1	
2	986 375 023 05	engine bracket	-98	1	
2	986 375 023 07	engine bracket	99-	1	
3	986 375 255 01	stop		2	
4	900 378 167 09	hexagon-head bolt M 10 X 110		2	
5	900 380 008 09	hexagon nut M 10		2	
6	999 061 101 09	stud M 10 X 68	-97	4	
6	999 061 106 09	stud M 10 X 83	98-	4	
7	999 076 053 09	hexagon nut M 10		4	
8	999 072 027 09	hexagon-head bolt M 10 X 120		3	
9	999 919 169 02	stud 6,0 X 11/M6		1	
10	999 072 036 09	hexagon-head bolt M 10 X 80		1	

Model	Year	MG	SG	Illustration	Restrictions	UPD	10:31	24.01.2010
986	2004	1	98	198-00R		248		

Pos	Part Number	Description	Remark	Qty	Model
>>	>>986 100 905 00	gasket set repair kits		1	
		use also: 996 104 169 00 996 104 170 04 996 110 247 01		1 1 6	
-	996 101 361 51	gasket		1	
-	996 101 363 50	gasket		1	
-	999 701 789 40	o-ring 12 X 2		4	
-	996 101 331 50	gasket		1	
-	996 101 336 50	gasket		1	
-	900 123 147 30	sealing ring A 27 X 32		4	
-	900 123 106 30	sealing ring A 18 X 24		1	
-	996 113 233 50	gasket		1	
-	996 113 213 51	gasket		1	
-	999 113 475 40	shaft sealing ring 40 X 62 X10		1	
-	999 113 490 40	shaft sealing ring 85 X 105 X 11		1	
-	999 218 005 02	pan-head screw M 6 X 16		6	
-	900 123 007 30	sealing ring A 14 X 18		1	
-	996 105 223 52	lid		2	
-	000 043 203 64	sleeve		1	
-	000 043 204 46	sleeve		1	
-	999 707 343 40	o-ring 25,07 X 2,62		6	
-	999 707 215 40	o-ring 27,94 X 5,33		6	
-	996 104 215 54	lid		6	
-	U 996 105 017 01	housing 52 X 2,5		1	

PORSCHE

PET

PORSCHE

Model	Year	MG	SG	Illustration	Restrictions	UPD	10:31	24.01.2010
986	2004	1	98	198-00R		248		

Pos	Part Number	Description	Remark	Qty	Model
-	999 707 346 40	o-ring 15 X 3		6	
-	999 707 344 40	o-ring 18,77 X 1,78		2	
-	996 107 103 51	o-ring		2	
-	996 107 261 50	sealing ring		1	
-	996 106 316 51	gasket		1	
-	996 106 321 50	gasket		1	
-	900 123 144 30	sealing ring A 10 X 13,5		1	
-	996 107 337 50	gasket		1	
-	996 107 221 51	o-ring 95 X 2,5		2	
-	999 217 150 09	hexagon-head bolt M 6 X 20		18	
-	999 707 409 40	o-ring 26 X 3		2	
-	999 707 389 40	o-ring 35 X 4		2	
-	996 107 313 51	sealing ring		1	
-	999 707 375 40	o-ring 30 X 3		1	
-	900 378 030 09	hexagon-head bolt M 6 X 20		2	
-	999 707 369 40	o-ring 9,5 X 3,5		1	
-	999 707 348 40	o-ring 42 X 4		2	
-	996 107 122 00	sealing ring 14 X 1,78		1	
-	999 707 154 40	o-ring 18,77 X 1,78		1	
-	996 106 340 51	gasket		1	
-	996 106 326 50	gasket		1	
-	996 110 247 01	gasket		6	
-	A 900 378 172 09	hexagon-head bolt AM 6 X 35		12	

PORSCHE

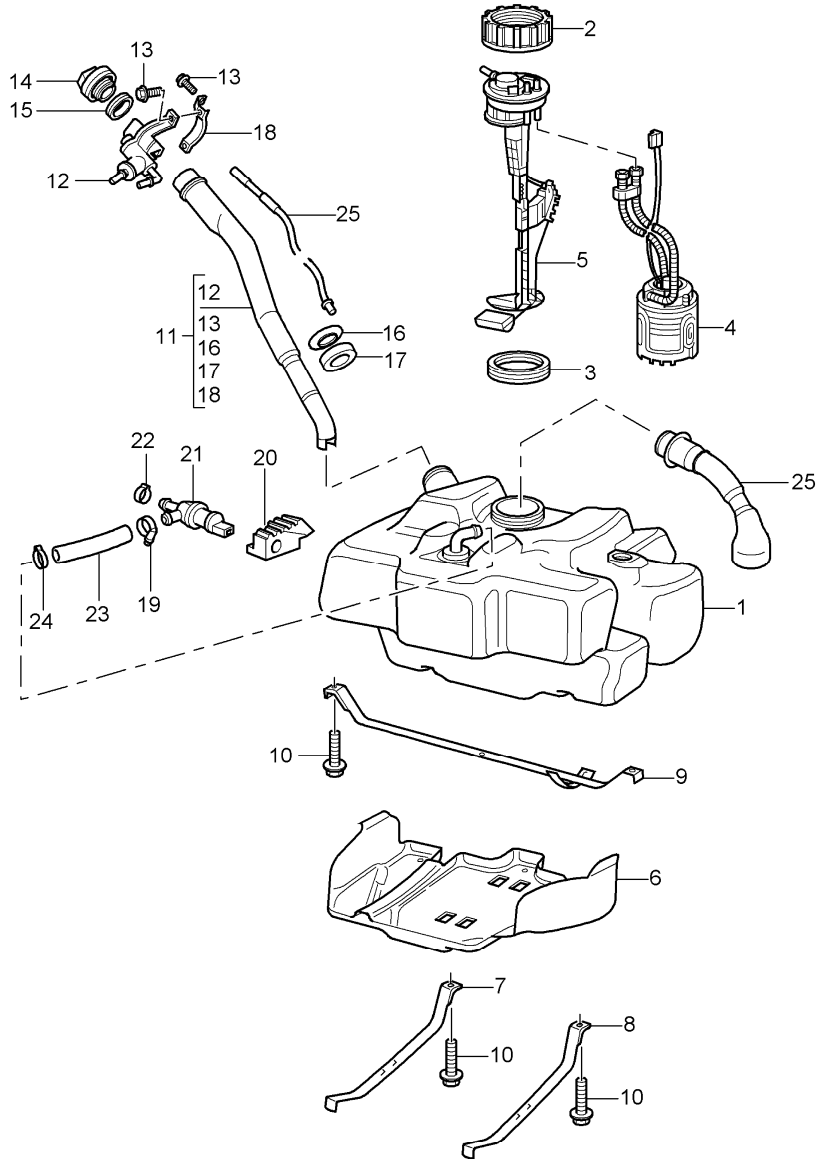
PET

PORSCHE

Model	Year	MG	SG	Illustration	Restrictions	UPD	10:31	24.01.2010
986	2004	1	98	198-00R		248		

Pos	Part Number	Description	Remark	Qty	Model
-	900 385 017 01	torx screw AM 6 X 35		12	
-	900 123 011 30	sealing ring A 22 X 27		1	
-	996 111 107 54	gasket		2	
-	900 378 131 00	hexagon-head bolt M 8 X 28		12	
-	900 378 163 09	hexagon-head bolt M 6 X 16		3	

Model	Year	MG	SG	Illustration	Restrictions	UPD	10:31	24.01.2010	PORSCHE	PET	PORSCHE
986	2004	2	01	201-00		248					

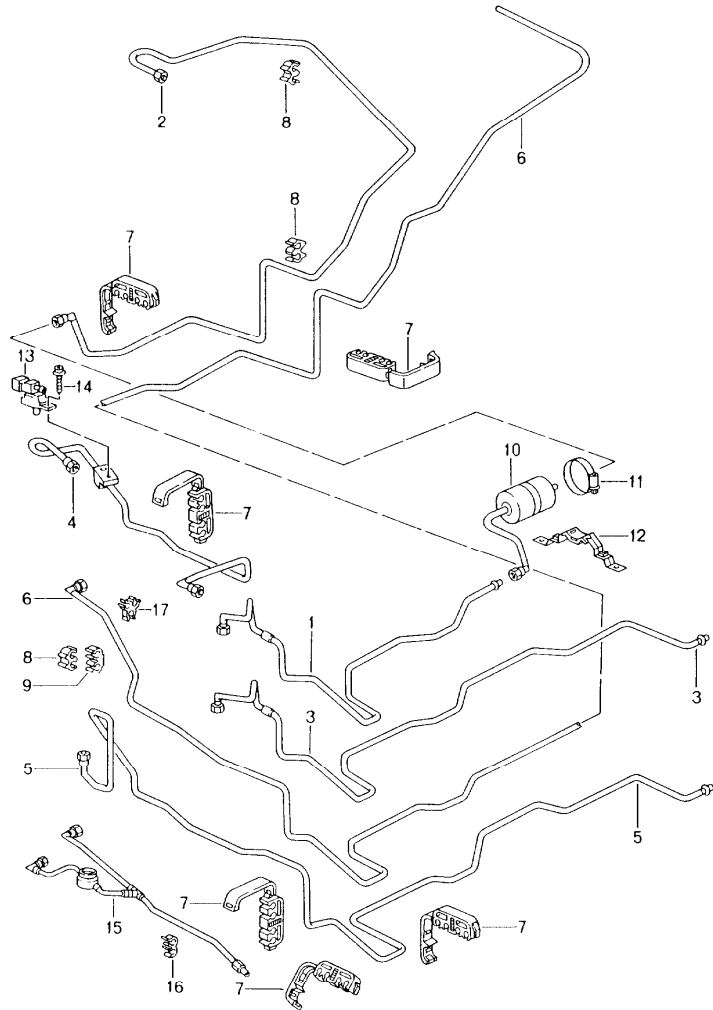


Pos	Part Number	Description	Remark	Qty	Model
		fuel tank			
1	996 201 021 02	fuel tank	/LL	-01	1
1	996 201 021 05	fuel tank	/LL	02-	1
(1)	996 201 022 02	fuel tank	/RL	-01	1
(1)	996 201 022 03	fuel tank	/RL	02-	1
2	996 201 623 00	union nut			1
3	321 919 133	sealing ring		-97	1
3	321 919 133	sealing ring		98-	1
4	996 620 102 00	fuel pump		-01	1
4	996 620 132 00	fuel pump		02-	1
5	996 620 808 00	tank gauge		-99	1
(5)	996 620 808 00	tank gauge		-01	1
(5)	996 620 832 01	tank gauge		02-	1
6	996 201 331 00	protective plate	/LL		1
(6)	996 201 331 02	protective plate	/RL		1
7	996 201 105 02	restraining strap			1
8	996 201 106 02	restraining strap			1
9	996 201 107 02	restraining strap	/LL		1
9	996 201 108 00	restraining strap	/RL		1
10	900 075 479 09	combination screw M 8 X 40			4
11	996 201 043 09	filler neck			1 M009
11	986 201 043 04	filler neck			1 M009/150 M009/193
11	996 201 043 09	filler neck		-00	1 M008
11	996 201 043 09	filler neck		01-	1 M008
11	996 201 043 10	filler neck		-00	1 M008/150 M193
11	996 201 043 10	filler neck		01-	1 M008/150 M193
12	996 201 143 01	bleeder valve		-97	1

Model	Year	MG	SG	Illustration	Restrictions	UPD	10:31	24.01.2010	PORSCHE	PET	PORSCHE
986	2004	2	01	201-00		248					

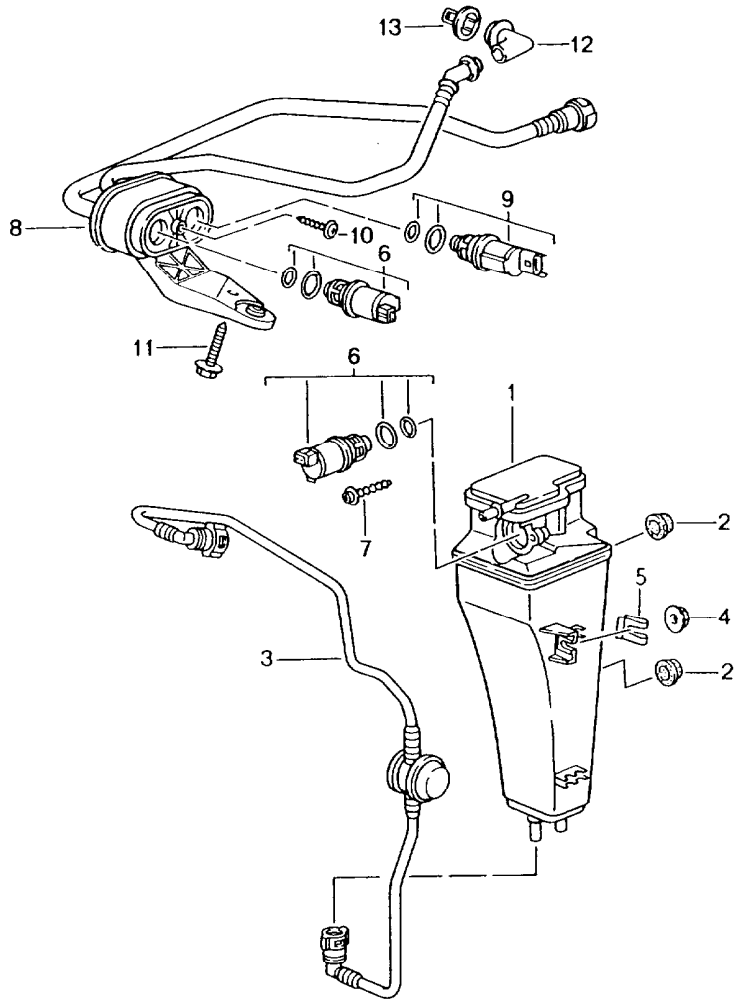
Pos	Part Number	Description	Remark	Qty	Model	Pos	Part Number	Description	Remark	Qty	Model
12	996 201 143 01	bleeder valve	98-	1							
13	900 378 036 09	hexagon-head bolt M 6 X 12		3							
14	A 996 201 241 00	fuel tank cap	-98	1							
14	996 201 241 01	fuel tank cap	-00	1							
(14)	996 201 241 02	fuel tank cap with clip	01-	1							
--	999 507 499 40	expansion rivet		1							
15	191 201 557	gasket	-98	1							
15	191 201 557	gasket	99-	1							
16	996 201 755 00	support washer		1							
17	996 201 753 00	gasket		1							
18	996 201 751 00	support		1							
27	000 043 206 89	Additive fuel 100 ml Beh,lter	CHINA	1							

Model	Year	MG	SG	Illustration	Restrictions	UPD	10:32	24.01.2010	PORSCHE	PET	PORSCHE
986	2004	2	01	201-05		248					



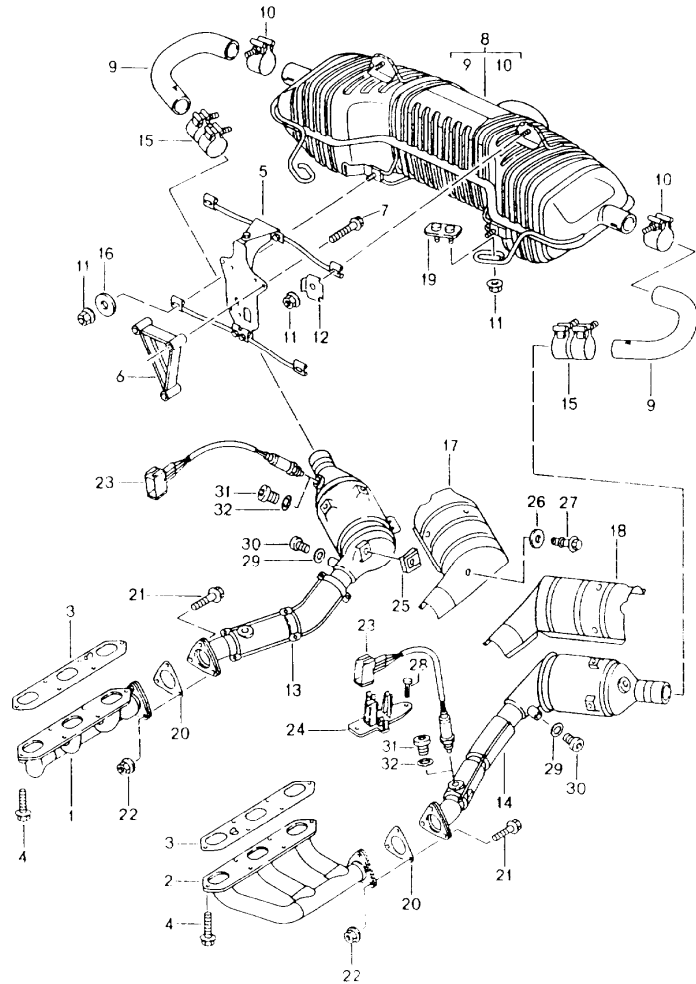
Pos	Part Number	Description	Remark	Qty	Model
		fuel system			
1	986 201 261 01	pressure line front	-01	1	
1	986 201 261 02	pressure line front	02-	1	
2	986 201 267 00	pressure line		1	
3	986 201 271 01	return line		1	
4	996 201 251 01	vent line fuel pump for filler neck		1	
5	986 201 353 00	vent line carbon canister for engine		1	
6	986 201 361 00	air tube fresh-air intake system		1	
7	999 507 554 40	cable holder		9	
8	999 507 488 40	cable holder		3	
9	999 507 487 40	cable holder		1	
10	996 110 253 01	fuel filter	-01	1	
11	999 512 635 00	hose clamp 76 X 12		1	
12	996 504 517 00	support		1	

Model	Year	MG	SG	Illustration	Restrictions	UPD	10:32	24.01.2010	PORSCHE	PET	PORSCHE
986	2004	2	01	201-20		248					



Pos	Part Number	Description	Remark	Qty	Model
		carbon canister			
1	996 201 221 09	carbon canister		1	
2	999 702 221 40	grommet		2	
3	996 201 255 07	vent line		1	
4	999 084 629 09	hexagon nut M 6		1	
5	999 507 543 02	clamp 2,00 - 3,00		1	
6 A	996 605 201 01	shut-off valve		1	M660/664
6	996 605 201 01	shut-off valve		1	M660

Model	Year	MG	SG	Illustration	Restrictions	UPD	10:32	24.01.2010	PORSCHE	PET	PORSCHE
986	2004	2	02	202-00		248					

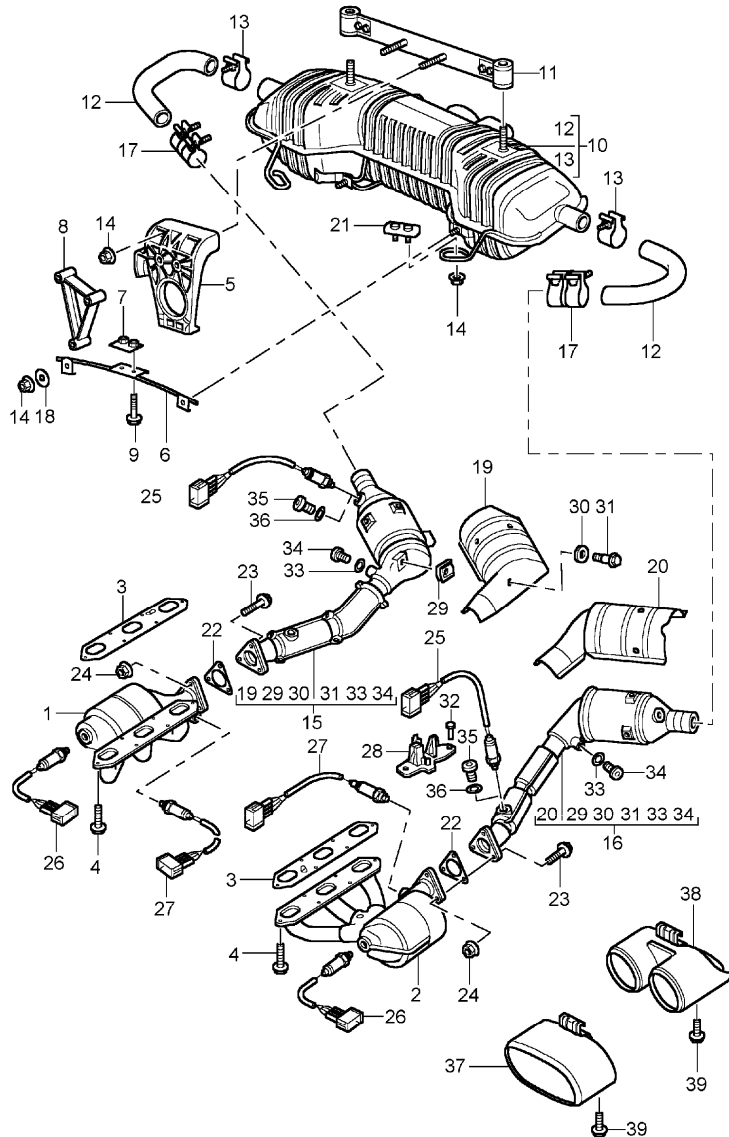


Pos	Part Number	Description	Remark	Qty	Model
		exhaust system M 96.20			
1	996 111 101 05	exhaust manifold		1	M96.20
2	996 111 102 05	exhaust manifold		1	M96.20
3	A 996 111 107 52	gasket		2	
(3)	A 996 111 107 54	gasket		2	
(3)	996 111 107 55	gasket		2	
4	900 378 131 00	hexagon-head bolt M 8 X 28		12	
5	996 111 024 01	support		1	M96.20
6	996 111 223 00	adapter		1	M481
7	900 378 022 09	hexagon-head bolt M 8 X 25		3	M249
7	900 378 175 09	hexagon-head bolt M 8 X 65		3	M481
8	A 996 111 121 06	muffler	-97	1	
8	996 111 121 07	muffler	-99	1	
9	996 111 313 01	connecting tube	-99	2	
10	996 111 209 00	clip		2	
11	900 380 005 09	hexagon nut M 8		8	
12	996 111 311 01	reinforcement plate		2	
13	996 113 921 01	catalytic converter	-99	1	
14	996 113 922 01	catalytic converter	-99	1	
15	996 111 110 00	sleeve	-99	2	
16	900 035 004 02	washer R 9		2	
17	996 113 421 00	heat shield		1	
18	996 113 422 00	heat shield		1	
19	996 113 311 01	retainer plate		2	
20	996 111 113 02	gasket		2	

Model	Year	MG	SG	Illustration	Restrictions	UPD	10:32	24.01.2010	PORSCHE	PET	PORSCHE
986	2004	2	02	202-00		248					

Pos	Part Number	Description	Remark	Qty	Model	Pos	Part Number	Description	Remark	Qty	Model
21	900 074 287 02	hexagon-head bolt M 8 X 35		6							
22	999 084 052 02	hexagon nut M 8		5							
23	986 606 126 00	oxygen sensor	-97	4							
23	986 606 126 01	oxygen sensor	-99	4							
--	000 043 207 07	grease for oxygen sensor		1							
-	999 650 075 40	pin connector socket		1							
-	999 652 820 12	connector		4							
-	999 704 161 40	gasket		4							
24	986 606 105 01	support		2							
25	999 507 413 09	retaining clip		6							
26	900 151 007 02	washer 7,4		6							
27	999 507 430 09	locking bolt 6 X 12		6							
28	999 591 712 40	expansion rivet 6,0 X 12,0		4							
29	900 123 050 20	sealing ring 8 X 11,5		2							
30	900 083 080 00	screw plug 8 X 1 X 10		2							
31	900 219 015 00	screw plug 18 X 1,5		4							
32	900 123 009 20	sealing ring 18 X 24		4							

Model	Year	MG	SG	Illustration	Restrictions	UPD	10:32	24.01.2010	PORSCHE	PET	PORSCHE
986	2004	2	02	202-05		248					

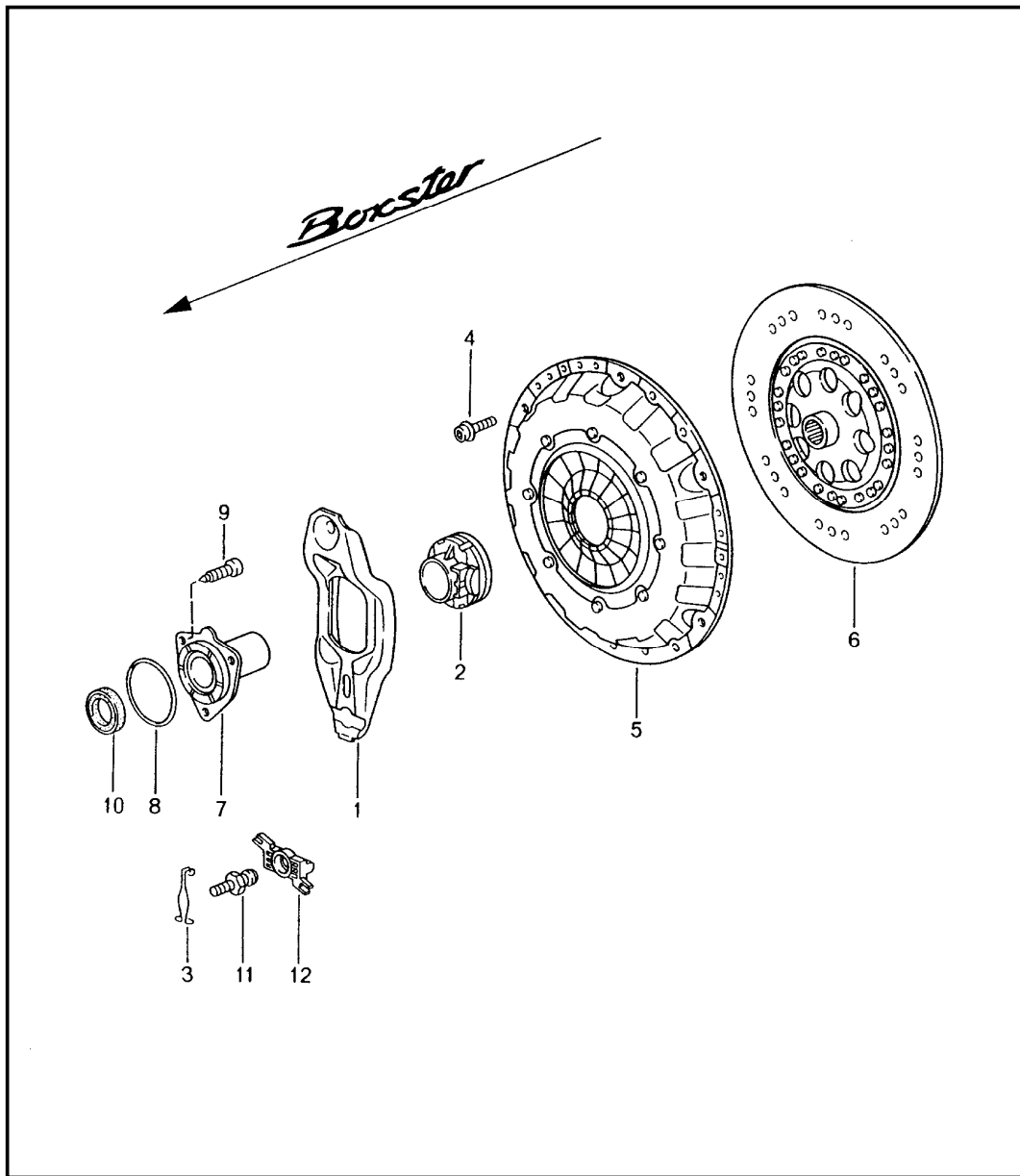


Pos	Part Number	Description	Remark	Qty	Model
		exhaust system M 96.21/22 M 96.23/24	00-02 03-		
(1)	996 111 103 00	exhaust manifold	00-02 03-	1	M96.21/22 M96.23/24
(2)	996 111 104 00	exhaust manifold	00-02	1	M96.21/22 M96.23/24
3 A	996 111 107 52	gasket		2	
(3) A	996 111 107 54	gasket		2	
(3)	996 111 107 55	gasket		2	
4	900 378 131 00	hexagon-head bolt M 8 X 28		12	
5	996 111 226 02	support		1	M96.22 M96.24 M249
				1	M96.21 M249 M96.23 M249
(5)	996 111 224 03	support		1	M96.21 M480 M96.24 M480
6	996 111 242 01	support		1	M96.21 M96.24
				1	M96.22 M249 M96.23 M249
7	996 111 243 00	retainer plate		1	M96.21 M96.24 M96.22 M249 M96.23 M249
8	996 111 223 00	adapter for additional support		1	M009/481
9	900 378 022 09	hexagon-head bolt M 8 X 25		3	M249
(9) U	900 378 175 09	hexagon-head bolt M 8 X 65		3	M481

Model	Year	MG	SG	Illustration	Restrictions	UPD	10:32	24.01.2010	PORSCHE	PET	PORSCHE
986	2004	2	02	202-05		248					

Pos	Part Number	Description	Remark	Qty	Model	Pos	Part Number	Description	Remark	Qty	Model
(9)	900 378 212 09	hexagon-head bolt M 8 X 75		3	M481	20	996 113 422 00	heat shield		1	
10	996 111 141 05	muffler	00-02	1	M008/660	21	996 113 311 01	retainer plate		2	
10	996 111 141 11	muffler	03-	1	M008/660 M009/660	22	996 113 113 00	gasket		2	M96.21/22 M96.23/24
(10)	996 111 142 02	muffler	00-02	1	M008	23	900 074 287 02	hexagon-head bolt M 8 X 35		6	
(10)	996 111 142 11	muffler	03-	1	M008 /074 M008 M008/114 M008/193 M009	24	999 084 052 02	hexagon nut M 8		5	
(10)	996 111 151 01	muffler	00-02	1	M009	25	986 606 126 01	oxygen sensor	-02	4	
(10)	996 111 152 02	muffler	00-02	1	M009/660	25	986 606 226 00	oxygen sensor	03-	4	
11	996 111 241 00	mounting muffler	00-	1		--	000 043 207 07	grease for oxygen sensor		1	
12	996 111 314 00	connecting tube	00-	2		-	999 650 075 40	pin connector socket		1	
13	996 111 209 00	clip		2		-	999 652 820 12	connector		4	
14	900 380 005 09	hexagon nut M 8		8		-	999 704 161 40	gasket		4	
15	996 113 021 11	catalytic converter	00-02	1		28	986 606 105 01	support		2	
15	996 113 021 12	catalytic converter	03-	1		29	999 507 413 09	retaining clip		6	
(15) A	996 113 025 02	catalytic converter		1	M661	30	900 151 007 02	washer 7,4		6	
(15) A	996 113 025 03	catalytic converter	-02	1	M661	31	999 507 430 09	locking bolt 6 X 12		6	
(15)	996 113 025 04	catalytic converter		1	M661	32	999 591 712 40	expansion rivet 6,0 X 12,0		4	
16	996 113 022 11	catalytic converter	00-02	1		33	900 123 050 20	sealing ring 8 X 11,5		2	
16	996 113 022 12	catalytic converter	03-	1		34	900 083 080 00	screw plug 8 X 1 X 10		2	
(16) A	996 113 026 02	catalytic converter		1	M661	35	900 219 015 00	screw plug 18 X 1,5		4	
(16) A	996 113 026 03	catalytic converter	-02	1	M661	36	900 123 009 20	sealing ring 18 X 24		4	
(16)	996 113 026 04	catalytic converter		1	M661	37	996 111 253 00	ornamental exhaust pipe	03-	1	M009
17	996 111 110 00	sleeve		2		38	996 111 254 00	ornamental exhaust pipe	03-	1	M008
18	900 035 004 02	washer R 9		2		39	900 378 074 09	hexagon-head bolt M 8 X 16	03-	2	
19	996 113 421 00	heat shield		1							

Model	Year	MG	SG	Illustration	Restrictions	UPD	10:32	24.01.2010	PORSCHE	PET	PORSCHE
986	2004	3	01	301-00		248					

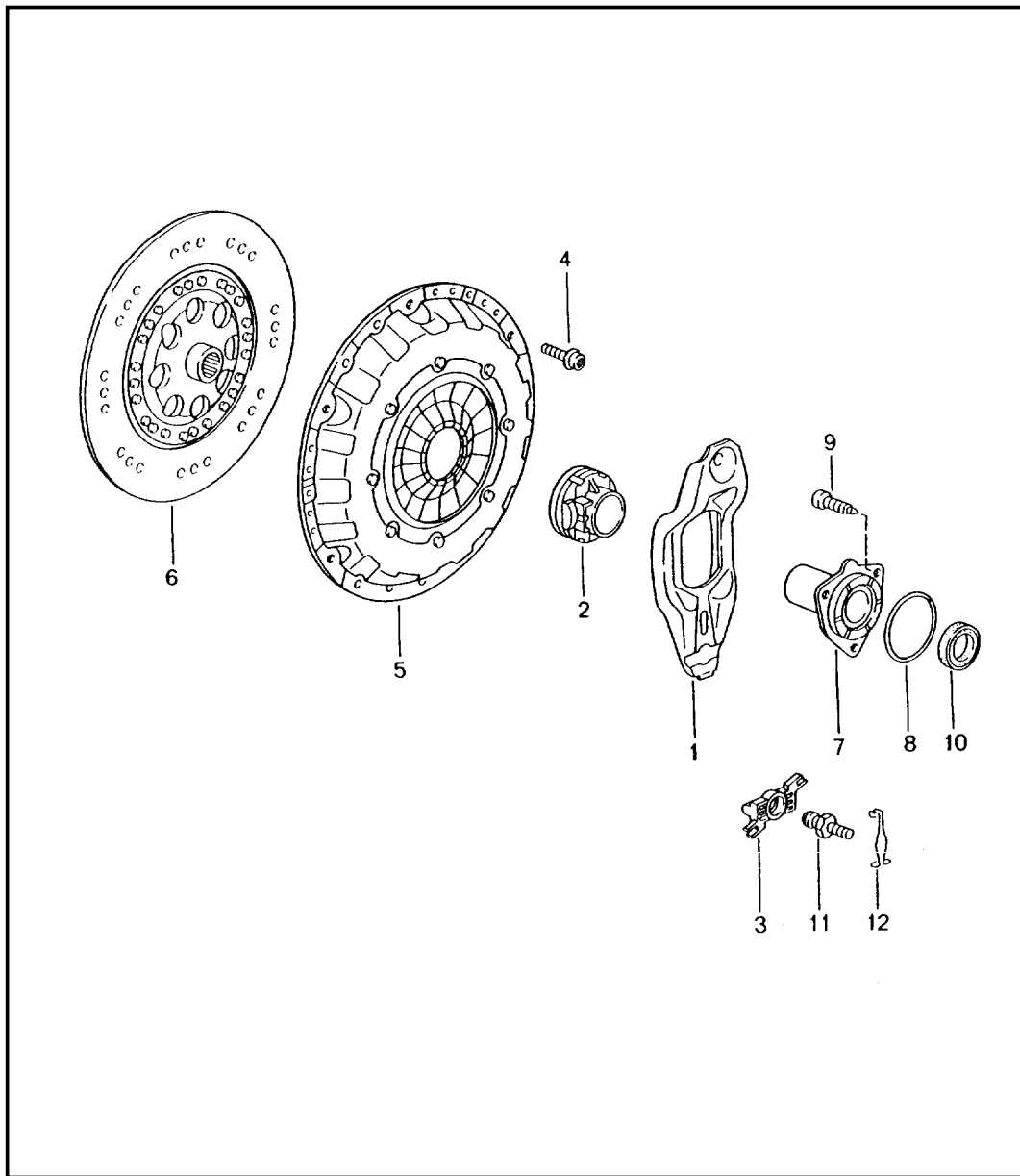


Pos	Part Number	Description	Remark	Qty	Model
		clutch			M96.20/22/23
1	012 141 719 B	clutch release lever		1	
2	012 141 165 E	clutch release bearing		1	
3	012 141 741	retaining spring		1	
4	U 900 067 131 02	screw M 8 X 16		6	
(4)	999 073 458 01	screw M 8 X 16		6	
5	986 116 028 03	pressure plate	-99	1	M96.20
5	986 116 028 04	pressure plate	00-	1	M96.22/23
6	A 986 116 014 06	clutch plate	-03	1	
6	986 116 014 08	clutch plate		1	
7	012 141 180 B	guide sleeve		1	
8	N 903 542 01	o-ring 56,8 X 2,6		1	
9	N 903 663 01	pan-head screw M 8 X 22		3	
10	016 311 113 C	radial shaft seal		1	
11	012 141 777 D	ball pin		1	
12	A 012 141 751 A	intermediate piece		1	
(12)	A 012 141 751 B	intermediate piece		1	
-	986 116 911 00	repair kit for clutch comprising:		1	M96.20
-	986 116 028 03	pressure plate		1	
-	986 116 014 06	clutch plate		1	
-	012 141 165 E	clutch release bearing		1	
-	986 116 911 01	repair kit for clutch comprising:		1	M96.22 M96.23
-	986 116 028 04	pressure plate		1	
-	986 116 014 06	clutch plate		1	

Model	Year	MG	SG	Illustration	Restrictions	UPD	10:32	24.01.2010	PORSCHE	PET	PORSCHE
986	2004	3	01	301-00		248					

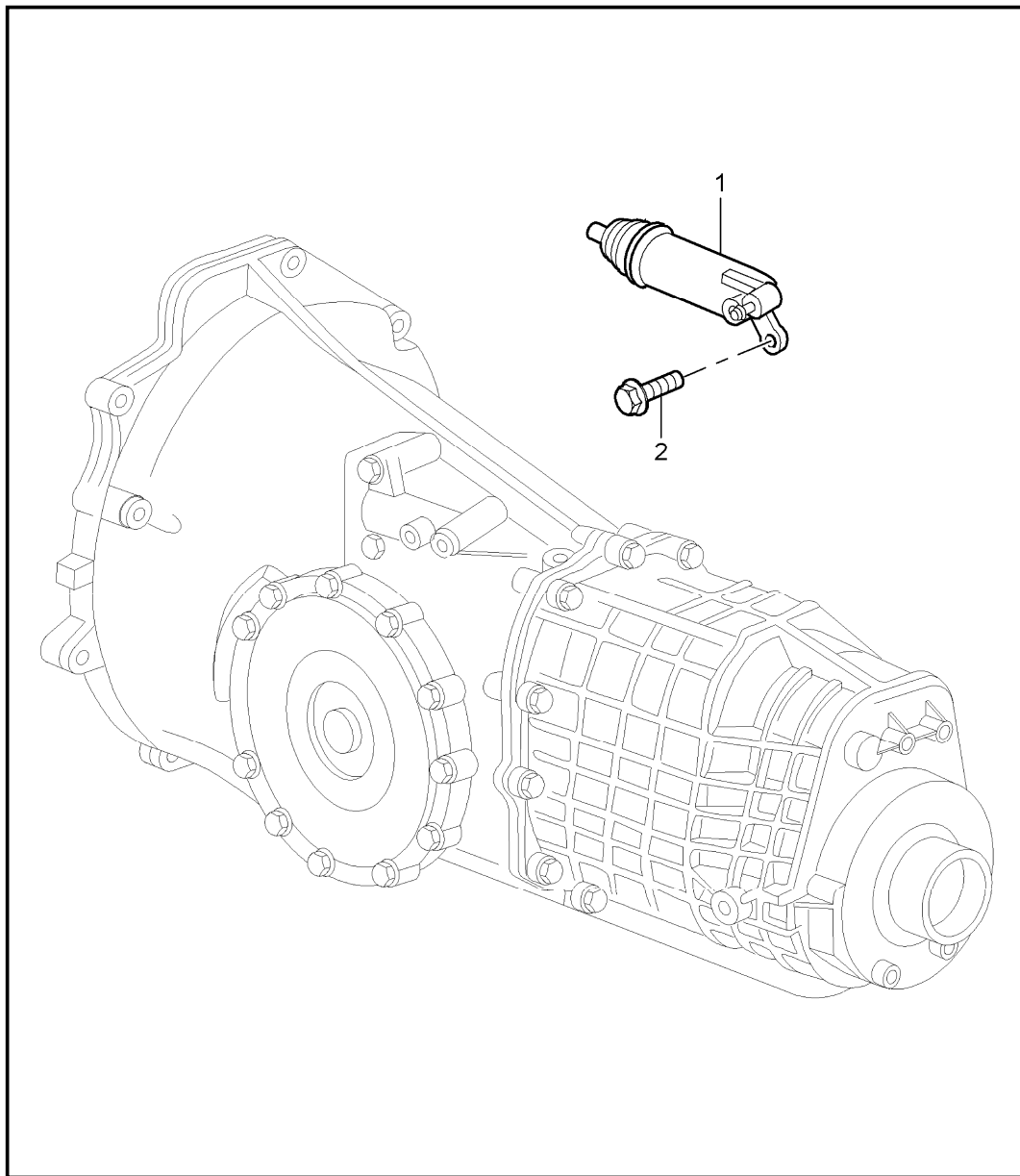
Pos	Part Number	Description	Remark	Qty	Model	Pos	Part Number	Description	Remark	Qty	Model
-	012 141 165 E	clutch release bearing		1							

Model	Year	MG	SG	Illustration	Restrictions	UPD	10:32	24.01.2010	PORSCHE	PET	PORSCHE
986	2004	3	01	301-01		248					



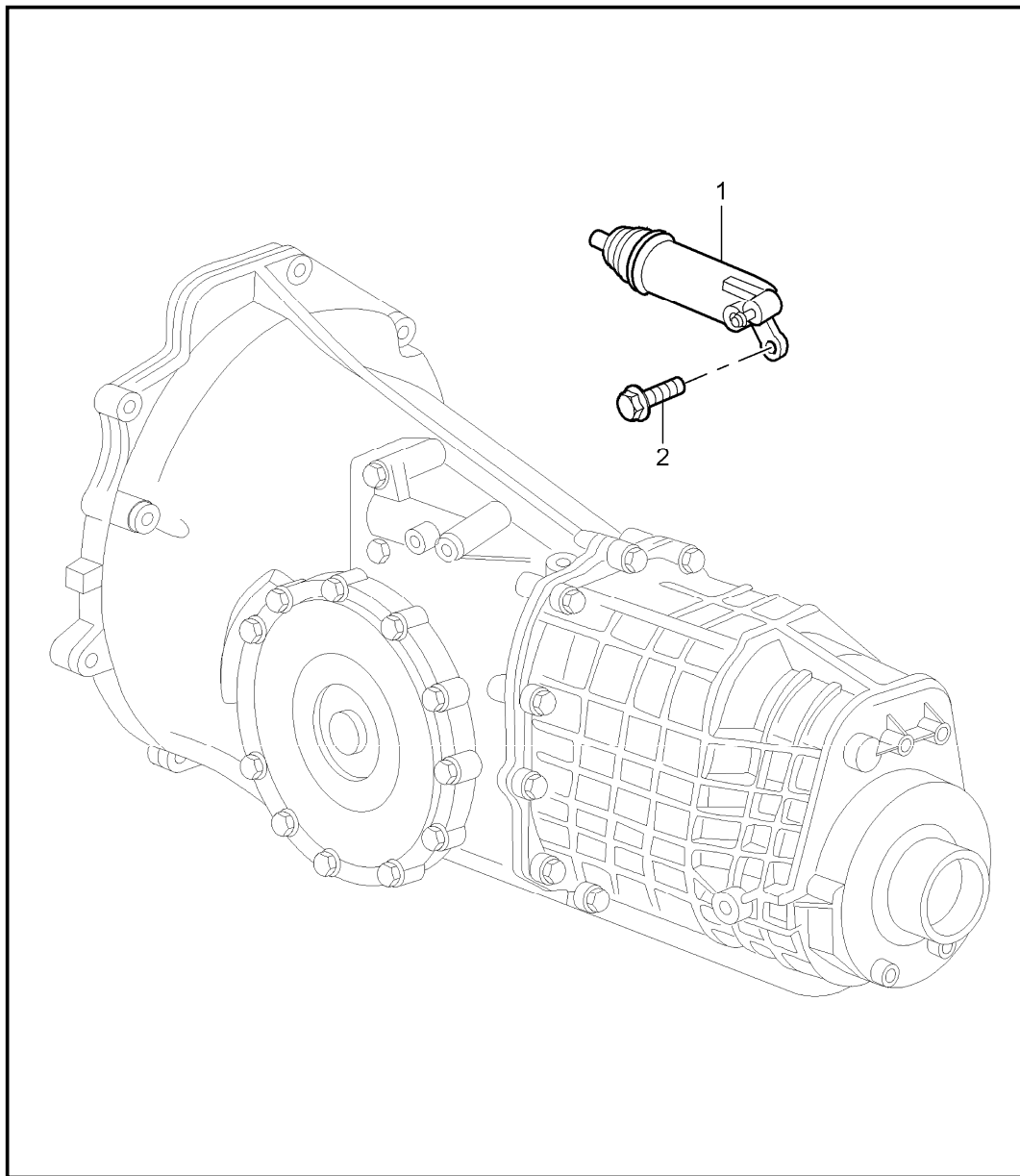
Pos	Part Number	Description	Remark	Qty	Model
		clutch			M96.21/24
1	996 116 712 03	clutch release lever		1	
2	996 116 080 04	clutch release bearing		1	
3	012 141 741	retaining spring		1	
4	U 900 067 131 02	screw M 8 X 16		6	
(4)	999 073 458 01	screw M 8 X 16		6	
5	996 116 027 06	pressure plate		1	
6	986 116 013 00	clutch plate		1	
7	996 116 087 01	guide sleeve		1	
8	N 903 542 01	o-ring 56,8 X 2,6		1	
9	N 903 663 01	pan-head screw M 8 X 22		3	
10	016 311 113 C	radial shaft seal		1	
11	996 116 716 02	ball pin		1	
12	A 012 141 751 A	intermediate piece		1	
12	A 012 141 751 B	intermediate piece		1	
--	986 116 911 02	repair kit complete for clutch		1	
--		comprising:			
--	996 116 027 06	pressure plate		1	
--	986 116 013 00	clutch plate		1	
--	996 116 080 04	clutch release bearing		1	

Model	Year	MG	SG	Illustration	Restrictions	UPD	10:33	24.01.2010	PORSCHE	PET	PORSCHE
986	2004	3	01	301-05		248					



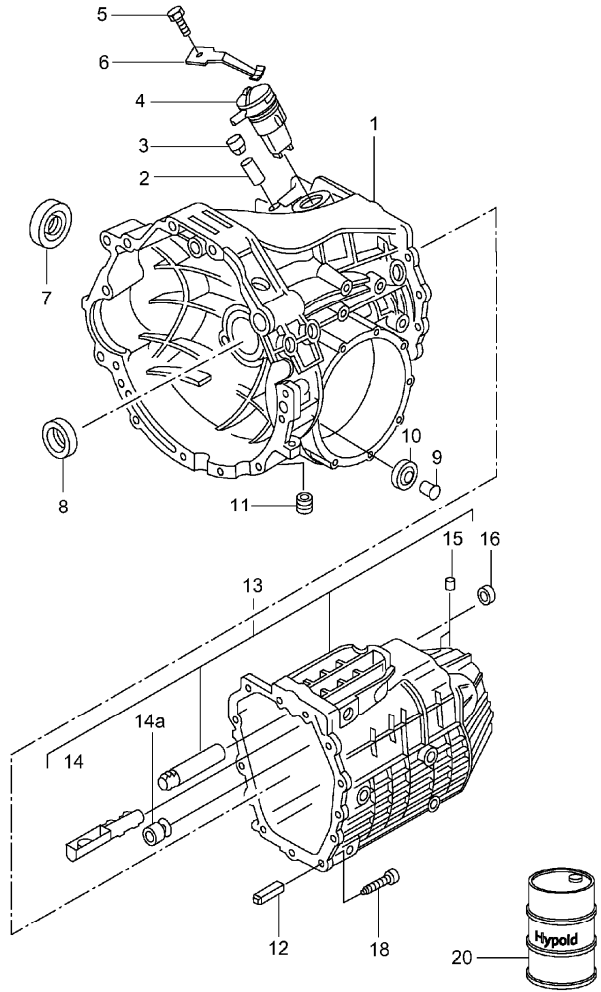
Pos	Part Number	Description	Remark	Qty	Model
		clutch release			G86.00/01
1	A 8E0 721 257 F	clutch operating cylinder		1	
1	A 8E0 721 257 B	clutch operating cylinder		1	
1	8E0 721 257 M	clutch operating cylinder use also: F >>98XS6 03069 986 423 113 25 986 423 677 25		1	
2	N 090 316 5	combination screw M 8 X 30 Z1		2	

Model	Year	MG	SG	Illustration	Restrictions	UPD	10:33	24.01.2010	PORSCHE	PET	PORSCHE
986	2004	3	01	301-06		248					



Pos	Part Number	Description	Remark	Qty	Model
		clutch release	00-		G86.20
1	986 116 237 00	clutch operating cylinder		1	
2	N 090 316 5	combination screw M 8 X 30 Z1		1	

Model	Year	MG	SG	Illustration	Restrictions	UPD	10:33	24.01.2010	PORSCHE	PET	PORSCHE
986	2004	3	02	302-00		248					

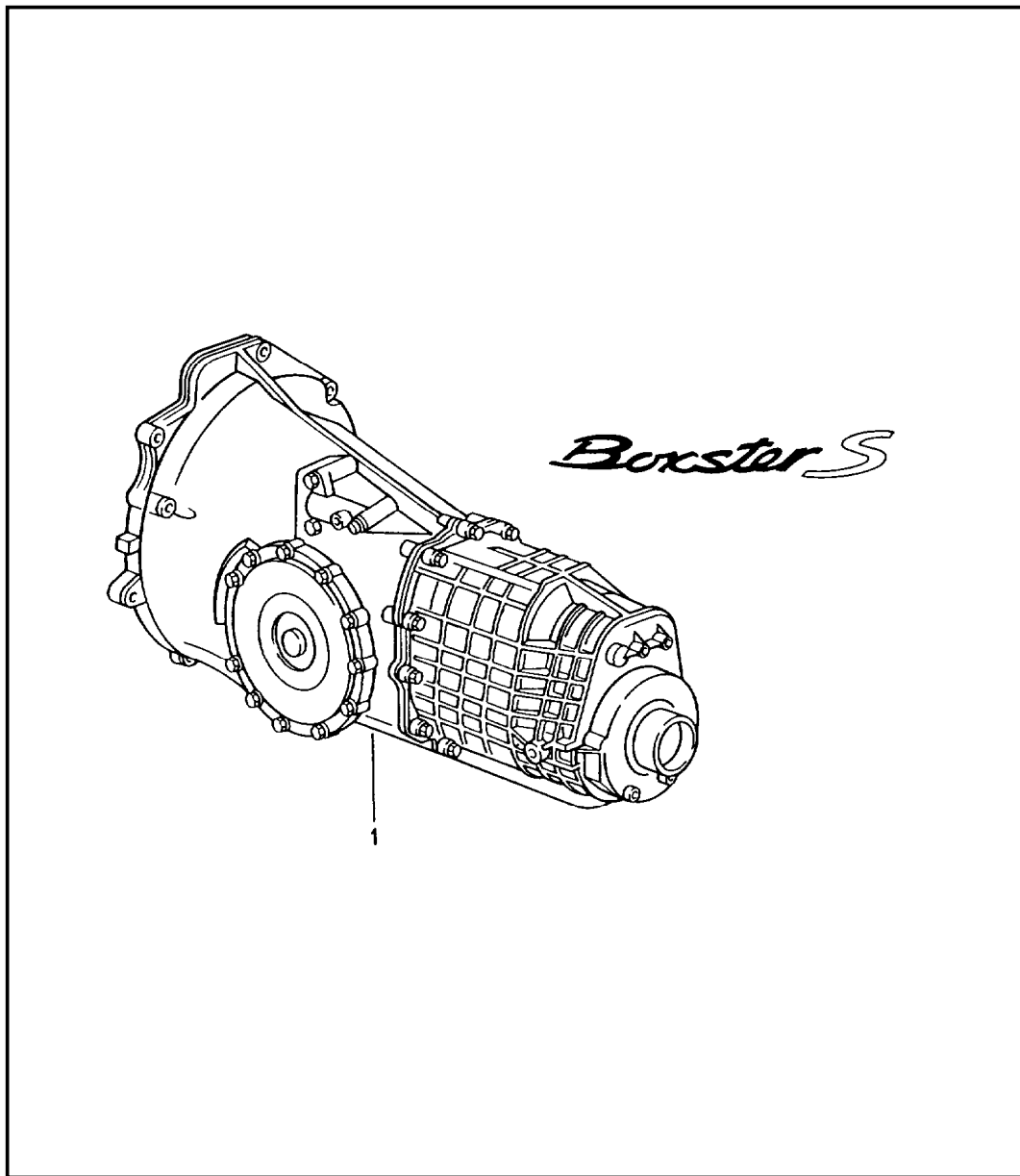


Pos	Part Number	Description	Remark	Qty	Model
		replacement transmission	-99		G86.00 M481
		transmission case	00-		G86.01 M481
		transmission classification letter attention			CWA/DVY/EFD GDW/GFW
- A	986 300 910 00	replacement transmission	97	1	CWA
- A	986 300 010 00	transmission G >> 10 05 8	98	1	CWA
- A	986 300 010 01	transmission G 11 05 8 >> 10 01 9	99	1	DVY
- >	986 300 010 02	transmission G 11 01 9 >>	99	1	DVY
- >	986 300 010 05	transmission G >> 09 02 3	00-	1	EFD
- >	986 300 010 07	transmission G 10 02 3 >> F >>984S6 00484 F >>984U6 01373		1	GDW
- >	986 300 010 06	transmission F 984S6 00485>> F 984U6 01374>>		1	GFW
1	012 301 103 AD	transmission case		1	
2	014 301 473	guide sleeve 12 X 30	-99	1	
(2)	012 301 474 A	guide sleeve 12 X 30	00-	1	
3	014 301 485	cap		1	
4	012 919 823 F	back-up light switch		1	
-	999 652 907 40	plug socket		1	
-	999 652 694 12	contact bush		2	
-	999 704 161 40	gasket		2	
-	999 652 811 40	stopper		3	
5	N 040 255 2	hexagon-head bolt M 8 X 14		1	
6	012 301 483 D	leaf spring	-99	1	

Model	Year	MG	SG	Illustration	Restrictions	UPD	10:33	24.01.2010	PORSCHE	PET	PORSCHE
986	2004	3	02	302-00		248					

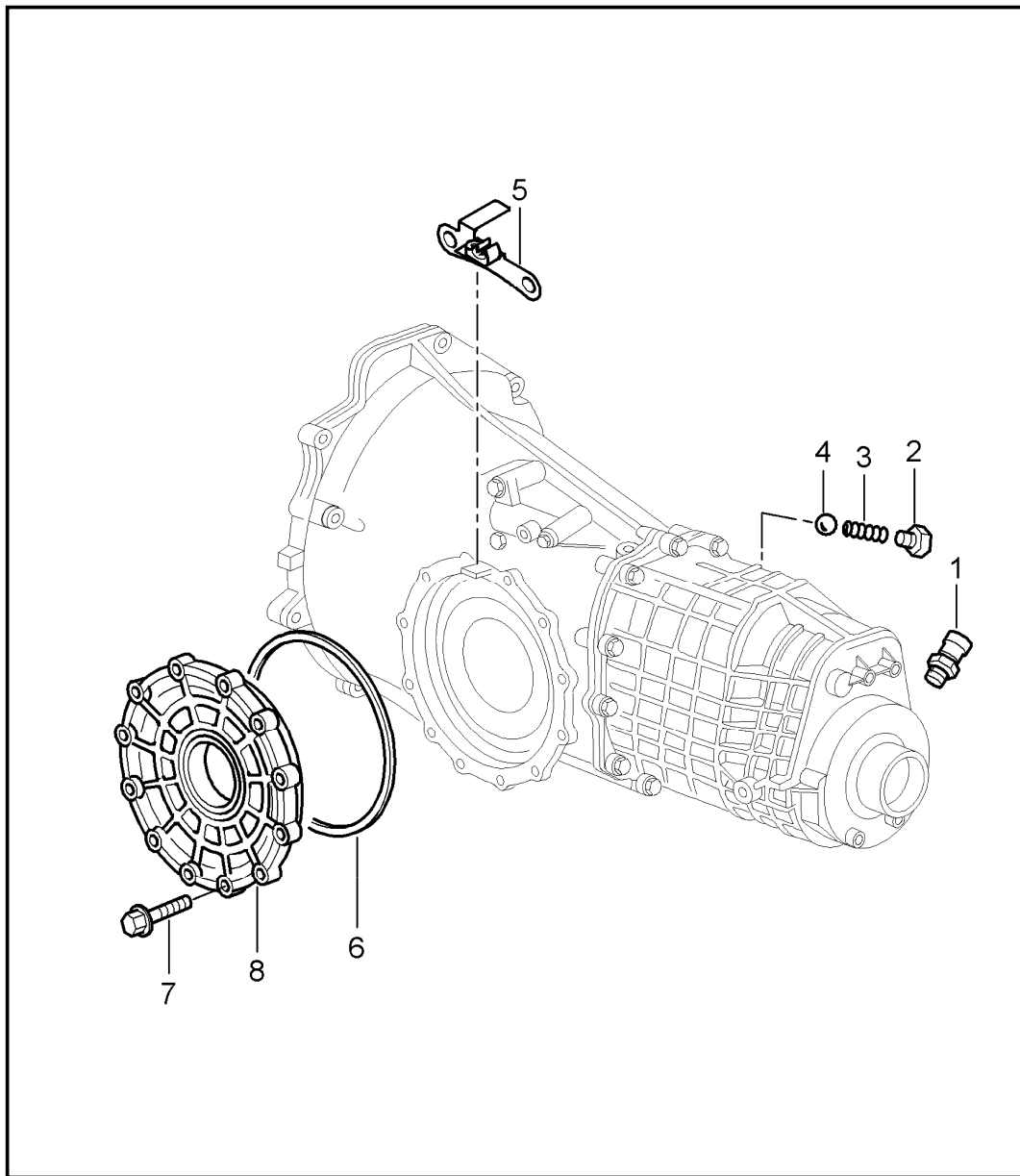
Pos	Part Number	Description	Remark	Qty	Model	Pos	Part Number	Description	Remark	Qty	Model
(6)	012 301 483 G	leaf spring	00-	1		16	012 301 457 C	shaft sealing ring 16 X 24 X 6		1	
7	016 409 399 B	radial shaft seal 45 X 60 X 8		1		18	012 301 268 E	torx screw M 8 X 44	-02	13	
8	016 311 113 C	radial shaft seal 12 M 6 X 14		1	CWA/DVY/EFD GDW	(18)	012 301 282 A	torx screw M 8 X 48	03-	13	
(8)	012 311 113 B	radial shaft seal		1	GFW	20	000 043 204 71	transmission oil HYPOID 20 LTR. container		X	
9	012 301 183 A	bush BM 8 X 20		1							
10	012 301 143	magnet		1	CWA/DVY/EFD GDW						
(10)	01X 301 143	magnet		1	GFW						
11	111 301 127 E	screw plug M 24 X 1,5		1	CWA/DVY/EFD GDW						
(11)	WHT 001 937	screw plug M 24 X 1,5		1	GFW						
12	012 301 473	sleeve 12 X 30		1							
13	012 301 205 P	transmission cover use also: sleeve 012.311.429.P		1							
13 A	012 301 205 J	transmission cover		1							
13 A	012 301 205 L	transmission cover		1							
14	012 301 276	cup		1	CWA/DVY/EFD GDW						
(14)	012 301 276 A	cup		1	GFW						
14A	012 311 429 M	sleeve 23 X 37 X 28,3 only for transmission cover 012 301 205 N		1							
14A	012 311 429 P	sleeve 23 X 39 X 28,3 only for transmission cover 012 301 205 P		1							
15	012 301 115	stopper		2							

Model	Year	MG	SG	Illustration	Restrictions	UPD	10:33	24.01.2010	PORSCHE	PET	PORSCHE
986	2004	3	02	302-01		248					



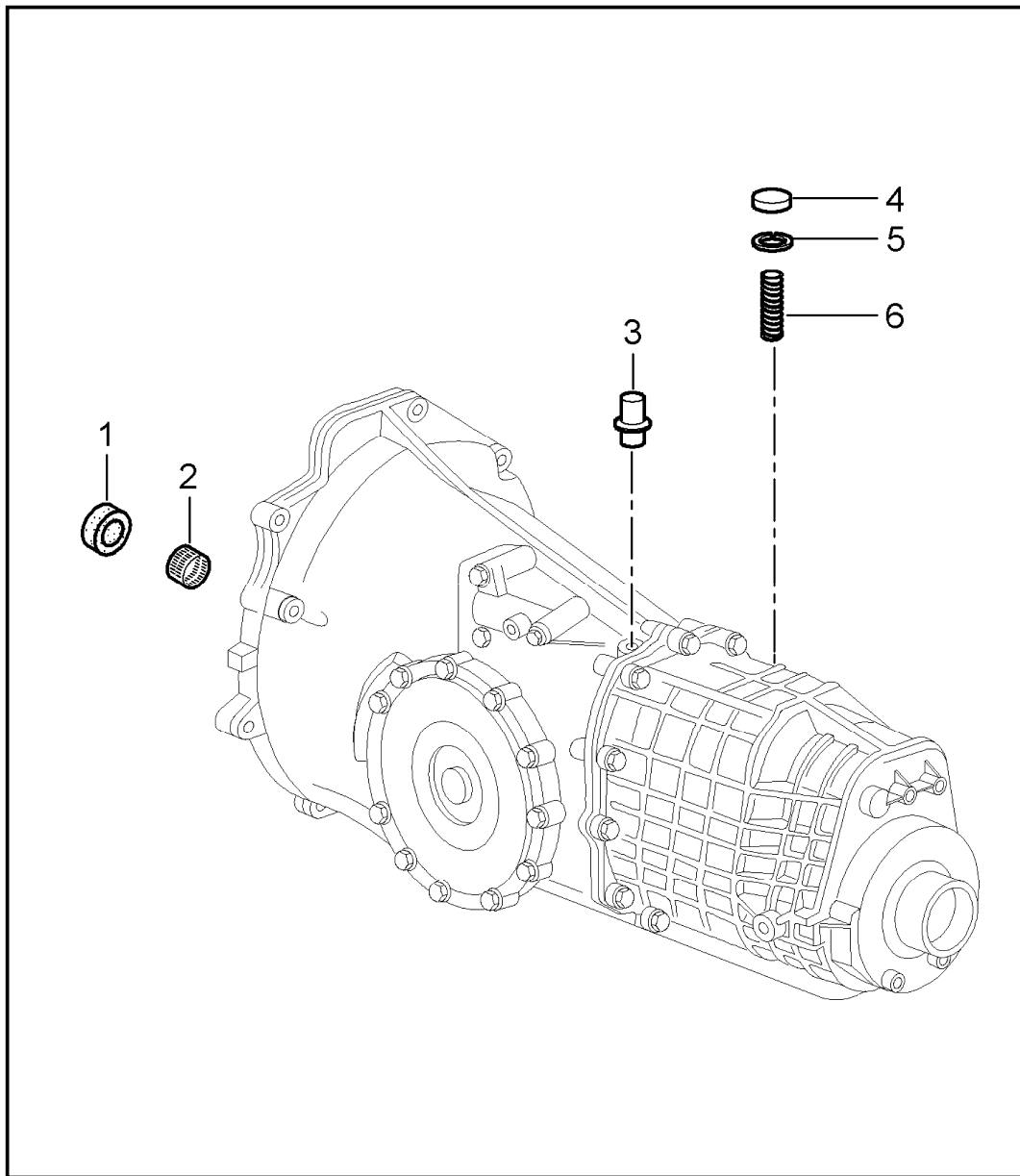
Pos	Part Number	Description	Remark	Qty	Model
		replacement transmission	00-		G86.20 M480
		ready for installation use also: 996.424.165.02 999.073.209.09		1 2	
1	> 986 300 010 21	transmission	-02	1	
1	> 986 300 010 22	transmission	03-	1	

Model	Year	MG	SG	Illustration	Restrictions	UPD	10:33	24.01.2010	PORSCHE	PET	PORSCHE
986	2004	3	02	302-05		248					



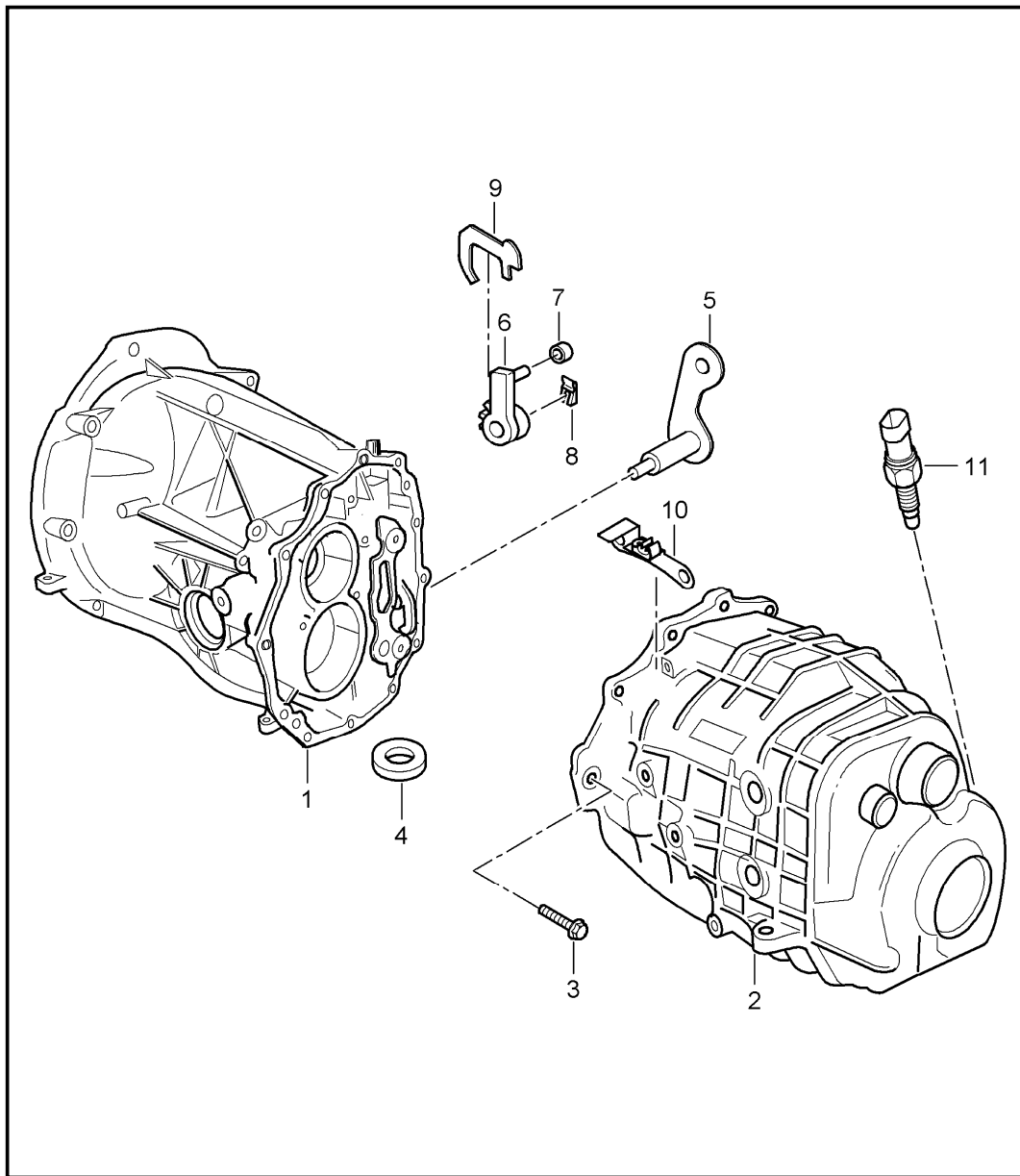
Pos	Part Number	Description	Remark	Qty	Model
		transmission single parts	00-		G86.20
1	996 606 133 00	switch		1	
2	900 124 023 02	screw plug M 10 X 1		4	
3	996 303 245 00	compression spring		1	
4	900 108 064 00	ball 8		4	
5	996 423 677 00	support		1	
6	996 301 315 00	o-ring 190 X 3		1	
7	996 301 317 00	hexagon-head bolt M 8 X 35		X	
-	000 043 010 00	loctite 574		1	

Model	Year	MG	SG	Illustration	Restrictions	UPD	10:34	24.01.2010	PORSCHE	PET	PORSCHE
986	2004	3	02	302-06		248					



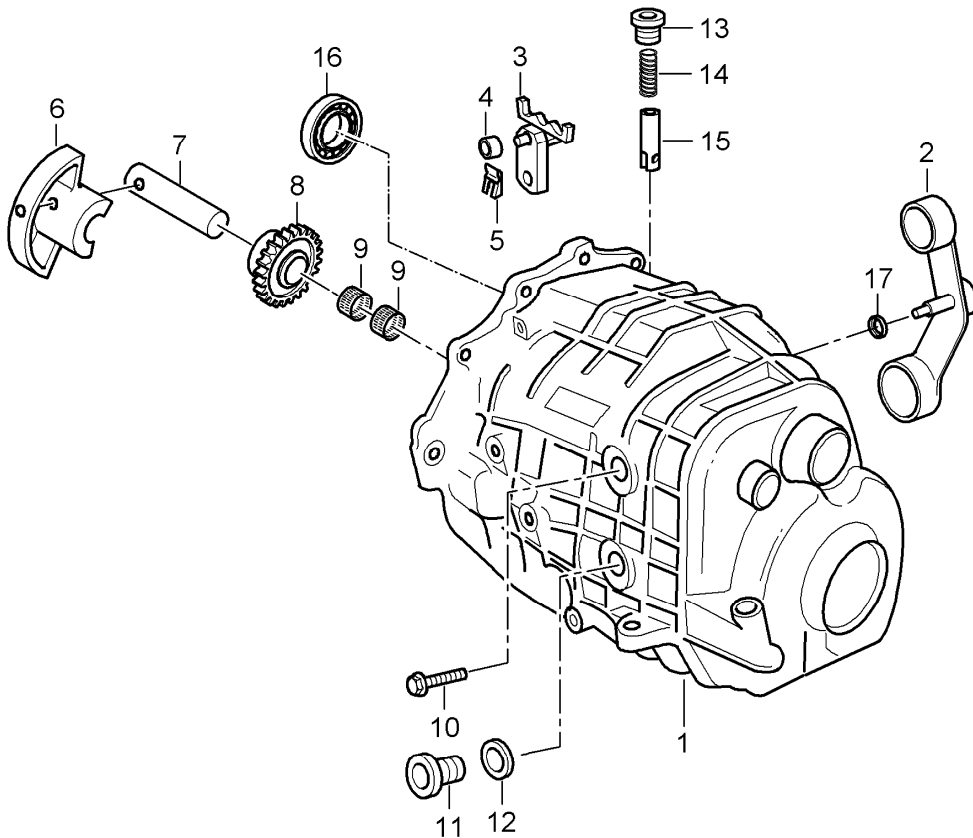
Pos	Part Number	Description	Remark	Qty	Model
		transmission single parts	00-		G86.20
1	996 302 131 00	shaft sealing ring 28 X 40 X 7,5		1	
2	996 301 814 00	needle sleeve 30 X 37 X 16		1	
3	996 301 071 00	bleeder 17 X 12 X 28,1		1	
4	996 303 257 00	lid 20 X 4		1	
5	900 042 003 01	circlip 20 X 1		1	
6	996 303 255 00	compression spring		1	

Model	Year	MG	SG	Illustration	Restrictions	UPD	10:34	24.01.2010	PORSCHE	PET	PORSCHE
986	2004	3	02	302-07		248					



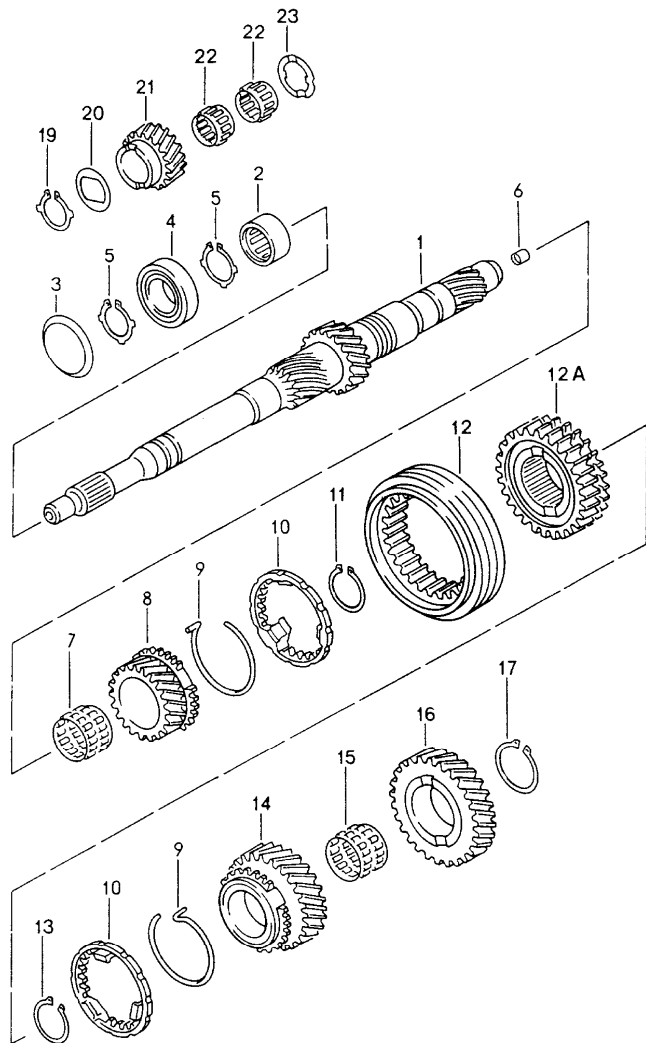
Pos	Part Number	Description	Remark	Qty	Model
		gear housing transmission cover			G86.20
1	986 301 020 00	transmission case		1	
2	---	see illustrations 3/02/08		1	
3	996 301 317 00	hexagon-head bolt M 8 X 35		13	
4	996 301 804 00	magnet		1	
5	996 303 055 01	selector lever		1	
6	996 303 057 00	pinion		1	
7	996 303 303 00	roller 20 X 8 X 8		1	
8	996 303 383 00	lock		1	
9	996 303 053 00	selector lever		1	
10	---	see illustrations 7/02/08		1	
11	---	see illustrations 3/02/05		1	

Model	Year	MG	SG	Illustration	Restrictions	UPD	10:34	24.01.2010	PORSCHE	PET	PORSCHE
986	2004	3	02	302-08		248					



Pos	Part Number	Description	Remark	Qty	Model
		gear housing transmission cover			G86.20
1	986 301 023 00	transmission case rear		1	
2	986 303 041 00	gearshift lever		1	
3	996 303 033 00	shift segment		1	
4	996 303 303 00	roller 20 X 8 X 8		1	
5	996 303 383 00	lock 20 X 26 X 17		1	
6	986 302 225 00	segment		1	
7	996 302 228 00	bolt		1	
8	996 302 226 00	reverse idler gear		1	
9	996 302 224 00	needle cage 20 X 26 X 17		1	
10	996 302 223 00	hexagon-head bolt M 8 X 55		1	
11	900 219 001 02	screw plug M 22 X 1,5		1	
12	900 123 118 30	sealing ring A22 X 27		1	
13	996 303 237 00	screw plug M 18 X 1,5		1	
14	996 303 235 00	compression spring		1	
15	996 303 035 00	bolt		1	
16	996 301 808 00	cylindrical-roller bearing drive shaft		1	
17	996 303 517 01	shaft sealing ring 15X21X7		1	

Model	Year	MG	SG	Illustration	Restrictions	UPD	10:34	24.01.2010	PORSCHE	PET	PORSCHE
986	2004	3	03	303-00		248					



Pos	Part Number	Description	Remark	Qty	Model
		gears and shafts	-99 00-		G86.00 G86.01
		transmission classification letter attention			CWA/DVY/EFD GDW/GFW
1	012 311 105 AG	drive shaft		1	
2	012 311 123 D	needle sleeve 27 X 41 X 23		1	
3	012 311 443	cup spring 42 X 58 X 2		1	
4	012 311 445 E	deep-groove ball bearing 25 X 58 X 16	-03	1	
(4)	012 311 445 G	deep-groove ball bearing 25 X 58 X 16	04-	1	
5	N 902 941 02	circlip 24,9 X 1,45		X	
(5)	N 902 941 14	circlip 24,9 X 1,54		X	
(5)	N 902 941 15	circlip 24,9 X 1,63		X	
(5)	N 902 941 16	circlip 24,9 X 1,72		X	
(5)	N 902 941 17	circlip 24,9 X 1,81		1	
(5)	N 902 941 18	circlip 24,9 X 1,9		X	
(5)	N 902 941 19	circlip 24,9 X 1,99		X	
(5)	N 902 941 20	circlip 24,9 X 2,08		X	
(5)	N 902 941 11	circlip 24,9 X 2,17		X	
6	012 311 111 A	sleeve 13 X 14 X 10,8		1	
7	012 311 213 J	needle cage 38 X 43 X 29,5		1	
8	012 311 285 BJ	shifting gear 3rd gear Z = 40 : 28		1	CWA/DVY/EFD GDW

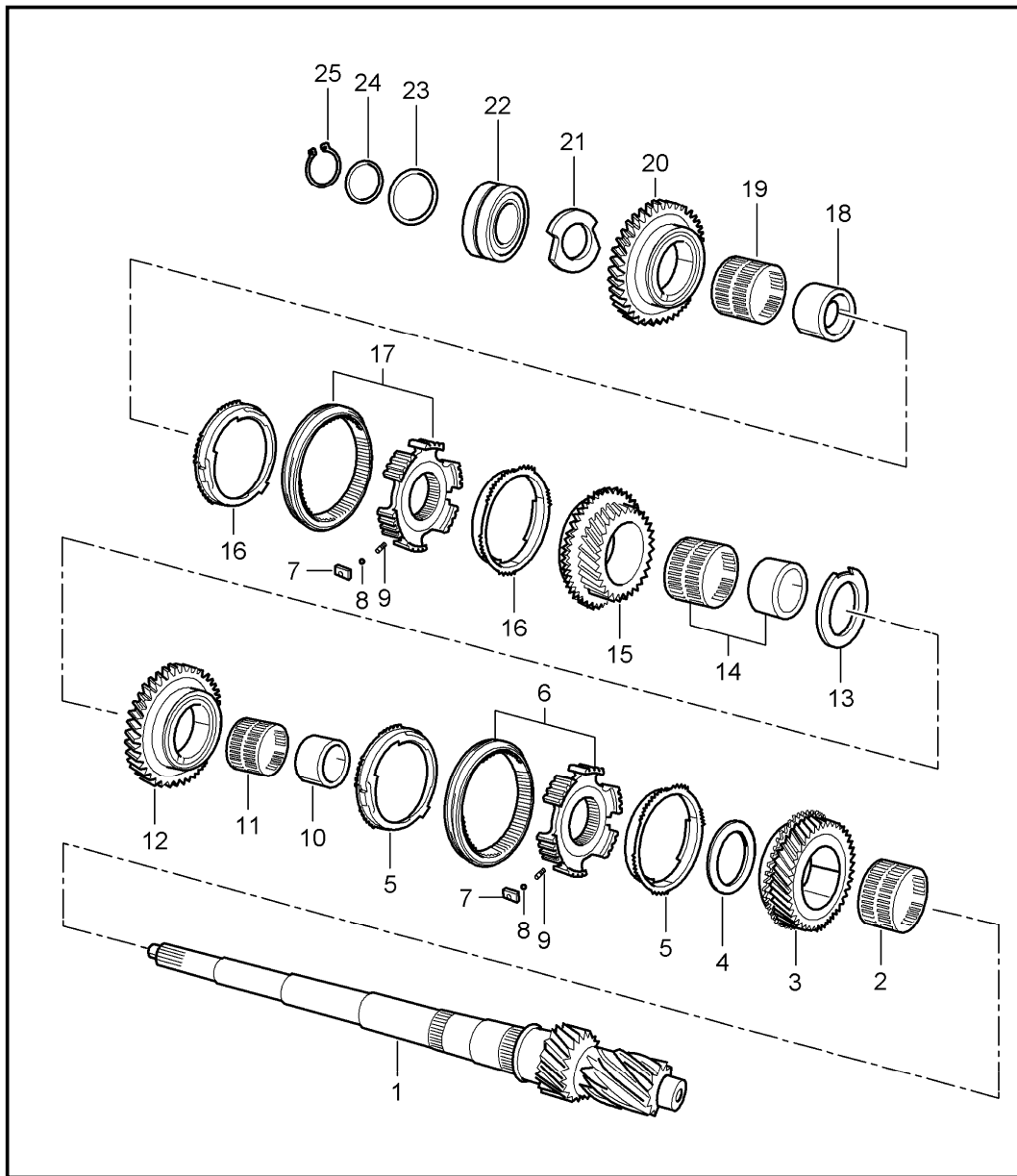
Model	Year	MG	SG	Illustration	Restrictions	UPD	10:34	24.01.2010	PORSCHE	PET	PORSCHE
986	2004	3	03	303-00		248					

Pos	Part Number	Description	Remark	Qty	Model	Pos	Part Number	Description	Remark	Qty	Model
(8)	012 311 131 CB	shifting gear 3rd gear Z = 40 : 28		1	GFW	(13)	N 902 944 06	circlip 37 X 2,05		X	
9	012 311 312 A	spring 3rd/4th gear G >> 10 05 8		2	CWA	14	A 012 311 351 AH	shifting gear 4th speed Z = 35 : 34		1	
(9)	012 311 312 D	spring 3rd/4th gear G 11 05 8 >>		2	DVY/EFD/GDW	(14)	012 311 351 AN	shifting gear 4th speed Z = 35 : 34		1	CWA
(9)	01X 311 312 A	retaining spring 3rd/4th gear		2	GFW	(14)	012 311 351 AT	shifting gear 4th speed Z = 35 : 34		1	DVY
10	012 311 295 D	synchroniser ring 3rd/4th gear G >> 10 05 8		2	CWA	(14)	012 311 351 BK	shifting gear 4th speed Z = 36 : 33		1	EFD/GDW
(10)	012 311 295 F	synchroniser ring 3rd/4th gear G 11 05 8 >>		2	DVY/EFD/GDW	(14)	012 311 149 CQ	shifting gear 4th speed Z = 36 : 33		1	GFW
(10)	01X 311 295 J	synchroniser ring 3rd/4th gear		2	GFW	15	012 311 115 F	needle cage 37 X 42 X 29,8		1	
11	N 902 945 01	circlip 38 X 2		1		16	012 311 159 DL	gear wheel 5th gear Z = 30 : 38		1	CWA/DVY
12	012 311 315 B	operating sleeve 3rd/4th gear		1	CWA/DVY/EFD GDW	(16)	012 311 159 CH	gear wheel 5th gear Z = 31 ; 37		1	EFD
(12)	01X 311 315	operating sleeve 3rd/4th gear		1	GFW	17	N 902 942 02	circlip 36 X 1,9		X	
12A	012 311 309 B	synchronising hub 3rd/4th gear		1	CWA/DVY/EFD GDW	(17)	N 902 942 03	circlip 36 X 1,93		X	
(12A)	01X 311 309	synchronising hub 3rd/4th gear		1	GFW	(17)	N 902 942 04	circlip 36 X 1,96		X	
13	N 902 944 01	circlip 37 X 1,9		X		(17)	N 902 942 05	circlip 36 X 1,99		X	
(13)	N 902 944 02	circlip 37 X 1,93		X		(17)	N 902 942 06	circlip 36 X 2,02		X	
(13)	N 902 944 03	circlip 37 X 1,96		X		18	012 311 429 M	sleeve 23 X 37 X 28,3		1	CWA/DVY/EFD GDW
(13)	N 902 944 04	circlip 37 X 1,99		X		(18)	012 311 429 P	sleeve 23 X 39 X 28,2		1	GFW
(13)	N 902 944 05	circlip 37 X 2,02		X							

Model	Year	MG	SG	Illustration	Restrictions	UPD	10:34	24.01.2010	PORSCHE	PET	PORSCHE
986	2004	3	03	303-00		248					

Pos	Part Number	Description	Remark	Qty	Model	Pos	Part Number	Description	Remark	Qty	Model
19	N 902 951 01	circlip 22 X 1,7 4th speed		1							
20	012 311 518	supporting plate 3rd gear		1							
21	012 311 531 E	reverse idler gear		1							
22	012 311 523 G	needle cage 22 X 30 X 16		2							
23	012 311 517	thrust washer		1							

Model	Year	MG	SG	Illustration	Restrictions	UPD	10:34	24.01.2010	PORSCHE	PET	PORSCHE
986	2004	3	03	303-01		248					

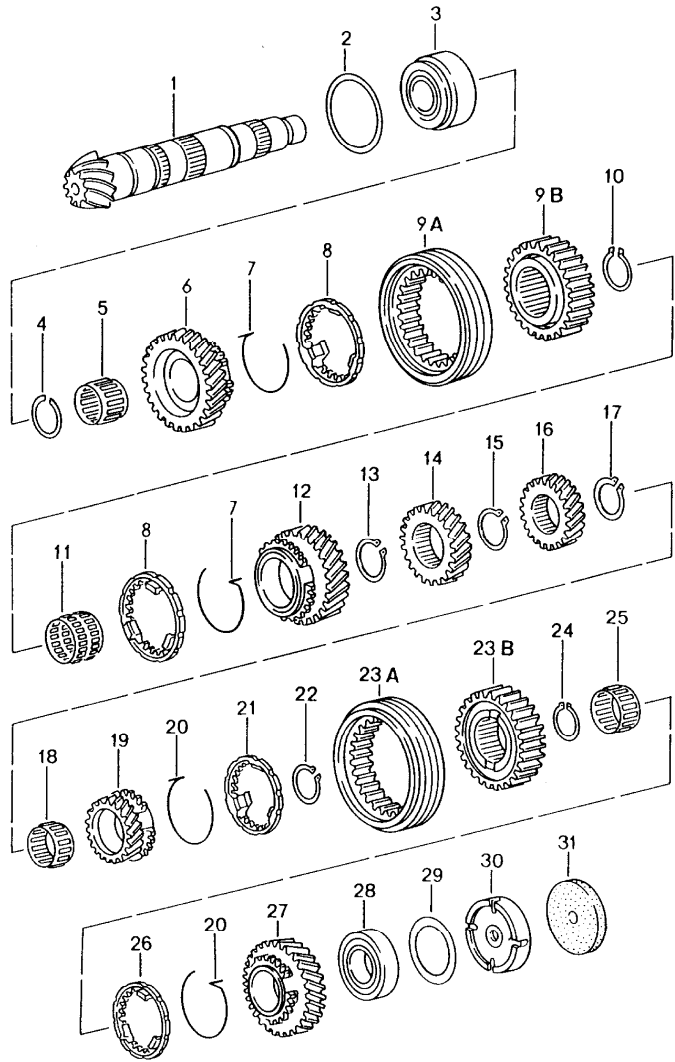


Pos	Part Number	Description	Remark	Qty	Model
		gears and shafts			G86.20
1	986 302 101 00	drive shaft 1st/2nd gear		1	
2	996 302 811 00	needle-roller bearing		1	
3	996 302 075 00	loose gear wheel 5th gear		1	
4	996 302 295 00	thrust washer 5th gear		1	
5	996 304 411 00	synchroniser ring		2	
6	996 304 041 00	guide sleeve 5th and 6th gear		1	
7	996 304 451 00	stone		6	
8	900 108 058 00	ball		6	
9	996 304 461 00	compression spring		6	
10	996 302 266 00	inner ring		1	
11	996 302 812 00	needle-roller bearing white		1	
(11)	996 302 812 01	needle-roller bearing blue		1	
(11)	996 302 812 02	needle-roller bearing green		1	
12	996 302 076 15	loose gear wheel 6th gear		1	
13	996 302 296 00	thrust washer 3. + 6. Gang		1	
14	996 302 813 00	needle-roller bearing		1	
15	996 302 073 00	loose gear wheel 3rd gear		1	
16	996 304 411 00	synchroniser ring		2	
17	996 304 041 01	guide sleeve		1	
18	996 302 264 00	inner ring		1	
19	996 302 814 00	needle-roller bearing white		1	
(19)	996 302 814 01	needle-roller bearing blue		1	

Model	Year	MG	SG	Illustration	Restrictions	UPD	10:34	24.01.2010	PORSCHE	PET	PORSCHE
986	2004	3	03	303-01		248					

Pos	Part Number	Description	Remark	Qty	Model	Pos	Part Number	Description	Remark	Qty	Model
(19)	996 302 814 02	needle-roller bearing green		1		(24)	996 302 173 12	shim 35 X 45 X 2,4		1	
20	996 302 074 00	loose gear wheel 4th speed		1		(24)	996 302 173 13	shim 35 X 45 X 2,5		1	
21	996 302 267 00	spacer ring		1		25	996 302 810 00	circlip 35 X 2,25		1	
22	996 302 807 00	angular-contact bearing		1		(25)	996 302 810 01	circlip 35 X 2,30		1	
23	996 302 124 00	shim 56 X 72 X 0,50		1		(25)	996 302 810 02	circlip 35 X 2,35		1	
(23)	996 302 124 01	shim 56 X 72 X 0,55		1		(25)	996 302 810 03	circlip 35 X 2,40		1	
(23)	996 302 124 02	shim 56 X 72 X 0,60		1		(25)	996 302 810 04	circlip 35 X 2,45		1	
(23)	996 302 124 03	shim 56 X 72 X 0,65		1							
24	996 302 173 00	shim 35 X 45 X 1,2		1							
(24)	996 302 173 01	shim 35 X 45 X 1,3		1							
(24)	996 302 173 02	shim 35 X 45 X 1,4		1							
(24)	996 302 173 03	shim 35 X 45 X 1,5		1							
(24)	996 302 173 04	shim 35 X 45 X 1,6		1							
(24)	996 302 173 05	shim 35 X 45 X 1,7		1							
(24)	996 302 173 06	shim 35 X 45 X 1,8		1							
(24)	996 302 173 07	shim 35 X 45 X 1,9		1							
(24)	996 302 173 08	shim 35 X 45 X 2,0		1							
(24)	996 302 173 09	shim 35 X 45 X 2,1		1							
(24)	996 302 173 10	shim 35 X 45 X 2,2		1							
(24)	996 302 173 11	shim 35 X 45 X 2,3		1							

Model	Year	MG	SG	Illustration	Restrictions	UPD	10:35	24.01.2010	PORSCHE	PET	PORSCHE
986	2004	3	03	303-05		248					



Pos	Part Number	Description	Remark	Qty	Model
		gears and shafts	-99 00-		G86.00 G86.01 M481 CWA/DVY/EFD GDW
1	---	output shaft		1	
2	012 311 391	adjusting shim 0,4		X	
(2)	012 311 391 A	adjusting shim 0,45		X	
(2)	012 311 391 B	adjusting shim 0,5		X	
(2)	012 311 391 C	adjusting shim 0,55		X	
(2)	012 311 391 D	adjusting shim 0,6		X	
(2)	012 311 391 E	adjusting shim 0,65		X	
(2)	012 311 391 F	adjusting shim 0,7		X	
(2)	012 311 391 G	adjusting shim 0,75		X	
3	012 311 220 A	taper roller bearing 48,6 X 88 X 21,5		1	
4	N 902 950 01	circlip A 48,5 X 2,00		X	
(4)	N 902 950 08	circlip A 48,5 X 2,03		X	
(4)	N 902 950 09	circlip A 48,5 X 2,09		X	
(4)	N 902 950 10	circlip A 48,5 X 2,12		X	
(4)	N 902 950 11	circlip 48,5 X 2,15		X	
5	012 311 207 E	needle cage 1st gear 48,5 X 52,5 X 26,4		1	

Model	Year	MG	SG	Illustration	Restrictions	UPD	10:35	24.01.2010	PORSCHE	PET	PORSCHE
986	2004	3	03	303-05		248					

Pos	Part Number	Description	Remark	Qty	Model	Pos	Part Number	Description	Remark	Qty	Model
6	012 311 257 J	shifting gear 1st gear Z = 35 : 10		1		(15)	N 902 946 09	circlip 46 X 1,94		X	
7	A 012 311 311 A	spring 1st/2nd gear G >> 10 05 8		2		(15)	N 902 946 10	circlip 46 X 1,98		X	
(7)	012 311 311 D	spring 1st/2nd gear G 11 05 8 >>		2		(15)	N 902 946 06	circlip 46 X 2,02		X	
8	A 012 311 247 E	synchroniser ring 1st/2nd gear G >> 10 05 8		2		16	012 311 149 AH	gear wheel 4th speed Z = 35 : 34		1	CWA
(8)	012 311 247 F	synchroniser ring 1st/2nd gear G 11 05 8 >>		2		(16)	012 311 149 AT	gear wheel 4th speed Z = 35 : 34		1	DVY
9A	012 311 255 A	operating sleeve 1st/2nd gear		1		(16)	012 311 149 BT	gear wheel 4th speed Z = 36 : 33		1	EFD/GDW
9B	012 311 243 A	synchronising hub 1st/2nd gear		1		17	N 902 952 07	circlip 42 X 1,86		X	CWA
10	N 902 947 01	circlip 47 X 1,9		X		(17)	N 902 952 02	circlip 42 X 1,9		X	CWA
(10)	N 902 947 02	circlip 47 X 1,93		X		(17)	N 902 952 08	circlip 42 X 1,94		X	CWA
(10)	N 902 947 03	circlip 47 X 1,96		X		(17)	N 902 952 09	circlip 42 X 1,98		X	CWA
(10)	N 902 947 04	circlip 47 X 1,99		X		(17)	N 902 945 01	circlip 38 X 2		X	DVY/EFD/GDW
(10)	N 902 947 05	circlip 47 X 2,02		X		(17)	N 902 945 02	circlip 38 X 2,16		X	DVY/EFD/GDW
11	012 311 229 K	needle cage 2nd gear 47 X 52 X 26,6		1		(17)	N 902 945 03	circlip 38 X 2,20		X	DVY/EFD/GDW
12	012 311 271 F	shifting gear 2nd gear Z = 36 : 17		1		(17)	N 902 945 04	circlip 38 X 2,24		X	DVY/EFD/GDW
13	N 902 947 06	circlip 47 X 2,5		1		(17)	N 902 945 05	circlip 38 X 2,28		X	DVY/EFD/GDW
14	012 311 131 BJ	gear wheel 3rd gear		1		18	012 311 116 F	needle cage 5th gear 38 X 43 X 25		1	CWA
15	N 902 946 02	circlip 46 X 1,9		X							

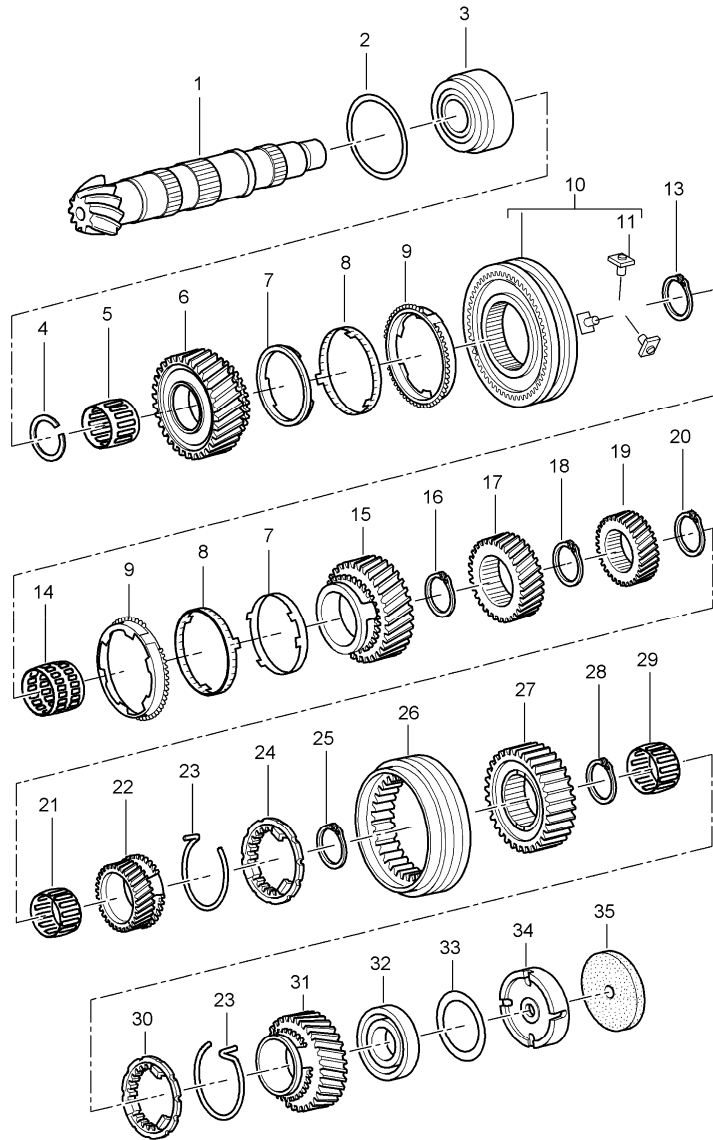
Model	Year	MG	SG	Illustration	Restrictions	UPD	10:35	24.01.2010	PORSCHE	PET	PORSCHE
986	2004	3	03	303-05		248					

Pos	Part Number	Description	Remark	Qty	Model	Pos	Part Number	Description	Remark	Qty	Model
(18)	012 311 116 G	needle cage 5th gear 38 X 43 X 27		1	DVY/EFD/GDW	(24)	N 902 944 06	circlip 37 X 2,05		X	
19	012 311 361 DH	shifting gear 5th gear Z = 30 : 38		1	CWA	25	012 311 234 E	needle-roller bearing 37 X 42 X 24,5		1	
(19)	012 311 361 CR	shifting gear 5th gear Z = 30 : 38		1	DVY	26	012 311 295 D	synchroniser ring reverse gear G >> 10 05 8		1	
(19)	012 311 361 DC	shifting gear 5th gear Z = 31 : 37		1	EFD/GDW	(26)	012 311 295 F	synchroniser ring reverse gear G 11 05 8 >>		1	
20	012 311 312 A	spring 5th gear and reverse gear G >> 10 05 8		2		27	012 311 217 K	shifting gear reverse gear		1	
(20)	012 311 312 D	spring 5th gear and reverse gear G 11 05 8 >>		2		28	012 311 375 C	taper roller bearing 31,7 X 76,2 X 25,4		1	
21	012 311 295 D	synchroniser ring 5th gear G >> 10 05 8		1		29	012 311 393	adjusting shim 0,45		X	
(21)	012 311 295 F	synchroniser ring 5th gear G 11 05 8 >>		1		(29)	012 311 393 A	adjusting shim 0,49		X	
22	N 902 945 01	circlip 38 X 2		1		(29)	012 311 393 B	adjusting shim 0,53		X	
23A	012 311 315 B	operating sleeve		1		(29)	012 311 393 C	adjusting shim 0,57		X	
23B	012 311 309 F	synchronising hub		1		(29)	012 311 393 D	adjusting shim 0,61		X	
24	N 902 944 01	circlip 37 X 1,9		X		(29)	012 311 393 E	adjusting shim 0,65		X	
(24)	N 902 944 02	circlip 37 X 1,93		X		(29)	012 311 393 F	adjusting shim 0,69		X	
(24)	N 902 944 03	circlip 37 X 1,96		X		(29)	012 311 393 G	adjusting shim 0,73		X	
(24)	N 902 944 04	circlip 37 X 1,99		X		(29)	012 311 393 H	adjusting shim 0,77		X	
(24)	N 902 944 05	circlip 37 X 2,02		X		(29)	012 311 393 J	adjusting shim 0,81		X	
						(29)	012 311 393 K	adjusting shim 0,85		X	
						(29)	012 311 393 L	adjusting shim 0,89		X	

Model	Year	MG	SG	Illustration	Restrictions	UPD	10:35	24.01.2010	PORSCHE	PET	PORSCHE
986	2004	3	03	303-05		248					

Pos	Part Number	Description	Remark	Qty	Model	Pos	Part Number	Description	Remark	Qty	Model
(29)	012 311 393 N	adjusting shim 0,97		X							
30	012 301 251 B	pressure plate 70,98 X 14,8		X							
(30)	012 301 251 C	pressure plate 70,98 X 15,3		X							
31	012 301 193	washer 71 X 7		1							

Model	Year	MG	SG	Illustration	Restrictions	UPD	10:35	24.01.2010	PORSCHE	PET	PORSCHE
986	2004	3	03	303-06		248					



Pos	Part Number	Description	Remark	Qty	Model
		gears and shafts			G86.01 M481
		transmission classification letter attention			GFW
1	---	output shaft		1	
2	012 311 391	adjusting shim 0,4		X	
(2)	012 311 391 A	adjusting shim 0,45		X	
(2)	012 311 391 B	adjusting shim 0,5		X	
(2)	012 311 391 C	adjusting shim 0,55		X	
(2)	012 311 391 D	adjusting shim 0,6		X	
(2)	012 311 391 E	adjusting shim 0,65		X	
(2)	012 311 391 F	adjusting shim 0,7		X	
(2)	012 311 391 G	adjusting shim 0,75		X	
3	012 311 220 A	taper roller bearing 48,6 X 88 X 21,5		1	
4	N 908 600 01	circlip A 48,5 X 2,00		X	
(4)	N 908 600 07	circlip A 48,5 X 2,03		X	
(4)	N 908 600 08	circlip A 48,5 X 2,09		X	
(4)	N 908 600 09	circlip A 48,5 X 2,12		X	
(4)	N 908 600 10	circlip 48,5 X 2,15		X	
5	01X 311 325 A	needle cage 1st gear 48,5 X 52,5 X 26,4		1	

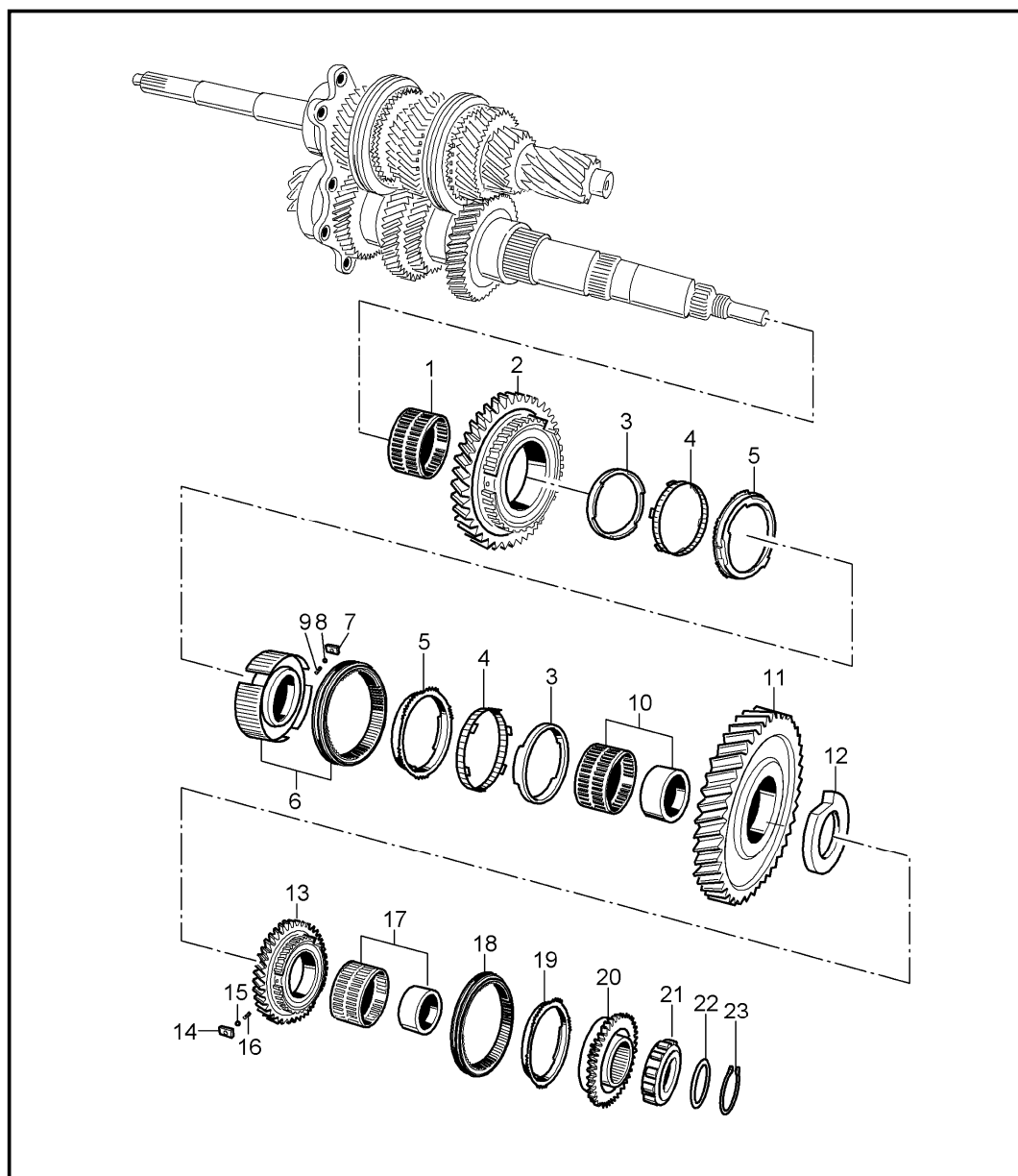
Model	Year	MG	SG	Illustration	Restrictions	UPD	10:35	24.01.2010	PORSCHE	PET	PORSCHE
986	2004	3	03	303-06		248					

Pos	Part Number	Description	Remark	Qty	Model	Pos	Part Number	Description	Remark	Qty	Model
6	012 311 250 H	shifting gear 1st gear Z = 35 : 10		1		18	01X 311 317	circlip 44,5 x 1,9		X	
7	01X 311 277 G	inner ring 1st gear		1		(18)	01X 311 317 A	circlip 44,5 x 1,94		X	
(7)	01X 311 277 B	inner ring 2nd gear		1		(18)	01X 311 317 B	circlip 44,5 x 1,98		X	
8	01X 311 259 G	intermediate ring 1st/2nd gear		2		(18)	01X 311 317 C	circlip 44,5 x 2,02		X	
9	01X 311 247 N	synchroniser ring 1st/2nd gear		2		(18)	01X 311 317 D	circlip 44,5 x 2,06		X	
10	01X 311 239 B	synchronising hub with operating sleeve 1st/2nd gear		1		(18)	01X 311 317 E	circlip 44,5 x 2,10		X	
11	01X 311 314 B	pressure piece		3		19	012 311 149 BT	gear wheel 4th speed Z = 36 : 33		1	
13	N 902 947 01	circlip 47 X 1,9		X		20	N 902 945 01	circlip 38 X 2		X	
(13)	N 902 947 02	circlip 47 X 1,93		X		(20)	N 902 945 02	circlip 38 X 2,16		X	
(13)	N 902 947 03	circlip 47 X 1,96		X		(20)	N 902 945 03	circlip 38 X 2,20		X	
(13)	N 902 947 04	circlip 47 X 1,99		X		(20)	N 902 945 04	circlip 38 X 2,24		X	
(13)	N 902 947 05	circlip 47 X 2,02		X		(20)	N 902 945 05	circlip 38 X 2,28		X	
14	012 311 229 K	needle cage 2nd gear 47 X 52 X 26,6		1		21	012 311 116 G	needle cage 5th gear 38 X 43 X 27		1	
15	A 012 311 260 H	shifting gear 2nd gear Z = 36 : 17		1		22	012 311 159 EJ	shifting gear 5th gear Z = 31 : 37		1	
(15)	012 311 260 L	shifting gear 2nd gear Z = 36 : 17		1		23	01X 311 312 A	retaining spring		2	
16	012 311 317	circlip 47 X 2,5		1		24	01X 311 295 J	synchroniser ring 5th gear and reverse gear		1	
17	012 311 285 BT	gear wheel 3rd gear Z = 40 : 28		1		25	N 902 945 01	circlip 38 X 2		1	

Model	Year	MG	SG	Illustration	Restrictions	UPD	10:35	24.01.2010	PORSCHE	PET	PORSCHE
986	2004	3	03	303-06		248					

Pos	Part Number	Description	Remark	Qty	Model	Pos	Part Number	Description	Remark	Qty	Model
26	01X 311 315	operating sleeve 5th gear and reverse gear		2		(33)	012 311 393 E	adjusting shim 0,65		X	
						(33)	012 311 393 F	adjusting shim 0,69		X	
27	01X 311 309	synchronising hub 5th gear and reverse gear		1		(33)	012 311 393 G	adjusting shim 0,73		X	
28	N 902 944 01	circlip 37 X 1,9		X		(33)	012 311 393 H	adjusting shim 0,77		X	
(28)	N 902 944 02	circlip 37 X 1,93		X		(33)	012 311 393 J	adjusting shim 0,81		X	
(28)	N 902 944 03	circlip 37 X 1,96		X		(33)	012 311 393 K	adjusting shim 0,85		X	
(28)	N 902 944 04	circlip 37 X 1,99		X		(33)	012 311 393 L	adjusting shim 0,89		X	
(28)	N 902 944 05	circlip 37 X 2,02		X		34	012 301 251 B	pressure plate 70,98 X 14,8		X	
(28)	N 902 944 06	circlip 37 X 2,05		X		(34)	012 301 251 C	pressure plate 70,98 X 15,3		X	
29	012 311 234 E	needle-roller bearing 37 x 42 x 24,5		1		35	012 301 193 C	washer 71 X 7		1	
30	01X 311 295 J	synchroniser ring reverse gear		1							
31	012 311 217 L	shifting gear for reverse gear		1							
32	012 311 375 C	taper roller bearing 31,7 x 76,2 x 25,4		1							
33	012 311 393	adjusting shim 0,45		X							
(33)	012 311 393 A	adjusting shim 0,49		X							
(33)	012 311 393 B	adjusting shim 0,53		X							
(33)	012 311 393 C	adjusting shim 0,57		X							
(33)	012 311 393 D	adjusting shim 0,61		X							

Model	Year	MG	SG	Illustration	Restrictions	UPD	10:35	24.01.2010	PORSCHE	PET	PORSCHE
986	2004	3	03	303-07		248					

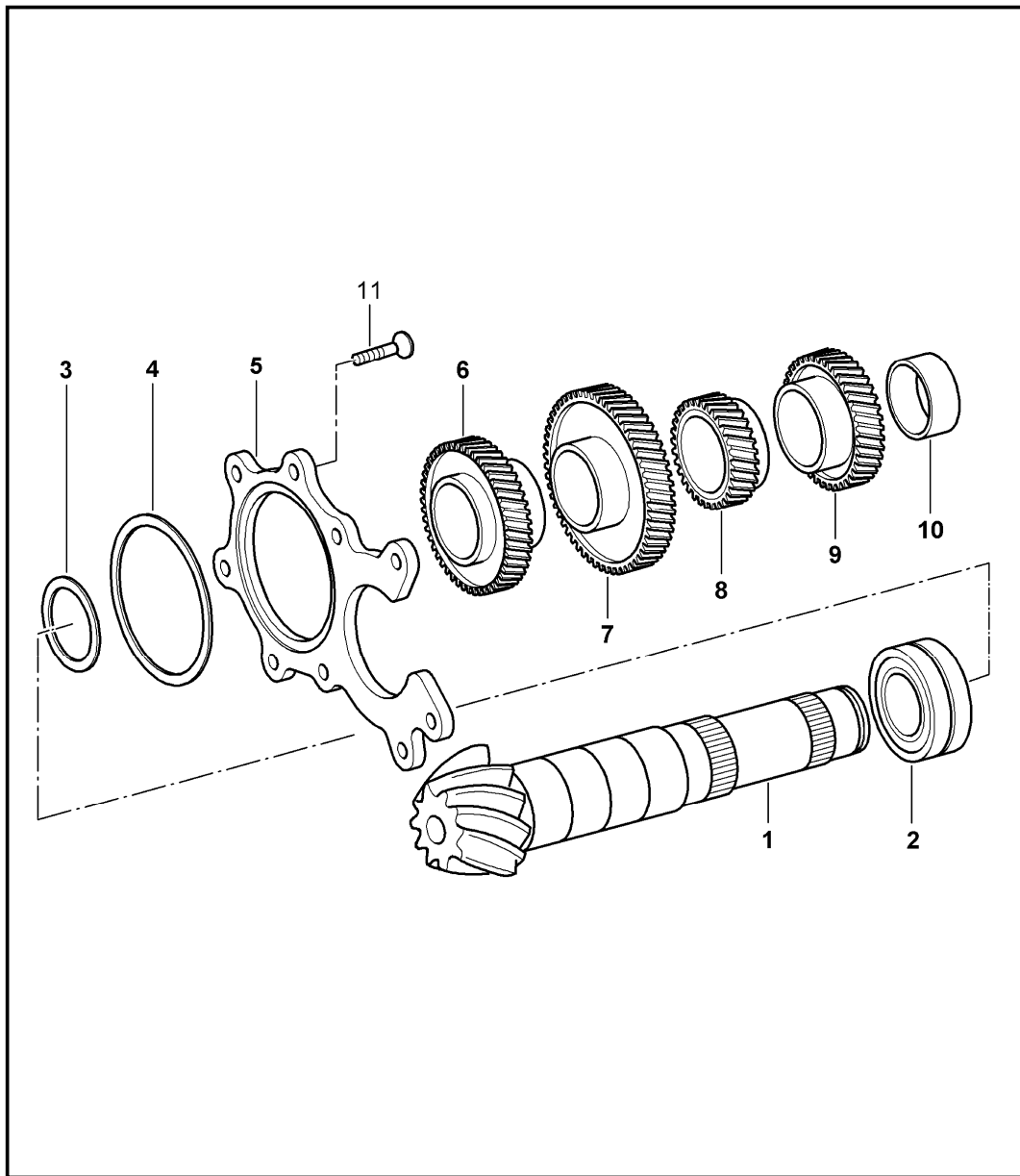


Pos	Part Number	Description	Remark	Qty	Model
		gears and shafts			G86.20
1	996 302 815 00	needle-roller bearing white		1	
(1)	996 302 815 01	needle-roller bearing blue		1	
(1)	996 302 815 02	needle-roller bearing green		1	
(1)	996 302 815 03	needle-roller bearing brown		1	
2	996 302 042 00	loose gear wheel 2nd gear		1	
3	950 304 617 20	ring		2	
4	996 304 613 20	cone ring		2	
5	996 304 611 00	synchroniser ring		2	
6	996 304 061 02	guide sleeve 1st/2nd gear		1	
7	996 304 651 00	stone		3	
8	900 108 058 00	ball		3	
9	996 304 661 00	compression spring		3	
10	996 302 816 00	needle cage		1	
11	996 302 041 00	loose gear wheel 1st gear		1	
12	996 302 281 00	thrust washer 1st gear		1	
13	996 302 094 00	loose gear wheel reverse gear		1	
14	996 304 451 01	stone		3	
15	900 108 058 00	ball		3	
16	996 304 461 00	compression spring		3	
17	996 302 816 00	needle cage		1	
18	996 304 431 02	shift sleeve		1	
19	996 304 411 00	synchroniser ring		1	
20	996 304 401 00	clutch hub reverse gear wheel		1	

Model	Year	MG	SG	Illustration	Restrictions	UPD	10:35	24.01.2010	PORSCHE	PET	PORSCHE
986	2004	3	03	303-07		248					

Pos	Part Number	Description	Remark	Qty	Model	Pos	Part Number	Description	Remark	Qty	Model
21	996 301 806 00	cylindrical-roller bearing 35 X 72 X 10		1		(23)	996 302 810 04	circlip 35 X 2,45		1	
22	996 302 118 00	shim 35 X 45 X 1,2		1							
(22)	996 302 118 01	shim 35 X 45 X 1,3		1							
(22)	996 302 118 02	shim 35 X 45 X 1,4		1							
(22)	996 302 118 03	shim 35 X 45 X 1,5		1							
(22)	996 302 118 04	shim 35 X 45 X 1,6		1							
(22)	996 302 118 05	shim 35 X 45 X 1,7		1							
(22)	996 302 118 06	shim 35 X 45 X 1,8		1							
(22)	996 302 118 07	shim 35 X 45 X 1,9		1							
(22)	996 302 118 08	shim 35 X 45 X 2,0		1							
(22)	996 302 118 09	shim 35 X 45 X 2,1		1							
(22)	996 302 118 10	shim 35 X 45 X 2,2		1							
(22)	996 302 118 11	shim 35 X 45 X 2,3		1							
(22)	996 302 118 12	shim 35 X 45 X 2,4		1							
(22)	996 302 118 13	shim 35 X 45 X 2,5		1							
23	996 302 810 00	circlip 35 X 2,25		1							
(23)	996 302 810 01	circlip 35 X 2,30		1							
(23)	996 302 810 02	circlip 35 X 2,35		1							
(23)	996 302 810 03	circlip 35 X 2,40		1							

Model	Year	MG	SG	Illustration	Restrictions	UPD	10:35	24.01.2010	PORSCHE	PET	PORSCHE
986	2004	3	03	303-08		248					

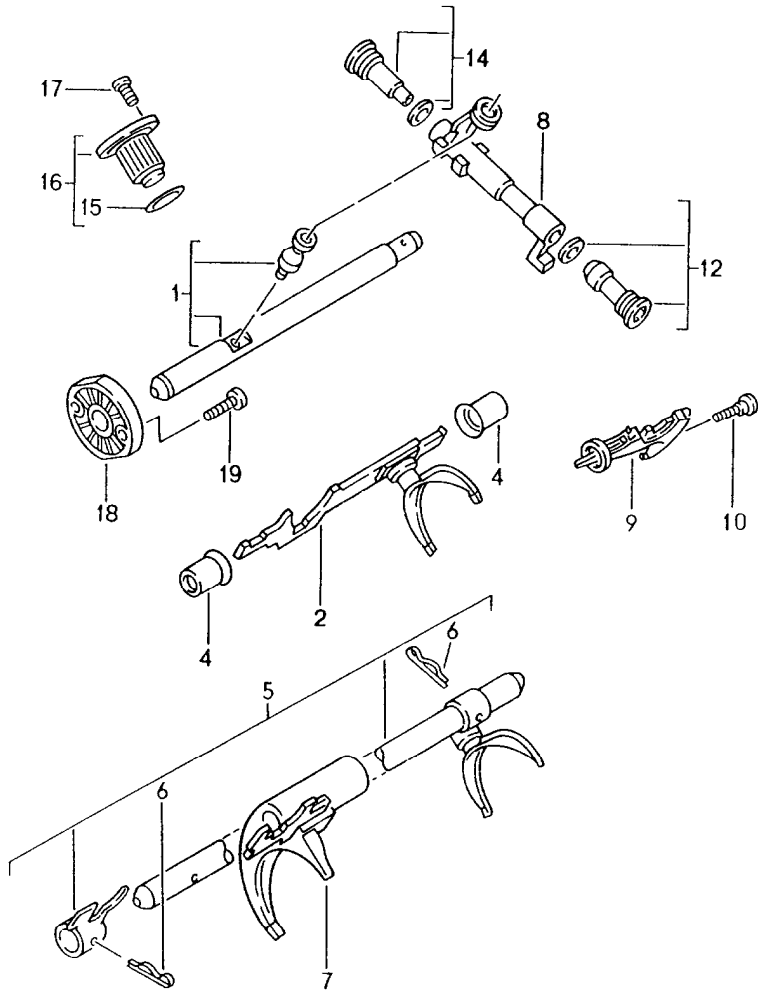


Pos	Part Number	Description	Remark	Qty	Model
		gears and shafts			G86.20
1	---	pinion shaft see group 3/05/02		1	
2	996 302 808 00	angular-contact bearing 48 X 93 X 37		1	
3	996 302 114 00	shim 48 X 60 X 0,50		1	
(3)	996 302 114 01	shim 48 X 60 X 0,55		1	
(3)	996 302 114 02	shim 48 X 60 X 0,60		1	
(3)	996 302 114 03	shim 48 X 60 X 0,65		1	
(3)	996 302 114 04	shim 48 X 60 X 0,70		1	
(3)	996 302 114 05	shim 48 X 60 X 0,75		1	
(3)	996 302 114 06	shim 48 X 60 X 0,80		1	
(3)	996 302 114 07	shim 48 X 60 X 0,85		1	
(3)	996 302 114 08	shim 48 X 60 X 0,90		1	
(3)	996 302 114 09	shim 48 X 60 X 0,95		1	
4	996 302 122 00	shim 85,5 X 93 X 0,50		1	
(4)	996 302 122 01	shim 85,5 X 93 X 0,55		1	
(4)	996 302 122 02	shim 85,5 X 93 X 0,60		1	
(4)	996 302 122 03	shim 85,5 X 93 X 0,65		1	
(4)	996 302 122 04	shim 85,5 X 93 X 0,70		1	
(4)	996 302 122 05	shim 85,5 X 93 X 0,75		1	

Model	Year	MG	SG	Illustration	Restrictions	UPD	10:35	24.01.2010	PORSCHE	PET	PORSCHE
986	2004	3	03	303-08		248					

Pos	Part Number	Description	Remark	Qty	Model	Pos	Part Number	Description	Remark	Qty	Model
(4)	996 302 122 06	shim 85,5 X 93 X 0,80		1		7	996 302 213 00	fixed gear wheel 3rd gear		1	
(4)	996 302 122 07	shim 85,5 X 93 X 0,85		1		8	996 302 216 15	fixed gear wheel 6th gear		1	
(4)	996 302 122 08	shim 85,5 X 93 X 0,90		1		9	996 302 215 00	fixed gear wheel 5th gear		1	
(4)	996 302 122 09	shim 85,5 X 93 X 0,95		1		10	996 302 272 00	inner ring		1	
(4)	996 302 122 10	shim 85,5 X 93 X 1,00		1		11	996 302 817 00	countersunk-head screw mount retainer plate		9	
(4)	996 302 122 11	shim 85,5 X 93 X 1,05		1							
(4)	996 302 122 12	shim 85,5 X 93 X 1,10		X							
(4)	996 302 122 13	shim 85,5 X 93 X 1,15		X							
(4)	996 302 122 14	shim 85,5 X 93 X 1,20		X							
(4)	996 302 122 15	shim 85,5 X 93 X 1,25		1							
(4)	996 302 122 16	shim 85,5 X 93 X 1,30		1							
(4)	996 302 122 17	shim 85,5 X 93 X 1,35		1							
(4)	996 302 122 18	shim 85,5 X 93 X 1,40		1							
(4)	996 302 122 19	shim 85,5 X 93 X 1,45		1							
(4)	996 302 122 20	shim 85,5 X 93 X 1,50		1							
(4)	996 302 122 21	shim 85,5 X 93 X 1,55		1							
(4)	996 302 122 22	shim 85,5 X 93 X 1,60		1							
5	986 302 121 00	retainer plate		1							
6	996 302 214 00	fixed gear wheel 4th speed		1							

Model	Year	MG	SG	Illustration	Restrictions	UPD	10:35	24.01.2010	PORSCHE	PET	PORSCHE
986	2004	3	04	304-00		248					

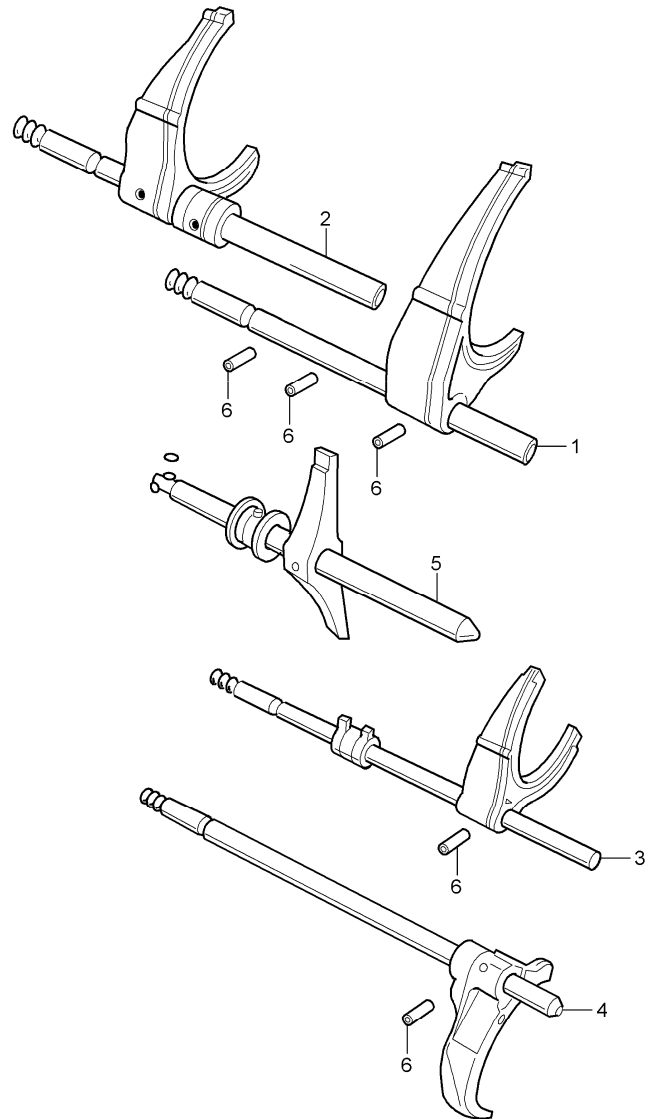


Pos	Part Number	Description	Remark	Qty	Model
		manual transmission	-99		G86.00
		shift rods	00-		G86.01
		shift forks			
1	012 311 505	shift rod		1	
2	012 311 559 D	gear shift rod 3rd/4th gear		1	
4	012 301 120 C	sleeve		2	
5	012 311 575 D	gear shift rod 5th gear and reverse gear		1	
6	N 023 332 1	tensioning sleeve 6 X 24		2	
7	012 311 549	shift fork 1st/2nd gear		1	
8	012 311 617 D	reverse lever	-99	1	
(8)	012 311 617 E	reverse lever	00-	1	
9	012 311 628 A	locking segment		1	CWA/DVY/EFD GDW
(9)	012 311 741	locking segment		1	GFW
10	012 301 291	torx screw M 8 X 30		1	
12	012 311 718 A	stop screw M 22 X 1,5	-99	1	
(12)	012 311 718 D	stop screw M 22 X 1,5	00-	1	
14	012 311 720 A	stop screw M 26 X 1,5	-99	1	
(14)	012 311 720 D	stop screw M 26 X 1,5	00-	1	
15	N 903 541 01	o-ring 22 X 2		1	
16	012 311 691 A	pawl		1	
17	N 903 663 03	pan-head screw M 8 X 22		2	

Model	Year	MG	SG	Illustration	Restrictions	UPD	10:35	24.01.2010	PORSCHE	PET	PORSCHE
986	2004	3	04	304-00		248					

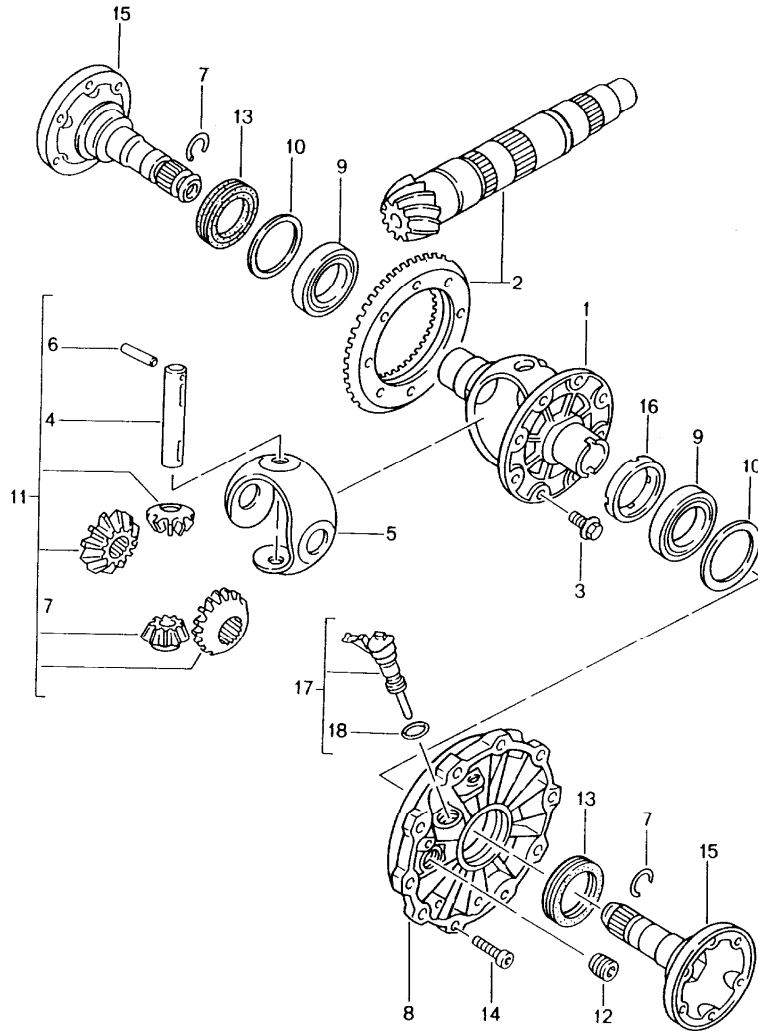
Pos	Part Number	Description	Remark	Qty	Model	Pos	Part Number	Description	Remark	Qty	Model
18	012 301 453 G	lid for shift rod		1	CWA/DVY/EFD						
(18)	012 301 451	lid for shift rod		1	GDW/GFW/GAL						
19	N 903 660 01	torx screw M 8 X 36		2							

Model	Year	MG	SG	Illustration	Restrictions	UPD	10:35	24.01.2010	PORSCHE	PET	PORSCHE
986	2004	3	04	304-05		248					



Pos	Part Number	Description	Remark	Qty	Model
		gear shift rod shift fork			G86.20
1	986 303 015 00	gear shift rod 5./6. Gang		1	
2	986 303 013 00	gear shift rod 3./4. Gang		1	
3	986 303 010 00	gear shift rod 1st/2nd gear		1	
4	986 303 016 00	gear shift rod reverse gear		1	
5	986 303 021 00	shift rod		1	
6	996 303 301 00	spiral clamping pin		5	

Model	Year	MG	SG	Illustration	Restrictions	UPD	10:36	24.01.2010	PORSCHE	PET	PORSCHE
986	2004	3	05	305-00		248					



Pos	Part Number	Description	Remark	Qty	Model
		differential			G86.00/01
		transmission classification letter			CWA/DVY/EFD
		attention			GDW/GFW
1	012 409 121 M	differential housing 90 MM		1	CWA
(1)	012 409 121 M	differential housing 90 MM G >> 10 01 9		1	DVY
(1)	012 409 121 L	differential housing 90 MM G 11 01 9 >>		1	DVY/EFD/GDW
(1)	01X 409 121 A	differential housing 90 MM		1	GFW
2	012 409 143 AR	ring gear and pinion shaft 35 : 9		1	CWA
2	012 409 143 CA	ring gear and pinion shaft 35 : 9		1	DVY
2	012 409 143 CQ	ring gear and pinion shaft 32 : 9		1	EFD/GDW
(2)	012 409 143 EJ	ring gear and pinion shaft 32 : 9		1	GFW
3	N 903 614 01	hexagon-head bolt M 10 X 1 X 22,8		10	
4	005 409 177 00	differential bolt		1	
5	012 409 170 A	thrust washer		1	CWA/DVY/EFD
(5)	02B 409 170 A	thrust washer		1	GDW/GFW
6	N 100 726 01	roll pin 5 X 36		1	
7	012 409 413	circlip		2	
8	012 409 131 H	lid		1	CWA
8	012 409 131 H	lid G >> 10 01 9		1	DVY
(8)	012 409 131 L	lid G 11 01 9 >>		1	DVY/EFD/GDW
(8)	012 409 131 L	lid		1	GFW

Model	Year	MG	SG	Illustration	Restrictions	UPD	10:36	24.01.2010	PORSCHE	PET	PORSCHE
986	2004	3	05	305-00		248					

Pos	Part Number	Description	Remark	Qty	Model	Pos	Part Number	Description	Remark	Qty	Model
9	002 517 185	taper roller bearing 46 X 75 X 18		2	CWA	(10)	012 409 387 AL	shim right 0,49 G 11 01 9 >>		X	DVY/EFD/GDW GFW
9	002 517 185 A	taper roller bearing 46 X 75 X 18 G >> 10 01 9		2	DVY						
9	002 517 185 A	taper roller bearing right 46 X 75 X 18 G 11 01 9 >>		1	DVY/EFD/GDW	(10)	012 409 387 B	shim 0,55		X	CWA
9	002 517 185 A	taper roller bearing right 46 X 75 X 18 G 11 01 9 >>		1	DVY/EFD/GDW	(10)	012 409 387 B	shim 0,55 G >> 10 01 9		X	DVY
9	002 517 185 A	taper roller bearing right 46 X 75 X 18		1	GFW	(10)	012 409 387 DP	shim left 0,53 G 11 01 9 >>		X	DVY/EFD/GDW GFW
9	012 409 123	taper roller bearing left 50 X 80 X 20 G 11 01 9 >>		1	DVY/EFD/GDW	(10)	012 409 387 AM	shim right 0,53 G 11 01 9 >>		X	DVY/EFD/GDW GFW
9	01X 409 123	taper roller bearing left 50 X 80 X 20		1	GFW	(10)	012 409 387 C	shim 0,60		X	CWA
10	012 409 387	shim 0,45		X	CWA	(10)	012 409 387 C	shim 0,60 G >> 10 01 9		X	DVY
10	012 409 387	shim 0,45 G >> 10 01 9		X	DVY	(10)	012 409 387 DQ	shim left 0,57 G 11 01 9 >>		X	DVY/EFD/GDW GFW
10	012 409 387 DM	shim left 0,45 G 11 01 9 >>		X	DVY/EFD/GDW GFW	(10)	012 409 387 AN	shim right 0,57 G 11 01 9 >>		X	DVY/EFD/GDW GFW
10	012 409 387 AK	shim right 0,45 G 11 01 9 >>		X	DVY/EFD/GDW GFW	(10)	012 409 387 D	shim 0,65		X	CWA
(10)	012 409 387 A	shim 0,50		X	CWA	(10)	012 409 387 D	shim 0,65 G >> 10 01 9		X	DVY
(10)	012 409 387 A	shim 0,50 G >> 10 01 9		X	DVY	(10)	012 409 387 DR	shim left 0,61 G 11 01 9 >>		X	DVY/EFD/GDW GFW
(10)	012 409 387 DN	shim left 0,49 G 11 01 9 >>		X	DVY/EFD/GDW GFW	(10)	012 409 387 AP	shim right 0,61 G 11 01 9 >>		X	DVY/EFD/GDW GFW

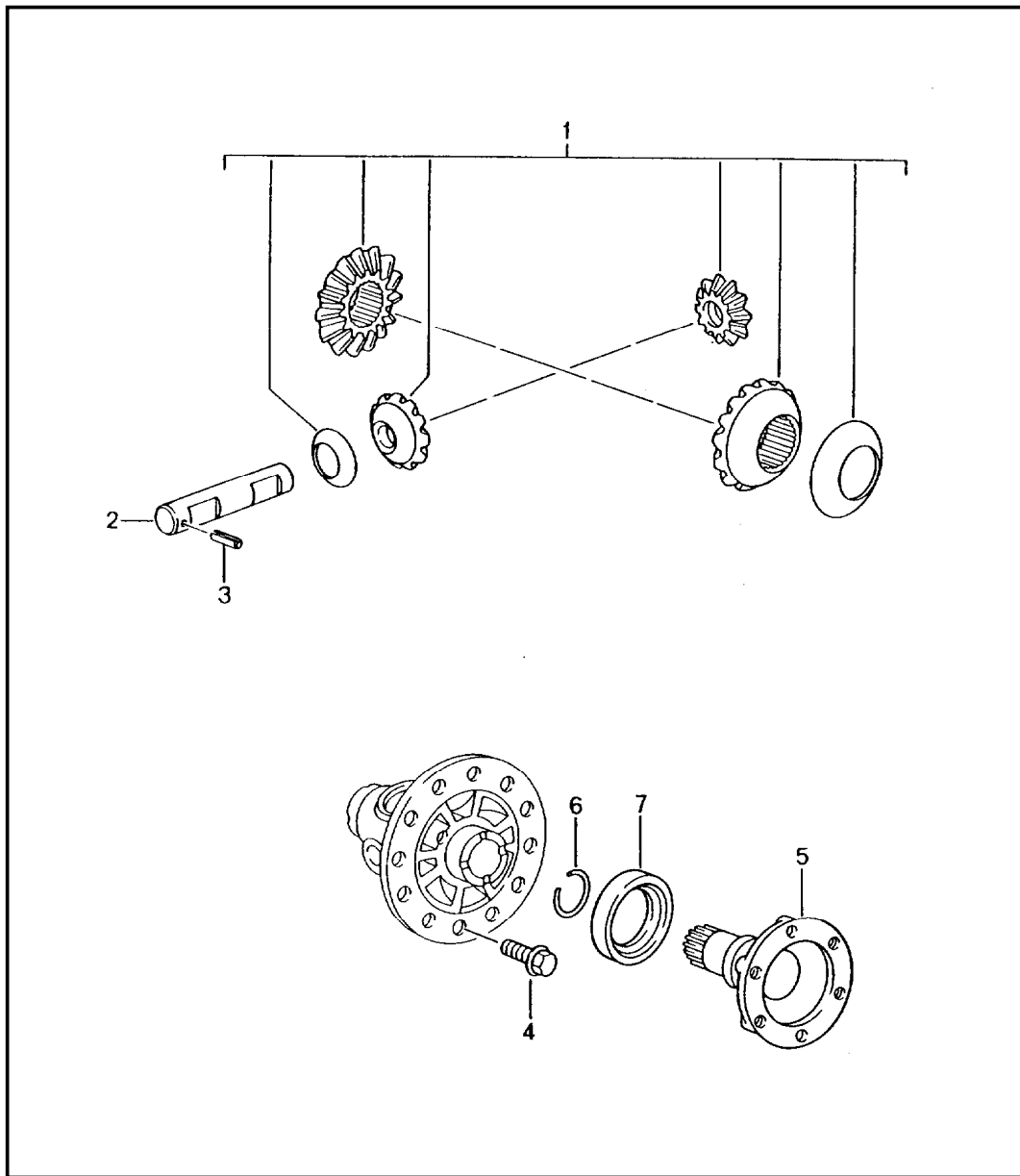
Model	Year	MG	SG	Illustration	Restrictions	UPD	10:36	24.01.2010	PORSCHE	PET	PORSCHE
986	2004	3	05	305-00		248					

Pos	Part Number	Description	Remark	Qty	Model	Pos	Part Number	Description	Remark	Qty	Model
(10)	012 409 387 E	shim 0,70		X	CWA	(10)	012 409 387 EB	shim left 0,77 G 11 01 9 >>		X	DVY/EFD/GDW GFW
(10)	012 409 387 E	shim 0,70 G >> 10 01 9		X	DVY	(10)	012 409 387 AT	shim right 0,77 G 11 01 9 >>		X	DVY/EFD/GDW GFW
(10)	012 409 387 DS	shim left 0,65 G 11 01 9 >>		X	DVY/EFD/GDW GFW	(10)	012 409 387 J	shim 0,90		X	CWA
(10)	012 409 387 AQ	shim right 0,65 G 11 01 9 >>		X	DVY/EFD/GDW GFW	(10)	012 409 387 J	shim 0,90 G >> 10 01 9		X	DVY
(10)	012 409 387 F	shim 0,75		X	CWA	(10)	012 409 387 EC	shim left 0,81 G 11 01 9 >>		X	DVY/EFD/GDW GFW
(10)	012 409 387 F	shim 0,75 G >> 10 01 9		X	DVY	(10)	012 409 387 BA	shim right 0,81 G 11 01 9 >>		X	DVY/EFD/GDW GFW
(10)	012 409 387 DT	shim left 0,69 G 11 01 9 >>		X	DVY/EFD/GDW GFW	(10)	012 409 387 ED	shim left 0,85 G 11 01 9 >>		X	DVY/EFD/GDW GFW
(10)	012 409 387 AR	shim right 0,69 G 11 01 9 >>		X	DVY/EFD/GDW GFW	(10)	012 409 387 BB	shim right 0,85 G 11 01 9 >>		X	DVY/EFD/GDW GFW
(10)	012 409 387 G	shim 0,80		X	CWA	11	02M 498 081 A	differential pinions 1 set		1	CWA/DVY/EFD GDW
(10)	012 409 387 G	shim 0,80 G >> 10 01 9		X	DVY	(11)	01X 498 081	differential pinions 1 set		1	GFW
(10)	012 409 387 EA	shim left 0,73 G 11 01 9 >>		X	DVY/EFD/GDW GFW	12	111 301 127 E	screw plug M 24 X 1,5	-02	1	
(10)	012 409 387 AS	shim right 0,73 G 11 01 9 >>		X	DVY/EFD/GDW GFW	(12)	WHT 001 937	screw plug M 24 X 1,5	03-	1	
(10)	012 409 387 H	shim 0,85		X	CWA	13	016 409 399 B	radial shaft seal 45 X 60 X 8		2	
(10)	012 409 387 H	shim 0,85 G >> 10 01 9		X	DVY	14	N 903 660 01	torx screw M 8 X 36		10	

Model	Year	MG	SG	Illustration	Restrictions	UPD	10:36	24.01.2010	PORSCHE	PET	PORSCHE
986	2004	3	05	305-00		248					

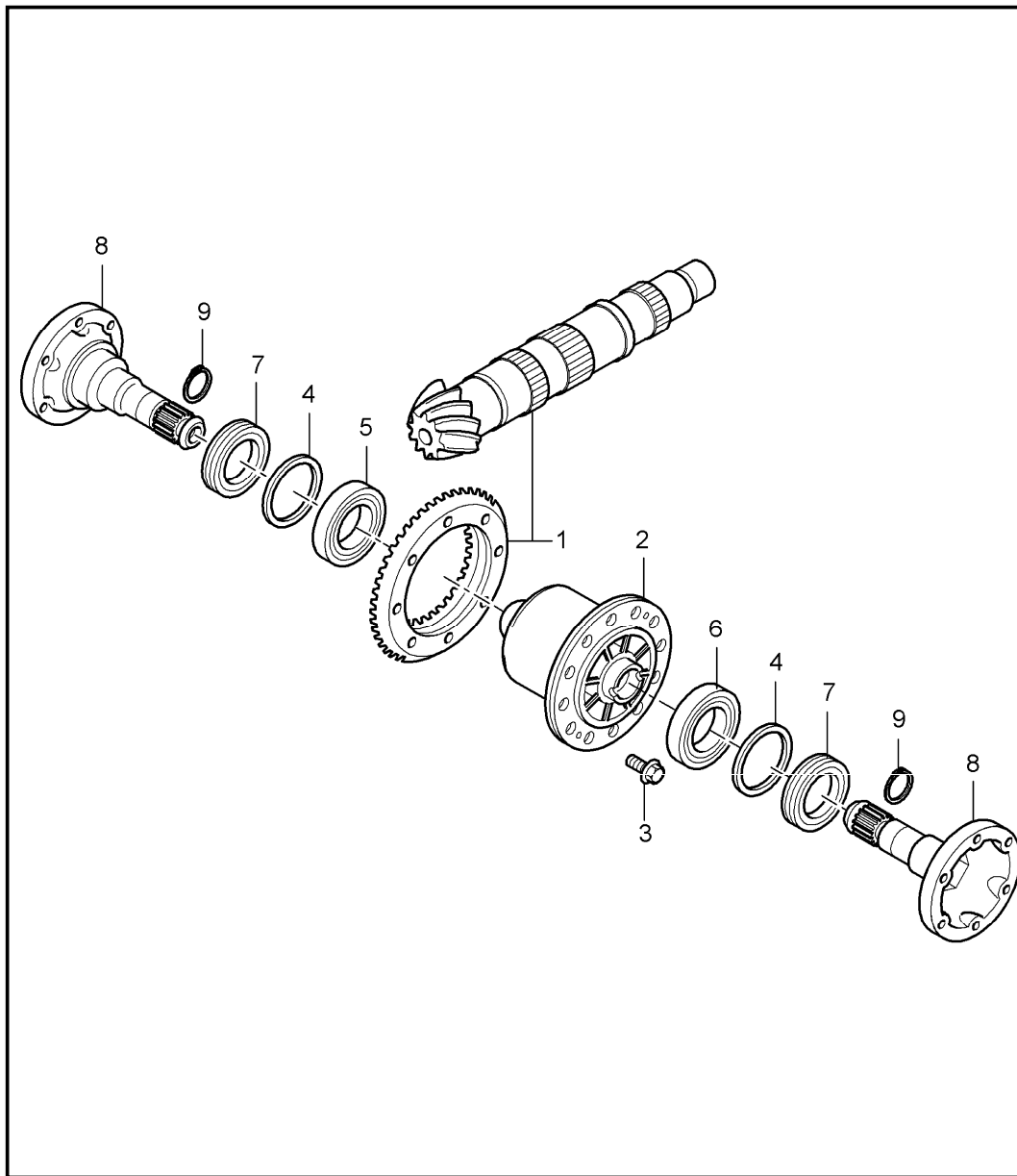
Pos	Part Number	Description	Remark	Qty	Model	Pos	Part Number	Description	Remark	Qty	Model
15	012 409 343 K	flanged shaft F >>983S6 00191 F >>983U6 03154		2	CWA/DVY/EFD						
(15)	012 409 343 AA	flanged shaft F 983S6 00192>> F 983U6 03155>>		2	CWA/DVY/EFD						
(15)	012 409 343 AC	flanged shaft		2	GDW/GFW						
16	012 409 182 B	drive wheel without function-drive	-02	1							
(16)	012 409 182 C	drive wheel without function-drive	03-	1							
17	012 409 191 C	sensor without function-drive	-99	1							
(17)	012 409 191 D	sensor without function-drive G >> 28 06	00-	1							
(17)	012 409 961	stopper G 01 07 2 >>		1							
18	N 903 684 01	round seal 14,5 X 2		1							

Model	Year	MG	SG	Illustration	Restrictions	UPD	10:36	24.01.2010	PORSCHE	PET	PORSCHE
986	2004	3	05	305-01		248					



Pos	Part Number	Description	Remark	Qty	Model
		differential	00-		G86.20
1	996 332 922 00	differential pinions 1 set		1	
2	996 332 205 00	differential bolt		1	
3	900 309 038 01	pin 5 X 16		1	
4	996 332 276 00	hexagon-head bolt M 12 X 1,25 X 22,5		12	
5	996 332 209 00	joint flange		2	
6	996 332 249 00	circlip 35 X 2,5		2	
7	999 113 347 40	shaft sealing ring 48 X 68 X 10		2	

Model	Year	MG	SG	Illustration	Restrictions	UPD	10:36	24.01.2010	PORSCHE	PET	PORSCHE
986	2004	3	05	305-02		248					

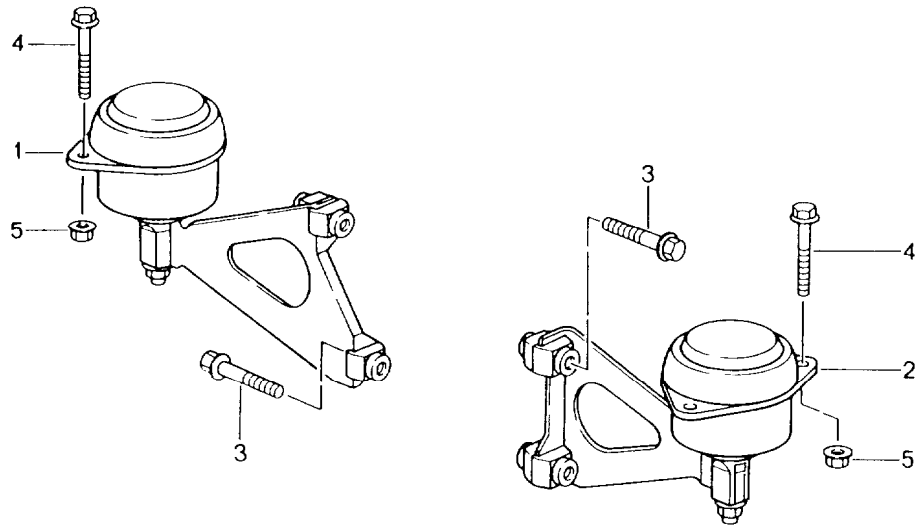


Pos	Part Number	Description	Remark	Qty	Model
		differential rear axle			G86.20
1	996 302 911 00	gear set		1	
2	996 332 005 00	differential		1	
3	999 217 152 01	hexagon-head bolt M 12 X 1,25		12	
4	996 332 266 50	adjusting ring 1,50 MM		2	
(4)	996 332 266 51	adjusting ring 1,55 MM		2	
(4)	996 332 266 52	adjusting ring 1,60 MM		2	
(4)	996 332 266 53	adjusting ring 1,65 MM		2	
(4)	996 332 266 54	adjusting ring 1,70 MM		2	
(4)	996 332 266 55	adjusting ring 1,75 MM		2	
(4)	996 332 266 56	adjusting ring 1,80 MM		2	
(4)	996 332 266 57	adjusting ring 1,85 MM		2	
(4)	996 332 266 58	adjusting ring 1,90 MM		2	
(4)	996 332 266 59	adjusting ring 1,95 MM		2	
(4)	996 332 266 60	adjusting ring 2,00 MM		2	
(4)	996 332 266 61	adjusting ring 2,05 MM		2	
(4)	996 332 266 62	adjusting ring 2,10 MM		2	
(4)	996 332 266 63	adjusting ring 2,15 MM		2	
(4)	996 332 266 64	adjusting ring 2,20 MM		2	
(4)	996 332 266 65	adjusting ring 2,25 MM		2	

Model	Year	MG	SG	Illustration	Restrictions	UPD	10:36	24.01.2010	PORSCHE	PET	PORSCHE
986	2004	3	05	305-02		248					

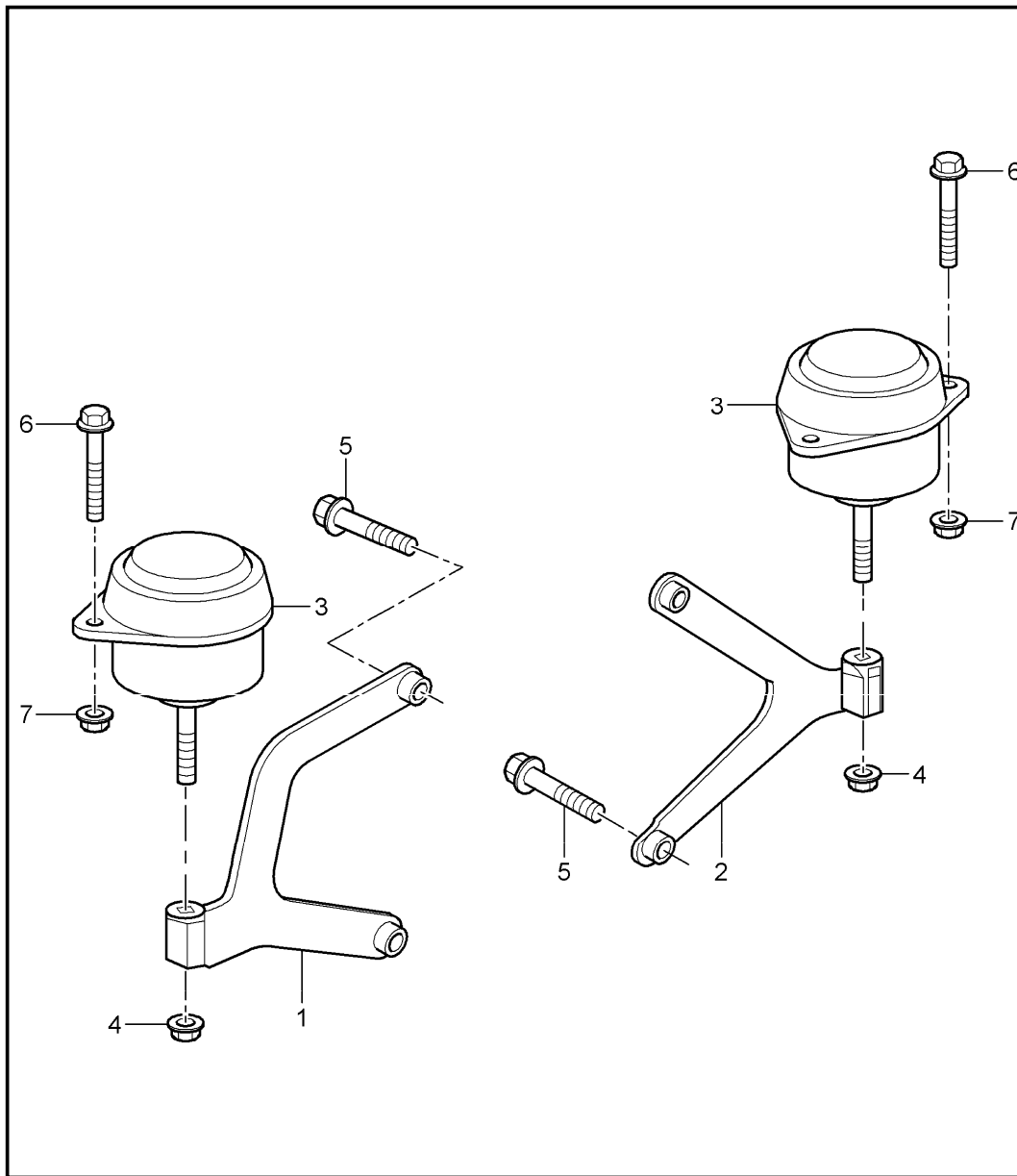
Pos	Part Number	Description	Remark	Qty	Model	Pos	Part Number	Description	Remark	Qty	Model
(4)	996 332 266 66	adjusting ring 2,30 MM		2							
(4)	996 332 266 67	adjusting ring 2,35 MM		2							
(4)	996 332 266 68	adjusting ring 2,40 MM		2							
(4)	996 332 266 69	adjusting ring 2,45 MM		2							
(4)	996 332 266 70	adjusting ring 2,50 MM		2							
(4)	996 332 266 71	adjusting ring 2,55 MM		2							
(4)	996 332 266 72	adjusting ring 2,60 MM		2							
(4)	996 332 266 73	adjusting ring 2,65 MM		2							
(4)	996 332 266 74	adjusting ring 2,70 MM		2							
(4)	996 332 266 75	adjusting ring 2,75 MM		2							
(4)	996 332 266 76	adjusting ring 2,80 MM		2							
5	999 059 066 02	taper roller bearing		1							
6	999 059 064 00	taper roller bearing		1							
7	999 113 356 40	shaft sealing ring AS 48 X 68 X 10		2							
8	996 332 209 00	joint flange		2							
9	996 332 249 00	circlip 35 X 2,5		2							

Model	Year	MG	SG	Illustration	Restrictions	UPD	10:36	24.01.2010	PORSCHE	PET	PORSCHE
986	2004	3	06	306-00		248					



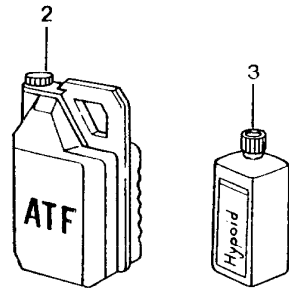
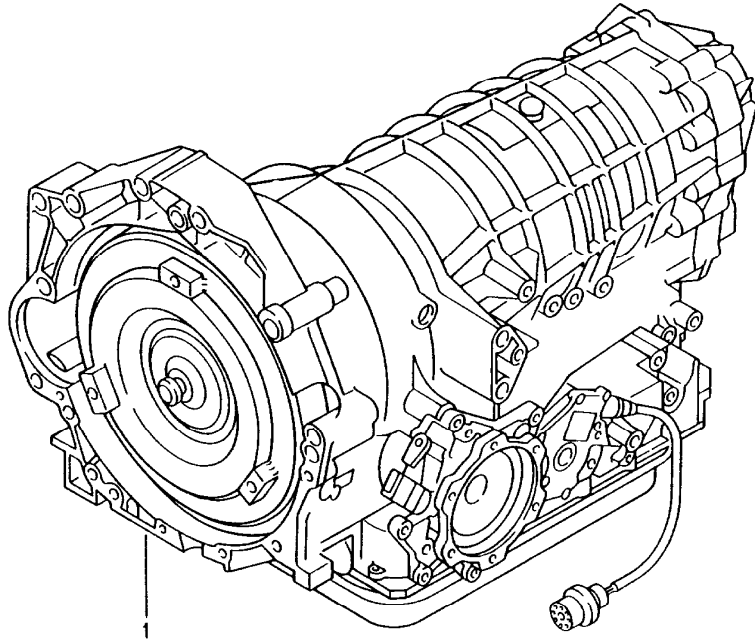
Pos	Part Number	Description	Remark	Qty	Model
		manual transmission	-99		G86.00
		transmission suspension	00-		G86.01
		threaded joint			
		engine			
1	986 375 084 03	transmission bracket right		1	
2	986 375 083 03	transmission bracket left		1	
3	900 378 098 09	hexagon-head bolt M 10 X 60		4	
4	900 378 056 02	hexagon-head bolt M 8 X 60		4	
5	999 084 447 09	hexagon nut M 8		4	
6	999 072 008 09	hexagon-head bolt M 12 X 1,5 X 70		1	
7	999 072 009 09	hexagon-head bolt M 12 X 1,5 X 90		3	
8	999 218 088 09	stud M 10 X 30		1	
9	900 377 011 09	hexagon nut M 10		1	
10	999 073 118 09	pan-head screw M 10 X 40		1	
11	N 905 028 02	washer 15 X 28 X 3,5		1	
12	999 072 010 09	hexagon-head bolt M 12 X 1,5 X 100		1	

Model	Year	MG	SG	Illustration	Restrictions	UPD	10:36	24.01.2010	PORSCHE	PET	PORSCHE
986	2004	3	06	306-01		248					



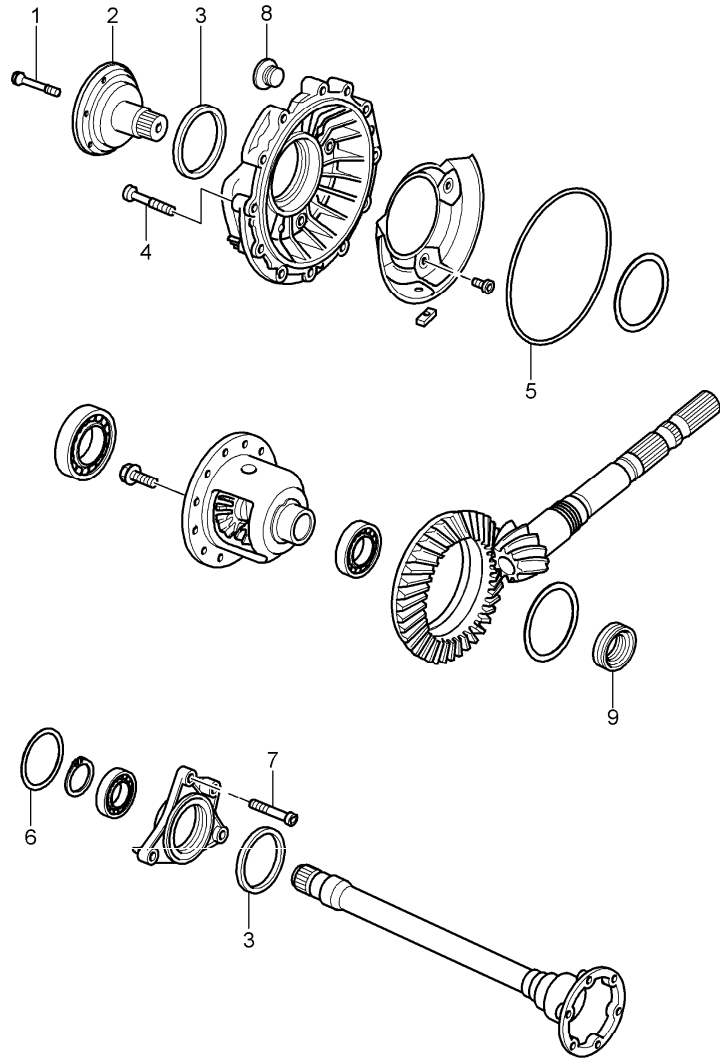
Pos	Part Number	Description	Remark	Qty	Model
		manual transmission transmission suspension threaded joint engine	00-		G86.20
1	986 375 166 03	bracket right		1	
2	986 375 165 03	bracket left		1	
3	986 375 049 01	bearing		2	
4	999 086 009 09	nut M 12 X 1,5		2	
5	A 900 378 092 09	hexagon-head bolt M 12 X 1,5 X 40		4	
6	900 378 159 09	hexagon-head bolt M 8 X 60		4	
7	900 380 005 09	hexagon nut M 8		4	

Model	Year	MG	SG	Illustration	Restrictions	UPD	10:37	24.01.2010	PORSCHE	PET	PORSCHE
986	2004	3	20	320-00		248					



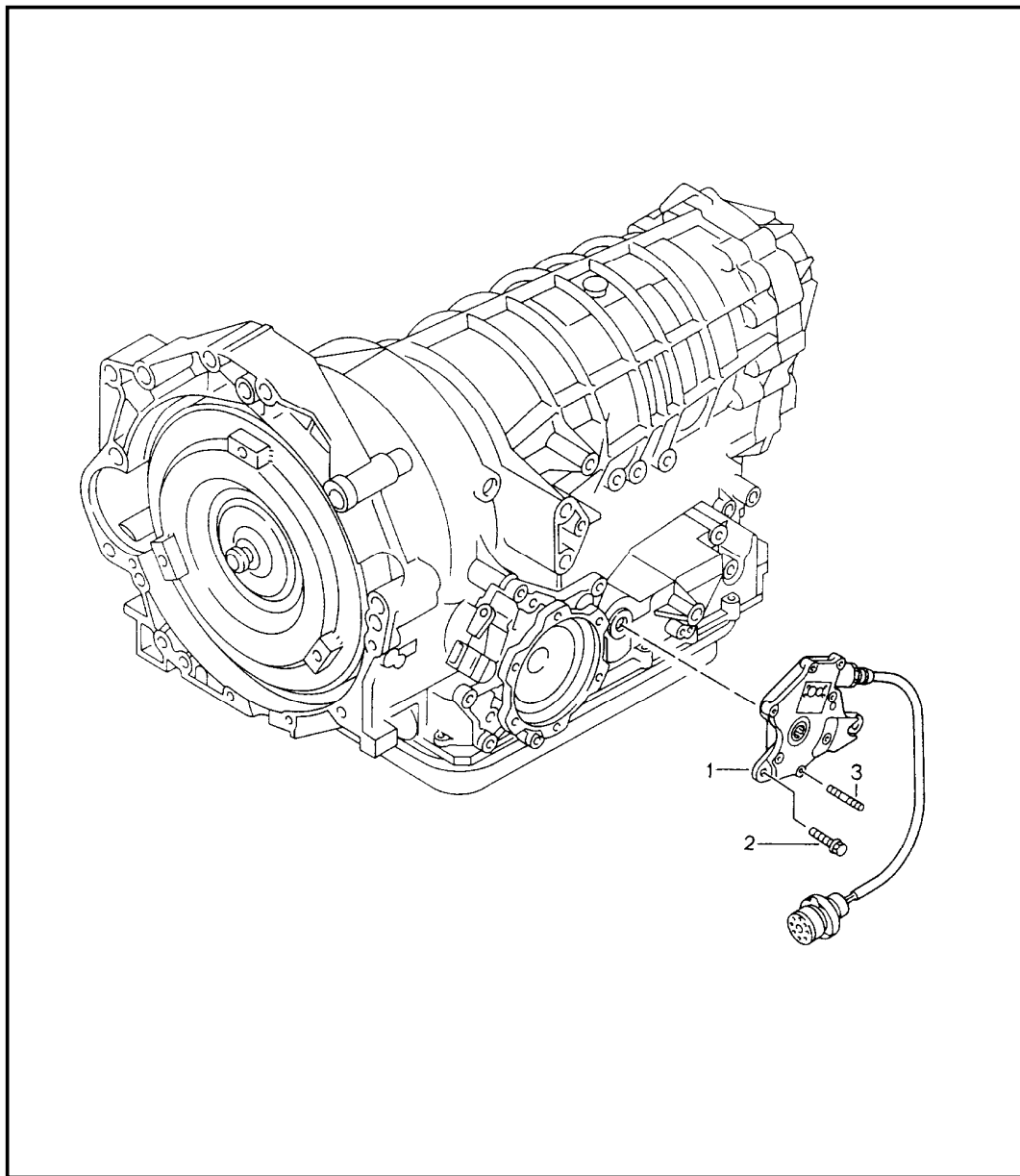
Pos	Part Number	Description	Remark	Qty	Model
		tiptronic	-99 00- 00-		A86.00 A86.05 A86.20
		see technical information group 3 NR. 2 / 2A /98			
		replacement transmission not ready for installation			
1	A 986 300 911 01	transmission	-97	1	A86.00
(1)	A 986 300 011 02	transmission	98	1	A86.00
(1)	> 986 300 011 03	transmission F >>98XS6 00783	99	1	A86.00
		use also: control unit 986.618.225.04			
(1)	> 986 300 011 05	transmission		1	A86.05
(1)	> 986 300 011 20	transmission		1	A86.20
2	000 043 205 09	transmission oil ATF 20 LTR. container		X	
3	999 917 546 00	transmission oil HYPOID 1 LTR. container		X	

Model	Year	MG	SG	Illustration	Restrictions	UPD	10:37	24.01.2010	PORSCHE	PET	PORSCHE
986	2004	3	20	320-03		248					



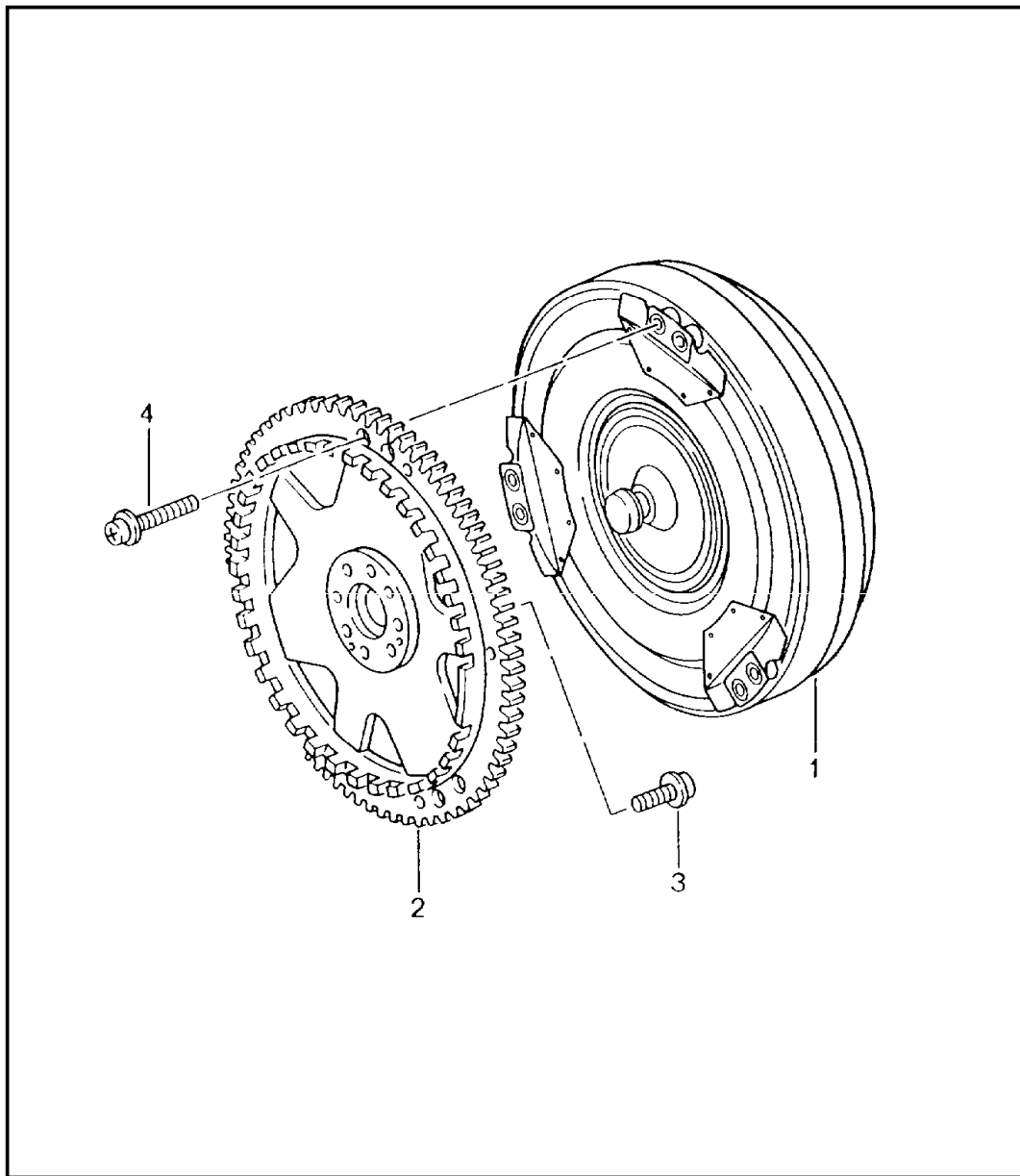
Pos	Part Number	Description	Remark	Qty	Model
		tiptronic	-99		A86.00
			00-		A86.05
			00-		A86.20
		differential housing			
1	944 332 587 00	elastic bolt M 8		1	
2	986 332 201 00	drive flange		1	
2	986 332 201 20	drive flange		1	A86.20
3	986 397 027 00	shaft sealing ring for lid		1	
(3)	996 397 015 00	shaft sealing ring for flange		1	
4	986 397 029 00	pan-head screw M 8 X 45		12	
5	986 397 028 00	round seal		1	
6	986 397 034 00	round seal		1	
7	996 397 007 00	pan-head screw M 8 X 30		3	
8	986 397 026 00	screw plug		1	
9	986 397 039 00	shaft sealing ring 34 X 46-37 X 12-16		1	

Model	Year	MG	SG	Illustration	Restrictions	UPD	10:37	24.01.2010	PORSCHE	PET	PORSCHE
986	2004	3	20	320-05		248					



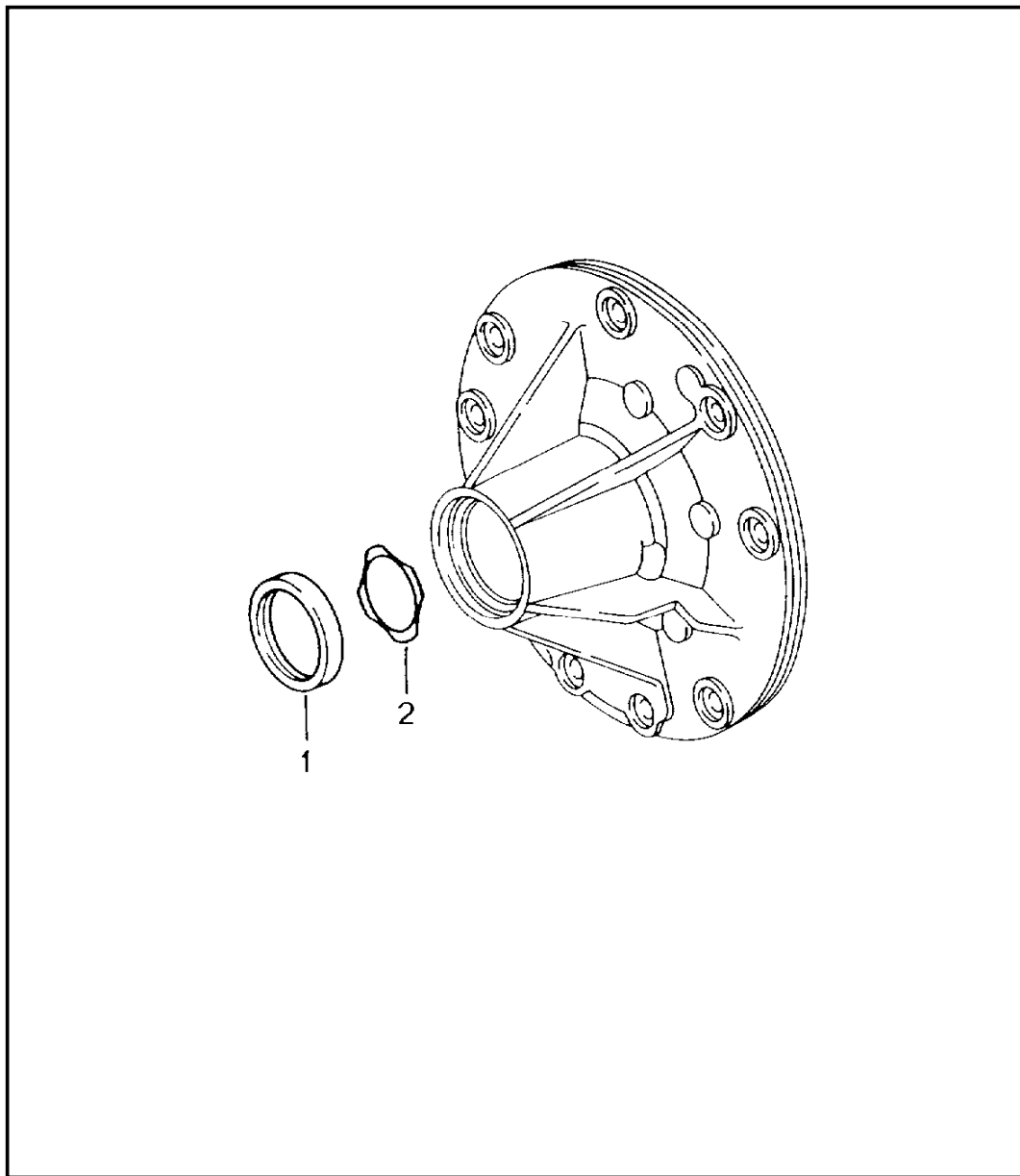
Pos	Part Number	Description	Remark	Qty	Model
		tiptronic	-99		A86.00
		selector switch	00-		A86.05
			00-		A86.20
1	986 325 612 01	switch		1	
2	986 397 025 00	pan-head screw M 6 X 15		2	
3	986 397 024 00	straight pin M 6 X 14		1	

Model	Year	MG	SG	Illustration	Restrictions	UPD	10:37	24.01.2010	PORSCHE	PET	PORSCHE
986	2004	3	30	330-00		248					



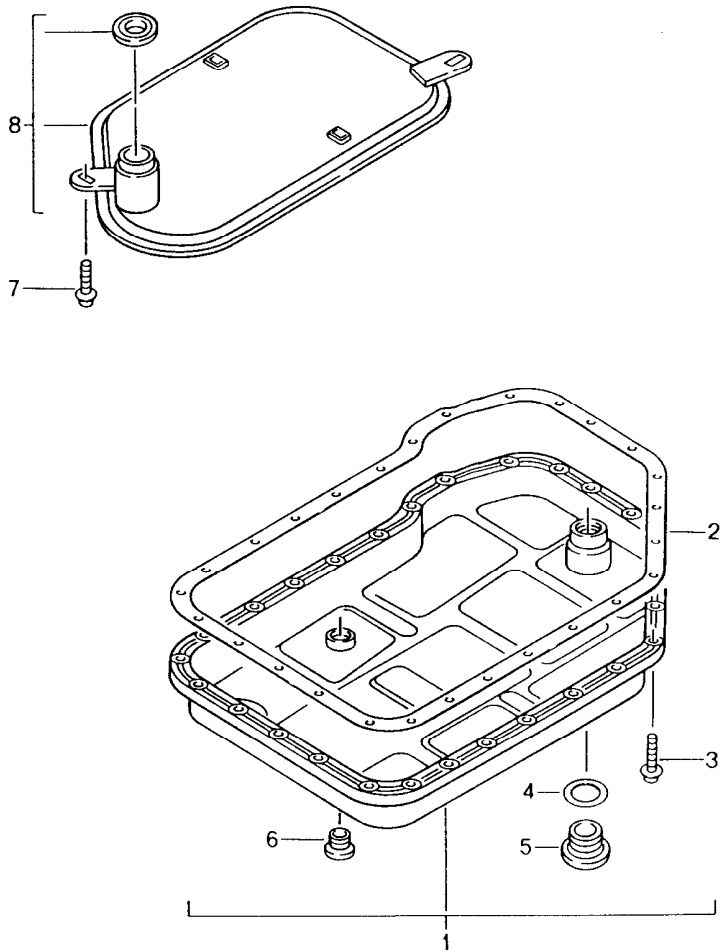
Pos	Part Number	Description	Remark	Qty	Model
		tiptronic	-99		A86.00
		torque converter	00-		A86.05
		torque converter	00-		A86.20
1	986 316 001 00	torque converter		1	
2	996 116 075 07	drive plate		1	
3	999 073 091 09	pan-head screw M 10 X 1 X 25		8	
4	900 067 369 09	pan-head screw M 8 X 20		6	

Model	Year	MG	SG	Illustration	Restrictions	UPD	10:37	24.01.2010	PORSCHE	PET	PORSCHE
986	2004	3	30	330-01		248					



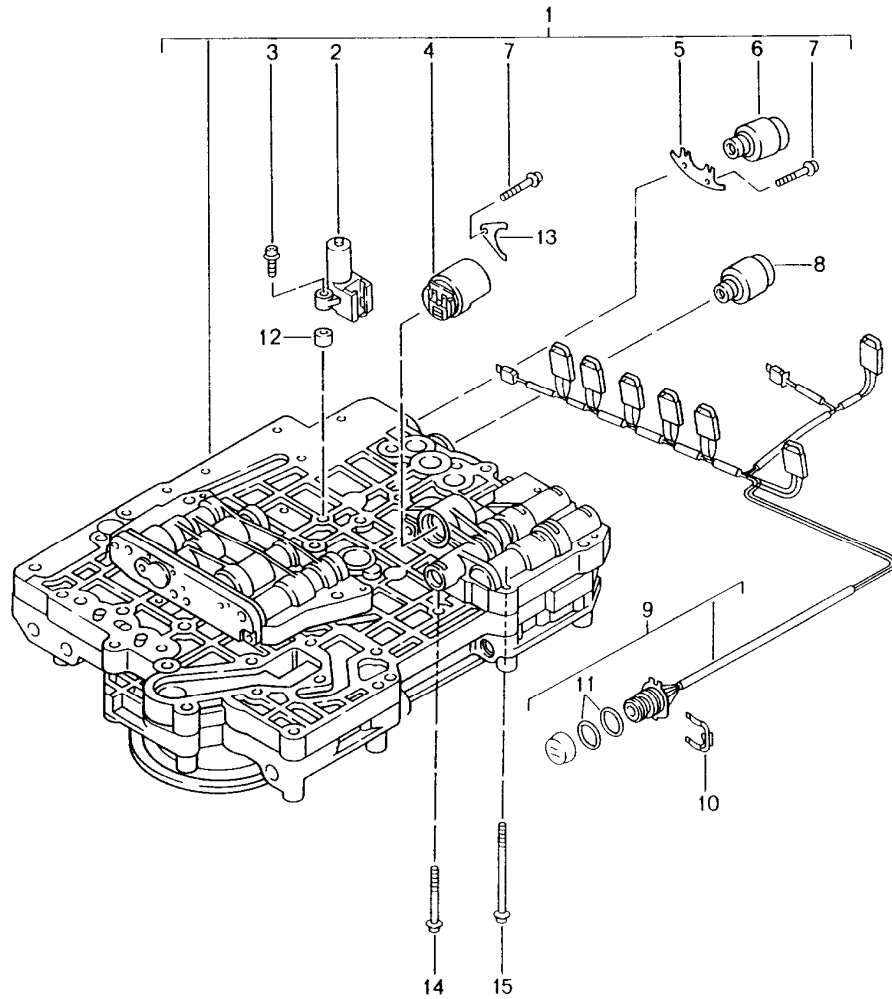
Pos	Part Number	Description	Remark	Qty	Model
		tiptronic	-99		A86.00
		oil pump	00-		A86.05
			00-		A86.20
1	996 397 010 00	shaft sealing ring		1	
2	986 397 012 00	washer		1	

Model	Year	MG	SG	Illustration	Restrictions	UPD	10:38	24.01.2010	PORSCHE	PET	PORSCHE
986	2004	3	40	340-01		248					



Pos	Part Number	Description	Remark	Qty	Model
		tiptronic	-99		A86.00
		oil filter	00-		A86.05
		oil pan	00-		A86.20
1	986 321 025 02	oil pan		1	
2	986 397 016 00	gasket		1	
3	943 397 039 00	pan-head screw M 6 X 20		27	
4	986 397 014 00	round seal		1	
5	986 397 015 00	screw plug M 30 X 1,5		1	
6	986 397 013 00	screw plug M 16 X 1,5		1	
7	943 397 045 00	pan-head screw M 5 X 12		2	
8	986 307 403 00	filter		2	

Model	Year	MG	SG	Illustration	Restrictions	UPD	10:38	24.01.2010	PORSCHE	PET	PORSCHE
986	2004	3	40	340-02		248					

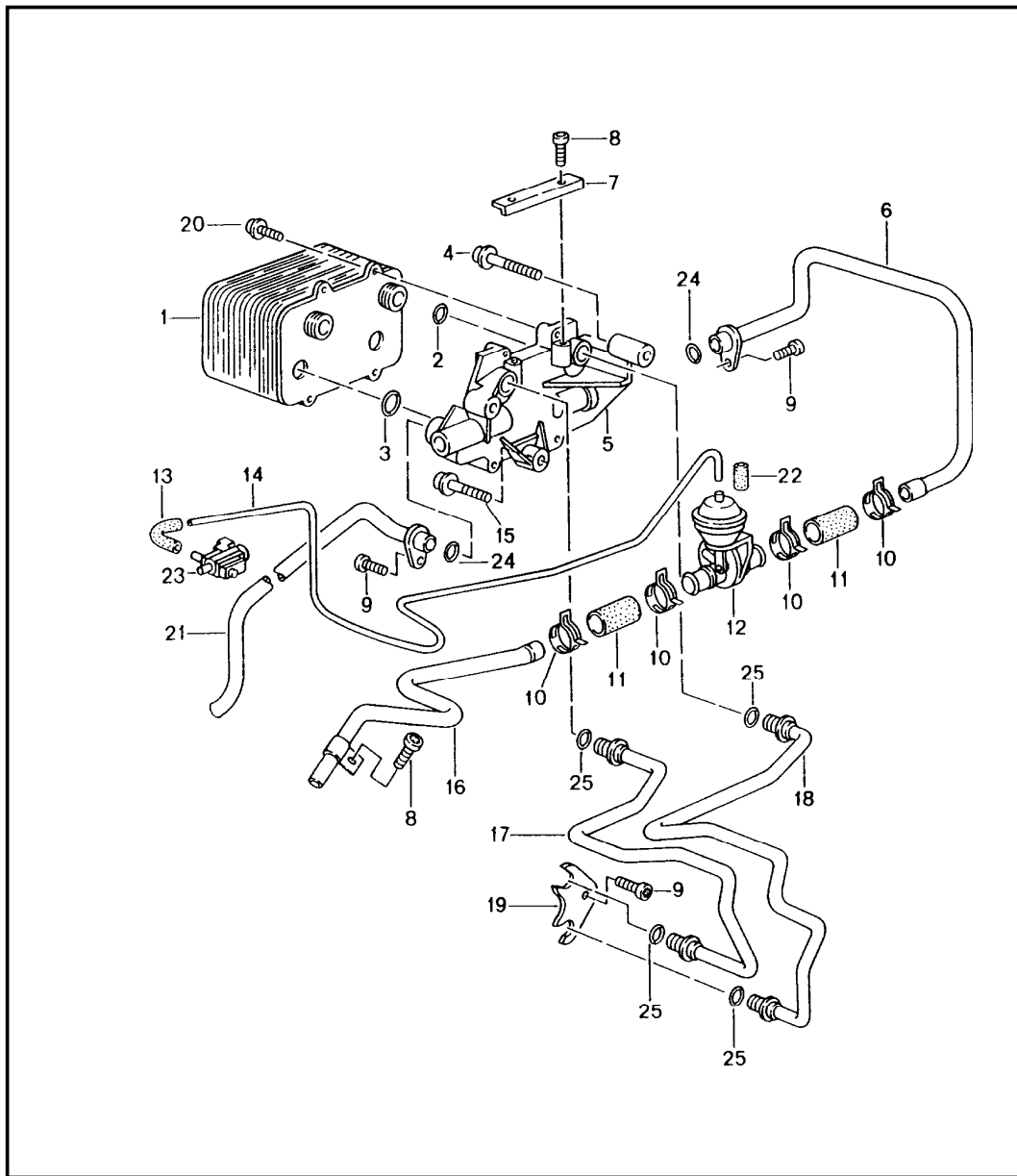


Pos	Part Number	Description	Remark	Qty	Model
		tiptronic	-99		A86.00
			00-		A86.05
			00-		A86.20
		switch unit solenoid valve pressure regulator			
1	986 325 617 00	switch unit type label transmission case attention 1060 030 031 >> 155 067		1	A86.00
1	986 325 617 01	switch unit type label transmission case attention 1060 030 053 << 155 068		1	A86.05/20
2	986 325 608 00	inductive transmitter		1	
3	986 397 019 00	pan-head screw M 5 X 40		2	
4	986 325 604 00	pressure regulator type label transmission case attention 1060 030 031 >> 155 067	-99	1	A86.00
4	986 325 604 01	pressure regulator type label transmission case attention 1060 030 053 << 155 068	00-	1	A86.05/20
5	986 325 615 00	retaining bracket		2	
6	986 325 601 00	solenoid valve		3	
7	943 397 045 00	pan-head screw M 5 X 12		5	
8	986 325 603 00	pressure regulator		3	
9	986 325 611 00	wiring harness		1	
10	986 397 018 01	clamp		1	
11	986 397 017 00	round seal		2	
12	986 397 020 00	spacer ring		2	

Model	Year	MG	SG	Illustration	Restrictions	UPD	10:38	24.01.2010	PORSCHE	PET	PORSCHE
986	2004	3	40	340-02		248					

Pos	Part Number	Description	Remark	Qty	Model	Pos	Part Number	Description	Remark	Qty	Model
13	943 325 111 00	retaining bracket		1							
14	943 397 013 00	pan-head screw M 6 X 30		1							
15	943 397 005 00	pan-head screw M 6 X 60		16							

Model	Year	MG	SG	Illustration	Restrictions	UPD	10:38	24.01.2010	PORSCHE	PET	PORSCHE
986	2004	3	60	360-00		248					

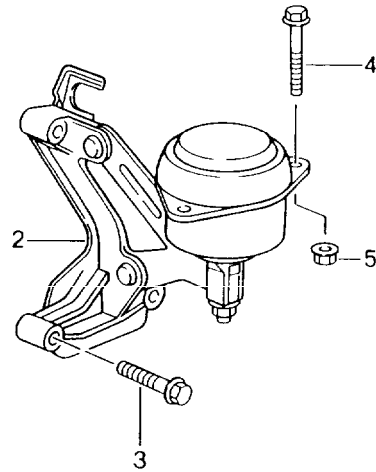
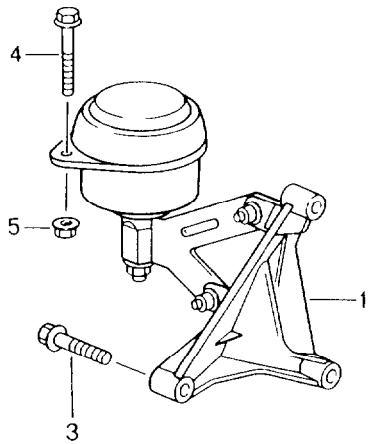


Pos	Part Number	Description	Remark	Qty	Model
		tiptronic		-99	A86.00
		atf cooler		00-	A86.05
		atf lines		00-	A86.20
1	996 307 017 01	atf cooler		1	
2	999 707 388 40	o-ring 18,64 X 3,53		2	
3	900 331 034 40	o-ring 25,8 X 3,55		2	
4	999 073 116 09	oval-head screw M 8 X 55		1	
5	986 307 020 00	port plate		1	
6	986 307 076 00	water line supply		1	
			-00		
6	986 307 076 21	water line supply		1	
			01-		
7	986 307 143 02	latch		1	
8	999 073 103 09	oval-head screw M 6 X 16		2	
9	999 073 094 09	oval-head screw M 8 X 20		1	
10	999 512 552 00	hose clamp 25 X 12		4	
11	900 181 060 50	water hose 18 X 3,5 X 50		4	
(11)	900 181 062 50	water hose 18 X 3,5 X 60		2	
12	928 574 573 03	disc valve		1	
13	928 574 717 03	moulded hose		1	
--	999 181 742 40	pipe 4 X 1		*	
14	-	650 MM		1	
15	999 073 105 09	round head screw M 8 X 40		2	
16	986 307 075 06	water line supply		1	
			-00		

Model	Year	MG	SG	Illustration	Restrictions	UPD	10:38	24.01.2010	PORSCHE	PET	PORSCHE
986	2004	3	60	360-00		248					

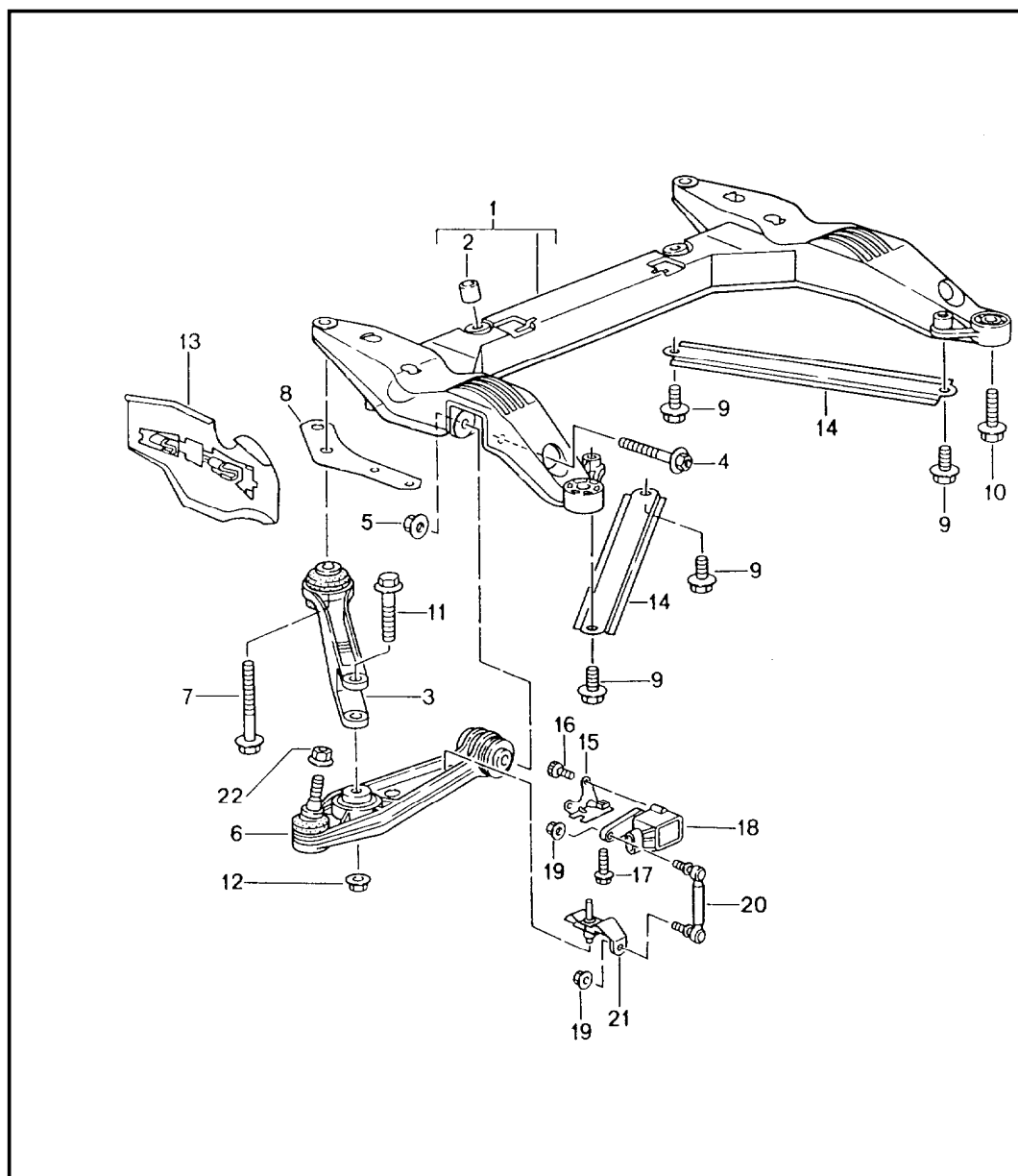
Pos	Part Number	Description	Remark	Qty	Model	Pos	Part Number	Description	Remark	Qty	Model
16	986 307 075 21	water line supply	01-	1							
17	986 307 085 04	oil pipe return line		1							
18	986 307 082 04	oil pipe supply		1							
19	996 307 147 00	support		1							
20	999 073 103 09	oval-head screw M 6 X 16		4							
21	986 307 077 06	water line return line	-99	1	A86.00						
(21)	986 307 077 21	water line return line	00-00-	1	A86.05 A86.20						
22	999 239 040 40	connecting piece		1							
23	996 605 123 01	change-over valve		1							
24	999 707 387 40	o-ring 15 X 2,5		2							
25	999 707 386 40	o-ring 12,37 X 2,62		4							
--	999 652 838 40	plug socket		1							
--	999 652 771 12	connector		1							
--	999 704 161 40	gasket		2							
--	999 181 389 40	protective tube		1							

Model	Year	MG	SG	Illustration	Restrictions	UPD	10:38	24.01.2010	PORSCHE	PET	PORSCHE
986	2004	3	70	370-00		248					



Pos	Part Number	Description	Remark	Qty	Model
		tiptronic	-99		A86.00
		transmission suspension	00-		A86.05
		threaded joint	00-		A86.20
		engine			
1	986 375 094 02	transmission bracket right		1	
2	986 375 093 02	transmission bracket left		1	
3	900 378 076 09	hexagon-head bolt M 10 X 50		6	
4	900 378 056 02	hexagon-head bolt M 8 X 60		4	
5	999 084 447 09	hexagon nut M 8		4	
6	999 072 008 09	hexagon-head bolt M 12 X 1,5 X 70		1	
7	999 072 009 09	hexagon-head bolt M 12 X 1,5 X 90		3	
8	999 218 088 09	stud M 10 X 30		1	
9	900 377 011 09	hexagon nut M 10		1	
10	999 073 118 09	pan-head screw M 10 X 40		1	
11	N 905 028 02	washer 15 X 28 X 3,5		1	
12	999 072 010 09	hexagon-head bolt M 12 X 1,5 X 100		1	

Model	Year	MG	SG	Illustration	Restrictions	UPD	10:38	24.01.2010	PORSCHE	PET	PORSCHE
986	2004	4	01	401-00		248					

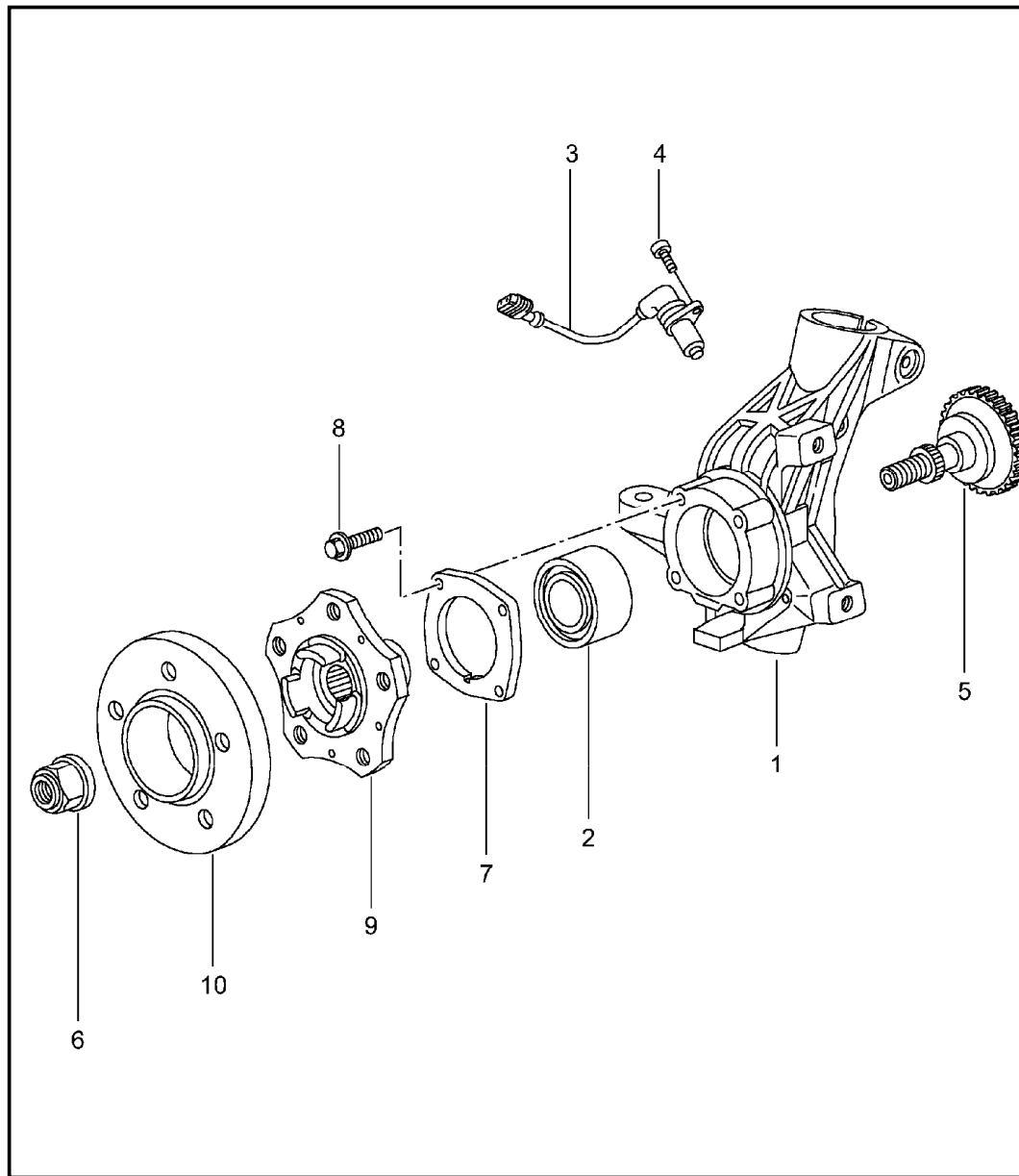


Pos	Part Number	Description	Remark	Qty	Model
1	996 341 081 05	cross member wishbone		1	
(1)	996 341 081 10	cross member F 98WS6 06070>>		1	
(1) A	996 341 081 12	cross member	>>98WS6 06069	1	
(1)	996 341 081 14	cross member		1	
2	900 197 004 00	roll pin 13 X 14		1	
3	996 341 043 06	control arm		2	
4	900 378 165 09	hexagon-head bolt M 12 X 1,5 X 95		2	
5	999 084 445 09	hexagon nut M 12 X 1,5		2	
6 A	996 341 053 06	wishbone		2	97
(6) A	996 341 053 07	wishbone		2	-03
(6)	996 341 053 16	wishbone		2	04-
(6)	996 341 941 00	wishbone adjustable with eccentric screw eccentric washer and hexagon nut not with M 601		X	
(6)	996 341 941 01	wishbone adjustable with eccentric screw eccentric washer and hexagon nut		X	M601
7	900 378 146 09	hexagon-head bolt M 14 X 1,5 X 110		2	
8	996 341 145 06	plate		2	
9	900 378 094 09	hexagon-head bolt M 12 X 1,5 X 25		4	

Model	Year	MG	SG	Illustration	Restrictions	UPD	10:38	24.01.2010	PORSCHE	PET	PORSCHE
986	2004	4	01	401-00		248					

Pos	Part Number	Description	Remark	Qty	Model	Pos	Part Number	Description	Remark	Qty	Model
10	900 378 145 09	hexagon-head bolt M 14 X 1,5 X 45 F >>98WS6 06069		2							
(10) A	900 378 192 09	hexagon-head bolt M 14 X 1,5 X 50 F 98WS6 06070>>	-01	2							
(10)	900 378 192 01	hexagon-head bolt M 14 X 1,5 X 50 F 98WS6 06070>>		2							
11 A	900 378 135 09	hexagon-head bolt M 14 X 1,5 X 73		2 2							
11	900 378 135 01	hexagon-head bolt M 14 X 1,5 X 73		2 2							
12 A	900 380 012 09	hexagon nut M 14 X 1,5		2							
12	900 380 012 01	hexagon nut M 14 X 1,5		2							
13	996 341 483 01	spoiler	/L	1							
(13)	996 341 484 01	spoiler	/R	1							
14	996 504 433 00	strut		2							
15	996 341 511 01	support	99	1	M601						
15	996 341 511 02	support	00-	1	M601						
16	N 014 129 12	oval-head screw M 5 X 10	99-	2	M601						
17	900 378 177 09	hexagon-head bolt M 6 X 30	99-	1	M601						
18	996 631 121 00	sensor	99-	1	M601						
19 A	900 380 015 09	hexagon nut VM 6	99-	2	M601						
19	900 380 015 01	hexagon nut VM 6	99-	2	M601						
20	996 341 375 01	strut	99-	1	M601						
21	996 341 371 03	support	99-	1	M601						
22	999 084 449 09	hexagon nut M 12 X 1,5		2							

Model	Year	MG	SG	Illustration	Restrictions	UPD	10:39	24.01.2010	PORSCHE	PET	PORSCHE
986	2004	4	01	401-05		248					

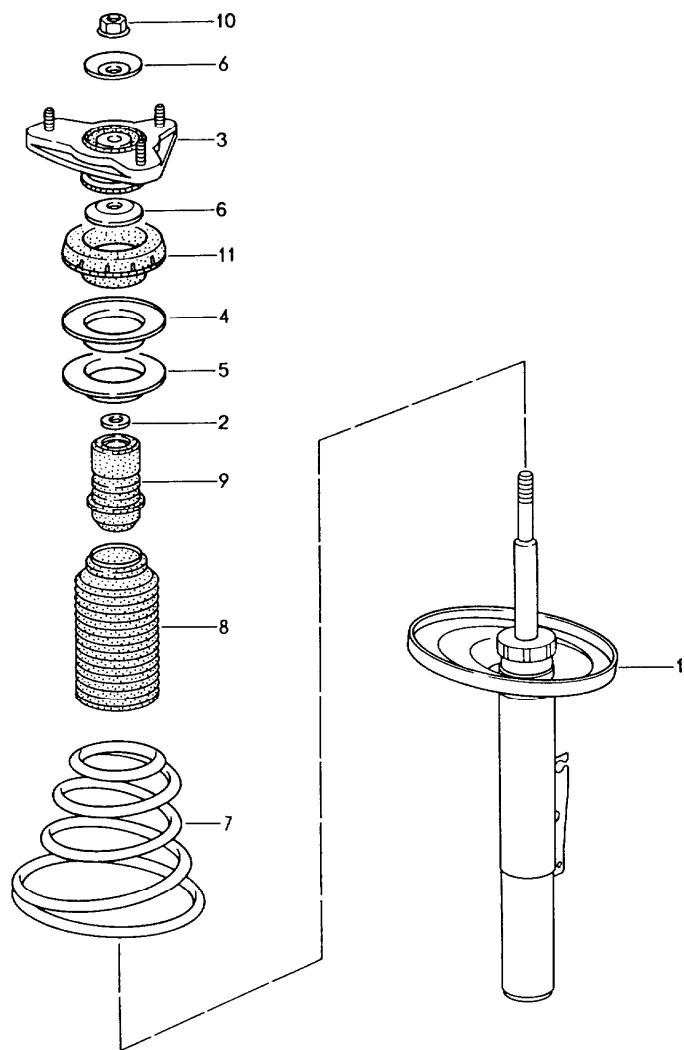


Pos	Part Number	Description	Remark	Qty	Model
		wheel carrier			
		wheel hub			
1	A 996 341 157 09	wheel carrier	/L	1	
(1)	A 996 341 157 11	wheel carrier	/L	1	
(1)	A 996 341 957 11	wheel carrier	/L -00	1	
(1)	996 341 957 12	wheel carrier	/L	1	
(1)	A 996 341 158 09	wheel carrier	/R	1	
(1)	A 996 341 158 11	wheel carrier	/R	1	
(1)	A 996 341 958 11	wheel carrier	/R -00	1	
(1)	996 341 958 12	wheel carrier	/R	1	
2	A 999 053 043 02	angular-contact bearing		2	
(2)	999 053 041 02	angular-contact bearing	-00	2	
(2)	999 053 041 03	bearing	01-	2	
3	996 606 406 00	speed sensor	-01	2	
(3)	996 606 406 00	speed sensor	01	2	M476
(3)	996 606 407 02	speed sensor	02-	2	
(3)	996 606 406 00	speed sensor	02-	2	M476
-	964 094 400 99	spacer see technical information group 4 NR.1/97		X	
-	999 507 464 40	clip		2	
4	900 067 117 09	pan-head screw M 6 X 16		2	
5	996 341 131 01	tension bolt		2	
6	A 999 084 634 09	hexagon nut M 22 X 1,5		2	
(6)	999 084 634 02	hexagon nut m 22 x 1,5		2	
7	964 341 661 01	lid		2	
8	999 217 042 09	hexagon-head bolt M 8 X 35		8	
9	996 341 605 54	wheel hub		2	

Model	Year	MG	SG	Illustration	Restrictions	UPD	10:39	24.01.2010	PORSCHE	PET	PORSCHE
986	2004	4	01	401-05		248					

Pos	Part Number	Description	Remark	Qty	Model	Pos	Part Number	Description	Remark	Qty	Model
10	997 361 605 90	spacer ring	01-	2	IXRP						
(10)	997 361 605 90	spacer ring 5 MM see technical information group 4 NR.1/04 NR.2/04	04	2	M091						

Model	Year	MG	SG	Illustration	Restrictions	UPD	10:39	24.01.2010	PORSCHE	PET	PORSCHE
986	2004	4	02	402-00		248					

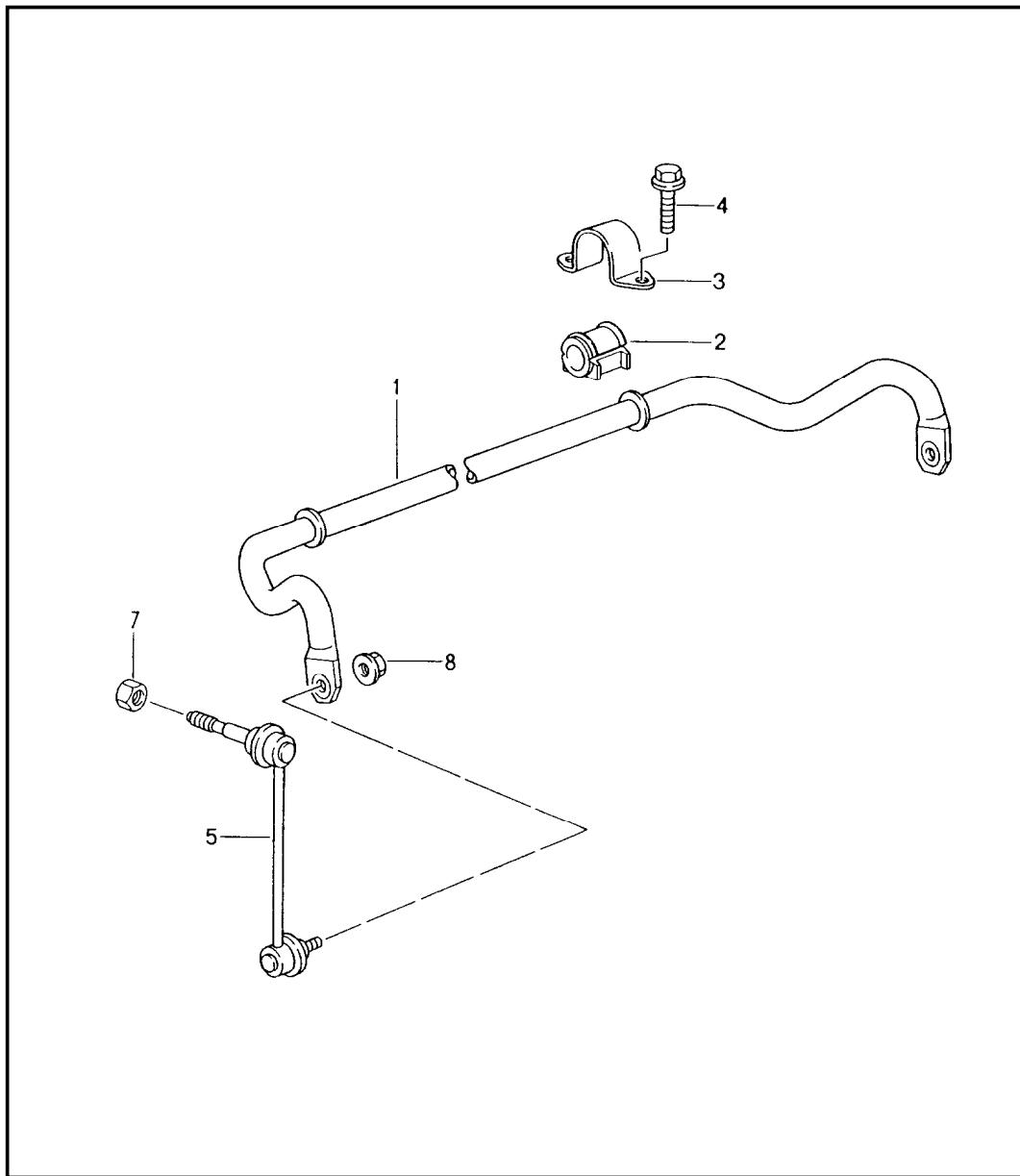


Pos	Part Number	Description	Remark	Qty	Model
		suspension shock absorber strut			
1	A 986 343 041 02	shock absorber - bilstein -	-99	2	
(1)	986 343 041 04	shock absorber - bilstein -	-99	2	
(1)	986 343 041 20	shock absorber - bilstein -	00-	2	
(1)	A 986 343 041 12	shock absorber - bilstein -	-99	2	M030
(1)	986 343 041 16	shock absorber - bilstein -	-99	2	M030
(1)	986 343 041 30	shock absorber - bilstein -	00-	2	M030
		mount shock absorber			
-	A 900 378 138 09	hexagon-head bolt M 12 X 1,5 X 70		2	
-	900 378 138 01	hexagon-head bolt M 12 X 1,5 X 70		2	
-	999 084 445 09	hexagon nut M 12 X 1,5		2	
2	996 343 513 00	cone washer		2	
3	996 343 018 04	supporting mount	-03	2	
(3)	A 997 343 018 00	supporting mount	04-	2	
(3)	997 343 018 01	supporting mount	04-	2	
-	A 999 084 447 09	hexagon nut M 8		6	
-	999 084 447 01	hexagon nut M 8		6	
-	999 703 457 40	lid		2	
4	996 343 517 01	support ring		2	
5	996 343 511 00	compensating plate 3,0 MM		X	
(5)	996 343 511 01	compensating plate 6,5 MM		X	

Model	Year	MG	SG	Illustration	Restrictions	UPD	10:39	24.01.2010	PORSCHE	PET	PORSCHE
986	2004	4	02	402-00		248					

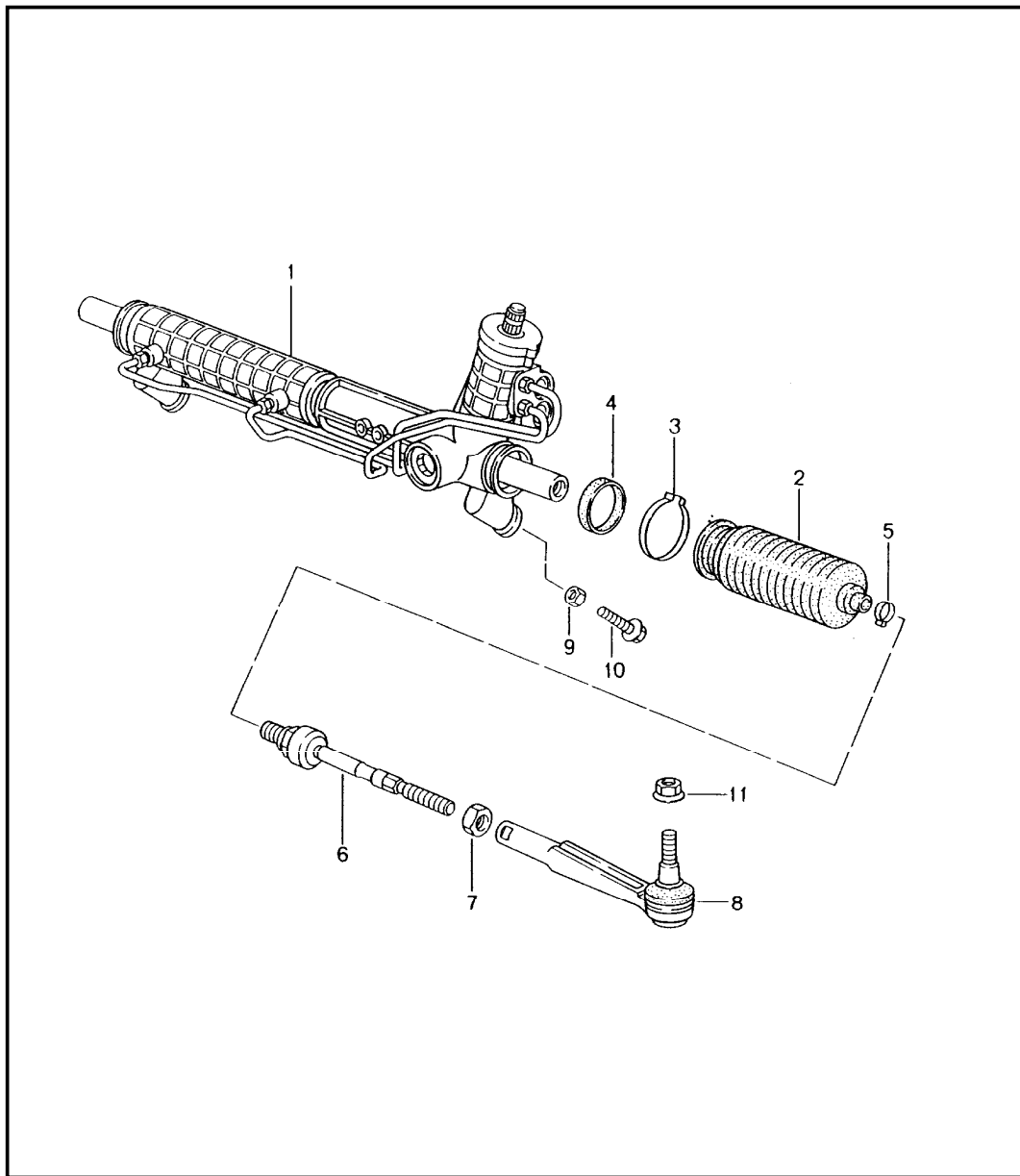
Pos	Part Number	Description	Remark	Qty	Model	Pos	Part Number	Description	Remark	Qty	Model
6	996 343 107 02	stop plate	-99	4							
(6)	996 343 107 03	stop plate	00-	4							
7	986 343 531 01	coil spring 1 set	-02	1							
	504	identification blue yellow									
(7)	986 343 531 05	coil spring 1 set	03-	1							
	504	identification blue yellow									
(7)	986 343 531 11	coil spring 1 set	-02	1	M030						
	504	identification red yellow									
(7)	986 343 531 15	coil spring 1 set	03-	1	M030						
	504	identification red yellow									
8	996 343 505 00	bellows		2							
9	996 343 301 02	additional spring		2							
10	A 900 380 012 09	hexagon nut M 14 X 1,5		2							
10	900 380 012 01	hexagon nut M 14 X 1,5		2							
11	A 996 343 515 03	deep-groove ball bearing with housing	97	2							
(11)	A 996 343 515 04	deep-groove ball bearing with housing	98-	2							
(11)	996 343 515 05	bearing with housing	00-	2							

Model	Year	MG	SG	Illustration	Restrictions	UPD	10:39	24.01.2010	PORSCHE	PET	PORSCHE
986	2004	4	02	402-05		248					



Pos	Part Number	Description	Remark	Qty	Model
		stabiliser			
1	996 343 701 09	stabiliser	-99	1	
(1) A	996 343 701 04	stabiliser	-99	1	M030
(1)	996 343 701 21	stabiliser	-99	1	M030
(1)	996 343 701 09	stabiliser	00-	1	
(1) A	996 343 701 04	stabiliser	00-	1	M008
			00-	1	M030
(1)	996 343 701 21	stabiliser	00-	1	M008
			00-		M030
(1) A	996 343 701 10	stabiliser	00-	1	M008/030
(1)	996 343 701 23	stabiliser	00-	1	M008/030
2	996 343 792 14	stabiliser mounting	-99	2	
(2)	996 343 792 12	stabiliser mounting	-99	2	M030
(2)	996 343 792 14	stabiliser mounting	00-	2	
(2)	996 343 792 12	stabiliser mounting	00-	2	M008
			00-	2	M030
(2)	996 343 792 17	stabiliser mounting	00-	2	M008/030
3	996 343 777 01	clip		2	
4	900 378 070 09	hexagon-head bolt M 10 X 30		4	
5	996 343 069 02	stabiliser mounting	/L	-99	1
(5)	996 343 069 03	stabiliser mounting	/L	00-	1
(5)	996 343 070 02	stabiliser mounting	/R	-99	1
(5)	996 343 070 03	stabiliser mounting	/R	00-	1
7	999 084 445 09	hexagon nut M 12 X 1,5		2	
8	999 084 643 09	hexagon nut M10		2	

Model	Year	MG	SG	Illustration	Restrictions	UPD	10:39	24.01.2010	PORSCHE	PET	PORSCHE
986	2004	4	03	403-00		248					

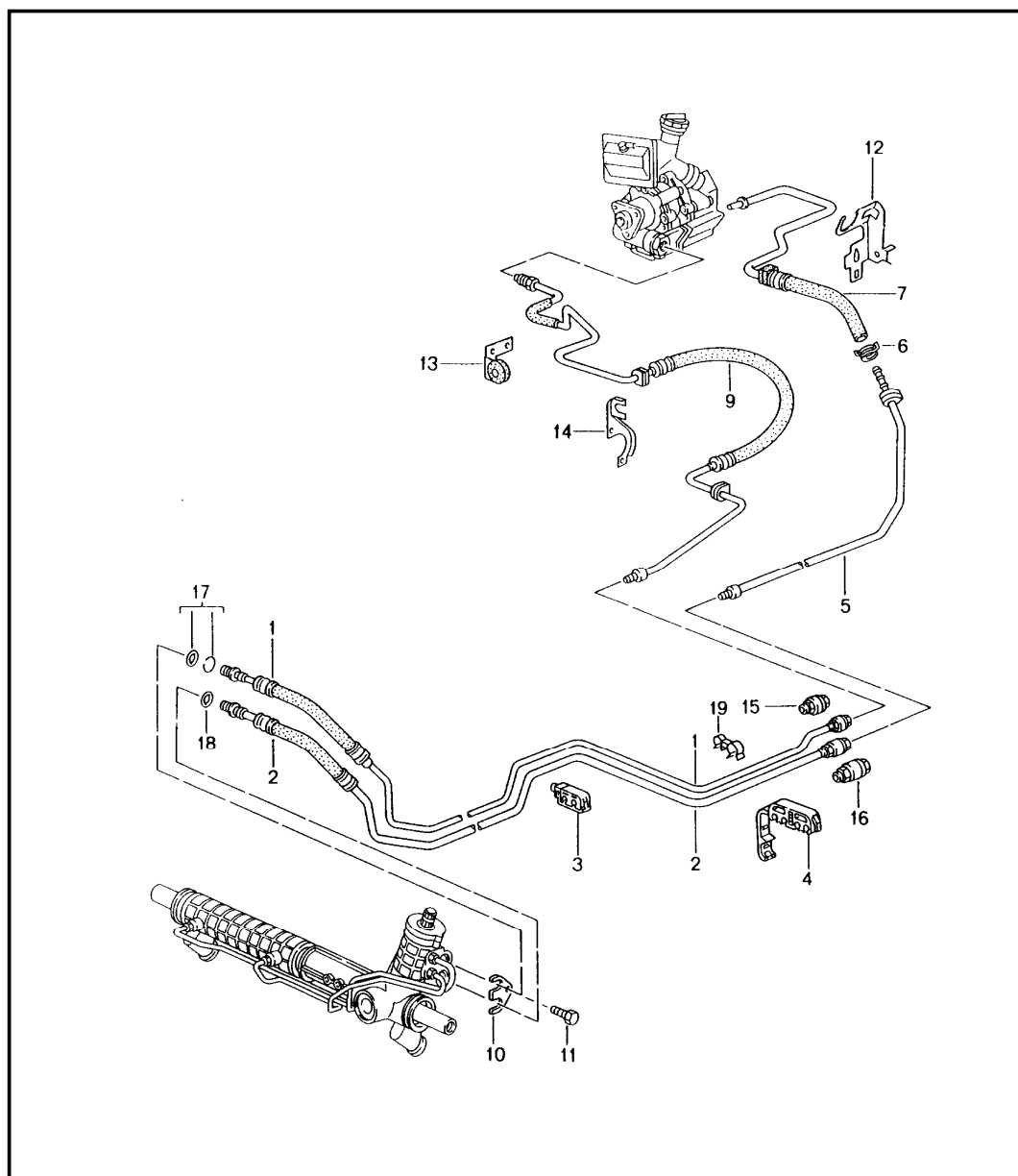


Pos	Part Number	Description	Remark	Qty	Model
		power steering steering gear steering parts			
1	A 996 347 011 04	steering gear power steering	/LL	97	1
(1)	A 996 347 012 04	steering gear power steering	/RL	97	1
(1)	A 996 347 011 05	steering gear power steering	/LL	98-	1
(1)	A 996 347 011 06	steering gear power steering	/LL	98-	1
(1)	> 996 347 011 07	steering gear power steering	/LL		1
(1)	A 996 347 012 05	steering gear power steering	/RL	-98	1
(1)	A 996 347 012 07	steering gear power steering	/RL	00	1
(1)	> 996 347 012 08	steering gear power steering	/RL		1
-	A 996 347 110 01	clip pinion steering gear		-03	1
-	996 347 110 02	clip pinion steering gear		04-	1
2	996 347 191 02	bellows for steering gear 996.347.011.04 996.347.012.04 996.347.011.05 996.347.012.05			2
(2)	996 347 191 04	bellows for steering gear 996.347.011.06/07 996.347.012.07/08			2
3	996 347 293 03	clamping ring for steering gear 996.347.011.04 996.347.012.04 996.347.011.05 996.347.012.05			2

Model	Year	MG	SG	Illustration	Restrictions	UPD	10:39	24.01.2010	PORSCHE	PET	PORSCHE
986	2004	4	03	403-00		248					

Pos	Part Number	Description	Remark	Qty	Model	Pos	Part Number	Description	Remark	Qty	Model
N(3)	996 347 293 04	clamping ring for steering gear 996.347.011.06/07 996.347.012.07/08		2							
4	A 996 347 373 00	sealing ring		2							
(4)	997 347 373 00	sealing ring for steering gear 996.347.011.04 996.347.012.04 996.347.011.05 996.347.012.05		2							
(4)	997 347 373 00	sealing ring for steering gear 996.347.011.06/07 996.347.012.07/08		2							
5	999 512 645 09	clamping ring		2							
6	996 347 322 03	joint		2							
7	900 034 024 07	hexagon nut M 14 X 1,5		2							
8	996 347 131 03	track rod		2							
9	-	see illustrations 4/01/00 POS.2									
10	900 378 100 01	hexagon-head bolt AM 10 X 45		2							
11	999 084 449 09	hexagon nut M 12 X 1,5		2							

Model	Year	MG	SG	Illustration	Restrictions	UPD	10:39	24.01.2010	PORSCHE	PET	PORSCHE
986	2004	4	03	403-01		248					

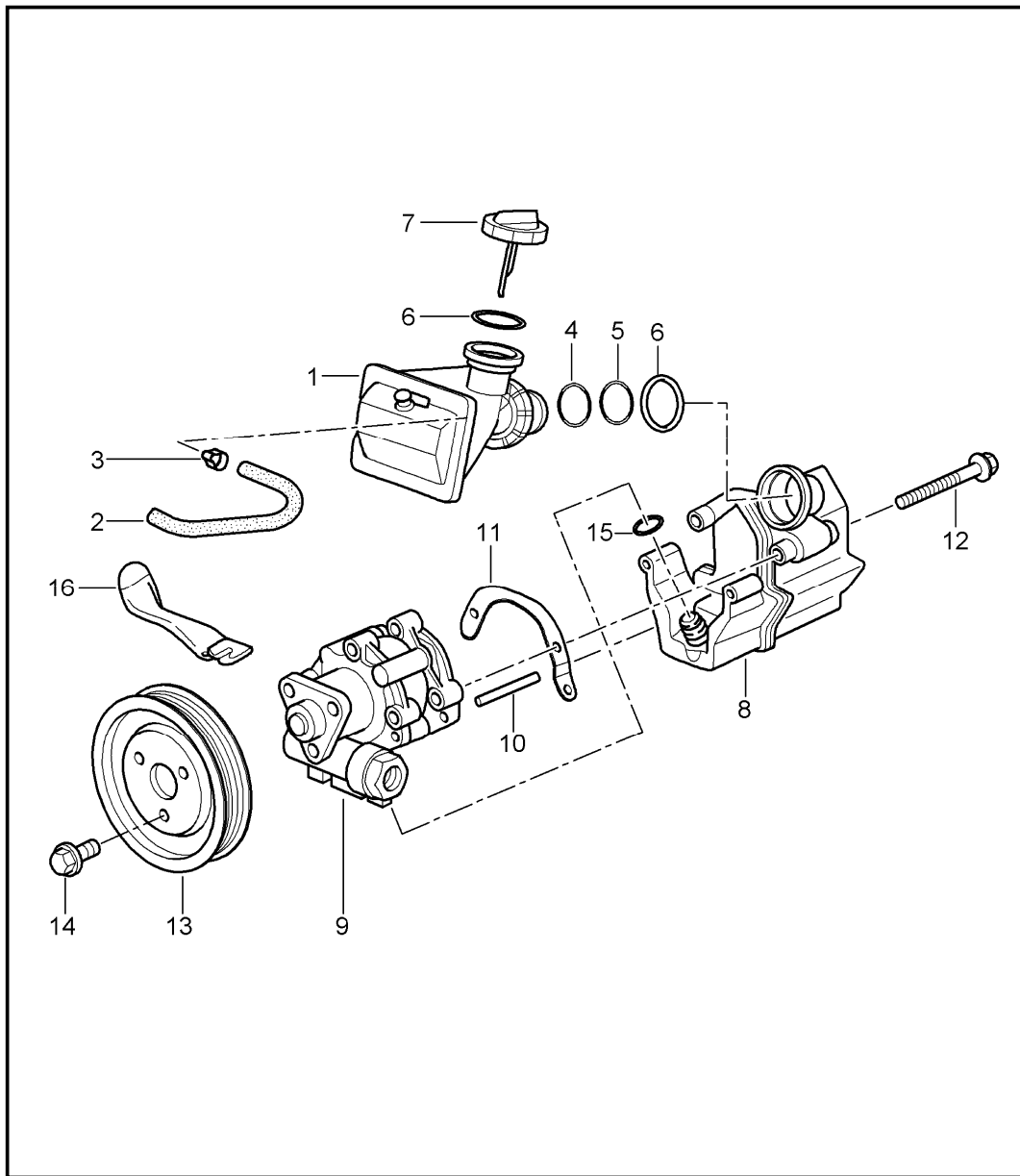


Pos	Part Number	Description	Remark	Qty	Model
		power steering lines			
1	996 347 451 08	pressure line	/LL	-01	1
(1) A	996 347 451 09	pressure line	/LL	02	1
(1)	996 347 451 10	pressure line	/LL	03-	1
(1) A	996 347 452 03	pressure line	/RL	97	1
(1)	996 347 452 04	pressure line	/RL	98-	1
(1) A	996 347 452 07	pressure line	/RL	02	1
(1)	996 347 452 08	pressure line	/RL	03-	1
2	996 347 449 06	return line	/LL	-01	1
(2)	996 347 449 09	return line	/LL	02-	1
(2)	996 347 450 02	return line	/RL	97	1
(2)	996 347 450 03	return line	/RL	98-	1
(2)	996 347 450 06	return line	/RL	02-	1
3	996 347 543 00	support			X
4	996 355 543 00	support			1
-	996 347 674 00	support pressure line return line	/RL		1
5 A	986 347 441 07	return line		-98	1
(5) A	986 347 441 08	return line		99-	1
(5)	986 347 441 09	return line		99-	1
6	999 512 639 09	clip			1
7 A	986 347 439 03	return line		-99	1
(7) A	986 347 439 04	return line		-02	1
(7) U	986 347 439 05	return line		03-	1
(7)	986 347 439 06	return line		03-	1
8	996 355 543 00	support			1
-	999 230 578 40	circlip for threaded joint return line		04-	1

Model	Year	MG	SG	Illustration	Restrictions	UPD	10:39	24.01.2010	PORSCHE	PET	PORSCHE
986	2004	4	03	403-01		248					

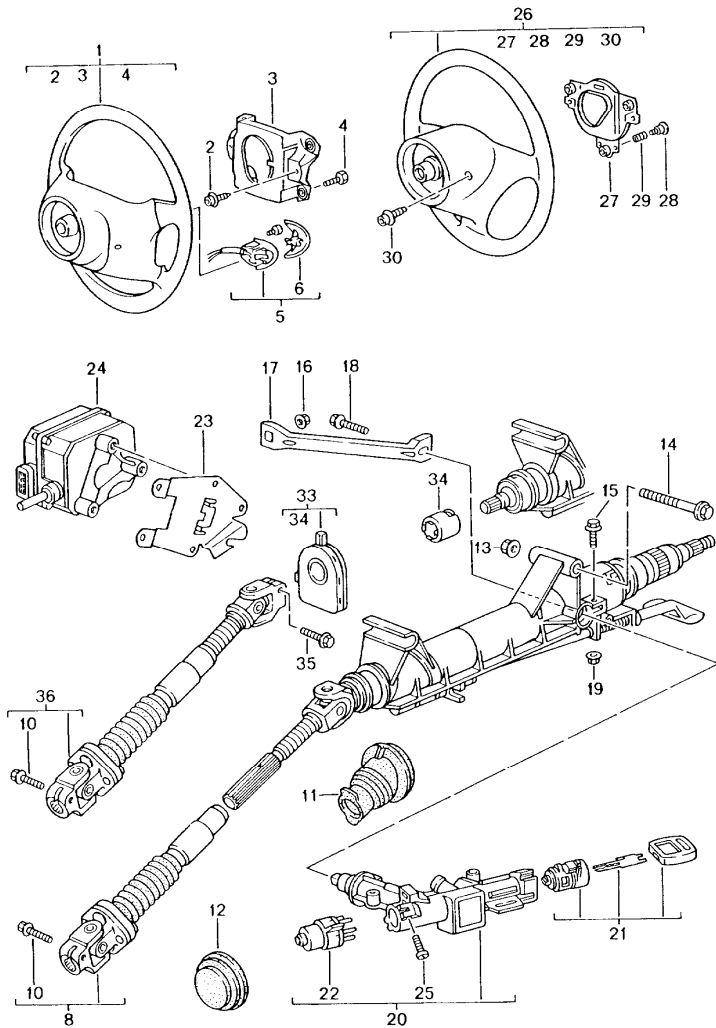
Pos	Part Number	Description	Remark	Qty	Model	Pos	Part Number	Description	Remark	Qty	Model
9	986 347 443 09	pressure line	-98	1		(15)	999 230 552 10	threaded joint		1	
(9)	986 347 443 10	pressure line	99	1		16 A	999 230 540 10	threaded joint		1	
(9) A	986 347 443 12	pressure line	00-	1		(16)	999 230 551 10	threaded joint		1	
(9)	986 347 443 13	pressure line	00-	1		-	999 230 685 40	circlip for threaded joint		1	
(9)	986 347 443 15	pressure line	03-	1		17	999 230 543 40	repair kit gaskets		1	
-	986 347 777 00	support for pressure line		1		18	999 230 542 40	o-ring		1	
-	999 707 355 40	sealing ring 7,65 X 1,65 for pressure line 986.347.443.09/10/12/13		1							
-	999 707 503 40	sealing ring 7,80 X 1,70 for pressure line 986.347.443.14		1							
-	999 507 610 09	support return line pressure line	99-	1							
10	996 347 769 01	tension shackle		1							
11	900 067 063 02	pan-head screw M 10 X 20		1							
12	986 347 759 01	support		1							
13	986 347 739 03	support	-02	1							
(13)	986 347 739 04	support	03-	1							
14	986 347 749 02	support	-02	1							
(14)	986 347 749 04	support	03-	1							
		mount pressure line return line power steering									
-	996 347 671 01	support left	/RL	1							
-	996 347 672 01	support right	/RL	1							
15 A	999 230 539 10	threaded joint		1							

Model	Year	MG	SG	Illustration	Restrictions	UPD	10:39	24.01.2010	PORSCHE	PET	PORSCHE
986	2004	4	03	403-03		248					



Pos	Part Number	Description	Remark	Qty	Model
		power steering power-steering pump container			
1	986 314 225 01	expansion tank		1	
2	986 314 545 00	hose		1	
3	999 512 527 00	terminal		1	
4	999 707 362 40	o-ring		1	
5	999 707 363 40	o-ring		1	
6	999 701 154 40	o-ring		2	
7	986 314 223 00	lid		1	
8	A 996 314 220 03	container	-02	1	
(8)	997 314 220 00	container		1	
9	> 996 314 050 02	power-steering pump		1	
10	996 314 320 03	straight pin		2	
11	996 314 431 05	bracket		1	
12	900 378 105 09	hexagon-head bolt AM 8 X 70		2	
13	996 147 223 60	pulley	-99	1	M249
			-99	1	M480/574
(13)	996 147 223 53	pulley	-99	1	M480/573
(13)	996 147 223 60	pulley	00-	1	
14	900 378 123 09	hexagon-head bolt M 8 X 12		3	
15	999 707 204 40	sealing ring 12.5 X 2N		1	
16	986 426 287 02	support F	>>98WS6 02046	1	M249
-	000 043 203 33	pentosin 1000 ML		X	

Model	Year	MG	SG	Illustration	Restrictions	UPD	10:40	24.01.2010	PORSCHE	PET	PORSCHE
986	2004	4	03	403-05		248					



Pos	Part Number	Description	Remark	Qty	Model
1	993 347 804 55	steering outer tube steering shaft steering wheels steering wheel		97	M481
	8YR	black	-00		
(1)	993 347 804 56	steering wheel	98-01	1	M481
	8YR	black	-00		
	A28	black	01		
(1)	993 347 804 63	steering wheel	97	1	M249
	8YR	black	-00		
(1)	993 347 804 64	steering wheel	98-01	1	M249
	8YR	black	-00		
	A28	black	01		
-	N 012 238 1	mount steering wheel steering shaft spring washer B 16		1	
-	900 078 006 01	hexagon nut M 16 X 1,5		1	
2	999 073 134 02	pan-head screw M 6 X 9,1		2	
3	993 347 088 01	retaining frame		1	
4	999 073 127 02	hexagon-head bolt M 5 X 20		2	
5	993 347 831 00	switch	98-	1	M249 M432
6	993 347 835 00	lever	/L /L	1	M249 M432
	01C	black			
(6)	993 347 836 00	lever	/R /R	1	M249 M432
	01C	black			

Model	Year	MG	SG	Illustration	Restrictions	UPD	10:40	24.01.2010	PORSCHE	PET	PORSCHE
986	2004	4	03	403-05		248					

Pos	Part Number	Description	Remark	Qty	Model	Pos	Part Number	Description	Remark	Qty	Model
7	900 146 016 02	round head screw M 3 X 6		4	M249	15	900 378 157 09	hexagon-head bolt AM 6 X 25		1	
				4	M432						
8	A 996 347 007 01	steering column complete with steering shaft	97	1		16	999 076 055 09	hexagon nut M 8		1	
(8)	A 996 347 007 04	steering column complete with steering shaft	-99	1		17	996 347 243 01	strut		1	
(8)	996 347 007 05	steering column complete with steering shaft	00-	1		18	900 378 055 09	hexagon-head bolt AM 8 X 40		1	
(8)	A 996 347 007 02	steering column complete with steering shaft	01-	1	M476	19	900 377 002 02	hexagon nut M 6		1	
(8)	A 996 347 007 06	steering column complete with steering shaft see technical manual group 4 NR.45....	01-	1	M476	20	A 996 347 017 03	steering lock housing		1	
(8)	996 347 007 07	steering column complete with steering shaft	03-	1	M476	(20)	A 996 347 017 04	steering lock housing		1	
9	U 986 347 025 00	universal joint		1		(20)	A 996 347 017 05	steering lock housing		1	
10	999 217 042 09	hexagon-head bolt M 8 X 35		1		(20)	996 347 017 06	steering lock	-03	1	
11	986 347 037 00	bellows	-99	1		(20)	996 347 017 07	steering lock see technical information group 2 NR.1/03	04-	1	
(11)	986 347 037 01	bellows	00-	1		21	996 347 917 00	lock cylinder with stipulated lock number	-01	1	
12	996 347 339 02	rubber seal		1		(21)	996 347 917 01	lock cylinder with stipulated lock number	02-	1	
13	A 900 380 008 09	hexagon nut M 10		1		(21)	996 347 915 00	lock cylinder w/o stipulated lock number	-01	1	
13	900 380 008 01	hexagon nut M 10		1		(21)	996 347 915 01	lock cylinder w/o stipulated lock number	02-	1	
14	900 378 095 09	hexagon-head bolt M 10 X 100		1		22	A 4A0 905 849	ignition starter switch		1	
						(22)	4A0 905 849 B	ignition starter switch	-03	1	
						(22)	4B0 905 849	ignition starter switch see technical information group 2 NR.1/03	04-	1	
						23	996 617 121 00	support	/RL	-99	1
						24	996 617 021 03	control unit cruise control		97	1
						(24)	996 617 021 04	control unit cruise control		98-	1
						25	996 347 901 00	slotted screw			2

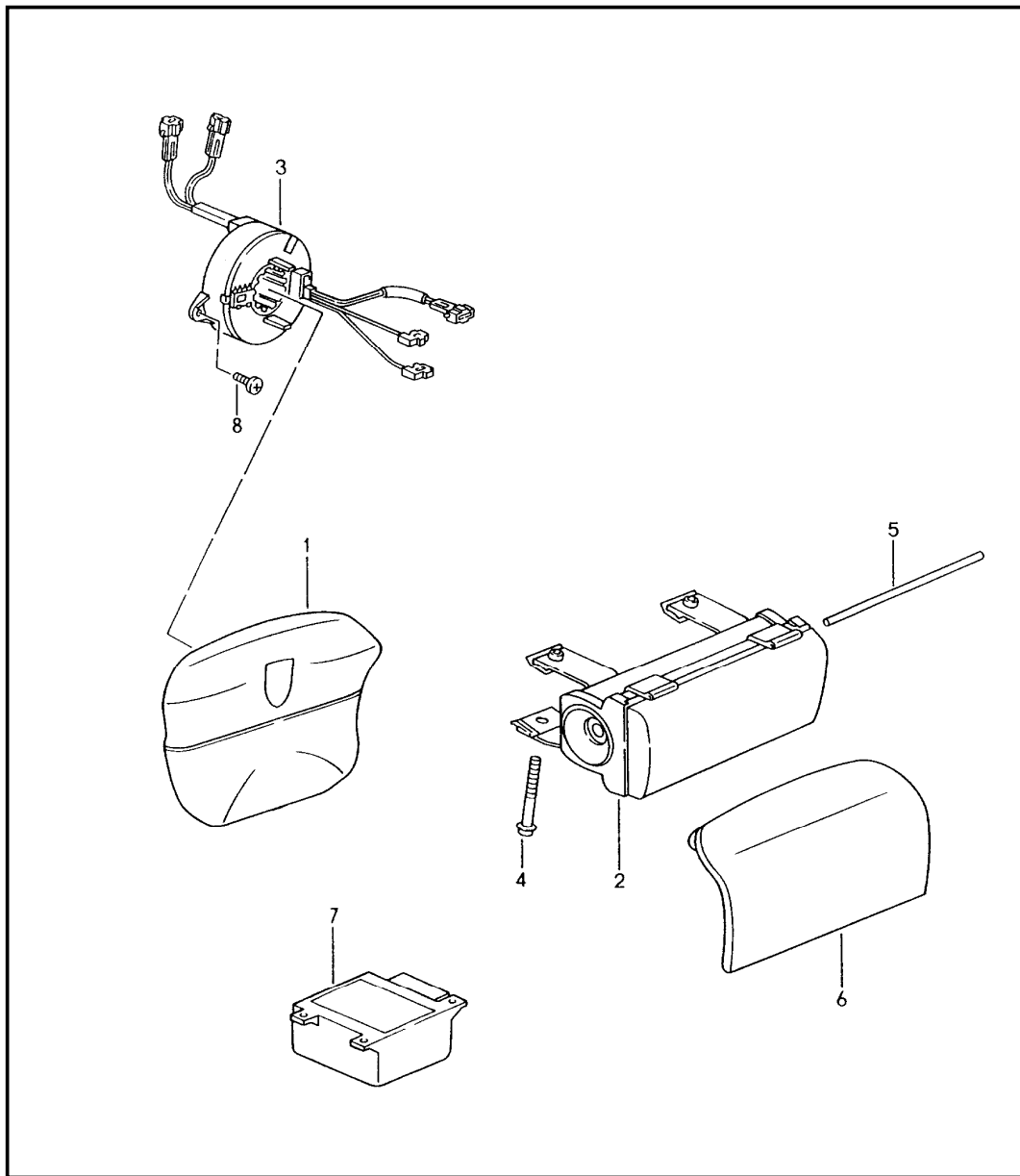
Model	Year	MG	SG	Illustration	Restrictions	UPD	10:40	24.01.2010	PORSCHE	PET	PORSCHE
986	2004	4	03	403-05		248					

Pos	Part Number	Description	Remark	Qty	Model	Pos	Part Number	Description	Remark	Qty	Model
26	A 996 347 804 52	steering wheel	98-	1	M436		VTB	dark grey/natural			
	8YR	black				(26)	996 347 983 28	steering wheel	03-	1	IXPG
	B50	space grey					A28	black			
	C50	graphite grey					C60	graphite grey			
	G10	metropole blue					S40	savanna			
	S30	savanna					G30	metropole blue			
(26)	996 347 804 53	steering wheel	99	1	M436		J40	nephrite green	03		
	8YR	black					M40	boxster red			
	B50	space grey					P20	cinnamon brown			
	C50	graphite grey					D11	dark grey/natural			
	G10	metropole blue					T11	brown/natural			
	S30	savanna				(26) A	996 347 804 62	steering wheel	98-	1	M436 M432
(26)	996 347 804 54	steering wheel	00-	1	M436		8YR	black			
	A08	black	-00				B50	space grey			
	A28	black	01-				C50	graphite grey			
	B50	space grey					G10	metropole blue			
	C56	graphite grey	-00				S30	savanna			
	C60	graphite grey	01-			(26)	996 347 804 63	steering wheel	99	1	M436 M432
	G16	metropole blue	-00				8YR	black			
	G30	metropole blue	01-				B50	space grey			
	S36	savanna	-00				C50	graphite grey			
	S40	savanna	01-				G10	metropole blue			
	J40	nephrite green	03				S30	savanna			
	M40	boxster red	03-			(26)	996 347 804 64	steering wheel	00-	1	M436 M432
	P20	cinnamon brown	03-				A08	black	-00		
	D11	dark grey/natural	03-				A28	black	01-		
	T11	brown/natural	03-				B50	space grey			
(26)	996 347 804 57	steering wheel	04	1	M091/436						
	EWE	cocoa									

Model	Year	MG	SG	Illustration	Restrictions	UPD	10:40	24.01.2010	PORSCHE	PET	PORSCHE
986	2004	4	03	403-05		248					

Pos	Part Number	Description	Remark	Qty	Model	Pos	Part Number	Description	Remark	Qty	Model
	C56	graphite grey	-00				01C	black			
	C60	graphite grey	01-					mount steering wheel steering shaft			
	G16	metropole blue	-00								
	G30	metropole blue	01-			-	N 012 238 1	spring washer B 16		1	
	S36	savanna	-00			-	900 078 006 01	hexagon nut M 16 X 1,5		1	
	S40	savanna	01-								
	J40	nephrite green	03			27	A 996 347 880 00	retaining frame	98-	1	M436
	M40	boxster red	03-			(27)	996 347 880 01	retaining frame	99	1	
	P20	cinnamon brown	03-			(27)	996 347 880 02	mounting plate	00-	1	
	D11	dark grey/natural	03-			28	999 073 184 02	round head screw M 5 X 18,7	98-	2	M436
	T11	brown/natural	03-			29	999 521 079 02	compression spring	98-	2	M436
(26)	996 347 804 67	steering wheel	04	1	M091 M432/436	30	999 073 183 02	pan-head screw M 6 X 10,5	98-	2	M436
	EWE	cocoa				33	996 606 109 02	steering-angle sensor see technical manual group 4 NR.45....	-02	1	M476
	VTB	dark grey/natural									
(26)	996 347 983 29	steering wheel	03-	1	IXPG/M432	(33)	996 606 119 00	steering-angle sensor	03-	1	M476
	A28	black				-	996 610 123 00	cable guide for steering-angle sensor	-02	1	M476
	C60	graphite grey									
	S40	savanna									
	G30	metropole blue				-	996 610 123 01	cable guide for steering-angle sensor	03-	1	M476
	J40	nephrite green	03								
	M40	boxster red				34	996 347 705 00	adapter	01-	1	M476
	P20	cinnamon brown				35	999 217 042 09	hexagon-head bolt	01-	1	M476
	D11	dark grey/natural				36	996 347 023 00	steering shaft	01-	1	M476
	T11	brown/natural									
-	996 347 831 00	switch	98-	1	M436 M432						
-	996 347 835 00	lever	98-	1	M436						
	01C	black									
-	996 347 836 00	lever	98-	1	M436						

Model	Year	MG	SG	Illustration	Restrictions	UPD	10:40	24.01.2010	PORSCHE	PET	PORSCHE
986	2004	4	03	403-06		248					



Pos	Part Number	Description	Remark	Qty	Model
		airbag			
1	A 996 803 089 01	airbag unit four-spoke steering wheel plastic material		1	
		1DB black			
(1)	996 803 089 03	airbag unit four-spoke steering wheel plastic material		1	
		8YR black	-00		
		A28 black	01-		
(1)	996 803 089 02	airbag unit 3-spoke steering wheel plastic material	-99	1	M436
		8YR black			
(1)	996 803 089 04	airbag unit 3-spoke steering wheel plastic material	00	1	M436
		A08 black			
(1)	996 803 089 02	airbag unit 3-spoke steering wheel plastic material	01-02	1	M436
		A28 black			
(1)	996 803 089 02	airbag unit 3-spoke steering wheel plastic material	03-	1	M436
		A28 black			
		C60 graphite grey			
		S40 savanna			
		G30 metropole blue			
		J40 nephrite green	03		
		M40 boxster red			
		P20 cinnamon brown			
		D11 dark grey/natural			
		T11 brown/natural			

Model	Year	MG	SG	Illustration	Restrictions	UPD	10:40	24.01.2010	PORSCHE	PET	PORSCHE
986	2004	4	03	403-06		248					

Pos	Part Number	Description	Remark	Qty	Model	Pos	Part Number	Description	Remark	Qty	Model	
(1)	996 803 089 05	airbag unit 3-spoke steering wheel		17	M091		J30	nephrite green				
	9Q3	cocoa					M30	boxster red				
	D11	dark grey/natural					D11	dark grey/natural				
(1)	996 803 980 02	airbag unit four-spoke steering wheel leather crest embossed	99 00-01	1	XNT X26/X77 X30	(1)	996 803 980 01	airbag unit 3-spoke steering wheel leather crest coloured	01- 03-	1	IXPA/XPD IXPC IXPG	
	8YR	black	99-00				A28	black				
	C50	graphite grey	99-00				C60	graphite grey				
	S30	savanna	99-00				S40	savanna				
	G10	metropole blue	99-00				G30	metropole blue				
	J30	nephrite green	99-00				J40	nephrite green	-03			
	M30	boxster red	99-00				M40	boxster red				
(1)	996 803 980 01	airbag unit 3-spoke steering wheel leather crest coloured	98-99	1	IXPA/XPD XPE		P20	cinnamon brown				
	8YR	black					D11	dark grey/natural				
	C50	graphite grey				2	A 996 803 071 04	airbag unit	97	1		
	S30	savanna				(2)	A 996 803 071 05	airbag unit	97	1		
	G10	metropole blue				(2)	A 996 803 071 06	airbag unit	98-	1		
	J30	nephrite green				(2)	A 996 803 071 07	airbag unit see technical information GR.6 NR.1/03	-03	1		
	M30	boxster red				(2)	996 803 071 08	airbag unit see technical information GR.6 NR.1/03	03-	1		
(1)	996 803 980 03	airbag unit 3-spoke steering wheel leather crest silver	00	1	IXPA/XPD IXPC	-	996 803 091 00	airbag unit	/L	98-	1	M563
	8YR	black				-	996 803 092 00	airbag unit	/R	98-	1	M563
	C50	graphite grey				-	900 378 222 09	hexagon-head bolt M 6 X 16			8	M563
	S30	savanna				3	996 652 211 00	support for contact			1	M481
	G10	metropole blue									1	M480
						(3)	996 652 213 00	support for contact			1	M249

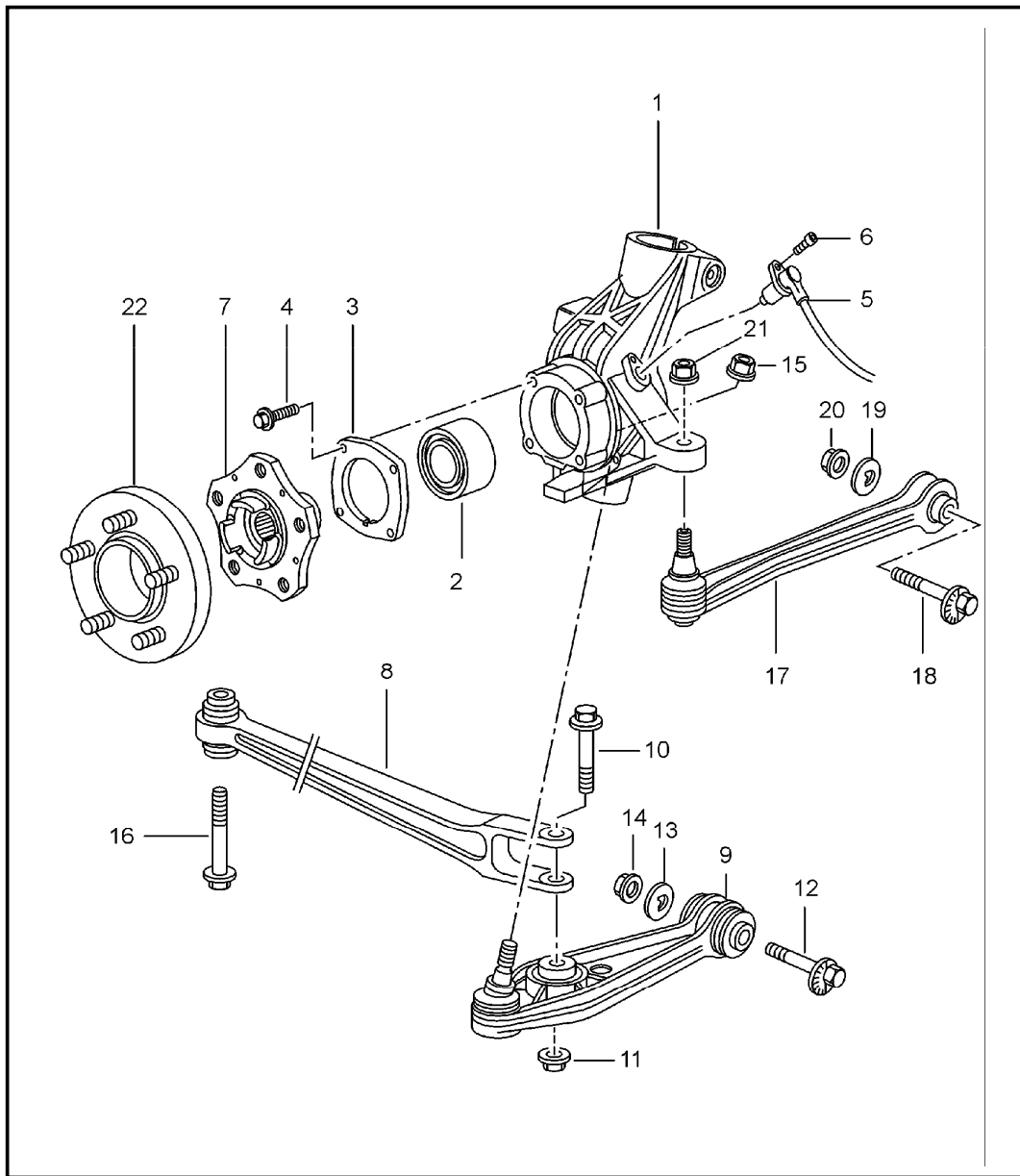
Model	Year	MG	SG	Illustration	Restrictions	UPD	10:40	24.01.2010	PORSCHE	PET	PORSCHE
986	2004	4	03	403-06		248					

Pos	Part Number	Description	Remark	Qty	Model	Pos	Part Number	Description	Remark	Qty	Model
4	900 378 137 09	hexagon-head bolt AM 8 X 95		2			S31	savanna			
5	996 803 611 00	hinge pin		1			J31	nephrite green			
6	A 996 803 173 00	lid	97	1		(6)	M31	boxster red			
	A10	black					996 803 173 05	lid leather	98-	1	
	C50	graphite grey					A11	black			
	S30	savanna					C51	graphite grey			
(6)	U 996 803 973 00	lid	97	1			G11	metropole blue			
	A10	black					J31	nephrite green	-03		
	C50	graphite grey					M31	boxster red			
	S30	savanna					S31	savanna			
(6)	986 803 973 00	lid leatherette	97	1			A11	black	99-		
	A10	black					C51	graphite grey	99-		
	C50	graphite grey					S31	savanna	99-		
	S30	savanna					G11	metropole blue	99-		
(6)	996 803 173 04	lid leatherette	98-	1			J31	nephrite green	99-03		
	A18	black	-99				M31	boxster red	99-		
	C18	graphite grey	-99				A11	black	00-		
	S18	savanna	-99				D12	dark grey/natural	00-		
	G18	metropole blue	-99				T12	brown/natural	00-		
	S32	savanna	00-				P12	cinnamon brown	01-		
	G12	metropole blue	00-			(6)	996 803 173 05	lid	04	1	M091
	A12	black	00-				9V6	cocoa			
	C52	graphite grey	00-				T12	dark grey/natural			
	J32	nephrite green	01-03			7	996 618 217 01	switch unit	97	1	
(6)	996 803 173 01	lid leather	97	1		-	944 618 401 00	nut M 6	97	2	
	A11	black				-	900 377 010 09	hexagon nut M 6	97	1	
	C51	graphite grey				7	996 618 217 01	switch unit	98-	1	M562

Model	Year	MG	SG	Illustration	Restrictions	UPD	10:40	24.01.2010	PORSCHE	PET	PORSCHE
986	2004	4	03	403-06		248					

Pos	Part Number	Description	Remark	Qty	Model	Pos	Part Number	Description	Remark	Qty	Model
-	900 377 010 09	nut M 6	98-	1	M562						
-	999 084 635 02	shear-off nut M 6	98-	2	M562						
(7) A	996 618 219 00	control unit		1	M562/563						
(7)	996 618 219 02	control unit		1	M562/563						
-	900 377 010 09	nut M 6	98-	1	M562/563						
-	996 618 221 00	sensor airbag	98-	2	M563						
-	996 618 221 01	sensor airbag	02-	2	M563						
-	999 073 152 09	oval-head screw M 6 X 18	98-	4	M563						
8	900 146 024 07	oval-head screw M 5 X 8		2							

Model	Year	MG	SG	Illustration	Restrictions	UPD	10:40	24.01.2010	PORSCHE	PET	PORSCHE
986	2004	5	01	501-00		248					

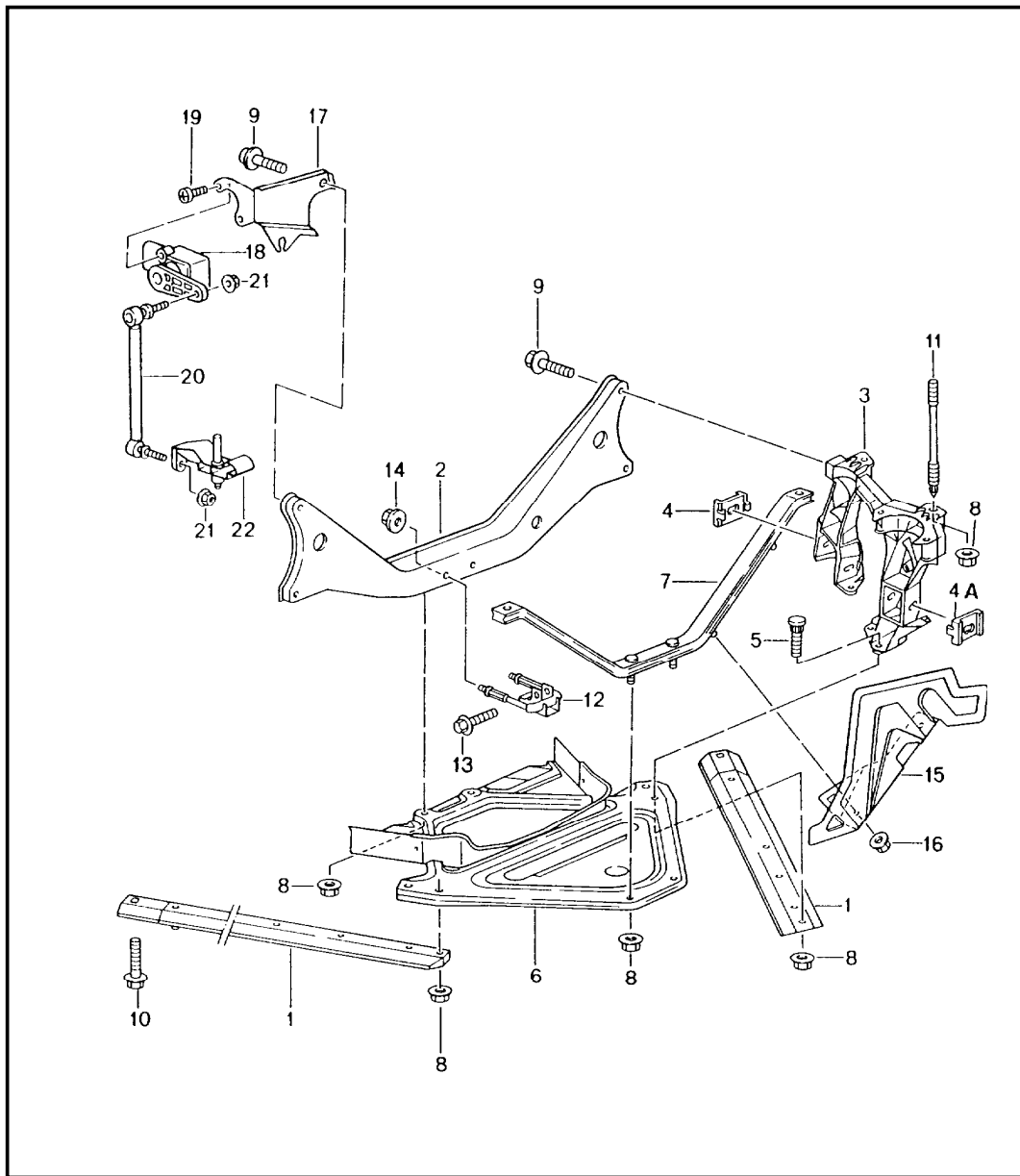


Pos	Part Number	Description	Remark	Qty	Model
		rear axle wheel carrier control arm wheel hub			
1	A 996 341 158 09	wheel carrier F >>98XS6 01524	/L	1	
(1)	A 996 341 158 10	wheel carrier F 98XS6 01525>>	/L	-00	1
		use also: F >>98XS6 01524 986.352.081.04			
(1)	996 341 958 12	wheel carrier	/L	1	
(1)	986 331 157 20	wheel carrier	/L	00-	1 M008
(1)	A 996 341 157 09	wheel carrier F >>98XS6 01524	/R	1	
(1)	A 996 341 157 10	wheel carrier F 98XS6 01525>>	/R	-00	1
		use also: F >>98XS6 01524 986.352.082.04			
(1)	996 341 957 12	wheel carrier	/R	1	
(1)	986 331 158 20	wheel carrier	/R	00-	1 M008
2	999 053 041 02	angular-contact bearing		-00	2
(2)	999 053 041 03	angular-contact bearing		01-	2
(2)	999 053 042 07	angular-contact bearing		-01	2 M008
(2)	999 053 054 05	angular-contact bearing		02-	2 M008
3	964 341 661 01	lid		2	
(3)	986 331 661 20	lid		00-	2 M008
4	999 217 042 09	hexagon-head bolt M 8 X 35		8	
5	996 606 406 00	speed sensor		-01	2
(5)	996 606 406 00	speed sensor		01	2 M476
(5)	996 606 407 02	speed sensor		02-	2
(5)	996 606 406 00	speed sensor		02-	2 M476

Model	Year	MG	SG	Illustration	Restrictions	UPD	10:40	24.01.2010	PORSCHE	PET	PORSCHE
986	2004	5	01	501-00		248					

Pos	Part Number	Description	Remark	Qty	Model	Pos	Part Number	Description	Remark	Qty	Model
-	964 094 400 99	spacer for speed sensor see technical information group 4 NR.1/97		X		16	A 900 378 160 09	hexagon-head bolt M 14 X 1,5 X 90		2	
						(16)	900 378 199 09	hexagon-head bolt M 14 X 1,5 X 90		2	
6	900 067 117 09	pan-head screw M 6 X 16		2		-	986 331 023 00	nut lock		2	
7	996 341 605 54	wheel hub		2		17	A 996 331 045 06	track rod F >>98WS6 01168		2	
7	986 331 605 20	wheel hub	00-	2	M008	(17)	A 996 331 045 07	track rod		2	
8	A 986 331 043 04	control arm	-01	2		(17)	A 996 331 045 08	track rod F 98WS6 01169>>		2	
(8)	A 986 331 043 05	control arm	02	2		(17)	996 331 045 12	track rod	00-	2	
(8)	A 986 331 043 06	control arm	03-	2		(17)	996 331 045 12	track rod	00-	2	M008
(8)	986 331 043 07	control arm	04	2		18	996 331 217 02	eccentric screw M 12 X 83		2	
9	996 341 053 05	wishbone		2		19	996 331 219 00	eccentric washer		2	
(9)	A 996 341 053 06	wishbone	97	2		20	999 084 445 09	hexagon nut M 12 X 1,5		2	
(9)	A 996 341 053 07	wishbone	-03	2		21	999 084 449 09	hexagon nut M 12 X 1,5		2	
(9)	996 341 053 16	wishbone	04-	2		22	996 361 617 00	spacer ring 17 MM with wheel bolt	01-	2	IXRN
10	A 900 378 135 09	hexagon-head bolt M 14 X 1,5 X 75		2		(22)	997 361 605 90	spacer ring	01-	2	IXRP
10	900 378 135 01	hexagon-head bolt M 14 X 1,5 X 75		2		(22)	996 361 605 90	spacer ring 5 MM see technical information group 4 NR.1/04 NR.2/04	04	2	M091
11	A 900 380 012 09	hexagon nut M 14 X 1,5		2							
11	900 380 012 01	hexagon nut M 14 X 1,5		2							
12	996 331 217 03	eccentric screw M 12 X 100 F >>98XS6 01535		2							
(12)	996 331 217 04	eccentric screw M 12 X 105 F 98XS6 01536>>		2							
13	996 331 219 00	eccentric washer		2							
14	999 084 445 09	hexagon nut M 12 X 1,5		4							
15	999 084 449 09	hexagon nut M 12 X 1,5		2							

Model	Year	MG	SG	Illustration	Restrictions	UPD	10:40	24.01.2010	PORSCHE	PET	PORSCHE
986	2004	5	01	501-01		248					

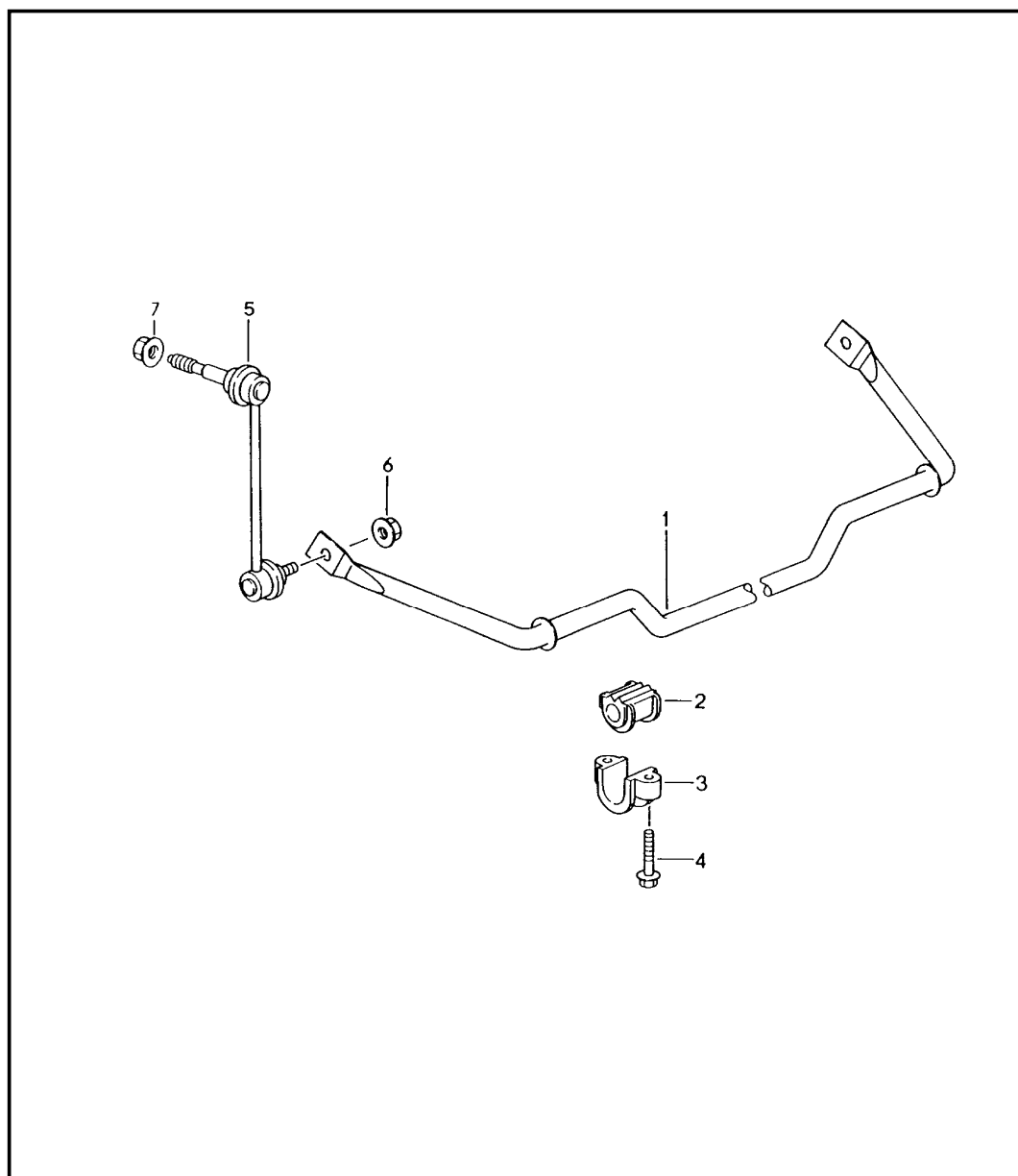


Pos	Part Number	Description	Remark	Qty	Model
		rear axle side section bracket			
1	986 331 080 03	strut		97	2
(1)	986 331 031 00	strut	/L	98-	1
(1)	986 331 032 00	strut	/R	98-	1
2 A	986 331 071 07	cross member			1
(2) A	986 331 071 09	cross member		-03	1
(2)	986 331 071 10	cross member		04-	1
-	999 072 024 09	hexagon-head bolt M 10 X 25			2
		cross member bracket			
3	986 331 051 06	side section F >>98XS6 01535	/L		1
(3)	986 331 051 08	side section F 98XS6 01536>>	/L		1
		use also: F >>98XS6 01535 999.072.037.09 996.331.217.04			1 1
(3)	986 331 052 06	side section F >>98XS6 01535	/R		1
(3)	986 331 052 08	side section F 98XS6 01536>>	/R		1
		use also: F >>98XS6 01535 999.072.037.09 996.331.217.04			1 1
4	986 331 351 01	clip			2
4A	986 331 351 03	clip			4
5 A	999 080 031 09	screw			8
5	999 080 031 01	screw			8
6 A	986 331 161 00	bracket		97	1
(6)	986 331 161 03	bracket		-99	1
(6)	986 331 161 04	bracket		00-	1 M249

Model	Year	MG	SG	Illustration	Restrictions	UPD	10:40	24.01.2010	PORSCHE	PET	PORSCHE
986	2004	5	01	501-01		248					

Pos	Part Number	Description	Remark	Qty	Model	Pos	Part Number	Description	Remark	Qty	Model
(6)	986 331 163 00	bracket	00-00-	1	M480 M481	11	999 061 108 01	stud M 10 X 119		4	
-	986 331 361 02	spoiler	-00	2		12	986 331 181 01	restraining cable		1	
-	986 331 361 03	spoiler	01-	2		13	A 900 378 107 09	hexagon-head bolt M 8 X 45		1	
-	999 507 774 40	push button A 3,9	01-	2		13	900 378 107 01	hexagon-head bolt M 8 X 45		1	
-	999 507 775 40	push button B 3,9	01-	2		14	900 380 005 09	hexagon nut M 8		2	
7	986 331 093 03	strut		1	M249	15	986 331 098 00	heat shield F 98VS6 06500>>		1	M481
(7)	986 331 093 03	strut F >>98VS6 06499		1	M481	16	A 900 380 015 09	lock nut M 6 F 98VS6 06500>>		2	M481
(7)	986 331 093 04	strut F 98VS6 06500>>		1	M481	16	900 380 015 01	lock nut M 6 F 98VS6 06500>>		2	M481
-	A 999 072 032 09	hexagon-head bolt M 10 X 75 POS.7 threaded joint body		2		17	986 331 611 02	support	-99	2	M601
-	999 072 032 01	hexagon-head bolt M 10 X 75 POS.7 threaded joint body		2		(17)	986 331 611 03	support	00-	1	M601
8	999 076 053 09	hexagon nut M 10		14		18	996 631 121 00	sensor	99-	1	M601
9	999 072 023 09	hexagon-head bolt M 10 X 45 F >>98XS6 01535		4		19	N 014 129 12	oval-head screw M 5 X 10	99-	2	M601
(9)	999 072 037 09	hexagon-head bolt M 10 X 45 F 98XS6 01536>>		4		20	996 331 375 01	strut	99-	1	M601
-	999 076 058 09	nut M 10		4		21	A 900 380 015 09	hexagon nut VM 6	99-	2	M601
10	A 999 072 031 09	hexagon-head bolt M 10 X 45		2		21	900 380 015 01	hexagon nut VM 6	99-	2	M601
10	999 072 031 01	hexagon-head bolt M 10 X 45		2		22	996 341 371 03	support	99-	1	M601
11	A 999 061 108 09	stud M 10 X 119		4							

Model	Year	MG	SG	Illustration	Restrictions	UPD	10:40	24.01.2010	PORSCHE	PET	PORSCHE
986	2004	5	01	501-03		248					

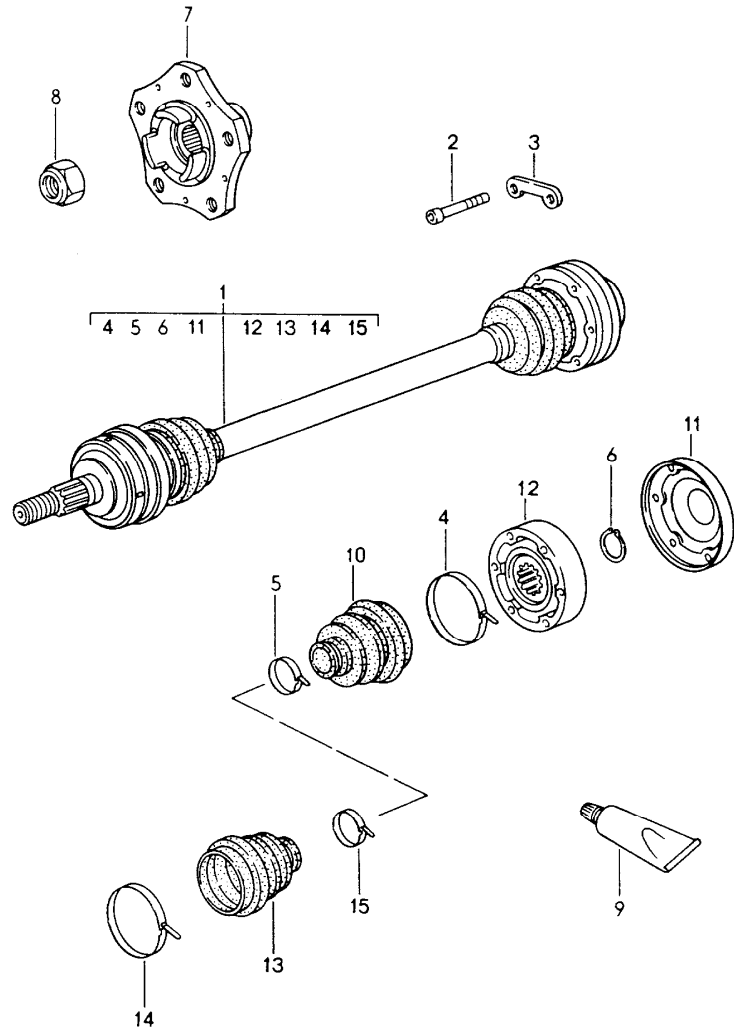


Pos	Part Number	Description	Remark	Qty	Model
		stabiliser			
1	986 333 701 10	stabiliser	-02	1	
(1)	986 333 701 11	stabiliser	-02	1	M009/030
(1)	986 333 701 13	stabiliser	-02	1	M008/030
(1)	986 333 701 10	stabiliser	-04	1	M009
(1)	986 333 701 11	stabiliser	-04	1	M009/030
			-04	1	M008
			-04	1	M030/480
(1)	986 333 701 13	stabiliser	-04	1	M008
			-04	1	M030/249
			-04	1	M008/480
(1)	986 333 701 10	stabiliser	-04	1	M008/249
(2)	996 333 792 24	stabiliser mounting 18,7 MM	-02	2	M009
(2)	996 333 792 25	stabiliser mounting 19,8 MM	-02	2	M009/030
(2)	996 333 792 28	stabiliser mounting 19,2 MM	-02	2	M008
(2)	996 333 792 25	stabiliser mounting 19,8 MM	-02	2	M008/030
(2)	996 333 792 24	stabiliser mounting 18,7 MM	03-	2	M009
(2)	996 333 792 25	stabiliser mounting 19,8 MM	03-	2	M009/030
(2)	996 333 792 28	stabiliser mounting 19,2 MM	03-	2	M008/480
(2)	996 333 792 24	stabiliser mounting 18,7 MM	03-	2	M008/249
(2)	996 333 792 25	stabiliser mounting 19,8 MM	03-	2	M008
			03-	2	M030/480
(2)	996 333 792 28	stabiliser mounting 19,2 MM	03-	2	M008
			03-	2	M030/249
3	996 333 777 01	bearing clamp		2	
4	900 378 055 09	hexagon-head bolt AM 8 X 40		4	
5	996 343 069 02	stabiliser mounting	/L	-99	1

Model	Year	MG	SG	Illustration	Restrictions	UPD	10:40	24.01.2010	PORSCHE	PET	PORSCHE
986	2004	5	01	501-03		248					

Pos	Part Number	Description	Remark	Qty	Model	Pos	Part Number	Description	Remark	Qty	Model
(5)	996 343 069 03	stabiliser mounting	/L 00-	1							
(5)	996 343 070 02	stabiliser mounting	/R -99	1							
(5)	996 343 070 03	stabiliser mounting	/R 00-	1							
6	999 084 643 09	hexagon nut M 10		2							
7	999 084 445 09	hexagon nut M 12		2							

Model	Year	MG	SG	Illustration	Restrictions	UPD	10:41	24.01.2010	PORSCHE	PET	PORSCHE
986	2004	5	01	501-05		248					

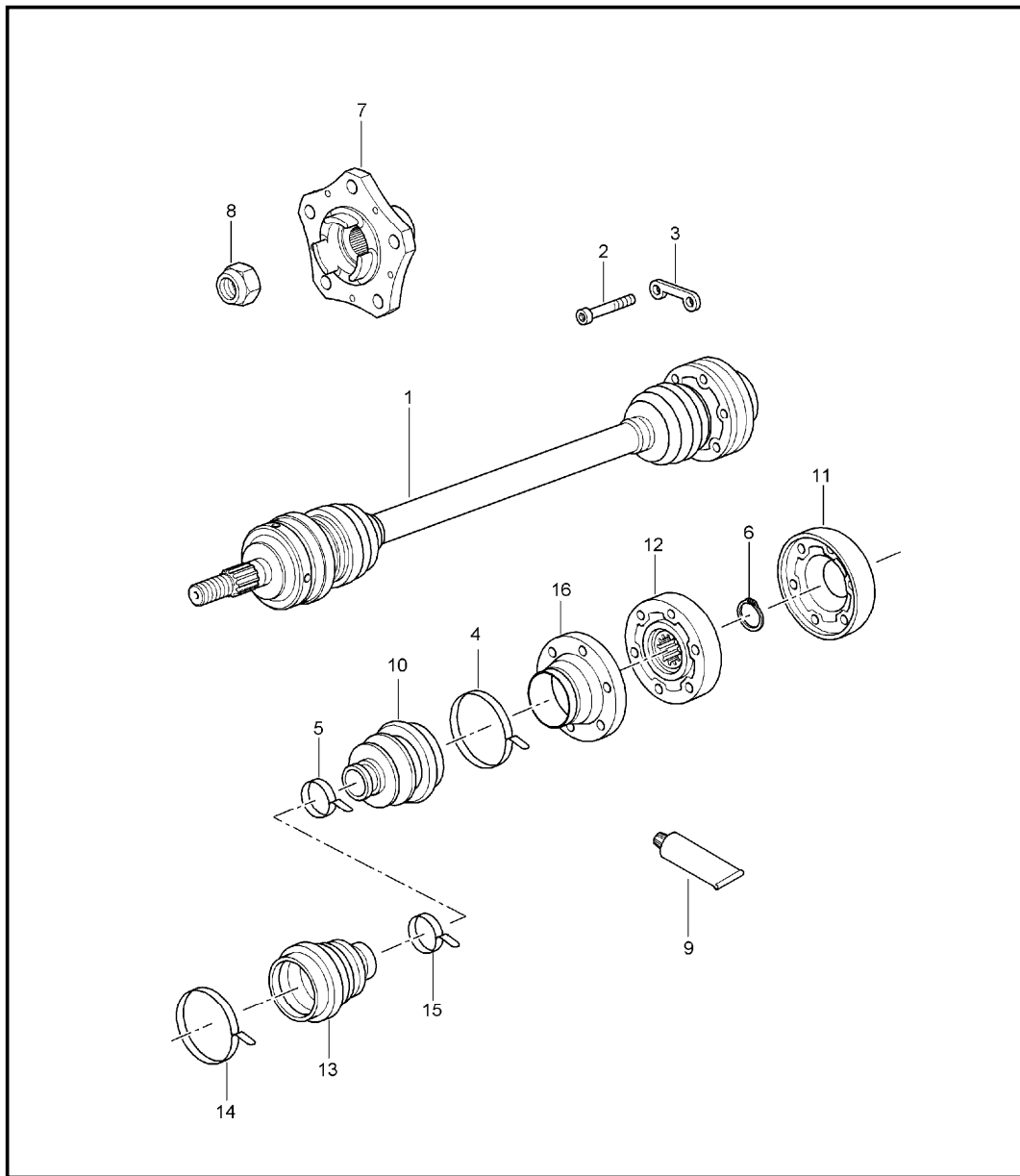


Pos	Part Number	Description	Remark	Qty	Model
		drive shaft		-02	
		wheel hub			
1	986 332 024 05	drive shaft		-98	2 M249
(1)	986 332 024 08	drive shaft		99-	2 M249
(1)	986 332 024 04	drive shaft	/L	-98	1 M481
(1)	986 332 024 07	drive shaft	/L	99-	1 M481
(1)	986 332 024 03	drive shaft	/R	-98	1 M481
(1)	986 332 024 06	drive shaft	/R	99-	1 M481
(1)	986 332 024 50	drive shaft		00-	2 M008/480
(1)	986 332 024 51	drive shaft		00-	2 M008/249
2	900 067 211 09	pan-head screw M 8 X 50		12	
(2) A	900 067 123 09	pan-head screw M 10 X 50		00-	12 M008
(2)	900 067 123 02	pan-head screw M 10 X 50		00-	12 M008
3	993 349 191 00	plate		6	
(3)	996 332 191 00	plate		6	M008
4	911 332 257 00	clip \$ 73 MM		2	
5	928 332 257 01	clip \$ 34 MM		2	
6	900 041 013 01	circlip		2	
(6)	900 041 014 00	circlip	00-	2	M008
7	996 341 605 54	wheel hub		2	
(7)	986 331 605 20	wheel hub	00-	2	M008
8	999 084 641 02	lock nut M 22 X 1,5	-01	2	
(8)	999 084 641 02	lock nut M 22 X 1,5	02	2	
9	000 043 110 01	grease for drive shaft 1 100-gramme tube		X	

Model	Year	MG	SG	Illustration	Restrictions	UPD	10:41	24.01.2010	PORSCHE	PET	PORSCHE
986	2004	5	01	501-05		248					

Pos	Part Number	Description	Remark	Qty	Model	Pos	Part Number	Description	Remark	Qty	Model
(9)	000 043 205 36	sealing compound drive shaft 1 100-gramme tube		X							
10	928 332 293 02	dust bellows		2							
- A	951 332 259 00	bellow support for dust bellows for drive shaft 986.332.024.03/04/05 986.332.024.06/07/08		2							
-	951 332 259 01	bellow support for dust bellows for drive shaft 986.332.024.03/04/05 986.332.024.06/07/08 986.332.024.12/13/14		2							
-	911 332 259 01	bellow support for dust bellows for drive shaft 986.332.024.50/51		2	M008						
11	964 332 267 00	lid	-99	2							
(11)	964 332 267 01	lid	00-	1							
(11)	928 332 267 01	lid	00-	2	M008						
12	951 332 030 00	joint	-02	2							
(12)	911 332 030 01	joint	00-	2	M008						
13	928 332 293 02	dust bellows		2							
14	911 332 257 00	clip		2							
15	928 332 257 01	clip		2							

Model	Year	MG	SG	Illustration	Restrictions	UPD	10:41	24.01.2010	PORSCHE	PET	PORSCHE
986	2004	5	01	501-06		248					

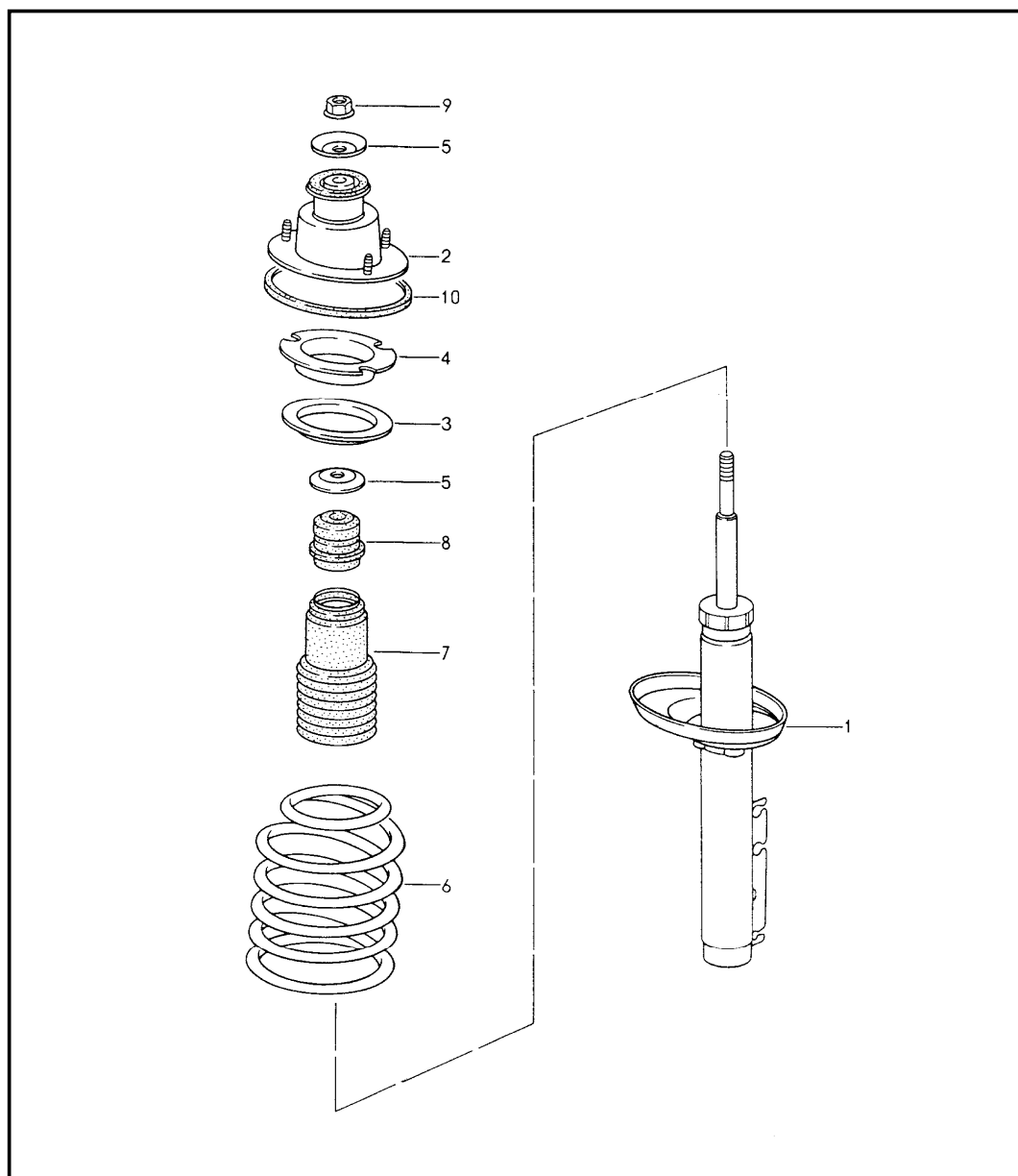


Pos	Part Number	Description	Remark	Qty	Model
		drive shaft wheel hub	03-		
1	986 332 024 09	drive shaft	/L	1	M481
(1)	986 332 024 10	drive shaft	/R	1	M481
(1)	986 332 024 11	drive shaft		2	M009/249
(1)	986 332 024 50	drive shaft		2	M008/480
(1)	986 332 024 51	drive shaft		2	M008/249
(2)	986 332 190 00	pan-head screw M 8 F >>983S6 00191 F >>983U6 03154		12	M481
2	N 909 417 01	pan-head screw M 10 X 45 F 983S6 00192>> F 983U6 03155>>		12	M481
(2)	986 332 190 00	pan-head screw M 8 F 983U6 03186>> F >>983U6 03188 F 983U6 03192>> F >>983U6 03196 F 983U6 03198>> F >>983U6 03199 F 983U6 03201>> F >>983U6 03206		12	M481
(2)	986 332 190 00	pan-head screw M 8		12	M009/249
(2)	A 900 067 229 09	pan-head screw M 10 X 48		12	M008
(2)	900 067 229 01	pan-head screw M 10 X 48		12	M008
3	986 332 191 00	plate		6	M481
(3)	986 332 191 00	plate		6	M009/249
(3)	996 332 191 00	plate		6	M008
4	996 332 957 00	clip		1	M009
(4)	911 332 257 00	clip		1	M008
5	996 332 257 00	clip		1	M009
(5)	928 332 257 01	clip		1	M008

Model	Year	MG	SG	Illustration	Restrictions	UPD	10:41	24.01.2010	PORSCHE	PET	PORSCHE
986	2004	5	01	501-06		248					

Pos	Part Number	Description	Remark	Qty	Model	Pos	Part Number	Description	Remark	Qty	Model
6	900 041 013 01	circlip		1							
7	996 341 605 54	wheel hub		2	M481						
(7)	986 331 605 20	wheel hub		2	M008						
8	999 084 641 02	lock nut M 22 X 1,5	-03	2							
(8)	999 084 641 02	lock nut M 22 X 1,5	04-	2							
9	000 043 110 00	grease 1 100-gramme tube		X							
(9)	000 043 205 36	sealing compound drive shaft 1 100-gramme tube		X							
10	996 332 293 00	dust bellows		2	M009						
(10)	928 332 293 02	dust bellows		2	M008/249						
(10)	986 332 293 00	dust bellows		2	M008/480						
11	986 332 267 00	lid		2	M009						
(11)	928 332 267 01	lid		2	M008						
12	986 332 030 00	joint		2	M009						
(12)	911 332 030 01	joint		2	M008						
13	996 332 293 00	dust bellows		2	M009						
(13)	928 332 293 02	dust bellows		2	M008						
14	996 332 957 00	clip		2	M009						
(14)	911 332 257 00	clip		1	M008						
15	996 332 257 00	clip \$ 41,5 MM		1	M009						
(15)	928 332 257 01	clip		1	M008						
16	986 332 259 00	bellow support		X	M009						
(16)	996 332 259 00	bellow support		X	M008						

Model	Year	MG	SG	Illustration	Restrictions	UPD	10:41	24.01.2010	PORSCHE	PET	PORSCHE
986	2004	5	02	502-00		248					



Pos	Part Number	Description	Remark	Qty	Model
		shock absorber coil spring			
1	A 986 333 051 04	shock absorber - bilstein -		2	
(1)	986 333 051 06	shock absorber - bilstein -	-99	2	
(1)	986 333 051 20	shock absorber - bilstein -	00-	2	
(1)	A 986 333 051 14	shock absorber - bilstein -		2	M030
(1)	986 333 051 18	shock absorber - bilstein -	-99	2	M030
(1)	986 333 051 30	shock absorber - bilstein -	00-	2	M030
		mount shock absorber			
-	A 900 378 138 09	hexagon-head bolt M 12 X 1,5 X 70		2	
-	900 378 138 01	hexagon-head bolt M 12 X 1,5 X 70		2	
-	999 084 445 09	hexagon nut M 12 X 1,5		2	
2	A 986 333 059 03	supporting mount		2	
(2)	986 333 059 04	supporting mount	-02	2	
(2)	A 986 333 059 06	supporting mount	03-	2	
(2)	987 333 059 00	supporting mount	03-	2	
-	900 380 005 09	hexagon nut M 8		6	
-	803 803 583	lid		2	
3	986 333 504 02	compensating plate 3,0 MM		X	
(3)	986 333 504 03	compensating plate 6,0 MM		X	
4	986 333 509 02	ring		2	
5	996 343 107 02	stop plate	-99	4	
(5)	996 343 107 03	stop plate	00-	4	

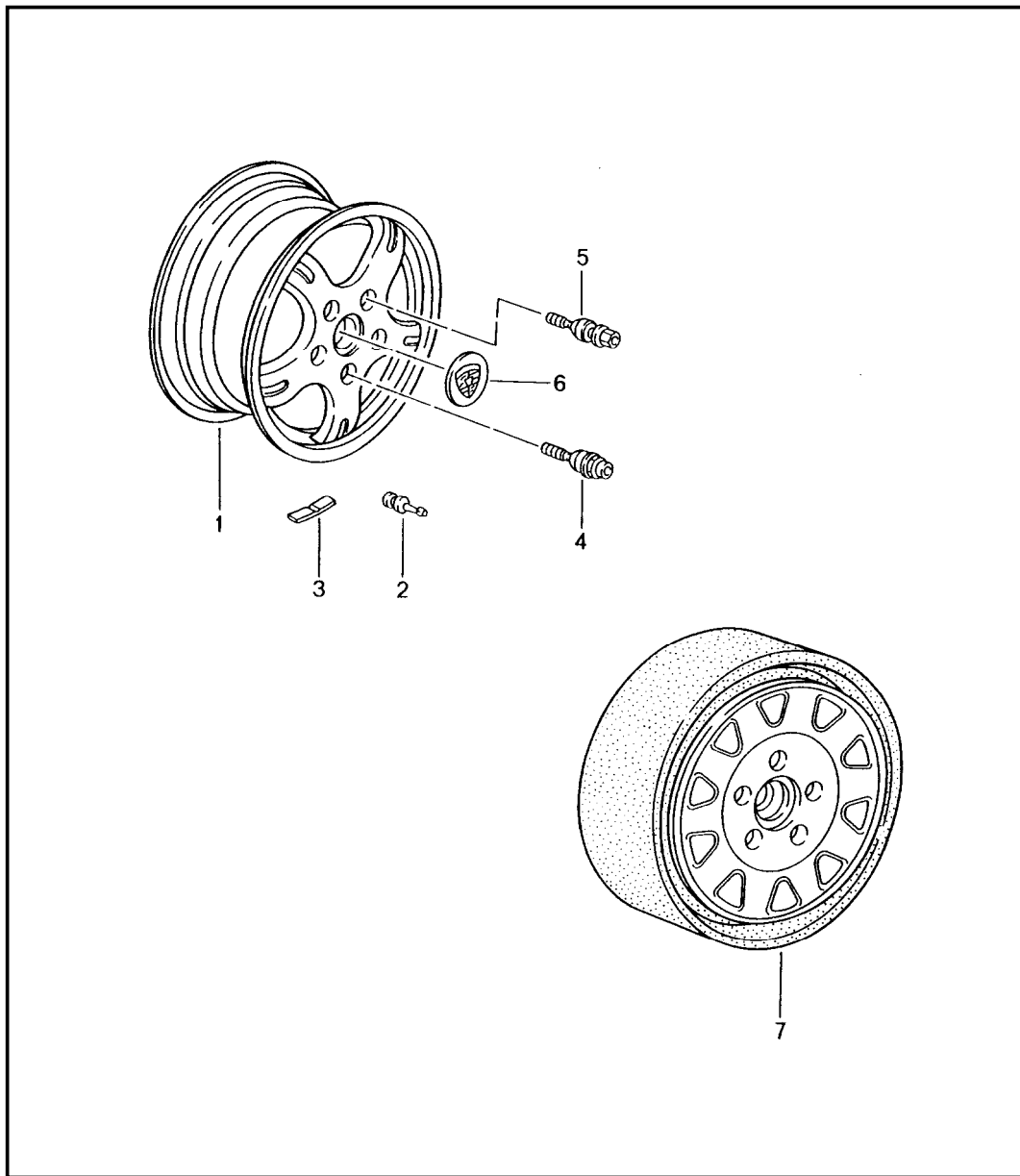
Model	Year	MG	SG	Illustration	Restrictions	UPD	10:41	24.01.2010	PORSCHE	PET	PORSCHE
986	2004	5	02	502-00		248					

Pos	Part Number	Description	Remark	Qty	Model	Pos	Part Number	Description	Remark	Qty	Model
6	986 333 531 04	coil spring 1 set	-02	1	M481	(6)	986 333 531 20	coil spring 1 set	-02	1	M008/480
	504	identification blue yellow					504	identification violet yellow			
(6)	986 333 531 34	coil spring 1 set	03-	1	M481	(6)	986 333 531 38	coil spring 1 set	03-	1	M008/480
	504	identification blue yellow					504	identification violet yellow			
(6)	986 333 531 05	coil spring 1 set	-02	1	M249	(6)	986 333 531 21	coil spring 1 set	-02	1	M008/249
	504	identification blue white					504	identification violet white			
(6)	986 333 531 35	coil spring 1 set	03-	1	M249	(6)	986 333 531 39	coil spring 1 set	03-	1	M008/249
	504	identification blue white					504	identification violet white			
(6)	986 333 531 11	coil spring 1 set	-02	1	M030/481	(6)	986 333 531 30	coil spring 1 set	-02	1	M008/030 M480
	504	identification red red					504	identification silver red			
(6)	986 333 531 42	coil spring 1 set	03-	1	M030/481	(6)	986 333 531 44	coil spring 1 set	03-	1	M008/030 M480
	504	identification red red					504	identification silver red			
(6)	986 333 531 12	coil spring 1 set	-02	1	M030/249	(6)	986 333 531 31	coil spring 1 set	-02	1	M008/030 M249
	504	identification red yellow					504	identification silver yellow			
(6)	986 333 531 43	coil spring 1 set	03-	1	M030/249	(6)	986 333 531 45	coil spring 1 set	03-	1	M008/030 M249
	504	identification red yellow					504	identification silver yellow			
						7	986 333 505 01	bellows		1	

Model	Year	MG	SG	Illustration	Restrictions	UPD	10:41	24.01.2010	PORSCHE	PET	PORSCHE
986	2004	5	02	502-00		248					

Pos	Part Number	Description	Remark	Qty	Model	Pos	Part Number	Description	Remark	Qty	Model
8	986 333 301 01	additional spring		1							
9	A 900 380 012 09	hexagon nut M 14 X 1,5		2							
9	900 380 012 01	hexagon nut M 14 X 1,5		2							
10	986 333 285 01	sealing ring		2							

Model	Year	MG	SG	Illustration	Restrictions	UPD	10:41	24.01.2010	PORSCHE	PET	PORSCHE
986	2004	6	01	601-00		248					



Pos	Part Number	Description	Remark	Qty	Model
		wheels			
		see technical information			
		group 4			
		NR.1/04			
		NR.2/04			
1	996 362 112 00	disc wheel 6 J X 16 ET 50	/V	2	M395
(1)	996 362 112 00	disc wheel 6 J X 16 ET 50 for winter use	/V	2	M008/009
(1)	996 362 124 00	disc wheel 7 J X 17 ET 55	/V	2	M396
(1)	986 362 124 00	disc wheel 7 J X 17 ET 55	/V	00-	2 M400
(1)	993 362 134 06	disc wheel 7,5 X 18 ET 50	/V	99-	2 M413
(1)	986 362 124 01	disc wheel 7 J X 17 ET 55	/V	01-	2 M 391
(1)	993 362 124 51	disc wheel 7 J X 17 ET 55	/V	01-	2 IXRA
(1)	993 362 134 08	disc wheel 7,5 J X 18 ET 50	/V	01-	2 M414
(1)	996 362 136 51	disc wheel 8 J X 18 ET50	/V	02-	2 IXRC
(1)	996 362 134 05	disc wheel 7,5 J X 18 ET 50	/V	03-	2 M411
(1)	986 362 124 02	disc wheel 7 J X 17 ET 55	/V	03-	2 M394
(1)	996 362 134 06	disc wheel 7,5 J X 18 ET50	/V	03-	2 M415

Model	Year	MG	SG	Illustration	Restrictions	UPD	10:41	24.01.2010	PORSCHE	PET	PORSCHE
986	2004	6	01	601-00		248					

Pos	Part Number	Description	Remark	Qty	Model	Pos	Part Number	Description	Remark	Qty	Model
(1)	996 362 134 05	disc wheel 7,5 J X 18 ET 50 it is necessary to rework paint	/V 04	2	M091/191	(1)	996 362 138 00	disc wheel 9 J X 18 ET 52 it is necessary to rework paint	/H 04	2	M091/191
(1)	996 362 114 00	disc wheel 7 J X 16 ET 40	/H	2	M395	(1)	996 362 140 52	disc wheel 10 J X 18 ET 47 use also: 999.651.230.02	/H 04-	2	IXRC
(1)	996 362 114 00	disc wheel 7 J X 16 ET 40 for winter use	/H	2	M008/009	2	900 265 001 50	valve rubber		4	
(1)	996 362 126 05	disc wheel 8,5 J X 17 ET 50	/H	2	M396	(2)	993 361 073 00	valve steel	02-	4	IXRC
(1)	986 362 126 05	disc wheel 8,5 J X 17 ET 50	/H 00-	2	M400	3	901 361 410 50	balance stick-on weight 5 G.	-03	X	
(1)	993 362 138 01	disc wheel 9 J X 18 ET 52	/H 99-	2	M413	(3)	1K0 601 178 C	balance stick-on weight 5 G.	04-	X	
(1)	986 362 126 06	disc wheel 8,5 J X 17 ET 48	/H 01-	2	M 391	(3)	901 361 410 00	balance stick-on weight 10 G.	-03	X	
(1)	993 362 138 08	disc wheel 9 J X 18 ET 52	/H 01-	2	M414	(3)	1K0 601 179 C	balance stick-on weight 10 G.	04-	X	
(1)	993 362 126 55	disc wheel 8,5 X 17 ET 50	/H 01-	2	IXRA	(3)	901 361 411 50	balance stick-on weight 15 G.	-03	X	
(1)	996 362 140 51	disc wheel 10 J X 18 ET 47 use also: 999.651.230.02	/H 02-03	2	IXRC	(3)	1K0 601 181 C	balance stick-on weight 15 G.	04-	X	
(1)	996 362 138 00	disc wheel 9 J X 18 ET 52	/H 03-	2	M411	(3)	1K0 601 182 C	balance stick-on weight 20 G.	04-	X	
(1)	986 362 126 07	disc wheel 8,5 J X 17 ET 48	/H 03-	2	M394	(3)	901 361 412 50	balance stick-on weight 25 G.	-03	X	
(1)	996 362 138 01	disc wheel 9 J X 18 ET 52	/H 03-	2	M415	(3)	1K0 601 183 C	balance stick-on weight 25 G.	04-	X	
						(3)	901 361 412 00	balance stick-on weight 30 G.	-03	X	
						(3)	1K0 601 184 C	balance stick-on weight 30 G.	04-	X	
						(3)	901 361 413 50	balance stick-on weight 35 G.	-03	X	

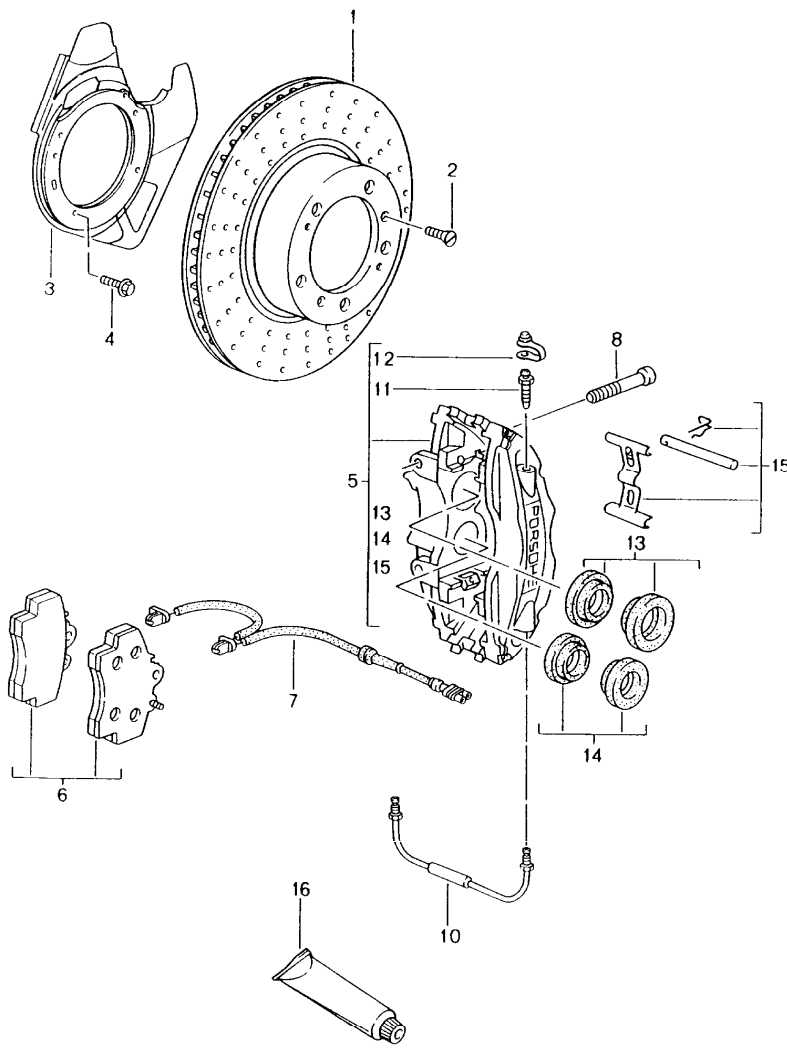
Model	Year	MG	SG	Illustration	Restrictions	UPD	10:41	24.01.2010	PORSCHE	PET	PORSCHE
986	2004	6	01	601-00		248					

Pos	Part Number	Description	Remark	Qty	Model	Pos	Part Number	Description	Remark	Qty	Model
(3)	1K0 601 185 C	balance stick-on weight 35 G.	04-	X		(4) A	996 361 057 01	wheel bolt anti-theft protection 1 set	-03	1	
(3)	901 361 413 00	balance stick-on weight 40 G.	-03	X		(4) A	996 361 057 02	wheel bolt anti-theft protection 1 set	04-	1	
(3)	1K0 601 186 C	balance stick-on weight 40 G.	04-	X		(4)	997 361 057 02	wheel bolt anti-theft protection 1 set	04-	1	
(3)	901 361 414 50	balance stick-on weight 45 G.	-03	X		(4) A	996 361 057 90	wheel bolt anti-theft protection 1 set	-03	1	IXRP
(3)	1K0 601 187 C	balance stick-on weight 45 G.	04-	X		(4)	996 361 980 02	wheel bolt anti-theft protection 1 set	04-	1	IXRP
(3)	901 361 414 00	balance stick-on weight 50 G.	-03	X		(4)	996 361 980 02	wheel bolt anti-theft protection 1 set	04	1	M091
(3)	1K0 601 188 C	balance stick-on weight 50 G.	04-	X		5 A	996 361 203 00	wheel bolt	-00	16	
(3)	901 361 415 50	balance stick-on weight 55 G.	-03	X		(5) A	996 361 203 01	wheel bolt see technical information group 4 NR.2/03	-03	16	
(3)	1K0 601 189 C	balance stick-on weight 55 G.	04-	X		(5)	996 361 203 02	wheel bolt see technical information group 4 NR.2/03	04-	16	
(3)	901 361 415 00	balance stick-on weight 60 G.	-03	X		(5) A	996 361 203 90	wheel bolt see technical information group 4 NR.2/03	-03	16	IXRP
(3)	1K0 601 190 C	balance stick-on weight 60 G.	04-	X		(5)	996 361 980 00	wheel bolt see technical information group 4 NR.2/03	04-	16	IXRP
(3)	997 361 465 00	balance stick-on weight 65 G.		X		(5)	996 361 980 00	wheel bolt	04	16	M091
(3)	997 361 470 00	balance stick-on weight 70 G.		X		-	999 182 003 36	wheel nut	01-	10	IXRN
(3)	997 361 475 00	balance stick-on weight 75 G.		X		-	999 182 003 36	wheel nut	04	10	M091
(3)	997 361 480 00	balance stick-on weight 80 G.		X		6	993 361 303 05	hub cap	-99	4	
(3)	997 361 485 00	balance stick-on weight 85 G.		X			61M	silver			
(3)	997 361 490 00	balance stick-on weight 90 G.		X		(6)	993 361 303 11	hub cap	00	4	
4	A 996 361 057 00	wheel bolt anti-theft protection 1 set		1							

Model	Year	MG	SG	Illustration	Restrictions	UPD	10:41	24.01.2010	PORSCHE	PET	PORSCHE
986	2004	6	01	601-00		248					

Pos	Part Number	Description	Remark	Qty	Model	Pos	Part Number	Description	Remark	Qty	Model
	61M	silver									
(6)	993 361 303 11	hub cap	02-	4							
	9A1	silver									
(6) A	993 361 303 09	hub cap	-99	4	M446						
	92T	arctic silver metallic crest coloured									
(6)	993 361 303 10	hub cap	00-	4	M446						
	9A1	silver crest coloured									
(6)	996 361 303 09	hub cap		4	M414						
(6)	993 361 303 10	hub cap	04	4	M091/191						
	6B4	seal grey metallic crest coloured									
7	996 362 030 00	emergency wheel		1							

Model	Year	MG	SG	Illustration	Restrictions	UPD	10:41	24.01.2010	PORSCHE	PET	PORSCHE
986	2004	6	02	602-00		248					

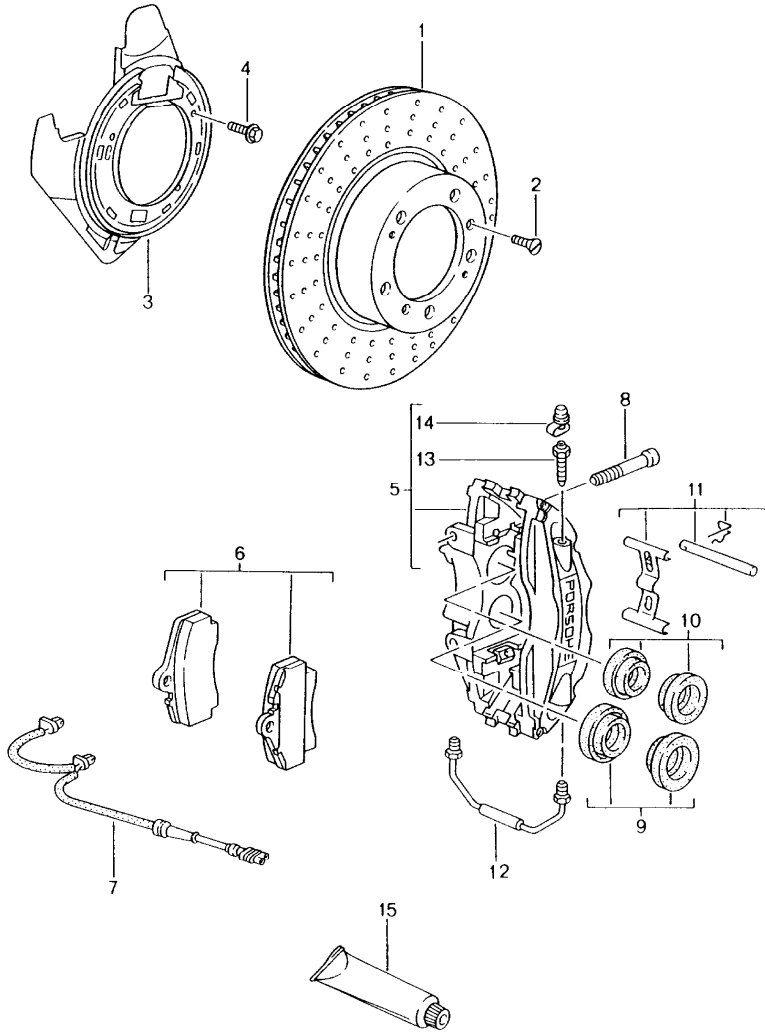


Pos	Part Number	Description	Remark	Qty	Model
		disc brake front axle			
1	986 351 401 05	brake disc		2	
(1)	996 351 405 01	brake disc	/L 00-	1	M008
(1)	996 351 406 01	brake disc	/R 00-	1	M008
2	A 900 269 047 09	countersunk-head screw M 6 X 12		4	
2	900 269 047 01	countersunk-head screw M 6 X 12		4	
(2)	A 900 269 106 09	countersunk-head screw M 6 X 16	01-	4	IXRP
(2)	900 269 106 01	countersunk-head screw M 6 X 16	01-	4	IXRP
(2)	900 269 106 90	countersunk-head screw M 6 X 16 see technical information group 4 NR.1/04 NR.2/04	04	4	M091
3	U 996 351 081 02	cover plate	/L	1	
(3)	996 351 081 03	protective plate F >>98XS6 01524	/L	1	
(3)	996 351 801 04	protective plate F 98XS6 01525>>	/L	1	
(3)	U 996 351 082 02	cover plate	/R	1	
(3)	996 351 082 03	protective plate F >>98XS6 01186	/R	1	
(3)	996 351 802 04	protective plate F 98XS6 01187>>		1	
4	999 217 116 09	hexagon-head bolt M 6 X 16		X	
5	986 351 421 03	fixed calliper without pad	/L	1	
(5)	996 351 425 11	fixed calliper without pad	/L 00-	1	M008
(5)	996 351 425 22	fixed calliper without pad	/L 04	1	M091

Model	Year	MG	SG	Illustration	Restrictions	UPD	10:41	24.01.2010	PORSCHE	PET	PORSCHE
986	2004	6	02	602-00		248					

Pos	Part Number	Description	Remark	Qty	Model	Pos	Part Number	Description	Remark	Qty	Model
(5)	986 351 422 03	fixed calliper without pad	/R	1		15	996 352 959 01	repair kit mounting parts		1	
(5)	996 351 426 11	fixed calliper without pad	/R	00-	1 M008			bolt		2	
(5)	996 351 426 22	fixed calliper without pad	/R	04	1 M091	(15)	996 351 959 01	repair kit mounting parts		1	M008
6	A 986 351 939 11	brake pad repair set		1				bolt		2	
(6)	A 986 351 939 13	brake pad repair set		1				expanding spring		2	
(6)	986 351 939 15	brake pad repair set		1		16	000 043 117 00	brake cylinder paste 50 G		X	
(6)	A 996 352 949 02	brake pad repair set		-04	1 M008	(16)	000 043 020 00	optimoly 100 G		X	
(6)	996 352 949 03	brake pad repair set use also: mounting parts		1	M008						
-	996 351 088 02	damping plate \$ 36/40 MM		00-	4 M008						
7	996 612 365 00	warning contact		2							
8	A 999 067 041 09	pan-head screw M 12 X 1,5 X 72		4							
8	999 067 041 01	pan-head screw M 12 X 1,5 X 72		4							
-	999 507 530 00	cable holder for warning contact		2							
10	996 352 962 00	connecting line	/L	1							
(10)	996 351 961 00	connecting line	/L	1	M008						
(10)	996 352 961 00	connecting line	/R	1							
(10)	996 351 962 00	connecting line	/R	1	M008						
11	930 351 919 00	ventilation valve		2							
12	930 351 927 00	cap		2							
13	951 351 917 01	repair kit protection caps 40 MM \$		2							
14	951 351 917 00	repair kit protection caps 36 MM \$		2							

Model	Year	MG	SG	Illustration	Restrictions	UPD	10:42	24.01.2010	PORSCHE	PET	PORSCHE
986	2004	6	03	603-00		248					

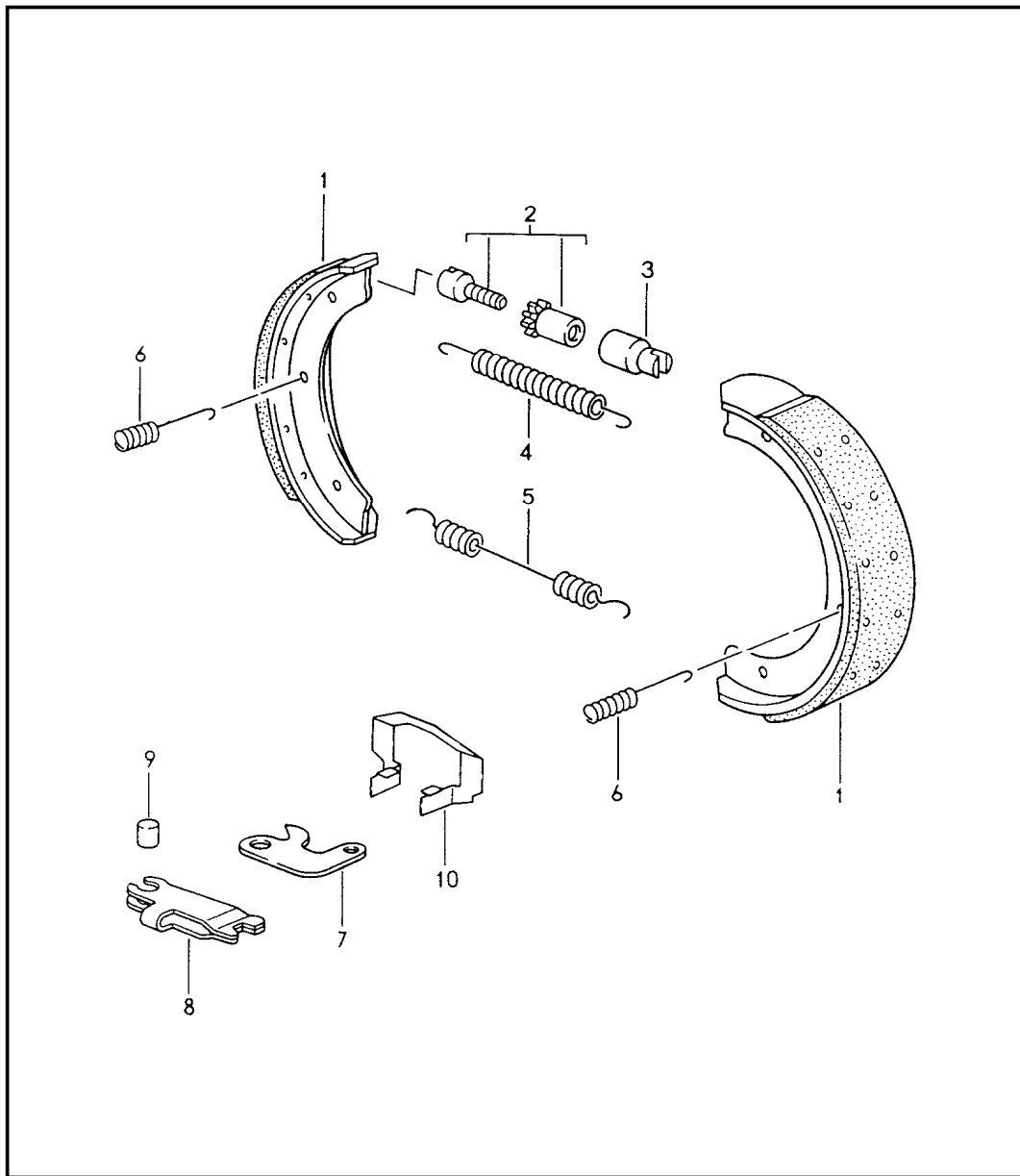


Pos	Part Number	Description	Remark	Qty	Model
		disc brake rear axle			
1	986 352 401 04	brake disc		2	
(1)	986 352 403 01	brake disc	00-	2	M008
2	A 900 269 047 09	countersunk-head screw M 6 X 12		4	
2	900 269 047 01	countersunk-head screw M 6 X 12		4	
(2)	A 900 269 106 09	countersunk-head screw M 6 X 16	01-	4	IXRP
(2)	900 269 106 01	countersunk-head screw M 6 X 16	01-	4	IXRP
(2)	A 900 269 106 09	countersunk-head screw M 6 X 16 see technical information group 4 NR.1/04 NR.2/04	04	4	M091
(2)	900 269 106 01	countersunk-head screw M 6 X 16 see technical information group 4 NR.1/04 NR.2/04	04-	4	M091
3	986 352 081 03	protective plate F >>98XS6 01524	/L	1	
(3)	986 352 081 04	protective plate F 98XS6 01525>>	/L	1	
(3)	986 352 082 03	protective plate F >>98XS6 01186	/R	1	
(3)	986 352 082 04	protective plate F 98XS6 01187>>	/R	1	
(3)	A 986 352 801 00	protective plate		2	M008
(3)	987 352 801 00	protective plate		2	M008
4	999 217 116 09	hexagon-head bolt M 6 X 16		X	
5	986 352 423 01	fixed calliper without pad	/L	1	
(5)	996 352 421 13	fixed calliper without pad	/L 00-	1	M008

Model	Year	MG	SG	Illustration	Restrictions	UPD	10:42	24.01.2010	PORSCHE	PET	PORSCHE
986	2004	6	03	603-00		248					

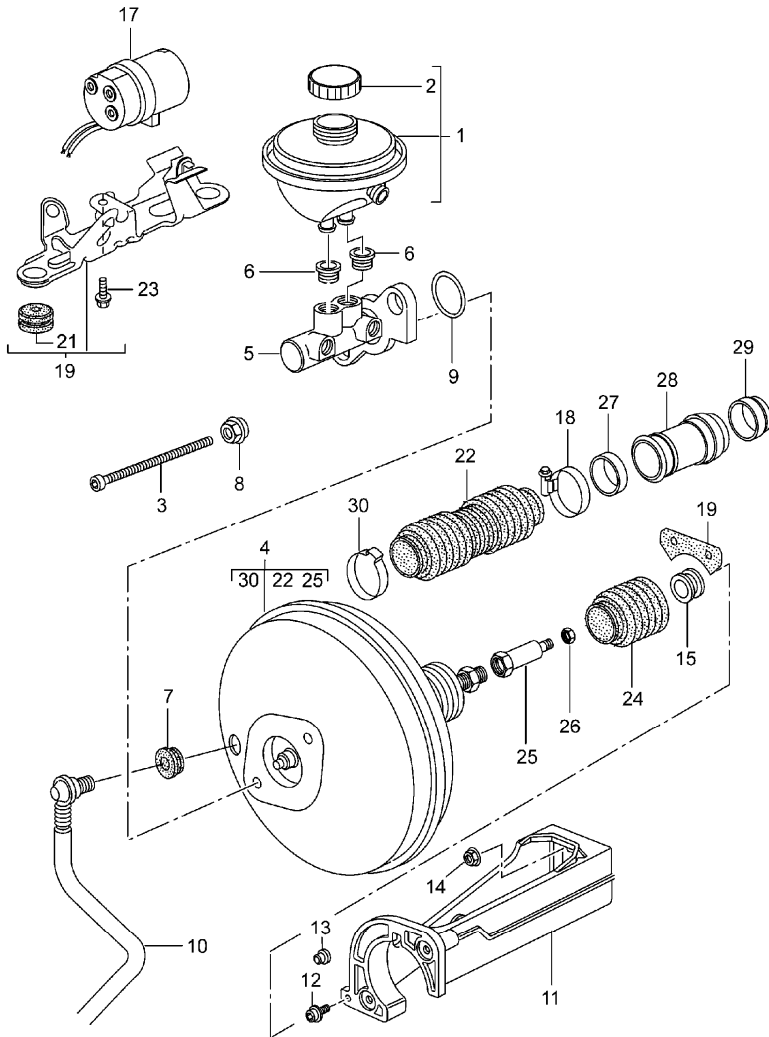
Pos	Part Number	Description	Remark	Qty	Model	Pos	Part Number	Description	Remark	Qty	Model
(5)	996 352 421 24	fixed calliper without pad	/L 04	1	M091	12	996 352 961 00	connecting line	/L	1	
(5)	986 352 424 01	fixed calliper without pad	/R	1		(12)	996 352 962 00	connecting line	/R	1	
(5)	996 352 422 13	fixed calliper without pad	/R 00-	1	M008	13	930 351 919 00	ventilation valve		4	
(5)	996 352 422 24	fixed calliper without pad	/R 04	1	M091	14	930 351 927 00	cap		4	
(6)	986 352 939 10	brake pad repair set		1	M009	15	000 043 117 00	brake cylinder paste 50 G		X	
6 A	996 352 939 00	brake pad repair set		1	M008	(15)	000 043 020 00	optimoly 100 G		X	
(6)	996 352 939 03	brake pad repair set use also: mounting parts		1	M008						
7	986 612 365 00	warning contact		2							
8 A	999 067 041 09	pan-head screw M 12 X 1,5 X 72		4							
8	999 067 041 01	pan-head screw M 12 X 1,5 X 72		4							
-	944 612 627 00	cable holder for warning contact		2							
9	951 352 917 01	repair kit protection caps 30 MM \$		2							
10	951 352 917 00	repair kit protection caps 28 MM \$		2							
11	996 352 959 01	repair kit mounting parts bolt expanding spring securing clip		1 2 2 2							
(11)	996 352 959 01	repair kit mounting parts bolt expanding spring securing clip		1 2 2 2 2							
-	964 352 096 00	damping plate 30 MM \$	00-	4	M008						
-	964 352 096 01	damping plate 28 MM \$	00- -	4	M008						

Model	Year	MG	SG	Illustration	Restrictions	UPD	10:42	24.01.2010	PORSCHE	PET	PORSCHE
986	2004	6	03	603-05		248					



Pos	Part Number	Description	Remark	Qty	Model
		handbrake			
1	986 352 095 01	brake shoe	-02	4	
(1)	986 352 995 01	brake shoe 1 set	03-	1	
(1)	928 352 097 10	brake shoe	-02	4	M008
(1)	996 352 993 02	brake shoe 1 set	03-	1	M008
2	986 352 071 00	adjusting screw		2	
(2)	993 352 071 00	adjusting screw	00-	2	M008
3	986 352 715 00	support bush		2	
(3)	911 352 944 00	support bush	00	2	M008
4	986 352 721 00	tension spring		2	
(4)	901 352 932 10	tension spring	00-	2	M008
5	986 352 723 01	tension spring		2	
(5)	951 352 454 00	tension spring	00-	2	M008
6	986 352 741 00	tension spring		4	
(6)	996 352 741 00	tension spring	00-	4	M008
7	986 352 731 01	actuating lever		2	
8	986 352 733 02	clip		2	
9	986 352 735 00	articulated bolt		2	
-	986 352 073 02	expanding bow comprising: picture 7,8,9		2	
10	986 352 805 01	supporting plate		2	
(10)	996 352 807 01	supporting plate	00-	2	M008

Model	Year	MG	SG	Illustration	Restrictions	UPD	10:42	24.01.2010	PORSCHE	PET	PORSCHE
986	2004	6	04	604-00		248					



Pos	Part Number	Description	Remark	Qty	Model
-	000 043 204 66	brake master cylinder brake booster pre-charge pump modification kit seal brake booster comprising: 999.512.672.00 996.423.269.05 999.512.478.00 996.355.911.00 996.355.909.00 996.355.907.00 996.355.927.01 900.380.015.09 F >>98YS6 00434 F >>98YU6 00165 F >>98YS6 40520 F >>98YU6 40062 see technical information group 4 NR.6/01		1	M476
1	996 355 013 00	container	-03	1	M480/481
(1)	996 355 013 01	container	04-	1	M480/481
(1)	996 355 013 20	container	-03	1	M249
(1)	996 355 013 21	container	04-	1	M249
(1) A	996 355 013 44	container	01 01	1 1	M476/481 M476/480
(1) A	996 355 013 46	container	-03 -03	1 1	M476/481 M476/480
(1)	996 355 013 48	container	04- 04-	1	M476/481 M476/480
(1) A	996 355 013 45	container	01	1	M249/476
(1)	996 355 013 47	container	-03	1	M249/476
(1)	996 355 013 49	container	04-	1	M249/476
2	996 355 119 01	screw cap		1	
- A	996 355 125 00	contacts for container 996.355.013.00 996.355.013.20	-03	1	

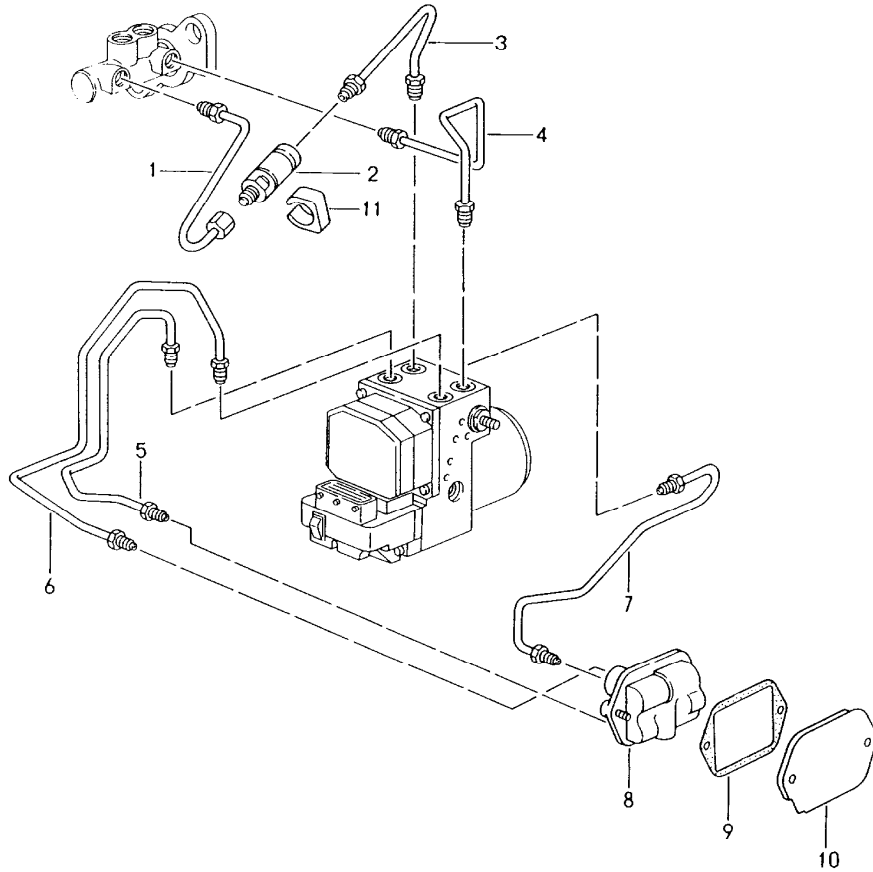
Model	Year	MG	SG	Illustration	Restrictions	UPD	10:42	24.01.2010	PORSCHE	PET	PORSCHE
986	2004	6	04	604-00		248					

Pos	Part Number	Description	Remark	Qty	Model	Pos	Part Number	Description	Remark	Qty	Model
-	996 355 125 02	contacts for container 996.355.013.00/01 996.355.013.20/21	04-	1		14	900 380 005 09	hexagon nut M 8		2	
-	996 355 125 01	contacts for container 996.355.013.44 996.355.013.45 996.355.013.46 996.355.013.47 996.355.013.48 996.355.013.49		1		15	U 996 355 221 00	grommet F >>98YS6 00434 F >>98YU6 00165 F >>98YS6 40520 F >>98YU6 40062 see technical information group 4 NR.6/01		1	
3	999 073 124 09	pan-head screw M 8 X 154 X 80		2		16	996 423 301 00	gasket		1	
4	996 355 923 00	brake booster		1		-	996 355 901 01	gasket brake booster bulkhead		1	
-	A 996 355 137 00	catch		1		17	996 355 975 41	pre-charge pump	01-	1	M476
-	996 355 137 01	cap threaded joint brake booster		1		-	996 355 635 40	adapter feed line	01-	1	M476
5	996 355 910 00	brake master cylinder		1		-	999 512 390 00	hose clamp	01-	1	M476
(5)	996 355 910 40	brake master cylinder	01-	1	M476	18	999 512 478 00	hose clamp F 98YS6 00435>> F 98YU6 00166>> F 98YS6 40521>> F 98YU6 40063>> see technical information group 4 NR.6/01		1	
6	993 355 922 00	gasket		2		19	996 355 183 40	support	01-	1	M476
7	999 702 182 40	gasket		1		21	964 356 635 00	rubber mounting	01-	2	M476
8	997 355 925 00	hexagon nut		2		-	999 045 004 40	plastic nut	01-	3	M476
9	996 355 912 00	sealing ring		1		(22)	U 996 423 269 04	bellows F >>98YS6 00434 F >>98YU6 00165 F >>98YS6 40520 F >>98YU6 40062 see technical information group 4 NR.6/01		1	
10	996 355 577 02	vacuum line	/LL -99	1		(22)	996 423 269 05	bellows F 98XS6 00435>> F 98YU6 00166>> F 98YS9 40521>> F 98YU6 40063>>		1	
(10)	996 355 577 42	vacuum line	/LL 00-	1							
(10)	996 355 577 43	vacuum line	/LL 04-	1							
(10)	996 355 578 04	vacuum line	/RL -99	1							
(10)	996 355 578 05	vacuum line	/RL 00-	1							
(10)	996 355 578 06	vacuum line	/RL 04-	1							
11	996 423 251 01	intermediate piece		1							
12	900 067 240 02	combination screw M 6 X 12 Z1		2							
13	999 703 448 50	stopper	/R	1							

Model	Year	MG	SG	Illustration	Restrictions	UPD	10:42	24.01.2010	PORSCHE	PET	PORSCHE
986	2004	6	04	604-00		248					

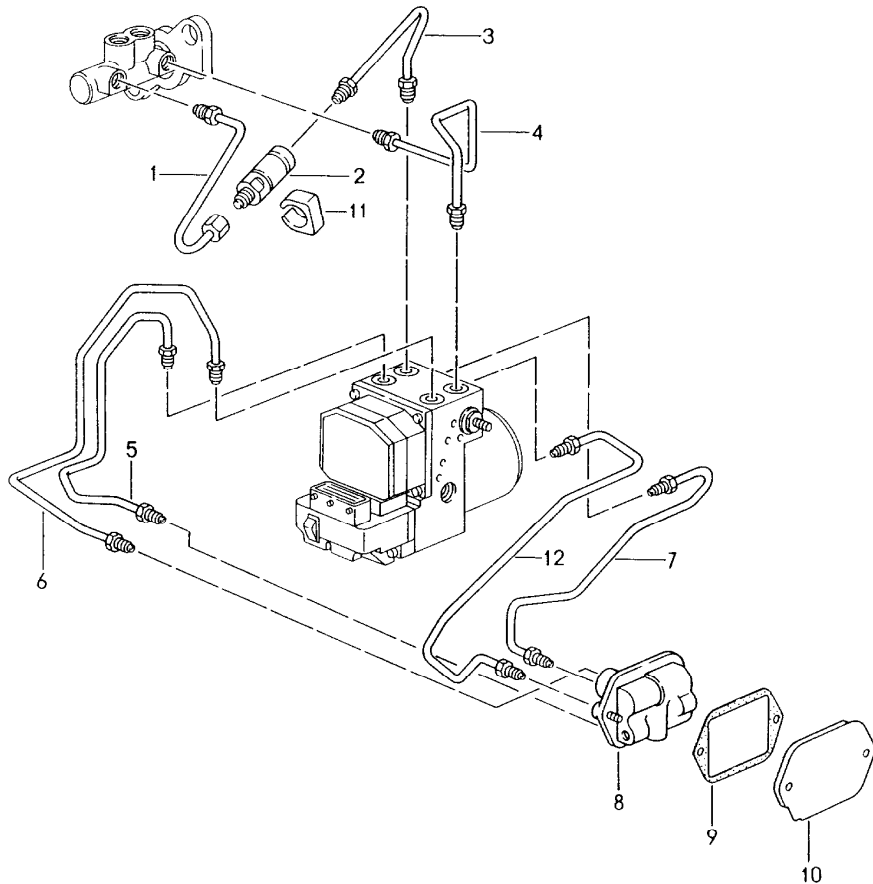
Pos	Part Number	Description	Remark	Qty	Model	Pos	Part Number	Description	Remark	Qty	Model
23	900 378 036 09	hexagon-head bolt M 6 X 12	01-	1	M476						
24	U 996 355 930 00	bellows F >>98YS6 00434 F >>98YU6 00165 F >>98YS6 40520 F >>98YU6 40062 see technical information group 4 NR.6/01		1							
25	996 355 927 01	connecting piece		1							
26	A 900 380 015 09	hexagon nut M 6		1							
26	900 380 015 01	hexagon nut M 6		1							
27	996 355 911 00	sealing ring F >>98YS6 00434 F >>98YU6 00165 F >>98YS6 40520 F >>98YU6 40062 see technical information group 4 NR.6/01		1							
28	996 355 909 00	connecting piece F >>98YS6 00434 F >>98YU6 00165 F >>98YS6 40520 F >>98YU6 40062 see technical information group 4 NR.6/01		1							
29	996 355 907 00	sealing rubber F >>98YS6 00434 F >>98YU6 00165 F >>98YS6 40520 F >>98YU6 40062 firewall see technical information group 4 NR.6/01		1							
30	999 512 672 00	hose clamp F 98YS6 00435>> F 98YU6 00166>> F 98YS6 40521>> F 98YU6 40063>>		1							

Model	Year	MG	SG	Illustration	Restrictions	UPD	10:42	24.01.2010	PORSCHE	PET	PORSCHE
986	2004	6	04	604-05		248					



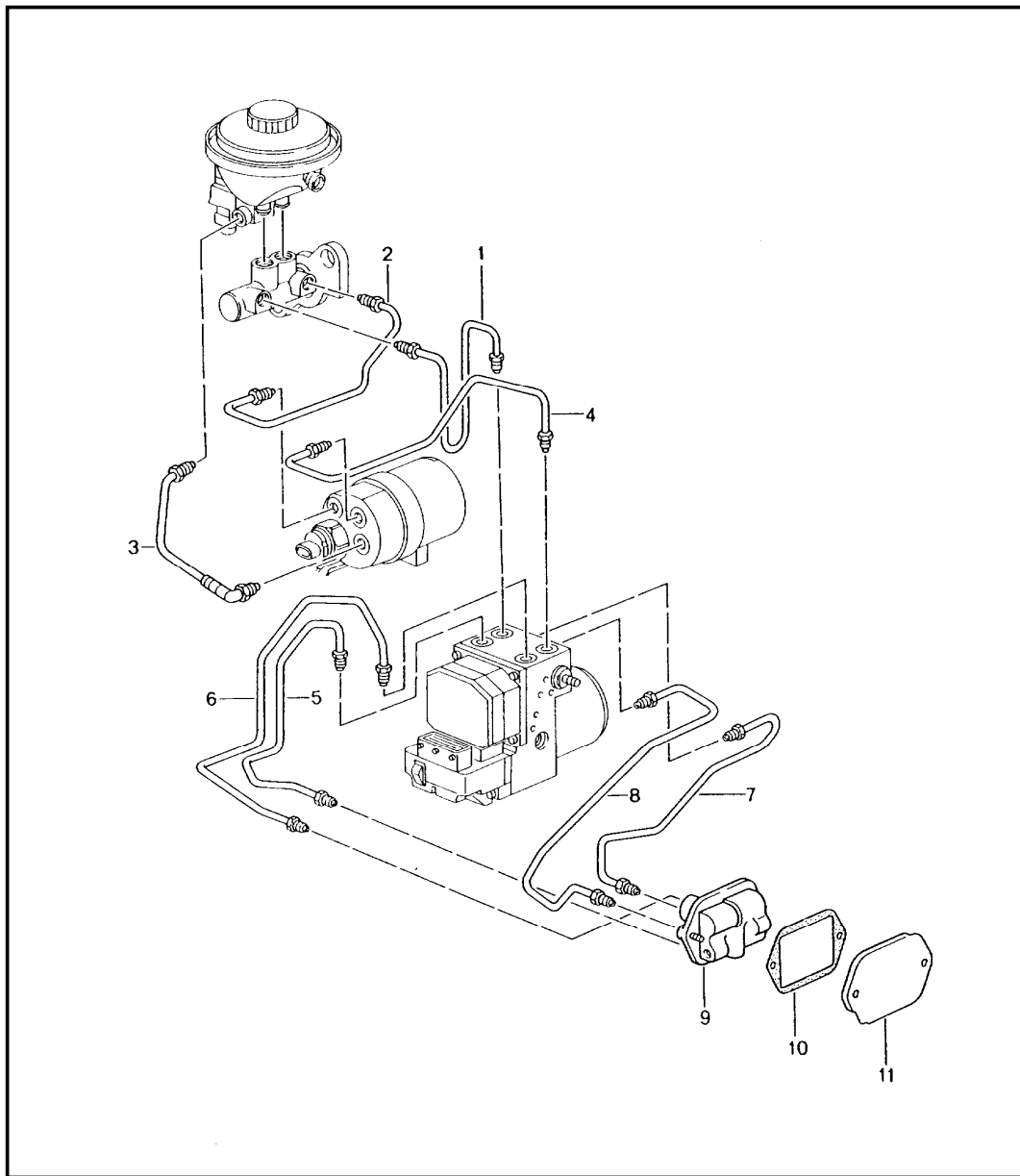
Pos	Part Number	Description	Remark	Qty	Model
		brake lines body front section			
1	996 355 309 01	brake line	/LL	-01	1
(1)	996 355 308 04	brake line	/RL	-01	1
2	986 355 305 00	pressure regulator		-01	1
3	A 996 355 311 02	brake line	/LL	-01	1
(3)	996 355 311 03	brake line	/LL	-01	1
(3)	996 355 311 42	pressure line	/LL	02-	1
(3)	996 355 310 03	brake line	/RL	-01	1
(3)	996 355 320 44	pressure line	/RL	02-	1
4	A 996 355 313 02	brake line	/LL	-01	1
(4)	996 355 313 04	brake line	/LL	-01	1
(4)	A 996 355 313 03	brake line	/LL	02-	1
(4)	996 355 313 05	brake line	/LL	02-	1
(4)	996 355 314 05	brake line	/RL	-01	1
(4)	996 355 314 06	brake line	/RL	02-	1
5	996 355 315 02	brake line		-01	1
(5)	996 355 315 43	pressure line		02-	1
6	996 355 327 03	brake line		-01	1
(6)	996 355 327 43	pressure line		02-	1
7	996 355 326 04	brake line		-01	1
(7)	996 355 326 40	brake line		02-	1
8	996 355 650 02	intermediate piece			1
9	996 355 752 00	gasket		-01	1
(9)	996 355 752 01	gasket		02-	1
10	996 355 753 00	reinforcement			1
11	999 651 292 40	support			1

Model	Year	MG	SG	Illustration	Restrictions	UPD	10:42	24.01.2010	PORSCHE	PET	PORSCHE
986	2004	6	04	604-08		248					



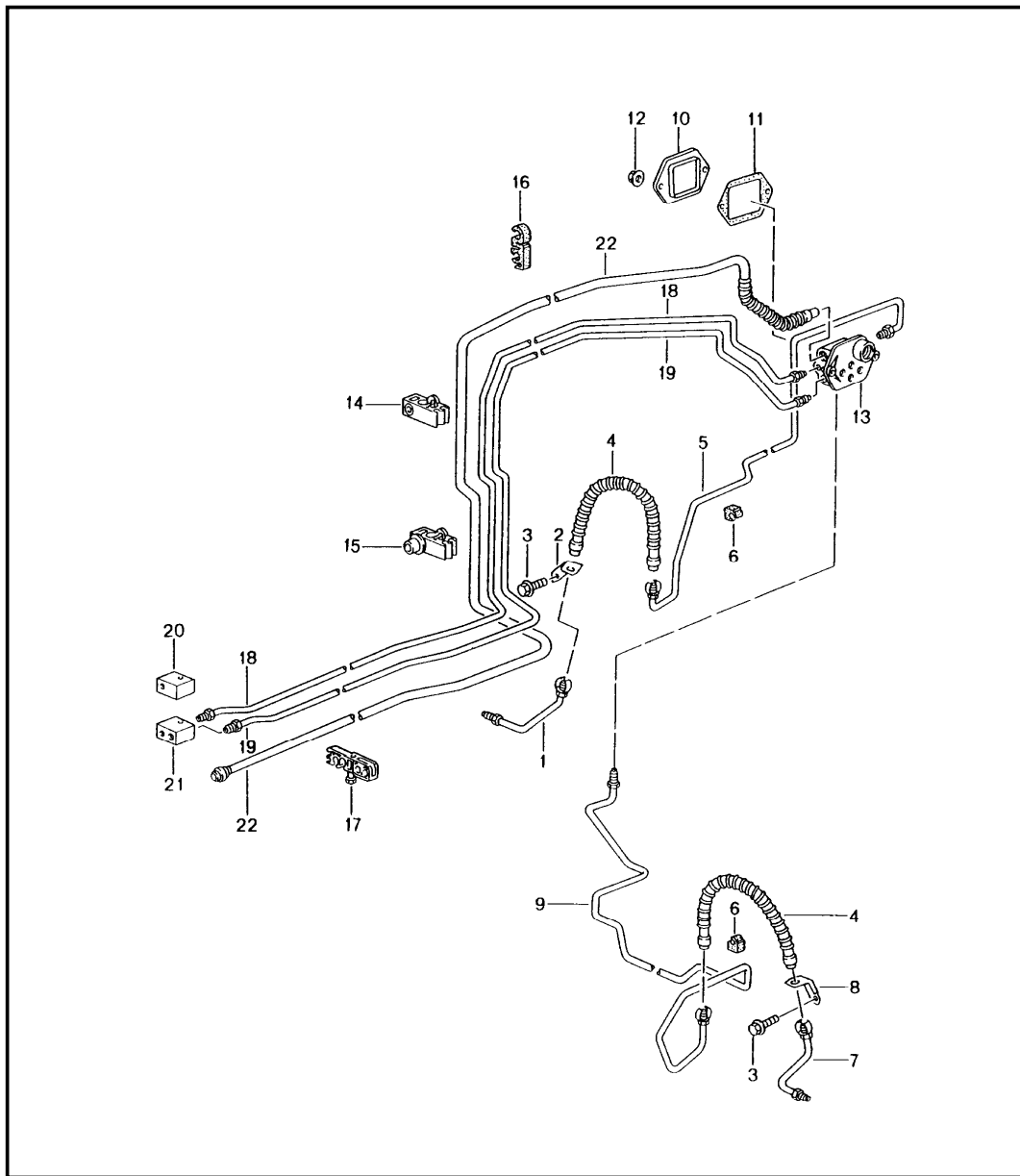
Pos	Part Number	Description	Remark	Qty	Model
		brake lines body front section	-01		M222/224
1	996 355 309 01	brake line	/LL	1	
(1)	996 355 308 03	brake line	/RL	-98	1
(1)	996 355 308 04	brake line	/RL	99-	1
2	986 355 305 00	pressure regulator		1	
3	A 996 355 311 02	brake line	/LL	1	
(3)	996 355 311 03	brake line	/LL	1	
(3)	996 355 310 03	brake line	/RL	1	
4	A 996 355 313 02	brake line	/LL	1	
(4)	996 355 313 04	brake line	/LL	1	
(4)	996 355 314 05	brake line	/RL	1	
5	996 355 315 02	brake line		1	
6	996 355 327 03	brake line		1	
7	996 355 326 04	brake line		1	
8	996 355 650 27	intermediate piece		1	
9	996 355 752 00	gasket	-01	1	
10	996 355 753 00	reinforcement		1	
11	999 651 292 40	support		1	
12	996 355 316 04	brake line		1	

Model	Year	MG	SG	Illustration	Restrictions	UPD	10:42	24.01.2010	PORSCHE	PET	PORSCHE
986	2004	6	04	604-09		248					



Pos	Part Number	Description	Remark	Qty	Model
		brake lines body front section	01-		M476
(1)	996 355 311 42	pressure line	/LL	1	
(1)	996 355 320 44	pressure line	/RL	1	
(2)	996 355 353 45	pressure line	/LL	1	
(2)	996 355 354 42	pressure line	/RL	1	
(3)	996 355 321 41	pressure line	/LL	1	
(3)	996 355 322 41	pressure line	/RL	1	
(4)	996 355 357 42	pressure line	-02	1	
(4) A	996 355 357 43	pressure line	03-	1	
(4)	996 355 357 47	pressure line	03-	1	
(5)	996 355 315 43	pressure line		1	
(6)	996 355 327 43	pressure line		1	
(7)	996 355 316 41	pressure line		1	
(8)	996 355 326 40	pressure line		1	
9	996 355 650 27	intermediate piece		1	
10	996 355 752 00	gasket	-01	1	
(10)	996 355 752 01	gasket	02-	1	
11	996 355 753 00	reinforcement		1	

Model	Year	MG	SG	Illustration	Restrictions	UPD	10:43	24.01.2010	PORSCHE	PET	PORSCHE
986	2004	6	04	604-10		248					

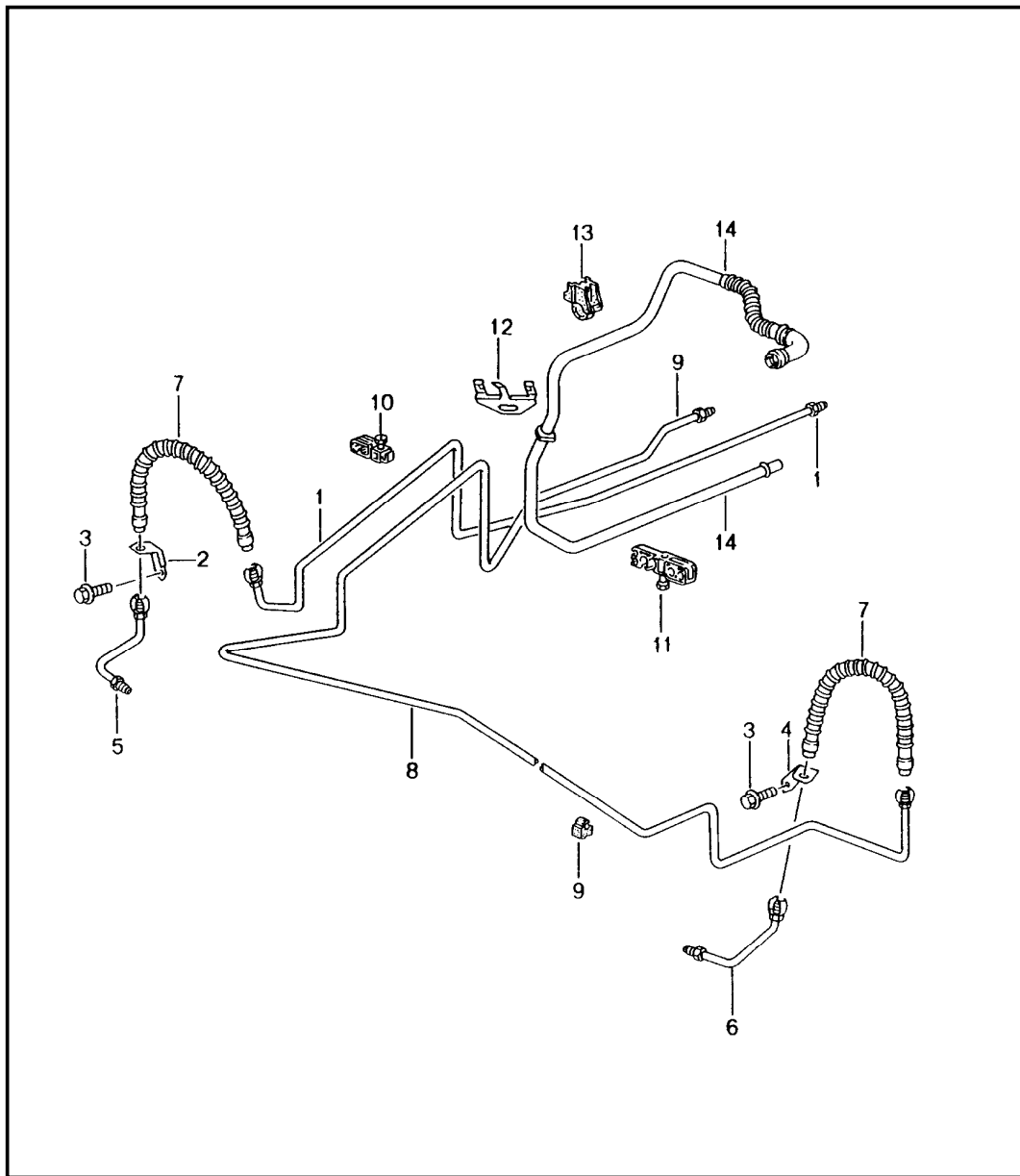


Pos	Part Number	Description	Remark	Qty	Model
		brake lines front axle underbody vacuum line			
1	996 355 581 06	brake line	/L	1	
2	996 355 501 05	support	/L	-99	1
(2)	996 355 501 06	support	/L	00-	1
3	900 075 355 01	pan-head screw M 6 X 16		97	2
(3)	900 067 117 09	combination screw M 6 X 16		98-	2
4	996 355 139 00	brake hose		97	2
(4)	996 355 139 01	brake hose		98-	2
5	996 355 175 06	brake line	/L	97	1
(5)	996 355 175 07	brake line F >>98WS6 07094	/L	98-	1
(5)	996 355 175 08	brake line F 98WS6 07095>>	/L	98-	1
6	999 591 930 40	cable holder			X
7	996 355 584 06	brake line	/R		1
8	996 355 502 05	support	/R	-99	1
(8)	996 355 502 06	support	/R	00-	1
9	996 355 176 06	brake line F >>98WS6 07094	/R	-98	1
(9)	996 355 176 07	brake line F 98WS6 07095>>	/R	98-	1
10	996 355 753 00	reinforcement			1
11	996 355 752 00	gasket		-01	1
(11)	996 355 752 01	gasket		02-	1
12	A 900 380 015 09	hexagon nut M 6			3
12	900 380 015 01	hexagon nut M 6			3
13	996 355 650 27	intermediate piece			1 M222/224

Model	Year	MG	SG	Illustration	Restrictions	UPD	10:43	24.01.2010	PORSCHE	PET	PORSCHE
986	2004	6	04	604-10		248					

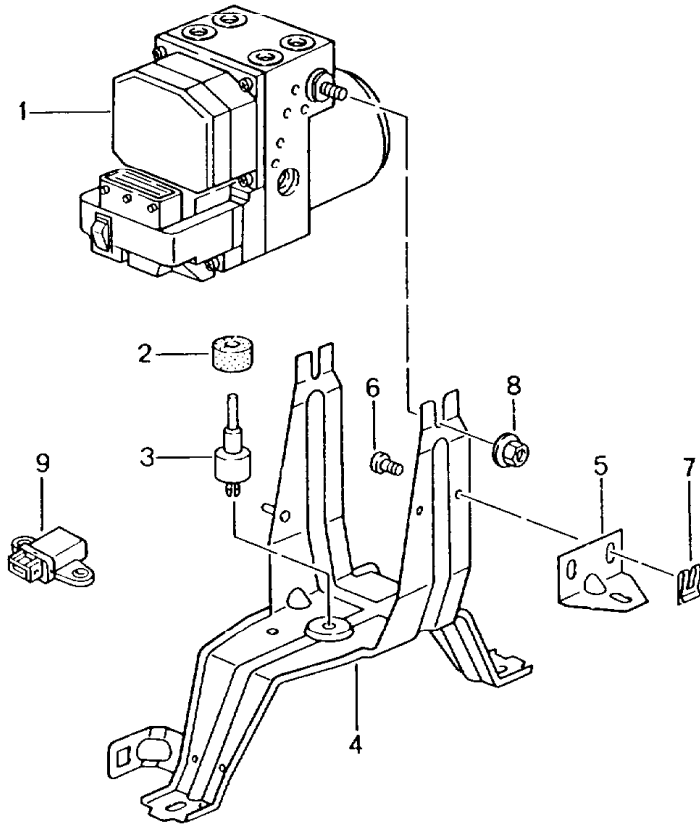
Pos	Part Number	Description	Remark	Qty	Model	Pos	Part Number	Description	Remark	Qty	Model
(13)	996 355 650 02	intermediate piece		1							
14	996 355 545 00	support		3							
15	996 355 549 00	support		1							
16	996 355 547 01	support		2							
17	996 355 543 00	support		1							
18	996 355 177 06	brake line	-01	1							
(18)	996 355 177 07	brake line	02	1							
(18)	996 355 177 08	brake line	03-	1							
19	996 355 179 06	brake line		1	M222/224						
			01-	1	M476						
(19)	996 355 179 07	brake line	02	1							
(19)	996 355 179 08	brake line	03-	1							
20	A 996 355 660 04	connecting piece		1							
(20)	996 355 660 05	connecting piece		1							
21	996 355 760 29	connecting piece		1	M222/224						
			01-	1	M476						
(21)	996 355 760 31	connecting piece	03-	1	M476						
22	996 355 571 05	vacuum line	-01	1							
(22)	996 355 571 07	vacuum line	02-	1							
-	999 230 535 40	sealing ring connecting piece vacuum line		1							

Model	Year	MG	SG	Illustration	Restrictions	UPD	10:43	24.01.2010	PORSCHE	PET	PORSCHE
986	2004	6	04	604-15		248					



Pos	Part Number	Description	Remark	Qty	Model
		brake line underbody rear axle vacuum line			
1	986 355 189 06	brake line	/L	97	1
(1)	986 355 189 07	brake line	/L	98-	1
(1)	986 355 189 08	brake line	/L	03-	1
2	996 355 502 06	brake hose bracket	/L		1
3	900 075 355 01	hexagon-head bolt M 6 X 16		97	2
(3)	900 067 117 09	pan-head screw M 6 X 16		98-	2
4	996 355 501 06	brake hose bracket	/R		1
5	996 355 584 06	brake line	/L		1
6	996 355 581 06	brake line	/R		1
-	986 501 815 00	support brake hose F	>>98WS6 07094		2
-	996 501 815 02	support brake hose F 98WS6 07095>>			2
7 A	996 355 637 01	brake hose			2
(7)	996 355 139 01	brake hose			2
8	986 355 190 07	brake line	/R	97	1
(8)	986 355 190 08	brake line	/R	98-	1
(8)	986 355 190 09	brake line	/R	03-	1
9	999 591 930 40	support			2
10	964 423 811 00	support			2
11	996 355 543 00	support			1
12	986 355 775 00	retaining clip			1
13	999 507 495 40	support			1
14 A	986 355 575 05	vacuum line			1
(14)	986 355 575 06	vacuum line			1

Model	Year	MG	SG	Illustration	Restrictions	UPD	10:43	24.01.2010	PORSCHE	PET	PORSCHE
986	2004	6	05	605-00		248					

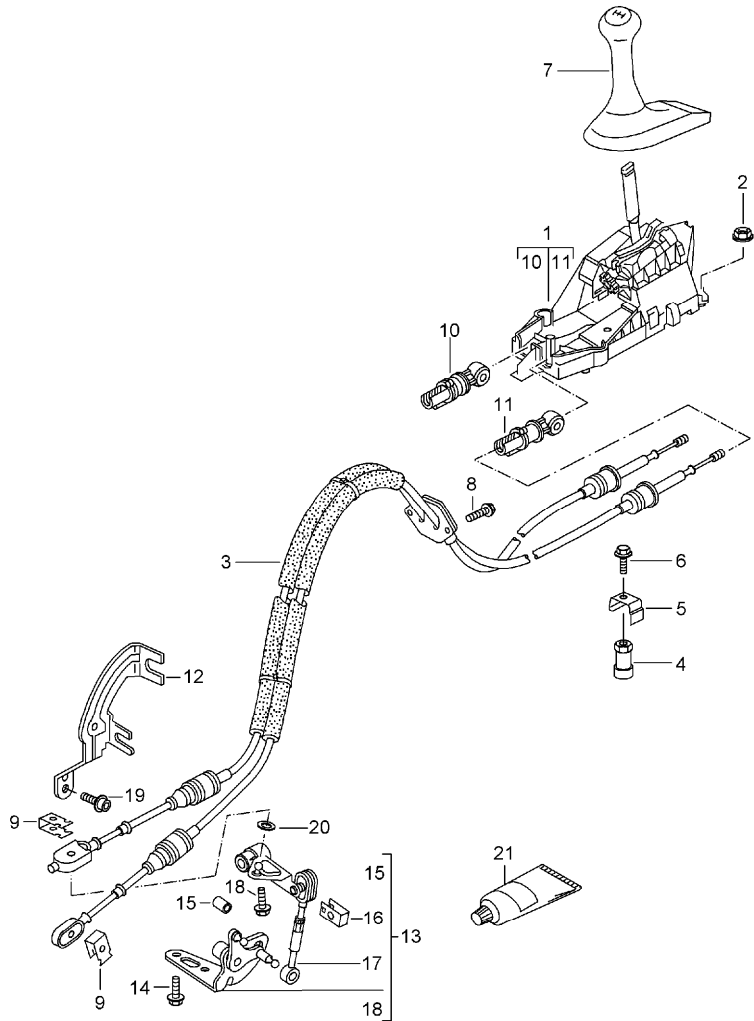


Pos	Part Number	Description	Remark	Qty	Model
		hydraulic unit anti-lock brake system control			
1	A 996 355 955 02	hydraulic unit	-98	1	
(1)	996 355 955 03	hydraulic unit	-98	1	
(1)	A 996 355 955 27	hydraulic unit	-98	1	M222/224
(1)	A 996 355 955 28	hydraulic unit	-98	1	M222/224
(1)	996 355 955 29	hydraulic unit	99	1	M222/224
(1)	996 355 955 31	hydraulic unit	02-	1	M222/224
(1)	996 355 955 03	hydraulic unit	-99	1	
(1)	996 355 955 04	hydraulic unit 5.3	00	1	
(1)	A 986 355 955 26	hydraulic unit 5.3	00	1	M224
(1)	A 986 355 955 27	hydraulic unit 5.3	00	1	M224
(1)	986 355 955 28	hydraulic unit 5.3	00	1	M224
(1)	986 355 955 00	hydraulic unit 5.3	01	1	
(1)	A 996 355 955 05	hydraulic unit 5.7	02	1	
(1)	996 355 955 06	hydraulic unit 5.7	03-	1	
(1)	A 986 355 955 41	hydraulic unit 5.7	01	1	M476
(1)	986 355 955 42	hydraulic unit 5.7	02-	1	M476
2	996 355 945 00	damping piece		3	
3	996 355 541 00	spacer		1	
4	996 355 133 03	support		1	
(4)	996 355 033 41	support with rubber mounting	01-	1	M476
-	964 356 635 00	rubber mounting	01-	2	M476

Model	Year	MG	SG	Illustration	Restrictions	UPD	10:43	24.01.2010	PORSCHE	PET	PORSCHE
986	2004	6	05	605-00		248					

Pos	Part Number	Description	Remark	Qty	Model	Pos	Part Number	Description	Remark	Qty	Model
-	999 703 379 40	stopper	01-	2	M476						
-	999 084 629 09	hexagon nut M 6		3							
5	996 355 535 02	support		1							
6	996 355 559 00	bolt		2							
7	999 166 080 02	lock		2							
8	900 377 003 02	hexagon nut VM 8		2							
9	996 606 145 00	sensor	01-	1	M476						

Model	Year	MG	SG	Illustration	Restrictions	UPD	10:43	24.01.2010	PORSCHE	PET	PORSCHE
986	2004	7	01	701-00		248					



Pos	Part Number	Description	Remark	Qty	Model
		transmission control manual transmission			
1	A 986 424 010 01	gearshift bracket	-99	1	M481
(1)	986 424 010 02	gearshift bracket	00-	1	M481
(1)	986 424 010 03	gearshift bracket	03-	1	M481
(1)	996 424 010 04	gearshift bracket	-02	1	M480
(1)	996 424 010 05	gearshift bracket	03-	1	M480
(1)	986 424 010 04	gearshift bracket	04	1	M091
(1)	996 424 983 00	gearshift bracket	04	1	IXCZ
2	999 084 629 09	hexagon nut M 6		4	
3	U 986 424 041 06	cable F >>98VS6 05644		1	
(3)	986 424 041 07	cable F 98VS6 05645>>	-99	1	
		use also: F >>98VS6 05644 986.424.913.06		1	
(3)	986 424 041 08	cable	00	1	
(3)	986 424 041 09	cable	-02	1	
(3)	986 424 041 10	cable	03-	1	
(3)	986 424 042 05	cable	00	1	M008
(3)	986 424 042 06	cable	01	1	M008
(3)	986 424 042 07	cable	02-	1	M008
(3)	986 424 042 08	cable	04	1	M091
-	986 424 411 00	retaining clip mount cable for support		2	
4	986 424 221 00	spacer		2	
5	A 986 424 211 00	support	-99	1	
(5)	987 424 211 00	support	00-	1	

Model	Year	MG	SG	Illustration	Restrictions	UPD	10:43	24.01.2010	PORSCHE	PET	PORSCHE
986	2004	7	01	701-00		248					

Pos	Part Number	Description	Remark	Qty	Model	Pos	Part Number	Description	Remark	Qty	Model
6	900 075 023 02	hexagon-head bolt M 8 X 12		1		(7)	986 424 075 21	gearshift knob	04	1	M091
7	986 424 075 02	gearshift knob	97	1			9Q3	cocoa			
	EAN	satin black					D11	dark grey/natural			
(7)	986 424 075 02	gearshift knob	98-	1	M016	(7)	996 424 981 15	gearshift knob	01-02	1	IX97/M480
	EAN	black					VRJ	black			
(7)	986 424 075 03	gearshift knob	98-	1	M011		C50	graphite grey			
	EMK	ocean jade/black					S30	savanna			
	EML	zenith blue/black					G10	metropole blue			
(7)	986 424 075 03	gearshift knob	98-	1	M012		M30	boxster red			
	EKP	metal grey/black					P11	cinnamon brown			
(7)	986 424 075 04	gearshift knob	99-	1	M010		D11	dark grey/natural			
	EMM	amber/black					T11	brown/natural			
(7)	996 424 075 05	gearshift knob	00-	1	M480	(7)	996 424 981 17	gearshift knob	01-02	1	IXE8/M480
	EVZ	black					VRJ	black			
(7)	996 424 075 05	gearshift knob	03-	1	M480		C50	graphite grey			
	FGT	black sport silver					S30	savanna			
	FGU	graphite grey sport silver					G10	metropole blue			
	FGV	savanna sport silver					M30	boxster red			
	FGW	metropole blue sport silver					P11	cinnamon brown			
	FGX	nephrite green sport silver	03 03			(7)	996 424 981 18	gearshift knob	01-02	1	IX47/M480
	FGY	boxster red sport silver					VRJ	black			
	FGZ	cinnamon brown sport silver					C50	graphite grey			
	VSW	dark grey/natural sport silver					S30	savanna			
	VSX	brown/natural sport silver					G10	metropole blue			
							M30	boxster red			
							P11	cinnamon brown			
							D11	dark grey/natural			

Model	Year	MG	SG	Illustration	Restrictions	UPD	10:43	24.01.2010	PORSCHE	PET	PORSCHE
986	2004	7	01	701-00		248					

Pos	Part Number	Description	Remark	Qty	Model	Pos	Part Number	Description	Remark	Qty	Model
(7)	996 424 981 22	T11 brown/natural gearshift knob	03-	1	IX97/M480	(7)	986 424 075 05	D11 dark grey/natural T11 brown/natural gearshift knob	00-	1	M481
		VRJ black						EVZ black			
		C50 graphite grey				(7)	986 424 075 05	gearshift knob	03-	1	M481
		S30 savanna						EWA black metal grey			
		G10 metropole blue						FGT black sport silver			
		J30 nephrite green	03					FGU graphite grey sport silver			
		M30 boxster red						FGV savanna sport silver			
		P11 cinnamon brown						FGW metropole blue sport silver			
(7)	996 424 981 28	T11 brown/natural gearshift knob	03-	1	IXE8/M480			FGX nephrite green sport silver	03 03		
		VRJ black						FGY boxster red sport silver			
		C50 graphite grey						FGZ cinnamon brown sport silver			
		S30 savanna						VSW dark grey/natural sport silver			
		G10 metropole blue						VSX brown/natural sport silver			
		J30 nephrite green	03			(7)	986 424 981 05	gearshift knob	01-	1	IX97/M481
		M30 boxster red						VRJ black			
		P11 cinnamon brown						C50 graphite grey			
(7)	996 424 981 31	T11 brown/natural gearshift knob	03-	1	IX47/M480			S30 savanna			
		VRJ black						G10 metropole blue			
		C50 graphite grey						J30 nephrite green	-03		
		S30 savanna						M30 boxster red			
		G10 metropole blue						P11 cinnamon brown			
		J30 nephrite green	03					D11 dark grey/natural			
		M30 boxster red									
		P11 cinnamon brown									

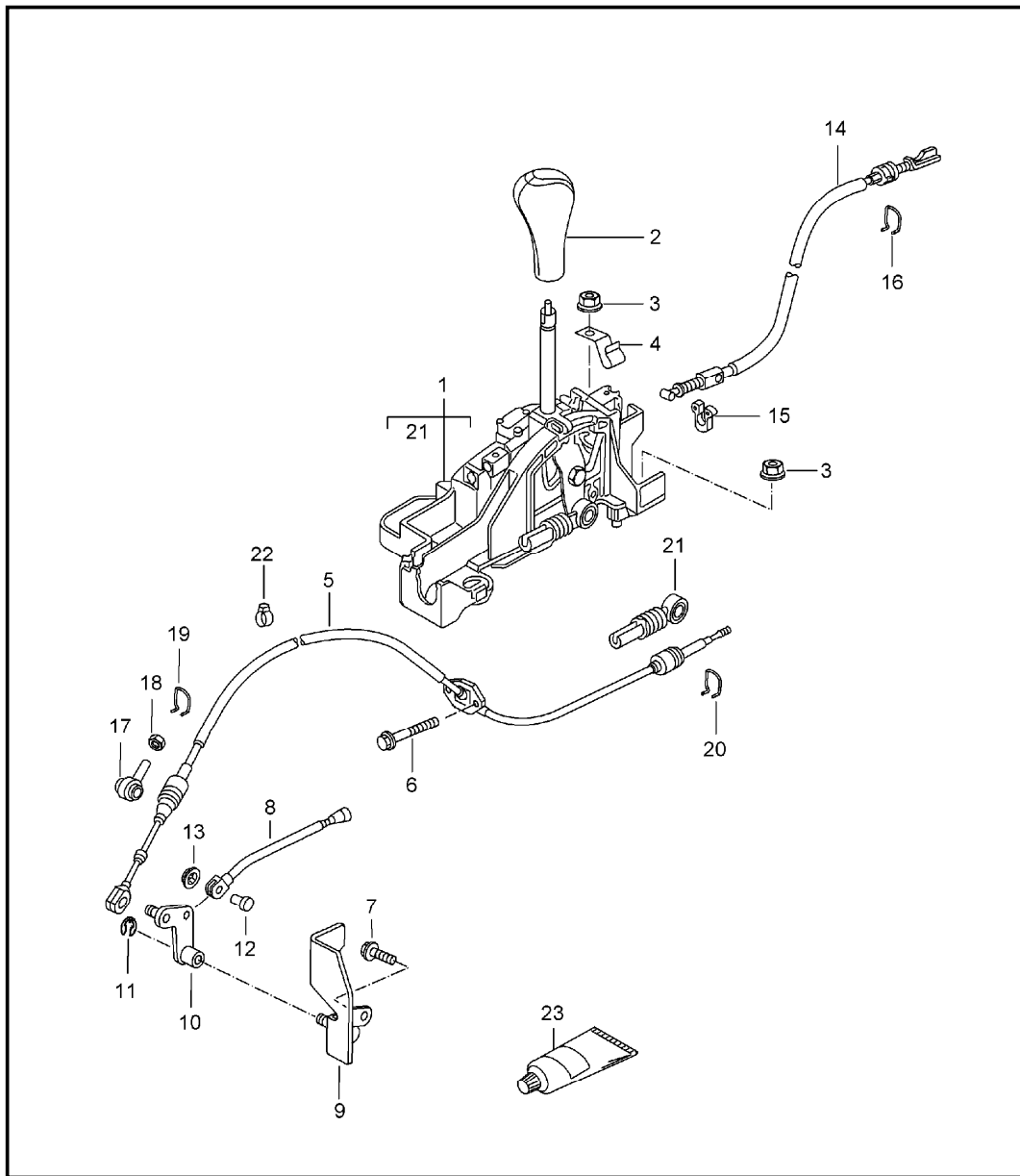
Model	Year	MG	SG	Illustration	Restrictions	UPD	10:43	24.01.2010	PORSCHE	PET	PORSCHE
986	2004	7	01	701-00		248					

Pos	Part Number	Description	Remark	Qty	Model	Pos	Part Number	Description	Remark	Qty	Model
(7)	986 424 981 06	T11 brown/natural gearshift knob	01-	1	IXE8/M481	10	996 424 145 00	fastening part for cable adjustable	-99	1	
		VRJ black				(10)	996 424 145 01	fastening part for cable adjustable	00-	1	
		C50 graphite grey				-	996 424 445 00	clip for fastening part		1	
		S30 savanna				11	996 424 147 00	fastening part for cable adjustable		1	
		G10 metropole blue				12	A 986 424 165 02	support for cable		1	
		J30 nephrite green	-03			(12)	986 424 165 03	support for cable		1	
		M30 boxer red				(12)	986 424 166 04	support for cable	00-	1	M008
		P11 cinnamon brown				13	U 986 424 913 05	linkage adjustable F >>98VS6 05644		1	
		D11 dark grey/natural				(13)	986 424 913 06	linkage adjustable F 98VS6 05645>>		1	
(7)	986 424 981 07	T11 brown/natural gearshift knob	01-	1	IX47/M481			use also: F >>98VS6 05644 986.424.041.07		1	
		VRJ black				(13)	U 986 424 913 07	linkage adjustable		1	
		C50 graphite grey				14	900 075 085 02	hexagon-head bolt M 8 X 20		2	
		S30 savanna				15	986 424 135 00	cap		1	
		G10 metropole blue				16	986 424 049 00	safety clip		1	
		J30 nephrite green	-03			17	U 986 424 931 05	joint rod adjustable F >>98VS6 05644		1	
		M30 boxer red									
		P11 cinnamon brown									
		D11 dark grey/natural									
8	900 378 152 09	T11 brown/natural hexagon-head bolt M 6 X 20		2						1	
9	986 424 049 01	safety clip F >>98VS6 05644		2						1	
-	A 000 043 203 82	cotter pin 2 X 25 F >>98VS6 05644		4						1	
-	900 021 055 00	cotter pin 2 X 25 F >>98VS6 05644		4						1	

Model	Year	MG	SG	Illustration	Restrictions	UPD	10:43	24.01.2010	PORSCHE	PET	PORSCHE
986	2004	7	01	701-00		248					

Pos	Part Number	Description	Remark	Qty	Model	Pos	Part Number	Description	Remark	Qty	Model
(17)	986 424 931 06	joint rod adjustable F 98VS6 05645>> use also: F >>98VS6 05644 986.424.041.07 986.424.913.06		1							
(17) U	986 424 931 07	joint rod adjustable		1							
18	N 901 239 02	hexagon-head bolt M 8 X 26		1							
19	999 073 209 09	pan-head screw M 10 X 20		2							
20	986 424 133 00	washer		2							
21	000 043 205 93	grease 1 100-gramme tube		X							

Model	Year	MG	SG	Illustration	Restrictions	UPD	10:43	24.01.2010	PORSCHE	PET	PORSCHE
986	2004	7	01	701-01		248					



Pos	Part Number	Description	Remark	Qty	Model
1	A 996 426 011 04	selector lever tiptronic		1	
(1)	996 426 011 07	selector lever with housing	-99	1	
(1)	996 426 011 08	selector lever with housing	00-	1	
-	996 613 023 00	switch selector lever		1	
-	996 624 223 00	solenoid selector lever		1	
2	A 996 426 069 04	gearshift knob 8YR black		1	
(2)	A 996 426 069 05	gearshift knob 8YR black		1	
(2)	996 426 069 05	gearshift knob EKQ black	97	1	
(2)	996 426 069 05	gearshift knob EKQ black	98-	1	M016
(2)	996 426 069 06	gearshift knob EMN turquoise metallic	98-	1	
		EMO zenith blue metallic	98-	1	
		EMP metal grey	98-	1	
(2)	996 426 069 08	gearshift knob EOL amber/black	99-	1	M010
(2)	996 426 069 09	gearshift knob ERB black/silver	00	1	
		EEO silver-black	00	1	
(2)	996 426 069 10	gearshift knob	02	1	

Model	Year	MG	SG	Illustration	Restrictions	UPD	10:43	24.01.2010	PORSCHE	PET	PORSCHE
986	2004	7	01	701-01		248					

Pos	Part Number	Description	Remark	Qty	Model	Pos	Part Number	Description	Remark	Qty	Model
	ERB	black/silver					G10	metropole blue			
	EOO	silver-black					J30	nephrite green			
(2)	996 426 069 10	gearshift knob	03-	1			M30	boxster red			
	FGJ	black sport silver					P11	cinnamon brown			
	FGK	graphite grey sport silver					D11	dark grey/natural			
	FGK	graphite grey sport silver					T11	brown/natural			
	FGL	savanna sport silver				(2)	996 426 981 11	gearshift knob	03-	1	IX46
	FGM	metropole blue sport silver					VRJ	black			
	FGN	nephrite green sport silver	03 03				C50	graphite grey			
	FGO	boxster red sport silver					S30	savanna			
	FGQ	black/metal grey sport silver					G10	metropole blue			
	FGP	cinnamon brown sport silver					J30	nephrite green	03		
	VSU	dark grey/natural sport silver					M30	boxster red			
	VSV	brown/natural sport silver					P11	cinnamon brown			
(2)	996 426 069 10	gearshift knob	04	1	M091		D11	dark grey/natural			
	FKN	cocoa sport silver				(2)	996 426 981 08	gearshift knob	01-02	1	IX66
	FKO	dark grey/natural sport silver				(2)	996 426 981 09	gearshift knob	01-02	1	IX48
- A	996 426 275 01	key	-99	1		(2)	996 426 981 13	gearshift knob	03-	1	IX66
	A01	black				(2)	996 426 981 14	gearshift knob	03-	1	IX48
(2)	996 426 981 06	gearshift knob	01-02	1	IX46	-	000 043 204 51	repair kit comprising: key 996.426.275.01 A01 compression spring 996.426.277.02 roller 321.713.137	-99	1	
	8YR	black				-	000 043 204 49	repair kit comprising: key 996.426.275.02 V01 compression spring 996.426.277.02 roller 321.713.137	00-	1	
	VRJ	black									
	C50	graphite grey									
	S30	savanna									

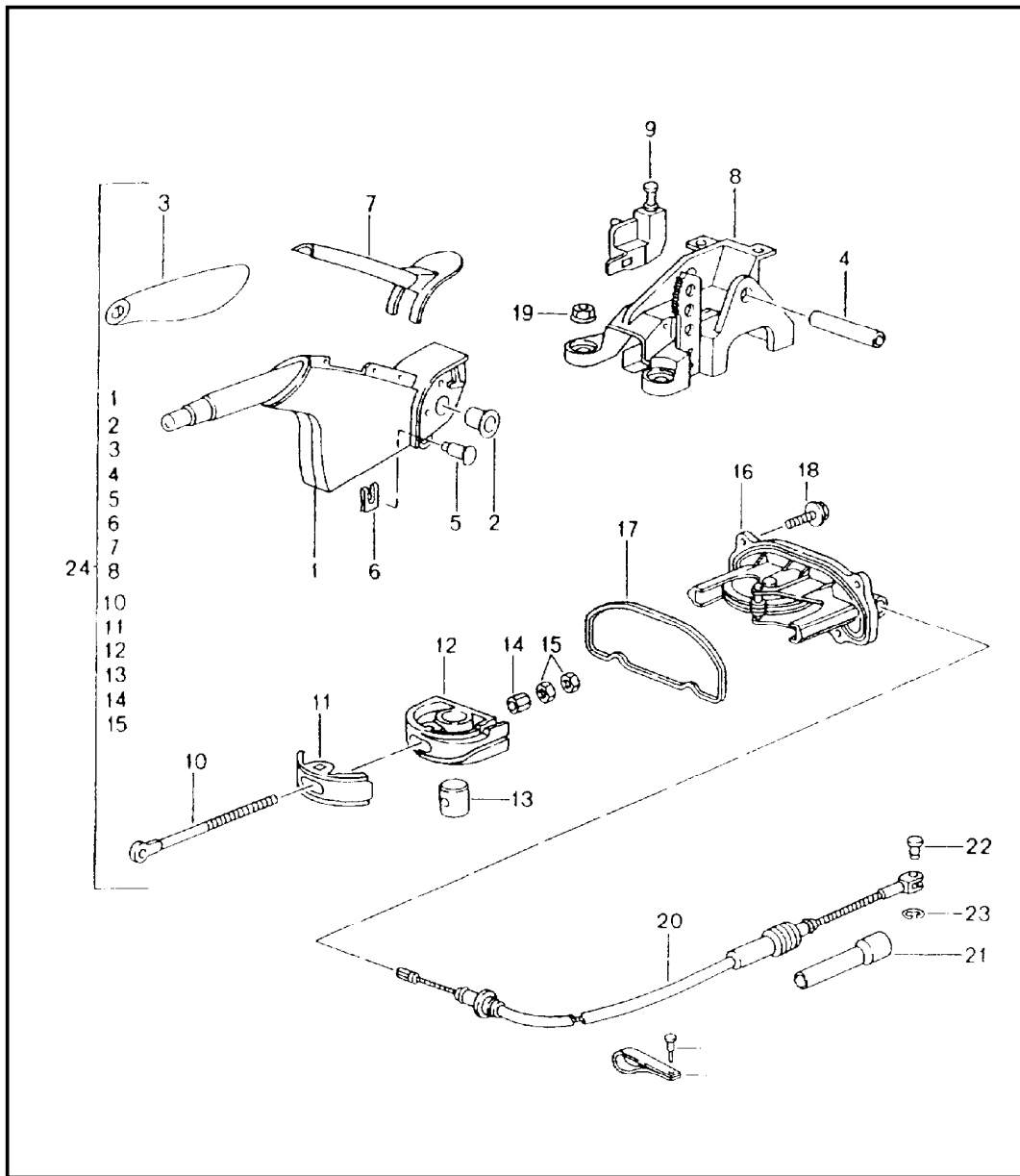
Model	Year	MG	SG	Illustration	Restrictions	UPD	10:43	24.01.2010	PORSCHE	PET	PORSCHE
986	2004	7	01	701-01		248					

Pos	Part Number	Description	Remark	Qty	Model	Pos	Part Number	Description	Remark	Qty	Model
-	000 043 204 50	repair kit comprising: key compression spring 996.426.277.02 roller 321.713.137	01	1	X 46/X 48 X 66	6	900 378 152 09	hexagon-head bolt M 6 X 20		2	
			02	1	X 46/X 48 X 66	7	999 073 094 09	oval-head screw M 8 X 20		2	
-	000 043 204 57	repair kit comprising: key 996.426.275.05 V01 compression spring 996.426.277.02 roller 321.713.137	02	1		8	986 426 043 01	push rod		1	
						9	986 426 041 05	plate F >>981U6 00356 F >>981S6 00309		1	
						(9)	986 426 041 06	plate F >>981U6 40435 F >>981S6 40254	00-	1	M008
						(9)	986 426 041 06	plate F 981U6 00357>> F 981U6 40436>> F 981S6 00310>> F 981S6 40255>>		1	
-	000 043 204 69	repair kit comprising: key 996.426.275.05 V03 compression spring 996.426.277.02 roller 321.713.137	03-	1		10 A	986 426 045 03	reverse lever		1	
						(10) A	986 426 045 04	reverse lever		1	
						(10)	986 426 045 05	reverse lever F >>981U6 00356 F >>981U6 40435 F >>981S6 00309 F >>981S6 40254		1	
-	996 426 285 00	fixing clip		1							
3	999 084 629 09	hexagon nut M 6		4		(10)	986 426 045 06	reverse lever F 981U6 00357>> F 981U6 40436>> F 981S6 00310>> F 981S6 40255>>		1	
4	999 507 465 02	cable holder		2							
5	986 426 033 02	cable F >>98WS6 02046		1							
(5)	986 426 033 03	cable F 98WS6 02047>> F >>981U6 00356 F >>981U6 40435 F >>981S6 00309 F >>981S6 40254	-01	1		11 A	900 116 007 09	lock		1	
						11	900 116 007 02	lock		1	
						12	986 426 415 02	bolt		1	
						13	999 507 057 02	lock		1	
(5)	986 426 033 04	cable F 981U6 00357>> F 981U6 40436>> F 981S6 00310>> F 981S6 40255>>	01	1		14	996 426 073 03	cable		1	
						15	996 426 181 00	clip		1	
(5)	986 426 033 05	cable	02-	1		16	996 426 711 00	securing clip		1	
-	987 424 211 01	support for cable		1							

Model	Year	MG	SG	Illustration	Restrictions	UPD	10:43	24.01.2010	PORSCHE	PET	PORSCHE
986	2004	7	01	701-01		248					

Pos	Part Number	Description	Remark	Qty	Model	Pos	Part Number	Description	Remark	Qty	Model
17	996 426 380 00	connecting piece F 98WS6 02047>> F >>981U6 00356 F >>981U6 40435 F >>981S6 00309 F >>981S6 40254		1							
(17)	986 426 380 01	connecting piece F 981U6 00357>> F 981U6 40436>> F 981S6 00310>> F 981S6 40255>>	01	1							
(17)	986 426 380 02	connecting piece	02-	1							
18	900 076 010 02	hexagon nut M 6 F 98WS6 02047>>		1							
19	996 426 335 00	securing clip		1							
20	996 426 335 01	securing clip		1							
21	996 426 035 00	fastening part		1							
22	999 507 635 00	fixing clip		1							
23	000 043 205 93	grease 1 100-gramme tube		X							

Model	Year	MG	SG	Illustration	Restrictions	UPD	10:44	24.01.2010	PORSCHE	PET	PORSCHE
986	2004	7	01	701-05		248					



Pos	Part Number	Description	Remark	Qty	Model
		handbrake actuator			
1	U 996 424 053 01	parking-brake lever		1	
		EBS black			
2	U 996 424 573 01	bush		2	
3	U 996 424 251 01	cover		1	
		8YR black			
4	U 996 424 571 01	bearing tube		1	
5	996 424 569 01	bolt		1	
6	999 166 079 02	lock SLB 6		1	
7	986 424 155 00	cover		1	
		B12 black			
(7)	996 424 155 01	cover	98-	1	M012
		C02 metal grey	99-		M010
(7)	996 424 155 01	cover	00-	1	
		A03 black			
		C02 metal grey	01-		
(7)	996 424 155 02	cover	04	1	M091
		M7Z silver metallic			
(7)	986 424 155 00	cover	98-	1	M011/016
		B12 black-grey			
(7)	996 424 155 01	cover	01-	1	IX98
			01-	1	IX58
			01-	1	IXE9
		A03 black			
		C02 metal grey			
8	U 996 424 161 01	bracket		1	
9	996 613 112 01	switch		1	
10	996 424 567 01	pull rod		1	
11	964 424 570 00	securing clip		1	

Model	Year	MG	SG	Illustration	Restrictions	UPD	10:44	24.01.2010	PORSCHE	PET	PORSCHE
986	2004	7	01	701-05		248					

Pos	Part Number	Description	Remark	Qty	Model	Pos	Part Number	Description	Remark	Qty	Model
12	964 424 568 00	turnbuckle		1		(24)	996 424 031 05	parking-brake lever complete	00	1	
13	996 424 574 00	nipple		1			EUK	black			
14	996 424 572 00	bush		1			EPR	black/metal grey			M012
15	900 076 025 02	hexagon nut M 8		2		(24)	996 424 031 06	parking-brake lever complete	01-02	1	
16	986 424 310 02	housing		1			EUK	black			
17	986 424 480 02	gasket		1			EPR	black/metal grey			
18	900 378 035 01	hexagon-head bolt M 6 X 16		4		(24)	996 424 031 07	parking-brake lever complete	03-	1	
19	900 380 005 09	hexagon nut M 8		2			FFR	black sport silver			
20	986 424 141 03	parking-brake cable	-00	2			FHD	graphite grey sport silver			
(20)	986 424 141 04	parking-brake cable	01-	2			FHF	metropole blue sport silver			
21	986 424 721 06	guide tube	-00	2			FHE	savanna sport silver			
(21)	986 424 721 07	guide tube	01-	2			FHG	nephrite green sport silver	03		
22	986 352 739 02	bolt		2			FHJ	boxster red sport silver			
23	900 116 004 09	lock washer B 5		2			FHK	cinnamon brown sport silver			
24	986 424 031 00	parking-brake lever complete		1			VSR	dark grey/natural sport silver			
	EBP	black					VST	brown/natural sport silver			
(24)	986 424 031 00	parking-brake lever complete	98-	1	M016		FGR	black/metal grey sport silver			
	EBP	black									
(24)	986 424 031 01	parking-brake lever complete	98-	1	M011/016						
	EBP	black									
(24)	996 424 031 04	parking-brake lever complete	99-	1	M010	(24)	996 424 031 08	parking-brake lever complete	04	1	M091
	EKH	black/granite					EVY	cocoa			
(24)	996 424 031 04	parking-brake lever complete	98-	1	M012		VSZ	dark grey/natural			
	EMH	metal grey/black				(24)	996 424 980 22	parking-brake lever complete	/LL 01-02	1	IX98

Model	Year	MG	SG	Illustration	Restrictions	UPD	10:44	24.01.2010	PORSCHE	PET	PORSCHE
986	2004	7	01	701-05		248					

Pos	Part Number	Description	Remark	Qty	Model	Pos	Part Number	Description	Remark	Qty	Model
	VRJ	black					T11	brown/natural			
	C50	graphite grey				(24)	996 424 980 25	parking-brake lever complete	/RL	01-02	1 IX58
	S30	savanna					VRJ	black			
	G10	metropole blue					C50	graphite grey			
	J30	nephrite green					S30	savanna			
	M30	boxster red					G10	metropole blue			
	P11	cinnamon brown					J30	nephrite green			
	D11	dark grey/natural					M30	boxster red			
	T11	brown/natural					P11	cinnamon brown			
(24)	996 424 980 23	parking-brake lever complete	/RL	01-02	1 IX98		D11	dark grey/natural			
	VRJ	black					T11	brown/natural			
	C50	graphite grey				(24)	996 424 980 28	parking-brake lever complete	/LL	01-02	1 IXE9
	S30	savanna					VRJ	black			
	G10	metropole blue					C50	graphite grey			
	J30	nephrite green					S30	savanna			
	M30	boxster red					G10	metropole blue			
	P11	cinnamon brown					J30	nephrite green			
	D11	dark grey/natural					M30	boxster red			
	T11	brown/natural					P11	cinnamon brown			
(24)	996 424 980 24	parking-brake lever complete	/LL	01-02	1 IX58		D11	dark grey/natural			
	VRJ	black					T11	brown/natural			
	C50	graphite grey				(24)	996 424 980 29	parking-brake lever complete	/RL	01-02	1 IXE9
	S30	savanna					VRJ	black			
	G10	metropole blue					C50	graphite grey			
	J30	nephrite green					S30	savanna			
	M30	boxster red					G10	metropole blue			
	P11	cinnamon brown					J30	nephrite green			
	D11	dark grey/natural									

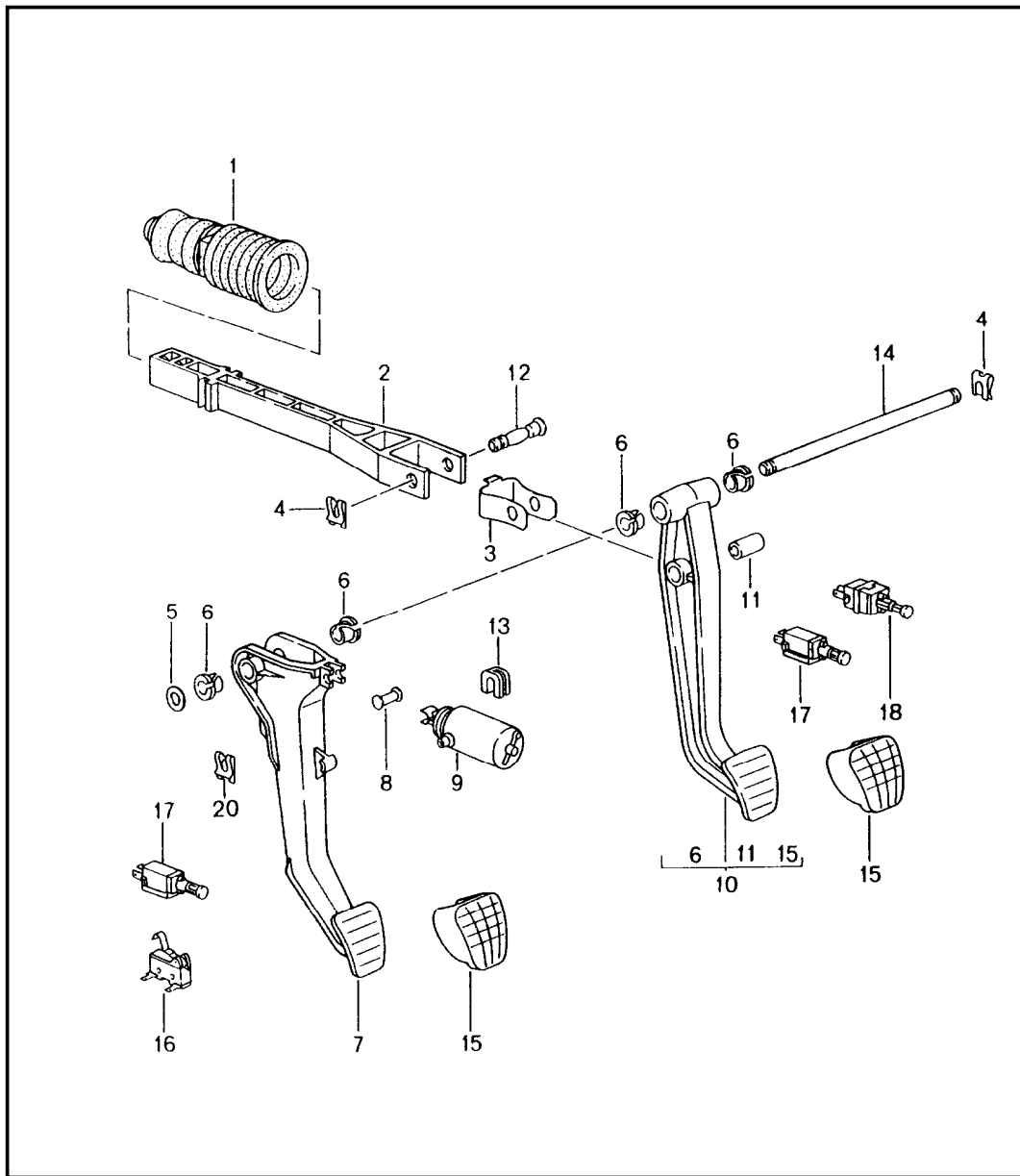
Model	Year	MG	SG	Illustration	Restrictions	UPD	10:44	24.01.2010	PORSCHE	PET	PORSCHE
986	2004	7	01	701-05		248					

Pos	Part Number	Description	Remark	Qty	Model	Pos	Part Number	Description	Remark	Qty	Model
	M30	boxster red					S30	savanna			
	P11	cinnamon brown					G10	metropole blue			
	D11	dark grey/natural					J30	nephrite green	03		
	T11	brown/natural					M30	boxster red			
(24)	996 424 980 38	parking-brake lever complete	/LL	03-	1 IX98		P11	cinnamon brown			
	VRJ	black					D11	dark grey/natural			
	C50	graphite grey				(24)	996 424 980 51	parking-brake lever complete	/RL	03-	1 IX58
	S30	savanna					VRJ	black			
	G10	metropole blue					C50	graphite grey			
	J30	nephrite green		03			S30	savanna			
	M30	boxster red					G10	metropole blue			
	P11	cinnamon brown					J30	nephrite green	03		
	D11	dark grey/natural					M30	boxster red			
	T11	brown/natural					P11	cinnamon brown			
(24)	996 424 980 39	parking-brake lever complete	/RL	03-	1 IX98		D11	dark grey/natural			
	VRJ	black					T11	brown/natural			
	C50	graphite grey				(24)	996 424 980 46	parking-brake lever complete	/LL	03-	1 IXE9
	S30	savanna					VRJ	black			
	G10	metropole blue					C50	graphite grey			
	J30	nephrite green		03			S30	savanna			
	M30	boxster red					G10	metropole blue			
	P11	cinnamon brown					J30	nephrite green	03		
	D11	dark grey/natural					M30	boxster red			
	T11	brown/natural					P11	cinnamon brown			
(24)	996 424 980 50	parking-brake lever complete	/LL	03-	1 IX58		D11	dark grey/natural			
	VRJ	black					T11	brown/natural			
	C50	graphite grey									

Model	Year	MG	SG	Illustration	Restrictions	UPD	10:44	24.01.2010	PORSCHE	PET	PORSCHE
986	2004	7	01	701-05		248					

Pos	Part Number	Description	Remark	Qty	Model	Pos	Part Number	Description	Remark	Qty	Model
(24)	996 424 980 47	parking-brake lever complete	/RL 03-	1	IXE9						
	VRJ	black									
	C50	graphite grey									
	S30	savanna									
	G10	metropole blue									
	J30	nephrite green		03							
	M30	boxster red									
	P11	cinnamon brown									
	D11	dark grey/natural									
	T11	brown/natural									
-	986 424 201 01	retaining strap parking-brake cable		2							
-	999 190 435 30	blind rivet retaining strap		2							

Model	Year	MG	SG	Illustration	Restrictions	UPD	10:44	24.01.2010	PORSCHE	PET	PORSCHE
986	2004	7	02	702-00		248					



Pos	Part Number	Description	Remark	Qty	Model
		pedals		97	
		see technical manual 46 05 19 30 05 19			
-	000 043 203 37	grease OPTITEMP LG2		X	
1	...	bellows see illustrations 6/04/00		1	
2	U 996 423 165 03	push rod see technical information group 4 NR.6/01		1	
(2)	996 423 165 05	push rod see technical information group 4 NR.6/01		1	
-	999 166 075 02	lock push rod brake booster		1	
3	U 996 423 330 01	clamp group 4 NR.6/01		1	
4	999 166 077 02	lock		3	M481
(4)	999 166 077 02	lock		2	M249
5	900 025 009 02	washer		X	M481
(5)	999 025 265 40	washer		X	
6	996 423 399 01	bush		4	M481
(6)	996 423 399 01	bush		2	M249
7	A 996 423 139 05	clutch pedal		1	M481
(7)	A 996 423 139 06	clutch pedal		1	M481
(7)	996 423 139 10	clutch pedal		1	M481
8	996 423 313 01	bolt for clutch power spring 986.423.081.07		1	M481

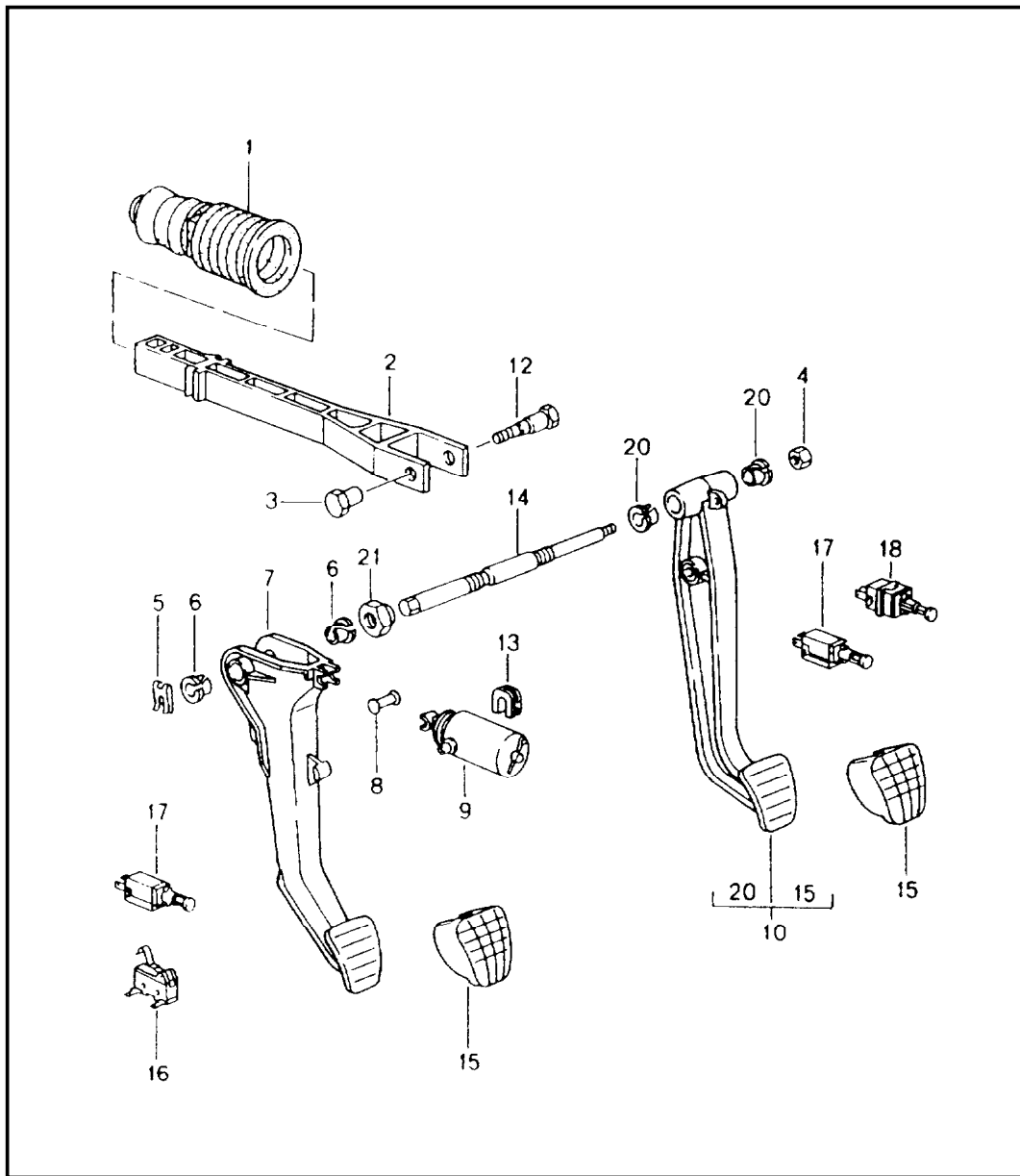
Model	Year	MG	SG	Illustration	Restrictions	UPD	10:44	24.01.2010	PORSCHE	PET	PORSCHE
986	2004	7	02	702-00		248					

Pos	Part Number	Description	Remark	Qty	Model	Pos	Part Number	Description	Remark	Qty	Model
(8)	996 423 315 06	bolt for clutch power spring 986.423.081.12 together with 996.423.139.06 996.423.139.10		1	M481	(10)	996 423 093 03	brake pedal see technical information group 4 NR.6/01	/LL	1	M249
-	999 166 075 02	lock for bolt 996.423.315.06 together with 996.423.139.06		1	M481	(10) U	996 423 094 00	brake pedal see technical information group 4 NR.6/01	/RL	1	M249
-	999 166 022 02	lock for bolt 996.423.315.06 together with 996.423.139.10		1	M481	(10)	996 423 094 03	brake pedal see technical information group 4 NR.6/01 use also: bush 996.423.999.00	/RL	1	M249
9 A	986 423 081 07	clutch power spring		1	M481	11 U	999 924 120 00	bush see technical information group 4 NR.6/01		1	
(9)	986 423 081 12	clutch power spring		1		12 U	996 423 310 03	bolt see technical information group 4 NR.6/01		1	
10 U	996 423 091 00	brake pedal see technical information group 4 NR.6/01	/LL	1	M481	13	996 423 581 00	bush		2	
(10)	996 423 091 03	brake pedal see technical information group 4 NR.6/01	/LL	1	M481	14	996 423 281 04	axle	/LL	1	M481
(10) U	996 423 092 00	brake pedal see technical information group 4 NR.6/01	/RL	1	M481	(14)	996 423 284 04	axle	/RL	1	M481
(10)	996 423 092 03	brake pedal see technical information group 4 NR.6/01 use also: bush 996.423.999.00	/RL	1	M481	(14)	996 423 283 04	axle	/LL	1	M249
(10) U	996 423 093 00	brake pedal see technical information group 4 NR.6/01	/LL	1	M249	(14)	996 423 286 04	axle	/RL	1	M249
				2		-	996 423 275 03	cap nut axle		1	
				2		15	996 423 210 03	pedal cap		2	M481
				2		(15)	996 423 212 03	pedal cap		1	M249
				2		17	996 613 110 01	switch	97	2	M454/481
				2		(17)	996 613 114 01	switch	98-	2	M454/481
				1		(17)	996 613 110 01	switch	97	1	M249/454
				1		(17)	996 613 113 01	switch	98-	1	M249/454
				1		18	996 613 111 01	switch	97	1	
				1		(18)	996 613 113 01	switch	98-	1	

Model	Year	MG	SG	Illustration	Restrictions	UPD	10:44	24.01.2010	PORSCHE	PET	PORSCHE
986	2004	7	02	702-00		248					

Pos	Part Number	Description	Remark	Qty	Model	Pos	Part Number	Description	Remark	Qty	Model
19	964 613 211 00	kickdown switch		1	M249						
20	999 166 077 02	lock		1	M481						

Model	Year	MG	SG	Illustration	Restrictions	UPD	10:44	24.01.2010	PORSCHE	PET	PORSCHE
986	2004	7	02	702-01		248					

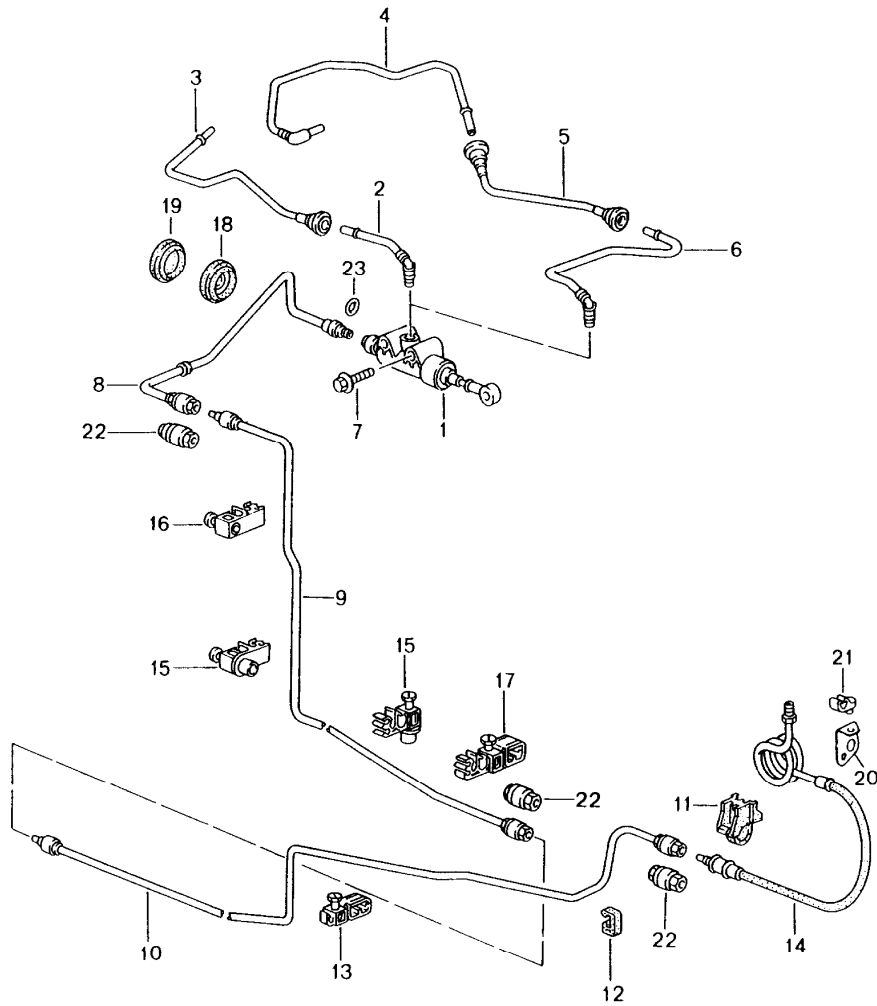


Pos	Part Number	Description	Remark	Qty	Model
		pedals	98-		
		see technical manual			
		46 05 19			
		30 05 19			
-	000 043 203 37	grease OPTITEMP LG2		X	
1	...	bellows see illustrations 6/04/00		1	
2	U 996 423 165 04	push rod F >>98YS6 00434 F >>98YU6 00165 F >>98YS6 40520 F >>98YU6 40062 see technical information group 4 NR.6/01		1	
(2)	996 423 165 05	push rod F 98YS6 00435>> F 98YU6 00166>> F 98YS6 40521>> F 98YU6 40063>>		1	
-	999 166 075 02	lock push rod brake booster		1	
3	996 423 307 00	bush		1	
4	900 380 005 09	hexagon nut M 8		3 2	
5	999 507 601 01	lock		1	M480/481
6	996 423 399 01	bush		2	M480/481
7	A 996 423 139 08	clutch pedal	98	1	M481
(7)	996 423 139 09	clutch pedal	-99	1	M481
(7)	996 423 139 10	clutch pedal use also: 986.423.881.06 996.423.081.12 996.423.315.06		1	M480/481
8	996 423 313 01	bolt	-99	1	M481
(8)	996 423 315 06	bolt	00-	1	M480/481

Model	Year	MG	SG	Illustration	Restrictions	UPD	10:44	24.01.2010	PORSCHE	PET	PORSCHE
986	2004	7	02	702-01		248					

Pos	Part Number	Description	Remark	Qty	Model	Pos	Part Number	Description	Remark	Qty	Model
-	999 166 022 02	lock for bolt	00-	1	M480/481	-	996 423 101 00	protective tube return spring brake pedal		1	
9 A	986 423 081 08	clutch power spring	98	1	M481	-	996 423 243 00	bush return spring	00-	1	
(9)	986 423 081 11	clutch power spring use also: 996.423.139.09/10 996.423.315.06	-99	1	M481	12	996 423 308 00	bolt		1	
(9) A	996 423 881 05	clutch power spring	00-	1	M481	(12)	996 423 581 00	bush		1	
(9) A	996 423 881 06	clutch power spring	-02	1	M481	14	996 423 281 05	axle	/LL	1	M480/481
(9)	996 423 081 15	clutch power spring	03	1	M481	(14)	996 423 284 05	axle	/RL	1	M480/481
(9)	996 423 081 18	clutch power spring	04	1	M481	(14)	996 423 283 05	axle	/LL	1	M249
9 A	996 423 081 13	clutch power spring	00-	1	M008	(14)	996 423 286 05	axle	/RL	1	M249
(9)	996 423 081 12	clutch power spring F >>982S6 40471 F >>982U6 41966	00-	1	M008	15	996 423 210 03	pedal cap		2	M480/481
(9)	996 423 081 14	clutch power spring F 982S6 40472>> F 982U6 41967>>	-02	1	M008	(15)	996 423 212 03	pedal cap		1	M249
(9)	996 423 081 17	clutch power spring	03	1	M008	17	996 613 114 01	switch		1	M454/481
(9)	996 423 081 20	clutch power spring	04	1	M008	(17)	996 613 113 01	switch		1	M249/454
- A	986 423 571 00	bracket for clutch power spring		1	M481	18	996 613 113 01	switch		1	
-	996 423 571 02	bracket for clutch power spring		1		19	964 613 211 00	kickdown switch		1	M249
10	996 423 091 03	brake pedal	/LL	1	M480/481	20	996 423 399 01	bush	/LL	2	
(10)	996 423 092 03	brake pedal	/RL	1	M480/481	(20)	999 924 133 40	bush	/RL	2	
(10)	996 423 093 03	brake pedal	/LL	1	M249	21 A	996 423 275 04	screw plug	-03	1	
(10)	996 423 094 03	brake pedal	/RL	1	M249	(21)	996 423 275 05	screw plug	04-	1	
-	996 423 277 00	bearing sleeve brake pedal	/RL	1							
-	999 522 033 00	return spring brake pedal		2							

Model	Year	MG	SG	Illustration	Restrictions	UPD	10:44	24.01.2010	PORSCHE	PET	PORSCHE
986	2004	7	02	702-08		248					

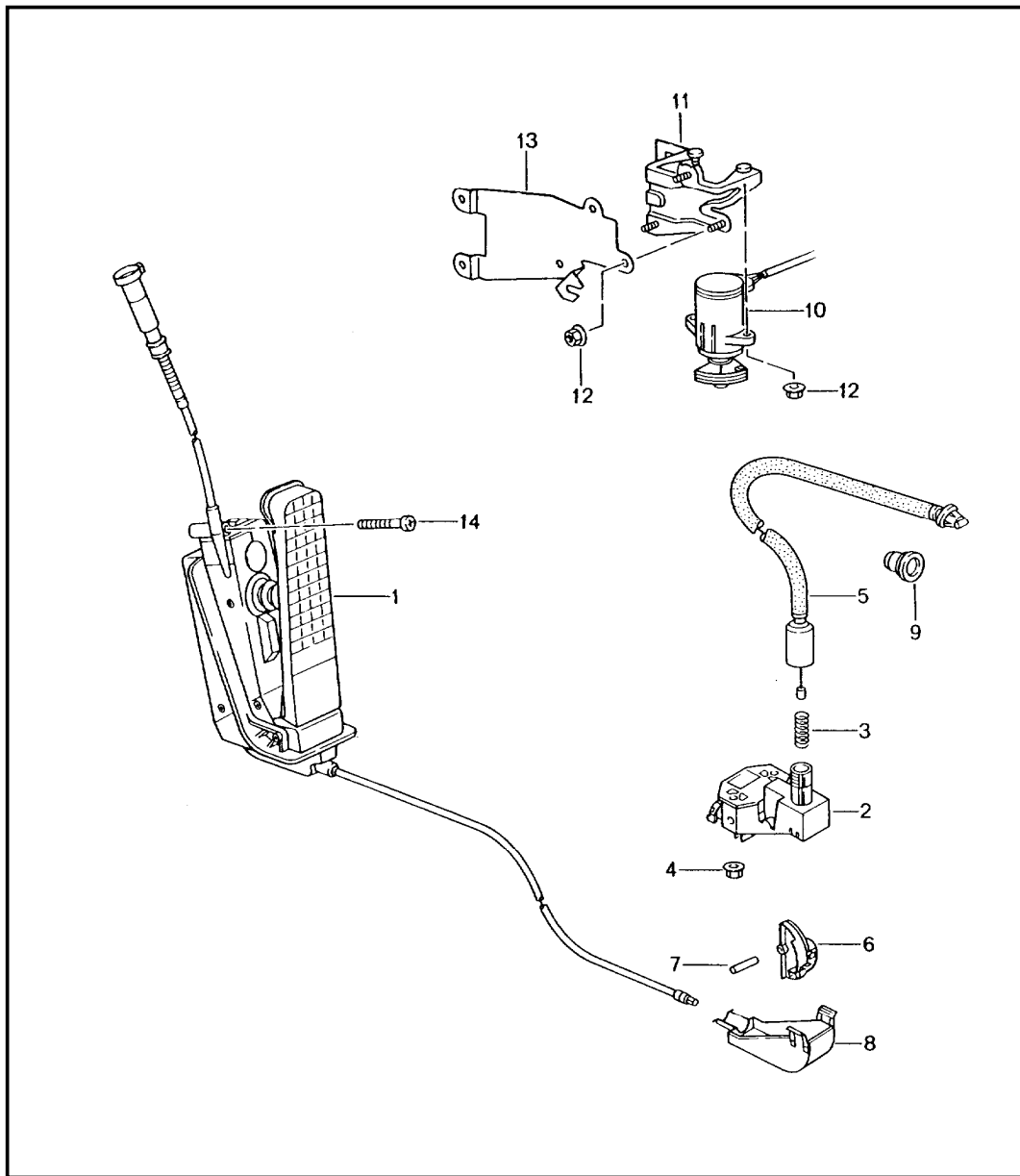


Pos	Part Number	Description	Remark	Qty	Model
		clutch actuation clutch master cylinder clutch pipeline			
1	A 996 423 171 04	clutch master cylinder		1	
(1)	A 996 423 171 05	clutch master cylinder	-02	1	
(1)	996 423 171 06	clutch master cylinder	03-	1	
-	996 423 614 00	circlip pressure line		1	
-	900 312 041 02	bolt	97	1	
-	996 423 315 06	bolt	98-	1	
-	999 021 008 02	safety clip for bolt	97	1	
-	999 166 022 02	safety clip for bolt	98-	1	
2	996 423 147 00	feed line	/LL -02	1	
(2)	996 423 147 01	feed line	/LL 03-	1	
3	997 423 137 00	feed line	/LL	1	
4	996 423 138 02	line	/RL 97	1	
(4)	996 423 138 03	line	/RL 98-	1	
(4)	996 423 138 04	feed line	/RL 03-	1	
5	996 423 140 01	feed line F >>98WS6 06100	/RL	1	
(5)	996 423 140 02	feed line F 98WS6 06101>>	/RL	1	
6	996 423 142 00	feed line F >>98WS6 06100	/RL	1	
(6)	996 423 142 01	feed line F 98WS6 06101>>	/RL -02	1	
(6)	996 423 142 02	feed line	/RL 03-	1	
7	900 378 029 09	hexagon-head bolt M 6 X 40		2	

Model	Year	MG	SG	Illustration	Restrictions	UPD	10:44	24.01.2010	PORSCHE	PET	PORSCHE
986	2004	7	02	702-08		248					

Pos	Part Number	Description	Remark	Qty	Model	Pos	Part Number	Description	Remark	Qty	Model
8	996 423 107 06	clutch pipeline see technical manual group 3 NR.30-21	/LL	97	1	17	996 355 543 00	support		1	
-	999 702 174 50	grommet see technical manual group NR.30-21	/LL		X	18 A	999 702 216 41	grommet		1	M481
						(18)	999 702 216 42	grommet		1	
						19	999 702 217 41	grommet		1	M249
8	996 423 107 10	clutch pipeline	/LL	98-	1	20	986 423 777 00	support F	>>98XS6 03069	1	
(8)	996 423 108 02	clutch pipeline	/RL	97	1	(20)	986 423 677 25	support F 98XS6 03070>>		1	
(8)	996 423 108 10	clutch pipeline	/RL	98-	1	(20) A	986 423 777 10	bracket		1	
9	996 423 109 07	clutch pipeline see technical manual group NR.30-21		97	1	(20)	996 423 777 01	support		1	
(9)	996 423 109 10	clutch pipeline		98-	1	21	999 507 586 40	bracket		1	
10	986 423 113 08	clutch pipeline F >>98XS6 03069			1	22 A	999 230 522 10	threaded joint		1	
(10)	986 423 113 25	clutch pipeline F 98XS6 03070>>			1	(22)	999 230 541 10	threaded joint		1	
		use also: F >>98XS6 03069 F >>98XS6 20221 8E0.721.257A				-	999 230 685 40	circlip for threaded joint		3	
(10)	986 423 113 08	clutch pipeline		00-	1	23	999 707 333 40	o-ring		1	
11	999 591 964 40	support			1						
12	999 591 922 40	support			1						
13	964 423 811 00	support			1						
14	986 423 377 08	clutch hose F >>98XS6 03069			1						
(14)	986 423 113 25	clutch pipeline F 98XS6 03070>>			1						
		use also: F >>98XS6 03069 8E0.721.257A									
(14)	986 423 377 11	clutch hose		00-	2						M008
15	996 355 549 00	support			2						
16	996 355 545 00	support			3						

Model	Year	MG	SG	Illustration	Restrictions	UPD	10:44	24.01.2010	PORSCHE	PET	PORSCHE
986	2004	7	02	702-10		248					

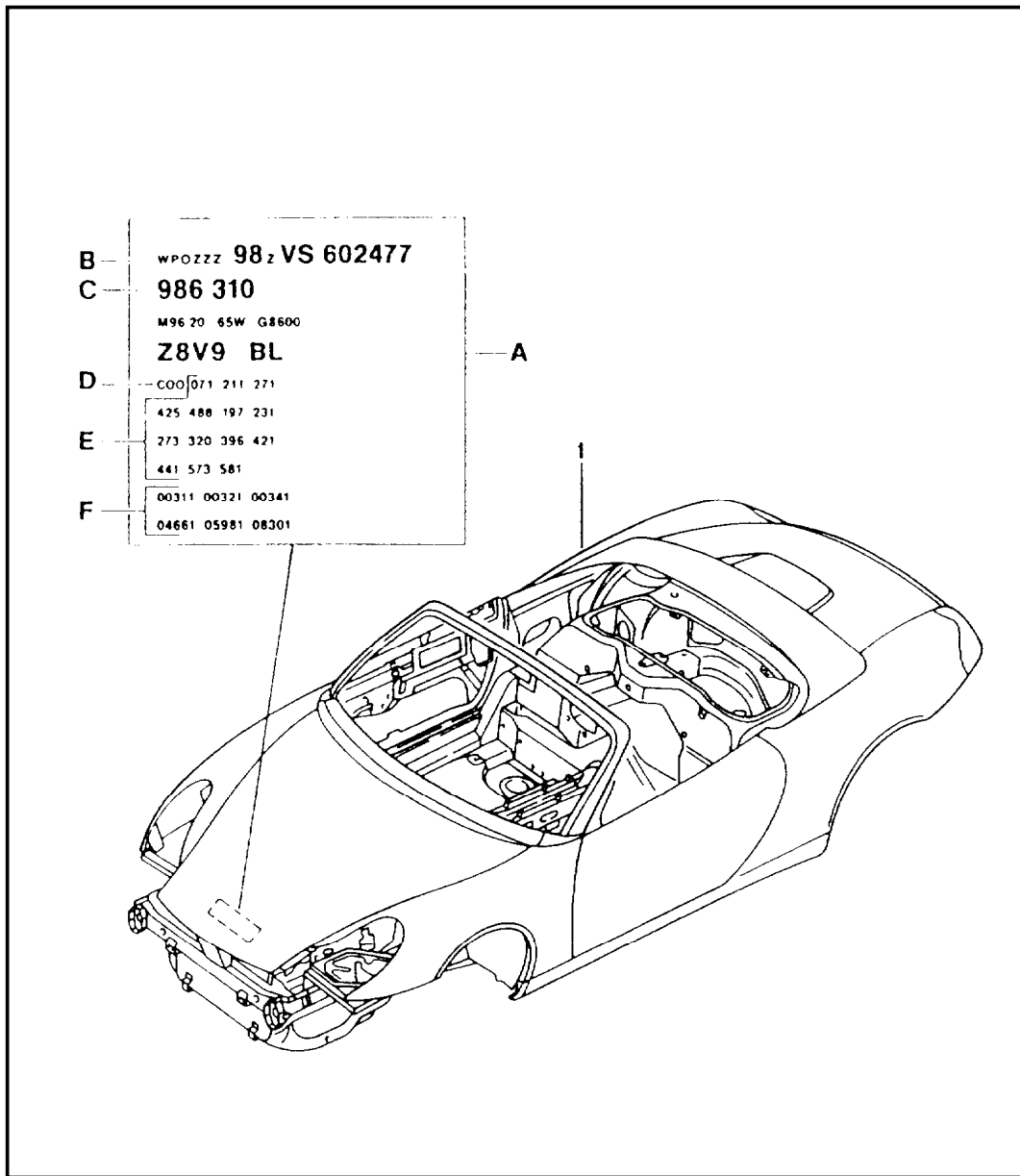


Pos	Part Number	Description	Remark	Qty	Model
		pedals accelerator control			
1	A 986 423 021 06	accelerator control	/LL	1	M481
(1)	986 423 021 07	accelerator control	/LL	97	M481
(1)	986 423 021 08	accelerator control	/LL	98-	M481
(1)	A 986 423 022 06	accelerator control	/RL	1	M481
(1)	986 423 022 07	accelerator control	/RL	97	M481
(1)	986 423 022 08	accelerator control	/RL	98-	M481
(1)	A 986 423 023 06	accelerator control	/LL	1	M249
(1)	986 423 023 07	accelerator control	/LL	97	M249
(1)	986 423 023 08	accelerator control	/LL	98-	M249
(1)	A 986 423 024 06	accelerator control	/RL	1	M249
(1)	986 423 024 07	accelerator control	/RL	97	M249
(1)	986 423 024 08	accelerator control	/RL	98-	M249
(1)	A 986 423 025 06	accelerator control	/LL	1	M454/481
(1)	986 423 025 07	accelerator control	/LL	97	M454/481
(1)	986 423 025 08	accelerator control	/LL	98-	M454/481
(1)	A 986 423 026 06	accelerator control	/RL	1	M454/481
(1)	986 423 026 07	accelerator control	/RL	97	M454/481
(1)	986 423 026 08	accelerator control	/RL	98-	M454/481
(1)	A 986 423 027 06	accelerator control	/LL	1	M249/454
(1)	986 423 027 07	accelerator control	/LL	97	M249/454
(1)	986 423 027 08	accelerator control	/LL	98-	M249/454
(1)	A 986 423 028 06	accelerator control	/RL	1	M249/454
(1)	986 423 028 07	accelerator control	/RL	97	M249/454
(1)	986 423 028 08	accelerator control	/RL	98-	M249/454
(1)	996 423 019 02	accelerator control	/LL	-02	M480/481 M620
(1)	996 423 019 04	accelerator control	/LL	03-	M480/481 M620

Model	Year	MG	SG	Illustration	Restrictions	UPD	10:44	24.01.2010	PORSCHE	PET	PORSCHE
986	2004	7	02	702-10		248					

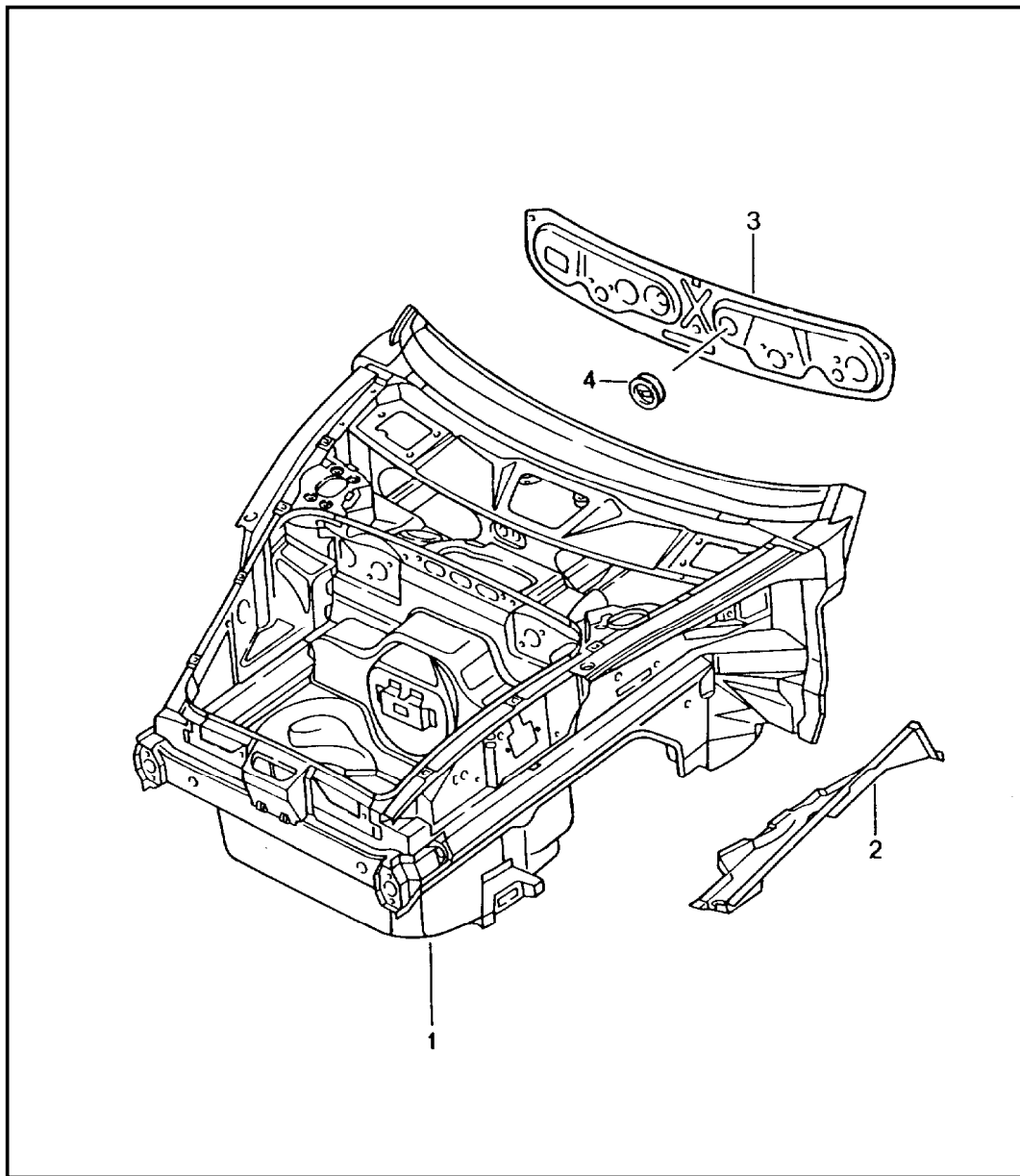
Pos	Part Number	Description	Remark	Qty	Model	Pos	Part Number	Description	Remark	Qty	Model
(1)	A 996 423 020 00	accelerator control	/RL	-02	1	M480/481 M620	9	986 423 331 00	grommet	-99	1
(1)	996 423 020 02	accelerator control	/RL		1	M480/481 M620	10	996 606 115 00	pedal sensor	00-	1
(1)	996 423 029 02	accelerator control	/LL	-02	1	M249 M620	11	996 423 389 01	support	00-	1
(1)	996 423 029 04	accelerator control	/LL	03-	1	M249 M620	12	900 377 010 09	hexagon nut M 6	00-	5
(1)	996 423 030 00	accelerator control	/RL	-02	1	M249 M620	13	996 423 394 00	support	/RL 00-	1
(1)	996 423 030 02	accelerator control	/RL	03-	1	M249 M620	14	900 146 157 09	round head screw M 5 X 55		1
-	996 423 396 00	circlip connecting rod accelerator pedal		03-	1						
2	986 423 131 04	housing		-99	1						
3	996 423 133 00	spring		-99	1						
4	999 591 839 40	hexagon nut T 5		-99	2						
5	986 423 229 04	accelerator cable	/LL	-99	1	M481					
(5)	986 423 228 04	accelerator cable	/RL	-99	1	M481					
(5)	986 423 279 04	accelerator cable	/LL	-99	1	M249					
(5)	986 423 280 04	accelerator cable	/RL	-99	1	M249					
		mounting parts accelerator cable									
-	999 507 569 40	hose holder 12,0/12,0	/LL	-99	1						
-	999 511 116 02	clip 10 X 15	/LL	-99	1						
-	999 651 273 40	cable holder 11,0	/RL	-99	1						
-	999 507 570 40	hose holder 11,0/18,0	/RL	-99	1						
6	986 423 145 04	deflection roller		-99	1						
7	986 423 253 03	bolt		-99	1						
8	986 423 135 04	lid		-99	1						

Model	Year	MG	SG	Illustration	Restrictions	UPD	10:45	24.01.2010	PORSCHE	PET	PORSCHE
986	2004	8	01	801-00		248					



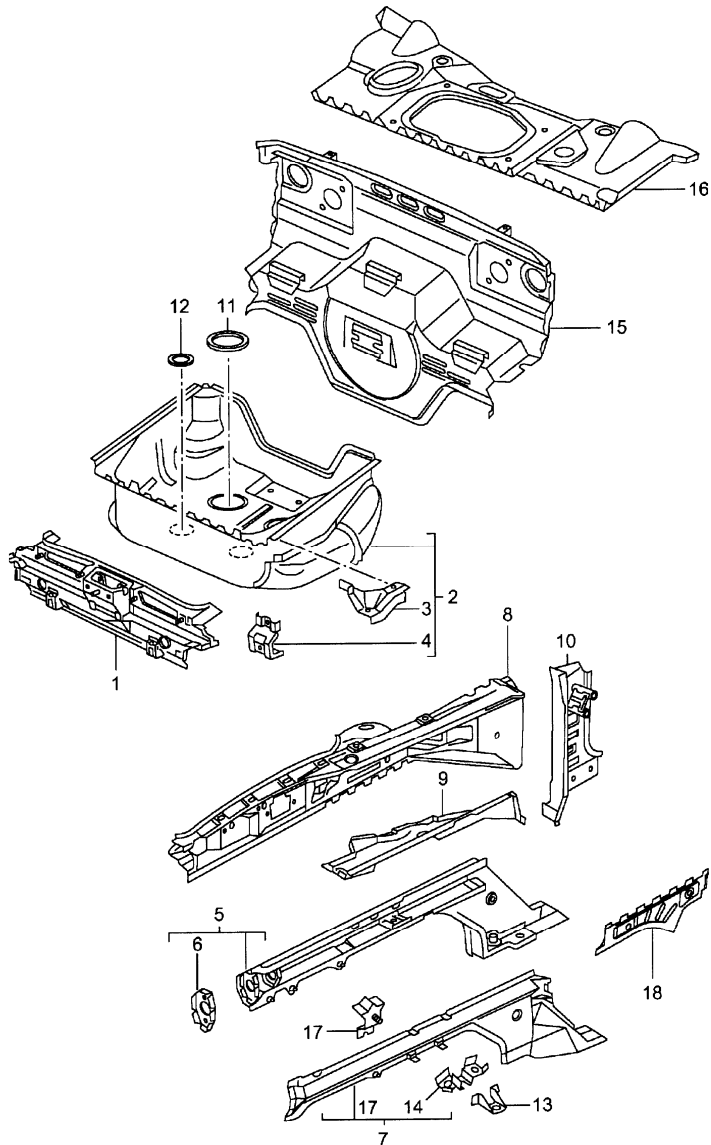
Pos	Part Number	Description	Remark	Qty	Model
		body in white prime coated sealed with underbody protection with doors/lids/wings			
		bodyshells can only only available from current model year available			
		the data required for your order can be found on the vehicle data carrier please indicate this data in your order			
A	-	vehicle data carrier			
B	-	vehicle identification no.			
C	-	order type			
D	-	country equipment			
E	-	optional extras			
F	-	additional applications			
1	986 500 900 00	body in white		1	
	GRV	prime coated			

Model	Year	MG	SG	Illustration	Restrictions	UPD	10:45	24.01.2010	PORSCHE	PET	PORSCHE
986	2004	8	01	801-05		248					



Pos	Part Number	Description	Remark	Qty	Model
1	996 501 911 00	body front section		1	
	GRV	prime coated			
		use also:			
2	996 501 443 01	lower part	/L	1	
	GRV	prime coated			
(2)	996 501 444 02	lower part	/R	1	
	GRV	prime coated			
3	996 504 121 02	lid	/LL	1	
		use also:			
--	000 043 300 94	adhesive set		1	
(3)	996 504 121 02	lid	/LL	1	
		use also:			
--	000 043 300 94	adhesive set		1	
(3)	996 504 121 03	lid	/RL	1	
(3)	996 504 121 03	lid	/RL	1	
4	999 702 255 41	lid 62,5 X 72,6		1	

Model	Year	MG	SG	Illustration	Restrictions	UPD	10:45	24.01.2010	PORSCHE	PET	PORSCHE
986	2004	8	01	801-10		248					

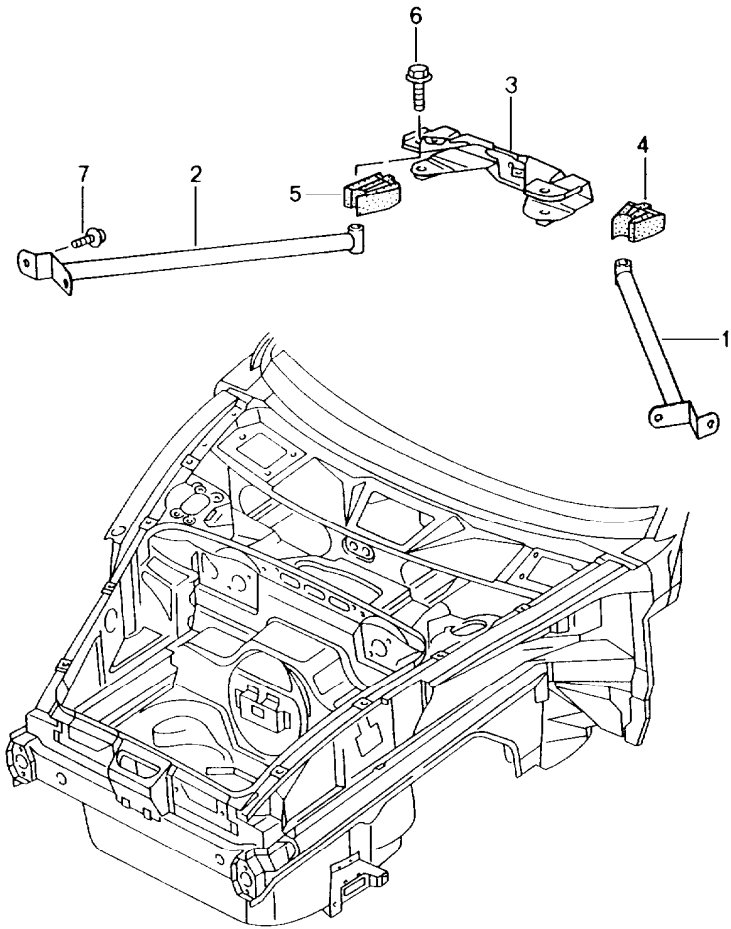


Pos	Part Number	Description	Remark	Qty	Model
		body front section single parts			
1	996 501 231 02	terminal piece		1	
	GRV	prime coated			
2	996 501 979 00	spare-wheel well		1	
	GRV	prime coated			
3	996 501 649 00	corner panel	/L	1	
	GRV	prime coated			
(3)	996 501 650 00	corner panel	/R	1	
	GRV	prime coated			
4	996 501 621 00	support		3	
	GRV	prime coated			
5	996 501 305 04	side member	/L	-01	1
	GRV	prime coated			
(5)	996 501 306 04	side member	/R	-01	1
	GRV	prime coated			
(5) A	996 501 305 05	side member	/L	02	1
	GRV	prime coated			
(5)	996 501 306 05	side member	/R	02	1
	GRV	prime coated			
(5)	996 501 305 06	side member	/L	02-	1
	GRV	prime coated			
(5)	996 501 306 06	side member	/R	03-	1
	GRV	prime coated			
6	996 501 377 01	mounting		2	
	GRV	prime coated			
7	996 501 915 00	side member	/L	1	
	GRV	prime coated			
	F	>>98WS6 07094			

Model	Year	MG	SG	Illustration	Restrictions	UPD	10:45	24.01.2010	PORSCHE	PET	PORSCHE
986	2004	8	01	801-10		248					

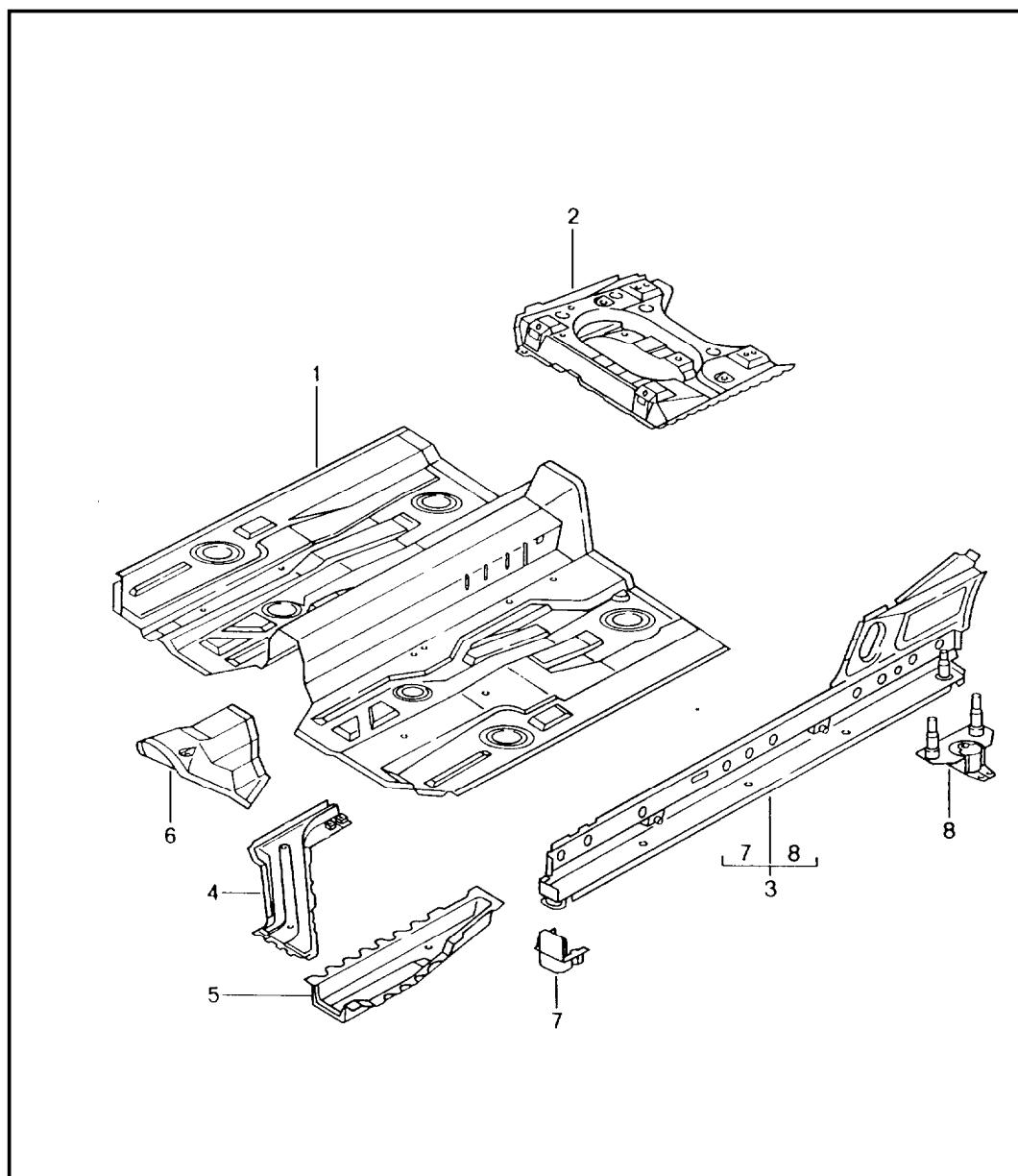
Pos	Part Number	Description	Remark	Qty	Model	Pos	Part Number	Description	Remark	Qty	Model
		it is necessary to rework use also: POS.13		1		16	996 502 017 01	cross panel	-99	1	
							GRV	prime coated			
(7)	996 501 916 00	side member	/R	1		(16)	996 502 017 04	cross panel	00-	1	
		GRV prime coated F >>98WS6 07094					GRV	prime coated			
		it is necessary to rework use also: POS.13		1		17	996 501 341 00	support		2	
							GRV	prime coated			
8	996 501 935 01	wheel housing	/L	1		18 A	996 501 665 00	separator	/L	1	
		GRV prime coated					GRV	prime coated			
(8)	996 501 936 04	wheel housing	/R	1		18	996 501 665 01	separator	/L	1	
		GRV prime coated					GRV	prime coated			
9	996 501 443 01	lower part	/L	1		(18) A	996 501 666 00	separator	/R	1	
		GRV prime coated					GRV	prime coated			
(9)	996 501 444 02	lower part	/R	1		(18)	996 501 666 01	separator	/R	1	
		GRV prime coated					GRV	prime coated			
10	996 501 937 01	hinge pillar	/L	1							
		GRV prime coated									
(10)	996 501 938 01	hinge pillar	/R	1							
		GRV prime coated									
11	996 504 201 01	lid \$ 145 MM		2							
12	996 504 213 01	lid \$ 85 MM		2							
13	996 501 815 00	support		2							
		GRV prime coated F >>98WS6 07094									
14	996 501 815 02	support		2							
		GRV prime coated F 98WS6 07095>>									
15	996 502 021 03	bulkhead		1							
		GRV prime coated									

Model	Year	MG	SG	Illustration	Restrictions	UPD	10:45	24.01.2010	PORSCHE	PET	PORSCHE
986	2004	8	01	801-15		248					



Pos	Part Number	Description	Remark	Qty	Model
		dome strut			
1	A 996 504 233 00	dome strut	/L	-02	1
1	996 504 233 01	dome strut	/L		1
2	A 996 504 234 00	dome strut	/R	-02	1
2	996 504 234 01	dome strut	/R		1
3	996 504 359 00	bracket			1
4	996 504 633 00	filler piece	/L		1
5	996 504 634 00	filler piece	/R		1
6	900 378 100 09	hexagon-head bolt M 10 X 45			2
7	900 075 010 09	hexagon-head bolt M 6 X 12			4

Model	Year	MG	SG	Illustration	Restrictions	UPD	10:45	24.01.2010	PORSCHE	PET	PORSCHE
986	2004	8	01	801-20		248					

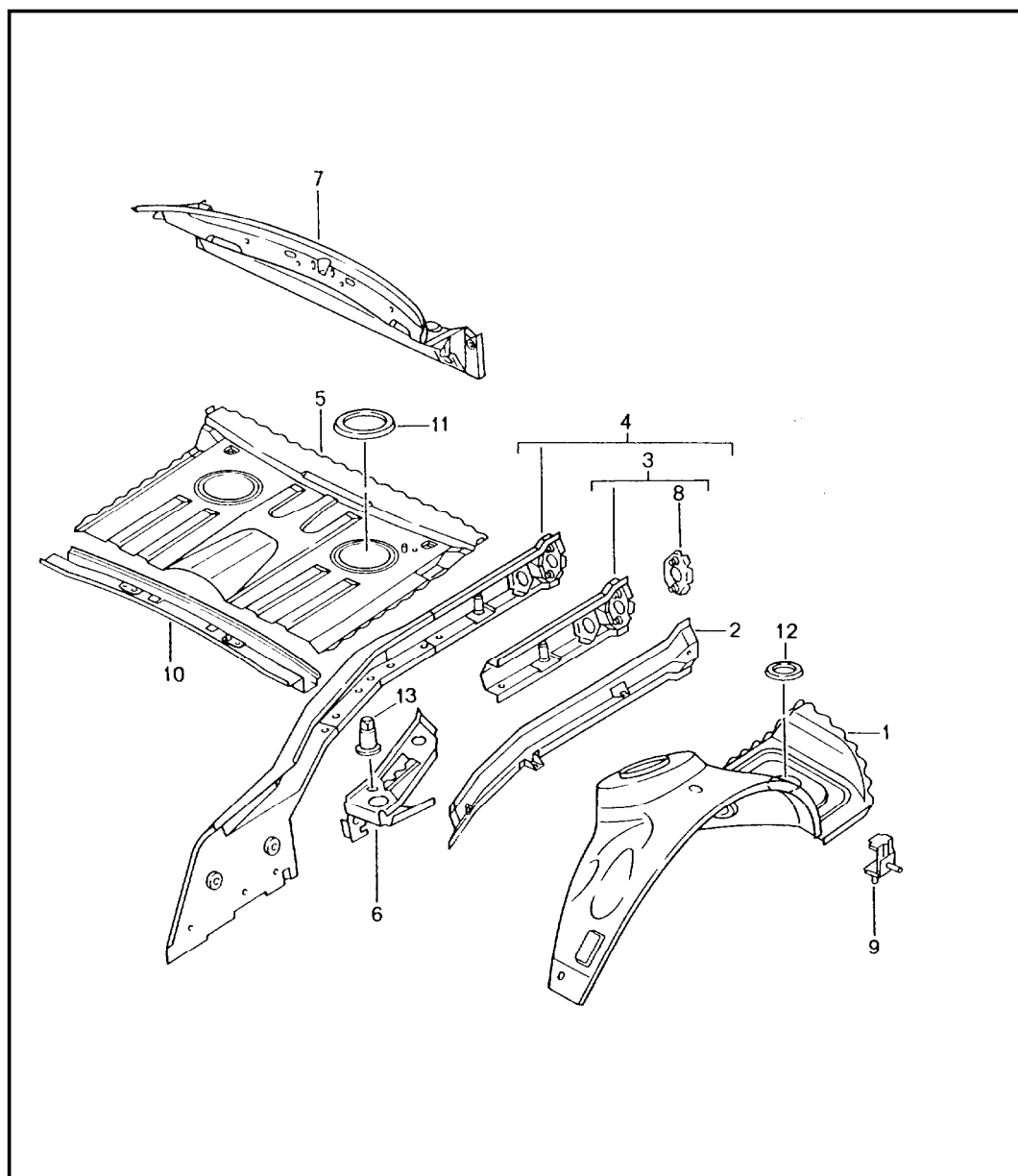


Pos	Part Number	Description	Remark	Qty	Model
		floor centre			
1	986 501 551 00	floor		1	
	GRV	prime coated			
2	996 501 153 00	seat support	/L	1	
	GRV	prime coated			
(2)	996 501 154 00	seat support	/R	1	
	GRV	prime coated			
3	986 501 957 00	side member	/L	1	
	GRV	prime coated			
(3)	986 501 958 01	side member	/R	1	
	GRV	prime coated			
4 A	996 501 507 01	reinforcement	/L	1	
	GRV	prime coated			
4	996 501 507 02	reinforcement	/L	1	
	GRV	prime coated			
(4) A	996 501 508 01	reinforcement	/R	1	
	GRV	prime coated			
(4)	996 501 508 02	reinforcement	/R	1	
	GRV	prime coated			
5	996 501 525 00	side member	/L	1	
	GRV	prime coated			
(5)	996 501 526 00	side member	/R	1	
	GRV	prime coated			
6	996 501 751 00	extension		1	
	GRV	prime coated			
7	996 501 785 00	jacking point	/L/V	1	
	GRV	prime coated			
(7)	996 501 786 00	jacking point	/R/V	1	

Model	Year	MG	SG	Illustration	Restrictions	UPD	10:45	24.01.2010	PORSCHE	PET	PORSCHE
986	2004	8	01	801-20		248					

Pos	Part Number	Description	Remark	Qty	Model	Pos	Part Number	Description	Remark	Qty	Model
		GRV prime coated									
8	996 501 481 01	jacking point	/L/H	1							
		GRV prime coated									
(8)	996 501 482 01	jacking point	/R/H	1							
		GRV prime coated									
-	996 504 201 01	lid \$ 145 MM		X							
-	996 504 205 01	lid \$ 130 MM		X							
-	996 504 207 01	lid \$ 100 MM		X							

Model	Year	MG	SG	Illustration	Restrictions	UPD	10:46	24.01.2010	PORSCHE	PET	PORSCHE
986	2004	8	01	801-35		248					

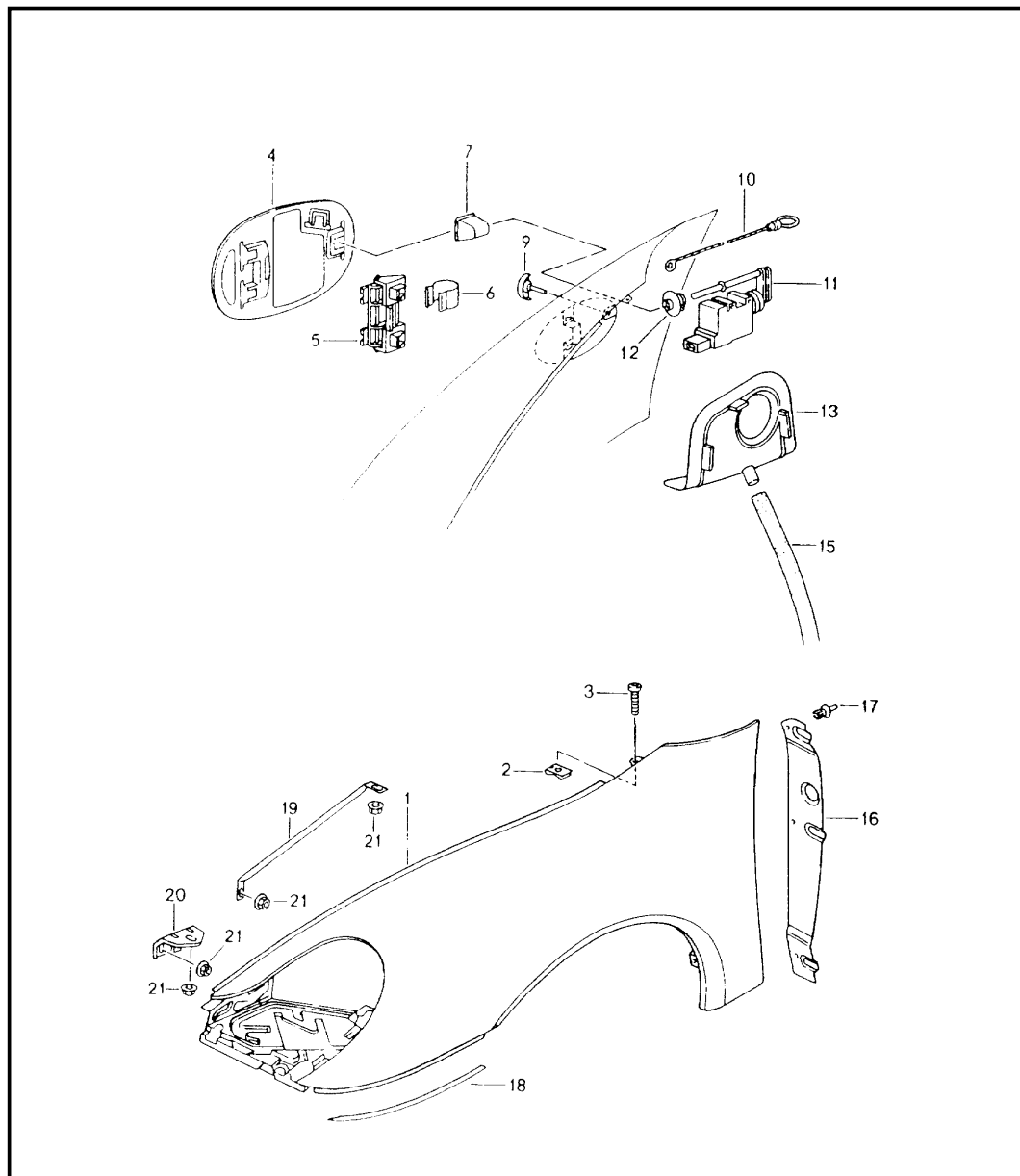


Pos	Part Number	Description	Remark	Qty	Model
		rear end single parts			
1	986 501 983 02	wheel housing	/L	1	
	GRV	prime coated			
(1)	986 501 984 01	wheel housing	/R	1	
	GRV	prime coated			
2	A 986 501 995 00	side member	/L	1	
	GRV	prime coated outer			
2	986 501 995 01	side member	/L	1	
	GRV	prime coated outer			
(2)	A 986 501 996 00	side member	/R	1	
	GRV	prime coated outer			
(2)	986 501 996 01	side member	/R	1	
	GRV	prime coated outer			
-	996 501 727 00	support		1	
	GRV	prime coated			
3	986 501 977 00	side member	/L	1	
	GRV	prime coated inner sub-part			
(3)	986 501 978 00	side member	/R	1	
	GRV	prime coated inner sub-part			
4	986 501 177 00	side member	/L	1	
	GRV	prime coated inner			
(4)	986 501 178 00	side member	/R	1	
	GRV	prime coated inner			

Model	Year	MG	SG	Illustration	Restrictions	UPD	10:46	24.01.2010	PORSCHE	PET	PORSCHE
986	2004	8	01	801-35		248					

Pos	Part Number	Description	Remark	Qty	Model	Pos	Part Number	Description	Remark	Qty	Model
5	986 501 971 00	boot floor plate		1			GRV	prime coated			
	GRV	prime coated									
-	986 501 471 00	floor section		1							
	GRV	prime coated									
6 A	986 501 569 01	mounting	/L	1							
	GRV	prime coated									
6	987 501 569 00	mounting	/L	1							
	GRV	prime coated									
(6)	986 501 570 01	mounting	/R	1							
	GRV	prime coated									
		use also: POS. 13									
7	986 501 243 00	terminal piece		1							
	GRV	prime coated									
8 A	996 501 377 00	mounting		2							
	GRV	prime coated									
8	996 501 377 01	mounting		2							
	GRV	prime coated									
9	986 501 613 00	support		2							
	GRV	prime coated									
10	986 502 675 00	cross member		1							
	GRV	prime coated									
11	996 504 201 01	lid \$ 145 MM		2							
12	996 504 209 01	lid \$ 100 MM		2							
13	999 048 004 02	threaded bush		2							
14	986 501 575 00	cross member		1							
	GRV	prime coated rear axle									
15	986 502 673 01	cross member		1							

Model	Year	MG	SG	Illustration	Restrictions	UPD	10:46	24.01.2010	PORSCHE	PET	PORSCHE
986	2004	8	01	801-40		248					

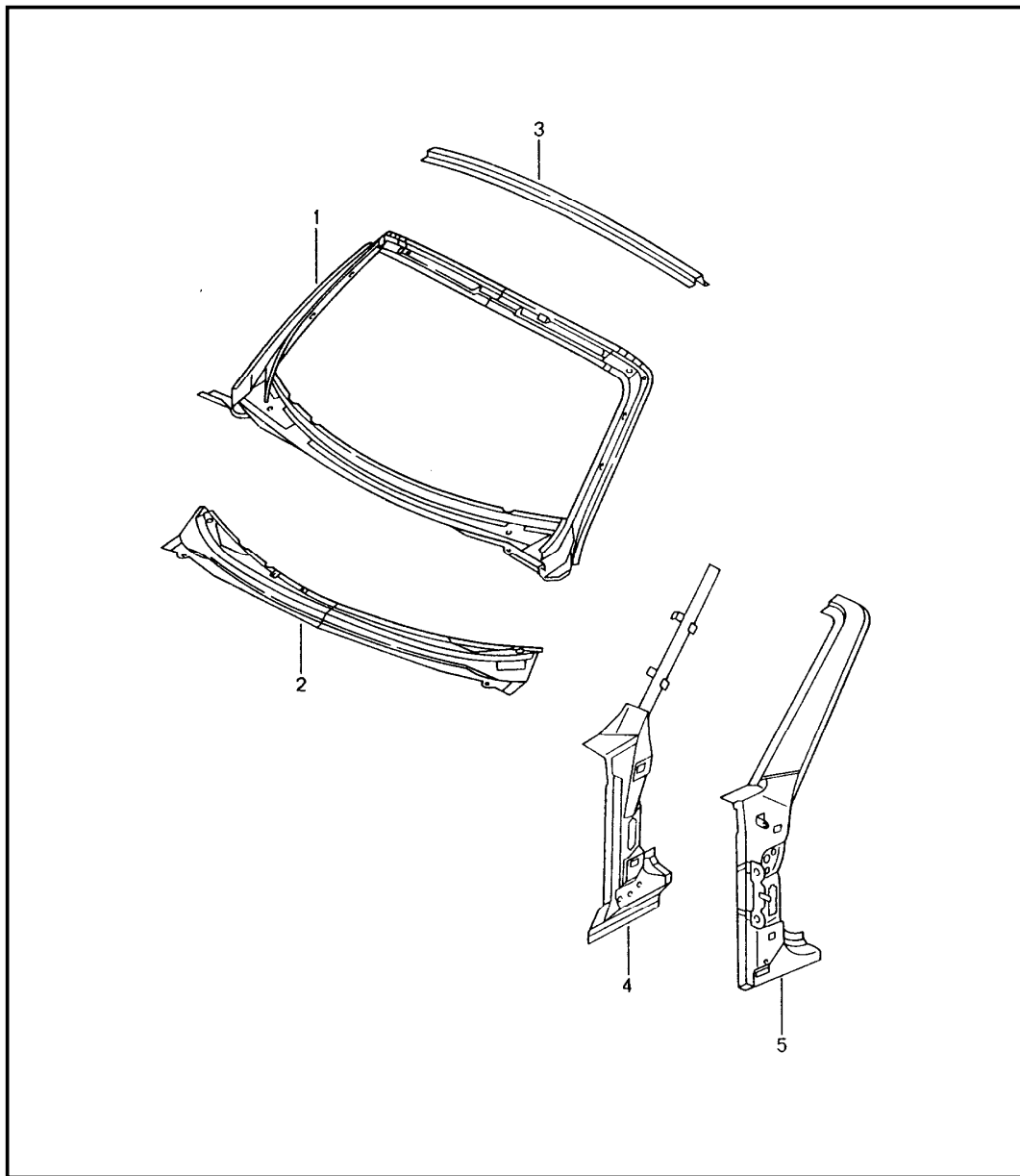


Pos	Part Number	Description	Remark	Qty	Model
1	996 503 031 01	wing	/L	1	
	GRV	prime coated			
(1) A	996 503 032 01	wing	/R	-98	1
	GRV	prime coated			
(1)	996 503 032 03	wing	/R	1	
	GRV	prime coated			
2	999 507 003 02	speed nut ST 6,3		22	
3	999 073 128 02	tapping screw ST 6,3 X 14		22	
4 A	996 504 133 00	fuel filler flap		1	
	GRV	prime coated			
4	996 504 133 02	fuel filler flap		1	
	GRV	prime coated			
5	996 201 063 00	hinge		1	
6	996 201 413 01	spring		1	
7	996 201 423 00	cap		1	
9	996 201 513 00	rubber stop		1	
10	996 201 493 00	emergency operation		1	
11	996 624 113 00	actuator		1	
12 A	996 624 505 01	guide rose		1	
12	996 624 505 02	guide rose		1	
13	996 201 667 01	sleeve		1	
15	996 201 153 00	hose		1	
16	996 504 641 01	cover	/L	1	
	01C	black			
(16)	996 504 642 01	cover	/R	1	
	01C	black			

Model	Year	MG	SG	Illustration	Restrictions	UPD	10:46	24.01.2010	PORSCHE	PET	PORSCHE
986	2004	8	01	801-40		248					

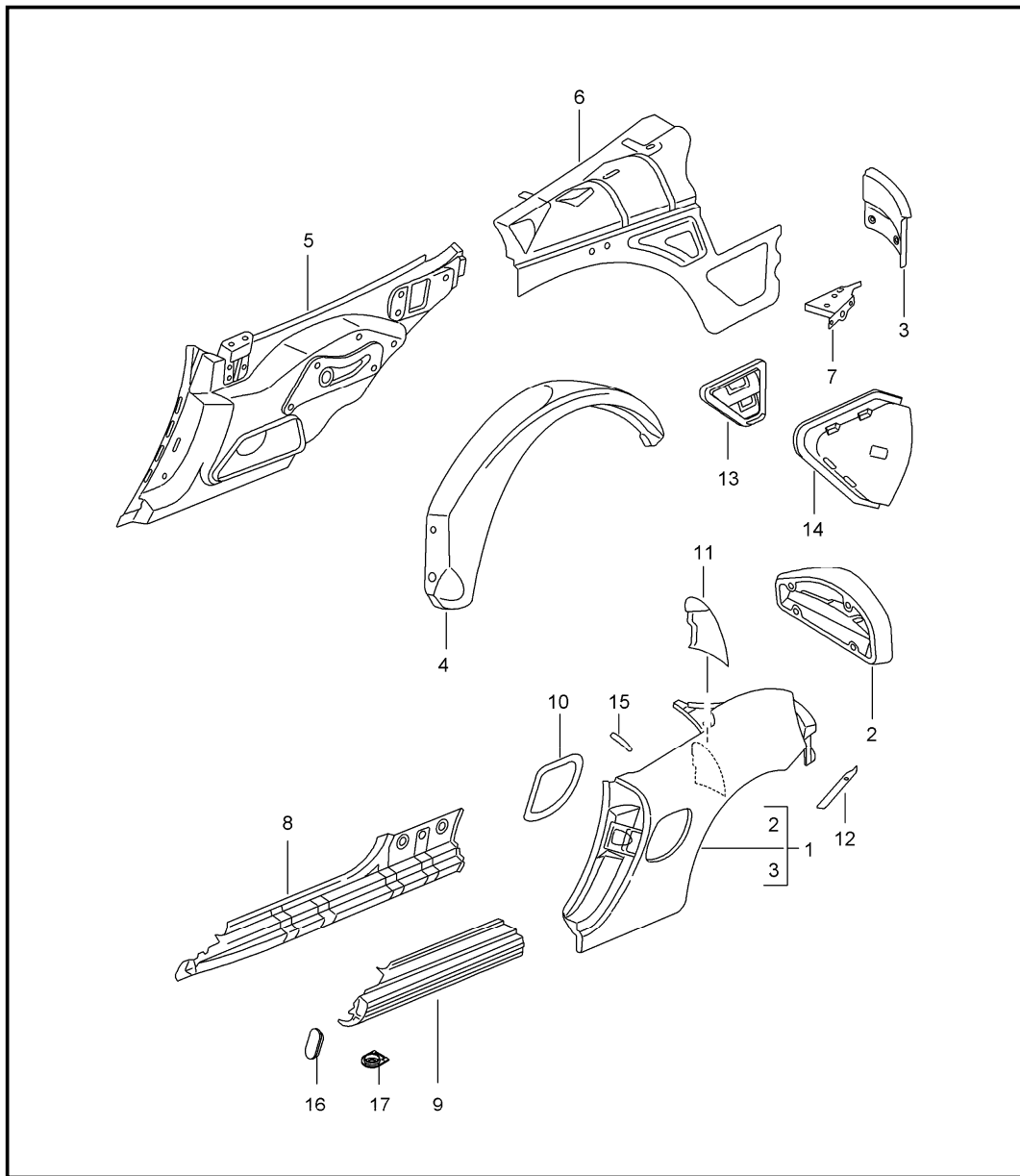
Pos	Part Number	Description	Remark	Qty	Model	Pos	Part Number	Description	Remark	Qty	Model
17	999 591 712 40	expansion rivet A 6,0 X 12,0		6							
18	996 504 531 00	protective film	/L	1							
(18)	996 504 532 00	protective film	/R	1							
19	996 504 441 00	strut		2							
	GRV	prime coated									
20	996 504 555 00	support		2							
	GRV	prime coated									
21	900 377 010 09	nut M 6		X							
-	000 043 204 85	cavity preservation 400 ML		X							

Model	Year	MG	SG	Illustration	Restrictions	UPD	10:46	24.01.2010	PORSCHE	PET	PORSCHE
986	2004	8	01	801-45		248					



Pos	Part Number	Description	Remark	Qty	Model
1	A 986 502 137 00	cowl		1	
	GRV	prime coated inner			
1	986 502 137 01	cowl		1	
	GRV	prime coated inner			
2	A 996 502 527 00	cowl		1	
	GRV	prime coated outer			
2	996 502 527 01	cowl		1	
	GRV	prime coated outer			
3	986 502 529 00	cowl		1	
	GRV	prime coated outer			
4	986 502 135 00	reinforcement	/L	1	
	GRV	prime coated inner			
(4)	986 502 136 00	reinforcement	/R	1	
	GRV	prime coated inner			
5	986 502 335 00	hinge pillar	/L	1	
	GRV	prime coated			
(5)	986 502 336 00	hinge pillar	/R	1	
	GRV	prime coated			
-	996 502 737 00	captive nut M 6 cowl		2	
-	997 502 739 00	captive nut M6 cowl		1	

Model	Year	MG	SG	Illustration	Restrictions	UPD	10:46	24.01.2010	PORSCHE	PET	PORSCHE
986	2004	8	01	801-50		248					

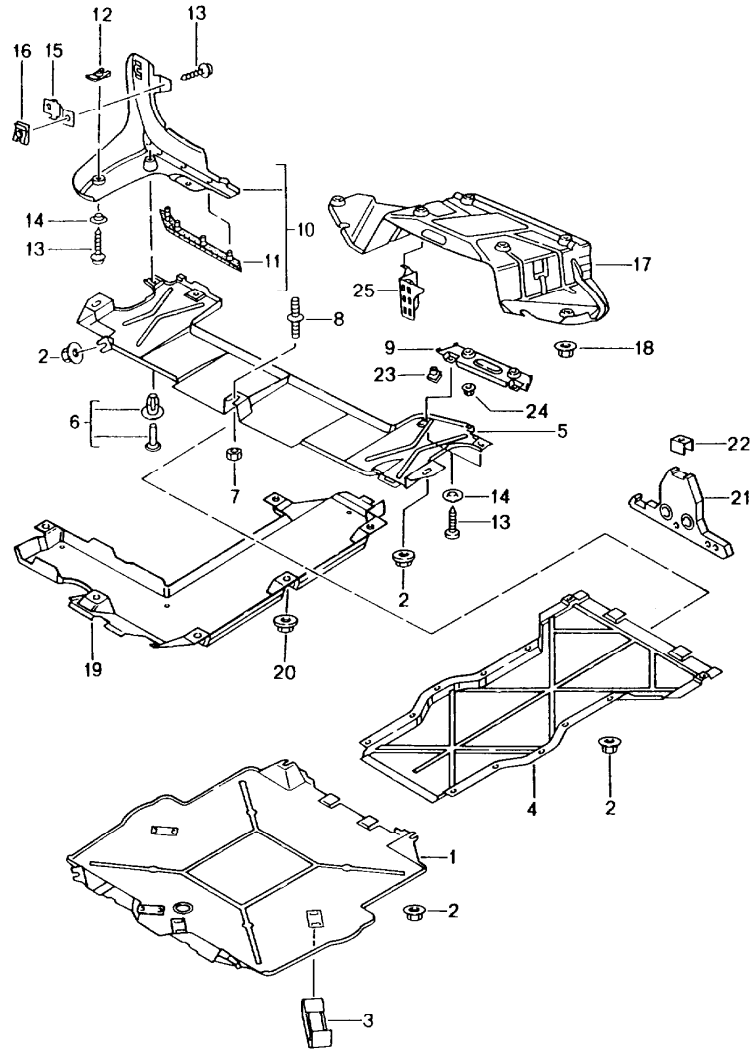


Pos	Part Number	Description	Remark	Qty	Model
1	986 503 961 00	side section		1	
		GRV prime coated	/L		
(1)	986 503 962 00	side section		1	
		GRV prime coated	/R		
		use also:			
-	999 915 650 40	adhesive TEROMIX 6700		X	
-	000 043 300 48	tool see technical manual group 5 53 55 55		X	
2	986 502 161 00	frame for light		1	
		GRV prime coated	/L		
(2)	986 502 162 00	frame for light		1	
		GRV prime coated	/R		
3	986 501 651 00	corner panel		1	
		GRV prime coated	/L		
(3)	986 501 652 00	corner panel		1	
		GRV prime coated	/R		
4	986 502 515 00	wheel housing		1	
		GRV prime coated	/L -01		
4	986 502 515 01	wheel housing		1	
		GRV prime coated	/L 02-		
(4)	986 502 516 00	wheel housing		1	
		GRV prime coated	/R		
5	986 502 083 00	side section		1	
		GRV prime coated	/L		
(5)	986 502 084 00	side section		1	
		GRV prime coated	/R		
6	986 502 085 00	side section		1	
			/L		

Model	Year	MG	SG	Illustration	Restrictions	UPD	10:46	24.01.2010	PORSCHE	PET	PORSCHE
986	2004	8	01	801-50		248					

Pos	Part Number	Description	Remark	Qty	Model	Pos	Part Number	Description	Remark	Qty	Model
		GRV prime coated				(14)	986 572 644 00	air box	/R	1	
(6)	986 502 106 00	side section	/R	1		15	996 537 237 00	protective film		2	
		GRV prime coated				16	986 572 723 00	stopper door sill		2	
7	986 502 615 00	closing element	/L	1		17	999 703 475 40	water drain sleeve door sill		2	
		GRV prime coated									
(7)	986 502 616 00	closing element	/R	1							
		GRV prime coated									
8	A 986 502 163 00	reinforcement	/L	1							
		GRV prime coated									
8	986 502 163 02	reinforcement	/L	1							
		GRV prime coated									
(8)	A 986 502 164 00	reinforcement	/R	1							
		GRV prime coated									
(8)	986 502 164 01	reinforcement	/R	1							
		GRV prime coated									
9	986 503 963 00	door sill	/L	1							
		GRV prime coated									
(9)	986 503 964 00	door sill	/R	1							
		GRV prime coated									
10	986 504 907 00	gasket air inlet		2							
11	986 504 967 01	gasket	/L	1							
(11)	986 504 968 01	gasket side section wheel housing see workshop manual	/R	1							
12	986 504 635 00	protective film	/L	1							
(12)	986 504 636 00	protective film	/R	1							
13	986 572 043 02	bleeding	/L	1							
(13)	986 572 044 00	bleeding	/R	1							
14	986 572 643 00	air box	/L	1							

Model	Year	MG	SG	Illustration	Restrictions	UPD	10:46	24.01.2010	PORSCHE	PET	PORSCHE
986	2004	8	01	801-70		248					

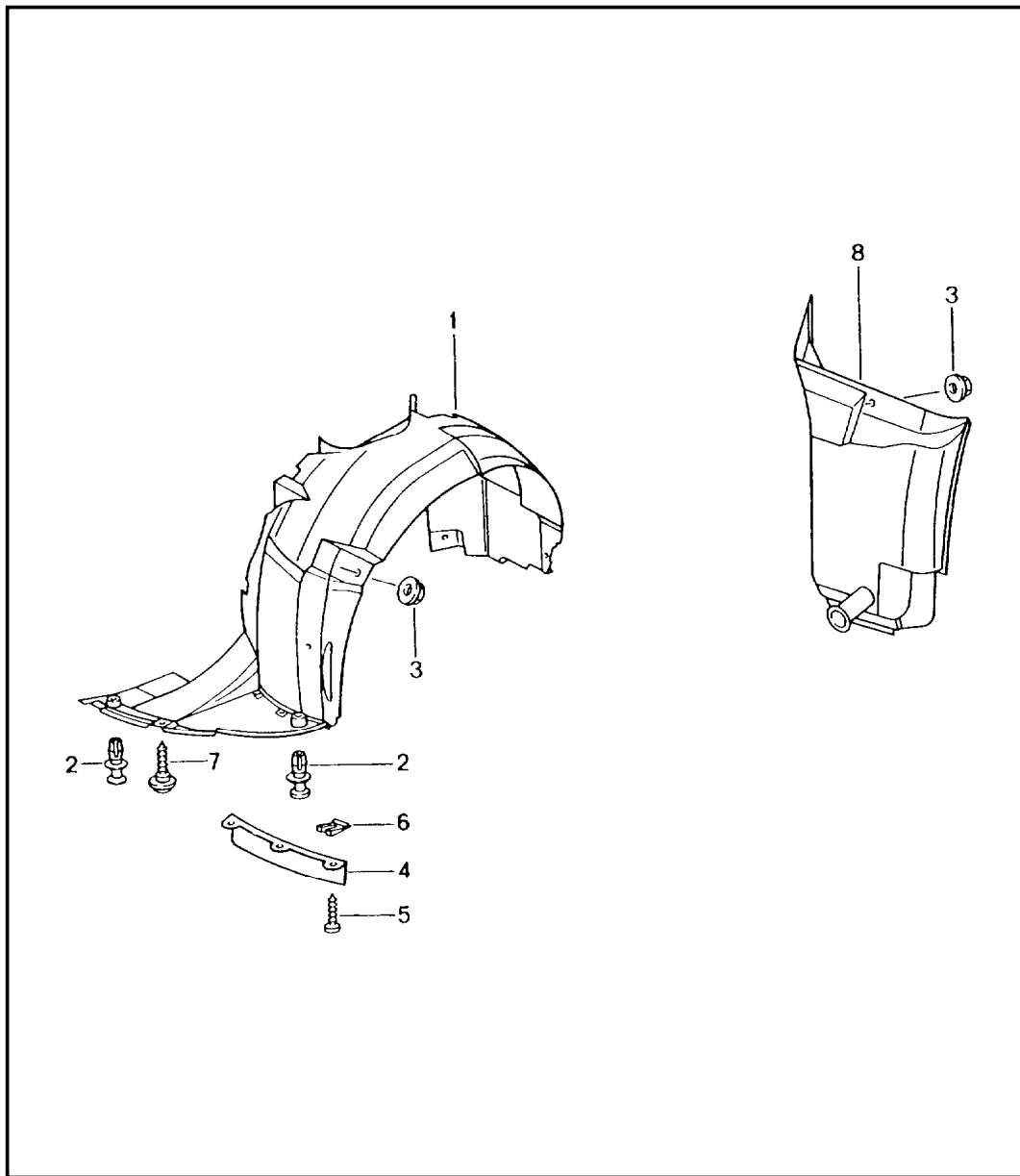


Pos	Part Number	Description	Remark	Qty	Model
		linings for underbody			
1	996 504 527 02	cover front		1	
2	999 049 022 40	plastic nut T 5		21	
3	999 507 657 09	clamp centre		6	
4	996 504 043 02	cover centre		1	
5	986 504 119 00	cover rear		1	
6	999 507 497 40	expansion rivet 8,0 X 14,0		X	
7	999 076 068 09	hexagon nut M 6		1	
8	999 919 169 02	stud M 6 X 11		1	
(9) A	986 504 571 00	support		97	
9	986 504 571 01	support		2	
10	986 504 393 00	cover	/L	1	
		01C satin black			
(10)	986 504 394 00	cover	/R	1	
		01C satin black			
11	986 504 893 00	rubber lip	/L	1	
(11)	986 504 894 00	rubber lip	/R	1	
12 A	999 507 348 01	speed nut ST 4,8		4	
12	999 507 348 01	speed nut ST 4,8		4	
13	999 073 061 02	tapping screw ST 4,8 X 16		X	
14	944 503 255 00	spacer sleeve		X	
15	986 504 593 00	support		2	

Model	Year	MG	SG	Illustration	Restrictions	UPD	10:46	24.01.2010	PORSCHE	PET	PORSCHE
986	2004	8	01	801-70		248					

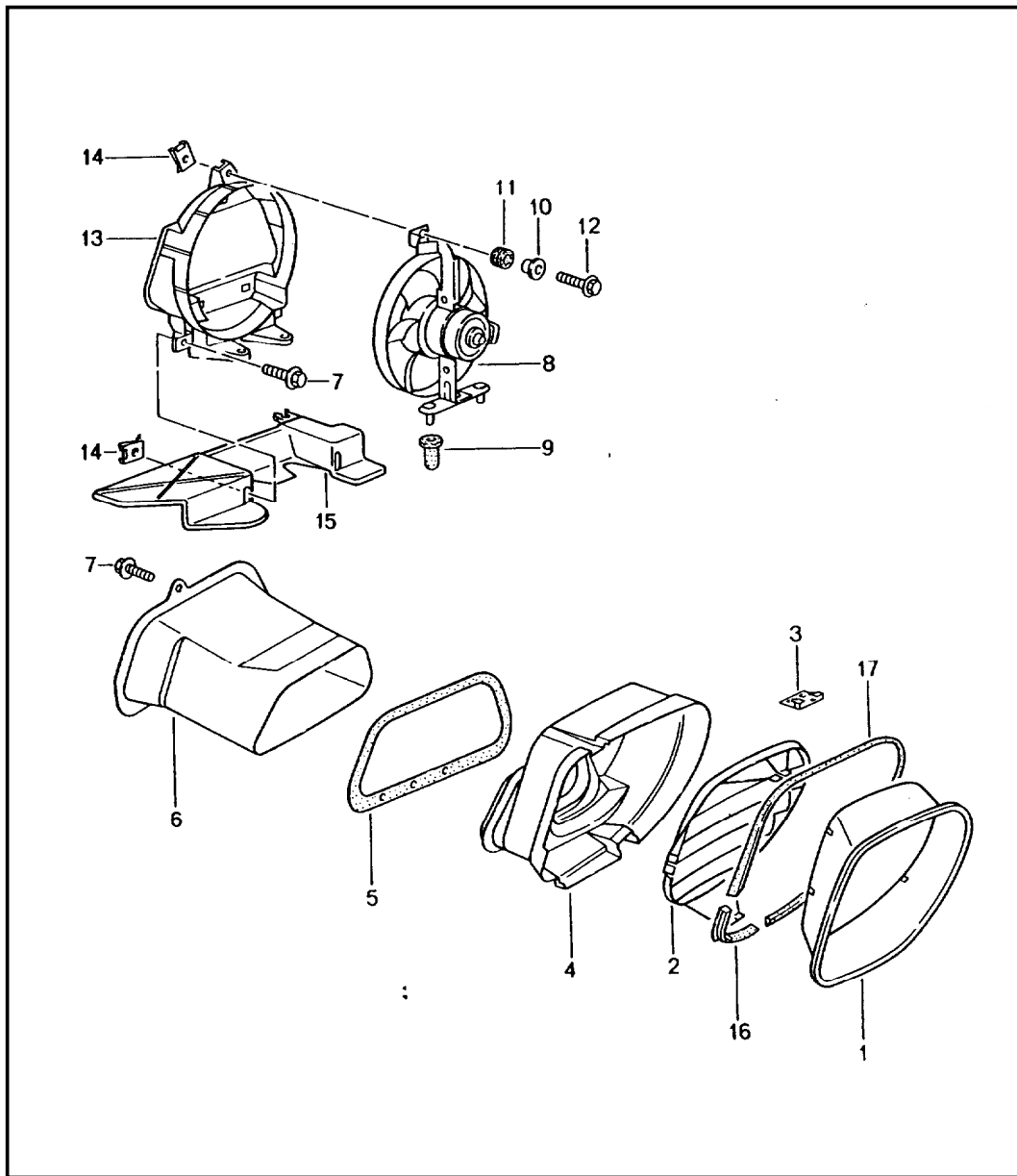
Pos	Part Number	Description	Remark	Qty	Model	Pos	Part Number	Description	Remark	Qty	Model
16	999 507 462 02	speed nut ST 4,8		4							
17	986 504 605 02	heat protection		1							
18	A 999 049 017 09	collar nut		7							
18	999 049 025 09	hexagon nut		7							
19	996 504 561 00	cover		1							
20	999 049 022 40	plastic nut T5		6							
21	986 504 643 01	seal	-03	1							
22	986 504 743 00	support	-03	1							
23	999 591 699 02	speed nut St 4,8		4							
24	999 084 212 02	hexagon nut M 6		2							
25	986 504 651 00	heat protection	00-	1	M008						

Model	Year	MG	SG	Illustration	Restrictions	UPD	10:46	24.01.2010	PORSCHE	PET	PORSCHE
986	2004	8	01	801-75		248					



Pos	Part Number	Description	Remark	Qty	Model
		linings for wheel housing			
1	996 504 203 06	wheel-housing liner	/L	1	
(1)	996 504 204 06	wheel-housing liner	/R	1	
2	999 507 497 40	expansion rivet 8,0 X 14,0		13	
3	999 049 022 40	plastic nut T5		10	
4	996 504 503 00	rubber lip	/L	1	
(4)	996 504 504 00	rubber lip	/R	1	
5	999 073 061 02	tapping screw ST 4,8 X 16		6	
6	999 591 699 02	speed nut St 4,8		12	
7 A	999 073 198 09	tapping screw		4	
7	999 073 227 09	shouldered bolt ST 4,8 X 19		4	
8 A	986 504 573 00	wheel-housing liner	/L	1	
8	986 504 573 01	wheel-housing liner	/L	1	
(8) A	986 504 574 00	wheel-housing liner	/R	1	
(8)	986 504 574 01	wheel-housing liner	/R	1	
-	996 504 603 00	air duct	/L	1	M008
-	996 504 604 00	air duct	/R	1	M008

Model	Year	MG	SG	Illustration	Restrictions	UPD	10:47	24.01.2010	PORSCHE	PET	PORSCHE
986	2004	8	01	801-80		248					

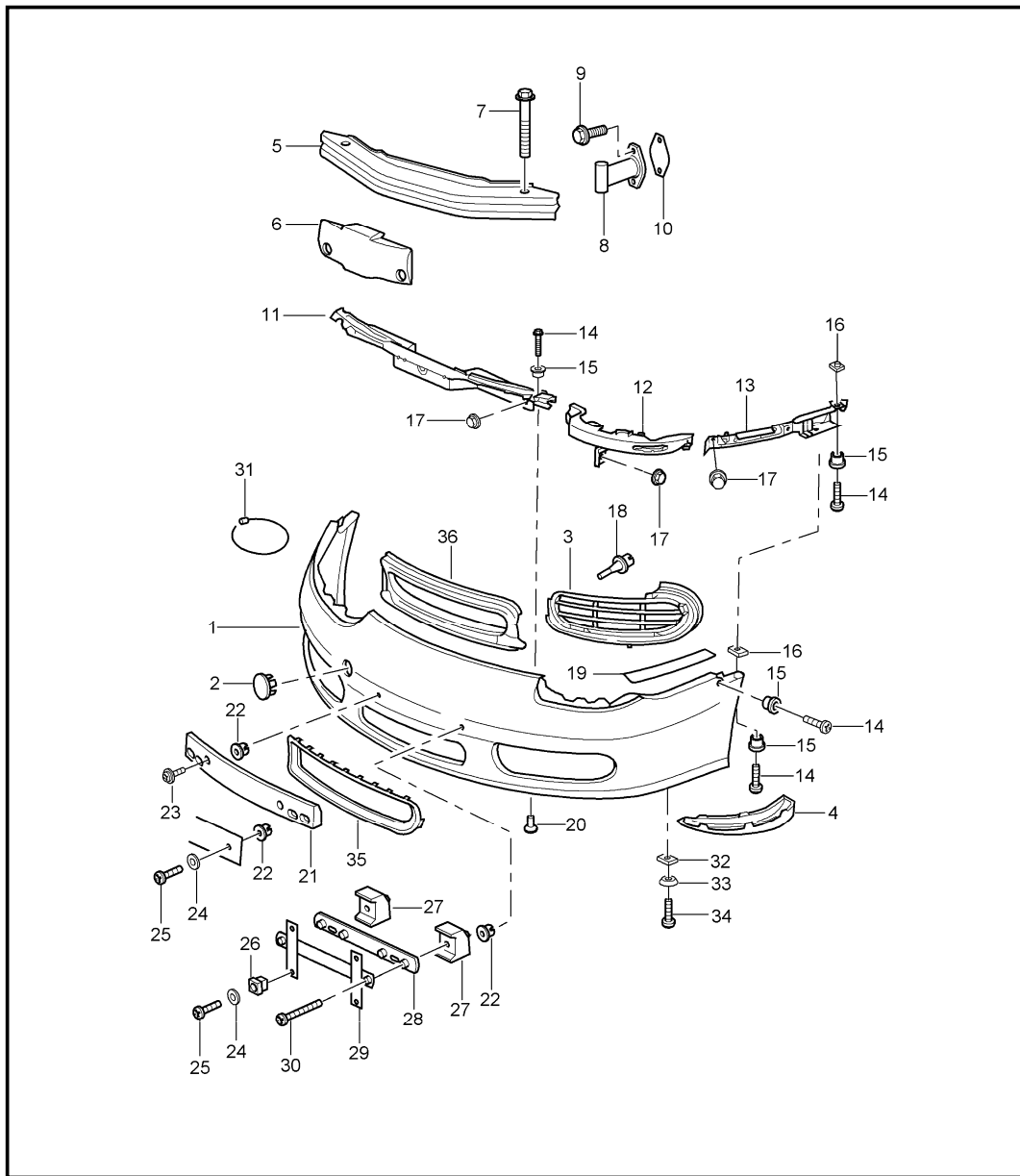


Pos	Part Number	Description	Remark	Qty	Model
		ventilation engine compartment			
1	986 504 561 01	air duct	/L	-99	1
	G2X	prime coated			
1	986 504 561 02	air duct	/L	-02	1
	G2X	prime coated			
1	986 504 561 03	air duct	/L	03-	1
	G2X	prime coated			
(1)	986 504 562 01	air duct	/R	-02	1
	G2X	prime coated			
(1)	986 504 562 03	air duct	/R	03-	1
	G2X	prime coated			
2	986 504 747 00	ventilation grille	/L		1
(2)	986 504 748 00	ventilation grille	/R		1
3	986 504 847 00	spring clamp			6
4 A	986 575 657 00	air duct	/L	-02	1
4	986 575 657 01	air duct	/L		1
(4)	986 575 658 00	air duct	/R	-02	1
(4)	986 575 658 01	air duct	/R	03-	1
-	986 575 761 00	grille			1
5	986 575 655 00	gasket			1
6	986 575 559 01	air duct			1
7	900 075 413 09	combination screw			6
		M 6 X 16			
8	986 624 036 00	fan			1
-	999 650 252 40	plug socket			1
-	999 650 253 22	connector			2
-	999 650 254 40	locking device			1
-	999 650 255 40	gasket			2
9	999 703 452 40	rubber buffer			2

Model	Year	MG	SG	Illustration	Restrictions	UPD	10:47	24.01.2010	PORSCHE	PET	PORSCHE
986	2004	8	01	801-80		248					

Pos	Part Number	Description	Remark	Qty	Model	Pos	Part Number	Description	Remark	Qty	Model
10	999 209 049 02	spacer sleeve		1							
11	999 703 451 40	grommet		1							
12	900 378 030 09	hexagon-head bolt M 6 X 20		1							
13	986 575 356 00	airscoop		1							
14	999 507 550 02	speed nut M 6		3							
15	986 575 756 01	air duct		1							
16	986 504 563 01	centring wedge	/L	00-	1						
17	986 504 565 01	gasket	/L	00-	1						
-	986 504 749 01	frame	/L	03-	1						
-	986 504 750 00	frame	/R	03-	1						
-	986 504 731 00	water tube		03-	1						
-	986 504 831 00	support water tube			1						

Model	Year	MG	SG	Illustration	Restrictions	UPD	10:47	24.01.2010	PORSCHE	PET	PORSCHE
986	2004	8	02	802-00		248					



Pos	Part Number	Description	Remark	Qty	Model
1	986 505 311 03	bumper front			
		lining	-02	1	M009
		G2X prime coated			
(1)	986 505 311 04	lining	-02	1	M008
		G2X prime coated			
(1)	986 505 311 05	lining	03-	1	M009
		G2X prime coated			
(1)	986 505 311 06	lining	03-	1	M008
		G2X prime coated			
2	964 505 103 00	cap	-02	1	
		G2X prime coated			
(2)	986 505 511 00	cap	03-	1	
		G2X prime coated			
3	986 505 553 01	grille frame	/L -02	1	M009
		01C satin black			
3	986 505 553 03	grille frame	/L 03-	1	
		01C satin black			
(3)	986 505 554 01	grille frame	/R -02	1	M009
		01C satin black			
(3)	986 505 554 03	grille frame	/R 03-	1	
		01C satin black			
-	986 505 531 00	disc upper	/L 03-	1	
		G2X prime coated			
-	986 505 532 00	disc upper	/R 03-	1	
		G2X prime coated			
-	986 505 533 00	disc lower	/L 03-	1	
		G2X prime coated			

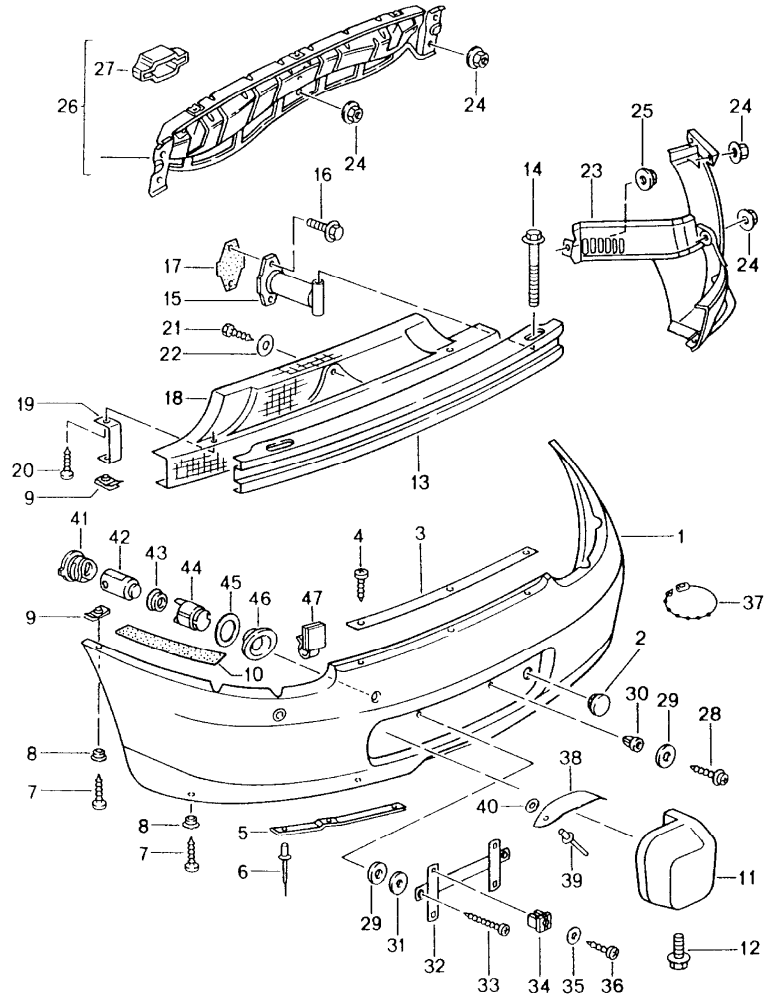
Model	Year	MG	SG	Illustration	Restrictions	UPD	10:47	24.01.2010	PORSCHE	PET	PORSCHE
986	2004	8	02	802-00		248					

Pos	Part Number	Description	Remark	Qty	Model	Pos	Part Number	Description	Remark	Qty	Model
-	986 505 534 00	disc lower	/R 03-	1		15	999 209 045 09	spacer		X	
	G2X	prime coated				16	999 507 072 02	speed nut B 4,8		X	
-	999 507 708 09	clamping washer		4		17	999 084 633 09	hexagon nut M 6		X	
(3)	986 505 553 02	grille frame	/L -02	1	M008	18	996 641 142 00	temperature sensor		1	
	9A4	titanium metallic				-	999 652 911 40	plug socket		1	
(3)	986 505 554 02	grille frame	/R -02	1	M008	-	999 652 934 22	connector		2	
	9A4	titanium metallic				-	999 650 127 40	gasket		2	
4	996 505 525 00	cover	/L	1		19 A	999 911 606 40	adhesive tape		X	
	01C	satin black				19	000 043 204 83	adhesive tape roller 16,5 METER		X	
(4)	996 505 526 00	cover	/R	1		20	999 507 497 40	expansion rivet 8 X 14		2	
	01C	satin black				21	986 701 105 00	support	(E) (F) (GB) -02	1	(BRD)
5	996 505 011 00	bumper reinforcement		1		21	986 701 105 01	support	(E) (F) (GB) 03-	1	(BRD)
(6)	986 505 777 01	foam part		1		22	999 507 040 40	expander nut 4,2		X	
7	900 378 088 09	hexagon-head bolt M 12 X 100		2		23	900 143 151 02	combination screw 4,2 X 16		2	
8	996 505 019 01	impact pipe		2		24	900 025 024 40	washer		X	
(8)	996 505 015 00	impact absorber		2	M058	25	900 143 134 00	tapping screw B 4,2 X 9,5		X	
9	900 075 457 02	combination screw M 8 X 30		4		27	996 701 801 00	spacer	/L -02	1	
10 A	964 505 775 00	desk pad		2		(27)	996 701 802 00	spacer	/R -02	1	
10	996 505 775 00	desk pad		2		(27)	986 701 801 00	spacer	/L 03-	1	
11 A	996 505 531 00	retaining strip		1		(27)	986 701 802 00	spacer	/R 03-	1	
11	996 505 531 01	retaining strip centre		1		28	911 701 121 03	support		1	
12	996 505 539 00	bracket	/L	1		30	900 145 012 07	counters. head tapp. screw B 4,2 X 32		2	
(12)	996 505 540 00	bracket	/R	1		31	999 651 225 40	safety rope		1	
13	996 505 535 00	retaining strip	/L	1							
(13)	996 505 536 00	retaining strip	/R	1							
14	900 144 101 02	tapping screw B 4,8 X 19		X							

Model	Year	MG	SG	Illustration	Restrictions	UPD	10:47	24.01.2010	PORSCHE	PET	PORSCHE
986	2004	8	02	802-00		248					

Pos	Part Number	Description	Remark	Qty	Model	Pos	Part Number	Description	Remark	Qty	Model
32	999 591 699 02	speed nut St 4,8		4							
34	A 999 073 198 09	tapping screw		4							
34	999 073 227 09	shouldered bolt ST 4,8 X 19		4							
35	986 505 551 00	cover	-02	1	M008						
	G2X	prime coated									
35	986 505 551 01	cover	03-	1	M008						
	G2X	prime coated									
36	986 505 555 00	retaining frame	-02	1	M008						
	01C	satin black									
36	986 505 555 02	retaining frame	03-	1	M008						
	01C	satin black									
-	999 507 707 00	u-clamp		19	M008						

Model	Year	MG	SG	Illustration	Restrictions	UPD	10:47	24.01.2010	PORSCHE	PET	PORSCHE
986	2004	8	02	802-05		248					



Pos	Part Number	Description	Remark	Qty	Model
1	986 505 411 00	bumper rear		1	
	G2X	lining	-02	1	
		prime coated			
		it is necessary to rework			M635
(1)	986 505 411 08	lining	03-	1	
	G2X	prime coated			
(1) A	986 505 411 10	lining	03-	1	M635
	G2X	prime coated			
2	964 505 103 00	cap		1	
	G2X	prime coated			
3	986 505 833 00	retaining strip	-02	1	
(3)	986 505 833 01	retaining strip	03-	1	
4	900 144 101 02	tapping screw B 4,8 X 19		3	
5	986 505 837 00	retaining strip	/L	1	
(5)	986 505 838 00	retaining strip	/R	1	
-	986 505 647 00	retaining frame	/L	03-	1
-	986 505 648 00	retaining frame	/R	03-	1
-	986 505 647 01	retaining frame	/L	04	1 M091
	M7Z	gt silver metallic			
-	986 505 648 01	retaining frame	/R	04	1 M091
	M7Z	gt silver metallic			
6	999 190 104 30	blind rivet 3,2 X 7,9		4	
7 A	999 073 198 09	tapping screw		8	
7	999 073 227 09	shouldered bolt ST 4,8 X 19		8	
9	999 507 072 02	speed nut 4,8		4	
10 A	999 911 606 40	adhesive tape		X	

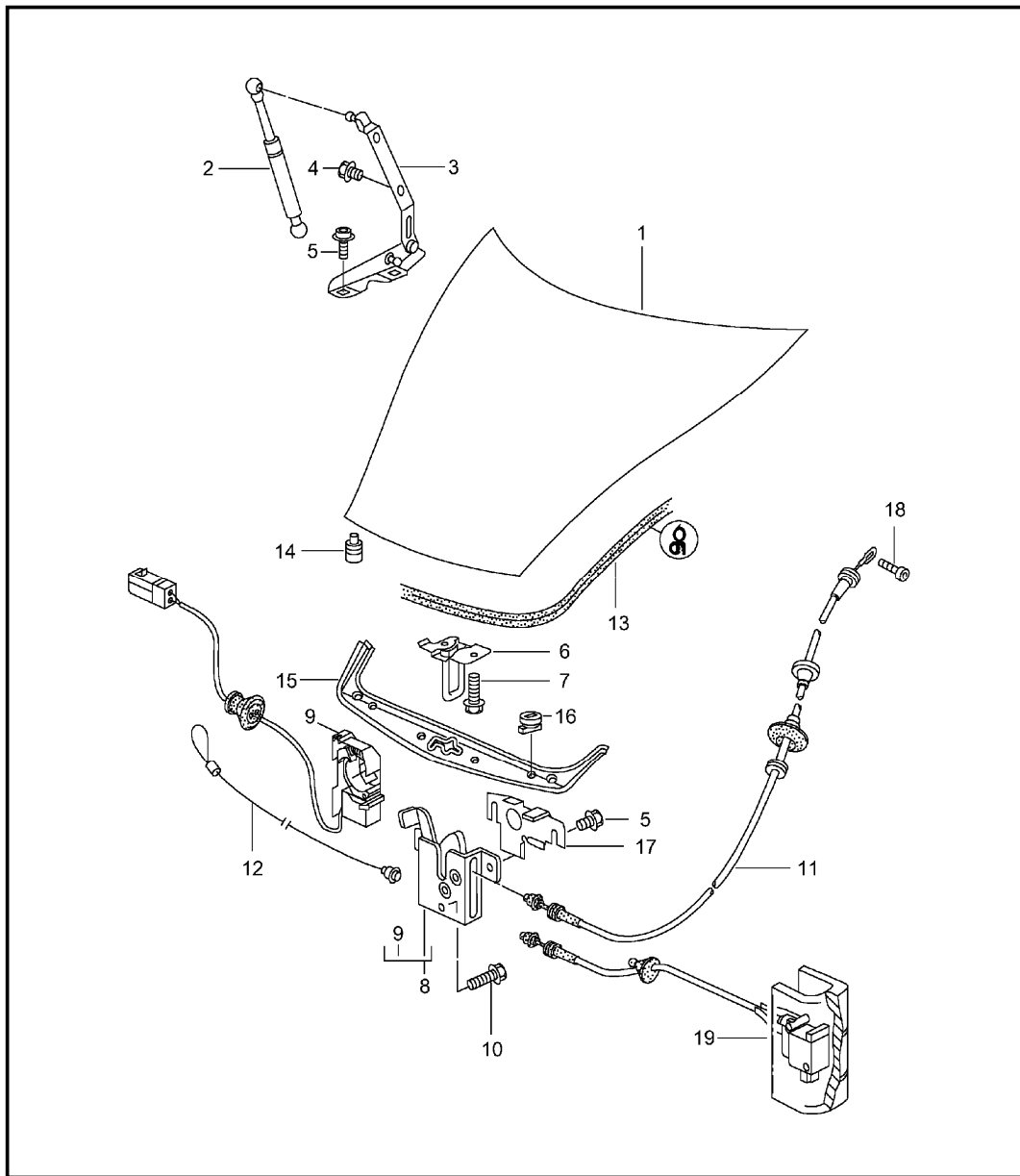
Model	Year	MG	SG	Illustration	Restrictions	UPD	10:47	24.01.2010	PORSCHE	PET	PORSCHE
986	2004	8	02	802-05		248					

Pos	Part Number	Description	Remark	Qty	Model	Pos	Part Number	Description	Remark	Qty	Model
10	000 043 204 83	adhesive tape roller 16,5 METER		X		(23)	986 505 632 02	wheel-housing liner	/R	03-	1
11	986 505 425 00	buffer	/L	1	M215	24	999 084 633 09	hexagon nut M 6			11
	70C	rally black				25	999 049 022 40	plastic nut T 5			2
(11)	986 505 426 00	buffer	/R	1	M215	26	986 505 641 00	retaining strip		-02	1
	70C	rally black				(26)	986 505 641 01	retaining strip		03-	1
(11)	986 505 425 01	buffer	/L	1	M 91 M215	27	986 505 851 00	spacer			2
	M7Z	gt silver metallic				28	900 143 151 02	combination screw B 4,2 X 16			2
(11)	986 505 426 01	buffer	/R	1	M 91 M215	29	999 025 235 40	rubber washer			X
	M7Z	gt silver metallic				30	999 507 040 40	expander nut 4,2			2
13	986 505 021 00	bumper reinforcement		1		37	999 651 225 40	safety rope			1
14	900 378 088 09	hexagon-head bolt M 12 X 100		2		38	986 505 811 01	heat protection		-02	1
15	996 505 019 01	impact pipe		2		(38)	986 505 811 02	heat protection		03-	1
(15)	996 505 015 00	impact absorber		2	M058	39	999 190 463 30	blind rivet A 4,0 X 13,0			2
16	900 075 457 02	hexagon-head bolt M 8 X 30		4		40	900 151 028 02	washer 4,3			2
17	993 505 775 00	seal		2		41	996 505 669 00	retainer spring outer		-02	2 M635
18	986 505 475 00	heat protection		-02	1	(41)	986 505 869 00	retainer spring outer		03-	2 M635
18	986 505 475 01	heat protection		03-	1	(41)	986 505 667 00	retainer spring inner		-02	2 M635
19	986 505 639 00	rear support		-02	2	(41)	986 505 867 01	retainer spring inner		03-	2 M635
(19)	986 505 639 01	rear support		03-	2	42	996 606 171 00	sensor		-02	4 M635
20	999 075 048 02	combination screw M 6 X 22		2			9A4	titanium metallic			
21	900 278 025 02	hexagon-head bolt M 5 X 12		1		(42)	000 043 204 56	sensor		03-	4 M635
22	999 025 243 02	spacer		1		43	996 606 471 00	ring			4 M635
(23)	986 505 631 01	wheel-housing liner	/L	-02	1	44	996 505 865 00	housing		-02	4 M635
(23)	986 505 631 02	wheel-housing liner	/L	03-	1	(44)	986 505 865 00	housing		03-	4 M635
23	986 505 632 01	wheel-housing liner	/R	-02	1						

Model	Year	MG	SG	Illustration	Restrictions	UPD	10:47	24.01.2010	PORSCHE	PET	PORSCHE
986	2004	8	02	802-05		248					

Pos	Part Number	Description	Remark	Qty	Model	Pos	Part Number	Description	Remark	Qty	Model
45	999 025 262 02	washer 35 X 50 X 0,5		4	M635						
46	986 505 859 00	cover	/L	-02	1	M635					
	G2X	prime coated inner									
(46)	986 505 859 01	cover	/L	03-	1	M635					
	G2X	prime coated inner									
(46)	986 505 860 00	cover	/R	-02	1	M635					
	G2X	prime coated inner									
(46)	986 505 860 01	cover	/R	03-	1	M635					
	G2X	prime coated inner									
(46)	986 505 861 00	cover	/L	-02	1	M635					
	G2X	prime coated outer									
(46)	986 505 861 01	cover	/L	03-	1	M635					
	G2X	prime coated outer									
(46)	986 505 862 00	cover	/R	-02	1	M635					
	G2X	prime coated outer									
(46)	986 505 862 01	cover	/R	03-	1	M635					
	G2X	prime coated outer									
47	999 507 623 40	cable holder		4	M635						

Model	Year	MG	SG	Illustration	Restrictions	UPD	10:47	24.01.2010	PORSCHE	PET	PORSCHE
986	2004	8	03	803-00		248					

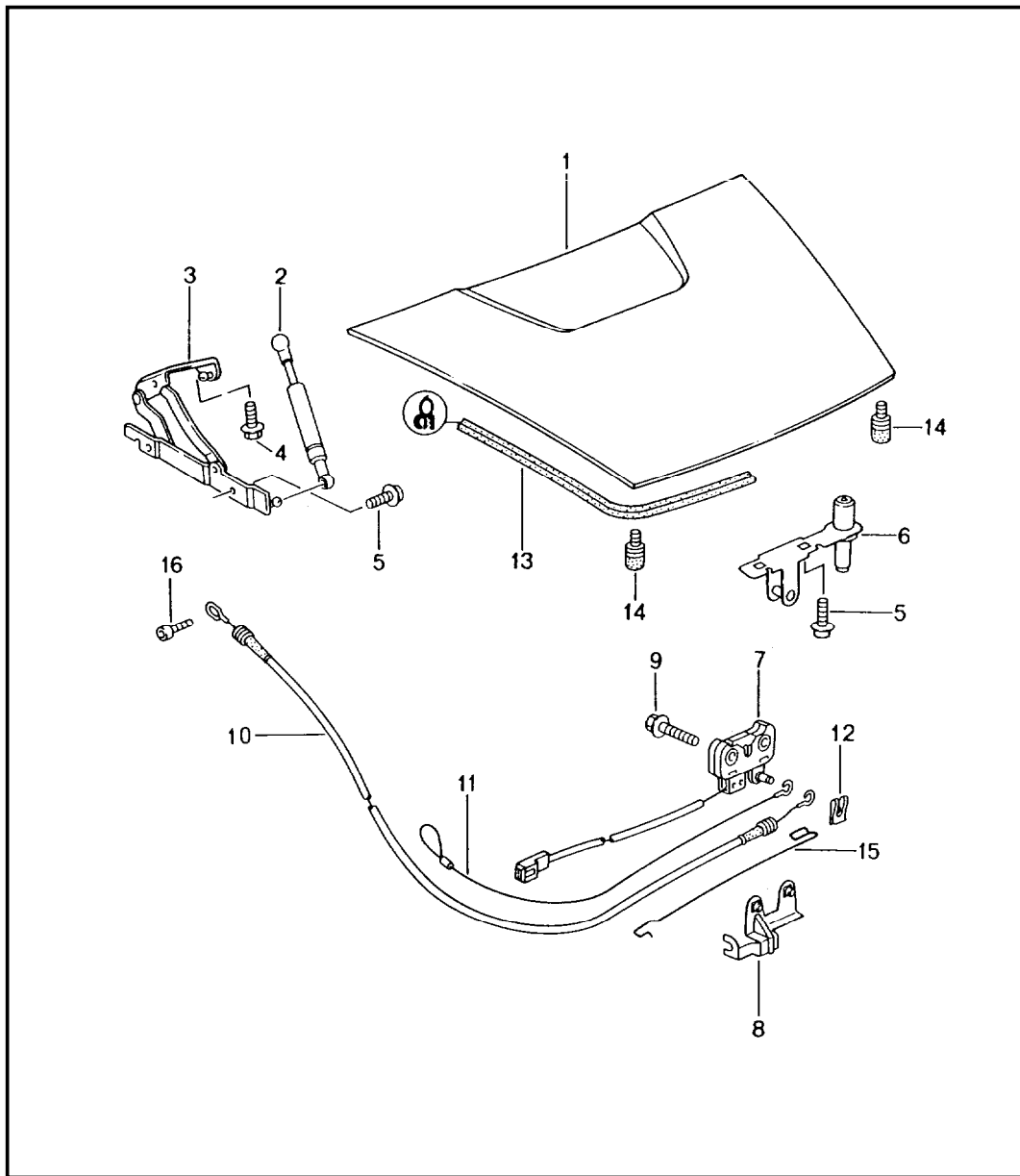


Pos	Part Number	Description	Remark	Qty	Model
		lid front			
1	996 511 011 02	lid		1	
	GRV	prime coated			
		use also:			
-	000 043 204 38	sealing material		1	
2	996 511 551 01	gas-pressure spring		2	
3	996 511 151 01	hinge	/L	1	
(3)	996 511 152 01	hinge	/R	1	
4	900 378 036 09	hexagon-head bolt M 6 X 12		4	
5	900 075 466 09	combination screw M 6 X 16		6	
6	996 511 051 02	lock upper part		1	
7	900 378 173 09	hexagon-head bolt M 6 X 20		2	
8 A	996 511 053 01	lock lower part		1	
			-01		
8	996 511 053 02	lock lower part		1	
-	999 652 750 40	plug socket		1	
-	999 652 567 22	connector		2	
9	996 613 206 00	microswitch		1	
10	900 075 347 02	screw M 6 X 30		1	
11	996 511 017 01	traction	/LL	1	
			-00		
(11)	996 511 017 02	traction		1	
			01-		
(11)	996 511 018 00	traction	/RL	1	
			-00		
12	996 511 521 00	emergency operation		1	
13	996 511 611 00	gasket		1	
14	999 703 140 40	buffer		2	
15	996 504 811 00	trim cover		1	
		01C	satin black		
16	999 590 036 40	catch		4	

Model	Year	MG	SG	Illustration	Restrictions	UPD	10:47	24.01.2010	PORSCHE	PET	PORSCHE
986	2004	8	03	803-00		248					

Pos	Part Number	Description	Remark	Qty	Model	Pos	Part Number	Description	Remark	Qty	Model
	01C	satin black									
17	996 511 653 00	cover		1							
18	900 119 121 09	pan-head screw M 4 X 14		1							
19	996 511 127 00	actuator	01-	1							

Model	Year	MG	SG	Illustration	Restrictions	UPD	10:47	24.01.2010	PORSCHE	PET	PORSCHE
986	2004	8	03	803-05		248					

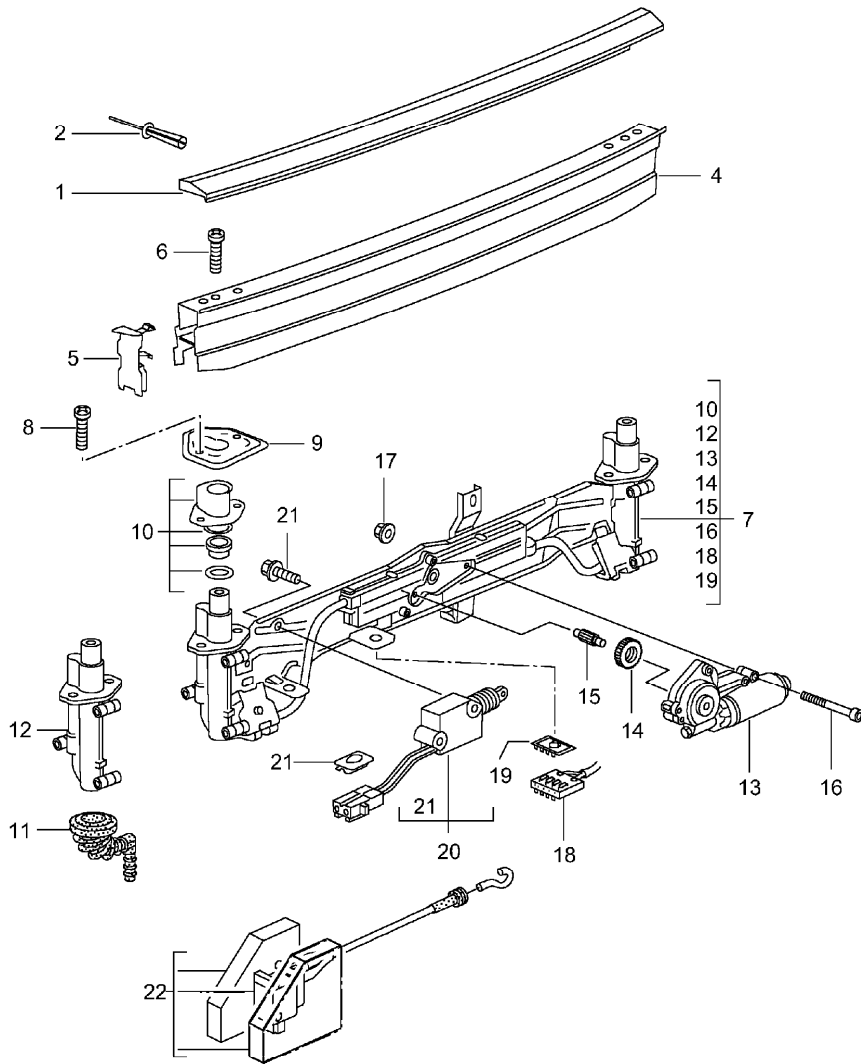


Pos	Part Number	Description	Remark	Qty	Model
1	A 986 512 011 01	lid rear		1	
	GRV	prime coated			
		use also:			
1	986 512 011 02	lid		1	
	GRV	prime coated			
		use also:			
-	000 043 204 38	sealing material		1	
2	986 512 951 00	gas-pressure spring		2	
3	986 512 151 01	hinge	/L	1	
(3)	986 512 152 01	hinge	/R	1	
4	900 075 466 09	combination screw M 6 X 16		4	
5	900 378 155 09	combination screw M 6 X 16		6	
(6)	986 512 051 00	lock upper part		1	
7	A 986 512 053 01	lock lower part	-01	1	
7	986 512 053 02	lock lower part		1	
-	999 652 750 40	plug socket		1	
-	999 652 567 22	connector		2	
8	996 512 753 02	mounting plate		1	
(8)	986 512 753 00	mounting plate		1	
9	900 378 168 09	hexagon-head bolt M 6 X 30		2	
10	986 512 017 01	traction	/LL	1	
(10)	986 512 018 00	traction	/RL	1	
11	996 512 521 00	emergency operation		1	
12	999 166 054 02	sl-lock		1	
13	986 512 611 00	gasket		1	
14	999 703 140 40	buffer		2	
15	986 504 719 00	pull rod		1	M534/535

Model	Year	MG	SG	Illustration	Restrictions	UPD	10:47	24.01.2010	PORSCHE PET PORSCHE		
986	2004	8	03	803-05		248					

Pos	Part Number	Description	Remark	Qty	Model	Pos	Part Number	Description	Remark	Qty	Model
16	900 119 121 09	cylinder lock M 4 X 14		1							

Model	Year	MG	SG	Illustration	Restrictions	UPD	10:48	24.01.2010	PORSCHE	PET	PORSCHE
986	2004	8	03	803-07		248					

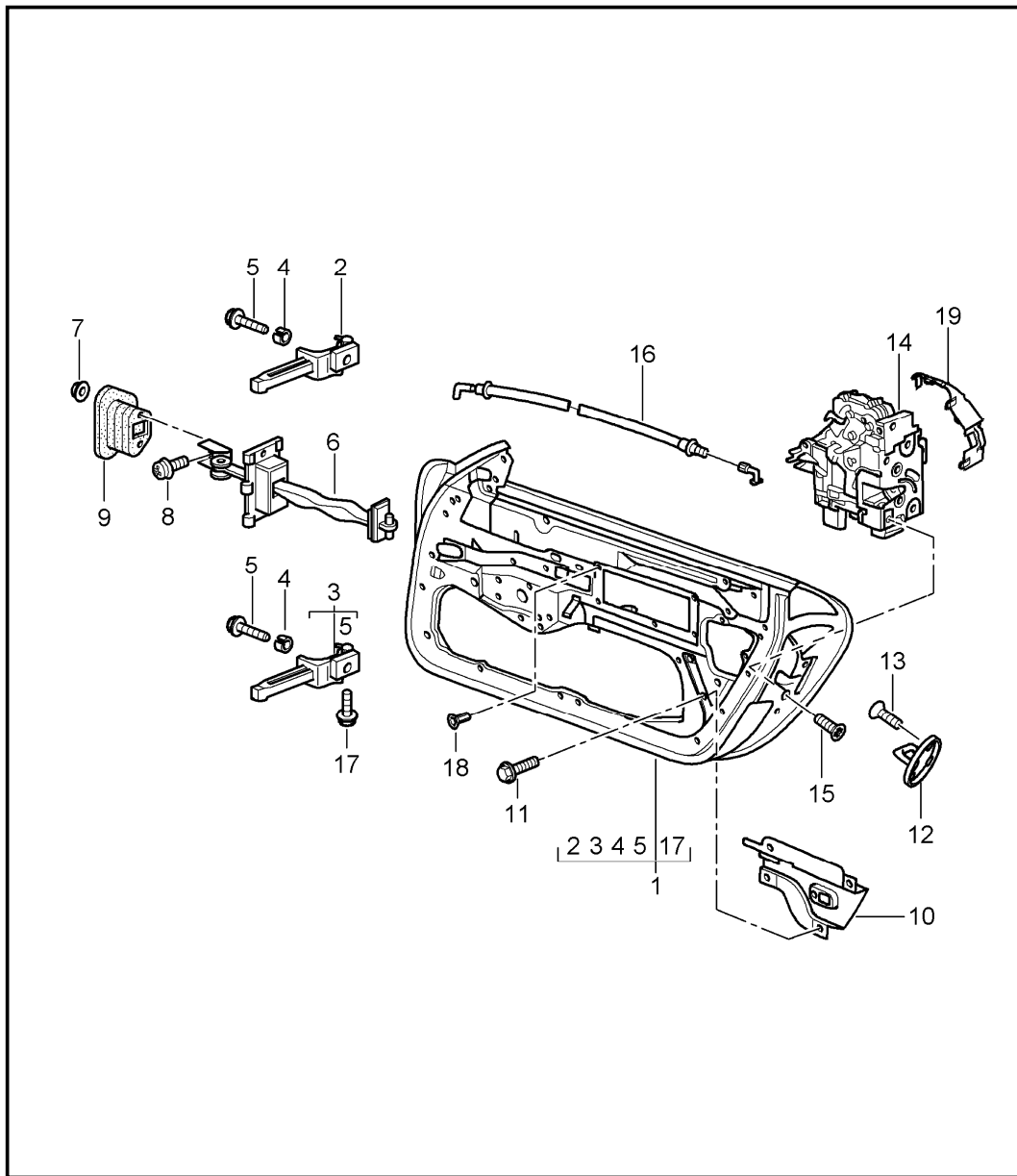


Pos	Part Number	Description	Remark	Qty	Model
		rear spoiler			
1	986 504 609 01	upper part	-02	1	
	G2X	prime coated			
1	986 504 609 02	upper part	03-	1	
	G2X	prime coated			
(2)	999 507 499 40	expansion rivet 5,0 X 11,5		3	
4	986 504 613 01	bracket	-02	1	
4	986 504 613 02	bracket	03-	1	
5	986 504 615 01	cover	/L -02	1	
5	986 504 615 02	cover	/L 03-	1	
(5)	986 504 616 01	cover	/R -02	1	
(5)	986 504 616 02	cover	/R 03-	1	
6	999 218 016 02	pan-head screw M 6 X 16 micro-self-locking		2	
7	986 504 109 00	driving mechanism		1	
-	999 652 919 40	plug socket		1	
-	999 652 567 22	connector		5	
8	999 218 016 02	pan-head screw M 6 X 16 micro-self-locking		4	
9	986 504 251 00	mounting plate		2	
10	986 504 913 00	seal		2	
11	986 504 915 00	water drain hose		1	
12	986 504 911 00	hinge	/L	1	
(12)	986 504 912 00	hinge	/R	1	
13	996 624 151 00	electric motor		1	
14	986 504 261 00	spur gear		1	
15	986 504 263 00	axle		1	

Model	Year	MG	SG	Illustration	Restrictions	UPD	10:48	24.01.2010	PORSCHE	PET	PORSCHE
986	2004	8	03	803-07		248					

Pos	Part Number	Description	Remark	Qty	Model	Pos	Part Number	Description	Remark	Qty	Model
16	900 074 364 02	hexagon-head bolt M 5 X 55 micro-self-locking		3							
17	900 377 009 01	hexagon nut M 5		3							
18	999 652 918 40	connector housing		1							
19	999 650 175 40	support		1							
20	996 624 117 00	actuator	-00	1	M534/535						
-	999 652 749 40	plug socket		1							
-	999 652 567 22	connector		2							
21	999 507 434 40	support		1	M534/535						
22	986 512 117 00	actuator	01-	1	M534/535						

Model	Year	MG	SG	Illustration	Restrictions	UPD	10:48	24.01.2010	PORSCHE	PET	PORSCHE
986	2004	8	04	804-00		248					

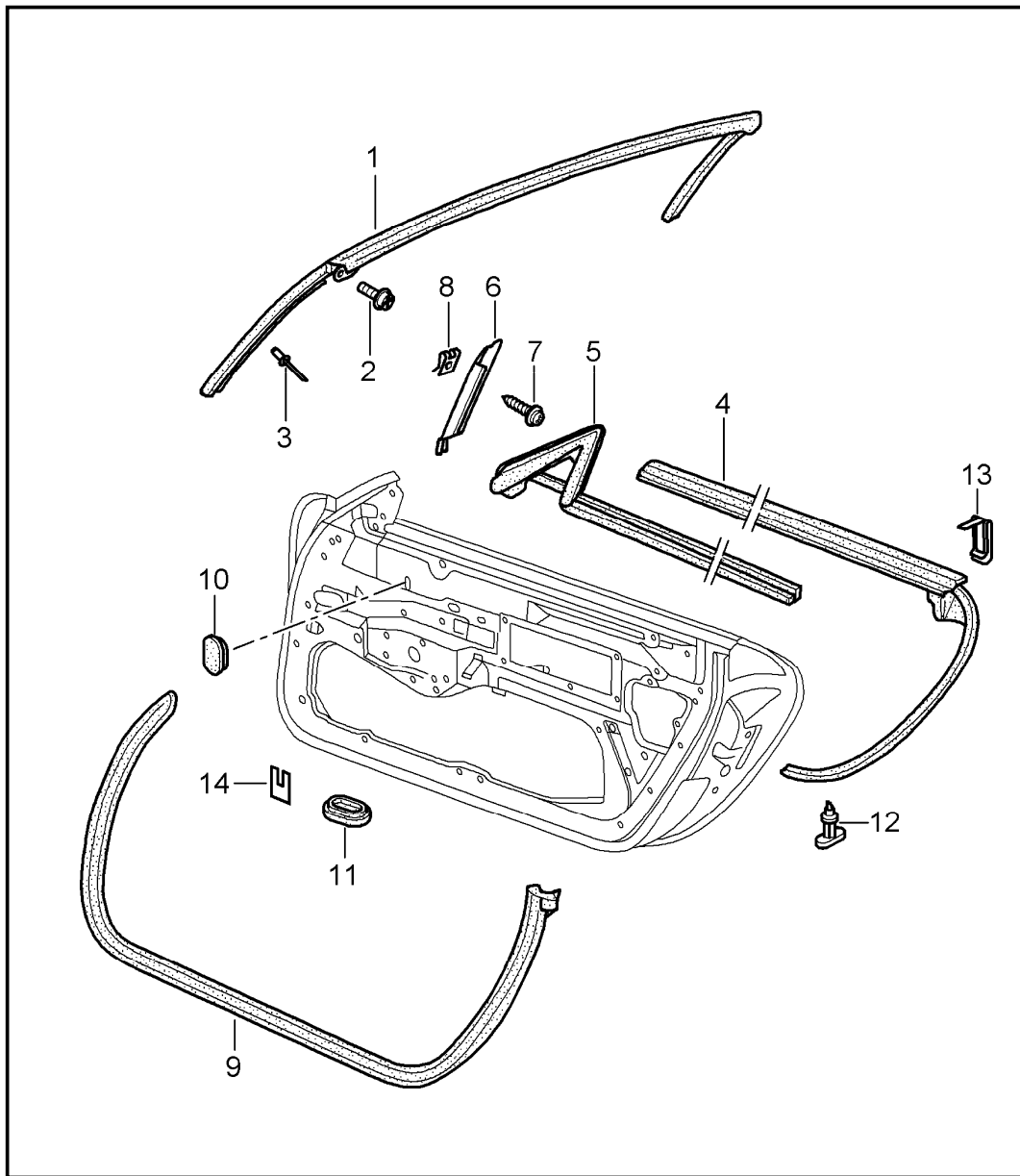


Pos	Part Number	Description	Remark	Qty	Model
		door in white installation parts door lock			
(1)	996 531 011 02	door in white	/L	1	
	GRV	prime coated use also: POS.17 see technical information group 5 4/00			
1	996 531 012 02	door in white	/R	1	
	GRV	prime coated use also: POS.17 see technical information group 5 4/00			
-	000 043 204 38	sealing material		1	
(2)	996 531 321 04	hinge	/L	1	
2	996 531 322 04	hinge	/R	1	
(3)	996 531 319 03	hinge	/L	1	
3	996 531 320 03	hinge	/R	1	
4	996 531 831 00	sleeve		4	
5	999 073 192 02	pan-head screw M 8 X 33		2	
6	996 537 151 02	door arrester		2	
7	999 084 212 02	nut M 6		4	
8	999 073 138 09	screw M 8 X 25		2	
9	996 537 751 00	seal		2	
(10)	996 537 523 00	bracket	/L	1	
	GRV	prime coated			
10	996 537 524 00	bracket	/R	1	
	GRV	prime coated			
11	900 075 487 09	combination screw M 6 X 16		10	

Model	Year	MG	SG	Illustration	Restrictions	UPD	10:48	24.01.2010	PORSCHE	PET	PORSCHE
986	2004	8	04	804-00		248					

Pos	Part Number	Description	Remark	Qty	Model	Pos	Part Number	Description	Remark	Qty	Model
12	A 3B0 837 033 F	closing element		2		19	996 537 546 00	cover lock	/R	1	
12	3B0 837 033 P	closing element		2							
13	N 907 985 02	countersunk-head screw M 8 X 16,5		4							
(14)	3B1 837 015 A	door lock	/LL/L	97	1						
(14)	A 8N1 837 015	door lock	/LL/L	98-	1						
(14)	8N1 837 015 B	door lock	/LL/L	98-	1						
14	3B1 837 016 A	door lock	/LL/R	97	1						
14	A 8N1 837 016	door lock	/LL/R	98-	1						
14	8N1 837 016 B	door lock	/LL/R	98-	1						
(14)	3B1 837 016 C	door lock	/LL/R	97	1	M534/535					
(14)	3B1 837 016 M	door lock	/LL/R	98-	1	M534/535					
(14)	3B2 837 015 A	door lock	/RL/L	97	1						
(14)	A 8N2 837 015	door lock	/RL/L	98-	1						
(14)	8N2 837 015 B	door lock	/RL/L	98-	1						
(14)	3B2 837 015 B	door lock	/RL/L	97	1	M534/535					
(14)	3B2 837 015 F	door lock	/RL/L	98-	1	M534/535					
(14)	3B2 837 016 A	door lock	/RL/R	97	1						
(14)	A 8N2 837 016	door lock	/RL/R	98-	1						
(14)	8N2 837 016 B	door lock	/RL/R	98-	1						
15	N 908 005 01	screw M 8 X 14		4							
16	996 537 320 03	bowden cable see technical information group 5 4/98		2							
17	999 072 043 09	hexagon-head bolt M 6 X 12 micro-self-locking		4							
18	999 500 066 02	blind rivet nut M 6/0,5 - 3		6	M563						
(19)	996 537 545 00	cover lock	/L	1							

Model	Year	MG	SG	Illustration	Restrictions	UPD	10:48	24.01.2010	PORSCHE	PET	PORSCHE
986	2004	8	04	804-10		248					

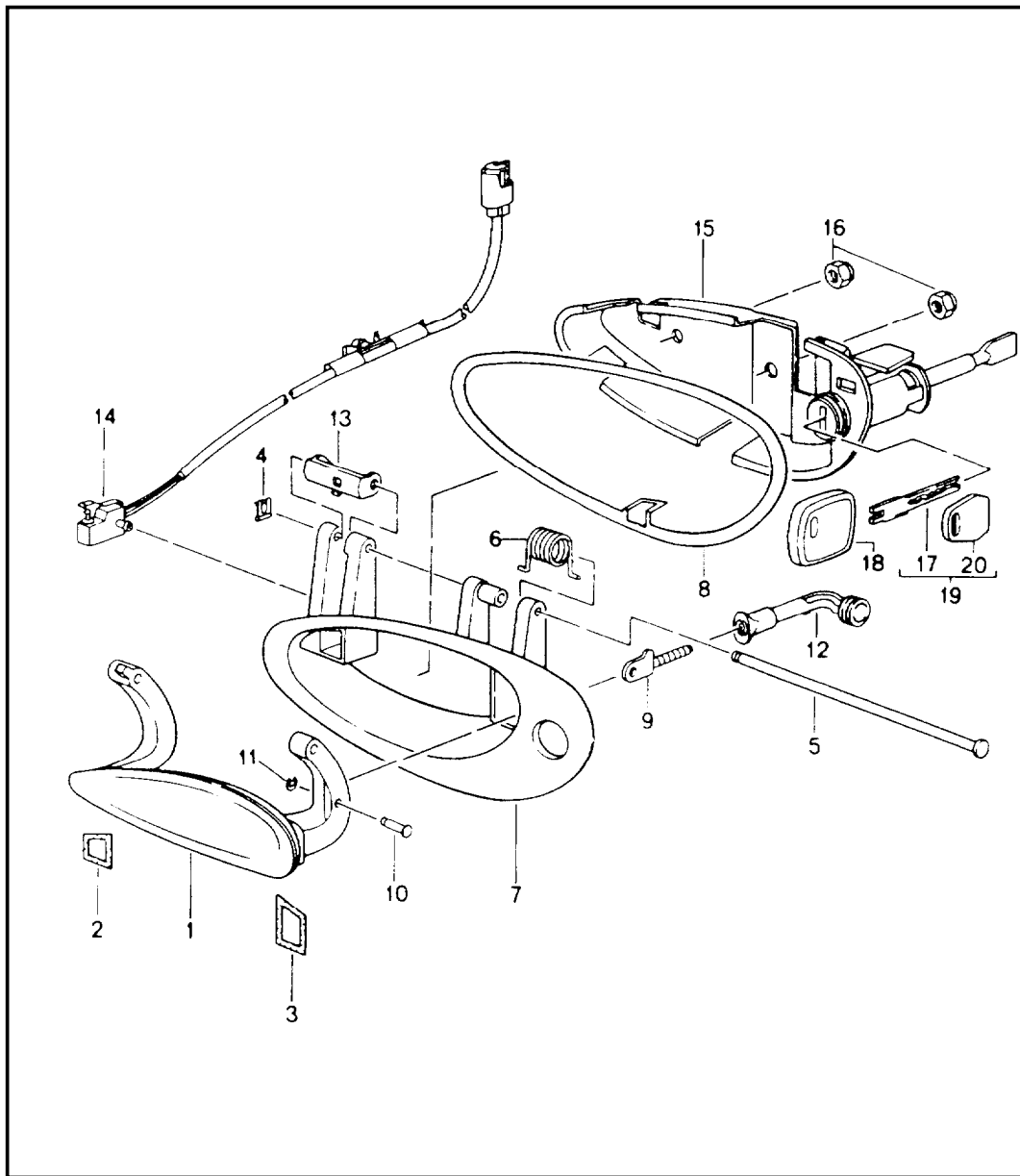


Pos	Part Number	Description	Remark	Qty	Model
		door seal			
		gasket			
		windscreen frame			
1	986 537 077 02	gasket		1	
2	900 075 483 02	combination screw M 5 X 20		2	
3	A 999 190 426 37	blind rivet A 4,0 X 9,5		8	
3	999 190 445 37	rivet A 4,0 X 7,9		8	
(4)	A 996 537 085 06	sealing for door slot	/L	1	
(4)	996 537 085 07	gasket outer	/L	1	
4	A 996 537 086 06	sealing for door slot	/R	1	
4	996 537 086 07	gasket outer	/R	1	
(5)	A 996 537 531 05	sealing for door slot	/L	1	
(5)	996 537 531 06	gasket inner	/L	1	
5	A 996 537 532 05	sealing for door slot	/R	1	
5	996 537 532 06	gasket inner	/R	1	
(6)	A 996 537 725 01	window guide	/L -02	1	
(6)	996 537 725 02	window guide	/L	1	
6	A 996 537 726 01	window guide	/R -02	1	
6	996 537 726 02	window guide	/R	1	
7	999 073 047 02	tapping screw ST 3,5 X 9,5		2	
8	999 591 725 02	speed nut ST 3,5		2	
(9)	A 986 537 075 02	gasket	/L	1	
(9)	986 537 901 00	gasket	/L	1	
9	A 986 537 076 02	gasket	/R	1	
9	986 537 902 00	gasket	/R	1	

Model	Year	MG	SG	Illustration	Restrictions	UPD	10:48	24.01.2010	PORSCHE	PET	PORSCHE
986	2004	8	04	804-10		248					

Pos	Part Number	Description	Remark	Qty	Model	Pos	Part Number	Description	Remark	Qty	Model
10	999 703 441 40	lid 20 X 28 X 1		4							
11	999 703 417 40	lid 24 X 39		8							
12	999 507 578 40	clip gasket outer		36							
13	999 507 571 02	clamp		2							
14	996 537 337 00	protective film		4							

Model	Year	MG	SG	Illustration	Restrictions	UPD	10:48	24.01.2010	PORSCHE	PET	PORSCHE
986	2004	8	04	804-20		248					

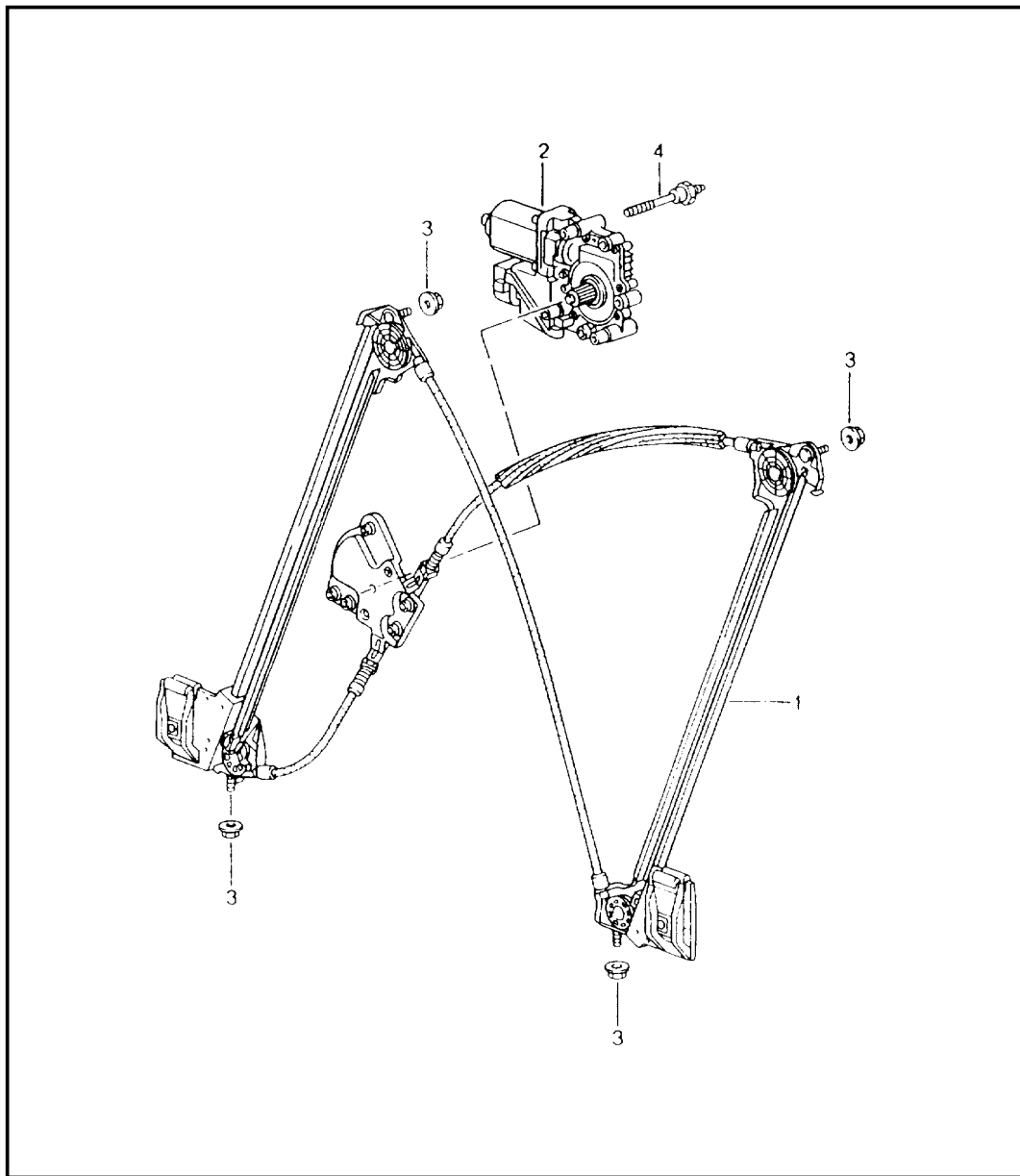


Pos	Part Number	Description	Remark	Qty	Model
		door handle			
1	996 537 613 00	handle	/L	97	1
	G2X	prime coated			
1	996 537 613 01	handle	/L	98-	1
	G2X	prime coated			
(1)	996 537 614 00	handle	/R	97	1
	G2X	prime coated			
(1)	996 537 614 01	handle	/R	98-	1
	G2X	prime coated			
2	996 537 623 01	buffer			2
3	996 537 625 00	buffer			2
4	996 537 631 00	sl-lock			2
5	996 537 621 00	axle			2
6	996 537 611 00	return spring	/L		1
(6)	996 537 612 00	return spring	/R		1
7 A	996 537 645 00	handle liner	/LL/L	97	1
	G2X	prime coated			
7	996 537 645 01	handle liner	/LL/L		1
	G2X	prime coated			
(7) A	996 537 645 00	handle liner	/RL/L	97	1 M531
	G2X	prime coated			
(7)	996 537 645 01	handle liner	/RL/L		1 M531
	G2X	prime coated			
(7) A	996 537 647 00	handle liner	/RL/L	97	1 M534/535
	G2X	prime coated			
(7)	996 537 647 01	handle liner	/RL/L		1 M534/535
	G2X	prime coated			
(7) A	996 537 646 00	handle liner	/LL/R	97	1 M531
	G2X	prime coated			

Model	Year	MG	SG	Illustration	Restrictions	UPD	10:48	24.01.2010	PORSCHE	PET	PORSCHE
986	2004	8	04	804-20		248					

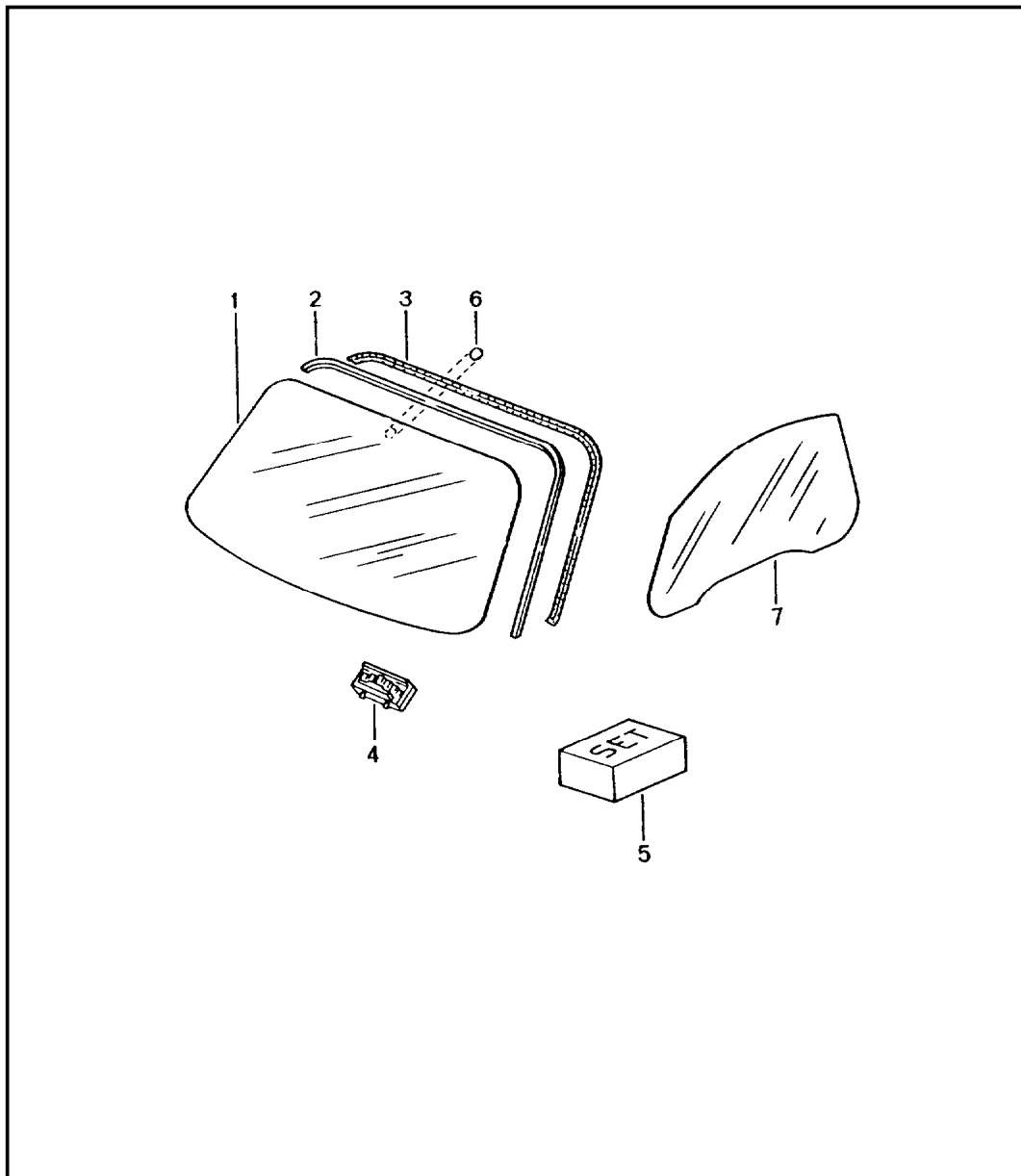
Pos	Part Number	Description	Remark	Qty	Model	Pos	Part Number	Description	Remark	Qty	Model
(7)	996 537 646 01	handle liner G2X prime coated	/LL/R	1	M531	(15)	996 537 964 03	support with lock cylinder with stipulated lock number state lock number	/R	1	
(7) A	996 537 646 00	handle liner G2X prime coated	/RL/R	97		(15)	996 537 063 03	support without lock cylinder	/RL/L	1	
(7)	996 537 646 01	handle liner G2X prime coated	/RL/R	1		(15)	996 537 064 03	support without lock cylinder	/LL/R	1	
(7) A	996 537 648 00	handle liner G2X prime coated	/LL/R	97	M534/535	16	900 380 015 09	nut M 6		4	
(7)	996 537 648 01	handle liner G2X prime coated	/LL/R	1	M534/535	17	996 538 531 00	blank key		X	
8	996 537 637 00	desk pad	/L	1		18	996 538 423 00	key cap	97	X	
(8)	996 537 638 00	desk pad	/R	1		18	996 538 423 01	key cap	98-	X	
9	996 537 627 00	control shaft		2		19	996 538 932 00	replacement key with stipulated lock number state lock number Information available		X	
10	996 537 629 00	bolt		97		20	944 538 431 00	key cap		X	
10	996 537 629 01	bolt		98-							
11	996 537 641 00	lock washer		2							
12	996 537 445 02	connecting piece		2							
13	996 537 653 00	eccentric	/L	1							
(13)	996 537 654 00	eccentric	/R	1							
14	996 613 125 00	microswitch power windows	/L	1							
(14)	996 613 126 00	microswitch power windows	/R	1							
15	996 537 963 02	support with lock cylinder w/o stipulated lock number	/L	1							
(15)	996 537 964 02	support with lock cylinder w/o stipulated lock number	/R	1							
15	996 537 963 03	support with lock cylinder with stipulated lock number state lock number	/L	1							

Model	Year	MG	SG	Illustration	Restrictions	UPD	10:48	24.01.2010	PORSCHE	PET	PORSCHE
986	2004	8	04	804-30		248					



Pos	Part Number	Description	Remark	Qty	Model
		power windows			
(1)	996 542 075 04	power windows	/L	1	
1	996 542 076 04	power windows	/R	1	
(2)	986 624 101 02	electric motor	/L	-02	1
(2)	986 624 101 03	electric motor	/L	03-	1
2	986 624 102 02	electric motor	/R	-02	1
2	986 624 102 03	electric motor	/R	03-	1
3	900 380 015 09	nut M 6		14	
4	996 542 711 00	threaded bolt		6	
		microswitch lowering door window glass see group 8/04/20 POS. 14			

Model	Year	MG	SG	Illustration	Restrictions	UPD	14:42	01.02.2010	PORSCHE	PET	PORSCHE
986	2004	8	05	805-00		248					

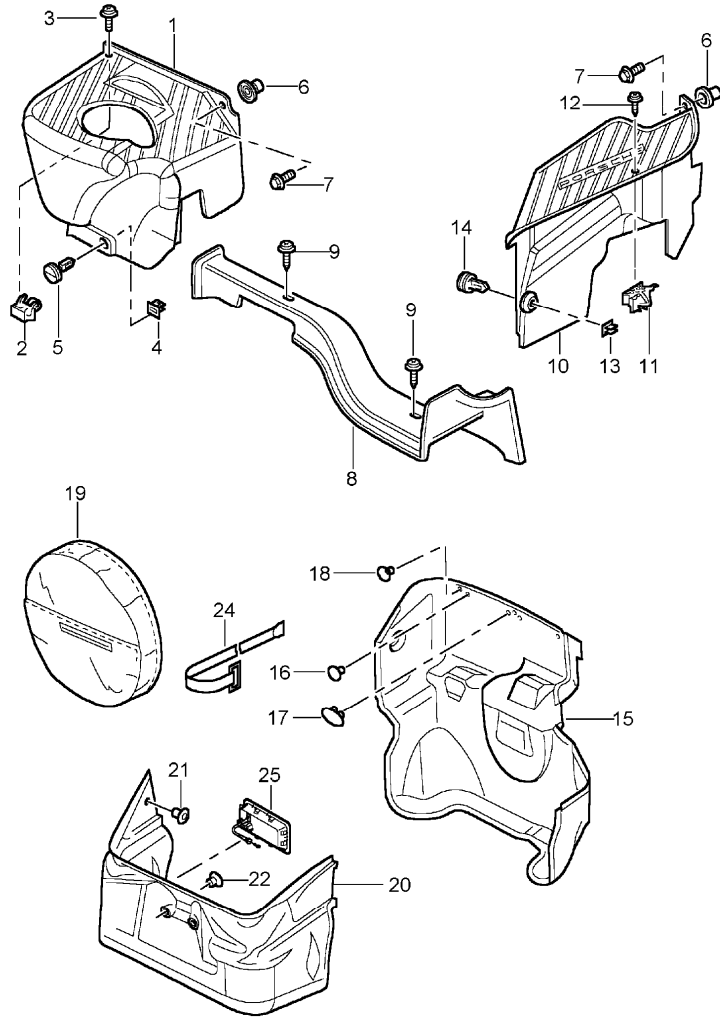


Pos	Part Number	Description	Remark	Qty	Model
		window glazing			
1	986 541 901 02	windscreen tinted		1	
1	986 541 901 04	windscreen tinted	01-	1	M265
(1)	986 541 901 03	windscreen tinted green top tint		1	
(1)	986 541 901 05	windscreen tinted green top tint	01-	1	M265
(1)	986 541 901 06	windscreen tinted	03-	1	M440
(1)	986 541 901 07	windscreen tinted green top tint	03-	1	M440
(1)	986 541 901 08	windscreen tinted	03-	1	M265/440
(1)	986 541 901 09	windscreen tinted green top tint	03-	1	M265/440
2	986 541 521 01	sealing frame F >>98XS6 03402		1	
(2)	996 541 531 01	sealing frame it is necessary to rework F 98XS6 03403>>		1	
(2)	996 541 531 01	sealing frame it is necessary to rework	00-	1	M008
3	986 541 541 01	trim frame F 98XS6 03403>>	-00	1	
3	986 541 541 03	trim frame	01-	1	
(3)	986 541 541 00	trim frame	-00	1	M008
	9A4	titanium metallic			
(3)	986 541 541 02	trim frame	01-	1	M008
	9A4	titanium metallic			
4	999 507 576 41	support		2	
5	000 043 300 94	adhesive set TEROSTAT 8593		1	

Model	Year	MG	SG	Illustration	Restrictions	UPD	14:42	01.02.2010	PORSCHE	PET	PORSCHE
986	2004	8	05	805-00		248					

Pos	Part Number	Description	Remark	Qty	Model	Pos	Part Number	Description	Remark	Qty	Model
6	000 731 513 00	adhesive plate for interior mirror		1							
7	986 542 511 00	door window glass	/L	1							
(7)	986 542 512 00	door window glass	/R	1							

Model	Year	MG	SG	Illustration	Restrictions	UPD	10:49	24.01.2010	PORSCHE	PET	PORSCHE
986	2004	8	07	807-00		248					

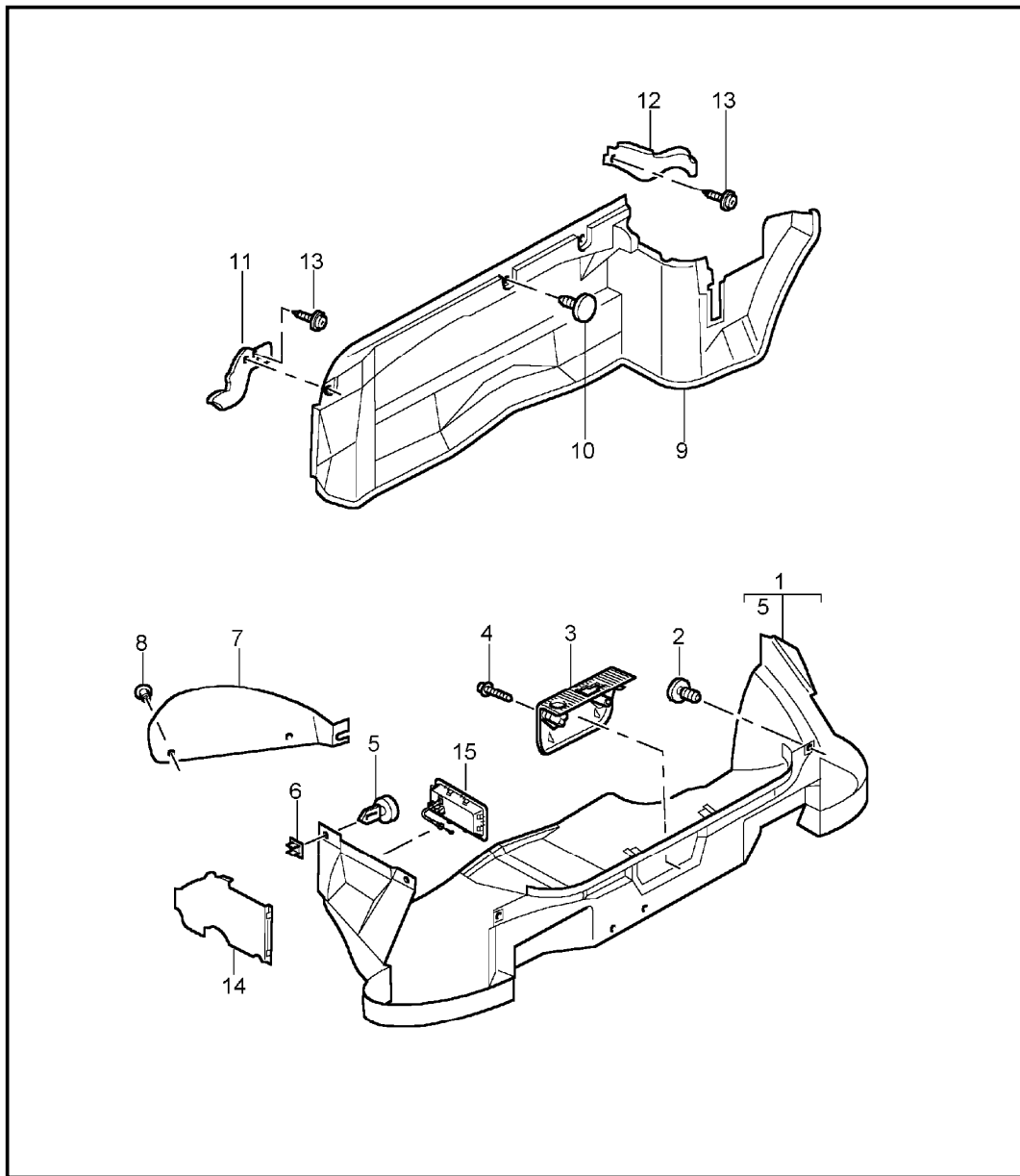


Pos	Part Number	Description	Remark	Qty	Model
1	996 551 133 04	luggage compartment front		1	
		lining	/RL/R		
		brake booster			
	01C	satin black			
(1)	996 551 131 03	lining	/LL/L	1	
		brake booster			
	01C	satin black			
2	999 507 512 40	support		1	
		3,5			
3	999 919 151 09	oval-head screw		1	
		3,5 X 18			
4	999 590 046 40	disc cam		1	
		10,0 X 11,5			
5	999 507 529 40	catch		1	
		18,0			
6	999 500 078 00	nut		1	
		M 6			
7	900 378 188 09	hexagon-head bolt		1	
		M 6 X 20			
8	996 551 137 01	lining	/RL	1	
		pipeline			
	01C	satin black			
9	999 919 151 09	screw		2	
		3,5 X 18			
10	996 551 135 01	lining	/RL/L	-99	1
		hydraulic unit			
	01C	satin black			
10	996 551 135 02	lining	/RL/L	00-	1
		hydraulic unit			
	01C	satin black			
(10)	996 551 135 03	lining	/RL/L	03-	1
		hydraulic unit			M692
	01C	satin black			
11	999 507 512 40	support	/RL	1	

Model	Year	MG	SG	Illustration	Restrictions	UPD	10:49	24.01.2010	PORSCHE	PET	PORSCHE
986	2004	8	07	807-00		248					

Pos	Part Number	Description	Remark	Qty	Model	Pos	Part Number	Description	Remark	Qty	Model
11	999 507 512 40	support 3,5	/LL	3		16	999 703 432 40	stopper 8,0 12,2 X 25		8	
(11)	996 551 771 00	support		1							
12	999 919 151 09	oval-head screw	/RL	1		17	999 703 456 40	cap 49 X 26 12,2 X 25		1	
12	999 919 151 09	oval-head screw 3,5 X 18	/LL	3		18	999 703 455 40	cap 12,2 X 25		2	
13	999 590 046 40	disc cam	/RL	1		19	996 551 061 00	lining		1	
13	999 590 046 40	disc cam 10,0 X 11,5	/LL	2		20	996 551 045 01	lining	-00	1	
14	999 507 529 40	catch	/RL	1			C10	grey			
14	999 507 529 40	catch 18,0	/LL	2		(20) A	996 551 045 06	lining	/V 01-02	1	
15	A 996 551 051 02	lining luggage compartment when used up order also: winged nut 900.029.004.02	/LL	97			A31	black			
	C10	grey				20	996 551 045 08	lining	02-	1	
(15) A	996 551 051 03	lining luggage compartment when used up order also: winged nut 900.029.004.02	/RL	97			A31	black			
	C10	grey				21	999 703 432 40	stopper 8,0		2	
						22	999 507 565 40	plastic nut T5/ 24,15		2	
						(22)	999 507 566 40	plastic nut T5/ 39,70		1	
						24	996 551 741 00	retaining strap first-aid kit		1	
15	996 551 051 14	lining luggage compartment	/LL	-00		(24)	996 551 725 00	retaining strap tool bag		1	
	C10	grey									
(15)	996 551 051 15	lining luggage compartment	/RL	-00							
	C10	grey									
15	996 551 051 16	lining luggage compartment	/LL	01-							
	A31	black									
(15)	996 551 051 17	lining luggage compartment	/RL	01-							
	A31	black									

Model	Year	MG	SG	Illustration	Restrictions	UPD	10:49	24.01.2010	PORSCHE	PET	PORSCHE
986	2004	8	07	807-01		248					

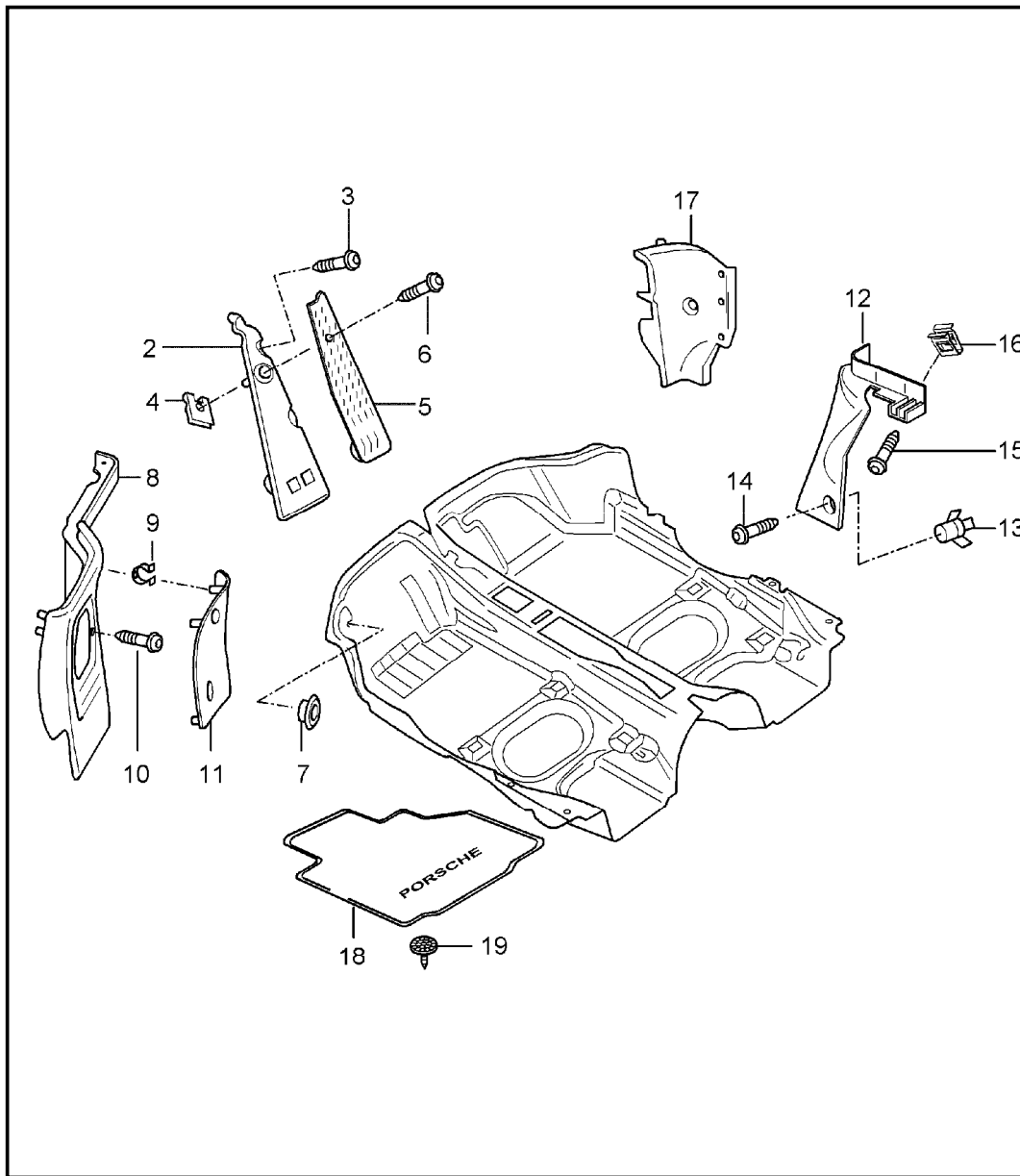


Pos	Part Number	Description	Remark	Qty	Model
1	986 551 053 05	luggage compartment rear			
		lining luggage compartment	-00	1	
		C10 grey			
1	986 551 053 05	lining	01-	1	
		A31 black			
2	999 703 432 40	stopper 8,0		3	
3	986 551 251 00	lining lid lock		1	
		01C satin black			
4	900 143 187 09	combination screw 4,8 X 32		2	
5	999 507 529 40	catch 18,0		2	
6	999 590 046 40	disc cam 10,0 X 11,5		2	
7	986 551 651 00	cover rear light	/L -00	1	
		C10 grey			
(7)	986 551 652 00	cover rear light	/R -00	1	
		C10 grey			
7	986 551 651 01	cover rear light	/L 01-	1	
		A31 black			
(7)	986 551 652 01	cover rear light	/R 01-	1	
		A31 black			
8	999 049 020 40	plastic nut T5/30 X 5,1		6	
8	999 049 024 40	plastic nut T5/40 X 8		2	
9	986 551 045 02	lining luggage compartment	-00	1	

Model	Year	MG	SG	Illustration	Restrictions	UPD	10:49	24.01.2010	PORSCHE	PET	PORSCHE
986	2004	8	07	807-01		248					

Pos	Part Number	Description	Remark	Qty	Model	Pos	Part Number	Description	Remark	Qty	Model
	C10	grey									
9	986 551 045 03	lining luggage compartment	01-	1							
	A31	black									
10	999 703 432 40	stopper 8,0		3							
(11)	986 551 321 01	bleeding	/L -02	1							
(11)	986 551 723 00	support	/L 03-	1							
(12)	986 551 322 01	bleeding	/R -02	1							
(12)	986 551 723 00	support	/R 03-	1							
13	999 073 061 02	tapping screw 4,8 X 16		3							
14	986 551 763 01	reinforcement	/L	1							
(14)	986 551 764 01	reinforcement	/R	1							
(14)	986 551 761 00	reinforcement centre part		1							

Model	Year	MG	SG	Illustration	Restrictions	UPD	10:49	24.01.2010	PORSCHE	PET	PORSCHE
986	2004	8	07	807-02		248					



Pos	Part Number	Description	Remark	Qty	Model
1	986 551 011 02	interior equipment carpet linings carpet carpet	/LL	1	
	EEW	black			
	EEX	graphite grey			
	EEY	savanna			
	EFB	nephrite green	-00		
	FAR	nephrite green	01-		
	EFC	boxster red			
	EEZ	metropole blue	98-		
	VRL	dark grey	00-		
	VRM	brown/natural	00-		
	FAP	cinnamon brown	01-		
	FKF	cocoa	04		
(1)	986 551 011 03	carpet carpet	/RL	1	
	EEW	black			
	EEX	graphite grey			
	EEY	savanna			
	EFB	nephrite green	-00		
	FAR	nephrite green	01-		
	EFC	boxster red			
	EEZ	metropole blue	98-		
	VRL	dark grey	00-		
	VRM	brown/natural	00-		
	FAP	cinnamon brown	01-		
	FKF	cocoa	04		
-	996 551 813 00	protective film	/LL	1	

Model	Year	MG	SG	Illustration	Restrictions	UPD	10:49	24.01.2010	PORSCHE	PET	PORSCHE
986	2004	8	07	807-02		248					

Pos	Part Number	Description	Remark	Qty	Model	Pos	Part Number	Description	Remark	Qty	Model
-	996 551 815 00	protective film carpet	/RL	1			EAR	graphite grey			
2	996 551 211 00	foot support	/LL	1			EAS	savanna			
(2)	996 551 212 00	foot support	/RL	1			EAT	nephrite green			
3	999 073 062 02	tapping screw 4,8 X 19	/LL	2			EAU	boxster red			
(3)	900 143 155 09	tapping screw 4,8 X 32	/RL	1			EBU	metropole blue		98-	
4	999 591 485 02	speed nut 4,8	/RL	2			VRN	dark grey		00-	
5	996 551 611 00	cover	/LL	1			VRO	brown/natural		00-	
(5)	996 551 612 00	cover foot support	/RL	1		9	FBZ	cinnamon brown		01-	
6	999 919 161 09	oval-head screw 5,0 X 18	/LL	1			FKJ	cocoa		04	
(6)	900 143 155 02	oval-head screw 4,8 X 32	/RL	1		10	999 507 552 01	spring clamp 9,0 X 13		2	
7	803 803 583 A	lid 20,0 X 30,0		2		11	999 919 161 09	oval-head screw 5,0 X 18		4	
8	996 551 101 00	lining carpet	/LL	1			996 551 621 00	lid	/LL	1	
	EAQ	black					01C	satin black			
	EAR	graphite grey				(11)	996 551 622 00	lid	/RL	1	
	EAS	savanna					01C	satin black			
	EAT	nephrite green				(12)	986 551 215 00	lining seat belt carpet	/L	97	1
	EAU	boxster red					EDX	black			
	EBU	metropole blue		98-			EDY	graphite grey			
	VRN	dark grey		00-			EDZ	savanna			
	VRO	brown/natural		00-		12	986 551 216 00	lining seat belt carpet	/R	97	1
	FBZ	cinnamon brown		01-			EDX	black			
	FKJ	cocoa		04			EDY	graphite grey			
(8)	996 551 102 00	lining carpet	/RL	1			EDZ	savanna			
	EAQ	black					EFJ	nephrite green			

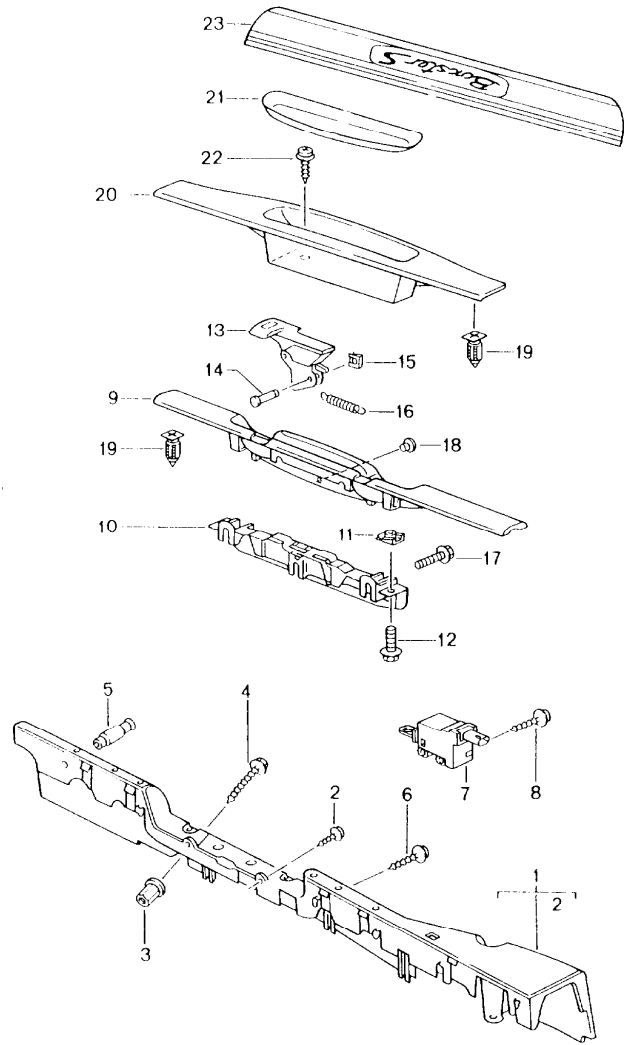
Model	Year	MG	SG	Illustration	Restrictions	UPD	10:49	24.01.2010	PORSCHE	PET	PORSCHE
986	2004	8	07	807-02		248					

Pos	Part Number	Description	Remark	Qty	Model	Pos	Part Number	Description	Remark	Qty	Model
(12)	986 551 215 00	EFK boxster red lining seat belt carpet	/L 98-99	1	M011/012/016	(12)	986 551 215 01	EME metropole blue EMF nephrite green EMG boxster red lining seat belt carpet	/L 00-	1	
12	986 551 216 00	EDX black EDY graphite grey EDZ savanna EFJ nephrite green EFK boxster red EFH metropole blue lining seat belt carpet	/R 98-99	1	M011/012/016	12	986 551 216 01	ERG black ERH graphite grey ERJ savanna ERK metropole blue ERL nephrite green ERM boxster red VSA dark grey VSB brown/natural FDP cinnamon brown FKH cocoa lining seat belt carpet	/R 00-	1	
(12)	986 551 215 01	EMB black EMC graphite grey EMD savanna EME metropole blue EMF nephrite green EMG boxster red lining seat belt	/L 99	1	M010	12	986 551 216 01	ERG black ERH graphite grey ERJ savanna ERK metropole blue ERL nephrite green ERM boxster red VSA dark grey VSB brown/natural FDP cinnamon brown FKH cocoa	/R 00-	1	
12	986 551 216 01	EMB black EMC graphite grey EMD savanna lining seat belt	/R 99	1	M010	13	999 507 438 40	support 3,5 carpet		2	

Model	Year	MG	SG	Illustration	Restrictions	UPD	10:49	24.01.2010	PORSCHE	PET	PORSCHE
986	2004	8	07	807-02		248					

Pos	Part Number	Description	Remark	Qty	Model	Pos	Part Number	Description	Remark	Qty	Model
14	999 073 048 02	tapping screw 3,5 X 13 carpet		2							
15	900 187 103 02	combination screw 4,8 X 16 carpet		2							
16	999 591 724 02	speed nut 5,5 carpet		2							
17	996 551 712 00	support valid up to: F >>98WS6 03037 carpet	/LL/R	1							
17	996 551 712 01	support valid from: F 98WS6 03036>> carpet	/LL/R	1							
(17)	996 551 711 00	support carpet	/RL/L	1							
--	999 073 226 09	tapping screw 4,2 X 16		1							
18	986 551 491 00	floor mats set pearl velour R41 cocoa A41 black	/LL	04	1 M091						
(18)	986 551 491 01	floor mats set pearl velour R41 cocoa A41 black	/RL	04	1 M091						
(18)	--- --- --- ---	floor mats set exclusive see group TEQ/8/07/02		1							
19	986 551 985 00	fastening plate for floor mats		04	4 M091						

Model	Year	MG	SG	Illustration	Restrictions	UPD	10:49	24.01.2010	PORSCHE	PET	PORSCHE
986	2004	8	07	807-03		248					



Pos	Part Number	Description	Remark	Qty	Model
		lining door sill			
1	986 551 619 01	support	/L	1	
(1)	986 551 620 01	support	/R	1	
-	999 551 140 40	felt strip		2	
2	900 143 082 02	tapping screw 6,3 X 13		4	
3	999 500 078 00	nut M 6		2	
(3)	999 049 022 40	plastic nut		2	
4	900 378 029 09	hexagon-head tapping screw M 6 X 40		2	
5	996 551 873 00	locating peg		2	
6	999 919 121 09	oval-head screw 5,0 X 16		2	
7	996 624 115 01	actuator lid	-00	1	
8	999 919 121 09	oval-head screw 5,0 X 16	-00	2	
(9)	986 551 019 01	lining with handle black/ lining	/LL	97	M590
	EDP	black-grey			
(9)	986 551 019 01	lining with handle black/ lining	/LL	98-99	M011/012/016 M590
	EDP	black-grey			
(9)	986 551 019 02	lining with handle black/ lining	/LL	98-99	M537
	EDP	black-grey			

Model	Year	MG	SG	Illustration	Restrictions	UPD	10:49	24.01.2010	PORSCHE	PET	PORSCHE
986	2004	8	07	807-03		248					

Pos	Part Number	Description	Remark	Qty	Model	Pos	Part Number	Description	Remark	Qty	Model
(9)	986 551 019 03	lining with handle black/lining EDP black-grey	/LL 98-99	1	M537/590	(9)	996 551 019 03	lining with handle black/lining EDO granite grey	/LL 99	1	M 10/537/590
(9)	986 551 019 06	lining with handle black/lining EDP black-grey	/RL 97	1	M590	(9)	996 551 019 05	lining with handle black/lining EDO granite grey	/RL 99	1	M010/538
(9)	986 551 019 06	lining with handle black/lining EDP black-grey	/RL 98-99	1	M011/012/016 M590	(9)	996 551 019 06	lining with handle black/lining EDO granite grey	/RL 99	1	M010/590
(9)	986 551 019 05	lining with handle black/lining EDP black-grey	/RL 98-99	1	M538	(9)	996 551 019 07	lining with handle black/lining EDO granite grey	/RL 99	1	M010/538/590
(9)	986 551 019 07	lining with handle black/lining EDP black-grey	/RL 98-99	1	M538/590	(9)	996 551 019 10	lining with handle silver/lining ERF black	/LL 00	1	M590
(9)	996 551 019 01	lining with handle black/lining EDO granite grey	/LL 99	1	M010/590	(9)	996 551 019 11	lining with handle silver/lining ERF black	/LL 00	1	M537/590
(9)	996 551 019 02	lining with handle black/lining EDO granite grey	/LL 99	1	M 10/537	(9)	996 551 019 14	lining with handle silver/lining ERF black	/RL 00	1	M590

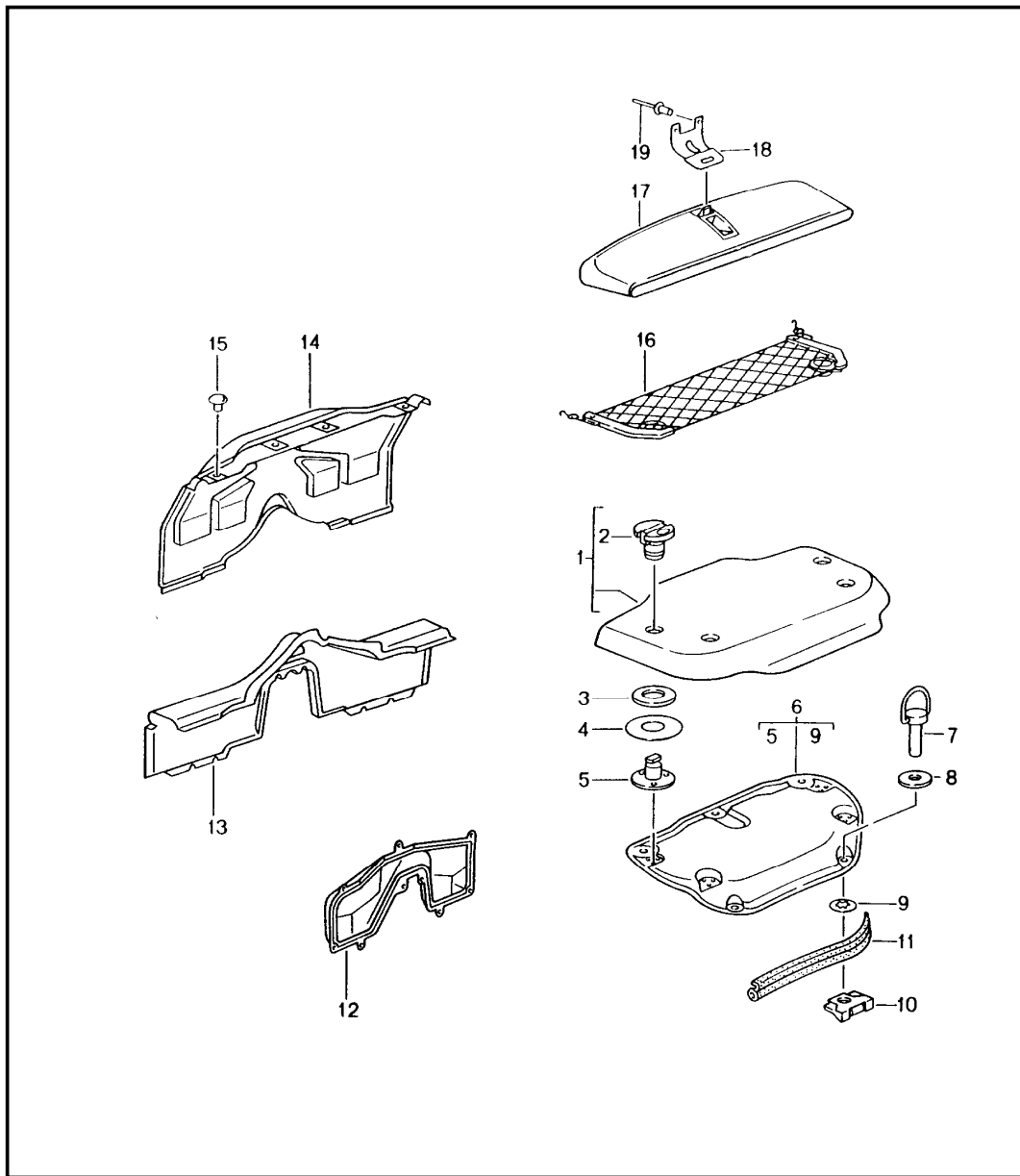
Model	Year	MG	SG	Illustration	Restrictions	UPD	10:49	24.01.2010	PORSCHE	PET	PORSCHE
986	2004	8	07	807-03		248					

Pos	Part Number	Description	Remark	Qty	Model	Pos	Part Number	Description	Remark	Qty	Model
(9)	996 551 019 13	lining with handle silver lining	/RL 00	1	M538		A03	black			
	ERF	black				(9)	996 551 019 30	lining complete	/LL 02-	1	M537
(9)	996 551 019 15	lining with handle silver lining	/RL 00	1	M538/590		A03	black			
	ERF	black				(9)	996 551 019 21	lining complete	/RL 01	1	
9	986 551 119 00	lining not for	97	1	M590		A03	black			
	B12	black-grey	98-99		M537/538	(9)	996 551 019 29	lining complete	/RL 02-	1	
9	986 551 119 00	lining not for	98-99	1	M011/012/016		A03	black			
	B12	black-grey	98-99		M590	(9)	996 551 019 31	lining complete	/RL 02-	1	M538
			98-99		M537/538		A03	black			
9	996 551 119 01	lining not for	99-00	1	M537/590	10	996 551 719 00	bracket not for	-00 98- 98-	1	M590 M537/538
	D05	granite grey	99		M538	11	999 507 556 02	speed nut M 5 not for	-00 98- 98-	2	M590 M537/538
	A03	black	00			12	900 075 145 02	hexagon-head bolt M 5 X 16 not for	-00 98-	2	M590 M537/538
9	996 551 119 04	lining	01-	1		13	996 551 511 01	handle	/LL/V -99	1	
	A03	black					70K	gloss black			
(9)	996 551 119 05	lining	01-	1	M537/538	(13)	996 551 512 01	handle	/LL/H -99	1	
	A03	black					70K	gloss black			
(9)	996 551 019 20	lining complete	/LL 01	1		(13)	996 551 511 02	handle	/RL/V -99	1	
	A03	black					70K	gloss black			
(9)	996 551 019 28	lining complete	/LL 02-	1		(13)	996 551 512 02	handle	/RL/H -99	1	
	A03	black					70K	gloss black			
(9)	996 551 019 22	lining complete	/LL 01	1	M537						

Model	Year	MG	SG	Illustration	Restrictions	UPD	10:49	24.01.2010	PORSCHE	PET	PORSCHE
986	2004	8	07	807-03		248					

Pos	Part Number	Description	Remark	Qty	Model	Pos	Part Number	Description	Remark	Qty	Model
13	996 551 511 01	handle	/LL/V	00	1 M009	19	999 507 484 40	expander nut		18	
	70K	gloss black				20	986 551 120 00	lining	97	1	
(13)	996 551 512 01	handle	/LL/H	00	1 M009		B12	black-grey			
	70K	gloss black				20	986 551 120 00	lining	98-99	1	M011/012/016
(13)	996 551 511 02	handle	/RL/V	00	1 M009		B12	black-grey			
	70K	gloss black				20	996 551 120 00	lining		1	
(13)	996 551 512 02	handle	/RL/H	00	1 M009		D05	granite grey	99		
	70K	gloss black					A03	black	00-		
13	996 551 511 03	handle	/LL/V	00	1 M008	21	996 551 513 00	mat		1	
	V01	silver				22	999 919 164 09	oval-head screw 5,0 X 12		2	
(13)	996 551 512 03	handle	/LL/H	00	1 M008	23	986 551 303 00	scuff plate	00-	2	M008
	V01	silver					A03	black			
(13)	996 551 511 04	handle	/RL/V	00	1 M008	(23)	986 551 303 01	scuff plate	04	2	M091
	V01	silver					A03	black			
(13)	996 551 512 04	handle	/RL/H	00	1 M008						
	V01	silver									
14	999 088 033 02	bolt		-00	2						
		not for		98-							
		6 X 22 X 19			M537/538						
15	999 166 079 02	lock		-00	2						
		not for		98-							
					M537/538						
16	999 522 030 00	tension spring		-00	2						
		not for									
					M537/538						
17	999 218 106 02	combination screw		-00	3						
		M 6 X 25									
(17)	999 067 046 09	pan-head screw		01-	3						
		M 6 X 20									
18	999 703 443 40	stopper			3						
		8,0 X 11 X 7,2									
	01C	satin black									

Model	Year	MG	SG	Illustration	Restrictions	UPD	10:49	24.01.2010	PORSCHE	PET	PORSCHE
986	2004	8	07	807-05		248					

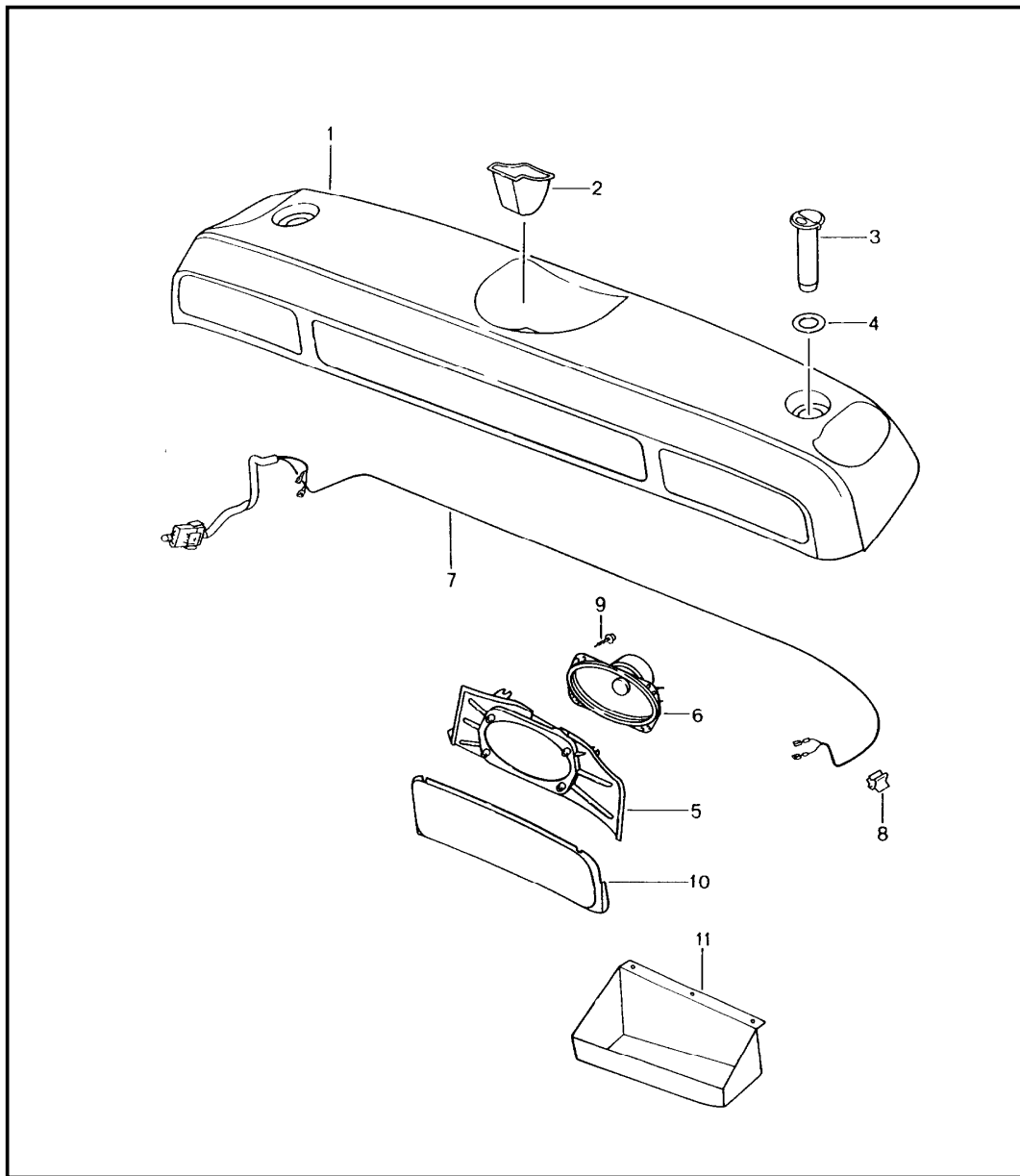


Pos	Part Number	Description	Remark	Qty	Model
(1)	986 551 039 01	linings engine compartment lining		1	
	ECC	black			
	ECO	graphite grey			
	EEB	savanna			
	EED	nephrite green			
	EEO	boxster red			
	EFL	metropole blue	98-		
	VRR	dark grey	00-		
	VRZ	brown/natural	00-		
	EVV	cinnamon brown	01-		
(1)	986 551 039 02	lining carpet		1	
	ECC	black			
	ECO	graphite grey			
	EEB	savanna			
	EED	nephrite green			
	EEO	boxster red			
	EFL	metropole blue	98-		
	VRR	dark grey	00-		
	VRZ	brown/natural	00-		
	EVV	cinnamon brown	01-		
	FKG	cocoa	04		
2	986 551 339 00	catch		4	
	01C	satin black			
3	986 551 543 00	thrust washer		4	
	01C	satin black 40 X 3 X 24			
4	986 551 545 00	lock washer		4	
		55 X 1 X 21			

Model	Year	MG	SG	Illustration	Restrictions	UPD	10:49	24.01.2010	PORSCHE	PET	PORSCHE
986	2004	8	07	807-05		248					

Pos	Part Number	Description	Remark	Qty	Model	Pos	Part Number	Description	Remark	Qty	Model
5	986 551 547 00	mounting		4			G10	metropole blue	98-		
6	986 513 011 01	engine cover		1			D11	dark grey	00-		
7	986 513 151 01	catch		5			T11	brown/natural	00-		
8	999 025 264 02	washer 10,5 X 25 X 1,25		5			P11	cinnamon brown	01-		
9	999 166 087 08	lock washer 9,0		5			R10	cocoa	04		
10	986 513 153 01	nut lock	-03	5		15	999 049 020 40	plastic nut T5/30 X 5,1		4	
10	999 507 792 09	nut lock	04-	5		16	986 551 633 01	luggage net		1	
11	986 513 611 00	gasket		1		17	986 551 631 00	storage pocket F >>98WS6 05602		1	M582
12	986 504 181 00	lid		1		18	986 551 731 00	support storage pocket F >>98WS6 05602		1	M582
13	986 551 033 00	lining cross member carpet		1		19	000 043 203 91	rivet 3,2 X 8		2	M582
	A10	black									
	C50	graphite grey									
	S30	savanna									
	J30	nephrite green									
	M30	boxster red									
	G10	metropole blue	98-								
	D11	dark grey	00-								
	T11	brown/natural	00-								
	P11	cinnamon brown	01-								
	R10	cocoa	04								
(14)	986 551 035 01	lining rear wall carpet		1							
	A10	black									
	C50	graphite grey									
	S30	savanna									
	J30	nephrite green									
	M30	boxster red									

Model	Year	MG	SG	Illustration	Restrictions	UPD	10:50	24.01.2010	PORSCHE	PET	PORSCHE
986	2004	8	07	807-07		248					

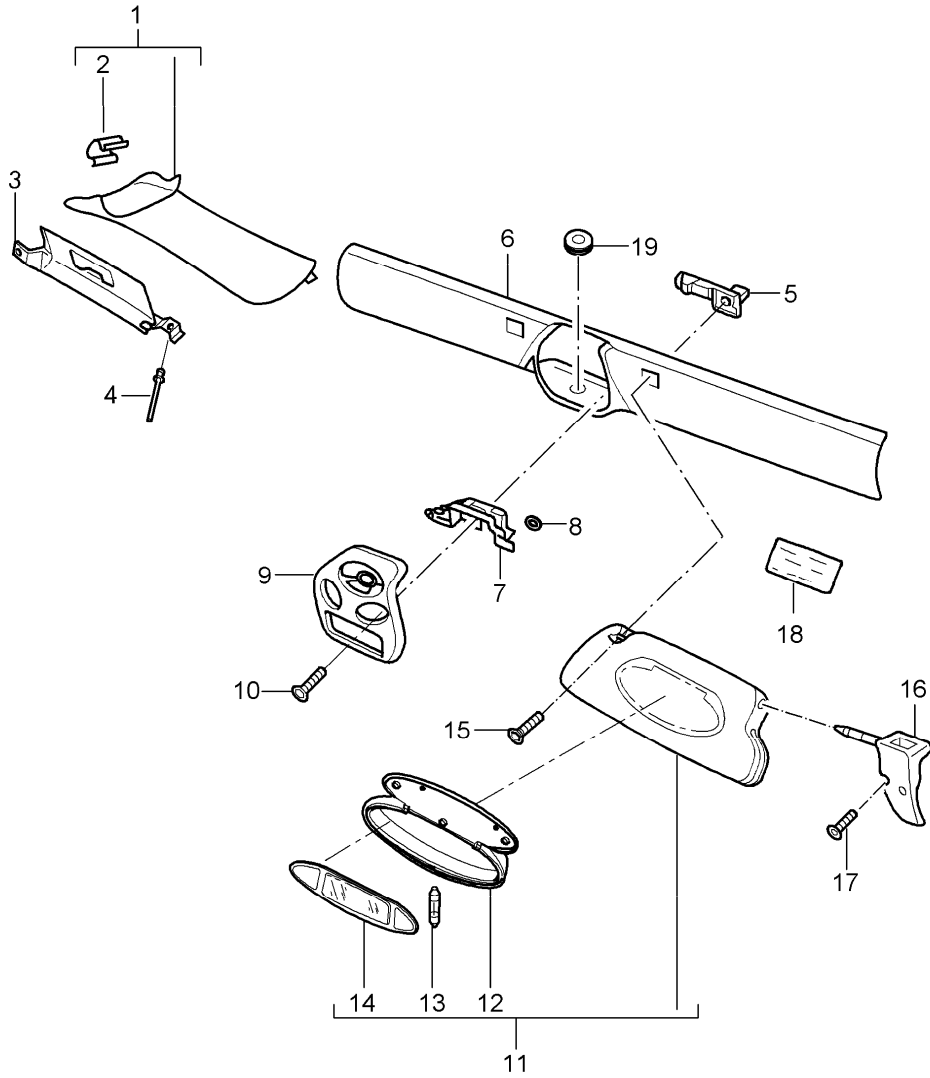


Pos	Part Number	Description	Remark	Qty	Model
		storage box F 98WS6 05603>>	98-		M584
1	986 551 223 00	storage box carpet	-02	1	
	EMY	black			
	EMZ	graphite grey			
	ENB	savanna			
	ENC	metropole blue			
	END	nephrite green			
	ENE	boxster red			
	VSC	dark grey	00-		
	VSD	brown/natural	00-		
	FDQ	cinnamon brown	01-		
(1)	986 551 223 02	storage box carpet	03-	1	
	EMY	black			
	EMZ	graphite grey			
	ENB	savanna			
	ENC	metropole blue			
	END	nephrite green	-03		
	ENE	boxster red			
	VSC	dark grey/natural			
	VSD	brown/natural			
	FDQ	cinnamon brown			
	FKJ	cocoa	04		
-	986 551 511 00	guide rail		2	
	01C	satin black			
2	986 551 427 00	rosette		1	
	01C	satin black			
3	986 551 429 00	catch		2	

Model	Year	MG	SG	Illustration	Restrictions	UPD	10:50	24.01.2010	PORSCHE	PET	PORSCHE
986	2004	8	07	807-07		248					

Pos	Part Number	Description	Remark	Qty	Model	Pos	Part Number	Description	Remark	Qty	Model
	01C	satin black									
4	986 551 543 00	thrust washer		2							
	01C	satin black									
5	986 551 431 00	mounting loudspeaker	/L	1							
	01C	satin black									
(5)	986 551 432 00	mounting loudspeaker	/R	1							
	01C	satin black									
6	986 645 503 00	loudspeaker		4							
7	986 612 085 00	wiring harness	-01	1							
8	999 651 286 02	cable terminal		9							
9	999 919 164 09	screw 50 X 12		24							
10	986 551 433 00	cover	/L	1							
	01C	satin black									
(10)	986 551 434 00	cover	/R	1							
	01C	satin black									
11	986 551 435 00	tray	/L	1							
	01C	satin black									
(11)	986 551 436 00	tray	/R	1							
	01C	satin black									

Model	Year	MG	SG	Illustration	Restrictions	UPD	10:50	24.01.2010	PORSCHE	PET	PORSCHE
986	2004	8	07	807-09		248					



Pos	Part Number	Description	Remark	Qty	Model
1	986 555 181 00	windscreen frame sun visors lining a-pillar B12 black-grey	/L -97	1	
(1)	986 555 182 00	lining a-pillar B12 black-grey	/R -97	1	
(1)	986 555 181 01	lining a-pillar B12 black-grey	/L 98-	1	
(1)	986 555 182 01	lining a-pillar B12 black-grey	/R 98-	1	
(1)	986 555 181 01	lining a-pillar B12 black-grey	/L 98-99	1	M012/016
(1)	986 555 182 01	lining a-pillar B12 black-grey	/R 98-99	1	M012/016
1	986 555 181 02	lining a-pillar lacquered D05 granite grey 3AW zenith blue metallic 25H ocean jade metallic	/L 98-99	1	M010/011
(1)	986 555 182 02	lining a-pillar lacquered D05 granite grey 3AW zenith blue metallic 25H ocean jade metallic	/R 98-99	1	M010/011
(1)	986 555 181 04	lining a-pillar lacquered	/L 00-	1	

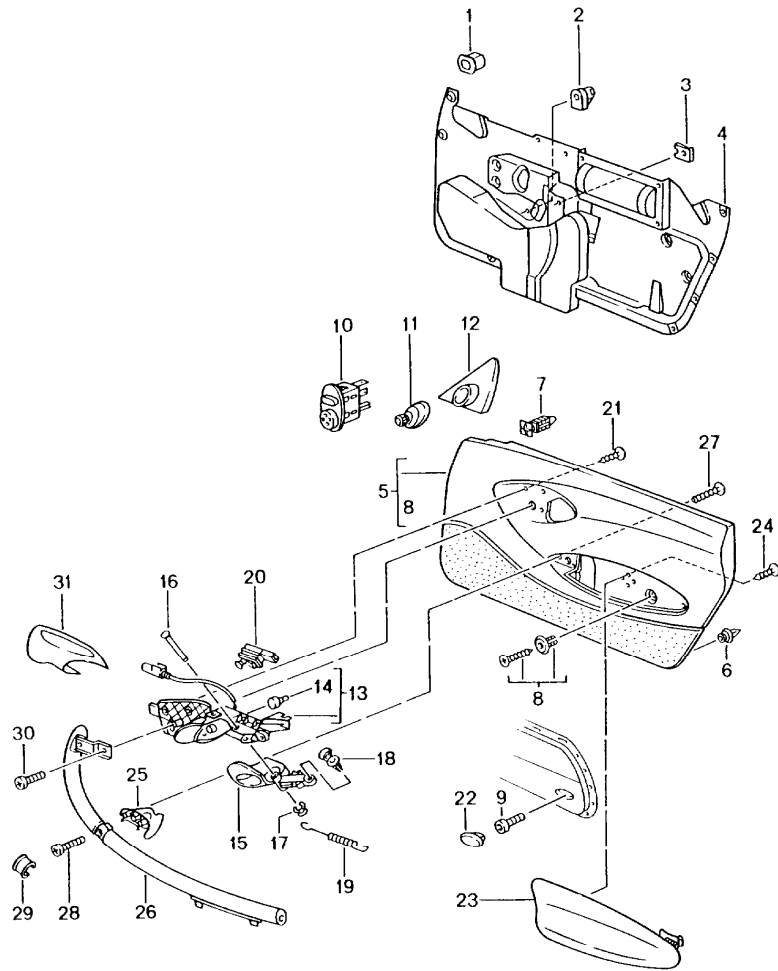
Model	Year	MG	SG	Illustration	Restrictions	UPD	10:50	24.01.2010	PORSCHE	PET	PORSCHE
986	2004	8	07	807-09		248					

Pos	Part Number	Description	Remark	Qty	Model	Pos	Part Number	Description	Remark	Qty	Model	
	A03	black					25H	ocean jade metallic				
(1)	986 555 182 04	lining a-pillar lacquered	/R	00-	1	7	986 613 795 02	microswitch	-99	1		
	A03	black				7	986 613 799 00	microswitch	00-	1		
2	999 507 584 02	clamp 8 X 10,2/2		-99	4	8	999 507 534 02	clamping washer 2,5		2		
(2)	999 507 681 09	clamp 2,5/3,0			4	9	986 561 235 02	mounting	-01	1	M439	
3	986 555 291 00	deformation element	/L	00-	1	9	986 561 235 03	mounting	02-	1	M439	
(3)	986 555 292 00	deformation element	/R	00-	1		A09	rally black				
4	999 190 167 30	blind rivet 4,0 X 6,3			10	10	999 073 166 09	countersunk-head screw M 6 X 25		2		
5	986 731 541 00	plate		-99	2	(11)	986 731 031 08	sun visor	/L	-99	1	
5	986 731 541 01	plate		98-99	2		EBY	black				
5	986 731 541 01	plate		00-	2	(11)	986 731 032 08	sun visor	/R	-99	1	
6	986 555 059 00	lining		97	1		EBY	black				
	B12	black-grey				(11)	986 731 031 09	sun visor	/L	98-99	1	M274
6	986 555 059 00	lining windscreen frame		98-99	1		EBY	black				
	B12	black-grey				11	986 731 032 09	sun visor	/R	98-99	1	M274
6	986 555 059 01	lining			1	(11)	986 731 031 17	sun visor	/L	-02	1	M274
	A03	black		00-			A12	black				
	D05	granite grey		99		11	986 731 032 17	sun visor	/R	-02	1	M274
	3AW	zenith blue metallic		-99			A12	black				
	25H	ocean jade metallic		-99		(11)	986 731 031 23	sun visor	/L	03-	1	M274
(6)	986 555 059 03	lining windscreen frame lacquered		01-	1		A12	black				
	A03	black		00-		11	986 731 032 23	sun visor	/R	03-	1	M274
6	986 555 059 02	lining windscreen frame lacquered			1	(11)	986 731 980 06	sun visor leather	/L	01-	1	IXMR/M274
	3AW	zenith blue metallic					VRK	black				

Model	Year	MG	SG	Illustration	Restrictions	UPD	10:50	24.01.2010	PORSCHE	PET	PORSCHE
986	2004	8	07	807-09		248					

Pos	Part Number	Description	Remark	Qty	Model	Pos	Part Number	Description	Remark	Qty	Model	
	C51	graphite grey					01C	satin black				
	S31	savanna				15	999 919 120 09	oval-head screw 4,0 x 18		2		
	J31	nephrite green				17	999 073 166 09	countersunk-head screw M 6 X 25		4		
	M31	boxster red				18	986 701 401 06	sticker convertible top control german	-03	1	M488	
	G11	metropole blue				18	986 701 401 12	sticker convertible top control german	04-	1	M488	
	D12	dark grey										
	T12	brown/natural										
	P12	cinnamon brown										
11	986 731 981 06	sun visor leather	/R	01-	1	IXMR/M274	18	986 701 401 07	sticker	-03	1	M130
	VRK	black					18	986 701 401 13	sticker convertible top control english	04-	1	M130
	C51	graphite grey					19	996 555 619 00	grommet wiring harness rain sensor	01-	1	M265
	S31	savanna										
	J31	nephrite green					20	- - - -	sensor interior monitoring see illustrations 09/01/03		1	
	M31	boxster red										
	G11	metropole blue										
	D12	dark grey					21	- - - -	trim cover alarm siren see illustrations 09/01/03		1	
	T12	brown/natural										
	P12	cinnamon brown										
(12)	986 731 901 00	mirror housing without illumination		-99	2		22	- - - -	interior light see illustrations 09/03/04		1	
	01C	satin black										
12	996 731 903 00	mirror housing with illumination			1							
	01C	satin black										
13	999 631 137 90	bulb		-01	4	M274						
13	999 631 147 90	bulb 3 W		02-	4	M274						
14	996 731 531 01	mirror glass with frame			2	M274						

Model	Year	MG	SG	Illustration	Restrictions	UPD	10:50	24.01.2010	PORSCHE	PET	PORSCHE
986	2004	8	07	807-10		248					



Pos	Part Number	Description	Remark	Qty	Model
		door trim panel accessories			
1	191 853 615 A	grommet		3	
2	999 920 013 40	plug-in nut 5,0 X 1,0 X 8		4	
(2) A	999 507 462 02	speed nut	-02	1	
(2)	999 591 499 02	speed nut 4,8	03-	1	
3	999 591 882 02	speed nut M 6		2	
(4)	996 555 831 04	seal	/L	1	
4	996 555 832 04	seal	/R	1	
(4)	996 555 831 05	seal	/L	1	M490/680
(4)	996 555 832 05	seal repair material use also:	/R	1	M490/680
-	000 043 101 00	sealing cord		1	
5	---	door trim panel		X	
>>	>>---	door trim panel		X	
>>	>>---	leatherette		X	
>>	>>---	without		X	
>>	>>---	sound system		X	
(5) A	986 555 121 00	door trim panel leatherette	/L	97	1
	EAB	black			
	EAD	graphite grey			
	EAH	savanna			
5 A	986 555 122 00	door trim panel leatherette	/R	97	1
	EAB	black			
	EAD	graphite grey			
	EAH	savanna			

Model	Year	MG	SG	Illustration	Restrictions	UPD	10:50	24.01.2010	PORSCHE	PET	PORSCHE
986	2004	8	07	807-10		248					

Pos	Part Number	Description	Remark	Qty	Model	Pos	Part Number	Description	Remark	Qty	Model
(5)	986 555 121 13	door trim panel leatherette	/L -99	1	M010/011/016		ELV	black			
	DHB	black					ELW	graphite grey			
	DHC	graphite grey					ELX	savanna			
	DHD	savanna					ELY	metropole blue			
	DFE	metropole blue				(5)	986 555 122 06	door trim panel leatherette	/R 99	1	M010/563
5	986 555 122 13	door trim panel leatherette	/R -99	1	M010/011/016		ELV	black			
	DHB	black					ELW	graphite grey			
	DHC	graphite grey					ELX	savanna			
	DHD	savanna					ELY	metropole blue			
	DFE	metropole blue				(5)	986 555 121 10	door trim panel leatherette	/L 98-99	1	M012/563
(5)	986 555 121 01	door trim panel leatherette	/L 98-99	1	M012		ELR	black			
	ELN	black				(5)	986 555 122 10	door trim panel leatherette	/R 98-99	1	M012/563
5	986 555 122 01	door trim panel leatherette	/R 98-99	1	M012		ELR	black			
	ELN	black				(5)	986 555 121 06	door trim panel leatherette	/L 00-	1	M0016 M563
(5)	986 555 121 06	door trim panel leatherette	/L 98-99	1	M011/016/563		ESU	black			
	ELV	black					ESV	graphite grey			
	ELW	graphite grey					ESW	savanna			
	ELX	savanna					ESX	metropole blue			
	ELY	metropole blue					FET	nephrite green	01-		
(5)	986 555 121 06	door trim panel leatherette	99	1	M011/016/563	(5)	986 555 122 06	door trim panel leatherette	/R 00-	1	M016/563
	ELV	black					ESU	black			
	ELW	graphite grey					ESV	graphite grey			
	ELX	savanna					ESW	savanna			
	ELY	metropole blue					ESX	metropole blue			
(5)	986 555 122 06	door trim panel leatherette	/R 98-99	1	M011/016/563		FET	nephrite green	01-		

Model	Year	MG	SG	Illustration	Restrictions	UPD	10:50	24.01.2010	PORSCHE	PET	PORSCHE
986	2004	8	07	807-10		248					

Pos	Part Number	Description	Remark	Qty	Model	Pos	Part Number	Description	Remark	Qty	Model
(5)	986 555 121 10	door trim panel leatherette	/L 00-	1	M012/563	(5)	986 555 122 14	door trim panel leatherette	/R 98-99	1	M011/016/490
	ETM	black					DHH	black			
(5)	986 555 122 10	door trim panel leatherette	/R 00-	1	M012/563		DHJ	graphite grey			
	ETM	black					DHK	savanna			
>>	>>--- -- -- --	door trim panel		X			EEH	metropole blue			
>>	>>--- -- -- --	leatherette		X		(5)	986 555 122 14	door trim panel leatherette	/R 99	1	M010/490
>>	>>--- -- -- --	with		X			DHH	black			
>>	>>--- -- -- --	sound system		X			DHJ	graphite grey			
(5)	986 555 121 02	door trim panel leatherette	/L 97	1	M490		DHK	savanna			
	EBZ	black					EEH	metropole blue			
	ECA	graphite grey				(5)	986 555 121 05	door trim panel leatherette	/L 98-99	1	M012/490
	ECB	savanna					ELZ	black			
(5)	986 555 122 02	door trim panel leatherette	/R 97	1	M490	(5)	986 555 122 05	door trim panel leatherette	/R 98-99	1	M012/490
	EBZ	black					ELZ	black			
	ECA	graphite grey				(5)	986 555 121 07	door trim panel	/L 98-99	1	M011/016/490
	ECB	savanna						leatherette	99		M563
(5)	986 555 121 14	door trim panel leatherette	/L 98-99	1	M011/016/490				99		M010/490/563
	DHH	black					DGC	black			
	DHJ	graphite grey					DGD	graphite grey			
	DHK	savanna					DGE	savanna			
	EEH	metropole blue					DGF	metropole blue			
(5)	986 555 121 14	door trim panel leatherette	/L 99	1	M010/490	(5)	986 555 122 07	door trim panel	/R 98-99	1	M011/016/490
	DHH	black						leatherette	99		M563
	DHJ	graphite grey									M010/490/563
	DHK	savanna					DGC	black			
	EEH	metropole blue					DGD	graphite grey			
							DGE	savanna			
							DGF	metropole blue			

Model	Year	MG	SG	Illustration	Restrictions	UPD	10:50	24.01.2010	PORSCHE	PET	PORSCHE
986	2004	8	07	807-10		248					

Pos	Part Number	Description	Remark	Qty	Model	Pos	Part Number	Description	Remark	Qty	Model
(5)	986 555 121 11	door trim panel leatherette	/L 98-99	1	M012/490/563		ETB	metropole blue			
	EMA	black					FEV	nephrite green	01-		
(5)	986 555 122 11	door trim panel leatherette	/R 98-99	1	M012/490/563	(5)	986 555 121 20	door trim panel leatherette	/L 00-	1	M012/490/563
	EMA	black					ETK	black			
(5)	986 555 121 17	door trim panel leatherette	/L 00-	1	M016/490/563	(5)	986 555 121 20	door trim panel leatherette	/L 02-	1	M012/563/680
	ESY	black					ETK	black			
	ESZ	graphite grey				(5)	986 555 122 20	door trim panel leatherette	/R 00-	1	M012/490/563
	ETA	savanna					ETK	black			
	ETB	metropole blue				(5)	986 555 122 20	door trim panel leatherette	/R 02-	1	M012/563/680
	FEV	nephrite green	01-				ETK	black			
(5)	986 555 121 17	door trim panel leatherette	/L 02-	1	M016/563/680	>>	>>---	door trim panel			X
	ESY	black				>>	>>---	leather			X
	ESZ	graphite grey				>>	>>---	without			X
	ETA	savanna				>>	>>---	sound system			X
	ETB	metropole blue				(5)	986 555 121 03	door trim panel leather	/L 97	1	
	FEV	nephrite green	01-				ECJ	black			
(5)	986 555 122 17	door trim panel leatherette	/R 00-	1	M016/490/563		ECK	graphite grey			
	ESY	black					ECL	savanna			
	ESZ	graphite grey					ECM	nephrite green			
	ETA	savanna					ECN	boxster red			
	ETB	metropole blue				5	986 555 122 03	door trim panel leather	/R 97	1	
	FEV	nephrite green	01-				ECJ	black			
(5)	986 555 122 17	door trim panel leatherette	/R 02-	1	M016/563/680		ECK	graphite grey			
	ESY	black					ECL	savanna			
	ESZ	graphite grey					ECM	nephrite green			
	ETA	savanna					ECN	boxster red			

Model	Year	MG	SG	Illustration	Restrictions	UPD	10:50	24.01.2010	PORSCHE	PET	PORSCHE
986	2004	8	07	807-10		248					

Pos	Part Number	Description	Remark	Qty	Model	Pos	Part Number	Description	Remark	Qty	Model
(5)	986 555 121 03	door trim panel leather	/L 98-99	1	M010/016		ECN	boxster red			
	ECJ	black				(5)	986 555 122 08	door trim panel leather	/R 98-99	1	M016/563
	ECK	graphite grey					ECJ	black			
	ECL	savanna					ECK	graphite grey			
	ECM	nephrite green					ECL	savanna			
	ECN	boxster red					DFX	metropole blue			
	DFX	metropole blue	98-				ECM	nephrite green			
5	986 555 122 03	door trim panel leather	/R 98-99	1	M010/016		ECN	boxster red			
	ECJ	black				(5)	986 555 122 08	door trim panel leather	99	1	M010/563
	ECK	graphite grey					ECJ	black			
	ECL	savanna					ECK	graphite grey			
	ECM	nephrite green					ECL	savanna			
	ECN	boxster red					DFX	metropole blue			
	DFX	metropole blue	98-				ECM	nephrite green			
(5)	986 555 121 08	door trim panel leather	/L 98-99	1	M016/563		ECN	boxster red			
	ECJ	black				(5)	986 555 121 08	door trim panel leather	/L -02	1	M016/563/981
	ECK	graphite grey					ETL	black			
	ECL	savanna					ECK	graphite grey			
	DFX	metropole blue					ECL	savanna			
	ECM	nephrite green					DFX	metropole blue			
	ECN	boxster red					ECM	nephrite green			
(5)	986 555 121 08	door trim panel leather	/L 99	1	M010/563		ECN	boxster red			
	ECJ	black					VSG	dark grey			
	ECK	graphite grey					VSH	brown/natural			
	ECL	savanna					FEU	cinnamon brown	01-		
	DFX	metropole blue				(5)	986 555 122 08	door trim panel leather	/R -02	1	M016/563/981
	ECM	nephrite green					ETL	black			

Model	Year	MG	SG	Illustration	Restrictions	UPD	10:50	24.01.2010	PORSCHE	PET	PORSCHE
986	2004	8	07	807-10		248					

Pos	Part Number	Description	Remark	Qty	Model	Pos	Part Number	Description	Remark	Qty	Model
	ECK	graphite grey					ECM	nephrite green		-03	
	ECL	savanna					ECN	boxster red			
	DFX	metropole blue					FEU	cinnamon brown			
	ECM	nephrite green					VSG	dark grey/natural			
	ECN	boxster red					VSH	brown/natural			
	VSG	dark grey				(5)	986 555 121 04	door trim panel leather	/L	97	1 M490
	VSH	brown/natural					ECP	black			
	FEU	cinnamon brown	01-				ECQ	graphite grey			
>>	>>----	door trim panel		X			ECR	savanna			
>>	>>----	leather		X			ECS	nephrite green			
>>	>>----	with		X			ECT	boxster red			
>>	>>----	sound system		X		(5)	986 555 122 04	door trim panel leather	/R	97	1 M490
(5)	986 555 121 21	door trim panel airbag leather	/L	03-	1 M016/563/981		ECP	black			
	ETL	black					ECQ	graphite grey			
	ECK	graphite grey					ECR	savanna			
	ECL	savanna					ECS	nephrite green			
	DFX	metropole blue					ECT	boxster red			
	ECM	nephrite green		-03		(5)	986 555 121 04	door trim panel leather	/L	98-99	1 M010/016/490
	ECN	boxster red					ECP	black			
	FEU	cinnamon brown					ECQ	graphite grey			
	VSG	dark grey/natural					ECR	savanna			
	VSH	brown/natural					ECS	nephrite green			
(5)	986 555 122 21	door trim panel airbag leather	/R	03-	1 M016/563/981		ECT	boxster red			
	ETL	black					DGB	metropole blue		98-	
	ECK	graphite grey				(5)	986 555 122 04	door trim panel leather	/R	98-99	1 M010/016/490
	ECL	savanna					ECP	black			
	DFX	metropole blue					ECQ	graphite grey			

Model	Year	MG	SG	Illustration	Restrictions	UPD	10:50	24.01.2010	PORSCHE	PET	PORSCHE
986	2004	8	07	807-10		248					

Pos	Part Number	Description	Remark	Qty	Model	Pos	Part Number	Description	Remark	Qty	Model		
	ECR	savanna					ECQ	graphite grey					
	ECS	nephrite green					ECR	savanna					
	ECT	boxster red					DGB	metropole blue					
	DGB	metropole blue					ECS	nephrite green					
(5)	986 555 121 09	door trim panel leather	/L	98-99	1	M016/490/563	ECT	boxster red					
	ECP	black				(5)	986 555 121 18	door trim panel leather	/L	00-01	1	M016/490/563	
	ECQ	graphite grey					ETC	black					
	ECR	savanna					ETD	graphite grey					
	DGB	metropole blue					ETE	savanna					
	ECS	nephrite green					ETF	metropole blue					
	ECT	boxster red					ETG	nephrite green					
(5)	986 555 121 09	door trim panel leather	/L	99	1	M010/490/563	ETH	boxster red					
	ECP	black					VSJ	dark grey					
	ECQ	graphite grey					VSK	brown/natural					
	ECR	savanna					FEW	cinnamon brown		01-			
	DGB	metropole blue				(5)	986 555 121 18	door trim panel leather	/L	01-02	1	M016/563/680	
	ECS	nephrite green					ETC	black					
	ECT	boxster red					ETD	graphite grey					
(5)	986 555 122 09	door trim panel leather	/R	98-99	1	M016/490/563	ETE	savanna					
	ECP	black					ETF	metropole blue					
	ECQ	graphite grey					ETG	nephrite green					
	ECR	savanna					ETH	boxster red					
	DGB	metropole blue					VSJ	dark grey					
	ECS	nephrite green					VSK	brown/natural					
	ECT	boxster red					FEW	cinnamon brown		01-			
(5)	986 555 122 09	door trim panel leather	/R	99	1	M010/490/563	(5)	986 555 122 18	door trim panel leather	/R	00-01	1	M016/490/563
	ECP	black					ETC	black					

Model	Year	MG	SG	Illustration	Restrictions	UPD	10:50	24.01.2010	PORSCHE	PET	PORSCHE
986	2004	8	07	807-10		248					

Pos	Part Number	Description	Remark	Qty	Model	Pos	Part Number	Description	Remark	Qty	Model
	ETD	graphite grey				(5)	986 555 121 22	door trim panel leather	/L	03-	1 M016/563/680
	ETE	savanna					ETC	black			
	ETF	metropole blue					ETD	graphite grey			
	ETG	nephrite green					ETE	savanna			
	ETH	boxster red					ETF	metropole blue			
	VSJ	dark grey					ETG	nephrite green		-03	
	VSK	brown/natural					ETH	boxster red			
	FEW	cinnamon brown		01-			FEW	cinnamon brown			
(5)	986 555 122 18	door trim panel leather	/R	01-02	1 M016/563/680		VSJ	dark grey/natural			
	ETC	black					VSK	brown/natural			
	ETD	graphite grey				(5)	986 555 122 22	door trim panel leather	/R	03-	1 M016/490/563
	ETE	savanna					ETC	black			
	ETF	metropole blue					ETD	graphite grey			
	ETG	nephrite green					ETE	savanna			
	ETH	boxster red					ETF	metropole blue			
	VSJ	dark grey					ETG	nephrite green		-03	
	VSK	brown/natural					ETH	boxster red			
	FEW	cinnamon brown		01-			FEW	cinnamon brown			
(5)	986 555 121 22	door trim panel leather	/L	03-	1 M016/490/563		VSJ	dark grey/natural			
	ETC	black					VSK	brown/natural			
	ETD	graphite grey				(5)	986 555 122 22	door trim panel leather	/R	03-	1 M016/563/680
	ETE	savanna					ETC	black			
	ETF	metropole blue					ETD	graphite grey			
	ETG	nephrite green					ETE	savanna			
	ETH	boxster red					ETF	metropole blue			
	FEW	cinnamon brown					ETG	nephrite green		-03	
	VSJ	dark grey/natural					ETH	boxster red			
	VSK	brown/natural									

Model	Year	MG	SG	Illustration	Restrictions	UPD	10:50	24.01.2010	PORSCHE	PET	PORSCHE
986	2004	8	07	807-10		248					

Pos	Part Number	Description	Remark	Qty	Model	Pos	Part Number	Description	Remark	Qty	Model
	FEW	cinnamon brown					EAL	gloss black			
	VSJ	dark grey/natural				(11)	986 555 751 00	knob door mirror manually adjustable	/L	97	1
	VSK	brown/natural					01C	satin black			
(5)	986 555 121 22	door trim panel leather	/L	04	1 M091/490/563	11	986 555 752 00	knob door mirror manually adjustable	/R	97	1
	FKR	cocoa					01C	satin black			
	VSJ	dark grey/natural				(12)	986 555 651 00	lining door mirror manually adjustable	/L	97	1
(5)	986 555 121 22	door trim panel leather	/L	04	1 M091/563/680		B12	black-grey			
	FKR	cocoa				12	986 555 652 00	lining door mirror manually adjustable	/R	97	1
	VSJ	dark grey/natural					B12	black-grey			
(5)	986 555 122 22	door trim panel leather	/R	04	1 M091/490/563	(12)	996 555 651 00	lining door mirror electrically adjustable	/LL/L	97	1
	FKR	cocoa					B12	black-grey			
	VSJ	dark grey/natural				(12)	996 555 652 00	lining door mirror electrically adjustable	/RL/R	97	1
-	999 911 688 40	adhesive tape 10 X 0,1 X 370		4			B12	black-grey			
6	999 507 505 40	clip grey		8		(12)	996 555 651 00	lining door mirror electrically adjustable	/LL/L	-99	1 M012/016
6	999 507 582 40	clip white 8,0 X 0,9		8			B12	black-grey			
7	999 507 651 40	expander nut 9,0 X 0,9		2		(12)	996 555 652 00	lining door mirror electrically adjustable	/RL/R	-99	1 M012/016
8	999 507 427 40	expander nut 6,3		2	-04		B12	black-grey			
9	999 067 043 02	pan-head screw 5 X 10		2		(12)	996 555 651 01	lining	/RL/L	97	1
10	996 613 241 00	switch door mirror electrically adjustable		1			B12	black-grey			
						(12)	996 555 652 01	lining	/LL/R	97	1
							B12	black-grey			

Model	Year	MG	SG	Illustration	Restrictions	UPD	10:50	24.01.2010	PORSCHE	PET	PORSCHE
986	2004	8	07	807-10		248					

Pos	Part Number	Description	Remark	Qty	Model	Pos	Part Number	Description	Remark	Qty	Model
(12)	996 555 651 01	lining	/RL/L -99	1	M011		T12	brown/natural	00-		
	B12	black-grey					D12	dark grey/natural	00-		
(12)	996 555 652 01	lining door mirror electrically adjustable	/LL/R -99	1	M011		P12	cinnamon brown	01-		
	B12	black-grey				(12)	996 555 984 01	lining leather	/LL/R 01-	1	IXTC/XTE/XTK IXTR
(12)	996 555 651 03	lining door mirror electrically adjustable	/LL/L 99-	1			A11	black			
	D05	granite grey					C51	graphite grey			
	A03	black					S31	savanna			
(12)	996 555 652 02	lining door mirror electrically adjustable	/LL/R 99-	1			G11	metropole blue			
	D05	granite grey					J31	nephrite green			
	A03	black					M31	boxster red			
(12)	996 555 651 02	lining door mirror electrically adjustable	/RL/L 99-	1			T12	brown/natural	00-		
	D05	granite grey					D12	dark grey/natural	00-		
	A03	black				(12)	996 555 983 01	lining leather	/RL/L 01-	1	IXTC/XTE/XTK IXTR
(12)	996 555 652 03	lining door mirror electrically adjustable	/RL/R 99-	1			A11	black			
	D05	granite grey					C51	graphite grey			
	A03	black					S31	savanna			
(12)	996 555 983 00	lining leather	/LL/L 01-	1	IXTC/XTE/XTK IXTR		G11	metropole blue			
	A11	black					J31	nephrite green			
	C51	graphite grey					M31	boxster red			
	S31	savanna					T12	brown/natural	00-		
	G11	metropole blue					D12	dark grey/natural	00-		
	J31	nephrite green					P12	cinnamon brown	01-		
	M31	boxster red				(12)	996 555 984 00	lining leather	/RL/R 01-	1	IXTC/XTE/XTK IXTR
							A11	black			
							C51	graphite grey			

Model	Year	MG	SG	Illustration	Restrictions	UPD	10:50	24.01.2010	PORSCHE	PET	PORSCHE
986	2004	8	07	807-10		248					

Pos	Part Number	Description	Remark	Qty	Model	Pos	Part Number	Description	Remark	Qty	Model
	S31	savanna				(13) A	986 555 372 03	inner door release complete with handle	/R	00	1
	G11	metropole blue									
	J31	nephrite green									
	M31	boxster red					ENP	silver			
	T12	brown/natural	00-			(13) A	986 555 371 04	inner door release complete with handle	/L	00	1
	D12	dark grey/natural	00-								
	P12	cinnamon brown	01-				ENP	silver			
(13)	986 555 371 02	inner door release complete with handle	/L	-99	1	(13) A	986 555 372 04	inner door release complete with handle	/R	00	1
	EBC	gloss black					ENP	silver			
(13)	986 555 372 02	inner door release complete with handle	/R	-99	1	(13)	986 555 271 00	inner door release complete with handle	/L	00	1
	EBC	gloss black					ENP	silver			
(13)	986 555 271 00	inner door release complete with handle order also: 996.537.320.03 F >>98XS6 00819 F >>98XU6 22717	/L	-99	1	(13)	986 555 272 00	inner door release complete with handle	/R	00	1
	EBC	gloss black					ENP	silver			
(13)	986 555 272 00	inner door release complete with handle order also: 996.537.320.03 F >>98XS6 00819 F >>98XU6 22717	/R	-99	1	(13)	986 555 271 01	inner door release complete with handle	/LL/L		1
	EBC	gloss black					ENP	silver			
(13)	A 986 555 371 03	inner door release complete with handle	/L	00	1	(13)	986 555 272 02	inner door release complete with handle	/LL/R		1
	ENP	silver					ENP	silver			
						(13)	986 555 271 02	inner door release complete with handle	/RL/L		1
							ENP	silver			

Model	Year	MG	SG	Illustration	Restrictions	UPD	10:50	24.01.2010	PORSCHE	PET	PORSCHE
986	2004	8	07	807-10		248					

Pos	Part Number	Description	Remark	Qty	Model	Pos	Part Number	Description	Remark	Qty	Model
(13)	986 555 272 01	inner door release complete with handle	/RL/R	1		(15)	996 555 425 03	handle	/L 00-02	1	
	ENP	silver					V01	silver			
(13)	986 555 271 03	inner door release complete with handle	/LL/L 03-	1		15	996 555 426 03	handle lacquered	/R 00-02	1	
	FGH	silver					V01	silver			
(13)	986 555 272 04	inner door release complete with handle	/LL/R 03-	1		(15)	996 555 425 04	handle	/L 03-	1	
	FGH	silver					V03	silver			
(13)	986 555 271 04	inner door release complete with handle	/RL/L 03-	1		15	996 555 426 04	handle lacquered	/R 03-	1	
	FGH	silver					V03	silver			
(13)	986 555 272 03	inner door release complete with handle	/RL/R 03-	1		16	999 166 084 02	bolt 4 X 39 X 37		2	
	FGH	silver				17	999 166 026 02	lock 4		2	
14	999 703 440 40	buffer 7 X 10 X 16		2		18	999 507 568 40	linkage clip		2	
(15) A	996 555 425 00	handle F >>98XS6 00819 F >>98XU6 22717	/L	1			F >>98XS6 00819 F >>98XU6 22717				
	A02	gloss black				(18)	999 702 281 40	grommet F 98XS6 00820>> F 98XU6 22718>>		2	
15 A	996 555 426 00	handle F >>98XS6 00819 F >>98XU6 22717	/R	1		19	999 522 015 00	tension spring		2	
	A02	gloss black				--	996 555 635 00	hose		2	
(15) A	996 555 425 02	handle	/L -99	1		20	996 613 123 00	microswitch		2	
	A02	gloss black				21	999 073 080 02	tapping screw 4,2 X 16		8	
15 A	996 555 426 02	handle	/R -99	1		22	996 555 623 00	cap	98-99	2	M563
	A02	gloss black					01C	satın black			
(15) A	996 555 425 02	handle	/L -99	1		22	996 555 623 01	cap	00-02	2	
	A02	gloss black					V01	silver			
15 A	996 555 426 02	handle	/R -99	1		22	996 555 623 02	cap	03-	2	
	A02	gloss black					V03	silver			
(23)	986 555 621 00	lid	/L 97	1			B12	black-grey			

Model	Year	MG	SG	Illustration	Restrictions	UPD	10:50	24.01.2010	PORSCHE	PET	PORSCHE
986	2004	8	07	807-10		248					

Pos	Part Number	Description	Remark	Qty	Model	Pos	Part Number	Description	Remark	Qty	Model
23	986 555 622 00	lid	/R	97			S31	savanna			
	B12	black-grey					G11	metropole blue			
(23)	986 555 621 00	lid	/L	-99	M011/016		J31	nephrite green			
	B12	black-grey					M31	boxster red			
23	986 555 622 00	lid	/R	-99	M011/016		D12	dark grey			
	B12	black-grey					T12	brown/natural			
(23)	986 555 621 03	lid	/L	98-			P12	cinnamon brown			
		lacquered				24	999 073 081 02	tapping screw 4,2 X 13		4	
	D05	granite grey		-99		(25)	986 555 393 00	mounting piece handle	/L	97	1
	C02	steel grey					B12	black-grey			
	A03	black		00-		25	986 555 394 00	mounting piece handle	/R	97	1
23	986 555 622 03	lid	/R	98-			B12	black-grey			
		lacquered				(25)	986 555 393 00	mounting piece handle	/L	98-99	1 M011/016
	D05	granite grey		-99			B12	black-grey			
	C02	steel grey				25	986 555 394 00	mounting piece handle	/R	98-99	1 M011/016
	A03	black		00-			B12	black-grey			
23	986 555 990 00	lid	/L	01-	IXTC/XTF/XTK	(25)	986 555 393 01	mounting piece lacquered	/L		1
		leather					D05	granite grey		99	
	A11	black					C02	metal grey		98-	
	C51	graphite grey					A03	black		00-	
	S31	savanna				25	986 555 394 01	mounting piece lacquered	/R		1
	G11	metropole blue					D05	granite grey		99	
	J31	nephrite green					C02	metal grey		98-	
	M31	boxster red					A03	black		00-	
	D12	dark grey									
	T12	brown/natural									
	P12	cinnamon brown									
(23)	986 555 991 00	lid	/R	01-	IXTC/XTF/XTK		D05	granite grey		99	
		leather					C02	metal grey		98-	
	A11	black					A03	black		00-	
	C51	graphite grey									

Model	Year	MG	SG	Illustration	Restrictions	UPD	10:50	24.01.2010	PORSCHE	PET	PORSCHE
986	2004	8	07	807-10		248					

Pos	Part Number	Description	Remark	Qty	Model	Pos	Part Number	Description	Remark	Qty	Model
(26)	986 555 351 00	handle lacquered leather	/L 97	1			FHN	nephrite green			
	EAP	black					FHO	boxster red			
26	986 555 352 00	handle lacquered leather	/R 97	1			FHP	cinnamon brown			
	EAP	black					FHQ	dark grey/natural			
(26)	986 555 351 00	handle lacquered leather	/L 98-99	1	M016	(26)	986 555 352 05	handle lacquered leather	/R 00-	1	M009
	EAP	black					ESK	black			
26	986 555 352 00	handle lacquered leather	/R 98-99	1	M016		EVU	black			
	EAP	black					FHH	graphite grey			
(26)	986 555 351 01	handle lacquered	/L 98-99	1	M011/012		FHI	savanna			
	EJW	metal grey					FHC	metropole blue			
26	986 555 352 01	handle lacquered	/R 98-99	1	M011/012		FHN	nephrite green			
	EJW	metal grey					FHO	boxster red			
(26)	986 555 351 04	handle lacquered	/L 99	1	M010	(26)	986 555 351 06	handle lacquered leather	/L -02	1	M008
	EJT	granite grey					EOB	black			
26	986 555 352 04	handle lacquered	/R 99	1	M010	(26)	986 555 351 06	handle lacquered leather/ embossed	/L 01	1	M008
	EJT	granite grey					FDE	black			
(26)	986 555 351 05	handle lacquered leather	/L 00-	1	M009	(26)	986 555 352 06	handle lacquered leather	/R -02	1	M008
	ESK	black					EOB	black			
	EVU	black									
	FHH	graphite grey				(26)	986 555 352 06	handle lacquered leather/ embossed	/R 01	1	M008
	FHI	savanna									
	FHC	metropole blue									

Model	Year	MG	SG	Illustration	Restrictions	UPD	10:50	24.01.2010	PORSCHE	PET	PORSCHE
986	2004	8	07	807-10		248					

Pos	Part Number	Description	Remark	Qty	Model	Pos	Part Number	Description	Remark	Qty	Model
(26)	986 555 351 07	FDE black handle lacquered leather	/L 03-	1	M008	(26)	986 555 987 01	FKK cocoa FKL dark grey/natural handle leather with logo	/L 01-	1	IXTC
		FHA black					A11 black				
		FHS graphite grey					C51 graphite grey				
		FHT savanna					S31 savanna				
		FHU metropole blue					G11 metropole blue				
		FHV nephrite green		03			J31 nephrite green				
		FHW boxster red					M31 boxster red				
		FHX cinnamon brown					D12 dark grey				
		FHY dark grey/natural					T12 brown/natural				
		FHZ brown/natural					P12 cinnamon brown				
(26)	986 555 352 07	handle lacquered leather	/R 03-	1	M008	(26)	986 555 988 01	handle leather with logo	/R 01-	1	IXTC
		FHA black					A11 black				
		FHS graphite grey					C51 graphite grey				
		FHT savanna					S31 savanna				
		FHU metropole blue					G11 metropole blue				
		FHV nephrite green		03			J31 nephrite green				
		FHW boxster red					M31 boxster red				
		FHX cinnamon brown					D12 dark grey				
		FHY dark grey/natural					T12 brown/natural				
		FHZ brown/natural					P12 cinnamon brown				
(26)	986 555 351 08	handle lacquered leather	/L 04	1	M091	(26)	986 555 987 03	handle carbon	/L 01-	1	IXTE
		FKK cocoa					A11 black				
		FKL dark grey/natural					C51 graphite grey				
(26)	986 555 352 08	handle lacquered leather	/R 04	1	M091						

Model	Year	MG	SG	Illustration	Restrictions	UPD	10:50	24.01.2010	PORSCHE	PET	PORSCHE
986	2004	8	07	807-10		248					

Pos	Part Number	Description	Remark	Qty	Model	Pos	Part Number	Description	Remark	Qty	Model
	S31	savanna				26	986 555 988 04	handle leather	/R	01-	1 IXTK
	G11	metropole blue					A11	black			
	J31	nephrite green	-03				C51	graphite grey			
	M31	boxster red					S31	savanna			
	P12	cinnamon brown					G11	metropole blue			
	D12	dark grey/natural					J31	nephrite green			
	T12	brown/natural					M31	boxster red			
(26)	986 555 988 03	handle carbon	/R	01-	1 IXTE		P12	cinnamon brown			
	A11	black					D12	dark grey/natural			
	C51	graphite grey					T12	brown/natural			
	S31	savanna				(26)	986 555 987 06	handle leather	/L	03-	1 IXTR
	G11	metropole blue					A11	black			
	J31	nephrite green	-03				C51	graphite grey			
	M31	boxster red					S31	savanna			
	P12	cinnamon brown					G11	metropole blue			
	D12	dark grey/natural					J31	nephrite green			
	T12	brown/natural					M31	boxster red			
26	986 555 987 04	handle leather	/L	01-	1 IXTK		D12	dark grey/natural			
	A11	black					T12	brown/natural			
	C51	graphite grey					P12	cinnamon brown			
	S31	savanna				26	986 555 988 06	handle leather	/R	03-	1 IXTR
	G11	metropole blue					A11	black			
	J31	nephrite green					C51	graphite grey			
	M31	boxster red					S31	savanna			
	P12	cinnamon brown					G11	metropole blue			
	D12	dark grey/natural					J31	nephrite green			
	T12	brown/natural					M31	boxster red			

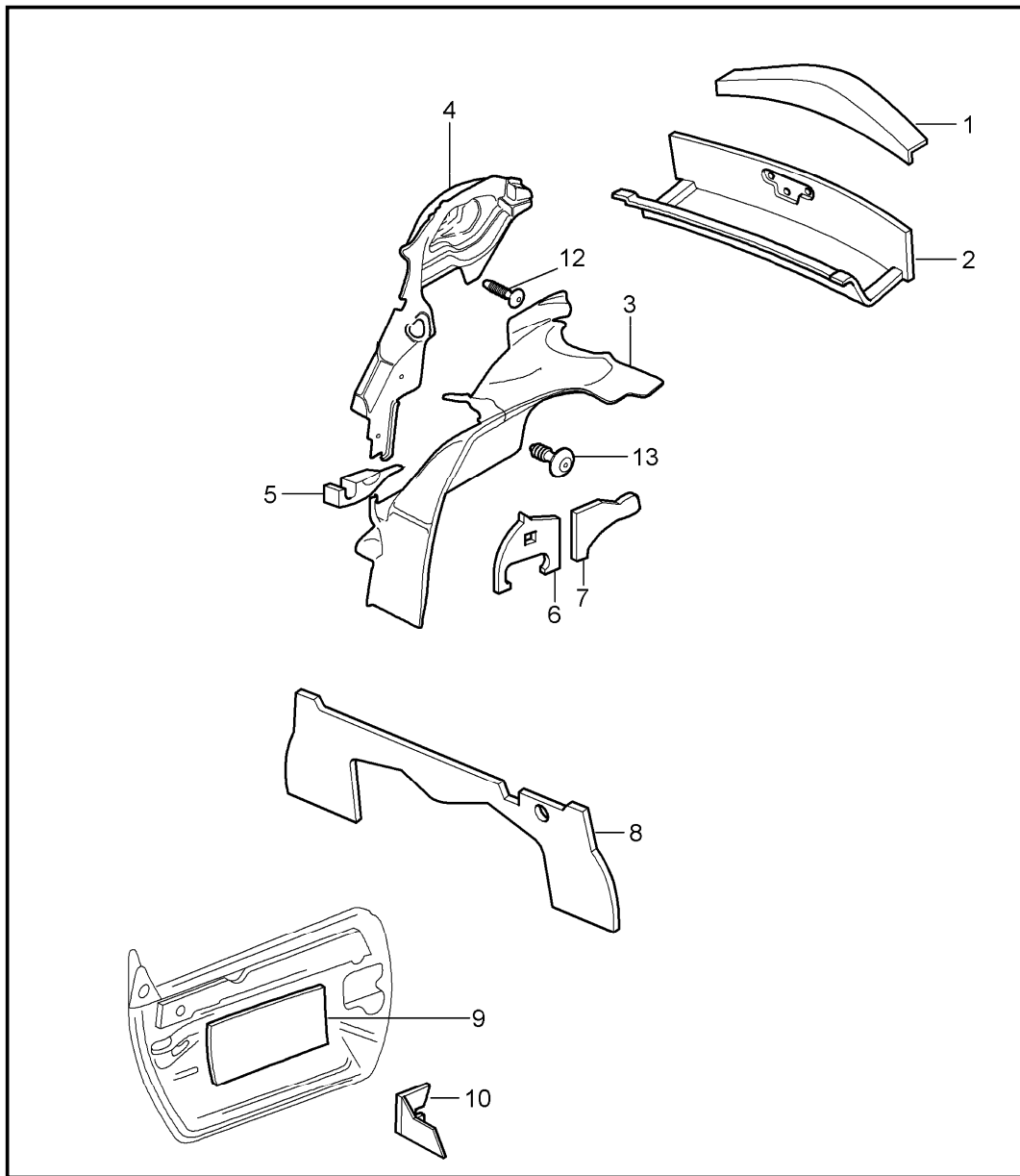
Model	Year	MG	SG	Illustration	Restrictions	UPD	10:50	24.01.2010	PORSCHE	PET	PORSCHE
986	2004	8	07	807-10		248					

Pos	Part Number	Description	Remark	Qty	Model	Pos	Part Number	Description	Remark	Qty	Model	
	D12	dark grey/natural				(29)	986 555 721 02	covering lacquered	/L00 -02	1	M008	
	T12	brown/natural					V01	silver				
	P12	cinnamon brown										
27	999 919 182 09	oval-head screw 4,0 X 20		4		29	986 555 722 02	covering lacquered	/R00 -02	1	M008	
28	999 073 112 09	oval-head screw M 6 X 80		2			V01	silver				
(29)	986 555 721 00	covering handle	/L	97	1	(29)	986 555 721 03	covering	/L 03-	1	M008	
	01C	satin black					V03	silver				
29	986 555 722 00	covering handle	/R	97	1	(29)	986 555 721 03	covering	/L 03-	1	IXTC/XTE/ M009 MXTK IXTR	
	01C	satin black					V03	silver				
(29)	986 555 721 00	covering handle	/L98-	-99	1	M016	29	986 555 722 03	covering	/R 03-	1	M008
	01C	satin black					V03	silver				
29	986 555 722 00	covering handle	/R98-	-99	1	M016	29	986 555 722 03	covering	/R 03-	1	IXTC/XTE/ M009 IXTK/XTR
	01C	satin black					V03	silver				
(29)	986 555 721 01	covering lacquered	/L	98-	1	(29)	986 555 985 01	covering aluminium coloured	/L 00-02	1	IXTF/M009	
	25H	ocean jade metallic		-99		29	986 555 986 01	covering aluminium coloured	/R 00-02	1	IXTF/M009	
	3AW	zenith blue metallic		-99		30	999 073 113 09	oval-head screw M 6 X 50		2		
	C02	metal grey				(31)	986 555 591 00	cover	/L 97	1		
	D05	granite grey		99			B12	black-grey				
	A03	black		00-		31	986 555 592 00	cover	/R 97	1		
29	986 555 722 01	covering lacquered	/R	98-	1		B12	black-grey				
	25H	ocean jade metallic		-99		(31)	986 555 591 00	cover	/L 98-99	1	M011/016	
	3AW	zenith blue metallic		-99			B12	black-grey				
	C02	metal grey				31	986 555 592 00	cover	/R 98-99	1	M011/016	
	D05	granite grey		99			B12	black-grey				
	A03	black		00-								

Model	Year	MG	SG	Illustration	Restrictions	UPD	10:50	24.01.2010	PORSCHE	PET	PORSCHE
986	2004	8	07	807-10		248					

Pos	Part Number	Description	Remark	Qty	Model	Pos	Part Number	Description	Remark	Qty	Model
(31)	986 555 591 01	cover lacquered	/L	1			P12	cinnamon brown			
	C02	metal grey		98-							
	D05	granite grey		99							
	A03	black		00-							
31	986 555 592 01	cover lacquered	/R	1							
	C02	metal grey		98-							
	D05	granite grey		99							
	A03	black		00-							
31	986 555 981 01	cover leather	/L	01-	1 IXTC/XTF						
	A11	black									
	C51	graphite grey									
	S31	savanna									
	G11	metropole blue									
	J31	nephrite green									
	M31	boxster red									
	D12	dark grey									
	T12	brown/natural									
	P12	cinnamon brown									
(31)	986 555 982 01	cover leather	/R	01-	1 IXTC/XTF						
	A11	black									
	C51	graphite grey									
	S31	savanna									
	G11	metropole blue									
	J31	nephrite green									
	M31	boxster red									
	D12	dark grey									
	T12	brown/natural									

Model	Year	MG	SG	Illustration	Restrictions	UPD	10:50	24.01.2010	PORSCHE	PET	PORSCHE
986	2004	8	07	807-15		248					

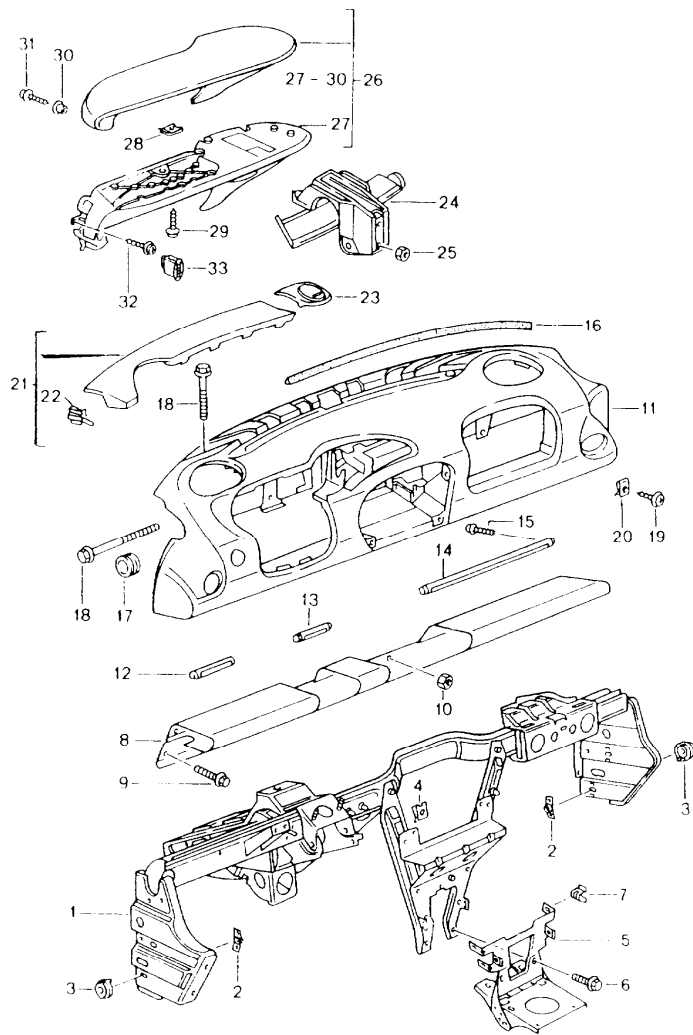


Pos	Part Number	Description	Remark	Qty	Model
1	986 556 665 02	body sound proofing 1		1	
2	986 556 621 01	sound absorber cross member		1	
2	986 556 621 02	sound absorber tray convertible top		1	
--	999 507 581 40	stopper 8,5		6	
(3)	986 556 623 01	sound absorber tray convertible top it is necessary to rework	/L	97	1
3	986 556 624 01	sound absorber tray convertible top it is necessary to rework	/R	97	1
(3)	986 556 623 03	sound absorber tray convertible top	/L	98-	1
(3)	986 556 624 02	sound absorber tray convertible top	/R	98-	1
(4)	986 556 663 02	sound absorber	/L		1
4	986 556 664 02	sound absorber rear bulkhead	/R		1
(5)	986 556 671 01	seal	/L	-03	1
5	986 556 672 01	seal	/R	-03	1
(5)	986 556 671 02	seal roll-over bar	/L/R	04-	1
(6)	986 556 721 02	sound absorber	/L		1
6	986 556 722 02	sound absorber engine compartment	/R		1
7	986 556 724 01	sound absorber engine compartment	/R		1
8	986 556 741 02	sound absorber engine compartment			1

Model	Year	MG	SG	Illustration	Restrictions	UPD	10:50	24.01.2010	PORSCHE	PET	PORSCHE
986	2004	8	07	807-15		248					

Pos	Part Number	Description	Remark	Qty	Model	Pos	Part Number	Description	Remark	Qty	Model
9	996 556 531 01	insulation door		2							
(10)	996 556 605 01	sound absorber	/L	1							
10	996 556 606 01	sound absorber wheel housing panel	/R	1							
11	996 556 723 01	sound absorber firewall	/LL	1							
(11)	996 556 724 01	sound absorber firewall	/RL	1							
12	999 703 432 40	stopper 8,0		2							
13	999 507 581 40	stopper 8,5		4							

Model	Year	MG	SG	Illustration	Restrictions	UPD	10:50	24.01.2010	PORSCHE	PET	PORSCHE
986	2004	8	09	809-00		248					



Pos	Part Number	Description	Remark	Qty	Model
		dashboard trim with retaining frame			
1	996 552 061 02	retaining frame	/LL	97	1
		GRV prime coated			
(1)	996 552 061 03	retaining frame	/RL	97	1
		GRV prime coated			
1	996 552 061 12	retaining frame	/LL	98-	1
1	996 552 061 13	retaining frame	/RL	98-	1
2	996 552 805 00	threaded plate			4
3	996 552 545 00	shim			4
4	999 507 462 02	speed nut 4,8			9
(5)	996 552 309 07	support			1
(5)	996 552 309 08	support			1 M476
6	900 378 155 09	hexagon-head tapping screw M 6 X 16			6
7	999 507 574 02	clamp 8 X 10/1,2			4
11 A	996 552 081 04	dashboard trim leatherette/moulding	/LL	97	1
		EJN black			
		EJO graphite grey			
		EJP savanna			
(11) A	996 552 082 00	dashboard trim leatherette/moulding black-grey	/RL	97	1
		EJN black			
		EJO graphite grey			
		EJP savanna			

Model	Year	MG	SG	Illustration	Restrictions	UPD	10:50	24.01.2010	PORSCHE	PET	PORSCHE
986	2004	8	09	809-00		248					

Pos	Part Number	Description	Remark	Qty	Model	Pos	Part Number	Description	Remark	Qty	Model
(11)	A 986 552 081 01	dashboard trim leatherette/ moulding black-grey	/LL -98	1	M011/016	(11)	996 552 110 00	dashboard trim leatherette without moulding	/RL 00-02	1	M016
	DHN	black					A12	black			
	DHO	graphite grey					C52	graphite grey			
	DHP	savanna					S32	savanna			
	EJQ	metropole blue					G12	metropole blue			
11	996 552 109 00	dashboard trim leatherette without moulding	/LL -99	1	M010/011/016		J32	nephrite green	-03		
	A18	black				(11)	996 552 109 02	dashboard trim leatherette without moulding	/LL 03-	1	M016
	C18	graphite grey					A12	black			
	S18	savanna					C52	graphite grey			
	G18	metropole blue					S32	savanna			
(11)	996 552 110 00	dashboard trim leatherette without moulding	/RL -99	1	M010/011/016		G12	metropole blue			
	A18	black					J32	nephrite green	-03		
	C18	graphite grey				(11)	996 552 110 02	dashboard trim leatherette without moulding	/RL 03-	1	M016
	S18	savanna					A12	black			
	G18	metropole blue					C52	graphite grey			
11	996 552 109 00	dashboard trim leatherette without moulding	/LL 00-02	1	M016		S32	savanna			
	A12	black					G12	metropole blue			
	C52	graphite grey					J32	nephrite green	-03		
	S32	savanna				11	986 552 109 00	dashboard trim leatherette	/LL -02	1	M012
	G12	metropole blue					A40	black			
	J32	nephrite green	-03			(11)	986 552 110 00	dashboard trim leatherette	/RL -02	1	M012
							A40	black			
						(11)	986 552 109 01	dashboard trim leatherette	/LL 03-	1	M012

Model	Year	MG	SG	Illustration	Restrictions	UPD	10:50	24.01.2010	PORSCHE	PET	PORSCHE
986	2004	8	09	809-00		248					

Pos	Part Number	Description	Remark	Qty	Model	Pos	Part Number	Description	Remark	Qty	Model
(11)	986 552 110 01	black dashboard trim leatherette	/RL 03-	1	M012	(11)	996 552 101 02	black dashboard trim leather/ without moulding	/LL 02	1	M981
11	996 552 101 00	black dashboard trim leather/ without moulding	/LL -01	1	M981		A11	black			
		A11					C51	graphite grey			
		A11					S31	savanna			
		EVL					G11	metropole blue			
		C51					J31	nephrite green			
		S31					M31	boxster red			
		G11					P12	cinnamon brown			
		J31					D12	dark grey/natural			
		M31					T12	brown/natural			
		D12				(11)	996 552 102 02	black dashboard trim leather/ without moulding	/RL 02	1	M981
		T12					A11	black			
		P12					C51	graphite grey			
(11)	996 552 102 00	black dashboard trim leather/ without moulding	/RL -01	1	M981		S31	savanna			
		A11					G11	metropole blue			
		EVL					J31	nephrite green			
		C51					M31	boxster red			
		S31					P12	cinnamon brown			
		G11					D12	dark grey/natural			
		J31					T12	brown/natural			
		M31				(11)	996 552 101 01	black dashboard trim leather with cut-outs glove compartment	/LL 03-	1	
		D12					A11	black			
		T12					C51	graphite grey			
		P12					S31	savanna			

Model	Year	MG	SG	Illustration	Restrictions	UPD	10:50	24.01.2010	PORSCHE	PET	PORSCHE
986	2004	8	09	809-00		248					

Pos	Part Number	Description	Remark	Qty	Model	Pos	Part Number	Description	Remark	Qty	Model
	G11	metropole blue	98-			--	999 507 796 02	u-clamp 2,0	03-	3	
	J31	nephrite green	-03			--	999 551 145 40	lining strap 15 X 1,3 X 50		2	
	M31	boxster red				--	999 507 768 02	speed nut 4,2		18	
	D12	dark grey	00-			12	996 552 381 01	moulding driver's side	/LL/L	-99	1 M011/012/016
	T12	brown/natural	00-				B12	black-grey			
	P12	cinnamon brown	01-			(12)	996 552 382 00	moulding driver's side	/RL/R	-99	1 M011/012/016
	9V6	cocoa	04-				B12	black-grey			
(11)	996 552 102 01	dashboard trim leather with cut-outs glove compartment	/RL	03-	1	(12)	996 552 382 00	moulding driver's side	/RL/R	-99	1 M011/012/016
	A11	black				12	996 552 381 02	moulding driver's side lacquered	/LL/L	99	1 M010
	C51	graphite grey					D05	granite grey			
	S31	savanna				(12)	996 552 382 01	moulding driver's side lacquered	/RL/R	99	1 M010
	G11	metropole blue	98-				D05	granite grey			
	J31	nephrite green	-03			12	996 552 381 02	moulding driver's side lacquered	/LL/L	00-	1
	M31	boxster red					A03	black			
	D12	dark grey	00-			(12)	996 552 382 01	moulding driver's side lacquered	/RL/R	00-	1
	T12	brown/natural	00-				A03	black			
	P12	cinnamon brown	01-				A03	black			
	9V6	cocoa	04-			12	986 552 381 00	moulding driver's side lacquered	/LL/L	04	1 M091
--	996 552 749 00	reinforcement strip	/LL	03-	1		M7Z	gt silver metallic			
--	996 552 750 00	reinforcement strip driver's side	/RL	03-	1	(12)	986 552 382 00	moulding driver's side lacquered	/RL/R	04	1 M091
--	996 552 753 00	reinforcement strip	/LL	03-	1 M573		M7Z	gt silver metallic			
--	996 552 753 01	reinforcement strip	/LL	03-	1 M574		M7Z	gt silver metallic			
--	996 552 754 00	reinforcement strip	/RL	03-	1 M573	(12)	986 552 382 00	moulding driver's side lacquered	/RL/R	04	1 M091
--	996 552 754 01	reinforcement strip glove compartment	/RL	03-	1 M574		M7Z	gt silver metallic			
--	999 073 169 07	tapping screw 4,8 X 16		03-	1						

Model	Year	MG	SG	Illustration	Restrictions	UPD	10:50	24.01.2010	PORSCHE	PET	PORSCHE
986	2004	8	09	809-00		248					

Pos	Part Number	Description	Remark	Qty	Model	Pos	Part Number	Description	Remark	Qty	Model
12	996 552 996 00	moulding driver's side leather	/LL/L 01-	1	IXNU	12	996 552 996 05	moulding driver's side rootwood dark	/LL/L 01-	1	IXNW
	A11	black				(12)	996 552 997 05	moulding driver's side rootwood dark	/RL/R 01-	1	IXNW
	C51	graphite grey				12	996 552 996 01	moulding driver's side carbon	/LL/L 01-	1	IXNX
	S31	savanna				(12)	996 552 997 01	moulding driver's side carbon	/RL/R 01-	1	IXNX
	G11	metropole blue				12	996 552 996 03	moulding driver's side aluminium arctic silver	/LL/L	1	IXNY
	J31	nephrite green				(12)	996 552 997 03	moulding driver's side aluminium arctic silver	/RL/R	1	IXNY
	M31	boxster red				12	996 552 996 12	moulding aluminium driver's side silver	/LL/L 03-	1	IXCA
	D12	dark grey				(12)	996 552 997 12	moulding aluminium driver's side silver	/RL/R 03-	1	IXCA
	T12	brown/natural				13	996 552 383 01	moulding centre	/LL -99	1	M011/012/016
	P12	cinnamon brown					B12	black-grey			
(12)	996 552 997 00	moulding driver's side leather	/RL/R 01-	1	IXNU	(13)	996 552 384 00	moulding centre	/RL -99	1	M011/012/016
	A11	black					B12	black-grey			
	C51	graphite grey				13	996 552 383 02	moulding centre lacquered	/LL 99	1	M010
	S31	savanna					D05	granite grey			
	G11	metropole blue				(13)	996 552 384 01	moulding centre lacquered	/RL 99	1	M010
	J31	nephrite green									
	M31	boxster red									
	D12	dark grey									
	T12	brown/natural									
	P12	cinnamon brown									
12	996 552 996 04	moulding driver's side rootwood light	/LL/L 01-	1	IXNV						
(12)	996 552 997 04	moulding driver's side rootwood light	/RL/R 01-	1	IXNV						

Model	Year	MG	SG	Illustration	Restrictions	UPD	10:50	24.01.2010	PORSCHE	PET	PORSCHE
986	2004	8	09	809-00		248					

Pos	Part Number	Description	Remark	Qty	Model	Pos	Part Number	Description	Remark	Qty	Model
	D05	granite grey					M31	boxster red			
13	996 552 383 02	moulding centre lacquered	/LL 00-	1			D12	dark grey			
	A03	black					T12	brown/natural			
(13)	996 552 384 01	moulding centre lacquered	/RL 00-	1		13	996 552 998 10	moulding centre rootwood dark	/LL 01-	1	IXNW
	A03	black					P12	cinnamon brown			
13	986 552 383 00	moulding centre lacquered	/LL 04	1	M091	(13)	996 552 998 11	moulding centre rootwood dark	/RL 01-	1	IXNW
	M7Z	gt silver metallic									
(13)	986 552 384 00	moulding centre lacquered	/RL 04	1	M091	13	996 552 998 06	moulding centre aluminium arctic silver	/LL 01-02	1	IXNY
	M7Z	gt silver metallic									
13	996 552 998 00	moulding centre leather	/LL 01-	1	IXNU	(13)	996 552 998 07	moulding centre aluminium arctic silver	/RL 01-02	1	IXNY
	A11	black									
	C51	graphite grey									
	S31	savanna									
	J31	nephrite green									
	M31	boxster red									
	D12	dark grey									
	T12	brown/natural									
	P12	cinnamon brown									
(13)	996 552 998 01	moulding centre leather	/RL 01-	1	IXNU	14	996 552 385 01	moulding passenger's side	/LL/R -99	1	M011/012/016
	A11	black									
	C51	graphite grey									
	S31	savanna									
	J31	nephrite green									
							B12	black-grey			
						(14)	996 552 386 01	moulding passenger's side	/RL/L -99	1	M011/012/016
							B12	black-grey			
						14	996 552 385 02	moulding passenger's side	/LL/R 99	1	M010
						(14)	996 552 386 02	moulding passenger's side lacquered	/RL/L 99	1	M010
							D05	granite grey			
							D05	granite grey			

Model	Year	MG	SG	Illustration	Restrictions	UPD	10:50	24.01.2010	PORSCHE	PET	PORSCHE
986	2004	8	09	809-00		248					

Pos	Part Number	Description	Remark	Qty	Model	Pos	Part Number	Description	Remark	Qty	Model
14	996 552 385 03	moulding passenger's side lacquered	/LL/R 00-	1			M31	boxster red			
	A03	black					D12	dark grey			
(14)	996 552 386 03	moulding passenger's side lacquered	/RL/L 00-	1			T12	brown/natural			
	A03	black					P12	cinnamon brown	01-		
14	986 552 385 00	moulding passenger's side lacquered	/LL/L 04	1	M091	14	996 552 959 04	moulding passenger's side rootwood dark	/LL/R 00-	1	IXNW
	M7Z	gt silver metallic				(14)	996 552 959 05	moulding passenger's side rootwood dark	/RL/L 00-	1	IXNW
(14)	986 552 386 00	moulding passenger's side lacquered	/RL/R 04	1	M091	14	996 552 959 06	moulding passenger's side carbon	/LL/R 00-	1	IXNX
	M7Z	gt silver metallic				(14)	996 552 959 07	moulding passenger's side carbon	/RL/L 00-	1	IXNX
14	996 552 959 00	moulding passenger's side	/LL/R 00-	1	IXNU	14	996 552 959 08	moulding passenger's side aluminium arctic silver	/LL/R -02	1	IXNY
	A11	black				(14)	996 552 959 09	moulding passenger's side aluminium arctic silver	/RL/L -02	1	IXNY
	C51	graphite grey				14	996 552 959 10	moulding aluminium passenger's side silver	/LL/R 03-	1	IXCA
	S31	savanna				(14)	996 552 959 11	moulding aluminium passenger's side silver	/RL/L 03-	1	IXCA
	G11	metropole blue				15	999 919 203 07	oval-head screw 3 X 10		11	
	J31	nephrite green				16	996 552 645 00	gasket cowl		1	
	M31	boxster red				17	999 703 435 40	lid 15,0 X 26,0		2	
	D12	dark grey				18	999 074 057 09	hexagon-head bolt M 8 X 125		4	
	T12	brown/natural									
	P12	cinnamon brown	01-								
(14)	996 552 959 01	moulding passenger's side	/RL/L 00-	1	IXNU						
	A11	black									
	C51	graphite grey									
	S31	savanna									
	G11	metropole blue									
	J31	nephrite green									

Model	Year	MG	SG	Illustration	Restrictions	UPD	10:50	24.01.2010	PORSCHE	PET	PORSCHE
986	2004	8	09	809-00		248					

Pos	Part Number	Description	Remark	Qty	Model	Pos	Part Number	Description	Remark	Qty	Model
19	999 073 169 07	tapping screw 4,8 X 16		11			J31	nephrite green			
20	999 507 462 02	speed nut		9			M31	boxster red			
20	999 591 855 02	speed nut 4,8		1			G11	metropole blue			
21	996 552 185 02	defroster trim F >>98VS6 04498	/L	1			D12	dark grey			
	B12	black-grey					T12	brown/natural			
(21)	996 552 186 02	defroster trim F >>98VS6 04498	/R	1		(21)	996 552 989 05	defroster trim leather	/R	01-	1 IXV1
	B12	black-grey					VRK	black			
21	986 552 185 00	defroster trim F 98VS6 04499>>	/L	-98	1		C51	graphite grey			
	B12	black-grey					S31	savanna			
(21)	986 552 186 00	defroster trim F 98VS6 04499>>	/R	-98	1		J31	nephrite green			
	B12	black-grey					M31	boxster red			
21	986 552 185 00	defroster trim	/L	99	1 M011/012/016		G11	metropole blue			
	B12	black-grey					D12	dark grey			
(21)	986 552 186 00	defroster trim	/R	99	1 M011/012/016		T12	brown/natural			
	B12	black-grey					P12	cinnamon brown			
21	996 552 185 04	defroster trim	/L	1		22	999 507 531 02	clamp 1,8-2,8	-98	2	
	D05	granite grey		99		22	999 507 685 02	clamp 1,5-2,0	99-	2	
	A03	black		00-		23	996 552 181 02	cover F >>98VS6 04498		1	
(21)	996 552 186 04	defroster trim	/R	1			B12	black-grey			
	D05	granite grey		99		(23)	996 552 181 03	cover F >>98VS6 04498		1	M573
	A03	black		00-			B12	black-grey			
21	996 552 988 05	defroster trim leather	/L	01-	1 IXV1	(23)	986 552 181 00	cover F 98VS6 04499>>	-98	1	
	VRK	black					B12	black-grey			
	C51	graphite grey				(23)	986 552 181 00	cover	99	1	M011/012/016
	S31	savanna					B12	black-grey			

Model	Year	MG	SG	Illustration	Restrictions	UPD	10:50	24.01.2010	PORSCHE	PET	PORSCHE
986	2004	8	09	809-00		248					

Pos	Part Number	Description	Remark	Qty	Model	Pos	Part Number	Description	Remark	Qty	Model
(23)	996 552 181 04	cover		1			EJP	savanna			
	D05	granite grey	99			26	986 552 055 02	cover leatherette dashboard trim black-grey	/LL 98-99	1	M011/016
	A03	black	00-				DHN	black			
(23)	996 552 990 02	cover light leather	01-	1	IXV1		DHO	graphite grey			
	VRK	black					DHP	savanna			
	C51	graphite grey					EJQ	metropole blue			
	S31	savanna				(26)	986 552 056 02	cover leatherette dashboard trim black-grey	/RL 98-99	1	M011/016
	J31	nephrite green					DHN	black			
	M31	boxster red					DHO	graphite grey			
	G11	metropole blue					DHP	savanna			
	D12	dark grey					EJQ	metropole blue			
	T12	brown/natural									
	P12	cinnamon brown									
24	996 552 617 03	support	/LL	1		26	986 552 055 03	cover leatherette dashboard trim granite grey	/LL 99	1	M010
(24)	996 552 618 02	support instrument wiring harness	/RL	1			DKO	black			
--	999 591 883 02	speed nut 4,8		2			DKP	graphite grey			
25	900 380 015 09	hexagon nut M 6		2			DKQ	savanna			
26	986 552 055 00	cover instruments	/LL 97	1			DKR	metropole blue			
	EJN	black				(26)	986 552 056 03	cover leatherette dashboard trim granite grey	/RL 99	1	M010
	EJO	graphite grey					DKO	black			
	EJP	savanna					DKP	graphite grey			
(26)	986 552 056 00	cover instruments leatherette	/RL 97	1			DKQ	savanna			
	EJN	black					DKR	metropole blue			
	EJO	graphite grey									

Model	Year	MG	SG	Illustration	Restrictions	UPD	10:50	24.01.2010	PORSCHE	PET	PORSCHE
986	2004	8	09	809-00		248					

Pos	Part Number	Description	Remark	Qty	Model	Pos	Part Number	Description	Remark	Qty	Model
26	986 552 055 03	cover leatherette dashboard trim black	/LL 00-	1	M016		DKH	graphite grey			
	EUD	black					DKJ	savanna			
	EVC	graphite grey					DKK	metropole blue			
	EVG	savanna					DKL	nephrite green			
	EVH	metropole blue					DKM	boxster red			
	FES	nephrite green				(26)	986 552 036 02	cover instruments leather/ dashboard trim granite grey lacquered	/RL 99	1	M010
(26)	986 552 056 03	cover leatherette dashboard trim black	/RL 00-	1	M016		DKG	black			
	EUD	black					DKH	graphite grey			
	EVC	graphite grey					DKJ	savanna			
	EVG	savanna					DKK	metropole blue			
	EVH	metropole blue					DKL	nephrite green			
	FES	nephrite green					DKM	boxster red			
26	986 552 035 02	cover instruments leather black dashboard trim lacquered	/LL 98-	1	M012	26	986 552 035 00	cover instruments leather dashboard trim black-grey	/LL 97	1	
	DKN	metal grey					EBG	black			
(26)	986 552 036 02	cover instruments leather black dashboard trim lacquered	/RL 98-	1	M012		EBH	graphite grey			
	DKN	metal grey					EBJ	savanna			
							EBL	boxster red			
							EBK	nephrite green			
26	986 552 035 02	cover instruments leather/ dashboard trim granite grey lacquered	/LL 99	1	M010	(26)	986 552 036 00	cover instruments leather dashboard trim black-grey	/RL 97	1	
	DKG	black					EBG	black			
							EBH	graphite grey			
							EBJ	savanna			

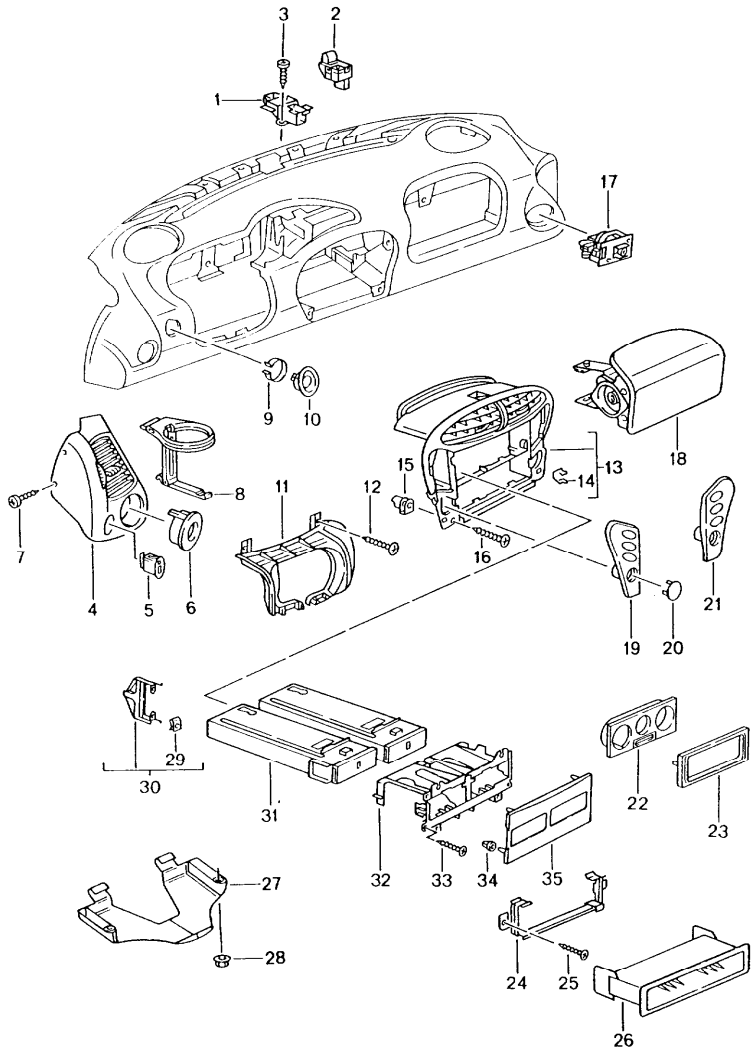
Model	Year	MG	SG	Illustration	Restrictions	UPD	10:50	24.01.2010	PORSCHE	PET	PORSCHE
986	2004	8	09	809-00		248					

Pos	Part Number	Description	Remark	Qty	Model	Pos	Part Number	Description	Remark	Qty	Model
	EBL	boxster red					VSE	dark grey			
	EBK	nephrite green					VSF	brown/natural			
26	986 552 035 00	cover instruments leather dashboard trim black-grey	/LL 98-99	1	M016		FER	cinnamon brown	01-		
	EBG	black				(26)	986 552 036 02	cover instruments leather dashboard trim black	/RL 00-	1	M016
	EBH	graphite grey					EQH	black			
	EBJ	savanna					EQJ	graphite grey			
	EBL	boxster red					EQK	savanna			
	EBK	nephrite green					EQL	metropole blue			
	DKF	metropole blue	98-				EQM	nephrite green	-03		
(26)	986 552 036 00	cover instruments leather dashboard trim black-grey	/RL 98-99	1	M016		EQN	boxster red			
	EBG	black					VSE	dark grey			
	EBH	graphite grey				26	986 552 035 03	cover instruments leather gt silver metallic	/LL 04	1	M091
	EBJ	savanna					FGF	cocoa			
	EBL	boxster red					FGG	dark grey/natural			
	EBK	nephrite green				(26)	986 552 036 03	cover instruments leather gt silver metallic	/RL 04	1	M091
	DKF	metropole blue	98-				FGF	cocoa			
26	986 552 035 02	cover instruments leather dashboard trim black	/LL 00-	1	M016		FGG	dark grey/natural			
	EQH	black				27	986 552 221 03	cover lower part lacquered	/LL 98-	1	
	EQJ	graphite grey					D05	granite grey	99		
	EQK	savanna					C02	metal grey	98-		
	EQL	metropole blue					A03	black	00-		
	EQM	nephrite green	-03								
	EQN	boxster red									

Model	Year	MG	SG	Illustration	Restrictions	UPD	10:50	24.01.2010	PORSCHE	PET	PORSCHE
986	2004	8	09	809-00		248					

Pos	Part Number	Description	Remark	Qty	Model	Pos	Part Number	Description	Remark	Qty	Model
(27)	986 552 222 02	cover lower part lacquered	/RL 98-	1		33	996 552 625 02	cover microphone lacquered	/LL	1	
	D05	granite grey		99			C02	metal grey		98-	
	C02	metal grey		98-			D05	granite grey		99	
	A03	black		00-			A03	black		00-	
27	986 552 221 04	cover lower part lacquered	/LL 04	1	M091	(33)	996 552 626 02	cover microphone lacquered	/RL	1	
	M7Z	gt silver metallic					C02	metal grey		98-	
(27)	986 552 222 03	cover lower part lacquered	/RL 04	1	M091		D05	granite grey		99	
	M7Z	gt silver metallic					A03	black		00-	
28	999 591 349 02	speed nut 3,5		11		33	986 552 625 00	cover microphone lacquered	/LL	04	M091
29	999 073 153 01	tapping screw 3,5 X 14		11			M7Z	gt silver metallic			
30	999 920 012 40	plug-in nut 5,0 X 3,5 X 8		2		(33)	986 552 626 00	cover microphone lacquered	/RL	04	M091
32	999 919 188 09	oval-head screw 5,0 X 30		2			M7Z	gt silver metallic			
(32)	999 073 220 09	tapping screw 4,8 X 25		2							
33	996 552 625 01	cover microphone	/LL 97	1							
	B12	black-grey									
(33)	996 552 626 01	cover microphone	/RL 97	1							
	B12	black-grey									
33	996 552 625 01	cover microphone	/LL 98-99	1	M011/016						
	B12	black-grey									
(33)	996 552 626 01	cover microphone	/RL 98-99	1	M011/016						
	B12	black-grey									

Model	Year	MG	SG	Illustration	Restrictions	UPD	10:51	24.01.2010	PORSCHE	PET	PORSCHE
986	2004	8	09	809-01		248					



Pos	Part Number	Description	Remark	Qty	Model
		accessories dashboard trim		-02	
1	996 552 541 01	mounting light F >>98VS6 04498		1	
1	996 552 541 02	mounting light F 98VS6 04499>>		1	
2	8D0 907 539	sensor F >>98VS6 04498		1	
2	996 653 251 00	sensor F 98VS6 04499>>		1	
3	999 919 120 09	oval-head screw 4,0 X 18		2	
4	996 552 225 04	side vent B12 black-grey	/L -99	1	M011/012/016
(4)	996 552 228 04	side vent B12 black-grey	/R -99	1	M011/012/016
4	996 552 225 05	side vent lacquered D05 granite grey	/L 99	1	M010
(4)	996 552 228 05	side vent lacquered D05 granite grey	/R 99	1	M010
4	996 552 225 05	side vent A03 black	/L 00-	1	
(4)	996 552 228 05	side vent lacquered A03 black	/R 00-	1	
4	996 552 984 00	side vent VRK black C51 graphite grey S31 savanna G11 metropole blue	/L 01-	1	IXNH

Model	Year	MG	SG	Illustration	Restrictions	UPD	10:51	24.01.2010	PORSCHE	PET	PORSCHE
986	2004	8	09	809-01		248					

Pos	Part Number	Description	Remark	Qty	Model	Pos	Part Number	Description	Remark	Qty	Model
	J31	nephrite green					VRK	black			
	M31	boxster red					C51	graphite grey			
	D12	dark grey					S31	savanna			
	T12	brown/natural					J31	nephrite green			
	P12	cinnamon brown					M31	boxster red			
(4)	996 552 985 00	side vent leather	/R	01-	1 IXNH		G11	metropole blue			
	VRK	black					D12	dark grey			
	C51	graphite grey					T12	brown/natural			
	S31	savanna					P12	cinnamon brown			
	G11	metropole blue				5	996 552 621 00	cover		97	1
	J31	nephrite green					B12	black-grey			
	M31	boxster red				5	996 552 621 00	cover headlight levelling system		98-99	1 M011/012/016
	D12	dark grey					B12	black-grey			
	T12	brown/natural				5	996 552 621 01	cover headlight levelling system lacquered		99	1 M010
	P12	cinnamon brown					D05	granite grey			
4	996 552 984 05	side vent arctic silver leather	/L	01-	1 IXKE	5	996 552 621 01	cover headlight levelling system lacquered		00-	1
	VRK	black					A03	black			
	C51	graphite grey				5	996 552 986 00	cover headlight levelling system leather		01-	1 IXNH
	S31	savanna					A11	black			
	J31	nephrite green					C51	graphite grey			
	M31	boxster red					S31	savanna			
	G11	metropole blue					J31	nephrite green			
	D12	dark grey					M31	boxster red			
	T12	brown/natural					G11	metropole blue			
	P12	cinnamon brown					D12	dark grey			
(4)	996 552 985 05	side vent arctic silver leather	/R	01-	1 IXKE						

Model	Year	MG	SG	Illustration	Restrictions	UPD	10:51	24.01.2010	PORSCHE	PET	PORSCHE
986	2004	8	09	809-01		248					

Pos	Part Number	Description	Remark	Qty	Model	Pos	Part Number	Description	Remark	Qty	Model
	T12	brown/natural				(8)	986 552 184 00	support beverages	/R	-99	1
	P12	cinnamon brown					01C	satin black			
6	996 552 417 01	rosette	97	1		9	944 552 452 00	clip F >>98VS6 07645			1
	B12	black-grey				10	996 552 235 02	rosette ignition starter lock	/LL	97	1
6	996 552 417 01	rosette interior sensor	98-99	1	M011/012/016		B12	black-grey			
6	996 552 417 02	rosette interior sensor lacquered	99	1	M010	(10)	996 552 236 02	rosette ignition starter lock	/RL	97	1
	B12	black-grey					B12	black-grey			
6	996 552 417 02	rosette interior sensor lacquered	00-	1		10	996 552 235 02	rosette ignition starter lock	/LL	98-99	1 M011/012/016
	D05	granite grey					B12	black-grey			
6	996 552 417 02	rosette interior sensor lacquered	01-	1	IXNH	(10)	996 552 236 02	rosette ignition starter lock	/RL	98-99	1 M011/012/016
	A03	black					B12	black-grey			
6	996 552 987 00	rosette interior sensor leather				10	996 552 235 03	rosette lacquered	/LL		1
	A11	black					D05	granite grey		99	M010
	C51	graphite grey					A03	black		00-	
	S31	savanna				(10)	996 552 236 03	rosette lacquered	/RL		1
	J31	nephrite green					D05	granite grey		99	M010
	M31	boxster red					A03	black		00-	
	G11	metropole blue				10	996 552 980 00	rosette ignition starter lock leather	/LL	01-	1 IXJ4
	D12	dark grey					A11	black			
	T12	brown/natural					C51	graphite grey			
	P12	cinnamon brown					S31	savanna			
7	999 919 120 09	oval-head screw 4,0 X 18	-00	4			G11	metropole blue			
7	999 073 218 09	tapping screw 4,2 X 16	01-	4			J31	nephrite green			
8	986 552 183 00	support	/L	-99	1		M31	boxster red			
	01C	satin black									

Model	Year	MG	SG	Illustration	Restrictions	UPD	10:51	24.01.2010	PORSCHE	PET	PORSCHE
986	2004	8	09	809-01		248					

Pos	Part Number	Description	Remark	Qty	Model	Pos	Part Number	Description	Remark	Qty	Model
(10)	P12	cinnamon brown					J31	nephrite green			
	D12	dark grey/natural					M31	boxster red			
	T12	brown/natural					D12	dark grey/natural			
	996 552 980 01	rosette ignition starter lock leather	/RL	01-	1	IXJ4	T12	brown/natural			
	A11	black				12	999 919 123 09	oval-head screw 5,0 X 20		8	
	C51	graphite grey				13	986 552 131 04	support frame	-99	1	M011/016
	S31	savanna					EBO	satin black			
	G11	metropole blue				(13)	986 552 131 05	support frame	-99	1	M011/016/662
	J31	nephrite green					EBO	satin black			
	M31	boxster red				13	986 552 131 08	support frame lacquered		1	
11	P12	cinnamon brown					A03	black	00-		
	D12	dark grey/natural					C02	metal grey			
	T12	brown/natural					D05	granite grey	99		
	996 552 271 03	cover steering			1	(13)	986 552 131 09	support frame lacquered		1	M662
	A03	black					A03	black	00-		
	C53	graphite grey					C02	metal grey			
	S33	savanna					D05	granite grey	99		
	G13	metropole blue				(13)	986 552 980 18	support frame	01-	1	IXNN
	M33	boxster red					A11	black			
	J33	nephrite green					C51	graphite grey			
11	P13	cinnamon brown					S31	savanna			
	986 552 988 03	cover steering leather			1	IXNS	G11	metropole blue			
	VRK	black					J31	nephrite green			
	S31	savanna					M31	boxster red			
	C51	graphite grey					D12	dark grey			
	G11	metropole blue					T12	brown/natural			

Model	Year	MG	SG	Illustration	Restrictions	UPD	10:51	24.01.2010	PORSCHE	PET	PORSCHE
986	2004	8	09	809-01		248					

Pos	Part Number	Description	Remark	Qty	Model	Pos	Part Number	Description	Remark	Qty	Model
(13)	986 552 980 22	P12 cinnamon brown support frame leather	01 01-	1	IXNN/M662	(13)	986 552 980 20	G13 metropole blue J33 nephrite green M33 boxster red D12 dark grey/natural T12 brown/natural P13 cinnamon brown support frame carbon	00- 00- 01 01	1	IXNR
(13)	986 552 980 30	A11 black C51 graphite grey S31 savanna G11 metropole blue J31 nephrite green M31 boxster red D12 dark grey T12 brown/natural P12 cinnamon brown support frame rootwood dark lacquered	01 01-	1	IXKS	(13)	986 552 980 24	01C satin black C53 graphite grey S33 savanna G13 metropole blue J33 nephrite green M33 boxster red D12 dark grey/natural T12 brown/natural P13 cinnamon brown support frame carbon	00- 00- 01 01	1	IXNR/M662
(13)	986 552 980 31	01C satin black C53 graphite grey S33 savanna support frame rootwood dark lacquered	01 01-	1	IXKS/M662	13	986 552 980 34	G13 metropole blue J33 nephrite green M33 boxster red D12 dark grey/natural T12 brown/natural P13 cinnamon brown support frame arctic silver	00- 00- 01 01	1	IXKW

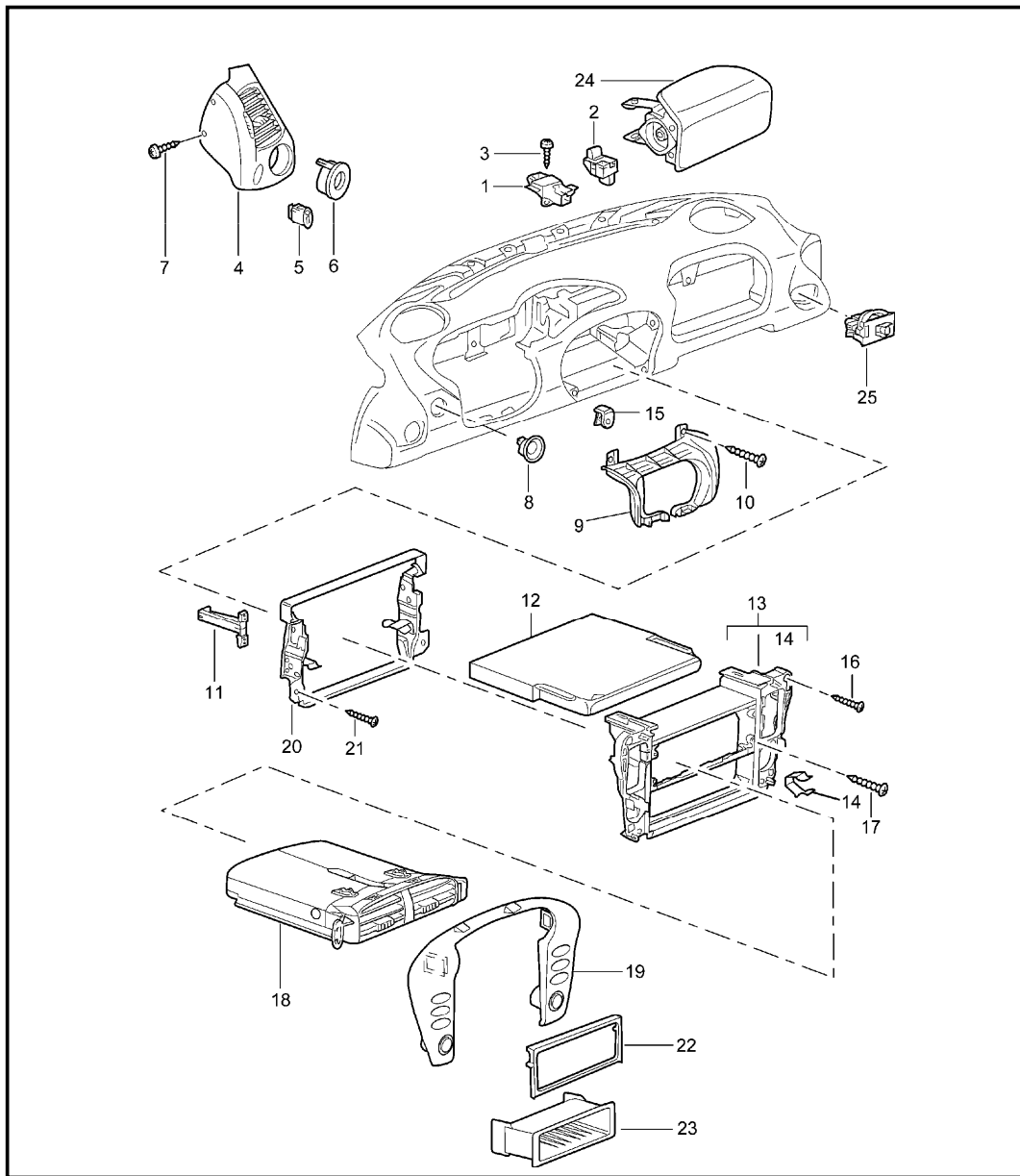
Model	Year	MG	SG	Illustration	Restrictions	UPD	10:51	24.01.2010	PORSCHE	PET	PORSCHE
986	2004	8	09	809-01		248					

Pos	Part Number	Description	Remark	Qty	Model	Pos	Part Number	Description	Remark	Qty	Model
(13)	986 552 980 35	support frame	01	1	IXKW/M662		B12	black-grey			
	92T	arctic silver				20	986 552 543 00	cover switch	98-99	1	M011/016
--	996 572 971 00	foam part		1			B12	black-grey			
14	999 507 533 02	clamp 8/2,5		4		20	986 552 543 01	cover switch		1	
(15)	999 920 015 40	plug-in nut 4,0 X 4,0 X 9	-99	11			D05	granite grey	99		M010
15	999 920 012 40	plug-in nut 5,0 X 3,5 X 8		4			C02	metal grey	98-		M012
(15)	999 507 744 01	speed nut 4,2	-00	18			A03	black	00-		
(15)	999 507 768 02	speed nut 4,2	01-	16		20	986 552 983 05	cover switch arctic silver	01-	1	IXKW
(15)	999 507 767 02	speed nut 4,2	01-	2		21	986 552 234 00	trim for switch	/R	97	1
16	999 919 123 09	oval-head screw 5,0 X 20	-00	4		21	986 552 234 00	trim for switch	/R	98-99	1
16	999 073 218 09	tapping screw 4,2 X 16	01-	4			B12	black-grey			M011/016
17	996 653 241 00	interior sensor side vent		1	M573	21	986 552 234 01	trim for switch lacquered	/R		1
18	---	see group 4/03/06		1			C02	metal grey	98-		M012
19	986 552 233 00	trim for switch	/L	97	1		D05	granite grey	99		M010
	B12	black-grey					A03	black	00-		
19	986 552 233 00	trim for switch	/L	98-99	1	21	986 552 982 04	trim for switch arctic silver	/R	01-	1
	B12	black-grey			M011/016	22	996 552 153 01	support frame heating			1
19	986 552 233 01	trim for switch lacquered	/L	1			01C	satin black			
	C02	metal grey		98-	M012	22	996 552 991 00	cover	01-	1	IXKW/XNN/ M574
	D05	granite grey		99	M010			heating leather			
	A03	black		00-			A11	black			
19	986 552 981 04	trim for switch arctic silver	/L	01-	1		C51	graphite grey			
20	986 552 543 00	cover		97	1		S31	savanna			
							J31	nephrite green			

Model	Year	MG	SG	Illustration	Restrictions	UPD	10:51	24.01.2010	PORSCHE	PET	PORSCHE
986	2004	8	09	809-01		248					

Pos	Part Number	Description	Remark	Qty	Model	Pos	Part Number	Description	Remark	Qty	Model
	M31	boxster red									
	G11	metropole blue									
	D12	dark grey									
	T12	brown/natural									
	P12	cinnamon brown									
23	996 552 677 00	frame air-conditioning switch		1	M573						
	01C	satin black									
24	996 552 673 02	retaining bar radio		1							
(24)	996 552 653 01	retaining bar	98-	1	M662						
25	999 919 123 09	oval-head screw 5,0 X 20	-00	2							
25	999 073 218 09	tapping screw 4,2 X 16	01-	2							
26	996 552 253 01	shelf instead of radio		1							
	01C	satin black									
27	996 552 173 00	shelf driver's side	98-99	1							
	01C	satin black									
27	996 552 173 01	shelf driver's side	00-	1							
	A03	black									
28	999 507 616 40	expander nut 6,2/5,8-10	98	2							
(28)	999 591 712 40	expansion rivet 6,0 X 12,0	99-	2							

Model	Year	MG	SG	Illustration	Restrictions	UPD	10:51	24.01.2010	PORSCHE	PET	PORSCHE
986	2004	8	09	809-02		248					



Pos	Part Number	Description	Remark	Qty	Model
1	996 552 541 02	accessories dashboard trim	03-	1	
2	996 653 251 00	mounting light		1	M534/535
3	999 919 120 09	sensor		2	
4	996 552 225 06	oval-head screw 4,0 X 18		1	
(4)	996 552 228 06	side vent lacquered	/L	1	
	A03	black			
(4)	996 552 228 06	side vent lacquered	/R	1	
	A03	black			
4	996 552 984 00	side vent leather	/L	1	IXNH
	VRK	black			
	C51	graphite grey			
	S31	savanna			
	G11	metropole blue			
	J31	nephrite green			
	M31	boxster red			
	D12	dark grey			
	T12	brown/natural			
	P12	cinnamon brown			
(4)	996 552 985 00	side vent leather	/R	1	IXNH
	VRK	black			
	C51	graphite grey			
	S31	savanna			
	G11	metropole blue			
	J31	nephrite green			
	M31	boxster red			

Model	Year	MG	SG	Illustration	Restrictions	UPD	10:51	24.01.2010	PORSCHE	PET	PORSCHE
986	2004	8	09	809-02		248					

Pos	Part Number	Description	Remark	Qty	Model	Pos	Part Number	Description	Remark	Qty	Model					
4	996 552 984 05	D12	dark grey	/L	1	IXKE	S31	savanna								
		T12	brown/natural				G11	metropole blue								
		P12	cinnamon brown				J31	nephrite green								
			side vent				M31	boxster red								
			arctic silver				P12	cinnamon brown								
			leather				D12	dark grey/natural								
		VRK	black				T12	brown/natural								
		C51	graphite grey				(4)	996 552 985 07				side vent	/R	03-	1	IXCC
												aluminium look				
												leather				
(4)	996 552 985 05	VRK	black	/R	1	IXKE	VRK	black								
		C51	graphite grey				C51	graphite grey								
		S31	savanna				S31	savanna								
		J31	nephrite green				G11	metropole blue								
		M31	boxster red				J31	nephrite green								
		G11	metropole blue				M31	boxster red								
		D12	dark grey				P12	cinnamon brown								
		T12	brown/natural				D12	dark grey/natural								
		P12	cinnamon brown				T12	brown/natural								
		4	996 552 984 07					side vent				/L	1	IXCC	5	996 552 621 01
	aluminium look					headlight levelling system										
	leather					lacquered										
VRK	black					A03	black									
C51	graphite grey					5	996 552 986 00	cover	1	IXNU						
						headlight levelling system										
						leather										
						A11	black									
						C51	graphite grey									
						S31	savanna									
4	996 552 984 07		side vent	/L	1	IXCC	J31	nephrite green								
			aluminium look				M31	boxster red								
			leather				G11	metropole blue								
	VRK	black														
	C51	graphite grey														

Model	Year	MG	SG	Illustration	Restrictions	UPD	10:51	24.01.2010	PORSCHE	PET	PORSCHE
986	2004	8	09	809-02		248					

Pos	Part Number	Description	Remark	Qty	Model	Pos	Part Number	Description	Remark	Qty	Model
	D12	dark grey					G11	metropole blue			
	T12	brown/natural					J31	nephrite green			
	P12	cinnamon brown					M31	boxster red			
6	996 552 417 02	rosette interior sensor lacquered		1			P12	cinnamon brown			
	A03	black					D12	dark grey/natural			
6	996 552 987 00	rosette interior sensor leather		1	IXCC/XKE/XNH	(8)	996 552 980 01	rosette ignition starter lock leather	/RL	1	IXJ4
	A11	black					A11	black			
	C51	graphite grey					C51	graphite grey			
	S31	savanna					S31	savanna			
	J31	nephrite green					G11	metropole blue			
	M31	boxster red					J31	nephrite green			
	G11	metropole blue					M31	boxster red			
	D12	dark grey					P12	cinnamon brown			
	T12	brown/natural					D12	dark grey/natural			
	P12	cinnamon brown					T12	brown/natural			
7	999 073 218 09	tapping screw 4,2 X 16		4		9	996 552 271 03	cover steering		1	
8	996 552 235 03	rosette ignition starter lock	/LL	1			A03	black			
	A03	black					C53	graphite grey			
(8)	996 552 236 03	rosette ignition starter lock	/RL	1			S33	savanna			
	A03	black					G13	metropole blue			
8	996 552 980 00	rosette ignition starter lock leather	/LL	1	IXJ4		J33	nephrite green			
	A11	black					M33	boxster red			
	C51	graphite grey					P13	cinnamon brown			
	S31	savanna				9	986 552 988 03	cover steering leather		1	IXNS
							VRK	black			

Model	Year	MG	SG	Illustration	Restrictions	UPD	10:51	24.01.2010	PORSCHE	PET	PORSCHE
986	2004	8	09	809-02		248					

Pos	Part Number	Description	Remark	Qty	Model	Pos	Part Number	Description	Remark	Qty	Model
	S31	savanna					C51	graphite grey			
	G11	metropole blue					S31	savanna			
	J31	nephrite green					G11	metropole blue			
	M31	boxster red					J31	nephrite green			
	D12	dark grey/natural					M31	boxster red			
	T12	brown/natural					P12	cinnamon brown			
	C51	graphite grey					D12	dark grey/natural			
	P12	cinnamon brown					T12	brown/natural			
10	999 919 123 09	oval-head screw 5,0 X 20		8		13	996 552 231 11	support frame		1	
12	996 552 183 00	support beverages	/LL	1			01C	satin black			
	01C	satin black				(13)	996 552 231 12	support frame		1	M665
(12)	996 552 184 00	support beverages	/RL	1			01C	satin black			
	01C	satin black				13	996 552 969 25	support frame leather		1	IXNN
12	996 552 958 00	support beverages leather	/LL	1	IXCD/XKS/XNR		A11	black			
	A11	black					C51	graphite grey			
	C51	graphite grey					S31	savanna			
	S31	savanna					G11	metropole blue			
	G11	metropole blue					J31	nephrite green	03		
	J31	nephrite green					M31	boxster red			
	M31	boxster red					D12	dark grey			
	P12	cinnamon brown					T12	brown/natural			
	D12	dark grey/natural				(13)	996 552 969 26	support frame leather		1	IXNN/M665
	T12	brown/natural					A11	black			
(12)	996 552 958 01	support beverages leather	/RL	1	IXCD/XKS/XNR		C51	graphite grey			
	A11	black					S31	savanna			
							G11	metropole blue			
							J31	nephrite green	03		

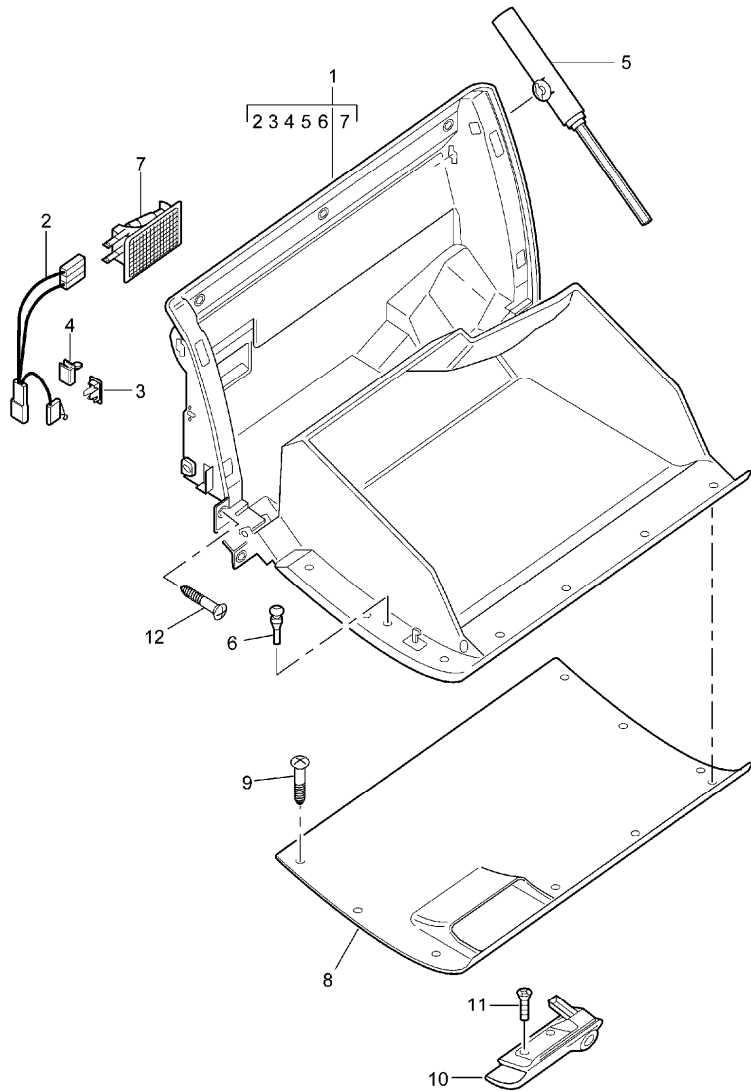
Model	Year	MG	SG	Illustration	Restrictions	UPD	10:51	24.01.2010	PORSCHE	PET	PORSCHE
986	2004	8	09	809-02		248					

Pos	Part Number	Description	Remark	Qty	Model	Pos	Part Number	Description	Remark	Qty	Model
	M31	boxster red					D12	dark grey/natural			
	D12	dark grey					T12	brown/natural			
	T12	brown/natural				18	996 552 951 00	centre nozzle aluminium look		1	IXCD
	P12	cinnamon brown					A11	black			
13	996 552 969 31	support frame rootwood dark	03-	1	IXKS		C51	graphite grey			
(13)	996 552 969 32	support frame rootwood dark	03-	1	IXKS/M665		S31	savanna			
13	996 552 969 34	support frame carbon	03-	1	IXNR		G11	metropole blue			
(13)	996 552 969 35	support frame carbon	03-	1	IXNR/M665		J31	nephrite green			
14	999 507 533 02	clamp 8/2,5		4			M31	boxster red			
15	999 507 768 02	speed nut 4,2		16		19	996 552 233 06	trim for switch lacquered		1	
(15)	999 507 767 02	speed nut 4,2		2			A03	black			
16	999 073 218 09	tapping screw 4,2 X 16		4		19	986 552 233 02	trim for switch lacquered	04	1	M091
17	900 143 076 09	tapping screw 4,2 X 25		2	M573		M7Z	gt silver metallic			
18	996 552 263 01	centre nozzle		1		19	996 552 967 08	trim for switch leather		1	IXCD/XNN
	01C	satin black					A11	black			
18	996 552 950 00	centre nozzle leather		1	IXKS/XNN/XNR		C51	graphite grey			
	A11	black					S31	savanna			
	C51	graphite grey					G11	metropole blue			
	S31	savanna					J31	nephrite green			
	G11	metropole blue					M31	boxster red			
	J31	nephrite green					D12	dark grey			
	M31	boxster red					T12	brown/natural			
	P12	cinnamon brown					P12	cinnamon brown			

Model	Year	MG	SG	Illustration	Restrictions	UPD	10:51	24.01.2010	PORSCHE	PET	PORSCHE
986	2004	8	09	809-02		248					

Pos	Part Number	Description	Remark	Qty	Model	Pos	Part Number	Description	Remark	Qty	Model
19	996 552 967 09	trim for switch rootwood light		1	IXKR	24	--- --- --- --	see group 4/03/06		1	
19	996 552 967 10	trim for switch rootwood dark		1	IXKS	25	996 653 241 00	interior sensor		1	
19	996 552 967 11	trim for switch carbon		1	IXNR						
19	996 552 967 13	trim for switch arctic silver		1	IXKW						
20	996 552 673 03	retaining bar		1							
(20)	996 552 653 02	retaining bar		1	M665						
21	999 073 218 09	tapping screw 4,2 X 16		2							
22	986 552 153 00	frame		1	M574						
	01C	satin black									
22	996 552 677 01	frame		1	M573						
	01C	satin black									
23	996 552 253 01	shelf instead of radio		1							
	01C	satin black									
23	996 552 994 01	shelf leather		1	IXMF						
	A11	black									
	C51	graphite grey									
	S31	savanna									
	J31	nephrite green									
	M31	boxster red									
	G11	metropole blue									
	D12	dark grey									
	T12	brown/natural									
	P12	cinnamon brown									

Model	Year	MG	SG	Illustration	Restrictions	UPD	10:51	24.01.2010	PORSCHE	PET	PORSCHE
986	2004	8	09	809-03		248					

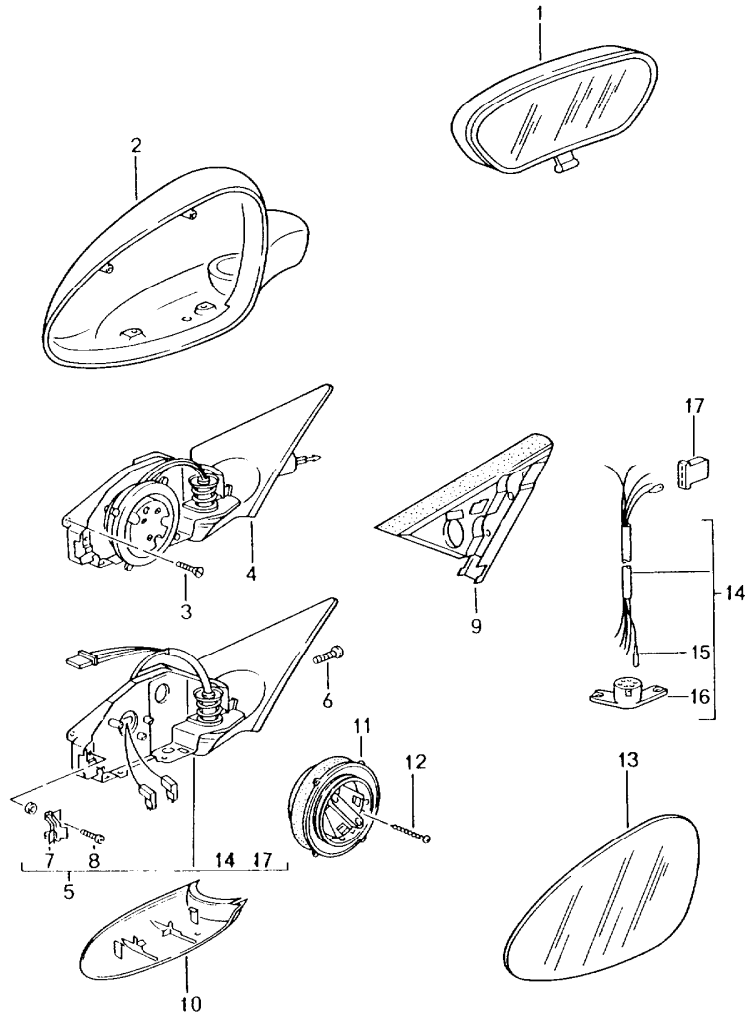


Pos	Part Number	Description	Remark	Qty	Model
		glove compartment	03-		
1	996 552 119 00	glove compartment	/LL	1	
	01C	satin black			
(1)	996 552 120 00	glove compartment	/RL	1	
	01C	satin black			
2	996 622 501 00	wiring harness		1	
3	999 650 564 40	clip for wiring harness microswitch		1	
4	999 650 565 40	clip for wiring harness		1	
5	996 552 779 00	damper		2	
6	999 703 491 50	buffer 7 X 9,5 X 19,5		2	
7	928 632 101 00	glove compartment light		1	
8	996 552 133 00	glove compartment cover leatherette	/LL	1	M016
	A12	black			
	C52	graphite grey			
	S32	savanna			
	G12	metropole blue			
	J32	nephrite green			
(8)	996 552 134 00	glove compartment cover leatherette	/RL	1	M016
	A12	black			
	C52	graphite grey			
	S32	savanna			
	G12	metropole blue			
	J32	nephrite green			
8	996 552 133 01	glove compartment cover leather	/LL	1	M981

Model	Year	MG	SG	Illustration	Restrictions	UPD	10:51	24.01.2010	PORSCHE	PET	PORSCHE
986	2004	8	09	809-03		248					

Pos	Part Number	Description	Remark	Qty	Model	Pos	Part Number	Description	Remark	Qty	Model
	A11	black				--	996 552 915 00	lock cylinder		1	
	C51	graphite grey						glove compartment			
	S31	savanna						vehicle identification no.			
	G11	metropole blue				11	999 073 240 02	screw		2	
	J31	nephrite green	03			12	999 073 169 07	tapping screw		7	
	M31	boxster red						4,8 X 16			
	P12	cinnamon brown				13	996 552 879 00	adapter	03-	2	
	D12	dark grey						for			
	T12	brown/natural						damper			
	9V6	cocoa	04-								
(8)	996 552 134 01	glove compartment cover leather	/RL	1	M981						
	A11	black									
	C51	graphite grey									
	S31	savanna									
	G11	metropole blue									
	J31	nephrite green	03								
	M31	boxster red									
	P12	cinnamon brown									
	D12	dark grey									
	T12	brown/natural									
	9V6	cocoa	04-								
9	999 073 308 07	tapping screw 3,5 X 12		11							
10	996 552 349 01	handle	/LL	1							
	V03	silver									
(10)	996 552 350 01	handle	/RL	1							
	V03	silver									

Model	Year	MG	SG	Illustration	Restrictions	UPD	10:51	24.01.2010	PORSCHE	PET	PORSCHE
986	2004	8	09	809-10		248					



Pos	Part Number	Description	Remark	Qty	Model
1	996 731 511 00	interior mirror door mirror		1	
	01C	satin black			
(1)	996 731 511 02	interior mirror	01-	1	M265
	01C	satin black			
-	996 731 811 01	cover	/L 01-	1	M265
	01C	satin black			
-	996 731 812 01	cover	/R 01-	1	M265
	01C	satin black			
2	996 731 619 00	housing	/L	1	
	G2L	prime coated			
(2)	996 731 620 00	housing	/R	1	
	G2L	prime coated			
3	999 919 170 02	countersunk-head screw 3,0 X 10		6	
4	986 731 219 00	mirror base door mirror manually adjustable	/LL/L	1	
	G2L	prime coated			
(4)	986 731 220 00	mirror base door mirror manually adjustable	/LL/R	1	
	G2L	prime coated			
(4)	986 731 219 01	mirror base door mirror manually adjustable	/RL/L	1	
	G2L	prime coated			
(4)	986 731 220 01	mirror base door mirror manually adjustable	/RL/R	1	
	G2L	prime coated			
5	996 731 219 00	mirror base door mirror electrically adjustable	/LL/L	1	

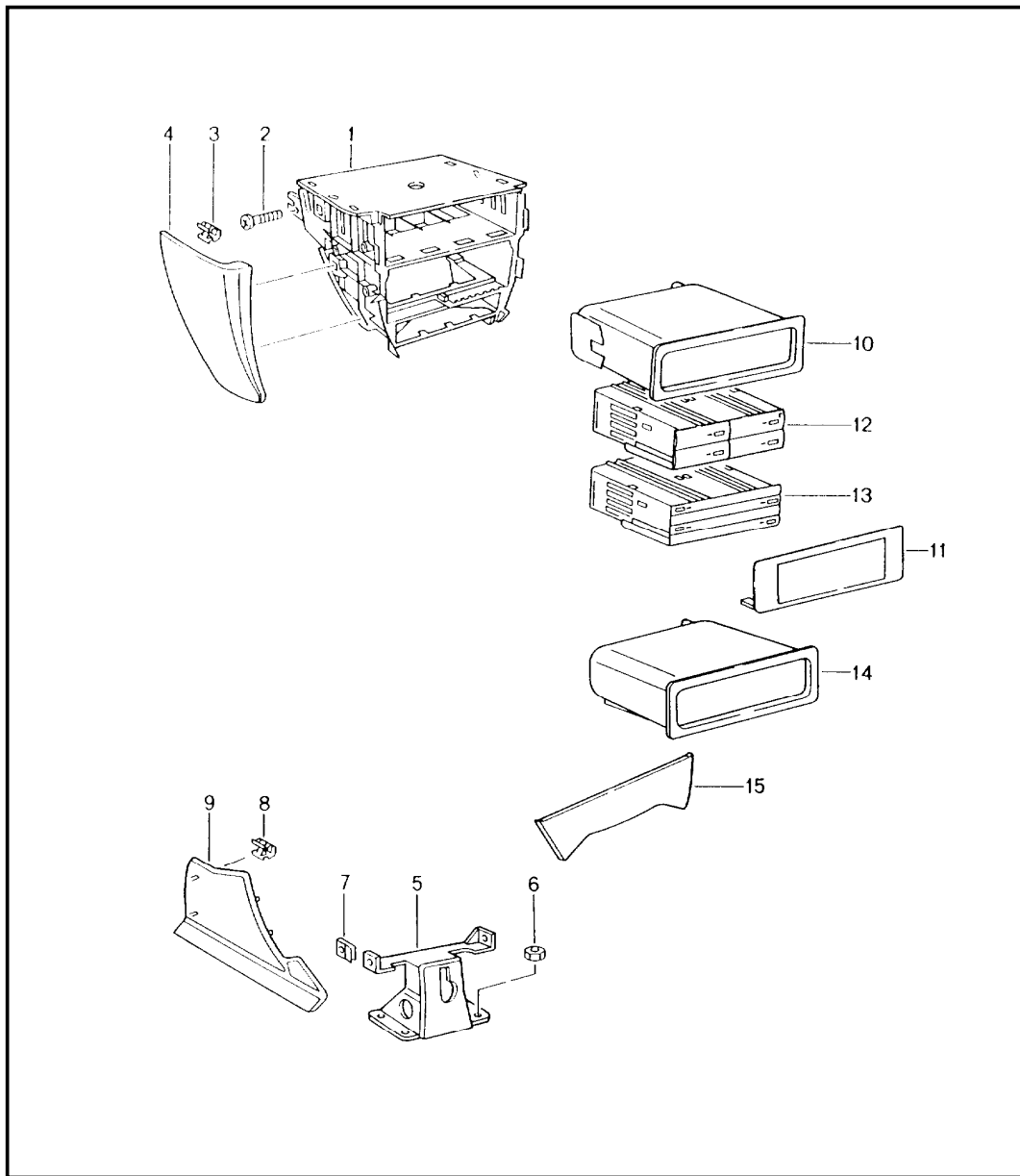
Model	Year	MG	SG	Illustration	Restrictions	UPD	10:51	24.01.2010	PORSCHE	PET	PORSCHE
986	2004	8	09	809-10		248					

Pos	Part Number	Description	Remark	Qty	Model	Pos	Part Number	Description	Remark	Qty	Model
	G2L	prime coated				(5)	996 731 220 03	mirror base door mirror electrically adjustable	/RL/R 98-	1	M538
5	996 731 219 04	mirror base door mirror electrically adjustable	/LL/L 01-	1	M266		G2L	prime coated			
	G2L	prime coated				(5)	996 731 220 05	mirror base door mirror electrically adjustable	/RL/R 01-	1	M266/538
(5)	996 731 220 00	mirror base door mirror electrically adjustable	/LL/R	1			G2L	prime coated			
	G2L	prime coated				6	999 073 125 02	oval-head screw M 5 X 14		6	
(5)	996 731 219 01	mirror base door mirror electrically adjustable	/RL/L	1		7	999 507 549 02	spring clamp		2	
	G2L	prime coated				8	900 278 010 02	oval-head screw		2	
(5)	996 731 220 01	mirror base door mirror electrically adjustable	/RL/R	1		9	996 537 731 00	filler piece	/L	1	
	G2L	prime coated				(9)	996 537 732 00	filler piece outer	/R	1	
(5)	996 731 220 04	mirror base door mirror electrically adjustable	/RL/R 01-	1	M266	(9)	996 537 733 00	filler piece	/L	1	
	G2L	prime coated				(9)	996 537 734 00	filler piece inner	/R	1	
(5)	996 731 219 02	mirror base door mirror electrically adjustable	/LL/L 98-	1	M537	10	996 731 719 00	cover lower	/L	1	
	G2L	prime coated				(10)	G2L	prime coated	/R	1	
(5)	996 731 219 05	mirror base door mirror electrically adjustable	/LL/L 01-	1	M266/537		G2L	prime coated			
	G2L	prime coated				11	996 624 047 00	adjusting motor		2	
(5)	996 731 220 02	mirror base door mirror electrically adjustable	/LL/R 98-	1	M537	11	996 624 048 00	adjusting motor	98-	2	M537/538
	G2L	prime coated				12	900 278 013 02	oval-head screw M 3 X 30		6	
(5)	996 731 219 03	mirror base door mirror electrically adjustable	/RL/L 98-	1	M538	13	996 731 035 01	mirror glass	/L	1	M270
	G2L	prime coated				13	996 731 035 03	mirror glass plane	/L 01-	1	M266/270
(5)	996 731 219 03	mirror base door mirror electrically adjustable	/RL/L 98-	1	M538	(13)	996 731 035 02	mirror glass	/L	1	M271
	G2L	prime coated				(13)	996 731 035 04	mirror glass aspherical	/L 01-	1	M266/271

Model	Year	MG	SG	Illustration	Restrictions	UPD	10:51	24.01.2010	PORSCHE	PET	PORSCHE
986	2004	8	09	809-10		248					

Pos	Part Number	Description	Remark	Qty	Model	Pos	Part Number	Description	Remark	Qty	Model
(13)	996 731 037 01	mirror glass convex	/RL/L	1							
(13)	996 731 036 01	mirror glass	/RL/R	1	M270						
(13)	996 731 036 03	mirror glass plane	/RL/R	01-	M266/270						
(13)	996 731 036 02	mirror glass	/RL/R	1	M271						
(13)	996 731 036 04	mirror glass aspherical	/RL/R	01-	M266/271						
(13)	996 731 038 02	mirror glass convex	/LL/R	1							
(13)	996 731 038 04	mirror glass convex	/LL/R	1	(SA)						
(14)	996 612 674 00	wiring harness		1							
15	999 652 710 10	cylindrical socket		30							
16	999 650 173 40	pin connector socket 15-pole		2							
17	311 906 231 B	connector housing 3-pole		2							
(17)	999 650 177 40	plug socket 8-pole	98-	2	M537/538						
(17)	999 650 178 40	slide 8-pole	98-	2	M537/538						

Model	Year	MG	SG	Illustration	Restrictions	UPD	10:51	24.01.2010	PORSCHE	PET	PORSCHE
986	2004	8	09	809-15		248					



Pos	Part Number	Description	Remark	Qty	Model
1	996 552 115 01	centre console front bracket		-98 1	
	01C	satin black Information available			
1	996 552 115 02	bracket		99- 1	
	01C	satin black			
1	996 552 973 01	bracket leather		01- 1	IXMF
	A11	black			
	C51	graphite grey			
	S31	savanna			
	J31	nephrite green			
	M31	boxster red			
	D12	dark grey/natural		00-	
	T12	brown/natural		00-	
	P12	cinnamon brown		01-	
2	999 919 121 09	oval-head screw 5,0 X 16		4	
3	999 507 476 01	clamp 8,0 X 10,2		3	
(4)	---	not for preparation for telephone see group 9/11/10		1	M614/618/663
4	996 552 091 02	cover leatherette	/L	97 1	
	A10	black			
	C50	graphite grey			
	S30	savanna			
(4)	996 552 092 02	cover leatherette	/R	97 1	
	A10	black			
	C50	graphite grey			

Model	Year	MG	SG	Illustration	Restrictions	UPD	10:51	24.01.2010	PORSCHE	PET	PORSCHE
986	2004	8	09	809-15		248					

Pos	Part Number	Description	Remark	Qty	Model	Pos	Part Number	Description	Remark	Qty	Model
	S30	savanna					J32	nephrite green		01-	
4	996 552 091 05	cover leatherette	/L	98	1 M011/016	(4)	996 552 092 06	cover leatherette	/R	00-	1 M011/016
	A18	black					A12	black			
	C18	graphite grey					C52	graphite grey			
	S18	savanna					S32	savanna			
	G18	metropole blue					G12	metropole blue			
(4)	996 552 092 05	cover leatherette	/R	98	1 M011/016		J32	nephrite green		01-	
	A18	black				4	986 552 091 00	cover leatherette	/L	98	1 M012
	C18	graphite grey					A40	black			
	S18	savanna				(4)	986 552 092 00	cover leatherette	/R	98	1 M012
	G18	metropole blue					A40	black			
(4)	996 552 091 06	cover leatherette	/L	99	1 M010/011/016	(4)	986 552 091 01	cover leatherette	/L	99-	1 M012
	A18	black					A40	black			
	C18	graphite grey				(4)	986 552 092 01	cover leatherette	/R	99-	1 M012
	S18	savanna					A40	black			
	G18	metropole blue				4	996 552 091 03	cover leather	/L	-98	1
(4)	996 552 092 06	cover leatherette	/R	99	1 M010/011/016		A11	black			
	A18	black					C51	graphite grey			
	C18	graphite grey					S31	savanna			
	S18	savanna					J31	nephrite green		-03	
	G18	metropole blue					M31	boxster red			
4	996 552 091 06	cover leatherette	/L	00-	1 M011/016		G11	metropole blue			
	A12	black				(4)	996 552 092 03	cover leather	/R	-98	1
	C52	graphite grey					A11	black			
	S32	savanna					C51	graphite grey			
	G12	metropole blue									

Model	Year	MG	SG	Illustration	Restrictions	UPD	10:51	24.01.2010	PORSCHE	PET	PORSCHE
986	2004	8	09	809-15		248					

Pos	Part Number	Description	Remark	Qty	Model	Pos	Part Number	Description	Remark	Qty	Model
	S31	savanna				6	999 084 629 09	hexagon nut M 6		4	
	J31	nephrite green	-03			7	999 920 011 40	plug-in nut 5,0 X 1,0 X 8		4	
	M31	boxster red				8	999 507 476 01	clamp 8,0 X 10,2		2	
	G11	metropole blue				9	996 552 113 01	cover carpet	/L	97	1
4	996 552 091 07	cover leather	/L	99-	1		A10	black			
	A11	black					C50	graphite grey			
	C51	graphite grey					S30	savanna			
	S31	savanna					J30	nephrite green	-03		
	J31	nephrite green	-03				M30	boxster red			
	M31	boxster red				(9)	996 552 114 01	cover carpet	/R	97	1
	G11	metropole blue					A10	black			
	D12	dark grey/natural	00-				C50	graphite grey			
	T12	brown/natural	00-				S30	savanna			
	P12	cinnamon brown	01-				J30	nephrite green	-03		
	9V6	cocoa	04-				M30	boxster red			
(4)	996 552 092 07	cover leather	/R	99-	1	9	996 552 113 02	cover carpet	/L	98-	1
	A11	black					A10	black			
	C51	graphite grey					C50	graphite grey			
	S31	savanna					S30	savanna			
	J31	nephrite green	-03				J30	nephrite green	-03		
	M31	boxster red					M30	boxster red			
	G11	metropole blue					G10	metropole blue	98-		
	D12	dark grey/natural	00-				D11	dark grey	00-		
	T12	brown/natural	00-				T11	brown/natural	00-		
	P12	cinnamon brown	01-				P11	cinnamon brown	01-		
	9V6	cocoa	04-				R10	cocoa	04-		
(5)	996 552 267 05	support lower		1	M581						

Model	Year	MG	SG	Illustration	Restrictions	UPD	10:51	24.01.2010	PORSCHE	PET	PORSCHE
986	2004	8	09	809-15		248					

Pos	Part Number	Description	Remark	Qty	Model	Pos	Part Number	Description	Remark	Qty	Model
(9)	996 552 114 02	cover carpet	/R 98-	1			C51	graphite grey			
	A10	black					S31	savanna			
	C50	graphite grey					G11	metropole blue			
	S30	savanna					J31	nephrite green			
	J30	nephrite green	-03				M31	boxster red			
	M30	boxster red					D12	dark grey			
	G10	metropole blue	98-				T12	brown/natural			
	D11	dark grey	00-				P12	cinnamon brown			
	T11	brown/natural	00-			12	996 552 763 00	cassette box	-02	4	M421
	P11	cinnamon brown	01-			(12)	996 552 981 01	cassette box	01-02	4	XNF M421
	R10	cocoa	04-					leather			
10	996 552 253 01	shelf		1			A11	black			
	01C	satin black					C51	graphite grey			
10	996 552 994 01	shelf leather	01-	1	IXMF		S31	savanna			
	A11	black					G11	metropole blue			
	C51	graphite grey					J31	nephrite green			
	S31	savanna					M31	boxster red			
	J31	nephrite green					D12	dark grey/natural	00-		
	M31	boxster red					T12	brown/natural	00-		
	G11	metropole blue					P12	cinnamon brown	01-		
	D12	dark grey				13	996 552 773 00	box for cds		1	M424
	T12	brown/natural				(13)	996 552 981 00	box for cds leather	01-	1	IXMF/M424
	P12	cinnamon brown					A11	black			
							C51	graphite grey			
11	996 552 443 00	frame		1			S31	savanna			
	01C	satin black					G11	metropole blue			
(11)	996 552 992 00	frame air-conditioning switch leather	01-	1	IXKW/XNN		J31	nephrite green			
	A11	black					M31	boxster red			

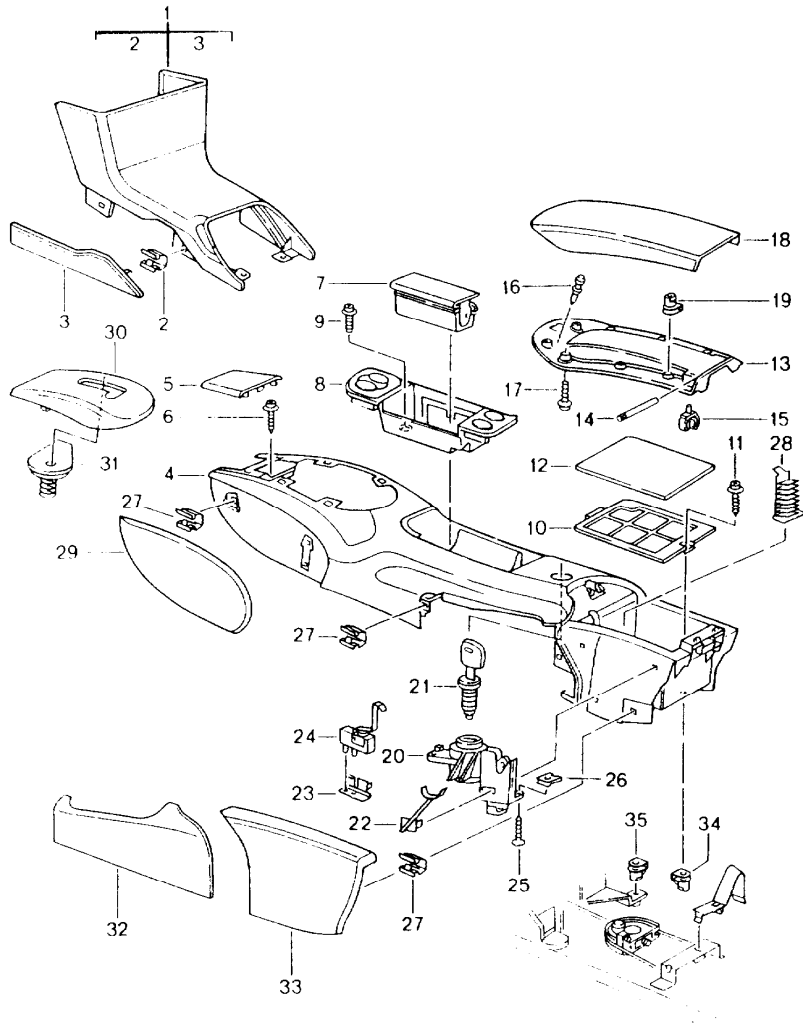
Model	Year	MG	SG	Illustration	Restrictions	UPD	10:51	24.01.2010	PORSCHE	PET	PORSCHE
986	2004	8	09	809-15		248					

Pos	Part Number	Description	Remark	Qty	Model	Pos	Part Number	Description	Remark	Qty	Model
		D12 dark grey/natural	00-			(14)	996 552 963 02	cover rootwood dark	01-	1	IXKS
		T12 brown/natural	00-								
		P12 cinnamon brown	01-			14	996 552 963 04	cover carbon	01-	1	IXNR
14	996 552 243 01	shelf		1		15	996 552 335 00	trim for switch	-99	1	
		01C satin black					01C	satin black			
14	996 552 982 01	shelf leather	01-	1	IXMF	15	996 552 335 00	trim for switch	00-	1	M009
		A11 black					01C	satin black			
		C51 graphite grey				(15)	986 552 335 00	trim for switch	-02	1	M008
		S31 savanna					01C	satin black			
		J31 nephrite green				(15)	986 552 335 01	trim for switch with logo	03-	1	M008
		M31 boxer red					01C	satin black			
		G11 metropole blue				(15)	986 552 335 02	trim for switch	04	1	M091/581
		D12 dark grey					01C	satin black			
		T12 brown/natural				(15)	986 552 974 00	trim for switch leather	00-	1	M008
(14)	996 552 963 00	cover leather	01-	1	IXMF/XNN		A11	black			
		A11 black					C51	graphite grey			
		C51 graphite grey					S31	savanna			
		S31 savanna					G11	metropole blue			
		G11 metropole blue					J31	nephrite green			
		J31 nephrite green					M31	boxster red			
		M31 boxer red					D12	dark grey/natural			
		D12 dark grey					T12	brown/natural			
		T12 brown/natural					P12	cinnamon brown			
		P12 cinnamon brown				15	996 552 983 00	trim for switch leather	01-	1	M009
(14)	996 552 963 01	cover rootwood light	01-	1	IXKR		A11	black			
							C51	graphite grey			

Model	Year	MG	SG	Illustration	Restrictions	UPD	10:51	24.01.2010	PORSCHE	PET	PORSCHE
986	2004	8	09	809-15		248					

Pos	Part Number	Description	Remark	Qty	Model	Pos	Part Number	Description	Remark	Qty	Model
	S31	savanna									
	J31	nephrite green									
	M31	boxster red									
	G11	metropole blue									
	D12	dark grey									
	T12	brown/natural									
	P12	cinnamon brown									

Model	Year	MG	SG	Illustration	Restrictions	UPD	10:52	24.01.2010	PORSCHE	PET	PORSCHE
986	2004	8	09	809-20		248					



Pos	Part Number	Description	Remark	Qty	Model
1	986 552 113 02	centre console centre lining carpet A10 black C50 graphite grey S30 savanna J30 nephrite green M30 boxster red G10 metropole blue	-99	1	
1	986 552 113 03	lining carpet D11 dark grey/natural R10 cocoa	04	1	M091
2	999 507 533 02	clamp	-99	26	
2	999 507 533 02	clamp 8,0 X 10,2	04	8	M091
3	986 552 513 02	lid carpet A10 black C50 graphite grey S30 savanna J30 nephrite green M30 boxster red G10 metropole blue	/L -99	1	
(3)	986 552 514 02	lid carpet A10 black C50 graphite grey S30 savanna J30 nephrite green M30 boxster red	/R -99	1	

Model	Year	MG	SG	Illustration	Restrictions	UPD	10:52	24.01.2010	PORSCHE	PET	PORSCHE
986	2004	8	09	809-20		248					

Pos	Part Number	Description	Remark	Qty	Model	Pos	Part Number	Description	Remark	Qty	Model
	G10	metropole blue	98-				2A2	rainforest green metallic	-02		
3	986 552 513 02	lid carpet	/L 04	1	M091		92U	arctic silver metallic			
	D11	dark grey/natural					041	black			
	R10	cocoa					84A	guards red			
(3)	986 552 514 02	lid carpet	/R 04	1	M091		12H	speed yellow			
	D11	dark grey/natural					8A3	orient red metallic			
	R10	cocoa					M5W	lapis blue metallic			
4	A 996 552 125 01	centre console	97	1			6A6	meridian metallic			
	B12	black-grey					39C	midnight blue metallic			
4	A 996 552 125 01	centre console	98-99	1	M011/016		6B4	seal grey metallic			
	B12	black-grey					2B4	forest green metallic			
4	996 552 902 00	centre console	98-99	1	M011/016		3C8	cobalt blue metallic			
	B12	black-grey					92M	polar silver metallic			
4	996 552 125 03	centre console lacquered		1			23F	slate grey metallic			
	D05	granite grey	99		M010		1A8	zanzibar red			
	C02	metal grey	98-		M012		B9A	carrara white	02-		
	A03	black	00-				C9Z	basalt black metallic	02-		
4	996 552 125 04	centre console lacquered	04	1	M091	4	M6W	lagoon green metallic	03-		
	M7Z	gt silver metallic					986 552 995 09	centre console	03-	1	IXCE
4	986 552 995 09	centre console	-02	1	IXJB		V03	sport silver			
	92U	arctic silver metallic				4	986 552 995 01	centre console	01	1	IXMZ
4	986 552 995 09	centre console	01-	1	IXME		VRK	black			
	39G	violet metallic					C51	graphite grey			
	746	black-metallic	-01				S31	savanna			
	3W7	dark blue	-01				G11	metropole blue			
	23I	wimbledon green metallic	-01				J31	nephrite green			
	9A3	biarritz white	-01				M31	boxster red			
							D12	dark grey	00-		
							T12	brown/natural	00-		

Model	Year	MG	SG	Illustration	Restrictions	UPD	10:52	24.01.2010	PORSCHE	PET	PORSCHE
986	2004	8	09	809-20		248					

Pos	Part Number	Description	Remark	Qty	Model	Pos	Part Number	Description	Remark	Qty	Model
	P12	cinnamon brown	01-				9V6	cocoa			
4	986 552 995 05	centre console leather	02-	1	IXMZ		D12	dark grey/natural			
	VRK	black				6	999 919 121 09	oval-head screw 5,0 X 16		5	
	C51	graphite grey				7	996 552 595 00	insert	97	1	
	S31	savanna					B12	black-grey			
	G11	metropole blue				7	996 552 595 00	insert ashtray	98-99	1	M011/016
	J31	nephrite green					B12	black-grey			
	M31	boxster red				7	996 552 595 01	insert ashtray lacquered		1	
	D12	dark grey	00-				D05	granite grey	99		M010
	T12	brown/natural	00-				C02	metal grey	98-		M012
4	986 552 995 08	centre console carbon	01-	1	IXMJ		A03	black	00-		
-	996 552 841 01	sound absorber front		1		7	996 552 595 02	insert ashtray lacquered	04	1	M091
-	996 552 843 01	sound absorber centre		1			M7Z	gt silver metallic			
-	996 552 845 01	sound absorber rear		1		7	986 552 997 01	insert ashtray leather	01-	1	IXMZ
5	986 552 241 01	cover	97	1			A11	black			
	B12	black-grey					C51	graphite grey			
5	986 552 241 01	cover	98-99	1	M011/016		S31	savanna			
	B12	black-grey					G11	metropole blue			
5	986 552 241 02	cover lacquered		1			J31	nephrite green			
	D05	granite grey	99		M010		M31	boxster red			
	C02	metal grey	98-99		M012		D12	dark grey/natural			
5	986 552 241 04	cover lacquered	04	1	M091/249		T12	brown/natural			
	M7Z	gt silver metallic					P12	cinnamon brown			
5	986 552 141 00	cover leather	04	1	M091/480	7	986 552 997 02	insert ashtray carbon	01-	1	IXMJ

Model	Year	MG	SG	Illustration	Restrictions	UPD	10:52	24.01.2010	PORSCHE	PET	PORSCHE
986	2004	8	09	809-20		248					

Pos	Part Number	Description	Remark	Qty	Model	Pos	Part Number	Description	Remark	Qty	Model
7	986 552 997 00	insert ashtray	01-	1	IXJB		P12	cinnamon brown	01-		
	92T	arctic silver	-02			8	986 552 996 08	ashtray carbon	01-	1	IXMJ
	V03	silver	03-		IXCE	8	986 552 996 09	ashtray	01-	1	IXJB
	G2X	prime coated			IXME		92T	arctic silver	-02		
8	A 996 552 095 00	ashtray	97	1			V03	silver	03-		IXCE
	B12	black-grey				(8)	996 552 096 00	shelf	97	1	M580
8	986 552 901 00	ashtray	97	1			B12	black-grey			
	B12	black-grey				(8)	996 552 096 00	shelf	98-99	1	M011/016/580
8	996 552 095 01	ashtray lacquered	98-00	1			B12	black-grey			
	D05	granite grey	99		M010	(8)	996 552 096 01	shelf		1	M580
	C02	metal grey	98-		M012		C02	metal grey	98-		M012
	A03	black	00-				D05	granite grey	99		M010
8	996 552 095 02	ashtray lacquered	01-	1			A03	black	00-		
	C02	metal grey	98-		M012	-	996 552 596 00	insert		1	
	A03	black	00-			(9)	999 591 941 40	screw with expander nut		2	
8	996 552 095 03	ashtray lacquered	04	1	M091	10	996 552 365 00	floor shelf		1	
	M7Z	gt silver metallic				11	999 919 121 09	oval-head screw M 5 X 16		1	
8	986 552 996 05	ashtray leather	01-	1	IXMZ	12	996 552 665 00	insert shelf		1	
	A11	black				13	996 552 205 00	lid		1	
	C51	graphite grey					01C	satin black			
	S31	savanna				14	996 552 605 00	hinge pin		1	
	G11	metropole blue				15	996 552 813 00	support		2	
	J31	nephrite green				16	996 552 833 00	rubber stop		2	
	M31	boxster red				17	999 919 175 09	oval-head screw 3,5 X 12		8	
	D12	dark grey/natural	00-			18	996 552 155 02	lid leatherette	97	1	
	T12	brown/natural	00-								

Model	Year	MG	SG	Illustration	Restrictions	UPD	10:52	24.01.2010	PORSCHE	PET	PORSCHE
986	2004	8	09	809-20		248					

Pos	Part Number	Description	Remark	Qty	Model	Pos	Part Number	Description	Remark	Qty	Model
	A10	black					S31	savanna			
	C50	graphite grey					G11	metropole blue			
	S30	savanna					J31	nephrite green			
18	996 552 155 04	lid leatherette	98-99	1			M31	boxster red			
	A18	black					D12	dark grey			
	C18	graphite grey					T12	brown/natural			
	S18	savanna					P12	cinnamon brown			
	G18	metropole blue				19	999 920 017 40	plug-in nut 3,5 X 2,5 X 5		8	
18	996 552 155 04	lid leatherette	00-	1		20	996 552 097 01	lock		1	
	A12	black					01C	satin black			
	C52	graphite grey				21	996 552 907 00	lock cylinder w/o stipulated lock number		1	
	S32	savanna				21	996 552 907 01	lock cylinder state lock number		1	
	G12	metropole blue				22	986 552 297 00	cover	97	1	
	J32	nephrite green	01-				B12	black-grey			
18	996 552 155 03	lid leather		1		23	996 637 211 00	support		1	
	A11	black				24	996 613 205 00	microswitch		1	
	C51	graphite grey				25	999 919 121 09	oval-head screw 5 X 16		3	
	S31	savanna				26	999 920 011 40	plug-in nut 5,0 X 2,0 X 8		3	
	J31	nephrite green				27	999 507 476 01	clamp 8,0 X 10,2		25	
	M31	boxster red				28	996 552 695 00	coin box		1	
	G11	metropole blue					01C	satin black			
	D12	dark grey	00-			29	986 552 087 00	cover	/L	97	1
	T12	brown/natural	00-				B12	black-grey			
	P12	cinnamon brown	01-			(29)	986 552 088 00	cover	/R	97	1
18	996 552 965 00	lid leather	01-	1	IXMZ		B12	black-grey			
	VRK	black				29	986 552 087 00	cover	/L	98-99	1
	C51	graphite grey									M016

Model	Year	MG	SG	Illustration	Restrictions	UPD	10:52	24.01.2010	PORSCHE	PET	PORSCHE
986	2004	8	09	809-20		248					

Pos	Part Number	Description	Remark	Qty	Model	Pos	Part Number	Description	Remark	Qty	Model
(29)	986 552 087 00	B12 black-grey cover	/R 98-99	1	M016		A12 black				
29	986 552 087 01	B12 black-grey cover	/L 98-	1	M012		C52 graphite grey				
(29)	986 552 088 01	A40 black cover	/R 98-	1	M012	(29)	996 552 088 05	S32 savanna G12 metropole blue J32 nephrite green cover leatherette	/R 01- 00-	1	
29	996 552 087 02	A40 black cover leatherette	/L 97	1	M581		A12 black				
(29)	996 552 088 02	A10 black C50 graphite grey S30 savanna cover leatherette	/R 97	1	M581	(29)	996 552 087 03	C52 graphite grey S32 savanna G12 metropole blue J32 nephrite green cover leather	/L 01- -99	1	M581
29	996 552 087 05	A10 black C50 graphite grey S30 savanna cover leatherette	/L 98-99	1	M581		A11 black				
(29)	996 552 088 05	A18 black C18 graphite grey S18 savanna G18 metropole blue cover leatherette	/R 98-99	1	M581	(29)	996 552 088 03	J31 nephrite green M31 boxer red G11 metropole blue cover leather	/R 98- -99	1	M581
29	996 552 087 05	A18 black C18 graphite grey S18 savanna G18 metropole blue cover leatherette	/L 00-	1		(29)	996 552 087 03	A11 black C51 graphite grey S31 savanna J31 nephrite green M31 boxer red G11 metropole blue cover leather	/L 98- 00-	1	
							A11 black				

Model	Year	MG	SG	Illustration	Restrictions	UPD	10:52	24.01.2010	PORSCHE	PET	PORSCHE
986	2004	8	09	809-20		248					

Pos	Part Number	Description	Remark	Qty	Model	Pos	Part Number	Description	Remark	Qty	Model
	C51	graphite grey					EJS	metal grey			
	S31	savanna				(30)	996 552 257 04	cover lacquered	/RL 98-99	1	M012/249
	J31	nephrite green					EJS	metal grey			
	M31	boxster red				(30)	996 552 259 00	cover	/LL 00-02	1	M249
	G11	metropole blue	98-				EOY	black/silver			
	D12	dark grey	00-				EOX	metal grey silver			M012
	T12	brown/natural	00-								
	P12	cinnamon brown	01-			(30)	996 552 259 01	cover lacquered	/RL 00-02	1	M249
(29)	996 552 088 03	cover leather	/R 00-	1			EOY	black/silver			
	A11	black					EOX	metal grey silver			M012
	C51	graphite grey									
	S31	savanna				30	996 552 259 02	cover lacquered	/LL 03-	1	M249
	J31	nephrite green					EOU	black/silver			
	M31	boxster red					EOV	metal grey silver			M012
	G11	metropole blue	98-								
	D12	dark grey	00-			(30)	996 552 259 03	cover lacquered	/RL 03-	1	M249
	T12	brown/natural	00-				EOU	black/silver			
	P12	cinnamon brown	01-				EOV	metal grey silver			M012
(30)	996 552 655 01	retaining frame		1	M480/481						
30	996 552 257 01	cover	/LL 97	1	M249						
	EBO	black				30	986 552 259 02	cover lacquered	/LL 04	1	M091/249
30	996 552 257 01	cover	/LL 98-99	1	M011/016/249		M7Z	gt silver metallic			
	EBO	black				(30)	986 552 259 03	cover lacquered	/RL 04	1	M091/249
(30)	996 552 257 03	cover	/RL 97	1	M249		M7Z	gt silver metallic			
	EBO	black				(30)	996 552 977 20	cover leather	/LL 01-02	1	IXY5/M249
(30)	996 552 257 03	cover	/RL 98-99	1	M011/016/249		VRK	black			
	EBO	black									
30	996 552 257 02	cover lacquered	/LL 98-99	1	M012/249						

Model	Year	MG	SG	Illustration	Restrictions	UPD	10:52	24.01.2010	PORSCHE	PET	PORSCHE
986	2004	8	09	809-20		248					

Pos	Part Number	Description	Remark	Qty	Model	Pos	Part Number	Description	Remark	Qty	Model
	C51	graphite grey				(30)	996 552 977 27	cover leather	/RL 03-	1	IXY5/M249
	S31	savanna					VRK	black			
	J31	nephrite green					C51	graphite grey			
	M31	boxster red					S31	savanna			
	G11	metropole blue					G11	metropole blue			
	T12	brown/natural					J31	nephrite green			
	D12	dark grey					M31	boxster red			
	P12	cinnamon brown					P12	cinnamon brown			
(30)	996 552 977 21	cover leather	/RL 01-02	1	IXY5/M249		D12	dark grey/natural			
	VRK	black					T12	brown/natural			
	C51	graphite grey				31	996 552 687 00	slide		1	M249
	S31	savanna					01C	satin black			
	J31	nephrite green				32	996 552 283 01	cover	97	1	
	M31	boxster red					B12	black-grey			
	G11	metropole blue				32	996 552 283 01	cover handbrake	98-99	1	M011/016
	T12	brown/natural					B12	black-grey			
	D12	dark grey				32	996 552 283 02	cover handbrake lacquered		1	
	P12	cinnamon brown					D05	granite grey	99		M010
30	996 552 977 26	cover leather	/LL 03-	1	IXY5/M249		C02	metal grey	98-		M012
	VRK	black					A03	black	00-		
	C51	graphite grey				32	996 552 283 03	cover handbrake lacquered	04	1	M091
	S31	savanna					M7Z	gt silver metallic			
	G11	metropole blue				32	996 552 993 02	cover handbrake carbon	01-	1	IXMJ
	J31	nephrite green									
	M31	boxster red				32	996 552 993 01	cover handbrake lacquered	03-	1	IXCE
	P12	cinnamon brown									
	D12	dark grey/natural									
	T12	brown/natural									

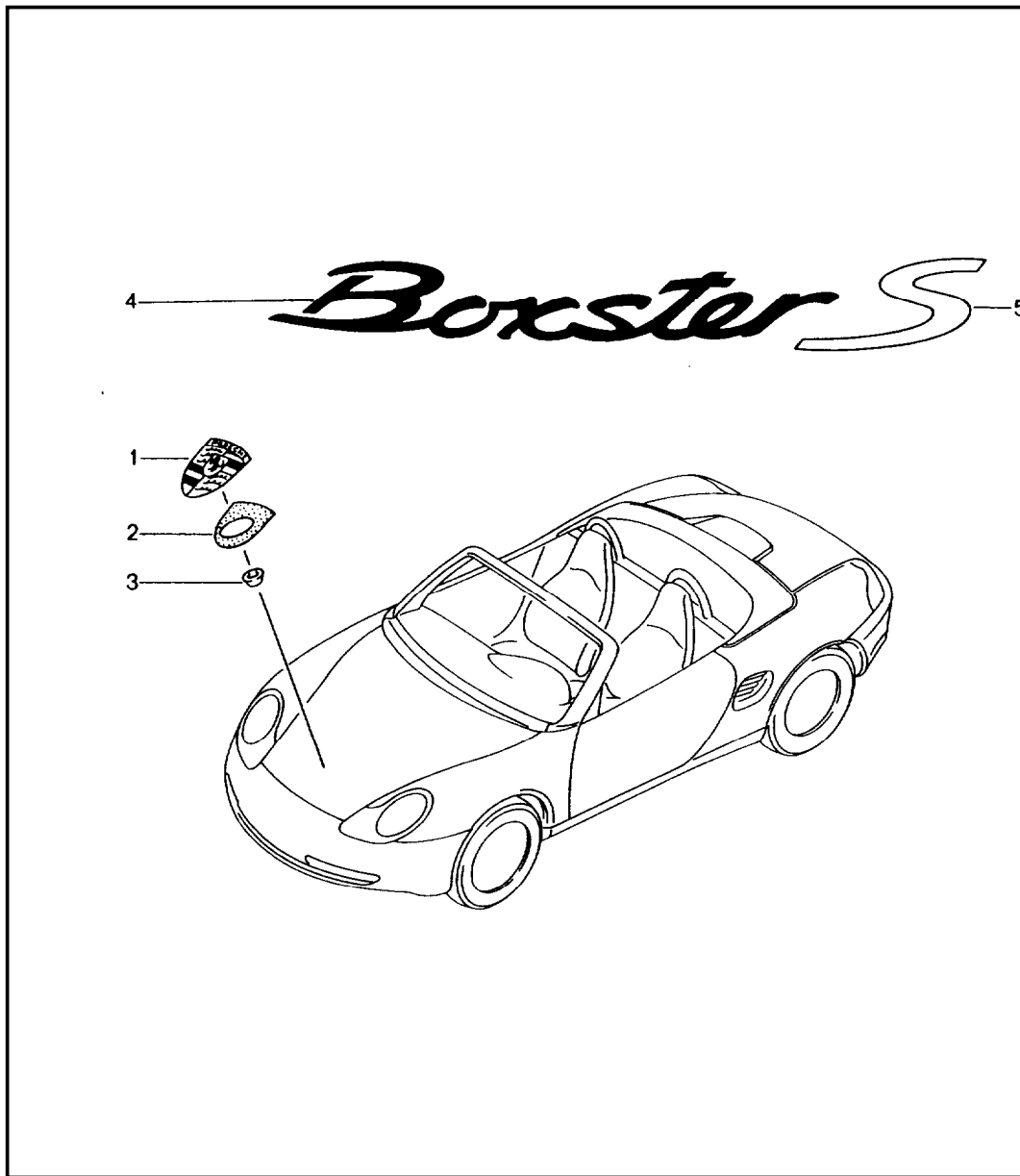
Model	Year	MG	SG	Illustration	Restrictions	UPD	10:52	24.01.2010	PORSCHE	PET	PORSCHE
986	2004	8	09	809-20		248					

Pos	Part Number	Description	Remark	Qty	Model	Pos	Part Number	Description	Remark	Qty	Model
	V03	sport silver				(33)	996 552 090 04	cover leather	/R	01-	1 IXMJ
33	986 552 089 00	cover	/L	97	1		A11	black			
	B12	black-grey					C51	graphite grey			
(33)	986 552 090 00	cover	/R	97	1		S31	savanna			
	B12	black-grey					G11	metropole blue			
33	986 552 089 00	cover	/L	98-99	1 M011/016		J31	nephrite green		-03	
	B12	black-grey					M31	boxster red			
(33)	986 552 090 00	cover	/R	98-99	1 M011/016		P12	cinnamon brown			
	B12	black-grey					D12	dark grey/natural			
33	996 552 089 05	cover lacquered	/L	98-	1		T12	brown/natural			
	C02	metal grey		98-	M012	33	996 552 089 04	cover leather	/L	01-	1 IXMZ
	D05	granite grey		99	M010		A11	black			
	A03	black		00-			C51	graphite grey			
(33)	996 552 090 05	cover lacquered	/R	98-	1		S31	savanna			
	C02	metal grey		98-	M012		G11	metropole blue			
	D05	granite grey		99	M010		J31	nephrite green		-03	
	A03	black		00-			M31	boxster red			
33	996 552 089 04	cover leather	/L	01-	1 IXMJ		P12	cinnamon brown			
	A11	black					D12	dark grey/natural			
	C51	graphite grey					T12	brown/natural			
	S31	savanna				(33)	996 552 090 04	cover leather	/R	01-	1 IXMZ
	G11	metropole blue					A11	black			
	J31	nephrite green		-03			C51	graphite grey			
	M31	boxster red					S31	savanna			
	P12	cinnamon brown					G11	metropole blue			
	D12	dark grey/natural					J31	nephrite green		-03	
	T12	brown/natural					M31	boxster red			

Model	Year	MG	SG	Illustration	Restrictions	UPD	10:52	24.01.2010	PORSCHE	PET	PORSCHE
986	2004	8	09	809-20		248					

Pos	Part Number	Description	Remark	Qty	Model	Pos	Part Number	Description	Remark	Qty	Model
		P12 cinnamon brown									
		D12 dark grey/natural									
		T12 brown/natural									
33	996 552 089 04	cover leather	/L	04	1 M091						
		D12 dark grey/natural									
		9V6 cocoa									
(33)	996 552 090 04	cover leather	/R	04	1 M091						
		D12 dark grey/natural									
		9V6 cocoa									
34	999 920 013 40	plug-in nut 5,0 X 1,0 X 8			1						
35	999 920 012 40	plug-in nut 5,0 X 3,5 X 8			2						

Model	Year	MG	SG	Illustration	Restrictions	UPD	10:52	24.01.2010	PORSCHE	PET	PORSCHE
986	2004	8	10	810-00		248					



Pos	Part Number	Description	Remark	Qty	Model
		insignias			
1	997 559 211 00	lid emblem Information available	WW	1	
(1)	996 559 211 01	lid emblem Information available	WW	1	
2	A 901 559 215 20	desk pad		1	
(2)	7L5 853 611 B	desk pad		1	
3	999 591 423 03	tapping nut		2	
4	986 559 237 00	logo		1	
		70C rally black			
(4)	986 559 237 01	logo	00-	1	M008
		9A4 titanium metallic			
(4)	986 559 237 02	logo chrome	04	1	M091
5	986 559 243 00	logo	00-	1	M008
		9A4 titanium metallic			
(5)	986 559 243 01	logo chrome	04	1	M091

PORSCHE

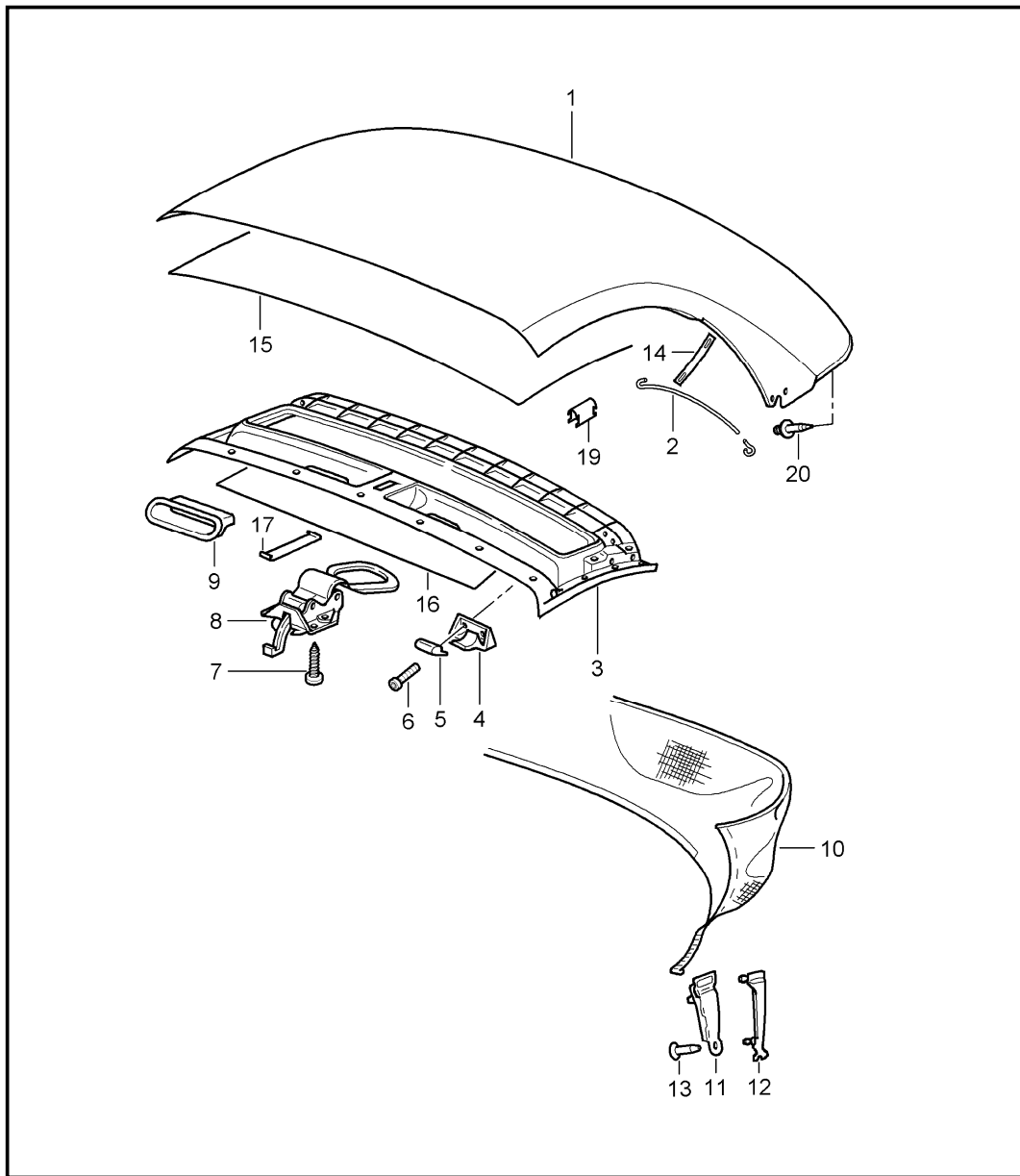
PET

PORSCHE

Model	Year	MG	SG	Illustration	Restrictions	UPD	10:52	24.01.2010
986	2004	8	10	810-05		248		

Pos	Part Number	Description	Remark	Qty	Model
		sill cover	01-		IXAA/X76
1	986 559 983 01	sill cover	/L	1	
	G2X	prime coated			
(1)	986 559 984 01	sill cover	/R	1	
	G2X	prime coated			
3	996 559 985 01	adhesive film	/L	1	
(3)	996 559 986 01	adhesive film	/R	1	
6	999 073 231 09	tapping screw 4,8 X 16		20	

Model	Year	MG	SG	Illustration	Restrictions	UPD	10:52	24.01.2010	PORSCHE	PET	PORSCHE
986	2004	8	11	811-00		248					

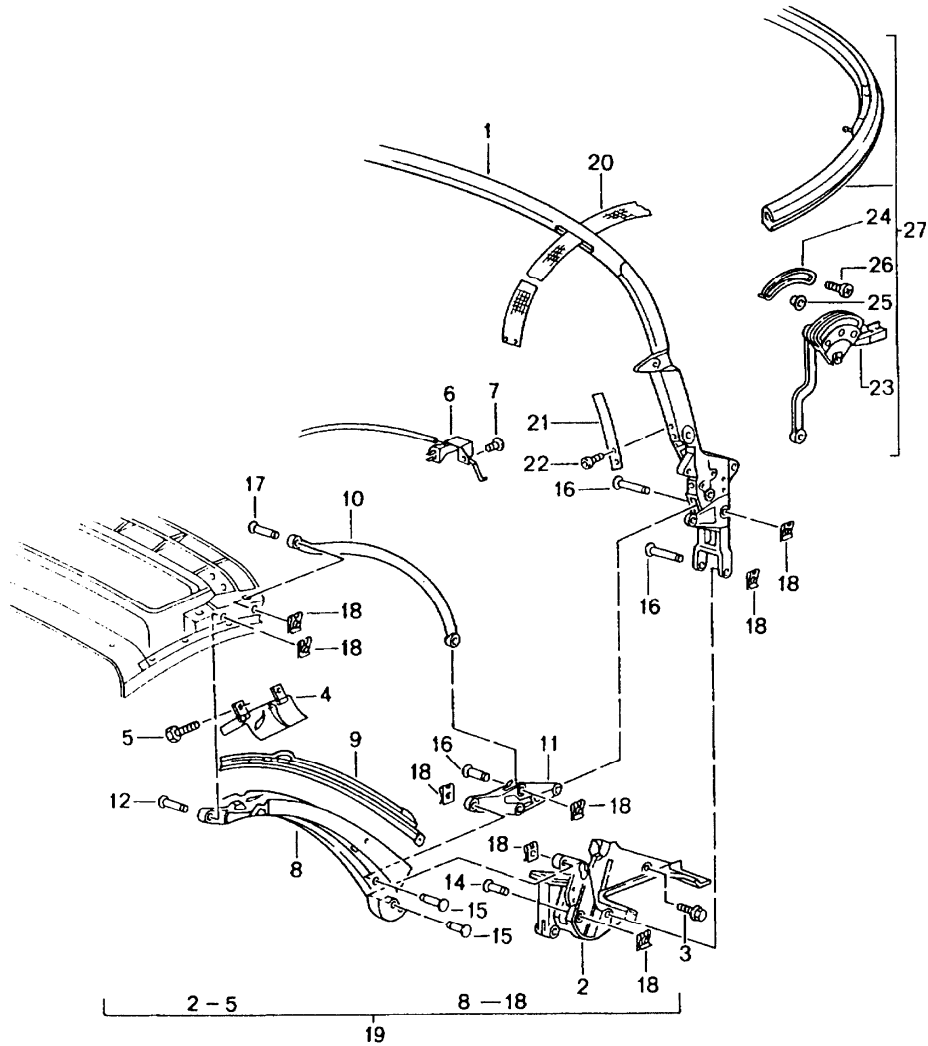


Pos	Part Number	Description	Remark	Qty	Model
1	986 561 915 03	convertible top covering with rear window and installation parts	-02	1	
	A10	black			
	C50	graphite grey			
	G10	metropole blue			
1	986 561 915 05	convertible top covering with rear window and installation parts	03-	1	
	A10	black			
	C50	graphite grey			
	G02	metropole blue			
	R17	brown			
		when required order also:			
--	000 043 300 45	repair kit 26		1	
2	986 561 921 00	tension rope		2	
3	986 561 933 00	roof frame		1	
4	986 561 605 01	centring journal		2	
	A09	black with			
5	---	cap black	99-	2	
6	999 919 144 09	oval-head screw		4	
7	999 919 148 09	oval-head screw		4	
8	A 986 561 017 01	catch		1	
	A09	black			
8	986 561 017 02	catch		1	
	A09	black			

Model	Year	MG	SG	Illustration	Restrictions	UPD	10:52	24.01.2010	PORSCHE	PET	PORSCHE
986	2004	8	11	811-00		248					

Pos	Part Number	Description	Remark	Qty	Model	Pos	Part Number	Description	Remark	Qty	Model
9	986 561 417 00	finger plate		2							
	01C	black									
10	986 561 085 00	cloth	-02	1							
10	986 561 085 02	cloth	03-	1							
11	986 561 669 03	slide	/L	1							
(11) A	986 561 670 02	slide	/R	1							
(11)	986 561 670 03	slide	/R	1							
12	986 561 559 01	clamping piece	/L	-02	1						
12	986 561 559 02	clamping piece	/L	03-	1						
(12)	986 561 560 01	clamping piece	/R	-02	1						
(12)	986 561 560 02	clamping piece	/R	03-	1						
13	986 561 597 00	pin		2							
14	986 561 931 00	traction noose		2							
15	986 561 025 02	roofliner	-02	1							
	A21	black									
15	986 561 025 03	roofliner	03-	1							
	A21	black									
16	986 561 902 00	retaining strip		1							
16	986 561 902 01	retaining strip		1	M008						
17	986 561 903 00	clamp		1							
--	986 563 855 01	protective fleece cover for rear window		1							
--	999 917 557 00	grease 30 ML		X							
20	999 591 941 40	expander nut	03-	4							

Model	Year	MG	SG	Illustration	Restrictions	UPD	10:52	24.01.2010	PORSCHE	PET	PORSCHE
986	2004	8	11	811-05		248					

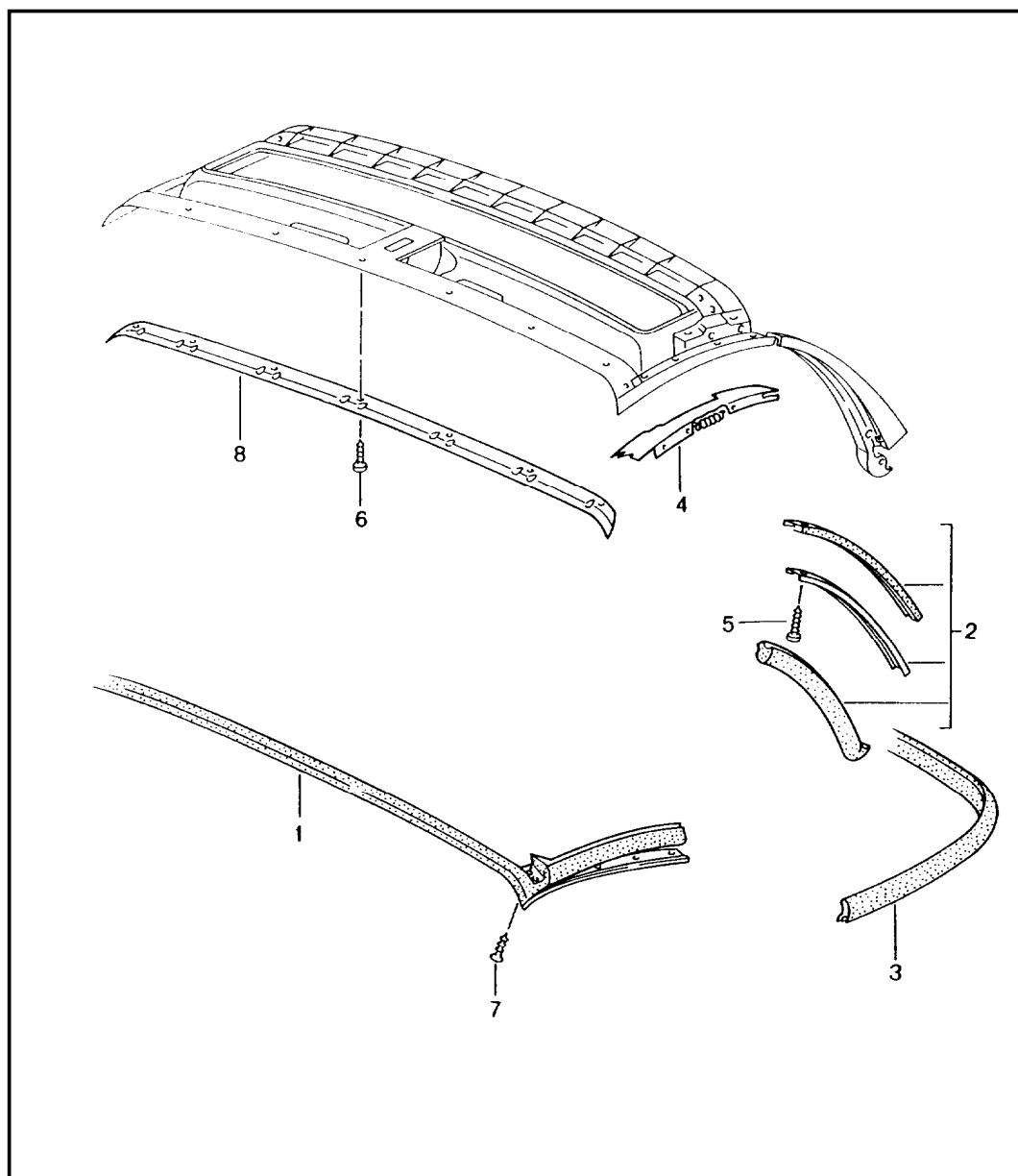


Pos	Part Number	Description	Remark	Qty	Model
		convertible top frame single parts			
1	986 561 037 00	main folding top bow 70C black		1	
1	986 561 037 01	main folding top bow 70C black		1	M008
1	986 561 037 03	main folding top bow A09 black	03-	1	
2	986 561 443 00	convertible top support 70C black	/L	1	
(2)	986 561 444 00	convertible top support 70C black	/R	1	
3	900 378 033 09	hexagon-head bolt		6	
4	986 561 165 00	flap A09 black		1	
4	986 561 166 00	flap A09 black		1	
5	999 919 141 09	oval-head screw		2	
6	986 613 101 02	microswitch		1	
7	999 919 152 09	oval-head screw		1	
8	986 561 935 00	b-pillar A09 black	/L	1	
(8)	986 561 936 00	b-pillar A09 black	/R	1	
--	986 561 646 00	support for		2	
--	986 561 656 00	tension rope		1	
9	986 561 909 00	clamping strip	/L	1	
(9)	986 561 910 00	clamping strip	/R	1	
10	986 561 039 00	control arm	/L	1	

Model	Year	MG	SG	Illustration	Restrictions	UPD	10:52	24.01.2010	PORSCHE	PET	PORSCHE
986	2004	8	11	811-05		248					

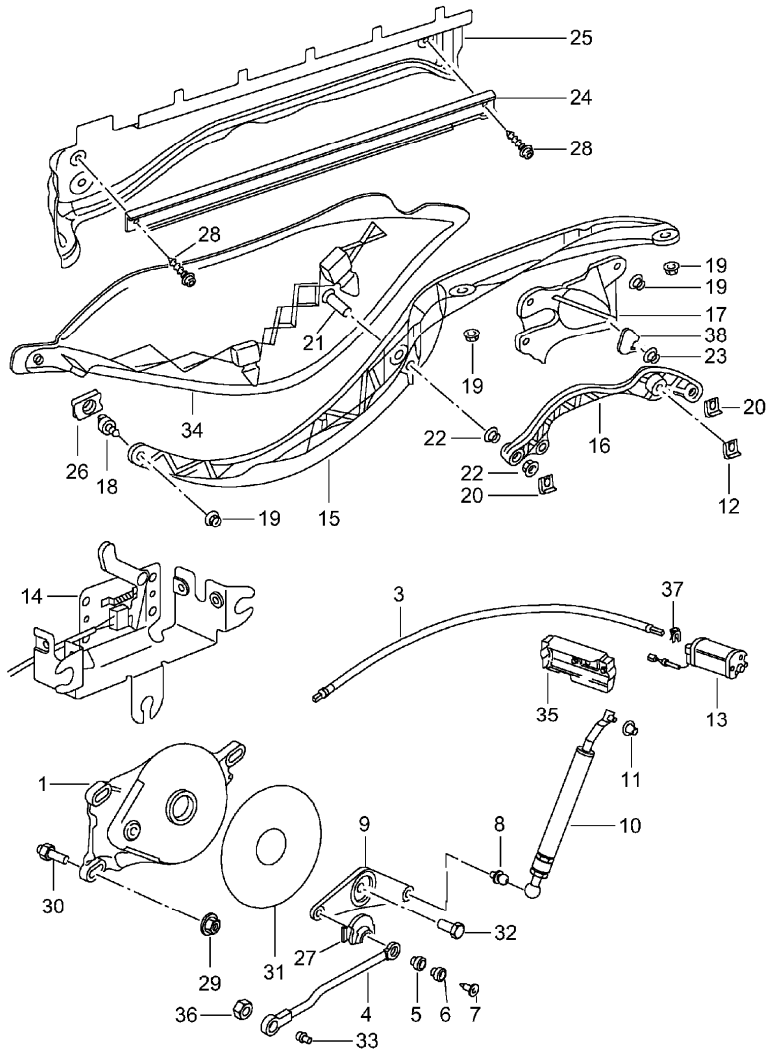
Pos	Part Number	Description	Remark	Qty	Model	Pos	Part Number	Description	Remark	Qty	Model
	70C	black				--	986 561 905 00	pipings b-pillar	/L	1	
(10)	986 561 040 00	control arm	/R	1		--	986 561 906 00	pipings b-pillar	/R	1	
	70C	black									
11	986 561 345 00	steering arm lower	/L	1		23	986 561 247 00	connecting piece	/L	-02	1
(11)	986 561 346 00	steering arm lower	/R	1			70C	black			
						23	986 561 248 00	connecting piece	/R	-02	1
12	999 088 042 30	bolt 8M 6X25,8		X			70C	black			
14	999 088 042 30	bolt 8M 6X25,8		X		24	986 561 871 00	guide		-02	4
15	999 088 042 30	bolt 8M 6X25,8		X		25	999 924 118 40	bush		-02	X
16	999 088 028 30	bolt 8M 6X70,8		X		26	999 919 144 09	lens-head screw		-02	4
17	999 088 030 30	bolt 8M 6X45,8		X		27	986 561 901 02	roof strut		-02	1
18	999 166 075 02	lock		X		(27)	986 561 901 03	roof strut		03-	1
19	986 561 911 03	convertible top frame		-02	1	28	986 561 237 01	roof strut		03-	1
	A09	black				29	986 561 671 02	cover	/L	03-	1
19	986 561 911 04	convertible top frame		03-	1	(29)	986 561 672 02	cover	/R	03-	1
	A09	black				30	986 561 675 01	cover	/L	03-	1
		without roll-over bar				(30)	986 561 676 01	cover	/R	03-	1
20	986 561 971 01	belt	/L	-02	1	31	999 088 042 30	bolt		03-	2
20	986 561 971 03	belt	/L	03-	1	32	999 088 043 30	bolt		03-	2
20	986 561 972 01	belt	/R	-02	1	33	986 561 973 00	restraining strap		03-	2
20	986 561 972 03	belt	/R	03-	1	34	986 612 315 00	wiring harness		03-	1
--	900 333 001 30	blind rivet		X							
21	986 561 769 00	leaf spring		2							
22	999 919 139 09	lens-head screw		4							
--	986 561 671 00	cover	/L	1							
--	986 561 672 00	cover	/R	1							

Model	Year	MG	SG	Illustration	Restrictions	UPD	10:53	24.01.2010	PORSCHE	PET	PORSCHE
986	2004	8	11	811-10		248					



Pos	Part Number	Description	Remark	Qty	Model
		convertible top seal			
1	986 561 927 01	roof frame seal	-02	1	
1	986 561 927 02	roof frame seal	03-	1	
-	986 561 813 01	filler piece	/L	1	
-	986 561 814 01	filler piece	/R	1	
2	986 561 923 01	gasket set b-pillar	/L -02	1	
2	986 561 923 02	gasket set b-pillar	/L 03-	1	
(2)	986 561 924 01	gasket set b-pillar	/R -02	1	
(2)	986 561 924 02	gasket set b-pillar	/R- 03-	1	
3	986 561 393 01	gasket roof strut		1	
4	986 561 115 00	retaining strip	/L	1	
(4)	986 561 116 00	retaining strip	/R	1	
5	900 067 378 09	pan-head screw		X	
6	999 919 139 09	pan-head screw		X	
7	999 919 144 09	oval-head screw		2	
8	986 561 501 01	retaining strip		1	

Model	Year	MG	SG	Illustration	Restrictions	UPD	10:53	24.01.2010	PORSCHE	PET	PORSCHE
986	2004	8	11	811-12		248					

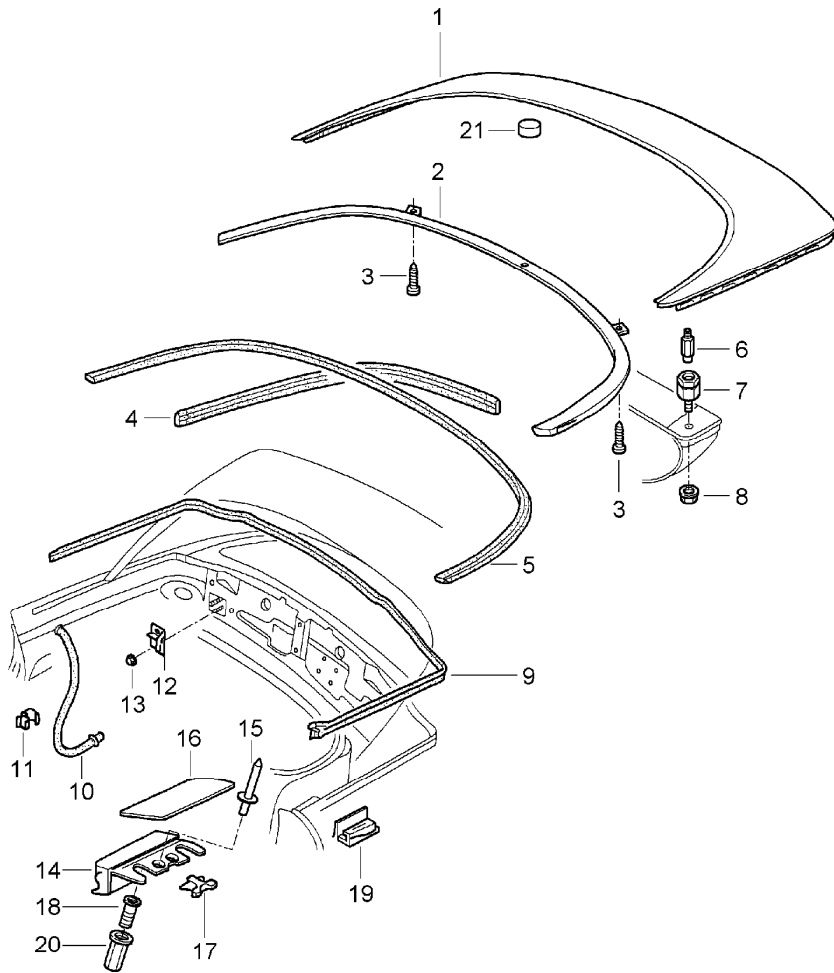


Pos	Part Number	Description	Remark	Qty	Model
		driving mechanism convertible top convertible top compartm. lid			
1	986 561 179 02	transmission	/L	-99	1
1	986 561 179 03	transmission	/L	00-	1
1	986 561 180 02	transmission	/R	-99	1
1	986 561 180 03	transmission	/R	00-	1
3	986 561 717 03	pliable shaft			2
4	986 561 279 02	push rod			2
5	999 924 039 00	bush			2
6	986 561 779 00	spacer sleeve			2
7	900 249 054 09	countersunk-head screw			2
8	986 561 689 00	ball pin			2
9	986 561 479 01	lever	/L		1
9	986 561 480 01	lever	/R		1
10	986 561 579 00	push rod	/L		1
10	986 561 580 00	push rod	/R		1
11	999 924 126 00	bush			2
12	999 166 075 02	lock			2
13	986 624 117 00	electric motor		-03	1
13	986 624 117 01	electric motor		04-	1
14	986 613 767 01	microswitch with support			1
(14)	986 624 299 00	support without microswitch			1
15	986 561 551 01	guide arm	/L		1
	GRV	prime coated			
(15)	986 561 552 01	guide arm	/R		1
	GRV	prime coated			

Model	Year	MG	SG	Illustration	Restrictions	UPD	10:53	24.01.2010	PORSCHE	PET	PORSCHE
986	2004	8	11	811-12		248					

Pos	Part Number	Description	Remark	Qty	Model	Pos	Part Number	Description	Remark	Qty	Model
16	986 561 571 01	hinge lever	/L	1		32	900 378 288 01	hexagon-head bolt		2	
	GRV	prime coated				33	986 561 879 00	ball pin use also:		2	
16	986 561 572 01	hinge lever	/R	1		--	N 011 118 11	nut		2	
	GRV	prime coated				34	986 561 445 02	trim cover	/L -02	1	
17	986 561 679 00	bearing bracket	/L	1			01C	black			
	GRV	prime coated				(34)	986 561 446 02	trim cover	/R -02	1	
17	986 561 680 00	bearing bracket	/R	1			01C	black			
	GRV	prime coated				34	986 561 445 03	trim cover	03-	1	
18	986 561 677 00	ball pin		1		(34)	986 561 446 03	trim cover	03-	1	
19	900 377 010 09	hexagon nut		12		35	986 624 295 00	trim cover		1	
20	999 166 075 02	lock		4		36	N 011 118 11	nut		2	
(20)	986 561 873 00	lock		2		37	911 561 643 65	spring clamp		2	
21	999 088 027 30	bolt		2		38	986 561 657 00	connection piece		2	
22	999 924 049 01	bush		4							
23	999 924 069 00	bush		2							
24	986 561 253 01	guide rail	/L	1							
24	986 561 254 01	guide rail	/R	1							
25	986 561 761 02	water drain plate	/L	1							
	GRV	prime coated									
25	986 561 762 02	water drain plate	/R	1							
	GRV	prime coated									
26	986 561 577 01	slide		2							
27	986 561 881 00	rubber bush		2							
28	900 067 379 09	pan-head screw		4							
29	999 076 055 09	hexagon nut		6							
30	986 561 789 00	spacer bolt		6							
30	986 561 789 01	spacer bolt		6							
31	986 561 589 03	washer		2							
32	A 999 217 095 02	hexagon-head bolt		2							

Model	Year	MG	SG	Illustration	Restrictions	UPD	10:53	24.01.2010	PORSCHE	PET	PORSCHE
986	2004	8	11	811-13		248					

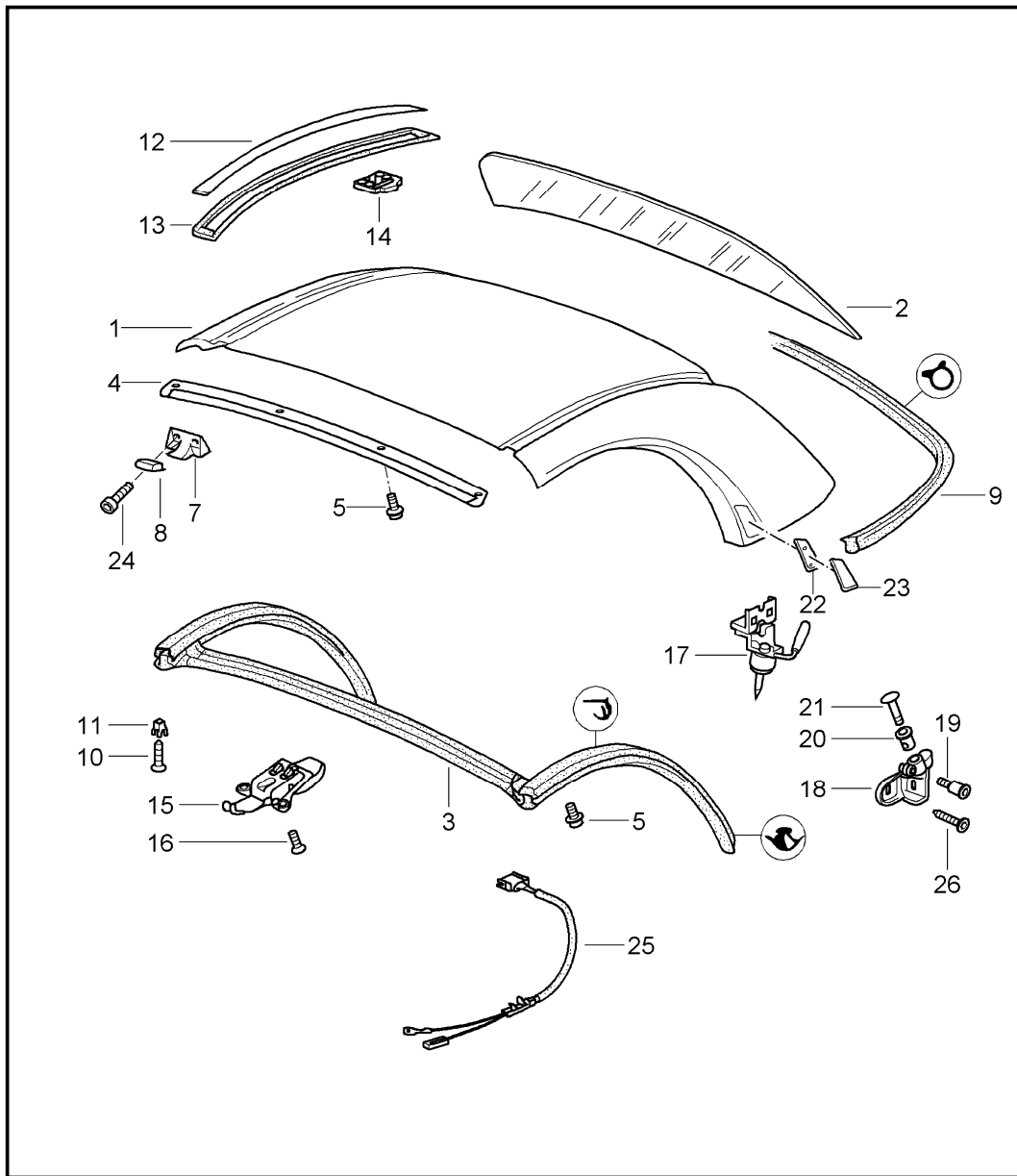


Pos	Part Number	Description	Remark	Qty	Model
		convertible top compartm. lid gaskets			
1	986 514 011 01	lid		1	
	GRV	prime coated			
2	986 514 631 00	sealing strip		1	
3	999 073 047 02	tapping screw		2	
4	986 514 714 01	edge protection		2	
5	986 514 731 00	gasket		1	
6	986 514 253 01	centring journal		2	
7	986 514 251 01	base		2	
8	999 076 061 09	hexagon nut		4	
9	986 514 211 01	gasket		1	
10	986 514 241 00	water drain hose	/L	2	
11	999 507 551 09	cable clamp		4	
(12)	986 561 505 00	support		2	
13	999 084 629 09	hexagon flat nut		4	
14	986 514 633 02	sealing strip	/L	1	
14	986 514 634 02	sealing strip	/R	1	
15	999 190 445 37	rivet		4	
16	986 504 861 00	cover	/L	1	
	G2X	prime coated			
16	986 504 862 00	cover	/R	1	
	G2X	prime coated			
17	986 504 833 00	clamp		2	
18	996 504 855 01	mounting		4	
19	986 561 407 02	stop	/L	1	
(19)	986 561 408 02	stop	/R	1	
20	999 500 084 02	blind rivet nut		4	
21	986 561 633 01	buffer	-97	5	

Model	Year	MG	SG	Illustration	Restrictions	UPD	10:53	24.01.2010	PORSCHE	PET	PORSCHE
986	2004	8	11	811-13		248					

Pos	Part Number	Description	Remark	Qty	Model	Pos	Part Number	Description	Remark	Qty	Model
21	986 561 633 01	buffer	98-	5							
--	000 043 205 38	adhesive tape 3000X19 MM		1							

Model	Year	MG	SG	Illustration	Restrictions	UPD	10:53	24.01.2010	PORSCHE	PET	PORSCHE
986	2004	8	11	811-15		248					

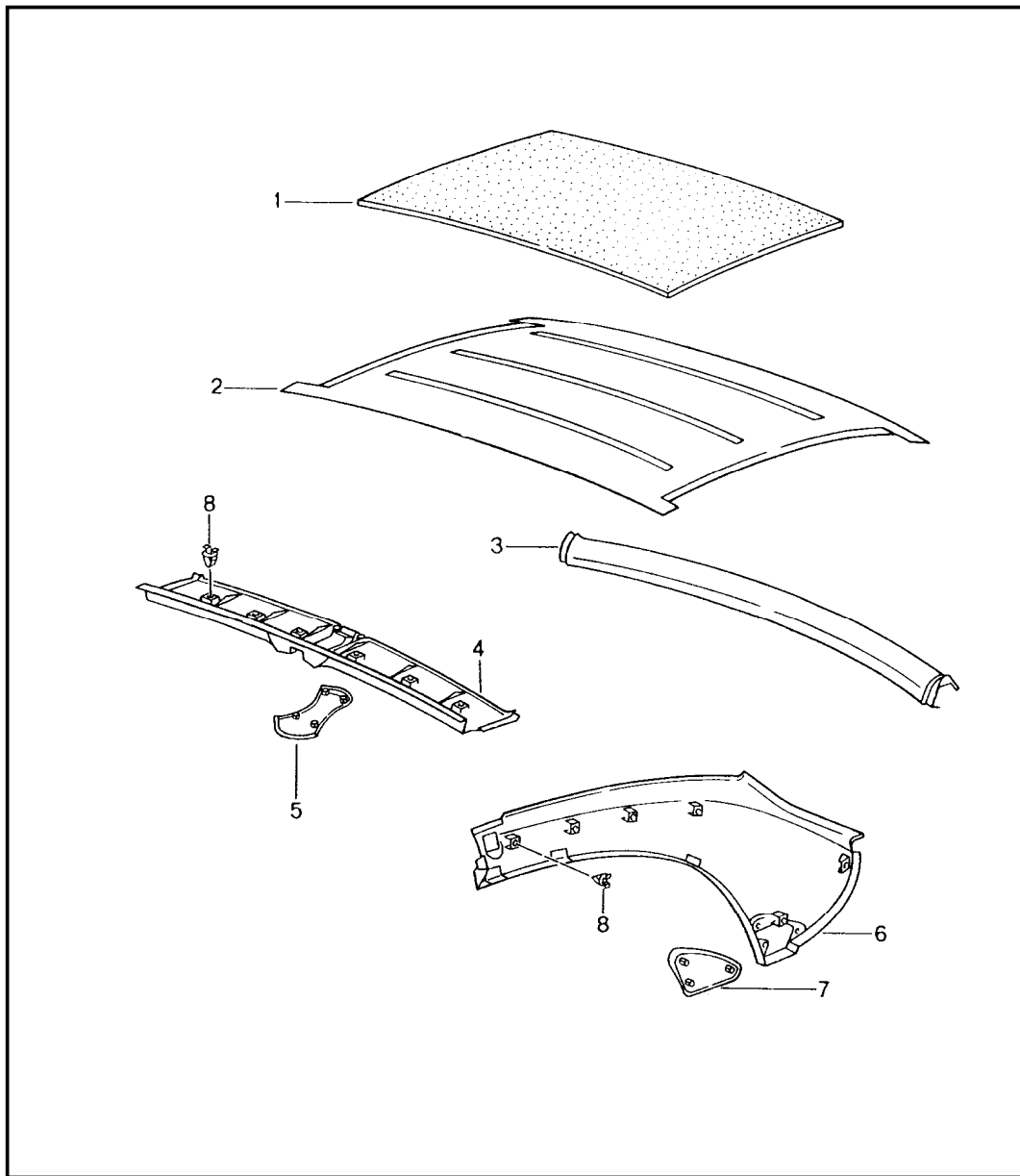


Pos	Part Number	Description	Remark	Qty	Model
		hardtop accessories gaskets			M550
1	986 563 911 01	hardtop	97	1	
	GRV	prime coated without accessories			
1	986 563 911 03	hardtop	98-	1	
	GRV	prime coated without accessories			
2	986 563 091 01	rear window ready for installation		1	
2	986 563 091 02	rear window ready for installation		1	M008
3	986 563 025 01	gasket		1	
4	986 563 319 01	retaining strip		1	
5	900 067 378 09	pan-head screw		10	
-	000 043 203 29	sealing strap NITTO		X	
7	986 561 605 00	centring journal		2	
	A09	black			
8	986 563 625 03	cap		2	
9	986 563 027 01	gasket		1	
10	999 073 049 02	tapping screw		14	
11	999 507 547 40	expander nut		22	
12	986 563 707 00	cover strip	/L	1	
	GRV	prime coated			
(12)	986 563 708 00	cover strip	/R	1	
	GRV	prime coated			
13	986 563 361 00	gasket	/L	1	
(13)	986 563 362 00	gasket	/R	1	
14	986 563 721 00	clip		8	

Model	Year	MG	SG	Illustration	Restrictions	UPD	10:53	24.01.2010	PORSCHE	PET	PORSCHE
986	2004	8	11	811-15		248					

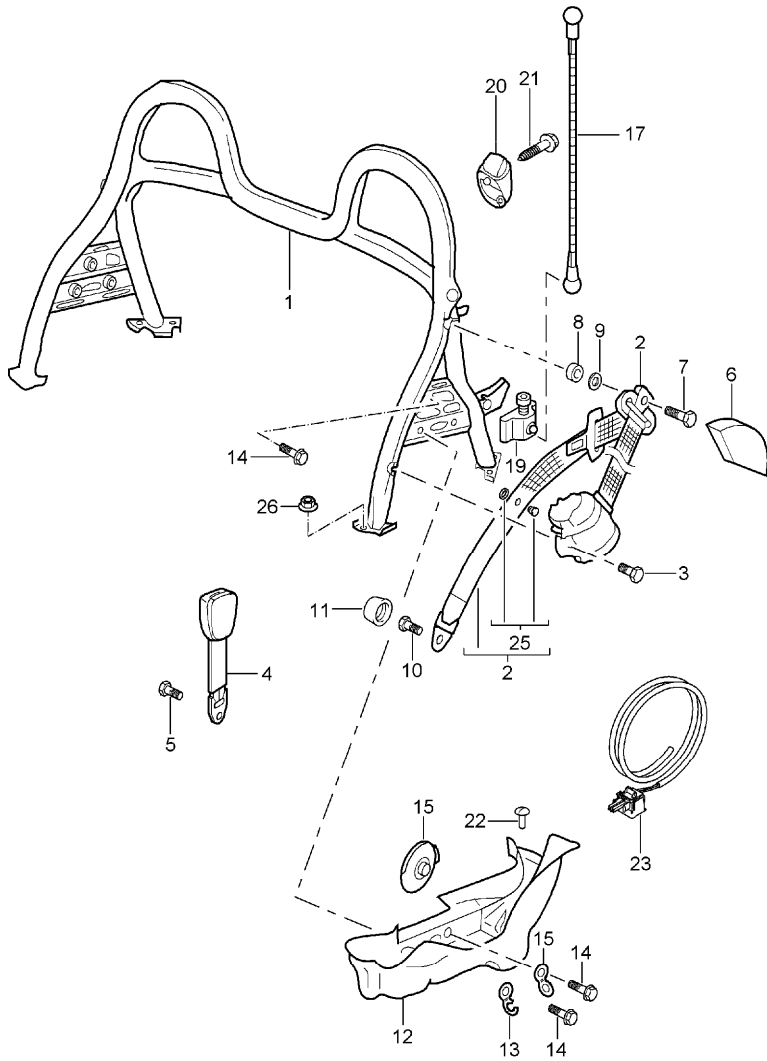
Pos	Part Number	Description	Remark	Qty	Model	Pos	Part Number	Description	Remark	Qty	Model
15	996 563 401 00	catch		1							
16	900 249 055 09	countersunk-head screw M 6X20		3							
17	986 563 403 02	catch	/L	1							
(17)	986 563 404 02	catch use also:	/R	1							
--	900 067 378 09	pan-head screw micro-self-locking		2							
18	986 561 653 04	mounting	/L	1							
(18)	986 561 654 04	mounting	/R	1							
19	999 219 041 00	fit bolt		2							
20	986 563 713 02	insert	/L	1							
(20)	986 563 714 02	insert	/R	1							
21	986 561 655 00	cap		2							
22	986 563 341 01	mounting	/L	1							
(22)	986 563 342 01	mounting	/R	1							
23	986 563 803 01	trim cover	/L	1							
	G2X	prime coated									
23	986 563 804 01	trim cover	/R	1							
	G2X	prime coated									
24	900 119 122 09	pan-head screw		4							
25	986 612 081 01	wiring harness		1							
26	999 073 150 09	lens-head screw		4							
--	986 563 309 00	retaining strip	/L	1							
--	986 563 310 00	retaining strip	/R	1							
--	986 563 021 00	sealing strip	/L	1							
--	986 563 022 00	sealing strip	/R	1							
--	999 703 447 40	buffer		3							

Model	Year	MG	SG	Illustration	Restrictions	UPD	10:53	24.01.2010	PORSCHE	PET	PORSCHE
986	2004	8	11	811-16		248					



Pos	Part Number	Description	Remark	Qty	Model
		hardtop interior equipment			
1	986 563 523 00	sound absorber		1	
2	986 563 111 00	lining	-00	1	
	A10	black			
2	986 563 111 01	lining	01-	1	
	A21	black			
3	986 563 505 00	lining		1	
	B12	black			
4	986 563 501 00	lining		1	
	B12	black			
5	986 563 551 00	lid		1	
	B12	black			
6	986 563 503 00	lining	/L	1	
	B12	black			
(6)	986 563 504 00	lining	/R	1	
	B12	black			
7	986 563 553 00	lid	/L	1	
	B12	black			
(7)	986 563 554 00	lid	/R	1	
	B12	black			
8	999 507 764 40	clamp		X	

Model	Year	MG	SG	Illustration	Restrictions	UPD	10:53	24.01.2010	PORSCHE	PET	PORSCHE
986	2004	8	12	812-00		248					

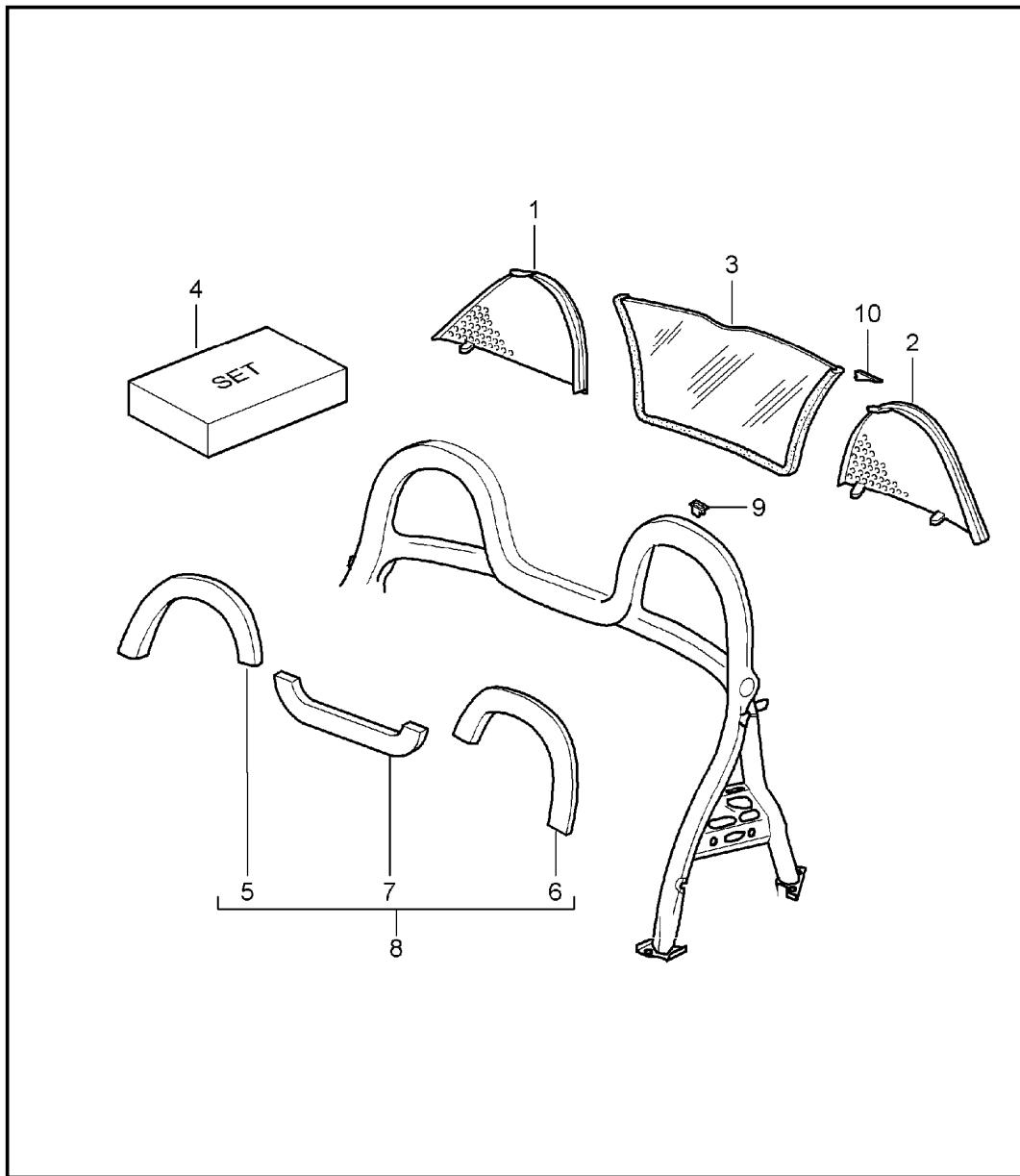


Pos	Part Number	Description	Remark	Qty	Model
		roll-over bar			
		seat belt			
1	986 580 011 01	roll-over bar		1	
		70C			
		black			
2	986 803 033 02	seat belt	/L	-01	1
2	986 803 033 03	seat belt	/L	02-	1
2	986 803 982 01	seat belt	/L	02-	1
		V02			
		speed yellow			
		H03			
		maritime blue			
		N13			
		guards red			
(2)	986 803 034 02	seat belt	/R	-01	1
(2)	986 803 034 04	seat belt	/R	02-	1
(2)	986 803 983 02	seat belt	/R	02-	1
		V02			
		speed yellow			
		H03			
		maritime blue			
		N13			
		guards red			
(2)	986 803 034 05	seat belt for child car seat	/R	02-	1
(2)	986 803 983 03	seat belt for child car seat	/R	02-	1
		V02			
		speed yellow			
		H03			
		maritime blue			
		N13			
		guards red			
3	911 803 150 00	fastening screw		2	
4	996 803 183 04	seat-belt buckle driver's side		1	
4	996 803 183 07	seat-belt buckle driver's side	02-	1	
4	996 803 183 01	seat-belt buckle passenger's side	-01	1	

Model	Year	MG	SG	Illustration	Restrictions	UPD	10:53	24.01.2010	PORSCHE	PET	PORSCHE
986	2004	8	12	812-00		248					

Pos	Part Number	Description	Remark	Qty	Model	Pos	Part Number	Description	Remark	Qty	Model
4	996 803 183 08	seat-belt buckle passenger's side	02-	1		23	996 612 991 10	cable driver's side for seat-belt tensioner		X	
5	999 218 101 02	fastening screw		2							
6	986 803 541 00	cover		2		23	996 612 991 00	cable passenger's side for seat-belt tensioner		X	
	01C	black									
7	914 803 468 10	fastening screw		2							
8	999 924 064 02	sleeve		2		25	955 803 056 00	knob		2	
9	211 857 771	washer		2			HCP	black			
10	803 019 811 B	fastening screw		2		26	999 076 065 02	collar nut		8	
11	811 857 845	cap		2							
	01C	black									
12	986 561 805 03	water drip pan	/L	1							
(12)	986 561 806 03	water drip pan	/R	1							
--	986 561 833 02	water drain hose		1							
--	986 561 834 02	water drain hose		1							
--	N 900 685 01	plastic nut		4							
16	986 561 589 03	washer		2							
17	986 561 191 02	tension rope		2							
19	986 561 917 00	threaded plate		2							
20	986 580 131 01	bracket	/L	1							
20	986 580 132 01	bracket	/R	1							
21	999 073 060 02	tapping screw		2							
22	N 900 685 01	plastic nut		4							
--	986 580 513 00	plate roll-over bar 1 MM		X							
--	986 580 613 00	plate roll-over bar 1 MM		X							
--	000 043 300 07	paint metal grey 1L		1							

Model	Year	MG	SG	Illustration	Restrictions	UPD	10:54	24.01.2010	PORSCHE	PET	PORSCHE
986	2004	8	12	812-01		248					



Pos	Part Number	Description	Remark	Qty	Model
		wind deflector and linings roll-over bar			
1	986 561 584 00	wind deflector	/R	1	
	01C	black			
2	986 561 583 00	wind deflector	/L	1	
	01C	black			
3 A	986 561 321 00	wind deflector		1	
	01C	black			
3	986 561 321 01	wind deflector		1	
	01C	black			
4	986 561 323 00	set of fastening parts for wind deflector		1	
5 A	986 580 512 01	lining	/R	-97	1
	A11	black			
	C51	graphite grey			
	J31	nephrite green			
	M31	boxster red			
	S31	savanna			
5 A	986 580 512 03	lining leather	/R	98-	1
	A11	black			
	C51	graphite grey			
	J31	nephrite green			
	M31	boxster red			
	S31	savanna			
5 A	986 580 512 07	lining	/L	01-	1
	A17	black			
	C57	graphite grey			
	D12	dark green			

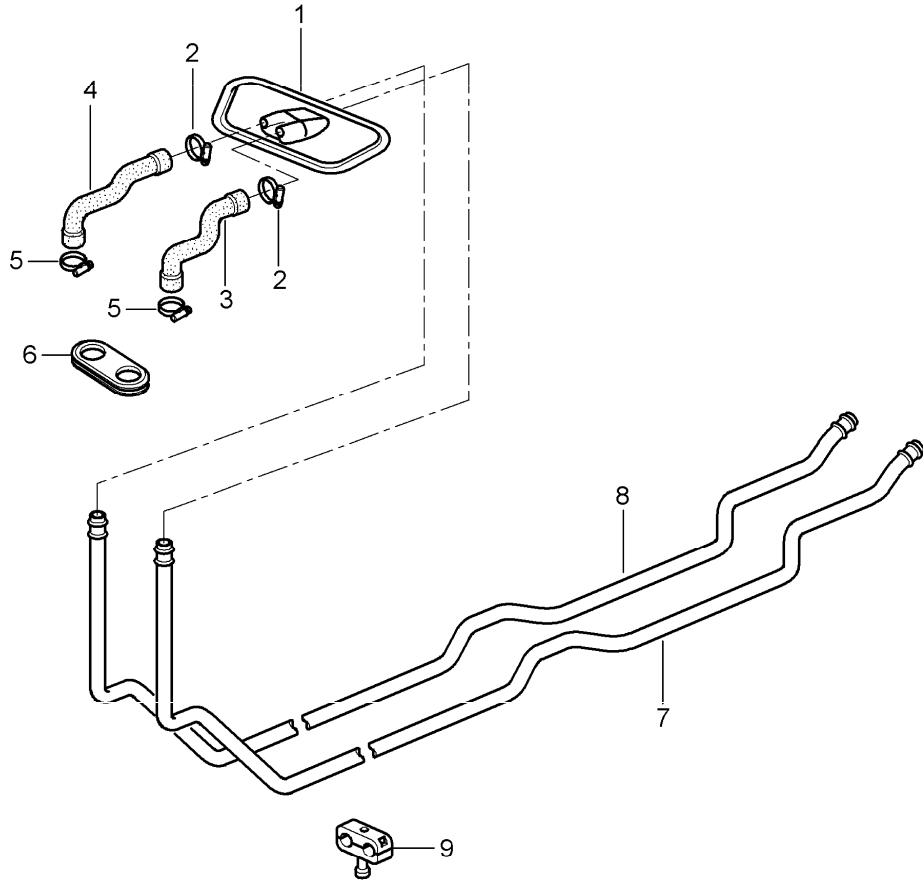
Model	Year	MG	SG	Illustration	Restrictions	UPD	10:54	24.01.2010	PORSCHE	PET	PORSCHE
986	2004	8	12	812-01		248					

Pos	Part Number	Description	Remark	Qty	Model	Pos	Part Number	Description	Remark	Qty	Model
	G17	metropole blue				7	A 986 580 521 01	lining leather	-97	1	
	J37	nephrite green					A11	black			
	M37	boxster red					C51	graphite grey			
	P17	cinnamon brown					S31	savanna			
	S37	savanna					J31	nephrite green			
	T12	brown/natural					M31	boxster red			
6	A 986 580 511 01	lining leather black	/L	-97	1	7	A 986 580 521 05	lining leather	98-	1	
	C51	graphite grey					A11	black			
	J31	nephrite green					C51	graphite grey			
	M31	boxster red					G11	metropole blue	98-		
	S31	savanna					S31	savanna			
6	A 986 580 511 03	lining leather black	/L	98-	1		J31	nephrite green			
	C51	graphite grey					M31	boxster red			
	J31	nephrite green				7	A 986 580 521 05	lining leather		1	
	M31	boxster red					A17	black			
	S31	savanna					C57	graphite grey			
6	A 986 580 511 07	lining leather	/L-	-01	1		D12	dark green			
	A17	black					G17	metropole blue			
	C57	graphite grey					J37	nephrite green			
	D12	dark green					M37	boxster red			
	G17	metropole blue					P17	cinnamon brown			
	J37	nephrite green					S37	savanna			
	M37	boxster red					T12	brown/natural			
	P17	cinnamon brown				8	986 580 311 13	set linings leatherette		1	
	S37	savanna					A12	black			
	T12	brown/natural					C52	graphite grey			

Model	Year	MG	SG	Illustration	Restrictions	UPD	10:54	24.01.2010	PORSCHE	PET	PORSCHE
986	2004	8	12	812-01		248					

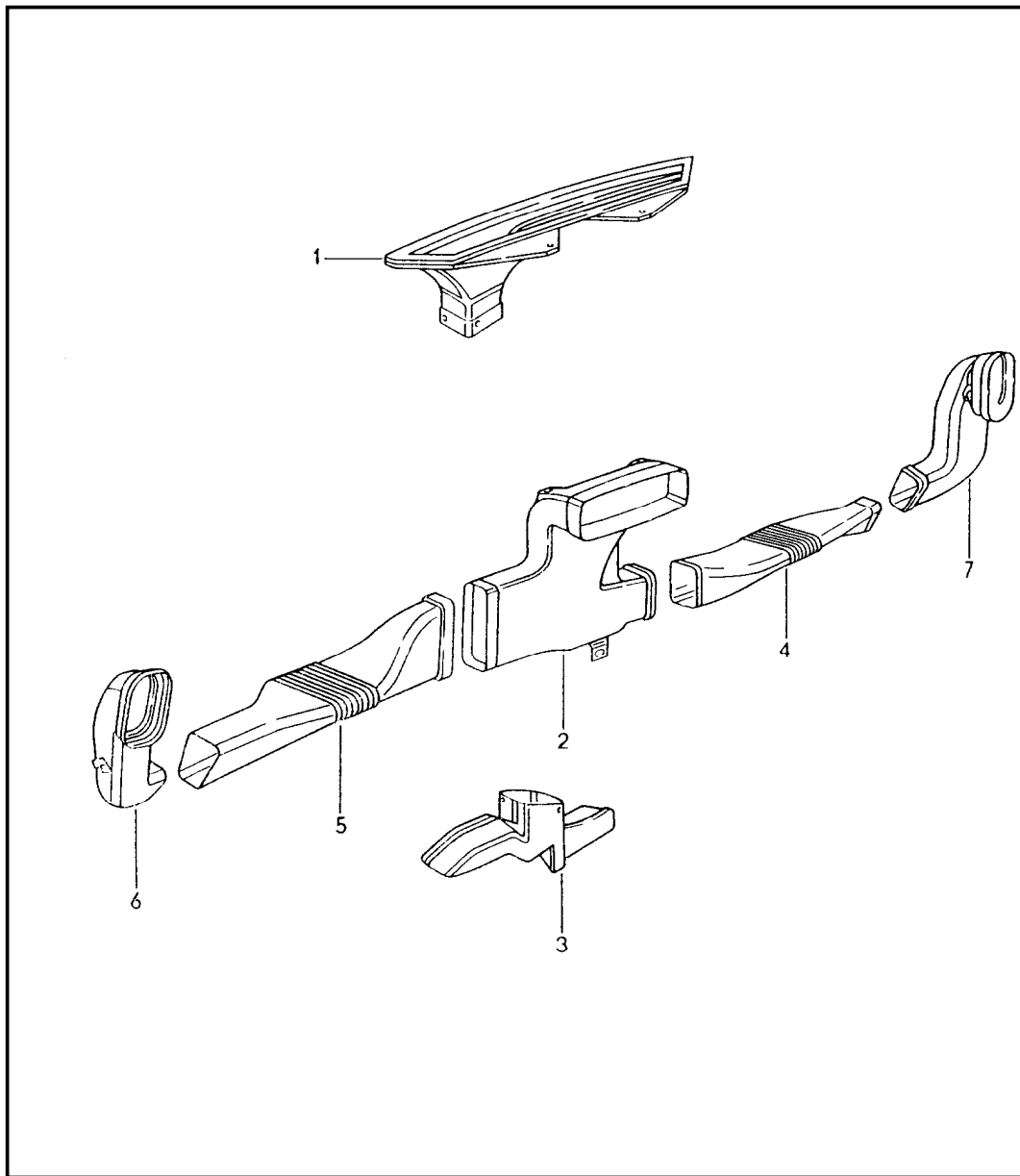
Pos	Part Number	Description	Remark	Qty	Model	Pos	Part Number	Description	Remark	Qty	Model
		G12 metropole blue									
		J32 nephrite green									
		S32 savanna									
8	986 580 311 16	set linings leather		1							
		A11 black									
		C51 graphite grey									
		D12 dark grey/natural									
		G11 metropole blue									
		J31 nephrite green									
		M31 boxer red									
		P12 cinnamon brown									
		S31 savanna									
		T12 brown									
		9V6 cocoa									
9	986 580 751 00	clip		8							
10	986 561 737 00	latch		1							
		01C black									
(10)	986 561 738 00	latch		1							
		01C black									

Model	Year	MG	SG	Illustration	Restrictions	UPD	10:54	24.01.2010	PORSCHE	PET	PORSCHE
986	2004	8	13	813-00		248					



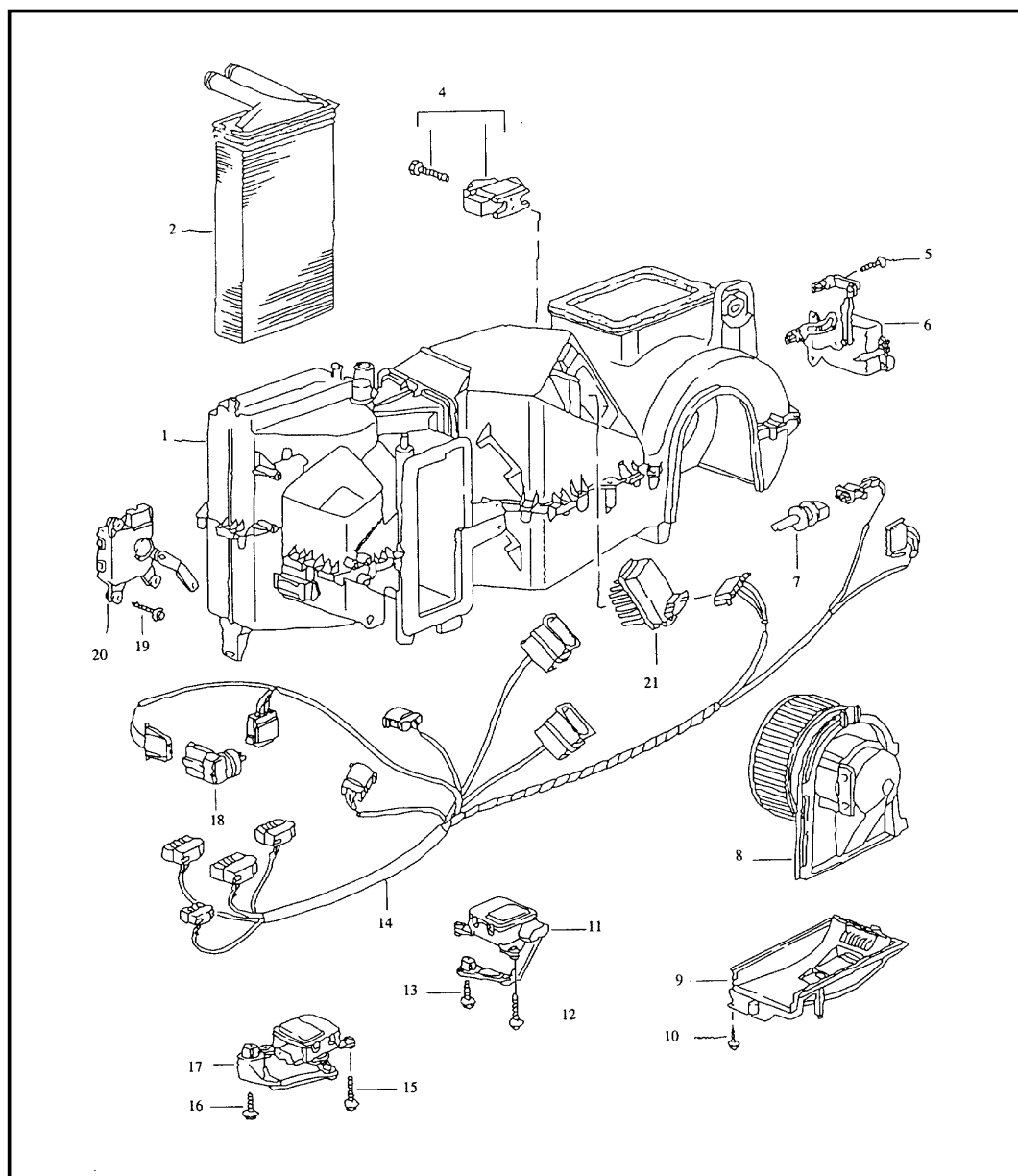
Pos	Part Number	Description	Remark	Qty	Model
		heating system 1 feed line return line			
(1)	996 572 263 02	gasket	/LL	1	
(1)	996 572 263 03	gasket	/RL	1	
2	999 512 441 02	hose clamp		1	
3	996 572 585 00	heater hose		1	
(3)	996 572 585 01	heater hose		1	
4	996 572 583 00	heater hose		1	
(4)	996 572 583 01	heater hose		1	
5	999 512 441 02	hose clamp		1	
6	996 572 765 01	grommet		1	
7	986 572 683 01	hot air duct		1	
8	986 572 681 01	hot air duct supply		1	
9	999 511 230 40	cable holder		4	
--	999 511 232 41	rubber mounting		4	

Model	Year	MG	SG	Illustration	Restrictions	UPD	10:54	24.01.2010	PORSCHE	PET	PORSCHE
986	2004	8	13	813-01		248					



Pos	Part Number	Description	Remark	Qty	Model
		heating air distributor			
1	996 572 631 00	defroster vent	/LL	1	
(1)	996 572 631 01	defroster vent	/RL	1	
2	996 572 171 00	air distributor	/LL -02	1	
(2)	996 572 171 04	air distributor	/LL 03-	1	
(2)	996 572 171 01	air distributor	/RL -02	1	
(2)	996 572 171 05	air distributor	/RL 03-	1	
3	996 572 793 02	footwell outlet vent	/LL	1	
(3)	996 572 793 04	footwell outlet vent	/LL	1	M680
(3)	996 572 793 01	footwell outlet vent	/RL -02	1	
(3)	996 572 793 05	footwell outlet vent	/RL 03-	1	
(3)	996 572 793 06	footwell outlet vent	/RL 03-	1	M680
4	996 572 464 02	air duct	/LL /R	1	
(4)	996 572 464 00	air duct	/RL /R	1	
5	996 572 463 00	air duct	/LL /L	1	
(5)	996 572 463 02	air duct	/RL /L	1	
6	996 572 767 00	air duct	/LL /L	1	
(6)	996 572 767 01	air duct	/RL /L	1	
7	996 572 768 00	air duct	/RL /R	1	
(7)	996 572 768 01	air duct	/LL /R	1	

Model	Year	MG	SG	Illustration	Restrictions	UPD	10:54	24.01.2010	PORSCHE	PET	PORSCHE
986	2004	8	13	813-05		248					

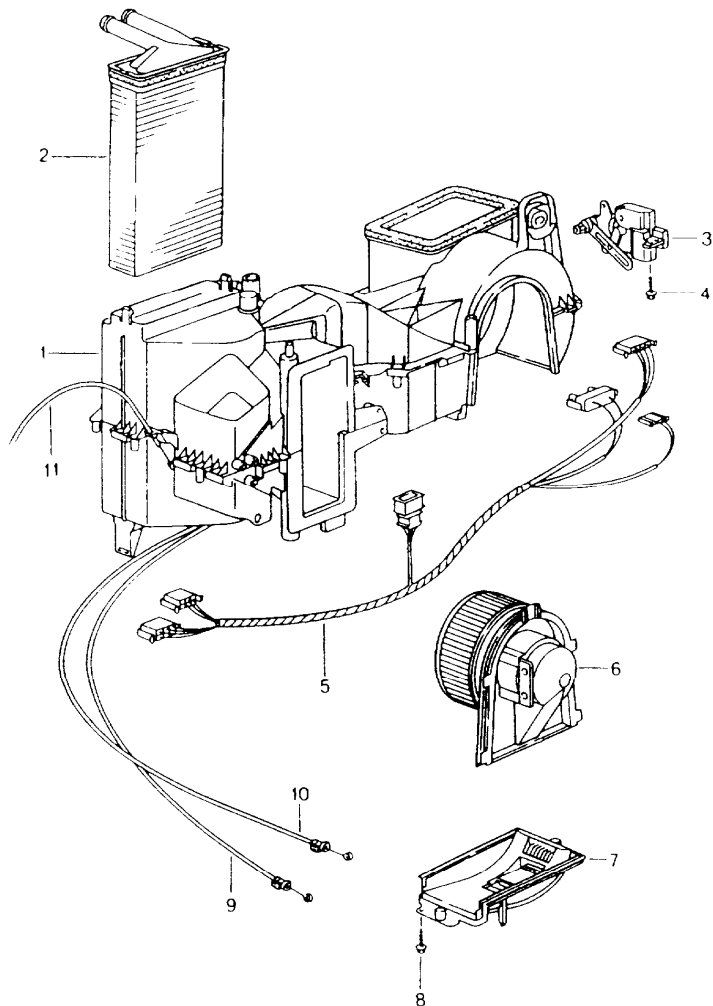


Pos	Part Number	Description	Remark	Qty	Model
		air conditioner single parts			M573
1	996 573 901 02	air conditioner	/LL	1	
1	996 573 901 01	air conditioner without heat exchanger with evaporator	/RL	1	
2	996 572 129 00	heat exchanger		1	
4	996 573 929 01	expansion valve		1	
5	900 143 102 02	tapping screw		2	
6	996 573 915 00	electric motor central valve	/LL	1 1	
6	996 573 915 01	electric motor central valve	/RL	1	
7	1J0 907 543 B	temperature sensor		1	
8	996 572 903 02	blower use also:	/LL -99	1	
--	000 043 300 99	parts kit		1	
8	996 624 107 01	blower	/LL 00-	1	
8	996 572 903 03	blower use also:	/RL -99	1	
--	000 043 300 99	parts kit		1	
8	996 624 108 01	blower	/RL 00-	1	
9	996 573 905 00	lid		1	
10	900 143 102 02	hexagon-head bolt		1	
11	996 573 919 00	electric motor temperature valve	/LL	1	
11	996 573 919 01	electric motor temperature valve	/RL -10	1 03	
11	996 573 919 03	electric motor temperature valve identification red	/RL 10-	1 03	
12	900 143 102 02	hexagon-head bolt		1	
13	900 143 102 02	hexagon-head bolt		1	

Model	Year	MG	SG	Illustration	Restrictions	UPD	10:54	24.01.2010	PORSCHE	PET	PORSCHE
986	2004	8	13	813-05		248					

Pos	Part Number	Description	Remark	Qty	Model	Pos	Part Number	Description	Remark	Qty	Model
14	996 612 047 00	wiring harness	/LL	-98	1						
14	996 612 047 01	wiring harness	/LL	99-	1						
14	996 622 047 00	wiring harness		01-	1						
(14)	996 612 048 00	wiring harness	/RL	-98	1						
(14)	996 612 048 01	wiring harness	/RL	99-	1						
(14)	996 622 048 00	wiring harness	/RL	01-	1						
15	900 143 102 02	hexagon-head bolt			1						
16	900 143 102 02	hexagon-head bolt			1						
17	996 573 917 00	electric motor defroster flap green	/LL		1						
(17)	996 573 917 01	electric motor defroster flap	/RL -10	03	1						
(17)	996 573 917 03	electric motor defroster flap identification green	/RL 10-	03	1						
18	1H0 907 543 A	temperature sensor			1						
19	900 143 102 02	hexagon-head bolt			1						
20	996 573 921 00	electric motor air flow sensor plate yellow	/LL		1						
(20)	996 573 921 01	electric motor air flow sensor plate yellow	/RL		1						
21	996 573 923 00	resistor			1						
--	996 573 925 00	intake air temper. sensor			1						
--	996 573 927 00	blower outlet sensor			1						
--	996 572 511 02	sound absorber	/LL	-02	1						
--	996 572 511 04	sound absorber	/LL	03-	1						
--	996 572 511 03	sound absorber	/RL	-02	1						
--	996 572 511 05	sound absorber	/RL	03-	1						
--	1H0 819 943	screw			2						

Model	Year	MG	SG	Illustration	Restrictions	UPD	10:54	24.01.2010	PORSCHE	PET	PORSCHE
986	2004	8	13	813-06		248					

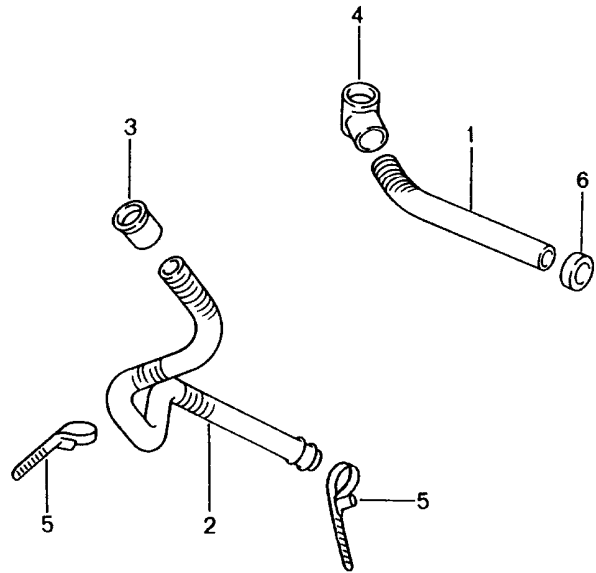


Pos	Part Number	Description	Remark	Qty	Model
		heater single parts			
1	996 572 901 00	housing	/LL	1	
(1)	996 572 901 01	housing	/RL	1	
2	996 572 129 00	heat exchanger		1	
3	996 572 915 00	electric motor		1	
4	999 919 049 02	tapping screw		1	
5	996 612 045 00	wiring harness	/LL	-98	1
5	996 612 045 01	wiring harness	/LL	99-	1
(5)	996 612 046 00	wiring harness	/RL	-98	1
(5)	996 612 046 01	wiring harness	/RL		1
6	996 572 903 02	blower use also:	/LL	-99	1
--	000 043 300 99	parts kit		-99	1
6	996 624 107 01	blower	/LL	00-	1
(6)	996 572 903 03	blower use also:	/RL	-99	1
--	000 043 300 99	parts kit		-99	1
(6)	996 624 108 01	blower	/RL	00-	1
7	996 572 905 00	lid with resistor		1	
8	999 919 049 02	tapping screw		2	
9	996 572 605 00	traction defroster	/LL	1	
9	996 572 605 01	traction defroster	/RL	1	
10	996 572 607 00	traction temperature valve	/LL	1	
10	996 572 607 01	traction temperature valve	/RL	1	
11	996 572 601 00	traction central valve	/LL	1	

Model	Year	MG	SG	Illustration	Restrictions	UPD	10:54	24.01.2010	PORSCHE	PET	PORSCHE
986	2004	8	13	813-06		248					

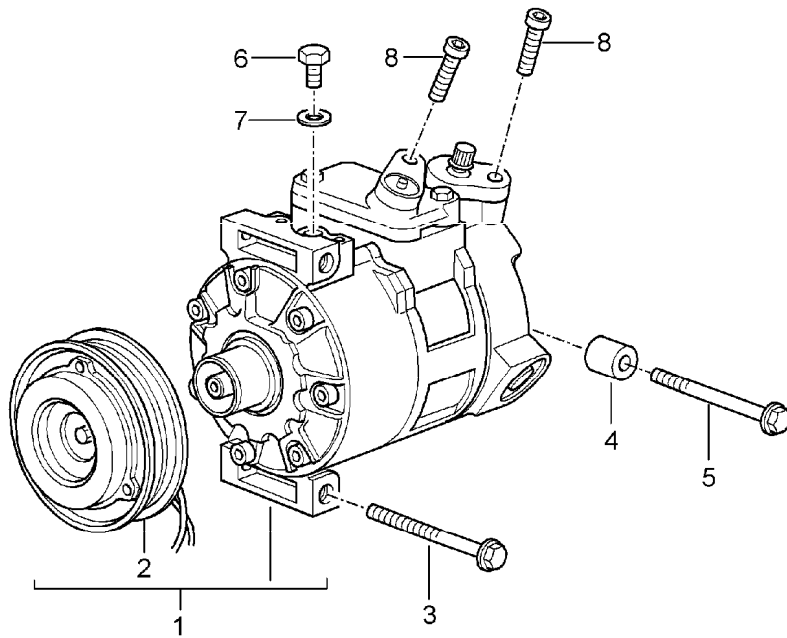
Pos	Part Number	Description	Remark	Qty	Model	Pos	Part Number	Description	Remark	Qty	Model
11	996 572 601 01	traction central valve	/RL	1							
--	996 572 913 00	gasket for heat exchanger		1							

Model	Year	MG	SG	Illustration	Restrictions	UPD	10:55	24.01.2010	PORSCHE	PET	PORSCHE
986	2004	8	13	813-10		248					



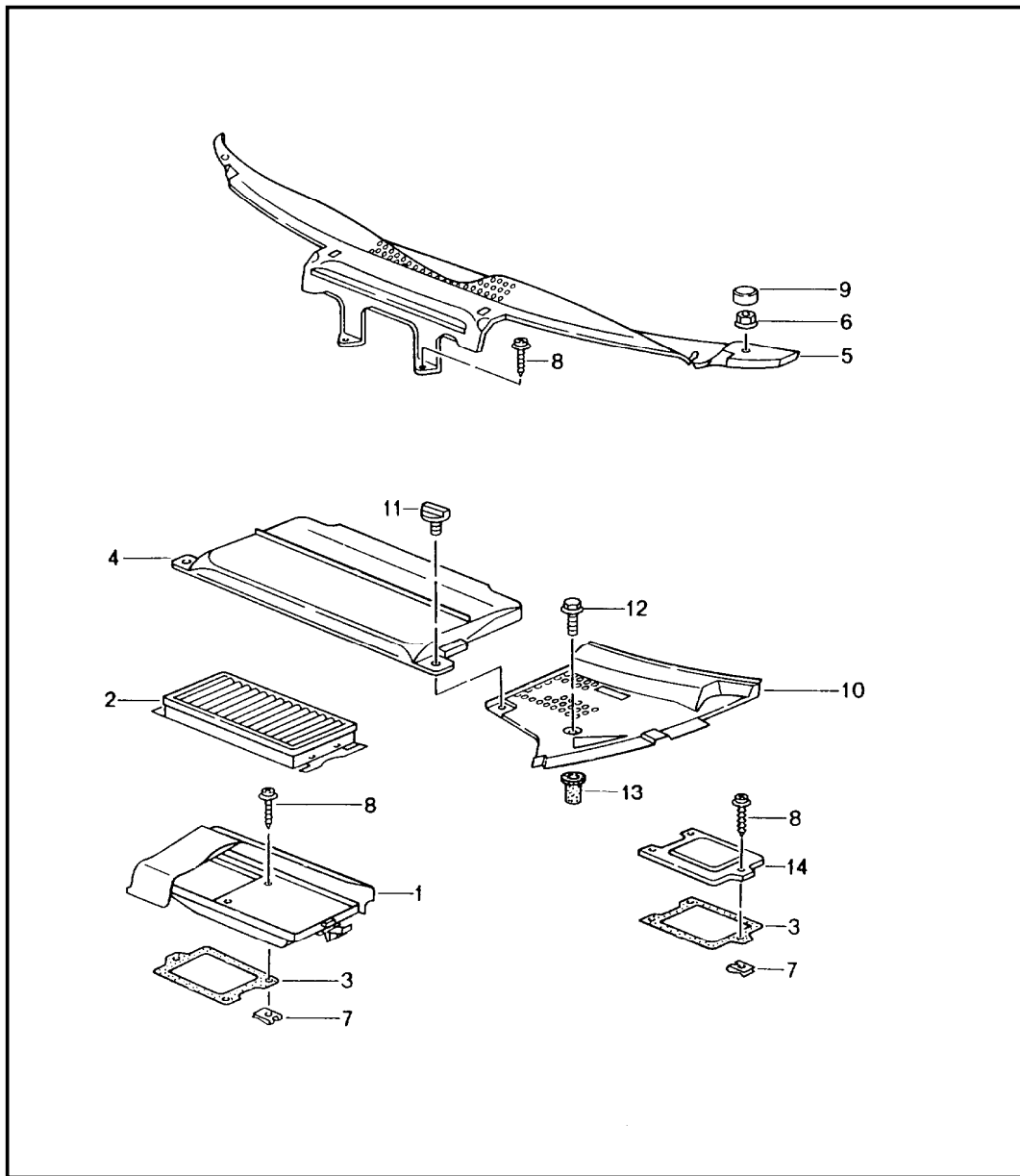
Pos	Part Number	Description	Remark	Qty	Model
		water drain tube mount heater air conditioner			
1	996 504 643 00	water drain tube		1	
2	996 504 644 00	water drain tube		1	
3	996 504 645 00	grommet		1	
4	996 504 646 00	grommet		1	
5	999 513 049 40	tie-wrap		1	
6	999 702 156 40	grommet		1	
--	996 573 797 02	connecting piece		1	
--	996 573 795 01	grommet		1	
--	996 573 793 01	pipe	/LL	1	
--	996 573 794 01	pipe	/RL	1	

Model	Year	MG	SG	Illustration	Restrictions	UPD	10:55	24.01.2010	PORSCHE	PET	PORSCHE
986	2004	8	13	813-15		248					



Pos	Part Number	Description	Remark	Qty	Model
		compressor			
1	> 996 126 011 52	compressor		1	
2	996 573 926 00	magnetic clutch		1	
3	900 378 075 09	hexagon-head bolt M 8X90		1	
4	996 126 102 52	spacer sleeve		1	
5	900 378 136 09	hexagon-head bolt M 8X120		1	
6	996 573 926 01	hexagon-head bolt		1	
7	996 573 926 02	sealing ring		1	
8	900 067 252 02	pan-head screw		2	
--	996 126 101 51	bracket		1	

Model	Year	MG	SG	Illustration	Restrictions	UPD	10:55	24.01.2010	PORSCHE	PET	PORSCHE
986	2004	8	13	813-20		248					

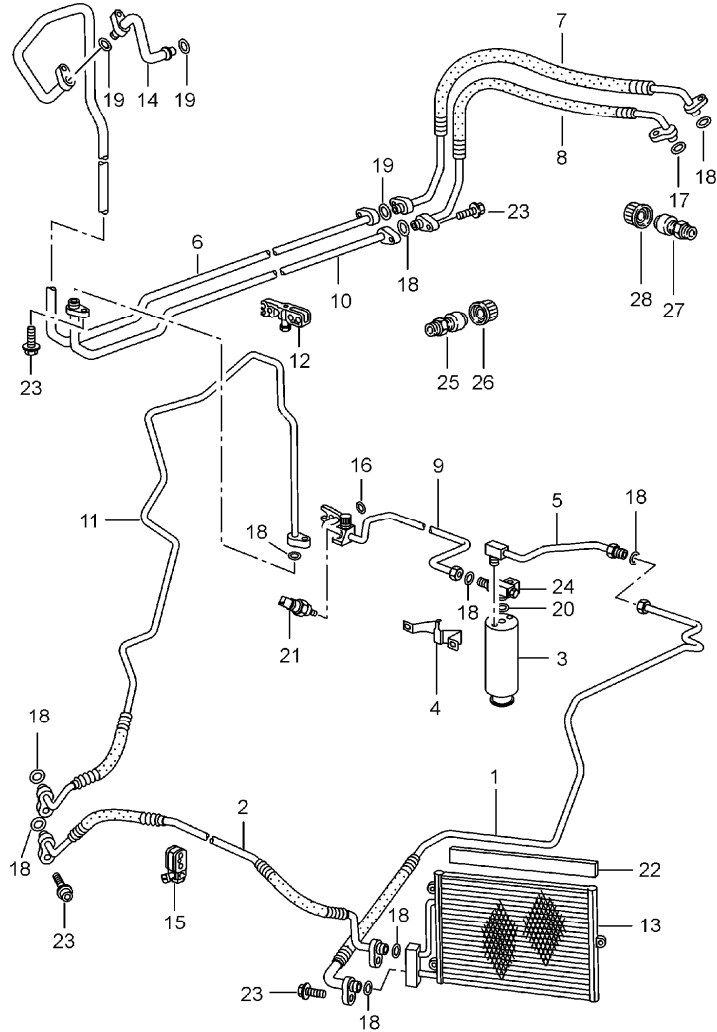


Pos	Part Number	Description	Remark	Qty	Model
		particle filter cowl panel covering			
1	996 572 029 01	housing		1	
1	996 572 019 02	housing	/LL	1	
1	996 572 019 03	housing	/RL	1	
2	996 572 219 01	particle filter		1	
2	996 571 219 03	particle filter		1	M571
3	996 572 221 01	gasket		1	
4	996 572 567 01	cover		1	
	01C	black battery			
(4)	996 572 729 00	cover particle filter	/LL	1	
(4)	996 572 729 02	cover particle filter	/RL	97	1
(4)	996 572 729 02	cover particle filter	/RL	98-	1
5	996 572 563 02	cowl panel covering	/LL	-00	1
	01C	black			
5	996 572 563 06	cowl panel covering	/LL	01-	1
	01C	black			
		use also:			
-	996 572 931 00	gasket		1	
5	996 572 563 03	cowl panel covering	/RL	-00	1
	01C	black			
5	996 572 563 07	cowl panel covering	/RL	01-	1
	01C	black			
		use also:			
-	996 572 931 00	gasket		1	
6	999 049 008 40	plastic nut		2	
7	999 591 722 02	speed nut		3	

Model	Year	MG	SG	Illustration	Restrictions	UPD	10:55	24.01.2010	PORSCHE	PET	PORSCHE
986	2004	8	13	813-20		248					

Pos	Part Number	Description	Remark	Qty	Model	Pos	Part Number	Description	Remark	Qty	Model
8	999 073 142 09	combination tapping screw		3							
9	996 572 569 00	cap		-00	2						
	01C	black									
(9)	996 572 569 01	cap	/L	01-	1						
	01C	black									
(9)	996 572 570 01	cap	/R	01-	1						
	01C	black									
10	996 572 561 01	cover	/L		1						
	01C	black									
(10)	996 572 562 01	cover	/R		1						
	01C	black									
11	999 590 045 40	screw plug			X						
-	999 590 046 40	disc cam			X						
12	999 073 143 09	oval-head screw			2						
13	999 500 092 00	nut			2						
14	996 572 719 01	lid		-03	1						
14	996 572 719 02	lid		04	1						

Model	Year	MG	SG	Illustration	Restrictions	UPD	10:55	24.01.2010	PORSCHE	PET	PORSCHE
986	2004	8	13	813-25		248					

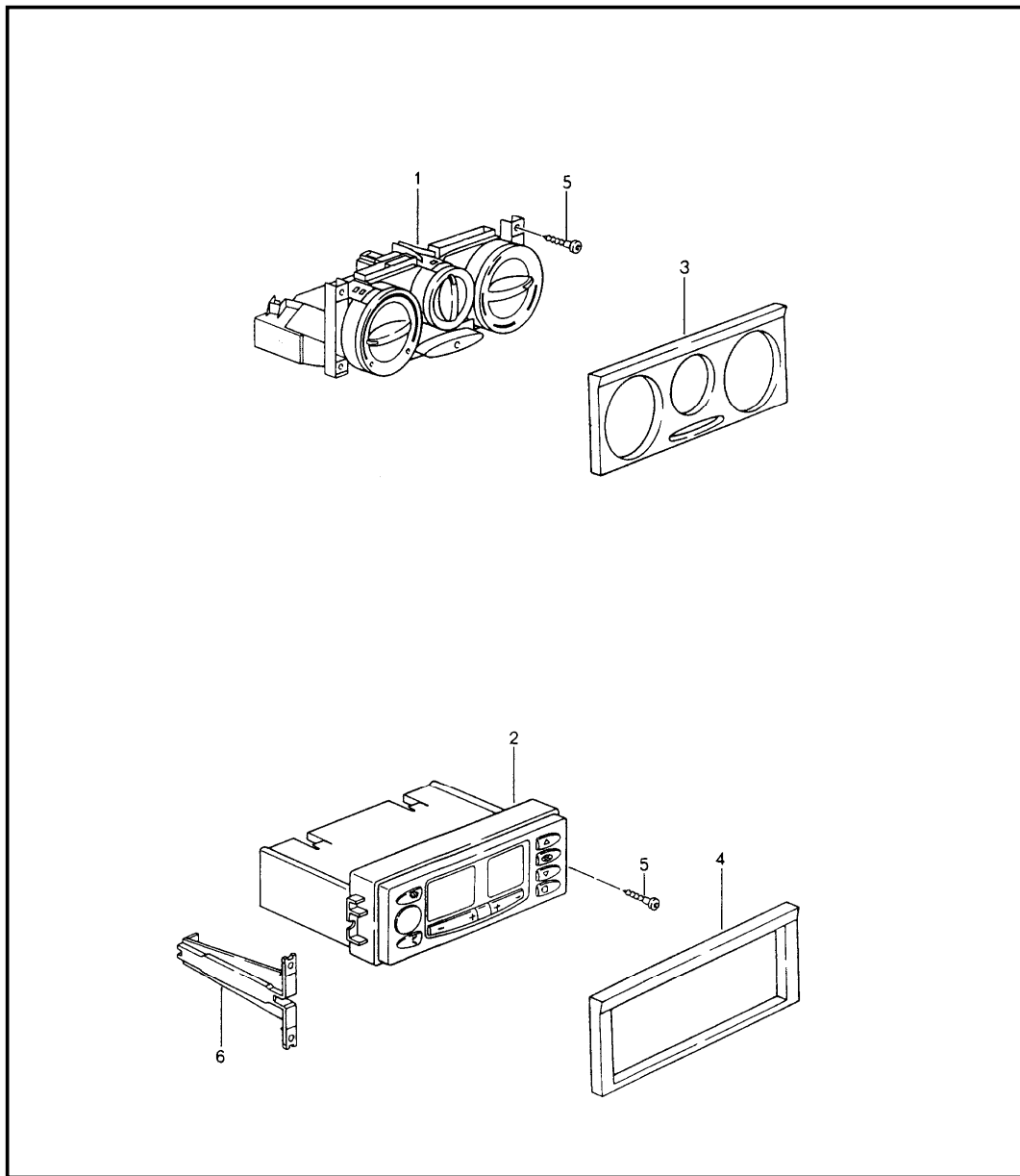


Pos	Part Number	Description	Remark	Qty	Model
		refrigerant circuit			
1	996 573 105 03	refrigerant line		-97 1	
1	996 573 105 03	refrigerant line		98- 1	
2	996 573 104 02	refrigerant line		-97 1	
2	996 573 104 02	refrigerant line		98- 1	
3	944 573 143 01	desiccator		1	
4	996 573 451 00	support		1	
5	996 573 106 00	pressure line		1	
6	996 573 091 01	intake pipe		1	
7	986 573 099 04	intake pipe		1	M96 20
7	986 573 099 03	intake pipe		98- 1	
8	986 573 097 01	pressure line		-01 1	
8	986 573 097 02	pressure line		02- 1	
9	996 573 108 02	pressure line	/LL	-01 1	
9	996 573 108 03	pressure line	/LL	02 1	
(9)	996 573 108 01	pressure line	/RL	1	
10	996 573 092 01	pressure line		1	
11	996 573 094 02	pressure line		1	
12	996 347 543 00	cable holder		2	
13	996 573 111 00	condenser		2	
14	996 573 093 02	intake pipe	/LL	1	
14	996 573 093 03	intake pipe	/RL	1	
15	996 347 543 00	cable holder		X	
16	999 707 247 40	o-ring 7,5X2		2	
17	999 707 382 40	o-ring 23,8X2,4		8	
18	999 707 250 40	o-ring 10,6X2		8	
19	999 707 252 40	o-ring 17X2		X	

Model	Year	MG	SG	Illustration	Restrictions	UPD	10:55	24.01.2010	PORSCHE	PET	PORSCHE
986	2004	8	13	813-25		248					

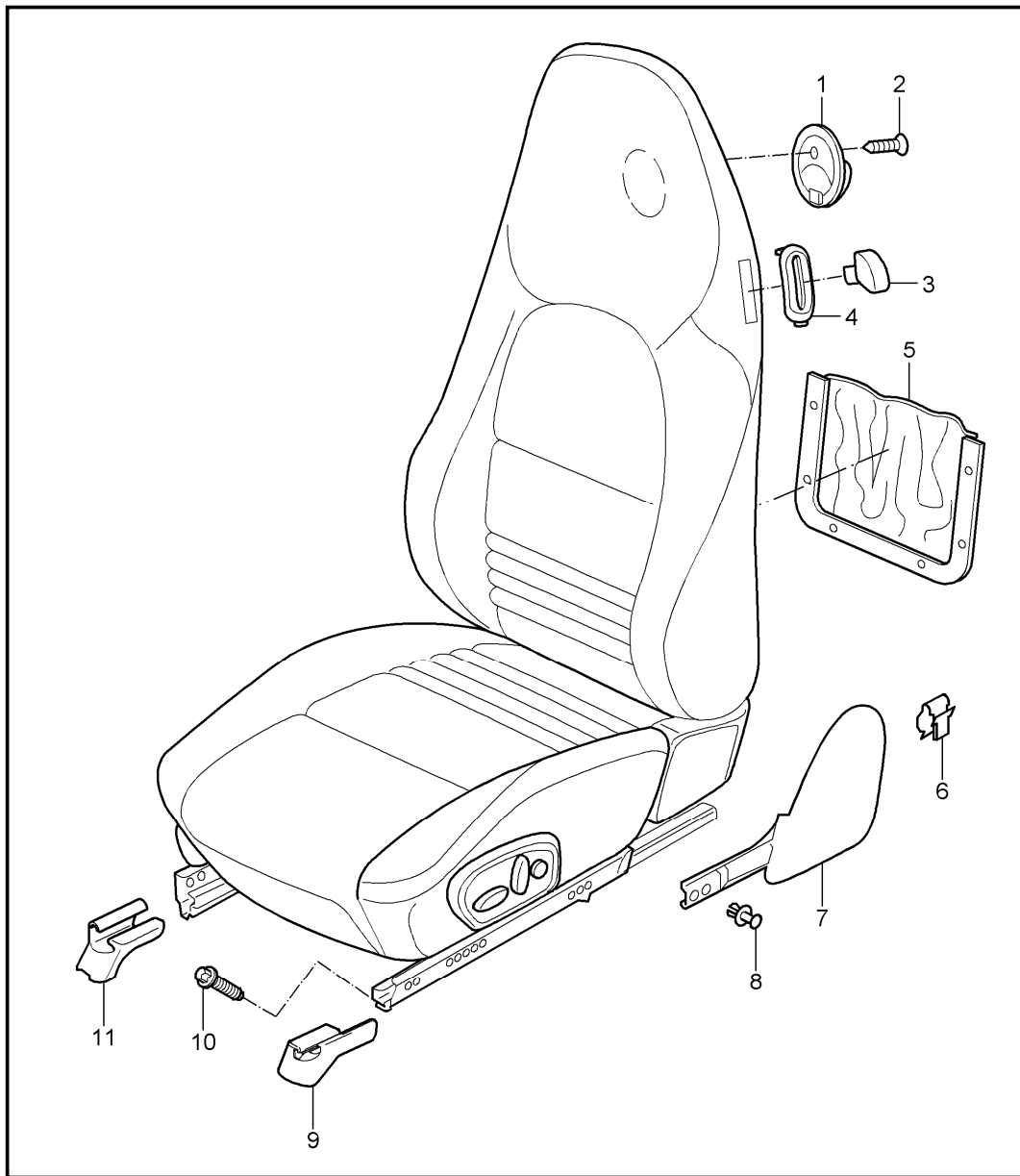
Pos	Part Number	Description	Remark	Qty	Model	Pos	Part Number	Description	Remark	Qty	Model
20	999 707 262 40	o-ring 6, 7X1, 8		X							
21	964 613 137 01	pressure switch		1							
22	996 573 711 00	cover strip		2							
23	900 067 247 02	combination screw		X							
24	993 573 243 00	distributing piece		1							
25	996 573 465 00	valve intake pipe		1							
26	944 573 663 02	valve cap		1							
27	996 573 466 00	valve pressure line		1							
28	944 573 663 01	valve cap		1							

Model	Year	MG	SG	Illustration	Restrictions	UPD	10:55	24.01.2010	PORSCHE	PET	PORSCHE
986	2004	8	13	813-45		248					



Pos	Part Number	Description	Remark	Qty	Model
		control switch			
1	996 572 101 00	control part	-01	1	
	01C	black			
1	996 572 101 01	control part	02-	1	
	01C	black			
-	900 631 132 90	bulb		1	
2	996 653 101 03	control part	-00	1	M573
	EFR	black			
2	996 653 101 08	control part	01-	1	
	EFR	gloss black			
2 A	996 653 101 06	control part	02	1	
	EFR	black mat			
2	996 653 101 09	control part	02	1	
	EFR	black mat			
2	996 653 101 10	control part	03-	1	
	FFA	black mat			
3	996 552 153 01	cover		1	
	01C	black			
4	996 552 677 00	cover		1	M573
	01C	black			
(4)	996 552 339 00	cover		1	M573/581
	01C	black			
5	900 143 076 09	tapping screw		X	
6	996 573 501 00	adapter		2	M573

Model	Year	MG	SG	Illustration	Restrictions	UPD	10:56	24.01.2010	PORSCHE	PET	PORSCHE
986	2004	8	17	817-00		248					



Pos	Part Number	Description	Remark	Qty	Model
		front seat standard seat comfort seat			BOXSTER
		front seat complete not available			
1	986 521 363 00	coat hook	-99	2	
(1)	996 521 373 00	coat hook	00-	2	
	A03	black			
2	999 919 180 07	countersunk-head screw M 5 X 18	-99	2	
(2)	999 919 199 09	countersunk-head screw M 5 X 25	00-	2	
3	996 521 321 00	actuating lever	/L/R	-98	4
(3)	996 521 421 00	control button	/L	99-	2
(3)	996 521 422 00	control button	/R	99-	2
4	996 521 323 00	rosette satin black	/L	-98	2
(4)	996 521 324 00	rosette satin black	/R	-98	2
(4)	996 521 323 02	rosette satin black	/L	99-	2
(4)	996 521 324 02	rosette satin black	/R	99-	2
5	996 521 313 00	bag leatherette		2	
	A10	black	-99		
	A12	black	00-		
5	996 521 313 01	bag leather		2	M982/983
	8YR	black			
6	999 507 592 01	cable clamp cover 1,0 - 6,0		2	
7	986 521 315 00	cap	/L	1	M009/011/016
	B12	black-grey	-99		

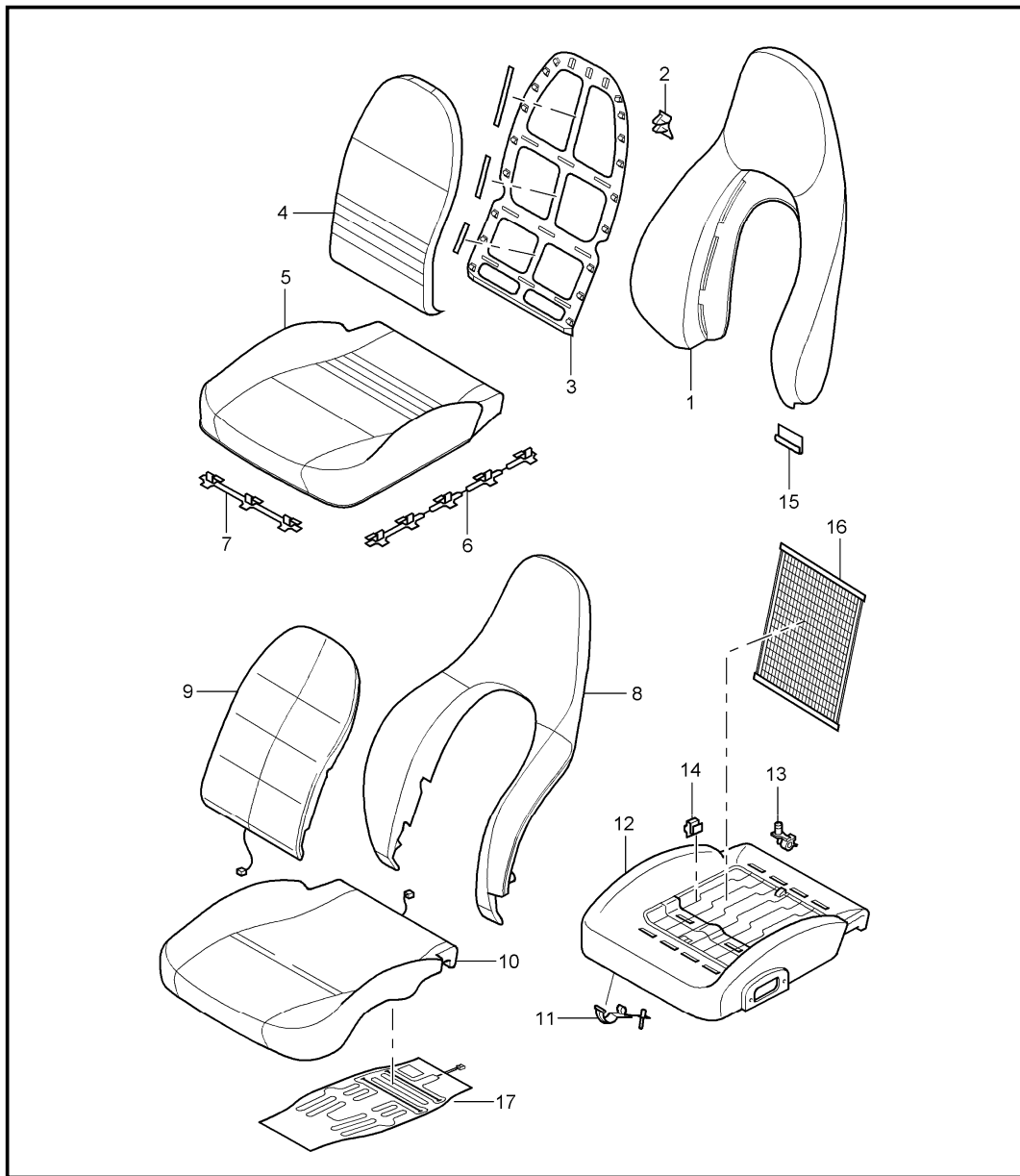
Model	Year	MG	SG	Illustration	Restrictions	UPD	10:56	24.01.2010	PORSCHE	PET	PORSCHE
986	2004	8	17	817-00		248					

Pos	Part Number	Description	Remark	Qty	Model	Pos	Part Number	Description	Remark	Qty	Model	
(7)	986 521 316 00	cap	/R	1	M009/011/016		01C	satin black				
	B12	black-grey		-99		(9)	996 521 364 01	cover left seat inner	/R	1	M437/438	
(7)	996 521 315 01	cap	/L	99-	1 M010/016		01C	satin black				
	D05	granite grey		-99		10 A	999 141 038 07	torx screw M 10 X 26,5	-02	8		
	A03	black		00-		(10)	999 141 039 07	screw M 10 X 28	03-	8	IXSE/XSF	
(7)	996 521 316 01	cap	/R	99-	1 M010/016		11 A	996 521 360 00	cover right seat outer	/R	-99	1 IXSF
	D05	granite grey		-99			01C	satin black				
	A03	black		00-		(11)	996 521 360 01	cover right seat outer	/R	00-	1 IXSF	
8	999 507 599 40	expansion rivet 10		2			01C	satin black				
9 A	996 521 362 00	cover	/L	1	IXSE		01C	satin black				
	01C	satin black				(9)	996 521 362 01	cover right seat inner	/L	1	IXSE	
(9)	996 521 362 01	cover right seat inner	/L	1	IXSE		01C	satin black				
	01C	satin black				(11) A	996 521 364 00	cover right seat outer	/R	-99	1 M438	
(9) A	996 521 363 00	cover right seat inner	/L	1	M437/438		01C	satin black				
	01C	satin black				(11)	996 521 364 01	cover right seat outer	/R	00-	1 M437/438	
(9)	996 521 363 01	cover right seat inner	/L	1	M437/438		01C	satin black				
	01C	satin black				(11) A	996 521 359 00	cover left seat outer	/L	-99	1 IXSE	
(9) A	996 521 361 00	cover left seat inner	/R	1	IXSF		01C	satin black				
	01C	satin black				(11)	996 521 359 01	cover left seat outer	/L	00-	1 IXSE	
(9)	996 521 361 01	cover left seat inner	/R	1	IXSF		01C	satin black				
	01C	satin black				(11) A	996 521 363 00	cover left seat outer	/L	-99	1 M437	
(9) A	996 521 364 00	cover left seat inner	/R	1	M438		01C	satin black				

Model	Year	MG	SG	Illustration	Restrictions	UPD	10:56	24.01.2010	PORSCHE	PET	PORSCHE
986	2004	8	17	817-00		248					

Pos	Part Number	Description	Remark	Qty	Model	Pos	Part Number	Description	Remark	Qty	Model
(11)	996 521 363 01	cover left seat outer	/L 00-	1	M437/438						
	01C	satin black									

Model	Year	MG	SG	Illustration	Restrictions	UPD	10:56	24.01.2010	PORSCHE	PET	PORSCHE
986	2004	8	17	817-05		248					



Pos	Part Number	Description	Remark	Qty	Model
		cover foam part standard seat comfort seat			BOXSTER
1	986 521 141 01	backrest cover outer part leatherette	-99	2	
	A10	black			
	C50	graphite grey			
	G10	metropole blue			
	S30	savanna			
(1)	986 521 141 01	backrest cover alcantara	00	2	
	A12	black			
	C52	graphite grey			
	S32	savanna			
	G12	metropole blue			
(1)	986 521 141 02	backrest cover outer part leatherette/ ÖçftrendÖç fabric	-99	2	M011
	C30	graphite grey/anthracite			
(1)	986 521 141 03	cover backrest outer part alcantara	01-	2	
	A12	black			
	C52	graphite grey			
	S32	savanna			
	G12	metropole blue			
	J32	nephrite green			
(1)	986 521 141 04	cover backrest outer part	03-	2	M369/370 M437/438 M 950 IXSU
	A12	black			

Model	Year	MG	SG	Illustration	Restrictions	UPD	10:56	24.01.2010	PORSCHE	PET	PORSCHE
986	2004	8	17	817-05		248					

Pos	Part Number	Description	Remark	Qty	Model	Pos	Part Number	Description	Remark	Qty	Model
	S32	savanna				(1)	996 521 141 05	cover backrest outer part leatherette	01-	2	M369/370 M437/438 M946
	G12	metropole blue					ESE	black			
	J32	nephrite green					ESF	graphite grey			
(1)	996 521 141 04	backrest cover outer part leather	03-	2	M369/370 M437/438 M982/983		ESG	savanna			
	ERZ	black					ESH	metropole blue			
	EEF	graphite grey					FEP	nephrite green			
	EGF	savanna				(1)	996 521 993 00	backrest cover outer part with porsche crest leatherette/leather	99	2	IXSC
	EFF	metropole blue					8YR	black/black	99		
	ELA	nephrite green					C50	graphite grey/graphite gr.			
	ENA	boxster red					G10	metropole bl./metrop. blue			
	FEH	cinnamon brown					S30	savanna/savanna			
	VRA	dark grey/natural				(1)	996 521 141 02	backrest cover outer part leather	-01	2	M982/983
	VRB	brown/natural					EAF	black			
(1)	996 521 141 01	backrest cover outer part leatherette/leather	-01	2			EEF	graphite grey			
	EAE	black/black					EFF	metropole blue			
	EEE	graphite grey/graphite gr.					EGF	savanna			
	EFE	metropole bl./metrop. blue	98-				ELA	nephrite green			
	ESH	metropole blue	00-				ENA	boxster red			
	EGE	savanna/savanna					VRA	dark grey			
(1)	996 521 141 01	backrest cover outer part leatherette/leather	-01	2			VRB	brown/natural			
	ESF	graphite grey/graphite gr.					ERZ	black			
	ESG	savanna/savanna				(1)	996 521 141 06	cover backrest outer part leather	01-	2	M982/983
	ESH	metropole bl./metrop. blue									
	ESE	black/black									

Model	Year	MG	SG	Illustration	Restrictions	UPD	10:56	24.01.2010	PORSCHE	PET	PORSCHE
986	2004	8	17	817-05		248					

Pos	Part Number	Description	Remark	Qty	Model	Pos	Part Number	Description	Remark	Qty	Model
	ERZ	black				4	986 521 151 01	backrest cushion cover cloth dunes	-99	2	
	EEF	graphite grey					A10	black			
	EGF	savanna					C50	graphite grey			
	EFF	metropole blue					G10	metropole blue	98-		
	ELA	nephrite green					S30	savanna			
	ENA	boxster red				4	986 521 151 02	backrest cushion cover ÖÇftrendÖÇØ fabric	98-99	2	M011
	FEH	cinnamon brown					C30	graphite grey/anthracite			
	VRA	dark grey/natural				(4)	986 521 151 03	backrest cushion cover alcantara	-00	2	
	VRB	brown/natural					EUZ	black			
(1)	996 521 993 01	backrest cover outer part with porsche crest leather draped leather		99-	2	M982/983 IXSC	C55	graphite grey			
	8YR	black		99			G15	metropole blue			
	C50	graphite grey				(4)	986 521 151 04	backrest cover centre part alcantara	01-	2	
	G10	metropole blue					EUZ	black			
	S30	savanna					C55	graphite grey			
	J30	nephrite green					S35	savanna			
	M30	boxster red					G15	metropole blue			
	T11	brown/natural					J35	nephrite green			
	D11	dark grey/natural				(4)	986 521 151 06	backrest cushion cover centre part	03-	2	M369/370 M437/438
	P11	cinnamon brown					EUZ	black			M 950
	ETO	black		00-			C55	graphite grey			
2	999 507 666 40	fixing clip			X		S35	savanna			
3	A 996 521 551 00	frame backrest centre		-00	2		G15	metropole blue			
(3)	996 521 551 01	frame backrest centre		01-	2		J35	nephrite green			
						(4)	996 521 151 01	backrest cushion cover leatherette/leather	-00	2	

Model	Year	MG	SG	Illustration	Restrictions	UPD	10:56	24.01.2010	PORSCHE	PET	PORSCHE
986	2004	8	17	817-05		248					

Pos	Part Number	Description	Remark	Qty	Model	Pos	Part Number	Description	Remark	Qty	Model
	B50	space grey					M30	boxster red			
(4)	996 521 151 05	backrest cushion cover leather	01-	2	M946/983		P11	cinnamon brown			
	ETO	black	00-				D11	dark grey/natural			
	C50	graphite grey					T11	brown/natural			
	G10	metropole blue	98-			(4)	996 521 151 08	backrest cushion cover centre part draped leather	02- 03- 03-	2	M369/370 M437/438 IXSU
	S30	savanna					ETO	black			
	J30	nephrite green					C50	graphite grey			
	M30	boxster red					S30	savanna			
	D11	dark grey	00-				G10	metropole blue			
	T11	brown/natural	00-				J30	nephrite green			
	P11	cinnamon brown	01-				M30	boxster red			
(4)	996 521 151 03	backrest cushion cover draped leather	-00	2			P11	cinnamon brown			
	8YR	black	-99				D11	dark grey/natural			
	C50	graphite grey	98-				T11	brown/natural			
	G10	metropole blue	98-			-	964 555 565 00	felt strip centre part backrest	01-	2	
	S30	savanna	98-								
	J30	nephrite green	98-			5	986 521 161 06	seat cover leatherette/centre part alcantara	00	2	
	M30	boxster red	98-				ESA	black/black			
	D11	dark grey	00-				ESB	graphite grey/graphite gr.			
	T11	brown	00-				ESC	savanna/savanna			
	ETO	black	00-				ESD	metropole bl./metrop. blue			
(4)	996 521 151 06	backrest cushion cover centre part draped leather	01-	2	M982	(5)	986 521 161 07	cover alcantara	01-	2	M369/370
	ETO	black					ESA	black			
	C50	graphite grey					ESB	graphite grey			
	S30	savanna					ESC	savanna			
	G10	metropole blue					ESD	metropole blue			
	J30	nephrite green									

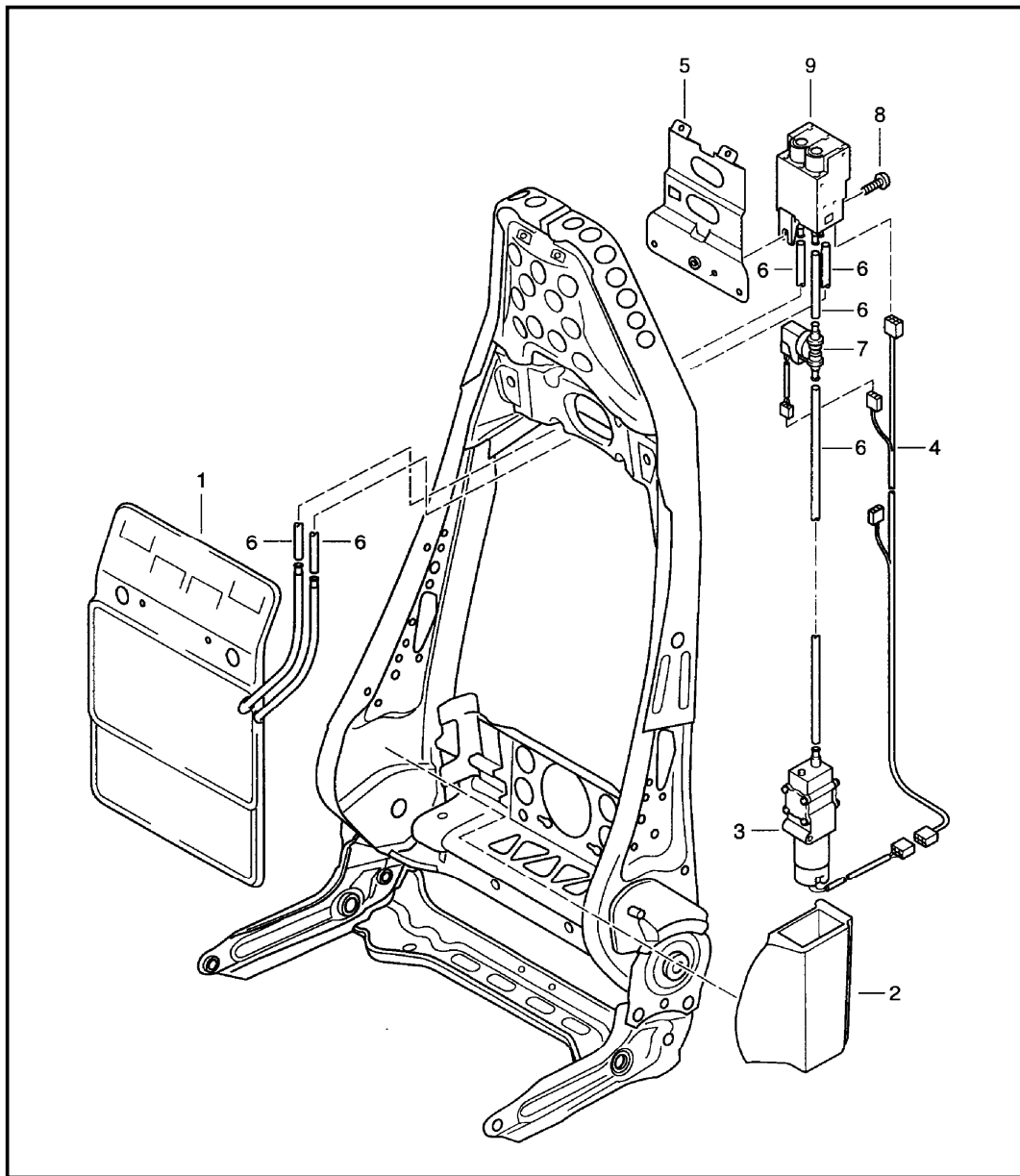
Model	Year	MG	SG	Illustration	Restrictions	UPD	10:56	24.01.2010	PORSCHE	PET	PORSCHE
986	2004	8	17	817-05		248					

Pos	Part Number	Description	Remark	Qty	Model	Pos	Part Number	Description	Remark	Qty	Model
(5)	986 521 161 08	FAH nephrite green cover for cushion	03-	2	M369/370		ESG	savanna/savanna			
		ESA black					ESH	metropole bl./metrop. blue			
		ESB graphite grey			M 950	(5)	996 521 161 02	cover for cushion leather	-00	2	
		ESC savanna					ESE	black			
		ESD metropole blue					EAF	black	-99		
		FAH nephrite green					ERZ	black	00-		
(5)	986 521 161 05	seat cover leatherette/ centre part cloth dunes	97-99	2			EEF	graphite grey			
		EAJ black/black					EGJ	space grey/space grey	-00		
		EEJ graphite grey/graphite gr.					EFF	metropole bl./metrop. blue			
		EFD metropole bl./metrop. blue	98-				EGF	savanna			
		EFG savanna/savanna					ELA	nephrite green	97-		
(5)	986 521 161 02	seat cover leatherette/ seat surface ÔÇftrendÔÇØ fabric	98-99	2	M011		ENA	boxster red			
		EEG graphite grey/anthracite	98-				VRA	dark grey	00-		
(5)	996 521 161 01	seat cover leatherette/ seat surface leather	-00	2	M946	(5)	996 521 161 06	cover for cushion leather	01-	2	
		EAE black/black	99				ERZ	black	00-		
		EEE graphite grey/graphite gr.					EEF	graphite grey			
		EFE metropole bl./metrop. blue	98-				EFF	metropole bl./metrop. blue			
		EGE savanna/savanna					EGF	savanna			
		ESH metropole blue	00-				ELA	nephrite green	97-		
		ESE black	00				ENA	boxster red			
(5)	996 521 161 05	cover for cushion leatherette/leather seat surface	01-	2			VRA	dark grey	00-		
		ESF graphite grey/graphite gr.				(5)	996 521 161 03	seat cover draped leather	98-00	2	
							FEH	cinnamon brown	01-		
							EAF	black	-99		
							EEF	graphite grey	98-		

Model	Year	MG	SG	Illustration	Restrictions	UPD	10:56	24.01.2010	PORSCHE	PET	PORSCHE
986	2004	8	17	817-05		248					

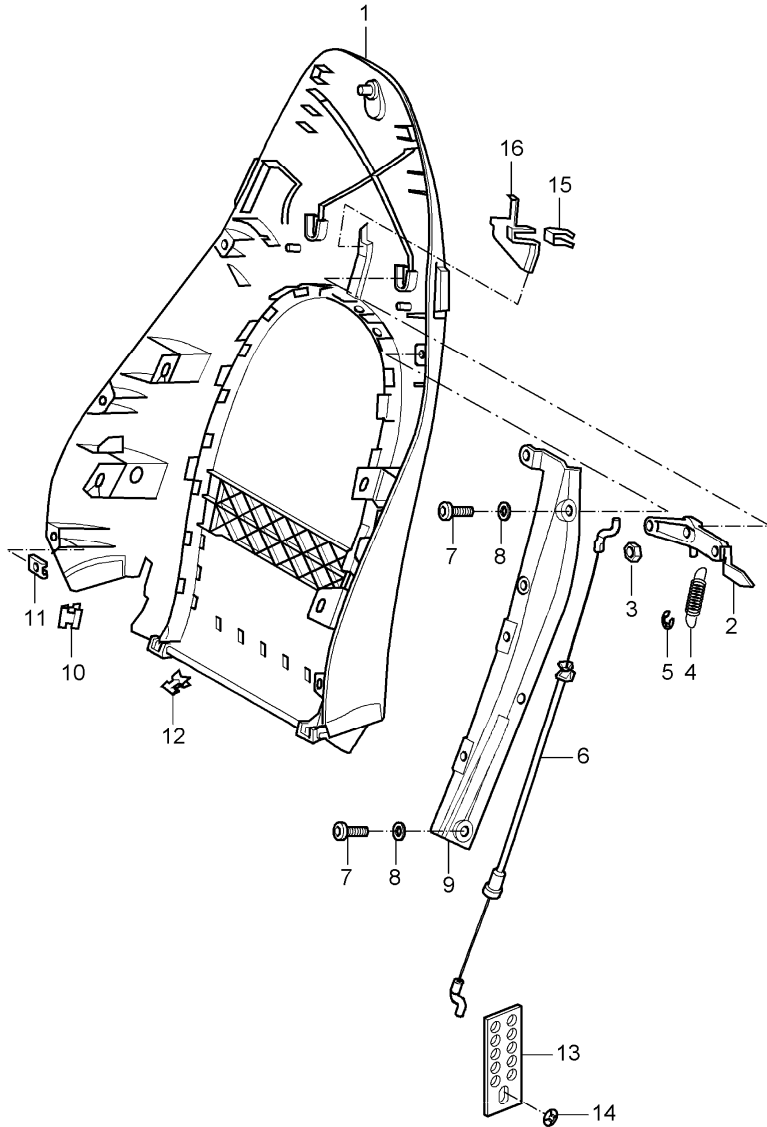
Pos	Part Number	Description	Remark	Qty	Model	Pos	Part Number	Description	Remark	Qty	Model
	EFF	metropole blue	98-			(9)	996 521 539 00	foam part backrest cushion with heating	03-	2	IXSU
	EGF	savanna	98-								
	ELA	nephrite green	98-			(9) A	996 521 539 00	foam part	97-	2	/140 M139
	ENA	boxster red	98-					backrest			
	VRA	dark grey	00-			10	996 521 521 00	foam part seat cushion without heating	-00	2	
	VRB	brown/natural	00-								
	ERZ	black	00-			(10)	996 521 521 01	foam part seat cushion with heating	-00	2	
(5)	996 521 161 07	seat cover draped leather	01-	2							
	EEF	graphite grey	98-			(10)	996 521 523 00	foam part seat cushion without heating	03-	2	IXSU
	EFF	metropole blue	98-			(10)	996 521 525 00	foam part seat cushion with heating	03-	2	IXSU/M342
	EGF	savanna	98-								
	ELA	nephrite green	98-			(10)	996 521 571 00	foam part seat cushion	01-	2	
	ENA	boxster red	98-								
	VRA	dark grey	00-			11	996 521 597 00	clip		4	
	VRB	brown/natural	00-			(11)	996 521 937 00	clip cushion carrier	01-	10	
	ERZ	black	00-								
	FAG	cinnamon brown	01-			12	996 521 509 00	cushion carrier seat cushion front seat	-00	2	
6	996 521 543 00	clamp long	-00	4		(12)	996 521 505 00	cushion carrier seat cushion front seat	01-	2	
7	996 521 541 00	clamp short	-00	6							
8	996 521 535 04	foam part backrest frame		2		13	999 507 506 40	cable holder 5,0 seat adjuster mechanical		1	M539/540
9	996 521 531 00	foam part backrest cushion without heating		2		14	999 651 314 01	cable clamp 3,0 - 4,0		8	
(9)	996 521 531 01	foam part backrest cushion with heating		2	M139/340	15	996 521 515 00	catch backrest cover		4	
(9)	996 521 537 00	foam part backrest cushion without heating		2	IXSU	16	996 521 507 01	mat seat cushion padding		1	
						17	996 653 105 01	heating element seat surface	01-	1	

Model	Year	MG	SG	Illustration	Restrictions	UPD	10:56	24.01.2010	PORSCHE	PET	PORSCHE
986	2004	8	17	817-07		248					



Pos	Part Number	Description	Remark	Qty	Model
		lumbar support			BOXSTER
1	996 521 709 00	lumbar support complete		2	
2	996 521 719 00	sound absorber compressor		2	
3	996 620 725 00	compressor		2	
4	996 612 541 00	wiring harness seating position control lumbar support adjustment		2	
(4)	996 612 542 00	wiring harness seating position control lumbar support adjustment		2	M537/538
5	996 521 721 00	support valve housing		2	
6	999 181 749 40	air hose seating position control		2	
7	996 613 725 00	pressure switch		2	
8	900 067 051 02	pan-head screw M 5 X 10		2	
9	996 617 725 00	valve housing seating position control		2	
(9)	996 617 726 00	valve housing seating position control		2	M537/538

Model	Year	MG	SG	Illustration	Restrictions	UPD	10:56	24.01.2010	PORSCHE	PET	PORSCHE
986	2004	8	17	817-10		248					

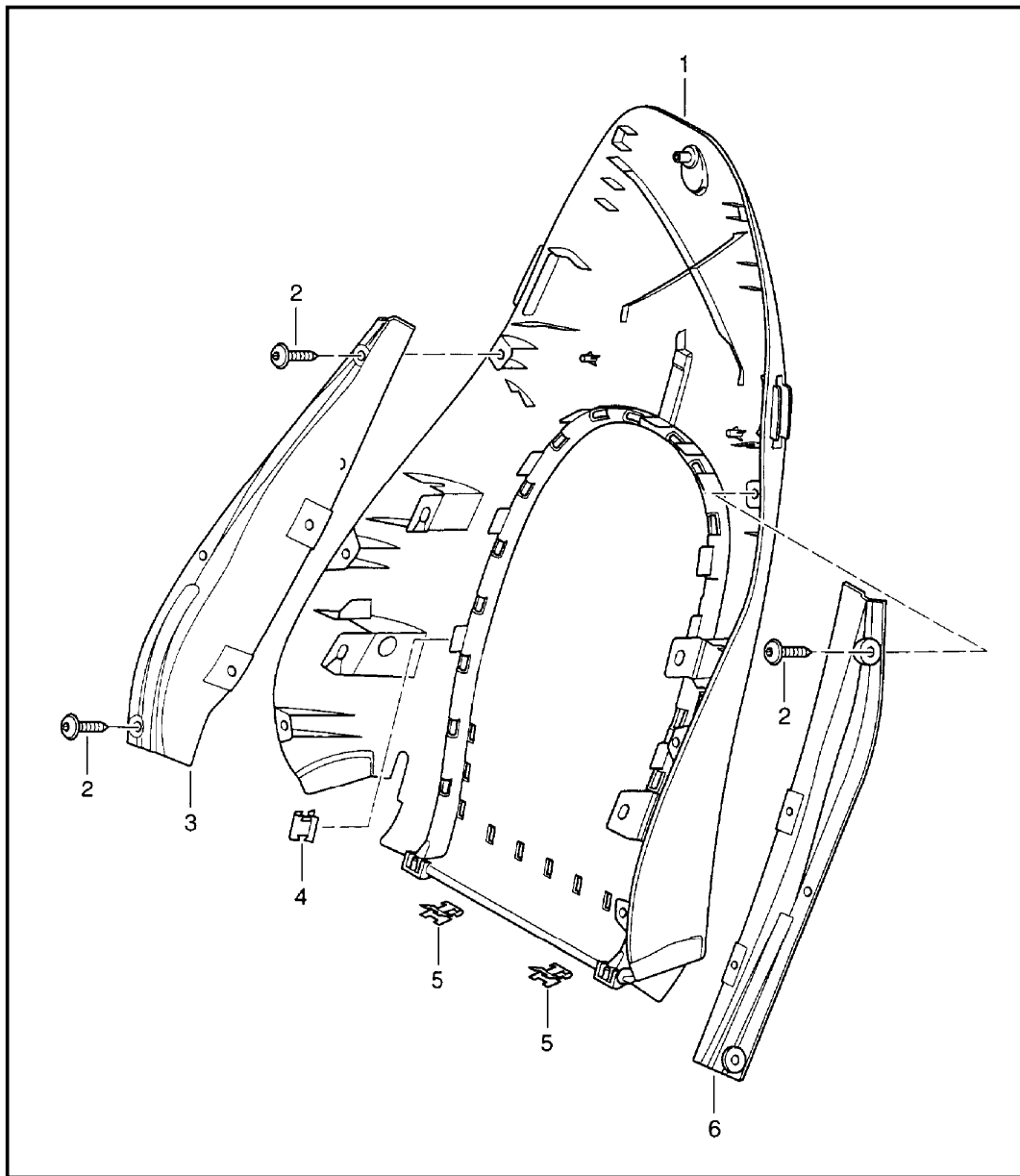


Pos	Part Number	Description	Remark	Qty	Model
		backrest shell standard seat comfort seat			BOXSTER
1	986 521 303 00	backrest shell	-98	2	
	B12	black-grey			
(1)	986 521 303 01	backrest shell leather	-98	2	M010
	8YR	black			
	C50	graphite grey			
	G10	metropole blue			
	S30	savanna			
	J30	nephrite green			
	M30	boxster red	-98		
(1)	986 521 303 06	backrest shell	99	2	M016
	B12	black-grey			
(1)	986 521 303 07	backrest shell leather	99	2	M010
	8YR	black			
	C50	graphite grey			
	G10	metropole blue			
	S30	savanna			
	J30	nephrite green			
	M30	boxster red			
2	996 521 311 00	linkage lever	/L	2	
(2)	996 521 312 00	linkage lever	/R	2	
3	996 521 339 00	deflection roller		4	
4	999 522 032 00	tension spring 0,7 X 7,5 X 15		4	
5	N 900 114 02	clamping washer 4		4	
6	A 996 521 385 00	cable	97	4	
(6)	986 521 385 00	cable	98-	4	

Model	Year	MG	SG	Illustration	Restrictions	UPD	10:56	24.01.2010	PORSCHE	PET	PORSCHE
986	2004	8	17	817-10		248					

Pos	Part Number	Description	Remark	Qty	Model	Pos	Part Number	Description	Remark	Qty	Model
7	999 143 009 01	screw M 5 X 16		4							
8	900 151 027 02	washer backrest shell 5,3		4							
9	996 521 319 00	bracket	/L	-00	2						
(9)	996 521 319 01	cup	/L	01-	2						
(9)	996 521 320 00	bracket	/R	-00	2						
(9)	996 521 320 01	cup	/R	01-	2						
		padding backrest									
10	999 507 594 01	u-clamp backrest cover 1,0 - 2,0		28							
11	999 507 677 01	speed nut M 5		8							
12	311 881 247	clamp cover centre part		4							
13	996 521 377 00	perforated plate		4							
14	N 900 151 01	clamping washer 5		4							
15	999 507 596 01	u-clamp 1,00 - 1,50		2							
16	996 521 341 00	relay lever		2							
-	996 521 903 00	repair kit backrest locking lever see technical information GR. 7 BOXSTER NR. 1A/98		2							

Model	Year	MG	SG	Illustration	Restrictions	UPD	10:56	24.01.2010	PORSCHE	PET	PORSCHE
986	2004	8	17	817-12		248					

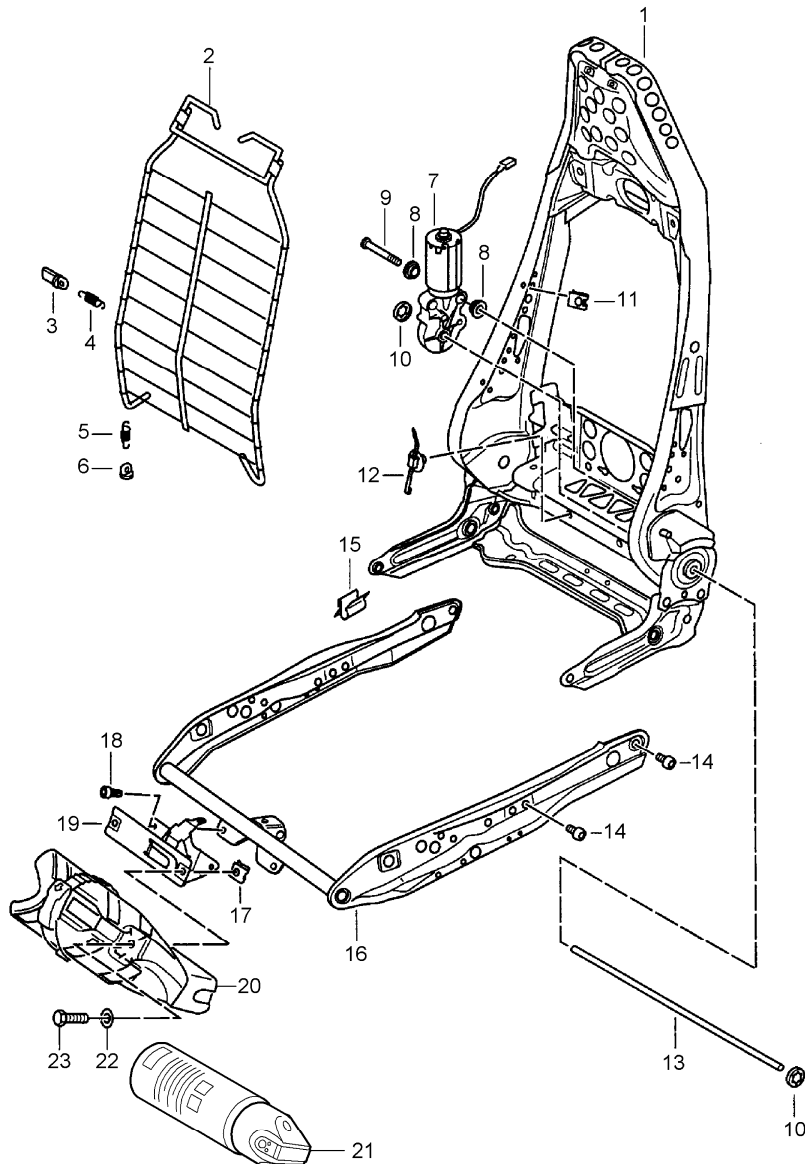


Pos	Part Number	Description	Remark	Qty	Model
		backrest shell standard seat comfort seat	99- 99-		BOXSTER
1	986 521 303 06	backrest shell B12 black-grey 00-01C satin black	99	2	M016
1	986 521 303 07	backrest shell leather 8YR black C50 graphite grey G10 metropole blue S30 savanna J30 nephrite green M30 boxster red	99	2	M010
1	986 521 303 06	backrest shell lacquered 01C satin black	00-	2	M016
2	999 143 009 01	screw backrest shell M 5 X 16		X	
-	900 151 027 02	washer 5,3		4	
3	996 521 320 00	cup	/R	-00	2
3	996 521 320 01	bracket backrest side bolster	/R	01-	2
4	999 507 594 01	u-clamp backrest cover 1,0 - 2,0		28	
5	311 881 247	clamp mount cover centre part		4	
6	996 521 319 00	cup	/L	-00	2
6	996 521 319 01	bracket	/L	01-	2

Model	Year	MG	SG	Illustration	Restrictions	UPD	10:56	24.01.2010	PORSCHE PET PORSCHE		
986	2004	8	17	817-12		248					

Pos	Part Number	Description	Remark	Qty	Model	Pos	Part Number	Description	Remark	Qty	Model
		backrest side bolster									

Model	Year	MG	SG	Illustration	Restrictions	UPD	10:57	24.01.2010	PORSCHE	PET	PORSCHE
986	2004	8	17	817-15		248					

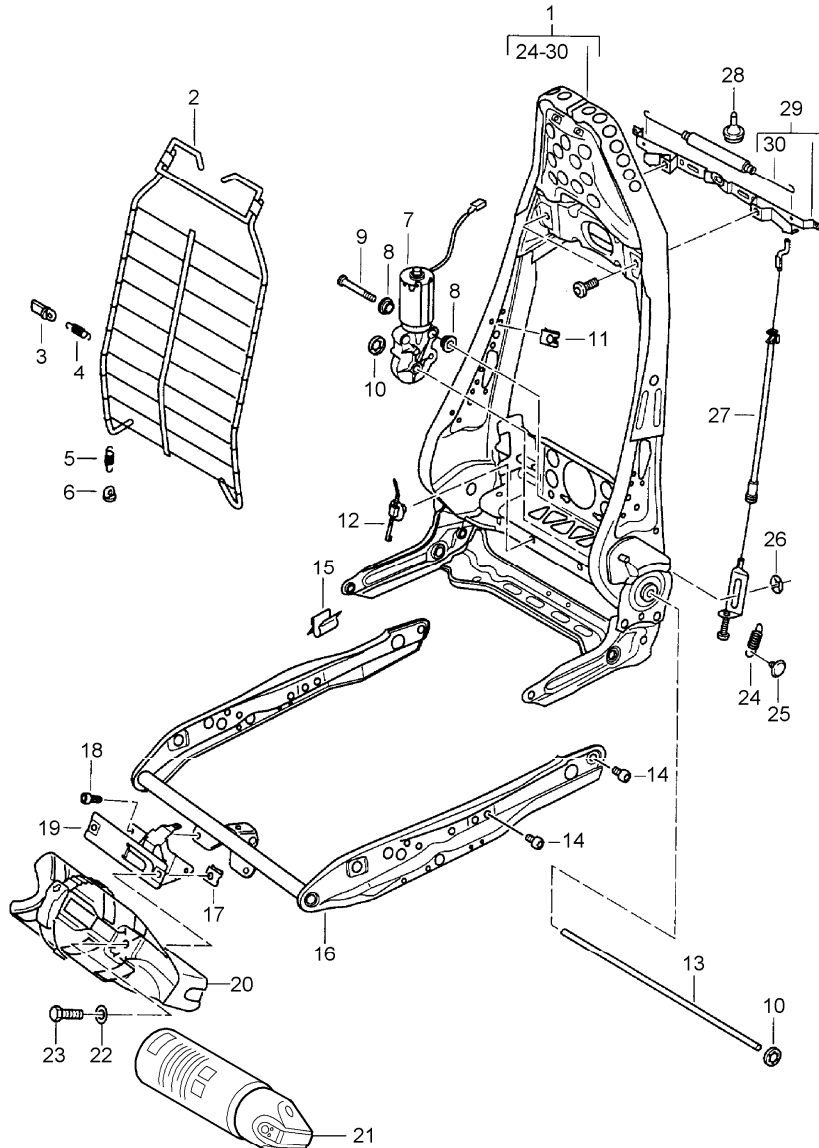


Pos	Part Number	Description	Remark	Qty	Model
		backrest frame			BOXSTER
		seat frame			
		standard seat			
		comfort seat			
1	A 986 521 327 00	backrest frame	97	2	
(1)	986 521 327 02	backrest frame	-98	2	
2	996 521 355 00	mat	97	2	
(2)	996 521 355 01	mat	98	2	
3	996 521 367 00	support		8	
4	996 521 333 00	spring centre		4	
5	996 521 331 01	spring	98-	4	
6	996 521 365 00	support lower		4	
7	996 624 321 00	engine seating position control for backrest adjustment		2	
(7)	996 624 331 00	engine seating position control for backrest adjustment		2	M537/538
8	999 924 129 40	bush 6 X 12 X 4,5		4	
9	999 073 141 02	oval-head screw M 6 X 42,5		2	
10	999 507 597 01	clamping washer 10,0		4	
11	999 507 598 02	speed nut M 5		8	
12	999 513 063 40	cable holder 12,0 - 35		4	
13	996 521 343 01	drive shaft		2	
14	999 141 027 02	oval-head screw M 8 X 10		8	
16	986 521 227 00	seat frame		2	
17	999 507 067 02	speed nut M 5		2	

Model	Year	MG	SG	Illustration	Restrictions	UPD	10:57	24.01.2010	PORSCHE	PET	PORSCHE
986	2004	8	17	817-15		248					

Pos	Part Number	Description	Remark	Qty	Model	Pos	Part Number	Description	Remark	Qty	Model
18	999 141 028 02	pan-head screw M 5 X 10		3							
19	996 521 674 00	support fire extinguisher	/LL/R	1	M509						
(19)	996 521 673 00	support fire extinguisher	/RL/L	1	M509						
20	996 521 607 00	cup fire extinguisher		1	M509						
21	996 722 115 00	fire extinguisher Information available Information available		1	M509						
22	900 151 027 02	washer 5,3		2							
23	N 044 734 1	pan-head screw M 5 X 15		2							

Model	Year	MG	SG	Illustration	Restrictions	UPD	10:57	24.01.2010	PORSCHE	PET	PORSCHE
986	2004	8	17	817-16		248					

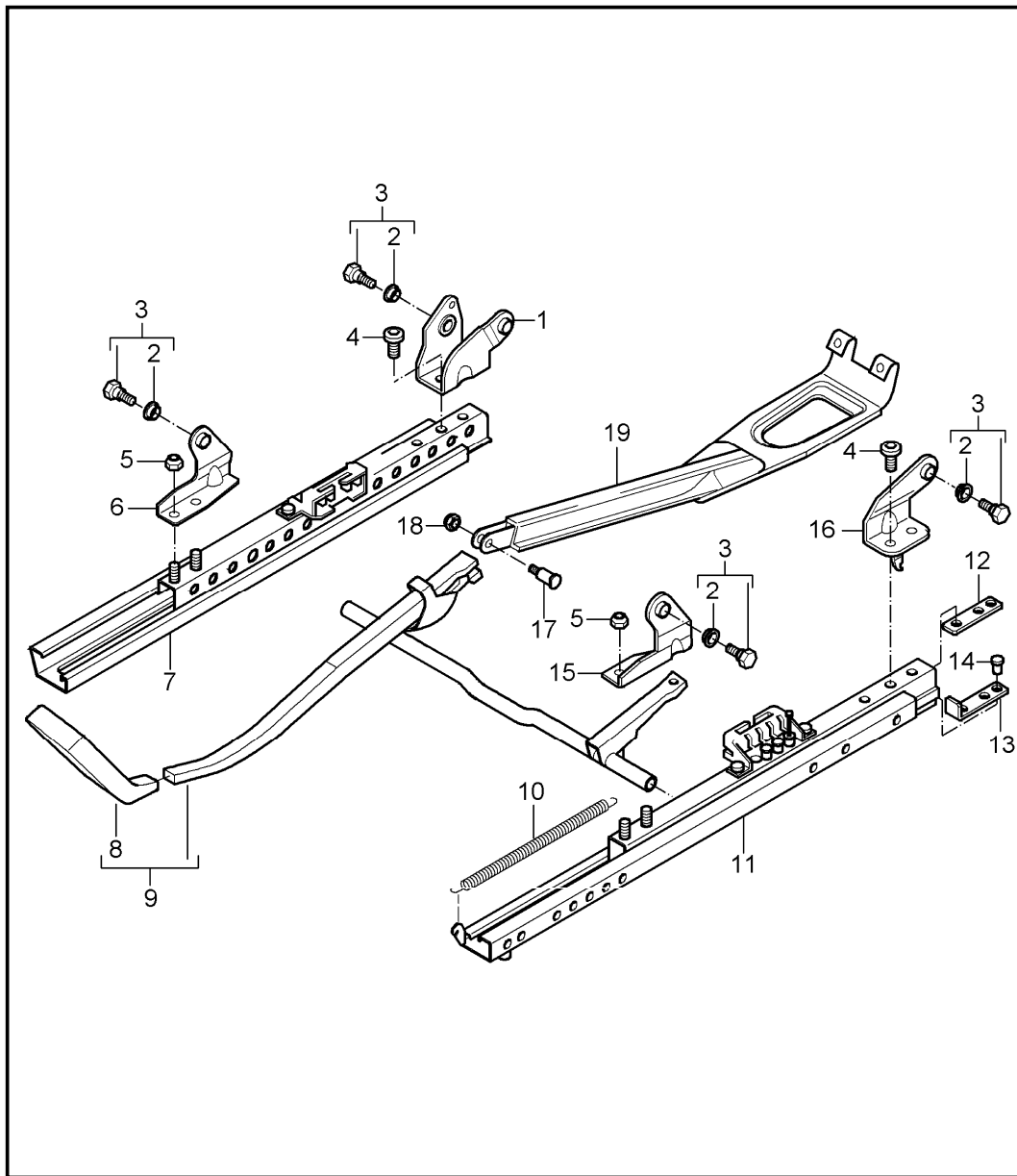


Pos	Part Number	Description	Remark	Qty	Model
		backrest frame seat frame standard seat comfort seat			BOXSTER
1	986 521 327 03	backrest frame		2	
2	996 521 355 01	mat		2	
3	996 521 367 00	support		8	
4	996 521 333 00	spring centre		4	
5	996 521 331 01	spring		4	
6	996 521 365 00	support lower		4	
7	996 624 321 00	engine seating position control for backrest adjustment		2	
(7)	996 624 331 00	engine seating position control for backrest adjustment		2	M537/538
8	999 924 129 40	bush 6 X 12 X 4,5		4	
9	999 073 141 02	oval-head screw M 6 X 42,5		2	
10	999 507 597 01	clamping washer 10,0		4	
11	999 507 598 02	speed nut M 5		8	
12	999 513 063 40	cable holder 12,0 - 35		4	
13	996 521 343 01	drive shaft		2	
14	999 141 027 02	oval-head screw M 8 X 10		8	
16	986 521 227 00	seat frame		2	
17	999 507 067 02	speed nut M 5		2	
18	999 141 028 02	pan-head screw M 5 X 10		3	
(19)	996 521 674 00	support fire extinguisher	/LL/R	1	M509

Model	Year	MG	SG	Illustration	Restrictions	UPD	10:57	24.01.2010	PORSCHE	PET	PORSCHE
986	2004	8	17	817-16		248					

Pos	Part Number	Description	Remark	Qty	Model	Pos	Part Number	Description	Remark	Qty	Model
19	996 521 673 00	support fire extinguisher	/RL/L	1	M509						
20	996 521 607 00	cup		1	M509						
21	996 722 115 00	fire extinguisher Information available Information available		1	M509						
22	900 151 027 02	washer 5,3		2							
23	N 044 734 1	pan-head screw M 5 X 15		2							
24	999 522 032 00	tension spring 0,7 X 7,5 X 15		4							
25	999 703 474 40	stopper		4							
26	N 900 114 02	clamping washer 4		4							
27	996 521 185 00	cable mount backrest locking lever		4							
28	996 521 403 00	rubber buffer		2							
29	996 521 175 00	backrest locking lever		2							
30	996 521 195 00	clutch power spring		2							

Model	Year	MG	SG	Illustration	Restrictions	UPD	10:57	24.01.2010	PORSCHE	PET	PORSCHE
986	2004	8	17	817-17		248					

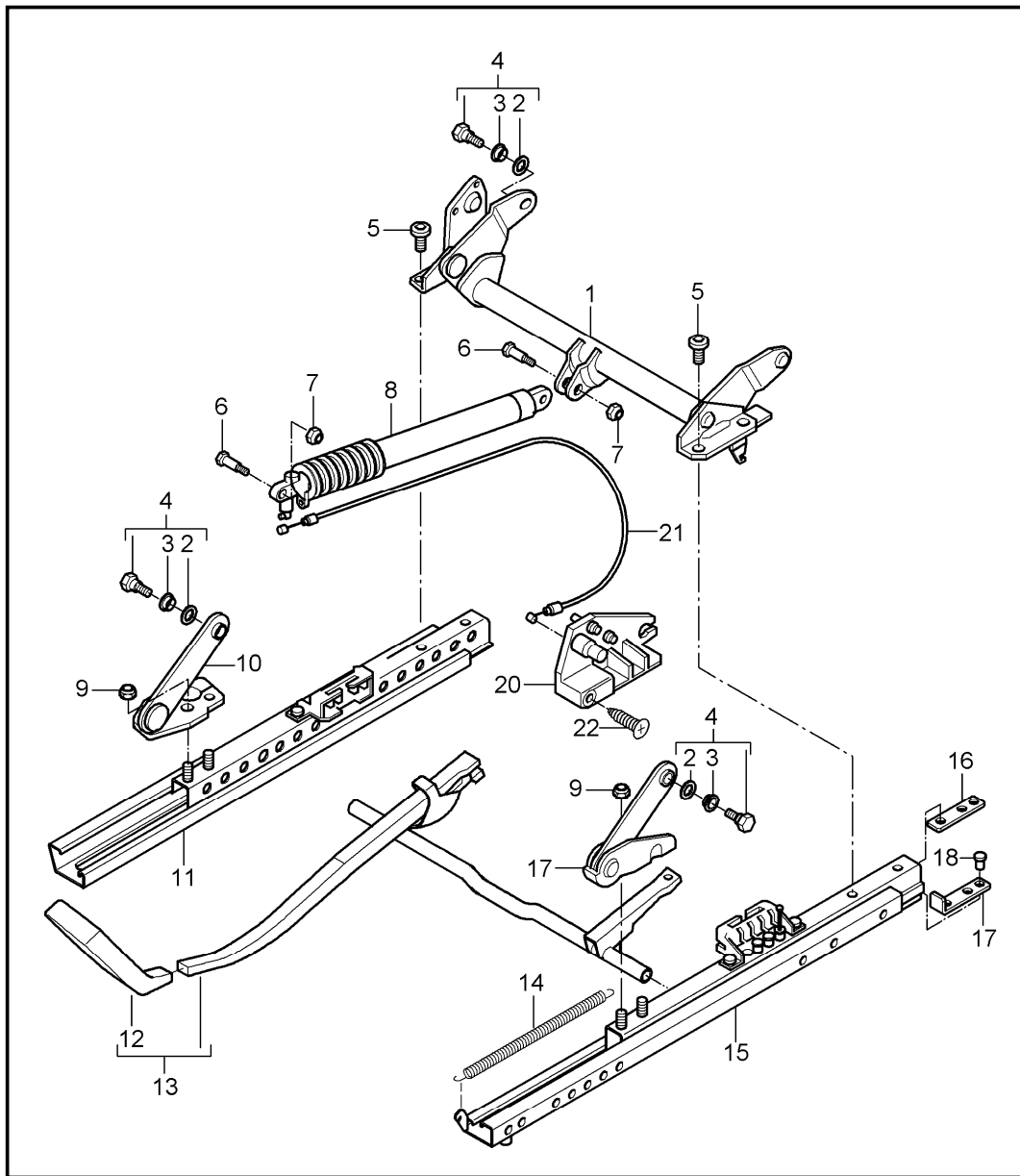


Pos	Part Number	Description	Remark	Qty	Model
		seat adjuster standard seat			BOXSTER
1	986 521 639 00	adapter seat-belt buckle seat frame inner rear	/L	1	
(1)	986 521 640 00	adapter seat-belt buckle seat frame inner rear	/R	1	
3	A 996 521 259 00	screw		97	6
(3)	996 521 259 02	screw complete			8
4	986 521 659 00	screw			8
5	900 910 003 07	hexagon nut adapter M 8			8
6	986 521 692 00	adapter seat frame front right			2
7	A 996 521 692 00	seat rail	/R	-98	1
(7)	996 521 692 01	seat rail left seat inner	/R	98-	1
(7)	A 996 521 691 00	seat rail inner	/L	-98	1
(7)	996 521 691 01	seat rail right seat inner	/L	98-	1
8	996 521 617 00	handle	/L	97	1
(8)	996 521 617 01	handle	/L	98-	1
(8)	996 521 618 00	handle	/R	97	1
(8)	996 521 618 01	handle	/R	98-	1
9	996 521 621 00	lever complete	/L	97	1
(9)	996 521 621 01	lever complete	/L	98-	1

Model	Year	MG	SG	Illustration	Restrictions	UPD	10:57	24.01.2010	PORSCHE	PET	PORSCHE
986	2004	8	17	817-17		248					

Pos	Part Number	Description	Remark	Qty	Model	Pos	Part Number	Description	Remark	Qty	Model
(9)	996 521 622 00	lever complete	/R	97	1						
(9)	996 521 622 01	lever complete	/R	98-	1						
10	996 521 645 00	clutch power spring			2						
11 A	996 521 689 00	seat rail	/L	-97	1						
(11)	996 521 689 01	seat rail left seat outer	/L	98-	1						
(11) A	996 521 690 00	seat rail outer	/R	-97	1						
(11)	996 521 690 01	seat rail right seat outer	/R	98-	1						
12	986 521 643 00	threaded plate			4						
13	996 521 603 00	stop			4						
14	996 521 601 00	fixing clip for stop			4						
15	986 521 689 00	adapter seat frame front left			2						
16	986 521 691 00	adapter seat frame rear outer	/L		1						
(16)	986 521 690 00	adapter seat frame rear outer	/R		1						
17	999 311 008 01	square screw M 5 X 23,6			1						
18	986 521 687 00	nut			1						
19	986 521 667 00	seat adjuster guard	/LL/R /RL/L		1						

Model	Year	MG	SG	Illustration	Restrictions	UPD	10:57	24.01.2010	PORSCHE	PET	PORSCHE
986	2004	8	17	817-18		248					

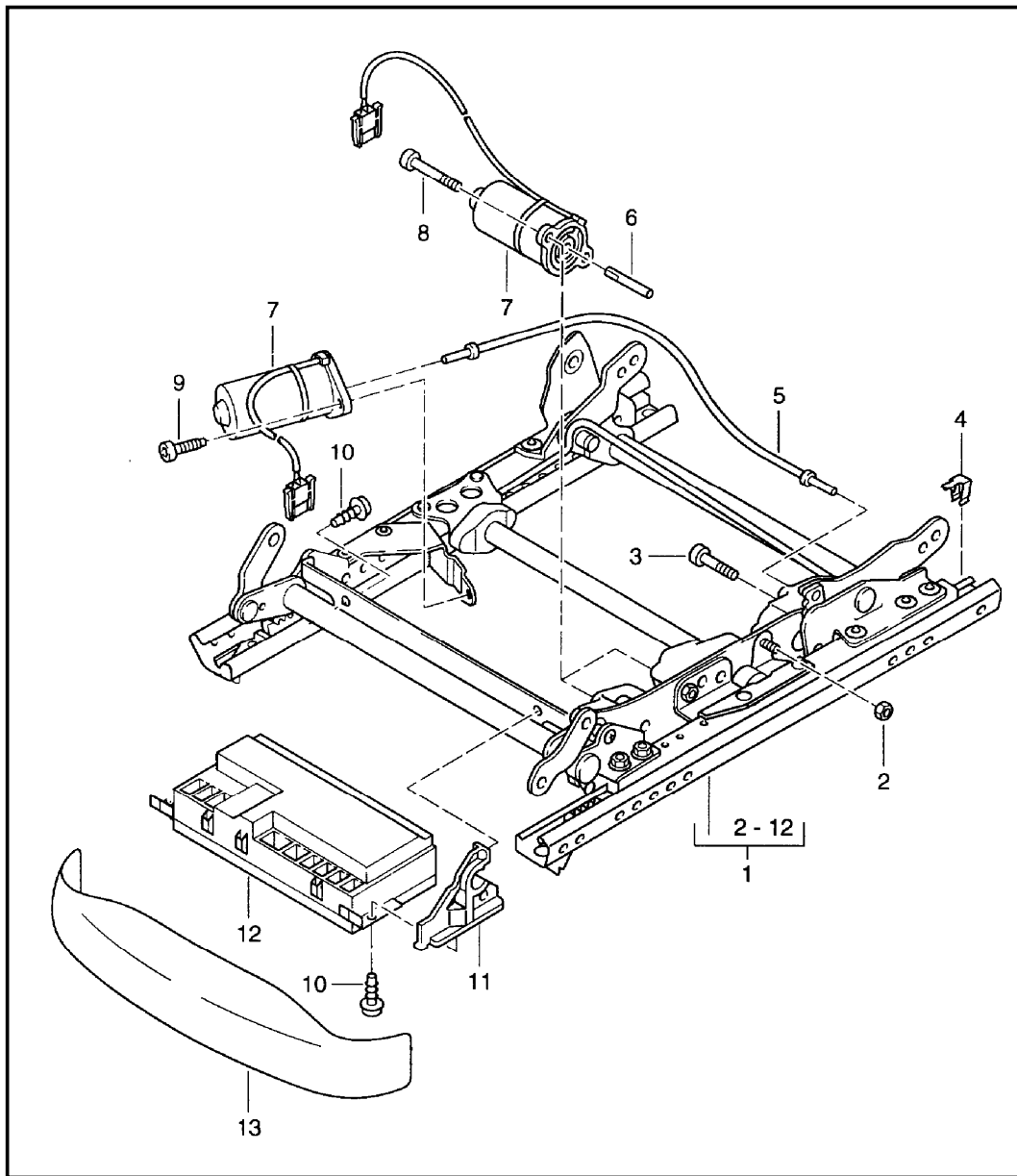


Pos	Part Number	Description	Remark	Qty	Model
		seat adjuster standard seat with height adjustment			BOXSTER
1	986 521 641 00	pipe rear	/L	1	
(1)	986 521 642 00	pipe rear	/R	1	
(4)	996 521 259 02	screw complete		8	
5	986 521 659 00	screw adapter		8	
6	999 311 008 01	square screw M 5 X 23,6		2	
7	986 521 687 00	nut		2	
8	996 521 615 01	gas-pressure spring seat adjuster mechanical		2	M539/540
9	900 910 003 07	hexagon nut adapter M 8		8	
10	986 521 680 00	adapter seat frame front right		2	
11 A	996 521 692 00	seat rail left seat inner	/R	-98	1
(11)	996 521 692 01	seat rail left seat inner	/R	98-	1
(11) A	996 521 691 00	seat rail right seat inner	/L	-98	1
(11)	996 521 691 01	seat rail right seat inner	/L	98-	1
12	996 521 617 00	handle	/L	97	1
(12)	996 521 617 01	handle	/L	98-	1
(12)	996 521 618 00	handle	/R	97	1

Model	Year	MG	SG	Illustration	Restrictions	UPD	10:57	24.01.2010	PORSCHE	PET	PORSCHE
986	2004	8	17	817-18		248					

Pos	Part Number	Description	Remark	Qty	Model	Pos	Part Number	Description	Remark	Qty	Model
(12)	996 521 618 01	handle	/R	98-	1						
13	996 521 621 00	lever complete	/L	97	1						
(13)	996 521 621 01	lever complete	/L	98-	1						
(13)	996 521 622 00	lever complete	/R	97	1						
(13)	996 521 622 01	lever complete	/R	98-	1						
14	996 521 645 00	clutch power spring			2						
15 A	996 521 689 00	seat rail left seat outer	/L	-98	1						
15	996 521 689 01	seat rail left seat outer	/L	98-	1						
(15) A	996 521 690 00	seat rail right seat outer	/R	-98	1						
(15)	996 521 690 01	seat rail right seat outer	/R	98-	1						
16	986 521 643 00	threaded plate			4						
17	986 521 679 00	adapter seat frame front left			2						
18	996 521 603 00	stop			4						
-	996 521 601 00	fixing clip stop			4						
20 A	986 521 675 00	adjusting mechanism	/L	-97	1						
(20)	996 521 675 00	adjusting mechanism	/L	98-	1						
(20) A	986 521 676 00	adjusting mechanism	/R	-97	1						
(20)	996 521 676 00	adjusting mechanism	/R	98-	1						
21	986 521 683 00	bowden cable			2						
22	999 919 180 07	countersunk-head screw M 5 X 18			2						

Model	Year	MG	SG	Illustration	Restrictions	UPD	10:57	24.01.2010	PORSCHE	PET	PORSCHE
986	2004	8	17	817-19		248					

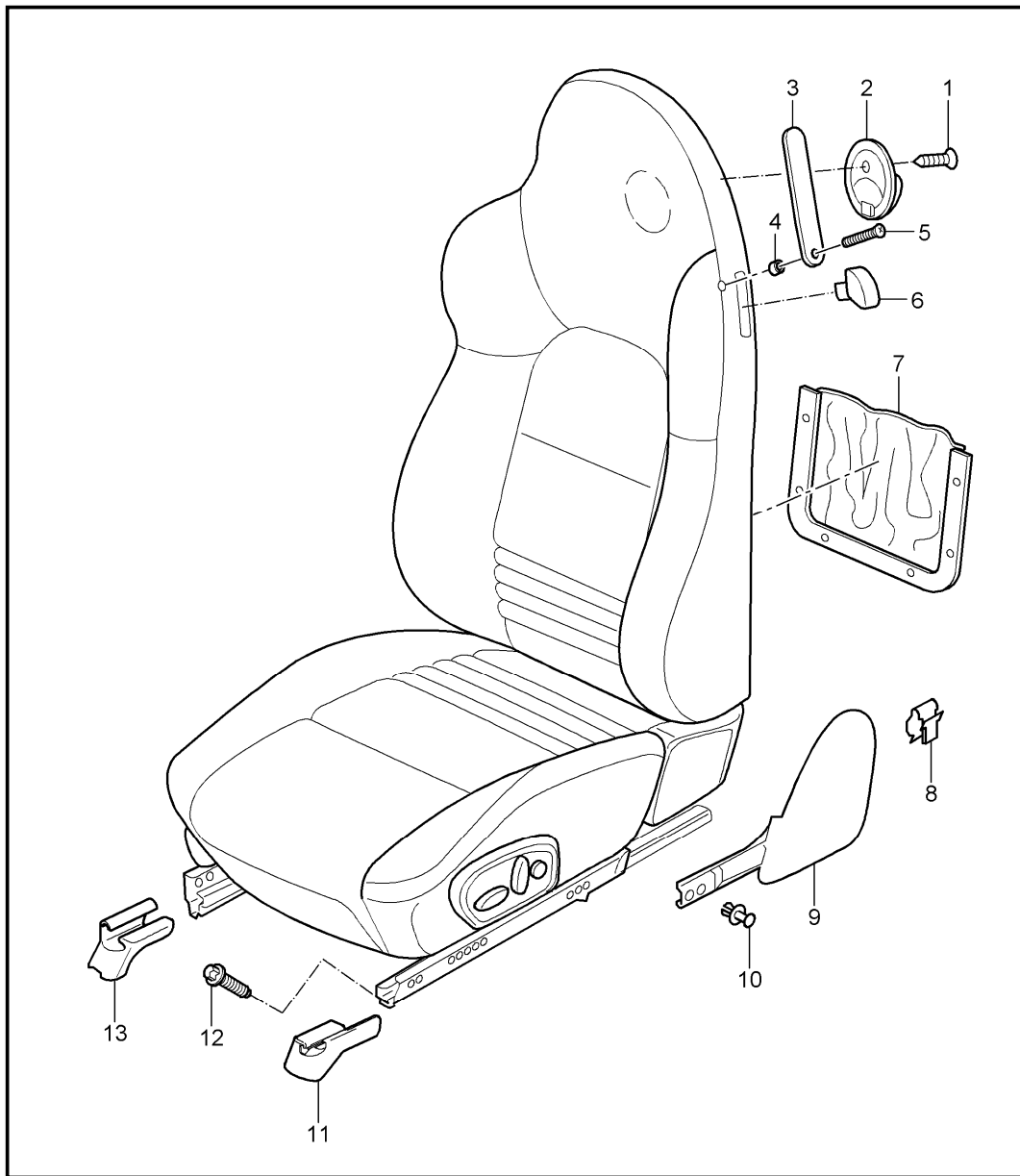


Pos	Part Number	Description	Remark	Qty	Model
		seat adjuster comfort seat			BOXSTER
1	996 521 401 02	seat adjuster complete	/L	1	
(1)	996 521 402 02	seat adjuster complete	/R	1	
(1)	996 521 401 03	seat adjuster complete with seating position control	/L	-00	M537/538
(1)	996 521 402 03	seat adjuster complete with seating position control	/R	-00	M537/538
(1)	996 521 401 07	seat adjuster complete	/L	1	M437/537
(1)	996 521 402 07	seat adjuster complete	/R	1	M438/538
2	999 084 451 02	hexagon nut M 5		4	
3	999 073 144 02	pan-head screw M 5 X 39,3		4	
4	996 521 647 00	stop for longitudinal adjustment		4	
5	996 521 609 00	drive shaft rear vertical adjustment		2	
6	996 521 611 00	shaft		4	
7	996 624 322 00	engine seating position control		X	
(7)	996 624 332 00	engine seating position control		X	M537/538
8	999 073 147 02	pan-head screw TORX M 5 X 58		8	
9	999 073 148 02	oval-head screw M 5 X 14		4	
10	999 073 145 02	oval-head screw M 5,0 X 12		X	
11	996 618 547 00	support control unit		4	M537/538

Model	Year	MG	SG	Illustration	Restrictions	UPD	10:57	24.01.2010	PORSCHE	PET	PORSCHE
986	2004	8	17	817-19		248					

Pos	Part Number	Description	Remark	Qty	Model	Pos	Part Number	Description	Remark	Qty	Model
12	A 996 618 537 00	control unit		-99	2 M537/538						
(12)	996 618 537 02	control unit		00	2 M537/538						
(12)	996 618 537 01	control unit		01	2 M537/538						
(12)	996 618 537 03	control unit		02-	2 M537/538						
13	996 521 317 00	cover control unit seating position control			2						
	01C	black									

Model	Year	MG	SG	Illustration	Restrictions	UPD	10:58	24.01.2010	PORSCHE	PET	PORSCHE
986	2004	8	17	817-20		248					

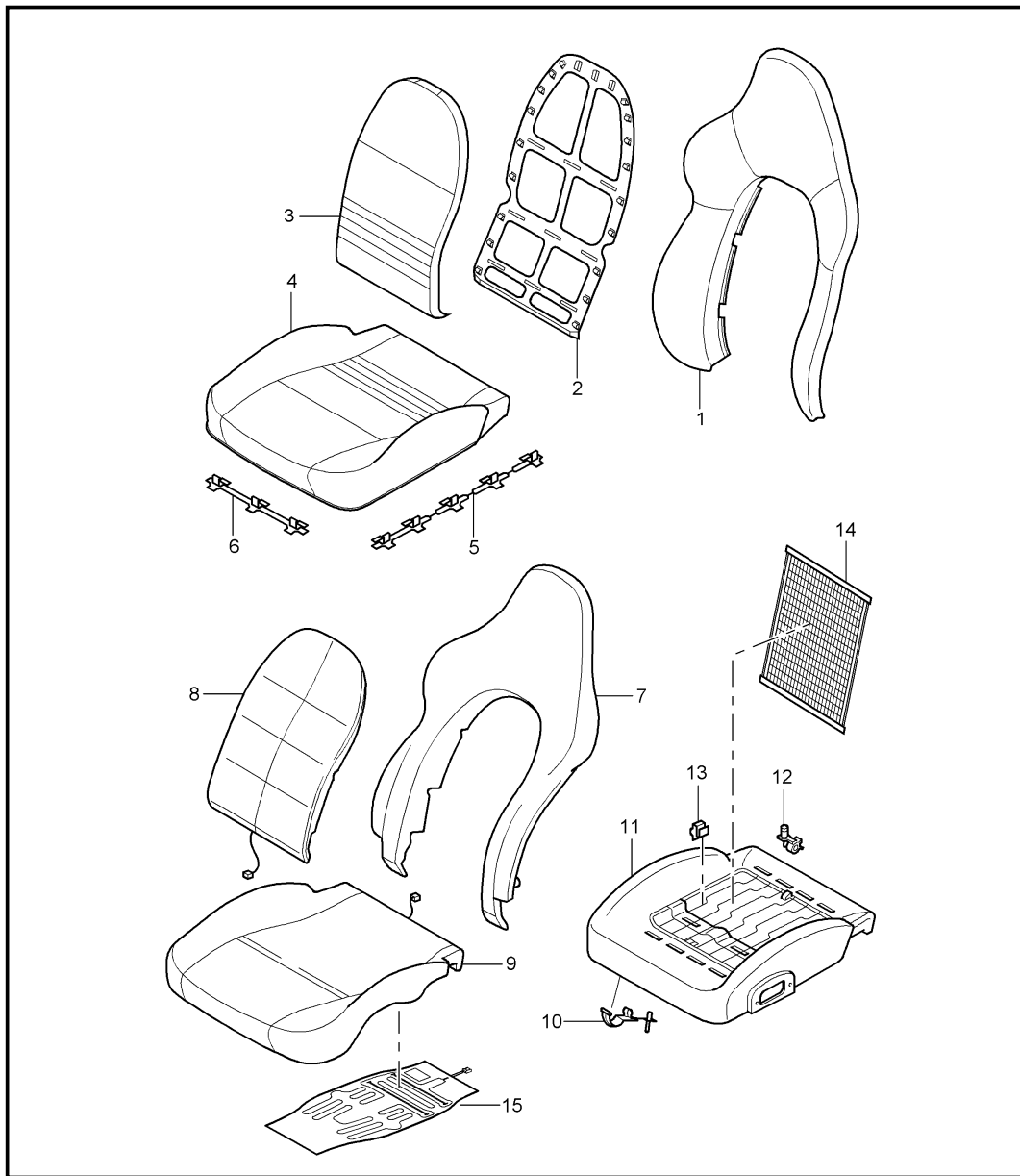


Pos	Part Number	Description	Remark	Qty	Model
		sports seat			BOXSTER
		sports seat complete not available			
1	999 919 180 07	countersunk-head screw M 5 X 18	-99	2	
(1)	999 919 199 09	countersunk-head screw M 5 X 25	00-	2	
2	986 521 363 00	coat hook	-99	2	
(2)	996 521 373 00	coat hook	00-	2	
		A03 black			
3	986 521 345 00	support for seatbelt	98-	2	
		8YR black			
		C50 graphite grey			
		G10 metropole blue			
		S30 savanna			
		J30 nephrite green			
		M30 boxster red			
		D11 dark grey	00-		
		T11 brown/natural	00-		
		P11 cinnamon brown			
		9Q3 cocoa			
4	999 209 050 40	spacer sleeve		2	
5	999 919 189 07	countersunk-head screw 3,5 X 25		4	
-	999 507 669 40	cone washer 4,3 X 12,8		2	
-	999 507 670 40	cap 12,8 X 14,5		2	
-	999 507 671 17	snap fastener lower part lower part		2	
6	996 521 321 01	control button	/L -98	2	

Model	Year	MG	SG	Illustration	Restrictions	UPD	10:58	24.01.2010	PORSCHE	PET	PORSCHE
986	2004	8	17	817-20		248					

Pos	Part Number	Description	Remark	Qty	Model	Pos	Part Number	Description	Remark	Qty	Model
(6)	996 521 421 00	control button	/L 99-	2		(11)	996 521 361 01	cover left seat inner	/R 00-	1	
(6)	996 521 322 01	control button	/R -98	2			01C	satin black			
(6)	996 521 422 00	control button	/R 99-	2		12 A	999 141 038 07	torx screw M 10 X 26,5		-02	8
7	996 521 313 00	bag leatherette		2		(12)	999 141 039 07	screw M 10 X 28		03-	8 IXSE/XSF
	A10	black				13 A	996 521 360 00	cover right seat outer	/R -99	1	
(7)	996 521 313 01	bag leather		2	M983		01C	satin black			
	8YR	black				(13)	996 521 360 01	cover right seat outer	/R 00-	1	
8	999 507 592 01	cable clamp cap 1,0 - 6,0		2			01C	satin black			
9	986 521 315 01	cap	/L -99	1	M009/016/375	(13) A	996 521 359 00	cover left seat outer	/L -99	1	
	B12	black-grey					01C	satin black			
(9)	986 521 316 01	cap	/R -99	1	M009/016/376	(13)	996 521 359 01	cover left seat outer	/L 00-	1	
	B12	black-grey					01C	satin black			
(9)	996 521 315 01	cap	/L 00-	1	M009/016/375	(13)	996 521 359 01	cover left seat outer	/L 00-	1	
	C02	metal grey					01C	satin black			
(9)	996 521 316 01	cap	/R 00-	1	M009/016/376						
	C02	metal grey									
10	999 507 599 40	expansion rivet 10		2							
11 A	996 521 362 00	cover right seat inner	/L -99	1							
	01C	satin black									
(11)	996 521 362 01	cover right seat inner	/L 00-	1							
	01C	satin black									
(11) A	996 521 361 00	cover left seat inner	/R -99	1							
	01C	satin black									

Model	Year	MG	SG	Illustration	Restrictions	UPD	10:58	24.01.2010	PORSCHE	PET	PORSCHE
986	2004	8	17	817-25		248					



Pos	Part Number	Description	Remark	Qty	Model
1	996 521 993 02	cover foam part sports seat			BOXSTER
		backrest cover with porsche crest outer part leather	99-	2	
	8YR	black	99		
	C50	graphite grey			
	G10	metropole blue			
	S30	savanna			
	J30	nephrite green			
	M30	boxster red			
	T11	brown/natural			
	D11	dark grey/natural			
	P11	cinnamon brown			
	ETO	black	00-		
(1)	996 521 155 02	backrest cover outer part	-00	2	M983
	8YR	black			
	C50	graphite grey			
	G10	metropole blue			
	S30	savanna			
	J30	nephrite green			
	M30	boxster red			
(1)	996 521 155 04	backrest cover	-01	2	M983
	EEF	graphite grey			
	EGF	savanna			
	EFF	metropole blue			
	ELA	nephrite green			
	ENA	boxster red			

Model	Year	MG	SG	Illustration	Restrictions	UPD	10:58	24.01.2010	PORSCHE	PET	PORSCHE
986	2004	8	17	817-25		248					

Pos	Part Number	Description	Remark	Qty	Model	Pos	Part Number	Description	Remark	Qty	Model
(1)	996 521 155 06	ERZ black				(3)	M30 boxster red				
		VRA dark grey					D11 dark grey	00-			
		VRB brown/natural					T11 brown/natural	00-			
		cover backrest outer part	01-	2			996 521 151 05 backrest cushion cover leather	01-	2	M946/983	
		ERZ black					ETO black	00-			
		EEF graphite grey					C50 graphite grey				
		EGF savanna					G10 metropole blue				
		EFF metropole blue					S30 savanna				
		ELA nephrite green					J30 nephrite green				
		ENA boxster red					M30 boxster red				
		FEH cinnamon brown					D11 dark grey	00-			
		VRA dark grey/natural					T11 brown/natural	00-			
		VRB brown/natural					P11 cinnamon brown	01-			
(1)	996 521 155 07	cover backrest outer part special model 550 spyder	04	2	M091/375/376 M983	(3)	996 521 151 09 cover backrest centre special model 550 spyder	04	2	M375/376 M091/983	
		VSY dark grey/natural					VTH cocoa				
2	996 521 551 00	frame backrest centre	-00	2			VSY dark grey/natural				
(2)	996 521 551 01	frame backrest centre	01-	2		4	996 521 165 02 seat cover leather	-00	2	M983	
							EAF black	-99			
3	996 521 151 01	backrest cushion cover	-00	2	M946/983		EEF graphite grey				
		8YR black	-99			EFF metropole blue					
		ETO black	00-			EGF savanna					
		C50 graphite grey				ELA nephrite green					
		G10 metropole blue				ENA boxster red					
		S30 savanna				ERZ black	00				
		J30 nephrite green				VRA dark grey	00				
						VRB brown/natural	00				

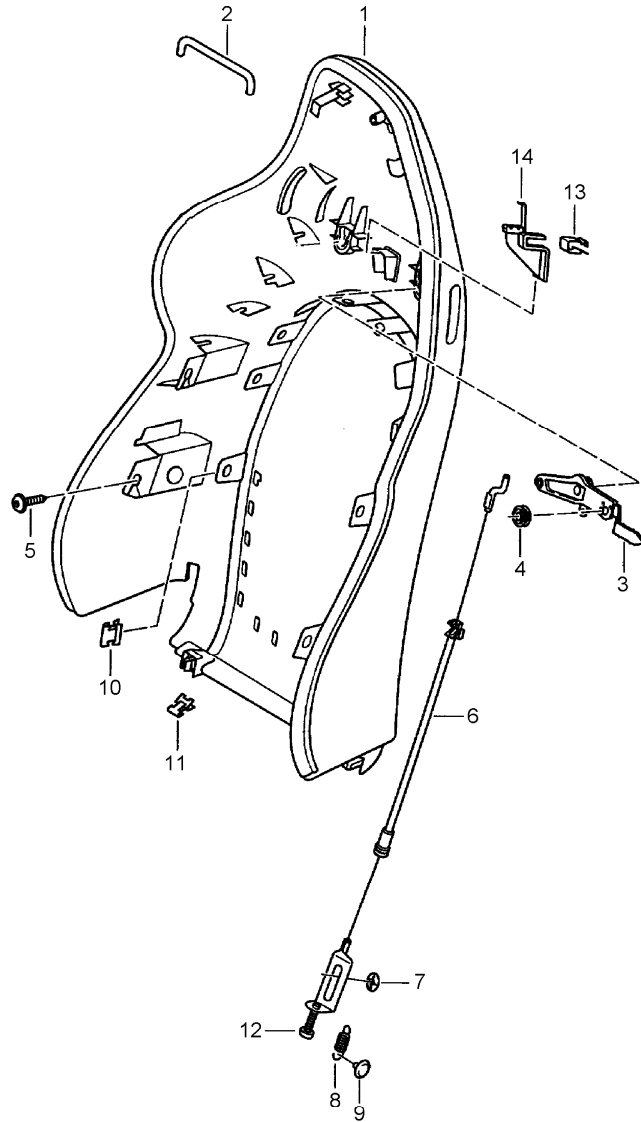
Model	Year	MG	SG	Illustration	Restrictions	UPD	10:58	24.01.2010	PORSCHE	PET	PORSCHE
986	2004	8	17	817-25		248					

Pos	Part Number	Description	Remark	Qty	Model	Pos	Part Number	Description	Remark	Qty	Model
(4)	996 521 165 04	cover seat cushion leather without heating	01-	2	M983	5	996 521 543 00	clamp long	-00	4	
	ERZ	black				6	996 521 541 00	clamp short	-00	6	
	EEF	graphite grey				7	996 521 535 01	foam part backrest frame	98	2	
	EGF	savanna				(7)	996 521 535 02	foam part backrest frame	99	2	
	EFF	metropole blue				(7)	996 521 535 03	foam part backrest frame	00-	2	
	ELA	nephrite green				(8)	996 521 531 00	foam part backrest cushion without heating	03-	2	
	ENA	boxster red				8	996 521 531 01	foam part backrest cushion with heating	03-	2	M139/340/342
	FEH	cinnamon brown				(8)	996 521 537 00	foam part backrest cushion without heating	03-	2	IXSU
	VRA	dark grey/natural				(8)	996 521 539 00	foam part backrest cushion with heating	03-	2	IXSU/M342
	VRB	brown/natural				(9)	996 521 521 04	foam part seat cushion without heating	-00	2	
(4)	996 521 165 05	cover seat cushion leather with heating	03-	2	M375/376 IXSU/M983	9	996 521 521 05	foam part seat cushion with heating	-00	2	M139/340
	ERZ	black				(9)	996 521 523 01	foam part seat cushion without heating	03-	2	IXSU
	EEF	graphite grey				(9)	996 521 525 01	foam part seat cushion with heating	03-	2	IXSU/M342
	EGF	savanna				(9)	996 521 571 01	foam part seat cushion without heating	01-	2	
	EFF	metropole blue				10	996 521 597 00	clip cushion carrier		8	
	ELA	nephrite green				(10)	996 521 937 00	clip cushion carrier	01-	10	
	ENA	boxster red									
	FEH	cinnamon brown									
	VRA	dark grey/natural									
	VRB	brown/natural									
(4)	996 521 165 06	cover seat cushion leather special model 50 JAHRE SPYDER	04-	2	M091/375/376						
	VTH	cocoa									
	VSY	dark grey/natural									

Model	Year	MG	SG	Illustration	Restrictions	UPD	10:58	24.01.2010	PORSCHE	PET	PORSCHE
986	2004	8	17	817-25		248					

Pos	Part Number	Description	Remark	Qty	Model	Pos	Part Number	Description	Remark	Qty	Model
11	996 521 509 00	cushion carrier seat cushion front seat	-00	2							
(11)	996 521 505 00	cushion carrier seat cushion front seat	01-	2							
12	999 507 506 40	cable holder 5,0		1	M539/540						
13	999 651 314 01	cable clamp 3,0 - 4,0		8							
14	996 521 507 01	mat seat cushion cushion carrier		1							
15	996 653 105 01	heating element seat surface	01-	1	M139/340/342						

Model	Year	MG	SG	Illustration	Restrictions	UPD	10:58	24.01.2010	PORSCHE	PET	PORSCHE
986	2004	8	17	817-30		248					

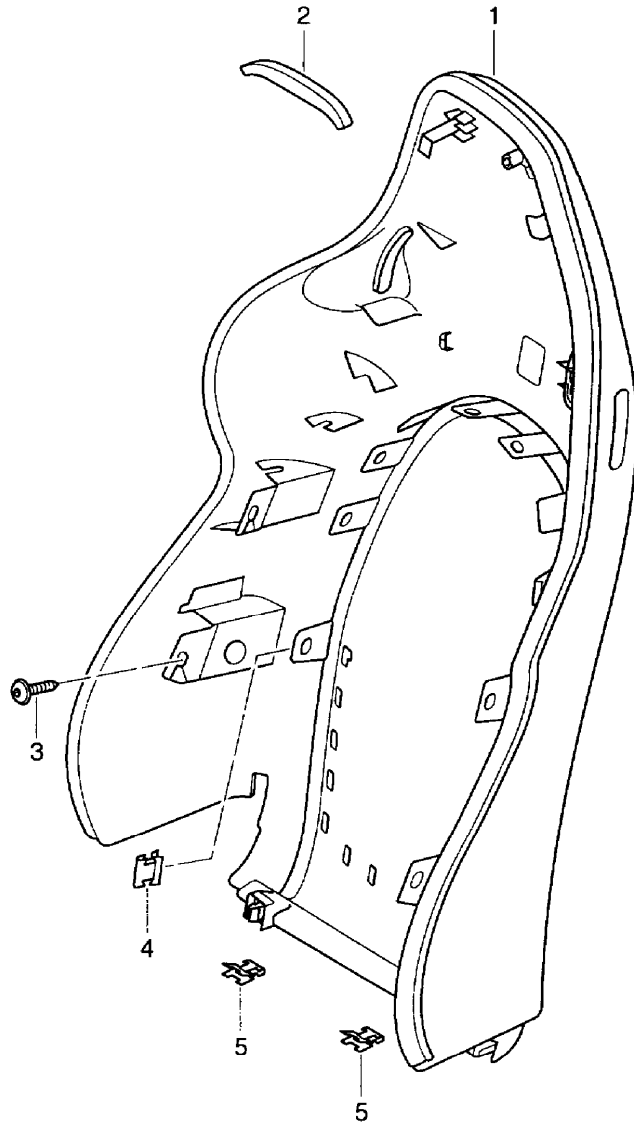


Pos	Part Number	Description	Remark	Qty	Model
		backrest shell sports seat		98	BOXSTER
1	986 521 303 02	backrest shell B12 black-grey		2	M016
(1)	986 521 303 03	backrest shell lacquered C02 metal grey		-99	M012
(1)	996 521 992 06	backrest shell sports seat lacquered V03 sport silver		04	M375/376 IXCG
2	996 521 885 00	foam part		2	
3	996 521 311 00	linkage lever	/L	2	
(3)	996 521 312 00	linkage lever	/R	2	
4	996 521 339 00	deflection roller		4	
5	999 143 009 01	screw backrest shell M 5 X 16		X	
-	900 151 027 02	washer backrest shell 5,3		4	
6	986 521 385 00	cable		4	
7	N 900 114 02	clamping washer 4		4	
8	999 522 032 00	tension spring 0,7 X 7,5 X 15		4	
9	999 703 474 40	stopper		4	
10	999 507 594 01	u-clamp mount backrest cover 1,0 - 2,0		28	
11	311 881 247	clamp mount cover centre part		4	
-	N 900 151 01	clamping washer 5		2	

Model	Year	MG	SG	Illustration	Restrictions	UPD	10:58	24.01.2010	PORSCHE	PET	PORSCHE
986	2004	8	17	817-30		248					

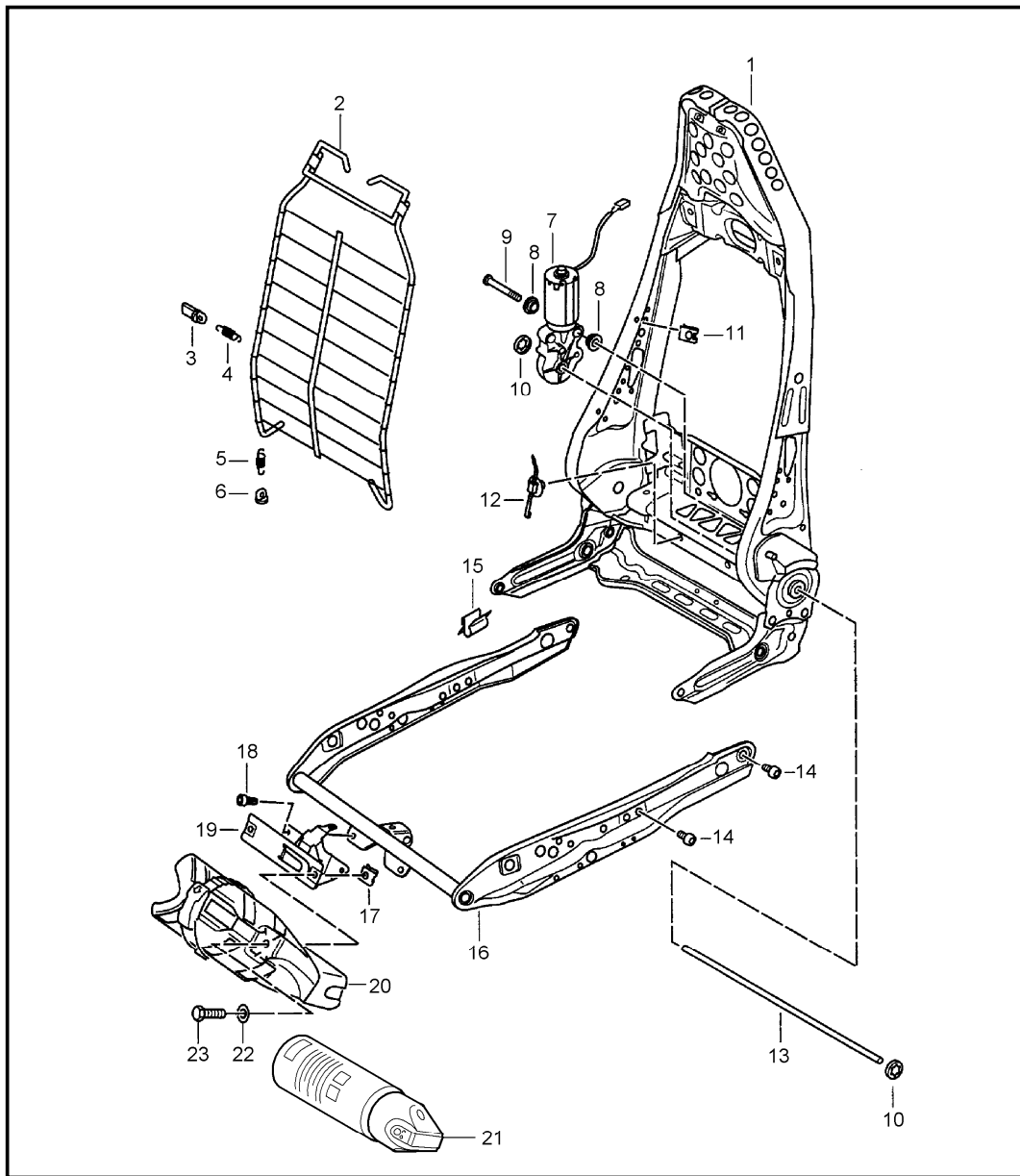
Pos	Part Number	Description	Remark	Qty	Model	Pos	Part Number	Description	Remark	Qty	Model
13	999 507 596 01	u-clamp 1,00 - 1,50		2							
14	996 521 341 00	relay lever		2							
-	996 521 903 00	repair kit backrest locking lever see technical information GR. 7 BOXSTER NR. 1A/98		2							

Model	Year	MG	SG	Illustration	Restrictions	UPD	10:58	24.01.2010	PORSCHE	PET	PORSCHE
986	2004	8	17	817-35		248					



Pos	Part Number	Description	Remark	Qty	Model
		backrest shell sports seat	99-		BOXSTER
1	986 521 303 08	backrest shell		2	M016
	B12	black-grey	99		
(1)	986 521 303 09	backrest shell lacquered	99	2	M012
	C02	metal grey			
(1)	986 521 303 11	backrest shell lacquered	00-	2	M012
	C02	metal grey			
(1)	986 521 303 10	backrest shell lacquered	00-	2	M016
	A03	black			
2	996 521 885 00	foam part		2	
3	999 143 009 01	screw backrest shell M 5 X 16		X	
-	900 151 027 02	washer backrest shell 5,3		4	
4	999 507 594 01	u-clamp mount backrest cover 1,0 - 2,0		28	
5	311 881 247	clamp mount cover centre part		4	

Model	Year	MG	SG	Illustration	Restrictions	UPD	10:58	24.01.2010	PORSCHE	PET	PORSCHE
986	2004	8	17	817-40		248					

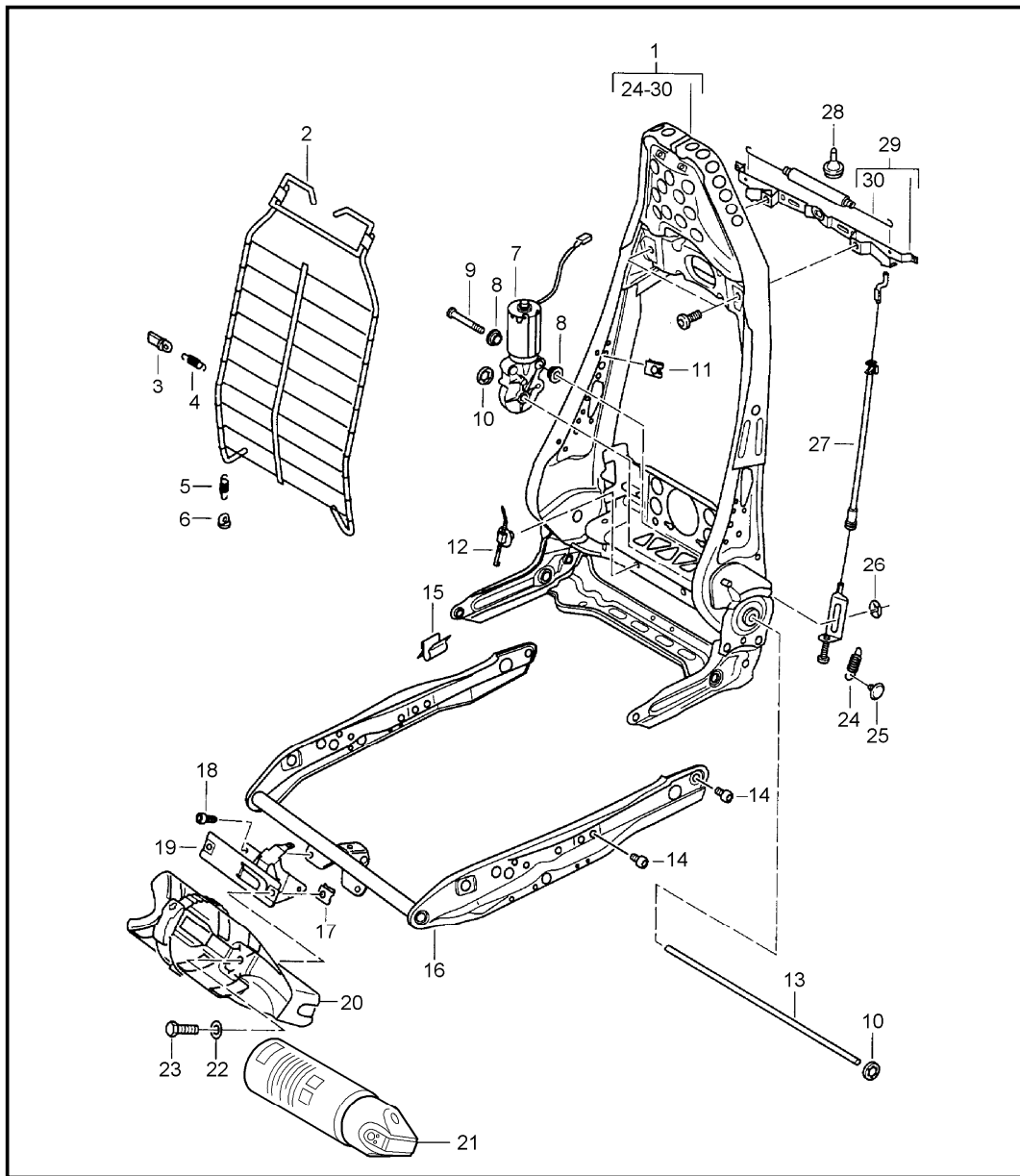


Pos	Part Number	Description	Remark	Qty	Model
		backrest frame seat frame sports seat		98	BOXSTER
1	986 521 327 02	backrest frame		2	
2	996 521 355 01	mat		2	
3	996 521 367 00	support spring centre		8	
4	996 521 333 00	spring centre		4	
5	996 521 331 01	spring lower		4	
6	996 521 365 00	support spring lower		4	
7	996 624 321 00	engine for backrest adjustment		2	
8	999 924 129 40	bush 6 X 12 X 4,5		4	
9	999 073 141 02	oval-head screw M 6 X 42,5		2	
10	999 507 597 01	clamping washer 10,0		4	
11	999 507 598 02	speed nut M 5		8	
12	999 513 063 40	cable holder 12,0 - 35		4	
13	996 521 343 01	drive shaft		2	
14	999 141 027 02	oval-head screw M 8 X 10		8	
16	986 521 227 00	seat frame		2	
17	999 507 067 02	speed nut M 5		2	
18	999 141 028 02	pan-head screw M 5 X 10		3	
19	996 521 674 00	support fire extinguisher	/LL/R	1	M509

Model	Year	MG	SG	Illustration	Restrictions	UPD	10:58	24.01.2010	PORSCHE	PET	PORSCHE
986	2004	8	17	817-40		248					

Pos	Part Number	Description	Remark	Qty	Model	Pos	Part Number	Description	Remark	Qty	Model
(19)	996 521 673 00	support fire extinguisher	/RL/L	1	M509						
20	996 521 607 00	cup fire extinguisher		1	M509						
21	996 722 115 00	fire extinguisher Information available Information available		1	M509						
22	900 151 027 02	washer 5,3		2							
23	N 044 734 1	pan-head screw M 5 X 15		2							

Model	Year	MG	SG	Illustration	Restrictions	UPD	10:58	24.01.2010	PORSCHE	PET	PORSCHE
986	2004	8	17	817-42		248					

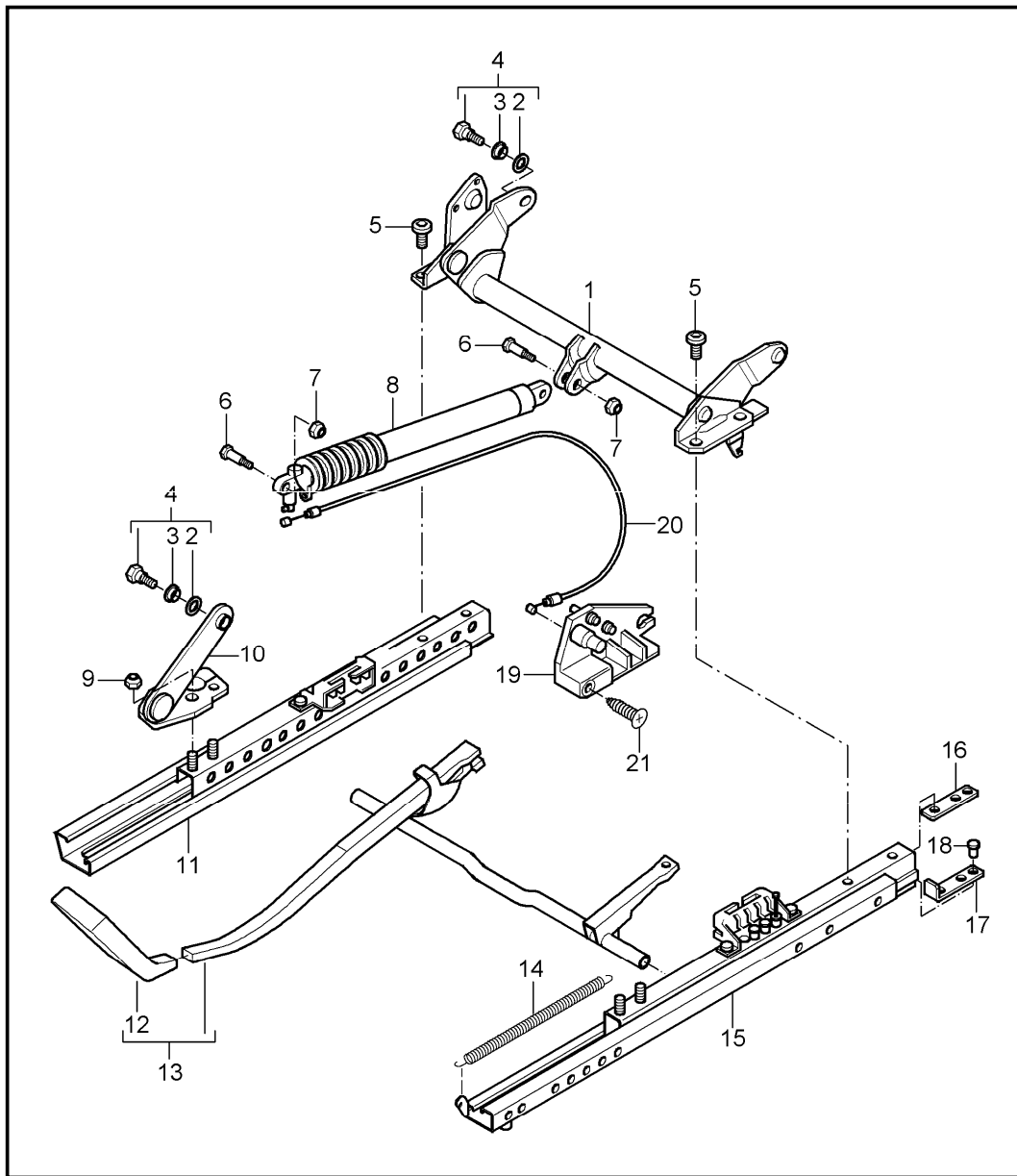


Pos	Part Number	Description	Remark	Qty	Model
		backrest frame seat frame sports seat			BOXSTER
1	986 521 327 03	backrest frame		2	
2	996 521 355 01	mat		2	
3	996 521 367 00	support spring centre		8	
4	996 521 333 00	spring centre		4	
5	996 521 331 01	spring lower		4	
6	996 521 365 00	support spring lower		4	
7	996 624 321 00	engine for backrest adjustment		2	
8	999 924 129 40	bush 6 X 12 X 4,5		4	
9	999 073 141 02	oval-head screw M 6 X 42,5		2	
10	999 507 597 01	clamping washer 10,0		4	
11	999 507 598 02	speed nut M 5		8	
12	999 513 063 40	cable holder 12,0 - 35		4	
13	996 521 343 01	drive shaft		2	
14	999 141 027 02	oval-head screw M 8 X 10		8	
16	986 521 227 00	seat frame		2	
17	999 507 067 02	speed nut M 5		2	
18	999 141 028 02	pan-head screw M 5 X 10		3	
19	996 521 674 00	support fire extinguisher	/LL/R	1	M509

Model	Year	MG	SG	Illustration	Restrictions	UPD	10:58	24.01.2010	PORSCHE	PET	PORSCHE
986	2004	8	17	817-42		248					

Pos	Part Number	Description	Remark	Qty	Model	Pos	Part Number	Description	Remark	Qty	Model
(19)	996 521 673 00	support fire extinguisher	/RL/L	1	M509						
20	996 521 607 00	cup fire extinguisher		1	M509						
21	996 722 115 00	fire extinguisher Information available Information available		1	M509						
22	900 151 027 02	washer 5,3		2							
23	N 044 734 1	pan-head screw M 5 X 15		2							
24	999 522 032 00	tension spring 0,7 X 7,5 X 15		4							
25	999 703 474 40	stopper		4							
26	N 900 114 02	clamping washer 4		4							
27	996 521 185 00	cable mount backrest locking lever		4							
28	996 521 403 00	rubber buffer		2							
29	996 521 175 00	backrest locking lever		2							
30	996 521 195 00	clutch power spring		2							

Model	Year	MG	SG	Illustration	Restrictions	UPD	10:59	24.01.2010	PORSCHE	PET	PORSCHE
986	2004	8	17	817-45		248					

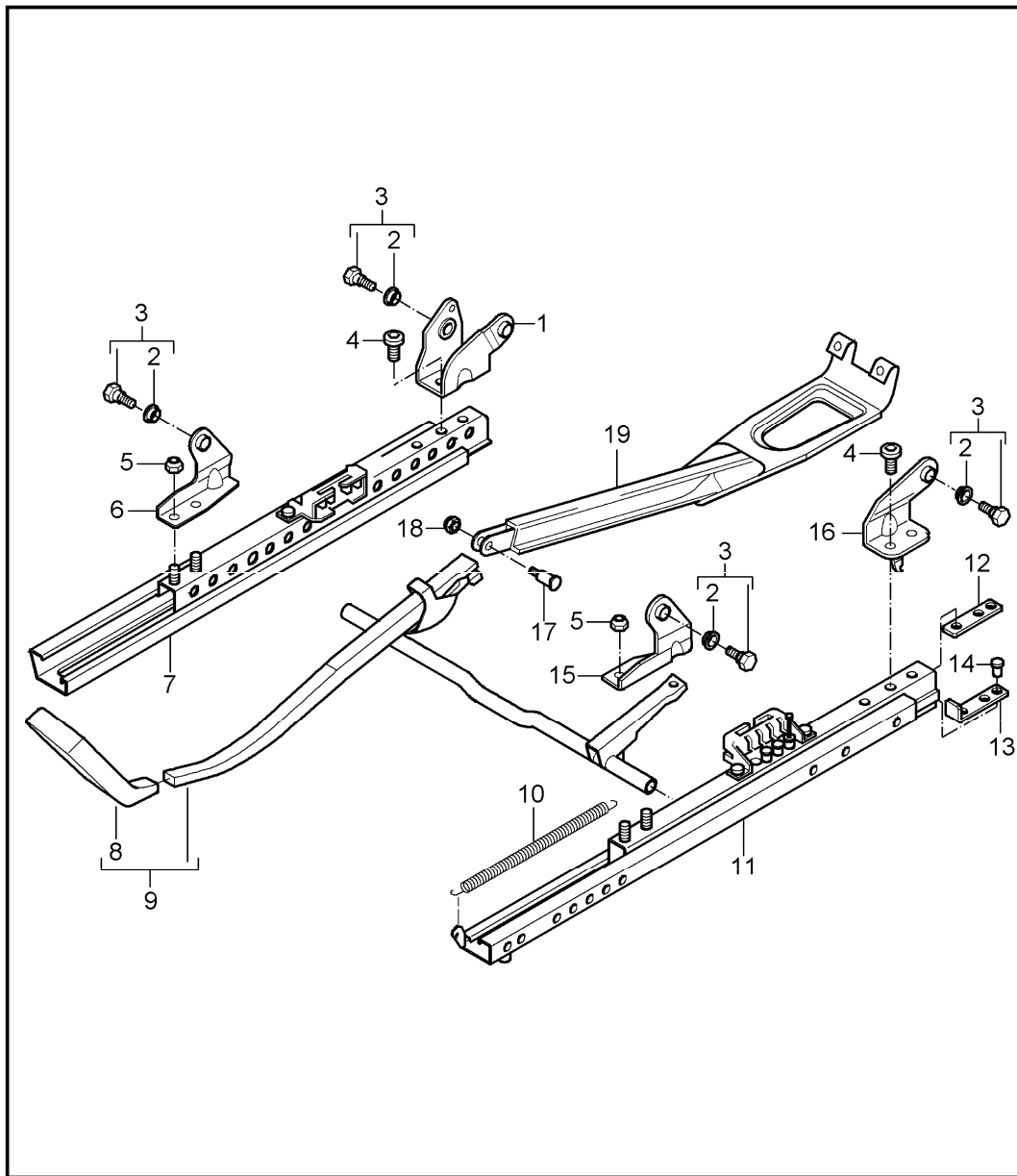


Pos	Part Number	Description	Remark	Qty	Model
		seat adjuster sports seat with height adjustment			BOXSTER
1	986 521 641 00	pipe rear	/L	1	
(1)	986 521 642 00	pipe rear	/R	1	
(4)	996 521 259 02	screw complete short		6	
5	986 521 659 00	screw adapter		8	
6	999 311 008 01	square screw gas-pressure spring M 5 X 23,6		2	
7	986 521 687 00	nut gas-pressure spring		2	
8	996 521 615 01	gas-pressure spring		1	M539/540
9	900 910 003 07	hexagon nut adapter M 8		8	
(10)	986 521 679 00	adapter	/L	2	
10	986 521 680 00	adapter seat frame front	/R	2	
11 A	996 521 692 00	seat rail left seat inner	/R -98	1	
(11)	996 521 692 01	seat rail left seat inner	/R 98-	1	
(11) A	996 521 691 00	seat rail right seat inner	/L -98	1	
(11)	996 521 691 01	seat rail right seat inner	/L 98-	1	
12	996 521 617 01	handle	/L	1	
(12)	996 521 618 01	handle	/R	1	

Model	Year	MG	SG	Illustration	Restrictions	UPD	10:59	24.01.2010	PORSCHE	PET	PORSCHE
986	2004	8	17	817-45		248					

Pos	Part Number	Description	Remark	Qty	Model	Pos	Part Number	Description	Remark	Qty	Model
13	996 521 621 01	lever complete	/L	1							
(13)	996 521 622 01	lever complete	/R	1							
14	996 521 645 00	clutch power spring		2							
15 A	996 521 689 00	seat rail left seat outer	/L	-98	1						
15	996 521 689 01	seat rail left seat outer	/L	98-	1						
(15) A	996 521 690 00	seat rail right seat outer	/R	-98	1						
(15)	996 521 690 01	seat rail right seat outer		98-	1						
16	986 521 643 00	threaded plate		4							
(17)	996 521 603 01	stop		4							
18	996 521 601 00	fixing clip stop		4							
19	996 521 675 00	adjusting mechanism	/L	1							
(19)	996 521 676 00	adjusting mechanism	/R	1							
20	986 521 683 00	bowden cable		2							
21	999 919 180 07	countersunk-head screw M 5 X 18		2							

Model	Year	MG	SG	Illustration	Restrictions	UPD	10:59	24.01.2010	PORSCHE	PET	PORSCHE
986	2004	8	17	817-50		248					

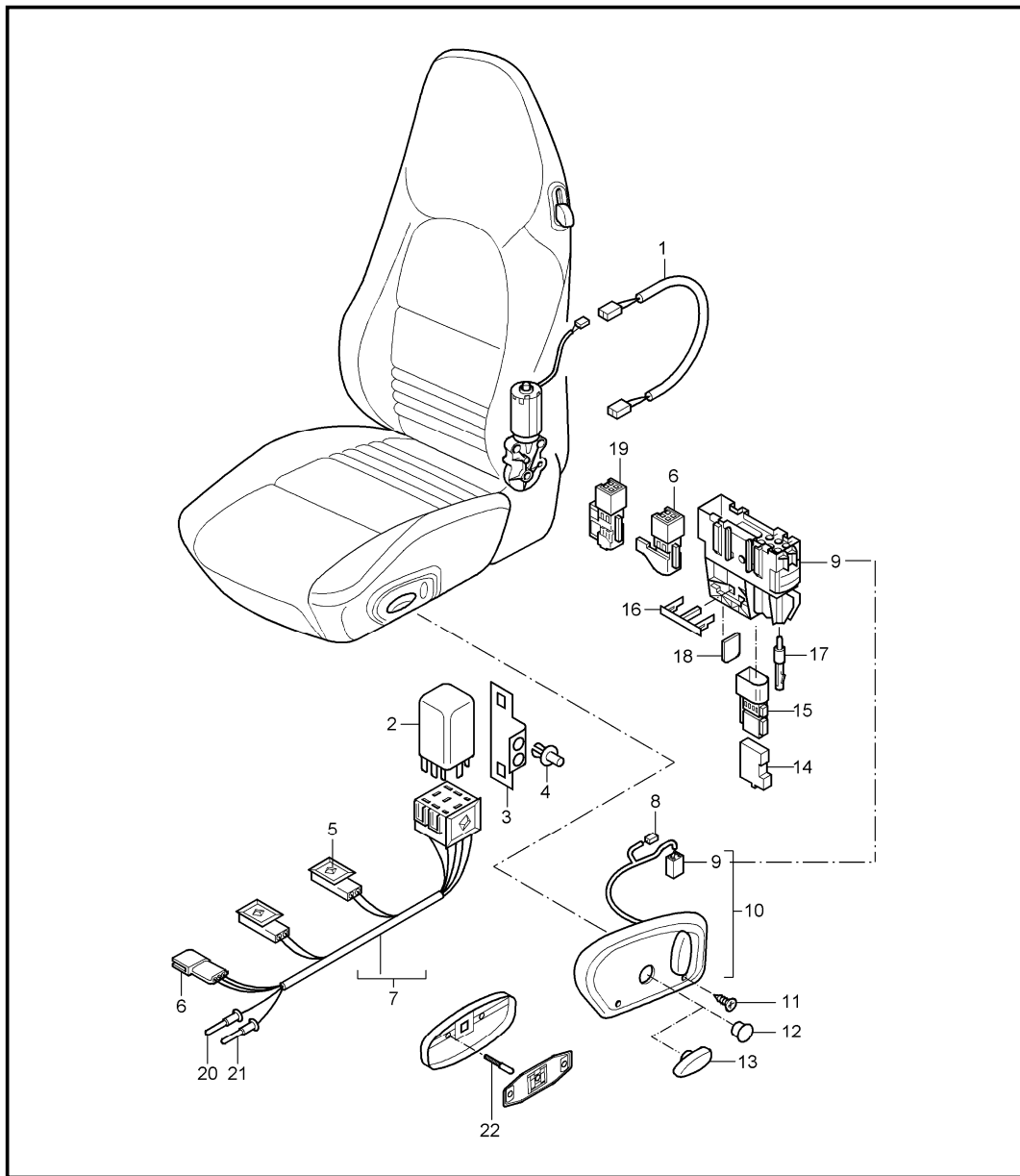


Pos	Part Number	Description	Remark	Qty	Model
		seat adjuster sports seat			BOXSTER
1	986 521 639 00	adapter seat-belt buckle seat frame inner rear	/L	1	
(1)	986 521 640 00	adapter seat-belt buckle seat frame inner rear	/R	1	
(3)	996 521 259 01	complete long	-98	6	
(3)	996 521 259 02	screw complete short	98-	6	
4	986 521 659 00	screw adapter		8	
5	900 910 003 07	hexagon nut adapter M 8		8	
6	986 521 692 00	adapter seat frame front right		2	
7 A	996 521 692 00	seat rail left seat inner	/R	-98	1 M375
(7)	996 521 692 01	seat rail left seat inner	/R	98-	1 M375
(7) A	996 521 691 00	seat rail right seat inner	/L	-98	1 M376
(7)	996 521 691 01	seat rail right seat inner	/L	98-	1 M376
8	996 521 617 01	handle	/L	1	
(8)	996 521 618 01	handle	/R	1	

Model	Year	MG	SG	Illustration	Restrictions	UPD	10:59	24.01.2010	PORSCHE	PET	PORSCHE
986	2004	8	17	817-50		248					

Pos	Part Number	Description	Remark	Qty	Model	Pos	Part Number	Description	Remark	Qty	Model
9	996 521 621 01	lever complete	/L	1							
(9)	996 521 622 01	lever complete	/R	1							
10	996 521 645 00	clutch power spring		2							
11 A	996 521 689 00	seat rail left seat outer	/L	-98	1 M375						
(11)	996 521 689 01	seat rail left seat outer	/L	98-	1 M375						
(11) A	996 521 690 00	seat rail right seat outer	/R	-98	1 M376						
(11)	996 521 690 01	seat rail right seat outer	/R	98-	1 M376						
12	986 521 643 00	threaded plate		4							
(13)	996 521 603 01	stop		4							
14	996 521 601 00	fixing clip stop		4							
15	986 521 689 00	adapter seat frame front left		2							
16	986 521 691 00	adapter seat frame rear outer	/L	1							
(16)	986 521 690 00	adapter seat frame rear outer	/R	1							
16	999 311 008 01	square screw M 5 X 23,6		1							
17	986 521 687 00	nut		1							
18	986 521 667 00	seat adjuster guard	/LL/R /RL/L	1							

Model	Year	MG	SG	Illustration	Restrictions	UPD	10:59	24.01.2010	PORSCHE	PET	PORSCHE
986	2004	8	17	817-60		248					

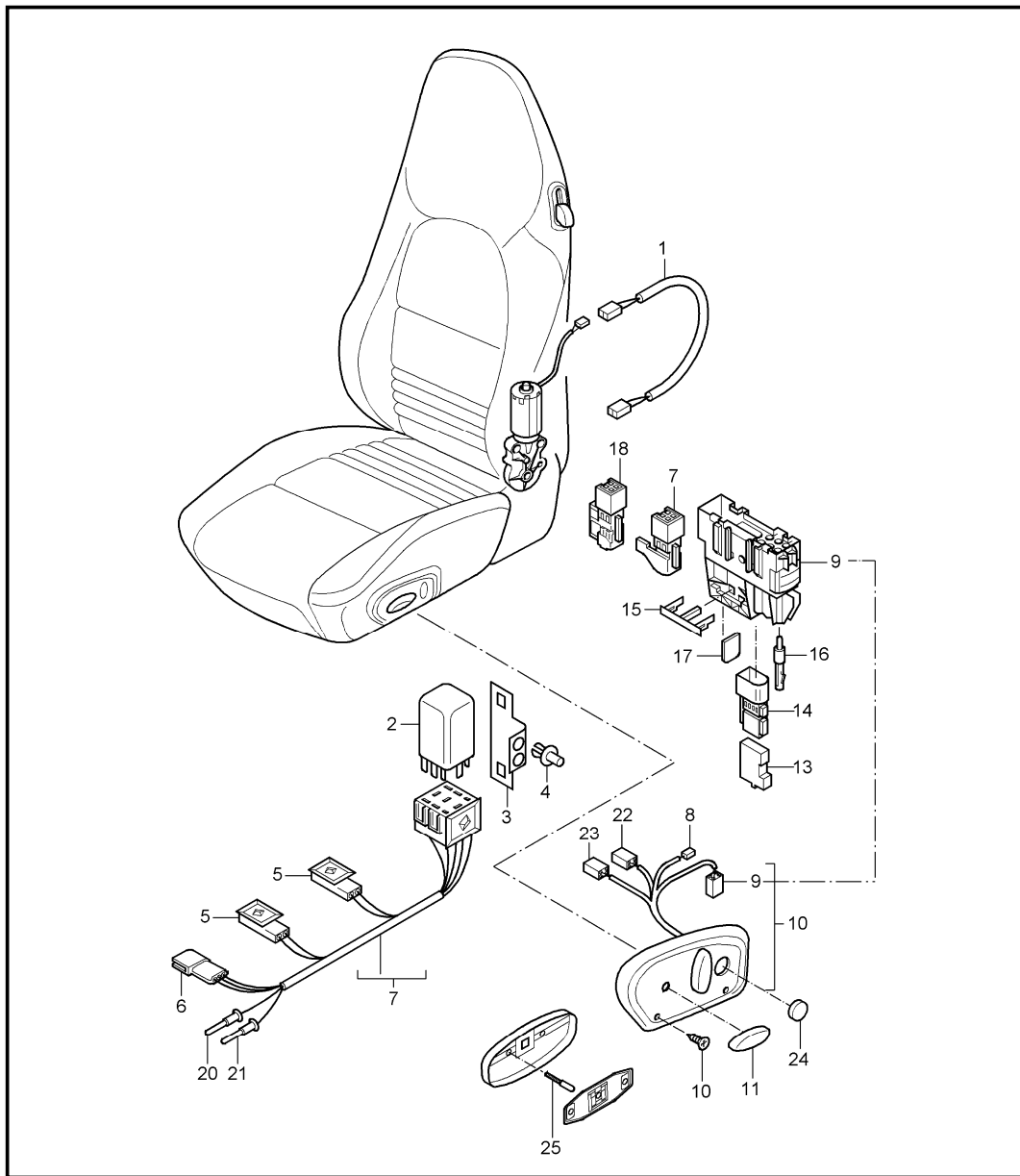


Pos	Part Number	Description	Remark	Qty	Model
		wiring harnesses switch standard seat sports seat			BOXSTER
1	996 612 543 00	wiring harness for backrest adjustment		2	
-	999 513 052 40	tie-wrap		1	
2	996 618 521 00	control unit seat heater		2	M342
3	996 618 531 00	support control unit		2	M342
4	999 591 712 40	expansion rivet 6,0 X 12,0	-02	2	
(4)	900 143 191 02	tapping screw support	02-	4	M342
5	999 652 748 40	pin connector socket 2-pole seat heater		2	
6	999 650 216 40	pin connector socket 4-pole black		1	
7 A	996 612 540 00	wiring harness seat heater	-97	2	M139/340
(7)	996 612 540 01	wiring harness seat heater	98-	2	M139/340/342
8	999 652 747 40	pin connector socket 2-pole for backrest adjustment		1	
9	999 650 180 40	pin connector socket 6-pole wiring harness passenger compartment		2	
10	996 613 713 00	switch	/L	1	IXSD/M011/ M016/357/369
		standard seat sports seat complete with handle for backrest adjustment			
	EBO	satin black/black-grey			

Model	Year	MG	SG	Illustration	Restrictions	UPD	10:59	24.01.2010	PORSCHE	PET	PORSCHE
986	2004	8	17	817-60		248					

Pos	Part Number	Description	Remark	Qty	Model	Pos	Part Number	Description	Remark	Qty	Model
(10)	996 613 714 00	switch standard seat sports seat complete with handle for backrest adjustment	/R	1	IXSD/M011/ M016/370	15	999 650 250 40	pin connector socket 8-pole		2	
	EBO	satin black/black-grey				16	999 650 247 40	slide 6-pole		2	
						17	999 650 225 40	pin 2,5		2	
(10)	996 613 713 01	switch standard seat sports seat complete with handle for backrest adjustment	/L	1	M010/012/016	18	999 652 960 40	lid		2	
	EJS	metal grey/black	99-			19	999 650 218 40	pin connector socket 4-pole white		2	
	EJM	granite grey satin black	99 99			20	999 652 570 22	connector 0.5 - 1.0 QMM		X	
	A03	black	00-			21	999 652 571 22	connector 1.0 - 2.5 QMM		X	
(10)	996 613 714 01	switch standard seat sports seat complete with handle for backrest adjustment	/R	1	M010/012/016	22	996 613 955 00	control button seat adjuster repair kit	02-	1	M437/438
	EJS	metal grey/black	99-								
	EJM	granite grey satin black	99 99								
	A03	black	00-								
11	999 919 173 02	countersunk-head screw 3,0 X 18		4							
12	996 613 711 00	dummy plug switch		2							
	01C	satin black									
13	986 521 627 00	handle height adjustment	/L	1	M539						
(13)	986 521 628 00	handle height adjustment	/R	1	M540						
14	999 650 248 40	cap		2							

Model	Year	MG	SG	Illustration	Restrictions	UPD	10:59	24.01.2010	PORSCHE	PET	PORSCHE
986	2004	8	17	817-65		248					



Pos	Part Number	Description	Remark	Qty	Model
		wiring harnesses switch comfort seat			BOXSTER
1	996 612 543 00	wiring harness		2	
(1)	996 612 544 00	wiring harness for backrest adjustment		2	M537/538
-	999 513 052 40	tie-wrap		1	
2	996 618 521 00	control unit seat heater		2	M342
3	996 618 531 00	support control unit		2	M342
4	999 591 712 40	expansion rivet support 6,0 X 12,0	-02	2	
(4)	900 143 191 02	tapping screw support ST 3,9 X 6,5	02-	4	M342
5	999 652 748 40	pin connector socket 2-pole seat heater		2	
6	999 650 216 40	pin connector socket 4-pole black		1	
7	996 612 540 01	wiring harness seat heater	98-	2	
8	999 652 747 40	pin connector socket 2-pole for backrest adjustment		1	
9	999 650 180 40	pin connector socket 6-pole wiring harness passenger compartment		2	
10	996 613 715 00	switch comfort seat complete	/RL/L	98	M011/016
		EBO			satin black/black-grey
(10)	996 613 715 00	switch comfort seat complete	/LL/R	98	M011/016
		EBO			satin black/black-grey

Model	Year	MG	SG	Illustration	Restrictions	UPD	10:59	24.01.2010	PORSCHE	PET	PORSCHE
986	2004	8	17	817-65		248					

Pos	Part Number	Description	Remark	Qty	Model	Pos	Part Number	Description	Remark	Qty	Model
(10)	996 613 715 01	switch comfort seat	/RL/L	1		(10)	996 613 720 00	switch comfort seat seating position control complete	/RL/R -99	1	M011/016
	EJM	granite grey		98-			EBO	satin black/black-grey			
	A03	black		00-							
(10)	996 613 716 01	switch comfort seat complete	/LL/R	1		(10)	996 613 719 01	switch comfort seat seating position control complete	/LL/L	1	M437/537
	EJM	granite grey		98-			EJM	granite grey		-99	
	A03	black		00-			A03	black		00-	
	P13	cinnamon brown		01-							
(10)	996 613 717 00	switch comfort seat lumbar support complete	/RL/L	-99	1 M011/016	(10)	996 613 720 01	switch comfort seat seating position control complete	/RL/R	1	M438/538
	EBO	satin black/black-grey					EJM	granite grey		-99	
(10)	996 613 718 00	switch comfort seat lumbar support complete	/LL/R	-99	1 M011/016	(10)	996 613 721 00	switch comfort seat seating position control lumbar support complete	/LL/L	-99	1 M011/016
	EBO	satin black/black-grey					EBO	satin black/black-grey			
(10)	996 613 717 01	switch comfort seat lumbar support complete	/RL/L	1		(10)	996 613 722 00	switch comfort seat seating position control lumbar support complete	/RL/R	-99	1 M011/016
	EJM	granite grey		99			EBO	satin black/black-grey			
	A03	black		00-							
(10)	996 613 718 01	switch comfort seat lumbar support complete	/LL/R	1		(10)	996 613 721 01	switch	/LL/L	00-	1 M016/437
	EJM	granite grey		99			A03	black			
	A03	black		00-							
(10)	996 613 719 00	switch comfort seat seating position control complete	/LL/L	-99	1 M011/016	(10)	996 613 722 01	switch comfort seat seating position control lumbar support complete	/RL/R	1	
	EBO	satin black/black-grey					EJM	granite grey		-99	
							A03	black		00-	

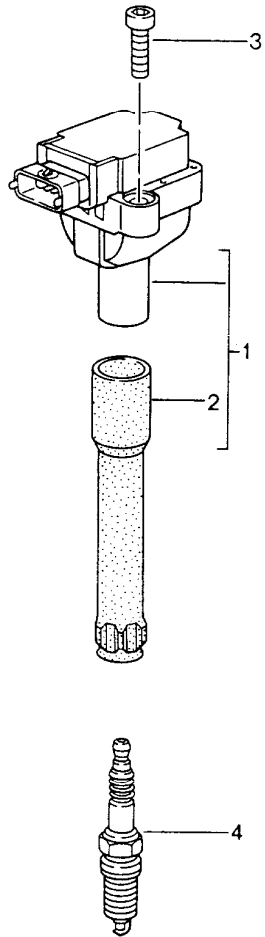
Model	Year	MG	SG	Illustration	Restrictions	UPD	10:59	24.01.2010	PORSCHE	PET	PORSCHE
986	2004	8	17	817-65		248					

Pos	Part Number	Description	Remark	Qty	Model	Pos	Part Number	Description	Remark	Qty	Model
11	986 521 627 00	handle for height adjustment	/L	1							
(11)	986 521 628 00	handle for height adjustment	/R	1							
12	999 919 173 02	countersunk-head screw 3,0 X 18		4							
13	999 650 248 40	cap		2							
14	999 650 250 40	pin connector socket 8-pole		2							
15	999 650 247 40	slide 6-pole		2							
16	999 650 225 40	pin 2,5		2							
17	999 652 960 40	lid		2							
18	999 650 218 40	pin connector socket 4-pole white		2							
20	999 652 570 22	connector 0.5 - 1.0 QMM		X							
21	999 652 571 22	connector 1.0 - 2.5 QMM		X							
22	999 652 918 40	connector housing 6-pole for longitudinal adjustment and height adjustment		2							
23	999 650 055 40	pin connector socket 6-pole lumbar support		2							
24	996 521 327 00	cover lumbar support satin black		X							
25	996 613 955 00	control button seat adjuster repair kit	02-	1	M437/438						

Model	Year	MG	SG	Illustration	Restrictions	UPD	10:59	24.01.2010
986	2004	8	98	898-00R		248		

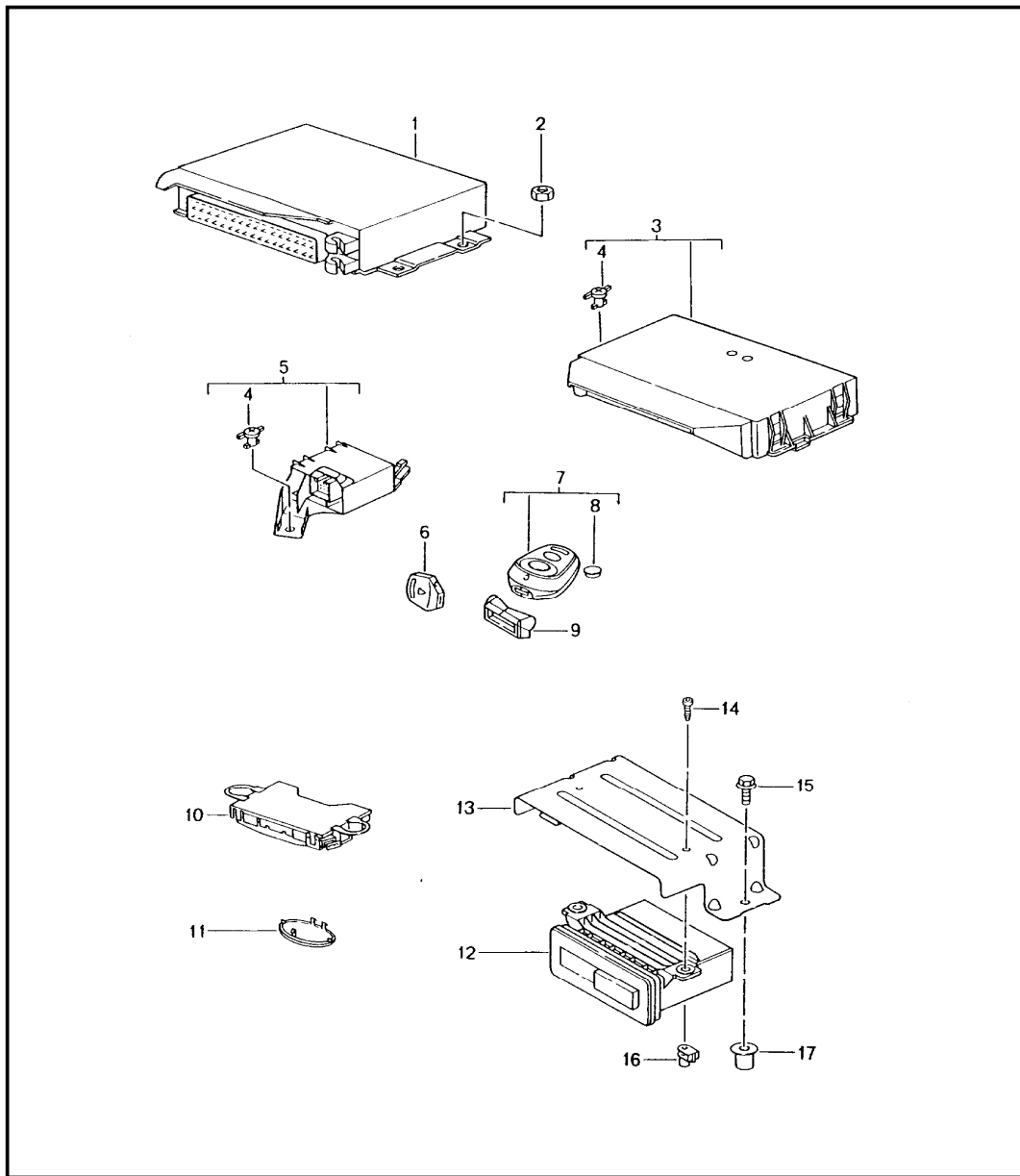
Pos	Part Number	Description	Remark	Qty	Model
		repair kits			
		set of locks			
>>	>>996 538 001 00	set of locks	-97	1	M531/532 M534
>>	>>996 538 001 03	set of locks	98-	1	M531/532
>>	>>996 538 001 06	set of locks	03-	1	M532
>>	>>996 538 001 01	set of locks	/LL -97	1	M534/535
>>	>>996 538 001 04	set of locks	/LL 98-	1	M534/535
>>	>>996 538 001 07	set of locks	/LL 03-	1	M534/535
>>	>>996 538 001 02	set of locks	/RL -97	1	M534/535
>>	>>996 538 001 05	set of locks	/RL 98-	1	M534/535
>>	>>996 538 001 08	set of locks	/RL 03-	1	M534/535

Model	Year	MG	SG	Illustration	Restrictions	UPD	11:00	24.01.2010	PORSCHE	PET	PORSCHE
986	2004	9	01	901-00		248					



Pos	Part Number	Description	Remark	Qty	Model
		ignition system			
1	996 602 101 01	ignition coil	-99 -02 -02	6	M96.20 M96.21 M96.22
-	999 652 916 40	connector housing		6	
-	999 650 052 12	connector		18	
-	999 704 161 40	gasket		18	
-	996 607 401 00	rubber sleeve		6	
1 A	996 602 104 00	ignition coil	03- 03-	6	M96.23 M96.24
1	997 602 104 00	ignition coil	03- 03-	6	M96.23 M96.24
2	996 602 103 01	spark plug connector	-99 -02	6	M96.20 M96.21 M96.22
2	996 602 105 00	spark plug connector	03-	6	M96.23 M96.24
3	900 067 089 09	pan-head screw M 6 X 25 M >> 654 04059 M >> 674 03796		12	
3	900 387 008 09	torx screw M 6 X 25 M 654 04060 >> M 674 03797 >>		12	M96.23 M96.24
3	900 387 008 01	pan-head screw M 6 X 25 M 654 04060 >> M 674 03797 >>		12	M96.23 M96.24
4	999 170 201 90	spark plug 14FR 7 LDU	-99	6	M96.20
4	999 170 207 91	spark plug 14FGR 6KQU	00-02 00-02 03- 03-	6	M96.21 M96.22 M96.23 M96.24

Model	Year	MG	SG	Illustration	Restrictions	UPD	11:00	24.01.2010	PORSCHE	PET	PORSCHE
986	2004	9	01	901-03		248					



Pos	Part Number	Description	Remark	Qty	Model
		control units			
		see technical information tech. information memo TI-2-1A97-BOX			
1	996 618 601 04	control unit - dme -	-99	1	M96.20
1	996 618 605 00	control unit - dme -	-02 -02	1	M96.21 M96.22
1	996 618 604 00	control unit - dme - see technical information GR.2 NR.5/02	03-	1	M96.24 M96.23
-	986 618 129 00	retainer plate control unit - dme -	00-	1	
(1)	986 618 225 03	control unit tiptronic F >>98XS6 00783	97-99	1	M009/249
(1)	986 618 225 04	control unit tiptronic F 98XS6 00784>>	-99	1	M009/249
(1)	986 618 255 06	control unit tiptronic	-02	1	M009/249
(1)	986 618 256 00	control unit tiptronic	03-	1	M009/249
(1)	986 618 240 06	control unit tiptronic	-02	1	M008/249
(1)	986 618 241 00	control unit tiptronic	03-	1	M008/249
2	A 999 084 629 09	hexagon nut M 6		7	
2	999 084 629 01	hexagon nut M 6		7	
(2)	999 084 635 02	shear-off nut mount control unit - dme -		5	M536
-	986 618 131 00	tab washer plug-protection control unit - dme -	00-	1	M536

Model	Year	MG	SG	Illustration	Restrictions	UPD	11:00	24.01.2010	PORSCHE	PET	PORSCHE
986	2004	9	01	901-03		248					

Pos	Part Number	Description	Remark	Qty	Model	Pos	Part Number	Description	Remark	Qty	Model
		control units immobiliser and Handheld transmitter see technical information tech. information memo TI-9-0197-BOX TI-9-1A97-BOX				-	996 612 035 00	cable antenna for POS. 3	01-	1	M535
						-	996 612 054 00	connecting line antenna booster control unit POS. 3	03-	1	M665
3	986 618 260 00	control unit immobiliser central locking system	97	1	M531	-	999 607 064 00	fuse 15 A for POS. 3		1	
3	986 618 260 03	control unit immobiliser central locking system	98-00	1	M531	-	999 507 925 40	fixing clip for wiring harness seat		1	
3	986 618 262 01	control unit immobiliser central locking system	-02	1	M531			plug socket for POS. 3			
(3)	996 618 260 00	control unit immobiliser central locking system alarm system	97	1	M534	-	999 650 161 40	plug socket		1	
(3)	996 618 260 06	control unit immobiliser central locking system alarm system	98-00	1	M534	-	999 650 099 12	connector		X	
(3)	996 618 262 02	control unit immobiliser central locking system alarm system	01- 03-	1	M534 M524	-	999 650 097 40	cap white		1	
						-	999 650 096 40	cap black		1	M531
						-	999 650 101 40	cap white		1	M534
-	996 612 034 00	cable antenna for POS. 3	01-	1	M534	-	999 650 102 40	cap blue		1	M535
(3)	996 618 260 01	control unit immobiliser central locking system alarm system	97	1	M535	-	999 650 113 40	plug socket 12-pole black		1	
(3)	996 618 260 07	control unit immobiliser central locking system alarm system	98-00	1	M535	-	N 903 353 04	connector 2,5		X	
(3)	996 618 262 03	control unit immobiliser central locking system alarm system	01- 03-	1	M535 M525	-	N 903 352 04	connector 1,0		X	
						4	996 618 261 00	locking device		1	
						5	996 618 159 00	signal transducer	97	1	
						5	996 618 159 01	signal transducer	98-	1	
						6	986 637 041 00	key lamp	97	1	M531/532

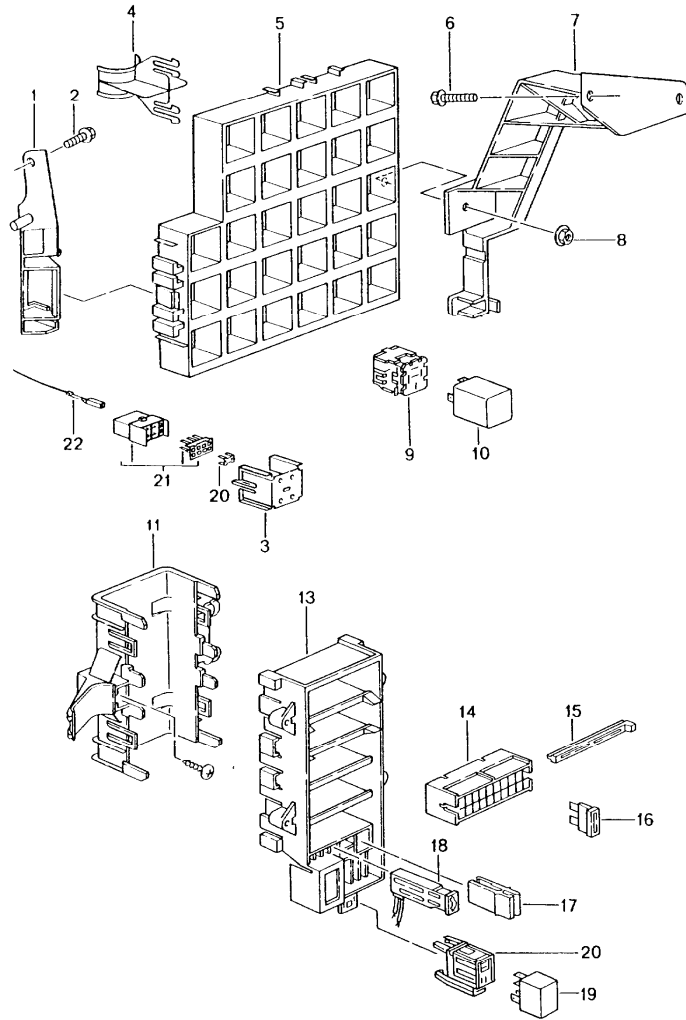
Model	Year	MG	SG	Illustration	Restrictions	UPD	11:00	24.01.2010	PORSCHE	PET	PORSCHE
986	2004	9	01	901-03		248					

Pos	Part Number	Description	Remark	Qty	Model	Pos	Part Number	Description	Remark	Qty	Model
6	996 637 041 00	key lamp	98-02 03-	1	M531/532 M532	7	986 637 243 02	Handheld transmitter	(J)	97	1 M535
-	928 537 630 02	bulb for key lamp		X		-	986 637 247 00	Handheld transmitter upper part for 986.637.243.02		97	1
7	986 637 243 00	Handheld transmitter	97	1	M534	7	986 637 243 05	Handheld transmitter	(J)	-00	1 M535
-	986 637 247 00	Handheld transmitter upper part for 986.637.243.00	97	1		-	986 637 247 00	Handheld transmitter upper part for 986.637.243.05		-00	1
7	986 637 243 03	Handheld transmitter	-00	1	M534	7 U	986 637 244 15	Handheld transmitter	(J) (J)	01-03	1 M535 M525
-	986 637 247 00	Handheld transmitter upper part for 986.637.243.03	-00	1		7	986 637 244 19	Handheld transmitter	(J) (J)	01- 03-	1 M535 M525
7 U	986 637 244 13	Handheld transmitter	01-03	1	M534 M524	-	996 637 351 00	Handheld transmitter upper part for 986.637.244.15/19		01-	1
7	986 637 244 17	Handheld transmitter	01- 03-	1	M534 M524	-	996 637 443 00	crest coloured for key lamp and Handheld transmitter		02-	1
-	996 637 351 00	Handheld transmitter upper part for 986.637.244.13/17	01-	1		8	999 611 108 00	battery see technical information GR. 9 , NR. 17/03			1
7	986 637 243 01	Handheld transmitter	97	1	M535	9	996 637 344 00	identification ring key 1 set red yellow		01-	1
-	986 637 247 00	Handheld transmitter upper part for 986.637.243.01	97 03 03-	1		9	996 637 344 01	identification ring key 1 set blue green		01-	1
7	986 637 243 04	Handheld transmitter	-00	1	M535	(10)	996 618 210 02	sensor interior monitoring			1 M534/535
-	986 637 247 00	Handheld transmitter upper part for 986.637.243.04	-00	1							
7 U	986 637 244 16	Handheld transmitter	01-03	1	M535 M525						
7	986 637 244 18	Handheld transmitter	01- 03	1	M535 M525						
-	996 637 351 00	Handheld transmitter upper part for 986.637.244.14/16/18	01- 03-	1							

Model	Year	MG	SG	Illustration	Restrictions	UPD	11:00	24.01.2010	PORSCHE	PET	PORSCHE
986	2004	9	01	901-03		248					

Pos	Part Number	Description	Remark	Qty	Model	Pos	Part Number	Description	Remark	Qty	Model
(10)	996 618 210 03	sensor interior monitoring for leather paint can-can-red flamenco red plum red pearl white white ferrari yellow speed yellow orchid metallic magnolia		1	M534/535 M999						
-	999 650 236 40	plug socket		1							
-	999 650 256 22	connector		4							
(11)	996 618 212 02	trim cover alarm siren tilt sensor see group 9 / 0 3 / 0 0		2	M536 M536						
12	996 618 171 01	control unit ParkAssist tech. information memo GR. 9 , NR. 07/98 BOX F >>98XS6 00074	98-99	1	M635						
12	996 618 171 03	control unit ParkAssist F 98XS6 00075>>	99-	1	M635						
13	996 618 371 00	support	-01	1	M635						
(13)	996 618 371 01	support	02-	1	M635						
14	999 919 120 09	oval-head screw 4,0 X 18		2	M635						
15	900 378 179 09	hexagon-head bolt M 6 X 16		2	M635						
16	999 920 015 40	plug-in nut 4,0		2	M635						
17	999 500 078 00	sheetmetal press nut M 6 sensor see group 8 / 02 / 05		2	M635 M635						

Model	Year	MG	SG	Illustration	Restrictions	UPD	11:00	24.01.2010	PORSCHE	PET	PORSCHE
986	2004	9	02	902-00		248					

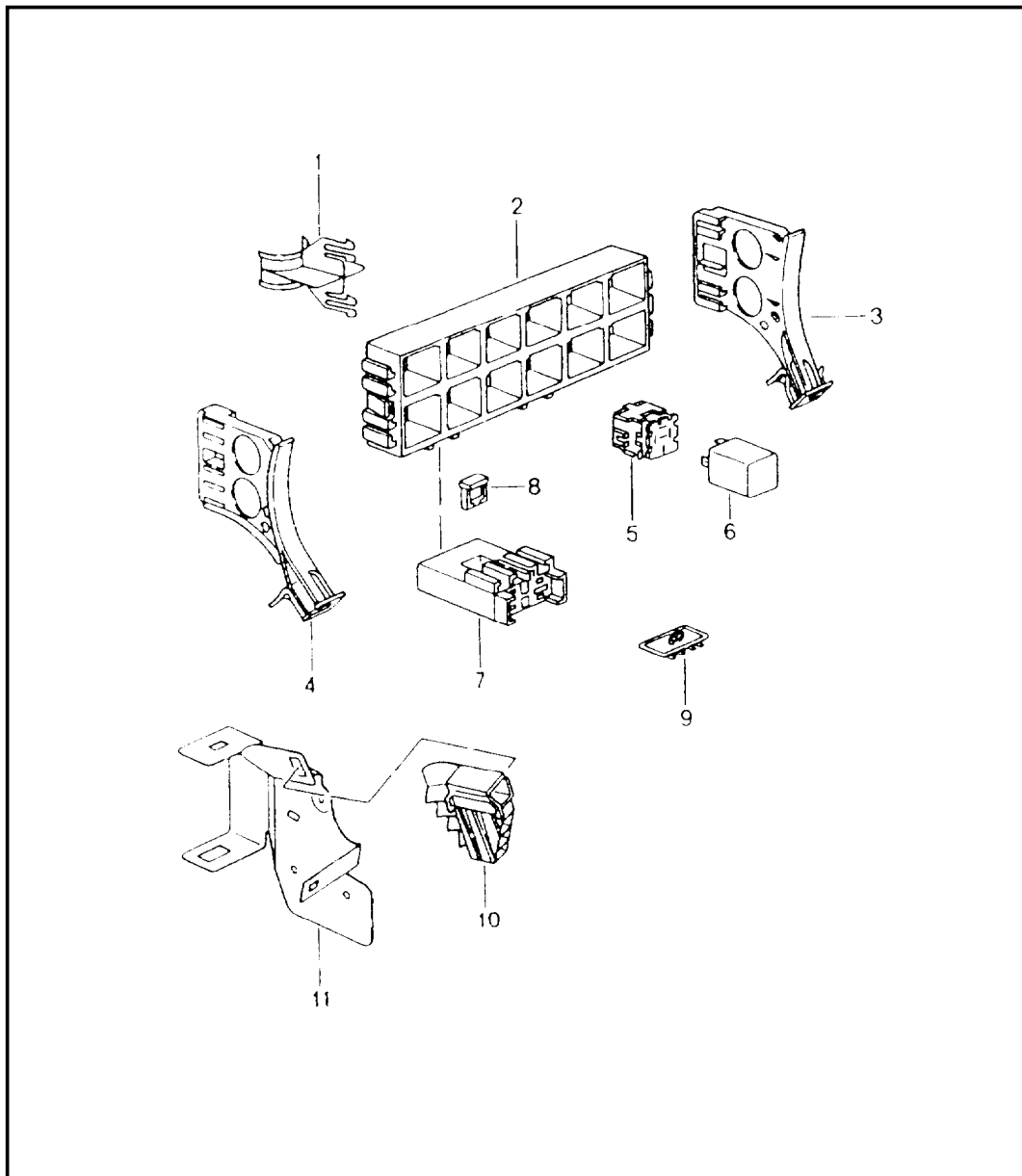


Pos	Part Number	Description	Remark	Qty	Model
		central electrical system dashboard			
1	996 610 117 00	support	/LL/L	1	
(1)	996 610 119 00	support	/RL/L	1	
2	900 378 155 09	hexagon-head bolt M 6 X 16 ASP		3	
3	996 610 104 00	retaining frame		X	
4	996 610 112 00	cable holder		X	
5	996 610 109 00	relay carrier support frame		1	
6	900 378 155 09	hexagon-head bolt M 6 X 16 ASP		3	
7	996 610 116 00	support	/LL/R	1	
(7)	996 610 118 00	support	/RL/R	1	
8	900 377 010 01	hexagon nut M 6		1	
9	928 610 511 00	relay carrier		X	
10	-	relay			
S3	1H0 953 227	flasher relay		1	
S4	996 615 117 00	control unit rear window heating		1	
S5	999 657 005 90	relay	-00	1	M614/618
S6/7	996 615 111 00	relay		1	M606
S8	996 618 113 00	relay headlight washer system		1	M288
S9	141 951 253 B	relay KL. XE		1	
S10	141 951 253 B	relay fanfare		1	
S12	431 951 253 G	relay	(J)	-98	1
S12	141 951 253 B	relay	(J)	99-	1
S13	996 615 101 00	relay fuel pump		1	
S14/	986 618 111 02	control unit	-99	1	M439

Model	Year	MG	SG	Illustration	Restrictions	UPD	11:00	24.01.2010	PORSCHE	PET	PORSCHE
986	2004	9	02	902-00		248					

Pos	Part Number	Description	Remark	Qty	Model	Pos	Part Number	Description	Remark	Qty	Model
15	-	convertible top control				-	986 610 217 01	assignment sticker fuse F 98VS6 01007>>	97	X	
S14/	986 618 199 00	control unit	00-	1	M439						
15	-	convertible top control				-	996 610 217 01	assignment sticker fuse	-99	X	
S16	986 615 103 00	interval relay		1		-	996 610 217 02	assignment sticker fuse	00	X	
S18	141 951 253 B	relay heating		1		- U	996 610 217 03	assignment sticker fuse	01	X	
S19	141 951 253 B	relay radiator fan 1 setting 1		1		-	996 610 217 04	assignment sticker fuse	-02	X	
S20	141 951 253 B	relay radiator fan 1 setting2		1		-	996 610 217 05	assignment sticker fuse	03-	X	
S21	141 951 253 B	relay radiator fan 2 setting 1		1				emergency operation lid	01-		
S22	141 951 253 B	relay radiator fan 2 setting2		1		18	996 610 240 00	terminal clamp	01-	1	
11	996 610 210 00	lid		1		19	999 657 006 90	relay	01-	1	
13	996 610 211 01	bracket		1		20	999 650 538 40	plug socket 5-pole	01-	1	
14	999 650 209 40	fuse holder		X		-	-	tip switch rear spoiler see group 9 / 03 / 05			
15	999 650 210 40	slide		X		-	-	cover for housing fuse see group 8 / 07 / 02			
16	999 607 004 00	fuse 5 A		X		21	999 650 319 22	contact bridge 4-pole		X	
(16)	999 607 083 00	fuse 7 , 5 A		X		(21)	999 650 318 22	contact bridge 8-pole		X	
(16)	999 607 085 00	fuse 15 A		X		22	999 650 317 40	plug socket 8-pole		X	
(16)	999 607 087 00	fuse 25 A		X		23	999 650 320 22	contact bush 2,8 / 0,75		X	
(16)	999 607 010 00	fuse 30 A		X		(23)	999 650 321 22	contact bush 2,8 / 2,5		X	
17	996 610 214 00	tool		X							
-	986 610 217 00	assignment sticker fuse F >>98VS6 01006	97	X							

Model	Year	MG	SG	Illustration	Restrictions	UPD	11:00	24.01.2010	PORSCHE	PET	PORSCHE
986	2004	9	02	902-01		248					

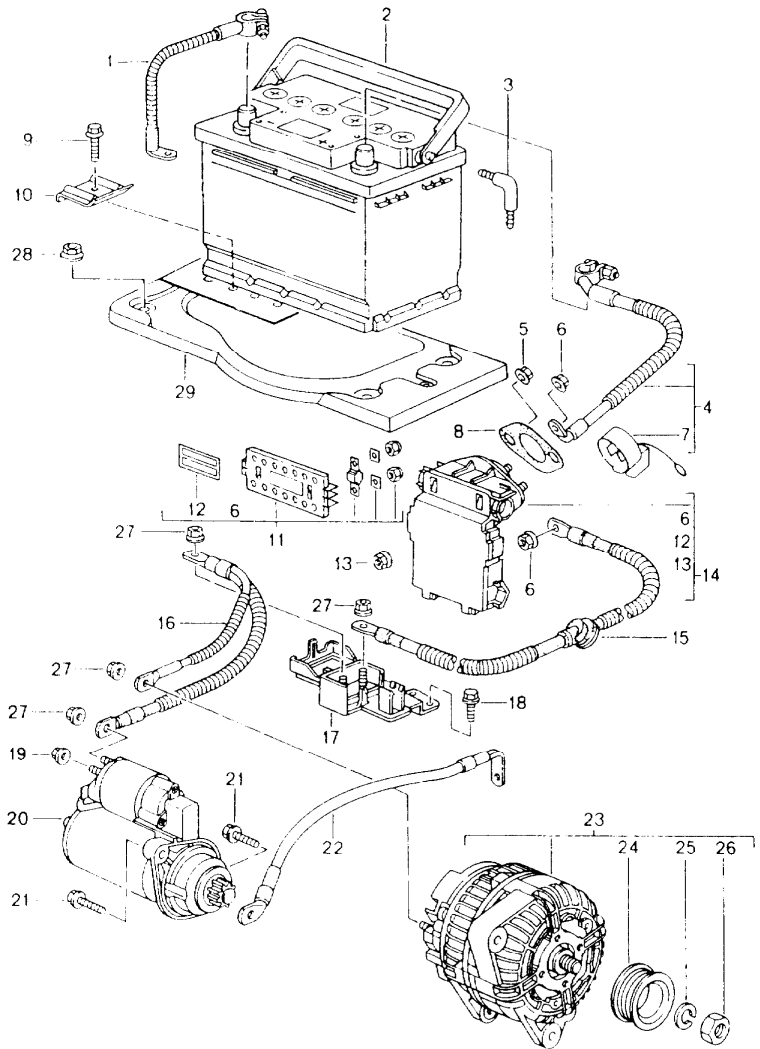


Pos	Part Number	Description	Remark	Qty	Model
		central electrical system rear end			
1	996 610 112 00	cable holder		X	
2	996 610 111 00	relay carrier support frame		1	
3	986 610 126 00	support	/R	1	
4	986 610 127 00	support	/L	1	
5	928 610 511 00	relay carrier		X	
6	-	relay			
S1	141 951 253 B	relay - dme -		1	
S2	141 951 253 B	relay ignition		1	
S3	996 615 102 00	relay spoiler		1	
S4 A	964 615 215 00	relay air conditioner		1	M573
S4	999 657 018 90	relay air conditioner		1	M573
S7 W	141 951 253 B	relay starter		1	
S7	996 615 110 00	relay starter		1	
S8	141 951 253 B	relay blower engine compartment		1	
S9	996 615 102 00	relay spoiler		1	
S10 A	993 615 115 00	relay secondary pump		1	M661
S10	993 615 115 01	relay secondary pump		1	M661
7	999 650 193 40	fuse holder		1	M661
8	999 650 371 40	locking device		1	M661
-	999 650 194 22	contact bush		X	M661

Model	Year	MG	SG	Illustration	Restrictions	UPD	11:00	24.01.2010	PORSCHE	PET	PORSCHE
986	2004	9	02	902-01		248					

Pos	Part Number	Description	Remark	Qty	Model	Pos	Part Number	Description	Remark	Qty	Model
-	999 607 073 00	fuse 40 A		1	M661						
-	999 652 918 40	connector housing for emission control		1							
-	999 652 567 22	contact bush		X							
9	999 507 408 40	fixing clip for connector housing connection point		X							
10	986 610 181 00	cable guide		1							
(11)	986 610 180 01	disconnecting plug console		1							
- A	999 084 629 09	hexagon nut VM 6 - SB mount disconnecting plug console		1							
-	999 084 629 01	hexagon nut VM 6 - SB mount disconnecting plug console		1							

Model	Year	MG	SG	Illustration	Restrictions	UPD	11:00	24.01.2010	PORSCHE	PET	PORSCHE
986	2004	9	02	902-05		248					



Pos	Part Number	Description	Remark	Qty	Model
		battery power distributor starter generator			
1	997 611 090 00	ground strap	/LL	1	
(1)	997 611 091 00	ground strap	/RL	1	
(2)	999 611 070 20	battery 70 AH		1	
(2)	999 611 080 20	battery 80 AH		1	M008/197
3	893 915 507	angled pipe		1	
4	996 612 090 09	cable battery power distributor	/LL	1	
(4)	996 612 090 10	cable battery power distributor	/RL	1	
5	900 380 005 09	hexagon nut M 8		2	
6	900 084 030 02	hexagon nut M 8 for power distributor		2	
7	996 610 309 00	protection cap terminal clamp power distributor		1	
8	996 610 302 00	flange gasket for power distributor		1	
9	900 378 017 01	hexagon-head bolt M 8 X 20		1	
10	996 611 209 00	rail		1	
11	996 610 306 00	repair kit replacement fuse element comprising:		1	
-	-	fuse element 50 AMPERE		1	
-	-	fuse element 80 AMPERE		1	

Model	Year	MG	SG	Illustration	Restrictions	UPD	11:00	24.01.2010	PORSCHE	PET	PORSCHE
986	2004	9	02	902-05		248					

Pos	Part Number	Description	Remark	Qty	Model	Pos	Part Number	Description	Remark	Qty	Model
-	-	hexagon nut M 5		4		(15)	986 612 091 03	cable power distributor connection point F 981S6 01372>> F 981U6 01927>> F 981S6 41227>> F 981U6 42149>>	/LL 01-	1	
6	900 084 030 02	hexagon nut M 8		1							BOXSTER BOXSTER BOXSTER S BOXSTER S
-	-	intermediate layer		4							
-	-	cover blue		1		(15)	986 612 091 04	cable power distributor connection point F 981S6 01372>> F 981U6 01927>> F 981S6 41227>> F 981U6 42149>>	/RL 01-	1	
12	996 610 311 00	seal label red		2							BOXSTER BOXSTER BOXSTER S BOXSTER S
12	996 610 311 00	seal label red		2							BOXSTER BOXSTER BOXSTER S BOXSTER S
13	900 084 031 02	hexagon nut M 6 for power distributor		7		-	996 610 187 00	when required order also: cable holder F 981S6 01372>> F 981U6 01927>> F 981S6 41227>> F 981U6 42149>>		1	BOXSTER BOXSTER BOXSTER S BOXSTER S
14	996 610 308 00	repair kit replacement power distributor comprising:		1		-	999 919 172 09	hexagon-head bolt 7,0 X 14 F 981S6 01372>> F 981U6 01927>> F 981S6 41227>> F 981U6 42149>>		1	BOXSTER BOXSTER BOXSTER S BOXSTER S
-	-	power distributor complete		1							
13	900 084 031 02	hexagon nut M 6		7		16	986 607 029 00	wiring harness with connection point generator starter	-98	1	
6	900 084 030 02	hexagon nut M 8		2							
12	996 610 311 00	seal label red use also: POS. 8		2		(16)	986 607 019 02	wiring harness with connection point generator starter	99-	1	
15	986 612 091 00	cable power distributor connection point	97	1		17	986 611 301 00	connection point complete	-98	1	
15	986 612 091 01	cable power distributor connection point	98	1		(17)	986 611 201 01	connection point complete	99-	1	
(15)	986 612 091 02	cable power distributor connection point F >>981S6 01371 F >>981U6 01926 F >>981S6 41226 F >>981U6 42148	-01	1		18	900 378 035 01	hexagon-head bolt M 6 X 16		2	
						19	900 377 010 01	hexagon nut M 6		1	
						20	> 986 604 104 00	starter 1,2 KW		1	

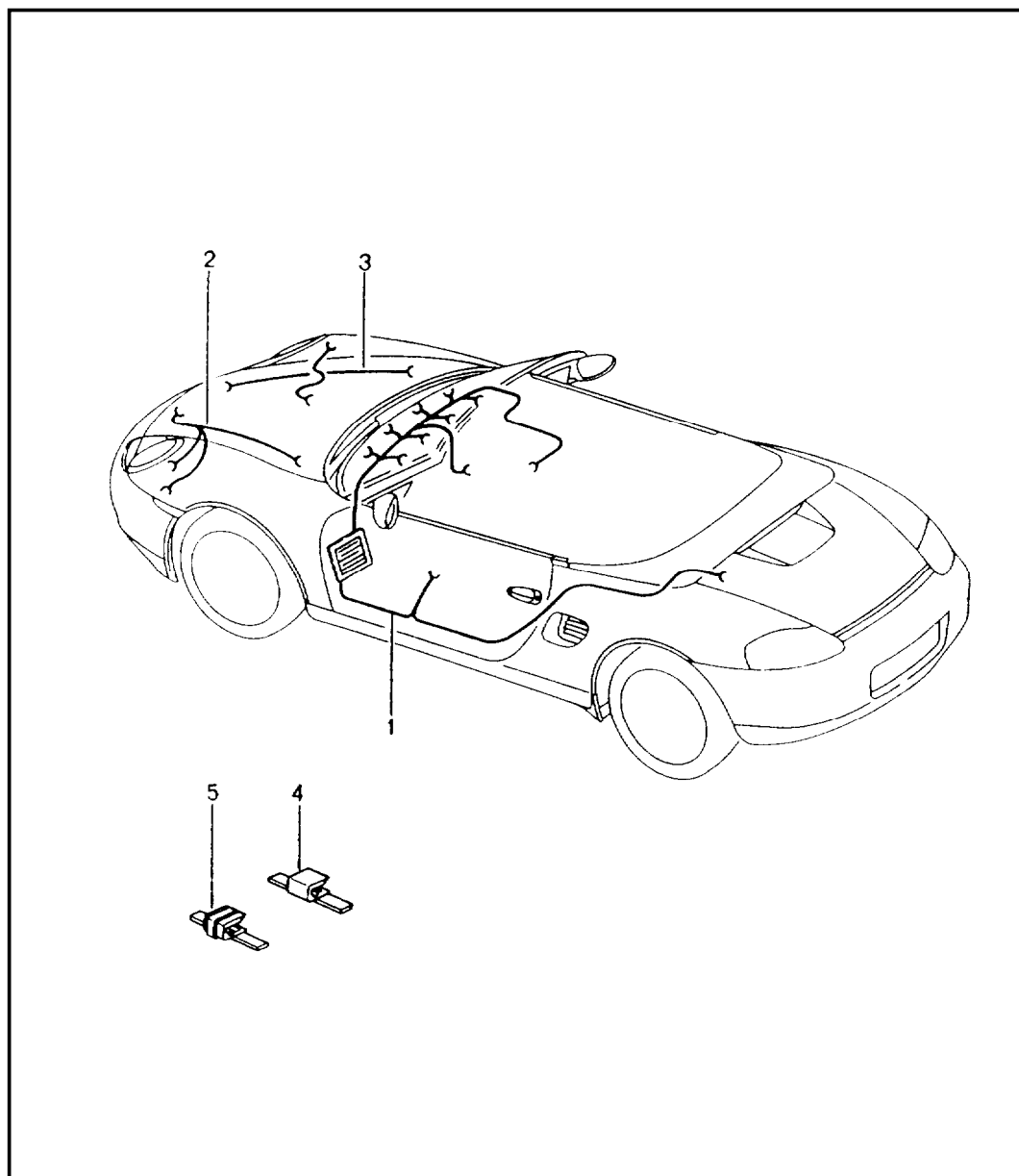
Model	Year	MG	SG	Illustration	Restrictions	UPD	11:00	24.01.2010	PORSCHE	PET	PORSCHE
986	2004	9	02	902-05		248					

Pos	Part Number	Description	Remark	Qty	Model	Pos	Part Number	Description	Remark	Qty	Model
20	986 604 104 X	starter 1,2 KW		1		(23) A	997 603 012 05	generator with pulley free wheel lock M 654 06010 >> M 674 06126 >>		1	M480/481
(20) A	996 604 104 00	starter 1,8 KW		1	M249						M96.23 M96.24
(20) >	996 604 103 00	starter 1,7 KW		1	M249 M198	(23) >	997 603 012 07	generator with pulley free wheel lock M 654 06010 >> M 674 06126 >>		1	M480/481
21	900 378 101 09	hexagon-head bolt AM 10 X 35 M >> 654 04059 M >> 674 03796		2							M96.23 M96.24
21	900 385 097 09	torx screw BM 10 X 35 M 654 04060 >> M 674 03797 >>		2	M96.23 M96.24	-	999 650 166 40	plug socket		1	
						-	999 652 694 12	connector		1	
						-	999 704 161 40	gasket		1	
22	986 607 030 00	ground strap engine body		1		-	999 652 965 40	gasket		1	
(23) >	996 603 012 01	generator	-99	1		24	996 603 151 53	pulley	97	1	
(23) >	996 603 012 03	generator with pulley without free wheel lock M >> 654 06009 M >> 674 06125	00-	1	M249	(24)	996 603 151 55	pulley without free wheel lock	98-	1	
(23) A	997 603 012 04	generator with pulley without free wheel lock M 654 06010 >> M 674 06126 >>		1	M249	(24)	996 603 152 50	pulley with free wheel lock use also: 996.603.153.50	00-	1	
						-	996 603 153 50	protection cap for pulley with free wheel lock		1	
(23) >	997 603 012 06	generator with pulley without free wheel lock M 654 06010 >> M 674 06126 >>		1	M249	25	N 012 016 1	lock ring B 16		1	
(23) >	996 603 012 02	generator with pulley free wheel lock M >> 654 06009 M >> 674 06125	00-	1	M480/481	26	900 034 013 01	hexagon nut M 16 X 1,5 mounting parts regulator generator		1	
						-	000 043 204 22	oval-head screw M 4 X 19 micro-self-locking		2	
						-	000 043 204 23	spring washer B4		2	

Model	Year	MG	SG	Illustration	Restrictions	UPD	11:00	24.01.2010	PORSCHE	PET	PORSCHE
986	2004	9	02	902-05		248					

Pos	Part Number	Description	Remark	Qty	Model	Pos	Part Number	Description	Remark	Qty	Model
		mounting parts generator									
-	900 378 070 09	hexagon-head bolt M 10 X 30	-01	1							
-	900 378 101 09	hexagon-head bolt AM 10 X 35 M >> 654 04059 M >> 674 03796	02-	1							
-	900 385 097 09	torx screw BM 10 X 35 M 654 04060 >> M 674 03797 >>		1	M96.23 M96.24						
-	900 378 181 09	hexagon-head bolt M 10 X 145 M >> 654 04059 M >> 674 03796		1							
-	900 385 092 04	torx screw BM 10 X 145 M 654 04060 >> M 674 03797 >>		1	M96.23 M96.24						
27	900 377 003 03	hexagon nut M 8		4							
28	999 084 630 01	hexagon nut VM 8 SB		4							
29	996 504 151 00	carrier plate for battery		1							
-	996 504 622 00	gasket carrier plate for battery		1							

Model	Year	MG	SG	Illustration	Restrictions	UPD	11:01	24.01.2010	PORSCHE	PET	PORSCHE
986	2004	9	02	902-10		248					

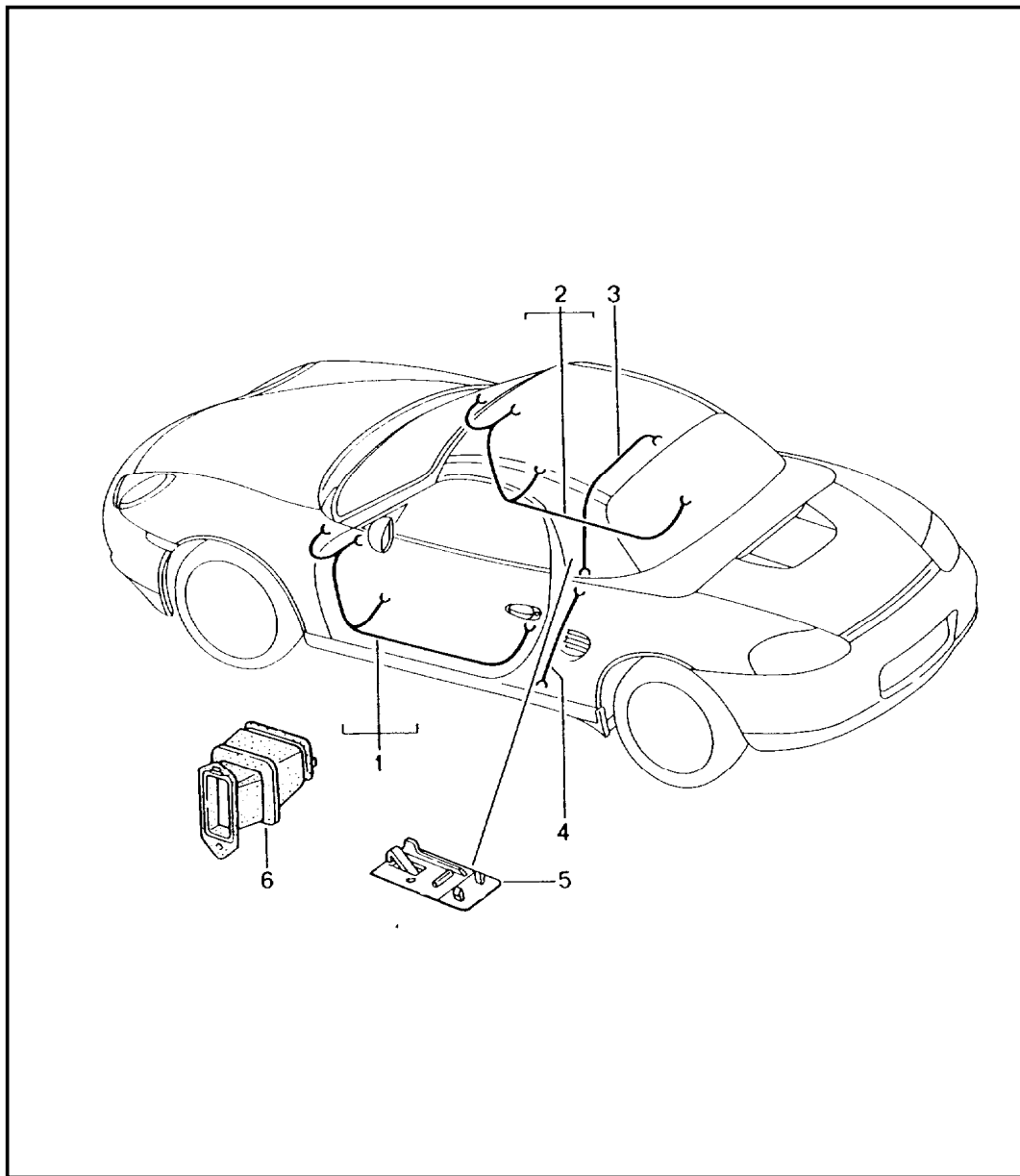


Pos	Part Number	Description	Remark	Qty	Model
		wiring harnesses passenger compartment glove compartment FRONT luggage compartment repair kit anti-lock brake system brake pad wear indicator front axle			
1	986 612 903 00	wiring harness passenger compartment vehicle identification no. indicate		1	
-	996 610 120 00	support plug socket diagnostic connector		1	
		connection point X 11 / 12			
-	999 652 931 40	pin connector socket		2	
-	999 652 570 22	contact pin 2,5 - 1		X	
-	999 652 571 22	contact pin 2,5 - 2,5		X	
-	999 652 932 40	pin connector socket 10-pole black		2	
-	999 652 923 40	cap black		2	
-	999 652 933 40	pin connector socket 10-pole white		2	
-	999 652 922 40	cap white		2	
-	999 652 921 40	locking device blue		4	
-	999 652 983 22	contact pin 0,63 - 0,5		X	
-	996 622 501 00	wiring harness glove compartment	03-	1	
-	999 650 564 40	support microswitch	03-	1	
-	999 650 565 40	support connector housing	03-	1	

Model	Year	MG	SG	Illustration	Restrictions	UPD	11:01	24.01.2010	PORSCHE	PET	PORSCHE
986	2004	9	02	902-10		248					

Pos	Part Number	Description	Remark	Qty	Model	Pos	Part Number	Description	Remark	Qty	Model
2	996 612 303 01	wiring harness FRONT luggage compartment	/L -99	1		(5)	999 651 284 40	fixing clip wiring harness passenger compartment door sill		X	
2	996 612 303 05	wiring harness FRONT luggage compartment	/L 00	1							
2	996 612 303 10	wiring harness FRONT luggage compartment	/L 01	1		-	999 650 323 40	plug socket diagnostic connector		1	
2	986 612 303 15	wiring harness FRONT luggage compartment	/L 02-	1		-	999 650 326 22	contact bush for plug socket		X	
2	996 612 313 00	wiring harness FRONT luggage compartment	/L 99	1	M601	-	-	repair kit wiring harness anti-lock brake system brake pad wear indicator front axle			
2	996 612 313 05	wiring harness FRONT luggage compartment	/L 00	1	M601						
2	996 612 313 10	wiring harness FRONT luggage compartment	/L 01	1	M601	-	996 612 951 00	repair kit wiring harness	/V/L	-01	1
2	986 612 313 15	wiring harness FRONT luggage compartment	/L 02-	1	M601	-	996 612 951 00	repair kit wiring harness	/V/L	02-	1 M476
3	996 612 302 01	wiring harness FRONT luggage compartment	/R -01	1		-	996 612 960 00	repair kit wiring harness	/V/L	02-	1
3	996 612 312 00	wiring harness FRONT luggage compartment	/R -01	1	M601	-	996 612 952 00	repair kit wiring harness	/V/R	-01	1
3	-	wiring harness FRONT luggage compartment is a component of wiring harness passenger compartment	/R 02-	1		-	996 612 952 00	repair kit wiring harness	/V/R	02-	1 M476
		connection point X 1/1 + X 1/2				-	-	repair kit wiring harness rear axle see group 9 / 02 / 20			
-	999 652 879 40	plug socket white		1							
-	928 612 566 00	plug socket black		1							
-	999 652 568 22	cylindrical socket		X							
-	999 650 117 40	fixing clip for plug socket		2							
(4)	999 507 471 40	fixing clip		X							
5	999 651 302 40	fixing clip wiring harness passenger compartment door sill		X							

Model	Year	MG	SG	Illustration	Restrictions	UPD	11:01	24.01.2010	PORSCHE	PET	PORSCHE
986	2004	9	02	902-15		248					



Pos	Part Number	Description	Remark	Qty	Model
		wiring harnesses driver's door passenger's door hardtop			
1	986 612 601 02	wiring harness driver's door passenger's door F >>98VS6 01525	97	2	
1	986 612 601 03	wiring harness driver's door passenger's door F 98VS6 01526>>	97	2	
(1)	986 612 602 02	wiring harness driver's door passenger's door F >>98VS6 01525	97	2	M490
(1)	986 612 602 03	wiring harness driver's door passenger's door F 98VS6 01526>>	97	2	M490
(1)	986 612 601 04	wiring harness driver's door passenger's door	98	2	
(1)	986 612 601 05	wiring harness driver's door passenger's door	99	2	
(1)	986 612 602 04	wiring harness driver's door passenger's door	98	2	M490
(1)	986 612 602 05	wiring harness driver's door passenger's door	99	2	M490
(1)	986 612 641 04	wiring harness driver's door passenger's door	98	2	M563
(1)	986 612 641 05	wiring harness driver's door passenger's door	-00	2	M563
(1)	986 612 642 04	wiring harness driver's door passenger's door	98	2	M490/563
(1)	986 612 642 05	wiring harness driver's door passenger's door	-00	2	M490/563

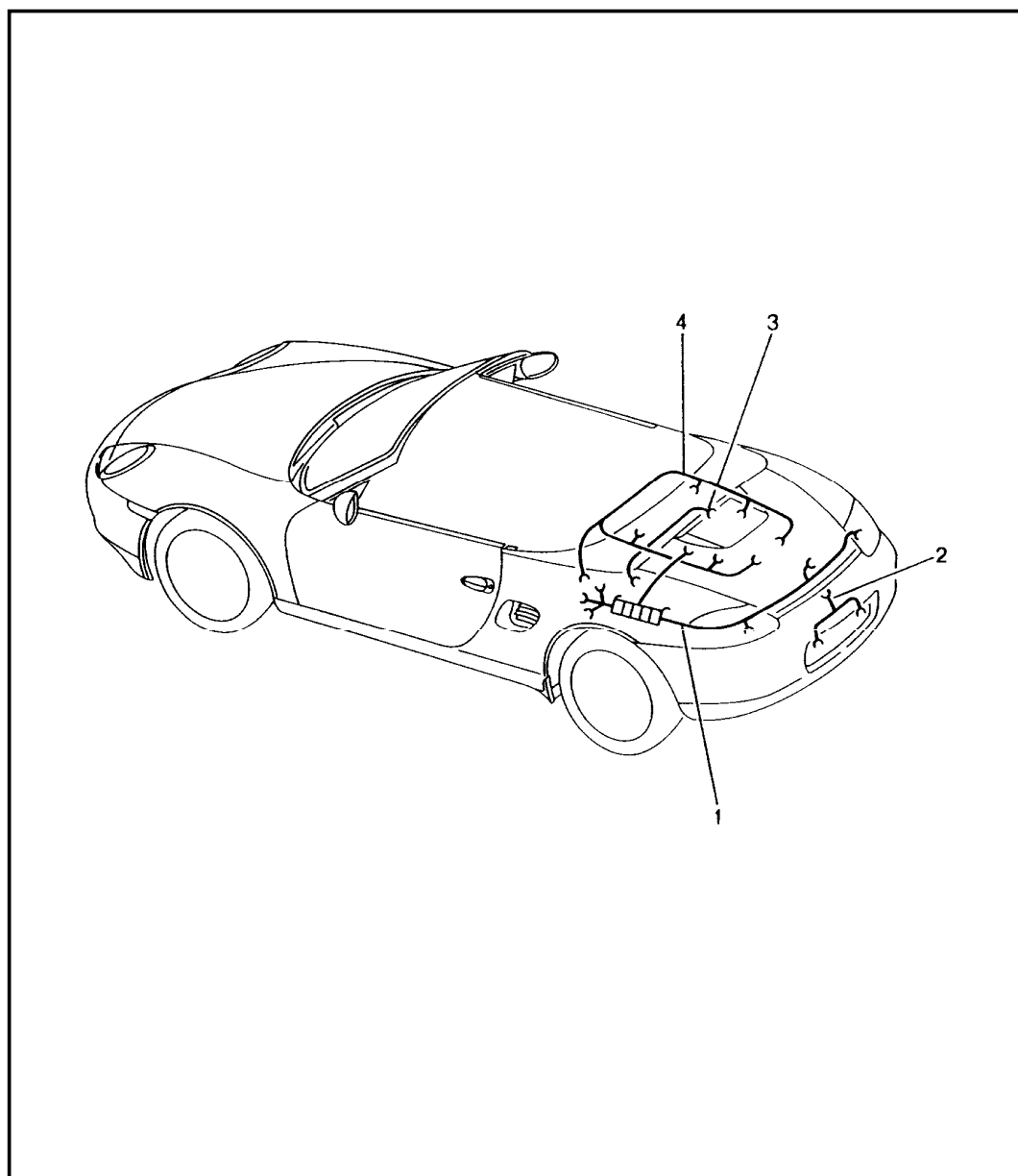
Model	Year	MG	SG	Illustration	Restrictions	UPD	11:01	24.01.2010	PORSCHE	PET	PORSCHE
986	2004	9	02	902-15		248					

Pos	Part Number	Description	Remark	Qty	Model	Pos	Part Number	Description	Remark	Qty	Model
(1)	986 612 612 02	wiring harness driver's door F >>98VS6 01525	97	1	M273	2	996 612 632 03	wiring harness passenger's door F 98VS6 01526>>	97	1	M273/490
(1)	986 612 612 03	wiring harness driver's door F 98VS6 01526>>	97	1	M273	(2)	986 612 620 04	wiring harness passenger's door	98	1	M273
(1)	996 612 630 02	wiring harness driver's door F >>98VS6 01525	97	1	M273/490	(2)	986 612 620 05	wiring harness passenger's door	99	1	M273
(1)	996 612 630 03	wiring harness driver's door F 98VS6 01526>> F 98VS6 20987>>	97	1	M273/490	(2)	996 612 632 04	wiring harness passenger's door	98	1	M273/490
(1)	986 612 612 04	wiring harness driver's door	98	1	M273	(2)	996 612 632 05	wiring harness passenger's door	99	1	M273/490
(1)	986 612 612 05	wiring harness driver's door	99	1	M273	(2)	986 612 652 04	wiring harness passenger's door	98	1	M273/563
(1)	996 612 630 04	wiring harness driver's door	98	1	M273/490	(2)	986 612 652 05	wiring harness passenger's door	-00	1	M273/563
(1)	996 612 630 05	wiring harness driver's door	99	1	M273/490	(2)	996 612 635 02	wiring harness passenger's door	98	1	M273/563 M490
(1)	986 612 651 04	wiring harness driver's door	98	1	M273/563	(2)	996 612 635 03	wiring harness passenger's door	-00	1	M273/563 M490
(1)	986 612 651 05	wiring harness driver's door	-00	1	M273/563	(2)	996 612 635 11	wiring harness passenger's door connection point X 11 / 12	01-	1	
(1)	996 612 634 02	wiring harness driver's door	98	1	M273/563 M490	-	999 652 930 40	plug socket		2	
(1)	996 612 634 03	wiring harness driver's door	-00	1	M273/563 M490	-	999 652 567 22	cylindrical socket 2,5 - 1		X	
(1)	996 612 634 11	wiring harness driver's door	01-	1		-	999 652 568 22	cylindrical socket 2,5 - 2,5		X	
2	986 612 620 02	wiring harness passenger's door F >>98VS6 01525	97	1	M273	-	999 652 927 40	plug socket 10-pole white		2	
2	986 612 620 03	wiring harness passenger's door F 98VS6 01526>>	97	1	M273	-	999 652 924 40	cap white		2	
2	996 612 632 02	wiring harness passenger's door F >>98VS6 01525	97	1	M273/490	-	999 652 928 40	plug socket 10-pole black		2	
						-	999 652 925 40	cap black		2	

Model	Year	MG	SG	Illustration	Restrictions	UPD	11:01	24.01.2010	PORSCHE	PET	PORSCHE
986	2004	9	02	902-15		248					

Pos	Part Number	Description	Remark	Qty	Model	Pos	Part Number	Description	Remark	Qty	Model
-	999 652 921 40	locking device blue		4							
-	999 652 901 22	connector 0,63 - 0,5 mount wiring harness doors		X							
-	996 610 320 01	cable guide		2	M273						
-	999 703 470 40	cable clamp		2	M273						
-	999 507 627 02	cable clamp		2							
3	986 612 081 01	wiring harness hardtop		1	M550						
4	986 612 083 00	wiring harness adapter hardtop		1							
5	986 610 333 00	cover connector connection point hardtop	-02	1							
6 U	996 610 141 00	rubber boot a-pillar F 98VS6 01526>>	/L	1							
(6) U	996 610 142 00	rubber boot a-pillar F 98VS6 01526>>	/R	1							
(6)	996 610 141 01	rubber boot a-pillar F 98WS6 00259>>		2							
-	996 610 144 00	frame reinforcement rubber boot mount connection point a-pillar F 98WS6 00259>>		2							
-	999 919 237 00	oval-head screw 5 X 20		2							
-	999 507 649 40	expansion rivet 5,0		2							
-	996 610 321 00	cable holder door arrester		2							

Model	Year	MG	SG	Illustration	Restrictions	UPD	11:01	24.01.2010	PORSCHE	PET	PORSCHE
986	2004	9	02	902-20		248					



Pos	Part Number	Description	Remark	Qty	Model
		wiring harnesses rear end license plate light additional brake light engine repair kit anti-lock brake system brake pad wear indicator rear axle			
(1)	986 612 056 03	wiring harness rear end	97-98	1	M573
(1)	986 612 066 01	wiring harness rear end	98	1	M573/635
(1)	986 612 905 00	wiring harness rear end vehicle identification no. indicate	99-	1	
		connection point X 2/1			
-	928 612 567 00	pin connector socket black		1	
-	999 652 570 22	contact pin 2,5 - 1 connection point X 2/2		X	
-	999 650 041 40	pin connector socket yellow		1	
-	999 652 570 22	contact pin 2,5 - 1 connection point X 59		X	
-	999 652 881 40	pin connector socket white		1	
-	999 652 571 22	contact pin 2,5 - 2,5 connection point X 24		X	
-	999 652 920 40	plug socket		1	
-	999 652 991 22	contact bush 1,8 - 1,5		2	
-	999 652 989 40	locking device		1	
-	999 652 987 40	gasket		2	

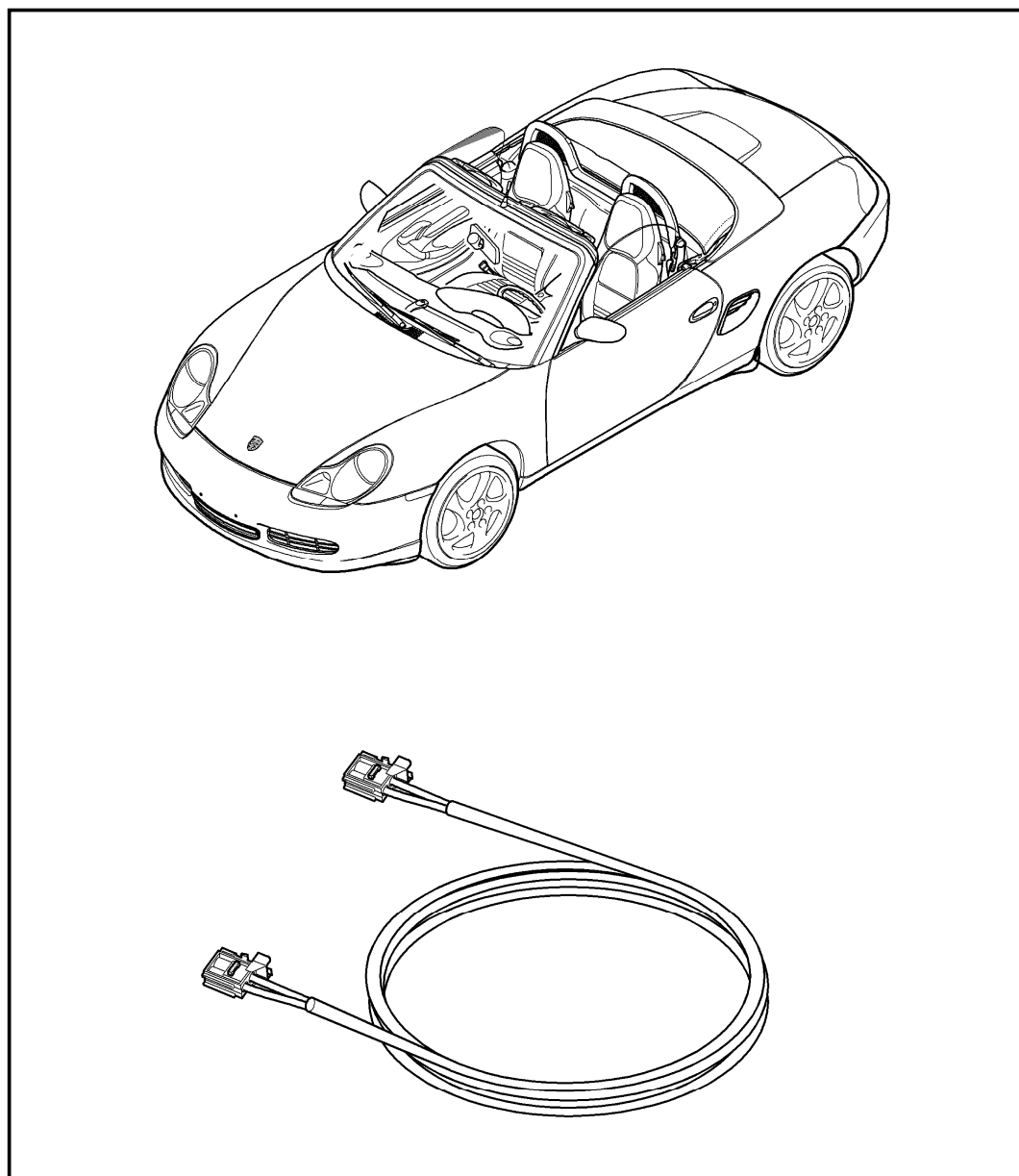
Model	Year	MG	SG	Illustration	Restrictions	UPD	11:01	24.01.2010	PORSCHE	PET	PORSCHE
986	2004	9	02	902-20		248					

Pos	Part Number	Description	Remark	Qty	Model	Pos	Part Number	Description	Remark	Qty	Model
-	999 650 013 40	fixing clip connection point wiring harness license plate light		1		(4)	986 607 011 09	wiring harness engine	-02	1	M249
-	999 652 920 40	plug socket		1		4	986 607 010 06	wiring harness engine	00	1	M480/660
-	999 652 991 22	contact bush 1,8 - 1,5		2		4	986 607 010 08	wiring harness engine	-02	1	M480/660
-	999 652 989 40	locking device		1		(4)	986 607 011 08	wiring harness engine	00	1	M249/660
-	999 652 987 40	gasket		2		(4)	986 607 011 10	wiring harness engine	-02	1	M249/660
-	999 650 013 40	fixing clip mount wiring harness rear end		1				wiring harness engine M 96.22	-02		
-	999 651 284 40	fixing clip		6		4	986 607 020 00	wiring harness engine	00	1	M481
2	996 612 060 00	wiring harness license plate light		1		4	986 607 020 02	wiring harness engine	-02	1	M481
(2)	996 612 061 00	wiring harness license plate light	-02	1	M635	(4)	986 607 021 00	wiring harness engine	00	1	M249
(2)	996 612 063 00	wiring harness license plate light	03-	1	M635	(4)	986 607 021 02	wiring harness engine	-02	1	M249
3	986 612 041 00	wiring harness additional brake light		1	M602	4	986 607 020 01	wiring harness engine	00	1	M481/660
		wiring harness engine M 96.20	-99			4	986 607 020 03	wiring harness engine	-02	1	M481/660
(4)	986 607 002 08	wiring harness engine	-99	1	M481	(4)	986 607 021 01	wiring harness engine	00	1	M249/660
(4)	986 607 002 10	wiring harness engine	-99	1	M249	(4)	986 607 021 03	wiring harness engine	-02	1	M249/660
		wiring harness engine M 96.21	-02					wiring harness engine M 96.23/24	03-		
4	986 607 010 05	wiring harness engine	00	1	M480	4	986 607 020 10	wiring harness engine	03-	1	M96.23 M481
4	986 607 010 07	wiring harness engine	-02	1	M480	4	986 607 020 11	wiring harness engine	03-	1	M96.23 M481/660
(4)	986 607 011 07	wiring harness engine	00	1	M249	4	986 607 010 15	wiring harness engine	03-	1	M96.24 M480

Model	Year	MG	SG	Illustration	Restrictions	UPD	11:01	24.01.2010	PORSCHE	PET	PORSCHE
986	2004	9	02	902-20		248					

Pos	Part Number	Description	Remark	Qty	Model	Pos	Part Number	Description	Remark	Qty	Model
4	986 607 010 16	wiring harness engine	03-	1	M96.24 M480/660	-	986 612 961 00	repair kit wiring harness	/H/R	02-	1
(4)	986 607 011 17	wiring harness engine	03-	1	M96.23/24 M249	-	-	repair kit wiring harness front axle see group 9 / 02 / 10			
(4)	986 607 011 18	wiring harness engine connection point X 3/1	03-	1	M96.23/24 M249/660						
-	928 612 568 00	plug socket black		1							
-	999 652 658 12	contact bush 2,5 - 2 connection point X 3/2		X							
-	999 650 011 40	plug socket blue		1							
-	999 652 567 22	contact bush 2,5 - 1 connection point X 59		X							
-	999 652 879 40	plug socket white		1							
-	999 652 658 12	contact bush 2,5 - 2		X							
-	-	repair kit wiring harness anti-lock brake system brake pad wear indicator rear axle									
-	986 612 953 01	repair kit wiring harness	/H/L	-01	1						
-	986 612 953 01	repair kit wiring harness	/H/L	02-	1	M476					
-	986 612 960 00	repair kit wiring harness	/H/L	02-	1						
-	986 612 954 01	repair kit wiring harness	/H/R	-01	1						
-	986 612 954 01	repair kit wiring harness	/H/R	02-	1	M476					

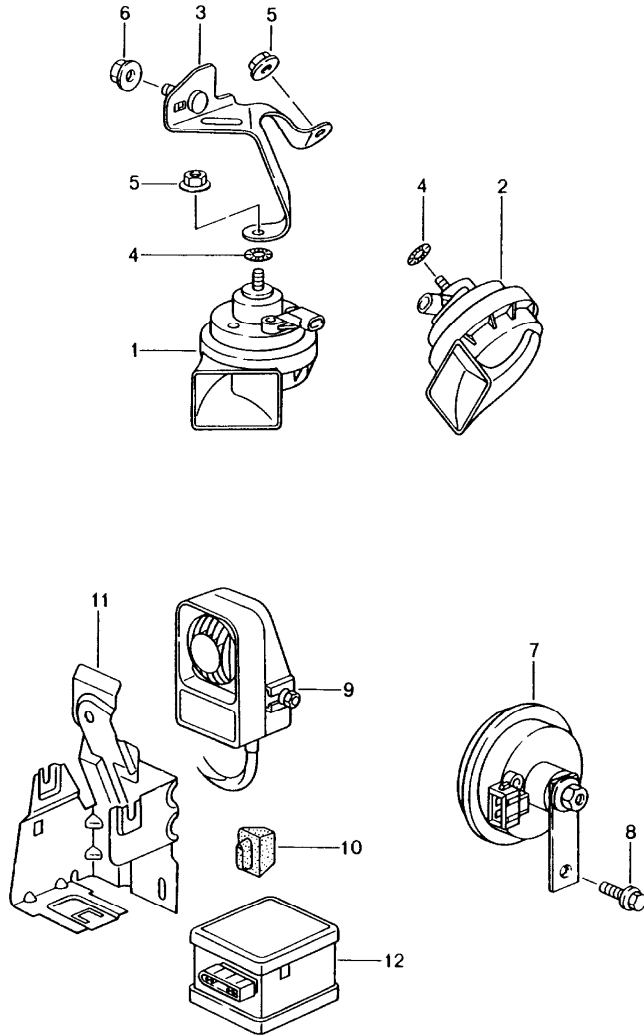
Model	Year	MG	SG	Illustration	Restrictions	UPD	11:01	24.01.2010	PORSCHE	PET	PORSCHE
986	2004	9	02	902-50		248					



Pos	Part Number	Description	Remark	Qty	Model
		optical waveguide	03-		
-	996 622 702 00	optical waveguide module	/LL	1	M666
-	996 622 722 00	optical waveguide module	/RL	1	M666
-	996 622 704 00	optical waveguide module	/LL	1	M490/680
-	996 622 724 00	optical waveguide module	/RL	1	M490/680
-	996 622 706 00	optical waveguide module	/LL	1	M692
-	996 622 726 00	optical waveguide module	/RL	1	M692
-	996 622 716 00	optical waveguide module	/LL	1	M666/692
-	996 622 736 00	optical waveguide module	/RL	1	M666/692
-	996 622 703 00	optical waveguide module	/LL	1	M490/666 M680
-	996 622 723 00	optical waveguide module	/RL	1	M490/666 M680
-	996 622 705 00	optical waveguide module	/LL	1	M490/680 M692
-	996 622 725 00	optical waveguide module	/RL	1	M490/680 M692
-	996 622 715 00	optical waveguide module	/LL	1	M490/666 M680/692
-	996 622 745 00	optical waveguide module	/RL	1	M490/666 M680/692
-	996 610 122 00	support connection point luggage compartment		1	
-	999 507 804 40	expander nut for support		1	
-	996 610 132 00	cable guide t-piece luggage compartment		1	

Model	Year	MG	SG	Illustration	Restrictions	UPD	11:01	24.01.2010	PORSCHE	PET	PORSCHE
986	2004	9	03	903-00		248					

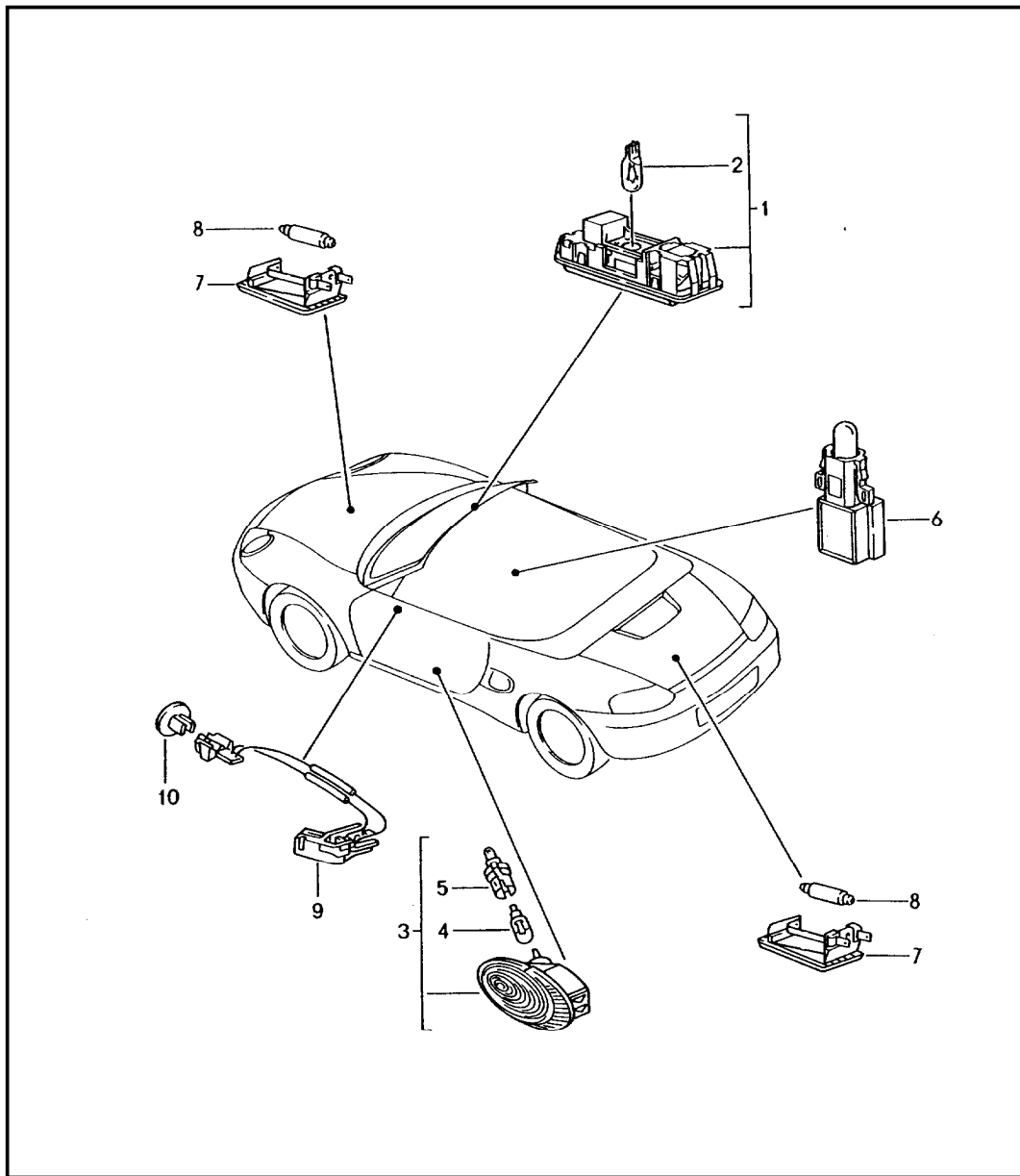
Pos	Part Number	Description	Remark	Qty	Model
		fanfare horn alarm system			M536
1	996 635 206 04	fanfare high-pitched		1	
2	996 635 205 04	fanfare low-pitched		1	
-	999 650 490 40	plug socket		2	
-	999 650 135 22	connector		4	
-	999 650 126 40	gasket		4	
3	996 635 150 00	support		1	
4	N 042 121 3	shake-proof washer A 6,4		2	
5	900 380 015 01	hexagon nut M 6		2	
6	900 377 003 03	hexagon nut M 8		1	
7 A	996 637 117 02	horn for alarm system		1	
7	996 637 117 03	horn for alarm system		1	
8	900 075 459 09	combination screw M 6 X 12 Z2		1	
9	996 618 237 04	alarm siren		1	M536
-	999 652 946 40	plug socket 3-pole		1	
-	999 650 126 40	gasket		X	
-	999 650 127 40	gasket		X	
-	999 652 934 22	contact bush 0,63 - 0,5		X	
10	999 703 459 40	rubber mounting		1	M536
11	996 637 420 01	support	/LL	1	M536
(11)	996 637 419 01	support	/RL	1	M536



Model	Year	MG	SG	Illustration	Restrictions	UPD	11:01	24.01.2010	PORSCHE	PET	PORSCHE
986	2004	9	03	903-00		248					

Pos	Part Number	Description	Remark	Qty	Model	Pos	Part Number	Description	Remark	Qty	Model
12	A 996 618 265 00	tilt sensor see technical manual GR. 9 / 96 64 32 use also:	-01	1	M536						
-	996 622 904 00	wiring harness		1							
-	999 650 335 40	plug socket 6-pole	-01	1	M536						
-	999 652 775 22	contact bush 2,5 - 1	-01	X							
-	999 652 934 22	contact bush 2,5 - 0,4	-01	X							
(12)	996 618 265 01	tilt sensor	02-	1	M536						
-	996 637 421 00	support tilt sensor	02-	1	M536						
-	900 378 179 09	hexagon-head bolt M 6 X 16	02-	1	M536						
-	999 500 078 00	sheetmetal press nut M 6	02-	1	M536						

Model	Year	MG	SG	Illustration	Restrictions	UPD	11:01	24.01.2010	PORSCHE	PET	PORSCHE
986	2004	9	03	903-04		248					

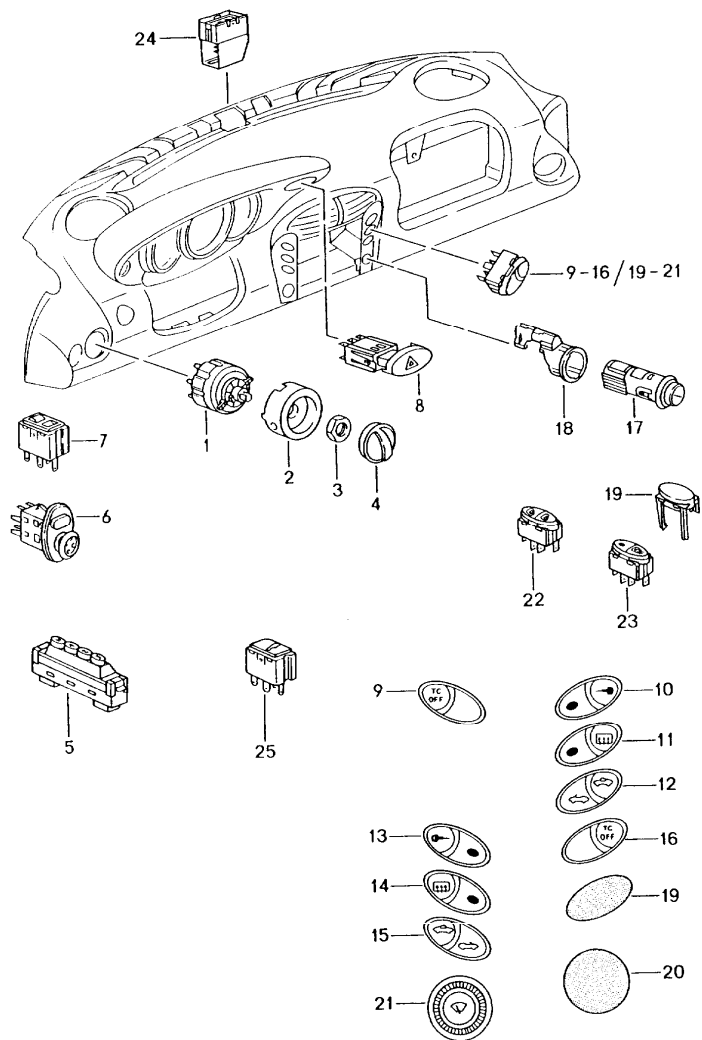


Pos	Part Number	Description	Remark	Qty	Model
		interior lights luggage compartment lamp engine compartment lamp footwell light combined lights door opener			IXX2
1	986 632 051 00	interior light	-00	1	
(1)	986 632 053 00	interior light	01	1	
(1)	986 632 053 10	interior light	02-	1	
1	986 632 051 00	interior light	01-	1	M265
2	999 631 032 90	bulb 5 W		1	
-	999 632 018 00	bulb socket	01-	1	
3	996 632 132 01	door guard light		2	M490
4	999 631 032 90	bulb 5 W		2	M490
5	161 949 111	bulb socket		2	M490
6	996 632 113 00	ashtray light		1	
		luggage compartment lamp engine compartment lamp footwell light			IXX2
7	997 632 201 00	light		2	
-	815 971 989 B	plug socket		2	
-	N 017 490 6	connector		4	
8	900 631 106 90	linolite lamp 10 W		2	
-	996 632 980 00	support footwell light		2	IXX2
9	986 632 121 12	combined lights driver's door door opener ignition starter lock	/LL	01-	1
(9)	986 632 124 12	combined lights driver's door door opener ignition starter lock	/RL	01-	1

Model	Year	MG	SG	Illustration	Restrictions	UPD	11:01	24.01.2010	PORSCHE	PET	PORSCHE
986	2004	9	03	903-04		248					

Pos	Part Number	Description	Remark	Qty	Model	Pos	Part Number	Description	Remark	Qty	Model
(9)	996 632 122 02	combined lights passenger's door door opener	/LL 01-	1							
(9)	996 632 123 02	combined lights passenger's door door opener	(RL 01-	1							
10	986 632 125 00	rosette driver's door combined lights ignition starter lock	/LL 01-	1							
(10)	986 632 126 00	rosette driver's door combined lights ignition starter lock	/RL 01-	1							

Model	Year	MG	SG	Illustration	Restrictions	UPD	11:02	24.01.2010	PORSCHE	PET	PORSCHE
986	2004	9	03	903-05		248					



Pos	Part Number	Description	Remark	Qty	Model
1	996 613 535 00	switch		1	
-	999 650 346 40	light switch		1	
-	999 650 343 40	terminal sleeve housing		1	
-	999 652 437 12	lid		1	
-	999 652 351 22	connector \$ 4,0		X	
-	999 652 351 22	connector \$ 2,5		X	
2	996 613 631 01	headlight unit	/LL	1	
(2)	996 613 632 01	headlight unit	/RL	1	
-	999 652 972 40	plug socket		1	
-	999 652 973 40	cap		1	
-	999 652 901 22	connector		5	
3	999 034 030 09	hexagon nut M 16 X 1		1	
4	996 613 533 01	rotary knob	-01	1	
	A01	gloss black			
4	996 613 533 10	rotary knob	02-	1	
	A05	black mat			
5	996 613 103 01	memory switch seat door mirror	-01	1	M537/538
(5)	996 613 103 02	memory switch seat door mirror	02-	1	M537/538
6	996 613 241 00	switch	97	1	M273
	EAL	satin black/gloss black door mirror			
6	996 613 241 00	switch	98-	1	M273
	01C	satin black door mirror			
-	993 612 501 00	plug socket		1	
-	N 903 352 04	connector		5	

Model	Year	MG	SG	Illustration	Restrictions	UPD	11:02	24.01.2010	PORSCHE	PET	PORSCHE
986	2004	9	03	903-05		248					

Pos	Part Number	Description	Remark	Qty	Model	Pos	Part Number	Description	Remark	Qty	Model
-	999 652 790 12	cylindrical socket		2			A05	black mat central locking system			
7	996 613 102 00	tip switch rear spoiler		1		(10)	996 613 144 10	tip switch	/LL 03-	1	
-	999 650 035 40	plug socket		1			A05	black mat central locking system			
-	999 650 330 00	connector		5		-	999 650 107 40	plug socket		1	
8	986 613 120 01	hazard warning light sw.	/LL	-01	1	-	999 650 330 00	connector		5	
	A02	gloss black				11	986 613 134 00	tip switch	/LL -01	1	
(8)	986 613 121 01	hazard warning light sw.	/RL	-01	1		A02	gloss black heating rear window door mirror			M550 M273
	A02	gloss black									
(8)	986 613 120 10	hazard warning light sw.	/LL	02-	1	11	986 613 134 10	tip switch	/LL 02	1	
	A05	black mat					A05	black mat heating rear window door mirror			M550 M273
(8)	986 613 121 10	hazard warning light sw.	/RL	02-	1						
	A05	black mat				(11)	996 613 134 10	tip switch	/LL 03-	1	
-	999 650 191 40	plug socket		1			A05	black mat heating rear window door mirror			
-	999 650 192 40	locking device		1							
-	999 652 475 22	connector		9							
9	986 613 141 00	tip switch	/LL	-00	1	M222					
	A02	gloss black					-	999 650 110 40	plug socket	1	
(9)	986 613 145 00	tip switch	/LL	01	1	M476	-	999 650 103 12	connector	5	
	A02	gloss black					12	986 613 138 00	tip switch	/LL -01	1
(9)	986 613 145 10	tip switch	/LL	02	1	M476		A02	gloss black convertible top control		
	A05	black mat					12	986 613 138 10	tip switch	/LL 02	1
(9)	996 613 145 10	tip switch	/LL	03-	1	M476		A05	black mat convertible top control		
	A05	black mat					(12)	996 613 138 10	tip switch	/LL 03-	1
-	999 650 107 40	plug socket		1				A05	black mat convertible top control		
-	999 650 103 12	connector		5			-	999 650 111 40	plug socket	1	
10	986 613 144 00	tip switch	/LL	-01	1		-	999 650 330 00	connector	5	
	A02	gloss black central locking system					13	986 613 143 00	tip switch	/RL 01	1
10	986 613 144 10	tip switch	/LL	02	1						

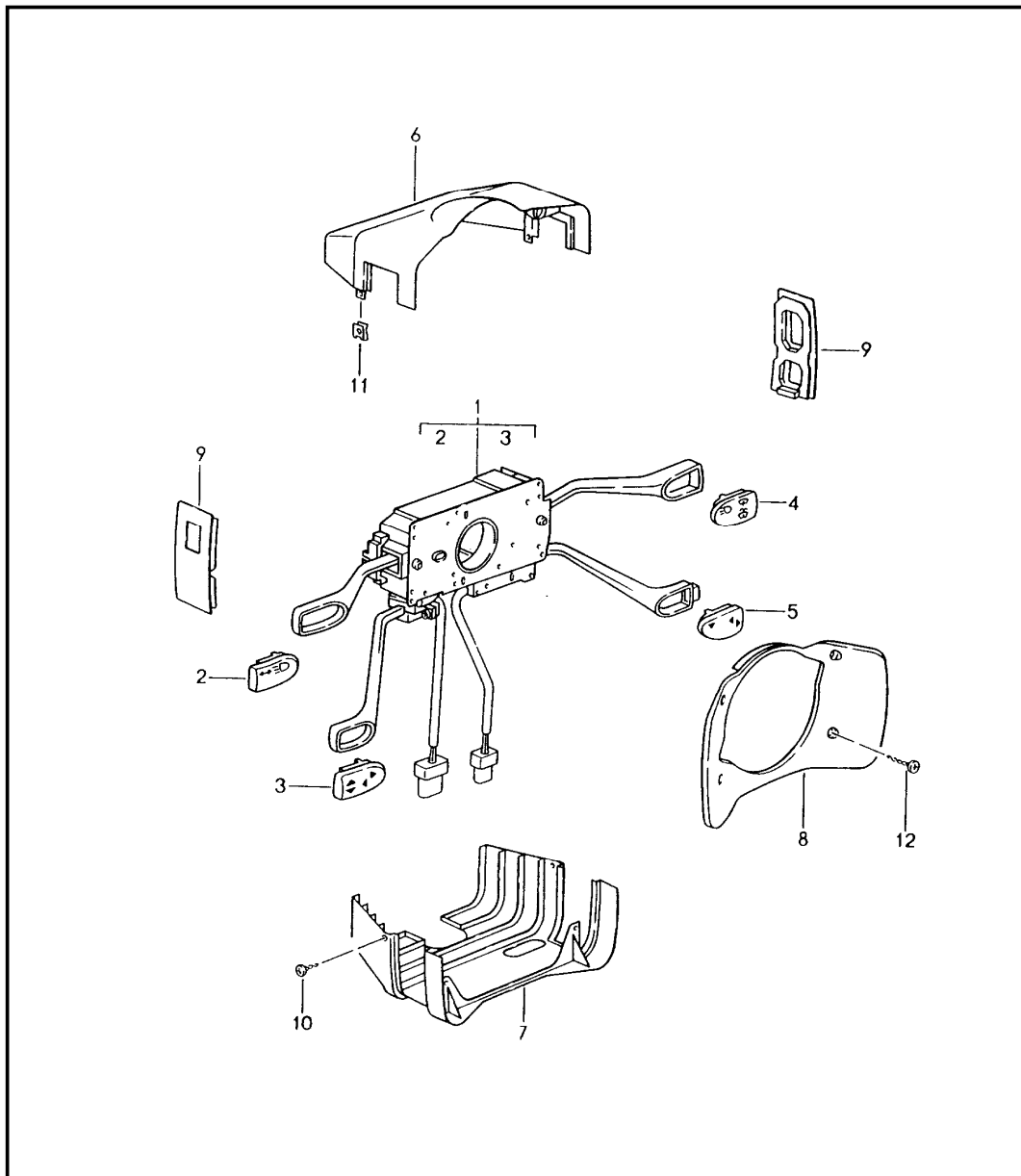
Model	Year	MG	SG	Illustration	Restrictions	UPD	11:02	24.01.2010	PORSCHE	PET	PORSCHE
986	2004	9	03	903-05		248					

Pos	Part Number	Description	Remark	Qty	Model	Pos	Part Number	Description	Remark	Qty	Model
	A02	gloss black central locking system				-	999 650 111 40	plug socket		1	
13	986 613 143 10	tip switch	/RL	02		-	999 650 330 00	connector		5	
	A05	black mat central locking system				16	986 613 142 00	tip switch	/RL	-00	M222
(13)	996 613 143 10	tip switch	/RL	03-		(16)	986 613 146 00	tip switch	/RL	01	M476
	A05	black mat central locking system					A02	gloss black			
-	999 650 107 40	plug socket		1		(16)	986 613 146 10	tip switch	/RL	02	M476
-	999 650 330 00	connector		5			A05	black mat			
14	986 613 133 00	tip switch	/RL	-01		(16)	996 613 146 10	tip switch	/RL	03-	M476
	A02	gloss black heating rear window door mirror					A05	black mat			
14	986 613 133 10	tip switch	/RL	02	M550 M273	-	999 650 107 40	plug socket		1	
	A05	black mat heating rear window door mirror				-	999 650 103 12	connector		5	
(14)	996 613 133 10	tip switch	/RL	03-	M550 M273	17	996 652 101 00	cigarette lighter		-01	1
	A05	black mat heating rear window door mirror				17 A	996 652 101 10	cigarette lighter		02-	1
-	999 650 110 40	plug socket		1			A05	black mat			
-	999 650 103 12	connector		5		17	997 652 101 00	cigarette lighter		02-	1
15	986 613 137 00	tip switch	/RL	-01			A05	black mat			
	A02	gloss black convertible top control				-	999 650 284 40	plug socket		1	
15	986 613 137 10	tip switch	/RL	02		-	999 652 735 12	connector		3	
	A05	black mat convertible top control				(17)	996 652 103 00	plug socket		1	M580
(15)	996 613 137 10	tip switch	/RL	03-			A01	gloss black			
	A05	black mat convertible top control				18	996 652 102 01	headlight unit		-01	1
						18	996 652 102 10	headlight unit		02-	1
						(18)	996 652 104 00	tensioning sleeve		1	M580
						19	996 552 425 00	cover		-99	X
							A01	gloss black			
						(19)	986 613 425 00	cover		-01	X
							A01	gloss black switch display specimen			

Model	Year	MG	SG	Illustration	Restrictions	UPD	11:02	24.01.2010	PORSCHE	PET	PORSCHE
986	2004	9	03	903-05		248					

Pos	Part Number	Description	Remark	Qty	Model	Pos	Part Number	Description	Remark	Qty	Model
(19)	996 613 425 10	cover	02-	X		-	999 650 330 00	connector	/L	5	
	A05	black mat switch display specimen				-	999 650 035 40	plug socket	/R	1	
(19)	996 613 980 06	tip switch	02-	1	IXX2	23	986 613 152 00	connector	/R	5	
	A05	black mat footwell light					A02	tip switch		2	M139/340
20	986 552 543 00	cover	97-	X		(23)	986 613 152 10	gloss black seat heater		2	M139/340
	B12	black-grey					A05	tip switch	02	2	M139/340
20	986 552 543 01	cover	98-	X		-	999 650 109 40	black mat seat heater	03-		M342
	D05	granite grey				-	999 650 109 40	plug socket	/L	1	
	C02	metal grey				-	999 650 330 00	connector	/L	5	
	A03	black	00-			-	999 650 035 40	plug socket	/R	1	
(20)	986 552 983 05	cover arctic silver	01	X	IXKW	-	999 650 330 00	connector	/R	5	
21	996 613 115 00	potentiometer	-01	1	M008	24	996 637 137 00	light alarm system		1	M534/535
	A02	gloss black wipe interval				-	999 650 053 40	plug socket		1	
21	996 613 115 10	potentiometer	02-	1	M008	-	N 903 352 04	connector F >>98VS6 04498		2	
	A05	black mat wipe interval				24	996 653 251 00	light alarm system with sensor		1	M534/535
(21)	996 613 127 00	potentiometer	01	1	M265	-	999 650 221 40	plug socket F 98VS6 04499>>		1	M573
	A02	gloss black wipe interval				25	996 613 105 10	tip switch	01-	1	
(21)	996 613 127 10	potentiometer	02-	1	M265		A05	black mat lid front			
	A05	black mat wipe interval				(25)	996 613 106 10	tip switch	01-	1	
22	996 613 151 00	tip switch	-01	2			A05	black mat lid rear			
	A02	gloss black power windows									
22	996 613 151 10	tip switch	02-	2							
	A05	black mat power windows									
-	999 650 109 40	plug socket	/L	1							

Model	Year	MG	SG	Illustration	Restrictions	UPD	14:54	01.02.2010	PORSCHE	PET	PORSCHE
986	2004	9	03	903-10		248					

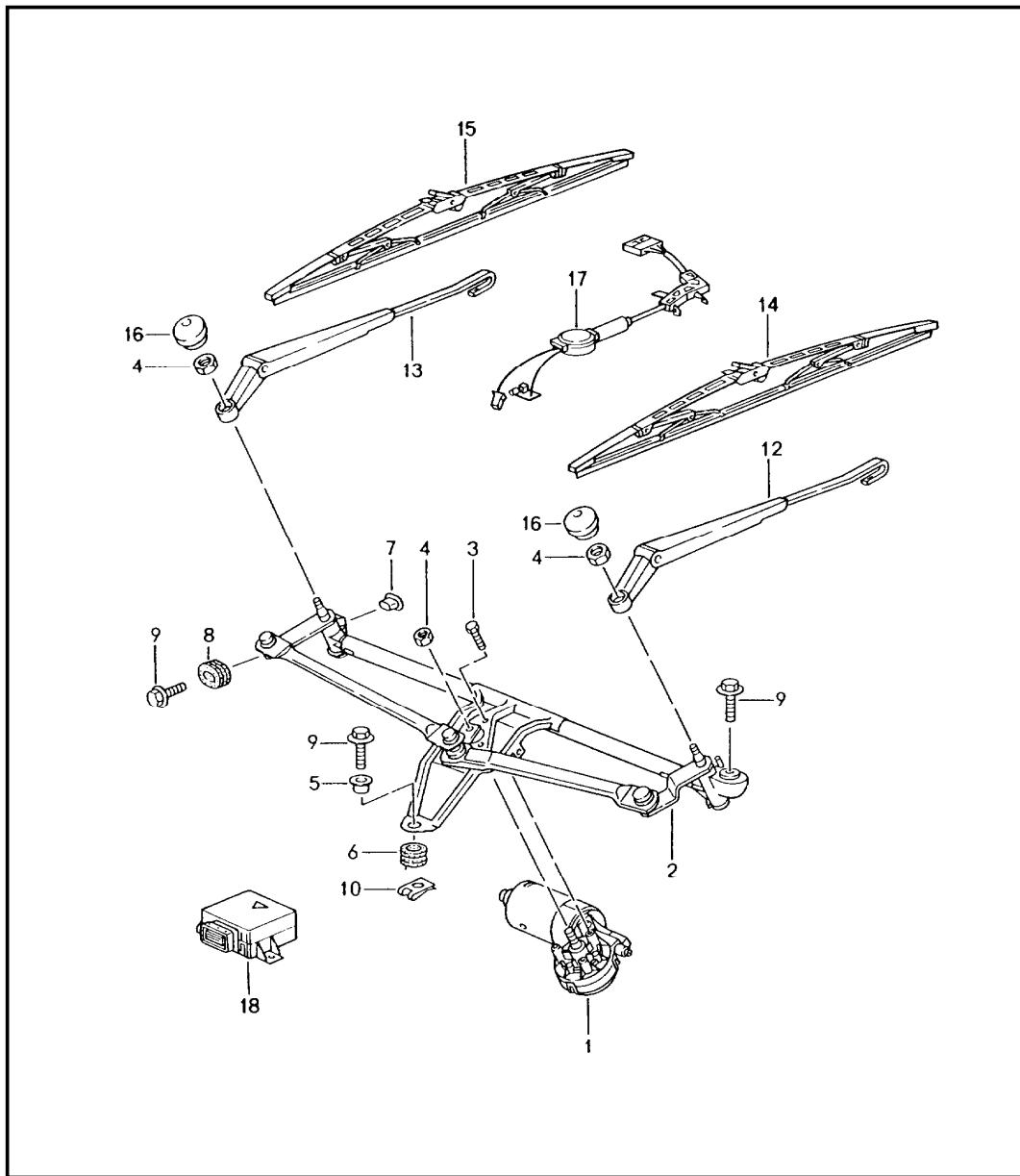


Pos	Part Number	Description	Remark	Qty	Model
1	996 613 219 10	steering column switch		1	M454/659
1	EWC	black mat/satin black		1	M454
1	996 613 217 10	steering column switch		1	M454
1	EWC	black mat/satin black		1	M659
1	996 613 215 10	steering column switch		1	M659
1	EWC	black mat/satin black		1	
1	996 613 213 10	steering column switch		1	
1	EWC	black mat/satin black		1	
-	999 652 640 40	plug socket	/L	1	
-	999 652 639 22	contact bush	/L	X	
-	999 652 641 40	plug socket	/R	1	
-	999 652 639 22	contact bush	/R	X	
-	999 650 056 40	plug socket		1	M659
-	999 650 057 40	cap		1	M659
-	999 652 901 22	contact bush		X	M659
-	999 652 972 40	plug socket		1	M454
-	999 652 973 40	cap		1	M454
-	999 652 901 22	contact bush		X	M454
2	996 613 509 00	cap with symbol	-01	1	
	A01	gloss black direction indicator light high beam			
2	996 613 509 10	cap with symbol	02-	1	
	A05	black mat direction indicator light high beam			
3	996 613 503 01	cap with symbol	-01	1	M659
	A01	gloss black			
3	996 613 503 10	cap with symbol	02-	1	M659

Model	Year	MG	SG	Illustration	Restrictions	UPD	14:54	01.02.2010	PORSCHE	PET	PORSCHE
986	2004	9	03	903-10		248					

Pos	Part Number	Description	Remark	Qty	Model	Pos	Part Number	Description	Remark	Qty	Model
	A05	black mat				7	996 552 275 00	switch housing	-98	1	
4	996 613 507 00	cap with symbol	-01	1	M288		01C	satin black			
	A01	gloss black				7	996 552 275 02	switch housing	99	1	
4	996 613 507 10	cap with symbol	02-	1	M288		01C	satin black			
	A05	black mat				(7)	996 552 275 03	switch housing	00-	1	
(4)	996 613 508 00	cap with symbol	-01	1			A03	black lacquered			
	A01	gloss black				-	996 610 206 00	support for connector housing		1	
(4)	996 613 508 10	cap with symbol	02-	1		8	993 552 277 00	cover	-99	1	
	A05	black mat					01C	satin black			
5	996 613 504 00	cap with symbol	-01	1	M454	(8)	996 552 277 00	cover	00-	1	
	A01	gloss black german					A03	black lacquered			
5	996 613 504 10	cap with symbol	02-	1	M454	9	993 552 573 00	cover		X	
	A05	black mat german					01C	satin black			
(5)	996 613 505 00	cap with symbol	-01	1	M454					1	M454
	A01	gloss black english								1	M659
(5)	996 613 505 10	cap with symbol	02-	1	M454	(9)	993 552 573 01	cover		X	
	A05	black mat english					01C	satin black			
(5)	996 613 506 00	cap with symbol	-01	1	M454						M454/659 M454 M659
	A01	gloss black french				10	900 143 002 07	tapping screw B 2,9 X 9,5		2	
(5)	996 613 506 10	cap with symbol	02-	1	M454	11	999 591 888 02	speed nut B 2,9		2	
	A05	black mat french				12	900 143 072 02	oval-head sheetmetal screw B 3,5 X 19		4	
6	996 552 273 00	switch housing	-99	1							
	01C	satin black									
(6)	996 552 273 01	switch housing	00-	1							
	A03	black lacquered									

Model	Year	MG	SG	Illustration	Restrictions	UPD	11:07	24.01.2010	PORSCHE	PET	PORSCHE
986	2004	9	04	904-00		248					

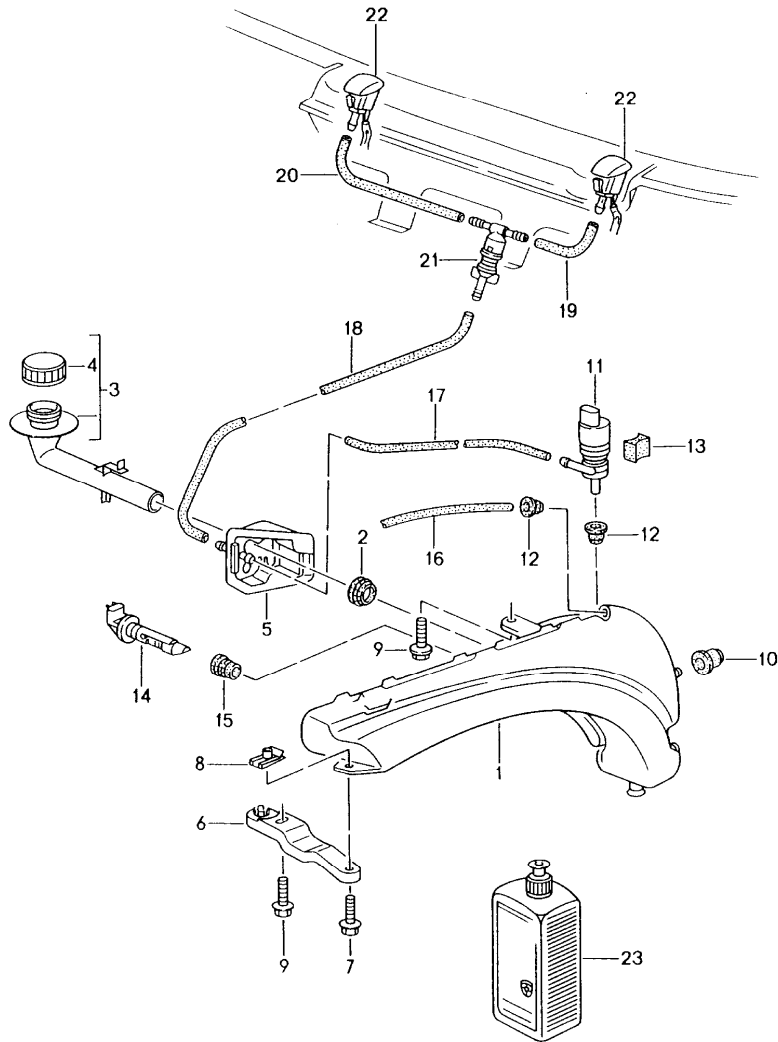


Pos	Part Number	Description	Remark	Qty	Model
		windscreen wiper system rain sensor			M265
1	A 997 624 105 00	wiper motor	/LL	1	
1	997 624 105 01	wiper motor	/LL	1	
(1)	A 997 624 106 00	wiper motor	/RL	1	
(1)	997 624 106 01	wiper motor	/RL	1	
2	997 628 235 00	crank drive	/LL	1	
(2)	997 628 236 00	crank drive	/RL	1	
3	900 075 014 02	hexagon-head bolt M 6 X 18		3	
4	900 076 064 01	hexagon nut M 8		3	
5	999 924 102 02	bearing sleeve		1	
6	999 702 204 50	rubber bush		1	
7	996 628 713 00	bearing sleeve		1	
8	996 628 703 00	rubber bush		1	
9	A 999 075 075 09	combination screw M 6 X 22 SC		3	
9	999 075 075 01	combination screw M 6 X 22 SC		3	
10	999 507 246 02	speed nut M 6		1	
12	A 986 628 028 00	wiper arm driver's side	/LL	1	
12	987 628 027 00	wiper arm driver's side	/LL	1	
(12)	A 996 628 027 01	wiper arm passenger's side	/RL	1	
(12)	997 628 030 00	wiper arm passenger's side	/RL	1	
13	A 996 628 028 01	wiper arm passenger's side	/LL	1	
13	997 628 029 00	wiper arm passenger's side	/LL	1	
(13)	A 986 628 027 00	wiper arm	/RL	1	

Model	Year	MG	SG	Illustration	Restrictions	UPD	11:07	24.01.2010	PORSCHE	PET	PORSCHE
986	2004	9	04	904-00		248					

Pos	Part Number	Description	Remark	Qty	Model	Pos	Part Number	Description	Remark	Qty	Model
(13)	987 628 028 00	wiper arm driver's side	/RL	1							
(14)	996 628 901 08	wiper blade set driver's side passenger's side see technical information GR. 9 , NR. 1/03	/LL	1							
(15)	996 628 901 08	wiper blade set driver's side passenger's side see technical information GR. 9 , NR. 1/03	/RL	1							
16	944 628 305 01	cap		2							
17	986 612 506 00	rain sensor with wiring harness		1	M265						
-	000 043 204 65	adhesive film for rain sensor see technical manual GR. 9 / 92 12 19		1	M265						
18	996 615 113 00	control unit rain sensor		1	M265						

Model	Year	MG	SG	Illustration	Restrictions	UPD	11:08	24.01.2010	PORSCHE	PET	PORSCHE
986	2004	9	04	904-10		248					

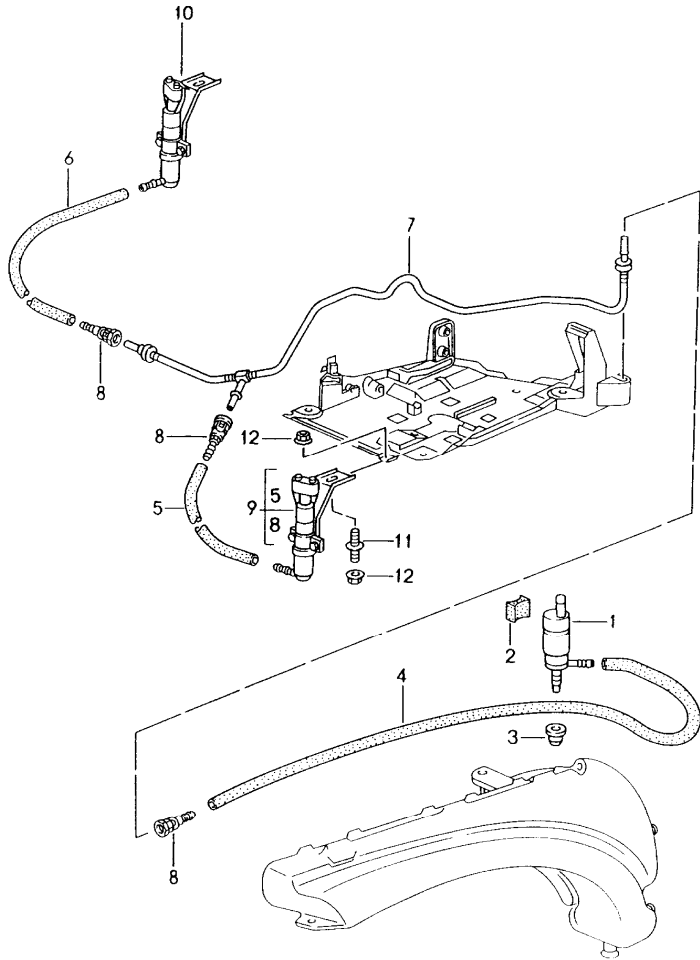


Pos	Part Number	Description	Remark	Qty	Model
		windscreen washer system			
1	996 528 701 00	water reservoir		1	M288
(1)	996 528 701 01	water reservoir		1	
2	996 528 711 00	gasket		1	
3	996 528 605 00	filler neck		1	
4	996 528 607 00	lid		1	
5	996 528 615 01	bracket		1	
-	999 137 091 40	joining socket repair material for bracket 996.528.615.00/01		X	
(6)	996 528 611 02	support		1	M288
7	900 378 030 09	hexagon-head bolt M 6 X 20		1	M288
8	999 591 882 02	speed nut M 6		1	M288
9	900 378 154 01	hexagon-head bolt AM 8 X 35 SB		1 2	M288
10	999 702 221 40	grommet		2	
11	996 628 172 00	pump		1	
12	431 955 465 B	gasket		2	
13	993 628 213 00	spacer		1	M288
14	996 628 105 00	tank gauge switch		1	
15	996 528 721 00	gasket		1	
16	999 181 347 40	breather pipe 245 MM 640 MM		*	M288
-	999 181 815 40	hose 5,0 X 2,5		*	
17	-	400 MM		1	
18	-	560 MM		1	
19	-	80 MM		1	
20	-	380 MM		1	

Model	Year	MG	SG	Illustration	Restrictions	UPD	11:08	24.01.2010	PORSCHE	PET	PORSCHE
986	2004	9	04	904-10		248					

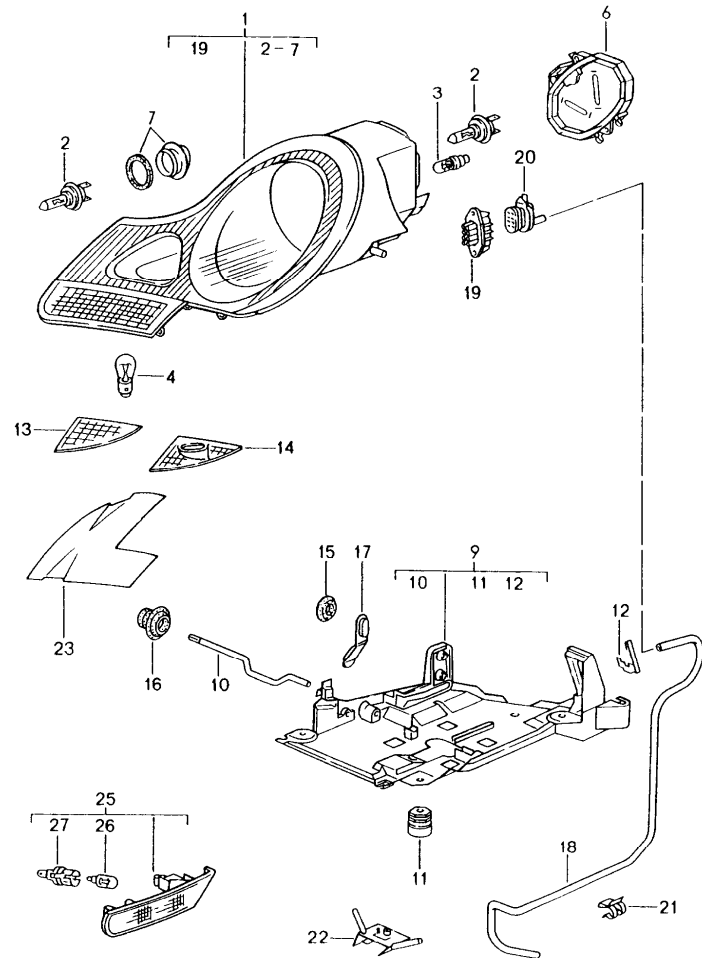
Pos	Part Number	Description	Remark	Qty	Model	Pos	Part Number	Description	Remark	Qty	Model
21	996 628 102 00	t-piece		1							
22	A 996 628 077 00	nozzle adjustable	97-98	2							
(22)	996 628 077 03	nozzle not adjustable	99-	2							
		when required order also:									
-	997 612 976 00	repair kit wiring harness		2							
23	999 901 017 41	window cleaner 250 ML summer		X							
23	999 901 033 40	window cleaner 1000 ML winter		X							

Model	Year	MG	SG	Illustration	Restrictions	UPD	11:08	24.01.2010	PORSCHE	PET	PORSCHE
986	2004	9	04	904-20		248					



Pos	Part Number	Description	Remark	Qty	Model
		headlight washer system			M288
1	996 624 502 00	pump		1	
2	993 628 213 00	spacer		1	
3	928 628 193 00	gasket without strainer		1	
(3)	996 628 393 00	gasket with strainer		1	
-	000 043 204 79	hose 8 X 3		*	
4	-	1020 MM		1	
5	-	170 MM		1	
6	-	930 MM		1	
-	999 512 673 00	hose clamp for POS. 1 + 8		X	
-	999 512 568 02	hose clamp for POS. 5 + 6		X	
7	996 628 673 00	line		1	
8	996 628 675 00	quick-connecting lock		3	
9	996 628 333 00	nozzle	/L	1	
10	996 628 334 00	nozzle	/R	1	
11	996 628 335 00	threaded bolt		2	
12	999 076 064 02	hexagon nut M 6-S		4	

Model	Year	MG	SG	Illustration	Restrictions	UPD	11:08	24.01.2010	PORSCHE	PET	PORSCHE
986	2004	9	05	905-00		248					

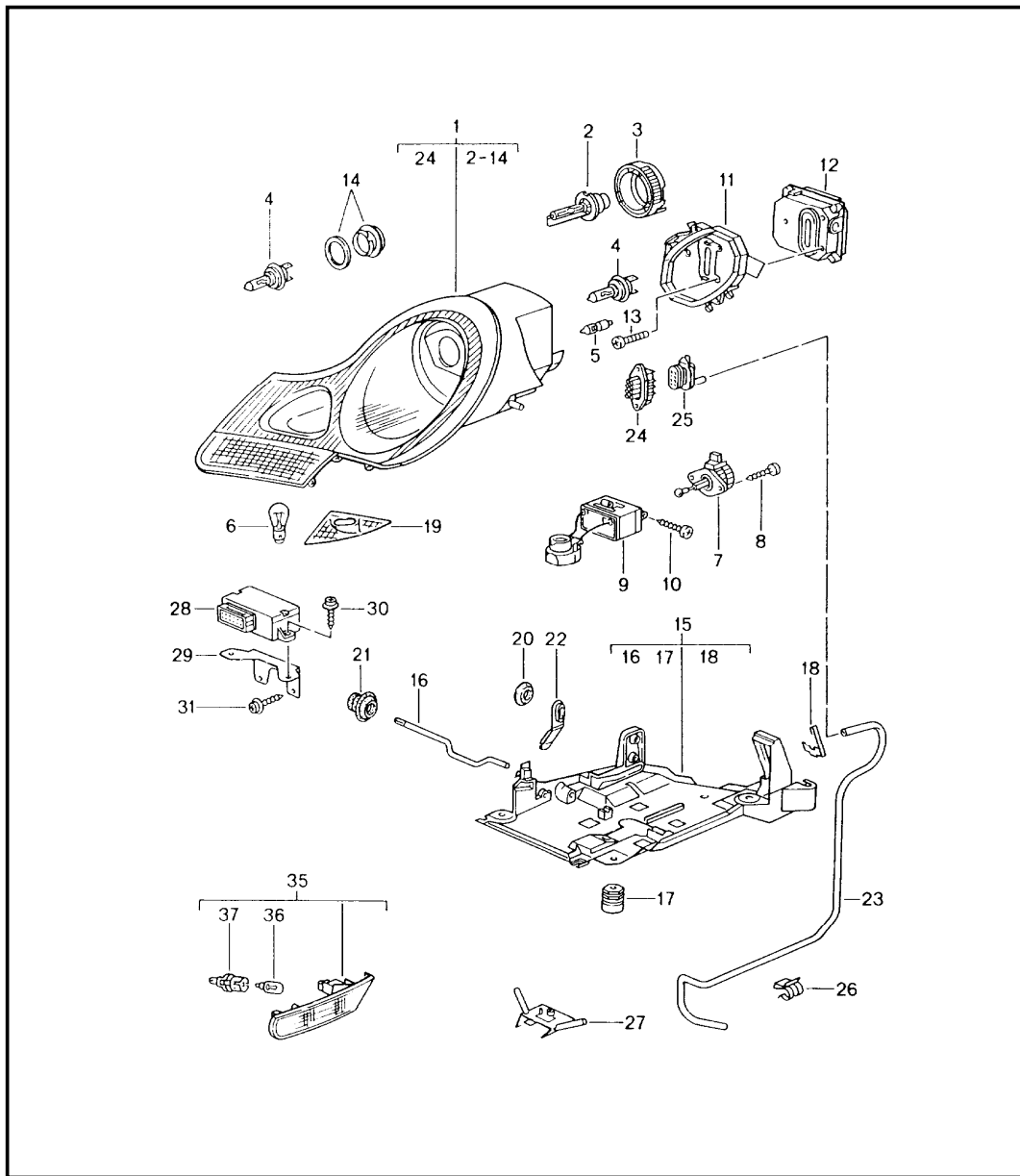


Pos	Part Number	Description	Remark	Qty	Model
		headlamp direction indicator light			
1	986 631 131 07	headlamp	/L	-02	1
1	986 631 131 17	headlamp	/L	03-	1
1	986 631 132 07	headlamp	/R	-02	1
1	986 631 132 17	headlamp	/R	03-	1
1	986 631 131 11	headlamp	/L	-02	1 M492
1	986 631 131 21	headlamp	/L	03-	1 M492
1	986 631 132 11	headlamp	/R	-02	1 M492
1	986 631 132 21	headlamp	/R	03-	1 M492
1	986 631 131 15	headlamp	/L98 (J)	-02	1 M492
1	986 631 132 15	headlamp	/R98 (J)	-02	1 M492
2	999 631 133 90	halogen bulb H 7			2
3	999 631 032 90	bulb 5 W			2
4	900 631 127 90	bulb 21 W			2
6	996 631 231 00	protective cap headlamp			2
7	996 631 233 00	protective cap fog headlamp			2
9	996 631 041 00	mounting	/L		1
(9)	996 631 042 00	mounting	/R		1
10	996 631 243 00	clamping bow			2
11	996 631 077 00	fastening part			6
12	996 631 245 00	locking device connector housing	/L		1
(12)	996 631 246 00	locking device connector housing	/R		1
13	996 631 035 00	trim cover	/L	-02	1
13	996 631 045 00	trim cover	/L	03-	1
(13)	996 631 036 00	trim cover	/R	-02	1

Model	Year	MG	SG	Illustration	Restrictions	UPD	11:08	24.01.2010	PORSCHE	PET	PORSCHE
986	2004	9	05	905-00		248					

Pos	Part Number	Description	Remark	Qty	Model	Pos	Part Number	Description	Remark	Qty	Model
(13)	996 631 046 00	trim cover	/R 03-	1		(21)	999 651 282 40	cable holder breather pipe front apron		X	
14	996 631 035 01	trim cover	/L -02	1	M288						
14	996 631 045 01	trim cover	/L 03-	1	M288	22	996 631 693 00	support mount front apron F 98VS6 02684>>		1	
(14)	996 631 036 01	trim cover	/R -02	1	M288						
(14)	996 631 046 01	trim cover when required order also: only for model year 03 headlamp right	/R 03-	1	M288	23	996 631 137 00	set cover foil headlamp for Right-hand drive vehicles in rh traffic countries		1	
-	996 631 299 00	retaining strip for trim cover	/R 03	1		(23)	996 631 138 00	set cover foil headlamp for Left-hand drive vehicles in lh traffic countries see tpi GR. 9 / NR. 15		1	
15	803 803 583 A	lid		2				direction indicator light			
16	999 703 413 40	stopper		2				direction indicator light	/L -02	1	
(17)	993 631 170 03	stopper		6				direction indicator light	03-	1	
18	996 631 641 02	breather pipe F >>98VS6 02683	/L	1		25	996 631 033 01	direction indicator light	/R -02	1	
(18)	996 631 641 03	breather pipe F 98VS6 02684>>	/L	1		25	996 631 043 01	direction indicator light	/R -02	1	
(18)	996 631 642 02	breather pipe F >>98VS6 02683	/R	1		(25)	996 631 034 01	direction indicator light	/R 03-	1	
(18)	996 631 642 03	breather pipe F 98VS6 02684>>	/R	1		-	999 652 838 40	plug socket		2	
19	999 652 832 40	connector housing headlamp		2		-	999 652 771 12	connector		4	
20	999 650 150 40	connector housing wiring harness		2		-	999 704 161 40	gasket		4	
-	999 652 744 20	connector		16		26	999 631 032 90	bulb 5 W white	-02	2	
-	999 704 161 40	gasket		16		26	999 631 138 90	bulb 5 W yellow	03-	2	
21	999 651 317 09	fastening clamp breather pipe		X		27	996 631 133 00	bulb socket	-02	2	
(21)	999 651 276 40	cable holder breather pipe wing strut		X		(27)	996 631 133 01	bulb socket	03-	2	

Model	Year	MG	SG	Illustration	Restrictions	UPD	11:08	24.01.2010	PORSCHE	PET	PORSCHE
986	2004	9	05	905-01		248					

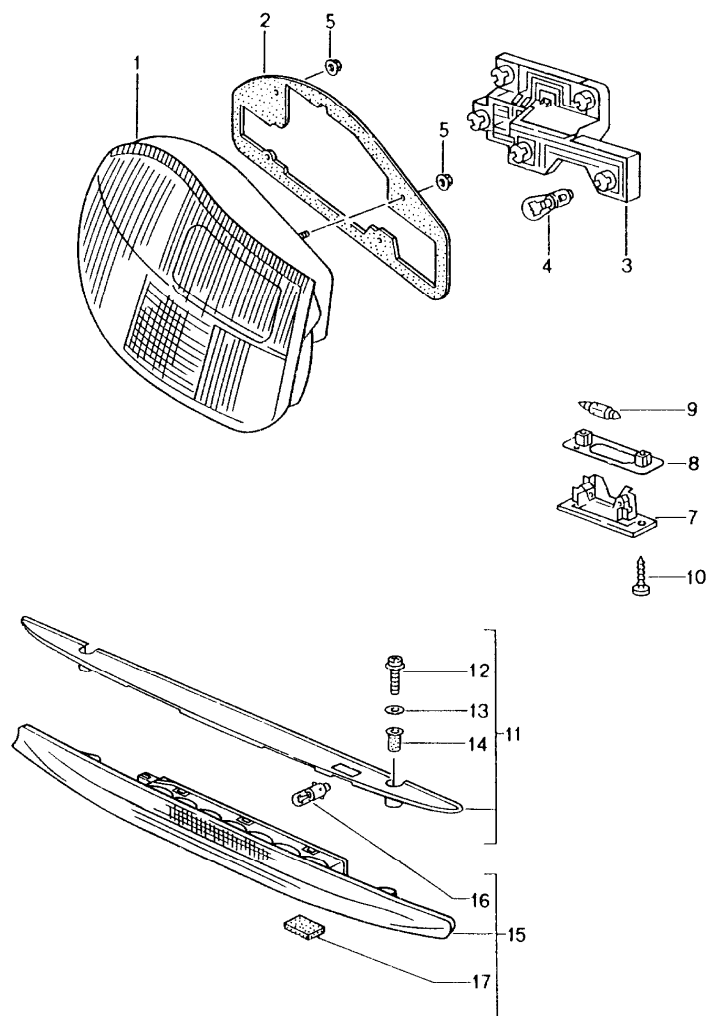


Pos	Part Number	Description	Remark	Qty	Model
		headlamp direction indicator light	99-		M601
1	996 631 157 01	headlamp	/L	1	
1	996 631 158 01	headlamp	/R	1	
1	996 631 157 04	headlamp	/L	1	M492
1	996 631 158 04	headlamp	/R	1	M492
2	999 631 036 90	bulb - PHILIPS -		2	
3	996 631 189 00	retainer		2	
4	999 631 133 90	halogen bulb H 7		4	
5	999 631 140 90	bulb H 6 W position light		2	
6	900 631 127 90	bulb 21 W direction indicator light		2	
7	996 631 125 00	electric motor headlight levelling system		2	
8	996 631 199 00	screw 3,9 X 16		4	
9	996 631 195 01	ignition control unit		2	
10	996 631 199 00	screw 3,9 X 16		4	
11	996 631 241 01	protective cap headlamp	/L	1	
(11)	996 631 242 01	protective cap headlamp	/R	1	
12	993 631 193 02	control unit		2	
13	900 146 123 02	screw M 5 X 16		6	
14	996 631 233 00	protective cap fog headlamp		2	
15	996 631 041 00	mounting	/L	1	
(15)	996 631 042 00	mounting	/R	1	
16	996 631 243 00	clamping bow		2	

Model	Year	MG	SG	Illustration	Restrictions	UPD	11:08	24.01.2010	PORSCHE	PET	PORSCHE
986	2004	9	05	905-01		248					

Pos	Part Number	Description	Remark	Qty	Model	Pos	Part Number	Description	Remark	Qty	Model
17	996 631 077 00	fastening part		6		(29)	996 618 155 13	support F 981S6 01718>> F 981U6 03481>> F 981S6 41602>> F 981U6 43728>>	-01	1	
18	996 631 245 00	locking device connector housing	/L	1							
(18)	996 631 246 00	locking device connector housing	/R	1		(29)	996 618 155 10	support	02-	1	
19	996 631 045 01	trim cover	/L	1		30	900 143 157 07	combination screw BZ 4,2 X 13 Z2		2	
(19)	996 631 046 01	trim cover	/R	1		31	999 073 169 07	tapping screw ST 4,8 X 16	-01	2	
20	803 803 583 A	lid		2		31	999 073 196 09	tapping screw ST 4,8 X 9,5	02-	1	
21	999 703 413 40	stopper		2		-	999 591 855 02	speed nut 4,8	02-	1	
22	993 631 170 03	stopper		6							
23	996 631 641 03	breather pipe	/L	1							
(23)	996 631 642 03	breather pipe	/R	1							
24	999 652 832 40	connector housing headlamp		2				sensor headlight levelling system see group 4/01/00 5/01/01	/V /H		
25	999 650 150 40	connector housing wiring harness		2				direction indicator light			
-	999 652 744 20	connector		16		35	996 631 033 01	direction indicator light	/L	1	
-	999 704 161 40	gasket		16		(35)	996 631 034 01	direction indicator light	/R	1	
26	999 651 317 09	fastening clamp breather pipe		X		-	999 652 838 40	plug socket		2	
(26)	999 651 276 40	cable holder breather pipe wing strut		X		-	999 652 771 12	connector		4	
(26)	999 651 282 40	cable holder breather pipe front apron		X		-	999 704 161 40	gasket		4	
						36	999 631 032 90	bulb 5 W		2	
27	996 631 693 00	support mount front apron		1		37	996 631 133 00	bulb socket		2	
28	996 618 151 15	control unit headlight levelling system		1							
29	996 618 155 00	support F >>981S6 01717 F >>981U6 03480 F >>981S6 41601 F >>981U6 43727		-01	1						

Model	Year	MG	SG	Illustration	Restrictions	UPD	11:08	24.01.2010	PORSCHE	PET	PORSCHE
986	2004	9	05	905-05		248					

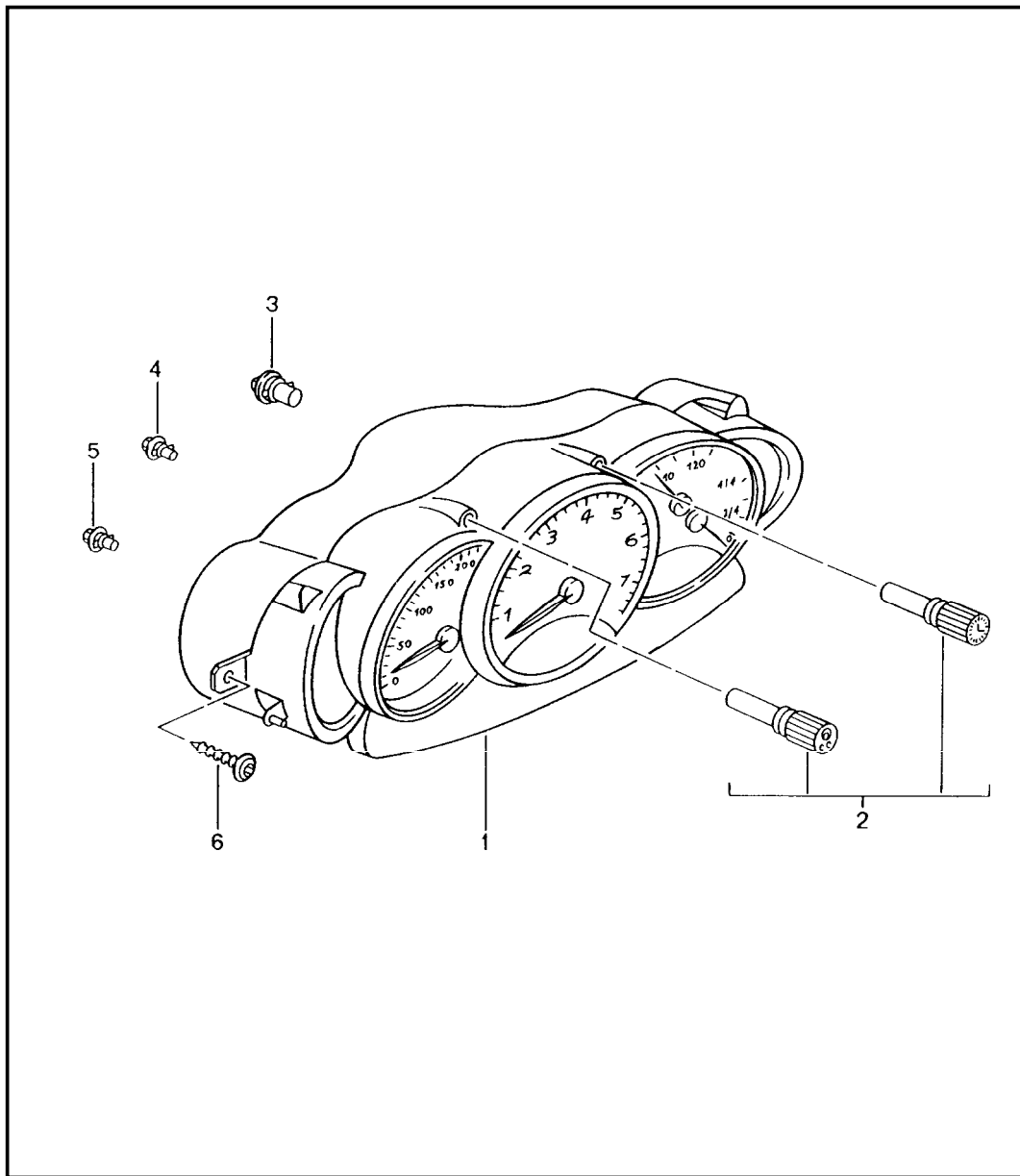


Pos	Part Number	Description	Remark	Qty	Model
		rear light license plate light additional brake light			M602
1	986 631 441 02	housing with lens use also: gasket 986.631.440.00	/L	-98	1
(1)	986 631 442 02	housing with lens use also: gasket 986.631.440.00	/R	-98	1
1	986 631 441 03	housing with lens use also: gasket	/L	-02	1
(1)	986 631 442 03	housing with lens use also: gasket 986.631.440.01	/R	-02	1
1	986 631 445 03	housing with lens use also: gasket 986.631.440.01	/L	03-	1
(1)	986 631 446 03	housing with lens use also: gasket 986.631.440.01	/R	03-	1
2	986 631 440 00	gasket 6 MM		-98	2
2	986 631 440 01	gasket 9 MM		98-	2
3	986 631 451 00	bulb holder	/L	-02	1
3	986 631 453 02	bulb holder	/L	03-	1
(3)	986 631 452 00	bulb holder	/R	-02	1

Model	Year	MG	SG	Illustration	Restrictions	UPD	11:08	24.01.2010	PORSCHE	PET	PORSCHE
986	2004	9	05	905-05		248					

Pos	Part Number	Description	Remark	Qty	Model	Pos	Part Number	Description	Remark	Qty	Model
(3)	986 631 454 02	bulb holder	/R 03-	1							
-	999 650 079 40	plug socket		2							
-	N 903 352 04	connector		12							
4	900 631 127 90	bulb 21 W white		X							
4	900 631 131 90	bulb 21 W yellow	03-	X							
4	900 631 104 90	bulb 5 W		X							
5	999 076 056 02	hexagon nut M 5		8							
7	964 631 620 00	license plate light 01C black		2							
8	993 631 166 00	desk pad		2							
9	900 631 105 90	bulb 5 W		2							
10	900 143 085 07	tapping screw 4,2 X 16		4							
11	986 631 051 00	trim cover		1	M602						
12	900 146 049 02	screw M 5 X 25		2	M602						
13	900 025 003 02	washer A 5.3		2	M602						
14	999 500 128 00	sheetmetal press nut M 5		2	M602						
15	986 631 050 00	additional brake light		1	M602						
16	900 631 019 90	bulb 3 W		7	M602						
17	996 631 105 00	desk pad		2	M602						

Model	Year	MG	SG	Illustration	Restrictions	UPD	11:09	24.01.2010	PORSCHE	PET	PORSCHE
986	2004	9	06	906-01		248					



Pos	Part Number	Description	Remark	Qty	Model
		instruments complete			
		tech. information memo TI-9-0696-BOX			
		instruments X45/X71 see group 9/06/02	01-		
		instrument cluster B O X S T E R	-00		
(1)	986 641 105 01	instrument cluster complete	-99	1	M016/481
		70C rally black			
(1)	986 641 105 05	instrument cluster complete	00	1	M016/481
		70C rally black			
(1)	986 641 106 01	instrument cluster complete	-99	1	M016/249
		70C rally black			
(1)	986 641 106 05	instrument cluster complete	00	1	M016/249
		70C rally black			
(1)	986 641 105 03	instrument cluster complete	98-99	1	M011/481
		EMR ocean jade/black			
		EBN zenith blue/black			
(1)	986 641 106 03	instrument cluster complete	98-99	1	M011/249
		EMR ocean jade/black			
		EBN zenith blue/black			
(1)	986 641 105 04	instrument cluster complete	98-99	1	M012/481
		EMS metal grey/black			
(1)	986 641 105 08	instrument cluster complete	00	1	M012/481
		EMS metal grey/black			

Model	Year	MG	SG	Illustration	Restrictions	UPD	11:09	24.01.2010	PORSCHE	PET	PORSCHE
986	2004	9	06	906-01		248					

Pos	Part Number	Description	Remark	Qty	Model	Pos	Part Number	Description	Remark	Qty	Model
(1)	986 641 106 04	instrument cluster complete	98-99	1	M012/249	(1)	986 641 107 08	instrument cluster complete	(GB) 00	1	M481 M012
	EMS	metal grey/black					EMS	metal grey/black			
(1)	986 641 106 08	instrument cluster complete	00	1	M012/249	(1)	986 641 108 04	instrument cluster complete	(GB) 98-99	1	M249 M012
	EMS	metal grey/black					EMS	metal grey/black			
(1)	986 641 107 01	instrument cluster complete	(GB) -99	1	M481 M016	(1)	986 641 108 08	instrument cluster complete	(GB) 00	1	M249 M012
	70C	rally black					EMS	metal grey/black			
(1)	986 641 107 05	instrument cluster complete	(GB) 00	1	M481 M016		EMS	metal grey/black			
	70C	rally black						instrument cluster B O X S T E R	01-		
(1)	986 641 108 01	instrument cluster complete	(GB) -99	1	M249 M016	(1)	986 641 205 06	instrument cluster complete	01-	1	M016/481
	70C	rally black					70C	rally black			
(1)	986 641 108 05	instrument cluster complete	(GB) 00	1	M249 M016	(1)	986 641 225 04	instrument cluster complete	02-	1	M016/481 M659
	70C	rally black					70C	rally black			
(1)	986 641 107 03	instrument cluster complete	(GB) 98-99	1	M481 M011	(1)	986 641 206 06	instrument cluster complete	01-	1	M016/249
	EMR	ocean jade/black					70C	rally black			
	EBN	zenith blue/black				(1)	986 641 226 04	instrument cluster complete	02-	1	M016/249 M659
(1)	986 641 108 03	instrument cluster complete	(GB) 98-99	1	M249 M011		70C	rally black			
	EMR	ocean jade/black				(1)	986 641 207 06	instrument cluster complete	(GB) 01-	1	M481 M016
	EBN	zenith blue/black					70C	rally black			
(1)	986 641 107 04	instrument cluster complete	(GB) 98-99	1	M481 M012	(1)	986 641 227 04	instrument cluster complete	(GB) 02-	1	M481 M016/659
	EMS	metal grey/black					70C	rally black			

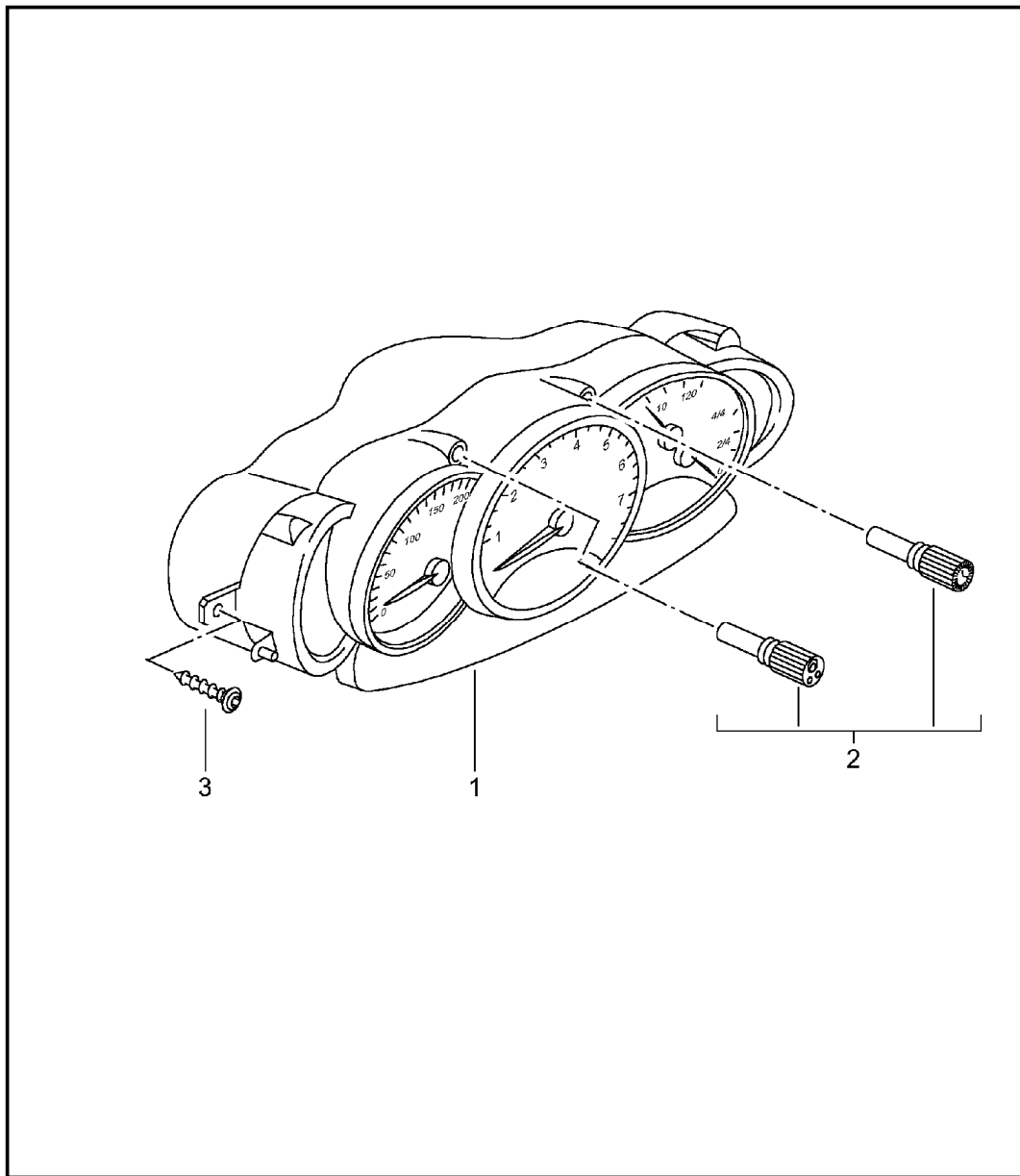
Model	Year	MG	SG	Illustration	Restrictions	UPD	11:09	24.01.2010	PORSCHE	PET	PORSCHE
986	2004	9	06	906-01		248					

Pos	Part Number	Description	Remark	Qty	Model	Pos	Part Number	Description	Remark	Qty	Model
(1)	986 641 208 06	instrument cluster complete 70C rally black	(GB) 01-	1	M249 M016			instrument cluster B O X S T E R S			M008
(1)	986 641 228 04	instrument cluster complete 70C rally black	(GB) 02-	1	M249 M016/659	(1)	986 641 115 00	instrument cluster complete EOD black/silver	00	1	M008/480
(1)	986 641 205 07	instrument cluster complete EMS metal grey/black	01-	1	M012/481	(1)	986 641 116 00	instrument cluster complete EOD black/silver	00	1	M008/249
(1)	986 641 225 05	instrument cluster complete EMS metal grey/black	02-	1	M012/481 M659	(1)	986 641 117 00	instrument cluster complete EOD black/silver	(GB) 00	1	M008 M480
(1)	986 641 206 07	instrument cluster complete EMS metal grey/black	01-	1	M012/249	(1)	986 641 118 00	instrument cluster complete EOD black/silver	(GB) 00	1	M008 M249
(1)	986 641 226 05	instrument cluster complete EMS metal grey/black	02-	1	M012/249 M659	(1)	986 641 215 03	instrument cluster complete FHB black/silver	01-	1	M008/480
(1)	986 641 207 07	instrument cluster complete EMS metal grey/black	(GB) 01-	1	M481 M012	(1)	986 641 235 02	instrument cluster complete FHB black/silver	02-	1	M008/480 M659
(1)	986 641 227 05	instrument cluster complete EMS metal grey/black	(GB) 02-	1	M481 M012/659	(1)	986 641 216 03	instrument cluster complete FHB black/silver	01-	1	M008/249
(1)	986 641 208 07	instrument cluster complete EMS metal grey/black	(GB) 01-	1	M249 M012	(1)	986 641 236 02	instrument cluster complete FHB black/silver	02-	1	M008/249 M659
(1)	986 641 228 05	instrument cluster complete EMS metal grey/black	(GB) 02-	1	M249 M012/659	(1)	986 641 217 03	instrument cluster complete FHB black/silver	(GB) 01-	1	M008 M480
						(1)	986 641 237 02	instrument cluster complete FHB black/silver	(GB) 02-	1	M008 M480/659

Model	Year	MG	SG	Illustration	Restrictions	UPD	11:09	24.01.2010	PORSCHE	PET	PORSCHE
986	2004	9	06	906-01		248					

Pos	Part Number	Description	Remark	Qty	Model	Pos	Part Number	Description	Remark	Qty	Model
(1)	986 641 218 03	FHB black/silver instrument cluster complete	(GB) 01-	1	M008 M249	(6)	999 919 188 09	oval-head screw 5,0 X 30		2	
(1)	986 641 238 02	FHB black/silver instrument cluster complete	(GB) 02-	1	M008 M249/659	-	999 920 012 40	plug-in nut 5,0 X 3,5 X 8		2	
(1)	986 641 245 00	FHB black/silver instrument cluster complete		04	M008/091 M480/659						
(1)	986 641 246 00	70C rally black instrument cluster complete		04	M008/091 M249/659						
(1)	986 641 247 00	70C rally black instrument cluster complete	(GB) 04	1	M008 M091/480 M659						
(1)	986 641 248 00	70C rally black instrument cluster complete	(GB) 04	1	M008 M091/249 M659						
(2)	996 641 911 00	70C rally black knob actuator trip meter and clock		1							
(3)	999 631 304 90	glass-base bulb 12 V 3 W		-00	X						
(4)	999 631 303 90	glass-base bulb 12 V 1,5 W		-00	X						
(5)	999 631 302 90	glass-base bulb 12 V 1,2 W		-00	X						
(6) W	999 919 119 09	oval-head screw 5,0 X 22		2							

Model	Year	MG	SG	Illustration	Restrictions	UPD	11:09	24.01.2010	PORSCHE	PET	PORSCHE
986	2004	9	06	906-02		248					



Pos	Part Number	Description	Remark	Qty	Model
		instruments complete	01-		IX45/X71
		instrument cluster B O X S T E R dial lacquered interior colour			IX45
(1)	986 641 980 64	instrument cluster complete	01	1	M481
	J33	nephrite green			
	C53	graphite grey			
	S33	savanna			
	G13	metropole blue			
	M33	boxster red			
	P13	cinnamon brown			
	D12	dark grey/natural			
	T12	brown/natural			
(1)	986 641 981 25	instrument cluster complete	02-	1	M481/659
	J33	nephrite green			
	C53	graphite grey			
	S33	savanna			
	G13	metropole blue			
	M33	boxster red			
	P13	cinnamon brown			
	D12	dark grey/natural			
	T12	brown/natural			
(1)	986 641 980 66	instrument cluster complete	(GB) 01	1	M481
	J33	nephrite green			
	C53	graphite grey			
	S33	savanna			
	G13	metropole blue			

Model	Year	MG	SG	Illustration	Restrictions	UPD	11:09	24.01.2010	PORSCHE	PET	PORSCHE
986	2004	9	06	906-02		248					

Pos	Part Number	Description	Remark	Qty	Model	Pos	Part Number	Description	Remark	Qty	Model
	M33	boxster red					M33	boxster red			
	P13	cinnamon brown					P13	cinnamon brown			
	D12	dark grey/natural					D12	dark grey/natural			
	T12	brown/natural					T12	brown/natural			
(1)	986 641 981 27	instrument cluster complete	(GB)	02-	1 M481 M659	(1)	986 641 980 67	instrument cluster complete	(GB)	01	1 M249
	J33	nephrite green					J33	nephrite green			
	C53	graphite grey					C53	graphite grey			
	S33	savanna					S33	savanna			
	G13	metropole blue					G13	metropole blue			
	M33	boxster red					M33	boxster red			
	P13	cinnamon brown					P13	cinnamon brown			
	D12	dark grey/natural					D12	dark grey/natural			
	T12	brown/natural					T12	brown/natural			
(1)	986 641 980 65	instrument cluster complete		01	1 M249	(1)	986 641 981 28	instrument cluster complete	(GB)	02-	1 M249 M659
	J33	nephrite green					J33	nephrite green			
	C53	graphite grey					C53	graphite grey			
	S33	savanna					S33	savanna			
	G13	metropole blue					G13	metropole blue			
	M33	boxster red					M33	boxster red			
	P13	cinnamon brown					P13	cinnamon brown			
	D12	dark grey/natural					D12	dark grey/natural			
	T12	brown/natural					T12	brown/natural			
(1)	986 641 981 26	instrument cluster complete		02-	1 M249/659			instrument cluster B O X S T E R dial aluminium			IX71
	J33	nephrite green									
	C53	graphite grey				(1)	986 641 983 75	instrument cluster complete	01-	1	M481
	S33	savanna									
	G13	metropole blue					70C	rally black			

Model	Year	MG	SG	Illustration	Restrictions	UPD	11:09	24.01.2010	PORSCHE	PET	PORSCHE
986	2004	9	06	906-02		248					

Pos	Part Number	Description	Remark	Qty	Model	Pos	Part Number	Description	Remark	Qty	Model
(1)	986 641 981 75	instrument cluster complete		02-	1 M481/659		P13	cinnamon brown			
	70C	rally black					D12	dark grey/natural			
							T12	brown/natural			
(1)	986 641 983 77	instrument cluster complete	(GB)	01-	1 M481	(1)	986 641 982 25	instrument cluster complete	02-	1	M008/480 M659
	70C	rally black					A03	black			
(1)	986 641 981 77	instrument cluster complete	(GB)	02-	1 M481 M659		J33	nephrite green			
	70C	rally black					C53	graphite grey			
(1)	986 641 983 76	instrument cluster complete		01-	1 M249		S33	savanna			
	70C	rally black					G13	metropole blue			
(1)	986 641 981 76	instrument cluster complete		02-	1 M249/659		M33	boxster red			
	70C	rally black					P13	cinnamon brown			
(1)	986 641 983 78	instrument cluster complete	(GB)	01-	1 M249	(1)	986 641 980 92	instrument cluster complete	(GB)	01	1 M008 M480
	70C	rally black					D12	dark grey/natural			
(1)	986 641 981 78	instrument cluster complete	(GB)	02-	1 M249 M659		T12	brown/natural			
	70C	rally black					A03	black			
		instrument cluster					J33	nephrite green			
		B O X S T E R S					C53	graphite grey			
		dial					S33	savanna			
		lacquered					G13	metropole blue			
		interior colour					M33	boxster red			
(1)	986 641 980 90	instrument cluster complete		01	1 M008/480	(1)	986 641 982 27	instrument cluster complete	(GB)	02-	1 M008 M480/659
	A03	black					A03	black			
	J33	nephrite green					D12	dark grey/natural			
	C53	graphite grey					T12	brown/natural			
	S33	savanna									
	G13	metropole blue									
	M33	boxster red									

Model	Year	MG	SG	Illustration	Restrictions	UPD	11:09	24.01.2010	PORSCHE	PET	PORSCHE
986	2004	9	06	906-02		248					

Pos	Part Number	Description	Remark	Qty	Model	Pos	Part Number	Description	Remark	Qty	Model
	C53	graphite grey				(1)	986 641 980 93	instrument cluster	(GB)	01	1 M008 M249
	S33	savanna						complete			
	G13	metropole blue					A03	black			
	M33	boxster red					J33	nephrite green			
	P13	cinnamon brown					C53	graphite grey			
	D12	dark grey/natural					S33	savanna			
	T12	brown/natural					G13	metropole blue			
(1)	986 641 980 91	instrument cluster complete	01	1	M008/249		M33	boxster red			
	A03	black					P13	cinnamon brown			
	J33	nephrite green					D12	dark grey/natural			
	C53	graphite grey					T12	brown/natural			
	S33	savanna				(1)	986 641 982 28	instrument cluster	(GB)	02-	1 M008 M249/659
	G13	metropole blue						complete			
	M33	boxster red					A03	black			
	P13	cinnamon brown					J33	nephrite green			
	D12	dark grey/natural					C53	graphite grey			
	T12	brown/natural					S33	savanna			
(1)	986 641 982 26	instrument cluster complete	02-	1	M008/249 M659		G13	metropole blue			
	A03	black					M33	boxster red			
	J33	nephrite green					P13	cinnamon brown			
	C53	graphite grey					D12	dark grey/natural			
	S33	savanna					T12	brown/natural			
	G13	metropole blue				2	996 641 911 00	knob actuator trip meter and clock			2
	M33	boxster red									
	P13	cinnamon brown				3	999 919 188 09	oval-head screw 5,0 X 30			2
	D12	dark grey/natural									
	T12	brown/natural									

PORSCHE

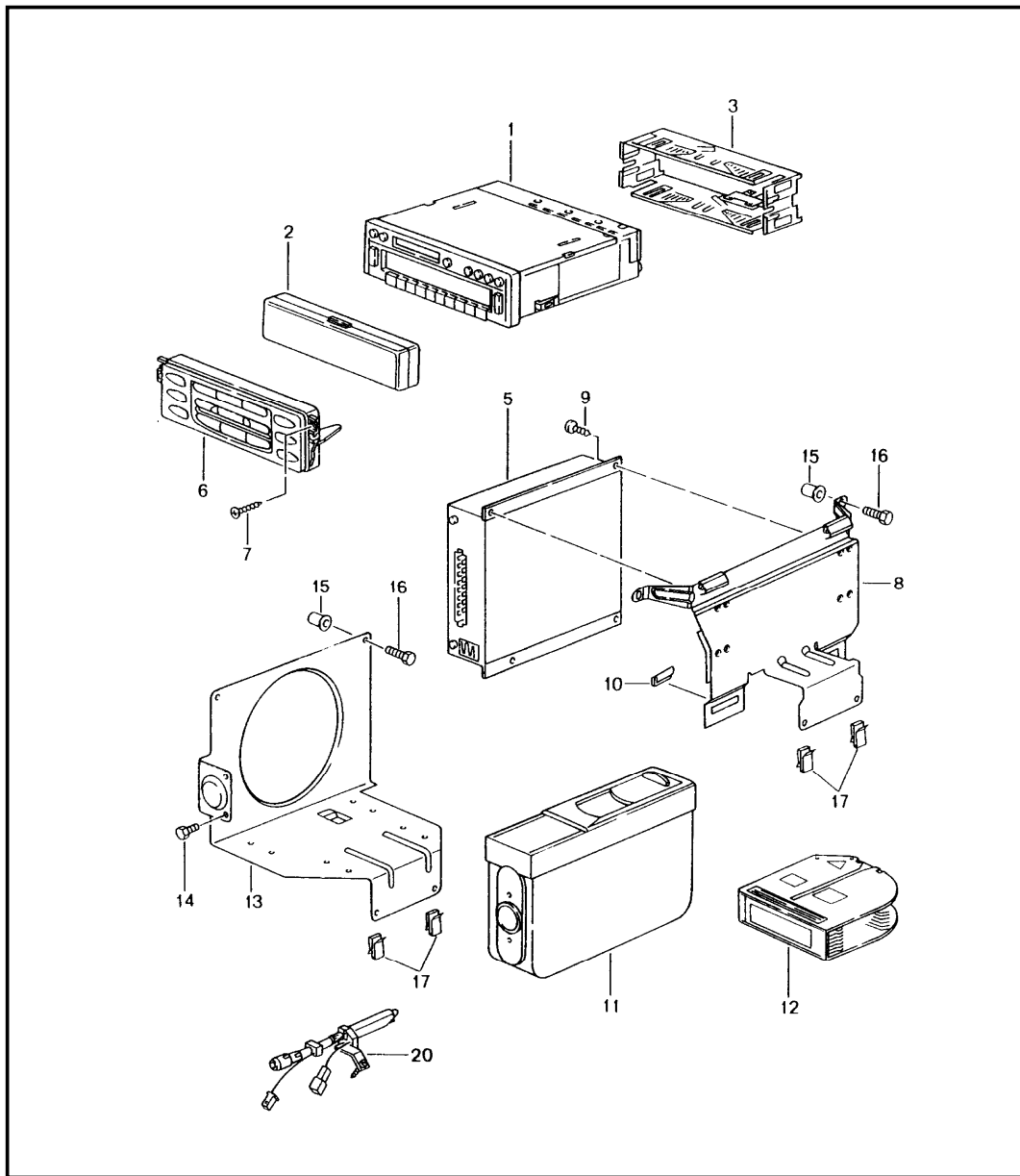
PET

PORSCHE

Model	Year	MG	SG	Illustration	Restrictions	UPD	11:09	24.01.2010
986	2004	9	07	907-00		248		

Pos	Part Number	Description	Remark	Qty	Model
		<p>cruise control</p> <p>see group</p> <p>4/03/05</p>			

Model	Year	MG	SG	Illustration	Restrictions	UPD	11:09	24.01.2010	PORSCHE	PET	PORSCHE
986	2004	9	11	911-00		248					

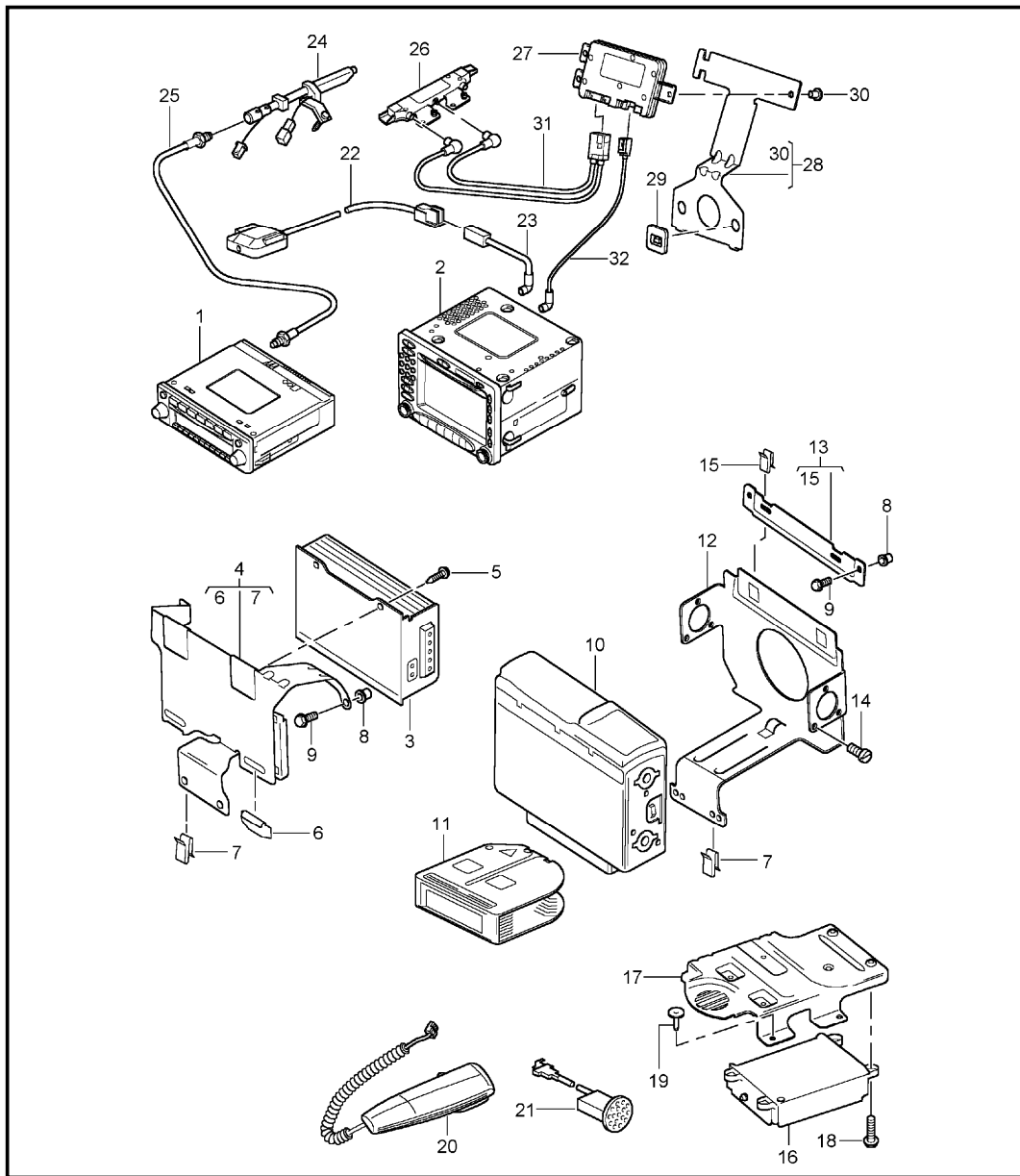


Pos	Part Number	Description	Remark	Qty	Model
		radio booster	-02 -02		
1	> 993 645 118 01	radio CR - 31	-98	1	M330
1	> 993 645 116 01	radio CR - 21	-98	1	M326
1	> 993 645 115 01	radio CR - 11	-98	1	M320
1	> 993 645 119 01	radio CDR - 21	-98	1	M686
2	993 645 190 00	case for control part radio	-98	1	
		new design radio see catalogue - TEQUIPMENT -	99-		
(2)	996 645 190 00	case for control part radio	99-	1	
3	993 645 173 00	retaining frame	-98	1	
-	996 645 106 00	alarm contact plate for radio	99-	1	
5	986 645 301 03	booster	-00	1	M490
(5)	> 986 645 323 00	booster	01-	1	M490
-	996 610 149 00	cap connector housing booster		1	M490
(5)	986 645 302 01	booster digital sound processing	98	1	M680
(5)	986 645 312 00	booster digital sound processing	-00	1	M680
(5)	986 645 324 01	booster digital sound processing	01	1	M680
(5)	986 645 338 00	booster bose	02	1	M680

Model	Year	MG	SG	Illustration	Restrictions	UPD	11:09	24.01.2010	PORSCHE	PET	PORSCHE
986	2004	9	11	911-00		248					

Pos	Part Number	Description	Remark	Qty	Model	Pos	Part Number	Description	Remark	Qty	Model
(5)	996 645 341 00	additional amplifier bose		02	1 M680	20	A 986 647 105 00	antenna booster		1	
-	996 610 151 00	cap connector housing booster	/LL	02	1 M680	20	987 647 105 00	antenna booster		1	
-	996 610 150 01	cover connector housing booster	/RL	02	1 M680	-	986 612 072 00	connecting cable antenna booster radio		1	
-	996 610 152 00	cap connector housing additional amplifier		02	1 M680						
6	996 645 201 02	control part		-01	1 M680						
	EFR	gloss black									
7	999 919 182 09	oval-head screw 4,0 X 20		-01	2 M680						
8	996 646 025 01	support		-01	1 M490/680						
8	996 646 025 01	support		02	1 M490						
(8)	996 645 255 11	support		02	1 M680						
9	900 143 031 02	oval-head sheetmetal screw 4,2 X 9,5			2 M490/680						
10	999 507 510 02	u-clamp			2 M490/680						
-	999 073 048 02	tapping screw 3,5 X 13		02	1 M680						
11	> 993 645 130 00	cd changer CDC - 3			1 M692						
12	993 645 113 00	magazine for cd changer			1 M692						
13	996 645 221 00	support	/LL		1 M689/692						
(13)	996 645 222 00	support	/RL		1 M689/692						
14	999 075 067 09	combination screw M 4 X 8 KO			6						
15	999 500 078 00	sheetmetal press nut M 6			4						
16	900 378 188 09	hexagon-head bolt M 6 X 20			4						
17	999 507 532 02	u-clamp			4						

Model	Year	MG	SG	Illustration	Restrictions	UPD	11:09	24.01.2010	PORSCHE	PET	PORSCHE
986	2004	9	11	911-01		248					



Pos	Part Number	Description	Remark	Qty	Model
1	-	radio booster navigation system telephone	03- 03- 03- 03-		
2	A 996 642 204 02	control part	03	1	M665
	A05	black mat see technical information GR.9 , NR. 4/03 GR.9 , NR. 5/03			
2	A 996 642 204 03	control part	03	1	M665
	A05	black mat see technical information GR.9 , NR. 4/03 GR.9 , NR. 5/03 GR.9 , NR.10/03			
2	A 996 642 204 04	control part	03	1	M665
	A05	black mat see technical information GR.9 , NR. 4/03 GR.9 , NR. 5/03 GR.9 , NR.10/03			
2	A 996 642 204 05	control part	03-	1	M665
	A05	black mat see technical information GR.9 , NR. 10/03			
2	A 996 642 204 06	control part	03-	1	M665
	A05	black mat see technical information GR.9 , NR. 10/03			
2	> 996 642 204 07	control part	03-	1	M665
	A05	black mat see technical information GR.9 , NR. 10/03			
(2)	A 996 642 214 02	control part	03	1	M490/665/680
	A05	black mat see technical information GR.9 , NR. 4/03 GR.9 , NR. 5/03			

Model	Year	MG	SG	Illustration	Restrictions	UPD	11:09	24.01.2010	PORSCHE	PET	PORSCHE
986	2004	9	11	911-01		248					

Pos	Part Number	Description	Remark	Qty	Model	Pos	Part Number	Description	Remark	Qty	Model
(2)	A 996 642 214 03	control part		03	1 M490/665/680	-	A 996 642 030 01	cd-rom navigation system		03	1 M670
	A05	black mat see technical information GR.9 , NR. 4/03 GR.9 , NR. 5/03				-	A 996 642 030 02	cd-rom navigation system see technical information GR.9 , NR. 10/03		04	1 M670
(2)	A 996 642 214 04	control part		03	1 M490/665/680	-	A 996 642 034 01	cd-rom navigation system	(ZA)	04	1 M670
	A05	black mat see technical information GR.9 , NR. 4/03 GR.9 , NR. 5/03 GR.9 , NR.10/03				-	996 642 034 02	cd-rom navigation system see technical information GR.9 , NR. 10/03	(ZA)	04	1 M670
(2)	A 996 642 214 05	control part		03-	1 M490/665/680	-	996 642 035 01	cd-rom navigation system see technical information GR.9 , NR. 10/03		04	1 (SA) , (AG) M670
	A05	black mat see technical information GR.9 , NR. 10/03				-	A 996 642 036 01	cd-rom	(AUS)	04	1 M670
(2)	A 996 642 214 06	control part		03-	1 M490/665/680	-	996 642 036 02	cd-rom navigation system see technical information GR.9 , NR. 10/03	(AUS)	04	1 M670
	A05	black mat see technical information GR.9 , NR. 10/03				-	996 642 037 01	cd-rom navigation system		04	1 /M 074 M068 M670
(2)	> 996 642 214 07	control part		03-	1 M490/665/680			see technical information GR. 9 , NR. 10/03			
	A05	black mat see technical information GR.9 , NR. 10/03									
-	996 642 951 00	rotary knob for POS. 2	/L	03-	1						
-	996 642 952 00	rotary knob for POS. 2	/R	03-	1	3 U 996 645 331 01	booster see technical information GR.9 , NR. 4/03 GR.9 , NR. 5/03			03	1 M490
-	996 642 941 00	cover Drawer SIM card for POS. 2		03-	1	3 A 996 645 331 02	booster see technical information GR.9 , NR. 4/03 GR.9 , NR. 5/03			03	1 M490
-	A 996 642 205 01	module navigation system		03	1 M670	3 > 996 645 331 03	booster see technical information GR.9 , NR. 4/03 GR.9 , NR. 5/03			03-	1 M490
-	> 996 642 205 02	module navigation system		03-	1 M670	(3) U 996 645 333 02	booster see technical information GR.9 , NR. 4/03 GR.9 , NR. 5/03	/LL		03	1 M680
-	A 996 642 030 00	cd-rom navigation system see technical information GR.9 , NR. 10/03		03	1 M670						

Model	Year	MG	SG	Illustration	Restrictions	UPD	11:09	24.01.2010	PORSCHE	PET	PORSCHE
986	2004	9	11	911-01		248					

Pos	Part Number	Description	Remark	Qty	Model	Pos	Part Number	Description	Remark	Qty	Model
(3)	A 996 645 333 03	booster see technical information GR.9 , NR. 4/03 GR.9 , NR. 5/03 GR.9 , NR.10/03	/LL 03	1	M680	5	900 143 031 02	tapping screw 4,2 X 9,5		2	M490/680
(3)	A 996 645 333 04	booster see technical information GR.9 , NR. 4/03 GR.9 , NR. 5/03 GR.9 , NR.10/03	/LL 03	1	M680	6	999 507 510 02	u-clamp		2	M490/680
(3)	A 996 645 333 05	booster	/LL 03-	1	M680	7	999 507 532 02	u-clamp		X	
(3)	> 996 645 333 07	booster see technical information GR.9 , NR. 14/03 GR.9 , NR. 10/03	/LL 03-	1	M680	8	999 500 078 00	sheetmetal press nut M 6		X	
(3)	U 996 645 332 01	booster see technical information GR.9 , NR. 4/03 GR.9 , NR. 5/03	/RL 03	1	M680	9	900 378 188 09	hexagon-head bolt M 6 X 20		X	
(3)	A 996 645 332 03	booster see technical information GR.9 , NR. 4/03 GR.9 , NR. 5/03 GR.9 , NR.10/03	/RL 03	1	M680	10	A 997 645 140 02	cd changer CDC 4 adjustment installation attention see technical information GR.9 , NR. 4/03 GR.9 , NR. 5/03		1	M692
(3)	A 996 645 332 04	booster see technical information GR.9 , NR. 4/03 GR.9 , NR. 5/03 GR.9 , NR.10/03	/RL 03	1	M680	10	> 997 645 140 03	cd changer CDC 4 adjustment installation attention see technical information GR.9 , NR. 4/03 GR.9 , NR. 5/03		1	
(3)	A 996 645 332 05	booster see technical information GR.9 , NR. 14/03 GR.9 , NR. 10/03	/RL 03-	1	M680	11	996 645 113 00	magazine cd changer		1	M692
(3)	> 996 645 332 07	booster see technical information GR.9 , NR. 14/03 GR.9 , NR. 10/03	/RL 03-	1	M680	12	996 645 225 00	support		1	M692
-	996 610 151 00	cap connector housing booster	/LL	1	M490/680	13	996 645 227 00	support		1	M692
-	996 610 150 01	cap connector housing booster	/RL	1	M490/680	14	N 014 128 13	oval-head screw M 5 X 8		6	M692
4	996 645 255 01	support		1	M490/680	15	999 591 954 09	u-clamp		2	M692
						16	A 996 642 207 01	control unit telephone see technical information GR.9 , NR. 4/03 GR.9 , NR. 5/03	03	1	M666
						16	A 996 642 207 02	control unit telephone see technical information GR.9 , NR. 4/03 GR.9 , NR. 5/03	03	1	M666

Model	Year	MG	SG	Illustration	Restrictions	UPD	11:09	24.01.2010	PORSCHE	PET	PORSCHE
986	2004	9	11	911-01		248					

Pos	Part Number	Description	Remark	Qty	Model	Pos	Part Number	Description	Remark	Qty	Model
16	A 996 642 207 04	control unit telephone see technical information GR.9 , NR. 4/03 GR.9 , NR. 5/03	03	1	M666		C53	graphite grey			
							S33	savanna			
							G13	metropole blue			
16	A 996 642 207 05	control unit telephone see technical information GR.9 , NR. 9/04		1	M666		J33	nephrite green			
							M33	boxster red			
							P13	cinnamon brown			
16	A 997 646 207 01	control unit telephone		1	M666	(21)	996 646 308 02	microphone	/RL	1	M618/666
16	> 997 646 207 02	control unit MOTOROLA telephone		1	M666		A03	black			
							C02	metal grey			
16	> 997 646 208 04	control unit HARMAN - BECKER telephone		1	M666		C53	graphite grey			
							S33	savanna			
		when required order also:					G13	metropole blue			
-	997 612 989 00	connecting line adapter for control unit 997.646.208.04		1	M666		J33	nephrite green			
							M33	boxster red			
							P13	cinnamon brown			
17	996 642 216 00	support		1	M666	(21)	996 646 307 05	microphone	/LL	04	1 M091/618 M666
18	900 378 035 01	hexagon-head bolt M 6 X 16		2	M666		M7Z	gt silver metallic			
19	999 073 060 02	tapping screw 4,8 X 13		4	M666	(21)	996 646 308 05	microphone	/RL	04	1 M091/618 M666
		antenna telephone see group 9 /11/10					M7Z	gt silver metallic			
20	996 642 212 02	receiver telephone		1	M668	(21)	996 646 307 03	microphone	/LL	1	M618/666 M680
		bracket telephone see group 9 /11/10					A03	black			
							C02	metal grey			
21	996 646 307 02	microphone	/LL	1	M618/666		C53	graphite grey			
	A03	black					S33	savanna			
	C02	metal grey					G13	metropole blue			
							J33	nephrite green			
							M33	boxster red			

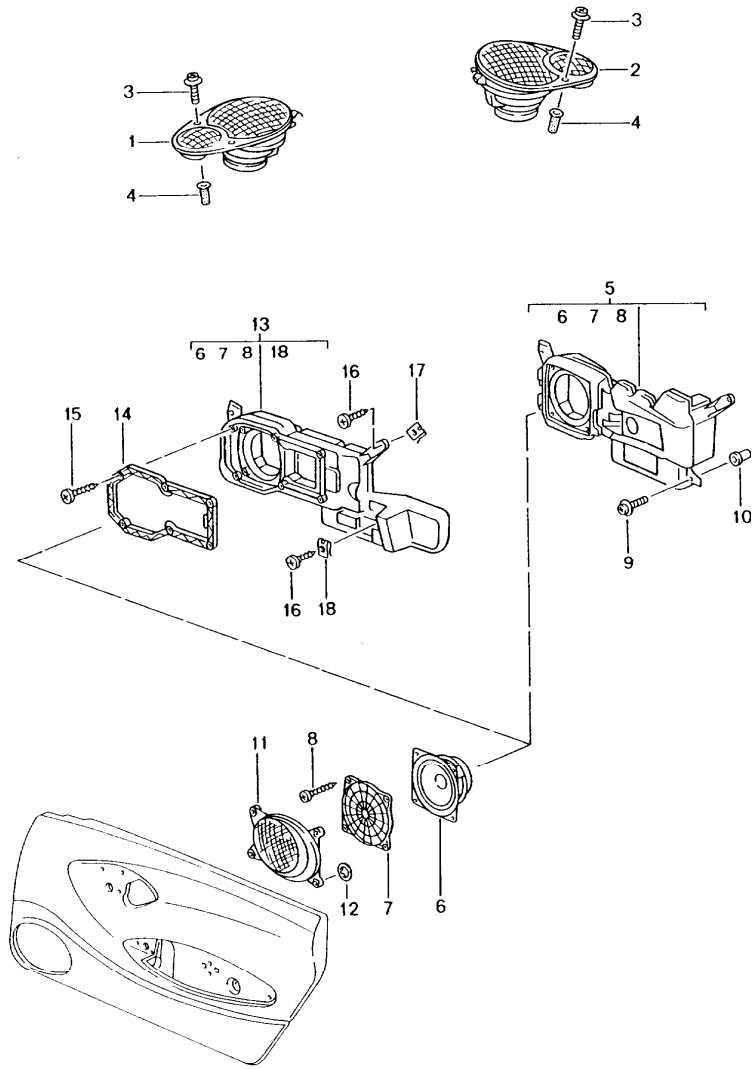
Model	Year	MG	SG	Illustration	Restrictions	UPD	11:09	24.01.2010	PORSCHE	PET	PORSCHE
986	2004	9	11	911-01		248					

Pos	Part Number	Description	Remark	Qty	Model	Pos	Part Number	Description	Remark	Qty	Model
	P13	cinnamon brown					S33	savanna			
(21)	996 646 308 03	microphone	/RL	1	M618/666 M680		G13	metropole blue			
	A03	black					J33	nephrite green			
	C02	metal grey					M33	boxster red			
	C53	graphite grey					P13	cinnamon brown			
	S33	savanna				(21)	996 646 307 07	microphone	/LL	04	1 M091/680
	G13	metropole blue					M7Z	gt silver metallic			
	J33	nephrite green				(21)	996 646 308 07	microphone	/RL	04	1 M091/680
	M33	boxster red					M7Z	gt silver metallic			
	P13	cinnamon brown				22	996 642 206 00	antenna GPS			1 M670
(21)	996 646 307 06	microphone	/LL	04	1 M091/618 M666/680	23	996 612 009 00	connecting line antenna module navigation system			1 M670
	M7Z	gt silver metallic									
(21)	996 646 308 06	microphone	/RL	04	1 M091/618 M666/680	24	986 647 105 00	antenna booster radio			1 M441
	M7Z	gt silver metallic									
(21)	996 646 307 04	microphone	/LL	1	M680	25	986 612 072 01	connecting line antenna booster radio			1 M441
	A03	black									
	C02	metal grey				26	986 647 117 00	antenna booster	/L		1 M440
	C53	graphite grey				(26)	986 647 118 00	antenna booster	/R		1 M440
	S33	savanna				27	996 647 124 00	control unit			1 M440
	G13	metropole blue				28	996 647 202 00	support			1 M440
	J33	nephrite green				29	999 507 772 40	clip			1 M440
	M33	boxster red				30	999 507 771 40	stopper			1 M440
	P13	cinnamon brown				31	996 612 057 00	connecting line antenna booster left control unit	/LL		1 M665
(21)	996 646 308 04	microphone	/RL	1	M680	(31)	996 612 067 00	connecting line antenna booster left control unit	/RL		1 M665
	A03	black									
	C02	metal grey									
	C53	graphite grey									

Model	Year	MG	SG	Illustration	Restrictions	UPD	11:09	24.01.2010	PORSCHE	PET	PORSCHE
986	2004	9	11	911-01		248					

Pos	Part Number	Description	Remark	Qty	Model	Pos	Part Number	Description	Remark	Qty	Model
(31)	996 612 056 00	connecting line antenna booster right control unit	/LL	1	M665						
(31)	996 612 066 00	connecting line antenna booster right control unit	/RL	1	M665						
32	996 612 058 00	connecting line control unit control part connector CURRY	/LL	1	M665						
(32)	996 612 068 00	connecting line control unit control part connector CURRY	/RL	1	M665						
(32)	996 612 059 00	connecting line control unit control part connector natural colours	/LL	1	M665						
(32)	996 612 069 00	connecting line control unit control part connector natural colours	/RL	1	M665						

Model	Year	MG	SG	Illustration	Restrictions	UPD	11:10	24.01.2010	PORSCHE	PET	PORSCHE
986	2004	9	11	911-05		248					

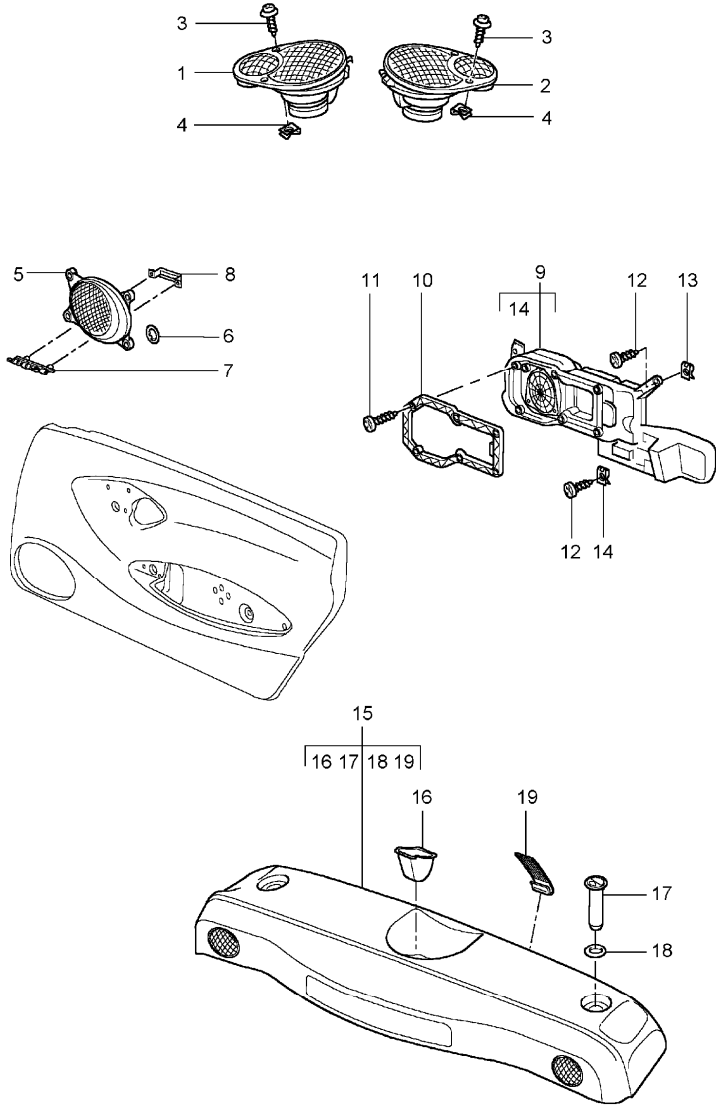


Pos	Part Number	Description	Remark	Qty	Model
		loudspeaker loudspeaker M 680/MJ.02- see group 9 / 11 / 06			
1	996 645 037 02	loudspeaker	/L	1	M490
	01C	satin black			
(1)	996 645 035 02	loudspeaker	/L	1	M441
	01C	satin black			
2	996 645 038 02	loudspeaker	/R	1	M490
	01C	satin black			
(2)	996 645 036 02	loudspeaker	/R	1	M441
	01C	satin black			
(2)	996 645 049 02	loudspeaker grille	/L/R	2	
	01C	satin black			
3	999 919 166 07	oval-head screw 4,0 X 30	-01	4	
(3)	999 073 224 09	tapping screw 4,2 X 25	02-	4	
4	999 920 015 40	plug-in nut 4,0	-01	4	
(4)	999 507 767 02	speed nut 4,2	02-	2	
(4)	999 507 768 02	speed nut 4,2	02-	2	
(5)	996 645 011 01	loudspeaker	/L	-00	1 M490
5	996 645 012 01	loudspeaker	/R	-00	1 M490
6	996 645 501 00	woofer	-02	2	M490
6	996 645 502 00	woofer	03-	2	M490
7	996 645 550 00	protective grille		2	M490
(8)	999 919 176 07	oval-head screw 4,0 X 16		8	M490
9	999 919 237 00	oval-head screw 5,0 X 20		97	8 M490

Model	Year	MG	SG	Illustration	Restrictions	UPD	11:10	24.01.2010	PORSCHE	PET	PORSCHE
986	2004	9	11	911-05		248					

Pos	Part Number	Description	Remark	Qty	Model	Pos	Part Number	Description	Remark	Qty	Model
(9)	999 073 061 02	tapping screw ST 4,8 X 16	-00	8	M490	15	999 919 086 02	oval-head screw 4,0 X 14	01-	12	M490
10	999 920 013 40	plug-in nut 5,0	97	8	M490	16	999 073 061 02	tapping screw 4,8 X 16	01-	8	M490
(10)	999 591 499 02	speed nut ST 4,8 only together with 999.073.061.02	-00	8	M490	17	999 591 499 02	speed nut 4,8	01-	6	M490
11	996 555 801 00	loudspeaker grille	-99	2	M490	18	999 507 759 09	speed nut 4,8	01-	2	M490
	01C	satin black				-	986 645 503 00	loudspeaker storage box	-01	4	M584/680
11	996 555 801 01	loudspeaker grille	00-	2	M490	-	986 612 085 00	wiring harness loudspeaker	-01	1	M584/680
	A03	black lacquered						single parts storage box see group 8 / 07 / 07			M584/680
(11)	000 043 206 88	loudspeaker grille frame leather grille aluminium look		2	IXTR/M490						
	A10	black									
	C50	graphite grey									
	S30	savanna									
	G10	metropole blue									
	J30	nephrite green									
	M30	boxster red									
	P11	cinnamon brown									
	D11	dark grey/natural									
	T11	brown/natural									
12	999 591 946 02	clamping washer 5,0		8	M490						
13	996 645 551 00	loudspeaker	/L	-02	1	M490					
13	996 645 551 01	loudspeaker	/L	03-	1	M490					
(13)	996 645 552 00	loudspeaker	/R	-02	1	M490					
(13)	996 645 552 01	loudspeaker	/R	03-	1	M490					
14	996 645 553 00	frame		01-	2	M490					

Model	Year	MG	SG	Illustration	Restrictions	UPD	11:10	24.01.2010	PORSCHE	PET	PORSCHE
986	2004	9	11	911-06		248					

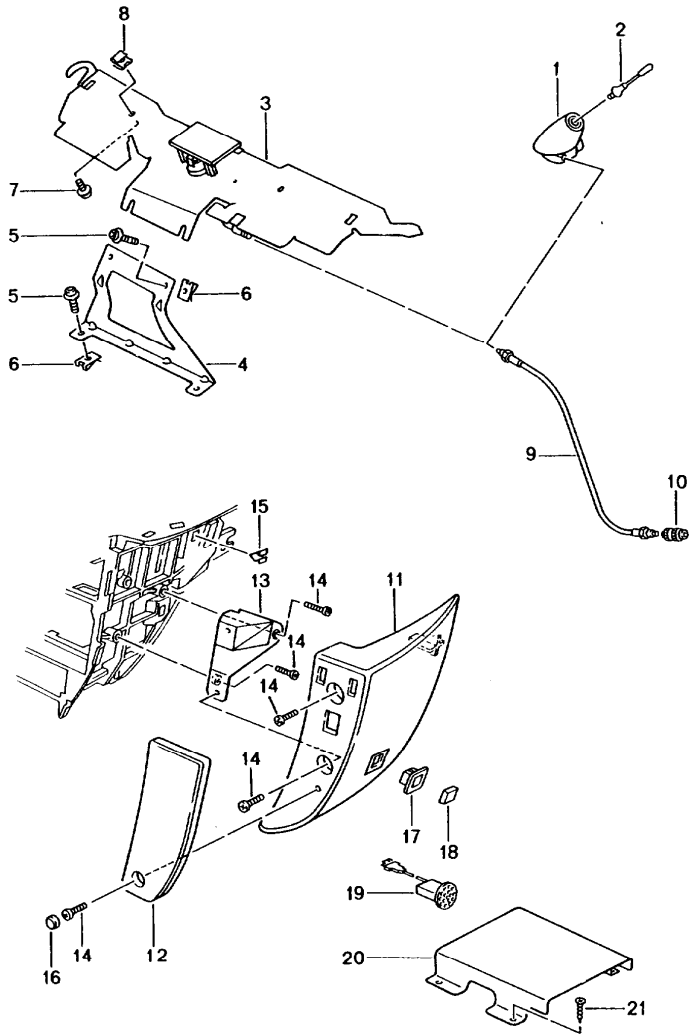


Pos	Part Number	Description	Remark	Qty	Model
		loudspeaker	02-		M680
1	996 645 033 01	loudspeaker	/L	1	M680
	01C	satin black			
2	996 645 034 01	loudspeaker	/R	1	M680
	01C	satin black			
1	996 645 033 00	loudspeaker	/L	1	IXPP/M680
	C50	graphite grey			
	S30	savanna			
	G10	metropole blue			
	J30	nephrite green			
	M30	boxster red			
	P10	cinnamon brown			
2	996 645 034 00	loudspeaker	/R	1	IXPP/M680
	C50	graphite grey			
	S30	savanna			
	G10	metropole blue			
	J30	nephrite green			
	M30	boxster red			
	P10	cinnamon brown			
(3)	999 073 224 09	tapping screw		4	
		4,2 X 25			
(4)	999 507 767 02	speed nut		2	
		4,2			
(4)	999 507 768 02	speed nut		2	
		4,2			
5	996 555 801 01	loudspeaker grille		2	M680
	A03	black			
(5)	000 043 206 88	loudspeaker grille		2	IXTR/M680
		frame			
		leather			
		grille			
		aluminium look			

Model	Year	MG	SG	Illustration	Restrictions	UPD	11:10	24.01.2010	PORSCHE	PET	PORSCHE
986	2004	9	11	911-06		248					

Pos	Part Number	Description	Remark	Qty	Model	Pos	Part Number	Description	Remark	Qty	Model
	A10	black					P11	cinnamon brown			
	C50	graphite grey					D11	dark grey/natural			
	S30	savanna					T11	brown/natural			
	G10	metropole blue					R10	cocoa			
	J30	nephrite green				16	986 551 427 00	rosette		1	M680
	M30	boxster red					01C	satin black			
	P11	cinnamon brown				17	986 551 429 00	catch		2	M680
	D11	dark grey/natural					01C	satin black			
	T11	brown/natural				18	986 551 543 00	thrust washer		2	M680
6	999 591 946 02	clamping washer 5,0		8	M680		01C	satin black			
7	996 645 511 00	logo		2	M680	19	986 551 511 00	guide rail	03-	2	M680
8	996 645 512 00	clip		2	M680		01C	satin black			
9	996 645 561 00	loudspeaker	/L	1	M680						
(9)	996 645 562 00	loudspeaker	/R	1	M680						
10	996 645 553 00	frame		2	M680						
11	999 919 086 02	oval-head screw 4,0 X 14		12	M680						
12	999 073 061 02	tapping screw 4,8 X 16		8	M680						
13	999 591 499 02	speed nut 4,8		6	M680						
14	999 507 759 09	speed nut 4,8		2	M680						
15	986 645 566 01	subwoofer		1	M680						
	A10	black									
	C50	graphite grey									
	S30	savanna									
	G10	metropole blue									
	J30	nephrite green									
	M30	boxster red									

Model	Year	MG	SG	Illustration	Restrictions	UPD	11:10	24.01.2010	PORSCHE	PET	PORSCHE
986	2004	9	11	911-10		248					



Pos	Part Number	Description	Remark	Qty	Model
		preparation for telephone			M614/618
1	996 647 103 00	antenna base		-00 1	
2	996 647 104 00	antenna rod		-00 1	
3	996 647 125 00	antenna	/LL	01- 1	
(3)	996 647 126 00	antenna	/RL	01- 1	
4 A	996 647 127 00	support POS. 5 + 6 attention	/LL	-04 1	
4	997 647 127 00	support POS. 5 + 6 attention		04 1	
(4) A	996 647 128 00	support POS. 5 + 6 attention	/RL	-04 1	
(4)	997 647 128 00	support POS. 5 + 6 attention	/RL	04 1	
5	999 073 203 00	round head screw M 5 X 12 - Z2 for support 996.647.127/128.00		-04 4	
5	999 073 236 0A	oval-head screw M 6 X 10 for support 997.647.127/128.00		04 4	
6	999 507 067 09	speed nut M 5 for support 996.647.127/128.00		-04 4	
6	999 507 550 01	speed nut M 6 for support 997.647.127/128.00		04 4	
7	999 073 210 00	tapping screw 4,8 X 13		01- 2	
8 A	999 507 441 02	speed nut 4,8		01- 2	

Model	Year	MG	SG	Illustration	Restrictions	UPD	11:10	24.01.2010	PORSCHE	PET	PORSCHE
986	2004	9	11	911-10		248					

Pos	Part Number	Description	Remark	Qty	Model	Pos	Part Number	Description	Remark	Qty	Model
8	999 507 441 01	speed nut 4,8	01-	2			C18	graphite grey		99	
9	986 612 096 00	extension cable	-00	1			S18	savanna		99	
9	996 612 037 00	extension cable	01-	1	M618		G18	metropole blue		99	
(9)	996 612 007 00	extension cable	03-	1	M666		A12	black		00-	
10	964 646 318 00	adapter plug	/LL	1			C52	graphite grey		00-	
(10)	996 646 318 00	adapter plug	/RL	1			S32	savanna		00-	
11	996 552 094 00	bracket leatherette	/LL	97	1		G12	metropole blue		00-	
	A10	black				(11)	996 552 093 04	bracket leatherette	/RL	99-	1
	C50	graphite grey					A18	black		99	
	S30	savanna					C18	graphite grey		99	
(11)	996 552 093 00	bracket leatherette	/RL	97	1		S18	savanna		99	
	A10	black					G18	metropole blue		99	
	C50	graphite grey					A12	black		00-	
	S30	savanna					C52	graphite grey		00-	
11	996 552 094 02	bracket leatherette	/LL	98	1		S32	savanna		00-	
	A18	black					G12	metropole blue		00-	
	C18	graphite grey				11	996 552 094 01	bracket leather	/LL	-98	1
	S18	savanna					A11	black			
	G18	metropole blue					C51	graphite grey			
(11)	996 552 093 02	bracket leatherette	/RL	98	1		S31	savanna			
	A18	black					J31	nephrite green			
	C18	graphite grey					M31	boxster red			
	S18	savanna					G11	metropole blue		98	
	G18	metropole blue				(11)	996 552 093 01	bracket leather	/RL	-98	1
11	996 552 094 04	bracket leatherette	/LL	99-	1		A11	black			
	A18	black		99							

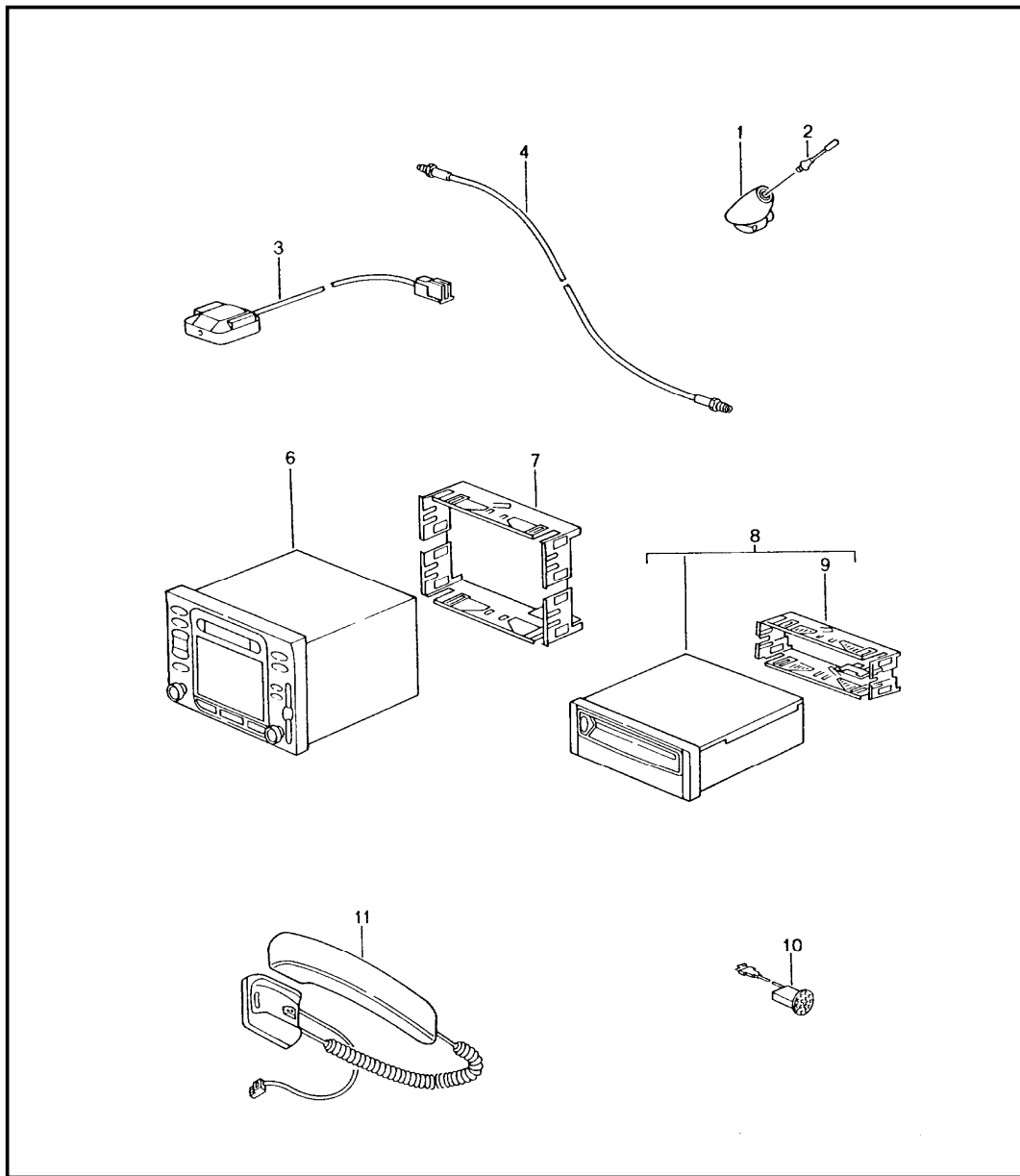
Model	Year	MG	SG	Illustration	Restrictions	UPD	11:10	24.01.2010	PORSCHE	PET	PORSCHE
986	2004	9	11	911-10		248					

Pos	Part Number	Description	Remark	Qty	Model	Pos	Part Number	Description	Remark	Qty	Model
	C51	graphite grey					01C	satin black			
	S31	savanna				(12)	996 552 297 00	attachment	/RL	1	
	J31	nephrite green					01C	satin black			
	M31	boxster red				12	996 552 979 00	attachment leather	/LL	1	IXEA
	G11	metropole blue		98			A11	black			
11	996 552 094 03	bracket leather	/LL	99-	1 M012/981		C51	graphite grey			
	A11	black					S31	savanna			
	C51	graphite grey					G11	metropole blue			
	S31	savanna					J31	nephrite green			
	J31	nephrite green					M31	boxster red			
	M31	boxster red					P12	cinnamon brown			
	G11	metropole blue					D12	dark grey/natural			
	D12	dark grey/natural		00-			T12	brown/natural			
	T12	brown/natural		00-		(12)	996 552 979 01	attachment leather	/RL	1	IXEA
	P12	cinnamon brown		01-			A11	black			
	9V6	cocoa		04			C51	graphite grey			
(11)	996 552 093 03	bracket leather	/RL	99-	1 M012/981		S31	savanna			
	A11	black					G11	metropole blue			
	C51	graphite grey					J31	nephrite green			
	S31	savanna					M31	boxster red			
	J31	nephrite green					P12	cinnamon brown			
	M31	boxster red					D12	dark grey/natural			
	G11	metropole blue					T12	brown/natural			
	D12	dark grey/natural		00-		13 A	996 552 624 00	adapter		97	1
	T12	brown/natural		00-		13	996 552 624 01	adapter see tpi GR.9 , NR.17 , JAN/99		98	1
	P12	cinnamon brown		01-		(13)	996 552 624 02	adapter		99-	1
	9V6	cocoa		04							
12	996 552 298 00	attachment	/LL		1						

Model	Year	MG	SG	Illustration	Restrictions	UPD	11:10	24.01.2010	PORSCHE	PET	PORSCHE
986	2004	9	11	911-10		248					

Pos	Part Number	Description	Remark	Qty	Model	Pos	Part Number	Description	Remark	Qty	Model
-	996 552 581 00	filler piece bracket telephone	/RL 99-	1			D05	granite grey		99	
	01C	satin black					C02	metal grey		98-99	
-	996 552 582 00	filler piece bracket telephone	/LL 99-	1			C02	metal grey		-01	
	01C	satin black					A03	black		-01	
14	999 919 121 09	oval-head screw 5,0 X 16		6		(19)	996 646 308 01	microphone	/RL	-01	1
15	999 507 476 01	clamp 8,0 X 10,2		3			D05	granite grey		99	
16	996 552 824 00	cap		1			C02	metal grey		98-99	
	01C	satin black					C02	metal grey		-01	
16	996 552 978 00	cap leather		1	IXEA	(19)	996 646 307 02	microphone	/LL	02	1
	A11	black					A03	black		-01	
	C51	graphite grey					C02	metal grey		-01	
	S31	savanna					A03	black		-01	
	G11	metropole blue					C02	metal grey		-01	
	J31	nephrite green				20	996 646 235 01	support			1 M618
	M31	boxster red				21	999 073 060 02	tapping screw 4,8 X 13			4 M618
	P12	cinnamon brown				-	996 521 663 01	stop seat rail inner			1 M437/438
	D12	dark grey/natural				-	996 521 665 00	stop seat rail inner			1 M369/370 M375/376 M540
	T12	brown/natural									
(17)	996 646 125 01	frame		1							
18	996 646 126 00	cover		1							
19	996 646 307 00	microphone	/LL -99	1							
	B12	black-grey									
(19)	996 646 308 00	microphone	/RL -99	1							
	B12	black-grey									
(19)	996 646 307 01	microphone	/LL -01	1							

Model	Year	MG	SG	Illustration	Restrictions	UPD	11:10	24.01.2010	PORSCHE	PET	PORSCHE
986	2004	9	11	911-15		248					



Pos	Part Number	Description	Remark	Qty	Model
		navigation system receiver	-02		M662
		see technical information GR.0 , NR. 8/97	-02		M663
		tech. information memo GR.9 , NR. 8A/97			
		see technical information GR.9 , NR. 2/02			
1	996 647 103 00	antenna base	-00	1	
2	996 647 104 00	antenna rod	-00	1	
		antenna telephone see group 9 /11/10	01-		
3	996 642 206 00	antenna - GPS -		1	
4	996 612 083 00	extension cable telephone	-00	1	
4	996 612 038 00	extension cable telephone	-02	1	
(4)	996 612 970 01	extension cable - GPS -		1	
(6) >	996 642 904 04	control part	-01	1	
		EFR gloss black tech. information memo GR.9 , NR. 1A/00			
-	996 642 953 00	rotary knob	/L -01	1	
-	996 642 954 00	rotary knob	/R -01	1	
(6) >	996 642 944 00	control part	02	1	
		EWD black mat			
-	996 642 955 00	rotary knob	/L 02	1	
-	996 642 956 00	rotary knob	/R 02	1	
7	996 642 103 01	retaining frame		1	
(8) >	996 642 122 01	computer	-01	1	

Model	Year	MG	SG	Illustration	Restrictions	UPD	11:10	24.01.2010	PORSCHE	PET	PORSCHE
986	2004	9	11	911-15		248					

Pos	Part Number	Description	Remark	Qty	Model	Pos	Part Number	Description	Remark	Qty	Model
	EFR	gloss black F >>981S6 01247 F >>981S6 41097 F >>981U6 42573				-	996 642 135 07	cd-rom		1	M063/064 M225
		cd-rom for computer 996.642.122.00.EFR 996.642.122.01.EFR				-	996 642 136 07	cd-rom		1	M119
-	996 642 131 06	cd-rom		1	M499	-	996 642 137 07	cd-rom		1	M062
-	996 642 132 06	cd-rom		1	M124	-	996 642 138 07	cd-rom		1	M034
- A	996 642 133 06	cd-rom		1	M061	9	993 645 173 00	retaining frame		1	
- A	996 642 134 06	cd-rom		1	M111/277	10	996 646 307 00	microphone	/LL	-99	1
- A	996 642 135 06	cd-rom		1	M063/064 M225		B12	black-grey			
-	996 642 136 06	cd-rom		1	M119	10	996 646 308 00	microphone	/RL	-99	1
-	996 642 137 06	cd-rom		1	M062		B12	black-grey			
-	996 642 138 06	cd-rom		1	M034	10	996 646 307 01	microphone	/LL	-01	1
(8) >	996 642 122 03	computer	-01	1			D05	granite grey		99	M010
	EFR	gloss black F 981S6 01248>> F 981S6 41098>> F 981U6 42574>>					C02	metal grey		98-99	M012
(8) >	996 642 122 12	computer	02	1			C02	metal grey		-01	
	EWD	black mat					A03	black		-01	
		cd-rom for computer 996.642.122.03.EFR 996.642.122.12.EWD				(10)	996 646 307 02	microphone	/LL	02	1
-	996 642 131 07	cd-rom		1	M499		A03	black			
-	996 642 132 07	cd-rom replacement see catalogue tequipment		1	M124		C02	metal grey			
-	996 642 133 07	cd-rom		1	M061	(10)	996 646 308 02	microphone	/RL	02	1
-	996 642 134 07	cd-rom		1	M111/277		C02	metal grey			
						11	996 642 111 01	receiver		1	M663
						11	996 642 980 00	receiver leather		1	IXEA
							A11	black			

Model	Year	MG	SG	Illustration	Restrictions	UPD	11:10	24.01.2010	PORSCHE	PET	PORSCHE
986	2004	9	11	911-15		248					

Pos	Part Number	Description	Remark	Qty	Model	Pos	Part Number	Description	Remark	Qty	Model
	C51	graphite grey									
	S31	savanna									
	G11	metropole blue									
	J31	nephrite green									
	M31	boxster red									
	P12	cinnamon brown									
	D12	dark grey/natural									
	T12	brown/natural									
		bracket see group 9 /11/10									
		stop seat rail see group 9 /11/10									

MXI KAT20

KAT.	M-X-I -NR	BENENNUNG-Deutsch DESCRIPTION-English
20	M000	+-----+ ! M-Nummern-Uebersicht ! +-----+ +-----+ ! Summary of optional extras "M"! +-----+
20	M008	986 S 3,2 Liter Hubraum 986 S 3,2 litres displacement
20	M009	986 2,5 Liter Hubraum -> Mj 1999 986 2,5 litres displacement -> mj 1999 986 2,7 Liter Hubraum Mj 2000 -> 986 2,7 litres displacement mj 2000 ->
20	M010	Paket "Classic" "Classic" package
20	M011	Paket "Trend" "Trend" package
20	M012	Paket "Sport Design" "Sport design" package
20	M013	Paket "Sport Technik" "Sport technik" package
20	M016	Paket "Standard" "Standard" package
20	M020	Geschwindigkeitsmesser mit Doppel skala MPH-KM/h Speedometer with two scales mph-km/h
20	M024	Griechenland-Ausführung Version for Greece
20	M030	Sportfahrwerk Sport-type running gear
20	M034	Italien - Ausführung Version for Italy
20	M058	Pralldämpfer vorn und hinten Impact absorbers front and rear
20	M061	Grossbritannien-Ausführung Version for Great Britain
20	M062	Schweden-Ausführung Version for Sweden
20	M063	Luxemburg-Ausführung Version Luxemburg
20	M064	Niederlande-Ausführung Version for Netherlands
20	M065	Dänemark-Ausführung Version for Denmark
20	M066	Norwegen-Ausführung Version for Norway
20	M067	Finnland-Ausführung Version for Finland
20	M068	Thailand-Ausführung Version for Thailand
20	M069	Sonstige-Länderausführung Other country version
20	M071	EU-Länderausführung EU country version
20	M072	Mexico-Ausführung Version for Mexico
20	M073	Russland-Ausführung Version for Russia
20	M091	Sondermodell "50 Jahre Spyder" Special model '50 years spyder'
20	M111	Österreich-Ausführung Version for Austria

MXI KAT20

20	M113	Kanada - Ausführung Version for Canada
20	M114	Taiwan - Ausführung Version for Taiwan
20	M119	Spanien - Ausführung Version for Spain
20	M124	Frankreich - Ausführung Version for France
20	M126	Beschriftung französisch Control and indications in french lettering
20	M127	Beschriftung schwedisch Control and indications in schwedisch
20	M130	Beschriftung englisch Control and indications in english lettering
20	M139	Sitzheizung, linker Sitz Seat heating system, left seat
20	M150	Betrieb mit verbleitem Kraftstoff Operates with leaded gas
20	M191	Felgenstern in seal grau-metallic Wheel spokes in seal grey-metallic
20	M193	Japan-Ausführung Version for Japan
20	M197	Stärkere Batterie Stronger battery
20	M198	Starter, 1,7Kw Starter 1,7 kw
20	M215	Saudi-Arabien - Ausführung Version for Saudi Arabia
20	M219	Ausgleichsgetriebe Differential
20	M222	Antriebschlupfregelung (ASR) Traction control system
20	M224	Automatisches Bremsdifferential Automatic limited slip differential
20	M225	Belgien-Ausführung Version for Belgium
20	M249	Tiptronic-Getriebe Tiptronic transmission
20	M265	Automatisch abblendbarer Innenspiegel mit Regensensor Automatic anti-dazzle interior mirror with rain sensor
20	M266	Automatisch abblendbarer Aussenspiegel elektrisch verstell- und beheizbar Automatic anti-dazzle exterior mirror
20	M270	Aussenspiegel für Fahrerseite -plan-, Outside mirror -plan- driver's side, electrically adjustable and heatable
20	M271	Aussenspiegel für Fahreseite -asphaerisch-, elektrisch verstell- und beheizbar Outside mirror -aspherical- driver's side, electrically adjustable and heatable
20	M272	Aussenspiegel, manuell verstellbar Outside mirror, manually adjustable
20	M273	Aussenspiegel, elektrisch verstell- und beheizbar Outside mirror, electrically adjustable and heatable
20	M274	Make-up Spiegel beleuchtet Make-up mirror illuminated
20	M277	Schweiz-Ausführung Version for switzerland
20	M288	Scheinwerfer-Reinigungsanlage Headlamp washer
20	M320	Radio "Porsche CR-11", RDW
20	M321	Radio "Porsche CR 22", RDW
20	M322	Radio "Porsche CR 220", USA
20		Radio "Porsche CR 220", USA

MXI KAT20

20	M325	Südafrika/Neuseeland-Ausführung Version for South Africa/New Zealand
20	M326	Radio "Porsche CR-21", RDW Radio "Porsche CR-21", RDW
20	M327	Radio "Porsche CR 2200", Japan Radio "Porsche CR 2200", Japan
20	M329	Radio "Porsche CR-210", USA Radio "Porsche CR-210", USA
20	M330	Radio "Porsche CR-31", RDW Radio "Porsche CR-31", RDW
20	M338	Heck-Antrieb Rear-wheel drive
20	M340	Sitzheizung, rechter Sitz Seat heating system, right seat
20	M342	Sitzheizung, links u. rechts Seat heating system, left/right seat
20	M369	Basissitz links Series seat, left
20	M370	Basissitz rechts Series seat, right
20	M375	Sportstz, Lehnenschale, links Sportseat, backrest shell, left
20	M376	Sportstz, Lehnenschale, rechts Sportseat, backrest shell, right
20	M394	Boxster-Rad 17" Boxster-wheel 17"
20	M395	Gussrad, 16" (AL) Cast wheel, 16 inches
20	M396	Gussrad, 17" (AL) Cast wheel, 17 inches
20	M400	Boxster-S-Rad 17" Boxster-s-wheel 17"
20	M411	Carrera-Rad 18" 18" Carrera-wheel
20	M413	Turbo-Look-Rad 18" 18" turbo-look-wheel
20	M414	Turbo-Look-Rad 18" hochglanzoptik 18" turbo-look-wheel high gloss finish
20	M415	Monobloc-Rad Top 18" 18" monobloc wheel top
20	M421	Kassettenablage vorn Front cassette compartment
20	M422	Kassettenablage hinten Rear cassette compartment
20	M424	CD-Ablage CD compartment
20	M431	4-Speichen-Lederlenkrad, Durchmesser 363 mm 4-spokes steering wheel (leather), diameter 363 mm
20	M432	Lenkrad mit Tiptronic-Bedienung Steering wheel with tiptronic control
20	M436	3-Speichen-Airbaglenkrad 3-spoke airbag steering wheel
20	M437	Komfortstz links, elektrisch verstellbar Comfort seat left, electrically adjustable
20	M438	Komfortstz rechts, elektrisch verstellbar Comfort seat right, electrically adjustable
20	M439	Elektrische Verdeckbetätigung Electrical Roof catch
20	M440	Manuelle Antenne, 4 Lautsprecher --> MJ 2002 MJ 2003 --> Antennen-Diversity Manual antenna, 4 loudspeakers --> mj 2002 mj 2003 --> antenna diversity
20	M441	Radiovorbereitung Prepared for radio
20	M446	Radzierdeckel konkav, mit farbigem Wappen Concave hub cape, with coloured escutcheon
20	M454	Automatische Geschwindigkeitsregelung Automatic speed control

MXI KAT20

20	M465	Nebel schl ussl euchte links Rear foglamp, left
20	M466	Nebel schl ussl euchte rechts Rear foglamp, right
20	M476	Porsche Stability Management (PSM) Porsche stability management (PSM)
20	M479	Australien - Ausführung Version for Australia
20	M480	6-Gang Schal tgetrie be 6-speed manual transmi ssi on
20	M481	5-Gang Schal tgetrie be 5th-speed manuelli transmi ssi on
20	M484	USA - Ausführung Version for USA
20	M488	Beschri ftung Deutsch Inscriptions in german language
20	M490	Mj 01 Klangpaket Mj 02- Klangpaket Harmann analog Mj 01 sound system Mj 02- sound system Harmann analog
20	M492	Scheinwerfer fuer Linksverkehr For left-hand traffic
20	M499	Ausführung für die Bundesrepubli k Deutschl and Version for Germany
20	M509	Feuerlö scher Fire extingui sher
20	M513	Lordosenstütze rechter Si tz Back-support (lordose) right seat
20	M524	Wegfahrssi cherung, 433 MHz Anti-drive-off feature, 433 mhz
20	M525	Wegfahrssi cherung, 315 MHz Anti-drive-off feature, 315 mhz
20	M531	Wegfahrssi cherung, Zentral verri egel ung Anti-drive-off feature, central locking system
20	M532	Entfall Fernbedi enung Al armanlage Deleted remote control anti-theft device
20	M534	Diebstahl si cherungsanl age Theft security system
20	M535	Diebstahl si cherung 315 MHz Anti-theft lock 315 mhz
20	M536	Al armsi rene und Nei gungsgeber Alarm siren and tilt sensor
20	M537	Sit zposi ti ons-Steuerung für Komfortsi tz, links Seating position control for confort seat, left
20	M538	Sit zposi ti ons-Steuerung für Komfortsi tz, rechts Seating position control for confort seat, right
20	M539	Mechani sche Si tzhö henverstell ung links Mechanical seat-height adjustment left
20	M540	Mechani sche Si tzhö henverstell ung rechts Mechanical seat-height adjustment right
20	M549	Dachtransportsystem Roof rack system
20	M550	Hardtop
20	M551	Windstop Wind deflector
20	M553	USA-Canada-Ausführung Version for USA, Canada
20	M562	Airbag Fahrer- und Bei fahrersei te Airbagdriver's side and front passenger's side
20	M563	Sei tenai rbag Side airbag
20	M566	Nebel schei nwerfer wei ss Fog-headl amps, whi te
20	M567	Frontschei be im oberen Berei ch stark ei ngefä rbt Windshiel d tinted, upper part darker coloured
20	M571	Akti vkohl efi lter Acti vated charcoal fi lter

MXI KAT20

20	M573	Klima-Anlage Air conditioner
20	M574	Ohne Klima-Anlage Without air conditioner
20	M580	Nichtraucherpaket Non-smoker's package
20	M581	Mittelkonsole vorn Center console front
20	M582	Ablagefach (Motordeckel) Storage pocket (motor cover)
20	M584	Ablagebox Storage box
20	M586	Lordosenstütze linker Sitz Back-support (lordose) left seat
20	M590	Motorische Deckelverriegelung Power lid locking
20	M601	Leitronic-Scheinwerfer Headlamp litronic
20	M602	Hochgesetzte Bremsleuchte Araised stop lamp
20	M606	Tagfahrlicht Daytime running lamp
20	M614	Telefonvorbereitung Motorola 2200 Preparation of telephone installation motorola 2200
20	M618	Telefonvorbereitung Preparation of telephone installation
20	M620	E-Gas E-accelerator
20	M635	Ei nparkhilfe Parking assistant
20	M651	Elektrischer Fensterheber Electric window opener
20	M657	Servolenkung Power assisted steering
20	M659	Bordcomputer Computer
20	M660	OBD 2 OBD 2
20	M661	Verschärftes Abgaskonzept Stricter emission-control concept
20	M662	Info- / Navigationsystem Info/navigation system
20	M663	Passivhörer Hands-free receiver
20	M664	ORVR ORVR
20	M665	PCM2 Grundmodul inklusive Radio PCM2 Basic module including radio
20	M666	PCM2 Telefon (GSM) PCM2 telephone (GSM)
20	M668	PCM2 Telefonbedienhörer PCM2 telephone handset
20	M670	PCM2 Navigation PCM2 navigation
20	M680	Mj 01 digitales Soundpaket Mj 02- Soundpaket Bose analog Mj 01 digital sound package Mj 02- sound system Bose analog
20	M686	Radio "Porsche CDR-21" RDW Radio "Porsche CDR-21"
20	M688	Radio "Porsche CDR-210", USA Radio "Porsche CDR-210", USA
20	M689	CD-Wechsler Vorbereitung Preparation of cd-changer
20	M692	CD-Wechsler "Porsche" CD-changer "Porsche"
20	M695	CD-Radio "Porsche CDR 22", RDW CD-Radio "Porsche CDR 22", RDW

MXI KAT20

20	M696	CD-Radio "Porsche CDR 220", USA
		CD-Radio "Porsche CDR 220", USA
20	M698	CD-Radio "Porsche CDR 32", RDW
		CD-Radio "Porsche CDR 32", RDW
20	M699	MD-Radio "Porsche MDR32", RDW
		MD-Radio "Porsche MDR32", RDW
20	M945	Sitzbezüge vorne, Seat covers front Stoff/Kunstleder/Kunstleder cloth/leatherette/leatherette
20	M946	Sitzbezüge vorne, Leder/Leder/kunstleder Seat covers front, leather/leather/leatherette
20	M981	Leder-Ausstattung ohne Sitzbezüge Leather equipment without seat covers
20	M982	Sitzbezüge vorne, Raffleder/Leder/Leder Seat covers front, draped leather/leather/leather
20	M983	Sitzbezüge vorne, Leder Seat covers front, leather
20	M990	Sitzbezüge vorne, Stoff/Stoff/Kunstleder Seat covers front, cloth/cloth/leatherette
20	M999	Innenraumüberwachung Sensor für Lederfarbe nach Wahl Passenger compartment monitoring sensor for leather colour of choice
20	IXAA	Aerokit Cup Aerokit cup
20	IXAB	Speedster-Heck, Wagenfarbe lackiert Spyder rear in body colour
20	IXAF	Aerokit Turbo Turbo aerokit
20	IXAG	Carrera - Heckspoiler Carrera - rear spoiler
20	IXCG	Sportsitzrückenlehne Alu-Optik Sports seat backrest in Aluminium-Look finish
20	IXCZ	Schalwegverkürzung Switch travel shortening
20	IXD9	Felgenstern in Wagenfarbe lackiert Wheel painted in body colour
20	IXE8	Schaltnopf Alu/Wurzelholz Dunkel/Leder Gear lever knob aluminium/dark burr maple/leather
20	IXE9	Handbremshebel Alu/Wurzelholz Dunkel/Leder Handbrake lever aluminium/dark burr maple/leather
20	IXJB	Mittelkonsole hinten arktissilber Rear section of centre console in arctic silver
20	IXJ4	Rosette für Zündschloss Lederbezogen Leather cover for ignition lock surround
20	IXKB	Luftseitentüse Wurzelholz/Ahorn hell Side air vent in light burr maple
20	IXKC	Luftseitentüse Wurzelholz/Ahorn dunkel Side air vent in dark burr maple
20	IXKD	Luftseitentüse carbon Side air vent in carbon
20	IXKE	Luftseitentüse arktissilber Side air vent in arctic silver
20	IXKG	Defrosterblende Wurzelholz/Ahorn hell, Leder "Windscr. defr. panel in light burr maple; leather"
20	IXKH	Defrosterblende Wurzelholz/Ahorn dunkel, Leder "Windscr. defr. panel in dark burr maple; leather"
20	IXKJ	Defrosterblende Carbon/Leder Defroster trim in carbon/leather
20	IXKX	Instr. Abd. Unterteil arktissilber Instrument surround in arctic silver
20	IXLA	Boxster-Endrohr Boxster tail pipe
20	IXLF	Sportabgasanlage Sports exhaust system
20	IXMA	Himmel mit Leder bezogen Rooflining in leather

MXI KAT20

20	I XME	Mittelkonsole hinten lackiert Rear section of centre console painted
20	I XMF	Mittelkonsole vorn inklusive 2 Ablagen, Leder Front center console incl. 2 storage bins, leather
20	I XMJ	Mittelkonsole hinten Carbon Rear section of centre console in carbon
20	I XMK	Überrollbügel in Exteriorfarbe Roll-over bar in exterior color
20	I XML	Mittelkonsole hinten Wurzelholz Ahorn hell Rear center console in light burr maple
20	I XMP	Sonnenblende Leder, 2 Make-up-Spiegel beleuchtet Leather sun visor, 2 lit make-up mirrors illuminated
20	I XMR	Sonnenblende Leder, 2 Make-Up-Spiegel beleuchtet Leder Sun visor in leather, 2 illuminated vanity mirrors,
20	I XMY	Überrollbügel arktissilber Roll-over bar in arctic silver
20	I XMZ	Mittelkonsole hinten Leder Rear section of centre console in leather
20	I XNB	Mittelkonsole hinten Wurzelholz Ahorn dunkel Rear center console in dark burr maple
20	I XNG	Instrumentenabdeckung Unterteil Leder Instrument surround in leather
20	I XNH	Seitendüse li./re. Leder Defrosterblende Side vent. left/right defroster trim in leather
20	I XNN	Mitteldüsenträger in Leder Center air vent bracket in leather
20	I XNR	Mitteldüsenträger Carbon Carbon center air vent bracket
20	I XNS	Lenkstock-Verkleidung 4-teilig Leder Leather steering column trim, 4-part
20	I XNU	Zierleiste (Nut) in Leder Leather trim strip (dashboard)
20	I XNV	Zierleiste (Nut) Wurzelholz/Ahorn hell Trim strip (dashboard) in light burr maple
20	I XNW	Zierleiste (Nut) Wurzelholz/Ahorn dunkel Trim strip (dashboard) in dark burr maple
20	I XNX	Zierleiste (Nut) in Carbon Carbon trim strip (dashboard)
20	I XNY	Zierleiste (Nut) arktissilber Trim strip in arctic silver
20	I XN3	Luftseitendüse Armaturenbrett Leder Dashboard side air vent in leather
20	I XPA	3-Speichen Sportlenkrad, Leder Interiorfarbe 3-spoke sports steering wheel in leather interior co
20	I XPB	3-Speichen Sportlenkrad, Wurzelholz/Ahorn hell, Leder 3-spoke sports steering wheel, light burr maple, leather
20	I XPC	3-Speichen Sportlenkrad, Wurzelholz/Ahorn dunkel, Leder 3-spoke sports steering wheel, dark burr maple, leather
20	I XPD	3-Speichen Sportlenkrad, Carbon/Leder 3-spoke sports steering wheel, carbon/leather
20	I XPG	3-Speichen Sportlenkrad, Sportsilber 3-spoke sports steering wheel, sports seats
20	I XPP	LAUTSPRECHER-ABDECKUNG SCHALTAFEL INTERIORFARBE LOUDSPEAKER FINISHER ON SWITCH PANEL IN INTERIOR COLOUR
20	I XPW	Instrumentenabdeckung Unterteil Wurzelholz/Ahorn Hell Instrument surround in light burr maple
20	I XPX	Instrumentenabdeckung Unterteil Wurzelholz/Ahorn Dunkel Instrument surround in dark burr maple dark
20	I XPY	Instrumentenabdeckung Unterteil Carbon Carbon instrument surround
20	I XRA	SPORT-CLASSIC-RAD 17" 17" SPORTCLASSIC WHEEL
20	I XRB	Sport-Classic-2 Rad 18" 18" Sport Classic II wheel
20	I XRC	Sport-Techno Rad 18" 18" SportTechno wheel
20	I XRL	Sport-Design-Rad 18" 18" SportDesign wheel

MXI KAT20

20	I XRN	Di stanzschei ben 17 mm, hi nten 17-mm spacers, rear
20	I XRP	Di stanzschei ben 5 mm, vorn/hi nten 5-mm spacers, front/rear
20	I XSA	Sportsi tZRückenlehne lacki ert Painted sports seat backrest
20	I XSB	Sportsi tZRückenlehne i n Leder Leather sports seat backrest
20	I XSC	Porsche Wappen geprägt i n Kopfstütze Porsche crest embossed i n headrest
20	I XSD	Sitzbedi enelemente i n Leder Front seat controls i n leather
20	I XSE	Schalensi tz li nks Bucket seat, left
20	I XSF	Schalensi tz rechts Bucket seat, right
20	I XSG	Rennschalensi tz li nks Racing bucket seat, left
20	I XSJ	6-Punkt-Gurte 6-point harness
20	I XSL	6-Punkt-Si cherhei tsbügel 6-point safety catch
20	I XSM	Rennsport-Si cherhei tskäfi g Racing safety cage
20	I XSN	Entfall hi ntere Si tzanlage Omission of rear seats
20	I XSR	Schalensi tz rechts, Rücksei te Carbon Carbon back for bucket seat, right
20	I XSS	Schalensi tz li nks, Rücksei te Carbon Carbon back for bucket seat, left
20	I XSU	Abgepol sterter Si tz Uphol stered seat
20	I XSW	Si cherhei tsgurte i n Mari ti mbl au Maritime Blue safety belts
20	I XSX	Si cherhei tsgurte i n i ndi schrot Seat belts i n guards red
20	I XSY	Si cherhei tsgurte i n speedgel b Seat belts i n speed yellow
20	I XTC	TUERTAFELTEILE I N LEDER DOOR FEATURES I N LEATHER
20	I XTE	TUERTAFELTEILE I N CARBON/LEDER DOOR FEATURES I N CARBON/LEATHER
20	I XTF	TUERTAFELTEILE ARKTI SSI LBER/LEDER DOOR FEATURES I N ARCTIC SI LVER/LEATHER
20	I XTG	Schwellerabdeckung i n Leder Inner door sills i n leather
20	I XTJ	Türtafel teile Wurzel hol z/Ahorn hell Door panel parts i n light burr maple
20	I XTK	Türtafel teile Wurzel hol z/Ahorn dunkel Door panel parts i n dark burr maple
20	I XTL	Türtafel teile Carbon Door features i n carbon
20	I XV1	Defrosterblende Lederbezogen Defroster trim i n leather
20	I XX1	Fussmatten, Schri ftzug, Leder ei ngefasst Floor mats, logo, leather border
20	I XX2	Fussraumbel euchtung Illumi nated footwell
20	I XY5	Kulisse Tiptroni c-Wähl hebel i n Leder Tiptronic gear selector gate i n leather
20	I XZD	Abdeckung Innenleuchte i n Leder Interior light surround i n leather
20	I X45	Instrumenten-Zi fferblatt lacki ert i n Interi eurfarbe Instrument dial i n interior color
20	I X46	Tiptroni c-Wähl hebel i n Al u/Leder Tiptronic selector lever i n al umi ni um/l eather
20	I X65	Tiptroni c-Wähl hebel Wurzel hol z Hell /Al u Tiptr. sel. lever i n light burr mapl e/al umi ni um

MXI KAT20

20	IX66	Tiptronic-Wählhebel Wurzelholz Dunkel /Alu Tiptr. sel. lever in dark burr maple/aluminum
20	IX69	Einstiegsblenden Carbon, Schriftzug Door entry guards in carbon with logo
20	IX70	Einstiegsblenden Edelstahl, Schriftzug Door entry guards in stainless steel with logo
20	IX71	Instrumenten-Zifferblatt Lackiert/Alufarbe Instrument dial painted/aluminum-look finish
20	IX72	Schaltnopf Alu/Wurzelholz Hell/Leder Gear lever knob aluminum/light burr maple/leather
20	IX73	Sportfahrwerk Turbo Turbo sports suspension
20	IX74	Sportfahrwerk (exklusiv) Sports suspension (exclusive)
20	IX76	Schwellerverkleidungen links/rechts Inner door sill guard left/right
20	IX91	Handbremshebel Alu/Wurzelholz Hell/Leder Handbrake lever aluminum/light burr maple/leather
20	IX99	Naturalleder Natural leather

Model	Year	MG	SG	Illustration	VIN No.	Update	16:45	12.08.2008
986	04					230		

EQUIPMENT BY COUNTRY REGULATIONS

=====

- (A) AUSTRIA
- (AG) ARABIAN GULF STATES
- (AUS) AUSTRALIA
- (B) BELGIUM
- (BR) BRAZIL
- (CDN) CANADA
- (CH) SWITZERLAND
- (D) FEDERAL REPUBLIC OF GERMANY
- (DK) DENMARK
- (E) SPAIN
- (F) FRANCE
- (GB) GREAT BRITAIN
- (GR) GREECE
- (HK) HONGKONG
- (I) ITALY

Model	Year	MG	SG	Illustration	VIN No.	Update		
986	04					230	16:45	12.08.2008

(J) JAPAN

(L) LUXEMBURG

(N) NORWAY

(NL) NETHERLANDS

(NZ) NEW ZEALAND

(P) PORTUGAL

(RC) TAIWAN

(S) SWEDEN

(SA) SAUDI ARABIA

(SF) FINLAND

(USA) UNITED STATES OF AMERICA

(ZA) SOUTH AFRICA

Model	Year	MG	SG	Illustration	VIN No.	Update	16:45	12.08.2008
986	04					230		

IN COLUMN - A -

IDENTIFICATION LETTER FOR PERIOD OF INSTALLATION
 THAT IS REPEATED SEVERAL TIMES IN THE CATALOG GROUP.

EXPLANATION PLEASE FIND IN TEXT COLUMN OF THE CATALOG GROUP

IN COLUMN - QU - = NO. OF PIECES

- 1 NUMBER PER APPLICATION
- X NUMBER AS NEEDED
- * AVAILABLE ONLY IN RUNNING LENGTHS 1 = 1 METRE

IN COLUMN - MODEL/SYMBOL -

- M650 OPTIONAL EQUIPMENT - SEE M-NO. LIST
- 97 LIMITATION OF MODEL YEAR FOR INSTANCE: VALID UP TO
 END OF MODEL YEAR 1997
- /LL LHD
- /RL RHD
- +
- /V FRONT I

Model	Year	MG	SG	Illustration	VIN No.	Update		
986	04					230	16:45	12.08.2008

I
 /H REAR I
 I----> APPLIES TO
 /L LEFT I DIRECTION OF TRAVEL
 I
 /R RIGHT I
 -----+
 WW THE PART CAN BE USED INSTEAD OF THE
 PRECEDING ONE.

Model 986	Year 04	MG	SG	Illustration	VIN No.	Update 230	16:44	12.08.2008
--------------	------------	----	----	--------------	---------	---------------	-------	------------

LEGENDS AND NOTICES

=====

IN COLUMN -S- STATUS

- N NEW ADDITION

- P PART ALREADY IN PROGRAMME, BUT NEW
AT THIS APPLICATION

- W DELETED AT THIS APPLICATION, BUT CONTINUED
TO BE CARRIED

- A STOCK TO BE USED UP

- U DELETED WITHOUT REPLACEMENT

- * PART ALSO OR ONLY AVAILABLE
IN REPAIR KIT

- > ALSO AVAILABLE IN EXCHANGE

IN COLUMN - ILL. -

- 1 IDENTIFICATION NO. IN ILLUSTRATION

- (1) PART ONLY SIMILAR AS ILLUSTRATED

- PART IS NOT ILLUSTRATED

Model	Year	MG	SG	Illustration	VIN No.	Update	16:44	12.08.2008
986	04					230		

FIG.-NUMBERS FOR WHICH THERE IS SHOWN NO TEXT ARE
NOT VALID FOR THIS EDITION OF CATALOGUE

IN COLUMN -PART NUMBER/CODE-

000 000 000 00 PART NUMBER EQUALS ORDERING NO., IF A CODE IS
SHOWN, IT WILL HAVE TO BE PART OF ORDERING
NUMBER

01C COLOUR CODE

IN COLUMN -TEXT

INSTALLATION WITH ENGINE OR CHASSIS
NUMBER-RANGE

EXAMPLE:

M 65V 00389>> FROM ENGINE NO.

F >>98VS6 00889 UP TO CHASSIS NO.

Model 986	Year 04	MG	SG	Illustration	VIN No.	Update 230	16:44	12.08.2008
--------------	------------	----	----	--------------	---------	---------------	-------	------------

VEHICLE TYPE	TYPE	MY	TRANSMISSION NO.	TECNICAL DATA
BOXSTER	G86.00	97 V	G8600 1 002001>999999	5-GANG
BOXSTER TIPTRONIC	A86.00	97 V	A8601 1 002001>999999	5-GANG
BOXSTER	G86.00	98 W	G8600 1 002001>999999	5-GANG
BOXSTER TIPTRONIC	A86.00	98 W	A8602 1 002001>999999	5-GANG
BOXSTER	G86.00	99 X	G8600 1 002001>999999	5-GANG
BOXSTER TIPTRONIC	A86.00	99 X	A8603 1 002001>999999	5-GANG
BOXSTER	G86.01	00 Y	G8601 1 002001>999999	5-GANG
BOXSTER TIPTRONIC	A86.05	00 Y	A8605 1 002001>999999	5-GANG
BOXSTER "S"	G86.20	00 Y	G8620 2 002001>999999	6-GANG
BOXSTER "S" TIPTRONIC	A86.20	00 Y	A8620 1 002001>999999	5-GANG
BOXSTER	G86.01	01 1	G8601 1 002001>999999	5-GANG
BOXSTER TIPTRONIC	A86.05	01 1	A8605 1 002001>999999	5-GANG
BOXSTER "S"	G86.20	01 1	G8620 1 002001>999999	6-GANG
BOXSTER "S" TIPTRONIC	A86.20	01 1	A8620 1 002001>999999	5-GANG
BOXSTER	G86.01	02 2	G8601 1 002001>999999	5-GANG
BOXSTER TIPTRONIC	A86.05	02 2	A8605 1 002001>999999	5-GANG
BOXSTER "S"	G86.20	02 2	G8620 1 002001>999999	6-GANG
BOXSTER "S" TIPTRONIC	A86.20	02 2	A8620 1 002001>999999	5-GANG
BOXSTER	G86.01	03 3	G8601 1 002001>999999	5-GANG
BOXSTER TIPTRONIC	A86.05	03 3	A8605 1 002001>999999	5-GANG
BOXSTER "S"	G86.20	03 3	G8620 1 002001>999999	6-GANG
BOXSTER "S" TIPTRONIC	A86.20	03 3	A8620 1 002001>999999	5-GANG
BOXSTER	G86.01	04 4	G8601 1 002001>999999	5-GANG

Model	Year	MG	SG	Illustration	VIN No.	Update		
986	04					230	16:44	12.08.2008

BOXSTER TIPTRONIC			A86.05	04 4	A8605 1	002001>999999	5-GANG	
BOXSTER "S"			G86.20	04 4	G8620 1	002001>999999	6-GANG	
BOXSTER "S" TIPTRONIC			A86.20	04 4	A8620 1	002001>999999	5-GANG	

Model	Year	MG	SG	Illustration	VIN No.	Update		
986	04					230	16:44	12.08.2008

EXPLANATION OF THE TRANSMISSION-NUMBERS USED IN THE CATALOGUE

=====

DIGIT: 1 2 3 4 5 6 7 8 9 10 11

EXAMPLE: G 8 6 0 0 1 0 0 5 4 3

= ===== = =====

! ! ! !

! ! ! !

TRANSMISSION TYPE-----+ ! !

! ! !

TRANSMISSION VERSION-----+ ! !

! !

INDEX OF VARIANTS-----+ !

!

SERIAL NUMBER-----+ !

Model	Year	MG	SG	Illustration	VIN No.	Update	16:44	12.08.2008
986	04					230		

		ENGINE						
VEHICLE TYPE		TYPE	MY	ENGINE NO.	TECHNICAL DATA			
BOXSTER		M96.20	97 V	65V 00501>60000	6ZYL/2,5L /150 KW			
BOXSTER		M96.20	98 W	65W 00501>60000	6ZYL/2,5L /150 KW			
BOXSTER		M96.20	99 X	65X 00501>60000	6ZYL/2,5L /150 KW			
BOXSTER		M96.22	00 Y	65Y 00501>60000	6ZYL/2,7L /160 KW			
BOXSTER"S"		M96.21	00 Y	67Y 00501>60000	6ZYL/3,2L /185 KW			
BOXSTER		M96.22	01 1	651 00501>60000	6ZYL/2,7L /162 KW			
BOXSTER"S"		M96.21	01 1	671 00501>60000	6ZYL/3,2L /185 KW			
BOXSTER		M96.22	02 2	652 00501>60000	6ZYL/2,7L /162 KW			
BOXSTER"S"		M96.21	02 2	672 00501>60000	6ZYL/3,2L /185 KW			
BOXSTER		M96.23	03 3	653 00501>60000	6ZYL/2,7L /168 KW			
BOXSTER"S"		M96.24	03 3	673 00501>60000	6ZYL/3,2L /191 KW			
BOXSTER		M96.23	04 4	654 00501>60000	6ZYL/2,7L /168 KW			
BOXSTER"S"		M96.24	04 4	674 00501>60000	6ZYL/3,2L /191 KW			

Model	Year	MG	SG	Illustration	VIN No.	Update		
986	04					230	16:44	12.08.2008

EXPLANATION OF THE MOTOR-NUMBERS USED IN THE CATALOGUE

=====

DIGIT: 1 2 3 4 5 6 7 8

EXAMPLE: 6 5 V 0 0 1 3 6

= = = =====

! ! ! !

ENGINE TYPE (6 = 6-CYL.-ENGINE)-----+ ! ! !

! ! !

ENGINE VERSION-----+ ! !

! !

MODEL YEAR-----+ !

!

SERIAL NUMBER-----+ !

Model	Year	MG	SG	Illustration	VIN No.	Update		
986	04					230	16:44	12.08.2008

VEHICLE TYPE	MY	VIN	ENGINE TYPE	
BOXSTER	04 4	984S6 00061>10000	M96.23	168 KW
BOXSTER	04 4	984U6 00061>10000	M96.23	168 KW
BOXSTER (USA) (CDN) (MEX) (BR)	04 4	984S6 20061>30000	M96.23	168 KW
BOXSTER (USA) (CDN) (MEX) (BR)	04 4	984U6 20061>30000	M96.23	168 KW
BOXSTER "S"	04 4	984S6 40061>50000	M96.24	191 KW
BOXSTER "S"	04 4	984U6 40061>50000	M96.24	191 KW
BOXSTER "S" (USA.CDN.MEX.BR)	04 4	984S6 60061>70000	M96.24	191 KW
BOXSTER "S" (USA.CDN.MEX.BR)	04 4	984U6 60061>70000	M96.24	191 KW

Model 986	Year 04	MG	SG	Illustration	VIN No.	Update 230	16:44	12.08.2008
--------------	------------	----	----	--------------	---------	---------------	-------	------------

VEHICLE TYPE	MY	VIN	ENGINE	TYPE
BOXSTER	97 V	98VS6 00061>10000	M96.20	150 KW
BOXSTER (USA) (CDN)	97 V	98VS6 20061>30000	M96.20	150 KW
BOXSTER (BR)	97 V	98TS6 29801>30000	M96.20	150 KW
BOXSTER (BR)	97 V	98VS6 29801>30000	M96.20	150 KW
BOXSTER	98 W	98WS6 00061>10000	M96.20	150 KW
BOXSTER	98 W	98WU6 00061>10000	M96.20	150 KW
BOXSTER (USA) (CDN) (MEX)	98 W	98WS6 20061>30000	M96.20	150 KW
BOXSTER (USA) (CDN)	98 W	98WU6 20061>30000	M96.20	150 KW
BOXSTER (BR)	98 W	98WS6 29801>30000	M96.20	150 KW
BOXSTER (BR)	98 W	98WU6 29801>30000	M96.20	150 KW
BOXSTER	99 X	98XS6 00061>10000	M96.20	150 KW
BOXSTER	99 X	98XU6 00061>10000	M96.20	150 KW
BOXSTER (USA) (CDN) (MEX)	99 X	98XS6 20061>30000	M96.20	150 KW
BOXSTER (USA) (CDN) (MEX)	99 X	98XU6 20061>30000	M96.20	150 KW
BOXSTER (BR)	99 X	98XS6 29801>30000	M96.20	150 KW
BOXSTER (BR)	99 X	98XU6 29801>30000	M96.20	150 KW
BOXSTER	00 Y	98YS6 00061>10000	M96.22	160 KW
BOXSTER	00 Y	98YU6 00061>10000	M96.22	160 KW
BOXSTER (USA) (CDN) (MEX) (BR)	00 Y	98YS6 20061>30000	M96.22	160 KW
BOXSTER (USA) (CDN) (MEX) (BR)	00 Y	98YU6 20061>30000	M96.22	160 KW
BOXSTER "S"	00 Y	98YS6 40061>50000	M96.21	185 KW
BOXSTER "S"	00 Y	98YU6 40061>50000	M96.21	185 KW
BOXSTER "S" (USA.CDN.MEX.BR)	00 Y	98YS6 60061>70000	M96.21	185 KW
BOXSTER "S" (USA.CDN.MEX.BR)	00 Y	98YU6 60061>70000	M96.21	185 KW
BOXSTER	01 1	981S6 00061>10000	M96.22	162 KW
BOXSTER	01 1	981U6 00061>10000	M96.22	162 KW

Model 986	Year 04	MG	SG	Illustration	VIN No.	Update 230	16:44	12.08.2008
--------------	------------	----	----	--------------	---------	---------------	-------	------------

BOXSTER (USA) (CDN) (MEX) (BR)	01	1	981S6	20061>30000	M96.22	162	KW
BOXSTER (USA) (CDN) (MEX) (BR)	01	1	981U6	20061>30000	M96.22	162	KW
BOXSTER "S"	01	1	981S6	40061>50000	M96.21	185	KW
BOXSTER "S"	01	1	981U6	40061>50000	M96.21	185	KW
BOXSTER "S" (USA.CDN.MEX.BR)	01	1	981S6	60061>70000	M96.21	185	KW
BOXSTER "S" (USA.CDN.MEX.BR)	01	1	981U6	60061>70000	M96.21	185	KW
BOXSTER	02	2	982S6	00061>10000	M96.22	162	KW
BOXSTER	02	2	982U6	00061>10000	M96.22	162	KW
BOXSTER (USA) (CDN) (MEX) (BR)	02	2	982S6	20061>30000	M96.22	162	KW
BOXSTER (USA) (CDN) (MEX) (BR)	02	2	982U6	20061>30000	M96.22	162	KW
BOXSTER "S"	02	2	982S6	40061>50000	M96.21	185	KW
BOXSTER "S"	02	2	982U6	40061>50000	M96.21	185	KW
BOXSTER "S" (USA.CDN.MEX.BR)	02	2	982S6	60061>70000	M96.21	185	KW
BOXSTER "S" (USA.CDN.MEX.BR)	02	2	982U6	60061>70000	M96.21	185	KW
BOXSTER	03	3	983S6	00061>10000	M96.23	168	KW
BOXSTER	03	3	983U6	00061>10000	M96.23	168	KW
BOXSTER (USA) (CDN) (MEX) (BR)	03	3	983S6	20061>30000	M96.23	168	KW
BOXSTER (USA) (CDN) (MEX) (BR)	03	3	983U6	20061>30000	M96.23	168	KW
BOXSTER "S"	03	3	983S6	40061>50000	M96.24	191	KW
BOXSTER "S"	03	3	983U6	40061>50000	M96.24	191	KW
BOXSTER "S" (USA.CDN.MEX.BR)	03	3	983S6	60061>70000	M96.24	191	KW
BOXSTER "S" (USA.CDN.MEX.BR)	03	3	983U6	60061>70000	M96.24	191	KW

Model	Year	MG	SG	Illustration	VIN No.	Update		
986	04					230	16:43	12.08.2008

THIS PARTS CATALOGUE CONTAINS ALL ORDER INFORMATION OF
TYPE BOXSTER FROM MODEL YEAR 1997

IT IS AVAILABLE IN TWO EDITIONS IN THE FOLLOWING LANGUAGES:

EDITION

USA, CANADA - *

EDITION

ALL OTHER COUNTRIES - GERMAN

* - ENGLISH

- FRENCH

- ITALIAN

- SPANISH

UPDATING IS BEING PERFORMED BY CHANGING OF UPDATE.

THE EDITION CAN BE RECOGNIZED BY THE CURRENT NO.

IN THE BOTTOM LINE OF SUBJECT UPDATE.

THE PREVIOUS UPDATE SHOULD NO LONGER BE USED.

ALL ILLUSTRATIONS ARE SUBJECT TO CHANGE WITHOUT OBLIGATION.

PORSCHE

V-Pages

PORSCHE

Model	Year	MG	SG	Illustration	VIN No.	Update		
986	04					230	16:43	12.08.2008

THE SEATS FOR EACH MODEL ARE AVAILABLE IN THE PARTS CATALOGUE

"SEATS (STZ 19)".