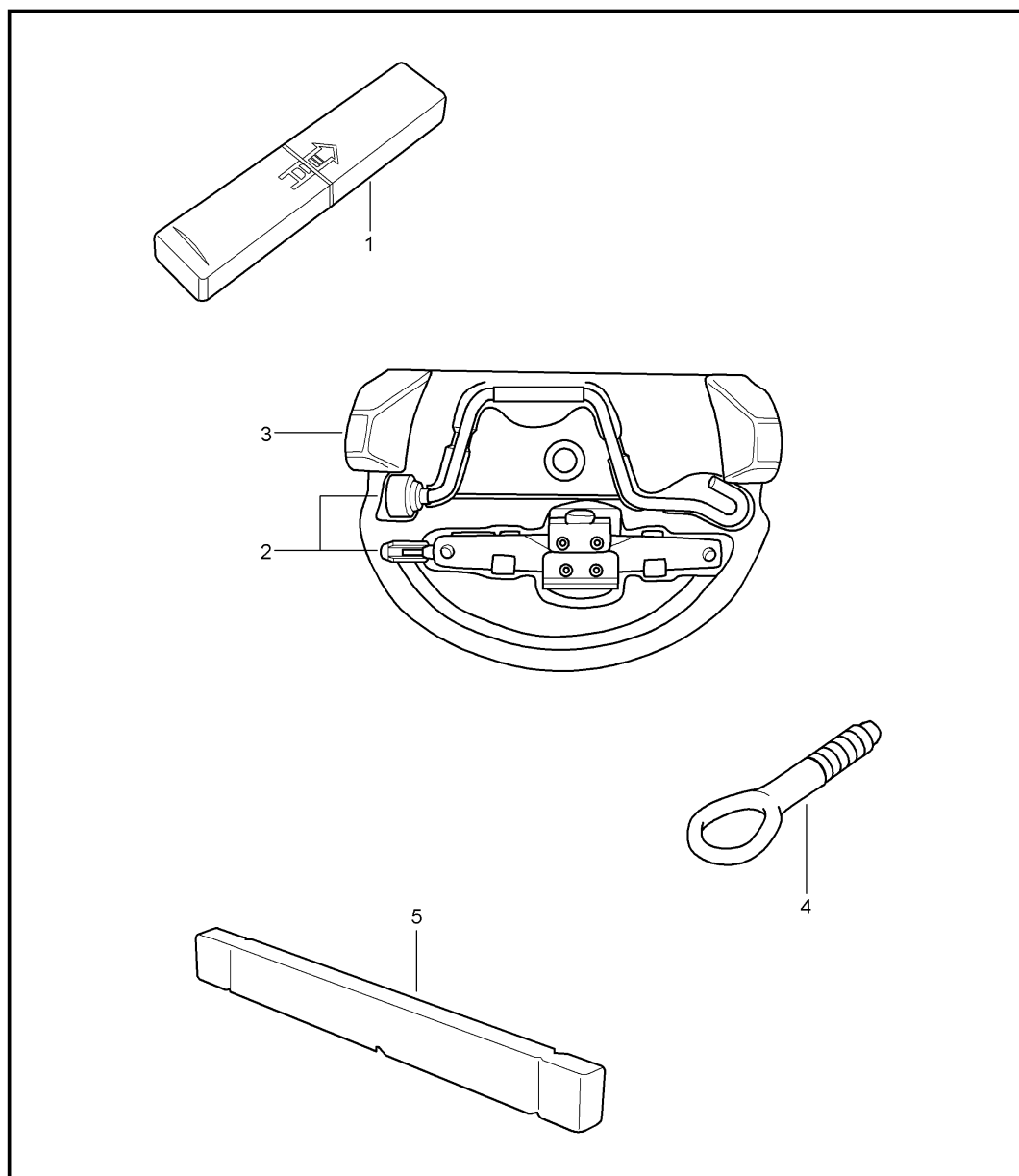
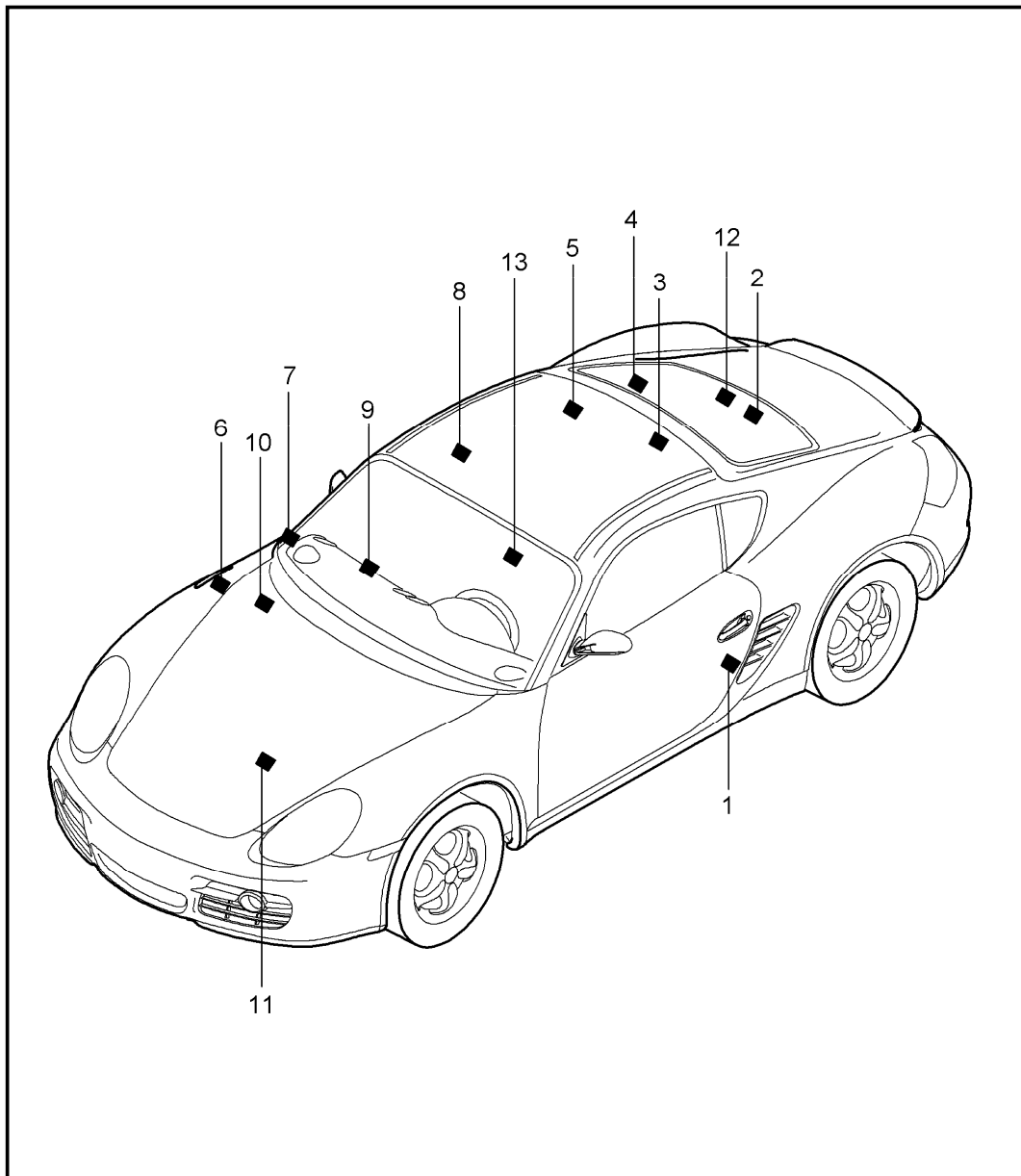


Model	Year	MG	SG	Illustration	Restrictions	UPD	7:41	02.03.2010	PORSCHE	PET	PORSCHE
987C2	2010	0	01	001-00		248					



Pos	Part Number	Description	Remark	Qty	Model
1	997 721 115 00	tool jack		1	
-	477 012 229	tool kit with contents comprising:		1	
-	477 012 231	double-end spanner 10 X 13		1	
-	111 012 287	screwdriver		1	
-	111 012 287	handle for screwdriver		1	
-	999 571 077 02	socket wrench - 5 - for headlamp		1	
2	996 721 211 00	scissors type jack		1	I447
3	996 722 101 00	foam part		1	I447
-	999 571 074 30	threaded bolt for assembly wheels		1	I447
-	477 012 221 A	rim wrench		1	I447
-	999 571 070 30	operating rod for rim wrench		1	I447
-	997 722 801 00	mounting for tool		1	I447
-	996 361 521 00	boot		1	I447
-	987 722 061 01	cover emergency wheel		1	I447
4	997 721 551 00	towing lug		1	
5	000 722 722 06	warning triangle		1	
-	993 722 041 00	first-aid kit		1	

Model	Year	MG	SG	Illustration	Restrictions	UPD	7:41	02.03.2010	PORSCHE	PET	PORSCHE
987C2	2010	0	01	001-05		248					

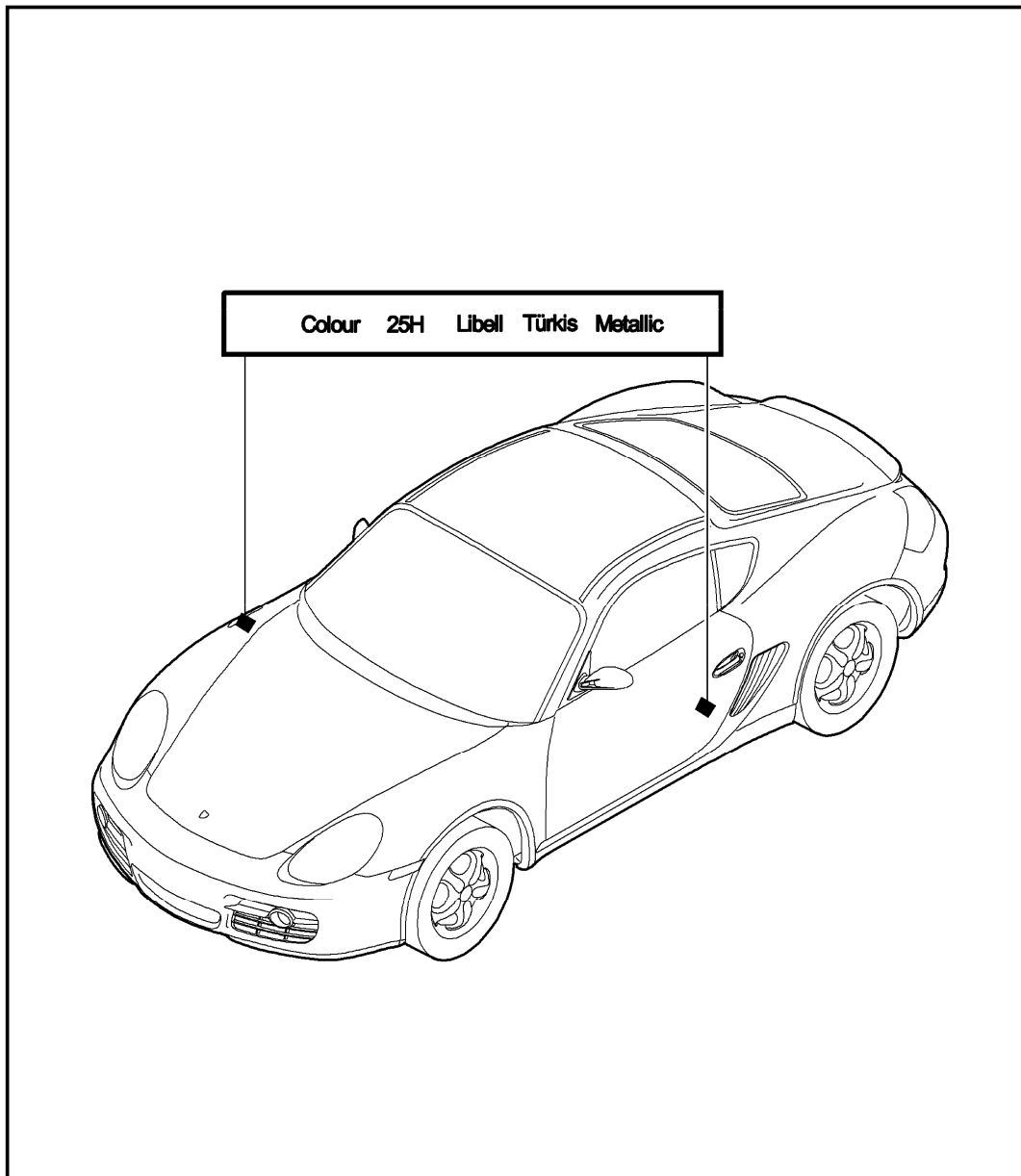


Pos	Part Number	Description	Remark	Qty	Model
		stickers			
		stickers			
		emergency wheel		1	I447
2	997 361 701 00	sticker arabic		1	I215/447
2	928 701 150 00	sticker "MAX 80 KM/H"		1	I447
		stickers engine specifications			
3	997 006 108 00	sticker		1	I068
4	955 701 675 00	sticker expansion tank		1	I193
4	997 006 544 00	sticker engine oil - MOBIL 1 -		1	
4	997 701 535 00	sticker engine-oil level		1	I193
		stickers type of fuel			
6	996 006 117 00	sticker 98 ROZ		1	
6	996 006 117 02	sticker 96 ROZ	(AUS)	1	
6	996 006 117 01	sticker 98 ROZ		1	I150
6	996 006 117 03	sticker 93 RON/MON/2		1	I193
6	955 701 676 15	sticker fuel		1	I193
6	955 701 676 10	sticker fuel filler flap		1	I193
		stickers airbag			
7	3B0 010 219 B	sticker child car seat		1	
7	8D0 010 141 Q	sticker child car seat	(AUS)	1	

Model	Year	MG	SG	Illustration	Restrictions	UPD	7:41	02.03.2010	PORSCHE	PET	PORSCHE
987C2	2010	0	01	001-05		248					

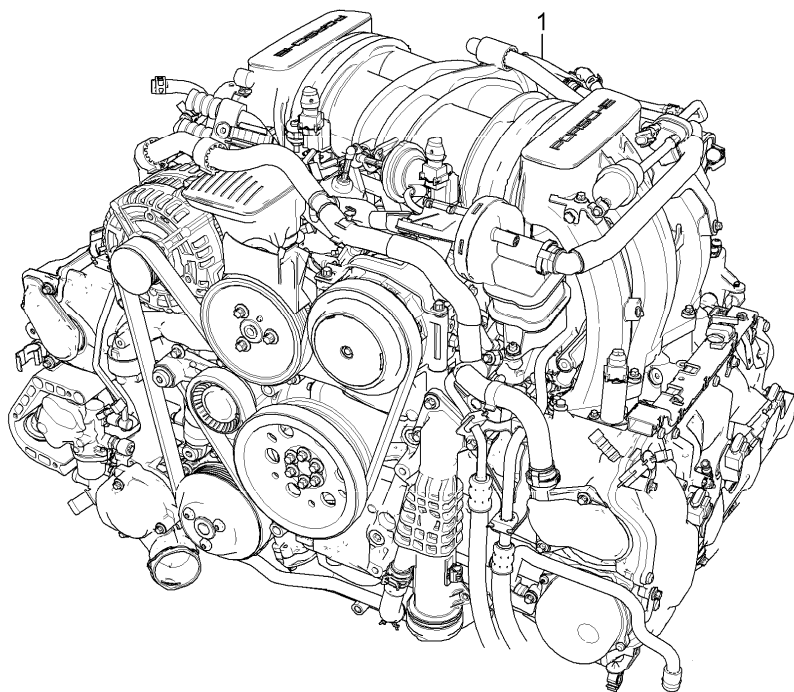
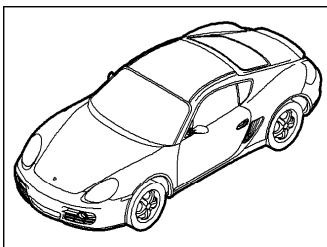
Pos	Part Number	Description	Remark	Qty	Model	Pos	Part Number	Description	Remark	Qty	Model
7	987 701 430 00	sticker child car seat german		1		13	997 701 531 00	sticker airbag		1	I193
7	987 701 430 01	sticker child car seat english		1		13	955 701 676 00	sticker warning light engine		1	I193
7	987 701 430 02	sticker child car seat french		1							
7	987 701 430 03	sticker child car seat italian		1							
7	987 701 430 04	sticker child car seat swedish		1							
7	987 701 430 05	sticker child car seat spanish		1							
7	987 701 430 06	sticker child car seat arabic		1							
7	987 701 430 07	sticker child car seat chinese		1							
7	955 701 675 10	sticker Recycling		1	I193						
10	986 701 141 01	sticker air conditioner		1							
10	987 701 521 00	sticker air conditioner		1	I193						
10	955 701 673 00	sticker battery		1	I193						
10	997 701 170 00	sticker first-aid kit		1							
11	997 701 527 00	sticker headlamp		1	I193						
11	955 701 675 05	sticker brake fluid		1	I193						
12	955 701 675 15	sticker import japan		1	I193						

Model	Year	MG	SG	Illustration	Restrictions	UPD	7:42	02.03.2010	PORSCHE	PET	PORSCHE
987C2	2010	0	04	004-00		248					



Pos	Part Number	Description	Remark	Qty	Model
-	911 095 932 20	paint touch-up applicator lacquers		X	
	041	black			A 1
	80K	guards red			G 1
	B9A	carrara white			B 4
	12G	speed yellow			X 4
	51A	creamy white			T 2
-	911 095 933 20	paint touch-up applicator set comprising: paint touch-up applicator primer paint touch-up applicator clear lacquer		X	
	92T	arctic silver metallic			X 1
	C9Z	basalt black metallic			Z 4
	M7X	atlas grey metallic			E 7
	37W	midnight blue metallic			E 9
	M7Z	gt silver metallic			U 2
	M7W	Meteor Grey Metallic			9 Q
	8A7	ruby red metallic	-09		L 2
	M3X	ruby red metallic	10-		A 6
	M8W	Macadamia Metallic			9 S
	2B5	Malachite Green Metallic			H 1
	M2Z	Nordic Gold Metallic			8 W
	32B	Sailing Blue Metallic			E 5
	M5R	Aqua Blue Metallic			D 2
	22G	porsche Racing Green Metallic			J 1
	M5X	Dark Blue Metallic			N 4

Model	Year	MG	SG	Illustration	Restrictions	UPD	7:42	02.03.2010	PORSCHE	PET	PORSCHE
987C2	2010	1	01	101-00		248					

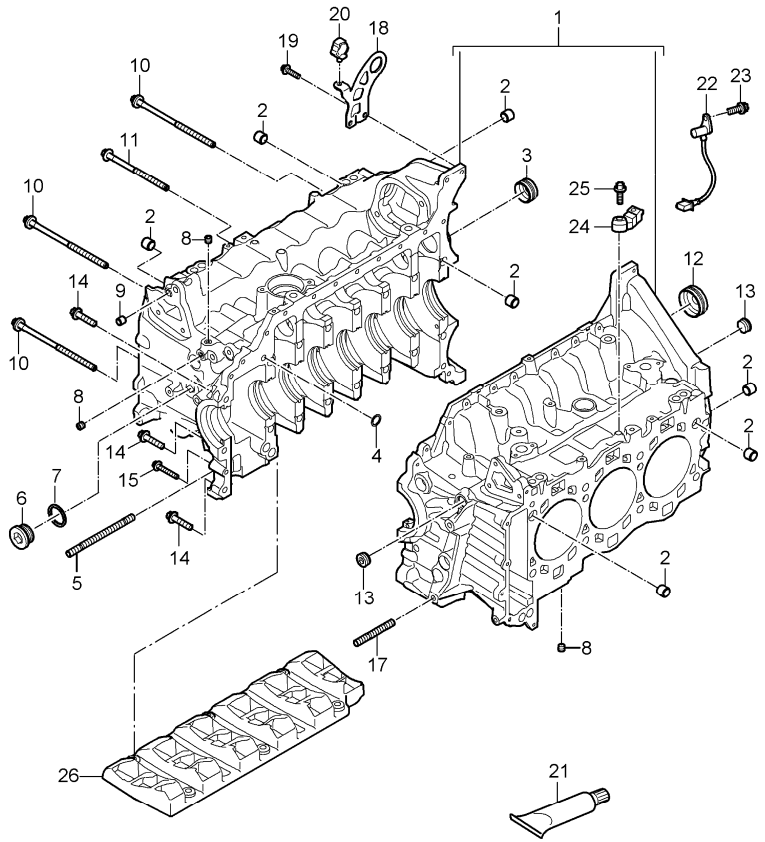
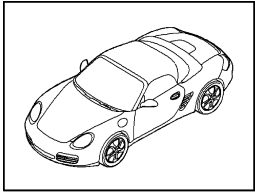


Pos	Part Number	Description	Remark	Qty	Model
		replacement engine without drive plate pdk transmission without flywheel manual transmission with compressor air conditioner			
1	> 9A1 100 920 20	replacement engine see technical information group 1 Nr.24/09	-09	1	MA1.20 I480
1	9A1 100 920 1X	replacement engine see technical information group 1 Nr.24/09	-09	1	MA1.20 I480
1	> 9A1 100 920 22	replacement engine	10-	1	MA1.20 I480
1	9A1 100 920 5X	replacement engine	10-	1	MA1.20 I480
(1)	> 9A1 100 920 21	replacement engine see technical information group 1 Nr.24/09	-09	1	MA1.20 I250
(1)	9A1 100 920 2X	replacement engine see technical information group 1 Nr.24/09	-09	1	MA1.20 I250
(1)	> 9A1 100 920 23	replacement engine	10-	1	MA1.20 I250
(1)	9A1 100 920 6X	replacement engine	10-	1	MA1.20 I250
(1)	> 9A1 100 921 20	replacement engine see technical information group 1 Nr.24/09	-09	1	MA1.21 I480

Model	Year	MG	SG	Illustration	Restrictions	UPD	7:42	02.03.2010	PORSCHE	PET	PORSCHE
987C2	2010	1	01	101-00		248					

Pos	Part Number	Description	Remark	Qty	Model	Pos	Part Number	Description	Remark	Qty	Model
(1)	9A1 100 921 3X	replacement engine see technical information group 1 Nr.24/09	-09	1	MA1.21 I480						
(1) >	9A1 100 921 22	replacement engine	10-	1	MA1.21 I480						
(1)	9A1 100 921 7X	replacement engine	10-	1	MA1.21 I480						
(1) >	9A1 100 921 21	replacement engine see technical information group 1 Nr.24/09	-09	1	MA1.21 I250						
(1)	9A1 100 921 4X	replacement engine see technical information group 1 Nr.24/09	-09	1	MA1.21 I250						
(1) >	9A1 100 921 23	replacement engine	10-	1	MA1.21 I250						
(1)	9A1 100 921 8X	replacement engine	10-	1	MA1.21 I250						

Model	Year	MG	SG	Illustration	Restrictions	UPD	7:42	02.03.2010	PORSCHE	PET	PORSCHE
987C2	2010	1	01	101-05		248					

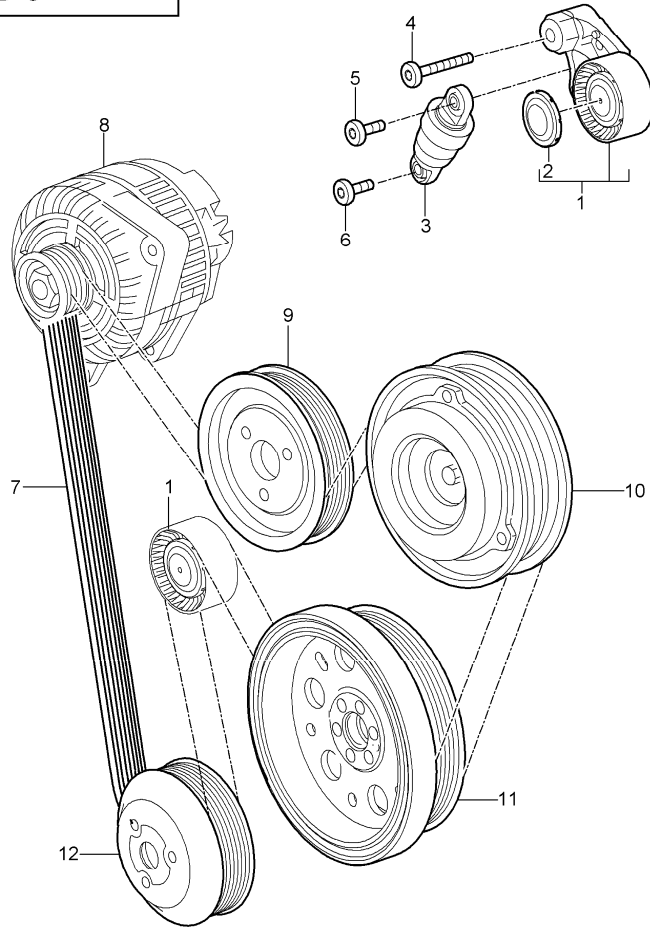
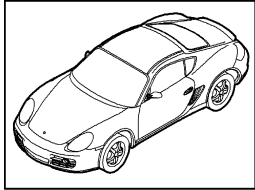


Pos	Part Number	Description	Remark	Qty	Model
		crankcase			MA1.20 MA1.21
2	014 301 153 B	dowel sleeve		6	
3	9A1 101 215 01	lid		1	
4	999 707 568 40	o-ring 12,0 X 3,0		1	
5	900 060 109 01	stud M10 X 120		1	
6	900 219 025 30	screw plug M30 X 1,5		1	
7	900 123 015 30	sealing ring A30 X 36		1	
8	999 063 033 01	screw plug M10 X 1,0 X 8,0		4	
9	999 095 063 01	dowel sleeve M6 X 10		1	
10	9A1 101 250 00	Outer hexagon round screw M10 X 1,5 X 195		14	
11	900 385 281 01	torx screw M8 X 120		1	
12	9A1 101 216 01	lid		1	
13	999 063 034 01	screw plug M20 X 1,5 X 10		2	
14	900 385 042 01	torx screw 8 X 35		3	
15	900 385 045 01	torx screw M6 X 40		3	
17	999 218 118 01	stud M10 x 60		1	
18	9A1 101 213 00	shackle for transportation		1	
19	900 385 072 01	torx screw M6 X 25		14	
20	999 507 075 40	cable holder		1	
21	000 043 207 31	sealing compound 80 ML		X	
22	9A1 606 112 01	pulse sender		1	

Model	Year	MG	SG	Illustration	Restrictions	UPD	7:42	02.03.2010	PORSCHE	PET	PORSCHE
987C2	2010	1	01	101-05		248					

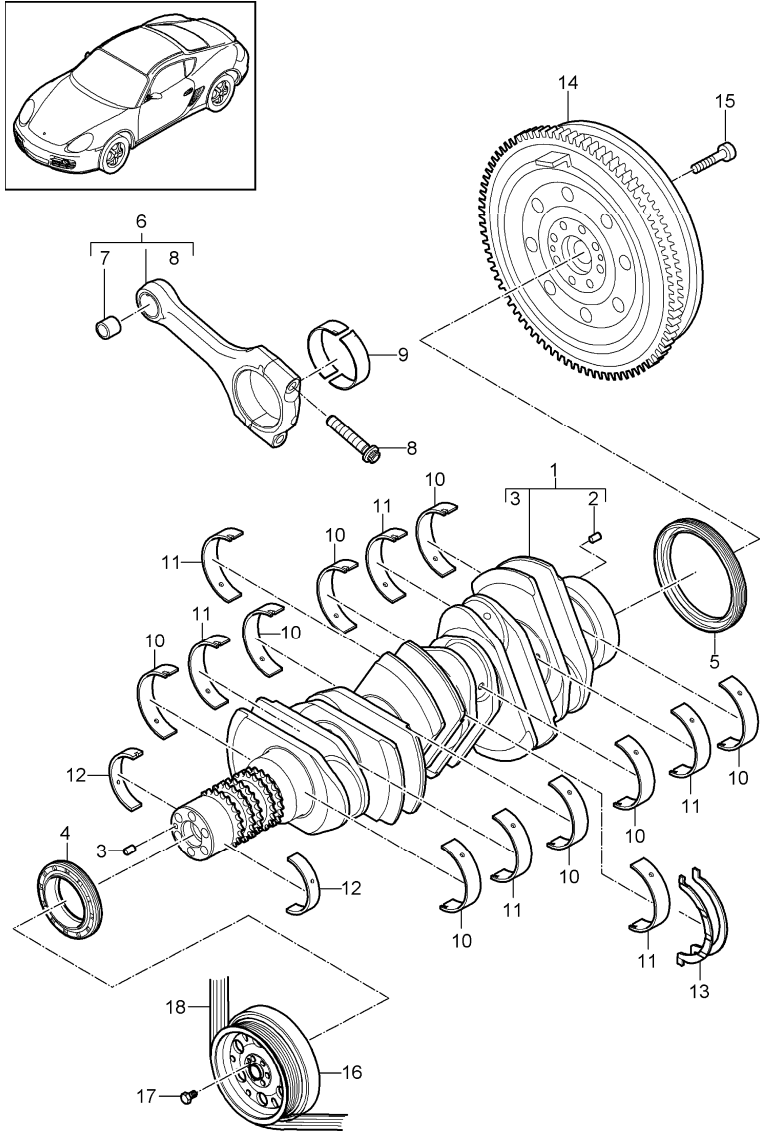
Pos	Part Number	Description	Remark	Qty	Model	Pos	Part Number	Description	Remark	Qty	Model
23	900 387 264 01	pan-head screw M6 X 16		2							
23	N 105 464 03	pan-head screw M6 X 16		2							
24	997 606 121 00	knock sensor		2							
25	900 385 042 01	torx screw M8 X 35		3							
26	oil separator see group 1/04/02		1							

Model	Year	MG	SG	Illustration	Restrictions	UPD	7:42	02.03.2010	PORSCHE	PET	PORSCHE
987C2	2010	1	01	101-10		248					



Pos	Part Number	Description	Remark	Qty	Model
		belt tensioner v-belt			MA1.20 MA1.21
1	9A1 102 211 00	lever tensioning roller		1	
2	948 102 839 00	protection cap		1	
3	948 102 261 00	tensioner hydraulic		1	
4	999 073 246 09	torx screw M8 X 33-10,9		1	
5	999 073 411 01	torx screw M8 X 60		1	
6	999 073 412 01	torx screw M8 X 26		1	
7	9A1 102 216 01	v-belt		1	
8		generator see group 9/02/05		1	
9		pulley power-steering pump see group 4/03/03		1	
10		pulley compressor see group 8/13/15		1	
11		pulley crankshaft see group 1/02/00		1	
12		pulley water pump see group 1/05/00		1	

Model	Year	MG	SG	Illustration	Restrictions	UPD	7:42	02.03.2010	PORSCHE	PET	PORSCHE
987C2	2010	1	02	102-00		248					

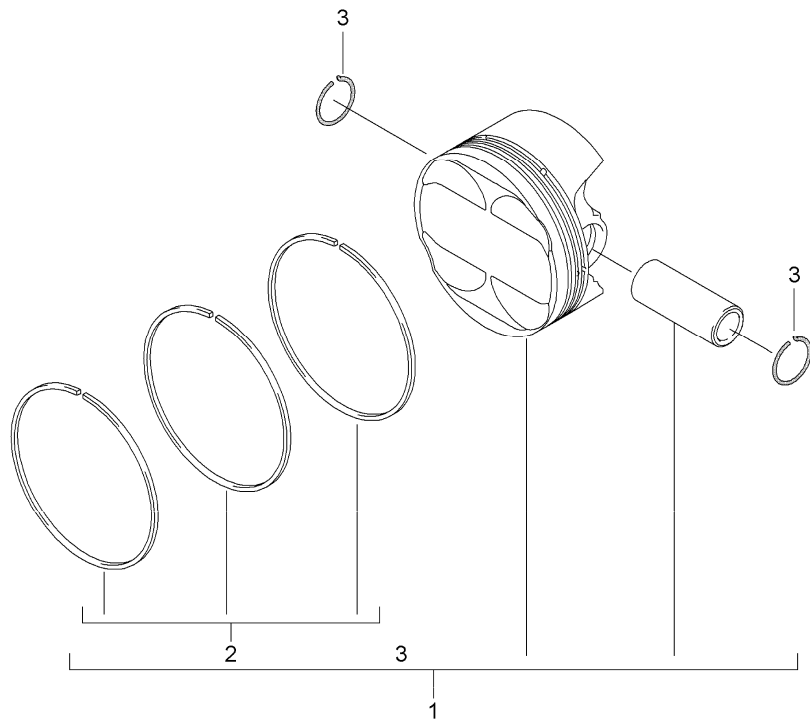
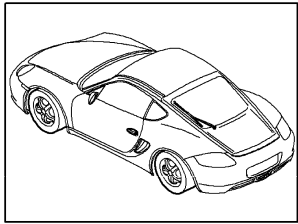


Pos	Part Number	Description	Remark	Qty	Model
		crankshaft			MA1.20 MA1.21
1	9A1 102 077 04	crankshaft		1	
2	900 095 031 00	tensioning sleeve 6,0 X 16		1	
3	900 302 016 00	straight pin A 6,0 X 16		1	
4	9A1 101 222 02	shaft sealing ring 52,6 X 16,2		1	
5	997 101 212 01	shaft sealing ring 85 x 105 x 11		1	
6	9A1 103 914 02	connecting rod set comprising: 6 connecting rods		1	
7	9A1 103 122 02	connecting rod bush D = 22		6	
8	9A1 103 115 02	connecting rod bolt M 10 X 1,25 X 51		12	
9	9A1 103 053 00	connecting-rod bearing identification red		12	
(9)	9A1 103 053 01	connecting-rod bearing identification yellow		12	
(9)	9A1 103 053 02	connecting-rod bearing identification blue		12	
10	9A1 101 064 00	crankshaft bearing identification red		8	
(10)	9A1 101 064 01	crankshaft bearing identification yellow		8	
(10)	9A1 101 064 02	crankshaft bearing identification blue		8	

Model	Year	MG	SG	Illustration	Restrictions	UPD	7:42	02.03.2010	PORSCHE	PET	PORSCHE
987C2	2010	1	02	102-00		248					

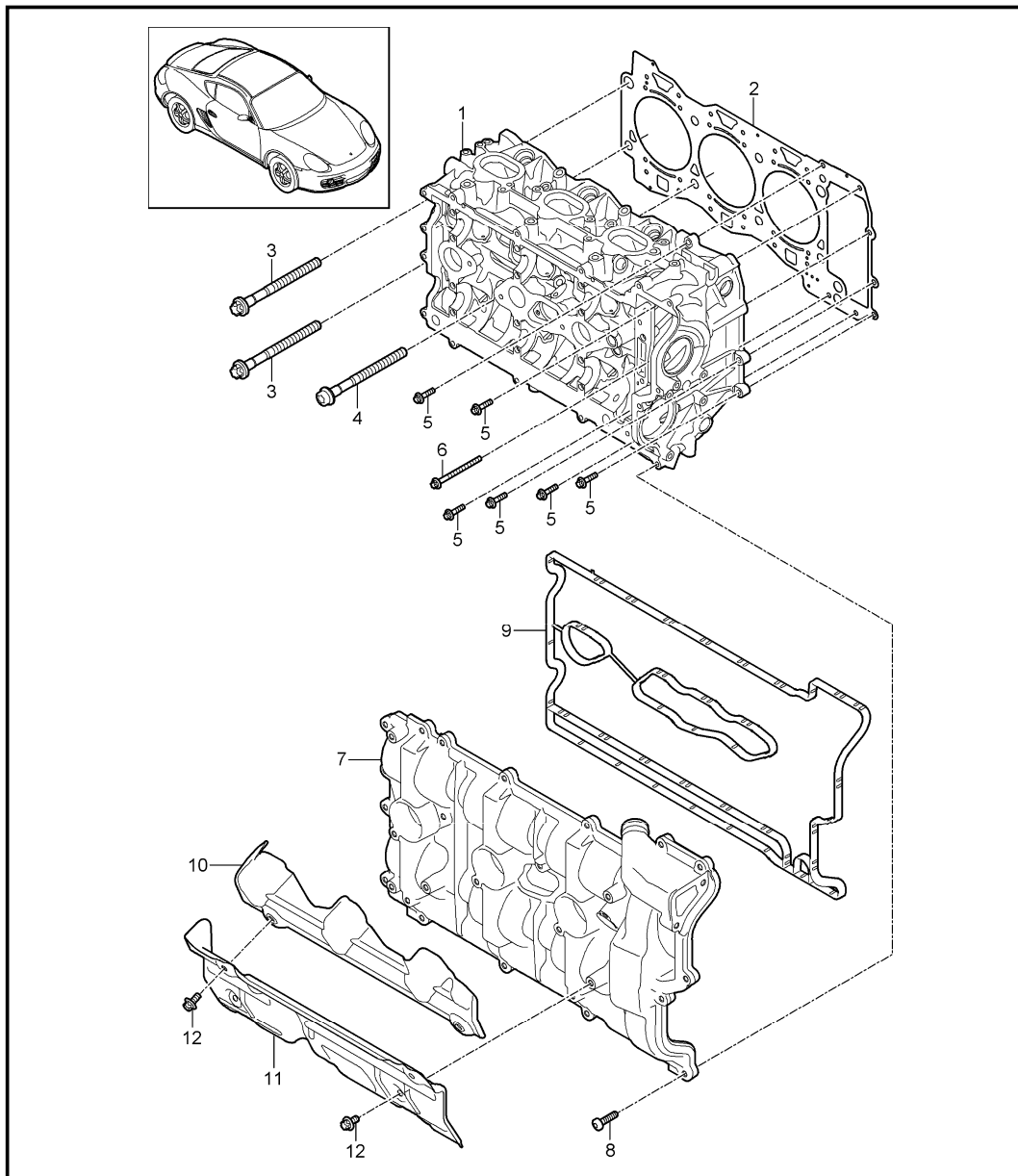
Pos	Part Number	Description	Remark	Qty	Model	Pos	Part Number	Description	Remark	Qty	Model
11	9A1 101 063 00	crankshaft bearing with * identification red		6							
(11)	9A1 101 063 01	crankshaft bearing with * identification yellow		6							
(11)	9A1 101 063 02	crankshaft bearing with * identification blue		6							
12	9A1 101 052 00	supporting mount identification red		2							
(12)	9A1 101 052 01	supporting mount identification yellow		2							
(12)	9A1 101 052 02	supporting mount identification blue		2							
13	996 101 132 00	thrust washer D = 63		2							
14	9G2 114 012 00	double-mass flywheel		1	MA1.20 I480						
14	9G2 114 012 20	double-mass flywheel		1	MA1.21 I480						
14	9G2 114 020 00	double-mass flywheel		1	I250						
15	N 906 651 01	pan-head screw M 10 X 1 X 29		10							
16	9A1 102 146 02	pulley with vibration damper		1							
17		v-belt see group 1/01/10		1							

Model	Year	MG	SG	Illustration	Restrictions	UPD	7:42	02.03.2010	PORSCHE	PET	PORSCHE
987C2	2010	1	02	102-05		248					



Pos	Part Number	Description	Remark	Qty	Model
		piston			MA1.20 MA1.21
1	9A1 103 029 03	piston tolerance range X		6	MA1.20
(1)	9A1 103 034 03	piston tolerance range X		6	MA1.21
2	9A1 103 050 02	set of piston rings		6	MA1.20
(2)	9A1 103 065 02	set of piston rings		6	MA1.21
3	9A1 103 141 01	circlip		12	

Model	Year	MG	SG	Illustration	Restrictions	UPD	7:43	02.03.2010	PORSCHE	PET	PORSCHE
987C2	2010	1	03	103-00		248					

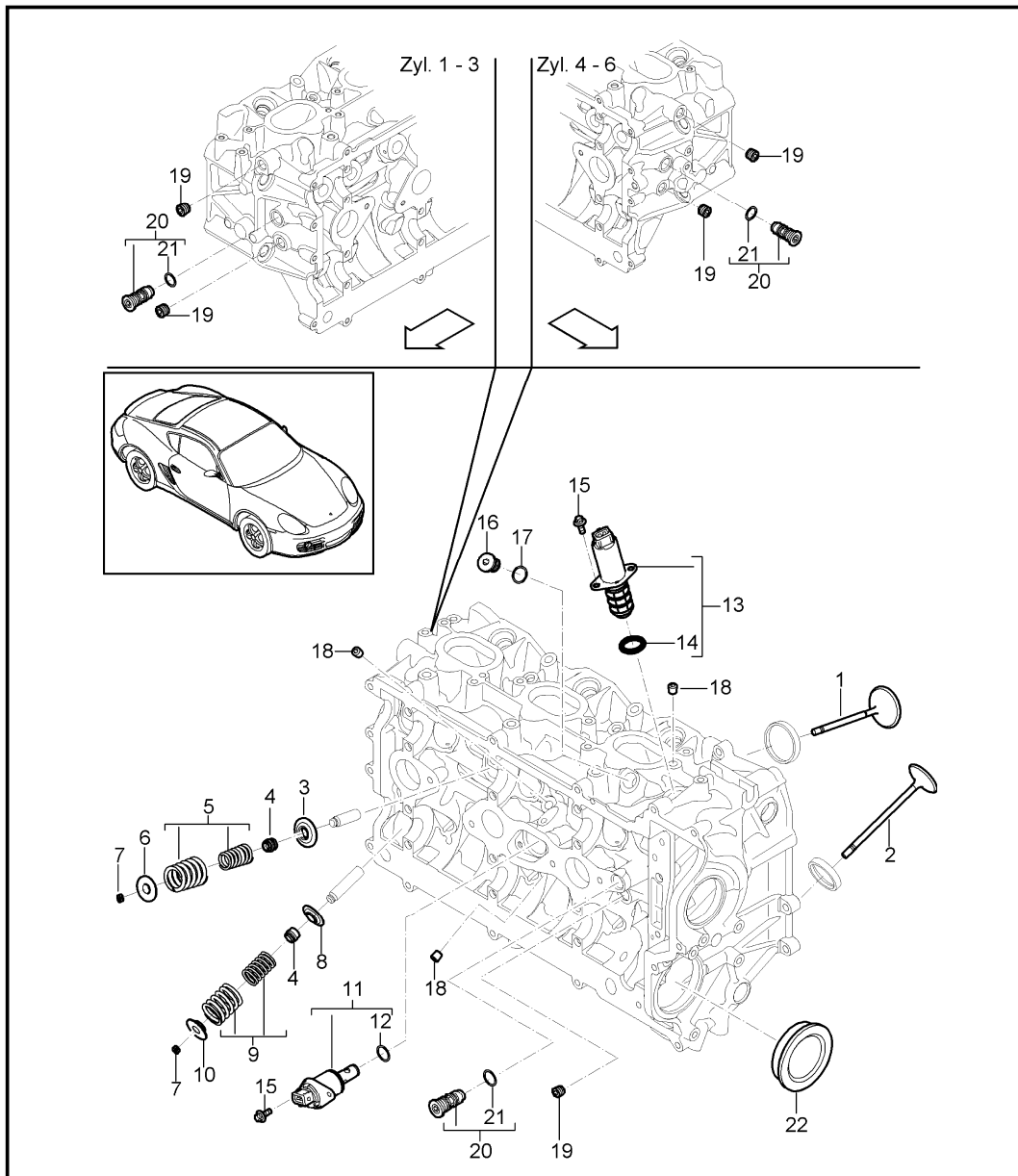


Pos	Part Number	Description	Remark	Qty	Model
1	9A1 104 905 00	cylinder head with valves cylinder head gasket valve cover		1	MA1.20
(1)	9A1 104 906 00	cylinder head cyl. 4 - 6 with valves		1	MA1.20
(1)	9A1 104 907 00	cylinder head cyl. 1 - 3 with valves		1	MA1.21
(1)	9A1 104 908 00	cylinder head cyl. 4 - 6 with valves		1	MA1.21
-		valves see group 1/03/05			
2	9A1 104 143 03	cylinder head gasket cyl. 1 - 3	-09	1	MA1.21
2	9A1 104 143 04	cylinder head gasket cyl. 1 - 3	10-	1	MA1.21
(2)	9A1 104 145 04	cylinder head gasket cyl. 1 - 3		1	MA1.20
(2)	9A1 104 142 03	cylinder head gasket cyl. 4 - 6	-09	1	MA1.21
(2)	9A1 104 142 04	cylinder head gasket cyl. 4 - 6	10-	1	MA1.21
(2)	9A1 104 144 04	cylinder head gasket cyl. 4 - 6		1	MA1.20
3	9A1 104 191 00	torx screw M12 X 1,5 X 140		4	
4	9A1 104 191 02	torx screw M12 X 1,5 X 140		12	
5	900 385 072 01	torx screw M6 X 25		11	
6	900 385 108 02	torx screw M6 X 80		2	

Model	Year	MG	SG	Illustration	Restrictions	UPD	7:43	02.03.2010	PORSCHE	PET	PORSCHE
987C2	2010	1	03	103-00		248					

Pos	Part Number	Description	Remark	Qty	Model	Pos	Part Number	Description	Remark	Qty	Model
7	9A1 105 231 05	valve cover cyl. 1 - 3 only together with 9A1.105.731.02 M >> 9 05158 M >> 9 04346		1	MA1.20 MA1.21	10	9A1 104 307 03	heat protection upper part cyl. 1 - 3		1	
7	9A1 105 231 04	valve cover cyl. 1 - 3 together with 9A1.105.731.03 M 9 05159 >> M 9 04347 >>		1	MA1.20 MA1.21	(10)	9A1 104 308 04	heat protection upper part cyl. 4 - 6		1	
(7)	9A1 105 232 05	valve cover cyl. 4 - 6 only together with 9A1.105.732.02 M >> 9 05158 M >> 9 04346		1	MA1.20 MA1.21	11	9A1 104 309 03	heat protection lower part cyl. 1 - 3		1	
(7)	9A1 105 232 04	valve cover cyl. 4 - 6 only together with 9A1.105.732.03 M 9 05159 >> M 9 04347 >>		1	MA1.20 MA1.21	(11)	9A1 104 310 03	heat protection lower part cyl. 4 - 6		1	
8	9A1 107 313 00	torx screw M6 X 25		40		12	900 385 041 01	torx screw M6 X 12		12	
9	9A1 105 731 03	gasket valve cover cyl. 1 - 3 M 9 05159 >> M 9 04347 >>		1	MA1.20 MA1.21	13	999 707 404 40	o-ring 17,05 X 1,78		2	
(9)	9A1 105 731 02	gasket valve cover cyl. 1 - 3 M >> 9 05158 M >> 9 04346		1	MA1.20 MA1.21	14	997 606 106 03	hall sender		2	
(9)	9A1 105 732 03	gasket valve cover cyl. 4 - 6 M 9 05159 >> M 9 04347 >>		1	MA1.20 MA1.21	15	900 387 264 01	pan-head screw M 6 X 16		2	
(9)	9A1 105 732 02	gasket valve cover cyl. 4 - 6 M >> 9 05158 M >> 9 04346		1	MA1.20 MA1.21						

Model	Year	MG	SG	Illustration	Restrictions	UPD	7:43	02.03.2010	PORSCHE	PET	PORSCHE
987C2	2010	1	03	103-05		248					

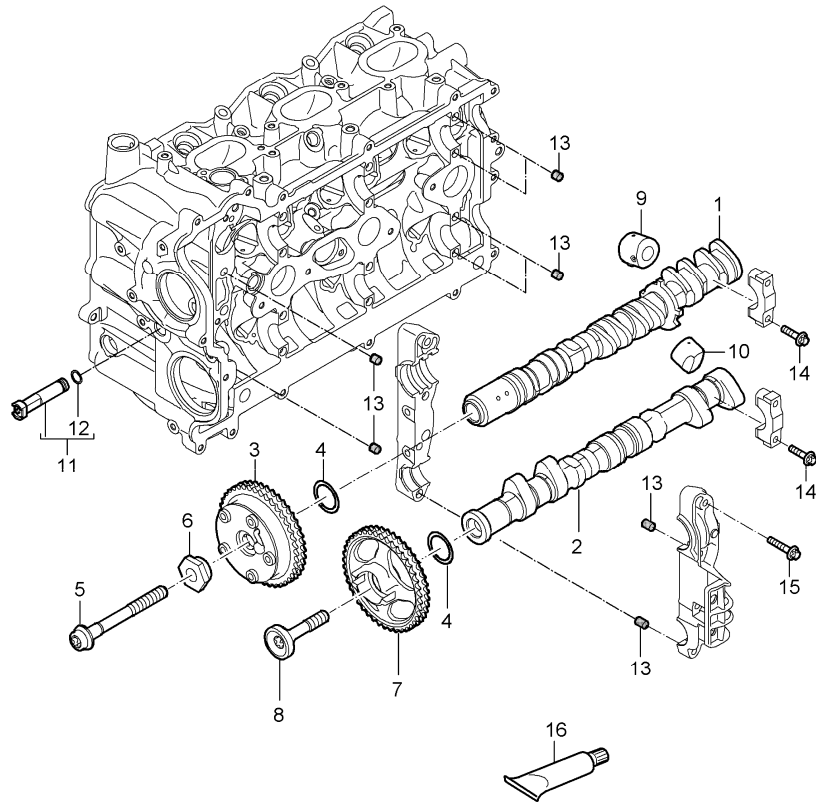
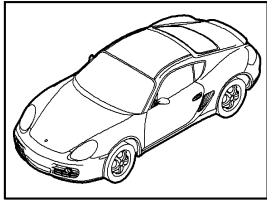


Pos	Part Number	Description	Remark	Qty	Model
		cylinder head accessories valves			MA1.20 MA1.21
1	9A1 105 312 02	intake valve		12	MA1.21
(1)	9A1 105 314 02	intake valve		12	MA1.20
2	9A1 105 322 02	exhaust valve		12	MA1.21
2	9A1 105 324 02	exhaust valve		12	MA1.20
3	9A1 105 151 00	concave washer intake lower		12	MA1.21
3	948 105 151 01	concave washer intake lower		12	MA1.20
4	996 105 115 52	valve stem seal		24	
5	9A1 105 110 01	set of valve springs intake		12	MA1.21
5	948 105 094 00	set of valve springs intake		12	MA1.20
6	9A1 105 150 00	concave washer intake upper		12	MA1.21
6	948 105 150 01	concave washer intake upper		12	MA1.20
7	996 105 123 52	valve collet		48	
8	948 105 153 51	concave washer exhaust lower		12	MA1.21
(8)	948 105 153 01	concave washer exhaust lower		12	MA1.20
9	9A1 105 115 01	set of valve springs set exhaust		12	MA1.21
(9)	9A1 105 180 01	valve spring exhaust		12	MA1.20
10	948 105 152 51	concave washer exhaust upper		12	MA1.21

Model	Year	MG	SG	Illustration	Restrictions	UPD	7:43	02.03.2010	PORSCHE	PET	PORSCHE
987C2	2010	1	03	103-05		248					

Pos	Part Number	Description	Remark	Qty	Model	Pos	Part Number	Description	Remark	Qty	Model
(10)	996 105 121 54	concave washer exhaust upper		12	MA1.20						
11	9A1 105 308 02	actuator		1							
12	900 331 057 40	o-ring 11,2 X 2,65		2							
13	9A1 105 304 01	actuator valve		2							
14	999 707 446 40	o-ring 18 X 2,5		2							
15	900 385 112 01	torx screw M5 X 12		8							
16	900 219 002 03	screw plug		1							
17	900 123 104 30	sealing ring 14 X 18		2							
18	900 063 010 01	screw plug M8 X 1,0		3							
19	900 063 014 01	screw plug M12 X 1,5		4							
20	9A1 104 250 00	restrictor		4							
21	999 707 577 40	o-ring 10 x 2,5N		4							
22	9A1 104 403 00	lid		1	MA1.20						

Model	Year	MG	SG	Illustration	Restrictions	UPD	7:43	02.03.2010	PORSCHE	PET	PORSCHE
987C2	2010	1	03	103-10		248					

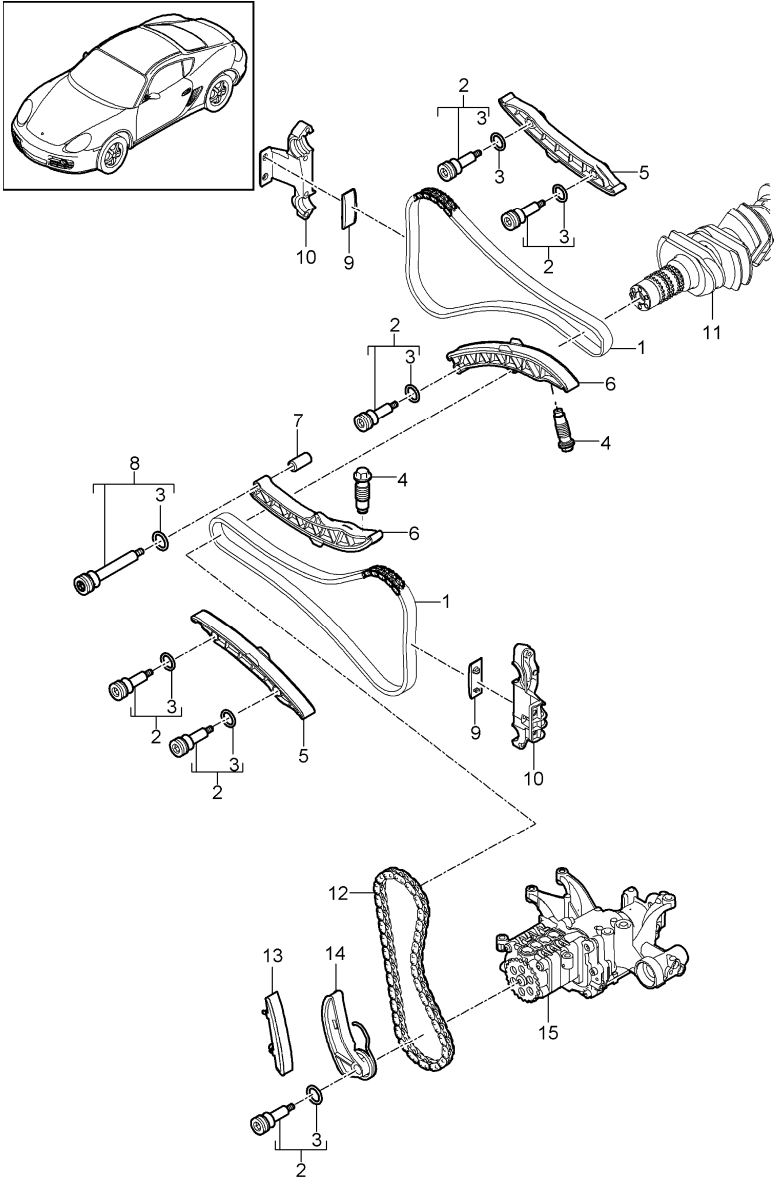


Pos	Part Number	Description	Remark	Qty	Model
		camshaft hydraulic valve tappet camshaft adjuster			MA1.20 MA1.21
(1)	9A1 105 025 03	camshaft intake cyl. 1 - 3		1	MA1.20
(1)	9A1 105 026 03	camshaft intake cyl. 4 - 6		1	MA1.20
1	9A1 105 027 03	camshaft intake cyl. 1 - 3		1	MA1.21
1	9A1 105 028 03	camshaft intake cyl. 4 - 6		1	MA1.21
(2)	9A1 105 227 03	camshaft exhaust cyl. 1 - 3		1	MA1.20
(2)	9A1 105 228 03	camshaft exhaust cyl. 4 - 6		1	MA1.20
2	9A1 105 223 03	camshaft exhaust cyl. 1 - 3		1	MA1.21
2	9A1 105 224 03	camshaft exhaust cyl. 4 - 6		1	MA1.21
3	9A1 105 052 01	camshaft adjuster		1	
4	9A1 105 403 02	washer camshaft adjuster		1	
5	9A1 105 254 01	torx screw M12 X 50		1	
6	U 948 105 218 01	sleeve camshaft adjuster		1	
6	9A1 105 245 00	sleeve camshaft adjuster		1	
(7)	9A1 105 147 02	sprocket camshaft exhaust cyl. 1 - 3		1	

Model	Year	MG	SG	Illustration	Restrictions	UPD	7:43	02.03.2010	PORSCHE	PET	PORSCHE
987C2	2010	1	03	103-10		248					

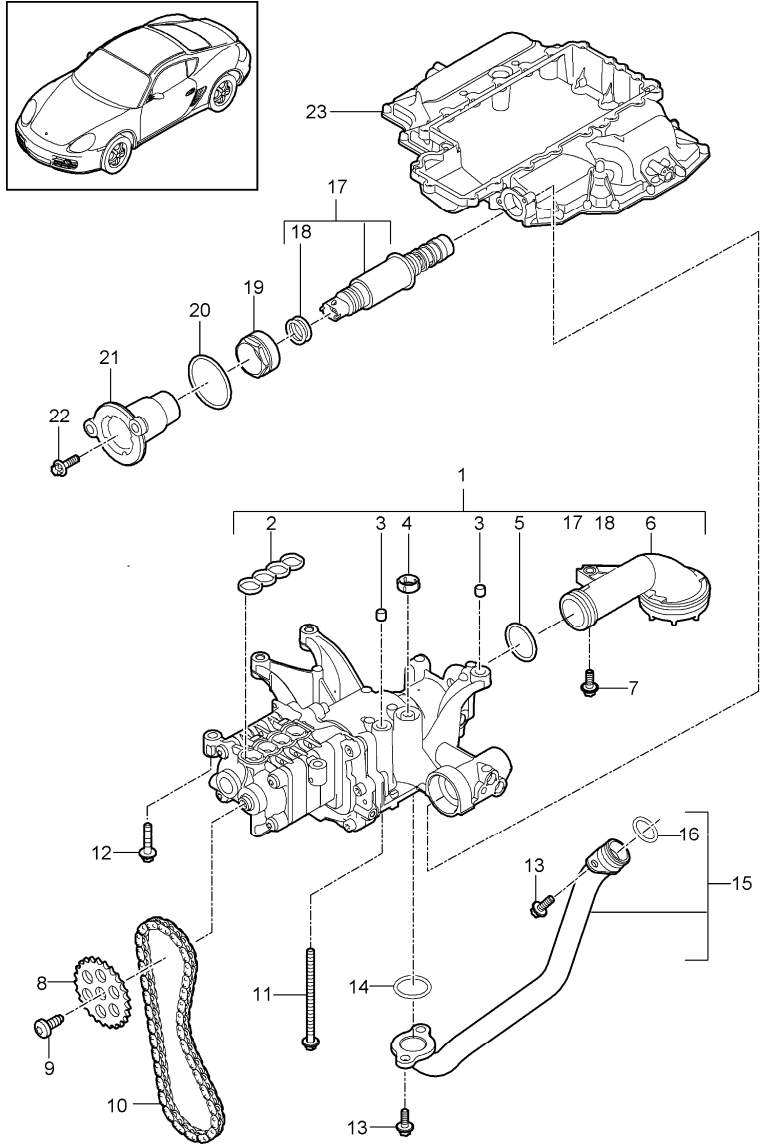
Pos	Part Number	Description	Remark	Qty	Model	Pos	Part Number	Description	Remark	Qty	Model
7	9A1 105 148 02	sprocket camshaft exhaust cyl. 4 - 6		1							
8	9A1 105 255 00	torx screw		2							
9	9A1 105 070 03	hydraulic valve tappet exhaust		12							
10	9A1 105 071 00	hydraulic valve tappet intake		12							
11	9A1 104 402 02	oil tube cyl. 4 - 6		1							
12	999 707 576 40	o-ring 7,0 X 2,5		1							
13	999 095 075 01	dowel sleeve 8 x 7		32							
14	999 073 450 02	Outer hexagon round screw BM 6 X 37		24							
15	900 385 111 01	torx screw BM 6 X 55		8							
16	000 043 024 00	extreme-pressure grease 1 tube 80 Gr. for camshaft		1							

Model	Year	MG	SG	Illustration	Restrictions	UPD	7:43	02.03.2010	PORSCHE	PET	PORSCHE
987C2	2010	1	03	103-15		248					



Pos	Part Number	Description	Remark	Qty	Model
		valve control			MA1.20 MA1.21
1	9A1 105 142 02	timing chain camshaft crankshaft		2	
2	9A1 105 162 01	screw tensioner blade		6	
3	999 707 346 40	o-ring 15,0 X 3,0		X	
4	9A1 105 157 02	chain adjuster		2	
5	9A1 105 153 02	guide rail		2	
6	9A1 105 155 02	tensioner blade		2	
7	9A1 105 165 01	spacer sleeve		2	
8	9A1 105 163 01	screw		1	
9	9A1 105 101 02	guide rail		2	
10	...	housing see group 1/03/00		2	
11	...	crankshaft see group 1/02/00		1	
12	9A1 105 233 02	timing chain oil pump crankshaft		1	
13	9A1 105 237 02	guide rail		1	
14	9A1 105 235 02	tensioner blade		1	
15	...	oil pump see group 1/04/00		1	

Model	Year	MG	SG	Illustration	Restrictions	UPD	7:43	02.03.2010	PORSCHE	PET	PORSCHE
987C2	2010	1	04	104-00		248					

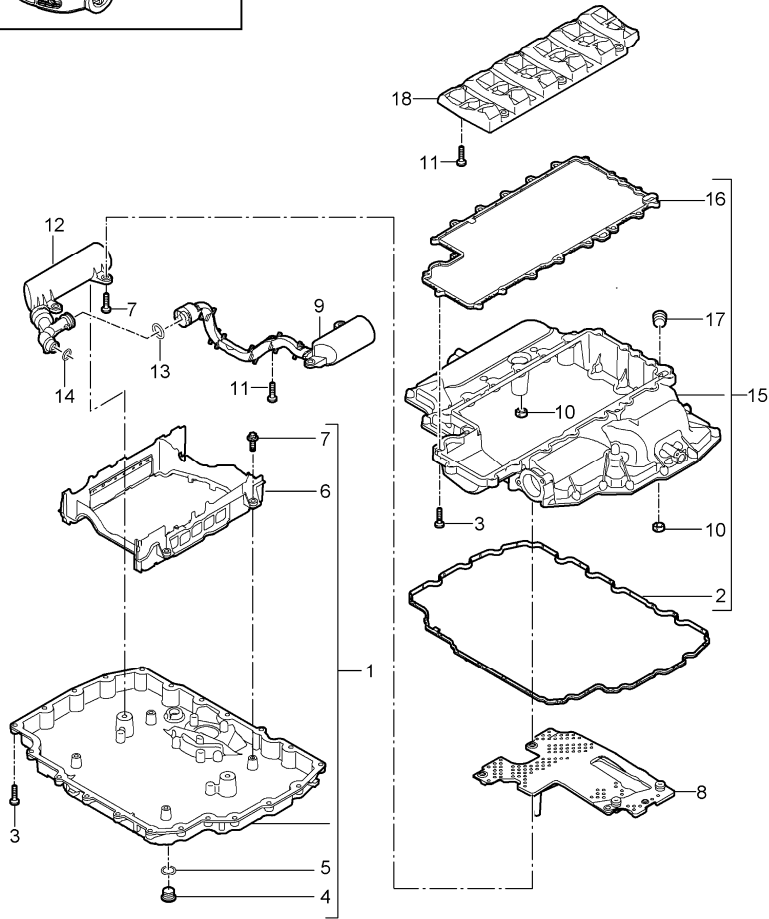
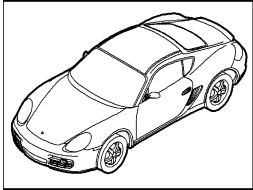


Pos	Part Number	Description	Remark	Qty	Model
		oil pump			MA1.20 MA1.21
1	9A1 107 050 03	oil pump		1	
1	9A1 107 050 04	oil pump		1	
2	9A1 107 370 00	gasket		1	
3	996 106 103 50	dowel sleeve 8,2 X 7,0		2	
4	9A1 107 327 00	sealing ring		1	
5	999 707 375 40	o-ring 30,00 X 3,00		1	
6	9A1 107 075 02	suction tube		1	
7	999 073 102 01	round head screw M6 X 25		1	
8	9A1 105 225 02	sprocket oil pump		1	
9	999 073 380 01	torx screw M8 X 22		1	
10	chain oil pump see group 1/03/15		1	
11	900 385 126 01	torx screw M6 X 95		1	
12	900 385 048 01	torx screw M6 X 30		5	
13	900 385 009 01	torx screw M6 X 25		1	
14	999 707 409 40	o-ring 26,00 X 3,00		1	
15	9A1 107 250 01	oil tube oil pump crankcase		1	
16	999 707 575 40	o-ring 20,00 X 3,00		1	
17	948 107 113 01	solenoid valve		1	
18	999 707 567 40	o-ring 17,00 X 3,00		2	

Model	Year	MG	SG	Illustration	Restrictions	UPD	7:43	02.03.2010	PORSCHE	PET	PORSCHE
987C2	2010	1	04	104-00		248					

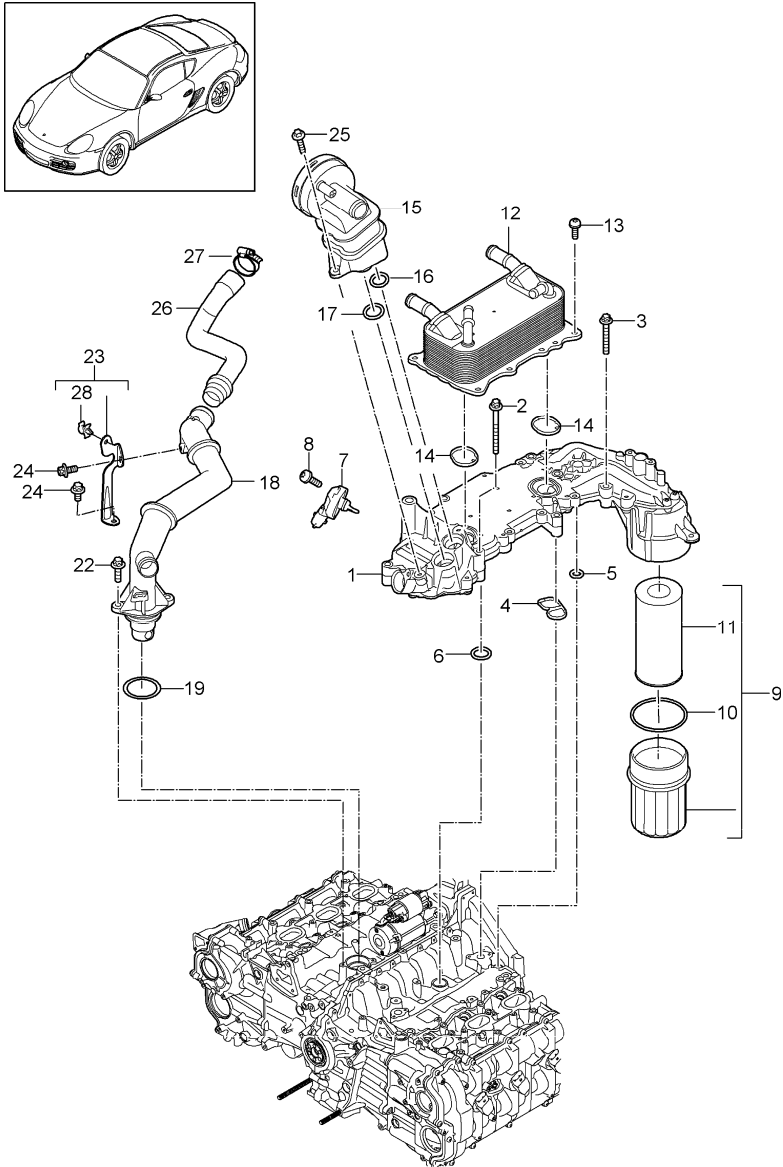
Pos	Part Number	Description	Remark	Qty	Model	Pos	Part Number	Description	Remark	Qty	Model
19	999 261 024 01	union nut M36 x 1,0 x 12		1							
20	999 707 570 40	o-ring 44,00 x 3,00		1							
21	9A1 107 330 01	joint flange control valve		1							
22	900 385 019 01	torx screw M6 X 20		2							
23	oil pan upper part see group 1/04/02		1							

Model	Year	MG	SG	Illustration	Restrictions	UPD	7:44	02.03.2010	PORSCHE	PET	PORSCHE
987C2	2010	1	04	104-02		248					



Pos	Part Number	Description	Remark	Qty	Model
		oil pan			
1	9A1 107 032 00	oil pan lower part		1	
2	9A1 107 325 02	gasket oil pan		1	
3	9A1 107 313 00	torx screw M 6 X 25		21	
4	900 219 020 31	screw plug M 18 X 1,5		1	
5	900 123 106 30	sealing ring A 18 X 24		1	
6	9A1 107 243 01	bulkhead		1	
7	900 385 019 01	torx screw M6 x 20		X	
8	9A1 107 420 01	oil separator		1	
9	9A1 107 383 01	oil separator		1	
10	9A1 107 327 00	sealing ring		2	
12	9A1 107 380 01	oil separator		1	
13	948 107 439 10	o-ring 20,0 X 3,8		2	
14	999 707 637 40	o-ring 15,0 X 3,0		1	
15	9A1 107 031 01	oil pan upper part		1	
16	9A1 107 315 03	gasket		1	
17	900 063 010 01	screw plug M8 X 1,0		1	
18	9A1 101 010 00	oil separator		1	
19	948 606 150 00	oil-level sender		1	
20	948 606 240 00	gasket		1	
21	900 385 072 01	torx screw BM 6 X 25		3	

Model	Year	MG	SG	Illustration	Restrictions	UPD	7:44	02.03.2010	PORSCHE	PET	PORSCHE
987C2	2010	1	04	104-05		248					

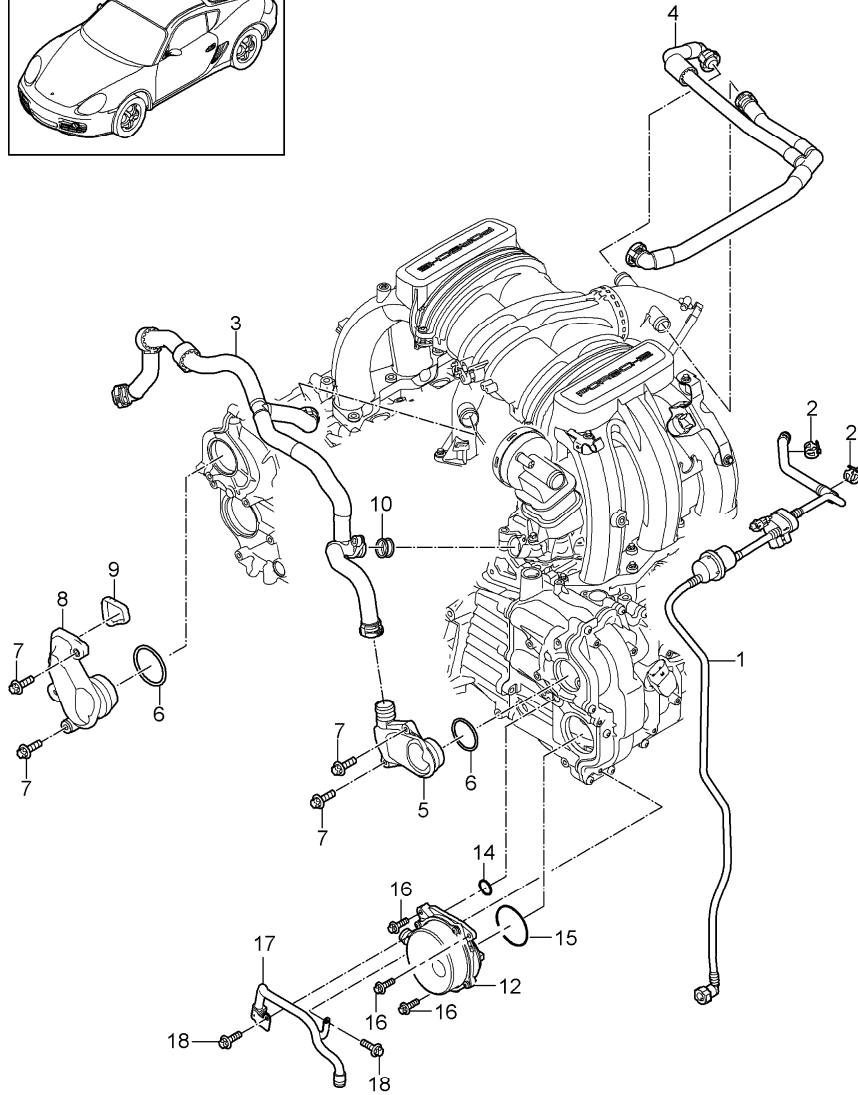
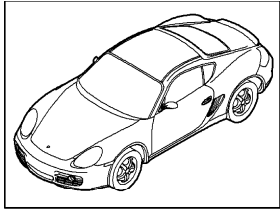


Pos	Part Number	Description	Remark	Qty	Model
		engine lubrication			MA1.20 MA1.21
(1) U	9A1 107 046 01	Oil-conducting housing		1	
1	9A1 107 020 01	Oil-conducting housing		1	
2	900 385 276 01	torx screw M6 X 60		1	
3	900 385 125 01	torx screw M6 X 45		8	
4	9A1 107 475 00	sealing ring Oil-conducting housing crankcase		1	
5	999 707 594 40	o-ring 11,0 X 4,0		1	
6	999 707 595 40	o-ring 20,0 X 4,0		1	
7	997 606 203 01	oil pressure sender 5 bar	-09	1	
(7)	948 606 213 00	oil pressure sender 10 bar	10-	1	
8	900 385 019 01	torx screw M6 X 25		2	
9	9A1 107 024 00	oil filter set		1	
10	996 107 313 51	sealing ring 71,0 X 3,5		1	
11	9A1 107 224 00	filter element oil filter		1	
12	9A1 107 451 00	heat exchanger		1	
13	999 073 416 01	torx screw M6 X 20		6	
14	948 107 175 00	gasket		2	
15	9A1 107 042 00	oil separator		1	
16	999 707 634 40	o-ring 18,5 X 4,0		1	
17	999 707 635 40	o-ring 21,0 X 4,0		1	
18	9A1 107 116 02	filler tube engine oil		1	

Model	Year	MG	SG	Illustration	Restrictions	UPD	7:44	02.03.2010	PORSCHE	PET	PORSCHE
987C2	2010	1	04	104-05		248					

Pos	Part Number	Description	Remark	Qty	Model	Pos	Part Number	Description	Remark	Qty	Model
19	999 707 348 40	o-ring 42,0 X 4,0		1							
20	987 107 035 01	lid		1							
21	987 107 336 00	gasket lid		1							
22	900 385 019 01	torx screw M6 X 20		5							
23	9A1 107 216 02	support filler tube		1	MA1.20						
(23)	9A1 107 316 02	support filler tube		1	MA1.21						
24	900 385 041 01	torx screw M6 X 12		2							
25	900 385 072 01	torx screw M6 X 25		2							
26	987 107 264 30	oil hose		1							
27	999 512 695 09	hose clamp 38 x 12		2							
28	999 507 675 40	cable holder		1							

Model	Year	MG	SG	Illustration	Restrictions	UPD	7:44	02.03.2010	PORSCHE	PET	PORSCHE
987C2	2010	1	04	104-10		248					

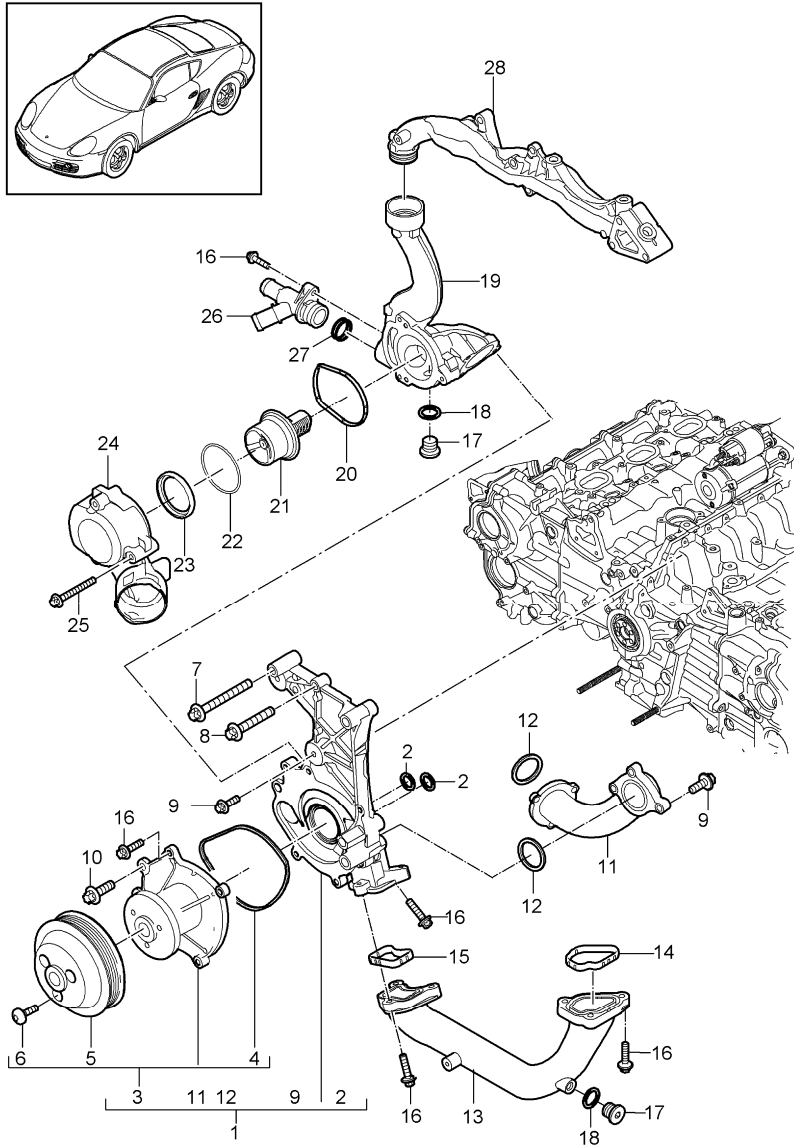


Pos	Part Number	Description	Remark	Qty	Model
		crankcase bleeding tank ventilation vacuum pump			
1	9A1 110 093 02	vent line complete		1	
2	999 512 651 09	hose clamp 15 x 12		2	
3	9A1 107 515 01	vent line crankcase		1	
4	9A1 107 520 01	vent line distributor tube		1	
5	9A1 105 238 00	lid crankcase bleeding cyl. 4 - 6		1	
6	999 707 636 40	o-ring 44,0 X 3,5N		2	
7	900 385 019 01	torx screw BM6 x 20		6	
8	9A1 105 239 02	lid crankcase bleeding cyl. 1 - 3		1	
9	9A1 105 339 00	gasket for lid crankcase		1	
10	999 707 316 41	o-ring 21,89 x 2,62		2	
11	900 385 072 01	torx screw BM 6 x 25		1	
12		see illustrations 1/07/10			
13	9A1 110 090 02	vacuum pump		1	
14	999 701 504 40	o-ring 10 x 2,5		1	
15	999 701 505 40	o-ring 54 x 2,5		1	
16	900 385 019 01	torx screw M6 x 20		3	

Model	Year	MG	SG	Illustration	Restrictions	UPD	7:44	02.03.2010	PORSCHE	PET	PORSCHE
987C2	2010	1	04	104-10		248					

Pos	Part Number	Description	Remark	Qty	Model	Pos	Part Number	Description	Remark	Qty	Model
17	9A1 110 065 01	vacuum line		1							
18	900 385 041 01	torx screw M6 x 20		2							
19	999 701 789 40	o-ring 12 x 2		2							
20		support see illustrations 202-00									

Model	Year	MG	SG	Illustration	Restrictions	UPD	7:44	02.03.2010	PORSCHE	PET	PORSCHE
987C2	2010	1	05	105-00		248					

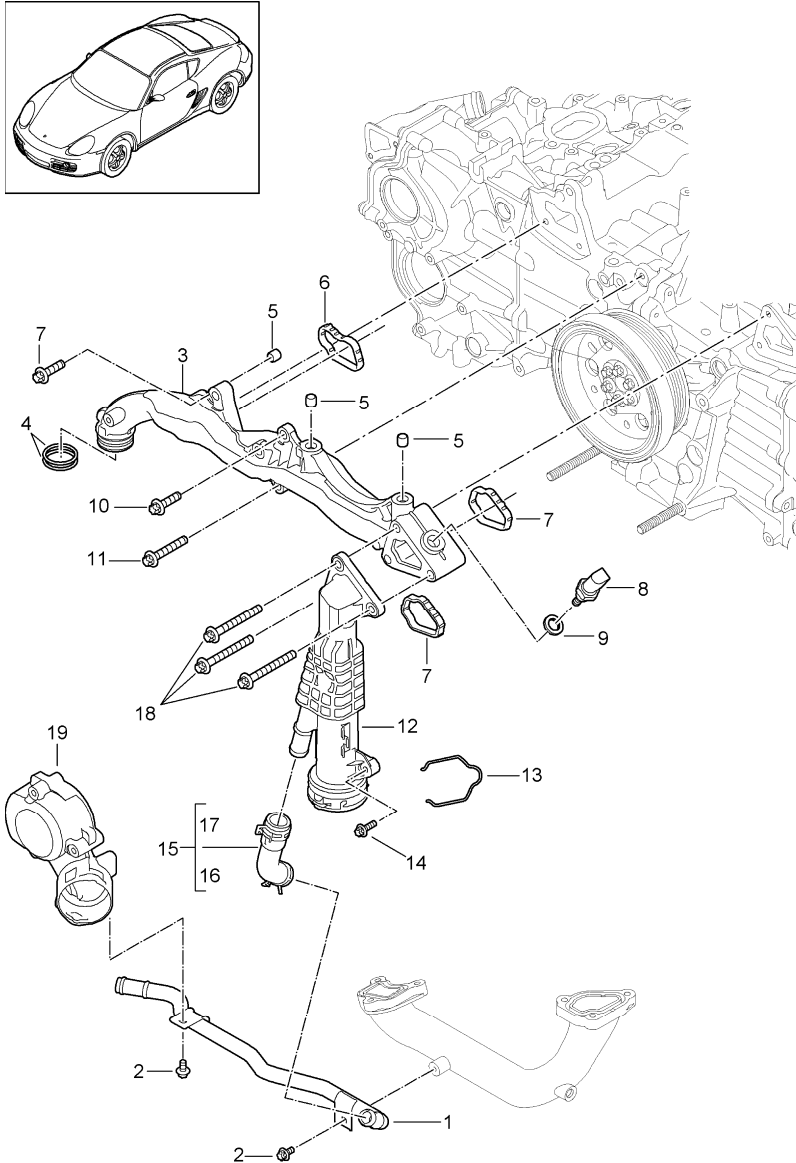


Pos	Part Number	Description	Remark	Qty	Model
1	9A1 106 038 04	water pump thermostat housing		1	MA1.20 MA1.21
2	999 707 604 40	o-ring 34,0 X 3,0		2	
3	9A1 106 048 00	water pump complete		1	
4	9A1 106 217 00	gasket water pump		1	
5	9A1 106 248 00	pulley		1	
6	999 073 104 01	torx screw M8 X 16		3	
7	900 385 115 01	torx screw M8 X 70		3	
8	900 385 071 01	torx screw M8 X 50		3	
9	900 385 019 01	torx screw M6 X 20		4	
10	900 385 098 01	torx screw M8 X 25		1	
11	9A1 106 238 00	water tube		1	
12	9A1 106 215 00	gasket		2	
13	9A1 106 125 31	water tube		1	
14	9A1 106 326 00	gasket water tube		1	
15	9A1 106 325 00	gasket		1	
16	900 385 072 01	torx screw M6 X 25		11	
17	900 219 018 30	screw plug M14 X 1,5		1	
18	900 123 104 30	sealing ring 14 X 18		1	
19	9A1 106 150 01	housing thermostat		1	
20	9A1 106 305 00	gasket thermostat		1	

Model	Year	MG	SG	Illustration	Restrictions	UPD	7:44	02.03.2010	PORSCHE	PET	PORSCHE
987C2	2010	1	05	105-00		248					

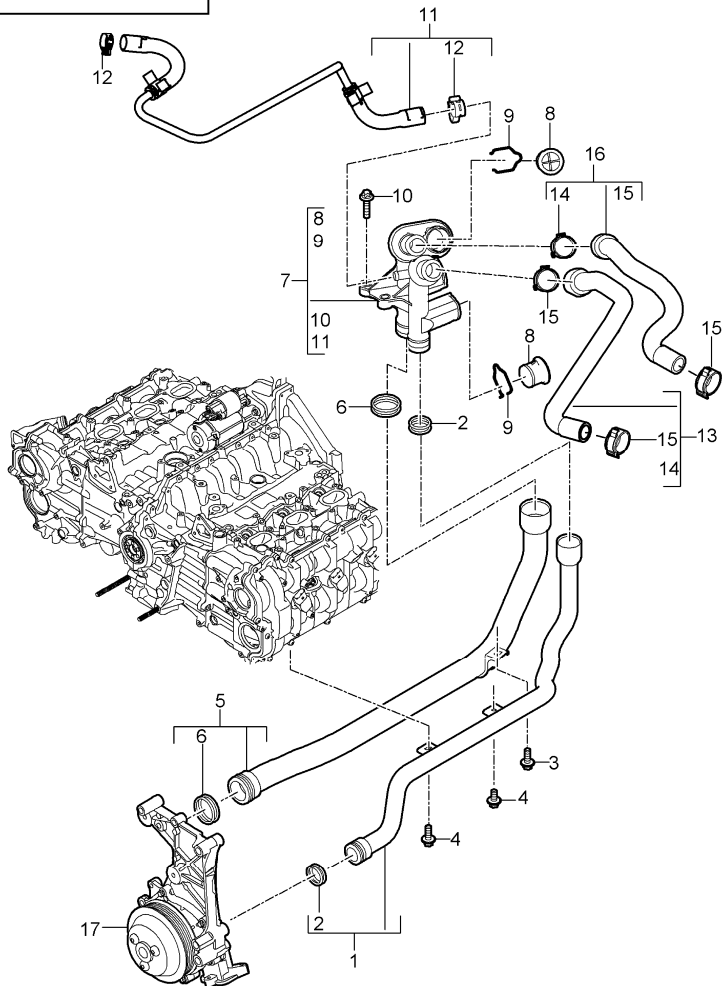
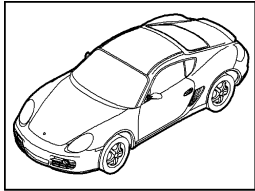
Pos	Part Number	Description	Remark	Qty	Model	Pos	Part Number	Description	Remark	Qty	Model
21	9A1 106 225 01	thermostat insert		1							
22	999 707 625 40	o-ring 59,0 X 5,2		1							
23	9A1 106 558 00	sealing ring		1							
24	9A1 106 121 00	water guide housing		1							
25	900 385 070 01	torx screw M6 X 50		3							
26	9A1 106 560 00	cooling water tube y-piece		1							
27	999 707 517 40	o-ring 22 X 3		2							
28		unit carrier see group 1/05/05		1							

Model	Year	MG	SG	Illustration	Restrictions	UPD	7:44	02.03.2010	PORSCHE	PET	PORSCHE
987C2	2010	1	05	105-03		248					



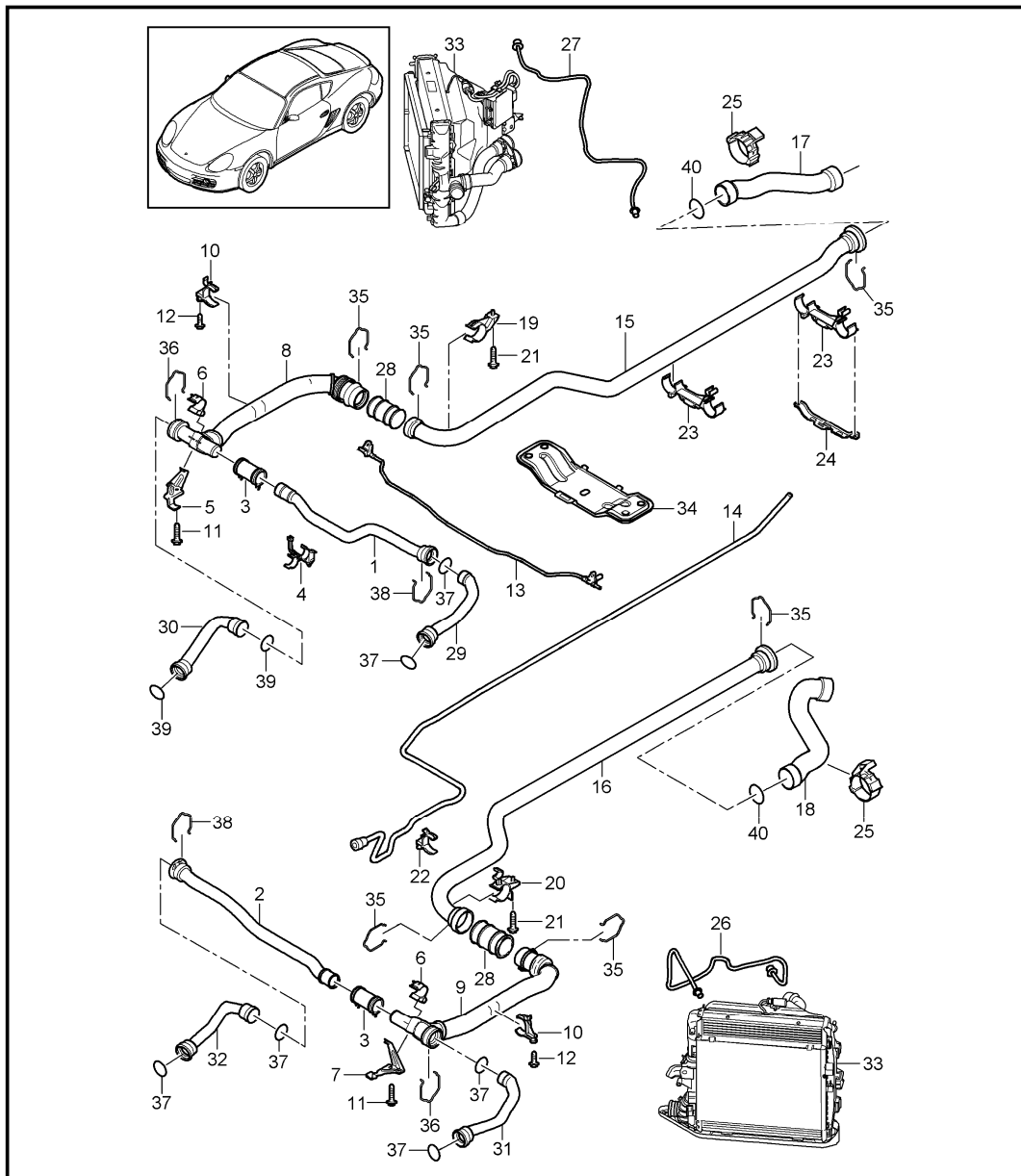
Pos	Part Number	Description	Remark	Qty	Model
1	9A1 106 810 31	unit carrier water tube		1	MA1.20 MA1.21
2	900 385 041 01	torx screw M6 X 12		2	
3	9A1 102 112 02	unit carrier		1	
4	999 707 589 40	o-ring 31,0 X 3,0		2	
5	999 095 063 03	dowel sleeve 11 M6 X 10		3	
6	9A1 102 312 00	gasket cyl. 1 - 3		1	
7	9A1 102 322 00	gasket cyl. 4 - 6		2	
8	997 606 420 01	temperature sensor		1	
9	900 123 111 20	sealing ring copper		1	
10	900 385 042 01	torx screw M8 X 35		3	
11	900 385 071 01	torx screw M8 X 50		2	
12	9A1 106 132 01	connection piece		1	
13	997 106 802 03	spring		1	
14	900 385 072 01	torx screw M6 X 25		1	
15	9A1 106 660 30	water hose supply		1	
16	999 512 601 09	hose clamp 23 X 12		1	
17	999 512 603 09	hose clamp 26 X 12		1	
18	900 385 115 01	torx screw M8 x 70		3	
19		housing thermostat see group 1/05/00		1	

Model	Year	MG	SG	Illustration	Restrictions	UPD	7:44	02.03.2010	PORSCHE	PET	PORSCHE
987C2	2010	1	05	105-05		248					



Pos	Part Number	Description	Remark	Qty	Model
1	9A1 106 620 01	connection water tube		1	MA1.20 MA1.21
2	999 707 517 40	water tube intake		4	
3	900 385 009 01	o-ring 22 X 3		2	
4	900 385 041 01	torx screw M6 X 16		2	
5	9A1 106 625 01	torx screw M6 X 12		1	
6	999 707 589 40	water tube return line		4	
7	9A1 106 010 00	o-ring 31 X 3		1	
8	9A1 106 546 00	connection		3	
9	997 106 802 04	stopper		3	
10	900 385 072 01	spring clip		2	
11	9A1 106 549 31	torx screw M6 X 25		1	
12	999 512 699 01	vent line		2	
13	9A1 106 610 01	hose clamp 18 X 12 with clip		1	
14	999 512 608 09	water hose intake		2	
15	999 512 589 09	hose clamp 32 X 12		2	
16	999 512 589 09	hose clamp 25 X 12		1	
17	9A1 106 615 00	water hose return line		1	
		water pump see group 1/05/00		1	

Model	Year	MG	SG	Illustration	Restrictions	UPD	7:45	02.03.2010	PORSCHE	PET	PORSCHE
987C2	2010	1	05	105-10		248					

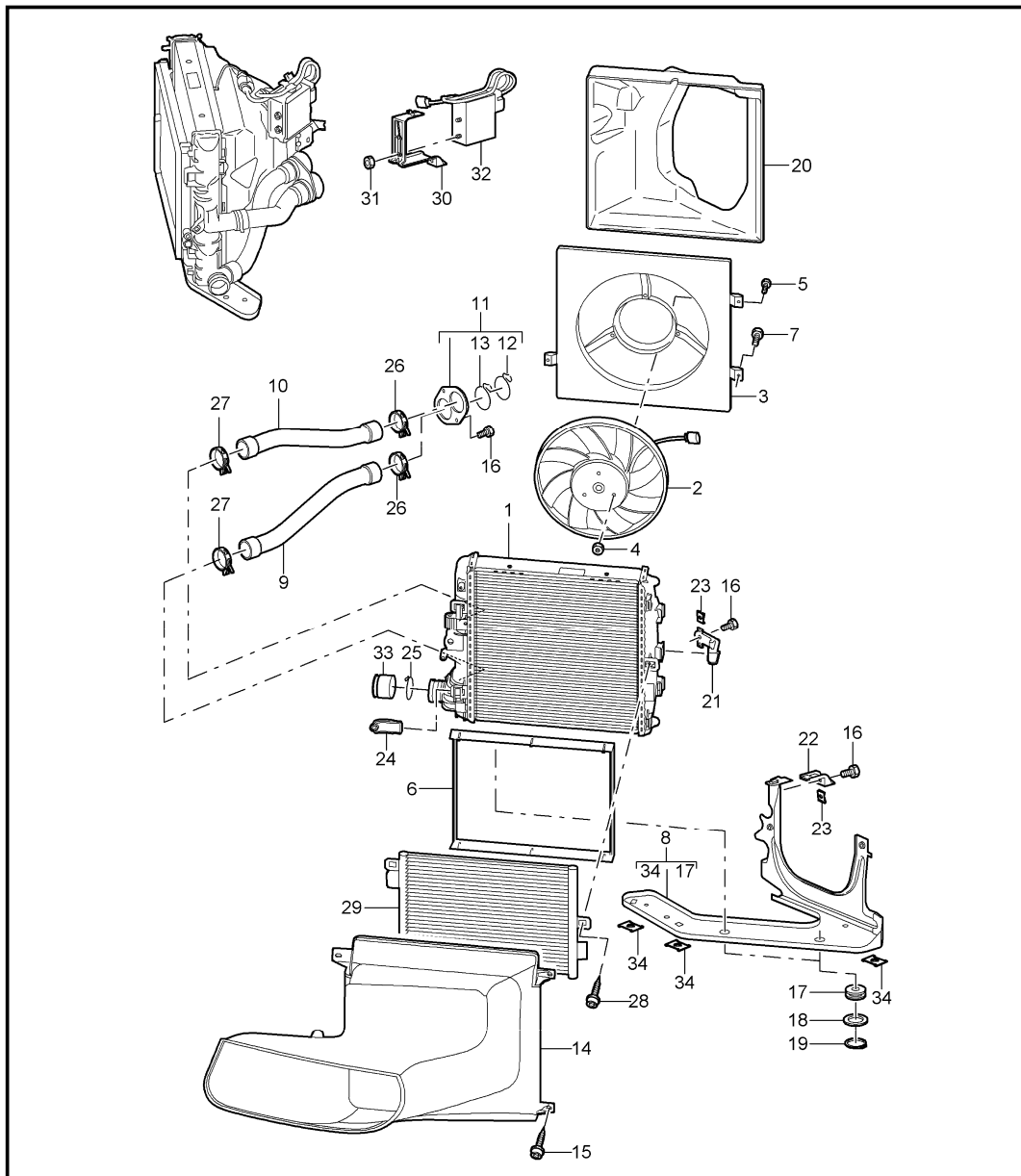


Pos	Part Number	Description	Remark	Qty	Model
		water cooling 2			MA1.20 MA1.21
1	997 106 711 01	water tube supply		1	
2	997 106 720 01	water tube return line		1	
3	997 106 723 07	water hose		2	
4	997 106 525 01	support cross tube centre		1	
5	997 106 574 02	support distributor tube right		1	
6	997 106 526 01	support cross tube upper		2	
7	997 106 573 02	support distributor tube left		1	
8	997 106 752 04	distributor tube supply		1	
9	997 106 751 04	distributor tube return line		1	
10	997 106 413 01	support distributor tube		2	
(10)	997 106 413 01	support distributor tube	/R	1	I601
(10)	997 106 414 00	support distributor tube	/L	1	I601
11	900 378 013 01	hexagon-head bolt M 6 X 25		2	
12	900 378 036 01	hexagon-head bolt M 6 X 12		2	
13	997 106 767 02	vent line transverse		1	
14	987 106 227 01	vent line tunnel		1	

Model	Year	MG	SG	Illustration	Restrictions	UPD	7:45	02.03.2010	PORSCHE	PET	PORSCHE
987C2	2010	1	05	105-10		248					

Pos	Part Number	Description	Remark	Qty	Model	Pos	Part Number	Description	Remark	Qty	Model
15	987 106 651 03	water tube		1	MA1.20 I250	26	997 106 765 02	line	/L	1	
		supply tunnel				27	997 106 766 02	line	/R	1	
(15)	987 106 651 03	water tube		1	MA1.21	28	997 106 551 03	sleeve		2	
		supply tunnel				29	997 106 623 03	water hose supply	/L	1	
(15)	987 106 851 02	water tube		1	MA1.20 I480	30	997 106 627 03	water hose supply	/R	1	
		supply tunnel				31	997 106 728 03	water hose return line	/L	1	
16	987 106 652 03	water tube		1	MA1.20 I250	32	997 106 624 03	water hose return line	/R	1	
		return line tunnel				33	---	see illustrations 1/05/15		X	
(16)	987 106 652 03	water tube		1	MA1.21	34	---	see illustrations 8/01/70		X	
		return line tunnel				35	997 106 802 03	spring		X	
(16)	987 106 852 02	water tube		1	MA1.20 I480	36	997 106 802 02	spring		X	
		return line tunnel				37	996 106 801 02	o-ring 36,3 X 3,53		X	
17		see illustrations 1/05/05		1		38	997 106 802 01	spring		X	
18		see illustrations 1/05/05		1	I480	39	996 106 801 07	o-ring 39,3 X 3,53		X	
19	997 106 520 02	support firewall right		1		40	996 106 801 03	o-ring 46,7 X 3,53		X	
20	997 106 521 01	support firewall left		1							
21	900 378 035 01	hexagon-head bolt M 6 X 16		2							
22	997 106 512 03	connection piece vent line		1							
23	997 106 540 02	support tunnel		2							
24	997 106 515 02	bridge tunnel		1							
25	987 106 425 01	support heel plate		1							

Model	Year	MG	SG	Illustration	Restrictions	UPD	7:45	02.03.2010	PORSCHE	PET	PORSCHE
987C2	2010	1	05	105-15		248					

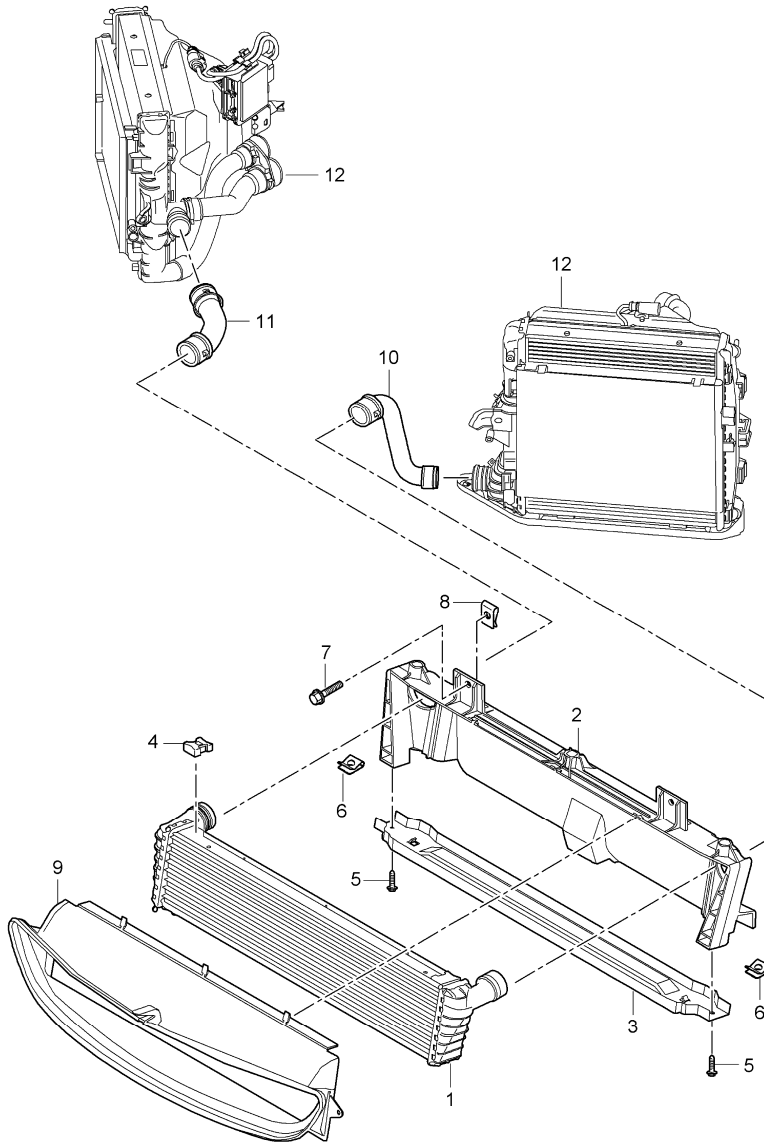


Pos	Part Number	Description	Remark	Qty	Model
		water cooling 3			MA1.20 MA1.21
1	997 106 131 02	radiator	/L	1	
(1)	997 106 132 02	radiator	/R	1	
2	997 624 127 02	fan	/L	2	
(2)	997 624 128 02	fan	/R	2	
3	997 624 131 02	air box	/L	2	
(3)	997 624 132 02	air box	/R	2	
4	900 377 001 02	hexagon nut M 6		6	
5	900 146 116 09	screw M 5 X 16		6	
6	997 573 711 00	sealing frame		1	
7	999 919 125 09	hexagon-head bolt plastic material M 5 X 16		6	
8	997 106 155 01	bracket	/L	1	
(8)	997 106 156 01	bracket	/R	1	
9	997 106 621 05	water hose supply	/L	1	
(9)	997 106 622 04	water hose supply	/R	1	
10	997 106 625 04	water hose return line	/L	1	
10	997 106 626 05	water hose return line	/R	1	
11	997 106 255 02	connecting piece		2	
12	997 106 802 01	spring SCB 33		1	
13	997 106 802 02	spring SCB 36		1	
14	987 575 321 04	air duct	/L	1	
(14)	987 575 322 04	air duct	/R	1	
15	999 919 134 09	oval-head screw M 6 X 16		6	

Model	Year	MG	SG	Illustration	Restrictions	UPD	7:45	02.03.2010	PORSCHE	PET	PORSCHE
987C2	2010	1	05	105-15		248					

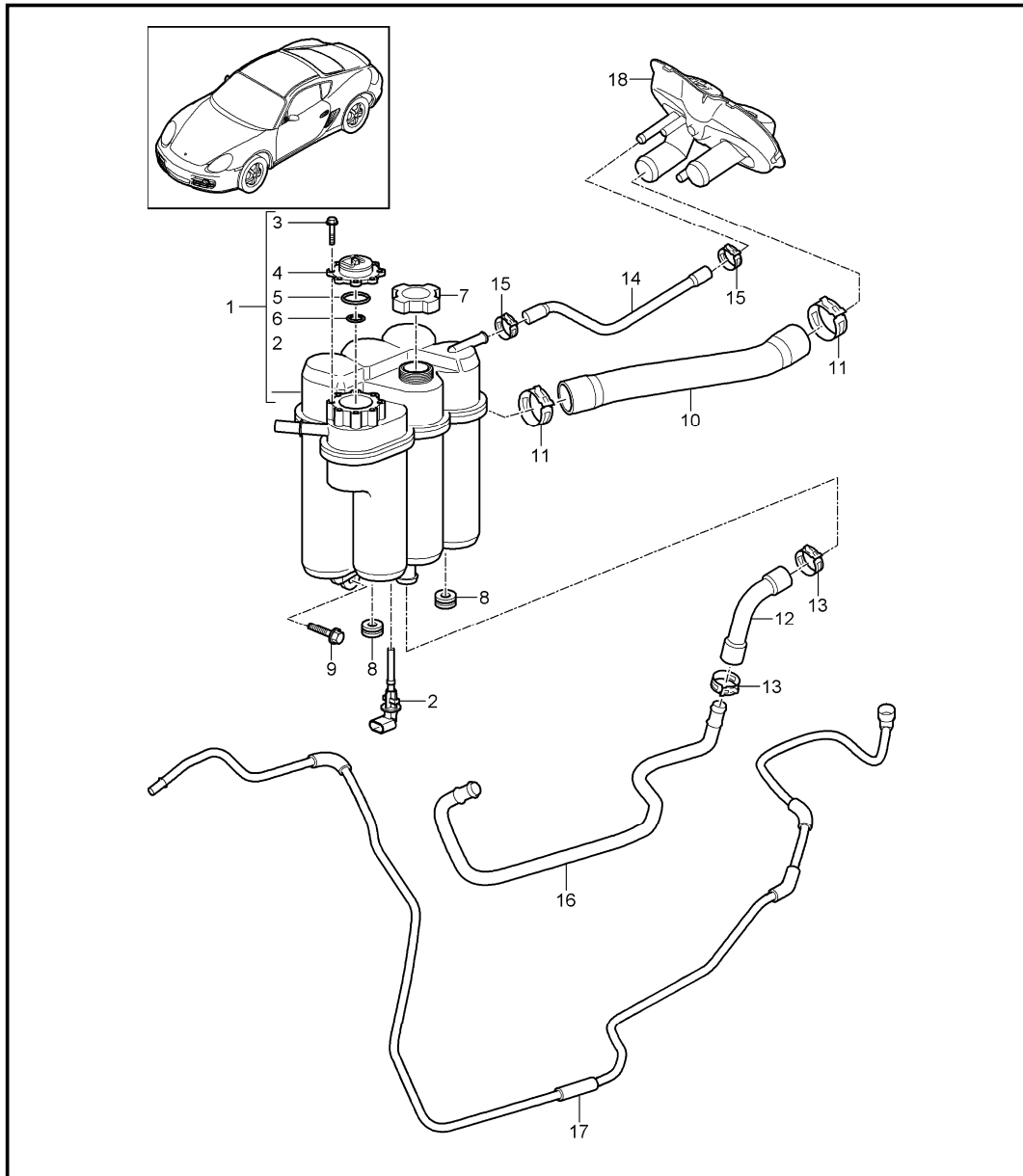
Pos	Part Number	Description	Remark	Qty	Model	Pos	Part Number	Description	Remark	Qty	Model
16	900 385 009 01	torx_screw M 6 X 16		6							
17	999 703 494 40	rubber mounting 15 X 19,5		4							
18	999 025 255 02	washer		4							
19	999 166 083 09	tab washer B 25		4							
20	997 575 341 00	air duct	/L	1							
(20)	997 575 342 00	air duct	/R	1							
21	997 106 232 01	support outer		2							
22	997 106 455 00	support left		1							
23	999 591 350 02	speed nut ST 4,8		6							
24	997 106 231 02	support inner		2							
25	997 106 802 00	spring SCB26		2							
26	997 512 742 01	clamp		2							
27	997 106 902 00	clamp		2							
28	999 919 125 09	hexagon-head bolt 6,0 X 16		1							
29	---	condenser see illustrations 8/13/25		*							
30	997 106 456 00	support right		1							
31	900 377 010 01	hexagon nut M 6		2							
32	---	control unit cooling air control see illustrations 9/01/03		1							
33	997 106 546 02	stopper		2	I480						
34	999 591 329 01	speed nut ST 4,8		3							

Model	Year	MG	SG	Illustration	Restrictions	UPD	7:45	02.03.2010	PORSCHE	PET	PORSCHE
987C2	2010	1	05	105-17		248					



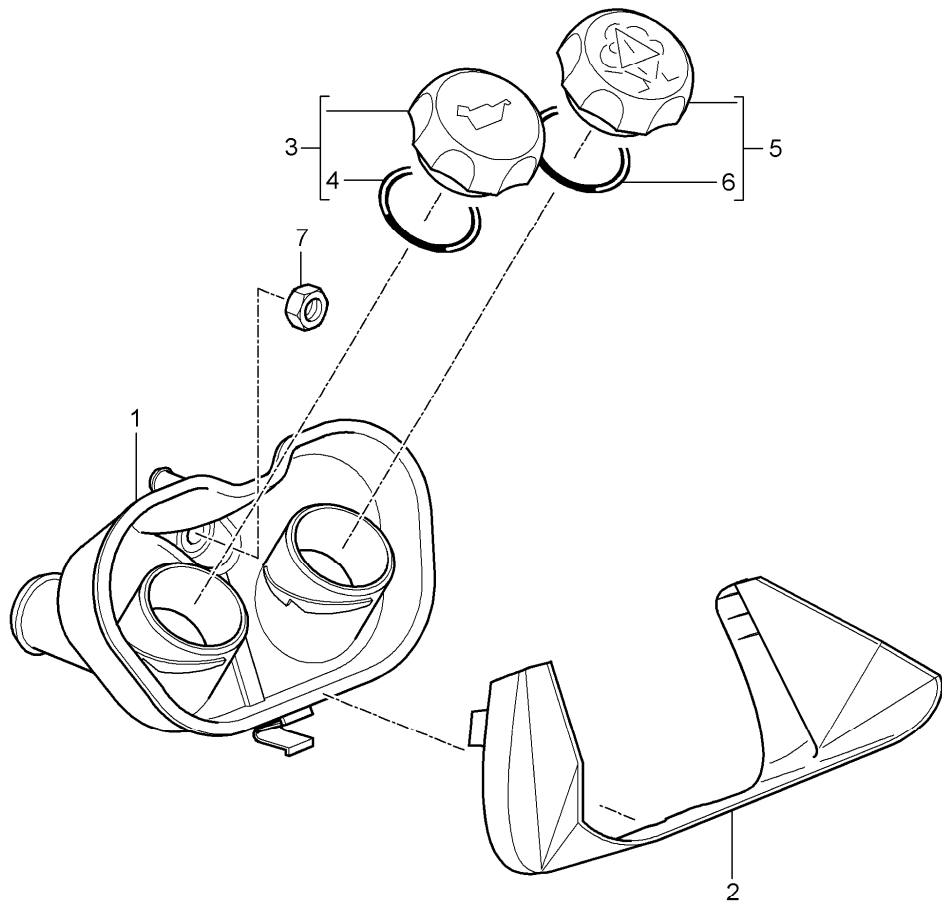
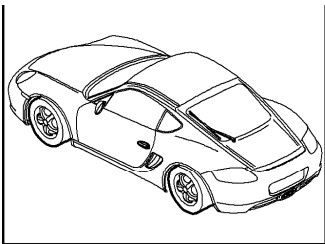
Pos	Part Number	Description	Remark	Qty	Model
		radiator centre			MA1.21 I250 MA1.20 I183 MA1.21 I183/480
1	997 106 037 02	radiator		1	
2	997 504 487 00	retaining frame upper		1	
3	997 504 485 00	retaining frame lower		1	
4	997 106 437 01	rubber mounting		4	
5	900 378 035 01	hexagon-head bolt M 6 X 16		2	
6	999 591 882 02	speed nut M 6		2	
7	900 378 074 09	hexagon-head bolt M 8 X 16		4	
8	999 591 869 02	speed nut M 8		4	
9	987 575 323 03	air duct radiator centre		1	
10	997 106 639 04	water hose return line		1	
11	997 106 638 04	water hose supply		1	
12	see illustrations 1/05/15		X	

Model	Year	MG	SG	Illustration	Restrictions	UPD	7:45	02.03.2010	PORSCHE	PET	PORSCHE
987C2	2010	1	05	105-20		248					



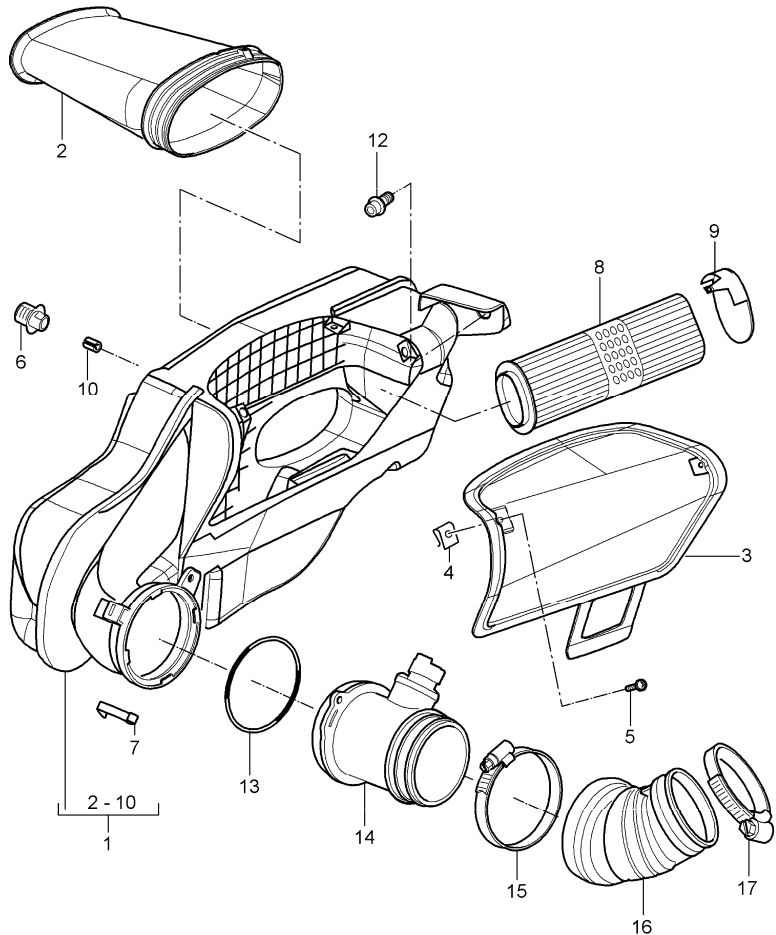
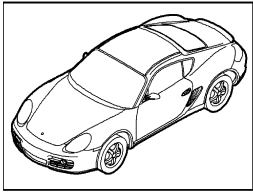
Pos	Part Number	Description	Remark	Qty	Model
		water cooling 4			MA1.20 MA1.21
1	987 106 047 03	expansion tank		1	
2	987 641 503 00	switch		1	
3	999 919 058 02	hexagon-head bolt M 5 X 40		8	
4	996 106 347 02	bleeder valve		1	
5	999 707 370 40	o-ring 47,00 X 4,0		1	
6	999 707 371 40	o-ring 17,00 X 4,0		1	
7	996 106 447 04	lid		1	
8	999 702 183 40	grommet		2	
9	900 378 074 09	hexagon-head bolt M 8 X 16		1	
10	987 106 270 02	water hose		1	
11	999 512 672 09	hose clamp 40 X 12		2	
12	987 106 267 02	hose		1	
13	999 512 657 09	hose clamp 26 X 12		2	
14	987 106 287 01	vent line		1	
15	999 512 684 09	clamp 18 X 12		2	
17	987 106 685 31	vent line		1	
18	---	see illustrations 1/05/22		1	

Model	Year	MG	SG	Illustration	Restrictions	UPD	7:45	02.03.2010	PORSCHE	PET	PORSCHE
987C2	2010	1	05	105-22		248					



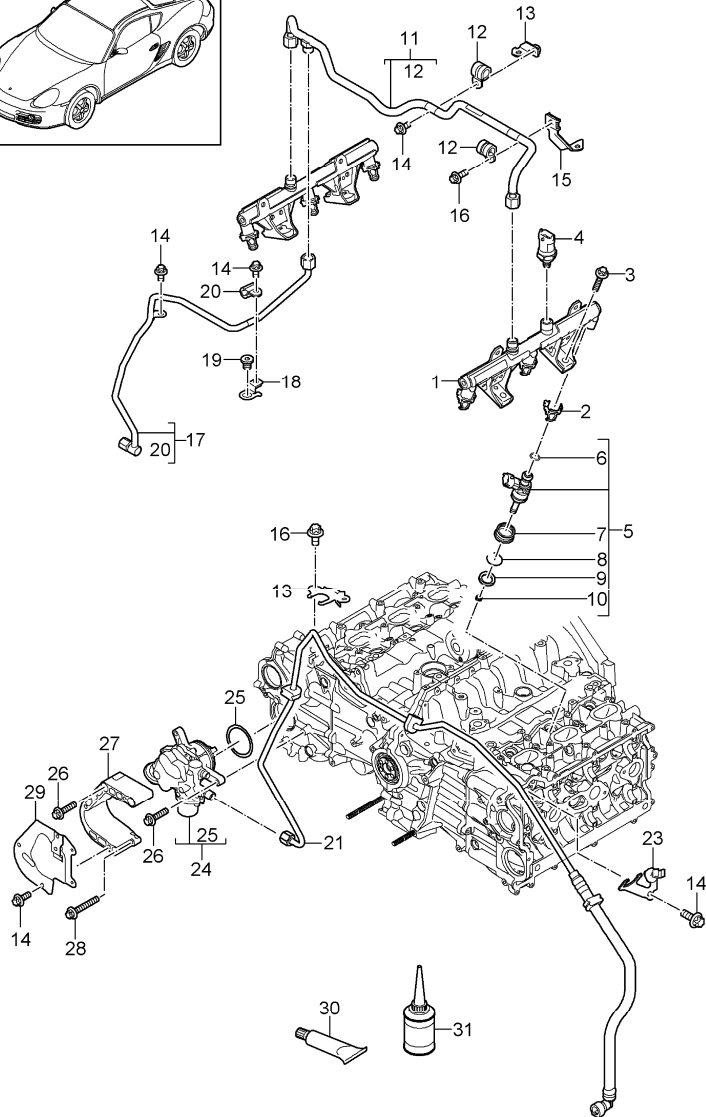
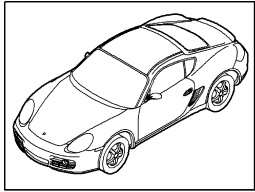
Pos	Part Number	Description	Remark	Qty	Model
		water cooling 4 Serviceschale			MA1.20 MA1.21
1	987 106 150 02	cup		1	
2	987 106 180 00	cover		1	
3	987 107 035 01	lid engine oil		1	
4	987 107 336 00	gasket		1	
5	987 106 044 00	lid coolant		1	
6	987 106 170 00	gasket		1	
7	999 076 071 02	hexagon nut M 6		1	

Model	Year	MG	SG	Illustration	Restrictions	UPD	7:46	02.03.2010	PORSCHE	PET	PORSCHE
987C2	2010	1	06	106-00		248					



Pos	Part Number	Description	Remark	Qty	Model
		air cleaner			MA1.20 MA1.21
1	987 110 021 30	air cleaner complete		1	
2	987 110 122 00	intake manifold		1	
3	987 110 131 00	housing cover		1	
4	999 507 442 09	speed nut		2	
5	999 073 379 01	tapping screw		3	
6	987 110 141 00	grommet		1	
7	993 110 116 01	clamp		1	
8	987 110 133 00	air cleaner cartridge		1	
9	987 110 134 00	mounting plate		1	
10	900 095 099 09	roll pin 12 X 14		3	
11	999 919 050 09	oval-head screw 4 X 12		1	
12	900 075 333 01	hexagon-head bolt M 6 X 25		1	
13	999 707 052 41	o-ring 91 X 6		1	
14	987 606 165 01	mass air flow meter		1	
15	999 512 542 00	hose clamp 80 - 100		2	
16	987 110 270 30	air box		1	
17	999 512 629 00	hose clamp 90 - 110		2	

Model	Year	MG	SG	Illustration	Restrictions	UPD	7:46	02.03.2010	PORSCHE	PET	PORSCHE
987C2	2010	1	07	107-05		248					

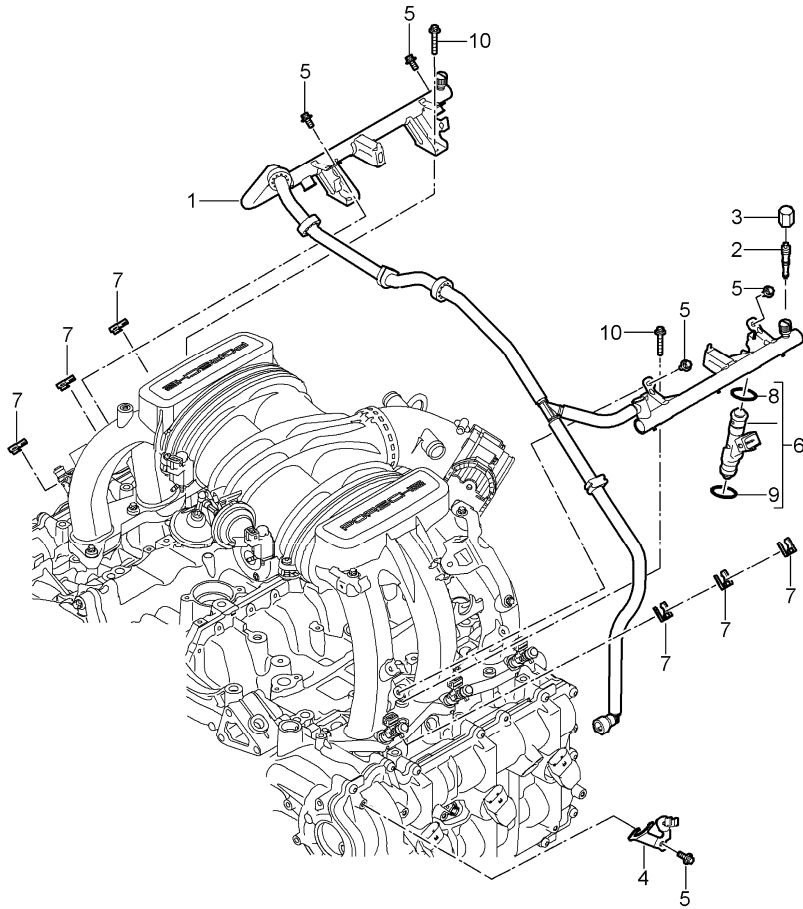
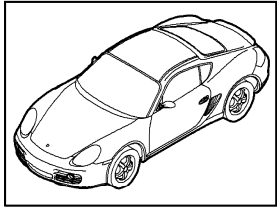


Pos	Part Number	Description	Remark	Qty	Model
		fuel collection pipe high-pressure pump			MA1.21
(1)	9A1 110 859 02	fuel collection pipe cyl. 1 - 3		1	
1	9A1 110 860 02	fuel collection pipe cyl. 4 - 6		1	
2	9A1 110 866 01	fixing device fuel collection pipe high-pressure injector		6	
3	900 385 048 01	torx screw M6 X 30		8	
4	948 606 230 01	pressure sensor M10 X 1		2	
5	9A1 110 128 10	high-pressure injector		6	MA1.21
6	999 701 112 40	o-ring 7,52 X 3,51		6	
7	9A1 110 524 02	bellows high-pressure injector		6	
8	900 906 011 02	circlip A 14		6	
9	9A1 110 520 01	spacer ring		6	
10	999 704 020 90	sealing ring 6,3 X 2,8		6	
11	9A1 110 092 01	pressure line fuel collection pipe		1	
12	999 511 114 01	hose clamp D1 12 X 15		2	
13	9A1 110 945 00	support pressure line		1	
14	900 385 041 01	torx screw M6 X 12		X	
15	9A1 110 947 01	support pressure line		1	
16	900 385 009 01	torx screw M6 X 16		1	
17	9A1 110 095 01	pressure line high-pressure pump t-piece		1	

Model	Year	MG	SG	Illustration	Restrictions	UPD	7:46	02.03.2010	PORSCHE	PET	PORSCHE
987C2	2010	1	07	107-05		248					

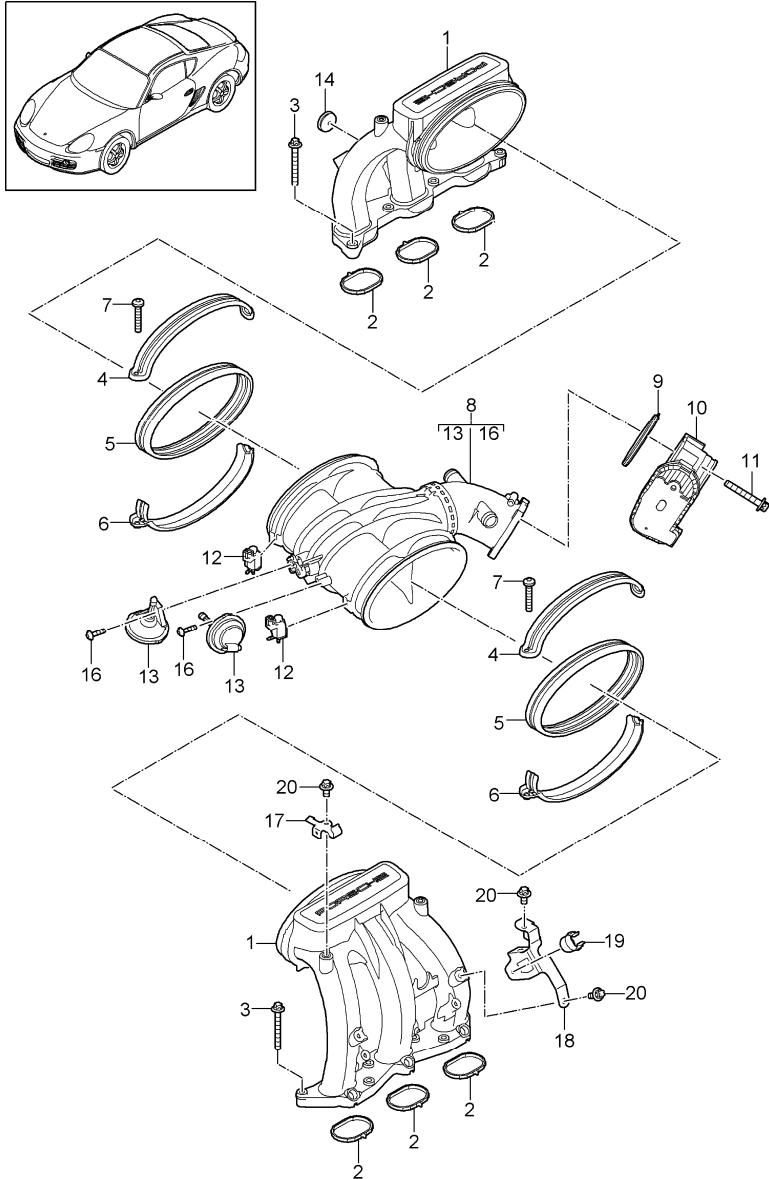
Pos	Part Number	Description	Remark	Qty	Model	Pos	Part Number	Description	Remark	Qty	Model
18	9A1 110 940 00	support pressure line		1							
19	900 219 006 01	screw plug M12 X 1,5		1							
20	999 511 153 01	hose clamp D1 8 X 15		1							
21	9A1 110 905 22	fuel line		1							
22	9A1 110 323 00	support fuel line		1							
23	9A1 110 324 00	support fuel line		1							
24	9A1 110 315 02	high-pressure pump	-09	1							
24	9A1 110 315 03	high-pressure pump	10-	1							
25	999 707 643 40	o-ring 55,25 x 2,62		1							
26	900 385 072 01	torx screw M6 X 25		2							
27	9A1 110 880 00	cover high-pressure pump		1							
28	900 385 045 01	torx screw M6 X 40		1							
29	9A1 110 880 00	heat protection high-pressure pump		1							
30	000 043 207 35	grease 30 ml		1							
31	000 043 207 36	lubricants 50 ml		1							

Model	Year	MG	SG	Illustration	Restrictions	UPD	7:46	02.03.2010	PORSCHE	PET	PORSCHE
987C2	2010	1	07	107-07		248					



Pos	Part Number	Description	Remark	Qty	Model
		fuel collection pipe			MA1.20
1	9A1 110 005 20	fuel collection pipe		1	MA1.20
4	9A1 110 324 00	support		1	
5	900 385 041 01	torx screw M 6 X 12		5	
6	9A1 605 124 00	injector valve		6	MA1.20
7	996 110 113 53	safety clip		6	MA1.20
8	999 707 574 40	o-ring 7,52 X 3,51		6	
9	999 707 573 40	o-ring 8,3 X 3,05		6	
10		torx screw M 6 X 35 see illustrations 107-05		X	

Model	Year	MG	SG	Illustration	Restrictions	UPD	7:46	02.03.2010	PORSCHE	PET	PORSCHE
987C2	2010	1	07	107-10		248					

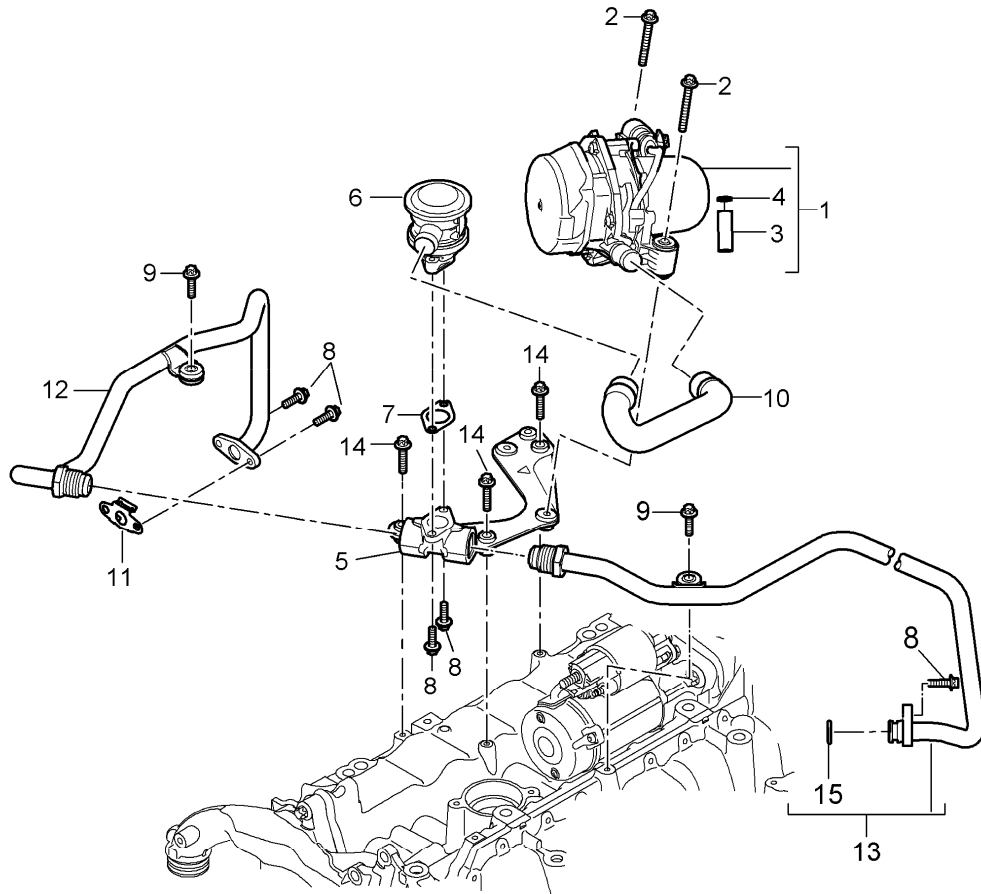
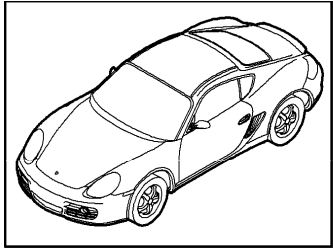


Pos	Part Number	Description	Remark	Qty	Model
		intake distributor throttle body			MA1.20 MA1.21
1	9A1 110 115 02	intake distributor		2	MA1.21
(1)	9A1 110 115 22	intake distributor		2	MA1.20
2	9A1 110 215 01	gasket		6	MA1.21
(2)	9A1 110 215 21	gasket		6	MA1.20
3	900 385 270 01	Outer hexagon round screw M6 X 35		14	
4	9A1 110 212 01	clip upper part		2	
5	9A1 110 210 01	rubber sleeve		2	
6	9A1 110 213 01	clip lower part		2	
7	999 073 352 02	round head screw M6 X 35		2	
8	9A1 110 020 22	distributor tube complete		1	
9	997 110 319 00	gasket distributor tube		1	
10	997 605 115 01	throttle body		1	
11	900 385 070 01	torx screw M6 X 50		2	
12	996 605 123 01	change-over valve		2	I250/480
13	993 110 462 02	vacuum unit		2	
14	993 110 530 01	grommet		1	
15	999 507 153 01	cable clamp 5,2		4	
16	999 919 265 01	lens-head screw 5 x 18		4	
17	9A1 110 246 03	support tank ventilation		1	
18	9A1 110 283 01	support tank ventilation		1	MA1.20
(18)	9A1 110 293 01	support tank ventilation		1	MA1.21

Model	Year	MG	SG	Illustration	Restrictions	UPD	7:46	02.03.2010	PORSCHE	PET	PORSCHE
987C2	2010	1	07	107-10		248					

Pos	Part Number	Description	Remark	Qty	Model	Pos	Part Number	Description	Remark	Qty	Model
19	999 507 455 41	clip tank ventilation		1							
20	900 385 041 01	screw M6 x 12		3							

Model	Year	MG	SG	Illustration	Restrictions	UPD	7:46	02.03.2010	PORSCHE	PET	PORSCHE
987C2	2010	1	08	108-05		248					



Pos	Part Number	Description	Remark	Qty	Model
		air injection			MA1.20
1	9A1 605 104 00	secondary pump		1	
2	900 385 070 01	torx screw M 6 X 50		2	
3	999 703 869 40	rubber mounting 8,90X16,5		3	
4	999 209 077 01	spacer sleeve 6,5 X 1		3	
5	9A1 113 137 01	bracket secondary pump		1	
6	948 113 203 51	valve		1	
7	993 113 258 51	gasket bracket		1	
8	900 385 019 01	torx screw M 6 X 20		5	
9	900 385 072 01	torx screw M 6 X 25		2	
10	9A1 113 339 00	hose		1	
11	9A1 113 258 00	gasket Connecting line		1	
12	9A1 113 017 01	connecting line cyl. 1 - 3		1 1	
13	9A1 113 018 01	connecting line cyl. 4 - 6		1 1	
14	900 385 048 01	torx screw M6 x 30		3	
15	999 707 346 40	o-ring 15 x 3		1	

PORSCHE

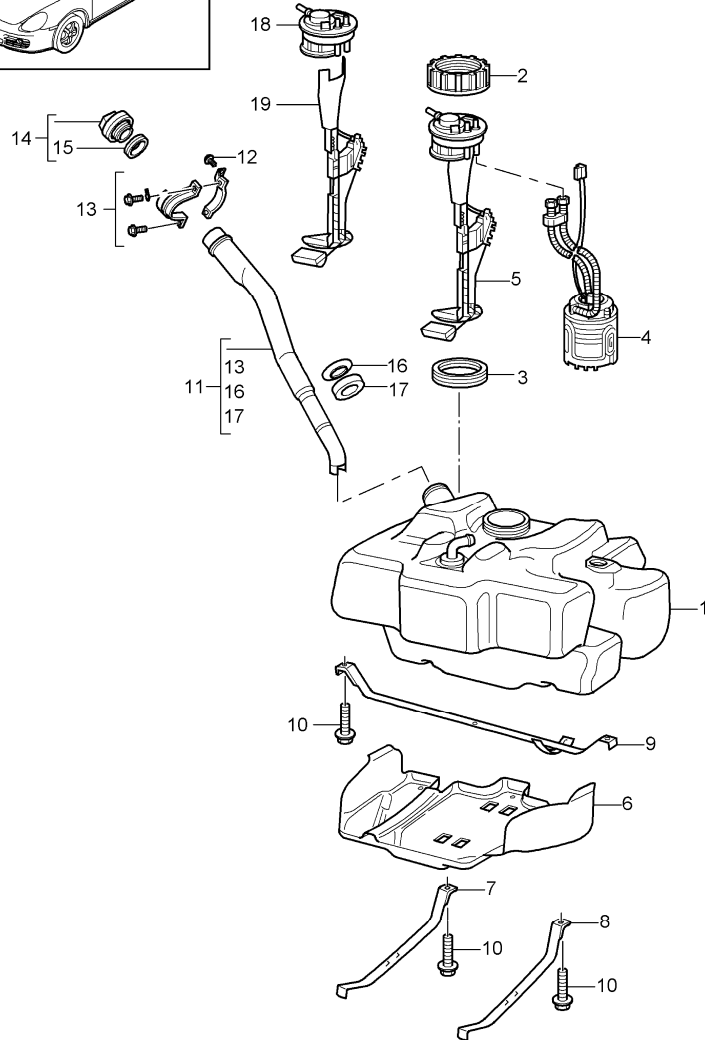
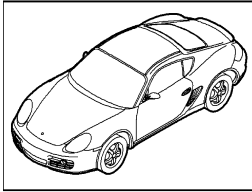
PET

PORSCHE

Model	Year	MG	SG	Illustration	Restrictions	UPD	7:46	02.03.2010
987C2	2010	1	09	109-00		248		

Pos	Part Number	Description	Remark	Qty	Model
		engine suspension			MA1.20 MA1.21
1	9A1 375 045 21	engine carrier		1	
2	9A1 375 023 22	engine bracket		1	
3	9A1 375 257 01	stop		2	
4	9A1 375 261 00	vibration damper		1	
5	900 385 098 01	torx screw BM 8 X 25		1	
6	900 378 316 01	hexagon-head bolt AM 12 X 1,5 X 113		2	
7	999 084 445 01	lock nut M 12		1	
8	999 061 106 01	stud M 10 X 84		4	
9	999 076 053 01	hexagon nut M 10		4	

Model	Year	MG	SG	Illustration	Restrictions	UPD	7:47	02.03.2010	PORSCHE	PET	PORSCHE
987C2	2010	2	01	201-00		248					

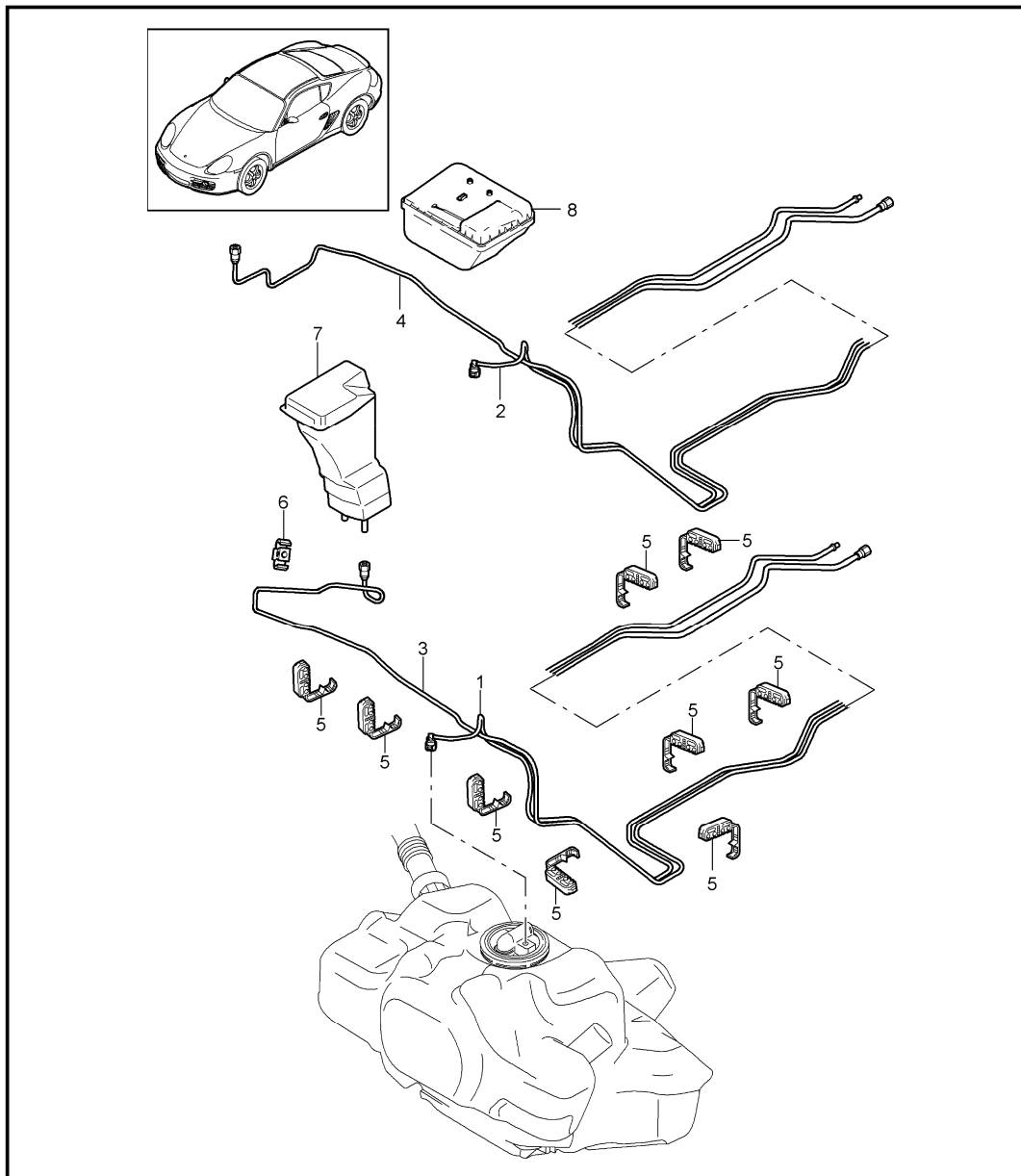


Pos	Part Number	Description	Remark	Qty	Model
		fuel tank			
1	997 201 021 05	fuel tank	/LL	1	
(1)	997 201 022 06	fuel tank	/RL	1	
2	997 201 623 00	union nut		1	
3	1J0 919 133 A	sealing ring		1	
4	987 620 132 00	fuel pump		1	MA1.20
4	997 620 142 01	fuel pump		1	MA1.21
5	997 620 831 02	tank gauge with flange		1	
6	997 201 331 02	protective plate	/LL	1	
(6)	997 201 331 03	protective plate	/RL	1	
7	997 201 106 01	restraining strap right		1	
(8)	997 201 105 01	restraining strap left		1	
9	996 201 107 02	restraining strap	/LL	1	
(9)	996 201 108 00	restraining strap	/RL	1	
10	900 075 479 01	combination screw M 8 X 40		4	
11	997 201 043 06	filler neck use also: 997.201.951.02		1	
(11)	997 201 043 07	filler neck		1	I150/193
(12)	999 073 348 09	oval-head screw M 6 X 12		1	
13	997 201 951 02	support complete		1	
14	996 201 241 03	fuel tank cap with clip		1	
-	999 507 499 40	expansion rivet		1	
15	191 201 557	gasket		1	
16	996 201 755 00	support washer		1	

Model	Year	MG	SG	Illustration	Restrictions	UPD	7:47	02.03.2010	PORSCHE	PET	PORSCHE
987C2	2010	2	01	201-00		248					

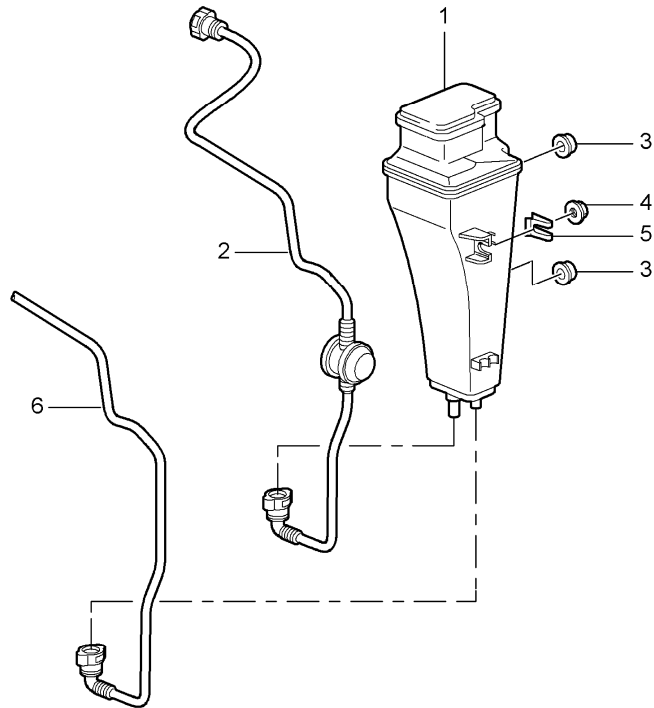
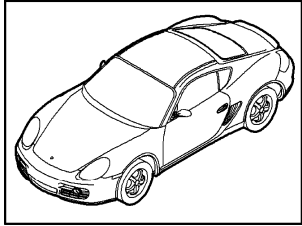
Pos	Part Number	Description	Remark	Qty	Model	Pos	Part Number	Description	Remark	Qty	Model
17	996 201 753 00	gasket		1							
20	000 043 206 89	Additive fuel 100 ml Beh, lter	CHINA	1							

Model	Year	MG	SG	Illustration	Restrictions	UPD	7:47	02.03.2010	PORSCHE	PET	PORSCHE
987C2	2010	2	01	201-05		248					



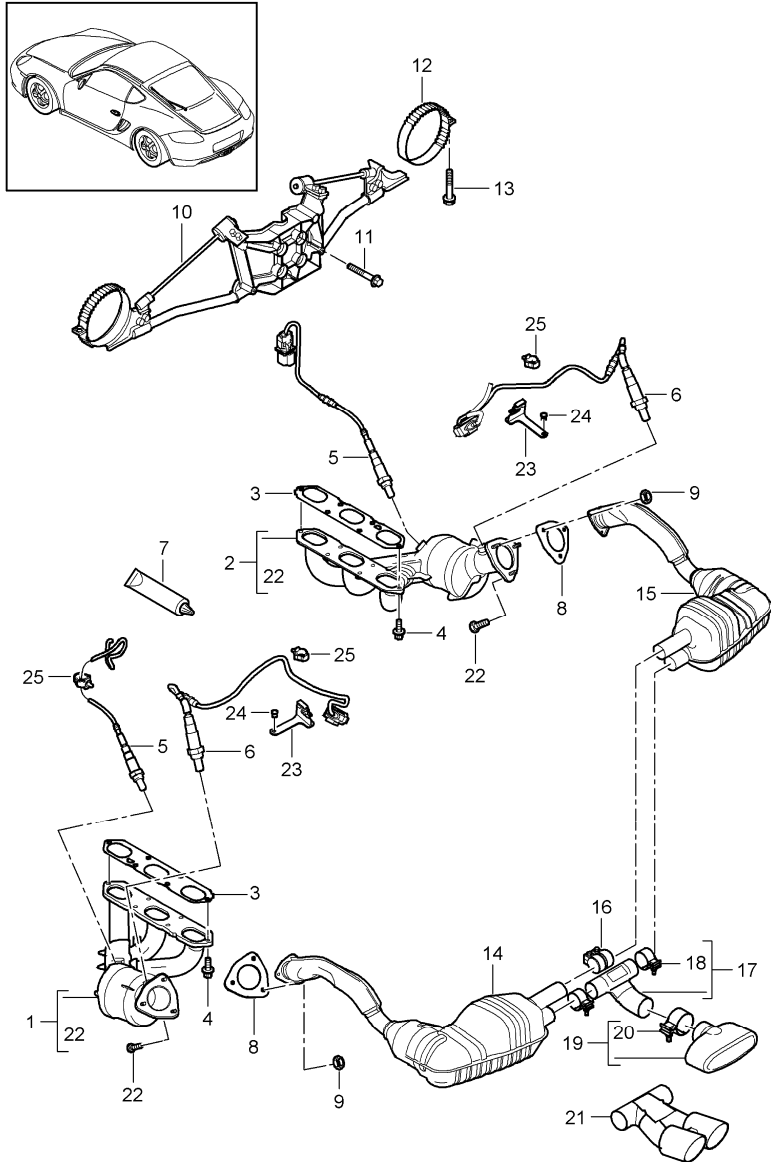
Pos	Part Number	Description	Remark	Qty	Model
		fuel system			
1	987 201 261 01	fuel line fuel pump for engine		1	
3	987 201 353 01	purge-air line carbon canister for engine		1	
5	999 507 521 40	cable holder 8,0/8/10		9	
6	999 507 727 40	cable holder 8,0/10,0		1	
7	---	carbon canister see illustrations 201-20		1	

Model	Year	MG	SG	Illustration	Restrictions	UPD	7:47	02.03.2010	PORSCHE	PET	PORSCHE
987C2	2010	2	01	201-20		248					



Pos	Part Number	Description	Remark	Qty	Model
1	997 201 221 01	carbon canister complete		1	
2	997 201 251 00	vent line fuel tank for carbon canister		1	
3	999 702 221 40	grommet		2	
4	999 084 629 09	hexagon nut M 6		1	
5	999 507 543 02	clamp 2,00 - 3,00		1	
6	---	purge-air line see illustrations 201-05		1	

Model	Year	MG	SG	Illustration	Restrictions	UPD	7:47	02.03.2010	PORSCHE	PET	PORSCHE
987C2	2010	2	02	202-00		248					

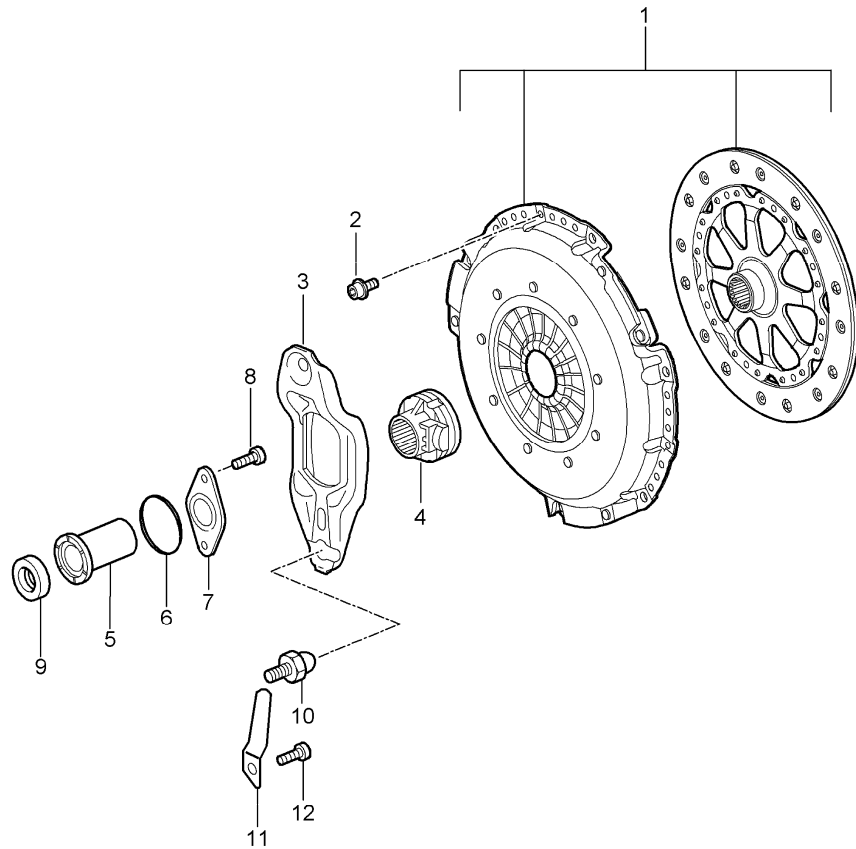
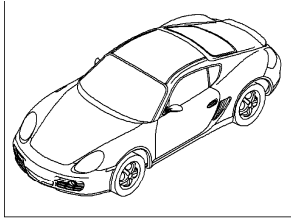


Pos	Part Number	Description	Remark	Qty	Model
		exhaust system			
1	987 113 101 33	exhaust manifold cyl. 4 - 6		1	
2	987 113 102 33	exhaust manifold cyl. 1 - 3		1	
3	997 111 107 30	gasket exhaust manifold		2	
4	999 073 471 01	torx screw M 8 X 21		18	
5	9A1 606 123 01	oxygen sensor in front of catalytic converter		2	
6	9A1 606 124 00	oxygen sensor after catalytic converter		2	
7	000 043 207 07	grease for oxygen sensor		1	
8	997 111 113 00	gasket		2	
9	900 910 003 03	hexagon nut M 8		6	
10	987 111 044 30	support exhaust system		1	MA1.20 MA1.21 I250
(10)	987 111 045 30	support exhaust system		1	MA1.20 MA1.21 I480
11	900 385 011 01	torx screw M 10 X 45		4	I250
(11)	900 385 096 01	torx screw M 8 X 60		4	I480
12	987 111 210 01	clamp		2	
13	900 378 108 01	hexagon-head bolt		2	
14	987 113 117 31	main exhaust muffler left cyl. 4 - 6		1	I170/171
(14)	987 113 131 31	main exhaust muffler left cyl. 4 - 6		1	I172

Model	Year	MG	SG	Illustration	Restrictions	UPD	7:47	02.03.2010	PORSCHE	PET	PORSCHE
987C2	2010	2	02	202-00		248					

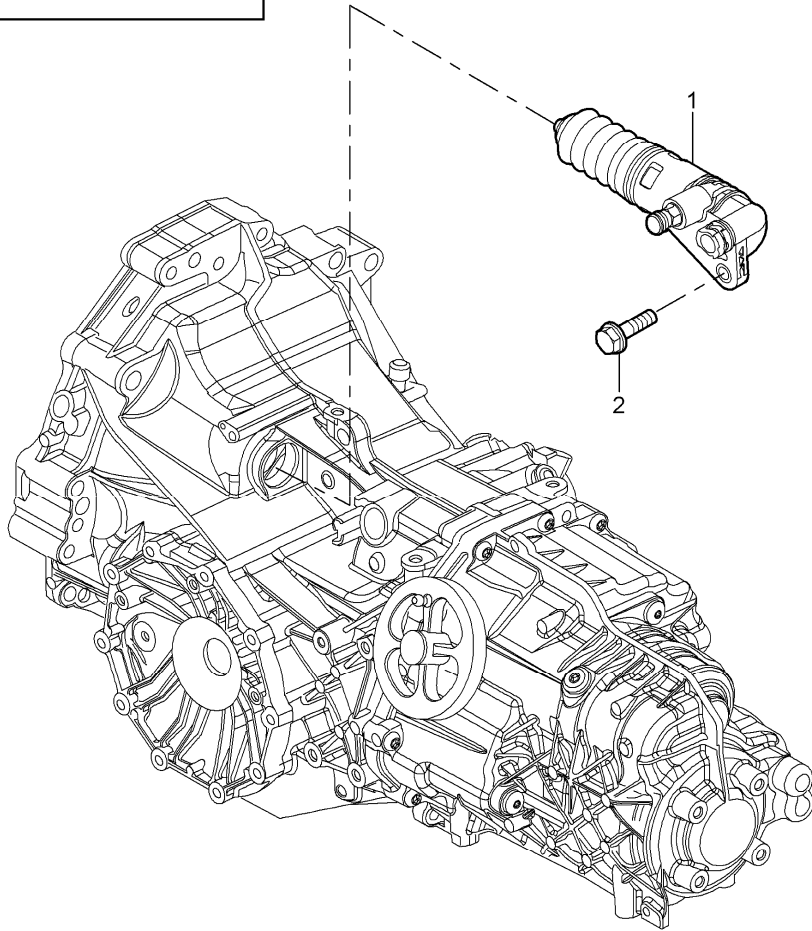
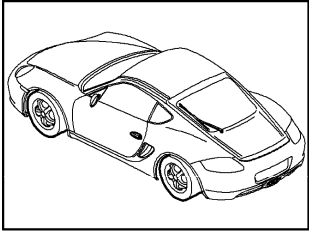
Pos	Part Number	Description	Remark	Qty	Model	Pos	Part Number	Description	Remark	Qty	Model
(14)	987 113 511 30	main exhaust muffler left cyl. 4 - 6		1	IXLF	--	987 113 208 30	heat protection catalytic converter right see technical manual exhaust system		1	
15	987 113 118 31	main exhaust muffler right cyl. 1 - 3		1	I170/171	--	997 113 209 30	heat protection catalytic converter left see technical manual exhaust system		1	
(15)	987 113 132 31	main exhaust muffler right cyl. 1 - 3		1	I172						
(15)	987 113 512 30	main exhaust muffler right cyl. 1 - 3		1	I172						
16	987 111 220 00	clamping sleeve		1							
17	987 111 353 30	exhaust pipe		1	MA1.20						
18	000 043 300 54	clip for exhaust pipe set complete		2							
19	987 111 257 30	tail pipe complete		1	MA1.20						
20	000 043 300 53	clip for cover set complete		1	MA1.20						
(21)	987 111 981 30	tail pipe complete		1	IXLS						
22	900 075 365 02	screw M 8 X 30		X							
23	987 606 105 01	support connector oxygen sensor		2							
24	999 591 712 40	expansion rivet 6,0 X 12,0		4							
25	999 507 075 40	cable holder 3,0 - 12,0		3							
26	9A1 606 153 01	support		1							

Model	Year	MG	SG	Illustration	Restrictions	UPD	7:47	02.03.2010	PORSCHE	PET	PORSCHE
987C2	2010	3	01	301-00		248					



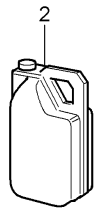
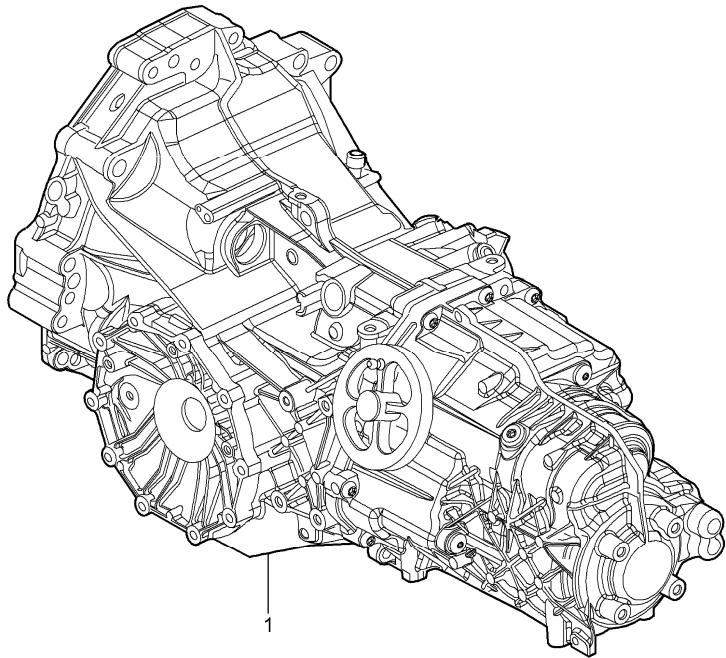
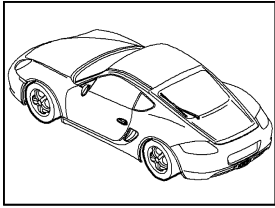
Pos	Part Number	Description	Remark	Qty	Model
		clutch			G87.10/40
1	987 116 913 23	clutch set		1	G87.10
(1) A	987 116 913 34	clutch set		1	G87.40
(1)	987 116 913 33	clutch set		1	G87.40
2	999 073 458 01	screw M 8 X 16		6	
3	0A2 141 719	clutch release lever		1	
4	012 141 165 E	clutch release bearing		1	G87.10
(4)	997 116 080 02	clutch release bearing		1	G87.40
5	0A2 141 181	guide sleeve		1	
6	0A2 311 091 A	o-ring		1	
7	0A2 141 179	retaining bracket		1	
8	999 073 320 02	hexagon-head bolt M 8 X 20		2	
9	016 311 113 C	radial shaft seal		1	
10	01E 141 751 A	intermediate piece		1	
11	01E 141 721 A	leaf spring		1	
12	999 073 319 02	round head screw M 8 X 22		1	

Model	Year	MG	SG	Illustration	Restrictions	UPD	7:48	02.03.2010	PORSCHE	PET	PORSCHE
987C2	2010	3	01	301-05		248					



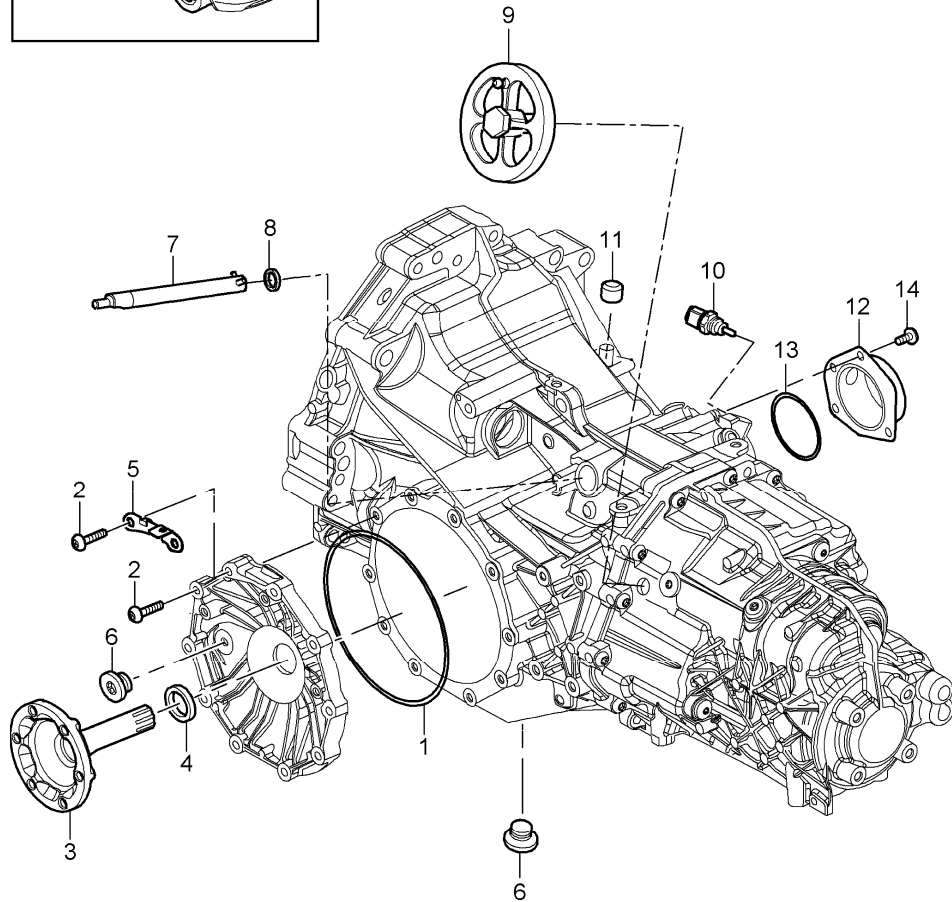
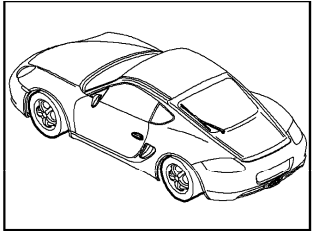
Pos	Part Number	Description	Remark	Qty	Model
		clutch release			G87.10/40 I480
1	9G2 116 237 00	slave cylinder		1	
2	900 385 098 01	torx screw M 8 X 25		1	

Model	Year	MG	SG	Illustration	Restrictions	UPD	7:48	02.03.2010	PORSCHE	PET	PORSCHE
987C2	2010	3	02	302-00		248					



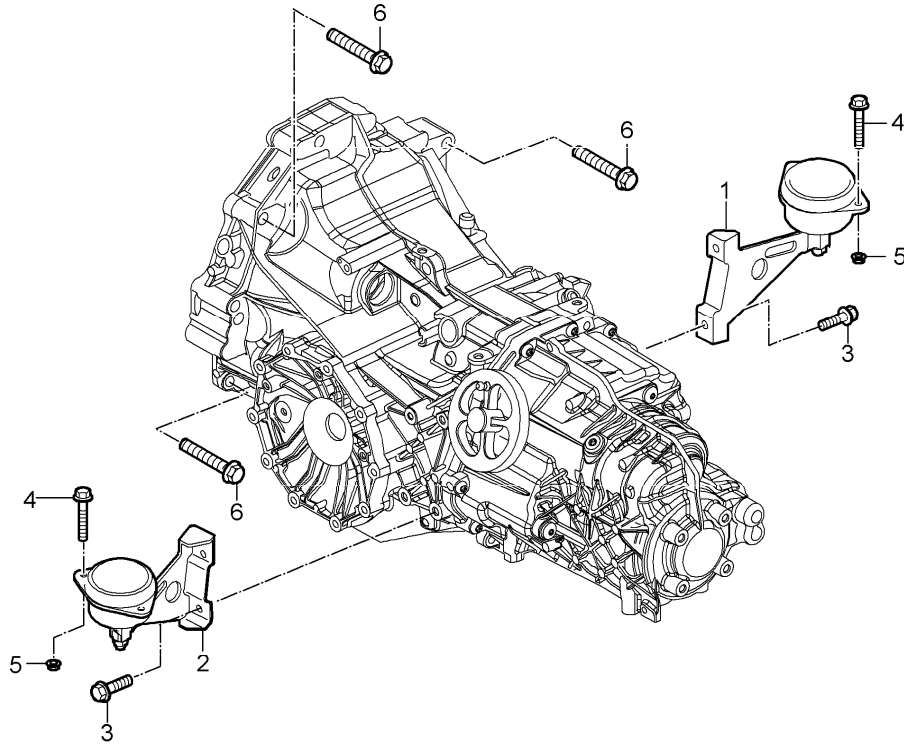
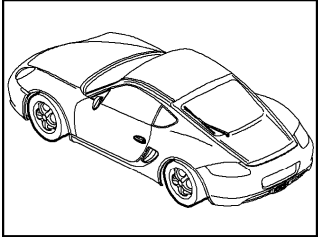
Pos	Part Number	Description	Remark	Qty	Model
		replacement transmission ready for installation			G87.10/40 I480
1	> 987 300 010 10	manual transmission		1	G87.10 I219
(1)	987 300 010 KX	manual transmission		1	G87.10 I219
1	> 987 300 020 10	manual transmission		1	G87.10 I220
(1)	987 300 020 KX	manual transmission		1	G87.10 I220
(1)	> 987 300 010 40	manual transmission		1	G87.40 I219
(1)	987 300 010 PX	manual transmission		1	G87.40 I219
(1)	> 987 300 020 40	manual transmission		1	G87.40 I220
(1)	987 300 020 PX	manual transmission		1	G87.40 I220
2	000 043 304 71	transmission oil HYPOID container 20 LTR.		X	

Model	Year	MG	SG	Illustration	Restrictions	UPD	7:48	02.03.2010	PORSCHE	PET	PORSCHE
987C2	2010	3	02	302-05		248					



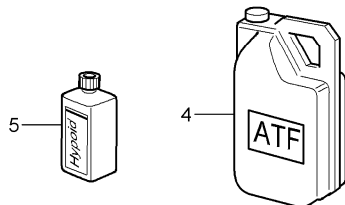
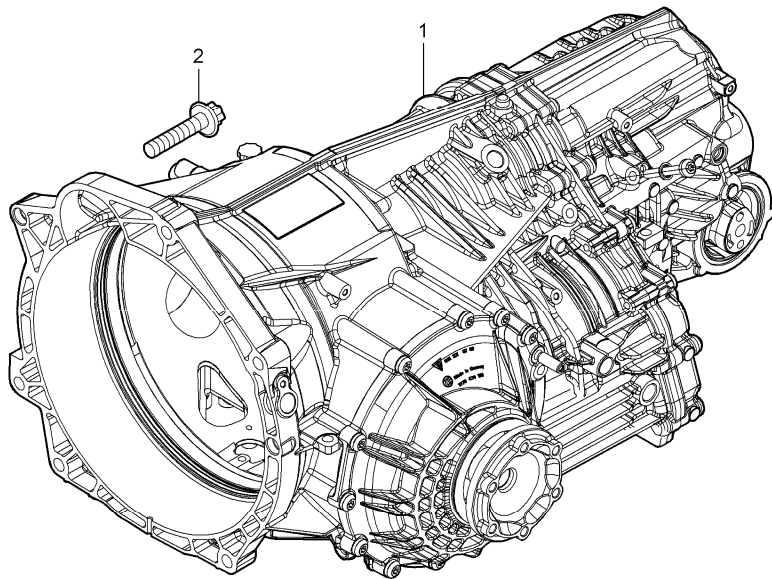
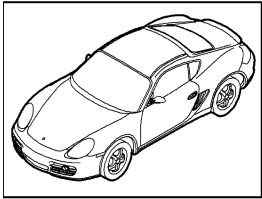
Pos	Part Number	Description	Remark	Qty	Model
		replacement transmission			G87.10/40 I480
		single parts			
1	N 905 144 01	o-ring 171,00 X 3,50		1	G87.10
(1)	999 701 497 40	o-ring 194,55 X 3,50		1	G87.40
2	999 073 368 01	torx screw M 8 X 42		10	
3	987 332 209 10	joint flange		2	G87.10
(3)	987 332 209 40	joint flange		2	G87.40
4	016 409 399 B	radial shaft seal		2	
5	987 116 214 10	bracket		1	
6	N 910 597 01	screw plug M 22 X 1,5		2	
7	987 303 021 00	shift rod		1	
8	012 301 457 B	shaft sealing ring		1	
9	987 303 051 10	flywheel		1	
10	01E 941 521 B	switch back-up light		1	
11	014 301 485	cap bleeder		1	
12	0A2 941 453 A	lid shift rod		1	
13	010 409 580	round seal		1	
14	999 073 319 02	round head screw M 8 X 22		4	

Model	Year	MG	SG	Illustration	Restrictions	UPD	8:50	02.03.2010	PORSCHE	PET	PORSCHE
987C2	2010	3	06	306-00		248					



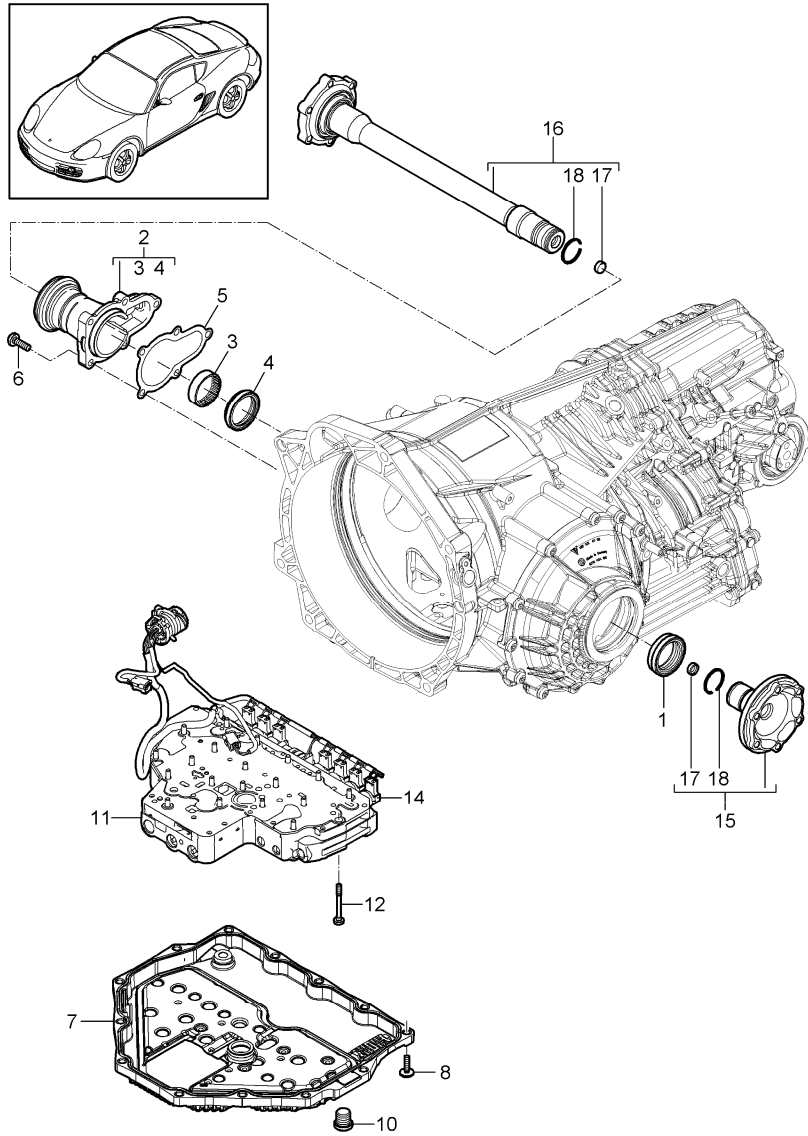
Pos	Part Number	Description	Remark	Qty	Model
		manual transmission			MA1.20 MA1.21 I480
		transmission suspension threaded joint engine			
1	9A1 375 042 20	transmission bracket	/R	1	
2	9A1 375 041 20	transmission bracket	/L	1	
3	999 072 001 02	hexagon-head bolt M 10 X 35		4	
4	900 378 159 01	hexagon-head bolt M 8 X 60		4	
5	999 084 447 01	hexagon nut M 8		4	
6	999 385 009 01	Outer hexagon round screw M 12 X 1,5 X 55		6	

Model	Year	MG	SG	Illustration	Restrictions	UPD	8:51	02.03.2010	PORSCHE	PET	PORSCHE
987C2	2010	3	20	320-00		248					



Pos	Part Number	Description	Remark	Qty	Model
		- pdk - transmission replacement transmission			CG2.00 CG2.20
1	9G2 300 011 00	transmission		1	CG2.00 I219
1	9G2 300 011 X	transmission		1	CG2.00 I219
(1)	9G2 300 011 20	transmission		1	CG2.20 I219
(1)	9G2 300 011 2X	transmission		1	CG2.20 I219
(1)	9G2 300 021 00	transmission		1	CG2.00 I220
(1)	9G2 300 021 X	transmission		1	CG2.00 I220
(1)	9G2 300 021 20	transmission		1	CG2.20 I220
(1)	9G2 300 021 2X	transmission		1	CG2.20 I220
2	999 385 009 01	screw M12 x 1,5 x 55		5	
4	000 043 207 30	transmission oil Pentosin FFL 3 20 LTR. container		X	
(4)	000 043 207 29	transmission oil Pentosin FFL 3 1 LTR. container		X	
5	999 917 546 00	transmission oil 75 W 90 1 LTR. container		X	

Model	Year	MG	SG	Illustration	Restrictions	UPD	8:51	02.03.2010	PORSCHE	PET	PORSCHE
987C2	2010	3	20	320-05		248					

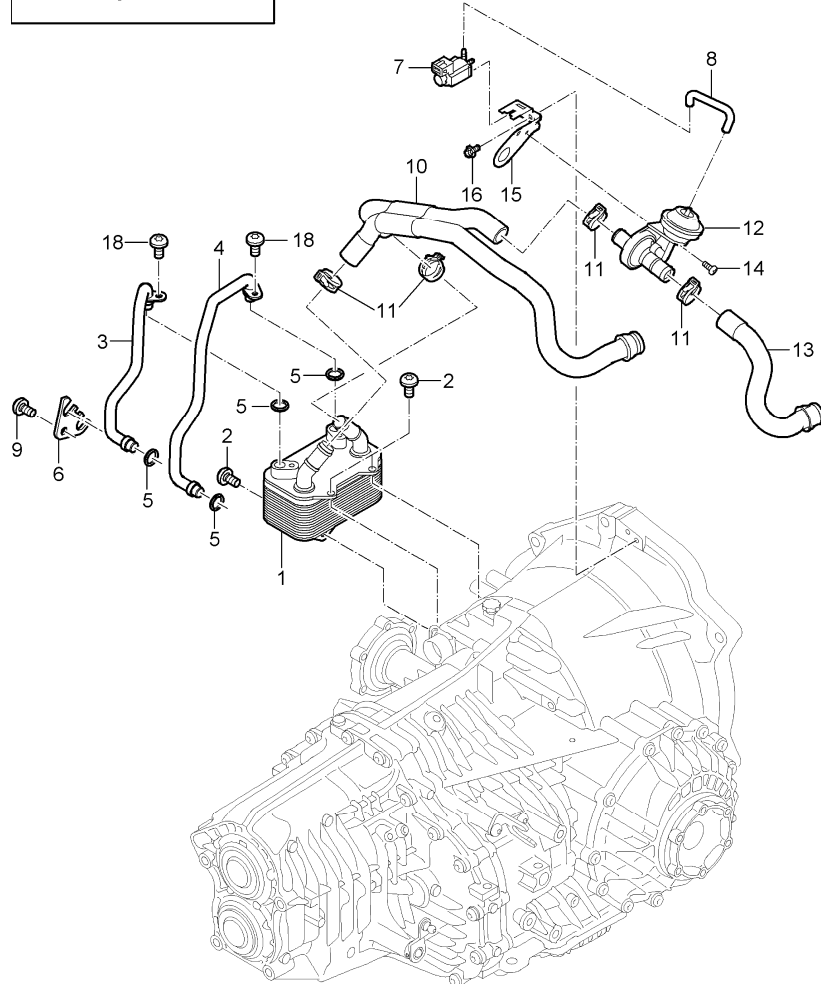
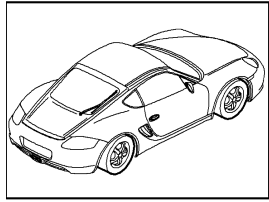


Pos	Part Number	Description	Remark	Qty	Model
		- pdk - transmission single parts			
1	9G1 332 806 00	shaft sealing ring 40 X 52 / 5 5X 40		1	
2	U 9G1 321 159 00	Housing neck transmission		1	
2	9G1 321 959 00	Housing neck complete		1	
5	9G1 321 259 00	gasket flange		1	
6	9G1 332 801 00	torx screw M 8 X 25		5	
7	9G1 321 025 00	oil pan complete		1	
8	9G1 321 801 00	torx screw M 6 X 25		13	
9	9G1 321 805 00	screw plug included sealing ring		1	
10	9G1 321 825 00	screw plug oil pan included sealing ring		1	
11	9G1 317 015 00	control unit hydraulic pdk		1	
12	9G1 317 801 00	screw M 6 X 55		20	
13	9G1 317 697 00	connector housing pressure regulator		2	
14	9G1 317 698 00	connector housing solenoid valve		6	
14	9G1 317 698 00	connector housing solenoid valve		6	
15	9G2 332 028 00	joint flange short		1	CG2.00
(15)	9G2 332 028 20	joint flange short		1	CG2.20

Model	Year	MG	SG	Illustration	Restrictions	UPD	8:51	02.03.2010	PORSCHE	PET	PORSCHE
987C2	2010	3	20	320-05		248					

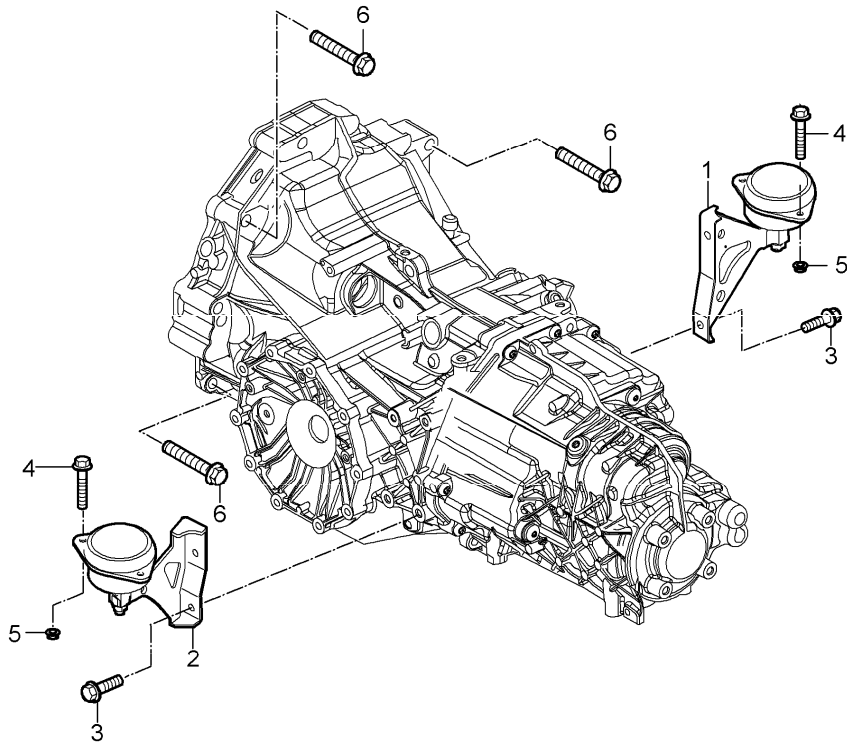
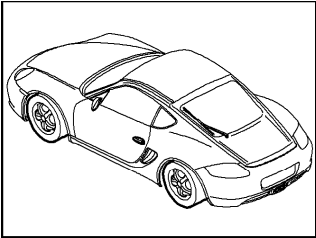
Pos	Part Number	Description	Remark	Qty	Model	Pos	Part Number	Description	Remark	Qty	Model
16	9G2 332 029 00	joint flange long		1	CG2.00						
(16)	9G2 332 029 20	joint flange long		1	CG2.20						
17	9G1 332 821 00	lid		2							
18	9G1 332 820 00	circlip D 36 x 2,6		2							
19	9G1 116 807 00	shaft sealing ring 40 x 57 x 6		1							

Model	Year	MG	SG	Illustration	Restrictions	UPD	8:52	02.03.2010	PORSCHE	PET	PORSCHE
987C2	2010	3	60	360-00		248					



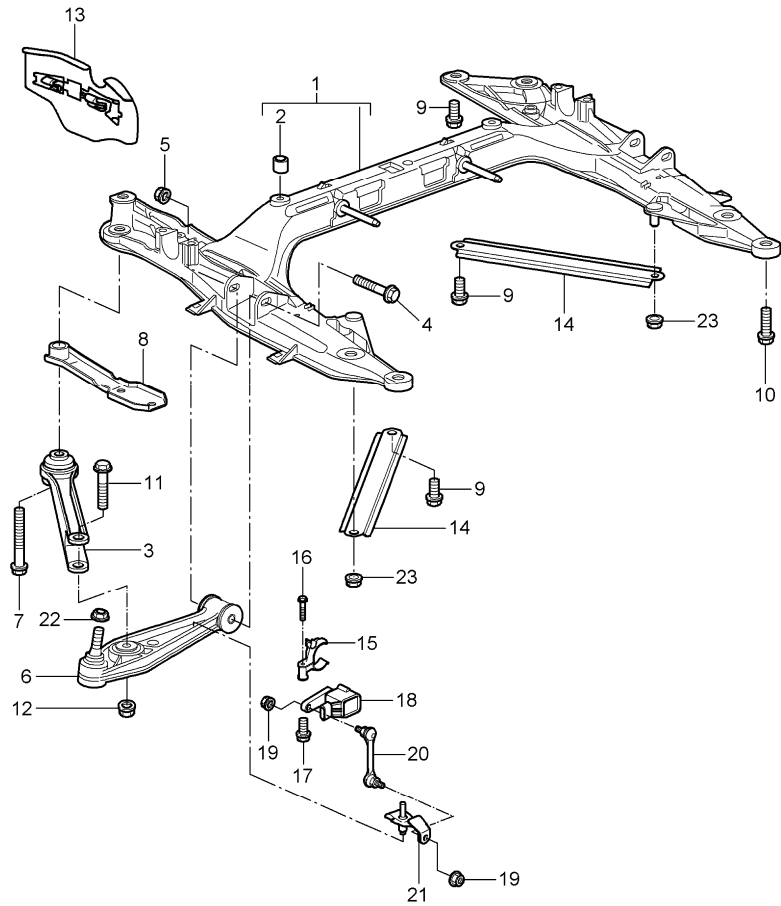
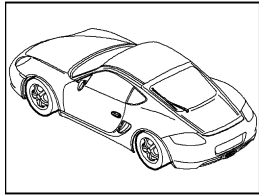
Pos	Part Number	Description	Remark	Qty	Model
		- pdk - transmission heat exchanger oil tube water tube			
1	9G2 307 017 00	heat exchanger		1	
2	9G1 307 813 00	Flachkopfschraube M 6 x 12		3	
3	9G2 307 087 00	oil pipe heat exchanger supply		2	
4	9G2 307 085 00	oil pipe heat exchanger return line		1	
5	9G1 307 891 00	sealing ring oil pipe heat exchanger		4	
6	9G2 307 255 00	retaining bracket oil pipe transmission		1	
7	996 605 123 01	change-over valve		1	
8	9G1 307 673 00	vacuum hose		1	
9	9G1 307 802 00	torx screw M 8 X 15		1	
10	9G2 307 076 00	hose line		1	
11	999 512 656 09	hose clamp B 25 X 12		4	
12	928 574 573 03	disc valve		1	
13	9G2 307 075 00	moulded hose		1	
14	900 146 011 01	round head screw M 4 X 10		1	
15	9G2 307 401 00	support disc valve		1	
16	900 385 041 01	torx screw M 6 X 12		1	

Model	Year	MG	SG	Illustration	Restrictions	UPD	8:52	02.03.2010	PORSCHE	PET	PORSCHE
987C2	2010	3	70	370-00		248					



Pos	Part Number	Description	Remark	Qty	Model
		- pdk -			MA1.20 MA1.21 I250
		transmission transmission suspension threaded joint for engine			
1	9A1 375 094 50	transmission bracket right		1	
2	9A1 375 093 50	transmission bracket left		1	
3	999 072 001 02	hexagon-head bolt M 10 X 35		4	
4	900 378 159 01	hexagon-head bolt M 8 X 60		4	
5	999 084 447 01	hexagon nut M 8		4	
6	999 385 009 01	Outer hexagon round screw M 12 X 1,5 X 55		1	

Model	Year	MG	SG	Illustration	Restrictions	UPD	8:52	02.03.2010	PORSCHE	PET	PORSCHE
987C2	2010	4	01	401-00		248					

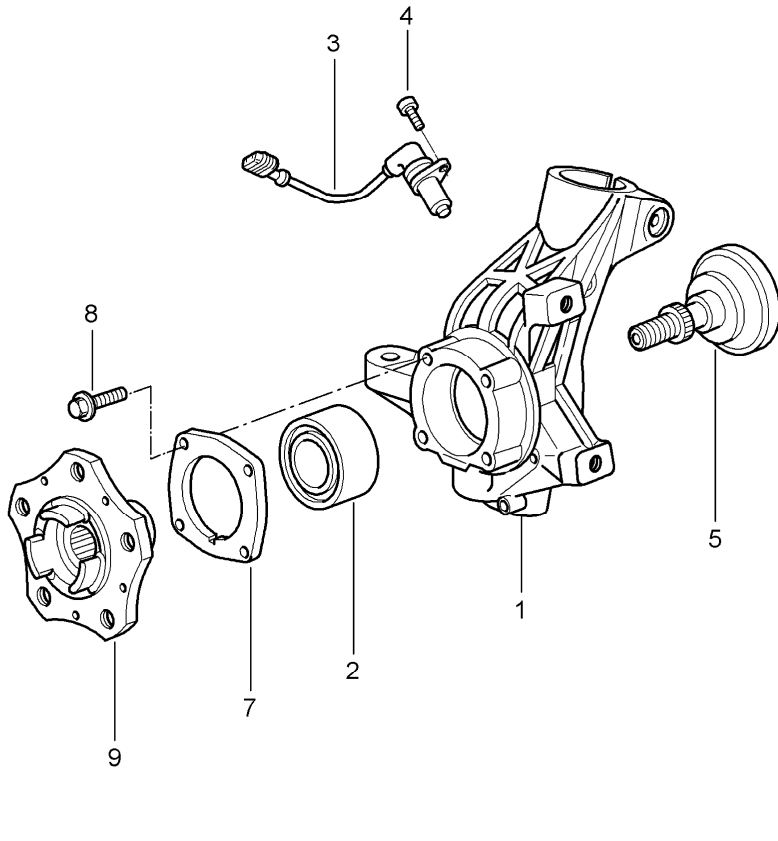
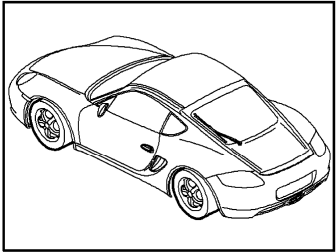


Pos	Part Number	Description	Remark	Qty	Model
		cross member wishbone			
1	997 341 081 06	cross member		1	
2	900 197 070 00	roll pin 13 X 14		1	
3	997 341 043 00	control arm		2	
4	900 378 165 01	hexagon-head bolt M 12 X 1,5 X 95		2	
5	999 084 445 01	lock nut M 12 X 1,5		2	
6	997 341 053 03	wishbone		2	
7	999 072 050 01	hexagon-head bolt M 14 X 1,5 X 120		2	
8	997 341 145 05	plate		2	
9	999 072 047 01	hexagon-head bolt M 12 x 1,5 x 30		6	
10	900 378 192 01	hexagon-head bolt M 14 x 1,5 x 50		4	
11	900 378 279 01	hexagon-head bolt M 14 X 1,5 X 95		2	
12	900 380 012 01	hexagon nut M 14 X 1,5		2	
13	996 341 483 05	spoiler	/L	1	
13	996 341 484 05	spoiler	/R	1	
14	997 504 433 00	strut		2	
15		support see illustrations 1/05/10 Pos.10		1	I603
16	900 146 003 03	oval-head screw M 5 x 10		2	I603
17	900 378 036 01	hexagon-head bolt M 6 x 12		1	I603
18	997 631 121 00	sensor		1	I603
19	900 380 015 01	hexagon nut M 6		2	I603
20	997 341 375 01	strut		1	I603

Model	Year	MG	SG	Illustration	Restrictions	UPD	8:52	02.03.2010	PORSCHE	PET	PORSCHE
987C2	2010	4	01	401-00		248					

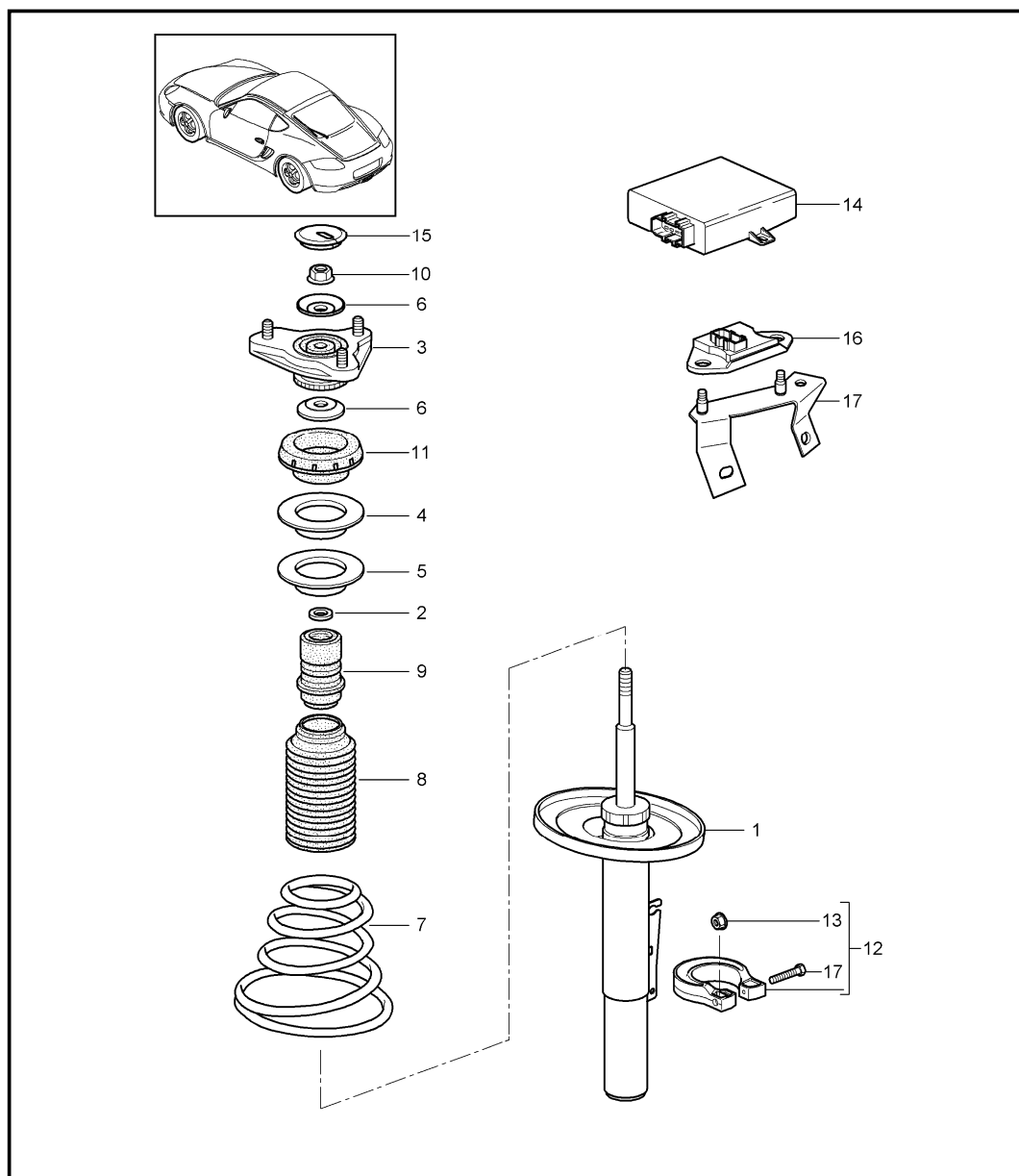
Pos	Part Number	Description	Remark	Qty	Model	Pos	Part Number	Description	Remark	Qty	Model
21	996 341 371 03	support		1	I603						
22	999 084 449 09	hexagon nut M 12 X 1,5		2							
23	999 084 445 01	lock nut M 12 X 1.5		2							

Model	Year	MG	SG	Illustration	Restrictions	UPD	8:52	02.03.2010	PORSCHE	PET	PORSCHE
987C2	2010	4	01	401-05		248					



Pos	Part Number	Description	Remark	Qty	Model
		wheel carrier wheel hub			
1	997 341 157 05	wheel carrier	/L	1	
(1)	997 341 157 25	wheel carrier	/L	1	I450
(1)	997 341 158 05	wheel carrier	/R	1	
(1)	997 341 158 25	wheel carrier	/R	1	I450
2	999 053 054 05	angular-contact bearing		2	
3	997 606 407 01	speed sensor		2	
-	999 507 464 40	support		2	
4	900 067 117 04	pan-head screw M 6 x 16		2	
5	997 341 131 00	tension bolt		2	
6	999 084 634 02	hexagon nut M 22 X 1,5		2	
7	986 331 661 20	lid		2	
8	999 217 042 04	hexagon-head bolt M 8 X 35		8	
9	997 341 605 01	wheel hub		2	
-	997 361 605 90	spacer ring 5 MM		2	IXRP

Model	Year	MG	SG	Illustration	Restrictions	UPD	8:53	02.03.2010	PORSCHE	PET	PORSCHE
987C2	2010	4	02	402-00		248					

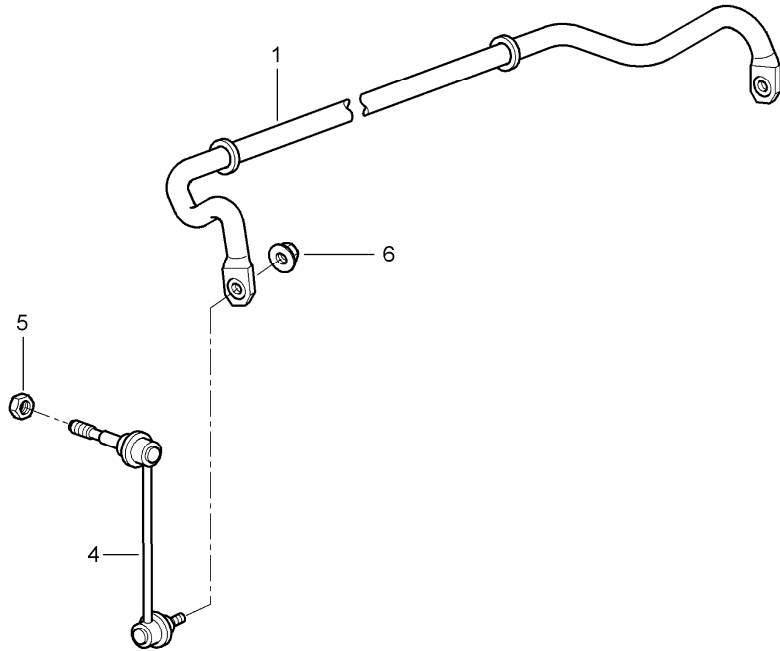
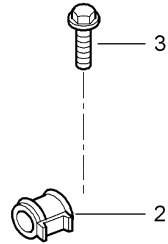
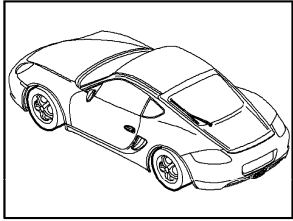


Pos	Part Number	Description	Remark	Qty	Model
		suspension shock absorber strut			
1	987 343 042 01	shock absorber		2	I029
(1)	987 343 045 21	shock absorber		2	I475
2	996 343 513 00	washer		2	
3	997 343 018 01	supporting mount		2	
-	999 084 447 01	hexagon nut M 8		6	
4	996 343 517 01	support ring		2	
5	996 343 511 00	compensating plate 3,0 MM		X	
(5)	996 343 511 01	compensating plate 6,5 MM		X	
6	997 343 107 01	stop plate		4	
(6)	997 343 107 00	stop plate lower		2	I475
(6)	997 343 107 01	stop plate upper		2	
7	987 343 531 10	coil spring 1 set		1	I029
		504 identification green green white			
(7)	987 343 531 11	coil spring 1 set		1	I475
		504 identification blue blue white			
8	996 343 505 00	bellows		2	
9	996 343 301 02	additional spring		2	
10	900 380 012 01	hexagon nut M 14 X 1,5		2	
11	996 343 515 05	deep-groove ball bearing with housing		2	
12	997 343 569 00	clip		2	

Model	Year	MG	SG	Illustration	Restrictions	UPD	8:53	02.03.2010	PORSCHE	PET	PORSCHE
987C2	2010	4	02	402-00		248					

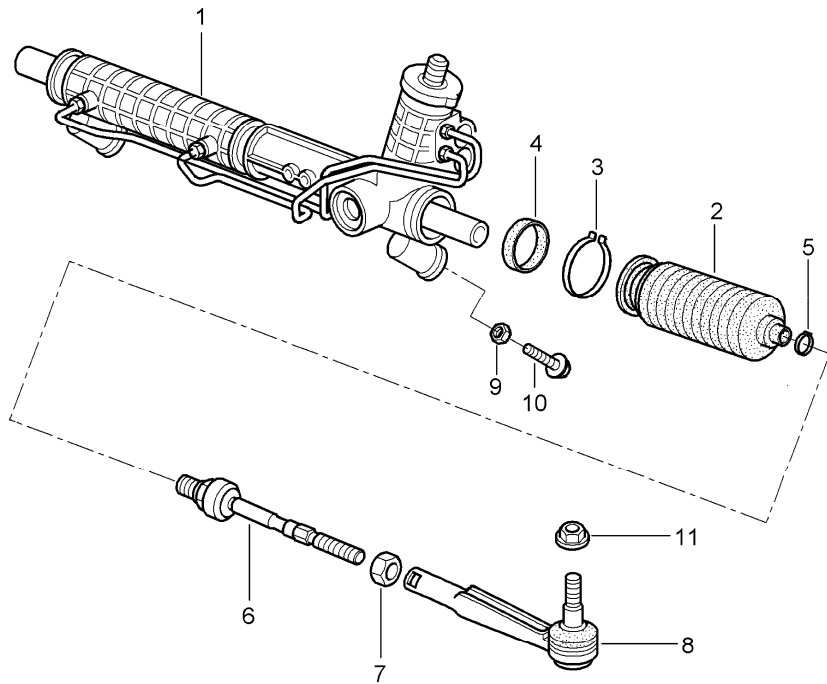
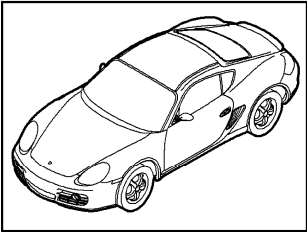
Pos	Part Number	Description	Remark	Qty	Model	Pos	Part Number	Description	Remark	Qty	Model
13	900 377 010 01	hexagon nut M 6		2							
-	900 378 111 01	hexagon-head bolt M 6 x 60		2							
14	987 618 450 01	control unit		1	I475						
15	999 703 457 40	lid		2							
16	997 606 111 01	acceleration sensor body		1							
17	900 378 111 01	hexagon-head bolt M 6 x 60		2							
16	997 606 111 01	acceleration sensor body		1							
17	997 606 212 01	support body		1							

Model	Year	MG	SG	Illustration	Restrictions	UPD	8:53	02.03.2010	PORSCHE	PET	PORSCHE
987C2	2010	4	02	402-05		248					



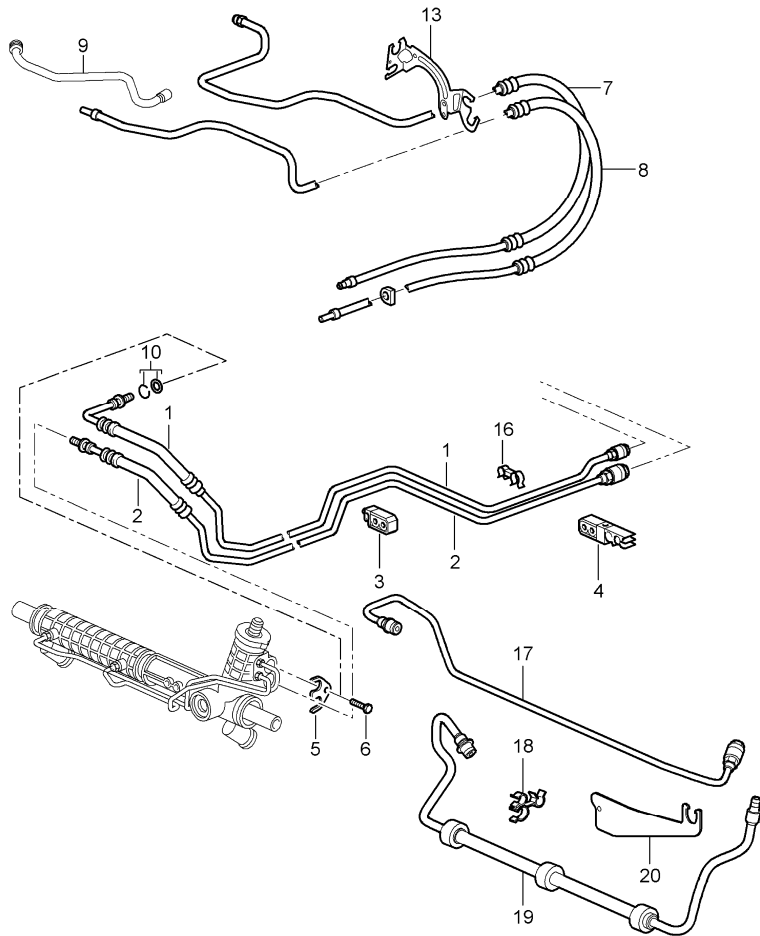
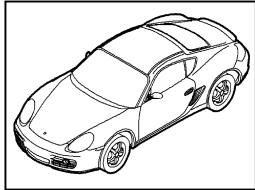
Pos	Part Number	Description	Remark	Qty	Model
		stabiliser			
1	997 343 701 08	stabiliser		1	
2	996 343 792 17	stabiliser mounting		2	
3	900 378 098 01	hexagon-head bolt M 10 X 60		4	
-	900 380 008 01	hexagon nut M 10		4	
(4)	997 343 069 03	stabiliser mounting	/L	1	
(4)	997 343 070 03	stabiliser mounting	/R	1	
5	999 084 445 01	lock nut M 12 X 1,5		2	
6	999 084 123 09	hexagon nut M 10		2	

Model	Year	MG	SG	Illustration	Restrictions	UPD	8:53	02.03.2010	PORSCHE	PET	PORSCHE
987C2	2010	4	03	403-00		248					



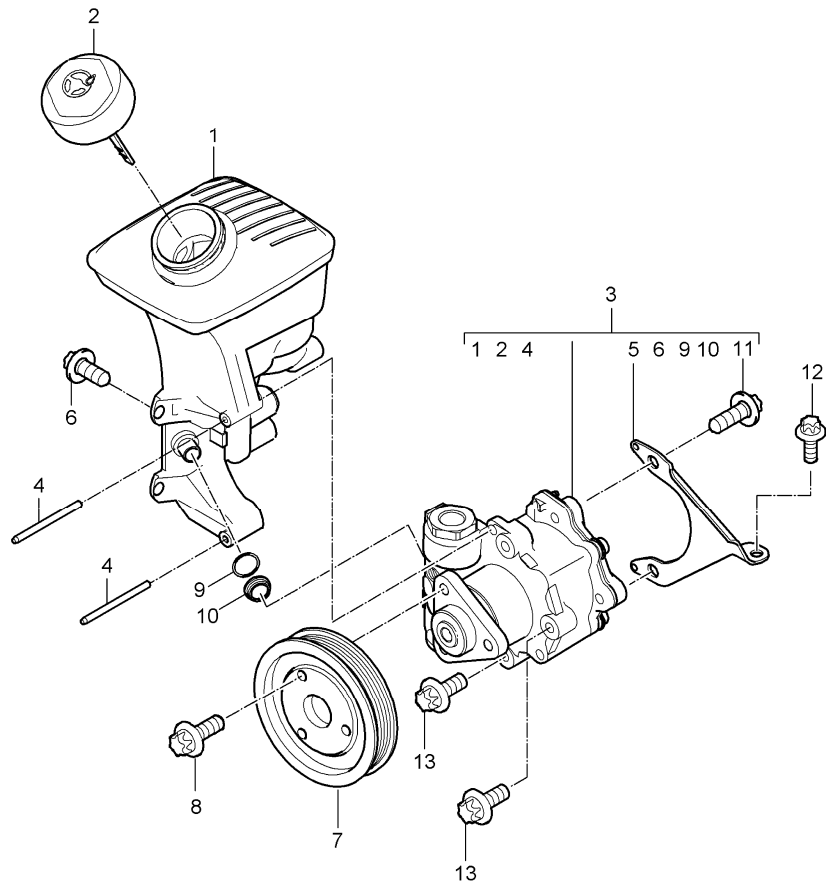
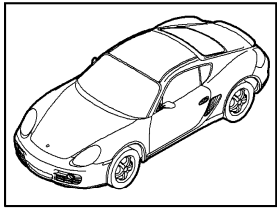
Pos	Part Number	Description	Remark	Qty	Model
		power steering steering gear steering parts			
1	987 347 011 00	steering gear power steering		1	I098
(1)	987 347 012 00	steering gear power steering		1	I099
2	997 347 191 00	bellows for steering gear		2	
3	996 347 293 05	clamping ring for steering gear		2	
4	997 347 373 00	sealing ring for steering gear		2	
5	999 512 693 09	clamping ring		2	
6	997 347 322 01	joint		2	
7	999 034 037 09	hexagon nut M 14 X 1,5		2	
8	996 347 131 04	track rod		2	
9	-	see illustrations 4/01/00 POS.2			
10	900 378 100 01	hexagon-head bolt AM 10 X 45		2	
11	999 084 449 09	hexagon nut M 12 X 1,5		2	

Model	Year	MG	SG	Illustration	Restrictions	UPD	8:53	02.03.2010	PORSCHE	PET	PORSCHE
987C2	2010	4	03	403-01		248					



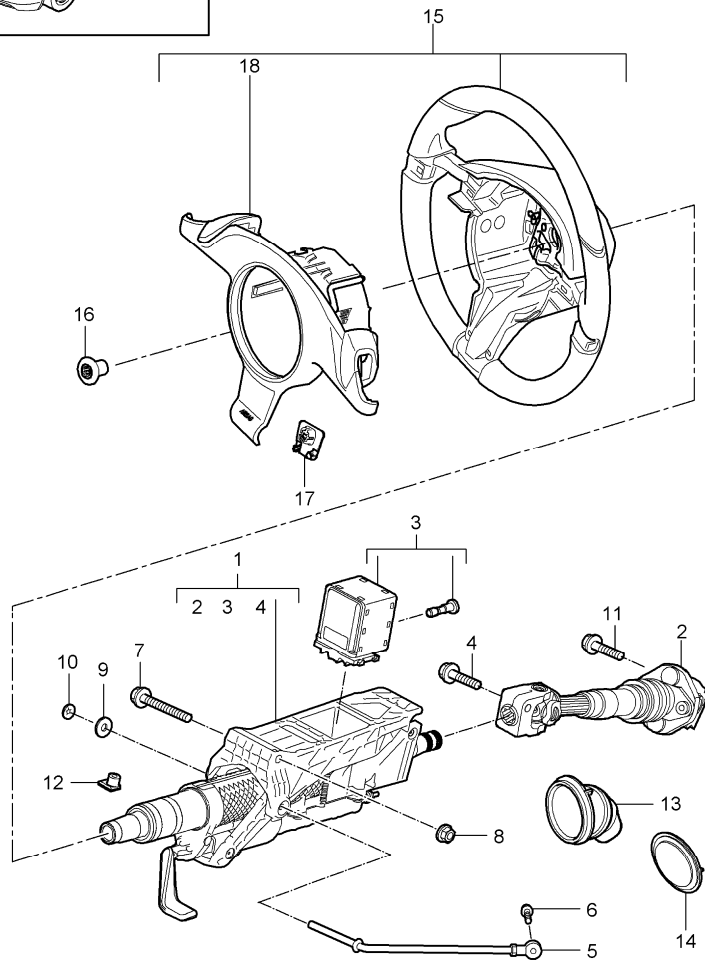
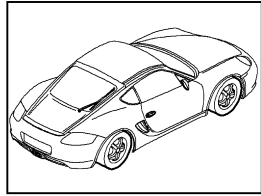
Pos	Part Number	Description	Remark	Qty	Model
		power steering lines			
1	997 347 451 11	pressure line		1	I098
(1)	997 347 452 12	pressure line		1	I099
2	987 347 449 11	return line		1	I098
(2)	987 347 650 11	return line		1	I099
3	996 347 543 00	cable holder		3	
4	996 355 543 00	support		1	
5	996 347 769 01	tension shackle		1	
6	900 067 063 03	pan-head screw M 10 X 20		1	
7	9A1 347 443 12	pressure line	-09	1	
7	9A1 347 443 13	pressure line	10-	1	
8	9A1 347 439 14	return line	-09	1	
8	9A1 347 439 15	return line	10-	1	
9	9A1 347 437 14	return line power-steering pump heat exchanger		1	
10	997 347 945 00	repair kit pentosin		x	
13	9A1 347 649 11	support		1	
16	999 507 091 40	cable holder		3	
17	997 347 564 11	pressure line		1	I099
18	999 507 963 40	support		1	I099
19	997 347 462 12	return line		1	I099
20	997 347 560 00	support		1	I099

Model	Year	MG	SG	Illustration	Restrictions	UPD	8:53	02.03.2010	PORSCHE	PET	PORSCHE
987C2	2010	4	03	403-03		248					



Pos	Part Number	Description	Remark	Qty	Model
		power steering power-steering pump container			
1	9A1 314 220 14	oil tank		1	
2	9A1 314 223 01	lid		1	
3	9A1 314 020 13	power-steering pump		1	
4	996 314 320 03	straight pin		2	
5	9A1 314 430 02	bracket		1	
6	900 385 044 01	torx screw BM 8 X 16		2	
7	9A1 147 123 00	pulley		1	
-	9A1 147 205 01	cover for pulley		1	
8	900 385 099 01	torx screw BM 8 X 12		3	
9	999 707 204 40	sealing ring 12,5 X 2,0		1	
10	996 314 427 00	guide		1	
11	900 385 042 01	torx screw BM 8 X 35		2	
12	900 385 009 01	torx screw M 6 X 16		1	
-	000 043 203 33	pentosin 1000 ML		X	
13	900 385 042 01	torx screw BM 8 X 35		2	

Model	Year	MG	SG	Illustration	Restrictions	UPD	8:54	02.03.2010	PORSCHE	PET	PORSCHE
987C2	2010	4	03	403-04		248					



Pos	Part Number	Description	Remark	Qty	Model
		steering outer tube			I250
		steering shaft			I250
		steering wheels			I250
1	997 347 007 10	steering column complete		1	
		steering shaft			
2	997 347 023 04	intermed. steering shaft		1	
3	997 618 158 04	control unit steering column with screw		1	
4	A 999 217 042 03	hexagon-head bolt M 8 X 35		1	
4	999 217 042 04	hexagon-head bolt M 8 X 35		1	
5	997 347 243 00	support		1	
6	900 378 173 01	hexagon-head bolt M 6 x 20		1	
7	900 378 095 01	hexagon-head bolt M 10 X 100		1	
8	900 380 008 01	hexagon nut M 10		1	
9	900 151 006 03	washer		1	
10	999 507 217 07	clamping washer		1	
11	A 999 217 042 03	hexagon-head bolt M 8 X 35		1	
11	999 217 042 04	hexagon-head bolt M 8 X 35		1	
12	999 920 019 40	plug-in nut 3,5 X 2,5 X 9		1	
13	986 347 037 01	bellows		1	
14	996 347 339 02	rubber seal bulkhead		1	
15	997 347 803 30	steering wheel paddle		1	I840
	A34	black			
	B24	stone grey			

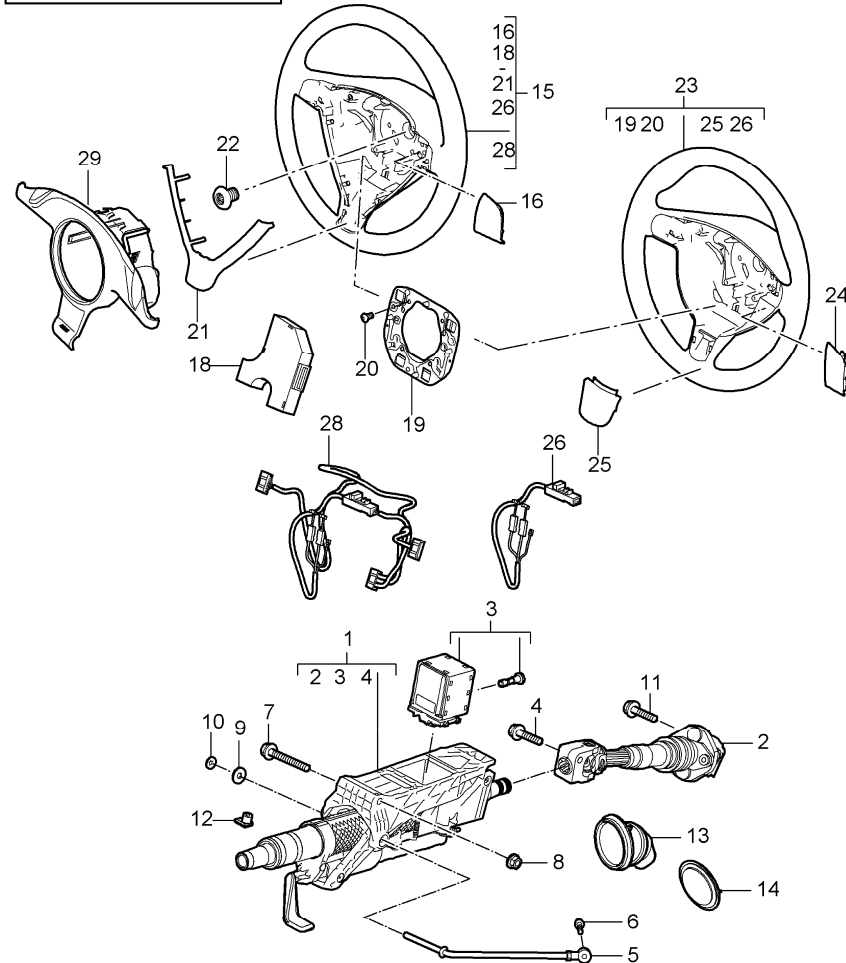
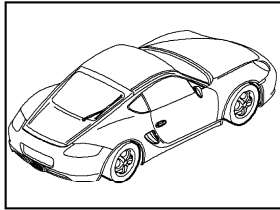
Model	Year	MG	SG	Illustration	Restrictions	UPD	8:54	02.03.2010	PORSCHE	PET	PORSCHE
987C2	2010	4	03	403-04		248					

Pos	Part Number	Description	Remark	Qty	Model	Pos	Part Number	Description	Remark	Qty	Model
	T24	sand beige				(15)	997 347 803 25	steering wheel plain leather		1	I345/841
	E24	sea blue					A34	black			
	M24	terracotta					B24	stone grey			
	R24	cocoa					T24	sand beige			
	D14	dark grey/natural					E24	sea blue			
	T34	brown/natural					M24	terracotta			
	N14	carrera red					R24	cocoa			
(15)	997 347 803 31	steering wheel Paddle		1	I639/840 I639/640		D14	dark grey/natural			
	A34	black					T34	brown/natural			
	B24	stone grey				(15)	997 347 803 21	steering wheel plain leather multi-function		1	I844
	T24	sand beige					A34	black			
	E24	sea blue					B24	stone grey			
	M24	terracotta					T24	sand beige			
	R24	cocoa					E24	sea blue			
	D14	dark grey/natural					M24	terracotta			
	T34	brown/natural					R24	cocoa			
	N14	carrera red					D14	dark grey/natural			
15	997 347 803 20	steering wheel plain leather		1	I841		T34	brown/natural			
	A34	black				(15)	997 347 803 24	steering wheel plain leather multi-function		1	I345/844
	B24	stone grey					A34	black			
	T24	sand beige					B24	stone grey			
	E24	sea blue					T24	sand beige			
	M24	terracotta					E24	sea blue			
	R24	cocoa					M24	terracotta			
	D14	dark grey/natural									
	T34	brown/natural									
	N14	carrera red									

Model	Year	MG	SG	Illustration	Restrictions	UPD	8:54	02.03.2010	PORSCHE	PET	PORSCHE
987C2	2010	4	03	403-04		248					

Pos	Part Number	Description	Remark	Qty	Model	Pos	Part Number	Description	Remark	Qty	Model
	R24	cocoa					B24	stone grey			
	D14	dark grey/natural					T24	sand beige			
	T34	brown/natural					E24	sea blue			
	N14	carrera red					M24	terracotta			
(15)	997 347 803 22	steering wheel multi-function carbon		1	I345/845		R24	cocoa			
	A34	black					D14	dark grey/natural			
	B24	stone grey				16	N 910 207 01	screw M 18 X 1,5 X 26		1	
	T24	sand beige				17	997 613 425 00	tip switch		1	I345
	E24	sea blue					A05	black			
	M24	terracotta				18	997 613 461 00	module		1	I841
	R24	cocoa					FUP	volcano grey/galvanosilver			
	D14	dark grey/natural				(18)	997 613 465 00	module		1	I844/845/847
	T34	brown/natural					FUQ	volcano grey/galvanosilver			
(15)	997 347 803 23	steering wheel multi-function macassar		1	I345/847	-	000 043 207 50	mixing tube		X	I250
	A34	black				-	000 043 207 48	adhesive set steering wheel see technical manual suspension group 48 12 55		1	I250
	B24	stone grey									
	T24	sand beige									
	E24	sea blue									
	M24	terracotta									
	R24	cocoa									
	D14	dark grey/natural									
	T34	brown/natural									
	N14	carrera red									
(15)	997 347 980 05	steering wheel multi-function aluminium look		1	IXPU/345						
	A34	black									

Model	Year	MG	SG	Illustration	Restrictions	UPD	8:54	02.03.2010	PORSCHE	PET	PORSCHE
987C2	2010	4	03	403-05		248					



Pos	Part Number	Description	Remark	Qty	Model
		steering outer tube steering shaft steering wheels			I480 I480 I480
(1)	997 347 007 10	steering column complete steering shaft		1	
2	997 347 023 04	intermed. steering shaft		1	
3	997 618 158 04	control unit steering column with screw		1	
4	A 999 217 042 03	hexagon-head bolt M 8 X 35		1	
4	999 217 042 04	hexagon-head bolt M 8 X 35		1	
5	997 347 243 00	support		1	
6	900 378 173 01	hexagon-head bolt M 6 x 20		1	
7	900 378 095 01	hexagon-head bolt M 10 X 100		1	
8	900 380 008 01	hexagon nut M 10		1	
9	900 151 006 03	washer		1	
10	999 507 217 07	clamping washer		1	
11	A 999 217 042 03	hexagon-head bolt M 8 X 35		1	
11	999 217 042 04	hexagon-head bolt M 8 X 35		1	
12	999 920 019 40	plug-in nut 3,5 X 2,5 X 9		1	
13	986 347 037 01	bellows		1	
14	996 347 339 02	rubber seal bulkhead		1	
15	997 347 804 14	steering wheel plain leather	-09	1	I459
	A34	black			
	B24	stone grey			

Model	Year	MG	SG	Illustration	Restrictions	UPD	8:54	02.03.2010	PORSCHE	PET	PORSCHE
987C2	2010	4	03	403-05		248					

Pos	Part Number	Description	Remark	Qty	Model	Pos	Part Number	Description	Remark	Qty	Model
	T24	sand beige					FSQ	carrera red			
	E24	sea blue				(15)	997 347 804 24	steering wheel multi-function wood carbon	-09	1	I453
	M24	terracotta					FOK	black			
	R24	cocoa					FOL	stone grey			
	D14	dark grey/natural					FOM	sand beige			
	T34	brown/natural					FOO	sea blue			
	N14	carrera red					FOP	terracotta			
(15)	997 347 804 15	steering wheel multi-function plain leather	-09	1	I431		FOQ	cocoa			
	A34	black					FOR	dark grey/natural			
	B24	stone grey					FOS	brown/natural			
	T24	sand beige					FSQ	carrera red			
	E24	sea blue				(15)	997 347 981 00	steering wheel multi-function aluminium look	-09	1	IXPV
	M24	terracotta					A34	black			
	R24	cocoa					B24	stone grey			
	D14	dark grey/natural					T24	sand beige			
	T34	brown/natural					E24	sea blue			
	N14	carrera red					M24	terracotta			
(15)	997 347 804 22	steering wheel multi-function wood macassar	-09	1	I451		R24	cocoa			
	FOK	black					D14	dark grey/natural			
	FOL	stone grey					T34	brown/natural			
	FOM	sand beige					N14	carrera red			
	FOO	sea blue				(15)	997 347 803 51	steering wheel leather	10-	1	I841
	FOP	terracotta					A34	black			
	FOQ	cocoa					B24	stone grey			
	FOR	dark grey/natural					T24	sand beige			
	FOS	brown/natural					E24	sea blue			

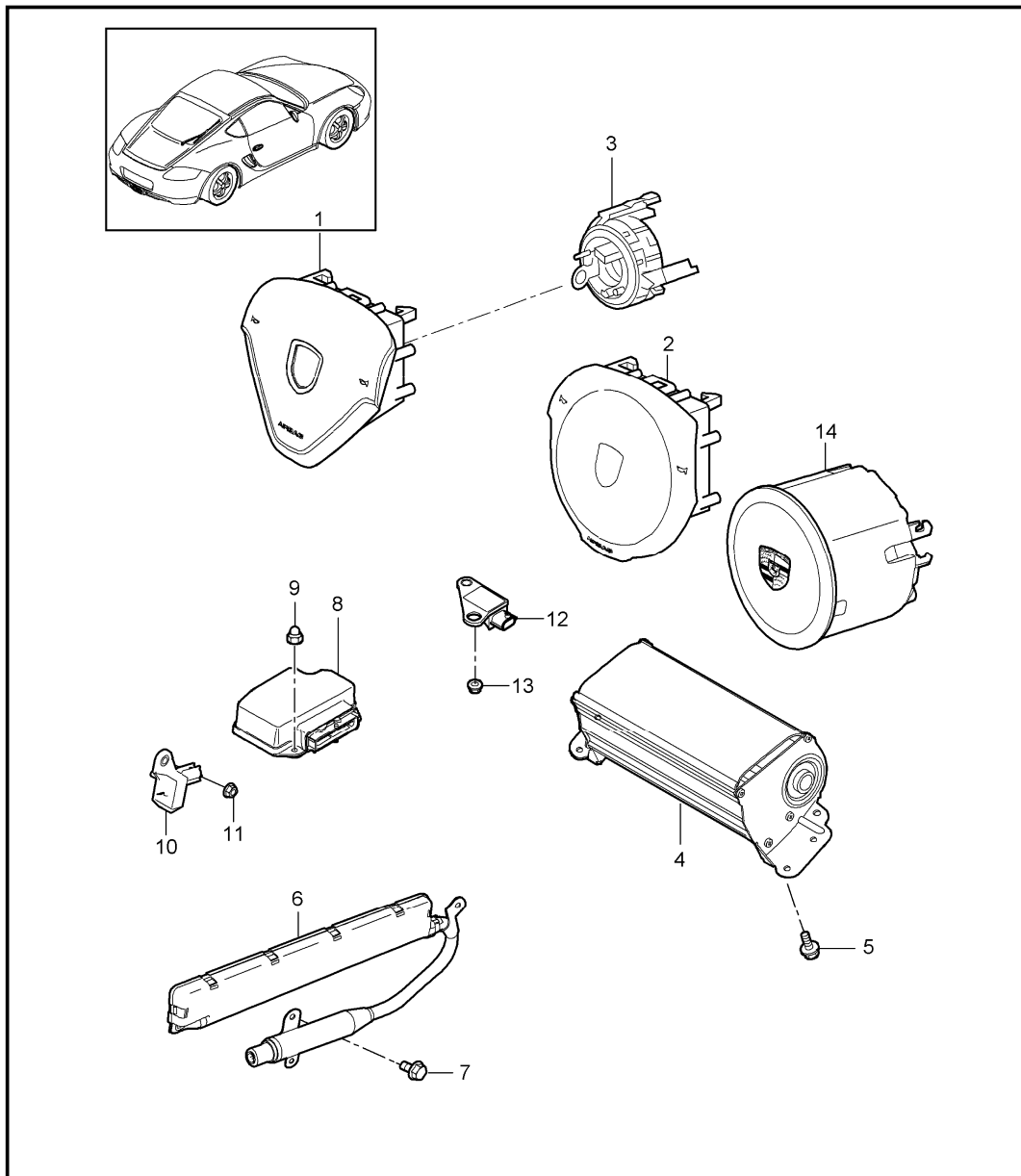
Model	Year	MG	SG	Illustration	Restrictions	UPD	8:54	02.03.2010	PORSCHE	PET	PORSCHE
987C2	2010	4	03	403-05		248					

Pos	Part Number	Description	Remark	Qty	Model	Pos	Part Number	Description	Remark	Qty	Model
	R24	cocoa					B24	stone grey			
	M24	terracotta					T24	sand beige			
	D14	dark grey					E24	sea blue			
	T34	brown/natural					R24	cocoa			
	N14	carrera red					M24	terracotta			
(15)	997 347 803 57	steering wheel leather	10-	1	I345/841		D14	dark grey			
	A34	black					T34	brown/natural			
	B24	stone grey				(15)	997 347 803 53	steering wheel leather	10-	1	I345/845
	T24	sand beige					A34	black			
	E24	sea blue					B24	stone grey			
	R24	cocoa					T24	sand beige			
	M24	terracotta					E24	sea blue			
	D14	dark grey					R24	cocoa			
	T34	brown/natural					M24	terracotta			
	N14	carrera red					D14	dark grey			
(15)	997 347 803 52	steering wheel leather	10-	1	I844		T34	brown/natural			
	A34	black					N14	carrera red			
	B24	stone grey				(15)	997 347 803 55	steering wheel leather	10-	1	I345/847
	T24	sand beige					A34	black			
	E24	sea blue					B24	stone grey			
	R24	cocoa					T24	sand beige			
	M24	terracotta					E24	sea blue			
	D14	dark grey					R24	cocoa			
	T34	brown/natural					M24	terracotta			
	N14	carrera red					D14	dark grey			
(15)	997 347 803 58	steering wheel leather	10-	1	I345/844		T34	brown/natural			
	A34	black					N14	carrera red			

Model	Year	MG	SG	Illustration	Restrictions	UPD	8:54	02.03.2010	PORSCHE	PET	PORSCHE
987C2	2010	4	03	403-05		248					

Pos	Part Number	Description	Remark	Qty	Model	Pos	Part Number	Description	Remark	Qty	Model	
(15)	997 347 980 08	steering wheel leather	10-	1	IXPU/345	20	999 141 022 09	round head screw M 5 X 12,5	-09	4		
	A34	black				21	997 347 821 00	cover	-09	1		
	B24	stone grey					D07	volcano grey				
	T24	sand beige				22	N 910 207 01	screw M 18 X 1,5 X 26		1		
	E24	sea blue				23	997 347 804 42	sports steering wheel plain leather	-09	1	I460	
	R24	cocoa					A34	black				
	M24	terracotta					B24	stone grey				
	D14	dark grey					T24	sand beige				
	T34	brown/natural					E24	sea blue				
	N14	carrera red					M24	terracotta				
16	997 347 837 00	cover	/L	-09	1		R24	cocoa				
	V04	galvano silver					D14	dark grey/natural				
(16)	997 347 838 00	cover	/R	-09	1		T34	brown/natural				
	V04	galvano silver					N14	carrera red				
(16)	997 347 837 40	cover	/L	-09	1	I460	24	997 347 837 40	cover	/L	-09	1
	V04	galvano silver					V04	galvano silver				
(16)	997 347 838 40	cover	/R	-09	1	I460	(24)	997 347 838 40	cover	/R	-09	1
	V04	galvano silver					V04	galvano silver				
(16)	997 613 433 03	switching module multi-function manual transmission	/L	-09	1		25	997 347 821 40	cover	-09	1	
	V04	galvano silver					V04	galvano silver				
(16)	997 613 434 03	switching module multi-function manual transmission	/R	-09	1		26	997 612 672 00	wiring harness	-09	1	
	V04	galvano silver					28	997 612 673 00	wiring harness	-09	1	I431
17	999 073 318 09	half-round screw M 4 X 10		-09	2						1	I451
18	997 613 445 03	electronic unit multi-function		-09	1	I431/451 I453	29	997 613 463 01	model	10-	1	I480
19	997 347 880 00	retaining frame		-09	1			FUR	volcano grey/black mat			

Model	Year	MG	SG	Illustration	Restrictions	UPD	8:54	02.03.2010	PORSCHE	PET	PORSCHE
987C2	2010	4	03	403-06		248					



Pos	Part Number	Description	Remark	Qty	Model
1	997 803 089 13	airbag airbag unit plastic material A32 black B22 stone grey T22 sand beige E22 sea blue		1	I431/451 I453/459
(1)	997 803 089 14	airbag unit leather A34 black B24 stone grey T24 sand beige E24 sea blue M24 terracotta R24 cocoa D14 dark grey/natural T34 brown/natural N14 carrera red		1	I431/991 I459/991
(1)	997 803 089 15	airbag unit A34 black B24 stone grey T24 sand beige E24 sea blue M24 terracotta R24 cocoa D14 dark grey/natural T34 brown/natural N14 carrera red		1 1 1	IXPV/991 I451/991 I453/991

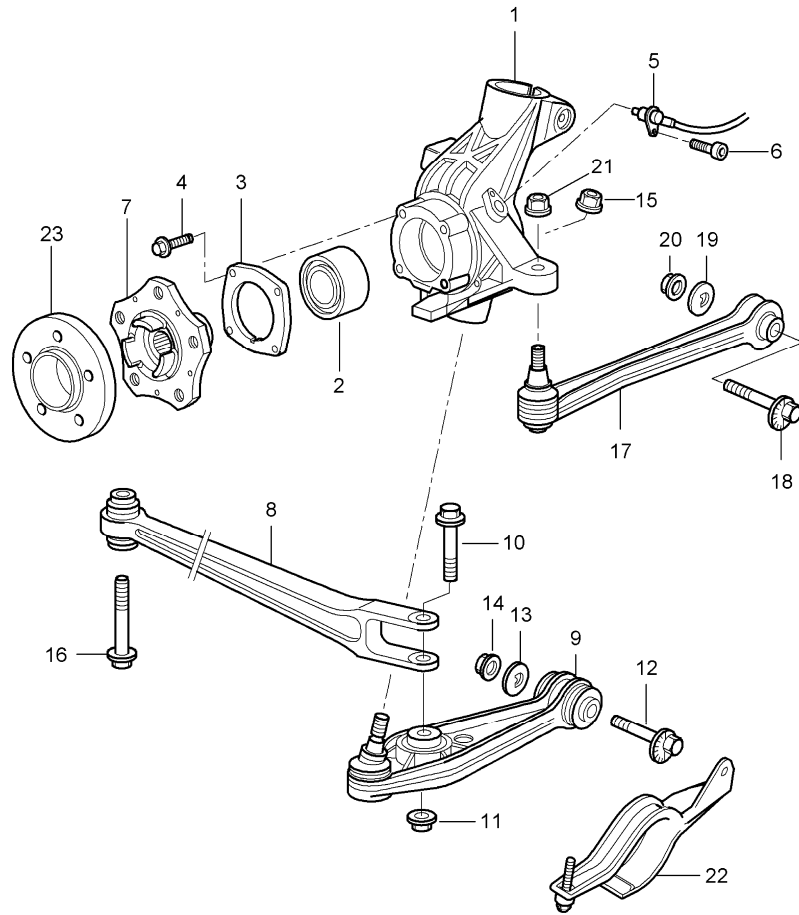
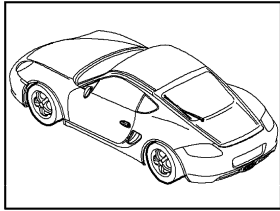
Model	Year	MG	SG	Illustration	Restrictions	UPD	8:54	02.03.2010	PORSCHE	PET	PORSCHE
987C2	2010	4	03	403-06		248					

Pos	Part Number	Description	Remark	Qty	Model	Pos	Part Number	Description	Remark	Qty	Model
(1)	997 803 089 16	airbag unit sports steering wheel plastic material		1	I460	3	955 652 211 11	spring with steering-angle sensor		1	
	A32	black				(3)	955 652 211 21	spring with steering-angle sensor		1	I345
	B22	stone grey				4	997 803 071 08	airbag unit passenger's side		1	
	T22	sand beige				5	900 378 222 01	hexagon-head bolt M 6 X 16		4	
	E22	sea blue				6	997 803 091 03	side airbag for head airbag	/L	1	
(2)	997 803 089 17	airbag unit sports steering wheel leather		1	I460/991	(6)	997 803 092 03	side airbag for head airbag	/R	1	
	A34	black				7	900 378 035 01	hexagon-head bolt M 6 X 16		6	
	B24	stone grey				8	997 618 217 08	control unit		1	
	T24	sand beige				9	999 070 015 02	cap nut M 6		3	
	E24	sea blue				10	997 618 221 01	sensor side airbag		2	
	M24	terracotta				11	999 084 638 01	hexagon nut M 6		8	
	R24	cocoa				12	997 618 223 02	acceleration sensor airbag front		2	
	D14	dark grey/natural				13	999 084 638 01	hexagon nut M 6		2	
	T34	brown/natural				(14)	997 803 089 11	airbag unit		1	
	N14	carrera red					A03	black			
(2)	997 803 089 18	airbag unit sports steering wheel leather		1	IXPA/991		5V7	stone grey			
	A34	black					5Z1	sand beige			
	B24	stone grey					8W7	sea blue			
	T24	sand beige				(14)	997 803 089 12	airbag unit leather		1	I991
	E24	sea blue					A34	black			
	M24	terracotta									
	R24	cocoa									
	D14	dark grey/natural									
	T34	brown/natural									
	N14	carrera red									

Model	Year	MG	SG	Illustration	Restrictions	UPD	8:54	02.03.2010	PORSCHE	PET	PORSCHE
987C2	2010	4	03	403-06		248					

Pos	Part Number	Description	Remark	Qty	Model	Pos	Part Number	Description	Remark	Qty	Model
	B24	stone grey									
	T24	sand beige									
	E24	sea blue									
	M24	terracotta									
	R24	cocoa									
	D14	dark grey/natural									
	T34	brown/natural									
	N14	carrera red									

Model	Year	MG	SG	Illustration	Restrictions	UPD	8:54	02.03.2010	PORSCHE	PET	PORSCHE
987C2	2010	5	01	501-00		248					

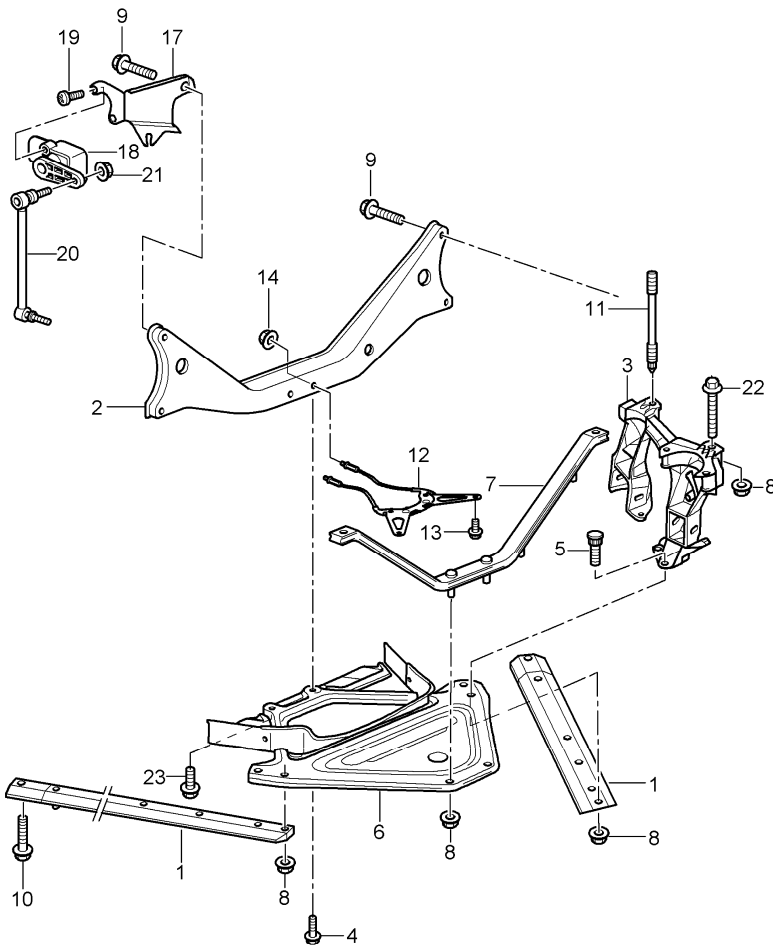
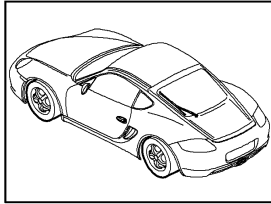


Pos	Part Number	Description	Remark	Qty	Model
		rear axle wheel carrier control arm wheel hub			
(1)	987 331 157 06	wheel carrier		1	
(1)	987 331 158 06	wheel carrier		1	
2	999 053 054 05	angular-contact bearing		2	
(3)	986 331 661 20	lid		2	
4	A 999 217 042 03	hexagon-head bolt M 8 X 35		8	
4	999 217 042 04	hexagon-head bolt M 8 X 35		8	
(5)	997 606 407 01	speed sensor		2	
(6)	900 067 117 04	pan-head screw M 6 x 16		2	
7	997 341 605 01	wheel hub		2	
8	987 331 043 02	control arm		2	
(9)	997 331 053 01	wishbone		2	
(10)	900 378 135 01	hexagon-head bolt M 14 x 1,5 x 75		2	
11	900 380 012 01	hexagon nut M 14 X 1,5		2	
(12)	996 331 217 03	eccentric screw M 12 X 100		2	
13	996 331 219 00	eccentric washer		2	
14	999 084 445 01	lock nut M 12 X 1,5		4	
15	999 084 449 09	hexagon nut M 12 X 1,5		2	
(16)	900 378 209 01	hexagon-head bolt M 14 x 7,5 x 90		2	
-	986 331 023 00	nut lock		2	
(17)	997 331 045 04	track rod		2	
18	996 331 217 02	eccentric screw M 12 X 83		2	

Model	Year	MG	SG	Illustration	Restrictions	UPD	8:54	02.03.2010	PORSCHE	PET	PORSCHE
987C2	2010	5	01	501-00		248					

Pos	Part Number	Description	Remark	Qty	Model	Pos	Part Number	Description	Remark	Qty	Model
19	996 331 219 00	eccentric washer		2							
20	999 084 445 01	lock nut M 12 X 1,5		2							
21	999 084 449 09	hexagon nut M 12 X 1,5		2							
22	987 331 371 02	support	/L	2	I603						
23	997 361 605 90	spacer ring 5 mm		2	IXRP						

Model	Year	MG	SG	Illustration	Restrictions	UPD	8:54	02.03.2010	PORSCHE	PET	PORSCHE
987C2	2010	5	01	501-01		248					

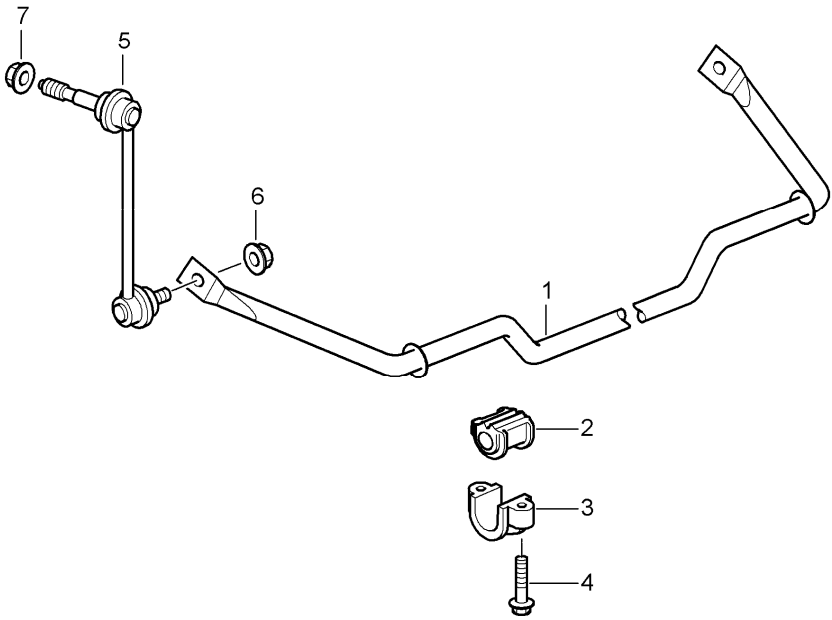
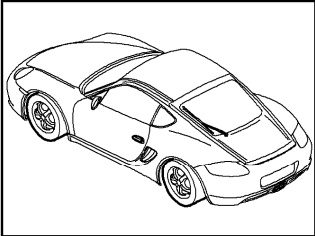


Pos	Part Number	Description	Remark	Qty	Model
		rear axle side section bracket			
1	987 331 031 20	strut	/L	1	
(1)	987 331 032 20	strut	/R	1	
2	986 331 071 10	cross member		1	
-	999 072 024 01	hexagon-head bolt M 10 X 25 threaded joint cross member bracket		2	
3	987 331 051 24	side section	/L	1	
(3)	987 331 052 24	side section	/R	1	
4	999 072 024 01	hexagon-head bolt M 10 X 25		2	
5	999 080 031 01	fastening screw		8	
6	987 331 161 20	bracket		1	I480
(6)	987 331 161 50	bracket		1	I250
-	986 331 361 03	spoiler		2	
-	999 507 774 40	push button A 3,9		2	
-	999 507 775 40	push button B 3,9		2	
7	986 331 093 03	strut		1	
-	999 072 032 01	hexagon-head bolt M 10 x 75 POS.7 threaded joint body		1	
8	999 076 053 01	hexagon nut M 10		14	
9	999 072 058 01	hexagon-head bolt M 10 X 45		4	
10	999 073 443 01	combination screw		2	
11	999 061 108 01	stud M 10 X 113		4	
12	987 331 181 20	restraining cable		1	

Model	Year	MG	SG	Illustration	Restrictions	UPD	8:54	02.03.2010	PORSCHE	PET	PORSCHE
987C2	2010	5	01	501-01		248					

Pos	Part Number	Description	Remark	Qty	Model	Pos	Part Number	Description	Remark	Qty	Model
13	900 385 050 02	Outer hexagon round screw M 6 x 16		4							
14	999 084 457 01	hexagon nut M 8		2							
17	987 331 611 01	support		1	I603						
18	997 631 121 00	sensor		1	I603						
19	N 014 129 12	oval-head screw M 5 X 10		2	I603						
20	987 331 375 00	strut		1	I603						
21	900 380 015 01	hexagon nut VM 6		2	I603						
22	999 217 165 01	hexagon-head bolt M 10 x 80		2							
23	999 072 024 01	hexagon-head bolt M 10 x 25		2							

Model	Year	MG	SG	Illustration	Restrictions	UPD	8:54	02.03.2010	PORSCHE	PET	PORSCHE
987C2	2010	5	01	501-03		248					

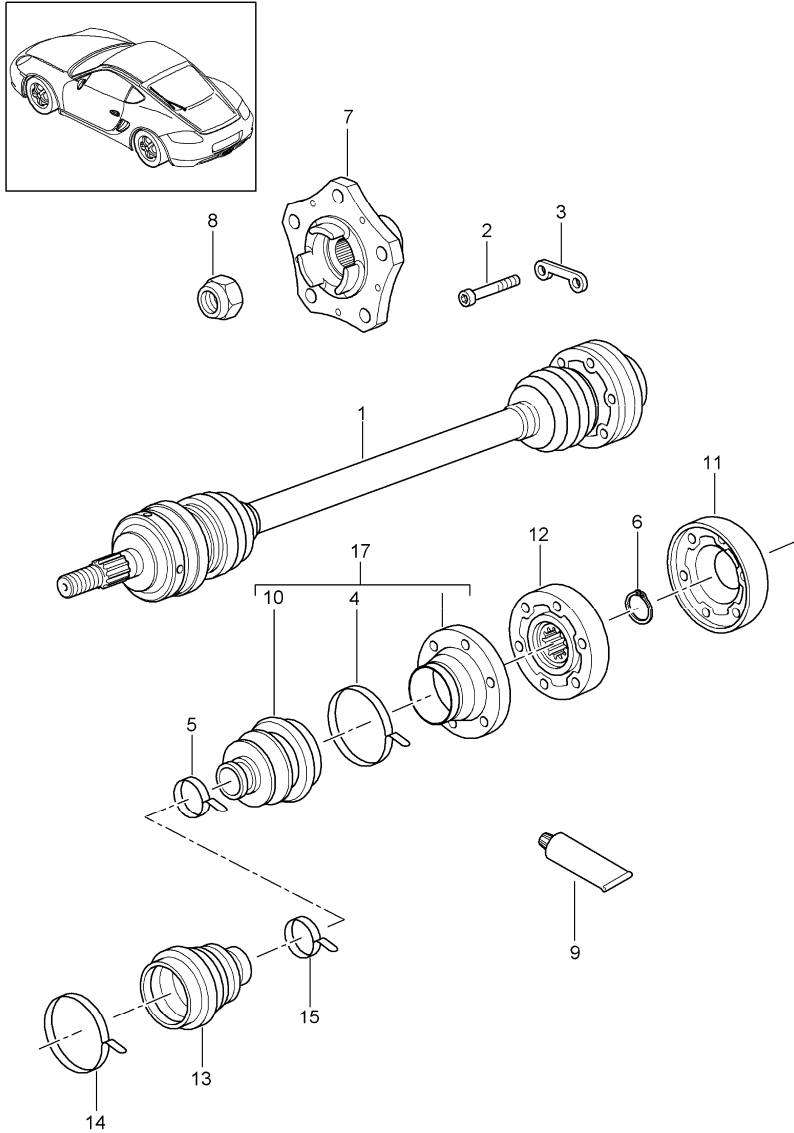


Pos	Part Number	Description	Remark	Qty	Model
		stabiliser			
1	987 333 701 03	stabiliser		1	CAYMAN I480
				1	CAYMAN I220/250
				1	CAYMAN S I250/475
(1)	987 333 701 04	stabiliser		1	CAYMAN I220/480
				1	CAYMAN S I029/250
				1	CAYMAN S I220/250/475
				1	CAYMAN S I480
(1)	987 333 701 05	stabiliser		1	CAYMAN S I029/220/250
				1	CAYMAN S I220/480
(1)	987 333 701 06	stabiliser		1	CAYMAN I250
2	997 333 792 00	stabiliser mounting		2	CAYMAN I250
2	996 333 792 24	stabiliser mounting		2	CAYMAN I480
				2	CAYMAN I220/250
				2	CAYMAN S I250/475
2	996 333 792 25	stabiliser mounting		2	CAYMAN S I029/220/250
2	996 333 792 28	stabiliser mounting		2	CAYMAN I220/480
				2	CAYMAN S I029/250
				2	CAYMAN S I220/250/475
				2	CAYMAN S I480
3	996 333 777 01	bearing clamp		2	
4	900 378 055 01	hexagon-head bolt AM 8 X 40		4	
5	997 343 069 03	stabiliser mounting	/L	1	
(5)	997 343 070 03	stabiliser mounting	/R	1	

Model	Year	MG	SG	Illustration	Restrictions	UPD	8:54	02.03.2010	PORSCHE	PET	PORSCHE
987C2	2010	5	01	501-03		248					

Pos	Part Number	Description	Remark	Qty	Model	Pos	Part Number	Description	Remark	Qty	Model
6	999 084 445 01	lock nut M 12		2							
7	999 084 123 09	hexagon nut M 10		2							

Model	Year	MG	SG	Illustration	Restrictions	UPD	8:55	02.03.2010	PORSCHE	PET	PORSCHE
987C2	2010	5	01	501-05		248					

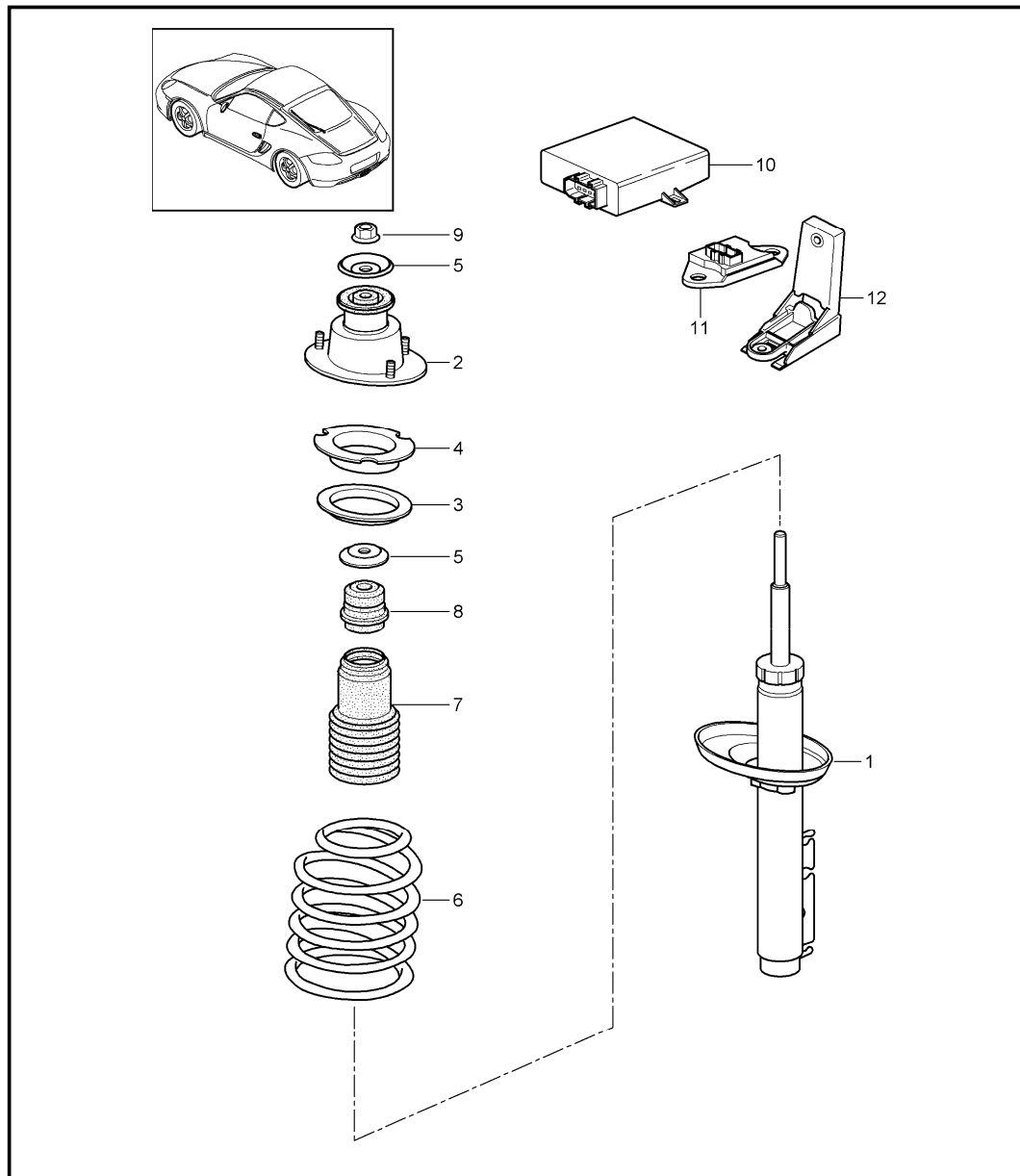


Pos	Part Number	Description	Remark	Qty	Model
1	987 332 024 31	drive shaft	/L	1	CAYMAN I480
(1)	987 332 024 30	drive shaft	/R	1	CAYMAN I480
(1)	987 332 024 27	drive shaft	/L	1	CAYMAN S I480
(1)	987 332 024 26	drive shaft	/R	1	CAYMAN S I480
(1)	987 332 024 50	drive shaft		2	CAYMAN I250
(1)	987 332 024 60	drive shaft		2	CAYMAN S I250
(2)	999 510 047 01	pan-head screw M 10 X 46,5		12	
3	986 332 191 00	plate		6	CAYMAN
(3)	996 332 191 00	plate		6	CAYMAN S
4	996 332 957 00	clip 73 MM		2	
5	996 332 257 00	clip 34 MM		2	
6	900 041 014 00	circlip		2	
7	997 341 605 01	wheel hub		2	
8	999 084 641 01	lock nut		2	
9	000 043 110 01	grease 1 100-gramme tube		X	
(9)	000 043 205 36	sealing compound 1 100-gramme tube		X	
10	996 332 293 00	dust bellows		2	
11	987 332 267 00	lid		2	CAYMAN
(11)	997 332 267 00	lid		2	CAYMAN S
12	986 332 030 00	joint		2	CAYMAN
(12)	996 332 030 00	joint		2	CAYMAN S
13	996 332 293 00	dust bellows		2	

Model	Year	MG	SG	Illustration	Restrictions	UPD	8:55	02.03.2010	PORSCHE	PET	PORSCHE
987C2	2010	5	01	501-05		248					

Pos	Part Number	Description	Remark	Qty	Model	Pos	Part Number	Description	Remark	Qty	Model
14	996 332 957 00	clip		2							
15	996 332 257 00	clip		2							
17	987 332 955 00	bellows with support		2	CAYMAN						
(17)	997 332 955 00	bellows with support		2	CAYMAN S						

Model	Year	MG	SG	Illustration	Restrictions	UPD	8:55	02.03.2010	PORSCHE	PET	PORSCHE
987C2	2010	5	02	502-00		248					

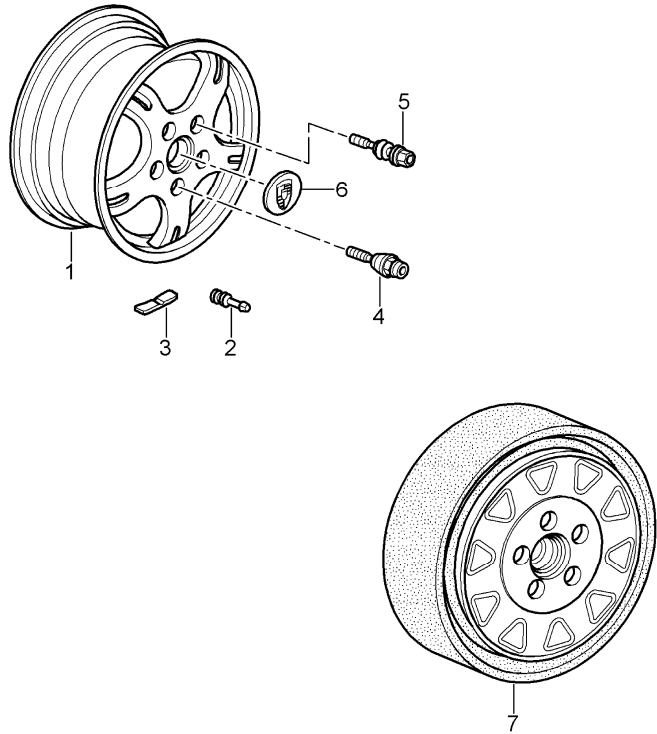
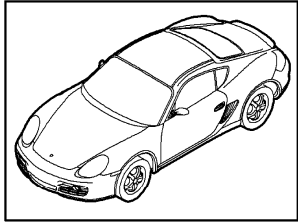


Pos	Part Number	Description	Remark	Qty	Model
1	987 333 051 16	shock absorber coil spring		2	I029
(1)	987 333 053 27	shock absorber - bilstein -		2	I475
2	987 333 059 00	vibration damper - bilstein -		2	
-	999 703 543 40	supporting mount		2	
3	987 333 504 00	lid		2	
4	987 333 509 00	supporting mount		2	
5	997 343 107 01	spring hanger		4	I029
(5)	997 343 107 00	centring ring		2	I475
(5)	997 343 107 01	stop plate		2	I475
(6)	987 333 531 67	stop plate upper		1	CAYMAN I029/250
		stop plate lower			
(6)	987 333 531 69	coil spring		1	CAYMAN I250/475
		1 set			
		504 identification rapeseed yellow			
		rapeseed yellow			
		blue			
(6)	987 333 531 71	coil spring		1	CAYMAN S I029/250
		1 set			
		504 identification red			
		red			
		blue			
(6)	987 333 531 70	coil spring		1	CAYMAN S I250/475
		1 set			

Model	Year	MG	SG	Illustration	Restrictions	UPD	8:55	02.03.2010	PORSCHE	PET	PORSCHE
987C2	2010	5	02	502-00		248					

Pos	Part Number	Description	Remark	Qty	Model	Pos	Part Number	Description	Remark	Qty	Model
		504 identification red red white									
(6)	987 333 531 73	coil spring 1 set		1	CAYMAN I029/480						
		504 identification rapeseed yellow rapeseed yellow green									
(6)	987 333 531 75	coil spring 1 set		1	CAYMAN I475/480						
		504 identification red red green									
(6)	987 333 531 74	coil spring 1 set		1	CAYMAN S I029/480						
		504 identification rapeseed yellow rapeseed yellow white									
7	986 333 505 01	bellows		1							
8	987 333 301 01	additional spring		1	I029						
(8)	987 333 301 00	additional spring		1	I475						
9	900 380 012 01	hexagon nut M 14 X 1,5		2	I029						
(9)	999 084 645 01	hexagon nut M 14 X 1,5		2	I475						
10	987 618 450 01	control unit		1	I475						
-	997 618 205 00	support for control unit		1	I475						
11	997 606 111 01	acceleration sensor body		1	I475						
12	987 606 235 00	support for acceleration sensor		1	I475						

Model	Year	MG	SG	Illustration	Restrictions	UPD	8:55	02.03.2010	PORSCHE	PET	PORSCHE
987C2	2010	6	01	601-00		248					



Pos	Part Number	Description	Remark	Qty	Model
		wheels			
(1)	997 362 156 02	disc wheel 8 J x 19 Et 57	/V	2	I404
(1)	997 362 156 03	disc wheel 8 J X 19 ET 57	/V	2	I405
(1)	997 362 156 04	disc wheel 8 J X 19 ET 57	/V	2	I407
1	987 362 137 01	disc wheel 8 J X 18 ET 57	/V	2	I409
(1)	987 362 137 00	disc wheel 8 J X 18 ET 57	/V	2	I408
(1)	997 362 157 01	disc wheel 8 J X 19 ET 57	/V	2	I419
(1)	987 362 125 00	disc wheel 7 J X 17 ET55	/V	2	I394
(1)	987 362 125 01	disc wheel 7 J X 17 ET 55	/V	2	I399
(1)	997 362 156 55	disc wheel 8.5 J x 19 Et 55	/V	2	IXRR
(1)	997 362 157 02	disc wheel 8 J x 19 ET 57	/V	10-	I421
(1)	997 362 158 08	disc wheel 9,5 J X 19 ET 46	/H	2	I404
(1)	997 362 158 06	disc wheel 9,5 J X 19 ET 46	/H	2	I405
(1)	997 362 158 07	disc wheel 9,5 J X 19 ET 46	/H	2	I407
(1)	987 362 139 01	disc wheel 9 J X 18 ET 53	/H	2	I409

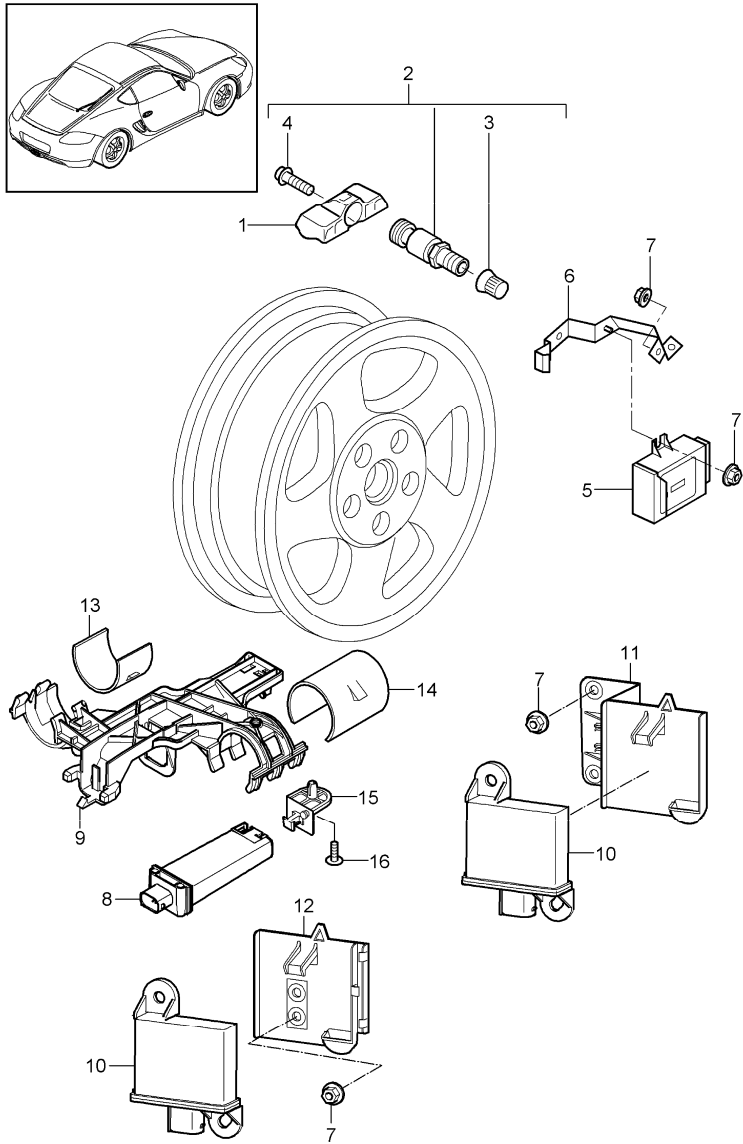
Model	Year	MG	SG	Illustration	Restrictions	UPD	8:55	02.03.2010	PORSCHE	PET	PORSCHE
987C2	2010	6	01	601-00		248					

Pos	Part Number	Description	Remark	Qty	Model	Pos	Part Number	Description	Remark	Qty	Model
(1)	987 362 139 00	disc wheel 9 J X 18 ET 43	/H	2	I408	(3)	997 361 455 00	balance stick-on weight 55 G.		X	
(1)	987 362 127 05	disc wheel 8,5 J X 17 ET40	/H	2	I394	(3)	997 361 460 00	balance stick-on weight 60 G.		X	
(1)	987 362 127 06	disc wheel 8,5 J X 17 Et 40	/H	2	I399	(3)	997 361 465 00	balance stick-on weight 65 G.		X	
(1)	997 362 159 05	disc wheel 9,5 j X 19 ET 46	/H	2	I419	(3)	997 361 470 00	balance stick-on weight 70 G.		X	
(1)	997 362 160 50	disc wheel 10 J X 19 ET 42	/H	2	IXRR	(3)	997 361 475 00	balance stick-on weight 75 G.		X	
(1)	997 362 159 06	disc wheel 9,5 j X 19 ET 46	/H	10-	I421	(3)	997 361 480 00	balance stick-on weight 80 G.		X	
2	900 265 001 50	rubber valve rubber		4		(3)	997 361 485 00	balance stick-on weight 85 G.		X	
3	997 361 405 00	balance stick-on weight 5 G.		X		(3)	997 361 490 00	balance stick-on weight 90 G.		X	
(3)	997 361 410 00	balance stick-on weight 10 G.		X		(4)	997 361 057 02	set anti-theft protection 1 set		1	
(3)	997 361 415 00	balance stick-on weight 15 G.		X		(4)	997 361 980 10	set anti-theft protection 1 set		1	IXRP
(3)	997 361 420 00	balance stick-on weight 20 G.		X		(4)	997 361 057 01	set anti-theft protection 1 set	(GB)	1	I444
(3)	997 361 425 00	balance stick-on weight 25 G.		X		(4)	997 361 980 09	set anti-theft protection 1 set	(GB)	1	IXRP/444
(3)	997 361 430 00	balance stick-on weight 30 G.		X		5	997 361 203 01	wheel bolt		X	
(3)	997 361 435 00	balance stick-on weight 35 G.		X		(5)	997 361 980 07	wheel bolt		X	IXRP
(3)	997 361 440 00	balance stick-on weight 40 G.		X		6	955 361 303 00	hub cap		4	
(3)	997 361 445 00	balance stick-on weight 45 G.		X			9A1	silver			
(3)	997 361 450 00	balance stick-on weight 50 G.		X		(6)	955 361 303 05	hub cap		4	I446
							9A1	silver			
						(6)	997 361 303 01	hub cap crest coloured silver		4	IXRR

Model	Year	MG	SG	Illustration	Restrictions	UPD	8:55	02.03.2010	PORSCHE	PET	PORSCHE
987C2	2010	6	01	601-00		248					

Pos	Part Number	Description	Remark	Qty	Model	Pos	Part Number	Description	Remark	Qty	Model
(6)	997 361 305 00	hub cap		4	I404						
-	955 722 631 00	compressed air bottle		1							
7	996 362 020 04	emergency wheel		1	I447						
-	996 361 411 00	belt for emergency wheel		1	I447						
-	996 361 521 00	boot for emergency wheel		1	I447						
-	999 914 001 40	plastic gloves		1	I447						
-	997 652 055 00	compressor for emergency wheel		1							

Model	Year	MG	SG	Illustration	Restrictions	UPD	8:55	02.03.2010	PORSCHE	PET	PORSCHE
987C2	2010	6	01	601-05		248					

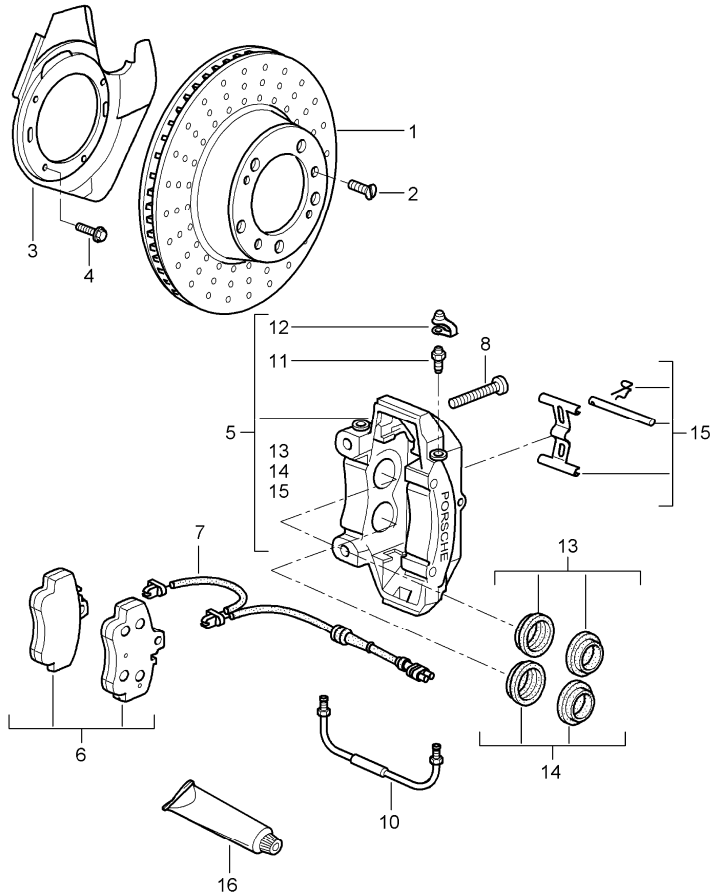
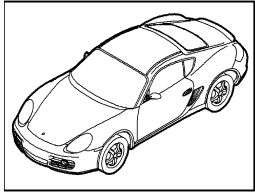


Pos	Part Number	Description	Remark	Qty	Model
		tyre pressure monitoring			I482/483
1	997 606 021 20	sensor tyre pressure monitoring use also: 955.361.053.00		4	I482
(1)	997 606 023 20	sensor tyre pressure monitoring use also: 955.361.053.00		4	I483
(1)	997 606 023 21	sensor tyre pressure monitoring use also: 955.361.053.00	(J)	4	I483
2	955 361 053 00	valve aluminium		4	
3	N 908 729 01	cap		4	
4	4D0 601 365	fastening screw		4	
5	997 618 103 23	control unit	-09	1	
5	997 618 191 02	control unit	10-	1	
6	997 618 203 02	support control unit		1	
7	999 076 081 40	plastic nut T5 16 X 11, 2		8	
8	955 606 101 00	antenna 433 MHZ		1	I482
(8)	955 606 103 00	antenna 315 MHZ		1	I483
9	997 606 259 00	support antenna		1	
10	955 618 113 00	transmitter	-09	4	
(10)	7PP 907 283	transmitter	10-	4	
11	997 606 242 00	support front	/R	1	
(11)	997 606 241 00	support front	/L	1	
12	987 606 231 00	support rear		2	

Model	Year	MG	SG	Illustration	Restrictions	UPD	8:55	02.03.2010	PORSCHE	PET	PORSCHE
987C2	2010	6	01	601-05		248					

Pos	Part Number	Description	Remark	Qty	Model	Pos	Part Number	Description	Remark	Qty	Model
13	987 606 313 00	adapter short		X	CAYMAN						
14	987 606 315 00	adapter long		X	CAYMAN						
15	955 606 225 00	clip		1							
16	955 606 226 00	fastening screw		1							

Model	Year	MG	SG	Illustration	Restrictions	UPD	8:55	02.03.2010	PORSCHE	PET	PORSCHE
987C2	2010	6	02	602-00		248					

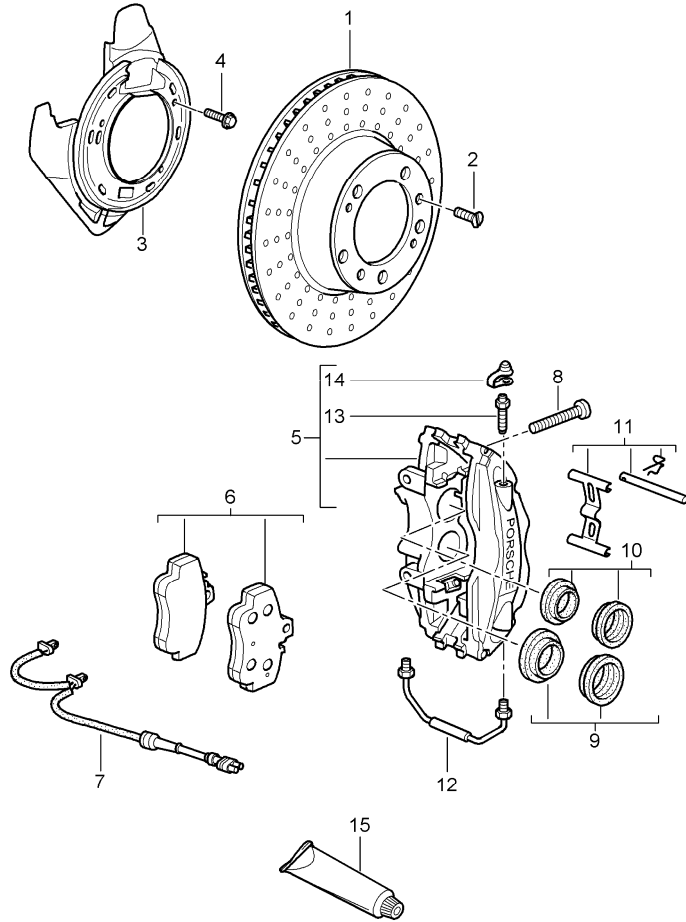
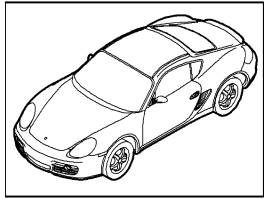


Pos	Part Number	Description	Remark	Qty	Model
		disc brake front axle			
		brake disc only in pairs replace technical manual attention			I450
1	996 351 405 01	brake disc	/L	1	
(1)	997 351 031 00	brake disc	/L	1	I450
(1)	996 351 406 01	brake disc	/R	1	
(1)	997 351 032 00	brake disc	/R	1	I450
2	900 269 047 01	countersunk-head screw M 6 X 12		4	
3	997 351 801 02	cover plate	/L	1	
(3)	997 351 802 02	cover plate	/R	1	
(3)	997 351 805 05	cover plate	/L	1	I450
(3)	997 351 806 05	cover plate	/R	1	I450
4	999 217 116 01	hexagon-head bolt M 6 x 16		X	
5	997 351 421 00	fixed calliper without pad	/L	1	CAYMAN
(5)	996 351 425 11	fixed calliper without pad	/L	1	CAYMAN S
(5)	996 351 431 31	fixed calliper without pad	/L	1	CAYMAN S I450
(5)	997 351 422 00	fixed calliper without pad	/R	1	CAYMAN
(5)	996 351 426 11	fixed calliper without pad	/R	1	CAYMAN S
(5)	996 351 432 31	fixed calliper without pad	/R	1	CAYMAN S I450
(6)	997 351 939 05	brake pad repair set		1	CAYMAN
(6)	997 351 939 06	brake pad repair set use also: mounting parts	-09	1	CAYMAN S

Model	Year	MG	SG	Illustration	Restrictions	UPD	8:55	02.03.2010	PORSCHE	PET	PORSCHE
987C2	2010	6	02	602-00		248					

Pos	Part Number	Description	Remark	Qty	Model	Pos	Part Number	Description	Remark	Qty	Model
(6)	997 351 939 05	brake pad repair set use also: mounting parts	10-	1	CAYMAN S	13	996 351 915 01	repair kit		2	CAYMAN S I450
(6)	997 351 948 01	brake pad repair set use also: mounting parts		1	CAYMAN S I450	14	996 351 915 00	repair kit protection caps 38 MM \$		2	CAYMAN S I450
-	996 351 088 02	damping plate grey cast iron brakes		4		15	955 352 960 00	repair kit mounting parts bolt expanding spring securing clip		1 2 2 2	
(7)	997 612 756 00	warning contact	/L	1	CAYMAN CAYMAN S						
(7)	997 612 759 00	warning contact	/R	1	CAYMAN CAYMAN S	(15)	996 351 959 30	repair kit		1	CAYMAN S I450
(7)	997 612 675 01	warning contact	/L	1	CAYMAN S I450			mounting parts bolt expanding spring screw		2 2 2	
(7)	997 612 679 00	warning contact	/R	1	CAYMAN S I450	16	000 043 117 00	brake cylinder paste 50 G		X	
(8)	999 073 402 01	pan-head screw M 12 x 1,5 x 72	CAYMAN CAYMAN S	4		(16)	000 043 020 00	optimoly 100 G		X	
(8)	999 067 053 09	pan-head screw M 12 X 1,5 X 85		4	CAYMAN S I450						
-	944 612 627 00	line bracket for warning contact		2							
10	996 352 962 00	connecting line	/L	1							
(10)	996 352 961 00	connecting line	/R	1							
(10)	996 351 961 30	connecting line		2	CAYMAN S I450						
11	930 351 919 00	ventilation valve		2							
12	930 351 927 00	dust boot		2							
13	951 351 917 01	repair kit protection caps 40 MM \$		2							
14	951 351 917 00	repair kit protection caps 36 MM \$		2							

Model	Year	MG	SG	Illustration	Restrictions	UPD	8:56	02.03.2010	PORSCHE	PET	PORSCHE
987C2	2010	6	03	603-00		248					

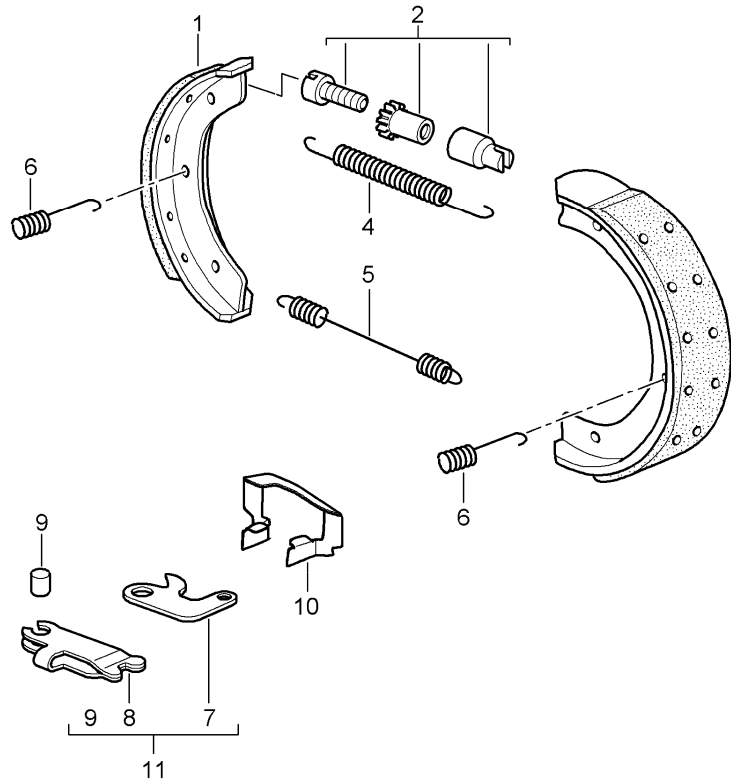
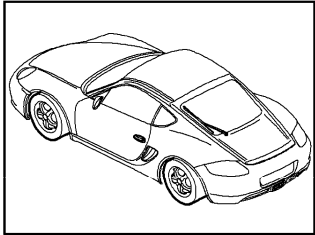


Pos	Part Number	Description	Remark	Qty	Model
		disc brake rear axle			
		brake disc only in pairs replace technical manual attention			I450
1	987 352 401 01	brake disc		2	CAYMAN
(1)	987 352 403 01	brake disc		2	CAYMAN S
(1)	987 352 031 02	brake disc	/L	1	CAYMAN S I450
(1)	987 352 032 02	brake disc	/R	1	CAYMAN S I450
2	900 269 047 01	countersunk-head screw M 6 X 12		4	
(2)	900 269 106 01	countersunk-head screw M 6 x 16		4	IXRP
3	987 352 801 00	protective plate		2	
(4)	999 217 116 01	hexagon-head bolt M 6 x 16		X	
5	986 352 423 01	fixed calliper without pad	/L	1	CAYMAN
(5)	996 352 421 13	fixed calliper without pad	/L	1	CAYMAN S
(5)	996 352 423 31	fixed calliper without pad	/L	1	CAYMAN S I450
(5)	986 352 424 01	fixed calliper without pad	/R	1	CAYMAN
(5)	996 352 422 13	fixed calliper without pad	/R	1	CAYMAN S
(5)	996 352 424 31	fixed calliper without pad	/R	1	CAYMAN S I450
(6)	987 352 939 01	brake pad repair set		1	CAYMAN
(6)	987 352 939 01	brake pad repair set	-09	1	CAYMAN S
(6)	986 352 939 10	brake pad repair set	10-	1	CAYMAN S

Model	Year	MG	SG	Illustration	Restrictions	UPD	8:56	02.03.2010	PORSCHE	PET	PORSCHE
987C2	2010	6	03	603-00		248					

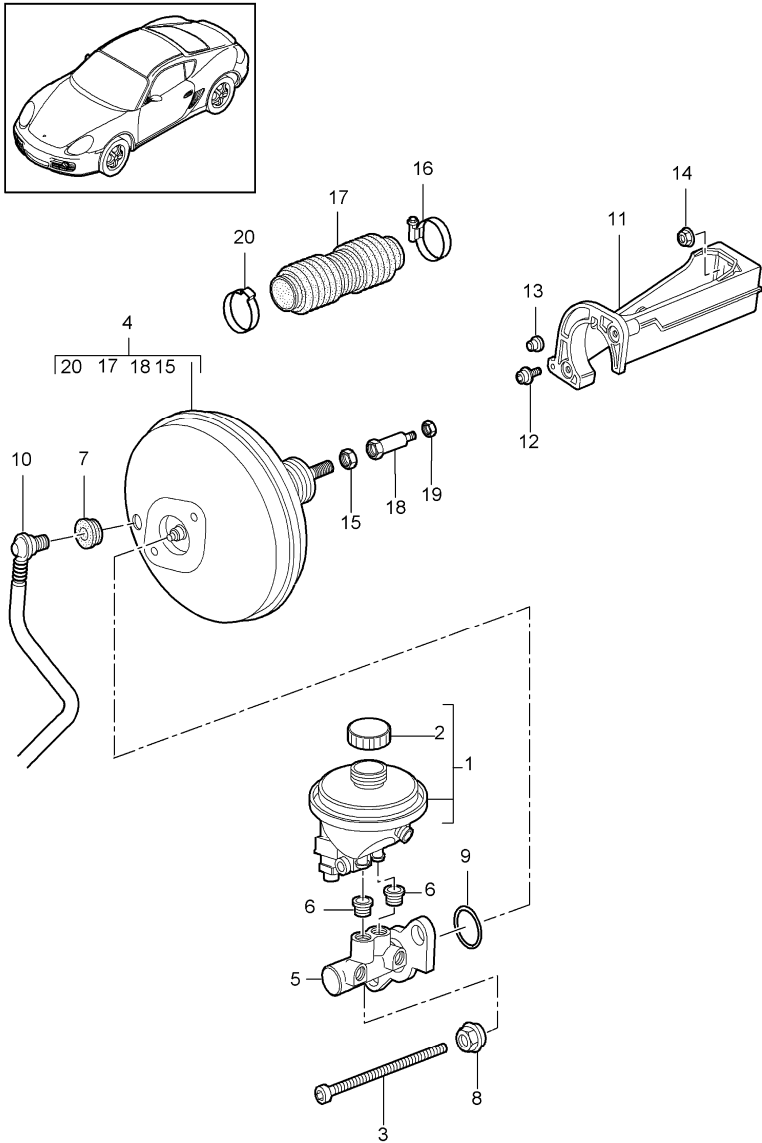
Pos	Part Number	Description	Remark	Qty	Model	Pos	Part Number	Description	Remark	Qty	Model
(6)	997 352 948 00	brake pad repair set use also: mounting parts		1	CAYMAN S I450	12	996 352 961 00	connecting line	/L	1	
						(12)	996 352 962 00	connecting line	/R	1	
7	987 612 676 01	warning contact		2	CAYMAN	(12)	996 351 961 30	connecting line		2	CAYMAN S I450
(7)	987 612 676 01	warning contact	-09	2	CAYMAN S	13	930 351 919 00	ventilation valve		4	
(7)	986 612 365 00	warning contact	10-	2	CAYMAN S	14	930 351 927 00	dust boot		4	
(7)	987 612 676 01	warning contact		2	CAYMAN S I450	15	000 043 117 00	brake cylinder paste 50 G		X	
(8)	999 073 402 01	pan-head screw M 12 X 1,5 X 72		4	CAYMAN CAYMAN S	(15)	000 043 020 00	optimoly 100 G		X	
(8)	999 067 053 09	pan-head screw M 12 x 1,5 x 85		4	CAYMAN S I450						
-	944 612 627 00	line bracket for warning contact		2							
9	951 352 917 01	repair kit protection caps 30 MM \$		2							
10	951 352 917 00	repair kit protection caps 28 MM \$		2							
11	996 352 959 01	repair kit mounting parts bolt expanding spring securing clip		1 2 2 2	CAYMAN CAYMAN S						
(11)	996 351 959 01	repair kit mounting parts bolt expanding spring securing clip		1 2 2 2	CAYMAN S I450						
-	996 352 086 00	damping plate 30 MM \$	-09	X X	CAYMAN S						
-	996 352 086 00	damping plate 30 MM \$	10-	X X	CAYMAN S						
-	964 352 096 01	damping plate 28 MM \$	-09	X	CAYMAN S						
-	996 352 086 02	damping plate 28 MM \$	10-	X	CAYMAN S						

Model	Year	MG	SG	Illustration	Restrictions	UPD	8:56	02.03.2010	PORSCHE	PET	PORSCHE
987C2	2010	6	03	603-05		248					



Pos	Part Number	Description	Remark	Qty	Model
		handbrake			
1	997 352 993 02	repair kit 1 set		1	
2	993 352 071 00	adjusting screw		2	
4	997 352 721 01	tension spring		2	
5	997 352 723 02	tension spring		2	
6	997 352 741 02	compression spring		4	
7	986 352 731 01	actuating lever		2	
8	986 352 733 02	clip		2	
9	986 352 735 00	articulated bolt		2	
10	997 352 807 01	supporting plate		2	
11	986 352 073 02	expanding bow		2	

Model	Year	MG	SG	Illustration	Restrictions	UPD	8:56	02.03.2010	PORSCHE	PET	PORSCHE
987C2	2010	6	04	604-00		248					

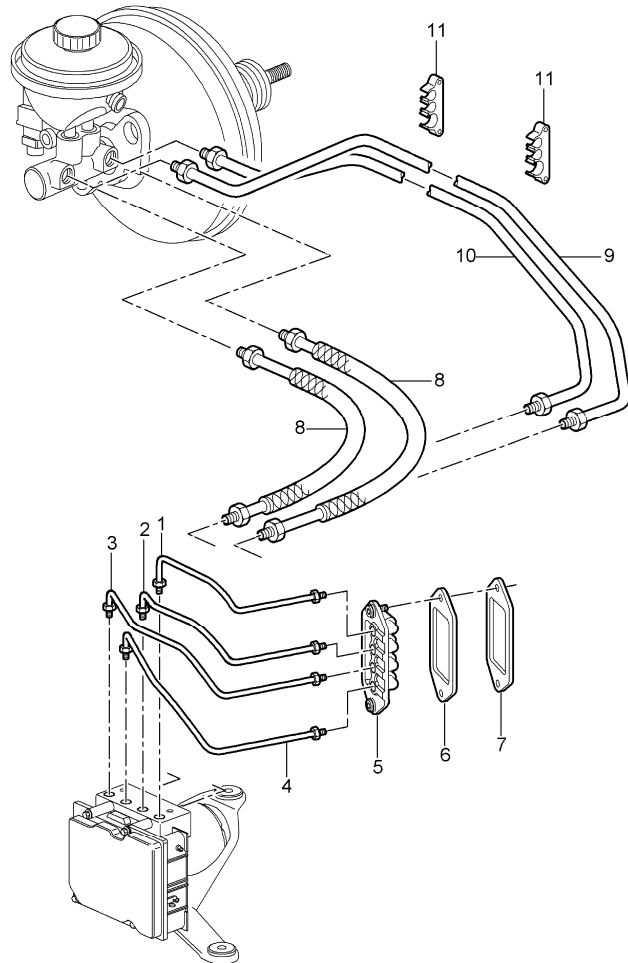
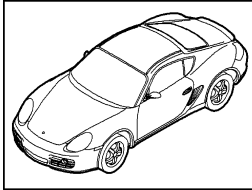


Pos	Part Number	Description	Remark	Qty	Model
-	000 043 203 66	brake master cylinder brake booster		X	
		brake fluid DOT 4 1 Ltr.			
1	997 355 013 01	expansion tank		1	I480
(1)	997 355 013 21	expansion tank		1	I250
2	996 355 119 01	catch		1	
-	997 355 125 00	support for contact for container		1	
3	999 073 124 01	pan-head screw M 8 X 154 X 80		2	
4	987 355 923 00	brake booster		1	
(4)	996 355 923 00	brake booster		1	CAYMAN S I450
5	997 355 910 00	brake master cylinder		1	
(5)	997 355 910 10	brake master cylinder		1	CAYMAN S I450
6	993 355 922 00	grommet		2	
7	999 702 182 40	rubber bush		1	
8	997 355 925 00	hexagon nut		2	
9	993 355 212 00	gasket		1	
10	997 355 577 00	vacuum line		1	I098
(10)	997 355 578 00	vacuum line		1	I099
11	997 423 251 00	intermediate piece		1	
12	999 073 189 01	round head screw M 6 X 12		2	
13	999 703 448 50	stopper	/R	1	
14	999 084 630 09	hexagon nut M 8		2	
15	900 183 015 01	hexagon nut M 12 X 1,5		1	

Model	Year	MG	SG	Illustration	Restrictions	UPD	8:56	02.03.2010	PORSCHE	PET	PORSCHE
987C2	2010	6	04	604-00		248					

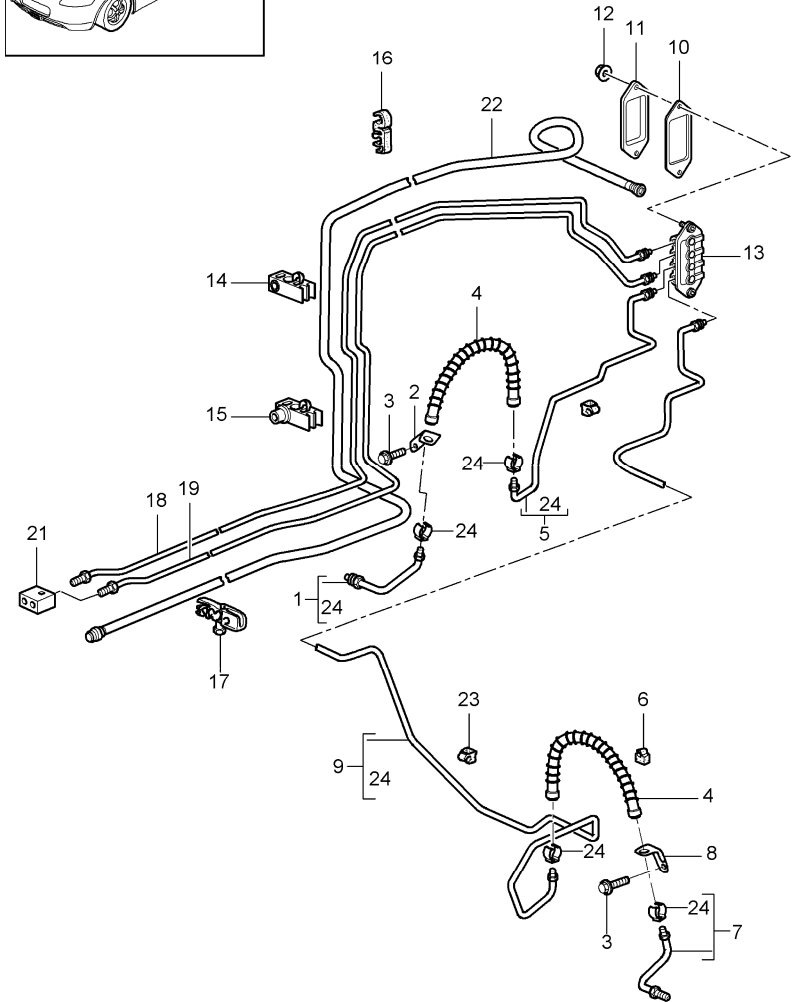
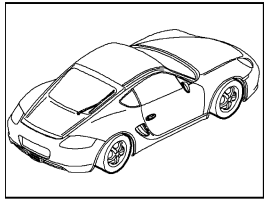
Pos	Part Number	Description	Remark	Qty	Model	Pos	Part Number	Description	Remark	Qty	Model
-	996 355 901 01	gasket brake booster bulkhead		1							
16	999 512 478 00	hose clamp		1							
17	996 423 269 05	bellows		1							
18	996 355 927 01	connecting piece		1							
19	900 380 015 01	hexagon nut M 6		1							
20	999 512 672 00	clamp		1							

Model	Year	MG	SG	Illustration	Restrictions	UPD	8:57	02.03.2010	PORSCHE	PET	PORSCHE
987C2	2010	6	04	604-05		248					



Pos	Part Number	Description	Remark	Qty	Model
		brake lines body front section			
1	997 355 315 10	brake line		1	
2	997 355 316 10	brake line		1	
3	997 355 327 10	brake line		1	
4	997 355 326 10	brake line		1	
5	997 355 650 00	intermediate piece		1	
6	997 355 752 00	gasket		1	
7	997 355 753 00	reinforcement		1	
8	997 355 311 10	pressure line		2	I098
9	997 355 312 10	pressure line		1	I099
10	997 355 314 10	pressure line		1	I099
11	999 507 632 40	cable holder		2	

Model	Year	MG	SG	Illustration	Restrictions	UPD	8:57	02.03.2010	PORSCHE	PET	PORSCHE
987C2	2010	6	04	604-10		248					

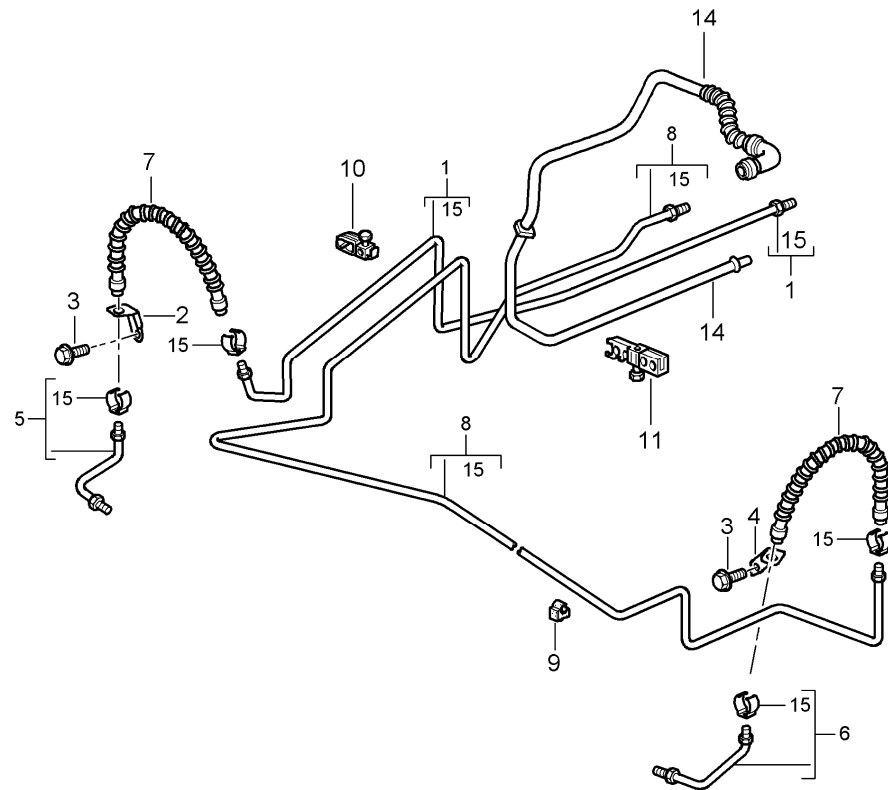
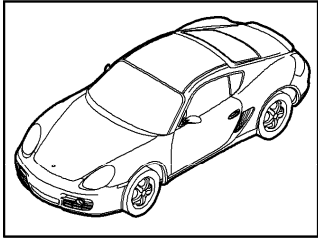


Pos	Part Number	Description	Remark	Qty	Model
		brake lines brake lines underbody vacuum line			
1	996 355 581 07	brake line	/L	1	
(1)	996 355 581 9B	brake line	/L	1	CAYMAN S I450
2	996 355 501 06	brake hose bracket	/L	1	
3	900 067 117 04	pan-head screw M 6 x 16		2	
4	996 355 139 01	brake hose		2	
5	997 355 175 10	brake line	/L	1	
6	999 591 930 40	support		X	
7	996 355 584 07	brake line	/R	1	
(7)	996 355 584 9B	brake line	/R	1	CAYMAN S I450
8	996 355 502 06	brake hose bracket	/R	1	
9	997 355 176 10	brake line	/R	1	
10	997 355 753 00	reinforcement		1	
11	997 355 752 00	gasket		1	
12	900 380 015 01	hexagon nut M 6		3	
13	997 355 650 00	intermediate piece		1	
14	996 355 545 00	support		3	
15	996 355 549 00	support		1	
16	996 355 547 01	support		2	
17	996 355 543 00	support		1	
18	997 355 177 10	brake line		1	
19	997 355 179 10	brake line		1	
21	996 355 760 31	connecting piece		1	
22	997 355 571 01	vacuum line		1	
-	999 702 289 40	grommet wheel housing		1	

Model	Year	MG	SG	Illustration	Restrictions	UPD	8:57	02.03.2010	PORSCHE	PET	PORSCHE
987C2	2010	6	04	604-10		248					

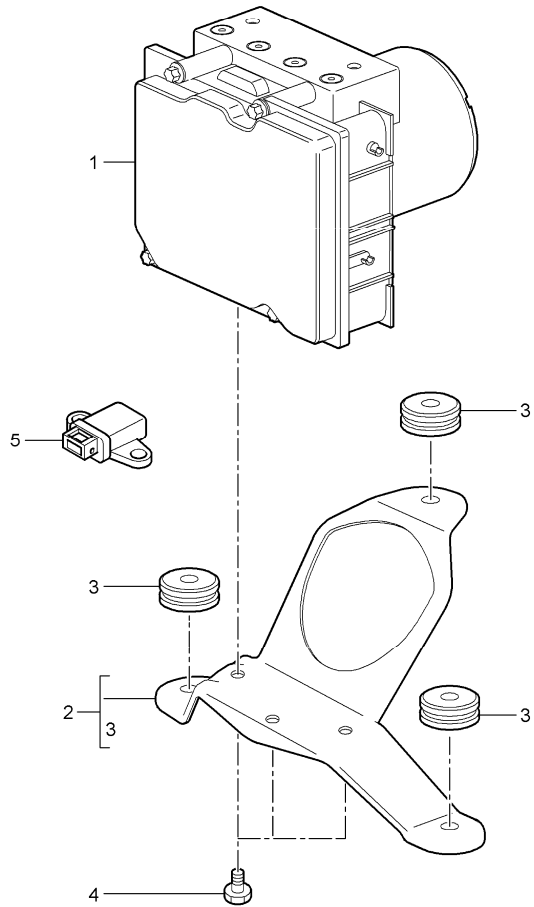
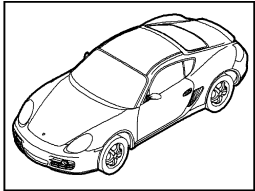
Pos	Part Number	Description	Remark	Qty	Model	Pos	Part Number	Description	Remark	Qty	Model
23	999 651 331 40	cable holder		5							
24	997 355 331 00	retainer spring for brake hose		X							

Model	Year	MG	SG	Illustration	Restrictions	UPD	8:57	02.03.2010	PORSCHE	PET	PORSCHE
987C2	2010	6	04	604-15		248					



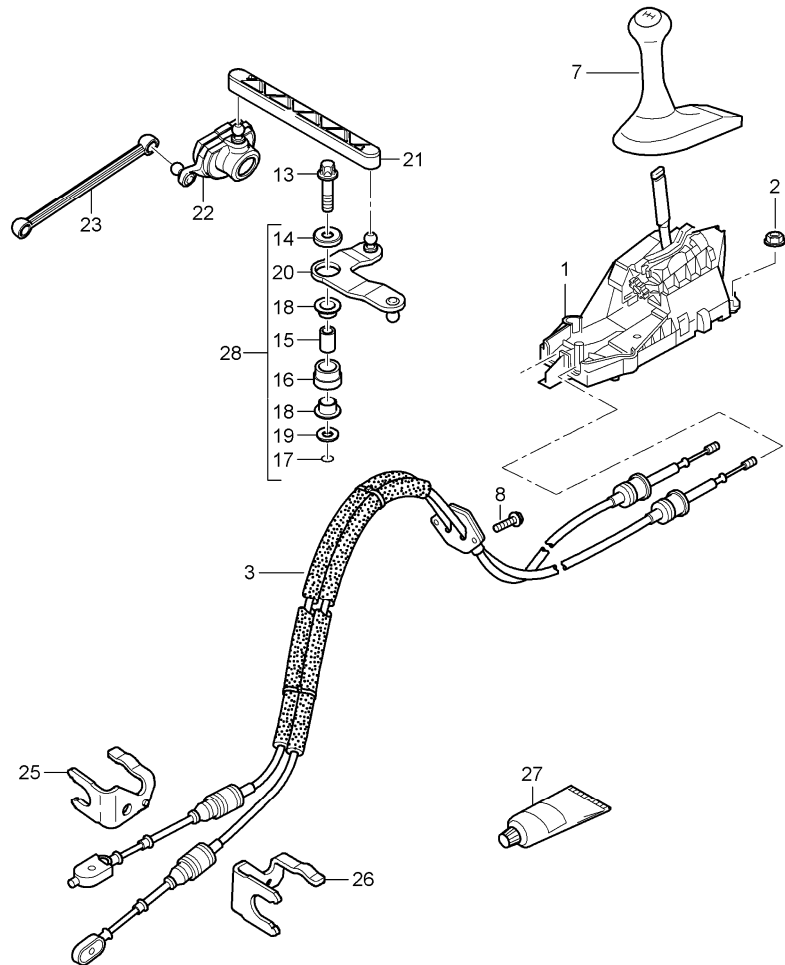
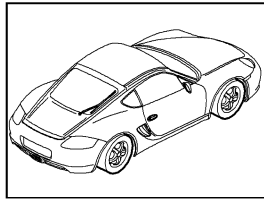
Pos	Part Number	Description	Remark	Qty	Model
		brake line underbody rear axle vacuum line			
1	987 355 189 10	brake line	/L	1	
2	987 355 501 01	support	/L	1	
3	900 075 355 01	hexagon-head bolt M 6 X 16		4	
4	987 355 502 01	support	/R	1	
5	987 355 581 01	brake line	/L	1	
(5)	987 355 583 01	brake line	/L	1	CAYMAN S I450
6	987 355 582 01	brake line	/R	1	
(6)	987 355 584 01	brake line	/R	1	CAYMAN S I450
-	996 501 815 02	support brake hose		2	
7	987 355 637 00	brake hose		2	
8	987 355 190 10	brake line	/R	1	
9	999 651 331 40	cable holder		3	
10	964 423 811 00	support		2	
11	996 355 543 00	support		1	
14	987 355 575 11	vacuum line	-09	1	
14	987 355 575 12	vacuum line	10-	1	
15	997 355 331 00	retainer spring for brake hose		X	

Model	Year	MG	SG	Illustration	Restrictions	UPD	8:57	02.03.2010	PORSCHE	PET	PORSCHE
987C2	2010	6	05	605-00		248					



Pos	Part Number	Description	Remark	Qty	Model
		hydraulic unit anti-lock brake system control			
1	987 355 955 11	hydraulic unit	-09	1	
1	987 355 955 12	hydraulic unit	10-	1	
2	997 355 033 00	support with rubber mounting		1	
3	964 356 635 00	rubber mounting		3	
-	999 045 004 40	hexagon nut plastic material		3	
4	900 385 060 01	screw EM 6 x 10		3	
5	997 606 145 05	sensor		1	

Model	Year	MG	SG	Illustration	Restrictions	UPD	8:57	02.03.2010	PORSCHE	PET	PORSCHE
987C2	2010	7	01	701-00		248					



Pos	Part Number	Description	Remark	Qty	Model
		transmission control manual transmission			I480
1	997 424 010 00	gearshift bracket		1	
(1)	997 424 983 00	gearshift bracket		1	IXCZ
2	999 084 629 01	hexagon nut M 6SB		4	
3	987 424 042 11	cable		1	
7	997 424 075 01	gearshift knob leather shift pattern aluminium look		1	
		FOT black/black			
		FOU stone grey/stone grey			
		FOV sand beige/sand beige			
		FOW sea blue/sea blue			
		FPW terracotta/terracotta			
		FPX cocoa/cocoa			
		FQE black/stone grey			
		FOY dark grey/dark grey			
		FOZ brown nat./brown nat.			
		FSR carrera red			
(7)	997 424 075 03	gearshift knob carbon shift pattern aluminium look		1	I803
		FPP black			
		FPQ stone grey			
		FPR sand beige			
		FPS sea blue			
		FQC terracotta			
		FQD cocoa			
		FPU dark grey/natural			
		FPV brown/natural			

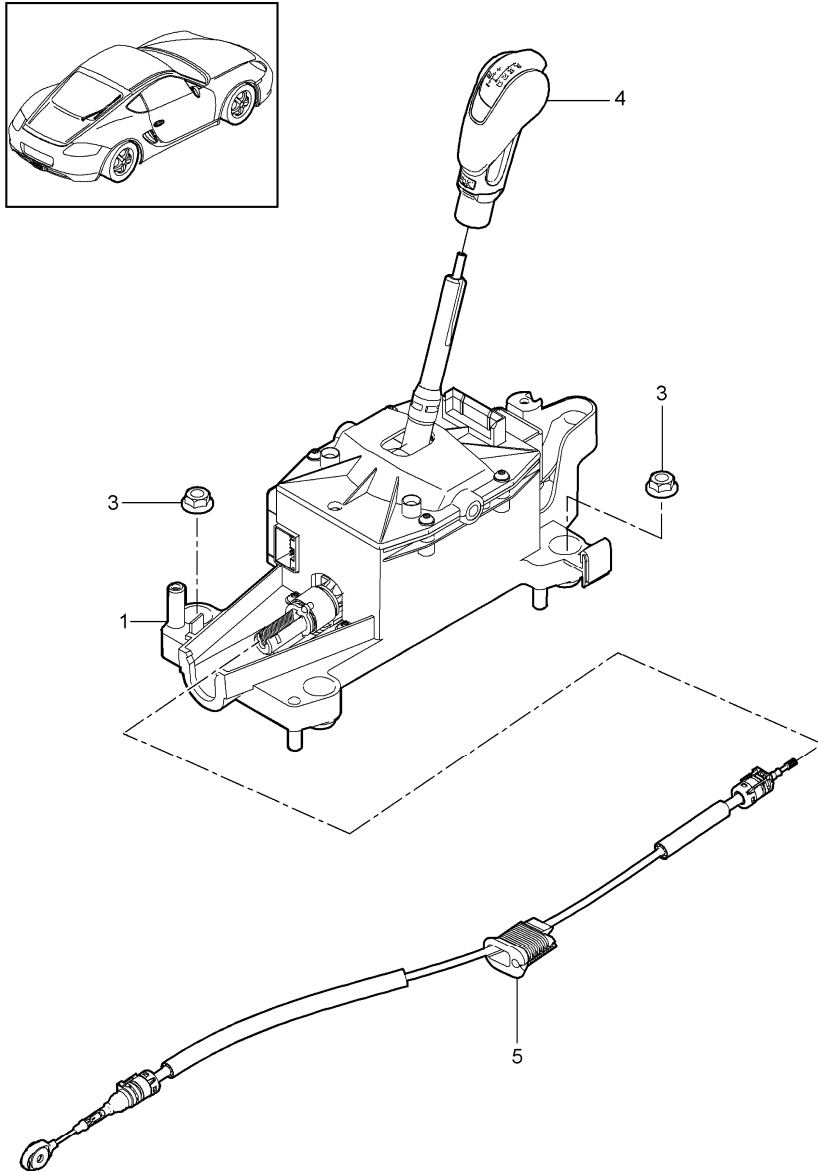
Model	Year	MG	SG	Illustration	Restrictions	UPD	8:57	02.03.2010	PORSCHE	PET	PORSCHE
987C2	2010	7	01	701-00		248					

Pos	Part Number	Description	Remark	Qty	Model	Pos	Part Number	Description	Remark	Qty	Model
	FSS	carrera red					9N2	terracotta			
(7)	997 424 075 04	gearshift knob macassar shift pattern aluminium look		1	I801		9Q3	cocoa			
	FPA	black					D11	dark grey/natural			
	FPB	stone grey					T11	brown/natural			
	FPC	sand beige				8	999 084 629 01	hexagon nut M 6		2	
	FPD	sea blue				10	996 424 145 01	fastening part for cable adjustable		1	
	FPY	terracotta									
	FPZ	cocoa				-	996 424 445 00	clip for fastening part		1	
	FPF	dark grey/natural									
	FPG	brown/natural									
	FST	carrera red				11	996 424 147 00	fastening part for cable adjustable for cable		1	
(7)	997 424 981 00	gearshift knob aluminium leather		1	IX97						
	8YR	black				13	900 385 006 01	torx screw BM 8 X 35		1	
	5X5	stone grey				14		cap		1	
	8G1	sand beige				15		spacer sleeve		1	
	3S8	sea blue				16		bearing sleeve		1	
	9N2	terracotta				17		o-ring 6,0 X 1,5		1	
	9Q3	cocoa				18		bush		2	
	D11	dark grey/natural				19		washer		2	
	T11	brown/natural				20		reverse lever		1	
	N11	carrera red									
(7)	997 424 990 00	gearshift knob aluminium		1	IXFN	21	987 424 131 10	joint rod		1	
	8YR	black				22	987 424 023 00	lever		1	
	5X5	stone grey				23	987 424 035 10	connecting rod		1	
	8G1	sand beige				25	987 424 065 00	support left		1	
	3S8	sea blue									

Model	Year	MG	SG	Illustration	Restrictions	UPD	8:57	02.03.2010	PORSCHE	PET	PORSCHE
987C2	2010	7	01	701-00		248					

Pos	Part Number	Description	Remark	Qty	Model	Pos	Part Number	Description	Remark	Qty	Model
26	987 424 066 00	support right		1							
27	000 043 205 93	grease 1 100-gramme tube		X							
28	987 424 037 00	reverse lever		1							

Model	Year	MG	SG	Illustration	Restrictions	UPD	8:58	02.03.2010	PORSCHE	PET	PORSCHE
987C2	2010	7	01	701-01		248					

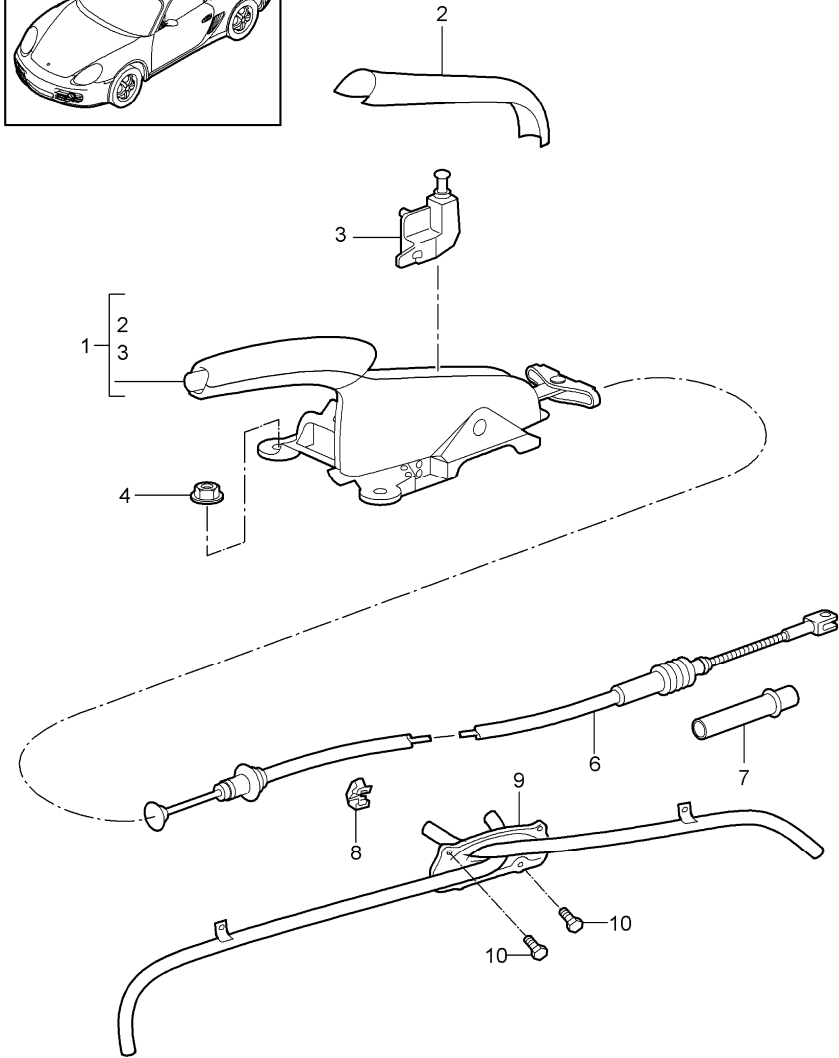
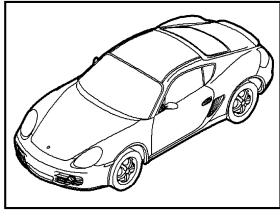


Pos	Part Number	Description	Remark	Qty	Model
		selector lever pdk			I250
1	9G1 426 011 03	support with housing	-09	1	
1	9G1 426 011 05	support with housing	10-	1	
3	999 084 629 01	hexagon nut M 6		4	
4	9G1 426 069 00	selector knob leather volcano grey		1	
		FTE black			
		FTF stone grey			
		FTG sand beige			
		FTH sea blue			
		FTJ terracotta			
		FTK cocoa			
		FTL dark grey/natural			
		FTM brown/natural			
		FTN carrera red			
4	9G1 426 069 04	selector knob leather macassar volcano grey	-09	1	I801
		FTO black			
		FTP stone grey			
		FTQ sand beige			
		FTR sea blue			
		FTS terracotta			
		FTT cocoa			
		FTU dark grey/natural			
		FTV brown/natural			

Model	Year	MG	SG	Illustration	Restrictions	UPD	8:58	02.03.2010	PORSCHE	PET	PORSCHE
987C2	2010	7	01	701-01		248					

Pos	Part Number	Description	Remark	Qty	Model	Pos	Part Number	Description	Remark	Qty	Model
(4)	9G1 426 069 14	FTW carrera red selector knob macassar volcano grey	10-	1	I801		FUA	sea blue			
		FTO black					FUB	terracotta			
		FTP stone grey					FUC	cocoa			
		FTQ sand beige					FUD	dark grey/natural			
		FTR sea blue				4	9G1 426 980 00	selector knob leather carbon volcano grey		1	IXYA
		FTS terracotta					FUE	brown/natural			
		FTT cocoa					FUF	carrera red			
		FTU dark grey/natural					FTE	black			
		FTV brown/natural					5X5	stone grey			
4	9G1 426 069 03	FTW carrera red selector knob leather carbon volcano grey	-09	1	I803		8G1	sand beige			
		FTX black					3S8	sea blue			
		FTY stone grey					9N2	terracotta			
		FTZ sand beige					9Q3	cocoa			
		FUA sea blue					D11	dark grey/natural			
		FUB terracotta				5	9G2 426 033 00	cable		1	
		FUC cocoa					T11	brown/natural			
		FUD dark grey/natural					N11	carrera red			
		FUE brown/natural									
		FUF carrera red									
(4)	9G1 426 069 13	selector knob leather carbon volcano grey	10-	1	I803						
		FTX black									
		FTY stone grey									
		FTZ sand beige									

Model	Year	MG	SG	Illustration	Restrictions	UPD	8:58	02.03.2010	PORSCHE	PET	PORSCHE
987C2	2010	7	01	701-05		248					



Pos	Part Number	Description	Remark	Qty	Model
(1)	997 424 031 62	handbrake actuator parking-brake lever complete leather		1	
	8YR	black			
	5X5	stone grey			
	8G1	sand beige			
	3S8	sea blue			
	9N2	terracotta			
	9Q3	cocoa			
	FQF	black/stone grey			
	D11	dark grey/natural			
	T11	brown/natural			
	N11	carrera red			
(1)	997 424 031 63	parking-brake lever complete macassar		1	I801
	8YR	black			
	5X5	stone grey			
	8G1	sand beige			
	3S8	sea blue			
	9N2	terracotta			
	9Q3	cocoa			
	D11	dark grey/natural			
	T11	brown/natural			
	N11	carrera red			
(1)	997 424 031 65	parking-brake lever complete carbon		1	I803
	8YR	black			
	5X5	stone grey			

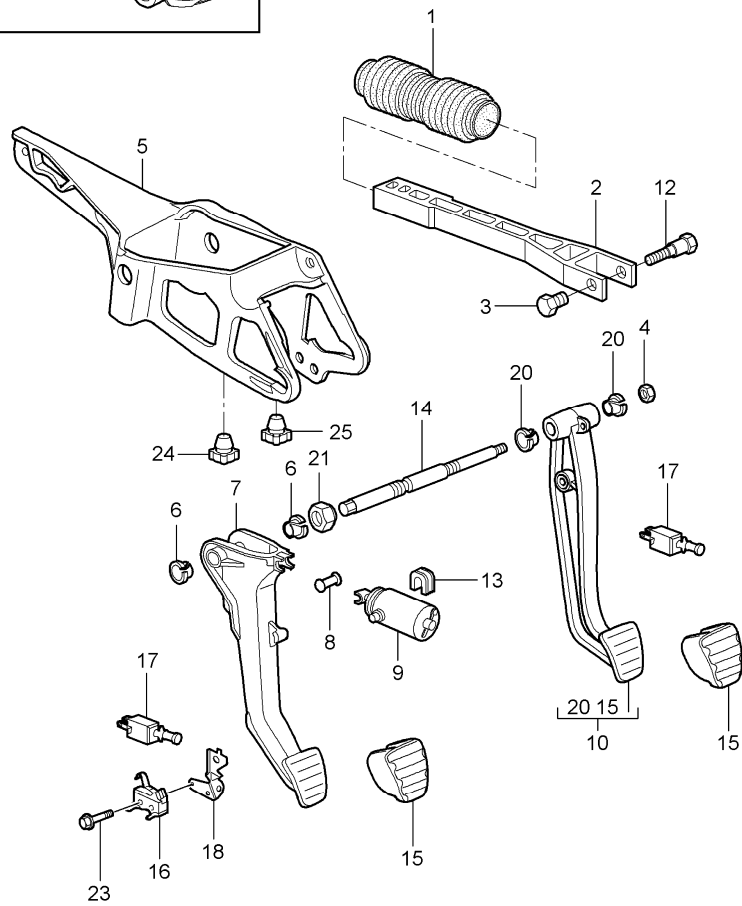
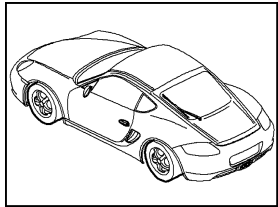
Model	Year	MG	SG	Illustration	Restrictions	UPD	8:58	02.03.2010	PORSCHE	PET	PORSCHE
987C2	2010	7	01	701-05		248					

Pos	Part Number	Description	Remark	Qty	Model	Pos	Part Number	Description	Remark	Qty	Model
	8G1	sand beige				(1)	997 424 980 01	parking-brake lever complete	I099	1	IX98
	3S8	sea blue					8YR	black			
	9N2	terracotta					5X5	stone grey			
	9Q3	cocoa					8G1	sand beige			
	D11	dark grey/natural					3S8	sea blue			
	T11	brown/natural					9N2	terracotta			
	N11	carrera red					9Q3	cocoa			
(1)	997 424 980 00	parking-brake lever complete	I098	1	IX98		D11	dark grey/natural			
	8YR	black					T11	brown/natural			
	5X5	stone grey					N11	carrera red			
	8G1	sand beige				(1)	997 424 991 00	parking-brake lever complete	I099	1	IXFP
	3S8	sea blue					8YR	black			
	9N2	terracotta					5X5	stone grey			
	9Q3	cocoa					8G1	sand beige			
	D11	dark grey/natural					3S8	sea blue			
	T11	brown/natural					9N2	terracotta			
	N11	carrera red					9Q3	cocoa			
(1)	997 424 991 01	parking-brake lever complete	I098	1	IXFP		D11	dark grey/natural			
	8YR	black					T11	brown/natural			
	5X5	stone grey					N11	carrera red			
	8G1	sand beige				2	997 424 155 00	cover leather		1	
	3S8	sea blue					8YR	black			
	9N2	terracotta					5X5	stone grey			
	9Q3	cocoa					8G1	sand beige			
	D11	dark grey/natural					3S8	sea blue			
	T11	brown/natural					9N2	terracotta			
	N11	carrera red					9Q3	cocoa			

Model	Year	MG	SG	Illustration	Restrictions	UPD	8:58	02.03.2010	PORSCHE	PET	PORSCHE
987C2	2010	7	01	701-05		248					

Pos	Part Number	Description	Remark	Qty	Model	Pos	Part Number	Description	Remark	Qty	Model
	D11	dark grey/natural									
	T11	brown/natural									
	N11	carrera red									
3	996 613 112 01	switch		1							
4	999 084 630 01	hexagon nut M 8		4							
6	987 424 141 07	parking-brake cable	/L	1							
(6)	987 424 141 08	parking-brake cable	/R	1							
7	986 424 721 07	guide tube		2							
8	999 507 827 40	cable holder		2							
9	987 424 310 00	housing		1							
10	900 378 163 01	hexagon-head bolt M 6 X 16		4							
-	999 076 081 40	plastic nut T5 16 X 11,2		2							

Model	Year	MG	SG	Illustration	Restrictions	UPD	8:59	02.03.2010	PORSCHE	PET	PORSCHE
987C2	2010	7	02	702-00		248					

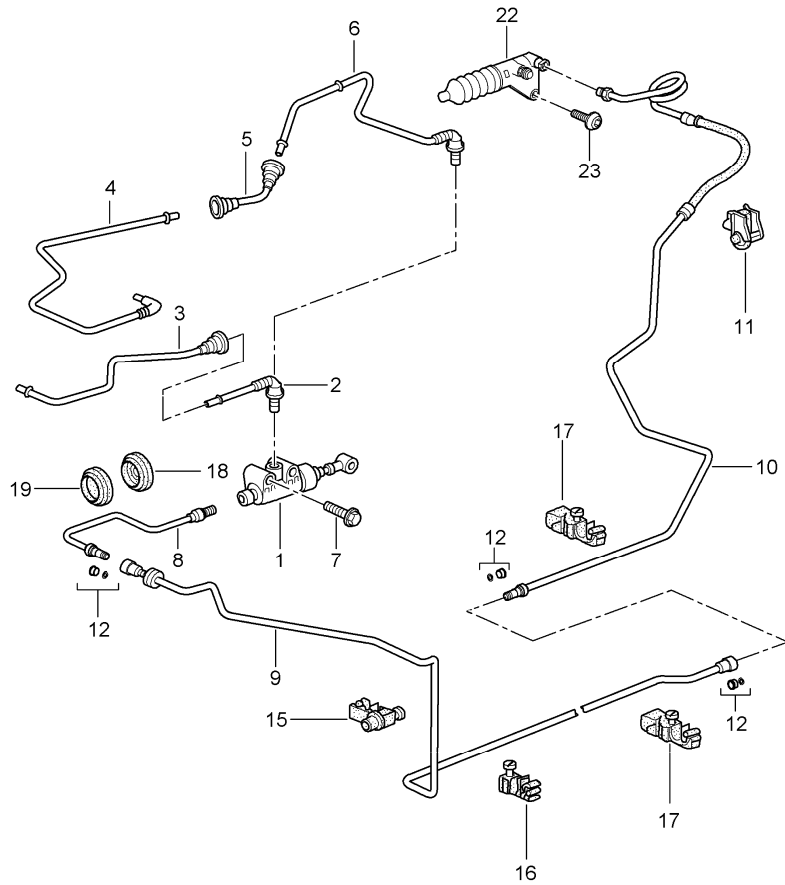
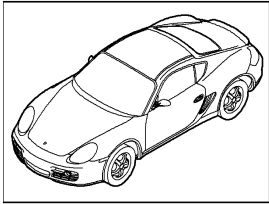


Pos	Part Number	Description	Remark	Qty	Model
-	000 043 206 17	pedals grease 1 tube		X	
1	...	bellows see illustrations 6/04/00		1	
2	996 423 165 05	push rod		1	
3	996 423 307 00	sleeve		1	
4	999 084 457 01	hexagon nut M 8		3	
5	997 423 571 02	bracket for clutch power spring		1	I480
6	997 423 399 01	bush		2	I480
7	997 423 139 01	clutch pedal		1	I480
8	996 423 315 06	bolt		1	I480
-	999 166 022 01	kl-lock for bolt		1	I480
9	987 423 081 04	clutch power spring		1	CAYMAN
(9)	987 423 081 05	clutch power spring		1	CAYMAN-S
10	997 423 091 04	brake pedal		1	I098/480
(10)	997 423 092 04	brake pedal		1	I099/480
(10)	997 423 093 04	brake pedal		1	I098/250
10	997 423 094 04	brake pedal		1	I099/250
12	996 423 308 00	bolt		1	
13	997 423 581 00	bearing shell		1	
14	997 423 281 00	axle		1	I098/480
(14)	997 423 284 00	axle		1	I099/480
(14)	996 423 283 05	axle		1	I098/250
(14)	996 423 286 05	axle		1	I099/250
-	996 423 277 00	bearing sleeve brake pedal		1	I099

Model	Year	MG	SG	Illustration	Restrictions	UPD	8:59	02.03.2010	PORSCHE	PET	PORSCHE
987C2	2010	7	02	702-00		248					

Pos	Part Number	Description	Remark	Qty	Model	Pos	Part Number	Description	Remark	Qty	Model
15	997 423 910 00	pedal cap		2	I480						
(15)	997 423 912 00	pedal cap		1	I250						
16	997 613 109 01	switch brake pedal		1	I480						
17	996 613 113 02	switch brake pedal		2							
(17)	996 613 114 01	switch clutch pedal		1							
18	997 423 541 00	support		1							
20	997 423 401 00	bush		2	I098						
(20)	997 423 402 00	bush		2	I099						
21	997 423 275 01	screw plug		1							
22	900 378 273 01	hexagon-head bolt M 6 x 18		1							
23	999 073 480 01	combination screw M 3 X 20		1							
24	997 423 695 00	rubber stop		1							
25	997 423 697 00	rubber stop		1							

Model	Year	MG	SG	Illustration	Restrictions	UPD	8:59	02.03.2010	PORSCHE	PET	PORSCHE
987C2	2010	7	02	702-08		248					

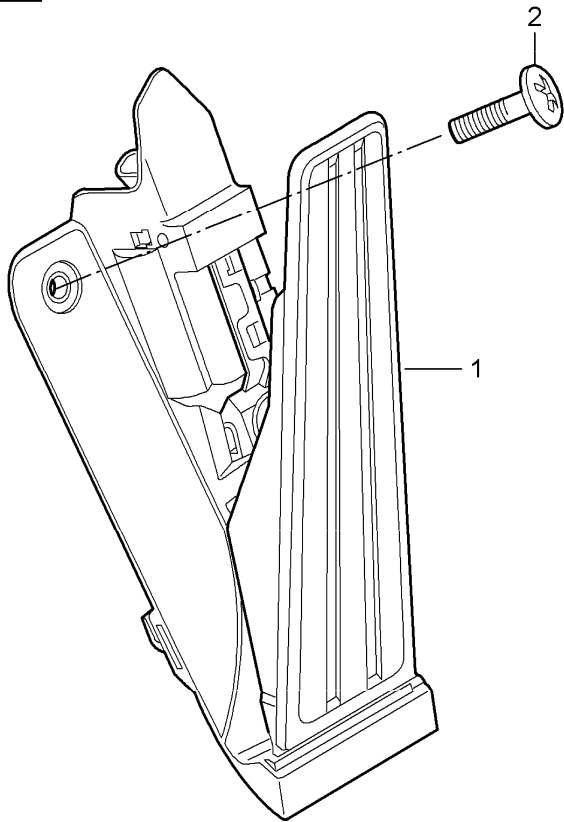
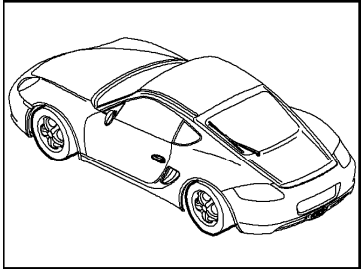


Pos	Part Number	Description	Remark	Qty	Model
		clutch actuation clutch master cylinder clutch pipeline			I480
1	997 423 171 01	clutch master cylinder		1	
-	996 423 614 00	circlip pressure line		1	
-	996 423 315 06	bolt		1	
-	999 166 022 01	kl-lock for bolt		1	
2	997 423 147 00	feed line		1	I098
3	997 423 137 00	feed line		1	I098
4	996 423 138 04	line		1	I099
5	996 423 140 02	line		1	I099
6	996 423 142 02	feed line		1	I099
7	900 378 217 09	hexagon-head bolt M 6 X 40		2	
8	997 423 107 12	clutch pipeline		1	I098
(8)	997 423 108 12	clutch pipeline		1	I099
9	997 423 109 11	clutch pipeline		1	
-	999 702 120 50	rubber sleeve for clutch pipeline		1	
10	987 423 113 12	clutch pipeline	-09	1	
10	987 423 113 13	clutch pipeline	10-	1	
11	999 507 495 40	support		1	
12	997 423 913 00	repair kit comprising: o-ring sealing rubber		X 1 1	
15	996 355 549 00	support		1	
16	996 355 545 00	support		2	
17	996 355 543 00	support		4	
18	999 702 216 42	grommet		1	I480

Model	Year	MG	SG	Illustration	Restrictions	UPD	8:59	02.03.2010	PORSCHE	PET	PORSCHE
987C2	2010	7	02	702-08		248					

Pos	Part Number	Description	Remark	Qty	Model	Pos	Part Number	Description	Remark	Qty	Model
19	999 702 217 41	grommet		1	I250						
21	999 507 586 40	cable holder		1							
22	9G2 116 237 00	slave cylinder		1							
23	900 385 098 01	torx screw BM 8 X 25		2							

Model	Year	MG	SG	Illustration	Restrictions	UPD	8:59	02.03.2010	PORSCHE	PET	PORSCHE
987C2	2010	7	02	702-10		248					

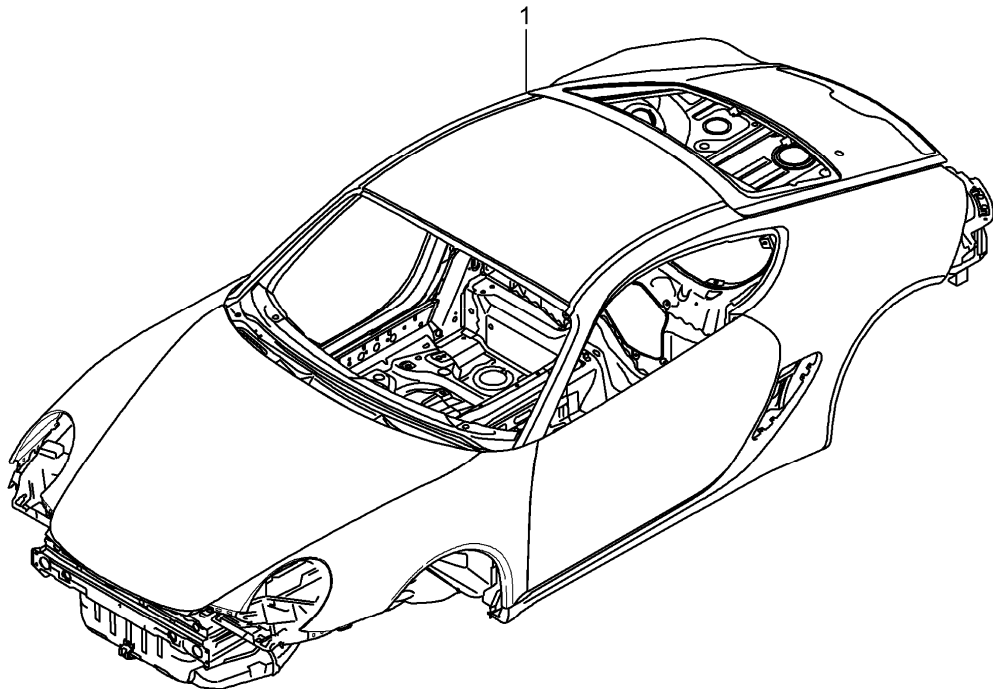


Pos	Part Number	Description	Remark	Qty	Model
		pedals accelerator control			
1	997 423 019 02	accelerator control		1	I480
(1)	997 423 021 02	accelerator control		1	I250
2	900 146 161 09	round head screw M 6 X 20		1	

Model	Year	MG	SG	Illustration	Restrictions	UPD	9:00	02.03.2010	PORSCHE	PET	PORSCHE
987C2	2010	8	01	801-00		248					

B — WPOZZZ 98 z 5U730070
 C — 987 121
 M9701-685 G9701
 G — L6B4 AT
 D — C00 267 268 425 437
 E — 438 446 454 537 610
 635 640 650 666 670
 F — 00641 20772

A

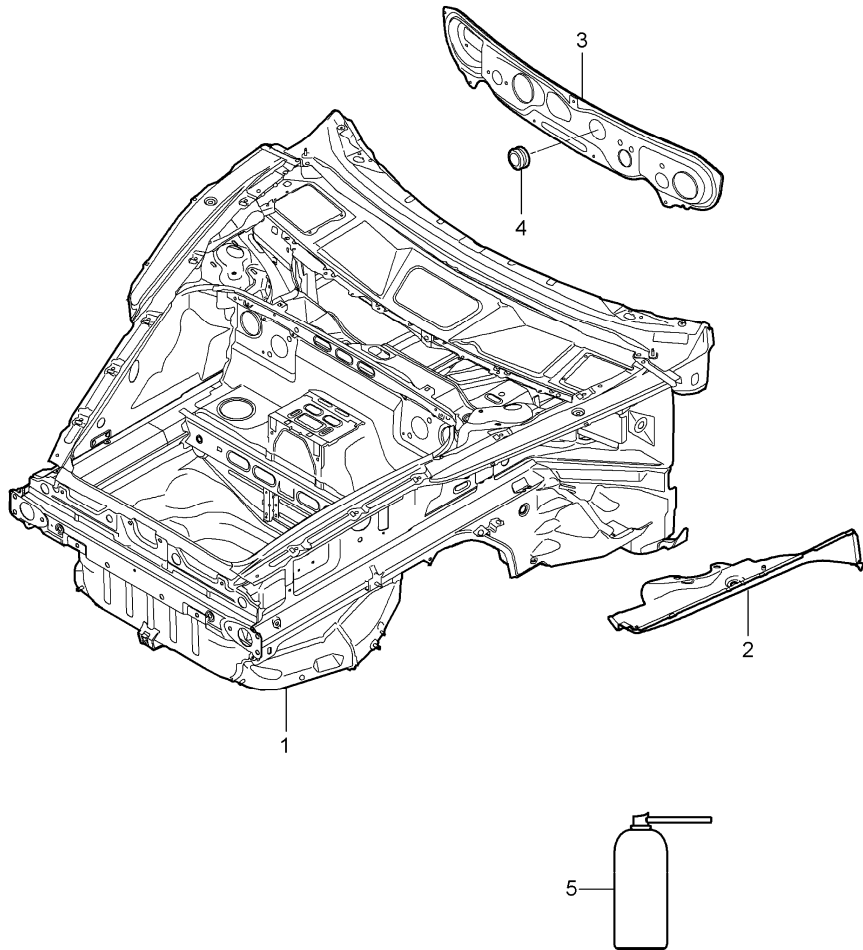
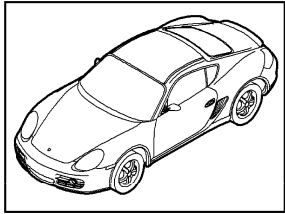


Pos	Part Number	Description	Remark	Qty	Model
		body in white prime coated sealed with underbody protection with doors/lids/wings			
		bodyshells can only only available from current model year available			
		the data required for your order can be found on the vehicle data carrier in on-board folder please indicate this data in your order			
A	-	vehicle data carrier			
B	-	vehicle identification no.			
C	-	order type			
D	-	country equipment			
E	-	optional extras			
F	-	additional applications			
G	-	indicate colour			
1	987 500 900 00	body in white		1	
	GRV	prime coated			

Model	Year	MG	SG	Illustration	Restrictions	UPD	9:00	02.03.2010
987C2	2010	8	01	801-02		248		

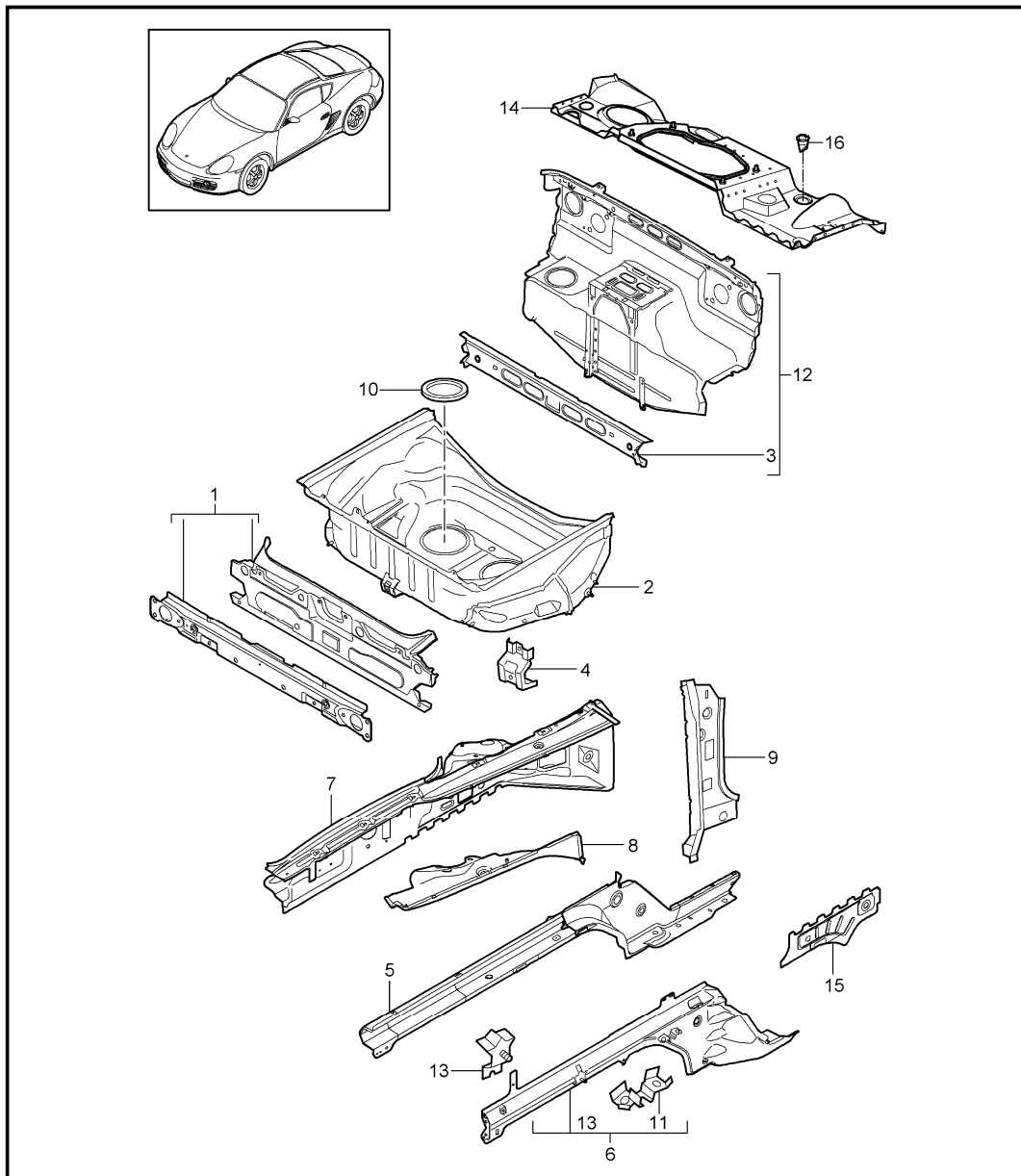
Pos	Part Number	Description	Remark	Qty	Model
		stopper plane see workshop manual			
1	999 703 462 40	lid 10 x 6,5		X	
2	999 703 421 40	grommet 15 mm		X	
4	803 803 583 A	lid 20 x 30		X	
5	999 703 420 40	stopper 20,3 x 30 x 11		X	
6	803 803 583	rubber sleeve 30 x 40		X	
7	999 703 433 40	stopper 30 x 42		X	
8	999 703 435 40	lid 15 x 26		X	
9	999 703 008 40	lid 18,5 x 25		X	
10	999 703 018 40	lid 23,8 x 30,4		X	
11	999 507 838 40	stopper 10 x 0,9		X	
12	955 504 184 00	stopper		X	
13	955 504 185 00	stopper 15 x20		X	

Model	Year	MG	SG	Illustration	Restrictions	UPD	9:00	02.03.2010	PORSCHE	PET	PORSCHE
987C2	2010	8	01	801-05		248					



Pos	Part Number	Description	Remark	Qty	Model
1	987 501 911 00	body front section		1	
	GRV	prime coated use also: sealing compound Pos. 5 processing instructions see technical manual			
2	997 501 945 00	lower part	/L	1	
	GRV	prime coated			
(2)	997 501 946 01	lower part	/R	1	
	GRV	prime coated			
3	997 504 121 00	lid	/LL	1	I098
(3)	997 504 121 01	lid	/RL	1	I099
		use also:			
--	000 043 300 94	adhesive set		1	
4	999 702 255 41	lid 62,5 X 72,6		1	
5	999 915 337 40	sealing compound		1	

Model	Year	MG	SG	Illustration	Restrictions	UPD	9:00	02.03.2010	PORSCHE	PET	PORSCHE
987C2	2010	8	01	801-10		248					

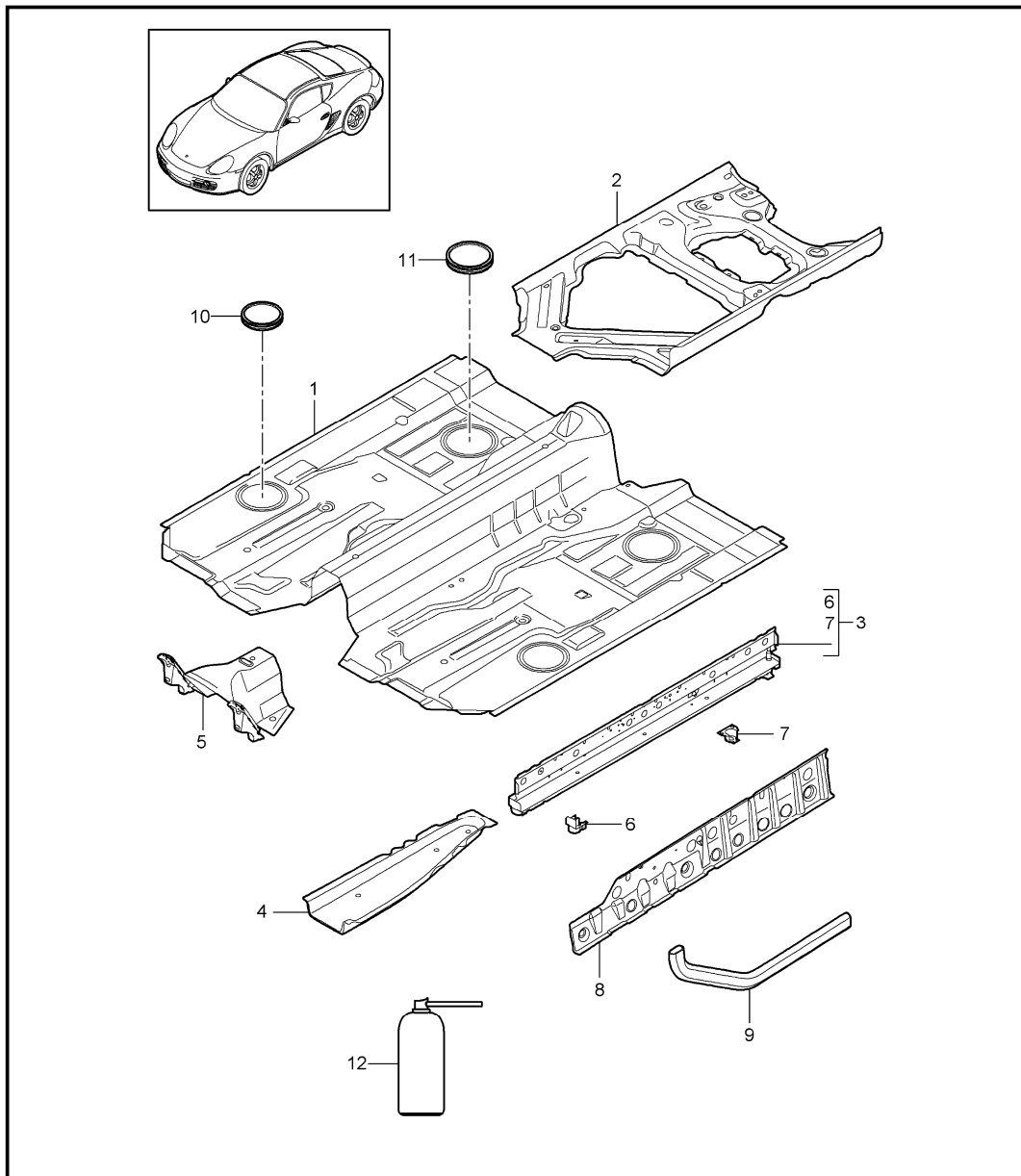


Pos	Part Number	Description	Remark	Qty	Model
		body front section single parts			
1	997 501 931 00	terminal piece		1	
	GRV	prime coated			
2	987 501 979 00	spare-wheel well		1	
	GRV	prime coated			
3	997 501 649 00	cross member		1	
	GRV	prime coated			
4	996 501 621 00	support		3	
	GRV	prime coated			
5	997 501 305 01	side member	/L	1	
	GRV	prime coated			
(5)	997 501 306 01	side member	/R	1	
	GRV	prime coated			
6	997 501 915 01	side member	/L	1	
	GRV	prime coated			
(6)	997 501 916 01	side member	/R	1	
	GRV	prime coated			
7	997 501 935 00	wheel housing	/L	1	
	GRV	prime coated			
(7)	997 501 936 01	wheel housing	/R	1	
	GRV	prime coated			
8	997 501 945 00	lower part	/L	1	
	GRV	prime coated			
(8)	997 501 946 01	lower part	/R	1	
	GRV	prime coated			
9	997 501 937 00	hinge pillar	/L	1	
	GRV	prime coated			
9	997 501 938 00	hinge pillar	/R	1	

Model	Year	MG	SG	Illustration	Restrictions	UPD	9:00	02.03.2010	PORSCHE	PET	PORSCHE
987C2	2010	8	01	801-10		248					

Pos	Part Number	Description	Remark	Qty	Model	Pos	Part Number	Description	Remark	Qty	Model
		GRV prime coated									
10	996 504 201 01	lid \$ 145 MM		X							
11	996 501 815 02	support		2							
		GRV prime coated brake line									
12	997 502 921 00	bulkhead		1							
		GRV prime coated									
13	996 501 341 00	support		2							
		GRV prime coated radiator									
14	997 502 017 01	cross panel		1							
		GRV prime coated									
15	997 501 665 01	separator	/L	1							
		GRV prime coated									
(15)	997 501 666 01	separator	/R	1							
		GRV prime coated									
16	999 703 476 40	grommet 29,8 X 1,0		4							

Model	Year	MG	SG	Illustration	Restrictions	UPD	9:00	02.03.2010	PORSCHE	PET	PORSCHE
987C2	2010	8	01	801-20		248					

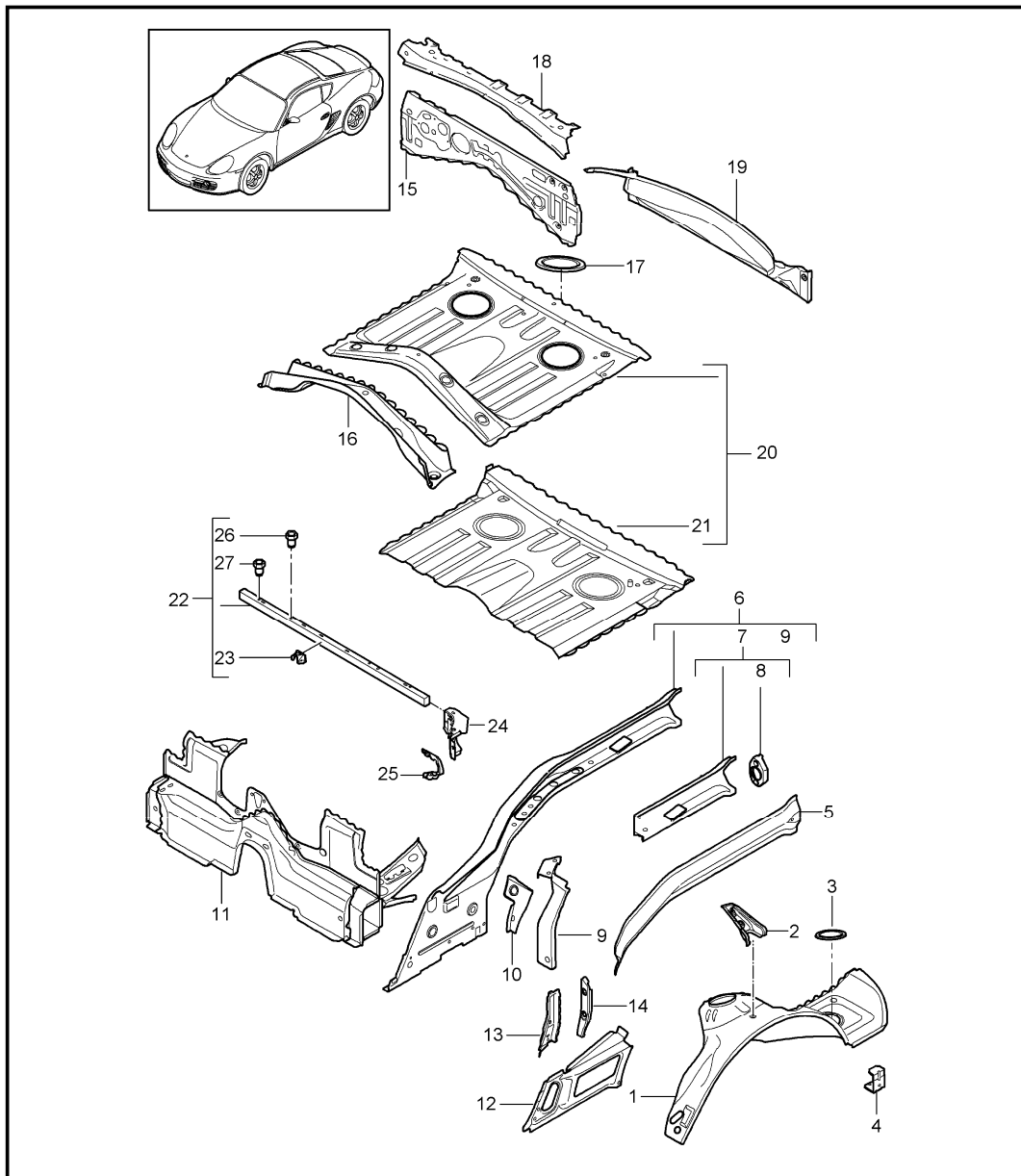


Pos	Part Number	Description	Remark	Qty	Model
		floor centre			
1	987 501 551 00	floor		1	
	GRV	prime coated			
(2)	997 501 953 01	seat support	/L	1	
	GRV	prime coated			
2	997 501 954 01	seat support	/R	1	
	GRV	prime coated			
3	987 501 957 00	side member	/L	1	
	GRV	prime coated			
(3)	987 501 958 00	side member	/R	1	
	GRV	prime coated			
4	997 501 525 00	side member	/L	1	
	GRV	prime coated			
(4)	997 501 526 00	side member	/R	1	
	GRV	prime coated			
5	996 501 751 00	extension		1	
	GRV	prime coated			
6	996 501 785 00	jacking point	/L/V	1	
	GRV	prime coated			
(6)	996 501 786 00	jacking point	/R/V	1	
	GRV	prime coated			
7	996 501 481 01	jacking point	/L/H	1	
	GRV	prime coated			
(7)	996 501 482 01	jacking point	/R/H	1	
	GRV	prime coated			
8	997 501 329 00	retaining bracket	/L	1	
	GRV	prime coated			
(8)	997 501 330 00	retaining bracket	/R	1	

Model	Year	MG	SG	Illustration	Restrictions	UPD	9:00	02.03.2010	PORSCHE	PET	PORSCHE
987C2	2010	8	01	801-20		248					

Pos	Part Number	Description	Remark	Qty	Model	Pos	Part Number	Description	Remark	Qty	Model
		GRV prime coated									
9	997 501 439 00	support tube		2							
		GRV prime coated use also: sealing compound Pos. 12 processing instructions see technical manual 51 49 55									
10	996 504 205 01	lid \$ 125 MM		2							
11	996 504 201 01	lid \$ 145 MM		2							
12	999 915 337 40	sealing compound		1							

Model	Year	MG	SG	Illustration	Restrictions	UPD	9:01	02.03.2010	PORSCHE	PET	PORSCHE
987C2	2010	8	01	801-35		248					

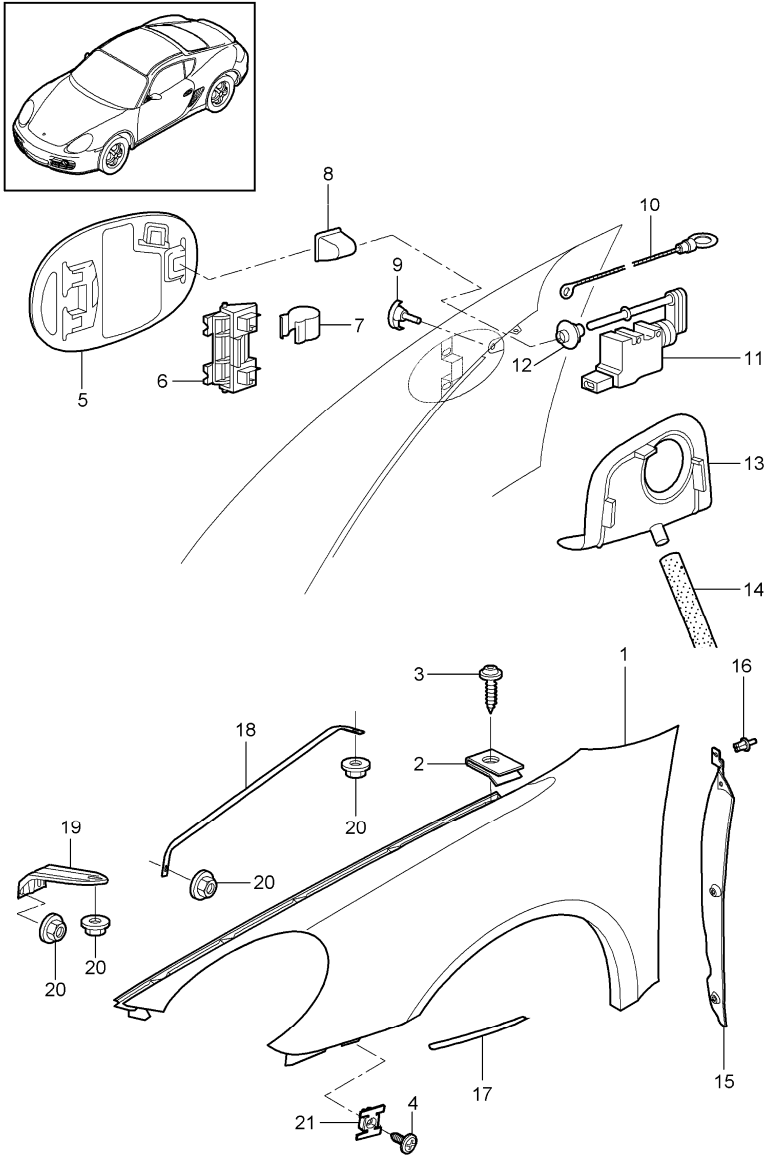


Pos	Part Number	Description	Remark	Qty	Model
		rear end single parts			
1	987 501 983 00	wheel housing	/L	1	
	GRV	prime coated			
(1)	987 501 984 01	wheel housing	/R	1	
	GRV	prime coated			
2	987 502 675 00	bracket	/L	1	
	GRV	prime coated			
(2)	987 502 676 00	bracket	/R	1	
	GRV	prime coated			
3	996 504 209 01	lid 100 mm		2	
4	986 501 613 00	support		2	
	GRV	prime coated			
5	986 501 995 01	side member		2	
	GRV	prime coated outer			
6	987 501 177 00	bracket	/L	1	
	GRV	prime coated inner			
(6)	987 501 178 00	bracket	/R	1	
	GRV	prime coated inner			
7	986 501 977 00	side member	/L	1	
	GRV	prime coated inner sub-part			
(7)	987 501 978 00	side member	/R	1	
	GRV	prime coated inner sub-part			
8	996 501 377 01	mounting	/L/R	2	
	GRV	prime coated			

Model	Year	MG	SG	Illustration	Restrictions	UPD	9:01	02.03.2010	PORSCHE	PET	PORSCHE
987C2	2010	8	01	801-35		248					

Pos	Part Number	Description	Remark	Qty	Model	Pos	Part Number	Description	Remark	Qty	Model
9	987 501 695 00	closing element	/L	1		17	996 504 201 01	lid 145 MM		2	
	GRV	prime coated									
(9)	987 501 696 00	closing element	/R	1		18	987 502 673 00	cross member		1	
	GRV	prime coated					GRV	prime coated rear wall			
10	986 501 863 00	bulkhead	/L	1		19	987 501 243 01	terminal piece		1	
	GRV	prime coated					GRV	prime coated			
(10)	986 501 864 00	bulkhead	/R	1		20	986 501 471 00	floor section		1	
	GRV	prime coated					GRV	prime coated			
11	987 501 191 00	bulkhead		1		21	987 501 971 00	boot floor plate		1	
	GRV	prime coated					GRV	prime coated			
12	987 501 553 00	gusset plate	/L	1		22 A	987 501 917 00	pipe		1	
	GRV	prime coated					GRV	prime coated			
(12)	987 501 554 00	gusset plate	/R	1		22	987 501 917 01	pipe		1	
	GRV	prime coated					GRV	prime coated			
13	987 501 151 00	b-pillar	/L	1		23	987 501 827 00	support		1	
	GRV	prime coated inner					GRV	prime coated			
(13)	987 501 152 00	b-pillar	/R	1		24	987 501 531 00	support	/L	1	
	GRV	prime coated inner					GRV	prime coated			
14	987 502 531 00	b-pillar	/L	1		(24)	987 501 532 00	support	/R	1	
	GRV	prime coated outer					GRV	prime coated			
(14)	987 502 532 00	b-pillar	/R	1		25	987 501 829 00	support	/L	1	
	GRV	prime coated outer					GRV	prime coated			
15	987 502 671 01	rear wall		1		(25)	987 501 830 00	support	/R	1	
	GRV	prime coated luggage compartment					GRV	prime coated			
16	986 501 575 00	cross member		1		26	999 500 110 03	blind rivet nut		2	
	GRV	prime coated						inner M8/0,5-3			
						27	999 500 066 02	blind rivet nut		2	
								outer M6/0,5-3			

Model	Year	MG	SG	Illustration	Restrictions	UPD	9:01	02.03.2010	PORSCHE	PET	PORSCHE
987C2	2010	8	01	801-40		248					

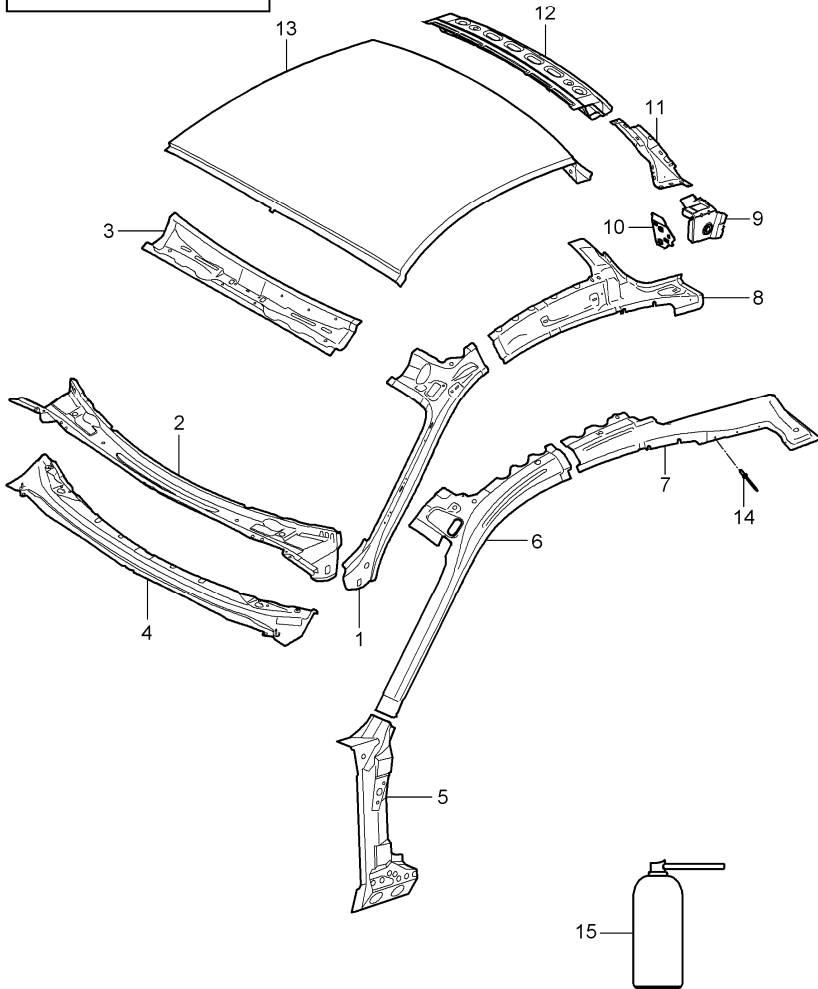
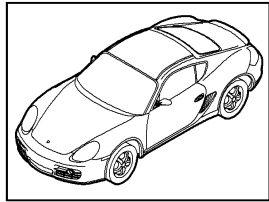


Pos	Part Number	Description	Remark	Qty	Model
1	987 503 031 02	wing	/L	1	
	GRV	prime coated			
1	987 503 032 06	wing	/R	1	
	GRV	prime coated			
(1)	987 503 032 07	wing	/R	1	I461
	GRV	prime coated			
2	999 507 003 02	speed nut ST 6,3		18	
3	999 073 422 02	tapping screw ST 6,3 X 14		10	
4	A 900 187 111 02	combination screw ST 6,3 X 12		8	
4	900 187 111 01	combination screw ST 6,3 X 12		8	
5	987 504 134 01	fuel filler flap		1	
	GRV	prime coated			
6	997 201 063 00	hinge		1	
7	997 504 711 00	spring		1	
8	996 201 423 00	cap		1	
9	997 504 888 01	rubber stop		1	
10	996 201 493 00	emergency operation		1	
11	997 624 113 00	actuator		1	
12	996 624 505 02	guide rose		1	
13	997 201 667 00	sleeve		1	
14	996 201 153 00	hose		1	
15	997 504 641 02	cover	/L	1	
	01C	black			
(15)	997 504 642 02	cover	/R	1	
	01C	black			

Model	Year	MG	SG	Illustration	Restrictions	UPD	9:01	02.03.2010	PORSCHE	PET	PORSCHE
987C2	2010	8	01	801-40		248					

Pos	Part Number	Description	Remark	Qty	Model	Pos	Part Number	Description	Remark	Qty	Model
16	999 591 712 40	expansion rivet A 6,0 X 12,0		6							
17	987 504 531 00	protective film	/L	1							
(17)	987 504 532 00	protective film	/R	1							
18	997 504 441 00	strut		2							
	GRV	prime coated									
19	997 504 555 00	bracket		2							
	GRV	prime coated									
20	999 076 066 09	hexagon nut M 6		10							
21	999 507 590 02	captive nut ST 4,8		6							
-	000 043 204 85	cavity preservation 400 ML		X							

Model	Year	MG	SG	Illustration	Restrictions	UPD	9:01	02.03.2010	PORSCHE	PET	PORSCHE
987C2	2010	8	01	801-45		248					



Pos	Part Number	Description	Remark	Qty	Model
1	987 502 637 00	roof cowl			
	GRV	prime coated	/L	1	
(1)	987 502 638 00	cowl			
	GRV	prime coated	/R	1	
2	987 502 537 00	cowl			
	GRV	prime coated		1	
3	987 502 919 00	cowl panel support upper			
	GRV	prime coated		1	
4	997 502 437 00	cowl lower			
	GRV	prime coated		1	
5	997 502 233 00	reinforcement			
	GRV	prime coated use also:	/L	1	
(5)	997 502 234 00	reinforcement			
	GRV	prime coated use also:	/R	1	
-	000 043 206 29	adhesive set body comprising:		X	
-	000 043 206 30	adhesive		1	
-	000 043 206 31	tool		1	
-	000 043 206 32	tool		1	
-	000 043 206 33	activator		1	
6	987 502 465 00	reinforcement			
	GRV	prime coated use also:	/L	1	
(6)	987 502 466 00	reinforcement			
	GRV	prime coated use also:	/R	1	

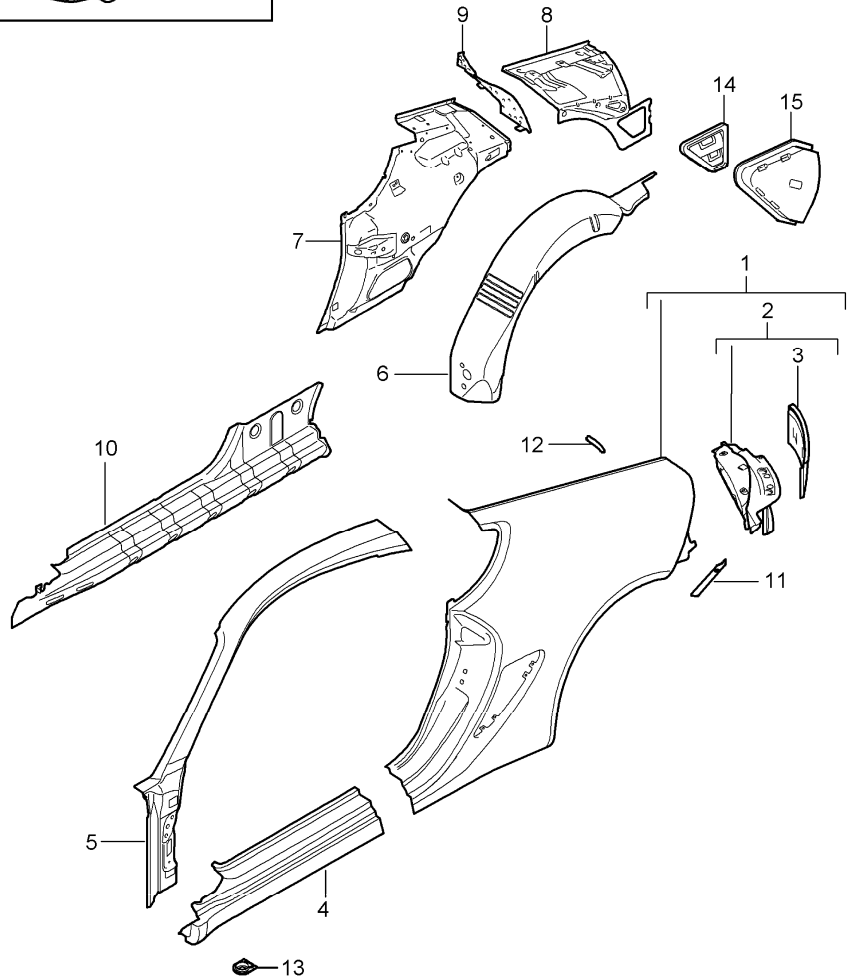
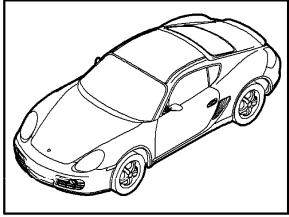
Model	Year	MG	SG	Illustration	Restrictions	UPD	9:01	02.03.2010	PORSCHE	PET	PORSCHE
987C2	2010	8	01	801-45		248					

Pos	Part Number	Description	Remark	Qty	Model	Pos	Part Number	Description	Remark	Qty	Model
-	000 043 206 29	adhesive set body comprising:		X		-	000 043 206 29	adhesive set body comprising:		X	
-	000 043 206 30	adhesive		1		-	000 043 206 30	adhesive		1	
-	000 043 206 31	tool		1		-	000 043 206 31	tool		1	
-	000 043 206 32	tool		1		-	000 043 206 32	tool		1	
-	000 043 206 33	activator		1		-	000 043 206 33	activator		1	
7	987 502 869 00	reinforcement	/L	1		10	987 502 871 00	bulkhead	/L	1	
	GRV	prime coated use also:					GRV	prime coated use also:			
(7)	987 502 870 00	reinforcement	/R	1		(10)	987 502 872 00	bulkhead	/R	1	
	GRV	prime coated use also:					GRV	prime coated use also:			
-	000 043 206 29	adhesive set body comprising:		X		-	000 043 206 29	adhesive set body comprising:		X	
-	000 043 206 30	adhesive		1		-	000 043 206 30	adhesive		1	
-	000 043 206 31	tool		1		-	000 043 206 31	tool		1	
-	000 043 206 32	tool		1		-	000 043 206 32	tool		1	
-	000 043 206 33	activator		1		-	000 043 206 33	activator		1	
		use also: sealing compound Pos. 15 processing instructions see technical manual 51 06 55				11	987 502 591 00	closing element	/L	1	
							GRV	prime coated			
8	987 502 113 00	side section	/L	1		(11)	987 502 592 00	closing element	/R	1	
	GRV	prime coated					GRV	prime coated			
(8)	987 502 114 00	side section	/R	1		12	987 502 929 00	roof frame rear complete		1	
	GRV	prime coated					GRV	prime coated			
9	987 502 695 00	sealing channel	/L	1		13	987 503 087 00	outer roof panel		1	
	GRV	prime coated use also:					GRV	prime coated use also:			
(9)	987 502 696 00	sealing channel	/R	1		-	000 043 204 38	sealing material		1	
	GRV	prime coated use also:				14	999 190 414 01	blind rivet 4,8 x 10,3		10	

Model	Year	MG	SG	Illustration	Restrictions	UPD	9:01	02.03.2010	PORSCHE	PET	PORSCHE
987C2	2010	8	01	801-45		248					

Pos	Part Number	Description	Remark	Qty	Model	Pos	Part Number	Description	Remark	Qty	Model
15	999 915 337 40	sealing compound		1							

Model	Year	MG	SG	Illustration	Restrictions	UPD	9:01	02.03.2010	PORSCHE	PET	PORSCHE
987C2	2010	8	01	801-50		248					

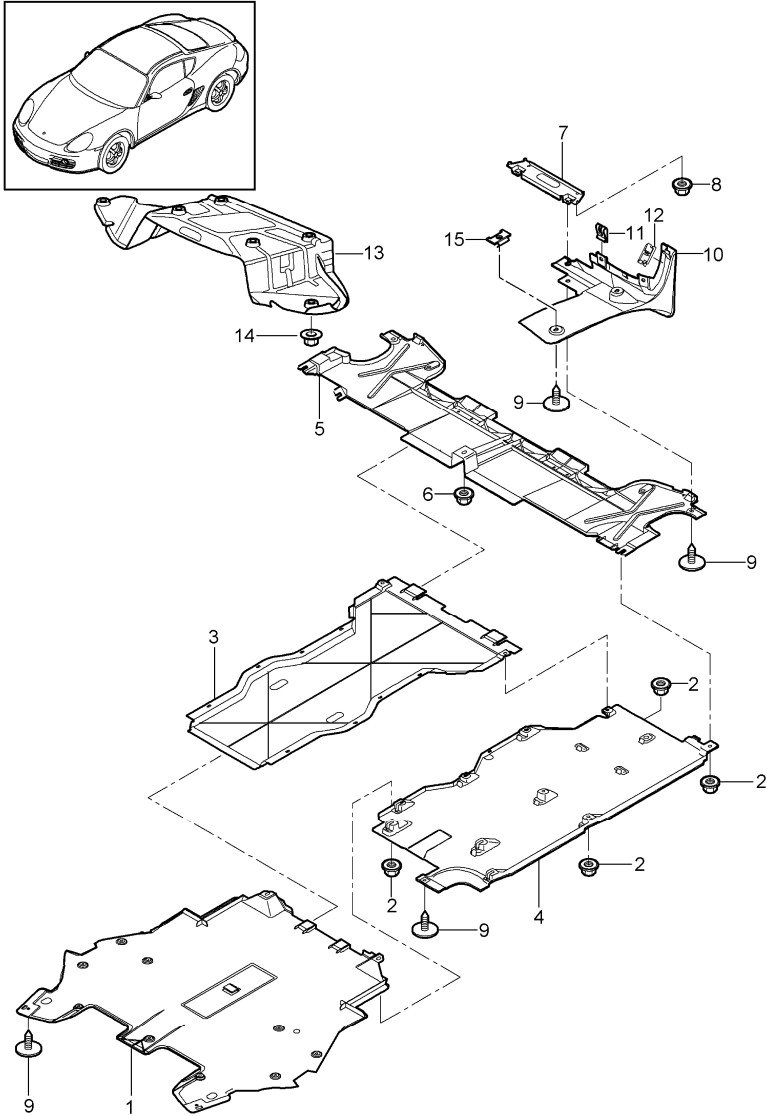


Pos	Part Number	Description	Remark	Qty	Model
		side section			
1	987 503 961 05	side section	/L	1	
	GRV	prime coated use also:			
(1)	987 503 962 05	side section	/R	1	
	GRV	prime coated use also:			
-	999 915 650 40	adhesive TEROMIX 6700		X	
-	000 043 300 48	tool		X	
		use also:			
-	000 043 206 29	adhesive set body comprising:		X	
-	000 043 206 30	adhesive		1	
-	000 043 206 31	tool		1	
-	000 043 206 32	tool		1	
-	000 043 206 33	activator		1	
2	987 502 961 02	frame for light	/L	1	
	GRV	prime coated			
(2)	987 502 962 02	frame for light	/R	1	
	GRV	prime coated			
3	987 501 651 00	corner panel	/L	1	
	GRV	prime coated			
(3)	987 501 652 00	corner panel	/R	1	
	GRV	prime coated			
4	987 503 963 01	door sill	/L	1	
	GRV	prime coated			
(4)	987 503 964 01	door sill	/R	1	
	GRV	prime coated			
5	987 503 965 02	roof frame	/L	1	

Model	Year	MG	SG	Illustration	Restrictions	UPD	9:01	02.03.2010	PORSCHE	PET	PORSCHE
987C2	2010	8	01	801-50		248					

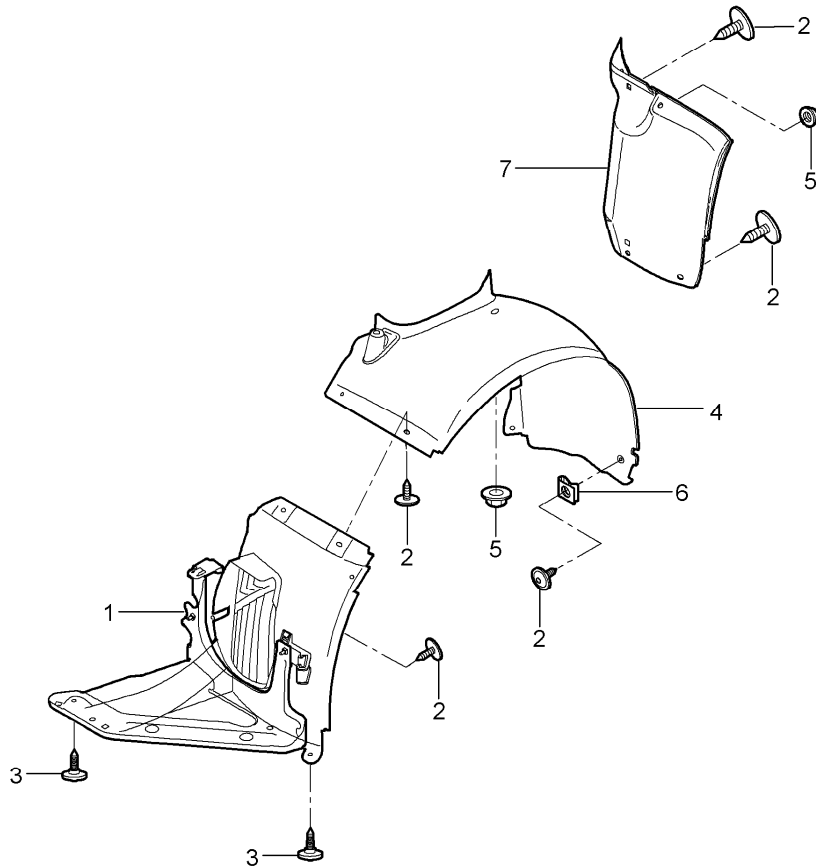
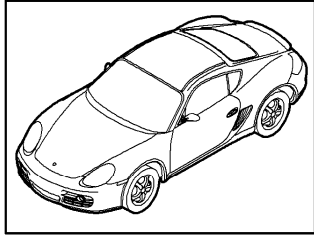
Pos	Part Number	Description	Remark	Qty	Model	Pos	Part Number	Description	Remark	Qty	Model
(5)	987 503 966 02	GRV prime coated use also: roof frame	/R	1		9	987 504 901 01	seal side section see technical manual group 5 53 55 55		2	
-	000 043 206 29	GRV prime coated use also: adhesive set body comprising:		X		10	987 502 663 00	reinforcement	/L	1	
-	000 043 206 30	adhesive		1		(10)	987 502 664 00	reinforcement	/R	1	
-	000 043 206 31	tool		1			GRV prime coated use also:				
-	000 043 206 32	tool		1		-	000 043 206 29	adhesive set body comprising:		X	
-	000 043 206 33	activator		1		-	000 043 206 30	adhesive		1	
6	987 502 515 00	wheel housing	/L	1		-	000 043 206 31	tool		1	
(6)	987 502 516 00	GRV prime coated wheel housing	/R	1		-	000 043 206 32	tool		1	
7	987 502 083 01	GRV prime coated side section	/L	1		-	000 043 206 33	activator		1	
(7)	987 502 084 01	GRV prime coated use also: side section	/R	1		11	987 504 631 00	protective film		2	
-	000 043 206 29	adhesive set body comprising:		1		12	996 537 237 00	protective film		2	
-	000 043 206 30	adhesive		1		13	999 703 475 40	water drain sleeve door sill		2	
-	000 043 206 31	tool		1		14	986 572 043 02	bleeding	/L	1	
-	000 043 206 32	tool		1		(14)	986 572 044 00	bleeding	/R	1	
-	000 043 206 33	activator		1		15	986 572 643 01	air-guide cowl	/L	1	
8	987 502 105 00	side section	/L	1		(15)	986 572 644 01	air-guide cowl bleeding	/R	1	
(8)	987 502 106 00	GRV prime coated side section	/R	1							
		GRV prime coated									

Model	Year	MG	SG	Illustration	Restrictions	UPD	9:01	02.03.2010	PORSCHE	PET	PORSCHE
987C2	2010	8	01	801-70		248					



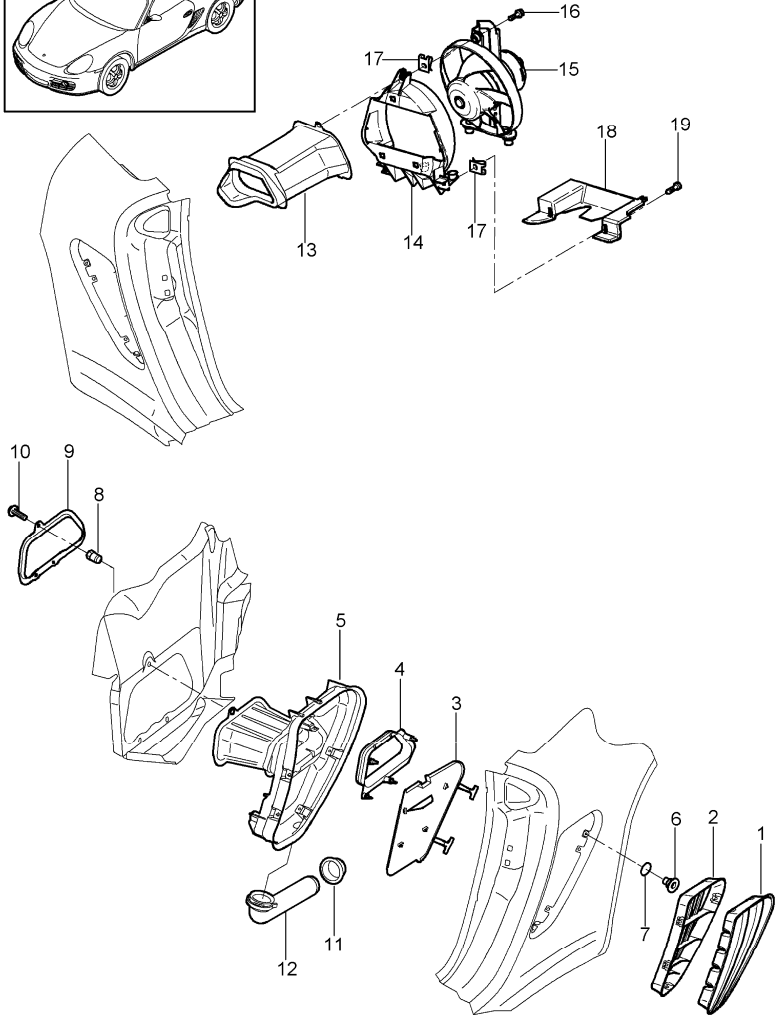
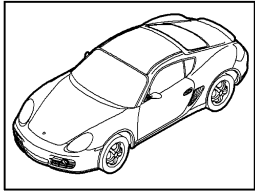
Pos	Part Number	Description	Remark	Qty	Model
		linings underbody			
1	997 504 527 02	cover front		1	
2	999 049 028 40	plastic nut T 5/22 X 10		33	
3	997 504 043 00	cover centre		1	
4	997 504 343 02	cover	/L	1	
(4)	997 504 344 02	cover	/R	1	
		centre			
5	987 504 129 00	cover rear		1	
6	999 076 068 09	hexagon nut M 6		1	
7	987 504 571 00	support cover rear		2	
8	999 084 212 02	hexagon nut M 6		2	
9	999 073 231 09	tapping screw ST 4,8 X 16		X	
10	987 504 793 00	cover	/L	1	
		01C satin black			
(10)	987 504 794 00	cover	/R	1	
		01C satin black			
11	999 507 795 09	speed nut ST 4,8		2	
12	987 504 635 00	clamp	/L	1	
(12)	987 504 636 00	clamp cover	/R	1 1	
13	987 504 405 00	heat protection		1	
14	999 049 025 09	collar nut T 5		7	
15	999 507 849 01	captive nut ST 4,8		4	

Model	Year	MG	SG	Illustration	Restrictions	UPD	9:01	02.03.2010	PORSCHE	PET	PORSCHE
987C2	2010	8	01	801-75		248					



Pos	Part Number	Description	Remark	Qty	Model
		linings for wheel housing			
1	987 504 123 08	wheel-housing liner	/L/V	1	I181/182/480
(1)	987 504 124 08	wheel-housing liner	/R/V	1	I181/182/480
(1)	987 504 123 09	wheel-housing liner	/L/V	1	I250
(1)	987 504 124 09	wheel-housing liner	/R/V	1	I250
(1)	987 504 123 09	wheel-housing liner	/L/V	1	I183/480
(1)	987 504 124 09	wheel-housing liner	/R/V	1	I183/480
2	999 073 231 09	tapping screw ST 4,8 X 16		20	
3	999 073 227 09	tapping screw ST 4,8 X 19		4	
4	987 504 203 00	wheel-housing liner	V/H/L	1	
(4)	987 504 204 00	wheel-housing liner	V/H/R	1	
5	999 049 028 40	plastic nut T5		10	
6	999 507 795 09	speed nut		2	
7	987 504 573 01	wheel-housing liner	H/V/L	1	
(7)	987 504 574 01	wheel-housing liner	H/V/R	1	
8	987 504 673 01	heat protection	/L	1	
(8)	987 504 674 01	heat protection brake hose	/R	1	
9	999 507 795 09	speed nut		2	

Model	Year	MG	SG	Illustration	Restrictions	UPD	9:02	02.03.2010	PORSCHE	PET	PORSCHE
987C2	2010	8	01	801-80		248					

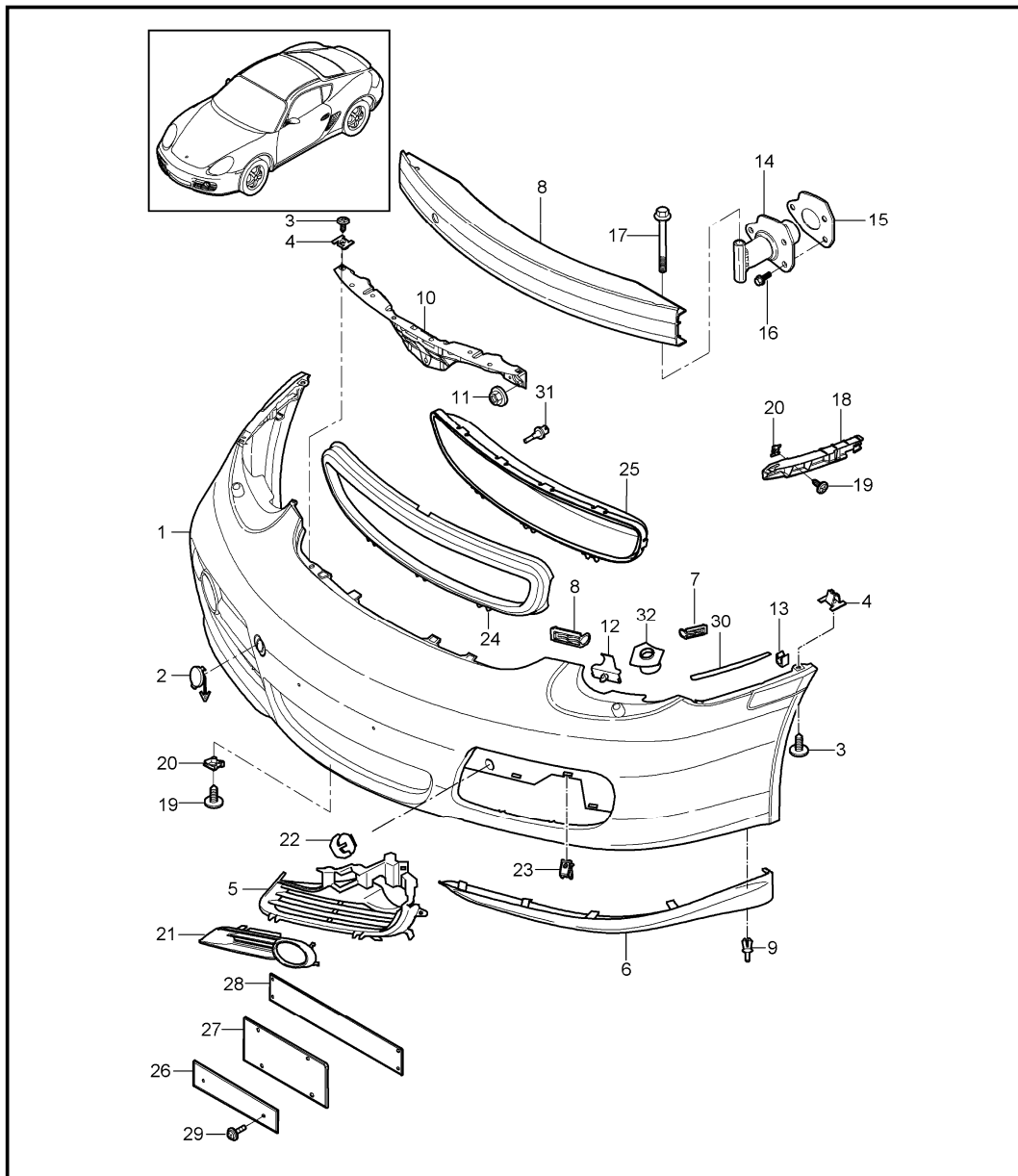


Pos	Part Number	Description	Remark	Qty	Model
1	987 504 561 02	ventilation engine compartment			
		ventilation grille	/L	1	
		G2X prime coated			
(1)	987 504 562 02	ventilation grille	/R	1	
		G2X prime coated			
2	987 504 749 02	frame	/L	1	
		01C satin black			
(2)	987 504 750 02	frame	/R	1	
		01C satin black			
3	987 575 647 01	impact absorber plate	/L	1	
4	987 575 757 00	reinforcement air duct	/L	1	
5	987 575 657 01	air duct inner	/L	1	
(5)	987 575 658 00	air duct inner	/R	1	
6	999 507 585 40	fixing clip		8	
7	999 701 489 40	sealing ring	/L	4	
8	999 500 069 02	blind rivet nut		6	
9	987 575 759 00	support frame air duct		1	
10	900 075 413 09	combination screw M 6 X 16		3	
11	999 702 288 40	grommet 32,5 X 20	/L	1	
12	987 504 431 00	water drain tube	/L	1	
13	987 575 360 01	air duct		1	
14	986 575 356 00	airscoop	/R	1	
15	987 624 050 01	blower	/R	1	
16	900 075 333 02	hexagon-head bolt M 6 X 25		3	

Model	Year	MG	SG	Illustration	Restrictions	UPD	9:02	02.03.2010	PORSCHE	PET	PORSCHE
987C2	2010	8	01	801-80		248					

Pos	Part Number	Description	Remark	Qty	Model	Pos	Part Number	Description	Remark	Qty	Model
17	999 507 550 02	speed nut M 6		3							
18	987 575 756 00	air duct	/R	1							
19	900 378 036 09	hexagon-head bolt M 6 X 12		1							

Model	Year	MG	SG	Illustration	Restrictions	UPD	9:02	02.03.2010	PORSCHE	PET	PORSCHE
987C2	2010	8	02	802-00		248					

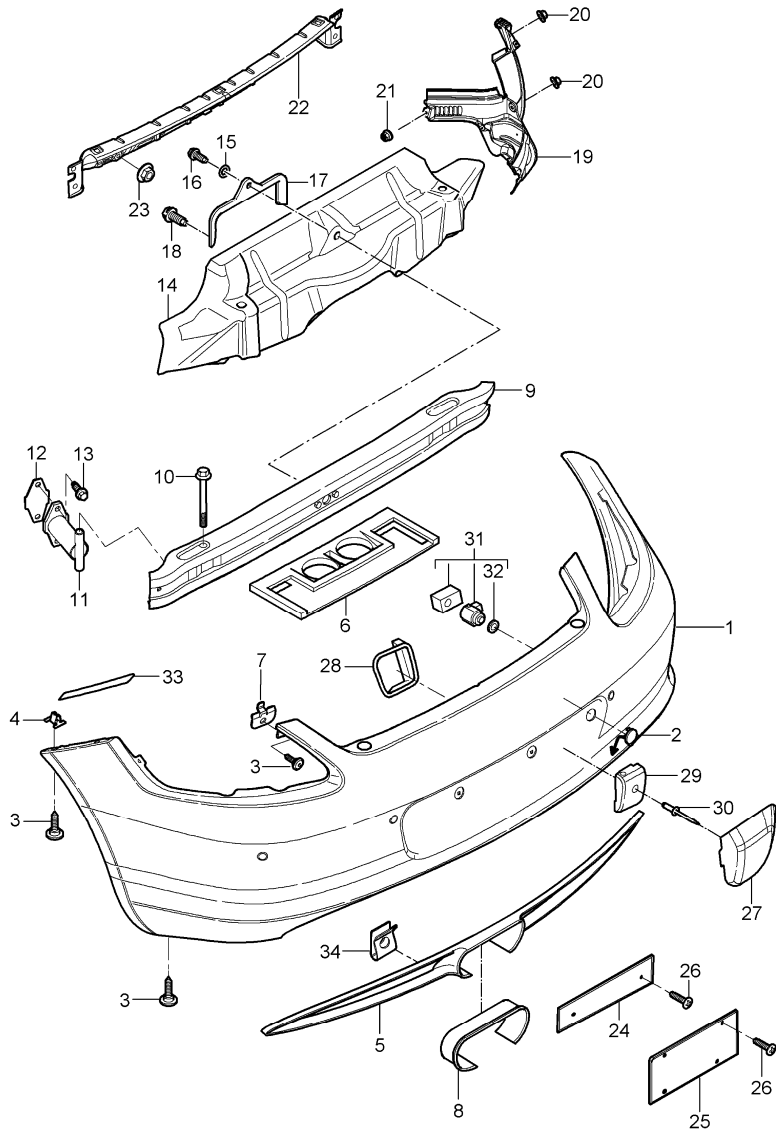


Pos	Part Number	Description	Remark	Qty	Model
		bumper front			
(1)	987 505 311 32	lining		1	I480
(1)	987 505 311 33	lining		1	I288
1	987 505 311 34	lining		1	I250
(1)	987 505 311 35	lining		1	I250/288
2	987 505 703 06	cap		1	
		G2L prime coated			
3	999 073 227 09	tapping screw		10	
4	999 507 590 02	captive nut		X	
5	987 505 553 05	grille frame	/L	1	
		G2L prime coated			
(5)	987 505 554 05	grille frame	/R	1	
		G2L prime coated			
6	987 505 527 04	cover	/L	1	
		01C satin black			
(6)	987 505 528 04	cover	/R	1	
		01C satin black			
(6)	987 505 527 05	cover	/L	1	
		G2L prime coated			
(6)	987 505 528 05	cover	/R	1	
		G2L prime coated			
7	987 505 747 01	corner panel	/L	1	
(7)	987 505 748 01	corner panel	/R	1	
-	987 505 989 01	adhesive tape set		1	
8	987 505 719 00	fixing device		2	
9	999 591 712 40	expansion rivet 6,0 X 12,0		6	
10	997 505 531 00	retaining strip centre		1	

Model	Year	MG	SG	Illustration	Restrictions	UPD	9:02	02.03.2010	PORSCHE	PET	PORSCHE
987C2	2010	8	02	802-00		248					

Pos	Part Number	Description	Remark	Qty	Model	Pos	Part Number	Description	Remark	Qty	Model
11	999 076 078 09	hexagon nut M6		3			G2L	prime coated			
12	987 505 709 00	guide plate use also: rivet guide plate		2		26	987 701 105 03	support number plate		1	I211
--	999 190 104 30	rivet guide plate		4			01C	black			
13	999 591 307 01	support hose headlight washer system		2		28	987 701 109 03	support number plate		1	I210
14	997 505 319 00	impact absorber		2			01C	black			
15	997 505 751 02	seal impact absorber		2		29	999 919 228 A2	screw 5,0X28,0		X	
16	900 378 267 09	combination screw M8 X 30		6		(29)	999 919 227 A2	screw 5,0X13,0		X	
17	900 378 088 01	hexagon-head bolt M 12 X 100		2		30	987 504 531 00	protective film	/L	1	
18	987 505 535 02	retaining strip lateral	/L	1		(30)	987 504 532 00	protective film	/R	1	
(18)	987 505 536 02	retaining strip lateral	/R	1		31	996 641 142 00	temperature sensor		1	
19	999 073 418 01	tapping screw ST4,8 X 19-C		4		32	987 505 561 02	retainer plate headlight washer system use also: set adhesive	/L	1	
20	999 591 699 01	speed nut ST 4,8		4		(32)	987 505 562 02	retainer plate headlight washer system use also: set adhesive	/R	1	
21	987 505 721 02	cover	/L	1		-	000 043 300 47	set adhesive		1	
(21)	987 505 722 02	cover	/R	1		-	000 043 300 48	tool for adhesive		1	
		G2L prime coated								1	
22	987 505 787 00	clamp		2						1	
23	999 507 768 02	speed nut ST 4,2		6						1	
24	987 505 555 03	retaining frame		1						1	
		G2L prime coated								1	
25	987 505 751 03	cover		1						1	

Model	Year	MG	SG	Illustration	Restrictions	UPD	9:02	02.03.2010	PORSCHE	PET	PORSCHE
987C2	2010	8	02	802-05		248					

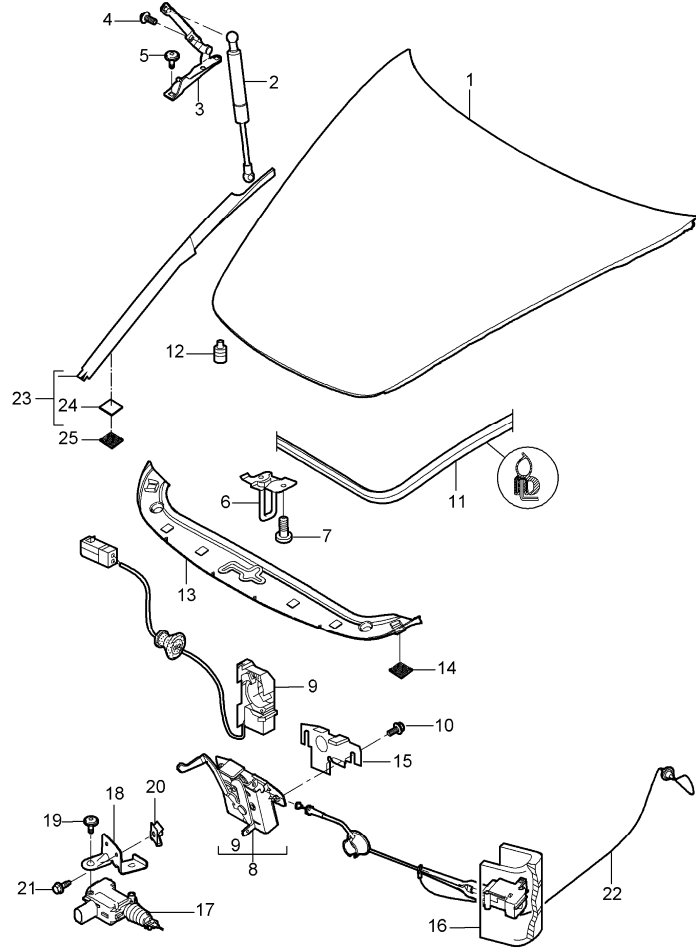
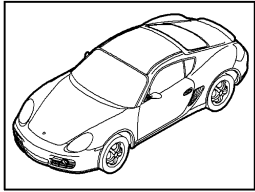


Pos	Part Number	Description	Remark	Qty	Model
1	987 505 291 06	bumper rear		1	I635
(1)	987 505 411 28	lining		1	
2	997 505 803 03	cover prime coated		1	
3	999 073 227 09	tapping screw ST 4,8 X 19		15	
4	999 507 590 02	captive nut ST 4,8		7	
5	987 505 853 01	retaining frame		1	
		01C satin black			
6	987 505 835 00	support		1	
7	987 505 815 00	retainer plate		2	
8	987 505 811 03	Abschirmblende		1	
		G2L prime coated			
9	987 505 241 00	bumper reinforcement bumper		1	
10	900 378 088 09	hexagon-head bolt M 12 X 1,5 X 100		2	
11	996 505 019 01	impact pipe		2	
12	996 505 775 00	desk pad impact absorber		2	
13	900 378 267 01	combination screw M 8 X 30		4	
14	987 505 475 03	heat protection centre		1	
15	999 025 243 02	washer 5,0X1,0		1	
16	900 278 025 02	hexagon-head bolt M5X12		1	
17	987 505 639 02	rear support		2	
18	999 075 056 09	combination screw M 6 X 22		2	

Model	Year	MG	SG	Illustration	Restrictions	UPD	9:02	02.03.2010	PORSCHE	PET	PORSCHE
987C2	2010	8	02	802-05		248					

Pos	Part Number	Description	Remark	Qty	Model	Pos	Part Number	Description	Remark	Qty	Model
(19)	987 505 631 03	retaining frame with heat protection lateral	/L	1							
19	987 505 632 03	retaining frame with heat protection lateral	/R	1							
20	999 076 078 01	hexagon nut M 6		6							
21	999 049 007 40	plastic nut T5/22 X 10		4							
22	987 505 841 00	attachment strip		1							
23	999 076 078 01	hexagon nut M 6		5							
24	987 701 105 03	support number plate		1	I211						
	01C	black									
(24)	987 701 109 03	support number plate		1	I210						
	01C	black									
26	999 919 227 A2	screw support		4	I210/211						
(26)	999 919 227 A2	screw support number plate 5 X 13		8	I218						
30	999 190 312 30	buttonhead rivet buffer A4,8 X 24,8		2	I553						
31	997 606 191 01	sensor ParkAssist		4	I635						
32	7L6 919 659	round seal sensor		4	I635						
33	987 504 631 01	protective film		2							
34	999 507 795 09	speed nut rear support ST 4,8		2							

Model	Year	MG	SG	Illustration	Restrictions	UPD	9:02	02.03.2010	PORSCHE	PET	PORSCHE
987C2	2010	8	03	803-00		248					

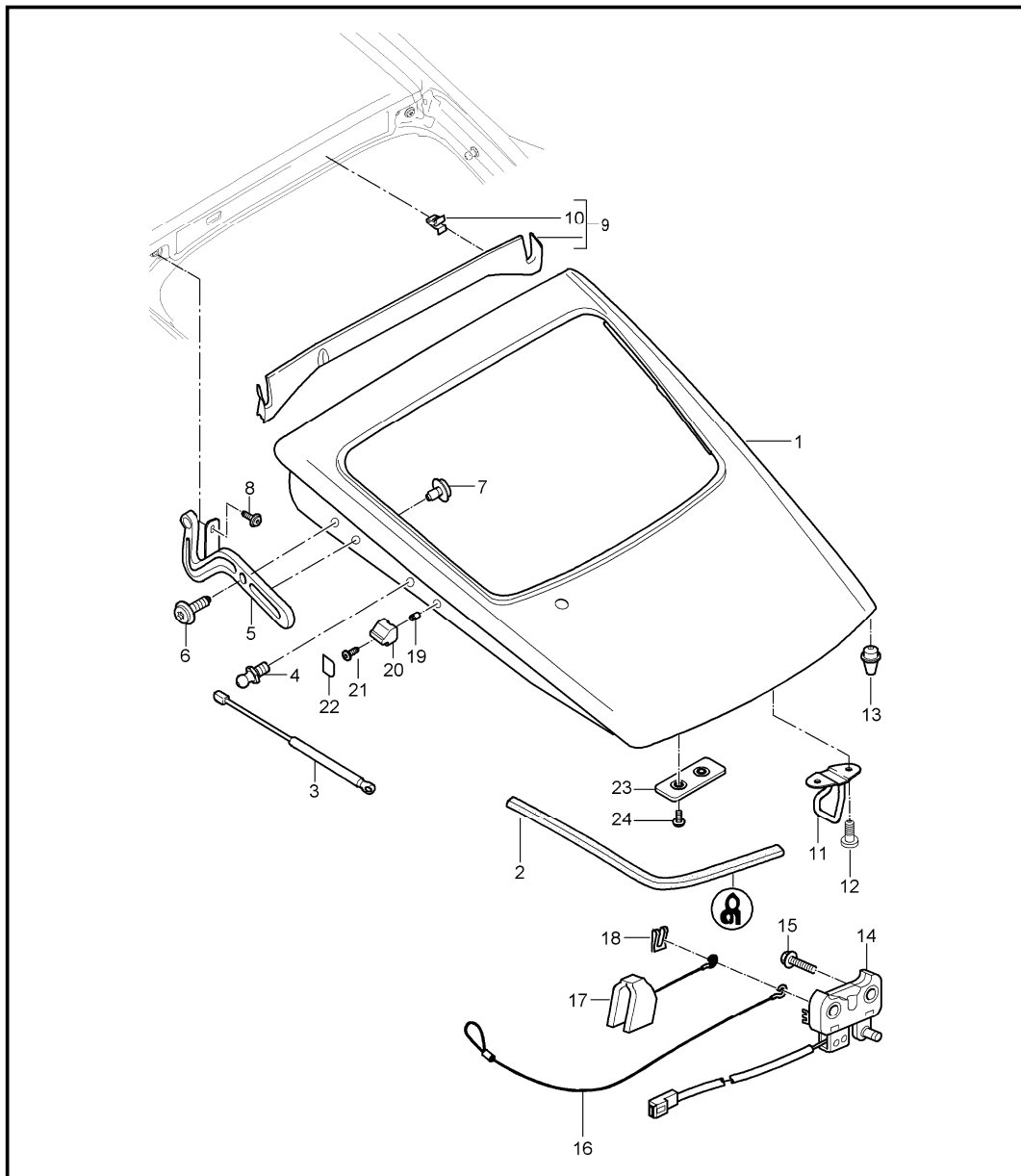


Pos	Part Number	Description	Remark	Qty	Model
1	997 511 011 00	lid front		1	
	GRV	prime coated			
2	997 511 551 01	gas-pressure spring		2	
(3)	997 511 151 01	hinge	/L	1	
3	997 511 152 01	hinge	/R	1	
4	999 073 357 09	oval-head screw M 6 X 12		4	
5	999 073 348 09	oval-head screw M 6 X 20		4	
6	997 511 051 00	lock upper part		1	
7	999 073 350 04	screw M 6 X 16		2	
8	997 511 053 00	lock lower part		1	
9	997 613 206 00	microswitch		1	
10	900 075 466 09	combination screw M6 X 16		2	
11	997 511 611 00	gasket		1	
12	999 703 140 41	rubber buffer		2	
13	997 504 811 03	trim cover		1	
	FMT	black			
14	999 902 049 40	velcro fastener 25 X 20		4	
15	996 511 653 00	cover		1	
16	997 511 117 00	actuator		1	
(23)	997 572 465 02	trim cover	/L	1	
	02A	black			
23	997 572 466 02	trim cover wing	/R	1	
	02A	black			

Model	Year	MG	SG	Illustration	Restrictions	UPD	9:02	02.03.2010	PORSCHE	PET	PORSCHE
987C2	2010	8	03	803-00		248					

Pos	Part Number	Description	Remark	Qty	Model	Pos	Part Number	Description	Remark	Qty	Model
24	999 902 052 40	velcro fastener cover 20 X 20		4							
25	999 902 051 40	velcro fastener wing 20 X 20		4							

Model	Year	MG	SG	Illustration	Restrictions	UPD	9:02	02.03.2010	PORSCHE	PET	PORSCHE
987C2	2010	8	03	803-05		248					

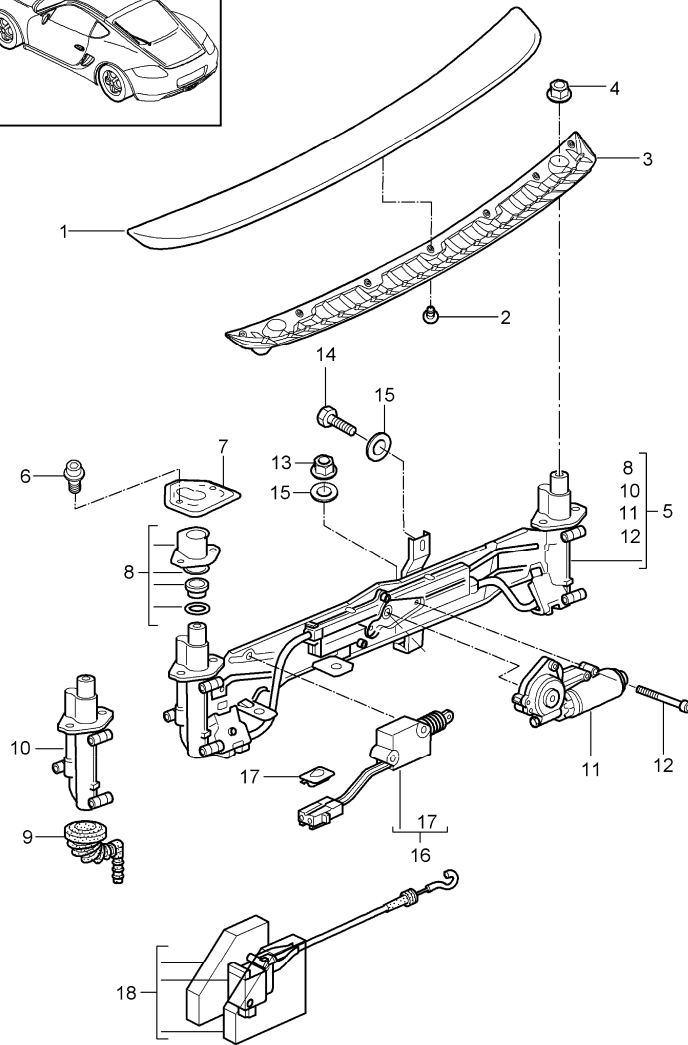
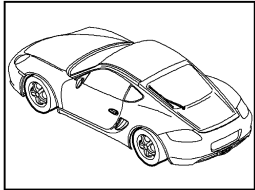


Pos	Part Number	Description	Remark	Qty	Model
1	987 512 011 01	lid rear		1	I426
	GRV	prime coated			
		use also:			
1	987 512 011 02	lid		1	I425
	GRV	prime coated			
		use also:			
-	000 043 204 38	sealing material		1	
2	987 512 911 01	gasket lid		1	
3	A 987 512 551 00	gas-pressure spring		2	
3	987 512 551 02	gas-pressure spring		2	
4	999 167 051 03	ball pin gas-pressure spring		4	
5	987 512 151 01	hinge	/L	1	
(5)	987 512 152 01	hinge	/R	1	
6	999 073 364 02	pan-head screw hinge lid outer M8 X 25		2	
7	999 073 360 02	pan-head screw hinge lid inner M8 X 16		2	
8	999 073 364 02	pan-head screw hinge bodyshell M8 X 25		4	
9	987 512 111 00	cover		1	
	01C	satin black			
10	999 507 987 02	clamp cover 1,60		4	
11	987 512 051 00	lock upper part		1	

Model	Year	MG	SG	Illustration	Restrictions	UPD	9:02	02.03.2010	PORSCHE	PET	PORSCHE
987C2	2010	8	03	803-05		248					

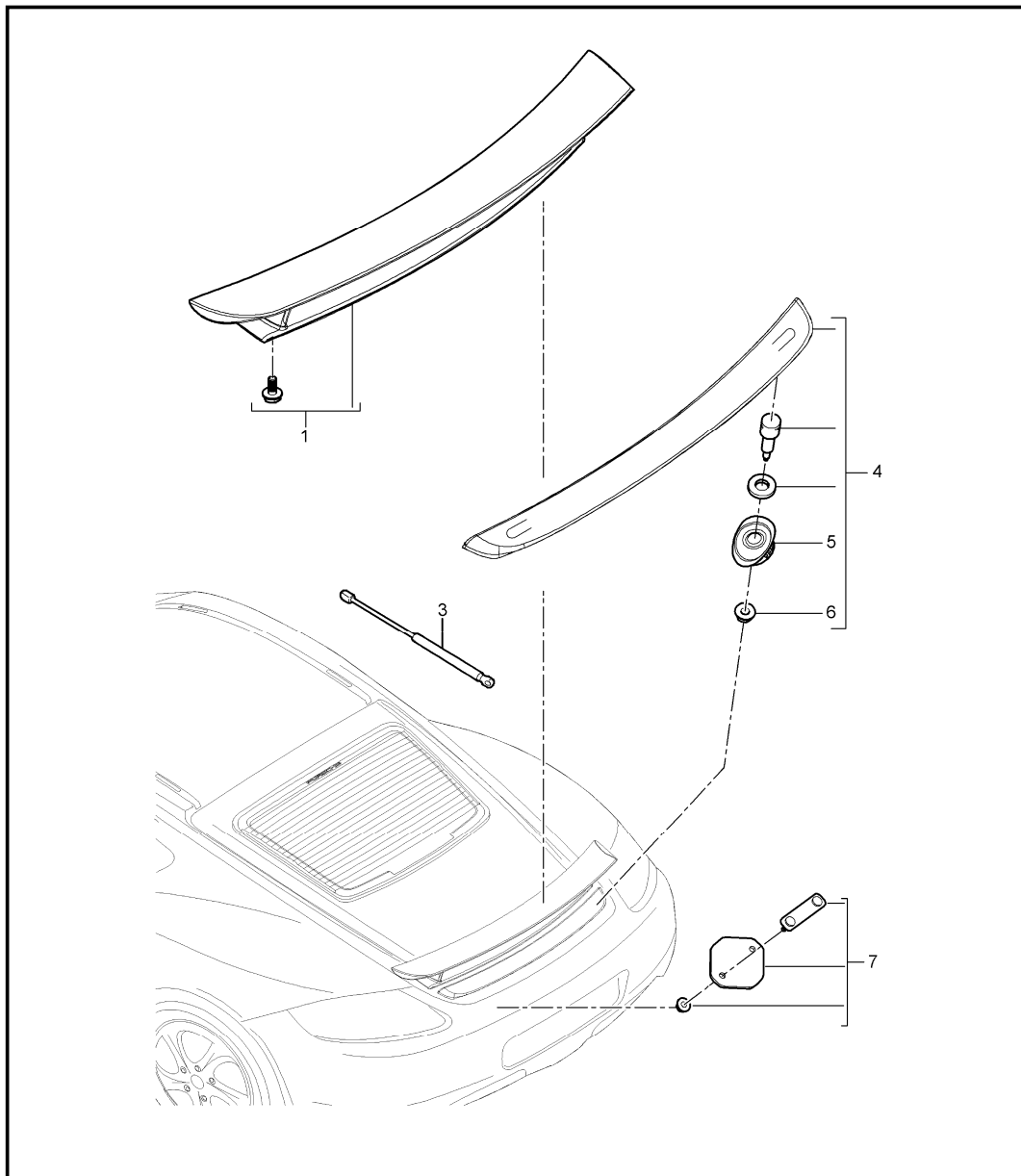
Pos	Part Number	Description	Remark	Qty	Model	Pos	Part Number	Description	Remark	Qty	Model
12	999 073 350 04	screw M 6 X 16		2							
13	987 512 987 01	actuator		2							
14	987 512 053 00	lock lower part		1							
15	900 075 504 01	combination screw M 6 X 45		2							
16	987 512 521 00	emergency operation		1							
17	987 512 117 00	actuator lid		1							
18	999 166 054 02	sl-lock		1							
19	999 500 152 02	blind rivet nut M6/0,75		4							
20	987 512 899 00	rubber buffer lid rear		2							
21	999 073 334 00	round head screw M6 x 16		2							
22	987 512 819 00	protective film		2							
23	987 512 125 02	vibration damper		1							
24	999 073 410 01	oval-head screw vibration damper M6 X 22		2							

Model	Year	MG	SG	Illustration	Restrictions	UPD	9:03	02.03.2010	PORSCHE	PET	PORSCHE
987C2	2010	8	03	803-07		248					



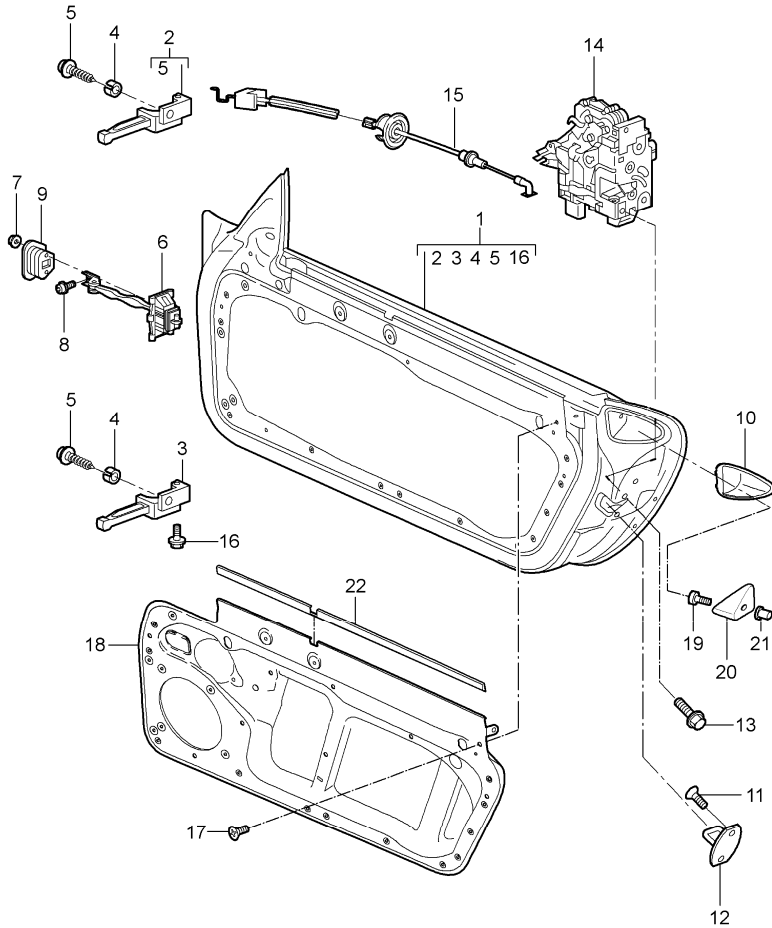
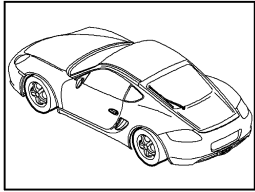
Pos	Part Number	Description	Remark	Qty	Model
		rear spoiler			
1	987 504 619 00	upper part		1	
	G2X	prime coated			
2	999 919 233 07	oval-head screw 4,0 X 8,0		7	
3	987 504 623 00	lower part		1	
4	900 377 003 02	hexagon nut M8		2	
5	987 504 109 00	driving mechanism complete		1	
6	999 218 016 02	combination screw M 6 X 16 micro-self-locking		4	
7	986 504 251 00	mounting plate		2	
8	987 504 413 00	gasket set hinge		2	
9	987 504 415 00	water drain hose		1	
10	987 504 411 00	hinge		2	
11	996 624 151 00	electric motor		1	
12	900 074 364 02	hexagon-head bolt M 5 X 55 micro-self-locking		1	
13	999 084 629 09	hexagon nut M 6		3	
14	900 075 485 09	hexagon-head bolt M 6 X 16		1	
15	900 035 001 09	washer		4	
16	996 624 117 01	actuator lid rear		1	
17	999 507 434 40	support		1	
18	987 512 117 00	actuator		1	

Model	Year	MG	SG	Illustration	Restrictions	UPD	9:03	02.03.2010	PORSCHE	PET	PORSCHE
987C2	2010	8	03	803-08		248					



Pos	Part Number	Description	Remark	Qty	Model
		rear spoiler aerokit			IXAM
1	987 512 992 01	rear spoiler		1	
3	987 512 551 04	gas-pressure spring	/L/R	2	
4	987 512 994 01	cover spoiler		1	
(5)	987 512 995 01	adapter	/L	1	
5	987 512 996 01	adapter mounting	/R	1	
6	900 380 015 01	hexagon nut M6		2	
7	987 512 998 00	gasket		2	

Model	Year	MG	SG	Illustration	Restrictions	UPD	9:03	02.03.2010	PORSCHE	PET	PORSCHE
987C2	2010	8	04	804-00		248					

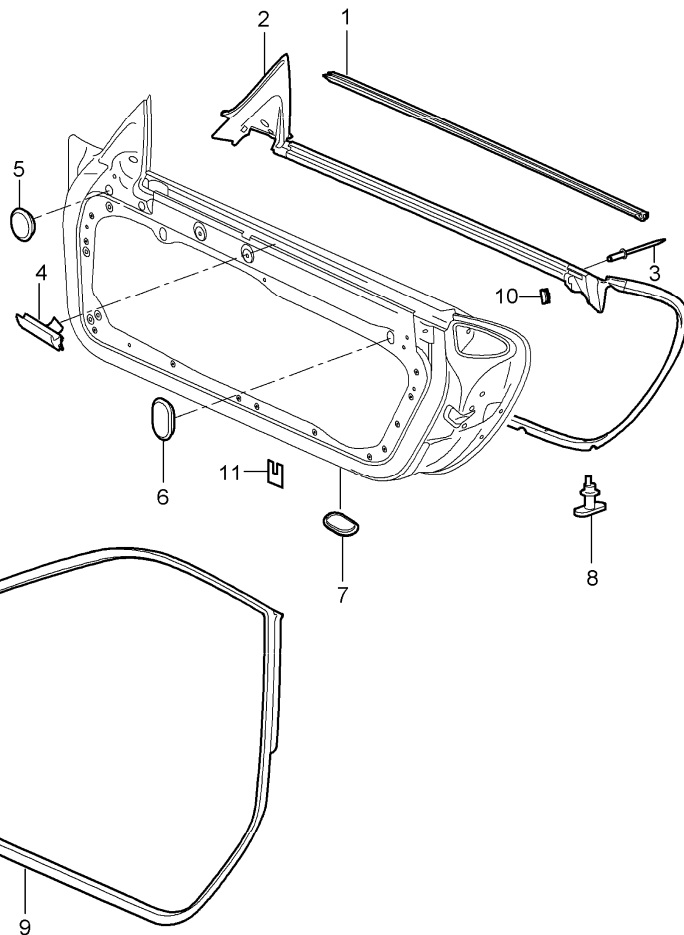
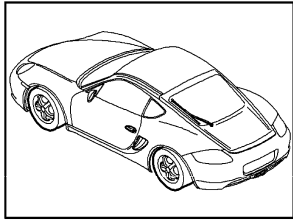


Pos	Part Number	Description	Remark	Qty	Model
		door in white installation parts door lock			
(1)	997 531 011 04	door	/L	1	
	GRV	prime coated use also:			
1	997 531 012 04	door	/R	1	
	GRV	prime coated use also:			
-	000 043 204 38	sealing material		1	
(2)	997 531 321 00	hinge	/L	1	
2	997 531 322 00	hinge	/R	1	
(3)	997 531 319 00	hinge	/L	1	
3	997 531 320 00	hinge	/R	1	
4	996 531 831 00	sleeve		4	
5	900 378 180 01	hexagon-head bolt M 8 X 25		2	
6	997 537 151 01	door arrester		2	
7	999 084 212 02	hexagon nut M 6		4	
8	999 073 138 09	screw M 8 X 25		2	
9	996 537 751 00	seal		2	
(10)	997 537 331 00	support		1	
	01C	satin black			
10	997 537 332 00	support		1	
	01C	satin black			
11	N 910 174 01	countersunk-head screw M 8 X 22		4	
12	3C0 837 767 A	closing element		2	
13	WHT 000 439	combination screw M 8 X 20		2	
(14)	3D1 837 015	door lock	/LL/L	1	

Model	Year	MG	SG	Illustration	Restrictions	UPD	9:03	02.03.2010	PORSCHE	PET	PORSCHE
987C2	2010	8	04	804-00		248					

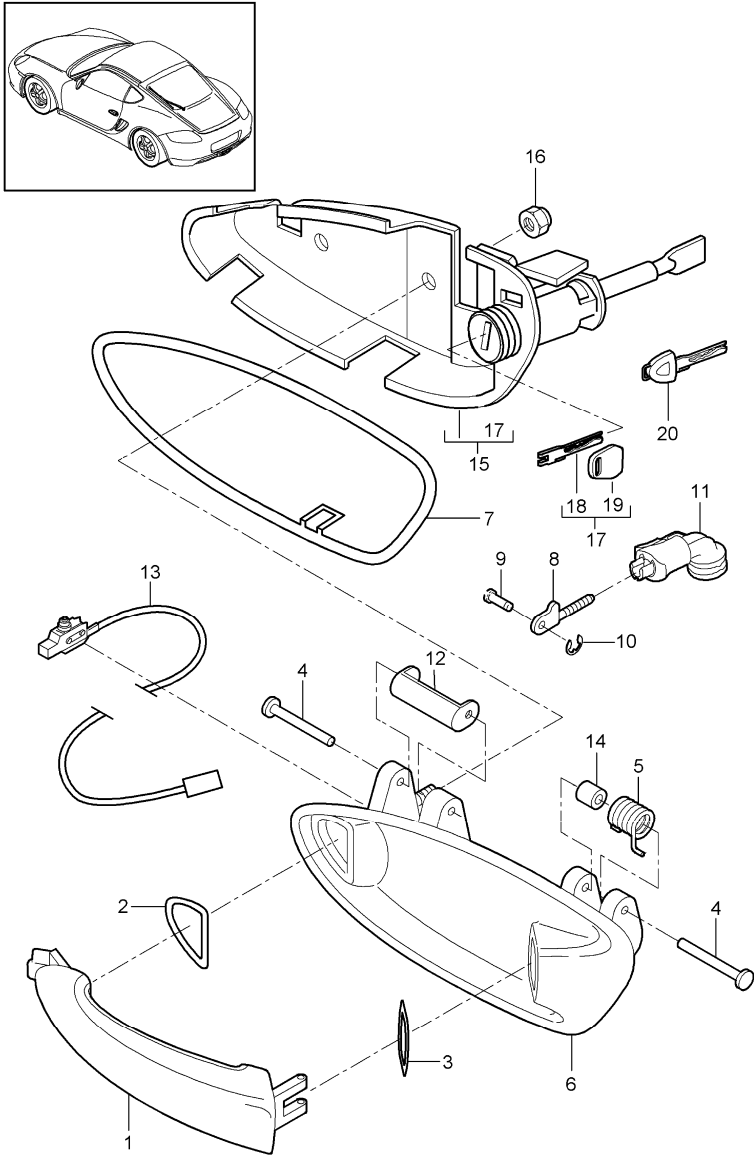
Pos	Part Number	Description	Remark	Qty	Model	Pos	Part Number	Description	Remark	Qty	Model
14	3D1 837 016	door lock	/LL/R	1							
(14)	3D2 837 015	door lock	/RL/L	1							
(14)	3D2 837 016	door lock	/RL/R	1							
15	997 537 319 01	bowden cable		2							
16	999 072 043 09	hexagon-head bolt M 6 X 12 micro-self-locking		4							
17	999 073 333 09	oval-head screw M6 X 16		9							
(18) U	987 537 201 00	inner panel	/L	1							
18 U	987 537 202 00	inner panel	/R	1							
(18)	987 537 201 01	inner panel	/L	1							
18	987 537 202 01	inner panel door	/R	1							
19	900 119 072 00	pan-head screw M8 X 16		2							
(20)	997 537 333 00	support	/L	1							
	G2X	prime coated									
20	997 537 334 00	support side section	/R	1							
	G2X	prime coated									
21	999 500 121 02	blind rivet nut M8 / 0,8 - 3		2							
22	999 551 172 40	lining strap 25 x 1,3 x 730 for inner panel		2							

Model	Year	MG	SG	Illustration	Restrictions	UPD	9:03	02.03.2010	PORSCHE	PET	PORSCHE
987C2	2010	8	04	804-10		248					



Pos	Part Number	Description	Remark	Qty	Model
		door seal gasket windscreen frame			
(1)	997 537 085 02	gasket outer	/L	1	
1	997 537 086 02	gasket outer	/R	1	
(2)	997 537 531 07	gasket inner	/L	1	
2	997 537 532 07	gasket inner	/R	1	
4	997 537 495 00	gasket		1	
5	803 803 583 A	lid 20,0 X 30,0		2	
6	999 703 541 40	lid 20,0 X 28,0		4	
7	999 703 542 40	lid 23,8 X 38,7		8	
(8)	999 591 513 40	clip gasket 5,8 x 0,9		36	
(9)	987 537 075 04	gasket door	/L	1	
9	987 537 076 04	gasket door	/R	1	
10	999 507 851 01	u-clamp gasket door		4	
11	996 537 337 00	protective film		4	

Model	Year	MG	SG	Illustration	Restrictions	UPD	9:03	02.03.2010	PORSCHE	PET	PORSCHE
987C2	2010	8	04	804-20		248					

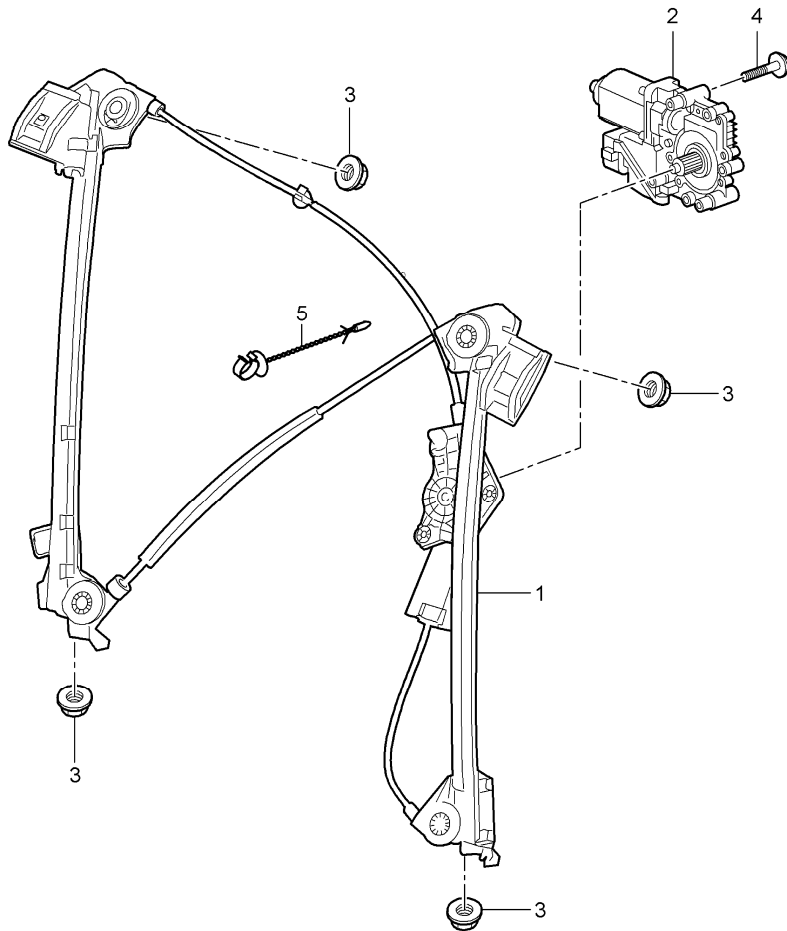
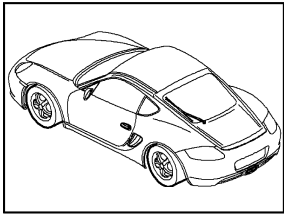


Pos	Part Number	Description	Remark	Qty	Model
1	997 537 613 00	door handle	/L	1	
	G2X	prime coated			
(1)	997 537 614 00	door handle	/R	1	
	G2X	prime coated			
2	997 537 623 00	buffer		2	
3	997 537 625 00	buffer		2	
4	997 537 621 00	axle		2	
5	997 537 611 00	return spring	/L	1	
(5)	997 537 612 00	return spring	/R	1	
6	997 537 645 00	handle liner	/LL/L	1	
	G2X	prime coated			
(6)	997 537 646 00	handle liner	/RL/R	1	
	G2X	prime coated			
(6)	997 537 645 01	handle liner	/RL/L	1	
	G2X	prime coated			
(6)	997 537 646 01	handle liner	/LL/R	1	
	G2X	prime coated			
7	997 537 637 00	desk pad	/L	1	
(7)	997 537 638 00	desk pad	/R	1	
8	997 537 627 00	operating rod		2	
9	997 537 629 00	bolt		2	
10	996 537 641 00	lock washer		2	
11	997 537 445 03	connecting piece		2	
12	997 537 653 00	actuating lever	/L	1	
(12)	997 537 654 00	actuating lever	/R	1	
13	997 613 125 00	microswitch		2	
		power windows			
14	997 537 633 00	bush		2	

Model	Year	MG	SG	Illustration	Restrictions	UPD	9:03	02.03.2010	PORSCHE	PET	PORSCHE
987C2	2010	8	04	804-20		248					

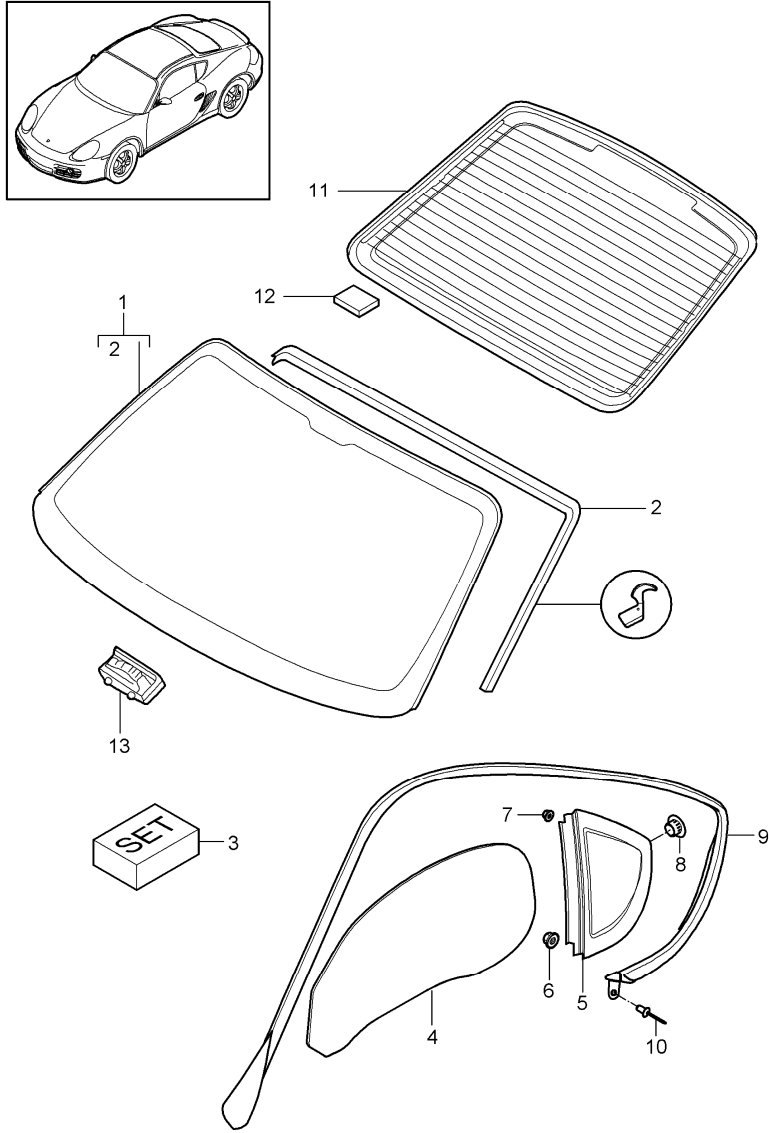
Pos	Part Number	Description	Remark	Qty	Model	Pos	Part Number	Description	Remark	Qty	Model
15	997 538 963 00	support with lock cylinder with stipulated lock number	/LL/L	1							
(15)	997 538 964 00	support with lock cylinder with stipulated lock number	/RL/R	1							
(15)	997 538 963 01	support with lock cylinder w/o stipulated lock number	/LL/L	1							
(15)	997 538 964 01	support with lock cylinder w/o stipulated lock number	/RL/R	1							
(15)	997 538 963 02	support with lock cylinder w/o stipulated lock number	/LL/L	06-	1 I625						
(15)	997 538 964 02	support with lock cylinder w/o stipulated lock number	/RL/R	06-	1 I625						
(15)	997 538 963 03	support with lock cylinder with stipulated lock number	/LL/L	06-	1 I625						
(15)	997 538 964 03	support with lock cylinder with stipulated lock number	/RL/R	06-	1 I625						
(15)	997 537 463 01	support without lock cylinder	/RL/L	1							
(15)	997 537 464 01	support without lock cylinder	/LL/R	1							
16	900 380 015 09	hexagon nut M6		4							
17	997 538 931 00	replacement key with stipulated lock number state lock number		X							
18	997 538 531 00	blank key		X							
19	944 538 431 00	key cap		X							

Model	Year	MG	SG	Illustration	Restrictions	UPD	9:03	02.03.2010	PORSCHE	PET	PORSCHE
987C2	2010	8	04	804-30		248					



Pos	Part Number	Description	Remark	Qty	Model
		power windows			
1	987 542 075 01	power windows	/L	1	
(1)	987 542 076 01	power windows	/R	1	
2	997 624 181 02	electric motor	/LL/L	1	
(2)	997 624 182 02	electric motor	/LL/R	1	
(2)	997 624 181 02	electric motor	/RL/R	1	
(2)	997 624 182 02	electric motor	/RL/L	1	
3	900 380 015 09	hexagon nut M 6		4	
4	999 919 209 09	oval-head screw M5X22		6	
5	987 542 941 00	clip bowden cable power windows		1	

Model	Year	MG	SG	Illustration	Restrictions	UPD	9:04	02.03.2010	PORSCHE	PET	PORSCHE
987C2	2010	8	05	805-00		248					

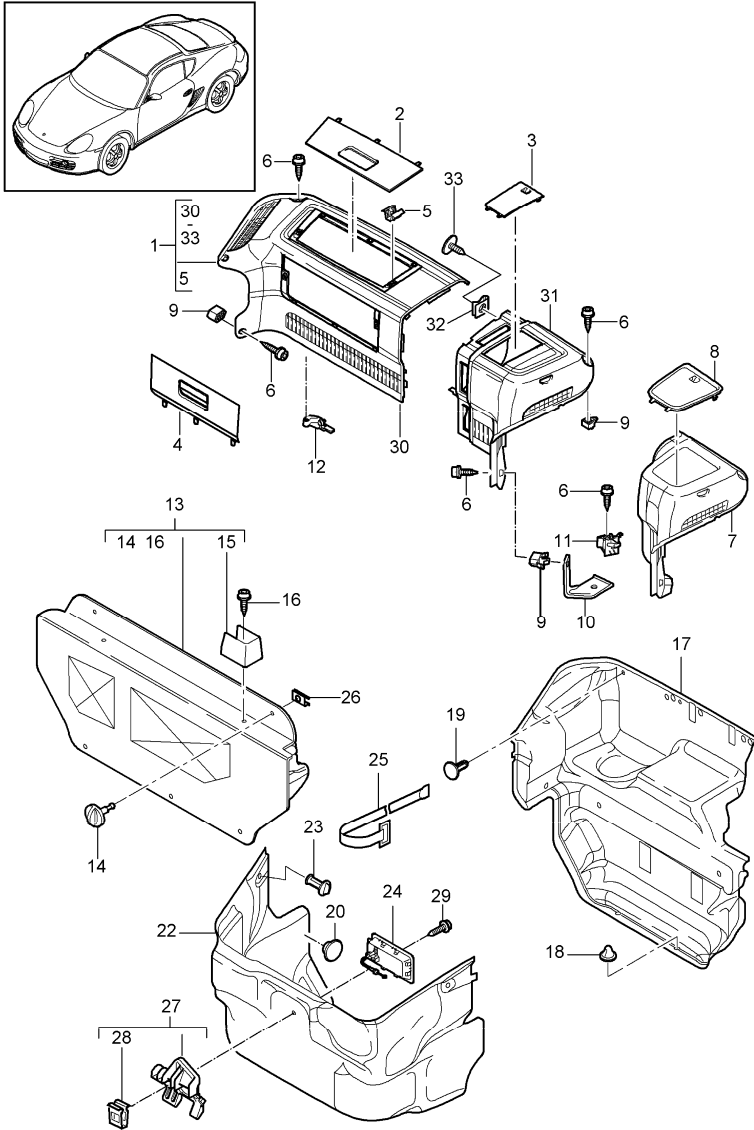


Pos	Part Number	Description	Remark	Qty	Model
		window glazing			
1	987 541 911 08	windscreen tinted		1	I568
(1)	987 541 911 09	windscreen tinted		1	I567
(1)	987 541 911 10	windscreen tinted		1	I267/268/568
(1)	987 541 911 11	windscreen tinted		1	I267/268/567
(1)	987 541 911 12	windscreen tinted		1	I440/568
(1)	987 541 911 13	windscreen tinted		1	I440/567
(1)	987 541 911 14	windscreen tinted		1	I267/268/440 I568
(1)	987 541 911 15	windscreen tinted		1	I267/268/440 I567
2	997 541 901 09	gasket		1	
3	000 043 301 14	adhesive set HENKEL TEROSON		1	
4	987 542 511 03	door window glass	/L	1	
(4)	987 542 512 03	door window glass	/R	1	
5	987 543 111 02	rear window	/L	1	
(5)	987 543 112 02	rear window	/R	1	
6	999 084 210 01	hexagon nut rear window M8		2	
7	999 084 220 01	hexagon nut rear window M5		6	
8	999 702 352 40	grommet rear window 5,5 X 6,5		2	
9	987 537 481 01	roof frame seal	/L	1	
(9)	987 537 482 01	roof frame seal	/R	1	

Model	Year	MG	SG	Illustration	Restrictions	UPD	9:04	02.03.2010	PORSCHE	PET	PORSCHE
987C2	2010	8	05	805-00		248					

Pos	Part Number	Description	Remark	Qty	Model	Pos	Part Number	Description	Remark	Qty	Model
10	999 190 445 37	blind rivet roof frame seal A 4,0 X 7,9		18							
11	987 545 911 01	rear window		1							
12	999 703 130 40	buffer rear window		6							
13	999 507 576 41	support		2							

Model	Year	MG	SG	Illustration	Restrictions	UPD	9:04	02.03.2010	PORSCHE	PET	PORSCHE
987C2	2010	8	07	807-00		248					



Pos	Part Number	Description	Remark	Qty	Model
(1)	997 551 133 00	luggage compartment front			
		lining	/LL	1	I098/674
		luggage compartment complete			
		02A black			
(1)	997 551 133 00	lining	/LL	1	I098/676
		luggage compartment complete			
		02A black			
(1)	997 551 133 00	lining		1	I673
		luggage compartment complete			
		02A black			
(1)	997 551 133 01	lining	/RL	1	I099
		luggage compartment complete			
		02A black			
2	997 551 306 00	lid upper	/LL	1	I098/674
		02A black			
2	997 551 306 00	lid upper	/LL	1	I098/676
		02A black			
2	997 551 306 00	lid upper		1	I673
		02A black			
(2)	997 551 305 00	lid upper	/RL	1	I099
		02A black			
3	997 551 301 00	lid brake booster	/LL	1	I098/674
		02A black			
3	997 551 301 00	lid brake booster	/LL	1	I098/676
		02A black			

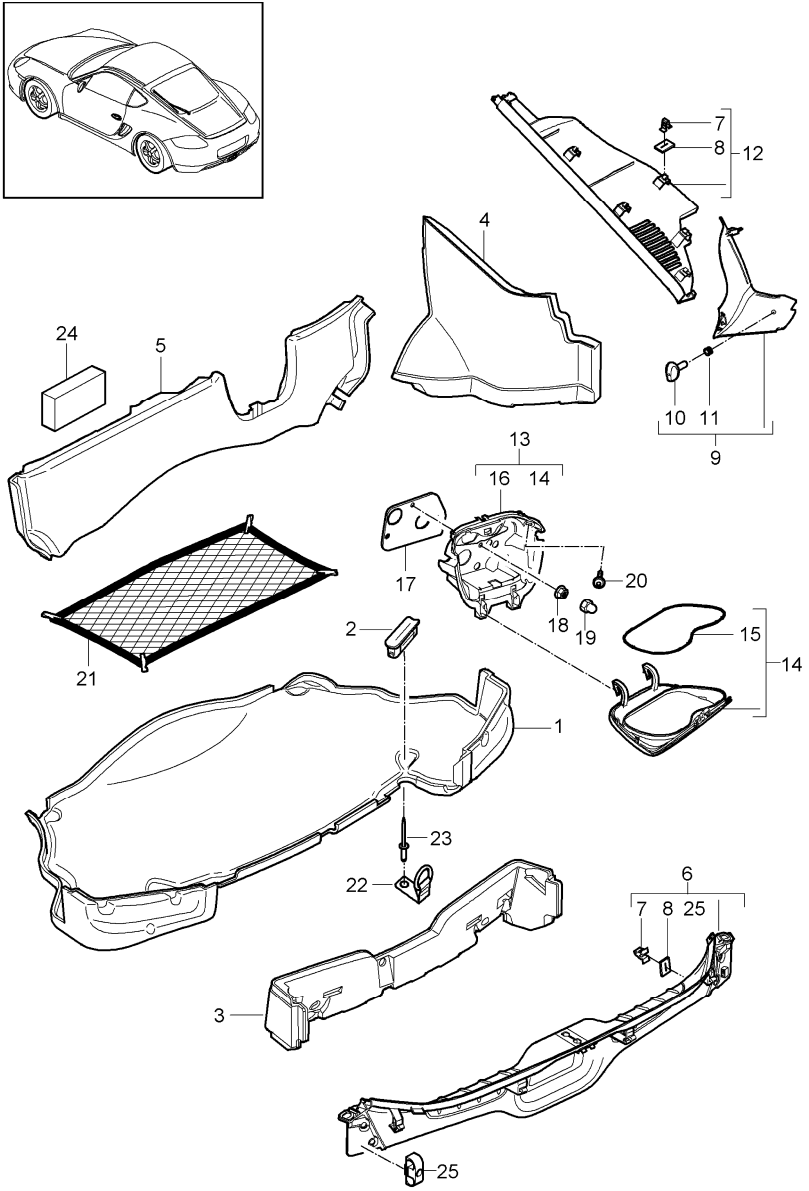
Model	Year	MG	SG	Illustration	Restrictions	UPD	9:04	02.03.2010	PORSCHE	PET	PORSCHE
987C2	2010	8	07	807-00		248					

Pos	Part Number	Description	Remark	Qty	Model	Pos	Part Number	Description	Remark	Qty	Model
3	997 551 301 00	lid brake booster		1	I673	11	999 507 512 40	support ST 3,5		X	
	02A	black				12	997 551 772 02	support lining		1	
(3)	997 551 302 00	lid brake booster	/RL	1	I099	13	997 551 123 02	lining tool carpet		1	
	02A	black					A31	black			
(3)	997 551 302 00	lid brake booster	/RL	1	I099	(13)	997 551 123 03	lining tool carpet		1	I193
	02A	black					A31	black			
4	997 551 308 01	lid lower	/LL	1	I098/674	14	997 551 803 00	catch lining tool		2	
	02A	black				15	997 551 801 00	support warning triangle	/L	1	
4	997 551 308 01	lid lower	/LL	1	I098/676		02A	black			
	02A	black				(15)	997 551 802 00	support warning triangle	/R	1	
4	997 551 308 01	lid lower		1	I673		02A	black			
	02A	black				16	999 073 362 09	tapping screw 4,8 X 22		2	
(4)	997 551 307 00	lid lower	/RL	1	I099	17	997 551 051 25	lining luggage compartment bulkhead carpet	/LL	1	I098
	02A	black					A31	black			
5	999 507 735 02	clamp 9 X 22/2,5		4		(17)	997 551 051 26	lining luggage compartment bulkhead carpet	/LL	1	I098/674
6	900 187 501 01	tapping screw ST 3,5 X 16		X			A31	black			
7	997 551 231 00	lining brake booster	/LL	1	I098	(17)	997 551 051 26	lining luggage compartment bulkhead carpet	/LL	1	I098/674
	02A	black					A31	black			
8	997 551 311 00	lid brake booster	/LL	1	I098	(17)	997 551 051 26	lining luggage compartment bulkhead carpet	/LL	1	I098/676
	02A	black					A31	black			
9	999 507 734 40	support ST 3,5		X							
10	997 551 771 02	support lining luggage compartment		1			A31	black			

Model	Year	MG	SG	Illustration	Restrictions	UPD	9:04	02.03.2010	PORSCHE	PET	PORSCHE
987C2	2010	8	07	807-00		248					

Pos	Part Number	Description	Remark	Qty	Model	Pos	Part Number	Description	Remark	Qty	Model
(17)	997 551 051 26	lining luggage compartment bulkhead carpet		1	I673	(30)	997 551 635 00	lining luggage compartment	/RL	1	I099
	A31	black					FMU	black/black			
(17)	997 551 051 28	lining luggage compartment bulkhead carpet	/RL	1	I099	31	997 551 633 00	lining brake booster	/LL	1	I098/674
	A31	black					FMU	black/black			
18	999 049 004 40	plastic nut T5 / 32 X 20		2		31	997 551 633 00	lining brake booster		1	I673
19	999 703 432 40	stopper 8,2 X 18		2			FMU	black/black			
20	999 703 455 41	lid 12,2 X 25		X		(31)	997 551 632 00	lining brake booster		1	I099
22	987 551 045 04	lining luggage compartment liner carpet		1			FMU	black/black			
	A31	black				32	999 507 795 09	speed nut 4,8		3	
23	999 049 006 40	plastic nut T5 /30 X 7,5		2		33	999 073 231 09	tapping screw st 4,8 X 16		3	
25	997 551 741 00	retaining strap first-aid kit		1	I024	34	999 025 236 40	washer lock catch position 14		2	
(25)	997 551 741 00	retaining strap first-aid kit		1	I499						
26	999 590 055 01	fastening clamp 10,7 X 11,5		2							
30	997 551 634 00	lining luggage compartment	/LL	1	I098/674						
	FMU	black/black									
30	997 551 634 00	lining luggage compartment	/LL	1	I098/676						
	FMU	black/black									
30	997 551 634 00	lining luggage compartment		1	I673						
	FMU	black/black									

Model	Year	MG	SG	Illustration	Restrictions	UPD	9:04	02.03.2010	PORSCHE	PET	PORSCHE
987C2	2010	8	07	807-01		248					



Pos	Part Number	Description	Remark	Qty	Model
1	987 551 053 02	luggage compartment rear lining carpet		1	
	A10	black			
	B10	stone grey			
	T10	sand beige			
	E10	sea blue			
	M10	terracotta			
	R10	cocoa			
	D11	dark grey/natural			
	T11	brown/natural			
	N10	carrera red			
2	987 551 545 00	cover fastening clip		2	
	01C	satin black			
3	987 551 067 00	lining rear spoiler carpet		1	
	A10	black			
	B10	stone grey			
	T10	sand beige			
	E10	sea blue			
	M10	terracotta			
	R10	cocoa			
	D11	dark grey/natural			
	T11	brown/natural			
	N10	carrera red			
(4)	987 551 063 00	luggage compartment trim lateral carpet	/L	1	
	A10	black			

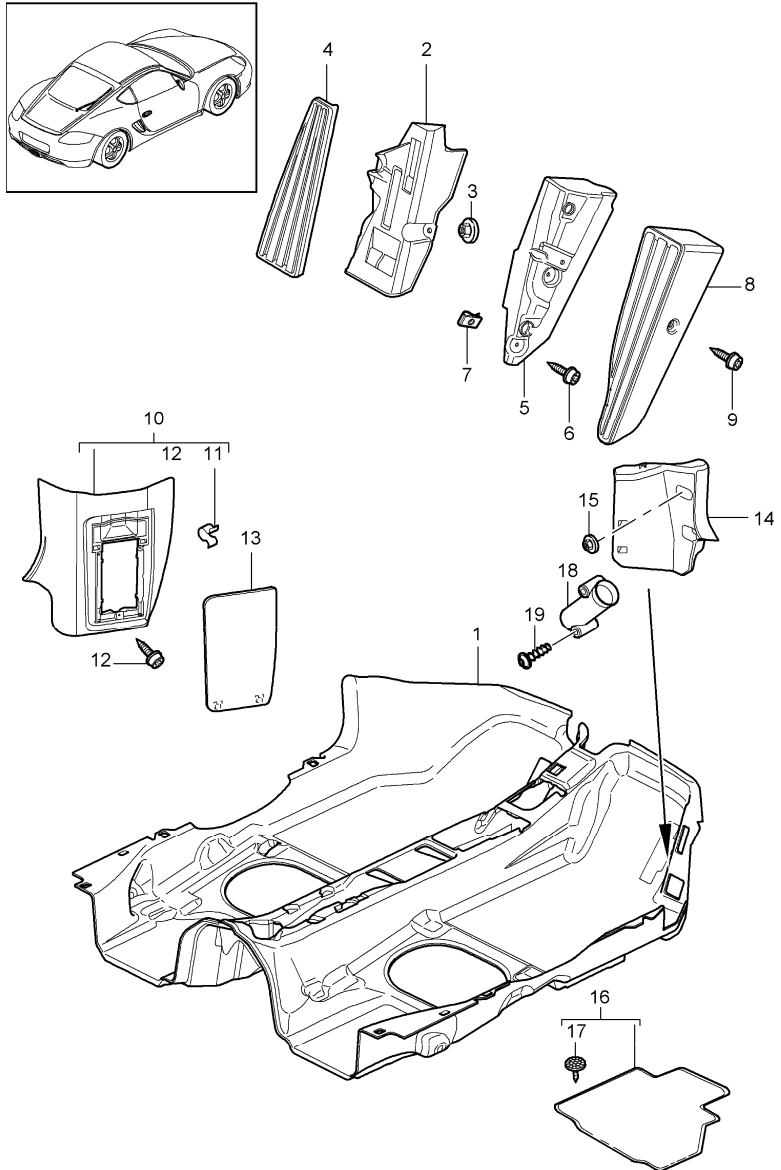
Model	Year	MG	SG	Illustration	Restrictions	UPD	9:04	02.03.2010	PORSCHE	PET	PORSCHE
987C2	2010	8	07	807-01		248					

Pos	Part Number	Description	Remark	Qty	Model	Pos	Part Number	Description	Remark	Qty	Model
	B10	stone grey					T11	brown/natural			
	T10	sand beige					N10	carrera red			
	E10	sea blue				6	987 555 251 00	lining lid lock		1	
	M10	terracotta					A03	black			
	R10	cocoa					5V7	stone grey			
	D11	dark grey/natural					5Z1	sand beige			
	T11	brown/natural					8W7	sea blue			
	N10	carrera red					8X8	terracotta			
4	987 551 064 00	luggage compartment trim lateral carpet	/R	1			8P9	cocoa			
	A10	black					T13	brown/natural			
	B10	stone grey					N23	carrera red			
	T10	sand beige				7	999 507 839 01	clamp 3,5		X	
	E10	sea blue				8	999 209 084 40	spacer 20 X 25 X 0,5		X	
	M10	terracotta				(9)	987 551 651 01	lining rear light	/L	1	
	R10	cocoa					01C	satin black			
	D11	dark grey/natural					9	987 551 652 01	lining rear light	/R	1
	T11	brown/natural					01C	satin black			
	N10	carrera red					10	999 590 056 40	closing element 26,5 X 18,4		2
5	987 551 045 03	lining cross member rear wall carpet		1			11	999 230 579 40	lock 6,15 X 1,07		4
	A10	black				(12)	987 555 189 01	luggage compartment trim lateral upper	/L	1	
	B10	stone grey					A03	black			
	T10	sand beige					5V7	stone grey			
	E10	sea blue					5Z1	sand beige			
	M10	terracotta					8W7	sea blue			
	R10	cocoa					8X8	terracotta			
	D11	dark grey/natural									

Model	Year	MG	SG	Illustration	Restrictions	UPD	9:04	02.03.2010	PORSCHE	PET	PORSCHE
987C2	2010	8	07	807-01		248					

Pos	Part Number	Description	Remark	Qty	Model	Pos	Part Number	Description	Remark	Qty	Model		
12	8P9	cocoa	/R	1			E10	sea blue					
	T13	brown/natural					M10	terracotta					
	N23	carrera red					R10	cocoa					
	987 555 190 02	luggage compartment trim lateral upper					D11	dark grey/natural					
	A03	black					T11	brown/natural					
	5V7	stone grey					N10	carrera red					
	5Z1	sand beige					15	987 555 475 00				gasket service cup	1
	8W7	sea blue					16	987 555 077 00				assembly frame service cup	1
	8X8	terracotta					17	987 555 477 01				sealing frame service cup	1
	8P9	cocoa					18	999 076 048 01				hexagon nut M6	3
13	987 555 067 01	cover service cup		1			19	999 703 231 41	protection cap	1			
	A10	black					20	999 073 372 01	tapping screw 4,2 X 16	2			
	B10	stone grey					21	987 551 339 00	luggage net	1			
	T10	sand beige					(21)	987 551 339 01	luggage net	1	I479		
	E10	sea blue					22	987 551 245 01	eye luggage lock 60 mm	4			
	M10	terracotta					23	999 190 484 02	blind rivet A 6,4 x 14,5	4			
	R10	cocoa					24	987 551 675 00	foam part support control unit	1			
	D11	dark grey/natural					25	999 590 057 40	cams catch	2			
	T11	brown/natural											
	N10	carrera red											
14	987 555 075 00	lid service cup		1									
	A10	black											
	B10	stone grey											
	T10	sand beige											

Model	Year	MG	SG	Illustration	Restrictions	UPD	9:04	02.03.2010	PORSCHE	PET	PORSCHE
987C2	2010	8	07	807-02		248					



Pos	Part Number	Description	Remark	Qty	Model
1	987 551 011 04	interior equipment carpet linings carpet carpet FLW black FLX stone grey FLY sand beige FLZ sea blue FMB terracotta FMC cocoa FMD dark grey/natural FME brown/natural FSV carrera red	09- /LL	1	I098/441
1	987 551 011 04	carpet carpet FLW black FLX stone grey FLY sand beige FLZ sea blue FMB terracotta FMC cocoa FMD dark grey/natural FME brown/natural FSV carrera red	/LL	1	I098/490
(1)	987 551 011 05	carpet carpet FLW black FLX stone grey FLY sand beige FLZ sea blue	/RL	1	I099/441

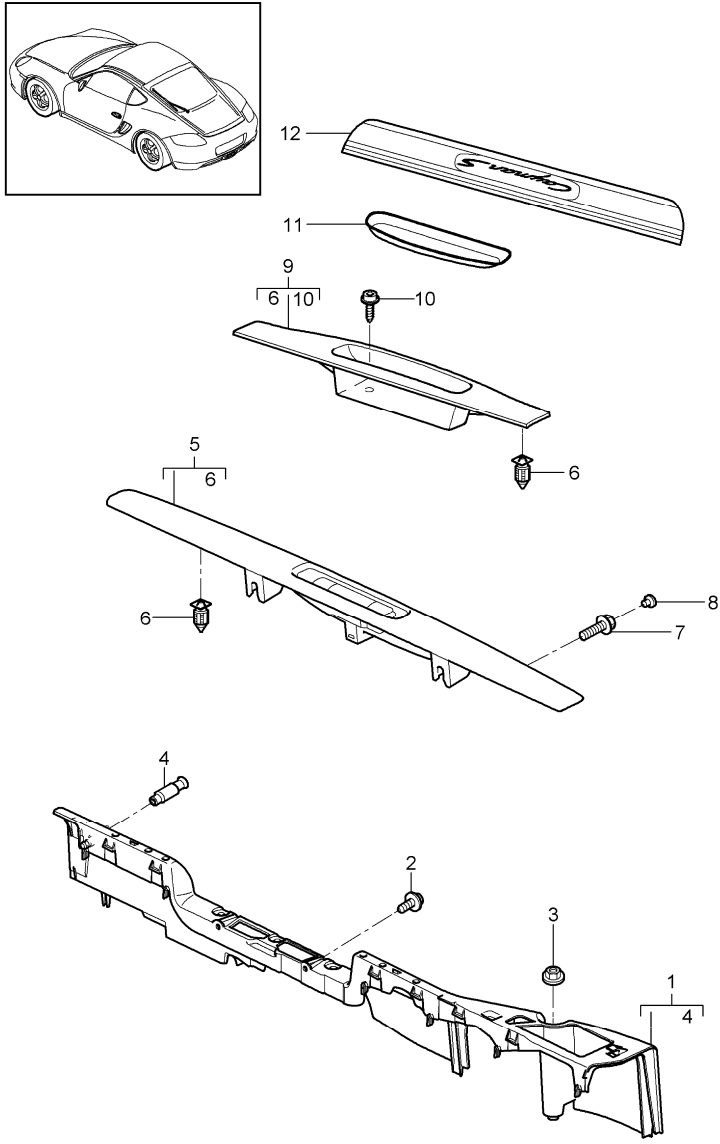
Model	Year	MG	SG	Illustration	Restrictions	UPD	9:04	02.03.2010	PORSCHE	PET	PORSCHE
987C2	2010	8	07	807-02		248					

Pos	Part Number	Description	Remark	Qty	Model	Pos	Part Number	Description	Remark	Qty	Model
	FMB	terracotta					FLX	stone grey			
	FMC	cocoa					FLY	sand beige			
	FMD	dark grey/natural					FLZ	sea blue			
	FME	brown/natural					FMB	terracotta			
	FSV	carrera red					FMC	cocoa			
(1)	987 551 011 05	carpet carpet	/RL	1	I099/490		FMD	dark grey/natural			
	FLW	black					FME	brown/natural			
	FLX	stone grey					FSV	carrera red			
	FLY	sand beige				-	997 551 813 01	protective film carpet	/LL	1	I098
	FLZ	sea blue				-	997 551 815 01	protective film carpet	/RL	1	I099
	FMB	terracotta				2	997 551 211 01	foot support	/LL	1	
	FMC	cocoa				3	999 076 081 40	plastic nut T5/16 X 11,2		2	
	FMD	dark grey/natural				4	997 551 611 00	cover foot support	/LL	1	I098
	FME	brown/natural					01C	satin black			
	FSV	carrera red				(4)	997 551 986 00	cover foot support	/LL	1	IXXZ/098
(1)	987 551 011 06	carpet carpet	/LL	1	I098/680	5	997 551 212 00	foot support	/RL	1	I099
	FLW	black				6	999 073 060 02	tapping screw ST 4,8 X 13 for mount foot support	/RL	2	I099
	FLX	stone grey				7	999 591 485 01	speed nut ST 4,8 for mount foot support	/RL	2	I099
	FLY	sand beige				8	997 551 612 00	cover foot support	/RL	1	I099
	FLZ	sea blue					01C	satin black			
	FMB	terracotta									
	FMC	cocoa									
	FMD	dark grey/natural									
	FME	brown/natural									
	FSV	carrera red									
(1)	987 551 011 07	carpet carpet	/RL	1	I099/680						
	FLW	black									

Model	Year	MG	SG	Illustration	Restrictions	UPD	9:04	02.03.2010	PORSCHE	PET	PORSCHE
987C2	2010	8	07	807-02		248					

Pos	Part Number	Description	Remark	Qty	Model	Pos	Part Number	Description	Remark	Qty	Model
9	999 919 188 09	oval-head screw 5,0 X 30 for mount cover foot support	/RL	1	I099	12	999 919 161 09	oval-head screw 5,0 X 18 for mount fusebox		3	
10	997 551 101 00	lining fusebox carpet	/LL	1	I098	13	997 551 621 00	lid lining fusebox	/LL	1	I098
	A10	black					01C	satin black			
	B10	stone grey				(13)	997 551 622 00	lid lining fusebox	/RL	1	I099
	T10	sand beige					01C	satin black			
	E10	sea blue				14	997 551 712 02	support carpet	/LL	1	I098
	M10	terracotta				(14)	997 551 711 02	support carpet	/RL	1	I099
	R10	cocoa				15	999 076 081 40	plastic nut T5/16 X 11,2 mount support carpet		2	
	D11	dark grey/natural						set see group TEG/8/07/07			
	T11	brown/natural				17	999 902 054 40	fastening plate for floor mats		4	
	N10	carrera red				18	964 551 751 00	support warning light	/RL	1	I099/193
(10)	997 551 102 00	lining fusebox carpet	/RL	1	I099	(18)	997 551 852 00	support warning light	/LL	1	I098/193
	A10	black				19	999 919 254 01	oval-head screw 4,0 x 36,5		2	
	B10	stone grey									
	T10	sand beige									
	E10	sea blue									
	M10	terracotta									
	R10	cocoa									
	D11	dark grey/natural									
	T11	brown/natural									
	N10	carrera red									
11	999 507 552 01	spring clamp 9,0 X 13/4,0		2							

Model	Year	MG	SG	Illustration	Restrictions	UPD	9:04	02.03.2010	PORSCHE	PET	PORSCHE
987C2	2010	8	07	807-03		248					

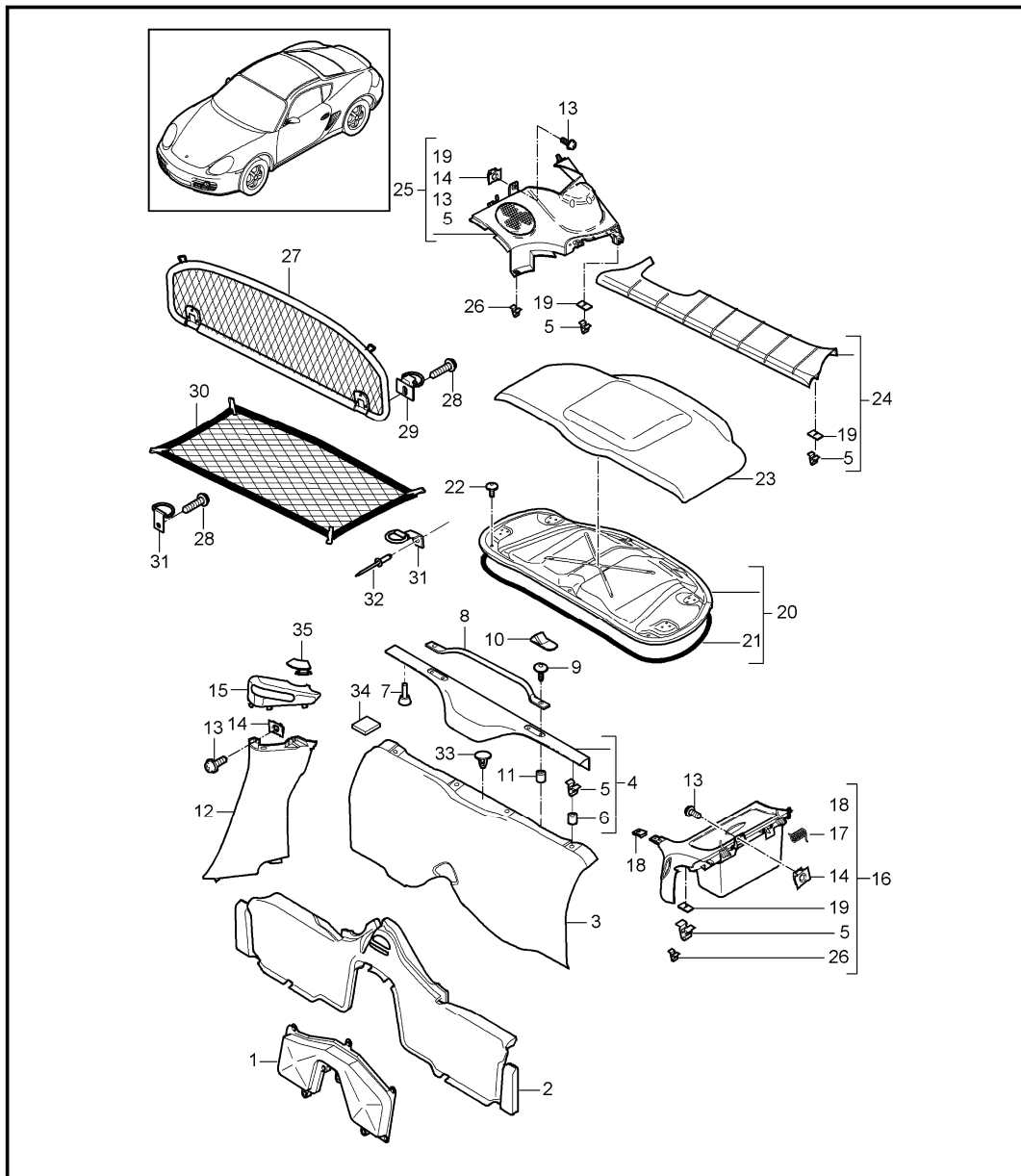


Pos	Part Number	Description	Remark	Qty	Model
1	987 551 619 01	lining door sill		1	
(1)	987 551 620 01	support door sill	/L	1	
2	900 143 082 01	support door sill	/R	1	
		tapping screw ST 6,3 X 13 for mount support door sill		4	
3	999 076 081 40	plastic nut T5 16 X 11,2 for mount support door sill		2	
4	996 551 873 00	locating peg for mount support door sill		2	
5	997 551 019 04	lining door sill driver's side	/LL	1	I098
	A03	black			
(5)	997 551 019 05	lining door sill driver's side	/RL	1	I099
	A03	black			
6	999 507 484 40	expander nut 9 X 22		X	
7	999 067 046 01	combination screw M 6 X 20		2	
8	999 703 443 40	stopper 8,0 X 11		2	
	01C	satin black			
9	997 551 120 01	lining door sill passenger's side		1	
	A03	black			

Model	Year	MG	SG	Illustration	Restrictions	UPD	9:04	02.03.2010	PORSCHE	PET	PORSCHE
987C2	2010	8	07	807-03		248					

Pos	Part Number	Description	Remark	Qty	Model	Pos	Part Number	Description	Remark	Qty	Model
10	999 919 164 09	oval-head screw 5,0 X 12		1							
11	996 551 513 00	mat		1							
(12)	987 551 303 06	scuff plate lacquered A03 black		2	CAYMAN -IX69/-IX70						
12	987 551 303 07	scuff plate lacquered A03 black exclusive see catalogue tequipment 8/07/07		2	CAYMAN S -IX69/-IX70						

Model	Year	MG	SG	Illustration	Restrictions	UPD	9:05	02.03.2010	PORSCHE	PET	PORSCHE
987C2	2010	8	07	807-05		248					



Pos	Part Number	Description	Remark	Qty	Model
1	987 504 181 00	linings engine compartment lid bulkhead engine compartment		1	
2	987 551 033 01	lining cross member carpet		1	
	A10	black			
	B10	stone grey			
	T10	sand beige			
	E10	sea blue			
	M10	terracotta			
	R10	cocoa			
	D11	dark grey/natural			
	T11	brown/natural			
	N10	carrera red			
3	987 551 035 04	lining rear wall carpet		1	
	A10	black			
	B10	stone grey			
	T10	sand beige			
	E10	sea blue			
	M10	terracotta			
	R10	cocoa			
	D11	dark grey/natural			
	T11	brown/natural			
	N10	carrera red			
4	987 555 401 00	retaining strip lock luggage		1	
	A03	black			

Model	Year	MG	SG	Illustration	Restrictions	UPD	9:05	02.03.2010	PORSCHE	PET	PORSCHE
987C2	2010	8	07	807-05		248					

Pos	Part Number	Description	Remark	Qty	Model	Pos	Part Number	Description	Remark	Qty	Model
	5V7	stone grey					M8W	Macadamia Metallic			
	5Z1	sand beige					8A7	ruby red metallic			
	8W7	sea blue					2B5	Malachite Green Metallic			
	8X8	terracotta					22G	Racing Green Metallic			
	8P9	cocoa					M5R	Aqua Blue Metallic			
	T13	brown/natural					32B	Sailing Blue Metallic			
	N23	carrera red					51A	creamy white			
(4)	987 555 401 01	retaining strip lock luggage		1	I580		M2Z	Nordic Gold Metallic			
	A03	black				(4)	987 555 401 03	retaining strip lock luggage		1	I580/805
	5V7	stone grey					041	black			
	5Z1	sand beige					84A	guards red			
	8W7	sea blue					12H	speed yellow			
	8X8	terracotta					B9A	carrara white			
	8P9	cocoa					92U	arctic silver metallic			
	T13	brown/natural					C9Z	basalt black metallic			
	N23	carrera red					M7X	atlas grey metallic			
(4)	987 555 401 02	retaining strip lock luggage		1	I805		39C	midnight blue metallic			
	041	black					M7W	Meteor Grey Metallic			
	84A	guards red					M7Z	gt silver metallic			
	12H	speed yellow					M8W	Macadamia Metallic			
	B9A	carrara white					8A7	ruby red metallic			
	92U	arctic silver metallic					2B5	Malachite Green Metallic			
	C9Z	basalt black metallic					22G	Racing Green Metallic			
	M7X	atlas grey metallic					M5R	Aqua Blue Metallic			
	39C	midnight blue metallic					32B	Sailing Blue Metallic			
	M7W	Meteor Grey Metallic					51A	creamy white			
	M7Z	gt silver metallic					M2Z	Nordic Gold Metallic			

Model	Year	MG	SG	Illustration	Restrictions	UPD	9:05	02.03.2010	PORSCHE	PET	PORSCHE
987C2	2010	8	07	807-05		248					

Pos	Part Number	Description	Remark	Qty	Model	Pos	Part Number	Description	Remark	Qty	Model
5	999 507 839 01	clamp 3.5		X			T11	brown/natural			
6	999 209 084 40	spacer 20 X 25 X 0,5		6			N10	carrera red			
7	999 703 041 40	rubber buffer 4 X 6 X 9,3		X		12	987 555 216 02	lining c-pillar lower	/R	1	
8	987 555 411 03	clip lock luggage		1			A10	black			
	D07	volcano grey					B10	stone grey			
9	999 073 095 01	round head screw M 8 X 30		2			T10	sand beige			
10	987 555 403 00	cover clip		2			E10	sea blue			
	A03	black					M10	terracotta			
	5V7	stone grey					R10	cocoa			
	5Z1	sand beige					D11	dark grey/natural			
	8W7	sea blue					T11	brown/natural			
	8X8	terracotta				13	999 073 372 01	tapping screw 4,2 X 16		4	
	8P9	cocoa				14	999 591 135 01	captive nut ST 4.2		4	
	T13	brown/natural				(15)	987 555 451 00	rosette	/L	1	
	N23	carrera red					A03	black			
11	999 209 083 02	spacer sleeve 4,5 X 0,7 X 5		2			5V7	stone grey			
(12)	987 555 215 02	lining c-pillar lower	/L	1			5Z1	sand beige			
	A10	black					8W7	sea blue			
	B10	stone grey					8X8	terracotta			
	T10	sand beige					8P9	cocoa			
	E10	sea blue					T13	brown/natural			
	M10	terracotta				15	987 555 452 00	rosette seat belt	/R	1	
	R10	cocoa					N23	carrera red			
	D11	dark grey/natural					A03	black			
							5V7	stone grey			

Model	Year	MG	SG	Illustration	Restrictions	UPD	9:05	02.03.2010	PORSCHE	PET	PORSCHE
987C2	2010	8	07	807-05		248					

Pos	Part Number	Description	Remark	Qty	Model	Pos	Part Number	Description	Remark	Qty	Model
	5Z1	sand beige					12H	speed yellow			
	8W7	sea blue					B9A	carrara white			
	8X8	terracotta					92U	arctic silver metallic			
	8P9	cocoa					C9Z	basalt black metallic			
	T13	brown/natural					M7X	atlas grey metallic			
	N23	carrera red					39C	midnight blue metallic			
(15)	987 555 451 01	rosette	/L	1	I805		M7W	Meteor Grey Metallic			
	041	black					M7Z	gt silver metallic			
	84A	guards red					M8W	Macadamia Metallic			
	12H	speed yellow					8A7	ruby red metallic			
	B9A	carrara white					2B5	Malachite Green Metallic			
	92U	arctic silver metallic					22G	Racing Green Metallic			
	C9Z	basalt black metallic					M5R	Aqua Blue Metallic			
	M7X	atlas grey metallic					32B	Sailing Blue Metallic			
	39C	midnight blue metallic					51A	creamy white			
	M7W	Meteor Grey Metallic					M2Z	Nordic Gold Metallic			
	M7Z	gt silver metallic				(16)	987 555 071 05	shelf	/L	1	
	M8W	Macadamia Metallic					A03	black			
	8A7	ruby red metallic					5V7	stone grey			
	2B5	Malachite Green Metallic					5Z1	sand beige			
	22G	Racing Green Metallic					8W7	sea blue			
	M5R	Aqua Blue Metallic					8X8	terracotta			
	32B	Sailing Blue Metallic					8P9	cocoa			
	51A	creamy white					T13	brown/natural			
	M2Z	Nordic Gold Metallic					N23	carrera red			
(15)	987 555 452 01	rosette seat belt	/R	1	I805	16	987 555 072 05	shelf	/R	1	
	041	black					A03	black			
	84A	guards red					5V7	stone grey			
							5Z1	sand beige			

Model	Year	MG	SG	Illustration	Restrictions	UPD	9:05	02.03.2010	PORSCHE	PET	PORSCHE
987C2	2010	8	07	807-05		248					

Pos	Part Number	Description	Remark	Qty	Model	Pos	Part Number	Description	Remark	Qty	Model
	8W7	sea blue					92U	arctic silver metallic			
	8X8	terracotta					C9Z	basalt black metallic			
	8P9	cocoa					M7X	atlas grey metallic			
	T13	brown/natural					39C	midnight blue metallic			
	N23	carrera red					M7W	Meteor Grey Metallic			
(16)	987 555 071 06	shelf	/L	1	I805		M7Z	gt silver metallic			
	041	black					M8W	Macadamia Metallic			
	84A	guards red					8A7	ruby red metallic			
	12H	speed yellow					2B5	Malachite Green Metallic			
	B9A	carrara white					22G	Racing Green Metallic			
	92U	arctic silver metallic					M5R	Aqua Blue Metallic			
	C9Z	basalt black metallic					32B	Sailing Blue Metallic			
	M7X	atlas grey metallic					51A	creamy white			
	39C	midnight blue metallic					M2Z	Nordic Gold Metallic			
	M7W	Meteor Grey Metallic				17	999 521 093 00	torsion spring 1,4 x 8,3	/L	1	
	M7Z	gt silver metallic				(17)	999 521 092 00	torsion spring 1,4 x 8,3	/R	1	
	M8W	Macadamia Metallic				18	999 507 971 01	speed nut ST 4,2		X	
	8A7	ruby red metallic				19	999 209 084 40	spacer 20 X 25 X 0,5		X	
	2B5	Malachite Green Metallic				20	987 513 211 01	engine compartment cover		1	
	22G	Racing Green Metallic				21	987 513 611 00	gasket engine cover		1	
	M5R	Aqua Blue Metallic				22	999 073 130 02	oval-head screw M6 X 16		5	
	32B	Sailing Blue Metallic				23	987 551 039 01	lining carpet engine cover		1	
	51A	creamy white					A10	black			
	M2Z	Nordic Gold Metallic					B10	stone grey			
(16)	987 555 072 06	shelf	/R	1	I805		E10	sea blue			
	041	black									
	84A	guards red									
	12H	speed yellow									
	B9A	carrara white									

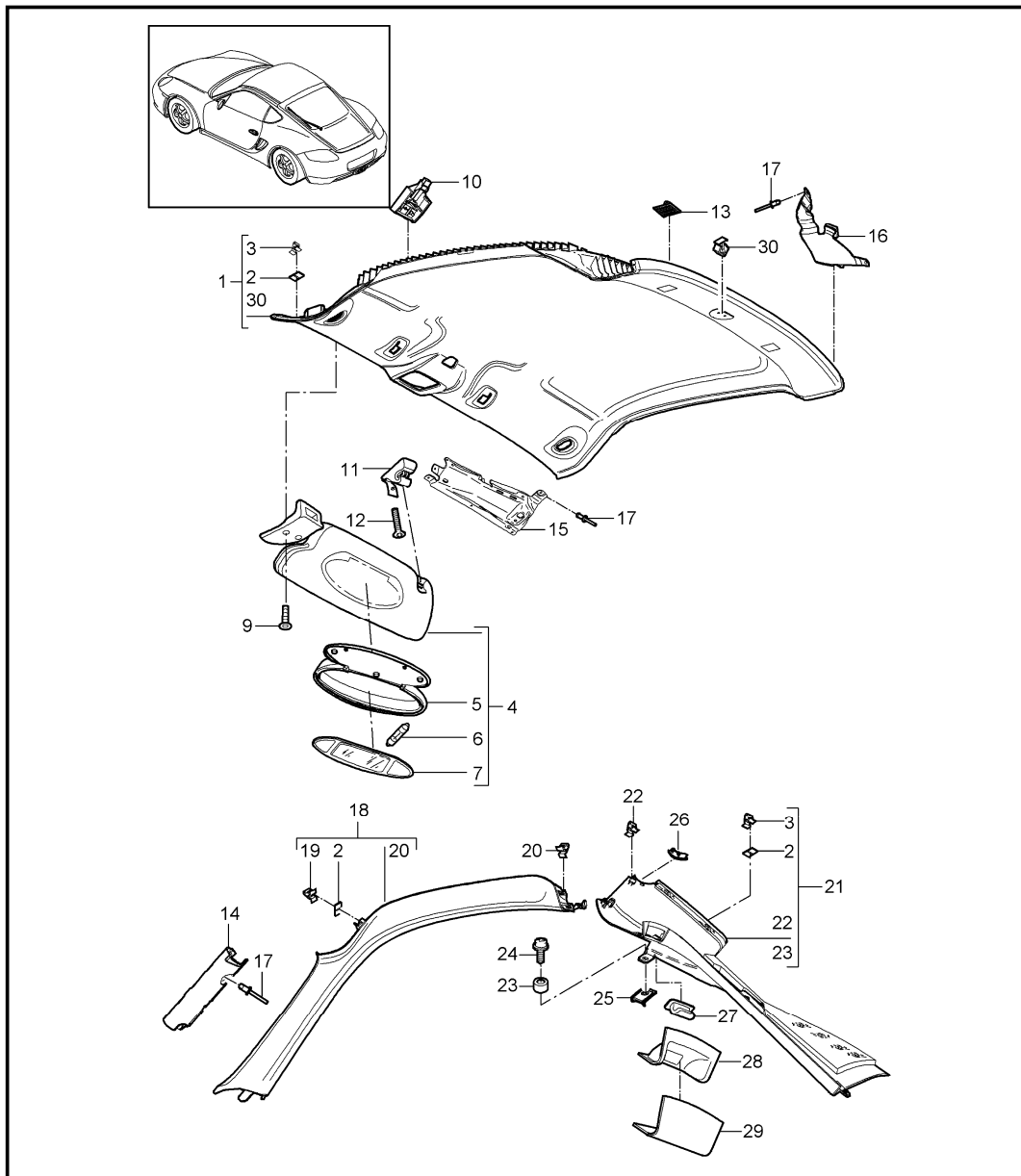
Model	Year	MG	SG	Illustration	Restrictions	UPD	9:05	02.03.2010	PORSCHE	PET	PORSCHE
987C2	2010	8	07	807-05		248					

Pos	Part Number	Description	Remark	Qty	Model	Pos	Part Number	Description	Remark	Qty	Model
	M10	terracotta				(25)	987 555 061 04	lining mounting spring strut	/L	1	I805
	R10	cocoa									
	T10	sand beige					041	black			
	D11	dark grey/natural					84A	guards red			
	T11	brown/natural					12H	speed yellow			
	N10	carrera red					B9A	carrara white			
24	987 555 151 00	lining luggage compartment centre		1			92U	arctic silver metallic			
	U02	stainless steel					C9Z	basalt black metallic			
(25)	987 555 061 03	lining mounting spring strut	/L	1			M7X	atlas grey metallic			
	A03	black					39C	midnight blue metallic			
	5V7	stone grey					M7W	Meteor Grey Metallic			
	5Z1	sand beige					M7Z	gt silver metallic			
	8W7	sea blue					M8W	Macadamia Metallic			
	8X8	terracotta					8A7	ruby red metallic			
	8P9	cocoa					2B5	Malachite Green Metallic			
	T13	brown/natural					22G	Racing Green Metallic			
	N23	carrera red					M5R	Aqua Blue Metallic			
25	987 555 062 03	lining mounting spring strut	/R	1			32B	Sailing Blue Metallic			
	A03	black					51A	creamy white			
	5V7	stone grey				(25)	987 555 062 04	lining mounting spring strut	/R	1	I805
	5Z1	sand beige									
	8W7	sea blue					041	black			
	8X8	terracotta					84A	guards red			
	8P9	cocoa					12H	speed yellow			
	T13	brown/natural					B9A	carrara white			
	N23	carrera red					92U	arctic silver metallic			
							C9Z	basalt black metallic			
							M7X	atlas grey metallic			

Model	Year	MG	SG	Illustration	Restrictions	UPD	9:05	02.03.2010	PORSCHE	PET	PORSCHE
987C2	2010	8	07	807-05		248					

Pos	Part Number	Description	Remark	Qty	Model	Pos	Part Number	Description	Remark	Qty	Model
	39C	midnight blue metallic				35	987 555 781 00	cover lower black	/L	1	
	M7W	Meteor Grey Metallic									
	M7Z	gt silver metallic				(35)	987 555 782 00	cover lower black	/R	1	
	M8W	Macadamia Metallic									
	8A7	ruby red metallic									
	2B5	Malachite Green Metallic									
	22G	Racing Green Metallic									
	M5R	Aqua Blue Metallic									
	32B	Sailing Blue Metallic									
	51A	creamy white									
	M2Z	Nordic Gold Metallic									
26	999 507 584 02	clamp 8,0 x 10,0/ 2,0		X							
27	987 555 321 00	luggage net collapsible		1	I580						
28	999 073 131 02	oval-head screw M6 X 25		2							
29	987 555 627 00	bearing bracket luggage net collapsible		2	I580						
30	987 551 339 00	luggage net		1							
(30)	987 551 339 01	luggage net		1	I479						
31	987 551 245 00	eye luggage lock 31 mm		X							
32	999 190 484 02	blind rivet A6,4 x 14,5		X							
33	999 591 988 40	clip for mount rear wall		1							
34	987 556 673 00	plastic foam strip 60 X 40 X 10 lining c-pillar		1							

Model	Year	MG	SG	Illustration	Restrictions	UPD	9:05	02.03.2010	PORSCHE	PET	PORSCHE
987C2	2010	8	07	807-08		248					



Pos	Part Number	Description	Remark	Qty	Model
(1)	987 555 091 04	rooflining sun visors a-pillar c-pillar		1	I592
	A22	black			
	D32	volcano grey			
	T42	sand beige			
(1)	987 555 091 06	rooflining cloth		1	I592/607
	A22	black			
	D32	volcano grey			
	T42	sand beige			
(1)	987 555 091 06	rooflining cloth		1	I592/608
	A22	black			
	D32	volcano grey			
	T42	sand beige			
(1)	987 555 091 09	rooflining alcantara		1	I594
	A15	black			
	5E5	steel grey			
	T45	sand beige			
(1)	987 555 091 10	rooflining alcantara		1	I594/607
	A15	black			
	5E5	steel grey			
	T45	sand beige			
(1)	987 555 091 10	rooflining alcantara		1	I594/608
	A15	black			
	5E5	steel grey			

Model	Year	MG	SG	Illustration	Restrictions	UPD	9:05	02.03.2010	PORSCHE	PET	PORSCHE
987C2	2010	8	07	807-08		248					

Pos	Part Number	Description	Remark	Qty	Model	Pos	Part Number	Description	Remark	Qty	Model
	T45	sand beige					8G2	sand beige			
2	999 209 084 40	spacer 20 X 25 X 0,5		2			3S9	sea blue			
3	999 507 047 09	clamp 3,6		2			9S5	terracotta			
4	987 731 031 07	sun visor leatherette	/L	1			9V6	cocoa			
	A12	black					D12	dark grey/natural			
	8W4	stone grey					T12	brown/natural			
	7E3	sand beige					N12	carrera red			
	8Z5	sea blue				5	996 731 903 00	mirror housing with illumination		1	
(4)	987 731 032 07	sun visor leatherette	/R	1			01C	satin black			
	A12	black				6	999 631 147 90	bulb 3 W		2	
	8W4	stone grey				7	996 731 531 01	mirror glass with frame		2	
	7E3	sand beige					01C	satin black			
	8Z5	sea blue				9	999 073 326 09	oval-head screw M5 X 10		2	
4	987 731 981 04	sun visor leather	/L	1	IXMP	10	987 731 541 00	plate support sun visor		2	
	A11	black									
	5X6	stone grey				11	996 731 341 00	support sun visor inner	/L	1	
	8G2	sand beige					01C	satin black			
	3S9	sea blue				(11)	996 731 342 00	support sun visor inner	/R	1	
	9S5	terracotta					01C	satin black			
	9V6	cocoa				12	999 919 120 09	oval-head screw 4,0 X 18		2	
	D12	dark grey/natural				13	999 902 050 40	velcro fastener 25,4 X 25,4		2	
	T12	brown/natural									
	N12	carrera red				15	987 555 421 02	deformation element windscreen frame	/L	1	
(4)	987 731 982 04	sun visor leather	/R	1	IXMP						
	A11	black									
	5X6	stone grey									

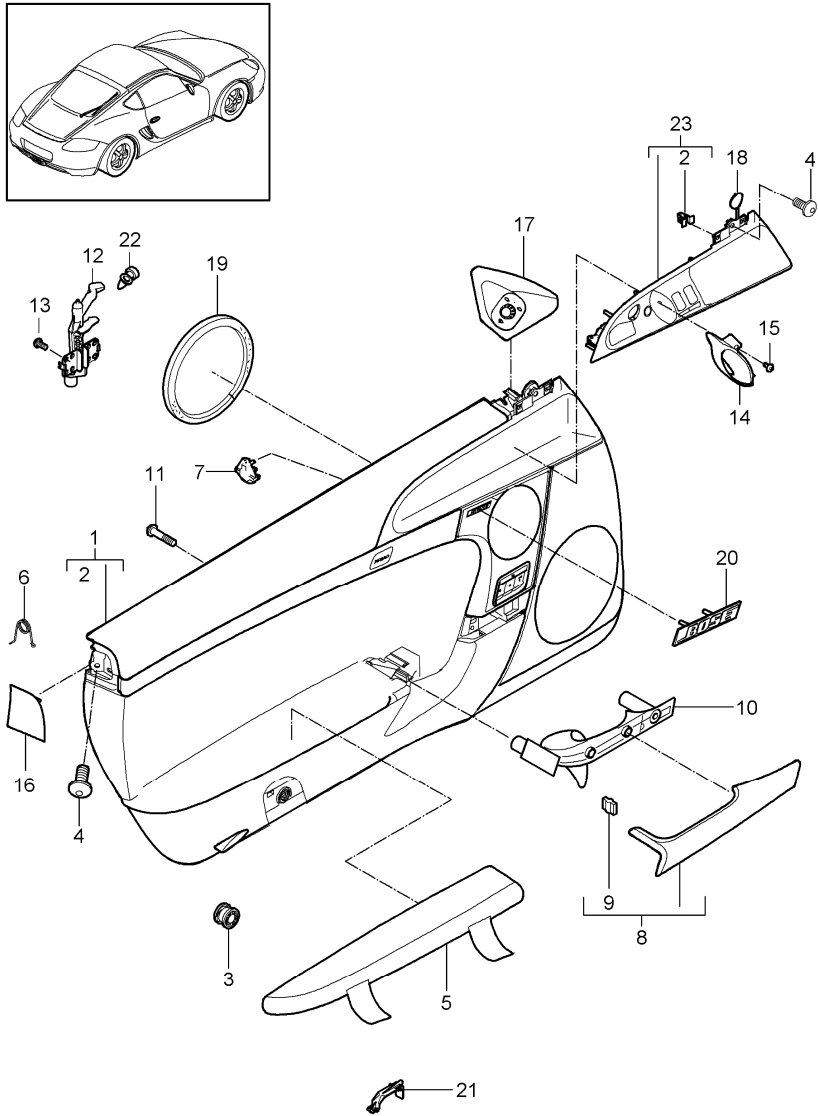
Model	Year	MG	SG	Illustration	Restrictions	UPD	9:05	02.03.2010	PORSCHE	PET	PORSCHE
987C2	2010	8	07	807-08		248					

Pos	Part Number	Description	Remark	Qty	Model	Pos	Part Number	Description	Remark	Qty	Model
(15)	987 555 422 02	deformation element windscreen frame	/R	1			5Z1	sand beige			
17	999 190 190 01	blind rivet 4,0 X 8,5 mount deformation element		X			8W7	sea blue			
							8X8	terracotta			
							8P9	cocoa			
18	987 555 181 04	lining a-pillar	/L	1			T13	brown/natural			
	A03	black				(21)	987 555 188 00	lining c-pillar	/R	1	
	5V7	stone grey					A03	black			
	5Z1	sand beige					5V7	stone grey			
	8W7	sea blue					5Z1	sand beige			
	8X8	terracotta					8W7	sea blue			
	8P9	cocoa					8X8	terracotta			
	T13	brown/natural					8P9	cocoa			
	N23	carrera red					T13	brown/natural			
(18)	987 555 182 04	lining a-pillar	/R	1			N23	carrera red			
	A03	black				22	999 507 058 09	clamp 2,6		X	
	5V7	stone grey				23	999 209 083 02	spacer sleeve 4,5 X 0,7 X 5		2	
	5Z1	sand beige				24	999 073 372 01	tapping screw ST 4,2 X 16		2	
	8W7	sea blue				25	999 507 971 01	speed nut ST 4,2		2	
	8X8	terracotta				(26)	987 555 787 00	trim cover upper	/L	1	
	8P9	cocoa				26	987 555 788 00	trim cover upper	/R	1	
	T13	brown/natural				27	987 555 887 00	cover hook luggage net		2	I580
	N23	carrera red				(28)	987 555 587 01	cover hook luggage net	/L	1	I580
19	999 507 839 01	clamp 3,5		X							
20	999 507 476 01	clamp 8,0 X 10/2,5		3							
21	987 555 187 00	lining	/L	1							
	A03	black									
	5V7	stone grey									

Model	Year	MG	SG	Illustration	Restrictions	UPD	9:05	02.03.2010	PORSCHE	PET	PORSCHE
987C2	2010	8	07	807-08		248					

Pos	Part Number	Description	Remark	Qty	Model	Pos	Part Number	Description	Remark	Qty	Model			
28	987 555 588 01	A03 black	/R	1	I580	29	987 555 568 00	lid lining c-pillar	/R	1				
		5V7 stone grey						A03 black						
		5Z1 sand beige						5V7 stone grey						
		8W7 sea blue						5Z1 sand beige						
		8X8 terracotta						8W7 sea blue						
		8P9 cocoa						8X8 terracotta						
		T13 brown/natural						8P9 cocoa						
		N23 carrera red						T13 brown/natural						
		cover hook luggage net						N23 carrera red						
		A03 black						T13 brown/natural						
(29)	987 555 567 00	A03 black	/L	1		30	999 591 976 40	fixing clip rooflining		1				
		5V7 stone grey						31				997 555 857 00	grommet a-pillar	x
		5Z1 sand beige												
		8W7 sea blue												
		8X8 terracotta												
		8P9 cocoa												
		T13 brown/natural												
		N23 carrera red												
		lid lining c-pillar												
		A03 black												
5V7 stone grey														
5Z1 sand beige														
8W7 sea blue														
8X8 terracotta														
8P9 cocoa														
T13 brown/natural														
N23 carrera red														

Model	Year	MG	SG	Illustration	Restrictions	UPD	9:05	02.03.2010	PORSCHE	PET	PORSCHE
987C2	2010	8	07	807-10		248					



Pos	Part Number	Description	Remark	Qty	Model
1	997 555 201 00	door trim panel accessories			
		door trim panel slush technology	/LL/L	1	I098/441
		9L4 black			
		9M5 stone grey			
		9C6 sand beige			
		9D7 sea blue			
(1)	997 555 201 04	door trim panel slush technology	/LL/L	1	I098/490
		9L4 black			
		9M5 stone grey			
		9C6 sand beige			
		9D7 sea blue			
(1)	997 555 201 06	door trim panel slush technology	/LL/L	1	I441/537
		9L4 black			
		9M5 stone grey			
		9C6 sand beige			
		9D7 sea blue			
(1)	997 555 201 06	door trim panel slush technology	/LL/L	1	I490/537
		9L4 black			
		9M5 stone grey			
		9C6 sand beige			
		9D7 sea blue			
(1)	997 555 201 08	door trim panel slush technology	/LL/L	1	I098/680
		9L4 black			
		9M5 stone grey			
		9C6 sand beige			
		9D7 sea blue			

Model	Year	MG	SG	Illustration	Restrictions	UPD	9:05	02.03.2010	PORSCHE	PET	PORSCHE
987C2	2010	8	07	807-10		248					

Pos	Part Number	Description	Remark	Qty	Model	Pos	Part Number	Description	Remark	Qty	Model
(1)	997 555 201 10	door trim panel slush technology	/LL/L	1	I537/680		9L4	black			
	9L4	black					9M5	stone grey			
	9M5	stone grey					9C6	sand beige			
	9C6	sand beige					9D7	sea blue			
	9D7	sea blue				(1)	997 555 202 04	door trim panel slush technology	/RL/R	1	I099/490
(1)	997 555 202 24	door trim panel slush technology	/LL/R	1	I098/441		9L4	black			
	9L4	black					9M5	stone grey			
	9M5	stone grey					9C6	sand beige			
	9C6	sand beige					9D7	sea blue			
	9D7	sea blue				(1)	997 555 202 06	door trim panel slush technology	/RL/R	1	I441/538
(1)	997 555 202 26	door trim panel slush technology	/LL/R	1	I098/490		9L4	black			
	9L4	black					9M5	stone grey			
	9M5	stone grey					9C6	sand beige			
	9C6	sand beige					9D7	sea blue			
	9D7	sea blue				(1)	997 555 202 06	door trim panel slush technology	/RL/R	1	I490/538
(1)	997 555 202 26	door trim panel slush technology	/LL/R	1	I441/537		9L4	black			
	9L4	black					9M5	stone grey			
	9M5	stone grey					9C6	sand beige			
	9C6	sand beige					9D7	sea blue			
	9D7	sea blue				(1)	997 555 202 08	door trim panel slush technology	/RL/R	1	I099/680
(1)	997 555 202 28	door trim panel slush technology	/LL/R	1	I098/680		9L4	black			
	9L4	black					9M5	stone grey			
	9M5	stone grey					9C6	sand beige			
	9C6	sand beige					9D7	sea blue			
	9D7	sea blue				(1)	997 555 202 10	door trim panel slush technology	/RL/R	1	I538/680
(1)	997 555 202 00	door trim panel slush technology	/RL/R	1	I099/441		9L4	black			

Model	Year	MG	SG	Illustration	Restrictions	UPD	9:05	02.03.2010	PORSCHE	PET	PORSCHE
987C2	2010	8	07	807-10		248					

Pos	Part Number	Description	Remark	Qty	Model	Pos	Part Number	Description	Remark	Qty	Model
	9M5	stone grey					FSC	sand beige			
	9C6	sand beige					FSD	sea blue			
	9D7	sea blue					FSF	terracotta			
(1)	997 555 201 24	door trim panel slush technology	/RL/L	1	I099/441		FSG	cocoa			
	9L4	black					FSH	dark grey/natural			
	9M5	stone grey					FSJ	brown/natural			
	9C6	sand beige					BCB	black/stone grey			
	9D7	sea blue					FSP	carrera red			
(1)	997 555 201 26	door trim panel slush technology	/RL/L	1	I099/490	(1)	997 555 201 05	door trim panel leather	/LL/L	1	I098/490/981
	9L4	black					FSA	black			
	9M5	stone grey					FSB	stone grey			
	9C6	sand beige					FSC	sand beige			
	9D7	sea blue					FSD	sea blue			
(1)	997 555 201 26	door trim panel slush technology	/RL/L	1	I441/538		FSF	terracotta			
	9L4	black					FSG	cocoa			
	9M5	stone grey					FSH	dark grey/natural			
	9C6	sand beige					FSJ	brown/natural			
	9D7	sea blue					BCB	black/stone grey			
(1)	997 555 201 28	door trim panel slush technology	/RL/L	1	I099/680	(1)	997 555 201 07	door trim panel leather	/LL/L	1	I441/537/981
	9L4	black					FSA	black			
	9M5	stone grey					FSB	stone grey			
	9C6	sand beige					FSC	sand beige			
	9D7	sea blue					FSD	sea blue			
(1)	997 555 201 05	door trim panel leather	/LL/L	1	I098/441/981		FSF	terracotta			
	FSA	black					FSG	cocoa			
	FSB	stone grey					FSH	dark grey/natural			
							FSJ	brown/natural			

Model	Year	MG	SG	Illustration	Restrictions	UPD	9:05	02.03.2010	PORSCHE	PET	PORSCHE
987C2	2010	8	07	807-10		248					

Pos	Part Number	Description	Remark	Qty	Model	Pos	Part Number	Description	Remark	Qty	Model			
(1)	997 555 201 07	BCB	black/stone grey	/LL/L	1	I490/537/981	FSC	sand beige						
		FSP	carrera red				FSD	sea blue						
			door trim panel leather				FSF	terracotta						
		FSA	black				FSG	cocoa						
		FSB	stone grey				FSH	dark grey/natural						
		FSC	sand beige				FSJ	brown/natural						
		FSD	sea blue				BCB	black/stone grey						
		FSF	terracotta				FSP	carrera red						
		FSG	cocoa				(1) 997 555 202 27	door trim panel leather				/LL/R	1	I098/441/981
		FSH	dark grey/natural				FSA	black						
(1)	997 555 201 09	FSJ	brown/natural	/LL/L	1	I098/680/981	FSB	stone grey						
		BCB	black/stone grey				FSC	sand beige						
		FSP	carrera red				FSD	sea blue						
			door trim panel leather				FSF	terracotta						
		FSA	black				FSG	cocoa						
		FSB	stone grey				FSH	dark grey/natural						
		FSC	sand beige				FSJ	brown/natural						
		FSD	sea blue				BCB	black/stone grey						
		FSF	terracotta				FSP	carrera red						
		FSG	cocoa				(1) 997 555 202 27	door trim panel leather				/LL/R	1	I098/490/981
(1)	997 555 201 11	FSH	dark grey/natural	/LL/L	1	I537/680/981	FSA	black						
		FSJ	brown/natural				FSB	stone grey						
		BCB	black/stone grey				FSC	sand beige						
		FSP	carrera red				FSD	sea blue						
			door trim panel leather				FSF	terracotta						
		FSA	black				FSG	cocoa						
		FSB	stone grey				FSH	dark grey/natural						
							FSJ	brown/natural						

Model	Year	MG	SG	Illustration	Restrictions	UPD	9:05	02.03.2010	PORSCHE	PET	PORSCHE
987C2	2010	8	07	807-10		248					

Pos	Part Number	Description	Remark	Qty	Model	Pos	Part Number	Description	Remark	Qty	Model			
(1)	997 555 202 29	BCB	black/stone grey	/LL/R	1	I098/680/981	FSD	sea blue						
		FSP	carrera red				FSF	terracotta						
			door trim panel leather				FSG	cocoa						
		FSA	black				FSH	dark grey/natural						
		FSB	stone grey				FSJ	brown/natural						
		FSC	sand beige				BCB	black/stone grey						
		FSD	sea blue				FSP	carrera red						
		FSF	terracotta				(1) 997 555 202 07	door trim panel				/RL/R	1	I441/538/981
		FSG	cocoa				FSA	black						
		FSH	dark grey/natural				FSB	stone grey						
		FSJ	brown/natural				FSC	sand beige						
(1)	997 555 202 05	BCB	black/stone grey	/RL/R	1	I099/441/981	FSD	sea blue						
		FSP	carrera red				FSF	terracotta						
			door trim panel				FSG	cocoa						
		FSA	black				FSH	dark grey/natural						
		FSB	stone grey				FSJ	brown/natural						
		FSC	sand beige				BCB	black/stone grey						
		FSD	sea blue				FSP	carrera red						
		FSF	terracotta				(1) 997 555 202 07	door trim panel				/RL/R	1	I490/538/981
		FSG	cocoa				FSA	black						
		FSH	dark grey/natural				FSB	stone grey						
		FSJ	brown/natural				FSC	sand beige						
(1)	997 555 202 05	BCB	black/stone grey	/RL/R	1	I099/490/981	FSD	sea blue						
		FSP	carrera red				FSF	terracotta						
			door trim panel				FSG	cocoa						
		FSA	black				FSH	dark grey/natural						
		FSB	stone grey				FSJ	brown/natural						
		FSC	sand beige				BCB	black/stone grey						
							FSP	carrera red						

Model	Year	MG	SG	Illustration	Restrictions	UPD	9:05	02.03.2010	PORSCHE	PET	PORSCHE
987C2	2010	8	07	807-10		248					

Pos	Part Number	Description	Remark	Qty	Model	Pos	Part Number	Description	Remark	Qty	Model
(1)	997 555 202 09	door trim panel	/RL/R	1	I099/680/981						
	FSA	black					FSH	dark grey/natural			
	FSB	stone grey					FSJ	brown/natural			
	FSC	sand beige					BCB	black/stone grey			
	FSD	sea blue					FSP	carrera red			
	FSF	terracotta				(1)	997 555 201 27	door trim panel	/RL/L	1	I099/490/981
	FSG	cocoa					FSA	black			
	FSH	dark grey/natural					FSB	stone grey			
	FSJ	brown/natural					FSC	sand beige			
	BCB	black/stone grey					FSD	sea blue			
	FSP	carrera red					FSF	terracotta			
(1)	997 555 202 11	door trim panel	/RL/R	1	I538/680/981		FSG	cocoa			
	FSA	black					FSH	dark grey/natural			
	FSB	stone grey					FSJ	brown/natural			
	FSC	sand beige					BCB	black/stone grey			
	FSD	sea blue					FSP	carrera red			
	FSF	terracotta				(1)	997 555 201 29	door trim panel leather	/RL/L	1	I099/680/981
	FSG	cocoa					FSA	black			
	FSH	dark grey/natural					FSB	stone grey			
	FSJ	brown/natural					FSC	sand beige			
	BCB	black/stone grey					FSD	sea blue			
	FSP	carrera red					FSF	terracotta			
(1)	997 555 201 27	door trim panel	/RL/L	1	I099/441/981		FSG	cocoa			
	FSA	black					FSH	dark grey/natural			
	FSB	stone grey					FSJ	brown/natural			
	FSC	sand beige					BCB	black/stone grey			
	FSD	sea blue					FSP	carrera red			
	FSF	terracotta				2	999 507 533 02	clamp 8,0 X 10/2,5		2	
	FSG	cocoa				3	955 555 243 00	fixing clip		9	

Model	Year	MG	SG	Illustration	Restrictions	UPD	9:05	02.03.2010	PORSCHE	PET	PORSCHE
987C2	2010	8	07	807-10		248					

Pos	Part Number	Description	Remark	Qty	Model	Pos	Part Number	Description	Remark	Qty	Model
4	999 073 322 02	oval-head screw 6 X 20 for mount door trim panel		5			FSD	sea blue			
5	987 555 221 01	lid	/L	1	CAYMAN		FSF	terracotta			
	1MZ	black					FSG	cocoa/cocoa			
	1YP	stone grey					FSH	dark grey/natural			
	1TK	sand beige					FSJ	brown/natural			
	1VM	sea blue					FSP	carrera red			
(5)	987 555 222 01	lid shelf	/R	1	CAYMAN	(5)	997 555 222 01	lid	/R	1	CAYMAN I981
	1MZ	black					FSA	black			
	1YP	stone grey					FSB	stone grey			
	1TK	sand beige					FSC	sand beige			
	1VM	sea blue					FSD	sea blue			
(5)	997 555 221 01	lid	/L	1	CAYMAN I981		FSF	terracotta			
	shelf						FSG	cocoa/cocoa			
	FSA	black					FSH	dark grey/natural			
	FSB	stone grey					FSJ	brown/natural			
	FSC	sand beige					FSP	carrera red			
	FSD	sea blue				(5)	997 555 222 01	lid shelf	/R	1	CAYMAN S
	FSF	terracotta					FSA	black			
	FSG	cocoa/cocoa					FSB	stone grey			
	FSH	dark grey/natural					FSC	sand beige			
	FSJ	brown/natural					FSD	sea blue			
	FSP	carrera red					FSF	terracotta			
(5)	997 555 221 01	lid	/L	1	CAYMAN S		FSG	cocoa/cocoa			
	shelf						FSH	dark grey/natural			
	FSA	black					FSJ	brown/natural			
	FSB	stone grey					FSP	carrera red			
	FSC	sand beige									

Model	Year	MG	SG	Illustration	Restrictions	UPD	9:05	02.03.2010	PORSCHE	PET	PORSCHE
987C2	2010	8	07	807-10		248					

Pos	Part Number	Description	Remark	Qty	Model	Pos	Part Number	Description	Remark	Qty	Model
(5)	997 555 989 00	lid shelf carbon	/L	1	IXTL	(8)	987 555 272 01	handle upper part	/R	1	CAYMAN
	A35	black					A11	black			
(5)	997 555 990 00	lid shelf carbon	/R	1	IXTL		5X6	stone grey			
	A35	black					8G2	sand beige			
(5)	997 555 989 02	lid shelf	/L	1	IXTT	(8)	987 555 271 02	handle upper part	/L	1	CAYMAN I981
	S61	macassar					FSA	black			
(5)	997 555 990 02	lid shelf	/R	1	IXTT		FSB	stone grey			
	S61	macassar					FSC	sand beige			
(5)	997 555 989 03	lid shelf	/L	1	IXTW		FSD	sea blue			
	V04	galvano silver					FSF	terracotta			
(5)	997 555 990 03	lid shelf	/R	1	IXTW		FSG	cocoa			
	V04	galvano silver					FSH	dark grey/natural			
6	997 555 833 00	steering knuckle spring for lid shelf	/L	1		(8)	987 555 271 02	handle upper part	/L	1	CAYMAN S
(6)	997 555 834 00	steering knuckle spring for lid shelf	/R	1			FSA	black			
7	997 555 841 00	damper shelf		1			FSB	stone grey			
8	987 555 271 01	handle upper part	/L	1	CAYMAN		FSC	sand beige			
	A11	black					FSD	sea blue			
	5X6	stone grey					FSF	terracotta			
	8G2	sand beige					FSG	cocoa			
	3S9	sea blue					FSH	dark grey/natural			
							FSJ	brown/natural			
							FSP	carrera red			
						(8)	987 555 272 02	handle upper part	/R	1	CAYMAN I981

Model	Year	MG	SG	Illustration	Restrictions	UPD	9:05	02.03.2010	PORSCHE	PET	PORSCHE
987C2	2010	8	07	807-10		248					

Pos	Part Number	Description	Remark	Qty	Model	Pos	Part Number	Description	Remark	Qty	Model
	FSA	black					N12	carrera red			
	FSB	stone grey				(8)	987 555 988 00	handle upper part	/R	1	IXTL
	FSC	sand beige					A11	black			
	FSD	sea blue					5X6	stone grey			
	FSF	terracotta					8G2	sand beige			
	FSG	cocoa					3S9	sea blue			
	FSH	dark grey/natural					9S5	terracotta			
	FSJ	brown/natural					9V6	cocoa			
	FSP	carrera red					D12	dark grey/natural			
(8)	987 555 272 02	handle upper part	/R	1	CAYMAN S		T12	brown/natural			
	FSA	black					N12	carrera red			
	FSB	stone grey				(8)	987 555 987 02	handle upper part	/L	1	IXTT
	FSC	sand beige					A11	black			
	FSD	sea blue					5X6	stone grey			
	FSF	terracotta					8G2	sand beige			
	FSG	cocoa					3S9	sea blue			
	FSH	dark grey/natural					9S5	terracotta			
	FSJ	brown/natural					9V6	cocoa			
	FSP	carrera red					D12	dark grey/natural			
(8)	987 555 987 00	handle upper part	/L	1	IXTL		T12	brown/natural			
	A11	black					N12	carrera red			
	5X6	stone grey				(8)	987 555 988 02	handle upper part	/R	1	IXTT
	8G2	sand beige					A11	black			
	3S9	sea blue					5X6	stone grey			
	9S5	terracotta					8G2	sand beige			
	9V6	cocoa					3S9	sea blue			
	D12	dark grey/natural					9S5	terracotta			
	T12	brown/natural									

Model	Year	MG	SG	Illustration	Restrictions	UPD	9:05	02.03.2010	PORSCHE	PET	PORSCHE
987C2	2010	8	07	807-10		248					

Pos	Part Number	Description	Remark	Qty	Model	Pos	Part Number	Description	Remark	Qty	Model
	9V6	cocoa					5X6	stone grey			
	D12	dark grey/natural					8G2	sand beige			
	T12	brown/natural					3S9	sea blue			
	N12	carrera red					9S5	terracotta			
(8)	987 555 987 03	handle upper part	/L	1	IXTW		9V6	cocoa			
	A11	black					D12	dark grey/natural			
	5X6	stone grey					T12	brown/natural			
	8G2	sand beige				(10)	987 555 262 01	handle lower part	/R	1	
	3S9	sea blue					A11	black			
	9S5	terracotta					5X6	stone grey			
	9V6	cocoa					8G2	sand beige			
	D12	dark grey/natural					3S9	sea blue			
	T12	brown/natural					9S5	terracotta			
	N12	carrera red					9V6	cocoa			
(8)	987 555 988 03	handle upper part	/R	1	IXTW		D12	dark grey/natural			
	A11	black					T12	brown/natural			
	5X6	stone grey					N12	carrera red			
	8G2	sand beige				11	999 919 229 02	oval-head screw 6,0 X 40,0 for mount handle		2	
	3S9	sea blue									
	9S5	terracotta									
	9V6	cocoa				12	997 555 381 02	axle bearing valid up to: F >>989U7 51294 F >>989U7 71162	/L	1	Cayman Cayman S
	D12	dark grey/natural									
	T12	brown/natural				12	997 555 382 02	axle bearing valid up to: F >>989U7 51294 F >>989U7 71162	/R	1	Cayman Cayman S
9	999 591 380 01	cable clamp		4							
10	987 555 261 01	handle lower part	/L	1		(12)	997 555 381 03	axle bearing valid from: F 989U7 51295>> F 989U7 71163>>	/L	1	Cayman Cayman S
	A11	black									

Model	Year	MG	SG	Illustration	Restrictions	UPD	9:05	02.03.2010	PORSCHE	PET	PORSCHE
987C2	2010	8	07	807-10		248					

Pos	Part Number	Description	Remark	Qty	Model	Pos	Part Number	Description	Remark	Qty	Model
(12)	997 555 382 03	axle bearing valid from: F 989U7 51295>> F 989U7 71163>>	/R	1	Cayman Cayman S		8X8	terracotta			
13	999 919 164 09	oval-head screw 5 X 12 for mount axle bearing		3			8P9	cocoa			
14	997 555 461 01	lever door opener	/L	1			T13	brown/natural			
	V05	galvano silver					N23	carrera red			
(14)	997 555 462 01	lever door opener	/R	1		17	997 555 685 02	cover door mirror driver's side lacquered	/LL/L	1	I098
	V05	galvano silver					A03	black			
15	999 919 164 09	oval-head screw 5 X 12 for mount lever door opener		1			5V7	stone grey			
16	997 555 683 00	cap airbag	/L	1			5Z1	sand beige			
	A03	black				(17)	997 555 686 03	cover door mirror driver's side lacquered	/RL/R	1	I099
	5V7	stone grey					A03	black			
	5Z1	sand beige					5V7	stone grey			
	8W7	sea blue					5Z1	sand beige			
	8X8	terracotta					8W7	sea blue			
	8P9	cocoa					8X8	terracotta			
	T13	brown/natural					8P9	cocoa			
	N23	carrera red					T13	brown/natural			
(16)	997 555 684 00	cap airbag	/R	1		(17)	997 555 995 00	cover door mirror driver's side leather	/LL/L	10-	1 IXDX/098
	A03	black					N23	carrera red			
	5V7	stone grey					A11	black			
	5Z1	sand beige									
	8W7	sea blue									

Model	Year	MG	SG	Illustration	Restrictions	UPD	9:05	02.03.2010	PORSCHE	PET	PORSCHE
987C2	2010	8	07	807-10		248					

Pos	Part Number	Description	Remark	Qty	Model	Pos	Part Number	Description	Remark	Qty	Model
	5X6	stone grey				(17)	997 555 685 03	cover door mirror passenger's side lacquered	/RL/L	1	I099
	8G2	sand beige					A03	black			
	3S9	sea blue					5V7	stone grey			
	9S5	terracotta					5Z1	sand beige			
	9V6	cocoa					8W7	sea blue			
	T12	brown/natural					8X8	terracotta			
	N12	carrera red					8P9	cocoa			
(17)	997 555 996 01	cover door mirror driver's side leather	/RL/R	10-	1 IXDX/099		T13	brown/natural			
	A11	black					N23	carrera red			
	5X6	stone grey				(17)	997 555 996 00	cover door mirror passenger's side leather	/LL/R	1	IXDX/098
	8G2	sand beige					A11	black			
	3S9	sea blue					5X6	stone grey			
	9S5	terracotta					8G2	sand beige			
	9V6	cocoa					3S9	sea blue			
	T12	brown/natural					9S5	terracotta			
	N12	carrera red					9V6	cocoa			
(17)	997 555 686 02	cover door mirror passenger's side lacquered	/LL/R		1 I098		D12	dark grey/natural			
	A03	black					T12	brown/natural			
	5V7	stone grey					N12	carrera red			
	5Z1	sand beige				(17)	997 555 995 01	cover door mirror passenger's side leather	/RL/L	1	IXDX/099
	8W7	sea blue					A11	black			
	8X8	terracotta					5X6	stone grey			
	8P9	cocoa					8G2	sand beige			
	T13	brown/natural					3S9	sea blue			
	N23	carrera red									

Model	Year	MG	SG	Illustration	Restrictions	UPD	9:05	02.03.2010	PORSCHE	PET	PORSCHE
987C2	2010	8	07	807-10		248					

Pos	Part Number	Description	Remark	Qty	Model	Pos	Part Number	Description	Remark	Qty	Model
	9S5	terracotta					N23	carrera red			
	9V6	cocoa				(23)	997 555 352 03	insert handle liner lacquered	/RL/R	1	I099
	D12	dark grey/natural					A03	black			
	T12	brown/natural					5V7	stone grey			
	N12	carrera red					5Z1	sand beige			
18	997 555 577 00	cap handle liner		1			8W7	sea blue			
	A03	black					8X8	terracotta			
	5V7	stone grey					8P9	cocoa			
	8W7	sea blue					T13	brown/natural			
	8X8	terracotta					N23	carrera red			
	8P9	cocoa				(23)	997 555 352 04	insert handle liner lacquered	/LL/R	1	I098
	T13	brown/natural					A03	black			
	N23	carrera red					5V7	stone grey			
19	997 555 895 00	plastic foam strip for woofer		1			5Z1	sand beige			
20	997 645 511 00	logo		2	I680		8W7	sea blue			
21	997 555 597 00	spacer lid hinge		2			8X8	terracotta			
22	999 702 281 41	grommet axle bearing		1			8P9	cocoa			
23	997 555 351 03	insert handle liner lacquered	/LL/L	1	I098		T13	brown/natural			
	A03	black				(23)	997 555 351 04	insert handle liner lacquered	/RL/L	1	I099
	5V7	stone grey					A03	black			
	5Z1	sand beige					5V7	stone grey			
	8W7	sea blue					5Z1	sand beige			
	8X8	terracotta					8W7	sea blue			
	8P9	cocoa					8X8	terracotta			
	T13	brown/natural					8P9	cocoa			

Model	Year	MG	SG	Illustration	Restrictions	UPD	9:05	02.03.2010	PORSCHE	PET	PORSCHE
987C2	2010	8	07	807-10		248					

Pos	Part Number	Description	Remark	Qty	Model	Pos	Part Number	Description	Remark	Qty	Model
23	T13	brown/natural	/LL/L	1	IXTV/098	(23)	997 555 985 00	insert handle liner leather	/RL/L	1	IXTV/099
	N23	carrera red					3S9	sea blue			
	A11	black					9S5	terracotta			
	5X6	stone grey					9V6	cocoa			
	8G2	sand beige					D12	dark grey/natural			
	3S9	sea blue					T12	brown/natural			
	9S5	terracotta					N12	carrera red			
	9V6	cocoa									
	D12	dark grey/natural									
	T12	brown/natural									
(23)	997 555 986 01	insert handle liner leather	/RL/R	1	IXTV/099	(23)	997 555 985 02	insert handle liner leather	/LL/L	1	IXTL/098
	A11	black					A35	black			
	5X6	stone grey									
	8G2	sand beige									
	3S9	sea blue									
	9S5	terracotta									
	9V6	cocoa									
	D12	dark grey/natural									
	T12	brown/natural									
	N12	carrera red									
(23)	997 555 986 00	insert handle liner leather	/LL/R	1	IXTV/098	(23)	997 555 986 04	insert handle liner carbon	/RL/R	1	IXTL/099
	A11	black					A35	black			
	5X6	stone grey									
	8G2	sand beige									

Model	Year	MG	SG	Illustration	Restrictions	UPD	9:05	02.03.2010	PORSCHE	PET	PORSCHE
987C2	2010	8	07	807-10		248					

Pos	Part Number	Description	Remark	Qty	Model	Pos	Part Number	Description	Remark	Qty	Model
23	997 555 985 09	insert handle liner	/LL/L	1	IXTT/098						
	S61	macassar									
(23)	997 555 986 10	insert handle liner	/RL/R	1	IXTT/099						
	S61	macassar									
(23)	997 555 986 09	insert handle liner	/LL/R	1	IXTT/098						
	S61	macassar									
(23)	997 555 985 11	insert handle liner	/RL/L	1	IXTT/099						
	S61	macassar									
23	997 555 985 12	insert handle liner	/LL/L	1	IXTW/098						
	V04	galvano silver									
(23)	997 555 986 13	insert handle liner	/RL/R	1	IXTW/099						
	V04	galvano silver									
(23)	997 555 986 12	insert handle liner	/LL/R	1	IXTW/098						
	V04	galvano silver									
(23)	997 555 985 14	insert handle liner	/RL/L	1	IXTW/099						
	V04	galvano silver									

Model	Year	MG	SG	Illustration	Restrictions	UPD	13:07	02.03.2010
987C2	2010	8	07	807-15		248		

Pos	Part Number	Description	Remark	Qty	Model
		body sound proofing 1			
1	997 556 605 00	sound absorber wheel housing front	/L	1	
(1)	997 556 606 00	sound absorber wheel housing front	/R	1	
2	997 537 551 00	insulation door		2	I590
3	997 556 723 00	sound absorber firewall	/LL	1	I098
(3)	997 556 724 00	sound absorber firewall	/RL	1	I099
4	987 556 741 02	sound absorber engine compartment rear wall		1	
5	999 049 020 40	plastic nut T5 / 30 X 5,1		1	
6	987 556 721 01	sound absorber engine compartment lateral	/L	1	
6	987 556 722 01	sound absorber engine compartment lateral	/R	1	
7	987 556 724 00	sound absorber engine compartment lateral rear	/R	1	
8	987 556 683 00	insulation side section		2	
9	987 556 625 00	sound absorber roof		1	
10	987 556 665 01	sound absorber cross member		1	
11	987 556 623 01	sound absorber convertible top compart. lower		2	
12	987 556 669 00	sound absorber filler piece convertible top compart.	/L	1	
(12)	987 556 670 00	sound absorber filler piece convertible top compart.	/R	1	

PORSCHE

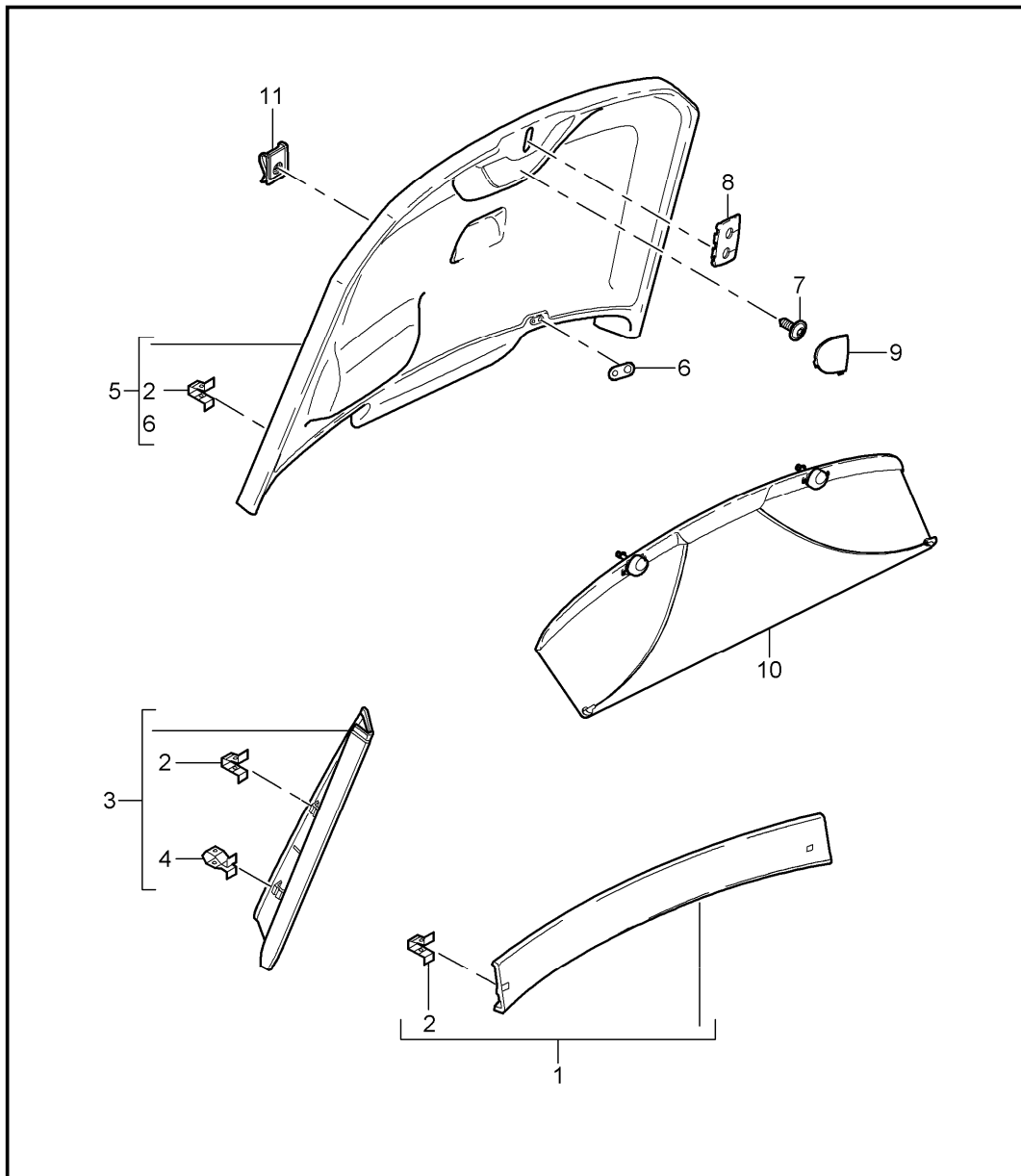
PET

PORSCHE

Model	Year	MG	SG	Illustration	Restrictions	UPD	13:07	02.03.2010
987C2	2010	8	07	807-15		248		

Pos	Part Number	Description	Remark	Qty	Model
13	987 556 663 01	sound absorber package box		2	
14	997 556 634 00	sound absorber subwoofer		1	I680
15	997 537 553 00	insulation reinforcement door		4	I590
16	999 902 056 40	insulation door upper		1	
17	987 556 745 01	insulation bulkhead inner		1	
18	987 556 403 00	sound absorber retaining strip rear		1	
19	987 556 401 00	sound absorber retaining strip front		1	
20	987 556 743 00	insulation engine compartment lid inner		1	
21	987 556 647 00	insulation air duct	/L	2	
22	987 556 637 00	sound absorber b-pillar front		4	
23	987 556 635 00	insulation bulkhead upper front		2	
24	987 556 405 00	insulation support		1	

Model	Year	MG	SG	Illustration	Restrictions	UPD	13:07	02.03.2010	PORSCHE	PET	PORSCHE
987C2	2010	8	07	807-20		248					



Pos	Part Number	Description	Remark	Qty	Model
1	987 555 191 00	linings rear lid lining rear lid upper A03 black 5V7 stone grey 5Z1 sand beige 8W7 sea blue 8X8 terracotta 8P9 cocoa T13 brown/natural N23 carrera red		1	
2	999 507 839 01	clamp 3,5		X	
(3)	987 555 193 02	lining rear lid centre A03 black 5V7 stone grey 5Z1 sand beige 8W7 sea blue 8X8 terracotta 8P9 cocoa T13 brown/natural N23 carrera red	/L	1	
3	987 555 194 02	lining rear lid centre A03 black 5V7 stone grey 5Z1 sand beige 8W7 sea blue	/R	1	

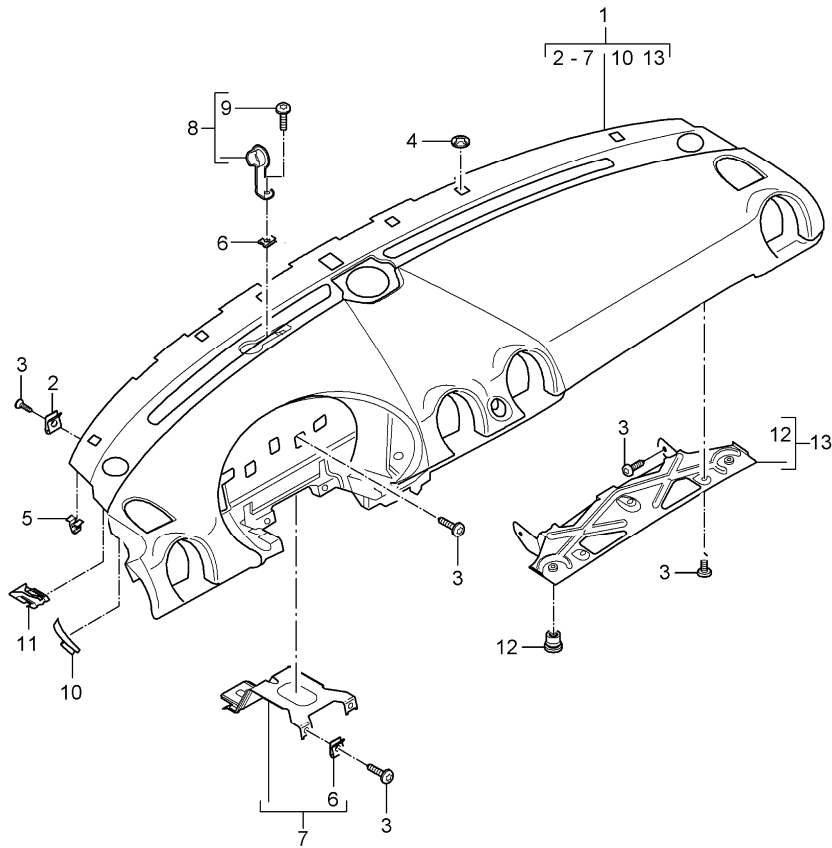
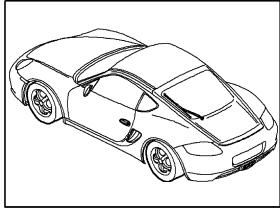
Model	Year	MG	SG	Illustration	Restrictions	UPD	13:07	02.03.2010	PORSCHE	PET	PORSCHE
987C2	2010	8	07	807-20		248					

Pos	Part Number	Description	Remark	Qty	Model	Pos	Part Number	Description	Remark	Qty	Model
	8X8	terracotta				6	987 555 623 00	eye rear lid		2	
	8P9	cocoa					01C	satin black			
	T13	brown/natural				7	999 073 369 09	oval-head screw M 5 X 18		2	
	N23	carrera red				8	987 555 596 00	cover door lock striker rear lid		1	
4	999 507 584 02	clamp 8,0 X 10/ 2,0 lining centre		6			A03	black			
5	987 555 095 00	lining rear lid lower		1	I426		5V7	stone grey			
	FQR	black/black					5Z1	sand beige			
	FQS	volcano grey/stone grey					8W7	sea blue			
	FQT	sand beige/sand beige					8X8	terracotta			
	FQU	volcano grey/sea blue					8P9	cocoa			
	FQW	black/terracotta					T13	brown/natural			
	FQX	black/cocoa					N23	carrera red			
	FQY	black/volcano grey				9	987 555 597 00	cap finger plate	/L	2	
	FQZ	black/brown nat.					A03	black			
	FTB	carrera red					5V7	stone grey			
(5)	987 555 095 01	lining rear lid lower		1	I425		5Z1	sand beige			
	FQR	black/black					8W7	sea blue			
	FQS	volcano grey/stone grey					8X8	terracotta			
	FQT	sand beige/sand beige					8P9	cocoa			
	FQU	volcano grey/sea blue					T13	brown/natural			
	FQW	black/terracotta					N23	carrera red			
	FQX	black/cocoa				(9)	987 555 598 00	cap finger plate	/R	2	
	FQY	black/volcano grey					A03	black			
	FQZ	black/brown nat.					5V7	stone grey			
	FTB	carrera red					5Z1	sand beige			
							8W7	sea blue			

Model	Year	MG	SG	Illustration	Restrictions	UPD	13:07	02.03.2010	PORSCHE	PET	PORSCHE
987C2	2010	8	07	807-20		248					

Pos	Part Number	Description	Remark	Qty	Model	Pos	Part Number	Description	Remark	Qty	Model
	8X8	terracotta									
	8P9	cocoa									
	T13	brown/natural									
	N23	carrera red									
10	987 555 341 00	cover rear lid		1							
	A24	black									
11	999 507 413 08	cams 9,3 X 25		2							

Model	Year	MG	SG	Illustration	Restrictions	UPD	13:07	02.03.2010	PORSCHE	PET	PORSCHE
987C2	2010	8	09	809-00		248					



Pos	Part Number	Description	Remark	Qty	Model
		dashboard trim upper part with mounting parts			
		accessories see group 8/09/01			
1	987 552 101 21	dashboard upper part leatherette	/LL	1	I098
	9L4	black			
	9M5	stone grey			
	9C6	sand beige			
	9D7	sea blue			
(1)	987 552 102 21	dashboard upper part leatherette	/RL	1	I099
	9L4	black			
	9M5	stone grey			
	9C6	sand beige			
	9D7	sea blue			
1	987 552 101 23	dashboard upper part leatherette	/LL	1	I098/639/640
	9L4	black			
	9M5	stone grey			
	9C6	sand beige			
	9D7	sea blue			
(1)	987 552 102 23	dashboard upper part leatherette	/RL	1	I099/639/640
	9L4	black			
	9M5	stone grey			
	9C6	sand beige			
	9D7	sea blue			

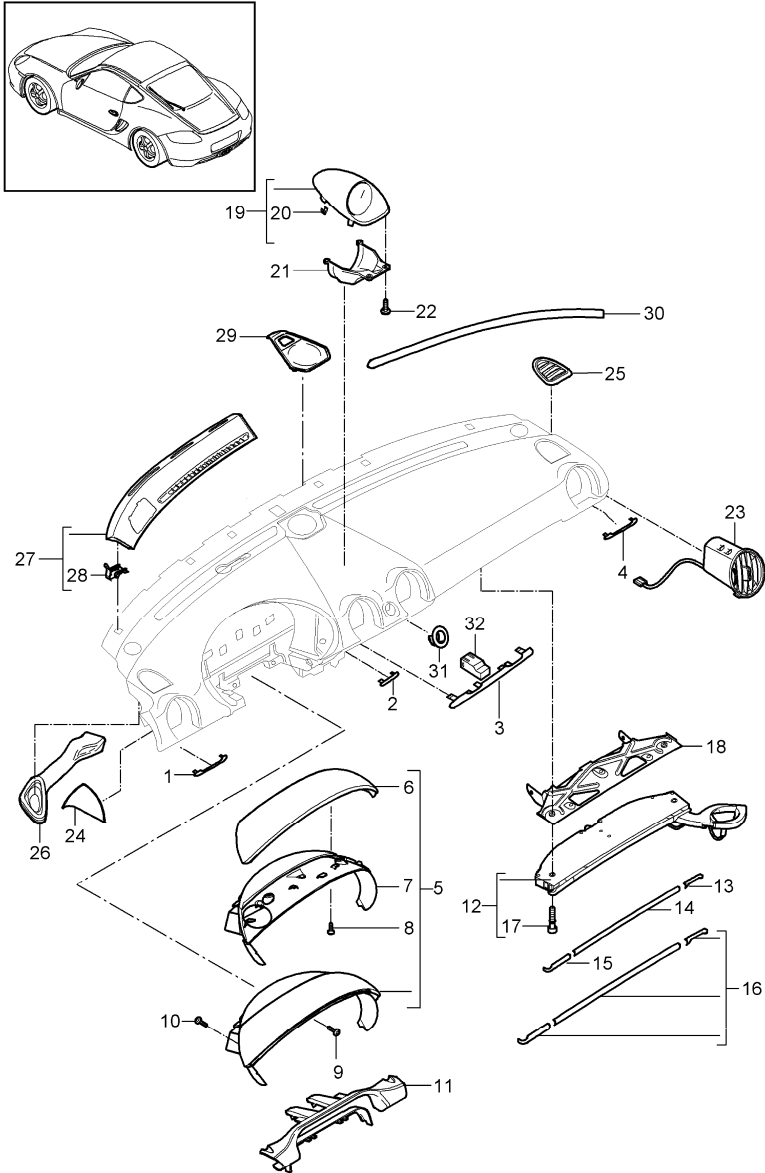
Model	Year	MG	SG	Illustration	Restrictions	UPD	13:07	02.03.2010	PORSCHE	PET	PORSCHE
987C2	2010	8	09	809-00		248					

Pos	Part Number	Description	Remark	Qty	Model	Pos	Part Number	Description	Remark	Qty	Model
1	987 552 101 17	dashboard upper part leather	/LL 09-	1	I098/981		FSF	terracotta			
	FSA	black					FSG	cocoa			
	FSB	stone grey					FSH	dark grey/natural			
	FSC	sand beige					FSJ	brown/natural			
	FSD	sea blue					FSP	carrera red			
	FSF	terracotta				1	987 552 102 18	dashboard	/RL 09-	1	I099/639/640 I981
	FSG	cocoa						upper part leather			
	FSH	dark grey/natural					FSA	black			
	FSJ	brown/natural					FSB	stone grey			
	FSP	carrera red					FSC	sand beige			
1	987 552 102 17	dashboard upper part leather	/RL 09-	1	I099/981		FSD	sea blue			
	FSA	black					FSF	terracotta			
	FSB	stone grey					FSG	cocoa			
	FSC	sand beige					FSH	dark grey/natural			
	FSD	sea blue					FSJ	brown/natural			
	FSF	terracotta					FSP	carrera red			
	FSG	cocoa				2	999 507 971 01	speed nut ST 4,2		X	
	FSH	dark grey/natural				3	999 073 155 09	tapping screw ST 4,2 X 13		X	
	FSJ	brown/natural				4	999 507 106 02	clamping washer 8,0		X	
	FSP	carrera red				5	999 507 732 01	clamp 8,0 X 12,0 /4,0		X	
1	987 552 101 18	dashboard upper part leather	/ll 09-	1	I098/639/640 I981	6	999 507 020 01	speed nut ST 4,2		X	
	FSA	black				7	997 552 617 01	support dashboard driver's side		1	
	FSB	stone grey				8	997 552 673 00	lid defroster trim		2	
	FSC	sand beige				9	999 073 226 09	tapping screw ST 4,2 X 16		2	
	FSD	sea blue									

Model	Year	MG	SG	Illustration	Restrictions	UPD	13:07	02.03.2010	PORSCHE	PET	PORSCHE
987C2	2010	8	09	809-00		248					

Pos	Part Number	Description	Remark	Qty	Model	Pos	Part Number	Description	Remark	Qty	Model
10	997 552 481 00	insert a-pillar	/L	1							
(10)	997 552 482 00	insert a-pillar	/R	1							
11	8E0 857 117	clamp		2							
12	999 507 319 01	captive nut M5		2							
13	997 552 360 03	retaining bracket for beverages	/LL	1	I098						
(13)	997 552 359 03	retaining bracket for beverages support	/RL	1	I099						

Model	Year	MG	SG	Illustration	Restrictions	UPD	13:08	02.03.2010	PORSCHE	PET	PORSCHE
987C2	2010	8	09	809-01		248					



Pos	Part Number	Description	Remark	Qty	Model
		dashboard trim upper part with accessories			
1	987 552 381 01	moulding driver's side outer	/LL	1	CAYMAN I098
		D07 volcano grey			
(1)	987 552 382 01	moulding driver's side outer	/RL	1	CAYMAN I099
		D07 volcano grey			
(1)	987 552 381 02	moulding driver's side outer	/LL	1	CAYMAN S I098
		V04 galvano silver			
(1)	987 552 382 02	moulding driver's side outer	/RL	1	CAYMAN S I099
		V04 galvano silver			
(1)	987 552 381 03	moulding driver's side outer	/LL	1	I098/801
		S61 macassar			
(1)	987 552 382 03	moulding driver's side outer	/RL	1	I099/801
		S61 macassar			
(1)	987 552 381 05	moulding driver's side outer	/LL	1	I098/803
		A35 black			
(1)	987 552 382 05	moulding driver's side outer	/RL	1	I099/803
		A35 black			

Model	Year	MG	SG	Illustration	Restrictions	UPD	13:08	02.03.2010	PORSCHE	PET	PORSCHE
987C2	2010	8	09	809-01		248					

Pos	Part Number	Description	Remark	Qty	Model	Pos	Part Number	Description	Remark	Qty	Model
(1)	987 552 381 06	moulding driver's side outer	/LL	1	I098/805		9S5	terracotta			
	G2X	prime coated					9V6	cocoa			
							D12	dark grey/natural			
(1)	987 552 381 06	moulding driver's side outer	/LL	10-	1 IXDM/098		T12	brown/natural			
	G2X	prime coated					N12	carrera red			
(1)	987 552 382 06	moulding driver's side outer	/RL	1	I099/805	2	987 552 383 01	moulding	/LL	1	CAYMAN I098
	G2X	prime coated						driver's side inner			
(1)	987 552 382 06	moulding driver's side outer	/RL	10-	1 IXDM/099	(2)	987 552 384 01	moulding	/RL	1	CAYMAN I099
	G2X	prime coated						driver's side inner			
(1)	987 552 986 00	moulding driver's side outer	/LL	1	IXVP/098	(2)	987 552 383 02	moulding	/LL	1	CAYMAN S I098
	A11	black						driver's side inner			
	5X6	stone grey					V04	galvano silver			
	8G2	sand beige				(2)	987 552 384 02	moulding	/RL	1	CAYMAN S I099
	3S9	sea blue						driver's side inner			
	9S5	terracotta					V04	galvano silver			
	9V6	cocoa				(2)	987 552 383 03	moulding	/LL	1	I098/801
	D12	dark grey/natural						driver's side inner			
	T12	brown/natural					S61	macassar			
	N12	carrera red				(2)	987 552 384 03	moulding	/RL	1	I099/801
(1)	987 552 986 01	moulding driver's side outer	/RL	1	IXVP/099			driver's side inner			
	A11	black					S61	macassar			
	5X6	stone grey				(2)	987 552 383 05	moulding	/LL	1	I098/803
	8G2	sand beige						driver's side inner			
	3S9	sea blue					A35	black			

Model	Year	MG	SG	Illustration	Restrictions	UPD	13:08	02.03.2010	PORSCHE	PET	PORSCHE
987C2	2010	8	09	809-01		248					

Pos	Part Number	Description	Remark	Qty	Model	Pos	Part Number	Description	Remark	Qty	Model
(2)	987 552 384 05	moulding driver's side inner	/RL	1	I099/803		5X6	stone grey			
	A35	black					8G2	sand beige			
							3S9	sea blue			
(2)	987 552 383 06	moulding driver's side inner	/LL	1	I098/805		9S5	terracotta			
	G2X	prime coated					9V6	cocoa			
							D12	dark grey/natural			
(2)	987 552 383 06	moulding driver's side inner	/LL	10-	IXDM/098		T12	brown/natural			
	G2X	prime coated					N12	carrera red			
(2)	987 552 384 06	moulding driver's side inner	/RL	1	I099/805	3	987 552 585 01	moulding dashboard centre		1	CAYMAN
	G2X	prime coated					D07	volcano grey			
(2)	987 552 384 06	moulding driver's side inner	/RL	10-	IXDM/099	(3)	987 552 585 02	moulding dashboard centre		1	CAYMAN S
	G2X	prime coated					V04	galvano silver			
(2)	987 552 987 00	moulding driver's side inner	/LL	1	IXVP/098	(3)	987 552 585 03	moulding dashboard centre		1	I801
	A11	black					S61	macassar			
	5X6	stone grey				(3)	987 552 585 05	moulding dashboard centre		1	I803
	8G2	sand beige					A35	black			
	3S9	sea blue				(3)	987 552 585 06	moulding dashboard centre		1	I805
	9S5	terracotta					G2X	prime coated			
	9V6	cocoa				(3)	987 552 585 06	moulding dashboard centre	10-	1	IXDM
	D12	dark grey/natural					G2X	prime coated			
	T12	brown/natural				(3)	987 552 981 00	moulding dashboard centre		1	IXVP
	N12	carrera red					A11	black			
(2)	987 552 987 01	moulding driver's side inner	/RL	1	IXVP/099						
	A11	black									

Model	Year	MG	SG	Illustration	Restrictions	UPD	13:08	02.03.2010	PORSCHE	PET	PORSCHE
987C2	2010	8	09	809-01		248					

Pos	Part Number	Description	Remark	Qty	Model	Pos	Part Number	Description	Remark	Qty	Model
	5X6	stone grey					A35	black			
	8G2	sand beige				(4)	987 552 388 06	moulding passenger's side	/LL	1	I098/805
	3S9	sea blue					G2X	prime coated			
	9S5	terracotta				(4)	987 552 388 06	moulding passenger's side	/LL	10-	1 IXDM/098
	9V6	cocoa					G2X	prime coated			
	D12	dark grey/natural				(4)	987 552 387 06	moulding passenger's side	/RL		1 I099/805
	T12	brown/natural					G2X	prime coated			
	N12	carrera red				(4)	987 552 387 06	moulding passenger's side	/RL	10-	1 IXDM/099
4	987 552 388 01	moulding passenger's side	/LL	1	CAYMAN I098	(4)	987 552 387 06	moulding passenger's side	/RL	10-	1 IXDM/099
	D07	volcano grey					G2X	prime coated			
(4)	987 552 387 01	moulding passenger's side	/RL	1	CAYMAN I099	(4)	987 552 982 00	moulding passenger's side	/LL		1 IXVP/098
	D07	volcano grey					A11	black			
(4)	987 552 388 02	moulding passenger's side	/LL	1	CAYMAN S I098		5X6	stone grey			
	V04	galvano silver					8G2	sand beige			
(4)	987 552 387 02	moulding passenger's side	/RL	1	CAYMAN S I099		3S9	sea blue			
	V04	galvano silver					9S5	terracotta			
(4)	987 552 388 03	moulding passenger's side	/LL	1	I098/801		9V6	cocoa			
	S61	macassar					D12	dark grey/natural			
(4)	987 552 387 03	moulding passenger's side	/RL	1	I099/801	(4)	T12	brown/natural			
	S61	macassar					N12	carrera red			
(4)	987 552 388 05	moulding passenger's side	/LL	1	I098/803		N12	carrera red			
	A35	black				(4)	987 552 982 01	moulding passenger's side	/RL		1 IXVP/099
(4)	987 552 387 05	moulding passenger's side	/RL	1	I099/803		A11	black			
	A35	black					5X6	stone grey			
	8G2	sand beige					8G2	sand beige			
	3S9	sea blue					3S9	sea blue			
	9S5	terracotta					9S5	terracotta			
	9V6	cocoa					9V6	cocoa			

Model	Year	MG	SG	Illustration	Restrictions	UPD	13:08	02.03.2010	PORSCHE	PET	PORSCHE
987C2	2010	8	09	809-01		248					

Pos	Part Number	Description	Remark	Qty	Model	Pos	Part Number	Description	Remark	Qty	Model				
5	987 552 023 00	D12	dark grey/natural	/LL	1	I098	FSC	sand beige/sand beige							
		T12	brown/natural				FSD	sea blue/grey							
		N12	carrera red				FSF	terracotta/terracotta							
			instrument box complete lacquered				FSG	cocoa/cocoa							
		A03	black				FSH	darkgrey natural/grey							
		5V7	stone grey				FSJ	brown nat./brown nat.							
		5Z1	sand beige				FSP	carrera red							
		8W7	sea blue												
(5)	987 552 024 00	instrument box complete lacquered	/RL	1	I099	(5)	987 552 990 08	instrument box complete	/LL	1	IXNG/098				
(5)	987 552 024 00	A03	black				A11	black							
		5V7	stone grey				5X6	stone grey							
		5Z1	sand beige				8G2	sand beige							
		8W7	sea blue				3S9	sea blue							
			instrument box complete lacquered				(5)	987 552 990 09				instrument box complete	/RL	1	IXNG/099
		A03	black												
		5V7	stone grey												
		5Z1	sand beige												
(5)	987 552 023 02	instrument box complete	/LL	1	I098/981	(5)	987 552 990 10	instrument box complete	/LL	1	IXNG/098/981				
(5)	987 552 023 02	FSA	black/grey				5X6	stone grey							
		FSB	stone grey/stone grey				8G2	sand beige							
		FSC	sand beige/sand beige				3S9	sea blue							
		FSD	sea blue/grey												
		FSF	terracotta/terracotta				(5)	987 552 990 10				instrument box complete	/LL	1	IXNG/098/981
		FSG	cocoa/cocoa												
		FSH	darkgrey natural/grey												
		FSJ	brown nat./brown nat.												
		FSP	carrera red												
			instrument box complete												
		A11	black												
		5X6	stone grey												
8G2	sand beige														
3S9	sea blue														
9S5	terracotta														
9V6	cocoa														
(5)	987 552 024 02	instrument box complete	/RL	1	I099/981										
(5)	987 552 024 02	FSA	black/grey				D12	dark grey/natural							
		FSB	stone grey/stone grey				T12	brown/natural							
			instrument box complete				N12	carrera red							

Model	Year	MG	SG	Illustration	Restrictions	UPD	13:08	02.03.2010	PORSCHE	PET	PORSCHE
987C2	2010	8	09	809-01		248					

Pos	Part Number	Description	Remark	Qty	Model	Pos	Part Number	Description	Remark	Qty	Model
(5)	987 552 990 11	instrument box complete	/RL	1	IXNG/099/981		FSJ	brown nat./brown nat.			
	A11	black					FSP	carrera red			
	5X6	stone grey				(6)	987 552 124 02	instrument box upper part	/RL	1	I099/981
	8G2	sand beige					FSA	black/grey			
	3S9	sea blue					FSB	stone grey/stone grey			
	9S5	terracotta					FSC	sand beige/sand beige			
	9V6	cocoa					FSD	sea blue/grey			
	D12	dark grey/natural					FSF	terracotta/terracotta			
	T12	brown/natural					FSG	cocoa/cocoa			
	N12	carrera red					FSH	darkgrey natural/grey			
(5)	987 552 990 12	instrument box complete	/LL	1	IXCL/098		FSJ	brown nat./brown nat.			
	V04	galvano silver					FSP	carrera red			
(5)	987 552 990 13	instrument box complete	/RL	1	IXCL/099	7	987 552 229 00	cover instrument cluster		1	I098/981
	V04	galvano silver					A03	black			
(5)	987 552 990 14	instrument box complete	/LL	1	IXCL/098/981		5V7	stone grey			
	V04	galvano silver					5Z1	sand beige			
(5)	987 552 990 15	instrument box complete	/RL	1	IXCL/099/981		8W7	sea blue			
	V04	galvano silver					8X8	terracotta			
(6)	987 552 123 02	instrument box upper part	/LL	1	I098/981		8P9	cocoa			
	FSA	black/grey					T13	brown/natural			
	FSB	stone grey/stone grey				7	987 552 230 00	cover instrument cluster		1	I099/981
	FSC	sand beige/sand beige					N23	carrera red			
	FSD	sea blue/grey					A03	black			
	FSF	terracotta/terracotta					5V7	stone grey			
	FSG	cocoa/cocoa					5Z1	sand beige			
	FSH	darkgrey natural/grey					8W7	sea blue			
							8X8	terracotta			

Model	Year	MG	SG	Illustration	Restrictions	UPD	13:08	02.03.2010	PORSCHE	PET	PORSCHE
987C2	2010	8	09	809-01		248					

Pos	Part Number	Description	Remark	Qty	Model	Pos	Part Number	Description	Remark	Qty	Model
	8P9	cocoa				8	999 919 235 09	oval-head screw ST 3,5 X 8		4	
	T13	brown/natural				9	900 067 416 01	pan-head screw M5 x 27		2	
	N23	carrera red				10	999 073 226 09	tapping screw ST 4,2 X 16		5	
(7)	987 552 989 04	cover instrument cluster	/LL	1	IXNG/098/981	11	987 552 271 01	bridge	/LL	1	I098
	A11	black					A03	black			
	5X6	stone grey					5V7	stone grey			
	8G2	sand beige					5Z1	sand beige			
	3S9	sea blue					8W7	sea blue			
	9S5	terracotta					8P9	cocoa			
	9V6	cocoa					T13	brown/natural			
	D12	dark grey/natural					N23	carrera red			
	T12	brown/natural				(11)	987 552 272 01	bridge	/RL	1	I099
(7)	987 552 989 05	cover instrument cluster	/RL	1	IXNG/099/981		A03	black			
	A11	black					5V7	stone grey			
	5X6	stone grey					5Z1	sand beige			
	8G2	sand beige					8W7	sea blue			
	3S9	sea blue					8X8	terracotta			
	9S5	terracotta					8P9	cocoa			
	9V6	cocoa					T13	brown/natural			
	D12	dark grey/natural					N23	carrera red			
	T12	brown/natural				11	987 552 978 00	bridge	/LL	1	IXNS/098
	N12	carrera red					A11	black			
(7)	987 552 989 06	cover instrument cluster	/LL	1	IXCL/098/981		5X6	stone grey			
	V04	galvano silver					8G2	sand beige			
(7)	987 552 989 07	cover instrument cluster	/RL	1	IXCL/099/981		3S9	sea blue			
	V04	galvano silver					9S5	terracotta			
							9V6	cocoa			

Model	Year	MG	SG	Illustration	Restrictions	UPD	13:08	02.03.2010	PORSCHE	PET	PORSCHE
987C2	2010	8	09	809-01		248					

Pos	Part Number	Description	Remark	Qty	Model	Pos	Part Number	Description	Remark	Qty	Model
	D12	dark grey/natural					V04	galvano silver			
	T12	brown/natural				(13)	997 552 396 05	cover	/LL/R	1	I098/803
	N12	carrera red					A35	black			
(11)	987 552 978 01	bridge leather	/RL	1	IXNS/099	(13)	997 552 395 05	cover	/RL/R	1	I099/803
	A11	black					A35	black			
	5X6	stone grey				(13)	987 552 394 00	cover	/LL/R	1	I098/805
	8G2	sand beige					G2X	prime coated			
	3S9	sea blue				(13)	987 552 394 00	cover	/LL/R	10-	1 IXDM/098
	9S5	terracotta					G2X	prime coated			
	9V6	cocoa				(13)	987 552 393 00	cover	/RL/R	1	I099/805
	D12	dark grey/natural					G2X	prime coated			
	T12	brown/natural				(13)	987 552 393 00	cover	/RL/R	10-	1 IXDM/099
	N12	carrera red					G2X	prime coated			
12	997 552 294 03	support beverages	/LL	1	I098	(13)	997 552 993 00	cover	/LL/R	1	IXVP/098
(12)	997 552 293 04	support beverages	/RL	1	I099		A11	black			
--	997 552 905 00	repair kit flap torsion spring for beverages support		1			5X6	stone grey			
13	997 552 394 01	cover	/LL/R	1	CAYMAN I098		8G2	sand beige			
	D07	volcano grey					3S9	sea blue			
(13)	997 552 393 01	cover	/RL/R	1	CAYMAN I099		9S5	terracotta			
	D07	volcano grey					9V6	cocoa			
(13)	997 552 394 02	cover	/LL/R	1	CAYMAN S I098		D12	dark grey/natural			
	V04	galvano silver					T12	brown/natural			
(13)	997 552 393 02	cover	/RL/R	1	CAYMAN S I099	(13)	997 552 993 01	cover	/RL/R	1	IXVP/099
							N12	carrera red			
							A11	black			
							5X6	stone grey			
							8G2	sand beige			
							3S9	sea blue			
							9S5	terracotta			

Model	Year	MG	SG	Illustration	Restrictions	UPD	13:08	02.03.2010	PORSCHE	PET	PORSCHE
987C2	2010	8	09	809-01		248					

Pos	Part Number	Description	Remark	Qty	Model	Pos	Part Number	Description	Remark	Qty	Model
	9V6	cocoa				(14)	987 552 391 00	cover centre	/RL 10-	1	IXDM/099
	D12	dark grey/natural					G2X	prime coated			
	T12	brown/natural				(14)	997 552 994 00	cover centre	/LL	1	IXVP/098
	N12	carrera red					A11	black			
14	997 552 398 00	cover centre	/LL	1	CAYMAN I098		5X6	stone grey			
	D07	volcano grey					8G2	sand beige			
(14)	997 552 397 00	cover centre	/RL	1	CAYMAN I099		3S9	sea blue			
	D07	volcano grey					9S5	terracotta			
(14)	997 552 398 01	cover centre	/LL	1	CAYMAN S I098		9V6	cocoa			
	V04	galvano silver					D12	dark grey/natural			
(14)	997 552 397 01	cover centre	/RL	1	CAYMAN S I099	(14)	997 552 994 01	cover centre	/RL	1	IXVP/099
	V04	galvano silver					A11	black			
(14)	997 552 398 04	cover centre	/LL	1	I098/803		5X6	stone grey			
	A35	black					8G2	sand beige			
(14)	997 552 397 04	cover centre	/RL	1	I099/803		3S9	sea blue			
	A35	black					9S5	terracotta			
(14)	987 552 392 00	cover centre	/LL	1	I098/805		9V6	cocoa			
	G2X	prime coated					D12	dark grey/natural			
(14)	987 552 392 00	cover centre	/LL	10-	IXDM/098	15	997 552 396 01	cover	/LL/L	1	CAYMAN I098
	G2X	prime coated					D07	volcano grey			
(14)	987 552 391 00	cover centre	/RL	1	I099/805	(15)	997 552 395 01	cover	/RL/L	1	CAYMAN I099
	G2X	prime coated					D07	volcano grey			

Model	Year	MG	SG	Illustration	Restrictions	UPD	13:08	02.03.2010	PORSCHE	PET	PORSCHE
987C2	2010	8	09	809-01		248					

Pos	Part Number	Description	Remark	Qty	Model	Pos	Part Number	Description	Remark	Qty	Model
(15)	997 552 396 02	cover	/LL/L	1	CAYMAN S I098		5X6	stone grey			
	V04	galvano silver					8G2	sand beige			
(15)	997 552 395 02	cover	/RL/L	1	CAYMAN S I099		3S9	sea blue			
	V04	galvano silver					9S5	terracotta			
							9V6	cocoa			
(15)	997 552 394 05	cover	/LL/L	1	I098/803		D12	dark grey/natural			
	A35	black					T12	brown/natural			
(15)	997 552 393 05	cover	/RL/L	1	I099/803		N12	carrera red			
	A35	black				16	997 552 904 00	set cover wood	/LL	1	I098/801
(15)	987 552 396 00	cover	/LL/L	1	I098/805		S61	macassar			
	G2X	prime coated									
(15)	987 552 396 00	cover	/LL/L	10-	1 IXDM/098	(16)	997 552 903 00	set cover wood	/RL	1	I099/801
	G2X	prime coated					S61	macassar			
(15)	987 552 395 00	cover	/RL/L	1	I099/805						
	G2X	prime coated				17	900 067 416 01	pan-head screw M5 X 27		2	
(15)	987 552 395 00	cover	/RL/L	10-	1 IXDM/099			beverages support see group 8/09/00			
	G2X	prime coated									
(15)	997 552 992 00	cover	/LL/L	1	IXVP/098						
	A11	black				19	987 552 371 00	air box upper part		1	I639/640
	5X6	stone grey					A03	black			
	8G2	sand beige					5V7	stone grey			
	3S9	sea blue					5Z1	sand beige			
	9S5	terracotta					8W7	sea blue			
	9V6	cocoa				(19)	987 552 371 01	air box upper part		1	I639/640/981
	D12	dark grey/natural					A11	black			
	T12	brown/natural					5X6	stone grey			
	N12	carrera red					8G2	sand beige			
(15)	997 552 992 01	cover	/RL/L	1	IXVP/099		3S9	sea blue			
	A11	black									

Model	Year	MG	SG	Illustration	Restrictions	UPD	13:08	02.03.2010	PORSCHE	PET	PORSCHE
987C2	2010	8	09	809-01		248					

Pos	Part Number	Description	Remark	Qty	Model	Pos	Part Number	Description	Remark	Qty	Model
	9S5	terracotta					8W7	sea blue			
	9V6	cocoa					8X8	terracotta			
	D12	dark grey/natural					8P9	cocoa			
	T12	brown/natural					T13	brown/natural			
	N12	carrera red					N23	carrera red			
20	999 507 920 01	u-clamp 1,7-2,1		4	I639/640	(24)	987 552 538 01	cover dashboard upper part	/R	1	
21	997 552 373 01	support air box upper part		1	I639/640		A03	black			
22	999 919 203 07	oval-head screw 3,0 X 10		4			5V7	stone grey			
23	987 552 131 04	air vent		4			5Z1	sand beige			
	FRA	Black/Galvano Silver					8W7	sea blue			
23	987 552 131 06	air vent		4			8X8	terracotta			
	FRA	Black/Galvano Silver					8P9	cocoa			
(23)	987 552 980 00	air vent		4	IXVR		T13	brown/natural			
	A11	black				25	987 552 455 01	cover defroster vent	/L	1	
	5X6	stone grey					A03	black			
	8G2	sand beige					5V7	stone grey			
	3S9	sea blue					5Z1	sand beige			
	9S5	terracotta					8W7	sea blue			
	9V6	cocoa					8X8	terracotta			
	D12	dark grey/natural					8P9	cocoa			
	T12	brown/natural					T13	brown/natural			
	N12	carrera red					N23	carrera red			
24	987 552 537 01	cover dashboard upper part	/L	1		(25)	987 552 456 01	cover defroster vent	/R	1	
	A03	black					A03	black			
	5V7	stone grey					5V7	stone grey			
	5Z1	sand beige					5Z1	sand beige			

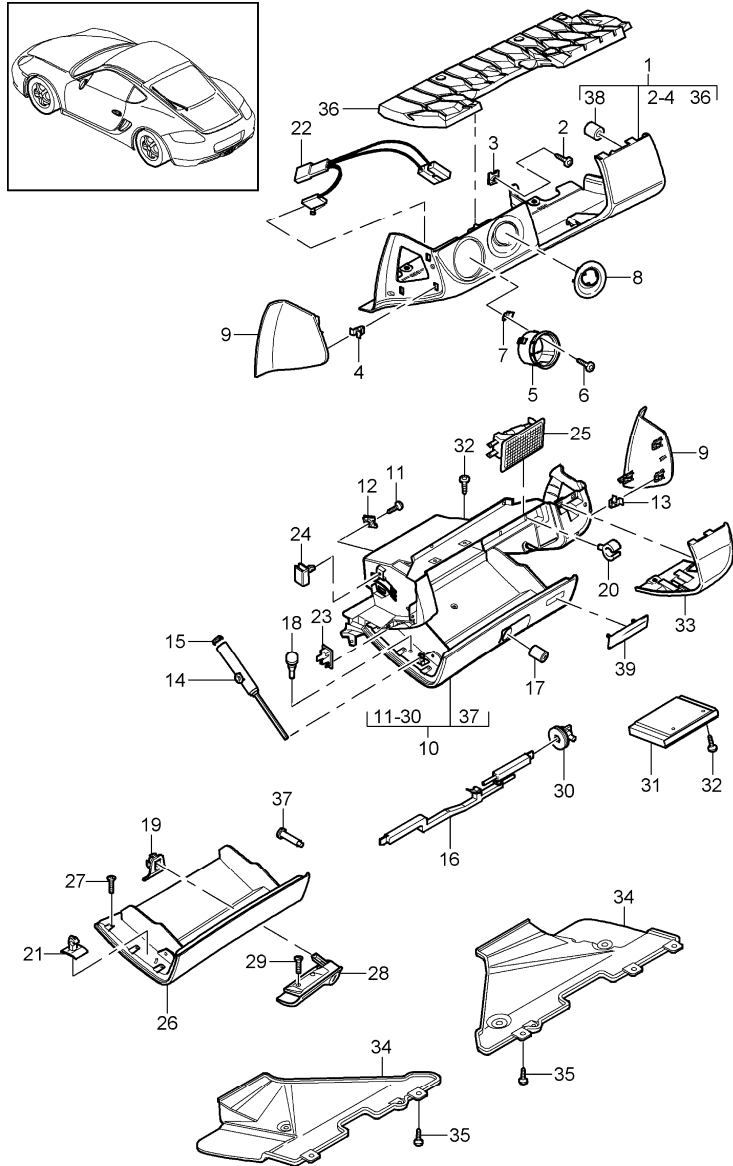
Model	Year	MG	SG	Illustration	Restrictions	UPD	13:08	02.03.2010	PORSCHE	PET	PORSCHE
987C2	2010	8	09	809-01		248					

Pos	Part Number	Description	Remark	Qty	Model	Pos	Part Number	Description	Remark	Qty	Model
	8W7	sea blue					8G2	sand beige			
	8X8	terracotta					3S9	sea blue			
	8P9	cocoa					9S5	terracotta			
	T13	brown/natural					9V6	cocoa			
	N23	carrera red					D12	dark grey/natural			
26	987 552 315 02	air duct lateral	/L	1			T12	brown/natural			
(26)	987 552 316 02	air duct lateral	/R	1		(27)	997 552 984 00	defroster trim	/R	1	IXV1
27	997 552 175 01	defroster trim	/L	1			A11	black			
	A03	black					5X6	stone grey			
	5V7	stone grey					8G2	sand beige			
	5Z1	sand beige					3S9	sea blue			
	8W7	sea blue					9S5	terracotta			
	8X8	terracotta					9V6	cocoa			
	8P9	cocoa					D12	dark grey/natural			
	T13	brown/natural					T12	brown/natural			
	N23	carrera red					N12	carrera red			
(27)	997 552 176 01	defroster trim	/R	1		28	999 591 307 01	u-clamp		1	
	A03	black				29	997 552 351 01	cover centre		1	
	5V7	stone grey					A03	black			
	5Z1	sand beige					5V7	stone grey			
	8W7	sea blue					5Z1	sand beige			
	8X8	terracotta					8W7	sea blue			
	8P9	cocoa					8X8	terracotta			
	T13	brown/natural					8P9	cocoa			
	N23	carrera red					T13	brown/natural			
(27)	997 552 983 00	defroster trim	/L	1	IXV1		N23	carrera red			
	A11	black				(29)	997 552 985 00	cover centre		1	IXV1
	5X6	stone grey									

Model	Year	MG	SG	Illustration	Restrictions	UPD	13:08	02.03.2010	PORSCHE	PET	PORSCHE
987C2	2010	8	09	809-01		248					

Pos	Part Number	Description	Remark	Qty	Model	Pos	Part Number	Description	Remark	Qty	Model
	A11	black									
	5X6	stone grey									
	8G2	sand beige									
	3S9	sea blue									
	9S5	terracotta									
	9V6	cocoa									
	D12	dark grey/natural									
	T12	brown/natural									
	N12	carrera red									
30	997 552 645 00	gasket cowl		1							
31	987 552 397 02	cover hazard warning light sw.		1							
	A03	black									
	5V7	stone grey									
	5Z1	sand beige									
	8W7	sea blue									
	8X8	terracotta									
	8P9	cocoa									
	T13	brown/natural									
	N23	carrera red									
32	987 552 595 00	mounting switch central locking system		1							

Model	Year	MG	SG	Illustration	Restrictions	UPD	13:08	02.03.2010	PORSCHE	PET	PORSCHE
987C2	2010	8	09	809-03		248					



Pos	Part Number	Description	Remark	Qty	Model
1	997 552 201 02	glove compartment lid and lining driver's side leatherette 1MZ black 1YP stone grey 1TK sand beige 1VM sea blue	/LL	1	I098
(1)	997 552 202 02	lining leatherette 1MZ black 1YP stone grey 1TK sand beige 1VM sea blue	/RL	1	I099
(1)	997 552 201 03	lining leather A11 black 5X6 stone grey 8G2 sand beige 3S9 sea blue 9S5 terracotta 9V6 cocoa D12 dark grey/natural T12 brown/natural N12 carrera red	/LL	1	I098/981
(1)	997 552 202 03	lining leather A11 black 5X6 stone grey 8G2 sand beige	/RL	1	I099/981

Model	Year	MG	SG	Illustration	Restrictions	UPD	13:08	02.03.2010	PORSCHE	PET	PORSCHE
987C2	2010	8	09	809-03		248					

Pos	Part Number	Description	Remark	Qty	Model	Pos	Part Number	Description	Remark	Qty	Model
	3S9	sea blue					5V7	stone grey			
	9S5	terracotta					5Z1	sand beige			
	9V6	cocoa					8W7	sea blue			
	D12	dark grey/natural					8X8	terracotta			
	T12	brown/natural					8P9	cocoa			
	N12	carrera red					T13	brown/natural			
2	999 073 155 09	tapping screw 4,2 X 13		7			N23	carrera red			
3	999 507 971 01	speed nut 4,2		7		(8)	997 552 426 01	cover ignition starter lock	/RL	1	I099
4	999 507 732 01	clamp 8 X 12/ 4 for mount lining		7			A03	black			
5	997 552 427 01	cover light switch		1			5V7	stone grey			
	A03	black					5Z1	sand beige			
	5V7	stone grey					8W7	sea blue			
	5Z1	sand beige					8X8	terracotta			
	8W7	sea blue				(8)	997 552 998 00	cover ignition starter lock leather	/LL	10-	1 IXDS/098
	8X8	terracotta					8P9	cocoa			
	8P9	cocoa					T13	brown/natural			
	T13	brown/natural					N23	carrera red			
	N23	carrera red					5X6	stone grey			
6	999 073 155 09	tapping screw 4,2 X 13		3			8G2	sand beige			
7	999 507 971 01	speed nut 4,2 for mount cover light switch		3			3S9	sea blue			
8	997 552 425 01	cover ignition starter lock	/LL	1	I098		9S5	terracotta			
	A03	black					9V6	cocoa			
							D12	dark grey/natural			
							T12	brown/natural			
							N12	carrera red			

Model	Year	MG	SG	Illustration	Restrictions	UPD	13:08	02.03.2010	PORSCHE	PET	PORSCHE
987C2	2010	8	09	809-03		248					

Pos	Part Number	Description	Remark	Qty	Model	Pos	Part Number	Description	Remark	Qty	Model
(8)	997 552 999 00	cover ignition starter lock leather	/RL	10-	1 IXDS/099		N23	carrera red			
	A11	black				(9)	997 552 996 01	cover leather	/L	10-	1 IXDV
	5X6	stone grey					A11	black			
	8G2	sand beige					5X6	stone grey			
	3S9	sea blue					8G2	sand beige			
	9S5	terracotta					3S9	sea blue			
	9V6	cocoa					9S5	terracotta			
	D12	dark grey/natural					9V6	cocoa			
	T12	brown/natural					D12	dark grey/natural			
	N12	carrera red					T12	brown/natural			
9	997 552 405 02	cover	/L		1	(9)	N12	carrera red			
	A03	black				(9)	997 552 996 02	cover leather	/R	10-	1 IXDV
	5V7	stone grey					A11	black			
	5Z1	sand beige					5X6	stone grey			
	8W7	sea blue					8G2	sand beige			
	8X8	terracotta					3S9	sea blue			
	8P9	cocoa					9S5	terracotta			
	T13	brown/natural					9V6	cocoa			
	N23	carrera red					D12	dark grey/natural			
(9)	997 552 406 02	cover lateral driver's side	/R		1		T12	brown/natural			
	A03	black				10	N12	carrera red			
	5V7	stone grey				997 552 204 06	glove compartment leatherette complete	/LL		1	I098
	5Z1	sand beige					1MZ	black			
	8W7	sea blue					1YP	stone grey			
	8X8	terracotta					1TK	sand beige			
	8P9	cocoa					1VM	sea blue			
	T13	brown/natural									

Model	Year	MG	SG	Illustration	Restrictions	UPD	13:08	02.03.2010	PORSCHE	PET	PORSCHE
987C2	2010	8	09	809-03		248					

Pos	Part Number	Description	Remark	Qty	Model	Pos	Part Number	Description	Remark	Qty	Model
(10)	997 552 203 06	glove compartment leatherette complete	/RL	1	I099	11	999 073 155 09	tapping screw 4,2 X 13		X	
	1MZ	black				12	999 507 971 01	speed nut 4,2		X	
	1YP	stone grey				13	999 507 732 01	clamp 8 X 12 /4 for mount glove compartment		X	
	1TK	sand beige									
	1VM	sea blue									
10	997 552 204 07	glove compartment leather complete	/LL	1	I098/981	14	997 552 484 01	damper glove compartment		1	
	A11	black				15	997 552 612 00	cover damper		1	
	5X6	stone grey				16	997 552 410 01	release glove compartment	/LL	1	I098
	8G2	sand beige				(16)	997 552 409 01	release glove compartment	/RL	1	I099
	3S9	sea blue				17	996 552 915 01	lock cylinder glove compartment vehicle identification no. indicate		1	
	9S5	terracotta				18	999 703 068 40	buffer 3,7 x 10,3		2	
	9V6	cocoa				19	997 552 509 02	mounting closing element	/LL/L	1	I098
	D12	dark grey/natural				(19)	997 552 510 02	mounting closing element	/LL/R	1	I098
	T12	brown/natural				(19)	997 552 509 03	mounting closing element	/RL/L	1	I099
	N12	carrera red				(19)	997 552 510 03	mounting closing element	/RL/R	1	I099
(10)	997 552 203 07	glove compartment leather complete	/RL	1	I099/981	20	996 552 813 00	support pin		2	
	A11	black				21	996 552 879 00	adapter for damper		2	
	5X6	stone grey				22	997 612 651 00	wiring harness glove compartment light		1	
	8G2	sand beige									
	3S9	sea blue									
	9S5	terracotta									
	9V6	cocoa									
	D12	dark grey/natural									
	T12	brown/natural									
	N12	carrera red									

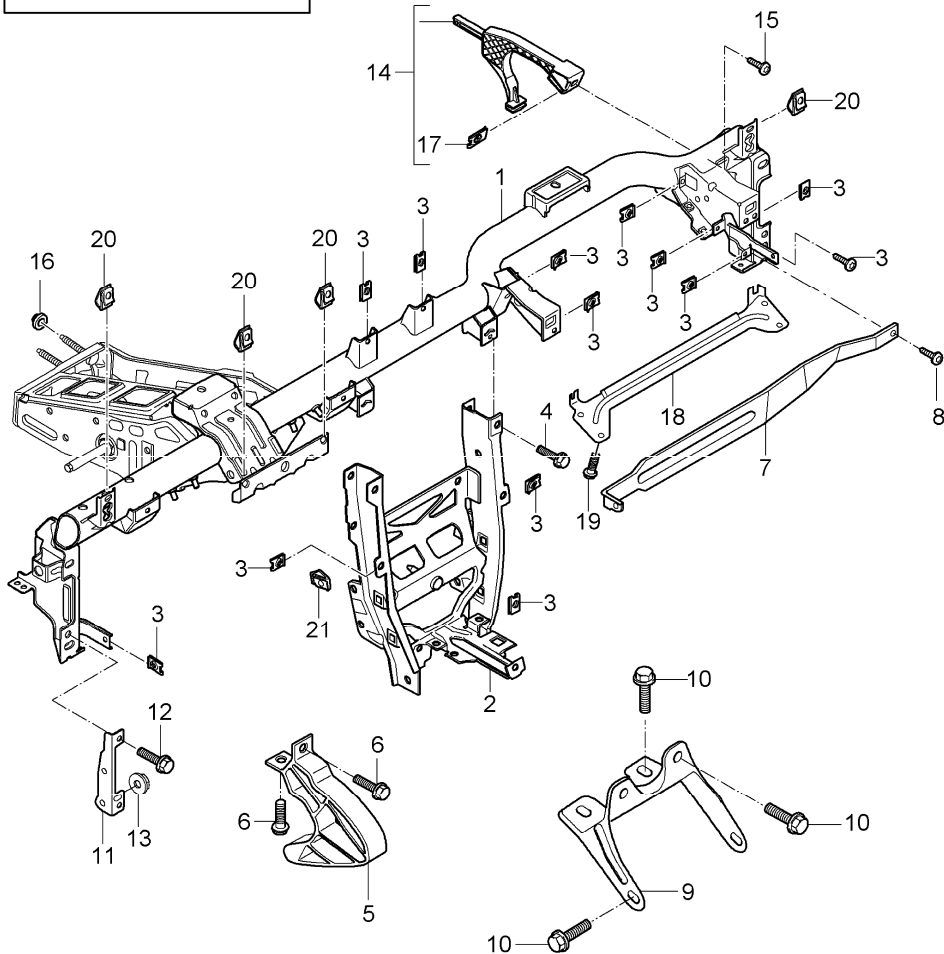
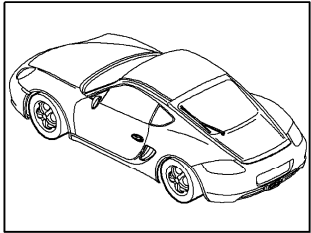
Model	Year	MG	SG	Illustration	Restrictions	UPD	13:08	02.03.2010	PORSCHE	PET	PORSCHE
987C2	2010	8	09	809-03		248					

Pos	Part Number	Description	Remark	Qty	Model	Pos	Part Number	Description	Remark	Qty	Model
23	999 650 564 40	clip for wiring harness microswitch		1			A11	black			
24	999 650 565 40	clip for wiring harness glove compartment light		1			5X6	stone grey			
25	997 632 071 00	glove compartment light		1			8G2	sand beige			
26	997 552 252 02	glove compartment cover leatherette	/LL	1	I098		3S9	sea blue			
	1MZ	black					9S5	terracotta			
	1YP	stone grey					9V6	cocoa			
	1TK	sand beige				27	999 073 249 07	tapping screw 3.5 X 12 for mount		11	
	1VM	sea blue						glove compartment cover			
(26)	997 552 251 02	glove compartment cover leatherette	/RL	1	I099	28	997 552 362 01	handle complete	/LL	1	I098
	1MZ	black					A03	black			
	1YP	stone grey					5V7	stone grey			
	1TK	sand beige					5Z1	sand beige			
	1VM	sea blue					8W7	sea blue			
(26)	997 552 252 03	glove compartment cover leather	/LL	1	I098/981		8X8	terracotta			
	A11	black					8P9	cocoa			
	5X6	stone grey					T13	brown/natural			
	8G2	sand beige					N23	carrera red			
	3S9	sea blue				(28)	997 552 361 01	handle complete	/RL	1	I099
	9S5	terracotta					A03	black			
	9V6	cocoa					5V7	stone grey			
	D12	dark grey/natural					5Z1	sand beige			
	T12	brown/natural					8W7	sea blue			
	N12	carrera red					8X8	terracotta			
(26)	997 552 251 03	glove compartment cover leather	/RL	1	I099/981		8P9	cocoa			

Model	Year	MG	SG	Illustration	Restrictions	UPD	13:08	02.03.2010	PORSCHE	PET	PORSCHE
987C2	2010	8	09	809-03		248					

Pos	Part Number	Description	Remark	Qty	Model	Pos	Part Number	Description	Remark	Qty	Model
	T13	brown/natural					9V6	cocoa			
	N23	carrera red					D12	dark grey/natural			
29	999 073 240 01	screw M 4 X 10 for mount handle		2			T12	brown/natural			
						(33)	997 552 255 03	cover passenger's side leather	/RL	1	I099/981
30	997 552 448 00	stop		1			A11	black			
31	997 552 663 00	box for cds		1	I424		5X6	stone grey			
(31)	997 552 665 00	cover box for cds		1			8G2	sand beige			
32	999 073 240 01	screw M 4 X 10		2			3S9	sea blue			
33	997 552 256 02	cover passenger's side leatherette	/LL	1	I098		9S5	terracotta			
	1MZ	black					9V6	cocoa			
	1YP	stone grey					D12	dark grey/natural			
	1TK	sand beige					T12	brown/natural			
	1VM	sea blue					N12	carrera red			
(33)	997 552 255 02	cover passenger's side leatherette	/RL	1	I099	34	997 552 414 01	lining footwell passenger's side	/LL	1	I098
	1MZ	black				(34)	997 552 413 01	lining footwell passenger's side	/RL	1	I099
	1YP	stone grey				35	1H0 819 943	screw for mount lining footwell		X	
	1TK	sand beige									
	1VM	sea blue									
33	997 552 256 03	cover passenger's side leather	/LL	1	I098/981	36	997 552 451 01	insert	/LL	1	I098
	A11	black				(36)	997 552 452 01	insert	/RL	1	I099
	5X6	stone grey				37	997 552 649 01	hinge bolt glove compartment		2	
	8G2	sand beige				38	997 552 821 00	grommet		3	
	3S9	sea blue									
	9S5	terracotta									

Model	Year	MG	SG	Illustration	Restrictions	UPD	13:08	02.03.2010	PORSCHE	PET	PORSCHE
987C2	2010	8	09	809-04		248					

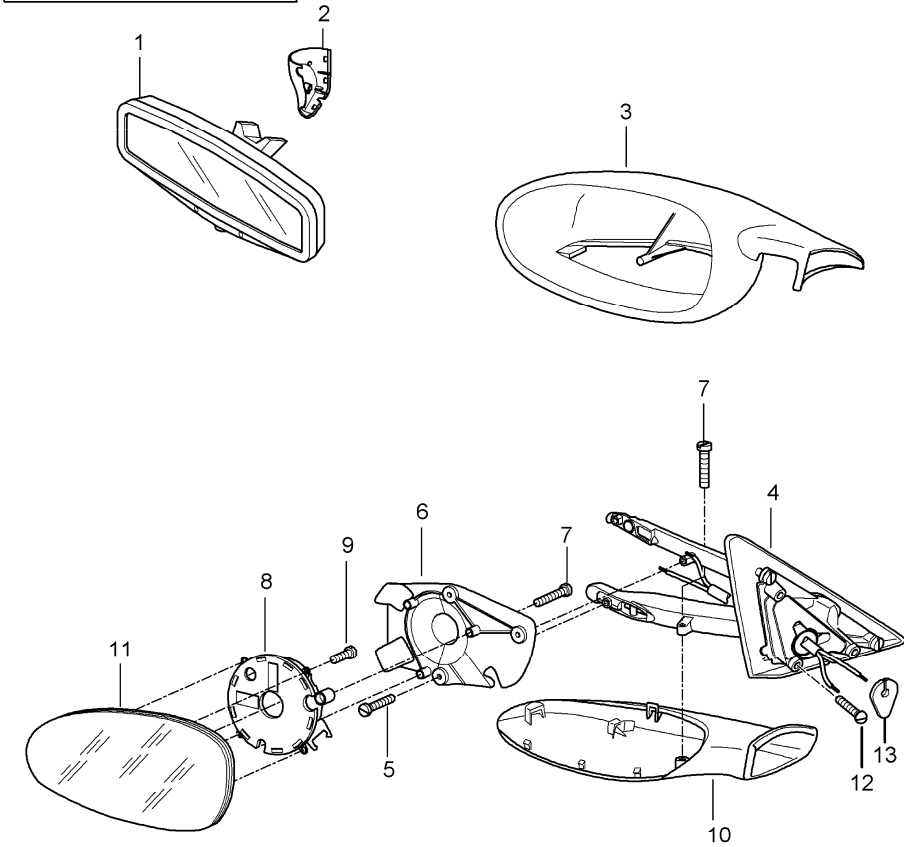
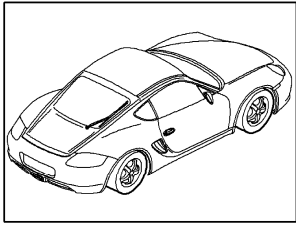


Pos	Part Number	Description	Remark	Qty	Model
		retaining frame dashboard			
1	997 552 063 08	retaining frame	/LL	1	I098
(1)	997 552 063 07	retaining frame	/RL	1	I099
2	997 552 163 05	support tunnel	/LL	1	I098
(2)	997 552 163 06	support tunnel	/RL	1	I099
3	999 507 020 01	speed nut ST 4,2 for mount retaining frame and support tunnel		X	
4	900 378 305 01	hexagon-head bolt M 8 X 65 for mount support		2	
9	997 552 515 01	support tunnel		1	
10	999 073 442 01	screw M 6 X 25 for mount support tunnel		X	
11	997 552 407 01	support a-pillar	/L	1	
(11)	997 552 408 01	support a-pillar	/R	1	
12	900 378 176 01	hexagon-head bolt M 8 X 20 for mount support a-pillar		4	
13	999 084 630 09	hexagon nut M 8 for mount support a-pillar		4	

Model	Year	MG	SG	Illustration	Restrictions	UPD	13:08	02.03.2010	PORSCHE	PET	PORSCHE
987C2	2010	8	09	809-04		248					

Pos	Part Number	Description	Remark	Qty	Model	Pos	Part Number	Description	Remark	Qty	Model
14	997 552 401 00	support heating		1							
15	999 073 155 09	tapping screw ST 4,2 X 13 for mount support heating		1							
16	997 423 299 01	nut for adjustment retaining frame firewall		2							
17	999 507 971 01	speed nut ST 4,2 for mount support heating		1							
18	997 552 603 01	reinforcement plate support airbag		1							
19	900 378 222 09	hexagon-head bolt M 6 X 16		4							
20	999 591 850 01	speed nut ST 4,2		X							
21	999 591 951 03	speed nut ST 4,2		X							

Model	Year	MG	SG	Illustration	Restrictions	UPD	13:08	02.03.2010	PORSCHE	PET	PORSCHE
987C2	2010	8	09	809-10		248					



Pos	Part Number	Description	Remark	Qty	Model
1	996 731 511 00	interior mirror		1	
	01C	satin black			
(1)	987 731 511 00	interior mirror		1	I267
	01C	satin black			
2	997 731 811 00	cover interior mirror	/L	1	I267
	01C	satin black			
2	997 731 812 00	cover interior mirror	/R	1	I267
	01C	satin black			
3	997 731 619 02	housing	/L	1	
	G2L	prime coated			
(3)	997 731 620 02	housing	/R	1	
	G2L	prime coated			
4	997 731 219 00	mirror base door mirror	/LL/L	1	I098
	G2L	prime coated			
(4)	997 731 220 00	mirror base door mirror	/LL/R	1	I098
	G2L	prime coated			
(4)	997 731 219 01	mirror base door mirror	/LL/L	1	I537
	G2L	prime coated			
(4)	997 731 220 01	mirror base door mirror	/LL/R	1	I537
	G2L	prime coated			
(4)	997 731 219 02	mirror base door mirror	/LL/L	1	I098/267
	G2L	prime coated			
(4)	997 731 220 02	mirror base door mirror	/LL/R	1	I098/267
	G2L	prime coated			

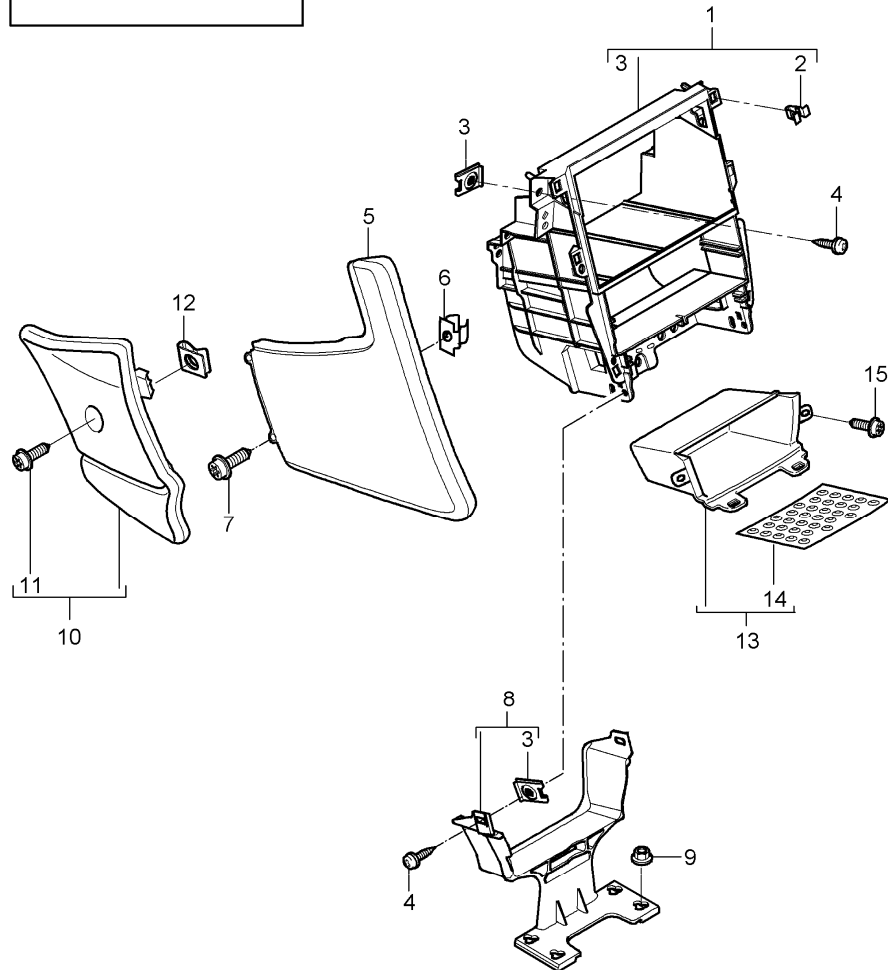
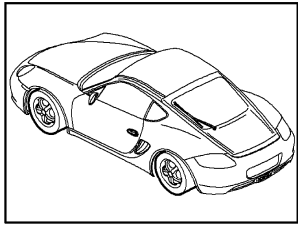
Model	Year	MG	SG	Illustration	Restrictions	UPD	13:08	02.03.2010	PORSCHE	PET	PORSCHE
987C2	2010	8	09	809-10		248					

Pos	Part Number	Description	Remark	Qty	Model	Pos	Part Number	Description	Remark	Qty	Model
		G2L prime coated				(6)	997 731 520 00	plate door mirror	/R	1	
(4)	997 731 219 03	mirror base door mirror	/LL/L	1	I267/537	7	999 141 043 02	oval-head screw 3,0 X 14		5	
		G2L prime coated				8	997 624 047 00	adjusting motor		2	
(4)	997 731 220 03	mirror base door mirror	/LL/R	1	I267/537	(8)	997 624 048 00	adjusting motor		2	I537/538
		G2L prime coated				9	999 141 043 02	oval-head screw M 3,0 X 14		3	
(4)	997 731 219 04	mirror base door mirror	/RL/L	1	I099	10	997 731 719 02	cover lower	/L	1	
		G2L prime coated					G2L prime coated				
(4)	997 731 220 04	mirror base door mirror	/RL/R	1	I099	(10)	997 731 720 02	cover lower	/R	1	
		G2L prime coated					G2L prime coated				
(4)	997 731 219 05	mirror base door mirror	/RL/L	1	I099/538	11	997 731 035 06	mirror glass plane	/LL/L	1	I098/270
		G2L prime coated				(11)	997 731 035 07	mirror glass aspherical	LL/L	1	I098/271
(4)	997 731 220 05	mirror base door mirror	/RL/R	1	I099/538	(11)	997 731 035 08	mirror glass plane dimmable	/LL/L	1	I098/267/270
		G2L prime coated				(11)	997 731 036 07	mirror glass aspherical dimmable	/RL/R	1	I099/267/271
(4)	997 731 219 06	mirror base door mirror	/RL/L	1	I099/267	(11)	997 731 038 09	mirror glass convex dimmable	/LL/R	1	I098
		G2L prime coated				(11)	997 731 037 03	mirror glass convex	/RL/L	1	I099
(4)	997 731 219 07	mirror base door mirror	/L	1	I267/538	(11)	997 731 035 09	mirror glass aspherical	/LL/L	1	I098/267/271
		G2L prime coated				(11)	997 731 036 09	mirror glass aspherical	/RL/R	1	I098/267/271
(4)	997 731 220 07	mirror base door mirror	/R	1	I267/538	(11)	997 731 038 12	mirror glass convex	/LL/R	1	I098/267
		G2L prime coated				(11)	997 731 037 04	mirror glass convex	/RL/L	1	I099/267
5	999 919 024 09	oval-head screw 3,0 X 12		2							
6	997 731 519 00	plate door mirror	/L	1							

Model	Year	MG	SG	Illustration	Restrictions	UPD	13:08	02.03.2010	PORSCHE	PET	PORSCHE
987C2	2010	8	09	809-10		248					

Pos	Part Number	Description	Remark	Qty	Model	Pos	Part Number	Description	Remark	Qty	Model
(11)	997 731 038 13	mirror glass convex	/LL/R	1	I074/267/553						
(11)	997 731 038 11	mirror glass convex	/LL/R	1	I215						
(11)	997 731 038 14	mirror glass convex	/LL/R	1	I215/267						
12	999 073 345 09	lens-head screw M 5 X 18		3							
13	997 537 733 00	seal cable plug mirror base		1							

Model	Year	MG	SG	Illustration	Restrictions	UPD	14:30	02.03.2010	PORSCHE	PET	PORSCHE
987C2	2010	8	09	809-15		248					



Pos	Part Number	Description	Remark	Qty	Model
1	997 553 111 03	centre console front		1	
2	999 507 476 01	bracket centre console front		6	
3	999 507 971 01	clamp 8,0 x 10,0/2,5		X	
4	999 073 155 09	speed nut st 4,2		X	
5	997 553 117 05	tapping screw st 4,2 x 13		1	
		cover lateral leatherette	/L		
		9L4 black			
		9M5 stone grey			
		9C6 sand beige			
		9D7 sea blue			
(5)	997 553 118 05	cover lateral leatherette	/R	1	
		9L4 black			
		9M5 stone grey			
		9C6 sand beige			
		9D7 sea blue			
5	997 553 117 06	cover lateral leather	/L	1	I981
		FSA black/grey			
		FSB stone grey/stone grey			
		FSC sand beige/sand beige			
		FSD sea blue/grey			
		FSF terracotta/terracotta			
		FSG cocoa/cocoa			
		FSH darkgrey natural/grey			

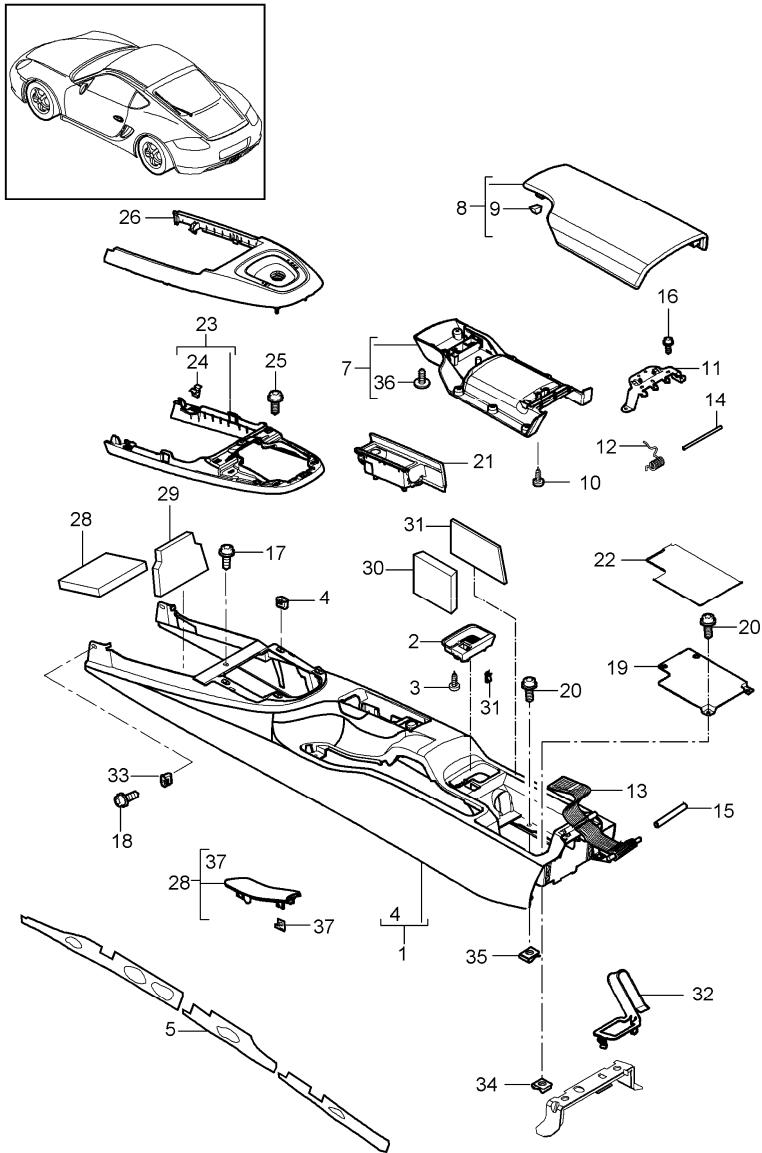
Model	Year	MG	SG	Illustration	Restrictions	UPD	14:30	02.03.2010	PORSCHE	PET	PORSCHE
987C2	2010	8	09	809-15		248					

Pos	Part Number	Description	Remark	Qty	Model	Pos	Part Number	Description	Remark	Qty	Model		
(5)	997 553 118 06	FSJ brown nat./brown nat. FSP carrera red cover lateral leather	/R	1	I981	10	B10	stone grey	/R	1	I098/099		
		FSA black/grey					T10	sand beige					
		FSB stone grey/stone grey					E10	sea blue					
		FSC sand beige/sand beige					M10	terracotta					
		FSD sea blue/grey					R10	cocoa					
		FSF terracotta/terracotta					D11	dark grey/natural					
		FSG cocoa/cocoa					T11	brown/natural					
		FSH darkgrey natural/grey					N10	carrera red					
		FSJ brown nat./brown nat.					997 553 132 02	cover footwell outlet vent carpet					
		FSP carrera red					A10	black					
		lateral with preparation for telephone see group 9/11/10					B10	stone grey					
	6	999 591 508 01	captive nut st 4,2 for mount cover lateral		4			T10				sand beige	
7	999 073 226 09	tapping screw ST 4,2 X 16 for mount cover lateral		4		(10)	997 553 132 01	cover footwell outlet vent carpet	/LL/R	1	I098/621		
												A10	black
8	997 553 361 01	support centre		1			B10	stone grey					
9	999 084 629 01	hexagon nut M6		4			T10	sand beige					
10	997 553 131 01	cover footwell outlet vent carpet	/L	1	I098/099		R10	cocoa					
												D11	dark grey/natural
												T11	brown/natural

Model	Year	MG	SG	Illustration	Restrictions	UPD	14:30	02.03.2010	PORSCHE	PET	PORSCHE
987C2	2010	8	09	809-15		248					

Pos	Part Number	Description	Remark	Qty	Model	Pos	Part Number	Description	Remark	Qty	Model
(10)	997 553 131 02	N10 carrera red cover footwell outlet vent carpet	/RL/L	1	I099/621						
		A10 black									
		B10 stone grey									
		T10 sand beige									
		E10 sea blue									
		M10 terracotta									
		R10 cocoa									
		D11 dark grey/natural									
		T11 brown/natural									
		N10 carrera red									
11	999 073 223 07	oval-head screw M 6 X 25		2							
12	999 507 766 02	speed nut M 6		2							
13	997 553 143 02	shelf centre console front		1							
		A05 black mat									
14	997 553 543 01	insert shelf		1							
15	999 919 164 09	oval-head screw 5,0 X 12,0		X							

Model	Year	MG	SG	Illustration	Restrictions	UPD	14:31	02.03.2010	PORSCHE	PET	PORSCHE
987C2	2010	8	09	809-20		248					



Pos	Part Number	Description	Remark	Qty	Model
(1)	997 553 901 00	centre console rear		1	
	A03	black			
	5V7	stone grey			
	5Z1	sand beige			
	8W7	sea blue			
	8X8	terracotta			
	8P9	cocoa			
	T13	brown/natural			
	N23	carrera red			
(1)	997 553 980 69	centre console leather		1	IXMZ
	A11	black			
	5X6	stone grey			
	8G2	sand beige			
	3S9	sea blue			
	9S5	terracotta			
	9V6	cocoa			
	D12	dark grey/natural			
	T12	brown/natural			
	N12	carrera red			
(1)	997 553 980 52	centre console carbon		1	IXMJ
	A35	black			
(1)	997 553 980 56	centre console macassar		1	IXJT
	S61	macassar			
(1)	997 553 980 60	centre console galvano silver		1	IXCK
	V04	galvano silver			
(1)	997 553 980 64	centre console		1	IXME

Model	Year	MG	SG	Illustration	Restrictions	UPD	14:31	02.03.2010	PORSCHE	PET	PORSCHE
987C2	2010	8	09	809-20		248					

Pos	Part Number	Description	Remark	Qty	Model	Pos	Part Number	Description	Remark	Qty	Model
	041	black				(5)	997 553 844 00	sound absorber	/R	1	
	84A	guards red				7	997 553 433 01	lid inner		1	
	B9A	carrara white					01C	satin black			
	12H	speed yellow				8	987 553 231 00	lid outer		1	CAYMAN
	92U	arctic silver metallic					1MZ	black			
	C9Z	basalt black metallic					1YP	stone grey			
	M7X	atlas grey metallic					1TK	sand beige			
	39C	midnight blue metallic					1VM	sea blue			
	M7W	Meteor Grey Metallic				(8)	997 553 231 01	lid		1	CAYMAN I981
	M7Z	gt silver metallic						outer leather			
	M8W	Macadamia Metallic					A11	black			
	M3X	ruby red metallic					5X6	stone grey			
	M5X	Dark Blue Metallic	10-				8G2	sand beige			
	2B5	Malachite Green Metallic					3S9	sea blue			
	22G	Racing Green Metallic					9S5	terracotta			
	32B	Sailing Blue Metallic					9V6	cocoa			
	M5R	Aqua Blue Metallic					D12	dark grey/natural			
	51A	creamy white					T12	brown/natural			
	M2Z	Nordic Gold Metallic					N12	carrera red			
(1)	997 553 997 01	protective film centre console see technical manual 681749		2		(8)	997 553 231 01	lid outer leather		1	CAYMAN S
2	997 553 575 02	insert locking device centre console		1			A11	black			
	01C	satin black					5X6	stone grey			
3	999 919 159 09	oval-head screw 4 X 12		1			8G2	sand beige			
4	999 591 210 40	expander nut 4,2		4			3S9	sea blue			
5	997 553 843 00	sound absorber	/L	1			9S5	terracotta			
							9V6	cocoa			

Model	Year	MG	SG	Illustration	Restrictions	UPD	14:31	02.03.2010	PORSCHE	PET	PORSCHE
987C2	2010	8	09	809-20		248					

Pos	Part Number	Description	Remark	Qty	Model	Pos	Part Number	Description	Remark	Qty	Model	
	D12	dark grey/natural				(8)	997 553 991 05	lid outer with porsche crest	10-	1	IXPT	
	T12	brown/natural					A11	black				
	N12	carrera red					5X6	stone grey				
(8)	987 553 991 02	lid outer with logo Cayman S	/LL	10-	1	CAYMAN S IXUV/098	8G2	sand beige				
	A11	black					3S9	sea blue				
	5X6	stone grey					9S5	terracotta				
	8G2	sand beige					9V6	cocoa				
	3S9	sea blue					D12	dark grey/natural				
	9S5	terracotta					T12	brown/natural				
	9V6	cocoa					N12	carrera red				
	D12	dark grey/natural				(8)	997 553 991 20	lid outer alcantara	/LL	10-	1	IXLG/098
	T12	brown/natural					A25	black				
	N12	carrera red				(8)	997 553 991 21	lid outer alcantara	/RL	10-	1	IXLG/099
(8)	987 553 991 03	lid outer with logo Cayman S	/RL	10-	1	CAYMAN S IXUV/099	A25	black				
	A11	black				9	999 507 972 01	speed nut 3,5			8	
	5X6	stone grey				10	999 073 153 01	tapping screw 3,5 X 14			8	
	8G2	sand beige				11	997 553 437 01	hinge			1	
	3S9	sea blue				12	997 553 439 00	steering knuckle spring			1	
	9S5	terracotta				13	997 553 441 00	belt			1	
	9V6	cocoa				14	997 553 447 00	axle			1	
	D12	dark grey/natural				15	997 553 733 00	retaining pin			1	
	T12	brown/natural				16	999 919 159 09	oval-head screw M4X12			2	
	N12	carrera red										

Model	Year	MG	SG	Illustration	Restrictions	UPD	14:31	02.03.2010	PORSCHE	PET	PORSCHE
987C2	2010	8	09	809-20		248					

Pos	Part Number	Description	Remark	Qty	Model	Pos	Part Number	Description	Remark	Qty	Model
17	999 919 121 09	oval-head screw 5 X 16 for mount centre console		2		(21)	997 553 982 01	ashtray carbon		1	IXMJ
							A35	black			
18	999 073 155 09	tapping screw 4,2 X 13 for mount centre console		2		(21)	997 553 982 03	ashtray		1	IXJT
							S61	macassar			
19	997 553 615 01	floor centre console		1		(21)	997 553 982 04	ashtray aluminium look		1	IXCK
							V04	galvano silver			
20	999 073 226 09	tapping screw 4,2 X 16		X		(21)	997 553 982 05	ashtray lacquered		1	IXME
21	997 553 902 00	ashtray lacquered		1			041	black			
	A03	black					84A	guards red			
	5V7	stone grey					B9A	carrara white			
	5Z1	sand beige					12H	speed yellow			
	8W7	sea blue					92U	arctic silver metallic			
	8X8	terracotta					C9Z	basalt black metallic			
	8P9	cocoa					M7X	atlas grey metallic			
	T13	brown/natural					39C	midnight blue metallic			
	N23	carrera red					M7W	Meteor Grey Metallic			
(21)	997 553 982 06	ashtray leather		1	IXMZ		M7Z	gt silver metallic			
	A11	black					M8W	Macadamia Metallic			
	5X6	stone grey					M3X	ruby red metallic			
	8G2	sand beige					M5X	Dark Blue Metallic	10-		
	3S9	sea blue					2B5	Malachite Green Metallic			
	9S5	terracotta					22G	Racing Green Metallic			
	9V6	cocoa					32B	Sailing Blue Metallic			
	D12	dark grey/natural					M5R	Aqua Blue Metallic			
	T12	brown/natural					51A	creamy white			
	N12	carrera red				22	997 553 611 01	insert		1	

Model	Year	MG	SG	Illustration	Restrictions	UPD	14:31	02.03.2010	PORSCHE	PET	PORSCHE
987C2	2010	8	09	809-20		248					

Pos	Part Number	Description	Remark	Qty	Model	Pos	Part Number	Description	Remark	Qty	Model
(22)	997 553 613 00	insert		1	I870		92U	arctic silver metallic			
23	997 553 261 05	frame lacquered		1	CAYMAN		C9Z	basalt black metallic			
	D07	volcano grey					M7X	atlas grey metallic			
(23)	997 553 261 06	frame lacquered		1	CAYMAN S		39C	midnight blue metallic			
	V04	galvano silver					M7W	Meteor Grey Metallic			
(23)	987 553 261 01	frame		1	I805		M7Z	gt silver metallic			
	G2X	prime coated					M8W	Macadamia Metallic			
(23)	987 553 261 01	frame	10-	1	IXDJ		M3X	ruby red metallic			
	G2X	prime coated					M5X	Dark Blue Metallic	10-		
24	999 507 533 02	clamp 8,0 X 10,0/2,5		7			2B5	Malachite Green Metallic			
25	999 073 155 09	tapping screw 4,2 X 13		4			22G	Racing Green Metallic			
26	997 553 245 01	cover shift gate		1	I250		32B	Sailing Blue Metallic	-09		
	FUG	Black/Galvano Silver					M5R	Aqua Blue Metallic			
	FUH	Stone Grey/Galvano Silver				(26)	51A	creamy white			
	FUJ	Sand Beige/Galvano Silver					M2Z	Nordic Gold Metallic			
	FUK	Ocean Blue/Galvano Silver					997 553 987 00	cover shift gate lacquered		1	IXWT/250
	FUL	Terracotta/Galvano Silver					041	black			
	FUM	Cocoa/Galvano Silver				(26)	997 553 987 01	cover shift gate		1	IXWR/250
	FUN	Natural Brown/Galvano Silver					V04	galvano silver			
	FU0	Carrera Red/Galvano Silver				(26)	997 553 987 02	cover shift gate leather		1	IXWU/250
(26)	997 553 987 00	cover shift gate lacquered		1	IXWS/250		A11	black			
	041	black					5X6	stone grey			
	84A	guards red					8G2	sand beige			
	B9A	carrara white					3S9	sea blue			
	12H	speed yellow					9S5	terracotta			
							9V6	cocoa			

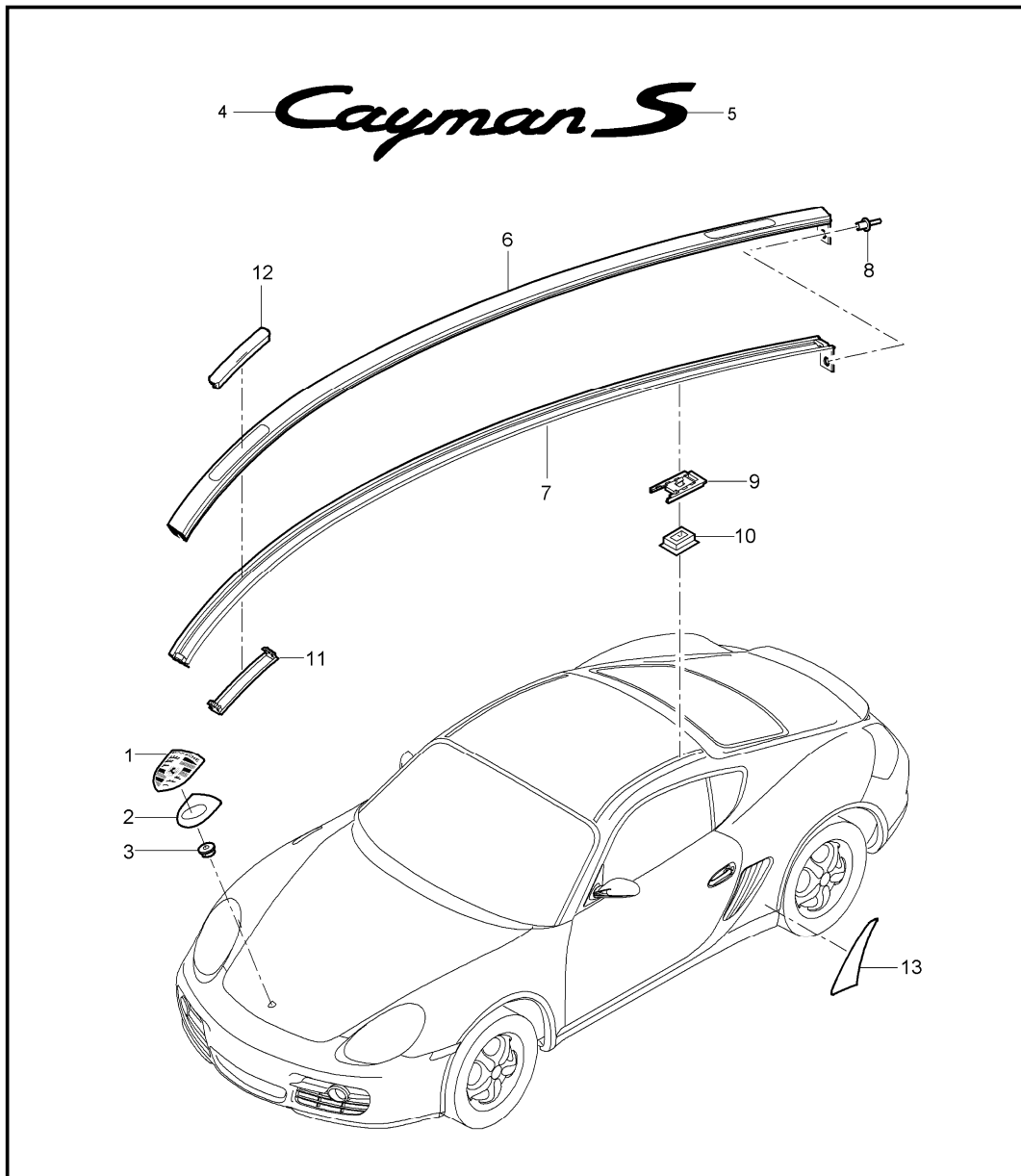
Model	Year	MG	SG	Illustration	Restrictions	UPD	14:31	02.03.2010	PORSCHE	PET	PORSCHE
987C2	2010	8	09	809-20		248					

Pos	Part Number	Description	Remark	Qty	Model	Pos	Part Number	Description	Remark	Qty	Model	
(26)	997 553 243 01	D12	dark grey/natural		I480	(27)	997 553 981 00	8W7	sea blue		1	IXCK
		T12	brown/natural					8X8	terracotta			
		N12	carrera red					8P9	cocoa			
			cover					T13	brown/natural			
			shift gate					N23	carrera red			
			lacquered						cover			
		A03	black						parking-brake lever			
		5V7	stone grey					A11	black			
		5Z1	sand beige					5X6	stone grey			
		8W7	sea blue					8G2	sand beige			
(26)	997 553 996 00	8X8	terracotta		IXDZ/480	(27)	997 553 981 00	8G2	sand beige		1	IXJT
		8P9	cocoa					3S9	sea blue			
		T13	brown/natural					9S5	terracotta			
		N23	carrera red					9V6	cocoa			
			cover	10-				D12	dark grey/natural			
			shift gate					T12	brown/natural			
			leather					N12	carrera red			
		A11	black						cover			
		5X6	stone grey						parking-brake lever			
		8G2	sand beige					A11	black			
27	997 553 903 00	3S9	sea blue		1	(27)	997 553 981 00	5X6	stone grey		1	IXME
		9S5	terracotta					8G2	sand beige			
		9V6	cocoa					3S9	sea blue			
		D12	dark grey/natural					9S5	terracotta			
		T12	brown/natural					9V6	cocoa			
		N12	carrera red					D12	dark grey/natural			
			cover					T12	brown/natural			
			parking-brake lever					N12	carrera red			
			lacquered						cover			
		A03	black						parking-brake lever			
5V7	stone grey		A11	black								
5Z1	sand beige											

Model	Year	MG	SG	Illustration	Restrictions	UPD	14:31	02.03.2010	PORSCHE	PET	PORSCHE
987C2	2010	8	09	809-20		248					

Pos	Part Number	Description	Remark	Qty	Model	Pos	Part Number	Description	Remark	Qty	Model
	5X6	stone grey				28	997 553 871 00	filler piece centre console		1	
	8G2	sand beige				29	997 553 873 00	filler piece centre console		1	
	3S9	sea blue				30	997 553 875 00	filler piece centre console		1	
	9S5	terracotta				31	997 553 877 00	filler piece centre console		1	
	9V6	cocoa				32	987 553 269 00	support shift cable		1	
	D12	dark grey/natural				33	999 591 215 40	expander nut 4,2		2	
	T12	brown/natural				34	999 507 028 01	speed nut 4,2		X	
	N12	carrera red				35	999 507 028 01	speed nut 4,2		X	
(27)	997 553 981 00	cover parking-brake lever		1	IXMJ	36	997 553 732 00	rubber buffer lid inner		2	
	A11	black				37	997 553 861 00	clamp		4	IXMZ
	5X6	stone grey									
	8G2	sand beige									
	3S9	sea blue									
	9S5	terracotta									
	9V6	cocoa									
	D12	dark grey/natural									
	T12	brown/natural									
	N12	carrera red									
(27)	997 553 981 07	cover parking-brake lever		1	IXMZ						
	A11	black									
	5X6	stone grey									
	8G2	sand beige									
	3S9	sea blue									
	9S5	terracotta									
	9V6	cocoa									
	D12	dark grey/natural									
	T12	brown/natural									
	N12	carrera red									

Model	Year	MG	SG	Illustration	Restrictions	UPD	14:31	02.03.2010	PORSCHE	PET	PORSCHE
987C2	2010	8	10	810-00		248					

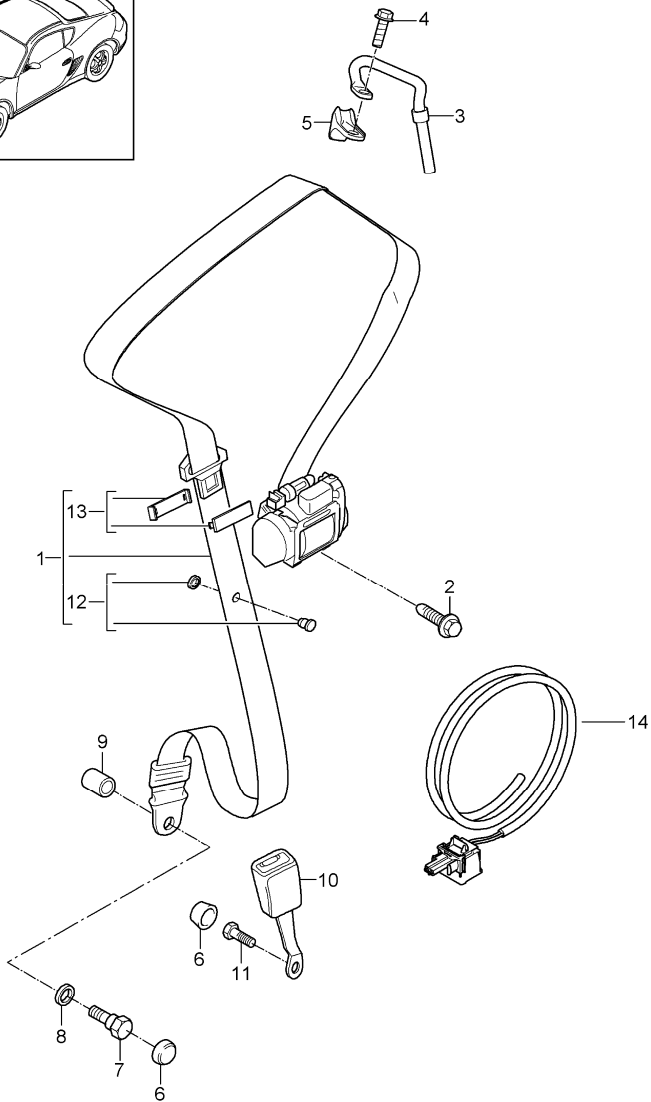
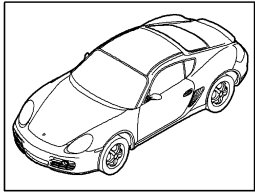


Pos	Part Number	Description	Remark	Qty	Model
		insignias decorative fittings stone guard film			
1	997 559 211 00	lid emblem Information available	WW	1	
2	7L5 853 611 B	desk pad		1	
3	999 591 423 03	tapping nut		2	
4	987 559 239 00	logo lacquered titanium metallic		1	CAYMAN
(4)	987 559 239 01	logo lacquered satin aluminium		1	CAYMAN S
5	987 559 245 00	logo s lacquered satin aluminium		1	CAYMAN S
6	987 559 401 00	roof edge strip G2X prime coated	/L	1	
(6)	987 559 402 00	roof edge strip G2X prime coated	/R	1	
7	987 559 721 00	gasket roof edge strip	/L	1	
(7)	987 559 722 00	gasket roof edge strip	/R	1	
8	999 507 499 40	expansion rivet		2	
9	996 559 403 01	clip roof edge strip		6	
10	987 559 405 00	adapter		6	
11	987 559 729 00	bracket for flap		4	
12	987 559 501 00	flap front G2X prime coated		2	
(12)	987 559 503 00	flap rear		2	

Model	Year	MG	SG	Illustration	Restrictions	UPD	14:31	02.03.2010	PORSCHE	PET	PORSCHE
987C2	2010	8	10	810-00		248					

Pos	Part Number	Description	Remark	Qty	Model	Pos	Part Number	Description	Remark	Qty	Model
	G2X	prime coated									
13	987 504 825 01	stone guard film side section	/L	1							
(13)	987 504 826 01	stone guard film side section	/R	1							

Model	Year	MG	SG	Illustration	Restrictions	UPD	14:31	02.03.2010	PORSCHE	PET	PORSCHE
987C2	2010	8	12	812-00		248					

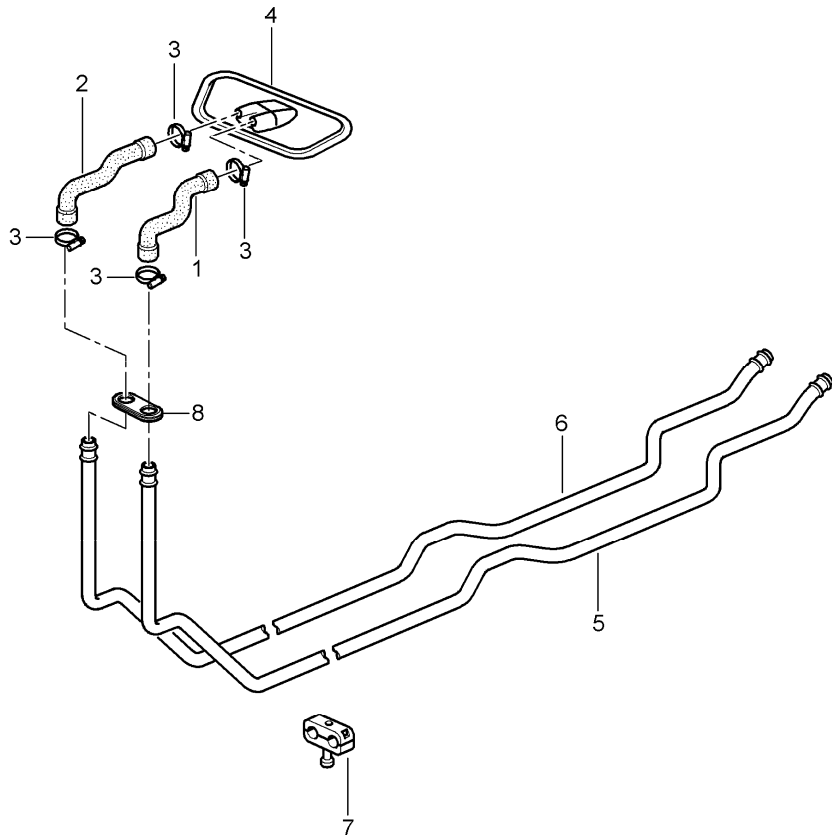
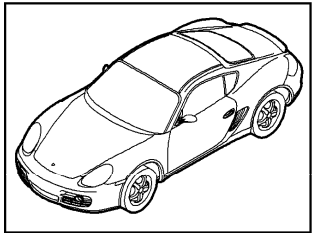


Pos	Part Number	Description	Remark	Qty	Model
1	987 803 033 05	seat belt		2	
	A23	black			I555
	N13	guards red			IXSX
	U01	silver			IXSH
	V02	speed yellow			IXSY
	6M4	sand beige			IXST
2	999 073 361 01	screw 7/16		2	
(3)	987 803 815 00	reverse lever	/L	1	
3	987 803 816 00	reverse lever	/R	1	
4	900 378 073 09	hexagon-head bolt 10 X 25		2	
5	987 803 825 00	support support for seatbelt		2	
6	811 857 845	cap		4	
7	999 075 073 09	hexagon-head bolt 7/16 - 20		2	
(7)	999 075 072 09	hexagon-head bolt		2	I388/389
8	211 857 771	washer		2	
(8)	999 028 022 01	spring washer		1	I388/389
--	999 025 275 A2	washer		1	I388/389
9	999 924 064 02	bush		2	
(9)	997 803 663 00	spacer sleeve		1	I388/389
10	996 803 183 08	seat-belt buckle passenger's side		1	
(10)	997 803 183 01	seat-belt buckle driver's side		1	
10	997 803 183 04	seat-belt buckle driver's side		1	I388
(10)	997 803 183 04	seat-belt buckle driver's side		1	I389

Model	Year	MG	SG	Illustration	Restrictions	UPD	14:31	02.03.2010	PORSCHE	PET	PORSCHE
987C2	2010	8	12	812-00		248					

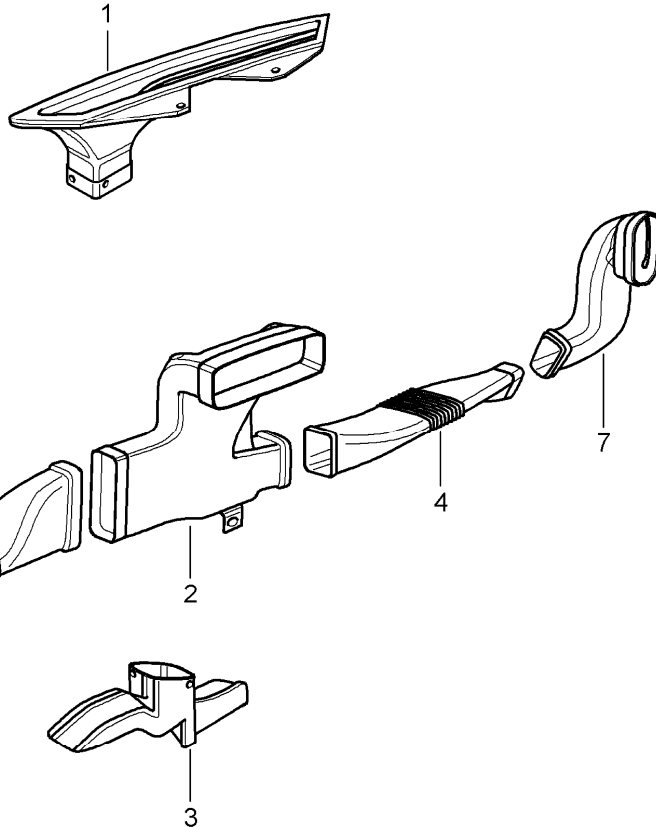
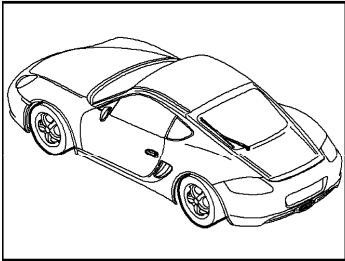
Pos	Part Number	Description	Remark	Qty	Model	Pos	Part Number	Description	Remark	Qty	Model
(10)	997 803 183 05	seat-belt buckle passenger's side		1	I389						
10	997 803 183 05	seat-belt buckle passenger's side		1	I388						
11	999 218 101 02	hexagon-head bolt 7/16 - 20		2							
12	955 803 056 00	knob		2							
	HCP	black									
13	997 803 334 00 01C	clamping piece black		1							
14	P	cable for seat-belt tensioner see group 9 / 02 / 10		X							

Model	Year	MG	SG	Illustration	Restrictions	UPD	14:31	02.03.2010	PORSCHE	PET	PORSCHE
987C2	2010	8	13	813-00		248					



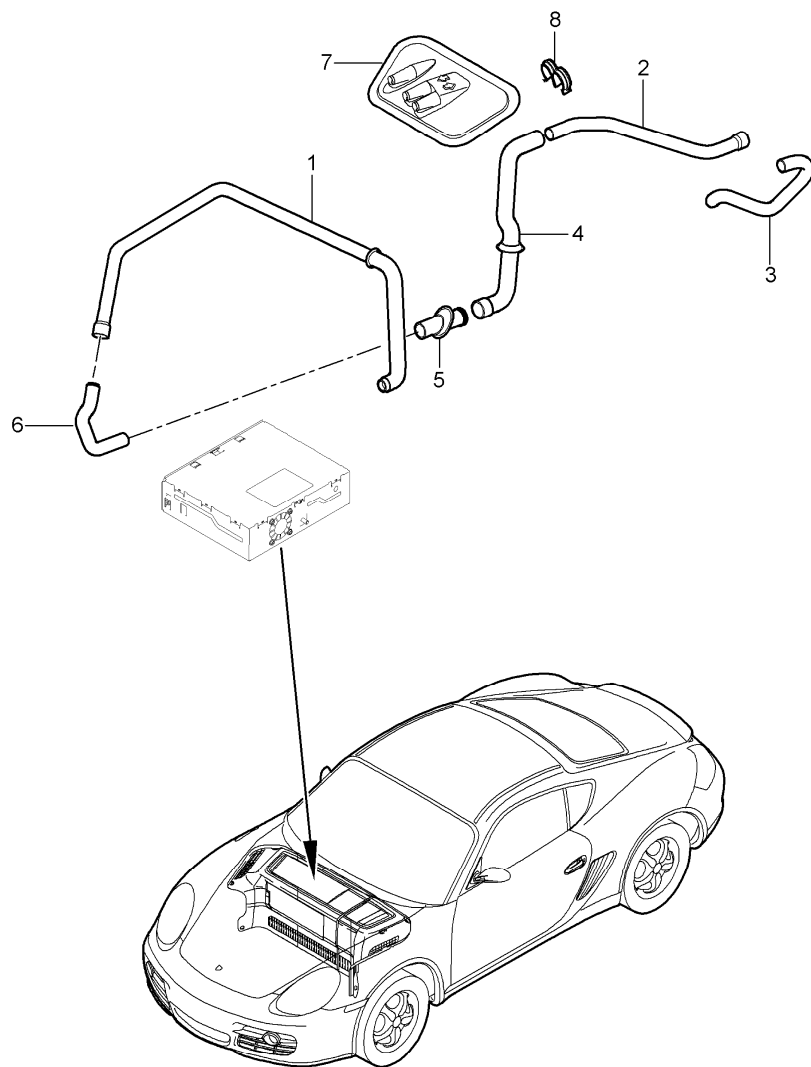
Pos	Part Number	Description	Remark	Qty	Model
		heating system 1 feed line return line			
1	997 572 553 00	heater hose	/LL	1	I098
(1)	997 572 553 01	heater hose	/RL	1	I099
2	997 572 555 00	heater hose	/LL	1	I098
(2)	997 572 555 01	heater hose	/RL	1	I099
3	999 512 441 02	hose clamp		4	
4	996 572 263 02	gasket	/LL	1	I098
(4)	996 572 263 03	gasket	/RL	1	I099
5	987 572 681 00	heater pipeline supply		1	
6	987 572 683 00	heater pipeline return line		1	
7	999 511 230 40	cable holder		4	
--	999 511 232 41	rubber mounting		4	
8	996 572 765 02	grommet		1	

Model	Year	MG	SG	Illustration	Restrictions	UPD	14:31	02.03.2010	PORSCHE	PET	PORSCHE
987C2	2010	8	13	813-01		248					



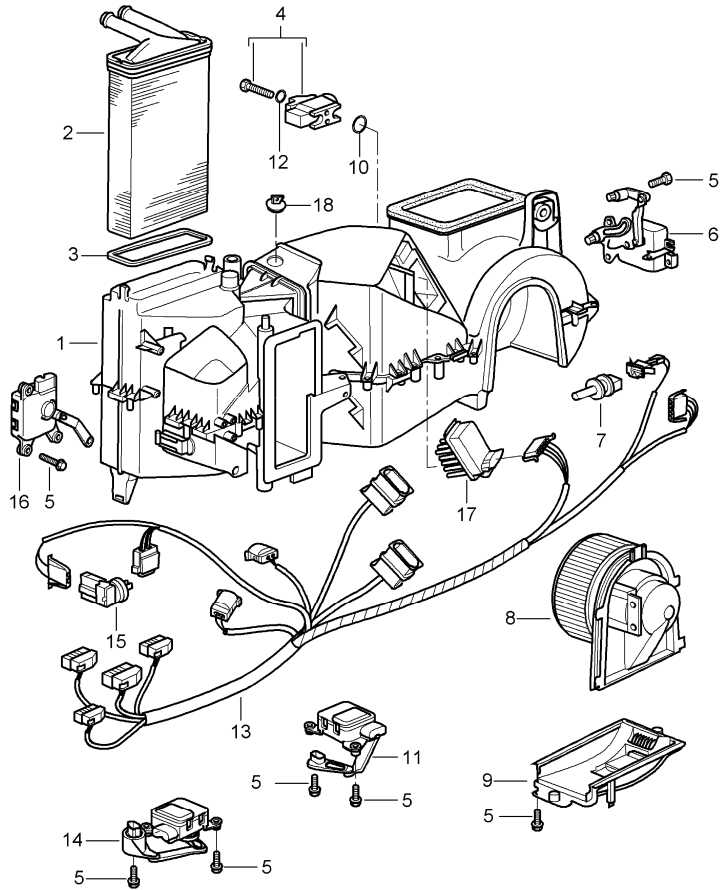
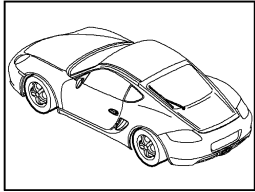
Pos	Part Number	Description	Remark	Qty	Model
		heating air distributor			
1	997 572 631 00	defroster vent	/LL	1	I098
(1)	997 572 631 01	defroster vent	/RL	1	I099
2	997 572 171 00	air distributor	/LL	1	I098
(2)	997 572 171 01	air distributor	/RL	1	I099
3	997 572 793 00	footwell outlet vent	/LL	1	I098
(3)	997 572 793 02	footwell outlet vent	/LL	1	I098/680
(3)	997 572 793 01	footwell outlet vent	/RL	1	I099
(3)	997 572 793 03	footwell outlet vent	/RL	1	I099/680
4	997 572 464 00	air duct	/LL /R	1	I098
(4)	997 572 464 01	air duct	/RL /R	1	I099
5	997 572 463 00	air duct	/LL /L	1	I098
(5)	997 572 463 01	air duct	/RL /L	1	I099
6	987 572 767 00	air duct	/LL /L	1	I098
(6)	987 572 767 01	air duct	/RL /L	1	I099
7	987 572 768 00	air duct	/LL /R	1	I098
(7)	987 572 768 01	air duct	/RL /R	1	I099
--	987 572 769 00	intermediate piece		1	I098
--	987 572 769 01	intermediate piece		1	I099

Model	Year	MG	SG	Illustration	Restrictions	UPD	14:32	02.03.2010	PORSCHE	PET	PORSCHE
987C2	2010	8	13	813-02		248					



Pos	Part Number	Description	Remark	Qty	Model
		luggage compartment cooling			I575
1	997 572 588 02	air duct		1	I575
2	997 572 582 00	air duct plenum panel		1	I575
3	997 572 580 00	air duct air conditioner		1	I575
4	997 572 584 03	air duct bulkhead		1	I575
5	997 572 593 02	connection piece		1	I575
6	997 572 586 08	air duct		1	I575
7	997 572 263 00	gasket		1	I575
8	999 507 830 40	cabler holder		1	I575
--	999 703 009 40	stopper		1	

Model	Year	MG	SG	Illustration	Restrictions	UPD	14:32	02.03.2010	PORSCHE	PET	PORSCHE
987C2	2010	8	13	813-05		248					

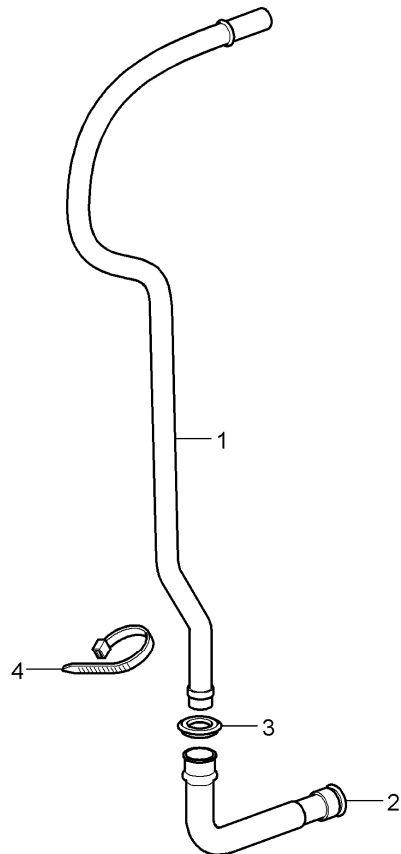
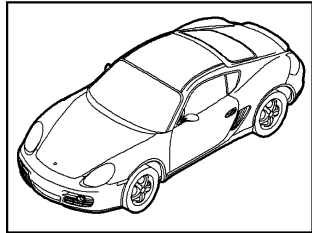


Pos	Part Number	Description	Remark	Qty	Model
		air conditioner single parts			
1	987 573 901 00	air conditioner without heat exchanger with evaporator	/LL	1	I098/572
1	997 573 901 00	air conditioner without heat exchanger with evaporator	/LL	1	I098/573
(1)	987 573 901 01	air conditioner without heat exchanger with evaporator	/RL	1	I099/572
(1)	996 573 901 01	air conditioner without heat exchanger with evaporator	/RL	1	I099/573
2	997 572 129 00	heat exchanger		1	
3	996 572 913 00	gasket		1	
4	996 573 929 01	expansion valve		1	
5	900 143 102 02	combination screw		X	
6	996 573 915 00	electric motor fresh-air flap identification black	/LL	1 1 1 1	I098/573
(6)	996 573 915 01	electric motor fresh-air flap identification black	/RL	1	I099/573
7	955 572 304 10	temperature sensor		1	
8	996 624 107 01	blower	/LL	1	I098
(8)	996 624 108 01	blower	/RL	1	I099
9	996 573 905 00	lid		1	
10	999 707 596 40	o-ring 14x1,82		1	

Model	Year	MG	SG	Illustration	Restrictions	UPD	14:32	02.03.2010	PORSCHE	PET	PORSCHE
987C2	2010	8	13	813-05		248					

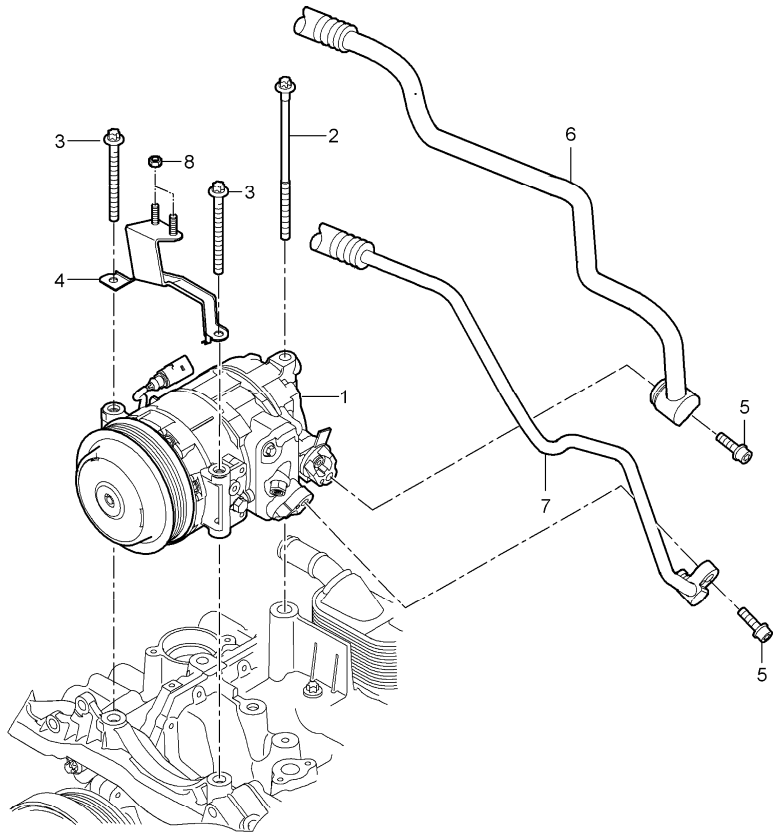
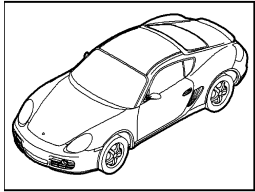
Pos	Part Number	Description	Remark	Qty	Model	Pos	Part Number	Description	Remark	Qty	Model
11	996 573 919 02	electric motor temperature valve identification pink	/LL	1	I098						
(11)	996 573 919 03	electric motor temperature valve identification pink	/RL	1	I099						
12	999 707 534 41	o-ring 17x2,00		1							
13	997 612 655 04	wiring harness	/LL	1	I098/573						
(13)	997 612 656 04	wiring harness	/RL	1	I099/573						
(13)	987 612 655 02	wiring harness	/LL	1	I098/572						
(13)	987 612 656 03	wiring harness	/RL	1	I099/572						
--	997 612 664 00	wiring harness interference-suppr. choke TV		1	I676						
14	996 573 921 02	electric motor defroster flap identification yellow	/LL	1	I098						
(14)	996 573 921 03	electric motor defroster flap identification yellow	/RL	1	I099						
15	1H0 907 543 A	temperature sensor		1							
16	996 573 917 02	electric motor central valve identification green	/LL	1	I098						
(16)	996 573 917 03	electric motor central valve identification green	/RL	1	I099						
17	996 573 923 00	resistor		1							
--	996 573 927 00	blower outlet sensor		1	I573						
--	1H0 819 943	screw		2							
18	997 573 935 00	stopper		1							

Model	Year	MG	SG	Illustration	Restrictions	UPD	14:32	02.03.2010	PORSCHE	PET	PORSCHE
987C2	2010	8	13	813-10		248					



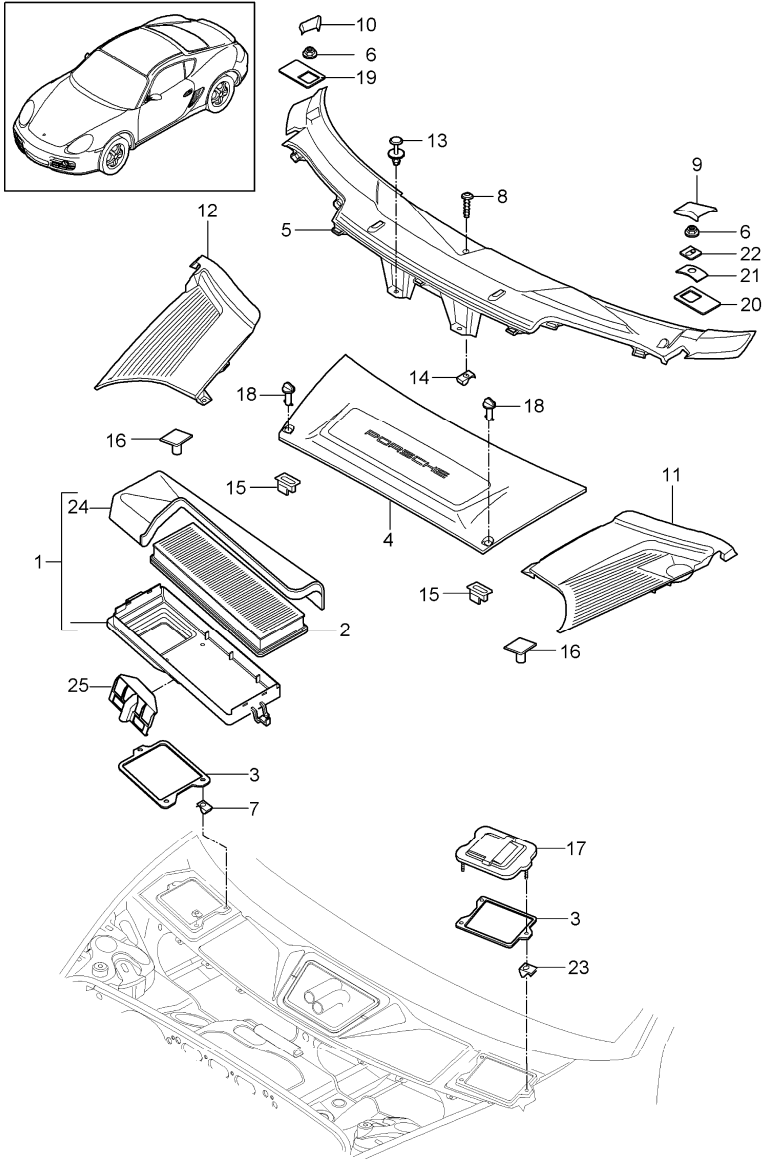
Pos	Part Number	Description	Remark	Qty	Model
		water drain tube mount air conditioner			
1	996 573 793 01	water drain tube	/LL	1	I098
1	996 573 794 01	water drain tube	/RL	1	I099
2	996 573 797 02	connecting piece		1	
3	996 573 795 01	grommet		1	
4	999 513 049 40	tie-wrap		1	

Model	Year	MG	SG	Illustration	Restrictions	UPD	14:32	02.03.2010	PORSCHE	PET	PORSCHE
987C2	2010	8	13	813-15		248					



Pos	Part Number	Description	Remark	Qty	Model
		compressor			
1	9A1 126 011 02	compressor		1	
2	900 385 134 01	Outer hexagon round screw M 8 X 170		1	
3	900 385 102 01	torx screw M 8 X 90		2	
4	9A1 607 260 01	support		1	
5	N 104 144 02	pan-head screw M 8 x 28		2	
		see illustrations 8/13/25 Pos.7			
		see illustrations 8/13/25 Pos.8			
8	900 377 010 02	hexagon nut M6		2	
--	000 043 200 04	oil for compressor 250 ml		1	

Model	Year	MG	SG	Illustration	Restrictions	UPD	14:32	02.03.2010	PORSCHE	PET	PORSCHE
987C2	2010	8	13	813-20		248					

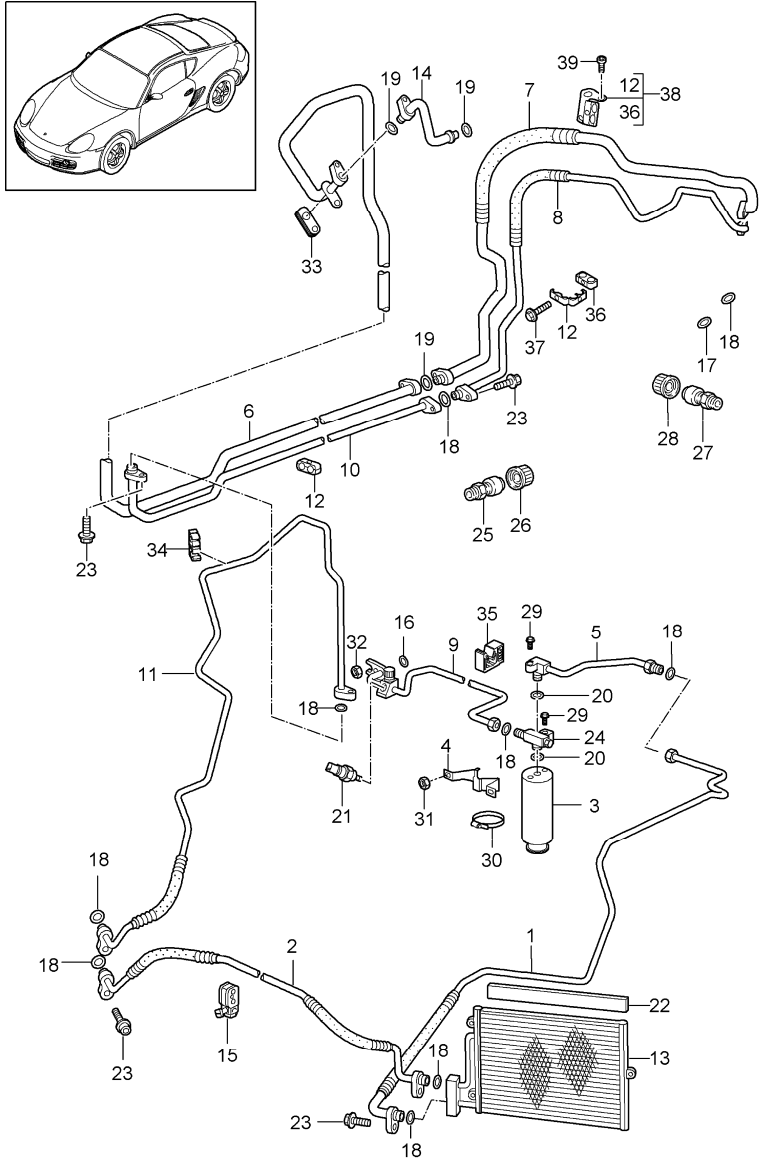


Pos	Part Number	Description	Remark	Qty	Model
1	997 572 019 04	particle filter housing	/LL	1	I098
(1)	997 572 019 05	particle filter housing	/RL	1	I099
2	997 571 219 01	particle filter		1	
3	997 572 221 00	gasket		1	
4	997 572 567 04	cover		1	
	FMT	black			
5	997 572 563 08	cover cowl	/LL	1	I098
	FMT	black			
(5)	997 572 563 09	cover cowl	/RL	1	I099
	FMT	black			
6	999 076 071 02	hexagon nut M6		2	
7	999 507 348 01	speed nut		3	
8	N 906 487 04	tapping screw		1	
9	997 572 569 04	cap	/LL/L	2	I098
	FMT	black			
9	997 572 569 05	cap	/RL/L	2	I099
	FMT	black			
10	997 572 570 04	cap	/LL/R	1	I098
	FMT	black			
(10)	997 572 570 05	cap	/RL/R	1	I099
	FMT	black			
11	997 572 361 07	cover	/L	1	
	02A	black			
12	997 572 362 08	cover	/R	1	
	02A	black			

Model	Year	MG	SG	Illustration	Restrictions	UPD	14:32	02.03.2010	PORSCHE	PET	PORSCHE
987C2	2010	8	13	813-20		248					

Pos	Part Number	Description	Remark	Qty	Model	Pos	Part Number	Description	Remark	Qty	Model
13	999 507 497 40	expansion rivet 8 X 14		2							
14	999 507 834 41	expander nut ST 4,8		1							
15	999 590 046 40	disc cam		2							
16	999 902 046 40	catch		1							
17	997 572 419 03	lid		1							
18	997 572 867 00	locking bolt		2							
	02A	black									
--	997 572 763 00	cover		1							
19	997 572 842 01	pressure plate passenger's side	/LL/R	1	I098						
19	997 572 842 02	pressure plate passenger's side	/RL/L	1	I099						
20	997 572 841 00	pressure plate driver's side		1							
21	997 572 837 00	spring plate driver's side		1							
22	997 572 533 00	retainer plate driver's side		1							
23	999 591 855 01	speed nut		3							
24	997 572 729 02	cover particle filter	/LL	1	I098						
(24)	997 572 729 03	cover particle filter	/RL	1	I099						
25	997 572 862 01	support		1							

Model	Year	MG	SG	Illustration	Restrictions	UPD	14:32	02.03.2010	PORSCHE	PET	PORSCHE
987C2	2010	8	13	813-25		248					

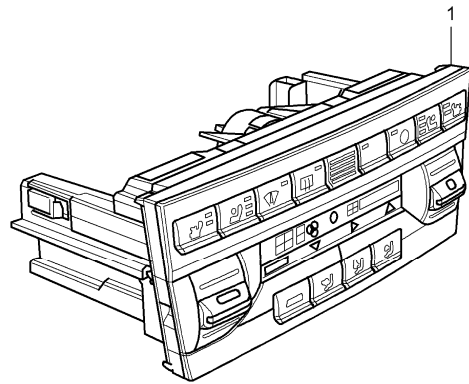
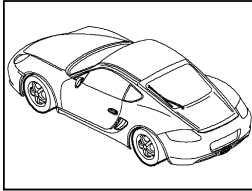


Pos	Part Number	Description	Remark	Qty	Model
		refrigerant circuit			
1	997 573 105 03	pressure line		1	
2	997 573 103 02	pressure line		1	
3	944 573 143 01	desiccator		1	
4	996 573 451 00	support		1	
5	996 573 106 00	refrigerant line		1	
6	996 573 091 01	intake pipe NW 16		1	
7	9A1 573 099 04	intake pipe		1	MA1.20 MA1.21
8	9A1 573 097 04	pressure line		1	MA1.20 MA1.21
9	997 573 108 02	pressure line NW8	/LL	1	I098
(9)	997 573 108 03	pressure line NW8	/RL	1	I099
10	996 573 092 02	pressure line NW10		1	
11	997 573 094 02	pressure line		1	
12	999 511 230 40	support use also:		X	
-	999 511 231 41	rubber mounting		X	
13	996 573 111 03	condenser		2	
14	996 573 093 06	intake pipe NW16	/LL	1	I098
(14)	996 573 093 07	intake pipe NW16	/RL	1	I099
15	996 347 543 00	cable holder		2	
16	999 707 247 40	o-ring 7,5X2		2	
17	999 707 557 41	o-ring 11x2,5		1	
18	999 707 434 41	o-ring 10,6X2		8	

Model	Year	MG	SG	Illustration	Restrictions	UPD	14:32	02.03.2010	PORSCHE	PET	PORSCHE
987C2	2010	8	13	813-25		248					

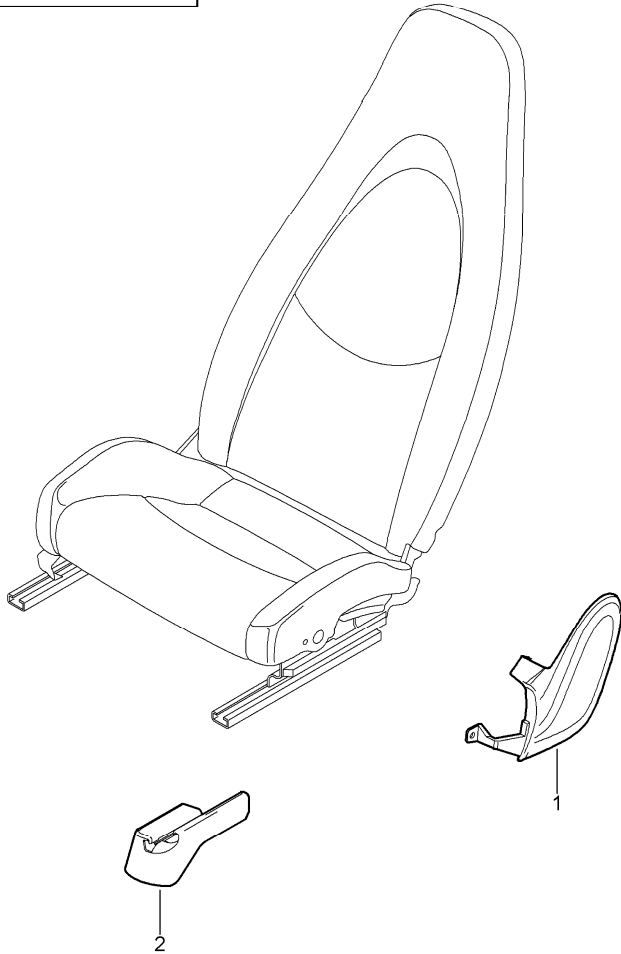
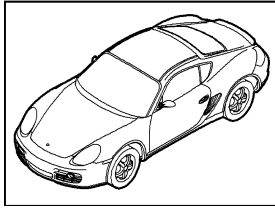
Pos	Part Number	Description	Remark	Qty	Model	Pos	Part Number	Description	Remark	Qty	Model
19	999 707 534 41	o-ring 17X2		3		39	900 385 041 01	torx screw M6x12		1	
20	999 707 262 40	o-ring 6,7X1,8		X		40	999 511 260 40	support		1	
21	955 613 137 01	pressure sensor when required order also:		1							
-	999 707 555 41	o-ring 10,8 X 1,8		1							
22	996 573 711 00	cover strip		2							
23	900 067 247 01	combination screw M8x30		X							
24	997 573 243 00	distributing piece		1							
25	996 573 465 00	valve intake pipe		1							
26	944 573 663 02	valve cap		1							
27	996 573 466 00	valve pressure line		1							
28	944 573 663 01	valve cap		1							
29	900 075 340 01	combination screw M6x22		1							
30	999 512 349 01	hose clamp A50-70/9		1							
31	900 380 015 09	hexagon nut M6		2							
32	900 377 010 09	nut M6		1							
33	996 573 769 01	grommet		1							
34	996 355 547 01	support		1							
35	999 591 922 40	support		1							
36	999 511 231 41	rubber mounting		X							
37	900 385 149 01	torx screw M6x40		1							
38	9A1 573 341 00	support with bearing and clip		1							

Model	Year	MG	SG	Illustration	Restrictions	UPD	14:33	02.03.2010	PORSCHE	PET	PORSCHE
987C2	2010	8	13	813-45		248					



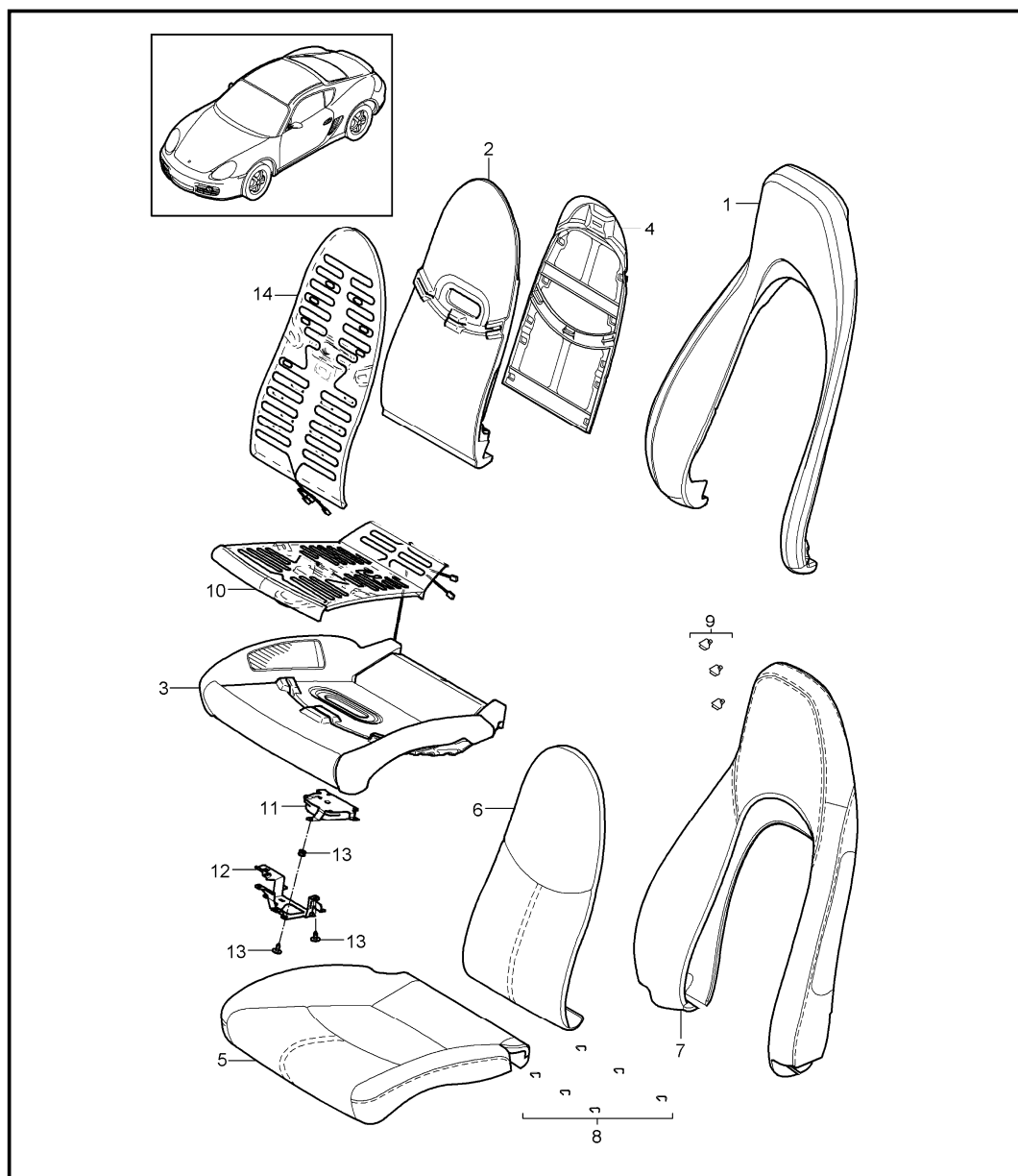
Pos	Part Number	Description	Remark	Qty	Model
		control switch			
(1)	997 653 203 02	control part		1	I572
	FTC	Mattschwarz/Galvanosilber			
(1)	997 653 213 02	control part		1	I342/572
	FTC	Mattschwarz/Galvanosilber			
1	997 653 201 02	control part		1	I573
	FTC	Mattschwarz/Galvanosilber			
1	997 653 211 02	control part		1	I342/573
	FTC	Mattschwarz/Galvanosilber			
1	997 653 221 02	control part		1	I342/541/573
	FTC	Mattschwarz/Galvanosilber			

Model	Year	MG	SG	Illustration	Restrictions	UPD	14:33	02.03.2010	PORSCHE	PET	PORSCHE
987C2	2010	8	17	817-00		248					



Pos	Part Number	Description	Remark	Qty	Model
		front seat standard seat comfort seat complete not available	09-		CAYMAN S CAYMAN
1	997 521 315 02	trim cover mounting component	/L	1	I369/375 I377/437
	D07	volcano grey			
(1)	997 521 316 02	trim cover mounting component	/R	1	I370/376 I378/438
	D07	volcano grey			
(1)	997 521 316 03	trim cover mounting component advanced airbag	/R	1	I370/376 I378/438/560
	D07	volcano grey			
2	997 521 359 01	rail seat rail	/L	1	I369/375
	01C	satin black			
(2)	997 521 360 01	rail seat rail	/R	1	I370/376
	01C	satin black			
(2)	997 521 361 00	rail seat rail	/L	1	I370/376/377 I378/437/438
	01C	satin black			
(2)	997 521 362 00	rail seat rail	/R	1	I369/375/377 I378/437/438
	01C	satin black			

Model	Year	MG	SG	Illustration	Restrictions	UPD	14:33	02.03.2010	PORSCHE	PET	PORSCHE
987C2	2010	8	17	817-02		248					



Pos	Part Number	Description	Remark	Qty	Model
1	997 521 535 00	foam part cover standard seat comfort seat		1	I369/370
1	997 521 535 00	foam part backrest outer part		1	I437/438
(1)	997 521 535 03	foam part backrest outer part		1	I369/370/541
(1)	997 521 535 03	foam part backrest outer part		1	I437/438/541
2	997 521 581 00	foam part backrest centre part		1	I369/370
2	997 521 581 00	foam part backrest centre part		1	I437/438
(2)	997 521 581 01	foam part backrest centre part		1	I369/370/541
(2)	997 521 581 01	foam part backrest centre part		1	I437/438/541
3	997 521 571 00	foam part seat cushion with heating		1	I369/370
(3)	997 521 571 00	foam part seat cushion with heating		1	I437/438
(3)	997 521 571 03	foam part seat cushion with heating		1	I370/438/560
(3)	997 521 571 06	foam part seat cushion with heating		1	I369/370/541
(3)	997 521 571 06	foam part seat cushion with heating		1	I437/438/541

Model	Year	MG	SG	Illustration	Restrictions	UPD	14:33	02.03.2010	PORSCHE	PET	PORSCHE
987C2	2010	8	17	817-02		248					

Pos	Part Number	Description	Remark	Qty	Model	Pos	Part Number	Description	Remark	Qty	Model
(3)	997 521 571 07	foam part seat cushion with heating		1	I370/541/560		FLB	black			
							FLE	stone grey			
(3)	997 521 571 07	foam part seat cushion with heating		1	I438/541/560		FLH	sand beige			
							FLL	sea blue			
4	997 521 551 01	cushion carrier backrest		1		(5)	997 521 161 09	cover for cushion leatherette		1	I438/541/946
5	997 521 161 00	cover for cushion leatherette		1	I369/370/946		FLB	black			
		FLB	black				FLE	stone grey			
		FLE	stone grey				FLH	sand beige			
		FLH	sand beige				FLL	sea blue			
		FLL	sea blue			(5)	997 521 161 01	cover for cushion		1	I369/370/983
(5)	997 521 161 00	cover for cushion leatherette		1	I437/438/946		FLC	black			
		FLB	black				FLF	stone grey			
		FLE	stone grey				FLJ	sand beige			
		FLH	sand beige				FLM	sea blue			
		FLL	sea blue				FLQ	terracotta			
							FLR	cocoa			
(5)	997 521 161 09	cover for cushion leatherette		1	I369/541/946		VAA	dark grey/natural			
		FLB	black				VAB	brown/natural			
		FLE	stone grey				VAC	carrera red			
		FLH	sand beige			(5)	997 521 161 01	cover for cushion		1	I437/438/983
		FLL	sea blue				FLC	black			
(5)	997 521 161 09	cover for cushion leatherette		1	I370/541/946		FLF	stone grey			
		FLB	black				FLJ	sand beige			
		FLE	stone grey				FLM	sea blue			
		FLH	sand beige				FLQ	terracotta			
		FLL	sea blue				FLR	cocoa			
(5)	997 521 161 09	cover for cushion leatherette		1	I437/541/946		VAA	dark grey/natural			
							VAB	brown/natural			

Model	Year	MG	SG	Illustration	Restrictions	UPD	14:33	02.03.2010	PORSCHE	PET	PORSCHE
987C2	2010	8	17	817-02		248					

Pos	Part Number	Description	Remark	Qty	Model	Pos	Part Number	Description	Remark	Qty	Model
(5)	VAC	carrera red					VAB	brown/natural			
	997 521 161 10	cover for cushion		1	I369/541/983		VAC	carrera red			
	FLC	black				(5)	997 521 161 10	cover for cushion		1	I438/541/983
	FLF	stone grey					FLC	black			
	FLJ	sand beige					FLF	stone grey			
	FLM	sea blue					FLJ	sand beige			
	FLQ	terracotta					FLM	sea blue			
	FLR	cocoa					FLQ	terracotta			
	VAA	dark grey/natural					FLR	cocoa			
	VAB	brown/natural					VAA	dark grey/natural			
	VAC	carrera red					VAB	brown/natural			
(5)	997 521 161 10	cover for cushion		1	I370/541/983		VAC	carrera red			
	FLC	black				(5)	997 521 161 02	cover for cushion		1	I369/370/982
	FLF	stone grey					FLC	black			
	FLJ	sand beige					FLF	stone grey			
	FLM	sea blue					FLJ	sand beige			
	FLQ	terracotta					FLM	sea blue			
	FLR	cocoa					FLQ	terracotta			
	VAA	dark grey/natural					FLR	cocoa			
	VAB	brown/natural					VAA	dark grey/natural			
	VAC	carrera red					VAB	brown/natural			
(5)	997 521 161 10	cover for cushion		1	I437/541/983		VAC	carrera red			
	FLC	black				(5)	997 521 161 02	cover for cushion		1	I437/438/982
	FLF	stone grey					FLC	black			
	FLJ	sand beige					FLF	stone grey			
	FLM	sea blue					FLJ	sand beige			
	FLQ	terracotta					FLM	sea blue			
	FLR	cocoa					FLQ	terracotta			
	VAA	dark grey/natural					FLR	cocoa			

Model	Year	MG	SG	Illustration	Restrictions	UPD	14:33	02.03.2010	PORSCHE	PET	PORSCHE
987C2	2010	8	17	817-02		248					

Pos	Part Number	Description	Remark	Qty	Model	Pos	Part Number	Description	Remark	Qty	Model
	VAA	dark grey/natural					FLQ	terracotta			
	VAB	brown/natural					FLR	cocoa			
	VAC	carrera red					VAA	dark grey/natural			
7	987 521 141 00	backrest cover outer part		1	I369/950		VAB	brown/natural			
	FLA	black				(7)	987 521 142 02	backrest cover outer part		1	I370/438/982 I983
	FLD	stone grey					VAC	carrera red			
(7)	987 521 142 00	backrest cover outer part		1	I370/950		FLC	black			
	FLA	black					FLF	stone grey			
	FLD	stone grey					FLJ	sand beige			
	FLG	sand beige					FLM	sea blue			
(7)	987 521 141 03	backrest cover outer part		1	I369/437/946		FLQ	terracotta			
	FLB	black					FLR	cocoa			
	FLL	stone grey					VAA	dark grey/natural			
	FLH	sand beige					VAB	brown/natural			
	FLL	sea blue				(7)	987 521 941 03	backrest cover outer part		1	IXSC/369/437 I946
(7)	987 521 142 03	backrest cover outer part		1	I370/438/946		VAC	carrera red			
	FLB	black					A08	black			
	FLL	stone grey					5D6	stone grey			
	FLH	sand beige					T25	sand beige			
	FLL	sea blue					3W7	sea blue			
(7)	987 521 141 02	backrest cover outer part		1	I369/437/982 I983	(7)	987 521 942 03	backrest cover outer part		1	IXSC/370/438 I946
	FLC	black					A08	black			
	FLF	stone grey					5D6	stone grey			
	FLJ	sand beige					T25	sand beige			
	FLM	sea blue					3W7	sea blue			

Model	Year	MG	SG	Illustration	Restrictions	UPD	14:33	02.03.2010	PORSCHE	PET	PORSCHE
987C2	2010	8	17	817-02		248					

Pos	Part Number	Description	Remark	Qty	Model	Pos	Part Number	Description	Remark	Qty	Model
(7)	987 521 941 04	backrest cover outer part A08 black 5D6 stone grey T25 sand beige 3W7 sea blue		1	IXSC/369/437 I541/946		9N2 terracotta 9Q3 cocoa D11 dark grey/natural T11 brown/natural N11 carrera red				
(7)	987 521 942 04	backrest cover outer part A08 black 5D6 stone grey T25 sand beige 3W7 sea blue		1	IXSC/370/438 I541/946	(6)	997 521 151 00 A08 black 5D6 stone grey T25 sand beige 3W7 sea blue	backrest cushion cover centre part		1	I437/438/946
(7)	987 521 941 01	backrest cover outer part 8YR black 5X5 stone grey 8G1 sand beige 3S8 sea blue 9N2 terracotta 9Q3 cocoa D11 dark grey/natural T11 brown/natural N11 carrera red		1	IXSC/369/437 I982/983	(6)	997 521 151 00 A08 black 5D6 stone grey T25 sand beige 3W7 sea blue	backrest cushion cover centre part		1	I369/370/946
(7)	987 521 942 01	backrest cover outer part 8YR black 5X5 stone grey 8G1 sand beige 3S8 sea blue		1	IXSC/370/438 I982/983	(6)	997 521 151 03 A08 black 5D6 stone grey T25 sand beige 3W7 sea blue	backrest cushion cover centre part		1	I370/541/946
						(6)	997 521 151 03	backrest cushion cover centre part		1	I437/541/946

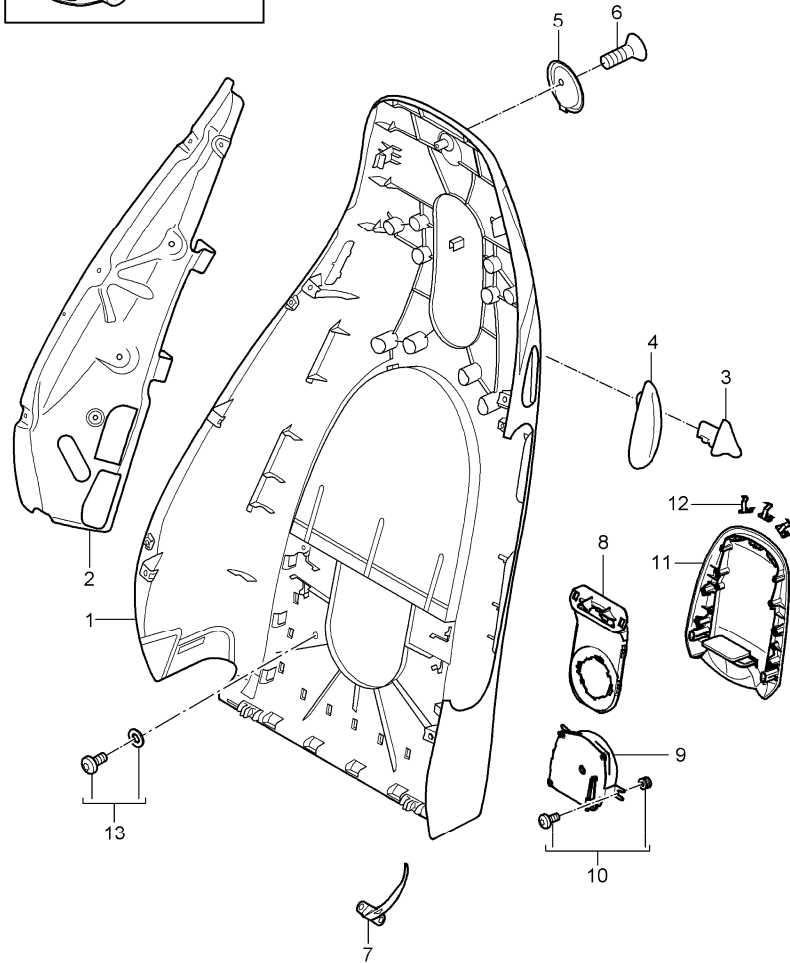
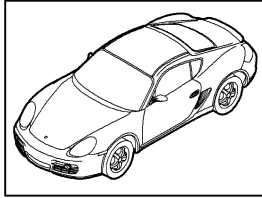
Model	Year	MG	SG	Illustration	Restrictions	UPD	14:33	02.03.2010	PORSCHE	PET	PORSCHE
987C2	2010	8	17	817-02		248					

Pos	Part Number	Description	Remark	Qty	Model	Pos	Part Number	Description	Remark	Qty	Model
	A08	black					N11	carrera red			
	5D6	stone grey				(6)	997 521 151 03	backrest cushion cover		1	I369/541/983
	T25	sand beige					8YR	black			
	3W7	sea blue					5X5	stone grey			
(6)	997 521 151 03	backrest cushion cover centre part		1	I438/541/946		8G1	sand beige			
	A08	black					3S8	sea blue			
	5D6	stone grey					9N2	terracotta			
	T25	sand beige					9Q3	cocoa			
	3W7	sea blue					D11	dark grey/natural			
(6)	997 521 151 00	backrest cushion cover		1	I369/370/983		T11	brown/natural			
	8YR	black					N11	carrera red			
	5X5	stone grey				(6)	997 521 151 03	backrest cushion cover		1	I370/541/983
	8G1	sand beige					8YR	black			
	3S8	sea blue					5X5	stone grey			
	9N2	terracotta					8G1	sand beige			
	9Q3	cocoa					3S8	sea blue			
	D11	dark grey/natural					9N2	terracotta			
	T11	brown/natural					9Q3	cocoa			
	N11	carrera red					D11	dark grey/natural			
(6)	997 521 151 00	backrest cushion cover		1	I437/438/983		T11	brown/natural			
	8YR	black					N11	carrera red			
	5X5	stone grey				(6)	997 521 151 03	backrest cushion cover		1	I437/541/983
	8G1	sand beige					8YR	black			
	3S8	sea blue					5X5	stone grey			
	9N2	terracotta					8G1	sand beige			
	9Q3	cocoa					3S8	sea blue			
	D11	dark grey/natural					9N2	terracotta			
	T11	brown/natural					9Q3	cocoa			
							D11	dark grey/natural			

Model	Year	MG	SG	Illustration	Restrictions	UPD	14:33	02.03.2010	PORSCHE	PET	PORSCHE
987C2	2010	8	17	817-02		248					

Pos	Part Number	Description	Remark	Qty	Model	Pos	Part Number	Description	Remark	Qty	Model
		T11 brown/natural					9Q3 cocoa				
		N11 carrera red					D11 dark grey/natural				
(6)	997 521 151 03	backrest cushion cover		1	I438/541/983		T11 brown/natural				
		8YR black					N11 carrera red				
		5X5 stone grey				8	997 521 837 00 clip padding			6	
		8G1 sand beige				(8)	000 043 207 39 fixing clip seat			3	I541
		3S8 sea blue				9	997 521 897 00 clip backrest cover			5	
		9N2 terracotta				(9)	000 043 207 39 fixing clip backrest cover			3	I541
		9Q3 cocoa				10	997 521 721 00 airbag seat cushion			1	I369/370/541
		D11 dark grey/natural				(10)	997 521 721 00 airbag seat cushion			1	I437/438/541
(6)	997 521 151 01	backrest cushion cover centre part		1	I369/370/982	11	997 624 335 00 electric motor seat cushion			1	I541
		8YR black				12	997 521 661 00 support electric motor seat cushion			1	I541
		5X5 stone grey				13	000 043 207 38 set of fastening parts electric motor seat cushion backrest			13	I541
		8G1 sand beige				14	997 521 731 00 airbag backrest			1	I369/370/541
		3S8 sea blue				14	997 521 731 00 airbag backrest			1	I437/438/541
		9N2 terracotta									
		9Q3 cocoa									
		D11 dark grey/natural									
		T11 brown/natural									
		N11 carrera red									
(6)	997 521 151 01	backrest cushion cover centre part		1	I437/438/982						
		8YR black									
		5X5 stone grey									
		8G1 sand beige									
		3S8 sea blue									
		9N2 terracotta									

Model	Year	MG	SG	Illustration	Restrictions	UPD	14:33	02.03.2010	PORSCHE	PET	PORSCHE
987C2	2010	8	17	817-04		248					

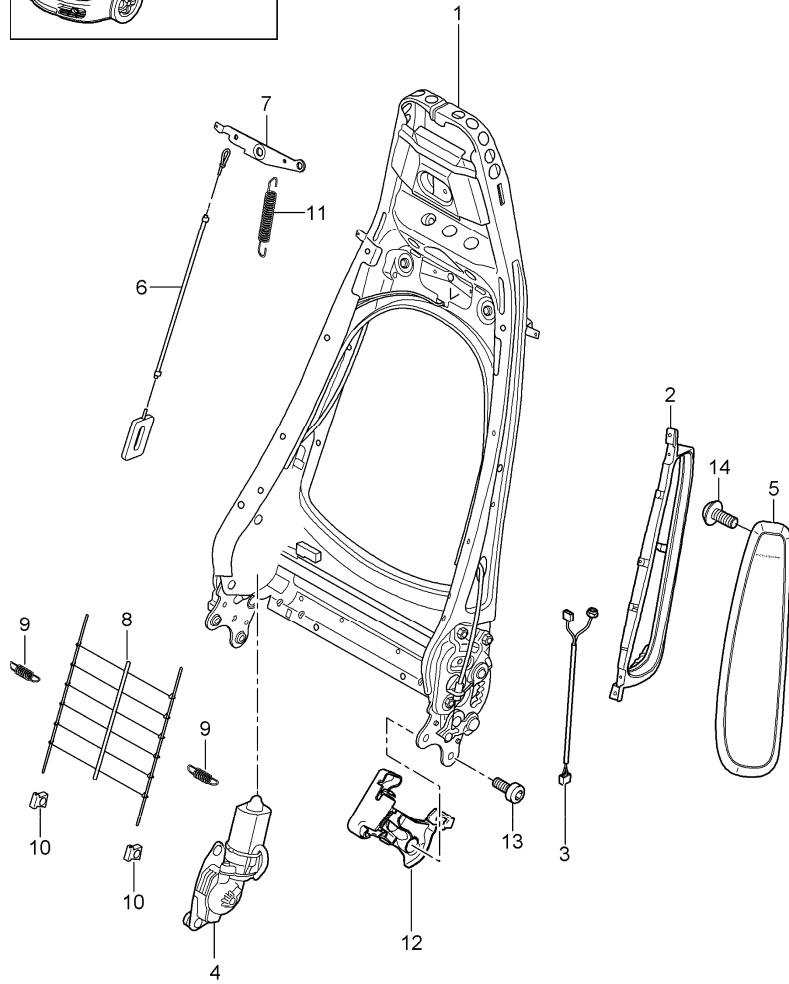
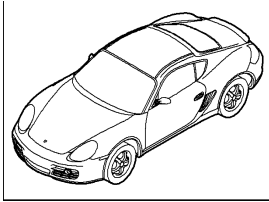


Pos	Part Number	Description	Remark	Qty	Model
1	987 521 303 04	backrest shell standard seat comfort seat accessories		1	I369/437
	01C	satin black			
(1)	987 521 304 04	backrest shell		1	I370/438
	01C	satin black			
2	997 521 319 00	bracket backrest side bolster	/L	1	
(2)	997 521 320 00	bracket backrest side bolster	/R	1	
3	997 521 623 02	control button backrest locking lever	/L	1	
	V05	galvano silver			
(3)	997 521 624 02	control button backrest locking lever	/R	1	
	V05	galvano silver			
4	997 521 621 02	rosette	/L	1	I369/370/437 I438
		backrest locking lever			
	D07	volcano grey			
(4)	997 521 622 02	rosette		1	I369/370/437 I438
		backrest locking lever			
	D07	volcano grey			
5	997 521 373 01	coat hook		1	I369/370/437 I438
	D07	volcano grey			
6	999 919 232 09	screw M5 X 20 coat hook		1	I369/370/437 I438
8	997 521 733 00	air duct		1	I369/370/437 I438/541
9	997 624 337 00	electric motor vented backrest		1	I541

Model	Year	MG	SG	Illustration	Restrictions	UPD	14:33	02.03.2010	PORSCHE	PET	PORSCHE
987C2	2010	8	17	817-04		248					

Pos	Part Number	Description	Remark	Qty	Model	Pos	Part Number	Description	Remark	Qty	Model
10	000 043 207 38	set of fastening parts electric motor		1	I541						
11	987 521 491 00	cover fan 01C satin black	09-	1	I369/370/437 I438/541						
12	000 043 207 40	clamp mount cover fan		3	I541						
13	000 043 207 41	set of fastening parts mount cover fan		1	I541						

Model	Year	MG	SG	Illustration	Restrictions	UPD	14:33	02.03.2010	PORSCHE	PET	PORSCHE
987C2	2010	8	17	817-06		248					

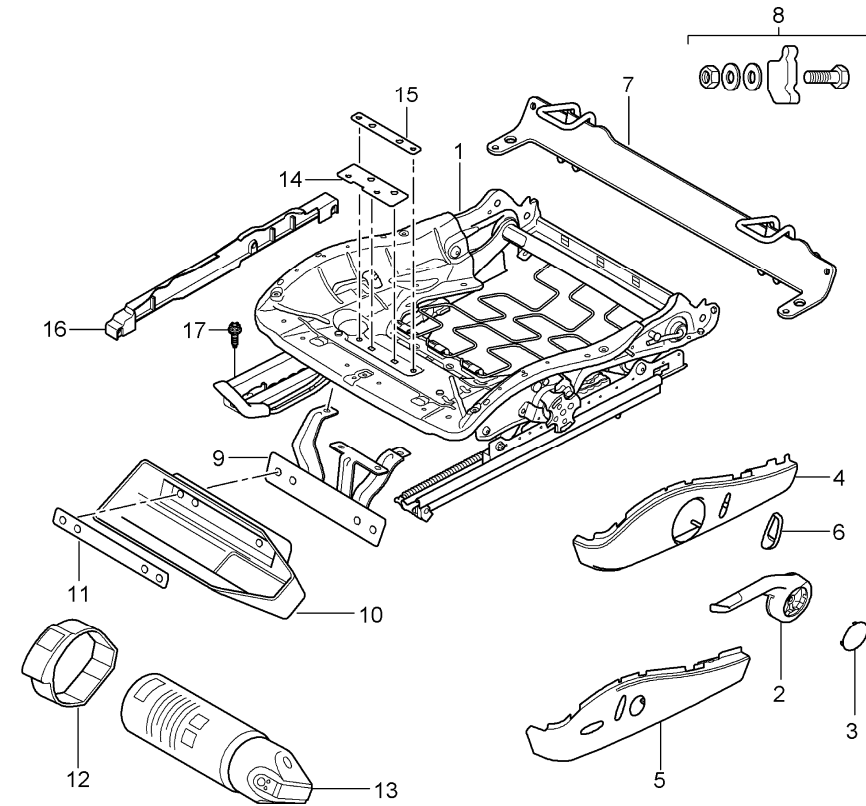
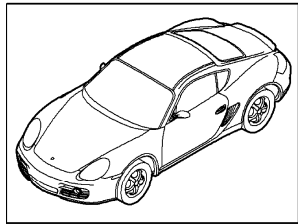


Pos	Part Number	Description	Remark	Qty	Model
		backrest frame standard seat comfort seat			
1	997 521 329 02	backrest frame without memory		1	I369/370
(1)	997 521 329 02	backrest frame without memory		1	I437/438
(1)	997 521 329 03	backrest frame with memory		1	I537/538
2	997 521 533 00	cushion carrier side airbag	/L	1	I369/437
(2)	997 521 534 00	cushion carrier side airbag	/R	1	I370/438
3	997 612 785 01	wiring harness side airbag	/L	1	I537
(3)	997 612 786 01	wiring harness side airbag	/R	1	I538
4	997 624 331 00	electric motor backrest frame memory		1	I537/538
(4)	997 624 321 00	electric motor backrest frame without memory		1	I369/370
(4)	997 624 321 00	electric motor backrest frame without memory		1	I437/438
5	997 803 081 01	side airbag	/L	1	I369/437
	A03	black			
	5V7	stone grey			
	5Z1	sand beige			
	8W7	sea blue			
	8X8	terracotta			
	8P9	cocoa			
	T13	brown/natural			

Model	Year	MG	SG	Illustration	Restrictions	UPD	14:33	02.03.2010	PORSCHE	PET	PORSCHE
987C2	2010	8	17	817-06		248					

Pos	Part Number	Description	Remark	Qty	Model	Pos	Part Number	Description	Remark	Qty	Model
	N23	carrera red				12	997 521 335 01	cover mounting component inner	/L	1	
(5)	997 803 082 01	side airbag	/R	1	I370/438		D07	volcano grey			
	A03	black				(12)	997 521 336 01	cover mounting component inner	/R	1	
	5V7	stone grey					D07	volcano grey			
	5Z1	sand beige				13	999 073 375 09	screw mount backrest seat adjuster		4	
	8W7	sea blue				14	999 073 306 09	screw mount side airbag		2	
	8X8	terracotta									
	8P9	cocoa									
	T13	brown/natural									
	N23	carrera red									
6	997 521 485 00	bowden cable backrest frame		2	I369/370						
(6)	997 521 485 00	bowden cable backrest frame		2	I437/438						
7	997 521 375 00	release backrest frame		1	I369/370						
(7)	997 521 375 00	release backrest frame		1	I437/438						
8	997 521 855 00	grille backrest frame		1	I369/370						
(8)	997 521 855 00	grille backrest frame		1	I437/438						
9	997 521 893 00	tension spring inner spring		2	I369/370						
(9)	997 521 893 00	tension spring inner spring		2	I437/438						
10	997 521 895 00	clip inner spring		2	I369/370						
(10)	997 521 895 00	clip inner spring		2	I437/438						
11	997 521 797 00	tension spring release backrest		1	I369/370						
(11)	997 521 797 00	tension spring release backrest		1	I437/438						

Model	Year	MG	SG	Illustration	Restrictions	UPD	14:34	02.03.2010	PORSCHE	PET	PORSCHE
987C2	2010	8	17	817-08		248					



Pos	Part Number	Description	Remark	Qty	Model
		seat adjuster standard seat comfort seat			
1	997 521 201 10	seat adjuster manually driver's side	/LL/L	1	I098/369
(1)	997 521 201 14	seat adjuster manually driver's side	/LL/L	1	I098/369/541
(1)	997 521 202 19	seat adjuster manually driver's side	/RL/R	1	I099/370
(1)	997 521 202 23	seat adjuster manually driver's side	/R	1	I370/560
(1)	997 521 202 25	seat adjuster manually driver's side	/RL/R	1	I099/370/541
(1)	997 521 201 24	seat adjuster electric without memory driver's side	/L	1	I437
(1)	997 521 201 26	seat adjuster electric without memory driver's side	/L	1	I437/541
(1)	997 521 202 30	seat adjuster electric without memory driver's side	/R	1	I438
(1)	997 521 202 24	seat adjuster electric without memory driver's side	/R	1	I438/560
(1)	997 521 202 32	seat adjuster electric without memory driver's side	/R	1	I438/541

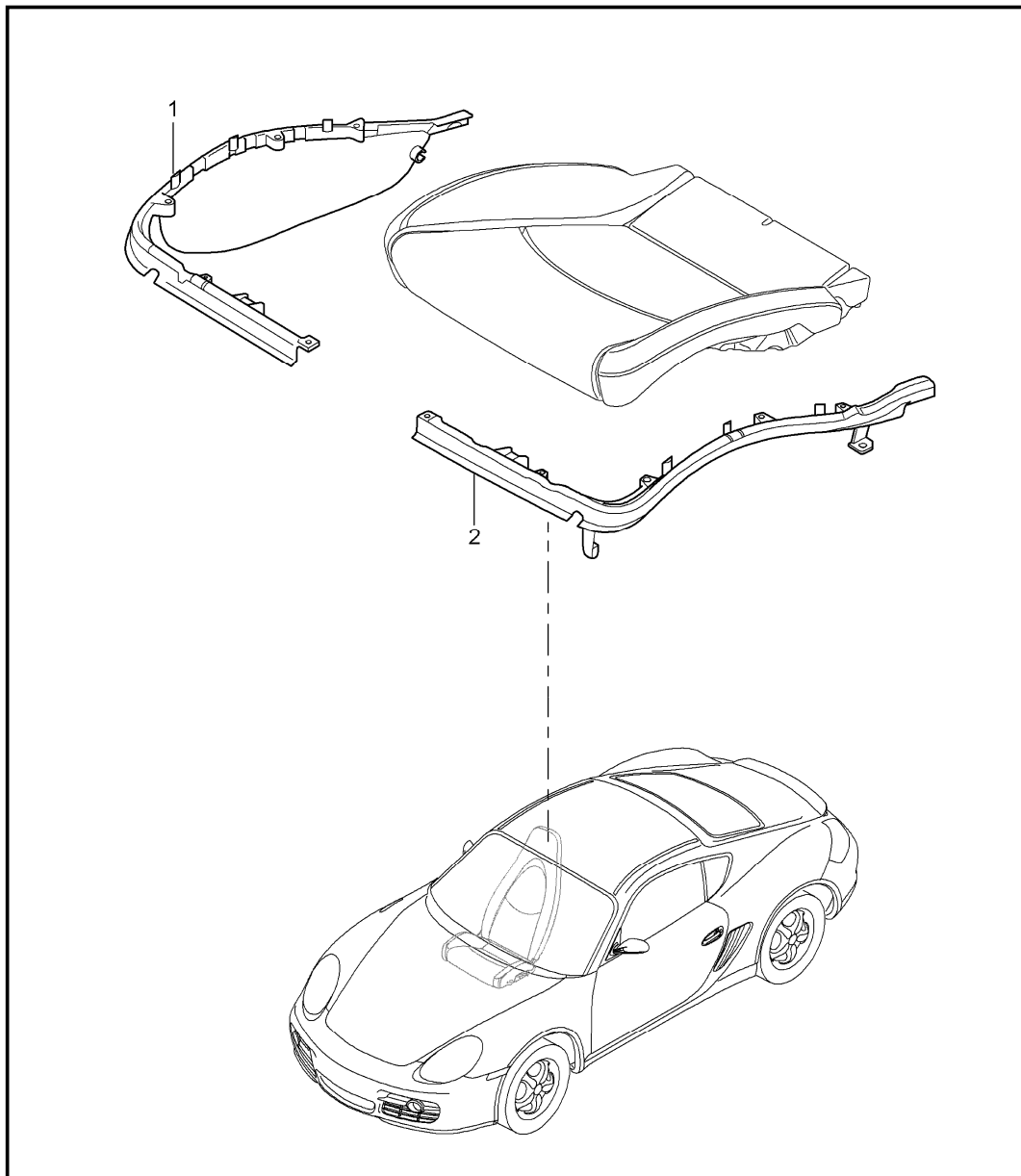
Model	Year	MG	SG	Illustration	Restrictions	UPD	14:34	02.03.2010	PORSCHE	PET	PORSCHE
987C2	2010	8	17	817-08		248					

Pos	Part Number	Description	Remark	Qty	Model	Pos	Part Number	Description	Remark	Qty	Model
(1)	997 521 201 25	seat adjuster electric with memory driver's side	/L	1	I437/537		D07	volcano grey			
(1)	997 521 201 27	seat adjuster electric with memory driver's side	/L	1	I437/537/541	(4)	997 521 326 06	trim for switch	/R	1	I370
(1)	997 521 202 31	seat adjuster electric with memory driver's side	/R	1	I438/538		D07	volcano grey			
(1)	997 521 202 33	seat adjuster electric with memory driver's side	/R	1	I438/538/541	(4)	997 521 326 09	trim for switch	/R	1	I370/560
(1)	997 521 202 20	seat adjuster manually passenger's side	/LL/R	1	I098/370	5	997 521 325 07	trim for switch	/L	1	I437
(1)	997 521 202 26	seat adjuster manually passenger's side	/LL/R	1	I098/370/541		D07	volcano grey			
(1)	997 521 201 11	seat adjuster manually passenger's side	/RL/L	1	I099/369	(5)	997 521 326 07	trim for switch	/R	1	I438
(1)	997 521 201 15	seat adjuster manually passenger's side	/RL/L	1	I099/369/541		D07	volcano grey			
2	997 521 627 01	actuating lever height adjustment	/L	1	I369	(5)	997 521 326 10	trim for switch	/R	1	I438/560
	V05	galvano silver				6	997 521 631 01	control button		1	I369/370/437 I438
(2)	997 521 628 01	actuating lever height adjustment	/R	1	I370		V05	galvano silver			
	V05	galvano silver				7	997 521 061 01	retaining bow child car seat ISOFIX not for AUSTRALIEN		1	
3	997 521 629 01	cap actuating lever		2	I369/370	8	997 521 961 01	set of fastening parts retaining bow		1	
	D07	volcano grey				9	997 521 251 00	support fire extinguisher		1	I098/509
4	997 521 325 06	trim for switch	/L	1	I369	(9)	997 521 252 00	support fire extinguisher		1	I099/509
						10	997 521 607 00	cup fire extinguisher		1	I509
						11	997 521 881 00	support cup fire extinguisher		1	I509
						12	997 521 851 00	restraining strap fire extinguisher		1	I509
						13	996 722 115 00	fire extinguisher Information available Information available		1	I509

Model	Year	MG	SG	Illustration	Restrictions	UPD	14:34	02.03.2010	PORSCHE	PET	PORSCHE
987C2	2010	8	17	817-08		248					

Pos	Part Number	Description	Remark	Qty	Model	Pos	Part Number	Description	Remark	Qty	Model
14	997 521 841 00	reinforcement front		1	I509						
15	997 521 843 00	reinforcement rear		1	I509						
16	997 521 427 01	cover sensor weight	/L	1	I370/438/560						
	01C	satin black									
(16)	997 521 426 01	cover sensor weight	/R	1	I370/438/560						
	01C	satin black									
17	999 141 047 01	torx screw seat rail mount		4							

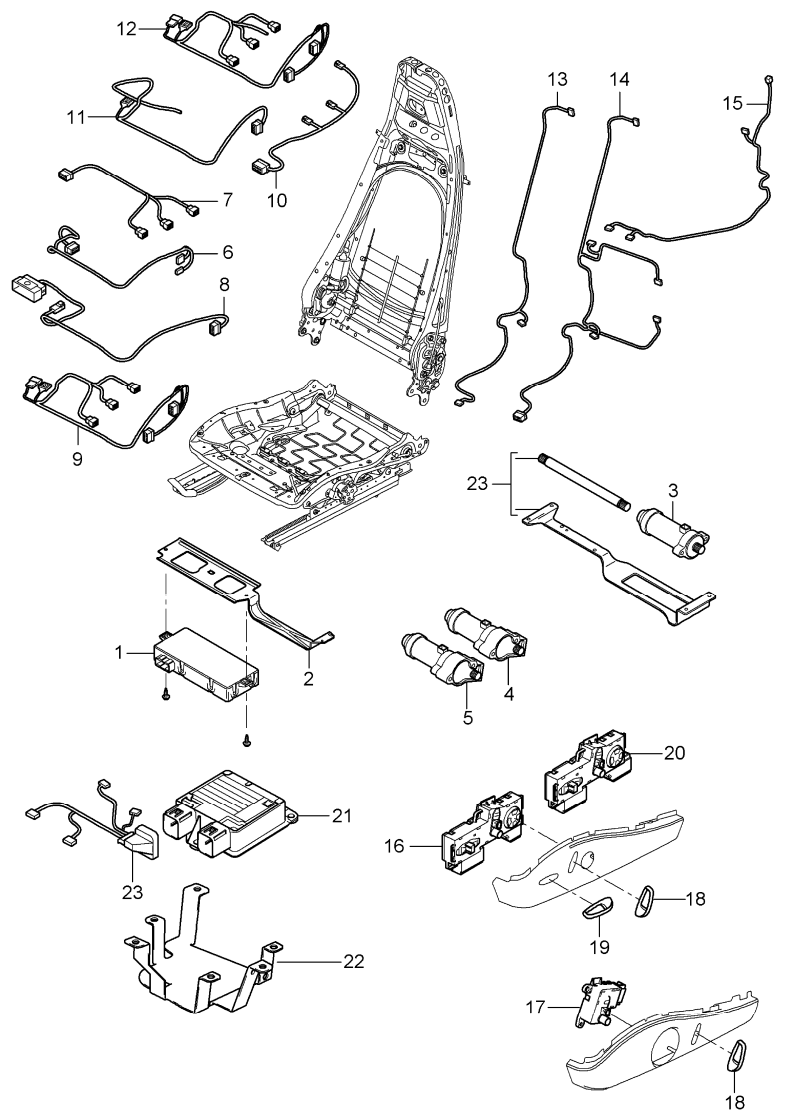
Model	Year	MG	SG	Illustration	Restrictions	UPD	14:34	02.03.2010	PORSCHE	PET	PORSCHE
987C2	2010	8	17	817-09		248					



Pos	Part Number	Description	Remark	Qty	Model
		cushion carrier frame seat surface standard seat comfort seat			
1	997 521 547 00	frame inner	/L	1	I370/438
(1)	997 521 548 00	frame inner	/R	1	I369/437
2	997 521 545 00	frame outer	/L	1	I369/437
(2)	997 521 546 00	frame outer	/R	1	I370/438
(2)	997 521 546 01	frame outer	/R	1	I370/438/560

Model	Year	MG	SG	Illustration	Restrictions	UPD	14:34	02.03.2010	PORSCHE	PET	PORSCHE
987C2	2010	8	17	817-10		248					

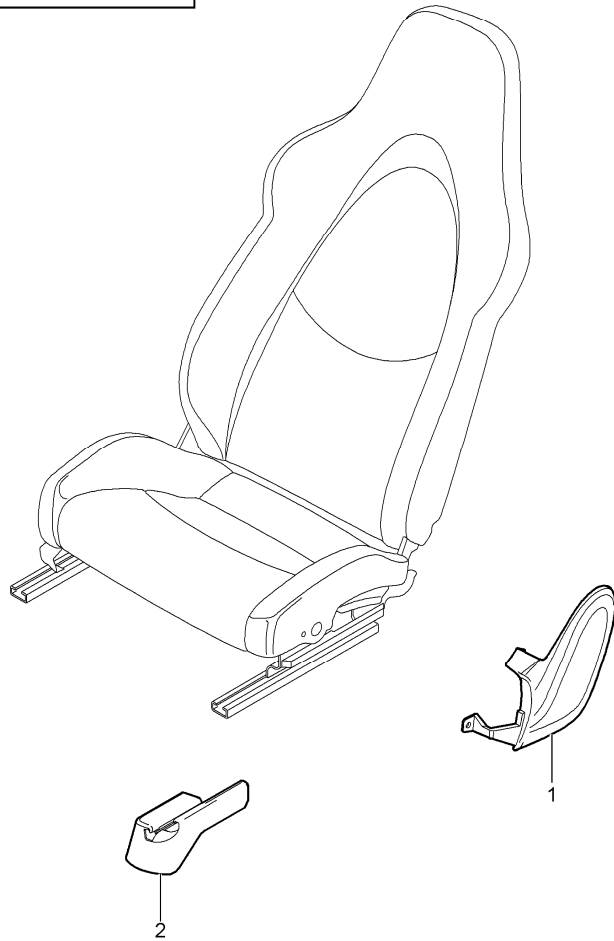
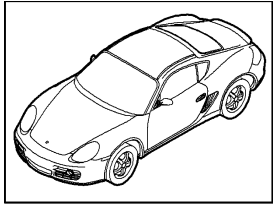
Pos	Part Number	Description	Remark	Qty	Model
		wiring harnesses switch control unit electric motor standard seat comfort seat			
1	997 618 537 07	control unit seating position control		1	I537/538
2	997 521 643 01	support control unit seating position control		1	I537/538
3	997 624 322 00	electric motor seat adjuster lengthways without memory		1	I437/438
(3)	997 624 332 00	electric motor seat adjuster lengthways with memory		1	I537/538
4	997 624 322 00	electric motor seat adjuster height adjustment without memory		1	I437/438
(4)	997 624 332 00	electric motor seat adjuster height adjustment with memory		1	I537/538
5	997 624 323 00	electric motor seat adjuster tilt angle without memory		1	I437/438
(5)	997 624 333 00	electric motor seat adjuster tilt angle with memory		1	I537/538
6	997 612 684 00	wiring harness seat adjuster memory		1	I537/538



Model	Year	MG	SG	Illustration	Restrictions	UPD	14:34	02.03.2010	PORSCHE	PET	PORSCHE
987C2	2010	8	17	817-10		248					

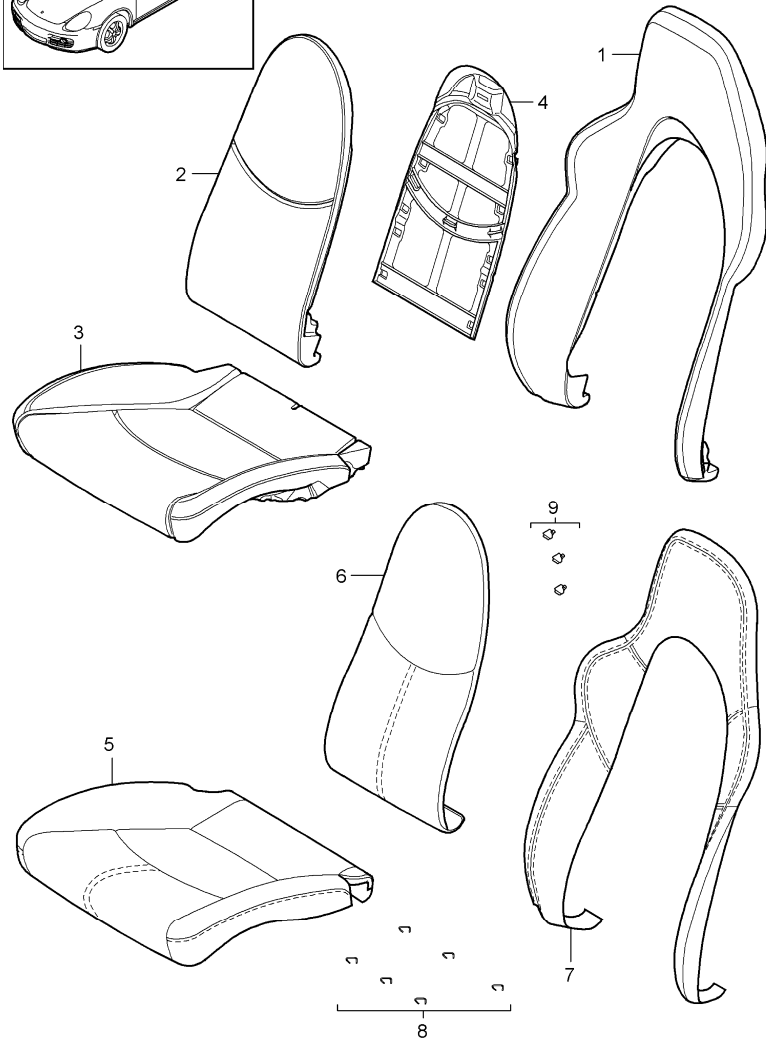
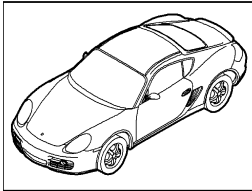
Pos	Part Number	Description	Remark	Qty	Model	Pos	Part Number	Description	Remark	Qty	Model
7	997 612 690 00	wiring harness lengthways height adjustment memory		1	I537/538		V05	galvano silver			
8	997 612 682 01	wiring harness switch seat adjuster		1	I369/370	17	997 613 713 00	switch seat adjuster manually adjustable	/L	1	I369
9	997 612 683 01	wiring harness switch seat adjuster without memory		1	I437/438	(17)	997 613 714 00	switch seat adjuster manually adjustable	/R	1	I370
10	997 612 657 00	wiring harness seat		2	I541	18	997 521 631 01	control button backrest		1	I369/370
11	997 612 658 00	wiring harness standard seat manually		1	I369/370/541		V05	galvano silver			
12	997 612 659 00	wiring harness comfort seat electric		1	I437/438/541	(18)	997 521 631 01	control button backrest		1	I437/438
13	997 612 689 00	wiring harness lumbar support without memory		1	I437/438	19	997 521 633 02	control button seat cushion		1	I437/438
14	997 612 687 00	wiring harness lumbar backrest memory		1	I437/537		V05	galvano silver			
(14)	997 612 687 00	wiring harness lumbar backrest memory		1	I438/538	20	997 613 717 01	switch seat adjuster without memory	/L	1	I437
15	997 612 685 01	wiring harness backrest	/L	1	I369/437		V05	galvano silver			
(15)	997 612 686 01	wiring harness backrest	/R	1	I370/438	(20)	997 613 718 01	switch seat adjuster without memory	/R	1	I438
16	997 613 721 01	switch seat adjuster memory switch	/L	1	I437/537		V05	galvano silver			
	V05	galvano silver				(21)	997 618 233 05	control unit seat occupancy detection		1	I370/438/560
(16)	997 613 722 01	switch seat adjuster memory switch	/R	1	I438/538	22	997 521 646 00	support control unit seat occupancy detection		1	I370/438/560
						23	997 612 688 01	wiring harness seat occupancy detection		1	I370/438/560
						24	997 521 901 00	repair kit pliable shaft engine bracket		1	
						-	999 650 973 40	clip mount wiring harness seat occupancy detection		1	

Model	Year	MG	SG	Illustration	Restrictions	UPD	14:34	02.03.2010	PORSCHE	PET	PORSCHE
987C2	2010	8	17	817-15		248					



Pos	Part Number	Description	Remark	Qty	Model
		front seat complete not available sports seat			
1	997 521 315 02	trim cover mounting component	/L	1	I375/377
	D07	volcano grey			
(1)	997 521 316 02	trim cover mounting component	/R	1	I375/377
	D07	volcano grey			
2	997 521 359 01	rail seat rail	/L	1	I375
	01C	satin black			
(2)	997 521 362 00	rail seat rail	/R	1	I375
	01C	satin black			
(2)	997 521 361 00	rail seat rail	/L	1	I376
	01C	satin black			
(2)	997 521 360 01	rail seat rail	/R	1	I376
	01C	satin black			
(2)	997 521 361 00	rail seat rail	/L	1	I377
	01C	satin black			
(2)	997 521 362 00	rail seat rail	/R	1	I377
	01C	satin black			
(2)	997 521 361 00	rail seat rail	/L	1	I378
	01C	satin black			
(2)	997 521 362 00	rail seat rail	/R	1	I378
	01C	satin black			

Model	Year	MG	SG	Illustration	Restrictions	UPD	14:34	02.03.2010	PORSCHE	PET	PORSCHE
987C2	2010	8	17	817-17		248					



Pos	Part Number	Description	Remark	Qty	Model
		foam part cover sports seat			
1	997 521 535 01	foam part backrest outer		2	I375/376
(1)	997 521 535 02	foam part backrest outer		2	I377/378
2	997 521 581 00	foam part		1	I375/376
2	997 521 581 00	foam part backrest centre part		1	I377/378
3	997 521 571 01	foam part seat cushion with heating		1	I375/376
(3)	997 521 571 02	foam part seat cushion with heating		1	I377/378
(3)	997 521 571 04	foam part seat cushion with heating		1	I376/560
(3)	997 521 571 05	foam part seat cushion with heating		1	I378/560
4	997 521 551 01	cushion carrier backrest		2	
5	997 521 161 03	cover for cushion		1	I375/376/983
	FLC	black			
	FLF	stone grey			
	FLJ	sand beige			
	FLM	sea blue			
	FLQ	terracotta			
	FLR	cocoa			
	VAA	dark grey/natural			
	VAB	brown/natural			
	VAC	carrera red			

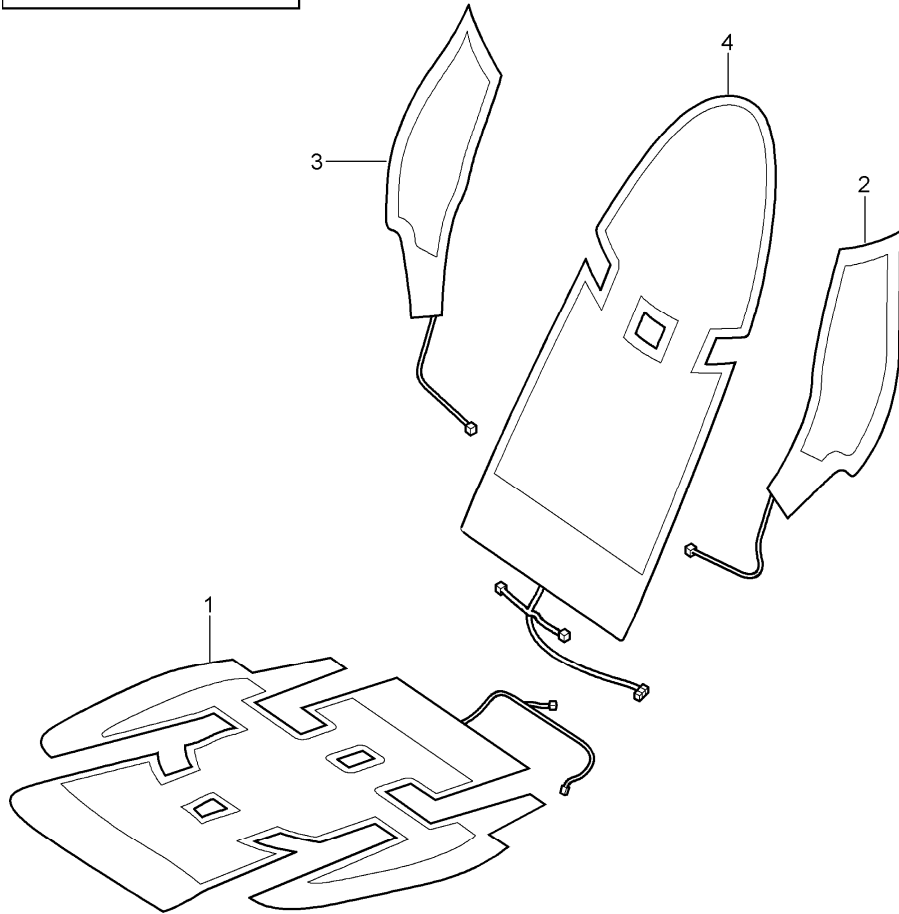
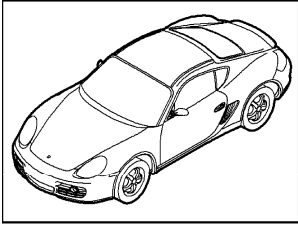
Model	Year	MG	SG	Illustration	Restrictions	UPD	14:34	02.03.2010	PORSCHE	PET	PORSCHE
987C2	2010	8	17	817-17		248					

Pos	Part Number	Description	Remark	Qty	Model	Pos	Part Number	Description	Remark	Qty	Model
(5)	997 521 161 06	cover for cushion		1	I377/378/983		T11	brown/natural			
	FLC	black					N11	carrera red			
	FLF	stone grey				(7)	997 521 155 01	backrest cover outer part		2	I375/376/983
	FLJ	sand beige					FLC	black			
	FLM	sea blue					FLF	stone grey			
	FLQ	terracotta					FLJ	sand beige			
	FLR	cocoa					FLM	sea blue			
	VAA	dark grey/natural					FLQ	terracotta			
	VAB	brown/natural					FLR	cocoa			
	VAC	carrera red					VAA	dark grey/natural			
6	997 521 151 00	backrest cushion cover centre part		1	I375/376/983		VAB	brown/natural			
	8YR	black					VAC	carrera red			
	5X5	stone grey				(7)	997 521 155 01	backrest cover outer part		2	I377/378/983
	8G1	sand beige					FLC	black			
	3S8	sea blue					FLF	stone grey			
	9N2	terracotta					FLJ	sand beige			
	9Q3	cocoa					FLM	sea blue			
	D11	dark grey/natural					FLQ	terracotta			
	T11	brown/natural					FLR	cocoa			
	N11	carrera red					VAA	dark grey/natural			
6	997 521 151 00	backrest cushion cover centre part		1	I377/378/983		VAB	brown/natural			
	8YR	black					VAC	carrera red			
	5X5	stone grey				(7)	997 521 941 02	backrest cover outer part		1	IXSC/375/983
	8G1	sand beige					8YR	black			
	3S8	sea blue					5X5	stone grey			
	9N2	terracotta					8G1	sand beige			
	9Q3	cocoa					3S8	sea blue			
	D11	dark grey/natural									

Model	Year	MG	SG	Illustration	Restrictions	UPD	14:34	02.03.2010	PORSCHE	PET	PORSCHE
987C2	2010	8	17	817-17		248					

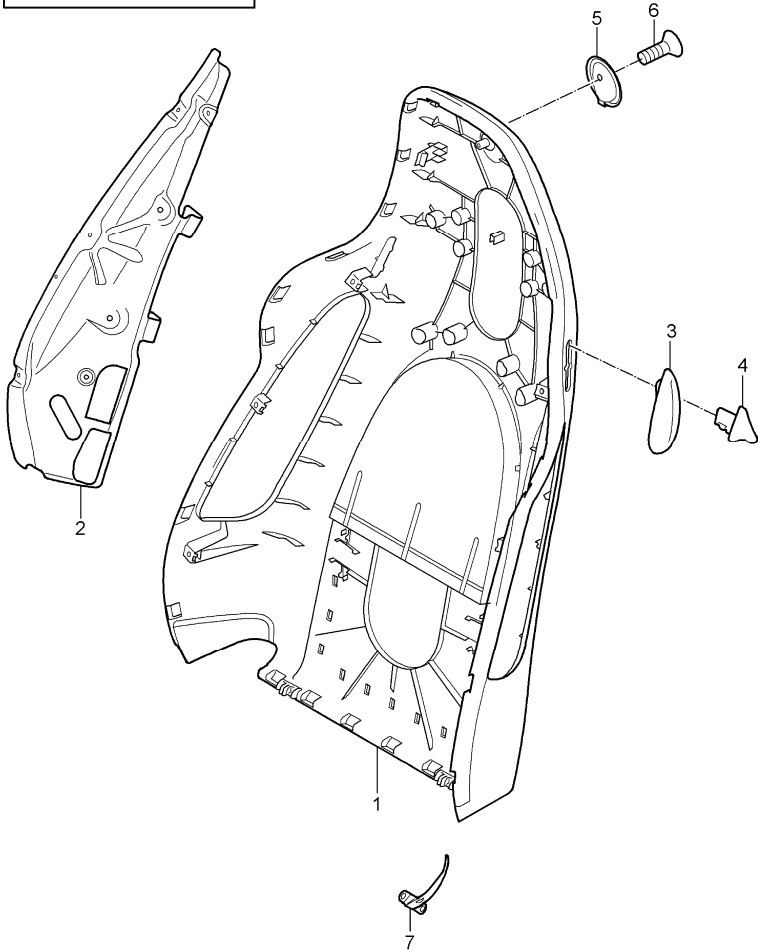
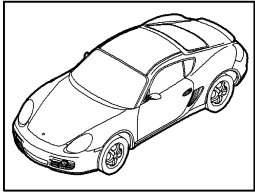
Pos	Part Number	Description	Remark	Qty	Model	Pos	Part Number	Description	Remark	Qty	Model
	9N2	terracotta					5X5	stone grey			
	9Q3	cocoa					8G1	sand beige			
	D11	dark grey/natural					3S8	sea blue			
	T11	brown/natural					9N2	terracotta			
	N11	carrera red					9Q3	cocoa			
(7)	997 521 941 02	backrest cover outer part		1	IXSC/376/983		D11	dark grey/natural			
	8YR	black					T11	brown/natural			
	5X5	stone grey				8	997 521 837 00	clip padding seat		6	
	8G1	sand beige					N11	carrera red			
	3S8	sea blue				9	997 521 897 00	clip backrest cover		5	
	9N2	terracotta									
	9Q3	cocoa									
	D11	dark grey/natural									
	T11	brown/natural									
	N11	carrera red									
(7)	997 521 941 02	backrest cover outer part		1	IXSC/377/983						
	8YR	black									
	5X5	stone grey									
	8G1	sand beige									
	3S8	sea blue									
	9N2	terracotta									
	9Q3	cocoa									
	D11	dark grey/natural									
	T11	brown/natural									
	N11	carrera red									
(7)	997 521 941 02	backrest cover outer part		1	IXSC/378/983						
	8YR	black									

Model	Year	MG	SG	Illustration	Restrictions	UPD	14:34	02.03.2010	PORSCHE	PET	PORSCHE
987C2	2010	8	17	817-18		248					



Pos	Part Number	Description	Remark	Qty	Model
1	997 653 105 02	heating front seat heating element seat cushion standard seat comfort seat		2	I342/369/370
(1)	997 653 105 03	heating element seat cushion sports seat		2	I342/375/376
(1)	997 653 117 00	heating element seat side bolster	/L	2	I541
(1)	997 653 118 00	heating element seat side bolster	/R	2	I541
2	997 653 109 00	heating element backrest side bolster standard seat comfort seat	/L	1	I342/369/370 I437/438
(2)	997 653 121 00	heating element backrest side bolster standard seat comfort seat	/L	1	I541
(2)	997 653 109 01	heating element backrest side bolster sports seat	/L	1	I342/375/376 I377/378
3	997 653 110 00	heating element backrest side bolster standard seat comfort seat	/R	1	I342/369/370 I437/438
(3)	997 653 122 00	heating element backrest side bolster standard seat comfort seat	/R	1	I541
(3)	997 653 110 01	heating element backrest side bolster sports seat	/R	1	I342/375/376 I377/378
4	997 653 107 00	heating element backrest cushion		2	I342

Model	Year	MG	SG	Illustration	Restrictions	UPD	14:35	02.03.2010	PORSCHE	PET	PORSCHE
987C2	2010	8	17	817-19		248					

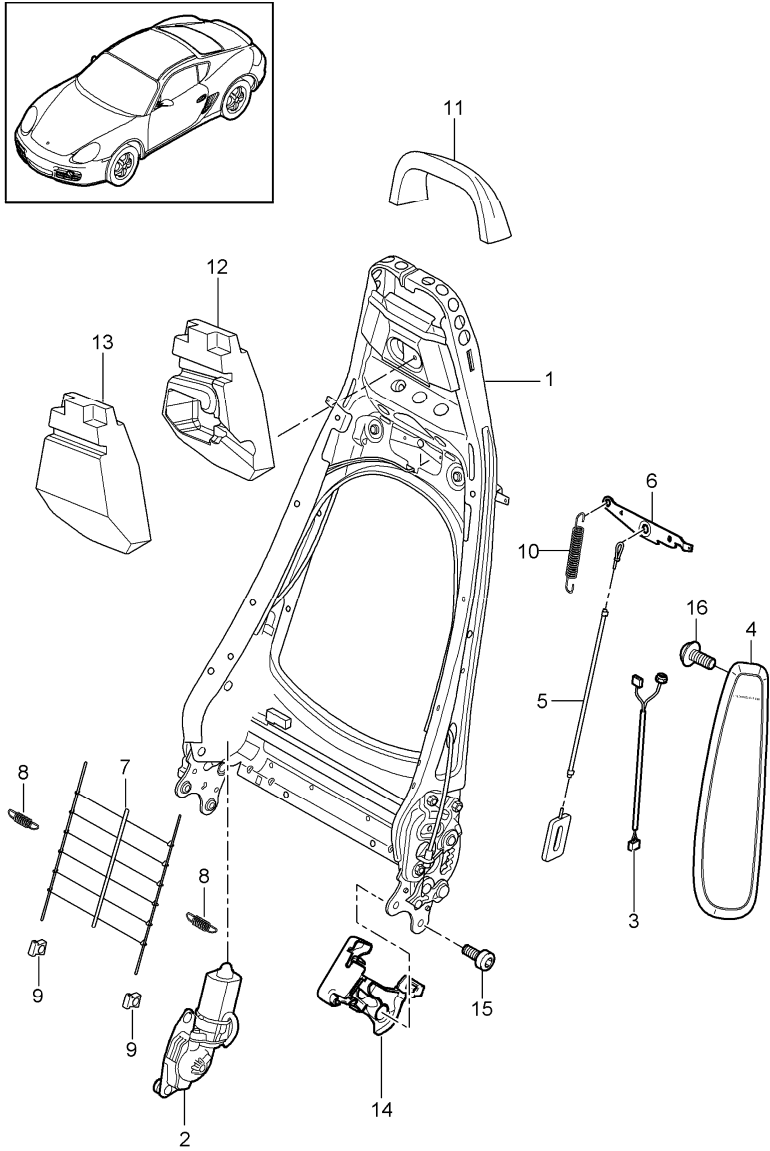


Pos	Part Number	Description	Remark	Qty	Model
(1)	987 521 981 00	backrest shell sports seat		1	IXSA/375/377
	041	black			
	84A	guards red			
	12H	speed yellow			
	B9A	carrara white			
	92U	arctic silver metallic			
	C9Z	basalt black metallic			
	M7X	atlas grey metallic			
	39C	midnight blue metallic			
	M7W	Meteor Grey Metallic			
	M8W	Macadamia Metallic			
	8A7	ruby red metallic			
	22G	Racing Green Metallic			
	M5R	Aqua Blue Metallic			
	32B	Sailing Blue Metallic			
	51A	creamy white			
	M2Z	Nordic Gold Metallic			
	M7Z	gt silver metallic			
	2B5	Malachite Green Metallic			
(1)	987 521 982 00	backrest shell lacquered		1	IXSA/376/378
	041	black			
	84A	guards red			
	12H	speed yellow			
	B9A	carrara white			
	92U	arctic silver metallic			
	C9Z	basalt black metallic			

Model	Year	MG	SG	Illustration	Restrictions	UPD	14:35	02.03.2010	PORSCHE	PET	PORSCHE
987C2	2010	8	17	817-19		248					

Pos	Part Number	Description	Remark	Qty	Model	Pos	Part Number	Description	Remark	Qty	Model
	M7X	atlas grey metallic				6	999 919 232 09	screw M5 X 20 coat hook		1	I375/376/377 I378
	39C	midnight blue metallic									
	M7W	Meteor Grey Metallic									
	M8W	Macadamia Metallic									
	8A7	ruby red metallic									
	22G	Racing Green Metallic									
	M5R	Aqua Blue Metallic									
	32B	Sailing Blue Metallic									
	51A	creamy white									
	M2Z	Nordic Gold Metallic									
	M7Z	gt silver metallic									
	2B5	Malachite Green Metallic									
2	997 521 319 00	bracket	/L	1							
(2)	997 521 320 00	bracket backrest side bolster	/R	1							
3	997 521 621 03	rosette backrest locking lever	/L	1	I375/376 I377/378						
	D07	volcano grey									
(3)	997 521 622 03	rosette backrest locking lever	/R	1	I375/376 I377/378						
	D07	volcano grey									
4	997 521 623 02	control button backrest locking lever	/L	1							
	V05	galvano silver									
(4)	997 521 624 02	control button backrest locking lever	/R	1							
	V05	galvano silver									
5	997 521 373 01	coat hook		2	I375/376/377 I378						
	D07	volcano grey									

Model	Year	MG	SG	Illustration	Restrictions	UPD	14:35	02.03.2010	PORSCHE	PET	PORSCHE
987C2	2010	8	17	817-21		248					

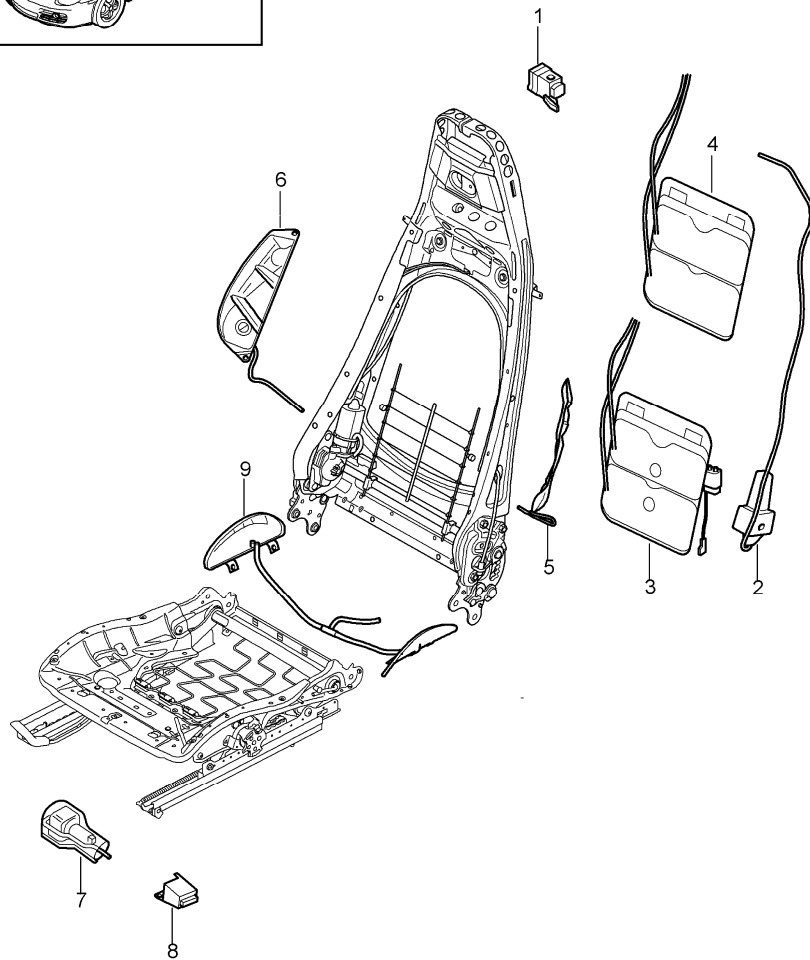
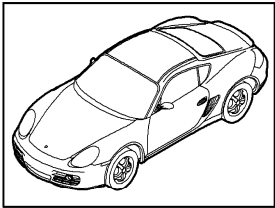


Pos	Part Number	Description	Remark	Qty	Model
1	997 521 329 02	backrest frame sports seat	09-	1	I375/376
(1)	997 521 329 02	backrest frame without memory		1	I377/378
(1)	997 521 329 03	backrest frame with memory		1	I537/538
2	997 624 331 00	electric motor backrest with memory		1	I537/538
(2)	997 624 321 00	electric motor backrest without memory		1	I375/376
(2)	997 624 321 00	electric motor backrest without memory		1	I377/378
3	997 612 785 01	wiring harness side airbag	/L	1	I537
(3)	997 612 786 01	wiring harness side airbag	/R	1	I538
(3)	997 612 685 01	wiring harness side airbag without memory	/L	1	I375
(3)	997 612 686 01	wiring harness side airbag without memory	/R	1	I376
4	997 803 081 01	side airbag	/L	1	I375/377
		D07 volcano grey			
(4)	997 803 082 01	side airbag	/R	1	I376/378
		D07 volcano grey			
5	997 521 485 00	bowden cable backrest frame		2	I375/376

Model	Year	MG	SG	Illustration	Restrictions	UPD	14:35	02.03.2010	PORSCHE	PET	PORSCHE
987C2	2010	8	17	817-21		248					

Pos	Part Number	Description	Remark	Qty	Model	Pos	Part Number	Description	Remark	Qty	Model
(5)	997 521 485 00	bowden cable backrest frame		2	I377/378	(14)	997 521 336 01	cover mounting component inner	/R	1	
6	997 521 375 00	release backrest frame		1	I375/376		D07	volcano grey			
(6)	997 521 375 00	release backrest frame		1	I377/378	15	999 073 375 09	screw mount backrest seat adjuster		4	
7	997 521 855 00	grille backrest frame		1	I375/376						
(7)	997 521 855 00	grille backrest frame		1	I377/378	16	999 073 306 09	screw mount side airbag		2	
8	997 521 893 00	tension spring inner spring		2	I375/376						
(8)	997 521 893 00	tension spring inner spring		2	I377/378						
9	997 521 895 00	clip inner spring		2	I375/376						
(9)	997 521 895 00	clip inner spring		2	I377/378						
10	997 521 797 00	tension spring release backrest		1	I375/376						
(10)	997 521 797 00	tension spring release backrest		1	I377/378						
11	997 521 885 00	foam part head rest upper		1	I375/376						
(11)	997 521 885 00	foam part head rest upper		1	I377/378						
12	997 521 887 01	foam part head rest centre electric		1	I377/378						
13	997 521 887 00	foam part head rest centre		1	I375/376						
14	997 521 335 01	cover mounting component inner	/L	1							
	D07	volcano grey									

Model	Year	MG	SG	Illustration	Restrictions	UPD	14:35	02.03.2010	PORSCHE	PET	PORSCHE
987C2	2010	8	17	817-22		248					

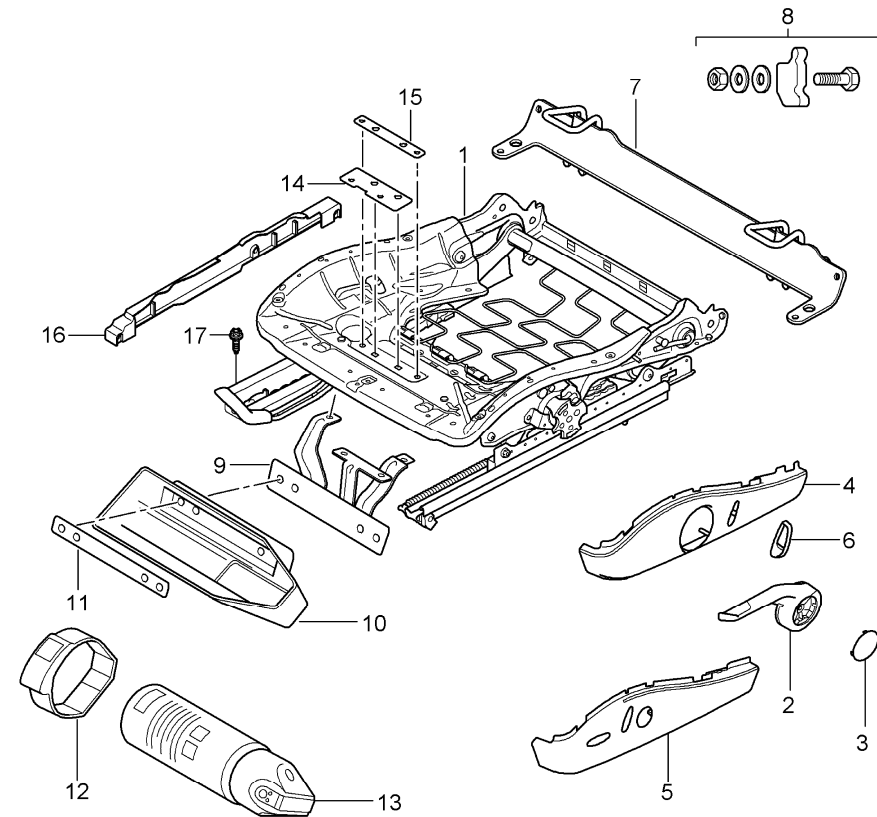
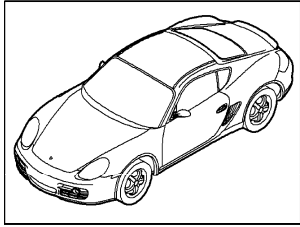


Pos	Part Number	Description	Remark	Qty	Model
		lumbar support			
1	997 617 725 00	valve		1	I377/378 I437/438
(1)	997 617 726 00	lumbar support without memory		1	I537/538
2	997 620 725 00	valve lumbar support memory		1	I537/538
		compressor		1	I377/378 I437/438
3	997 521 709 01	lumbar lumbar support airbag with memory		1	I377/537
(3)	997 521 709 01	lumbar support airbag with memory		1	I378/538
(3)	997 521 709 01	lumbar support airbag with memory		1	I437/537
(3)	997 521 709 01	lumbar support airbag with memory		1	I438/538
(3)	997 521 709 03	lumbar support airbag with memory		1	I437/537/541
(3)	997 521 709 03	lumbar support airbag with memory		1	I438/538/541
4	997 521 709 00	lumbar support airbag without memory		1	I377/378
(4)	997 521 709 00	lumbar support airbag without memory		1	I437/438

Model	Year	MG	SG	Illustration	Restrictions	UPD	14:35	02.03.2010	PORSCHE	PET	PORSCHE
987C2	2010	8	17	817-22		248					

Pos	Part Number	Description	Remark	Qty	Model	Pos	Part Number	Description	Remark	Qty	Model
(4)	997 521 709 02	lumbar support airbag without memory		1	I437/541						
(4)	997 521 709 02	lumbar support airbag without memory		1	I438/541						
5	997 521 711 00	container air distributor backrest side bolster	/L	1	I377/378						
6	997 521 712 00	container air distributor backrest side bolster	/R	1	I377/378						
8	997 617 727 00	valve adjustment seat wide		1	I377/378						
9	997 521 713 01	container air distributor seat side bolster		1	I377/378						

Model	Year	MG	SG	Illustration	Restrictions	UPD	14:35	02.03.2010	PORSCHE	PET	PORSCHE
987C2	2010	8	17	817-23		248					

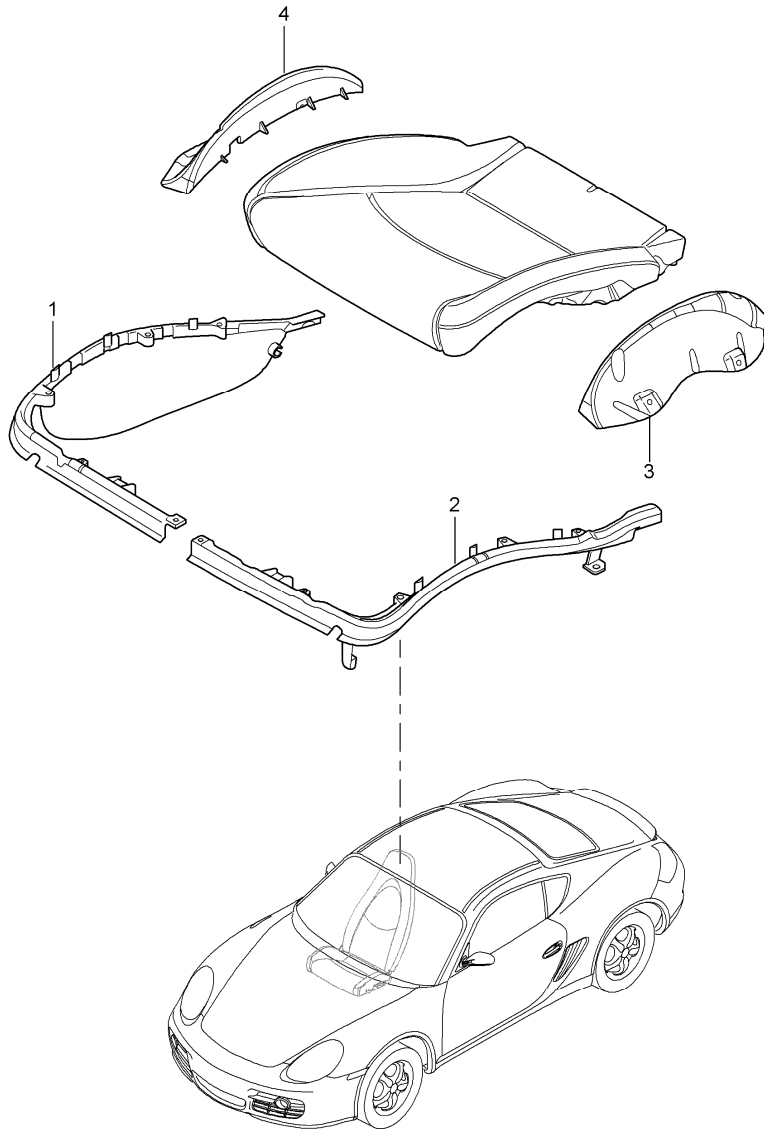


Pos	Part Number	Description	Remark	Qty	Model
1	997 521 201 10	seat adjuster sports seat		1	I098/375
	997 521 201 10	seat adjuster manually driver's side	/LL/L	1	I098/375
(1)	997 521 202 19	seat adjuster manually driver's side	/RL/R	1	I099/376
(1)	997 521 202 23	seat adjuster manually driver's side	/RL/R	1	I376/560
(1)	997 521 201 24	seat adjuster electric without memory driver's side	/L	1	I377
(1)	997 521 202 30	seat adjuster electric without memory driver's side	/R	1	I378
(1)	997 521 202 24	seat adjuster electric without memory driver's side	/R	1	I378/560
(1)	997 521 201 25	seat adjuster electric memory driver's side	/L	1	I377/537
(1)	997 521 202 31	seat adjuster electric memory driver's side	/R	1	I378/538
(1)	997 521 202 20	seat adjuster manually passenger's side	/LL/R	1	I098/376
(1)	997 521 201 11	seat adjuster manually passenger's side	/RL/L	1	I099/375
2	997 521 627 01	actuating lever height adjustment	/L	1	I375
	V05	galvano silver			

Model	Year	MG	SG	Illustration	Restrictions	UPD	14:35	02.03.2010	PORSCHE	PET	PORSCHE
987C2	2010	8	17	817-23		248					

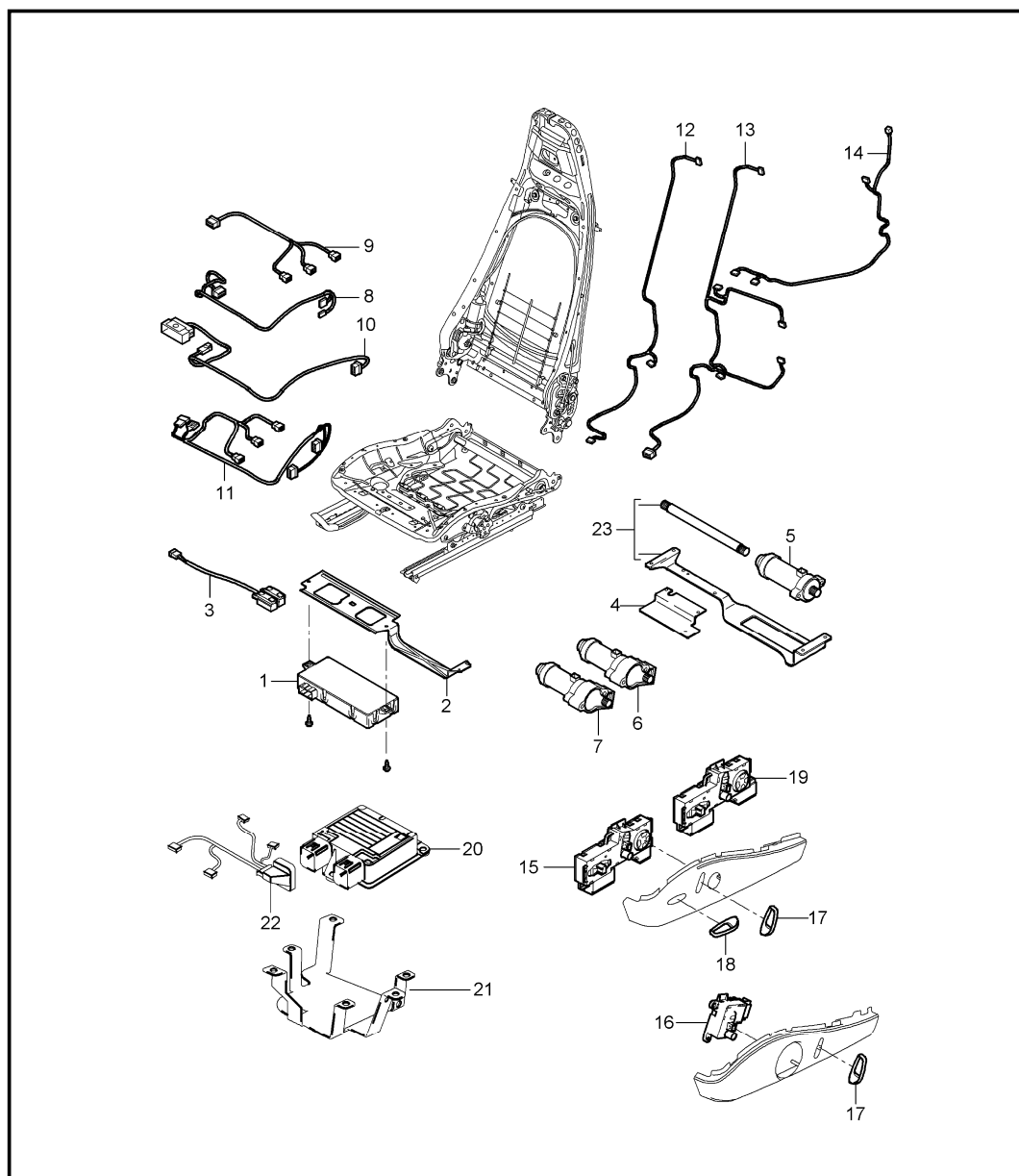
Pos	Part Number	Description	Remark	Qty	Model	Pos	Part Number	Description	Remark	Qty	Model
(2)	997 521 628 01	actuating lever height adjustment	/R	1	I376	11	997 521 881 00	support cup fire extinguisher		1	I509
	V05	galvano silver									
3	997 521 629 01	cap height adjustment		2	I375/376	12	997 521 851 00	restraining strap fire extinguisher		1	I509
	D07	volcano grey				13	996 722 115 00	fire extinguisher Information available Information available		1	I509
4	997 521 325 06	trim for switch	/L	1	I375	14	997 521 841 00	reinforcement front		1	I509
	D07	volcano grey				15	997 521 843 00	reinforcement rear		1	I509
(4)	997 521 326 06	trim for switch	/R	1	I376	16	997 521 427 01	cover sensor weight	/L	1	I376/378/560
	D07	volcano grey					01C	satin black			
(4)	997 521 326 09	trim for switch	/R	1	I376/560	(16)	997 521 426 01	cover sensor weight	/R	1	I376/378/560
	D07	volcano grey					01C	satin black			
5	997 521 325 08	trim for switch	/L	1	I377	17	999 141 047 01	torx screw seat rail mount		4	
	D07	volcano grey									
(5)	997 521 326 08	trim for switch	/R	1	I378						
	D07	volcano grey									
(5)	997 521 326 11	trim for switch		1	I378/560						
	D07	volcano grey									
6	997 521 631 01	control button backrest		1	I375/376/377						
	V05	galvano silver									
7	997 521 061 01	retaining bow child car seat retaining bow not for AUSTRALIEN		1							
8	997 521 961 01	set of fastening parts retaining bow		1							
9	997 521 251 00	support fire extinguisher		1	I098/509						
(9)	997 521 252 00	support fire extinguisher		1	I099/509						
10	997 521 607 00	cup fire extinguisher		1	I509						

Model	Year	MG	SG	Illustration	Restrictions	UPD	14:35	02.03.2010	PORSCHE	PET	PORSCHE
987C2	2010	8	17	817-24		248					



Pos	Part Number	Description	Remark	Qty	Model
		cushion carrier frame seat surface sports seat			
1	997 521 547 00	frame inner	/L	1	I376/378
(1)	997 521 548 00	frame inner	/R	1	I375/377
2	997 521 545 00	frame outer	/L	1	I375/377
(2)	997 521 546 00	frame outer	/R	1	I376/378
(2)	997 521 546 01	frame outer	/R	1	I376/378/560
3	997 521 519 00	supporting plate seat cushion	/L	1	I377/378
4	997 521 520 00	supporting plate seat cushion	/R	1	I377/378

Model	Year	MG	SG	Illustration	Restrictions	UPD	14:36	02.03.2010	PORSCHE	PET	PORSCHE
987C2	2010	8	17	817-25		248					



Pos	Part Number	Description	Remark	Qty	Model
1	997 618 537 07	wiring harnesses switch control unit electric motor sports seat		1	I537/538
2	997 521 643 01	control unit seating position control		1	I537/538
3	997 613 725 00	support control unit seating position control		1	I377
		V05 galvano silver			
(3)	997 613 726 00	switch seat adjuster		1	I378
		V05 galvano silver			
4	997 521 343 00	support electric motor		1	I377/378
5	997 624 322 00	electric motor seat adjuster lengthways without memory		1	I377/378
(5)	997 624 332 00	electric motor seat adjuster lengthways with memory		1	I537/538
6	997 624 322 00	electric motor seat adjuster height adjustment without memory		1	I377/378
(6)	997 624 332 00	electric motor seat adjuster height adjustment with memory		1	I537/538
7	997 624 323 00	electric motor seat adjuster tilt angle without memory		1	I377/378

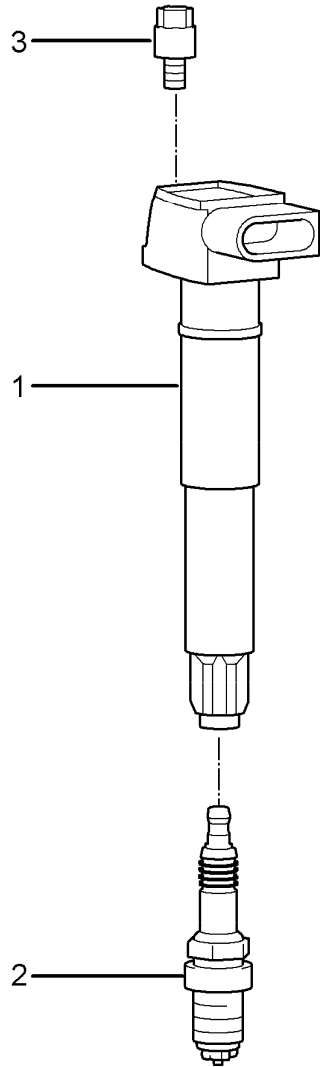
Model	Year	MG	SG	Illustration	Restrictions	UPD	14:36	02.03.2010	PORSCHE	PET	PORSCHE
987C2	2010	8	17	817-25		248					

Pos	Part Number	Description	Remark	Qty	Model	Pos	Part Number	Description	Remark	Qty	Model
(7)	997 624 333 00	electric motor seat adjuster tilt angle with memory		1	I537/538	(15)	997 613 722 01	switch seat adjuster memory switch	/R	1	I378/538
8	997 612 684 00	wiring harness switch seat adjuster memory		1	I537/538		V05	galvano silver			
9	997 612 690 00	wiring harness lengthways height adjustment memory		1	I537/538	16	997 613 713 00	switch	/L	1	I375
10	997 612 682 01	wiring harness switch seat adjuster		1	I375/376	(16)	997 613 714 00	switch seat adjuster manually adjustable	/R	1	I376
11	997 612 691 02	wiring harness switch without memory		1	I377/378	17	997 521 631 01	control button backrest		1	I375/376
12	997 612 689 00	wiring harness lumbar support without memory		1	I377/378		V05	galvano silver			
13	997 612 692 01	wiring harness backrest lumbar with memory		1	I377/537	(17)	997 521 631 01	control button backrest		1	I377/378
(13)	997 612 692 01	wiring harness backrest lumbar with memory		1	I378/538		V05	galvano silver			
14	997 612 685 01	wiring harness backrest without memory	/L	1	I375/377	18	997 521 633 02	control button seat cushion		1	I377/378
(14)	997 612 686 01	wiring harness backrest without memory	/R	1	I376/378		V05	galvano silver			
15	997 613 721 01	switch seat adjuster memory switch	/L	1	I377/537	19	997 613 717 01	switch seat adjuster without memory	/L	1	I377
	V05	galvano silver					V05	galvano silver			
						(19)	997 613 718 01	switch seat adjuster without memory	/R	1	I378
						20	997 618 233 05	control unit seat occupancy detection		1	I376/378/560
						21	997 521 646 00	support control unit seat occupancy detection		1	I376/378/560
						22	997 612 688 01	wiring harness seat occupancy detection		1	I376/378/560
						23	997 521 901 00	repair kit pliable shaft engine bracket		1	

Model	Year	MG	SG	Illustration	Restrictions	UPD	14:36	02.03.2010	PORSCHE	PET	PORSCHE
987C2	2010	8	17	817-25		248					

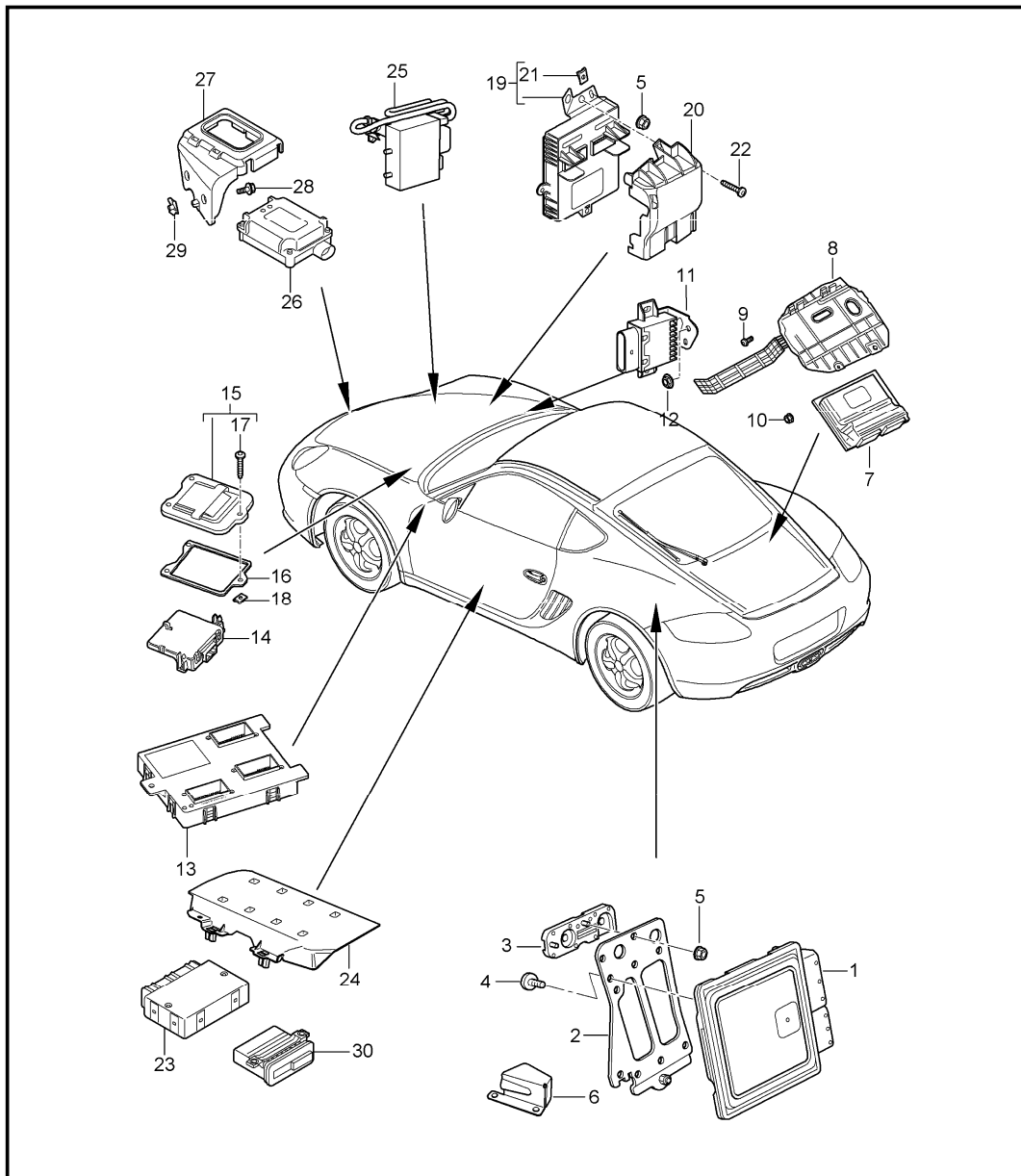
Pos	Part Number	Description	Remark	Qty	Model	Pos	Part Number	Description	Remark	Qty	Model
-	999 650 973 40	clip mount wiring harness seat occupancy detection		1							

Model	Year	MG	SG	Illustration	Restrictions	UPD	14:36	02.03.2010	PORSCHE	PET	PORSCHE
987C2	2010	9	01	901-00		248					



Pos	Part Number	Description	Remark	Qty	Model
		ignition system			
1	9A1 602 104 02	ignition coil		6	
2	999 170 130 90	spark plug FGR 5NQE		6	
3	999 073 103 01	round head screw M 6 X 16		6	

Model	Year	MG	SG	Illustration	Restrictions	UPD	14:36	02.03.2010	PORSCHE	PET	PORSCHE
987C2	2010	9	01	901-03		248					

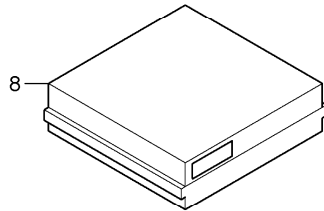
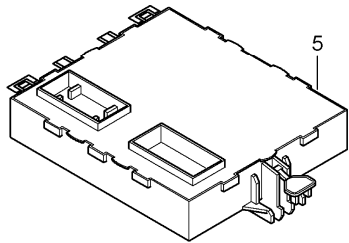
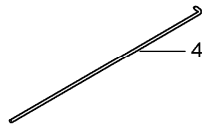
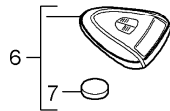
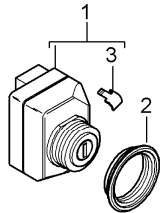
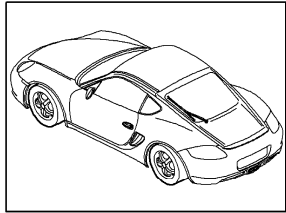


Pos	Part Number	Description	Remark	Qty	Model
1	997 618 607 02	control units control unit - dme -		1	CAYMAN S
(1)	997 618 608 00	control unit - dme -		1	CAYMAN
2	987 618 233 00	support control unit - dme -		1	CAYMAN S
3	987 618 333 00	spacer		1	CAYMAN S
4	999 141 044 09	oval-head screw M 6 X 16		6	CAYMAN S
5	999 084 629 01	hexagon nut M 6		X	
(5)	999 084 635 01	shear-off nut M 6 - SB		X	I536
6	987 618 131 01	tab washer plug-protection		1	CAYMAN I536
7	997 618 270 22	control unit - pdk -	-09	1	I250
8	987 618 255 01	support control unit - pdk -		1	I250
9	900 378 035 01	hexagon-head bolt M 6 X 16		1	I250
10	999 591 941 40	expansion rivet		1	I250
11	997 618 025 01	control unit fuel pump		1	I663
11	997 618 027 00	control unit fuel pump		1	I663/676
12	999 049 025 09	collar nut T 5		2	
13	997 618 516 01	control unit vehicle electrical system		1	
14	997 610 107 04	control unit gateway		1	
15	997 572 419 03	lid		1	
16	997 572 221 00	gasket		1	

Model	Year	MG	SG	Illustration	Restrictions	UPD	14:36	02.03.2010	PORSCHE	PET	PORSCHE
987C2	2010	9	01	901-03		248					

Pos	Part Number	Description	Remark	Qty	Model	Pos	Part Number	Description	Remark	Qty	Model
17	900 143 094 09	tapping screw ST 4,8 X 19		3							
18	999 591 855 02	speed nut ST 4,8		3							
19	997 618 511 01	control unit FRONT luggage compartment		1							
20	997 551 736 00	cover		1							
21	999 507 462 09	speed nut 4,8		1							
22	999 073 061 02	tapping screw 4,8 X 16		1							
23	997 618 260 08	control unit rear end		1							
24	997 618 381 00	support		1							
25	997 618 436 02	control unit cooling air control		1							
26	997 618 225 03	control unit garage door opener		1	I608						
26	997 618 227 02	control unit garage door opener		1	I607						
27	997 618 257 00	support control unit garage door opener		1							
28	900 075 505 01	combination screw M 6 X 20		2							
29	999 591 882 01	speed nut M 6		2							
30	997 618 183 01	control unit ParkAssist sensor see group 8/02/05		1	I635 I635						

Model	Year	MG	SG	Illustration	Restrictions	UPD	14:36	02.03.2010	PORSCHE	PET	PORSCHE
987C2	2010	9	01	901-04		248					

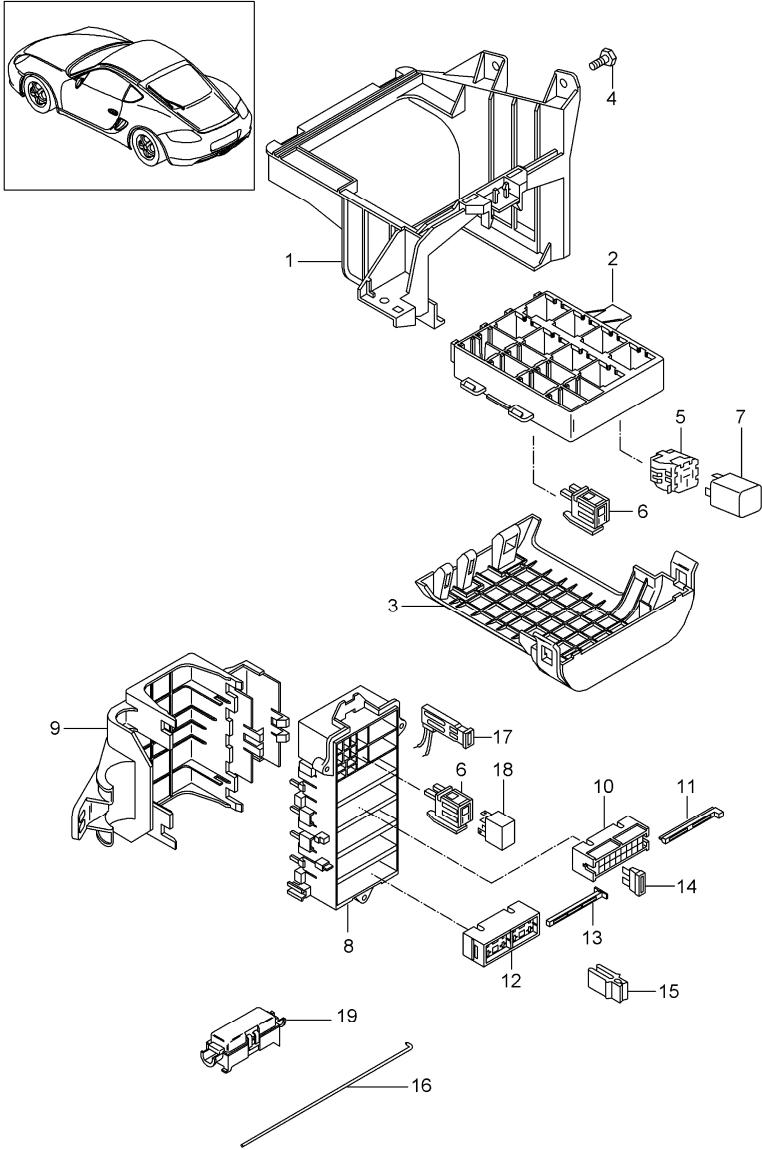


Pos	Part Number	Description	Remark	Qty	Model
		control units ignition starter switch PORSCHE ACCES SYSTEM			
1	997 618 159 04	control unit ignition starter switch		1	
2	997 618 759 00	nut		1	
3	997 618 361 00	cover release Handheld transmitter		1	
4	997 618 761 00	emergency operation release ignition starter switch		1	
5	997 618 171 15	control unit PORSCHE ACCESS SYSTEM		1	I524
5	997 618 172 15	control unit PORSCHE ACCESS SYSTEM		1	I525
-	997 612 051 01	cable antenna for POS. 5	/LL	1	I098/524/695
-	997 612 051 51	cable antenna for POS. 5 Information available	/RL	1	I099/524/695
-	997 612 050 01	cable antenna for POS. 5	/LL	1	I098/525/695
-	997 612 050 51	cable antenna for POS. 5 Information available	/LL	1	I099/525/695
-	997 612 053 00	connecting line antenna booster control unit POS. 5	/LL	1	I098/665/695
-	997 612 053 01	connecting line antenna booster control unit POS. 5	/LL	1	I098/675

Model	Year	MG	SG	Illustration	Restrictions	UPD	14:36	02.03.2010	PORSCHE	PET	PORSCHE
987C2	2010	9	01	901-04		248					

Pos	Part Number	Description	Remark	Qty	Model	Pos	Part Number	Description	Remark	Qty	Model
-	997 612 054 00	connecting line antenna booster control unit POS. 5 Information available	/RL	1	I099/665/695						
-	997 612 054 01	connecting line antenna booster control unit POS. 5 Information available	/RL	1	I099/675						
-	997 612 064 51	cable antenna VEHICLE TRACKING SYSTEM		1	I674						
(6)	997 637 101 01	Handheld transmitter		1	I524						
(6)	997 637 103 01	Handheld transmitter		1	I525						
(6)	997 637 105 01	Handheld transmitter	(J)	1	I525						
7	999 611 108 00	battery		1							
8	997 618 210 01	sensor interior monitoring alarm siren tilt sensor see group 9/03/00		1	I536 I521						

Model	Year	MG	SG	Illustration	Restrictions	UPD	14:36	02.03.2010	PORSCHE	PET	PORSCHE
987C2	2010	9	02	902-00		248					

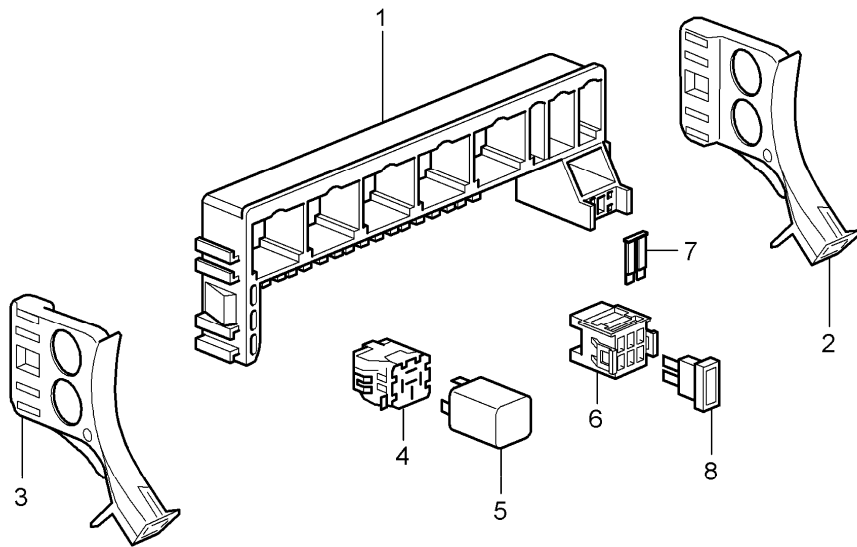
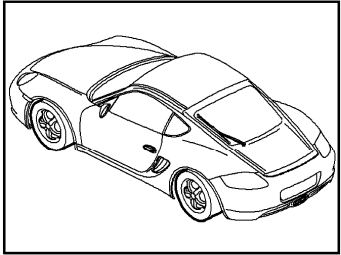


Pos	Part Number	Description	Remark	Qty	Model
		central electrical system dashboard			
1	997 610 117 01	support	/LL	1	I098
(1)	997 610 118 00	support	/RL	1	I099
2	997 610 110 01	relay carrier support frame		1	
3	997 610 112 00	cover support frame		1	
4	900 378 155 01	hexagon-head bolt M 6 X 16 ASP		2	
(4)	900 377 010 01	hexagon nut M 6		1	
5	928 610 511 00	relay carrier		X	
6	999 650 538 40	plug socket		X	
7	-	relay			
S1	999 657 015 90	relay rear window heating		1	
S2	999 657 015 90	relay fuel pump		1	
S4	999 657 015 90	relay KL. 86S		1	
S11	999 657 013 90	relay - dme -		1	
S12	999 657 013 90	relay heating		1	
S14	999 657 013 90	relay headlight washer system		1	I288
S15	999 657 013 90	relay starter		1	
S16	999 657 013 90	relay KL. 15		1	
8	997 610 340 00	bracket		1	
9	997 610 341 00	cover		1	
10	999 650 209 40	fuse holder		4	
11	999 650 210 40	slide		4	

Model	Year	MG	SG	Illustration	Restrictions	UPD	14:36	02.03.2010	PORSCHE	PET	PORSCHE
987C2	2010	9	02	902-00		248					

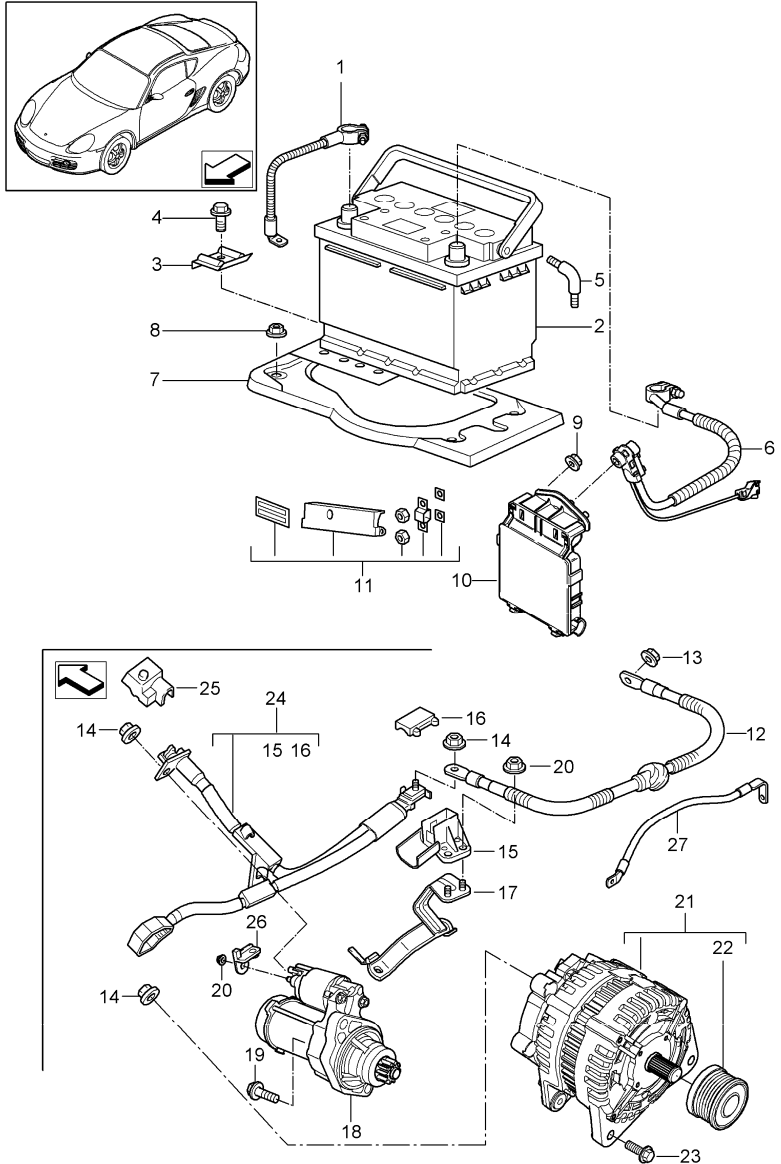
Pos	Part Number	Description	Remark	Qty	Model	Pos	Part Number	Description	Remark	Qty	Model
12	999 650 750 40	fuse holder		1		-	-	cover for housing fuse see group 8 / 07 / 02		X	
13	999 650 749 40	slide		1							
14	999 607 082 00	fuse 5 A		X							
(14)	999 607 083 00	fuse 7 , 5 A		X							
(14)	999 607 084 00	fuse 10 A		X							
(14)	999 607 085 00	fuse 15 A		X							
(14)	999 607 087 00	fuse 25 A		X							
(14)	999 607 088 00	fuse 30 A		X							
(14)	999 607 072 00	fuse 30 A large		X							
(14)	999 607 073 00	fuse 40 A large		X							
15	999 107 300 40	tool		X							
-	997 610 195 25	assignment sticker fuse		X							
16	997 618 761 00	emergency operation release ignition starter switch emergency operation lid		1							
17	996 610 240 00	terminal clamp		1							
18	999 657 014 90	relay		1							
19	997 610 915 00	fuse holder with fuse 80 A for cooling air control		1							

Model	Year	MG	SG	Illustration	Restrictions	UPD	14:37	02.03.2010	PORSCHE	PET	PORSCHE
987C2	2010	9	02	902-01		248					



Pos	Part Number	Description	Remark	Qty	Model
		central electrical system rear end			
1	987 610 111 01	relay carrier support frame		1	
2	986 610 126 00	support	/R	1	
3	986 610 127 00	support	/L	1	
4	928 610 511 00	relay carrier large		X	
(4)	999 650 538 40	relay carrier small		X	
5	-	relay			
S2	999 657 017 90	relay secondary pump		1	I661
S8	999 657 015 90	relay blower engine compartment		1	
6	999 650 747 40	fuse holder		1	
7	999 650 748 40	locking device		1	
8	999 607 085 00	fuse 15 A		X	
8	999 607 098 00	lock 3 A		1	
(8)	999 607 073 00	fuse 40 A large		X	I661

Model	Year	MG	SG	Illustration	Restrictions	UPD	14:37	02.03.2010	PORSCHE	PET	PORSCHE
987C2	2010	9	02	902-05		248					



Pos	Part Number	Description	Remark	Qty	Model
		battery power distributor starter generator			
1	997 611 090 00	ground strap	/LL	1	I098
(1)	997 611 091 00	ground strap when required order also:	/RL	1	I099
-	900 377 010 01	hexagon nut M 6		1	
(2)	999 611 060 20	battery 60 AH		1	
(2)	999 611 070 20	battery 70 AH		1	
2	999 611 080 20	battery 80 AH		1	
(2)	999 611 095 20	battery 95 AH		1	I200
3	996 611 209 01	rail battery		1	
4	900 378 017 01	hexagon-head bolt M 8 X 20		1	
5	893 915 507	angled pipe		1	
6	997 612 993 00	repair kit cable battery power distributor	/LL	1	I098
(6)	997 612 995 00	repair kit cable battery power distributor	/RL	1	I099
7	997 504 151 00	carrier plate for battery		1	
8	999 084 630 01	hexagon nut VM 8 SB		4	
9	900 380 005 01	hexagon nut VM 8		2	
10	997 610 911 00	repair kit replacement power distributor comprising:		1	

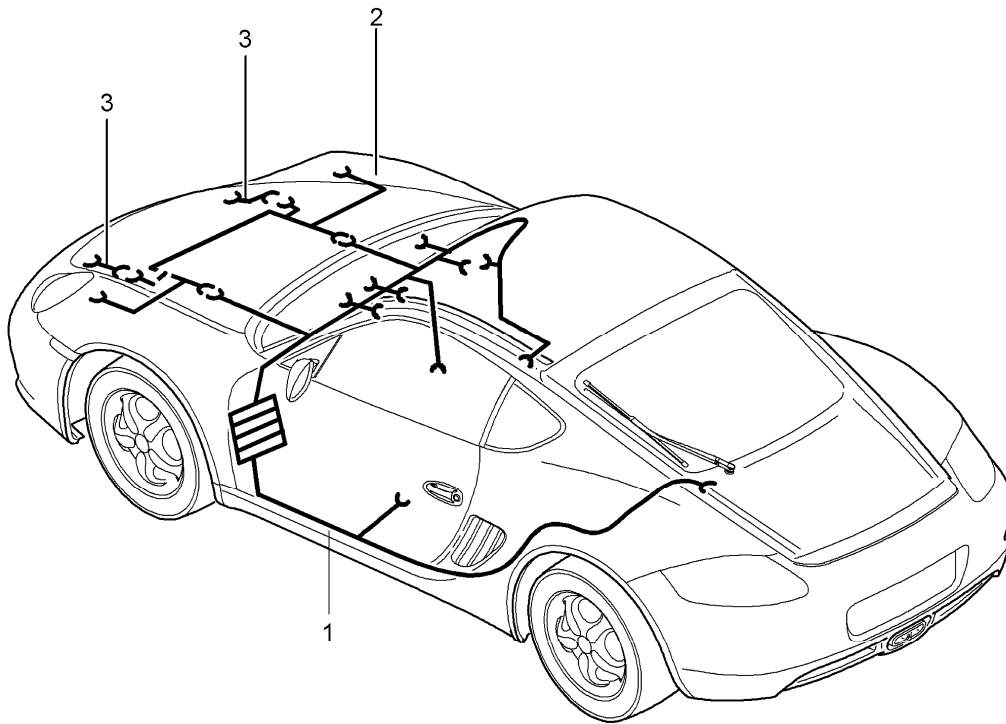
Model	Year	MG	SG	Illustration	Restrictions	UPD	14:37	02.03.2010	PORSCHE	PET	PORSCHE
987C2	2010	9	02	902-05		248					

Pos	Part Number	Description	Remark	Qty	Model	Pos	Part Number	Description	Remark	Qty	Model
-	-	power distributor without fuse element		1		12	987 612 090 25	cable power distributor to connection point engine	/LL	1	I098
-	-	hexagon nut M 5		8		(12)	987 612 096 25	cable power distributor to connection point engine	/RL	1	I099
-	-	hexagon nut M 8		3							
-	-	seal label red when required order also: POS. 11		1		13	900 084 123 02	hexagon nut M 8		1	
11	997 610 912 00	repair kit replacement fuse element comprising:		1		14	900 377 003 01	hexagon nut M 8		X	
-	-	fuse element 50 AMPERE		1		15	9A1 607 203 00	connection point		1	
-	-	fuse element 80 AMPERE		1		16	986 611 203 00	lid connection point		1	
-	-	hexagon nut M 5		4		17	9A1 607 260 01	support connection point		1	
-	-	square washer		4		18	> 9A1 604 103 00	starter when required order also: POS.26		1	
-	-	cover blue		1		18	9A1 604 103 X	starter when required order also: POS.26		1	
-	-	seal label red		1		19	900 385 097 01	torx screw BM 10 X 35		2	
11	997 610 913 00	repair kit replacement fuse element comprising:		1		20	900 377 010 02	hexagon nut M 6		3	
-	-	fuse element 150 AMPERE		1		21	> 9A1 603 012 00	generator		1	
-	-	hexagon nut M 8		2		21	9A1 603 012 X	generator		1	
-	-	square washer		2		22	9A1 603 953 00	repair kit pulley		1	
-	-	cover blue		1		23	900 385 102 01	torx screw BM 8 x 90		2	
-	-	seal label red		1		24	9A1 607 017 02	wiring harness starter generator		1	
						25	9A1 607 247 01	cap starter		1	

Model	Year	MG	SG	Illustration	Restrictions	UPD	14:37	02.03.2010	PORSCHE	PET	PORSCHE
987C2	2010	9	02	902-05		248					

Pos	Part Number	Description	Remark	Qty	Model	Pos	Part Number	Description	Remark	Qty	Model
26	9A1 607 267 00	support for contact KL. 50		1							
27	9A1 607 040 00	ground cable body engine		1							

Model	Year	MG	SG	Illustration	Restrictions	UPD	14:37	02.03.2010	PORSCHE	PET	PORSCHE
987C2	2010	9	02	902-10		248					

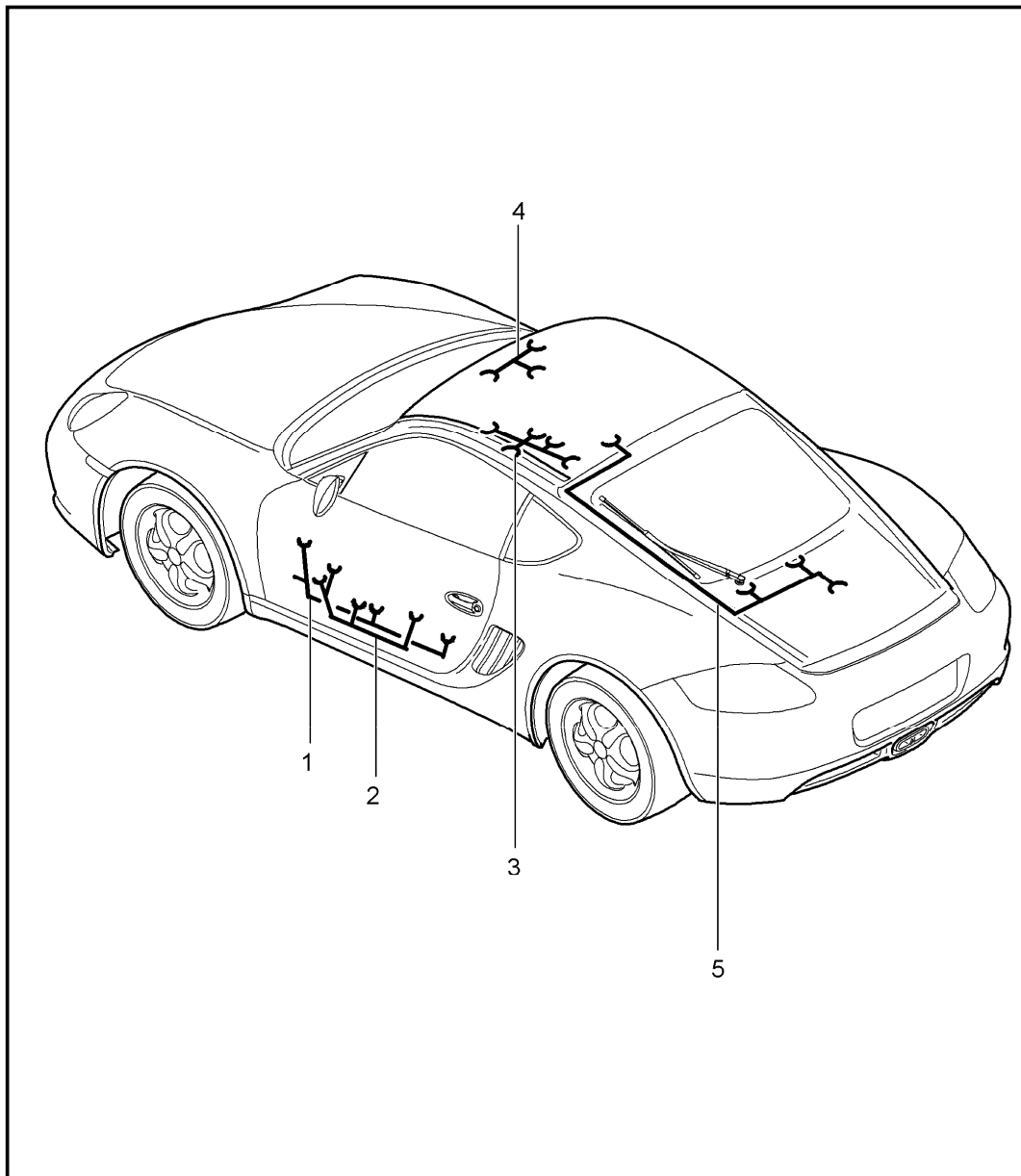


Pos	Part Number	Description	Remark	Qty	Model
		wiring harness passenger compartment FRONT luggage compartment lining front airbag seat-belt tensioner repair kits shock absorber anti-lock brake system brake pad wear indicator front axle			
1	987 612 903 00	wiring harness passenger compartment vehicle identification no. indicate		1	
-	996 610 120 01	support plug socket diagnostic connector		1	
-	999 651 302 40	fixing clip wiring harness passenger compartment door sill		X	
-	999 651 284 40	fixing clip wiring harness passenger compartment door sill		X	
2	987 612 520 25	wiring harness FRONT luggage compartment F >>98AU7 50842 F >>98AU7 70697		1	
2	987 612 520 26	wiring harness FRONT luggage compartment F 98AU7 50843>> F 98AU7 70698>>		1	
2	987 612 521 25	wiring harness FRONT luggage compartment F >>98AU7 50842 F >>98AU7 70697		1	I603
2	987 612 521 26	wiring harness FRONT luggage compartment F 98AU7 50843>> F 98AU7 70698>>		1	I603
-	997 610 215 01	cable guide for sensor airbag		2	

Model	Year	MG	SG	Illustration	Restrictions	UPD	14:37	02.03.2010	PORSCHE	PET	PORSCHE
987C2	2010	9	02	902-10		248					

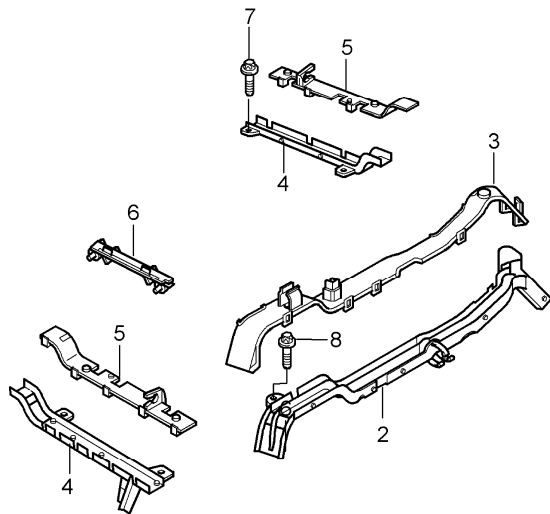
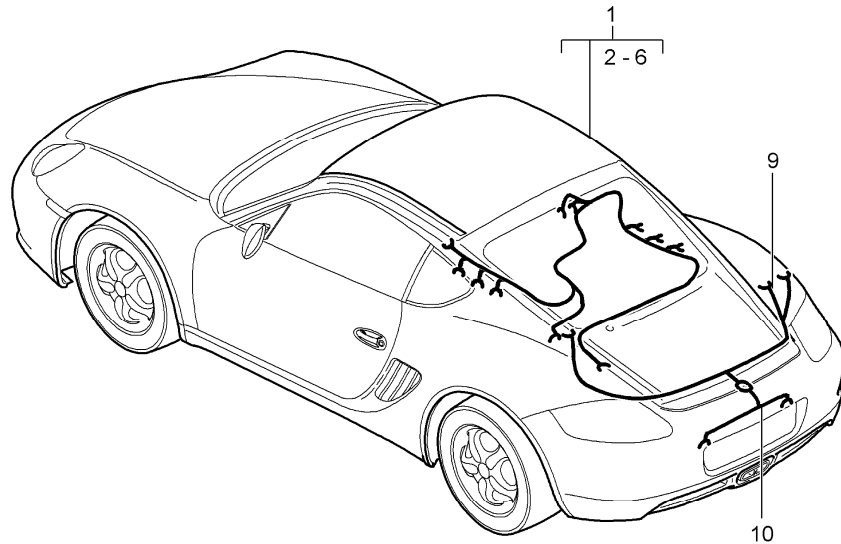
Pos	Part Number	Description	Remark	Qty	Model	Pos	Part Number	Description	Remark	Qty	Model
3	987 612 502 25	wiring harness lining front		2							
(3)	987 612 502 50	wiring harness lining front		2	I605						
-	997 612 781 25	wiring harness airbag passenger's side setting 1 connector green		1							
-	997 612 783 25	wiring harness airbag passenger's side setting2 connector yellow		1							
-	997 612 992 00	wiring harness control unit airbag connection point door wiring harness airbag seat see group 8/17/06 8/17/21		2							
-	997 612 793 01	wiring harness seat-belt tensioner		2							
-	997 612 950 00	repair kit wiring harness shock absorber	/V	2	I475						
-	997 612 961 00	repair kit wiring harness anti-lock brake system brake pad wear indicator	/V/L	1							
-	997 612 960 00	repair kit wiring harness anti-lock brake system brake pad wear indicator repair kit wiring harness rear axle see group 9 / 02 / 20	/V/R	1							

Model	Year	MG	SG	Illustration	Restrictions	UPD	14:37	02.03.2010	PORSCHE	PET	PORSCHE
987C2	2010	9	02	902-15		248					



Pos	Part Number	Description	Remark	Qty	Model
		wiring harnesses doors airbag centre console glove compartment rear lid			
1	997 612 642 07	wiring harness assembly frame driver's door	/LL	1	I098
(1)	997 612 644 57	wiring harness assembly frame driver's door	/RL	1	I099
(1)	997 612 643 57	wiring harness assembly frame passenger's door	/LL	1	I098
(1)	997 612 645 07	wiring harness assembly frame passenger's door	/RL	1	I099
-	997 612 780 16	wiring harness airbag		2	
2	997 612 647 10	wiring harness door panel driver's door	/LL	1	I098
2	997 612 650 10	wiring harness door panel driver's door	/RL	1	I099
(2)	997 612 648 10	wiring harness door panel passenger's door	/LL	1	I098
(2)	997 612 649 10	wiring harness door panel passenger's door	/RL	1	I099
3	997 612 652 75	wiring harness centre console		1	
4	997 612 651 00	wiring harness glove compartment		1	
5	987 612 670 50	wiring harness rear lid		1	

Model	Year	MG	SG	Illustration	Restrictions	UPD	14:37	02.03.2010	PORSCHE	PET	PORSCHE
987C2	2010	9	02	902-20		248					

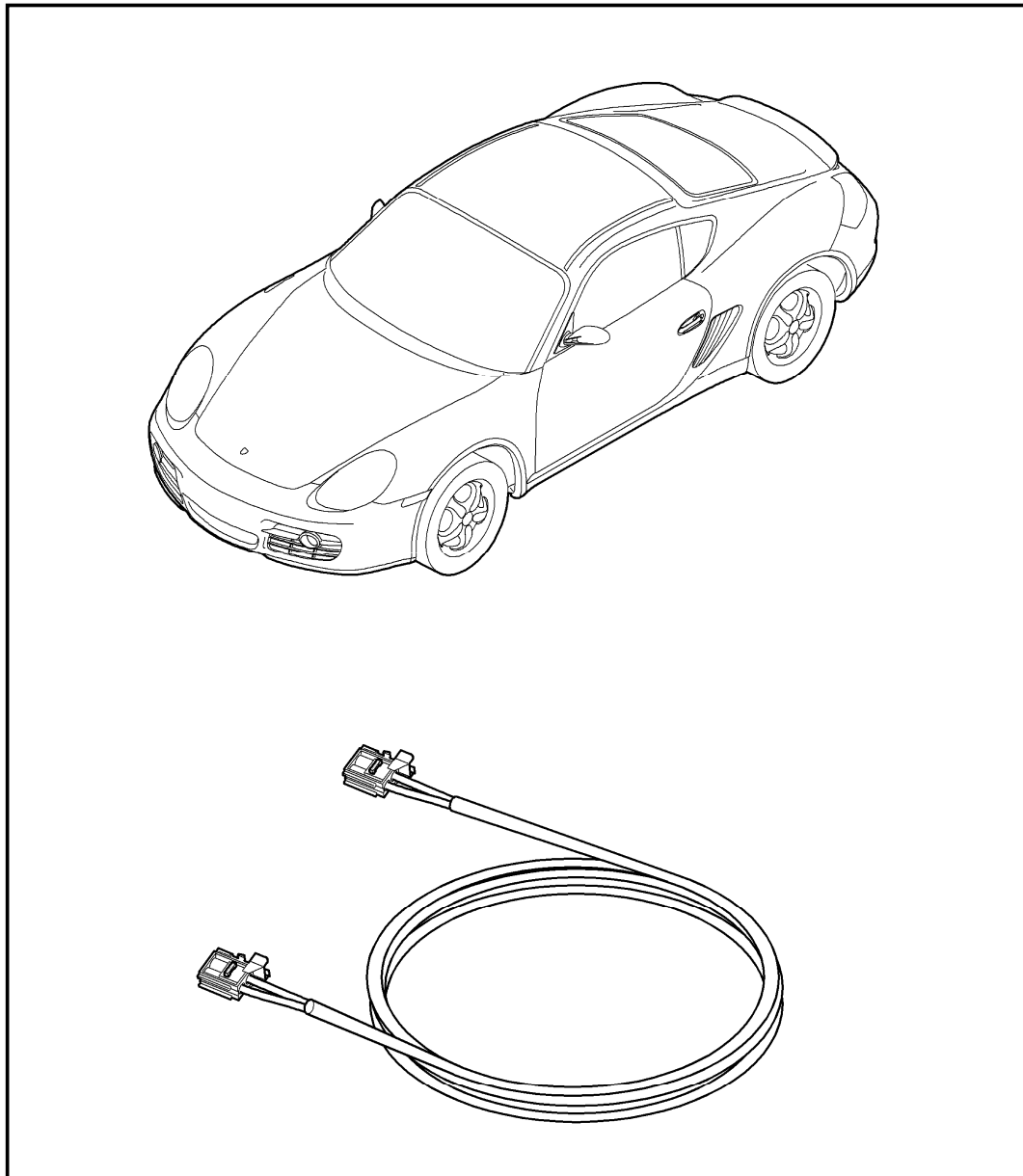


Pos	Part Number	Description	Remark	Qty	Model
		wiring harnesses engine rear end license plate light ParkAssist repair kits for shock absorber anti-lock brake system brake pad wear indicator rear axle			
1	9A1 607 027 02	wiring harness engine	-09	1	MA1.20 I480
1	9A1 607 027 03	wiring harness engine	10-	1	MA1.20 I480
1	9A1 607 024 02	wiring harness engine	-09	1	MA1.21 I480
1	9A1 607 024 03	wiring harness engine	10-	1	MA1.21 I480
1	9A1 607 026 02	wiring harness engine	-09	1	MA1.20 I250
1	9A1 607 026 03	wiring harness engine	10-	1	MA1.20 I250
1	9A1 607 023 02	wiring harness engine	-09	1	MA1.21 I250
1	9A1 607 023 03	wiring harness engine	10-	1	MA1.21 I250
2	9A1 607 110 20	cable guide crankcase		2	
3	9A1 607 120 00	lid cable guide		1	
4	9A1 607 117 00	cable guide cylinder head		2	
5	9A1 607 127 00	lid cable guide		2	

Model	Year	MG	SG	Illustration	Restrictions	UPD	14:37	02.03.2010	PORSCHE	PET	PORSCHE
987C2	2010	9	02	902-20		248					

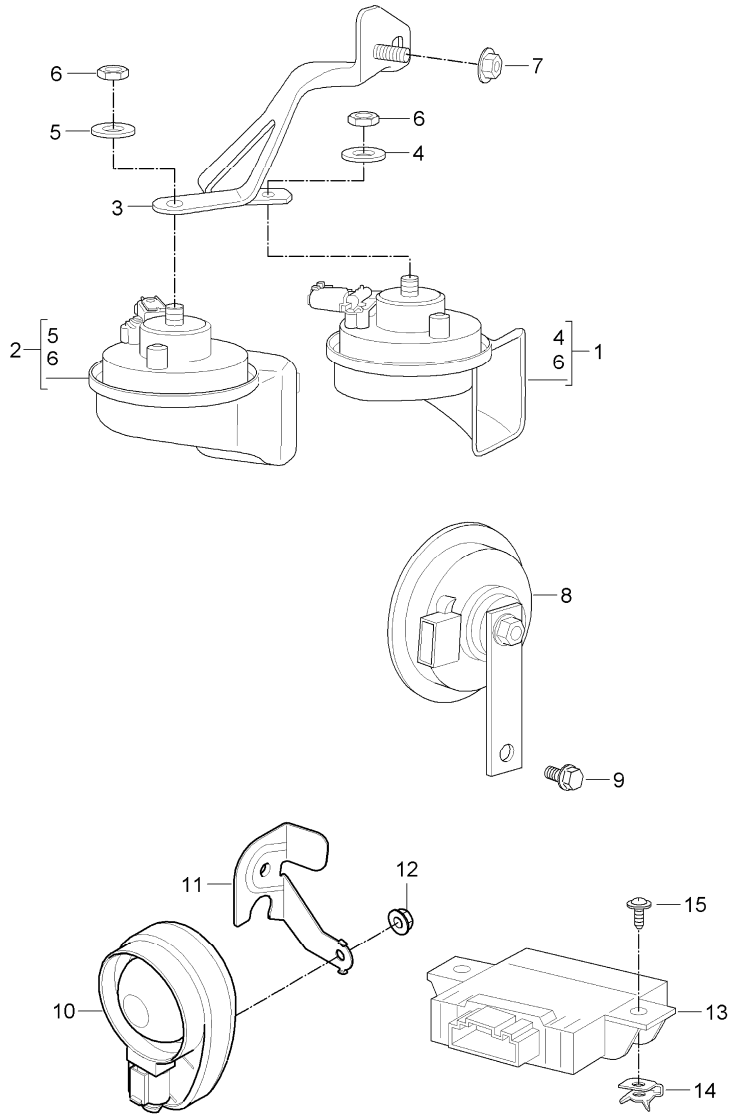
Pos	Part Number	Description	Remark	Qty	Model	Pos	Part Number	Description	Remark	Qty	Model
6	9A1 607 113 00	cable guide fuel collection pipe		1	MA1.21						
7	900 385 044 01	torx screw BM 8 X 20		2							
8	900 385 009 01	torx screw BM 6 X 16		2							
9	987 612 904 00	wiring harness rear end vehicle identification no. indicate		1							
10	987 612 660 00	wiring harness license plate light		1							
(10)	997 612 661 25	wiring harness ParkAssist license plate light		1	I635						
-	997 612 950 00	repair kit wiring harness shock absorber	/H	2	I475						
-	987 612 963 00	repair kit wiring harness anti-lock brake system brake pad wear indicator	/H/L	1							
-	987 612 962 00	repair kit wiring harness anti-lock brake system brake pad wear indicator repair kit wiring harness front axle see group 9/02/10	/H/R	1							

Model	Year	MG	SG	Illustration	Restrictions	UPD	14:37	02.03.2010	PORSCHE	PET	PORSCHE
987C2	2010	9	02	902-50		248					



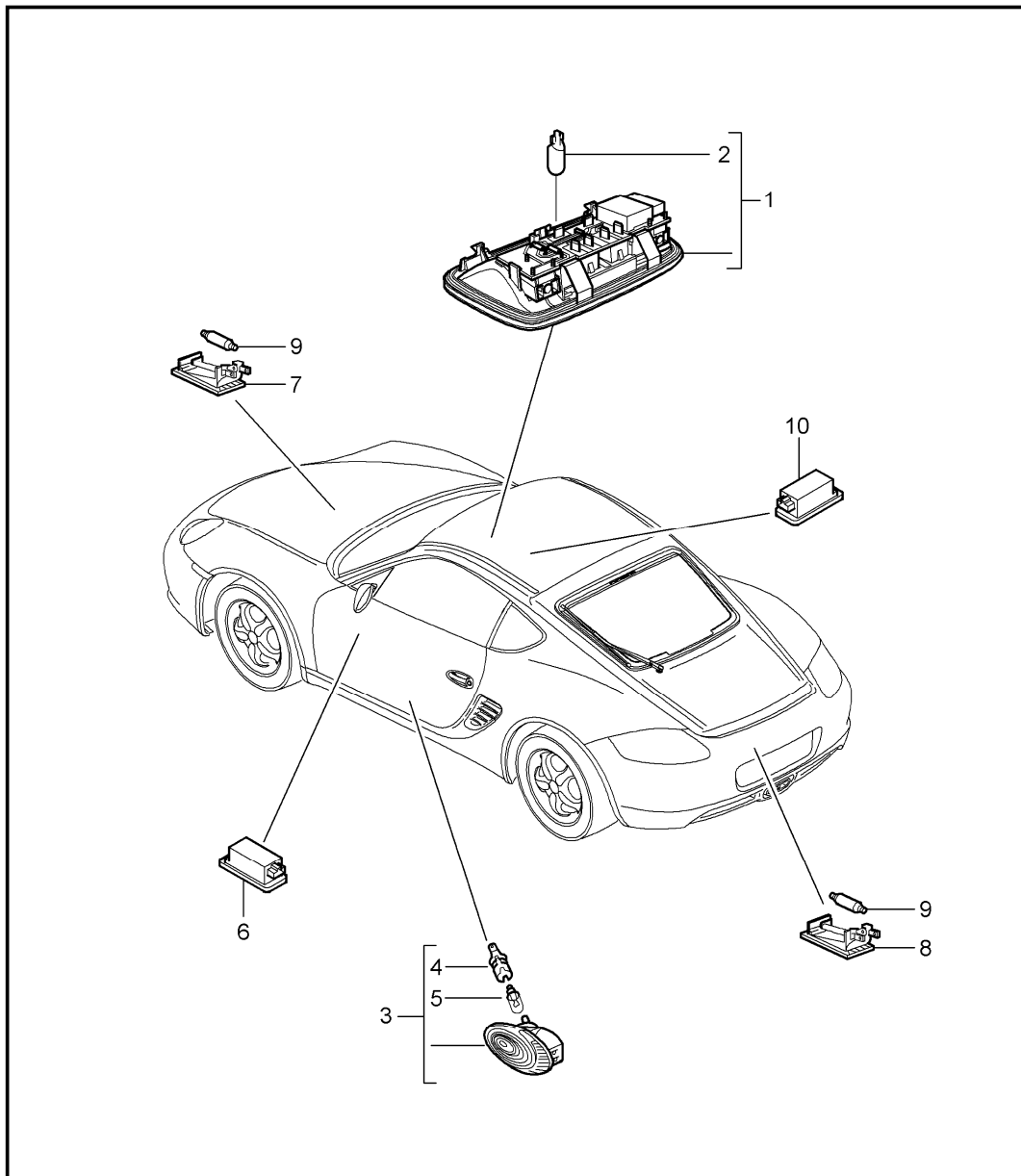
Pos	Part Number	Description	Remark	Qty	Model
-	997 622 701 25	optical waveguide module	/LL	1	I098/665/680 I695
-	997 622 701 75	optical waveguide module	/RL	1	I099/665/680 I695
-	997 622 702 25	optical waveguide module	/LL	1	I098/665/676 /695 I680
-	997 622 702 75	optical waveguide module	/RL	1	I099/665/676 /695 I680
-	997 622 703 25	optical waveguide module	/LL	1	I098/490/665 /695 I676
-	997 622 703 75	optical waveguide module	/RL	1	I099/490/665 /695 I676

Model	Year	MG	SG	Illustration	Restrictions	UPD	14:38	02.03.2010	PORSCHE	PET	PORSCHE
987C2	2010	9	03	903-00		248					



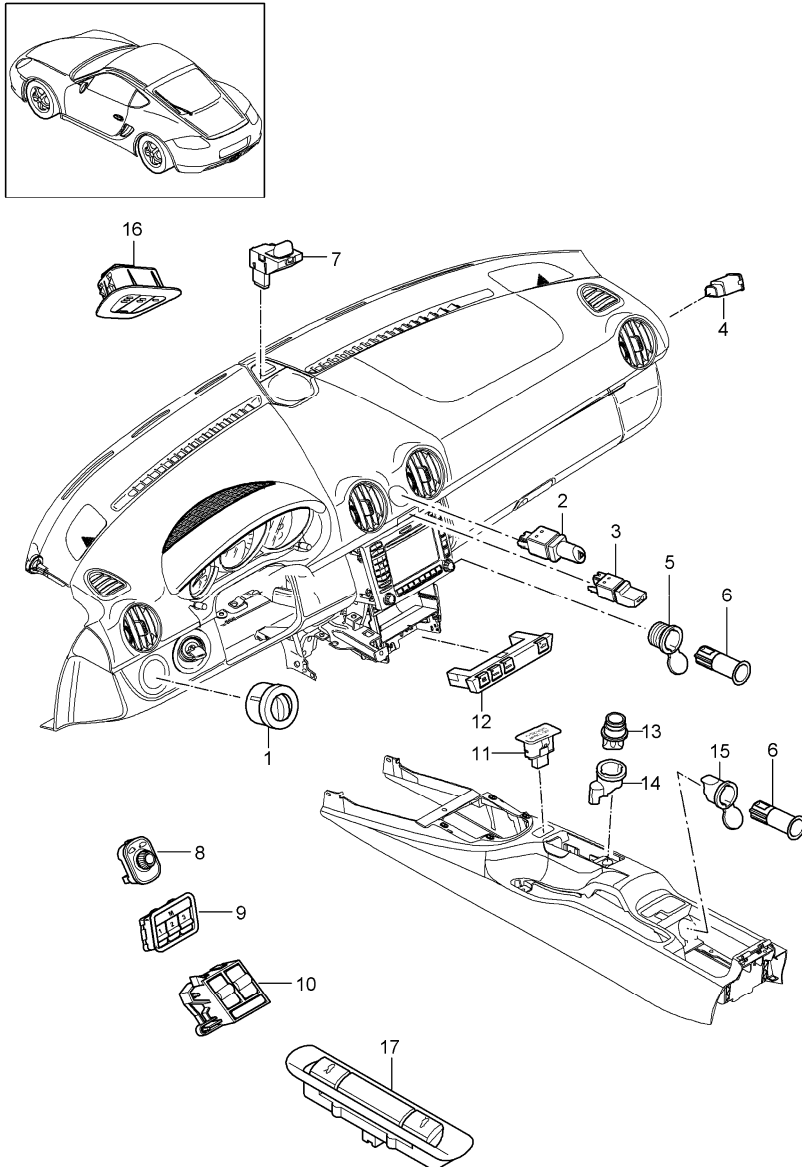
Pos	Part Number	Description	Remark	Qty	Model
		fanfare horn alarm system			
1	997 635 206 03	fanfare high-pitched		1	
2	997 635 205 03	fanfare low-pitched		1	
3	997 635 150 03	support		1	
4	-	washer high-pitched		1	
5	-	washer low-pitched		1	
6	900 034 001 04	hexagon nut M 8		2	
7	900 377 003 03	hexagon nut M 8		1	
8	996 637 117 03	horn for alarm system		1	
9	900 075 459 01	combination screw M 6 X 12 Z2		1	
10	955 618 237 01	alarm siren		1	I536
11	997 637 419 01	support		1	I536
12	900 380 015 01	hexagon nut M 6		1	I536
13	997 618 265 00	tilt sensor		1	I521
14	999 591 742 01	speed nut 4,2		2	I521
15	999 073 155 09	tapping screw 4,2 X 13		2	I521

Model	Year	MG	SG	Illustration	Restrictions	UPD	14:38	02.03.2010	PORSCHE	PET	PORSCHE
987C2	2010	9	03	903-04		248					



Pos	Part Number	Description	Remark	Qty	Model
		interior lights luggage compartment lamp engine compartment lamp glove compartment light footwell light			
1	987 632 057 00	interior light	/LL	1	I098
(1)	987 632 059 00	interior light	/RL	1	I099
2	999 631 134 90	bulb 6 W		2	
3	996 632 132 01	door guard light		2	
(3)	996 632 135 00	light tray luggage		2	
4	161 949 111	bulb socket		2	
5	999 631 032 90	bulb 5 W		2	
6	955 632 202 00	light footwell		2	
7	997 632 201 00	light luggage compartment front		1	
8	997 632 125 00	light luggage compartment rear		1	
9	900 631 106 90	bulb 10 W		2	
10	997 632 071 00	glove compartment light		1	
-	999 631 147 90	bulb 3 W vanity mirror		4	

Model	Year	MG	SG	Illustration	Restrictions	UPD	14:38	02.03.2010	PORSCHE	PET	PORSCHE
987C2	2010	9	03	903-05		248					

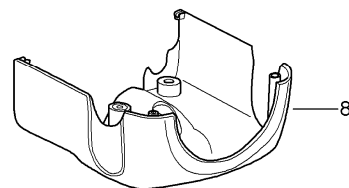
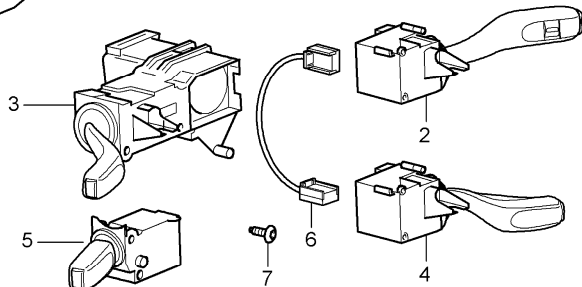
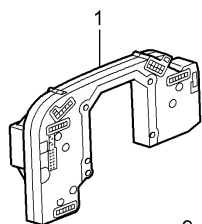
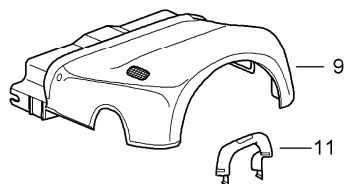
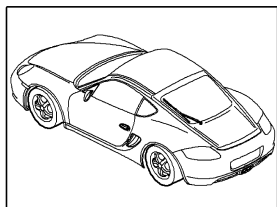


Pos	Part Number	Description	Remark	Qty	Model
		switch			
1	997 613 535 01	light switch		1	
	A05	black mat			
(1)	997 613 525 00	light switch		1	I605
	A05	black mat			
2	987 613 120 02	hazard warning light sw.		1	
	A05	black mat			
3	987 613 143 00	switch central locking system		1	
	A05	black mat			
4	955 613 165 02	switch airbag		1	
	9B9	satin black			
5	997 652 103 00	clamping ring with lid		1	
6	955 652 107 00	plug socket		2	
7	997 653 251 00	sensor air conditioner		1	
8	997 613 241 00	switch door mirror		1	
	A05	black mat			
9	997 613 103 00	memory switch	/L	1	I537
	A05	black mat			
(9)	997 613 104 00	memory switch	/R	1	I538
	A05	black mat			
10	997 613 151 04	switch power windows driver's side	/LL	1	I098
	A05	black mat			
(10)	997 613 152 04	switch power windows driver's side	/RL	1	I099
	A05	black mat			

Model	Year	MG	SG	Illustration	Restrictions	UPD	14:38	02.03.2010	PORSCHE	PET	PORSCHE
987C2	2010	9	03	903-05		248					

Pos	Part Number	Description	Remark	Qty	Model	Pos	Part Number	Description	Remark	Qty	Model
(10)	997 613 156 04	switch power windows passenger's side	/LL	1	I098	(12)	997 613 559 00	combined switch		1	I250/475/476 I639/640
	A05	black mat					A05	black mat			
(10)	997 613 155 04	switch power windows passenger's side	/RL	1	I099	(12)	997 613 561 00	combined switch		1	IXLF/029/250 I476/639/640
	A05	black mat					A05	black mat			
11	997 641 165 00	indicator light airbag		1		(12)	997 613 563 00	combined switch		1	IXLF/250/475 I476/639/640
	A05	black mat					A05	black mat			
12	997 613 541 00	combined switch		1	I029/476	13	997 652 101 00	cigarette lighter		1	
	A05	black mat					A05	black mat			
(12)	997 613 543 00	combined switch		1	I029/476/480 I639/640	14	997 652 102 00	headlight unit		1	
	A05	black mat					15	997 652 104 00	clamping ring with lid	1	
(12)	997 613 545 00	combined switch		1	I475/476	16	987 613 225 00	switch garage door opener		1	I607/608
	A05	black mat					A05	black mat			
(12)	997 613 547 00	combined switch		1	I475/476/480 I639/640	(16)	997 613 235 00	cover		2	
	A05	black mat					01C	satin black			
(12)	997 613 549 00	combined switch		1	IXLF/029/476	17	997 613 105 01	switch lid front and rear		1	
	A05	black mat					A05	black mat			
(12)	997 613 551 00	combined switch		1	IXLF/029/476 I480/639/640						
	A05	black mat									
(12)	997 613 553 00	combined switch		1	IXLF/475/476						
	A05	black mat									
(12)	997 613 555 00	combined switch		1	IXLF/475/476 I480/639/640						
	A05	black mat									
(12)	997 613 557 00	combined switch		1	I029/250/476 I639/640						
	A05	black mat									

Model	Year	MG	SG	Illustration	Restrictions	UPD	14:38	02.03.2010	PORSCHE	PET	PORSCHE
987C2	2010	9	03	903-10		248					

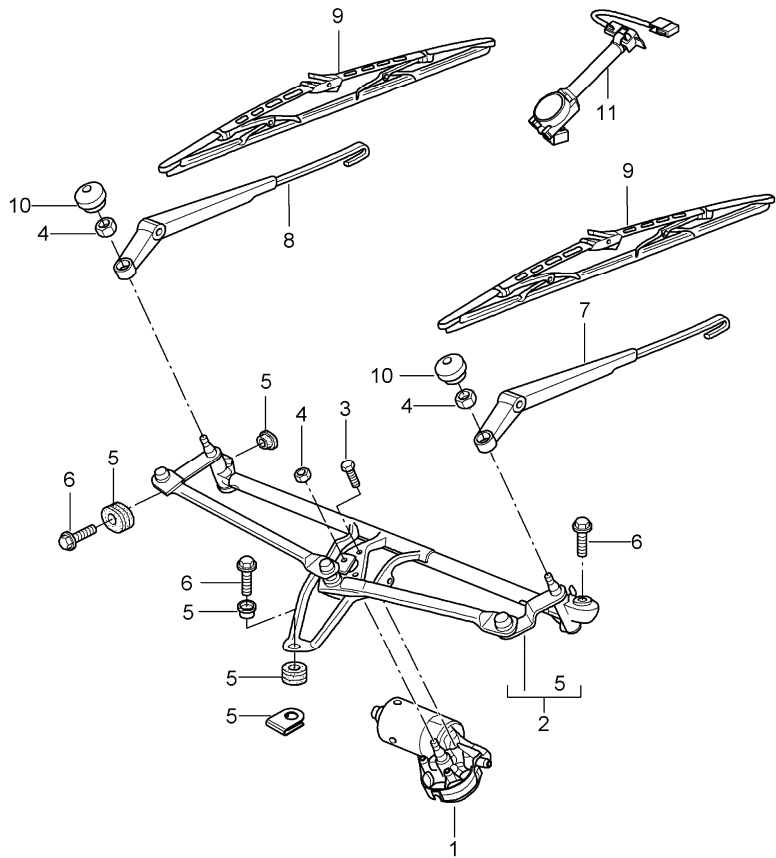
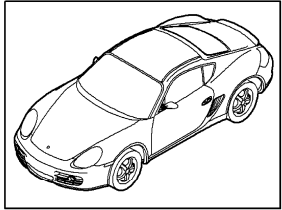


Pos	Part Number	Description	Remark	Qty	Model
		steering column switch			
1	997 613 297 03	electronic unit	09	1	I480
1	997 613 289 01	electronic unit	09	1	I250
1	997 613 289 01	electronic unit	10-	1	
1	997 613 299 01	electronic unit		1	I250/345/480
2	997 613 253 00	wiper switch		1	I288
	01C	satin black			
(2)	997 613 257 00	wiper switch		1	I288/425
	01C	satin black			
3	997 613 245 00	direction indicator switch		1	
	01C	satin black			
4	> 997 613 261 00	switch cruise control		1	I454
	01C	satin black			
5	997 613 265 00	switch on-board computer		1	I659
	01C	satin black			
(5)	997 613 267 00	switch on-board computer		1	I659/671
	01C	satin black			
6	997 622 674 00	wiring harness cruise control		1	I454
7	N 909 068 01	torx screw M 2,5 X 2,6 X 43,5-D		X	
8	997 552 475 02	switch housing lower		1	
	A03	black			
(8)	997 552 475 03	switch housing lower		1	I454
	A03	black			
8	997 552 979 00	switch housing lower leather		1	IXNS

Model	Year	MG	SG	Illustration	Restrictions	UPD	14:38	02.03.2010	PORSCHE	PET	PORSCHE
987C2	2010	9	03	903-10		248					

Pos	Part Number	Description	Remark	Qty	Model	Pos	Part Number	Description	Remark	Qty	Model
	A11	black					9S5	terracotta			
	5X6	stone grey					9V6	cocoa			
	8G2	sand beige					D12	dark grey/natural			
	3S9	sea blue					T12	brown/natural			
	9S5	terracotta					N12	carrera red			
	9V6	cocoa				10	999 919 136 01	oval-head screw 3,5 X 18		3	
	D12	dark grey/natural				11	997 610 206 00	cable guide		1	
	T12	brown/natural									
	N12	carrera red									
(8)	997 552 979 01	switch housing lower leather		1	IXNS/454						
	A11	black									
	5X6	stone grey									
	8G2	sand beige									
	3S9	sea blue									
	9S5	terracotta									
	9V6	cocoa									
	D12	dark grey/natural									
	T12	brown/natural									
	N12	carrera red									
9	997 552 273 02	switch housing upper		1							
	A03	black									
9	997 552 997 00	switch housing upper leather		1	IXNS						
	A11	black									
	5X6	stone grey									
	8G2	sand beige									
	3S9	sea blue									

Model	Year	MG	SG	Illustration	Restrictions	UPD	14:38	02.03.2010	PORSCHE	PET	PORSCHE
987C2	2010	9	04	904-00		248					

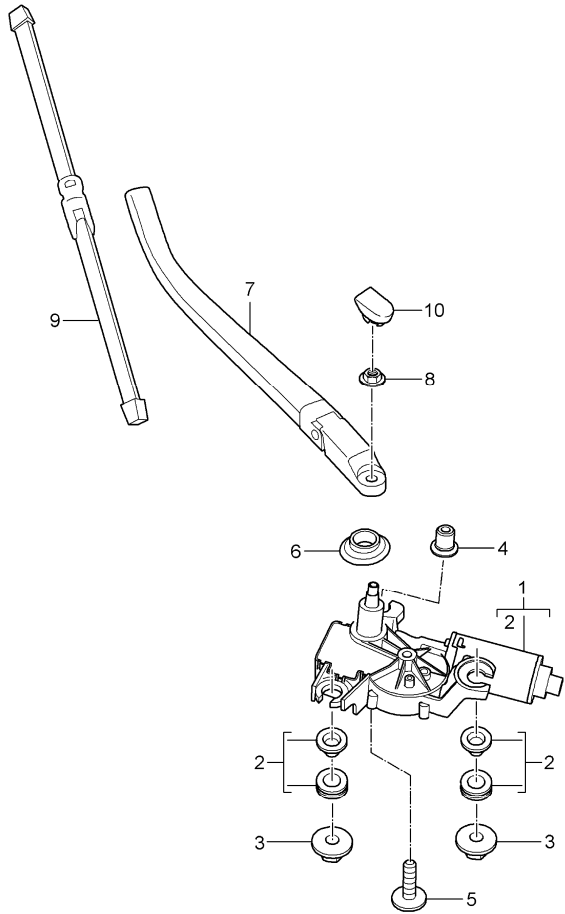
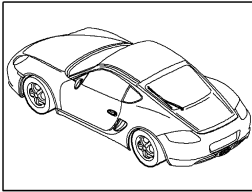


Pos	Part Number	Description	Remark	Qty	Model
		windscreen wiper system rain sensor			
1	997 624 105 01	wiper motor	/LL	1	I098
(1)	997 624 106 01	wiper motor	/RL	1	I099
2	997 628 235 01	crank drive	/LL	1	I098
(2)	997 628 236 01	crank drive	/RL	1	I099
3	999 073 152 02	torx screw M 6 X 18		3	
4	900 076 064 02	hexagon nut M 8		3	
5	997 628 928 00	repair kit comprising:		1	
-	-	bearing sleeve		1	
-	-	rubber bush		1	
-	-	bearing sleeve		1	
-	-	rubber bush		1	
-	-	clamp		2	
6	999 075 075 01	combination screw M 6 X 22 SC		3	
7	987 628 027 00	wiper arm driver's side	/LL	1	I098
(7)	997 628 030 00	wiper arm passenger's side	/RL	1	I099
8	997 628 029 00	wiper arm passenger's side	/LL	1	I098
(8)	987 628 028 00	wiper arm driver's side	/RL	1	I099
9	996 628 901 08	wiper blade set driver's side passenger's side		1	
10	944 628 305 01	cap		2	
11	987 612 693 00	rain sensor with wiring harness		1	I267/268

Model	Year	MG	SG	Illustration	Restrictions	UPD	14:38	02.03.2010	PORSCHE	PET	PORSCHE
987C2	2010	9	04	904-00		248					

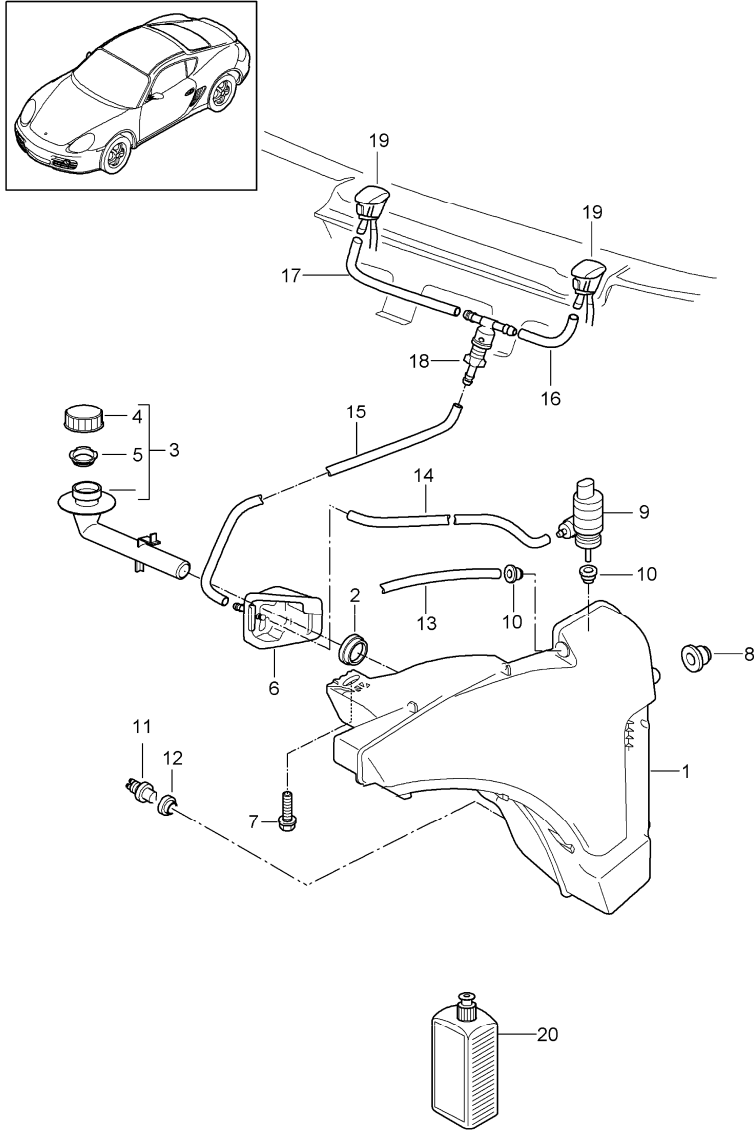
Pos	Part Number	Description	Remark	Qty	Model	Pos	Part Number	Description	Remark	Qty	Model
-	000 043 204 65	adhesive film for rain sensor		1							

Model	Year	MG	SG	Illustration	Restrictions	UPD	14:39	02.03.2010	PORSCHE	PET	PORSCHE
987C2	2010	9	04	904-05		248					



Pos	Part Number	Description	Remark	Qty	Model
		rear window wiper			I425
1	987 628 080 00	wiper motor		1	
2	997 628 908 00	repair kit comprising:		1	
-	-	grommet		2	
-	-	bush		2	
3	999 076 078 01	hexagon nut M 6		2	
4	999 500 078 00	speed nut		1	
5	999 073 468 01	combination screw M 6 X 22 SC		1	
6	987 628 273 00	grommet		1	
7	987 628 169 00	wiper arm		1	
8	900 377 003 03	hexagon nut		1	
9	997 628 189 00	wiper blade		1	
10	997 628 122 00	cap		1	

Model	Year	MG	SG	Illustration	Restrictions	UPD	14:39	02.03.2010	PORSCHE	PET	PORSCHE
987C2	2010	9	04	904-10		248					

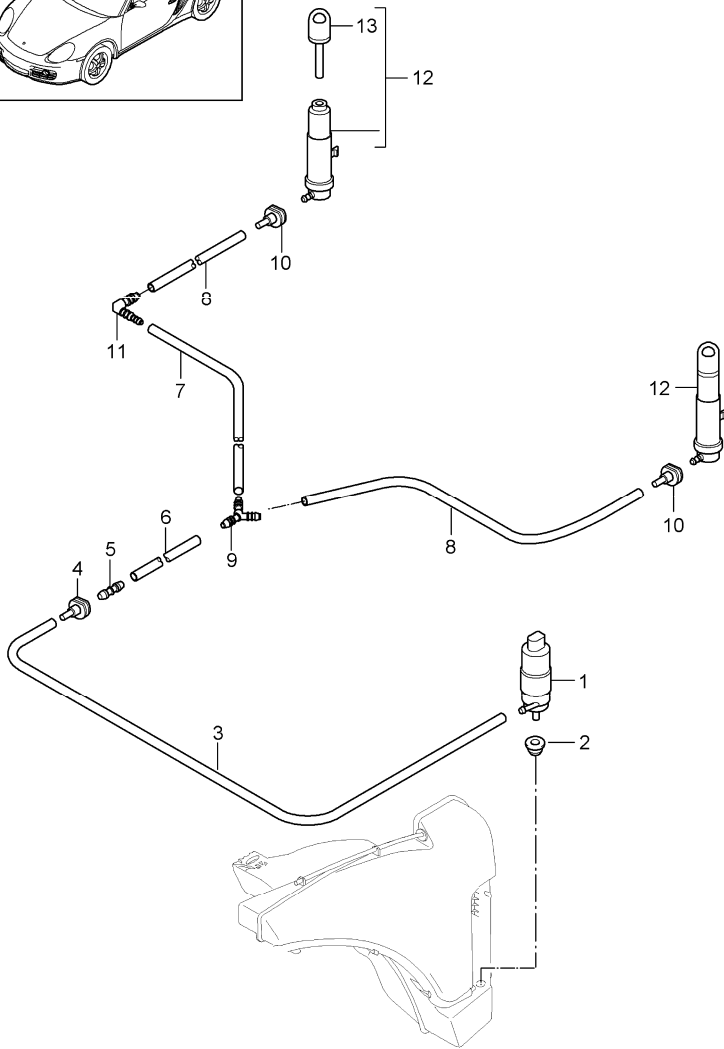
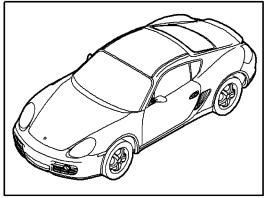


Pos	Part Number	Description	Remark	Qty	Model
		windscreen washer system			
1	997 528 701 01	water reservoir		1	I288
(1)	997 528 701 00	water reservoir		1	
2	996 528 711 00	gasket		1	
3	997 528 605 00	filler neck		1	
4	996 528 607 00	lid		1	
5	997 528 621 00	strainer		1	
6	996 528 615 01	bracket		1	
-	999 137 091 40	joining socket repair material for bracket 996.528.615.01		X	
7	900 378 154 01	hexagon-head bolt AM 8 X 35 SB		1	
8	999 702 221 40	grommet		2	
9	997 628 182 00	pump		1	
10	431 955 465 B	gasket		2	
11	955 628 105 00	tank gauge switch		1	
12	955 528 721 00	gasket		1	
13	999 181 347 40	breather pipe 273 MM		*	
-	999 181 815 40	hose 5,0 X 2,5		*	
14	-	375 MM		1	
15	-	650 MM		1	
16	-	97 MM		1	
17	-	347 MM		1	
(18)	999 137 005 40	t-piece		1	
19	997 628 077 00	nozzle		2	
20	999 901 017 42	window cleaner 250 ML summer		X	

Model	Year	MG	SG	Illustration	Restrictions	UPD	14:39	02.03.2010	PORSCHE	PET	PORSCHE
987C2	2010	9	04	904-10		248					

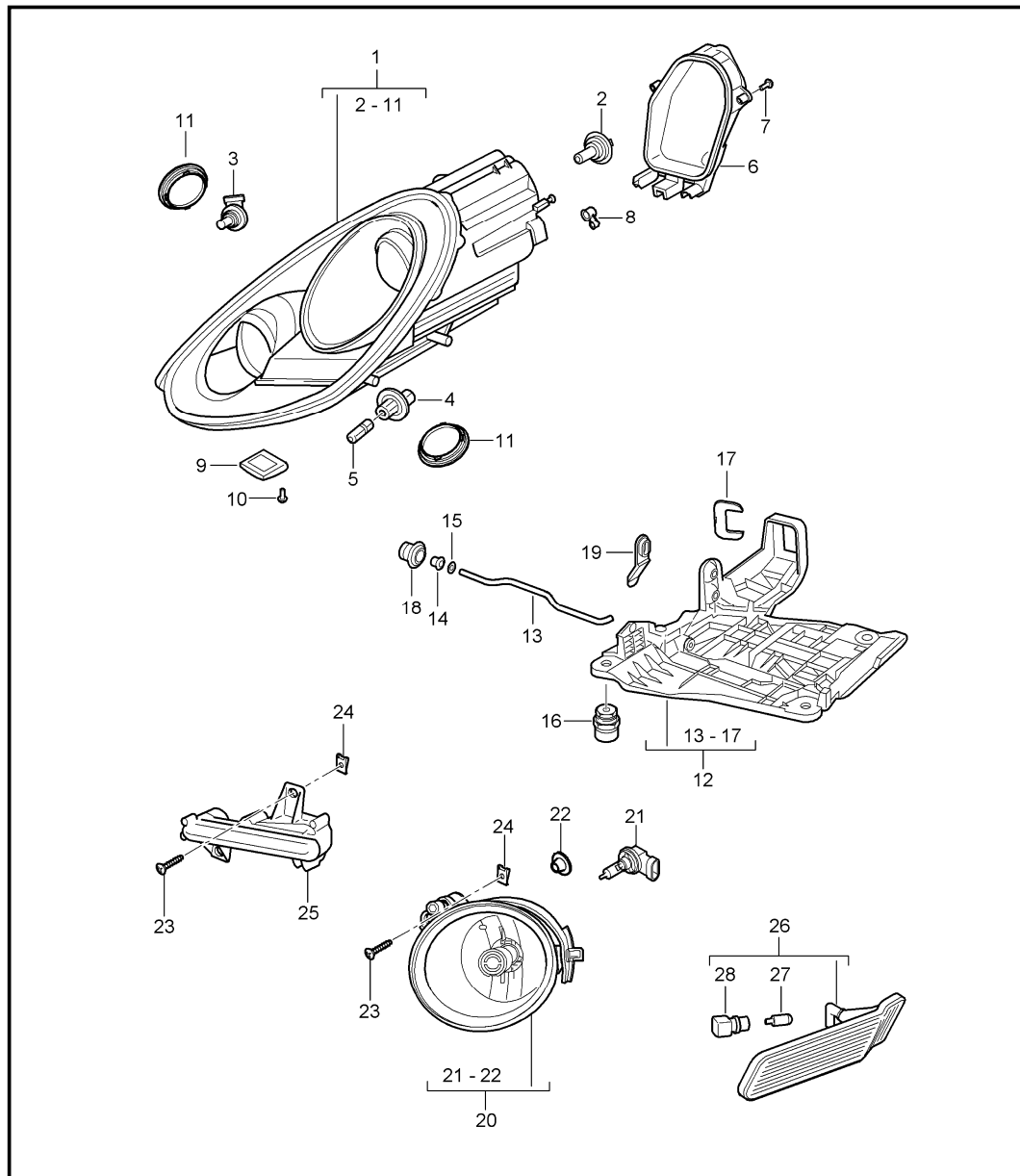
Pos	Part Number	Description	Remark	Qty	Model	Pos	Part Number	Description	Remark	Qty	Model
20	999 901 033 40	window cleaner 1000 ML winter		X							

Model	Year	MG	SG	Illustration	Restrictions	UPD	14:39	02.03.2010	PORSCHE	PET	PORSCHE
987C2	2010	9	04	904-20		248					



Pos	Part Number	Description	Remark	Qty	Model
		headlight washer system			I288
1	997 624 502 00	pump		1	
2	928 628 193 00	gasket		1	
-	000 043 204 79	hose 8 X 3		*	
3	-	890 MM		1	
4	996 628 204 00	quick-connecting lock		1	
5	997 628 208 00	hose connection		1	
-	999 181 760 40	hose 10 X 3		*	
6	-	405 MM			
7	-	1850 MM			
8	-	90 MM			
9	999 137 093 40	y-piece		1	
10	997 628 204 00	quick-connecting lock		2	
11	997 628 209 00	angled pipe		1	
12	997 628 163 01	nozzle		2	
13	997 628 263 00	nozzle head		2	
-	997 628 981 02	cap prime coated for POS 12 + 13	10-	2	IXUB

Model	Year	MG	SG	Illustration	Restrictions	UPD	14:39	02.03.2010	PORSCHE	PET	PORSCHE
987C2	2010	9	05	905-00		248					

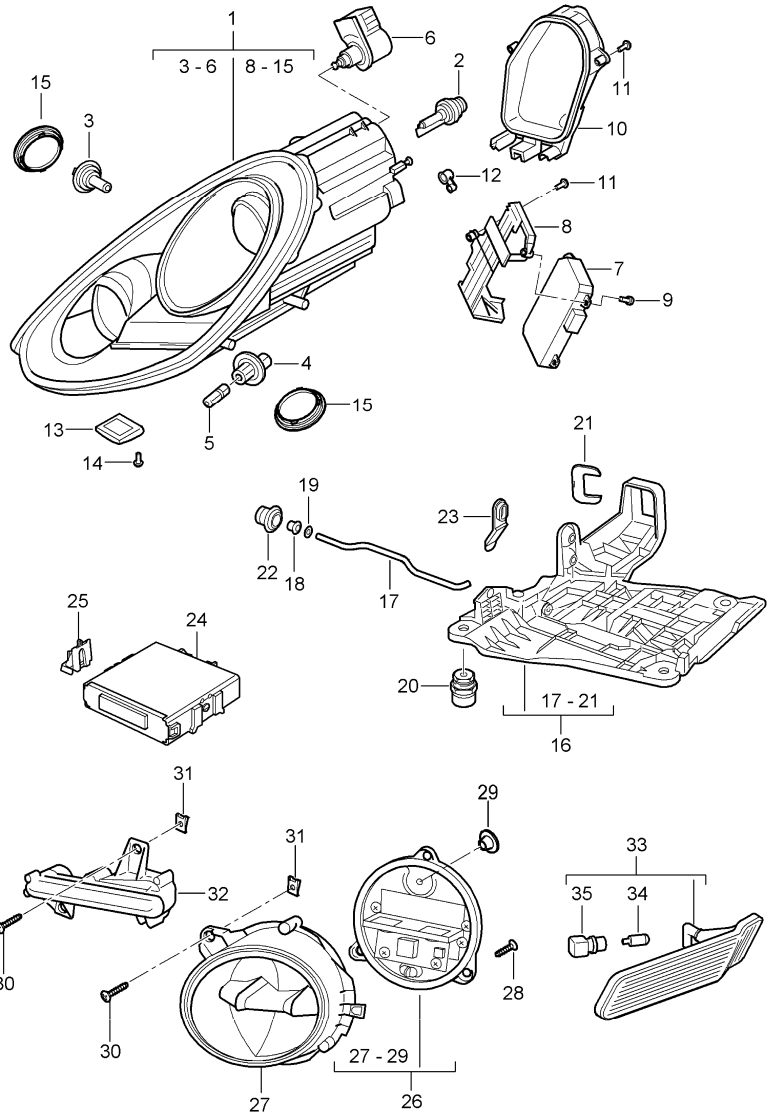


Pos	Part Number	Description	Remark	Qty	Model
		headlamp additional headlamp direction indicator light			
1	987 631 165 01	headlamp	/L	1	
(1)	987 631 166 01	headlamp	/R	1	
(1)	987 631 165 11	headlamp	/L	1	I492
(1)	987 631 166 11	headlamp	/R	1	I492
2	999 631 133 91	halogen bulb H 7		2	
3	999 631 143 90	halogen bulb H 9		2	
4	987 631 151 00	bulb socket direction indicator light		2	
5	999 631 305 90	bulb 21 W		2	
6	987 631 101 00	protective cap	/L	1	
(6)	987 631 102 00	protective cap	/R	1	
7	997 631 191 00	screw		8	
8	997 631 249 00	ventilation component		2	
9	997 631 149 00	ventilation component	/L	1	
(9)	997 631 150 00	ventilation component	/R	1	
10	997 631 153 00	screw		4	
11	997 631 211 00	protective cap		4	
12	987 631 073 01	mounting	/L	1	
(12)	987 631 074 01	mounting	/R	1	
13	987 631 243 01	clamping bow		2	
14	997 631 272 00	bearing sleeve		2	
15	900 116 004 09	lock washer		2	
16	997 631 194 02	fastening part		6	
17	997 631 245 00	locking device connector housing		2	
18	999 703 413 40	stopper		2	

Model	Year	MG	SG	Illustration	Restrictions	UPD	14:39	02.03.2010	PORSCHE	PET	PORSCHE
987C2	2010	9	05	905-00		248					

Pos	Part Number	Description	Remark	Qty	Model	Pos	Part Number	Description	Remark	Qty	Model
19	993 631 170 03	stopper		6							
		additional headlamp									
20	987 631 093 01	additional headlamp	/L	1							
(20)	987 631 094 01	additional headlamp	/R	1							
21	999 631 144 91	halogen bulb H 11		2							
22	987 631 291 00	cap		2							
23	999 073 063 02	tapping screw ST 4,8 X 22		8							
24	999 507 768 02	speed nut ST 4,8		8							
25	987 631 097 01	position light	/L	1							
(25)	987 631 098 01	position light	/R	1							
		direction indicator light									
26	987 631 013 00	direction indicator light	/L	1							
(26)	987 631 014 00	direction indicator light	/R	1							
27	999 631 138 90	bulb 5 W yellow		2							
28	997 631 133 00	bulb socket		2							

Model	Year	MG	SG	Illustration	Restrictions	UPD	14:39	02.03.2010	PORSCHE	PET	PORSCHE
987C2	2010	9	05	905-01		248					

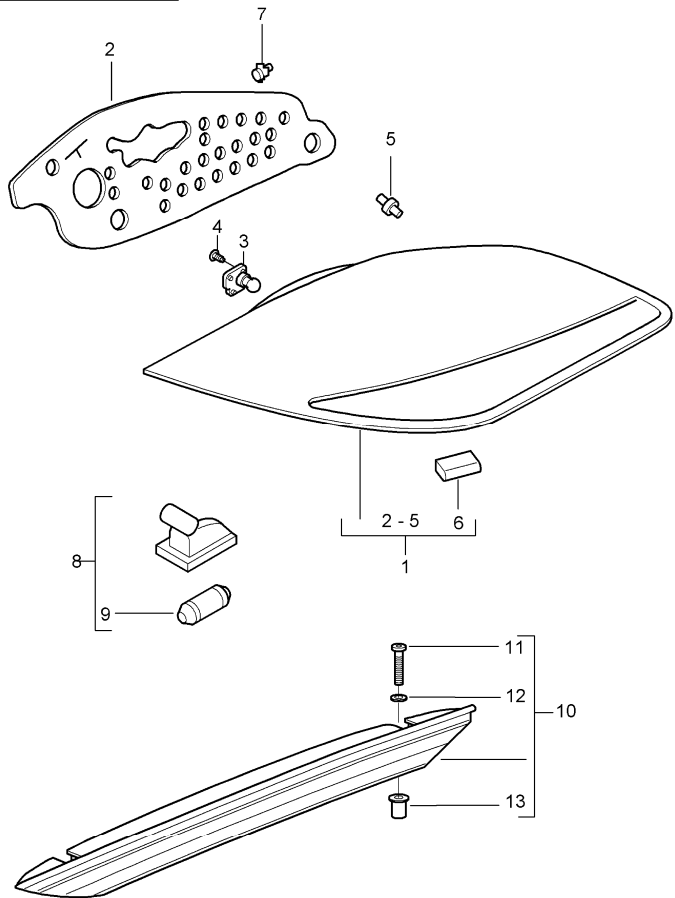
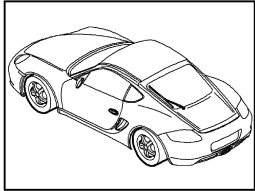


Pos	Part Number	Description	Remark	Qty	Model
		headlamp additional headlamp direction indicator light			I603 I605
		headlamp without control unit and bulb XENON			
1	987 631 169 01	headlamp	/L	1	
(1)	987 631 170 01	headlamp	/R	1	
1	987 631 169 11	headlamp	/L	1	I492
(1)	987 631 170 11	headlamp	/R	1	I492
2	999 631 036 90	bulb - PHILIPS -		2	
3	999 631 133 91	halogen bulb H 7		2	
4	987 631 151 00	bulb socket direction indicator light		2	
5	999 631 305 90	bulb 21 W		2	
6	997 631 227 01	electric motor headlight levelling system	/L	1	
(6)	997 631 228 01	electric motor headlight levelling system	/R	1	
7	997 631 283 01	control unit		2	
8	987 631 223 00	support	/L	1	
(8)	987 631 224 00	support	/R	1	
9	997 631 199 00	screw		4	
10	987 631 101 00	protective cap	/L	1	
(10)	987 631 102 00	protective cap	/R	1	
11	997 631 191 00	screw		14	
12	997 631 249 00	ventilation component		2	
13	997 631 149 00	ventilation component	/L	1	
(13)	997 631 150 00	ventilation component	/R	1	

Model	Year	MG	SG	Illustration	Restrictions	UPD	14:39	02.03.2010	PORSCHE	PET	PORSCHE
987C2	2010	9	05	905-01		248					

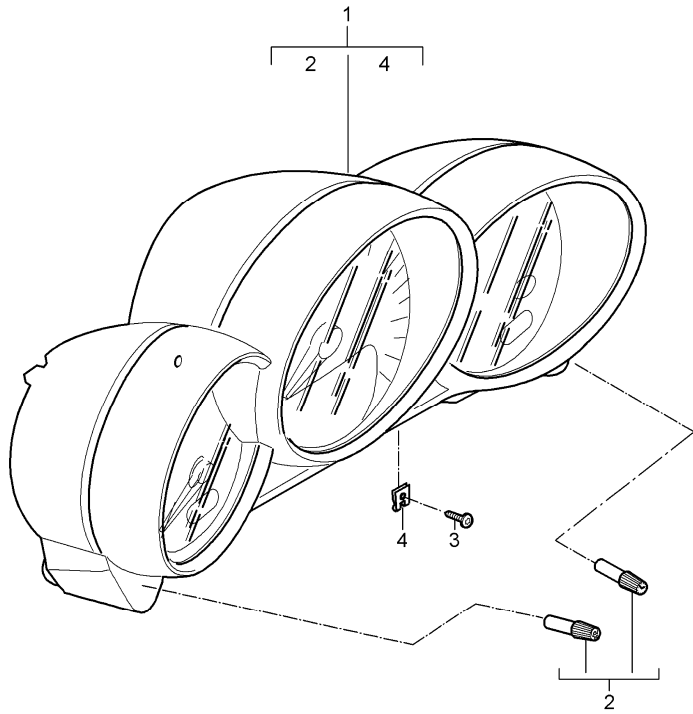
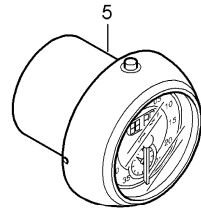
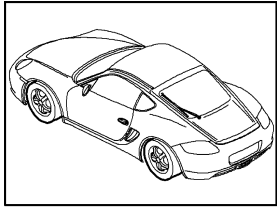
Pos	Part Number	Description	Remark	Qty	Model	Pos	Part Number	Description	Remark	Qty	Model
14	997 631 153 00	screw		4		34	999 631 138 90	bulb 5 W yellow		2	
15	997 631 211 00	protective cap		4							
16	987 631 073 01	mounting	/L	1		35	997 631 133 00	bulb socket		2	
(16)	987 631 074 01	mounting	/R	1							
17	987 631 243 01	clamping bow		2							
18	997 631 272 00	bearing sleeve		2							
19	900 116 004 09	lock washer		2							
20	997 631 194 02	fastening part		6							
21	997 631 245 00	locking device connector housing		2							
22	999 703 413 40	stopper		2							
23	993 631 170 03	stopper		6							
24	997 618 321 02	control unit Dynamic cornering light		1							
25	997 618 331 00	support additional headlamp		2							
26	987 631 045 01	additional headlamp	/L	1	I605						
(26)	987 631 046 01	additional headlamp	/R	1	I605						
27	987 631 251 00	housing for light	/L	1	I605						
(27)	987 631 252 00	housing for light	/R	1	I605						
28	997 631 297 00	screw		6	I605						
29	987 631 291 00	cap		2	I605						
30	999 073 063 02	tapping screw ST 4,8 X 22		8	I605						
31	999 507 759 09	speed nut ST 4,8		8	I605						
32	987 631 097 01	position light	/L	1							
(32)	987 631 098 01	position light direction indicator light	/R	1							
33	987 631 013 00	direction indicator light	/L	1							
(33)	987 631 014 00	direction indicator light	/R	1							

Model	Year	MG	SG	Illustration	Restrictions	UPD	14:39	02.03.2010	PORSCHE	PET	PORSCHE
987C2	2010	9	05	905-05		248					



Pos	Part Number	Description	Remark	Qty	Model
		rear light license plate light additional brake light			
1	987 631 425 03	rear light	/L	1	I465
1	987 631 427 03	rear light	/L	1	I466
(1)	987 631 426 03	rear light	/R	1	I465
(1)	987 631 428 03	rear light	/R	1	I466
2	987 631 441 01	gasket	/L	1	
2	987 631 442 01	gasket	/R	1	
3	999 631 250 91	bulb back-up light use also: gasket POS. 2		1	
(3)	999 631 255 91	bulb direction indicator light use also: gasket POS. 2		1	
4	997 631 497 00	screw		8	
5	987 631 053 00	actuator		6	
6	987 631 585 00	buffer		2	
7	999 076 056 01	hexagon nut M 5		6	
8	997 631 620 00	license plate light		2	
9	900 631 025 90	bulb 12V 5W		2	
10	987 631 051 03	additional brake light		1	
11	999 919 236 02	oval-head screw 5,0 X 14,0		2	

Model	Year	MG	SG	Illustration	Restrictions	UPD	15:39	02.03.2010	PORSCHE	PET	PORSCHE
987C2	2010	9	06	906-01		248					

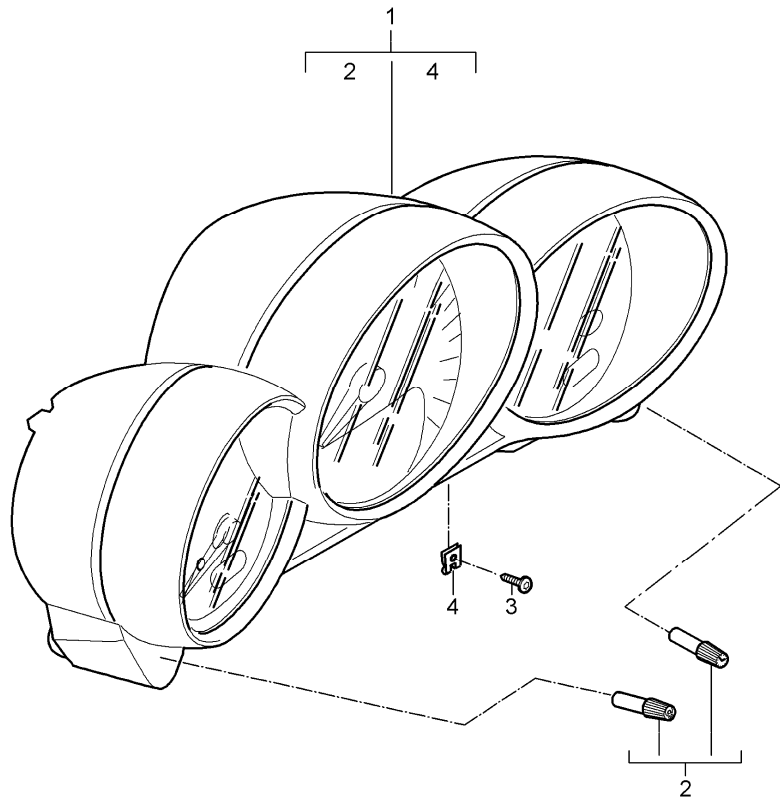
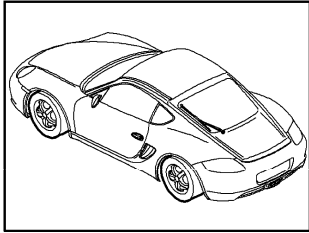


Pos	Part Number	Description	Remark	Qty	Model
		instruments stopwatch			
		see technical information GR. 9 NR. 5/09 KD - NR. 9025			
		C A Y M A N			
1	987 641 303 03	instrument cluster complete		1	I022/480
		D07 volcano grey			
1	987 641 304 03	instrument cluster complete		1	I022/250
		D07 volcano grey			
1	987 641 307 03	instrument cluster complete	(GB)	1	I022/480
		D07 volcano grey			
1	987 641 308 03	instrument cluster complete	(GB)	1	I022/250
		D07 volcano grey			
		C A Y M A N S			
(1)	987 641 313 03	instrument cluster complete		1	I023/480
		D07 volcano grey			
(1)	987 641 314 03	instrument cluster complete		1	I023/250
		D07 volcano grey			
1	987 641 317 03	instrument cluster complete	(GB)	1	I023/480
		D07 volcano grey			
1	987 641 318 03	instrument cluster complete	(GB)	1	I023/250
		D07 volcano grey			
2	997 641 911 00	knob actuator trip meter and clock		1	

Model	Year	MG	SG	Illustration	Restrictions	UPD	15:39	02.03.2010	PORSCHE	PET	PORSCHE
987C2	2010	9	06	906-01		248					

Pos	Part Number	Description	Remark	Qty	Model	Pos	Part Number	Description	Remark	Qty	Model
3	999 073 155 09	tapping screw 4,2 X 19		2							
4	999 507 403 02	u-clamp 12,5		2							
5	987 641 301 26	stopwatch		1	CAYMAN I025/639/640						
	V05	galvano silver									
(5)	987 641 311 26	stopwatch		1	CAYMAN S I026/639/640						
	V05	galvano silver									

Model	Year	MG	SG	Illustration	Restrictions	UPD	15:39	02.03.2010	PORSCHE	PET	PORSCHE
987C2	2010	9	06	906-02		248					

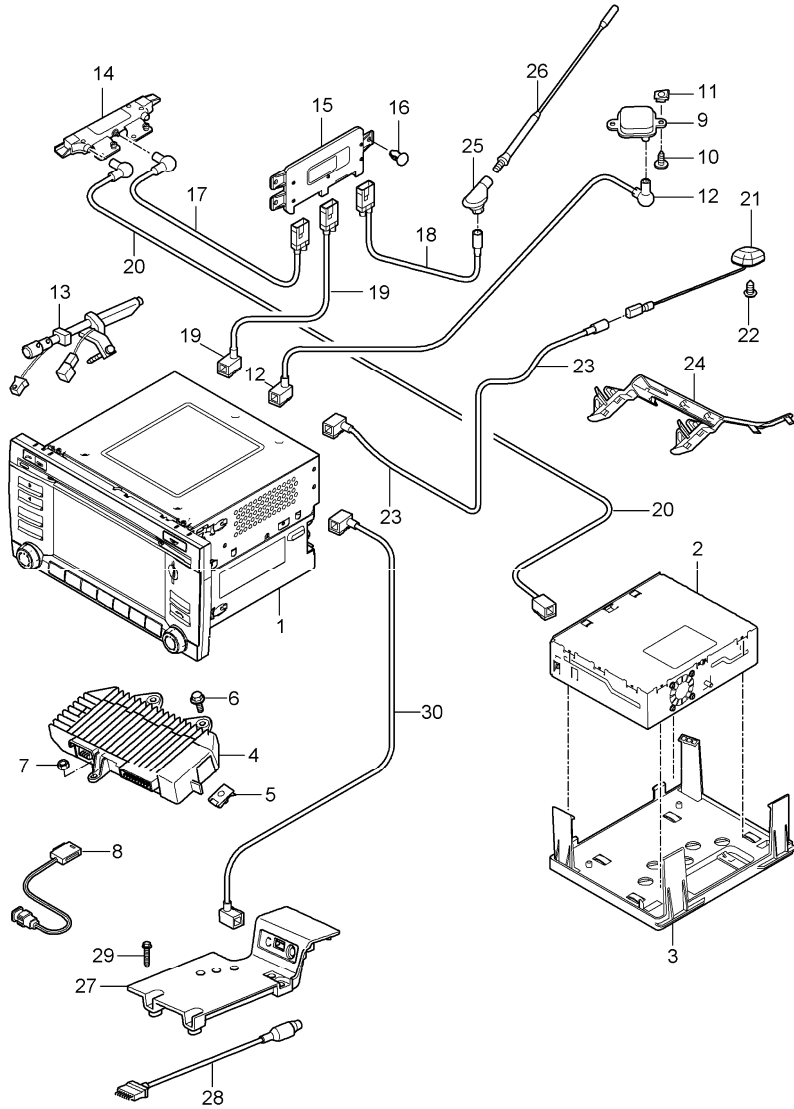


Pos	Part Number	Description	Remark	Qty	Model
		instruments exclusive programme see technical information GR. 9 NR. 5/09 KD - NR. 9025 C A Y M A N			
1	987 641 981 05	instrument cluster complete dial lacquered		1	I480
	5Z1	sand beige			IXFD
	84A	guards red			IXFG
	12H	speed yellow			IXFH
	B9A	carrara white			IXFJ
1	987 641 981 06	instrument cluster complete dial lacquered		1	I250
	5Z1	sand beige			IXFD
	84A	guards red			IXFG
	12H	speed yellow			IXFH
	B9A	carrara white			IXFJ
1	987 641 981 07	instrument cluster complete dial lacquered	(GB)	1	I480
	5Z1	sand beige			IXFD
	84A	guards red			IXFG
	12H	speed yellow			IXFH
	B9A	carrara white			IXFJ
1	987 641 981 08	instrument cluster complete dial lacquered	(GB)	1	I250
	5Z1	sand beige			IXFD
	84A	guards red			IXFG

Model	Year	MG	SG	Illustration	Restrictions	UPD	15:39	02.03.2010	PORSCHE	PET	PORSCHE
987C2	2010	9	06	906-02		248					

Pos	Part Number	Description	Remark	Qty	Model	Pos	Part Number	Description	Remark	Qty	Model
1	12H	speed yellow			IXFH	2	997 641 911 00	knob actuator trip meter and clock		1	
	B9A	carrara white			IXFJ						
		C A Y M A N S									
	987 641 981 15	instrument cluster complete dial lacquered		1	I480	3	999 073 155 09	tapping screw 4,2 X 19		2	
	5Z1	sand beige			IXFD	4	999 507 403 02	u-clamp		2	
	84A	guards red			IXFG						
	12H	speed yellow			IXFH						
1	B9A	carrara white			IXFJ						
	987 641 981 16	instrument cluster complete dial lacquered		1	I250						
	5Z1	sand beige			IXFD						
	84A	guards red			IXFG						
	12H	speed yellow			IXFH						
	B9A	carrara white			IXFJ						
	987 641 981 17	instrument cluster complete dial lacquered	(GB)	1	I480						
1	5Z1	sand beige			IXFD						
	84A	guards red			IXFG						
	12H	speed yellow			IXFH						
	B9A	carrara white			IXFJ						
	987 641 981 18	instrument cluster complete dial lacquered	(GB)	1	I250						
	5Z1	sand beige			IXFD						
	84A	guards red			IXFG						
12H	speed yellow			IXFH							
B9A	carrara white			IXFJ							

Model	Year	MG	SG	Illustration	Restrictions	UPD	15:39	02.03.2010	PORSCHE	PET	PORSCHE
987C2	2010	9	11	911-00		248					



Pos	Part Number	Description	Remark	Qty	Model
		control part navigation system radio receiving part tv booster Multimedia interface			
1	997 642 960 X	control part only in exchange		1	I665
	FTC	Matt Black/Galvano Silver we take back: 997.642.960.00.FTC			
1	997 642 962 X	control part		1	I665/693
	FTC	Matt Black/Galvano Silver we take back: 997.642.962.00.FTC			
1	997 642 970 X	control part		1	I665/672
	FTC	Matt Black/Galvano Silver we take back: 997.642.970.00.FTC			
1	997 642 972 X	control part		1	I665/672/693
	FTC	Matt Black/Galvano Silver we take back: 997.642.972.00.FTC			
1	997 642 974 X	control part		1	I665/673
	FTC	Matt Black/Galvano Silver we take back: 997.642.974.00.FTC			
1	997 642 975 X	control part		1	I665/673/693
	FTC	Matt Black/Galvano Silver we take back: 997.642.975.00.FTC			
-	-	control unit telephone see group 9/11/10			
-	997 642 929 00	rotary knob for control part	/L	1	

Model	Year	MG	SG	Illustration	Restrictions	UPD	15:39	02.03.2010	PORSCHE	PET	PORSCHE
987C2	2010	9	11	911-00		248					

Pos	Part Number	Description	Remark	Qty	Model	Pos	Part Number	Description	Remark	Qty	Model
-	997 642 930 00	rotary knob for control part	/R	1		-	999 591 941 40	expansion rivet for mount adapter -CAN-		1	I673
(1)	997 645 138 04	radio CDR 30		1	I695	-	997 642 271 50	dvd navigation system for software 997.642.271.00		1	I610
	FTC	Matt Black/Galvano Silver						see technical information GR. 9 NR. 52/09 KD - NR. 9110			
(1)	997 645 138 DX	radio CDR 30		1	I695						
	FTC	Matt Black/Galvano Silver we take back: 997.645.138.04									
(1)	997 645 142 04	radio CDR 30		1	I618/619/695	-	997 642 271 51	dvd navigation system for software 997.642.271.01		1	I610
	FTC	Matt Black/Galvano Silver						see technical information GR. 9 NR. 52/09 KD - NR. 9110			
(1)	997 645 142 DX	radio CDR 30		1	I618/619/695						
	FTC	Matt Black/Galvano Silver we take back: 997.645.142.04									
(1)	997 645 144 04	radio CDR 30		1	I618/619/692 I695	-	997 642 275 50	dvd navigation system for software 997.642.275.00		1	I611
	FTC	Matt Black/Galvano Silver						see technical information GR. 9 NR. 52/09 KD - NR. 9110			
(1)	997 645 144 DX	radio CDR 30		1	I618/619/692 I695						
	FTC	Matt Black/Galvano Silver we take back: 997.645.144.04									
(1)	997 645 146 04	radio CDR 30		1	I692/695	-	997 642 275 51	dvd navigation system for software 997.642.275.01		1	I611
	FTC	Matt Black/Galvano Silver						see technical information GR. 9 NR. 52/09 KD - NR. 9110			
(1)	997 645 146 DX	radio CDR 30		1	I692/695						
	FTC	Matt Black/Galvano Silver we take back: 997.645.146.04									
-	997 642 125 00	adapter -CAN-		1	I673	-	997 642 277 50	dvd navigation system for software 997.642.277.00		1	I612
								see technical information GR. 9 NR. 52/09 KD - NR. 9110			

Model	Year	MG	SG	Illustration	Restrictions	UPD	15:39	02.03.2010	PORSCHE	PET	PORSCHE
987C2	2010	9	11	911-00		248					

Pos	Part Number	Description	Remark	Qty	Model	Pos	Part Number	Description	Remark	Qty	Model
-	997 642 277 51	dvd navigation system for software 997.642.277.01 see technical information GR. 9 NR. 52/09 KD - NR. 9110		1	I612			see technical information GR. 9 NR. 52/09 KD - NR. 9110			
-	997 642 279 50	dvd navigation system for software 997.642.279.00 see technical information GR. 9 NR. 52/09 KD - NR. 9110		1	I613	-	997 642 283 51	dvd navigation system for software 997.642.283.01		1	I616
-	997 642 279 51	dvd navigation system for software 997.642.279.01 see technical information GR. 9 NR. 52/09 KD - NR. 9110		1	I613	-	997 642 148 02	cd-rom logbook		1	I641
-	997 642 281 50	dvd navigation system for software 997.642.281.00 see technical information GR. 9 NR. 52/09 KD - NR. 9110		1	I614	2	997 642 320 01	receiving part tv		1	I676
-	997 642 281 51	dvd navigation system for software 997.642.281.01 see technical information GR. 9 NR. 52/09 KD - NR. 9110		1	I614	3	997 642 331 00	support receiving part tv		1	I676
-	997 642 283 50	dvd navigation system for software 997.642.283.00		1	I616	(3)	997 642 337 00	support navigation system		1	I673
						4	987 645 441 00	booster		1	I490
						(4)	997 645 444 04	booster note coding		1	I680
						(4)	7PP 035 223 J	booster	10-	1	I675/680
						5	999 507 766 02	speed nut M 6		2	I490/680
						6	900 378 035 01	hexagon-head bolt M 6 X 16		2	I490/680
						7	999 084 638 01	hexagon nut M 6		1	I490/680
						8	997 646 313 00	microphone		1	I441/490/618 I619/666/671
						8	997 646 315 00	microphone		1	I618/619/666 I671/680
						8	997 646 317 00	microphone		1	I680
						8	997 646 319 00	microphone		1	I618/619/665 I666/671
						-	997 610 233 01	cable guide microphone		1	

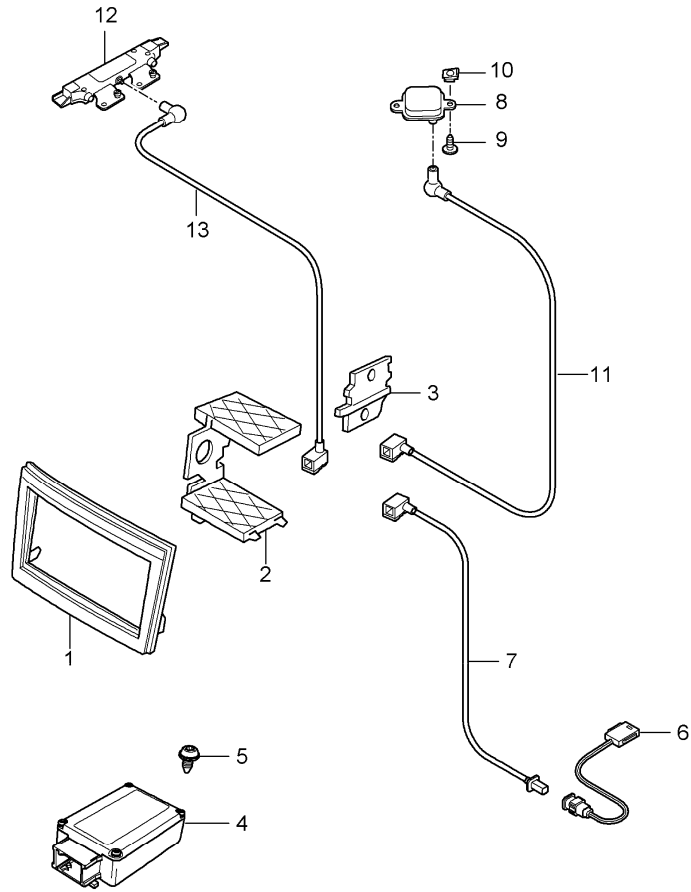
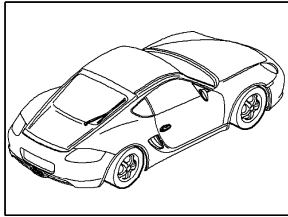
Model	Year	MG	SG	Illustration	Restrictions	UPD	15:39	02.03.2010	PORSCHE	PET	PORSCHE
987C2	2010	9	11	911-00		248					

Pos	Part Number	Description	Remark	Qty	Model	Pos	Part Number	Description	Remark	Qty	Model
9	997 642 105 00	antenna GPS		1	I672/673	17	997 612 055 25	connecting line left antenna booster control unit	/LL	1	I098/665/695
10	999 073 210 00	tapping screw 4,8 X 13		1	I672/673						
11	999 507 441 01	speed nut 4,8		1	I672/673	17	997 612 056 25	connecting line right antenna booster control unit	/LL	1	I098/665/695
12	997 612 030 75	connecting line antenna control part		1	I672	17	997 612 055 75	connecting line left antenna booster control unit	/RL	1	I099/665/695
(12)	997 612 073 25	connecting line antenna control part		1	I673	17	997 612 056 75	connecting line right antenna booster control unit	/RL	1	I099/665/695
13	987 647 105 00	antenna booster		1							
-	997 612 052 75	connecting line antenna radio		1	I695	18	997 612 066 25	connecting line antenna base control unit		1	I461
14	997 647 117 00	antenna booster	/L	1	I440	(18)	997 612 067 01	connecting line antenna base Power supply		1	I461
(14)	997 647 118 00	antenna booster	/R	1	I440						
(14)	997 647 119 00	antenna booster	/L	1	I440/676	19	997 612 057 25	connecting line control unit control part	/LL	1	I098/665/695
(14)	997 647 120 00	antenna booster	/R	1	I440/676						
15	997 618 122 00	control unit		1	I440	19	997 612 057 75	connecting line control unit control part	/RL	1	I099/665/695
16	999 591 904 40	fastening part		2	I440						
17	997 612 069 25	connecting line left antenna booster control unit	/LL	1	I098/461	20	997 612 088 25	connecting line antenna booster receiving part tv	/LL	1	I098/676
17	997 612 068 25	connecting line left antenna booster control unit	/LL	1	I098/461/695	20	997 612 088 75	connecting line antenna booster receiving part tv	/RL	1	I099/676
17	997 612 069 75	connecting line left antenna booster control unit	/RL	1	I099/461	(20)	997 612 074 25	connecting line control part computer navigation system		1	I673
17	997 612 068 75	connecting line left antenna booster control unit	/RL	1	I099/461/695	(20)	997 612 072 25	connecting line computer navigation system - IR - sensor		1	I673

Model	Year	MG	SG	Illustration	Restrictions	UPD	15:39	02.03.2010	PORSCHE	PET	PORSCHE
987C2	2010	9	11	911-00		248					

Pos	Part Number	Description	Remark	Qty	Model	Pos	Part Number	Description	Remark	Qty	Model
25	997 647 221 00	antenna base		1	I461						
26	997 647 223 00	antenna rod		1	I461						
27	997 642 465 00	adapter Multimedia interface		1	I665/870						
	01C	satin black									
(27)	997 642 463 00	adapter Multimedia interface		1	I695/870						
	01C	satin black									
28	997 612 471 01	connecting cable iPOD		1	I665/870						
29	999 073 429 01	tapping screw 4,2 X 25		3	I870						
30	997 612 049 75	connecting line Multimedia interface control part		1	I665/870						

Model	Year	MG	SG	Illustration	Restrictions	UPD	15:39	02.03.2010	PORSCHE	PET	PORSCHE
987C2	2010	9	11	911-01		248					

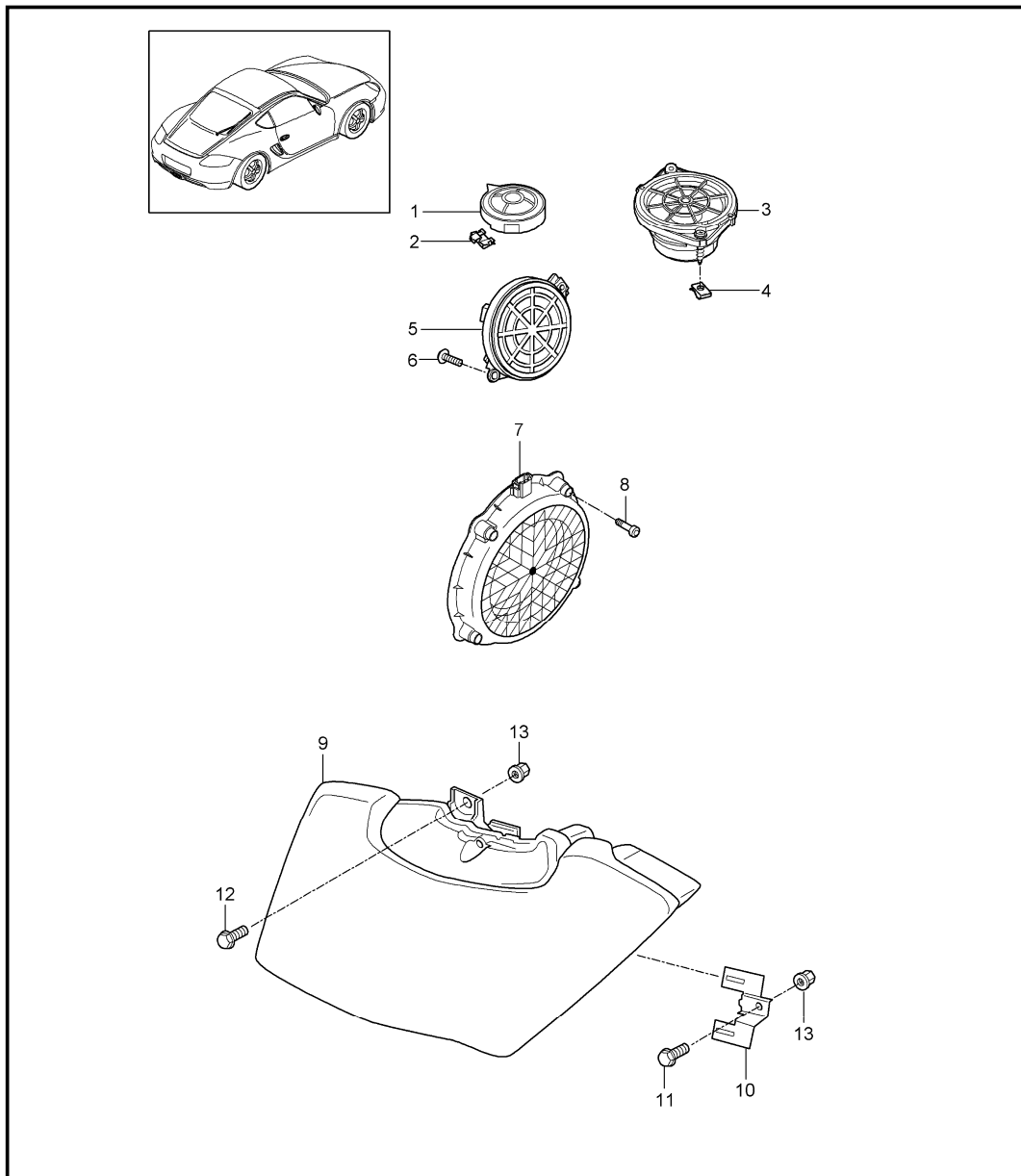


Pos	Part Number	Description	Remark	Qty	Model
		preparation navigation system japan			I675
1	997 642 913 00	front frame		1	I675
	A05	black mat			
2	997 642 905 00	support		2	I675
3	997 642 907 00	guide rail		2	I675
4	997 642 915 01	adapter - CAN -	09	1	I675
4	997 642 127 00	adapter - CAN -	10-	1	I675
5	999 591 941 40	expansion rivet		1	I675
6	997 646 309 00	microphone		1	I675
-	997 610 233 01	cable guide microphone		1	I675
7	997 612 075 75	connecting line microphone control part		1	I675
(7)	997 612 046 25	connecting line Card reader tv control part		1	I675
8	997 642 105 00	antenna navigation system		1	I675
9	999 073 210 00	tapping screw 4,8 X 13		1	I675
10	999 507 441 01	speed nut 4,8		1	I675
11	997 612 079 75	connecting line antenna navigation system control part		1	I675
12	997 647 109 00	antenna booster	/L	1	I675
(12)	997 647 110 00	antenna booster	/R	1	I675
13	997 612 076 25	connecting line antenna booster left control part radio		1	I675

Model	Year	MG	SG	Illustration	Restrictions	UPD	15:39	02.03.2010	PORSCHE	PET	PORSCHE
987C2	2010	9	11	911-01		248					

Pos	Part Number	Description	Remark	Qty	Model	Pos	Part Number	Description	Remark	Qty	Model
(13)	997 612 077 25	connecting line antenna booster left control part tv		1	I675						
(13)	997 612 078 25	connecting line antenna booster right control part tv	/LL	1	I675						
(13)	997 612 078 75	connecting line antenna booster right control part tv	/RL	1	I675						
(13)	997 612 047 25	connecting line - VICS BEACON - antenna control part		1	I675						

Model	Year	MG	SG	Illustration	Restrictions	UPD	15:40	02.03.2010	PORSCHE	PET	PORSCHE
987C2	2010	9	11	911-05		248					

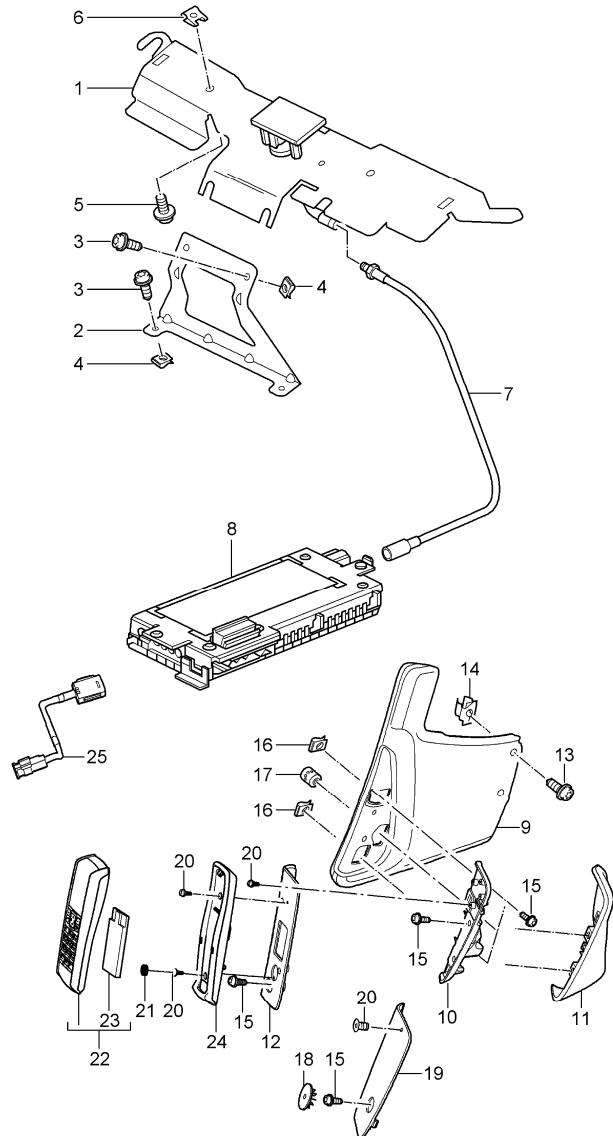


Pos	Part Number	Description	Remark	Qty	Model
1	997 645 021 00	loudspeaker tweeter dashboard		2	I441/490
(1)	997 645 025 00	tweeter dashboard		2	I680
2	999 591 303 01	u-clamp		4	
3	997 645 033 00	loudspeaker dashboard centre		1	I490
(3)	997 645 035 00	loudspeaker dashboard centre		1	I680
4	999 507 971 01	speed nut 4,2		4	
5	997 645 543 00	mid-range loudspeaker door and rear		4	I490
(5)	997 645 545 00	mid-range loudspeaker door and rear		4	I680
6	999 919 164 09	oval-head screw 5,0 X 12		8	
7	997 645 551 00	woofer		2	I441
7	997 645 553 00	woofer		2	I490
(7)	997 645 555 00	woofer		2	I680
8	900 067 012 03	pan-head screw M 6 X 30		8	
9	997 645 566 00	subwoofer	/LL	1	I098/680
	A10	black			
	B10	stone grey			
	T10	sand beige			
	E10	sea blue			
	M10	terracotta			

Model	Year	MG	SG	Illustration	Restrictions	UPD	15:40	02.03.2010	PORSCHE	PET	PORSCHE
987C2	2010	9	11	911-05		248					

Pos	Part Number	Description	Remark	Qty	Model	Pos	Part Number	Description	Remark	Qty	Model
		R10 cocoa									
		D11 dark grey/natural									
		T11 brown/natural									
		N10 carrera red									
(9)	997 645 567 00	subwoofer	/RL	1	I099/680						
		A10 black									
		B10 stone grey									
		T10 sand beige									
		E10 sea blue									
		M10 terracotta									
		R10 cocoa									
		D11 dark grey/natural									
		T11 brown/natural									
		N10 carrera red									
10	997 645 569 00	support		2	I680						
11	900 378 035 01	hexagon-head bolt M 6 X 16		2	I680						
12	999 073 223 01	combination screw M 6 X 25		1	I680						
13	999 500 069 01	blind rivet nut M 6		3	I680						

Model	Year	MG	SG	Illustration	Restrictions	UPD	15:40	02.03.2010	PORSCHE	PET	PORSCHE
987C2	2010	9	11	911-10		248					



Pos	Part Number	Description	Remark	Qty	Model
		telephone			
1	997 647 125 01	antenna	/LL	1	I098
(1)	997 647 126 01	antenna	/RL	1	I099
2	997 647 127 00	support	/LL	1	I098
(2)	997 647 128 00	support	/RL	1	I099
3	999 073 236 0A	oval-head screw M 6 X 10		4	
4	999 507 550 01	speed nut M 6		4	
5	999 073 210 00	tapping screw 4,8 X 13		2	
6	999 507 441 01	speed nut 4,8		2	
7	997 612 065 75	connecting line		1	I666
(7)	997 612 061 25	connecting line		1	I618/619
8	997 646 218 01	control unit telephone		1	I666
9	997 553 118 07	cover lateral	/LL	1	I098
	FSA	black/grey			
	FSB	stone grey/stone grey			
	FSC	sand beige/sand beige			
	FSD	sea blue/grey			
	FSF	terracotta/terracotta			
	FSG	cocoa/cocoa			
	FSH	darkgrey natural/grey			
	FSJ	brown nat./brown nat.			
	FSP	Carrera Red/Carrera Red			
(9)	997 553 117 07	cover lateral	/RL	1	I099
	FSA	black/grey			
	FSB	stone grey/stone grey			

Model	Year	MG	SG	Illustration	Restrictions	UPD	15:40	02.03.2010	PORSCHE	PET	PORSCHE
987C2	2010	9	11	911-10		248					

Pos	Part Number	Description	Remark	Qty	Model	Pos	Part Number	Description	Remark	Qty	Model
	FSC	sand beige/sand beige					T12	brown/natural			
	FSD	sea blue/grey					N12	carrera red			
	FSF	terracotta/terracotta				(11)	997 553 417 01	cover	/RL	1	I099/618
	FSG	cocoa/cocoa					A11	black			
	FSH	darkgrey natural/grey					5X6	stone grey			
	FSJ	brown nat./brown nat.					8G2	sand beige			
	FSP	Carrera Red/Carrera Red					3S9	sea blue			
10	997 553 520 00	adapter	/LL	1	I098/618		9S5	terracotta			
(10)	997 553 516 00	adapter	/LL	1	I098/669		9V6	cocoa			
(10)	997 553 519 00	adapter	/RL	1	I099/618		D12	dark grey/natural			
(10)	997 553 515 00	adapter	/RL	1	I099/669		T12	brown/natural			
11	997 553 418 01	cover	/LL	1	I098/618		N12	carrera red			
	A11	black				(11)	997 553 415 00	cover	/RL	1	I099/669
	5X6	stone grey					A11	black			
	8G2	sand beige					5X6	stone grey			
	3S9	sea blue					8G2	sand beige			
	9S5	terracotta					3S9	sea blue			
	9V6	cocoa					9S5	terracotta			
	D12	dark grey/natural					9V6	cocoa			
	T12	brown/natural					D12	dark grey/natural			
	N12	carrera red					T12	brown/natural			
(11)	997 553 416 00	cover	/LL	1	I098/669		N12	carrera red			
	A11	black				12	997 553 524 00	mounting plate	/LL	1	I098/669
	5X6	stone grey					01C	satin black			
	8G2	sand beige				(12)	997 553 523 00	mounting plate	/RL	1	I099/669
	3S9	sea blue					01C	satin black			
	9S5	terracotta				13	999 073 226 09	tapping screw 4,2 X 16		2	
	9V6	cocoa				14	999 591 508 01	captive nut 4,2		2	
	D12	dark grey/natural									

Model	Year	MG	SG	Illustration	Restrictions	UPD	15:40	02.03.2010	PORSCHE	PET	PORSCHE
987C2	2010	9	11	911-10		248					

Pos	Part Number	Description	Remark	Qty	Model	Pos	Part Number	Description	Remark	Qty	Model
15	999 073 155 09	tapping screw 4,2 X 13		7							
16	999 507 028 01	speed nut 4,2		2							
17	999 507 645 02	threaded piece 4,2		1							
18	997 553 751 00	cap		1	I618						
	01C	satin black									
19	997 553 522 01	mounting plate	/LL	1	I098/618						
	01C	satin black									
(19)	997 553 521 01	mounting plate	/RL	1	I099/618						
	01C	satin black									
20	999 919 230 00	countersunk-head screw 3 X 10		4							
21	997 646 311 00	stopper		2	I669						
22	997 646 212 02	receiver telephone		1	I669						
	A05	black mat									
23	997 646 216 00	battery		1	I669						
24	997 646 214 00	mounting receiver		1	I669						
	A05	black mat									
(25)	997 646 313 00	microphone		1	I490/618/619 I666/671						
(25)	997 646 315 00	microphone		1	I618/619/666 I671/680						
(25)	997 646 319 00	microphone		1	I618/619/665 I666						
-	997 610 233 01	cable guide microphone		1							

987C2_MXI KAT34. TXT

KAT.	I -NR	BENENNUNG-Deutsch BENENNUNG-Engl i sch
		+-----+ ! I -Nummern-Uebersi cht ! +-----+ +-----+ ! Summary of optional extras "I"! +-----+
34	I XAF	Aeroki t Turbo Turbo aeroki t
34	I XAG	Carrera - Heckspoiler Carrera - rear spoiler
34	I XAH	Aeroki t Carrera 4S Carrera 4S aeroki t
34	I XAJ	Schwe llerblenden l acki ert Painted sill covers
34	I XAL	Aeroki t Boxster Aeroki t Boxster
34	I XAM	Aeroki t Cayman Aeroki t Cayman
34	I XCA	Nutleiste (3-teilig) Sportsilber Dashboard trim strip (3-part) sports seats
34	I XCB	Instrumentenabdeckung Unterteil Sportsilber Instrument surround sports seats
34	I XCC	Sei tendüsen Sportsilber Side air vents sports seats
34	I XCD	Mi ttel düsen träger Sportsilber Center air vent bracket sports seats
34	I XCE	Mi ttel konsol e hinten Sportsilber Rear center console sports seats
34	I XCG	Sportsi t zrückenlehne Al u-Optik Sports seat backrest in Alumi ni um Look fi ni sh
34	I XCH	Sei ten-/Mi ttel düsenl amel len Sportsilber Side/centre air vent slats, sports seats
34	I XCK	Mi ttel konsol e hinten Gal vanosi lber Rear center console in Galvano Sil ver
34	I XCL	Instrumentenabdeckung Unterteil Gal vanosi lber Instrument surround in Galvano Sil ver
34	I XCM	Überrol lbügel in Gal vanosi lber Roll-over bar in Galvano Sil ver
34	I XCN	Sei tendüsen in Al u-Optik (997) Side air vents in Alumi ni um Look fi ni sh (997)
34	I XCY	Mi ttel düse Al u-Optik Center air vent in Alumi ni um Look fi ni sh
34	I XCZ	Schal twegverkürzung Short shifter
34	I XDJ	Zierblende Schal t- und Wähl hebel l acki ert Decorative trim on gear lever/selector, painted
34	I XDS	Zündschloss Rosette in Leder Ignition lock surround in leather
34	I XDV	Abschl ussblende Schal ttafel in Leder Dashboard end-trim in leather
34	I XDZ	Blende Schal thebel in Leder Selector lever cover in leather
34	I XEA	Passivhörer in Leder Passive handset in leather
34	I XE8	Schal tknopf Al u/Wurzel hol z Dunkel /Leder Gear lever knob alumi ni um/dark burr maple/leather
34	I XE9	Handbremshebel Al u/Wurzel hol z Dunkel /Leder Handbrake lever alumi ni um/dark burr maple/leather
34	I XFD	Instrumenten-Zi fferblatt l acki ert in sandbei ge Instrument dials in Sand Beige
34	I XFE	Instrumenten-Zi fferblatt l acki ert in terrakotta Instrument dials in Terracotta
34	I XFF	Instrumenten-Zi fferblatt l acki ert in braun/natur

987C2_MXI KAT34. TXT

34 IXFG Instrument dials in Brown/Natural
 Instrumenten-Zifferblatt lackiert in indischrot
 34 IXFH Instrument dials in Guards Red
 Instrumenten-Zifferblatt lackiert in speedgelb
 34 IXFJ Instrument dials in Speed Yellow
 Instrumenten-Zifferblatt lackiert in carrarawei ss
 34 IXFN Schalthebel Aluminium II
 Gear lever in aluminium II
 34 IXFP Handbremshebel Aluminium II
 Handbrake lever Aluminium II
 34 IXGB Zierblende Schalttafel, Carbon
 Decorative dashboard trim, carbon
 34 IXGC Schalthebel Carbon/Alcantara
 Dashboard carbon/Alcantara
 34 IXGD Handbremshebel Carbon/Alcantara
 Parking brake handle carbon/Alcantara
 34 IXGE Einsatz Griffmulde, Carbon
 Handle recess insert, carbon
 34 IXJL Luftseitentdüse Makassar
 Makassar Ebony side air vent
 34 IXJM Luftseitentdüse Platane
 Sycamore side air vent
 34 IXJN Mitteldüse Makassar
 Makassar Ebony center air vent
 34 IXJP Mitteldüse Platane
 Sycamore center air vent
 34 IXJR Defrosterblende Makassar
 Makassar Ebony windscreen defroster panel
 34 IXJS Defrosterblende Platane
 Sycamore windscreen defroster panel
 34 IXJT Mittelkonsole hinten Makassar
 Makassar Ebony rear center console
 34 IXJU Mittelkonsole hinten Platane
 Sycamore rear center console
 34 IXJ4 Rosette für Zündschloss Lederbezogen
 Leather cover for ignition lock surround
 34 IXKB Luftseitentdüse Wurzelholz/Ahorn hell
 Side air vent in light burr maple
 34 IXKC Luftseitentdüse Wurzelholz/Ahorn dunkel
 Side air vent in dark burr maple
 34 IXKG Defrosterblende Wurzelholz/Ahorn hell, Leder
 "Defroster trim in light burr maple; leather"
 34 IXKH Defrosterblende Wurzelholz/Ahorn dunkel, Leder
 "Defroster trim in dark burr maple; leather"
 34 IXKJ Defrosterblende Carbon/Leder
 Defroster trim in Carbon/leather
 34 IXKL Lautsprecherabdeckungen in Leder
 Leather speaker covers
 34 IXKM Lautsprecherabdeckungen Wurzelholz/Ahorn hell
 Speaker covers in light burr maple
 34 IXKN Lautsprecherabdeckungen Wurzelholz/Ahorn dunkel
 Speaker covers in dark burr maple
 34 IXKP Lautsprecherabdeckungen in Carbon
 Carbon speaker covers
 34 IXKR Mitteldüsenträger Wurzelholz/Ahorn hell
 Center air vent bracket in light burr maple
 34 IXKS Mitteldüsenträger Wurzelholz/Ahorn dunkel
 Center air vent bracket in dark burr maple
 34 IXLA Boxster-Endrohr
 Boxster tail pipe
 34 IXLF Sportabgasanlage
 Sports exhaust system
 34 IXLG Deckel Ablagefach Mittelkonsole in Alcantara
 Centre console storage bin lid in Alcantara
 34 IXLS Sportendrohr 987
 Sports tail pipe, 987
 34 IXME Mittelkonsole hinten lackiert

987C2_MXI KAT34. TXT

		Rear section of centre console painted
34	I XMF	Mittelkonsole vorn inklusive 2 Ablagen, Leder
		Front center console including 2 storage bins, leather
34	I XMJ	Mittelkonsole hinten Carbon
		Rear section of centre console in Carbon
34	I XMK	Überrollbügel in Exterieurfarbe
		Roll-over bar in exterior color
34	I XML	Mittelkonsole hinten Wurzelholz Ahorn hell
		Rear center console in light burr maple
34	I XMP	Sonnenblende Leder, 2 Make-up-Spiegel beleuchtet
		Leather sun visor, 2 illuminated vanity mirrors
34	I XMR	Sonnenblende Leder, 2 Make-Up-Spiegel beleuchtet Leder
		Sun visor in leather, 2 illuminated vanity mirrors
34	I XMZ	Mittelkonsole hinten Leder
		Rear section of centre console in leather
34	I XNB	Mittelkonsole hinten Wurzelholz Ahorn dunkel
		Rear center console in dark burr maple
34	I XNG	Instrumentenabdeckung Unterteil Leder
		Instrument surround in leather
34	I XNN	Mitteldüsenträger in Leder
		Center air vent bracket in leather
34	I XNR	Mitteldüsenträger Carbon
		Carbon center air vent bracket
34	I XNS	Lenkstock-Verkleidung 4-teilig Leder
		Leather steering column trim, 4-part
34	I XNU	Zierleiste (Nut) in Leder
		Leather trim strip (dashboard)
34	I XNV	Zierleiste (Nut) Wurzelholz/Ahorn hell
		Trim strip (dashboard) in light burr maple
34	I XNW	Zierleiste (Nut) Wurzelholz/Ahorn dunkel
		Trim strip (dashboard) in dark burr maple
34	I XNX	Zierleiste (Nut) in Carbon
		Carbon trim strip (dashboard)
34	I XPA	3-Speichen Sportlenkrad, Leder Interieurfarbe
		3-spoke sports steering wheel in leather interior co
34	I XPB	3-Speichen Sportlenkrad, Wurzelholz/Ahorn hell, Leder
		3-spoke sports steering wheel, light burr maple, leather
34	I XPC	3-Speichen Sportlenkrad, Wurzelholz/Ahorn dunkel, Leder
		3-spoke sports steering wheel, dark burr maple, leather
34	I XPD	3-Speichen Sportlenkrad, Carbon/Leder
		3-spoke sports steering wheel, Carbon/leather
34	I XPG	3-Speichen Sportlenkrad, Sportsilber
		3-spoke sports steering wheel, sports seats
34	I XPT	Deckel Ablagefach Mittelkonsole mit Wappen
		Centre console storage bin lid with crest
34	I XPU	Multi-funktions-Lenkrad Galvanosilber, neue Generation
		Multi-function steering wheel Galvano Silver, new generation
34	I XPV	Multi-funktions-Lenkrad Galvanosilber
		Multi-function steering wheel, Galvano Silver
34	I XPW	Instrumentenabdeckung Unterteil Wurzelholz/Ahorn Hell
		Instrument surround in light burr maple
34	I XPX	Instrumentenabdeckung Unterteil Wurzelholz/Ahorn Dunkel
		Instrument surround in dark burr maple
34	I XPY	Instrumentenabdeckung Unterteil Carbon
		Carbon instrument surround
34	I XRB	Sport-Classic-2 Rad 18"
		18-inch Sport Classic II wheel
34	I XRC	Sport-Techno Rad 18"
		18-inch SportTechno wheel
34	I XRL	Sport-Design-Rad 18"
		18-inch SportDesign wheel
34	I XRN	Distanzscheiben 17 mm, hinten
		17-mm spacers, rear
34	I XRP	Distanzscheiben 5 mm, vorn/hinten
		5-mm spacers, front/rear
34	I XRR	Carrera Sport Rad 19"
		19-in. Carrera Sport wheel
34	I XSA	Sportsitzrückenlehne lackiert

987C2_MXI KAT34. TXT

34	I XSB	Painted sports seat backrest Sportsitzrückenlehne in Leder
34	I XSC	Leather sports seat backrest Porsche Wappen geprägt in Kopfstütze
34	I XSD	Porsche Crest embossed in headrest Sitzbedienelemente in Leder
34	I XSE	Front seat controls in leather Schalensitz links
34	I XSF	Bucket seat, left Schalensitz rechts
34	I XSG	Bucket seat, right Rennschalensitz links
34	I XSH	Racing bucket seat, left Sicherheitgurte in Silber
34	I XSJ	Silver seat belts 6-Punkt-Gurte
34	I XSL	6-point harness 6-Punkt-Sicherheitbügel
34	I XSM	6-point safety catch Rennsport-Sicherheitskäfig
34	I XSN	Racing safety cage Entfall hintere Sitzanlage
34	I XSR	Omission of rear seats Schalensitz rechts, Rückseite Carbon
34	I XSS	Carbon back for bucket seat, right Schalensitz links, Rückseite Carbon
34	I XST	Carbon back for bucket seat, left Sicherheitgurte in Sandbeige
34	I XSU	Seat belts in Sand Beige Abgepolsterter Sitz
34	I XSW	Upholstered seat Sicherheitgurte in Maritimblau
34	I XSX	Seat belts in Maritime Blue Sicherheitgurte in Indischrot
34	I XSY	Seat belts in Guards Red Sicherheitgurte in Speedgelb
34	I XTG	Seat belts in Speed Yellow Schwellerabdeckung innen Leder
34	I XTJ	Inner door sills in leather Türtafelteile Wurzelholz/Ahorn hell
34	I XTK	Door panel parts in light burr maple Türtafelteile Wurzelholz/Ahorn dunkel
34	I XTL	Door panel parts in dark burr maple Türtafelteile Carbon
34	I XTR	Door panel parts in Carbon Türtafelteile Alu-Optik
34	I XTT	Door panel parts in Aluminium Look finish Türtafelteile Makassar
34	I XTU	Makassar Ebony door panel parts Türtafelteile Platane
34	I XTV	Sycamore door panel parts Türtafelteile Leder
34	I XTW	Leather door panel parts Türtafelteile Galvanosilber
34	I XUB	Door panel parts in Galvano Silver Abdeckung Scheinwerferreinigungsanlage lackiert
34	I XUV	Cover on headlight cleaning system, painted Deckel Ablagefach Mittelkonsole mit Schriftzug
34	I XVM	Centre console storage bin lid with logo Mitteldüse in Leder
34	I XVP	Leather center air vent Zierleiste inklusive Abdeckung Cupholder in Leder
34	I XVR	Trim strip including cupholder cover in leather Seiten-/Mitteldüsen in Leder
34	I XV1	Side/centre air vent in leather Defrosterblende Lederbezogen
34	I XWR	Defroster trim in leather Rahmen PDK-Kulisse in Alu-Optik

987C2_MXI KAT34. TXT

34	I XWS	PDK gate frame in Aluminium Look Rahmen PDK-Kulisse lackiert
34	I XWT	PDK gate frame painted Rahmen PDK-Kulisse schwarz lackiert
34	I XWU	PDK gate frame painted Black Rahmen PDK-Kulisse in Leder
34	I XXF	PDK gate frame in leather Rote Heckleuchten
34	I XXZ	Red tail lights Fussstütze
34	I XX1	Footrest Fussmatten, Schriftzug, Leder eingefasst
34	I XX2	Floor mats, logo, leather border Fussraumbeluchtung
34	I XYA	Illuminated footwell PDK-Wählhebel (EXC)
34	I XY5	PDK selector lever (EXC) Kulisse Tiptronic-Wählhebel in Leder
34	I XZB	Tiptronic gear selector gate in leather Mitteldüse in Carbon
34	I XZD	Carbon centre air vent Abdeckung Innenleuchte in Leder
34	I X45	Interior light surround in leather Instrumenten-Zifferblatt lackiert in Interieurfarbe
34	I X46	Instrument dial in interior color Tiptronic-Wählhebel in Alu/Leder
34	I X47	Tiptronic selector lever in aluminium/leather Schaltknopf Carbon/Alu/Leder
34	I X48	Gear lever knob in Carbon/leather Tiptronic-Wählhebel in Carbon/Alu
34	I X50	Tiptronic selector lever in Carbon/aluminium Leistungssteigerung 331/340 kW
34	I X51	Powerkit 331/340 kW Leistungssteigerung
34	I X54	Powerkit 250 kW Edelstahlendrohre
34	I X58	Stainless steel tail pipes Handbremshebel Carb/Alu/Leder
34	I X65	Handbrake lever in Carbon/leather Tiptronic-Wählhebel Wurzelholz Hell/Alu
34	I X66	Tiptronic selector lever in light burr maple/aluminium Tiptronic-Wählhebel Wurzelholz Dunkel/Alu
34	I X69	Tiptronic selector lever in dark burr maple/aluminium Einstiegsblenden Carbon, Schriftzug
34	I X70	Door entry guards in Carbon with logo Einstiegsblenden Edelstahl, Schriftzug
34	I X71	Door entry guards in stainless steel with logo Instrumenten-Zifferblatt lackiert/Alufarbe
34	I X72	Instrument dial painted/aluminium Look finish Schaltknopf Alu/Wurzelholz Hell/Leder
34	I X73	Gear lever knob aluminium/light burr maple/leather Sportfahrwerk Turbo
34	I X74	Turbo sports suspension Sportfahrwerk (exclusiv)
34	I X75	Sports suspension (exclusive) Sperrdifferential (exclusiv)
34	I X76	Differential lock (exclusive) Schwellerverkleidungen links/rechts
34	I X91	Inner door sill guard, left/right Handbremshebel Alu/Wurzelholz Hell/Leder
34	I X97	Handbrake lever aluminium/light burr maple/leather Schaltknopf Alu/Leder
34	I X98	Gear lever knob in aluminium/leather Handbremshebel Alu/Leder
34	I X99	Handbrake lever in aluminium/leather Naturleder
34	I 008	Natural leather BOXSTER S 3,2 LITER HUBRAUM

34	I 009	BOXSTER S 3.2 LITRES DISPLACEMENT BOXSTER 2,7 LITER HUBRAUM
34	I 022	BOXSTER 2.7 LITRES DISPLACEMENT Zifferblätter Kombiinstrument in schwarz Black-coloured instrument dials, instrument cluster
34	I 023	Zifferblätter Kombiinstrument in silber Silver -coloured instrument dials, instrument cluster
34	I 024	Griechenland-Ausführung Version for Greece
34	I 025	Zifferblätter Stoppuhr in schwarz Black-coloured instrument dials, stopwatch
34	I 026	Zifferblätter Stoppuhr in silber Silver-coloured instrument dials, stopwatch
34	I 027	Zifferblätter Stoppuhr in carraraweiß Instrument dials, stopwatch in Carrara White
34	I 029	Serienfahrwerk Standard chassis
34	I 030	Sportfahrwerk Sport-type chassis
34	I 032	Langstreckenfahrwerk Touring suspension
34	I 034	Italien - Ausführung Version for Italy
34	I 058	Pralldämpfer vorn und hinten Impact absorbers, front and rear
34	I 061	Grossbritannien-Ausführung Version for Great Britain
34	I 062	Schweden-Ausführung Version for Sweden
34	I 063	Luxemburg-Ausführung Version Luxemburg
34	I 064	Niederlande-Ausführung Version for Netherlands
34	I 065	Dänemark-Ausführung Version for Denmark
34	I 066	Norwegen-Ausführung Version for Norway
34	I 067	Finnland-Ausführung Version for Finland
34	I 068	PAP Rechtslenker-Ausführung PAP right-hand drive version
34	I 069	Sonstige-Länderausführung Other country version
34	I 071	EU-Länderausführung EU country version
34	I 072	Mexico-Ausführung Version for Mexico
34	I 073	Russland-Ausführung Version for Russia
34	I 074	PAP Linkslenker-Ausführung PAP left-hand drive version
34	I 075	China-Ausführung China version
34	I 098	Linkslenker-Ausführung Left-hand drive version
34	I 099	Rechtslenker-Ausführung Right-hand drive version
34	I 111	Österreich-Ausführung Version for Austria
34	I 113	Kanada - Ausführung Version for Canada
34	I 114	Taiwan - Ausführung Version for Taiwan
34	I 119	Spanien - Ausführung Version for Spain
34	I 124	Frankreich - Ausführung Version for France
34	I 126	Beschreibung französisch

987C2_MXI KAT34. TXT

- 34 I 127 Control and indications in French lettering
Beschreibung schwedisch
- 34 I 130 Control and indications in Swedish lettering
Beschreibung englisch
- 34 I 150 Control and indications in English lettering
Betrieb mit verbleitem Kraftstoff
- 34 I 159 Operation with leaded gas
Leistungsreduzierter Motor 155 kW/211 PS
Curbed engine, 155 kW/211 bhp
- 34 I 170 Akustikpaket RDW
Acoustic package RoW
- 34 I 171 Akustikpaket USA
Acoustic package USA
- 34 I 172 Akustikpaket PAP, China, Korea
Acoustic package PAP, China, Korea
- 34 I 181 Standard Klimazonen
Standard climatic zones
- 34 I 182 Heissländ
Hot country
- 34 I 183 Superheißland
Super-hot country
- 34 I 193 Japan-Ausführung
Version for Japan
- 34 I 194 Batterie 60 Ah
Battery, 60 Ah
- 34 I 195 Batterie 70 Ah
Battery, 70 Ah
- 34 I 196 Batterie 80 Ah
Battery, 80 Ah
- 34 I 197 Stärkere Batterie
Stronger battery
- 34 I 198 Stärkerer Anlasser (1,7 kW)
Enhanced starter motor (1.7 kW)
- 34 I 199 Batterietrennschalter
Battery disconnection switch
- 34 I 200 Batterie 95 Ah
95 Ah battery
- 34 I 210 Kennzeichenhalter Ausführung 2
Licence plate holder version 2
- 34 I 211 Kennzeichenhalter Ausführung 3
Licence plate holder version 3
- 34 I 215 Saudi-Arabien - Ausführung
Version for Saudi Arabia
- 34 I 218 Kennzeichenhalter Ausführung 4
Licence plate holder version 4
- 34 I 219 Ausgleichsgetriebe
Differential
- 34 I 220 Sperrdifferential 40 %
Locking differential 40 %
- 34 I 225 Belgien-Ausführung
Version for Belgium
- 34 I 249 Tiptronic-Getriebe
Tiptronic transmission
- 34 I 250 PDK-Getriebe (Doppelkupplung)
PDK transmission (dual clutch)
- 34 I 265 Automatisch abblendbarer Innenspiegel mit Regensensor
Automatic anti-dazzle interior mirror with rain sensor
- 34 I 266 Automatisch abblendbarer Aussenspiegel
Automatic anti-dazzle door mirror
- 34 I 267 Automatisch abblendbarer Innen und Aussenspiegel
Automatically dimmable interior and door mirrors
- 34 I 268 Regensensor
Rain sensor
- 34 I 270 Aussenspiegel für Fahrerseite -plan-,
elektrisch verstell- und beheizbar
Door mirrors -flat - driver's side,
electrically adjustable and heatable
- 34 I 271 Aussenspiegel für Fahreseite -asphärisch-,

987C2_MXI KAT34. TXT

elektrisch verstell- und beheizbar
 Door mirrors -aspherical - driver's side,
 electrically adjustable and heatable
 34 I 273 Aussenspiegel, elektrisch verstell- und beheizbar
 Door mirrors, electrically adjustable and heatable
 34 I 274 Make-Up Spiegel beleuchtet
 Vanity mirror, illuminated
 34 I 277 Schweiz-Ausführung
 Version for Switzerland
 34 I 288 Scheinwerfer-Reinigungsanlage
 Headlamp washer
 34 I 301 Getriebeübersetzung lang
 Transmission ratio long
 34 I 305 Schalthebel in Alcantara, schwarz
 Gear lever in Alcantara, Black
 34 I 308 Wählhebel in Alcantara, schwarz
 Selector lever in Alcantara, Black
 34 I 325 Südafrika/Neuseeland-Ausführung
 Version for South Africa/New Zealand
 34 I 342 Sitzheizung, links u. rechts
 Seat heating system, left/right seat
 34 I 345 Lenkradheizung
 Heated steering wheel
 34 I 369 Basissitz links
 Standard seat, left
 34 I 370 Basissitz rechts
 Standard seat, right
 34 I 375 Sportsitz, Lehnenschale, links
 Sports seat, backrest shell, left
 34 I 376 Sportsitz, Lehnenschale, rechts
 Sports seat, backrest shell, right
 34 I 377 Sportsitz, Lehnenschale, links,
 elektrisch verstellbar
 Sports seat, backrest shell, left,
 electrically adjustable
 34 I 378 Sportsitz, Lehnenschale, rechts,
 elektrisch verstellbar
 Sports seat, backrest shell, right,
 electrically adjustable
 34 I 388 Sportschalensitz links
 Sports bucket seat, left
 34 I 389 Sportschalensitz rechts
 Sports bucket seat, right
 34 I 392 Carrera Rad 17"
 17-inch Carrera wheel
 34 I 393 Rad Boxster-2 17" (987)
 17-inch Boxster II wheel (987)
 34 I 394 Boxster III 17" Rad
 Boxster III 17" wheel
 34 I 397 Rad Boxster S 18" (987)
 18-inch Boxster II wheel (987)
 34 I 398 Cayman Rad 17"
 17-in. Cayman wheel
 34 I 399 CAYMAN II 17" Rad
 CAYMAN II 17" wheel
 34 I 401 Cayman S Rad 18"
 18-in. Cayman S wheel
 34 I 402 Carrera 3 Rad 18"
 Carrera 3 wheel 18-inch
 34 I 403 Carrera S Rad 19"
 Carrera S wheel 19-inch
 34 I 404 Turbo-1 Rad 19"
 19" Turbo-1 wheel
 34 I 405 Carrera Classic Rad 19"
 Carrera Classic wheel 19-inch
 34 I 406 Carrera GT Rad 19"/20"
 Carrera GT wheel 19-inch/20-inch
 34 I 407 Sport-Design Rad 19"

987C2_MXI KAT34. TXT

34	I 408	SportDesign wheel 19-inch BOXSTER S II 18" Rad
34	I 409	BOXSTER S II 18" wheel CAYMAN S II 18" Rad
34	I 410	CAYMAN S II 18" wheel Turbo-2 Rad 18"
34	I 411	18-inch Turbo-2 wheel Carrera-Rad 18"
34	I 415	18-inch Carrera wheel Turbo-Look-2 Rad 18"
34	I 416	18-inch Turbo-Look II wheel Rad GT3 18"
34	I 418	18-inch GT3 wheel Rad Turbo-2 18" GT-Silber
34	I 419	18-inch Turbo II wheel in GT Silver Carrera S II Rad 19"
34	I 421	Carrera S Facelift 19" wheel Turbo-2 Rad 19"
34	I 424	Turbo 2 wheel, 19" CD-Ablage
34	I 425	Cd compartment Heckscheibenwischer
34	I 426	Rear window wiper Ohne Heckscheibenwischer
34	I 431	Without rear window wiper Multifunktionslenkrad, Touch & Feel
34	I 432	Multi-function steering wheel, touch + feel Lenkrad mit Tiptronic-Bedienung
34	I 433	Steering wheel with Tiptronic control Sportlenkrad GT3, Alcantara
34	I 435	Sports steering wheel GT3, Alcantara Sportlenkrad
34	I 436	Sports steering wheel 3-Speichen-Airbaglenkrad
34	I 437	3-spoke airbag steering wheel Komfortsitze links, elektrisch verstellbar
34	I 438	Comfort seat, left, electrically adjustable Komfortsitze rechts, elektrisch verstellbar
34	I 439	Comfort seat, right, electrically adjustable Elektrische, Verdeckbetätigung
34	I 440	Electrical hood operation Antennen-Diversität
34	I 441	Antenna diversity Radiovorbereitung
34	I 444	Radio preparation Diebstahlsicherung, Radschrauben "THATCHAM"
34	I 446	Anti-theft lock, wheel bolts "THATCHAM" Radzierdeckel konkav mit farbigem Wappen
34	I 447	Concave wheel centers with full-colour Porsche Crest Notrad
34	I 450	Emergency wheel Keramik-Bremse (PCCB)
34	I 451	Ceramic brake (PCCB) Multifunktionslenkrad, makassar, Touch & Feel
34	I 452	Multi-function steering wheel, Makassar Ebony, touch + feel Multifunktionslenkrad, platane, Touch & Feel
34	I 453	Multi-function steering wheel, Sycamore, touch + feel Multifunktionslenkrad, carbon, Touch & Feel
34	I 454	Multi-function steering wheel, Carbon, touch + feel Automatische Geschwindigkeitsregulierung
34	I 459	Automatic speed control 3-Speichen-Airbaglenkrad, Touch & Feel
34	I 460	3-spoke airbag steering wheel, touch + feel Sportlenkrad, Touch & Feel
34	I 461	Sports steering wheel, touch + feel Stabantenne
34	I 465	External antenna Nebelschlusleuchte links

987C2_MXI KAT34. TXT

34	1466	Rear fog light, left Nebelschlussleuchte rechts
34	1475	Rear fog light, right Elektrische Dämpferregelung "PASM"
34	1476	"PASM" electronic damper control Porsche Stability Management (PSM)
34	1479	Porsche Stability Management (PSM) Australien - Ausführung
34	1480	Version for Australia 6-Gang Schaltgetriebe
34	1481	6-speed manual transmission 5-Gang Schaltgetriebe
34	1482	5th-speed manual transmission Reifendruckkontrolle, RDK 433 Mhz
34	1483	Tire Pressure Monitoring TPM, 433 MHz Reifendruckkontrolle, RDK 315 Mhz
34	1484	315-MHz TPM, Tire Pressure Monitoring USA - Ausführung
34	1488	Version for USA Beschriftung deutsch
34	1490	Inscriptions in German language Klangpaket "ASK"
34	1492	Sound system "ASK" Scheinwerfer für Linksverkehr
34	1498	Headlights for left-hand traffic Entfall der Modellbezeichnung am Heck
34	1499	Deletion of model designation on rear end Ausführung für die Bundesrepublik Deutschland
34	1501	Version for Germany Car-Cover
34	1509	Car cover Feuerlöscher
34	1513	Fire extinguisher Lordosenstütze rechter Sitz
34	1521	Lumbar support, right seat Neigungsgeber
34	1524	Tilt sensor Wegfahrsicherung, Zentralverriegelung, 433 MHz
34	1525	Immobilizer, central locking, 433 MHz Wegfahrsicherung, Zentralverriegelung, 315 MHz
34	1532	Immobilizer, central locking, 315 MHz Entfall Fernbedienung Alarmanlage
34	1533	Alarm system remote control omitted Entfall Funkbetätigung Verdeck
34	1534	Radio convertible-top operation omitted Diebstahlsicherungsanlage 433 Mhz
34	1535	Theft security system, 433 MHz Diebstahlsicherungsanlage 315 Mhz
34	1536	Theft security system, 315 MHz -07 Alarmsirene und Neigungsgeber 08- Alarmsirene
34	1537	-07 Alarm siren and tilt sensor 08- Alarm siren Sitzpositions-Steuerung für Komfortsitz, links
34	1538	Seating position control for comfort seat, left Sitzpositions-Steuerung für Komfortsitz, rechts
34	1539	Seating position control for comfort seat, right Mechanische Sitzhöhenverstellung links
34	1540	Mechanical seat-height adjustment, left Mechanische Sitzhöhenverstellung rechts
34	1541	Mechanical seat-height adjustment, right Aktive Sitzbelüftung
34	1544	Active seat ventilation Diebstahlsicherung ohne Infrarot-Überwachung 433 MHz
34	1545	Anti-theft protection without infrared monitoring, 433 MHz Diebstahlsicherung ohne Infrarot-Überwachung 315 MHz
34	1549	Anti-theft protection without infrared monitoring, 315 MHz Dachtransportsystem
34	1550	Roof Transport System Hardtop

34	1551	Hard top Windstop
34	1553	Wind deflector USA-Canada-Ausführung
34	1554	Version for USA, Canada Bugspoilerlippe beigelegt
34	1555	Front spoiler lip included Sicherheitsgurte in Schwarz
34	1560	Black seat belts Advanced Airbag
34	1562	Advanced airbag Airbag Fahrer- und Beifahrerseite
34	1563	Airbag, driver's side and front passenger's side Seitenairbag
34	1566	Side airbag Nebelscheinwerfer weiss
34	1567	Front fog lights, white Frontscheibe im oberen Bereich stark eingefärbt
34	1568	Windscreen tinted, upper part darker coloured Windschutzscheibe ohne Bandfilter
34	1571	Windscreen without shade band Aktivkohlefilter
34	1572	Activated charcoal filter Klimaanlage manuell
34	1573	Manual air-conditioning system Klima-Anlage
34	1574	Air conditioner Ohne Klimaanlage
34	1575	Without air conditioner Kofferraumkühlung
34	1580	Luggage compartment cooling system Gepäckschott / Gepäckgitter
34	1581	Luggage bulkhead/luggage guard Mittelkonsole vorn
34	1584	Centre console, front Ablagebox auf Motordeckel
34	1586	Storage box on engine cover Lordosenstütze linker Sitz
34	1590	Lumbar support, left seat Stahl-Türen
34	1592	Steel doors Himmel Standard, Stoff
34	1594	Standard rooflining, fabric Himmel Alcantara
34	1601	Alcantara rooflining Xenon-Licht
34	1602	Xenon lighting system Hochgesetzte Bremsleuchte
34	1603	Raised stop lamp Xenon plus dynamisches Kurvenlicht
34	1605	Xenon plus dynamic cornering light LED-Tagfahrlicht
34	1606	LED daytime driving lights Tagfahrlicht
34	1607	Daytime driving lights Garagentoröffner "Homelink" 315Mhz
34	1608	Garage door opener "Homelink", 315 MHz Garagentoroeffner "Homelink" 433Mhz
34	1610	Garage door opener "Homelink" 433 MHz DVD Navigation "Paket Europa"
34	1611	DVD navigation, "Europe package" DVD Navigation Südafrika
34	1612	DVD navigation South Africa DVD Navigation mittlerer Osten
34	1613	DVD navigation middle east DVD Navigation Australien
34	1614	DVD navigation australia DVD Navigation Asien-Pazifik

987C2_MXI KAT34. TXT

34	1615	DVD navigation asi a-paci fic DVD Navigation, Nordamerika
34	1616	DVD navigation system, North America DVD, Navigation Russland
34	1617	DVD, Navigation Russi a DVD Navigation Südameri ka
34	1618	DVD navigation South America Telefonvorberei tung
34	1619	Preparation for telephone i nstall ati on Handyvorberei tung (BLUETOOTH) ohne Konsol e
34	1621	Mobile phone preparati on (BLUETOOTH) wi thout consol e 12 Volt Steckdose, Bei fahrerseite, Fussraum
34	1625	12-V socket, passenger' s side, footwell Porsche "entry and drive""KESSY"
34	1635	"KESSY" Porsche Entry and Drive Einparkhil fe
34	1639	Parking assi stant Sport-Chrono-Paket
34	1640	Sport Chrono package Sport-Chrono-Paket plus
34	1641	Sport Chrono package plus elektronisches Fahrtenbuch
34	1650	el ectroni c logbook Elektri sches Schi ebedach
34	1651	Electrical slidi ng roof Elektri scher Fensterheber
34	1652	Electric wi ndow opener Ohne Schiebe-Hubdach
34	1657	Wi thout slidi ng/tilti ng roof Servolenkung
34	1659	Power assi sted steeri ng Bordcomputer
34	1660	On-board computer OBD 2
34	1661	OBD 2 Verschärftes Abgaskonzept
34	1663	Stricter emissi on-control concept Kraftstoffpumpensteuerung
34	1664	Fuel pump acti vati on ORVR
34	1665	ORVR -2008 PCM 2, 2009- PCM 3 Grundmodul i ncl usi ve Radi o
34	1666	-2008 PCM 2, 2009- PCM 3 basic module i ncl . radi o -2008 PCM 2, 2009- PCM 3 Telefon (GSM)
34	1668	-2008 PCM 2, 2009- PCM 3 tel ephone (GSM) PCM2 Telefonbedi enhoerer
34	1669	PCM2 tel ephone handset PCM 3 - Telefon Bedi enhörer (BLUETOOTH)
34	1670	PCM 3 - Telephone handset (BLUETOOTH) PCM2 Navigati on
34	1671	PCM2 navigati on Sprachbedi ensystem
34	1672	Voice control system -2008 PCM 2, 2009- PCM 3 Navigati on Offroad
34	1673	-2008 PCM 2, 2009- PCM 3 Offroad navigati on Vorberei tung Navigati on Chi na
34	1674	Navigati on system preparati on, Chi na Vorrüstung "Vehi cle Tracki ng System"
34	1675	"Vehi cle Tracki ng System" preparati on Ohne Radi o Vorberei tung (Japan-Navi)
34	1676	Wi thout radi o preparati on (Japan navigati on system) TV-Tuner
34	1677	TV tuner "Drivercard" Antenne
34	1678	"Driver card" antenna Anbi ndung Al armanl age
34	1679	Al arm system connecti on Wi ederstartverhi nderung

		Restart i nhi bi tor
34	1680	Soundpaket BOSE
		BOSE sound package
34	1685	Geteilte Rücksitzanlage
		Rear seats, split
34	1686	SAT-Radioempfang XM (SDARS)
		SAT radio reception XM (SDARS)
34	1689	CD-Wechsler Vorbereitung
		Preperation for CD autochanger
34	1690	CD-Radio "Porsche Online Pro"
		CD radio "Porsche Online Pro"
34	1692	CD-Wechsler "Porsche"
		CD autochanger "Porsche"
34	1693	CD-/DVD-Wechsler integriert
		Integrated CD/DVD autochanger
34	1694	CD-Radio "PORSCHE CDR 24"
		CD radio "PORSCHE CDR 24"
34	1695	CD-RADIO, PORSCHE CDR 30
		CD RADIO, PORSCHE CDR 30
34	1697	CD-Radio "Porsche CDR 23"
		CD radio "Porsche CDR-23"
34	1711	Entfall Unterbodenschutz
		Omission underbody protection
34	1753	Sondermodell "Orange"
		Special model "orange Spyder"
34	1754	Sondermodell "RS 60 Spyder"
		Special model "RS 60 Spyder"
34	1755	Sondermodell "Porsche Design Edition 1"
		Special model "Porsche Design Edition 1"
34	1757	Sondermodell "Porsche Design Edition 2"
		Special model "Porsche Design Edition 2"
34	1789	Individualfarbe
		Colour to sample
34	1796	Ganzlederausstattung Naturleder
		Full leather trim natural leather
34	1798	Ganzlederausstattung Sonderleder
		Full leather trim special leather
34	1799	Ganzlederausstattung nach Wahl
		Full leather trim by choice
34	1801	Holzpaket Makassar, dunkel seidenmatt
		Makassar Ebony wood package, dark (matt satin finish)
34	1802	Holzpaket Platane, hell seidenmatt
		Sycamore package, light (matt satin finish)
34	1803	Carbonpaket
		Carbon package
34	1804	Exterieur-Paket Carbon GT2
		GT2 Carbon exterior package
34	1805	Lifestyle-Paket
		Lifestyle package
34	1810	Fussmatten
		Floor mats
34	1840	Sportlenkrad-PDK mit Paddle
		Sports steering wheel for PDK with paddle
34	1841	Basislenkrad Glattleder
		Basic steering wheel Smooth leather
34	1844	Multifunktionslenkrad Glattleder
		Multi-function steering wheel Smooth leather
34	1845	Multifunktionslenkrad Carbon
		Multi-function steering wheel Carbon
34	1847	Multifunktionslenkrad Makassar
		Multi-function steering wheel Makassar
34	1870	Universale Multimedia-Schnittstelle
		Universal multimedia interface
34	1912	ohne Typschild
		without ID plate
34	1936	Sitzbezüge hinten, Leder
		Seat covers, rear, leather
34	1937	Sitzbezüge hinten, Kunstleder

987C2_MXI KAT34. TXT

34	1939	Seat covers, rear, leatherette Sitzbezüge hinten, Raffleder
34	1946	Seat covers, rear, draped leather Sitzbezüge vorne, Leder/Leder/Kunstleder
34	1950	Seat covers, front, leather/leather/leatherette Sitzbezüge vorne, Alcantara/Kunstleder/Kunstleder
34	1951	Alcantara seat covers, front Sitzbezüge vorne, Alcantara/Leder/Leder
34	1970	Seat covers front, Alcantara/leather/leather Innenaustattung zwei farbig
34	1971	Two-tone interior Naturleder mit "TORO"-Prägung
34	1981	"TORO" embossed leather Leder-Ausstattung, ohne Sitzbezug
34	1982	Leather equipment, without seat covers Sitzbezüge vorne, Raffleder/Leder/Leder
34	1983	Seat covers, front, draped leather/leather/leather Sitzbezüge vorne, Leder
34	1985	Seat covers, front, leather Sitzbezüge, Leder/Leder/Kunstleder, 2
34	1990	Seat covers, leather/leather/leatherette, 2 Sitzbezüge vorne, Stoff/Stoff/Kunstleder
34	1991	Seat covers, front, cloth/cloth/leatherette Airbagmodul in Leder
34	1998	Steering wheel airbag module in leather Leder, Natur
34	1999	Leather, natural Innenraumüberwachung Sensor für Lederfarbe nach Wahl Passenger compartment monitoring sensor for leather colour of choice

Model	Year	MG	SG	Illustration	VIN No.	Update		
987C2	10					249	10:12	03.03.2010

PET CONTAINS THE ORDERING DETAILS FOR ALL MODELS SHOWN IN THE MODEL OVERVIEW.

THE UPDATE SERVICE IS PERFORMED AUTOMATICALLY VIA INTERNET UPDATE.

THE VERSION IS SHOWN IN THE HEADER AS "UPDATE 123/12"

SEATS AND RELATED ITEMS FOR MODELS INTRODUCED BEFORE 1997 ARE SHOWN IN THE STZ CATALOGUE.

SEATS AND RELATED ITEMS FOR MODELS INTRODUCED AFTER 1997 ARE SHOWN IN THE CORRESPONDING VEHICLE CATALOGUES.

ALL ILLUSTRATIONS ARE NON-BINDING.

SUBJECT TO CHANGE.

Model 987C2	Year 10	MG	SG	Illustration	VIN No.	Update 249	10:16	03.03.2010
----------------	------------	----	----	--------------	---------	---------------	-------	------------

EQUIPMENT BY COUNTRY REGULATIONS

=====

- (A) AUSTRIA
- (AG) ARABIAN GULF STATES
- (AUS) AUSTRALIA
- (B) BELGIUM
- (BR) BRAZIL
- (CDN) CANADA
- (CH) SWITZERLAND
- (CN) PEOPLE'S REPUBLIC OF CHINA
- (D) FEDERAL REPUBLIC OF GERMANY
- (DK) DENMARK
- (E) SPAIN
- (F) FRANCE
- (GB) GREAT BRITAIN
- (GR) GREECE
- (HK) HONGKONG

Model	Year	MG	SG	Illustration	VIN No.	Update	10:16	03.03.2010
987C2	10					249		

(I) ITALY

(J) JAPAN

(L) LUXEMBURG

(N) NORWAY

(NL) NETHERLANDS

(NZ) NEW ZEALAND

(P) PORTUGAL

(ROK) KOREA

(RC) TAIWAN

(THA) THAILAND

(S) SWEDEN

(SA) SAUDI ARABIA

(SF) FINLAND

(USA) UNITED STATES OF AMERICA

(ZA) SOUTH AFRICA

Model 987C2	Year 10	MG	SG	Illustration	VIN No.	Update 249	10:13	03.03.2010
----------------	------------	----	----	--------------	---------	---------------	-------	------------

EXPLANATION OF THE MOTOR-NUMBERS USED IN THE CATALOGUE

=====

```

DIGIT:                1 2 3   4 5 6 7 8

EXAMPLE:              6 9 5   0 0 1 3 6
                    = = =   =====
                    ! ! !       !

ENGINE TYPE (6 = 6-CYL.-ENGINE)-----+ ! !       !
FROM MY-09 POWER KIT (S) OTHERWISE (_)-----+ ! !       !
                    ! !       !

ENGINE VERSION-----+ !       !
FROM MY-09 CONUNTRY VERSION (T=Taiwan) OTHERWISE(____)+ !       !
                    !       !

MODEL YEAR-----+           !
                    !

SERIAL NUMBER-----+
    
```

Model	Year	MG	SG	Illustration	VIN No.	Update	10:13	03.03.2010
987C2	10					249		

VEHICLE TYPE	MY	VIN	ENGINE TYPE	
CAYMAN	09 9	989S7 50061>60000	MA1.20C	195 KW
CAYMAN	09 9	989U7 50061>60000	MA1.20C	195 KW
CAYMAN (USA, CN, CDN, MEX, BR)	09 9	989S7 60061>70000	MA1.20C	195 KW
CAYMAN (USA, CN, CDN, MEX, BR)	09 9	989U7 60061>70000	MA1.20C	195 KW
CAYMAN "S"	09 9	989S7 70061>80000	MA1.21C	236 KW
CAYMAN "S"	09 9	999U7 70061>80000	MA1.21C	236 KW
CAYMAN S (USA, CN, CDN, MEX, BR)	09 9	989S7 80061>90000	MA1.21C	236 KW
CAYMAN S (USA, CN, CDN, MEX, BR)	09 9	989U7 80061>90000	MA1.21C	236 KW
CAYMAN	10 A	98AS7 50061>60000	MA1.20C	201 KW
CAYMAN	10 A	98AU7 50061>60000	MA1.20C	201 KW
CAYMAN (CN, MEX, BR)	10 A	98AS7 60061>70000	MA1.20C	201 KW
CAYMAN (USA, CDN)	10 A	A8AS7 60061>70000	MA1.20C	201 KW
CAYMAN (CN, MEX, BR)	10 A	98AU7 60061>70000	MA1.20C	201 KW
CAYMAN (USA, CDN)	10 A	A8AU7 60061>70000	MA1.20C	201 KW
CAYMAN "S"	10 A	98AS7 70061>80000	MA1.21C	239 KW
CAYMAN "S"	10 A	98AU7 70061>80000	MA1.21C	239 KW
CAYMAN S (CN, MEX, BR)	10 A	98AS7 80061>90000	MA1.21C	239 KW
CAYMAN S (USA, CDN)	10 A	A8AS7 80061>90000	MA1.21C	239 KW
CAYMAN S (CN, MEX, BR)	10 A	98AU7 80061>90000	MA1.21C	239 KW
CAYMAN S (USA, CDN)	10 A	A8AU7 80061>90000	MA1.21C	239 KW

Model 987C2	Year 10	MG	SG	Illustration	VIN No.	Update 249	10:15	03.03.2010
----------------	------------	----	----	--------------	---------	---------------	-------	------------

IN COLUMN - A -

IDENTIFICATION LETTER FOR PERIOD OF INSTALLATION
THAT IS REPEATED SEVERAL TIMES IN THE CATALOG GROUP.

EXPLANATION PLEASE FIND IN TEXT COLUMN OF THE CATALOG GROUP

IN COLUMN - QU - = NO. OF PIECES

1 NUMBER PER APPLICATION

X NUMBER AS NEEDED

* AVAILABLE ONLY IN RUNNING LENGTHS 1 = 1 METRE

IN COLUMN - MODEL/SYMBOL -

M650 OPTIONAL EQUIPMENT - SEE M-NO. LIST

-98 LIMITATION OF MODEL YEAR FOR INSTANCE: VALID UP TO
END OF MODEL YEAR 1997

/LL LHD

/RL RHD

-----+

/V FRONT I

Model 987C2	Year 10	MG	SG	Illustration	VIN No.	Update 249	10:15	03.03.2010
----------------	------------	----	----	--------------	---------	---------------	-------	------------

I
 /H REAR I
 I----> APPLIES TO
 /L LEFT I DIRECTION OF TRAVEL
 I
 /R RIGHT I
 -----+
 WW THE PART CAN BE USED INSTEAD OF THE
 PRECEDING ONE.

Model 987C2	Year 10	MG	SG	Illustration	VIN No.	Update 249	10:15	03.03.2010
----------------	------------	----	----	--------------	---------	---------------	-------	------------

LEGENDS AND NOTICES

=====

IN COLUMN -S- STATUS

- N NEW ADDITION

- P PART ALREADY IN PROGRAMME, BUT NEW
AT THIS APPLICATION

- W DELETED AT THIS APPLICATION, BUT CONTINUED TO BE CARRIED

- K THIS PART MUST BE RE-ORDERED IF IT IS UNAVAILABLE WHEN THE
ORDER IS FIRST PLACED. ORDER BACKLOGS ARE NOT PROCESSED.

- A STOCK TO BE USED UP

- U DELETED WITHOUT REPLACEMENT

- * PART ALSO OR ONLY AVAILABLE
IN REPAIR KIT

- > ALSO AVAILABLE IN EXCHANGE

IN COLUMN - ILL. -

- 1 IDENTIFICATION NO. IN ILLUSTRATION

- (1) PART ONLY SIMILAR AS ILLUSTRATED

Model	Year	MG	SG	Illustration	VIN No.	Update	10:15	03.03.2010
987C2	10					249		

- PART IS NOT ILLUSTRATED

FIG.-NUMBERS FOR WHICH THERE IS SHOWN NO TEXT ARE
NOT VALID FOR THIS EDITION OF CATALOGUE

IN COLUMN -PART NUMBER/CODE-

000 000 000 00 PART NUMBER EQUALS ORDERING NO., IF A CODE IS
SHOWN, IT WILL HAVE TO BE PART OF ORDERING
NUMBER

01C COLOUR CODE

IN COLUMN -TEXT

INSTALLATION WITH ENGINE OR CHASSIS
NUMBER-RANGE

EXAMPLE:

M 66W 00389>> FROM ENGINE NO.

F >>99WS6 00889 UP TO CHASSIS NO.

Model 987C2	Year 10	MG	SG	Illustration	VIN No.	Update 249	10:14	03.03.2010
----------------	------------	----	----	--------------	---------	---------------	-------	------------

		TRANSM.					
VEHICLE TYPE		TYPE	MY	TRANSMISSION NO.		TECHNICAL DATA	
CAYMAN		G87.10	09 9	G8710 1	002001>999999	6-GANG	
CAYMAN PDK		CG2.00	09 9	CG200 1	002001>999999	7-GANG	
CAYMAN "S"		G87.40	09 9	G8740 1	002001>999999	6-GANG	
CAYMAN "S" PDK		CG2.20	09 9	CG220 1	002001>999999	7-GANG	
CAYMAN		G87.10	10 A	G8710 1	002001>999999	6-GANG	
CAYMAN PDK		CG2.00	10 A	CG200 1	002001>999999	7-GANG	
CAYMAN "S"		G87.40	10 A	G8740 1	002001>999999	6-GANG	
CAYMAN "S" PDK		CG2.20	10 A	CG220 1	002001>999999	7-GANG	

Model 987C2	Year 10	MG	SG	Illustration	VIN No.	Update 249	10:14	03.03.2010
----------------	------------	----	----	--------------	---------	---------------	-------	------------

EXPLANATION OF THE TRANSMISSION-NUMBERS USED IN THE CATALOGUE

```

=====

DIGIT:                1  2  3  4  5      6  7  8  9 10 11

EXAMPLE:              G  9  7  0  1      1  0  0  5  4  3
                      =  =====      =  =====
                      !      !          !      !
                      !      !          !      !
TRANSMISSION TYPE-----+          !      !
                      !          !      !
TRANSMISSION VERSION-----+          !      !
                      !          !      !
INDEX OF VARIANTS-----+          !
                      !
SERIAL NUMBER-----+
    
```

Model	Year	MG	SG	Illustration	VIN No.	Update	10:13	03.03.2010
987C2	10					249		

		ENGINE			
VEHICLE TYPE		TYPE	MY	ENGINE NO.	TECHNICAL DATA
CAYMAN		MA1.20	09 9	C_9 00501>99999	6ZYL/2,9L /195 KW
CAYMAN "S"		MA1.21	09 9	C_9 00501>99999	6ZYL/3,4L /235 KW
CAYMAN		MA1.20	10 A	C_A 00501>99999	6ZYL/2,9L /195 KW
CAYMAN "S"		MA1.21	10 A	C_A 00501>99999	6ZYL/3,4L /235 KW