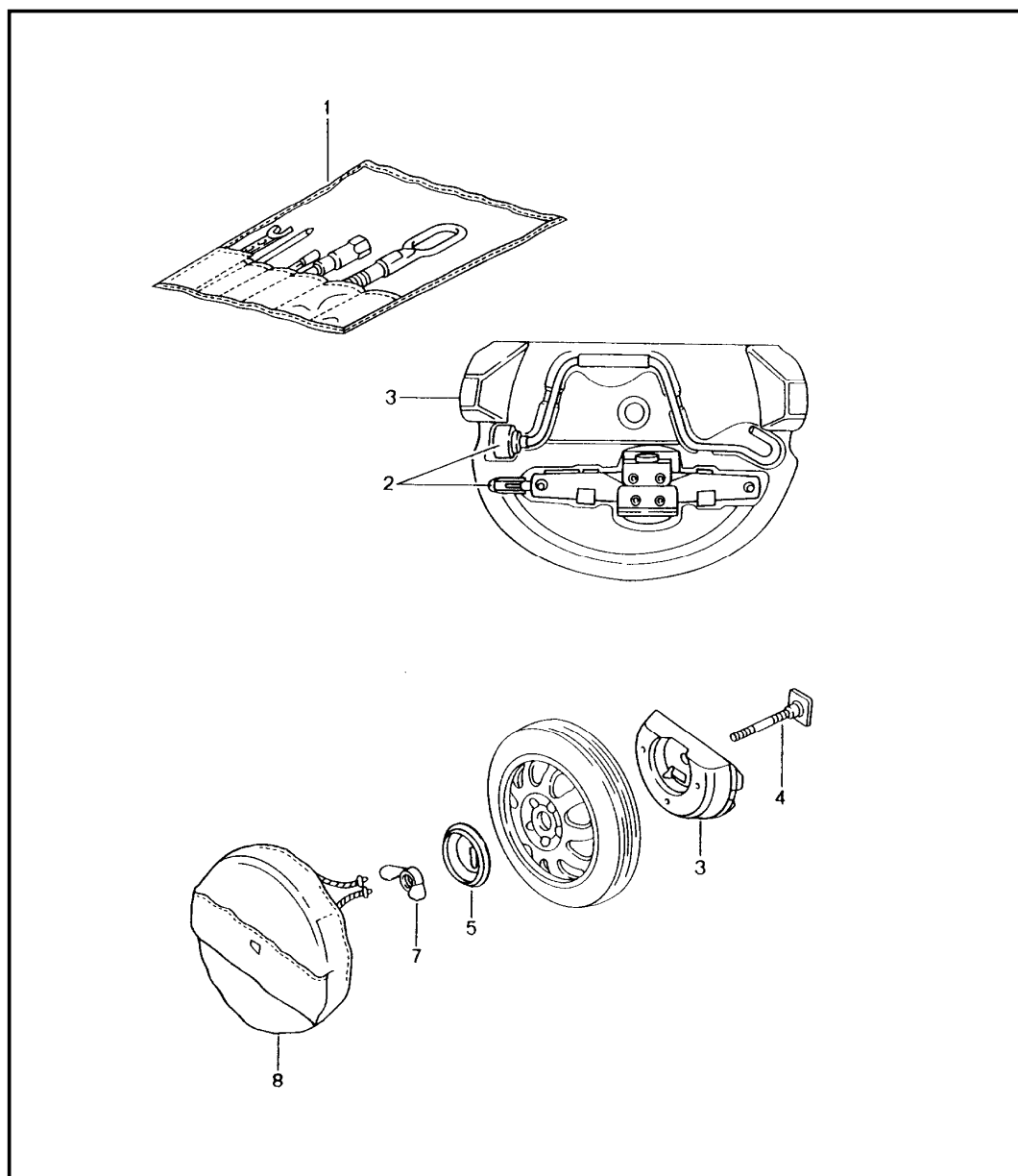


Model	Year	MG	SG	Illustration	Restrictions	UPD	13:31	24.01.2010	PORSCHE	PET	PORSCHE
996	2005	0	01	001-00		248					

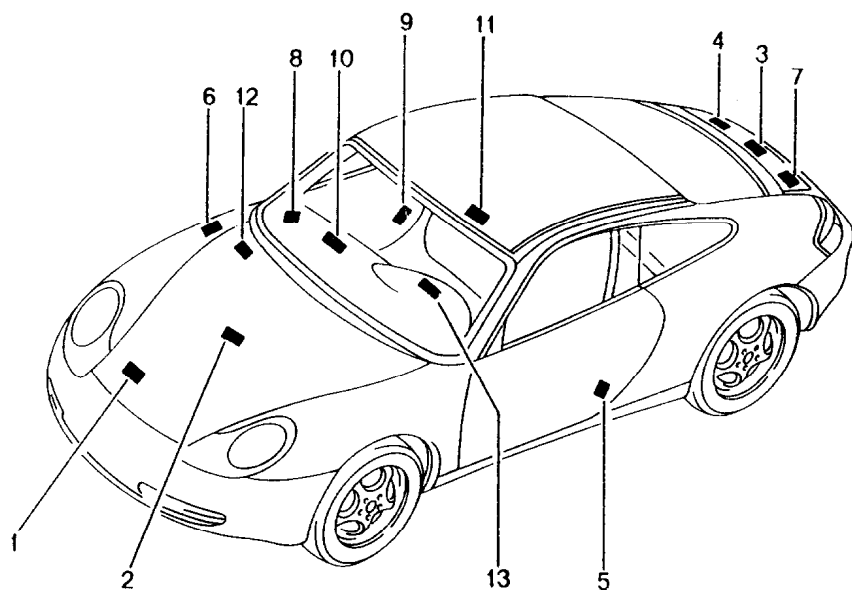


Pos	Part Number	Description	Remark	Qty	Model
		tool jack			
1	996 721 115 00	tool bag with contents comprising:		1	
-	996 721 415 00	tool bag without content		1	
-	996 361 521 00	boot for tyre		1	
-	999 914 001 40	plastic gloves		1	
-	996 721 151 00	towing lug		1	
-	477 012 229	double-end spanner 10 X 13		1	
-	477 012 231	screwdriver		1	
-	111 012 287	handle for screwdriver		1	
-	999 571 076 02	socket wrench - 5 - for headlamp		1	
-	999 571 074 30	threaded bolt for assembly wheels		1	
-	477 012 221 A	rim wrench		1	
-	999 571 070 30	operating rod for rim wrench		1	
2	996 721 211 00	scissors type jack		1	
3	996 722 101 00	foam part		1	M338
4	996 721 701 00	fastening part		1	M338
5	477 813 157	fastening plate		1	
7	900 029 004 02	winged nut M 10		1	M338
(7)	900 029 109 02	wing screw M 10 X 65	99-	1	M339

Model	Year	MG	SG	Illustration	Restrictions	UPD	13:31	24.01.2010	PORSCHE	PET	PORSCHE
996	2005	0	01	001-00		248					

Pos	Part Number	Description	Remark	Qty	Model	Pos	Part Number	Description	Remark	Qty	Model
-	999 031 051 02	washer 11,0 X 20 X 3,5		1	C4S M450/680						
8	-	see group 8/07/00 POS.19		1							
-	000 722 722 02	warning triangle		1							
-	993 722 041 00	first-aid kit		1							

Model	Year	MG	SG	Illustration	Restrictions	UPD	13:31	24.01.2010	PORSCHE	PET	PORSCHE
996	2005	0	01	001-05		248					

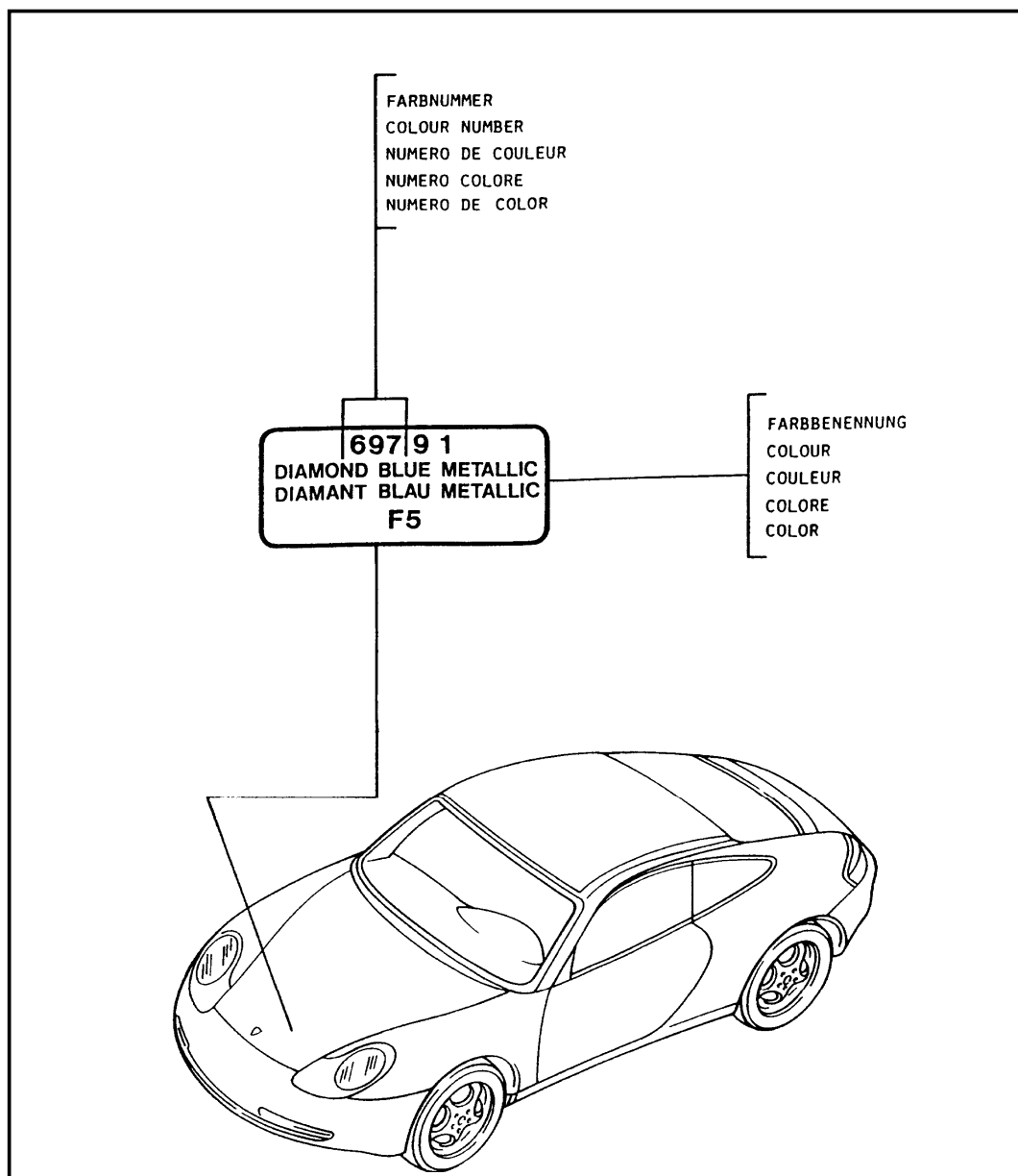


Pos	Part Number	Description	Remark	Qty	Model
		stickers			
		stickers tyre pressure			
1	996 701 287 20	sticker	-01	1	M338
1	996 701 287 40	sticker	02-	1	M338
1	996 701 287 23	sticker	-01	1	M339
1	996 701 287 43	sticker	02-	1	M339
1	996 701 287 48	sticker	02-	1	C4S
1	996 701 287 22	sticker	(AUS) -01	1	M338
1	996 701 287 42	sticker	(AUS) 02-	1	M338
1	996 701 287 25	sticker	(AUS) -01	1	M339
1	996 701 287 45	sticker	(AUS) 02-	1	M339
1	996 701 287 50	sticker	(AUS) 02-	1	C4S
1	996 701 170 00	sticker first-aid kit	99-	1	M339/499
		stickers emergency wheel		1	
2	996 361 701 10	sticker english	(AUS)	1	M338
2	996 361 701 00	sticker english	(AUS)	1	M339
2	996 361 701 20	sticker english	(AUS) 03-	1	C4S M450
2	928 701 150 00	sticker "MAX 80 KM/H"		1	
		stickers engine specifications			
3	996 006 107 00	sticker	(AUS) 98	1	
3	996 006 107 01	sticker	(AUS) 99	1	
3	996 006 107 03	sticker	(AUS) 00	1	
3	996 006 107 04	sticker	(AUS) 01	1	
3	996 006 107 05	sticker	(AUS) 02	1	

Model	Year	MG	SG	Illustration	Restrictions	UPD	13:31	24.01.2010	PORSCHE	PET	PORSCHE
996	2005	0	01	001-05		248					

Pos	Part Number	Description	Remark	Qty	Model	Pos	Part Number	Description	Remark	Qty	Model
3	996 006 107 06	sticker	(AUS) 03	1		8	996 701 430 01	sticker child car seat italian french	01-	1	
3	996 006 107 07	sticker	(AUS) 04	1							
3	993 006 108 02	sticker	-01	1	M068	8	996 701 430 02	sticker child car seat english spanish	01-	1	
3	996 006 108 00	sticker	02-	1	M068						
4	928 701 140 04	sticker exhaust gas	-99	1	M068/325	8	996 701 430 03	sticker child car seat swedish english	01-	1	
		stickers type of fuel									
6	996 006 117 00	sticker 98 ROZ		1		8	996 701 430 04	sticker child car seat arabic english	04-	1	
6	996 006 117 02	sticker 96 ROZ	(AUS)	1							
6	996 006 117 01	sticker 98 ROZ		1	M150	12	996 701 141 01	sticker air conditioner		1	
6	996 006 117 03	sticker 93 RON/MON/2	(J)	1				stickers convertible top control see group 8/07/09			
6	996 701 190 00	sticker fuel tank cap	01-	1							
7 A	993 006 544 01	sticker engine oil - MOBIL 1 -		1							
7	997 006 544 00	sticker engine oil - MOBIL 1 -		1							
7	996 006 120 00	indication sticker expansion tank coolant	00-	1							
		stickers airbag									
8	996 701 421 01	sticker child car seat	98	1							
8	3B0 010 219 B	sticker child car seat	99-	1							
8	8D0 010 141 Q	sticker child car seat	(AUS) 05	1							
8	996 701 430 00	sticker child car seat german english	01-	1							

Model	Year	MG	SG	Illustration	Restrictions	UPD	13:32	24.01.2010	PORSCHE	PET	PORSCHE
996	2005	0	04	004-00		248					

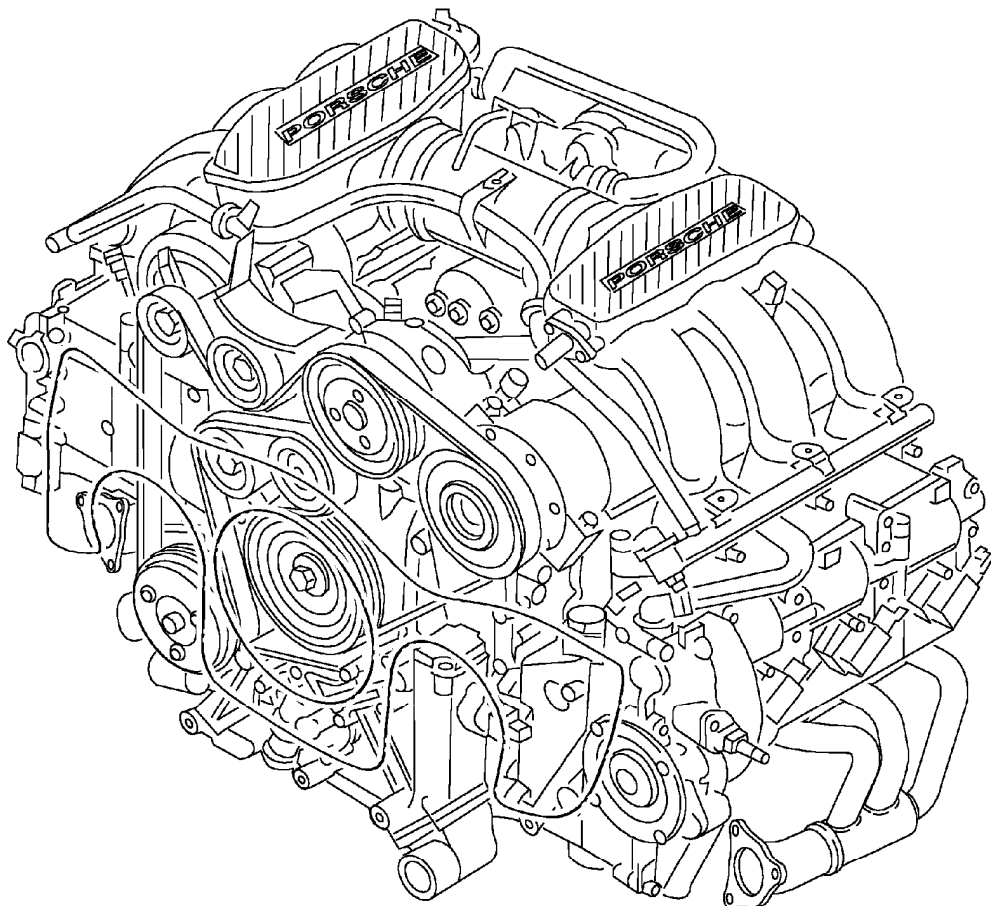


Pos	Part Number	Description	Remark	Qty	Model
-	911 095 932 20	paint touch-up applicator lacquers		X	
	719	black			A 1
	80K	guards red			G 1
	3AT	glacier white			Z 1
	9A3	biarritz white			Z 2
	12L	pastel yellow			Q 1
	3AR	blue turquoise			J 1
	12G	speed yellow			50 / X 4
	347	dark blue			55
	B9A	carrara white			B 4
-	911 095 933 20	paint touch-up applicator set comprising: paint touch-up applicator primer paint touch-up applicator clear lacquer		X	
	92T	arctic silver metallic			X 1
	3AY	ocean blue metallic			E 1
	3AW	zenith blue metallic			F 1
	84R	arena red metallic			H 8
	25H	ocean jade metallic			J 3
	746	black-metallic			Z 8
	40W	vesuvio grey metallic			K 3
	554	mirage metallic			T 1
	23I	wimbledon green metallic			51
	22E	forest green metallic			53
	2A2	rainforest green metallic			J 4
	39G	violet metallic			54
	37U	cobalt blue metallic			56

Model	Year	MG	SG	Illustration	Restrictions	UPD	13:32	24.01.2010	PORSCHE	PET	PORSCHE
996	2005	0	04	004-00		248					

Pos	Part Number	Description	Remark	Qty	Model	Pos	Part Number	Description	Remark	Qty	Model
	92E	polar silver metallic			58						
	22D	slate grey metallic			59						
	39N	iris blue metallic			61						
	37W	midnight blue metallic			62						
			03-	-02	E 9						
	3C4	violet/chromaflair			/K 7						
	8A4	orient red metallic			L 1						
	3A9	lapis blue metallic			E 3						
	M5W	lapis blue metallic			J 2						
	6A7	meridian metallic			X 2						
			04-	-03	64						
	1A9	zanzibar red			N 1						
			03	-02	63						
	6B5	seal grey metallic			Y 1						
	C9Z	basalt black metallic			Z 4						
	M6W	lagoon green metallic			G 4						
	M3W	carmon red metallic			E 4						
	M7X	atlas grey metallic			E 7						
	M7Z	gt silver metallic			U 2						
			05	04							
	M6X	dark olive-metallic			7 G						
		lacquers									
		1 LTR									
-	911 095 903 80	paint			X /K 7						
					M094						
	3C4	violet/chromaflair									

Model	Year	MG	SG	Illustration	Restrictions	UPD	13:32	24.01.2010	PORSCHE	PET	PORSCHE
996	2005	1	01	101-00		248					

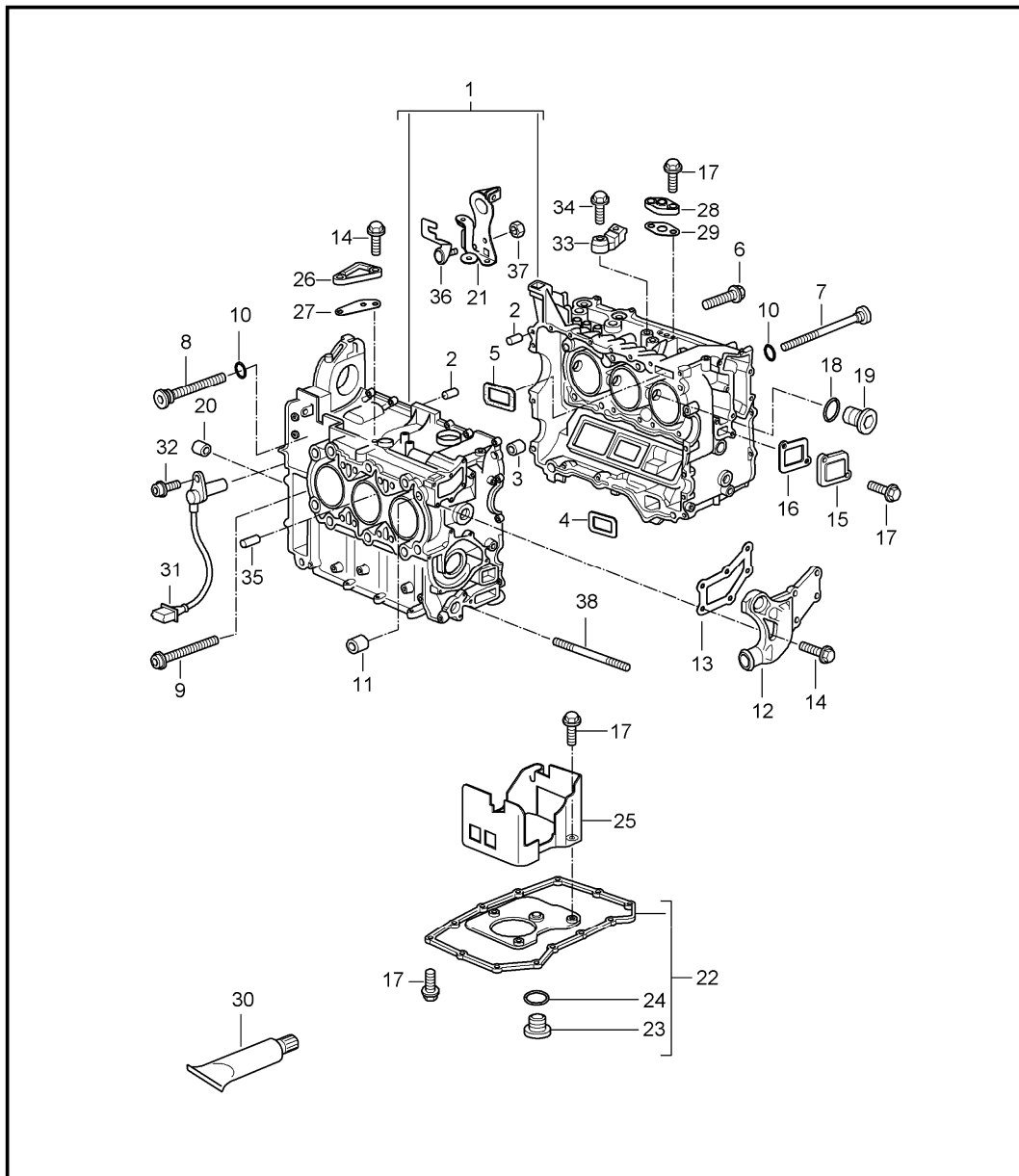


Pos	Part Number	Description	Remark	Qty	Model
		replacement engine without drive plate tiptronic without flywheel manual transmission without compressor			M96.01/02/03 M96.04
1	> 996 100 996 00	replacement engine	-99	1	M338
1	> 996 100 996 01	replacement engine	-99	1	M339
1	> 996 840 051 01	replacement engine	99	1	IX51/M338
1	> 996 100 951 01	replacement engine	99	1	IX51/M338
1	> 996 840 051 02	replacement engine	00-01	1	M338/339 IX51/M620
1	> 996 100 951 02	replacement engine	00-01	1	M338/339 IX51/M620
1	> 996 100 996 14	replacement engine	02-03	1	M96.03 IX51/M480
1	> 996 100 996 20	replacement engine	04	1	M96.03 IX51/M480
		technical information GRUPPE 1 NR.4/04 attention			
1	> 996 100 996 30	replacement engine	05	1	M96.03 IX51/M480
1	> 996 100 996 03	replacement engine	00	1	M660/661
1	> 996 100 996 11	replacement engine	01	1	M660/661 M480
1	> 996 100 996 01	replacement engine	00	1	
1	> 996 100 996 12	replacement engine	01	1	M660/661 M249
		see technical information group 1 NR.1/02 NR.2/02 only for 996.100.996.07/08 996.100.996.09/10 attention			

Model	Year	MG	SG	Illustration	Restrictions	UPD	13:32	24.01.2010	PORSCHE	PET	PORSCHE
996	2005	1	01	101-00		248					

Pos	Part Number	Description	Remark	Qty	Model	Pos	Part Number	Description	Remark	Qty	Model
1	A 996 100 996 04	replacement engine		02	1 M96.03 M660/661 M480						
1	> 996 100 996 07	replacement engine		02	1 M96.03 M660/661 M480						
1	> 996 100 996 09	replacement engine		03	1 M96.03 M660/661 M480						
1	> 996 100 996 18	replacement engine		04	1 M96.03 M660/661 M480						
		technical information GRUPPE 1 NR.4/04 attention									
1	> 996 100 996 28	replacement engine		05	1 M96.03 M660/661 M480						
1	A 996 100 996 05	replacement engine		02	1 M96.03 M660/661 M249						
1	> 996 100 996 08	replacement engine		02	1 M96.03 M660/661 M249						
1	> 996 100 996 10	replacement engine		03	1 M96.03 M660/661 M249						
1	> 996 100 996 19	replacement engine		04	1 M96.03 M660/661 M249						
		technical information GRUPPE 1 NR.4/04 attention									
1	> 996 100 996 29	replacement engine		05	1 M96.03 M249 M660/661						

Model	Year	MG	SG	Illustration	Restrictions	UPD	13:32	24.01.2010	PORSCHE	PET	PORSCHE
996	2005	1	01	101-05		248					

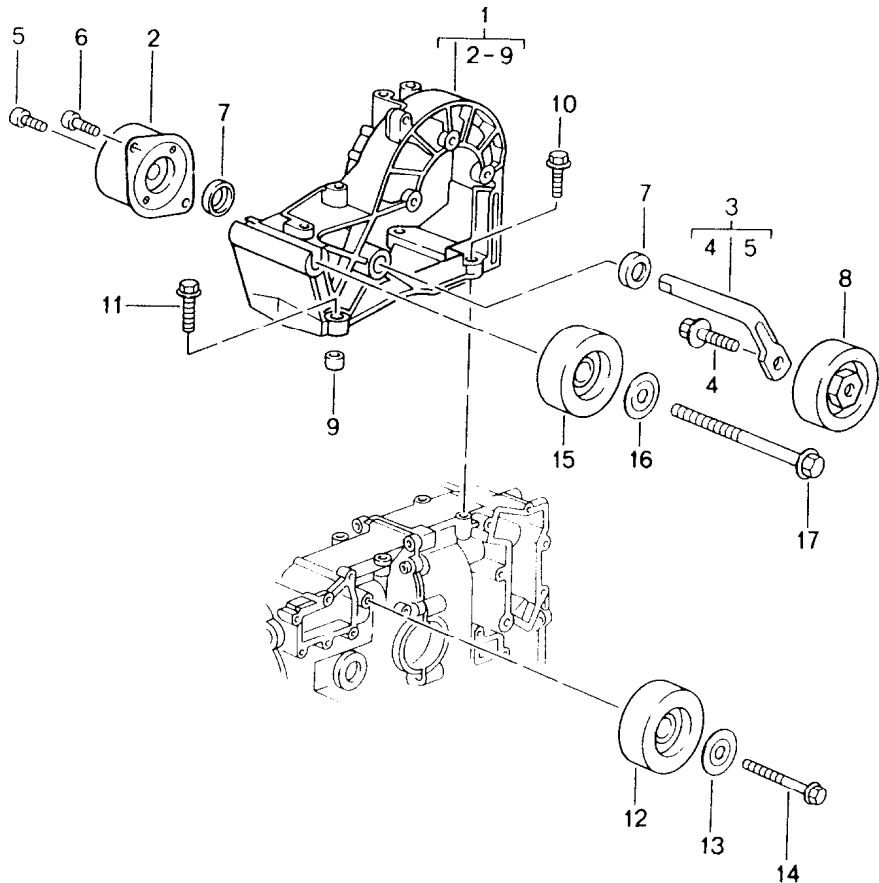


Pos	Part Number	Description	Remark	Qty	Model
		crankcase			M96.01/02/03 M96.04
1	996 101 901 01	crankcase M >> 66X 11005 M >> 68X 05167 use also: 996 101 007 05 996 101 018 51		1	M96.01/02/04
(1) A	996 101 006 03	crankcase		1	M96.03
(1)	996 101 901 06	crankcase		1	M96.03
2	999 012 049 00	straight pin		3	
3	996 101 253 50	dowel sleeve		1	
3	996 101 253 51	dowel sleeve		1	
4	996 101 361 51	gasket		1	
5	996 101 363 50	gasket		1	
6	U 900 378 174 09	hexagon-head bolt M 6 X 35		25	
(6)	999 217 151 09	hexagon-head bolt M 6 X 35		25	
7	996 101 219 52	screw 9 X 150		1	
8	996 101 229 00	screw M 9 X 94		1	
9	996 101 203 00	screw 9 X 94		1	
10	999 701 789 40	o-ring 12 X 2 use also: grease 999 917 788 00		2	
11	999 095 043 01	dowel sleeve 17M 6 X 18,5		4	
12	A 996 101 021 51	lid		1	
12	996 101 021 52	lid		1	
13	996 101 331 50	gasket		1	
14	900 378 103 09	hexagon-head bolt M 6 X 20		10	

Model	Year	MG	SG	Illustration	Restrictions	UPD	13:32	24.01.2010	PORSCHE	PET	PORSCHE
996	2005	1	01	101-05		248					

Pos	Part Number	Description	Remark	Qty	Model	Pos	Part Number	Description	Remark	Qty	Model
15	A 996 101 216 51	lid		1		33	996 606 125 00	knock sensor		2	
15	996 101 016 00	lid		1		34	A 900 378 033 09	hexagon-head bolt AM 8 X 30	-00	2	
16	996 101 336 50	gasket		1		(34)	900 378 033 01	hexagon-head bolt AM 8 X 30	-00	2	
17	900 378 035 01	hexagon-head bolt M 6 X 16		24		34	A 900 378 108 09	hexagon-head bolt AM 8 X 35	01-	2	
18	900 123 147 30	sealing ring A 27 X 32		1		(34)	900 378 108 01	hexagon-head bolt AM 8 X 35	01-	2	
19	900 219 017 30	screw plug M 27 X 2		1		35	900 095 137 01	roll pin 5,0 X 12		2	
20	014 301 153 B	dowel sleeve 13 X 16 X13,5		2		36	996 101 613 50	support		1	M249
21	A 996 101 213 56	retaining bar		1		37	900 377 010 09	hexagon nut M 6		1	M249
21	996 101 213 57	retaining bar		1		38	999 218 110 09	stud M 10 X 102		4	
22	996 107 031 55	oil pan	98-	1		--	900 036 029 02	lid B 16		2	
23	900 219 009 30	screw plug M 18 X 1,5		1		--	999 036 005 02	lid B 50		2	
24	900 123 106 30	sealing ring A 18 X 24		1							
25	996 107 243 51	bulkhead		1							
26	996 113 140 53	lid		1							
27	996 113 233 50	gasket		1							
28	996 113 340 50	lid		1							
29	996 113 213 51	gasket		1							
30	000 043 203 73	sealing compound 30 ML		X							
(30)	000 043 204 35	sealing compound 50 ML		X							
31	A 986 606 112 01	pulse sender		1							
31	986 606 112 02	pulse sender	-02	1							
31	986 606 112 03	pulse sender	03-	1							
32	999 218 005 02	pan-head screw M 6 X 16		1							
33	A 996 606 121 00	knock sensor		2							

Model	Year	MG	SG	Illustration	Restrictions	UPD	13:32	24.01.2010	PORSCHE	PET	PORSCHE
996	2005	1	01	101-10		248					

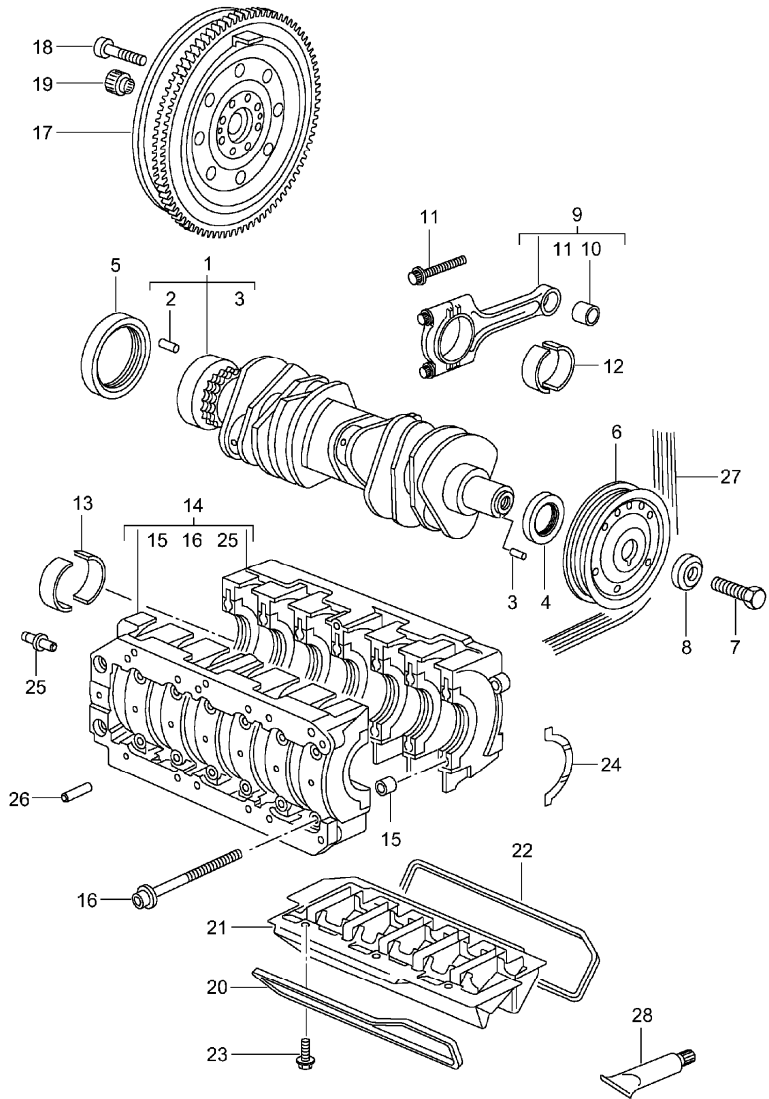


Pos	Part Number	Description	Remark	Qty	Model
		belt tensioner			M96.01/02/03 M96.04
		belt drive			
1	A 996 102 016 69	bracket		1	
1	996 102 016 01	bracket		1	
2	996 102 260 50	tensioner		1	
3	996 102 360 51	lever		1	
4	A 999 072 039 09	hexagon-head bolt M 10 X 30	-98	1	
4	999 072 041 09	hexagon-head bolt M 10 X 30		1	
5	900 067 117 09	pan-head screw M 6 X 16		1	
6	999 067 045 09	pan-head screw M 8 X 22		2	
7	996 102 365 50	dust boot		2	
8	A 996 102 117 54	tensioning roller		1	
8	996 102 117 56	tensioning roller		1	M249
(8)	997 102 117 00	tensioning roller		1	M480
9	999 095 064 00	dowel sleeve 12 M 6 X 13		2	
10	900 378 022 09	hexagon-head bolt AM 8 X 25		2	
11	900 378 108 09	hexagon-head bolt AM 8 X 35		2	
12	A 996 102 119 57	deflection roller	-01	1	
12	996 102 119 58	deflection roller	02-	1	M249
(12)	997 102 119 00	deflection roller		1	M480
13	A 996 102 127 52	cover disc		1	
13	996 102 127 54	cover disc		1	
14	900 378 150 09	hexagon-head bolt AM 8 X 55		1	
		M >> 66X 06240			
		M >> 68X 02730			
14	A 900 378 159 09	hexagon-head bolt		1	

Model	Year	MG	SG	Illustration	Restrictions	UPD	13:32	24.01.2010	PORSCHE	PET	PORSCHE
996	2005	1	01	101-10		248					

Pos	Part Number	Description	Remark	Qty	Model	Pos	Part Number	Description	Remark	Qty	Model
14	900 378 056 02	hexagon-head bolt AM 8 X 60 M 66X 06241 >> M 68X 02731 >>		1							
15	A 996 102 118 53	deflection roller	-01	1							
15	996 102 118 56	deflection roller	02-	1	M249						
(15)	997 102 118 00	deflection roller		1	M480						
16	A 996 102 125 53	cover disc		1							
16	996 102 125 52	cover disc		1							
17	900 378 181 09	hexagon-head bolt M 10 X 145		1							

Model	Year	MG	SG	Illustration	Restrictions	UPD	13:32	24.01.2010	PORSCHE	PET	PORSCHE
996	2005	1	02	102-00		248					

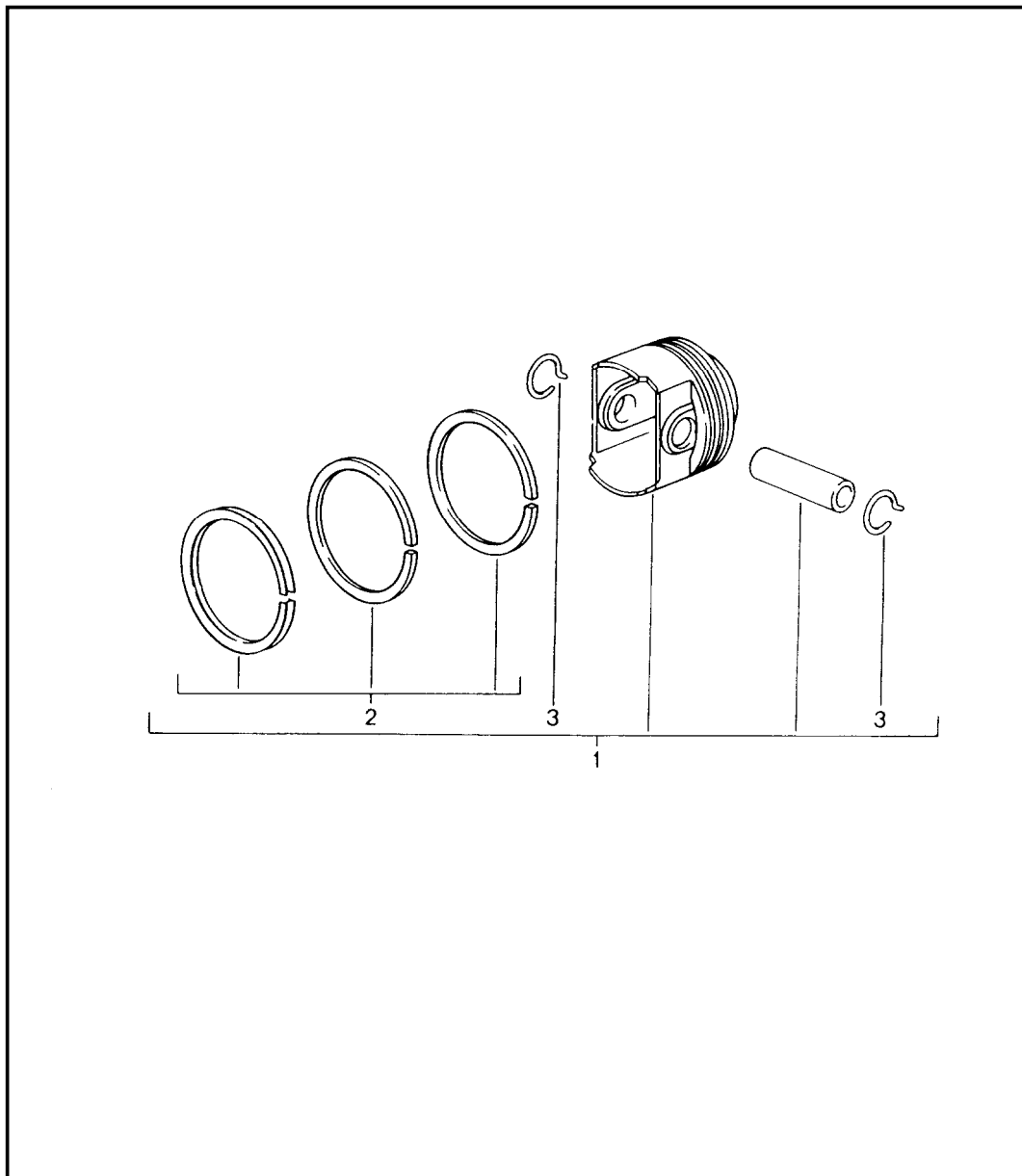


Pos	Part Number	Description	Remark	Qty	Model
		crankshaft			M96.01/02/03 M96.04
1	A 996 102 011 54	crankshaft	98	1	
1	A 996 102 011 55	crankshaft	99	1	
1	996 102 011 57	crankshaft see technical information group 1 NR. 10/00	00	1	
(1)	996 102 011 56	crankshaft see technical information group 1 NR. 10/00	01	1	
(1)	A 996 102 012 02	crankshaft	02-	1	M96.03
(1)	996 102 012 03	crankshaft	02-	1	M96.03
2	900 095 031 01	roll pin 6,0 X 16		1	
3	A 900 012 154 00	straight pin A 4,0 X 10	-01	1	
3	900 302 021 00	straight pin A 4,0 X 10		1	
4	999 113 475 40	shaft sealing ring 40 X 62 X 10		1	
5	A 999 113 476 40	shaft sealing ring 85 X 105 X 11		1	
5	U 999 113 490 40	shaft sealing ring 85 X 105 X 11		1	
5	997 101 212 00	shaft sealing ring 85 x 105 x 11		1	
6	A 996 102 115 62	pulley	-01	1	
(6)	996 102 115 63	pulley		1	
7	900 082 085 09	hexagon-head bolt M 16 X 1,5 X 60		1	
8	996 102 315 50	thrust washer		1	

Model	Year	MG	SG	Illustration	Restrictions	UPD	13:32	24.01.2010	PORSCHE	PET	PORSCHE
996	2005	1	02	102-00		248					

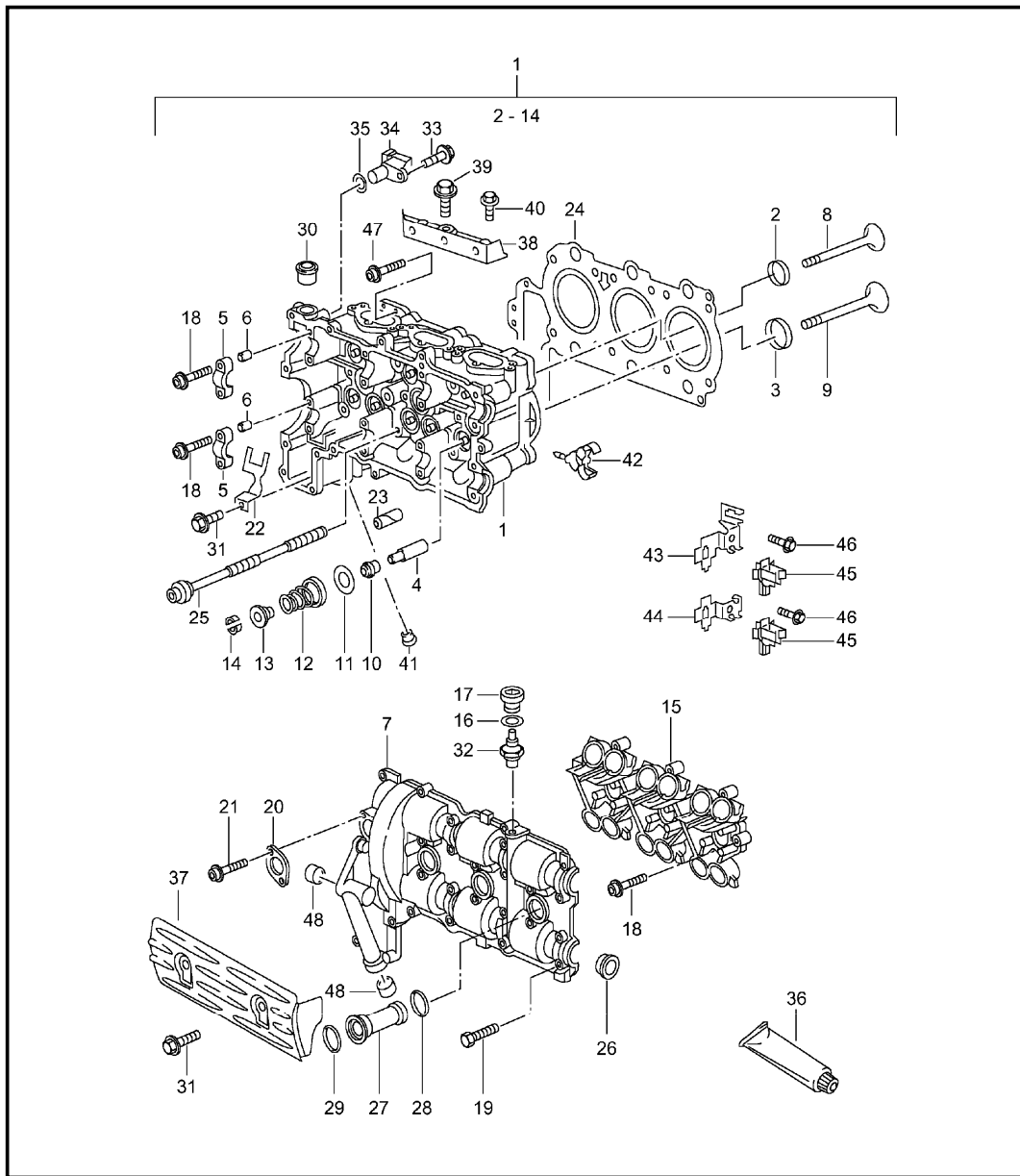
Pos	Part Number	Description	Remark	Qty	Model	Pos	Part Number	Description	Remark	Qty	Model
(9)	996 103 975 01	connecting rod set connecting rods comprising: 6 connecting rods see workshop manual 986 GR.1-1	-01	1		16	996 101 115 59	screw M 9 X 127		14	
						17	996 114 012 03	double-mass flywheel		1	
						18	999 073 092 09	pan-head screw M 10 X 1 X 50		8	
(9) A	996 103 985 00	connecting rod set connecting rods comprising: 6 connecting rods see workshop manual 986 GR.1-1	02-	1	M96.03	19	999 052 210 00	deep-groove ball bearing 15 X 35 X 11		1	
						20	996 101 241 51	gasket		1	
						21	996 101 016 50	oil separator	-01	1	
						(21)	996 101 010 00	oil separator	02-	1	M96.03
(9)	996 103 985 01	connecting rod set connecting rods comprising: 6 connecting rods see workshop manual 986 GR.1-1	02-	1	M96.03	22	996 101 242 51	gasket		1	
						23	999 218 005 02	pan-head screw M 6 X 16		6	
						24 A	996 101 129 51	thrust washer		2	
10	996 103 111 51	connecting rod bush		6		(24)	996 101 129 52	thrust washer	-01	2	
11 U	996 103 115 51	connecting rod bolt		12		(24)	996 101 132 00	thrust washer	02-	2	M96.03
11	997 103 115 01	connecting rod bolt		12		25	996 101 117 53	straight pin		1	
12	996 103 121 62	connecting-rod bearing		12		26	996 101 018 51	splash valve		6	
13	996 101 205 10	crankshaft bearing	-01	14		27	996 102 151 65	poly-rib belt		1	
13	996 101 209 01	crankshaft bearing	02-	14	M96.03	27	996 102 151 64	poly-rib belt		1	M573
14 A	996 101 012 61	bearing case use also: 996 101 018 51	-98	1		28	000 043 204 17	extreme-pressure grease 100 GR.		X	
				6							
(14) A	996 101 012 64	bearing case use also: 996 101 018 51	-98	1							
				6							
(14)	996 101 007 05	bearing case use also: 996 101 018 51	-01	1							
				6							
(14)	996 101 057 03	bearing case use also: 996 101 018 51	02-	1	M96.03						
				6							
15	999 095 064 00	dowel sleeve 12 M 6 X 13		3							

Model	Year	MG	SG	Illustration	Restrictions	UPD	13:33	24.01.2010	PORSCHE	PET	PORSCHE
996	2005	1	02	102-05		248					



Pos	Part Number	Description	Remark	Qty	Model
		piston			M96.01/02/03 M96.04
1	996 103 051 18	piston tolerance range X number plate - 544 - 547 G		6	M96.01/02/04
1	996 103 051 19	piston tolerance range X number plate + 547 - 550 G		6	M96.01/02/04
1 A	996 103 052 09	piston tolerance range X number plate - 526 - 532 G		6	M96.03
1 A	996 103 052 10	piston tolerance range X number plate + 532 - 538 G		6	M96.03
(1)	996 103 052 19	piston tolerance range X number plate - 525 - 530 G		6	M96.03
(1)	996 103 052 20	piston tolerance range X number plate + 531 - 536 G		6	M96.03
2	996 103 053 02	set of piston rings		6	M96.01/02/04
(2)	996 103 053 04	set of piston rings		6	M96.03
3 A	996 103 141 02	circlip	-99	12	
3	996 103 141 03	circlip	00-	12	

Model	Year	MG	SG	Illustration	Restrictions	UPD	13:33	24.01.2010	PORSCHE	PET	PORSCHE
996	2005	1	03	103-00		248					



Pos	Part Number	Description	Remark	Qty	Model
		cylinder head	-01		M96.01/02/04
1	A 996 104 003 02	cylinder head cylinder 1-3		1	
1	A 996 104 003 03	cylinder head cylinder 1-3		1	
1	996 104 003 05	cylinder head cylinder 1-3		1	
1	A 996 104 004 02	cylinder head cylinder 4-6		1	
1	A 996 104 004 03	cylinder head cylinder 4-6		1	
1	996 104 004 05	cylinder head cylinder 4-6		1	
5	-	housing matching with: cylinder head		4	
6	996 104 117 50	dowel sleeve		16	
7	-	lid matching with: cylinder head		2	
8	996 105 111 52	intake valve		12	
9	A 996 105 113 59	exhaust valve	-98	12	
9	996 105 247 00	exhaust valve		12	
10	996 105 115 52	valve stem seal		24	
11	996 105 117 51	concave washer		24	
12	996 105 119 53	valve spring		24	
13	996 105 121 54	concave washer		24	
14	996 105 123 51	valve collet		48	
15	996 104 105 53	housing	-01	2	
16	A N 013 814 8	sealing ring A 14 X 18		1	

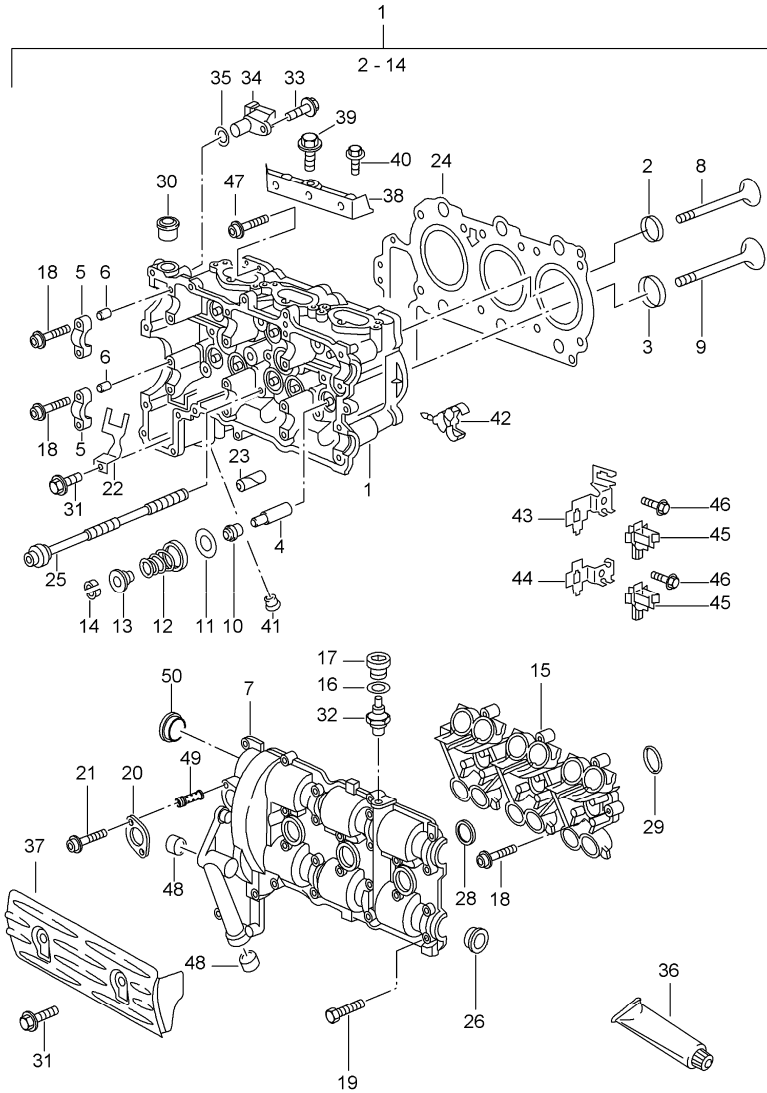
Model	Year	MG	SG	Illustration	Restrictions	UPD	13:33	24.01.2010	PORSCHE	PET	PORSCHE
996	2005	1	03	103-00		248					

Pos	Part Number	Description	Remark	Qty	Model	Pos	Part Number	Description	Remark	Qty	Model
16	900 123 007 30	sealing ring A 14 X 18		1		30	996 104 207 53	connection piece		1	
17	900 219 018 30	screw plug M 14 X 1,5		1		31	900 378 163 09	hexagon-head bolt M 6 X 16		5	
18	A 900 067 316 02	combination screw M 6 X 35		38		32	996 606 203 00	oil pressure switch		1	
19	U 900 378 177 09	hexagon-head bolt		23		33	999 218 005 02	pan-head screw M 6 X 16		2	M660
(19)	999 217 155 09	hexagon-head bolt AM 6 X 30		23		34	996 606 106 02	hall sender		2	M660
20	A 996 105 223 51	lid		2		35	999 707 404 40	o-ring 17,05 X 1,78		1	M660
20	996 105 223 52	lid		2		36	000 043 203 73	sealing compound 30 ML		X	
21	900 378 030 09	hexagon-head bolt M 6 X 20		4		(36)	000 043 204 35	sealing compound 50 ML		X	
22	996 104 233 01	heat shield		1		(36)	000 043 024 00	extreme-pressure grease 1 tube 80 Gr. for camshaft		1	
23	000 043 203 64	assembly kit for valve stem seal		1		37	996 104 425 02	heat shield		2	
23	000 043 204 46	sleeve for valve stem seal		1		38	996 104 125 00	bracket		2	
24	996 104 270 05	cylinder head gasket cylinder 1 - 3		1		39	900 378 108 09	hexagon-head bolt M 8 X 35		4	
(24)	996 104 269 00	cylinder head gasket cylinder 4 - 6		1		40	900 378 017 09	hexagon-head bolt M 8 X 20		2	
25	A 996 104 180 56	screw M 10 X 230		24		41	999 036 026 02	lid 10 MM		X	
25	996 104 180 58	screw M 10 X 230		24		42	999 507 075 40	cable holder 3,0 - 12		2	
26	996 104 215 54	lid		6		43	996 607 105 00	support		1	
27	996 105 325 52	pipe use also: grease 999 917 788 00		6		44	996 607 103 00	support		1	
28	999 707 343 40	o-ring 25,07 X 2,62		6		45	986 607 104 00	support		2	
29	999 707 215 40	o-ring 27,94 X 5,33		6		46	900 378 036 09	hexagon-head bolt M 6 X 12		2	
						47	900 067 377 09	pan-head screw M 6 X 30		8	
						47	U 900 987 004 01	combination screw M 6 x 30		8	

Model	Year	MG	SG	Illustration	Restrictions	UPD	13:33	24.01.2010	PORSCHE	PET	PORSCHE
996	2005	1	03	103-00		248					

Pos	Part Number	Description	Remark	Qty	Model	Pos	Part Number	Description	Remark	Qty	Model
47	900 387 004 01	combination screw M 6 x 30		8							
48	900 036 023 02	lid D 18		2							

Model	Year	MG	SG	Illustration	Restrictions	UPD	13:33	24.01.2010	PORSCHE	PET	PORSCHE
996	2005	1	03	103-01		248					



Pos	Part Number	Description	Remark	Qty	Model
		cylinder head	02-		M96.03
1	A 996 104 903 00	cylinder head cyl. 1 - 3		1	
(1)	996 104 909 00	cylinder head cyl. 1 - 3 use also: M >> 664 03366 997.107.021.03		1	X
1	996 104 905 00	cylinder head cyl. 1 - 3		1	IX51
(1)	A 996 104 904 00	cylinder head cyl. 4 - 6		1	
(1)	A 996 104 908 00	cylinder head cyl. 4 - 6 use also: M >> 664 03366 997.107.021.03		1	X
(1)	996 104 912 00	cylinder head cyl. 4 - 6 use also: M >> 664 03366 997.107.021.03		1	X
(1)	996 104 906 00	cylinder head cyl. 4 - 6 M >> 683 00433		1	IX51
(1)	996 104 910 00	cylinder head cyl. 4 - 6 M 683 00434 >>		1	IX51
5		housing matching with: cylinder head		4	
6	996 104 117 50	dowel sleeve		16	
7		lid matching with: cylinder head		2	
8	996 105 271 00	intake valve		12	
9	A 996 105 273 01	exhaust valve		12	
9	996 105 273 03	exhaust valve		12	
10	996 105 115 52	valve stem seal		24	
11	996 105 117 51	concave washer lower		12	

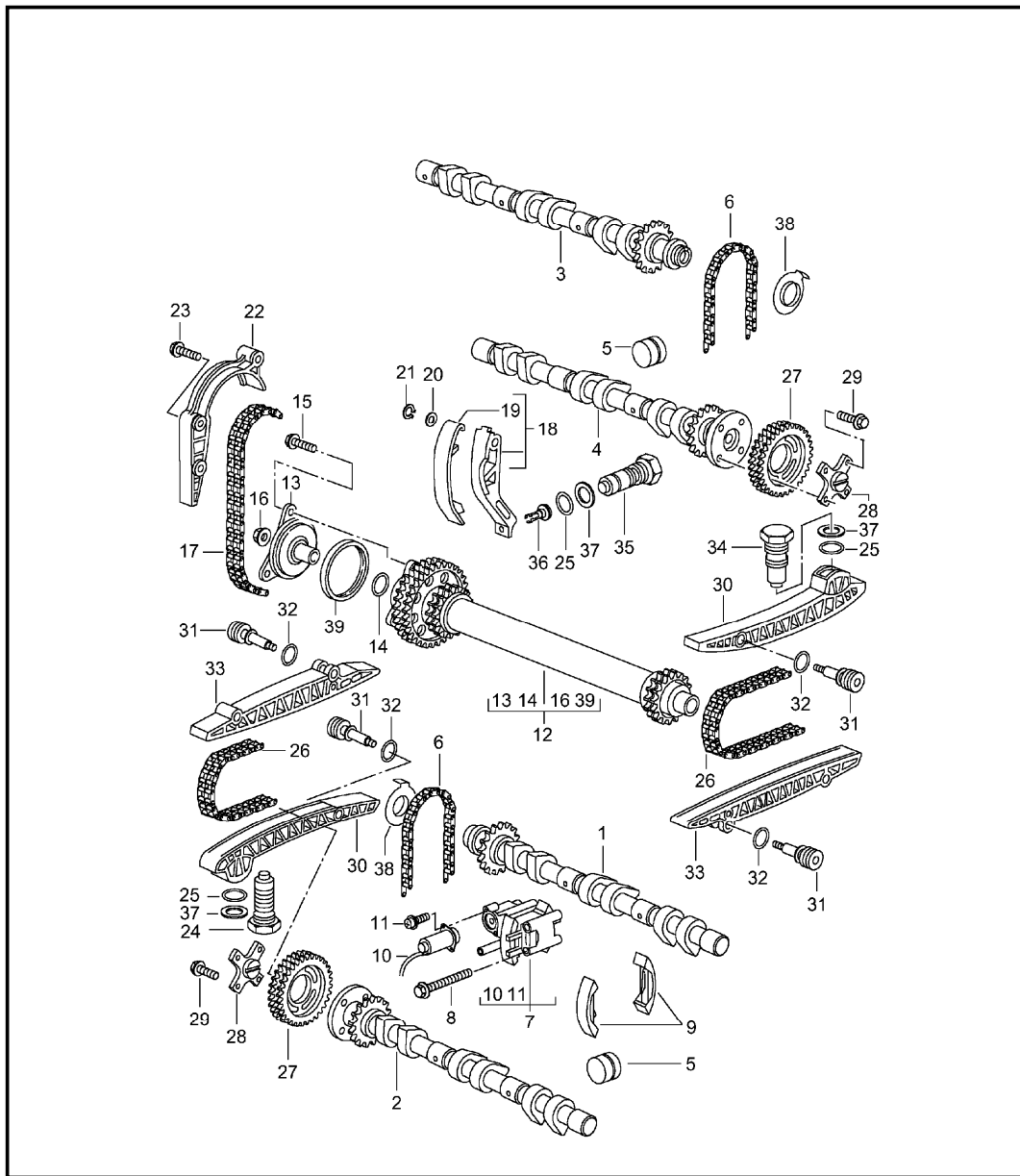
Model	Year	MG	SG	Illustration	Restrictions	UPD	13:33	24.01.2010	PORSCHE	PET	PORSCHE
996	2005	1	03	103-01		248					

Pos	Part Number	Description	Remark	Qty	Model	Pos	Part Number	Description	Remark	Qty	Model
12	A 996 105 118 00	valve spring exhaust		12		24	A 996 104 201 02	cylinder head gasket		2	
12	996 105 118 01	valve spring exhaust		12		(24)	996 104 201 04	cylinder head gasket		2	
13	996 105 121 54	concave washer upper		12		25	996 104 180 58	screw M 10 X 230		24	
--	996 105 147 00	concave washer lower		12		26	996 104 215 54	lid		4	
--	996 105 939 00	set of valve springs intake		12		27	996 105 325 52	pipe		6	
--	996 105 145 00	concave washer upper		12		28	996 104 203 00	gasket		6	
14	996 105 123 51	valve collet		48		29	999 701 761 40	o-ring 28 X 2		6	
15	A 996 104 042 00	housing cam follower hydraulic	02	2		30	996 104 207 53	connection piece		1	
(15)	A 996 104 042 04	housing cam follower hydraulic	03-	2		31	900 378 163 09	hexagon-head bolt M 6 X 16		5	
(15)	996 104 042 05	housing cam follower hydraulic		2		32	996 606 203 00	oil pressure switch		1	
16	900 123 007 30	sealing ring A 14 X 18		1		33	999 218 005 02	pan-head screw M 6 X 16		2	
17	900 219 018 30	screw plug M 14 X 1,5		1		34	996 606 106 02	hall sender	-02	2	
18	A 900 067 316 02	combination screw M 6 X 35		38		(34)	996 606 106 03	hall sender	03-	2	
19	999 217 155 09	hexagon-head bolt AM 6 X 30		23		35	999 707 404 40	o-ring 17,05 X 1,78		2	
20	A 996 105 244 02	lid		4		36	000 043 204 35	sealing compound 50 ML		X	
20	996 105 244 03	lid		4		(36)	000 043 024 00	extreme-pressure grease 1 tube 80 Gr. for camshaft		1	
21	900 378 030 09	hexagon-head bolt M 6 X 20		4		37	A 996 104 445 01	heat shield		2	
22	996 104 233 01	heat shield		1		37	996 104 445 02	heat shield		2	
23	000 043 204 46	sleeve for valve stem seal		1		38	A 996 104 126 00	bracket		2	
						38	996 104 126 01	bracket		2	
						39	900 378 022 09	hexagon-head bolt M 8 X 35		4	
						40	900 378 017 09	hexagon-head bolt M 8 X 20		2	

Model	Year	MG	SG	Illustration	Restrictions	UPD	13:33	24.01.2010	PORSCHE	PET	PORSCHE
996	2005	1	03	103-01		248					

Pos	Part Number	Description	Remark	Qty	Model	Pos	Part Number	Description	Remark	Qty	Model
41	999 036 026 02	lid 10 MM		X							
42	999 507 075 40	cable holder 3,0 - 12		2							
47	900 067 377 09	pan-head screw M 6 X 30		8							
47	U 900 987 004 01	combination screw M 6 x 30		8							
47	900 387 004 01	combination screw M 6 x 30		8							
48	900 036 023 02	lid D 18		2							
--	996 104 216 02	lid		2							
--	996 105 703 01	oil strainer		2							

Model	Year	MG	SG	Illustration	Restrictions	UPD	13:33	24.01.2010	PORSCHE	PET	PORSCHE
996	2005	1	03	103-10		248					



Pos	Part Number	Description	Remark	Qty	Model
		camshaft driving mechanism	-01		M96.01/02/04
1	996 105 221 55	camshaft intake cylinder 1 - 3		1	
2	996 105 222 55	camshaft exhaust cylinder 1 - 3		1	
3	996 105 216 55	camshaft intake cylinder 4 - 6		1	
4	996 105 218 55	camshaft exhaust cylinder 4 - 6		1	
5 A	996 105 041 50	hydraulic valve tappet		24	
5	996 105 041 72	hydraulic valve tappet		24	
6	996 105 170 53	timing chain		2	
7 A	996 105 051 57	tensioner cylinder 1 - 3	-98	1	
7	996 105 051 58	tensioner cylinder 1 - 3	99-	1	
(7) A	996 105 053 57	tensioner cylinder 4 - 6	-98	1	
(7)	996 105 053 58	tensioner cylinder 4 - 6	99-	1	
8	900 067 372 09	combination screw M 6 X 95		6	
9	996 105 253 00	parts kit guide rail		1	
10	996 605 901 00	solenoid valve cylinder 1 - 3 black		1	

Model	Year	MG	SG	Illustration	Restrictions	UPD	13:33	24.01.2010	PORSCHE	PET	PORSCHE
996	2005	1	03	103-10		248					

Pos	Part Number	Description	Remark	Qty	Model	Pos	Part Number	Description	Remark	Qty	Model
10	996 605 902 00	solenoid valve cylinder 4 - 6 grey see workshop manual GR.1 15/05/33		1		(13)	996 105 024 01	housing M 661 14165 >> see technical information group 1 NR. 10/00		1	
11	999 141 032 07	screw see technical information group 1 NR. 10/00		2		14	999 707 392 40	o-ring 7 X 2 see technical information group 1 NR. 10/00		1	
12	A 996 105 015 58	intermediate shaft see technical information group 1 NR. 10/00	-98	1		15	U 900 378 156 09	hexagon-head bolt M 6 X 20 see technical information group 1 NR. 10/00		3	
12	A 996 105 015 63	intermediate shaft see technical information group 1 NR. 10/00	-00	1		(15)	A 999 217 150 09	hexagon-head bolt M 6 X 20 see technical information group 1 NR. 10/00		3	
(12)	996 105 901 00	intermediate shaft see technical information group 1 NR. 10/00	-00	1		16	900 380 019 02	hexagon nut M 8 X 1 see technical information group 1 NR. 10/00		1	
(12)	996 105 901 01	intermediate shaft M >> 661 14164 see technical information group 1 NR. 10/00	01	1		17	996 105 171 55	timing chain see technical information group 1 NR. 10/00	-00	1	
(12)	996 105 901 02	intermediate shaft M 661 14165 >> see technical information group 1 NR. 10/00		1		(17)	996 105 171 56	timing chain see technical information group 1 NR. 10/00	01	1	
13	U 999 707 391 40	o-ring 52 X 2,5 see technical information group 1 NR. 10/00 see technical information group 1 NR. 10/00		1		18	996 105 165 55	tensioner blade see technical information group 1 NR. 10/00		1	
13	996 105 017 02	housing M >> 661 14164 see technical information group 1 NR. 10/00		1		19	996 105 195 00	pad see technical information group 1 NR. 10/00		1	
						20	900 234 040 01	shim 10 X 16 X 1,2 see technical information group 1 NR. 10/00		1	

Model	Year	MG	SG	Illustration	Restrictions	UPD	13:33	24.01.2010	PORSCHE	PET	PORSCHE
996	2005	1	03	103-10		248					

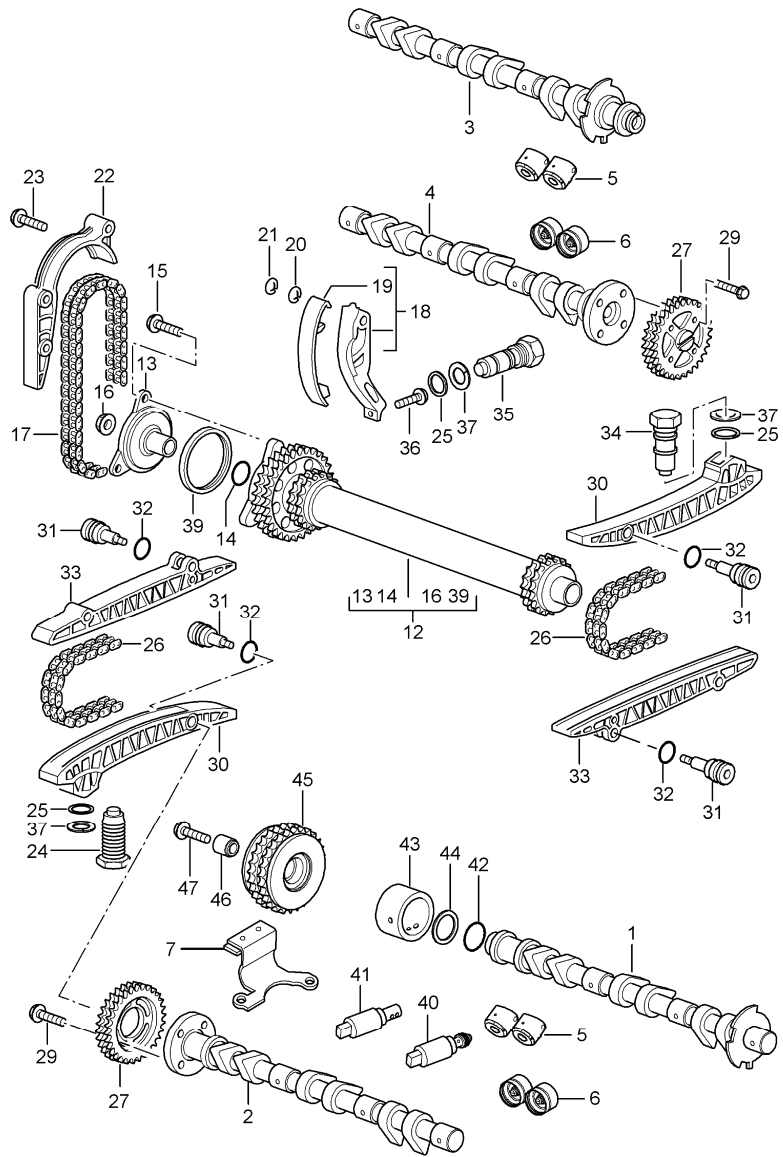
Pos	Part Number	Description	Remark	Qty	Model	Pos	Part Number	Description	Remark	Qty	Model
21	900 041 004 01	circlip 10 X 1 see technical information group 1 NR. 10/00		1		29	U 900 378 162 09	hexagon-head bolt M 6 X 15 for 996 105 178 52 see technical information group 1 NR. 10/00		8	
22	996 105 166 51	guide rail see technical information group 1 NR. 10/00		1		29	900 378 162 01	hexagon-head bolt M 6 X 15 for 996 105 178 52 see technical information group 1 NR. 10/00		8	
23	900 075 486 01	combination screw AM 6 X 40 see technical information group 1 NR. 10/00		3		29	A 900 378 242 09	hexagon-head bolt M 6 X 12 for 996 105 178 53 see technical information group 1 NR. 10/00		8	
24	996 105 179 58	chain adjuster see technical information group 1 NR. 10/00		1		30	996 105 175 52	tensioner blade see technical information group 1 NR. 10/00		2	
25	999 707 344 40	o-ring 18,77 X 1,78 see technical information group 1 NR. 10/00		3		31	996 105 162 52	screw M 6 see technical information group 1 NR. 10/00		6	
26	996 105 177 52	timing chain see technical information group 1 NR. 10/00		2		32	999 707 346 40	o-ring 15 X 3 see technical information group 1 NR. 10/00		6	
27	A 996 105 178 52	sprocket see technical information group 1 NR. 10/00	-98	2		33	996 105 173 53	guide rail see technical information group 1 NR. 10/00		2	
27	A 996 105 178 53	sprocket see technical information group 1 NR. 10/00	-98	2		34	996 105 176 51	chain adjuster see technical information group 1 NR. 10/00		1	
(27)	996 105 178 54	sprocket with driver see technical information group 1 NR. 10/00		2		35	996 105 180 54	chain adjuster see technical information group 1 NR. 10/00	-00	1	
28	A 996 105 185 54	driver see technical information group 1 NR. 10/00	-98	2							

Model	Year	MG	SG	Illustration	Restrictions	UPD	13:33	24.01.2010	PORSCHE	PET	PORSCHE
996	2005	1	03	103-10		248					

Pos	Part Number	Description	Remark	Qty	Model	Pos	Part Number	Description	Remark	Qty	Model
35	996 105 180 55	chain adjuster see technical information group 1 NR. 10/00	-00	1							
(35)	996 105 180 56	chain adjuster see technical information group 1 NR. 10/00	01	1							
36	996 105 197 00	pressure pin		1							
37	900 123 147 30	sealing ring A 27 X 32		3							
38	996 105 129 52	rotor trim		1							
39	996 105 112 01	gasket see technical information group 1 NR. 10/00		1							
--	000 043 024 00	extreme-pressure grease 1 tube 80 Gr. for camshaft		1							

Model	Year	MG	SG	Illustration	Restrictions	UPD	13:33	24.01.2010	PORSCHE	PET	PORSCHE
996	2005	1	03	103-11		248					

Pos	Part Number	Description	Remark	Qty	Model
		camshaft driving mechanism	02-		M96.03
		technical information NR. 2/04 group 1 attention			
1	996 105 035 00	camshaft intake cylinder 1 - 3		1	
1	996 105 035 40	camshaft intake cylinder 1 - 3		1	IX51
2	U 996 105 262 05	camshaft exhaust cylinder 1 - 3		1	
(2)	996 105 059 00	camshaft exhaust cyl. 1 - 3		1	
3	996 105 036 00	camshaft intake cylinder 4 - 6		1	
3	996 105 036 40	camshaft intake cylinder 4 - 6		1	IX51
4	U 996 105 264 05	camshaft exhaust cylinder 4 - 6		1	
(4)	996 105 060 00	camshaft exhaust cyl. 4 - 6		1	
5	996 105 041 72	hydraulic valve tappet exhaust		12	
6	996 105 255 20	hydraulic valve tappet intake		12	
7	996 105 168 03	rail		2	
12	996 105 901 02	intermediate shaft		1	
13	996 105 024 01	housing		1	



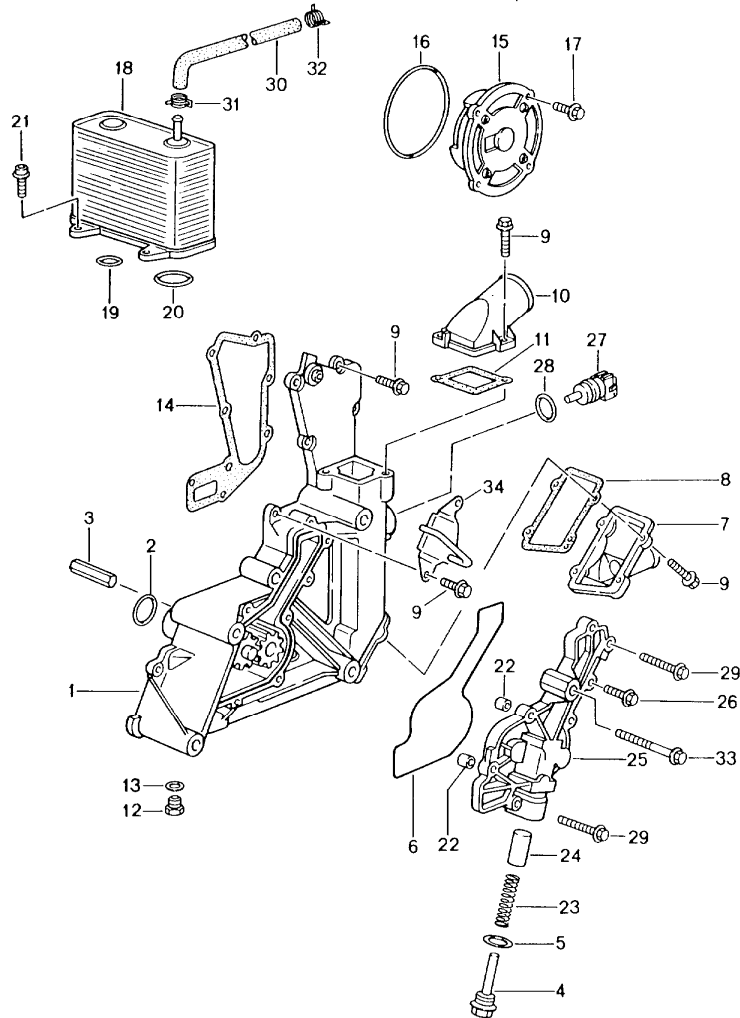
Model	Year	MG	SG	Illustration	Restrictions	UPD	13:33	24.01.2010	PORSCHE	PET	PORSCHE
996	2005	1	03	103-11		248					

Pos	Part Number	Description	Remark	Qty	Model	Pos	Part Number	Description	Remark	Qty	Model
14	999 707 392 40	o-ring 7 X 2		1		(33)	996 105 164 00	guide rail cylinder 4 - 6		1	
15	A 999 217 150 09	hexagon-head bolt M 6 X 20		3		34	996 105 188 00	chain adjuster		1	
16	900 380 019 02	hexagon nut M 8 X 1		1		35	A 996 105 180 55	chain adjuster		1	
17	996 105 171 56	timing chain		1		35	996 105 180 56	chain adjuster		1	
18	996 105 165 55	tensioner blade		1		36	996 105 197 00	pressure pin		1	
19	996 105 195 00	pad		1		37	900 123 147 30	sealing ring A 27 X 32		3	
20	900 234 040 01	shim 10 X 16 X 1,2		1		39	996 105 112 01	gasket see technical information group 1 NR. 10/00		1	
21	900 041 004 01	circlip 10 X 1		1		40	A 996 105 301 02	actuator		2	
22	996 105 166 51	guide rail		1		40	A 996 105 301 03	actuator valve		2	
23	900 075 486 01	combination screw AM 6 X 40		3		--	996 105 903 03	o-ring		X	
24	996 105 186 00	chain adjuster		1		--	996 105 310 03	support		2	
25	999 707 344 40	o-ring 18,77 X 1,78		3		--	999 651 386 02	cable clamp		4	
26	996 105 152 00	timing chain		2		41	A 996 105 303 02	actuator		2	
27	996 105 178 54	sprocket with driver		2		41	A 996 105 303 05	actuator camshaft camshaft		2	
29	A 900 378 242 09	hexagon-head bolt M 6 X 12		8		--	996 105 903 05	o-ring		X	
30	996 105 156 00	tensioner blade cylinder 1 - 3		1		--	996 105 256 01	support		2	
(30)	996 105 158 00	tensioner blade cylinder 4 - 6		1		(42)	U 996 105 280 50	ring		4	
31	996 105 162 52	screw M 6		6		42	996 105 280 51	ring		4	
32	999 707 346 40	o-ring 15 X 3		6		43	A 996 104 205 06	bearing sleeve		2	
33	996 105 054 01	guide rail cylinder 1 - 3		1		43	996 104 205 07	bearing sleeve		2	
						44	996 105 203 00	washer		2	
						45	996 105 051 03	camshaft adjuster camshaft intake cylinder 1 - 3		1	

Model	Year	MG	SG	Illustration	Restrictions	UPD	13:33	24.01.2010	PORSCHE	PET	PORSCHE
996	2005	1	03	103-11		248					

Pos	Part Number	Description	Remark	Qty	Model	Pos	Part Number	Description	Remark	Qty	Model
(45)	996 105 052 01	camshaft adjuster camshaft intake cylinder 4 - 6		1							
46	996 105 260 01	intermediate piece		2							
47	996 105 254 00	hexagon-head bolt		2							
--	000 043 024 00	extreme-pressure grease 1 tube 80 Gr. for camshaft		1							

Model	Year	MG	SG	Illustration	Restrictions	UPD	13:34	24.01.2010	PORSCHE	PET	PORSCHE
996	2005	1	04	104-00		248					

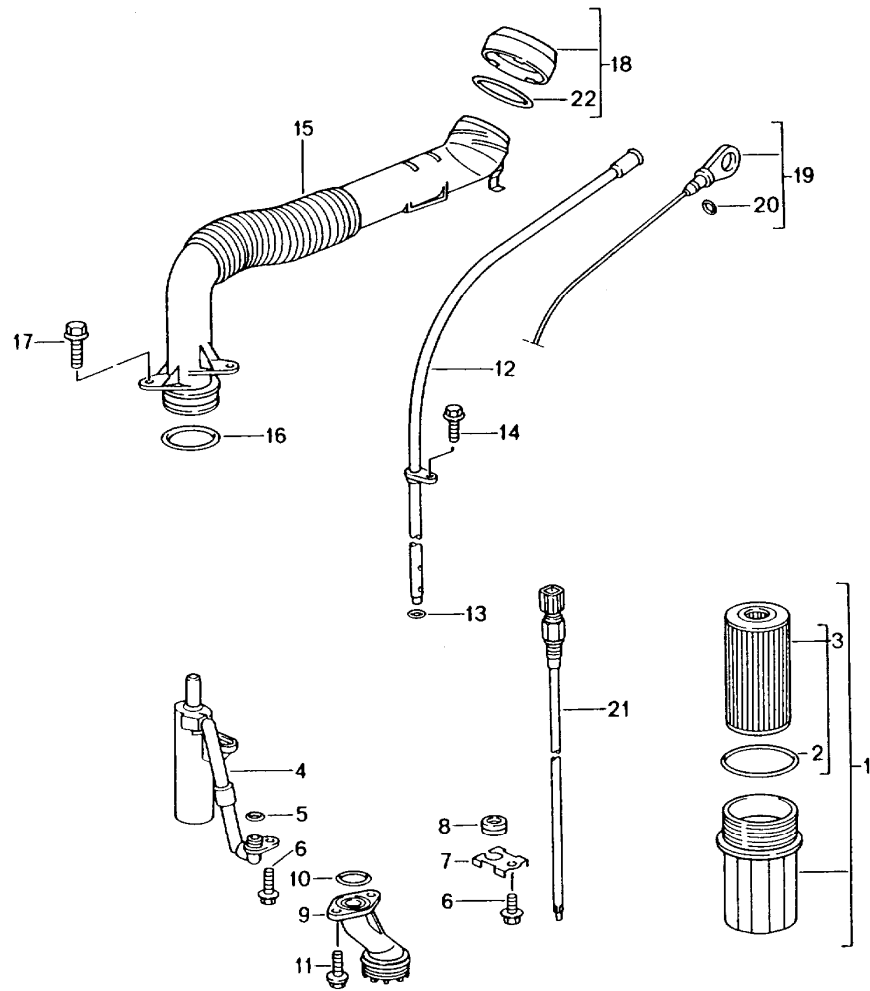


Pos	Part Number	Description	Remark	Qty	Model
		oil pump			M96.01/02/03 M96.04
1	996 107 012 58	oil pump		1	
2	996 107 103 51	o-ring 29,1 X 2,55 use also: grease 999 917 788 00		2	
3	996 107 121 50	driver		1	
4	996 107 105 51	screw plug		1	
5	996 107 123 50	gasket		1	
6	996 107 261 50	sealing ring		1	
7	996 106 220 51	connection piece supply		1	
8	996 106 316 51	gasket		1	
9	900 378 030 09	hexagon-head bolt M 6 X 20		14	
10	996 106 216 53	connection piece		1	
11	996 106 321 50	gasket		1	
12	900 219 007 02	screw plug M 10 X 1		1	
13	900 123 144 30	sealing ring A 10 X 13,5		1	
14	996 107 337 50	gasket		1	
15	A 996 107 021 54	oil pump	01	2	
(15)	996 107 021 55	oil pump M >> 664 03366 M >> 684 00607		2	
(15)	997 107 021 03	oil pump M 664 03367 >> M 684 00608 >>		2	
16	996 107 221 51	o-ring 95 X 2,5 use also: grease 999 917 788 00		2	
17	A 999 217 150 09	hexagon-head bolt M 6 X 20		8	

Model	Year	MG	SG	Illustration	Restrictions	UPD	13:34	24.01.2010	PORSCHE	PET	PORSCHE
996	2005	1	04	104-00		248					

Pos	Part Number	Description	Remark	Qty	Model	Pos	Part Number	Description	Remark	Qty	Model
17	999 073 316 02	round head screw M 6 X 20		8							
18	996 107 025 57	heat exchanger		1							
19	999 707 409 40	o-ring 26 X 3		2							
20	999 707 389 40	o-ring 35 X 4		2							
21	900 067 380 09	pan-head screw M 6 X 18		4							
22	996 106 103 50	dowel sleeve 8,2 X 7		2							
23	996 107 127 53	spring		1							
24	996 107 125 51	piston		1							
25	996 107 212 53	lid for 996 107 012 56		1							
25	996 107 212 54	lid for 996 107 012 57		1							
26	900 075 333 02	hexagon-head bolt M 6 X 25		7							
27	996 606 405 01	temperature sensor		1	M96.01/02/04						
27	996 606 410 00	temperature sensor		1	M96.03						
28	---	sealing ring		1							
29	900 378 151 09	hexagon-head bolt M 6 X 70		2							
30	996 106 230 53	breather hose		1							
31	999 512 554 00	hose clamp 12 - 22 MM		1							
32	999 512 652 09	hose clamp 19 X 12	99-	1							
33	900 378 098 09	hexagon-head bolt AM 10 X 60		1							
34	A 996 102 235 00	clip		1	M573						
34	996 102 235 01	clip		1	M573						

Model	Year	MG	SG	Illustration	Restrictions	UPD	13:34	24.01.2010	PORSCHE	PET	PORSCHE
996	2005	1	04	104-05		248					

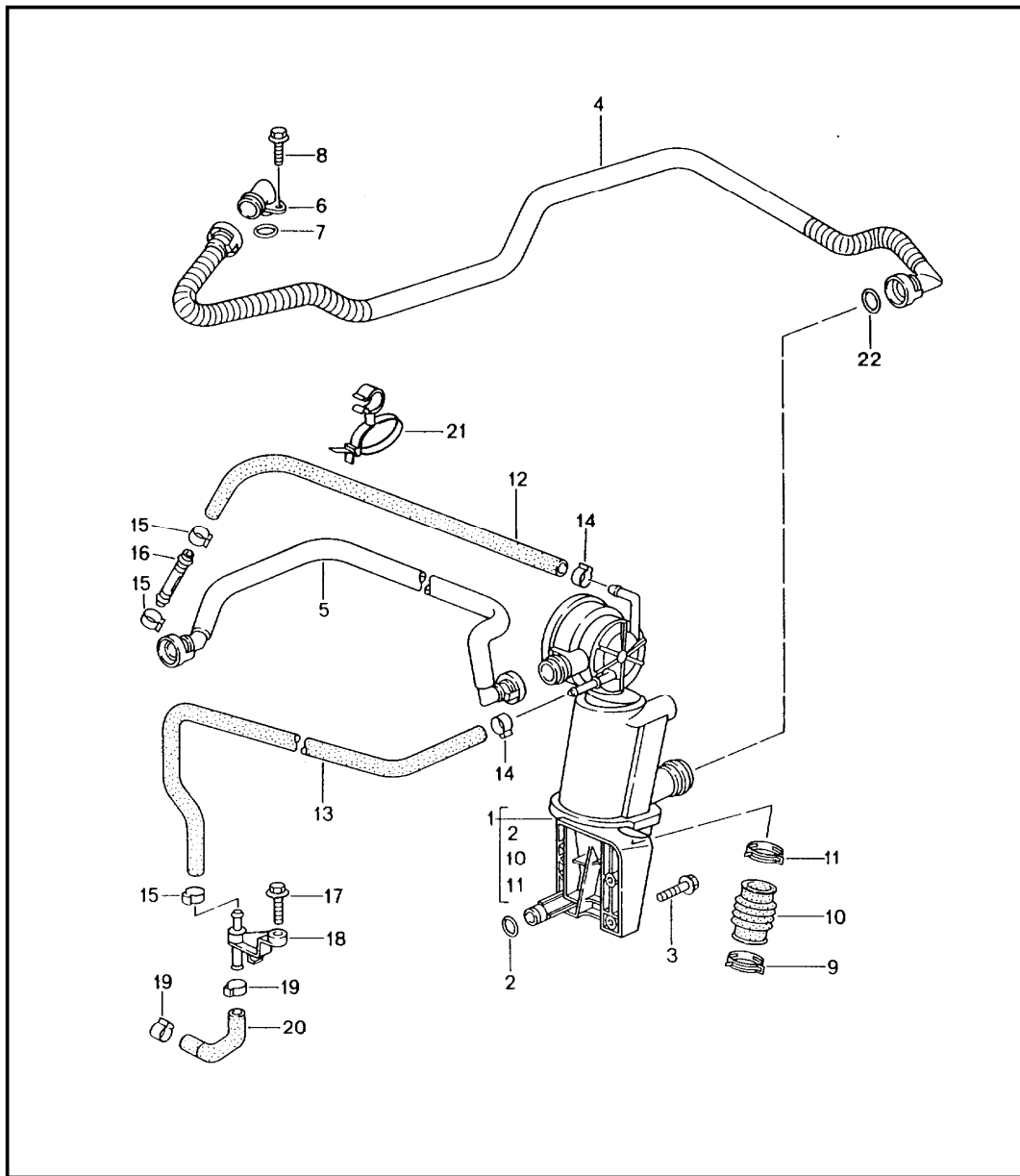


Pos	Part Number	Description	Remark	Qty	Model
		engine lubrication			M96.01/02/03 M96.04
		see technical information group 1 NR.1/02 NR.2/02			
1	996 107 020 54	oil filter		1	
2	996 107 313 51	sealing ring use also: grease 999 917 788 00		1	
3	A 996 107 225 52	filter element	-01	1	M96.01/02/04
3	996 107 225 53	filter element	-01	1	M96.01/02/04
3	996 107 225 60	filter element	02-	1	M96.03
4	996 107 080 54	oil separator		2	
5	999 701 789 40	o-ring 12 X 2		2	
6	900 378 036 09	hexagon-head bolt M 6 X 12		5	
7	996 107 333 50	support		1	
8	999 702 206 50	grommet 9,5 X 18,0 X 1,2		1	
9	996 107 075 57	suction tube		1	
10	999 707 375 40	o-ring 30 X 3		1	
11	900 378 030 09	hexagon-head bolt M 6 X 20		2	
12	996 107 113 56	guide tube		1	
13	999 707 369 40	o-ring 9,5 X 3,5 use also: grease 999 917 788 00		1	
14	900 378 035 01	hexagon-head bolt M 6 X 16		1	
15	996 107 150 60	filler tube		1	

Model	Year	MG	SG	Illustration	Restrictions	UPD	13:34	24.01.2010	PORSCHE	PET	PORSCHE
996	2005	1	04	104-05		248					

Pos	Part Number	Description	Remark	Qty	Model	Pos	Part Number	Description	Remark	Qty	Model
16	999 707 348 40	o-ring 42 X 4 use also: grease 999 917 788 00		1							
				1							
17	900 378 163 09	hexagon-head bolt M 6 X 16		2							
18 A	996 107 035 50	lid		1							
(18)	996 107 035 51	lid		1							
19	996 107 014 54	oil level dipstick M >> 662 11795		1	M96.03						
(19)	996 107 014 55	oil level dipstick M 662 11796 >>		1	M96.03						
20	999 707 402 40	o-ring 8 X 2,0		1							
21	996 606 150 00	oil-level sender		1							
--	999 650 168 40	plug socket		1							
--	999 650 214 12	connector		4							
--	999 650 215 40	gasket		4							
22 A	999 707 285 40	o-ring 51 X 4,5		1							
(22)	996 107 336 00	gasket		1							

Model	Year	MG	SG	Illustration	Restrictions	UPD	13:34	24.01.2010	PORSCHE	PET	PORSCHE
996	2005	1	04	104-10		248					

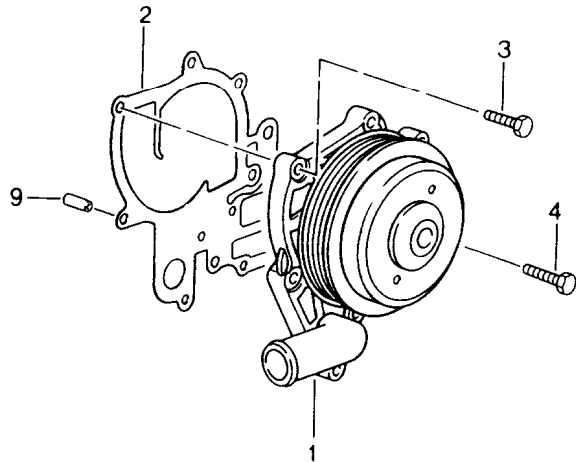
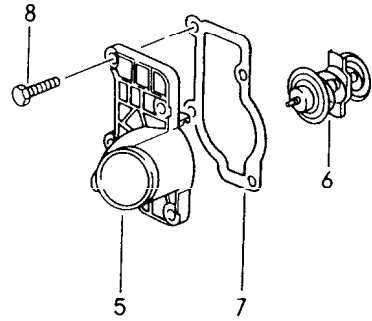


Pos	Part Number	Description	Remark	Qty	Model
		crankcase			M96.01/02/03 M96.04
		bleeding			
1	A 996 107 023 54	oil separator	-01	1	M96.01/02/04
1	996 107 023 55	oil separator	-01	1	M96.01/02/04
(1)	A 996 107 026 50	oil separator	02-	1	M96.03
(1)	996 107 026 51	oil separator	02-	1	M96.03
(2)	999 707 507 40	o-ring 29,74 X 2,95	02-	1	M96.03
2	996 107 122 00	sealing ring 14 X 1,78	-01	1	M96.01/02/04
3	900 378 177 09	hexagon-head bolt M 6 X 30		2	
4	996 107 147 55	vent line cyl. 4 - 6	-01	1	M96.01/02/04
4	996 107 147 59	vent line cyl. 4 - 6	02-	1	M96.03
5	996 107 145 55	vent line	-01	1	M96.01/02/04
(5)	996 107 145 30	vent line	-01 02-	1	M339 M96.03
6	996 107 047 51	connection piece M >> 663 09950		1	
(6)	996 107 047 00	connection piece M 663 09951 >>		1	M96.03
7	999 707 154 40	o-ring 18,77 X 1,78 M >> 663 09950		1	
(7)	999 707 364 40	sealing ring 30 X2,5 M 663 09951 >>		1	M96.03
8	900 378 163 09	hexagon-head bolt M 6 X 16 M >> 663 09950		1	
(8)	900 378 163 09	hexagon-head bolt M 6 x 16 M 663 09951 >>		2	M96.03
9	999 512 630 00	hose clamp 32 X 12		1	

Model	Year	MG	SG	Illustration	Restrictions	UPD	13:34	24.01.2010	PORSCHE	PET	PORSCHE
996	2005	1	04	104-10		248					

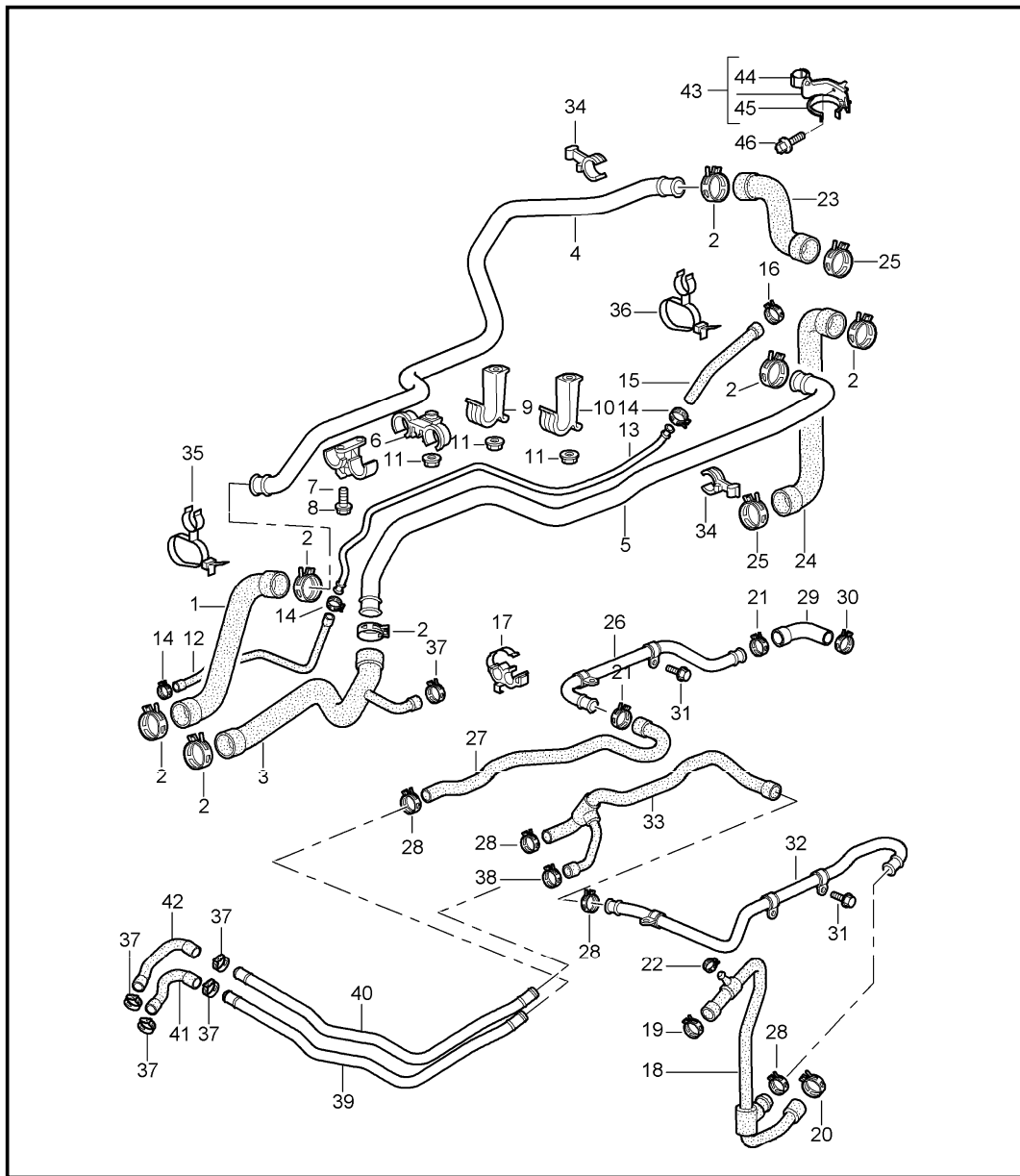
Pos	Part Number	Description	Remark	Qty	Model	Pos	Part Number	Description	Remark	Qty	Model
(9)	999 512 683 09	clip 23 X 12	02-	2	M96.03						
10	A 996 107 237 51	bellows		1							
(10)	996 107 237 52	bellows	-01	1	M96.01/02/04						
(10)	996 107 175 50	oil hose	02-	1	M96.03						
11	999 512 551 00	hose clamp 30 X 12	-01	1							
12	996 106 208 50	hose		1							
13	996 106 224 51	hose		1							
14	999 512 498 00	hose clamp 13,1 - 15,3		2							
15	999 512 568 02	clamp 13,9 - 16,1		3							
16	999 137 052 40	intermediate piece GS 8		1							
17	900 378 035 01	hexagon-head bolt M 6 X 16		1							
18	A 996 106 226 51	joining socket		1							
18	996 106 226 52	joining socket		1							
19	999 512 633 00	clamp 15,6 - 17,8		2							
20	996 106 223 52	hose		1							
21	999 507 644 40	hose holder 8-33/-13		1							
22	999 707 446 40	o-ring 18,0 X 2,5		4							

Model	Year	MG	SG	Illustration	Restrictions	UPD	13:34	24.01.2010	PORSCHE	PET	PORSCHE
996	2005	1	05	105-00		248					



Pos	Part Number	Description	Remark	Qty	Model
		water pump			M96.01/02/03
		thermostat housing			M96.04
1	996 106 011 51	water pump		1	
2	996 106 340 51	gasket		1	
3	900 378 013 09	hexagon-head bolt M 6 X 25		5	
4	900 378 177 09	hexagon-head bolt AM 6 X 30		2	
5	996 106 121 53	lid		1	
6	996 106 125 52	thermostat insert		1	
7	996 106 326 50	gasket		1	
8	900 378 030 09	hexagon-head bolt M 6 X 20		4	
9	996 106 103 50	dowel sleeve 8,2 X 7		2	

Model	Year	MG	SG	Illustration	Restrictions	UPD	13:34	24.01.2010	PORSCHE	PET	PORSCHE
996	2005	1	05	105-05		248					



Pos	Part Number	Description	Remark	Qty	Model
		water cooling 1			M96.01/02/03 M96.04
1	996 106 640 54	water hose		1	M338
1	996 106 840 05	water hose	02-	1	M338
1	996 106 740 04	water hose	99-01	1	M339
1	996 106 740 73	hose	02-	1	M339
2	999 512 348 02	hose clamp 49 X 12		8	
3	A 996 106 641 56	hose	-01	1	M480
3	996 106 641 58	hose	-01	1	M480
3	996 106 841 04	hose	02-	1	M338/480
3	996 106 741 06	hose	99-01	1	M339/480
3	996 106 888 02	hose	02-	1	M339/480
(3)	996 106 641 59	hose	99-01	1	M249/338
(3)	996 106 741 07	hose	99-01	1	M249/339
(3)	A 996 106 888 03	water hose	02-	1	M249/339
(3)	P 996 106 888 07	water hose	02-	1	M249/339
(3)	996 106 841 05	water hose	02-	1	M249/338
4	996 106 610 56	cooling water tube	-01	1	
4	996 106 610 74	water tube	02-	1	
4	A 996 106 710 03	water tube	-01	1	M339
4	996 106 710 04	water tube	-01	1	M339
-	996 106 505 00	protection cap		1	
5	996 106 609 56	cooling water tube return line	-01	1	
(5)	996 106 809 01	cooling water tube return line	02-	1	
6	A 996 106 416 54	support		2	
6	996 106 416 55	support		2	
7	996 106 475 51	support		1	

Model	Year	MG	SG	Illustration	Restrictions	UPD	13:34	24.01.2010	PORSCHE	PET	PORSCHE
996	2005	1	05	105-05		248					

Pos	Part Number	Description	Remark	Qty	Model	Pos	Part Number	Description	Remark	Qty	Model
8	900 378 158 09	hexagon-head bolt M 6 X 16		2		(18) A	996 106 850 01	hose mit use 996.106.851.02	02-	1	
9	996 106 417 51	support		1							
10	996 106 428 50	support		1		(18) A	996 106 850 02	hose mit use 996.106.851.02	02-	1	
11	900 377 010 09	hexagon nut M 6		2							
12	996 106 136 51	breather hose	-98	1		(18) P	996 106 850 04	hose mit use 996.106.851.02	02-	1	
12	996 106 136 52	breather hose	-01	1	M338						
(12)	996 106 826 00	breather hose	02-	1	M338						
12	996 106 336 01	breather hose	-98	1	M339	19	999 512 552 00	hose clamp 28 X 12		1	
12	996 106 336 02	breather hose	-01	1	M339	20	999 512 551 00	hose clamp 36 X 12		1	
(12)	996 106 836 02	breather hose	02-	1	M339	21	999 512 551 00	hose clamp 29 X 12		2	
13	996 106 681 56	vent line	-98	1		22	999 512 554 00	hose clamp 14 X 12		1	
13	996 106 681 57	vent line	99-	1							
13	996 106 681 59	vent line	-01	1		23 A	996 106 501 53	water hose	-00	1	
13	996 106 821 01	vent line	02-	1		23	996 106 501 54	water hose	-01	1	
14	999 512 554 00	hose clamp 20 X 12		3		23 A	996 106 831 01	water hose	02-	1	
15	996 106 251 71	breather hose		1		23 P	997 106 831 02	water hose use also: connection piece 997.106.216.00	02-	1	
16	999 512 552 00	hose clamp 25 X 12		3							
17	996 106 418 53	support 27,0/27,0	-01	2		24 A	996 106 502 53	water hose	-98	1	
(17)	996 106 438 00	hose holder 27,0/27,0	02-	1		24	996 106 502 54	water hose	-01	1	
18	A 996 106 250 53	hose	-98	1		(24) A	996 106 832 01	water hose	02-	1	
18	996 106 250 54	hose for 996.106.243.51	-98	1		(24)	996 106 832 03	water hose	02-	1	
18	A 996 106 250 55	hose for 996.106.243.52	99-	1		25	999 512 669 09	hose clamp 53 X 12		2	
(18)	996 106 850 00	hose		1		26	996 106 242 52	water tube M supply >> 66X 01814	-01	1	
						26	996 106 242 53	water tube M 66X 01815 >> supply	-01	1	

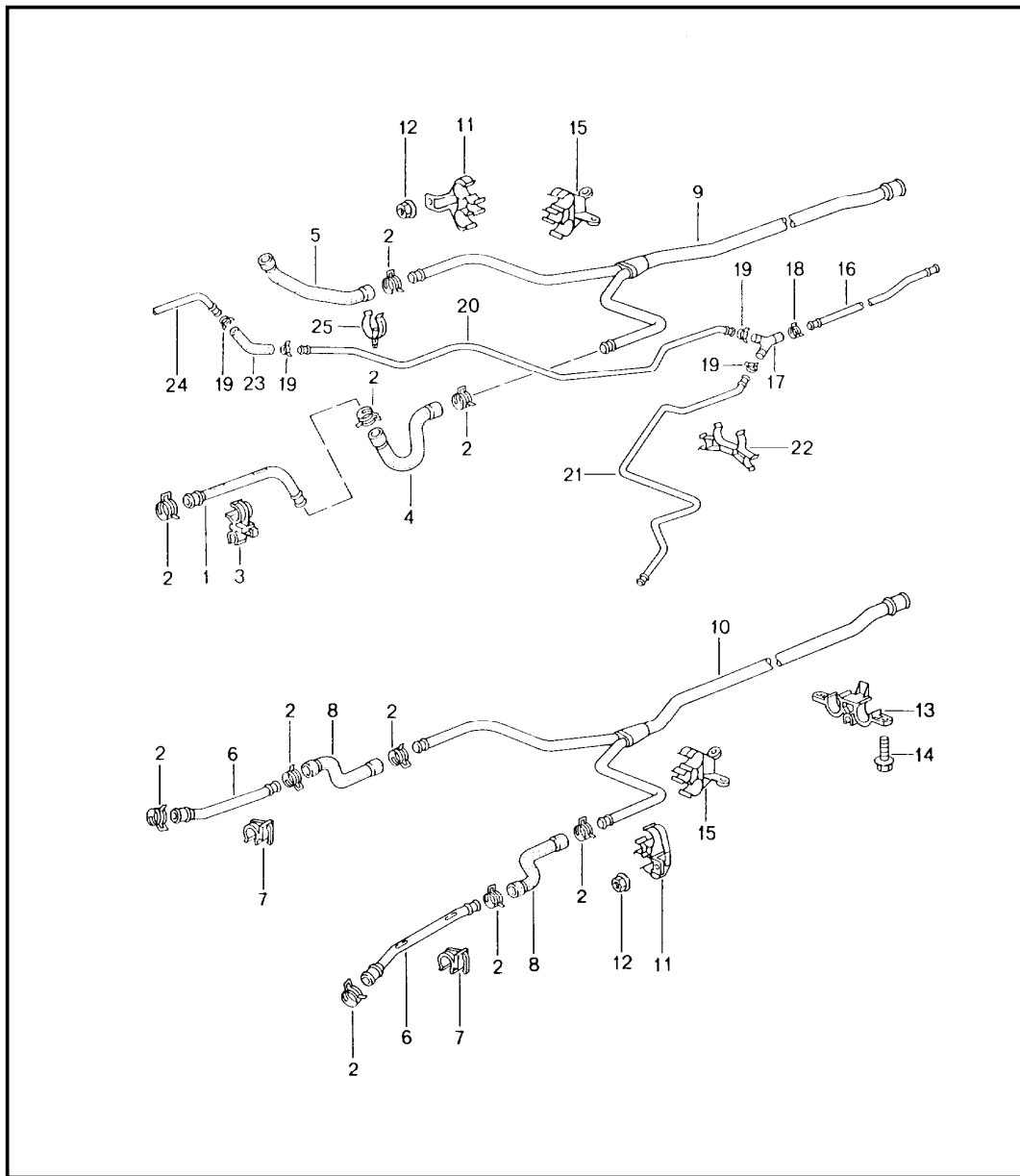
Model	Year	MG	SG	Illustration	Restrictions	UPD	13:34	24.01.2010	PORSCHE	PET	PORSCHE
996	2005	1	05	105-05		248					

Pos	Part Number	Description	Remark	Qty	Model	Pos	Part Number	Description	Remark	Qty	Model
(26)	996 106 242 55	water tube supply	02-	1	M480	(33) A	996 106 222 54	hose return line		1	M480
(26)	996 106 842 02	water tube supply	02-	1	M249	(33)	996 106 222 56	hose return line	-01	1	M480
27	A 996 106 212 51	water hose supply		1		(33)	996 106 222 64	water hose return line	02-	1	M480
(27) A	996 106 212 52	hose supply		1		33 A	996 106 222 53	water hose return line		1	M249
(27)	996 106 212 53	hose supply	-01	1		(33)	996 106 222 57	water hose return line	-01	1	M249
(27)	996 106 812 03	water hose supply	02-	1	M249	(33)	996 106 822 03	water hose return line	02-	1	M249
28	999 512 552 00	hose clamp 27 X 12		4		34	996 106 421 51	support		2	
29	996 106 233 51	water hose M >> 66X 01814		1		35	999 511 237 40	hose holder 10-52/-18		2	
29	996 106 233 52	hose M 66X 01815 >>		1		36	999 511 238 40	hose holder 10-52/-13		1	
29 A	996 106 233 53	hose M 66X 01815 >>		1		37	999 512 657 09	hose clamp 26 X 12		1	
29	996 106 233 55	hose M 66X 01815 >>		1		38	999 512 655 09	hose clamp 22 X 12		1	
30	999 512 551 00	hose clamp 25 - 40		1		39	996 106 312 00	water tube supply heating	02-	1	M249
31	900 378 036 09	hexagon-head bolt M 6 X 12		3		40	996 106 322 00	return pipe heating	02-	1	M249
32	996 106 243 51	water tube for 996.106.250.54 return line	-98	1		41	996 106 212 74	hose supply heating	02-	1	M249
32	996 106 243 52	water tube return line for 996.106.250.55	99-	1		42	996 106 222 74	hose return line heating	02-	1	M249
(32)	996 106 243 54	water tube return line	02-	1	M480	43	996 106 050 00	support	02-	1	
(32)	996 106 843 01	cooling water tube return line	02-	1	M249	44	999 507 793 40	hose holder 23 mm	02-	1	
(33) A	996 106 222 52	water hose return line		1	M480	45	999 507 777 40	hose holder 48 - 53	02-	1	
						46	900 385 041 01	torx screw M 6 X 12	02-	1	

Model	Year	MG	SG	Illustration	Restrictions	UPD	13:34	24.01.2010	PORSCHE	PET	PORSCHE
996	2005	1	05	105-05		248					

Pos	Part Number	Description	Remark	Qty	Model	Pos	Part Number	Description	Remark	Qty	Model
47	A 996 106 851 00	hose for 996.106.850.04		1							
47	P 996 106 851 02	hose for 996.106.850.04		1							

Model	Year	MG	SG	Illustration	Restrictions	UPD	13:35	24.01.2010	PORSCHE	PET	PORSCHE
996	2005	1	05	105-10		248					

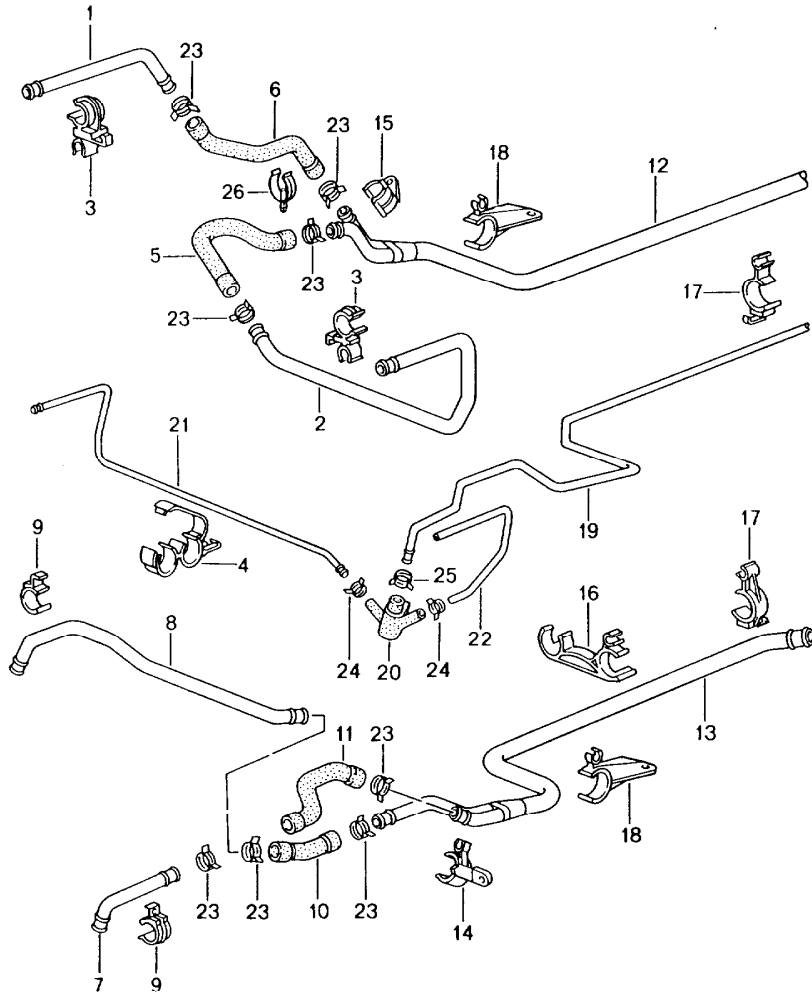


Pos	Part Number	Description	Remark	Qty	Model
		water cooling 2			M96.01/02/03 M96.04
1	A 996 106 611 52	water tube supply	-00	2	
1	996 106 611 53	water tube supply	01-	2	
2	999 512 499 00	hose clamp 32 - 50		12	
3	996 106 414 55	support		4	
4	996 106 623 53	water hose supply	/L	1	
5	996 106 624 53	water hose	/R	1	
6	996 106 615 54	water tube return line		2	
7	996 106 419 52	support		4	
8	996 106 627 52	water hose		2	
9	996 106 651 54	distributing piece supply		1	
10	996 106 652 54	distributing piece return line		1	
11	996 106 413 52	support		2	
12	999 084 629 09	hexagon nut M 6		2	
13	996 106 415 52	support		2	
14	900 378 035 01	hexagon-head bolt M 6 X 16		6	
15	996 106 420 52	support		2	
16	996 106 127 53	vent line		1	
17	996 106 546 54	y-piece		1	
17	996 106 546 55	y-piece		1	
18	999 512 554 00	hose clamp 25 - 40		1	
19	999 512 554 00	hose clamp 25 - 40		4	
20	996 106 126 54	vent line	/R	1	

Model	Year	MG	SG	Illustration	Restrictions	UPD	13:35	24.01.2010	PORSCHE	PET	PORSCHE
996	2005	1	05	105-10		248					

Pos	Part Number	Description	Remark	Qty	Model	Pos	Part Number	Description	Remark	Qty	Model
21	996 106 225 54	vent line	/L	1							
22	996 106 412 51	support		1							
23	996 106 135 52	breather hose	-98	2							
23	996 106 135 52	breather hose	99-	2							
24	996 106 685 53	vent line		2							
25	999 507 378 40	support		2							

Model	Year	MG	SG	Illustration	Restrictions	UPD	13:35	24.01.2010	PORSCHE	PET	PORSCHE
996	2005	1	05	105-12		248					

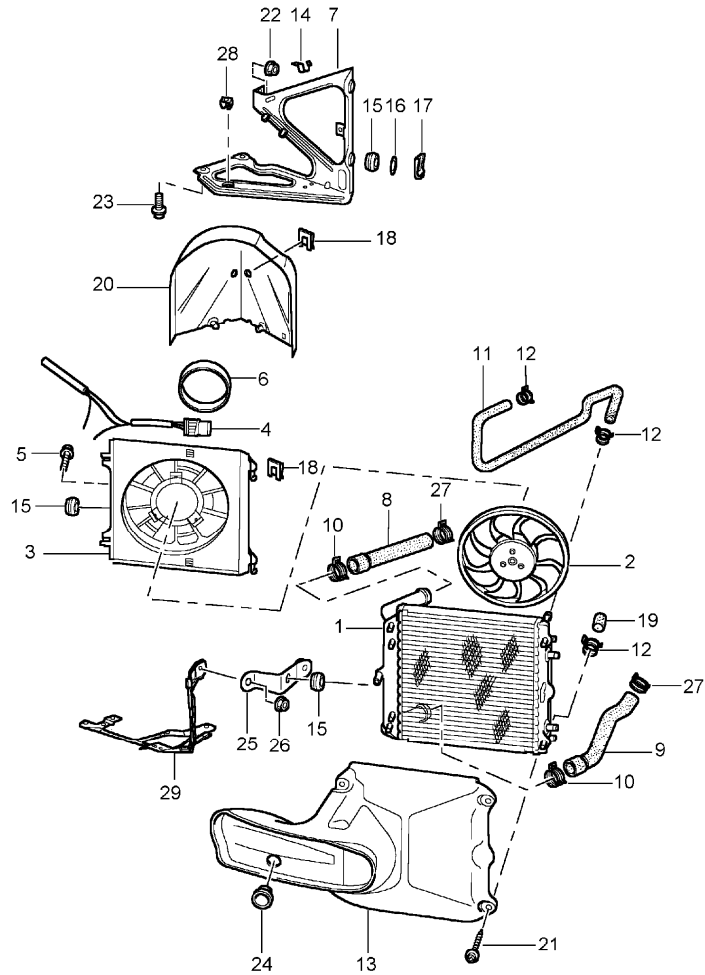


Pos	Part Number	Description	Remark	Qty	Model
		water cooling 2			M96.01/02/03 M96.04 M339
1	A 996 106 611 52	water tube supply	/R	1	
1	996 106 611 53	water tube supply	/R	1	
2	996 106 711 03	water tube supply	/L	1	
3	996 106 414 55	support		4	
4	996 106 525 04	support		2	
5	996 106 723 02	hose supply	/R	1	
6	996 106 724 03	hose supply	/R	1	
7	996 106 715 01	water tube return line	/L	1	
8	996 106 720 02	water tube return line	/R	1	
9	996 106 419 52	support		3	
10	A 996 106 727 03	hose return line	/L	1	
10	996 106 727 05	hose return line	/L	1	
11	996 106 728 03	hose return line	/L	1	
12	996 106 752 03	water tube supply		1	
13	996 106 751 04	water tube return line		1	
14	996 106 513 01	support	/L	1	
15	996 106 514 00	support	/R	1	
16	996 106 540 00	support		1	
17	996 106 515 01	support		2	
18	996 106 520 01	support		2	
19	996 106 227 72	vent line		1	

Model	Year	MG	SG	Illustration	Restrictions	UPD	13:35	24.01.2010	PORSCHE	PET	PORSCHE
996	2005	1	05	105-12		248					

Pos	Part Number	Description	Remark	Qty	Model	Pos	Part Number	Description	Remark	Qty	Model
20	996 106 647 04	y-piece		1							
20	996 106 647 05	y-piece		1							
21	996 106 766 71	vent line	/R	1							
22	996 106 765 71	vent line	/L	1							
23	999 512 499 00	hose clamp 32 - 50		8							
24	999 512 554 00	hose clamp 12 - 22		2							
25	999 512 554 00	hose clamp 12 - 22		1							
26	999 507 378 40	support		2							

Model	Year	MG	SG	Illustration	Restrictions	UPD	13:35	24.01.2010	PORSCHE	PET	PORSCHE
996	2005	1	05	105-15		248					



Pos	Part Number	Description	Remark	Qty	Model
		water cooling 3			M96.01/02/03 M96.04
1	A 996 106 131 50	radiator		2	
1	996 106 131 51	radiator	/L	1	
(1)	A 996 106 131 72	radiator	/L 02-	1	C4S
(1)	996 106 131 74	radiator	/L 02-	1	C4S
(1)	A 996 106 131 72	radiator	/L 04	1	M095
(1)	996 106 131 74	radiator	/L 04	1	M095
(1)	996 106 132 51	radiator	/R	1	
(1)	A 996 106 132 70	radiator	/R 02-	1	C4S
(1)	996 106 132 72	radiator	/R 02-	1	C4S
(1)	A 996 106 132 70	radiator	/R 04	1	M095
(1)	996 106 132 72	radiator	/R 04	1	M095
2	996 624 135 00	fan		2	
(2)	996 624 127 00	fan	02-	2	C4S
(2)	996 624 127 00	fan	04	2	M095
3	996 624 131 00	air box		2	
(3)	996 624 137 00	air box	02-	2	C4S
(3)	996 624 137 00	air box	04	2	M095
4	996 616 101 00	series resistor		2	
(4)	996 624 141 00	series resistor	02-	2	C4S
(4)	996 624 141 00	series resistor	04	2	M095
5	900 146 116 09	screw M 5 X 16		6	
6	996 624 136 00	protection cap		2	
7	996 504 175 09	bracket	/L	1	
(7)	996 504 155 00	bracket	/L 02-	1	C4S
(7)	996 504 155 00	bracket	/L 04	1	M095
(7)	996 504 176 09	bracket	/R	1	
(7)	996 504 156 00	bracket	/R 02-	1	C4S

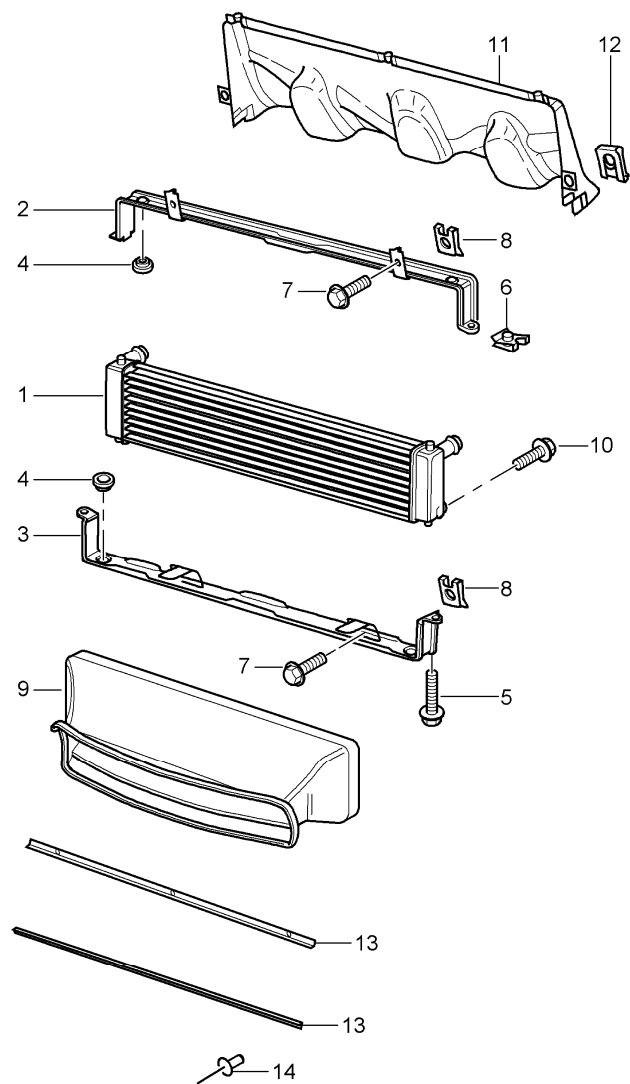
Model	Year	MG	SG	Illustration	Restrictions	UPD	13:35	24.01.2010	PORSCHE	PET	PORSCHE
996	2005	1	05	105-15		248					

Pos	Part Number	Description	Remark	Qty	Model	Pos	Part Number	Description	Remark	Qty	Model
(7)	996 504 156 00	bracket	/R 04	1	M095	(11)	996 106 138 74	breather hose	/R 04	1	M095
8	996 106 621 57	hose supply		1		12	999 512 585 09	hose clamp 15 X 12		6	
(8)	996 106 621 78	water hose supply	/L/R 02-	1	C4S	13	996 575 321 00	air duct	/L -01	1	
(8)	996 106 621 78	water hose supply	/L/R 04	1	M095	13	996 575 321 03	air duct	/L 02-	1	
(8)	996 106 665 57	hose supply with one conection radiator centre	/L	1	M249	(13)	996 575 321 02	air duct	/L 02-	1	C4S
						(13)	996 575 321 02	air duct	/L 04	1	M095
						(13)	996 575 322 00	air duct	/R -01	1	
(8)	996 106 622 54	hose supply	/R	1		(13)	996 575 322 03	air duct	/R 02-	1	
						(13)	996 575 322 02	air duct	/R 02-	1	C4S
9	996 106 625 54	hose return line	/L	1		(13)	996 575 322 02	air duct	/R 04	1	M095
(9)	996 106 625 78	hose return line	/L 02-	1	C4S	14	999 651 305 02	cable holder		2	
(9)	996 106 625 78	hose return line	/L 04	1	M095	15	999 702 214 40	grommet 14 X 20,5 X 7,5		6	
(9)	996 106 626 51	hose return line	/R	1	M480	16	999 025 255 02	washer		4	
(9)	996 106 626 77	water hose return line	/R 02-	1	C4S	17	999 166 083 09	tab washer B 25		4	
(9)	996 106 626 77	water hose return line	/R 04	1	M095	18	999 166 077 02	safety clip B 22		6	
(9)	996 106 666 55	hose return line with one conection radiator centre	/R	1	M249	19	U 999 703 418 40	cap		2	
						(19)	996 106 334 00	rubber cap		2	
10	999 512 499 00	hose clamp 32 - 50		4		20	996 575 341 03	air duct		-98	2
11	996 106 137 53	breather hose	/L	1		20	996 575 341 04	air duct	/L 99-	1	
(11)	996 106 137 77	breather hose	/L 02-	1	C4S	(20)	996 575 342 00	air duct	/R 99-	1	
(11)	996 106 137 77	breather hose	/L 04	1	M095	(20)	996 575 351 00	air duct	/L 02-	1	C4S
(11)	996 106 138 53	breather hose	/R	1		(20)	996 575 352 00	air duct	/R 02-	1	C4S
(11)	996 106 138 74	breather hose	/R 02-	1	C4S	(20)	996 575 351 30	air duct	/L 04	1	M095
						(20)	996 575 352 30	air duct	/R 04	1	M095
						21	999 919 134 09	oval-head screw 6,0 X 16		14	
						22	999 084 630 09	hexagon nut M 8		2	

Model	Year	MG	SG	Illustration	Restrictions	UPD	13:35	24.01.2010	PORSCHE	PET	PORSCHE
996	2005	1	05	105-15		248					

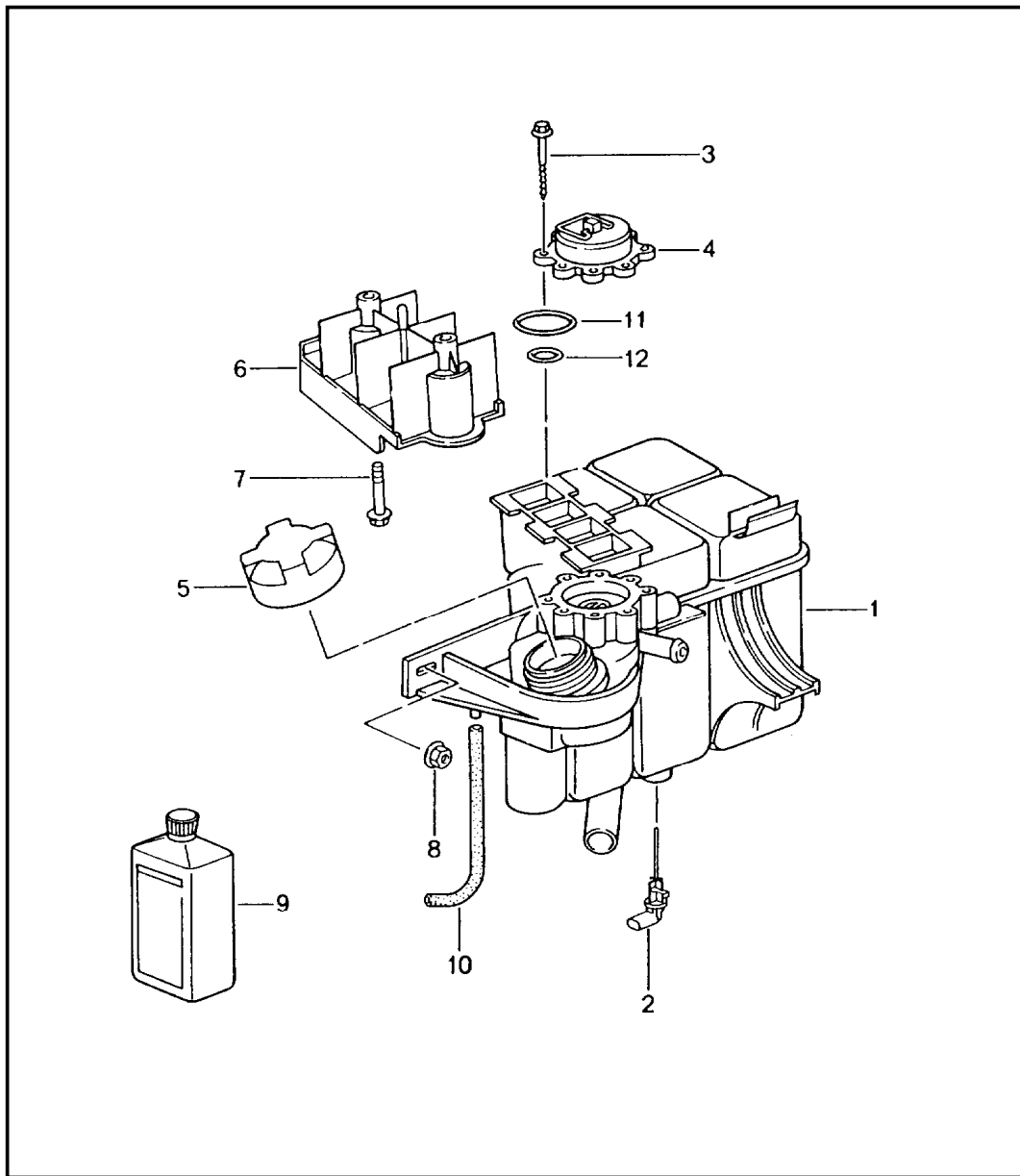
Pos	Part Number	Description	Remark	Qty	Model	Pos	Part Number	Description	Remark	Qty	Model
23	900 378 074 09	hexagon-head bolt M 8 X 16		4							
24	999 702 214 40	grommet 14 X 20,5 X 7,5		2							
24	803 803 583	rubber sleeve 30,0 X 40,0	/R	1							
25	996 504 721 00	support		1							
	GRV	prime coated									
26	900 377 003 02	hexagon nut M 8		4							
27	999 512 552 00	hose clamp 28 X 12		2							
28	999 507 590 02	captive nut		1							
29	996 504 523 01	support	/L	02-	1	C4S					
29	996 504 523 01	support	/L	04	1	M095					
(29)	996 504 524 01	support	/R	02-	1	C4S					
(29)	996 504 524 01	support	/R	04	1	M095					
--	996 504 775 00	support		2							

Model	Year	MG	SG	Illustration	Restrictions	UPD	13:35	24.01.2010	PORSCHE	PET	PORSCHE
996	2005	1	05	105-17		248					



Pos	Part Number	Description	Remark	Qty	Model
		radiator			M96.01/02/03 M96.04 M249 M96.03 IX51/M480
1	996 106 037 51	radiator		1	
2	996 504 487 02	retaining frame		1	
3	996 504 485 02	retaining frame		1	
4	930 113 430 00	rubber mounting		4	
5	900 378 036 09	hexagon-head bolt M 6 X 12		2	
6	999 507 550 02	speed nut M 6		2	
7	900 378 074 09	hexagon-head bolt M 8 X 16		4	
8	999 591 869 02	speed nut M 8		4	
9 A	996 575 141 01	air duct radiator centre		1	
9	996 575 141 02	air duct radiator centre	-01	1	
9	996 575 141 04	air duct radiator centre	02-	1	
(9)	996 575 141 03	air duct radiator centre	04	1	M095
10	996 106 901 00	screw plug		1	
11	996 575 151 01	air duct	04	1	M095
12	999 166 076 02	safety clip	04	2	M095
13	996 575 761 00	attachment strip	04	2	M095
14	999 190 419 30	blind rivet A 3,2 X 7,5	04	6	M095

Model	Year	MG	SG	Illustration	Restrictions	UPD	13:36	24.01.2010	PORSCHE	PET	PORSCHE
996	2005	1	05	105-20		248					

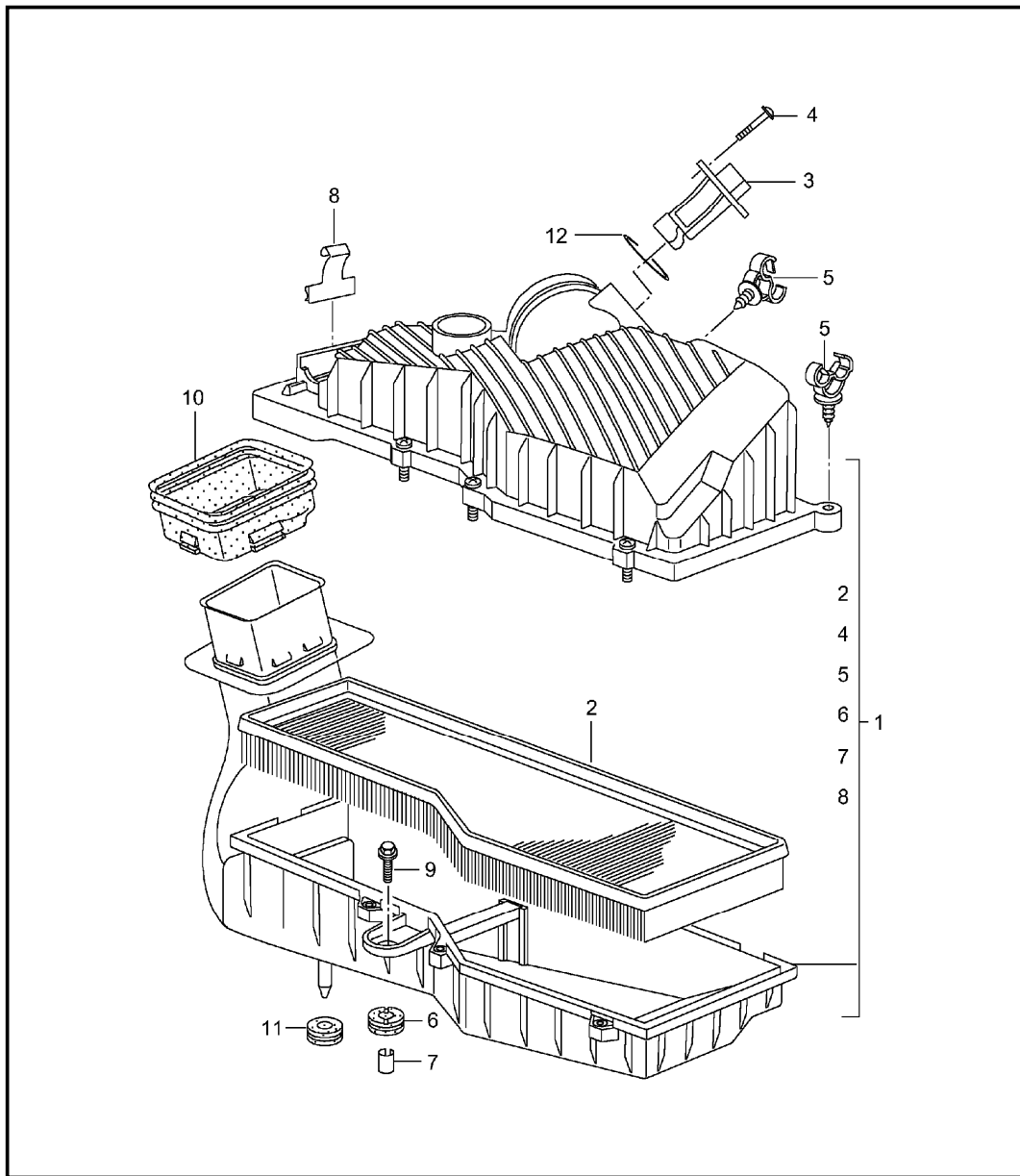


Pos	Part Number	Description	Remark	Qty	Model
		water cooling 4			M96.01/02/03 M96.04
1	A 996 106 147 54	water reservoir	-98	1	
1	996 106 147 55	water reservoir	-00	1	
1	996 106 147 56	water reservoir	-00	1	
(1)	A 996 106 157 01	water reservoir	01-	1	
(1)	996 106 157 02	water reservoir	01-	1	
(1)	996 106 157 03	water reservoir	03-	1	
2	996 641 503 00	switch		1	
3	999 919 058 02	hexagon-head bolt 5,0 X 40		8	
4	996 106 347 01	bleeder valve		1	
5	996 106 447 01	lid see technical manual group 1 Nr.190101		1	
6	996 106 405 51	support	-01	1	
(6)	996 106 405 52	support	02-	1	
(6)	996 106 405 71	support		1	C4S
7	900 378 033 09	hexagon-head bolt M 8 X 30		2	
8	999 076 071 02	hexagon nut M 6		1	
9	000 043 203 78	antifreeze 1 LTR. container		X	
(9)	A 000 043 203 79	antifreeze 25 LTR. container		X	
(9)	000 043 300 31	antifreeze 20 LTR. container		X	
10	996 106 297 00	overflow hose		1	
11	999 707 370 40	o-ring 47 X 4		1	

Model	Year	MG	SG	Illustration	Restrictions	UPD	13:36	24.01.2010	PORSCHE	PET	PORSCHE
996	2005	1	05	105-20		248					

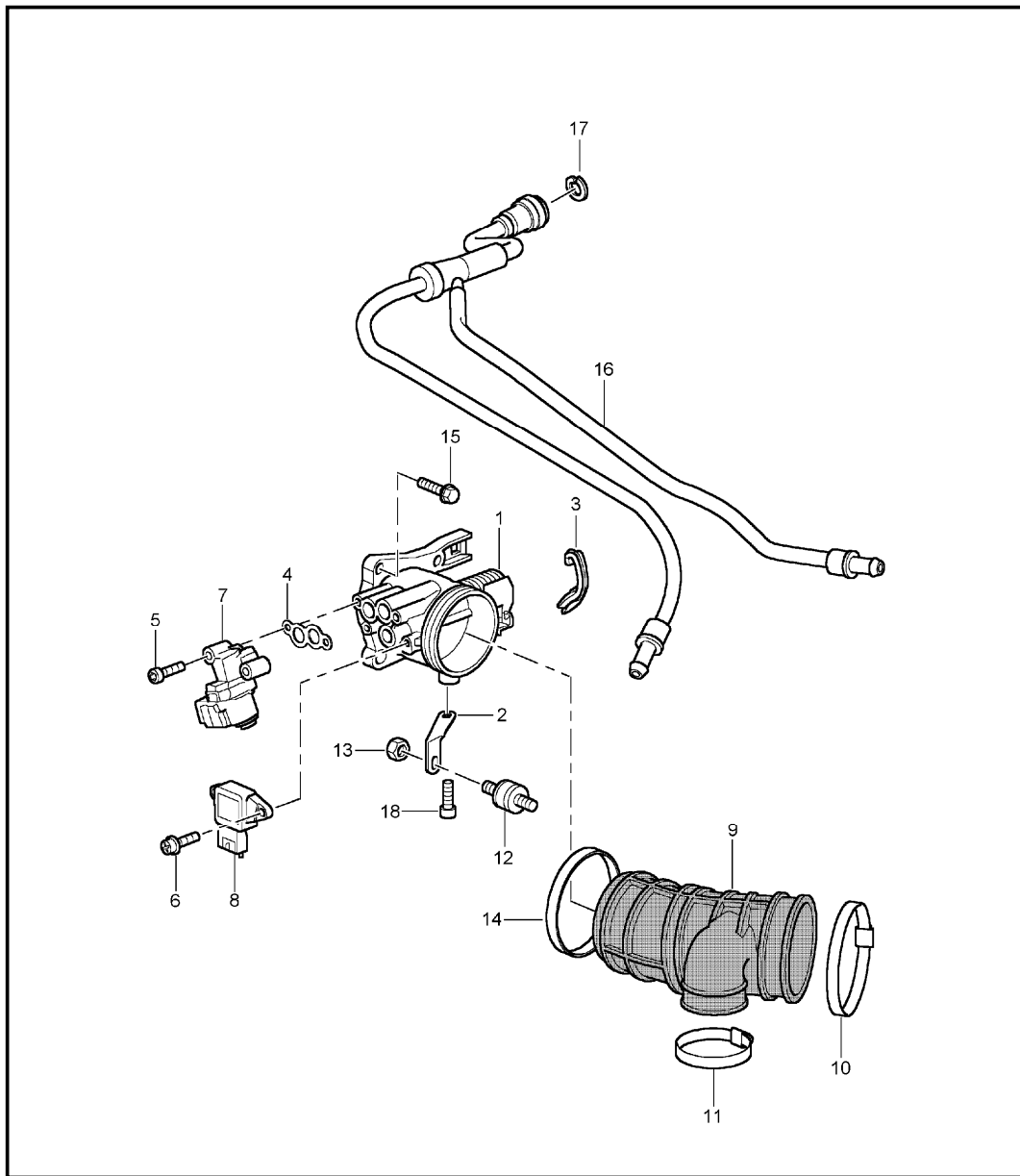
Pos	Part Number	Description	Remark	Qty	Model	Pos	Part Number	Description	Remark	Qty	Model
12	999 707 371 40	o-ring 17 X 4		1							

Model	Year	MG	SG	Illustration	Restrictions	UPD	13:36	24.01.2010	PORSCHE	PET	PORSCHE
996	2005	1	06	106-00		248					



Pos	Part Number	Description	Remark	Qty	Model
		air cleaner			M96.01/02/03 M96.04
1	996 110 021 56	air cleaner		1	
1	996 110 021 58	air cleaner		1	M339
(1)	996 110 921 50	air cleaner	02-	1	M96.03
2	996 110 131 52	air cleaner cartridge		1	
3	996 606 123 00	mass air flow meter		1	
3	996 606 124 00	mass air flow meter	-01	1	M339/620
3	986 606 125 01	mass air flow meter	02-	1	M96.03
4	999 919 160 07	oval-head screw 5,0 X 20		2	
5	999 507 544 40	cable holder 4,0 - 12,0		2	
6	999 702 221 40	grommet 11,8 X 18,0 X 18		3	
7	900 095 099 02	roll pin 12,0 X 14		1	
8	996 110 224 50	spring clamp		1	
9	999 075 063 02	hexagon-head bolt M 6 X 34		1	
10	996 110 250 52	joint flange		1	
11	999 702 246 40	grommet 12,0 X 17,0 X 3		2	
12	986 606 925 00	o-ring for mass air flow meter		1	

Model	Year	MG	SG	Illustration	Restrictions	UPD	13:36	24.01.2010	PORSCHE	PET	PORSCHE
996	2005	1	07	107-00		248					

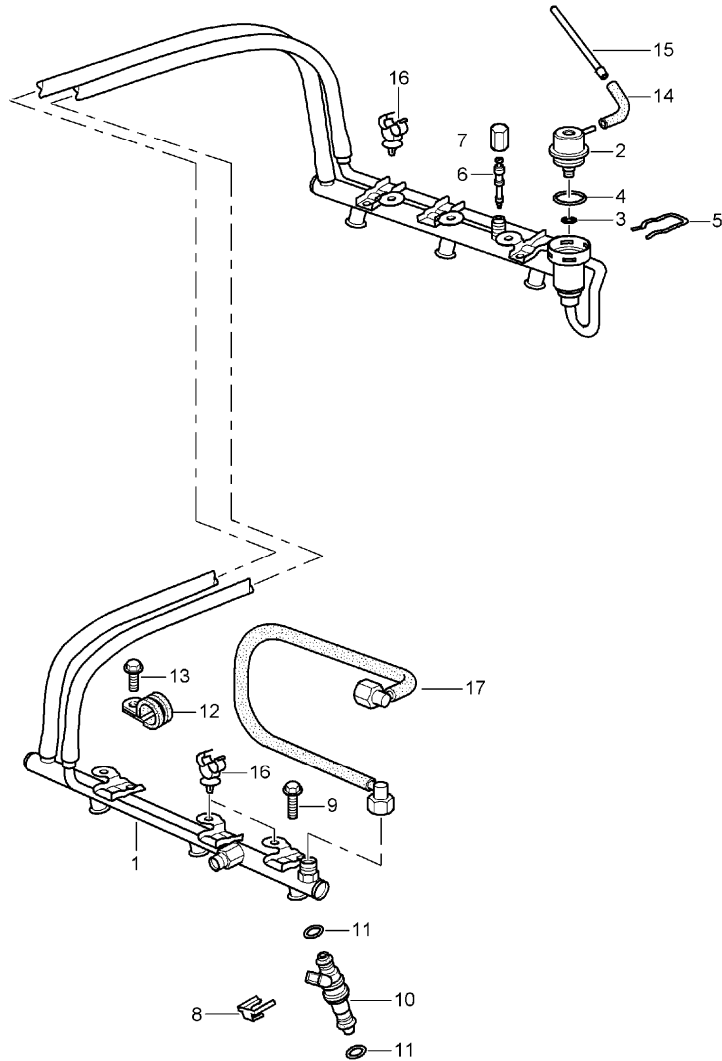


Pos	Part Number	Description	Remark	Qty	Model
		throttle body			M96.01/02/03 M96.04
1	A 996 110 065 52	throttle body		1	
1	> 996 110 065 53	throttle body		1	
(1)	996 605 115 01	throttle body		1	M620
2	996 110 223 52	bracket		1	
(2)	996 110 223 31	bracket		1	M339
3	996 110 265 50	securing clip		1	
4	996 110 310 50	gasket		1	
5	996 110 965 00	pan-head screw M 6 X 32		2	
6	900 146 150 02	round head screw M 4 X 16		2	
7	996 606 160 01	idle-speed adjuster	-01	1	
8	996 606 116 00	throttle-valve switch		1	
9	996 110 221 57	air box	-00	1	
9	996 110 221 57	air box	01-	1	M480
(9)	996 110 221 58	air box	01-	1	M249
10	999 512 629 00	hose clamp 90 - 100/9		1	
11	999 512 636 00	hose clamp 40 - 60/9		1	
12	A 930 110 579 01	bonded rubber buffer		1	
12	999 703 265 00	bonded rubber mounting 20 X 15/M 6		1	
13	900 377 010 09	hexagon nut M 6		1	
14	999 512 542 00	hose clamp 80 - 100/9		1	
15	900 378 013 09	hexagon-head bolt M 6 X 25		4	
(15)	900 378 029 09	hexagon-head bolt M 6 X 40		4	M620

Model	Year	MG	SG	Illustration	Restrictions	UPD	13:36	24.01.2010	PORSCHE	PET	PORSCHE
996	2005	1	07	107-00		248					

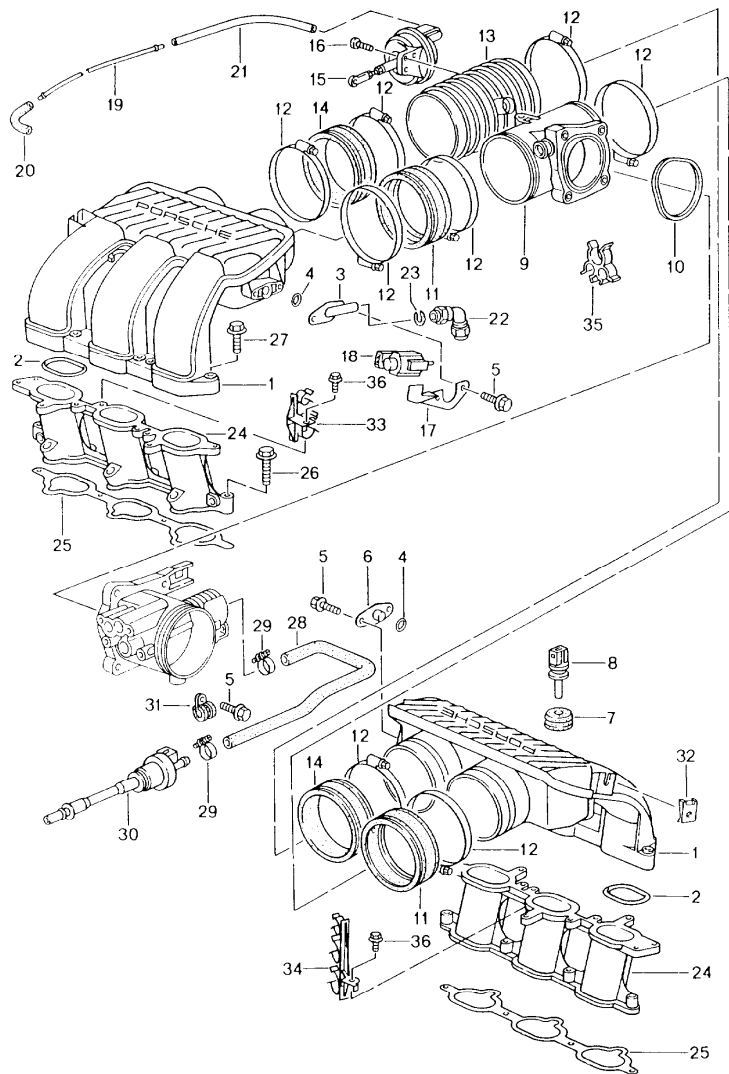
Pos	Part Number	Description	Remark	Qty	Model	Pos	Part Number	Description	Remark	Qty	Model
16	996 110 170 50	venturi tube	01	1	M96.04 M249						
16	996 110 170 51	venturi tube	02-	1	M96.03 M249						
17	999 230 535 40	lock		3	M249						

Model	Year	MG	SG	Illustration	Restrictions	UPD	13:36	24.01.2010	PORSCHE	PET	PORSCHE
996	2005	1	07	107-05		248					



Pos	Part Number	Description	Remark	Qty	Model
		fuel collection pipe			M96.01/02/03 M96.04
1	A 996 110 031 56	fuel collection pipe	-00	1	
1	996 110 931 50	fuel collection pipe	-00	1	
(1)	A 996 110 031 57	fuel collection pipe	01	1	M96.04
(1)	996 110 931 51	fuel collection pipe	01	1	M96.04
(1)	996 110 036 55	fuel collection pipe	02-	1	M96.03
2	993 110 199 01	pressure regulator	-01	1	
3	999 707 276 40	o-ring 5 X 2,5		1	
4	999 707 277 40	o-ring 20 X 2,5		1	
5	993 110 196 00	retaining clip		1	
6	993 110 217 00	valve		1	
7	993 110 218 01	cap		1	
8	996 110 113 52	retaining clip		6	
9	900 378 036 09	hexagon-head bolt M 6 X 12		4	
(10)	996 606 120 01	injector valve		6	
(10)	996 606 122 00	injector valve	01-	6	
11	944 110 901 01	o-ring 7,5 X 3,5		12	
12	999 511 194 02	clamp 35 X 15		1	
13	900 378 035 01	hexagon-head bolt M 6 X 16		1	
14	928 574 717 03	moulded hose		1	
--	000 043 205 01	pipe 4 X 1		*	
15	---	420 MM		1	
16	999 511 239 40	cable holder 6,0 X 12		3	
17	996 110 315 55	fuel line		1	M339

Model	Year	MG	SG	Illustration	Restrictions	UPD	13:36	24.01.2010	PORSCHE	PET	PORSCHE
996	2005	1	07	107-10		248					

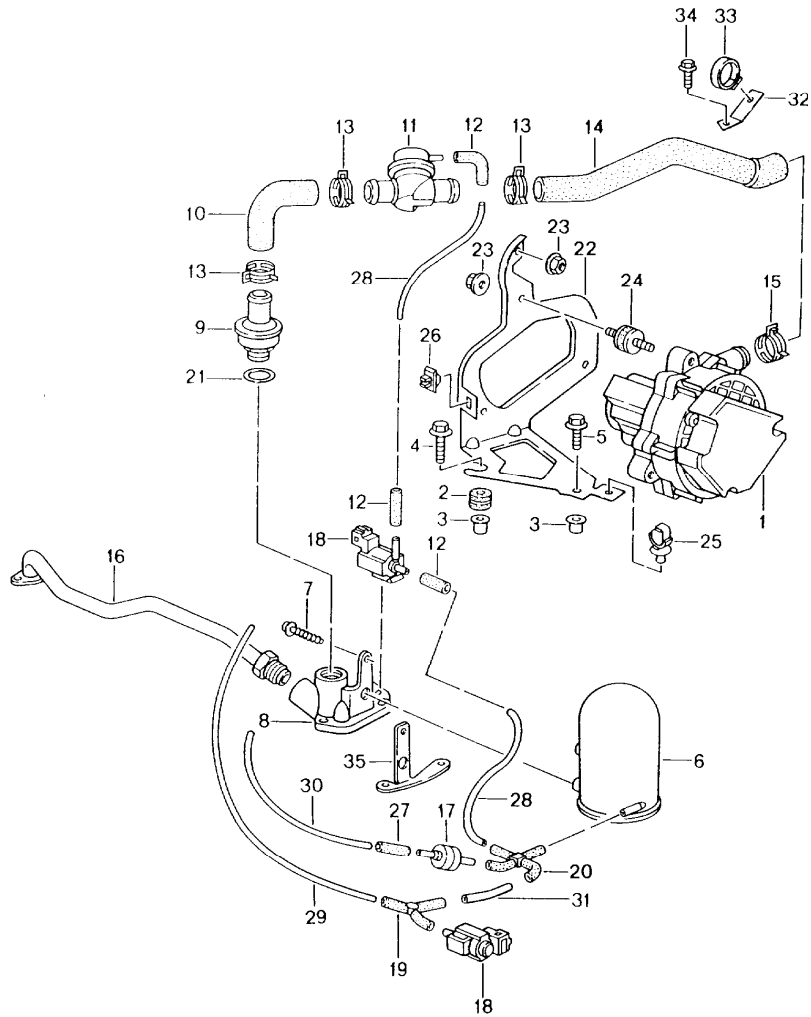


Pos	Part Number	Description	Remark	Qty	Model
		intake distributor			M96.01/02/03 M96.04
1	996 110 015 55	intake connection		2	
1	996 110 980 40	intake distributor		2	IX51
2	996 110 247 50	gasket		6	
3	996 110 151 51	adapter	-98	1	
3	996 110 151 52	adapter	-00	1	
(3)	996 110 151 52	adapter	01-	1	M480
(3)	996 110 151 01	adapter	01-	1	M249
4	999 701 163 40	o-ring 11 X 2,5		2	
5	999 919 125 09	hexagon-head bolt 6,0 X 16		5	
6	996 110 251 51	lid		1	
7	993 110 530 00	grommet		1	
8	996 606 113 00	temperature sensor		1	
9	996 110 215 53	intermediate piece		1	
9	996 110 116 00	intermediate piece		1	M339
10	996 110 317 50	sealing ring		1	
10	996 110 319 00	gasket		1	M339
11	996 110 685 52	rubber sleeve		2	
12	999 512 539 00	hose clamp 90 - 110/9		8	
12	999 512 539 01	hose clamp 90 - 110/9		8	
13	996 110 120 53	resonance tube		1	
14	996 110 686 50	rubber sleeve	-00	2	
(14)	996 110 686 51	rubber sleeve	01-	2	
15	993 110 462 02	vacuum unit		1	
16	900 146 123 02	screw M 5 X 16		2	
17	996 110 510 52	retaining bracket		1	

Model	Year	MG	SG	Illustration	Restrictions	UPD	13:36	24.01.2010	PORSCHE	PET	PORSCHE
996	2005	1	07	107-10		248					

Pos	Part Number	Description	Remark	Qty	Model	Pos	Part Number	Description	Remark	Qty	Model
--	996 110 511 50	retaining bracket venturi tube	01-	1	M249	34	996 607 108 00	support		1	
18	996 605 123 01	change-over valve		1		35	996 607 109 00	support	-01	1	
--	000 043 205 01	pipe 4 X 1		*		35	996 607 013 00	support	02	1	
19	---	420 MM		1		35	996 607 143 00	support	03-	1	
20	928 574 717 03	moulded hose		1		36	900 378 163 09	hexagon-head bolt M 6 X 16		2	
--	000 043 204 99	hose 3,5 X 2		*							
21	-	148 MM		1	M661						
(21)	-	176 MM		1							
22	999 230 498 40	angled pipe		1							
23	999 230 535 40	lock		1							
24	996 110 101 52	intake manifold		2							
(24)	996 110 983 00	intake connection		2	IX51						
25	996 110 103 50	gasket		2							
26	900 378 174 09	hexagon-head bolt M 6 X 35		8							
27 A	900 378 172 09	hexagon-head bolt AM 6 X 35		12							
27	900 385 017 01	hexagon-head bolt AM 6 X 35		12							
28	996 110 127 50	vent line		1							
(28)	996 110 127 30	vent line		1	M339						
29	999 512 554 00	hose clamp 14 X 12		2							
30	996 110 129 52	vent line		1							
31 A	999 511 155 02	pipe clamp 15 X 15		1							
31	999 511 155 01	pipe clamp 15 X 15		1							
32	999 507 246 02	speed nut M 6		1							
33	996 607 107 00	support		1							

Model	Year	MG	SG	Illustration	Restrictions	UPD	13:37	24.01.2010	PORSCHE	PET	PORSCHE
996	2005	1	08	108-05		248					

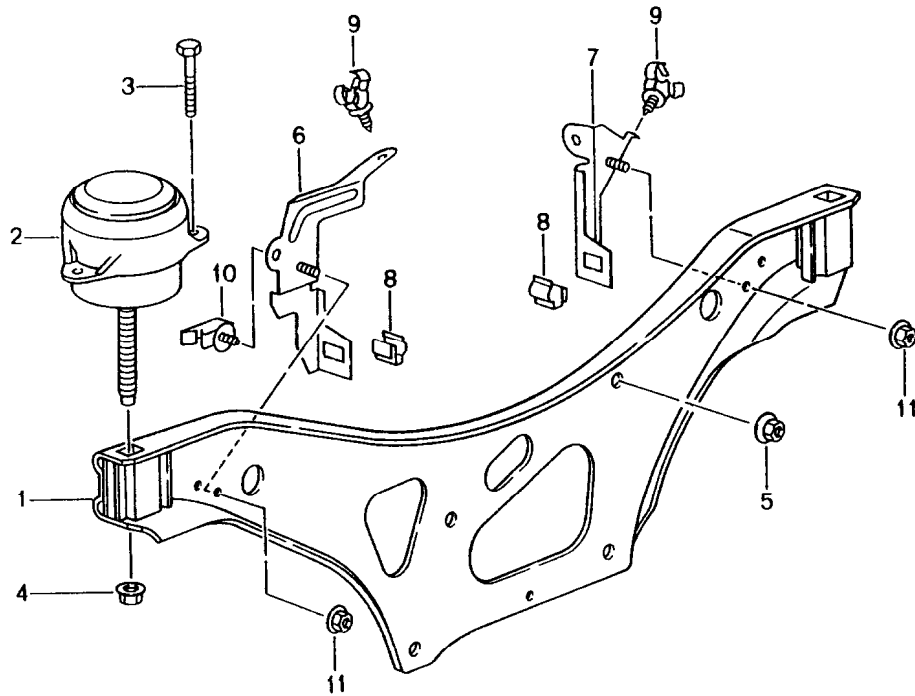


Pos	Part Number	Description	Remark	Qty	Model
		air injection			M96.01/02/03 M96.04
1	996 605 103 01	air pump	-99	1	
(1)	996 605 104 00	air pump	00-	1	
2	999 703 442 40	rubber mounting 6,5 X 14 X 1,5		1	
3	999 500 078 00	speed nut M 6		2	
4	900 075 333 02	hexagon-head bolt M 6 X 25		1	
5	900 378 035 01	hexagon-head bolt M 6 X 16		1	
6	993 110 140 03	vacuum tank		1	
7	999 919 115 02	oval-head screw 5,0 X 22		1	
8	996 113 131 52	distributor housing		1	
9	993 113 250 03	check valve		1	
10	996 113 241 53	hose		1	
11	993 113 245 01	shut-off valve	-99	1	
(11)	996 113 249 01	shut-off valve	00-	1	
12	928 574 717 03	moulded hose		4	
13	999 512 657 09	hose clamp 26 X 12		3	
14	996 113 239 55	hose	-99	1	
(14)	996 113 239 56	hose	00-	1	
15	999 512 552 00	hose clamp 28 X 12		1	
16	996 113 117 55	air tube		1	
17	964 110 950 01	check valve		1	
18	996 605 123 01	change-over valve		2	
19	928 573 727 03	y-piece		1	
20	928 573 729 02	distributing piece		1	

Model	Year	MG	SG	Illustration	Restrictions	UPD	13:37	24.01.2010	PORSCHE	PET	PORSCHE
996	2005	1	08	108-05		248					

Pos	Part Number	Description	Remark	Qty	Model	Pos	Part Number	Description	Remark	Qty	Model
21	900 123 011 30	sealing ring A 22 X 27		1							
22	996 605 105 02	support	-99	1							
(22)	996 605 124 00	support	00-	1							
23	999 084 629 09	hexagon nut M 6		5							
24	999 703 465 00	bonded rubber buffer 20 X 20 M 6	-99	3							
(24)	999 703 477 40	bonded rubber buffer 20 X 20 M 6	00-	3							
25	999 511 239 40	cable holder 6,0 - 12,0		1							
26	999 650 118 40	clip		1							
27	999 239 040 40	connecting piece		1							
--	000 043 205 01	pipe 4 X 1,0		*							
28	---	120 MM		2							
29	---	420 MM		1							
30	---	150 MM		1							
31	---	50 MM		1							
32	996 110 339 50	retaining bracket		1							
33	999 651 319 40	cable holder B 27,00		1							
34	900 378 174 09	hexagon-head bolt M 6 X 35		1							
35	996 113 145 50	support		1							
--	993 105 345 00	stopper		1	M480						

Model	Year	MG	SG	Illustration	Restrictions	UPD	13:37	24.01.2010	PORSCHE	PET	PORSCHE
996	2005	1	09	109-00		248					



Pos	Part Number	Description	Remark	Qty	Model
		engine suspension			M96.01/02/03 M96.04
1	A 996 375 011 06	engine carrier		1	
1	996 375 011 07	engine carrier		1	
(1)	996 375 011 08	engine carrier	02-	1	M96.03
2	993 375 049 06	engine mounting		2	
3	900 378 055 09	hexagon-head bolt		4	
4	999 084 215 09	hexagon nut M 12 X 1,5		2	
5	900 380 008 09	hexagon nut M 10		4	
6	996 606 157 02	support		1	
7	996 606 158 00	support		1	
8	999 591 746 02	cable terminal 7,0 - 9,0		2	
9	999 511 239 40	cable holder 6,0 - 12,0		2	
10	999 507 511 40	cable holder 6,0 - 8,0		1	
11	900 377 010 09	hexagon nut M 6		2	

Model	Year	MG	SG	Illustration	Restrictions	UPD	13:37	24.01.2010
996	2005	1	98	198-00R		248		

Pos	Part Number	Description	Remark	Qty	Model
		gasket set repair kits			M96.01/02/03 M96.04
>>	>>986 100 905 00	gasket set engine		1	
		use also: 996 104 269 00 996 104 270 05 996 110 103 50 996 110 247 50		1 1 2 6	
-	996 101 361 51	gasket		1	
-	996 101 363 50	gasket		1	
-	999 701 789 40	o-ring 12 X 2		4	
-	996 101 331 50	gasket		1	
-	996 101 336 50	gasket		1	
-	900 123 147 30	sealing ring A 27 X 32		4	
-	900 123 106 30	sealing ring A 18 X 24		1	
-	996 113 233 50	gasket		1	
-	996 113 213 51	gasket		1	
-	999 113 475 40	shaft sealing ring 40 X 62 X10		1	
-	999 113 490 40	shaft sealing ring 85 X 105 X 11		1	
-	999 218 005 02	pan-head screw M 6 X 16		6	
-	900 123 007 30	sealing ring A 14 X 18		1	
-	996 105 223 52	lid		2	
-	000 043 203 64	assembly kit		1	
-	999 707 343 40	o-ring 25,07 X 2,62		6	
-	999 707 215 40	o-ring 27,94 X 5,33		6	
-	996 104 215 54	lid		6	
-	U 999 707 391 40	o-ring 52 X 2,5		1	

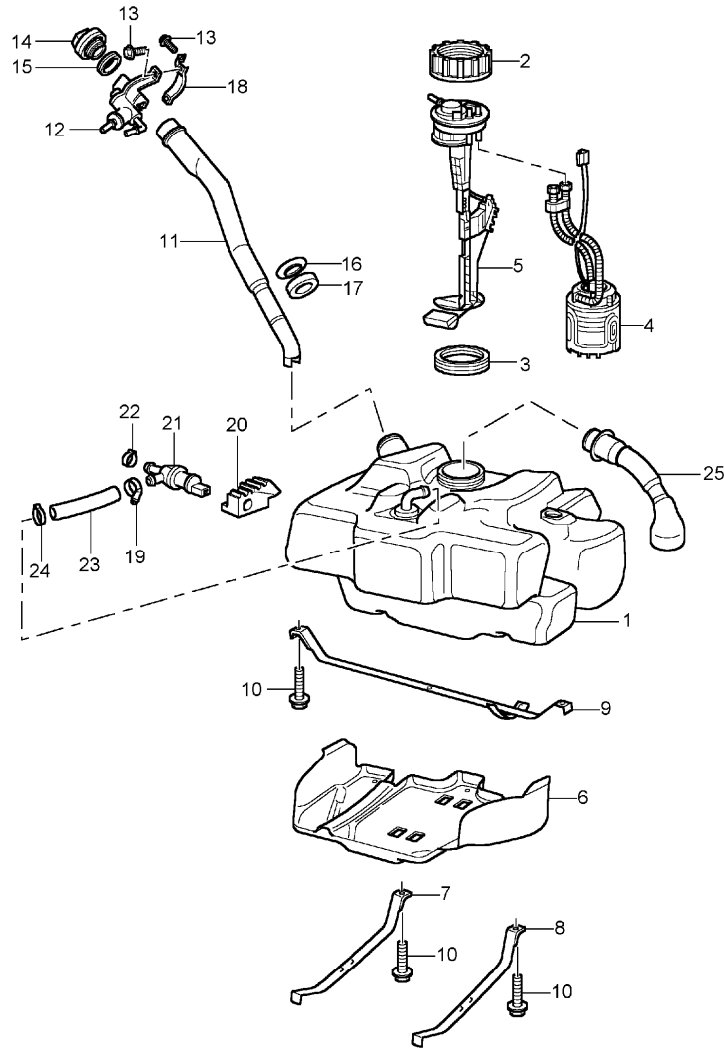
Model	Year	MG	SG	Illustration	Restrictions	UPD	13:37	24.01.2010
996	2005	1	98	198-00R		248		

Pos	Part Number	Description	Remark	Qty	Model
-	999 707 346 40	o-ring 15 X 3		6	
-	999 707 344 40	o-ring 18,77 X 1,78		2	
-	996 107 103 51	o-ring		2	
-	996 107 261 50	sealing ring		1	
-	996 106 316 51	gasket		1	
-	996 106 321 50	gasket		1	
-	900 123 144 30	sealing ring A 10 X 13,5		1	
-	996 107 337 50	gasket		1	
-	996 107 221 51	o-ring 95 X 2,5		2	
-	U 900 378 156 09	hexagon-head bolt M 6 X 20		18	
-	A 999 217 150 09	hexagon-head bolt M 6 X 20		18	
-	999 073 316 02	round head screw M 6 X 20		18	
-	999 707 409 40	o-ring 26 X 3		2	
-	999 707 389 40	o-ring 35 X 4		2	
-	996 107 313 51	sealing ring		1	
-	999 707 375 40	o-ring 30 X 3		1	
-	900 378 030 09	hexagon-head bolt M 6 X 20		2	
-	999 707 369 40	o-ring 9,5 X 3,5		1	
-	999 707 348 40	o-ring 42 X 4		2	
-	996 107 122 00	sealing ring 14 X 1,78		1	
-	999 707 154 40	o-ring 18,77 X 1,78		1	
-	996 106 340 51	gasket		1	
-	996 106 326 50	gasket		1	

Model	Year	MG	SG	Illustration	Restrictions	UPD	13:37	24.01.2010
996	2005	1	98	198-00R		248		

Pos	Part Number	Description	Remark	Qty	Model
-	996 110 247 01	gasket		6	
-	A 900 378 172 09	hexagon-head bolt AM 6 X 35		12	
-	900 385 017 01	torx screw AM 6 X 35		12	
-	900 123 011 30	sealing ring A 22 X 27		1	
-	996 111 107 54	gasket		2	
-	900 378 131 00	hexagon-head bolt M 8 X 28		12	
-	900 378 163 09	hexagon-head bolt M 6 X 16		3	

Model	Year	MG	SG	Illustration	Restrictions	UPD	13:37	24.01.2010	PORSCHE	PET	PORSCHE
996	2005	2	01	201-00		248					

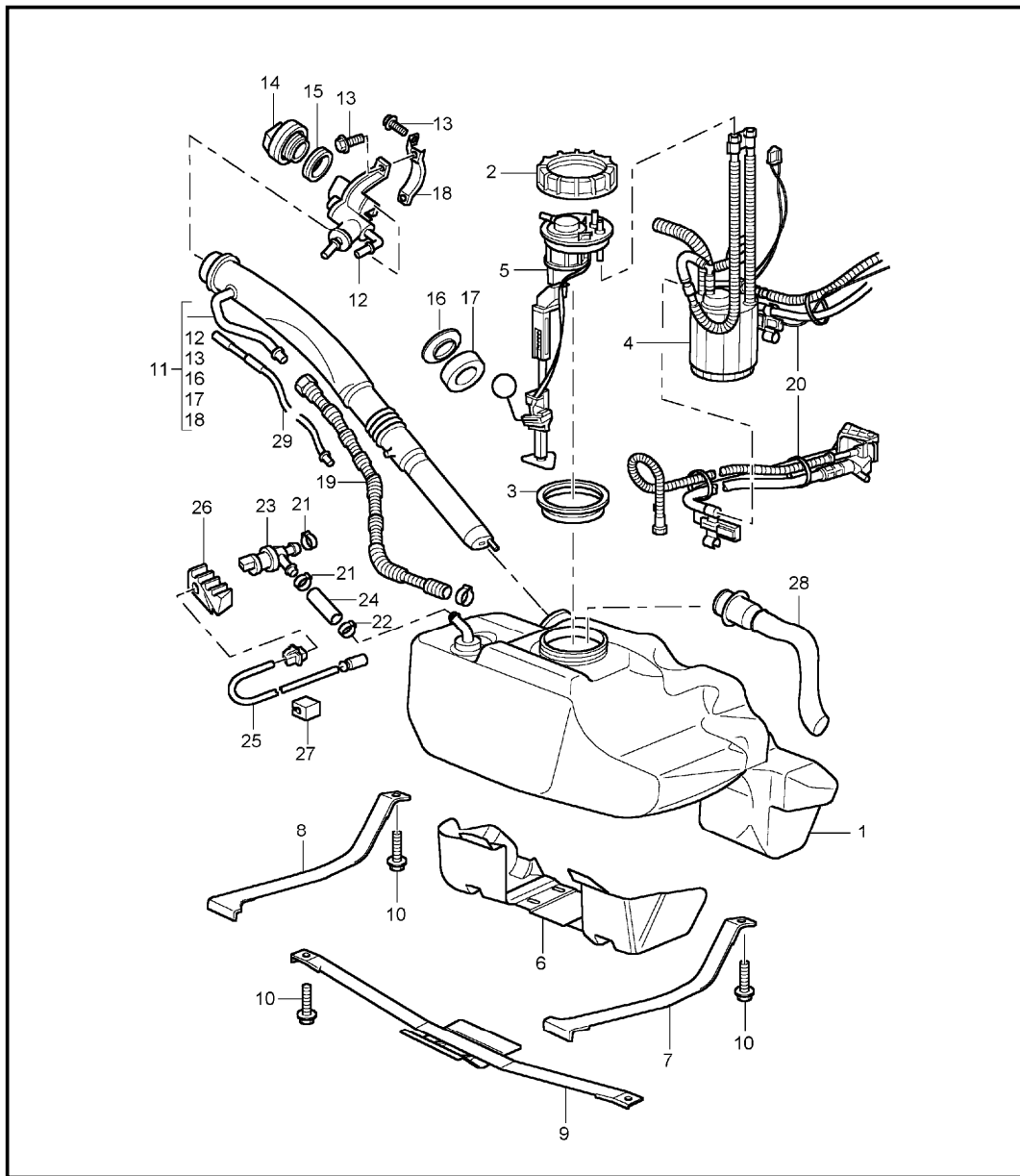


Pos	Part Number	Description	Remark	Qty	Model
		fuel tank			M338
			02-		TARGA
1	996 201 021 02	fuel tank	/LL	-01	1
1	996 201 021 05	fuel tank	/LL	02-	1
(1)	996 201 022 02	fuel tank	/RL	-01	1
(1)	996 201 022 03	fuel tank	/RL	02-	1
2	996 201 623 00	union nut		1	
3	321 919 133	sealing ring		1	
4	996 620 102 00	fuel pump		-01	1
(4)	996 620 132 00	fuel pump		02-	1
5	996 641 801 00	tank gauge		-99	1
(5)	996 620 808 00	tank gauge		-01	1
(5)	996 620 832 01	tank gauge		02-	1
6	996 201 331 00	protective plate	/LL		1
(6)	996 201 331 02	protective plate	/RL		1
7	996 201 105 02	restraining strap			1
8	996 201 106 02	restraining strap			1
9	996 201 107 02	restraining strap	/LL		1
9	996 201 108 00	restraining strap	/RL		1
10	900 075 479 09	combination screw M 8 X 40			4
11	996 201 043 00	filler neck		-00	1
11	996 201 043 09	filler neck		01-	1
11	996 201 043 01	filler neck		-00	1 M150/193
11	996 201 043 10	filler neck		01-	1 M150/193
12	996 201 143 01	bleeder valve			1
13	900 378 036 09	hexagon-head bolt M 6 X 12			3
14 A	996 201 241 00	fuel tank cap		-98	1
14	996 201 241 01	fuel tank cap		-00	1

Model	Year	MG	SG	Illustration	Restrictions	UPD	13:37	24.01.2010	PORSCHE	PET	PORSCHE
996	2005	2	01	201-00		248					

Pos	Part Number	Description	Remark	Qty	Model	Pos	Part Number	Description	Remark	Qty	Model
(14)	996 201 241 02	fuel tank cap with clip	01-	1							
--	999 507 499 40	expansion rivet		1							
15	191 201 557	gasket		1							
16	996 201 755 00	support washer		1							
17	996 201 753 00	gasket		1							
18	996 201 751 00	support		1							
26	000 043 206 89	Additive fuel 100 ml Beh,lter	CHINA	1							

Model	Year	MG	SG	Illustration	Restrictions	UPD	13:38	24.01.2010	PORSCHE	PET	PORSCHE
996	2005	2	01	201-01		248					

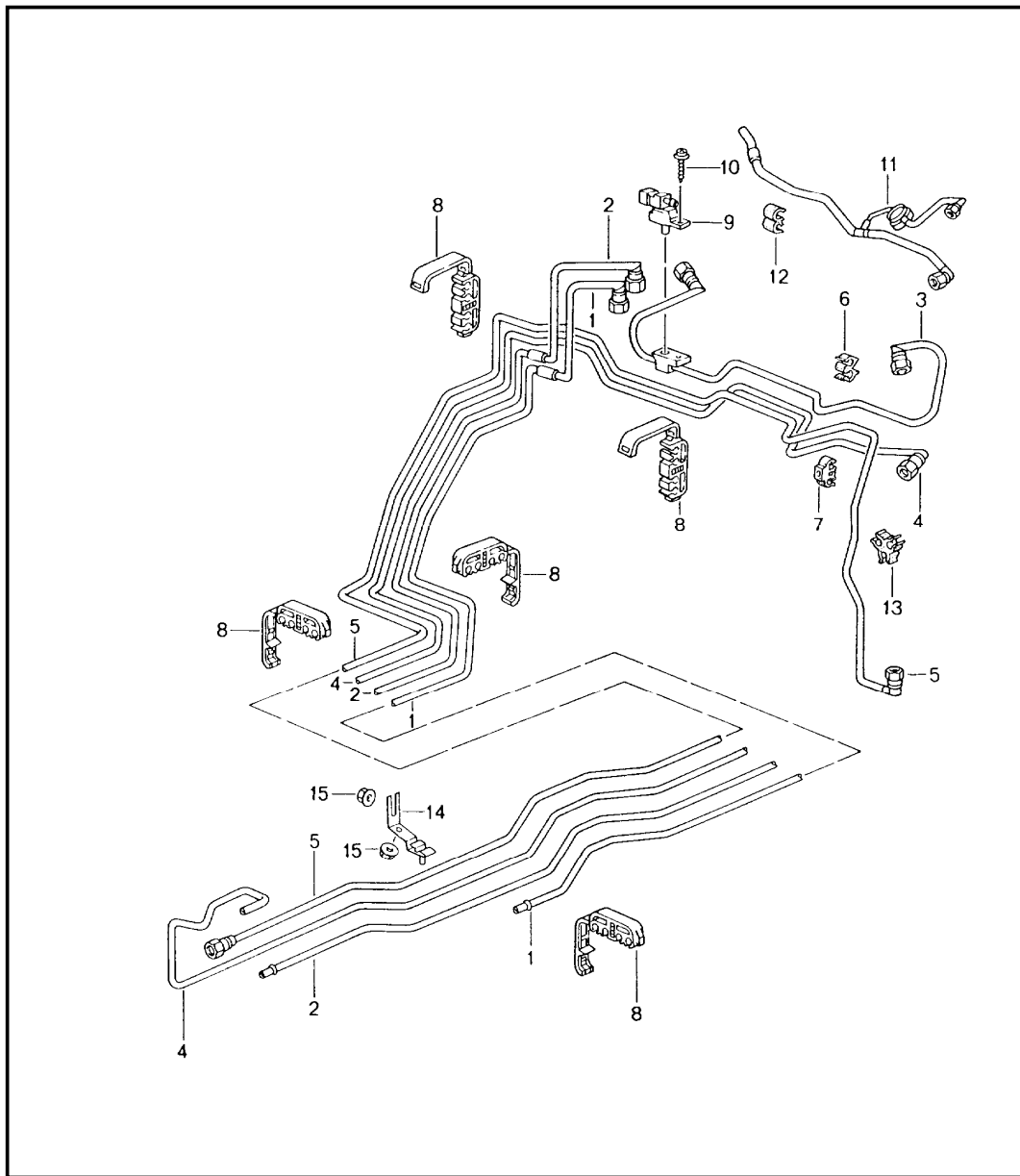


Pos	Part Number	Description	Remark	Qty	Model
		fuel tank			M339
			02-		C4S
1	996 201 021 01	fuel tank	/LL	1	
1	996 201 022 01	fuel tank	/RL	1	
2	996 201 623 00	union nut		1	
3	321 919 133	gasket		1	
4	996 620 103 00	fuel pump	/LL -01	1	
(4)	996 620 133 00	fuel pump	/LL 02-	1	
4	996 620 104 00	fuel pump	/RL -01	1	
(4)	996 620 134 00	fuel pump	/RL 02-	1	
5	996 620 803 00	tank gauge	/LL -01	1	
5	996 620 804 00	tank gauge	/RL -01	1	
(5)	996 620 834 01	tank gauge	/RL 02-	1	
(5)	996 620 833 02	tank gauge	/LL 02-	1	
6	996 201 331 01	protective plate	/LL	1	
(6)	996 201 331 03	protective plate	/RL	1	
7	996 201 105 03	restraining strap		1	
8	996 201 106 03	restraining strap		1	
9	996 201 107 01	restraining strap		1	
10	900 075 479 09	combination screw M 8 X 40		4	
11	996 201 043 03	filler neck		1	
11	996 201 043 04	filler neck		1	M150/193
12	996 201 143 01	bleeder valve		1	
13	900 378 036 09	hexagon-head bolt M 6 X 12		3	
14	996 201 241 03	fuel tank cap		1	
15	191 201 557	gasket		1	
16	996 201 755 00	support washer		1	
17	996 201 753 00	gasket		1	

Model	Year	MG	SG	Illustration	Restrictions	UPD	13:38	24.01.2010	PORSCHE	PET	PORSCHE
996	2005	2	01	201-01		248					

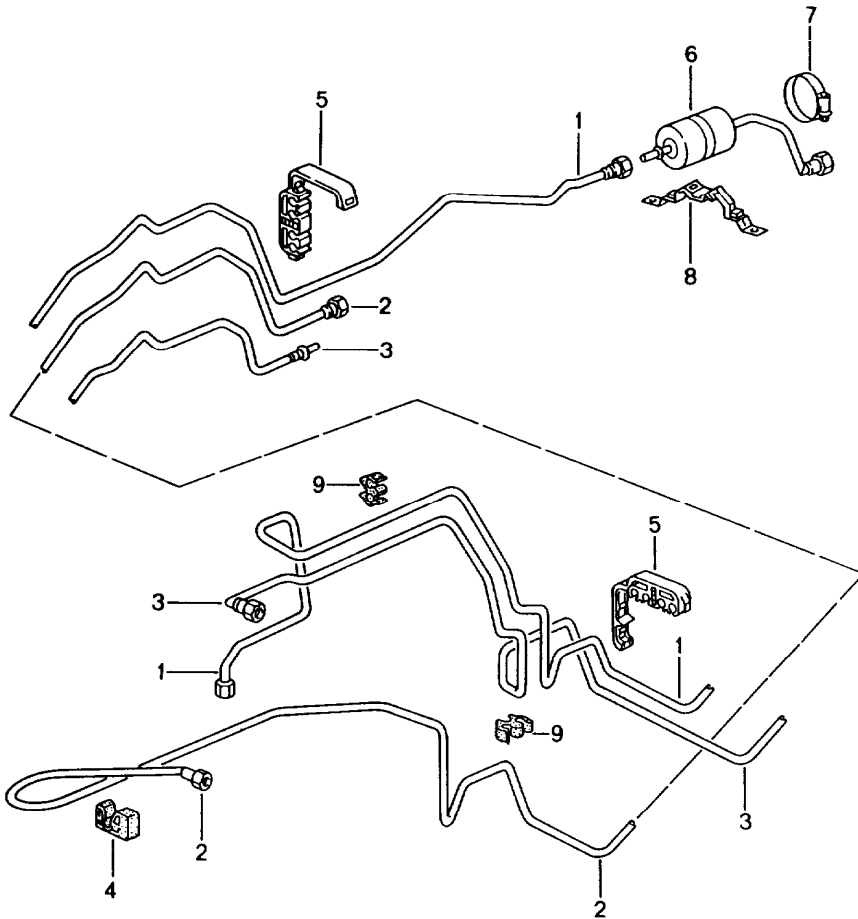
Pos	Part Number	Description	Remark	Qty	Model	Pos	Part Number	Description	Remark	Qty	Model
18	996 201 751 00	support		1							
19	996 201 613 00	vent line		1							
20	996 620 113 00	venturi tube set		1							
30	000 043 206 89	Additive fuel 100 ml Beh,lter	CHINA	1							

Model	Year	MG	SG	Illustration	Restrictions	UPD	13:38	24.01.2010	PORSCHE	PET	PORSCHE
996	2005	2	01	201-05		248					



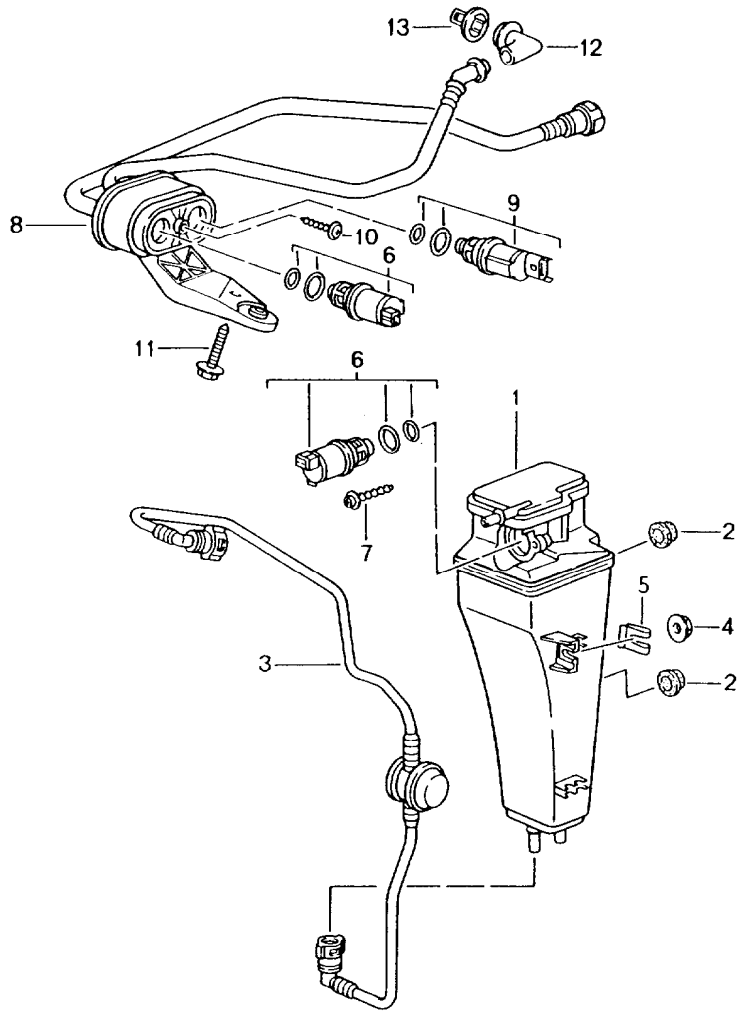
Pos	Part Number	Description	Remark	Qty	Model
		fuel system front			
1	986 201 261 01	pressure line	-01	1	M338
1	996 201 261 02	pressure line	02-	1	M338
1	996 201 261 01	pressure line	-01	1	M339
1	996 201 261 03	pressure line	02-	1	M339
2	996 201 271 00	return line	-01	1	M338
2	996 201 271 01	return line	-01	1	M339
3	996 201 251 01	vent line		1	M338
3	996 201 251 02	vent line		1	M339
4	996 201 361 01	air tube		1	
5	996 201 351 00	air tube		1	
6	999 507 488 40	cable holder		1	
7	999 507 487 40	cable holder		1	
8	999 507 554 40	cable holder		8	
14	996 201 535 00	support		1	
15	999 049 022 40	plastic nut T5/22 X 10		2	

Model	Year	MG	SG	Illustration	Restrictions	UPD	13:38	24.01.2010	PORSCHE	PET	PORSCHE
996	2005	2	01	201-10		248					



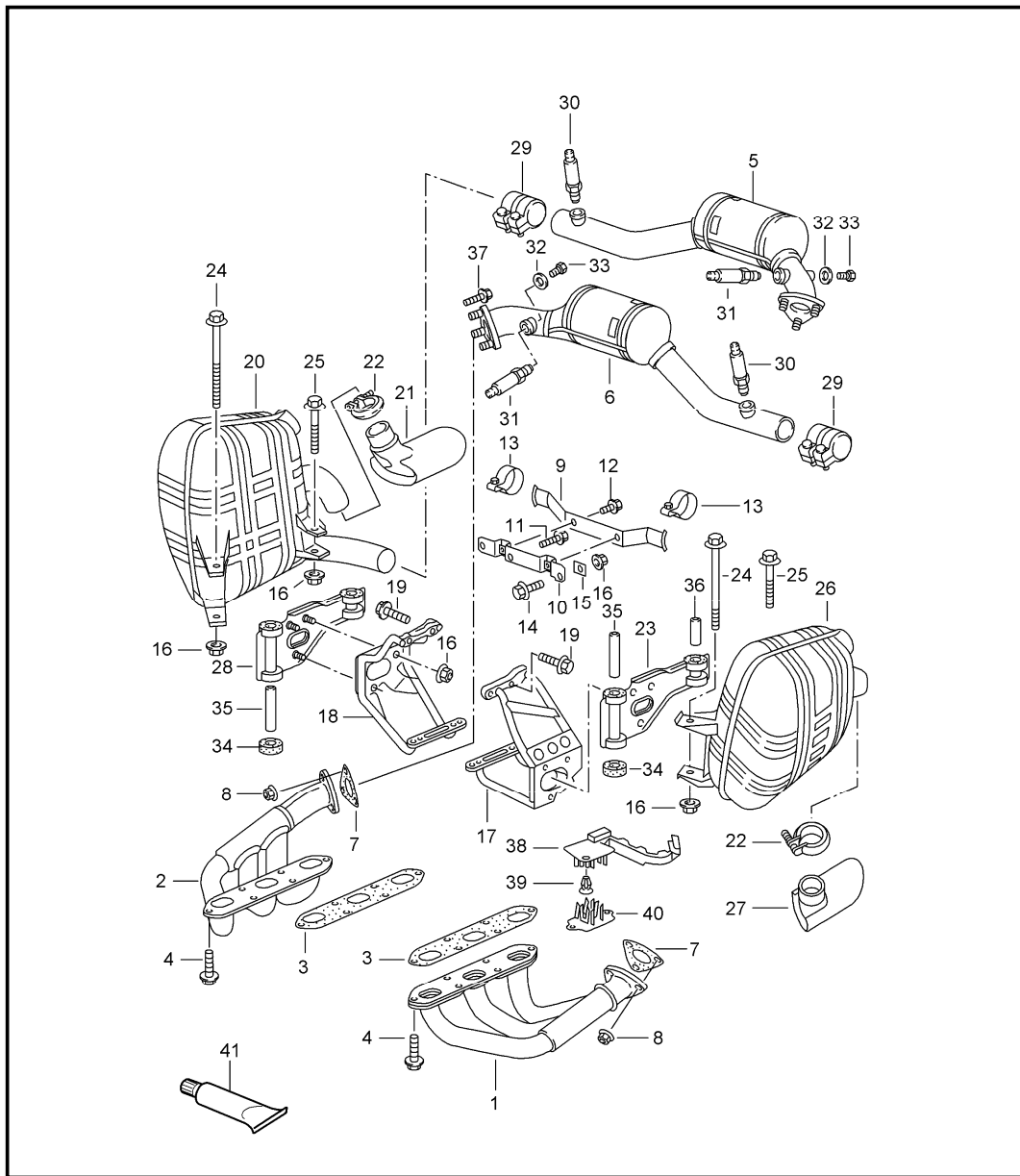
Pos	Part Number	Description	Remark	Qty	Model
		fuel system rear			
1	996 201 265 00	fuel line	-01	1	
1	996 201 265 05	pressure line	02-	1	
1	996 201 265 01	pressure line	-01	1	M339
2	996 201 275 02	fuel line	-01	1	
3	996 201 355 00	air tube	-01	1	
3	996 201 355 02	purge-air line	02-	1	
4	999 591 922 40	support	-01	2	
5	999 507 521 40	cable holder		3	
6	996 110 253 01	fuel filter	-01	1	
(6)	996 110 253 52	fuel filter	-01	1	M339
7	999 512 635 00	hose clamp 76 X 12	-01	1	
7	999 512 390 00	hose clamp 60 - 80/13	-01	1	M339
8	996 504 517 00	support	-01	1	
(8)	996 110 257 03	support	-01	1	M339
9	999 507 488 40	cable holder		4	
(9)	999 507 727 40	cable holder	02-	2	

Model	Year	MG	SG	Illustration	Restrictions	UPD	13:38	24.01.2010	PORSCHE	PET	PORSCHE
996	2005	2	01	201-20		248					



Pos	Part Number	Description	Remark	Qty	Model
		carbon canister			
1	996 201 221 09	carbon canister		1	
2	999 702 221 40	grommet		2	
3	996 201 255 07	vent line		1	
4	999 084 629 09	hexagon nut M 6		1	
5	999 507 543 02	clamp 2,00 - 3,00		1	
6	996 605 201 01	shut-off valve		1	M660
7	999 919 171 07	oval-head screw 5,0 X 20		1	M660

Model	Year	MG	SG	Illustration	Restrictions	UPD	13:38	24.01.2010	PORSCHE	PET	PORSCHE
996	2005	2	02	202-00		248					

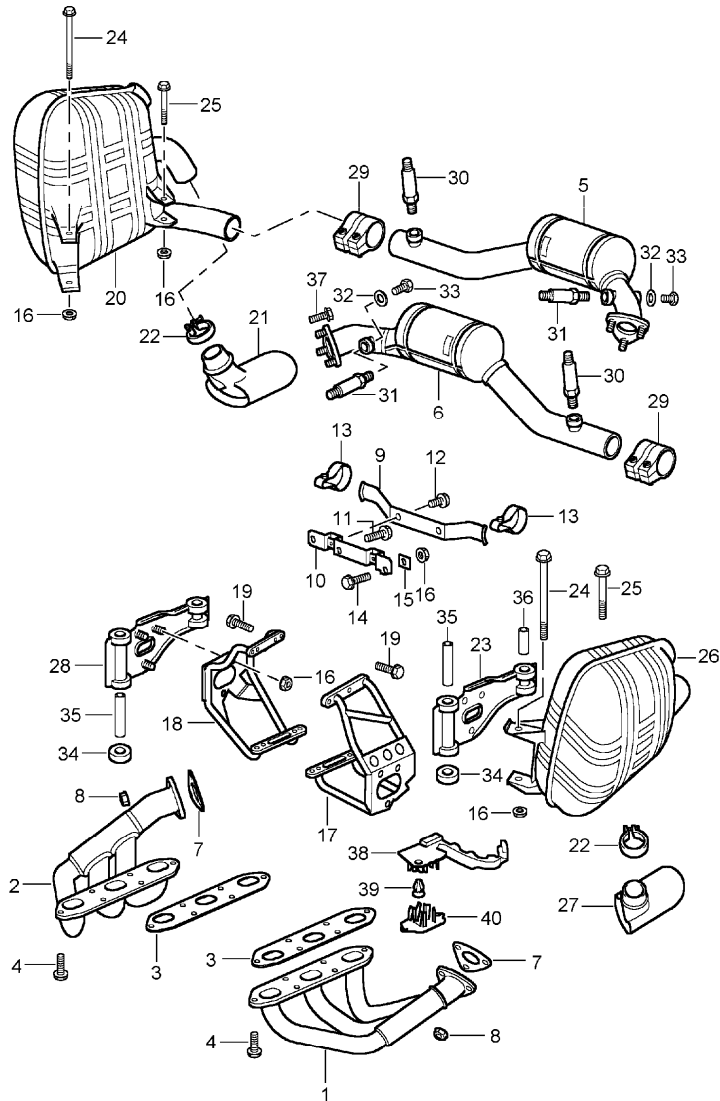


Pos	Part Number	Description	Remark	Qty	Model
		exhaust system	-01		M96.01/02/04
1	996 111 101 52	exhaust manifold		1	
2	996 111 102 52	exhaust manifold		1	
3	A 996 111 107 52	gasket		2	
(3)	A 996 111 107 54	gasket		2	
(3)	996 111 107 55	gasket		2	
4	900 378 131 00	hexagon-head bolt M 8 X 28		12	
5	996 113 021 54	catalytic converter	-98	1	M499
5	996 113 021 57	catalytic converter	99-	1	M499
5	996 113 021 56	catalytic converter	01	1	M661
5	996 113 021 52	catalytic converter	-98	1	
5	996 113 021 55	catalytic converter	99-	1	
6	996 113 022 54	catalytic converter	-98	1	M499
6	996 113 022 57	catalytic converter	99-	1	M499
6	996 113 022 56	catalytic converter	01-	1	M661
6	996 113 022 52	catalytic converter	-98	1	
6	996 113 022 55	catalytic converter	99-	1	
7	996 111 113 50	gasket		2	
8	999 084 052 02	lock nut M 8		6	
9	996 113 123 52	support		1	
10	996 113 223 50	bracket		1	
11	900 378 188 09	hexagon-head bolt M 6 X 20		1	
12	900 378 187 09	hexagon-head bolt M 8 X 12		2	
13	A 900 165 004 00	pipe clamp		2	
13	999 511 087 00	pipe clamp		2	
14	900 378 022 09	hexagon-head bolt M 8 X 25		2	

Model	Year	MG	SG	Illustration	Restrictions	UPD	13:38	24.01.2010	PORSCHE	PET	PORSCHE
996	2005	2	02	202-00		248					

Pos	Part Number	Description	Remark	Qty	Model	Pos	Part Number	Description	Remark	Qty	Model
15	900 031 001 02	washer 8,4 X 15 X 1,6		2		32	900 123 050 20	sealing ring 8 X 11,5		2	
16	900 380 005 09	hexagon nut M 8		12		33	900 083 080 00	hexagon-head bolt M 8 X 1 X 10		2	
17	996 111 127 55	support		1		34 A	996 111 229 01	damping piece		8	
18	996 111 128 54	support		1		(34)	996 111 229 00	damping piece		8	
19	900 378 033 09	hexagon-head bolt M 8 X 30		4		35	996 111 230 00	spacer sleeve long		2	
20	996 111 121 55	muffler		-98	M480	36	996 111 231 00	spacer sleeve short		2	
20	996 111 121 56	muffler		99	M480	37	900 074 287 02	hexagon-head bolt M 8 X 35		6	
20	996 111 121 56	muffler	(J)	00-	M480	38	996 606 156 00	cable guide oxygen sensor		1	
20	996 111 121 57	muffler		00-	M480	39	999 591 941 40	expansion rivet ST 4,2		3	
(20)	996 111 131 54	muffler		1	M249	40	993 606 105 00	support oxygen sensor		1	
21 A	996 111 251 54	tail pipe		-00		41	000 043 207 07	grease for oxygen sensor		1	
21	996 111 251 55	tail pipe		01							
22	996 111 108 00	clip		2							
23	996 111 227 02	support		1							
24	900 378 183 09	hexagon-head bolt M 8 X 140		2							
25	900 378 105 09	hexagon-head bolt M 8 X 70		2							
26	996 111 122 56	muffler		1	M480						
26	996 111 122 56	muffler	(J)	00-	M480						
26	996 111 122 57	muffler		00-	M480						
(26)	996 111 132 54	muffler		1	M249						
27 A	996 111 252 54	tail pipe		-00							
27	996 111 252 55	tail pipe		01							
28	996 111 228 02	support		1							
29	996 111 220 01	clamping sleeve		2							
(30)	993 606 118 01	oxygen sensor		00-	M661						
31	993 606 128 01	oxygen sensor		2							

Model	Year	MG	SG	Illustration	Restrictions	UPD	13:39	24.01.2010	PORSCHE	PET	PORSCHE
996	2005	2	02	202-01		248					



Pos	Part Number	Description	Remark	Qty	Model
		exhaust system	02-		M96.03
1	996 111 101 53	exhaust manifold		1	
1	996 111 101 40	exhaust manifold		1	X 51
2	996 111 102 53	exhaust manifold		1	
2	996 111 102 40	exhaust manifold		1	X 51
3	996 111 107 55	gasket		2	
4	999 075 071 00	hexagon-head bolt M 8 X 28		12	
5	996 113 021 58	catalytic converter		1	M661
5	996 113 021 55	catalytic converter		1	
6	996 113 022 58	catalytic converter		1	M661
6	996 113 022 55	catalytic converter		1	
7	996 111 113 50	gasket		2	
8	999 084 052 02	lock nut M 8		6	
9	996 113 123 53	support		1	
10	996 113 223 50	bracket		1	
11	900 378 030 09	hexagon-head bolt M 6 X 20		1	
12	900 378 123 09	hexagon-head bolt M 8 X 12		2	
13	999 511 087 00	pipe clamp		2	
14	900 378 022 09	hexagon-head bolt M 8 X 25		2	
15	900 031 001 02	washer 8,4 X 15 X 1,6		2	
16	900 380 005 09	hexagon nut M 8		12	
17	996 111 127 58	support	02	1	
17	996 111 127 59	support	03-	1	
18	996 111 128 56	support	02	1	
18	996 111 128 57	support	03-	1	

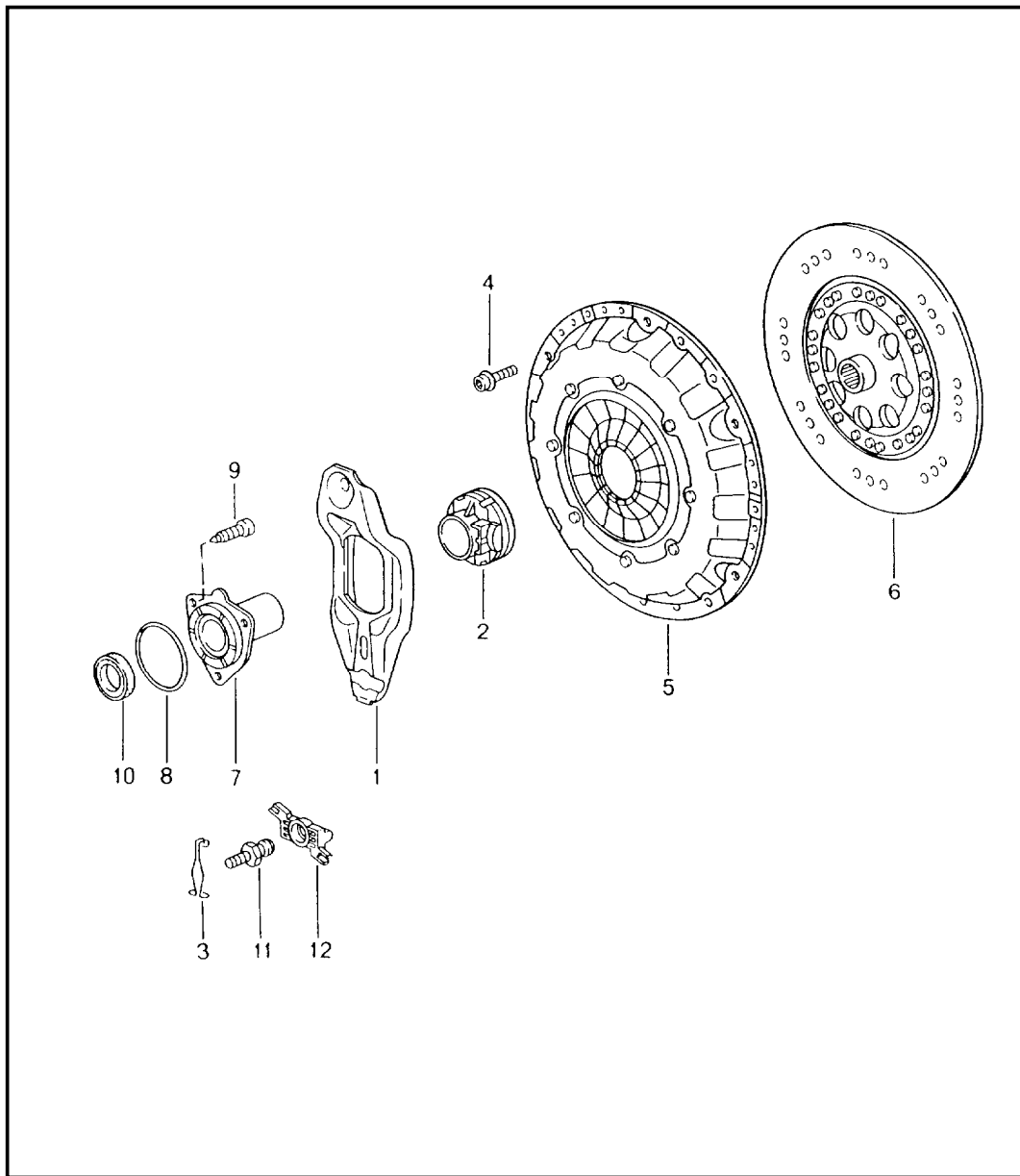
Model	Year	MG	SG	Illustration	Restrictions	UPD	13:39	24.01.2010	PORSCHE	PET	PORSCHE
996	2005	2	02	202-01		248					

Pos	Part Number	Description	Remark	Qty	Model	Pos	Part Number	Description	Remark	Qty	Model		
19	900 378 033 09	hexagon-head bolt M 8 X 30		4		26	996 111 132 66	muffler		1	M 074 M114 M193/479		
20	996 111 131 57	muffler		1		26	996 111 132 67	muffler	C4S	1	M 074 M114 M193/479		
20	996 111 985 03	main exhaust muffler	-03	1	IXLF	26	996 111 132 63	muffler	C4S	1			
20	996 111 985 04	main exhaust muffler	04-	1	IXLF	26	996 111 984 02	main exhaust muffler	C4S	-03	1	IXLF	
20	996 111 131 66	muffler		1	M 074 M114 M193/479	26	996 111 984 05	main exhaust muffler	C4S	04-	1	IXLF	
20	996 111 131 67	muffler	C4S	1	M 074 M114 M193/479	27	996 111 053 02	tail pipe left		02	1		
20	996 111 131 63	muffler	C4S	1		27	996 111 053 04	tail pipe left		03-	1		
20	996 111 985 02	main exhaust muffler	C4S	-03	1	IXLF	(27)	996 111 053 03	tail pipe left		04-	1	M095
20	996 111 985 05	main exhaust muffler	C4S	04-	1	IXLF	(27) A	996 111 252 58	tail pipe left	C4S		1	
21	996 111 054 02	tail pipe right		02	1		(27)	996 111 252 59	tail pipe left	C4S		1	
21	996 111 054 04	tail pipe right		03-	1		28	996 111 238 02	support right			1	
(21)	996 111 054 03	tail pipe right		04-	1	M095	29	996 111 220 01	clamping sleeve			2	
(21) A	996 111 251 58	tail pipe right	C4S		1		30	996 606 178 01	oxygen sensor			2	M661
(21) A	996 111 251 59	tail pipe right	C4S		1		31	996 606 168 01	oxygen sensor			2	
(21)	996 111 251 60	tail pipe right	C4S		1		32	900 123 050 20	sealing ring 8 X 11,5			2	
22	996 111 108 00	clip		2		33	900 083 080 00	hexagon-head bolt M 8 X 1 X 10				2	
23	996 111 237 02	support left		1		37	900 074 287 02	hexagon-head bolt M 8 X 35				6	
24	900 378 183 09	hexagon-head bolt M 8 X 140		2		38	996 606 156 00	cable guide oxygen sensor				1	
25	900 378 105 09	hexagon-head bolt M 8 X 70		2		39	999 591 941 40	expander nut ST 4,2				3	
26	996 111 132 57	muffler		1		40	993 606 105 00	support oxygen sensor				1	
26	996 111 984 03	main exhaust muffler	-03	1	IXLF								
26	996 111 984 04	main exhaust muffler	04-	1	IXLF								

Model	Year	MG	SG	Illustration	Restrictions	UPD	13:39	24.01.2010	PORSCHE	PET	PORSCHE
996	2005	2	02	202-01		248					

Pos	Part Number	Description	Remark	Qty	Model	Pos	Part Number	Description	Remark	Qty	Model
41	000 043 207 07	grease for oxygen sensor		1							
--	996 606 157 07	cable holder oxygen sensor left		1							
--	996 606 158 04	cable holder oxygen sensor right		1							
--	999 651 386 02	cable clamp		X							
--	996 111 351 02	exhaust pipe right	C4S	1							
--	996 111 352 02	exhaust pipe left	C4S	1							
--	900 050 023 01	round head screw M 10 x 20 for tail pipe		2							
--	900 910 129 02	hexagon nut M 10		2							
--	996 111 988 01	spacer sleeve	XLF	1							

Model	Year	MG	SG	Illustration	Restrictions	UPD	13:39	24.01.2010	PORSCHE	PET	PORSCHE
996	2005	3	01	301-00		248					

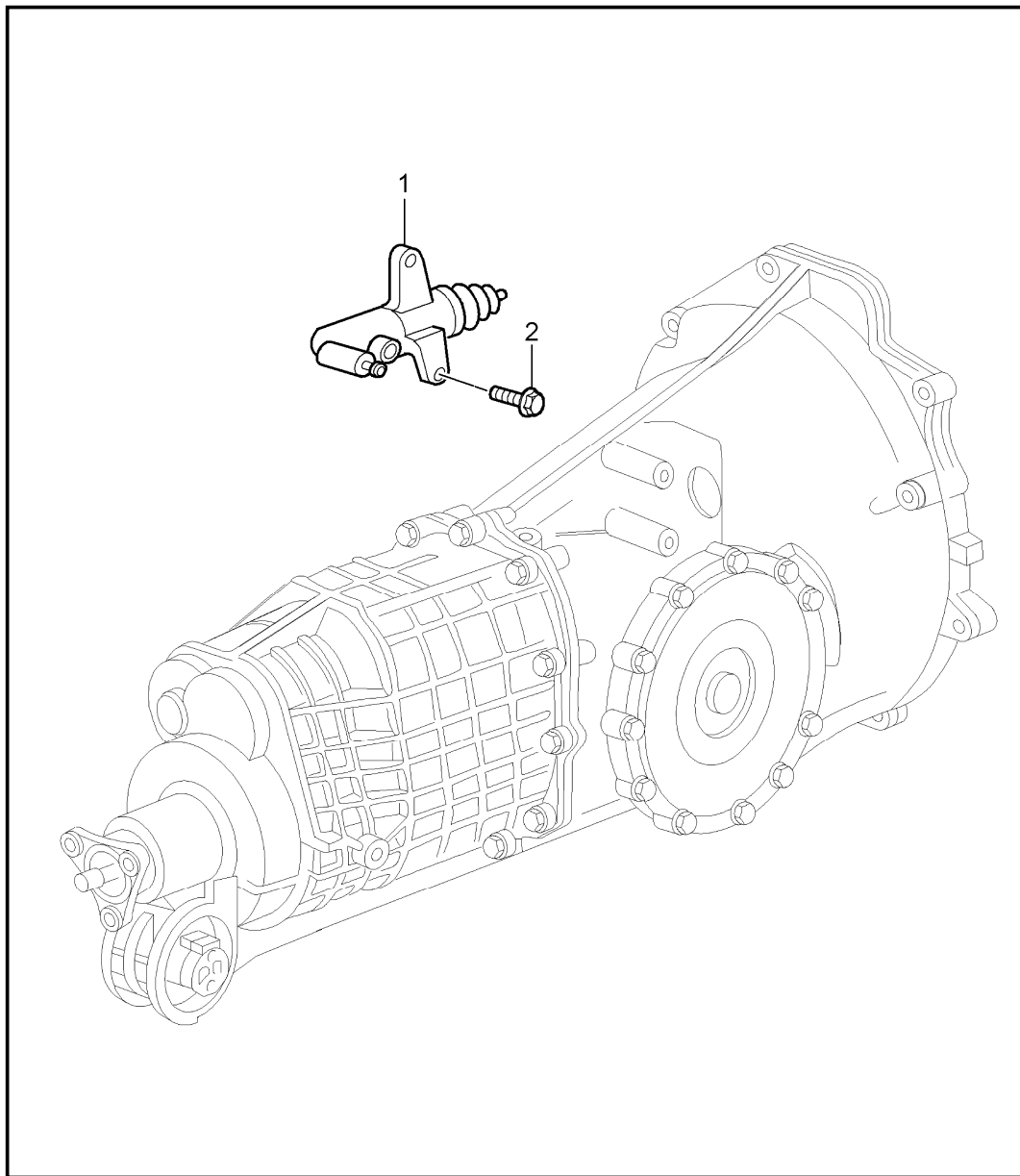


Pos	Part Number	Description	Remark	Qty	Model
		clutch	99-01 02-		M96.01 M96.02/04 M96.03
		see technical information group 3 NR. 7 / 00			
1	996 116 712 02	clutch release lever		1	
2	996 116 080 03	clutch release bearing	01	1	
2	996 116 080 04	clutch release bearing	02-	1	
3	012 141 741	retaining spring		1	
4	U 900 067 131 02	screw M 8 X 16		6	
(4)	999 073 458 01	screw M 8 X 16		6	
5	996 116 027 02	pressure plate		1	
5	996 116 027 05	pressure plate	02-	1	M96.03
6	A 996 116 013 06	clutch plate		1	
(6)	997 116 013 10	clutch plate		1	
7	996 116 087 01	guide sleeve		1	
9	N 903 663 01	pan-head screw M 8 X 22		2	
11	996 116 716 00	ball pin	-99	1	
11	996 116 716 02	ball pin	00-	1	
12	A 012 141 751 A	intermediate piece		1	
(12)	A 012 141 751 B	intermediate piece		1	
-	996 116 911 00	repair kit complete for clutch	-01	1	
		comprising:			
-	996 116 027 02	pressure plate		1	
-	996 116 013 06	clutch plate		1	
-	996 116 080 03	clutch release bearing		1	

Model	Year	MG	SG	Illustration	Restrictions	UPD	13:39	24.01.2010	PORSCHE	PET	PORSCHE
996	2005	3	01	301-00		248					

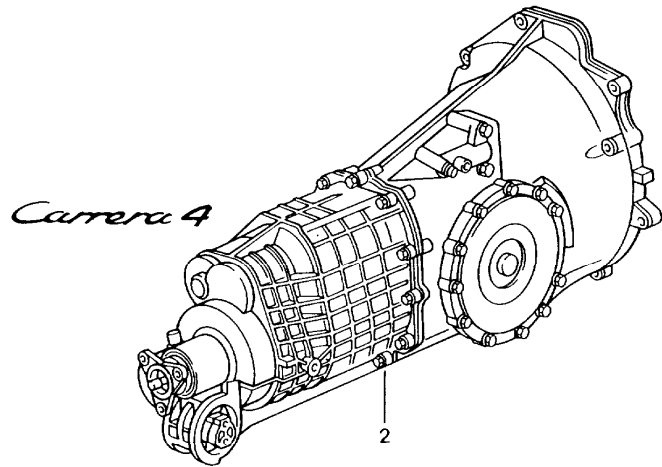
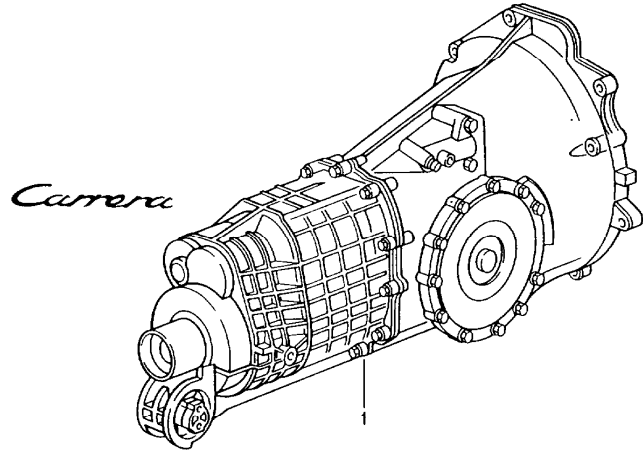
Pos	Part Number	Description	Remark	Qty	Model	Pos	Part Number	Description	Remark	Qty	Model
-	996 116 911 02	repair kit for clutch comprising:	02-	1							
-	996 116 027 06	pressure plate		1							
-	997 116 013 10	clutch plate		1							
-	996 116 080 04	clutch release bearing		1							

Model	Year	MG	SG	Illustration	Restrictions	UPD	13:39	24.01.2010	PORSCHE	PET	PORSCHE
996	2005	3	01	301-05		248					



Pos	Part Number	Description	Remark	Qty	Model
		clutch release	-01		G96.00 M338
		clutch operating cylinder	99-01		G96.30 M339
			02-		G96.01 M338
			02-		G96.31 M339
1	996 116 237 05	clutch operating cylinder	-01	1	G96.00/30
(1)	996 116 237 06	clutch operating cylinder	02-	1	G96.01/31
2	N 090 316 5	combination screw M 8 X 30 Z1		2	

Model	Year	MG	SG	Illustration	Restrictions	UPD	13:39	24.01.2010	PORSCHE	PET	PORSCHE
996	2005	3	02	302-00		248					

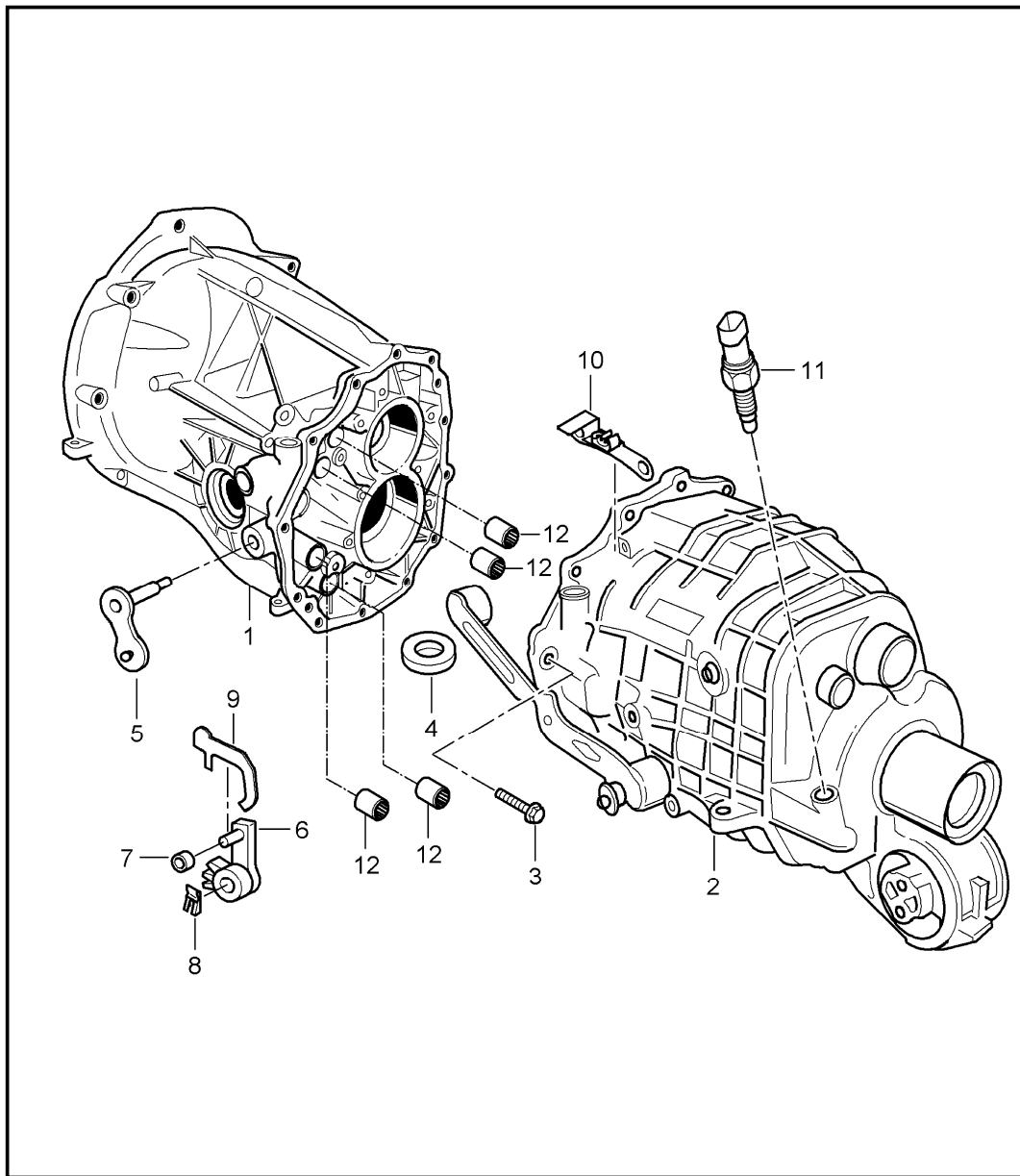


Pos	Part Number	Description	Remark	Qty	Model
		replacement transmission	-01 99-01 02- 02-		G96.00 G96.30 G96.01 G96.31
		ready for installation use also: 996.424.165.02 999.073.209.09		1 2	
1	A 996 300 010 01	transmission		1	M219
1	A 996 300 020 00	transmission with limited-slip differential 22/40 %		1	M220
1	A 996 300 010 02	transmission F >>99WS6 05722 F >>99WS6 05672 use also:	98	1	M219
-	996 424 041 12	cable transmission control		1	
1	> 996 300 010 03	transmission F >>99WS6 05722 F >>99WS6 05672 use also:	99-01	1	M219
-	996 424 041 12	cable transmission control		1	
1	> 996 300 010 06	transmission	02-	1	M219
1	A 996 300 020 01	transmission with limited-slip differential 22/40 % F >>99WS6 05722 F >>99WS6 05672 use also:	98	1	M220
-	996 424 041 12	cable transmission control		1	
1	> 996 300 020 02	transmission with limited-slip differential 22/40 % F >>99WS6 05722 F >>99WS6 05672 use also:	99	1	M220
-	996 424 041 12	cable transmission control		1	

Model	Year	MG	SG	Illustration	Restrictions	UPD	13:39	24.01.2010	PORSCHE	PET	PORSCHE
996	2005	3	02	302-00		248					

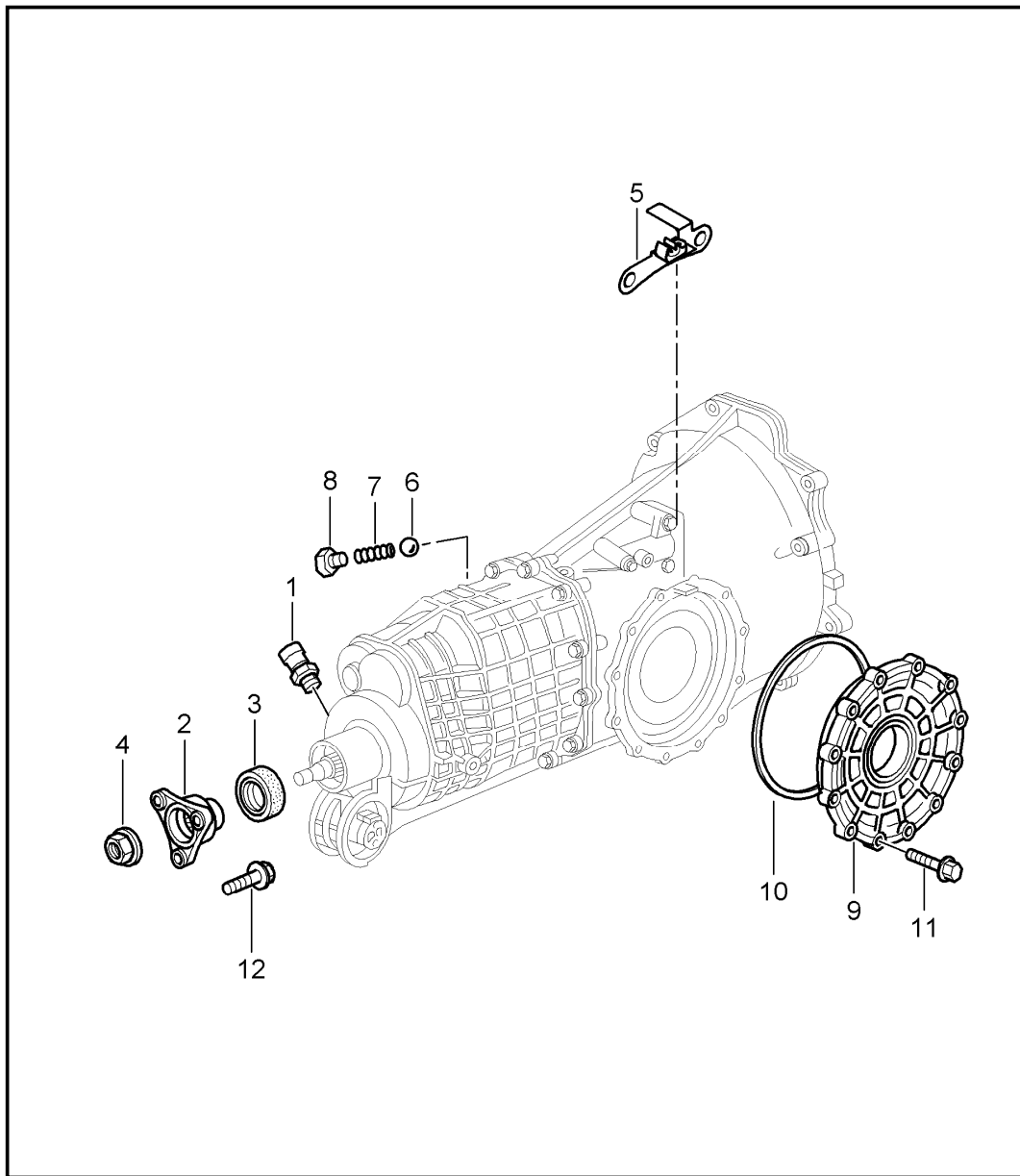
Pos	Part Number	Description	Remark	Qty	Model	Pos	Part Number	Description	Remark	Qty	Model
2	> 996 300 010 33	transmission	99-01	1	M339						
2	A 996 300 010 36	transmission	02	1	M339						
2	> 996 300 010 37	transmission	03-	1	M339						
2	> 996 300 020 07	transmission with limited-slip differential	04	1	M095/220						
2	> 996 300 020 37	transmission with limited-slip differential	04-	1	IX75						
-	000 043 204 19	transmission oil container 20 LTR.		X							

Model	Year	MG	SG	Illustration	Restrictions	UPD	13:39	24.01.2010	PORSCHE	PET	PORSCHE
996	2005	3	02	302-01		248					



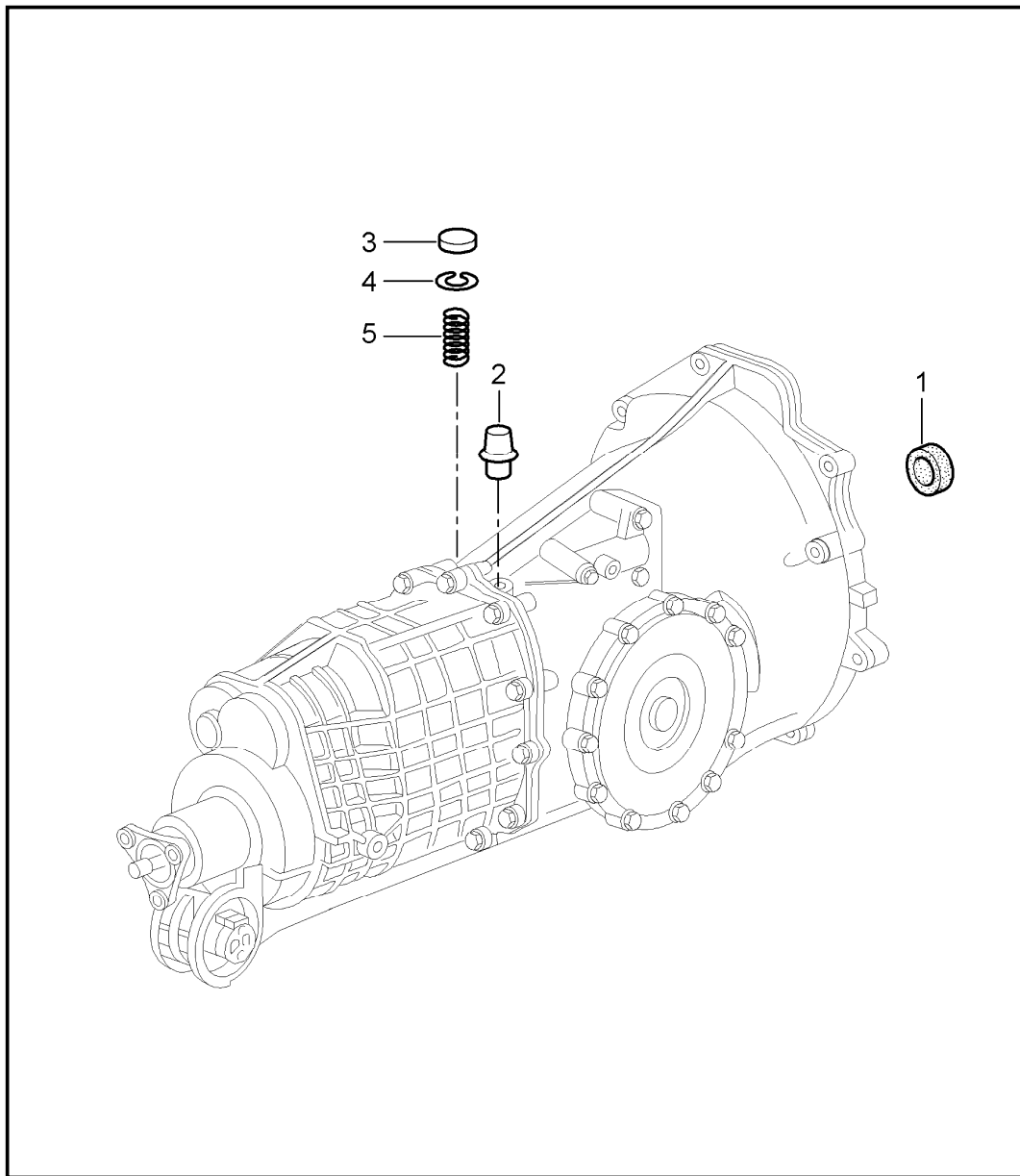
Pos	Part Number	Description	Remark	Qty	Model
		gear housing transmission cover	-01 02-		G96.00/30 G96.01/31
1	996 301 020 00	transmission case	-01	1	G96.00/30
(1)	996 301 020 01	transmission case	I219 02-	1	G96.01/31
(1)	996 301 020 02	transmission case	I220 02-	1	G96.01/31
2	---	see illustrations 3/02/07		1	
3	996 301 317 00	hexagon-head bolt M 8 X 35	-01	13	G96.00
4	996 301 804 00	magnet	02-	1	G96.01
5	996 303 055 01	selector lever		1	
6	996 303 057 00	pinion	-01	1	G96.30
7	996 303 303 00	roller 20 X 8 X 8		1	
8	996 303 383 00	lock rear	02-	1	G96.31
9	996 303 053 00	selector lever		1	
10	---	see illustrations 7/02/08		1	
11	---	see illustrations 3/02/05		1	
12	996 303 513 00	round socket 15 X 21 X 22		4	

Model	Year	MG	SG	Illustration	Restrictions	UPD	13:39	24.01.2010	PORSCHE	PET	PORSCHE
996	2005	3	02	302-05		248					



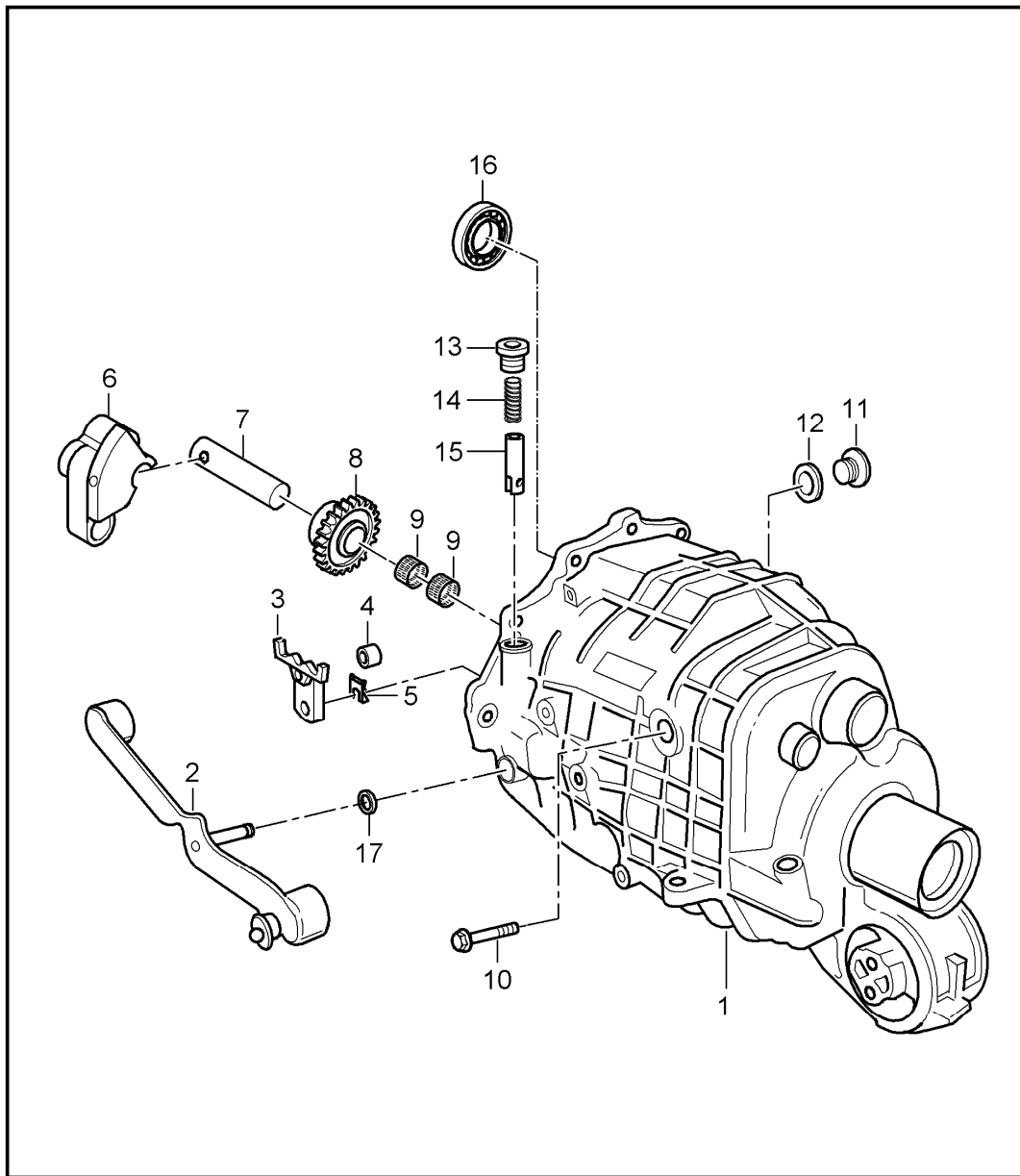
Pos	Part Number	Description	Remark	Qty	Model
		transmission	-01		G96.00
			99-01		M338
					G96.30
					M339
			02-		G96.01
			02-		M338
					G96.31
					M339
		installed single parts			
1	996 606 103 01	switch		1	
2	996 302 033 00	flange	99-01	1	G96.30
					M339
(2)	996 302 033 50	flange	02-	1	G96.31
					M339
3	999 113 475 40	shaft sealing ring 40 X 62 X 10	99-	1	M339
4	996 302 317 00	collar nut	99-	1	M339
5	996 423 677 00	support		1	
6	900 108 064 00	ball 8		4	
7	996 303 245 00	compression spring		4	
8	900 124 023 02	screw plug M 10 X 1		4	
9	996 301 312 00	transmission cover lateral		1	
10	996 301 315 00	o-ring 190 X 3		1	
11	996 301 317 00	hexagon-head bolt M 8 X 35		11	
12	900 378 101 09	hexagon-head bolt M 10 X 35		3	
-	000 043 010 00	loctite 574		1	

Model	Year	MG	SG	Illustration	Restrictions	UPD	13:40	24.01.2010	PORSCHE	PET	PORSCHE
996	2005	3	02	302-06		248					



Pos	Part Number	Description	Remark	Qty	Model
		transmission	-01		G96.00
			99-01		M338
					G96.30
					M339
		removed	02-		G96.01
		single parts	02-		M338
					G96.31
					M339
1	996 302 131 00	shaft sealing ring 28 X 40 X 8		1	
2	996 301 071 00	bleeder 17 X 12 X 28,1		1	
3	996 303 257 00	lid 20 X 4		1	
4	900 042 003 01	circlip 20 X 1		1	
5	996 303 255 00	compression spring		1	

Model	Year	MG	SG	Illustration	Restrictions	UPD	13:40	24.01.2010	PORSCHE	PET	PORSCHE
996	2005	3	02	302-07		248					

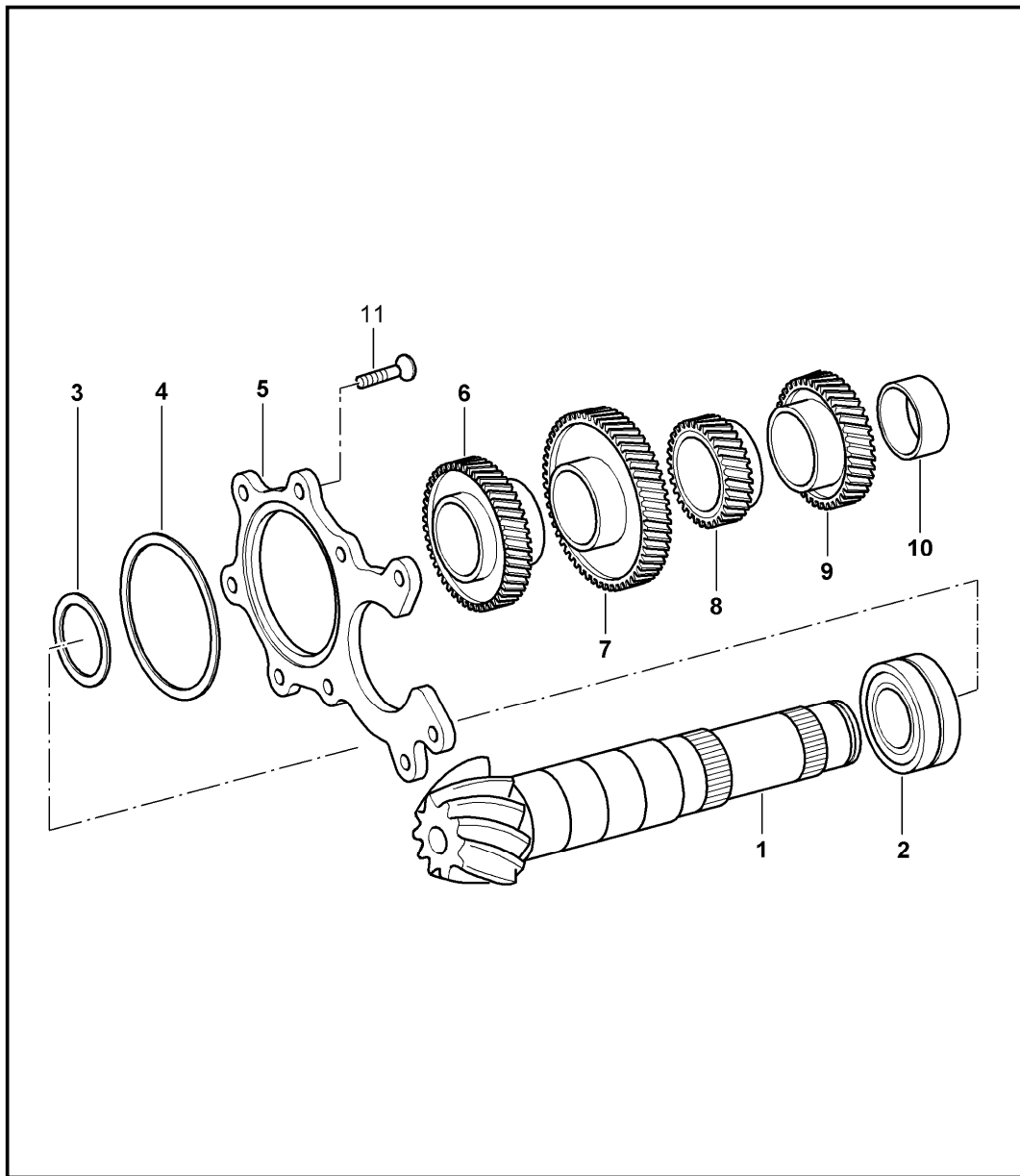


Pos	Part Number	Description	Remark	Qty	Model
		gear housing transmission cover	-01 02-		G96.00/30 G96.01/31
1	996 301 023 00	transmission case rear	-01	1	G96.00
(1)	996 301 023 01	transmission case rear	02-	1	G96.01
(1)	996 301 023 30	transmission case rear	-01	1	G96.30
(1)	996 301 023 31	transmission case rear	02-	1	G96.31
2	996 303 041 00	gearshift lever		1	
3	996 303 033 00	shift segment		1	
4	996 303 303 00	roller 20 X 8 X 8		1	
5	996 303 383 00	lock 18 X 25 X 1,10		1	
6	996 302 025 00	segment	-01	1	G96.00/30
(6)	996 302 025 01	segment	02-	1	G96.01/31
7	996 302 228 00	bolt		1	
8	996 302 226 00	reverse idler gear		1	
9	996 302 224 00	needle cage 20 X 26 X 17		2	
10	996 302 223 00	hexagon-head bolt M 8 X 55		1	
11	900 219 001 02	screw plug M 22 X 1,5		1	
12	900 123 118 30	sealing ring A 22 X 27		1	
13	996 303 237 00	screw plug M 18 X 1,5		1	
14	996 303 235 00	compression spring		1	
15	996 303 035 00	bolt		1	
16	996 301 808 00	cylindrical-roller bearing drive shaft 25 x 44 x 19,75		1	

Model	Year	MG	SG	Illustration	Restrictions	UPD	13:40	24.01.2010	PORSCHE	PET	PORSCHE
996	2005	3	02	302-07		248					

Pos	Part Number	Description	Remark	Qty	Model	Pos	Part Number	Description	Remark	Qty	Model
17	996 303 517 01	shaft sealing ring 15 x 21 x 7		1							

Model	Year	MG	SG	Illustration	Restrictions	UPD	13:40	24.01.2010	PORSCHE	PET	PORSCHE
996	2005	3	03	303-07		248					

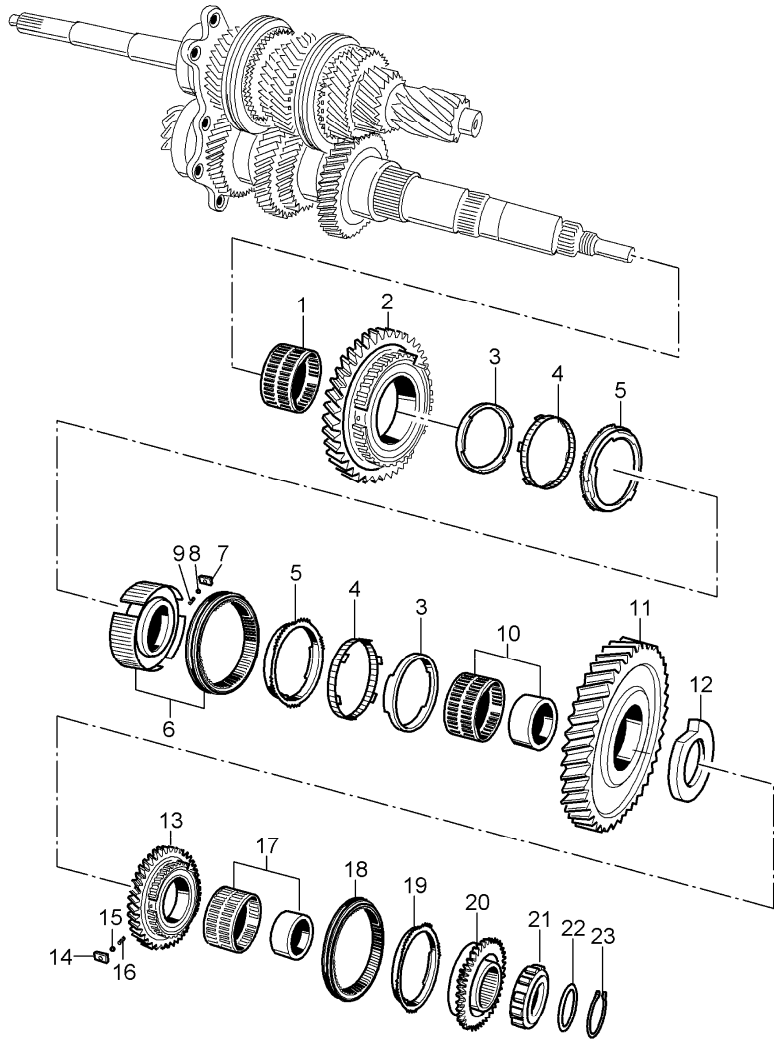


Pos	Part Number	Description	Remark	Qty	Model
		gears and shafts	-01 02-		G96.00/30 G96.01/31
1	---	pinion shaft see group 3/05/02		1	
2	996 302 808 00	bearing		1	
3	996 302 114 00	shim 48 X 60 X 0,50		1	
(3)	996 302 114 01	shim 48 X 60 X 0,55		1	
(3)	996 302 114 02	shim 48 X 60 X 0,60		1	
(3)	996 302 114 03	shim 48 X 60 X 0,65		1	
(3)	996 302 114 04	shim 48 X 60 X 0,70		1	
(3)	996 302 114 05	shim 48 X 60 X 0,75		1	
(3)	996 302 114 06	shim 48 X 60 X 0,80		1	
(3)	996 302 114 07	shim 48 X 60 X 0,85		1	
(3)	996 302 114 08	shim 48 X 60 X 0,90		1	
(3)	996 302 114 09	shim 48 X 60 X 0,95		1	
4	996 302 122 00	shim 85,5 X 93 X 0,50		1	
(4)	996 302 122 01	shim 85,5 X 93 X 0,55		1	
(4)	996 302 122 02	shim 85,5 X 93 X 0,60		1	
(4)	996 302 122 03	shim 85,5 X 93 X 0,65		1	
(4)	996 302 122 04	shim 85,5 X 93 X 0,70		1	
(4)	996 302 122 05	shim 85,5 X 93 X 0,75		1	

Model	Year	MG	SG	Illustration	Restrictions	UPD	13:40	24.01.2010	PORSCHE	PET	PORSCHE
996	2005	3	03	303-07		248					

Pos	Part Number	Description	Remark	Qty	Model	Pos	Part Number	Description	Remark	Qty	Model
(4)	996 302 122 06	shim 85,5 X 93 X 0,80		1		(6)	996 302 214 05	fixed gear wheel 4th speed	02-	1	G96.01/31
(4)	996 302 122 07	shim 85,5 X 93 X 0,85		1		7	996 302 213 00	fixed gear wheel 3rd gear	-01	1	G96.00/30
(4)	996 302 122 08	shim 85,5 X 93 X 0,90		1		(7)	996 302 213 05	fixed gear wheel 3rd gear	02-	1	G96.01/31
(4)	996 302 122 09	shim 85,5 X 93 X 0,95		1		8	996 302 216 15	fixed gear wheel 6th gear	-01	1	G96.00/30
(4)	996 302 122 10	shim 85,5 X 93 X 1,00		1		(8)	996 302 216 20	fixed gear wheel 6th gear	02-	1	G96.01/31
(4)	996 302 122 11	shim 85,5 X 93 X 1,05		1		9	996 302 215 00	fixed gear wheel 5th gear	-01	1	G96.00/30
(4)	996 302 122 12	shim 85,5 X 93 X 1,10		X		(9)	996 302 215 05	fixed gear wheel 5th gear	02-	1	G96.01/31
(4)	996 302 122 13	shim 85,5 X 93 X 1,15		X		10	996 302 272 00	inner ring		1	
(4)	996 302 122 14	shim 85,5 X 93 X 1,20		X		11	996 302 817 00	countersunk-head screw mount retainer plate		9	
(4)	996 302 122 15	shim 85,5 X 93 X 1,25		1							
(4)	996 302 122 16	shim 85,5 X 93 X 1,30		1							
(4)	996 302 122 17	shim 85,5 X 93 X 1,35		1							
(4)	996 302 122 18	shim 85,5 X 93 X 1,40		1							
(4)	996 302 122 19	shim 85,5 X 93 X 1,45		1							
(4)	996 302 122 20	shim 85,5 X 93 X 1,50		1							
(4)	996 302 122 21	shim 85,5 X 93 X 1,55		1							
(4)	996 302 122 22	shim 85,5 X 93 X 1,60		1							
5	996 302 121 00	retainer plate		1							
6	996 302 214 00	fixed gear wheel 4th speed	-01	1	G96.00/30						

Model	Year	MG	SG	Illustration	Restrictions	UPD	13:40	24.01.2010	PORSCHE	PET	PORSCHE
996	2005	3	03	303-10		248					

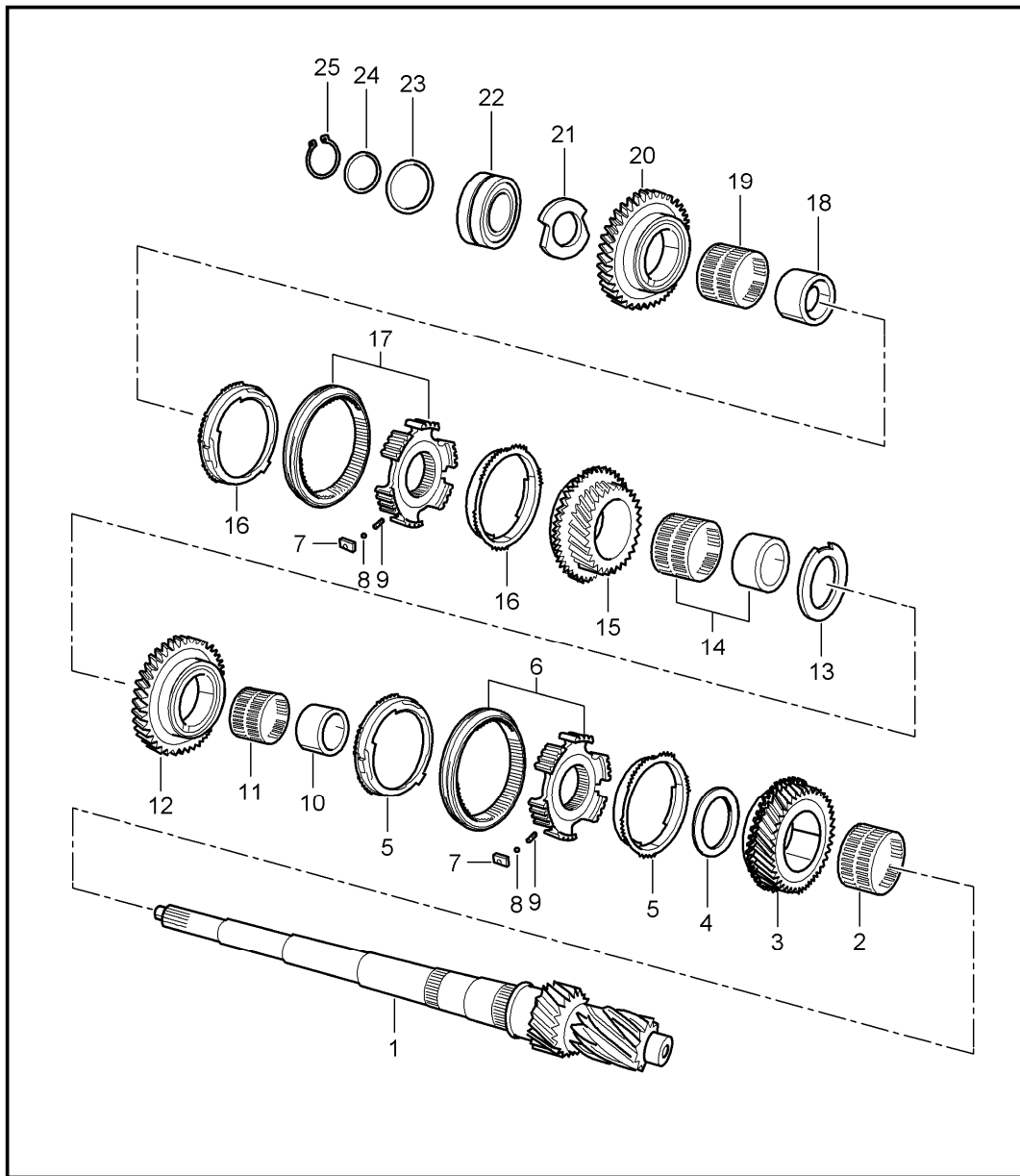


Pos	Part Number	Description	Remark	Qty	Model
		gears and shafts	-01 02-		G96.00/30 G96.01/31
(1)	996 302 815 01	needle-roller bearing		1	
(1)	996 302 815 03	needle-roller bearing brown	02-	1	G96.01/31
2	996 302 042 00	loose gear wheel 2nd gear		1	
3	950 304 617 20	ring		2	
4	996 304 613 20	cone ring	-01	2	G96.00/30
(4)	996 304 613 21	cone ring	02-	2	G96.01/31
5	950 304 611 20	synchroniser ring 6 teeth	98	2	
(5)	996 304 611 00	synchroniser ring 7 teeth	99-	2	
6	996 304 061 02	guide sleeve 1st/2nd gear		1	
7	996 304 651 00	stone		3	
8	900 108 058 00	ball		3	
9	996 304 661 00	compression spring		3	
10	996 302 816 00	needle cage		1	
11	996 302 041 00	loose gear wheel 1st gear	-01	1	G96.00/30
(11)	996 302 041 05	loose gear wheel 1st gear	02-	1	G96.01/31
12	996 302 281 00	thrust washer 1st gear		1	
13	996 302 094 00	loose gear wheel reverse gear		1	
14	996 304 451 01	stone		3	
15	900 108 058 00	ball		3	
16	996 304 461 00	compression spring		3	
17	996 302 816 00	needle cage		1	
18	996 304 431 02	shift sleeve		1	

Model	Year	MG	SG	Illustration	Restrictions	UPD	13:40	24.01.2010	PORSCHE	PET	PORSCHE
996	2005	3	03	303-10		248					

Pos	Part Number	Description	Remark	Qty	Model	Pos	Part Number	Description	Remark	Qty	Model
19	996 304 411 01	synchroniser ring		1		(23)	996 302 810 02	circlip 35 X 2,35		1	
20	996 304 401 00	clutch hub reverse gear wheel		1		(23)	996 302 810 03	circlip 35 X 2,40		1	
21	996 301 806 00	cylindrical-roller bearing 35 X 72 X 10		1		(23)	996 302 810 04	circlip 35 X 2,45		1	
22	996 302 118 00	shim 35 X 45 X 1,2		1							
(22)	996 302 118 01	shim 35 X 45 X 1,3		1							
(22)	996 302 118 02	shim 35 X 45 X 1,4		1							
(22)	996 302 118 03	shim 35 X 45 X 1,5		1							
(22)	996 302 118 04	shim 35 X 45 X 1,6		1							
(22)	996 302 118 05	shim 35 X 45 X 1,7		1							
(22)	996 302 118 06	shim 35 X 45 X 1,8		1							
(22)	996 302 118 07	shim 35 X 45 X 1,9		1							
(22)	996 302 118 08	shim 35 X 45 X 2,0		1							
(22)	996 302 118 09	shim 35 X 45 X 2,1		1							
(22)	996 302 118 10	shim 35 X 45 X 2,2		1							
(22)	996 302 118 11	shim 35 X 45 X 2,3		1							
(22)	996 302 118 12	shim 35 X 45 X 2,4		1							
(22)	996 302 118 13	shim 35 X 45 X 2,5		1							
23	996 302 810 00	circlip 35 X 2,25		1							
(23)	996 302 810 01	circlip 35 X 2,30		1							

Model	Year	MG	SG	Illustration	Restrictions	UPD	13:40	24.01.2010	PORSCHE	PET	PORSCHE
996	2005	3	03	303-11		248					

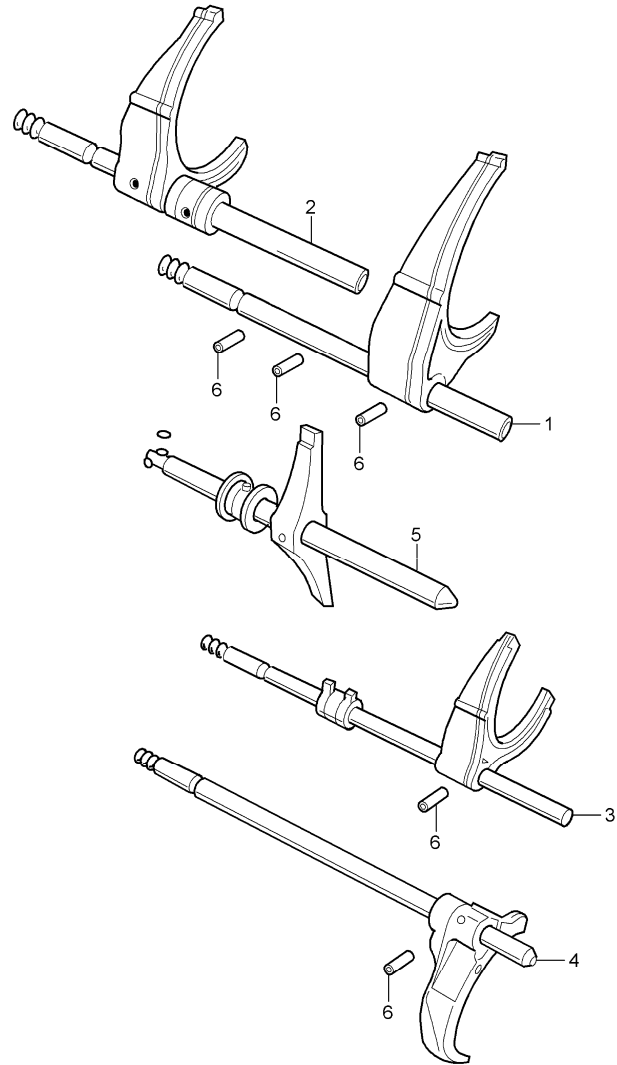


Pos	Part Number	Description	Remark	Qty	Model
		gears and shafts	-01 02-		G96.00/30 G96.01/31
1	996 302 101 00	drive shaft 1st/2nd gear	-01	1	G96.00/30
(1)	996 302 101 01	drive shaft 1st/2nd gear	02-	1	G96.01/31
2	996 302 811 00	needle-roller bearing		1	
3	996 302 075 00	loose gear wheel 5th gear		1	
4	996 302 295 00	thrust washer 5th gear		1	
5	996 304 411 00	synchroniser ring		2	
6	996 304 041 00	guide sleeve 5th and 6th gear		1	
7	996 304 451 00	stone		6	
8	900 108 058 00	ball		6	
9	996 304 461 00	compression spring		6	
10	996 302 266 00	inner ring		1	
11	996 302 812 00	needle-roller bearing white		1	
(11)	996 302 812 01	needle-roller bearing blue		1	
(11)	996 302 812 02	needle-roller bearing green		1	
12	996 302 076 15	loose gear wheel 6th gear	-01	1	G96.00/00
(12)	996 302 076 20	loose gear wheel 6th gear	02-	1	G96.01/31
13	996 302 296 00	thrust washer 3. + 6. Gang		1	
14	996 302 813 00	needle-roller bearing		1	
15	996 302 073 00	loose gear wheel 3rd gear	-01	1	G96.00/30
(15)	996 302 073 05	loose gear wheel 3rd gear	02-	1	G96.01/31
16	996 304 411 00	synchroniser ring		2	

Model	Year	MG	SG	Illustration	Restrictions	UPD	13:40	24.01.2010	PORSCHE	PET	PORSCHE
996	2005	3	03	303-11		248					

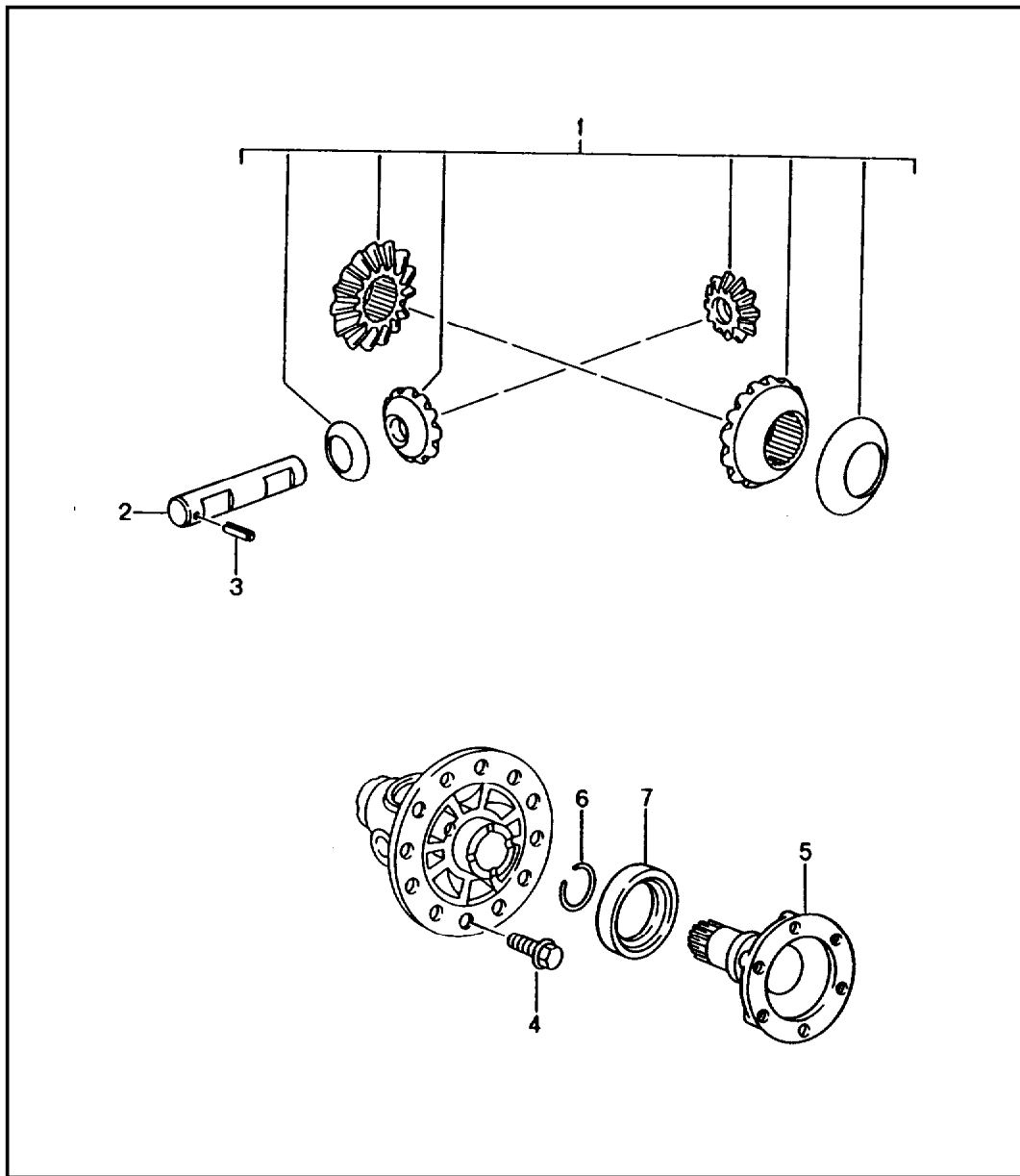
Pos	Part Number	Description	Remark	Qty	Model	Pos	Part Number	Description	Remark	Qty	Model
17	996 304 041 01	guide sleeve		1		(24)	996 302 173 08	shim 35 X 45 X 2,0		1	
18	996 302 264 00	inner ring		1		(24)	996 302 173 09	shim 35 X 45 X 2,1		1	
19	996 302 814 00	needle-roller bearing white		1		(24)	996 302 173 10	shim 35 X 45 X 2,2		1	
(19)	996 302 814 01	needle-roller bearing blue		1		(24)	996 302 173 11	shim 35 X 45 X 2,3		1	
(19)	996 302 814 02	needle-roller bearing green		1		(24)	996 302 173 12	shim 35 X 45 X 2,4		1	
20	996 302 074 00	loose gear wheel 4th speed		1		(24)	996 302 173 13	shim 35 X 45 X 2,5		1	
21	996 302 267 00	spacer ring		1		25	996 302 810 00	circlip 35 X 2,25		1	
22	996 302 807 00	angular-contact bearing		1		(25)	996 302 810 01	circlip 35 X 2,30		1	
23	996 302 124 00	shim 56 X 72 X 0,50		1		(25)	996 302 810 02	circlip 35 X 2,35		1	
(23)	996 302 124 01	shim 56 X 72 X 0,55		1		(25)	996 302 810 03	circlip 35 X 2,40		1	
(23)	996 302 124 02	shim 56 X 72 X 0,60		1		(25)	996 302 810 04	circlip 35 X 2,45		1	
(23)	996 302 124 03	shim 56 X 72 X 0,65		1							
24	996 302 173 00	shim 35 X 45 X 1,2		1							
(24)	996 302 173 01	shim 35 X 45 X 1,3		1							
(24)	996 302 173 02	shim 35 X 45 X 1,4		1							
(24)	996 302 173 03	shim 35 X 45 X 1,5		1							
(24)	996 302 173 04	shim 35 X 45 X 1,6		1							
(24)	996 302 173 05	shim 35 X 45 X 1,7		1							
(24)	996 302 173 06	shim 35 X 45 X 1,8		1							
(24)	996 302 173 07	shim 35 X 45 X 1,9		1							

Model	Year	MG	SG	Illustration	Restrictions	UPD	13:41	24.01.2010	PORSCHE	PET	PORSCHE
996	2005	3	04	304-00		248					



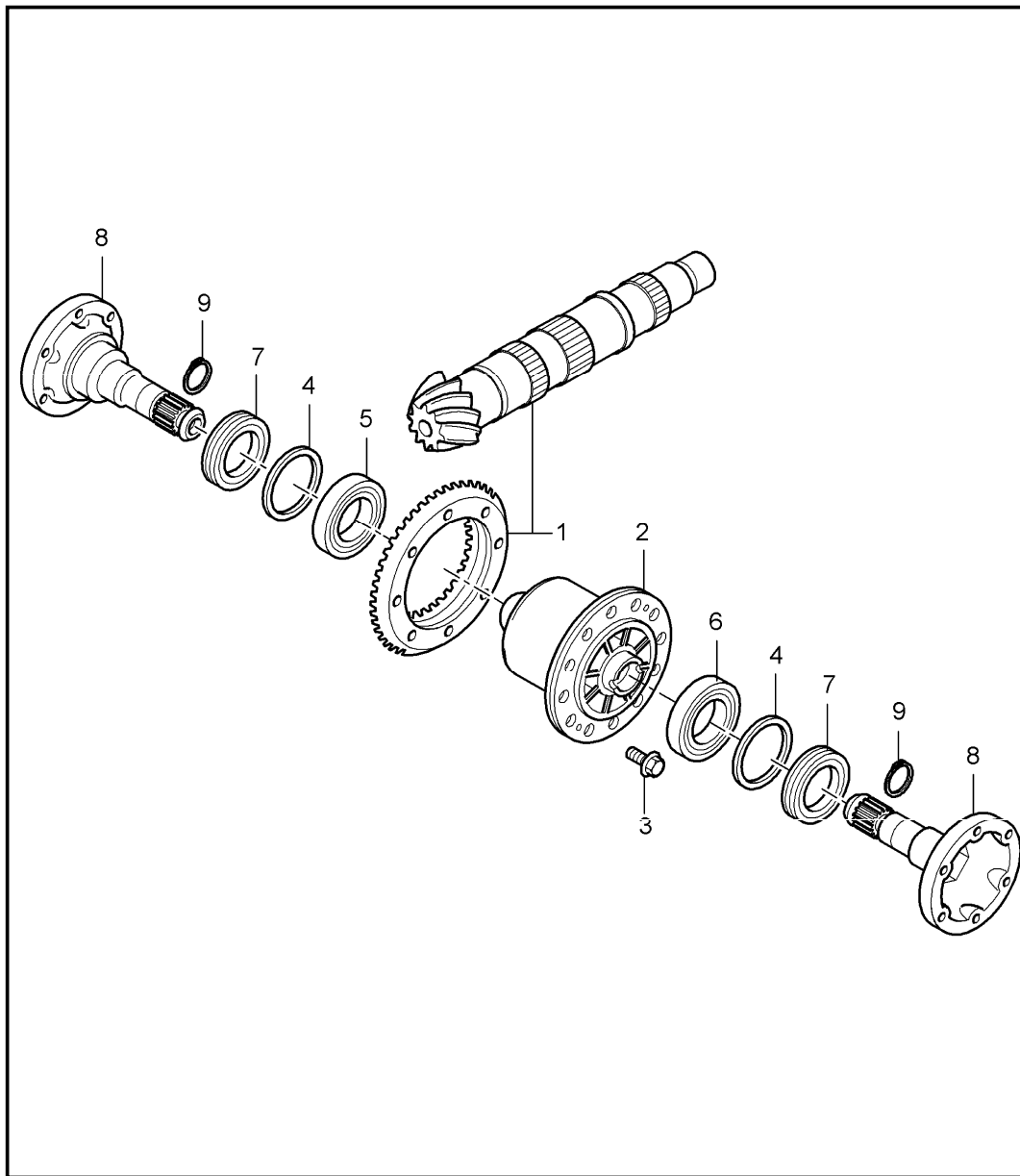
Pos	Part Number	Description	Remark	Qty	Model
		gear shift rod shift fork	-01 02-		G96.00/30 G96.01/31
1	996 303 015 00	gear shift rod 5./6. Gang		1	
2	996 303 013 00	gear shift rod 3./4. Gang		1	
3	996 303 010 00	gear shift rod 1st/2nd gear		1	
4	996 303 016 00	gear shift rod reverse gear		1	
5	996 303 021 00	shift rod		1	
6	996 303 301 00	spiral clamping pin		5	

Model	Year	MG	SG	Illustration	Restrictions	UPD	13:41	24.01.2010	PORSCHE	PET	PORSCHE
996	2005	3	05	305-00		248					



Pos	Part Number	Description	Remark	Qty	Model
		differential	-01		G96.00 M338
			99-01		G96.30 M339
			02-		G96.01 M338
			02-		G96.31 M339
1	996 332 922 00	differential pinions 1 set		1	
2	996 332 205 00	differential bolt		1	
3	900 309 038 01	pin 5 X 16		1	
4	996 332 276 00	hexagon-head bolt M 12 X 1,25 X 22,5		12	
5	996 332 209 00	joint flange	-01	2	
(5)	996 332 209 50	joint flange	02-	2	
6	996 332 249 00	circlip 35 X 2,5		2	
7	999 113 347 40	shaft sealing ring 48 X 68 X 10		2	

Model	Year	MG	SG	Illustration	Restrictions	UPD	13:41	24.01.2010	PORSCHE	PET	PORSCHE
996	2005	3	05	305-02		248					

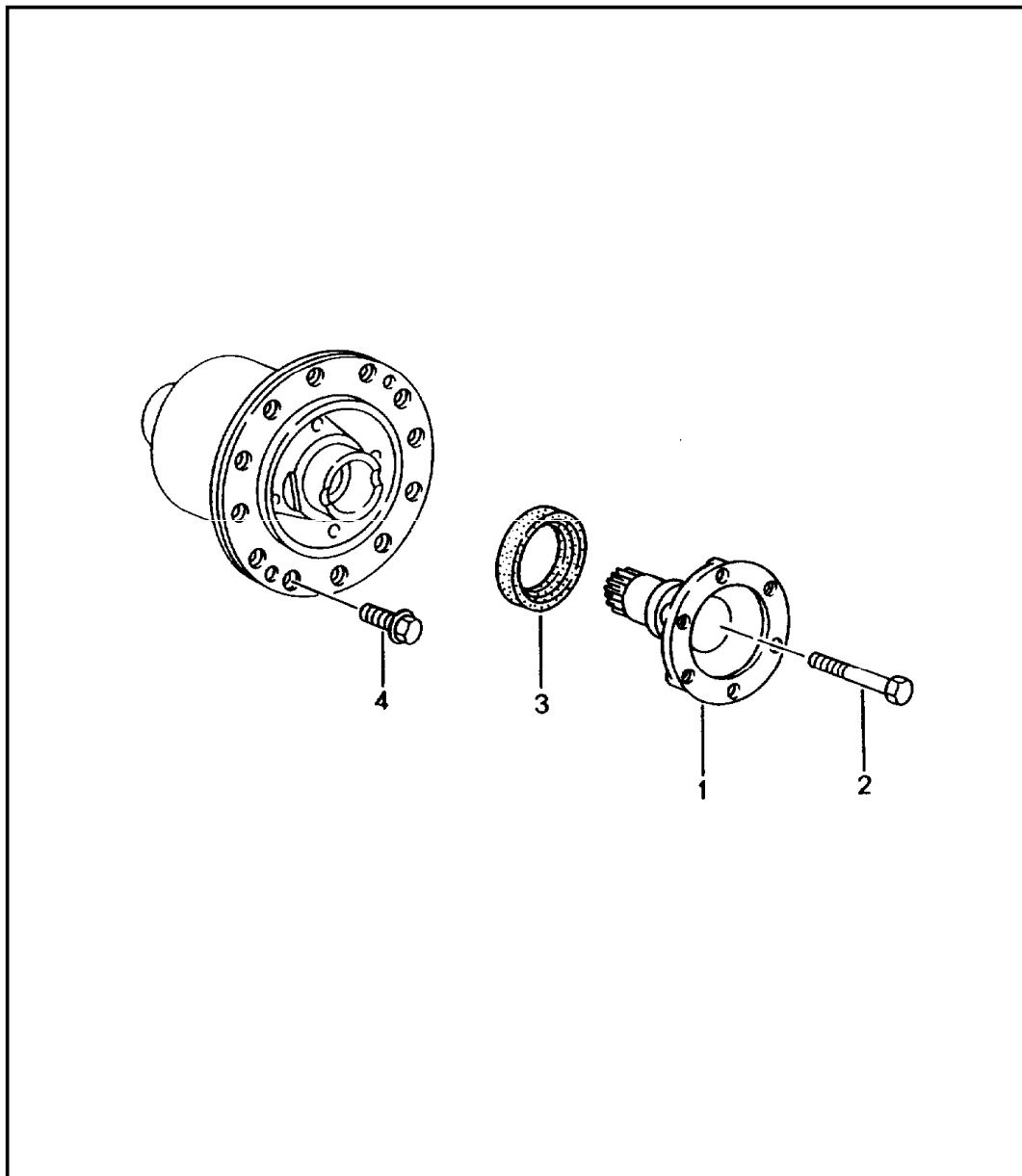


Pos	Part Number	Description	Remark	Qty	Model
		differential rear axle	-01 02-		G96.00/30 G96.01/31
1	996 302 911 00	gear set	-01	1	G96.00
(1)	996 302 911 01	gear set	02-	1	G96.01
(1)	996 302 911 30	gear set	-01	1	G96.30
(1)	996 302 911 31	gear set	02-	1	G96.31
2	996 332 005 00	differential	-01	1	G96.00/30 M219
(2)	996 332 005 55	differential	02-	1	G96.01/31 M219
(2)	996 332 083 01	limited-slip differential	98	1	G96.00 M220
(2)	996 332 083 00	limited-slip differential	04	1	G96.01/31 IX75/M095/ M220
3	999 217 152 01	hexagon-head bolt M 12 X 1,25		12	
4	996 332 266 50	adjusting ring 1,50 MM		2	
(4)	996 332 266 51	adjusting ring 1,55 MM		2	
(4)	996 332 266 52	adjusting ring 1,60 MM		2	
(4)	996 332 266 53	adjusting ring 1,65 MM		2	
(4)	996 332 266 54	adjusting ring 1,70 MM		2	
(4)	996 332 266 55	adjusting ring 1,75 MM		2	
(4)	996 332 266 56	adjusting ring 1,80 MM		2	
(4)	996 332 266 57	adjusting ring 1,85 MM		2	
(4)	996 332 266 58	adjusting ring 1,90 MM		2	
(4)	996 332 266 59	adjusting ring 1,95 MM		2	

Model	Year	MG	SG	Illustration	Restrictions	UPD	13:41	24.01.2010	PORSCHE	PET	PORSCHE
996	2005	3	05	305-02		248					

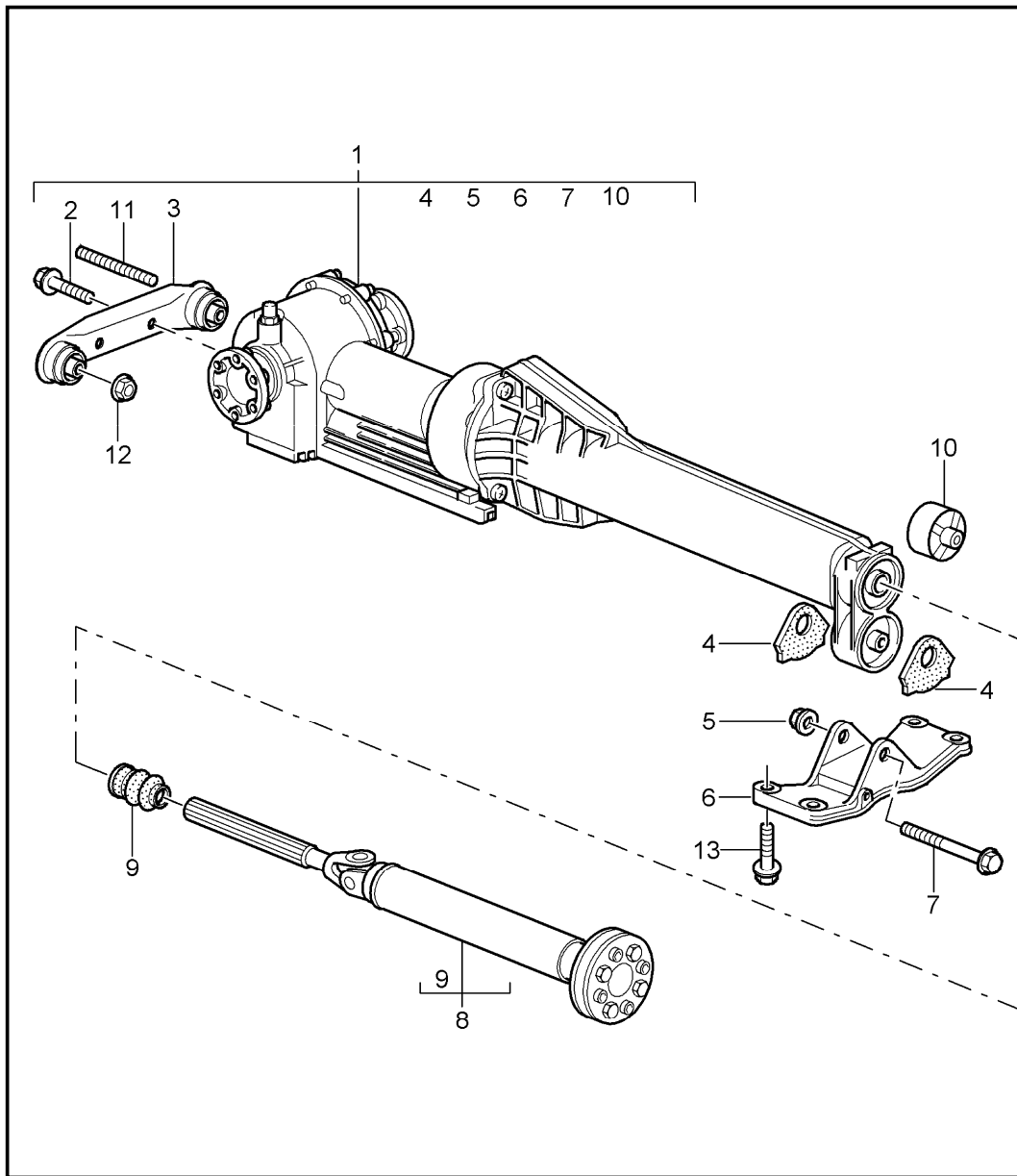
Pos	Part Number	Description	Remark	Qty	Model	Pos	Part Number	Description	Remark	Qty	Model
(4)	996 332 266 60	adjusting ring 2,00 MM		2		8	996 332 209 00	joint flange		2	
(4)	996 332 266 61	adjusting ring 2,05 MM		2		9	996 332 249 00	circlip 35 X 2,5		2	
(4)	996 332 266 62	adjusting ring 2,10 MM		2							
(4)	996 332 266 63	adjusting ring 2,15 MM		2							
(4)	996 332 266 64	adjusting ring 2,20 MM		2							
(4)	996 332 266 65	adjusting ring 2,25 MM		2							
(4)	996 332 266 66	adjusting ring 2,30 MM		2							
(4)	996 332 266 67	adjusting ring 2,35 MM		2							
(4)	996 332 266 68	adjusting ring 2,40 MM		2							
(4)	996 332 266 69	adjusting ring 2,45 MM		2							
(4)	996 332 266 70	adjusting ring 2,50 MM		2							
(4)	996 332 266 71	adjusting ring 2,55 MM		2							
(4)	996 332 266 72	adjusting ring 2,60 MM		2							
(4)	996 332 266 73	adjusting ring 2,65 MM		2							
(4)	996 332 266 74	adjusting ring 2,70 MM		2							
(4)	996 332 266 75	adjusting ring 2,75 MM		2							
(4)	996 332 266 76	adjusting ring 2,80 MM		2							
5	999 059 066 02	taper roller bearing		1							
6	999 059 064 00	taper roller bearing		1							
7	999 113 356 40	shaft sealing ring AS 48 X 68 X 10		2							

Model	Year	MG	SG	Illustration	Restrictions	UPD	13:41	24.01.2010	PORSCHE	PET	PORSCHE
996	2005	3	05	305-05		248					



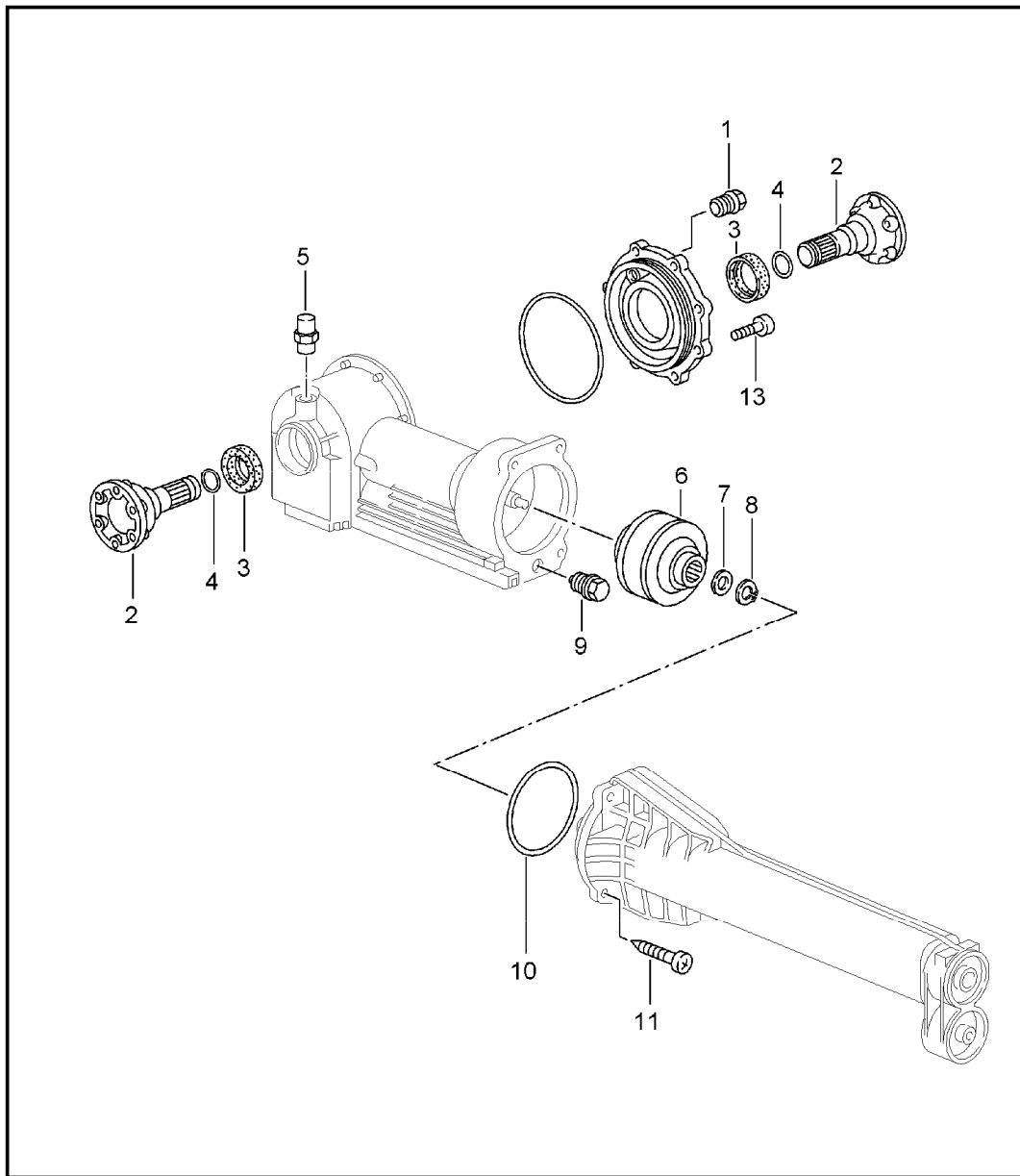
Pos	Part Number	Description	Remark	Qty	Model
		limited-slip differential	-99		G96.00/01
1	950 332 209 01	joint flange		2	
2	N 010 472 4	hexagon-head bolt M 10 X 85		2	
3	999 113 347 40	shaft sealing ring 48 X 68 X 10		2	
4	996 332 276 00	hexagon-head bolt M 12 X 1,25 X 22,5		12	

Model	Year	MG	SG	Illustration	Restrictions	UPD	13:41	24.01.2010	PORSCHE	PET	PORSCHE
996	2005	3	05	305-10		248					



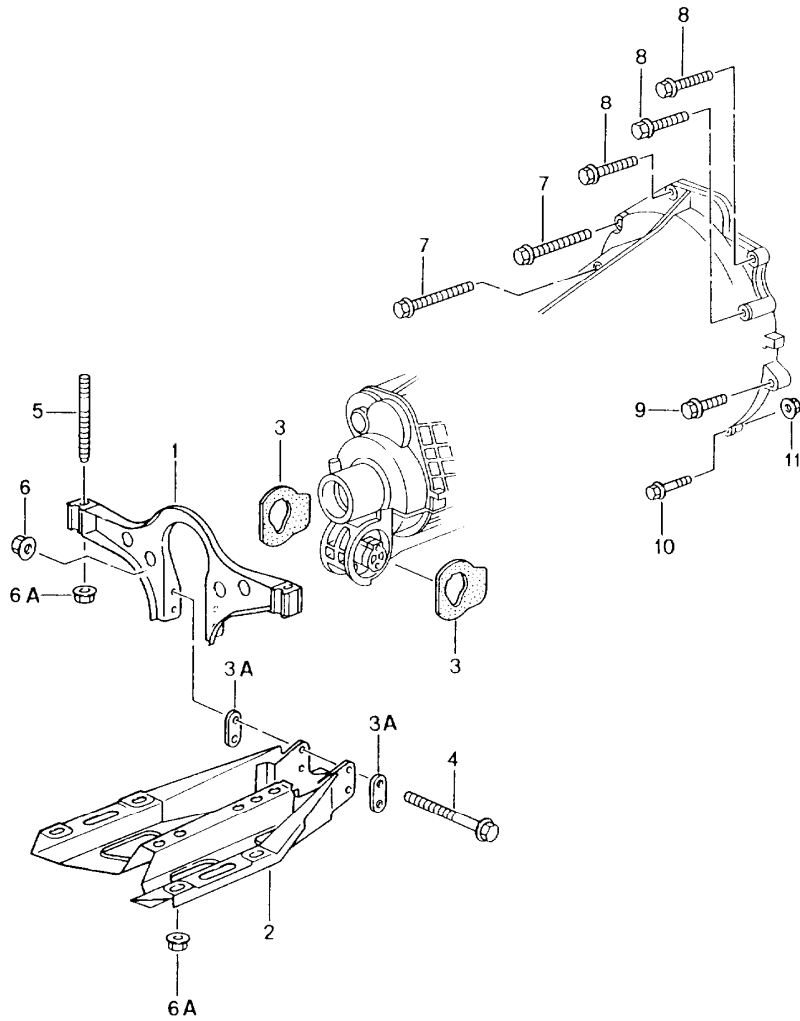
Pos	Part Number	Description	Remark	Qty	Model
		front-axle final drive cardan shaft	99-		Z96.00 M339
1	> 996 349 010 02	front-axle final drive ready for installation	-04	1	
(1)	> 996 349 010 03	front-axle final drive ready for installation	05-	1	
2	999 072 034 09	conical screw M 10 X 28		2	
3	996 375 034 00	transmission carrier front		1	
4	996 375 257 01	stop		2	
5	900 380 008 09	hexagon nut M 10		1	
6	996 375 343 03	transmission carrier rear		1	
7	900 378 142 09	hexagon-head bolt M 10 X 90		1	
8	A 996 421 020 01	cardan shaft	-01	1	
8	A 996 421 020 50	cardan shaft	02-	1	
8	997 421 020 00	cardan shaft		1	
9	996 421 145 01	boot		1	
10	996 375 054 02	transmission mounting rear		1	
11	999 061 105 09	stud M 10 X 90		2	
12	900 380 008 09	hexagon nut M 10 mount front-axle final drive cross member		2	
13	999 217 144 09	combination screw M 10 X 48 transmission carrier floorpan		4	

Model	Year	MG	SG	Illustration	Restrictions	UPD	13:42	24.01.2010	PORSCHE	PET	PORSCHE
996	2005	3	05	305-15		248					



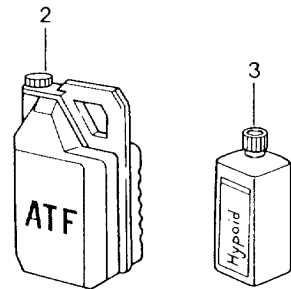
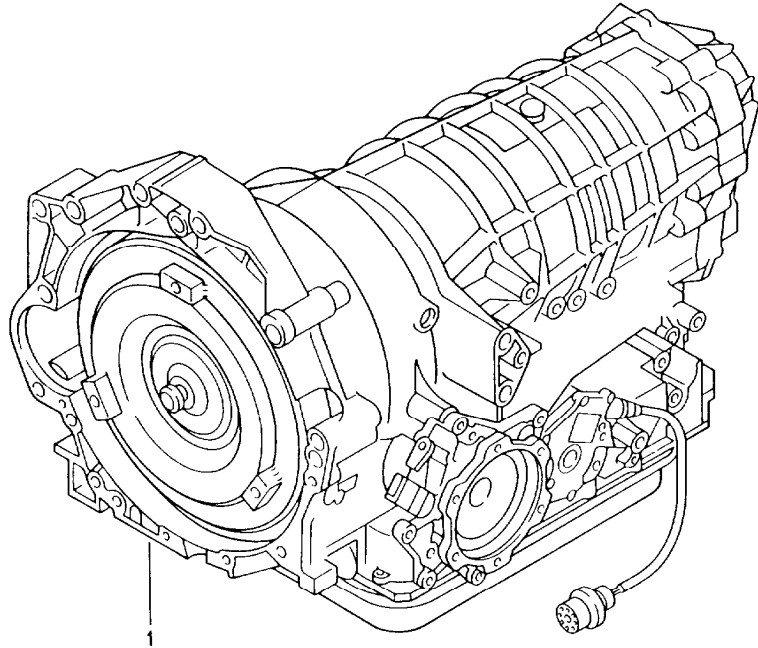
Pos	Part Number	Description	Remark	Qty	Model
		front-axle final drive	99-		Z96.00 M339
1	N 016 161 1	screw plug M 18 X 1,5		1	
2	996 332 309 00	joint flange		2	
3	999 113 454 40	shaft sealing ring 40 X 60 X 9		2	
4	996 332 311 00	circlip 2,5 X 20		2	
5	996 301 071 00	bleeder 17 X 12		1	
6	996 339 021 02	viscous clutch		1	
7	900 234 174 00	support washer 20 X 28 X 2,0		1	
8	999 041 021 01	circlip 20 X 1,2		1	
9	900 124 025 02	screw plug M 18 X 1,5 PM		1	
10	999 707 455 40	o-ring 123 X 3		1	
11	N 903 660 01	torx screw M 8 x 36 for 996.349.010.02 GETRAG 630.0.0130.00 old version		4	
(11)	900 385 141 01	screw M 8 x 40 for 996.349.010.03 GETRAG 630.0.0173.00 new design		4	
13	N 903 660 01	torx screw M 8 X 36		8	

Model	Year	MG	SG	Illustration	Restrictions	UPD	13:42	24.01.2010	PORSCHE	PET	PORSCHE
996	2005	3	06	306-00		248					



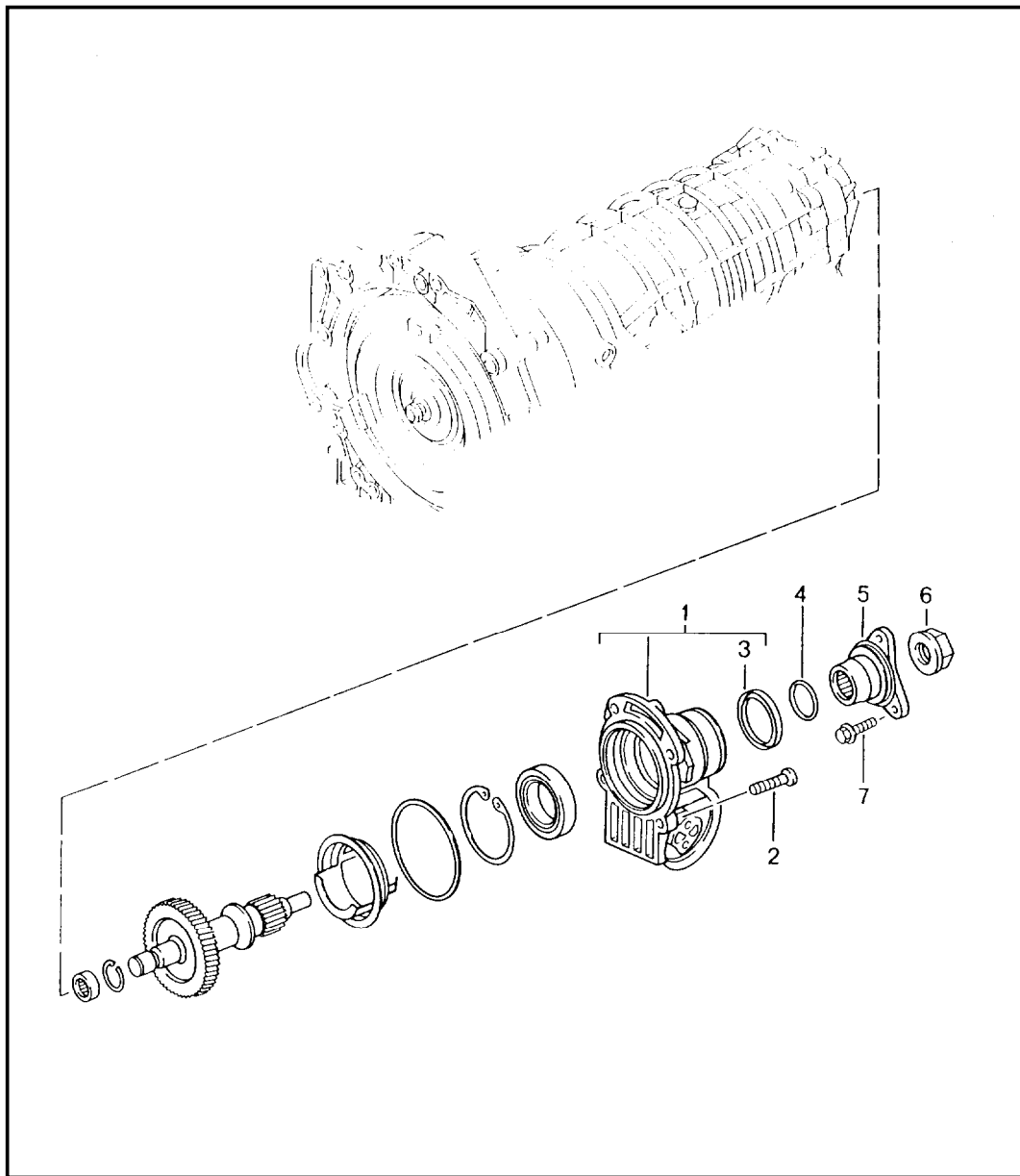
Pos	Part Number	Description	Remark	Qty	Model
		manual transmission	-01		G96.00
			99-01		M338
			02-		G96.30
			02-		M339
		transmission suspension			G96.01
		threaded joint			M338
		engine			G96.31
1	996 375 039 02	transmission carrier	-00	1	
(1)	996 375 039 03	transmission carrier	01-	1	
2	996 375 031 07	transmission carrier		1	-01
2	996 375 031 08	transmission carrier		1	02-
3	996 375 255 04	stop		2	-02
3	996 375 255 05	stop		2	02-
3A	996 375 333 00	packing plate		2	
4	900 378 167 09	hexagon-head bolt M 10 X 110		2	
5	999 061 106 09	stud M 10 X 83		2	
6	900 380 008 09	hexagon nut M 10		2	
(6A)	999 076 053 09	hexagon nut M 10		6	
7	999 072 010 09	hexagon-head bolt M 12 X 1,5 X 100		2	
8	999 072 008 09	hexagon-head bolt M 12 X 1,5 X 70		3	
9	900 378 061 09	hexagon-head bolt M 12 X 1,5 X 50		1	
10	900 378 076 09	hexagon-head bolt M 10 X 50		1	
11	900 377 011 09	hexagon nut M 10		1	

Model	Year	MG	SG	Illustration	Restrictions	UPD	13:42	24.01.2010	PORSCHE	PET	PORSCHE
996	2005	3	20	320-00		248					



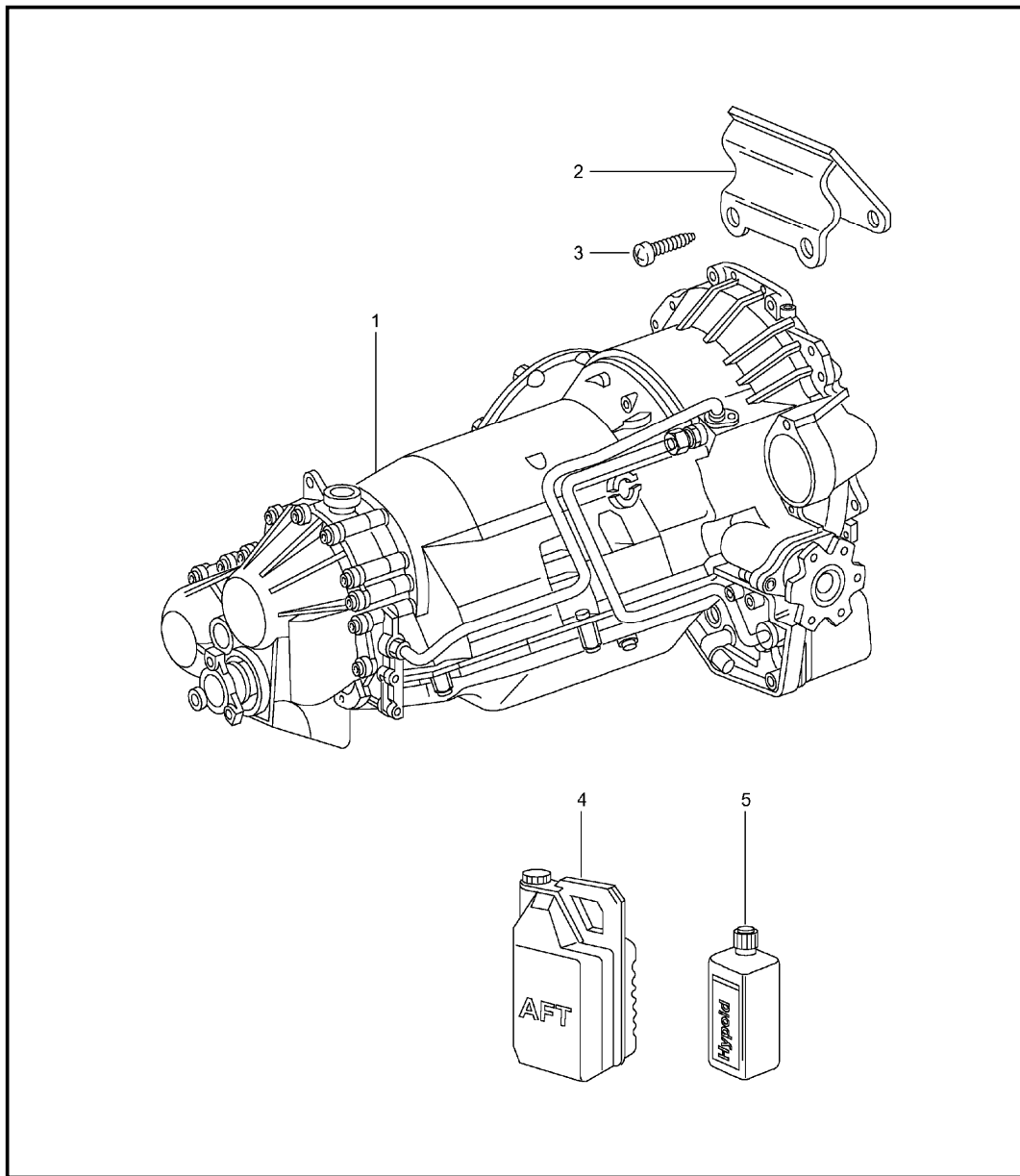
Pos	Part Number	Description	Remark	Qty	Model
		tiptronic	-01		A96.00
			99-01		M338
		replacement transmission not ready for installation			A96.30
					M339
1	A 996 300 911 00	transmission	98	1	M338
(1)	A 996 300 011 00	transmission	98	1	M338
(1)	> 996 300 011 02	transmission	99-00	1	M338
(1)	> 996 300 011 03	transmission F >>99XS6 00762 F >>99XS6 40394 use also: control unit 996.618.114.02	01	1	M338
(1)	A 996 300 011 30	transmission F >>991S6 00606 F >>991S6 40456 F >>991S6 00987 F >>991S6 40767	99-	1	M339
(1)	> 996 300 011 33	transmission F 991S6 00607>> F 991S6 40457>> F 991S6 00988>> F 991S6 40768>> use also: F >>991S6 00606 F >>991S6 40456 F >>991S6 00987 F >>991S6 40767 connecting piece 996.426.380.50		1	M339
2	000 043 205 09	transmission oil ATF 20 LTR. container		X	
3	999 917 546 00	transmission oil 75 W 90 1 LTR. container		X	

Model	Year	MG	SG	Illustration	Restrictions	UPD	13:42	24.01.2010	PORSCHE	PET	PORSCHE
996	2005	3	20	320-01		248					



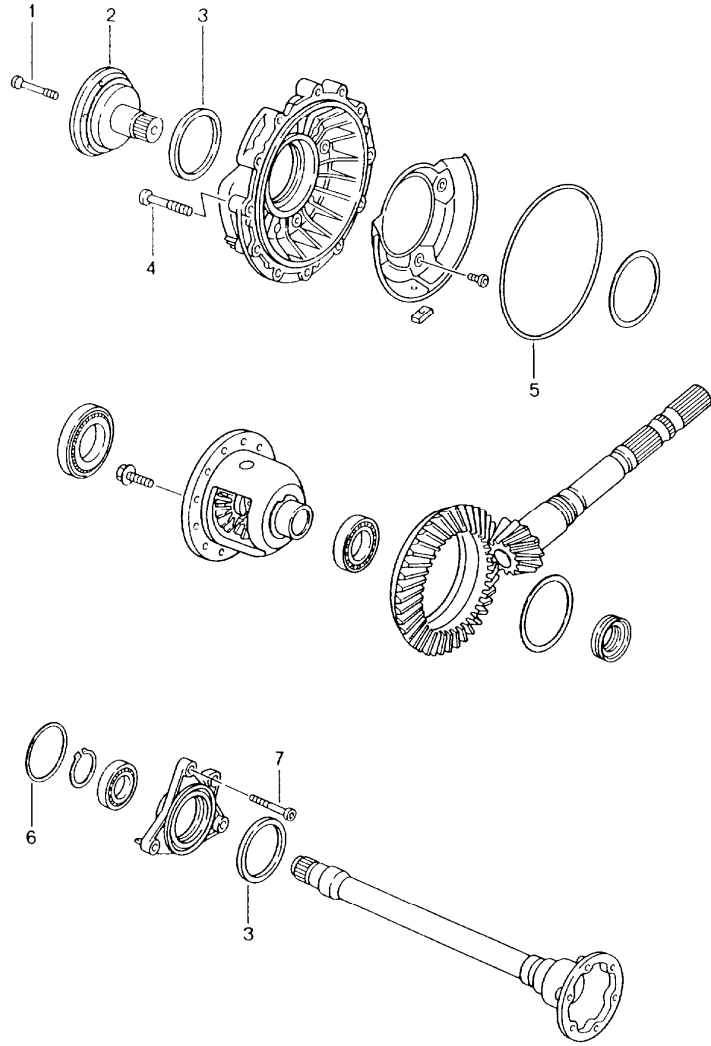
Pos	Part Number	Description	Remark	Qty	Model
		tiptronic all-wheel driving mechanism	99-01		A96.30 M339
1	996 321 056 00	transmission bracket		1	
2	996 397 011 00	torx screw M 10 X 35		4	
3	996 397 012 00	shaft sealing ring		1	
4	996 397 013 00	round seal		1	
5	996 302 301 30	flange		1	
6	944 332 293 00	collar nut M 20 X 1,5		1	
7	900 378 101 09	hexagon-head bolt M 10 X 35		3	

Model	Year	MG	SG	Illustration	Restrictions	UPD	13:42	24.01.2010	PORSCHE	PET	PORSCHE
996	2005	3	20	320-02		248					



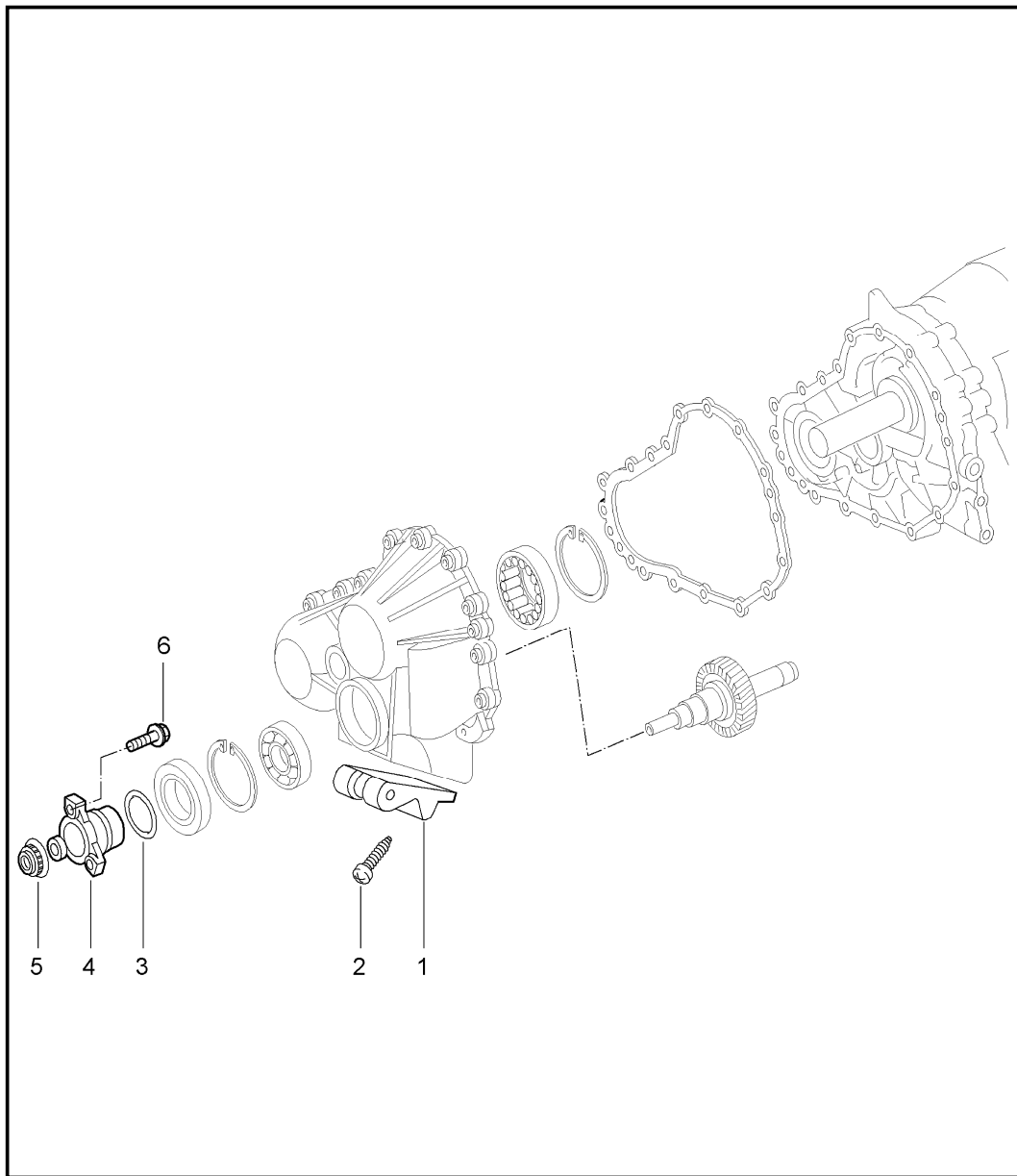
Pos	Part Number	Description	Remark	Qty	Model
		tiptronic	02-		A96.10
		replacement transmission	02-		M338
		transmission			A96.35
1	> 722 270 050 0	transmission		1	A96.10
(1)	> 722 270 060 0	transmission		1	A96.35
2	996 449 101 50	hook		1	
3	999 073 190 09	oval-head screw M 8 X 60		2	
4	000 043 204 41	transmission oil ATF 20 LTR. container		X	
5	999 917 546 00	transmission oil 75 W 90 1 LTR. container		X	
-	996 116 101 10	intermediate housing		1	

Model	Year	MG	SG	Illustration	Restrictions	UPD	13:42	24.01.2010	PORSCHE	PET	PORSCHE
996	2005	3	20	320-03		248					



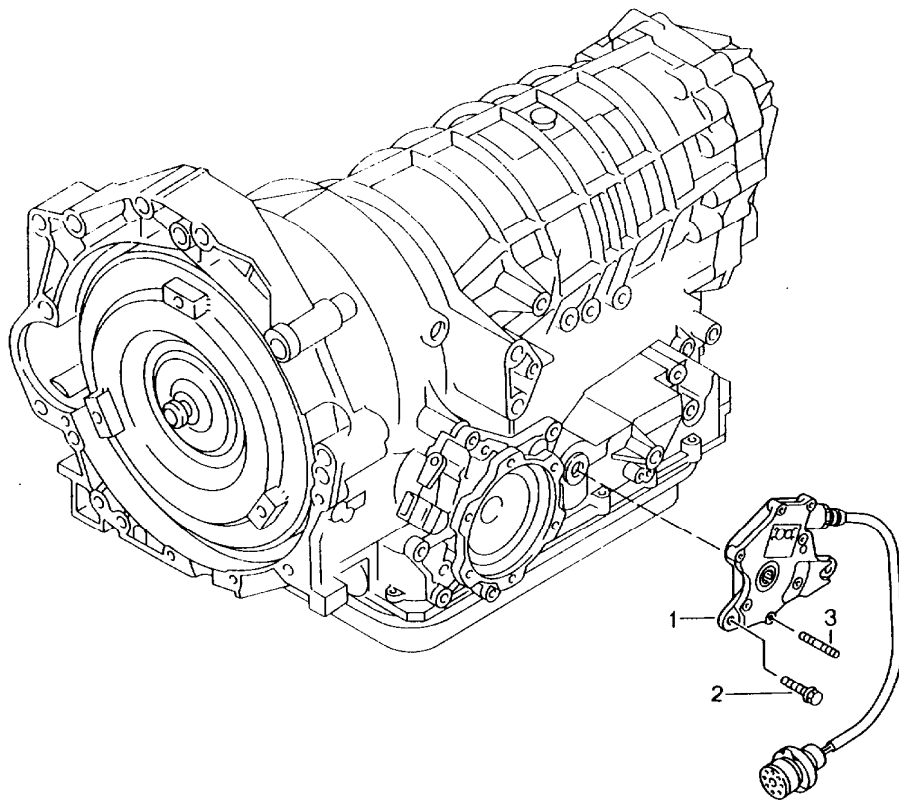
Pos	Part Number	Description	Remark	Qty	Model
		tiptronic	-01		A96.00
		differential housing	99-01		M338
					A96.30
					M339
1	944 332 587 00	elastic bolt M 8		1	
2	996 332 202 00	drive flange		1	
3	996 397 004 00	shaft sealing ring for lid		1	
(3)	996 397 015 00	shaft sealing ring for flange		1	
4	986 397 029 00	pan-head screw M 8 X 45		12	
5	996 397 005 00	round seal		1	
6	986 397 034 00	round seal		1	
7	996 397 007 00	pan-head screw M 8 X 30		3	
-	986 397 026 00	screw plug		1	

Model	Year	MG	SG	Illustration	Restrictions	UPD	13:43	24.01.2010	PORSCHE	PET	PORSCHE
996	2005	3	20	320-04		248					



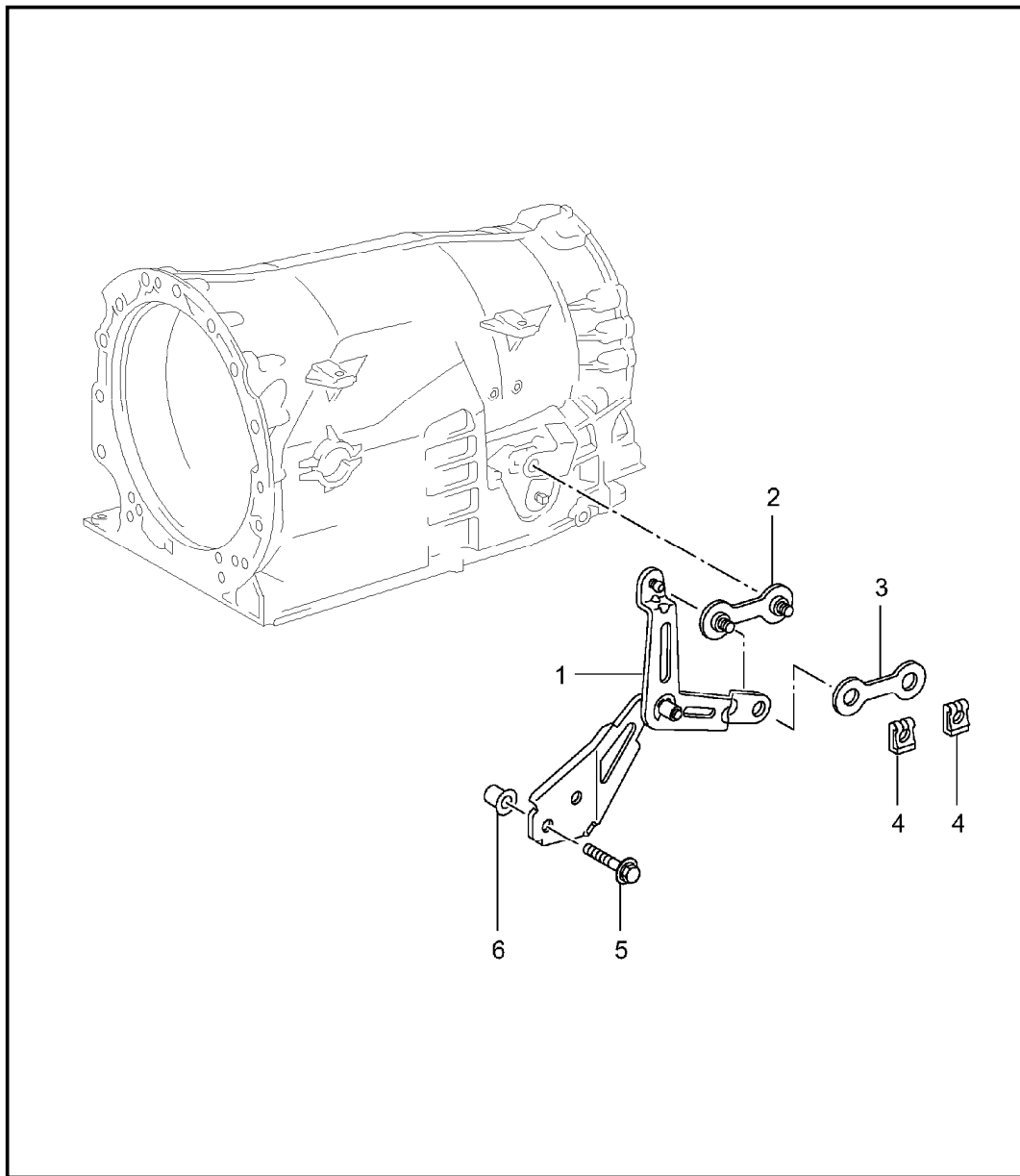
Pos	Part Number	Description	Remark	Qty	Model
		tiptronic all-wheel driving mechanism	02-		A96.35 M339
1	722 260 006 2	bearing		1	
2	999 073 178 09	oval-head screw M 8 X 30		4	
3	168 997 004 5	o-ring 28 X 3		1	
4	722 270 022 0	flange		1	
5	140 990 115 0	collar nut M 26 X 1,5		1	
6	900 378 101 09	hexagon-head bolt AM 10 X 35		3	
-	022 997 944 7	shaft sealing ring		1	

Model	Year	MG	SG	Illustration	Restrictions	UPD	13:43	24.01.2010	PORSCHE	PET	PORSCHE
996	2005	3	20	320-05		248					



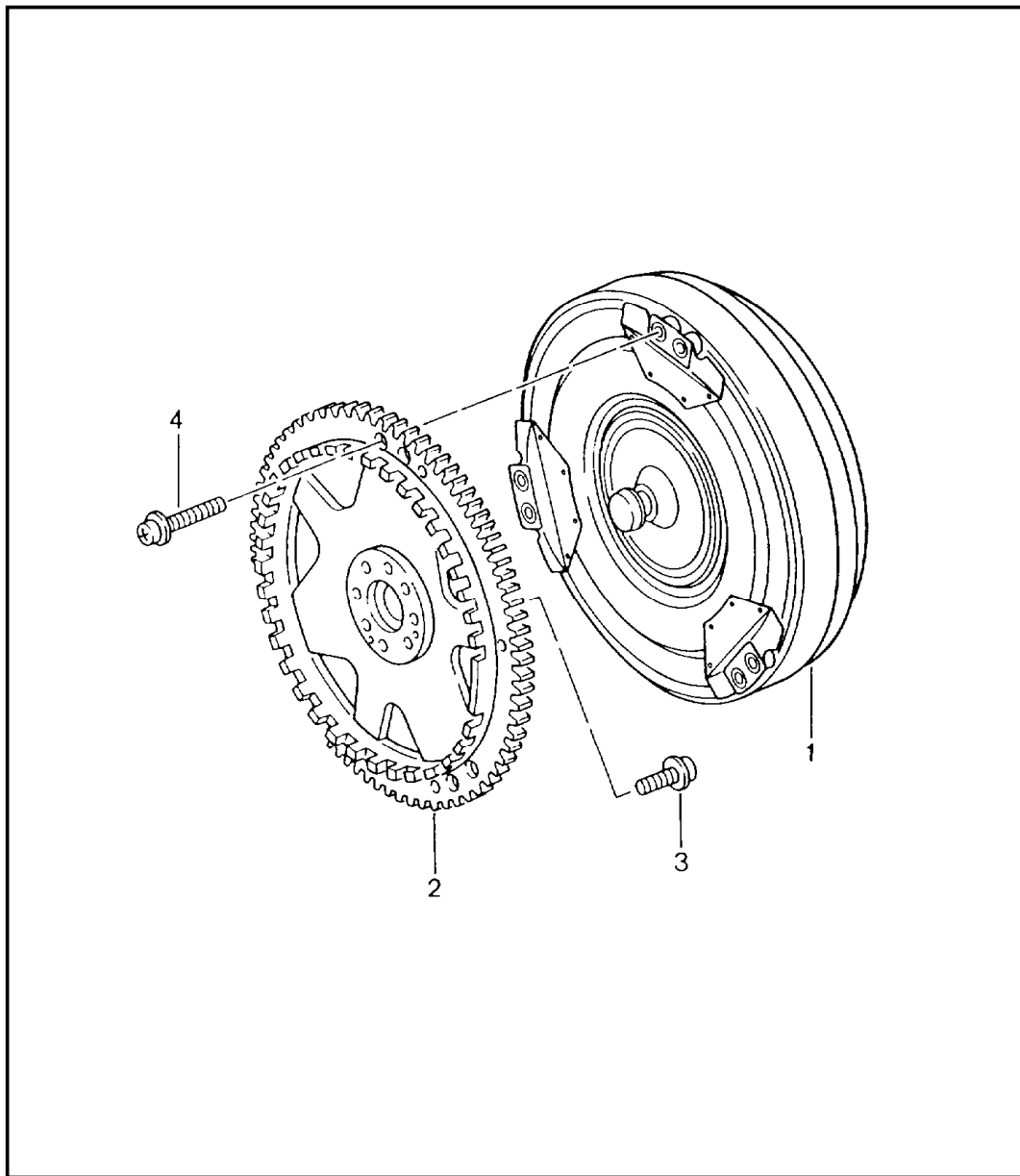
Pos	Part Number	Description	Remark	Qty	Model
		tiptronic	-01		A96.00
			99-01		M338
		selector switch			A96.30
					M339
1	986 325 612 00	switch		1	
2	986 397 025 00	pan-head screw M 6 X 15		2	
3	986 397 024 00	straight pin M 6 X 14		1	
4	996 397 008 00	shaft sealing ring		1	
5	986 397 037 00	tensioning sleeve		1	
6	996 426 901 00	gearshift lever		1	

Model	Year	MG	SG	Illustration	Restrictions	UPD	13:43	24.01.2010	PORSCHE	PET	PORSCHE
996	2005	3	20	320-06		248					



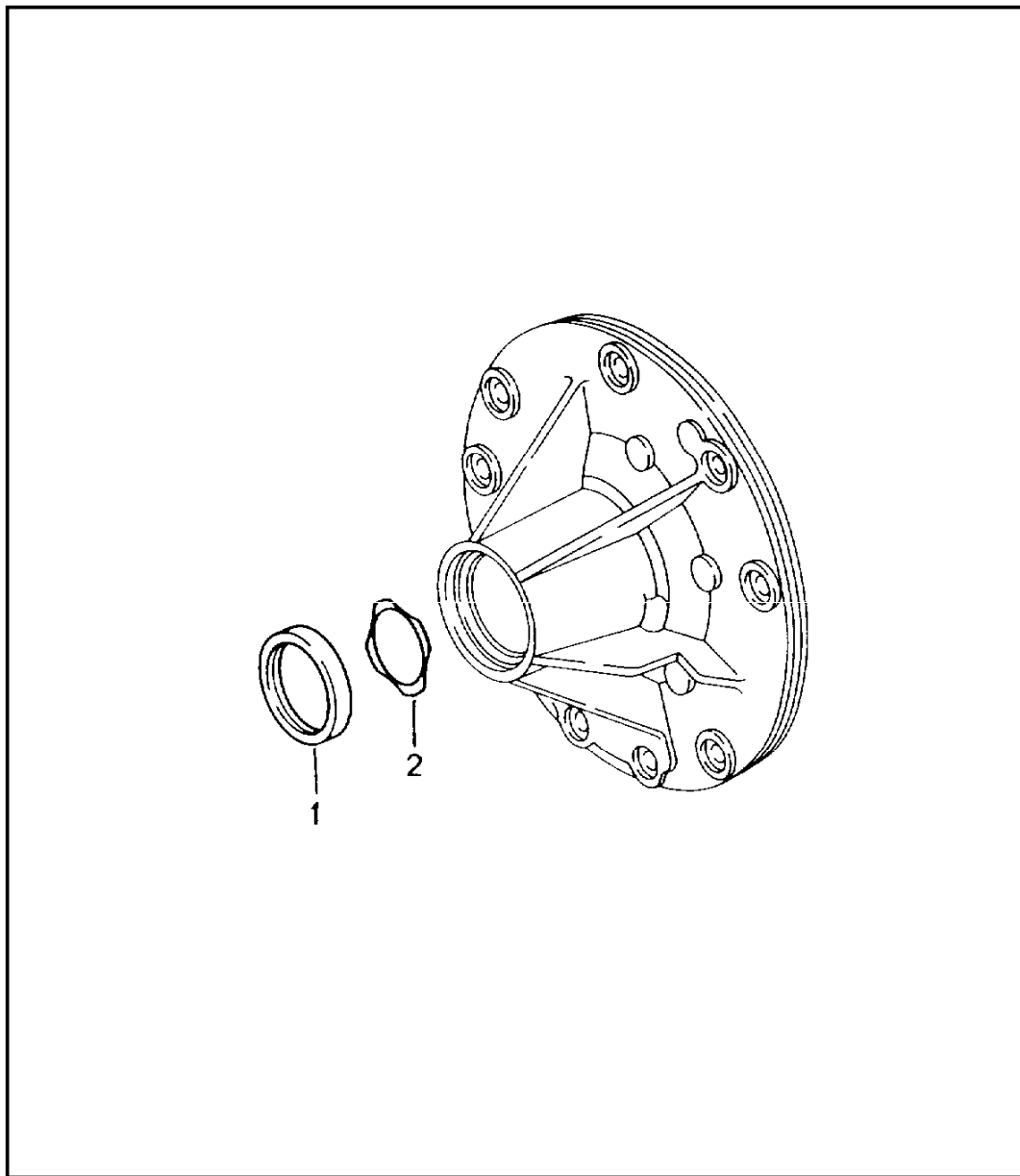
Pos	Part Number	Description	Remark	Qty	Model
		tiptronic	02-		A96.10
		selector lever	02-		M338
		selector lever		1	A96.35
		lever		2	M339
1	722 270 011 0	selector lever		1	
2	722 270 025 9	lever		2	
3	722 278 032 0	lever		1	
4	999 166 079 02	lock washer		2	
5	999 073 095 01	round head screw M8 X 30		2	
6	722 992 002 0	sleeve		1	
-	022 997 224 8	shaft sealing ring selector lever		1	

Model	Year	MG	SG	Illustration	Restrictions	UPD	13:43	24.01.2010	PORSCHE	PET	PORSCHE
996	2005	3	30	330-00		248					



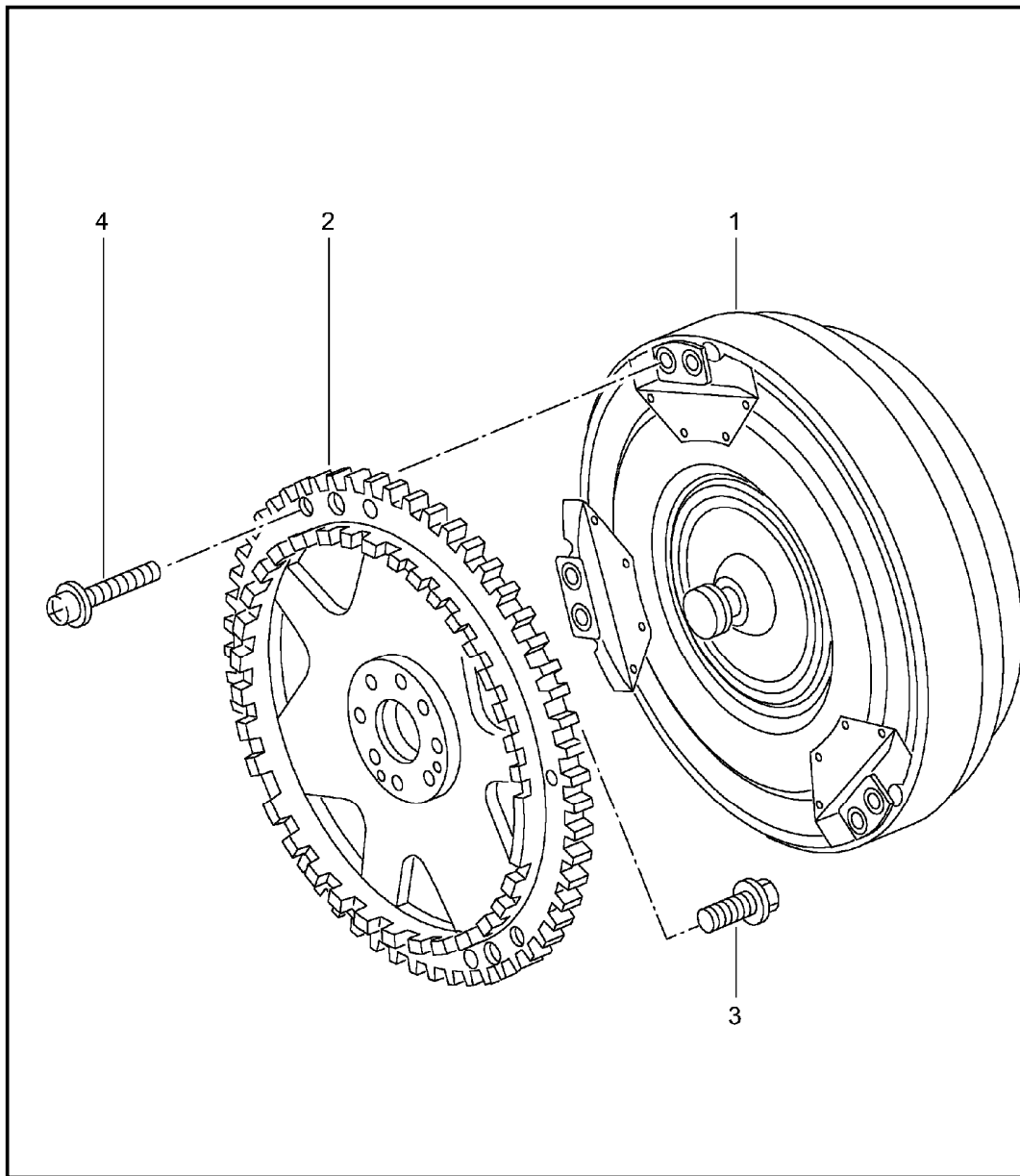
Pos	Part Number	Description	Remark	Qty	Model
		tiptronic	-01		A96.00
		torque converter	99-01		M338
		drive plate			A96.30
					M339
1	996 316 001 00	torque converter		1	
2	996 116 075 07	drive plate		1	
3	999 073 091 09	pan-head screw M 10 X 1 X 25		8	
4	900 067 369 09	pan-head screw M 8 X 20		6	

Model	Year	MG	SG	Illustration	Restrictions	UPD	13:43	24.01.2010	PORSCHE	PET	PORSCHE
996	2005	3	30	330-01		248					



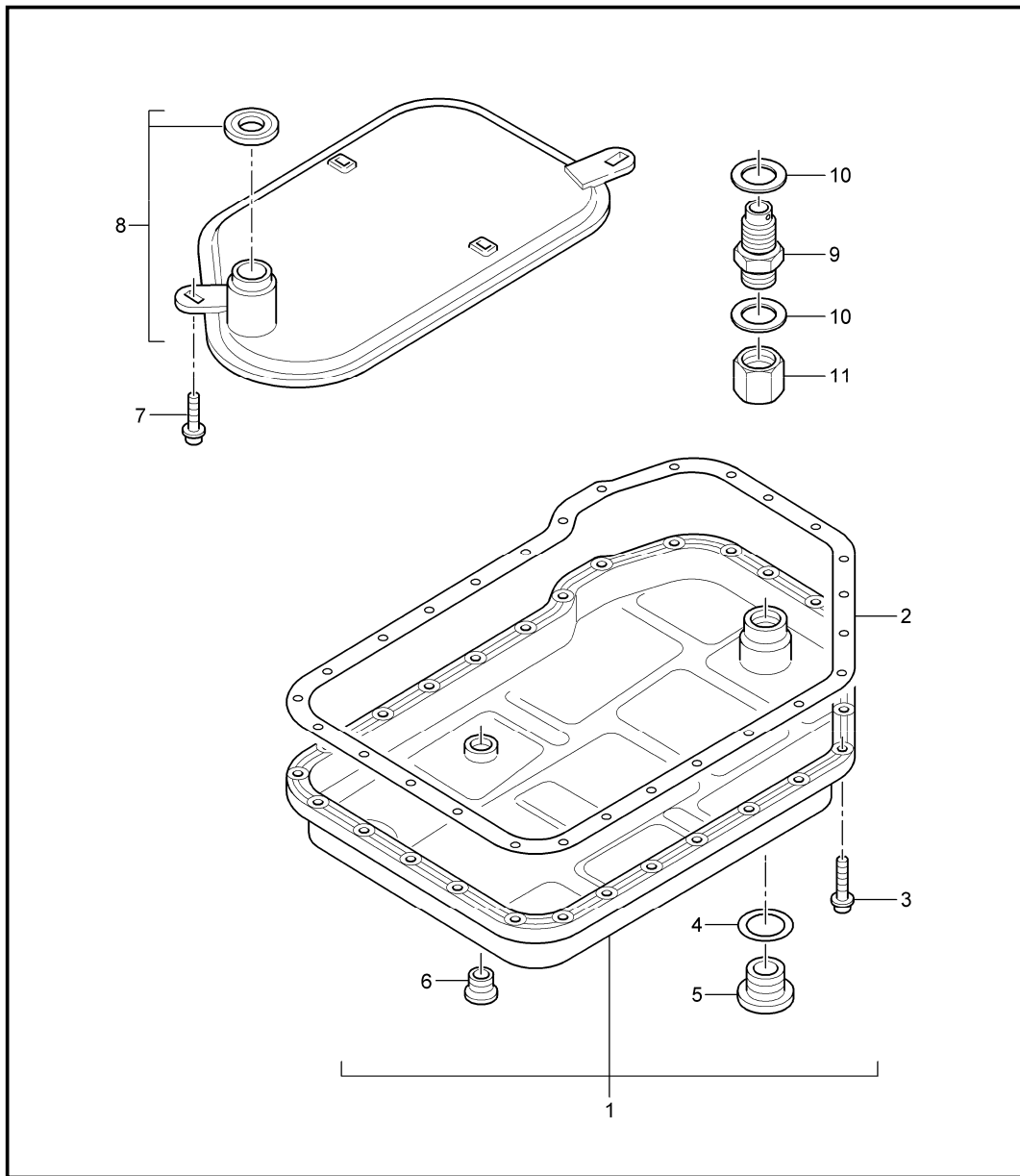
Pos	Part Number	Description	Remark	Qty	Model
		tiptronic	-01		A96.00 M338
		oil pump	99-01		A96.30 M339
1	996 397 010 00	shaft sealing ring		1	
2	986 397 012 00	washer		1	

Model	Year	MG	SG	Illustration	Restrictions	UPD	13:44	24.01.2010	PORSCHE	PET	PORSCHE
996	2005	3	30	330-02		248					



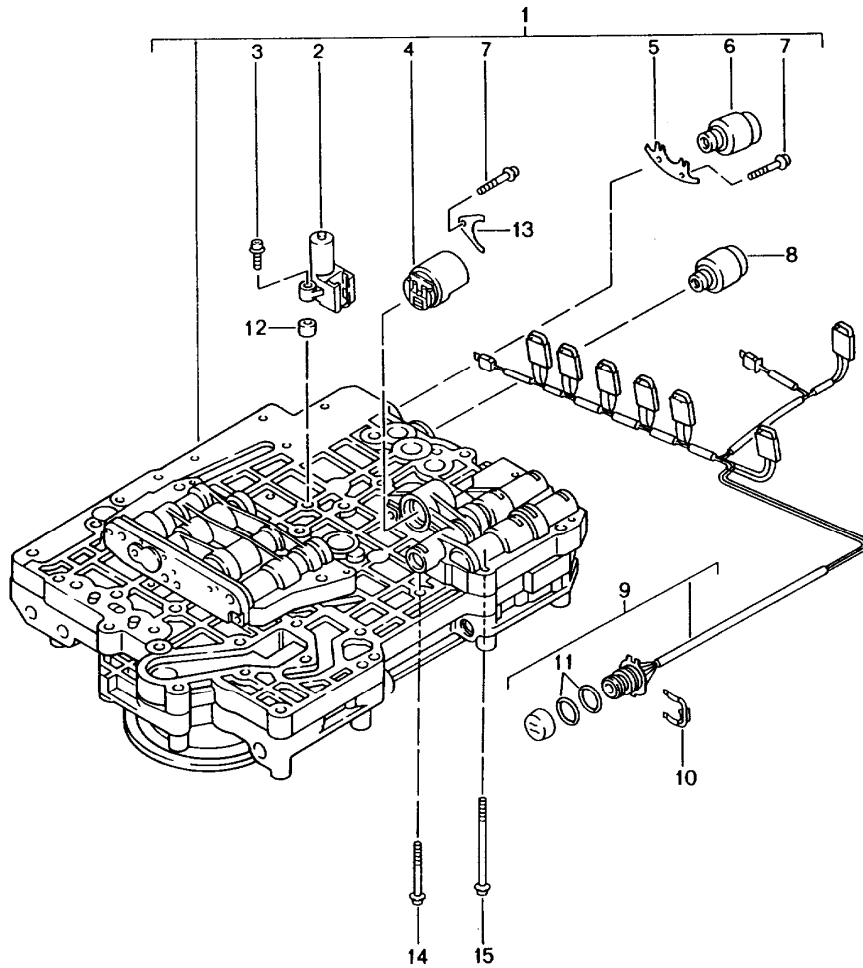
Pos	Part Number	Description	Remark	Qty	Model
		tiptronic	02-		A96.10
		torque converter drive plate	02-		M338
		torque converter		1	A96.35
		drive plate		1	M339
1	722 250 120 2	torque converter		1	
2	996 116 075 16	drive plate		1	
3	999 073 091 09	pan-head screw M 10 X 1 X 25		8	
4	900 067 369 09	pan-head screw M 8 X 20		6	
-	018 997 044 7	sealing ring for oil pump		1	

Model	Year	MG	SG	Illustration	Restrictions	UPD	13:44	24.01.2010	PORSCHE	PET	PORSCHE
996	2005	3	40	340-01		248					



Pos	Part Number	Description	Remark	Qty	Model
		tiptronic	-01		A96.00
		oil filter	99-01		M338
		oil pan			A96.30
					M339
1	986 321 025 02	oil pan		1	
2	986 397 016 00	gasket		1	
3	943 397 039 00	pan-head screw M 6 X 20		27	
4	986 397 014 00	round seal		1	
5	986 397 015 00	screw plug M 30 X 1,5		1	
6	986 397 013 00	screw plug M 16 X 1,5		1	
7	943 397 045 00	pan-head screw M 5 X 12		2	
8	996 307 403 00	filter		1	
9	996 307 055 11	connection piece oil inlet		1	
10	900 123 007 30	sealing ring 14 X 18		2	
11	900 070 011 01	cap nut M14 X 1,5		1	

Model	Year	MG	SG	Illustration	Restrictions	UPD	13:44	24.01.2010	PORSCHE	PET	PORSCHE
996	2005	3	40	340-02		248					

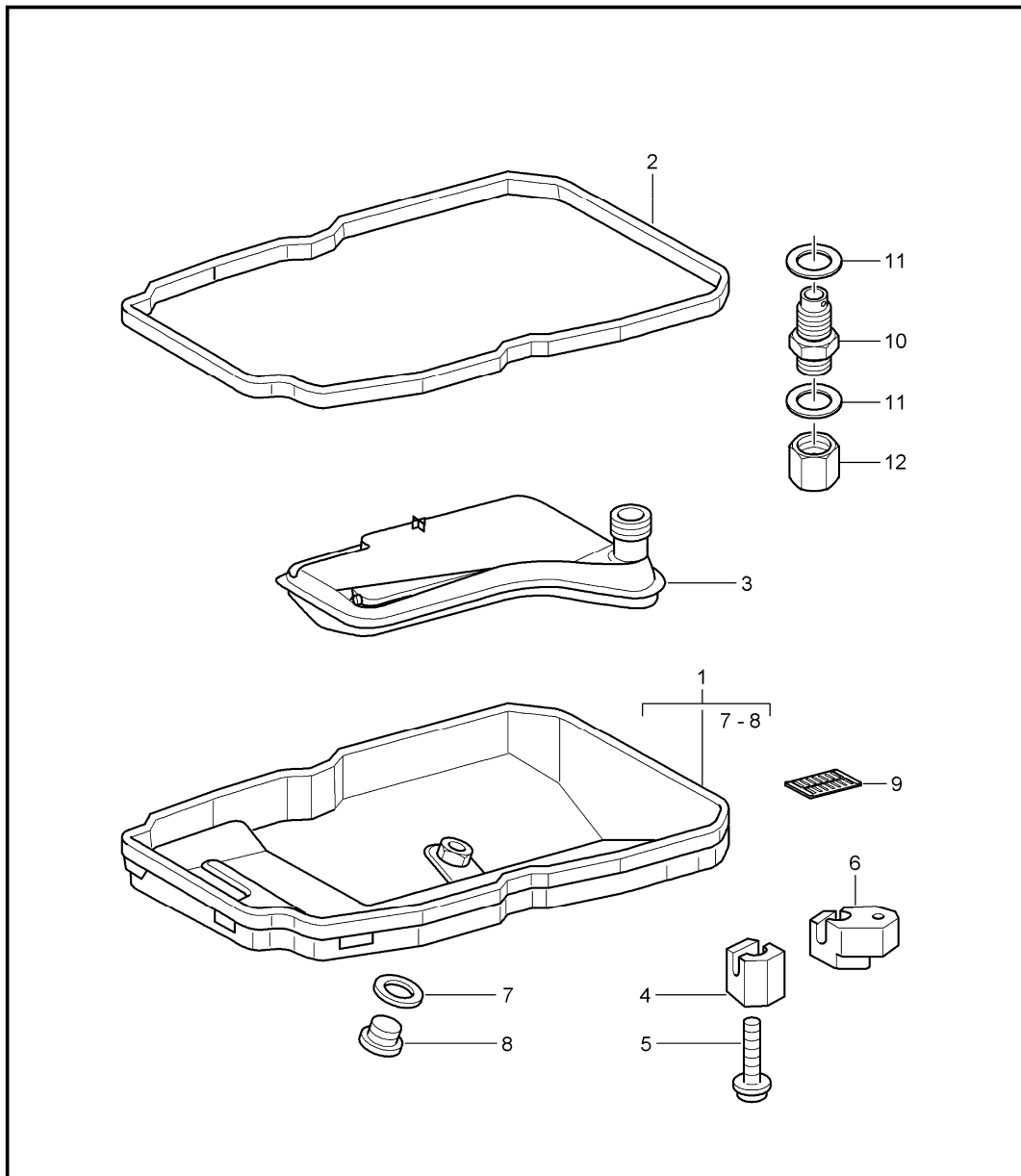


Pos	Part Number	Description	Remark	Qty	Model
		tiptronic	-01		A96.00
		switch unit	99-01		M338
		solenoid valve			A96.30
		pressure regulator			M339
1	996 325 617 00	switch unit type label transmission case attention to use bis 1060 050 002 4966		1	
(1)	996 325 617 02	switch unit type label transmission case attention to use ab 1060 050 003 4967		1	
2	986 325 608 00	inductive transmitter		1	
3	986 397 019 00	pan-head screw M 5 X 40		2	
4	986 325 604 00	pressure regulator type label transmission case attention to use bis 1060 050 002 4966		1	
4	986 325 604 01	pressure regulator type label transmission case attention to use ab 1060 050 003 4967		1	
5	986 325 615 00	retaining bracket		2	
6	996 325 601 00	solenoid valve		3	
7	943 397 045 00	pan-head screw M 5 X 12		5	
8	986 325 603 00	pressure regulator		3	
9	996 325 611 00	wiring harness		1	
10	A 986 397 018 00	clamp		1	

Model	Year	MG	SG	Illustration	Restrictions	UPD	13:44	24.01.2010	PORSCHE	PET	PORSCHE
996	2005	3	40	340-02		248					

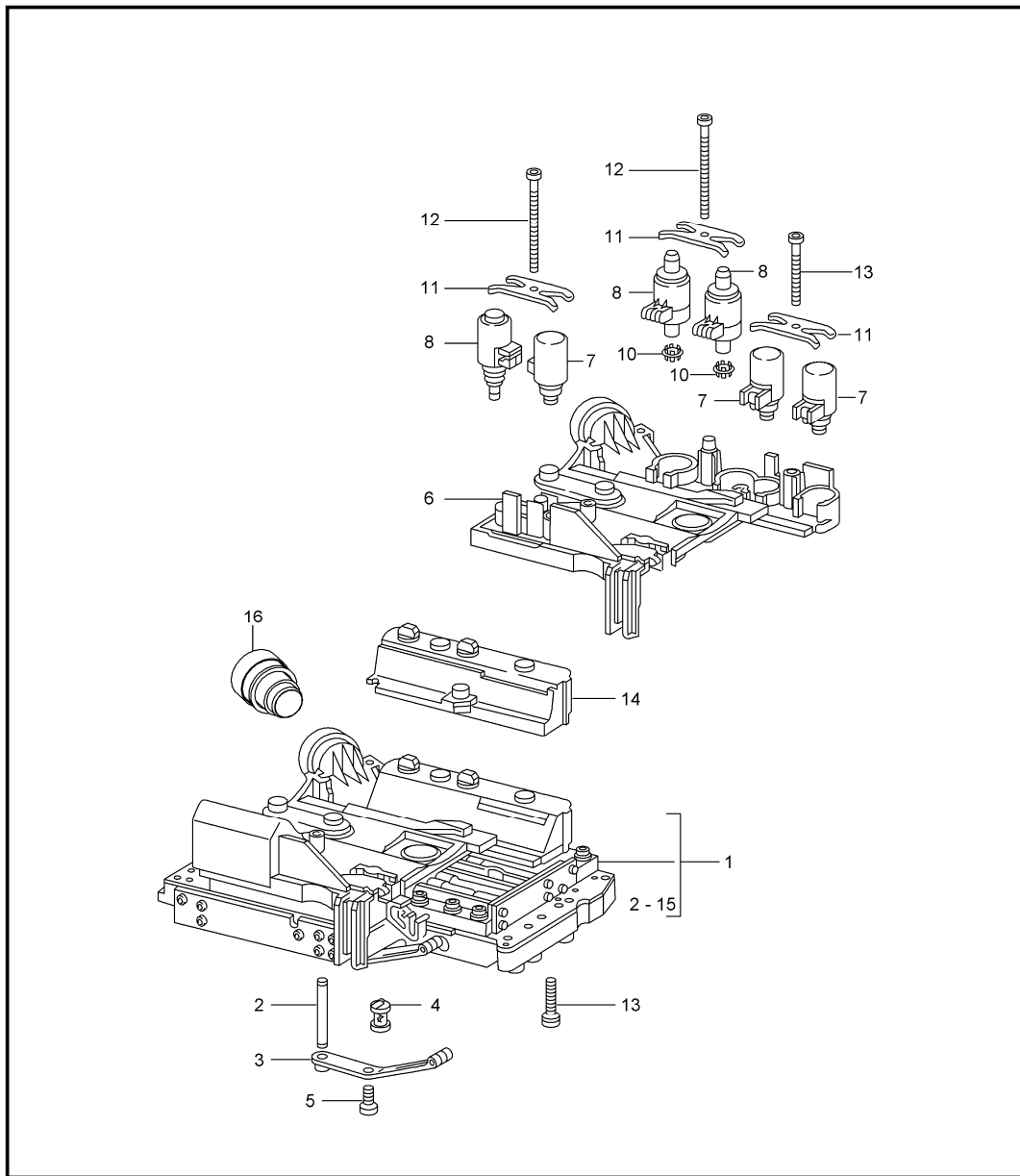
Pos	Part Number	Description	Remark	Qty	Model	Pos	Part Number	Description	Remark	Qty	Model
10	986 397 018 01	clamp		1							
11	986 397 017 00	round seal		2							
12	986 397 020 00	spacer ring		2							
13	996 325 111 00	retaining bracket		1							
14	943 397 013 00	pan-head screw M 6 X 30		1							
15	943 397 005 00	pan-head screw M 6 X 60		16							
16	986 325 609 00	inductive transmitter		1							
17	996 397 001 00	spacer ring		1							
18	996 397 002 00	pan-head screw M 6 X 27		1							

Model	Year	MG	SG	Illustration	Restrictions	UPD	11:05	02.02.2010	PORSCHE	PET	PORSCHE
996	2005	3	40	340-03		248					



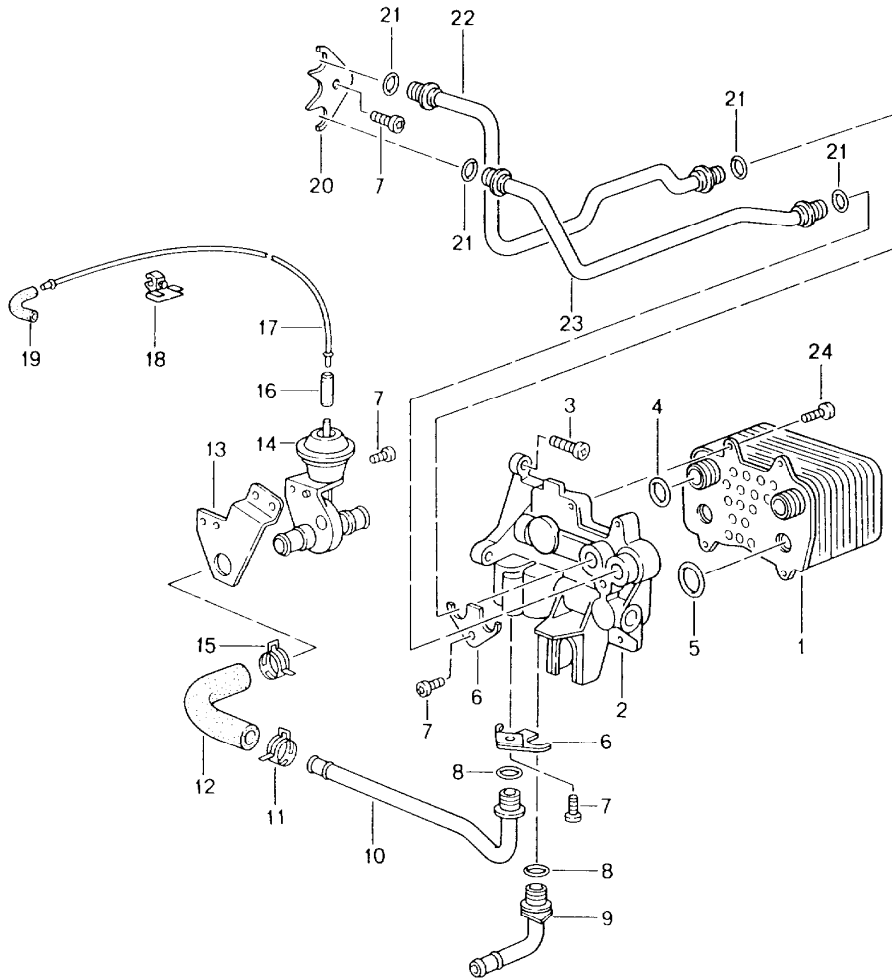
Pos	Part Number	Description	Remark	Qty	Model
		tiptronic	02-		A96.10
		oil filter	02-		M338
		oil pan			A96.35
					M339
1	722 270 161 2	oil pan		1	
2	140 271 008 0	gasket		1	
3	722 277 009 5	oil filter		1	
4	140 271 006 8	clamping sleeve		6	
5	999 073 202 09	pan-head screw M 6 X 22		6	
6	140 271 016 8	clamping sleeve		X	
7	900 123 062 20	sealing ring		2	
8	900 219 007 02	screw plug		2	
9	220 271 009 8	magnet		1	

Model	Year	MG	SG	Illustration	Restrictions	UPD	13:49	24.01.2010	PORSCHE	PET	PORSCHE
996	2005	3	40	340-04		248					



Pos	Part Number	Description	Remark	Qty	Model
		tiptronic	02-		A96.10
		switch unit	02-		M338
		solenoid valve			A96.35
		pressure regulator			M339
1	722 270 020 6	switch unit		1	
2	140 277 007 5	pin		1	
3	140 270 017 8	spring		1	
4	140 270 029 8	filter		1	
5	170 990 012 0	screw		1	
6	140 270 056 1	cover plate		1	
7	140 277 053 5	valve		3	
8	140 277 039 8	solenoid valve		2	
9	140 277 043 5	solenoid valve		1	
10	140 270 049 8	filter		2	
11	140 276 000 3	spring plate		3	
12	140 277 107 1	screw		2	
13	140 277 117 10	screw		1	
14	140 271 078 2	cover		1	
15	140 277 067 1	screw		10	
16	000 043 207 28	cable guide		1	

Model	Year	MG	SG	Illustration	Restrictions	UPD	13:49	24.01.2010	PORSCHE	PET	PORSCHE
996	2005	3	60	360-00		248					

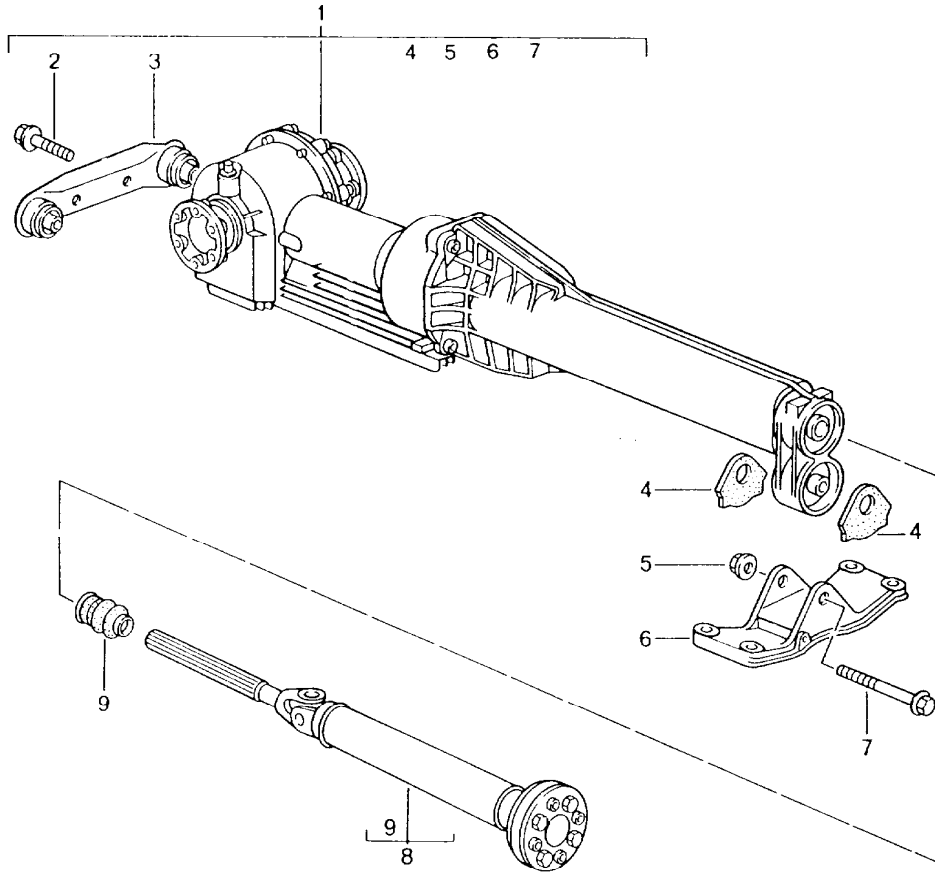


Pos	Part Number	Description	Remark	Qty	Model
		tiptronic	-01		A96.00
		atf cooler	99-01		M338
		atf lines			A96.30
					M339
1	996 307 017 01	atf cooler		1	
2	996 307 020 01	port plate 18,64 X 3,53		2	
3	999 073 095 09	oval-head screw M 8 X 30		3	
4	999 707 388 40	o-ring 18,6 X 3,5		2	
5	900 331 034 40	o-ring 25,8 X 3,5		2	
6	996 307 144 00	support		2	
7	999 073 094 09	oval-head screw M 8 X 20		5	
8	999 707 387 40	o-ring 15 X 2,5		2	
9	996 307 077 03	water line return line	99-	1	
10	996 307 075 01	water line supply		1	
11	999 512 552 00	hose clamp 25 X 12		1	
12	996 307 651 00	moulded hose		1	
13	996 307 401 00	plate		1	
14	928 574 573 03	disc valve		1	
15	999 512 655 09	hose clamp 22 X 12		1	
16	999 239 040 40	connecting piece 3,5 X 2 X 28		1	
--	000 043 205 01	pipe		*	
17	---	4 X 1 X 870			
18	996 307 061 00	clamp		1	
--	999 591 965 40	hose holder		1	

Model	Year	MG	SG	Illustration	Restrictions	UPD	13:49	24.01.2010	PORSCHE	PET	PORSCHE
996	2005	3	60	360-00		248					

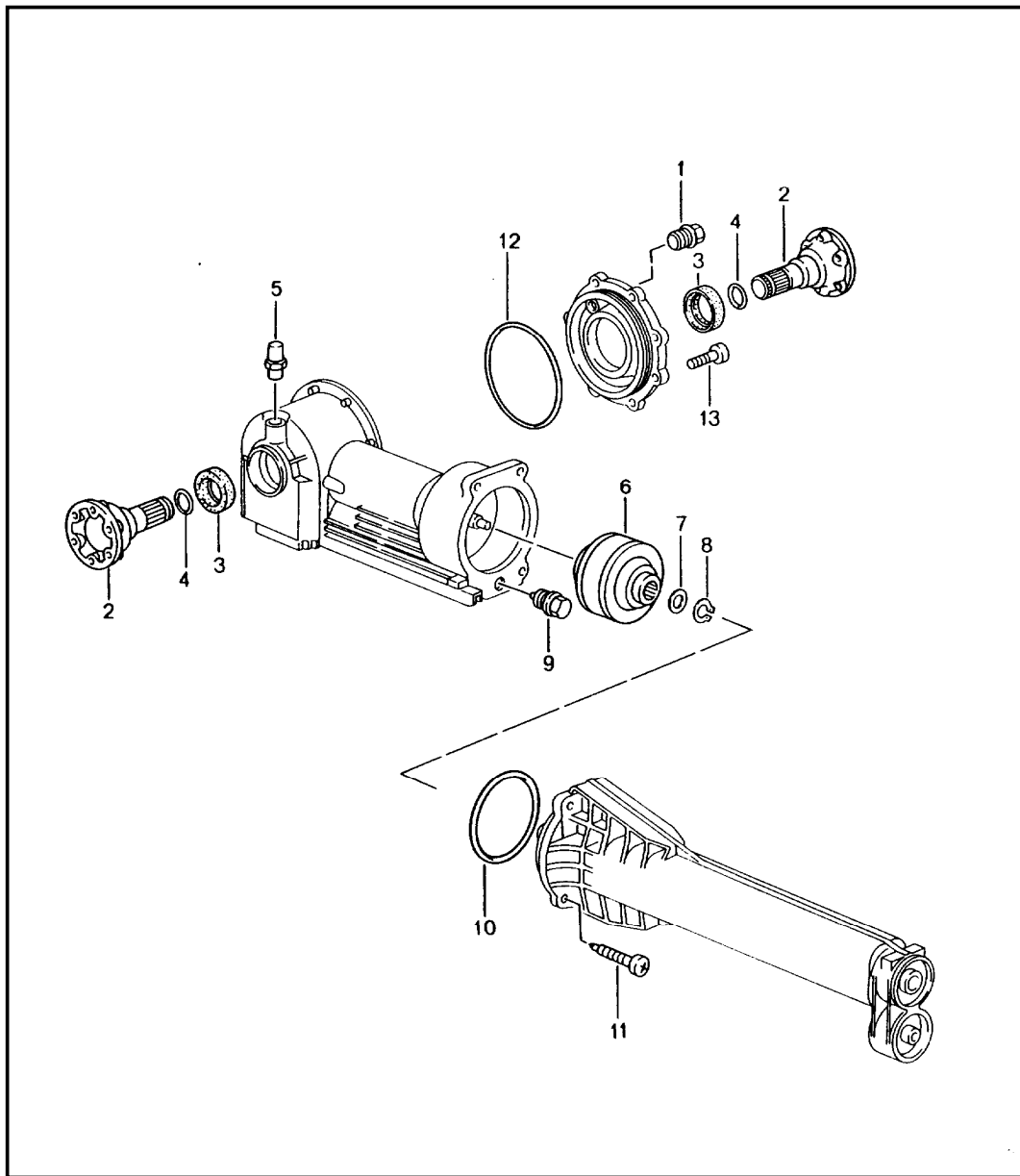
Pos	Part Number	Description	Remark	Qty	Model	Pos	Part Number	Description	Remark	Qty	Model
19	928 574 717 03	moulded hose		1							
20	996 307 147 01	support		4							
21	999 707 386 40	o-ring 12,3 X 2,6		4							
22	996 307 085 01	oil pipe return line		1							
23	996 307 082 01	oil pipe supply		1							
24	999 073 103 09	oval-head screw M 6 X 16		4							

Model	Year	MG	SG	Illustration	Restrictions	UPD	13:49	24.01.2010	PORSCHE	PET	PORSCHE
996	2005	3	60	360-01		248					



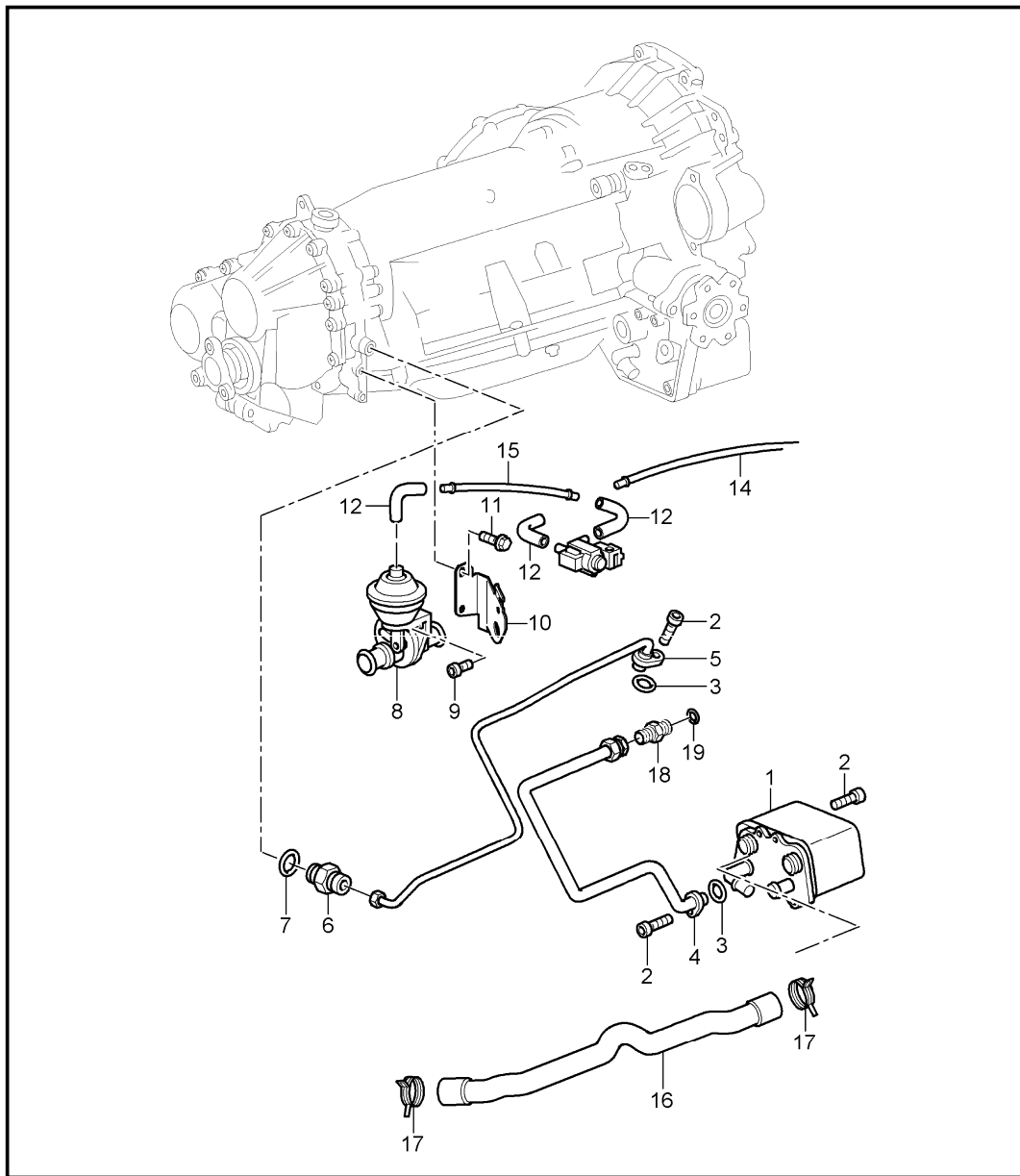
Pos	Part Number	Description	Remark	Qty	Model
		front-axle final drive cardan shaft	99-		Z96.00 M339
1	> 996 349 010 02	front-axle final drive ready for installation	-04	1	
(1)	> 996 349 010 03	front-axle final drive ready for installation	05-	1	
2	999 072 034 09	conical screw M 10 X 28		2	
3	996 375 034 00	transmission carrier front		1	
4	996 375 257 01	stop		2	
5	900 380 008 09	hexagon nut M 10		1	
6	996 375 343 03	transmission carrier rear		1	
7	900 378 142 09	hexagon-head bolt M 10 X 90		1	
8	996 421 020 01	cardan shaft	-01	1	
8	996 421 020 50	cardan shaft	02-	1	
9	996 421 145 01	boot		1	
--	996 375 054 02	transmission mounting rear		1	
--	999 061 105 09	stud M 10 X 90		2	
--	900 380 008 09	hexagon nut M 10 mount front-axle final drive cross member		2	

Model	Year	MG	SG	Illustration	Restrictions	UPD	13:49	24.01.2010	PORSCHE	PET	PORSCHE
996	2005	3	60	360-02		248					



Pos	Part Number	Description	Remark	Qty	Model
		front-axle final drive	99-		Z96.00 M339
		viscous clutch single parts			
1	N 016 161 1	screw plug M 18 X 1,5		1	
2	996 332 309 00	joint flange		2	
3	999 113 454 40	shaft sealing ring 40 X 60 X 9		2	
4	996 332 311 00	circlip 2,5 X 20		2	
5	996 301 071 00	bleeder 17 X 12		1	
6	996 339 021 02	viscous clutch		1	
7	900 234 174 00	support washer 20 X 28 X 2,0		1	
8	999 041 021 01	circlip 20 X 1,2		1	
9	900 124 025 02	screw plug M 18 X 1,5 PM		1	
10	999 707 455 40	o-ring 123 X 3		1	
11	N 903 660 01	torx screw M 8 X 36 for 996.349.010.02 GETRAG 630.0.0130.00 old version		4	
(11)	900 385 141 01	torx screw M 8 x 40 for 996.349.010.03 GETRAG 630.0.0173.00 new design		4	
13	N 903 660 01	torx screw M 8 X 36		8	

Model	Year	MG	SG	Illustration	Restrictions	UPD	13:49	24.01.2010	PORSCHE	PET	PORSCHE
996	2005	3	60	360-03		248					

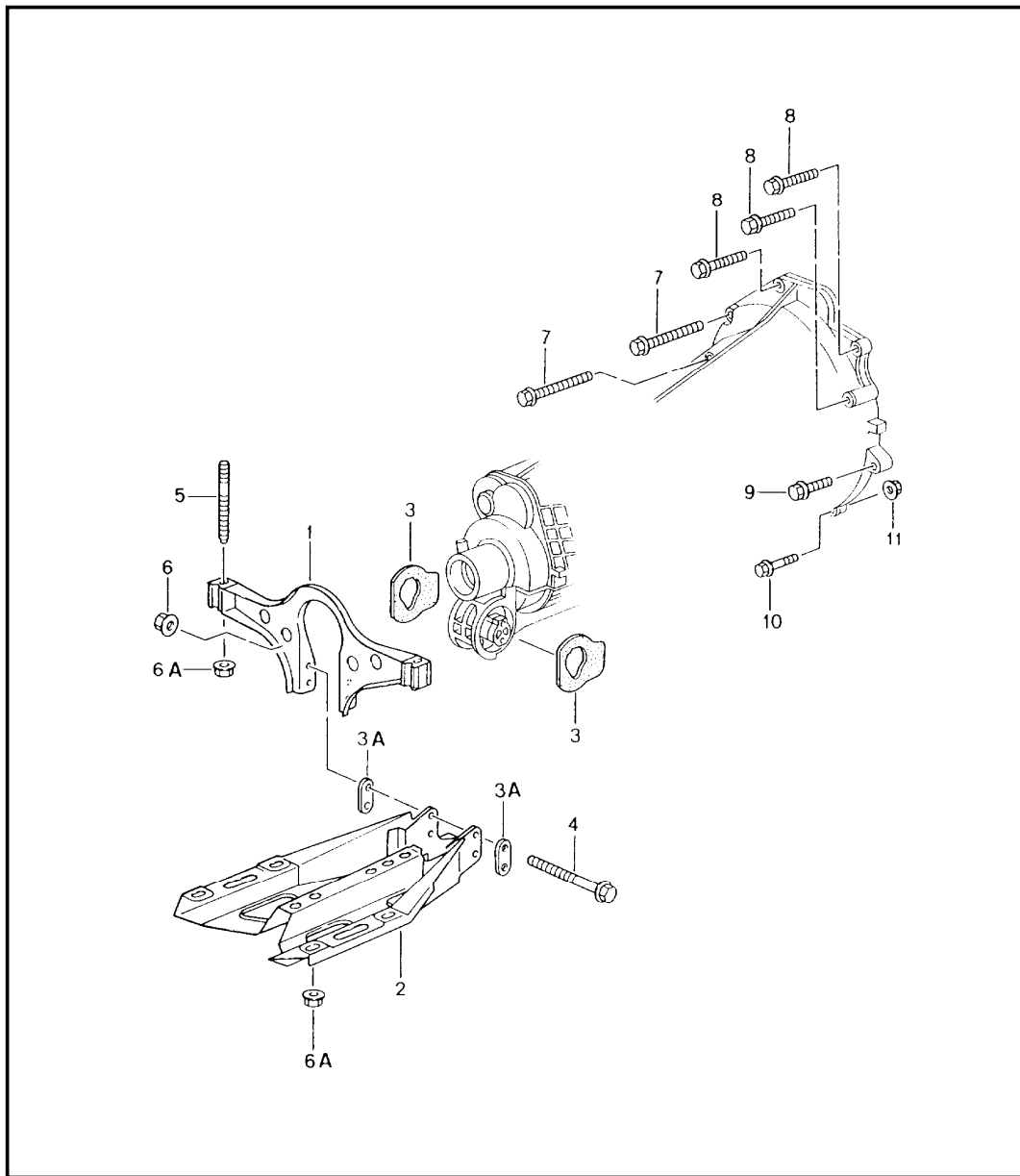


Pos	Part Number	Description	Remark	Qty	Model
		tiptronic	02-		A96.10
		atf cooler atf lines	02-		M338 A96.35 M339
1	722 270 009 5	atf cooler		1	
(1) P	722 270 049 5	atf cooler		1	
2	999 073 103 09	oval-head screw M 6 X 16		6	
3	029 997 184 8	sealing ring 12,37 X 2,62		2	
4	722 270 089 6	oil pipe		2	
5	722 270 079 6	oil pipe		1	
6	000 997 117 1	screw socket		1	
7	900 123 005 30	sealing ring A 12 X 16		1	
8	928 574 573 03	disc valve		1	
9	900 146 011 01	round head screw M 4 X 10		1	
10	997 106 533 00	support		1	
11	900 378 036 01	hexagon-head bolt M 6 X 12		2	
12	928 574 717 05	moulded hose		3	
13	996 605 123 01	change-over valve		1	
--	999 181 742 40	pipe 4,0 X 1,0		X	
14		950 mm		1	
15		75 mm		1	
16	996 307 711 12	water hose		1	
17	999 512 656 09	hose clamp 25 X 12		2	
18	000 997 107 1	screw socket M 18 X 1,5		1	
19	900 123 018 30	sealing ring A 16 X 20		1	

Model	Year	MG	SG	Illustration	Restrictions	UPD	13:49	24.01.2010	PORSCHE	PET	PORSCHE
996	2005	3	60	360-03		248					

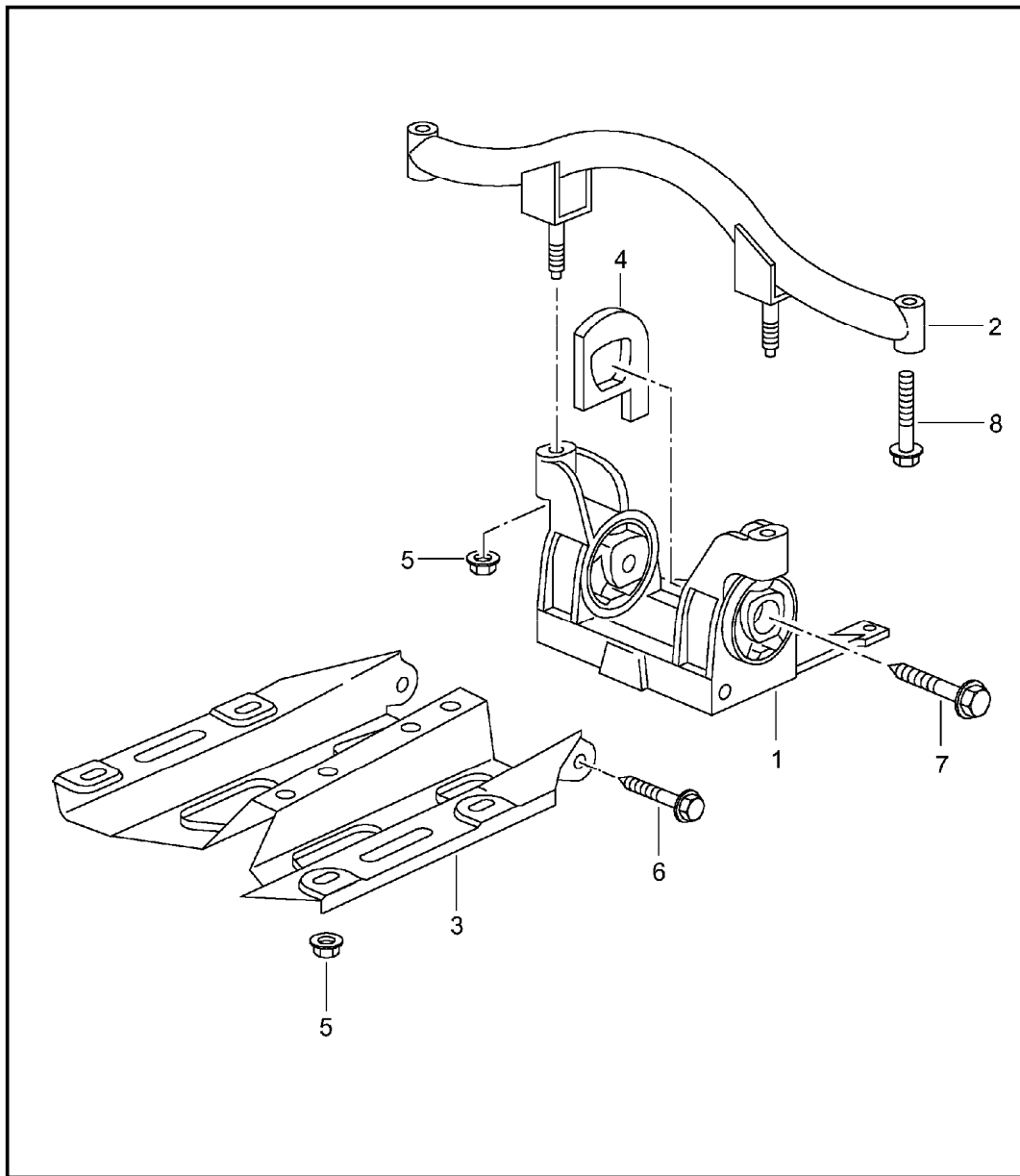
Pos	Part Number	Description	Remark	Qty	Model	Pos	Part Number	Description	Remark	Qty	Model
20	P 999 707 388 40	o-ring		1							

Model	Year	MG	SG	Illustration	Restrictions	UPD	13:50	24.01.2010	PORSCHE	PET	PORSCHE
996	2005	3	70	370-00		248					



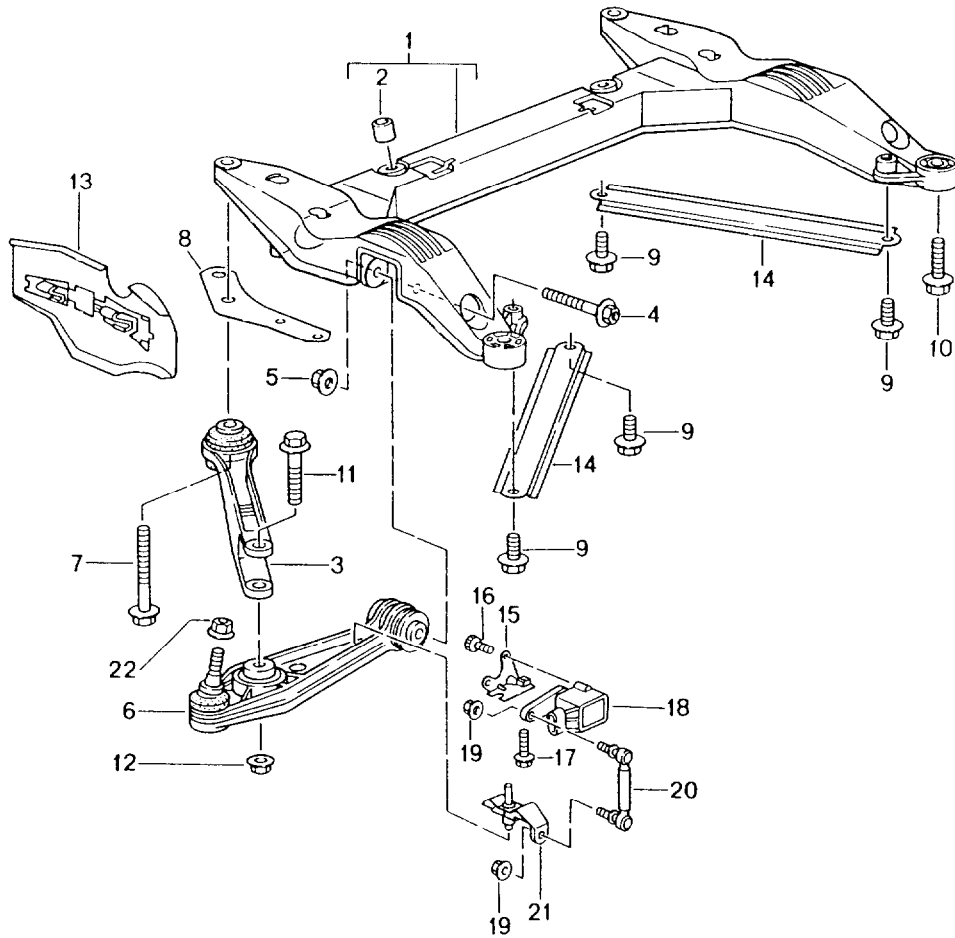
Pos	Part Number	Description	Remark	Qty	Model
		tiptronic	-01		A96.00
		transmission suspension	99-01		M338
		threaded joint			A96.30
		engine			M339
1	996 375 039 02	transmission carrier	-00	1	
(1)	996 375 039 03	transmission carrier	01-	1	
2	996 375 031 08	transmission carrier		1	
3	996 375 255 05	stop		2	
3A	996 375 333 00	packing plate		2	
4	900 378 167 09	hexagon-head bolt M 10 X 110		2	
5	999 061 106 09	stud M 10 X 83		2	
6	900 380 008 09	hexagon nut M 10		2	
(6A)	999 076 053 09	hexagon nut M 10		6	
7	999 072 010 09	hexagon-head bolt M 12 X 1,5 X 100		2	
8	999 072 008 09	hexagon-head bolt M 12 X 1,5 X 70		3	
9	900 378 061 09	hexagon-head bolt M 12 X 1,5 X 50		1	
10	900 378 076 09	hexagon-head bolt M 10 X 50		1	
11	900 377 011 09	hexagon nut M 10		1	
--	996 321 055 00	transmission bracket		1	A96.00

Model	Year	MG	SG	Illustration	Restrictions	UPD	13:50	24.01.2010	PORSCHE	PET	PORSCHE
996	2005	3	70	370-01		248					



Pos	Part Number	Description	Remark	Qty	Model
		tiptronic	02-		A96.10
		transmission suspension and mount intermediate flange	02-		M338
		transmission carrier		1	A96.35
		bracket upper		1	M339
1	996 375 033 03	transmission carrier		1	
2	996 375 317 06	bracket upper		1	
3	996 375 015 00	side member		1	
4	A 996 375 259 07	stop		2	
(4)	996 375 259 08	stop		2	
5	999 076 053 09	hexagon nut		6	
		M 10			
6	900 378 167 09	hexagon-head bolt		2	
		M 10 X 110			
7	999 072 010 09	hexagon-head bolt		2	
		M 12 X 1,5 X 100			
8	A 999 072 008 09	hexagon-head bolt		9	
		M 12 X 1,5 X 70			
-	A 999 073 182 02	lens-head screw		8	
		M 8 X 35			
-	999 073 373 01	lens-head screw		8	
		M 8 X 35			
10	999 073 119 01	pan-head screw		2	
		M 10 X 50			
11	900 377 011 01	hexagon nut		2	
		M 10			
12	999 073 091 01	pan-head screw		8	
		M 10 X 1 X 25			

Model	Year	MG	SG	Illustration	Restrictions	UPD	13:50	24.01.2010	PORSCHE	PET	PORSCHE
996	2005	4	01	401-00		248					

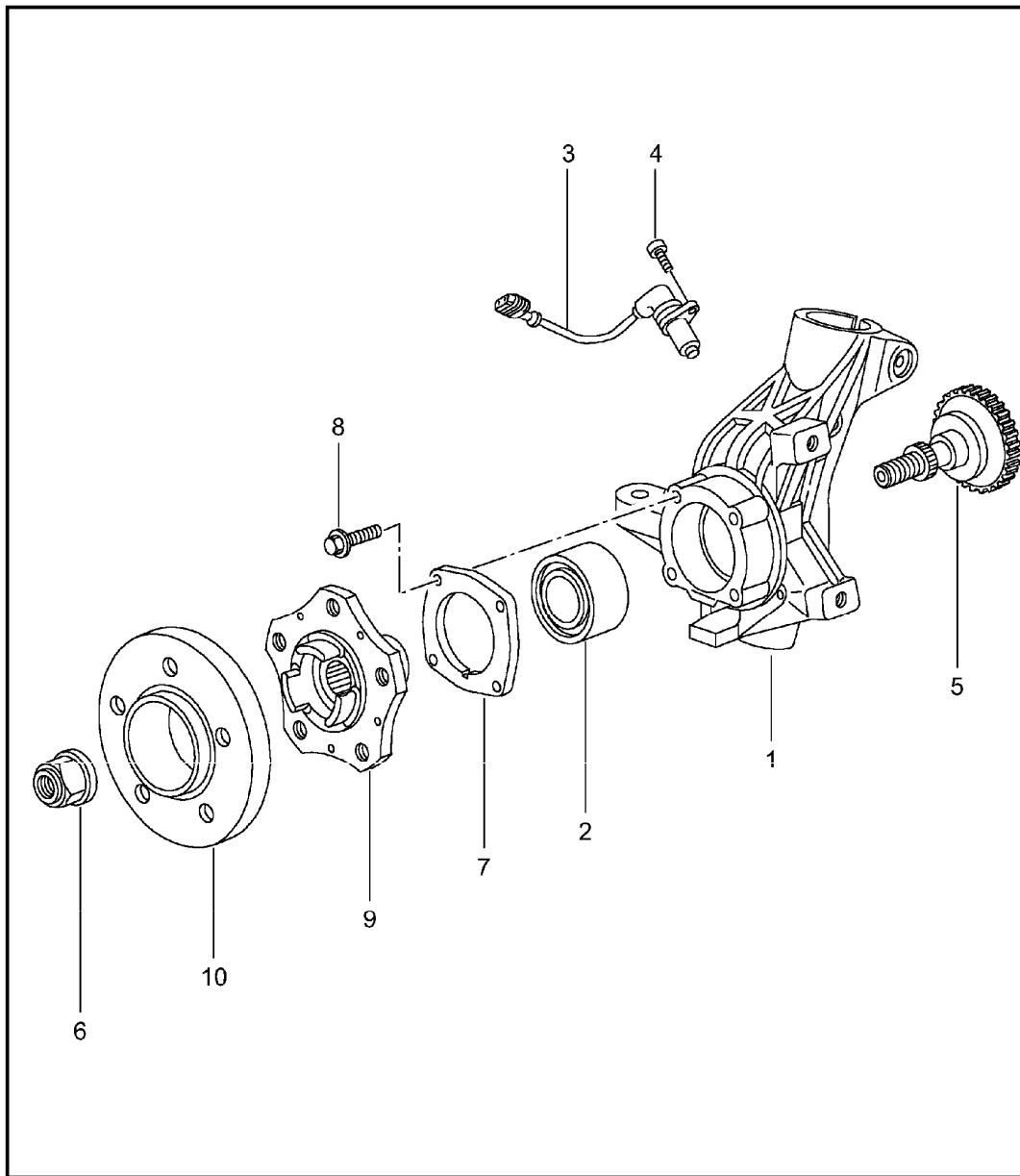


Pos	Part Number	Description	Remark	Qty	Model
1	996 341 081 05	cross member wishbone		1	
		F >>99WS6 06191			
		F >>99WS6 40419			
(1)	996 341 081 30	cross member		1	
		F 99WS6 06192>>			
		F 99WS6 40420>>			
(1)	996 341 081 30	cross member	99-	1	
(1) A	996 341 081 12	cross member	02-	1	
(1)	996 341 081 14	cross member	02-	1	
2	900 197 004 00	roll pin 13 X 14		1	
3	996 341 043 06	control arm		2	
4	900 378 165 09	hexagon-head bolt M 12 X 1,5 X 95		2	
5	999 084 445 09	hexagon nut M 12 X 1,5		2	
6 A	996 341 053 07	wishbone	-03	2	
(6)	996 341 053 16	wishbone	04	2	
(6)	996 341 053 17	wishbone	05-	2	
(6)	996 341 941 01	wishbone adjustable with eccentric screw eccentric washer and hexagon nut		X	
7	900 378 146 09	hexagon-head bolt M 14 X 1,5 X 110		2	
8	996 341 145 06	plate		2	
9	900 378 094 09	hexagon-head bolt M 12 X 1,5 X 25		4	
10	900 378 145 09	hexagon-head bolt M 14 X 1,5 X 45 F >>99WS6 06191 F >>99WS6 40419		2	

Model	Year	MG	SG	Illustration	Restrictions	UPD	13:50	24.01.2010	PORSCHE	PET	PORSCHE
996	2005	4	01	401-00		248					

Pos	Part Number	Description	Remark	Qty	Model	Pos	Part Number	Description	Remark	Qty	Model
(10)	A 900 378 192 09	hexagon-head bolt M 14 X 1,5 X 50 F 99WS6 06192>> F 99WS6 40420>>	-01	2		19	A 900 380 015 09	hexagon nut VM 6		2	
(10)	900 378 192 01	hexagon-head bolt M 14 X 1,5 X 50 F 99WS6 06192>> F 99WS6 40420>>		2		19	900 380 015 01	hexagon nut VM 6		2	
11	A 900 378 135 09	hexagon-head bolt M 14 X 1,5 X 73		2		20	996 341 375 01	strut	99-	1	M601
11	900 378 135 01	hexagon-head bolt M 14 X 1,5 X 73		2		21	996 341 371 03	support	99-	1	M601
12	A 900 380 012 09	hexagon nut M 14 X 1,5		2		22	999 084 449 09	hexagon nut M 12 X 1,5		2	
12	900 380 012 01	hexagon nut M 14 X 1,5		2							
13	996 341 483 01	spoiler	/L	1							
(13)	996 341 483 02	spoiler	/L	99-	1	M339					
(13)	996 341 483 02	spoiler	/L	04	1	M095/338					
(13)	996 341 483 05	spoiler F 995S6 40616>> F 995S6 00441>>	/L	05-	1	M339					
(13)	996 341 484 01	spoiler	/R	1							
(13)	996 341 484 02	spoiler	/R	99-	1	M339					
(13)	996 341 484 02	spoiler	/R	04	1	M095/338					
(13)	996 341 484 05	spoiler F 995S6 40616>> F 995S6 00441>>	/R	05-	1	M339 M339					
14	996 504 433 00	strut		2							
15	996 341 511 01	support	99	1	M601						
(15)	996 341 511 02	support	00-	1	M601						
16	N 014 129 12	oval-head screw M 5 X 10		2	M601						
17	900 378 177 09	hexagon-head bolt M 6 X 30		1	M601						
18	996 631 121 00	sensor	99-	1	M601						

Model	Year	MG	SG	Illustration	Restrictions	UPD	13:50	24.01.2010	PORSCHE	PET	PORSCHE
996	2005	4	01	401-05		248					

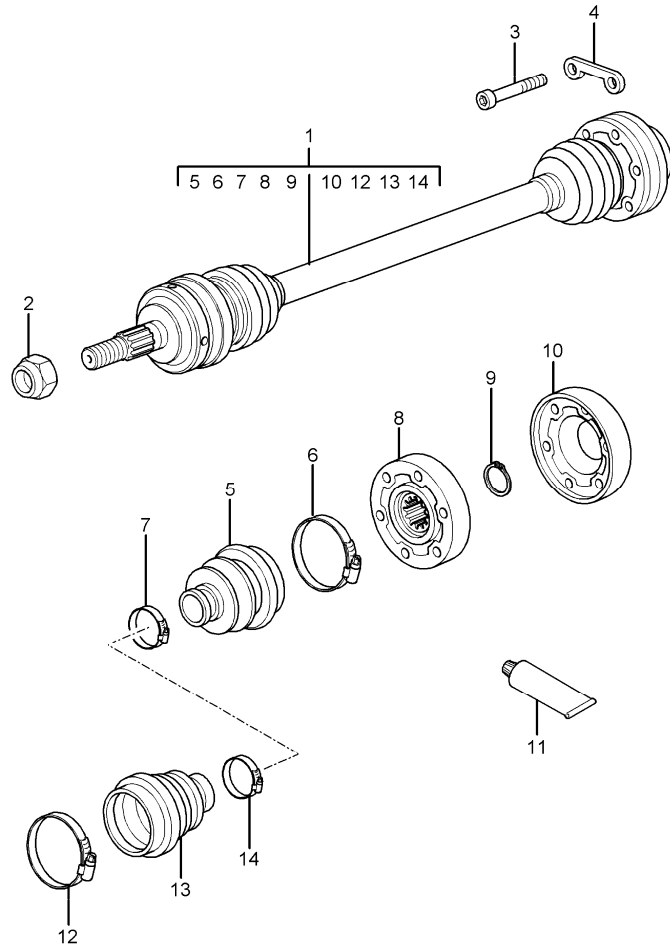


Pos	Part Number	Description	Remark	Qty	Model
		wheel carrier wheel hub			
1	A 996 341 157 09	wheel carrier	/L	1	M338
(1)	A 996 341 157 11	wheel carrier	/L	1	M338
(1)	A 996 341 957 11	wheel carrier	/L -01	1	M338
(1)	996 341 957 12	wheel carrier	/L	1	M338
(1)	A 996 341 158 09	wheel carrier	/R	1	M338
(1)	A 996 341 158 11	wheel carrier	/R	1	M338
(1)	A 996 341 958 11	wheel carrier	/R -01	1	M338
(1)	996 341 958 12	wheel carrier	/R	1	M338
(1)	996 341 155 04	wheel carrier	/L 99-	1	M339
(1)	996 341 156 04	wheel carrier	/R 99-	1	M339
(1)	996 341 165 06	wheel carrier	/L 02-	1	C4S
(1)	996 341 166 06	wheel carrier	/R 02-	1	C4S
2	999 053 041 02	angular-contact bearing	-00	2	
(2)	999 053 041 03	angular-contact bearing	01-	2	
(2)	999 053 042 07	angular-contact bearing	02	2	C4S
(2)	999 053 054 05	angular-contact bearing	03-	2	C4S
3	996 606 406 00	speed sensor	-01	2	
(3)	996 606 406 00	speed sensor	01	2	M476
(3)	996 606 407 02	speed sensor	02-	2	
(3)	996 606 406 00	speed sensor	02-	2	M476
4	900 067 117 09	hexagon-head bolt M 6 X 16		2	
5	996 341 131 01	tension bolt		2	M338
6	999 084 634 02	hexagon nut M 22 X 1,5		2	
7	964 341 661 01	lid		2	
7	986 331 661 20	lid	02-	2	C4S
8	999 217 042 09	hexagon-head bolt M 8 X 35		8	

Model	Year	MG	SG	Illustration	Restrictions	UPD	13:50	24.01.2010	PORSCHE	PET	PORSCHE
996	2005	4	01	401-05		248					

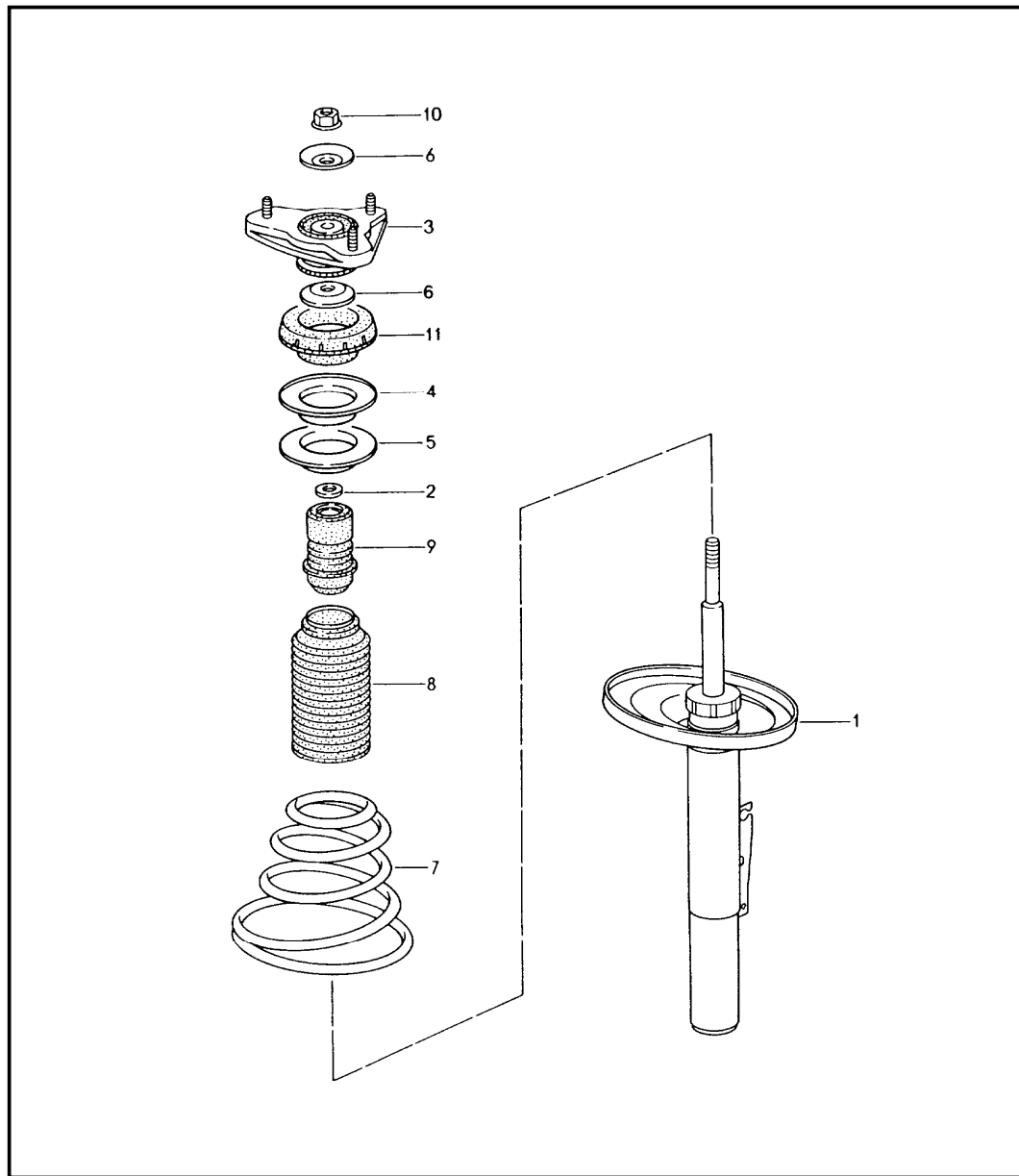
Pos	Part Number	Description	Remark	Qty	Model	Pos	Part Number	Description	Remark	Qty	Model
9	996 341 605 54	wheel hub		2							
(9)	997 341 605 01	wheel hub	02-	2	C4S						
10	997 361 605 90	spacer ring 5 MM without wheel bolt	01-	2	IXRP						

Model	Year	MG	SG	Illustration	Restrictions	UPD	13:50	24.01.2010	PORSCHE	PET	PORSCHE
996	2005	4	01	401-10		248					



Pos	Part Number	Description	Remark	Qty	Model
		drive shaft			M339
1	996 349 038 01	drive shaft	-99	2	
(1)	996 349 038 10	drive shaft	00-	2	
2	999 084 641 02	hexagon nut M 22 X 1,5		2	
(2)	999 084 641 02	lock nut M 22 X 1,5		2	
3	900 067 211 09	lock nut M 8 X 50		12	
4	A 996 349 191 00	plate		6	
(4)	996 349 191 01	plate		6	
5	996 349 293 00	dust bellows		2	
-	996 349 959 00	bellow support with dust bellows		2	
6	997 349 957 00	clip		2	
7	996 349 257 03	clip		2	
8	996 349 030 00	joint		2	
9	900 041 011 01	circlip		2	
10	996 349 267 00	lid		2	
11	000 043 110 01	grease for drive shaft 1 100-gramme tube		X	
(11)	000 043 205 36	sealing compound drive shaft 1 100-gramme tube		X	
12	996 349 257 00	clip		2	
13	996 349 291 00	dust bellows		2	
14	996 349 257 01	clip		2	

Model	Year	MG	SG	Illustration	Restrictions	UPD	13:51	24.01.2010	PORSCHE	PET	PORSCHE
996	2005	4	02	402-00		248					

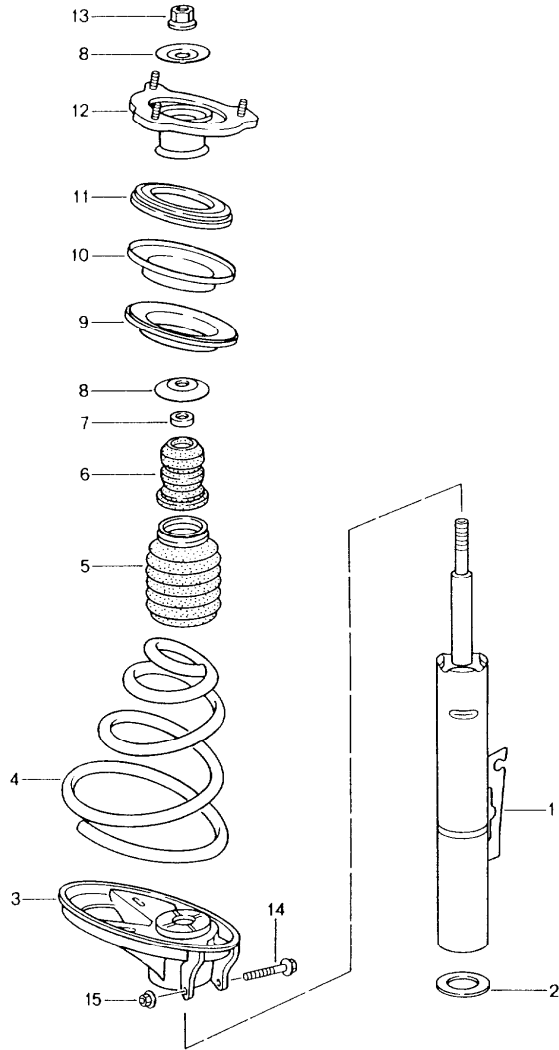


Pos	Part Number	Description	Remark	Qty	Model
		suspension shock absorber strut			M338
1	996 343 041 04	shock absorber - bilstein -	-01	2	
(1)	996 343 041 20	shock absorber - bilstein -	02	2	
(1)	996 343 041 23	shock absorber - bilstein -	03-	2	
(1)	996 343 041 16	shock absorber - bilstein -	-01	2	M030
(1)	996 343 041 18	shock absorber - bilstein -	02	2	M030
(1)	996 343 041 21	shock absorber - bilstein -	03-	2	M030
(1)	996 343 980 06	shock absorber	-01	2	IX74
(1)	996 343 980 20	shock absorber	02-	2	IX74
		mount shock absorber			
-	999 084 445 09	hexagon nut M 12 X 1,5		2	
2	996 343 513 00	cone washer		2	
3	996 343 018 04	supporting mount	-03	2	
(3) A	997 343 018 00	supporting mount	04-	2	
(3)	997 343 018 01	supporting mount	04-	2	
(3)	996 343 980 08	supporting mount	-01	2	IX74
(3)	996 343 980 08	supporting mount	02-	2	IX74
-	A 999 084 447 09	hexagon nut M 8		6	
-	999 084 447 01	hexagon nut M 8		6	
-	A 999 703 429 40	lid		2	
-	999 703 457 40	lid		2	
4	996 343 517 01	support ring		2	
5	996 343 511 00	compensating plate 3,0 MM		X	

Model	Year	MG	SG	Illustration	Restrictions	UPD	13:51	24.01.2010	PORSCHE	PET	PORSCHE
996	2005	4	02	402-00		248					

Pos	Part Number	Description	Remark	Qty	Model	Pos	Part Number	Description	Remark	Qty	Model
(5)	996 343 511 01	compensating plate 6,5 MM		X			504	identification green red			
6	996 343 107 02	stop plate	-99	4		(7)	996 343 531 20	coil spring	02-	1	CABRIO M030 TARGA M030
(6)	996 343 107 03	stop plate	00-	4				1 set			
7	996 343 531 01	coil spring 1 set	-01	1	COUPE		504	identification green red			
		504 identification blue yellow					504	identification green red			
(7)	996 343 531 15	coil spring 1 set	02-	1	COUPE	(7)	996 343 980 07	coil spring 1 set	-01	1	IX74
		504 identification brown white					504	identification red lilac creamy white			
(7)	996 343 531 02	coil spring 1 set	-01	1	CABRIO	(7)	996 343 980 07	coil spring 1 set	02-	1	IX74
		504 identification brown red					504	identification red lilac creamy white F >>992S6 03565			
(7)	996 343 531 16	coil spring 1 set	02-	1	CABRIO TARGA	(7)	996 343 980 25	coil spring 1 set		1	IX74
		504 identification brown red					504	identification red lilac creamy white F 992S6 03566>>			
(7)	996 343 531 11	coil spring 1 set	-01	1	COUPE M030	8	996 343 505 00	bellows		2	
		504 identification green white				9	996 343 301 02	additional spring		2	
(7)	996 343 531 19	coil spring 1 set	02-	1	COUPE M030	(9)	996 343 980 09	additional spring	-01	2	IX74
		504 identification green white				9	996 343 980 09	additional spring	02-	2	IX74
(7)	996 343 531 12	coil spring 1 set	-01	1	CABRIO M030	10	A 900 380 012 09	hexagon nut M 14 X 1,5		2	
						10	900 380 012 01	hexagon nut M 14 X 1,5		2	
						11	A 996 343 515 04	deep-groove ball bearing with housing		2	
						(11)	996 343 515 05	bearing with housing		2	

Model	Year	MG	SG	Illustration	Restrictions	UPD	13:51	24.01.2010	PORSCHE	PET	PORSCHE
996	2005	4	02	402-01		248					



Pos	Part Number	Description	Remark	Qty	Model
		suspension shock absorber strut	99-		M339
1	996 343 043 02	shock absorber	-01	2	
(1)	996 343 043 22	shock absorber	02-	2	
(1)	996 343 043 13	shock absorber	-01	2	M030
(1)	996 343 043 23	shock absorber	02-	2	M030
(1)	996 343 043 26	shock absorber	02-	2	C4S COUPE
(1)	996 343 043 29	shock absorber	04-	2	C4S CABRIO
(1)	996 343 980 12	shock absorber	-01	2	IX74
(1)	996 343 980 21	shock absorber	02-	2	IX74
(1)	996 343 980 34	shock absorber	03-	2	IX73 C4S COUPE
- A	900 378 138 09	hexagon-head bolt M 12 X 1,5 X 70		2	
-	900 378 138 01	hexagon-head bolt M 12 X 1,5 X 70		2	
-	999 084 445 09	hexagon nut M 12 X 1,5		2	
2	996 343 521 01	concave washer		2	
3	996 343 507 02	concave washer	/L	1	
(3)	996 343 508 02	concave washer	/R	1	
4	996 343 533 04	coil spring 1 set	-01	1	COUPE
	504	identification violet silver			
(4)	996 343 533 20	coil spring 1 set	02-	1	COUPE
	504	identification violet silver			
(4)	996 343 533 05	coil spring 1 set	-01	1	CABRIO

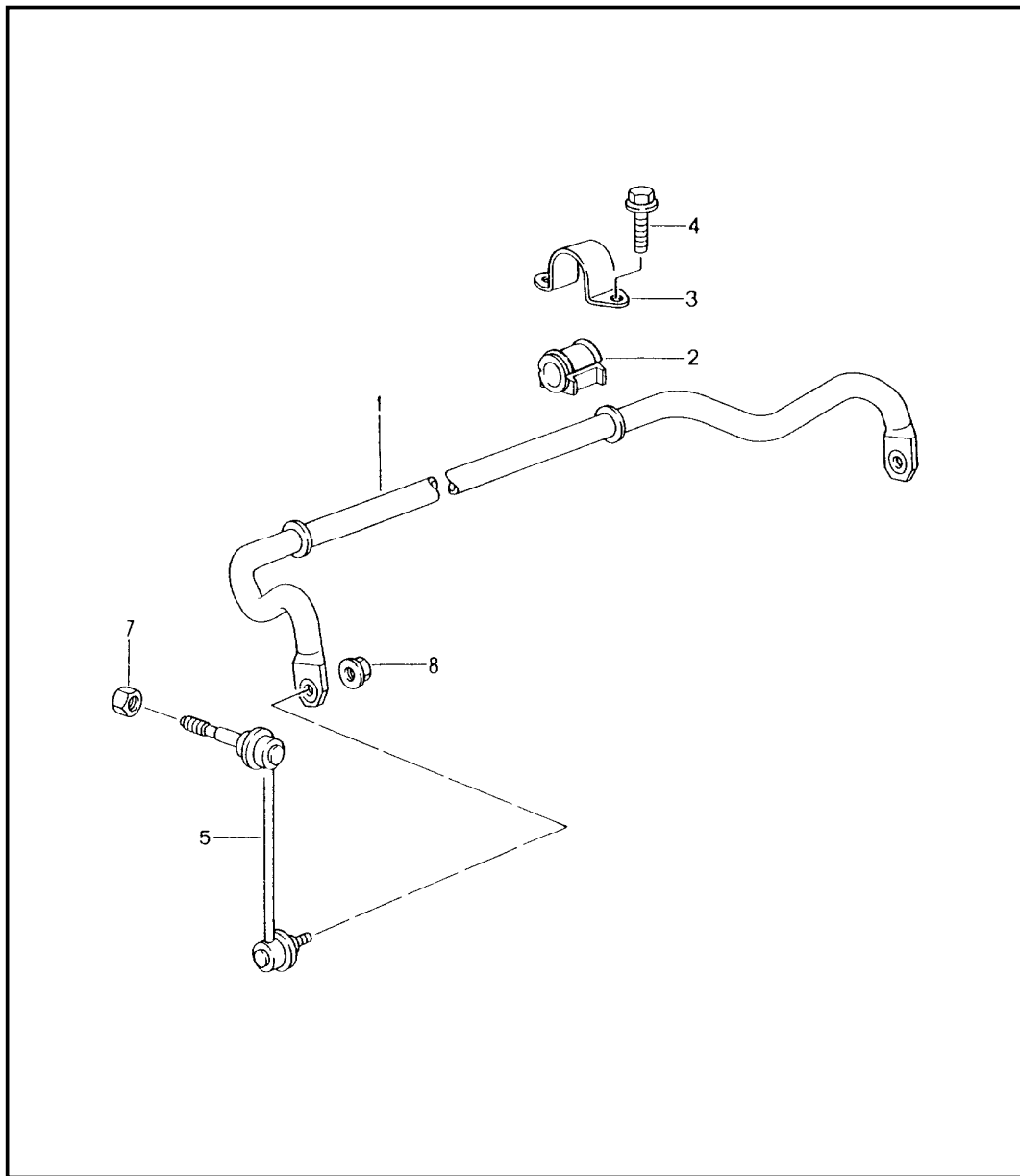
Model	Year	MG	SG	Illustration	Restrictions	UPD	13:51	24.01.2010	PORSCHE	PET	PORSCHE
996	2005	4	02	402-01		248					

Pos	Part Number	Description	Remark	Qty	Model	Pos	Part Number	Description	Remark	Qty	Model	
	504	identification violet orange					504	identification pale orange creamy white F >>992S6 03565				
(4)	996 343 533 21	coil spring 1 set	02-	1	CABRIO	(4)	996 343 980 26	coil spring 1 set		1	IX74	
	504	identification violet orange					504	identification pale orange creamy white F 992S6 03566>>				
(4)	996 343 533 14	coil spring 1 set	-01	1	COUPE M030	(4)	996 343 980 27	coil spring 1 set	03-	1	IX73 C4S	
	504	identification lilac silver					504	identification blue silver			COUPE	
(4)	996 343 533 24	coil spring 1 set	02-	1	COUPE M030	5	996 343 509 01	bellows		2		
	504	identification lilac silver				6	996 343 301 02	additional spring		2		
(4)	996 343 533 15	coil spring 1 set	-01	1	CABRIO M030	(6)	996 343 980 09	additional spring	-01	2	IX74	
	504	identification lilac orange				(6)	996 343 980 09	additional spring	02-	2	IX74	
(4)	996 343 533 25	coil spring 1 set	02-	1	CABRIO M030	(6)	996 343 980 09	additional spring	03-	2	IX73 C4S COUPE	
	504	identification lilac orange				7	996 343 513 00	cone washer		2		
(4)	996 343 533 30	coil spring 1 set	02-	1	C4S	8	996 343 107 02	stop plate	-99	2		
	504	identification lilac orange				(8)	996 343 107 03	stop plate	00-	2		
(4)	996 343 533 30	coil spring 1 set	02-	1	C4S	9	996 343 525 00	base 3,0 MM		X		
	504	identification pink blue				(9)	996 343 525 01	base 6,5 MM		X		
(4)	996 343 980 13	coil spring 1 set	-01	1	IX74	10	996 343 523 00	support ring		1		
	504	identification pale orange creamy white				11	996 343 501 00	angular-contact bearing		1		
(4)	996 343 980 13	coil spring 1 set	02-	1	IX74	12	996 343 015 04	supporting mount	/L	1		
						(12)	996 343 980 15	supporting mount	/L	-01	1	IX74
						(12)	996 343 980 15	supporting mount	/L	02-	1	IX74
						(12)	996 343 980 15	supporting mount	/L	03-	1	IX73 C4S COUPE

Model	Year	MG	SG	Illustration	Restrictions	UPD	13:51	24.01.2010	PORSCHE	PET	PORSCHE
996	2005	4	02	402-01		248					

Pos	Part Number	Description	Remark	Qty	Model	Pos	Part Number	Description	Remark	Qty	Model
(12)	996 343 016 04	supporting mount	/R	1							
(12)	996 343 980 16	supporting mount	/R -01	1	IX74						
(12)	996 343 980 16	supporting mount	/R 02-	1	IX74						
(12)	996 343 980 16	supporting mount	/R 03-	1	IX73 C4S COUPE						
-	A 999 084 447 09	hexagon nut M 8		6							
-	999 084 447 01	hexagon nut M 8		6							
13	A 900 380 012 09	hexagon nut M 14 X 1,5		2							
13	900 380 012 01	hexagon nut M 14 X 1,5		2							
14	900 378 191 09	hexagon-head bolt M 6 X 55		2							
15	900 377 010 09	hexagon nut M 6		2							

Model	Year	MG	SG	Illustration	Restrictions	UPD	13:51	24.01.2010	PORSCHE	PET	PORSCHE
996	2005	4	02	402-05		248					

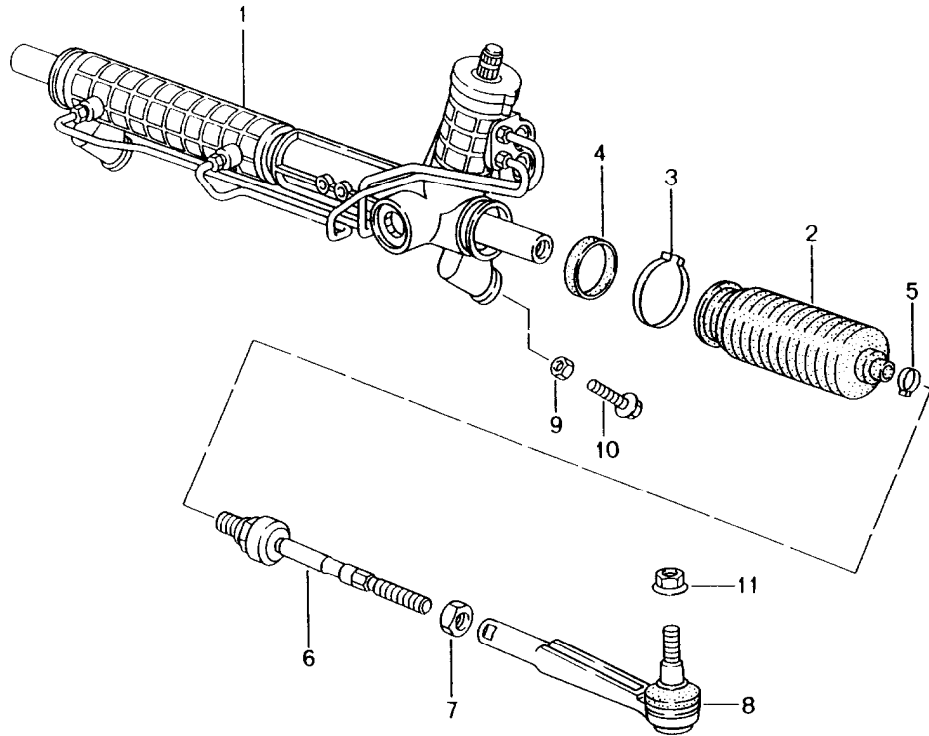


Pos	Part Number	Description	Remark	Qty	Model
		stabiliser			
1	996 343 701 09	stabiliser		1	COUPE M480
(1) A	996 343 701 04	stabiliser	99-	1	COUPE M249
				1	COUPE M030
				1	CABRIO M030
			99-	1	CABRIO M030 /338 IX74
(1)	996 343 701 21	stabiliser	99-	1	COUPE M249
				1	COUPE M030
				1	CABRIO M030
			99-	1	CABRIO M030 /338 IX74
(1)	996 343 701 04	stabiliser	02-	1	TARGA M480
(1)	996 343 701 20	stabiliser	02-	1	TARGA M249
(1) A	996 343 701 10	stabiliser	02-	1	TARGA M030
(1)	996 343 701 23	stabiliser	02-	1	TARGA M030
(1)	996 343 703 00	stabiliser	99-	1	M339
(1)	996 343 703 02	stabiliser	99- 02- 02-	1 1 1	M030/339 /339 IX74 C4S
2	996 343 792 14	stabiliser mounting		2	COUPE M480
(2)	996 343 792 12	stabiliser mounting		2	COUPE M249
				2	COUPE M030
				2	CABRIO M030
(2)	996 343 792 11	stabiliser mounting	99-	2	M339

Model	Year	MG	SG	Illustration	Restrictions	UPD	13:51	24.01.2010	PORSCHE	PET	PORSCHE
996	2005	4	02	402-05		248					

Pos	Part Number	Description	Remark	Qty	Model	Pos	Part Number	Description	Remark	Qty	Model
(2)	996 343 792 12	stabiliser mounting		99- 02- 2	M030/339 C4S TARGA M480						
(2)	996 343 792 17	stabiliser mounting		02- 02- 2	TARGA M249 TARGA M030						
3	996 343 777 01	clip		2							
4	900 378 070 09	hexagon-head bolt M 10 X 30		4							
5	996 343 069 02	stabiliser mounting	/L	-99	1						
(5)	996 343 069 03	stabiliser mounting	/L	00-	1						
(5)	996 343 070 02	stabiliser mounting	/R	-99	1						
(5)	996 343 070 03	stabiliser mounting	/R	00-	1						
(5)	996 343 073 03	stabiliser mounting		99-	2	M339					
(5)	996 343 073 04	stabiliser mounting		00-	2	M339					
7	999 084 445 09	hexagon nut M 12 X 1,5		2							
8	999 084 643 09	hexagon nut M10		2							

Model	Year	MG	SG	Illustration	Restrictions	UPD	11:08	02.02.2010	PORSCHE	PET	PORSCHE
996	2005	4	03	403-00		248					

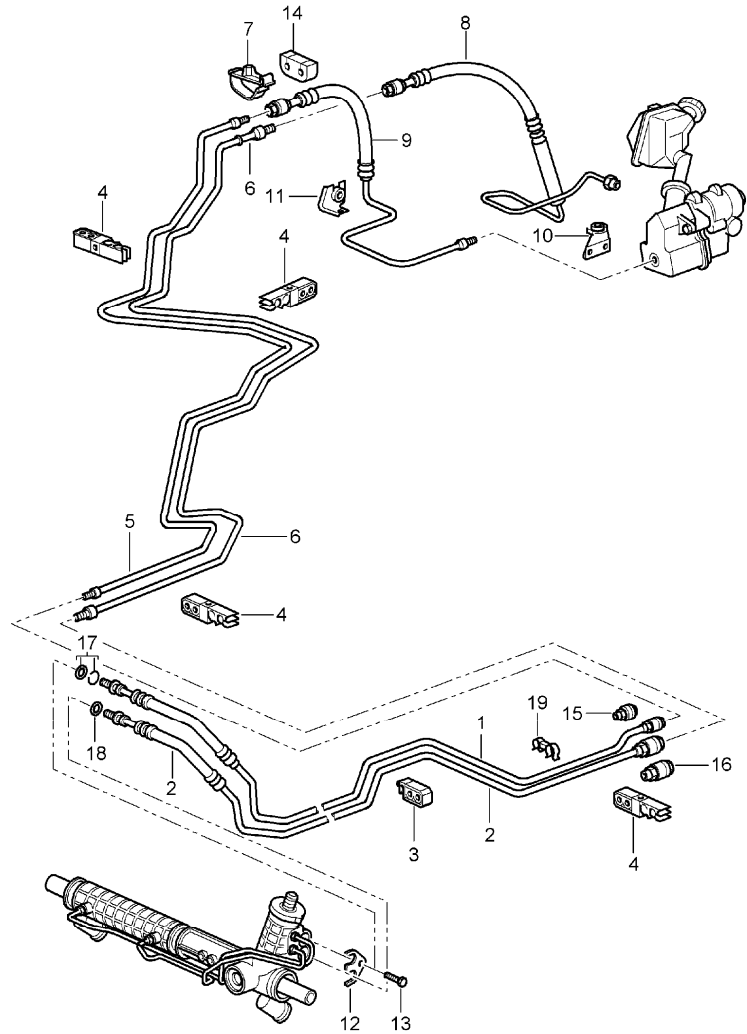


Pos	Part Number	Description	Remark	Qty	Model
		power steering steering gear steering parts			
1	A 996 347 011 05	steering gear power steering	/LL	1	
(1)	A 996 347 011 06	steering gear power steering	/LL	1	
(1)	> 996 347 011 07	steering gear power steering	/LL	1	
(1)	A 996 347 012 05	steering gear power steering	/RL	1	
(1)	A 996 347 012 07	steering gear power steering	/RL	1	
(1)	> 996 347 012 08	steering gear power steering	/RL	1	
-	A 996 347 110 01	clip pinion steering gear	-03	1	
-	996 347 110 02	clip pinion steering gear	04-	1	
2	996 347 191 02	bellows for steering gear 996.347.011.05 996.347.012.05		2	
(2)	996 347 191 04	bellows for steering gear 996.347.011.06/07 996.347.012.07/08		2	
3	996 347 293 03	clamping ring for steering gear 996.347.011.05 996.347.012.05		2	
(3)	996 347 293 04	clamping ring for steering gear 996.347.011.06/07 996.347.012.07/08		2	

Model	Year	MG	SG	Illustration	Restrictions	UPD	11:08	02.02.2010	PORSCHE	PET	PORSCHE
996	2005	4	03	403-00		248					

Pos	Part Number	Description	Remark	Qty	Model	Pos	Part Number	Description	Remark	Qty	Model
4	997 347 373 00	sealing ring for steering gear 996.347.011.05 996.347.012.05		2							
(4)	997 347 373 00	sealing ring for steering gear 996.347.011.06/07 996.347.012.07/08		2							
5	999 512 645 09	clamping ring		2							
6	996 347 322 03	joint		2							
7	999 034 037 09	hexagon nut M 14 X 1,5		2							
8	996 347 131 03	track rod	-99	2							
(8)	996 347 131 04	track rod	00-	2							
9	-	see illustrations 4/01/00 POS.2									
10	900 378 100 01	hexagon-head bolt AM 10 X 45		2							
11	999 084 449 09	hexagon nut M 12 X 1,5		2							

Model	Year	MG	SG	Illustration	Restrictions	UPD	14:04	24.01.2010	PORSCHE	PET	PORSCHE
996	2005	4	03	403-01		248					



Pos	Part Number	Description	Remark	Qty	Model
		power steering lines			
		F >>994S6 30356			
		F >>994S6 03928			
		F >>994S6 42725			
1	996 347 451 08	pressure line	/LL	-01	1 M338
(1)	996 347 451 10	pressure line	/LL	02	1 M338
(1)	996 347 451 10	pressure line	/LL	03-	1 M338
(1)	996 347 451 27	pressure line	/LL	-00	1 M339
(1)	996 347 451 28	pressure line	/LL	-01	1 M339
(1) A	996 347 451 29	pressure line	/LL	02	1 M339
(1)	996 347 451 32	pressure line	/LL	03-	1 M339
(1)	996 347 452 04	pressure line	/RL	-01	1 M338
(1) A	996 347 452 07	pressure line	/RL	02	1 M338
(1)	996 347 452 08	pressure line	/RL	03-	1 M338
(1)	996 347 452 06	pressure line	/RL	-01	1 M339
(1) A	996 347 452 25	pressure line	/RL	02	1 M339
(1)	996 347 452 27	pressure line	/RL	03-	1 M339
2	996 347 449 06	return line	/LL	-01	1 M338
(2)	996 347 449 09	return line	/LL	02-	1 M338
(2)	996 347 449 27	return line	/LL	-01	1 M339
(2)	996 347 449 30	return line	/LL	02	1 M339
(2)	996 347 449 31	return line	/LL	03-	1 M339
(2)	996 347 450 03	return line	/RL	-01	1 M338
(2)	996 347 450 06	return line	/RL	02-	1 M338
(2)	996 347 450 05	return line	/RL	-01	1 M339
(2)	996 347 450 25	return line	/RL	02-	1 M339
3	996 347 543 00	support		X	
(3)	996 347 553 00	support	/RL	02-	1 TARGA
4	996 355 543 00	support		1	

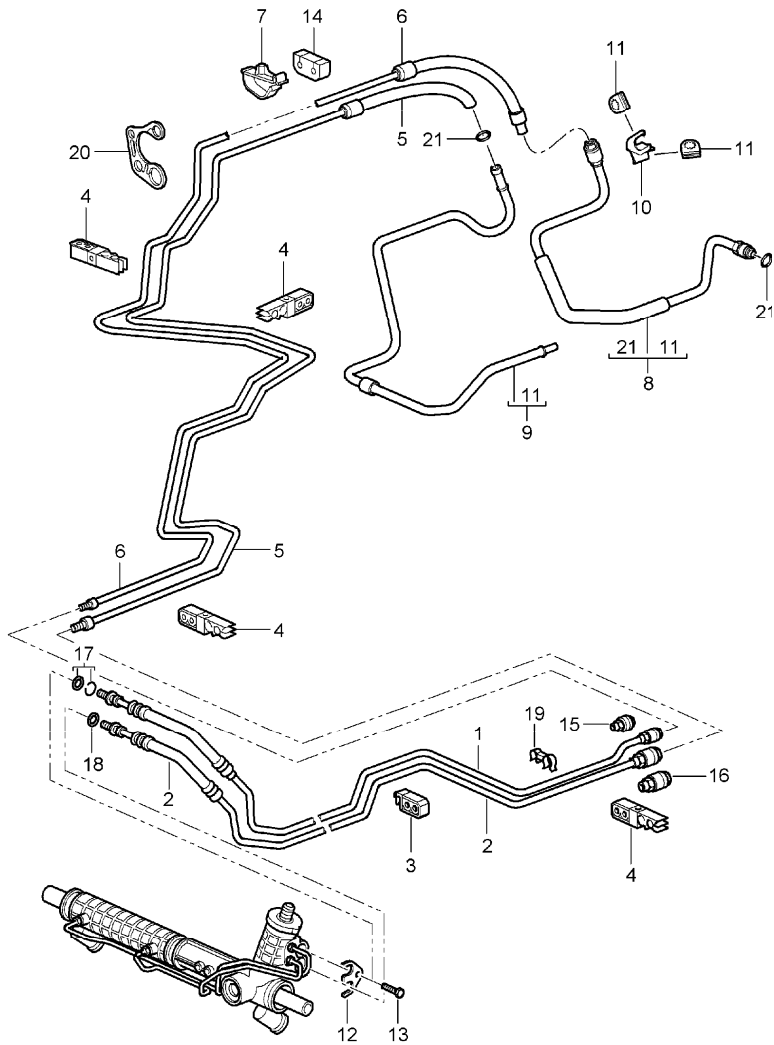
Model	Year	MG	SG	Illustration	Restrictions	UPD	14:04	24.01.2010	PORSCHE	PET	PORSCHE
996	2005	4	03	403-01		248					

Pos	Part Number	Description	Remark	Qty	Model	Pos	Part Number	Description	Remark	Qty	Model
-	996 347 674 00	support pressure line return line	/RL	1		-	999 230 551 10	threaded joint NW 10		1	
5	996 347 539 04	return line centre F >>99XS6 06898 F >>99XS6 44623		1		-	999 230 552 10	threaded joint NW 6		1	
(5)	996 347 539 05	return line centre F 99XS6 06899>> F 99XS6 44624>>		-01 1		-	999 230 685 40	circlip for threaded joint		1	
(5)	996 347 539 51	return line centre		02- 1		10	996 347 747 02	support	-01	1	
6	996 347 545 04	pressure line centre F >>99XS6 06898 F >>99XS6 44623		1		(10)	996 347 747 04	support	02-	1	
6	996 347 545 05	pressure line centre F 99XS6 06899>> F 99XS6 44624>>		-01 1		11	996 347 749 03	support	-01	1	
(6)	996 347 545 52	pressure line centre		02- 1		(11)	996 347 749 04	support	02-	1	
7	996 347 549 01	support		2		12	996 347 769 01	support		1	
8	996 347 443 02	pressure line rear		-01 1		13	900 067 063 02	pan-head screw M 10 X 20		1	
(8)	996 347 443 05	pressure line rear F >>992S6 08512 F >>992S6 31981 F >>992S6 45199		1		14	996 347 551 01	retainer plate		1	
(8)	996 347 443 06	pressure line rear F 992S6 08513>> F 992S6 31982>> F 992S6 45200>>		1				mount pressure line return line power steering			
9	996 347 441 02	return line rear		-01 1		-	996 347 671 01	support left	/RL	1	
(9)	996 347 441 03	return line rear		02- 1		-	996 347 672 01	support right	/RL	1	
						-	996 347 771 02	support left	/RL	02-	1 C4S
						-	996 347 672 02	support right	/RL	02-	1 C4S
						-	997 347 544 00	support lines mount bracket		1	
						15	999 230 539 10	threaded joint		1	
						16	999 230 540 10	threaded joint		1	
						17	999 230 543 40	repair kit gaskets		1	
						18	999 230 542 40	o-ring		1	

Model	Year	MG	SG	Illustration	Restrictions	UPD	14:04	24.01.2010	PORSCHE	PET	PORSCHE
996	2005	4	03	403-01		248					

Pos	Part Number	Description	Remark	Qty	Model	Pos	Part Number	Description	Remark	Qty	Model
19	999 507 575 40	support 9,0/13,0		1							

Model	Year	MG	SG	Illustration	Restrictions	UPD	14:04	24.01.2010	PORSCHE	PET	PORSCHE
996	2005	4	03	403-02		248					

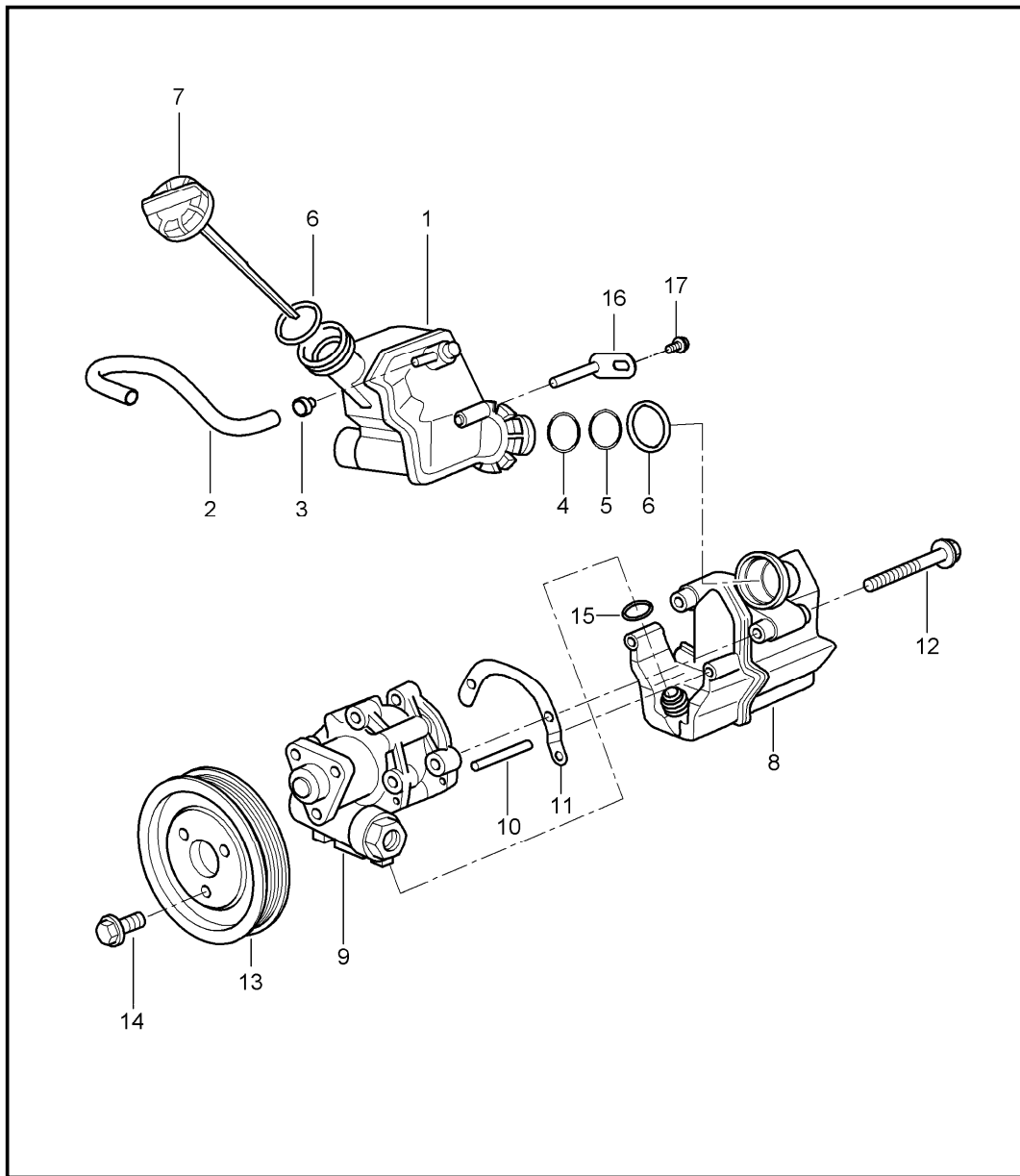


Pos	Part Number	Description	Remark	Qty	Model
		power steering lines F 99486 30357>> F 99486 03929>> F 99486 42726>>			
(1)	996 347 451 10	pressure line	/LL	1	M338
(1)	996 347 451 32	pressure line	/LL	1	M339
(1)	996 347 452 08	pressure line	/RL	1	M338
(1)	996 347 452 27	pressure line	/RL	1	M339
(2)	996 347 449 09	return line	/LL	1	M338
(2)	996 347 449 31	return line	/LL	1	M339
(2)	996 347 450 06	return line	/RL	1	M338
(2)	996 347 450 25	return line	/RL	1	M339
3	996 347 543 00	support		X	
(3)	996 347 553 00	support	/RL	1	TARGA
4	996 355 543 00	support		1	
-	996 347 674 00	support pressure line return line	/RL	1	
(5)	996 347 439 26	return line centre		1	
(6)	996 347 445 26	pressure line centre	<	1	
-	999 230 578 40	circlip for threaded joint return line		X	
7	996 347 549 01	support pressure line		2	
(8)	996 347 443 25	pressure line rear		1	
(9)	996 347 441 25	return line rear		1	
-	999 230 683 40	circlip for threaded joint		1	
10	997 347 749 00	support		1	

Model	Year	MG	SG	Illustration	Restrictions	UPD	14:04	24.01.2010	PORSCHE	PET	PORSCHE
996	2005	4	03	403-02		248					

Pos	Part Number	Description	Remark	Qty	Model	Pos	Part Number	Description	Remark	Qty	Model
11	999 702 210 40	support		1							
12	996 347 769 01	support		1							
13	900 067 063 02	pan-head screw M 10 X 20		1							
14	996 347 551 01	retainer plate		1							
		mount pressure line return line power steering									
-	996 347 671 01	support left	/RL	1							
-	996 347 672 01	support right	/RL	1							
-	996 347 771 02	support left	/RL	1	C4S						
-	996 347 672 02	support right	/RL	1	C4S						
15	999 230 539 10	threaded joint		1							
16	999 230 540 10	threaded joint		1							
17	999 230 543 40	repair kit gaskets		1							
18	999 230 542 40	o-ring		1							
19	999 507 091 40	support		1							
20	997 347 544 00	support		1							
21	999 707 503 40	sealing ring		1							

Model	Year	MG	SG	Illustration	Restrictions	UPD	14:04	24.01.2010	PORSCHE	PET	PORSCHE
996	2005	4	03	403-03		248					

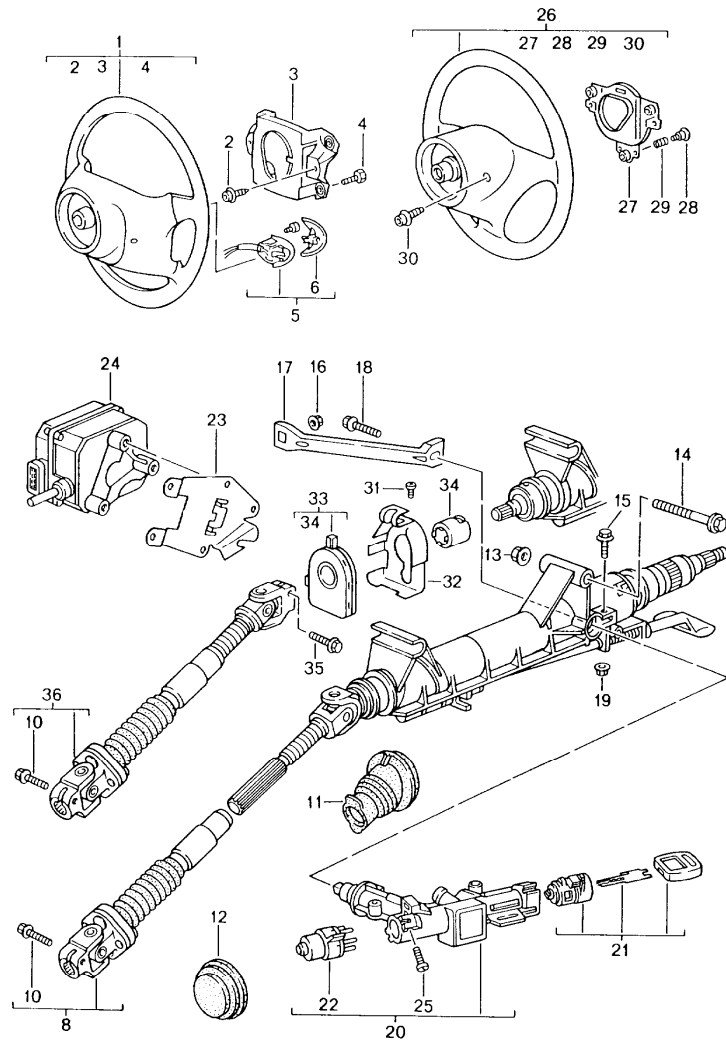


Pos	Part Number	Description	Remark	Qty	Model
1	996 314 225 02	power steering power-steering pump container		1	
(1)	997 314 225 00	expansion tank M 664 01954 >> M 684 00520 >>		1	
2 A	996 314 545 00	hose		98	1
(2)	996 314 545 01	hose M >> 664 01953 M >> 684 00519		99-	1
-	999 507 658 09	cable holder		99-	1
3	999 512 527 00	terminal M >> 664 01953 M >> 684 00519			1
4	999 707 362 40	o-ring			1
5	999 707 363 40	o-ring			1
6	999 701 154 40	o-ring			2
7	996 314 223 01	lid M >> 664 01953 M >> 684 00519			1
(1)	997 314 223 00	lid M 664 01954 >> M 684 00520 >>			1
8 A	996 314 220 02	container		-02	1
(8) A	996 314 220 03	container		03	1
(8)	997 314 220 00	container			1
9	> 996 314 050 02	power-steering pump			1
10	996 314 320 03	straight pin			2
11	996 314 431 05	bracket			1
12	900 378 105 09	hexagon-head bolt AM 8 X 70			2
13	996 147 223 60	pulley		-99	1 M249
				-99	1 M480/574
(13)	996 147 223 53	pulley		-99	1 M480/573

Model	Year	MG	SG	Illustration	Restrictions	UPD	14:04	24.01.2010	PORSCHE	PET	PORSCHE
996	2005	4	03	403-03		248					

Pos	Part Number	Description	Remark	Qty	Model	Pos	Part Number	Description	Remark	Qty	Model
(13)	996 147 223 60	pulley	00-	1							
14	900 378 123 09	hexagon-head bolt M 8 X 12		3							
15	999 707 204 40	sealing ring 12.5 X 2N		1							
16	996 314 551 00	bracket for container		1							
-	000 043 203 33	pentosin 1000 ML		X							

Model	Year	MG	SG	Illustration	Restrictions	UPD	14:05	24.01.2010	PORSCHE	PET	PORSCHE
996	2005	4	03	403-05		248					



Pos	Part Number	Description	Remark	Qty	Model
1	993 347 804 55	steering outer tube steering shaft steering wheels		98	M480
	8YR	black	-00		
(1)	993 347 804 56	steering wheel	99-01	1	M480
	8YR	black	-00		
1	993 347 804 55	steering wheel	98	1	M480
	B50	space grey	-00		
	C50	graphite grey	-00		
	G10	metropole blue	-00		
	S30	savanna	-00		
(1)	993 347 804 56	steering wheel	99-01	1	M480
	A28	black	01		
	B50	space grey	-00		
	C50	graphite grey	-00		
	C60	graphite grey	01		
	G10	metropole blue	-00		
	G30	metropole blue	01		
	S30	savanna	-00		
	S40	savanna	01		
	J40	nephrite green	01		
(1)	993 347 981 01	steering wheel	-01	1	/X26 M480
	8YR	black	-00		
	A28	black	01		
	B50	space grey	-00		
	C50	graphite grey	-00		
	C60	graphite grey	01		
	G10	metropole blue	-00		

Model	Year	MG	SG	Illustration	Restrictions	UPD	14:05	24.01.2010	PORSCHE	PET	PORSCHE
996	2005	4	03	403-05		248					

Pos	Part Number	Description	Remark	Qty	Model	Pos	Part Number	Description	Remark	Qty	Model
	G30	metropole blue	01				8YR	black	-00		
	S30	savanna	-00				A28	black	01		
	S40	savanna	01				B50	space grey	-00		
	J30	nephrite green	-00				C50	graphite grey	-00		
	J40	nephrite green	01				C60	graphite grey	01		
	M30	boxster red	-00				G10	metropole blue	-00		
	M40	boxster red	01				G30	metropole blue	01		
	P20	cinnamon brown	01				S30	savanna	-00		
	D11	dark grey/natural	00-01				S40	savanna	01		
	T11	brown/natural	00-01				J30	nephrite green	-00		
(1)	996 347 981 01	steering wheel	-01	1	/X28 M480		J40	nephrite green	01		
	8YR	black	-00				M30	boxster red	-00		
	A28	black	01				M40	boxster red	01		
	B50	space grey	-00				P20	cinnamon brown	01		
	C50	graphite grey	-00				D11	dark grey/natural	00-01		
	C60	graphite grey	01				T11	brown/natural	00-01		
	G10	metropole blue	-00			(1)	993 347 981 07	steering wheel	-01	1	/X77 M480
	G30	metropole blue	01				8YR	black	-00		
	S30	savanna	-00				A28	black	01		
	S40	savanna	01				B50	space grey	-00		
	J30	nephrite green	-00				C50	graphite grey	-00		
	J40	nephrite green	01				C60	graphite grey	01		
	M30	boxster red	-00				G10	metropole blue	-00		
	M40	boxster red	01				G30	metropole blue	01		
	P20	cinnamon brown	01				S30	savanna	-00		
	D11	dark grey/natural	00-01				S40	savanna	01		
	T11	brown/natural	00-01				J30	nephrite green	-00		
(1)	996 347 981 03	steering wheel	-01	1	/X30 M480		J40	nephrite green	01		

Model	Year	MG	SG	Illustration	Restrictions	UPD	14:05	24.01.2010	PORSCHE	PET	PORSCHE
996	2005	4	03	403-05		248					

Pos	Part Number	Description	Remark	Qty	Model	Pos	Part Number	Description	Remark	Qty	Model
	M30	boxster red	-00				G10	metropole blue	-00		
	M40	boxster red	01				G30	metropole blue	01		
	P20	cinnamon brown	01				S30	savanna	-00		
	D11	dark grey/natural	00-01				S40	savanna	01		
	T11	brown/natural	00-01				J30	nephrite green	-00		
(1)	993 347 804 63	steering wheel	98	1	M249		J40	nephrite green	01		
	8YR	black	-00				M30	boxster red	-00		
	B50	space grey					M40	boxster red	01		
	C50	graphite grey	-00				P20	cinnamon brown	01		
	G10	metropole blue	-00				D11	dark grey/natural	00-01		
	S30	savanna	-00				T11	brown/natural	00-01		
(1)	993 347 804 64	steering wheel	99-01	1	M249	(1)	996 347 981 02	steering wheel	-01	1	/X28 M432
	8YR	black	-00				8YR	black	-00		
	A28	black	01				A28	black	01		
	B50	space grey					B50	space grey	-00		
	C50	graphite grey	-00				C50	graphite grey	-00		
	C60	graphite grey	01				C60	graphite grey	-01		
	G10	metropole blue	-00				G10	metropole blue	-00		
	G30	metropole blue	01				G30	metropole blue	01		
	S30	savanna	-00				S30	savanna	-00		
	S40	savanna	01				S40	savanna	01		
	J40	nephrite green	01				J30	nephrite green	-00		
(1)	993 347 981 02	steering wheel	-01	1	/X26 M432		J40	nephrite green	01		
	8YR	black	-00				M30	boxster red	-00		
	A28	black	01				M40	boxster red	01		
	B50	space grey	-00				P20	cinnamon brown	01		
	C50	graphite grey	-00				D11	dark grey/natural	00-01		
	C60	graphite grey	-01				T11	brown/natural	00-01		

Model	Year	MG	SG	Illustration	Restrictions	UPD	14:05	24.01.2010	PORSCHE	PET	PORSCHE
996	2005	4	03	403-05		248					

Pos	Part Number	Description	Remark	Qty	Model	Pos	Part Number	Description	Remark	Qty	Model
(1)	996 347 981 04	steering wheel	-01	1	/X30 M432		J40	nephrite green		01	
	8YR	black	-00				M30	boxster red		-00	
	A28	black	01				M40	boxster red		01	
	B50	space grey	-00				P20	cinnamon brown		01	
	C50	graphite grey	-00				D11	dark grey/natural		00-01	
	C60	graphite grey	-01				T11	brown/natural		00-01	
	G10	metropole blue	-00					mount			
	G30	metropole blue	01					steering wheel			
	S30	savanna	-00			-	N 012 238 1	spring washer B 16		1	
	S40	savanna	01			-	900 078 006 01	hexagon nut M 16 X 1,5		1	
	J30	nephrite green	-00			2	999 073 134 02	pan-head screw M 6 X 9,1		2	
	J40	nephrite green	01			3	993 347 088 01	retaining frame		1	
	M30	boxster red	-00			4	999 073 127 02	hexagon-head bolt M 5 X 20		2	
	M40	boxster red	01			5	993 347 831 00	switch		1	M249/432
	P20	cinnamon brown	01			(5)	996 347 831 00	switch		1	M432/436
	D11	dark grey/natural	00-01			6	993 347 835 00	lever	/L	1	M249/432
	T11	brown/natural	00-01				01C	black			
(1)	993 347 981 08	steering wheel	-01	1	/X77 M432	(6)	996 347 835 00	lever	/L	1	M432/436
	8YR	black	-00				01C	black			
	A28	black	01			(6)	993 347 836 00	lever	/R	1	M249/432
	B50	space grey	-00				01C	black			
	C50	graphite grey	-00			(6)	996 347 836 00	lever	/R	1	M432/436
	C60	graphite grey	-01				01C	black			
	G10	metropole blue	-00			7	900 146 016 02	round head screw M 3 X 6		4	
	G30	metropole blue	01			8	996 347 007 04	steering column complete with steering shaft	-99	1	
	S30	savanna	-00								
	S40	savanna	01								
	J30	nephrite green	-00								

Model	Year	MG	SG	Illustration	Restrictions	UPD	14:05	24.01.2010	PORSCHE	PET	PORSCHE
996	2005	4	03	403-05		248					

Pos	Part Number	Description	Remark	Qty	Model	Pos	Part Number	Description	Remark	Qty	Model
(8)	996 347 007 05	steering column complete with steering shaft	00-	1		(20)	996 347 017 06	steering lock housing	-03	1	
(8) A	996 347 007 02	steering column complete with steering shaft	99	1	M476	(20)	996 347 017 07	steering lock housing see technical information group 2 NR.4/03	04-	1	
(8) A	996 347 007 06	steering column complete with steering shaft see technical manual group 4 NR.45....	-02	1	M476	21	996 347 917 00	lock cylinder with stipulated lock number	-01	1	
(8)	996 347 007 07	steering column complete with steering shaft	03-	1	M476	(21)	996 347 917 01	lock cylinder with stipulated lock number	02-	1	
10	999 217 042 09	hexagon-head bolt M 8 X 35		1		(21)	996 347 915 00	lock cylinder w/o stipulated lock number	-01	1	
11	986 347 037 00	bellows	-99	1		(21)	996 347 915 01	lock cylinder w/o stipulated lock number	02-	1	
(11)	986 347 037 01	bellows	00-	1		22	4A0 905 849 B	ignition starter switch	-03	1	
12	996 347 339 02	rubber seal		1		(22)	4B0 905 849	ignition starter switch see technical information group 2 NR.4/03	04-	1	
13 A	900 380 008 09	hexagon nut M 10		1		23	996 617 121 00	support	/RL -99	1	
13	900 380 008 01	hexagon nut M 10		1		24	996 617 021 04	control unit cruise control	-99	1	
14	900 378 095 09	hexagon-head bolt M 10 X 100		1		25	996 347 901 00	slotted screw		2	
15	900 378 157 09	hexagon-head bolt AM 6 X 25		1		26 A	996 347 804 52	steering wheel		1	M436
16	999 076 055 09	hexagon nut M 8		1			8YR	black			
17	996 347 243 01	strut		1			B50	space grey			
18	900 378 055 09	hexagon-head bolt AM 8 X 40		1			C50	graphite grey			
19	900 377 002 02	hexagon nut M 6		1			G10	metropole blue			
20 A	996 347 017 05	steering lock housing		1		(26)	996 347 804 53	steering wheel	99	1	M436
							8YR	black			
							B50	space grey			
							C50	graphite grey			
							G10	metropole blue			
							S30	savanna			

Model	Year	MG	SG	Illustration	Restrictions	UPD	14:05	24.01.2010	PORSCHE	PET	PORSCHE
996	2005	4	03	403-05		248					

Pos	Part Number	Description	Remark	Qty	Model	Pos	Part Number	Description	Remark	Qty	Model
	M30	boxster red					A28	black	01-		
	J30	nephrite green					B50	space grey	-00		
(26)	996 347 804 54	steering wheel	00-	1	M436		C50	graphite grey	-00		
	8YR	black					C60	graphite grey	01-		
	A08	black	00				S30	savanna	-00		
	A28	black	01-				S40	savanna	01-		
	B50	space grey					G10	metropole blue	-00		
	C50	graphite grey					G30	metropole blue	01-		
	C56	graphite grey	00				J30	nephrite green	-00		
	C60	graphite grey	01-				J40	nephrite green	01-03		
	G10	metropole blue					M30	boxster red	-00		
	G16	metropole blue	00				M40	boxster red	01-		
	G30	metropole blue	01-				P20	cinnamon brown	01-		
	S30	savanna					D11	dark grey/natural	00-		
	S36	savanna	00				T11	brown/natural	00-		
	S40	savanna	01-			(26)	996 347 983 04	steering wheel		1	IXPB/M480
	M30	boxster red					8YR	black	-00		
	M36	boxster red	00				A28	black	01-		
	M40	boxster red	01-				B50	space grey	-00		
	J30	nephrite green					C50	graphite grey	-00		
	J36	nephrite green	00				C60	graphite grey	01-		
	J40	nephrite green	01-03				S30	savanna	-00		
	D11	dark grey/natural	00-				S40	savanna	01-		
	T11	brown/natural	00-				G10	metropole blue	-00		
	P20	cinnamon brown	01-				G30	metropole blue	01-		
(26)	996 347 804 57	steering wheel	04	1	M095/436		J30	nephrite green	-00		
	VTB	dark grey/natural					J40	nephrite green	01-03		
(26)	996 347 983 00	steering wheel		1	IXPA/M480		M30	boxster red	-00		
	8YR	black	-00				M40	boxster red	01-		

Model	Year	MG	SG	Illustration	Restrictions	UPD	14:05	24.01.2010	PORSCHE	PET	PORSCHE
996	2005	4	03	403-05		248					

Pos	Part Number	Description	Remark	Qty	Model	Pos	Part Number	Description	Remark	Qty	Model
	P20	cinnamon brown	01-				G30	metropole blue	01-		
	D11	dark grey/natural	00-				J30	nephrite green	-00		
	T11	brown/natural	00-				J40	nephrite green	01-03		
(26)	996 347 983 10	steering wheel		1	IXPC/M480		M30	boxster red	-00		
	8YR	black	-00				M40	boxster red	01-		
	A28	black	01-				P20	cinnamon brown	01-		
	B50	space grey	-00				D11	dark grey/natural	00-		
	C50	graphite grey	-00				T11	brown/natural	00-		
	C60	graphite grey	01-			(26)	996 347 983 28	steering wheel	03-	1	IXPG/M480
	S30	savanna	-00				A28	black			
	S40	savanna	01-				C60	graphite grey			
	G10	metropole blue	-00				S40	savanna			
	G30	metropole blue	01-				G30	metropole blue			
	J30	nephrite green	-00				J40	nephrite green	03		
	J40	nephrite green	01-03				M40	boxster red			
	M30	boxster red	-00				P20	cinnamon brown			
	M40	boxster red	01-				D11	dark grey/natural			
	P20	cinnamon brown	01-				T11	brown/natural			
	D11	dark grey/natural	00-			(26) A	996 347 804 62	steering wheel		1	M436 M432
	T11	brown/natural	00-				8YR	black			
(26)	996 347 983 12	steering wheel		1	IXPD/M480		B50	space grey			
	8YR	black	-00				C50	graphite grey			
	A28	black	01-				G10	metropole blue			
	B50	space grey	-00				S30	savanna			
	C50	graphite grey	-00			(26)	996 347 804 63	steering wheel	99	1	M436 M432
	C60	graphite grey	01-				8YR	black			
	S30	savanna	-00				B50	space grey			
	S40	savanna	01-				C50	graphite grey			
	G10	metropole blue	-00								

Model	Year	MG	SG	Illustration	Restrictions	UPD	14:05	24.01.2010	PORSCHE	PET	PORSCHE
996	2005	4	03	403-05		248					

Pos	Part Number	Description	Remark	Qty	Model	Pos	Part Number	Description	Remark	Qty	Model
	G10	metropole blue					8YR	black		00	
	S30	savanna					A28	black		01-	
	M30	boxster red					B50	space grey		00	
	J30	nephrite green					C50	graphite grey		00	
(26)	996 347 804 64	steering wheel	00-	1	M436 M432		C60	graphite grey		01-	
	8YR	black					S30	savanna		00	
	A08	black		00			S40	savanna		01-	
	A28	black		01-			G10	metropole blue		00	
	B50	space grey					G30	metropole blue		01-	
	C50	graphite grey					J30	nephrite green		00	
	C56	graphite grey		00			J40	nephrite green		01-03	
	C60	graphite grey		01-			M30	boxster red		00	
	G10	metropole blue					M40	boxster red		01-	
	G16	metropole blue		00			P20	cinnamon brown		01-	
	G30	metropole blue		01-			D11	dark grey/natural		00	
	S30	savanna					T11	brown/natural		00	
	S36	savanna		00		(26)	996 347 983 05	steering wheel		1	IXPB/M432
	S40	savanna		01-			8YR	black		00	
	M30	boxster red					A28	black		01-	
	M36	boxster red		00			B50	space grey		00	
	M40	boxster red		01-			C50	graphite grey		00	
	J30	nephrite green					C60	graphite grey		01-	
	J36	nephrite green		00			S30	savanna		00	
	J40	nephrite green		01-03			S40	savanna		01-	
	D11	dark grey/natural		00			G10	metropole blue		00	
	T11	brown/natural		00			G30	metropole blue		01-	
	P20	cinnamon brown		01-			J30	nephrite green		00	
(26)	996 347 983 01	steering wheel		1	IXPA/M432		J40	nephrite green		01-03	
							M30	boxster red		00	

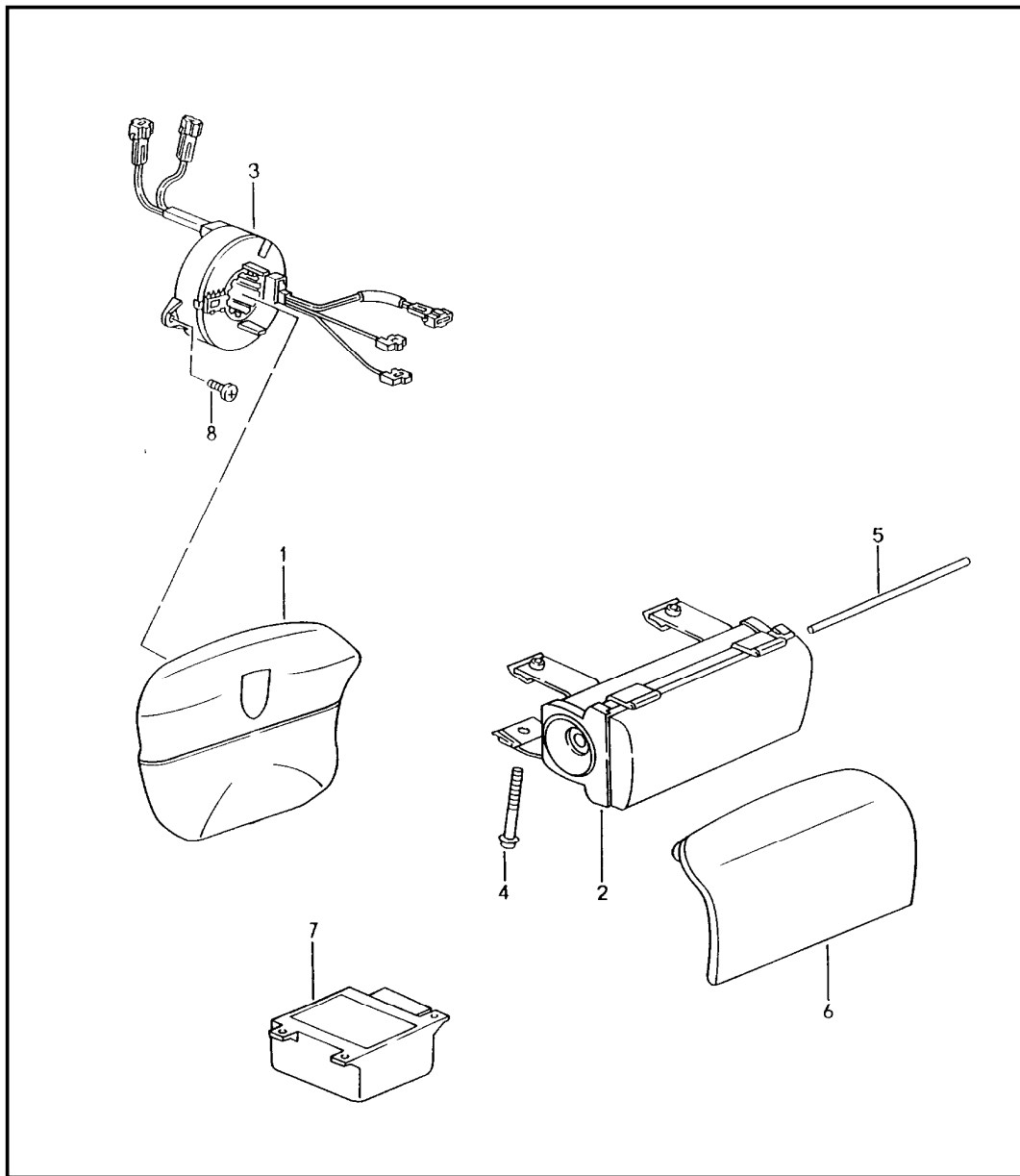
Model	Year	MG	SG	Illustration	Restrictions	UPD	14:05	24.01.2010	PORSCHE	PET	PORSCHE
996	2005	4	03	403-05		248					

Pos	Part Number	Description	Remark	Qty	Model	Pos	Part Number	Description	Remark	Qty	Model
	M40	boxster red	01-				G10	metropole blue	00		
	P20	cinnamon brown	01-				G30	metropole blue	01-		
	D11	dark grey/natural	00				J30	nephrite green	00		
	T11	brown/natural	00				J40	nephrite green	01-03		
(26)	996 347 983 11	steering wheel		1	IXPC/M432		M30	boxster red	00		
	8YR	black	00				M40	boxster red	01-		
	A28	black	01-				P20	cinnamon brown	01-		
	B50	space grey	00				D11	dark grey/natural	00		
	C50	graphite grey	00				T11	brown/natural	00		
	C60	graphite grey	01-			(26)	996 347 983 29	steering wheel	03-	1	IXPG/M432
	S30	savanna	00				A28	black			
	S40	savanna	01-				C60	graphite grey			
	G10	metropole blue	00				S40	savanna			
	G30	metropole blue	01-				G30	metropole blue			
	J30	nephrite green	00				J40	nephrite green	03		
	J40	nephrite green	01-03				M40	boxster red			
	M30	boxster red	00				P20	cinnamon brown			
	M40	boxster red	01-				D11	dark grey/natural			
	P20	cinnamon brown	01-				T11	brown/natural			
	D11	dark grey/natural	00					mount			
	T11	brown/natural	00					steering wheel			
								steering shaft		1	
(26)	996 347 983 13	steering wheel		1	IXPD/M432	-	N 012 238 1	spring washer B 16		1	
	8YR	black	00			-	900 078 006 01	hexagon nut M 16 X 1,5		1	
	A28	black	01-			27	A 996 347 880 00	retaining frame		1	M436
	B50	space grey	00			(27)	996 347 880 01	retaining frame	-99	1	M436
	C50	graphite grey	00			27	996 347 880 02	mounting plate	00-	1	M436
	C60	graphite grey	01-			28	999 073 184 02	round head screw M 5 X 18,7		3	M436
	S30	savanna	00								
	S40	savanna	01-								

Model	Year	MG	SG	Illustration	Restrictions	UPD	14:05	24.01.2010	PORSCHE	PET	PORSCHE
996	2005	4	03	403-05		248					

Pos	Part Number	Description	Remark	Qty	Model	Pos	Part Number	Description	Remark	Qty	Model
29	999 521 079 02	compression spring		3	M436						
30	999 073 183 02	pan-head screw M 6 X 10,5		2	M436						
33 A	996 606 109 01	steering-angle sensor	-02	1	M476						
(33)	996 606 109 02	steering-angle sensor see technical manual group 4 NR.45....	-02	1	M476						
(33)	996 606 119 00	steering-angle sensor	03-	1	M476						
-	996 610 123 00	cable guide for steering-angle sensor	-02	1	M476						
-	996 610 123 01	cable guide for steering-angle sensor	03-	1	M476						
34	996 347 705 00	adapter		1	M476						
35	999 217 042 09	hexagon-head bolt M 8 X 35		1	M476						
36	996 347 023 00	steering shaft		1	M476						

Model	Year	MG	SG	Illustration	Restrictions	UPD	14:05	24.01.2010	PORSCHE	PET	PORSCHE
996	2005	4	03	403-06		248					



Pos	Part Number	Description	Remark	Qty	Model
1	996 803 089 03	airbag airbag unit four-spoke steering wheel plastic material		1	
	8YR	black	-00		
	C50	graphite grey	-00		
	S30	savanna	-00		
	G10	metropole blue	-00		
	B50	space grey	-00		
	A28	black	01		
	C60	graphite grey	01		
	S40	savanna	01		
	G30	metropole blue	01		
	J40	nephrite green	01		
	M40	boxster red	01		
(1)	996 803 089 02	airbag unit 3-spoke steering wheel plastic material	-99	1	M436
	8YR	black			
	C50	graphite grey			
	S30	savanna			
	G10	metropole blue			
	B50	space grey			
	M30	boxster red			
	J30	nephrite green			
(1)	996 803 089 04	airbag unit 3-spoke steering wheel plastic material	00	1	M436
	A08	black			
	C50	graphite grey			
	C56	graphite grey			
	S30	savanna			

Model	Year	MG	SG	Illustration	Restrictions	UPD	14:05	24.01.2010	PORSCHE	PET	PORSCHE
996	2005	4	03	403-06		248					

Pos	Part Number	Description	Remark	Qty	Model	Pos	Part Number	Description	Remark	Qty	Model
	S36	savanna					C50	graphite grey	99-00		
	G10	metropole blue					C60	graphite grey	01		
	G16	metropole blue					S30	savanna	99-00		
	B50	space grey					S40	savanna	01		
	J30	nephrite green					G10	metropole blue	99-00		
	J36	nephrite green					G30	metropole blue	01		
	M30	boxster red					B50	space grey	99-00		
	M36	boxster red					M30	boxster red	99-00		
	D11	dark grey/natural					M40	boxster red	01		
	T11	brown/natural					J30	nephrite green	99-00		
(1)	996 803 089 02	airbag unit 3-spoke steering wheel plastic material	01-	1	M436		J40	nephrite green	01		
	A28	black					D11	dark grey/natural	00-01		
	C60	graphite grey					T11	brown/natural	00-01		
	S40	savanna				(1)	996 803 980 01	airbag unit 3-spoke steering wheel leather crest coloured		1	IXPA/XPB IXPC/XPD
	G30	metropole blue					8YR	black	-99		
	J40	nephrite green	01-03				C50	graphite grey	-99		
	M40	boxster red					S30	savanna	-99		
	D11	dark grey/natural					G10	metropole blue	-99		
	T11	brown/natural					B50	space grey	-99		
	P20	cinnamon brown					M30	boxster red	-99		
(1)	996 803 089 05	airbag unit 3-spoke steering wheel leather	04-	1	M095/436		J30	nephrite green	-99		
	D11	dark grey/natural					A28	black	01-		
(1)	996 803 980 02	airbag unit four-spoke steering wheel leather crest embossed	99-01	1	X26/X28 X30/X77		C60	graphite grey	01-		
	8YR	black	99-00				S40	savanna	01-		
	A28	black	01				G30	metropole blue	01-		
							J40	nephrite green	01-03		

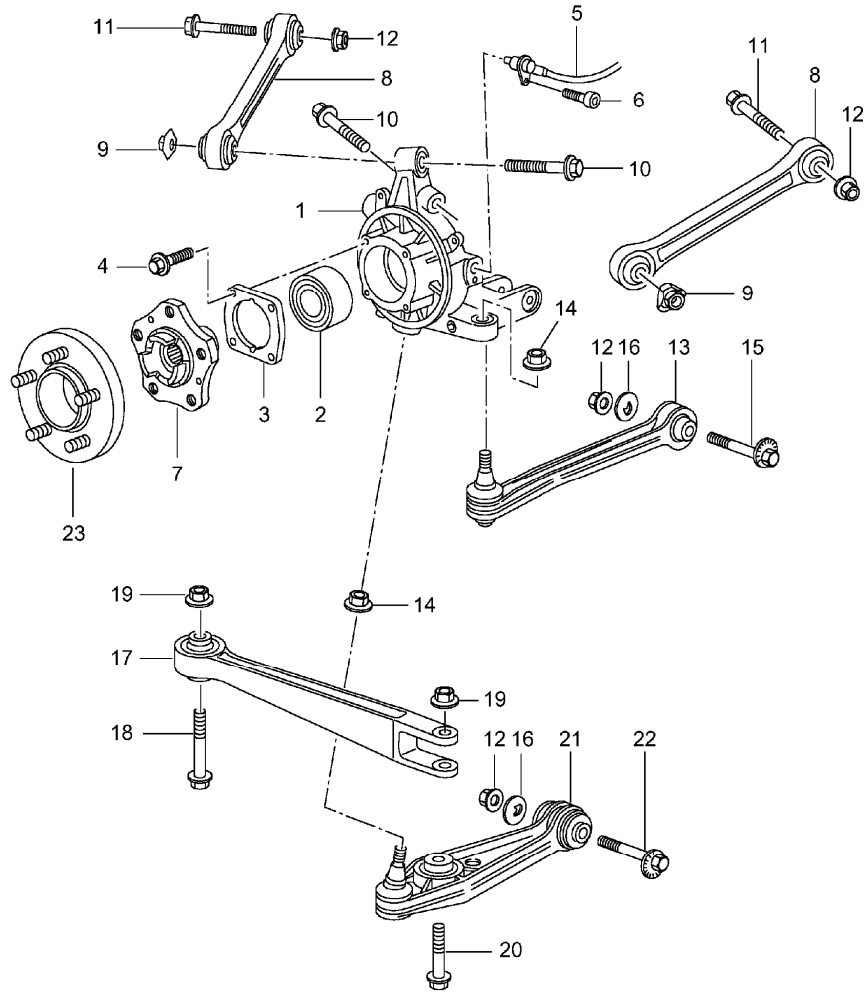
Model	Year	MG	SG	Illustration	Restrictions	UPD	14:05	24.01.2010	PORSCHE	PET	PORSCHE
996	2005	4	03	403-06		248					

Pos	Part Number	Description	Remark	Qty	Model	Pos	Part Number	Description	Remark	Qty	Model
	M40	boxster red	01-				J30	nephrite green			
	P20	cinnamon brown	01-				D11	dark grey/natural			
	D11	dark grey/natural	01-				T11	brown/natural			
	T11	brown/natural	01-			2	A 996 803 071 06	airbag unit	-01	1	
(1)	996 803 980 01	airbag unit 3-spoke steering wheel leather crest coloured	03-	1	IXPG	(2)	A 996 803 071 07	airbag unit see technical information GR.6 NR.2/03	-03	1	
	A28	black				(2)	996 803 071 08	airbag unit see technical information GR.6 NR.2/03	03-	1	
	C60	graphite grey				-	996 803 091 00	airbag unit	/L	1	M563
	S40	savanna				-	996 803 092 00	airbag unit	/R	1	M563
	G30	metropole blue				-	900 378 222 09	hexagon-head bolt M 6 X 16		8	M563
	J40	nephrite green	03			3	996 652 211 00	support for contact		1	M480
	M40	boxster red				(3)	996 652 213 00	support for contact		1	M249
	P20	cinnamon brown				4	900 378 137 09	hexagon-head bolt AM 8 X 95		2	
	D11	dark grey/natural				5	996 803 611 00	hinge pin		1	
(1)	996 803 980 01	airbag unit 3-spoke steering wheel leather crest coloured	00	1	IXPC/M094	6	996 803 173 04	lid leatherette		1	
	T11	brown/natural					A18	black	-99		
(1)	996 803 980 03	airbag unit 3-spoke steering wheel leather crest silver	00	1	IXPA/XPB IXPC/XPD		B18	space grey	-99		
	8YR	black					C18	graphite grey	-99		
	C50	graphite grey					S18	savanna	-99		
	S30	savanna					G18	metropole blue	-99		
	G10	metropole blue					A12	black	00-		
	B50	space grey					B52	space grey	00		
	M30	boxster red					C52	graphite grey	00-		
							S32	savanna	00-		
							G12	metropole blue	00-		
							J32	nephrite green	-03		

Model	Year	MG	SG	Illustration	Restrictions	UPD	14:05	24.01.2010	PORSCHE	PET	PORSCHE
996	2005	4	03	403-06		248					

Pos	Part Number	Description	Remark	Qty	Model	Pos	Part Number	Description	Remark	Qty	Model
(6)	996 803 173 05	lid leather		1							
	A11	black									
	B51	space grey									
	C51	graphite grey									
	S31	savanna									
	J31	nephrite green	-03								
	M31	boxster red									
	G11	metropole blue									
	D12	dark grey/natural									
	T12	brown/natural									
	P12	cinnamon brown									
7	996 618 217 01	switch unit		1	M562						
-	900 377 010 09	nut M 6		1	M562						
-	999 084 635 02	shear-off nut M 6		2	M562						
(7) A	996 618 219 00	control unit		1	M562/563						
(7)	996 618 219 02	control unit		1	M562/563						
-	900 377 010 09	nut M 6		1	M562/563						
-	944 618 401 00	nut M 6		2	M562/563						
-	996 618 221 00	sensor airbag	-01	2	M563						
-	996 618 221 01	sensor airbag	02-	2	M563						
-	999 073 152 09	oval-head screw M 6 X 18		4	M563						
8	900 146 024 07	oval-head screw M 5 X 8		2							

Model	Year	MG	SG	Illustration	Restrictions	UPD	14:05	24.01.2010	PORSCHE	PET	PORSCHE
996	2005	5	01	501-00		248					

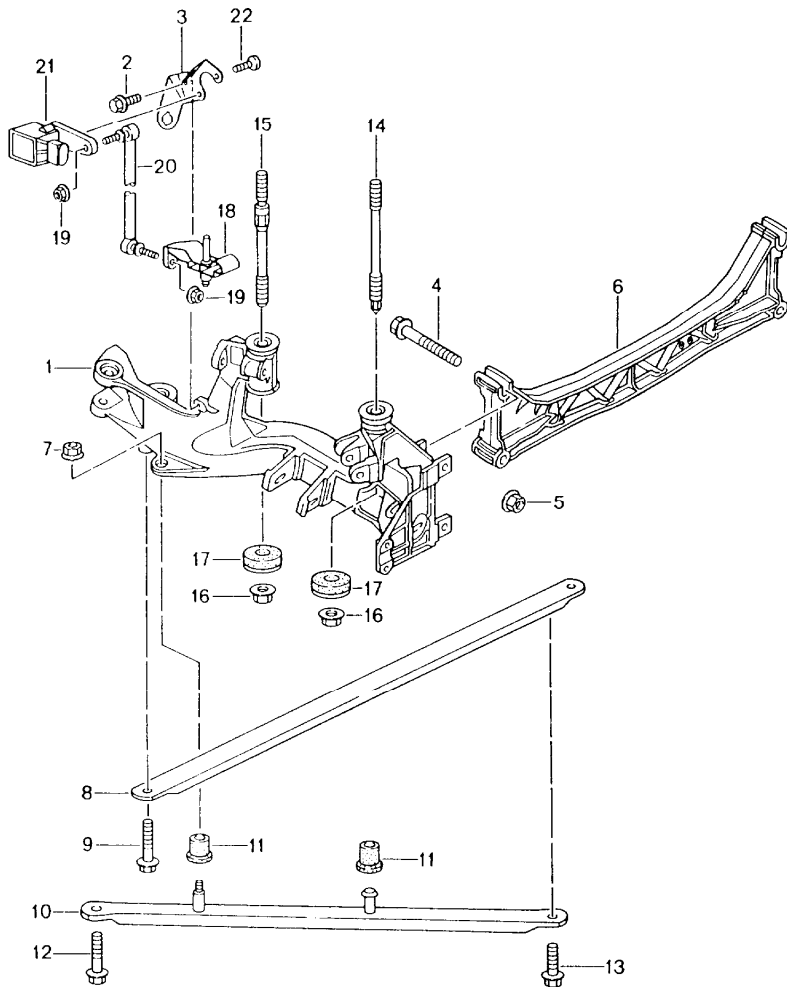


Pos	Part Number	Description	Remark	Qty	Model
		rear axle wheel carrier control arm wheel hub			
		see technical manual 42-27 42-28 42-29			
1	996 331 111 05	wheel carrier F >>99XS6 08187 F >>99XS6 46091 F >>99XS6 08184 F >>99XS6 46090	/L	1	
(1)	996 331 111 06	wheel carrier F 99XS6 08188>> F 99XS6 46092>> F 99XS6 08185>> F 99XS6 46091>>	/L	1	
(1)	996 331 112 05	wheel carrier F >>99XS6 08187 F >>99XS6 46091 F >>99XS6 08184 F >>99XS6 46090	/R	1	
(1)	996 331 112 06	wheel carrier F 99XS6 08188>> F 99XS6 46092>> F 99XS6 08185>> F 99XS6 46091>>	/R	1	
2	999 053 055 02	angular-contact bearing		2	
3	996 331 661 01	lid		2	
4	999 217 042 09	hexagon-head bolt M 8 X 35		8	
5	996 606 406 00	speed sensor		2	
6	900 067 117 09	pan-head screw M 6 X 16		2	
7	997 331 605 00	wheel hub		2	
8	996 331 047 02	wishbone	-01	2	
(8)	996 331 047 03	wishbone	-03	2	
(8)	996 331 047 05	wishbone	04-	2	
9	999 084 452 09	hexagon nut M 12 X 1,5		4	

Model	Year	MG	SG	Illustration	Restrictions	UPD	14:05	24.01.2010	PORSCHE	PET	PORSCHE
996	2005	5	01	501-00		248					

Pos	Part Number	Description	Remark	Qty	Model	Pos	Part Number	Description	Remark	Qty	Model
10	A 900 378 139 09	hexagon-head bolt M 12 X 80		4		23	996 361 617 00	spacer ring 17 MM with wheel bolt	01	2	IXRN
10	900 378 139 01	hexagon-head bolt M 12 X 80		4							
11	900 378 088 09	hexagon-head bolt M 12 X 100		4		(23)	996 361 617 00	spacer ring 17 MM with wheel bolt	02-	2	/C4S IXRN
12	999 084 445 09	hexagon nut M 12 X 1,5		10							
13	996 331 045 06	track rod F >>99WS6 00422		2		(23)	996 361 605 90	spacer ring 5 MM without wheel bolt	01-	2	IXRP
(13)	A 996 331 045 07	track rod		2							
(13)	A 996 331 045 08	track rod F 99WS6 00423>>		2							
(13)	996 331 045 12	track rod		2							
14	999 084 449 09	hexagon nut M 12 X 1,5		4							
15	996 331 217 02	eccentric screw M 12 X 83		2							
16	996 331 219 00	eccentric washer		2							
17	996 341 043 06	control arm		2							
18	900 378 051 09	hexagon-head bolt M 14 X 100		2							
19	A 900 380 012 09	hexagon nut M 14 X 1,5		4							
19	900 380 012 01	hexagon nut M 14 X 1,5		4							
20	A 900 378 135 09	hexagon-head bolt M 14 X 75		2							
20	900 378 135 01	hexagon-head bolt M 14 X 75		2							
21	A 996 341 053 07	wishbone	-03	2							
(21)	996 341 053 16	wishbone	04	2							
(21)	996 341 053 17	wishbone	05-	2							
22	996 331 217 03	eccentric screw		2							

Model	Year	MG	SG	Illustration	Restrictions	UPD	14:05	24.01.2010	PORSCHE	PET	PORSCHE
996	2005	5	01	501-01		248					

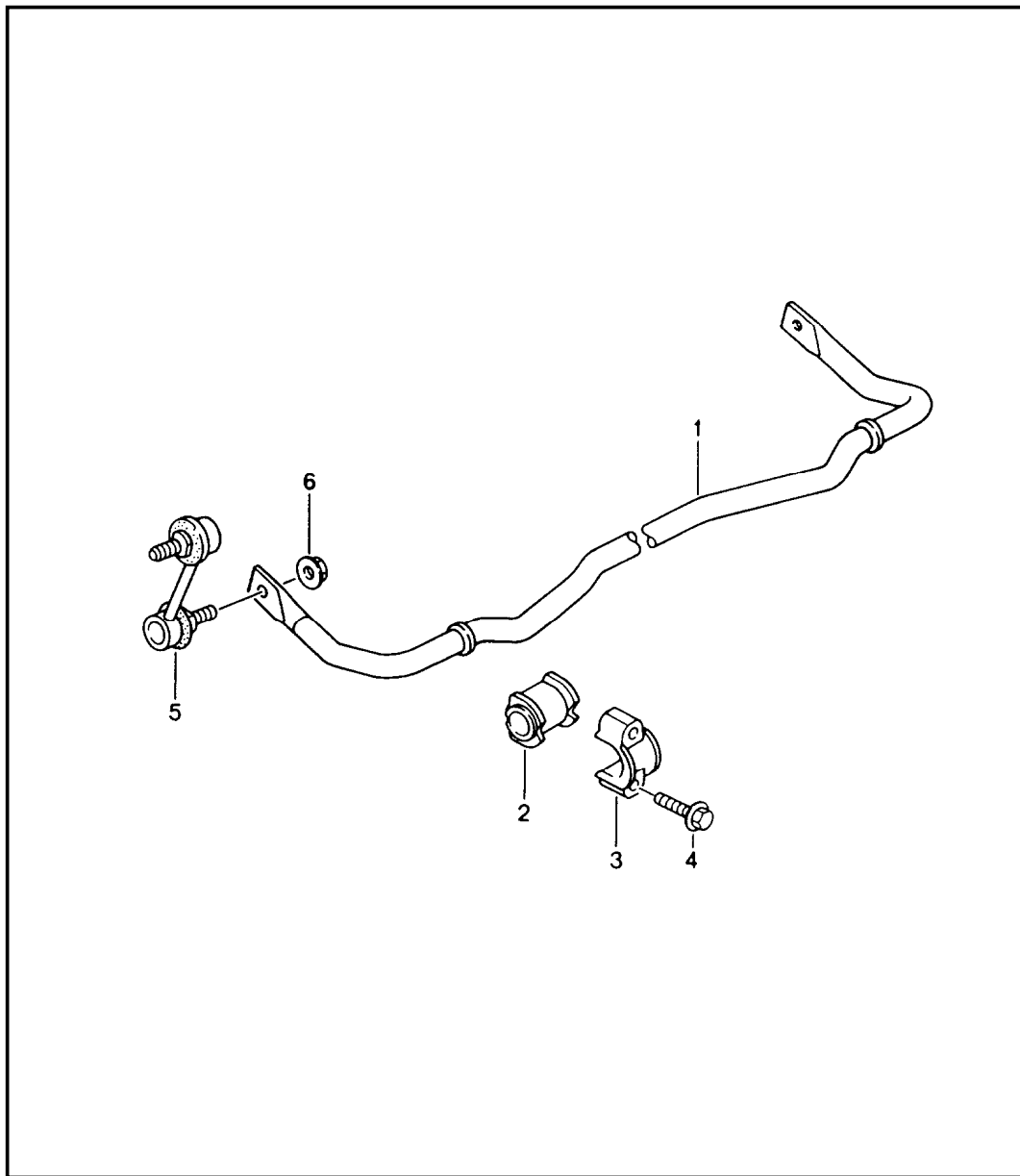


Pos	Part Number	Description	Remark	Qty	Model
		rear axle side section bracket			
1	A 996 331 051 01	side section	/L	1	
(1)	A 996 331 055 00	side section	/L	1	
(1)	996 331 055 01	side section	/L	1	
(1)	A 996 331 052 01	side section	/R	1	
(1)	A 996 331 056 00	side section	/R	1	
(1)	996 331 056 01	side section	/R	1	
2	900 067 117 09	pan-head screw M 6 X 16		2	
3	996 355 505 02	support for brake hose	/L	1	
(3)	996 355 505 04	support for brake hose	/L	1	M601
(3)	996 355 506 02	support for brake hose F >>994S6 30356 F >>994S6 03928 F >>994S6 42725	/R	1	
(3)	997 355 506 02	support for brake hose F 994S6 30357>> F 994S6 03929>> F 994S6 42726>>	/R	1	
4	A 900 378 139 09	combination screw M 12 X 80		4	
4	900 378 139 01	combination screw M 12 X 80		4	
5	999 084 445 09	hexagon nut M 12 X 1,5		4	
6	A 996 331 261 05	cross member	98	1	
(6)	A 996 331 261 06	cross member	-99	1	
(6)	A 996 331 261 07	cross member	-01	1	
(6)	A 996 331 261 10	cross member	02-	1	

Model	Year	MG	SG	Illustration	Restrictions	UPD	14:05	24.01.2010	PORSCHE	PET	PORSCHE
996	2005	5	01	501-01		248					

Pos	Part Number	Description	Remark	Qty	Model	Pos	Part Number	Description	Remark	Qty	Model
(6)	997 331 261 02	cross member		1		19	900 380 015 01	hexagon nut VM 6	99-	2	M601
7	999 076 053 09	hexagon nut M 10		2		20	996 331 375 01	strut	99-	1	M601
8	996 331 171 03	transverse strut front		1	M480	21	996 631 121 00	sensor	99-	1	M601
(8) A	996 331 171 04	transverse strut front		1	M249	22	N 014 129 12	oval-head screw M 5 X 10	99-	2	M601
(8)	997 331 171 00	transverse strut front		1	M249						
9 A	999 072 031 09	hexagon-head bolt M 10 X 45		2							
9	999 072 031 01	hexagon-head bolt M 10 X 45		2							
10 A	996 331 081 02	strut	-04	2							
(10)	997 331 081 02	strut		2							
11	996 331 385 00	rubber mounting		6							
12 A	999 072 031 09	hexagon-head bolt M 10 X 45		2							
12	999 072 031 01	hexagon-head bolt M 10 X 45		2							
13 A	900 378 072 09	hexagon-head bolt M 12 X 30		2							
13	900 378 072 01	hexagon-head bolt M 12 X 30		2							
14	999 061 102 09	stud M 12 X 1,5		4							
15 A	999 061 103 09	stud M 12 X 1,5		2							
15	999 061 103 01	stud M 12 X 1,5		2							
16	999 084 445 09	hexagon nut M 12 X 1,5		6							
17	996 331 291 02	washer		6							
18	996 341 371 03	support	99-	1	M601						
19 A	900 380 015 09	hexagon nut VM 6	99-	2	M601						

Model	Year	MG	SG	Illustration	Restrictions	UPD	14:05	24.01.2010	PORSCHE	PET	PORSCHE
996	2005	5	01	501-03		248					

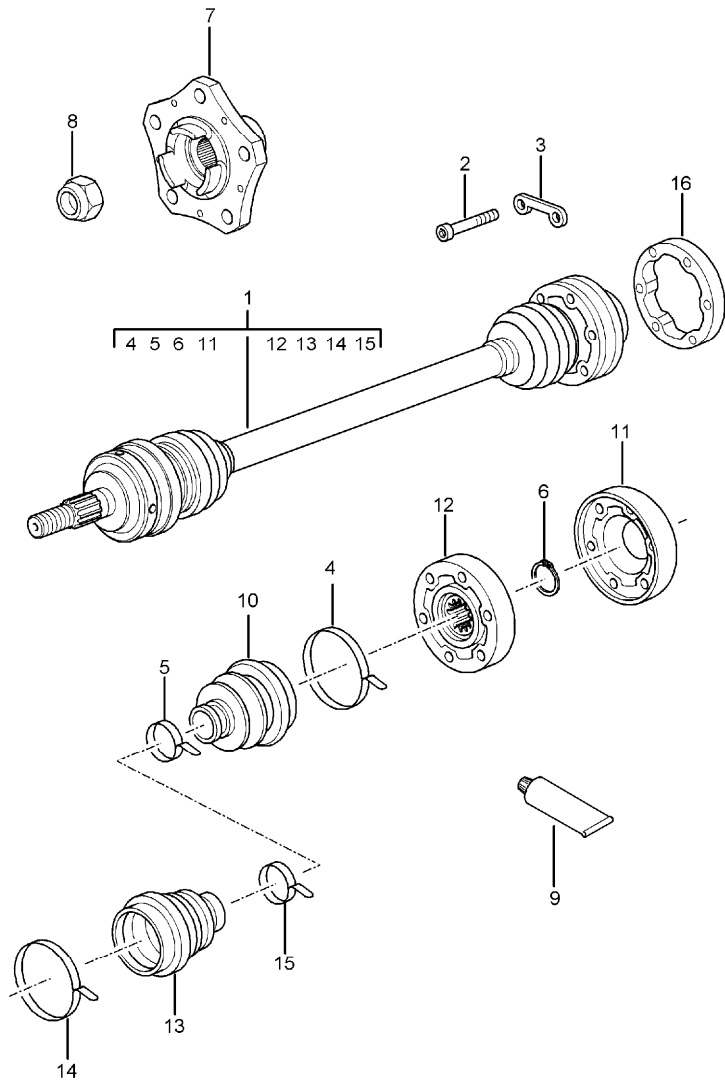


Pos	Part Number	Description	Remark	Qty	Model
		stabiliser see technical manual 42-27 42-28 42-29 F >>99XS6 08187 F >>99XS6 46091 F >>99XS6 08184 F >>99XS6 46090			
1	A 996 333 701 12	stabiliser		1	COUPE
				1	COUPE
				1	M030/249
				1	CABRIO
			99	1	CABRIO
				1	M339
(1)	A 996 333 701 13	stabiliser		1	COUPE
			99	1	M030/480
			99	1	COUPE
				1	M339
			99	1	CABRIO
			99	1	M030/339
				1	/338
				1	IX74
(1)	996 333 701 15	stabiliser		99	COUPE
				1	M030/339
		F 99XS6 08188>> F 99XS6 46092>> F 99XS6 08185>> F 99XS6 46091>>			
1	A 996 333 701 16	stabiliser 18,50 MM		1	COUPE
				1	M338
				1	COUPE
				1	M030/249/338
				1	CABRIO
				1	M338
				1	CABRIO
				1	M339
				1	CABRIO
				1	M030/249/338
(1)	A 996 333 701 17	stabiliser 19,60 MM		1	COUPE
				1	M030/338/480
				1	COUPE
				1	M339
				1	CABRIO
				1	M030/338/480
				1	CABRIO
				1	M030/339

Model	Year	MG	SG	Illustration	Restrictions	UPD	14:05	24.01.2010	PORSCHE	PET	PORSCHE
996	2005	5	01	501-03		248					

Pos	Part Number	Description	Remark	Qty	Model	Pos	Part Number	Description	Remark	Qty	Model
(1)	996 333 701 19	stabiliser 19,60 MM	00-	1	/338 IX74						
(1)	996 333 705 05	stabiliser 21,70 MM	00-	1	/339 IX74						
(1)	996 333 701 20	stabiliser 20,70 MM	02- 02-	1	COUPE M030/339						
(1)	996 333 701 19	stabiliser	02-	1	C4S						
(1)	996 333 701 19	stabiliser	02-	1	TARGA TARGA M030/249						
(1)	996 333 701 20	stabiliser	02- 02- 02-	1	TARGA M030/480 C4S						
2	996 333 792 24	stabiliser mounting 18,70 MM	98-	2							
(2)	996 333 792 25	stabiliser mounting 19,80 MM	98-	2							
(2)	996 333 792 26	stabiliser mounting 20,90 MM	02- 02-	2	TARGA TARGA M030/249						
(2)	996 333 792 26	stabiliser mounting	02-	2	C4S						
3	996 333 777 01	bearing clamp	98-	2							
4	900 378 055 09	hexagon-head bolt AM 8 X 40	98-	4							
5	996 333 069 02	stabiliser mounting	-99	2							
(5)	996 333 069 03	stabiliser mounting	00-	2							
6	999 084 643 09	hexagon nut M 10	98-	2							

Model	Year	MG	SG	Illustration	Restrictions	UPD	14:06	24.01.2010	PORSCHE	PET	PORSCHE
996	2005	5	01	501-05		248					

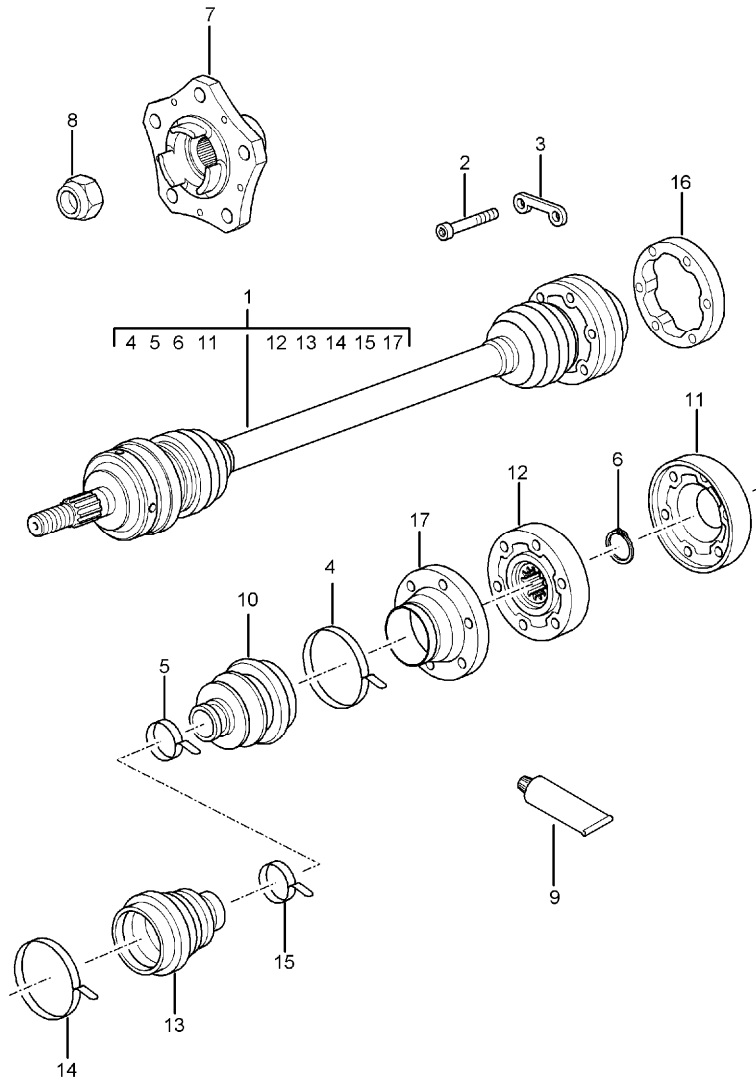


Pos	Part Number	Description	Remark	Qty	Model
		drive shaft			
		wheel hub			
		F >>992S6 03555			M480
		F >>992S6 42147			M480
		F >>992S6 30713			M480
		F >>992S6 03622			M249
		F >>992S6 42181			M249
		F >>992S6 30736			M249
1	996 332 024 04	drive shaft	-01	2	M249
(1)	996 332 024 05	drive shaft	02-	2	M249
(1)	996 332 024 03	drive shaft		2	M480
2	900 067 123 09	pan-head screw M 10 X 50		12	M480
2	900 067 123 02	pan-head screw M 10 X 50	-01	12	M249
(2)	999 510 041 09	pan-head screw M 10 X 65		12	M249
3	993 332 191 00	plate		6	
4	911 332 257 00	clip \$ 73 MM		2	
5	928 332 257 01	clip \$ 34 MM		2	
6	900 041 014 00	circlip		2	
7	997 331 605 00	wheel hub		2	
8	999 084 641 02	lock nut M 22 X 1,5		2	
9	000 043 110 00	grease 1 100-gramme tube		X	
(9)	000 043 205 36	sealing compound drive shaft 1 100-gramme tube		X	
10	928 332 293 02	dust bellows		2	
-	911 332 259 01	bellow support for dust bellows		2	
11	A 928 332 267 01	lid		2	
11	997 332 267 00	lid		2	

Model	Year	MG	SG	Illustration	Restrictions	UPD	14:06	24.01.2010	PORSCHE	PET	PORSCHE
996	2005	5	01	501-05		248					

Pos	Part Number	Description	Remark	Qty	Model	Pos	Part Number	Description	Remark	Qty	Model
12	911 332 030 01	joint		2							
13	928 332 293 02	dust bellows		2							
14	911 332 257 00	clip		2							
15	928 332 257 01	clip		2							
16	996 332 229 01	spacer ring	02-	2	M249						

Model	Year	MG	SG	Illustration	Restrictions	UPD	14:06	24.01.2010	PORSCHE	PET	PORSCHE
996	2005	5	01	501-06		248					

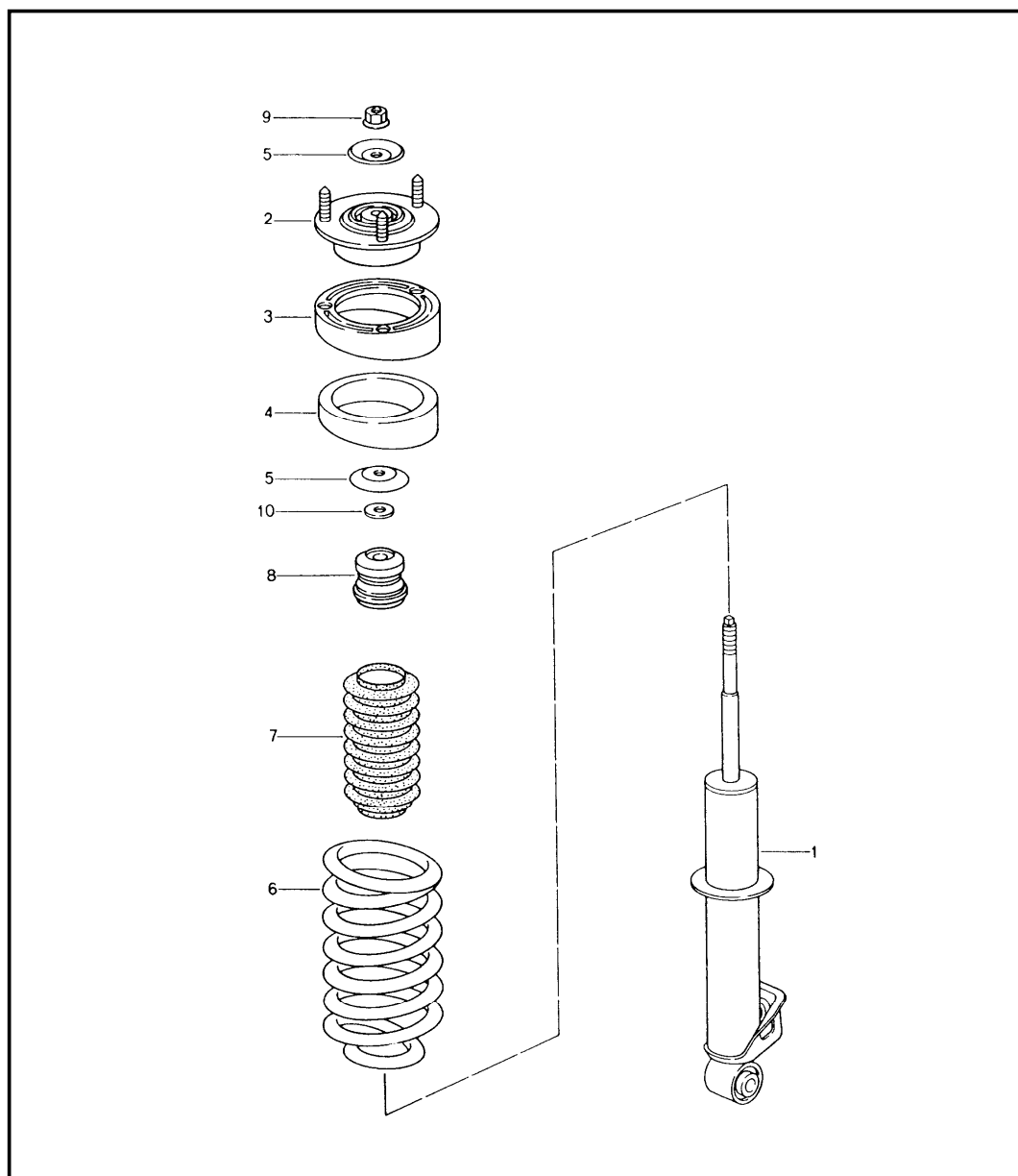


Pos	Part Number	Description	Remark	Qty	Model
		drive shaft			
		wheel hub			
		F 992S6 03556>>			M480
		F 992S6 42148>>			M480
		F 992S6 30714>>			M480
		F 992S6 03623>>			M249
		F 992S6 42182>>			M249
		F 992S6 30737>>			M249
1	996 332 024 06	drive shaft		2	M480
(1)	996 332 024 07	drive shaft		2	M249
2	A 900 067 229 09	pan-head screw M 10 X 48,4		12	M480
2	900 067 229 01	pan-head screw M 10 X 48,4		12	M480
(2)	999 510 043 09	pan-head screw M 10 X 61		12	M249
3	993 332 191 00	plate		6	
(3)	996 332 191 00	plate		6	
4	996 332 957 00	clip \$ 73 MM		2	
5	996 332 257 00	clip \$ 34 MM		2	
6	900 041 014 00	circlip		2	
7	997 331 605 00	wheel hub		2	
8	999 084 641 02	lock nut M 22 X 1,5	-03	2	
(8)	999 084 641 02	lock nut M 22 X 1,5	04-	2	
9	000 043 110 01	grease for drive shaft 1 100-gramme tube		X	
10	996 332 293 00	dust bellows		2	
11	A 928 332 267 01	lid		2	
11	997 332 267 00	lid		2	
12	996 332 030 00	joint		2	
13	996 332 293 00	dust bellows		2	
14	996 332 957 00	clip		2	

Model	Year	MG	SG	Illustration	Restrictions	UPD	14:06	24.01.2010	PORSCHE	PET	PORSCHE
996	2005	5	01	501-06		248					

Pos	Part Number	Description	Remark	Qty	Model	Pos	Part Number	Description	Remark	Qty	Model
15	996 332 257 00	clip		2							
16	A 996 332 229 00	spacer ring	02	2	M249						
(16)	996 332 229 01	spacer ring	03-	2	M249						
17	996 332 259 00	bellow support		2							

Model	Year	MG	SG	Illustration	Restrictions	UPD	14:06	24.01.2010	PORSCHE	PET	PORSCHE
996	2005	5	02	502-00		248					



Pos	Part Number	Description	Remark	Qty	Model
		shock absorber coil spring			
1	996 333 051 04	shock absorber - bilstein -	-01	2	
(1)	996 333 051 21	vibration damper - bilstein -	02	2	
(1) A	996 333 051 25	shock absorber - bilstein -	03	2	
(1)	996 333 051 33	shock absorber - bilstein -	04-	2	
(1)	996 333 051 13	shock absorber - bilstein -	-01	2	M030
(1)	996 333 051 22	vibration damper - bilstein -	02	2	M030
(1)	996 333 051 26	shock absorber - bilstein -	03	2	M030
(1)	996 333 051 34	shock absorber - bilstein -	04-	2	M030
(1)	996 333 051 24	vibration damper - bilstein -	02	2	C4S
(1) A	996 333 051 28	shock absorber - bilstein -	03	2	C4S COUPE
(1)	996 333 051 40	shock absorber - bilstein -	04-	2	C4S COUPE
(1) U	996 333 051 30	shock absorber - bilstein -	04-	2	C4S CABRIO
(1)	996 333 051 41	shock absorber - bilstein -	04-	2	C4S CABRIO
(1)	996 333 051 26	shock absorber - bilstein -	04-	2	M095
(1)	996 333 980 06	shock absorber	-01	2	IX74
(1) A	996 333 980 10	shock absorber	02-03	2	IX74
(1) A	996 333 980 10	shock absorber	03	2	IX73 C4S COUPE
(1)	996 333 980 24	vibration damper	04- 04- 04-	2	IX73 C4S COUPE IX74

Model	Year	MG	SG	Illustration	Restrictions	UPD	14:06	24.01.2010	PORSCHE	PET	PORSCHE
996	2005	5	02	502-00		248					

Pos	Part Number	Description	Remark	Qty	Model	Pos	Part Number	Description	Remark	Qty	Model
-	A 900 378 138 09	mount shock absorber		2		(6)	996 333 531 04	identification brown white		1	COUPE M249
-	900 378 138 01	hexagon-head bolt M 12 X 1,5 X 70		2				coil spring 1 set			
-	999 084 445 09	hexagon nut M 12 X 1,5		2			504	identification brown red F >>991S6 41090 F >>991S6 00547 F >>991S6 40407 F >>991S6 40432			
2	996 333 059 03	supporting mount		2							
-	A 900 380 008 09	hexagon nut M 10		6		(6)	996 333 531 37	coil spring 1 set	-01	1	COUPE M249
-	900 380 008 01	hexagon nut M 10		6							
3	996 333 511 02	compensating plate 0,5 MM		X			504	identification brown red F 991S6401091>> F 991S6 00548>> F 991S6 40408>> F 991S6 40433>>			
(3)	996 333 511 03	compensating plate 4,0 MM		X							
4	993 333 504 00	ring		2							
5	996 333 107 00	stop plate		4		(6)	996 333 531 24	coil spring 1 set	02-	1	COUPE M249
6	996 333 531 03	coil spring 1 set		1	COUPE M480						
		504 identification brown white F >>991S6 41090 F >>991S6 00547 F >>991S6 40407 F >>991S6 40432				(6)	996 333 531 04	coil spring 1 set		1	CABRIO M480
(6)	996 333 531 36	coil spring 1 set	-01	1	COUPE M480						
		504 identification brown white F 991S6 41091>> F 991S6 00548>> F 991S6 40408>> F 991S6 40433>>				(6)	996 333 531 37	coil spring 1 set	-01	1	CABRIO M480
(6)	996 333 531 23	coil spring 1 set	02-	1	COUPE M480						

Model	Year	MG	SG	Illustration	Restrictions	UPD	14:06	24.01.2010	PORSCHE	PET	PORSCHE
996	2005	5	02	502-00		248					

Pos	Part Number	Description	Remark	Qty	Model	Pos	Part Number	Description	Remark	Qty	Model
	504	identification brown red F 991S6 41091>> F 991S6 00548>> F 991S6 40408>> F 991S6 40433>>					504	identification blue yellow F >>991S6 41090 F >>991S6 00547 F >>991S6 40407 F >>991S6 40432			
(6)	996 333 531 24	coil spring 1 set	02-	1	CABRIO M480 1 TARGA M480	(6)	996 333 531 11	coil spring 1 set		1	M030/480 COUPE
	504	identification brown red					504	identification green white F >>991S6 41090 F >>991S6 00547 F >>991S6 40407 F >>991S6 40432			
(6)	996 333 531 05	coil spring 1 set		1	CABRIO M249	(6)	996 333 531 39	coil spring 1 set	-01	1	M030/480 COUPE
	504	identification brown yellow F >>991S6 41090 F >>991S6 00547 F >>991S6 40407 F >>991S6 40432					504	identification green white F 991S6 41091>> F 991S6 00548>> F 991S6 40408>> F 991S6 40433>>			
(6)	996 333 531 38	coil spring 1 set	-01	1	CABRIO M249	(6)	996 333 531 26	coil spring 1 set	02-	1	M030/480 COUPE
	504	identification brown yellow F 991S6 41091>> F 991S6 00548>> F 991S6 40408>> F 991S6 40433>>					504	identification green white			
(6)	996 333 531 25	coil spring 1 set	02-	1	CABRIO M249 1 TARGA M249	(6)	996 333 531 12	coil spring 1 set		1	M030/249 COUPE
	504	identification brown yellow					504	identification green red F >>991S6 41090 F >>991S6 00547 F >>991S6 40407 F >>991S6 40432		1	M030/480 CABRIO
(6)	A 996 333 531 18	coil spring 1 set		1	CABRIO M249	(6)	996 333 531 40	coil spring 1 set	-01 -01	1 1	M030/249 COUPE M030/480 CABRIO

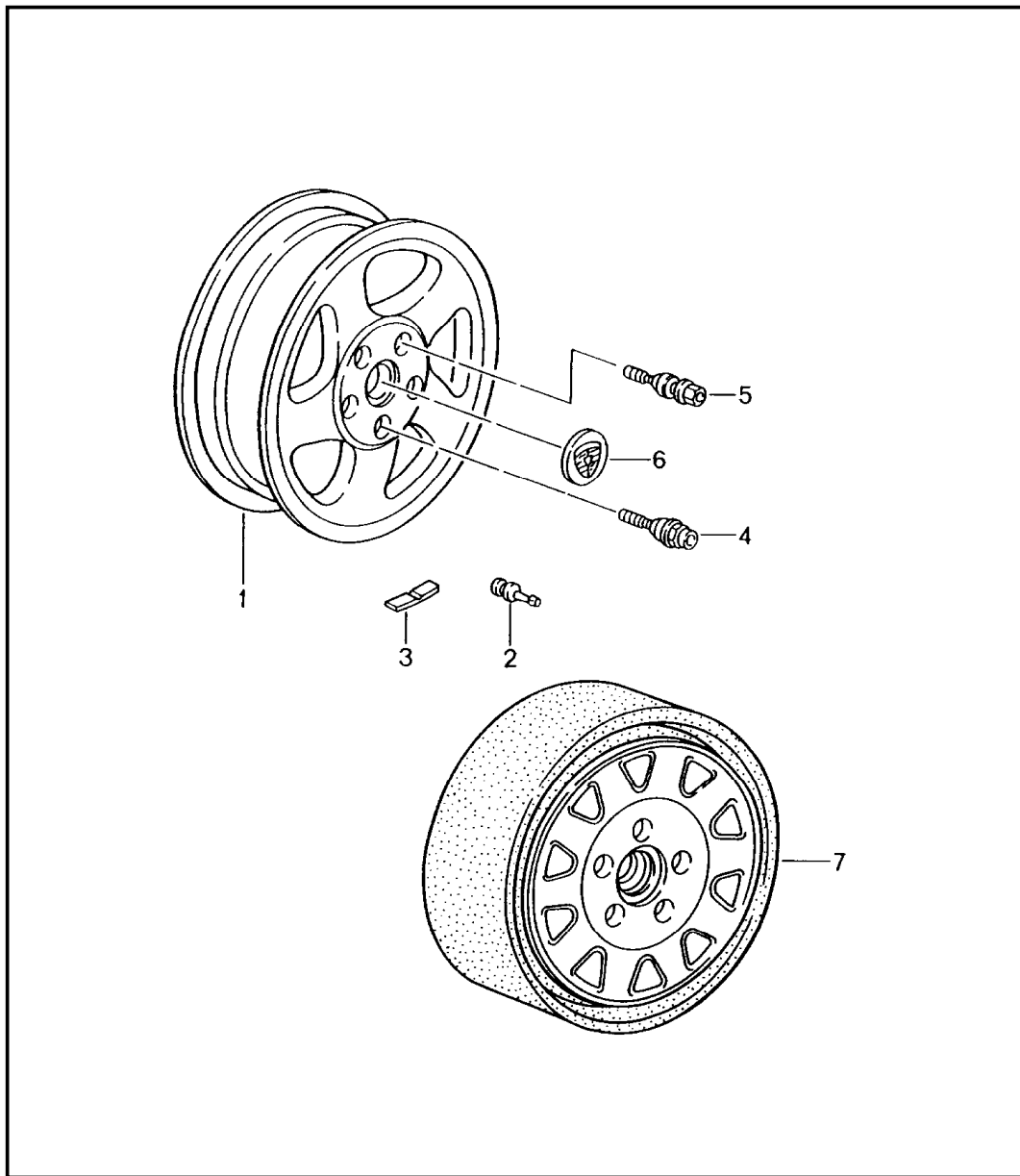
Model	Year	MG	SG	Illustration	Restrictions	UPD	14:06	24.01.2010	PORSCHE	PET	PORSCHE
996	2005	5	02	502-00		248					

Pos	Part Number	Description	Remark	Qty	Model	Pos	Part Number	Description	Remark	Qty	Model
	504	identification green red F 991S6 41091>> F 991S6 00548>> F 991S6 40408>> F 991S6 40433>>					504	identification blue white			
(6)	996 333 531 27	coil spring	02-	1	M030/249 COUPE	(6)	996 333 531 49	coil spring 1 set	02-	1	C4S COUPE
			02-	1	M030/480 CABRIO		504	identification blue red			
			02-	1	M030/480 TARGA	(6) U	996 333 531 53	coil spring 1 set	04-	1	C4S CABRIO
		1 set					504	identification blue violet			
	504	identification green red				(6)	996 333 531 58	coil spring 1 set	04-	1	C4S CABRIO
(6)	996 333 531 13	coil spring 1 set		1	M030/249 CABRIO		504	identification blue violet			
	504	identification green yellow F >>991S6 41090 F >>991S6 00547 F >>991S6 40407 F >>991S6 40432				(6)	996 333 531 56	coil spring 1 set	04-	1	M095
(6)	996 333 531 41	coil spring 1 set	-01	1	M030/249 CABRIO		504	identification green green			
	504	identification green yellow F 991S6 41091>> F 991S6 00548>> F 991S6 40408>> F 991S6 40433>>				(6)	996 333 980 07	coil spring 1 set	-01	1	IX74
(6)	996 333 531 28	coil spring	02-	1	M030/249 CABRIO		504	identification red lilac creamy white			
			02-	1	M030/249 TARGA		504	identification red lilac creamy white F >>992S6 03565			
		1 set				(6)	996 333 980 11	coil spring 1 set		1	IX74
	504	identification green yellow					504	identification red lilac creamy white F 992S6 03566>>	02-	1	IX74
(6)	996 333 531 48	coil spring 1 set	02-	1	C4S COUPE		504	identification red lilac creamy white F 992S6 03566>>			
						(6)	996 333 980 13	coil spring 1 set	03-	1	IX73 C4S

Model	Year	MG	SG	Illustration	Restrictions	UPD	14:06	24.01.2010	PORSCHE	PET	PORSCHE
996	2005	5	02	502-00		248					

Pos	Part Number	Description	Remark	Qty	Model	Pos	Part Number	Description	Remark	Qty	Model
	504	identification creamy white silver			COUPE						
7	993 333 107 01	bellows		2							
8	996 333 105 02	additional spring		2							
(8)	964 333 105 80	additional spring	-01	2	IX74						
-	911 333 511 00	washer	-01	2	IX74						
(8) A	996 333 105 03	additional spring		2	M030						
(8)	996 333 105 03	additional spring		2	M030						
			02-	2	C4S						
(8)	996 333 105 03	additional spring	02-	2	IX74						
(8)	996 333 105 03	additional spring	03-	2	IX73 C4S COUPE						
9	999 084 445 09	hexagon nut M 10		2							
10	999 025 240 02	washer mount shock absorber		2							
- A	900 378 138 09	hexagon-head bolt M 12 X 1,5 X 70		2							
-	900 378 138 01	hexagon-head bolt M 12 X 1,5 X 70		2							
-	999 084 445 09	hexagon nut M 12 X 1,5		2							
- A	900 380 008 09	hexagon nut M 10		6							
-	900 380 008 01	hexagon nut M 10		6							

Model	Year	MG	SG	Illustration	Restrictions	UPD	14:06	24.01.2010	PORSCHE	PET	PORSCHE
996	2005	6	01	601-00		248					



Pos	Part Number	Description	Remark	Qty	Model
		wheels			
1	993 362 134 05	disc wheel 7,5 J X 18 ET 50	/V	2	M408
(1)	993 362 134 06	disc wheel 7,5 J X 18 ET 50	/V	-01	2 M413
(1)	993 362 136 01	disc wheel 8 J X 18 ET52	/V	02-	2 M413
(1)	993 362 136 50	disc wheel 8 J X 18 ET52	/V	02-	2 IXRB
(1)	996 362 136 50	disc wheel 8 J X 18 ET 52	/V	02-	2 IXRL
(1)	996 362 136 51	disc wheel 8 J X 18 ET 50	/V	02-	2 IXRC
(1)	996 362 136 07	disc wheel 8 J X 18 ET 50	/V	04	2 M417
(1)	996 362 124 00	disc wheel 7 J X 17 ET 55 for winter use	/V		2 M396
(1)	993 362 140 01	disc wheel 10 J X 18 ET 65	/H		2 M408
(1)	993 362 140 04	disc wheel 10 J X 18 ET 65	/H		2 M413
(1)	993 362 140 50	disc wheel 10 J X 18 ET 65	/H	02-	2 IXRB
(1)	996 362 128 00	disc wheel 9 J X 17 ET 55	/H		2 M396
(1)	996 362 140 50	disc wheel 10 J X 18 ET 65	/H	02-	2 IXRL

Model	Year	MG	SG	Illustration	Restrictions	UPD	14:06	24.01.2010	PORSCHE	PET	PORSCHE
996	2005	6	01	601-00		248					

Pos	Part Number	Description	Remark	Qty	Model	Pos	Part Number	Description	Remark	Qty	Model
(1)	996 362 142 51	disc wheel 11 J X 18 ET 63	/H 02-03	2	IXRC	(1)	996 362 128 02	disc wheel 9 J X 17 ET 55	/H 02-	2	M392
(1)	996 362 142 52	disc wheel 11 J X 18 ET 63	/H 04-	2	IXRC	(1)	996 362 140 03	disc wheel 10 J X 18 ET 65	/H 02-	2	M411
(1)	996 362 124 01	disc wheel 7 J X 17 ET 55	/V 99-	2	M399	(1)	996 362 142 10	disc wheel 11 J X 18 ET 45	/H 02	2	C4S M415
(1) A	993 362 134 07	disc wheel 7,5 J X 18 ET 50	/V 00-	2	M414	(1)	996 362 142 10	disc wheel 11 J X 18 ET 45	/H 03-	2	C4S M415
(1)	993 362 134 08	disc wheel 7,5 J X 18 ET 50	/V 00-	2	M414	(1)	996 362 142 02	disc wheel 11 J X 18 ET 45	/H 04-	2	C4S M416
(1)	996 362 124 02	disc wheel 7 J X 17 ET 50	/V 02-	2	M392	(1)	996 362 140 01	disc wheel 10 J X 18 ET 47 for winter use	/H 02	2	M415 C4S
(1)	996 362 136 01	disc wheel 8 J X 18 ET 50	/V 02-	2	C4S M415	(1)	996 362 140 02	disc wheel 10 J X 18 ET 47 for winter use	/H 03-	2	M415 C4S
(1)	996 362 136 02	disc wheel 8 J X 18 ET 50	/V 04-	2	C4S M416	(1)	996 362 126 05	disc wheel 8,5 J X 17 ET 50 for winter use	/H	2	
(1)	996 362 136 03	disc wheel 8 J X 18 ET 50	/V 02-	2	M411	(1)	996 362 140 04	disc wheel 10 J X 18 ET65	/H 03-	2	M415
(1)	993 362 136 08	disc wheel 8 J X 18 ET 52	/V 02-	2	M414	(1)	996 362 140 07	disc wheel 10 J X 18 ET 65	/H 04	2	M417
(1)	996 362 136 01	disc wheel 8 J X 18 ET 50	/V 03-	2	M415	2	900 265 001 50	valve rubber		4	M396 M392
(1)	996 362 128 01	disc wheel 9 J X 17 ET 55	/H 99-	2	M399	(2)	993 361 073 00	valve steel		4	M408
(1) A	993 362 140 07	disc wheel 10 J X 18 ET 65	/H 00-	2	M414	(2)	993 361 073 00	valve steel	02-	4	IXRC
(1)	993 362 140 08	disc wheel 10 J X 18 ET 65	/H 00-	2	M414	3	901 361 410 50	balance stick-on weight 5 G.	-03	X	
						(3)	1K0 601 178 C	balance stick-on weight 5 G.	04-	X	

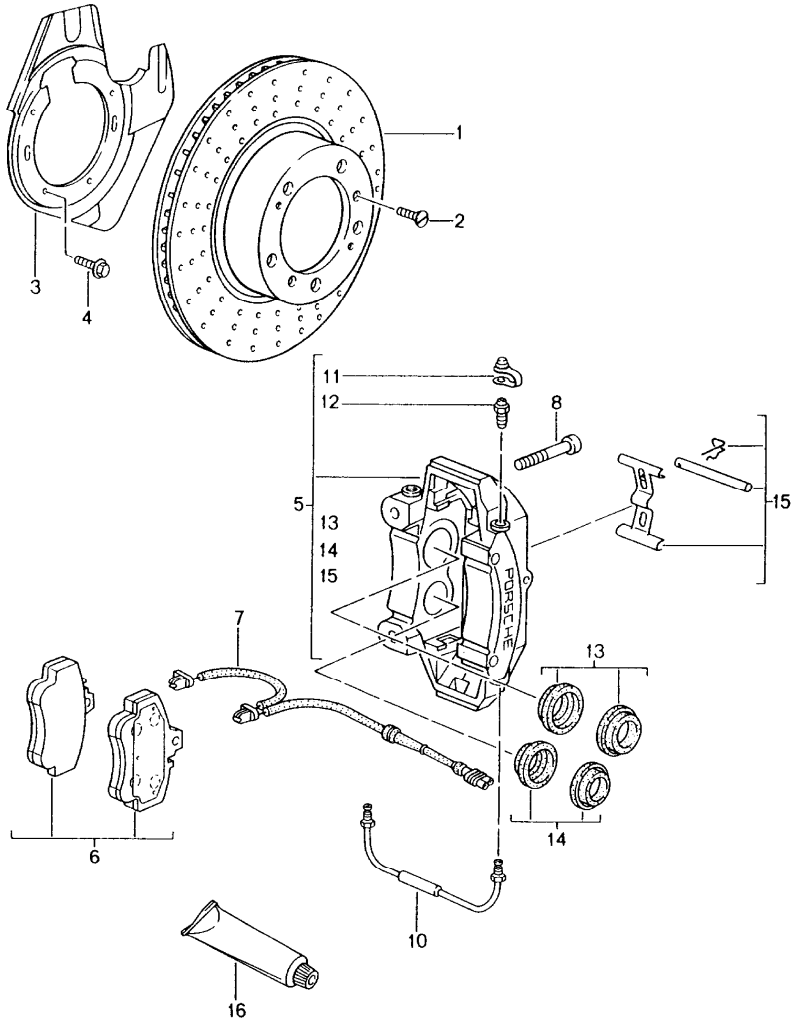
Model	Year	MG	SG	Illustration	Restrictions	UPD	14:06	24.01.2010	PORSCHE	PET	PORSCHE
996	2005	6	01	601-00		248					

Pos	Part Number	Description	Remark	Qty	Model	Pos	Part Number	Description	Remark	Qty	Model
(3)	901 361 410 00	balance stick-on weight 10 G.	-03	X		(3)	1K0 601 189 C	balance stick-on weight 55 G.	04-	X	
(3)	1K0 601 179 C	balance stick-on weight 10 G.	04-	X		(3)	901 361 415 00	balance stick-on weight 60 G.	-03	X	
(3)	901 361 411 50	balance stick-on weight 15 G.	-03	X		(3)	1K0 601 190 C	balance stick-on weight 60 G.	04-	X	
(3)	1K0 601 181 C	balance stick-on weight 15 G.	04-	X		(3)	997 361 465 00	balance stick-on weight 65 G.		X	
(3)	901 361 411 00	balance stick-on weight 20 G.	-03	X		(3)	997 361 470 00	balance stick-on weight 70 G.		X	
(3)	1K0 601 182 C	balance stick-on weight 20 G.	04-	X		(3)	997 361 475 00	balance stick-on weight 75 G.		X	
(3)	901 361 412 50	balance stick-on weight 25 G.	-03	X		(3)	997 361 480 00	balance stick-on weight 80 G.		X	
(3)	1K0 601 183 C	balance stick-on weight 25 G.	04-	X		(3)	997 361 485 00	balance stick-on weight 85 G.		X	
(3)	901 361 412 00	balance stick-on weight 30 G.	-03	X		(3)	997 361 490 00	balance stick-on weight 90 G.		X	
(3)	1K0 601 184 C	balance stick-on weight 30 G.	04-	X		4	996 361 057 00	wheel bolt anti-theft protection 1 set	-00	1	
(3)	901 361 413 50	balance stick-on weight 35 G.	-03	X		(4) A	996 361 057 01	wheel bolt anti-theft protection 1 set	-03	1	
(3)	1K0 601 185 C	balance stick-on weight 35 G.	04-	X		(4) A	996 361 057 02	set anti-theft protection 1 set	04-	1	
(3)	901 361 413 00	balance stick-on weight 40 G.	-03	X		(4)	997 361 057 02	set anti-theft protection 1 set	04-	1	
(3)	1K0 601 186 C	balance stick-on weight 40 G.	04-	X		(4) A	996 361 057 90	wheel bolt anti-theft protection 1 set	-03	1	IXRP
(3)	901 361 414 50	balance stick-on weight 45 G.	-03	X		(4)	996 361 980 02	wheel bolt anti-theft protection 1 set	04-	1	IXRP
(3)	1K0 601 187 C	balance stick-on weight 45 G.	04-	X		5 A	996 361 203 00	wheel bolt	-00	16	
(3)	901 361 414 00	balance stick-on weight 50 G.	-03	X		(5) A	996 361 203 01	wheel bolt see technical information group 4 NR.10/03	-03	16	
(3)	1K0 601 188 C	balance stick-on weight 50 G.	04-	X							
(3)	901 361 415 50	balance stick-on weight 55 G.	-03	X							

Model	Year	MG	SG	Illustration	Restrictions	UPD	14:06	24.01.2010	PORSCHE	PET	PORSCHE
996	2005	6	01	601-00		248					

Pos	Part Number	Description	Remark	Qty	Model	Pos	Part Number	Description	Remark	Qty	Model
(5)	996 361 203 02	wheel bolt see technical information group 4 NR.10/03	04-	16		(6)	996 361 306 00	hub cap	02-	4	C4S
							9A1	silver			
(5) A	996 361 203 90	wheel bolt see technical information group 4 NR.10/03	-03	16	IXRP	(6)	996 361 303 12	hub cap	04	4	M417
						7	996 362 030 00	emergency wheel		1	M338
(5)	996 361 980 00	wheel bolt see technical information group 4 NR.10/03	04-	16	IXRP	(7)	996 362 050 00	emergency wheel	-03	1	M339
						(7)	996 362 050 01	emergency wheel	04-	1	M339
-	999 182 003 36	wheel nut	01	10	IXRN	(7) A	996 362 020 01	emergency wheel	03-	1	C4S M450
-	999 182 003 36	wheel nut	02-	10	/C4S IXRN	(7)	996 362 020 03	emergency wheel	04-	1	C4S M450
6	993 361 303 05	hub cap	-99	4	M338	-	997 652 051 00	compressor for emergency wheel		1	
	61M	silver				-	996 361 411 00	belt for emergency wheel	03-	1	C4S M450
(6)	993 361 303 11	hub cap	00	4	M338						
	61M	silver									
(6)	993 361 303 11	hub cap	02-	4	M338						
	9A1	silver									
(6)	996 361 303 05	hub cap	99	4	M339						
	9A1	silver									
(6)	996 361 303 10	hub cap	00-	4	M339						
	9A1	silver									
(6) A	993 361 303 09	hub cap	-99	4	M446						
	92T	arctic silver metallic crest coloured									
(6)	993 361 303 10	hub cap	00-	4	M446						
	9A1	silver crest coloured									
(6) U	993 361 303 07	hub cap polished	00-	4	M094						
(6)	996 361 303 09	hub cap polished	00-	4	M094						

Model	Year	MG	SG	Illustration	Restrictions	UPD	14:06	24.01.2010	PORSCHE	PET	PORSCHE
996	2005	6	02	602-00		248					



Pos	Part Number	Description	Remark	Qty	Model
		disc brake front axle			
		brake disc only in pairs replace technical manual attention			M450
1	A 996 351 405 00	brake disc	/L	1	
(1)	996 351 405 01	brake disc	/L	1	
(1)	996 351 409 02	brake disc	/L	02-	C4S
(1)	> 996 351 031 02	brake disc	/L	-04	C4S M450
(1)	> 996 351 031 03	brake disc	/L	05-	C4S M450
(1)	A 996 351 406 00	brake disc	/R	1	
(1)	996 351 406 01	brake disc	/R	1	
(1)	996 351 410 02	brake disc	/R	02-	C4S
(1)	> 996 351 032 02	brake disc	/R	-04	C4S M450
(1)	> 996 351 032 03	brake disc	/R	05-	C4S M450
2	A 900 269 047 09	countersunk-head screw M 6 X 12		4	
2	900 269 047 01	countersunk-head screw M 6 X 12		4	
(2)	A 900 269 106 09	countersunk-head screw M 6 X 16		01-	IXRP
(2)	900 269 106 01	countersunk-head screw M 6 X 16		01-	IXRP
3	996 351 081 03	protective plate F >>99XS6 01169 F >>99XS6 01376 F >>99XS6 40765 F >>99XS6 40773	/L	2	
(3)	996 351 082 03	protective plate F >>99XS6 01169 F >>99XS6 01376 F >>99XS6 40765 F >>99XS6 40773	/R	2	

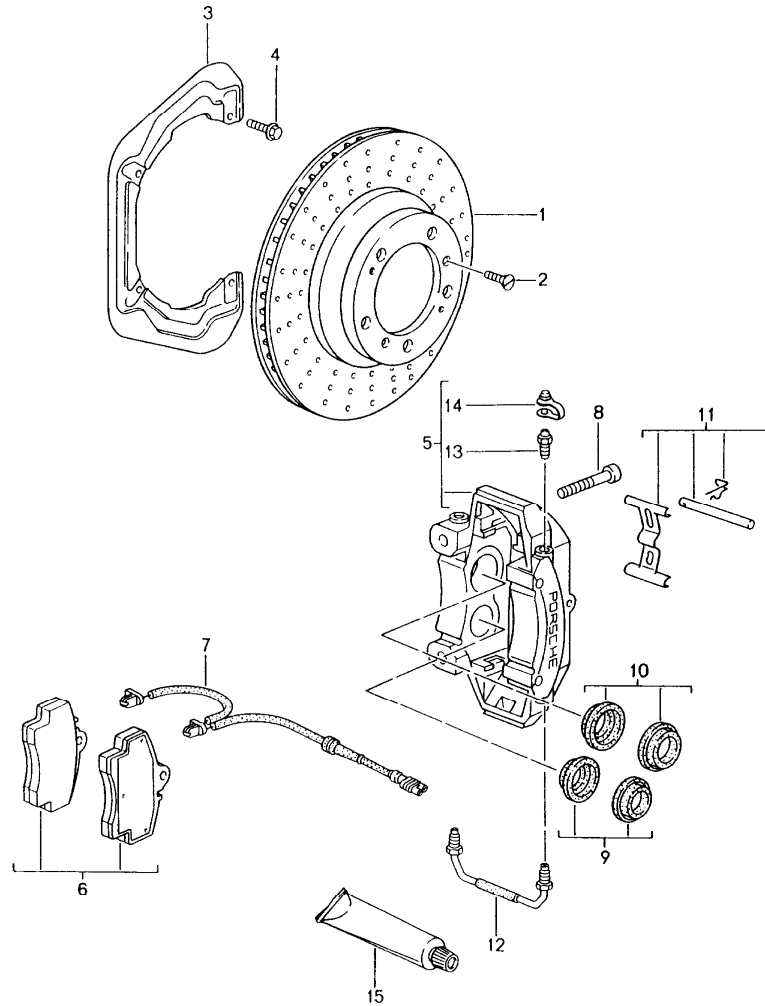
Model	Year	MG	SG	Illustration	Restrictions	UPD	14:06	24.01.2010	PORSCHE	PET	PORSCHE
996	2005	6	02	602-00		248					

Pos	Part Number	Description	Remark	Qty	Model	Pos	Part Number	Description	Remark	Qty	Model
(3)	996 351 801 04	protective plate F 99XS6 01170>> F 99XS6 01377>> F 99XS6 40766>> F 99XS6 40774>>	/L	1		(5)	996 351 430 10	fixed calliper without pad	/R 02-	1	C4S
(3)	996 351 802 04	protective plate F 99XS6 01170>> F 99XS6 01377>> F 99XS6 40766>> F 99XS6 40774>>	/R	1		(5)	996 351 432 30	fixed calliper without pad	/R 03-	1	C4S M450
(3)	996 351 805 00	protective plate	/L 02-	1	C4S	6 A	996 352 949 02	brake pad repair set		1	
(3)	996 351 805 00	protective plate	/L 03-	1	C4S M450	(6)	996 352 949 03	brake pad repair set		1	
(3)	996 351 806 00	protective plate	/R 02-	1	C4S	(6)	996 351 949 12	brake pad repair set	02-	1	C4S
(3)	996 351 806 00	protective plate	/R 03-	1	C4S M450	(6) A	996 351 947 01	brake pad repair set use also: mounting parts see technical manual group 46 Nr.3619	03-	1	C4S M450
4	999 217 116 09	hexagon-head bolt M 6 X 16		X		(6)	997 351 948 01	brake pad repair set use also: mounting parts see technical manual group 46 Nr.3619	03-	1	C4S M450
5	996 351 425 01	fixed calliper without pad	/L	1		-	996 351 088 01	damping plate		4	
(5)	996 351 426 01	fixed calliper without pad	/R	1		-	996 351 089 00	damping plate	02-	4	C4S
(5)	996 351 425 21	fixed calliper without pad F >>99YS6 02736 F >>99YS6 21335	/L 99-	1	M339	-	996 352 086 01	damping plate see technical manual group 46 Nr.3619	03-	6	C4S M450
(5)	996 351 425 22	fixed calliper without pad F 99YS6 02737>> F 99YS6 21336>>	/L 00-	1	M339	7	996 612 365 00	warning contact		2	
(5)	996 351 429 10	fixed calliper without pad	/L 02-	1	C4S	(7)	996 612 347 00	warning contact	03-	2	C4S M450
(5)	996 351 431 30	fixed calliper without pad	/L 03-	1	C4S M450	-	999 507 464 40	clip		2	
(5)	996 351 426 21	fixed calliper without pad F >>99YS6 02736 F >>99YS6 21335	/R 99-	1	M339	-	944 612 627 00	cable holder for warning contact		2	
(5)	996 351 426 22	fixed calliper without pad F 99YS6 02737>> F 99YS6 21336>>	/R 00-	1	M339	8 A	999 067 041 09	pan-head screw M 12 X 1,5 X 72		4	
						8	999 067 041 01	pan-head screw M 12 X 1,5 X 72		4	
						8	999 067 050 09	pan-head screw M 12 X 1.5 X 77	02-	4	C4S

Model	Year	MG	SG	Illustration	Restrictions	UPD	14:06	24.01.2010	PORSCHE	PET	PORSCHE
996	2005	6	02	602-00		248					

Pos	Part Number	Description	Remark	Qty	Model	Pos	Part Number	Description	Remark	Qty	Model
(8)	999 067 047 09	pan-head screw M 12 X 1,5 X 85	03-	4	C4S M450	(15)	996 351 959 30	repair kit mounting parts	03-	1	C4S M450
10	996 351 961 00	connecting line	/L	1		16	000 043 117 00	brake cylinder paste 50 G		X	
(10)	996 351 961 11	connecting line	/L	02-	1 C4S						
(10)	996 351 961 30	connecting line	/L	03-	1 C4S M450	16	000 043 020 00	optimoly 100 G		X	
(10)	996 351 962 00	connecting line	/R	1							
(10)	996 351 962 11	connecting line	/R	02-	1 C4S						
(10)	996 351 961 30	connecting line	/R	03-	1 C4S M450						
12	930 351 919 00	ventilation valve		2							
11	930 351 927 00	cap		2							
13	951 351 917 01	repair kit protection caps 40 MM \$		2							
(13)	928 351 917 00	repair kit protection caps 44 MM \$	02-	2	C4S						
14	951 351 917 00	repair kit protection caps 36 MM \$		2							
-	996 351 915 01	repair kit protection caps 38 MM \$	03-	2	C4S M450						
-	996 351 915 00	repair kit protection caps 32 MM \$	03-	2	C4S M450						
-	951 352 917 00	repair kit protection caps 28 MM \$	03-	2	C4S M450						
15	996 351 959 01	repair kit mounting parts bolt expanding spring securing clip		1 2 2 2							
(15)	996 351 959 11	repair kit mounting parts bolt expanding spring securing clip	02-	1	C4S						

Model	Year	MG	SG	Illustration	Restrictions	UPD	14:06	24.01.2010	PORSCHE	PET	PORSCHE
996	2005	6	03	603-00		248					



Pos	Part Number	Description	Remark	Qty	Model
		disc brake rear axle			
		brake disc only in pairs replace technical manual attention			M450
1	A 996 352 401 03	brake disc		2	
(1)	996 352 401 04	brake disc		2	
(1)	A 996 352 401 05	brake disc		2	
(1)	996 352 405 00	brake disc	/L	02-	1 C4S
(1)	> 996 352 031 02	brake disc	/L	-04	1 C4S M450
(1)	> 996 352 031 03	brake disc	/L	05-	1 C4S M450
(1)	996 352 406 00	brake disc	/R	02-	1 C4S
(1)	> 996 352 032 02	brake disc	/R	-04	1 C4S M450
(1)	> 996 352 032 03	brake disc	/R	05-	1 C4S M450
2	A 900 269 047 09	countersunk-head screw M 6 X 12		4	
2	900 269 047 01	countersunk-head screw M 6 X 12		4	
(2)	A 900 269 106 09	countersunk-head screw M 6 X 16	01-	4	IXRP
(2)	900 269 106 01	countersunk-head screw M 6 X 16	01-	4	IXRP
3	996 352 801 01	protective plate		2	
(3)	996 352 801 03	protective plate	02-	2	C4S
(3)	996 352 801 03	protective plate	03-	2	C4S M450
4	999 217 116 09	hexagon-head bolt M 6 X 16		X	
5	996 352 421 03	fixed calliper without pad	/L	1	M338

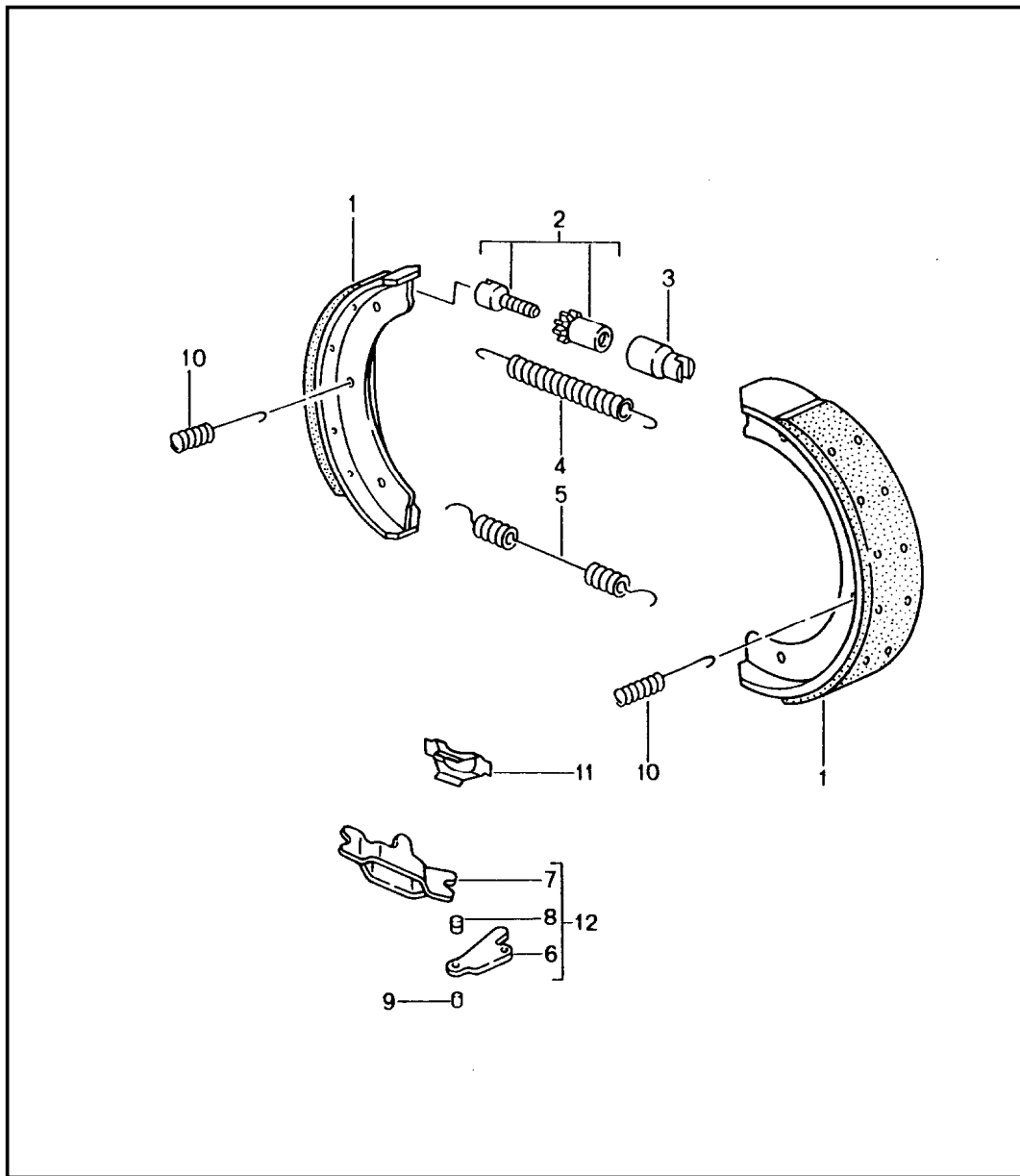
Model	Year	MG	SG	Illustration	Restrictions	UPD	14:06	24.01.2010	PORSCHE	PET	PORSCHE
996	2005	6	03	603-00		248					

Pos	Part Number	Description	Remark	Qty	Model	Pos	Part Number	Description	Remark	Qty	Model
(5)	996 352 421 23	fixed calliper without pad F >>99YS6 02736 F >>99YS6 21335	/L 99-	1	M339	-	964 352 096 01	damping plate 28 MM \$		4	
(5)	996 352 421 24	fixed calliper without pad F 99YS6 02737>> F 99YS6 21336>>	/L 00-	1	M339	-	964 352 096 00	damping plate 30 MM \$		4	
(5)	996 352 425 60	fixed calliper without pad	/L 02-	1	C4S	-	996 352 086 01	damping plate 28 MM \$ see technical manual group 46 Nr.3819	03-	8	C4S M450
(5)	996 352 423 30	fixed calliper without pad	/L 03-	1	C4S M450	7	996 612 365 00	warning contact		2	
(5)	996 352 422 03	fixed calliper without pad	/R	1	M338	(7)	996 612 348 00	warning contact	03-	2	C4S M450
(5)	996 352 422 23	fixed calliper without pad F >>99YS6 02736 F >>99YS6 21335	/R 99-	1	M339	8 A	999 067 041 09	pan-head screw M 12 X 1,5 X 72		4	
(5)	996 352 422 24	fixed calliper without pad F 99YS6 02737>> F 99YS6 21336>>	/R 00-	1	M339	8	999 067 041 01	pan-head screw M 12 X 1,5 X 72		4	
(5)	996 352 426 60	fixed calliper without pad	/R 02-	1	C4S	(8)	999 067 050 09	pan-head screw M 12 X 1,5 X 77	02-	4	C4S
(5)	996 352 424 30	fixed calliper without pad	/R 03-	1	C4S M450	(8)	999 067 047 09	pan-head screw M 12 X 1,5 X 85	03-	4	C4S M450
6	996 352 939 03	brake pad repair set		1		-	944 612 627 00	cable holder for warning contact		2	
(6) A	996 352 949 02	brake pad repair set		-04	C4S	9	951 352 917 01	repair kit protection caps 30 MM \$		2	
(6)	996 352 949 03	brake pad repair set		05-	C4S	10	951 352 917 00	repair kit protection caps 28 MM \$		2	
(6)	996 352 947 01	brake pad repair set see technical manual group 46 Nr.3819 use also: mounting parts		03-	C4S M450	11	996 352 959 01	repair kit mounting parts bolt expanding spring securing clip		1	
(6)	997 352 948 00	brake pad repair set see technical manual group 46 Nr.3819 use also: mounting parts		03-	C4S M450	(11)	996 351 959 01	repair kit mounting parts bolt expanding spring securing clip	02-	1	C4S

Model	Year	MG	SG	Illustration	Restrictions	UPD	14:06	24.01.2010	PORSCHE	PET	PORSCHE
996	2005	6	03	603-00		248					

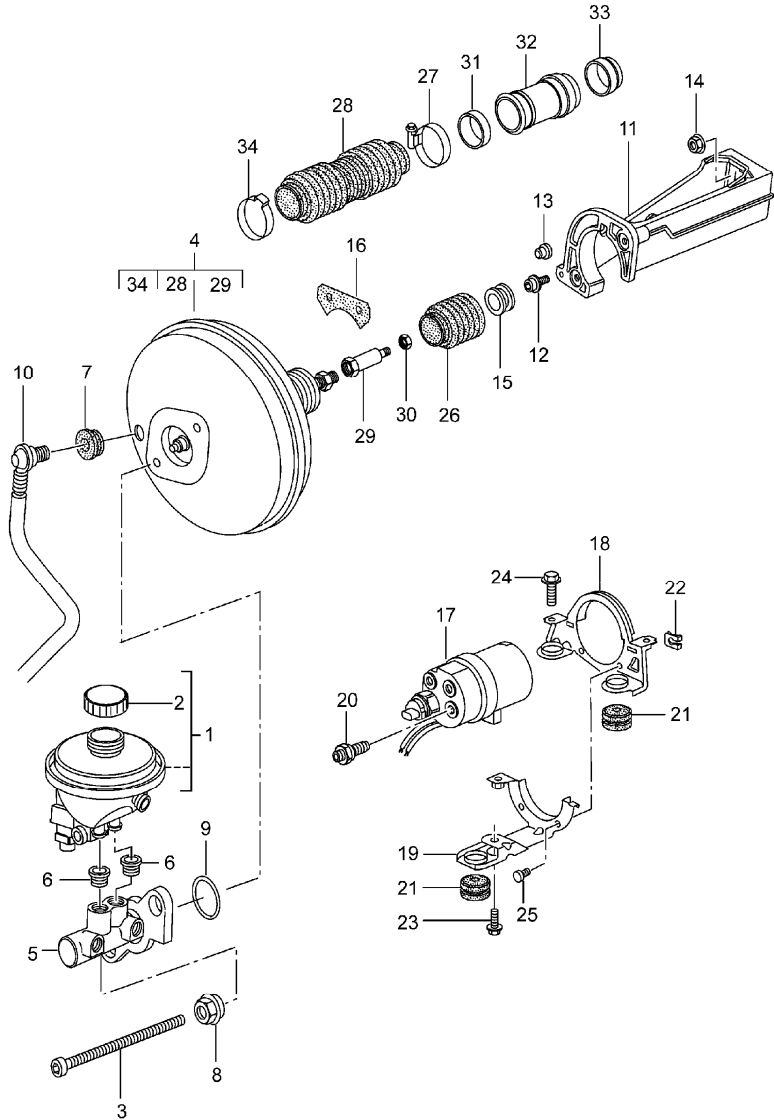
Pos	Part Number	Description	Remark	Qty	Model	Pos	Part Number	Description	Remark	Qty	Model
(11)	996 351 959 01	repair kit mounting parts bolt expanding spring securing clip	03-	1	C4S M450						
				2							
				2							
				2							
12	996 352 961 00	connecting line	/L	1							
(12)	996 351 962 00	connecting line	/L	02-	1 C4S						
(12)	996 352 961 30	connecting line	/L	03-	1 C4S M450						
(12)	996 352 962 00	connecting line	/R	1							
(12)	996 351 961 00	connecting line	/R	02-	1 C4S						
(12)	996 352 961 30	connecting line	/R	03-	1 C4S M450						
13	930 351 919 01	ventilation valve		4							
14	930 351 927 00	cap		4							
15	000 043 117 00	brake cylinder paste 50 G		X							
(15)	000 043 020 00	optimoly 100 G		X							

Model	Year	MG	SG	Illustration	Restrictions	UPD	14:07	24.01.2010	PORSCHE	PET	PORSCHE
996	2005	6	03	603-05		248					



Pos	Part Number	Description	Remark	Qty	Model
		handbrake			
1	928 352 097 10	brake shoe	-02	4	
(1)	996 352 993 02	brake shoe 1 set	03-	1	
2	993 352 071 00	adjusting screw		2	
4	997 352 721 00	tension spring short		2	
5	996 352 723 00	tension spring long		2	
6	928 352 441 01	actuating lever		2	
7	928 352 443 01	clip		2	
8	993 352 735 00	bolt		2	
9	993 352 737 00	bolt		2	
10	996 352 741 00	compression spring		4	
11	996 352 807 00	supporting plate		2	
12	993 352 073 00	push-button lock complete		2	

Model	Year	MG	SG	Illustration	Restrictions	UPD	14:07	24.01.2010	PORSCHE	PET	PORSCHE
996	2005	6	04	604-00		248					



Pos	Part Number	Description	Remark	Qty	Model
-	000 043 204 66	brake master cylinder brake booster pre-charge pump modification kit seal brake booster comprising: 999.512.672.00 996.423.269.05 999.512.478.00 996.355.911.00 996.355.909.00 996.355.907.00 996.355.927.01 900.380.015.09 F >>99YS6 00595 F >>99YS6 40393 see technical information group 4 NR.11/01		1	
1	996 355 013 00	brake fluid reservoir	-03	1	M338/480
(1)	996 355 013 01	brake fluid reservoir	04-	1	M338/480
(1)	996 355 013 20	brake fluid reservoir	-03	1	M249/338
(1)	996 355 013 21	brake fluid reservoir	04-	1	M249/338
(1) A	996 355 013 46	brake fluid reservoir	99	1	M339/480
(1)	996 355 013 47	brake fluid reservoir	99	1	M249/339
(1) A	996 355 013 44	brake fluid reservoir	00	1	M476/480
(1) A	996 355 013 46	brake fluid reservoir	-03	1	M476/480
(1)	996 355 013 48	brake fluid reservoir	04-	1	M338/480
(1) A	996 355 013 45	brake fluid reservoir	00	1	M249/476
(1)	996 355 013 47	brake fluid reservoir	-03	1	M249/476
(1)	996 355 013 49	brake fluid reservoir	04-	1	M249/476
2	996 355 119 01	screw cap		1	
- A	996 355 125 00	contacts for brake fluid reservoir 996.355.013.00 996.355.013.20	-03	1	

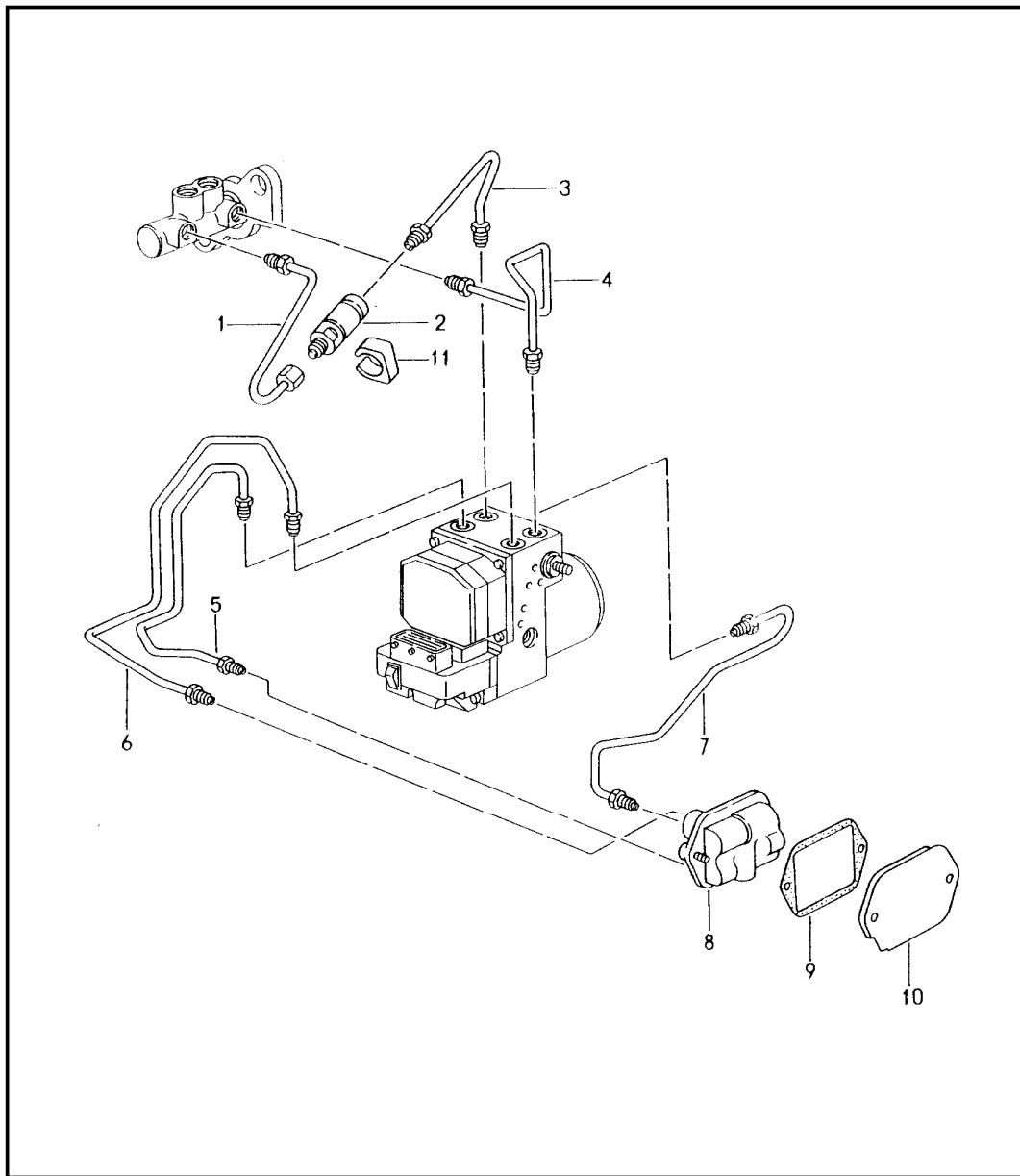
Model	Year	MG	SG	Illustration	Restrictions	UPD	14:07	24.01.2010	PORSCHE	PET	PORSCHE
996	2005	6	04	604-00		248					

Pos	Part Number	Description	Remark	Qty	Model	Pos	Part Number	Description	Remark	Qty	Model
-	996 355 125 02	contacts for brake fluid reservoir 996.355.013.00/01 996.355.013.20/21	04-	1		(10)	996 355 577 43	vacuum line	/LL	04-	1 M339/476
						(10)	996 355 578 42	vacuum line	/RL	-03	1 M339/476
						(10)	996 355 578 43	vacuum line	/RL	04-	1 M339/476
-	996 355 125 01	contacts for brake fluid reservoir 996.355.013.44 996.355.013.45 996.355.013.46 996.355.013.47 996.355.013.48 996.355.013.49		1		11	996 423 251 01	intermediate piece			1
						12	900 067 240 02	combination screw M 6 X 12 Z1			2
						13	999 703 448 50	stopper	/R		1
						14	900 380 005 09	hexagon nut M 8			2
3	999 073 124 09	pan-head screw M 8 X 154 X 80		2		15	U 996 355 221 00	grommet F >>99YS6 00595 F >>99YS6 40393 see technical information group 4 NR.11/01			1
4	996 355 923 00	brake booster		1							
-	996 355 137 01	cap threaded joint brake booster		1		16	996 423 301 00	gasket			1
5	996 355 910 00	brake master cylinder		1	M338	-	996 355 901 01	gasket brake booster bulkhead			1
(5)	996 355 910 40	brake master cylinder	99-00-	1	M339 M338/476						
(5)	996 355 910 50	brake master cylinder	02-	1	C4S	17	996 355 975 40	pre-charge pump		99	1 M339
6	993 355 922 00	gasket		2		(17)	996 355 975 41	pre-charge pump		00-	1 M476
7	999 702 182 40	gasket		1		-	999 512 390 00	hose clamp 60-80/13		00	1 M476
8	997 355 925 00	hexagon nut		2		-	999 507 688 40	cable clamp wiring harness pre-charge pump			1
9	996 355 912 00	sealing ring		1							
(10)	996 355 577 02	vacuum line	/LL	1	M338	18	996 355 273 40	support		99-	1 M339
(10)	996 355 578 04	vacuum line	/RL	1	M338	(18)	996 355 183 40	support		00-	1 M338
(10)	996 355 577 40	vacuum line	/LL	99-	M339	19	996 355 170 40	support		99-	1 M339
(10)	996 355 578 42	vacuum line	/RL	99-	M339	20	996 355 635 40	adapter		99-	1 M339
(10)	996 355 577 42	vacuum line	/LL	00-	M338/476	21	964 356 635 00	rubber mounting		99-	3
(10)	996 355 577 43	vacuum line	/LL	04-	M338/476	-	999 045 004 40	plastic nut			3
(10)	996 355 578 05	vacuum line	/RL	00-	M338/476	22	999 166 080 02	lock		99-	3 M339
(10)	996 355 578 06	vacuum line	/RL	04-	M338/476	23	900 378 036 09	hexagon-head bolt M 6 X 12		99-	1 M339
(10)	996 355 577 42	vacuum line	/LL	-03	M339/476						

Model	Year	MG	SG	Illustration	Restrictions	UPD	14:07	24.01.2010	PORSCHE	PET	PORSCHE
996	2005	6	04	604-00		248					

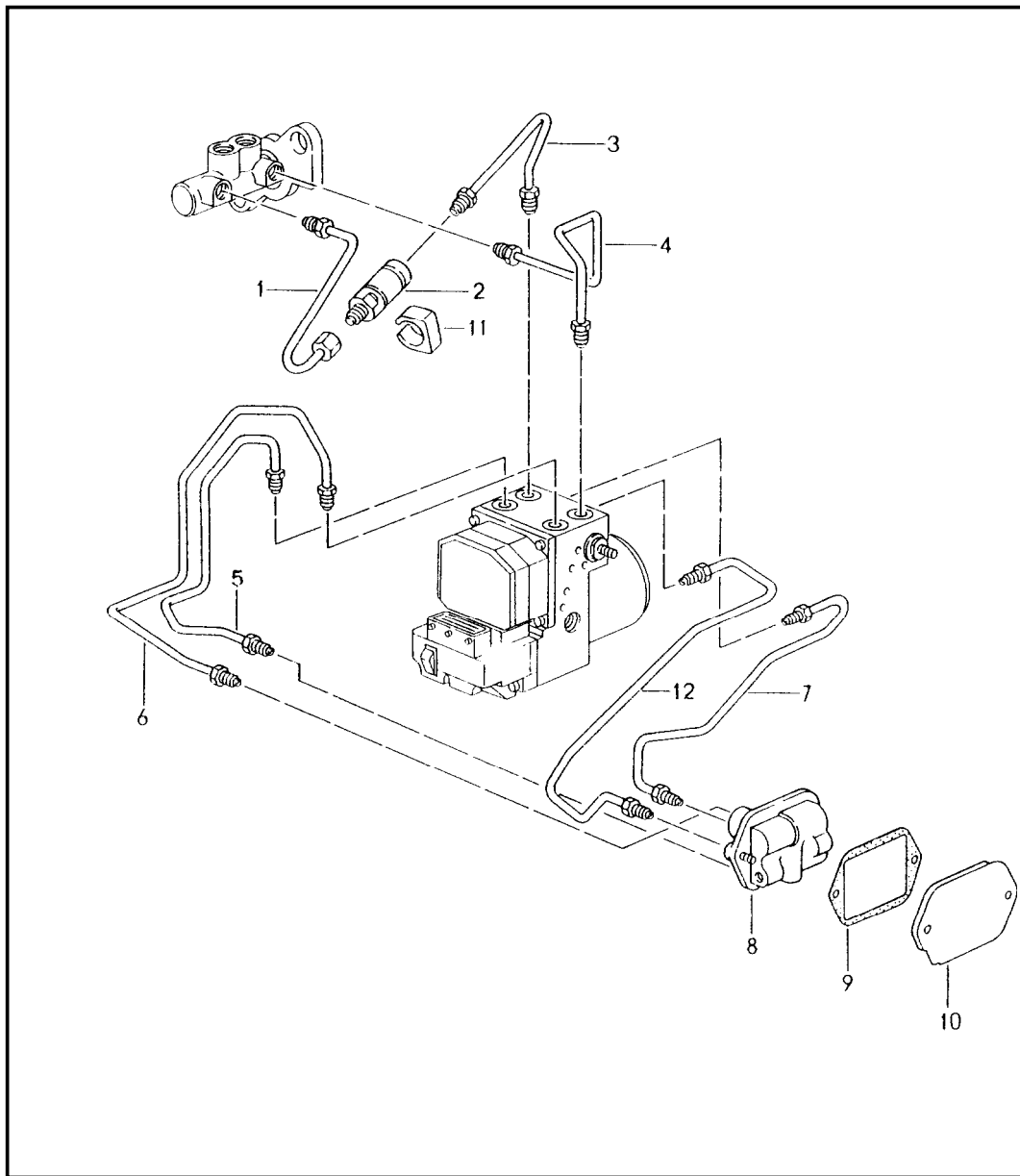
Pos	Part Number	Description	Remark	Qty	Model	Pos	Part Number	Description	Remark	Qty	Model
24	900 378 035 01	hexagon-head bolt M 6 X 16	99-	2	M339	33	996 355 907 00	sealing rubber firewall F >>99YS6 00595 F >>99YS6 40393 see technical information group 4 NR.11/01		1	
25	996 355 559 00	bolt		2							
26	U 996 355 930 00	bellows F >>99YS6 00595 F >>99YS6 40393 see technical information group 4 NR.11/01		1		(33)	999 512 672 00	clamp F >>99YS6 00595 F >>99YS6 40393 see technical information group 4 NR.11/01		1	
27	999 512 478 00	hose clamp F >>99YS6 00595 F >>99YS6 40393 see technical information group 4 NR.11/01		1		34	999 512 672 00	clamp F 99YS6 00596>> F 99YS6 40394>>		1	
(27)	999 512 478 00	hose clamp F 99YS6 00596>> F 99YS6 40394>>		1							
28	U 996 423 269 04	bellows F >>99YS6 00595 F >>99YS6 40393 see technical information group 4 NR.11/01		1							
(28)	996 423 269 05	bellows F 99YS6 00596>> F 99YS6 40394>>		1							
29	996 355 927 01	connecting piece		1							
30	A 900 380 015 09	hexagon nut M 6		1							
30	900 380 015 01	hexagon nut M 6		1							
31	996 355 911 00	sealing ring F >>99YS6 00595 F >>99YS6 40393 see technical information group 4 NR.11/01		1							
32	996 355 909 00	connecting piece F >>99YS6 00595 F >>99YS6 40393 see technical information group 4 NR.11/01		1							

Model	Year	MG	SG	Illustration	Restrictions	UPD	14:07	24.01.2010	PORSCHE	PET	PORSCHE
996	2005	6	04	604-05		248					



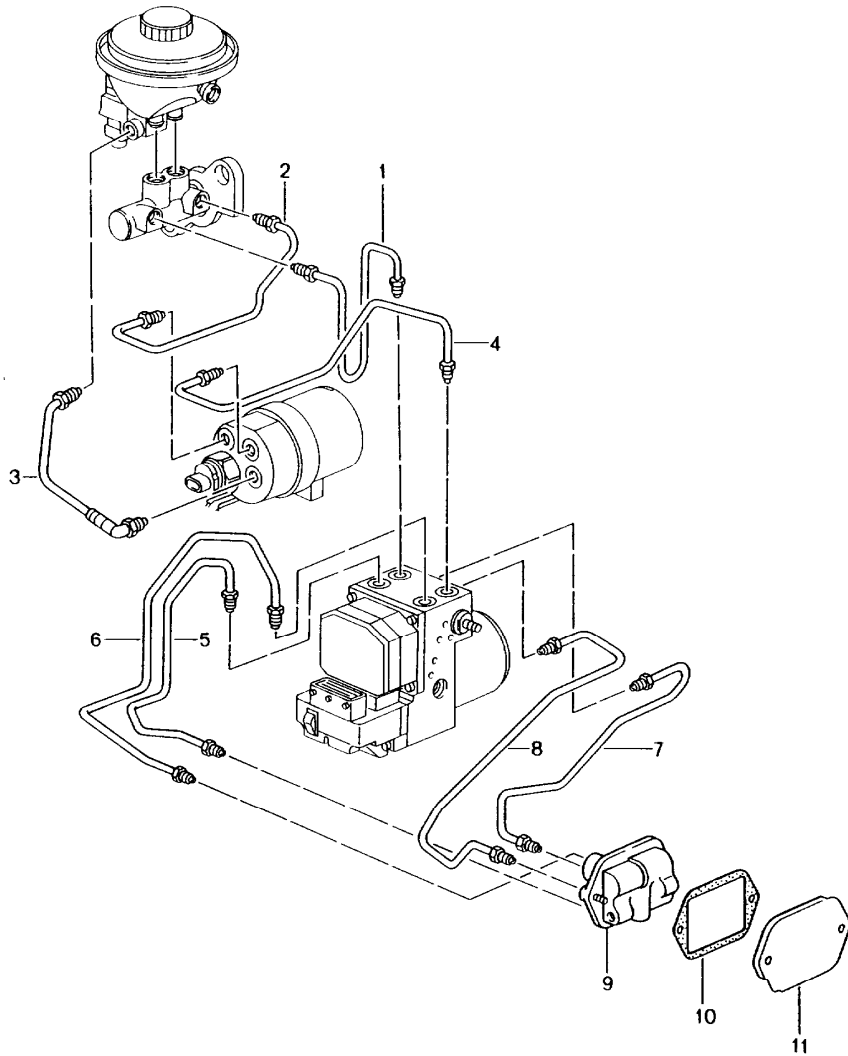
Pos	Part Number	Description	Remark	Qty	Model
		brake lines body front section			
1	996 355 309 01	brake line	/LL	-01	1
(1)	996 355 308 04	brake line	/RL	-01	1
2	996 355 305 00	regulator		-01	1
3	A 996 355 311 02	brake line	/LL	-01	1
(3)	996 355 311 03	brake line	/LL	-01	1
(3)	996 355 311 42	pressure line	/LL	02-	1
(3)	996 355 310 03	brake line	/RL	-01	1
(3)	996 355 320 42	pressure line	/RL	02-	1
4	A 996 355 313 02	brake line	/LL	-01	1
(4)	996 355 313 04	brake line	/LL		1
(4)	A 996 355 313 03	brake line	/LL	02-	1
(4)	996 355 313 05	brake line	/LL	02-	1
(4)	996 355 314 05	brake line	/RL	-01	1
(4)	996 355 314 04	brake line	/RL	02-	1
5	996 355 315 02	brake line		-01	1
(5)	996 355 315 43	pressure line		02-	1
6	996 355 327 03	brake line		-01	1
(6)	996 355 327 43	pressure line		02-	1
7	996 355 326 04	brake line		-01	1
(7)	996 355 326 40	brake line		02-	1
8	996 355 650 02	intermediate piece			1
9	996 355 752 01	gasket		-01	1
9	996 355 752 01	gasket		02-	1
10	996 355 753 00	reinforcement			1
11	999 651 292 40	support			1

Model	Year	MG	SG	Illustration	Restrictions	UPD	14:07	24.01.2010	PORSCHE	PET	PORSCHE
996	2005	6	04	604-08		248					



Pos	Part Number	Description	Remark	Qty	Model
		brake lines body front section	-99		M222/224 M338
1	996 355 309 01	brake line	/LL	1	
(1)	996 355 308 04	brake line	/RL	1	
2	996 355 305 00	regulator		1	
3 A	996 355 311 02	brake line	/LL	1	
(3)	996 355 311 03	brake line	/LL	1	
(3)	996 355 310 03	brake line	/RL	1	
4 A	996 355 313 02	brake line	/LL	1	
(4)	996 355 313 04	brake line	/LL	1	
(4)	996 355 314 03	brake line	/RL	1	
5	996 355 315 02	brake line		1	
6	996 355 327 03	brake line		1	
7	996 355 326 04	brake line		1	
8	996 355 650 27	intermediate piece		1	
9	996 355 752 00	gasket	-01	1	
10	996 355 753 00	reinforcement		1	
11	999 651 292 40	support		1	
12	996 355 316 04	brake line		1	

Model	Year	MG	SG	Illustration	Restrictions	UPD	14:07	24.01.2010	PORSCHE	PET	PORSCHE
996	2005	6	04	604-09		248					

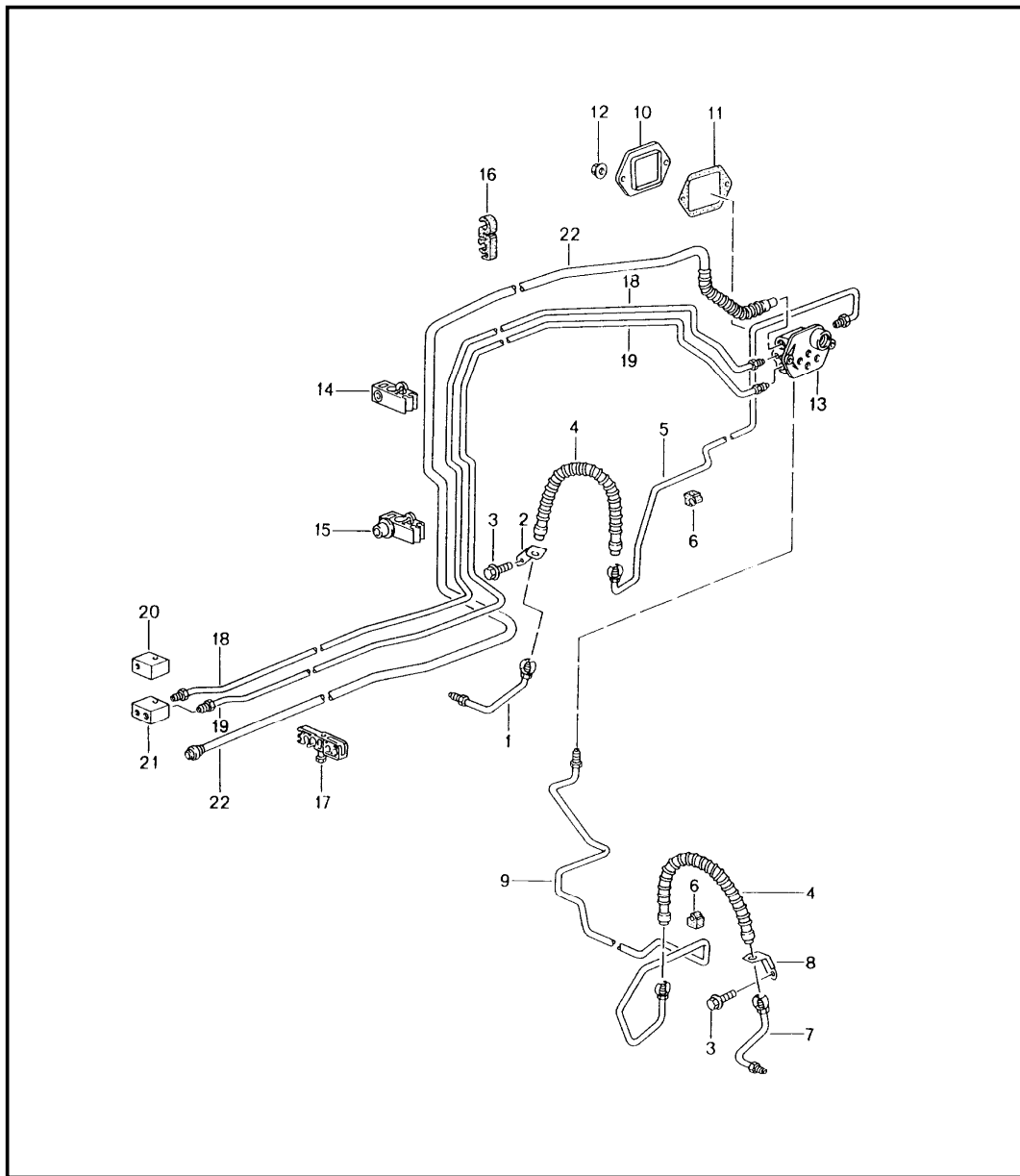


Pos	Part Number	Description	Remark	Qty	Model
		brake lines body front section	99- 00-		M339/476 M338/476 M339/476
1	996 355 311 41	pressure line	/LL	99	1
(1)	996 355 311 42	pressure line	/LL	00-	1
(1)	996 355 310 42	pressure line	/RL	99	1
(1)	996 355 312 42	pressure line	/RL	00-	1
2	996 355 307 40	pressure line			1
3	996 355 323 41	brake line			1
4	996 355 331 41	pressure line	/LL	99	1
(4) A	996 355 333 41	pressure line	/LL	00-	1
(4)	996 355 333 42	pressure line	/LL	00-	1
(4)	996 355 328 41	pressure line	/RL	99	1
(4)	996 355 330 42	pressure line	/RL	00-	1
5	996 355 315 40	brake line		99	1
(5)	996 355 315 42	brake line		00	1
(5)	996 355 315 43	brake line		01-	1
6	996 355 327 40	brake line		99	1
(6)	996 355 327 42	brake line		00	1
(6)	996 355 327 43	brake line		01-	1
7	996 355 316 04	brake line		-99	1
(7)	996 355 316 41	brake line		00-	1
8	996 355 326 04	brake line		99	1
(8)	996 355 326 40	brake line		00-	1
9	996 355 650 27	intermediate piece			1
10	996 355 752 00	gasket		-01	1
10	996 355 752 01	gasket		02-	1
11	996 355 753 00	reinforcement			1
				00-	M338/476

Model	Year	MG	SG	Illustration	Restrictions	UPD	14:07	24.01.2010	PORSCHE	PET	PORSCHE
996	2005	6	04	604-09		248					

Pos	Part Number	Description	Remark	Qty	Model	Pos	Part Number	Description	Remark	Qty	Model
(1)	996 355 311 42	pressure line	/LL	1							
(1)	996 355 320 44	pressure line	/RL	1							
(2)	996 355 353 42	pressure line	/LL	1							
(2)	996 355 354 41	pressure line	/RL	1							
(3)	996 355 321 41	pressure line	/LL	1							
(3)	996 355 322 41	pressure line	/RL	1							
(4)	996 355 357 42	pressure line		-02	1						
(4) A	996 355 357 43	pressure line		03-	1						
(4)	996 355 357 47	pressure line		03-	1						
(5)	996 355 315 42	pressure line		00	1						
(5)	996 355 315 43	pressure line		01-	1						
(6)	996 355 327 42	pressure line		00	1						
(6)	996 355 327 43	pressure line		01-	1						
(7)	996 355 316 41	pressure line			1						
(8)	996 355 326 40	pressure line			1						

Model	Year	MG	SG	Illustration	Restrictions	UPD	14:08	24.01.2010	PORSCHE	PET	PORSCHE
996	2005	6	04	604-10		248					

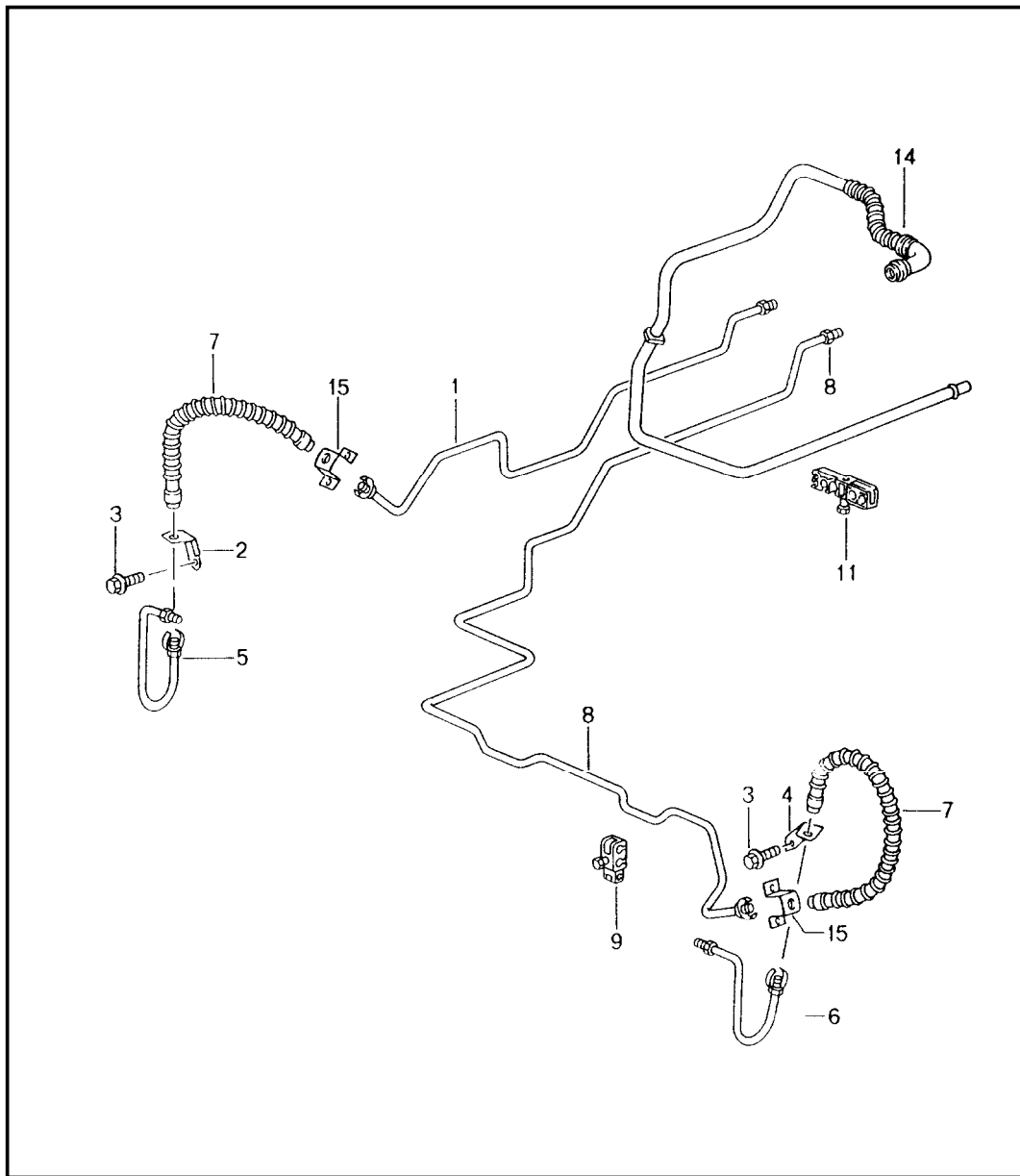


Pos	Part Number	Description	Remark	Qty	Model
		brake lines front axle underbody vacuum line			
1	996 355 581 06	brake line	/L	1	
(1)	996 355 587 02	brake line	/L 99-	1	M339
(1)	997 355 587 01	brake line	/L 03-	1	C4S M450
2	996 355 501 06	support	/L	1	
(2)	996 355 507 04	support	/L 99-	1	M339
(2)	996 355 507 05	support	/L 02-	1	C4S
3	900 067 117 09	combination screw M 6 X 16		2	
4	996 355 139 01	brake hose		2	
(5)	996 355 175 07	brake line F >>99WS6 06999 F >>99WS6 40804	/L	1	
(5)	996 355 175 08	brake line F 99WS6 07000>> F 99WS6 40805>>	/L	1	
(5)	996 355 175 27	brake line	/L 99-	1	M339
(5)	996 355 175 28	brake line	/L 02-	1	M339
6	999 591 930 40	cable holder		X	
7	996 355 584 06	brake line	/R	1	
(7)	996 355 588 02	brake line	/R 99-	1	M339
(7)	997 355 588 01	brake line	/R 03-	1	C4S M450
8	996 355 502 06	support	/R	1	
(8)	996 355 508 04	support	/R 99-	1	M339
(8)	996 355 508 05	support	/R 02-	1	C4S
9	996 355 176 06	brake line F >>99WS6 06999 F >>99WS6 40804		1	
(9)	996 355 176 07	brake line F 99WS6 07000>> F 99WS6 40805>>		1	

Model	Year	MG	SG	Illustration	Restrictions	UPD	14:08	24.01.2010	PORSCHE	PET	PORSCHE
996	2005	6	04	604-10		248					

Pos	Part Number	Description	Remark	Qty	Model	Pos	Part Number	Description	Remark	Qty	Model
(9)	996 355 176 29	brake line	99-	1	M339	-	999 230 535 40	lock connecting piece vacuum line		1	
9	996 355 176 32	brake line	02-	1	M339						
10	996 355 753 00	reinforcement		1							
11	996 355 752 01	gasket	-01	1							
(11)	996 355 752 01	gasket	02-	1							
12 A	900 380 015 09	hexagon nut M 6		3							
12	900 380 015 01	hexagon nut M 6		3							
13	996 355 650 27	intermediate piece	99-	1	M222/224 M339						
(13)	996 355 650 02	intermediate piece		1							
14	996 355 545 00	support		3							
15	996 355 549 00	support		1							
16	996 355 547 01	support		2							
17	996 355 543 00	support		1							
18	996 355 177 06	brake line	-01	1							
(18)	996 355 177 07	brake line	02	1							
18	996 355 177 08	brake line	03-	1							
19	996 355 179 06	brake line	99-	1	M222/224 M339						
(19)	996 355 179 07	brake line	02	1							
19	996 355 179 08	brake line	03-	1							
20 A	996 355 660 04	connecting piece triple		1							
(20)	996 355 660 06	connecting piece triple		1							
(21)	996 355 760 31	connecting piece fourfold		1							
22	996 355 571 05	vacuum line	-01	1							
(22)	996 355 571 07	vacuum line	02-	1							

Model	Year	MG	SG	Illustration	Restrictions	UPD	14:08	24.01.2010	PORSCHE	PET	PORSCHE
996	2005	6	04	604-15		248					

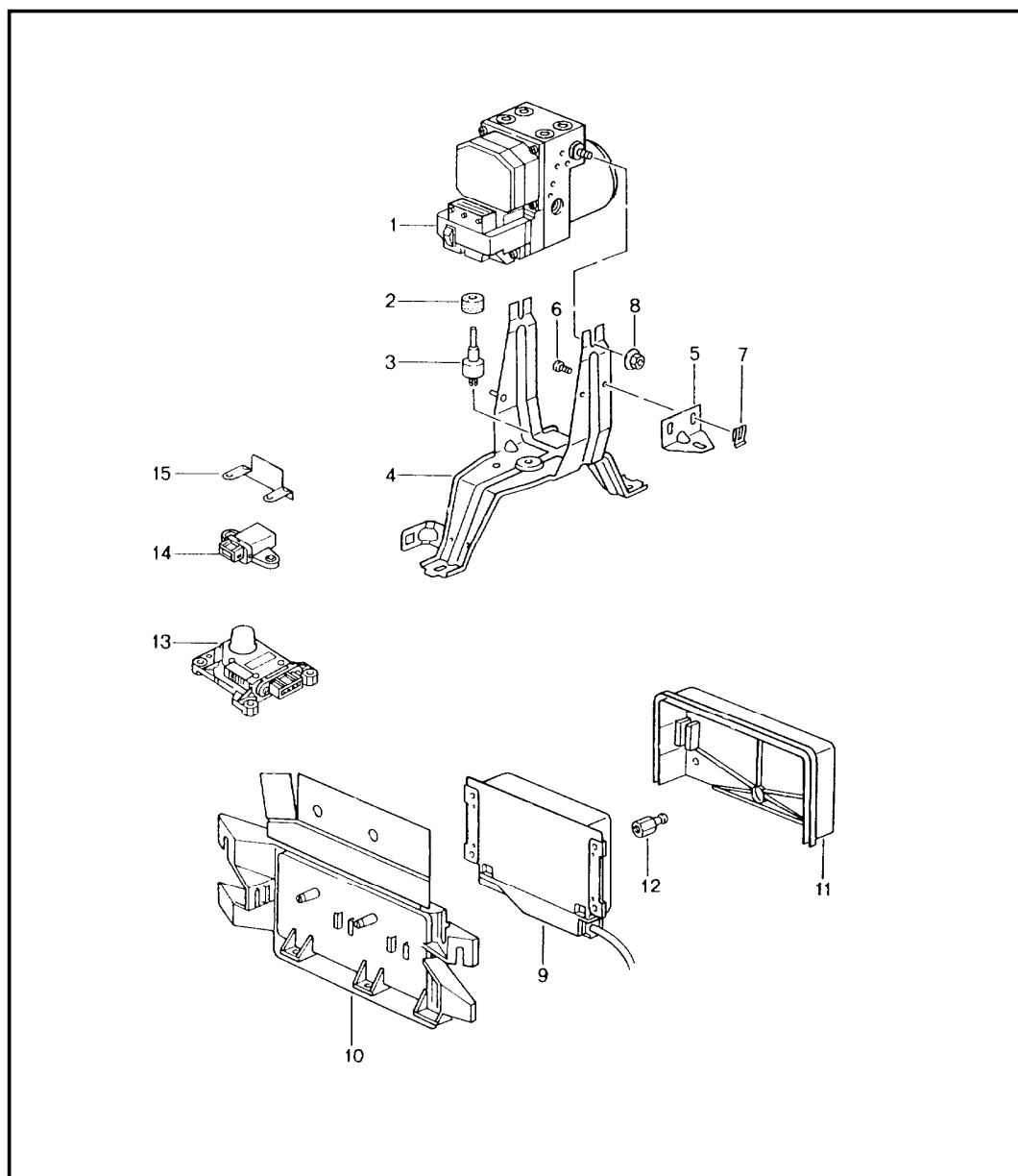


Pos	Part Number	Description	Remark	Qty	Model
1	996 355 189 05	brake line	/L	98	1
(1)	996 355 189 06	brake line	/L	-02	1
(1)	996 355 189 07	brake line F >>994S6 30356 F >>994S6 03928 F >>994S6 42725	/L	03-	1
(1)	997 355 189 00	brake line F 994S6 30357>> F 994S6 03929>> F 994S6 42726>>	/L		1
2	996 355 503 00	support	/L		1
(2)	996 355 503 10	support	/L	03-	1 C4S M450
3	900 067 117 09	combination screw M 6 X 16			2
4	996 355 504 00	support	/R		1
(4)	996 355 504 10	support	/R	03-	1 C4S M450
5	996 355 585 00	brake line	/L		1
(5)	996 355 585 10	brake line	/L	03-	1 C4S M450
6	996 355 586 00	brake line	/R		1
(6)	996 355 586 10	brake line	/R	03-	1 C4S M450
7	996 355 139 01	brake hose			2
8	996 355 190 06	brake line F >>99XS6 06898 F >>99XS6 44623	/R		1
(8)	996 355 190 07	brake line F 99XS6 06899>> F 99XS6 44624>>	/R	-01	1
(8)	996 355 190 52	brake line	/R	02	1

Model	Year	MG	SG	Illustration	Restrictions	UPD	14:08	24.01.2010	PORSCHE	PET	PORSCHE
996	2005	6	04	604-15		248					

Pos	Part Number	Description	Remark	Qty	Model	Pos	Part Number	Description	Remark	Qty	Model
(8)	996 355 190 53	brake line F >>994S6 30356 F >>994S6 03928 F >>994S6 42725	/R 03-	1							
(8)	997 355 190 02	brake line F 994S6 30357>> F 994S6 03929>> F 994S6 42726>>	/R	1							
9	996 347 543 00	support		3							
11	996 355 543 00	support		1							
14	A 996 355 575 03	vacuum line F >>99XS6 06898 F >>99XS6 44623		1							
(14)	996 355 575 04	vacuum line F 99XS6 06899>> F 99XS6 44624>>	-01	1							
(14)	A 996 355 575 05	vacuum line	02-	1							
(14)	996 355 575 06	vacuum line F >>994S6 30356 F >>994S6 03928 F >>994S6 42725	02-	1							
(14)	996 355 575 07	vacuum line F 994S6 30357>> F 994S6 03929>> F 994S6 42726>>		1							
-	999 507 495 40	support		1							
15	996 501 815 00	support		2							
	GRV	prime coated F >>99WS6 06999 F >>99WS6 40804									
(15)	996 501 815 02	support		2							
	GRV	prime coated F 99WS6 07000>> F 99WS6 40805>>									

Model	Year	MG	SG	Illustration	Restrictions	UPD	14:08	24.01.2010	PORSCHE	PET	PORSCHE
996	2005	6	05	605-00		248					

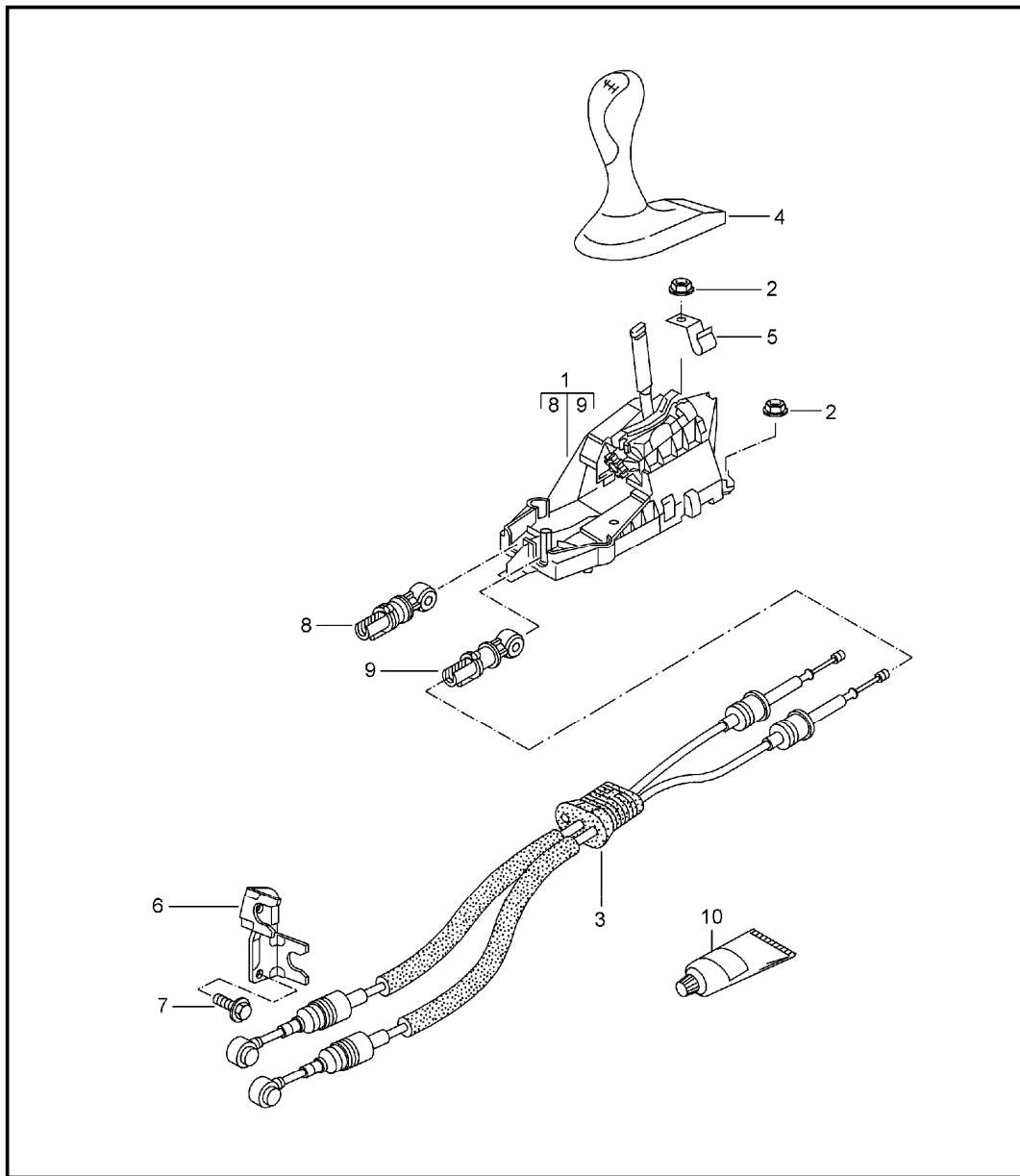


Pos	Part Number	Description	Remark	Qty	Model
		hydraulic unit anti-lock brake system control			
1 A	996 355 955 03	hydraulic unit		1	M338
(1)	996 355 955 04	hydraulic unit	-01	1	M338
(1)	996 355 955 05	hydraulic unit	02	1	M338
(1)	996 355 955 06	hydraulic unit	03-	1	M338
(1) A	996 355 955 28	hydraulic unit		1	M222/224
(1)	996 355 955 29	hydraulic unit	-01	1	M222/224
(1)	996 355 955 31	hydraulic unit	02-	1	M222/224
(1)	996 355 955 40	hydraulic unit	99	1	M339/476
(1)	996 355 955 46	hydraulic unit 5.7 see technical manual group 0 diagnostic NR.45-5	00	1	M338/476
(1) A	996 355 955 52	hydraulic unit 5.7	01-	1	M338/476
(1)	996 355 955 54	hydraulic unit 5.7	02-	1	M338/476
(1)	996 355 955 47	hydraulic unit 5.7 see technical manual group 0 NR.45-5	00	1	M339/476
(1) A	996 355 955 53	hydraulic unit 5.7	01-	1	M339/476
(1) A	996 355 955 55	hydraulic unit 5.7	02-	1	M339/476
(1)	996 355 955 61	hydraulic unit 5.7	02-	1	M339/476
(1)	996 355 955 63	hydraulic unit 5.7	02-	1	C4S
2	996 355 945 00	damping piece		3	
3	996 355 541 00	spacer		1	
4	996 355 133 03	support	-99	1	

Model	Year	MG	SG	Illustration	Restrictions	UPD	14:08	24.01.2010	PORSCHE	PET	PORSCHE
996	2005	6	05	605-00		248					

Pos	Part Number	Description	Remark	Qty	Model	Pos	Part Number	Description	Remark	Qty	Model
(4)	996 355 133 04	support use also: 996.551.771.00		1							
(4)	996 355 033 41	support with rubber mounting	00-	1	M476						
-	964 356 635 00	rubber mounting	00- 02-	2 3	M338/476 M339/476						
-	999 703 379 40	stopper	00-	2	M476						
-	999 084 629 09	hexagon nut M 6		3							
-	999 045 004 40	plastic nut M 6		3							
5	996 355 535 02	support		1							
6	996 355 559 00	bolt		2							
7	999 166 080 02	lock		2							
8	900 377 003 02	hexagon nut VM 8		2							
9	996 618 140 00	control unit	99	1	M339/476						
10	996 606 301 00	support	99	1	M339/476						
11	996 618 038 00	cover	99	1	M339/476						
12	999 167 047 02	ball pin	99	4	M339/476						
13	996 606 110 01	sensor	99	1	M339/476						
14	996 606 108 00	sensor	99	1	M339/476						
15	996 606 208 00	heat shield	99	1	M339/476						
(14)	996 606 117 00	sensor see technical manual group 0 diagnostic NR.45-5	00	1	M476						
(14)	996 606 145 00	sensor	01-	1	M476						

Model	Year	MG	SG	Illustration	Restrictions	UPD	14:08	24.01.2010	PORSCHE	PET	PORSCHE
996	2005	7	01	701-00		248					



Pos	Part Number	Description	Remark	Qty	Model
		transmission control manual transmission			
1	996 424 010 04	gearshift bracket	-02	1	
(1)	996 424 010 05	gearshift bracket	03-	1	
(1) A	996 424 983 00	gearshift bracket	04	1	IXCZ
(1)	997 424 983 00	gearshift bracket	05-	1	IXCZ
2	999 084 629 09	hexagon nut M 6		4	
3 A	996 424 041 08	cable		1	
(3)	996 424 041 09	cable F >>99WS6 05722 F >>99WS6 05672		1	M220
-	996 424 241 00	clip mount cable transmission control F >>99WS6 05722 F >>99WS6 05672		2	M220
(3)	996 424 041 10	cable F 99WS6 05723>> F 99WS6 05673>> F 99XS6 40074>> transmission control	-00	1	M220
(3) A	996 424 041 11	cable transmission control	01	1	
(3)	996 424 041 12	cable transmission control	02	1	
(3) A	996 424 041 13	cable transmission control	03	1	
(3)	996 424 041 14	cable transmission control	04-	1	
-	986 424 411 00	retaining clip mount cable for support		2	
4 U	996 424 075 01	gearshift knob		1	
	EKQ	black			
	EKU	space grey			

Model	Year	MG	SG	Illustration	Restrictions	UPD	14:08	24.01.2010	PORSCHE	PET	PORSCHE
996	2005	7	01	701-00		248					

Pos	Part Number	Description	Remark	Qty	Model	Pos	Part Number	Description	Remark	Qty	Model
	EKR	graphite grey					FGU	graphite grey sport silver			
	EKT	metropole blue					FGV	savanna sport silver			
	EKV	nephrite green					FGW	metropole blue sport silver			
	EKW	boxster red					FGX	nephrite green sport silver	03		
	EKS	savanna					FGY	boxster red sport silver			
(4)	996 424 075 02	gearshift knob	-99	1			FGZ	cinnamon brown sport silver			
	ENH	black/silver					VSW	dark grey/natural sport silver			
	ENJ	graphite grey/silver					VSX	brown/natural sport silver			
	ENL	metropole blue/silver				(4)	996 424 075 20	gearshift knob	04	1	M095
	ENM	space grey/silver					VTA	dark grey/natural			
	ENK	savanna/silver				(4)	996 424 981 15	gearshift knob	01-02	1	IX97
	ENN	nephrite green/silver					VRJ	black			
(4)	996 424 075 05	gearshift knob	00-02	1			C50	graphite grey			
	ENJ	graphite grey/silver					S30	savanna			
	ENK	savanna/silver					G10	metropole blue			
	ENL	metropole blue/silver					M30	boxster red			
	ENM	space grey/silver					P11	cinnamon brown			
	EVZ	black/silver					D11	dark grey/natural			
	ENN	nephrite green/silver					T11	brown/natural			
	ENO	boxster red/silver				(4)	996 424 981 16	gearshift knob	01-02	1	IX72
	VRE	dark grey/natural silver					VRJ	black			
	VRF	brown/natural silver					C50	graphite grey			
	FEN	cinnamon brown silver	01-02				S30	savanna			
(4)	996 424 075 05	gearshift knob	03-	1			G10	metropole blue			
	FGT	black sport silver					M30	boxster red			

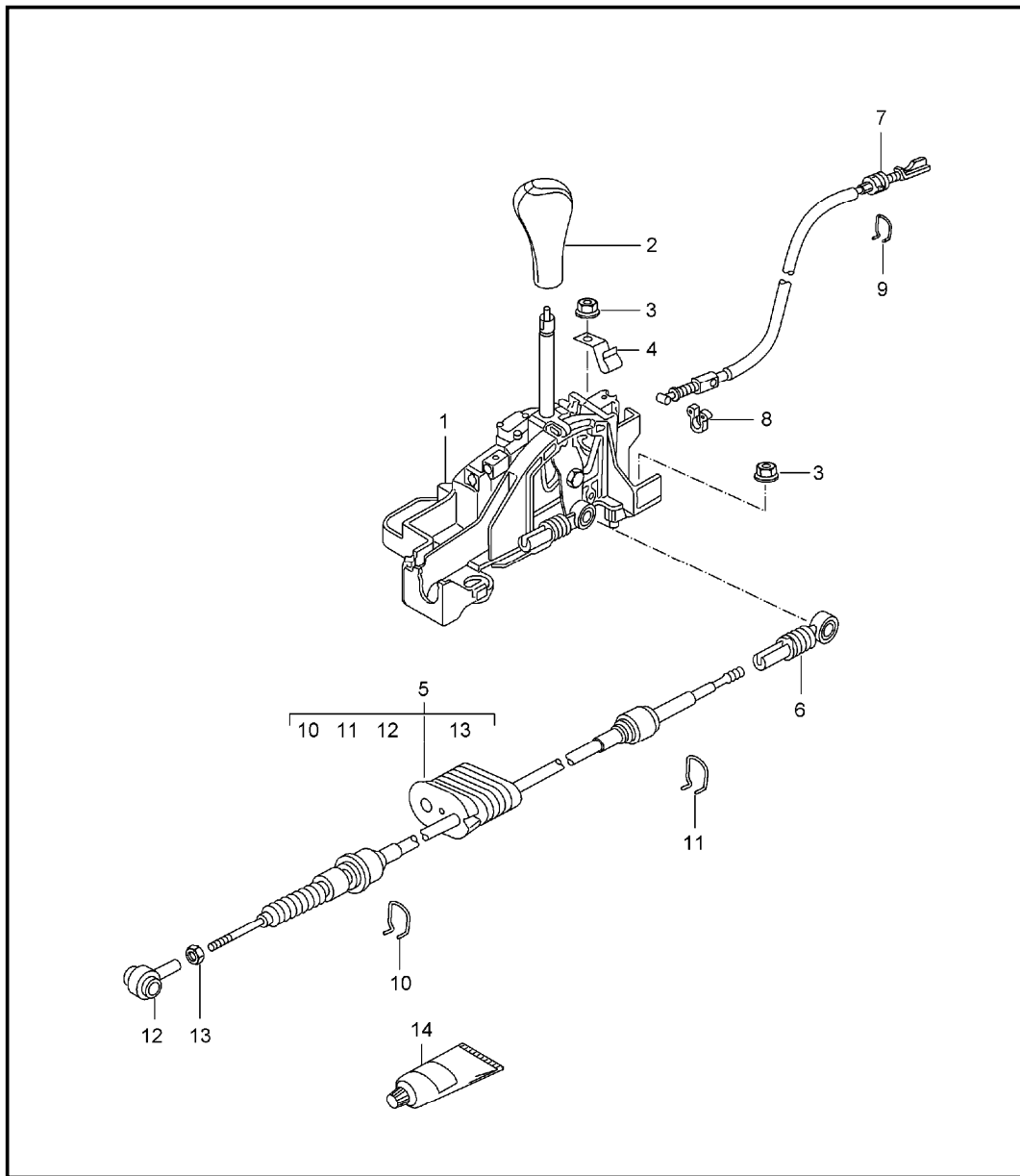
Model	Year	MG	SG	Illustration	Restrictions	UPD	14:08	24.01.2010	PORSCHE	PET	PORSCHE
996	2005	7	01	701-00		248					

Pos	Part Number	Description	Remark	Qty	Model	Pos	Part Number	Description	Remark	Qty	Model
(4)	996 424 981 17	P11 cinnamon brown	01-02	1	IXE8	(4)	D11 dark grey/natural	03-	1	IX72	
		D11 dark grey/natural									
		T11 brown/natural									
		T11 brown/natural									
		VRJ black									
		C50 graphite grey									
		S30 savanna									
		G10 metropole blue									
		M30 boxster red									
		P11 cinnamon brown									
(4)	996 424 981 18	D11 dark grey/natural	01-02	1	IX47	(4)	T11 brown/natural	03-	1	IXE8	
		T11 brown/natural									
		gearshift knob									
		VRJ black									
		C50 graphite grey									
		S30 savanna									
		G10 metropole blue									
		M30 boxster red									
		P11 cinnamon brown									
		D11 dark grey/natural									
(4)	996 424 981 22	T11 brown/natural	03-	1	IX97	(4)	D11 dark grey/natural	03-	1	IX47	
		T11 brown/natural									
		gearshift knob									
		VRJ black									
		C50 graphite grey									
		S30 savanna									
		G10 metropole blue									
		J30 nephrite green									
		M30 boxster red									
		P11 cinnamon brown									
(4)	996 424 981 28	J30 nephrite green	03			(4)	M30 boxster red	03			
		P11 cinnamon brown									
		D11 dark grey/natural									
		T11 brown/natural									
		gearshift knob									
		VRJ black									
		C50 graphite grey									
		S30 savanna									
		G10 metropole blue									
		J30 nephrite green									
(4)	996 424 981 31	M30 boxster red	03			(4)	P11 cinnamon brown	03-	1	IX47	
		D11 dark grey/natural									
		T11 brown/natural									
		gearshift knob									
		VRJ black									
		C50 graphite grey									
		S30 savanna									
		G10 metropole blue									
		J30 nephrite green									
		M30 boxster red									

Model	Year	MG	SG	Illustration	Restrictions	UPD	14:08	24.01.2010	PORSCHE	PET	PORSCHE
996	2005	7	01	701-00		248					

Pos	Part Number	Description	Remark	Qty	Model	Pos	Part Number	Description	Remark	Qty	Model
	P11	cinnamon brown									
	D11	dark grey/natural									
	T11	brown/natural									
6	996 424 165 02	support		1							
7	999 073 209 09	hexagon-head bolt M 10 X 20		2							
-	996 424 445 00	clip for fastening part		X							
8	996 424 145 00	fastening part for cable adjustable	-99	1							
(8)	996 424 145 01	fastening part for cable adjustable	00-	1							
9	996 424 147 00	fastening part for cable adjustable		1							
10	000 043 205 93	grease 1 100-gramme tube		X							

Model	Year	MG	SG	Illustration	Restrictions	UPD	14:08	24.01.2010	PORSCHE	PET	PORSCHE
996	2005	7	01	701-01		248					



Pos	Part Number	Description	Remark	Qty	Model
1	996 426 011 07	selector lever tiptronic			
		selector lever with housing	-99	1	
(1)	996 426 011 08	selector lever with housing	00	1	
(1)	996 426 011 09	selector lever with housing	01	1	
(1)	996 426 011 51	selector lever with housing	02-	1	
-	996 613 212 10	switch selector lever		1	
-	996 624 223 00	solenoid selector lever		1	
2	996 426 069 07	gearshift knob	-99	1	
	ENU	black/silver			
	ENY	space grey/silver			
	ENV	graphite grey/silver			
	ENX	metropole blue/silver			
	ENZ	nephrite green/silver			
	EOA	boxster red/silver			
	ENW	savanna/silver			
(2)	996 426 069 09	gearshift knob	00-	1	
	EOO	silver-black	00		
	ERB	black/silver	01		
	EOP	graphite grey/silver			
	EOQ	savanna/silver			
	EOR	metropole blue/silver			
	EOS	space grey/silver			
	EOT	nephrite green/silver			

Model	Year	MG	SG	Illustration	Restrictions	UPD	14:08	24.01.2010	PORSCHE	PET	PORSCHE
996	2005	7	01	701-01		248					

Pos	Part Number	Description	Remark	Qty	Model	Pos	Part Number	Description	Remark	Qty	Model
	EPC	boxster red/silver					VSV	brown/natural sport silver			
	VRG	dark grey/natural				(2)	996 426 981 06	gearshift knob	01-02	1	IX46
	VRH	brown/natural					VRJ	black			
(2)	996 426 069 10	gearshift knob	01	1			C50	graphite grey			
	EEO	silver-black					S30	savanna			
	ERB	black/silver					G10	metropole blue			
	EOP	graphite grey/silver					M30	boxster red			
	EOQ	savanna/silver					P11	cinnamon brown			
	EOR	metropole blue/silver					D11	dark grey/natural			
	EOS	space grey/silver				(2)	996 426 981 11	gearshift knob	03-	1	IX46
	EOT	nephrite green/silver					VRJ	black			
	EPC	boxster red/silver					C50	graphite grey			
	VRG	dark grey/natural					S30	savanna			
	VRH	brown/natural					G10	metropole blue			
(2)	996 426 069 10	gearshift knob	03-	1			J30	nephrite green	03		
	FGJ	black sport silver					M30	boxster red			
	FGK	graphite grey sport silver					P11	cinnamon brown			
	FGL	savanna sport silver				(2)	996 426 981 07	gearshift knob	01-02	1	IX65
	FGM	metropole blue sport silver				(2)	996 426 981 08	gearshift knob	01-02	1	IX66
	FGN	nephrite green sport silver	03			(2)	996 426 981 09	gearshift knob	01-02	1	IX48
	FGO	boxster red sport silver	03			(2)	996 426 981 12	gearshift knob	03-	1	IX65
	FGP	cinnamon brown sport silver				(2)	996 426 981 13	gearshift knob	03-	1	IX66
	VSU	dark grey/natural sport silver				(2)	996 426 981 14	gearshift knob	03-	1	IX48
						- A	996 426 275 02	key	-99	1	
							V01	silver			

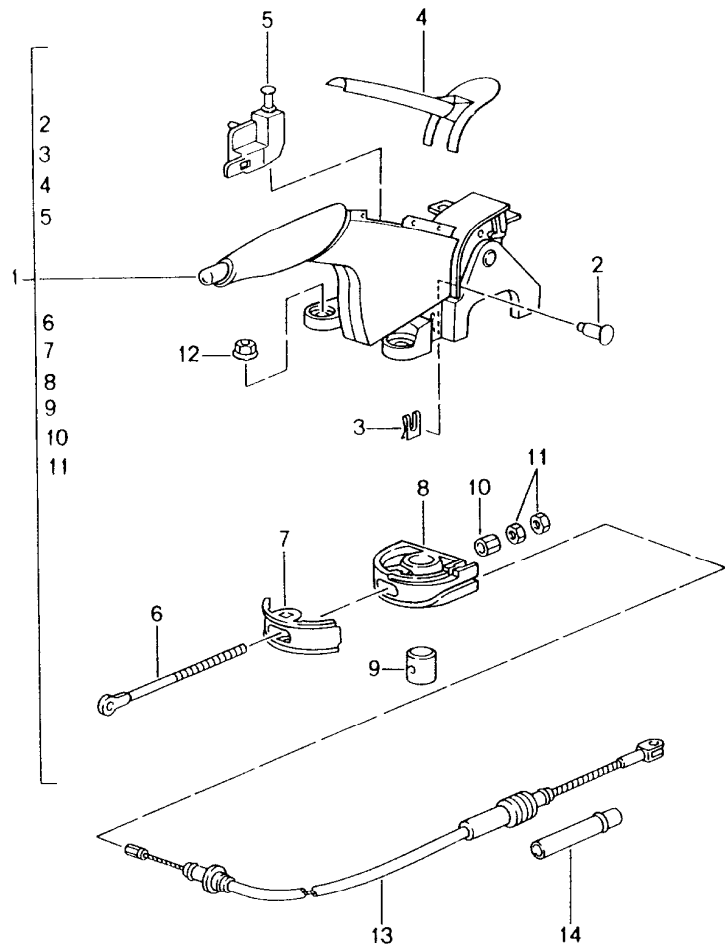
Model	Year	MG	SG	Illustration	Restrictions	UPD	14:08	24.01.2010	PORSCHE	PET	PORSCHE
996	2005	7	01	701-01		248					

Pos	Part Number	Description	Remark	Qty	Model	Pos	Part Number	Description	Remark	Qty	Model
-	996 426 277 00	compression spring	-99	1		4	999 507 465 02	cable holder		1	
-	A 996 426 277 01	compression spring	00-	1		5	996 426 033 03	cable F >>99WS6 06582 F >>99WS6 40624		1	
-	996 426 285 00	fixing clip		1							
-	321 713 137	roller	-99	1		(5)	996 426 033 07	cable F 99WS6 06583>> F 99WS6 40625>> F >>991S6 00606 F >>991S6 40456 F >>991S6 00987 F >>991S6 40767	-01	1	
-	A 000 043 204 49	repair kit comprising: key 996.426.275.02 V01 compression spring 996.426.277.02 roller 321.713.137	-01	1		(5) A	996 426 033 08	cable		01	1
-	000 043 204 57	repair kit comprising: key 996.426.275.05 V01 compression spring 996.426.277.02 roller 321.713.137	-01	1		(5)	996 426 033 09	cable F 991S6 00607>> F 991S6 40457>> F 991S6 00988>> F 991S6 40768>>			1
-	000 043 204 50	repair kit comprising: key compression spring 996.426.277.02 roller 321.713.137	01	1	IX46/X48 IX65/X66	(5)	996 426 033 50	cable		02	1
			01	1	IX46/X48 IX65/X66	(5) A	996 426 033 51	cable		03	1
						6	996 426 033 52	cable	04-	1	
						6	996 426 035 00	fastening part for cable adjustable		1	
						7	996 426 073 03	cable		1	
						8	996 426 181 00	clip		1	
-	000 043 204 57	repair kit comprising: key 996.426.275.05 V01 compression spring 996.426.277.02 roller 321.713.137	02	1		9	996 426 711 00	securing clip		1	
						10	996 426 335 00	securing clip		1	
						11	996 426 335 01	securing clip		1	
						12	996 426 380 00	connecting piece F >>991S6 00606 F >>991S6 40456 F >>991S6 00987 F >>991S6 40767		1	
-	000 043 204 69	repair kit comprising: key 996.426.275.05 V03 compression spring 996.426.277.02 roller 321.713.137	03-	1		(12)	996 426 380 50	connecting piece F 991S6 00607>> F 991S6 40457>> F 991S6 00988>> F 991S6 40768>>		1	
3	999 084 629 09	hexagon nut M 6		4		13	900 076 010 02	hexagon nut M 6		1	

Model	Year	MG	SG	Illustration	Restrictions	UPD	14:08	24.01.2010	PORSCHE	PET	PORSCHE
996	2005	7	01	701-01		248					

Pos	Part Number	Description	Remark	Qty	Model	Pos	Part Number	Description	Remark	Qty	Model
14	000 043 205 93	grease 1 100-gramme tube		X							

Model	Year	MG	SG	Illustration	Restrictions	UPD	14:09	24.01.2010	PORSCHE	PET	PORSCHE
996	2005	7	01	701-05		248					



Pos	Part Number	Description	Remark	Qty	Model
1	996 424 031 03	handbrake actuator			
		parking-brake lever complete	98	1	
		EKH black/granite			
		EKM space grey/granite			
		EKJ graphite grey/granite			
		EKL metropole blue/granite			
		EKN nephrite green/granite			
		EKO boxster red/granite			
		EKK savanna/granite			
(1)	996 424 031 04	parking-brake lever complete	99	1	
		EKH black/granite			
		EKM space grey/granite			
		EKJ graphite grey/granite			
		EKL metropole blue/granite			
		EKN nephrite green/granite			
		EKO boxster red/granite			
		EKK savanna/granite			
(1)	996 424 031 05	parking-brake lever complete	00	1	
		EUK black			
		EUO space grey			
		EUL graphite grey			
		EUN metropole blue			
		EUP nephrite green			
		EUQ boxster red			
		EUM savanna			
		VRC dark grey/natural			
		VRD brown/natural			

Model	Year	MG	SG	Illustration	Restrictions	UPD	14:09	24.01.2010	PORSCHE	PET	PORSCHE
996	2005	7	01	701-05		248					

Pos	Part Number	Description	Remark	Qty	Model	Pos	Part Number	Description	Remark	Qty	Model
(1)	996 424 031 06	parking-brake lever complete	01-02	1		(1)	996 424 980 22	parking-brake lever	/LL 01-02	1	IX98
	EUK	black					VRJ	black			
	EUO	space grey					C50	graphite grey			
	EUL	graphite grey					S30	savanna			
	EUN	metropole blue					G10	metropole blue			
	EUP	nephrite green					J30	nephrite green			
	EUQ	boxster red					M30	boxster red			
	EUM	savanna					P11	cinnamon brown			
	VRC	dark grey/natural					D11	dark grey/natural			
	VRD	brown/natural					T11	brown/natural			
	FEM	cinnamon brown				(1)	996 424 980 23	parking-brake lever	/RL 01-02	1	IX98
(1)	996 424 031 07	parking-brake lever complete	03-	1			VRJ	black			
	FFR	black sport silver					C50	graphite grey			
	FFS	graphite grey sport silver					S30	savanna			
	FFU	metropole blue sport silver					G10	metropole blue			
	FFT	savanna sport silver					J30	nephrite green			
	FFV	nephrite green sport silver	03				M30	boxster red			
	FFW	boxster red sport silver					P11	cinnamon brown			
	FFX	cinnamon brown sport silver					D11	dark grey/natural			
	VSR	dark grey/natural sport silver					T11	brown/natural			
	VST	brown/natural sport silver				(1)	996 424 980 24	parking-brake lever	/LL 01-02	1	IX58
(1)	996 424 031 08	parking-brake lever complete	04	1	M095		VRJ	black			
	VSZ	dark grey/natural					C50	graphite grey			
							S30	savanna			
							G10	metropole blue			
							J30	nephrite green			
							M30	boxster red			
							P11	cinnamon brown			
							D11	dark grey/natural			

Model	Year	MG	SG	Illustration	Restrictions	UPD	14:09	24.01.2010	PORSCHE	PET	PORSCHE
996	2005	7	01	701-05		248					

Pos	Part Number	Description	Remark	Qty	Model	Pos	Part Number	Description	Remark	Qty	Model
(1)	996 424 980 25	T11 brown/natural parking-brake lever	/RL 01-02	1	IX58	(1)	996 424 980 28	D11 dark grey/natural T11 brown/natural parking-brake lever	/LL 01-02	1	IXE9
		VRJ black						VRJ black			
		C50 graphite grey						C50 graphite grey			
		S30 savanna						S30 savanna			
		G10 metropole blue						G10 metropole blue			
		J30 nephrite green						J30 nephrite green			
		M30 boxer red						M30 boxer red			
		P11 cinnamon brown						P11 cinnamon brown			
		D11 dark grey/natural						D11 dark grey/natural			
(1)	996 424 980 26	T11 brown/natural parking-brake lever	/LL 01-02	1	IX91	(1)	996 424 980 29	T11 brown/natural parking-brake lever complete	/RL 01-02	1	IXE9
		VRJ black						VRJ black			
		C50 graphite grey						C50 graphite grey			
		S30 savanna						S30 savanna			
		G10 metropole blue						G10 metropole blue			
		J30 nephrite green						J30 nephrite green			
		M30 boxer red						M30 boxer red			
		P11 cinnamon brown						P11 cinnamon brown			
		D11 dark grey/natural						D11 dark grey/natural			
(1)	996 424 980 27	T11 brown/natural parking-brake lever	/RL 01-02	1	IX91	(1)	996 424 980 38	T11 brown/natural parking-brake lever complete	/LL 03-	1	IX98
		VRJ black						VRJ black			
		C50 graphite grey						C50 graphite grey			
		S30 savanna						S30 savanna			
		G10 metropole blue						G10 metropole blue			
		J30 nephrite green						J30 nephrite green			
		M30 boxer red						M30 boxer red			
		P11 cinnamon brown						P11 cinnamon brown			
									03		

Model	Year	MG	SG	Illustration	Restrictions	UPD	14:09	24.01.2010	PORSCHE	PET	PORSCHE
996	2005	7	01	701-05		248					

Pos	Part Number	Description	Remark	Qty	Model	Pos	Part Number	Description	Remark	Qty	Model
	M30	boxster red					S30	savanna			
	P11	cinnamon brown					G10	metropole blue			
	D11	dark grey/natural					J30	nephrite green	03		
	T11	brown/natural					M30	boxster red			
(1)	996 424 980 39	parking-brake lever complete	/RL	03-	1 IX98		P11	cinnamon brown			
	VRJ	black					D11	dark grey/natural			
	C50	graphite grey					T11	brown/natural			
	S30	savanna				(1)	996 424 980 42	parking-brake lever complete	/LL	03-	1 IX91
	G10	metropole blue					VRJ	black			
	J30	nephrite green		03			C50	graphite grey			
	M30	boxster red					S30	savanna			
	P11	cinnamon brown					G10	metropole blue			
	D11	dark grey/natural					J30	nephrite green	03		
	T11	brown/natural					M30	boxster red			
(1)	996 424 980 50	parking-brake lever complete	/LL	03-	1 IX58		P11	cinnamon brown			
	VRJ	black					D11	dark grey/natural			
	C50	graphite grey					T11	brown/natural			
	S30	savanna				(1)	996 424 980 43	parking-brake lever complete	/RL	03-	1 IX91
	G10	metropole blue					VRJ	black			
	J30	nephrite green		03			C50	graphite grey			
	M30	boxster red					S30	savanna			
	P11	cinnamon brown					G10	metropole blue			
	D11	dark grey/natural					J30	nephrite green	03		
	T11	brown/natural					M30	boxster red			
(1)	996 424 980 51	parking-brake lever complete	/RL	03-	1 IX58		P11	cinnamon brown			
	VRJ	black					D11	dark grey/natural			
	C50	graphite grey					T11	brown/natural			

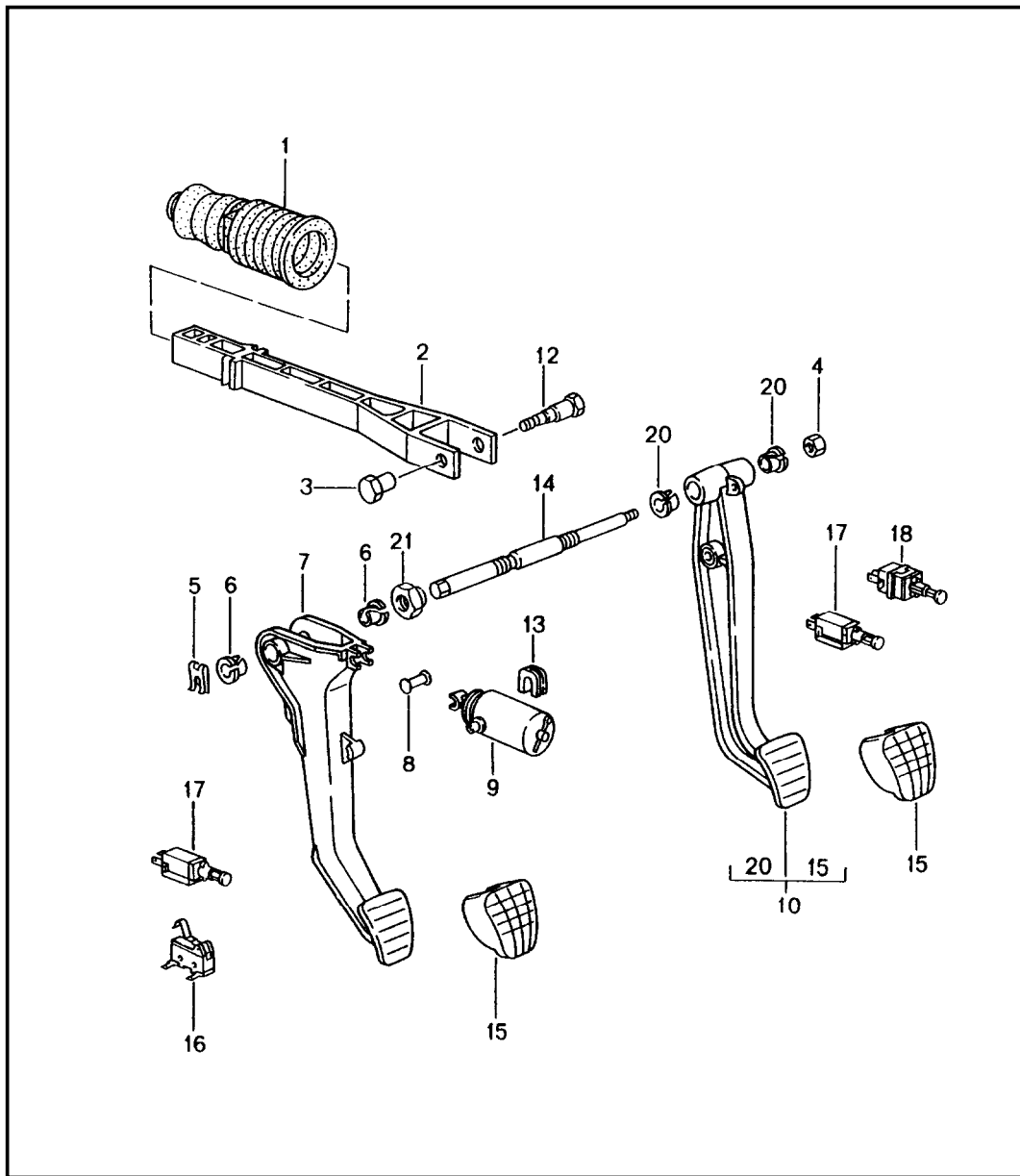
Model	Year	MG	SG	Illustration	Restrictions	UPD	14:09	24.01.2010	PORSCHE	PET	PORSCHE
996	2005	7	01	701-05		248					

Pos	Part Number	Description	Remark	Qty	Model	Pos	Part Number	Description	Remark	Qty	Model
(1)	996 424 980 46	parking-brake lever complete	/LL 03-	1	IXE9		S33	savanna	00-		
	VRJ	black					G13	metropole blue	00-		
	C50	graphite grey					J33	nephrite green	00-03		
	S30	savanna					M33	boxster red	00-		
	G10	metropole blue					P13	cinnamon brown	01-		
	J30	nephrite green	03			(4)	996 424 155 02	cover	04	1	M095
	M30	boxster red					M7Z	silver metallic			
	P11	cinnamon brown				(4)	996 424 155 01	cover	01-	1	IX98
	D11	dark grey/natural							01-	1	IX58
	T11	brown/natural							01-	1	IX91
									01-	1	IXE9
(1)	996 424 980 47	parking-brake lever complete	/RL 03-	1	IXE9		A03	black			
	VRJ	black					C53	graphite grey			
	C50	graphite grey					S33	savanna			
	S30	savanna					G13	metropole blue			
	G10	metropole blue					J33	nephrite green	-03		
	J30	nephrite green	03				M33	boxster red			
	M30	boxster red				5	996 613 112 01	switch		1	
	P11	cinnamon brown				6	996 424 567 01	pull rod		1	
	D11	dark grey/natural				7	964 424 570 00	securing clip		1	
	T11	brown/natural				8	964 424 568 00	turnbuckle		1	
2	996 424 569 01	bolt		1		9	996 424 574 00	nipple		1	
3	999 166 079 02	lock SLB 6		1		10	996 424 572 00	bush		1	
4	996 424 155 01	cover		1		11	900 076 025 02	hexagon nut M 8		2	
	D05	granite grey	-99			12	900 380 005 09	hexagon nut M 8		2	
	A03	black	00-			13	996 424 141 00	parking-brake cable	-00	2	
	B13	space grey	00			(13)	996 424 141 10	parking-brake cable	01-	2	
	C53	graphite grey	00-			14	996 424 721 01	guide tube	-00	2	

Model	Year	MG	SG	Illustration	Restrictions	UPD	14:09	24.01.2010	PORSCHE	PET	PORSCHE
996	2005	7	01	701-05		248					

Pos	Part Number	Description	Remark	Qty	Model	Pos	Part Number	Description	Remark	Qty	Model
(14)	996 424 721 02	guide tube	01-	2							

Model	Year	MG	SG	Illustration	Restrictions	UPD	14:09	24.01.2010	PORSCHE	PET	PORSCHE
996	2005	7	02	702-00		248					

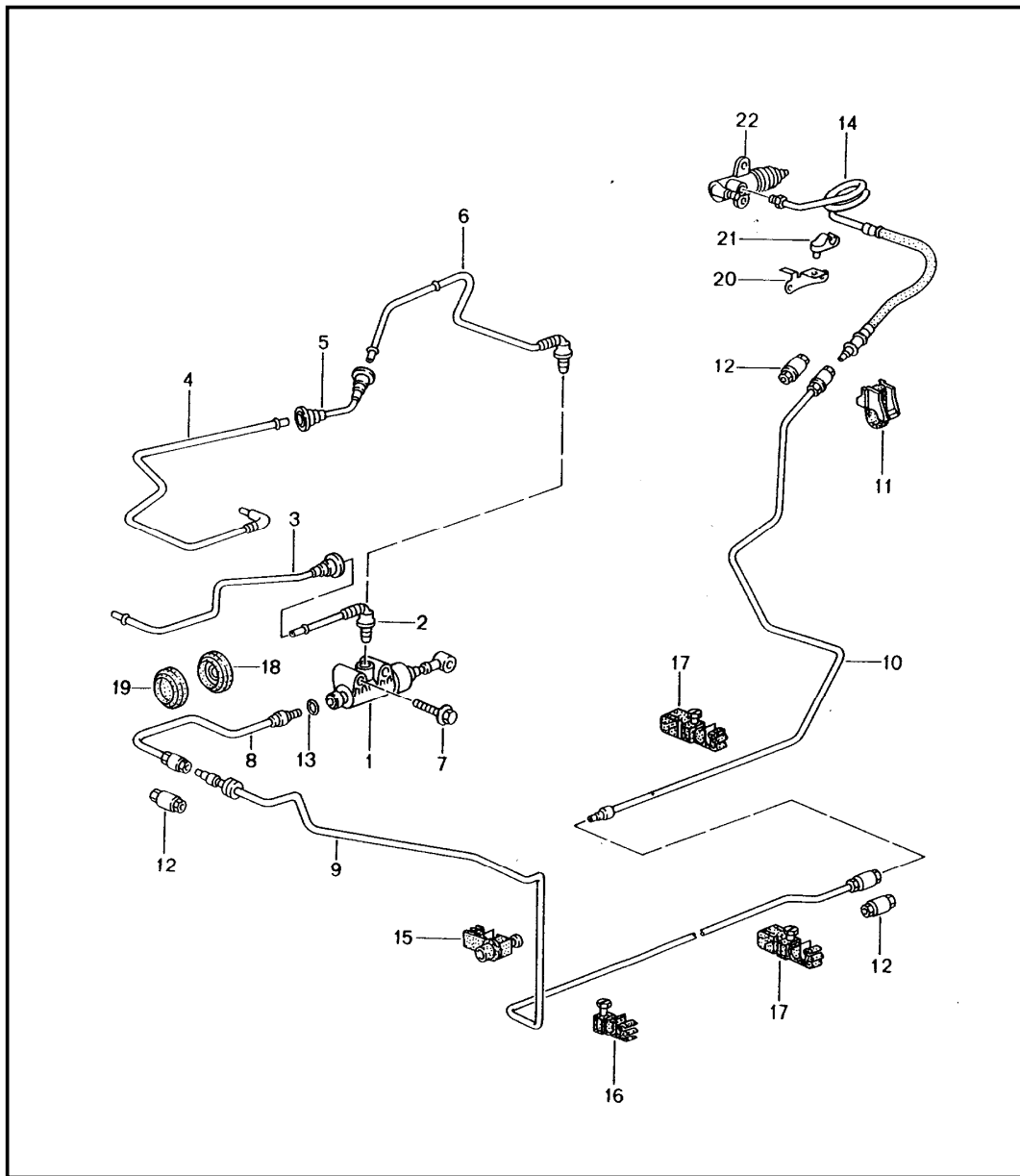


Pos	Part Number	Description	Remark	Qty	Model
		pedals			
		see technical manual			
		46 05 19			
		30 05 19			
		47 70 19			
-	000 043 203 37	grease OPTITEMP LG2		X	
1	...	bellows see illustrations 6/04/00		1	
2	U 996 423 165 04	push rod F >>99YS6 00595 F >>99YS6 40393 see technical information group 4 NR.11/01		1	
(2)	996 423 165 05	push rod F 99YS6 00596>> F 99YS6 40394>>		1	
-	999 166 075 02	lock push rod brake booster		1	
3	996 423 307 00	bush		1	
4	900 380 005 09	hexagon nut M 8		3 2	
5	999 507 601 01	lock		1	M480
6	996 423 399 01	bush		2	M480
7	A 996 423 139 08	clutch pedal F >>99XS6 01584 F >>99XS6 40899		1	M480
(7)	996 423 139 09	clutch pedal	-99	1	M480
(7)	996 423 139 10	clutch pedal F 99XS6 01585>> F 99XS6 40900>> use also: F >>99XS6 01584 F >>99XS6 40899 996.423.081.11		1	M480
8	996 423 313 01	bolt F >>99XS6 01584 F >>99XS6 40899		1	M480

Model	Year	MG	SG	Illustration	Restrictions	UPD	14:09	24.01.2010	PORSCHE	PET	PORSCHE
996	2005	7	02	702-00		248					

Pos	Part Number	Description	Remark	Qty	Model	Pos	Part Number	Description	Remark	Qty	Model	
(8)	996 423 315 06	bolt F 99XS6 01585>> F 99XS6 40900>>		1	M480	12	996 423 308 00	bolt		1		
-	999 166 022 02	lock for bolt F 99XS6 01585>> F 99XS6 40900>>		1	M480	13	996 423 581 00	bush		1		
9 A	996 423 081 09	clutch power spring F >>99XS6 01584 F >>99XS6 40899		1	M480	14	996 423 281 05	axle	/LL	1	M480	
(9)	996 423 081 11	clutch power spring F 99XS6 01585>> F 99XS6 40900>> use also: F >>99XS6 01584 F >>99XS6 40899 996.423.139.09		1	M480	(14)	996 423 284 05	axle	/RL	1	M480	
(9)	996 423 081 14	clutch power spring	-02	1	M480	(14)	996 423 283 05	axle	/LL	1	M249	
(9)	996 423 081 17	clutch power spring	03	1	M480	(14)	996 423 286 05	axle	/RL	1	M249	
(9)	996 423 081 18	clutch power spring	04	1	M480	-	996 423 277 00	bearing sleeve brake pedal	/RL	1		
-	996 423 571 02	bracket for clutch power spring		1	M480	15	996 423 210 03	pedal cap		2	M480	
10	996 423 091 02	brake pedal	/LL	-99	1	M480	(15)	996 423 212 03	pedal cap	1	M249	
(10)	996 423 091 03	brake pedal	/LL	00-	1	M480	17 A	996 613 113 00	switch brake pedal	2	M454	
(10)	996 423 092 02	brake pedal	/RL	-99	1	M480	(17)	996 613 113 01	switch brake pedal	2	M454	
(10)	996 423 092 03	brake pedal	/RL	00-	1	M480	(17) A	996 613 114 00	switch clutch pedal	-99	1	M454
(10)	996 423 093 02	brake pedal	/LL	-99	1	M249	(17)	996 613 114 01	switch clutch pedal	-99	1	M454
(10)	996 423 093 03	brake pedal	/LL	00-	1	M249	(17)	996 613 114 01	switch clutch pedal	00-	1	
(10)	996 423 094 02	brake pedal	/RL	-99	1	M249	18	996 613 113 01	switch		1	
(10)	996 423 094 03	brake pedal	/RL	00-	1	M249	19	964 613 211 00	kickdown switch		1	M249
-	999 522 033 00	return spring brake pedal		2			20	996 423 399 01	bush	/LL	2	
-	996 423 101 00	protective tube return spring brake pedal		1			(20)	999 924 133 40	bush	/RL	2	
-	996 423 243 00	bush return spring	00-	1			21 A	996 423 275 04	screw plug	-03	1	
							(21)	996 423 275 05	screw plug	04-	1	

Model	Year	MG	SG	Illustration	Restrictions	UPD	14:09	24.01.2010	PORSCHE	PET	PORSCHE
996	2005	7	02	702-08		248					

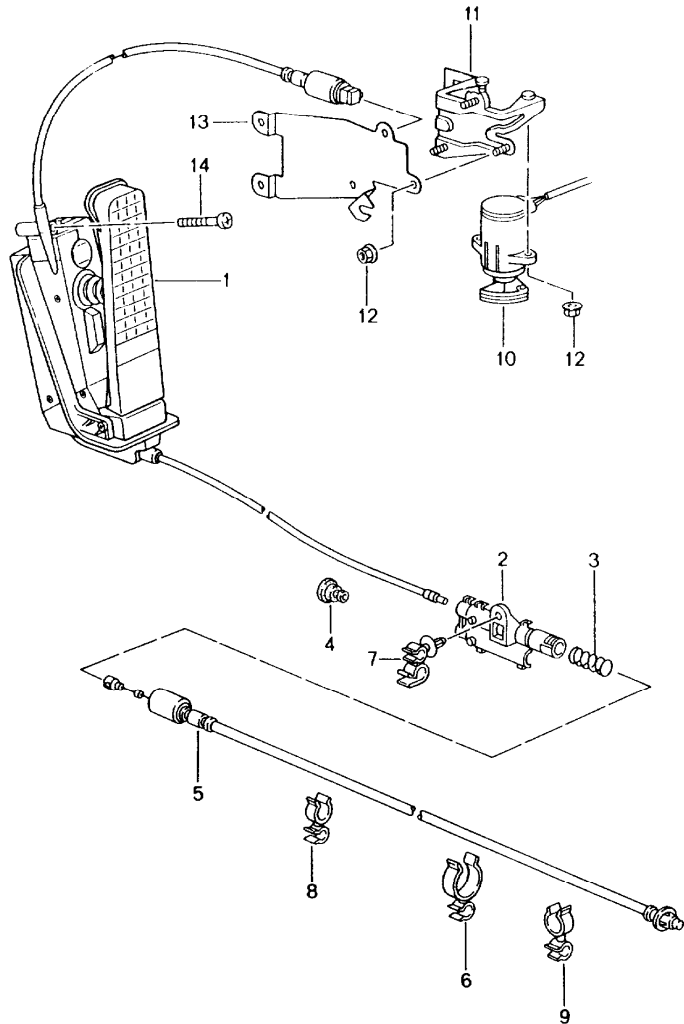


Pos	Part Number	Description	Remark	Qty	Model
		clutch actuation clutch master cylinder clutch pipeline			
1	A 996 423 171 05	clutch master cylinder		-02	1
(1)	996 423 171 06	clutch master cylinder		03-	1
-	996 423 614 00	circlip pressure line			1
-	996 423 315 06	bolt			1
-	999 166 022 02	safety clip for bolt			1
2	996 423 147 00	feed line	/LL	-02	1
(2)	996 423 147 01	feed line	/LL	03-	1
3	997 423 137 00	feed line	/LL		1
4	996 423 138 03	line	/RL	-02	1
(4)	996 423 138 04	feed line	/RL	03-	1
5	996 423 140 02	feed line	/RL		1
6	996 423 142 01	feed line	/RL	-02	1
(6)	996 423 142 02	feed line	/RL	03-	1
7	900 378 029 09	hexagon-head bolt M 6 X 40			2
8	996 423 107 10	clutch pipeline	/LL		1
(8)	996 423 108 10	clutch pipeline	/RL		1
9	996 423 109 10	clutch pipeline			1
10	996 423 113 04	clutch pipeline F >>99XS6 06898 F >>99XS6 44623			1
(10)	996 423 113 05	clutch pipeline F 99XS6 06899>> F 99XS6 44624>>		-01	1
(10)	996 423 113 07	clutch pipeline F >>994S6 30356 F >>994S6 03928 F >>994S6 42725		02-	1

Model	Year	MG	SG	Illustration	Restrictions	UPD	14:09	24.01.2010	PORSCHE	PET	PORSCHE
996	2005	7	02	702-08		248					

Pos	Part Number	Description	Remark	Qty	Model	Pos	Part Number	Description	Remark	Qty	Model
(10)	997 423 113 00	clutch pipeline F 994S6 30357>> F 994S6 03929>> F 994S6 42726>>		1							
11	999 507 495 40	support		1							
12	999 230 541 10	threaded joint		3							
-	999 230 685 40	circlip for threaded joint		3							
13	999 707 333 40	sealing ring		1							
14	996 423 377 07	clutch hose	-01	1							
(14) A	996 423 377 08	clutch hose	02	1							
(14)	996 423 377 09	clutch hose F >>994S6 30356 F >>994S6 03928 F >>994S6 42725	03-	1							
(14)	997 423 377 00	clutch hose F 994S6 30357>> F 994S6 03929>> F 994S6 42726>>		1							
15	996 355 549 00	support		1							
16	996 355 545 00	support		2							
17	996 355 543 00	support		4							
18	999 702 216 42	grommet		1							
19	999 702 217 41	grommet		1	M249						
20 A	996 423 677 00	support		1							
(20)	996 423 677 00	support		1							
-	999 507 586 40	cable holder		1							
21	999 507 586 40	bracket		1							
22 A	996 116 237 04	clutch operating cylinder		1							
(22) A	996 116 237 05	clutch operating cylinder		1							
(22)	996 116 237 06	clutch operating cylinder		1							
-	900 075 222 09	hexagon-head bolt M 8 X 30		2							

Model	Year	MG	SG	Illustration	Restrictions	UPD	14:09	24.01.2010	PORSCHE	PET	PORSCHE
996	2005	7	02	702-10		248					

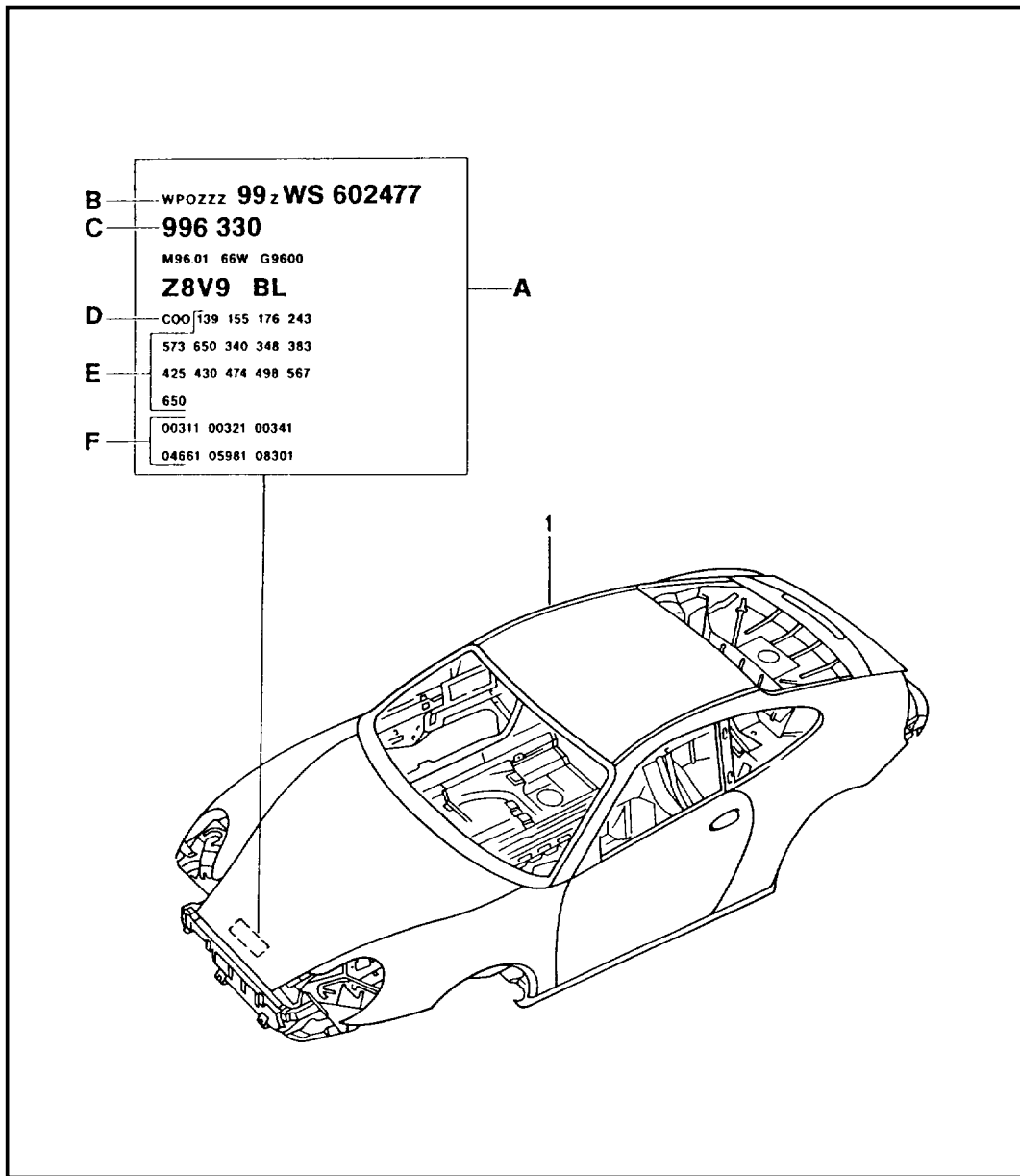


Pos	Part Number	Description	Remark	Qty	Model
		pedals accelerator control			
1	996 423 021 09	accelerator control	/LL	1	M480
(1)	996 423 022 09	accelerator control	/RL	1	M480
(1)	996 423 023 09	accelerator control	/LL	1	M249
(1)	996 423 024 09	accelerator control	/RL	1	M249
(1)	996 423 025 09	accelerator control	/LL	1	M454/480
(1)	996 423 026 09	accelerator control	/RL	1	M454/480
(1)	996 423 027 09	accelerator control	/LL	1	M249/454
(1)	996 423 028 09	accelerator control	/RL	1	M249/454
(1) A	996 423 019 03	accelerator control	/LL	99 -02	1 M620 M339/480
			/LL	-02	1 M480/620
(1)	996 423 019 04	accelerator control	/LL	99-	1 M480/620
(1) A	996 423 029 03	accelerator control	/LL	99 -02	1 M620 M249/339
			/LL	-02	1 M249/620
(1)	996 423 029 04	accelerator control	/LL	99-	1 M249/620
(1) A	996 423 020 01	accelerator control	/RL	99 -02	1 M620 M339/480
			/RL	-02	1 M480/620
(1)	996 423 020 02	accelerator control	/RL	99-	1 M480/620
(1) A	996 423 030 01	accelerator control	/RL	99 -02	1 M620 M249/339
			/RL	-02	1 M249/620
(1)	996 423 030 02	accelerator control	/RL	99-	1 M249/620
-	996 423 396 00	circlip connecting rod accelerator pedal		03-	1
2	996 423 131 04	housing			1
3	996 423 133 00	spring			1
4	996 423 331 00	grommet			1
(4)	803 803 583 A	stopper			1
5	996 423 229 04	accelerator cable	/LL		1 M480

Model	Year	MG	SG	Illustration	Restrictions	UPD	14:09	24.01.2010	PORSCHE	PET	PORSCHE
996	2005	7	02	702-10		248					

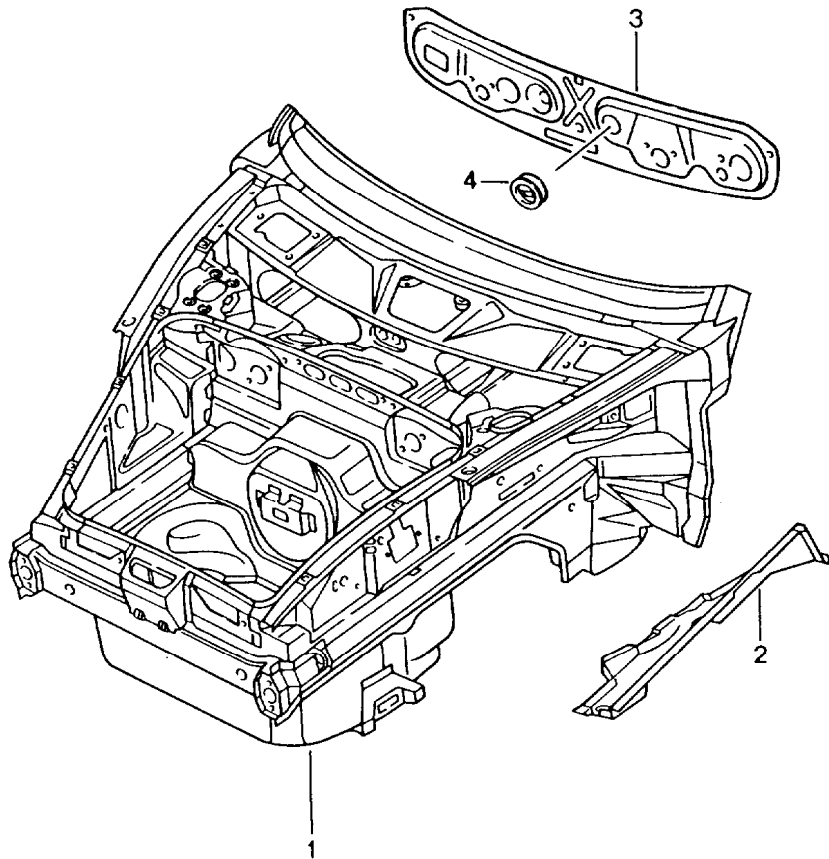
Pos	Part Number	Description	Remark	Qty	Model	Pos	Part Number	Description	Remark	Qty	Model
(5)	996 423 228 04	accelerator cable	/RL	1	M480						
(5)	996 423 279 04	accelerator cable	/LL	1	M249						
(5)	996 423 280 04	accelerator cable	/RL	1	M249						
6	999 507 617 40	hose holder		1							
7	999 507 605 40	hose holder		1							
8	999 507 604 40	hose holder		1							
9	999 591 928 40	hose holder fuel line	/LL	1							
(9)	999 507 539 40	hose holder clutch pipeline	/LL	1	M480						
10	996 606 115 00	pedal sensor		99	M339/620						
11	996 423 389 01	support		99	M339/620						
12	900 377 010 09	hexagon nut M 6		99	M339/620						
13	996 423 394 00	support	/RL /RL	99 00-	M339/620						
14	900 146 157 09	round head screw M 5 X 55		1							

Model	Year	MG	SG	Illustration	Restrictions	UPD	14:09	24.01.2010	PORSCHE	PET	PORSCHE
996	2005	8	01	801-00		248					



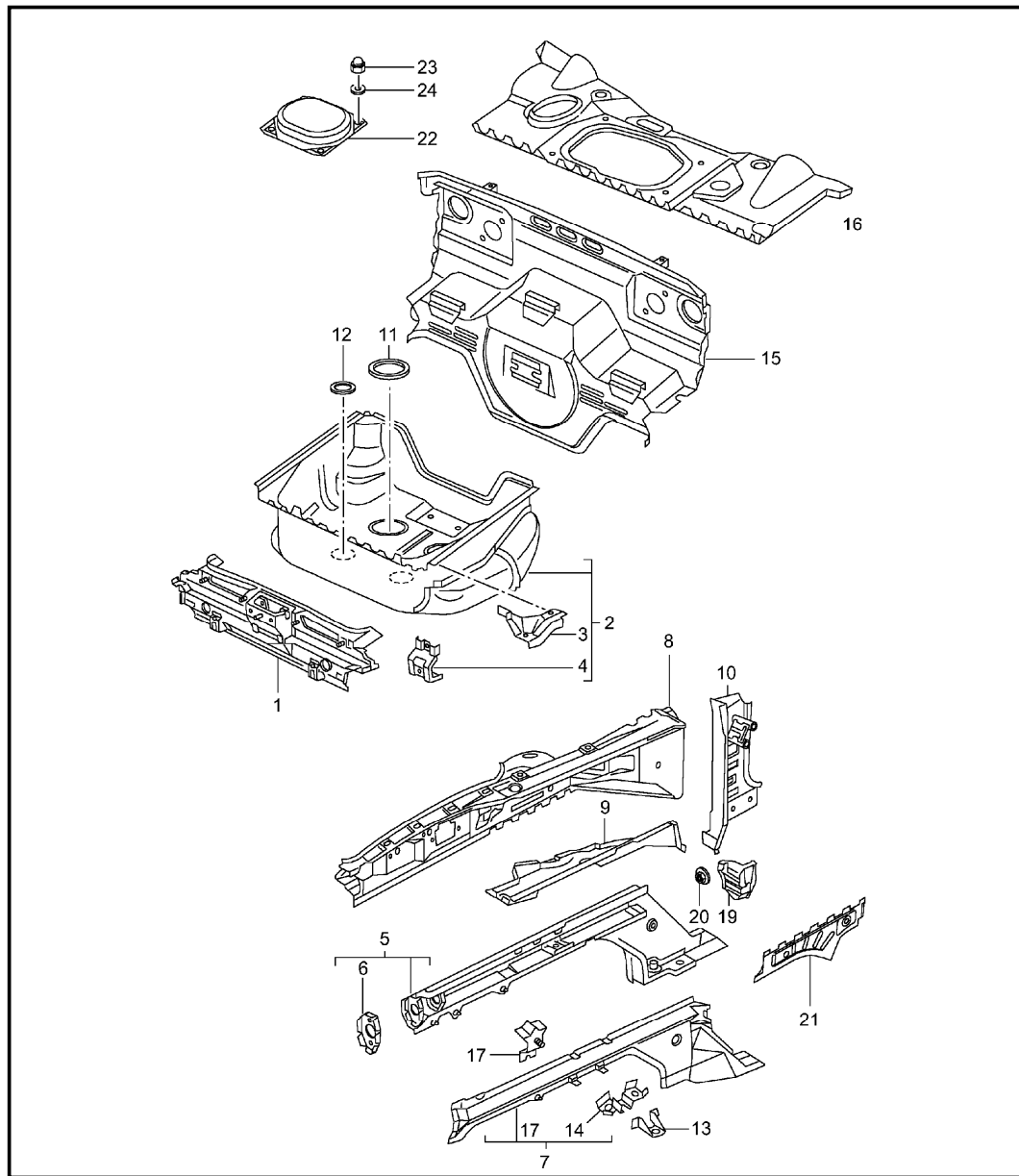
Pos	Part Number	Description	Remark	Qty	Model
		body in white prime coated sealed with underbody protection with doors/lids/wings			
		bodyshells can only only available from current model year available			
		the data required for your order can be found on the vehicle data carrier please indicate this data in your order			
A	-	vehicle data carrier			
B	-	vehicle identification no.			
C	-	order type			
D	-	country equipment			
E	-	optional extras			
F	-	additional applications			
1	996 500 900 00	body in white		1	
		GRV prime coated			

Model	Year	MG	SG	Illustration	Restrictions	UPD	14:09	24.01.2010	PORSCHE	PET	PORSCHE
996	2005	8	01	801-05		248					



Pos	Part Number	Description	Remark	Qty	Model
1	996 501 911 00	body front section		1	M338
	GRV	prime coated			
(1)	996 501 911 01	body front section	/LL	1	M339
	GRV	prime coated			
(1)	996 501 911 03	body front section	/RL	1	M339
	GRV	prime coated			
		use also:			
2	996 501 443 00	bottom half	/L	-01	1
	GRV	prime coated			
(2)	996 501 444 01	bottom half	/R	-01	1
	GRV	prime coated			
(2)	996 501 443 01	bottom half	/L	02-	1
	GRV	prime coated			
(2)	996 501 444 02	bottom half	/R	02-	1
	GRV	prime coated			
3	A 996 504 121 00	lid	/LL	1	
	F	>>99YS6 00595			
	F	>>99YS6 40393			
(3)	996 504 121 02	lid	/LL	1	
		use also:			
--	000 043 300 94	adhesive set		1	
(3)	A 996 504 121 01	lid	/RL	1	
	F	>>99YS6 00595			
	F	>>99YS6 40393			
(3)	996 504 121 03	lid	/RL	1	
		use also:			
--	000 043 300 94	adhesive set		1	
4	999 702 255 40	lid		1	
		61,5 X 72,6			

Model	Year	MG	SG	Illustration	Restrictions	UPD	14:10	24.01.2010	PORSCHE	PET	PORSCHE
996	2005	8	01	801-10		248					



Pos	Part Number	Description	Remark	Qty	Model
		body front section single parts			
1	996 501 231 01	terminal piece	-01	1	
	GRV	prime coated			
1	996 501 231 02	terminal piece	02-	1	
	GRV	prime coated			
2	996 501 979 00	spare-wheel well		1	M338
	GRV	prime coated			
(2)	996 501 979 01	spare-wheel well	99-	1	M339
	GRV	prime coated			
-	996 501 473 00	support	99	2	M339
	GRV	prime coated for control unit PSM			
3	996 501 649 00	corner panel	/L	1	
	GRV	prime coated			
(3)	996 501 650 00	corner panel	/R	1	
	GRV	prime coated			
4	996 501 621 00	support		3	
	GRV	prime coated			
5	996 501 305 04	side member	/L -01	1	
	GRV	prime coated			
(5)	996 501 306 04	side member	/R -01	1	
	GRV	prime coated			
(5)	996 501 305 05	side member	/L 02	1	
	GRV	prime coated			
(5) A	996 501 306 05	side member	/R 02	1	
	GRV	prime coated			
(5)	996 501 305 06	side member	/L 03-	1	
	GRV	prime coated			

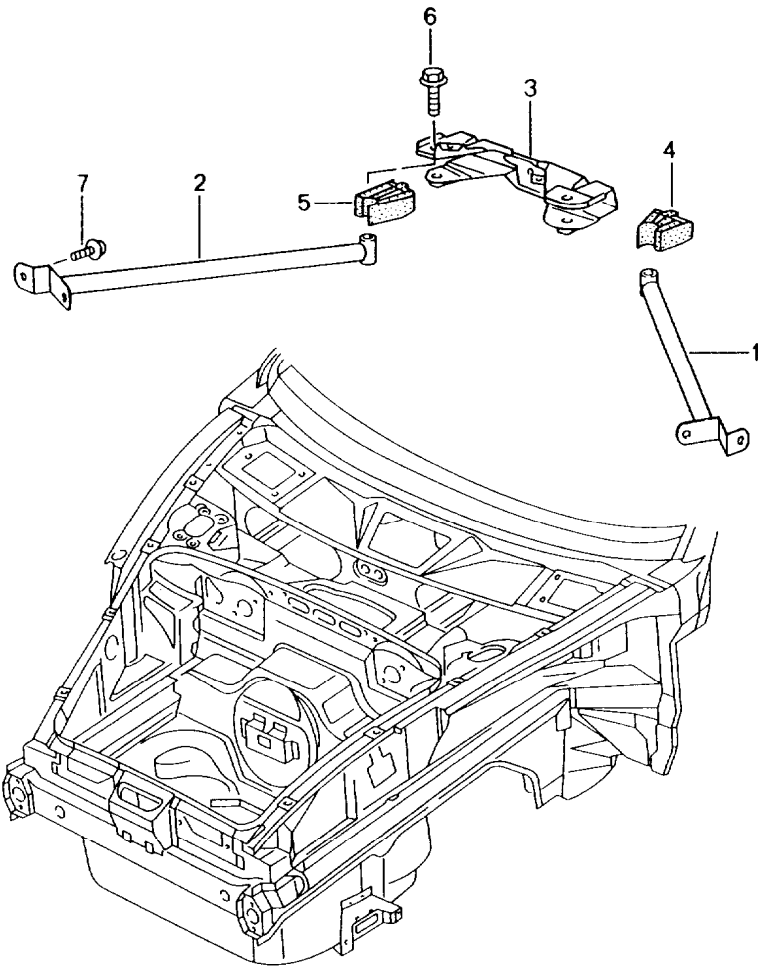
Model	Year	MG	SG	Illustration	Restrictions	UPD	14:10	24.01.2010	PORSCHE	PET	PORSCHE
996	2005	8	01	801-10		248					

Pos	Part Number	Description	Remark	Qty	Model	Pos	Part Number	Description	Remark	Qty	Model	
(5)	996 501 306 06	side member	/R	1		10	996 501 937 01	hinge pillar	/L	1		
	GRV	prime coated					GRV	prime coated				
6	996 501 377 01	mounting		2		(10)	996 501 938 01	hinge pillar	/R	1		
	GRV	prime coated					GRV	prime coated				
7	996 501 915 00	side member	/L	1		11	996 504 201 01	lid \$ 145 MM		2		
	GRV	prime coated				12	996 504 213 01	lid \$ 85 MM		2		
	F	>>99WS6 06999				13	996 501 815 00	support		2		
	F	>>99WS6 40804					GRV	prime coated				
		it is necessary to rework					F	>>99WS6 06999				
		use also:					F	>>99WS6 40804				
		POS.13										
(7)	996 501 916 00	side member	/R	1		14	996 501 815 02	support		2		
	GRV	prime coated					GRV	prime coated				
	F	>>99WS6 06999					F	99WS6 07000>>				
	F	>>99WS6 40804					F	99WS6 40805>>				
		it is necessary to rework										
		use also:										
		POS.13										
8	996 501 935 00	wheel housing	/L	-01	1	15	996 502 021 03	bulkhead		1	M338	
	GRV	prime coated					GRV	prime coated				
(8)	996 501 936 01	wheel housing	/R	-01	1	(15) A	996 502 021 04	bulkhead	/LL	1	M339	
	GRV	prime coated					GRV	prime coated				
(8)	996 501 935 01	wheel housing	/L	02-	1	(15)	996 502 015 02	bulkhead	/LL	1	M339	
	GRV	prime coated					GRV	prime coated				
(8)	996 501 936 02	wheel housing	/R	02-	1	(15)	996 502 021 05	bulkhead	/RL	-01	1	M339
	GRV	prime coated					GRV	prime coated				
9	996 501 443 00	bottom half	/L	-00	1	(15)	996 502 015 03	bulkhead	/RL	02-	1	M339
	GRV	prime coated					GRV	prime coated				
(9)	996 501 444 01	bottom half	/R	-00	1	16	996 502 017 01	cross panel		-99	1	M338
	GRV	prime coated					GRV	prime coated				
(9)	996 501 443 01	bottom half	/L	01-	1	16	996 502 017 04	cross panel		00-	1	M338
	GRV	prime coated					GRV	prime coated				
(9)	996 501 444 02	bottom half	/R	01-	1	(16)	996 502 017 03	cross panel		-01	1	M339
	GRV	prime coated					GRV	prime coated				

Model	Year	MG	SG	Illustration	Restrictions	UPD	14:10	24.01.2010	PORSCHE	PET	PORSCHE
996	2005	8	01	801-10		248					

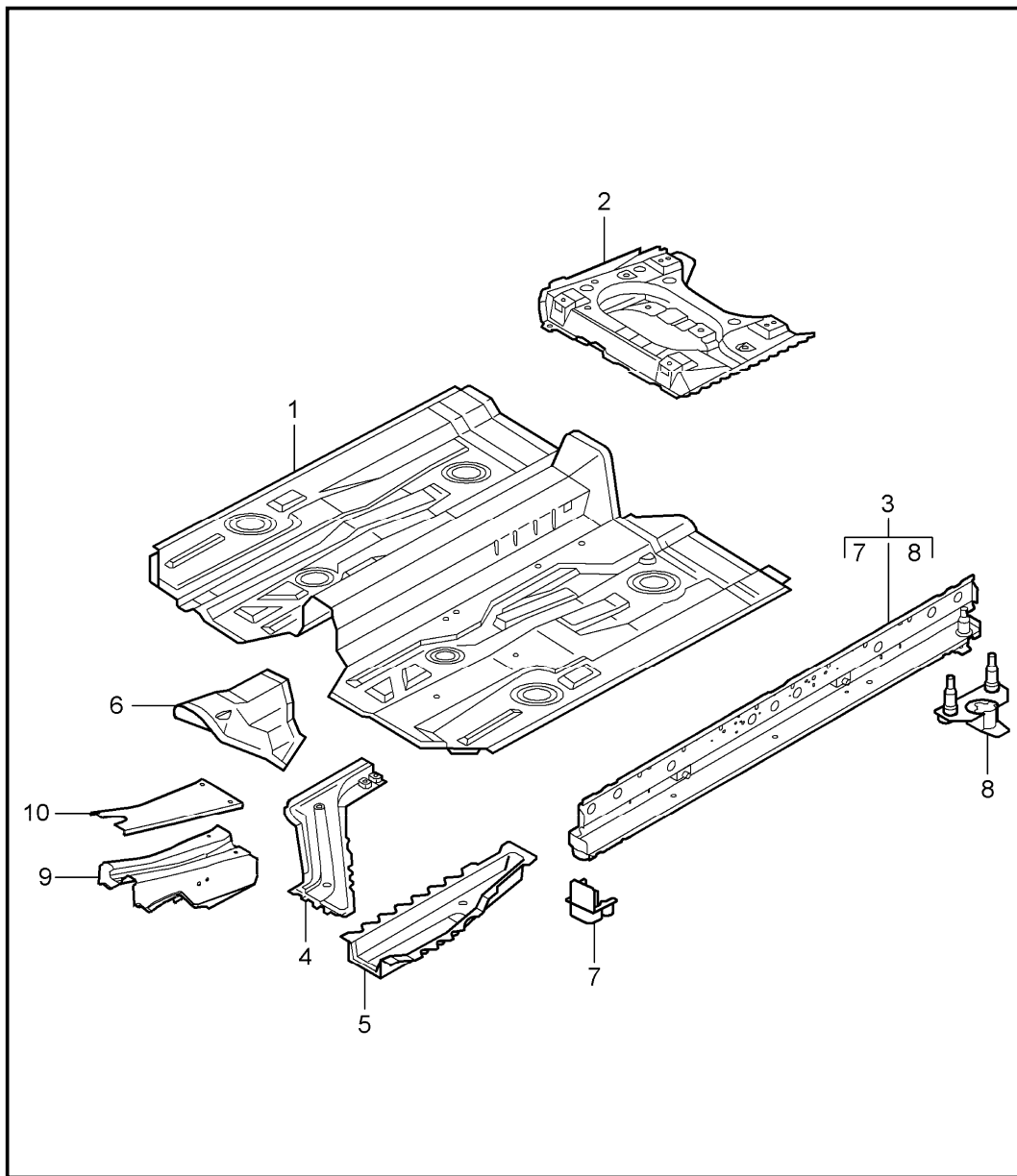
Pos	Part Number	Description	Remark	Qty	Model	Pos	Part Number	Description	Remark	Qty	Model
(16)	996 502 017 05	cross panel	02-	1	M339						
	GRV	prime coated									
-	996 504 665 00	lid	/LL	1	M339						
-	996 504 665 01	lid bulkhead	/RL	1	M339						
17	996 501 341 00	support		2							
	GRV	prime coated									
19	996 504 461 00	cover	/L	1							
(19)	996 504 462 00	cover	/R	1							
20	999 084 629 09	hexagon nut M 6		6							
-	996 504 761 01	seal	/L	1							
-	996 504 762 01	seal	/R	1							
-	999 507 760 40	expansion rivet 6,5 X 20		4							
21	996 501 665 00	separator	/L	1							
	GRV	prime coated									
(21)	996 501 666 00	separator	/R	1							
	GRV	prime coated									
22	996 504 471 00	lid		1	M339						
	01C	satin black bulkhead									
23	900 096 006 01	cap nut M 6		4	M339						
24	N 011 524 7	washer A 6,4		4	M339						

Model	Year	MG	SG	Illustration	Restrictions	UPD	14:10	24.01.2010	PORSCHE	PET	PORSCHE
996	2005	8	01	801-15		248					



Pos	Part Number	Description	Remark	Qty	Model
		dome strut			
1	A 996 504 233 00	dome strut	/L	-02	1
1	996 504 233 01	dome strut	/L		1
2	A 996 504 234 00	dome strut	/R	-02	1
2	996 504 234 01	dome strut	/R		1
3	996 504 359 00	bracket			1
4	996 504 633 00	filler piece	/L		1
5	996 504 634 00	filler piece	/R		1
6	900 378 100 09	hexagon-head bolt AM 10 X 45			2
7	900 075 010 09	combination screw M 6 X 12			4

Model	Year	MG	SG	Illustration	Restrictions	UPD	14:10	24.01.2010	PORSCHE	PET	PORSCHE
996	2005	8	01	801-20		248					

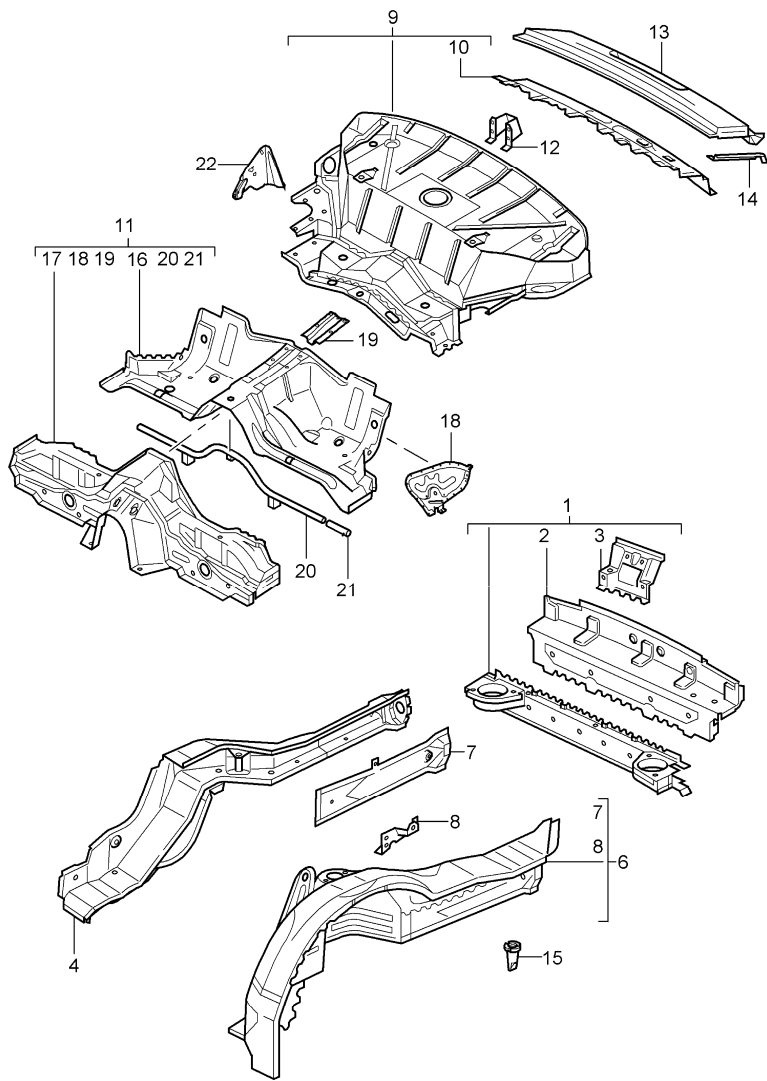


Pos	Part Number	Description	Remark	Qty	Model
		floor centre			
1	996 501 551 00	floor		1	
	GRV	prime coated			
2	996 501 153 00	seat support	/L	1	
	GRV	prime coated			
(2)	996 501 154 00	seat support	/R	1	
	GRV	prime coated			
3	996 501 957 00	side member	/L -01	1	
	GRV	prime coated			
(3)	996 501 957 01	side member	/L -02	1	
	GRV	prime coated			
(3)	996 501 957 03	side member	/L 03-	1	
	GRV	prime coated			
(3)	996 501 958 01	side member	/R -01	1	
	GRV	prime coated			
(3)	996 501 958 02	side member	/R -02	1	
	GRV	prime coated			
(3)	996 501 958 04	side member	/R 03-	1	
	GRV	prime coated			
4	996 501 507 02	reinforcement	/L	1	
	GRV	prime coated			
(4)	996 501 508 02	reinforcement	/R	1	
	GRV	prime coated			
5	996 501 525 00	side member	/L	1	
	GRV	prime coated			
(5)	996 501 526 00	side member	/R	1	
	GRV	prime coated			
6	996 501 751 00	extension		1	

Model	Year	MG	SG	Illustration	Restrictions	UPD	14:10	24.01.2010	PORSCHE	PET	PORSCHE
996	2005	8	01	801-20		248					

Pos	Part Number	Description	Remark	Qty	Model	Pos	Part Number	Description	Remark	Qty	Model
		GRV prime coated									
7	996 501 785 00	jacking point	/L/V	1							
		GRV prime coated									
(7)	996 501 786 00	jacking point	/R/V	1							
		GRV prime coated									
8	996 501 481 01	jacking point	/L/H	1							
		GRV prime coated									
(8)	996 501 482 01	jacking point	/R/H	1							
		GRV prime coated									
9	996 501 409 01	reinforcement tunnel		1							
		GRV prime coated									
10	996 501 719 00	filler plate reinforcement		1							
		GRV prime coated									
-	996 504 201 01	lid \$ 145 MM		X							
-	996 504 205 01	lid \$ 130 MM		X							
-	996 504 207 01	lid \$ 100 MM		X							

Model	Year	MG	SG	Illustration	Restrictions	UPD	14:10	24.01.2010	PORSCHE	PET	PORSCHE
996	2005	8	01	801-35		248					



Pos	Part Number	Description	Remark	Qty	Model
1	996 501 973 00	rear end		1	
		terminal piece			
		GRV prime coated			
2	A 996 501 273 01	end plate	-01	1	
		GRV prime coated			
		see tpi			
		group 8			
		Nr.51			
2	996 501 273 02	end plate		1	
		GRV prime coated			
		see tpi			
		group 8			
		Nr.51			
3	996 501 247 00	lock carrier		1	
		GRV prime coated			
		F >>99WS6 00563			
3	996 501 247 01	lock carrier		1	
		GRV prime coated			
		F 99WS6 00564>>			
4	996 501 977 00	side member	/L	1	
		GRV prime coated			
(4)	996 501 978 00	side member	/R	1	
		GRV prime coated			
-	996 501 977 01	side member	/L	1	
		GRV prime coated			
		position			
		4 + 5			
		use also:			
-	997 504 797 00	bracket	/L	1	
		GRV prime coated			
6	996 501 943 00	wheel housing	/L	1	
		GRV prime coated			
		it is necessary to rework			
		see workshop manual			CABRIO
(6)	996 501 944 00	wheel housing	/R	1	

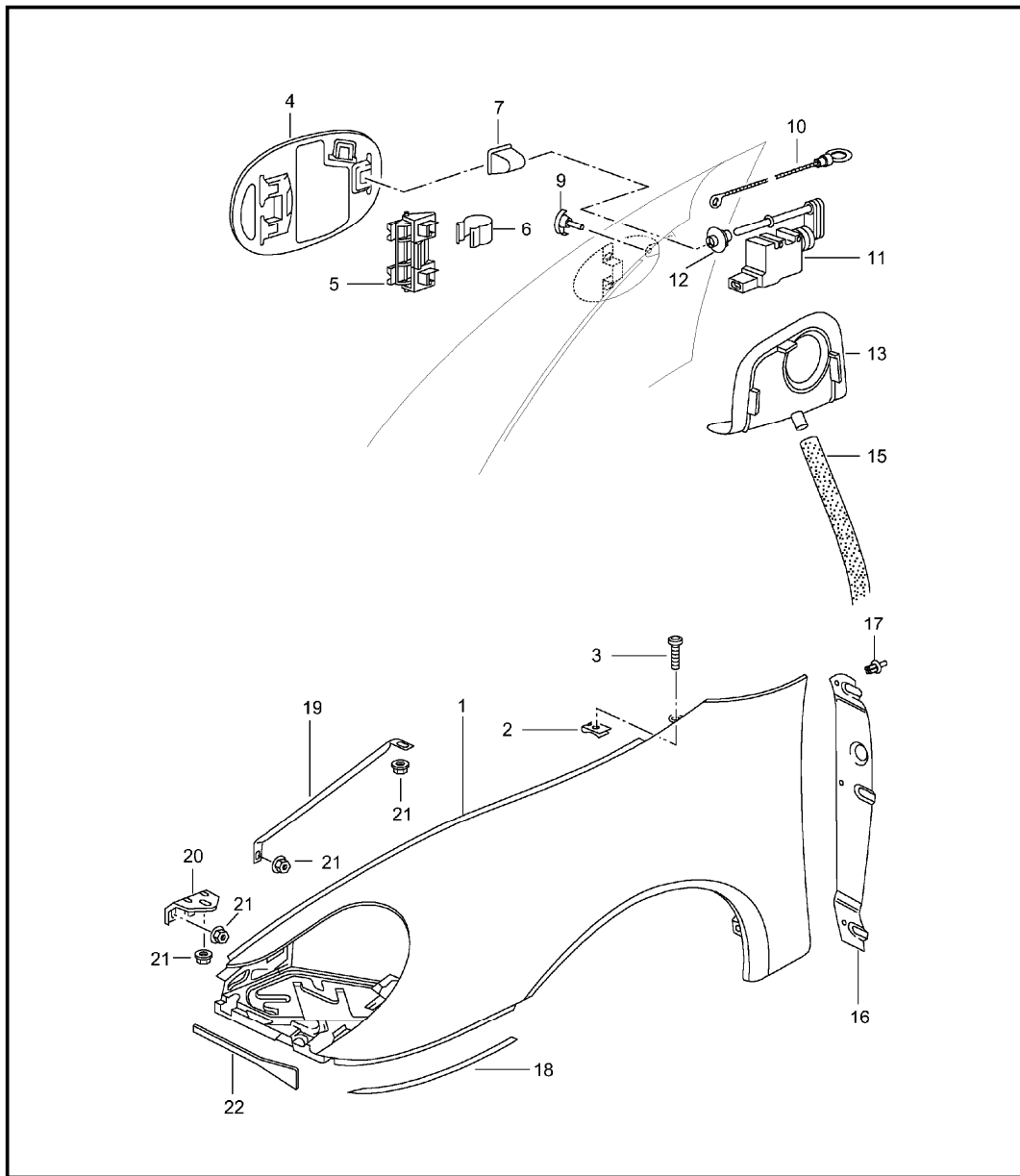
Model	Year	MG	SG	Illustration	Restrictions	UPD	14:10	24.01.2010	PORSCHE	PET	PORSCHE
996	2005	8	01	801-35		248					

Pos	Part Number	Description	Remark	Qty	Model	Pos	Part Number	Description	Remark	Qty	Model	
		GRV prime coated it is necessary to rework see workshop manual			CABRIO			GRV prime coated upper part				
7	A 996 501 595 00	side member	/L -99	1		11	996 501 949 00	seat well	-01	1		
		GRV prime coated						GRV prime coated				
7	996 501 595 01	side member	/L	1		(11)	996 501 049 03	seat well	02-	1		
		GRV prime coated						GRV prime coated				
(7)	A 996 501 596 00	side member	/R -99	1		12	996 502 525 00	bracket		1	CABRIO	
		GRV prime coated						GRV prime coated				
(7)	996 501 596 01	side member	/R	1		13	996 503 211 00	rear centre panel		1	COUPE	
		GRV prime coated						GRV prime coated				
8	996 501 571 00	bracket	/L	1	CABRIO	(13)	996 503 211 01	rear centre panel		1	COUPE M425	
		GRV prime coated						GRV prime coated				
(8)	996 501 572 00	bracket	/R	1	CABRIO	(13)	996 503 211 04	rear centre panel		1	C4S	
		GRV prime coated						GRV prime coated				
9	996 502 911 00	rear wall		1		(13)	996 503 211 03	rear centre panel		1	C4S M425	
		GRV prime coated order also: POS. 12 see workshop manual			CABRIO			GRV prime coated				
10	996 502 673 00	cross member		1	COUPE	14	996 545 549 00	pipng	/L	1	COUPE	
		GRV prime coated						996 545 549 02	/L	1	TARGA	
10	996 502 673 03	cross member		1	C4S COUPE	(14)	996 545 550 00	pipng	/R	1	COUPE	
		GRV prime coated				(14)	996 545 550 02	pipng	/R	1	TARGA	
(10)	996 502 673 01	cross member		1	CABRIO	(14)	996 545 550 03	pipng	/R	02-	1	C4S
		GRV prime coated						996 561 825 00		2		
(10)	996 502 673 07	cross member		1	C4S CABRIO			water drain valve wheel housing rear				
		GRV prime coated				16	996 501 549 03	seat well		1		
(10)	996 502 561 00	cross member		1	CABRIO			GRV prime coated				
		GRV prime coated upper part				17	996 501 155 02	cross member		1		
(10)	996 502 561 01	cross member		1	C4S CABRIO			GRV prime coated				

Model	Year	MG	SG	Illustration	Restrictions	UPD	14:10	24.01.2010	PORSCHE	PET	PORSCHE
996	2005	8	01	801-35		248					

Pos	Part Number	Description	Remark	Qty	Model	Pos	Part Number	Description	Remark	Qty	Model
18	996 501 461 02	reinforcement	/L	1							
	GRV	prime coated									
(18)	996 501 462 02	reinforcement	/R	1							
	GRV	prime coated									
19	996 501 659 01	bracket		1							
	GRV	prime coated									
20	996 501 411 00	pipe		1							
	GRV	prime coated									
21	996 501 415 00	sleeve		2							
	GRV	prime coated									
22	996 504 797 00	bracket	/L	1							
	GRV	prime coated belt									
(22)	996 504 798 00	bracket	/R	1							
	GRV	prime coated belt									
23	996 502 653 01	connecting piece	/L	1	COUPE/TARGA						
	GRV	prime coated									
(23)	996 502 654 01	connecting piece	/R	1	COUPE/TARGA						
	GRV	prime coated									
(23)	997 502 553 00	connecting piece	/L	1	CABRIO						
	GRV	prime coated									
(23)	997 502 554 00	connecting piece	/R	1	CABRIO						
	GRV	prime coated									

Model	Year	MG	SG	Illustration	Restrictions	UPD	14:10	24.01.2010	PORSCHE	PET	PORSCHE
996	2005	8	01	801-40		248					

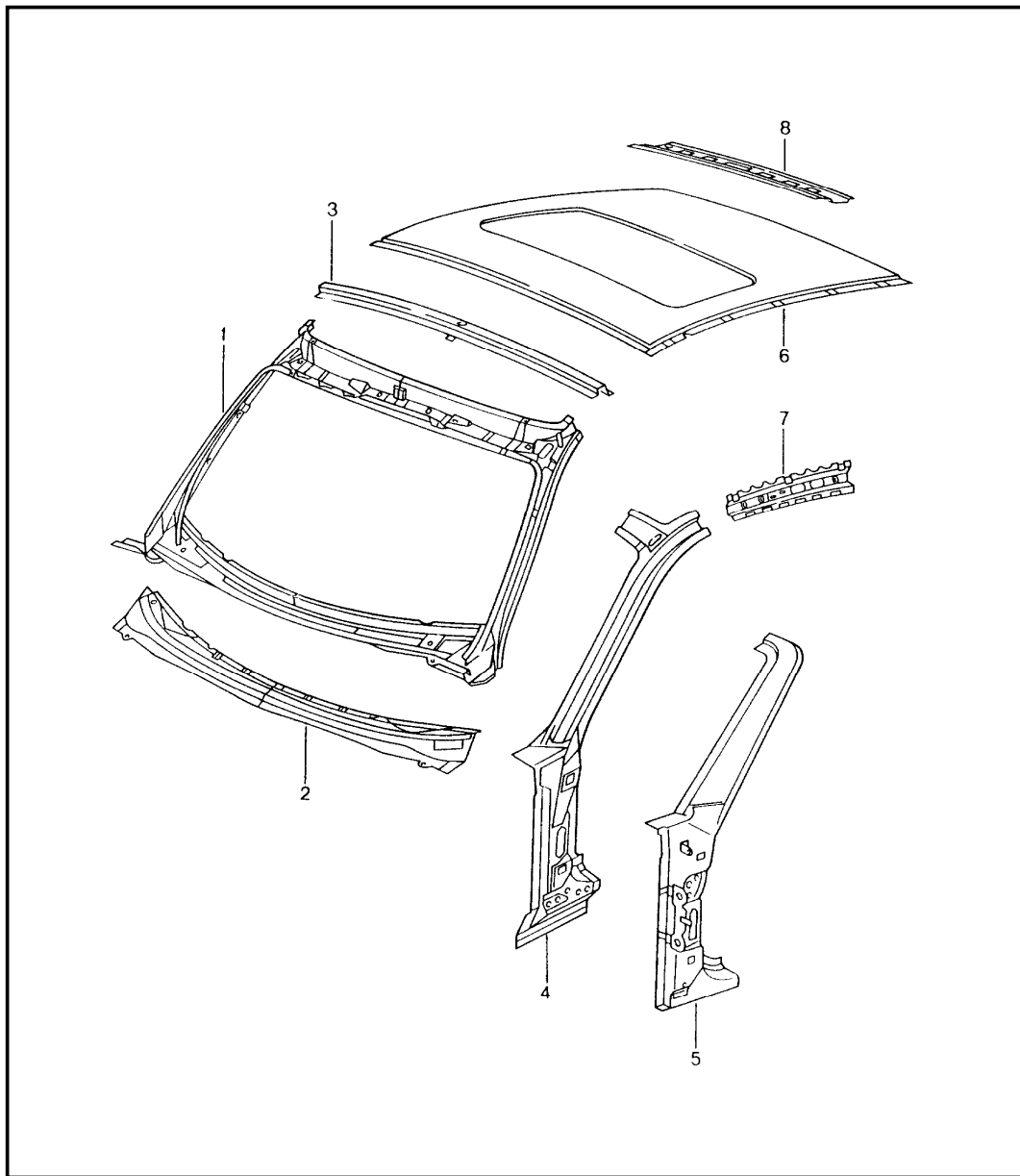


Pos	Part Number	Description	Remark	Qty	Model
1	996 503 031 01	wing	/L	-01	1
		GRV prime coated			
(1)	996 503 032 04	wing	/R	-01	1
		GRV prime coated			
(1)	996 503 031 03	wing	/L	02-	1
		GRV prime coated			
(1)	996 503 032 05	wing	/R	02-	1
		GRV prime coated			
2	999 507 003 02	speed nut ST 6,3			22
3	999 073 128 02	tapping screw ST 6,3 X 14			22
4	996 504 133 02	fuel filler flap		-01	1
		GRV prime coated			
4	996 504 133 01	fuel filler flap		02-	1
		GRV prime coated			
5	996 201 063 00	hinge			1
6	996 201 413 01	spring			1
7	996 201 423 00	cap			1
9	996 201 513 00	rubber stop			1
10	996 201 493 00	emergency operation			1
11	996 624 113 00	actuator			1
12	996 624 505 02	guide rose			1
13	996 201 667 01	sleeve			1
15	996 201 153 00	hose			1
16	996 504 641 01	cover	/L		1
		01C black			
(16)	996 504 642 01	cover	/R		1
		01C black			

Model	Year	MG	SG	Illustration	Restrictions	UPD	14:10	24.01.2010	PORSCHE	PET	PORSCHE
996	2005	8	01	801-40		248					

Pos	Part Number	Description	Remark	Qty	Model	Pos	Part Number	Description	Remark	Qty	Model
17	999 591 712 40	expansion rivet A 6,0 X 12,0		6							
18	996 504 531 00	protective film	/L	1							
(18)	996 504 532 00	protective film	/R	1							
19	996 504 441 00	strut		2							
	GRV	prime coated									
20	996 504 555 00	support		2							
	GRV	prime coated									
21	900 377 010 09	nut M 6		X							
22	996 504 617 00	protective film	02-	2							

Model	Year	MG	SG	Illustration	Restrictions	UPD	14:11	24.01.2010	PORSCHE	PET	PORSCHE
996	2005	8	01	801-45		248					

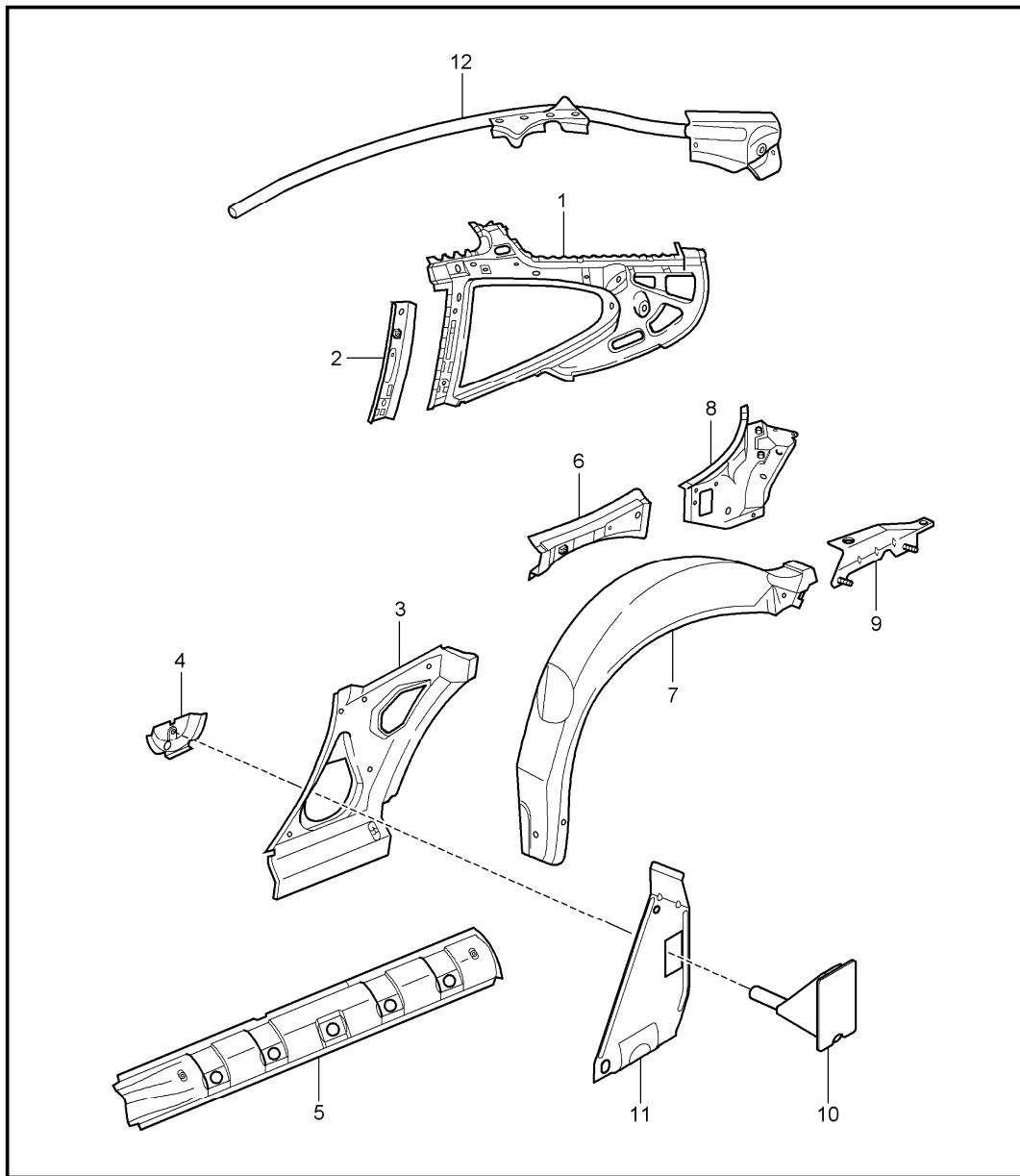


Pos	Part Number	Description	Remark	Qty	Model
1	A 996 502 137 05	cowl cowl		1	COUPE
	GRV	prime coated see group 8/07/09 sun visor			
1	996 502 137 08	cowl		1	COUPE
	GRV	prime coated see group 8/07/09 sun visor			
(1)	996 502 137 04	cowl		1	CABRIO
	GRV	prime coated inner			
(1)	996 502 137 07	cowl		1	TARGA
	GRV	prime coated inner			
2	A 996 502 527 00	cowl		1	
	GRV	prime coated outer			
2	996 502 527 01	cowl		1	
	GRV	prime coated outer			
3	996 502 529 00	cowl		1	CABRIO
	GRV	prime coated outer			
3	996 502 529 01	cowl		1	TARGA
	GRV	prime coated outer			
4	996 502 135 02	reinforcement	/L	1	COUPE
	GRV	prime coated inner			
(4)	996 502 136 02	reinforcement	/R	1	COUPE
	GRV	prime coated inner			
(4)	996 502 135 00	reinforcement	/L	1	CABRIO

Model	Year	MG	SG	Illustration	Restrictions	UPD	14:11	24.01.2010	PORSCHE	PET	PORSCHE
996	2005	8	01	801-45		248					

Pos	Part Number	Description	Remark	Qty	Model	Pos	Part Number	Description	Remark	Qty	Model
(4)	996 502 136 00	GRV prime coated inner reinforcement	/R	1	CABRIO	(7)	996 502 306 03	GRV prime coated roof frame	/R	01-	1 COUPE
(4)	996 502 135 03	GRV prime coated inner reinforcement	/L	1	TARGA	8 A	996 502 505 00	GRV prime coated roof frame		1	
(4)	996 502 136 03	GRV prime coated inner reinforcement	/R	1	TARGA	8	996 502 505 01	GRV prime coated roof frame		1	
5	996 502 335 00	GRV prime coated hinge pillar	/L	1	CABRIO	-	996 504 911 00	GRV prime coated plate with threaded pin		X	
(5)	996 502 336 00	GRV prime coated hinge pillar	/R	1	CABRIO	-	996 504 505 00	threaded bush		X	
(6)	996 503 501 00	GRV prime coated outer roof panel		1		-	900 025 008 09	washer A 10,5		X	
6	996 503 087 00	GRV prime coated outer roof panel		1	M650	-	996 502 737 00	captive nut M 6 cowl		2	CABRIO
6	996 503 087 03	GRV prime coated outer roof panel	02-	1	M650	-	997 502 739 00	captive nut M 6 cowl		1	CABRIO
-	000 043 204 38	GRV prime coated use also: sealing material 70 ML see technical manual		X							
-	996 504 801 00	filler piece roof transport system		2							
7	996 502 305 00	GRV prime coated roof frame	/L	-00	1 COUPE						
7	996 502 305 03	GRV prime coated roof frame	/L	01-	1 COUPE						
(7)	996 502 306 00	GRV prime coated roof frame	/R	-00	1 COUPE						

Model	Year	MG	SG	Illustration	Restrictions	UPD	14:11	24.01.2010	PORSCHE	PET	PORSCHE
996	2005	8	01	801-50		248					

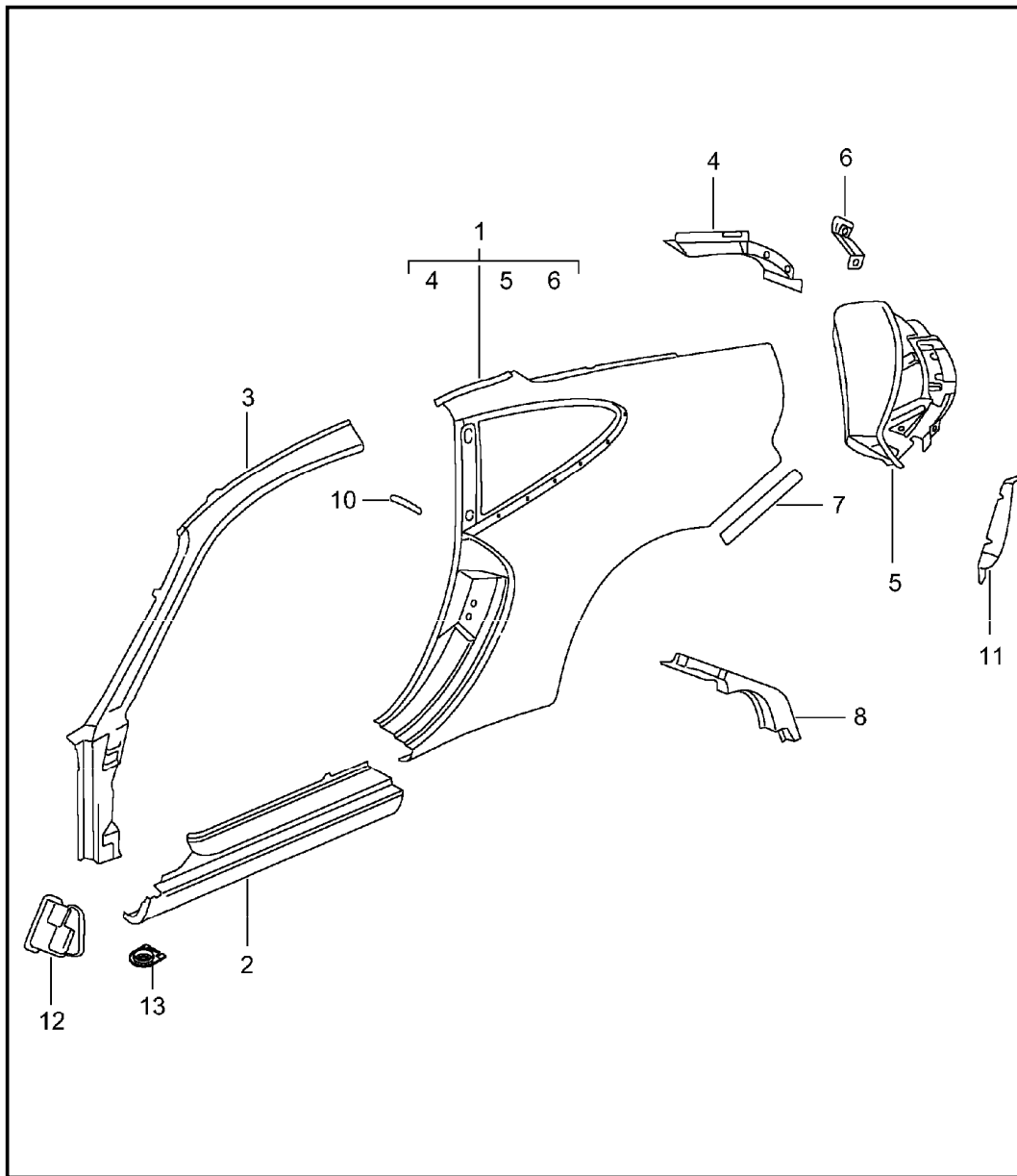


Pos	Part Number	Description	Remark	Qty	Model
		side section inner			COUPE/TARGA
(1)	996 502 043 01	side section	/L	1	TARGA
	GRV	prime coated			
1	996 502 043 02	side section	/L	1	COUPE
	GRV	prime coated			
(1)	996 502 044 01	side section	/R	1	TARGA
	GRV	prime coated			
(1)	996 502 044 02	side section	/R	1	COUPE
	GRV	prime coated			
2 A	996 502 423 00	reinforcement	/L	1	
	GRV	prime coated			
2 A	996 502 423 01	reinforcement	/L	1	
	GRV	prime coated			
(2) A	996 502 424 00	reinforcement	/R	1	
	GRV	prime coated			
(2) A	996 502 424 01	reinforcement	/R	1	
	GRV	prime coated			
(2)	996 502 423 02	reinforcement	/L	1	COUPE/TARGA
	GRV	prime coated			
(2)	996 502 424 02	reinforcement	/R	1	COUPE/TARGA
	GRV	prime coated			
3	996 502 083 00	side section	/L	-01	1
	GRV	prime coated			
3	996 502 083 02	side section	/L	02-	1
	GRV	prime coated			
(3)	996 502 084 00	side section	/R	-01	1
	GRV	prime coated			
(3)	996 502 084 02	side section	/R	02-	1
	GRV	prime coated			

Model	Year	MG	SG	Illustration	Restrictions	UPD	14:11	24.01.2010	PORSCHE	PET	PORSCHE
996	2005	8	01	801-50		248					

Pos	Part Number	Description	Remark	Qty	Model	Pos	Part Number	Description	Remark	Qty	Model
		GRV prime coated				(8)	996 502 162 01	side section	/R	1	COUPE/TARGA
4	996 502 383 01	bracket		2	COUPE/TARGA		GRV prime coated				
		GRV prime coated				9	996 502 219 01	closing element	/L	1	COUPE/TARGA
5	A 996 502 733 00	reinforcement	/L	1			GRV prime coated				
		GRV prime coated				(9)	996 502 220 01	closing element	/R	1	COUPE/TARGA
5	996 502 733 01	reinforcement	/L	1	COUPE/TARGA		GRV prime coated				
		GRV prime coated				10	996 502 617 00	pipe	02-	2	
(5)	996 502 734 00	reinforcement	/R	1			GRV prime coated see technical manual				
		GRV prime coated				11	997 502 745 00	reinforcement plate	/L	1	
(5)	996 502 734 01	reinforcement	/R	1	COUPE/TARGA		GRV prime coated				
		GRV prime coated				(11)	997 502 746 00	reinforcement plate	/R	1	
-	999 703 433 40	stopper 30 X 42 for POS. 5		10			GRV prime coated				
6	996 502 115 00	side section	/L	1	COUPE/TARGA		996 502 619 00	pipe	/L	02-	1
		GRV prime coated				(12)	996 502 620 00	pipe	/R	02-	1
(6)	996 502 116 00	side section	/R	1	COUPE/TARGA		GRV prime coated				
		GRV prime coated									
7	996 502 515 00	wheel housing	/L	1	COUPE/TARGA						
		GRV prime coated									
(7)	996 502 516 00	wheel housing	/R	1	COUPE/TARGA						
		GRV prime coated									
(7)	996 502 215 01	wheel housing	/L	1	C4S						
		GRV prime coated POS. 7+9									
(7)	996 502 216 01	wheel housing	/R	1	C4S						
		GRV prime coated POS. 7+9									
8	996 502 161 01	side section	/L	1	COUPE/TARGA						
		GRV prime coated									

Model	Year	MG	SG	Illustration	Restrictions	UPD	14:11	24.01.2010	PORSCHE	PET	PORSCHE
996	2005	8	01	801-55		248					



Pos	Part Number	Description	Remark	Qty	Model
		side section outer			COUPE
1	A 996 503 961 00	side section	/L	-99	1
	GRV	prime coated			
1	996 503 961 02	side section	/L	-01	1
	GRV	prime coated			
1	996 503 961 05	side section	/L	02-	1
	GRV	prime coated			
(1)	996 503 962 00	side section	/R	-01	1
	GRV	prime coated			
(1)	996 503 962 05	side section	/R	02-	1
	GRV	prime coated			
(1)	996 503 961 08	side section	/L		1 C4S
	GRV	prime coated			
(1)	996 503 962 08	side section	/R		1 C4S
	GRV	prime coated			
		use also:			
-	999 915 650 40	adhesive TEROMIX 6700			X
-	000 043 300 48	tool see technical manual group 5 53 55 55			X
2	996 503 963 00	door sill	/L		1
	GRV	prime coated			
(2)	996 503 964 00	door sill	/R		1
	GRV	prime coated			
(2)	996 503 963 02	door sill	/L		1 C4S
	GRV	prime coated			
(2)	996 503 964 02	door sill	/R		1 C4S
	GRV	prime coated			

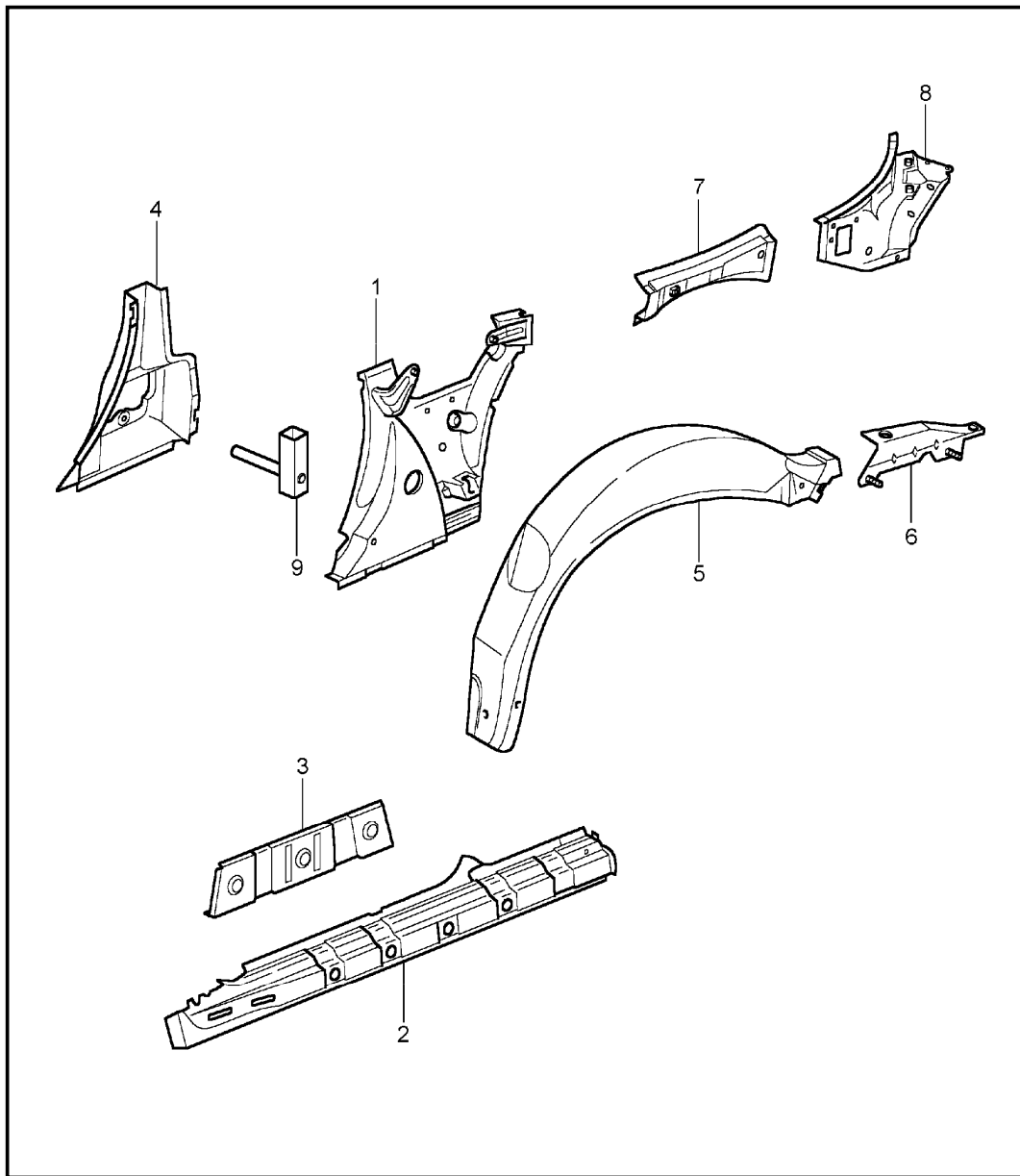
Model	Year	MG	SG	Illustration	Restrictions	UPD	14:11	24.01.2010	PORSCHE	PET	PORSCHE
996	2005	8	01	801-55		248					

Pos	Part Number	Description	Remark	Qty	Model	Pos	Part Number	Description	Remark	Qty	Model
3	996 503 965 00	roof frame	/L -01	1			GRV	prime coated			
	GRV	prime coated				(6)	996 502 214 03	bracket	/R 02-	1	
3	996 503 965 02	roof frame	/L 02-	1			GRV	prime coated			
	GRV	prime coated				(6)	996 502 213 01	bracket	/L	1	C4S
(3)	996 503 966 00	roof frame	/R -01	1			GRV	prime coated			
	GRV	prime coated				(6)	996 502 214 01	bracket	/R	1	C4S
(3)	996 503 966 02	roof frame	/R 02-	1			GRV	prime coated			
	GRV	prime coated				7	996 504 631 00	protective film	/L	1	
4	996 502 665 00	sealing channel	/L	1		(7)	996 504 632 00	protective film	/R	1	
	GRV	prime coated				(8)	996 504 907 00	gasket	/L	1	
(4)	996 502 666 00	sealing channel	/R	1		(8)	996 504 908 00	gasket see workshop manual	/R	1	
	GRV	prime coated				10	996 537 237 00	protective film		2	
4	996 502 665 03	sealing channel	/L	1	C4S	11 A	996 501 855 00	angular plate	/L -00	1	
	GRV	prime coated					GRV	prime coated			
(4)	996 502 666 03	sealing channel	/R	1	C4S	11	996 501 855 02	angular plate	/L	1	
	GRV	prime coated					GRV	prime coated			
5	996 502 461 04	frame for light	/L	1		11	996 501 855 03	angular plate	/L 01-	1	
	GRV	prime coated					GRV	prime coated			
5	996 502 461 01	frame for light	/L	1	C4S	(11)	996 501 487 00	angular plate	/L 02-	1	C4S
	GRV	prime coated					GRV	prime coated			
(5)	996 502 462 03	frame for light	/R	1		(11)	996 501 856 00	angular plate	/R -00	1	
	GRV	prime coated					GRV	prime coated			
(5)	996 502 462 01	frame for light	/R	1	C4S	(11)	996 501 856 03	angular plate	/R 01-	1	
	GRV	prime coated					GRV	prime coated			
6	996 502 213 00	bracket	/L -01	1		(11)	996 501 488 00	angular plate	/R 02-	1	C4S
	GRV	prime coated					GRV	prime coated			
6	996 502 213 03	bracket	/L 02-	1		12	996 572 311 00	water protection	/L	1	
	GRV	prime coated				(12)	996 572 312 00	water protection	/R	1	
(6)	996 502 214 00	bracket	/R -01	1							

Model	Year	MG	SG	Illustration	Restrictions	UPD	14:11	24.01.2010	PORSCHE	PET	PORSCHE
996	2005	8	01	801-55		248					

Pos	Part Number	Description	Remark	Qty	Model	Pos	Part Number	Description	Remark	Qty	Model
13	999 703 475 40	water drain sleeve door sill		2							

Model	Year	MG	SG	Illustration	Restrictions	UPD	14:11	24.01.2010	PORSCHE	PET	PORSCHE
996	2005	8	01	801-60		248					

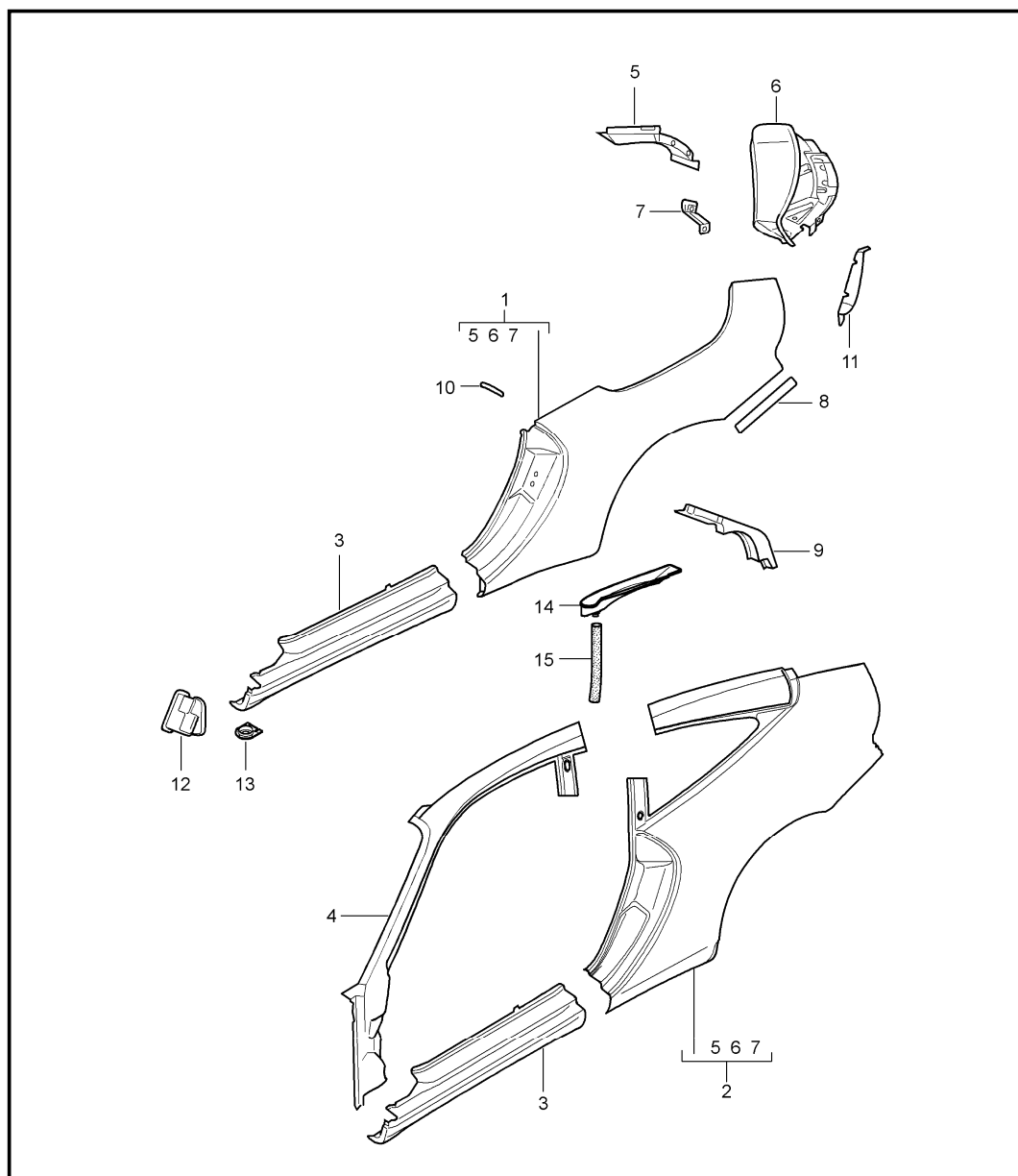


Pos	Part Number	Description	Remark	Qty	Model
		side section inner			CABRIO
1	A 996 502 073 00	side section	/L	-00	1
	GRV	prime coated			
1	996 502 073 01	side section	/L		1
	GRV	prime coated			
(1)	996 502 074 00	side section	/R	-00	1
	GRV	prime coated			
(1)	996 502 074 01	side section	/R	01-	1
	GRV	prime coated			
2	996 502 663 01	reinforcement	/L		1
	GRV	prime coated			
(2)	A 996 502 664 01	reinforcement	/R		1
	GRV	prime coated			
(2)	996 502 664 02	reinforcement	/R		1
	GRV	prime coated			
3	996 502 683 00	separator	/L	-01	1
	GRV	prime coated			
3	996 502 683 01	separator	/L	02-	1
	GRV	prime coated			
(3)	996 502 684 00	separator	/R	-01	1
	GRV	prime coated			
(3)	996 502 684 01	separator	/R	02-	1
	GRV	prime coated			
4	996 502 415 00	b-pillar	/L	-01	1
	GRV	prime coated			
4	996 502 415 01	b-pillar	/L	02-	1
	GRV	prime coated			
(4)	996 502 416 00	b-pillar	/R	-01	1

Model	Year	MG	SG	Illustration	Restrictions	UPD	14:11	24.01.2010	PORSCHE	PET	PORSCHE
996	2005	8	01	801-60		248					

Pos	Part Number	Description	Remark	Qty	Model	Pos	Part Number	Description	Remark	Qty	Model
		GRV prime coated									
(4)	996 502 416 01	b-pillar	/R 02-	1							
		GRV prime coated									
5	996 502 515 00	wheel housing	/L	1							
		GRV prime coated									
(5)	996 502 516 00	wheel housing	/R	1							
		GRV prime coated									
(5)	996 502 215 03	wheel housing	/L	1	C4S						
		GRV prime coated POS.5+6									
(5)	996 502 216 03	wheel housing	/R	1	C4S						
		GRV prime coated POS.5+6									
6	996 502 219 01	closing element	/L	1							
		GRV prime coated									
(6)	996 502 220 01	closing element	/R	1							
		GRV prime coated									
7	996 502 087 00	side section	/L	1							
		GRV prime coated									
(7)	996 502 088 00	side section	/R	1							
		GRV prime coated									
8	996 502 161 00	side section	/L	1							
		GRV prime coated									
(8)	996 502 162 00	side section	/R	1							
		GRV prime coated									
9	996 502 669 00	pipe	02-	2							
		GRV prime coated									

Model	Year	MG	SG	Illustration	Restrictions	UPD	14:11	24.01.2010	PORSCHE	PET	PORSCHE
996	2005	8	01	801-65		248					



Pos	Part Number	Description	Remark	Qty	Model
		side section outer			CABRIO/TARGA
1	996 503 961 03	side section GRV prime coated	/L	-01	1 CABRIO
1	996 503 961 06	side section GRV prime coated	/L	02-	1 CABRIO
(1)	996 503 962 01	side section GRV prime coated	/R	-01	1 CABRIO
(1)	996 503 962 06	side section GRV prime coated	/R	02-	1 CABRIO
(1)	996 503 961 09	side section GRV prime coated	/L	04-	1 C4S CABRIO
(1)	996 503 962 09	side section GRV prime coated	/R	04-	1 C4S CABRIO
-	996 503 061 03	side section GRV prime coated complete	/L		1 TARGA
-	996 503 062 03	side section GRV prime coated complete	/R		1 TARGA
2	996 503 961 11	side section GRV prime coated	/L		1 TARGA
(2)	996 503 962 11	side section GRV prime coated	/R		1 TARGA
-	999 915 650 40	adhesive TEROMIX 6700			X
-	000 043 300 48	tool see technical manual group 5 53 55 55			X
3	996 503 963 01	door sill	/L		1 CABRIO

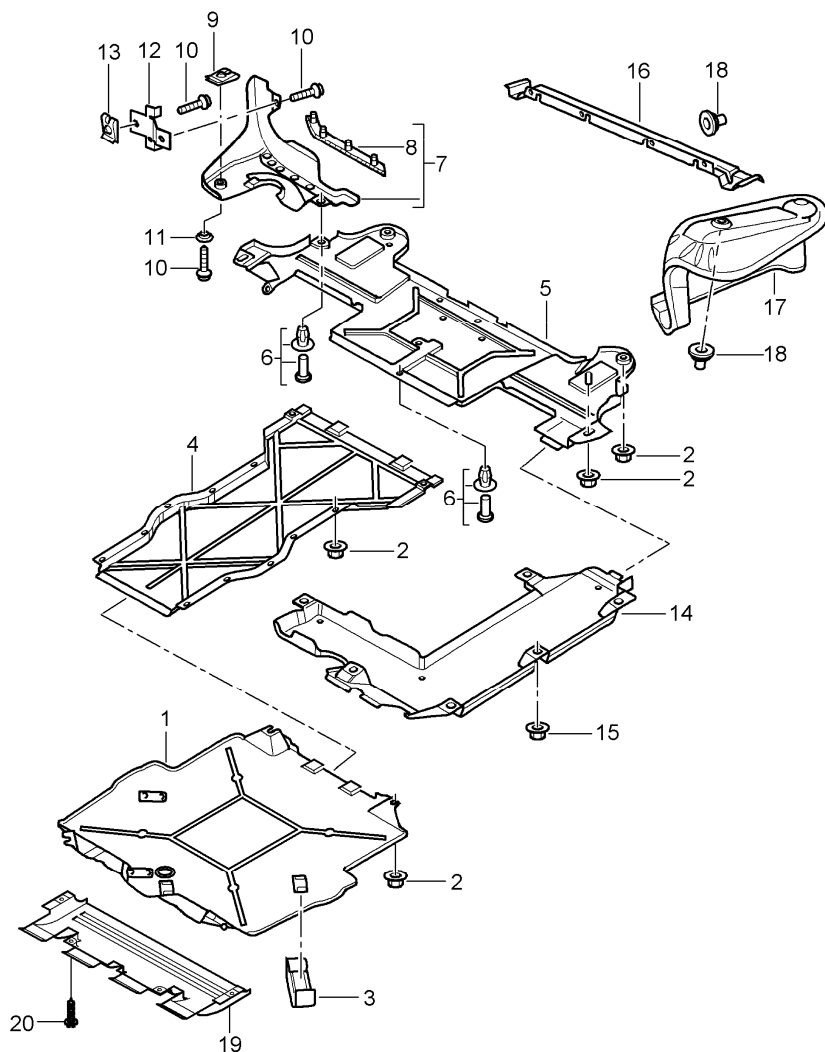
Model	Year	MG	SG	Illustration	Restrictions	UPD	14:11	24.01.2010	PORSCHE	PET	PORSCHE
996	2005	8	01	801-65		248					

Pos	Part Number	Description	Remark	Qty	Model	Pos	Part Number	Description	Remark	Qty	Model
	GRV	prime coated				7	996 502 213 03	bracket	/L	02-	1
3	996 503 963 00	door sill	/L	1	TARGA		GRV	prime coated			
	GRV	prime coated				(7)	996 502 214 00	bracket	/R	-01	1
(3)	996 503 964 01	door sill	/R	1	CABRIO		GRV	prime coated			
	GRV	prime coated				(7)	996 502 214 03	bracket	/R	02-	1
(3)	996 503 964 00	door sill	/R	1	TARGA		GRV	prime coated			
	GRV	prime coated				(7)	996 502 213 01	bracket	/L	04-	1 C4S CABRIO
(3)	996 503 963 03	door sill	/L	04-	1 C4S CABRIO		GRV	prime coated			
	GRV	prime coated				(7)	996 502 214 01	bracket	/R	04-	1 C4S CABRIO
(3)	996 503 964 03	door sill	/R	04-	1 C4S CABRIO		GRV	prime coated			
	GRV	prime coated				8	996 504 631 00	protective film	/L		1
4	996 503 965 04	a-pillar	/L	1	TARGA	(8)	996 504 632 00	protective film	/R		1
	GRV	prime coated				(9)	996 504 907 00	gasket	/L		1
(4)	996 503 966 04	a-pillar	/R	1	TARGA	(9)	996 504 908 00	gasket it is necessary to rework see workshop manual	/R		1
	GRV	prime coated				10	996 537 237 00	protective film			2
5	996 502 665 01	sealing channel	/L	1		11	996 501 855 02	angular plate	/L	-00	1
	GRV	prime coated					GRV	prime coated			
(5)	996 502 666 01	sealing channel	/R	1		11	996 501 855 03	angular plate	/L	01-	1
	GRV	prime coated					GRV	prime coated			
6	996 502 461 04	frame for light	/L	1		(11)	996 501 856 02	angular plate	/R	-00	1
	GRV	prime coated					GRV	prime coated			
6	996 502 461 01	frame for light	/L	1	C4S	(11)	996 501 856 03	angular plate	/R	01-	1
	GRV	prime coated					GRV	prime coated			
(6)	996 502 462 03	frame for light	/R	1		12	996 572 311 00	water protection	/L		1
	GRV	prime coated				(12)	996 572 312 00	water protection	/R		1
(6)	996 502 462 01	frame for light	/R	1	C4S	13	999 703 475 40	water drain sleeve door sill			2
	GRV	prime coated				14	997 504 967 00	water drip pan	/L		1 CABRIO
7	996 502 213 00	bracket	/L	-01	1						
	GRV	prime coated									

Model	Year	MG	SG	Illustration	Restrictions	UPD	14:11	24.01.2010	PORSCHE	PET	PORSCHE
996	2005	8	01	801-65		248					

Pos	Part Number	Description	Remark	Qty	Model	Pos	Part Number	Description	Remark	Qty	Model
(14)	997 504 968 00	water drip pan use also:	/R	1	CABRIO						
15	986 514 241 00	water drain hose see technical manual 53 55		2	CABRIO						

Model	Year	MG	SG	Illustration	Restrictions	UPD	14:12	24.01.2010	PORSCHE	PET	PORSCHE
996	2005	8	01	801-70		248					

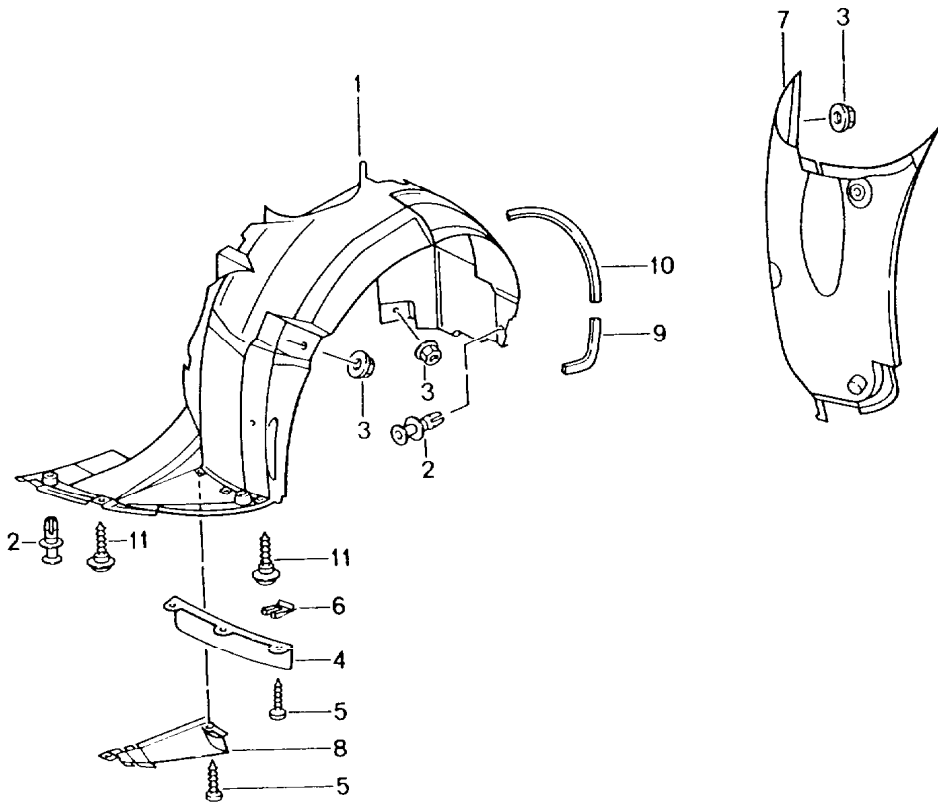


Pos	Part Number	Description	Remark	Qty	Model
1	996 504 527 02	linings for underbody cover		1	M338
(1)	996 504 527 01	cover	99-	1	M339
2	999 049 022 40	plastic nut T 5		21	
3	999 507 657 09	clamp		6	
4	996 504 043 02	cover centre		1	
5	996 504 129 01	cover rear		1	
6	999 507 497 40	expansion rivet 8,0 X 14,0		4	
7	996 504 393 01	cover	/L	1	
		01C satin black			
(7)	996 504 394 01	cover	/R	1	
		01C satin black			
8	996 504 893 00	rubber lip	/L	1	
(8)	996 504 894 00	rubber lip	/R	1	
9	999 507 348 01	speed nut ST 4,8		4	
10	999 073 061 02	tapping screw ST 4,8 X 16		8	
11	944 503 255 00	spacer sleeve		4	
12	996 504 593 00	support		2	
13	999 507 462 02	speed nut ST 4,8		4	
14	996 504 561 00	cover		1	
15	999 049 022 40	plastic nut T5		6	
16	996 505 471 00	heat protection centre		1	
17	996 505 477 00	heat protection	/L	1	

Model	Year	MG	SG	Illustration	Restrictions	UPD	14:12	24.01.2010	PORSCHE	PET	PORSCHE
996	2005	8	01	801-70		248					

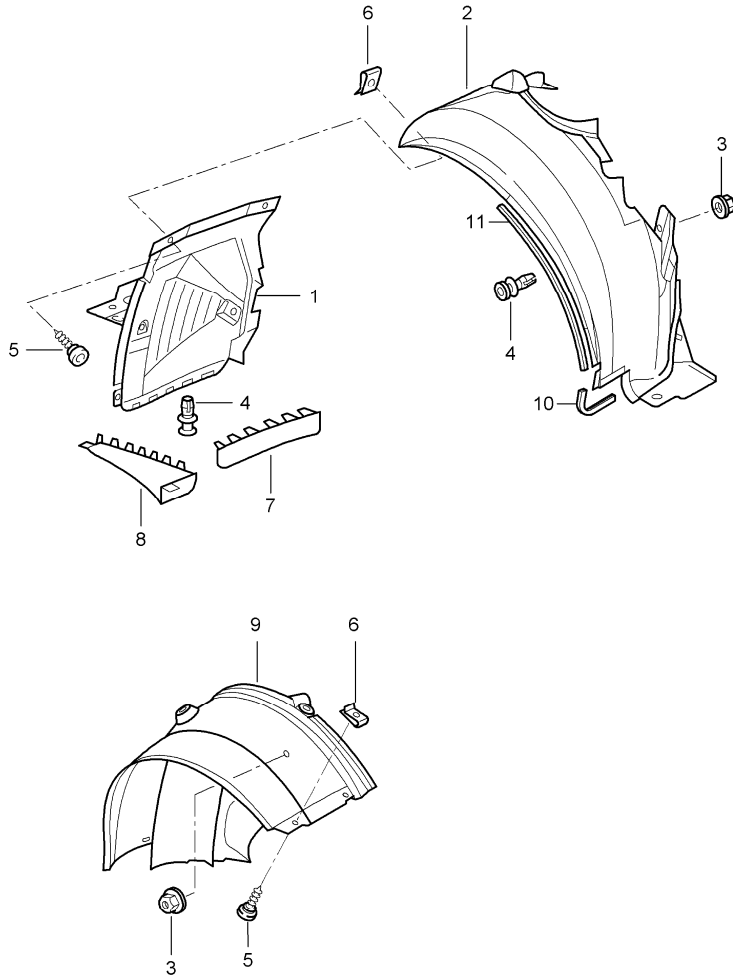
Pos	Part Number	Description	Remark	Qty	Model	Pos	Part Number	Description	Remark	Qty	Model
(17)	996 505 478 00	heat protection	/R	1							
18	999 049 025 09	collar nut T 5		12							
19	996 575 161 01	air duct front		1	C4S						
20	N 906 487 02	tapping screw ST 4,8 X 16		9							

Model	Year	MG	SG	Illustration	Restrictions	UPD	14:12	24.01.2010	PORSCHE	PET	PORSCHE
996	2005	8	01	801-75		248					



Pos	Part Number	Description	Remark	Qty	Model
		linings for wheel housing	-01		
1	996 504 203 06	wheel-housing liner	/L	1	
(1)	996 504 204 06	wheel-housing liner	/R	1	
2	999 507 497 40	expansion rivet 8,0 X 14,0		13	
3	999 049 022 40	plastic nut T5		10	
4	996 504 503 00	rubber lip	/L	1	
(4)	996 504 504 00	rubber lip	/R	1	
5	999 073 061 02	tapping screw ST 4,8 X 16		6	
6	999 591 699 02	speed nut ST 4,8		12	
7	996 504 573 02	wheel-housing liner	/L	1	
(7)	996 504 574 02	wheel-housing liner	/R	1	
8	996 504 603 00	air duct	/L	1	
(8)	996 504 604 00	air duct	/R	1	
9	999 911 663 40	sealing strap 10 X 10 X 180		2	
10	999 911 695 40	sealing strap 10 X 30 X 680		2	
11	999 073 227 09	shouldered bolt ST 4,8 X 19		4	

Model	Year	MG	SG	Illustration	Restrictions	UPD	14:12	24.01.2010	PORSCHE	PET	PORSCHE
996	2005	8	01	801-80		248					

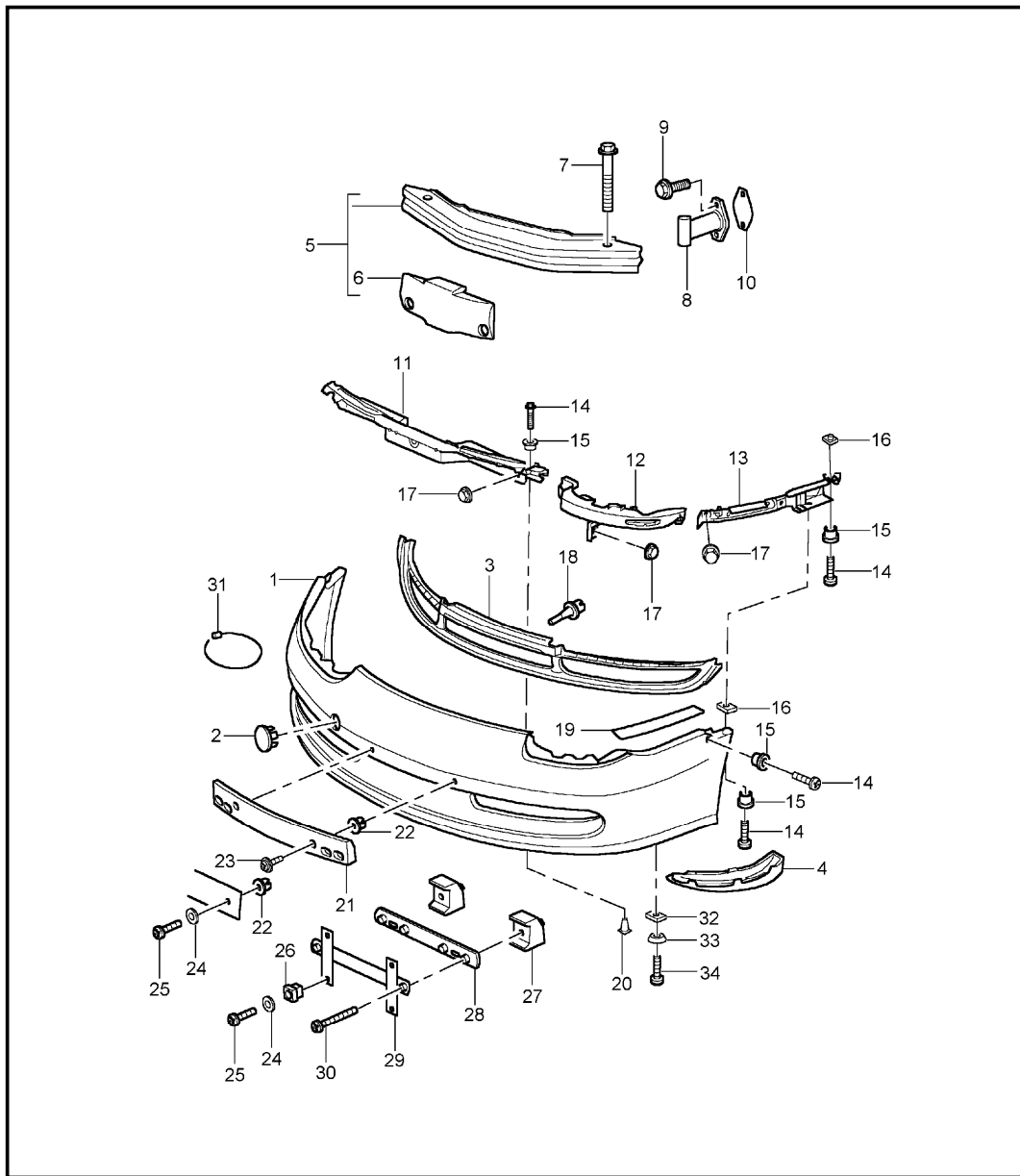


Pos	Part Number	Description	Remark	Qty	Model
		linings for wheel housing	02-		
1	996 504 123 00	wheel-housing liner	/L/V	1	C4S
(1)	996 504 123 01	wheel-housing liner	/L/V	1	
(1)	996 504 123 03	wheel-housing liner front	/L/V	02-	CABRIO TARGA
(1)	996 504 124 00	wheel-housing liner	/R/V	1	C4S
(1)	996 504 124 01	wheel-housing liner	/R/V	1	
(1)	996 504 124 03	wheel-housing liner front	/R/V	02-	CABRIO TARGA
2	996 504 103 00	wheel-housing liner	/L/H	1	
2	996 504 203 08	wheel-housing liner front	/L/H	1	C4S
(2)	996 504 104 00	wheel-housing liner	/R/H	1	
(2)	996 504 204 08	wheel-housing liner front	/R/H	1	C4S
3	999 049 022 40	plastic nut T5		X	
4	999 507 497 40	expansion rivet 8,0 X 14,0		X	
5	N 906 487 02	tapping screw ST 4,8 X 16		X	
6	999 507 668 01	speed nut ST 4,8		X	
7	996 504 503 02	rubber lip	/L	1	C4S
(7)	996 504 503 03	rubber lip	/L	1	
(7)	996 504 504 02	rubber lip	/R	1	C4S
(7)	996 504 504 03	rubber lip	/R	1	
8	996 504 603 01	air duct	/L	1	C4S
8	996 504 603 02	air duct	/L	1	
8	996 504 603 03	air duct	/L	02-	CABRIO TARGA

Model	Year	MG	SG	Illustration	Restrictions	UPD	14:12	24.01.2010	PORSCHE	PET	PORSCHE
996	2005	8	01	801-80		248					

Pos	Part Number	Description	Remark	Qty	Model	Pos	Part Number	Description	Remark	Qty	Model
(8)	996 504 604 01	air duct	/R	1	C4S						
(8)	996 504 604 02	air duct	/R	1							
(8)	996 504 604 03	air duct	/R	1	CABRIO TARGA						
9	996 504 573 01	wheel-housing liner	/L	1	C4S						
9	996 504 573 02	wheel-housing liner rear	/L	1							
(9)	996 504 574 01	wheel-housing liner	/R	1	C4S						
(9)	996 504 574 02	wheel-housing liner rear	/R	1							
10	999 911 663 40	sealing strap 10 X 10 X 180		2							
11	999 911 695 40	sealing strap 10 X 30 X 680		2							

Model	Year	MG	SG	Illustration	Restrictions	UPD	14:12	24.01.2010	PORSCHE	PET	PORSCHE
996	2005	8	02	802-00		248					

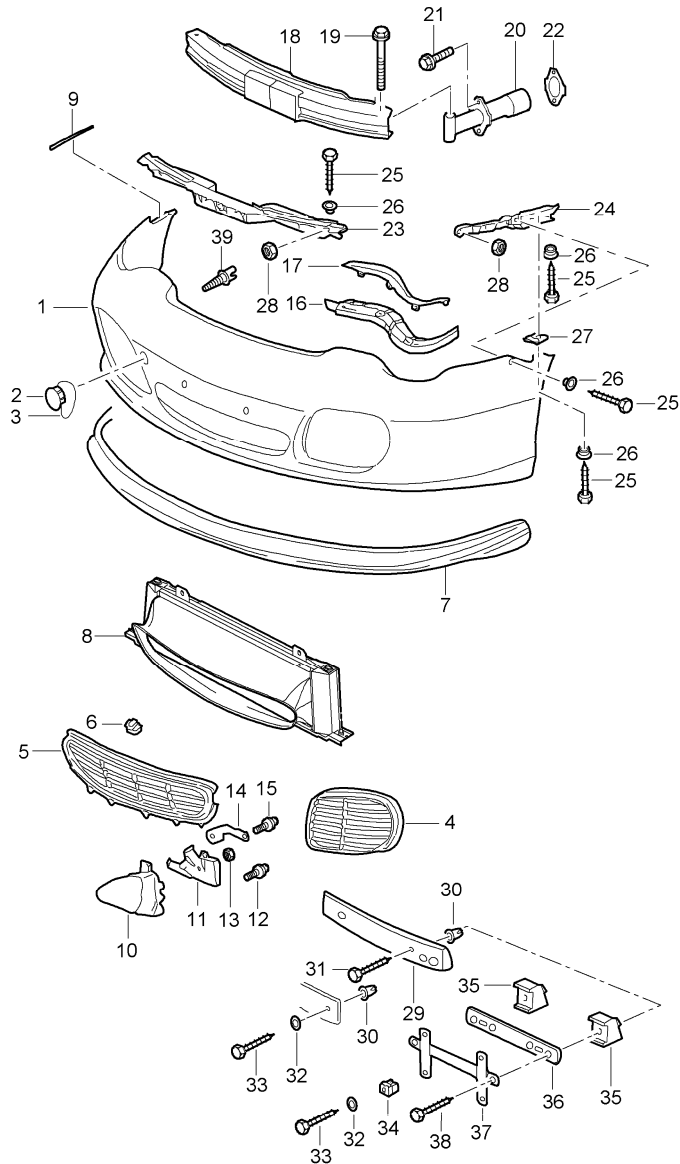


Pos	Part Number	Description	Remark	Qty	Model
1	996 505 311 04	bumper front			
		lining		-01	1
		G2X prime coated			
(1)	996 505 311 06	lining		02-	1
		G2X prime coated			
2	964 505 103 00	cap			1
		G2X prime coated			
3	996 505 553 04	air inlet		-01	1 M480
		01C satin black			
(3)	996 505 561 01	air inlet		02-	1 M480
		01C satin black			
(3)	996 505 553 05	air inlet		-01	1 M249
		01C satin black			
(3)	996 505 561 02	air inlet		02-	1 M249
		01C satin black			
4	996 505 525 00	cover	/L	-01	1
		01C satin black			
4	996 505 525 01	cover	/L	02-	1
		01C satin black			
(4)	996 505 526 00	cover	/R	-01	1
		01C satin black			
(4)	996 505 526 01	cover	/R	02-	1
		01C satin black			
5	996 505 011 00	bumper reinforcement		-01	1
5	996 505 011 05	bumper reinforcement		02-	1
7	900 378 088 09	hexagon-head bolt M 12 X 100			2
8 A	996 505 019 00	impact pipe		-01	2
8	996 505 019 01	impact pipe			2

Model	Year	MG	SG	Illustration	Restrictions	UPD	14:12	24.01.2010	PORSCHE	PET	PORSCHE
996	2005	8	02	802-00		248					

Pos	Part Number	Description	Remark	Qty	Model	Pos	Part Number	Description	Remark	Qty	Model
(8)	996 505 015 00	impact absorber		2	M058	21	996 701 105 00	support	(E) (F) (GB) -01	1	(BRD)
9	900 075 457 02	combination screw M 8 X 30		4		21	996 701 105 01	support	(E) (F) (GB) 02-	1	(BRD)
10	996 505 775 00	desk pad		2		22	999 507 040 40	expander nut 4,2		X	
11 A	996 505 531 00	retaining strip	-01	1		23	900 143 151 02	combination screw 4,2 X 16		2	
11	996 505 531 01	retaining strip centre		1		24	900 025 024 40	washer		X	
12	996 505 539 00	bracket	/L -01	1		25	900 143 134 00	tapping screw B 4,2 X 9,5		X	
12	996 505 539 02	bracket	/L 02-	1		27	996 701 801 00	spacer	/L	1	
(12)	996 505 540 00	bracket	/R -01	1		(27)	996 701 802 00	spacer	/R	1	
(12)	996 505 540 02	bracket	/R 02-	1		28	911 701 121 03	support		1	
-	996 505 741 01	cover	/L 02-	1		30	900 145 012 07	counters. head tapp. screw B 4,2 X 32		2	
	01C	satin black				31	999 651 225 40	safety rope		1	
-	996 505 742 01	cover	/R 02-	1		32	999 591 699 02	speed nut ST 4,8		4	
	01C	satin black				34 A	999 073 198 09	tapping screw		4	
13	996 505 535 00	retaining strip	/L -01	1		34	999 073 227 09	shouldered bolt ST 4,8 X 19		4	
13	996 505 535 03	retaining strip	/L 02-	1							
(13)	996 505 536 00	retaining strip	/R -01	1							
(13)	996 505 536 03	retaining strip	/R 02-	1							
14	900 144 101 02	tapping screw B 4,8 X 19		X							
15	999 209 045 09	spacer		X							
16	999 507 072 02	speed nut B 4,8		X							
17	999 084 633 09	hexagon nut M 6		X							
18	996 641 142 00	temperature sensor		1							
19 A	999 911 606 40	adhesive tape		X							
19	000 043 204 83	adhesive tape roller 16,5 METER		X							
20	999 507 497 40	expansion rivet 8 X 14		2							

Model	Year	MG	SG	Illustration	Restrictions	UPD	14:12	24.01.2010	PORSCHE	PET	PORSCHE
996	2005	8	02	802-02		248					

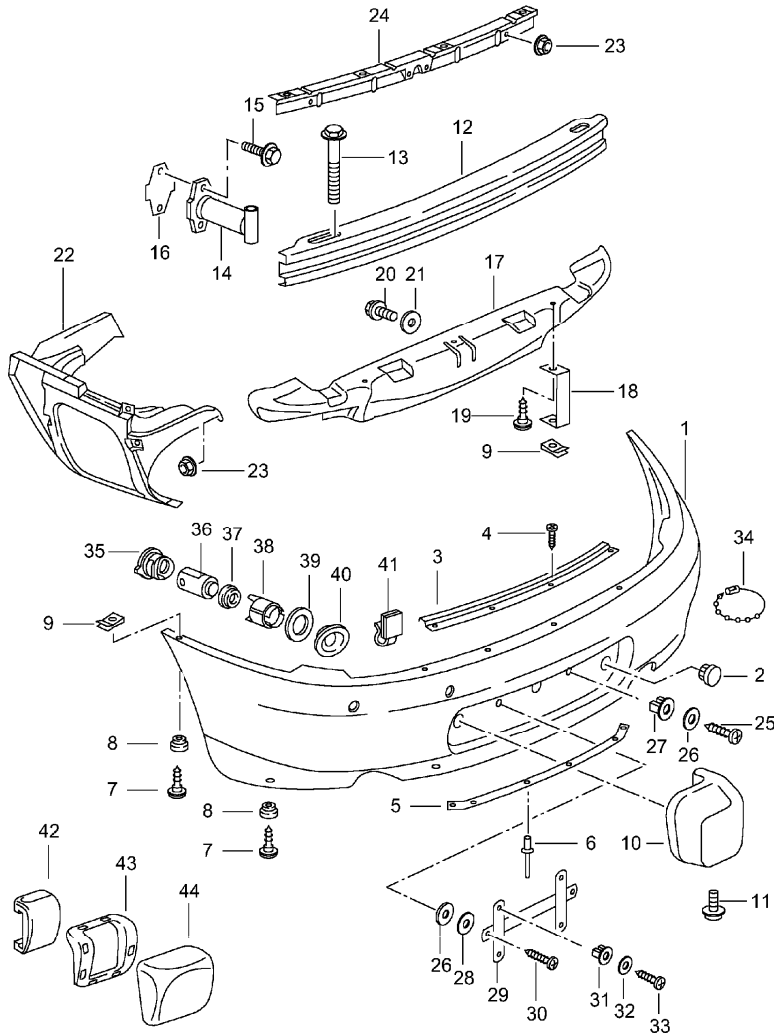


Pos	Part Number	Description	Remark	Qty	Model
1	996 505 311 05	bumper front		1	C4S
	G2X	lining			
2	964 505 103 00	cap		1	
	G2X	prime coated			
3	999 651 225 40	safety rope		1	
4	996 505 563 00	air inlet	/L	1	
	01C	satin black			
(4)	996 505 564 00	air inlet	/R	1	
	01C	satin black			
(4)	996 505 563 01	air inlet	/L	1	M215
	01C	satin black			
(4)	996 505 564 01	air inlet	/R	1	M215
	01C	satin black			
4	996 505 563 03	air inlet	/L	1	M095
	M7Z	silver metallic			
(4)	996 505 564 03	air inlet	/R	1	M095
	M7Z	silver metallic			
5	996 505 561 03	air inlet		1	
	01C	satin black			
6	999 507 751 02	u-clamp		X	
7	996 505 555 02	spoiler		1	
	01C	satin black			
8	996 504 085 00	air inlet		1	M095
9	996 504 627 00	protective film		2	
10	996 505 527 00	buffer	/L	1	M215
	70C	rally black			
(10)	996 505 528 00	buffer	/R	1	M215

Model	Year	MG	SG	Illustration	Restrictions	UPD	14:12	24.01.2010	PORSCHE	PET	PORSCHE
996	2005	8	02	802-02		248					

Pos	Part Number	Description	Remark	Qty	Model	Pos	Part Number	Description	Remark	Qty	Model
	70C	rally black				27	999 507 072 02	speed nut ST 4,8		X	
11	996 505 533 00	mounting	/L	1	M215	28	999 076 048 02	hexagon nut M 6		11	
(11)	996 505 534 00	mounting	/R	1	M215	29	996 701 105 00	support		1	M211
12	900 378 158 09	hexagon-head bolt M 6 X 16		2	M215	30	999 507 040 40	expander nut 4,2		X	
13	999 209 044 09	spacer		2	M215	31	999 073 080 02	tapping screw		X	
14	996 505 523 00	desk pad	/L	1	M215	32	900 025 024 40	washer		X	
(14)	996 505 524 00	desk pad	/R	1	M215	33	900 143 134 00	tapping screw B 4,2 X 9,5		X	
15	900 067 148 02	pan-head screw M 5 X 25		2	M215	35	996 701 801 00	spacer	/L	1	
16	996 505 539 03	bracket	/L	1		(35)	996 701 802 00	spacer	/R	1	
(16)	996 505 540 03	bracket	/R	1		36	911 701 121 03	support		1	M210
17	996 505 741 02	cover	/L	1		38	900 144 182 09	tapping screw B 4,2 X 32		2	
	01C	satin black				39	996 641 142 00	temperature sensor		1	
(17)	996 505 742 02	cover	/R	1							
	01C	satin black									
18	996 505 011 02	bumper reinforcement		1							
(18)	996 505 011 03	bumper reinforcement		1	M215						
19	900 378 088 09	hexagon-head bolt M 12 X 100		2							
(20)	996 505 019 01	impact pipe		2							
20	996 505 015 00	impact absorber		2	M058						
21	900 075 457 02	combination screw M 8 X 30		4							
22	996 505 775 00	desk pad		2							
23	996 505 531 01	retaining strip		1							
24	996 505 535 03	retaining strip	/L	1							
(24)	996 505 536 03	retaining strip	/R	1							
25	900 144 101 02	tapping screw ST 4,8 X 19		9							
26	999 209 045 09	spacer		9							

Model	Year	MG	SG	Illustration	Restrictions	UPD	14:13	24.01.2010	PORSCHE	PET	PORSCHE
996	2005	8	02	802-05		248					



Pos	Part Number	Description	Remark	Qty	Model
1	996 505 411 08	bumper rear		1	
	G2X	lining		-01	
		prime coated			
		it is necessary to rework			M635
(1)	996 505 411 12	lining		02-	1
	G2X	prime coated			
(1)	996 505 911 02	lining		02-	1 M635
	G2X	prime coated			
(1)	996 505 411 13	lining		02-	1 M215
	G2X	prime coated			
(1)	996 505 911 04	lining		02-	1 M215/635
	G2X	prime coated			
2	964 505 103 00	cap		-01	1
	G2X	prime coated			
2	996 505 803 00	cap		02-	1
	G2X	prime coated			
3	996 505 833 00	retaining strip			1
4	900 144 101 02	tapping screw			4
		B 4,8 X 19			
5	996 505 837 00	retaining strip		-01	1
(5)	996 505 837 02	retaining strip		02-	1
6	999 190 104 30	blind rivet			4
		3,2 X 7,9			
7 A	999 073 198 09	tapping screw			8
7	999 073 227 09	shouldered bolt			8
		ST 4,8 X 19			
9	999 507 072 02	speed nut			4
		4,8			
10	996 505 425 00	buffer	/L	-01	1 M215
	70C	rally black			
(10)	996 505 426 00	buffer	/R	-01	1 M215

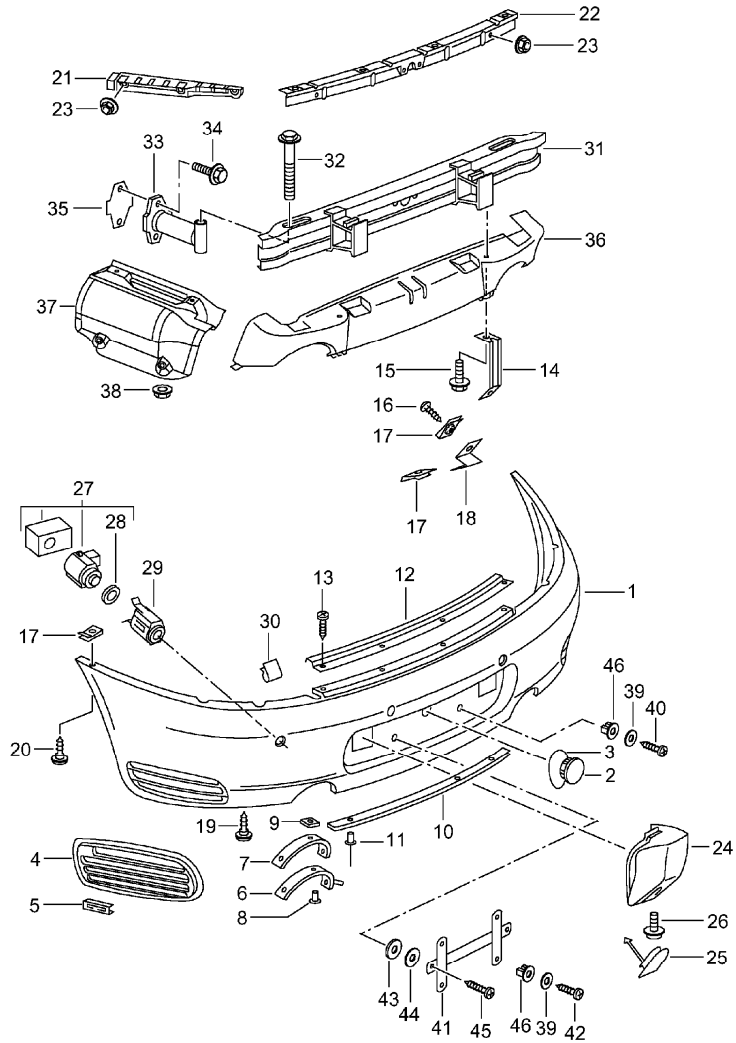
Model	Year	MG	SG	Illustration	Restrictions	UPD	14:13	24.01.2010	PORSCHE	PET	PORSCHE
996	2005	8	02	802-05		248					

Pos	Part Number	Description	Remark	Qty	Model	Pos	Part Number	Description	Remark	Qty	Model		
	70C	rally black				27	999 507 040 40	expander nut 4,2		2			
12	996 505 021 00	bumper reinforcement	-01	1		34	999 651 225 40	safety rope		1			
(12)	996 505 021 04	bumper reinforcement	02-	1		35	996 505 669 00	retainer spring	-01	4	M635		
13	900 378 088 09	hexagon-head bolt M 12 X 100		2		36	996 606 171 00	sensor	-01	4	M635		
14	996 505 019 01	impact pipe		2			9A4	titanium metallic					
(14)	996 505 015 00	impact absorber		2	M058	(36)	000 043 204 56	sensor	02-	4	M635		
15	900 075 457 02	hexagon-head bolt M 8 X 30		4		37	996 606 471 00	ring	-01	4	M635		
16	993 505 775 00	seal		2		(37)	996 606 473 00	ring	02-	4	M635		
17	996 505 475 00	heat protection	-01	1		38	996 505 865 00	housing	-01	4	M635		
(17)	996 505 475 02	heat protection	02-	1		(38)	996 505 885 01	housing	02-	2	M635		
18	996 505 639 00	rear support	-01	2			G2X	prime coated inner					
18	996 505 639 02	rear support	02-	2		(38)	996 505 887 01	housing	02-	2	M635		
19	999 075 048 02	combination screw M 6 X 22		2			G2X	prime coated outer					
20	900 278 025 02	hexagon-head bolt M 5 X 12		1		39	999 025 262 02	washer 35 X 50 X 0,5	-01	4	M635		
21	999 025 243 02	spacer		1		40	996 505 859 00	cover	/L	-01	1	M635	
(22)	996 505 631 00	retaining frame	/L	-01	1		G2X	prime coated inner					
(22)	996 505 631 01	retaining frame	/L	02-	1								
(22)	996 505 631 02	retaining frame	/L	02-	1	C4S	(40)	996 505 860 00	cover	/R	-01	1	M635
22	996 505 632 00	retaining frame	/R	-01	1		G2X	prime coated inner					
22	996 505 632 01	retaining frame	/R	02-	1		(40)	996 505 861 00	cover	/L	-01	1	M635
22	996 505 632 02	retaining frame	/R	02-	1	C4S		G2X	prime coated outer				
23	999 084 633 09	hexagon nut M 6		13		(40)	996 505 862 00	cover	/R	-01	1	M635	
24	996 505 831 00	retaining strip centre		1			G2X	prime coated outer					
25	900 143 151 02	combination screw B 4,2 X 16		2		41	999 507 623 40	cable holder		4	M635		
26	999 025 235 40	rubber washer		X		42	996 505 845 00	buffer	/L	02-	1	M215	
						(42)	996 505 846 00	buffer	/R	02-	1	M215	

Model	Year	MG	SG	Illustration	Restrictions	UPD	14:13	24.01.2010	PORSCHE	PET	PORSCHE
996	2005	8	02	802-05		248					

Pos	Part Number	Description	Remark	Qty	Model	Pos	Part Number	Description	Remark	Qty	Model
43	996 505 645 00	support frame	/L 02-	1	M215						
(43)	996 505 646 00	support frame	/R 02-	1	M215						
44	996 505 625 00	lining	/L 02-	1	M215						
	G2X	prime coated									
(44)	996 505 626 00	lining	/R 02-	1	M215						
	G2X	prime coated									

Model	Year	MG	SG	Illustration	Restrictions	UPD	14:13	24.01.2010	PORSCHE	PET	PORSCHE
996	2005	8	02	802-07		248					

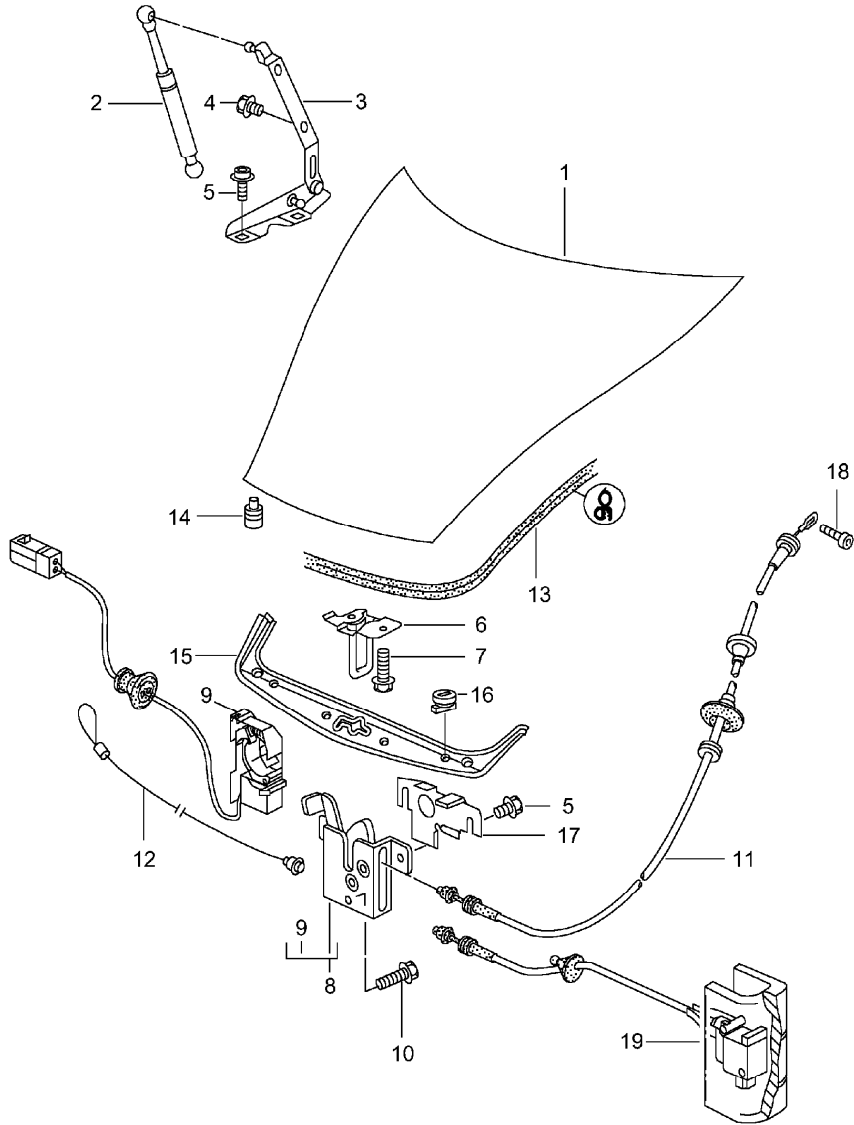


Pos	Part Number	Description	Remark	Qty	Model
1	996 505 411 16	bumper rear			C4S
		lining		1	
		G2X prime coated			
(1)	996 505 911 00	lining		1	M635
		G2X prime coated			
2	964 505 103 00	cap		1	
		G2X prime coated			
3	999 651 225 40	safety rope		1	
4	996 505 663 01	ventilation grille	/L	1	
		01C satin black			
(4)	996 505 664 01	ventilation grille	/R	1	
		01C satin black			
5	999 507 696 00	u-clamp		24	
6	996 505 611 02	cover	/L	1	
(6)	996 505 612 02	cover	/R	1	
7	996 505 621 00	heat shield	/L	1	
(7)	996 505 622 00	heat shield	/R	1	
8	900 056 001 30	rivet 4 X 12		4	
9	999 166 051 08	clamping washer 4,0		6	
10	996 505 837 03	retaining strip		1	
11	999 190 104 30	blind rivet A 3,2 X 7,9		4	
12	996 505 833 02	rail		1	
13	900 144 101 02	tapping screw ST 4,8 X 19		4	
14	996 505 639 03	rear support		2	
15	999 075 056 09	combination screw M 6 X 22		2	

Model	Year	MG	SG	Illustration	Restrictions	UPD	14:13	24.01.2010	PORSCHE	PET	PORSCHE
996	2005	8	02	802-07		248					

Pos	Part Number	Description	Remark	Qty	Model	Pos	Part Number	Description	Remark	Qty	Model
16	N 906 487 02	tapping screw ST 4,8 X 16		2		32	900 378 088 09	hexagon-head bolt M 12 X 100		2	
17	999 507 072 02	speed nut ST 4,8		X		33	996 505 019 01	impact pipe		2	
18	996 505 649 00	bracket		2		(33)	996 505 015 00	impact absorber		2	M058
19	999 073 062 02	tapping screw ST 4,8 X 19		2		34	900 075 457 02	hexagon-head bolt M 8 X 30		4	
20	999 073 227 09	tapping screw ST 4,8 X 19		6		35	993 505 775 00	seal		2	
21	996 505 635 00	retaining strip	/L	1		36	996 505 475 04	heat protection		1	
(21)	996 505 636 00	retaining strip	/R	1		(37)	996 505 478 00	heat protection	/R	1	
22	996 505 831 00	retaining strip centre		1		38	999 049 025 09	collar nut		12	
23	999 076 048 02	hexagon nut M 6		9		39	900 025 024 40	washer		X	
24	996 505 425 01	buffer	/L	1	M215	40	999 073 080 02	tapping screw ST 4,2 X 16		X	
	70C	rally black				43	999 025 235 40	rubber washer		X	
(24)	996 505 426 01	buffer	/R	1	M215	46	999 507 040 40	expander nut ST 4,2		X	
	70C	rally black									
25	996 505 403 00	lid		2	M215						
	70C	rally black									
26	900 067 271 09	combination screw		2	M215						
27	000 043 204 56	sensor		4	M635						
28	996 606 473 00	ring		4	M635						
29	996 505 885 00	housing		2	M635						
	G2X	prime coated inner									
(29)	996 505 887 00	housing		2	M635						
	G2X	prime coated outer									
30	999 507 623 40	cable holder		4							
31	996 505 021 02	bumper reinforcement		1							
(31)	996 505 021 03	bumper reinforcement		1	M215						

Model	Year	MG	SG	Illustration	Restrictions	UPD	14:13	24.01.2010	PORSCHE	PET	PORSCHE
996	2005	8	03	803-00		248					

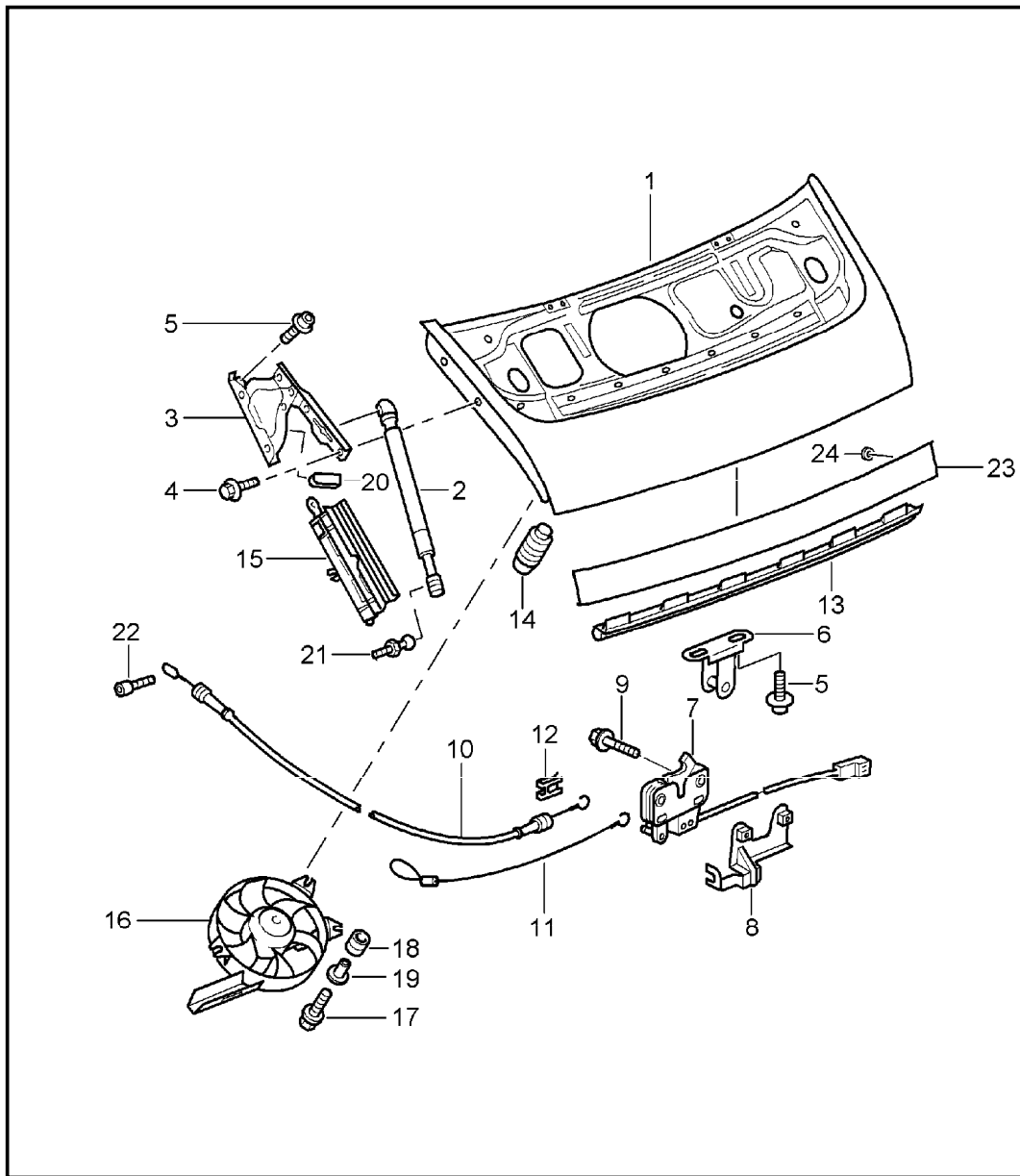


Pos	Part Number	Description	Remark	Qty	Model
1	996 511 011 02	lid front		1	
	GRV	prime coated			
		use also:			
-	000 043 204 38	sealing material		1	
2	996 511 551 01	gas-pressure spring		2	
3	996 511 151 01	hinge	/L	1	
(3)	996 511 152 01	hinge	/R	1	
4	900 378 036 09	hexagon-head bolt M 6 X 12		4	
5	900 075 466 09	combination screw M 6 X 16		6	
6	996 511 051 02	lock upper part		1	
7	900 378 173 09	hexagon-head bolt M 6 X 20		2	
8 A	996 511 053 01	lock lower part		-01	1
8	996 511 053 02	lock lower part		1	
9	996 613 206 00	microswitch		1	
10	900 075 347 02	screw M 6 X 28		1	
11	996 511 017 01	traction	/LL	-00	1
(11)	996 511 018 00	traction	/RL	-00	1
12	996 511 521 00	emergency operation		1	
13	996 511 611 00	gasket		1	
14	999 703 140 40	buffer		2	
15	996 504 811 00	trim cover		-01	1
	01C	satin black			
15	996 504 811 02	trim cover		02-	1
	01C	satin black			
16	999 590 036 40	catch		4	
	01C	satin black			

Model	Year	MG	SG	Illustration	Restrictions	UPD	14:13	24.01.2010	PORSCHE	PET	PORSCHE
996	2005	8	03	803-00		248					

Pos	Part Number	Description	Remark	Qty	Model	Pos	Part Number	Description	Remark	Qty	Model
17	996 511 653 00	cover		1							
18	900 119 121 09	pan-head screw M 4 X 14		1							
19	996 511 127 00	actuator	01-	1							

Model	Year	MG	SG	Illustration	Restrictions	UPD	14:13	24.01.2010	PORSCHE	PET	PORSCHE
996	2005	8	03	803-05		248					

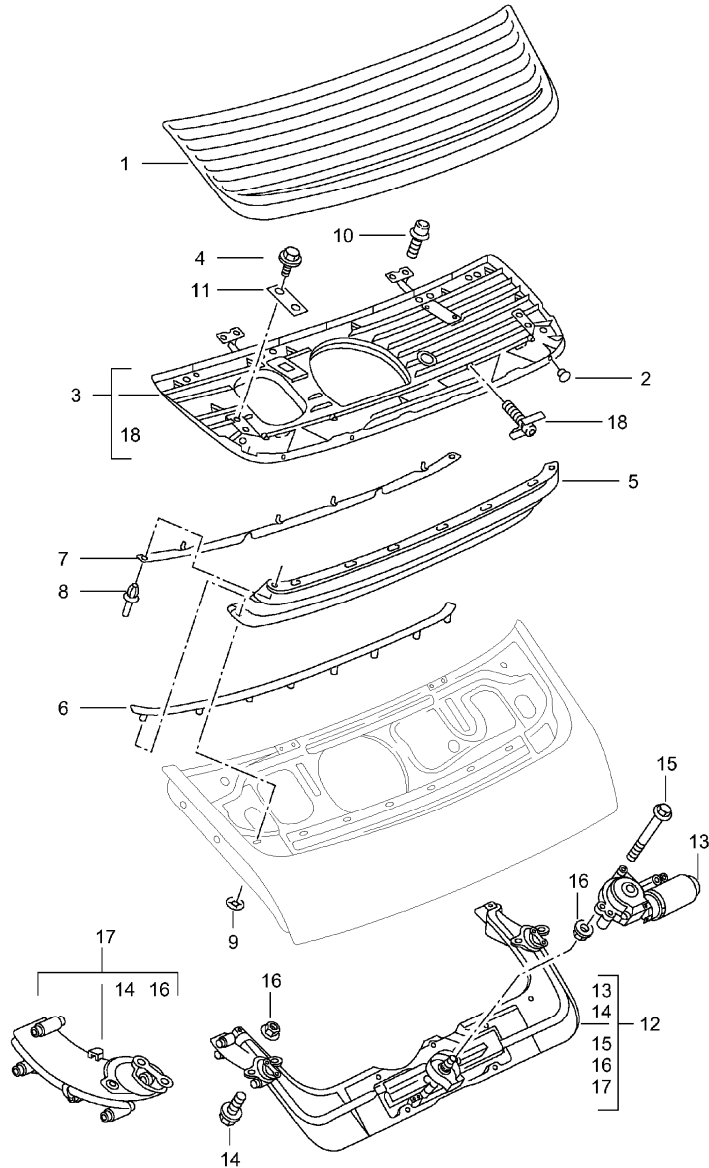


Pos	Part Number	Description	Remark	Qty	Model
1	996 512 011 01	lid rear		1	
	GRV	prime coated			
		use also:			
-	000 043 204 38	sealing material		1	
(1)	996 512 221 01	lid		1	C4S COUPE
	G2X	prime coated			
(1)	996 512 221 02	lid		1	C4S CABRIO
	G2X	prime coated			
2	996 512 551 03	gas-pressure spring	/R	1	
2	996 512 551 04	gas-pressure spring		2	C4S COUPE
2	996 512 551 05	gas-pressure spring see technical information group 5 3/97		2	C4S CABRIO
3	996 512 151 01	hinge	/L	1	
3	996 512 151 03	hinge	/L	1	C4S
(3)	996 512 152 01	hinge	/R	1	
(3)	996 512 152 03	hinge	/R	1	C4S
4	900 378 155 09	hexagon-head bolt M 6 X 16		4	
5	900 075 466 09	combination screw M 6 X 16		6	
6 A	993 512 213 00	lock upper part	-00	1	
6	996 512 213 00	lock upper part		1	
(7)	996 512 053 01	lock lower part F >>99WS6 00563		1	
7	996 512 053 03	lock lower part F 99WS6 00564>>		1	
(8)	996 512 753 02	mounting plate F >>99WS6 00563		1	
8	996 512 753 03	mounting plate F 99WS6 00564>>		1	

Model	Year	MG	SG	Illustration	Restrictions	UPD	14:13	24.01.2010	PORSCHE	PET	PORSCHE
996	2005	8	03	803-05		248					

Pos	Part Number	Description	Remark	Qty	Model	Pos	Part Number	Description	Remark	Qty	Model
(8)	996 512 055 00	actuator		1	M534/535						
9	900 378 168 09	hexagon-head bolt M 6 X 30		2							
10	996 512 017 00	traction	/LL	1							
(10)	996 512 018 00	traction	/RL	1							
11	996 512 521 00	emergency operation		1							
12	999 166 054 02	s1-lock		-00	1						
(12)	900 116 002 02	lock washer		01-	1						
13	996 512 611 00	gasket		1							
13	996 512 611 01	gasket		1	C4S						
-	000 043 157 00	cleaning agent 30 ML		X							
14	999 703 140 40	buffer		2							
15	996 610 230 00	cable holder		1							
16	996 624 036 04	blower		1							
17	900 378 030 09	hexagon-head bolt M 6 X 20		3							
18	999 703 451 40	rubber sleeve		3							
19	999 209 049 02	spacer sleeve		3							
20	996 512 153 00	stop		2							
21	999 167 049 02	ball pin M 6		1							
(21)	999 167 042 02	ball pin M 8		1							
22	900 119 121 09	pan-head screw M 4 X 14		1							
23	996 512 259 00	reflector cover		1	C4S						
24	996 512 671 00	clamping nut		13	C4S						
-	999 919 713 09	oval-head screw M 5 X 10		13	C4S						

Model	Year	MG	SG	Illustration	Restrictions	UPD	14:13	24.01.2010	PORSCHE	PET	PORSCHE
996	2005	8	03	803-07		248					

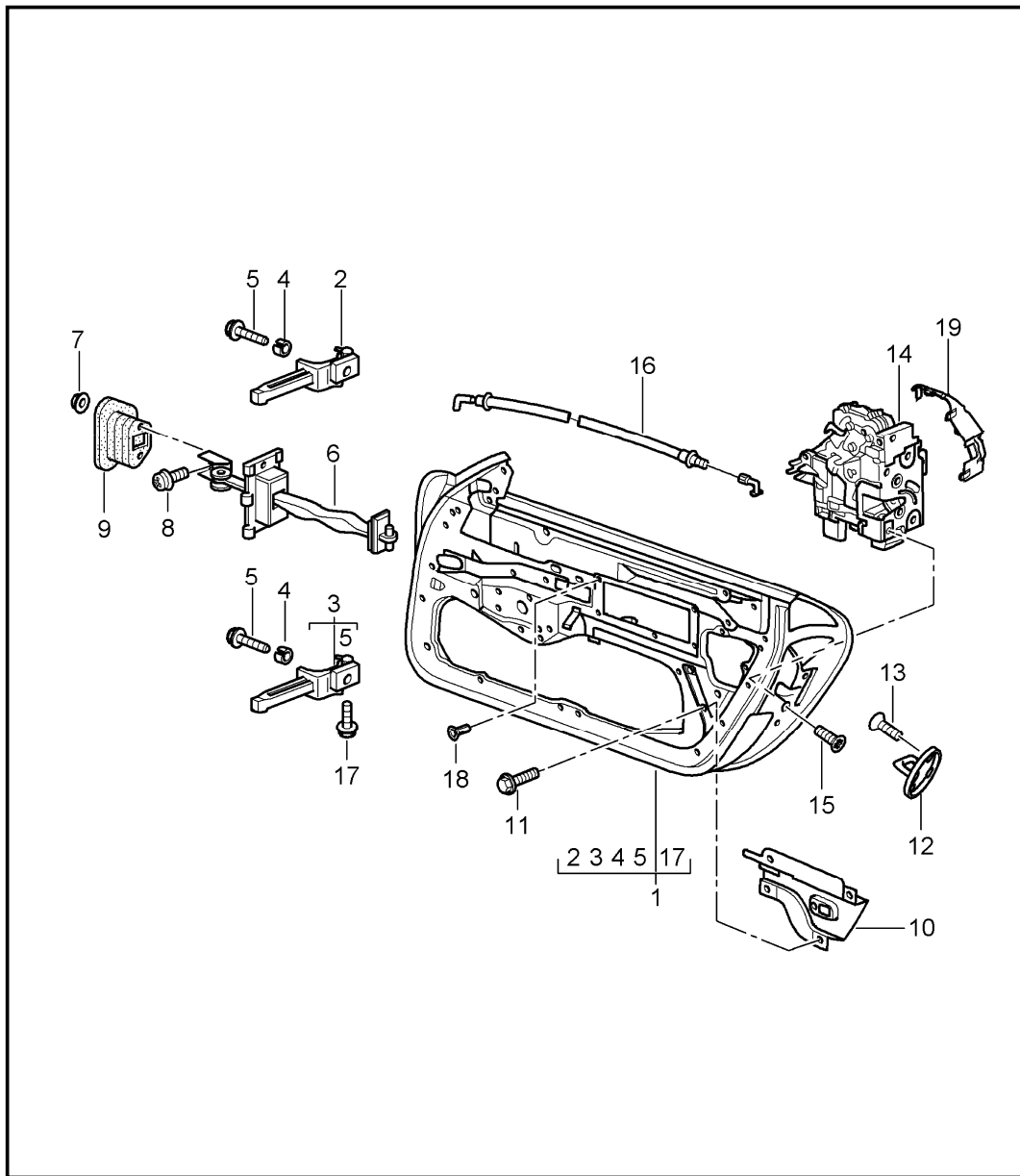


Pos	Part Number	Description	Remark	Qty	Model
		rear spoiler			
1	996 512 240 01	spoiler		1	
	G2X	prime coated upper part			
2	996 512 212 00	stopper		4	
3	996 512 205 01	spoiler lower part		1	
-	999 703 488 40	buffer 5,9 X 11,5 X 16		2	
4	900 075 008 09	hexagon-head bolt M 6 X 8		4	
5	996 512 250 00	rear wall		1	
6	996 512 163 00	rail lower		1	
7	996 512 164 00	rail upper		1	
8	999 591 712 40	expansion rivet 6,0 X 12,0		2	
9	999 591 974 07	clamping washer 5,0		8	
10	U 900 067 380 09	pan-head screw M 6 X 18		4	
10	900 067 273 09	combination screw M 6 X 18		4	
11	996 512 757 00	desk pad		2	
12	A 996 512 109 00	driving mechanism		1	
12	A 996 512 109 04	driving mechanism		1	
(12)	A 996 512 109 02	driving mechanism		1	C4S
(12)	A 996 512 109 06	driving mechanism		1	C4S
13	996 624 151 00	electric motor		1	
14	900 067 273 09	pan-head screw M 6 X 16		10	
15	900 074 364 02	hexagon-head bolt M 5 X 55 micro-self-locking		3	

Model	Year	MG	SG	Illustration	Restrictions	UPD	14:13	24.01.2010	PORSCHE	PET	PORSCHE
996	2005	8	03	803-07		248					

Pos	Part Number	Description	Remark	Qty	Model	Pos	Part Number	Description	Remark	Qty	Model
16	900 377 009 01	hexagon nut M 5		3							
17	996 512 911 00	hinge		2							
17	996 512 911 01	hinge		2	C4S						
18	996 512 255 01	support		4							

Model	Year	MG	SG	Illustration	Restrictions	UPD	14:13	24.01.2010	PORSCHE	PET	PORSCHE
996	2005	8	04	804-00		248					

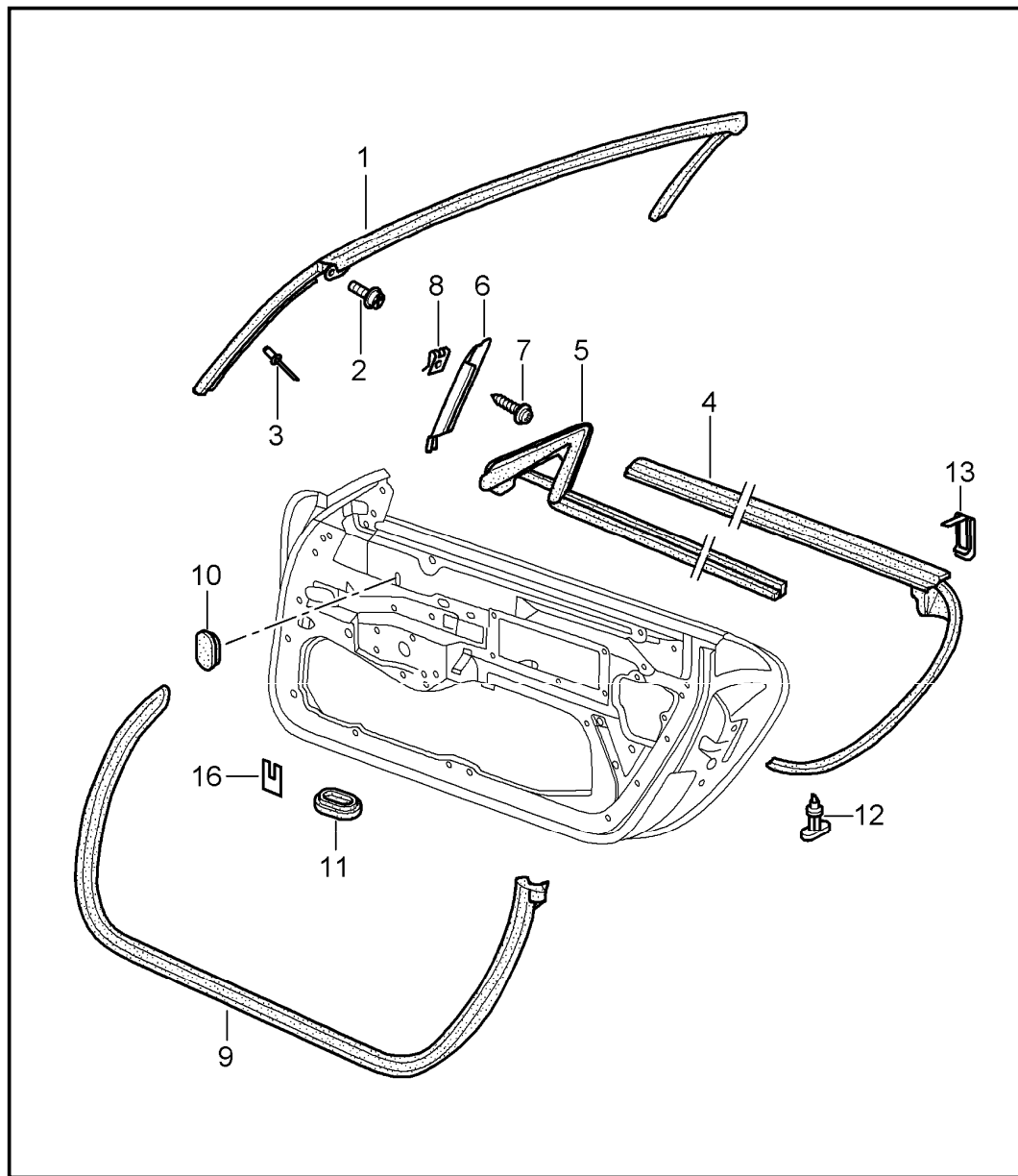


Pos	Part Number	Description	Remark	Qty	Model
		door in white installation parts door lock			
(1) A	996 531 011 04	door in white	/L	1	
	GRV	prime coated use also: POS.17 see technical information group 5 5/00			
(1)	996 531 011 05	door in white	/L	1	
	GRV	prime coated use also: POS.17 see technical information group 5 5/00			
1 A	996 531 012 04	door in white	/R	1	
	GRV	prime coated use also: POS.17 see technical information group 5 5/00			
1	996 531 012 05	door in white	/R	1	
	GRV	prime coated use also: POS.17 see technical information group 5 5/00			
-	000 043 204 38	sealing material		1	
(2)	996 531 321 04	hinge	/L	1	
2	996 531 322 04	hinge	/R	1	
(3)	996 531 319 03	hinge	/L	1	
3	996 531 320 03	hinge	/R	1	
4	996 531 831 00	sleeve		4	
5	999 073 192 02	pan-head screw M 8 X 33		2	
6	996 537 151 02	door arrester		2	

Model	Year	MG	SG	Illustration	Restrictions	UPD	14:13	24.01.2010	PORSCHE	PET	PORSCHE
996	2005	8	04	804-00		248					

Pos	Part Number	Description	Remark	Qty	Model	Pos	Part Number	Description	Remark	Qty	Model
7	999 084 212 02	nut M 6		4		18	999 500 066 02	blind rivet nut M 6/0,5 - 3		6	M563
8	999 073 138 09	screw M 8 X 25		2		(19)	996 537 545 00	cover lock	/L	1	
9	996 537 751 00	seal		2		19	996 537 546 00	cover lock	/R	1	
(10)	996 537 523 00	bracket	/L	1							
	GRV	prime coated									
10	996 537 524 00	bracket	/R	1							
	GRV	prime coated									
11	900 075 487 09	combination screw M 6 X 16		10							
12	3B0 837 033 P	closing element		2							
13	N 907 985 02	countersunk-head screw M 8 X 16,5		4							
(14) A	8N1 837 015	door lock	/LL/L	-01	1						
(14)	8N1 837 015 B	door lock	/LL/L	1							
14 A	8N1 837 016	door lock	/LL/R	-01	1						
14	8N1 837 016 B	door lock	/LL/R	1							
(14)	3B1 837 016 M	door lock	/LL/R	1	M534/535						
(14) A	8N2 837 015	door lock	/RL/L	-01	1						
(14)	8N2 837 015 B	door lock	/RL/L	1							
(14)	3B2 837 015 F	door lock	/RL/L	1	M534/535						
(14) A	8N2 837 016 B	door lock	/RL/R	-01	1						
(14)	8N2 837 016 B	door lock	/RL/R	1							
15	N 908 005 01	screw M 8 X 14		4							
16	996 537 320 03	bowden cable see workshop manual group 70 59 19		2							
17	999 072 043 09	hexagon-head bolt M 6 X 12 micro-self-locking		4							

Model	Year	MG	SG	Illustration	Restrictions	UPD	14:14	24.01.2010	PORSCHE	PET	PORSCHE
996	2005	8	04	804-10		248					

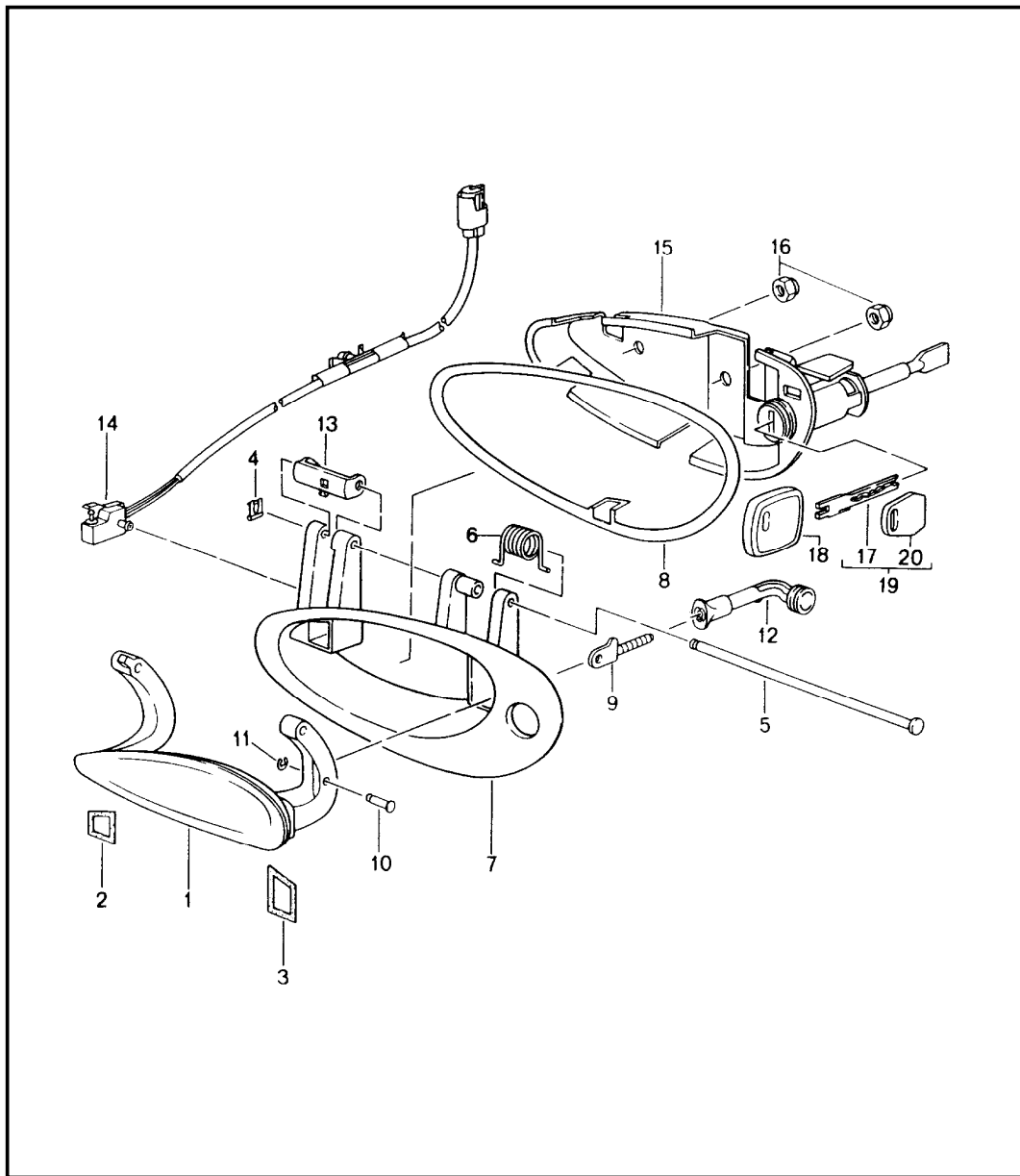


Pos	Part Number	Description	Remark	Qty	Model
		door seal gasket windscreen frame			
1	996 537 077 02	gasket		1	CABRIO
2	999 507 678 01	u-clamp 4,0-4,5		2	CABRIO
3	999 190 445 37	rivet A 4,0 X 7,9		36	CABRIO
(4)	996 537 085 07	gasket outer	/L	1	
4	996 537 086 07	gasket outer	/R	1	
5	996 537 531 06	gasket inner	/L	1	
5	996 537 532 06	gasket inner	/R	1	
(6)	996 537 725 02	window guide	/L	1	
6	996 537 726 02	window guide	/R	1	
7	999 073 047 02	tapping screw ST 3,5 X 9,5		2	
8	999 591 725 02	speed nut ST 3,5		2	
(9)	996 537 075 03	gasket	/L	1	COUPE
9	996 537 076 03	gasket	/R	1	COUPE
10	999 703 441 40	lid 20 X 28 X 1		4	
11	999 703 417 40	lid 24 X 39		8	
12	999 507 578 40	clip gasket outer		36	
13	999 507 571 02	clamp		2	
14	996 537 075 04	gasket	/L	1	CABRIO
(14)	996 537 076 04	gasket	/R	1	CABRIO
15	900 075 483 02	combination screw M 5 X 20		2	CABRIO

Model	Year	MG	SG	Illustration	Restrictions	UPD	14:14	24.01.2010	PORSCHE	PET	PORSCHE
996	2005	8	04	804-10		248					

Pos	Part Number	Description	Remark	Qty	Model	Pos	Part Number	Description	Remark	Qty	Model
16	996 537 337 00	protective film		4							

Model	Year	MG	SG	Illustration	Restrictions	UPD	14:14	24.01.2010	PORSCHE	PET	PORSCHE
996	2005	8	04	804-20		248					

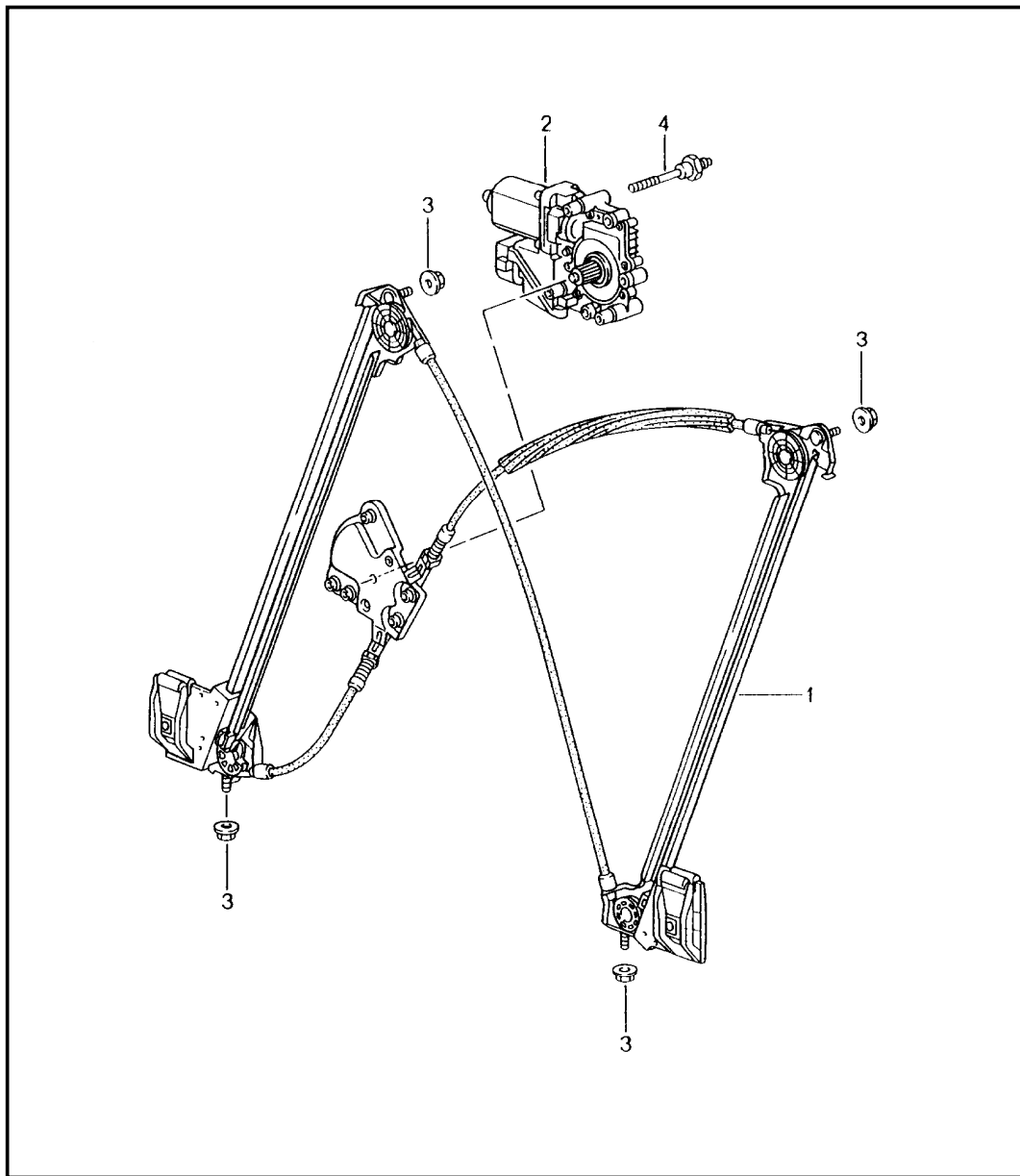


Pos	Part Number	Description	Remark	Qty	Model
		door handle			
1	996 537 613 01	handle	/L	1	
	G2X	prime coated			
(1)	996 537 614 01	handle	/R	1	
	G2X	prime coated			
2	996 537 623 01	buffer		2	
3	996 537 625 00	buffer		2	
4	996 537 631 00	sl-lock		2	
5	996 537 621 00	axle		2	
6	996 537 611 00	return spring	/L	1	
(6)	996 537 612 00	return spring	/R	1	
7	996 537 645 01	handle liner	/LL/L	1	
	G2X	prime coated			
(7)	996 537 645 01	handle liner	/RL/L	1	M532
	G2X	prime coated			
(7)	996 537 647 01	handle liner	/RL/L	1	M534/535
	G2X	prime coated			
(7)	996 537 646 01	handle liner	/LL/R	1	M532
	G2X	prime coated			
(7)	996 537 646 01	handle liner	/RL/R	1	
	G2X	prime coated			
(7)	996 537 648 01	handle liner	/LL/R	1	M534/535
	G2X	prime coated			
8	996 537 637 00	desk pad	/L	1	
(8)	996 537 638 00	desk pad	/R	1	
9	996 537 627 00	control shaft		2	
10	996 537 629 01	bolt		2	
11	996 537 641 00	lock washer		2	
12	996 537 445 02	connecting piece		2	

Model	Year	MG	SG	Illustration	Restrictions	UPD	14:14	24.01.2010	PORSCHE	PET	PORSCHE
996	2005	8	04	804-20		248					

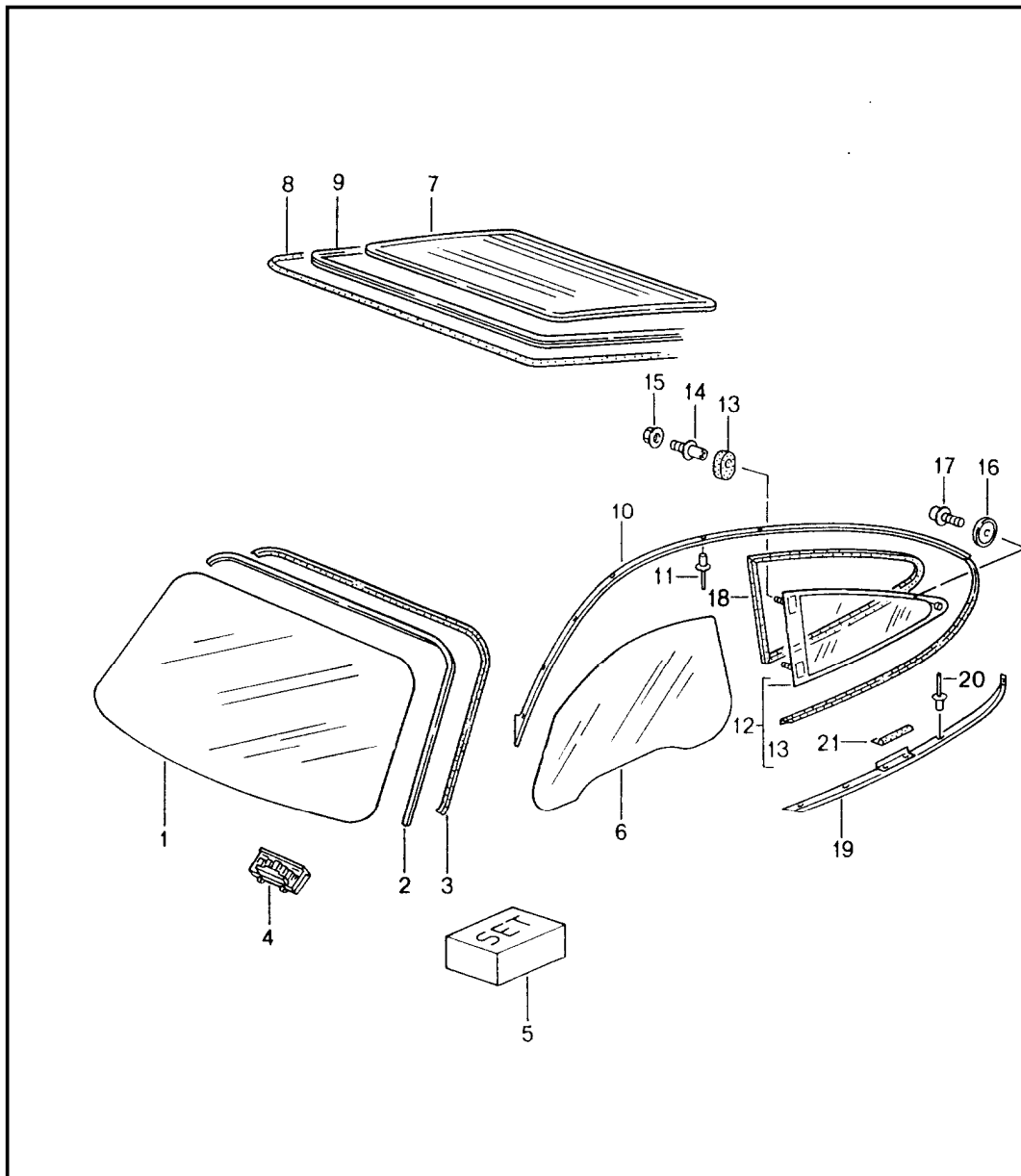
Pos	Part Number	Description	Remark	Qty	Model	Pos	Part Number	Description	Remark	Qty	Model
13	996 537 653 00	eccentric	/L	1							
(13)	996 537 654 00	eccentric	/R	1							
14	996 613 125 00	microswitch power windows	/L	1							
(14)	996 613 126 00	microswitch power windows	/R	1							
15	996 537 963 02	support with lock cylinder w/o stipulated lock number	/L	1							
(15)	996 537 964 02	support with lock cylinder w/o stipulated lock number	/R	1							
15	996 537 963 03	support with lock cylinder with stipulated lock number state lock number	/L	1							
(15)	996 537 964 03	support with lock cylinder with stipulated lock number state lock number	/R	1							
(15)	996 537 063 03	support without lock cylinder	/RL/L	1							
(15)	996 537 064 03	support without lock cylinder	/LL/R	1							
16	900 380 015 09	nut M 6		4							
17	996 538 531 00	blank key		X							
18	996 538 423 01	key cap		X							
19	996 538 932 00	replacement key with stipulated lock number state lock number Information available		X							
20	944 538 431 00	key cap		X							

Model	Year	MG	SG	Illustration	Restrictions	UPD	14:14	24.01.2010	PORSCHE	PET	PORSCHE
996	2005	8	04	804-30		248					



Pos	Part Number	Description	Remark	Qty	Model
		power windows			
(1)	996 542 075 04	power windows	/L	1	
1	996 542 076 04	power windows	/R	1	
(2) A	996 624 101 03	electric motor	/L	-02	1 COUPE/TARGA
(2)	996 624 101 05	electric motor	/L	1	COUPE/TARGA
2 A	996 624 102 03	electric motor	/R	-02	1 COUPE/TARGA
2	996 624 102 05	electric motor	/R	1	COUPE/TARGA
(2) A	996 624 101 04	electric motor	/L	-02	1 CABRIO
(2)	996 624 101 06	electric motor	/L	1	CABRIO
(2) A	996 624 102 04	electric motor	/R	-02	1 CABRIO
(2)	996 624 102 06	electric motor	/R	1	CABRIO
3	900 380 015 09	nut M 6		14	
4	996 542 711 00	threaded bolt		6	

Model	Year	MG	SG	Illustration	Restrictions	UPD	11:15	02.02.2010	PORSCHE	PET	PORSCHE
996	2005	8	05	805-00		248					

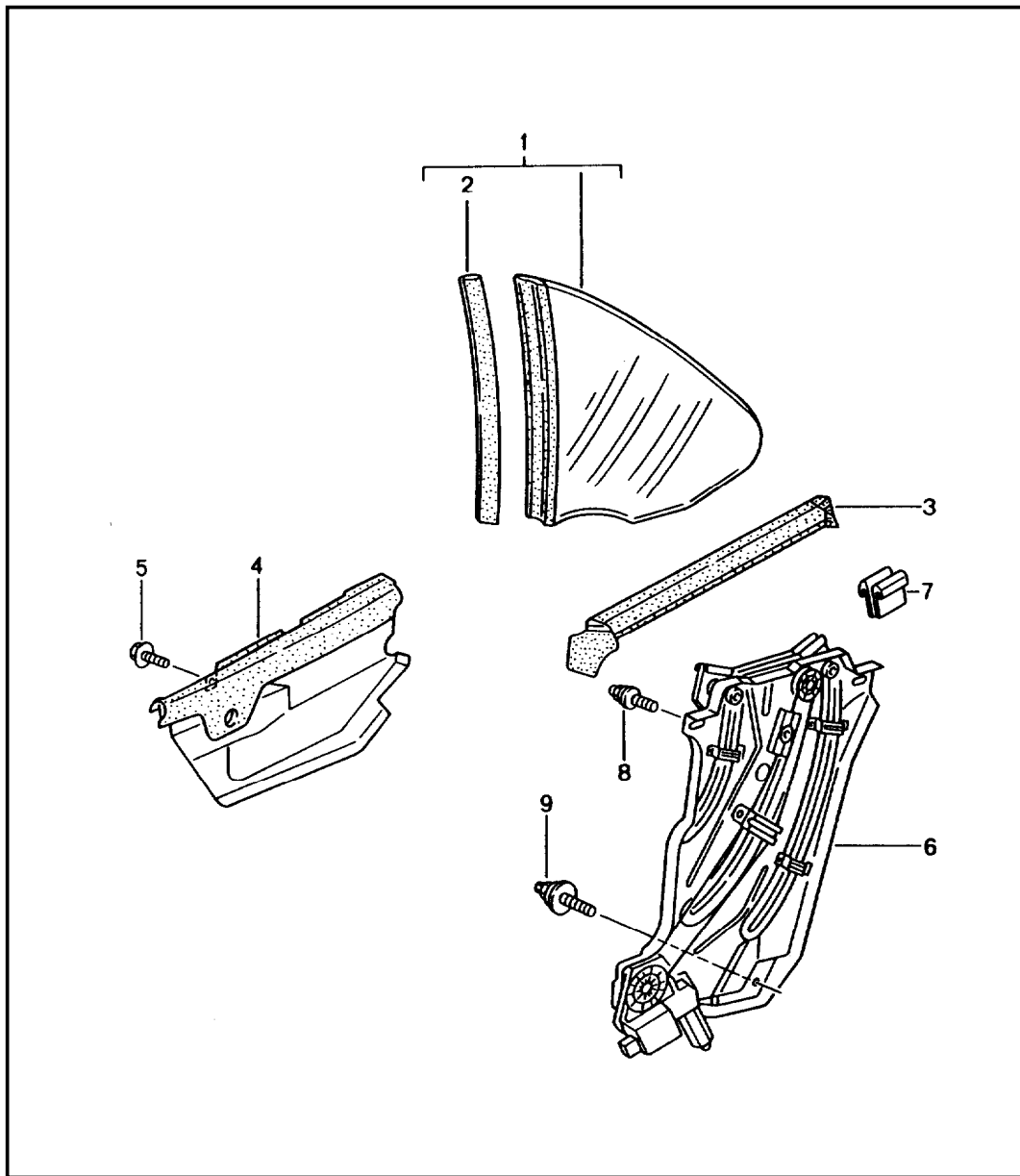


Pos	Part Number	Description	Remark	Qty	Model
		window glazing			
1	996 541 901 00	windscreen tinted	-01	1	
1	996 541 901 04	windscreen tinted	02-	1	
1	996 541 901 02	windscreen tinted	01	1	M265
1	996 541 901 06	windscreen tinted	02-	1	M265
(1)	996 541 901 01	windscreen tinted green top tint	-01	1	
(1)	996 541 901 05	windscreen tinted green top tint	02-	1	
(1)	996 541 901 03	windscreen tinted green top tint	01	1	M265
(1)	996 541 901 07	windscreen tinted green top tint	02-	1	M265
(1)	996 541 901 08	windscreen tinted	03-	1	M440
(1)	996 541 901 09	windscreen tinted green top tint	03-	1	M440
(1)	996 541 901 10	windscreen tinted	03-	1	M265/440
(1)	996 541 901 11	windscreen tinted green top tint	03-	1	M265/440
-	996 541 903 00	round rubber cord see technical information group 6 4/99		1	
2	996 541 531 01	sealing frame		1	
3	996 541 541 01	trim frame	-01	1	
3	996 541 541 02	trim frame	02-	1	
4	999 507 576 41	support		2	

Model	Year	MG	SG	Illustration	Restrictions	UPD	11:15	02.02.2010	PORSCHE	PET	PORSCHE
996	2005	8	05	805-00		248					

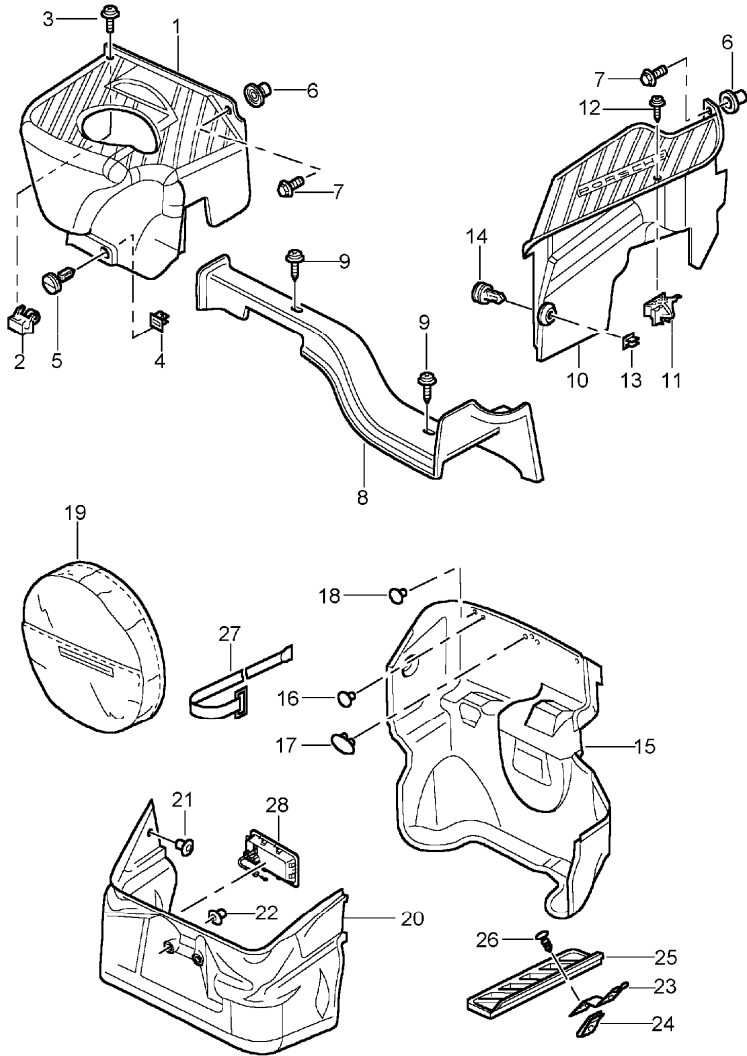
Pos	Part Number	Description	Remark	Qty	Model	Pos	Part Number	Description	Remark	Qty	Model
5	000 043 300 94	adhesive set TEROSTAT 8593		1		13	996 543 611 02	gasket		4	
-	000 731 513 00	adhesive plate for interior mirror		1		14	996 543 435 00	threaded bush		4	
6	996 542 511 02	door window glass	/L	1	COUPE TARGA	15	999 076 055 09	lock nut M 8		4	
(6)	996 542 512 02	door window glass	/R	1	COUPE TARGA	16	996 543 625 00	sealing washer		2	
(6)	996 542 511 03	door window glass	/L	1	CABRIO	17	999 218 011 02	pan-head screw M 6 X 12		2	
(6)	996 542 512 03	door window glass	/R	1	CABRIO	18	996 543 325 00	sealing frame	/L	1	
7	996 545 901 02	rear window		-01		18	996 543 325 01	sealing frame	/L	1	TARGA
7	996 545 901 03	rear window		02-		(18)	996 543 326 00	sealing frame	/R	1	
-	996 541 903 00	round rubber cord see technical information group 6 4/99		1		(18)	996 543 326 01	sealing frame	/R	1	TARGA
8 A	996 545 521 03	sealing frame		1		19	A 996 543 771 07	retaining strip	/L	-01	1
8	996 545 521 04	sealing frame		1		19	996 543 771 08	retaining strip	/L	1	
9	996 545 545 01	trim frame		-01		19 A	996 543 771 05	retaining strip	/L	1	TARGA
9	996 545 545 02	trim frame		02-		19	996 537 485 00	retaining strip	/L	1	TARGA
10 A	996 537 481 06	roof frame seal	/L	-01		(19) A	996 543 772 07	retaining strip	/R	-01	1
10	996 537 481 08	roof frame seal	/L	1		(19)	996 543 772 08	retaining strip	/R	1	
10	996 537 481 04	roof frame seal	/L	1	TARGA	(19) A	996 543 772 05	retaining strip	/R	1	TARGA
(10) A	996 537 482 06	roof frame seal	/R	-01		(19)	996 537 486 00	retaining strip	/R	1	TARGA
(10)	996 537 482 08	roof frame seal	/R	1		20	999 190 445 37	blind rivet A 4,0 X 7,9		12	
(10)	996 537 482 04	roof frame seal	/R	1	TARGA	21	996 543 543 01	spacer see technical information group 6 3/99		2	
11	999 190 445 37	blind rivet A 4,0 X 7,9		26							
12	996 543 111 03	rear window	/L	1							
12	996 543 111 06	rear window	/L	1	TARGA						
(12)	996 543 112 03	rear window	/R	1							
(12)	996 543 112 06	rear window	/R	1	TARGA						

Model	Year	MG	SG	Illustration	Restrictions	UPD	14:16	24.01.2010	PORSCHE	PET	PORSCHE
996	2005	8	05	805-05		248					



Pos	Part Number	Description	Remark	Qty	Model
		rear window			CABRIO
1	996 543 111 08	rear window	/L	-02	1
1	996 543 111 09	rear window	/L	03-	1
(1)	996 543 112 08	rear window	/R	-02	1
(1)	996 543 112 09	rear window	/R	03-	1
2	996 543 615 03	gasket	/L		1
(2)	996 543 616 03	gasket	/R		1
3	996 543 475 04	gasket outer	/L		1
(3)	996 543 476 04	gasket outer	/R		1
4	996 543 177 01	gasket inner	/L		1
(4)	996 543 178 01	gasket inner	/R		1
5	900 378 036 09	hexagon-head bolt M 6 X 12			4
6	996 543 015 04	power windows	/L		1
(6)	996 543 016 04	power windows	/R		1
7	996 543 901 00	insert			4
8	996 543 903 00	bolt upper			4
9	996 543 905 00	bolt lower			2

Model	Year	MG	SG	Illustration	Restrictions	UPD	14:16	24.01.2010	PORSCHE	PET	PORSCHE
996	2005	8	07	807-00		248					



Pos	Part Number	Description	Remark	Qty	Model
		luggage compartment			
1	996 551 133 04	lining	/RL/R	1	M338
	01C	satin black			
(1)	996 551 134 00	lining	/RL/R	-00	M339
	01C	satin black			
(1)	996 551 134 01	lining	/RL/R	01-	M339/692
	01C	satin black			
(1)	996 551 134 02	lining	/RL/R	03-	M339/692
	01C	satin black			
(1)	996 551 131 03	lining brake booster hydraulic unit	/LL/L	1	M338
	01C	satin black			
(1)	996 551 131 02	lining brake booster hydraulic unit	/LL/L	99-	M339
	01C	satin black			
(1)	996 551 142 00	lining pre-charge pump	/LL	00-	M338/476
	01C	satin black			
(1)	996 551 142 01	lining pre-charge pump	/RL	00-	M338/476
	01C	satin black			
2	999 507 512 40	support 3,5		1	
3	999 919 151 09	oval-head screw 3,5 X 18		1	
4	999 590 046 40	disc cam 10,0 X 11,5		1	
5	999 507 529 40	catch 18,0		1	
6	999 500 078 00	nut M 6		2	
7	900 378 188 09	hexagon-head bolt M 6 X 20		1	

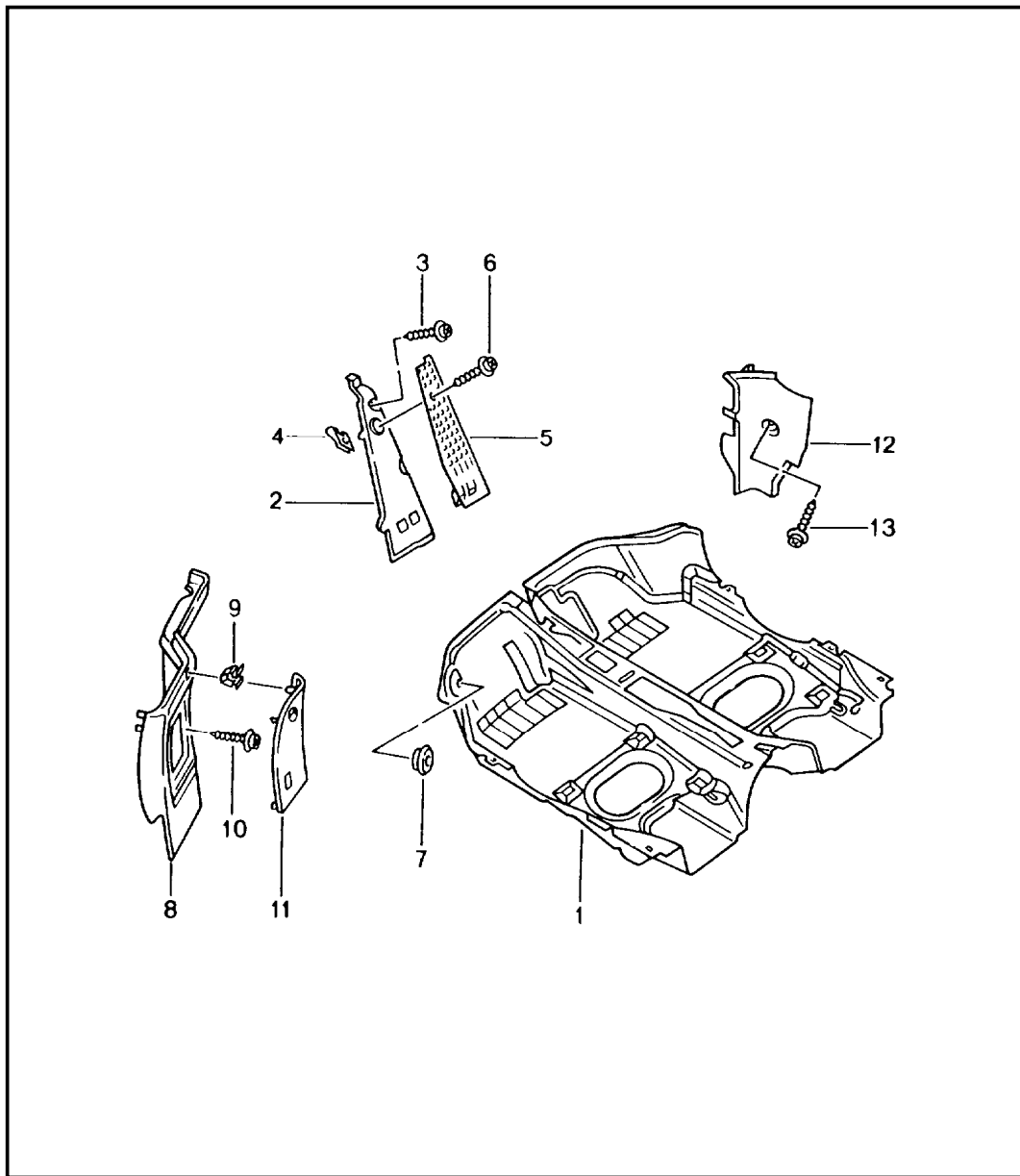
Model	Year	MG	SG	Illustration	Restrictions	UPD	14:16	24.01.2010	PORSCHE	PET	PORSCHE
996	2005	8	07	807-00		248					

Pos	Part Number	Description	Remark	Qty	Model	Pos	Part Number	Description	Remark	Qty	Model
8	996 551 137 01	lining	/RL	1		15	996 551 051 14	lining	/H	-00	1 M338
	01C	satin black					C10	grey			
(8)	996 551 137 02	lining pipeline	/LL	00-	1 M338/476	(15)	996 551 051 12	lining	/H	-00	1 M338/476
	01C	satin black					C10	grey			
-	999 507 674 40	cable holder	/LL	00-	1 M338/476	(15)	996 551 051 09	lining	/H	-00	1 M339
9	999 919 151 09	screw 3,5 X 18		2			C10	grey			
10	996 551 135 01	lining	/RL/L	98	1	(15)	996 551 051 15	lining	/RL/H	-00	1 M338
	01C	satin black					C10	grey			
10	996 551 135 01	lining	/RL/L	99	1 M338	(15)	996 551 051 13	lining	/RL/H	-00	1 M338/476
	01C	satin black					C10	grey			
10	996 551 135 02	lining	/RL/L	00-	1 M338	(15)	996 551 051 11	lining	/RL/H	99	1 M339
	01C	satin black					C10	grey			
(10)	996 551 135 03	lining	/RL/L	03-	1 M338/692	(15)	996 551 051 10	lining luggage compartment	/RL/H	00	1 M339
	01C	satin black					C10	grey			
(10)	996 551 133 03	lining hydraulic unit	/RL/L	99-	1 M339	15	996 551 051 16	lining luggage compartment	/LL	01-	1 M338
	01C	satin black					A31	black			
11	999 507 512 40	support	/RL	1		(15)	996 551 051 18	lining luggage compartment	/LL	01-	1 M338/476
11	999 507 512 40	support 3,5	/LL	2			A31	black			
(11)	996 551 771 00	support		1	M338	(15) A	996 551 051 20	lining luggage compartment	/LL	-02	1 M339
(11)	996 551 773 00	support		1	M339		A31	black			
12	999 919 151 09	oval-head screw	/RL	2		(15)	996 551 051 22	lining luggage compartment	/LL	03-	1 M339
12	999 919 151 09	oval-head screw 3,5 X 18	/LL	3			A31	black			
13	999 590 046 40	disc cam	/RL	1		(15)	996 551 051 17	lining luggage compartment	/RL	01-	1 M338
13	999 590 046 40	disc cam 10,0 X 11,5	/LL	2			A31	black			
14	999 507 529 40	catch 18,0		2		(15)	996 551 051 19	lining luggage compartment	/RL	01-	1 M338/476

Model	Year	MG	SG	Illustration	Restrictions	UPD	14:16	24.01.2010	PORSCHE	PET	PORSCHE
996	2005	8	07	807-00		248					

Pos	Part Number	Description	Remark	Qty	Model	Pos	Part Number	Description	Remark	Qty	Model
(15)	996 551 051 21	A31 black lining luggage compartment	/RL 01-	1	M339	(20)	996 551 045 07	A31 black lining	/V 01	1	M339
16	999 703 432 40	A31 black stopper 8,0 12,2 X 25		8		(20) A	996 551 045 05	A31 black lining	/V 02	1	M339
17	999 703 456 40	cap 49 X 26 12,2 X 25		1		(20)	996 551 045 10	A31 black lining	/V 02-	1	M339
18	999 703 455 40	cap 12,2 X 25		2		--	996 551 845 00	adhesive carpet		1	M339
19	996 551 061 00	lining		1	COUPE M338	21	999 703 432 40	stopper 8,0		2	
(19)	996 551 061 01	lining		1	CABRIO M338	22	999 507 565 40	plastic nut T5/ 24,15		2	
--	996 551 351 02	lining floor	99-00	1	M339	(22)	999 507 566 40	plastic nut T5/ 39,70		1	
--	996 551 351 03	C10 grey lining floor	01	1	M339	23	996 551 761 00	support	/LL -02	1	M339
--	996 551 351 04	A31 black lining floor	02-	1	M339	23	996 551 761 01	support cover booster	/LL 03-	1	M339
20	996 551 045 01	A31 black lining	/V -00	1	M338	24	999 591 725 02	speed nut 3,5		1	M339
(20) A	996 551 045 03	C10 grey lining	/V 99	1	M339	25	996 551 451 00	cover booster		1	M339
(20)	996 551 045 04	A31 black lining	/V -00	1	M339		01C	satin black			
20 A	996 551 045 06	C10 grey lining	/V 01-02	1	M338	26	900 144 103 09	tapping screw 3,5 X 13		1	
20	996 551 045 08	A31 black lining	/V 02-	1	M338	27	996 551 741 00	retaining strap first-aid kit		1	M338/692

Model	Year	MG	SG	Illustration	Restrictions	UPD	14:16	24.01.2010	PORSCHE	PET	PORSCHE
996	2005	8	07	807-02		248					



Pos	Part Number	Description	Remark	Qty	Model
1	996 551 011 02	carpet linings carpet	/LL	1	COUPE TARGA
	EEW	black			
	EEX	graphite grey			
	EEY	savanna			
	EFB	nephrite green	-01		
	FAR	nephrite green	02-		
	EFC	boxster red			
	EEZ	metropole blue			
	EFA	space grey	-00		
	VRL	dark grey	00-		
	VRM	brown/natural	00-		
	FAP	cinnamon brown	01-		
(1)	996 551 011 03	carpet	/RL	1	COUPE TARGA
	EEW	black			
	EEX	graphite grey			
	EEY	savanna			
	EFB	nephrite green	-01		
	FAR	nephrite green	02-		
	EFC	boxster red			
	EEZ	metropole blue			
	EFA	space grey	-00		
	VRL	dark grey	00-		
	VRM	brown/natural	00-		
	FAP	cinnamon brown	01-		
(1)	996 551 011 04	carpet	/LL	1	CABRIO
	EEW	black			

Model	Year	MG	SG	Illustration	Restrictions	UPD	14:16	24.01.2010	PORSCHE	PET	PORSCHE
996	2005	8	07	807-02		248					

Pos	Part Number	Description	Remark	Qty	Model	Pos	Part Number	Description	Remark	Qty	Model
	EEX	graphite grey					EFA	space grey	-00		
	EEY	savanna					VRL	dark grey	00-		
	EFB	nephrite green	-01				VRM	brown/natural	00-		
	FAR	nephrite green	02-				FAP	cinnamon brown	01-		
	EFC	boxster red				(1)	996 551 011 07	carpet	/RL	02-	1 CABRIO M680
	EEZ	metropole blue					EEW	black			
	EFA	space grey	-00				EEX	graphite grey			
	VRL	dark grey	00-				EEY	savanna			
	VRM	brown/natural	00-				FAR	nephrite green	02-		
	FAP	cinnamon brown	01-				EFC	boxster red			
(1)	996 551 011 06	carpet	/LL	02-	1 CABRIO M680		EEZ	metropole blue			
	EEW	black					VRL	dark grey	00-		
	EEX	graphite grey					VRM	brown/natural	00-		
	EEY	savanna					FAP	cinnamon brown	01-		
	FAR	nephrite green	02-			(1)	996 551 011 08	carpet	/LL	02-	1 TARGA M680
	EFC	boxster red					EEW	black			
	EEZ	metropole blue					EEX	graphite grey			
	VRL	dark grey	00-				EEY	savanna			
	VRM	brown/natural	00-				FAR	nephrite green	02-		
	FAP	cinnamon brown	01-				EFC	boxster red			
(1)	996 551 011 05	carpet	/RL		1 CABRIO		EEZ	metropole blue			
	EEW	black					VRL	dark grey	00-		
	EEX	graphite grey					VRM	brown/natural	00-		
	EEY	savanna					FAP	cinnamon brown	01-		
	EFB	nephrite green	-01			(1)	996 551 011 09	carpet	/RL	02-	1 TARGA M680
	FAR	nephrite green	02-				EEW	black			
	EFC	boxster red					EEX	graphite grey			
	EEZ	metropole blue									

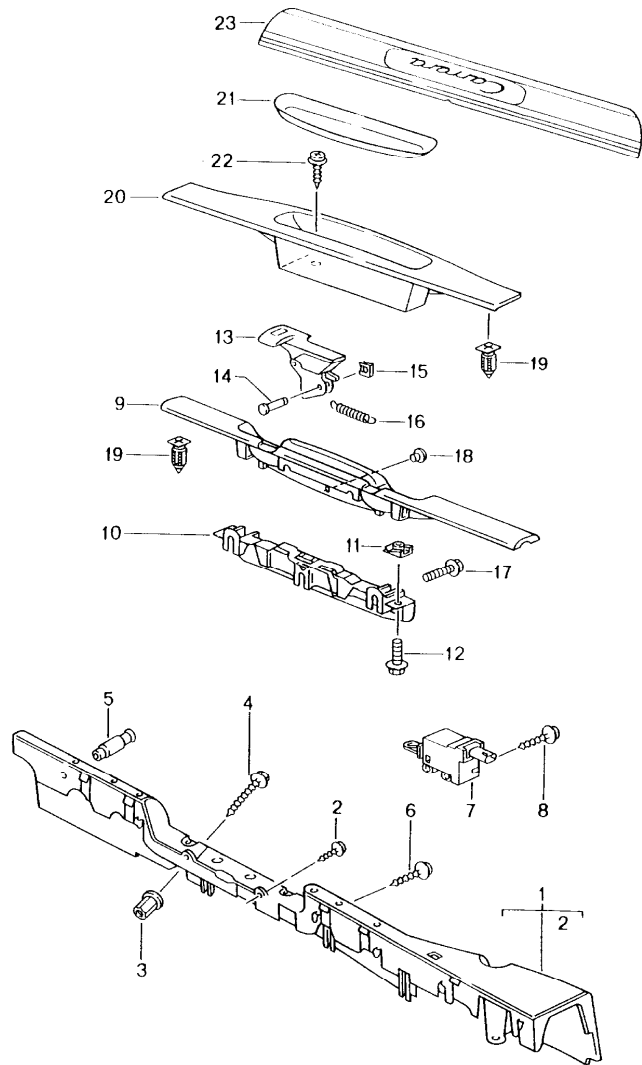
Model	Year	MG	SG	Illustration	Restrictions	UPD	14:16	24.01.2010	PORSCHE	PET	PORSCHE
996	2005	8	07	807-02		248					

Pos	Part Number	Description	Remark	Qty	Model	Pos	Part Number	Description	Remark	Qty	Model
	EEY	savanna					EAV	space grey			
	FAR	nephrite green	02-				EBU	metropole blue			
	EFC	boxster red					VRN	dark grey	00-		
	EEZ	metropole blue					VRO	brown	00-		
	VRL	dark grey	00-				FBZ	cinnamon brown	01-		
	VRM	brown/natural	00-			(8)	996 551 102 00	lining carpet	/RL	1	
	FAP	cinnamon brown	01-				EAQ	black			
-	996 551 813 00	protective film	/LL	1			EAR	graphite grey			
-	996 551 815 00	protective film	/RL	1			EAS	savanna			
2	996 551 211 00	foot support	/LL	1			EAT	nephrite green			
(2)	996 551 212 00	foot support	/RL	1			EAU	boxster red			
3	999 073 062 02	tapping screw 4,8 X 19	/LL	2			EAV	space grey			
(3)	900 143 155 09	tapping screw 4,8 X 32	/RL	1			EBU	metropole blue			
4	999 591 485 02	speed nut 4,8	/RL	2			VRN	dark grey	00-		
5	996 551 611 00	cover	/LL	1			VRO	brown	00-		
(5)	996 551 612 00	cover foot support	/RL	1		9	999 507 552 01	spring clamp 9,0 X 13		2	
6	999 919 161 09	oval-head screw 5,0 X 18		1		10	999 919 161 09	oval-head screw 5,0 X 18		4	
(6)	900 143 155 02	oval-head screw 4,8 X 32	/RL	1		11	996 551 621 00	lid	/LL	1	
7	803 803 583 A	lid 20,0 X 30,0		2			01C	satin black			
8	996 551 101 00	lining carpet	/LL	1		(11)	996 551 622 00	lid	/RL	1	
	EAQ	black					01C	satin black			
	EAR	graphite grey				12	996 551 712 01	support carpet	/LL/R	1	
	EAS	savanna				(12)	996 551 711 00	support carpet	/RL/L	1	
	EAT	nephrite green				13	999 073 226 09	tapping screw 4,2 X 16		1	
	EAU	boxster red									

Model	Year	MG	SG	Illustration	Restrictions	UPD	14:16	24.01.2010	PORSCHE	PET	PORSCHE
996	2005	8	07	807-02		248					

Pos	Part Number	Description	Remark	Qty	Model	Pos	Part Number	Description	Remark	Qty	Model
--	-----	floor mats set see group TEQ/8/07/05		1							

Model	Year	MG	SG	Illustration	Restrictions	UPD	14:16	24.01.2010	PORSCHE	PET	PORSCHE
996	2005	8	07	807-03		248					



Pos	Part Number	Description	Remark	Qty	Model
		lining door sill			
1	996 551 619 01	support	/L	1	
(1)	996 551 620 01	support	/R	1	
-	999 551 140 40	felt strip		2	
2	900 143 082 02	tapping screw 6,3 X 13		4	
3	999 500 078 00	nut M 6		2	
-	999 049 022 40	plastic nut		2	
4	900 378 029 09	hexagon-head tapping screw M 6 X 40		2	
5	996 551 873 00	locating peg		2	
6	999 919 121 09	oval-head screw 5,0 X 16		2	
7	996 624 115 01	actuator lid	-00	1	
8	999 919 121 09	oval-head screw 5,0 X 16	-00	2	
(9)	996 551 019 09	lining lacquered granite grey with handle	/LL -99	1	M537
	EMW	silver			
(9)	996 551 019 10	lining lacquered granite grey with handle	/LL -99	1	M590
	EMW	silver			
(9)	996 551 019 11	lining lacquered granite grey with handle	/LL -99	1	M537/590
	EMW	silver			

Model	Year	MG	SG	Illustration	Restrictions	UPD	14:16	24.01.2010	PORSCHE	PET	PORSCHE
996	2005	8	07	807-03		248					

Pos	Part Number	Description	Remark	Qty	Model	Pos	Part Number	Description	Remark	Qty	Model
(9)	996 551 019 13	lining lacquered granite grey with handle EMW silver	/RL	-99	1 M538	(9)	996 551 019 18	lining lacquered black with handle ERF silver	/RL	00	1 M590
(9)	996 551 019 14	lining lacquered granite grey with handle EMW silver	/RL	-99	1 M590	(9)	996 551 019 19	lining lacquered black with handle ERF silver	/RL	00	1 M538/590
(9)	996 551 019 15	lining lacquered granite grey with handle EMW silver	/RL	-99	1 M538/590	9	996 551 119 01	lining lacquered without handle D05 granite grey		-00	1 COUPE/CABRIO
(9)	996 551 019 09	lining lacquered black with handle ERF silver	/LL	00	1 M537		A03 black			00	
(9)	996 551 019 16	lining lacquered black with handle ERF silver	/LL	00	1 M590	(9)	996 551 119 04	lining without handle A03 black		01-	1 COUPE/CABRIO
(9)	996 551 019 17	lining lacquered black with handle ERF silver	/LL	00	1 M537/590	(9)	996 551 119 02	lining without handle A03 black		02-	1 TARGA
(9)	996 551 019 13	lining lacquered black with handle ERF silver	/RL	00	1 M538	(9)	996 551 119 05	lining without handle A03 black		01-	1 COUPE/CABRIO M537/538
						(9)	996 551 119 03	lining without handle A03 black		02-	1 TARGA M537/538
						(9)	996 551 019 20	lining complete A03 black	/LL	01	1 COUPE/CABRIO

Model	Year	MG	SG	Illustration	Restrictions	UPD	14:16	24.01.2010	PORSCHE	PET	PORSCHE
996	2005	8	07	807-03		248					

Pos	Part Number	Description	Remark	Qty	Model	Pos	Part Number	Description	Remark	Qty	Model
(9)	996 551 019 28	lining complete	/LL 02-	1	COUPE/CABRIO	(9)	996 551 019 27	lining complete lacquered	/RL 02-	1	TARGA M538
	A03	black					A03	black			
(9)	996 551 019 24	lining complete	/LL 02-	1	TARGA	(9)	996 551 980 20	lining complete leather	/LL 01	1	COUPE/CABRIO IXTG
	A03	black					A11	black			
(9)	996 551 019 22	lining complete	/LL 01	1	COUPE/CABRIO M537		C51	graphite grey			
	A03	black					S31	savanna			
(9)	996 551 019 30	lining complete	/LL 02-	1	COUPE/CABRIO M537		G11	metropole blue			
	A03	black					J31	nephrite green			
(9)	996 551 019 26	lining complete	/LL 02-	1	TARGA M537		M31	boxster red			
	A03	black					P12	cinnamon brown			
(9)	996 551 019 21	lining complete	/RL 01	1	COUPE/CABRIO		D12	dark grey/natural			
	A03	black					T12	brown/natural			
(9)	996 551 019 29	lining complete	/RL 02-	1	COUPE/CABRIO	(9)	996 551 980 21	lining complete leather	/RL 01	1	COUPE/CABRIO IXTG
	A03	black					A11	black			
(9)	996 551 019 25	lining complete	/RL 02-	1	TARGA		C51	graphite grey			
	A03	black					S31	savanna			
(9)	996 551 019 23	lining complete	/RL 01	1	COUPE/CABRIO M538		G11	metropole blue			
	A03	black					J31	nephrite green			
(9)	996 551 019 31	lining complete	/RL 02-	1	COUPE/CABRIO M538		M31	boxster red			
	A03	black					P12	cinnamon brown			
							D12	dark grey/natural			
							T12	brown/natural			

Model	Year	MG	SG	Illustration	Restrictions	UPD	14:16	24.01.2010	PORSCHE	PET	PORSCHE
996	2005	8	07	807-03		248					

Pos	Part Number	Description	Remark	Qty	Model	Pos	Part Number	Description	Remark	Qty	Model
(9)	996 551 980 22	lining complete leather A11 black C51 graphite grey S31 savanna G11 metropole blue J31 nephrite green M31 boxster red P12 cinnamon brown D12 dark grey/natural T12 brown/natural	/LL	01	1 COUPE/CABRIO /537 IXTG		S31 savanna G11 metropole blue J31 nephrite green M31 boxster red P12 cinnamon brown D12 dark grey/natural T12 brown/natural				
(9)	996 551 980 23	lining complete leather A11 black C51 graphite grey S31 savanna G11 metropole blue J31 nephrite green M31 boxster red P12 cinnamon brown D12 dark grey/natural T12 brown/natural	/RL	01	1 COUPE/CABRIO /538 IXTG	(9)	996 551 980 29	lining complete leather VRK black C51 graphite grey S31 savanna G11 metropole blue J31 nephrite green M31 boxster red P12 cinnamon brown D12 dark grey/natural T12 brown/natural	/RL	02-	1 COUPE/CABRIO IXTG
(9)	996 551 980 28	lining complete leather VRK black C51 graphite grey	/LL	02-	1 COUPE/CABRIO IXTK	(9)	996 551 980 30	lining complete leather VRK black C51 graphite grey S31 savanna G11 metropole blue J31 nephrite green M31 boxster red P12 cinnamon brown	/LL	02-	1 COUPE/CABRIO /537 IXTK

Model	Year	MG	SG	Illustration	Restrictions	UPD	14:16	24.01.2010	PORSCHE	PET	PORSCHE
996	2005	8	07	807-03		248					

Pos	Part Number	Description	Remark	Qty	Model	Pos	Part Number	Description	Remark	Qty	Model						
(9)	996 551 980 31	D12 dark grey/natural	/RL	02-	1	COUPE/CABRIO /538 IXTG	C51 graphite grey										
		T12 brown/natural					S31 savanna										
		complete leather					G11 metropole blue										
		VRK black					J31 nephrite green										
		C51 graphite grey					M31 boxer red										
		S31 savanna					D12 dark grey										
		G11 metropole blue					T12 brown/natural										
		J31 nephrite green					P12 cinnamon brown										
		M31 boxer red					(9) 996 551 980 26						lining	/LL	02-	1	TARGA IXTG M537
		P12 cinnamon brown					complete leather										
D12 dark grey/natural	VRK black																
T12 brown/natural	C51 graphite grey																
(9)	996 551 980 24	lining	/LL	02-	1	TARGA IXTG	S31 savanna										
		complete leather					G11 metropole blue										
		VRK black					J31 nephrite green										
		C51 graphite grey					M31 boxer red										
		S31 savanna					D12 dark grey										
		G11 metropole blue					T12 brown/natural										
		J31 nephrite green					P12 cinnamon brown										
		M31 boxer red					(9) 996 551 980 27						lining	/RL	02-	1	TARGA IXTG M538
		D12 dark grey					complete leather										
		T12 brown/natural					VRK black										
P12 cinnamon brown	C51 graphite grey																
(9)	996 551 980 25	lining	/RL	02-	1	TARGA IXTG	S31 savanna										
		complete leather					G11 metropole blue										
		VRK black					J31 nephrite green										
							M31 boxer red										

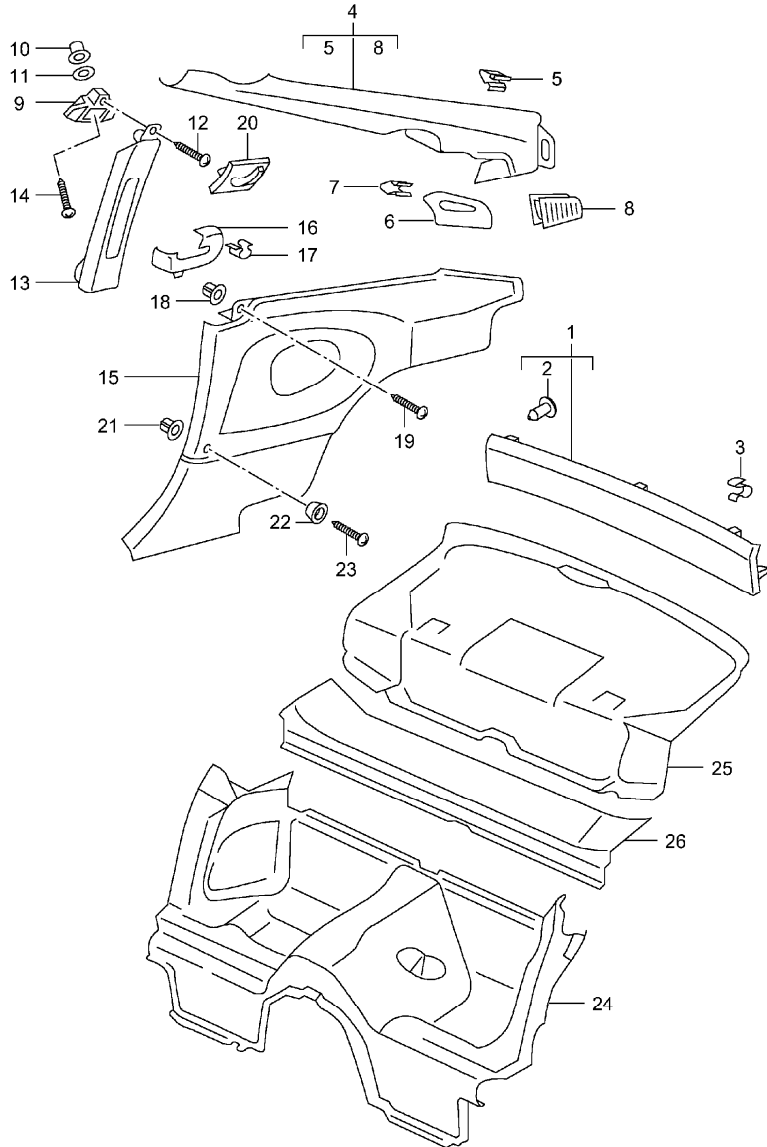
Model	Year	MG	SG	Illustration	Restrictions	UPD	14:16	24.01.2010	PORSCHE	PET	PORSCHE
996	2005	8	07	807-03		248					

Pos	Part Number	Description	Remark	Qty	Model	Pos	Part Number	Description	Remark	Qty	Model
	D12	dark grey					01C	satin black			
	T12	brown/natural				19	999 507 484 40	expander nut		18	
	P12	cinnamon brown				20	996 551 120 00	lining tray		1	
10	996 551 719 00	bracket not for		-00	1		D05	granite grey	-99		
					M590 M537/538		A03	black	00-		
11	999 507 556 02	speed nut not for M 5		-00	2	20	996 551 981 01	lining tray leather	01-	1	IXTG
					M590 M537/538		A11	black	01		
12	900 075 145 02	hexagon-head bolt not for M 5 X 16		-00	2		VRK	black	02-		
13	996 551 511 03	handle lacquered	/LL/V	-00	1		C51	graphite grey			
	V01	silver					S31	savanna			
(13)	996 551 512 05	handle lacquered	/LL/H	-00	1		J31	nephrite green			
	V01	silver					M31	boxster red			
(13)	996 551 511 04	handle lacquered	/RL/V	-00	1		G11	metropole blue			
	V01	silver					D12	dark grey			
(13)	996 551 512 06	handle lacquered	/RL/H	-00	1		T12	brown/natural			
	V01	silver					P12	cinnamon brown			
14	999 088 033 02	bolt not for 6 X 22 X 19		-00	2	21	996 551 513 00	mat		1	
					M537/538	22	999 919 164 09	oval-head screw 5,0 X 12		2	
15	999 166 079 02	lock not for		-00	2	23	996 551 303 00	scuff plate		2	CARRERA
					M537/538		D05	granite grey	-99		
16	999 522 030 00	tension spring not for		-00	2	23	996 551 303 00	scuff plate		2	CARRERA
					M537/538		A03	black	00-		
17	999 218 106 02	combination screw M 6 X 25		-00	3	(23)	996 551 303 01	scuff plate	99-	2	CARRERA 4
(17)	999 067 046 09	pan-head screw M 6 X 20		01-	3		D05	granite grey	-99		
18	999 703 443 40	stopper 8,0 X 11 X 7,2			3	(23)	996 551 303 03	scuff plate	00	2	M094
							A03	black	00-		

Model	Year	MG	SG	Illustration	Restrictions	UPD	14:16	24.01.2010	PORSCHE	PET	PORSCHE
996	2005	8	07	807-03		248					

Pos	Part Number	Description	Remark	Qty	Model	Pos	Part Number	Description	Remark	Qty	Model
(23)	996 551 303 04	scuff plate	02-	2	C4S						
	A03	black	00-								
(23)	996 551 303 05	scuff plate lacquered	02-	2	TARGA						
	A03	black	00-								
(23)	996 551 303 06	scuff plate lacquered	04	2	M095						
	VTF	silver metallic									
		scuff plate exclusive see catalogue tequipment 8/07/05		1							

Model	Year	MG	SG	Illustration	Restrictions	UPD	14:16	24.01.2010	PORSCHE	PET	PORSCHE
996	2005	8	07	807-05		248					



Pos	Part Number	Description	Remark	Qty	Model
1	996 555 081 02	linings rear lining leatherette		1	COUPE
	A18	black	-99		
	C18	graphite grey	-99		
	S18	savanna	-99		
	G18	metropole blue	-99		
	B18	space grey	-99		
	A12	black	00-		
	C52	graphite grey	00-		
	S32	savanna	00-		
	G12	metropole blue	00-		
	B52	space grey	00		
	J32	nephrite green	01-		
1	996 555 081 03	lining leather		1	
	A11	black			
	C51	graphite grey			
	S31	savanna			
	G11	metropole blue			
	J31	nephrite green			
	M31	boxster red			
	B51	space grey	-00		
	P12	cinnamon brown	01-		
	D12	dark grey	00-		
	T12	brown/natural	00-		
2	999 507 687 05	fixing clip		5	
3	999 651 307 02	cable clamp 18,0		3	

Model	Year	MG	SG	Illustration	Restrictions	UPD	14:16	24.01.2010	PORSCHE	PET	PORSCHE
996	2005	8	07	807-05		248					

Pos	Part Number	Description	Remark	Qty	Model	Pos	Part Number	Description	Remark	Qty	Model
(4)	996 555 187 02	lining upper leatherette	/L	1			C51	graphite grey			
	A18	black	-99				S31	savanna			
	C18	graphite grey	-99				G11	metropole blue			
	S18	savanna	-99				J31	nephrite green			
	G18	metropole blue	-99				M31	boxster red			
	B18	space grey	-99				B51	space grey	-00		
	A12	black	00-				P12	cinnamon brown	01-		
	C52	graphite grey	00-				D12	dark grey	00-		
	S32	savanna	00-				T12	brown/natural	00-		
	G12	metropole blue	00-			4	996 555 188 03	lining upper leather	/R	1	
	B52	space grey	00				A11	black			
	J32	nephrite green	01-				C51	graphite grey			
4	996 555 188 02	lining upper leatherette	/R	1			S31	savanna			
	A18	black	-99				G11	metropole blue			
	C18	graphite grey	-99				J31	nephrite green			
	S18	savanna	-99				M31	boxster red			
	G18	metropole blue	-99				B51	space grey	-00		
	B18	space grey	-99				P12	cinnamon brown	01-		
	A12	black	00-				D12	dark grey	00-		
	C52	graphite grey	00-				T12	brown/natural	00-		
	S32	savanna	00-			-	999 551 609 40	plastic washer 8, 0 X 23 X 3,0		16	
	G12	metropole blue	00-			5	999 507 676 09	clamp 2,7/2,20		2	
	B52	space grey	00			5	999 507 479 09	clamp 2,5/0,9		4	
	J32	nephrite green	01-			(6)	996 555 545 01	rosette lacquered	/L	1	
(4)	996 555 187 03	lining upper leather	/L	1			D05	granite grey	-99		
	A11	black					A03	black	00-		

Model	Year	MG	SG	Illustration	Restrictions	UPD	14:16	24.01.2010	PORSCHE	PET	PORSCHE
996	2005	8	07	807-05		248					

Pos	Part Number	Description	Remark	Qty	Model	Pos	Part Number	Description	Remark	Qty	Model
	C53	graphite grey	00-				A03	black	00-		
	S33	savanna	00-				C53	graphite grey	00-		
	G13	metropole blue	00-				S33	savanna	00-		
	B13	space grey	00				G13	metropole blue	00-		
	J33	nephrite green	00-				B13	space grey	00-		
	M33	boxster red	00-				J33	nephrite green	00-		
6	996 555 546 01	rosette lacquered	/R	1			M33	boxster	00-		
	D05	granite grey	-99			(9)	996 555 821 01	bracket coat hook	/L -99	1	
	A03	black	00-			9	996 555 822 01	bracket coat hook	/R -99	1	
	C53	graphite grey	00-			(9)	996 555 821 02	bracket coat hook	/L 00-	1	
	S33	savanna	00-			(9)	996 555 822 02	bracket coat hook	/R 00-	1	
	G13	metropole blue	00-			10	999 500 069 02	nut	-01	2	
	B13	space grey	00			(10)	999 507 695 02	speed nut 4,2		2	
	J33	nephrite green	00-			11	900 151 006 09	washer		2	
	M33	boxster red	00-			(11)	999 025 268 09	washer 6,4	00-	2	
7	999 507 533 02	clamp		2		12	999 919 164 09	oval-head screw 5,0 X 12,0	-99	2	
(8)	996 555 645 00	grille lacquered	/L	1		(12)	999 073 060 02	tapping screw 4,8 X 13	00-	2	
	D05	granite grey	-99			(13)	996 555 183 02	lining b-pillar leatherette	/L -99	1	
	A03	black	00-				A18	black			
	C53	graphite grey	00-				C18	graphite grey			
	S33	savanna	00-				S18	savanna			
	G13	metropole blue	00-				G18	metropole blue			
	B13	space grey	00-				B18	space grey			
	J33	nephrite green	00-								
	M33	boxster	00-								
8	996 555 646 00	grille lacquered	/R	1							
	D05	granite grey	-99								

Model	Year	MG	SG	Illustration	Restrictions	UPD	14:16	24.01.2010	PORSCHE	PET	PORSCHE
996	2005	8	07	807-05		248					

Pos	Part Number	Description	Remark	Qty	Model	Pos	Part Number	Description	Remark	Qty	Model
13	996 555 184 02	lining b-pillar leatherette	/R	-99	1		B51	space grey	-00		
	A18	black					J31	nephrite green			
	C18	graphite grey					M31	boxster red			
	S18	savanna				13	996 555 184 03	lining b-pillar leather	/R	-99	1
	G18	metropole blue					A11	black			
	B18	space grey					C51	graphite grey			
(13)	996 555 183 04	lining b-pillar leatherette	/L	00-	1		S31	savanna			
	A12	black					G11	metropole blue			
	C52	graphite grey					B51	space grey	-00		
	S32	savanna					J31	nephrite green			
	G12	metropole blue				(13)	996 555 183 05	lining b-pillar leather	/L	00-	1
	B52	space grey		00			A11	black			
	J32	nephrite green		01-			C51	graphite grey			
(13)	996 555 184 04	lining b-pillar leatherette	/R	00-	1		S31	savanna			
	A12	black					G11	metropole blue			
	C52	graphite grey					B51	space grey	-00		
	S32	savanna					J31	nephrite green			
	G12	metropole blue					M31	boxster red			
	B52	space grey		00			P12	cinnamon brown	01-		
	J32	nephrite green		01-			D12	dark grey	00-		
(13)	996 555 183 03	lining b-pillar leather	/L	-99	1		T12	brown/natural	00-		
	A11	black				(13)	996 555 184 05	lining b-pillar leather	/R	00-	1
	C51	graphite grey					A11	black			
	S31	savanna					C51	graphite grey			
	G11	metropole blue					S31	savanna			

Model	Year	MG	SG	Illustration	Restrictions	UPD	14:16	24.01.2010	PORSCHE	PET	PORSCHE
996	2005	8	07	807-05		248					

Pos	Part Number	Description	Remark	Qty	Model	Pos	Part Number	Description	Remark	Qty	Model
	G11	metropole blue					DFK	space grey		-99	
	B51	space grey		-00			EVN	black		00-	
	J31	nephrite green					EVO	graphite grey		00-	
	M31	boxster red					EVP	savanna		00-	
	P12	cinnamon brown		01-			EVQ	metropole blue		00-	
	D12	dark grey		00-			EVR	space grey		00	
	T12	brown/natural		00-			FDH	nephrite green		01-	
--	996 555 859 00	grommet b-pillar		00-	2	15	996 555 072 10	side trim panel leatherette	/R	99-	1
14	999 073 130 02	oval-head screw M 6 X 16			1		DEO	black		-99	
(15)	996 555 071 08	side trim panel leatherette	/L	98	1		DEQ	graphite grey		-99	
	DEO	black		-99			DET	savanna		-99	
	DEQ	graphite grey		-99			DFE	metropole blue		-99	
	DET	savanna		-99			DFK	space grey		-99	
	DFE	metropole blue		-99			EVN	black		00-	
	DFK	space grey		-99			EVO	graphite grey		00-	
15	996 555 072 08	side trim panel leatherette	/R	98	1		EVP	savanna		00-	
	DEO	black		-99			EVQ	metropole blue		00-	
	DEQ	graphite grey		-99		(15)	996 555 071 11	side trim panel leather	/L		1
	DET	savanna		-99			DFO	black		-99	
	DFE	metropole blue		-99			DFY	space grey		-00	
	DFK	space grey		-99		15	996 555 072 11	side trim panel leather	/R		1
(15)	996 555 071 10	side trim panel leatherette	/L	99-	1		DFO	black		-99	
	DEO	black		-99			DFY	space grey		-00	
	DEQ	graphite grey		-99		(15)	996 555 071 11	side trim panel leather	/L	-02	1
	DET	savanna		-99			EVS	black			
	DFE	metropole blue		-99							

Model	Year	MG	SG	Illustration	Restrictions	UPD	14:16	24.01.2010	PORSCHE	PET	PORSCHE
996	2005	8	07	807-05		248					

Pos	Part Number	Description	Remark	Qty	Model	Pos	Part Number	Description	Remark	Qty	Model
	DFV	graphite grey				15	996 555 072 16	side trim panel leather	/R	03-	1
	DFW	savanna					EVS	black			
	DFX	metropole blue					DFV	graphite grey			
	DFZ	nephrite green					DFW	savanna			
	DGA	boxster red					DFX	metropole blue			
	FEK	cinnamon brown					DFZ	nephrite green			
	VRT	dark grey/natural					DGA	boxster red			
	VRU	brown/natural					FEK	cinnamon brown			
15	996 555 072 11	side trim panel leather	/R	-02	1		VRT	dark grey/natural			
	EVS	black					VRU	brown/natural			
	DFV	graphite grey				--	999 551 609 40	plastic washer 8,0 X 23 X 3,0			6
	DFW	savanna				(16)	996 555 061 00	rosette seat belt lacquered	/L	-99	1
	DFX	metropole blue					D05	granite grey			
	DFZ	nephrite green				16	996 555 062 00	rosette seat belt lacquered	/R	-99	1
	DGA	boxster red					D05	granite grey			
	FEK	cinnamon brown				(16)	996 555 061 00	rosette seat belt lacquered	/L	00-	1
	VRT	dark grey/natural					A03	black			
	VRU	brown/natural					C53	graphite grey			
(15)	996 555 071 16	side trim panel leather	/L	03-	1		S33	savanna			
	EVS	black					G13	metropole blue			
	DFV	graphite grey					B13	space grey		00	
	DFW	savanna					J33	nephrite green			
	DFX	metropole blue					M33	boxster red			
	DFZ	nephrite green					P13	cinnamon brown		01-	
	DGA	boxster red									
	FEK	cinnamon brown									
	VRT	dark grey/natural									
	VRU	brown/natural									

Model	Year	MG	SG	Illustration	Restrictions	UPD	14:16	24.01.2010	PORSCHE	PET	PORSCHE
996	2005	8	07	807-05		248					

Pos	Part Number	Description	Remark	Qty	Model	Pos	Part Number	Description	Remark	Qty	Model
16	996 555 062 00	rosette seat belt lacquered	/R 00-	1		(20)	996 555 572 02	coat hook lacquered	/R 00-	1	
	A03	black					A03	black			
	C53	graphite grey					C53	graphite grey			
	S33	savanna					S33	savanna			
	G13	metropole blue					G13	metropole blue			
	B13	space grey		00			B13	space grey		00	
	J33	nephrite green					J33	nephrite green			
	M33	boxster red					M33	boxster red			
	P13	cinnamon brown		01-			P13	cinnamon brown		01-	
17	999 507 533 02	clamp		2		21	999 507 050 40	expander nut 4,2		2	
18	999 507 050 40	expander nut 4,2		2		22	999 591 116 07	cone washer 4,5		2	
19	999 073 079 02	tapping screw 4,2 X 19		2		23	900 144 182 09	tapping screw 4,2 X 32		2	
(20)	996 555 571 01	coat hook lacquered	/L -99	1		24	996 551 021 00	adhesive carpet seat well carpet	-00	1	
	D05	granite grey					A10	black			
20	996 555 572 01	coat hook lacquered	/R -99	1			C50	graphite grey			
	D05	granite grey					S30	savanna			
(20)	996 555 571 02	coat hook lacquered	/L 00-	1			G10	metropole blue			
	A03	black					B50	space grey		-00	
	C53	graphite grey					J30	nephrite green			
	S33	savanna					M30	boxster red			
	G13	metropole blue					D11	dark grey/natural		00-	
	B13	space grey		00			T11	brown/natural		00-	
	J33	nephrite green				24	996 551 021 09	adhesive carpet seat well carpet	01	1	
	M33	boxster red					A10	black			
	P13	cinnamon brown		01-			C50	graphite grey			

Model	Year	MG	SG	Illustration	Restrictions	UPD	14:16	24.01.2010	PORSCHE	PET	PORSCHE
996	2005	8	07	807-05		248					

Pos	Part Number	Description	Remark	Qty	Model	Pos	Part Number	Description	Remark	Qty	Model
	S30	savanna					S30	savanna			
	G10	metropole blue					G10	metropole blue			
	J30	nephrite green					B50	space grey	-00		
	M30	boxster red					J30	nephrite green			
	P11	cinnamon brown	01-				M30	boxster red			
	D11	dark grey/natural	00-				P11	cinnamon brown	01-		
	T11	brown/natural	00-				D11	dark grey	00-		
(24)	996 551 021 05	adhesive carpet seat well carpet	02-	1			T11	brown/natural	00-		
	A10	black				(25)	996 551 031 01	adhesive carpet	-00	1	M113/479
	C50	graphite grey					A10	black			
	S30	savanna					C50	graphite grey			
	G10	metropole blue					S30	savanna			
	J30	nephrite green					G10	metropole blue			
	M30	boxster red					B50	space grey	-00		
	P11	cinnamon brown	01-				J30	nephrite green			
	D11	dark grey/natural	00-				M30	boxster red			
	T11	brown/natural	00-				D11	dark grey	00-		
25	996 551 031 00	adhesive carpet	-99	1		(25)	996 551 031 01	adhesive carpet	01	1	M479
	A10	black					A10	black			
	C50	graphite grey					C50	graphite grey			
	S30	savanna					S30	savanna			
	G10	metropole blue					G10	metropole blue			
	B50	space grey	-00				J30	nephrite green			
	J30	nephrite green					M30	boxster red			
	M30	boxster red					P11	cinnamon brown	01-		
25	996 551 031 00	adhesive carpet	00-01	1			D11	dark grey	00-		
	A10	black					T11	brown/natural	00-		
	C50	graphite grey				(25)	996 551 031 14	adhesive carpet	02-	1	

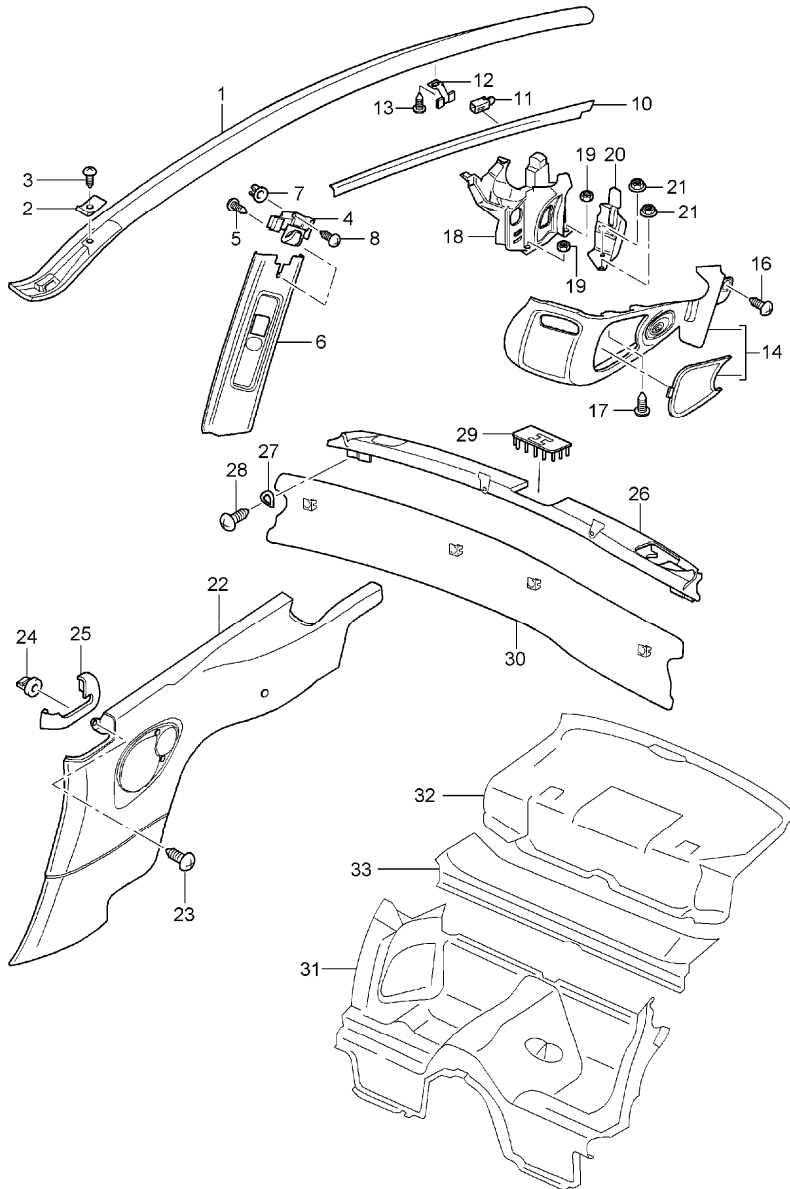
Model	Year	MG	SG	Illustration	Restrictions	UPD	14:16	24.01.2010	PORSCHE	PET	PORSCHE
996	2005	8	07	807-05		248					

Pos	Part Number	Description	Remark	Qty	Model	Pos	Part Number	Description	Remark	Qty	Model
	A10	black				(25)	996 551 031 07	adhesive carpet	02-	1	M479/484 M680
	C50	graphite grey					A10	black			
	S30	savanna					C50	graphite grey			
	G10	metropole blue					S30	savanna			
	J30	nephrite green					G10	metropole blue			
	M30	boxster red					J30	nephrite green			
	P11	cinnamon brown	01-				M30	boxster red			
	D11	dark grey	00-				P11	cinnamon brown	01-		
	T11	brown/natural	00-				D11	dark grey	00-		
(25)	996 551 031 06	adhesive carpet	02-	1	M680		T11	brown/natural	00-		
	A10	black				--	996 551 551 00	cover child car seat mount	01-	2	M113
	C50	graphite grey				26	996 551 033 00	lining control units carpet	-01	1	
	S30	savanna					A10	black			
	G10	metropole blue					C50	graphite grey			
	J30	nephrite green					S30	savanna			
	M30	boxster red					G10	metropole blue			
	P11	cinnamon brown	01-				B50	space grey	-00		
	D11	dark grey	00-				J30	nephrite green			
	T11	brown/natural	00-				M30	boxster red			
(25)	996 551 031 15	adhesive carpet	02-	1	M479/484		D11	dark grey/natural	00-		
	A10	black					T11	brown/natural	00-		
	C50	graphite grey					P11	cinnamon brown	01		
	S30	savanna				(26)	997 551 033 00	lining control units carpet	02-	1	
	G10	metropole blue					A10	black			
	J30	nephrite green					C50	graphite grey			
	M30	boxster red									
	P11	cinnamon brown	01-								
	D11	dark grey	00-								
	T11	brown/natural	00-								

Model	Year	MG	SG	Illustration	Restrictions	UPD	14:16	24.01.2010	PORSCHE	PET	PORSCHE
996	2005	8	07	807-05		248					

Pos	Part Number	Description	Remark	Qty	Model	Pos	Part Number	Description	Remark	Qty	Model
	S30	savanna									
	J30	nephrite green	-03								
	M30	boxster red									
	G10	metropole blue									
	P11	cinnamon brown									
	D11	dark grey/natural									
	T11	brown/natural									
(26)	997 551 033 01	lining control units carpet	02-	1	M680						
	A10	black									
	C50	graphite grey									
	S30	savanna									
	J30	nephrite green	-03								
	M30	boxster red									
	G10	metropole blue									
	P11	cinnamon brown									
	D11	dark grey/natural									
	T11	brown/natural									

Model	Year	MG	SG	Illustration	Restrictions	UPD	14:16	24.01.2010	PORSCHE	PET	PORSCHE
996	2005	8	07	807-06		248					



Pos	Part Number	Description	Remark	Qty	Model
(1)	996 555 195 00	linings rear roof pillar leatherette A12 black C52 graphite grey S32 savanna G12 metropole blue J32 nephrite green	02- /L	1	TARGA
1	996 555 196 00	lining roof pillar leatherette A12 black C52 graphite grey S32 savanna G12 metropole blue J32 nephrite green	/R	1	
(1)	996 555 195 01	linings roof pillar leather A11 black C51 graphite grey S31 savanna G11 metropole blue J31 nephrite green M31 boxer red P12 cinnamon brown D12 dark grey T12 brown/natural	/L	1	
1	996 555 196 01	linings roof pillar leather	/R	1	

Model	Year	MG	SG	Illustration	Restrictions	UPD	14:16	24.01.2010	PORSCHE	PET	PORSCHE
996	2005	8	07	807-06		248					

Pos	Part Number	Description	Remark	Qty	Model	Pos	Part Number	Description	Remark	Qty	Model
	A11	black				-	996 555 771 00	cover coat hook	/L	1	
	C51	graphite grey					A03	black			
	S31	savanna					C53	graphite grey			
	G11	metropole blue					S33	savanna			
	J31	nephrite green					G13	metropole blue			
	M31	boxster red					J33	nephrite green			
	P12	cinnamon brown					M33	boxster red			
	D12	dark grey					P13	cinnamon brown			
	T12	brown/natural				-	996 555 772 00	cover coat hook	/R	1	
-	996 555 887 00	pipng		2			A03	black			
(2)	996 555 879 00	cover	/L	1			C53	graphite grey			
	01C	satin black					S33	savanna			
2	996 555 880 00	cover	/R	1			G13	metropole blue			
	01C	satin black					J33	nephrite green			
3	999 073 218 09	tapping screw 4,2 X 16		2			M33	boxster red			
(4)	996 555 571 03	coat hook lacquered	/L	1			P13	cinnamon brown			
	A03	black				5	999 919 164 09	tapping screw 5,0 X 12		2	
	C53	graphite grey				(6)	996 555 183 06	lining b-pillar leatherette	/L	1	
	S33	savanna					A12	black			
	G13	metropole blue					C52	graphite grey			
	J33	nephrite green					S32	savanna		-04	
4	996 555 572 03	coat hook lacquered	/R	1			G12	metropole blue		-04	
	A03	black					J32	nephrite green		-03	
	C53	graphite grey				6	996 555 184 06	lining b-pillar leatherette	/R	1	
	S33	savanna					A12	black			
	G13	metropole blue									
	J33	nephrite green									

Model	Year	MG	SG	Illustration	Restrictions	UPD	14:16	24.01.2010	PORSCHE	PET	PORSCHE
996	2005	8	07	807-06		248					

Pos	Part Number	Description	Remark	Qty	Model	Pos	Part Number	Description	Remark	Qty	Model		
(6)	996 555 183 07	C52 graphite grey		1		(10)	996 555 187 04	lining	/L	1			
		S32 savanna	-04			upper							
		G12 metropole blue	-04			leatherette							
		J32 nephrite green	-03			A12 black							
		lining				C52 graphite grey							
		b-pillar				S32 savanna							
		leather				G12 metropole blue							
		A11 black				J32 nephrite green							
		C51 graphite grey				10		996 555 188 04	lining			/R	1
		S31 savanna							upper				
		G11 metropole blue							leatherette				
		J31 nephrite green							A12 black				
M31 boxer red				C52 graphite grey									
P12 cinnamon brown				S32 savanna									
D12 dark grey				G12 metropole blue									
T12 brown/natural				J32 nephrite green									
6	996 555 184 07	lining	/R	1		(10)	996 555 187 05	lining	/L	1			
		b-pillar				upper							
		leather				leather							
		A11 black				A11 black							
		C51 graphite grey				C51 graphite grey							
		S31 savanna				S31 savanna							
		G11 metropole blue				G11 metropole blue							
		J31 nephrite green				J31 nephrite green							
		M31 boxer red				M31 boxer red							
		P12 cinnamon brown				P12 cinnamon brown							
		D12 dark grey				D12 dark grey							
		T12 brown/natural				T12 brown/natural							
7	999 507 755 40	expander nut		2		10	996 555 188 05	lining	/R	1			
						upper							
8	999 073 064 02	oval-head screw		2				A11 black					
		4,8 X 25				C51 graphite grey							

Model	Year	MG	SG	Illustration	Restrictions	UPD	14:16	24.01.2010	PORSCHE	PET	PORSCHE
996	2005	8	07	807-06		248					

Pos	Part Number	Description	Remark	Qty	Model	Pos	Part Number	Description	Remark	Qty	Model
	S31	savanna				14	996 555 246 00	cover seat belt lacquered	/R	-04	1
	G11	metropole blue					A03	black			
	J31	nephrite green					C53	graphite grey			
	M31	boxster red					S33	savanna			
	P12	cinnamon brown					G13	metropole blue			
	D12	dark grey					J33	nephrite green		-03	
	T12	brown/natural					M33	boxster red			
11	996 555 581 00	mounting clip		10			P13	cinnamon brown			
12	996 555 875 00	clamp		4		14	996 555 246 01	cover seat belt lacquered	/R	05-	1
13	999 073 218 09	tapping screw 4,2 X 16		4			A03	black			
(14)	996 555 245 00	cover seat belt lacquered	/L	-04	1		C53	graphite grey			
	A03	black					S33	savanna			
	C53	graphite grey					G13	metropole blue			
	S33	savanna					M33	boxster red			
	G13	metropole blue					P13	cinnamon brown			
	J33	nephrite green		-03		--	996 555 877 00	clamp			2
	M33	boxster red				16	999 073 251 09	tapping screw 4,2 X 25			2
	P13	cinnamon brown				17	999 073 226 09	tapping screw 4,2 X 16			2
(14)	996 555 245 01	cover seat belt lacquered	/L	05-	1	(18)	996 555 175 00	support	/L	-02	1
	A03	black				(18)	996 555 175 01	support	/L	03-	1
	C53	graphite grey				18	996 555 176 00	support	/R	-02	1
	S33	savanna				18	996 555 176 01	support	/R	03-	1
	G13	metropole blue				19	999 084 629 09	hexagon nut M 6			4
	M33	boxster red				(20)	996 555 503 00	support	/L		1
	P13	cinnamon brown				20	996 555 504 00	support	/R		1

Model	Year	MG	SG	Illustration	Restrictions	UPD	14:16	24.01.2010	PORSCHE	PET	PORSCHE
996	2005	8	07	807-06		248					

Pos	Part Number	Description	Remark	Qty	Model	Pos	Part Number	Description	Remark	Qty	Model
21	999 049 022 40	plastic nut		4			DFX	metropole blue			
(22)	996 555 071 14	side trim panel leatherette	/L	1			DFZ	nephrite green			
	EVN	black					DGA	boxster red			
	EVO	graphite grey					FEK	cinnamon brown			
	EVP	savanna					VRT	dark grey/natural			
	EVQ	metropole blue					VRU	brown/natural			
	FDH	nephrite green				(22)	996 555 071 18	side trim panel leather	/L	03-	1
22	996 555 072 14	side trim panel leatherette	/R	1			EVS	black			
	EVN	black					DFV	graphite grey			
	EVO	graphite grey					DFW	savanna			
	EVP	savanna					DFX	metropole blue			
	EVQ	metropole blue					DFZ	nephrite green			
	FDH	nephrite green					DGA	boxster red			
(22)	996 555 071 15	side trim panel leather	/L	02	1		FEK	cinnamon brown			
	EVS	black					VRT	dark grey/natural			
	DFV	graphite grey					VRU	brown/natural			
	DFW	savanna				22	996 555 072 18	side trim panel leather	/R	03-	1
	DFX	metropole blue					EVS	black			
	DFZ	nephrite green					DFV	graphite grey			
	DGA	boxster red					DFW	savanna			
	FEK	cinnamon brown					DFX	metropole blue			
	VRT	dark grey/natural					DFZ	nephrite green			
	VRU	brown/natural					DGA	boxster red			
22	996 555 072 15	side trim panel leather	/R	02	1		FEK	cinnamon brown			
	EVS	black					VRT	dark grey/natural			
	DFV	graphite grey					VRU	brown/natural			
	DFW	savanna				23	999 073 079 02	tapping screw			2
								4,2 X 19			

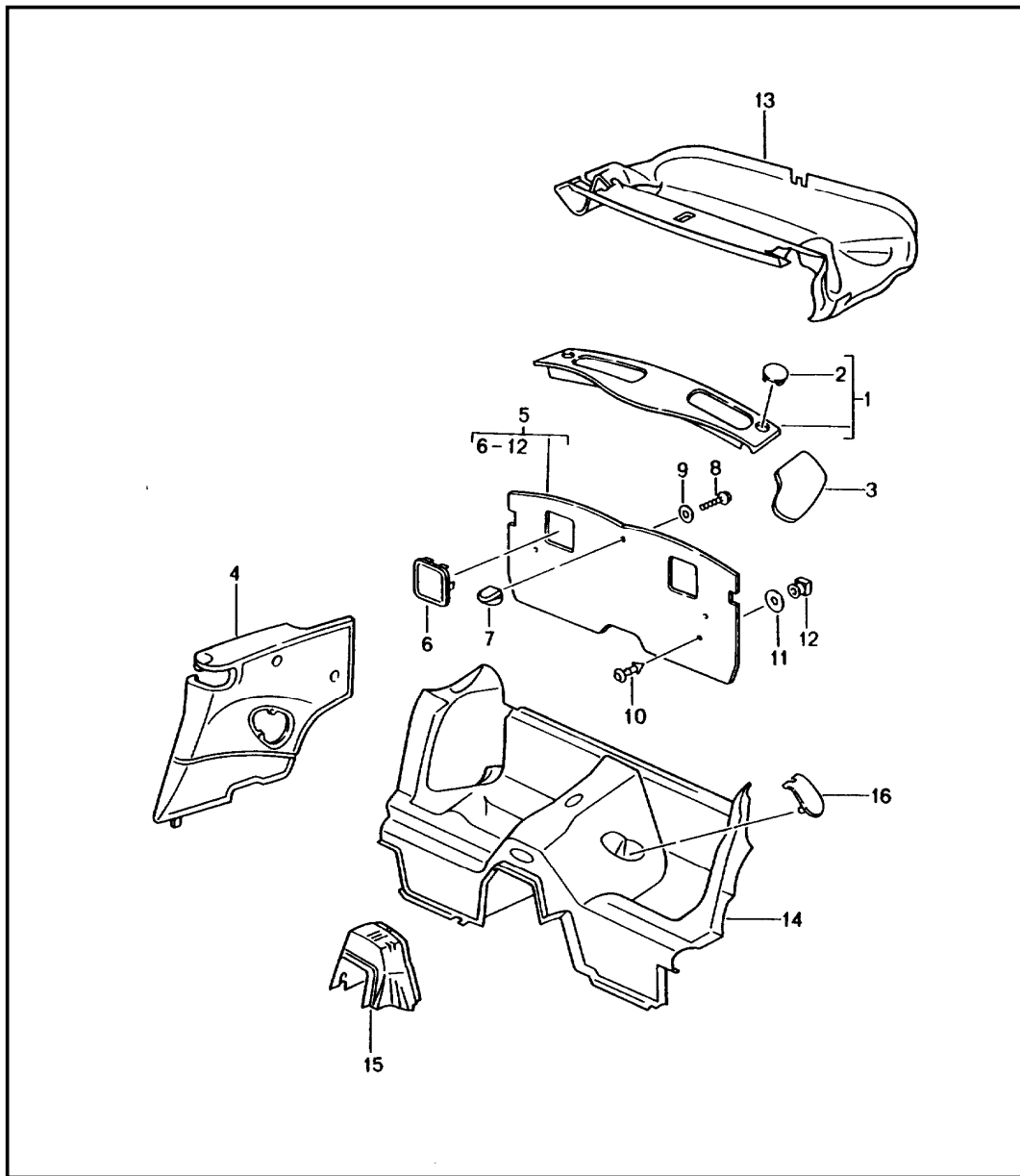
Model	Year	MG	SG	Illustration	Restrictions	UPD	14:16	24.01.2010	PORSCHE	PET	PORSCHE
996	2005	8	07	807-06		248					

Pos	Part Number	Description	Remark	Qty	Model	Pos	Part Number	Description	Remark	Qty	Model
24	999 507 050 40	expansion rivet		2		30	996 555 081 08	lining rear wall carpet		1	
(25)	996 555 061 00	rosette seat belt lacquered	/L	1			A10	black			
	A03	black					C50	graphite grey			
	C53	graphite grey					S30	savanna			
	S33	savanna					G10	metropole blue			
	G13	metropole blue					J30	nephrite green			
	J33	nephrite green					M30	boxster red			
	M33	boxster red					P11	cinnamon brown			
	P13	cinnamon brown					D11	dark grey			
25	996 555 062 00	rosette seat belt lacquered	/R	1			T11	brown/natural			
	A03	black				31	996 551 021 05	adhesive carpet seat well carpet		1	IXSN/M685
	C53	graphite grey					A10	black			
	S33	savanna					C50	graphite grey			
	G13	metropole blue					S30	savanna			
	J33	nephrite green					G10	metropole blue			
	M33	boxster red					J30	nephrite green			
	P13	cinnamon brown					M30	boxster red			
26	996 555 151 00	lining rear wall		1			P11	cinnamon brown			
	A03	black					D11	dark grey/natural			
(26)	996 555 151 01	lining rear wall		1	M425	32	996 551 031 02	adhesive carpet		1	
	A03	black					A10	black			
27	999 507 782 01	spring washer 5,3 X 18		2			C50	graphite grey			
28	999 073 061 02	tapping screw		4			S30	savanna			
29	996 555 885 00	rosette rear wall upper part		1			G10	metropole blue			
							J30	nephrite green			
							M30	boxster red			

Model	Year	MG	SG	Illustration	Restrictions	UPD	14:16	24.01.2010	PORSCHE	PET	PORSCHE
996	2005	8	07	807-06		248					

Pos	Part Number	Description	Remark	Qty	Model	Pos	Part Number	Description	Remark	Qty	Model
		P11 cinnamon brown									
		D11 dark grey									
		T11 brown/natural									
(32)	996 551 031 03	adhesive carpet		1	M479/484						
		A10 black									
		C50 graphite grey									
		S30 savanna									
		G10 metropole blue									
		J30 nephrite green									
		M30 boxer red									
		P11 cinnamon brown									
		D11 dark grey									
		T11 brown/natural									
--	996 551 551 00	cover child car seat mount		2	M113						
33	997 551 033 00	lining control units carpet		1							
		A10 black									
		C50 graphite grey									
		S30 savanna									
		G10 metropole blue									
		J30 nephrite green	-03								
		M30 boxer red									
		P11 cinnamon brown									
		D11 dark grey									
		T11 brown/natural									

Model	Year	MG	SG	Illustration	Restrictions	UPD	14:17	24.01.2010	PORSCHE	PET	PORSCHE
996	2005	8	07	807-07		248					



Pos	Part Number	Description	Remark	Qty	Model
1	996 555 083 02	linings rear cover convertible top cloth EDK black EDM metropole blue ERN metropole blue EDL graphite grey EDN space grey	-99	1	CABRIO
1	996 555 083 03	cover F >>99YS6 42288 F >>99YS6 52803 convertible top cloth EDK black EDL graphite grey ERN metropole blue EDN space grey	-98 99 -00	1	
1	996 555 083 04	cover F 99YS6 42289>> F 99YS6 52804>> convertible top cloth EDK black EDL graphite grey ERN metropole blue EDN space grey	00-	1	
-	996 555 341 01	flap cover A07 black B07 space grey C07 graphite grey G03 metropole blue	/L	1	

Model	Year	MG	SG	Illustration	Restrictions	UPD	14:17	24.01.2010	PORSCHE	PET	PORSCHE
996	2005	8	07	807-07		248					

Pos	Part Number	Description	Remark	Qty	Model	Pos	Part Number	Description	Remark	Qty	Model
-	996 555 342 01	flap cover	/R	1		(3)	996 555 263 03	flap convertible top	/L 00-	1	
	A07	black					A07	black			
	B07	space grey	-00				C07	graphite grey			
	C07	graphite grey					G03	metropole blue	00-		
	G03	metropole blue					B07	space grey	-00		
--	996 555 355 00	hinge outer		2		3	996 555 264 03	flap convertible top cloth	/R 00-	1	
--	996 555 356 00	hinge inner		2			A07	black			
--	996 580 667 00	support		2			C07	graphite grey			
--	999 591 489 02	speed nut 4,8		2			G03	metropole blue	00-		
--	999 073 060 02	tapping screw 4,8 X 13		3			B07	space grey	-00		
2	996 555 457 00	lid lacquered		2		(4)	996 555 071 12	side trim panel leatherette	/L -99	1	
	A10	black					DEO	black			
	C50	graphite grey					DEQ	graphite grey			
	G10	metropole blue					DET	savanna			
	B50	space grey	-00				DFE	metropole blue			
(3)	996 555 263 02	flap convertible top	/L -99	1		4	996 555 072 12	side trim panel leatherette	/R -99	1	
	A07	black					DEO	black			
	C07	graphite grey					DEQ	graphite grey			
	G07	metropole blue	-99				DET	savanna			
	B07	space grey	-00				DFE	metropole blue			
3	996 555 264 02	flap convertible top	/R -99	1			DFK	space grey			
	A07	black				(4)	996 555 071 12	side trim panel leatherette	/L 00-	1	
	C07	graphite grey					EVN	black			
	G07	metropole blue	-99				EVO	graphite grey			
	B07	space grey	-00				EVP	savanna			

Model	Year	MG	SG	Illustration	Restrictions	UPD	14:17	24.01.2010	PORSCHE	PET	PORSCHE
996	2005	8	07	807-07		248					

Pos	Part Number	Description	Remark	Qty	Model	Pos	Part Number	Description	Remark	Qty	Model
		EVQ metropole blue					EVS black				
		EVR space grey		00			DFV graphite grey				
		FDH nephrite green		01-			DFW savanna				
4	996 555 072 12	side trim panel leatherette	/R	00-	1		DFX metropole blue				
		EVN black					DFZ nephrite green				
		EVO graphite grey					DGA boxster red				
		EVP savanna					FEK cinnamon brown				
		EVQ metropole blue					VRT dark grey/natural				
		EVR space grey		00			VRU brown/natural				
		FDH nephrite green		01-		(4)	996 555 071 17 side trim panel	/L	03-	1	
(4)	996 555 071 13	side trim panel leather	/L		1		EVS black				
		DFO black		-99			DFV graphite grey				
		DFY space grey		-00			DFW savanna				
4	996 555 072 13	side trim panel leather	/R		1		DFX metropole blue				
		DFO black		-99			DFZ nephrite green				
		DFY space grey		-00			DGA boxster red				
(4)	996 555 071 13	side trim panel	/L	-02	1		FEK cinnamon brown				
		EVS black					VRT dark grey/natural				
		DFV graphite grey				4	996 555 072 17 side trim panel	/R	03-	1	
		DFW savanna					EVS black				
		DFX metropole blue					DFV graphite grey				
		DFZ nephrite green					DFW savanna				
		DGA boxster red					DFX metropole blue				
		FEK cinnamon brown					DFZ nephrite green				
		VRT dark grey/natural					DGA boxster red				
		VRU brown/natural					FEK cinnamon brown				
4	996 555 072 13	side trim panel	/R	-02	1		VRT dark grey/natural				
							VRU brown/natural				

Model	Year	MG	SG	Illustration	Restrictions	UPD	14:17	24.01.2010	PORSCHE	PET	PORSCHE
996	2005	8	07	807-07		248					

Pos	Part Number	Description	Remark	Qty	Model	Pos	Part Number	Description	Remark	Qty	Model
--	999 551 609 40	plastic washer 8,0 X 23 X 3,0		2		--	999 507 533 02	clamp		4	
--	999 507 676 09	clamp 2,5/2,2		2		(5)	996 555 281 06	back wall lining carpet		1	
--	999 507 050 40	expansion rivet		2			A10	black			
--	999 073 142 09	oval-head screw 4,2 X 19		2			C50	graphite grey			
--	999 073 048 02	tapping screw 3,5 X 13		2			S30	savanna			
--	996 555 671 01	rosette seat belt lacquered	/L	1			G10	metropole blue			
	D05	granite grey		-99			B50	space grey	-00		
	A03	black		00-			J30	nephrite green			
	C53	graphite grey		00-			M30	boxster red			
	S33	savanna		00-			P11	cinnamon brown	01-		
	G13	metropole blue		00-			D11	dark grey	00-		
	B13	space grey		00		5	T11	brown/natural	00-		
	J33	nephrite green		00-			996 555 281 07	back wall lining carpet		1	M479
	M33	boxster red		00-			A10	black			
	P13	cinnamon brown		01-			C50	graphite grey			
--	996 555 672 01	rosette seat belt lacquered	/R	1			S30	savanna			
	D05	granite grey		-99			G10	metropole blue			
	A03	black		00-			B50	space grey	-00		
	C53	graphite grey		00-			J30	nephrite green			
	S33	savanna		00-			M30	boxster red			
	G13	metropole blue		00-			P11	cinnamon brown	01-		
	B13	space grey		00			D11	dark grey	00-		
	J33	nephrite green		00-			T11	brown/natural	00-		
	M33	boxster red		00-		6	996 555 785 00	cover release carpet		1	M479
	P13	cinnamon brown		01-			EDA	black			
							EDB	graphite grey			
							EDC	savanna			

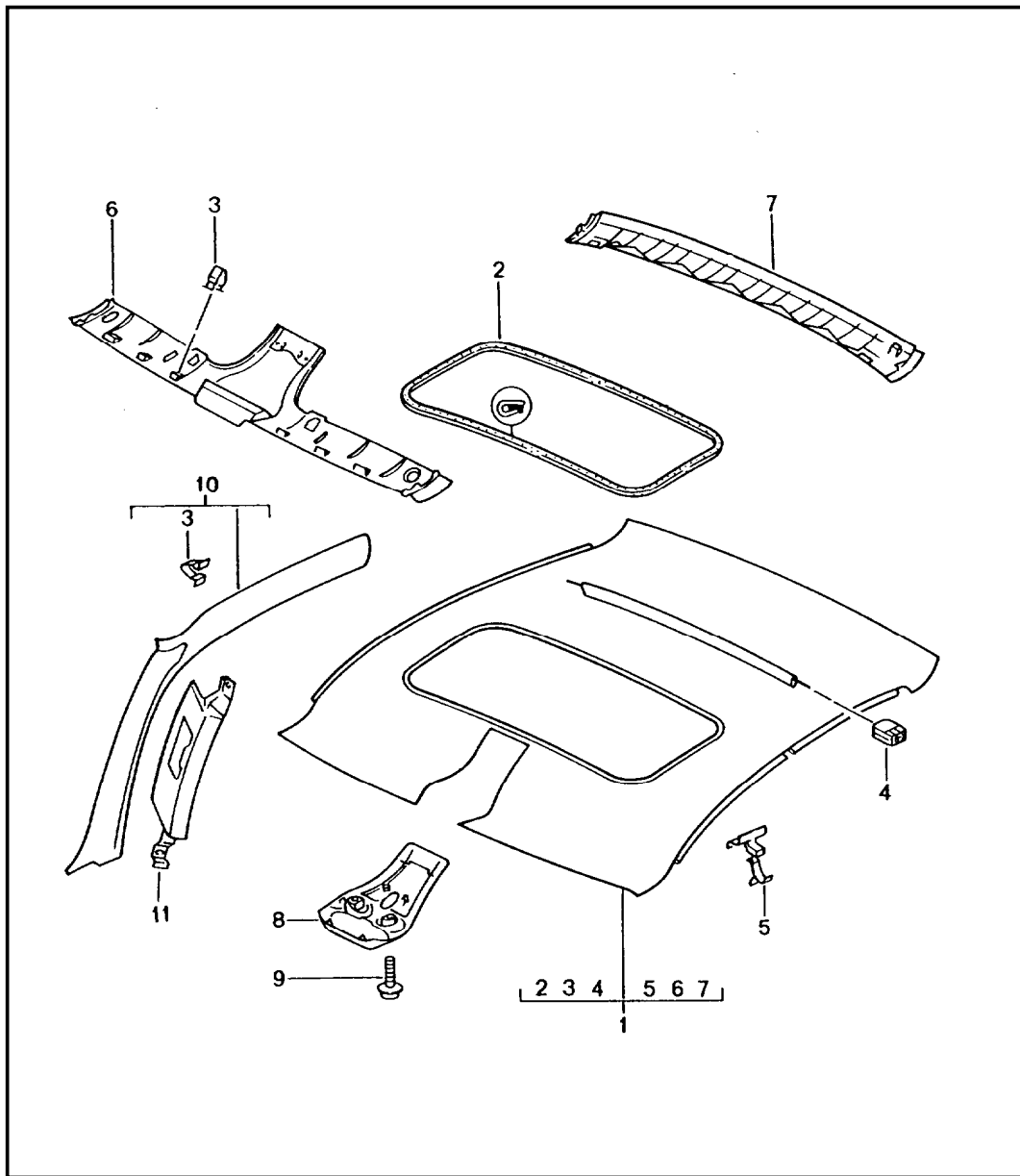
Model	Year	MG	SG	Illustration	Restrictions	UPD	14:17	24.01.2010	PORSCHE	PET	PORSCHE
996	2005	8	07	807-07		248					

Pos	Part Number	Description	Remark	Qty	Model	Pos	Part Number	Description	Remark	Qty	Model
	EDD	metropole blue				14	996 551 021 01	lining seat well carpet	-99	1	
	EDE	space grey	-00								
	EDF	nephrite green					A10	black			
	EDG	boxster red					C50	graphite grey			
	FDJ	cinnamon brown	01-				S30	savanna			
	VSM	dark grey	00-				G10	metropole blue			
	VSN	brown/natural	00-				B50	space grey	-00		
7	996 555 789 00	base wind deflector		1			J30	nephrite green			
	01C	satin black					M30	boxster red			
10	W 999 507 381 40	catch 13,5		4		14	996 551 021 03	lining seat well carpet	00	1	
(10)	999 073 062 02	tapping screw 4,8 X 19		2			A10	black			
11	W 999 591 483 40	washer 20,3 X 1,5		4			C50	graphite grey			
							S30	savanna			
13	996 551 035 01	lining convertible top frame carpet 14.10.98 14.10.98 14.10.98		1			G10	metropole blue			
	B04	dark grey					B50	space grey	-00		
(13)	996 551 035 03	lining convertible top frame carpet 15.10.98 15.10.98 15.10.98	-01	1			J30	nephrite green			
	B04	dark grey					M30	boxster red			
							D11	dark grey	00-		
(13)	996 551 035 04	lining convertible top frame carpet	02-	1			T11	brown/natural	00-		
	B04	dark grey				14	996 551 021 10	lining seat well carpet	01	1	
							A10	black			
--	999 703 432 40	stopper 8,2 X 18		6			C50	graphite grey			
							S30	savanna			
							G10	metropole blue			
							J30	nephrite green			
							M30	boxster red			
							P11	cinnamon brown	01-		

Model	Year	MG	SG	Illustration	Restrictions	UPD	14:17	24.01.2010	PORSCHE	PET	PORSCHE
996	2005	8	07	807-07		248					

Pos	Part Number	Description	Remark	Qty	Model	Pos	Part Number	Description	Remark	Qty	Model										
(14)	996 551 021 07	D11 dark grey	00-	1																	
		T11 brown/natural	00-																		
		lining	02-																		
		seat well																			
		carpet																			
		A10 black																			
		C50 graphite grey																			
		S30 savanna																			
		G10 metropole blue																			
		J30 nephrite green																			
15	996 551 221 01	M30 boxerster red		1																	
		P11 cinnamon brown	01-																		
		D11 dark grey	00-																		
		T11 brown/natural	00-																		
		cover																			
		sensor																			
		16	996 551 525 00									cover	/L	1							
												seat-belt buckle									
		(16)	996 551 526 00									01C satin black		1							
												cover	/R								
		seat-belt buckle																			
		01C satin black																			

Model	Year	MG	SG	Illustration	Restrictions	UPD	14:17	24.01.2010	PORSCHE	PET	PORSCHE
996	2005	8	07	807-08		248					



Pos	Part Number	Description	Remark	Qty	Model
		rooflining a-pillar			COUPE COUPE/TARGA
(1)	996 555 091 00	rooflining leatherette	-99	1	COUPE
	A10	black			
	C50	graphite grey			
	S30	savanna			
	G10	metropole blue			
	B50	space grey			
1	996 555 091 01	rooflining leatherette	-99	1	COUPE M650
	A10	black			
	C50	graphite grey			
	S30	savanna			
	G10	metropole blue			
	B50	space grey			
(1)	996 555 091 02	rooflining alcantara	00	1	COUPE
	A14	black			
	C54	graphite grey			
	S34	savanna			
	G14	metropole blue			
1	996 555 091 03	rooflining alcantara	00	1	COUPE M650
	A14	black			
	C54	graphite grey			
	S34	savanna			
	G14	metropole blue			
(1)	996 555 091 04	rooflining alcantara	01	1	COUPE
	A14	black			

Model	Year	MG	SG	Illustration	Restrictions	UPD	14:17	24.01.2010	PORSCHE	PET	PORSCHE
996	2005	8	07	807-08		248					

Pos	Part Number	Description	Remark	Qty	Model	Pos	Part Number	Description	Remark	Qty	Model
1	996 555 091 05	C54 graphite grey S34 savanna G14 metropole blue J34 nephrite green roofflining alcantara A14 black C54 graphite grey S34 savanna G14 metropole blue J34 nephrite green	01-01	1	COUPE M650	1	996 555 091 07	C54 graphite grey S34 savanna G14 metropole blue J34 nephrite green roofflining alcantara valid up to: F >>995S6 00227	05	1	C4S M650
(1)	996 555 091 06	A14 black C54 graphite grey S34 savanna G14 metropole blue J34 nephrite green roofflining alcantara	02-04	1	COUPE	(1)	997 555 091 00	A14 black C54 graphite grey S34 savanna G14 metropole blue J34 nephrite green roofflining alcantara valid from: F 995S6 00228>>	05	1	C4S M652
1	996 555 091 07	A14 black C54 graphite grey S34 savanna G14 metropole blue J34 nephrite green roofflining alcantara	02-04	1	COUPE M650	1	997 555 091 01	A14 black C54 graphite grey S34 savanna G14 metropole blue roofflining alcantara valid from: F 995S6 00228>>	05-	1	C4S M650
1	996 555 091 06	A14 black C54 graphite grey S34 savanna G14 metropole blue J34 nephrite green roofflining alcantara valid up to: F >>995S6 00227	01-05	1	C4S M652	(1)	996 555 982 02	A11 black G14 metropole blue S34 savanna C54 graphite grey A14 black leather roofflining	01-04	1	COUPE IXMA

Model	Year	MG	SG	Illustration	Restrictions	UPD	14:17	24.01.2010	PORSCHE	PET	PORSCHE
996	2005	8	07	807-08		248					

Pos	Part Number	Description	Remark	Qty	Model	Pos	Part Number	Description	Remark	Qty	Model
	C51	graphite grey					D12	dark grey/natural			
	S31	savanna					T12	brown/natural			
	G11	metropole blue				(1)	996 555 982 03	rooflining	05	1	C4S IXMA/M650
	J31	nephrite green	-03					leather valid up to: F >>995S6 00227			
	M31	boxster red					A11	black			
	P12	cinnamon brown					C51	graphite grey			
	D12	dark grey/natural					S31	savanna			
	T12	brown/natural					G11	metropole blue			
1	996 555 982 03	rooflining	01-04	1	COUPE IXMA M650		M31	boxster red			
		leather					P12	cinnamon brown			
	A11	black					D12	dark grey/natural			
	C51	graphite grey					T12	brown/natural			
	S31	savanna				(1)	997 555 980 00	rooflining	05	1	C4S IXMA M652
	G11	metropole blue						leather valid from: F 995S6 00228>>			
	J31	nephrite green	-03				A11	black			
	M31	boxster red					C51	graphite grey			
	P12	cinnamon brown					S31	savanna			
	D12	dark grey/natural					G11	metropole blue			
	T12	brown/natural					M31	boxster red			
(1)	996 555 982 02	rooflining	05	1	C4S IXMA/M652		P12	cinnamon brown			
		leather valid up to: F >>995S6 00227					D12	dark grey/natural			
	A11	black					T12	brown/natural			
	C51	graphite grey				(1)	997 555 980 01	rooflining	05	1	C4S IXMA M650
	S31	savanna						leather valid from: F 995S6 00228>>			
	G11	metropole blue					A11	black			
	M31	boxster red									
	P12	cinnamon brown									

Model	Year	MG	SG	Illustration	Restrictions	UPD	14:17	24.01.2010	PORSCHE	PET	PORSCHE
996	2005	8	07	807-08		248					

Pos	Part Number	Description	Remark	Qty	Model	Pos	Part Number	Description	Remark	Qty	Model
	C51	graphite grey				(6) U	996 555 553 09	cover		05	1 C4S M650
	S31	savanna						rooflining front valid up to: F >>995S6 00227			
	G11	metropole blue				(6) U	997 555 591 00	cover		05	1 C4S M652
	M31	boxster red						rooflining front valid from: F 995S6 00228>>			
	P12	cinnamon brown				6 U	997 555 591 01	cover		05	1 C4S M650
	D12	dark grey/natural						rooflining front valid from: F 995S6 00228>>			
	T12	brown/natural									
-	999 551 609 40	plastic washer 8,0 X 23 X 3,0		6	COUPE						
2	996 564 231 02	pipng		1	COUPE M650			rooflining front valid from: F 995S6 00228>>			
3	999 507 479 09	clamp 2,5/0,9		3		(7) U	996 555 155 06	cover rooflining	/H	1	COUPE
(3)	999 507 681 09	clamp 2,5/3,0		10	COUPE	7 U	996 555 155 07	cover rooflining	/H	1	COUPE M650
(3)	999 507 681 09	clamp 2,5/3,0		12	TARGA						
-	999 551 134 40	adhesive tape 20 X 65		12		(8)	996 555 557 05	cover		-03	1 COUPE M652
4	996 555 823 00	support transverse strut		2	COUPE M650			interior light lacquered			
5	996 555 691 02	clip		8	COUPE			D05 granite grey		-99	
(6) U	996 555 553 08	cover rooflining front	-04	1	COUPE			A03 black		00-	
(6) U	996 555 553 09	cover rooflining front	-04	1	COUPE M650			C53 graphite grey		00-	
(6) U	996 555 553 08	cover rooflining front valid up to: F >>995S6 00227	05	1	C4S M652			S33 savanna		00-	
								G13 metropole blue		00-	
								B13 space grey		00	
								J33 nephrite green		00-03	
								M33 boxster red		00-01	
								P13 cinnamon brown		01	
						(8)	996 555 557 10	cover		04-	1 COUPE M652
								interior light lacquered			
								A03 black		00-	

Model	Year	MG	SG	Illustration	Restrictions	UPD	14:17	24.01.2010	PORSCHE	PET	PORSCHE
996	2005	8	07	807-08		248					

Pos	Part Number	Description	Remark	Qty	Model	Pos	Part Number	Description	Remark	Qty	Model
	C53	graphite grey	00-				S33	savanna			
	S33	savanna	00-				G13	metropole blue			
	G13	metropole blue	00-			(8)	996 555 557 09	cover	01-	1	COUPE M265/650
8	996 555 557 06	cover		1	COUPE M650			interior light lacquered			
		interior light lacquered					A03	black			
	D05	granite grey	-99				C53	graphite grey			
	A03	black	00-				S33	savanna			
	C53	graphite grey	00-				G13	metropole blue			
	S33	savanna	00-				J33	nephrite green	-03		
	G13	metropole blue	00-				M33	boxster red	01		
	B13	space grey	00				P13	cinnamon brown	01		
	J33	nephrite green	00-03			8	996 555 993 01	cover	01-	1	IXZD
	M33	boxster red	00-01					interior light leather			
	P13	cinnamon brown	01				A11	black			
(8)	996 555 557 08	cover	-03	1	COUPE M265/652	(8)	996 555 993 03	cover	01-	1	IXZD/M265
		interior light lacquered						interior light leather			
	A03	black					A11	black			
	C53	graphite grey				(8)	996 555 993 00	cover	01-	1	IXZD/M650
	S33	savanna						interior light leather			
	G13	metropole blue					A11	black			
	J33	nephrite green	-03			(8)	996 555 993 02	cover	01-	1	IXZD/M265/ M650
	M33	boxster red	01					interior light leather			
	P13	cinnamon brown	01				A11	black			
(8)	996 555 557 11	cover	04-	1	COUPE M265/652	8	996 555 993 01	cover	01-	1	IXZD
		interior light lacquered						graphite grey			
	A03	black					C51	graphite grey			
	C53	graphite grey					S31	savanna			
							G11	metropole blue			
							J31	nephrite green			

Model	Year	MG	SG	Illustration	Restrictions	UPD	14:17	24.01.2010	PORSCHE	PET	PORSCHE
996	2005	8	07	807-08		248					

Pos	Part Number	Description	Remark	Qty	Model	Pos	Part Number	Description	Remark	Qty	Model
	M31	boxster red					D12	dark grey			
	D12	dark grey					T12	brown/natural			
	T12	brown/natural					P12	cinnamon brown			
	P12	cinnamon brown				9	999 073 166 09	countersunk-head screw M 6 X 25	-99	2	
(8)	996 555 993 03	cover	01-	1	IXZD/M265	(9)	999 073 061 02	tapping screw 4,8 X 16	00-	2	
	C51	graphite grey				(10)	996 555 181 04	lining a-pillar leatherette	/L	-99	1 COUPE
	S31	savanna					A18	black			
	G11	metropole blue					C18	graphite grey			
	J31	nephrite green					S18	savanna			
	M31	boxster red					G18	metropole blue			
	D12	dark grey					B18	space grey			
	T12	brown/natural				10	996 555 182 04	lining a-pillar leatherette	/R	-99	1 COUPE
(8)	996 555 993 00	cover	01-	1	IXZD/M650		A18	black			
	C51	graphite grey					C18	graphite grey			
	S31	savanna					S18	savanna			
	G11	metropole blue					G18	metropole blue			
	J31	nephrite green					B18	space grey			
	M31	boxster red				(10)	996 555 181 08	lining a-pillar leatherette	/L	00-	1 COUPE
	D12	dark grey					A12	black			
	T12	brown/natural					C52	graphite grey			
(8)	996 555 993 02	cover	01-	1	IXZD/M265/ M650		S32	savanna			
	C51	graphite grey					G12	metropole blue			
	S31	savanna					B52	space grey		00	
	G11	metropole blue					J32	nephrite green		01-	
	J31	nephrite green									
	M31	boxster red									

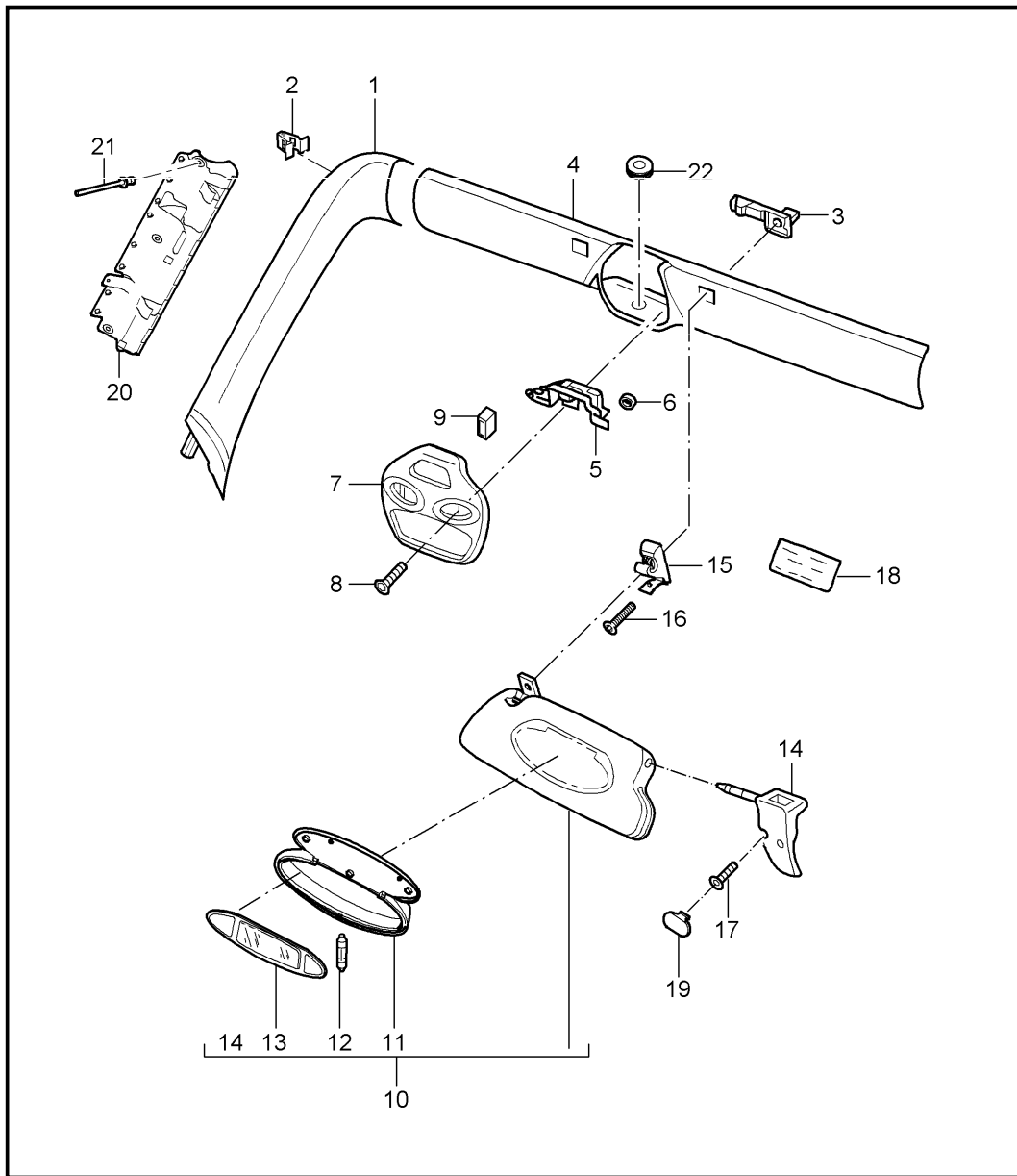
Model	Year	MG	SG	Illustration	Restrictions	UPD	14:17	24.01.2010	PORSCHE	PET	PORSCHE
996	2005	8	07	807-08		248					

Pos	Part Number	Description	Remark	Qty	Model	Pos	Part Number	Description	Remark	Qty	Model	
(10)	996 555 182 08	lining a-pillar leatherette	/R	00-	1	COUPE		J31 nephrite green				
	A12	black						M31 boxster red				
	C52	graphite grey				10	996 555 182 05	lining a-pillar leather	/R	-99	1	COUPE
	S32	savanna					A11	black				
	G12	metropole blue					C51	graphite grey				
	B52	space grey		00			S31	savanna				
	J32	nephrite green		01-			G11	metropole blue				
(10)	996 555 181 14	lining a-pillar leatherette	/L	02-	1	TARGA		B51 space grey				
	A12	black					J31	nephrite green				
	C52	graphite grey					M31	boxster red				
	S32	savanna				(10)	996 555 181 09	lining a-pillar leather	/L	00-	1	COUPE
	G12	metropole blue					A11	black				
	J32	nephrite green		01-			C51	graphite grey				
(10)	996 555 182 14	lining a-pillar leatherette	/R	02-	1	TARGA		S31 savanna				
	A12	black					G11	metropole blue				
	C52	graphite grey					B51	space grey		00		
	S32	savanna					J31	nephrite green				
	G12	metropole blue					M31	boxster red				
	J32	nephrite green		01-			D12	dark grey/natural				
(10)	996 555 181 05	lining a-pillar leather	/L	-99	1	COUPE		T12 brown/natural				
	A11	black					P12	cinnamon brown		01-		
	C51	graphite grey				(10)	996 555 182 09	lining a-pillar leather	/R	00-	1	COUPE
	S31	savanna					A11	black				
	G11	metropole blue					C51	graphite grey				
	B51	space grey					S31	savanna				
							G11	metropole blue				

Model	Year	MG	SG	Illustration	Restrictions	UPD	14:17	24.01.2010	PORSCHE	PET	PORSCHE
996	2005	8	07	807-08		248					

Pos	Part Number	Description	Remark	Qty	Model	Pos	Part Number	Description	Remark	Qty	Model
	B51	space grey		00		11	996 555 292 00	deformation element	/R	00-	1
	J31	nephrite green				12	999 190 167 30	blind rivet 4,0 X 6,3		00-	10
	M31	boxster red				--	999 551 138 40	felt strip 25 X 25 X 1			2
	D12	dark grey/natural				--	999 551 609 40	washer 8,0 X 23 X 3,0			8 TARGA
	T12	brown/natural				13	996 555 619 00	grommet wiring harness rain sensor		01-	1 M265
(10)	996 555 181 15	lining a-pillar leather	/L	02-	1 TARGA						
	A11	black									
	C51	graphite grey									
	S31	savanna									
	G11	metropole blue									
	J31	nephrite green									
	M31	boxster red									
	D12	dark grey/natural									
	T12	brown/natural									
	P12	cinnamon brown		01-							
(10)	996 555 182 15	lining a-pillar leather	/R	02-	1 TARGA						
	A11	black									
	C51	graphite grey									
	S31	savanna									
	G11	metropole blue									
	J31	nephrite green									
	M31	boxster red									
	D12	dark grey/natural									
	T12	brown/natural									
	P12	cinnamon brown		01-							
(11)	996 555 291 00	deformation element	/L	00-	1						

Model	Year	MG	SG	Illustration	Restrictions	UPD	14:17	24.01.2010	PORSCHE	PET	PORSCHE
996	2005	8	07	807-09		248					



Pos	Part Number	Description	Remark	Qty	Model
1	996 555 181 12	windscreen frame windscreen frame sun visors sun visors lining a-pillar leatherette A18 black C18 graphite grey S18 savanna G18 metropole blue B18 space grey	/L	-99	1 CABRIO
(1)	996 555 182 12	lining a-pillar leatherette A18 black C18 graphite grey S18 savanna G18 metropole blue B18 space grey	/R	-99	1 CABRIO
(1)	996 555 181 10	lining a-pillar leatherette A12 black C52 graphite grey S32 savanna G12 metropole blue B52 space grey J32 nephrite green	/L	00-	1 CABRIO
(1)	996 555 182 10	lining a-pillar leatherette A12 black C52 graphite grey	/R	00-	1 CABRIO

Model	Year	MG	SG	Illustration	Restrictions	UPD	14:17	24.01.2010	PORSCHE	PET	PORSCHE
996	2005	8	07	807-09		248					

Pos	Part Number	Description	Remark	Qty	Model	Pos	Part Number	Description	Remark	Qty	Model
	S32	savanna					M31	boxster red			
	G12	metropole blue					D12	dark grey			
	B52	space grey		00			T12	brown/natural			
	J32	nephrite green		01-			P12	cinnamon brown		01-	
1	996 555 181 13	lining leather	/L	-99	1 CABRIO	(1)	996 555 182 11	lining leather	/R	00-	1 CABRIO
	A11	black					A11	black			
	C51	graphite grey					C51	graphite grey			
	S31	savanna					S31	savanna			
	G11	metropole blue					G11	metropole blue			
	B51	space grey					B51	space grey		00	
	J31	nephrite green					J31	nephrite green			
	M31	boxster red					M31	boxster red			
(1)	996 555 182 13	lining leather	/R	-99	1 CABRIO		D12	dark grey			
	A11	black					T12	brown/natural			
	C51	graphite grey					P12	cinnamon brown		01-	
	S31	savanna				2	999 507 574 02	clamp 8 X 10/1,2			4
	G11	metropole blue				2	999 507 681 09	clamp 2,5/3,00		00-	10
	B51	space grey				3	986 731 541 01	plate			2
	J31	nephrite green				4	996 555 059 02	lining windscreen frame part leatherette			1 CABRIO
(1)	996 555 181 11	lining leather	/L	00-	1 CABRIO		A18	black		-99	
	A11	black					C18	graphite grey		-99	
	C51	graphite grey					S18	savanna		-99	
	S31	savanna					G18	metropole blue		-99	
	G11	metropole blue					B18	space grey		-99	
	B51	space grey		00			A12	black		00-	
	J31	nephrite green					C52	graphite grey		00-	

Model	Year	MG	SG	Illustration	Restrictions	UPD	14:17	24.01.2010	PORSCHE	PET	PORSCHE
996	2005	8	07	807-09		248					

Pos	Part Number	Description	Remark	Qty	Model	Pos	Part Number	Description	Remark	Qty	Model
	S32	savanna	00-				C51	graphite grey			
	G12	metropole blue	00-				S31	savanna			
	B52	space grey	00				G11	metropole blue			
	J32	nephrite green	01-				B51	space grey	-00		
(4)	996 555 059 06	lining	01-	1	CABRIO M265		J31	nephrite green			
		windscreen frame part leatherette					M31	boxster red			
	A12	black	00-				D12	dark grey	00-		
	C52	graphite grey	00-				T12	brown/natural	00-		
	S32	savanna	00-				P12	cinnamon brown	01-		
	G12	metropole blue	00-			(4)	996 555 059 07	lining	01-	1	CABRIO M265
	J32	nephrite green	01-					windscreen frame leather			
4	996 555 059 04	lining	02-	1	TARGA		A11	black			
		windscreen frame part leatherette					C51	graphite grey			
	A12	black	00-				S31	savanna			
	C52	graphite grey	00-				G11	metropole blue			
	S32	savanna	00-				J31	nephrite green			
	G12	metropole blue	00-				M31	boxster red			
	J32	nephrite green	01-				D12	dark grey	00-		
(4)	996 555 059 08	lining	02-	1	TARGA M265		T12	brown/natural	00-		
		windscreen frame part leatherette					P12	cinnamon brown	01-		
	A12	black	00-			4	996 555 059 05	lining	02-	1	TARGA
	C52	graphite grey	00-					windscreen frame leather			
	S32	savanna	00-				A11	black			
	G12	metropole blue	00-				C51	graphite grey			
	J32	nephrite green	01-				S31	savanna			
4	996 555 059 03	lining		1	CABRIO		G11	metropole blue			
		windscreen frame leather					J31	nephrite green			
	A11	black					M31	boxster red			

Model	Year	MG	SG	Illustration	Restrictions	UPD	14:17	24.01.2010	PORSCHE	PET	PORSCHE
996	2005	8	07	807-09		248					

Pos	Part Number	Description	Remark	Qty	Model	Pos	Part Number	Description	Remark	Qty	Model		
(4)	D12	dark grey	00-	1	TARGA M265	8	999 073 166 09	countersunk-head screw M 6 X 25		2	CABRIO		
	T12	brown/natural	00-			(8)	999 073 061 02	tapping screw 4,8 X 16		2	TARGA		
	P12	cinnamon brown	01-			9	996 561 609 00	cap		1	CABRIO		
	996 555 059 09	lining	02-			(10)	996 731 031 06	sun visor leatherette	/L	-99	1	COUPE	
		windscreen frame leather						ELC	black				
	A11	black						ELD	graphite grey				
	C51	graphite grey						ELE	savanna				
	S31	savanna						ELG	metropole blue				
	G11	metropole blue						ELF	space grey				
	J31	nephrite green					(10)	996 731 032 06	sun visor leatherette	/R	-99	1	COUPE
	M31	boxster red						ELC	black				
	D12	dark grey	00-					ELD	graphite grey				
	T12	brown/natural	00-					ELE	savanna				
	P12	cinnamon brown	01-					ELG	metropole blue				
5	996 613 795 01	microswitch		1	CABRIO								
6	999 507 534 02	clamping washer 2,5		2	CABRIO								
7	996 561 635 00	cover interior light lacquered		1	CABRIO	(10)	996 731 031 15	sun visor leatherette valid up to: F >>995S6 00227	/L	00-	1	COUPE	
(7)	A09	rally black				A12	black						
	996 555 557 07	cover interior light	02-	1	TARGA	C52	graphite grey						
	A03	black				S32	savanna						
	C53	graphite grey				G12	metropole blue						
	S33	savanna				J32	nephrite green		01-				
	G13	metropole blue			(10)	996 731 032 15	sun visor leatherette valid up to: F >>995S6 00227	/R	00-	1	COUPE		
	J33	nephrite green				A12	black						
	M33	boxster red				C52	graphite grey						
	P13	cinnamon brown											

Model	Year	MG	SG	Illustration	Restrictions	UPD	14:17	24.01.2010	PORSCHE	PET	PORSCHE
996	2005	8	07	807-09		248					

Pos	Part Number	Description	Remark	Qty	Model	Pos	Part Number	Description	Remark	Qty	Model	
(10)	997 731 031 00	S32 savanna G12 metropole blue J32 nephrite green sun visor leatherette valid from: F 995S6 00228>> A12 black C52 graphite grey S32 savanna G12 metropole blue	/L	1	C4S COUPE M274	10	996 731 981 09	sun visor leather valid up to: VRK black C51 graphite grey S31 savanna J31 nephrite green G11 metropole blue M31 boxster red D12 dark grey T12 brown/natural P12 cinnamon brown	/R	01-	1	COUPE IXMP
(10)	997 731 032 00	sun visor leatherette valid from: F 995S6 00228>> A12 black C52 graphite grey S32 savanna G12 metropole blue	/R	1	C4S COUPE M274	(10)	996 731 980 19	sun visor leather valid from: F 995S6 00228>> VRK black C51 graphite grey S31 savanna G11 metropole blue M31 boxster red P12 cinnamon brown D12 dark grey/natural T12 brown/natural	/L		1	C4S COUPE IXMP
(10)	996 731 980 09	sun visor leather valid up to: VRK black C51 graphite grey S31 savanna J31 nephrite green G11 metropole blue M31 boxster red D12 dark grey T12 brown/natural P12 cinnamon brown	/L	1	COUPE IXMP	(10)	996 731 981 19	sun visor leather valid from: F 995S6 00228>> VRK black C51 graphite grey S31 savanna	/R		1	C4S COUPE IXMP

Model	Year	MG	SG	Illustration	Restrictions	UPD	14:17	24.01.2010	PORSCHE	PET	PORSCHE
996	2005	8	07	807-09		248					

Pos	Part Number	Description	Remark	Qty	Model	Pos	Part Number	Description	Remark	Qty	Model
	G11	metropole blue					G12	metropole blue			
	M31	boxster red					J32	nephrite green	01-		
	P12	cinnamon brown				(10)	996 731 980 12	sun visor	/L	01-	1 CABRIO IXMP
	D12	dark grey/natural						leather			
	T12	brown/natural					VRK	black			
(10)	996 731 031 09	sun visor leatherette	/L	-99	1 CABRIO		C51	graphite grey			
	ELH	black					S31	savanna			
	ELJ	graphite grey					J31	nephrite green			
	ELK	savanna					M31	boxster red			
	ELL	metropole blue					G11	metropole blue			
	ELM	space grey					D12	dark grey			
10	996 731 032 09	sun visor leatherette	/R	-99	1 CABRIO		T12	brown/natural			
	ELH	black				10	996 731 981 12	sun visor	/R	01-	1 CABRIO IXMP
	ELJ	graphite grey						leather			
	ELK	savanna					VRK	black			
	ELL	metropole blue					C51	graphite grey			
	ELM	space grey					S31	savanna			
(10)	996 731 031 18	sun visor leatherette	/L	00-	1 CABRIO		J31	nephrite green			
	A12	black					M31	boxster red			
	C52	graphite grey					G11	metropole blue			
	S32	savanna					D12	dark grey			
	G12	metropole blue					T12	brown/natural			
	J32	nephrite green					P12	cinnamon brown			
(10)	996 731 032 18	sun visor leatherette	/R	00-	1 CABRIO	(10)	996 731 031 12	sun visor	/L	02-	1 TARGA M274
	A12	black						leatherette			
	C52	graphite grey					A12	black			
	S32	savanna					C52	graphite grey			
							S32	savanna			

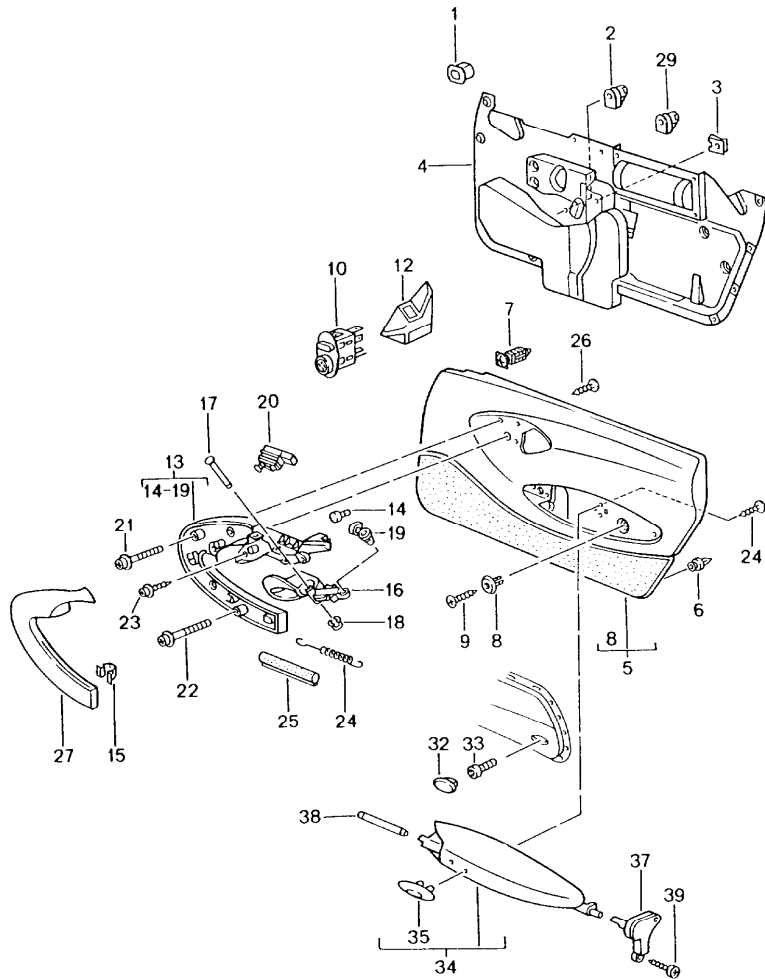
Model	Year	MG	SG	Illustration	Restrictions	UPD	14:17	24.01.2010	PORSCHE	PET	PORSCHE
996	2005	8	07	807-09		248					

Pos	Part Number	Description	Remark	Qty	Model	Pos	Part Number	Description	Remark	Qty	Model
	G12	metropole blue				11	996 731 903 00	mirror housing with illumination		1	
	J32	nephrite green					01C	satin black			
(10)	996 731 032 12	sun visor	/R	02-	1 TARGA M274	12	999 631 137 90	bulb 3 W		4	M274
		leatherette				12	999 631 147 90	bulb 3 W		4	M274
	A12	black				13	996 731 531 01	mirror glass with frame		2	M274
	C52	graphite grey					01C	satin black			
	S32	savanna				(14)	996 561 607 01	mounting	/L	1	CABRIO
(10)	996 731 980 06	sun visor	/L	03-	1 TARGA IXMP		A09	rally black			
		leather				14	996 561 608 01	mounting	/R	1	CABRIO
	VRK	black					A09	rally black			
	C51	graphite grey				15	996 731 341 00	support sun visor	/L	1	
	S31	savanna					01C	satin black			
	G11	metropole blue				(15)	996 731 342 00	support sun visor		1	
	M31	boxster red					01C	satin black			
	P12	cinnamon brown				16	999 073 139 02	oval-head screw M 5 X 25 valid up to: F >>995S6 00227		2	COUPE
	D12	dark grey/natural				16	999 073 326 09	oval-head screw M 5 X 10 valid from: F 995S6 00228>>		2	
(10)	996 731 981 06	sun visor	/R	03-	1 TARGA IXMP	(16)	999 500 093 02	nut M 5		2	COUPE
		leather				16	900 146 117 09	combination screw M 5 X 16		4	TARGA
	VRK	black				17	999 073 166 09	countersunk-head screw M 6 X 25		4	CABRIO
	C51	graphite grey				18	996 701 401 06	sticker	-02	1	CABRIO
	S31	savanna									
	G11	metropole blue									
	M31	boxster red									
	P12	cinnamon brown									
	D12	dark grey/natural									
	T12	brown/natural									

Model	Year	MG	SG	Illustration	Restrictions	UPD	14:17	24.01.2010	PORSCHE	PET	PORSCHE
996	2005	8	07	807-09		248					

Pos	Part Number	Description	Remark	Qty	Model	Pos	Part Number	Description	Remark	Qty	Model
18	996 701 401 12	sticker convertible top control german	03-	1	CABRIO						
18	996 701 401 07	sticker	-02	1	CABRIO						
18	996 701 401 13	indication sticker convertible top control english	03-	1	CABRIO						
19	996 561 613 00	cover mounting		2	CABRIO						
	01C	satin black									
20	996 555 291 00	deformation element a-pillar	/L	00-	1						
20	996 555 292 00	deformation element a-pillar	/R	00-	1						
21	999 190 167 30	blind rivet 4,0 X 6,3		00-	10						
22	996 555 619 00	grommet wiring harness rain sensor		01-	1	M265					

Model	Year	MG	SG	Illustration	Restrictions	UPD	14:17	24.01.2010	PORSCHE	PET	PORSCHE
996	2005	8	07	807-10		248					



Pos	Part Number	Description	Remark	Qty	Model
		door trim panel accessories			
1	191 853 615 A	grommet		3	
2	999 920 013 40	plug-in nut 5,0 X 1,0 X 8		4	
3	999 591 882 02	speed nut M 6		2	
(4)	996 555 831 04	seal	/L	1	
4	996 555 832 04	seal	/R	1	
(4)	996 555 831 05	seal	/L	1	M490/680
(4)	996 555 832 05	seal repair material use also:	/R	1	M490/680
-	000 043 101 00	sealing cord		1	
(5)	996 555 121 00	door trim panel leatherette	/L	98	1
		EHF black			
		EHG graphite grey			
		EHH savanna			
		EHJ metropole blue			
		EHK space grey			
5	996 555 122 00	door trim panel leatherette	/R	98	1
		EHF black			
		EHG graphite grey			
		EHH savanna			
		EHJ metropole blue			
		EHK space grey			
(5)	996 555 121 02	door trim panel leatherette	/L	98	1 M490
		EHF black			
		EHG graphite grey			
		EHH savanna			

Model	Year	MG	SG	Illustration	Restrictions	UPD	14:17	24.01.2010	PORSCHE	PET	PORSCHE
996	2005	8	07	807-10		248					

Pos	Part Number	Description	Remark	Qty	Model	Pos	Part Number	Description	Remark	Qty	Model								
(5)	996 555 122 02	EJH metropole blue	/R	98	1 M490	(5)	996 555 122 06	door trim panel leatherette	/R	-99	1	M490/563							
		EJK space grey						EJL black	EJM graphite grey	EJN savanna	EJO metropole blue	EJP space grey							
		EJQ metropole blue						EJK space grey	(5)	996 555 121 04	door trim panel leatherette	/L	00-	1	M563				
		EJL black						EJM graphite grey			EJN savanna	EJO metropole blue	EJP space grey	EJQ nephrite green					
		EJN savanna						EJO metropole blue			EJP space grey	EJQ nephrite green	(5)	996 555 122 04	door trim panel leatherette	/R	00-	1	M563
		EJQ nephrite green						EJK space grey			EJL black	EJM graphite grey			EJN savanna	EJO metropole blue	EJP space grey	EJQ nephrite green	
		EJN savanna						EJO metropole blue			EJP space grey	EJQ nephrite green			EJL black	EJM graphite grey	EJN savanna	EJO metropole blue	EJP space grey
EJQ nephrite green	EJK space grey	(5)	996 555 121 06	door trim panel leatherette	/L	00-	1	M490/563/680											
EJN savanna	EJO metropole blue			EJP space grey	EJQ nephrite green	EJL black	EJM graphite grey	EJN savanna	EJO metropole blue	EJP space grey	EJQ nephrite green								
EJO metropole blue	EJP space grey			EJQ nephrite green	EJL black	EJM graphite grey	EJN savanna	EJO metropole blue	EJP space grey	EJQ nephrite green									

Model	Year	MG	SG	Illustration	Restrictions	UPD	14:17	24.01.2010	PORSCHE	PET	PORSCHE
996	2005	8	07	807-10		248					

Pos	Part Number	Description	Remark	Qty	Model	Pos	Part Number	Description	Remark	Qty	Model
(5)	996 555 122 06	door trim panel leatherette	/R 00-	1	M490/563/680		EHQ	nephrite green			
	ESY	black					EHR	boxster red			
	ESZ	graphite grey					EHO	metropole blue			
	ETA	savanna					EHP	space grey			
	ETB	metropole blue				(5)	996 555 122 03	door trim panel leather	/R 98	1	M490
	EUY	space grey		00			EHL	black			
	FEQ	nephrite green		01-			EHM	graphite grey			
(5)	996 555 121 01	door trim panel leather	/L 98	1			EHN	savanna			
	EHL	black					EHQ	nephrite green			
	EHM	graphite grey					EHR	boxster red			
	EHN	savanna					EHO	metropole blue			
	EHQ	nephrite green					EHP	space grey			
	EHR	boxster red				(5)	996 555 121 05	door trim panel leather	/L -99	1	M563
	EHO	metropole blue					EHL	black			
	EHP	space grey					EHM	graphite grey			
5	996 555 122 01	door trim panel leather	/R 98	1			EHN	savanna			
	EHL	black					EHQ	nephrite green			
	EHM	graphite grey					EHR	boxster red			
	EHN	savanna					EHO	metropole blue			
	EHQ	nephrite green					EHP	space grey			
	EHR	boxster red				(5)	996 555 122 05	door trim panel leather	/R -99	1	M563
	EHO	metropole blue					EHL	black			
	EHP	space grey					EHM	graphite grey			
(5)	996 555 121 03	door trim panel leather	/L 98	1	M490		EHN	savanna			
	EHL	black					EHQ	nephrite green			
	EHM	graphite grey					EHR	boxster red			
	EHN	savanna					EHO	metropole blue			

Model	Year	MG	SG	Illustration	Restrictions	UPD	14:17	24.01.2010	PORSCHE	PET	PORSCHE
996	2005	8	07	807-10		248					

Pos	Part Number	Description	Remark	Qty	Model	Pos	Part Number	Description	Remark	Qty	Model
(5)	996 555 121 07	EHP space grey door trim panel leather	/L -99	1	M490/563	(5)	996 555 122 05	FEL cinnamon brown door trim panel leather	/R -02	1	M563
		EHL black						ETC black			
		EHM graphite grey						ETD graphite grey			
		EHN savanna						ETE savanna			
		EHQ nephrite green						ETF metropole blue			
		EHR boxer red						EUX space grey	00		
		EHO metropole blue						ETG nephrite green			
(5)	996 555 122 07	EHP space grey door trim panel leather	/R -99	1	M490/563			ETH boxer red			
		EHL black						VRV dark grey			
		EHM graphite grey						VRW brown/natural			
		EHN savanna				(5)	996 555 121 07	FEL cinnamon brown door trim panel leather	/L -02	1	M490/563/680
		EHQ nephrite green						ETC black			
		EHR boxer red						ETD graphite grey			
		EHO metropole blue						ETE savanna			
(5)	996 555 121 05	EHP space grey door trim panel leather	/L -02	1	M563			ETF metropole blue			
		ETC black						EUX space grey	00		
		ETD graphite grey						ETG nephrite green			
		ETE savanna						ETH boxer red			
		ETF metropole blue						VRV dark grey			
		EUX space grey	00					VRW brown/natural			
		ETG nephrite green				(5)	996 555 122 07	FEL cinnamon brown door trim panel leather	/R -02	1	M490/563/680
		ETH boxer red						ETC black			
		VRV dark grey						ETD graphite grey			
		VRW brown/natural						ETE savanna			

Model	Year	MG	SG	Illustration	Restrictions	UPD	14:17	24.01.2010	PORSCHE	PET	PORSCHE
996	2005	8	07	807-10		248					

Pos	Part Number	Description	Remark	Qty	Model	Pos	Part Number	Description	Remark	Qty	Model
	ETF	metropole blue				(5)	996 555 121 09	door trim panel leather	/L	03-	1 M490/563
	EUX	space grey	00				ETC	black			
	ETG	nephrite green					ETD	graphite grey			
	ETH	boxster red					ETE	savanna			
	VRV	dark grey					ETF	metropole blue			
	VRW	brown/natural					ETG	nephrite green			
	FEL	cinnamon brown	01-				ETH	boxster red			
(5)	996 555 121 08	door trim panel leather	/L	03-	1 M563/981		FEL	cinnamon brown			
	ETC	black					VRV	dark grey/natural			
	ETD	graphite grey					VRW	brown/natural			
	ETE	savanna				(5)	996 555 121 09	door trim panel leather	/L	03-	1 M490/563/680
	ETF	metropole blue					ETC	black			
	ETG	nephrite green					ETD	graphite grey			
	ETH	boxster red					ETE	savanna			
	FEL	cinnamon brown					ETF	metropole blue			
	VRV	dark grey/natural					ETG	nephrite green			
	VRW	brown/natural					ETH	boxster red			
(5)	996 555 122 08	door trim panel leather	/R	03-	1 M563/981		FEL	cinnamon brown			
	ETC	black					VRV	dark grey/natural			
	ETD	graphite grey					VRW	brown/natural			
	ETE	savanna				(5)	996 555 122 09	door trim panel leather	/R	03-	1 M490/563/680
	ETF	metropole blue					ETC	black			
	ETG	nephrite green					ETD	graphite grey			
	ETH	boxster red					ETE	savanna			
	FEL	cinnamon brown					ETF	metropole blue			
	VRV	dark grey/natural					ETG	nephrite green			
	VRW	brown/natural					ETH	boxster red			

Model	Year	MG	SG	Illustration	Restrictions	UPD	14:17	24.01.2010	PORSCHE	PET	PORSCHE
996	2005	8	07	807-10		248					

Pos	Part Number	Description	Remark	Qty	Model	Pos	Part Number	Description	Remark	Qty	Model
	FEL	cinnamon brown					S33	savanna		00-	
	VRV	dark grey/natural					G13	metropole blue		00-	
	VRW	brown/natural					B13	space grey		00	
-	999 911 688 40	adhesive tape 10 X 0,1 X 370		4			J33	nephrite green		00-	
6	999 507 505 40	clip grey		8			M33	boxster red		00-	
6	999 507 582 40	clip white 8,0 X 0,9		8		(12)	996 555 651 03	lining door mirror	/LL/L	00	1 IXTK/M094/ M273
7	999 507 651 40	expander nut 9,0 X 0,9		2			T12	brown/natural			
8	999 507 427 40	expander nut 6,3		2		(12)	996 555 652 03	lining door mirror	/RL/L	00	1 IXTK/M094/ M273
10	996 613 241 00	switch door mirror		1			T12	brown/natural			
	01C	satin black				(12)	996 555 652 02	lining	/LL/R		1
(12)	996 555 651 03	lining door mirror	/LL/L	1			D05	granite grey		-99	
	D05	granite grey		-99			A03	black		00-	
	A03	black		00-			C53	graphite grey		00-	
	C53	graphite grey		00-			S33	savanna		00-	
	S33	savanna		00-			G13	metropole blue		00-	
	G13	metropole blue		00-			B13	space grey		00	
	B13	space grey		00			J33	nephrite green		00-	
	J33	nephrite green		00-			M33	boxster red		00-	
	M33	boxster red		00-			P13	cinnamon brown		01-	
	P13	cinnamon brown		01-		(12)	996 555 651 02	lining door mirror	/RL/L		1
(12)	996 555 652 03	lining door mirror	/RL/R	1			D05	granite grey		-99	
	D05	granite grey		-99			A03	black		00-	
	A03	black		00-			C53	graphite grey		00-	
	C53	graphite grey		00-			S33	savanna		00-	
	S33	savanna		00-			G13	metropole blue		00-	

Model	Year	MG	SG	Illustration	Restrictions	UPD	14:17	24.01.2010	PORSCHE	PET	PORSCHE
996	2005	8	07	807-10		248					

Pos	Part Number	Description	Remark	Qty	Model	Pos	Part Number	Description	Remark	Qty	Model
	B13	space grey		00			D12	dark grey/natural		00-	
	J33	nephrite green		00-			T12	brown/natural		00-	
	M33	boxster red		00-			P12	cinnamon brown		01-	
	P13	cinnamon brown		01-		(12)	996 555 983 01	lining	/RL/L	01-	1 IXTF/XTJ/XTK IXTL/XTR
(12)	996 555 652 02	lining	/LL/R	1	IXTK/M094/ M273			leather			
		door mirror					A11	black			
	T12	brown/natural					C51	graphite grey			
(12)	996 555 651 02	lining	/RL/L	1	IXTK/M094/ M273		S31	savanna			
		door mirror					G11	metropole blue			
	T12	brown/natural					J31	nephrite green			
(12)	996 555 983 00	lining	/LL/L	01-	1 IXTF/XTJ/XTK IXTL/XTR		M31	boxster red			
		leather					D12	dark grey/natural		00-	
	A11	black					T12	brown/natural		00-	
	C51	graphite grey					P12	cinnamon brown		01-	
	S31	savanna				(12)	996 555 984 00	lining	/RL/R	01-	1 IXTF/XTJ/XTK IXTL/XTR
	G11	metropole blue						leather			
	J31	nephrite green					A11	black			
	M31	boxster red					C51	graphite grey			
	D12	dark grey/natural		00-			S31	savanna			
	T12	brown/natural		00-			G11	metropole blue			
	P12	cinnamon brown		01-			J31	nephrite green			
(12)	996 555 984 01	lining	/LL/R	01-	1 IXTF/XTJ/XTK IXTL/XTR		M31	boxster red			
		leather					D12	dark grey/natural		00-	
	A11	black					T12	brown/natural		00-	
	C51	graphite grey					P12	cinnamon brown		01-	
	S31	savanna									
	G11	metropole blue									
	J31	nephrite green									
	M31	boxster red									

Model	Year	MG	SG	Illustration	Restrictions	UPD	14:17	24.01.2010	PORSCHE	PET	PORSCHE
996	2005	8	07	807-10		248					

Pos	Part Number	Description	Remark	Qty	Model	Pos	Part Number	Description	Remark	Qty	Model	
13	A 996 555 371 00	inner door release valid up to: order also: 996.537.320.03 complete leather F >>99WS6 29813 F >>99XS6 00957 F >>99XS6 40512 F >>99XS6 52307 ENH black ENJ graphite grey ENK savanna ENL metropole blue ENM space grey ENN nephrite green ENO boxster red	/L	98	1							
(13)	A 996 555 372 00	inner door release valid up to: order also: 996.537.320.03 complete leather F >>99WS6 29813 F >>99XS6 00957 F >>99XS6 40512 F >>99XS6 52307 ENH black ENJ graphite grey ENK savanna ENL metropole blue ENM space grey ENN nephrite green ENO boxster red	/R	98	1	(13)	A 996 555 372 01	inner door release valid up to: order also: 996.537.320.03 complete leather F 99WS6 29814>> F 99XS6 00958>> F 99XS6 40513>> F 99XS6 52308>> ENH black ENJ graphite grey ENK savanna ENL metropole blue ENM space grey ENN nephrite green ENO boxster red	/R	99	1	
						13	996 555 371 02	inner door release valid up to: order also: 996.537.320.03 complete leather	/L	-99	1	

Model	Year	MG	SG	Illustration	Restrictions	UPD	14:17	24.01.2010	PORSCHE	PET	PORSCHE
996	2005	8	07	807-10		248					

Pos	Part Number	Description	Remark	Qty	Model	Pos	Part Number	Description	Remark	Qty	Model
	ENH	black				(13)	996 555 252 00	inner door release complete leather	/R	00	1
	ENJ	graphite grey					A11	black			
	ENK	savanna					C51	graphite grey			
	ENL	metropole blue					S31	savanna			
	ENM	space grey					G11	metropole blue			
	ENN	nephrite green					B51	space grey		00	
	ENO	boxster red					J31	nephrite green			
(13)	996 555 372 02	inner door release valid up to: order also: 996.537.320.03 complete leather	/R	-99	1		M31	boxster red			
	ENH	black					D12	dark grey			
	ENJ	graphite grey				(13)	996 555 251 01	inner door release complete leather	/LL/L	01	1
	ENK	savanna					A11	black			
	ENL	metropole blue					C51	graphite grey			
	ENM	space grey					S31	savanna			
	ENN	nephrite green					G11	metropole blue			
	ENO	boxster red					J31	nephrite green			
(13)	996 555 251 00	inner door release complete leather	/L	00	1		M31	boxster red			
	A11	black					D12	dark grey			
	C51	graphite grey					T12	brown/natural			
	S31	savanna					P12	cinnamon brown			
	G11	metropole blue				(13)	996 555 252 01	inner door release complete leather	/LL/R	01	1
	B51	space grey					A11	black			
	J31	nephrite green					C51	graphite grey			
	M31	boxster red					S31	savanna			
	D12	dark grey					G11	metropole blue			
	T12	brown/natural					J31	nephrite green			

Model	Year	MG	SG	Illustration	Restrictions	UPD	14:17	24.01.2010	PORSCHE	PET	PORSCHE
996	2005	8	07	807-10		248					

Pos	Part Number	Description	Remark	Qty	Model	Pos	Part Number	Description	Remark	Qty	Model
	M31	boxster red					C51	graphite grey			
	D12	dark grey					S31	savanna			
	T12	brown/natural					G11	metropole blue			
	P12	cinnamon brown					J31	nephrite green			
(13)	996 555 251 02	inner door release complete leather	/RL/L	01	1		M31	boxster red			
	A11	black					D12	dark grey			
	C51	graphite grey					T12	brown/natural			
	S31	savanna				(13)	996 555 252 03	inner door release complete leather	/LL/R	02	1
	G11	metropole blue					P12	cinnamon brown			
	J31	nephrite green					A11	black			
	M31	boxster red					C51	graphite grey			
	D12	dark grey					S31	savanna			
	T12	brown/natural					G11	metropole blue			
	P12	cinnamon brown					J31	nephrite green			
(13)	996 555 252 02	inner door release complete leather	/RL/R	01	1		M31	boxster red			
	A11	black					D12	dark grey			
	C51	graphite grey					T12	brown/natural			
	S31	savanna				(13)	996 555 251 04	inner door release complete leather	/RL/L	02	1
	G11	metropole blue					P12	cinnamon brown			
	J31	nephrite green					A11	black			
	M31	boxster red					C51	graphite grey			
	D12	dark grey					S31	savanna			
	T12	brown/natural					G11	metropole blue			
	P12	cinnamon brown					J31	nephrite green			
(13)	996 555 251 03	inner door release complete leather	/LL/L	02	1		M31	boxster red			
	A11	black					D12	dark grey			
							T12	brown/natural			

Model	Year	MG	SG	Illustration	Restrictions	UPD	14:17	24.01.2010	PORSCHE	PET	PORSCHE
996	2005	8	07	807-10		248					

Pos	Part Number	Description	Remark	Qty	Model	Pos	Part Number	Description	Remark	Qty	Model
(13)	996 555 252 04	P12 cinnamon brown inner door release complete leather	/RL/R	02	1		J31 nephrite green				
	A11	black					M31 boxster red				
	C51	graphite grey					D12 dark grey				
	S31	savanna					T12 brown/natural				
	G11	metropole blue				(13)	996 555 251 06	P12 cinnamon brown inner door release complete leather	/RL/L	03-	1
	J31	nephrite green					A11	black			
	M31	boxster red					C51	graphite grey			
	D12	dark grey					S31	savanna			
	T12	brown/natural					G11	metropole blue			
(13)	996 555 251 05	P12 cinnamon brown inner door release complete leather	/LL/L	03-	1		J31	nephrite green			
	A11	black					M31	boxster red			
	C51	graphite grey					D12	dark grey			
	S31	savanna					T12	brown/natural			
	G11	metropole blue				(13)	996 555 252 06	P12 cinnamon brown inner door release complete leather	/RL/R	03-	1
	J31	nephrite green					A11	black			
	M31	boxster red					C51	graphite grey			
	D12	dark grey					S31	savanna			
	T12	brown/natural					G11	metropole blue			
(13)	996 555 252 05	P12 cinnamon brown inner door release complete leather	/LL/R	03-	1		J31	nephrite green			
	A11	black					M31	boxster red			
	C51	graphite grey					D12	dark grey			
	S31	savanna					T12	brown/natural			
	G11	metropole blue				14	999 703 440 40	P12 cinnamon brown buffer 7 X 10 X 16			2

Model	Year	MG	SG	Illustration	Restrictions	UPD	14:17	24.01.2010	PORSCHE	PET	PORSCHE
996	2005	8	07	807-10		248					

Pos	Part Number	Description	Remark	Qty	Model	Pos	Part Number	Description	Remark	Qty	Model
15	999 507 476 01	clamp 8 X 10 X16		12		(19)	999 702 281 40	grommet F 99WS6 29814>> F 99XS6 00958>> F 99XS6 40513>> F 99XS6 52308>>		2	
(16)	996 555 425 01	handle F >>99WS6 29813 F >>99XS6 00957 F >>99XS6 40512 F >>99XS6 52307	/L	1		20	996 613 123 00	microswitch		2	
	V01	silver				21	999 073 113 09	oval-head screw M 6 X 50		2	
16	996 555 426 01	handle F >>99WS6 29813 F >>99XS6 00957 F >>99XS6 40512 F >>99XS6 52307	/R	1		22	999 073 112 09	oval-head screw M 6 X 80		2	
	V01	silver				23	999 073 061 02	tapping screw 4,8 X 16		2	
(16)	996 555 425 03	handle F 99WS6 29814>> F 99XS6 00958>> F 99XS6 40513>> F 99XS6 52308>>	/L	-02	1	24	999 522 015 00	tension spring		2	
	V01	silver				25	996 555 635 00	hose		2	
16	996 555 426 03	handle F 99WS6 29814>> F 99XS6 00958>> F 99XS6 40513>> F 99XS6 52308>>	/R	-02	1	26	999 073 080 02	tapping screw 4,2 X 16		8	
	V01	silver				(27)	996 555 591 00	cover handle leather	/L	1	
(16)	996 555 425 04	handle V03 silver	/L	03-	1	A11	black				
16	996 555 426 04	handle V03 silver	/R	03-	1	C51	graphite grey				
17	999 166 084 02	bolt 4 X 39 X 37		2		S31	savanna				
18	999 166 026 02	lock 4		2		G11	metropole blue				
19	999 507 568 40	linkage clip F >>99WS6 29813 F >>99XS6 00957 F >>99XS6 40512 F >>99XS6 52307		2		B51	space grey	-00			
						J31	nephrite green				
						M31	boxster red				
						D12	dark grey	00-			
						T12	brown/natural	00-			
						P12	cinnamon brown	01-			
						27	996 555 592 00	cover handle leather	/R	1	
						A11	black				
						C51	graphite grey				
						S31	savanna				

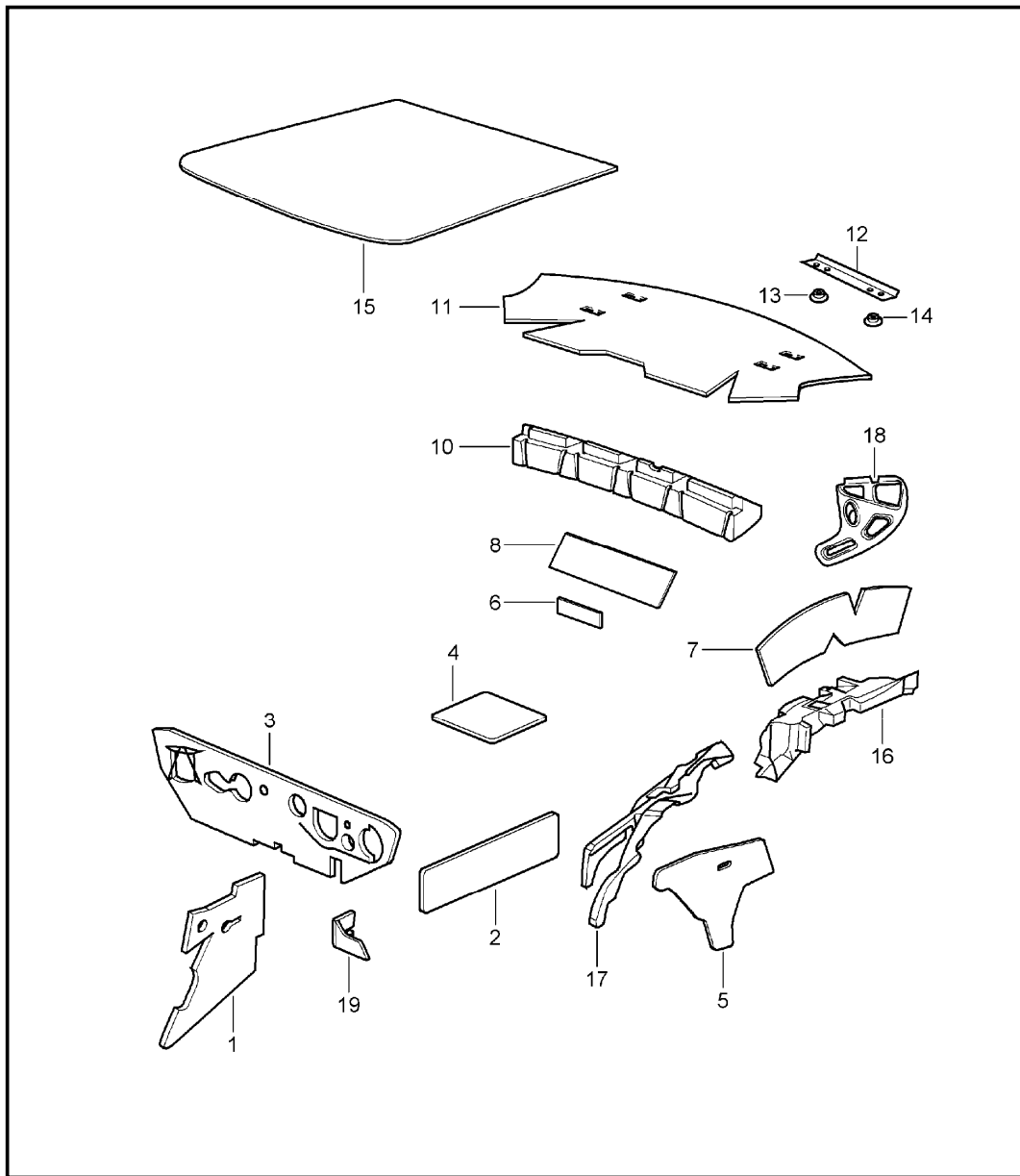
Model	Year	MG	SG	Illustration	Restrictions	UPD	14:17	24.01.2010	PORSCHE	PET	PORSCHE
996	2005	8	07	807-10		248					

Pos	Part Number	Description	Remark	Qty	Model	Pos	Part Number	Description	Remark	Qty	Model
	G11	metropole blue					C51	graphite grey			
	B51	space grey		-00			S31	savanna			
	J31	nephrite green					G11	metropole blue			
	M31	boxster red					B51	space grey		-00	
	D12	dark grey		00-			J31	nephrite green			
	T12	brown/natural		00-			M31	boxster red			
	P12	cinnamon brown		01-			D12	dark grey		00-	
(27)	996 555 988 02	cover carbon	/L	01-	1 IXTL		T12	brown/natural		00-	
27	996 555 989 02	cover carbon	/R	01-	1 IXTL	34	996 555 222 00	lid leather	/R	-02	1
29	999 920 011 40	plug-in nut 5,0 X 2,0 X 8		4			EHS	black		-99	
32	996 555 623 00	cap		-99	2		EHT	graphite grey		-99	
	01C	satin black					EHU	savanna		-99	
32	996 555 623 01	cap		00-02	2		EHV	metropole blue		-99	
	V01	silver					EHW	space grey		-99	
32	996 555 623 02	cap		03-	2		EHX	nephrite green		-99	
	V03	silver					EHY	boxster red		-99	
33	999 067 043 02	pan-head screw M 5 X 10		1			A11	black			
(34)	996 555 221 00	lid leather	/L	-02	1		C51	graphite grey			
	EHS	black		-99			S31	savanna			
	EHT	graphite grey		-99			G11	metropole blue			
	EHU	savanna		-99			B51	space grey		-00	
	EHV	metropole blue		-99			J31	nephrite green			
	EHW	space grey		-99			M31	boxster red			
	EHX	nephrite green		-99			D12	dark grey		00-	
	EHY	boxster red		-99			T12	brown/natural		00-	
	A11	black					P12	cinnamon brown		01-	
						34	996 555 221 01	lid leather	/L	03-	1

Model	Year	MG	SG	Illustration	Restrictions	UPD	14:17	24.01.2010	PORSCHE	PET	PORSCHE
996	2005	8	07	807-10		248					

Pos	Part Number	Description	Remark	Qty	Model	Pos	Part Number	Description	Remark	Qty	Model
	A11	black				34	996 555 980 01	lid rootwood dark	/L01	-02	1 IXTK
	C51	graphite grey									
	S31	savanna				34	996 555 980 05	lid rootwood dark	/L	03-	1 IXTK
	G11	metropole blue									
	J31	nephrite green				(34)	996 555 981 01	lid rootwood dark	/R	01-02	1 IXTK
	M31	boxster red									
	P12	cinnamon brown				(34)	996 555 981 05	lid rootwood dark	/R	03-	1 IXTK
	D12	dark grey/natural									
	T12	brown/natural				(34)	996 555 980 02	lid carbon	/L	-02	1 IXTL
(34)	996 555 222 01	lid leather	/R	03-	1	(34)	996 555 981 02	lid carbon	/R	-02	1 IXTL
	A11	black				(34)	996 555 980 06	lid carbon	/L	03-	1 IXTL
	C51	graphite grey									
	S31	savanna				(34)	996 555 981 06	lid carbon	/R	03-	1 IXTL
	G11	metropole blue				--	996 555 483 00	buffer			4
	J31	nephrite green				35	996 555 611 01	handle lacquered		-02	2
	M31	boxster red						V01 silver			
	P12	cinnamon brown				35	996 555 611 02	handle lacquered		03-	2
	D12	dark grey/natural						V03 silver			
	T12	brown/natural									
34	996 555 980 00	lid rootwood light	/L01	-02	1 IXTJ	(37)	996 555 441 00	closing element	/L		1
34	996 555 980 04	lid rootwood light	/L	03-	1 IXTJ	37	996 555 442 00	closing element	/R		1
(34)	996 555 981 00	lid rootwood light	/R01	-02	1 IXTJ	38	999 094 018 00	bolt			2
(34)	996 555 981 04	lid rootwood light	/R	03-	1 IXTJ	39	999 073 081 02	tapping screw 4,2 X 13			4

Model	Year	MG	SG	Illustration	Restrictions	UPD	14:17	24.01.2010	PORSCHE	PET	PORSCHE
996	2005	8	07	807-15		248					

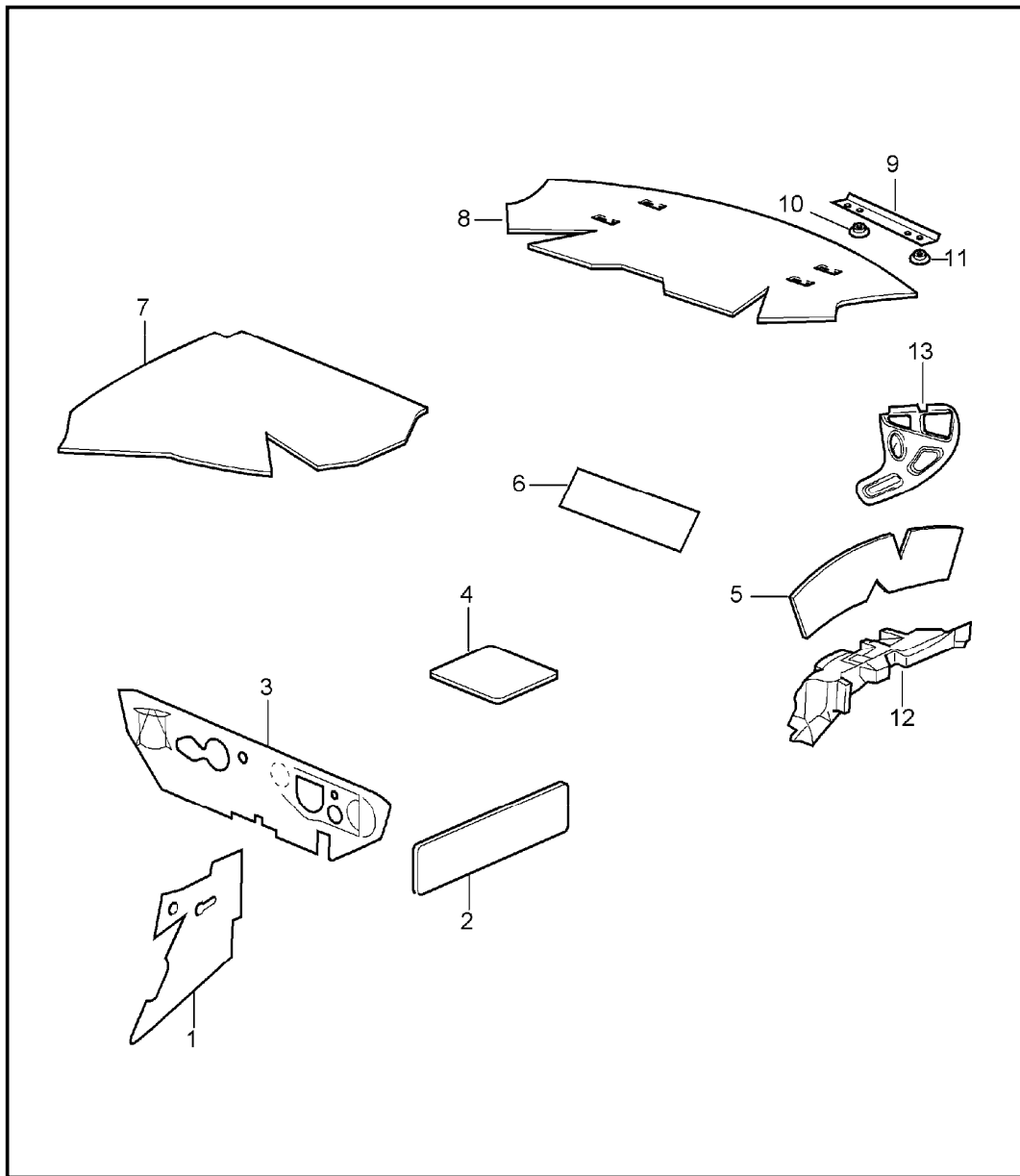


Pos	Part Number	Description	Remark	Qty	Model
		body sound proofing 1			COUPE
1	996 556 605 01	sound absorber wheel housing front	/L	1	
(1)	996 556 606 01	sound absorber wheel housing front	/R	1	
2	996 556 531 01	insulation door in white		2	
3	996 556 723 01	sound absorber firewall	/LL	1	
(3)	996 556 724 01	sound absorber firewall	/RL	1	
4	996 556 503 01	insulation floor 228 X 230		1	
5	996 556 655 02	sound absorber	/L	1	
(5)	996 556 656 02	sound absorber side trim panel	/R	1	
6	996 556 503 01	insulation seat well it is necessary to rework 160 X 40	/L/R	1	
7	996 556 507 01	insulation	/H/L	1	
(7)	996 556 508 01	insulation wheel housing	/H/R	1	
8	996 556 511 01	insulation rear wall 430 X 120		1	
10	996 556 581 00	sound absorber rear wall	-01	1	
11	996 556 711 03	sound absorber F >>994S6 03928 F >>994S6 30356 engine compartment		1	
(11)	996 556 711 04	sound absorber F 994S6 03929>> F 994S6 30357>> engine compartment		1	

Model	Year	MG	SG	Illustration	Restrictions	UPD	14:17	24.01.2010	PORSCHE	PET	PORSCHE
996	2005	8	07	807-15		248					

Pos	Part Number	Description	Remark	Qty	Model	Pos	Part Number	Description	Remark	Qty	Model
12	996 556 761 00	retaining strip engine compartment		-00	1						
(12)	996 556 762 00	retaining strip engine compartment		-00	1	M620					
(12)	996 556 761 01	retaining strip engine compartment		01-	1						
13	999 049 020 40	plastic nut T5/30 X 5,1 roof			5						
14	999 049 011 40	plastic nut T5/30 X 6,0 roof		-00	3						
15	997 556 647 00	sound absorber roof			1						
16	996 556 657 00	sound absorber wheel-housing liner	/H/L	-02	1						
16	996 556 657 03	sound absorber wheel-housing liner	/H/L	03-	1						
(16)	996 556 658 00	sound absorber wheel-housing liner	/H/R	-02	1						
(16)	996 556 658 03	sound absorber wheel-housing liner	/H/R	03-	1						
17	996 556 571 00	sound absorber	/L		1						
(17)	996 556 572 00	sound absorber side trim panel	/R		1						
(18)	996 556 753 01	seal	/L/O		1						
(18)	996 556 754 01	seal side section	/R/O		1						
--	996 556 811 01	filler piece	/L		1						
--	996 556 812 01	filler piece tray	/R		1						

Model	Year	MG	SG	Illustration	Restrictions	UPD	14:18	24.01.2010	PORSCHE	PET	PORSCHE
996	2005	8	07	807-16		248					

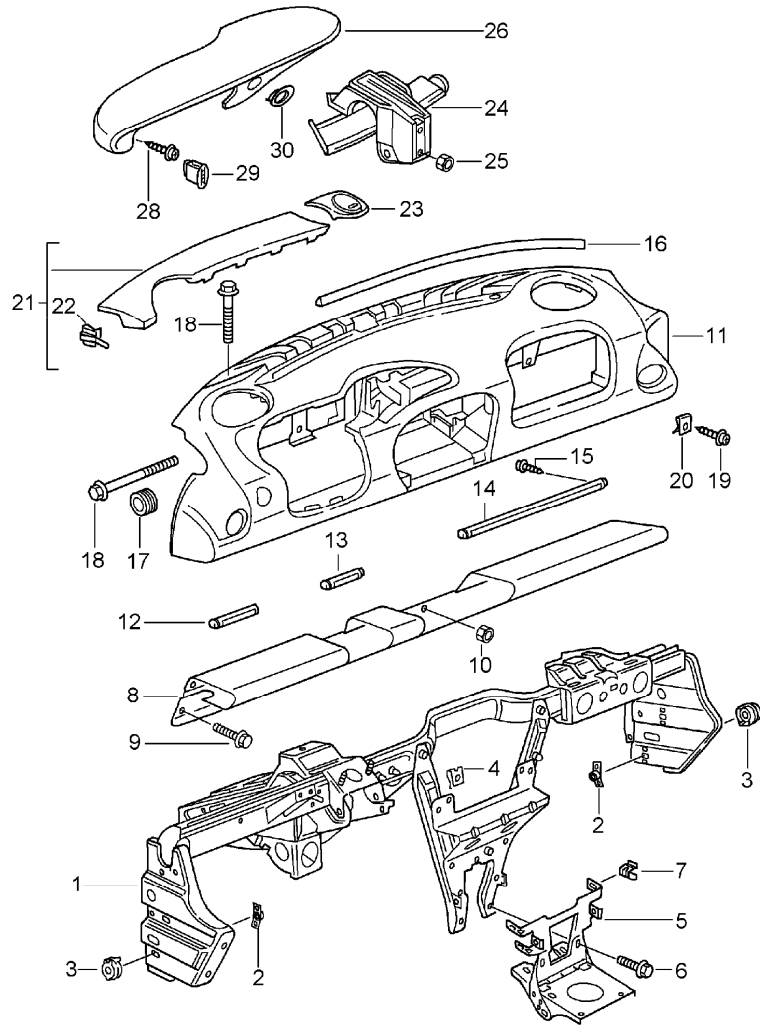


Pos	Part Number	Description	Remark	Qty	Model
		body sound proofing 1			CABRIO
1	996 556 605 01	sound absorber wheel housing front	/L	1	
(1)	996 556 606 01	sound absorber wheel housing front	/R	1	
2	996 556 531 01	insulation door in white		2	
3	996 556 723 01	sound absorber firewall	/LL	1	
(3)	996 556 724 01	sound absorber firewall	/RL	1	
4	996 556 503 01	insulation floor 228 X 230		1	
--	996 556 503 01	insulation seat well 160 X 40	/L/R	1	
5	996 556 507 02	insulation wheel housing rear	/L	1	
(5)	996 556 508 02	insulation wheel housing rear	/R	1	
6	996 556 511 01	insulation rear wall 430 X 120		1	
(7)	996 556 611 00	sound absorber convertible top tray		-99 1	
(7)	996 556 611 02	sound absorber convertible top tray	/L	00- 1	
(7)	996 556 612 01	sound absorber convertible top tray	/R	1	
8	996 556 711 03	sound absorber F >>9946S 42725 F >>9946S 30356 engine compartment		1	

Model	Year	MG	SG	Illustration	Restrictions	UPD	14:18	24.01.2010	PORSCHE	PET	PORSCHE
996	2005	8	07	807-16		248					

Pos	Part Number	Description	Remark	Qty	Model	Pos	Part Number	Description	Remark	Qty	Model
(8)	996 556 711 04	sound absorber F 994S6 42726>> F 994S6 30357>> engine compartment		1							
9	996 556 761 00	retaining strip engine compartment	-00	2							
(9)	996 556 762 00	retaining strip engine compartment	-00	1	M620						
9	996 556 761 01	retaining strip engine compartment	01-	1							
10	999 049 020 40	plastic nut T5/30 X 5,1		5							
11	999 049 011 40	plastic nut T5/30 X 6,0		3							
12	996 556 657 02	sound absorber wheel-housing liner rear	/L	-02	1						
12	996 556 657 04	sound absorber wheel-housing liner rear	/L	03-	1						
(12)	996 556 658 02	sound absorber wheel-housing liner rear	/R	-02	1						
(12)	996 556 658 04	sound absorber wheel-housing liner rear	/R	03-	1						
13	996 556 653 00	sound absorber control units		1							

Model	Year	MG	SG	Illustration	Restrictions	UPD	14:18	24.01.2010	PORSCHE	PET	PORSCHE
996	2005	8	09	809-00		248					



Pos	Part Number	Description	Remark	Qty	Model
		dashboard trim with retaining frame			
1	996 552 061 12	retaining frame	/LL	1	
(1)	996 552 061 13	retaining frame	/RL	1	
2	996 552 805 00	threaded plate		4	
3	996 552 545 00	shim		4	
4	999 507 462 02	speed nut		9	
4	999 591 855 02	speed nut 4,8		1	
(5)	996 552 309 07	support	01-	1	
(5)	996 552 309 08	support	01-	1	M476
6	900 378 155 09	hexagon-head tapping screw M 6 X 16		6	
7	999 507 574 02	clamp 8 X 10/1,2		4	
11	996 552 109 00	dashboard trim leatherette	/LL	-99	1
	A18	black			
	C18	graphite grey			
	S18	savanna			
	G18	metropole blue			
	B18	space grey			
(11)	996 552 110 00	dashboard trim leatherette	/RL	-99	1
	A18	black			
	C18	graphite grey			
	S18	savanna			
	G18	metropole blue			
	B18	space grey			
11	996 552 109 00	dashboard trim leatherette	/LL	00-01	1
	A12	black			

Model	Year	MG	SG	Illustration	Restrictions	UPD	14:18	24.01.2010	PORSCHE	PET	PORSCHE
996	2005	8	09	809-00		248					

Pos	Part Number	Description	Remark	Qty	Model	Pos	Part Number	Description	Remark	Qty	Model
	C52	graphite grey					C51	graphite grey			
	S32	savanna					S31	savanna			
	G12	metropole blue					G11	metropole blue			
	B52	space grey		00			B51	space grey		-00	
	J32	nephrite green		-03			J31	nephrite green			
(11)	996 552 110 00	dashboard trim leatherette	/RL	00-01	1		M31	boxster red			
	A12	black					D12	dark grey/natural		00-	
	C52	graphite grey					T12	brown/natural		00-	
	S32	savanna					P12	cinnamon brown		01	
	G12	metropole blue				(11)	996 552 102 00	dashboard trim leather	/RL	-01	1
	B52	space grey		00			A11	black		-99	
	J32	nephrite green		-03			EVL	black		00-	
(11)	996 552 109 02	dashboard trim leatherette	/LL	02-	1		C51	graphite grey			
	A12	black					S31	savanna			
	C52	graphite grey					G11	metropole blue			
	S32	savanna					B51	space grey		-00	
	G12	metropole blue					J31	nephrite green			
	J32	nephrite green		-03			M31	boxster red			
(11)	996 552 110 02	dashboard trim leatherette	/RL	02-	1		D12	dark grey/natural		00-	
	A12	black					T12	brown/natural		00-	
	C52	graphite grey					P12	cinnamon brown		01	
	S32	savanna				11	996 552 101 01	dashboard trim leather with cut-outs glove compartment	/LL	02-	1
	G12	metropole blue					A11	black			
	J32	nephrite green		-03			C51	graphite grey			
11	996 552 101 00	dashboard trim leather	/LL	-01	1		S31	savanna			
	A11	black		-99			G11	metropole blue			
	EVL	black		00-							

Model	Year	MG	SG	Illustration	Restrictions	UPD	14:18	24.01.2010	PORSCHE	PET	PORSCHE
996	2005	8	09	809-00		248					

Pos	Part Number	Description	Remark	Qty	Model	Pos	Part Number	Description	Remark	Qty	Model		
	J31	nephrite green				--	999 073 169 07	tapping screw 4,8 X 16	02-	2			
	M31	boxster red				--	999 507 462 02	speed nut 4,8	02-	5			
	D12	dark grey				--	999 507 796 02	u-clamp 2,0	02-	3			
	T12	brown/natural				12	996 552 381 02	moulding driver's side lacquered	/LL/L	1			
	P12	cinnamon brown					D05	granite grey	-99				
(11)	996 552 102 01	dashboard trim leather with cut-outs glove compartment	/RL	02-	1		A03	black	00-				
	A11	black					C53	graphite grey	00-				
	C51	graphite grey					S33	savanna	00-				
	S31	savanna					G13	metropole blue	00-				
	G11	metropole blue					B13	space grey	00				
	J31	nephrite green					J33	nephrite green	00-				
	M31	boxster red					M33	boxster red	00-				
	D12	dark grey					P13	cinnamon brown	01-				
	T12	brown/natural				(12)	996 552 382 01	moulding driver's side lacquered	/RL/R	1			
	P12	cinnamon brown					D05	granite grey	-99				
--	999 551 145 40	lining strap 15 X 1,3 X 50		2			A03	black	00-				
--	999 507 768 02	speed nut 4,2		18			C53	graphite grey	00-				
--	999 507 533 02	clamp 8 X 10/2,5		23			S33	savanna	00-				
--	996 552 749 00	reinforcement strip	/LL	02-	1		G13	metropole blue	00-				
--	996 552 750 00	reinforcement strip driver's side	/RL	02-	1		B13	space grey	00				
--	996 552 753 00	reinforcement strip	/LL	02-	1	M573	J33	nephrite green	00-				
--	996 552 754 00	reinforcement strip	/RL	02-	1	M573	M33	boxster red	00-				
--	996 552 753 01	reinforcement strip	/LL	02-	1	M574	P13	cinnamon brown	01-				
--	996 552 754 01	reinforcement strip glove compartment	/RL	02-	1	M574	12	996 552 381 04	moulding driver's side lacquered	/LL/L	04	1	M095

Model	Year	MG	SG	Illustration	Restrictions	UPD	14:18	24.01.2010	PORSCHE	PET	PORSCHE
996	2005	8	09	809-00		248					

Pos	Part Number	Description	Remark	Qty	Model	Pos	Part Number	Description	Remark	Qty	Model
	V03	sport silver				(12)	996 552 997 04	moulding driver's side rootwood light	/RL/R 01-	1	IXNV
(12)	996 552 382 03	moulding driver's side lacquered	/RL/R 04	1	M095						
	V03	sport silver				12	996 552 996 05	moulding driver's side rootwood dark	/LL/L 01-	1	IXNW
12	996 552 996 00	moulding driver's side leather	/LL/L 01-	1	IXNU	(12)	996 552 997 05	moulding driver's side rootwood dark	/RL/R 01-	1	IXNW
	A11	black									
	C51	graphite grey				12	996 552 996 01	moulding driver's side carbon	/LL/L 01-	1	IXNX
	S31	savanna				(12)	996 552 997 01	moulding driver's side carbon	/RL/R 01-	1	IXNX
	G11	metropole blue									
	J31	nephrite green				12	996 552 996 03	moulding driver's side aluminium arctic silver	/LL/L 01-	1	IXNY
	M31	boxster red									
	D12	dark grey				(12)	996 552 997 03	moulding driver's side aluminium arctic silver	/RL/R 01-	1	IXNY
	T12	brown/natural									
	P12	cinnamon brown				12	996 552 996 12	moulding aluminium driver's side silver	/LL/L 03-	1	IXCA
(12)	996 552 997 00	moulding driver's side leather	/RL/R 01-	1	IXNU	(12)	996 552 997 12	moulding aluminium driver's side silver	/RL/R 03-	1	IXCA
	A11	black									
	C51	graphite grey									
	S31	savanna				13	996 552 383 02	moulding centre lacquered	/LL	1	
	G11	metropole blue									
	J31	nephrite green									
	M31	boxster red									
	D12	dark grey									
	T12	brown/natural									
	P12	cinnamon brown									
12	996 552 996 04	moulding driver's side rootwood light	/LL/L 01-	1	IXNV						
							D05	granite grey		-99	
							A03	black		00-	
							C53	graphite grey		00-	
							S33	savanna		00-	
							G13	metropole blue		00-	

Model	Year	MG	SG	Illustration	Restrictions	UPD	14:18	24.01.2010	PORSCHE	PET	PORSCHE
996	2005	8	09	809-00		248					

Pos	Part Number	Description	Remark	Qty	Model	Pos	Part Number	Description	Remark	Qty	Model
	B13	space grey		00			D12	dark grey			
	J33	nephrite green		-03			T12	brown/natural			
	M33	boxster red		00-			P12	cinnamon brown			
	P13	cinnamon brown		01-		(13)	996 552 998 01	moulding centre leather	/RL	01-	1 IXNU
(13)	996 552 384 01	moulding centre lacquered	/RL	1			A11	black			
	D05	granite grey		-99			C51	graphite grey			
	A03	black		00-			S31	savanna			
	C53	graphite grey		00-			G11	metropole blue			
	S33	savanna		00-			J31	nephrite green			
	G13	metropole blue		00-			M31	boxster red			
	B13	space grey		00			D12	dark grey			
	J33	nephrite green		-03			T12	brown/natural			
	M33	boxster red		00-			P12	cinnamon brown			
	P13	cinnamon brown		01-		13	996 552 998 08	moulding centre rootwood light	/LL	01-	1 IXNV
13	996 552 383 03	moulding centre lacquered	/LL	04	1 M095	(13)	996 552 998 09	moulding centre rootwood light	/RL	01-	1 IXNV
	V03	sport silver									
(13)	996 552 384 02	moulding centre lacquered	/RL	04	1 M095	13	996 552 998 06	moulding centre aluminium arctic silver	/LL	01-02	1 IXNY
	V03	sport silver									
13	996 552 998 00	moulding centre leather	/LL	01-	1 IXNU	(13)	996 552 998 07	moulding centre aluminium arctic silver	/RL	01-02	1 IXNY
	A11	black									
	C51	graphite grey				13	996 552 998 14	moulding aluminium centre silver	/LL	03-	1 IXCA
	S31	savanna									
	G11	metropole blue				(13)	996 552 998 15	moulding aluminium centre silver	/RL	03-	1 IXCA
	J31	nephrite green									
	M31	boxster red									

Model	Year	MG	SG	Illustration	Restrictions	UPD	14:18	24.01.2010	PORSCHE	PET	PORSCHE
996	2005	8	09	809-00		248					

Pos	Part Number	Description	Remark	Qty	Model	Pos	Part Number	Description	Remark	Qty	Model
13	996 552 998 10	moulding centre rootwood dark	/LL 01-	1	IXNW	14	996 552 385 03	moulding passenger's side lacquered	/LL/R 01-	1	
(13)	996 552 998 11	moulding centre rootwood dark	/RL 01-	1	IXNW		A03	black			
13	996 552 998 02	moulding centre carbon	/LL 01-	1	IXNX		C53	graphite grey			
(13)	996 552 998 03	moulding centre carbon	/RL 01-	1	IXNX		S33	savanna			
14	996 552 385 02	moulding passenger's side lacquered	/LL/R -00	1		(14)	996 552 386 03	moulding passenger's side lacquered	/RL/L 01-	1	
	D05	granite grey		-99			A03	black			
	A03	black		00			C53	graphite grey			
	C53	graphite grey		00			S33	savanna			
	S33	savanna		00			G13	metropole blue			
	G13	metropole blue		00			J33	nephrite green	-03		
	B13	space grey		00			M33	boxster red			
	J33	nephrite green		00			P13	cinnamon brown			
	M33	boxster red		00		14	996 552 385 04	moulding passenger's side lacquered	/LL/L 04	1	M095
(14)	996 552 386 02	moulding passenger's side lacquered	/RL/L -00	1			V03	sport silver			
	D05	granite grey		-99		(14)	996 552 386 04	moulding passenger's side lacquered	/RL/R 04	1	M095
	A03	black		00			V03	sport silver			
	C53	graphite grey		00		14	996 552 959 00	moulding passenger's side leather	/LL/R 01-	1	IXNU
	S33	savanna		00			A11	black			
	G13	metropole blue		00			C51	graphite grey			
	B13	space grey		00			S31	savanna			
	J33	nephrite green		00							
	M33	boxster red		00							

Model	Year	MG	SG	Illustration	Restrictions	UPD	14:18	24.01.2010	PORSCHE	PET	PORSCHE
996	2005	8	09	809-00		248					

Pos	Part Number	Description	Remark	Qty	Model	Pos	Part Number	Description	Remark	Qty	Model
	G11	metropole blue				(14)	996 552 959 07	moulding passenger's side carbon	/RL/L 01-	1	IXNX
	J31	nephrite green									
	M31	boxster red				14	996 552 959 08	moulding passenger's side aluminium arctic silver	/LL/R -02	1	IXNY
	D12	dark grey									
	T12	brown/natural				(14)	996 552 959 09	moulding passenger's side aluminium arctic silver	/RL/L -02	1	IXNY
	P12	cinnamon brown	01-								
(14)	996 552 959 01	moulding passenger's side leather	/RL/L 01-	1	IXNU	14	996 552 959 10	moulding aluminium passenger's side silver	/LL 03-	1	IXCA
	A11	black									
	C51	graphite grey				(14)	996 552 959 11	moulding aluminium passenger's side silver	/RL/L 03-	1	IXCA
	S31	savanna									
	G11	metropole blue									
	J31	nephrite green				15	999 919 203 07	oval-head screw 3 X 10		11	
	M31	boxster red				16	996 552 645 00	gasket cowl		1	
	D12	dark grey				17	999 703 466 40	lid 15,0 X 25,5		2	
	T12	brown/natural									
	P12	cinnamon brown	01-			(17)	999 703 466 40	stopper 15,0 X 5,0		2	
14	996 552 959 02	moulding passenger's side rootwood light	/LL/R 01-	1	IXNV	18	999 074 057 09	hexagon-head bolt M 8 X 125		4	
(14)	996 552 959 03	moulding passenger's side rootwood light	/RL/L 01-	1	IXNV	19	999 073 169 07	tapping screw 4,8 X 16		11	
14	996 552 959 04	moulding passenger's side rootwood dark	/LL/R 01-	1	IXNW	20	999 507 462 02	speed nut 4,8		10	
(14)	996 552 959 05	moulding passenger's side rootwood dark	/RL/L 01-	1	IXNW	21	996 552 185 04	defroster trim lacquered	/L -99	1	
14	996 552 959 06	moulding passenger's side carbon	/LL/R 01-	1	IXNX		D05	granite grey			
							A03	black	00-		
							C53	graphite grey	00-		
							S33	savanna	00-		
							G13	metropole blue	00-		

Model	Year	MG	SG	Illustration	Restrictions	UPD	14:18	24.01.2010	PORSCHE	PET	PORSCHE
996	2005	8	09	809-00		248					

Pos	Part Number	Description	Remark	Qty	Model	Pos	Part Number	Description	Remark	Qty	Model
	B13	space grey		00			S31	savanna			
	J33	nephrite green		00-			J31	nephrite green			
	M33	boxster red		00-			M31	boxster red			
	P13	cinnamon brown		01-			G11	metropole blue			
(21)	996 552 186 04	defroster trim lacquered	/R	1			D12	dark grey			
	D05	granite grey		-99			T12	brown/natural			
	A03	black		00-			P12	cinnamon brown			
	C53	graphite grey		00-		21	996 552 988 04	defroster trim carbon leather	/L	01-	1 IXKJ
	S33	savanna		00-			VRK	black			
	G13	metropole blue		00-			C51	graphite grey			
	B13	space grey		00			S31	savanna			
	J33	nephrite green		00-			J31	nephrite green			
	M33	boxster red		00-			M31	boxster red			
	P13	cinnamon brown		01-			G11	metropole blue			
21	996 552 988 05	defroster trim leather	/L	01-	1 IXV1		D12	dark grey			
	VRK	black					T12	brown/natural			
	C51	graphite grey					P12	cinnamon brown			
	S31	savanna				(21)	996 552 989 04	defroster trim carbon leather	/R	01-	1 IXKJ
	J31	nephrite green					VRK	black			
	M31	boxster red					C51	graphite grey			
	G11	metropole blue					S31	savanna			
	D12	dark grey					J31	nephrite green			
	T12	brown/natural					M31	boxster red			
	P12	cinnamon brown					G11	metropole blue			
(21)	996 552 989 05	defroster trim leather	/R	01-	1 IXV1		D12	dark grey			
	VRK	black					T12	brown/natural			
	C51	graphite grey					P12	cinnamon brown			

Model	Year	MG	SG	Illustration	Restrictions	UPD	14:18	24.01.2010	PORSCHE	PET	PORSCHE
996	2005	8	09	809-00		248					

Pos	Part Number	Description	Remark	Qty	Model	Pos	Part Number	Description	Remark	Qty	Model
21	996 552 988 03	defroster trim dark maple rootwood leather	/L 01-	1	IXKH		G11	metropole blue			
	VRK	black					D12	dark grey/natural			
	C51	graphite grey					T12	brown/natural			
	S31	savanna					P12	cinnamon brown			
	J31	nephrite green				(21)	996 552 989 02	defroster trim light maple rootwood leather	/R 01-	1	IXKG
	M31	boxster red					VRK	black			
	G11	metropole blue					C51	graphite grey			
	D12	dark grey					S31	savanna			
	T12	brown/natural					J31	nephrite green			
	P12	cinnamon brown					M31	boxster red			
(21)	996 552 989 03	defroster trim dark maple rootwood leather	/R 01-	1	IXKH		G11	metropole blue			
	VRK	black					D12	dark grey/natural			
	C51	graphite grey					T12	brown/natural			
	S31	savanna					P12	cinnamon brown			
	J31	nephrite green				22	999 507 531 02	clamp 1,8-2,8		98	2
	M31	boxster red				22	999 507 685 02	clamp 1,5-2,0		99-	2
	G11	metropole blue				23	996 552 181 04	cover			1
	D12	dark grey					D05	granite grey		-99	
	T12	brown/natural					A03	black		00-	
	P12	cinnamon brown					C53	graphite grey		00-	
21	996 552 988 02	defroster trim light maple rootwood leather	/L 01-	1	IXKG		S33	savanna		00-	
	VRK	black					G13	metropole blue		00-	
	C51	graphite grey					B13	space grey		00	
	S31	savanna					J33	nephrite green		00-	
	J31	nephrite green					M33	boxster red		00-	
	M31	boxster red					P13	cinnamon brown		01-	

Model	Year	MG	SG	Illustration	Restrictions	UPD	14:18	24.01.2010	PORSCHE	PET	PORSCHE
996	2005	8	09	809-00		248					

Pos	Part Number	Description	Remark	Qty	Model	Pos	Part Number	Description	Remark	Qty	Model
23	996 552 990 02	cover light leather	01-	1	IXV1		EFP	metropole blue			
	VRK	black				26	996 552 059 02	cover leatherette	/LL	00-	1
	C51	graphite grey					EFQ	space grey			
	S31	savanna					EUD	black			
	J31	nephrite green					EUE	graphite grey			
	M31	boxster red					EUF	savanna			
	G11	metropole blue					EUG	metropole blue			
	D12	dark grey					EUH	space grey		00	
	T12	brown/natural					EUB	nephrite green		01-	
	P12	cinnamon brown				(26)	996 552 060 02	cover leatherette	/RL	00-	1
24	996 552 617 03	support	/LL	1			EUD	black			
(24)	996 552 618 02	support instrument wiring harness	/RL	1			EUE	graphite grey			
--	999 591 883 02	speed nut 4,8		2			EUF	savanna			
25	900 380 015 09	hexagon nut M 6		2			EUG	metropole blue			
							EUH	space grey		00	
26	996 552 059 02	cover instruments	/LL	-99	1	26	996 552 025 01	cover instruments leather	/LL	-99	1
	EFM	black					EDQ	black			
	EFN	graphite grey					EDR	graphite grey			
	EFO	savanna					EDS	savanna			
	EFP	metropole blue					EDT	metropole blue			
	EFQ	space grey					EDU	space grey			
(26)	996 552 060 02	cover leatherette instruments	/RL	-99	1		EDV	nephrite green			
	EFM	black					EDW	boxster red			
	EFN	graphite grey				(26)	996 552 026 01	cover instruments leather	/RL	-99	1
	EFO	savanna					EDQ	black			

Model	Year	MG	SG	Illustration	Restrictions	UPD	14:18	24.01.2010	PORSCHE	PET	PORSCHE
996	2005	8	09	809-00		248					

Pos	Part Number	Description	Remark	Qty	Model	Pos	Part Number	Description	Remark	Qty	Model
	EDR	graphite grey				26	996 552 025 02	cover instruments	/LL 03-	1	
	EDS	savanna					ETQ	black			
	EDT	metropole blue					EUR	graphite grey			
	EDU	space grey					EUS	savanna			
	EDV	nephrite green					EUT	metropole blue			
	EDW	boxster red					EUV	nephrite green			
26	996 552 025 01	cover leather	/LL	-02	1		EUV	boxster red			
	ETQ	black					FEJ	cinnamon brown			
	EUR	graphite grey					VRP	dark grey/natural			
	EUS	savanna					VRQ	brown/natural			
	EUT	metropole blue				(26)	996 552 026 02	cover instruments	/RL 03-	1	
	EUU	space grey		00			ETQ	black			
	EUV	nephrite green					EUR	graphite grey			
	EUW	boxster red					EUS	savanna			
	VRP	dark grey					EUT	metropole blue			
	VRQ	brown/natural					EUV	nephrite green			
	FEJ	cinnamon brown		01-			EUW	boxster red			
(26)	996 552 026 01	cover leather	/RL	-02	1		FEJ	cinnamon brown			
	ETQ	black					VRP	dark grey/natural			
	EUR	graphite grey					VRQ	brown/natural			
	EUS	savanna				28	999 919 188 09	oval-head screw 5,0 X 30		-00	2
	EUT	metropole blue				(28)	999 073 220 09	tapping screw 4,8 X 25		01-	2
	EUU	space grey		00		29	996 552 625 02	cover microphone	/LL		1
	EUV	nephrite green					D05	granite grey		-99	
	EUW	boxster red					A03	black		00-	
	VRP	dark grey					C53	graphite grey		00-	
	VRQ	brown/natural									
	FEJ	cinnamon brown		01-							

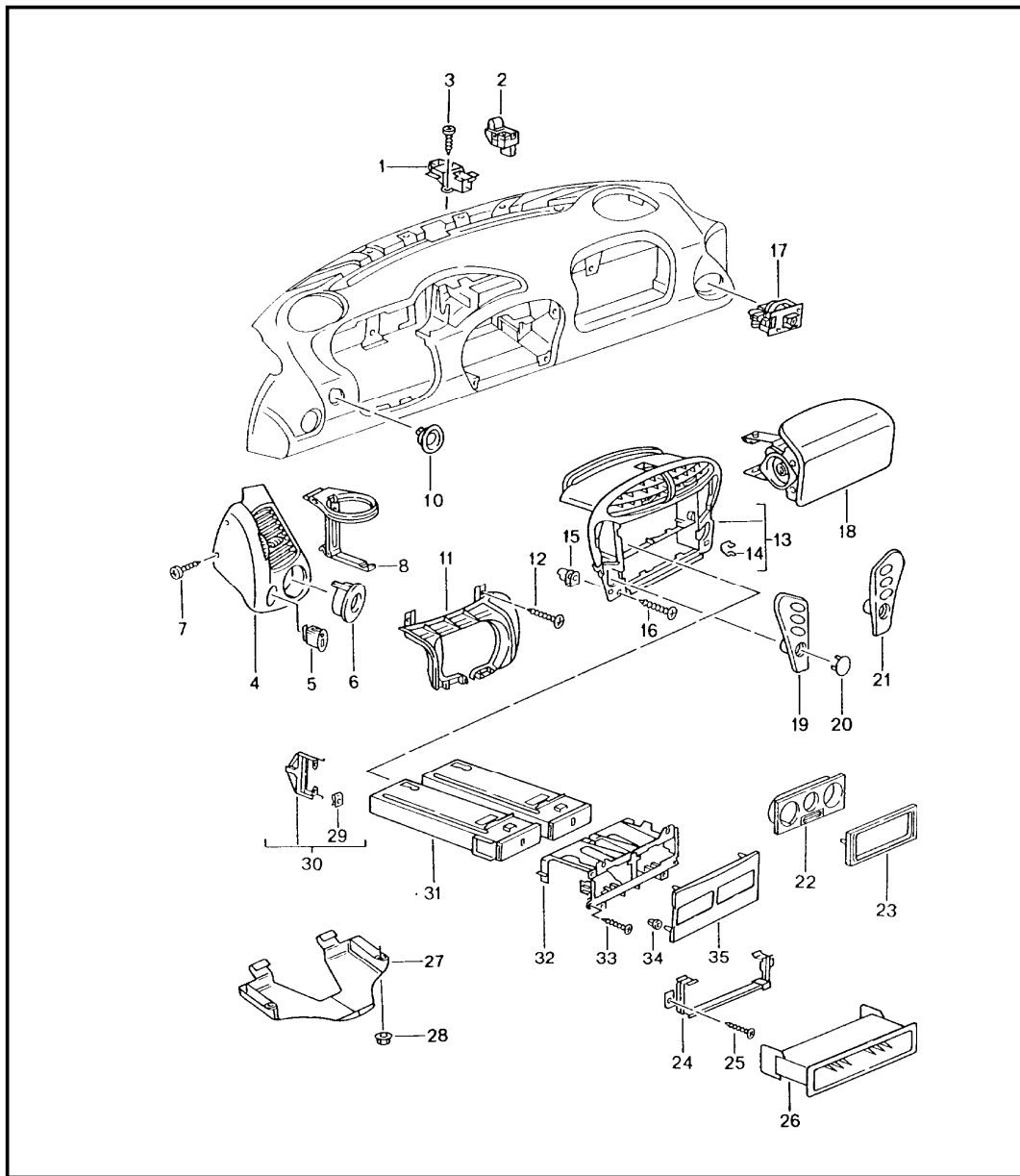
Model	Year	MG	SG	Illustration	Restrictions	UPD	14:18	24.01.2010	PORSCHE	PET	PORSCHE
996	2005	8	09	809-00		248					

Pos	Part Number	Description	Remark	Qty	Model	Pos	Part Number	Description	Remark	Qty	Model
	S33	savanna	00-			(30)	996 552 470 01	rosette hazard warning light sw. lacquered	/RL	1	
	G13	metropole blue	00-				A10	black	-99		
	B13	space grey	00				D05	granite grey	-99		
	J33	nephrite green	00-				A03	black			
	M33	boxster red	00-				C53	graphite grey	00-		
	P13	cinnamon brown	01-				S33	savanna	00-		
(29)	996 552 626 02	cover lacquered microphone	/RL	1			G13	metropole blue	00-		
	D05	granite grey	-99				B13	space grey	00		
	A03	black	00-				J33	nephrite green	00-		
	C53	graphite grey	00-				M33	boxster red	00-		
	S33	savanna	00-				P13	cinnamon brown	01-		
	G13	metropole blue	00-			30	996 552 469 01	rosette hazard warning light sw. lacquered	/LL	00	1 IXNG/M094
	B13	space grey	00				A03	black			
	J33	nephrite green	00-			(30)	996 552 470 01	rosette hazard warning light sw. lacquered	/RL	00	1 IXNG/M094
	M33	boxster red	00-				A03	black			
	P13	cinnamon brown	01-			30	996 552 966 00	rosette hazard warning light sw. leather	/LL	01-	1
30	996 552 469 01	rosette hazard warning light sw. lacquered	/LL	1			A11	black			
	A10	black	-99				C51	graphite grey			
	D05	granite grey	-99				S31	savanna			
	A03	black					G11	metropole blue			
	C53	graphite grey	00-				J31	nephrite green	-03		
	S33	savanna	00-				M31	boxster red			
	G13	metropole blue	00-				P12	cinnamon brown			
	B13	space grey	00				D12	dark grey/natural			
	J33	nephrite green	00-				T12	brown/natural			
	M33	boxster red	00-								
	P13	cinnamon brown	01-								

Model	Year	MG	SG	Illustration	Restrictions	UPD	14:18	24.01.2010	PORSCHE	PET	PORSCHE
996	2005	8	09	809-00		248					

Pos	Part Number	Description	Remark	Qty	Model	Pos	Part Number	Description	Remark	Qty	Model
(30)	996 552 966 01	rosette hazard warning light sw. leather	/RL	01-	1						
	A11	black									
	C51	graphite grey									
	S31	savanna									
	G11	metropole blue									
	J31	nephrite green		-03							
	M31	boxster red									
	P12	cinnamon brown									
	D12	dark grey/natural									
	T12	brown/natural									

Model	Year	MG	SG	Illustration	Restrictions	UPD	14:18	24.01.2010	PORSCHE	PET	PORSCHE
996	2005	8	09	809-01		248					



Pos	Part Number	Description	Remark	Qty	Model
		accessories dashboard trim		-01	
1	996 552 541 02	mounting light		1	
2	996 653 251 00	sensor		1	M534/535
3	999 919 120 09	oval-head screw 4,0 X 18		2	
4	996 552 225 05	side vent lacquered	/L	1	
	D05	granite grey		-99	
	A03	black		00-	
	C53	graphite grey		00-	
	S33	savanna		00-	
	G13	metropole blue		00-	
	B13	space grey		00	
	J33	nephrite green		00-	
	M33	boxster red		00-	
	P13	cinnamon brown		01-	
(4)	996 552 228 05	side vent lacquered	/R	1	
	D05	granite grey		-99	
	A03	black		00-	
	C53	graphite grey		00-	
	S33	savanna		00-	
	G13	metropole blue		00-	
	B13	space grey		00	
	J33	nephrite green		00-	
	M33	boxster red		00-	
	P13	cinnamon brown		01-	
4	996 552 984 00	side vent leather	/L	01-	1 IXN3
	VRK	black			

Model	Year	MG	SG	Illustration	Restrictions	UPD	14:18	24.01.2010	PORSCHE	PET	PORSCHE
996	2005	8	09	809-01		248					

Pos	Part Number	Description	Remark	Qty	Model	Pos	Part Number	Description	Remark	Qty	Model
	C51	graphite grey					P12	cinnamon brown			
	S31	savanna				(4)	996 552 985 03	side vent carbon leather	/R	01-	1 IXKD
	G11	metropole blue					VRK	black			
	J31	nephrite green					C51	graphite grey			
	M31	boxster red					S31	savanna			
	D12	dark grey					J31	nephrite green			
	T12	brown/natural					M31	boxster red			
	P12	cinnamon brown					G11	metropole blue			
(4)	996 552 985 00	side vent leather	/R	01-	1 IXN3		D12	dark grey			
	VRK	black					T12	brown/natural			
	C51	graphite grey					P12	cinnamon brown			
	S31	savanna				4	996 552 984 01	side vent rootwood light leather	/L	01-	1 IXKB
	G11	metropole blue					VRK	black			
	J31	nephrite green					C51	graphite grey			
	M31	boxster red					S31	savanna			
	D12	dark grey					J31	nephrite green			
	T12	brown/natural					M31	boxster red			
	P12	cinnamon brown					G11	metropole blue			
4	996 552 984 03	side vent carbon leather	/L	01-	1 IXKD		D12	dark grey			
	VRK	black					T12	brown/natural			
	C51	graphite grey					P12	cinnamon brown			
	S31	savanna				(4)	996 552 985 01	side vent rootwood light leather	/R	01-	1 IXKB
	J31	nephrite green					VRK	black			
	M31	boxster red					C51	graphite grey			
	G11	metropole blue					S31	savanna			
	D12	dark grey									
	T12	brown/natural									

Model	Year	MG	SG	Illustration	Restrictions	UPD	14:18	24.01.2010	PORSCHE	PET	PORSCHE
996	2005	8	09	809-01		248					

Pos	Part Number	Description	Remark	Qty	Model	Pos	Part Number	Description	Remark	Qty	Model
	J31	nephrite green				4	996 552 984 03	side vent carbon leather	/L	01-	1 IXKD
	M31	boxster red									
	G11	metropole blue					VRK	black			
	D12	dark grey					C51	graphite grey			
	T12	brown/natural					S31	savanna			
	P12	cinnamon brown					J31	nephrite green			
4	996 552 984 02	side vent rootwood dark leather	/L	01-	1 IXKC		M31	boxster red			
	VRK	black					G11	metropole blue			
	C51	graphite grey					D12	dark grey			
	S31	savanna					T12	brown/natural			
	J31	nephrite green					P12	cinnamon brown			
	M31	boxster red				(4)	996 552 985 03	side vent carbon leather	/R	01-	1 IXKD
	G11	metropole blue									
	D12	dark grey					VRK	black			
	T12	brown/natural					C51	graphite grey			
	P12	cinnamon brown					S31	savanna			
(4)	996 552 985 02	side vent rootwood dark leather	/R	01-	1 IXKC		J31	nephrite green			
	VRK	black					M31	boxster red			
	C51	graphite grey					G11	metropole blue			
	S31	savanna					D12	dark grey			
	J31	nephrite green					T12	brown/natural			
	M31	boxster red					P12	cinnamon brown			
	G11	metropole blue				4	996 552 984 05	side vent arctic silver leather	/L	01-	1 IXKE
	D12	dark grey									
	T12	brown/natural					VRK	black			
	P12	cinnamon brown					C51	graphite grey			
							S31	savanna			
							J31	nephrite green			
							M31	boxster red			

Model	Year	MG	SG	Illustration	Restrictions	UPD	14:18	24.01.2010	PORSCHE	PET	PORSCHE
996	2005	8	09	809-01		248					

Pos	Part Number	Description	Remark	Qty	Model	Pos	Part Number	Description	Remark	Qty	Model
	G11	metropole blue					C51	graphite grey			
	D12	dark grey					S31	savanna			
	T12	brown/natural					J31	nephrite green			
	P12	cinnamon brown					M31	boxster red			
(4)	996 552 985 05	side vent arctic silver leather	/R	01-	1 IXKE		G11	metropole blue			
	VRK	black					D12	dark grey			
	C51	graphite grey					T12	brown/natural			
	S31	savanna				5	996 552 986 01	cover headlight levelling system rootwood light		01	2 IXKB
	J31	nephrite green									
	M31	boxster red				5	996 552 986 02	cover headlight levelling system rootwood dark		01	2 IXKC
	G11	metropole blue									
	D12	dark grey				5	996 552 986 03	cover headlight levelling system carbon		01	2 IXKD
	T12	brown/natural									
	P12	cinnamon brown				6	996 552 417 02	rosette interior sensor lacquered			1
5	996 552 621 01	cover headlight levelling system lacquered			1		D05	granite grey		-99	
	D05	granite grey					A03	black		00-	
	A03	black					C53	graphite grey		00-	
	C53	graphite grey					S33	savanna		00-	
	S33	savanna					G13	metropole blue		00-	
	G13	metropole blue					B13	space grey		00	
	B13	space grey					J33	nephrite green		00-	
	J33	nephrite green					M33	boxster red		00-	
	M33	boxster red					P13	cinnamon brown		01-	
	P13	cinnamon brown									
5	996 552 986 00	cover headlight levelling system leather		01-	1 IXNH/XN3	6	996 552 987 00	rosette interior sensor leather		01-	1 IXNH
	A11	black					A11	black			

Model	Year	MG	SG	Illustration	Restrictions	UPD	14:18	24.01.2010	PORSCHE	PET	PORSCHE
996	2005	8	09	809-01		248					

Pos	Part Number	Description	Remark	Qty	Model	Pos	Part Number	Description	Remark	Qty	Model
	C51	graphite grey					A03	black	00-		
	S31	savanna					C53	graphite grey	00-		
	J31	nephrite green					S33	savanna	00-		
	M31	boxster red					G13	metropole blue	00-		
	G11	metropole blue					B13	space grey	00		
	D12	dark grey					J33	nephrite green	00-		
	T12	brown/natural					M33	boxster red	00-		
	P12	cinnamon brown					P13	cinnamon brown	01-		
7	999 919 120 09	oval-head screw 4,0 X 18		-00	4	10	996 552 980 00	rosette ignition starter lock leather	/LL	01-	1 IXJ4
7	999 073 218 09	tapping screw 4,2 X 16		01-	4		A11	black			
8	986 552 183 00	support	/L	-99	1		C51	graphite grey			
	01C	satin black					S31	savanna			
(8)	986 552 184 00	support beverages	/R	-99	1		G11	metropole blue			
	01C	satin black					J31	nephrite green			
10	996 552 235 03	rosette ignition starter lock	/LL		1		M31	boxster red			
	D05	granite grey		-99			P12	cinnamon brown			
	A03	black		00-			D12	dark grey/natural			
	C53	graphite grey		00-		(10)	996 552 980 01	rosette ignition starter lock leather	/RL	01-	1 IXJ4
	S33	savanna		00-			A11	black			
	G13	metropole blue		00-			C51	graphite grey			
	B13	space grey		00			S31	savanna			
	J33	nephrite green		00-			G11	metropole blue			
	M33	boxster red		00-			J31	nephrite green			
	P13	cinnamon brown		01-			M31	boxster red			
(10)	996 552 236 03	rosette ignition starter lock	/RL		1		P12	cinnamon brown			
	D05	granite grey		-99			D12	dark grey/natural			

Model	Year	MG	SG	Illustration	Restrictions	UPD	14:18	24.01.2010	PORSCHE	PET	PORSCHE
996	2005	8	09	809-01		248					

Pos	Part Number	Description	Remark	Qty	Model	Pos	Part Number	Description	Remark	Qty	Model
11	996 552 271 03	T12 brown/natural cover steering		1			C53 graphite grey		00-		
	A03	black					S33 savanna		00-		
	C53	graphite grey					G13 metropole blue		00-		
	S33	savanna					B13 space grey		00		
	G13	metropole blue					J33 nephrite green		00-		
	J33	nephrite green					M33 boxster red		00-		
	M33	boxster red					P13 cinnamon brown		01		
	P13	cinnamon brown				(13)	996 552 131 05	support frame	99-01	1	M662
							EJK granite grey		99		
11	986 552 988 03	cover steering leather	01-	1	IXNS		A03 black		00-		
	VRK	black					C53 graphite grey		00-		
	S31	savanna					S33 savanna		00-		
	G11	metropole blue					G13 metropole blue		00-		
	J31	nephrite green					B13 space grey		00		
	M31	boxster red					J33 nephrite green		00-		
	D12	dark grey/natural					M33 boxster red		00-		
	T12	brown/natural				(13)	P13 cinnamon brown		01		
	C51	graphite grey					996 552 969 08	support frame	01	1	IXNN
	P12	cinnamon brown					A11 black				
12	999 919 123 09	oval-head screw 5,0 X 20		8			C51 graphite grey				
13	996 552 131 02	support frame	98	1			S31 savanna				
	EJK	granite grey					S31 savanna				
(13)	996 552 131 03	support frame	98	1	M662		G11 metropole blue				
	EJK	granite grey					J31 nephrite green				
13	996 552 131 04	support frame	99-01	1			M31 boxster red				
	EJK	granite grey	99				D12 dark grey				
	A03	black	00-				T12 brown/natural				
							P12 cinnamon brown				

Model	Year	MG	SG	Illustration	Restrictions	UPD	14:18	24.01.2010	PORSCHE	PET	PORSCHE
996	2005	8	09	809-01		248					

Pos	Part Number	Description	Remark	Qty	Model	Pos	Part Number	Description	Remark	Qty	Model
(13)	996 552 969 09	support frame leather	01	1	IXNN/M662		M33	boxster red			
	A11	black					D12	dark grey	00-		
	C51	graphite grey					T12	brown/natural	00-		
	S31	savanna					P13	cinnamon brown	01		
	S31	savanna				(13)	996 552 969 12	support frame rootwood	01	1	IXKS
	G11	metropole blue					01C	satin black			
	J31	nephrite green					C53	graphite grey			
	M31	boxster red					S33	savanna			
	D12	dark grey					G13	metropole blue			
	T12	brown/natural					J33	nephrite green			
	P12	cinnamon brown					M33	boxster red			
(13)	996 552 969 10	support frame rootwood	01	1	IXKR		D12	dark grey			
	01C	satin black					T12	brown/natural			
	C53	graphite grey					P13	cinnamon brown			
	S33	savanna				(13)	996 552 969 13	support frame dark rootwood	01	1	IXKS/M662
	G13	metropole blue					01C	satin black			
	J33	nephrite green					C53	graphite grey			
	M33	boxster red					S33	savanna			
	D12	dark grey	00-				G13	metropole blue			
	T12	brown/natural	00-				J33	nephrite green			
	P13	cinnamon brown	01				M33	boxster red			
(13)	996 552 969 11	support frame light rootwood	01	1	IXKR/M662		D12	dark grey			
	01C	satin black					T12	brown/natural			
	C53	graphite grey					P13	cinnamon brown			
	S33	savanna				(13)	996 552 969 14	support frame carbon	01	1	IXNR
	G13	metropole blue					01C	satin black			
	J33	nephrite green					C53	graphite grey			

Model	Year	MG	SG	Illustration	Restrictions	UPD	14:18	24.01.2010	PORSCHE	PET	PORSCHE
996	2005	8	09	809-01		248					

Pos	Part Number	Description	Remark	Qty	Model	Pos	Part Number	Description	Remark	Qty	Model
	S33	savanna				(15)	999 507 768 02	speed nut 4,2		01	16
	G13	metropole blue				(15)	999 507 767 02	speed nut 4,2		01	2
	J33	nephrite green				16	999 919 123 09	oval-head screw 5,0 X 20		-00	4
	M33	boxster red				16	999 073 218 09	tapping screw 4,2 X 16		01	4
	D12	dark grey	00-			17	996 653 241 00	interior sensor side vent			1 M573
	T12	brown/natural	00-			18	--- --- --- --	see group 4/03/06			1
(13)	996 552 969 15	support frame carbon		01	1 IXNR/M662	19	996 552 233 03	trim for switch upper part/lower part	/L	98	1
	01C	satin black					D05	granite grey/granite grey			
	C53	graphite grey					EFY	granite grey/graphite grey			
	S33	savanna					EFZ	granite grey/savanna			
	G13	metropole blue					EJG	granite grey/metrop. blue			
	J33	nephrite green					EJH	granite grey/space grey			
	M33	boxster red				19	996 552 233 04	trim for switch upper part/lower part	/L	99-01	1
	D12	dark grey	00-				D05	granite grey/granite grey		99	
	T12	brown/natural	00-				EFY	granite grey/graphite grey		99	
	P13	cinnamon brown		01			EFZ	granite grey/savanna		99	
(13)	996 552 969 16	support frame arctic silver		01	1 IXKW		EJG	granite grey/metrop. blue		99	
	92T	arctic silver					EJH	granite grey/space grey		99	
(13)	996 552 969 17	support frame arctic silver		01	1 IXKW/M662		A03	black		00-	
	92T	arctic silver					C53	graphite grey		00-	
14	999 507 533 02	clamp 8/2,5		4			S33	savanna		00-	
(15)	999 920 015 40	plug-in nut 4,0 X 4,0 X 9		-99	11		G13	metropole blue		00-	
15	999 920 012 40	plug-in nut 5,0 X 3,5 X 8		4			B13	space grey		00	
(15)	999 507 744 01	speed nut 4,2		-00	18		J33	nephrite green		00-	
							M33	boxster red		00-	

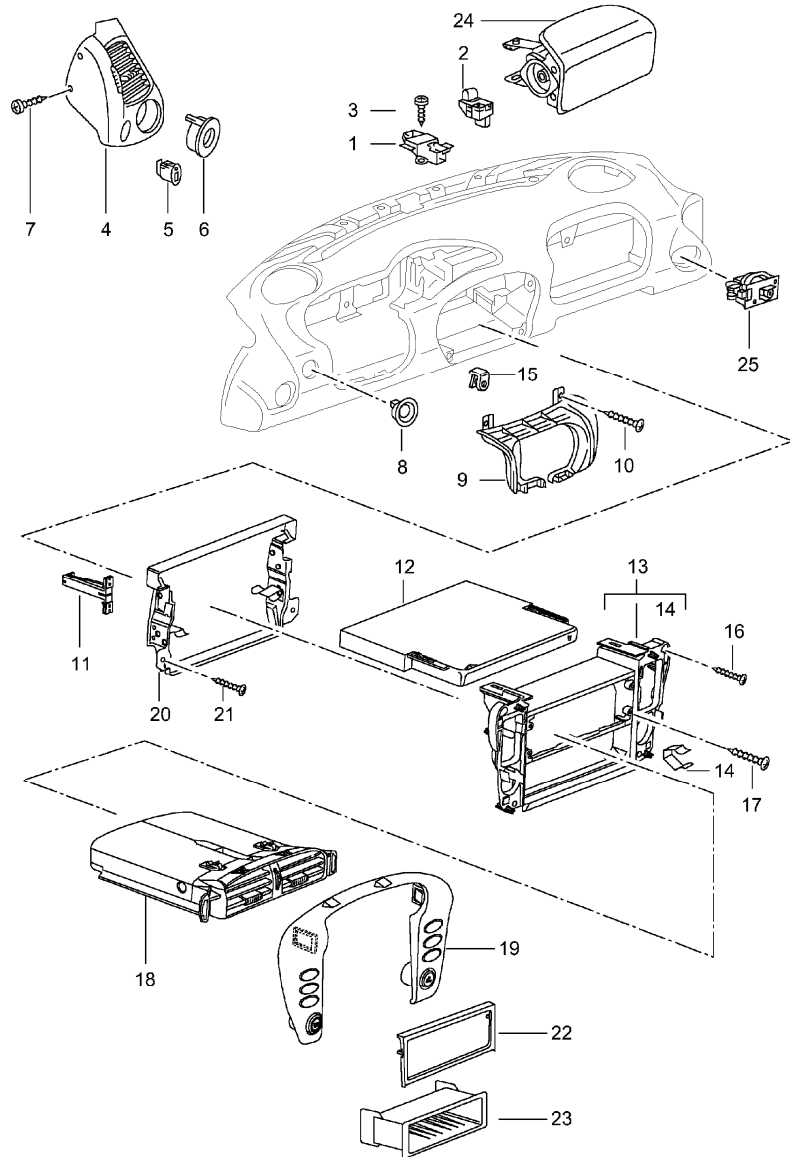
Model	Year	MG	SG	Illustration	Restrictions	UPD	14:18	24.01.2010	PORSCHE	PET	PORSCHE
996	2005	8	09	809-01		248					

Pos	Part Number	Description	Remark	Qty	Model	Pos	Part Number	Description	Remark	Qty	Model
	P13	cinnamon brown		01			EJH	granite grey/space grey		99	
19	996 552 967 04	trim for switch leather	/L	01	1 IXNN		A03	black			
	A11	black					C53	graphite grey		00-	
	C51	graphite grey					S33	savanna		00-	
	S31	savanna					G13	metropole blue		00-	
	G11	metropole blue					B13	space grey		00	
	J31	nephrite green					J33	nephrite green		00-	
	M31	boxster red					M33	boxster red		00-	
	D12	dark grey					P13	cinnamon brown		01	
	T12	brown/natural				21	996 552 968 04	trim for switch leather	/R	01	1 IXNN
	P12	cinnamon brown					A11	black			
19	996 552 967 05	trim for switch rootwood light	/L	01	1 IXKR		C51	graphite grey			
	S31	savanna					S31	savanna			
19	996 552 967 06	trim for switch rootwood dark	/L	01	1 IXKS		G11	metropole blue			
	J31	nephrite green					J31	nephrite green			
19	996 552 967 07	trim for switch carbon	/L	01	1 IXNR		M31	boxster red			
	D12	dark grey					D12	dark grey			
21	996 552 234 03	trim for switch upper part/lower part	/R	98	1		T12	brown/natural			
	D05	granite grey/granite grey					P12	cinnamon brown			
	EFY	granite grey/graphite grey				21	996 552 968 05	trim for switch rootwood light	/R	01	1 IXKR
	EFZ	granite grey/savanna									
	EJG	granite grey/metrop. blue				21	996 552 968 06	trim for switch rootwood dark	/R	01	1 IXKS
	EJH	granite grey/space grey									
21	996 552 234 04	trim for switch upper part/lower part	/R	99-01	1	21	996 552 968 07	trim for switch carbon	/R	01	1 IXNR
	D05	granite grey/granite grey		99		22	996 552 153 01	support frame heating		01-	1 M574
	EFY	granite grey/graphite grey		99			01C	satin black			
	EFZ	granite grey/savanna		99							
	EJG	granite grey/metrop. blue		99							

Model	Year	MG	SG	Illustration	Restrictions	UPD	14:18	24.01.2010	PORSCHE	PET	PORSCHE
996	2005	8	09	809-01		248					

Pos	Part Number	Description	Remark	Qty	Model	Pos	Part Number	Description	Remark	Qty	Model
22	996 552 991 00	support frame heating leather		1	IXXW/XNN M574		D12	dark grey			
	A11	black					T12	brown/natural			
	C51	graphite grey					P12	cinnamon brown			
	S31	savanna				27	996 552 173 00	shelf	-99	1	
	J31	nephrite green					01C	satin black			
	M31	boxster red				27	996 552 173 01	shelf driver's side lacquered		1	
	G11	metropole blue					A03	black	00-		
	D12	dark grey					S30	savanna	-99		
	T12	brown/natural					C50	graphite grey	-99		
	P12	cinnamon brown					G10	metropole blue	-99		
23	996 552 677 00	frame air-conditioning switch		1			B50	space grey	-99		
	01C	satin black					C53	graphite grey	00-		
24	996 552 673 02	retaining bar		1			S33	savanna	00-		
(24)	996 552 653 01	retaining bar		1	M662		G13	metropole blue	00-		
25	999 919 123 09	oval-head screw 5,0 X 20	-00	2			B13	space grey	00		
25	999 073 218 09	tapping screw 4,2 X 16	01-	2			J33	nephrite green	00-		
26	996 552 253 01	shelf instead of radio		1			M33	boxster red	00-		
	01C	satin black					P13	cinnamon brown	01-		
26	996 552 994 01	shelf leather	01-	1	IXMF	(28)	999 591 712 40	expansion rivet 6,0 X 12,0		2	
	A11	black									
	C51	graphite grey									
	S31	savanna									
	J31	nephrite green									
	M31	boxster red									
	G11	metropole blue									

Model	Year	MG	SG	Illustration	Restrictions	UPD	14:18	24.01.2010	PORSCHE	PET	PORSCHE
996	2005	8	09	809-02		248					



Pos	Part Number	Description	Remark	Qty	Model
1	996 552 541 02	accessories dashboard trim mounting light	02-	1	
2	996 653 251 00	sensor		1	M534/535
3	999 919 120 09	oval-head screw 4,0 X 18		2	
4	996 552 225 06	side vent lacquered	/L	1	
	A03	black			
	C53	graphite grey			
	S33	savanna			
	G13	metropole blue			
	J33	nephrite green			
	M33	boxster red			
	P13	cinnamon brown			
(4)	996 552 228 06	side vent lacquered	/R	1	
	A03	black			
	C53	graphite grey			
	S33	savanna			
	G13	metropole blue			
	J33	nephrite green			
	M33	boxster red			
	P13	cinnamon brown			
4	996 552 984 00	side vent leather	/L	1	IXN3
	VRK	black			
	C51	graphite grey			
	S31	savanna			
	G11	metropole blue			
	J31	nephrite green			

Model	Year	MG	SG	Illustration	Restrictions	UPD	14:18	24.01.2010	PORSCHE	PET	PORSCHE
996	2005	8	09	809-02		248					

Pos	Part Number	Description	Remark	Qty	Model	Pos	Part Number	Description	Remark	Qty	Model
	M31	boxster red					VRK	black			
	D12	dark grey					C51	graphite grey			
	T12	brown/natural					S31	savanna			
	P12	cinnamon brown					J31	nephrite green			
(4)	996 552 985 00	side vent leather	/R	1	IXN3		M31	boxster red			
	VRK	black					G11	metropole blue			
	C51	graphite grey					D12	dark grey			
	S31	savanna					T12	brown/natural			
	G11	metropole blue					P12	cinnamon brown			
	J31	nephrite green				4	996 552 984 02	side vent rootwood dark leather	/L	1	IXKC
	M31	boxster red					VRK	black			
	D12	dark grey					C51	graphite grey			
	T12	brown/natural					S31	savanna			
	P12	cinnamon brown					J31	nephrite green			
4	996 552 984 01	side vent rootwood light leather	/L	1	IXKB		M31	boxster red			
	VRK	black					G11	metropole blue			
	C51	graphite grey					D12	dark grey			
	S31	savanna					T12	brown/natural			
	J31	nephrite green					P12	cinnamon brown			
	M31	boxster red				(4)	996 552 985 02	side vent rootwood dark leather	/R	1	IXKC
	G11	metropole blue					VRK	black			
	D12	dark grey					C51	graphite grey			
	T12	brown/natural					S31	savanna			
	P12	cinnamon brown					J31	nephrite green			
(4)	996 552 985 01	side vent rootwood light leather	/R	1	IXKB		M31	boxster red			
							G11	metropole blue			

Model	Year	MG	SG	Illustration	Restrictions	UPD	14:18	24.01.2010	PORSCHE	PET	PORSCHE
996	2005	8	09	809-02		248					

Pos	Part Number	Description	Remark	Qty	Model	Pos	Part Number	Description	Remark	Qty	Model				
4	996 552 984 03	D12	dark grey	/L	1	IXKD	S31	savanna							
		T12	brown/natural				J31	nephrite green							
		P12	cinnamon brown				M31	boxster red							
			side vent carbon leather				G11	metropole blue							
		VRK	black				D12	dark grey							
		C51	graphite grey				T12	brown/natural							
		S31	savanna				P12	cinnamon brown							
		J31	nephrite green				(4) 996 552 985 05	side vent arctic silver leather				/R	1	IXKE	
		M31	boxster red				VRK	black							
		G11	metropole blue				C51	graphite grey							
(4)	996 552 985 03	D12	dark grey	/R	1	IXKD	S31	savanna							
		T12	brown/natural				J31	nephrite green							
		P12	cinnamon brown				M31	boxster red							
			side vent carbon leather				G11	metropole blue							
		VRK	black				D12	dark grey							
		C51	graphite grey				T12	brown/natural							
		S31	savanna				P12	cinnamon brown							
		J31	nephrite green				4 996 552 984 07	side vent aluminium look leather				/L	03-	1	IXCC
		M31	boxster red				VRK	black							
		G11	metropole blue				C51	graphite grey							
4	996 552 984 05	D12	dark grey	/L	1	IXKE	S31	savanna							
		T12	brown/natural				G11	metropole blue							
		P12	cinnamon brown				J31	nephrite green							
			side vent arctic silver leather				M31	boxster red							
		VRK	black				P12	cinnamon brown							
		C51	graphite grey				D12	dark grey/natural							
							T12	brown/natural							

Model	Year	MG	SG	Illustration	Restrictions	UPD	14:18	24.01.2010	PORSCHE	PET	PORSCHE
996	2005	8	09	809-02		248					

Pos	Part Number	Description	Remark	Qty	Model	Pos	Part Number	Description	Remark	Qty	Model
(4)	996 552 985 07	side vent aluminium look leather	/R 03-	1	IXCC		T12	brown/natural			
	VRK	black					P12	cinnamon brown			
	C51	graphite grey				5	996 552 986 01	cover headlight levelling system rootwood light		2	IXKB
	S31	savanna				5	996 552 986 02	cover headlight levelling system rootwood dark		2	IXKC
	G11	metropole blue				5	996 552 986 03	cover headlight levelling system carbon		2	IXKD
	J31	nephrite green				6	996 552 417 02	rosette interior sensor lacquered		1	
	M31	boxster red					A03	black			
	P12	cinnamon brown					C53	graphite grey			
	D12	dark grey/natural					S33	savanna			
	T12	brown/natural					G13	metropole blue			
5	996 552 621 01	cover headlight levelling system lacquered		1			J33	nephrite green			
	A03	black					M33	boxster red			
	C53	graphite grey					P13	cinnamon brown			
	S33	savanna				6	996 552 987 00	rosette interior sensor leather		1	IXNH
	G13	metropole blue					A11	black			
	J33	nephrite green					C51	graphite grey			
	M33	boxster red					S31	savanna			
	P13	cinnamon brown					J31	nephrite green			
5	996 552 986 00	cover headlight levelling system leather		1	IXNH		M31	boxster red			
	A11	black					G11	metropole blue			
	C51	graphite grey					D12	dark grey			
	S31	savanna					T12	brown/natural			
	J31	nephrite green					P12	cinnamon brown			
	M31	boxster red									
	G11	metropole blue									
	D12	dark grey									

Model	Year	MG	SG	Illustration	Restrictions	UPD	14:18	24.01.2010	PORSCHE	PET	PORSCHE
996	2005	8	09	809-02		248					

Pos	Part Number	Description	Remark	Qty	Model	Pos	Part Number	Description	Remark	Qty	Model
7	999 073 218 09	tapping screw 4,2 X 16		4			T12	brown/natural			
8	996 552 235 03	rosette ignition starter lock	/LL	1		(8)	996 552 980 01	rosette ignition starter lock leather	/RL	1	IXJ4
	A03	black					A11	black			
	C53	graphite grey					C51	graphite grey			
	S33	savanna					S31	savanna			
	G13	metropole blue					G11	metropole blue			
	J33	nephrite green					J31	nephrite green			
	M33	boxster red					M31	boxster red			
	P13	cinnamon brown					P12	cinnamon brown			
(8)	996 552 236 03	rosette ignition starter lock	/RL	1			D12	dark grey/natural			
	A03	black					T12	brown/natural			
	C53	graphite grey				9	996 552 271 03	cover steering		1	
	S33	savanna					A03	black			
	G13	metropole blue					C53	graphite grey			
	J33	nephrite green					S33	savanna			
	M33	boxster red					G13	metropole blue			
	P13	cinnamon brown					J33	nephrite green			
8	996 552 980 00	rosette ignition starter lock leather	/LL	1	IXJ4		M33	boxster red			
	A11	black					P13	cinnamon brown			
	C51	graphite grey				9	986 552 988 03	cover steering leather		1	IXNS
	S31	savanna					VRK	black			
	G11	metropole blue					S31	savanna			
	J31	nephrite green					G11	metropole blue			
	M31	boxster red					J31	nephrite green			
	P12	cinnamon brown					M31	boxster red			
	D12	dark grey/natural					D12	dark grey/natural			

Model	Year	MG	SG	Illustration	Restrictions	UPD	14:18	24.01.2010	PORSCHE	PET	PORSCHE
996	2005	8	09	809-02		248					

Pos	Part Number	Description	Remark	Qty	Model	Pos	Part Number	Description	Remark	Qty	Model
	T12	brown/natural					M31	boxster red			
	C51	graphite grey					P12	cinnamon brown			
	P12	cinnamon brown					D12	dark grey/natural			
10	999 919 123 09	oval-head screw 5,0 X 20		8			T12	brown/natural			
11	996 573 501 00	adapter		2		13	996 552 231 11	support frame		1	
12	996 552 183 00	support beverages	/LL	1			01C	satin black			
	01C	satin black				(13)	996 552 231 13	support frame	02	1	M662
(12)	996 552 184 00	support beverages	/RL	1		(13)	996 552 231 12	support frame	03-	1	M665
	01C	satin black					01C	satin black			
12	996 552 958 00	support beverages leather	/LL	1	IXKR/XKS/XNN	13	996 552 969 25	support frame leather		1	IXNN
	A11	black					A11	black			
	C51	graphite grey					C51	graphite grey			
	S31	savanna					S31	savanna			
	G11	metropole blue					G11	metropole blue			
	J31	nephrite green					J31	nephrite green	-03		
	M31	boxster red					M31	boxster red			
	P12	cinnamon brown					D12	dark grey			
	D12	dark grey/natural					T12	brown/natural			
	T12	brown/natural					P12	cinnamon brown			
(12)	996 552 958 01	support beverages leather	/RL	1	IXKR/XKS/XNN	(13)	996 552 969 27	support frame leather	02	1	IXNN/M662
	A11	black					A11	black			
	C51	graphite grey					C51	graphite grey			
	S31	savanna					S31	savanna			
	G11	metropole blue					G11	metropole blue			
	J31	nephrite green					J31	nephrite green	-03		
	M31	boxster red					M31	boxster red			
	D12	dark grey					D12	dark grey			

Model	Year	MG	SG	Illustration	Restrictions	UPD	14:18	24.01.2010	PORSCHE	PET	PORSCHE
996	2005	8	09	809-02		248					

Pos	Part Number	Description	Remark	Qty	Model	Pos	Part Number	Description	Remark	Qty	Model
	T12	brown/natural				15	999 507 768 02	speed nut 4,2		16	
	P12	cinnamon brown				(15)	999 507 767 02	speed nut 4,2	01-	2	
(13)	996 552 969 26	support frame leather	03-	1	IXNN/M665	16	999 073 218 09	tapping screw 4,2 X 16		4	
	A11	black				17	900 143 076 09	tapping screw 4,2 X 25		2	M573
	C51	graphite grey				18	996 552 263 01	centre nozzle		1	
	S31	savanna					01C	satin black			
	G11	metropole blue				--	999 507 770 09	clamp 2,5		2	
	J31	nephrite green	-03			18	996 552 950 00	centre nozzle		1	IXKR/XKS/XNN IXNR
	M31	boxster red					A11	black			
	D12	dark grey					C51	graphite grey			
13	996 552 969 28	support frame rootwood light	02-	1	IXKR		S31	savanna			
(13)	996 552 969 30	support frame rootwood light	02	1	IXKR/M662		G11	metropole blue			
(13)	996 552 969 29	support frame rootwood light	03-	1	IXKR/M665		J31	nephrite green			
13	996 552 969 31	support frame rootwood dark	02-	1	IXKS		M31	boxster red			
(13)	996 552 969 33	support frame rootwood dark	02	1	IXKS/M662	18	996 552 951 00	centre nozzle aluminium look	03-	1	IXCD
(13)	996 552 969 32	support frame rootwood dark	03-	1	IXKS/M665		A11	black			
13	996 552 969 34	support frame carbon	02-	1	IXNR		C51	graphite grey			
(13)	996 552 969 36	support frame carbon	02	1	IXNR/M662		S31	savanna			
(13)	996 552 969 35	support frame carbon	03-	1	IXNR/M665		G11	metropole blue			
							J31	nephrite green			
							M31	boxster red			
							P12	cinnamon brown			

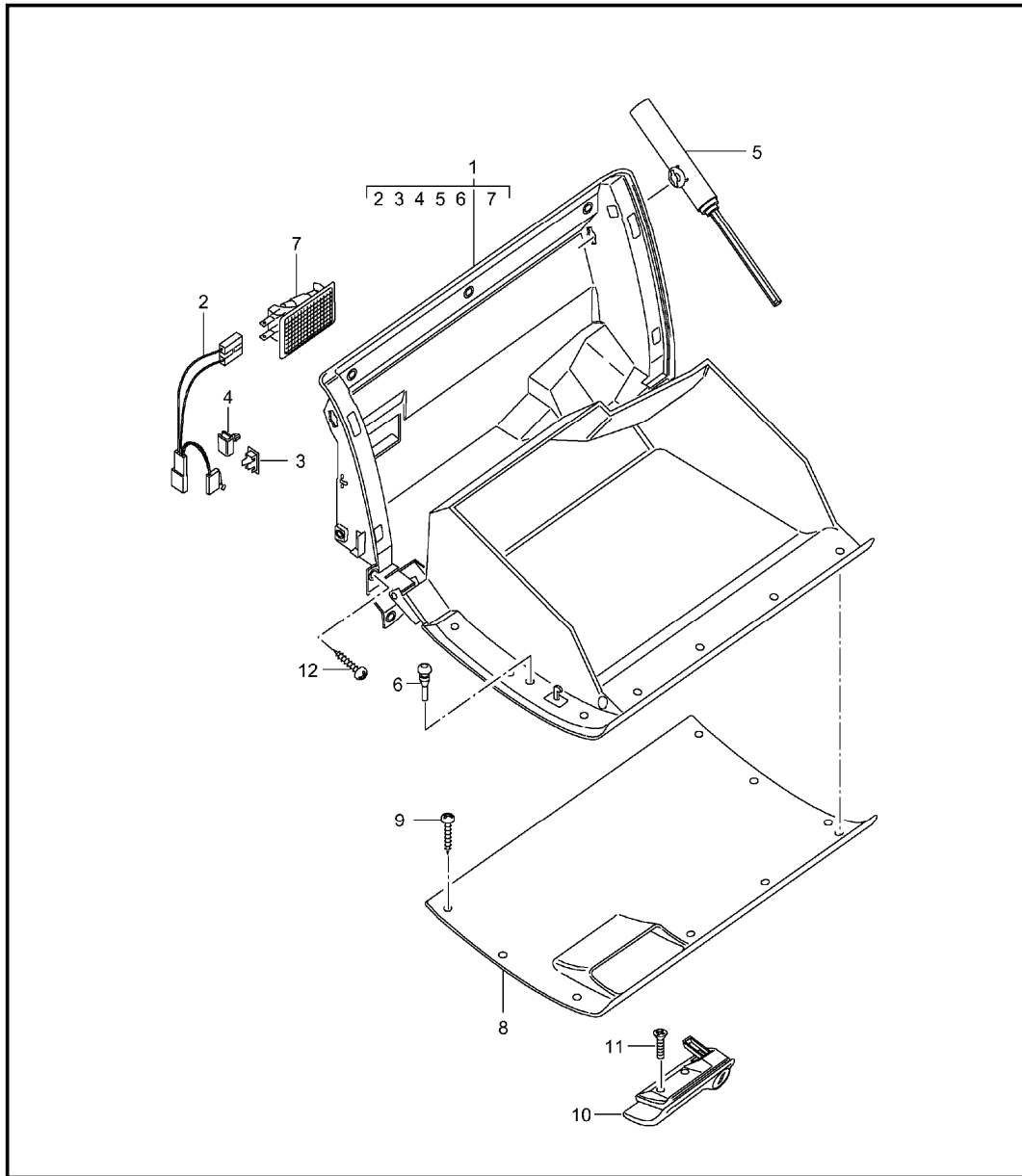
Model	Year	MG	SG	Illustration	Restrictions	UPD	14:18	24.01.2010	PORSCHE	PET	PORSCHE
996	2005	8	09	809-02		248					

Pos	Part Number	Description	Remark	Qty	Model	Pos	Part Number	Description	Remark	Qty	Model
	D12	dark grey/natural				(20)	996 552 653 03	retaining bar	02	1	M662
	T12	brown/natural				(20)	996 552 653 02	retaining bar	03-	1	M665
19	996 552 233 06	trim for switch lacquered		1		21	999 073 218 09	tapping screw 4,2 X 16		2	
	A03	black				22	986 552 153 00	frame		1	M574
	C53	graphite grey					01C	satin black			
	S33	savanna				22	996 552 677 01	frame		1	M573
	G13	metropole blue					01C	satin black			
	J33	nephrite green	-03			22	996 552 992 00	frame		1	IXKW/XNN/M573
	M33	boxster red						air-conditioning switch leather			
	P13	cinnamon brown					A11	black			
19	996 552 967 08	trim for switch leather		1	IXNN		C51	graphite grey			
	A11	black					S31	savanna			
	C51	graphite grey					G11	metropole blue			
	S31	savanna					J31	nephrite green			
	G11	metropole blue					M31	boxster red			
	J31	nephrite green					D12	dark grey/natural			
	M31	boxster red					T12	brown/natural			
	D12	dark grey					P12	cinnamon brown			
	T12	brown/natural				23	996 552 253 01	shelf instead of radio		1	
	P12	cinnamon brown					01C	satin black			
19	996 552 967 09	trim for switch rootwood light		1	IXKR	23	996 552 994 01	shelf leather	02	1	IXMF
19	996 552 967 10	trim for switch rootwood dark		1	IXKS		A11	black			
19	996 552 967 11	trim for switch carbon		1	IXNR		C51	graphite grey			
19	996 552 967 13	trim for switch arctic silver		1	IXKW		S31	savanna			
20	996 552 673 03	retaining bar		1			J31	nephrite green			
							M31	boxster red			

Model	Year	MG	SG	Illustration	Restrictions	UPD	14:18	24.01.2010	PORSCHE	PET	PORSCHE
996	2005	8	09	809-02		248					

Pos	Part Number	Description	Remark	Qty	Model	Pos	Part Number	Description	Remark	Qty	Model
	G11	metropole blue									
	D12	dark grey									
	T12	brown/natural									
	P12	cinnamon brown									
24	--- --- --- --	see group 4/03/06		1							
25	996 653 241 00	interior sensor		1							

Model	Year	MG	SG	Illustration	Restrictions	UPD	14:18	24.01.2010	PORSCHE	PET	PORSCHE
996	2005	8	09	809-03		248					

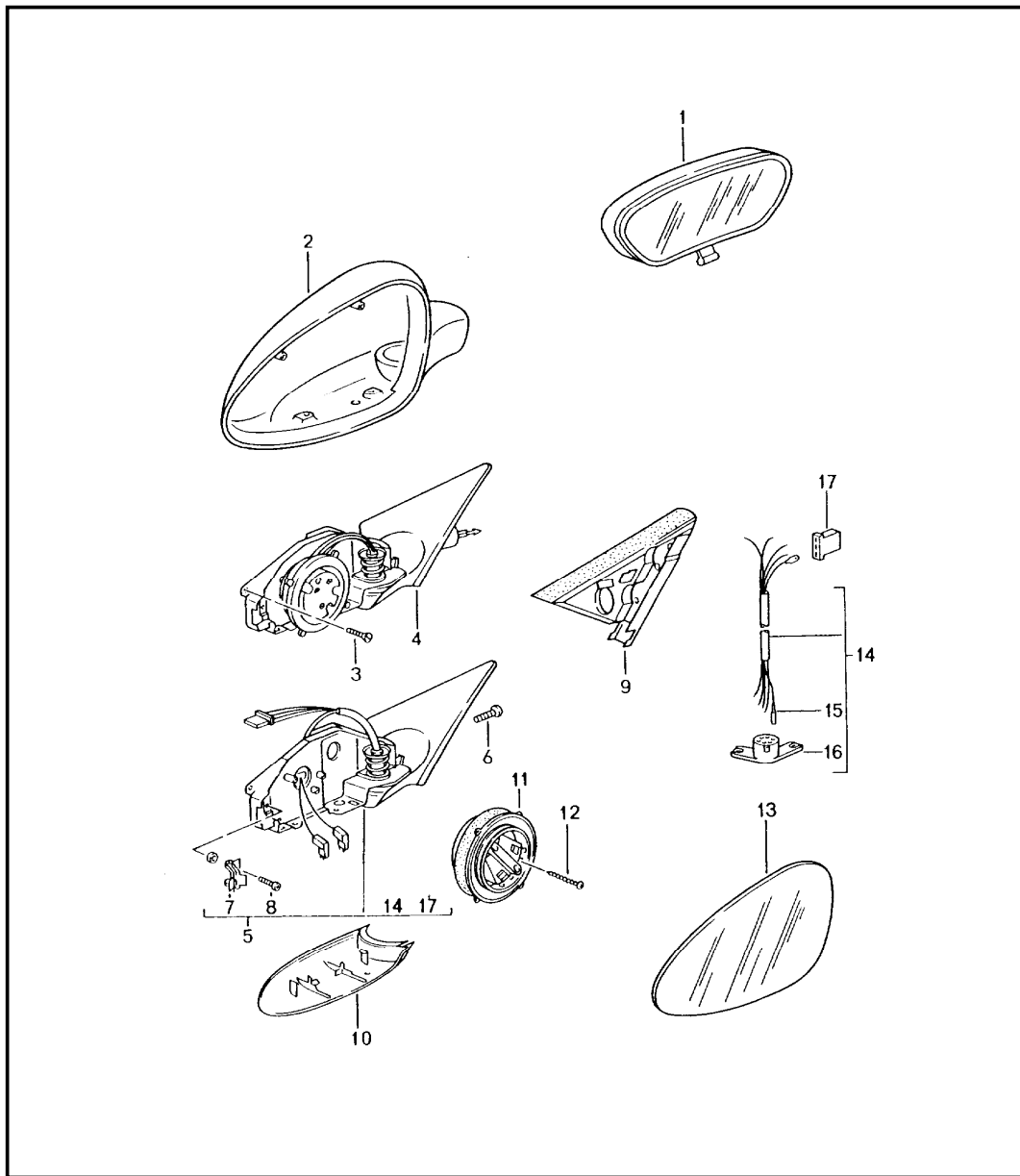


Pos	Part Number	Description	Remark	Qty	Model
		glove compartment	02-		
1	996 552 119 00	glove compartment	/LL	1	
	01C	satin black			
(1)	996 552 120 00	glove compartment	/RL	1	
	01C	satin black			
2	996 622 501 00	wiring harness		1	
3	999 650 564 40	clip for wiring harness microswitch		1	
4	999 650 565 40	clip for wiring harness		1	
5	996 552 779 00	damper		2	
6	999 703 491 50	buffer 7 X 9,5 X 19,5		2	
7	928 632 101 00	glove compartment light		1	
8	996 552 133 00	glove compartment cover leatherette	/LL	1	
	A12	black			
	C52	graphite grey			
	S32	savanna			
	G12	metropole blue			
	J32	nephrite green			
(8)	996 552 134 00	glove compartment cover leatherette	/RL	1	
	A12	black			
	C52	graphite grey			
	S32	savanna			
	G12	metropole blue			
	J32	nephrite green			
8	996 552 133 01	glove compartment cover leather	/LL	1	

Model	Year	MG	SG	Illustration	Restrictions	UPD	14:18	24.01.2010	PORSCHE	PET	PORSCHE
996	2005	8	09	809-03		248					

Pos	Part Number	Description	Remark	Qty	Model	Pos	Part Number	Description	Remark	Qty	Model
	A11	black				(10)	996 552 350 01	handle	/RL 03-	1	
	C51	graphite grey					V03	silver			
	S31	savanna				--	996 552 915 00	lock cylinder		1	
	G11	metropole blue						glove compartment			
	J31	nephrite green						vehicle identification no.			
	M31	boxster red				11	999 073 240 02	screw		2	
	P12	cinnamon brown						M 4 X 10			
	D12	dark grey				12	999 073 169 07	tapping screw		7	
	T12	brown/natural						4,8 X 16			
(8)	996 552 134 01	glove compartment cover leather	/RL	1		13	996 552 879 00	adapter for damper	02-	2	
	A11	black									
	C51	graphite grey									
	S31	savanna									
	G11	metropole blue									
	J31	nephrite green									
	M31	boxster red									
	P12	cinnamon brown									
	D12	dark grey									
	T12	brown/natural									
9	999 073 249 07	tapping screw 3,5 X 11		02	11						
9	999 073 308 07	tapping screw 3,5 X 12		03-	11						
10	996 552 349 00	handle	/LL	02	1						
	V01	silver									
(10)	996 552 350 00	handle	/RL	02	1						
	V01	silver									
10	996 552 349 01	handle	/LL	03-	1						
	V03	silver									

Model	Year	MG	SG	Illustration	Restrictions	UPD	14:19	24.01.2010	PORSCHE	PET	PORSCHE
996	2005	8	09	809-10		248					



Pos	Part Number	Description	Remark	Qty	Model
1	996 731 511 01	interior mirror		1	
	01C	satin black			
(1)	996 731 982 00	interior mirror	-00	1	XEH/XE3
	01C	satin black			
(1)	996 731 511 02	interior mirror	01-	1	M265
	01C	satin black			
-	996 731 811 01	cover	/L	01-	1 M265
	01C	satin black			
-	996 731 812 01	cover	/R	01-	1 M265
	01C	satin black			
2	996 731 619 00	housing	/L	1	
	G2L	prime coated			
(2)	996 731 620 00	housing	/R	1	
	G2L	prime coated			
3	999 919 170 02	countersunk-head screw 3,0 X 10		6	
5	996 731 219 00	mirror base door mirror electrically adjustable	/LL/L	1	
	G2L	prime coated			
5	996 731 219 04	mirror base door mirror electrically adjustable	/LL/L	01-	1 M266
	G2L	prime coated			
(5)	996 731 220 00	mirror base door mirror electrically adjustable	/LL/R	1	
	G2L	prime coated			
(5)	996 731 219 01	mirror base door mirror electrically adjustable	/RL/L	1	
	G2L	prime coated			

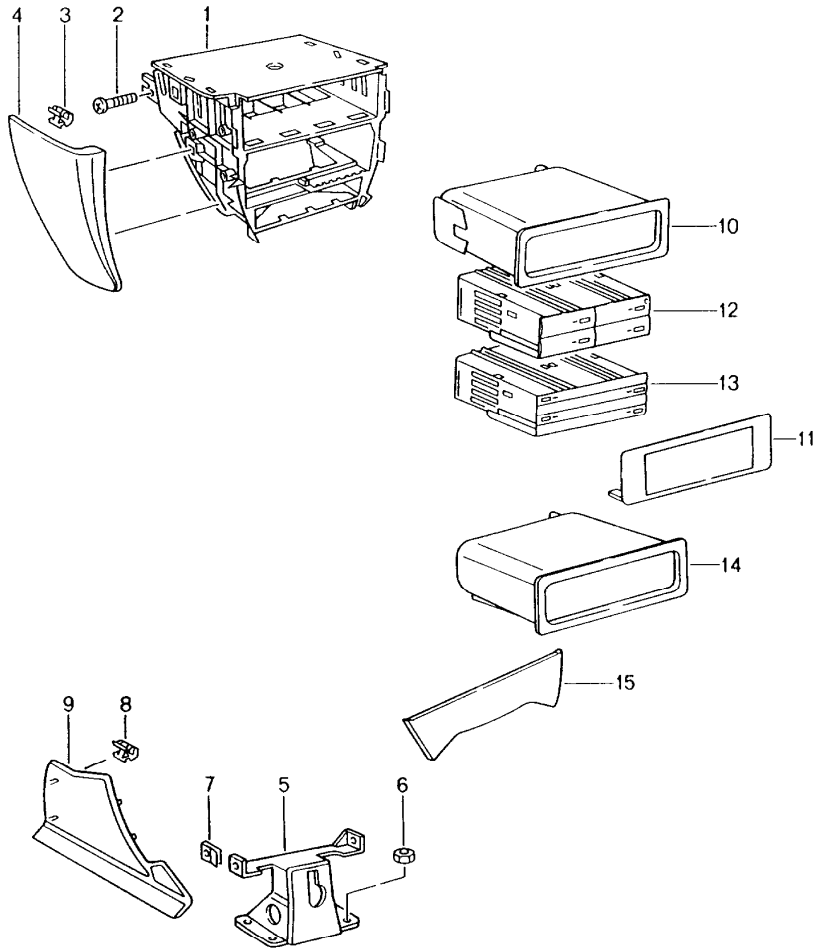
Model	Year	MG	SG	Illustration	Restrictions	UPD	14:19	24.01.2010	PORSCHE	PET	PORSCHE
996	2005	8	09	809-10		248					

Pos	Part Number	Description	Remark	Qty	Model	Pos	Part Number	Description	Remark	Qty	Model
(5)	996 731 220 01	mirror base door mirror electrically adjustable G2L prime coated	/RL/R	1		(9)	996 537 732 00	filler piece outer	/R	1	
(5)	996 731 220 04	mirror base door mirror electrically adjustable G2L prime coated	/RL/R	01-	1 M266	(9)	996 537 733 00	filler piece	/L	1	
(5)	996 731 219 02	mirror base door mirror electrically adjustable G2L prime coated	/LL/L	1	M537	(9)	996 537 734 00	filler piece inner	/R	1	
(5)	996 731 219 05	mirror base door mirror electrically adjustable G2L prime coated	/LL/L	01-	1 M266/537	10	996 731 719 00	cover lower G2L prime coated	/L	1	
(5)	996 731 220 02	mirror base door mirror electrically adjustable G2L prime coated	/LL/R	1	M537	(10)	996 731 720 00	cover lower G2L prime coated	/R	1	
(5)	996 731 219 03	mirror base door mirror electrically adjustable G2L prime coated	/RL/L	1	M538	11	996 624 047 00	adjusting motor aspherical		2	
(5)	996 731 220 03	mirror base door mirror electrically adjustable G2L prime coated	/RL/R	1	M538	11	996 624 048 00	adjusting motor aspherical		2	M537/538
(5)	996 731 220 05	mirror base door mirror electrically adjustable G2L prime coated	/RL/R	01-	1 M266/538	12	900 278 013 02	oval-head screw M 3 X 30 aspherical		6	
6	999 073 125 02	oval-head screw M 5 X 14		6		13	996 731 035 01	mirror glass aspherical	/L	1	M270
7	999 507 549 02	spring clamp		2		13	996 731 035 03	mirror glass plane aspherical	/L	01-	1 M266/270
8	900 278 010 02	oval-head screw		2		(13)	996 731 035 02	mirror glass aspherical	/L	1	M271
9	996 537 731 00	filler piece	/L	1		(13)	996 731 035 04	mirror glass aspherical	/L	01-	1 M266/271
						(13)	996 731 037 01	mirror glass convex	/RL/L	1	
						(13)	996 731 036 01	mirror glass	/RL/R	1	M270
						(13)	996 731 036 03	mirror glass plane	/RL/R	01-	1 M266/270
						(13)	996 731 036 02	mirror glass	/RL/R	1	M271
						(13)	996 731 036 04	mirror glass aspherical	/RL/R	01-	1 M266/271
						(13)	996 731 038 02	mirror glass convex	/LL/R	1	

Model	Year	MG	SG	Illustration	Restrictions	UPD	14:19	24.01.2010	PORSCHE	PET	PORSCHE
996	2005	8	09	809-10		248					

Pos	Part Number	Description	Remark	Qty	Model	Pos	Part Number	Description	Remark	Qty	Model
(13)	996 731 038 04	mirror glass convex	/LL/R	1	(SA)						
(14)	996 612 674 00	wiring harness		1							
15	999 652 710 10	cylindrical socket		30							
16	999 650 173 40	pin connector socket 15-pole		2							
17	311 906 231 B	connector housing 3-pole		2							
(17)	999 650 177 40	plug socket 8-pole		2	M537/538						
(17)	999 650 178 40	slide 8-pole		2	M537/538						

Model	Year	MG	SG	Illustration	Restrictions	UPD	14:19	24.01.2010	PORSCHE	PET	PORSCHE
996	2005	8	09	809-15		248					



Pos	Part Number	Description	Remark	Qty	Model
		centre console front			
1	996 552 115 01	bracket		98	1
	01C	satin black Information available			
1	996 552 115 02	bracket		99-	1
	01C	satin black			
1	996 552 973 01	bracket leather		01-	1 IXMF
	A11	black			
	C51	graphite grey			
	S31	savanna			
	J31	nephrite green			
	M31	boxster red			
	G11	metropole blue			
	D12	dark grey/natural		00-	
	T12	brown/natural		00-	
	P12	cinnamon brown		01-	
2	999 919 121 09	oval-head screw 5,0 X 16			4
3	999 507 476 01	clamp 8,0 X 10,2			3
4	996 552 091 05	cover leatherette	/L	98	1
	A18	black			
	C18	graphite grey			
	S18	savanna			
	G18	metropole blue			
	B18	space grey			
(4)	996 552 092 05	cover leatherette	/R	98	1
	A18	black			

Model	Year	MG	SG	Illustration	Restrictions	UPD	14:19	24.01.2010	PORSCHE	PET	PORSCHE
996	2005	8	09	809-15		248					

Pos	Part Number	Description	Remark	Qty	Model	Pos	Part Number	Description	Remark	Qty	Model
	C18	graphite grey					G12	metropole blue			
	S18	savanna					B52	space grey	00		
	G18	metropole blue					J32	nephrite green	01-		
	B18	space grey				4	996 552 091 03	cover leather	/L 98	1	
(4)	996 552 091 06	cover leatherette	/L	99	1		A11	black			
	A18	black					C51	graphite grey			
	C18	graphite grey					S31	savanna			
	S18	savanna					J31	nephrite green			
	G18	metropole blue					M31	boxster red			
	B18	space grey					G11	metropole blue			
(4)	996 552 092 06	cover leatherette	/R	99	1	(4)	996 552 092 03	cover leather	/R 98	1	
	A18	black					A11	black			
	C18	graphite grey					C51	graphite grey			
	S18	savanna					S31	savanna			
	G18	metropole blue					J31	nephrite green			
	B18	space grey					M31	boxster red			
4	996 552 091 06	cover leatherette	/L	00-	1		G11	metropole blue			
	A12	black					B51	space grey			
	C52	graphite grey				4	996 552 091 07	cover leather	/L 99-	1	
	S32	savanna					A11	black			
	G12	metropole blue					C51	graphite grey			
	B52	space grey		00			S31	savanna			
	J32	nephrite green		01-			J31	nephrite green			
(4)	996 552 092 06	cover leatherette	/R	00-	1		M31	boxster red			
	A12	black					G11	metropole blue			
	C52	graphite grey					B51	space grey			
	S32	savanna									

Model	Year	MG	SG	Illustration	Restrictions	UPD	14:19	24.01.2010	PORSCHE	PET	PORSCHE
996	2005	8	09	809-15		248					

Pos	Part Number	Description	Remark	Qty	Model	Pos	Part Number	Description	Remark	Qty	Model
		D12 dark grey						D11 dark grey			
		T12 brown/natural						T11 brown/natural			
		P12 cinnamon brown						P11 cinnamon brown			
(4)	996 552 092 07	cover leather	/R	99-	1	(9)	996 552 114 02	cover carpet	/R	1	
		A11 black						A10 black			
		C51 graphite grey						C50 graphite grey			
		S31 savanna						S30 savanna			
		J31 nephrite green						J30 nephrite green			
		M31 boxer red						M30 boxer red			
		G11 metropole blue						G10 metropole blue			
		B51 space grey						B50 space grey		-00	
		D12 dark grey						D11 dark grey		00-	
		T12 brown/natural						T11 brown/natural		00-	
		P12 cinnamon brown						P11 cinnamon brown		01-	
(5)	996 552 267 05	support lower			1	10	996 552 253 01	shelf		1	
6	999 084 629 09	hexagon nut M 6			4		01C	satin black			
7	999 920 011 40	plug-in nut 5,0 X 1,0 X 8			4	10	996 552 994 01	shelf leather		01-02	1 IXMF
8	999 507 476 01	clamp 8,0 X 10,2			2		A11	black			
9	996 552 113 02	cover carpet	/L		1		C51	graphite grey			
		A10 black					S31	savanna			
		C50 graphite grey					J31	nephrite green			
		S30 savanna					M31	boxster red			
		J30 nephrite green					G11	metropole blue			
		M30 boxer red					D12	dark grey			
		G10 metropole blue					T12	brown/natural			
		B50 space grey					P12	cinnamon brown			
						11	996 552 443 00	frame		1	
							01C	satin black			

Model	Year	MG	SG	Illustration	Restrictions	UPD	14:19	24.01.2010	PORSCHE	PET	PORSCHE
996	2005	8	09	809-15		248					

Pos	Part Number	Description	Remark	Qty	Model	Pos	Part Number	Description	Remark	Qty	Model
(11)	996 552 992 00	frame air-conditioning switch leather	01-	1	IXKW/XNN		J31	nephrite green			
	A11	black					M31	boxster red			
	C51	graphite grey					D12	dark grey/natural	00-		
	S31	savanna					T12	brown/natural	00-		
	G11	metropole blue					P12	cinnamon brown	01-		
	J31	nephrite green				14	996 552 243 01	shelf		1	
	M31	boxster red					01C	satin black			
	D12	dark grey				14	996 552 982 01	shelf leather	01-	1	IXMF
	T12	brown/natural					A11	black			
	P12	cinnamon brown					C51	graphite grey			
12	996 552 763 00	cassette box	-02	4	M421		S31	savanna			
(12)	996 552 981 01	cassette box leather	01-02	1	IXMF/M421		J31	nephrite green			
	A11	black					M31	boxster red			
	C51	graphite grey					G11	metropole blue			
	S31	savanna					D12	dark grey			
	G11	metropole blue					T12	brown/natural			
	J31	nephrite green					P12	cinnamon brown			
	M31	boxster red				(14)	996 552 963 00	cover leather	01-	1	IXMF/XNN
	D12	dark grey/natural	00-				A11	black			
	T12	brown/natural	00-				C51	graphite grey			
	P12	cinnamon brown	01-				S31	savanna			
13	996 552 773 00	box for cds		1	M424		G11	metropole blue			
(13)	996 552 981 00	box for cds leather	01-	1	IXMF/M424		J31	nephrite green			
	A11	black					M31	boxster red			
	C51	graphite grey					D12	dark grey			
	S31	savanna					T12	brown/natural			
	G11	metropole blue					P12	cinnamon brown			

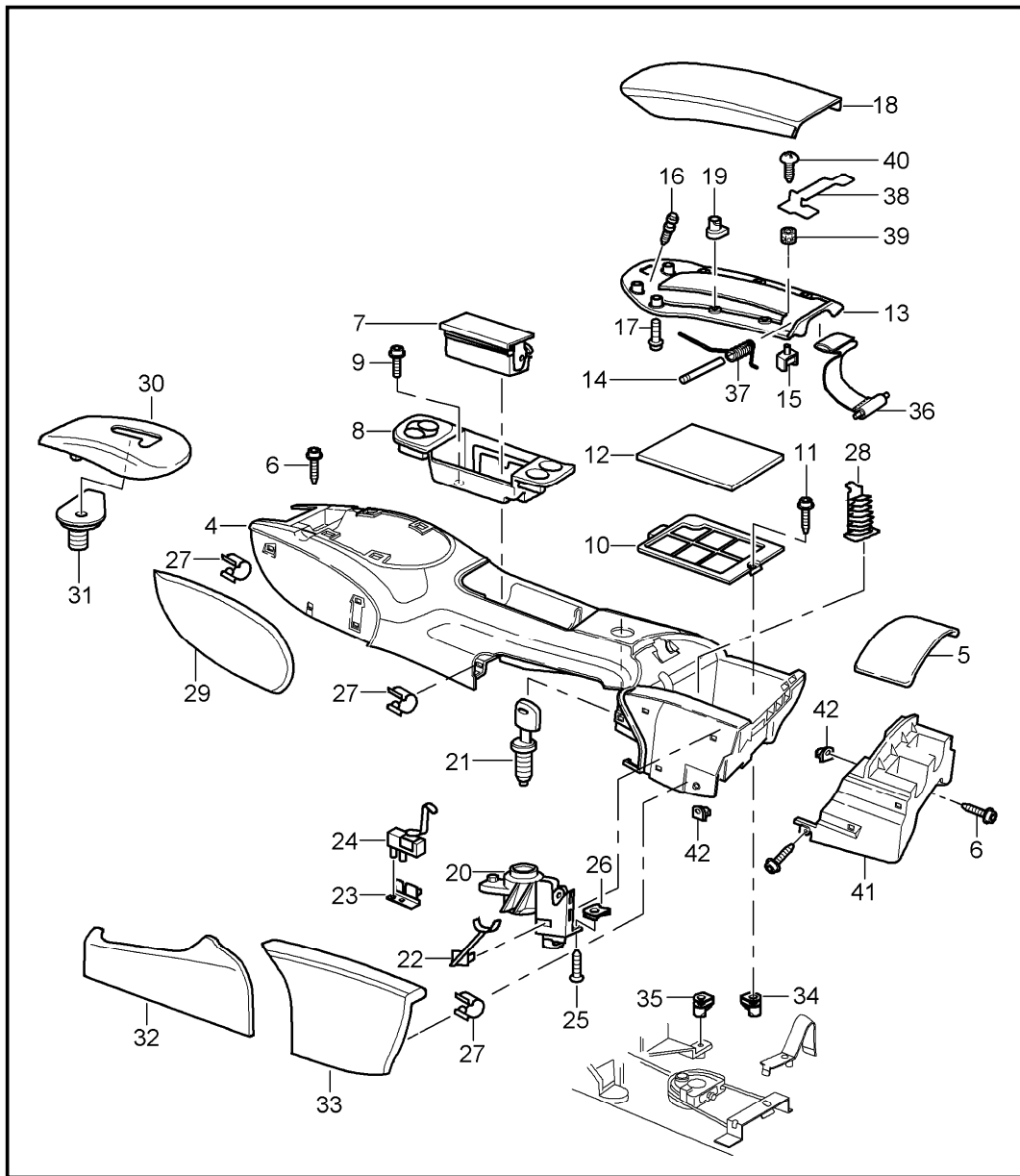
Model	Year	MG	SG	Illustration	Restrictions	UPD	14:19	24.01.2010	PORSCHE	PET	PORSCHE
996	2005	8	09	809-15		248					

Pos	Part Number	Description	Remark	Qty	Model	Pos	Part Number	Description	Remark	Qty	Model
(14)	996 552 963 01	cover rootwood light	01-	1	IXKR	(15)	996 552 972 08	trim for switch		1	TARGA /139/340 IXNR
(14)	996 552 963 02	cover rootwood dark	01-	1	IXKS			4 hole carbon			
(14)	996 552 963 04	cover carbon	01-	1	IXNR	(15)	996 552 972 02	trim for switch	01-	1	IXKS/M581
15	996 552 335 00	trim for switch		1		(15)	996 552 972 03	trim for switch	01-	1	139/340 IXKS
	01C	satin black						2 hole			
(15)	996 552 335 01	trim for switch		1	TARGA M139/340	(15)	996 552 972 07	trim for switch		1	TARGA M139/340
		4 hole						4 hole dark maple rootwood			
	01C	satin black				15	996 552 983 00	trim for switch	01-	1	IXKW/XMF/XNN
(15)	996 552 335 02	trim for switch		1	M139/340		A11	black			
		2 hole					C51	graphite grey			
	01C	satin black					S31	savanna			
(15)	996 552 972 00	trim for switch	01-	1	IXKR/M581		J31	nephrite green			
		light maple rootwood					M31	boxster red			
(15)	996 552 972 01	trim for switch	01-	1	139/340 IXKR		G11	metropole blue			
		2 hole light maple rootwood					D12	dark grey			
(15)	996 552 972 06	trim for switch		1	TARGA 139/340 IXKR		T12	brown/natural			
		4 hole light maple rootwood					P12	cinnamon brown			
(15)	996 552 972 04	trim for switch	01-	1	/581 IXNR	(15)	996 552 983 01	trim for switch	01-	1	IXKW/XMF/XNN M139/340
		carbon						2 hole leather			
(15)	996 552 972 05	trim for switch	01-	1	/139/340 IXNR		A11	black			
		2 hole carbon					C51	graphite grey			
							S31	savanna			
							J31	nephrite green			
							M31	boxster red			

Model	Year	MG	SG	Illustration	Restrictions	UPD	14:19	24.01.2010	PORSCHE	PET	PORSCHE
996	2005	8	09	809-15		248					

Pos	Part Number	Description	Remark	Qty	Model	Pos	Part Number	Description	Remark	Qty	Model
		G11 metropole blue									
		D12 dark grey									
		T12 brown/natural									
		P12 cinnamon brown									
(15)	996 552 983 02	trim for switch		1	TARGA IXMF/XNN/ M139/340						
		4 hole leather									
		A11 black									
		C51 graphite grey									
		S31 savanna									
		J31 nephrite green									
		M31 boxerster red									
		G11 metropole blue									
		D12 dark grey									
		T12 brown/natural									
		P12 cinnamon brown									
(15)	--- --- --- ---	trim for switch centre console vehicle identification no. indicate		00	1 M094						
(15)	996 552 315 00	trim for switch centre console		04	1 M095						
		01C satin black									

Model	Year	MG	SG	Illustration	Restrictions	UPD	14:19	24.01.2010	PORSCHE	PET	PORSCHE
996	2005	8	09	809-20		248					



Pos	Part Number	Description	Remark	Qty	Model
4	996 552 125 03	centre console centre		1	
	D05	granite grey	-99		
	A03	black	00-		
	C53	graphite grey	00-		
	S33	savanna	00-		
	G13	metropole blue	00-		
	B13	space grey	00		
	J33	nephrite green	-03		
	M33	boxster red	00-		
	P13	cinnamon brown	01-		
4	996 552 125 04	centre console lacquered	04	1	M095
	M7Z	silver metallic			
4	986 552 995 09	centre console	-02	1	IXJB
	92U	arctic silver metallic			
4	986 552 995 09	centre console	01-	1	IXME
	39G	violet metallic	-01		
	746	black-metallic	-01		
	3W7	dark blue	-01		
	23I	wimbledon green metallic	-01		
	9A3	biarritz white	-01		
	2A2	rainforest green metallic	-02		
	92U	arctic silver metallic			
	041	black			
	84A	guards red			
	12H	speed yellow			
	8A3	orient red metallic			
	M5W	lapis blue metallic			

Model	Year	MG	SG	Illustration	Restrictions	UPD	14:19	24.01.2010	PORSCHE	PET	PORSCHE
996	2005	8	09	809-20		248					

Pos	Part Number	Description	Remark	Qty	Model	Pos	Part Number	Description	Remark	Qty	Model
	6A6	meridian metallic					J31	nephrite green			
	39C	midnight blue metallic					M31	boxster red			
	6B4	seal grey metallic					D12	dark grey/natural	00-		
	2B4	forest green metallic					T12	brown/natural	00-		
	3C8	cobalt blue metallic					P12	cinnamon brown	01-		
	92M	polar silver metallic				4	986 552 995 08	centre console carbon	01-	1	IXMJ
	23F	slate grey metallic				4	986 552 995 03	centre console	01	1	IXML
	1A8	zanzibar red				4	986 552 995 06	centre console rootwood light	02-	1	IXML
	B9A	carrara white	02-								
	C9Z	basalt black metallic	02-			4	986 552 995 07	centre console rootwood dark	01-	1	IXNB
	M6W	lagoon green metallic	03-								
4	986 552 995 09	centre console	03-	1	IXCE	-	996 552 841 01	sound absorber front		1	
	V03	sport silver									
4	986 552 995 01	centre console	01	1	IXMZ	-	996 552 843 01	sound absorber centre		1	
	VRK	black				-	996 552 845 01	sound absorber rear		1	
	C51	graphite grey				(5)	996 552 127 00	extension upper part leather	/H	1	COUPE/TARGA
	S31	savanna					A11	black			
	G11	metropole blue					C51	graphite grey			
	J31	nephrite green					S31	savanna			
	M31	boxster red					G11	metropole blue			
	D12	dark grey/natural	00-				B51	space grey	-00		
	T12	brown/natural	00-				J31	nephrite green	-03		
	P12	cinnamon brown	01-			4	986 552 995 05	centre console leather		1	IXMZ
4	986 552 995 05	centre console leather	02-	1	IXMZ		M31	boxster red			
	VRK	black					P12	cinnamon brown	01-		
	C51	graphite grey					D12	dark grey	00-		
	S31	savanna					T12	brown/natural	00-		
	G11	metropole blue									

Model	Year	MG	SG	Illustration	Restrictions	UPD	14:19	24.01.2010	PORSCHE	PET	PORSCHE
996	2005	8	09	809-20		248					

Pos	Part Number	Description	Remark	Qty	Model	Pos	Part Number	Description	Remark	Qty	Model
(5)	996 552 962 00	extension	/H 01-	1	COUPE/TARGA IXMZ		A11	black			
		upper part leather					C51	graphite grey			
	VRK	black					S31	savanna			
	C51	graphite grey					G11	metropole blue			
	S31	savanna					J31	nephrite green			
	G11	metropole blue					M31	boxster red			
	J31	nephrite green	-03				D12	dark grey/natural			
	M31	boxster red					T12	brown/natural			
	D12	dark grey/natural					P12	cinnamon brown			
	T12	brown/natural				7	986 552 997 02	insert ashtray carbon	01-	1	IXMJ
	P12	cinnamon brown				7	986 552 997 03	insert ashtray rootwood light	01-	1	IXML
6	999 919 121 09	oval-head screw 5,0 X 16		X		7	986 552 997 04	insert ashtray rootwood dark	01-	1	IXNB
7	996 552 595 01	insert ashtray		1		7	986 552 997 00	insert ashtray lacquered	01-	1	
	D05	granite grey	-99				92T	arctic silver	-02		
	A03	black	00-				V03	silver	03-		IXCE
	C53	graphite grey	00-				G2X	prime coated			
	S33	savanna	00-			8	996 552 095 01	ashtray lacquered	-00	1	
	G13	metropole blue	00-				D05	granite grey	-99		
	B13	space grey	00				A03	black	00-		
	J33	nephrite green	-03				C53	graphite grey	00-		
	M33	boxster red	00-				S33	savanna	00-		
	P13	cinnamon brown	01-				G13	metropole blue	00-		
7	996 552 595 02	insert ashtray lacquered	04	1	M095		B13	space grey	00		
	M7Z	gt silver metallic									
7	986 552 997 01	insert ashtray leather	01-	1	IXMZ						

Model	Year	MG	SG	Illustration	Restrictions	UPD	14:19	24.01.2010	PORSCHE	PET	PORSCHE
996	2005	8	09	809-20		248					

Pos	Part Number	Description	Remark	Qty	Model	Pos	Part Number	Description	Remark	Qty	Model
	J33	nephrite green	-03			(8)	986 552 996 09	ashtray	01-	1	IXJB
	M33	boxster red	00-				92T	arctic silver	-02		
8	996 552 095 02	ashtray lacquered	01-	1			V03	silver	03-		IXCE
	A03	black	00-			(8)	996 552 096 01	shelf		1	M580
	C53	graphite grey	00-				D05	granite grey	-99		
	S33	savanna	00-				A03	black	00-		
	G13	metropole blue	00-			--	996 552 596 00	insert		1	M580
	J33	nephrite green	-03			(9)	999 591 941 40	screw with expander nut		2	
	M33	boxster red	00-			10	996 552 365 00	floor shelf		1	
	P13	cinnamon brown	01-			12	996 552 665 00	insert shelf		1	
8	996 552 095 03	ashtray lacquered	04	1	M095	13	996 552 205 00	lid		1	
	M7Z	gt silver metallic					01C	satin black			
(8)	986 552 996 05	ashtray leather	01-	1	IXMZ	14	996 552 605 00	hinge pin		1	
	A11	black				15	996 552 813 00	support		2	
	C51	graphite grey				16	996 552 833 00	rubber stop		2	
	S31	savanna				17	999 919 175 09	oval-head screw 3,5 X 12		8	
	G11	metropole blue				18	996 552 155 03	lid leather		1	
	J31	nephrite green					A11	black			
	M31	boxster red					C51	graphite grey			
	D12	dark grey/natural	00-				S31	savanna			
	T12	brown/natural	00-				J31	nephrite green			
	P12	cinnamon brown	01-				M31	boxster red			
(8)	986 552 996 06	ashtray rootwood light	01-	1	IXML		G11	metropole blue			
(8)	986 552 996 07	ashtray rootwood dark	01-	1	IXNB		B51	space grey	-00		
(8)	986 552 996 08	ashtray carbon	01-	1	IXMJ		D12	dark grey	00-		
							T12	brown/natural	00-		

Model	Year	MG	SG	Illustration	Restrictions	UPD	14:19	24.01.2010	PORSCHE	PET	PORSCHE
996	2005	8	09	809-20		248					

Pos	Part Number	Description	Remark	Qty	Model	Pos	Part Number	Description	Remark	Qty	Model
18	996 552 965 00	P12 cinnamon brown lid leather	01- 01-	1	IXMZ		C18	graphite grey			
	VRK	black					S18	savanna			
	C51	graphite grey					G18	metropole blue			
	S31	savanna				(29)	B18	space grey			
	G11	metropole blue					996 552 088 05	cover leatherette	/R	-99	1 M581
	J31	nephrite green					A18	black			
	M31	boxster red					C18	graphite grey			
	D12	dark grey					S18	savanna			
	T12	brown/natural					G18	metropole blue			
	P12	cinnamon brown				29	B18	space grey			
19	999 920 017 40	plug-in nut 3,5 X 2,5 X 5		8			996 552 087 05	cover leatherette	/L	00-	1 M581
20	996 552 097 01	lock		1			A12	black			
	01C	satin black					C52	graphite grey			
21	996 552 907 00	lock cylinder w/o stipulated lock number		1			S32	savanna			
21	996 552 907 01	lock cylinder state lock number		1			G12	metropole blue			
23	996 637 211 00	support		1		(29)	B52	space grey		-00	
24	996 613 205 00	microswitch		1			J32	nephrite green		01-	
25	999 919 121 09	oval-head screw 5 X 16		3			996 552 088 05	cover leatherette	/R	00-	1 M581
26	999 920 017 40	plug-in nut 3,5 X 2,5 X 5		3			A12	black			
27	999 507 476 01	clamp 8,0 X 10,2		25			C52	graphite grey			
28	996 552 695 00	coin box		1			S32	savanna			
	01C	satin black					G12	metropole blue			
29	996 552 087 05	cover leatherette	/L	-99	1 M581		B52	space grey		-00	
	A18	black				29	J32	nephrite green		01-	
							996 552 087 03	cover leather	/L		1 M581
							A11	black			
							C51	graphite grey			

Model	Year	MG	SG	Illustration	Restrictions	UPD	14:19	24.01.2010	PORSCHE	PET	PORSCHE
996	2005	8	09	809-20		248					

Pos	Part Number	Description	Remark	Qty	Model	Pos	Part Number	Description	Remark	Qty	Model
	S31	savanna					EOY	black	00-		
	J31	nephrite green					ETR	graphite grey	00-		
	M31	boxster red					ETS	savanna	00-		
	G11	metropole blue					ETT	metropole blue	00-		
	B51	space grey					ETU	space grey	00		
	D12	dark grey	00-				ETV	nephrite green	00-		
	T12	brown/natural	00-				ETW	boxster red	00-		
	P12	cinnamon brown	01-				FAO	cinnamon brown	01-		
(29)	996 552 088 03	cover leather	/R	1	M581	(30)	996 552 259 01	cover lacquered	/RL 99-02	1	M249
	A11	black					EOW	granite grey silver	99 99		
	C51	graphite grey					EOY	black	00-		
	S31	savanna					ETR	graphite grey	00-		
	J31	nephrite green					ETS	savanna	00-		
	M31	boxster red					ETT	metropole blue	00-		
	G11	metropole blue					ETU	space grey	00		
	B51	space grey					ETV	nephrite green	00-		
	D12	dark grey	00-				ETW	boxster red	00-		
	T12	brown/natural	00-				FAO	cinnamon brown	01-		
	P12	cinnamon brown	01-			30	996 552 259 02	cover lacquered	/LL 03-	1	M249
(30)	996 552 655 01	retaining frame		1	M481		EOU	black			
30	996 552 257 02	cover lacquered	/LL	98	M249		EOZ	graphite grey			
	EJM	granite grey					EPA	savanna			
(30)	996 552 257 04	cover lacquered	/RL	98	M249		EPB	metropole blue			
	EJM	granite grey					EPD	nephrite green	-03		
(30)	996 552 259 00	cover lacquered	/LL	99-02	M249		EPE	boxster red			
	EOW	granite grey silver	99 99			(30)	996 552 259 03	cover lacquered	/RL 03-	1	M249

Model	Year	MG	SG	Illustration	Restrictions	UPD	14:19	24.01.2010	PORSCHE	PET	PORSCHE
996	2005	8	09	809-20		248					

Pos	Part Number	Description	Remark	Qty	Model	Pos	Part Number	Description	Remark	Qty	Model
	EOU	black				30	996 552 977 26	cover leather	/LL 03-	1	IXY5/M249
	EOZ	graphite grey					VRK	black			
	EPA	savanna					C51	graphite grey			
	EPB	metropole blue					S31	savanna			
	EPD	nephrite green	-03				G11	metropole blue			
	EPE	boxster red					J31	nephrite green			
	EPF	cinnamon brown					M31	boxster red			
(30)	996 552 977 20	cover leather	/LL 01-02	1	IXY5/M249		P12	cinnamon brown			
	VRK	black					D12	dark grey/natural			
	C51	graphite grey					T12	brown/natural			
	S31	savanna				(30)	996 552 977 27	cover leather	/RL 03-	1	IXY5/M249
	J31	nephrite green					VRK	black			
	M31	boxster red					C51	graphite grey			
	G11	metropole blue					S31	savanna			
	T12	brown/natural					G11	metropole blue			
	D12	dark grey					J31	nephrite green			
	P12	cinnamon brown					M31	boxster red			
(30)	996 552 977 21	cover leather	/RL 01-02	1	IXY5/M249		P12	cinnamon brown			
	VRK	black					D12	dark grey/natural			
	C51	graphite grey					T12	brown/natural			
	S31	savanna				31	996 552 687 00	slide		1	M249
	J31	nephrite green					01C	satin black			
	M31	boxster red				32	996 552 283 02	cover handbrake		1	
	G11	metropole blue					D05	granite grey	-99		
	T12	brown/natural					A03	black	00-		
	D12	dark grey					C53	graphite grey	00-		
	P12	cinnamon brown					S33	savanna	00-		

Model	Year	MG	SG	Illustration	Restrictions	UPD	14:19	24.01.2010	PORSCHE	PET	PORSCHE
996	2005	8	09	809-20		248					

Pos	Part Number	Description	Remark	Qty	Model	Pos	Part Number	Description	Remark	Qty	Model
	G13	metropole blue	00-			33	996 552 089 02	cover leatherette	/L	1	COUPE/TARGA
	B13	space grey	00				A18	black	-99		
	J33	nephrite green	-03				C18	graphite grey	-99		
	M33	boxster red	00-				S18	savanna	-99		
	P13	cinnamon brown	01-				G18	metropole blue	-99		
32	996 552 283 03	cover handbrake lacquered	04	1	M095		B18	space grey	-99		
	M7Z	gt silver metallic					A12	black	00-		
32	996 552 993 00	cover handbrake leather	01-	1	IXMZ		C52	graphite grey	00-		
	A11	black					S32	savanna	00-		
	C51	graphite grey					G12	metropole blue	00-		
	S31	savanna					B52	space grey	00		
	G11	metropole blue				(33)	J32	nephrite green	01-		
	J31	nephrite green					996 552 090 02	cover leatherette	/R	1	COUPE/TARGA
	M31	boxster red					A18	black	-99		
	T12	brown/natural	00-				C18	graphite grey	-99		
	D12	dark grey	00-				S18	savanna	-99		
	P12	cinnamon brown	01-				G18	metropole blue	-99		
32	996 552 993 02	cover handbrake carbon	01-	1	IXMJ		B18	space grey	-99		
							A12	black	00-		
32	996 552 993 03	cover handbrake rootwood light	01-	1	IXML		C52	graphite grey	00-		
							S32	savanna	00-		
32	996 552 993 04	cover handbrake rootwood dark	01-	1	IXNB		G12	metropole blue	00-		
							B52	space grey	00		
32	996 552 993 01	cover handbrake lacquered	03-	1	IXCE	(33)	J32	nephrite green	01-		
	V03	sport silver					996 552 089 05	cover lacquered	/L	1	CABRIO
							D05	granite grey	99		
							A03	black	00-		

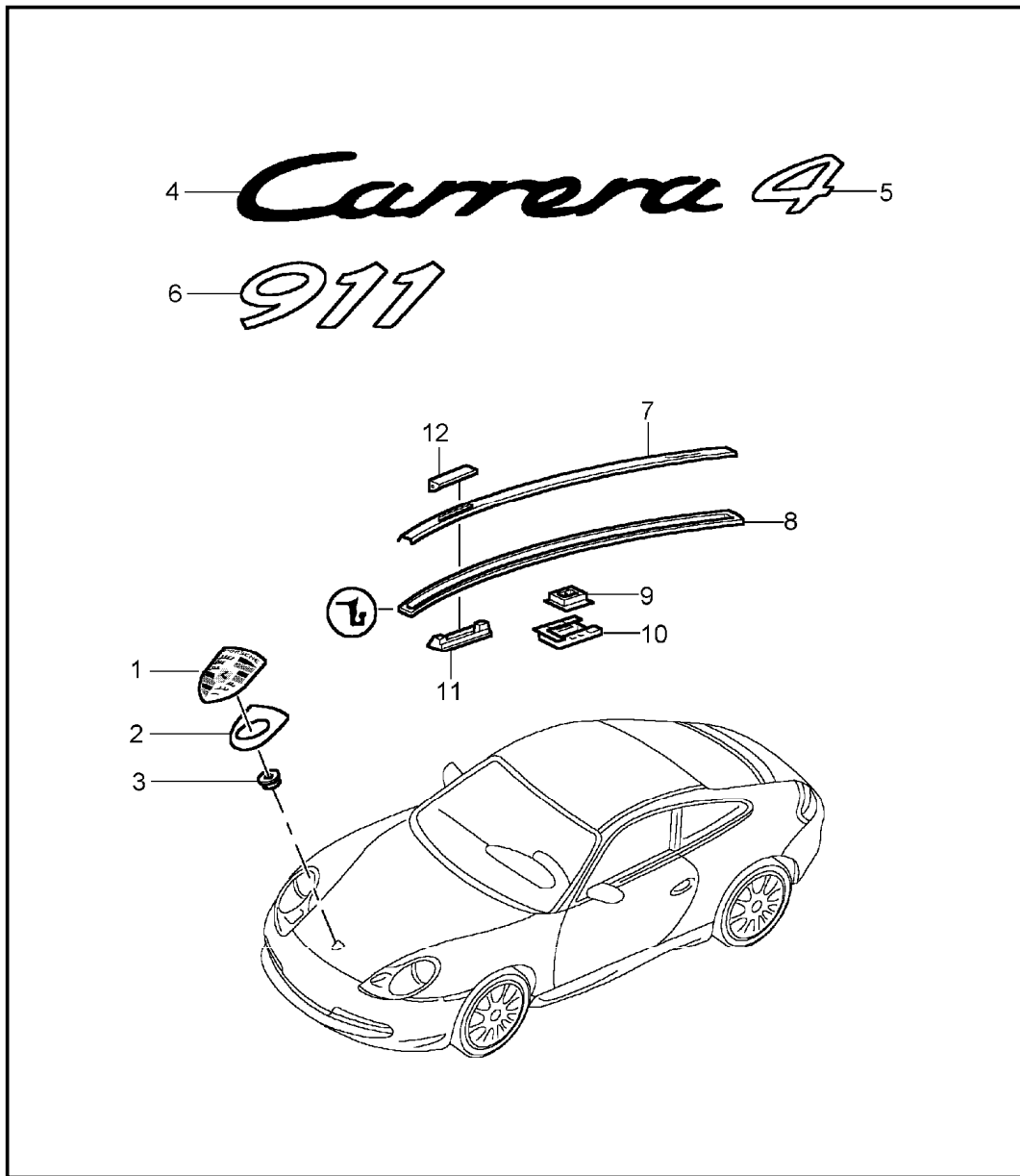
Model	Year	MG	SG	Illustration	Restrictions	UPD	14:19	24.01.2010	PORSCHE	PET	PORSCHE
996	2005	8	09	809-20		248					

Pos	Part Number	Description	Remark	Qty	Model	Pos	Part Number	Description	Remark	Qty	Model
	C53	graphite grey	00-			(33)	996 552 090 03	cover leather	/R	1	COUPE/TARGA
	S33	savanna	00-				A11	black			
	G13	metropole blue	00-				C51	graphite grey			
	J33	nephrite green	00-				S31	savanna			
	M33	boxster red	00-				J31	nephrite green	-03		
	B13	space grey	00				M31	boxster red			
	P13	cinnamon brown	01-				G11	metropole blue			
(33)	996 552 090 05	cover lacquered	/R	1	CABRIO		B51	space grey	-00		
	D05	granite grey	99				D12	dark grey	00-		
	A03	black	00-				T12	brown/natural	00-		
	C53	graphite grey	00-				P12	cinnamon brown	01-		
	S33	savanna	00-			33	996 552 089 04	cover leather	/L	1	CABRIO
	G13	metropole blue	00-				A11	black			
	J33	nephrite green	00-				C51	graphite grey			
	M33	boxster red	00-				S31	savanna			
	B13	space grey	00				J31	nephrite green	-03		
	P13	cinnamon brown	01-				M31	boxster red			
33	996 552 089 03	cover leather	/L	1	COUPE/TARGA		G11	metropole blue			
	A11	black					B51	space grey	-00		
	C51	graphite grey					D12	dark grey	00-		
	S31	savanna					T12	brown/natural	00-		
	J31	nephrite green	-03				P12	cinnamon brown	01-		
	M31	boxster red				(33)	996 552 090 04	cover leather	/R	1	CABRIO
	G11	metropole blue					A11	black			
	B51	space grey	-00				C51	graphite grey			
	D12	dark grey	00-				S31	savanna			
	T12	brown/natural	00-				J31	nephrite green	-03		
	P12	cinnamon brown	01-								

Model	Year	MG	SG	Illustration	Restrictions	UPD	14:19	24.01.2010	PORSCHE	PET	PORSCHE
996	2005	8	09	809-20		248					

Pos	Part Number	Description	Remark	Qty	Model	Pos	Part Number	Description	Remark	Qty	Model
	M31	boxster red									
	G11	metropole blue									
	B51	space grey		-00							
	D12	dark grey		00-							
	T12	brown/natural		00-							
	P12	cinnamon brown		01-							
36	996 552 691 00	retaining belt with retaining pin		1							
(36)	996 552 960 01	hinge set repair material		-01 1							
(36)	996 552 507 00	hinge		02- 1							
--	999 073 228 09	tapping screw 4,8 X 13		02- 2							
37	996 552 795 01	spring		1							
38	996 552 793 01	retaining bracket package box lid		1							
39	999 507 645 02	threaded piece		2							
40	999 073 081 02	tapping screw 4,2 X 13		2							
41	996 552 227 00	extension lower part		1	COUPE/TARGA						
42	999 920 011 40	plug-in nut 5,0 X 2 X 8		X	COUPE/TARGA						

Model	Year	MG	SG	Illustration	Restrictions	UPD	14:19	24.01.2010	PORSCHE	PET	PORSCHE
996	2005	8	10	810-00		248					

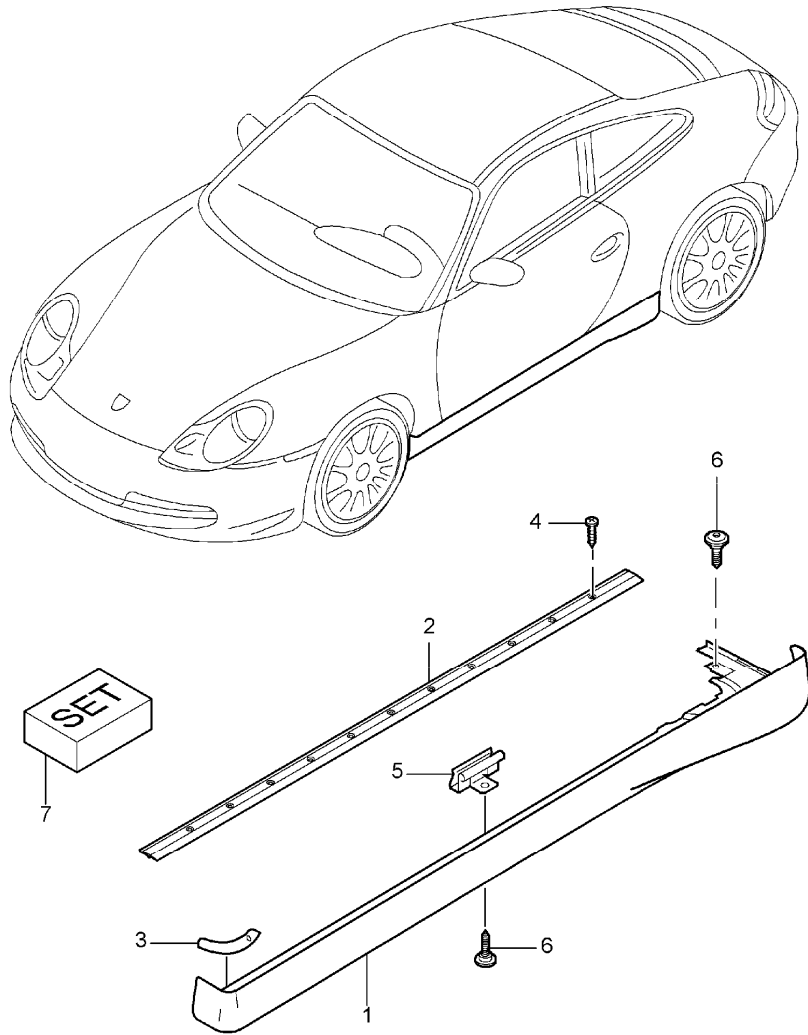


Pos	Part Number	Description	Remark	Qty	Model
		insignias decorative fittings			
1	997 559 211 00	lid emblem Information available	WW	1	
(1)	996 559 211 01	lid emblem Information available	WW	1	
2	A 901 559 215 20	desk pad		1	
(2)	7L5 853 611 B	desk pad		1	
3	999 591 423 03	tapping nut		2	
4	996 559 237 06	logo * CARRERA * rear lid upper	-01	1	M338
		70C rally black			
4	996 559 237 06	logo * CARRERA * rear lid upper	04-	1	MXAA M338
		70C rally black			
4	996 559 237 09	logo *CARRERA * rear lid lower	02-	1	M338
		70C rally black			
(4)	996 559 237 07	logo * CARRERA * rear lid upper	-01	1	M339
		4PU silver			
(4)	996 559 237 07	logo * CARRERA * rear lid upper	02-	1	C4S M339
		4PU silver			
(4)	996 559 237 07	logo * CARRERA * rear lid upper	04-	1	IXAA/M339

Model	Year	MG	SG	Illustration	Restrictions	UPD	14:19	24.01.2010	PORSCHE	PET	PORSCHE
996	2005	8	10	810-00		248					

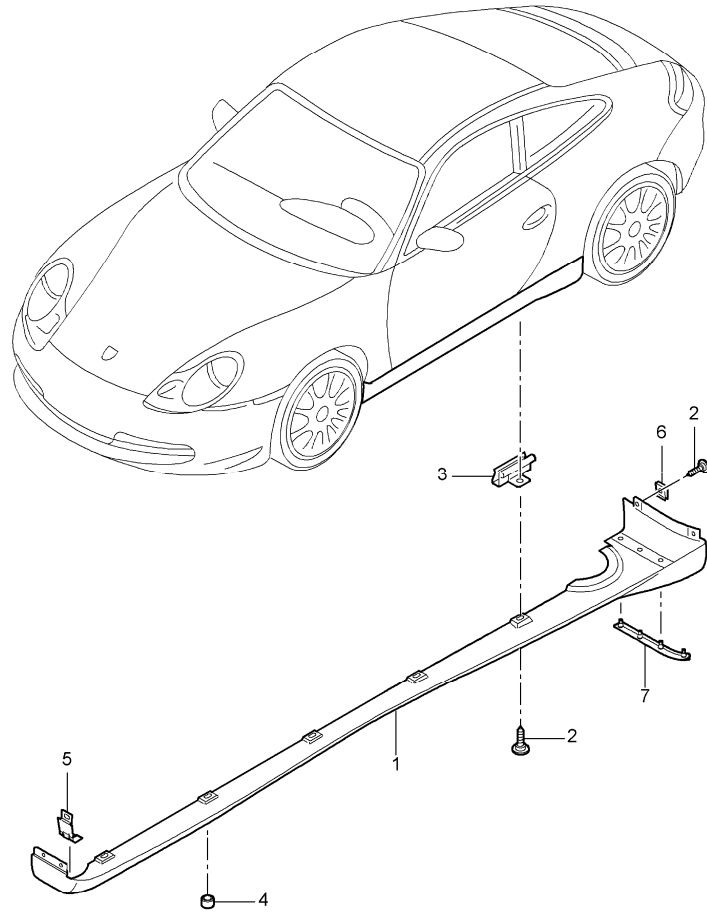
Pos	Part Number	Description	Remark	Qty	Model	Pos	Part Number	Description	Remark	Qty	Model
	4PU	silver					G2X	prime coated			
(4)	996 559 237 10	logo * CARRERA * rear lid lower	02-	1	M339	(7)	996 559 402 00	roof edge strip	/R	1	
	4PU	silver					G2X	prime coated			
5	996 559 241 01	logo * 4 * rear lid upper	-01	1	M339	(8)	996 559 721 00	gasket	/L	1	
	4PU	silver				8	996 559 722 00	gasket	/R	1	
5	996 559 241 01	logo * 4 * rear lid upper		1	M339	9	996 559 405 01	adapter		10	
	4PU	silver				10	996 559 403 01	clip		10	
5	996 559 241 01	logo * 4 * rear lid upper	02-	1	C4S M339	11	996 559 729 00	bracket for flap		4	
	4PU	silver				12	996 559 501 00	flap	/V	2	
5	996 559 241 01	logo * 4 * rear lid upper	04-	1	IXAA/M339	(12)	996 559 503 00	flap	/H	2	
	4PU	silver					G2X	prime coated			
(5)	996 559 241 02	logo * 4 * rear lid lower	02-	1	M339		G2X	prime coated			
	4PU	silver									
-	996 559 243 00	logo * S *	02-	1	C4S						
	D04	grey									
-	996 559 237 08	logo * TARGA *	02-	1	TARGA						
	70C	rally black									
6	996 559 237 05	logo 911 silver	00	1	M094						
(6)	996 559 237 11	logo 911	04	1	M095						
(7)	996 559 401 00	roof edge strip	/L	1							

Model	Year	MG	SG	Illustration	Restrictions	UPD	14:19	24.01.2010	PORSCHE	PET	PORSCHE
996	2005	8	10	810-05		248					



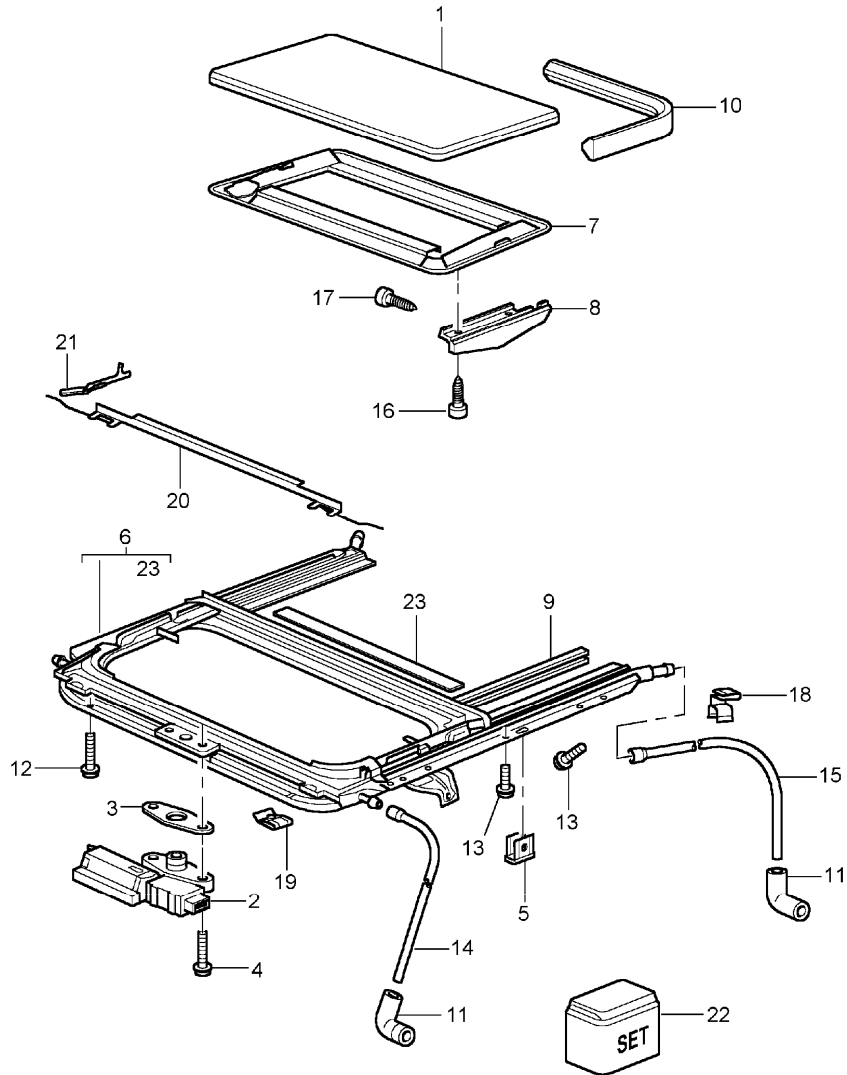
Pos	Part Number	Description	Remark	Qty	Model
		sill cover			X 76
1	996 559 983 02	sill cover	/L -	1	
	G2X	prime coated			
(1)	996 559 984 02	sill cover	/R -	1	
	G2X	prime coated			
1	996 559 983 03	sill cover	/L 0	1	IXAA/X76
	G2X	prime coated			
(1)	996 559 984 03	sill cover	/R 0	1	IXAA/X76
	G2X	prime coated			
2	996 559 982 00	retaining strip		2	
3	996 559 985 01	adhesive film	/L -02	1	
(3)	996 559 986 01	adhesive film	/R -02	1	
(3)	986 559 990 02	adhesive film	03-	2	
4	900 145 041 07	counters. head tapp. screw ST 3,5 X 16		22	
5	999 507 640 09	u-clamp		18	
6	999 073 231 09	tapping screw 4,8 X 16		20	
6	999 073 061 02	tapping screw 4,8 X 16		2	
7	000 044 000 37	adhesive set		1	

Model	Year	MG	SG	Illustration	Restrictions	UPD	14:20	24.01.2010	PORSCHE	PET	PORSCHE
996	2005	8	10	810-06		248					



Pos	Part Number	Description	Remark	Qty	Model
		trim cover door sill single parts			CARRERA 4
1	996 504 363 00	sill cover	/L	1	
	01C	satin black			
(1)	996 504 364 00	sill cover	/R	1	
	01C	satin black			
1	996 504 363 01	sill cover	/L	02-	MXAH
	G2X	prime coated			
1	996 504 364 01	sill cover	/R	02-	MXAH
	G2X	prime coated			
2	N 906 487 02	tapping screw 4,8 X 16		10	
3	999 507 640 09	clamp 3,30 - 4,00		10	
4	996 504 715 00	grommet		20	
5	996 504 743 00	support	/L	1	
(5)	996 504 744 00	support	/R	1	
6	999 507 668 02	speed nut 4,8		4	
7	996 504 893 00	rubber lip	/L	1	
(7)	996 504 894 00	rubber lip	/R	1	

Model	Year	MG	SG	Illustration	Restrictions	UPD	14:20	24.01.2010	PORSCHE	PET	PORSCHE
996	2005	8	11	811-00		248					

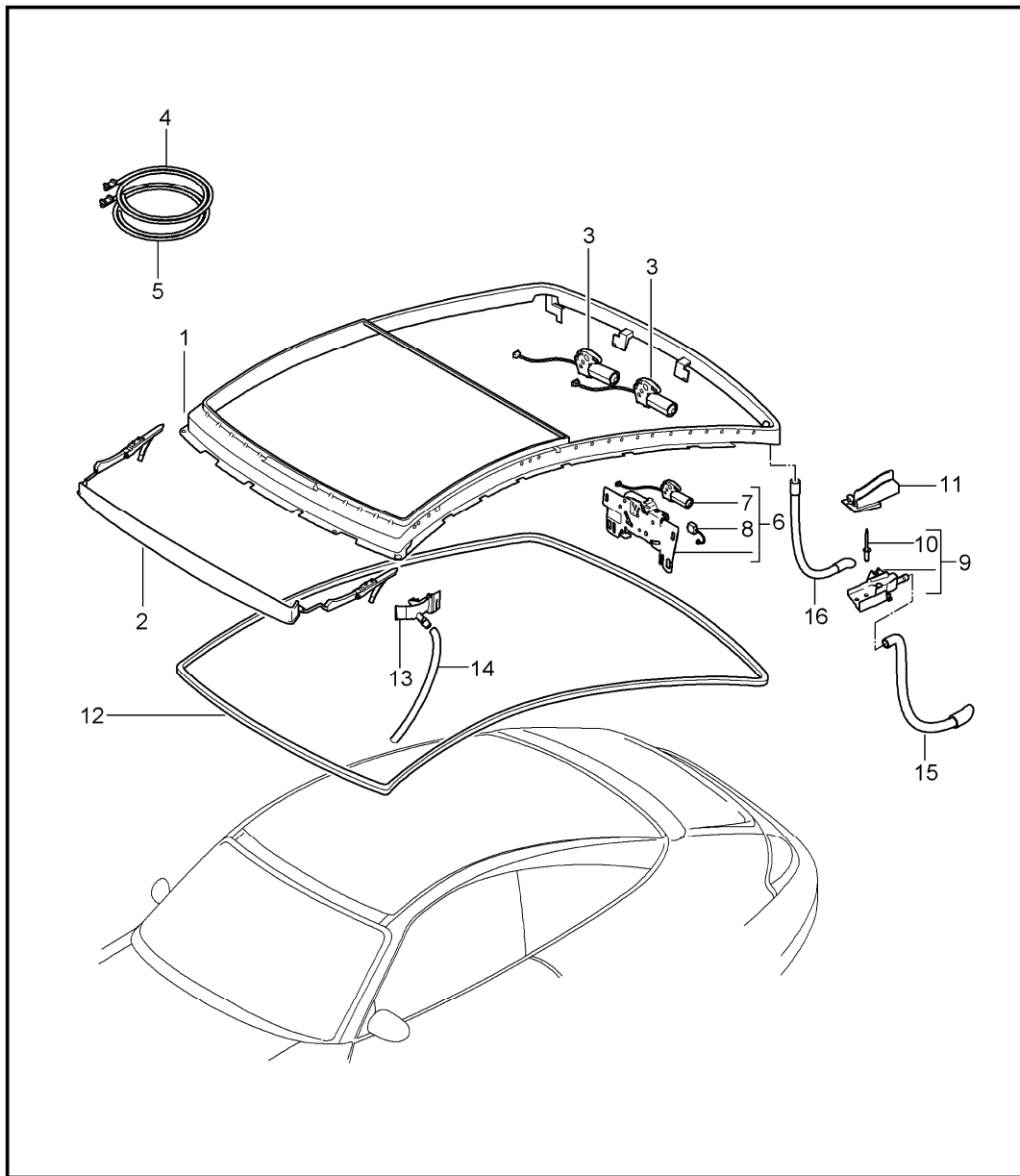


Pos	Part Number	Description	Remark	Qty	Model
		sunroof			M650
1	996 564 941 01	lid		1	
		GRV prime coated			
2	A 996 624 211 02	driving mechanism		1	
2	997 624 211 00	driving mechanism		1	
3	996 564 213 00	spacer		1	
4	999 073 135 07	oval-head screw		2	
5	999 703 258 41	clip		2	
6	996 564 015 02	frame complete for vehicles up to 01.01 use also:		1	
-	996 564 915 00	assembly kit for frame		1	
7	996 564 021 01	roofliner	-99	1	
	A10	black			
	B50	space grey			
	C50	graphite grey			
	G10	metropole blue			
	S30	savanna			
7	996 564 021 02	roofliner	00	1	
	A14	black			
	C54	graphite grey			
	G14	metropole blue			
	S34	savanna			
7	996 564 021 03	roofliner	01-02	1	
	A14	black			
	C54	graphite grey			
	S34	savanna			
	G14	metropole blue			

Model	Year	MG	SG	Illustration	Restrictions	UPD	14:20	24.01.2010	PORSCHE	PET	PORSCHE
996	2005	8	11	811-00		248					

Pos	Part Number	Description	Remark	Qty	Model	Pos	Part Number	Description	Remark	Qty	Model
7	J34	nephrite green				12	999 073 131 02	oval-head screw M6X25		4	
	996 564 021 04	roofliner alcantara	03-05	1		12	999 073 366 02	oval-head screw M6X30		4	
	A14	black				13	999 073 130 02	oval-head screw M6X16		6	
	C54	graphite grey				14	996 564 207 00	water drain hose front		2	
	G14	metropole blue				15	996 564 237 01	water drain hose rear		2	
	S34	savanna				16	900 143 133 07	oval-head sheetmetal screw		4	
7	J34	nephrite green				17	996 564 245 00	combination screw		4	
	996 564 983 00	roofliner leather	01-	1	IXMA	18	999 507 631 02	cable holder		6	
	A11	black				19	999 591 348 02	speed nut		2	
	C51	graphite grey				20	996 564 161 02	air deflector		1	
	S31	savanna				21	996 564 521 01	hinge		1	
	G11	metropole blue				(21)	996 564 522 01	hinge		1	
	J31	nephrite green				--	996 564 950 00	sound absorber for roofliner		1	
	M31	boxster red				22	996 564 915 00	assembly kit for frame		1	
	D12	dark grey/natural				23	996 564 907 01	edge protection		1	
	T12	natural brown									
	P12	cinnamon brown									
8	996 564 181 00	cover outer	/L	1							
	01C	black									
(8)	996 564 182 00	cover outer	/R	1							
	01C	black									
9	996 564 241 00	cover inner	/L	1							
(9)	996 564 242 00	cover inner	/R	1							
10	996 564 211 01	gasket	-01	1							
10	997 564 211 00	gasket	02-	1							
11	999 702 248 41	grommet		4							

Model	Year	MG	SG	Illustration	Restrictions	UPD	14:20	24.01.2010	PORSCHE	PET	PORSCHE
996	2005	8	11	811-01		248					

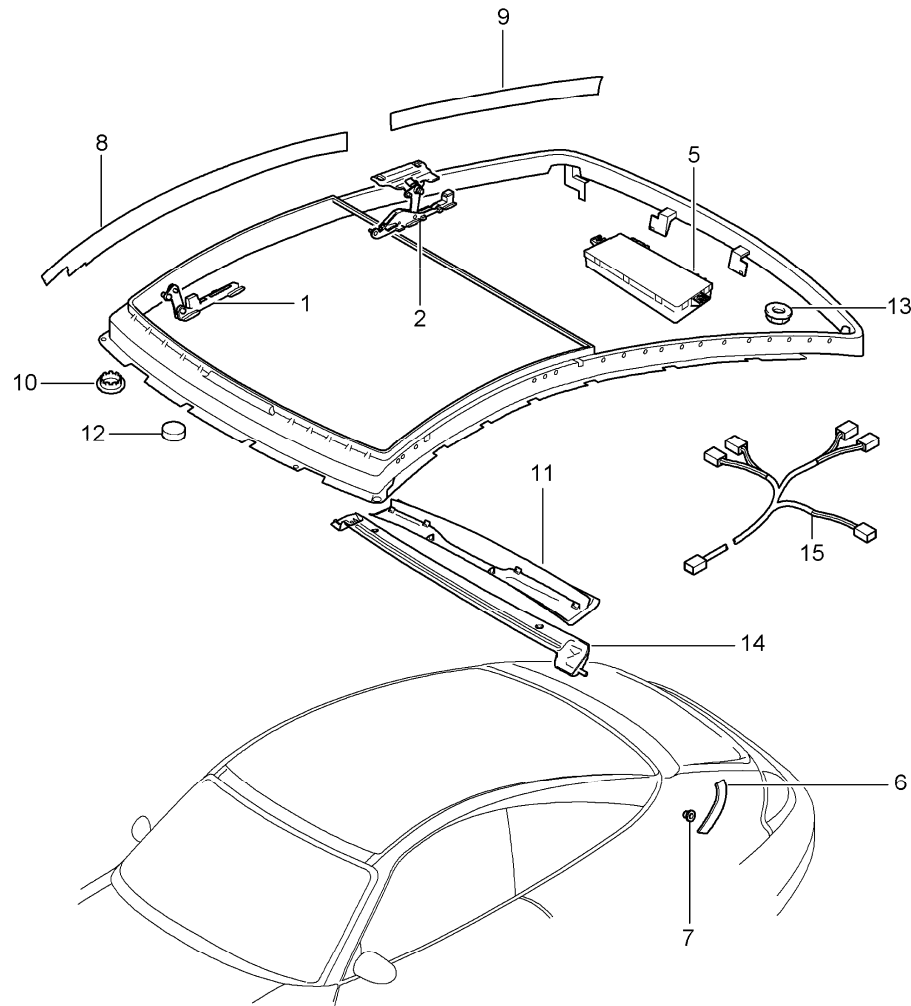


Pos	Part Number	Description	Remark	Qty	Model
		glass roof			TARGA
1	996 562 905 01	frame		1	
2	996 562 953 00	air deflector		1	
3	996 624 221 00	electric drive		2	
4	996 562 315 00	cable	/L	1	
5	996 562 316 00	cable	/R	1	
6 A	996 562 335 00	catch		1	
6	997 562 335 01	catch		1	
7	996 624 231 00	driving mechanism		1	
8	996 613 231 00	microswitch		1	
9	996 562 439 00	end piece guide rail	/L	1	
(9)	996 562 440 00	end piece guide rail	/R	1	
10	999 190 172 30	blind rivet		2	
11	996 562 437 00	lid	/L	1	
(11)	996 562 438 00	lid	/R	1	
12	996 562 425 00	sealing strap		1	
13	996 562 401 00	water drain tube	/L	1	
(13)	996 562 402 00	water drain tube	/R	1	
14	996 562 203 01	water drain hose		2	
-	996 562 910 00	guide with wiring harness shade		1	
-	996 612 344 00	wiring harness shade		1	
-	000 043 157 00	cleaning agent 30 ML		1	
-	999 703 488 40	buffer		2	
-	996 562 913 00	guide tube with drive shaft		1	

Model	Year	MG	SG	Illustration	Restrictions	UPD	14:20	24.01.2010	PORSCHE	PET	PORSCHE
996	2005	8	11	811-01		248					

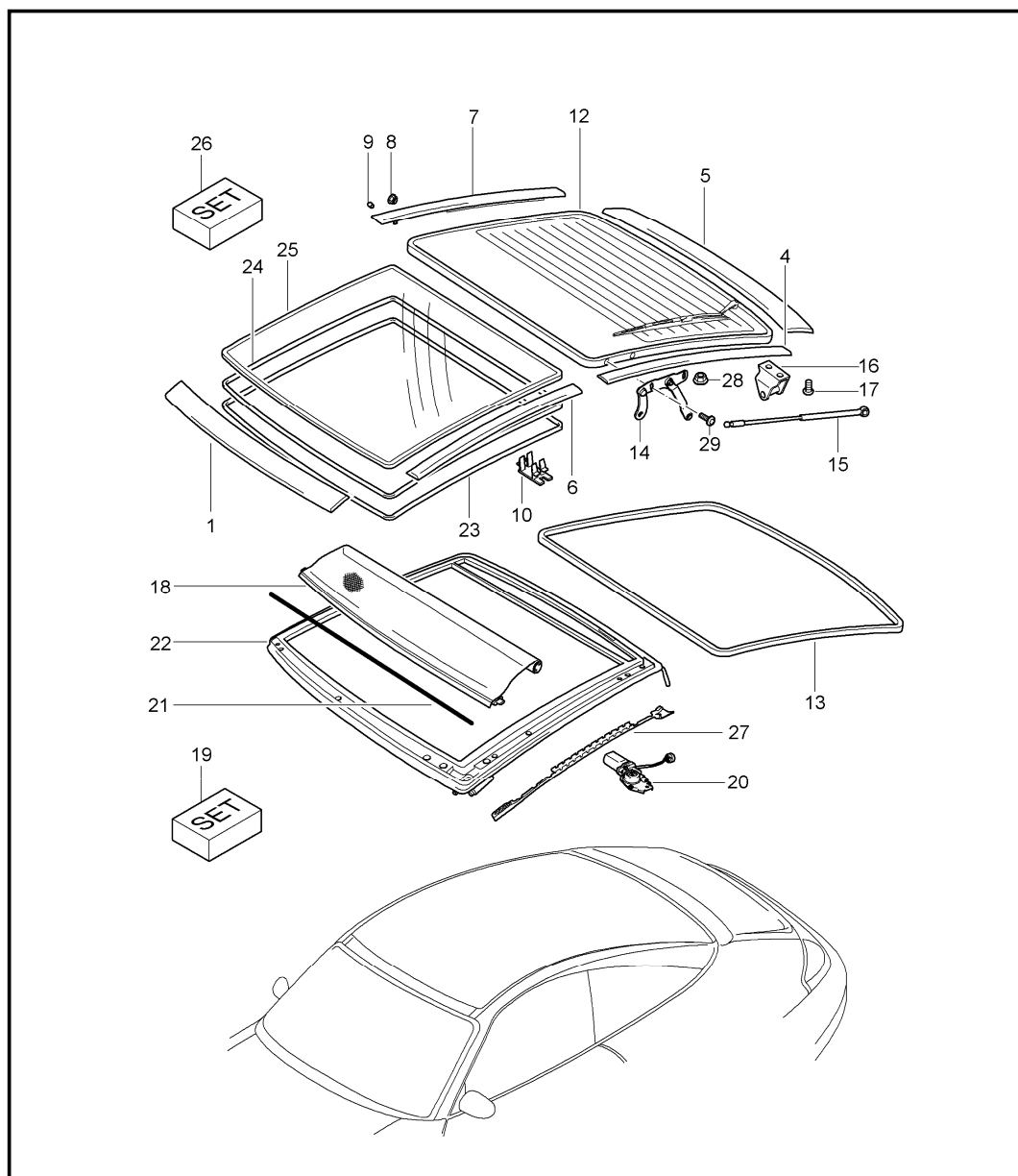
Pos	Part Number	Description	Remark	Qty	Model	Pos	Part Number	Description	Remark	Qty	Model
15	996 562 205 01	water drain hose rear outer		2							
16	996 562 207 01	water drain hose rear inner		2							

Model	Year	MG	SG	Illustration	Restrictions	UPD	14:20	24.01.2010	PORSCHE	PET	PORSCHE
996	2005	8	11	811-02		248					



Pos	Part Number	Description	Remark	Qty	Model
		glass roof driving mechanism			TARGA
--	996 562 906 00	repair kit knock-out lever comprising: POS. 1 + 2		1 1	
5	996 618 241 00	control unit		1	
6	996 562 541 00	cover	/L	1	
		GRV prime coated			
(6)	996 562 542 00	cover	/R	1	
		GRV prime coated			
7	893 853 231 A	clamping bush		4	
8	996 562 407 00	cover	/L	1	
(8)	996 562 408 00	cover	/R	1	
9	996 562 911 00	cover	/L	1	
9	996 562 404 00	cover	/R	1	
10	999 703 866 40	cap		3	
11	996 562 943 00	lining		1	
12	986 561 633 01	buffer		2	
13	999 084 456 09	nut		X	
14	996 562 459 00	profile strip		1	
15	996 612 343 00	wiring harness		1	
--	996 562 427 00	bracket for profile strip		1	

Model	Year	MG	SG	Illustration	Restrictions	UPD	14:20	24.01.2010	PORSCHE	PET	PORSCHE
996	2005	8	11	811-03		248					

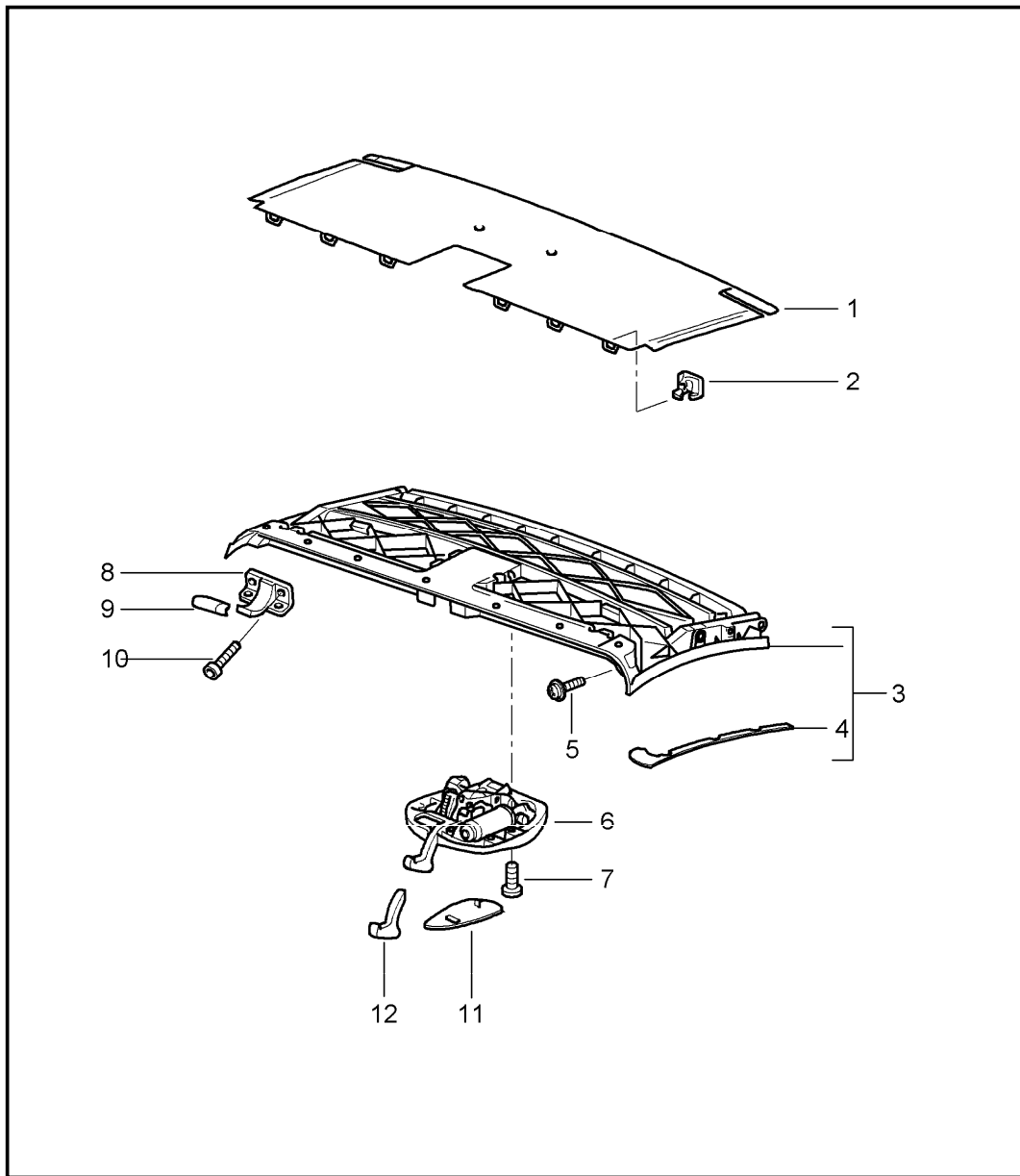


Pos	Part Number	Description	Remark	Qty	Model
1	996 562 021 00	glass roof linings		1	TARGA
2	996 562 523 00	cover cowl		1	
3	999 919 207 09	gasket cover cowl		1	
4	999 919 207 09	oval-head screw		3	
4	996 562 651 00	trim cover	/L	1	
(4)	996 562 652 00	trim cover	/R	1	
5	996 562 653 00	trim cover	/H	1	
(5)	996 562 928 00	trim cover rear window	/H	1	
6	996 562 303 00	cover strip	/L	1	
(6)	996 562 304 00	cover strip	/R	1	
7	996 562 341 00	cover		1	
(7)	996 562 342 00	cover	/R	1	
8	999 076 073 07	hexagon nut		2	
9	900 228 017 09	threaded pin		2	
10	996 562 409 00	clip		X	
12	996 562 323 00	rear lid		1	
12	996 562 323 01	rear lid		1	M425
13	996 562 337 00	gasket		1	
14	996 562 319 00	hinge	/L	1	
(14)	996 562 320 00	hinge	/R	1	
15	996 562 429 00	gas-pressure spring	/L	1	
(15)	996 562 430 00	gas-pressure spring	/R	1	
16	996 562 325 00	clip		1	
--	996 562 461 00	cap		1	
17	900 228 017 09	stud		2	
18	996 562 405 00	shade		1	

Model	Year	MG	SG	Illustration	Restrictions	UPD	14:20	24.01.2010	PORSCHE	PET	PORSCHE
996	2005	8	11	811-03		248					

Pos	Part Number	Description	Remark	Qty	Model	Pos	Part Number	Description	Remark	Qty	Model
19	997 562 913 00	repair kit	/L	1							
(19)	997 562 914 00	repair kit shade mitverwenden	/R	1							
--	996 562 431 00	cable		1							
20	996 624 241 00	engine		1							
21	996 562 901 00	roof strut		1							
--	996 613 221 00	microswitch		1							
22	996 562 333 02	frame	F >>	1							
--	996 562 933 01	repair kit retaining frame	F 995S6	1							
--	999 073 262 09	torx screw M 5X14		10							
23	996 562 455 00	gasket		1							
24	996 562 331 00	gasket		1							
25 A	996 562 329 00	glass roof		1							
25	996 562 329 01	glass roof		1							
26	996 562 903 00	spacer sleeve set		1							
27	996 562 907 00	cover	/L	1							
(27)	996 562 908 00	cover	/R	1							
--	996 562 459 00	profile strip sunroof		1							
--	996 562 441 00	gasket centre piece		1							
--	999 703 100 40	buffer rear lid		2							
--	000 043 157 00	cleaning agent 30 ML		1							
--	996 562 421 00	water drain valve		2							
28	999 084 456 09	hexagon nut M6		3							
29	999 073 264 09	lens-head screw M6x10		2							

Model	Year	MG	SG	Illustration	Restrictions	UPD	14:20	24.01.2010	PORSCHE	PET	PORSCHE
996	2005	8	11	811-05		248					

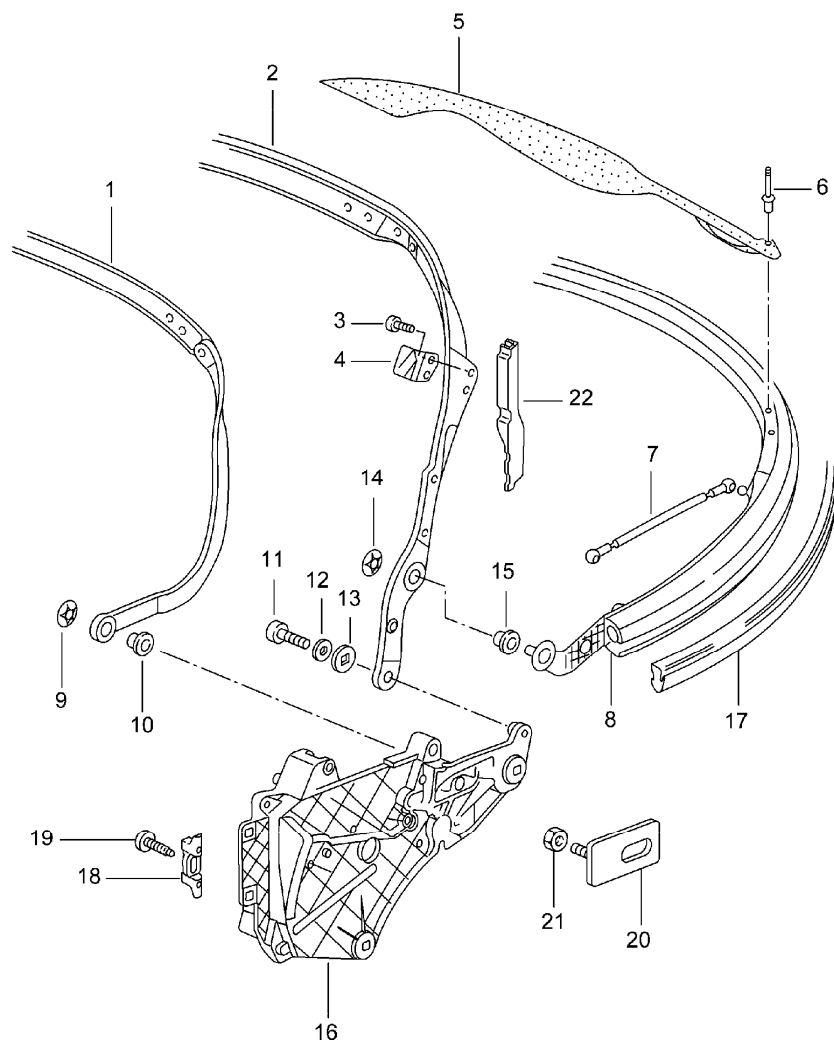


Pos	Part Number	Description	Remark	Qty	Model
		convertible top frame front roof frame catch			
1	996 561 963 00	base		1	
2	996 561 731 00	clip		6	
3	996 561 953 00	roof frame		1	
	A09	black			
4	996 561 807 00	gasket roof frame plastic foam strip	/L	1	
(4)	996 561 808 00	gasket roof frame plastic foam strip	/R	1	
5	996 561 247 00	expansion rivet		6	
6	996 561 017 01	catch	-04	1	
	A09	black			
(6)	997 561 117 00	catch	05-	1	
--	996 561 947 00	adapter	-04	1	
--	997 561 515 00	trim cover	05-	1	
	01C	black			
7	999 073 195 09	oval-head screw		4	
8	996 561 605 01	centring journal	/L	-02	1
	A09	black			
8	996 561 605 02	centring journal	/L	03-	1
(8)	996 561 606 01	centring journal	/R	-02	1
	A09	black			
(8)	996 561 606 02	centring journal	/R	03-	1
9	996 561 705 01	cap	/L	1	
	01C	black			
(9)	996 561 706 01	cap	/R	1	
	01C	black			

Model	Year	MG	SG	Illustration	Restrictions	UPD	14:20	24.01.2010	PORSCHE	PET	PORSCHE
996	2005	8	11	811-05		248					

Pos	Part Number	Description	Remark	Qty	Model	Pos	Part Number	Description	Remark	Qty	Model
10	999 919 144 09	oval-head screw		4							
11	996 561 837 00	cap	/L	-04	1						
	D05	granite grey									
	A03	black									
(11)	996 561 838 00	cap	/R	-04	1						
	D05	granite grey									
	A03	black									
11	996 561 937 00	set cap		1							
12	996 561 787 00	cap		1							
	01C	black									

Model	Year	MG	SG	Illustration	Restrictions	UPD	14:21	24.01.2010	PORSCHE	PET	PORSCHE
996	2005	8	11	811-06		248					

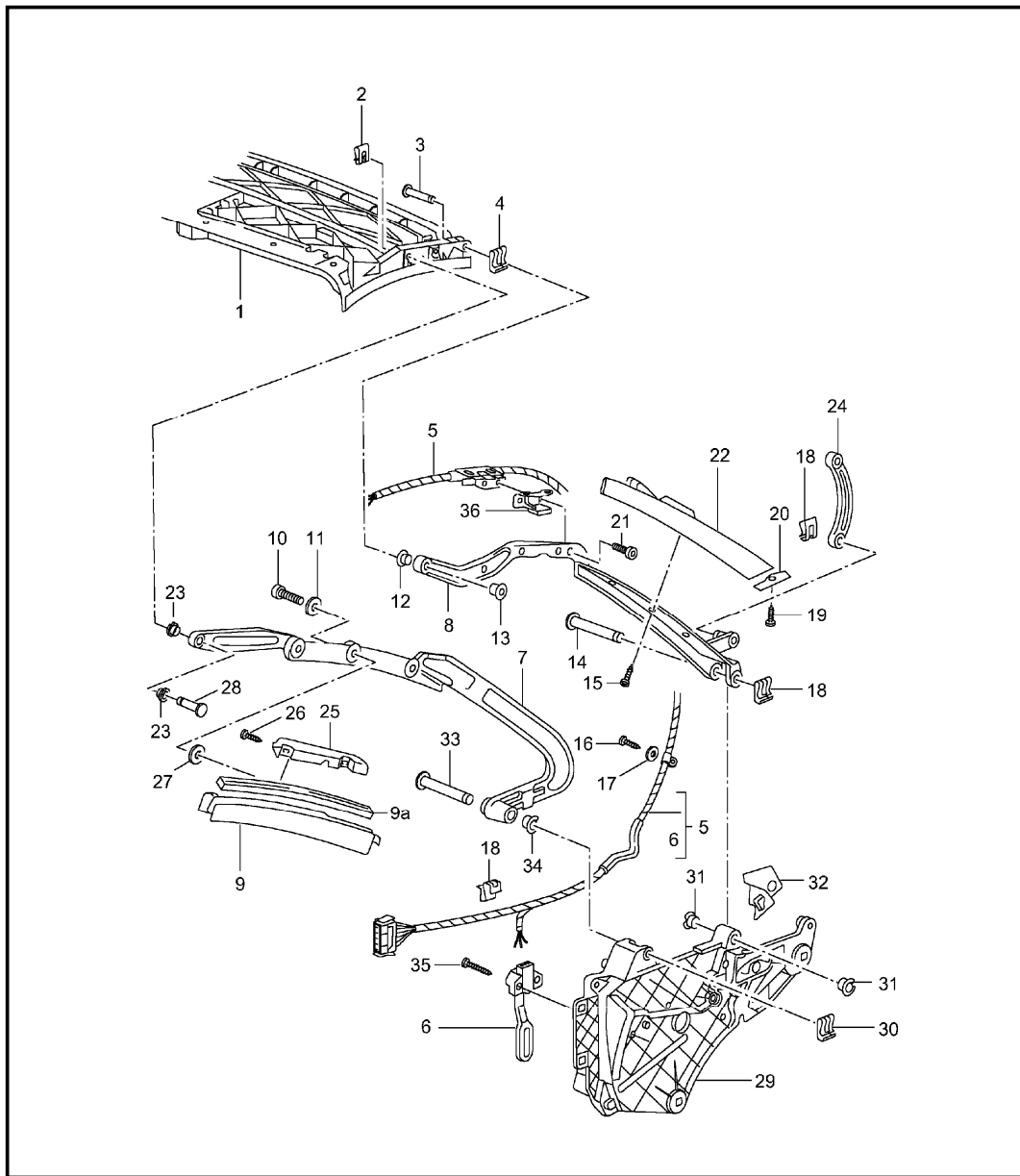


Pos	Part Number	Description	Remark	Qty	Model
		convertible top frame single parts			
1	996 561 042 00	roof strut		1	
2	996 561 037 00	roof strut		1	
3	900 146 003 02	oval-head screw		4	
4	996 561 959 00	thrust wedge		2	
5	996 561 089 00	restraining strap	/L	-01	1
5	996 561 089 01	restraining strap	/L	02-	1
(5)	996 561 090 00	restraining strap	/R	-01	1
(5)	996 561 090 01	restraining strap	/R	02-	1
6	999 190 446 30	rivet		X	
7	996 561 191 00	tension rope		2	
8	996 561 041 00	roof strut		-01	1
8	996 561 041 01	roof strut		02-	1
9	996 561 645 00	lock		4	
10	999 924 122 40	bush		4	
11	999 073 195 09	oval-head screw		2	
12	900 151 006 09	washer		2	
13	999 924 131 30	washer		2	
14	996 561 645 00	lock		4	
15	999 924 122 40	bush		X	
16	996 561 443 00	convertible top support	/L	1	
(16)	996 561 444 00	convertible top support	/R	1	
17	996 561 693 00	additional gasket for roof strut POS.8		1	
18	996 561 735 02	adjusting shim		2	
19	999 073 138 09	screw		2	
20	996 561 715 00	support		2	
21	999 084 630 09	hexagon nut		2	

Model	Year	MG	SG	Illustration	Restrictions	UPD	14:21	24.01.2010	PORSCHE	PET	PORSCHE
996	2005	8	11	811-06		248					

Pos	Part Number	Description	Remark	Qty	Model	Pos	Part Number	Description	Remark	Qty	Model
22	996 561 259 00	gasket	/L	1							
(22)	996 561 260 00	gasket	/R	1							

Model	Year	MG	SG	Illustration	Restrictions	UPD	14:21	24.01.2010	PORSCHE	PET	PORSCHE
996	2005	8	11	811-07		248					

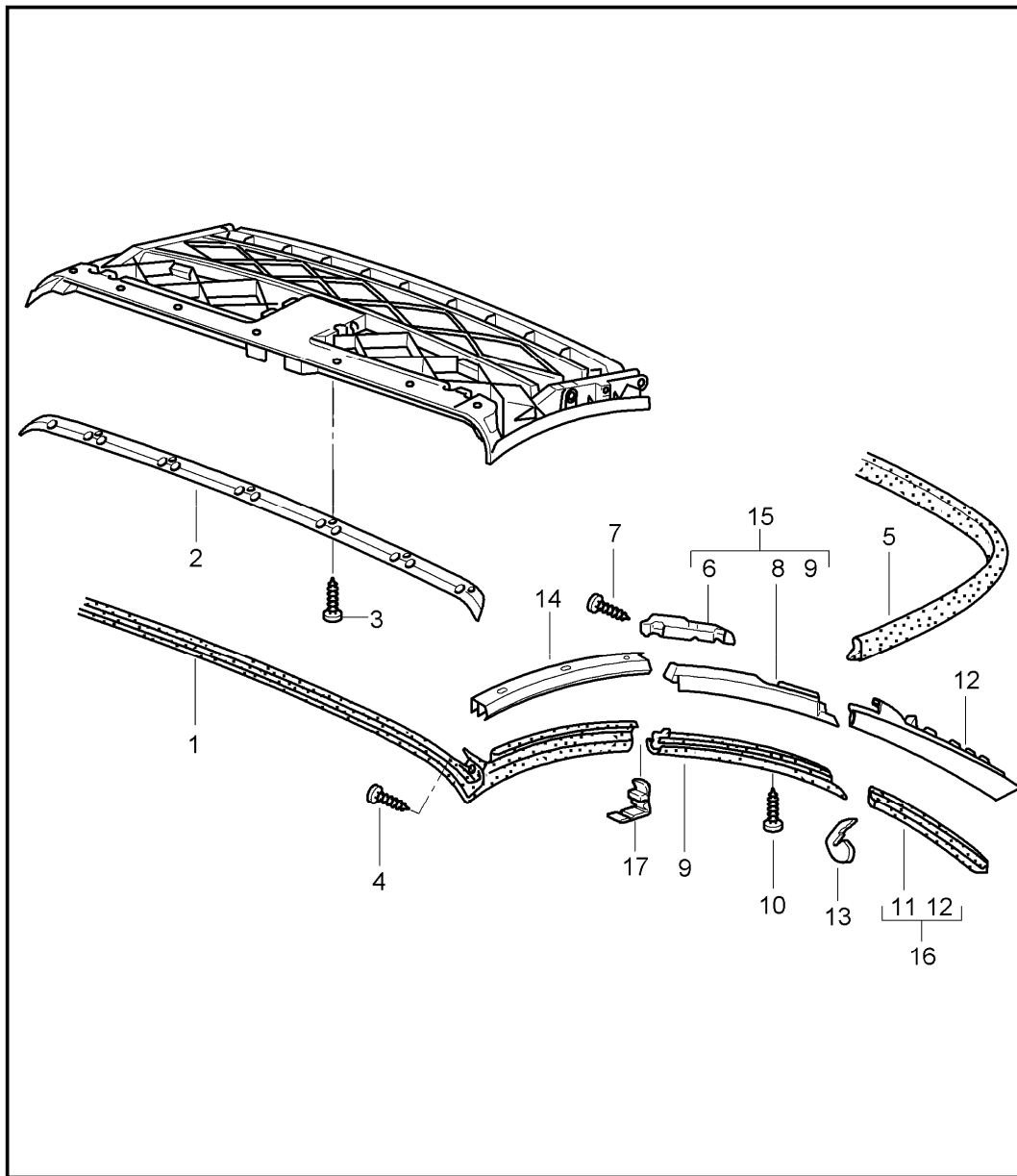


Pos	Part Number	Description	Remark	Qty	Model
1	996 561 953 00	convertible top frame single parts		1	
	A09	black			
2	999 166 075 02	lock		X	
3	999 088 041 30	bolt 8X23,2		2	
4	999 166 075 02	lock		X	
5	996 612 005 15	wiring harness	-04	1	
5	997 612 698 00	wiring harness		1	
6	996 613 313 02	potentiometer		1	
7	996 561 335 00	roof frame	/L	1	
(7)	996 561 336 00	roof frame		1	
8	996 561 339 00	roof frame	/L	1	
(8)	996 561 340 00	roof frame	/R	1	
9	996 561 355 00	sealing frame	/L	1	
	A09	black			
(9)	996 561 356 00	sealing frame	/R	1	
	A09	black			
9A	996 561 219 00	gasket for sealing frame		2	
10	999 073 195 09	screw M 6X20		X	
11	900 151 006 09	washer		X	
12	999 924 152 00	bush		2	
13	999 924 152 00	bush		2	
14	999 088 037 30	bolt		1	
15	999 919 152 09	oval-head screw		X	
16	900 144 101 02	tapping screw		X	
17	900 151 027 02	washer		8	

Model	Year	MG	SG	Illustration	Restrictions	UPD	14:21	24.01.2010	PORSCHE	PET	PORSCHE
996	2005	8	11	811-07		248					

Pos	Part Number	Description	Remark	Qty	Model	Pos	Part Number	Description	Remark	Qty	Model
18	999 166 076 02	lock		X							
19	999 919 152 09	oval-head screw		4							
20	996 561 239 00	gasket	/L	1							
(20)	996 561 240 00	gasket	/R	1							
21	N 014 128 13	oval-head screw		4							
22	996 561 319 00	frame	/L	1							
(22)	996 561 320 00	frame		1							
23	999 924 152 00	bush		4							
24	996 561 051 01	lever	/L	1							
(24)	996 561 052 01	lever	/R	1							
25	996 561 535 00	guide	/L	1							
(25)	996 561 536 00	guide	/R	1							
26	999 919 141 09	oval-head screw		4							
27	999 025 267 09	washer		8							
28	999 088 040 30	bolt		2							
29	996 561 443 00	convertible top support	/L	1							
(29)	996 561 444 00	convertible top support	/R	1							
30	999 166 076 02	lock		6							
31	999 924 125 40	bush		4							
32	996 561 249 01	sealing strip	/L	-00	1						
32	996 561 249 01	gasket	/L	01-	1						
(32)	996 561 250 01	sealing strip	/R	-00	1						
(32)	996 561 250 01	gasket	/R	01-	1						
33	999 088 031 30	bolt		4							
34	999 924 125 40	bush		4							
35	999 919 152 09	oval-head screw		2							
36	996 561 631 00	bracket		-01	2						
37	996 610 114 00	guide		-01	1						

Model	Year	MG	SG	Illustration	Restrictions	UPD	14:21	24.01.2010	PORSCHE	PET	PORSCHE
996	2005	8	11	811-09		248					

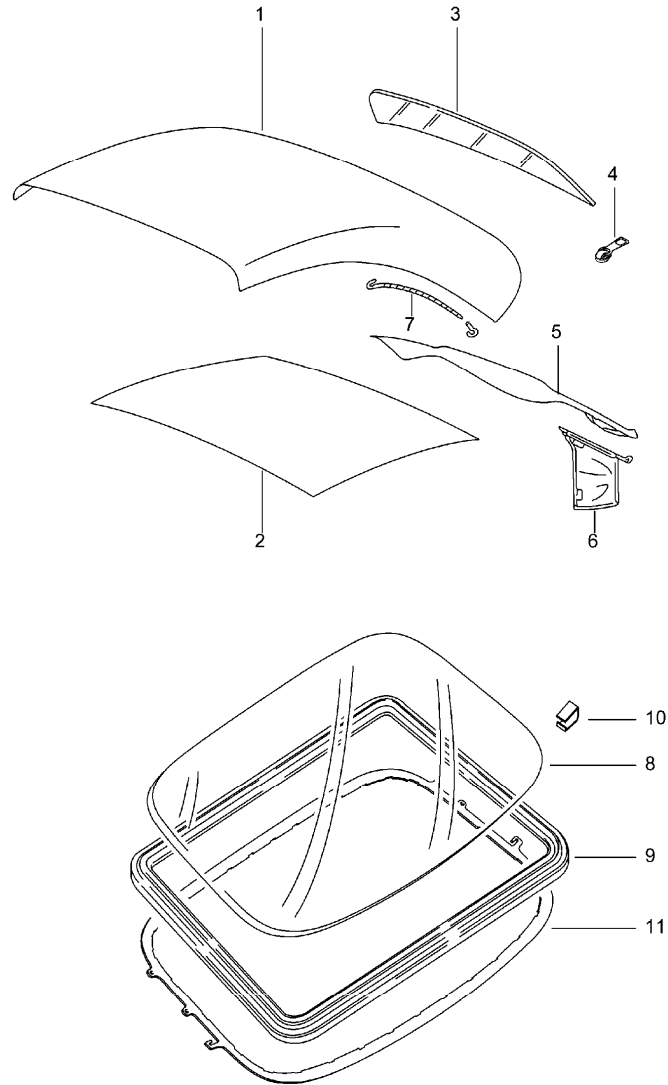


Pos	Part Number	Description	Remark	Qty	Model
		convertible top seal			
1	996 561 027 00	roof frame seal		1	
2	996 561 501 01	retaining strip	-04	1	
2	997 561 501 00	retaining strip	05-	1	
3	999 919 139 09	oval-head screw		7	
4	999 919 139 09	oval-head screw		2	
5	996 561 449 00	gasket		1	
6	U 996 561 535 00	guide order Pos. 15 + 16	/L -01	1	
(6)	U 996 561 536 00	guide order Pos. 15 + 16	/R -01	1	
7	999 919 152 09	oval-head screw		4	
8	U 996 561 355 00	frame order Pos. 15 + 16	/L	1	
(8)	U 996 561 356 00	frame order Pos. 15 + 16	/R	1	
9	U 996 561 413 00	gasket order Pos. 15 + 16	/L	1	
9	U 996 561 414 00	gasket order Pos. 15 + 16	/R	1	
10	999 919 152 09	oval-head screw		8	
11	U 996 561 411 00	gasket order Pos. 15 + 16	/L	1	
(11)	U 996 561 412 00	gasket order Pos. 15 + 16	/R	1	
12	U 996 561 319 00	frame order Pos. 15 + 16	/L	1	

Model	Year	MG	SG	Illustration	Restrictions	UPD	14:21	24.01.2010	PORSCHE	PET	PORSCHE
996	2005	8	11	811-09		248					

Pos	Part Number	Description	Remark	Qty	Model	Pos	Part Number	Description	Remark	Qty	Model
12	U 996 561 320 00	frame order Pos. 15 + 16	/R	1							
13	996 561 935 00	filler piece set		2							
14	996 561 527 00	mounting	/L	1							
(14)	996 561 528 00	mounting	/R	1							
15	997 561 913 01	gaskets	/L	1							
(15)	997 561 914 01	gaskets assembly kit Pos. 6,8,9 roof frame front	/R	1							
16	997 561 923 00	gaskets	/L	1							
(16)	997 561 924 00	gaskets assembly kit Pos. 11,12 roof frame rear	/R	1							
17	997 561 813 00	filler piece	/L	1							
17	997 561 814 00	filler piece	/R	1							

Model	Year	MG	SG	Illustration	Restrictions	UPD	14:21	24.01.2010	PORSCHE	PET	PORSCHE
996	2005	8	11	811-10		248					

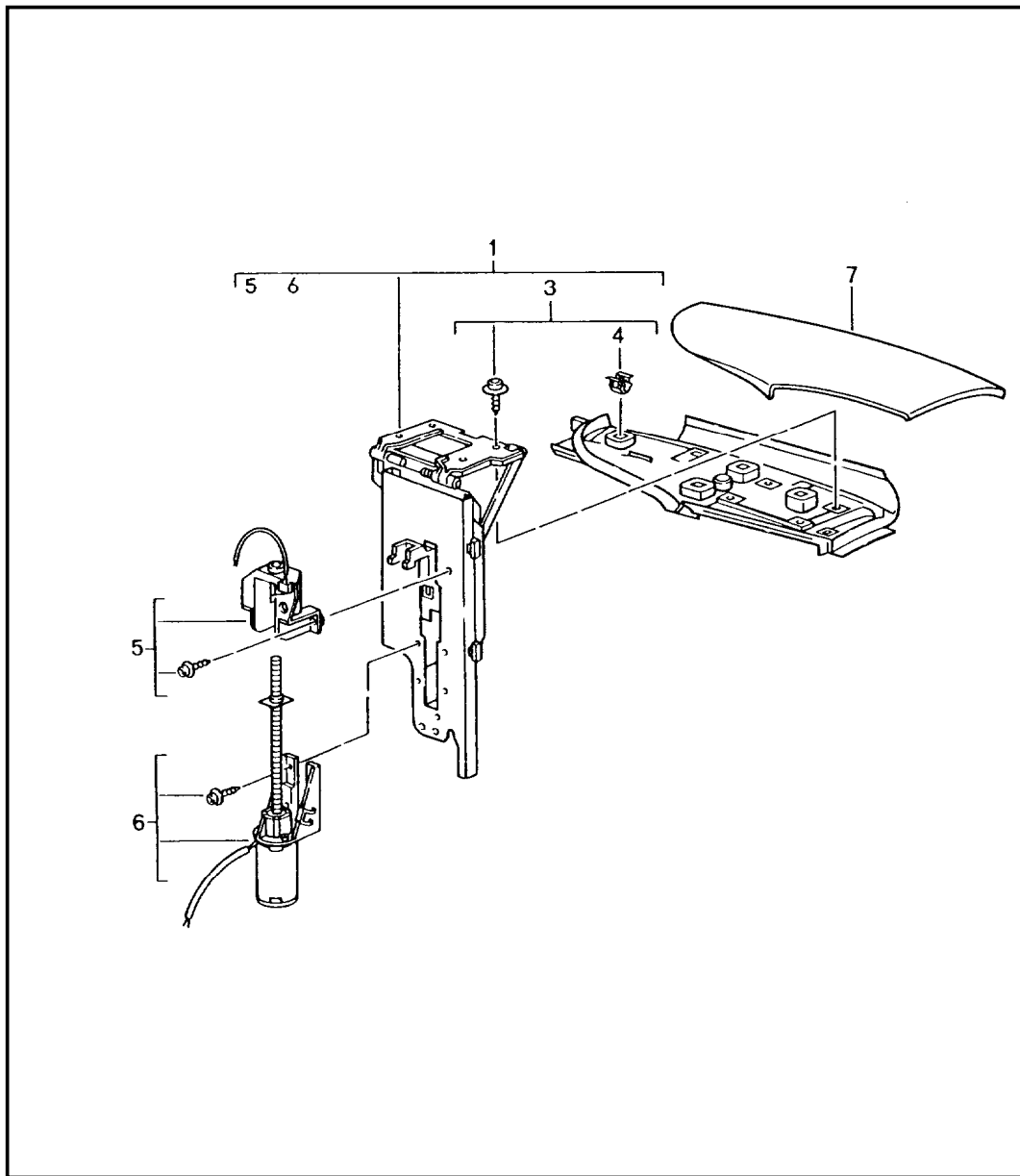


Pos	Part Number	Description	Remark	Qty	Model
1	996 561 915 01	convertible top covering roofliner convertible top covering without rear window	-01	1	
	A10	black			
	B50	space grey			
	G10	metropole blue			
1	996 561 915 02	convertible top covering without rear window	-04	1	
	A10	black			
	C50	graphite grey			
	G02	metropole blue			
1	A 997 561 901 00	convertible top covering without rear window	05-	1	
	A10	black			
	C50	graphite grey			
	G02	metropole blue			
1	997 561 901 01	convertible top covering without rear window	05-	1	
	A10	black			
	C50	graphite grey			
	G02	metropole blue			
2	996 561 085 00	roofliner	-01	1	
	A20	black			
2	996 561 085 01	roofliner	02-	1	
	A21	black			
3	996 561 111 00	rear window order at same time POS.4	-01	1	
4	993 561 959 00	slide		1	

Model	Year	MG	SG	Illustration	Restrictions	UPD	14:21	24.01.2010	PORSCHE	PET	PORSCHE
996	2005	8	11	811-10		248					

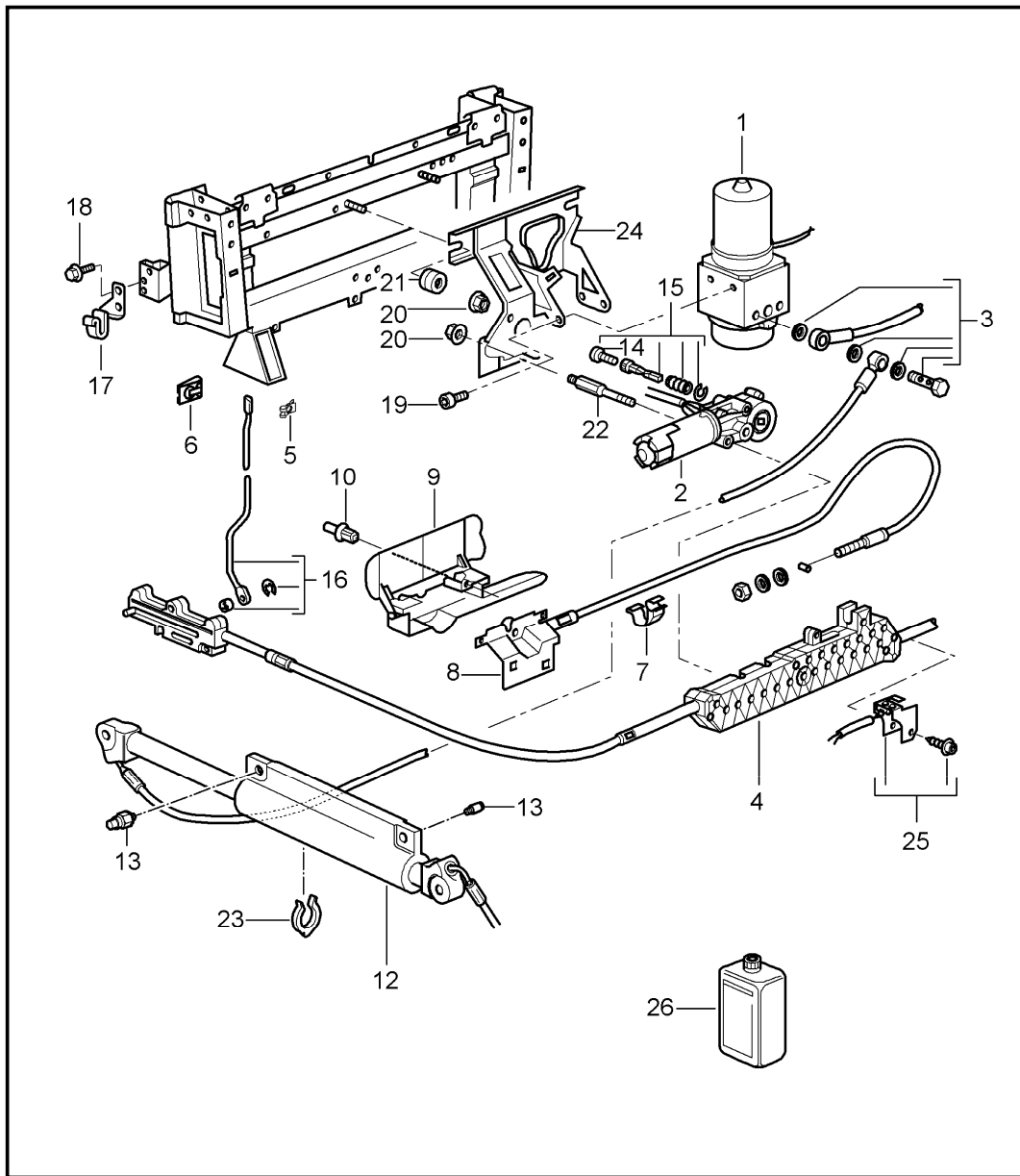
Pos	Part Number	Description	Remark	Qty	Model	Pos	Part Number	Description	Remark	Qty	Model
5	996 561 089 00	restraining strap	/L	-01	1						
(5)	996 561 089 01	restraining strap	/L	02-	1						
(5)	996 561 090 00	restraining strap	/R	-01	1						
(5)	996 561 090 01	restraining strap	/R	02-	1						
6	996 561 095 00	cover strip	/L	-01	1						
	A20	black									
(6)	996 561 095 01	bag	/L	02-	1						
	A20	black									
(6)	996 561 096 00	cover strip	/R	-01	1						
	A20	black									
(6)	996 561 096 01	bag	/R	02-	1						
	A20	black									
7	996 561 931 01	tension rope			2						
8	996 561 101 00	rear window		02-	1						
9	996 561 331 00	gasket		02-	1						
10	996 561 205 00	clamp			32						
11	996 561 203 00	frame			1						

Model	Year	MG	SG	Illustration	Restrictions	UPD	14:21	24.01.2010	PORSCHE	PET	PORSCHE
996	2005	8	11	811-11		248					



Pos	Part Number	Description	Remark	Qty	Model
		flap lateral folding top			
1	996 561 175 01	flap	/L	1	
(1)	996 561 176 01	flap	/R	1	
3	996 561 625 00	flap	/L	1	
(3)	996 561 626 00	flap	/R	1	
4	999 507 533 02	clamp		X	
5	996 561 685 00	microswitch	/L	1	
(5)	996 561 686 00	microswitch	/R	1	
6	996 561 675 00	driving mechanism	/L	1	
(6)	996 561 676 00	driving mechanism	/R	1	
7	--- -- -- --	see illustrations 8/07/07	/R	1	

Model	Year	MG	SG	Illustration	Restrictions	UPD	14:22	24.01.2010	PORSCHE	PET	PORSCHE
996	2005	8	11	811-12		248					

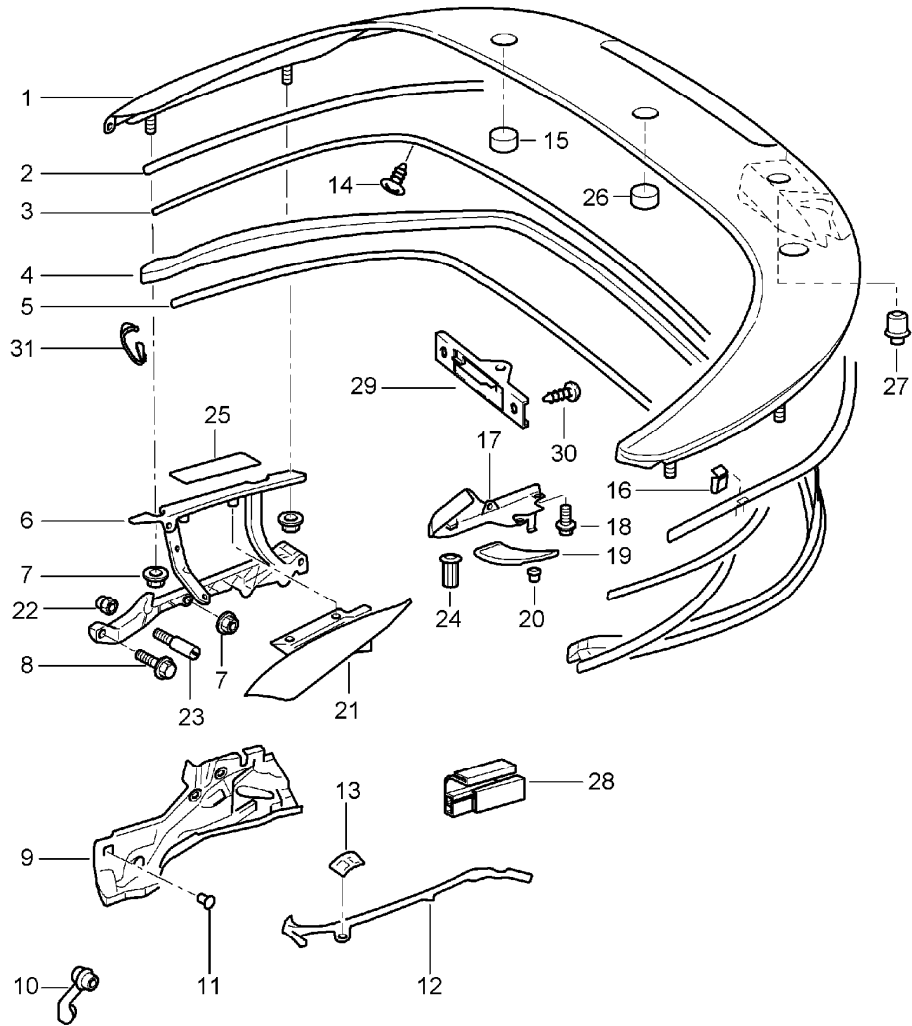


Pos	Part Number	Description	Remark	Qty	Model
		convertible top driving mechanism hydraulic			
1	996 561 307 01	pump see workshop manual group 6 61-7031	-03	1	
1	996 561 307 02	pump see workshop manual group 6 61-7031	04-	1	
2	996 561 933 00	engine	-03	1	
2	996 561 933 01	engine	04-	1	
3	996 561 573 00	banjo bolt		2	
4	996 561 021 03	driving mechanism	-03	1	
4	996 561 021 04	driving mechanism	04-	1	
--	999 919 184 09	oval-head screw		2	
5	999 166 054 02	lock		2	
6	999 703 425 40	spacer sleeve		2	
7	999 507 683 40	cable holder		X	
8	996 561 065 01	locking device		1	
9	996 561 265 01	trim cover	-01	1	
9	996 561 265 03	trim cover	02-	1	
10	999 591 941 40	expansion rivet		X	
12	996 561 945 02	cylinder		2	
13	996 561 245 00	bolt		1	
14	996 561 671 00	screw		1	
15	996 561 673 00	repair kit	-03	1	
15	996 561 673 01	repair kit	04-	1	
16	996 561 229 00	push rod	/L	1	
16	996 561 230 00	push rod	/R	1	
17	996 561 105 00	bracket	/L	1	
(17)	996 561 106 00	bracket	/R	1	

Model	Year	MG	SG	Illustration	Restrictions	UPD	14:22	24.01.2010	PORSCHE	PET	PORSCHE
996	2005	8	11	811-12		248					

Pos	Part Number	Description	Remark	Qty	Model	Pos	Part Number	Description	Remark	Qty	Model
18	900 378 173 09	hexagon-head tapping screw		X							
19	N 014 750 3	pan-head screw		4							
21	999 703 424 40	rubber buffer		2							
22	996 561 863 00	bolt	-03	2							
(22)	996 561 863 01	stud	04-	3							
23	996 561 281 00	retainer		2							
24	996 561 117 01	bracket	-01	1							
24	996 561 217 00	bracket	02-	1							
(24)	996 561 217 01	bracket	04-	1							
(24)	996 561 207 01	bracket convertible top compartm. driving mechanism	04-	1							
25	996 561 165 00	microswitch	-03	1							
25	996 561 165 01	microswitch	04-	1							
26	000 043 204 89	oil 250 ML		X							
27	996 561 221 00	knock-out lever	/L	1							
(27)	996 561 222 00	knock-out lever gate guide	/R	1							

Model	Year	MG	SG	Illustration	Restrictions	UPD	14:22	24.01.2010	PORSCHE	PET	PORSCHE
996	2005	8	11	811-13		248					

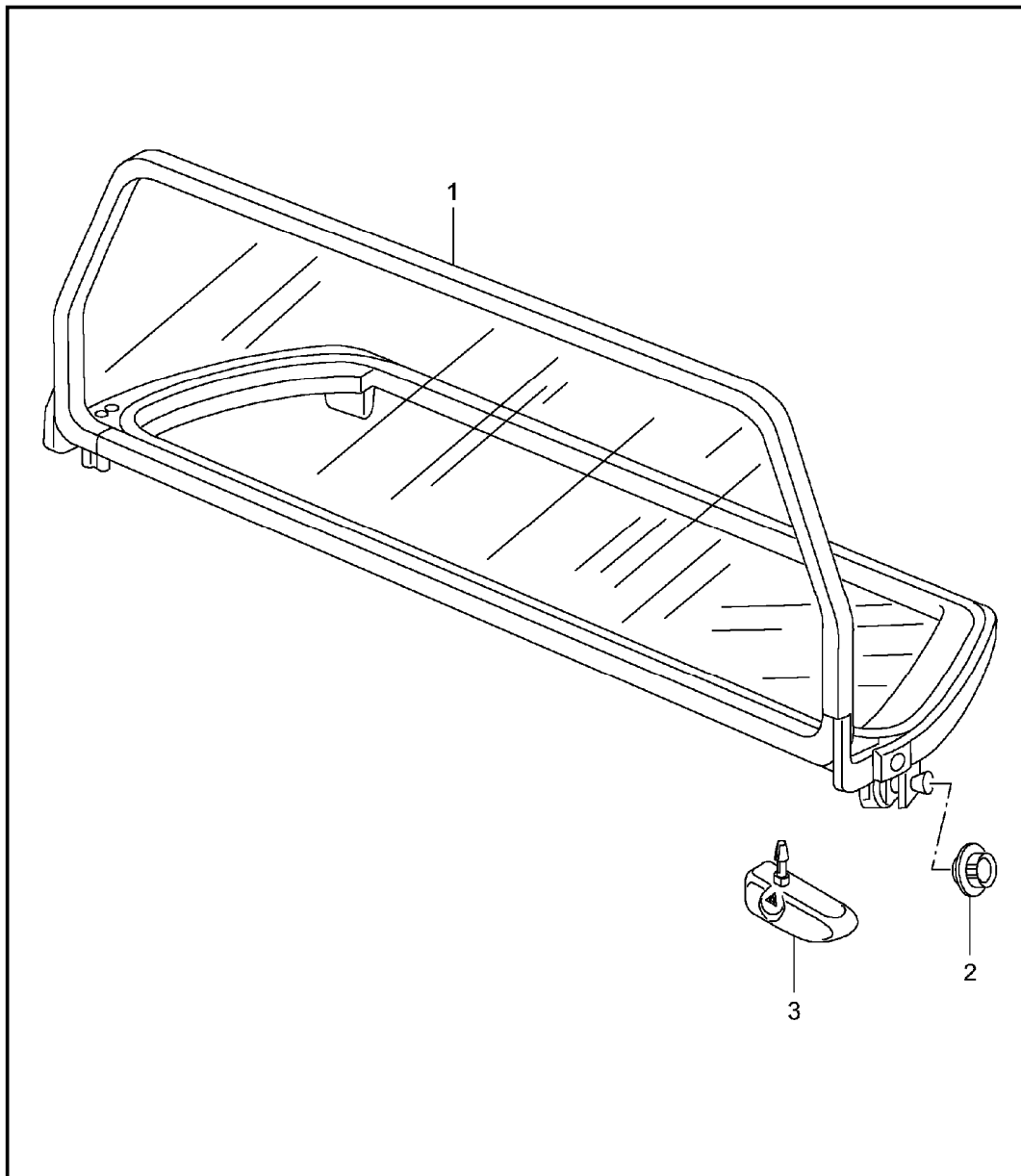


Pos	Part Number	Description	Remark	Qty	Model
		convertible top compartm. lid gaskets			
1	996 514 011 01	lid		1	
	GRV	prime coated			
1	996 514 011 03	lid		1	C4S
	GRV	prime coated			
2	997 514 633 01	sealing strip use also:		1	
-	000 043 207 26	adhesive tape		1	
3	996 514 731 00	gasket		1	
4	996 514 714 00	edge protection		1	
5	996 514 211 04	gasket		1	-02
5	996 514 211 04	gasket		1	03-
6	996 561 907 02	hinge	/L	1	
6	996 561 908 02	hinge	/R	1	
7	900 377 003 02	hexagon nut		4	
8	900 378 180 09	hexagon-head bolt		2	
9	996 561 805 02	water drip pan	/L	1	
9	996 561 806 02	water drip pan	/R	1	
10	996 561 815 01	water drain hose	/L	1	
10	996 561 816 01	water drain hose	/R	1	
-	996 561 809 00	clamp for Pos. 10		2	
11	999 703 432 40	stopper		2	
12	996 561 755 00	water drain strip		1	-03
12	996 561 755 01	water drain strip		1	04-
(12)	996 561 756 00	water drain strip		1	-03
(12)	996 561 756 01	water drain strip		1	04-
13	999 507 647 02	tab washer		4	

Model	Year	MG	SG	Illustration	Restrictions	UPD	14:22	24.01.2010	PORSCHE	PET	PORSCHE
996	2005	8	11	811-13		248					

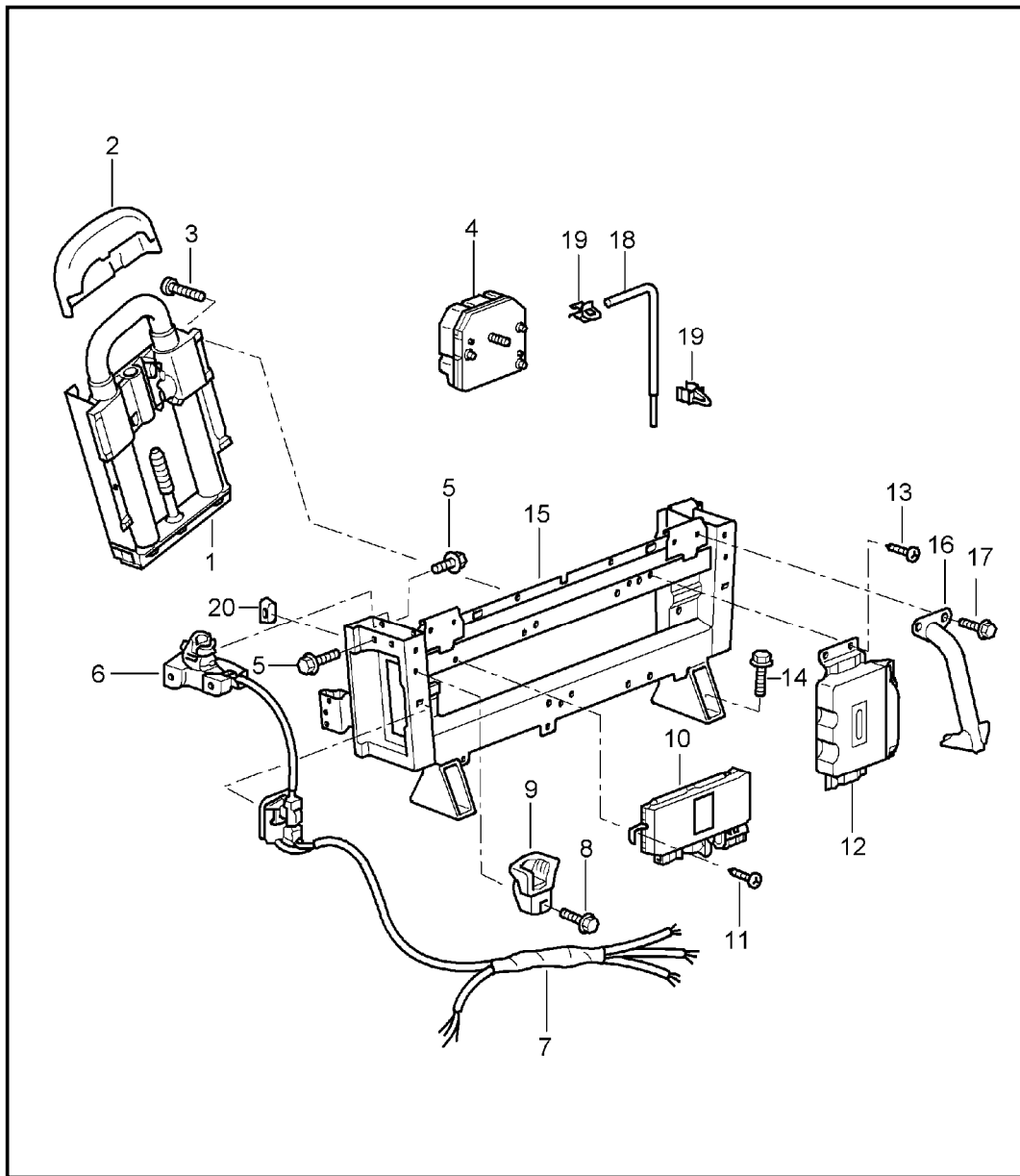
Pos	Part Number	Description	Remark	Qty	Model	Pos	Part Number	Description	Remark	Qty	Model
14	999 073 047 02	tapping screw		2							
15	996 561 633 01	buffer		2							
16	999 507 600 09	u-clamp		2							
17	996 514 651 01	mounting	/L	1							
17	996 514 651 02	mounting	/L	1	C4S						
17	996 514 652 01	mounting	/R	1							
17	996 514 652 02	mounting	/R	1	C4S						
18	999 073 189 09	oval-head screw		6							
19	996 504 861 00	cover	/L	1							
	GRV	prime coated									
(19)	996 504 862 00	cover	/R	1							
	GRV	prime coated									
20	999 702 264 40	grommet		4							
21	996 561 061 02	flap	/L	1							
(21)	996 561 062 02	flap	/R	1							
22	999 500 086 02	blind rivet nut		4							
23	999 242 004 02	threaded pin		2							
24	900 360 001 02	nut		2							
(24)	996 504 855 01	mounting		4							
25	996 561 904 00	adhesive plate		X							
26	986 561 633 01	buffer		1							
27	999 703 140 40	buffer		1							
28	996 561 401 00	stop	/L	1							
(28)	996 561 402 00	stop	/R	1							
29	996 561 465 00	clip		1							
30	999 073 130 02	oval-head screw		2							
31	996 514 511 00	clip		2							

Model	Year	MG	SG	Illustration	Restrictions	UPD	11:22	02.02.2010	PORSCHE	PET	PORSCHE
996	2005	8	11	811-14		248					



Pos	Part Number	Description	Remark	Qty	Model
1	996 561 125 02	wind deflector		1	
	01C	black			
2	996 561 127 00	rosette	/L	1	
	01C	black			
2	996 561 128 00	rosette	/R	1	
	01C	black			
3	996 561 955 00	repair kit	/L	1	
(3)	996 561 956 00	repair kit	/R	1	

Model	Year	MG	SG	Illustration	Restrictions	UPD	14:24	24.01.2010	PORSCHE	PET	PORSCHE
996	2005	8	11	811-15		248					

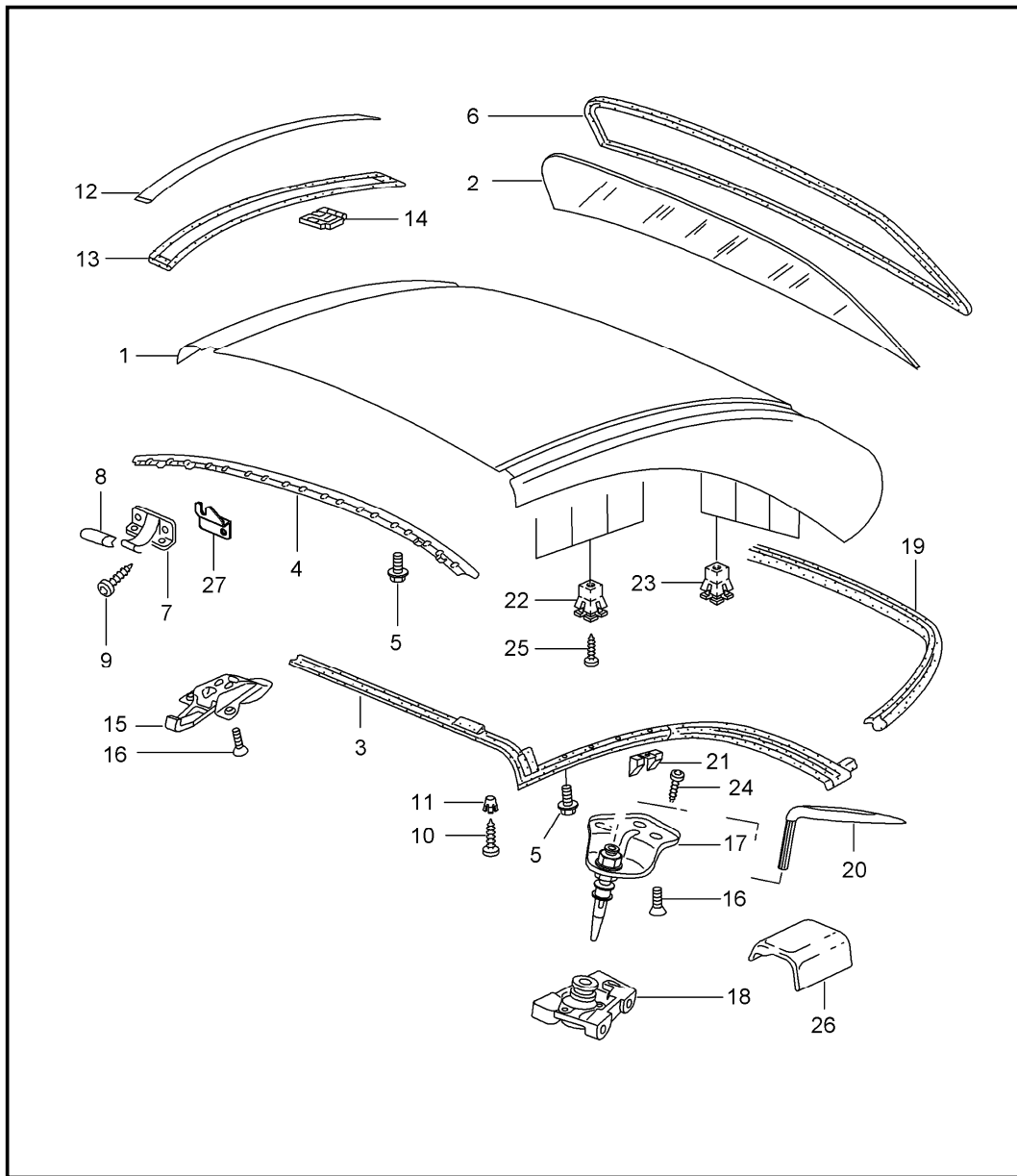


Pos	Part Number	Description	Remark	Qty	Model
		roll-over bar			CABRIO
1	996 580 021 01	roll-over bar		2	
2	996 580 191 01	cap		2	
3	900 067 382 09	hexagon-head bolt		12	
4	996 618 281 00	control unit		1	
5	900 378 173 09	hexagon-head bolt		4	
-	999 084 635 02	shear-off nut		3	
6		mounting see illustrations 08/11/16		2	M550
7	996 612 065 01	wiring harness	-01	1	
7	996 612 065 15	wiring harness	02-	1	
8	900 378 173 09	hexagon-head bolt		2	
9	996 561 463 02	guide	/L	1	
(9)	996 561 464 02	guide	/R	1	
10	996 618 111 03	control unit	-02	1	
10	996 618 111 04	control unit	03-	1	
11	999 073 060 02	tapping screw		X	
12	---	control unit - dme - see group 9/01/03		X	
13	999 073 060 02	tapping screw		X	
14	900 378 173 09	hexagon-head bolt		4	
15	996 580 311 01	auxiliary support	-01	1	
15	996 580 311 02	auxiliary support	02-	1	
--	999 590 050 40	catch		4	
--	999 650 176 40	clip		3	
16	996 580 331 01	bracket	/L -01	1	
16	996 580 331 02	bracket	/L 02-	1	
(16)	996 580 332 01	bracket	/R -01	1	

Model	Year	MG	SG	Illustration	Restrictions	UPD	14:24	24.01.2010	PORSCHE	PET	PORSCHE
996	2005	8	11	811-15		248					

Pos	Part Number	Description	Remark	Qty	Model	Pos	Part Number	Description	Remark	Qty	Model
(16)	996 580 332 02	bracket	/R 02-	1							
17	900 378 173 09	hexagon-head bolt		X							
18	999 571 079 03	angular screw driver		1							
19	999 507 633 40	retaining clip		2							
20	996 561 457 00	sleeve		2							
21	996 561 297 00	insert	/L	1							
(21)	996 561 298 00	insert	/R	1							

Model	Year	MG	SG	Illustration	Restrictions	UPD	14:24	24.01.2010	PORSCHE	PET	PORSCHE
996	2005	8	11	811-16		248					

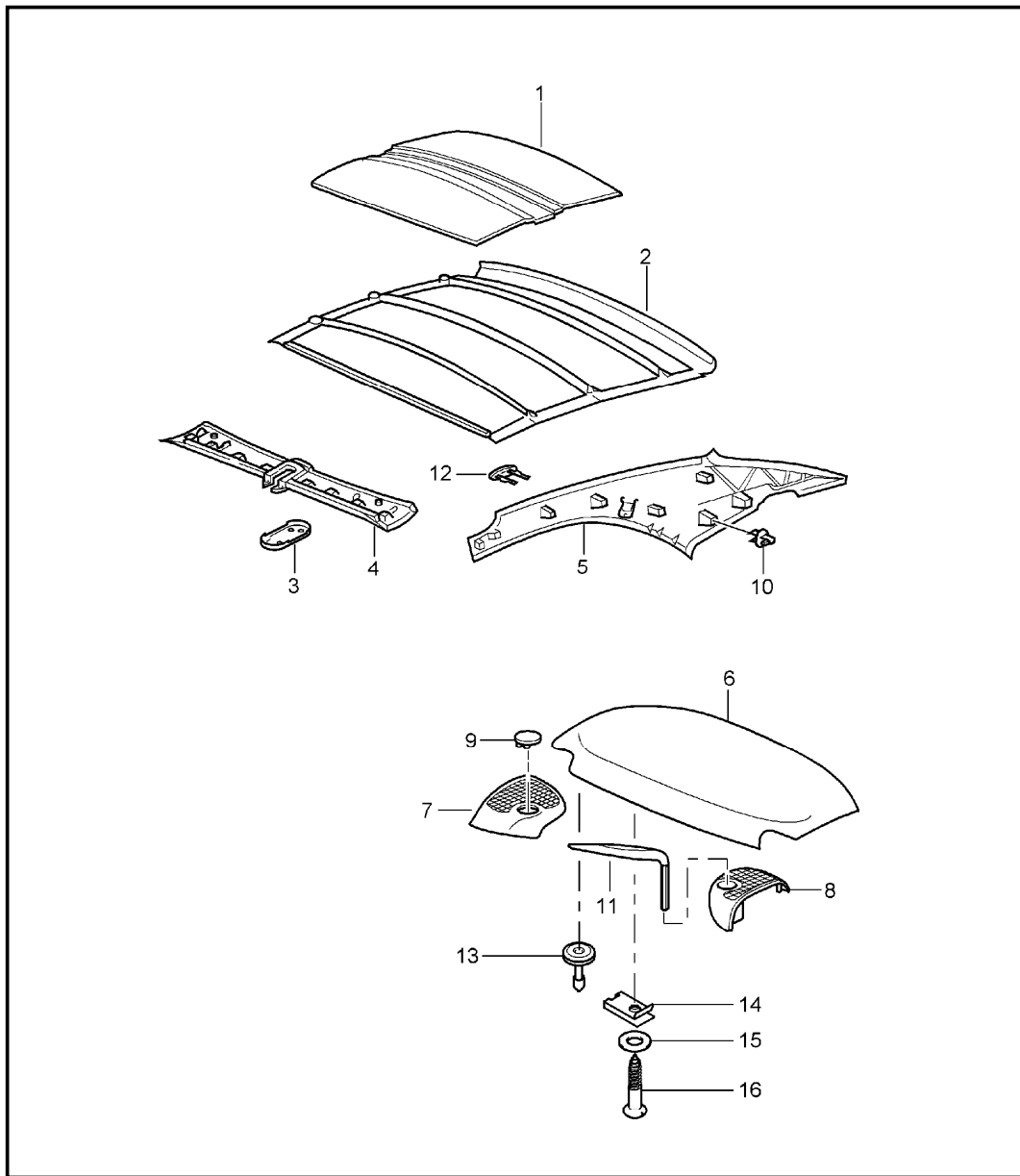


Pos	Part Number	Description	Remark	Qty	Model
		hardtop accessories gaskets			M550
1	996 563 911 00	hardtop		1	
	GRV	prime coated without accessories			
2	996 563 091 00	rear window ready for installation		1	
3	996 563 025 02	roof frame seal		1	
--		when required order also:			
--	996 563 309 00	retaining strip	/L	1	
--	996 563 310 00	retaining strip	/R	1	
4	996 563 319 00	retaining strip		1	
5	900 067 378 09	pan-head screw		10	
6	996 563 029 00	gasket		1	
7	996 563 405 00	centring journal	/L	1	
(7)	996 563 406 00	centring journal	/R	1	
8	996 563 705 01	cap	/L	1	
8	996 563 706 01	cap	/R	1	
9	999 919 144 09	oval-head screw		4	
10	999 073 049 02	tapping screw		14	
11	999 507 547 40	expander nut		8	
12	996 563 707 00	cover strip	/L	1	
	GRV	prime coated			
(12)	996 563 708 00	cover strip	/R	1	
	GRV	prime coated			
13	996 563 361 00	gasket	/L	1	
(13)	996 563 362 00	gasket	/R	1	
14	986 563 721 00	clip		8	
15	996 563 401 00	catch		1	

Model	Year	MG	SG	Illustration	Restrictions	UPD	14:24	24.01.2010	PORSCHE	PET	PORSCHE
996	2005	8	11	811-16		248					

Pos	Part Number	Description	Remark	Qty	Model	Pos	Part Number	Description	Remark	Qty	Model
16	900 378 030 09	hexagon-head bolt M 6X20		3		27	996 563 509 00	support for lining see group 8/11/17 POS. 5	/L	1	
17	996 563 403 03	catch see technical information NR.:1/02	/L	-04	1						
17	996 563 403 04	catch	/L	05-	1	(27)	996 563 510 00	support for lining see group 8/11/17 POS. 5	/R	1	
(17)	996 563 404 03	catch	/R	-04	1						
(17)	996 563 404 03	catch		-04	1						
(17)	996 563 404 04	catch		05-	1						
18	996 561 653 03	mounting	/L	-04	1						
18	996 561 653 04	mounting	/L		1						
--	996 561 657 01	insert		-04	1						
--	996 561 657 02	insert		05-	1						
--	900 249 031 09	countersunk-head screw			6						
(18)	996 561 654 03	mounting	/R	-04	1						
(18)	996 561 654 04	mounting	/R	05-	1						
--	996 561 658 01	insert			1						
--	996 561 658 02	insert			1						
19	996 563 027 01	gasket			1						
20	996 563 413 00	tool			1						
21	996 563 125 00	thrust wedge			2						
22	999 507 923 40	expander nut			8						
23	999 507 924 40	expander nut			8						
24	999 450 008 09	tapping screw			2						
25	999 073 049 02	tapping screw			16						
26	996 563 421 01	protective tab			2						
--	999 507 659 40	expander nut	/L		1						
--	999 507 662 40	expander nut	/R		1						

Model	Year	MG	SG	Illustration	Restrictions	UPD	14:24	24.01.2010	PORSCHE	PET	PORSCHE
996	2005	8	11	811-17		248					



Pos	Part Number	Description	Remark	Qty	Model
		hardtop sound absorber			M550
1	996 563 523 00	sound absorber		1	
2	996 563 111 00	roofliner		1	
	A20	black			
3	996 563 551 00	trim cover		1	
	01C	black			
4	996 563 501 00	lining leatherette		1	
	A18	black	-99		
	A12	black	00-		
	B18	space grey	-99		
	B52	space grey	00-		
	C18	graphite grey	-99		
	C52	graphite grey	00-		
	G18	metropole blue	-99		
	G12	metropole blue	00-		
	S18	savanna	-99		
	S32	savanna	00-		
	J32	nephrite green			
4	996 563 501 01	lining leather	-99	1	
	A11	black			
	B51	space grey			
	C51	graphite grey			
	G11	metropole blue			
	J31	nephrite green			
	M31	boxster red			
	S31	savanna			
	D12	dark grey			

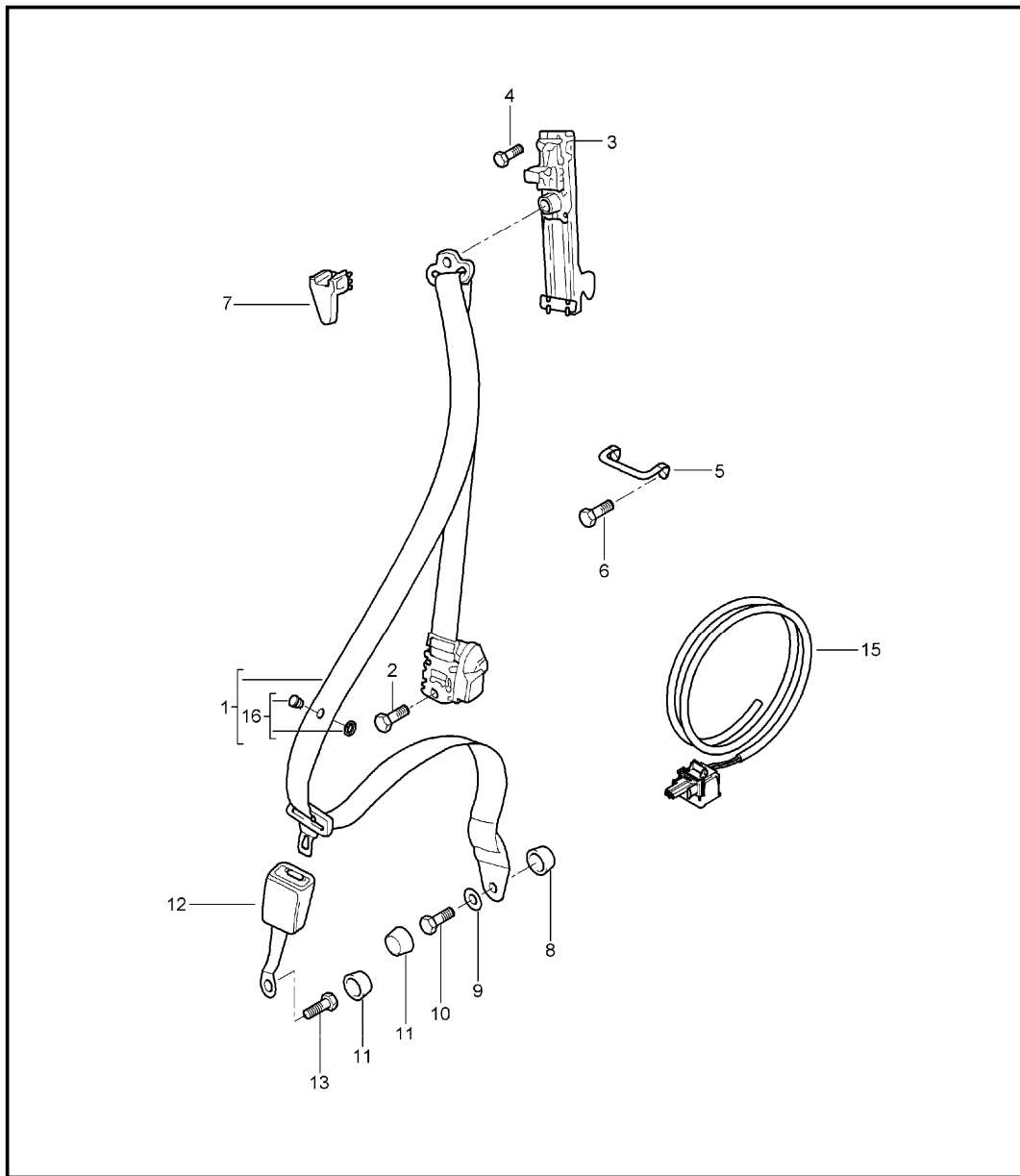
Model	Year	MG	SG	Illustration	Restrictions	UPD	14:24	24.01.2010	PORSCHE	PET	PORSCHE
996	2005	8	11	811-17		248					

Pos	Part Number	Description	Remark	Qty	Model	Pos	Part Number	Description	Remark	Qty	Model
5	996 563 503 00	lining leatherette	/L	1			C51	graphite grey			
	A18	black	-99				G11	metropole blue			
	A12	black	00-				J31	nephrite green			
	B18	space grey	-99				M31	boxster red			
	B52	space grey	00-				S31	savanna			
	C18	graphite grey	-99				D12	dark grey			
	C52	graphite grey	00-			(5)	996 563 504 01	lining leather	/R	-99	1
	G18	metropole blue	-99				A11	black			
	G12	metropole blue	00-				B51	space grey			
	S18	savanna	-99				C51	graphite grey			
	S32	savanna	00-				G11	metropole blue			
	J32	nephrite green	00-				J31	nephrite green			
(5)	996 563 504 00	lining leatherette	/R	1			M31	boxster red			
	A18	black	-99				S31	savanna			
	A12	black	00-				D12	dark grey			
	B18	space grey	-99			6	996 563 505 00	lining			1
	B52	space grey	00-				A07	black			
	C18	graphite grey	-99				B07	space grey			
	C52	graphite grey	00-				C07	graphite grey			
	G18	metropole blue	-99				G07	metropole blue			
	G12	metropole blue	00-			7	996 563 554 00	lining	/R		1
	S18	savanna	-99				A10	black			
	S32	savanna	00-				B50	space grey			
	J32	nephrite green	00-				C50	graphite grey			
(5)	996 563 503 01	lining leather	/L	-99	1		G10	metropole blue			
	A11	black				8	996 563 553 00	lining	/L		1
	B51	space grey					A10	black			
							B50	space grey			

Model	Year	MG	SG	Illustration	Restrictions	UPD	14:24	24.01.2010	PORSCHE	PET	PORSCHE
996	2005	8	11	811-17		248					

Pos	Part Number	Description	Remark	Qty	Model	Pos	Part Number	Description	Remark	Qty	Model
		C50 graphite grey									
		G10 metropole blue									
9	996 555 457 00	lid		2							
		A10 black									
		C50 graphite grey									
		G10 metropole blue									
		B50 space grey									
10	999 507 764 40	clip		X							
11	996 563 413 00	tool		1							
12	996 563 561 00	rubber stop		2							
		01C black for sun visors									
13	999 507 764 40	clip		X							
14	999 507 030 02	speed nut		2							
15	900 151 027 02	washer		2							
16	900 143 046 02	tapping screw		2							

Model	Year	MG	SG	Illustration	Restrictions	UPD	14:25	24.01.2010	PORSCHE	PET	PORSCHE
996	2005	8	12	812-00		248					

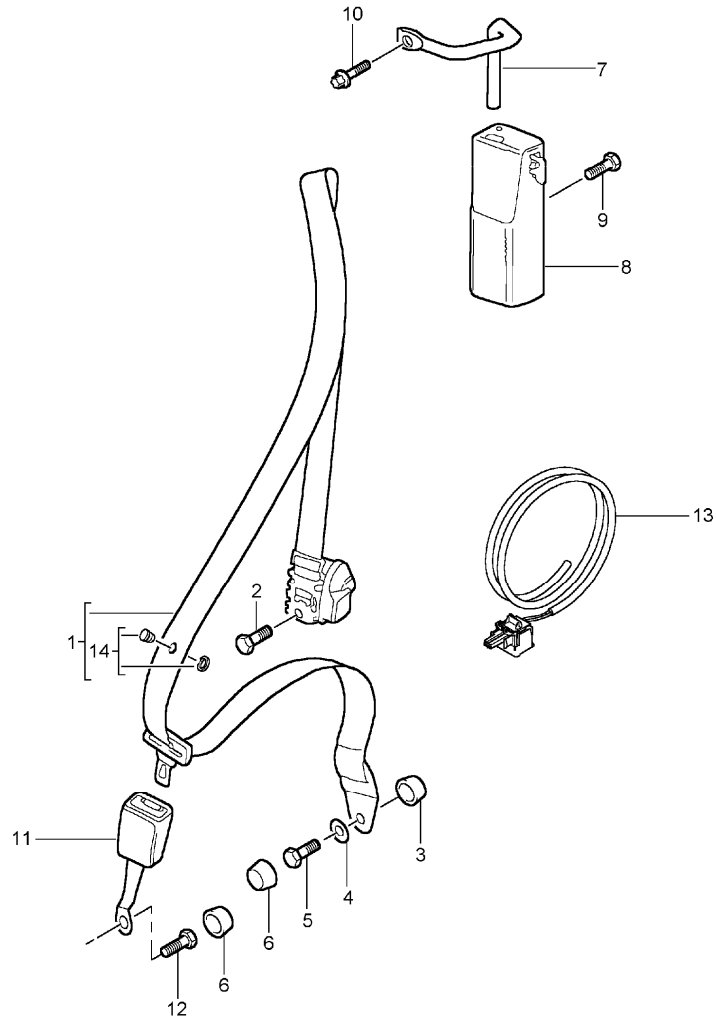


Pos	Part Number	Description	Remark	Qty	Model
		seat belt front			COUPE TARGA
1	996 803 033 04	seat belt	/L	-01	1
1	996 803 033 02	seat belt	/L	02-	1
1	996 803 981 04	seat belt	/L	02-	1
	V02	speed yellow			
	H03	maritime blue			
	N13	guards red			
(1)	996 803 034 08	seat belt	/R	-01	1
(1)	996 803 034 04	seat belt black	/R	02-	1
(1)	996 803 034 06	seat belt for child car seat	/R	02-	1
(1)	996 803 982 06	seat belt	/R	02-	1
	V02	speed yellow			
	H03	maritime blue			
	N13	guards red			
(1)	996 803 982 08	seat belt for child car seat	/R	02-	1
	V02	speed yellow			
	H03	maritime blue			
	N13	guards red			
2	911 803 150 00	fastening screw			2
3	996 803 231 02	height adjustment			2
4	900 067 131 02	pan-head screw			2
5	996 803 825 01	relay lever			2
6	900 378 036 09	hexagon-head bolt			4
7	996 803 541 00	cover		-99	2
	01C	black			
7	996 803 521 00	cover		00-	2

Model	Year	MG	SG	Illustration	Restrictions	UPD	14:25	24.01.2010	PORSCHE	PET	PORSCHE
996	2005	8	12	812-00		248					

Pos	Part Number	Description	Remark	Qty	Model	Pos	Part Number	Description	Remark	Qty	Model
	A03	black									
8	999 924 064 02	spacer sleeve		2							
9	211 857 771	washer		2							
10	999 075 073 09	screw		2							
11	811 857 845	cap		2							
	01C	black									
12	996 803 183 04	seat-belt buckle driver's side	-01	1							
12	996 803 183 07	seat-belt buckle driver's side	02-	1							
12	996 803 183 01	seat-belt buckle passenger's side	-01	1							
12	996 803 183 08	seat-belt buckle passenger's side	02-	1							
13	999 218 101 02	fastening screw		2							
15	996 612 991 10	cable driver's side for seat-belt tensioner		X							
15	996 612 991 00	cable passenger's side for seat-belt tensioner		X							
16	955 803 056 00	knob		2							
	HCP	black									

Model	Year	MG	SG	Illustration	Restrictions	UPD	14:25	24.01.2010	PORSCHE	PET	PORSCHE
996	2005	8	12	812-01		248					

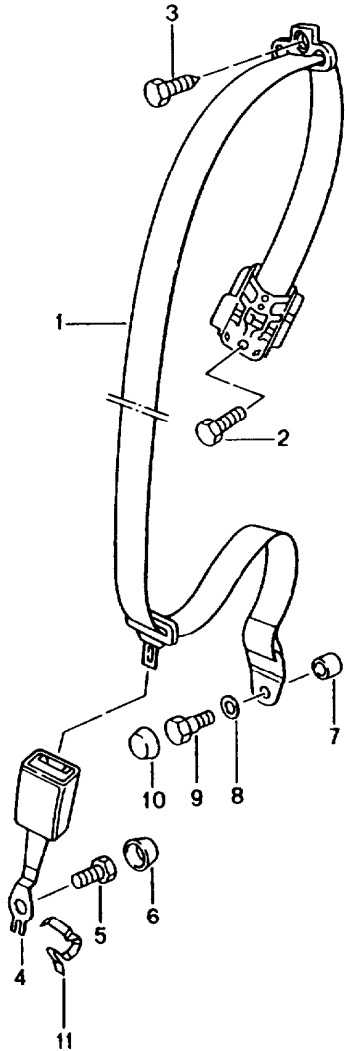


Pos	Part Number	Description	Remark	Qty	Model
		seat belt front			CABRIO
1	996 803 033 01	seat belt	/L -01	1	
1	996 803 033 03	seat belt	/L 02-	1	
1	996 803 981 03	seat belt	/L 02-	1	
	V02	speed yellow			
	H03	maritime blue			
	N13	guards red			
(1)	996 803 034 01	seat belt	/R -01	1	
(1)	996 803 034 05	seat belt	/R 02-	1	
(1)	996 803 982 07	seat belt	/R 02-	1	
	V02	speed yellow			
	H03	maritime blue			
	N13	guards red			
(1)	996 803 982 09	seat belt for child car seat	/R 02-	1	
	V02	speed yellow			
	H03	maritime blue			
	N13	guards red			
2	911 803 150 00	fastening screw		2	
3	999 924 064 02	spacer sleeve		2	
4	211 857 771	washer		2	
5	803 019 811 B	fastening screw		2	
6	811 857 845	cap		2	
7	996 803 815 00	reverse lever	/L	1	
7	996 803 816 00	reverse lever	/R	1	
8	996 803 581 00	mounting	/L	1	
8	996 803 582 00	mounting	/R	1	
9	900 378 074 09	fastening screw		4	

Model	Year	MG	SG	Illustration	Restrictions	UPD	14:25	24.01.2010	PORSCHE	PET	PORSCHE
996	2005	8	12	812-01		248					

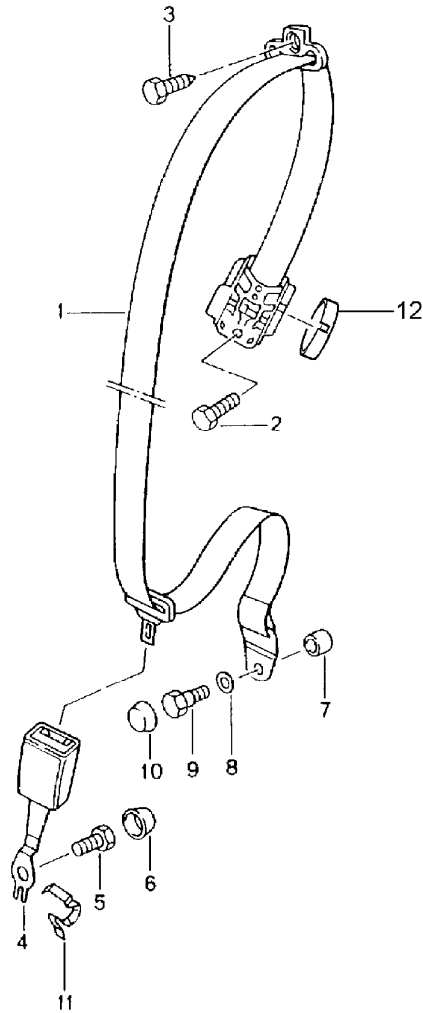
Pos	Part Number	Description	Remark	Qty	Model	Pos	Part Number	Description	Remark	Qty	Model
10	900 378 017 09	fastening screw		2							
11	996 803 183 04	seat-belt buckle driver's side	-01	1							
11	996 803 183 07	seat-belt buckle driver's side	02-	1							
(11)	996 803 183 01	seat-belt buckle passenger's side	-01	1							
11	996 803 183 08	seat-belt buckle passenger's side	02-	1							
12	999 218 101 02	fastening screw		2							
13	996 612 991 10	cable driver's side for seat-belt tensioner		X							
13	996 612 991 00	cable passenger's side for seat-belt tensioner		X							
14	955 803 056 00	knob		2							
	HCP	black									

Model	Year	MG	SG	Illustration	Restrictions	UPD	14:25	24.01.2010	PORSCHE	PET	PORSCHE
996	2005	8	12	812-05		248					



Pos	Part Number	Description	Remark	Qty	Model
		seat belt rear			COUPE
1	996 803 035 08	seat belt	/L	1	
1	996 803 983 06	seat belt	/L 02-	1	
	V02	speed yellow			
	H03	marine blue			
	N13	guards red			
(1)	996 803 036 08	seat belt	/R	1	
(1)	996 803 984 06	seat belt	/R 02-	1	
	V02	speed yellow			
	H03	marine blue			
	N13	guards red			
2	911 803 150 00	fastening screw		2	
3	999 075 057 09	fastening screw		2	
4	996 803 165 01	seat-belt buckle	/L	1	
(4)	996 803 166 01	seat-belt buckle	/R	1	
5	911 803 150 00	fastening screw		2	
6	811 857 845	cap		2	
7	999 924 064 02	spacer sleeve		2	
8	211 857 771	washer		2	
9	803 019 811 B	screw		2	
10	811 857 845	cap		2	M193
11	996 551 745 00	clamp	/L	2	
11	996 551 746 00	clamp	/R	2	

Model	Year	MG	SG	Illustration	Restrictions	UPD	14:25	24.01.2010	PORSCHE	PET	PORSCHE
996	2005	8	12	812-06		248					

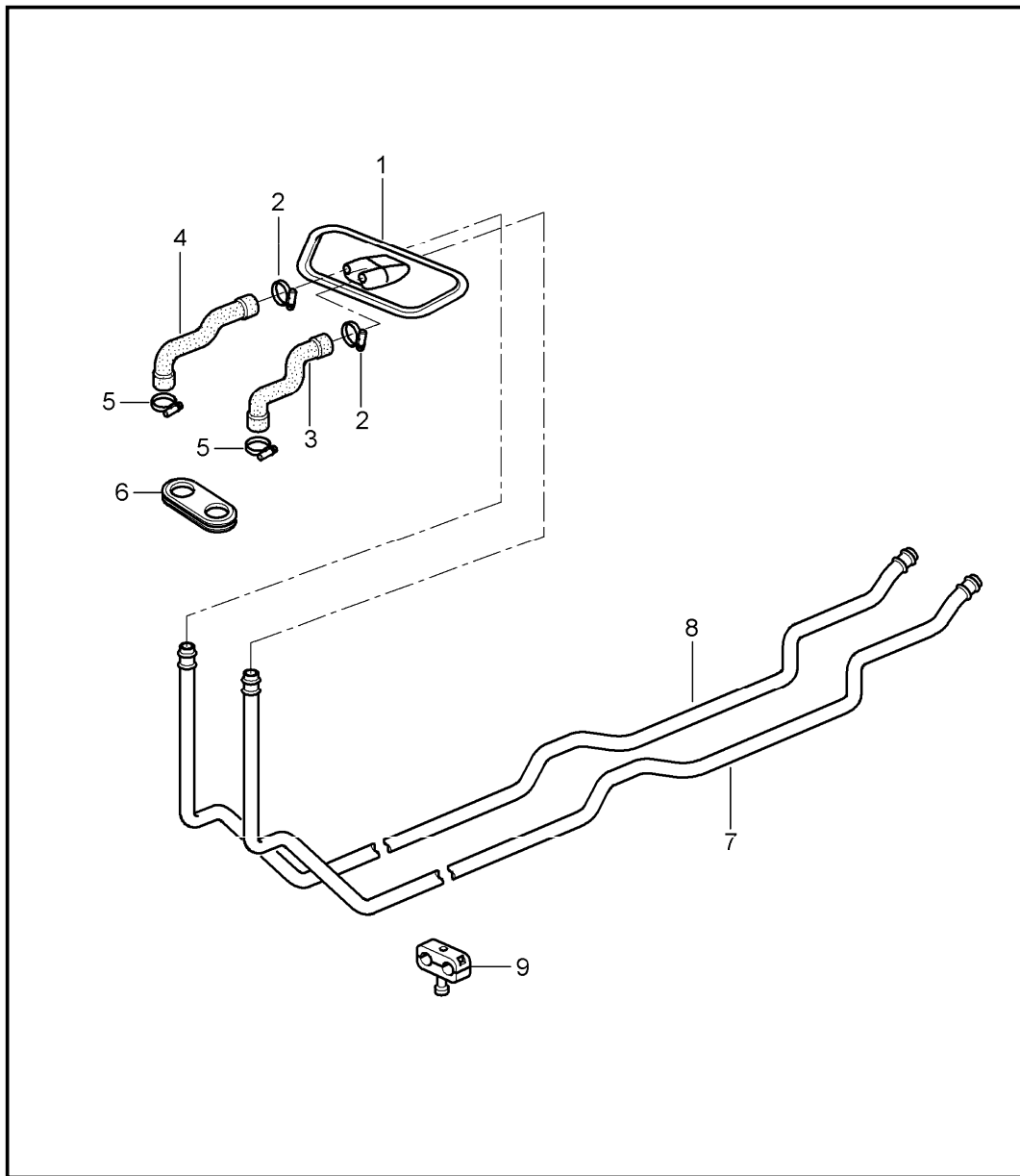


Pos	Part Number	Description	Remark	Qty	Model
		seat belt rear			CABRIO TARGA
1	996 803 035 06	seat belt	/L	1	CABRIO
1	996 803 983 08	seat belt	/L	1	CABRIO
	V02	speed yellow			
	H03	marine blue			
	N13	guards red			
1	996 803 035 04	seat belt	/L	1	TARGA
1	996 803 983 04	seat belt	/L	1	TARGA
	V02	speed yellow			
	H03	marine blue			
	N13	guards red			
1	996 803 036 06	seat belt	/R	1	CABRIO
1	996 803 984 08	seat belt	/R	1	CABRIO
	V02	speed yellow			
	H03	marine blue			
	N13	guards red			
1	996 803 036 04	seat belt	/R	1	TARGA
1	996 803 984 04	seat belt	/R	1	TARGA
	V02	speed yellow			
	H03	marine blue			
	N13	guards red			
2	911 803 150 00	fastening screw		2	CABRIO
2	999 075 070 09	fastening screw		2	TARGA
3	999 075 057 09	fastening screw		2	
4	996 803 165 01	seat-belt buckle	/L	1	
4	996 803 166 01	seat-belt buckle	/R	1	
5	911 803 150 00	fastening screw		2	
6	811 857 845	cap		2	

Model	Year	MG	SG	Illustration	Restrictions	UPD	14:25	24.01.2010	PORSCHE	PET	PORSCHE
996	2005	8	12	812-06		248					

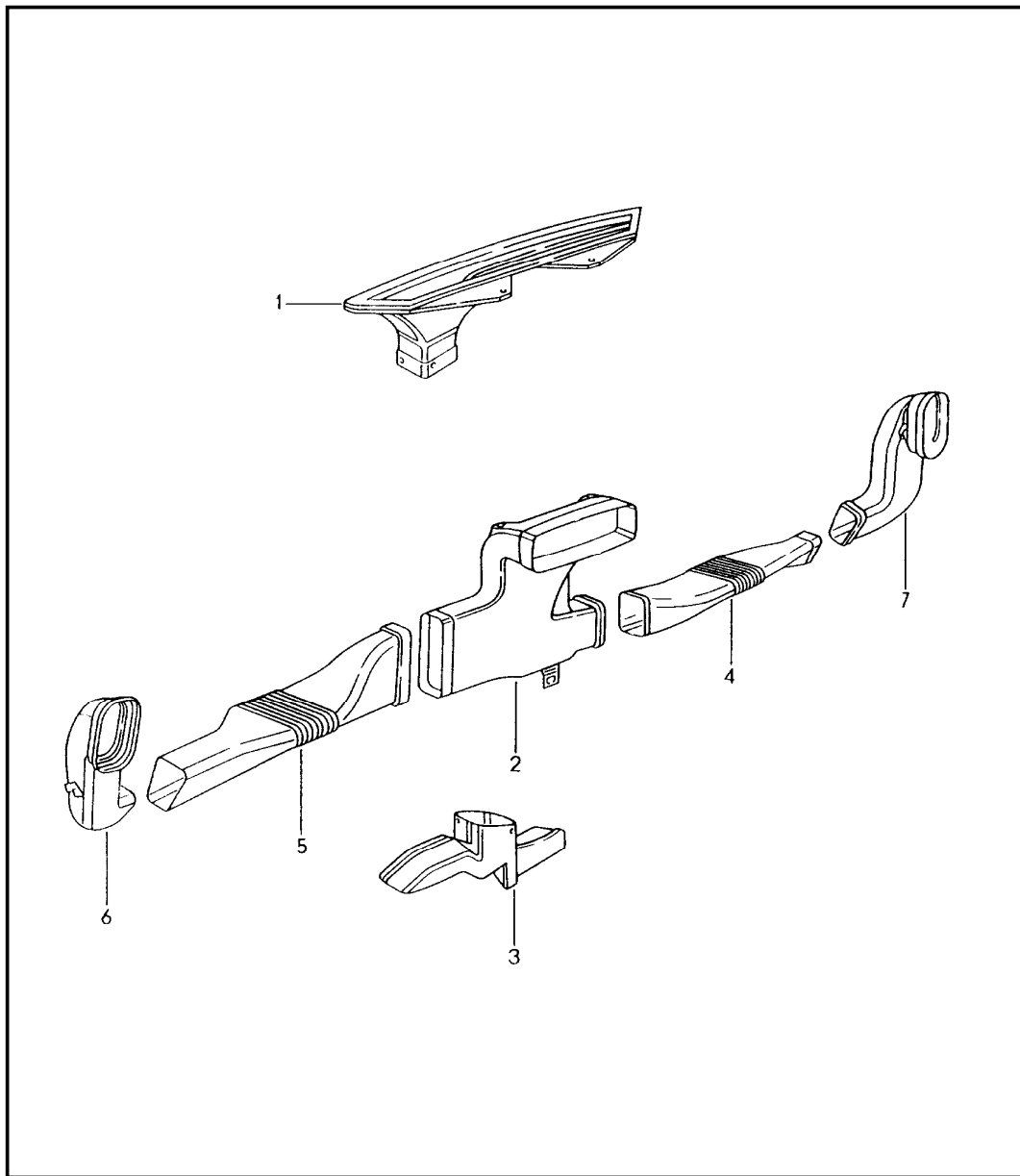
Pos	Part Number	Description	Remark	Qty	Model	Pos	Part Number	Description	Remark	Qty	Model
7	999 924 064 02	sleeve		2							
8	211 857 771	washer		2							
9	803 019 811 B	fastening screw		2							
10	811 857 845	cap		2							
	01C	black									
11	996 551 745 00	clamp		2							
12	996 803 545 00	cap		2	TARGA						

Model	Year	MG	SG	Illustration	Restrictions	UPD	14:25	24.01.2010	PORSCHE	PET	PORSCHE
996	2005	8	13	813-00		248					



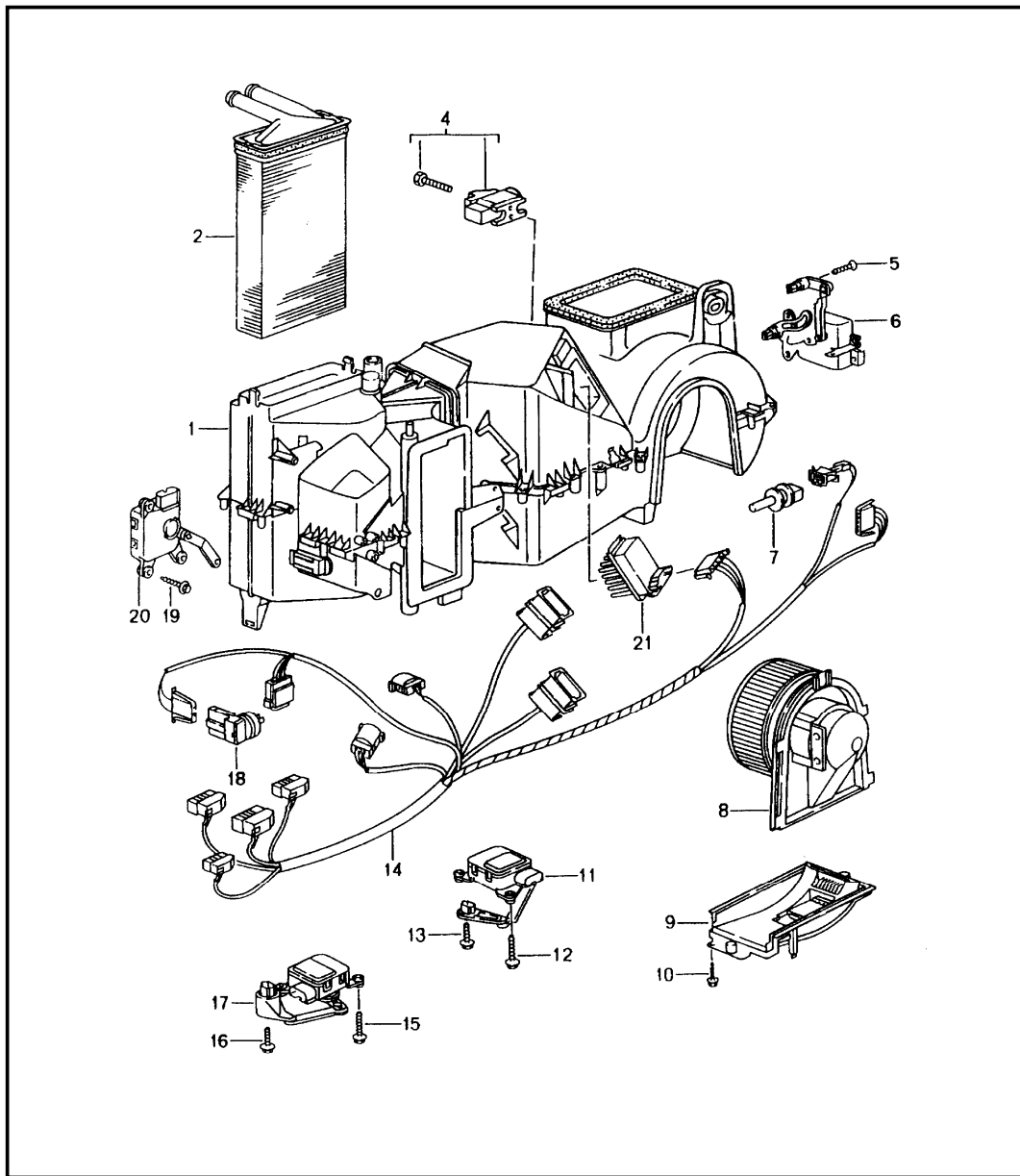
Pos	Part Number	Description	Remark	Qty	Model
		heating system 1 feed line return line			
1	996 572 263 02	gasket	/LL	1	
1	996 572 263 03	gasket	/RL	1	
2	999 512 441 02	hose clamp		1	
3	996 572 585 00	heater hose		1	
(3)	996 572 585 01	heater hose		1	
4	996 572 583 00	heater hose		1	
(4)	996 572 583 01	heater hose		1	
5	999 512 441 02	hose clamp		1	
6	996 572 765 01	grommet		1	
7	996 572 683 03	return line		1	-01
7	996 572 683 05	return line		1	02-
8	996 572 681 03	hot air duct supply		1	-01
(8)	996 572 681 05	heater pipeline supply		1	02-
9	999 511 230 40	cable holder		4	
--	999 511 232 41	rubber mounting		4	

Model	Year	MG	SG	Illustration	Restrictions	UPD	14:26	24.01.2010	PORSCHE	PET	PORSCHE
996	2005	8	13	813-01		248					



Pos	Part Number	Description	Remark	Qty	Model
		heating air distributor			
1	996 572 631 00	defroster vent	/LL	1	
(1)	996 572 631 01	defroster vent	/RL	1	
2	996 572 171 00	air distributor	/LL -01	1	
2	996 572 171 04	air distributor	/LL 02-	1	
(2)	996 572 171 01	air distributor	/RL -01	1	
(2)	996 572 171 05	air distributor	/RL 02-	1	
3	996 572 793 02	footwell outlet vent	/LL	1	
3	996 572 793 04	footwell outlet vent	/LL	1	M680
(3)	996 572 793 01	footwell outlet vent	/RL -02	1	
(3)	996 572 793 05	footwell outlet vent	/RL 03-	1	
(3)	996 572 793 06	footwell outlet vent	/RL 03-	1	M680
4	996 572 464 01	air duct	/LL /R	1	-02
4	996 572 464 02	air duct	/LL /R	1	03-
4	996 572 464 00	air duct	/RL /R	1	
5	996 572 463 00	air duct	/LL /L	1	
5	996 572 463 01	air duct	/RL /L	1	-02
5	996 572 463 02	air duct	/RL /L	1	03-
6	996 572 767 00	air duct	/LL /L	1	
6	996 572 767 01	air duct	/RL /L	1	
7	996 572 768 00	air duct	/RL /R	1	
(7)	996 572 768 01	air duct	/LL /R	1	

Model	Year	MG	SG	Illustration	Restrictions	UPD	14:26	24.01.2010	PORSCHE	PET	PORSCHE
996	2005	8	13	813-05		248					

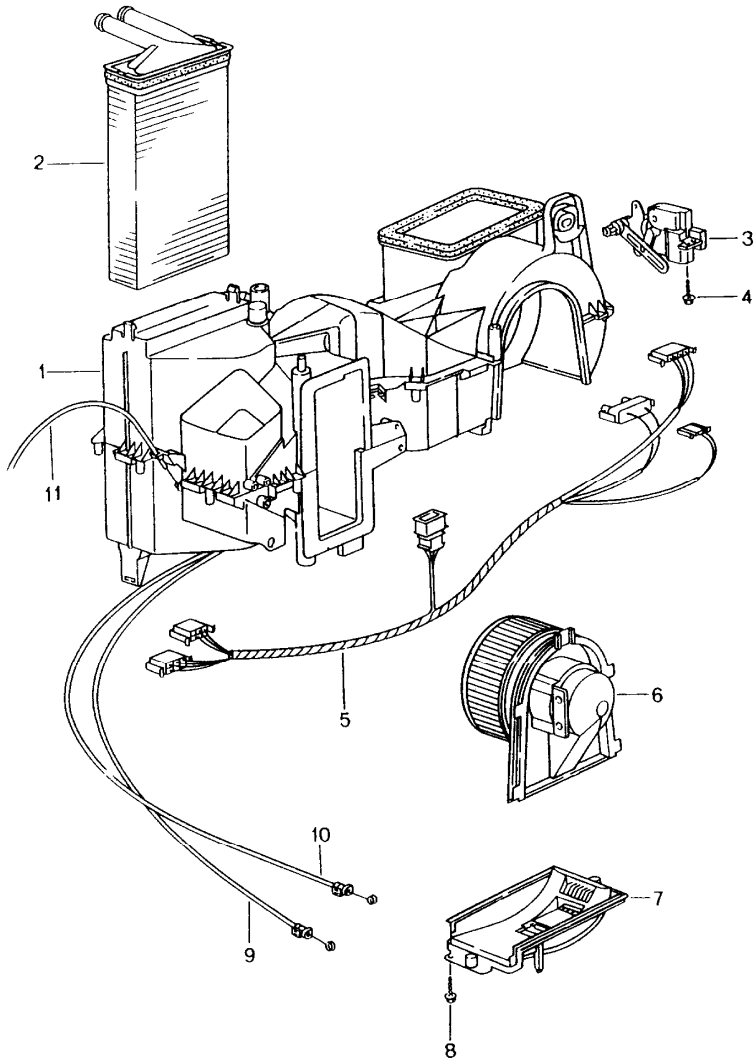


Pos	Part Number	Description	Remark	Qty	Model
		air conditioner single parts			M573
1	996 573 901 02	air conditioner	/LL	1	
1	996 573 901 01	air conditioner without heat exchanger with evaporator	/RL	1	
--	996 552 601 01	support		1	
2	996 572 129 00	heat exchanger		1	
4	996 573 929 01	expansion valve		1	
5	900 143 102 02	tapping screw		2	
6	996 573 915 00	electric motor central valve	/LL	1	
6	996 573 915 01	electric motor central valve	/RL	1	
7	1J0 907 543 B	temperature sensor		1	
8	996 572 903 02	blower	/LL	-99	1
8	996 624 107 01	blower use also:	/LL	00- -99	1
--	000 043 300 99	parts kit		1	
8	996 572 903 03	blower	/RL	-99	1
8	996 624 108 01	blower use also:	/RL	00-	1
--	000 043 300 99	parts kit		1	
9	996 573 905 00	lid		1	
10	900 143 102 02	hexagon-head bolt		1	
11	996 573 919 00	electric motor temperature valve	/LL	1	
(11)	996 573 919 01	electric motor temperature valve	/RL	1	
12	900 143 102 02	hexagon-head bolt		1	
13	900 143 102 02	hexagon-head bolt		1	
14	996 612 047 00	wiring harness	/LL	98	1

Model	Year	MG	SG	Illustration	Restrictions	UPD	14:26	24.01.2010	PORSCHE	PET	PORSCHE
996	2005	8	13	813-05		248					

Pos	Part Number	Description	Remark	Qty	Model	Pos	Part Number	Description	Remark	Qty	Model
14	996 612 047 01	wiring harness	/LL 99-	1							
14	996 622 047 00	wiring harness	/LL 01-	1							
(14)	996 612 048 00	wiring harness	/RL 98	1							
(14)	996 612 048 01	wiring harness	/RL 99-	1							
(14)	996 622 048 00	wiring harness	/RL 01-	1							
15	900 143 102 02	hexagon-head bolt		1							
16	900 143 102 02	hexagon-head bolt		1							
17	996 573 917 00	electric motor defroster flap	/LL	1							
(17)	996 573 917 01	electric motor defroster flap	/RL	1							
(17)	996 573 917 03	electric motor defroster flap		1							
18	1H0 907 543 A	temperature sensor		1							
19	900 143 102 02	hexagon-head bolt		1							
20	996 573 921 00	electric motor air flow sensor plate	/LL	1							
(20)	996 573 921 01	electric motor air flow sensor plate	/RL	1							
21	996 573 923 00	resistor		1							
--	996 573 925 00	intake air temper. sensor		1							
--	996 573 927 00	blower outlet sensor		1							
--	996 572 511 02	sound absorber	/LL -02	1							
--	996 572 511 04	sound absorber	/LL 03-	1							
--	996 572 511 03	sound absorber	/RL -02	1							
--	996 572 511 05	sound absorber	/RL 03-	1							
--	1H0 819 943	screw		2							
--	996 552 601 01	support for heating and ventilation unit		1							

Model	Year	MG	SG	Illustration	Restrictions	UPD	14:26	24.01.2010	PORSCHE	PET	PORSCHE
996	2005	8	13	813-06		248					

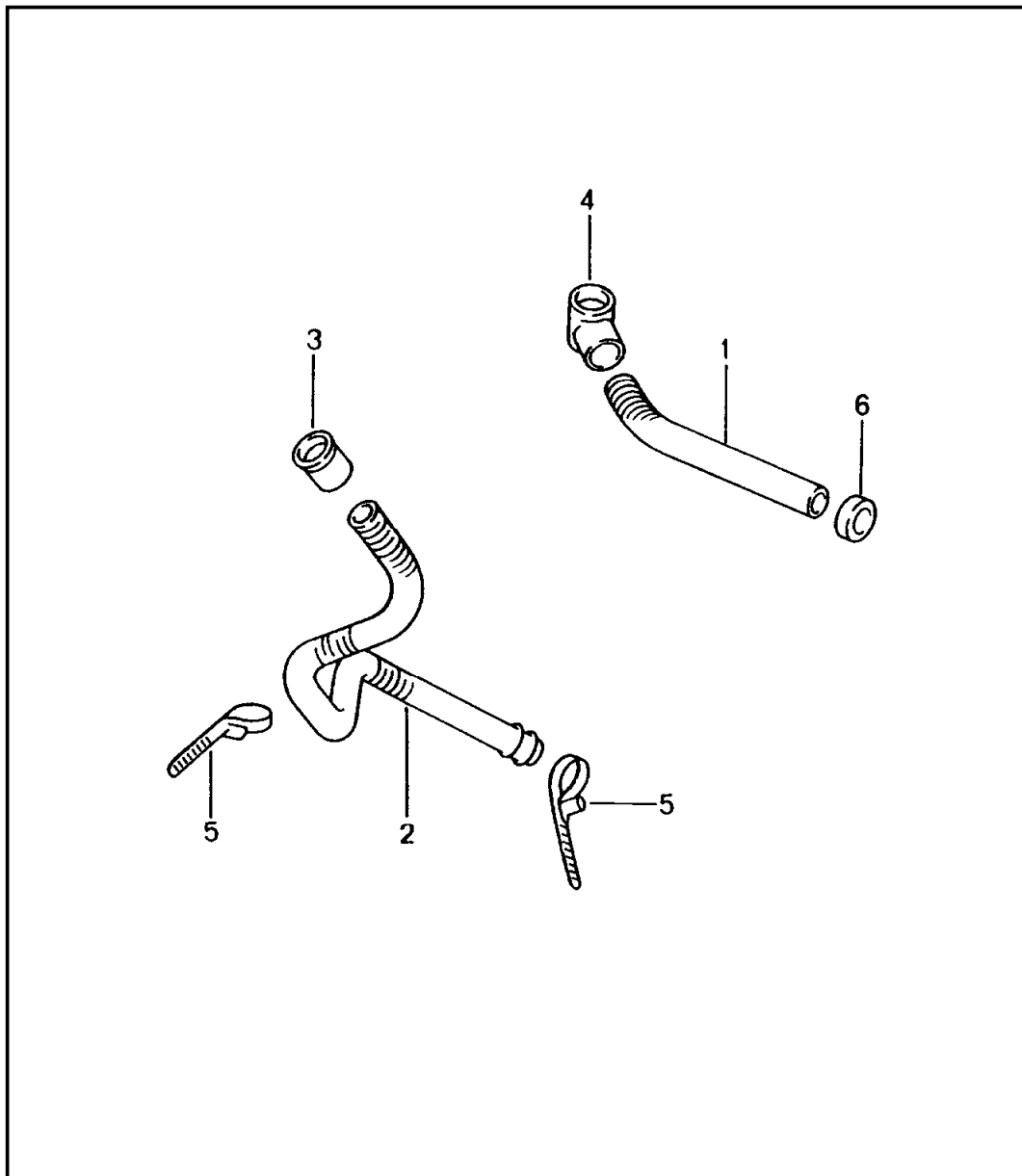


Pos	Part Number	Description	Remark	Qty	Model
		heater single parts			
1	996 572 901 00	housing	/LL	1	
(1)	996 572 901 01	housing	/RL	1	
2	996 572 129 00	heat exchanger		1	
3	996 572 915 00	electric motor		1	
4	999 919 049 02	tapping screw		1	
5	996 612 045 00	wiring harness	/LL	98	1
5	996 612 045 01	wiring harness	/LL	99-	1
(5)	996 612 046 00	wiring harness	/RL	98	1
(5)	996 612 046 01	wiring harness	/RL	99-	1
6	996 572 903 02	blower	/LL	-99	1
6	996 624 107 01	blower use also:	/LL	00- -99	1
--	000 043 300 99	parts kit			1
(6)	996 572 903 03	blower	/RL	-99	1
(6)	996 624 108 01	blower use also:	/RL	00- -99	1
--	000 043 300 99	parts kit			1
7	996 572 905 00	lid with resistor			1
8	999 919 049 02	tapping screw		2	
9	996 572 605 00	traction defroster	/LL		1
9	996 572 605 01	traction defroster	/RL		1
10	996 572 607 00	traction temperature valve	/LL		1
10	996 572 607 01	traction temperature valve	/RL		1
11	996 572 601 00	traction central valve	/LL		1

Model	Year	MG	SG	Illustration	Restrictions	UPD	14:26	24.01.2010	PORSCHE	PET	PORSCHE
996	2005	8	13	813-06		248					

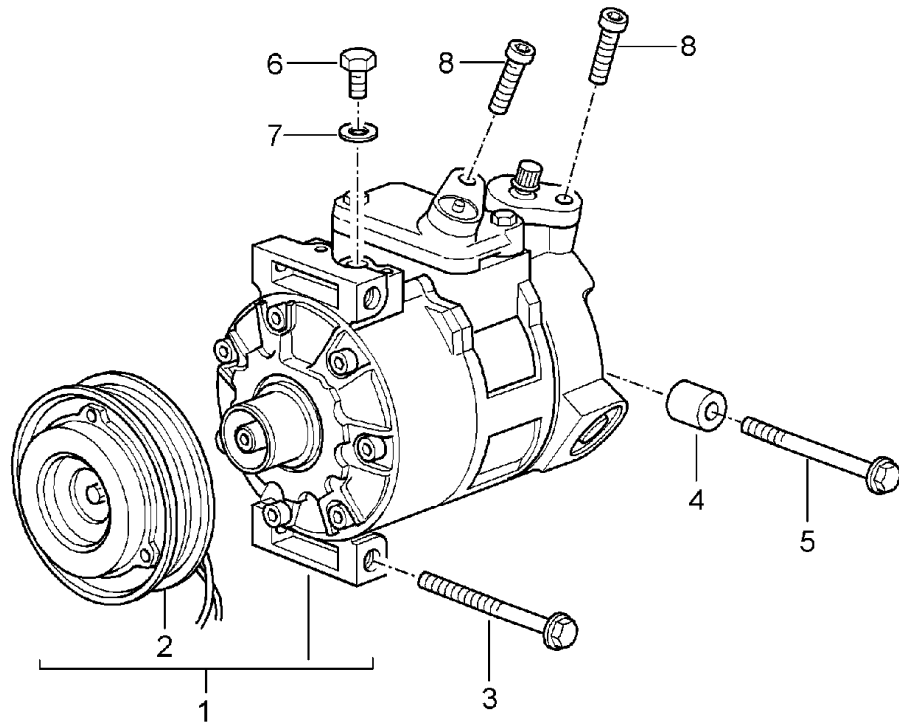
Pos	Part Number	Description	Remark	Qty	Model	Pos	Part Number	Description	Remark	Qty	Model
11	996 572 601 01	traction central valve	/RL	1							

Model	Year	MG	SG	Illustration	Restrictions	UPD	14:26	24.01.2010	PORSCHE	PET	PORSCHE
996	2005	8	13	813-10		248					



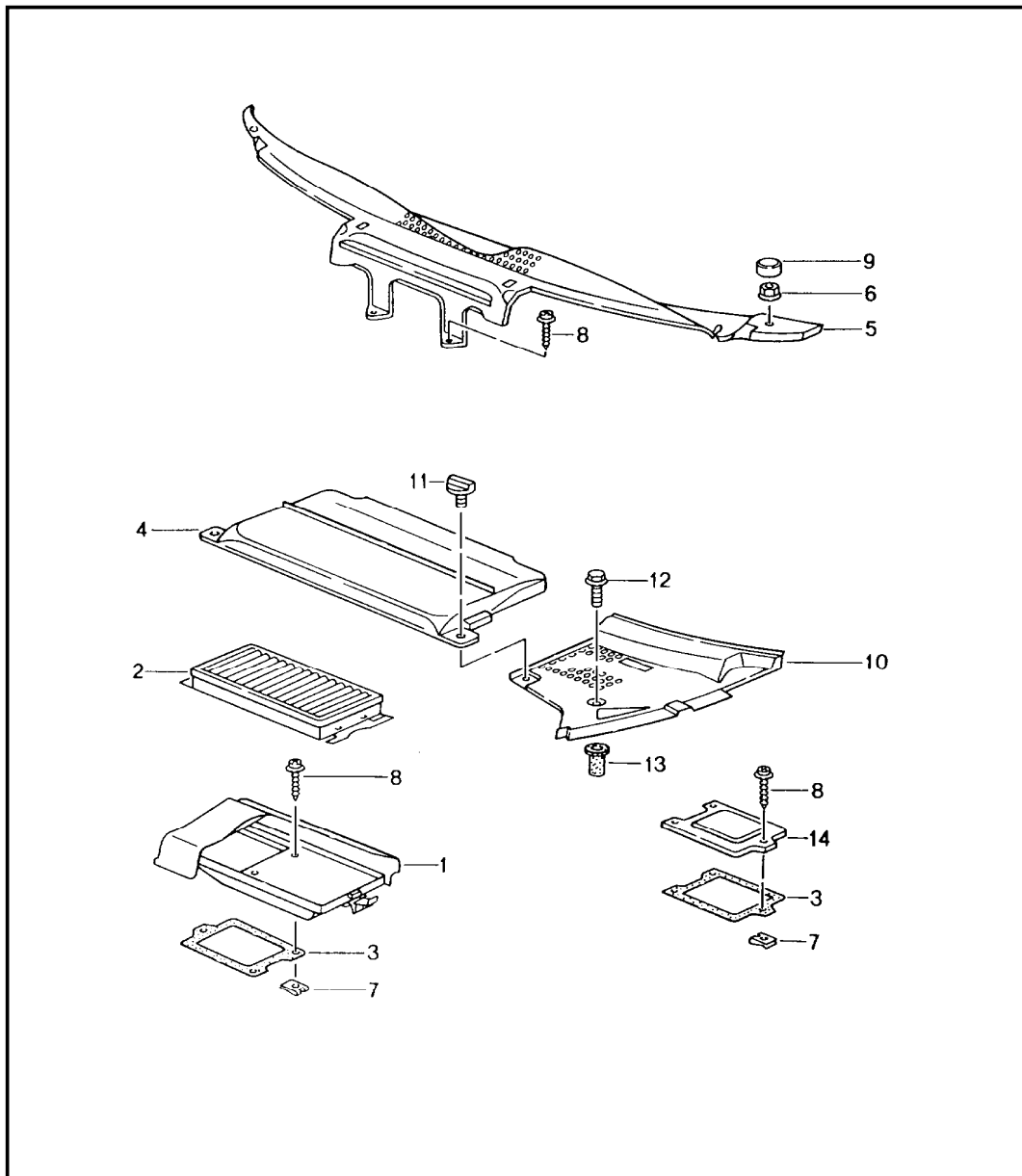
Pos	Part Number	Description	Remark	Qty	Model
		water drain tube mount sound absorber heater air conditioner			
1	996 504 643 00	water drain tube		1	
2	996 504 644 00	water drain tube		1	
3	996 504 645 00	grommet		1	
4	996 504 646 00	grommet		1	
5	999 513 049 40	tie-wrap		1	
6	999 702 156 40	grommet		1	
--	996 573 797 02	connecting piece		1	
--	996 573 795 01	grommet		1	
--	996 573 793 01	water drain tube		1	
--	996 573 794 01	water drain tube		1	
--	996 504 649 00	grommet		2	

Model	Year	MG	SG	Illustration	Restrictions	UPD	14:26	24.01.2010	PORSCHE	PET	PORSCHE
996	2005	8	13	813-15		248					



Pos	Part Number	Description	Remark	Qty	Model
		compressor			
1	> 996 126 011 52	compressor		1	
2	996 573 926 00	magnetic clutch		1	
3	900 378 075 09	hexagon-head bolt M 8X90		1	
4	996 126 102 52	spacer sleeve	-03	1	
4	996 126 102 53	spacer sleeve	04-	1	
5	900 378 136 09	hexagon-head bolt M 8X120		1	
6	996 573 926 01	hexagon-head bolt		1	
7	996 573 926 02	sealing ring		1	
8	900 067 252 02	hexagon socket head bolt		2	

Model	Year	MG	SG	Illustration	Restrictions	UPD	14:27	24.01.2010	PORSCHE	PET	PORSCHE
996	2005	8	13	813-20		248					

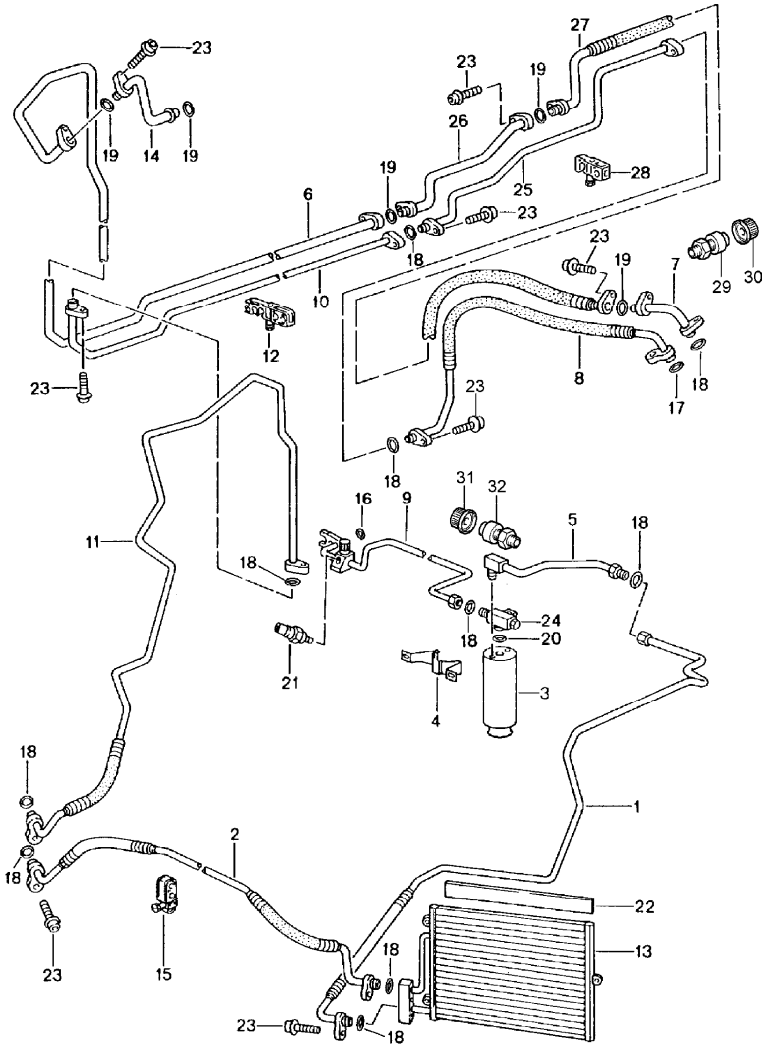


Pos	Part Number	Description	Remark	Qty	Model
		particle filter cowl panel covering			
1	996 572 019 02	housing	/LL	1	
1	996 572 019 03	housing	/RL	1	
2	996 572 219 01	particle filter		1	
2	996 571 219 03	particle filter		1	M571
3	A 996 572 221 01	gasket		1	
3	996 572 221 02	gasket	02-	1	
4	996 572 567 01	cover		1	
	01C	black battery			
(4)	996 572 729 00	cover particle filter	/LL	1	
(4)	996 572 729 02	cover particle filter	/RL	1	
5	996 572 563 04	cowl panel covering	/LL	1	-00
	01C	black			
5	996 572 563 06	cowl panel covering	/LL	1	01-
	01C	black			
		use also:			
-	996 572 931 00	gasket		1	
-	996 572 661 00	cover vehicle identification no.		1	
5	996 572 563 05	cowl panel covering	/RL	1	-00
	01C	black			
5	996 572 563 07	cowl panel covering	/RL	1	01-
	01C	black			
		use also:			
-	996 572 931 00	gasket		1	
6	999 049 008 40	plastic nut		2	
7	999 591 722 02	speed nut		3	

Model	Year	MG	SG	Illustration	Restrictions	UPD	14:27	24.01.2010	PORSCHE	PET	PORSCHE
996	2005	8	13	813-20		248					

Pos	Part Number	Description	Remark	Qty	Model	Pos	Part Number	Description	Remark	Qty	Model
8	999 073 142 09	combination tapping screw		3							
9	996 572 569 00	cap		-00	2						
	01C	black									
(9)	996 572 569 01	cap	/L	01-	1						
	01C	black									
(9)	996 572 570 01	cap	/R	01-	1						
	01C	black									
10	996 572 561 01	cover	/L		1						
	01C	black									
(10)	996 572 562 01	cover	/R		1						
	01C	black									
11	999 590 045 40	screw plug			X						
--	999 590 046 40	disc cam			X						
12	999 073 143 09	oval-head screw			2						
13	999 500 092 00	nut			2						
14	996 572 719 01	lid		-03	2						
14	996 572 719 02	lid		04-	2						

Model	Year	MG	SG	Illustration	Restrictions	UPD	14:27	24.01.2010	PORSCHE	PET	PORSCHE
996	2005	8	13	813-25		248					

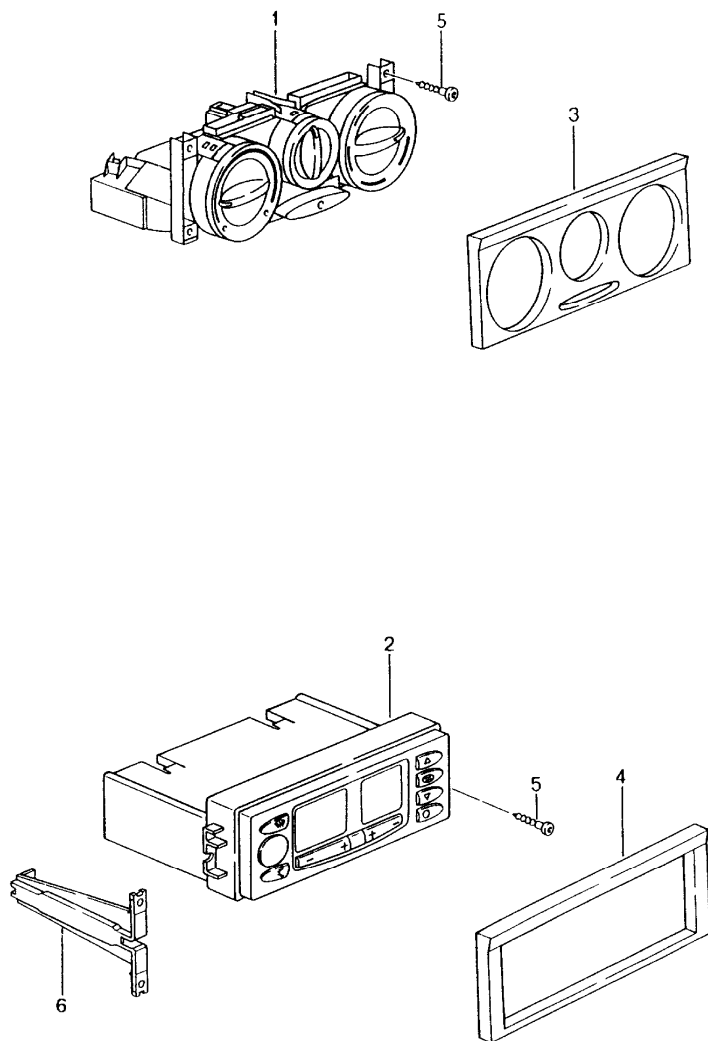


Pos	Part Number	Description	Remark	Qty	Model
		refrigerant circuit			
1	996 573 105 03	refrigerant line	-01	1	
1	996 573 105 05	pressure line	02-	1	
1	A 996 573 105 04	refrigerant	02-	1	C4S
1	996 573 105 06	pressure line	02-	1	C4S
2	996 573 104 02	refrigerant line		1	
2	996 573 104 03	pressure line		1	C4S
3	944 573 143 01	desiccator		1	
4	996 573 451 00	support		1	
5	996 573 106 00	refrigerant line		1	
6	996 573 091 01	intake pipe		1	
--	996 573 769 01	grommet		1	
7	996 573 099 02	refrigerant line		1	
8	996 573 097 02	refrigerant line		1	
9	996 573 108 01	pressure line	/RL	1	
(9)	996 573 108 02	pressure line	/LL -01	1	
(9)	996 573 108 03	pressure line	/LL 02-	1	
10	996 573 092 01	refrigerant line		1	
11	996 573 094 02	refrigerant line	-01	1	
11	996 573 094 04	pressure line	02-	1	
11	996 573 094 03	refrigerant line		1	C4S
11	996 573 094 05	pressure line		1	C4S
12	996 347 543 00	cable holder		2	
13	996 573 111 00	condenser		2	
(13)	996 573 111 03	condenser	02-	2	C4S
(13)	996 573 111 03	condenser	04	2	M095
14	996 573 093 02	intake pipe	/LL	1	
14	996 573 093 03	intake pipe	/RL	1	
15	996 347 543 00	cable holder		2	

Model	Year	MG	SG	Illustration	Restrictions	UPD	14:27	24.01.2010	PORSCHE	PET	PORSCHE
996	2005	8	13	813-25		248					

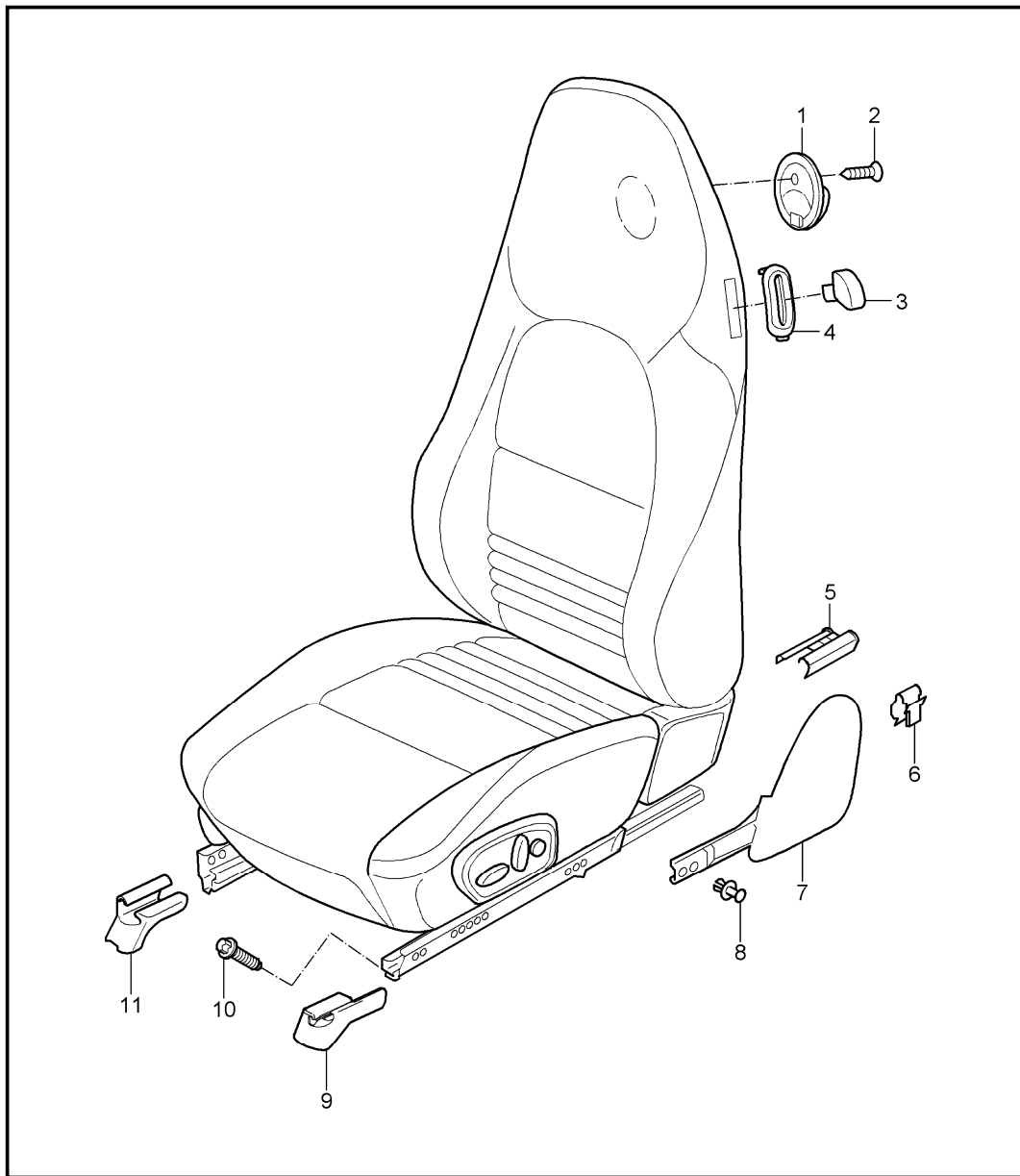
Pos	Part Number	Description	Remark	Qty	Model	Pos	Part Number	Description	Remark	Qty	Model
16	999 707 247 40	o-ring 7,5X2		2							
17	999 707 382 40	o-ring 23,8X2,4		8							
18	999 707 250 40	o-ring 10,6X2		8							
19	999 707 252 40	o-ring 17X2		3							
20	999 707 262 40	o-ring 6,7X1,8		X							
21	964 613 137 01	pressure switch		1							
22	996 573 711 00	cover strip		2							
22	996 573 711 01	frame	02-	2	C4S						
22	996 573 711 01	frame	04	2	M095						
23	900 067 247 02	combination screw		X							
24	993 573 243 00	distributing piece		1							
25	996 573 096 02	pressure line		1							
26	996 573 931 00	intake pipe	-01	1							
27	996 573 930 00	intake pipe	-01	1							
(27) A	996 573 095 05	intake pipe	02-	1							
(27)	996 573 095 07	intake pipe	02-	1							
28	999 511 230 40	cable holder use also:		X							
--	999 511 231 41	rubber mounting		X							
29	996 573 465 00	valve		1							
30	944 573 663 01	valve cap		1							
31	944 573 663 02	valve cap		1							
32	996 573 466 00	valve		1							

Model	Year	MG	SG	Illustration	Restrictions	UPD	14:27	24.01.2010	PORSCHE	PET	PORSCHE
996	2005	8	13	813-45		248					



Pos	Part Number	Description	Remark	Qty	Model
		control switch			
1	996 572 101 00	control part	-01	1	
	01C	black			
1	996 572 101 01	control part	02-	1	
	01C	black			
-	900 631 132 90	bulb		1	
2	996 653 101 03	control part	-01	1	M573
	EFR	black			
2	996 653 101 08	control part	02-	1	M573
	EFR	gloss black			
2	996 653 101 09	control part	02-	1	M573
	EFR	black mat			
2	996 653 101 10	control part	03-	1	
	FFA	black mat			
3	996 552 153 01	cover		1	
	01C	black			
4	996 552 677 00	cover	-01	1	M573
	01C	black			
4	996 552 677 01	cover	02-	1	
	01C	black			
(4)	996 552 339 00	cover		1	M573/662
	01C	black			
--	191 853 615 A	grommet for POS.4		X	
5	900 143 076 09	tapping screw		X	
6	996 573 501 00	adapter		2	M573

Model	Year	MG	SG	Illustration	Restrictions	UPD	14:27	24.01.2010	PORSCHE	PET	PORSCHE
996	2005	8	17	817-00		248					

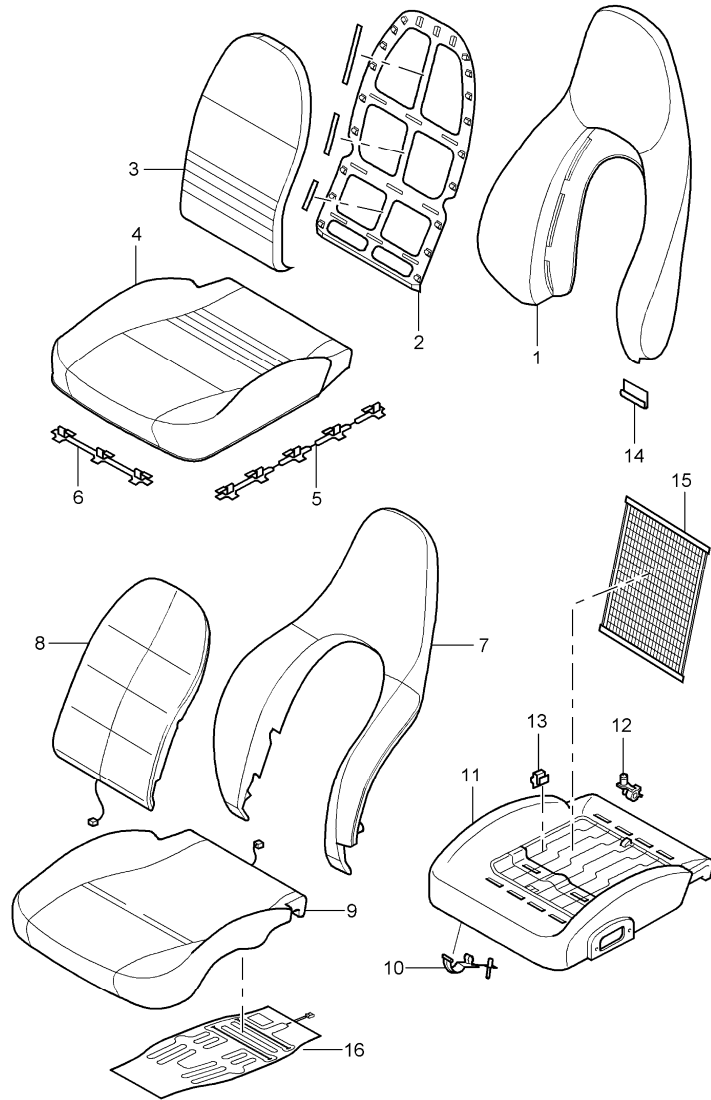


Pos	Part Number	Description	Remark	Qty	Model
		front seat			CARRERA
		front seat complete not available			
1	996 521 373 00	coat hook		2	
	A03	black			
2	999 919 199 09	countersunk-head screw M 5 X 25		2	
3	996 521 321 00	actuating lever	-99	4	
(3)	996 521 421 00	control button	/L 00-	2	
(3)	996 521 422 00	control button	/R 00-	2	
4	996 521 323 00	rosette satin black	/L 99	2	
(4)	996 521 324 00	rosette satin black	/R 99	2	
(4)	996 521 323 02	rosette satin black	/L 00-	2	
(4)	996 521 324 02	rosette satin black	/R 00-	2	
5	996 521 357 00	cover rear	/L -99	2	IXSE/XSF
	01C	satin black			
(5)	996 521 358 00	cover rear	/R -99	2	IXSE/XSF
	01C	satin black			
6	999 507 592 01	cable clamp cover 1,0 - 6,0		2	
7	996 521 315 01	cap	/L	1	
	D05	granite grey	-99		
	A03	black	00-		
	C53	graphite grey	00-		
	S33	savanna	00-		
	G13	metropole blue	00-		

Model	Year	MG	SG	Illustration	Restrictions	UPD	14:27	24.01.2010	PORSCHE	PET	PORSCHE
996	2005	8	17	817-00		248					

Pos	Part Number	Description	Remark	Qty	Model	Pos	Part Number	Description	Remark	Qty	Model
	J33	nephrite green	00-			11	996 521 361 01	cover seat rail front inner	/R	1	IXSF
	M33	boxster red	00-				01C	satin black			
(7)	996 521 316 01	cap	/R -02	1		(11)	996 521 362 01	cover seat rail front inner	/L	1	IXSE
	D05	granite grey	-99				01C	satin black			
	A03	black	00-			(11)	996 521 364 01	cover seat rail front inner	/R	1	M437/438
	C53	graphite grey	00-				01C	satin black			
	S33	savanna	00-			(11)	996 521 364 01	cover seat rail front inner	/R	1	M437/438
	G13	metropole blue	00-				01C	satin black			
	J33	nephrite green	00-			(11)	996 521 363 01	cover seat rail front inner	/L	1	M437/438
	M33	boxster red	00-				01C	satin black			
8	999 507 599 40	expansion rivet 10		2		(11)	996 521 363 01	cover seat rail front inner	/L	1	M437/438
9	996 521 359 01	cover seat rail front outer	/L	1	IXSE		01C	satin black			
	01C	satin black				(9)	996 521 360 01	cover seat rail front outer	/R	1	IXSF
	01C	satin black					01C	satin black			
(9)	996 521 363 01	cover seat rail front outer	/L	1	M437/438		01C	satin black			
	01C	satin black				(9)	996 521 364 01	cover seat rail front outer	/R	1	M437/438
	01C	satin black					01C	satin black			
10	999 141 039 07	screw M 10 X 28		8	IXSE/XSF						

Model	Year	MG	SG	Illustration	Restrictions	UPD	14:27	24.01.2010	PORSCHE	PET	PORSCHE
996	2005	8	17	817-05		248					



Pos	Part Number	Description	Remark	Qty	Model
		cover foam part standard seat comfort seat			CARRERA
1	996 521 141 01	backrest cover outer part leatherette/leather	-99	2	M946
	EAE	black/black			
	EEE	graphite grey/graphite gr.			
	EGH	space grey/space grey			
	EFE	metropole bl./metrop. blue			
	EGE	savanna/savanna			
(1)	996 521 141 01	backrest cover outer part leatherette/leather	-00	2	M946
	ESJ	space grey/space grey			
	ESH	metropole bl./metrop. blue			
	ESG	savanna/savanna			
	ESF	graphite grey/graphite gr.			
	ESE	black			
(1)	996 521 141 05	backrest cover backrest outer part	01-	2	M946
	ESE	black			
	ESF	graphite grey			
	ESG	savanna			
	ESH	metropole blue			
	FEP	nephrite green			
(1)	996 521 993 00	backrest cover outer part with porsche crest leatherette/leather	99-	2	IXSC/M946
	8YR	black/black	99		
	B50	space grey/space grey			

Model	Year	MG	SG	Illustration	Restrictions	UPD	14:27	24.01.2010	PORSCHE	PET	PORSCHE
996	2005	8	17	817-05		248					

Pos	Part Number	Description	Remark	Qty	Model	Pos	Part Number	Description	Remark	Qty	Model
	C50	graphite grey/graphite gr.					ELA	nephrite green			
	G10	metropole bl./metrop. blue					ENA	boxster red			
	S30	savanna/savanna					FEH	cinnamon brown			
	ETO	black	00-				VRA	dark grey/natural			
(1)	996 521 141 02	backrest cover outer part leather	-01	2	M982/983	(1)	996 521 141 06	cover backrest outer part	01-	2	M982/983
	EAF	black	-99				VRB	brown/natural			
	ERZ	black	-00				ERZ	black			
	EEF	graphite grey					EEF	graphite grey			
	EGJ	space grey	-00				EGF	savanna			
	EFF	metropole blue					EGF	savanna			
	EGF	savanna					EFF	metropole blue			
	ELA	nephrite green					ELA	nephrite green			
	ENA	boxster red					ENA	boxster red			
	VRA	dark grey	-00				FEH	cinnamon brown			
	VRB	brown/natural	-00				VRA	dark grey/natural			
	FEH	cinnamon brown	-00			(1)	996 521 993 01	backrest cover outer part with porsche crest leather		2	IXSC M982/983
(1)	996 521 141 03	backrest cover outer part		2	IXSU/M946		VRB	brown/natural			
	ESE	black					8YR	black	99		
	ESF	graphite grey					B50	space grey	-00		
	ESG	savanna					C50	graphite grey			
	ESH	metropole blue					G10	metropole blue			
	FEP	nephrite green					S30	savanna			
(1)	996 521 141 04	backrest cover outer part		2	IXSU M982/983		J30	nephrite green			
	ERZ	black					M30	boxster red			
	EEF	graphite grey					T11	brown/natural			
	EGF	savanna					D11	dark grey/natural			
	EFF	metropole blue									

Model	Year	MG	SG	Illustration	Restrictions	UPD	14:27	24.01.2010	PORSCHE	PET	PORSCHE
996	2005	8	17	817-05		248					

Pos	Part Number	Description	Remark	Qty	Model	Pos	Part Number	Description	Remark	Qty	Model
	P11	cinnamon brown				(3)	996 521 151 03	backrest cushion cover draped leather	-00	2	M982
	ETO	black	00-				8YR	black	-99		
2	996 521 551 00	frame	-00	2			ETO	black	00		
(2)	996 521 551 01	frame backrest cover	01-	2			C50	graphite grey			
3	996 521 151 01	backrest cushion cover leather	-00	2	M946/983		B50	space grey	-00		
	8YR	black	-99				G10	metropole blue			
	ETO	black	00				S30	savanna			
	C50	graphite grey					J30	nephrite green			
	B50	space grey	-00				M30	boxster red			
	G10	metropole blue					D11	dark grey	00		
	S30	savanna					T11	brown/natural	00		
	J30	nephrite green				(3)	996 521 151 06	backrest cushion cover centre part draped leather not for lowering foam part	01-	2	M982
	M30	boxster red					ETO	black			
(3)	996 521 151 05	backrest cushion cover leather not for lowering foam part	01-	2	M946/983	(3)	996 521 151 06	backrest cushion cover centre part draped leather not for lowering foam part	01-	2	M982
	ETO	black					C50	graphite grey			
	C50	graphite grey					S30	savanna			
	S30	savanna					G10	metropole blue			
	J30	nephrite green					J30	nephrite green			
	M30	boxster red					M30	boxster red			
	G10	metropole blue					P11	cinnamon brown			
	P11	cinnamon brown					D11	dark grey/natural			
	D11	dark grey					T11	brown/natural			
	T11	brown/natural				(3)	996 521 151 07	backrest cushion cover		2	IXSU

Model	Year	MG	SG	Illustration	Restrictions	UPD	14:27	24.01.2010	PORSCHE	PET	PORSCHE
996	2005	8	17	817-05		248					

Pos	Part Number	Description	Remark	Qty	Model	Pos	Part Number	Description	Remark	Qty	Model
		ETO black					ESF	graphite grey/graphite gr.			
		C50 graphite grey					ESJ	space grey/space grey			
		S30 savanna					ESH	metropole bl./metrop. blue			
		G10 metropole blue					ESG	savanna/savanna			
		J30 nephrite green					ESE	black	00-		
		M30 boxer red				(4)	996 521 161 05	seat cover leatherette/ seat surface leather	01-	2	M946
		P11 cinnamon brown									
		D11 dark grey/natural					ESE	black/black			
		T11 brown/natural					ESF	graphite grey/graphite gr.			
(3)	996 521 151 08	cover backrest draped leather centre part with lowering		2	IXSU/M982		ESG	savanna/savanna			
		ETO black				(4)	996 521 161 02	seat cover seat cushion leather	-00	2	M983
		C50 graphite grey					EAF	black	-99		
		S30 savanna					ERZ	black	00-		
		G10 metropole blue					EEF	graphite grey			
		J30 nephrite green					EGJ	space grey/space grey	-00		
		M30 boxer red					EFF	metropole blue			
		P11 cinnamon brown					EGF	savanna			
		D11 dark grey/natural					ELA	nephrite green			
		T11 brown/natural					ENA	boxster red			
(3)	996 521 151 09	cover centre part		2	M095/983		VRA	dark grey	00-		
		D13 dark grey/natural special model forty fast years					VRB	brown/natural	00-		
4	996 521 161 01	seat cover leatherette/ seat surface leather	-00	2	M946	(4)	996 521 161 06	seat cover seat cushion leather	01-	2	M983
		EAE black/black		99			ERZ	black	00-		
							EEF	graphite grey			

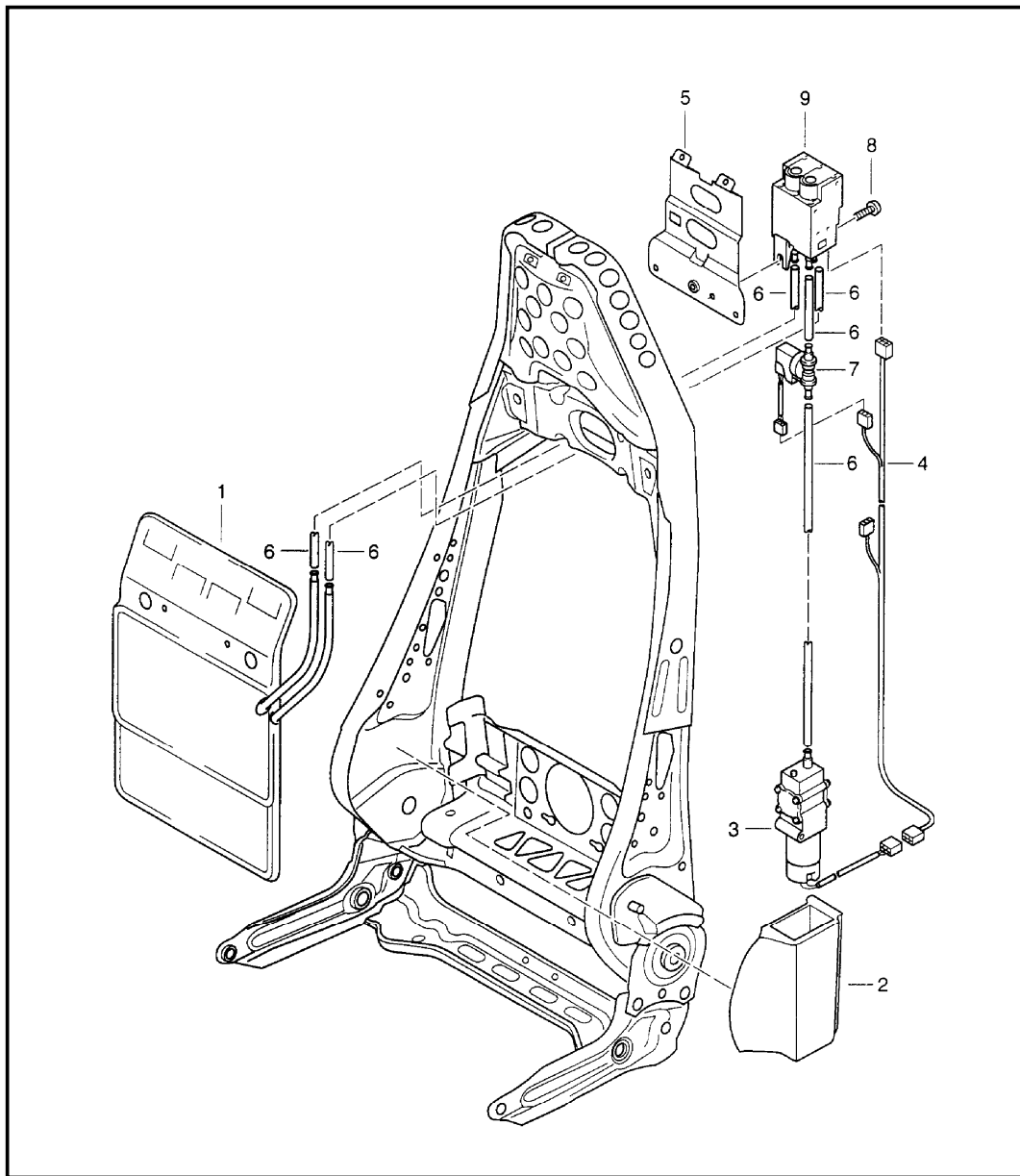
Model	Year	MG	SG	Illustration	Restrictions	UPD	14:27	24.01.2010	PORSCHE	PET	PORSCHE
996	2005	8	17	817-05		248					

Pos	Part Number	Description	Remark	Qty	Model	Pos	Part Number	Description	Remark	Qty	Model
	EFF	metropole blue				(4)	996 521 161 11	seat cover seat cushion special model	04-	2	M095/983
	EGF	savanna									
	ELA	nephrite green					VSY	dark grey/natural 40 JAHRE PORSCHE			
	ENA	boxster red				(4)	996 521 161 03	seat cover	-00	2	M982
	VRA	dark grey	00-				EAF	black	-99		
	VRB	brown/natural	00-				ERZ	black	00-		
	FEH	cinnamon brown	01-				EEF	graphite grey			
(4)	996 521 161 09	cover		2	IXSU/M983		EFF	metropole blue			
	ERZ	black	03-				EGF	savanna			
	EEF	graphite grey					ELA	nephrite green			
	EGF	savanna					ENA	boxster red			
	EFF	metropole blue					VRA	dark grey	00		
	ELA	nephrite green					VRB	brown/natural	00		
	ENA	boxster red				(4)	996 521 161 07	seat cover draped leather	01-	2	M982
	FEH	cinnamon brown					ERZ	black	00-		
	VRA	dark grey/natural					EEF	graphite grey			
	VRB	brown/natural					FEH	cinnamon brown	01		
(4)	996 521 161 10	cover seat cushion with lowering		2	IXSU/M982		EFF	metropole blue			
	ERZ	black	03-				EGF	savanna			
	EEF	graphite grey					ELA	nephrite green			
	EGF	savanna					ENA	boxster red			
	EFF	metropole blue				(4)	996 521 161 08	cover seat cushion	02-	2	IXSU/M946
	ELA	nephrite green					ESE	black			
	ENA	boxster red					ESF	graphite grey			
	FEH	cinnamon brown					ESG	savanna			
	VRA	dark grey/natural					ESH	metropole blue			
	VRB	brown/natural					FEP	nephrite green			

Model	Year	MG	SG	Illustration	Restrictions	UPD	14:27	24.01.2010	PORSCHE	PET	PORSCHE
996	2005	8	17	817-05		248					

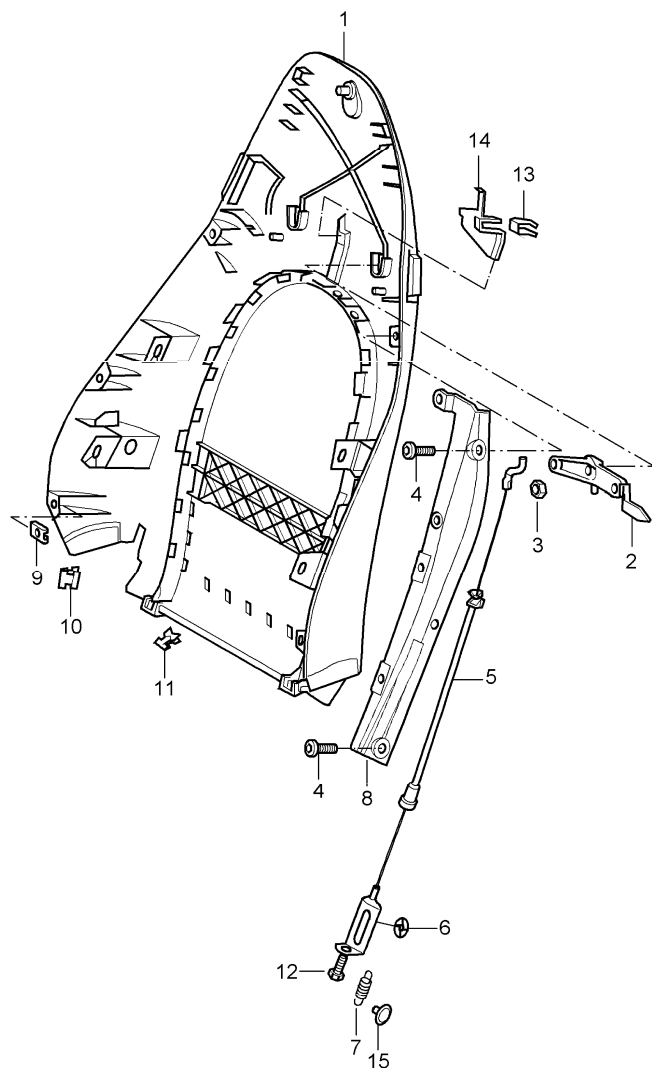
Pos	Part Number	Description	Remark	Qty	Model	Pos	Part Number	Description	Remark	Qty	Model
5	996 521 543 00	clamp long	-00	4		11	996 521 509 00	cushion carrier seat cushion front seat	-00	2	
6	996 521 541 00	clamp short	-00	6		(11)	996 521 505 00	cushion carrier seat cushion front seat	01-	2	
7	996 521 535 04	foam part backrest frame		2		12	999 507 506 40	cable holder 5,0		1	M539/540
(7)	996 521 535 06	foam part backrest outer part	02-	2	IXSU	13	999 651 314 01	cable clamp 3,0 - 4,0		8	M139/340 M553
(8)	996 521 531 00	foam part backrest cushion without heating		2		14	996 521 515 00	catch for backrest cover		4	
8	996 521 531 01	foam part backrest cushion with heating		2	M139/340 M342	15	996 521 507 01	mat seat cushion cushion carrier		1	
(8)	996 521 539 00	foam part backrest with heating		2	IXSU/M139 M340/342	16	996 653 105 01	heating element	01-	1	M342
(8)	996 521 537 00	foam part backrest cushion without heating	02-	2	IXSU	(16)	996 653 105 02	heating element seat surface	02-	1	IXSU/M342
(9)	996 521 521 00	foam part seat cushion without heating	-00	2							
9	996 521 521 01	foam part seat cushion with heating	-00	2	M139/340						
(9)	996 521 571 00	foam part seat cushion	01-	2							
(9)	996 521 523 00	foam part seat cushion without heating	02-	2	IXSU						
(9)	996 521 525 00	foam part seat cushion with heating	02-	2	IXSU/M139 M340/342						
10	996 521 597 00	clip seat cushion front seat		8							
(10)	996 521 937 00	clip for cushion carrier seat cushion front seat	01-	10							

Model	Year	MG	SG	Illustration	Restrictions	UPD	14:28	24.01.2010	PORSCHE	PET	PORSCHE
996	2005	8	17	817-07		248					



Pos	Part Number	Description	Remark	Qty	Model
		lumbar support			CARRERA
1	996 521 709 00	lumbar support complete		2	M513/586
2	996 521 719 00	sound absorber compressor		2	M513/586
3	996 620 725 00	compressor		2	M513/586
4	996 612 541 00	wiring harness lumbar support adjustment		2	M513/586
(4)	996 612 542 00	wiring harness lumbar support adjustment		2	M513/586 M537/538
5	996 521 721 00	support valve housing		2	M513/586
6	999 181 749 40	air hose seating position control		2	M513/586 M537/538
7	996 613 725 00	pressure switch		2	M513/586
8	900 067 051 02	pan-head screw M 5 X 10		2	M513/586
9	996 617 725 00	valve housing without memory		2	M513/586
(9)	996 617 726 00	valve housing seating position control		2	M513/586 M537/538

Model	Year	MG	SG	Illustration	Restrictions	UPD	14:28	24.01.2010	PORSCHE	PET	PORSCHE
996	2005	8	17	817-10		248					

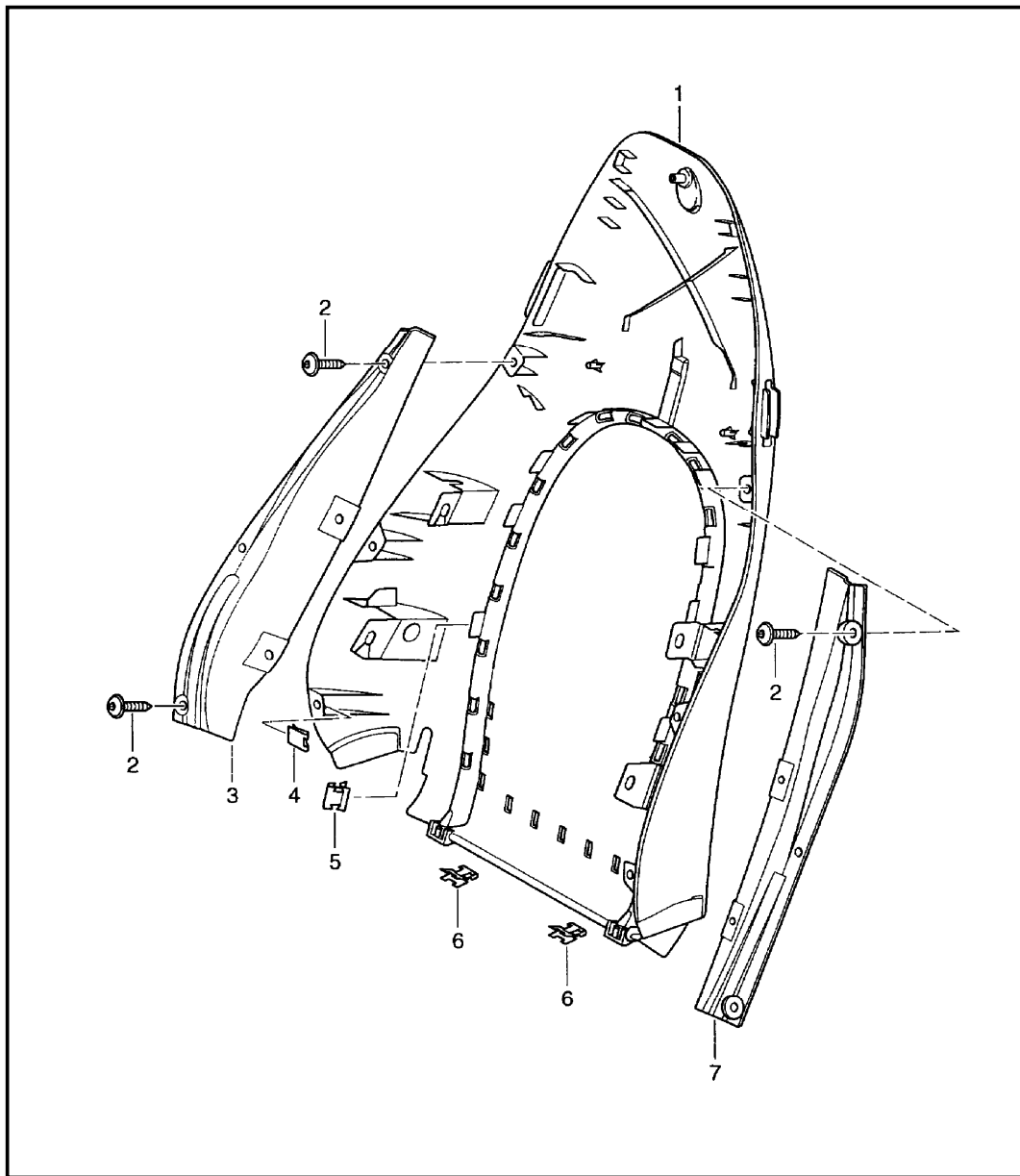


Pos	Part Number	Description	Remark	Qty	Model
		backrest shell standard seat comfort seat		98	CARRERA
1	996 521 083 00	backrest shell leatherette		2	
	A10	black			
	B50	space grey			
	C50	graphite grey			
	G10	metropole blue			
	S30	savanna			
1	996 521 083 01	backrest shell leather		98	2
	8YR	black			
	C50	graphite grey			
	G10	metropole blue			
	S30	savanna			
	J30	nephrite green			
	M30	boxster red			
2	996 521 311 00	linkage lever backrest shell	/L	2	
(2)	996 521 312 00	linkage lever backrest shell	/R	2	
3	996 521 339 00	deflection roller backrest shell		4	
4	999 143 009 01	screw backrest shell M 5 X 16 backrest shell		X	
-	900 151 027 02	washer 5,3 backrest shell		4	
5	996 521 385 01	cable		4	
6	N 900 114 02	clamping washer 4		4	
7	999 522 032 00	tension spring 0,7 X 7,5 X 15		4	

Model	Year	MG	SG	Illustration	Restrictions	UPD	14:28	24.01.2010	PORSCHE	PET	PORSCHE
996	2005	8	17	817-10		248					

Pos	Part Number	Description	Remark	Qty	Model	Pos	Part Number	Description	Remark	Qty	Model
8	996 521 319 00	bracket	/R	-00	2						
(8)	996 521 320 00	bracket	/R	-00	2						
9	999 507 677 01	speed nut M 5			8						
10	999 507 594 01	u-clamp backrest cover 1,0 - 2,0			28						
11	311 881 247	clamp mount cover centre part			2						
-	N 900 151 01	clamping washer 5			2						
13	999 507 596 01	u-clamp 1,00 - 1,50			2						
14	996 521 341 00	relay lever			2						
15	999 703 474 40	stopper			2						
-	996 521 903 00	repair kit backrest locking lever see technical information GR. 7 BOXSTER NR. 1A/98			2						

Model	Year	MG	SG	Illustration	Restrictions	UPD	14:28	24.01.2010	PORSCHE	PET	PORSCHE
996	2005	8	17	817-12		248					

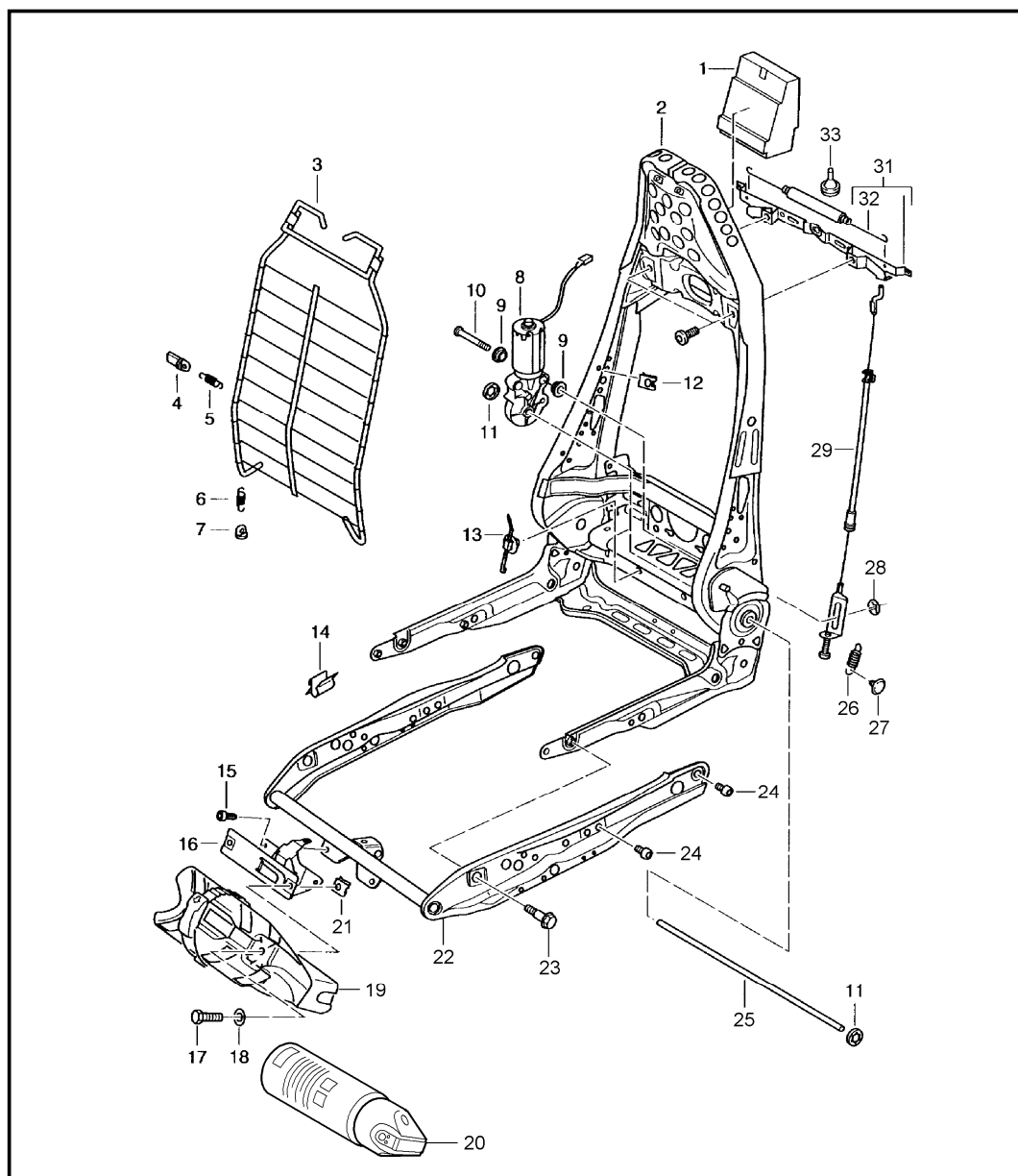


Pos	Part Number	Description	Remark	Qty	Model
		backrest shell standard seat comfort seat			CARRERA
1	996 521 083 03	backrest shell leatherette	99	2	M946
	A10	black			
	B50	space grey			
	C50	graphite grey			
	G10	metropole blue			
	S30	savanna			
(1)	996 521 083 07	backrest shell leatherette	00-01	2	M946
	A12	black			
	C52	graphite grey			
	S32	savanna			
	G12	metropole blue			
	B52	space grey			
(1)	996 521 083 09	backrest shell leatherette	01-05	2	M946
	A12	black			
	C52	graphite grey			
	S32	savanna			
	G12	metropole blue			
	J32	nephrite green			
(1)	996 521 083 04	backrest shell leather	99-00	2	M982/983
	8YR	black			
	C50	graphite grey			
	G10	metropole blue			
	S30	savanna			
	J30	nephrite green			
	M30	boxster red			

Model	Year	MG	SG	Illustration	Restrictions	UPD	14:28	24.01.2010	PORSCHE	PET	PORSCHE
996	2005	8	17	817-12		248					

Pos	Part Number	Description	Remark	Qty	Model	Pos	Part Number	Description	Remark	Qty	Model
(1)	996 521 083 08	backrest shell leather	00-01	2	M982/983	2	999 143 009 01	screw backrest shell M 5 X 16		X	
	8YR	black				-	900 151 027 02	washer backrest shell 5,3		4	
	C50	graphite grey				3	996 521 320 00	bracket	/R	-00	2
	S30	savanna				(3)	996 521 320 01	cup	/R	01-	2
	G10	metropole blue				4	999 507 677 01	speed nut ST 4,8		8	
	B50	space grey	-00			5	999 507 594 01	u-clamp backrest cover 1,0 - 2,0		28	
	J30	nephrite green				6	311 881 247	clamp backrest cover centre part 1,5 X 1,75		2	
	M30	boxster red				7	996 521 319 00	bracket	/L	-00	2
	D11	dark grey				(7)	996 521 319 01	cup	/L	01-	2
	T11	brown/natural									
(1)	996 521 083 10	backrest shell leather	01-05	2	M982/983						
	8YR	black									
	C50	graphite grey									
	S30	savanna									
	G10	metropole blue									
	J30	nephrite green									
	M30	boxster red									
	P11	cinnamon brown									
	D11	dark grey/natural									
	T11	brown/natural									
(1)	996 521 083 11	backrest shell	02-05	2	M982/983 M985						
	A80	black									
	C01	graphite grey									
	S02	savanna									
	G01	metropole blue									
	J01	nephrite green									
	M01	boxster red									
	P01	cinnamon brown									

Model	Year	MG	SG	Illustration	Restrictions	UPD	14:28	24.01.2010	PORSCHE	PET	PORSCHE
996	2005	8	17	817-15		248					

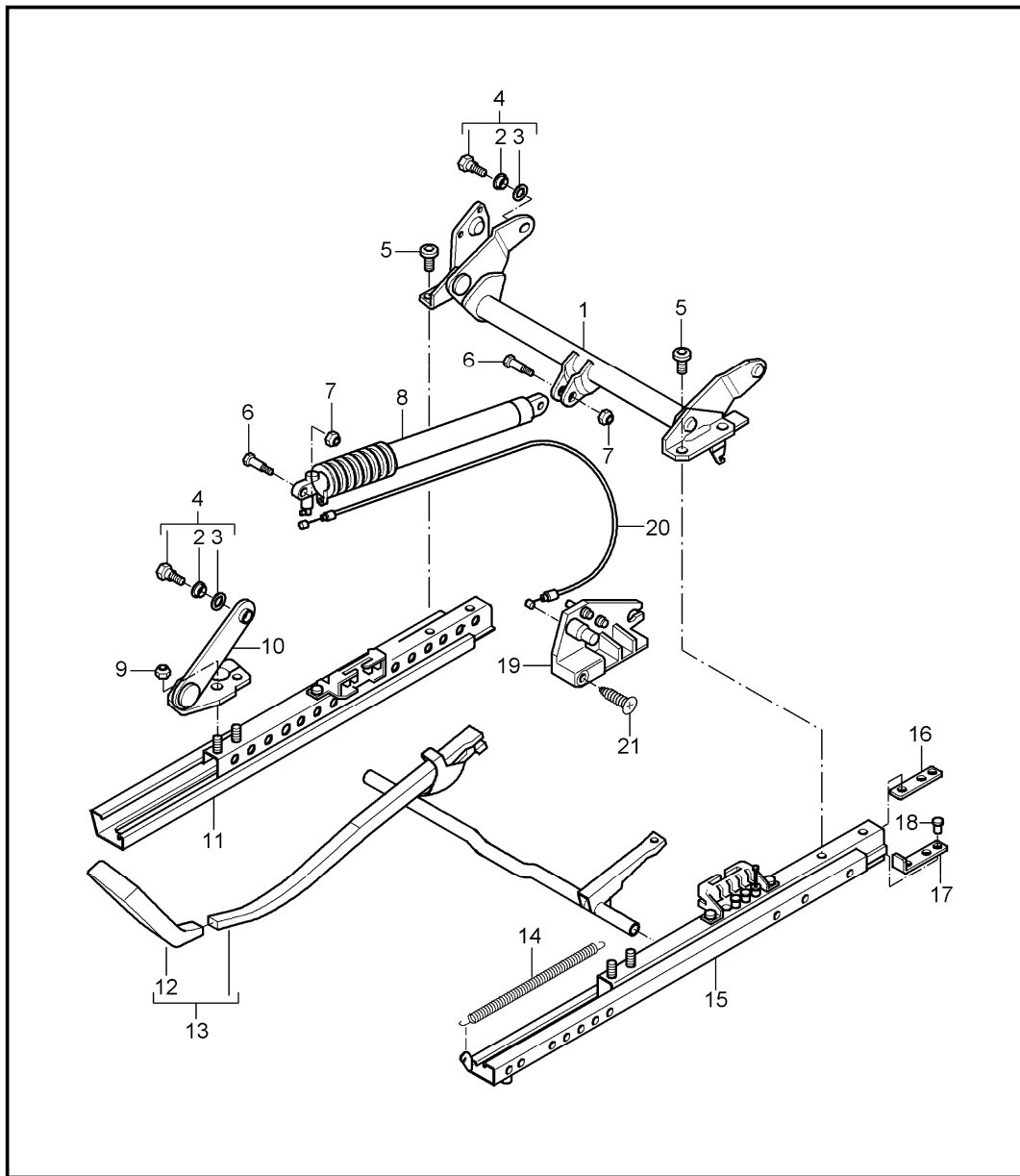


Pos	Part Number	Description	Remark	Qty	Model
		backrest frame seat frame standard seat comfort seat			CARRERA
1	996 521 883 00	foam part backrest frame	-01	2	
(2)	996 521 329 00	backrest frame	-99	2	
(2)	996 521 329 01	backrest frame	00-	2	
3	996 521 355 01	mat		2	
4	996 521 367 00	support spring centre		8	
5	996 521 333 00	spring centre		8	
6	996 521 331 01	spring lower		4	
7	996 521 365 00	support spring lower		4	
8	996 624 321 00	engine		2	
(8)	996 624 331 00	engine seating position control for backrest adjustment		2	M537/538
9	999 924 129 40	bush 6 X 12 X 4,5		4	
10	999 073 141 02	oval-head screw M 6 X 42,5		2	
11	999 507 597 01	clamping washer 10,0		4	
12	999 507 598 02	speed nut M 5		8	
13	999 513 063 40	cable holder 12,0 - 35		4	
15	999 141 028 02	pan-head screw M 5 X 10		3	
16	996 521 674 00	support fire extinguisher	/LL/R	1	M509
(16)	996 521 673 00	support fire extinguisher	/RL/L	1	M509

Model	Year	MG	SG	Illustration	Restrictions	UPD	14:28	24.01.2010	PORSCHE	PET	PORSCHE
996	2005	8	17	817-15		248					

Pos	Part Number	Description	Remark	Qty	Model	Pos	Part Number	Description	Remark	Qty	Model
17	900 067 137 02	pan-head screw M 5 X 16		2	M509						
18	900 151 027 02	washer 5,3		2	M509						
19	996 521 607 00	cup fire extinguisher		1	M509						
20	996 722 115 00	fire extinguisher Information available Information available		1	M509						
21	999 507 067 02	speed nut M 5		2	M509						
22	996 521 227 00	seat frame		1							
23	996 521 681 01	bearing pin complete		1							
24	999 141 027 02	oval-head screw M 8 X 10		8							
25	996 521 343 01	drive shaft for backrest adjustment		2							
26	999 522 032 00	tension spring 0,7 X 7,5 X 20		4					-99		
27	999 703 474 40	stopper 5,4 X 15 X 7,5		4					-98		
(27)	999 703 102 40	stopper 4,5 X 6,9 X 11,2		4							
28	N 900 114 02	clamping washer 4		4					-99		
29	996 521 185 00	cable		4							
31	996 521 175 00	backrest locking lever		2							
32	996 521 195 00	clutch power spring		2							
33	996 521 403 00	rubber buffer		2							

Model	Year	MG	SG	Illustration	Restrictions	UPD	14:28	24.01.2010	PORSCHE	PET	PORSCHE
996	2005	8	17	817-18		248					

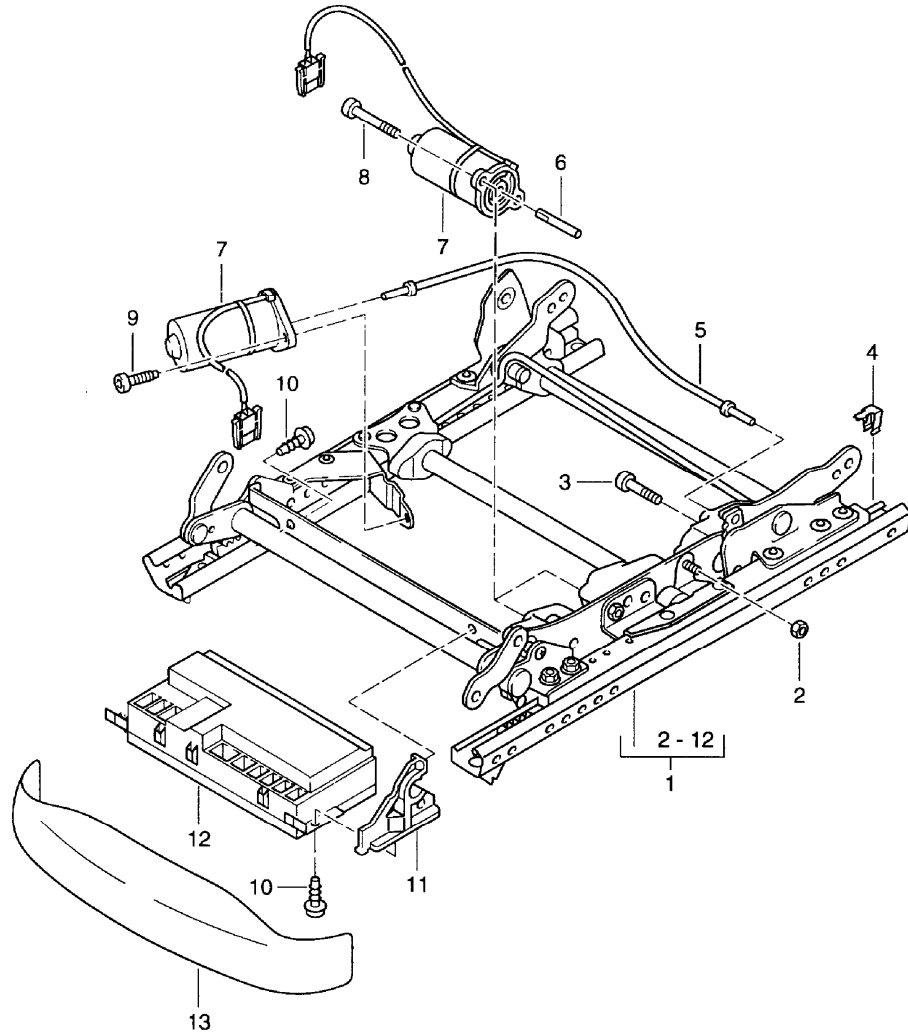


Pos	Part Number	Description	Remark	Qty	Model
		seat adjuster standard seat with height adjustment			CARRERA
1	996 521 641 00	pipe rear	/L	1	
(1)	996 521 642 00	pipe rear	/R	1	
-	999 025 258 40	washer 12 X 19,5 X 0,5		8	M539/540
2	999 924 132 40	bush 12 X 14 X 4,9	-01	4	
(2)	999 924 156 00	bush 12 X 14 X 6,5	01-	4	
3	999 209 051 00	spacer sleeve		2	
4	996 521 259 02	screw complete	/H	4	M539/540
(4)	996 521 681 00	bearing pin seat frame	/V	8	
5	986 521 659 00	screw adapter		8	
6	999 311 008 01	square screw gas-pressure spring M 5 X 23,6		2	
7	986 521 687 00	nut gas-pressure spring		2	
8	996 521 615 01	gas-pressure spring		1	M539/540
9	900 910 003 07	hexagon nut adapter M 8		8	
(10)	986 521 679 00	adapter seat frame front	/L	2	
10	986 521 680 00	adapter seat frame front	/R	2	
11	996 521 692 01	seat rail inner	/R	1	M369/375
(11)	996 521 691 01	seat rail inner	/L	1	M370/376

Model	Year	MG	SG	Illustration	Restrictions	UPD	14:28	24.01.2010	PORSCHE	PET	PORSCHE
996	2005	8	17	817-18		248					

Pos	Part Number	Description	Remark	Qty	Model	Pos	Part Number	Description	Remark	Qty	Model
12	996 521 617 01	handle	/L	1	M369/375						
(12)	996 521 618 01	handle	/R	1	M370/376						
13	996 521 621 01	lever complete	/L	1	M369/375						
(13)	996 521 622 01	lever complete	/R	1	M370/376						
14	996 521 645 00	clutch power spring		2							
15	996 521 689 01	seat rail outer	/L	1	M369/375						
(15)	996 521 690 01	seat rail outer	/R	1	M370/376						
16	986 521 643 00	threaded plate		4							
(17)	996 521 603 01	stop		4							
18	996 521 601 00	fixing clip stop		4							
19	996 521 675 00	adjusting mechanism	/L	1	M539						
(19)	996 521 676 00	adjusting mechanism	/R	1	M540						
20	986 521 683 00	bowden cable		2	M539/540						
21	999 919 195 07	countersunk-head screw		2							
(21)	999 919 199 09	countersunk-head screw M 5 X 18		2							

Model	Year	MG	SG	Illustration	Restrictions	UPD	14:28	24.01.2010	PORSCHE	PET	PORSCHE
996	2005	8	17	817-19		248					

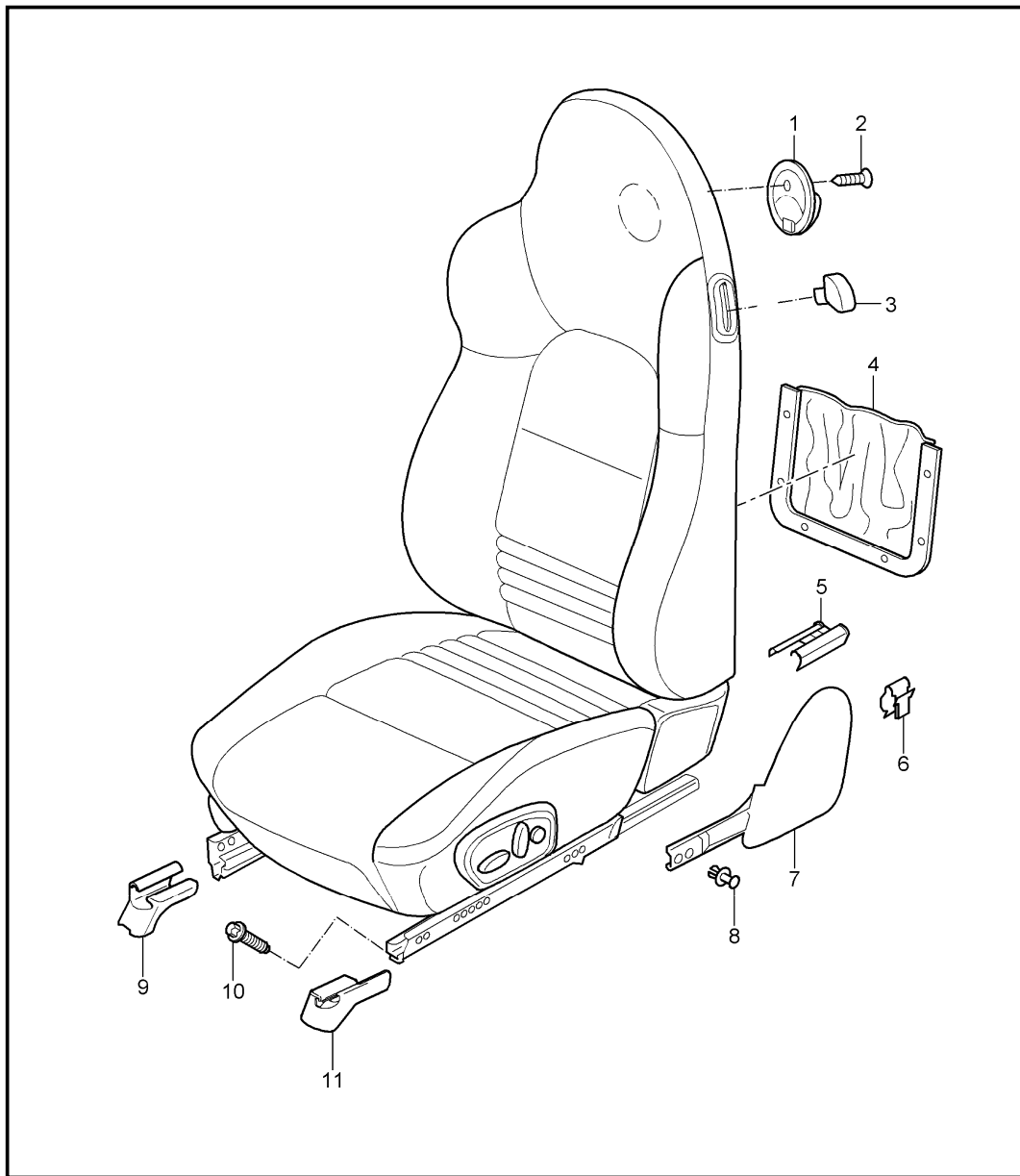


Pos	Part Number	Description	Remark	Qty	Model
		seat adjuster comfort seat			CARRERA
1	996 521 401 02	seat adjuster complete	/L	1	M437
(1)	996 521 402 02	seat adjuster complete	/R	1	M438
(1)	996 521 401 03	seat adjuster complete	/L -00	1	M437/537
(1)	996 521 402 03	seat adjuster complete	/R -00	1	M438/539
(1)	996 521 401 06	seat adjuster complete	/L 01-	1	M437/537
(1)	996 521 402 06	seat adjuster complete	/R 01-	1	M438/538
(1)	996 521 401 07	seat adjuster complete	/L 02-	1	M437/537
(1)	996 521 402 07	seat adjuster complete	/R 02-	1	M438/538
2	999 084 451 02	hexagon nut M 5		4	
3	999 073 144 02	pan-head screw M 5 X 39,3		4	
5	996 521 609 00	drive shaft rear vertical adjustment		2	M437/438
6	996 521 611 00	shaft		4	M437/438
7	996 624 322 00	engine		X	
(7)	996 624 332 00	engine seating position control		X	M537/538
8	999 073 147 02	pan-head screw TORX M 5 X 58		8	
9	999 073 148 02	oval-head screw M 5 X 14		4	
10	999 073 145 02	oval-head screw M 5,0 X 12		X	
11	996 618 547 00	support control unit		4	M537/538
12	A 996 618 537 00	control unit	-99	2	M537/538

Model	Year	MG	SG	Illustration	Restrictions	UPD	14:28	24.01.2010	PORSCHE	PET	PORSCHE
996	2005	8	17	817-19		248					

Pos	Part Number	Description	Remark	Qty	Model	Pos	Part Number	Description	Remark	Qty	Model
(12)	996 618 537 02	control unit	00	2	M537/538						
(12)	996 618 537 01	control unit	01	2	M537/538						
(12)	996 618 537 03	control unit seating position control	02-	2	M537/538						
13	996 521 317 00	cover control unit seating position control		2	M537/538						
	01C	black									

Model	Year	MG	SG	Illustration	Restrictions	UPD	14:29	24.01.2010	PORSCHE	PET	PORSCHE
996	2005	8	17	817-20		248					

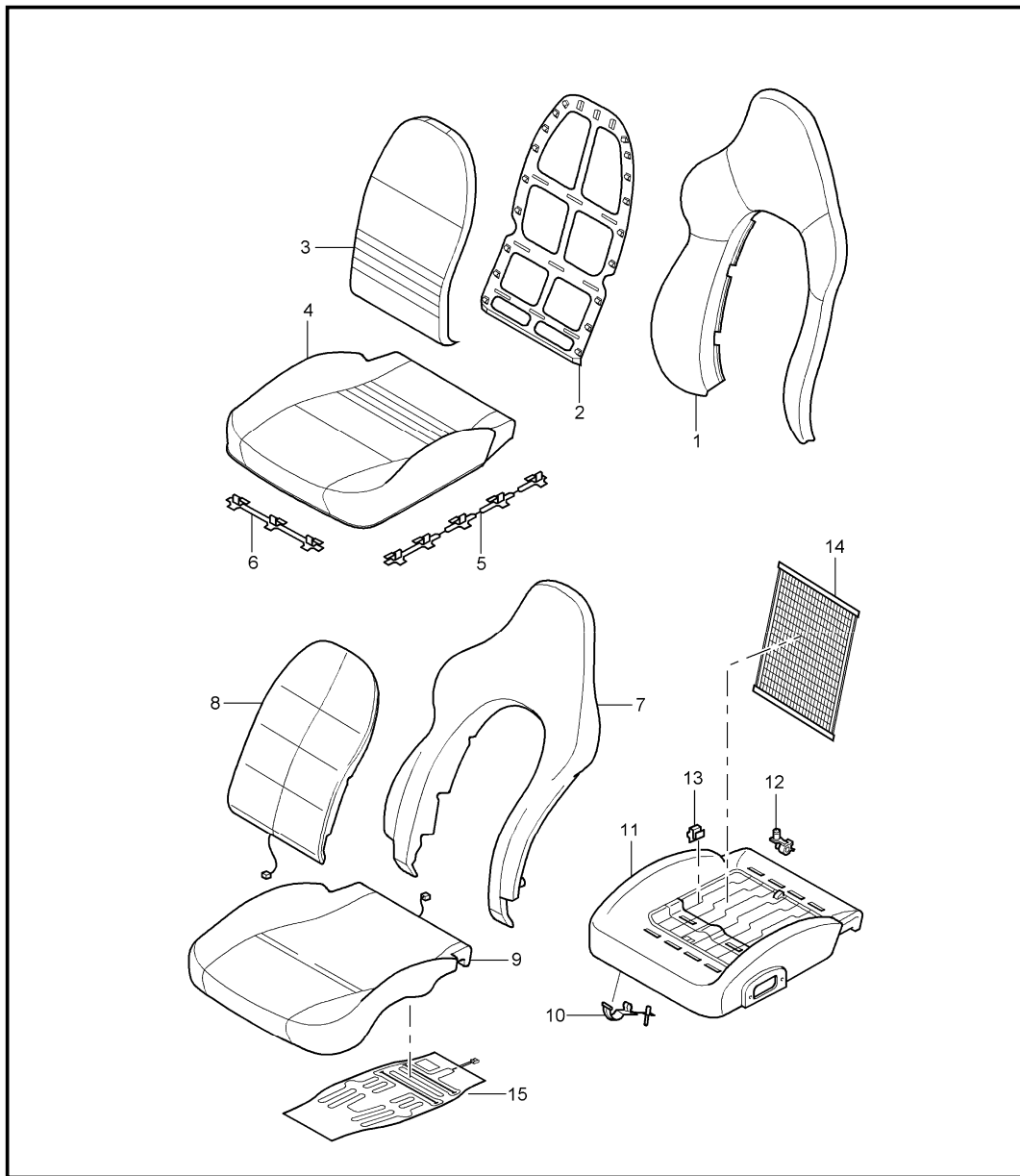


Pos	Part Number	Description	Remark	Qty	Model
		sports seat			CARRERA
		sports seat complete not available			
(1)	996 521 781 00	crest	-00	2	
1	996 521 373 00	coat hook	01-	2	
	A03	black			
2	999 919 183 09	oval-head screw M 3,5 X 25		2	
(2)	999 919 199 09	countersunk-head screw M 5,0 X 25	00-	2	
3	996 521 321 01	control button	/L	98	2 M375/376
(3)	996 521 421 00	control button	/L	99-	2
(3)	996 521 322 01	control button	/R	98	2 M375/376
(3)	996 521 422 00	control button	/R	99-	2
4	996 521 313 01	bag leather	98-	2	M983
	8YR	black	-99		
	C50	graphite grey			
	B50	space grey			
	G10	metropole blue			
	S30	savanna			
	J30	nephrite green			
	M30	boxster red			
	D11	dark grey	00-		
	T11	brown/natural	00-		
	P11	cinnamon brown			
5	996 521 357 00	cover rear	/L	-99	2
	01C	satin black			
(5)	996 521 358 00	cover rear	/R	-99	2

Model	Year	MG	SG	Illustration	Restrictions	UPD	14:29	24.01.2010	PORSCHE	PET	PORSCHE
996	2005	8	17	817-20		248					

Pos	Part Number	Description	Remark	Qty	Model	Pos	Part Number	Description	Remark	Qty	Model
	01C	satin black					01C	satin black			
6	999 507 592 01	cable clamp cover 1,0 - 6,0		2		(9) A	996 521 361 00	cover inner	/R -00	1	IXSF/M376
7	996 521 315 01	cap	/L	1			01C	satin black			
	D05	granite grey		-99		(9)	996 521 361 01	cover inner	/R 01-	1	IXSF/M376
	A03	black		00-			01C	satin black			
	C53	graphite grey		00-		10 A	999 141 038 07	torx screw M 10 X 26,5	-02	8	IXSE/XSF
	S33	savanna		00-		(10)	999 141 039 07	screw M 10 X 28	03-	8	IXSE/XSF
	G13	metropole blue		00-							
	J33	nephrite green		00-		11 A	996 521 360 00	cover outer	/R	1	IXSF/M376
	M33	boxster red		00-			01C	satin black			
	B13	space grey		00-		11	996 521 360 01	cover outer	/R	1	IXSF/M376
	P13	cinnamon brown		01-			01C	satin black			
(7)	996 521 316 01	cap	/R	1		(11) A	996 521 359 00	cover outer	/L	1	IXSE/M375
	D05	granite grey		-99			01C	satin black			
	A03	black		00-		(11)	996 521 359 01	cover outer	/L	1	IXSE/M375
	C53	graphite grey		00-			01C	satin black			
	S33	savanna		00-							
	G13	metropole blue		00-			01C	satin black			
	J33	nephrite green		00-							
	M33	boxster red		00-							
	B13	space grey		00-							
	P13	cinnamon brown		01-							
8	999 507 599 40	expansion rivet 10		2							
9 A	996 521 362 00	cover inner	/L	-00	1 IXSE/M375						
	01C	satin black									
9	996 521 362 01	cover inner	/L	01-	1 IXSE/M375						

Model	Year	MG	SG	Illustration	Restrictions	UPD	14:29	24.01.2010	PORSCHE	PET	PORSCHE
996	2005	8	17	817-25		248					



Pos	Part Number	Description	Remark	Qty	Model
		cover foam part sports seat			CARRERA
1	996 521 993 02	backrest cover with porsche crest outer part leather	99-	2	IXSC/M983
	8YR	black	99		
	C50	graphite grey			
	B50	space grey			
	G10	metropole blue			
	S30	savanna			
	J30	nephrite green			
	M30	boxster red			
	T11	brown/natural			
	D11	dark grey/natural			
	P11	cinnamon brown			
	ETO	black	00-		
1	996 521 155 02	backrest cover outer part	-00	2	M983
	8YR	black			
	C50	graphite grey			
	G10	metropole blue			
	S30	savanna			
	J30	nephrite green			
	M30	boxster red			
	B50	space grey			
1	996 521 155 04	backrest cover outer part leather	-01	2	M983
	EEF	graphite grey			
	EGF	savanna			

Model	Year	MG	SG	Illustration	Restrictions	UPD	14:29	24.01.2010	PORSCHE	PET	PORSCHE
996	2005	8	17	817-25		248					

Pos	Part Number	Description	Remark	Qty	Model	Pos	Part Number	Description	Remark	Qty	Model
		EFF metropole blue					VRB	brown/natural			
		EGJ space grey				(1)	996 521 155 07	cover outer part special model forty fast years	04	1	M095/983
		ELA nephrite green					VTE	dark grey/natural			
		ENA boxster red				2	996 521 551 00	frame backrest	-00	2	
		ERZ black				(2)	996 521 551 01	frame backrest	01-	2	
(1)	996 521 155 05	cover backrest outer part leather	02-	2	IXSU/M983	3	996 521 151 01	backrest cushion cover leather	-00	2	M946/983
		ERZ black					8YR	black	-99		
		EEF graphite grey					C50	graphite grey	98-		
		EGF savanna					B50	space grey	-00		
		EFF metropole blue					G10	metropole blue	98-		
		ELA nephrite green					S30	savanna	98-		
		ENA boxster red					J30	nephrite green	98-		
		FEH cinnamon brown					M30	boxster red	98-		
		VRA dark grey/natural					ETO	black	00-		
		VRB brown/natural					D11	dark grey	00-		
(1)	996 521 155 06	cover backrest outer part leather	01-	2	M983	(3)	996 521 151 05	backrest cushion cover leather	01-	2	M946/983
		ERZ black					C50	graphite grey	98-		
		EEF graphite grey					G10	metropole blue	98-		
		EGF savanna					S30	savanna	98-		
		EFF metropole blue					J30	nephrite green	98-		
		ELA nephrite green					M30	boxster red	98-		
		ENA boxster red					ETO	black	00-		
		FEH cinnamon brown					D11	dark grey	00-		
		VRA dark grey/natural					T11	brown/natural	00-		

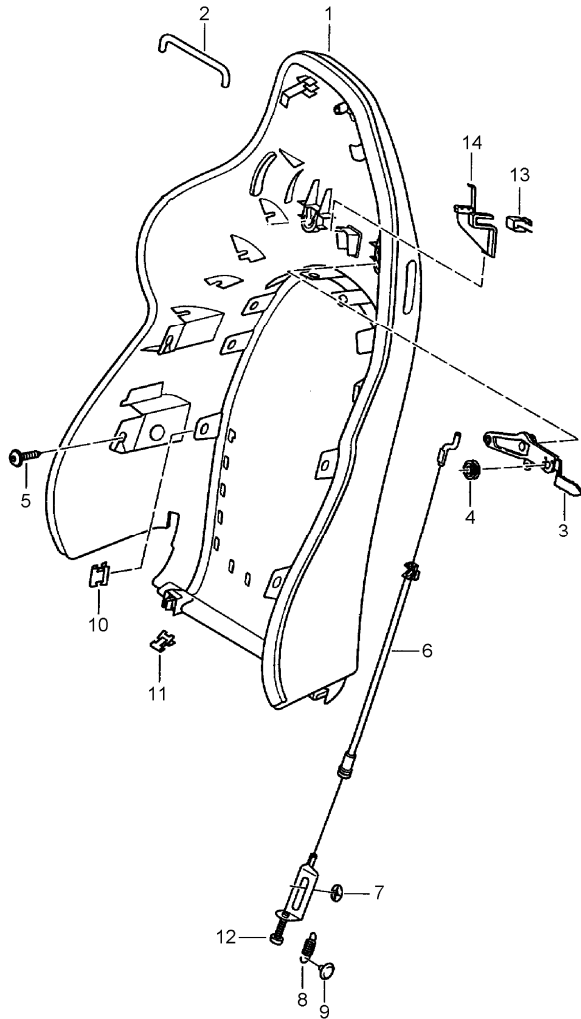
Model	Year	MG	SG	Illustration	Restrictions	UPD	14:29	24.01.2010	PORSCHE	PET	PORSCHE
996	2005	8	17	817-25		248					

Pos	Part Number	Description	Remark	Qty	Model	Pos	Part Number	Description	Remark	Qty	Model
(3)	996 521 151 09	cover centre part special model forty fast years	04	2	M095/983		EGF	savanna			
	D13	dark grey/natural					EFF	metropole blue			
4	996 521 165 02	seat cover leather	-00	2	M983		ELA	nephrite green			
	EAF	black	-99				ENA	boxster red			
	EEF	graphite grey					FEH	cinnamon brown			
	EGJ	space grey	-00				VRA	dark grey/natural			
	EFF	metropole blue					VRB	brown/natural			
	EGF	savanna				(4)	996 521 165 06	cover seat cushion special model forty fast years	04	2	M095/983
	ELA	nephrite green					VSY	dark grey/natural			
	ENA	boxster red				5	996 521 543 00	clamp long	-00	4	
	ERZ	black	00-			6	996 521 541 00	clamp short	-00	6	
	VRA	dark grey	00-			7	996 521 535 01	foam part backrest frame	98	2	
	VRB	brown/natural	00-			(7)	996 521 535 02	foam part backrest frame	99	2	
(4)	996 521 165 04	cover seat cushion	01-	2	M983	(7)	996 521 535 03	foam part backrest frame	00-	2	
	ERZ	black				(7)	996 521 535 05	foam part backrest outer part	02-	2	IXSU
	EEF	graphite grey				(8)	996 521 531 00	foam part		2	
	EGF	savanna				8	996 521 531 01	foam part		2	M139/340
	EFF	metropole blue				(8)	996 521 537 00	foam part	02-	2	IXSU
	ELA	nephrite green				(8)	996 521 539 00	foam part backrest cushion	02-	2	IXSU/M342
	ENA	boxster red				(9)	996 521 521 04	foam part	-00	2	
	FEH	cinnamon brown				(9)	996 521 521 05	foam part	-00	2	M139/340
	VRA	dark grey/natural				(9)	996 521 571 01	foam part	01-	2	
	VRB	brown/natural									
(4)	996 521 165 05	cover seat cushion	02-	2	IXSU/M983						
	ERZ	black									
	EEF	graphite grey									

Model	Year	MG	SG	Illustration	Restrictions	UPD	14:29	24.01.2010	PORSCHE	PET	PORSCHE
996	2005	8	17	817-25		248					

Pos	Part Number	Description	Remark	Qty	Model	Pos	Part Number	Description	Remark	Qty	Model
(9)	996 521 523 01	foam part seat cushion without heating	02-	2	TARGA 375/376						
9	996 521 525 01	foam part seat cushion with heating	02-	2	TARGA 375/376 139/342						
(10)	996 521 597 00	clip cushion carrier		8							
(10)	996 521 937 00	clip cushion carrier	01-	10							
11	996 521 509 00	cushion carrier seat cushion front seat	-00	2							
(11)	996 521 505 00	cushion carrier seat cushion front seat	01-	2							
12	999 507 506 40	cable holder 5,0		1	M539/540						
13	999 651 314 01	cable clamp 3,0 - 4,0		8							
14	996 521 507 01	mat seat cushion cushion carrier		1							
15	996 653 105 01	heating element seat surface	01-	1							

Model	Year	MG	SG	Illustration	Restrictions	UPD	14:29	24.01.2010	PORSCHE	PET	PORSCHE
996	2005	8	17	817-30		248					

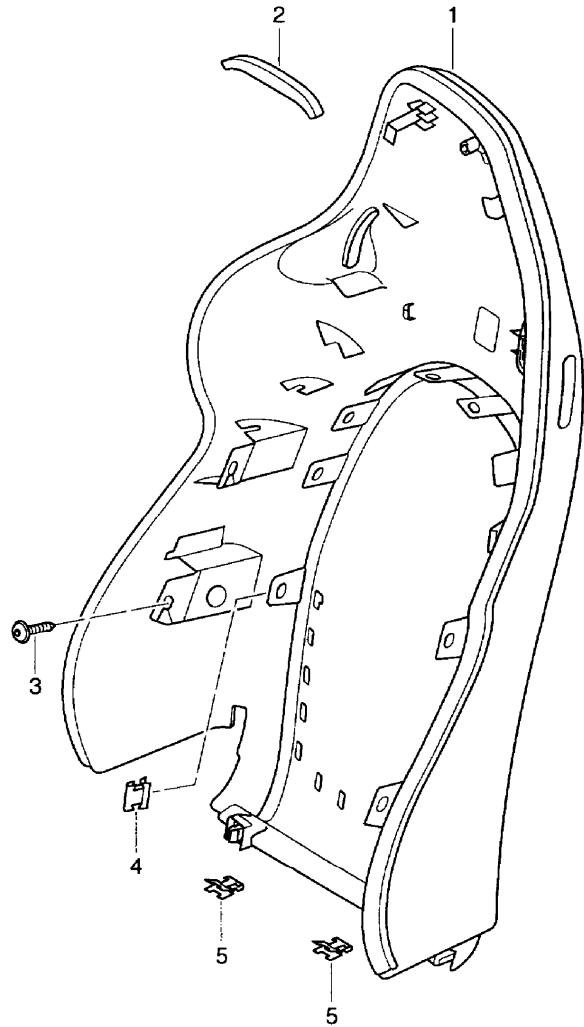


Pos	Part Number	Description	Remark	Qty	Model
1	996 521 083 02	backrest shell sports seat lacquered		2	CARRERA
	D05	granite grey			
(1)	996 521 992 02	backrest shell sports seat lacquered black	00-	2	IXSA
	80K	guards red			
	9A3	biarritz white			
	12G	speed yellow			
	92T	arctic silver metallic			
	746	black-metallic			
	2A2	rainforest green metallic			
	1A9	zanzibar red			
	8A4	orient red metallic			
	6A7	meridian metallic			
	6B5	seal grey metallic			
	3A9	lapis blue metallic			
	92E	polar silver metallic			
	37U	cobalt blue metallic			
	22E	forest green metallic			
	22D	slate grey metallic			
	37W	midnight blue metallic			
	347	dark blue			
	23I	wimbledon green metallic			
	39G	violet metallic			
2	996 521 885 00	foam part		2	
3	996 521 311 00	linkage lever	/L	2	
(3)	996 521 312 00	linkage lever	/R	2	

Model	Year	MG	SG	Illustration	Restrictions	UPD	14:29	24.01.2010	PORSCHE	PET	PORSCHE
996	2005	8	17	817-30		248					

Pos	Part Number	Description	Remark	Qty	Model	Pos	Part Number	Description	Remark	Qty	Model
4	996 521 339 00	deflection roller		4							
5	999 143 009 01	screw backrest shell M 5 X 16		X							
-	900 151 027 02	washer 5,3		4							
6	996 521 385 01	cable		4							
7	N 900 114 02	clamping washer 4		4							
8	999 522 032 00	tension spring 0,7 X 7,5 X 15		4							
9	999 703 474 40	stopper 5,4 X 15 X 7,5		4							
(9)	999 703 102 40	stopper 4,5 X 6,9 X 11,2	03-	4							
10	999 507 594 01	u-clamp 1,50 - 1,75 mount backrest cover		28							
11	311 881 247	clamp centre part		4							
-	N 900 151 01	clamping washer 5		2							
13	999 507 596 01	u-clamp 1,00 - 1,50		2							
14	996 521 341 00	relay lever		2							
-	996 521 903 00	repair kit backrest locking lever see technical information GR. 7 BOXSTER NR. 1A/98		2							

Model	Year	MG	SG	Illustration	Restrictions	UPD	14:29	24.01.2010	PORSCHE	PET	PORSCHE
996	2005	8	17	817-35		248					

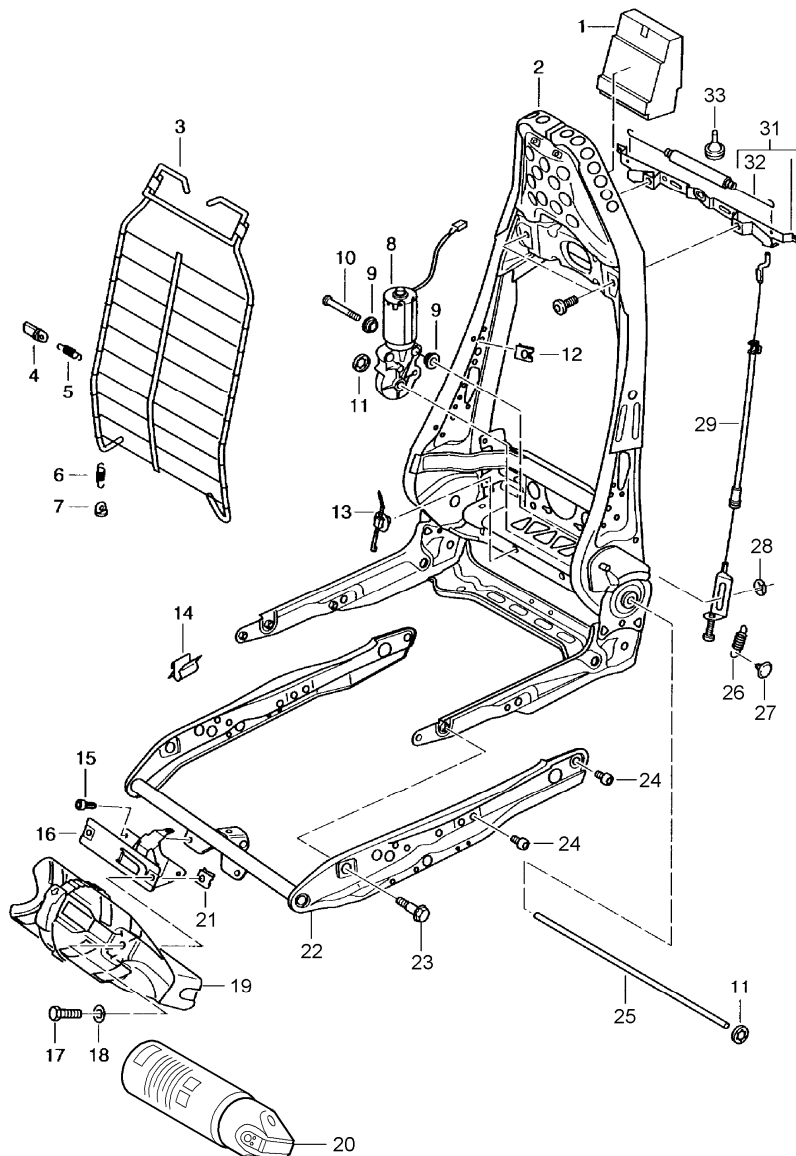


Pos	Part Number	Description	Remark	Qty	Model
		backrest shell sports seat			CARRERA
1	996 521 083 05	backrest shell lacquered	-00	2	
	D05	granite grey			
(1)	996 521 083 06	backrest shell lacquered	-01	2	
	A03	black			
	C53	graphite grey			
	S33	savanna			
	G13	metropole blue			
	B13	space grey			
	M33	boxster red			
	J33	nephrite green			
	P13	cinnamon brown			
(1)	986 521 303 11	backrest shell sports seat	01-	1	
	A03	black			
	C53	graphite grey			
	S33	savanna			
	G13	metropole blue			
	J33	nephrite green			
	M33	boxster red			
	P13	cinnamon brown			
(1)	996 521 992 02	backrest shell sports seat lacquered	00-	2	M375/376 IXSA
	80K	guards red			
	747	black			
	9A3	biarritz white			
	12G	speed yellow			
	92T	arctic silver metallic			

Model	Year	MG	SG	Illustration	Restrictions	UPD	14:29	24.01.2010	PORSCHE	PET	PORSCHE
996	2005	8	17	817-35		248					

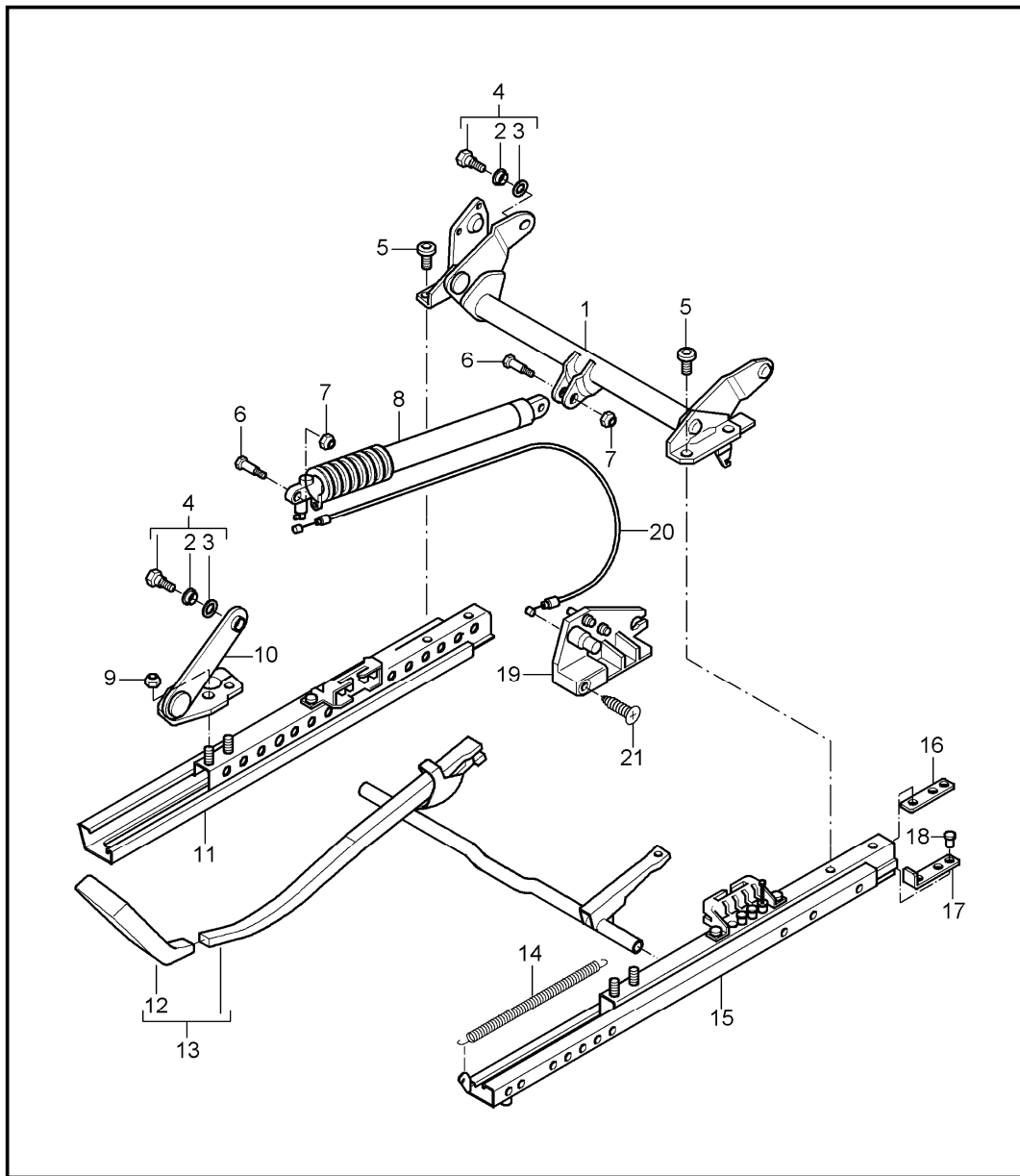
Pos	Part Number	Description	Remark	Qty	Model	Pos	Part Number	Description	Remark	Qty	Model
	746	black					S31	savanna			
	2A2	rainforest green metallic					G11	metropole blue			
	1A9	zanzibar red					B51	space grey			
	8A4	orient red metallic					T12	brown/natural			
	6A7	meridian metallic					D12	dark grey/natural			
	6B5	seal grey metallic					M31	boxster red			
	3A9	lapis blue metallic					J31	nephrite green			
	92E	polar silver metallic					P12	cinnamon brown			
	37U	cobalt blue metallic				(1)	996 521 992 06	backrest shell sports seat lacquered	04	2	M375/376 IXCG
	22E	forest green metallic					V03	sport silver			
	22D	slate grey metallic				2	996 521 885 00	foam part		2	
	37W	midnight blue metallic				3	999 143 009 01	screw backrest shell M 5 X 16		X	
	347	dark blue				4	999 507 594 01	u-clamp mount backrest cover 1,0 - 2,0		14	
	23I	wimbledon green metallic				5	311 881 247	clamp mount cover centre part		2	
	39G	violet metallic									
(1)	986 521 987 03	backrest shell sports seat	01-	2	IXSB M375/376						
	A11	black									
	C51	graphite grey									
	S31	savanna									
	G11	metropole blue									
	J31	nephrite green									
	M31	boxster red									
	P12	cinnamon brown									
	D12	dark grey/natural									
	T12	brown/natural									
(1)	996 521 987 03	backrest shell sports seat	00-	2	IXSB M375/376						
	A11	black									
	C51	graphite grey									

Model	Year	MG	SG	Illustration	Restrictions	UPD	14:29	24.01.2010	PORSCHE	PET	PORSCHE
996	2005	8	17	817-40		248					



Pos	Part Number	Description	Remark	Qty	Model
		backrest frame seat frame sports seat			CARRERA
1	996 521 883 00	foam part backrest frame		2	
2	996 521 329 00	backrest frame	-99	2	
(2)	996 521 329 01	backrest frame	00-	2	
3	996 521 355 01	mat		2	
4	996 521 367 00	support spring centre		8	
5	996 521 333 00	spring centre		8	
6	996 521 331 01	spring lower		4	
7	996 521 365 00	support spring lower		4	
8	996 624 321 00	engine for backrest adjustment		2	
9	999 924 129 40	bush 6 X 12 X 4,5		4	
10	999 073 141 02	oval-head screw M 6 X 42,5		2	
11	999 507 597 01	clamping washer 10,0		4	
12	999 507 598 02	speed nut M 5		8	
13	999 513 063 40	cable holder 12,0 - 35		4	

Model	Year	MG	SG	Illustration	Restrictions	UPD	14:30	24.01.2010	PORSCHE	PET	PORSCHE
996	2005	8	17	817-45		248					

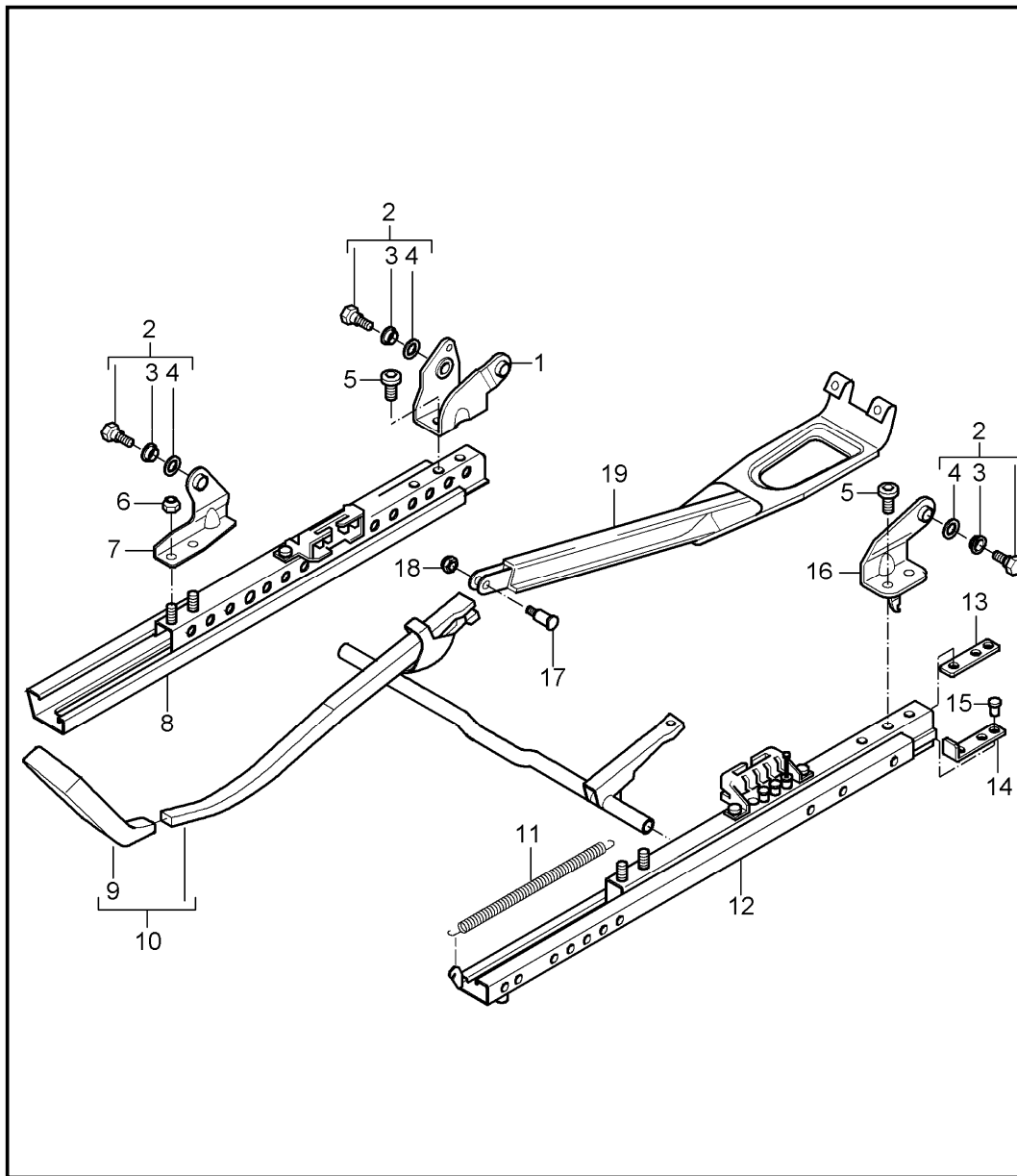


Pos	Part Number	Description	Remark	Qty	Model
		seat adjuster sports seat with height adjustment			CARRERA
1	996 521 641 00	pipe rear	/L	1	
(1)	996 521 642 00	pipe rear	/R	1	
3	999 209 051 00	spacer sleeve		2	
4	996 521 259 02	screw complete	/H	4	M539/540
(4)	996 521 681 00	bearing pin seat frame	/V	8	
5	986 521 659 00	screw adapter		8	
6	999 311 008 01	square screw gas-pressure spring M 5 X 23,6		2	
7	986 521 687 00	nut gas-pressure spring		2	
8	996 521 615 01	gas-pressure spring		1	M539/540
9	900 910 003 07	hexagon nut adapter M 8		8	
(10)	986 521 679 00	adapter seat frame front	/L	2	
10	986 521 680 00	adapter seat frame front	/R	2	
11	996 521 692 01	seat rail inner	/R	1	M369/375
(11)	996 521 691 01	seat rail inner	/L	1	M370/376
12	996 521 617 01	handle	/L	1	M369/375
(12)	996 521 618 01	handle	/R	1	M370/376
13	996 521 621 01	lever complete	/L	1	M369/375

Model	Year	MG	SG	Illustration	Restrictions	UPD	14:30	24.01.2010	PORSCHE	PET	PORSCHE
996	2005	8	17	817-45		248					

Pos	Part Number	Description	Remark	Qty	Model	Pos	Part Number	Description	Remark	Qty	Model
(13)	996 521 622 01	lever complete	/R	1	M370/376						
14	996 521 645 00	clutch power spring		2							
15	996 521 689 01	seat rail outer	/L	1	M369/375						
(15)	996 521 690 01	seat rail outer	/R	1	M370/376						
16	986 521 643 00	threaded plate		4							
(17)	996 521 603 01	stop		4							
18	996 521 601 00	fixing clip stop		4							
19	996 521 675 00	adjusting mechanism	/L	1	M539						
(19)	996 521 676 00	adjusting mechanism	/R	1	M540						
20	986 521 683 00	bowden cable		2	M539/540						
21	999 919 195 07	countersunk-head screw		2							
(21)	999 919 199 09	countersunk-head screw M 5 X 18		2							

Model	Year	MG	SG	Illustration	Restrictions	UPD	14:30	24.01.2010	PORSCHE	PET	PORSCHE
996	2005	8	17	817-50		248					

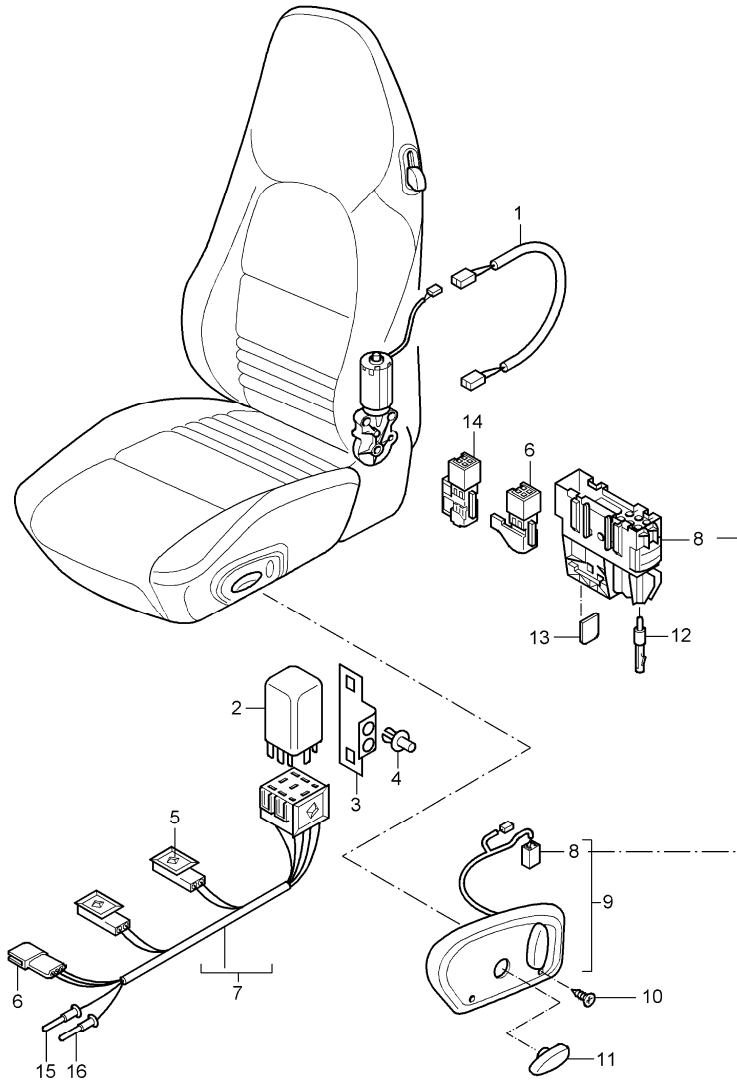


Pos	Part Number	Description	Remark	Qty	Model
		seat adjuster sports seat without height adjustment			CARRERA
(1)	986 521 639 00	adapter seat-belt buckle seat frame inner rear	/L	1	
1	986 521 640 00	adapter seat-belt buckle seat frame inner rear	/R	1	
2	996 521 259 02	screw complete		8	
3	999 924 156 00	bush 12 X 14 X 6,5		4	
4	999 209 051 00	spacer sleeve		2	
5	986 521 659 00	screw		8	
6	900 910 003 07	hexagon nut adapter M 8		8	
(7)	986 521 679 00	adapter	/L	2	
7	986 521 680 00	adapter seat frame front	/R	2	
8	996 521 692 01	seat rail inner	/R	1	M369/375
(8)	996 521 691 01	seat rail inner	/L	1	M370/376
9	996 521 617 01	handle	/L	1	M369/375
(9)	996 521 618 01	handle	/R	1	M370/376
10	996 521 621 01	lever complete	/L	1	M369/375
(10)	996 521 622 01	lever complete	/R	1	M370/376
11	996 521 645 00	clutch power spring		2	
12	996 521 689 01	seat rail outer	/L	1	M369/375

Model	Year	MG	SG	Illustration	Restrictions	UPD	14:30	24.01.2010	PORSCHE	PET	PORSCHE
996	2005	8	17	817-50		248					

Pos	Part Number	Description	Remark	Qty	Model	Pos	Part Number	Description	Remark	Qty	Model
(12)	996 521 690 01	seat rail outer	/R	1	M370/376						
13	986 521 643 00	threaded plate		4							
14	996 521 603 01	stop		4							
15	996 521 601 00	fixing clip stop		4							
16	986 521 691 00	adapter seat frame rear outer	/L	1							
(16)	986 521 690 00	adapter seat frame rear outer	/R	1							
17	999 311 008 01	square screw M 5 X 23,6		1							
18	986 521 687 00	nut		1							
19	986 521 667 00	seat adjuster guard		1							
21	996 521 665 00	stop telephone inner		1	M614/618 M540/663						

Model	Year	MG	SG	Illustration	Restrictions	UPD	14:30	24.01.2010	PORSCHE	PET	PORSCHE
996	2005	8	17	817-60		248					

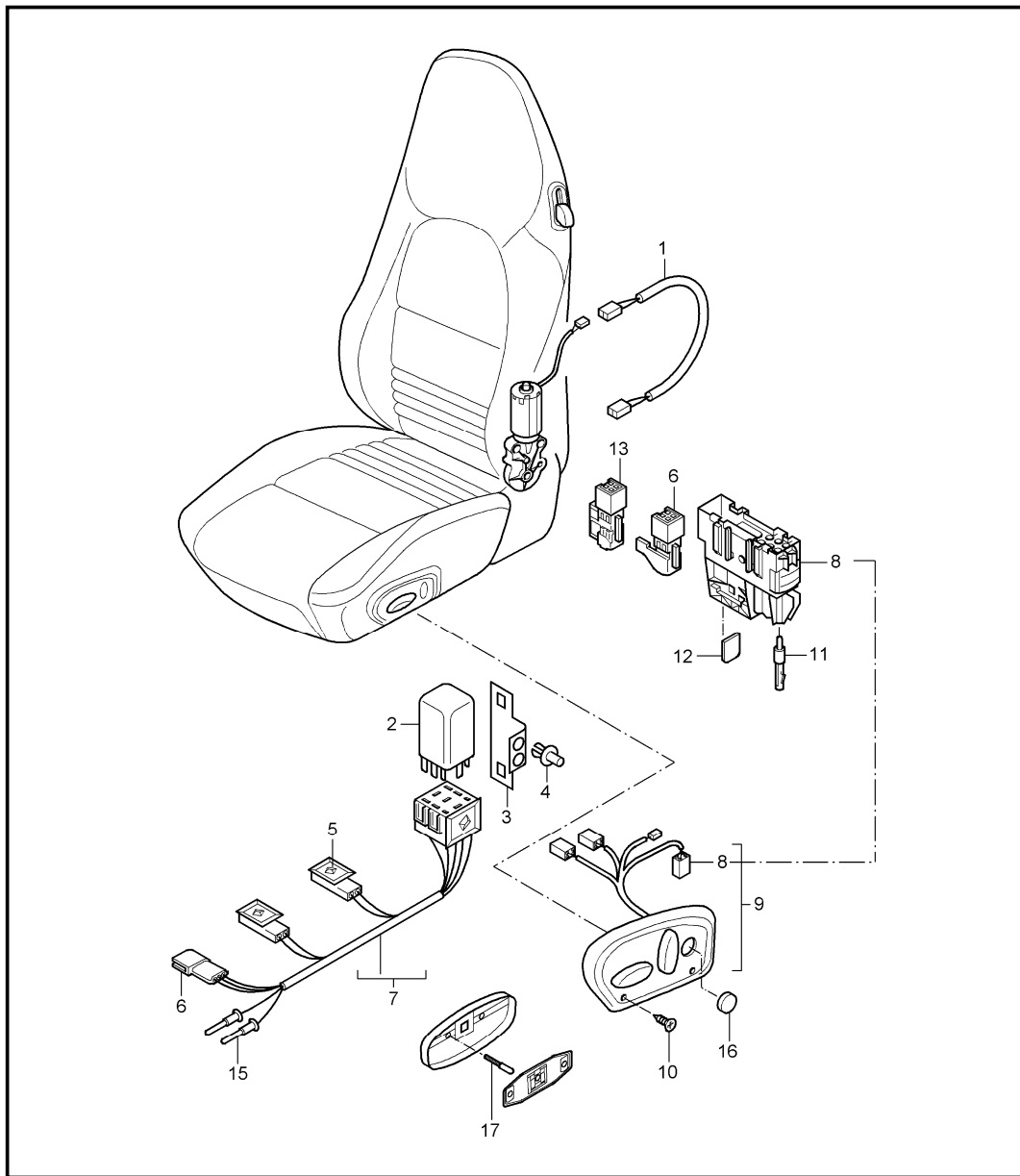


Pos	Part Number	Description	Remark	Qty	Model
		wiring harnesses switch standard seat sports seat			CARRERA
1	996 612 543 00	wiring harness for backrest adjustment		2	
2	996 618 521 00	control unit seat heater		2	M342
3	996 618 531 00	support control unit		2	M342
4	999 591 712 40	expansion rivet 6,0 X 12,0	-02	2	
(4)	900 143 191 02	tapping screw support	02-	4	
5	999 507 407 40	clip		X	
6	999 650 216 40	pin connector socket 4-pole		1	
7	996 612 540 01	wiring harness seat heater		2	M342
8	999 650 180 40	pin connector socket 6-pole		2	M537/538
9	996 613 713 01	switch complete with handle for backrest adjustment	/L	1	M369/375
	EJM	granite grey	-99		
	A03	black	00-		
	C53	graphite grey	00-		
	S33	savanna	00-		
	G13	metropole blue	00-		
	J33	nephrite green	00-		
	M33	boxster red	00-		
	B13	space grey	00		
	P13	cinnamon brown	01-		

Model	Year	MG	SG	Illustration	Restrictions	UPD	14:30	24.01.2010	PORSCHE	PET	PORSCHE
996	2005	8	17	817-60		248					

Pos	Part Number	Description	Remark	Qty	Model	Pos	Part Number	Description	Remark	Qty	Model
(9)	996 613 714 01	switch complete with handle for backrest adjustment	/R	1	M370/376		G10	metropole blue	98-		
	EJM	granite grey		-99			B50	space grey	98-		
	A03	black		00-			J30	nephrite green	98-		
	C53	graphite grey		00-			M30	boxster red	98-		
	S33	savanna		00-			VRJ	black	00-		
	G13	metropole blue		00-			D11	dark grey/natural	00-		
	J33	nephrite green		00-			T11	brown/natural	00-		
	M33	boxster red		00-			P11	cinnamon brown	01-		
	B13	space grey		00		10	999 919 173 02	countersunk-head screw 3,0 X 18		4	
	P13	cinnamon brown		01-		11	986 521 627 00	handle height adjustment	/L	1	M539
(9)	986 613 980 00	switch	/L	1	IXSD	(11)	986 521 628 00	handle height adjustment	/R	1	M540
	S30	savanna		98-		12	999 650 225 40	pin 2,5		2	
	8YR	black		-00		13	999 652 960 40	lid		2	
	C50	graphite grey		98-		14	999 650 218 40	pin connector socket 4-pole		2	
	G10	metropole blue		98-		15	999 650 216 40	pin connector socket 4-pole		2	
	B50	space grey		98-		16	999 652 571 22	connector 1.0 - 2.5 QMM		X	
	J30	nephrite green		98-							
	M30	boxster red		98-							
	VRJ	black		00-							
	D11	dark grey/natural		00-							
	T11	brown/natural		00-							
	P11	cinnamon brown		01-							
(9)	986 613 981 00	switch standard seat sports seat	/R	1	IXSD						
	S30	savanna		98-							
	8YR	black		-00							
	C50	graphite grey		98-							

Model	Year	MG	SG	Illustration	Restrictions	UPD	14:30	24.01.2010	PORSCHE	PET	PORSCHE
996	2005	8	17	817-65		248					



Pos	Part Number	Description	Remark	Qty	Model
		wiring harnesses switch comfort seat			CARRERA
1	996 612 543 00	wiring harness		2	
(1)	996 612 544 00	wiring harness for backrest adjustment		2	M537/538
2	996 618 521 00	control unit seat heater		2	M342
3	996 618 531 00	support control unit		2	M342
4	999 591 712 40	expansion rivet 6,0 X 12,0	-02	2	
(4)	900 143 191 02	tapping screw support	02-	4	
5	999 507 407 40	clip		X	
6	999 650 216 40	pin connector socket 4-pole black		1	
7	996 612 540 01	wiring harness seat heater		2	
8	999 650 180 40	pin connector socket 6-pole wiring harness passenger compartment		2	M537/538
9	996 613 715 01	switch comfort seat	/RL/L	1	M437
	P13	cinnamon brown		00-	
	EJM	granite grey		98-	
	A03	black		00-	
	C53	graphite grey		00-	
	S33	savanna		00-	
	G13	metropole blue		00-	
	B13	space grey		00-	
	J33	nephrite green		00-	
	M33	boxster red		00-	

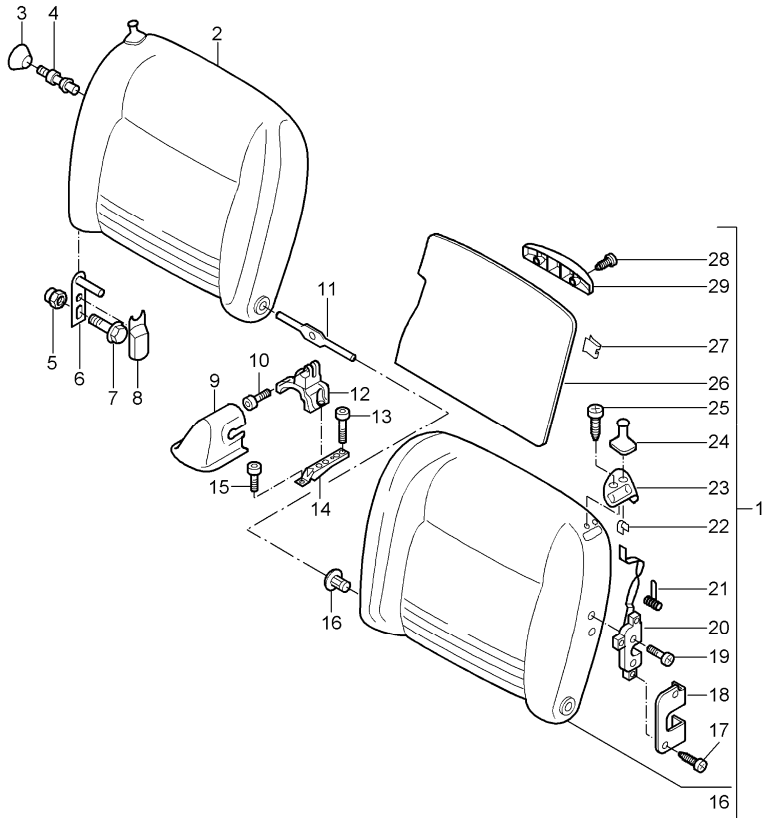
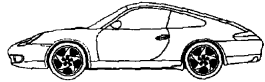
Model	Year	MG	SG	Illustration	Restrictions	UPD	14:30	24.01.2010	PORSCHE	PET	PORSCHE
996	2005	8	17	817-65		248					

Pos	Part Number	Description	Remark	Qty	Model	Pos	Part Number	Description	Remark	Qty	Model
(9)	996 613 716 01	switch comfort seat complete	/LL/R	1	M438		P13	cinnamon brown			
	A03	black	00-			(9)	996 613 720 01	switch comfort seat seating position control complete	/RL/R	1	M438/538
	C53	graphite grey	00-				A03	black			
	S33	savanna	00-				C53	graphite grey			
	G13	metropole blue	00-				G13	metropole blue			
	B13	space grey	00-				J33	nephrite green			
	J33	nephrite green	00-				M33	boxster red			
	M33	boxster red	00-				S33	savanna			
	P13	cinnamon brown	01-				P13	cinnamon brown			
	EJM	granite grey	98-				B13	space grey			
(9)	996 613 717 01	switch comfort seat lumbar support complete	/RL/L	1	M437/586		01C	black			
	EJM	granite grey	99			(9)	996 613 721 01	switch	/LL/L	99-	1 M437/537/586
	A03	black	00-				A03	black			
(9)	996 613 718 01	switch comfort seat lumbar support complete	/LL/R	1	M438/513		C53	graphite grey			
	EJM	granite grey	99				G13	metropole blue			
	A03	black	00-				J33	nephrite green			
(9)	996 613 719 01	switch	/LL/L	98-	1 M437/537		M33	boxster red			
	A03	black	00-				S33	savanna			
	C53	graphite grey	00-				P13	cinnamon brown			
	S33	savanna	00-			(9)	996 613 980 02	switch		98-	1 IXSD/M437
	G13	metropole blue	00-				VRJ	black			
	B13	space grey	00				C50	graphite grey			
	J33	nephrite green	00-				S30	savanna			
	M33	boxster red	00-				G10	metropole blue			
	EJM	granite grey	00-				J30	nephrite green			
						(9)	996 613 980 03	switch		98-	1 IXSD/M437/ M586
							VRJ	black			

Model	Year	MG	SG	Illustration	Restrictions	UPD	14:30	24.01.2010	PORSCHE	PET	PORSCHE
996	2005	8	17	817-65		248					

Pos	Part Number	Description	Remark	Qty	Model	Pos	Part Number	Description	Remark	Qty	Model
	C50	graphite grey				12	999 652 960 40	lid		2	
	S30	savanna				13	999 650 218 40	pin connector socket 4-pole white		2	M139/340 M342
	G10	metropole blue									
	J30	nephrite green				15	999 652 571 22	connector 1.0 - 2.5 QMM		X	M439
(9)	996 613 980 04	switch	/RL/R	98-	1 IXSD/M437/ M537	16	996 521 327 00	cover lumbar support		X	M437/438
	S30	savanna without lumbar support				17	996 613 955 00	control button seat adjuster repair kit	02-	1	M437/438
(9)	996 613 980 05	switch	/LL/L	98-	1 IXSD/M437/ M537						
	S30	savanna									
(9)	996 613 722 01	switch comfort seat seating position control lumbar support complete	/RL/R		1 M438/513/538						
	EJM	granite grey		-99							
	A03	black		00-							
	C53	graphite grey		00-							
	S33	savanna		00-							
	G13	metropole blue		00-							
	J33	nephrite green		00-							
	M33	boxster red		00-							
	B13	space grey		00							
	P13	cinnamon brown		01-							
-	986 521 627 00	handle for height adjustment	/L		1						
-	986 521 628 00	handle for height adjustment	/R		1						
10	999 919 173 02	countersunk-head screw 3,0 X 18			4						
11	999 650 225 40	pin 2,5			2						

Model	Year	MG	SG	Illustration	Restrictions	UPD	14:30	24.01.2010	PORSCHE	PET	PORSCHE
996	2005	8	17	817-70		248					



Pos	Part Number	Description	Remark	Qty	Model
1	996 522 011 01	back seat backrest back seat backrest leatherette/carpet	/L	-01	1 M685/937
	A10	black/black		-99	
	B50	space grey/space grey		-99	
	C50	graphite grey/graphite gr.		-99	
	G10	metropole bl./metrop. blue		-99	
	S30	savanna/savanna		-99	
	C52	graphite grey/graphite gr.		00-	
	S32	savanna/savanna		00-	
	G12	metropole bl./metrop. blue		00-	
	EVJ	black		00-	
1	996 522 012 01	back seat backrest back seat backrest leatherette/carpet	/R	-01	1 M685/937
	A10	black/black		-99	
	B50	space grey/space grey		-99	
	C50	graphite grey/graphite gr.		-99	
	G10	metropole bl./metrop. blue		-99	
	S30	savanna/savanna		-99	
	C52	graphite grey/graphite gr.		00-	
	S32	savanna/savanna		00-	
	G12	metropole bl./metrop. blue		00-	
	EVJ	black		00-	
(1)	996 522 011 10	back seat backrest back seat backrest leatherette	/L	02-	1 M685/937
	EVJ	black			
	C52	graphite grey			
	S32	savanna			
	G12	metropole blue			
	J32	nephrite green			

Model	Year	MG	SG	Illustration	Restrictions	UPD	14:30	24.01.2010	PORSCHE	PET	PORSCHE
996	2005	8	17	817-70		248					

Pos	Part Number	Description	Remark	Qty	Model	Pos	Part Number	Description	Remark	Qty	Model
(1)	996 522 012 10	back seat backrest leatherette	/R 02-	1	M685/937		EVK	black			
	EVJ	black					C50	graphite grey			
	C52	graphite grey					S30	savanna			
	S32	savanna					G10	metropole blue			
	G12	metropole blue					J30	nephrite green			
	J32	nephrite green					M30	boxster red			
(1)	996 522 011 02	back seat backrest leather	/L -01	1	M685/936		P11	cinnamon brown			
	EVK	black					D11	dark grey/natural			
	C50	graphite grey				(1)	996 522 012 11	back seat backrest leather	/R 02-	1	M685/936
	S30	savanna					EVK	black			
	G10	metropole blue					C50	graphite grey			
	J30	nephrite green					S30	savanna			
	M30	boxster red					G10	metropole blue			
	P11	cinnamon brown					J30	nephrite green			
	D11	dark grey/natural					M30	boxster red			
	T11	brown/natural					P11	cinnamon brown			
(1)	996 522 012 02	back seat backrest leather	/R -01	1	M685/936		D11	dark grey/natural			
	EVK	black					T11	brown/natural			
	C50	graphite grey				(1)	996 522 011 03	back seat backrest draped leather carpet	/L -02	1	M685/939
	S30	savanna					8YR	black/black	-99		
	G10	metropole blue					B50	space grey/space grey	98-		
	J30	nephrite green					C50	graphite grey/graphite gr.	98-		
	M30	boxster red					G10	metropole bl./metrop. blue	98-		
	P11	cinnamon brown					S30	savanna/savanna	98-		
	D11	dark grey/natural					J30	nephrite gr./neph. green	98-		
	T11	brown/natural					M30	boxster red/boxster red	98-		
(1)	996 522 011 11	back seat backrest leather	/L 02-	1	M685/936						

Model	Year	MG	SG	Illustration	Restrictions	UPD	14:30	24.01.2010	PORSCHE	PET	PORSCHE
996	2005	8	17	817-70		248					

Pos	Part Number	Description	Remark	Qty	Model	Pos	Part Number	Description	Remark	Qty	Model
	EVK	black/black		00-			EVK	black			
	D11	dark grey/natural		00-			C50	graphite grey			
	T11	brown/natural					S30	savanna			
	P11	cinnamon brown					G10	metropole blue			
(1)	996 522 012 03	back seat backrest draped leather carpet	/R	-02	1 M685/939		J30	nephrite green			
	8YR	black/black		-99			M30	boxster red			
	B50	space grey/space grey		98-			P11	cinnamon brown			
	C50	graphite grey/graphite gr.		98-			D11	dark grey/natural			
	G10	metropole bl./metrop. blue		98-		(1)	T11	brown/natural			
	S30	savanna/savanna		98-			(1)	996 522 011 16	back seat backrest leather	04-	1 M095/936
	J30	nephrite gr./nephr. green		98-			VTG	dark grey/natural			
	M30	boxster red/boxster red		98-		(1)	996 522 012 16	back seat backrest leather special model	04-	1 M095/936	
	EVK	black/black		00-			VTG	dark grey/natural			
	D11	dark grey/natural		00-		2	996 522 221 01	cover back seat backrest	98-	1 M685/937	
	T11	brown/natural					A10	black			
	P11	cinnamon brown					C50	graphite grey			
(1)	996 522 011 12	back seat backrest draped leather	/L	02-	1 M685/939		S30	savanna			
	EVK	black					G10	metropole blue			
	C50	graphite grey					B50	space grey			
	S30	savanna				(2)	996 522 221 02	cover back seat backrest	-01	1 M685/936	
	G10	metropole blue					8YR	black			
	J30	nephrite green					C50	graphite grey			
	M30	boxster red					S30	savanna			
	P11	cinnamon brown					G10	metropole blue			
	D11	dark grey/natural					B50	space grey			
	T11	brown/natural					J30	nephrite green			
(1)	996 522 012 12	back seat backrest draped leather	/R	02-	1 M685/939						

Model	Year	MG	SG	Illustration	Restrictions	UPD	14:30	24.01.2010	PORSCHE	PET	PORSCHE
996	2005	8	17	817-70		248					

Pos	Part Number	Description	Remark	Qty	Model	Pos	Part Number	Description	Remark	Qty	Model
(2)	996 522 221 06	cover back seat backrest	02-	1	M685/936	(2)	996 522 222 02	cover backrest back seat backrest	-02	1	M685/936
	M30	boxster red					8YR	black			
	ETO	black					C50	graphite grey			
	C50	graphite grey					S30	savanna			
	S30	savanna					B50	space grey			
	G10	metropole blue					J30	nephrite green			
	J30	nephrite green					M30	boxster red			
	M30	boxster red					G10	metropole blue			
	P11	cinnamon brown				(2)	996 522 222 06	cover back seat backrest	02-	1	M685/936
	D11	dark grey/natural					ETO	black			
	T11	brown/natural					C50	graphite grey			
(2)	996 522 221 07	cover back seat backrest	02-	1	M685/939		S30	savanna			
	ETO	black					G10	metropole blue			
	C50	graphite grey					J30	nephrite green			
	S30	savanna					M30	boxster red			
	G10	metropole blue					P11	cinnamon brown			
	J30	nephrite green					D11	dark grey/natural			
	M30	boxster red					T11	brown/natural			
	P11	cinnamon brown				(2)	996 522 222 07	cover back seat backrest	02-	1	M685/939
	D11	dark grey/natural					ETO	black			
	T11	brown/natural					C50	graphite grey			
(2)	996 522 222 01	cover back seat backrest	-01	2	M685/937		S30	savanna			
	A10	black					G10	metropole blue			
	C50	graphite grey					J30	nephrite green			
	S30	savanna					M30	boxster red			
	G10	metropole blue					P11	cinnamon brown			
	B50	space grey					D11	dark grey/natural			

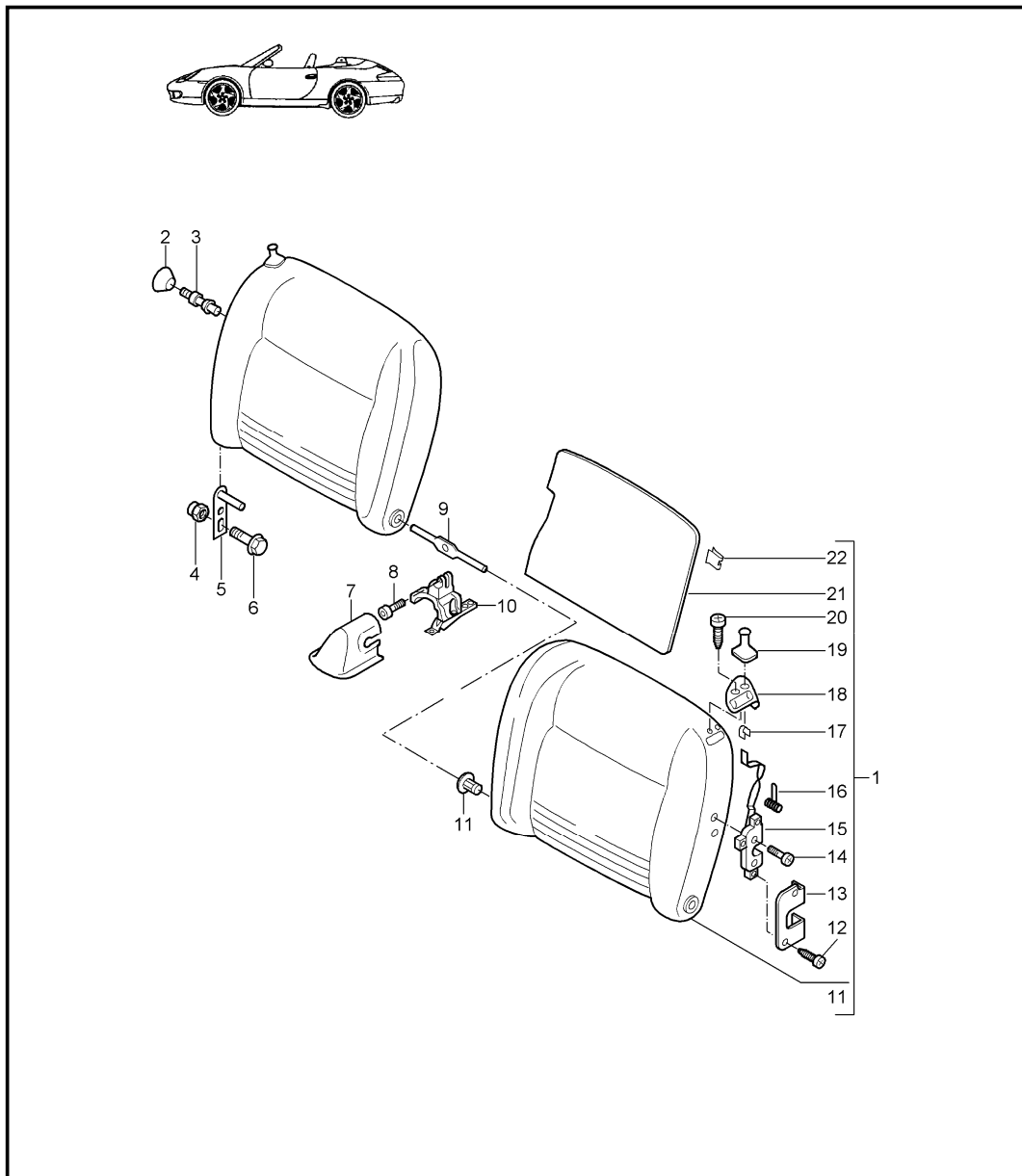
Model	Year	MG	SG	Illustration	Restrictions	UPD	14:30	24.01.2010	PORSCHE	PET	PORSCHE
996	2005	8	17	817-70		248					

Pos	Part Number	Description	Remark	Qty	Model	Pos	Part Number	Description	Remark	Qty	Model
	T11	brown/natural				13	999 073 188 09	oval-head screw M 6 X 25	/H	2	
3	996 522 097 02	rosette bolt	-99	2		14	996 522 261 00	bearing bracket centre		2	
	01C	satin black				15	999 073 151 09	oval-head screw M 6 X 12	/V	2	
(3)	996 522 097 04	rosette bolt	-02	2		16	996 522 571 00	protection washer		1	
	01C	satin black					01C	satin black			
(3)	996 522 097 06	rosette bolt	-03	2		17	999 073 049 02	tapping screw ST 3,5 X 16		4	
	01C	satin black				18	996 522 771 00	cover	/L	1	
(3)	996 522 097 08	rosette bolt	03-	2			01C	satin black			
	01C	satin black				(18)	996 522 772 00	cover	/R	1	
(3)	996 522 097 07	rosette bolt	04-	2	TARGA		01C	satin black			
	01C	satin black				19	900 269 028 02	countersunk-head screw M 8 X 30		4	
(4) A	996 522 267 04	bolt	-01	2		20 A	996 522 281 01	lock	/L	1	
(4)	996 522 267 06	bolt	02-	2		(20) A	996 522 282 01	lock	/R	1	
5	996 522 271 00	bush		2		(20)	996 522 281 02	lock	/L	1	
6	996 522 211 01	bearing outer		2		(20)	996 522 282 02	lock	/R	1	
7	999 073 138 09	screw M 8 X 25		2		21	996 522 653 00	spring		2	
8	996 522 425 01	cover		1		22	999 507 630 01	clamp 2,0		2	
	01C	satin black				23	996 522 315 00	rosette	/L	1	
	01C	satin black					01C	satin black			
9	996 522 431 02	cover		1		(23)	996 522 316 00	rosette	/R	1	
	01C	satin black					01C	satin black			
(10)	N 044 734 1	pan-head screw M 5 X 15		1		24	996 522 321 00	actuating lever	/L	-98	1
(11) U	996 522 615 00	bearing shaft	-02	1			01C	satin black			
11	996 522 615 01	bearing shaft	02-	1		(24)	996 522 321 01	actuating lever	/L	99-	1
	01C	satin black					01C	satin black			
12	996 522 333 00	bracket bearing centre		1		(24)	996 522 322 00	actuating lever	/R	-98	1

Model	Year	MG	SG	Illustration	Restrictions	UPD	14:30	24.01.2010	PORSCHE	PET	PORSCHE
996	2005	8	17	817-70		248					

Pos	Part Number	Description	Remark	Qty	Model	Pos	Part Number	Description	Remark	Qty	Model
		01C satin black				28	999 073 050 02	tapping screw 3,5 X 19		4	
(24)	996 522 322 01	actuating lever	/R	99-	1						
		01C satin black				29	993 522 421 00	stop	-01	2	
25	900 145 041 07	tapping screw B 3,5 X 16			4		01C	satin black			
26	996 522 173 00	carpet fine tuft velour	/L		1	(29)	996 522 421 00	stop	01-	2	
		A10 black			98-		01C	satin black			
		B50 space grey			98-						
		C50 graphite grey			98-						
		G10 metropole blue			98-						
		S30 savanna			98-						
		J30 nephrite green			98-						
		M30 boxer red			98-						
		D11 dark grey/natural			00-						
		T11 brown/natural			00-						
		P11 cinnamon brown			01-						
(26)	996 522 174 00	carpet fine tuft velour	/R		1						
		A10 black			98-						
		B50 space grey			98-						
		C50 graphite grey			98-						
		G10 metropole blue			98-						
		S30 savanna			98-						
		J30 nephrite green			98-						
		M30 boxer red			98-						
		D11 dark grey/natural			00-						
		T11 brown/natural			00-						
		P11 cinnamon brown			01-						
27	999 507 593 01	u-clamp 1,25 - 1,50			X						

Model	Year	MG	SG	Illustration	Restrictions	UPD	14:31	24.01.2010	PORSCHE	PET	PORSCHE
996	2005	8	17	817-75		248					



Pos	Part Number	Description	Remark	Qty	Model
		back seat backrest			CARRERA CABRIO
1	996 522 011 05	back seat backrest leatherette/carpet	/L	-01	1 M937
	A10	black/black		-99	
	B50	space grey/space grey		-99	
	C50	graphite grey/graphite gr.		-99	
	G10	metropole bl./metrop. blue		-99	
	S30	savanna/savanna		-99	
	C52	graphite grey/graphite gr.		00-	
	S32	savanna/savanna		00-	
	G12	metropole bl./metrop. blue		00-	
(1)	996 522 012 05	back seat backrest leatherette/carpet	/R	-01	1 M937
	A10	black/black		-99	
	B50	space grey/space grey		-99	
	C50	graphite grey/graphite gr.		-99	
	G10	metropole bl./metrop. blue		-99	
	S30	savanna/savanna		-99	
	C52	graphite grey/graphite gr.		00-	
	S32	savanna/savanna		00-	
	G12	metropole bl./metrop. blue		00-	
(1)	996 522 011 13	back seat backrest leatherette	/L	02-	1 M937
	EVJ	black			
	C52	graphite grey			
	S32	savanna			
	G12	metropole blue			
	J32	nephrite green			
(1)	996 522 012 13	back seat backrest leatherette	/R	02-	1 M937

Model	Year	MG	SG	Illustration	Restrictions	UPD	14:31	24.01.2010	PORSCHE	PET	PORSCHE
996	2005	8	17	817-75		248					

Pos	Part Number	Description	Remark	Qty	Model	Pos	Part Number	Description	Remark	Qty	Model
	EVJ	black					8YR	black			
	C52	graphite grey					P11	cinnamon brown			
	S32	savanna					D11	dark grey/natural			
	G12	metropole blue				(1)	996 522 011 14	back seat backrest	/L	02-	1 M936
	J32	nephrite green					EVK	black			
(1)	996 522 011 06	back seat backrest leather/carpet	/L	-01	1 M936		C50	graphite grey			
	B50	space grey					S30	savanna			
	C50	graphite grey					G10	metropole blue			
	D11	dark grey					J30	nephrite green			
	EVK	black					M30	boxster red			
	G10	metropole blue					P11	cinnamon brown			
	J30	nephrite green					D11	dark grey/natural			
	M30	boxster red				(1)	996 522 012 14	back seat backrest leather	/R	02-	1 M936
	S30	savanna					EVK	black			
	T11	brown/natural					C50	graphite grey			
	8YR	black					S30	savanna			
	P11	cinnamon brown					G10	metropole blue			
	D11	dark grey/natural					J30	nephrite green			
(1)	996 522 012 06	back seat backrest leather/carpet	/R	-01	1 M936		M30	boxster red			
	B50	space grey					P11	cinnamon brown			
	C50	graphite grey					D11	dark grey/natural			
	D11	dark grey					T11	brown/natural			
	EVK	black				(1)	996 522 011 07	back seat backrest draped leather	/L	-01	1 M939
	G10	metropole blue					8YR	black/black		-99	
	J30	nephrite green					B50	space grey/space grey		98-	
	M30	boxster red					C50	graphite grey/graphite gr.		98-	
	S30	savanna					G10	metropole bl./metrop. blue		98-	
	T11	brown/natural									

Model	Year	MG	SG	Illustration	Restrictions	UPD	14:31	24.01.2010	PORSCHE	PET	PORSCHE
996	2005	8	17	817-75		248					

Pos	Part Number	Description	Remark	Qty	Model	Pos	Part Number	Description	Remark	Qty	Model
	S30	savanna/savanna		98-			G10	metropole blue			
	J30	nephrite gr./nephr. green		98-			J30	nephrite green			
	M30	boxster red/boxster red		98-			M30	boxster red			
	EVK	black/black		00-			P11	cinnamon brown			
(1)	996 522 012 07	back seat backrest draped leather carpet	/R	-01	1 M939		D11	dark grey/natural			
	8YR	black/black		-99		(1)	996 522 011 17	back seat backrest leather	05-	1	/971 M936
	B50	space grey/space grey		98-			VTG	darkgrey natural/grey			
	C50	graphite grey/graphite gr.		98-			VTK	brown nat./brown nat.			
	G10	metropole bl./metrop. blue		98-		(1)	996 522 012 17	back seat backrest leather	05-	1	/971 M936
	S30	savanna/savanna		98-			VTG	darkgrey natural/grey			
	J30	nephrite gr./nephr. green		98-			VTK	brown nat./brown nat.			
(1)	996 522 011 15	back seat backrest draped leather	/L	02-	1 M939	2	996 522 097 03	rosette	-99	2	
	EVK	black					01C	satin black			
	C50	graphite grey				(2)	996 522 097 05	rosette	00-	2	
	S30	savanna					01C	satin black			
	G10	metropole blue				3 A	996 522 267 05	bolt	-01	2	
	J30	nephrite green				(3)	996 522 267 07	bolt	02-	2	
	M30	boxster red				4	996 522 271 00	bush		2	
	P11	cinnamon brown				5	996 522 211 01	bearing outer		2	
	D11	dark grey/natural				6	999 073 138 09	screw M 8 X 25		2	
	T11	brown/natural				7	996 522 431 02	cover		1	
(1)	996 522 012 15	back seat backrest draped leather	/R	02-	1 M939		01C	satin black			
	EVK	black				8	N 044 734 1	pan-head screw M 5 X 15		1	
	C50	graphite grey				9 U	996 522 615 00	bearing shaft	-02	1	
	S30	savanna									

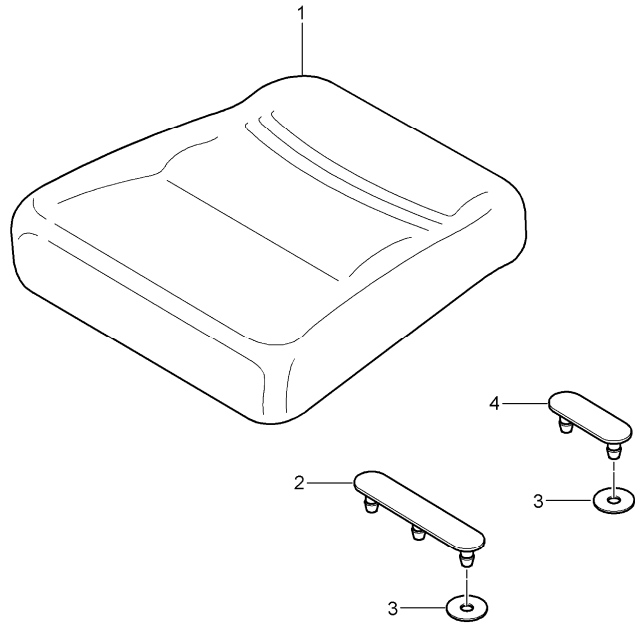
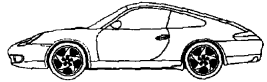
Model	Year	MG	SG	Illustration	Restrictions	UPD	14:31	24.01.2010	PORSCHE	PET	PORSCHE
996	2005	8	17	817-75		248					

Pos	Part Number	Description	Remark	Qty	Model	Pos	Part Number	Description	Remark	Qty	Model
(9)	996 522 615 01	bearing shaft	02-	1		(19)	996 522 322 00	actuating lever	/R	-98	1
10	996 522 041 00	bearing centre		1			01C	satin black			
-	999 073 151 09	oval-head screw M 6 X 12	/V	2		(19)	996 522 322 01	actuating lever	/R	99-	1
-	999 073 188 09	oval-head screw M 6 X 25	/H	2			01C	satin black			
11	996 522 571 00	protection washer		1		20	900 145 041 07	tapping screw B 3,5 X 16			4
	01C	satin black				21	996 522 173 00	carpet fine tuft velour	/L		1
12	999 073 049 02	tapping screw ST 3,5 X 16		4			A10	black		98-	
13	996 522 771 00	cover	/L	1			B50	space grey		98-	
	01C	satin black					C50	graphite grey		98-	
(13)	996 522 772 00	cover	/R	1			G10	metropole blue		98-	
	01C	satin black					S30	savanna		98-	
14	900 269 028 02	countersunk-head screw M 8 X 30		4			J30	nephrite green		98-	
15	996 522 281 01	lock	-99	1			M30	boxster red		98-	
(15)	996 522 282 02	lock	/R	-99	1		D11	dark grey/natural		00-	
(15)	996 522 281 02	lock	/L	00-	1		T11	brown/natural		00-	
(15)	996 522 282 02	lock	/R	00-	1	(21)	996 522 174 00	carpet fine tuft velour	/R		1
16	996 522 653 00	spring		2			A10	black		98-	
17	999 507 630 01	clamp 2,0		2			B50	space grey		98-	
18	996 522 315 00	rosette	/L	1			C50	graphite grey		98-	
	01C	satin black					G10	metropole blue		98-	
(18)	996 522 316 00	rosette	/R	1			S30	savanna		98-	
	01C	satin black					J30	nephrite green		98-	
19	996 522 321 00	actuating lever	/L	-98	1		M30	boxster red		98-	
	01C	satin black					D11	dark grey/natural		00-	
(19)	996 522 321 01	actuating lever	/L	99-	1		T11	brown/natural		00-	
	01C	satin black					P11	cinnamon brown		01-	

Model	Year	MG	SG	Illustration	Restrictions	UPD	14:31	24.01.2010	PORSCHE	PET	PORSCHE
996	2005	8	17	817-75		248					

Pos	Part Number	Description	Remark	Qty	Model	Pos	Part Number	Description	Remark	Qty	Model
22	999 507 593 01	u-clamp 1,25 - 1,50		X							

Model	Year	MG	SG	Illustration	Restrictions	UPD	14:31	24.01.2010	PORSCHE	PET	PORSCHE
996	2005	8	17	817-80		248					



Pos	Part Number	Description	Remark	Qty	Model
		back seat cushion			CARRERA COUPE/TARGA
1	996 522 051 01	back seat cushion leatherette	/L	-01	1 M937
	A10	black		-99	
	B50	space grey		-99	
	C50	graphite grey		-99	
	G10	metropole blue		-99	
	S30	savanna		-99	
	C52	graphite grey		00-	
	S32	savanna		00-	
	G12	metropole blue		00-	
	B52	space grey		00-	
	ETN	black		00-	
	J32	nephrite green		00-	
(1)	996 522 052 01	back seat cushion leatherette	/R	-01	1 M937
	A10	black		-99	
	B50	space grey		-99	
	C50	graphite grey		-99	
	G10	metropole blue		-99	
	S30	savanna		-99	
	C52	graphite grey		00-	
	S32	savanna		00-	
	G12	metropole blue		00-	
	B52	space grey		00-	
	ETN	black		00-	
	J32	nephrite green		00-	
(1)	996 522 051 02	back seat cushion	/L	-01	1 M936
	8YR	black		-99	

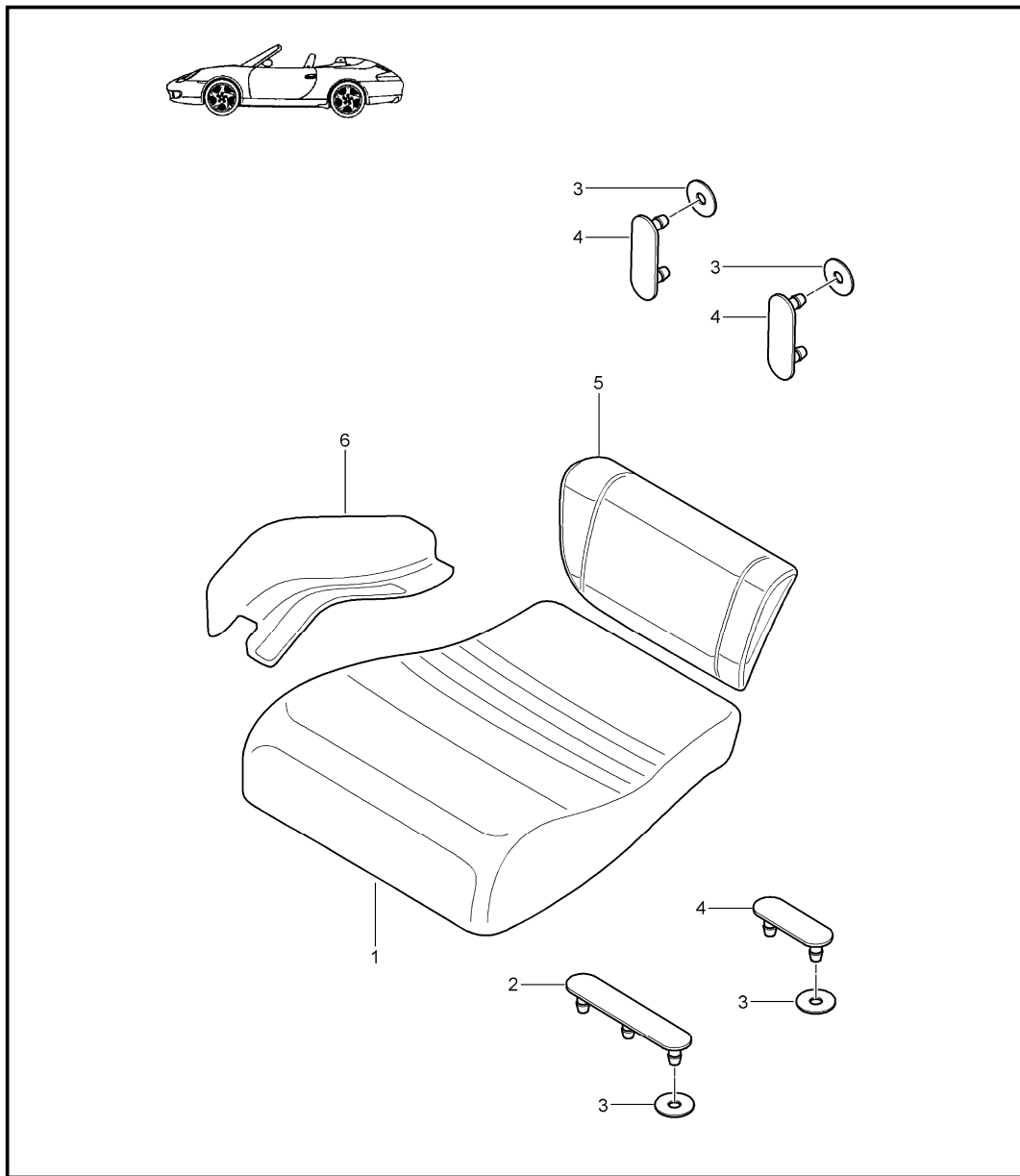
Model	Year	MG	SG	Illustration	Restrictions	UPD	14:31	24.01.2010	PORSCHE	PET	PORSCHE
996	2005	8	17	817-80		248					

Pos	Part Number	Description	Remark	Qty	Model	Pos	Part Number	Description	Remark	Qty	Model
	ETO	black		00-			S30	savanna			
	C50	graphite grey					J30	nephrite green			
	S30	savanna					M30	boxster red			
	G10	metropole blue					D11	dark grey			
	J30	nephrite green					T11	brown/natural			
	M30	boxster red					P11	cinnamon brown			
	B50	space grey				(1)	996 522 052 03	back seat cushion draped leather	/R	-01	1 M939
	D11	dark grey/natural					8YR	black		-99	
	T11	brown/natural					ETO	black		00-	
	P11	cinnamon brown					B50	space grey			
(1)	996 522 052 02	back seat cushion leather	/R	-01	1 M936		C50	graphite grey			
	8YR	black		-99			G10	metropole blue			
	ETO	black		00-			S30	savanna			
	C50	graphite grey					J30	nephrite green			
	S30	savanna					M30	boxster red			
	G10	metropole blue					D11	dark grey			
	J30	nephrite green					T11	brown/natural			
	M30	boxster red					P11	cinnamon brown			
	B50	space grey				(1)	996 522 051 14	back seat cushion leatherette		01-	1 M937
	D11	dark grey/natural					ETN	black			
	T11	brown/natural					C52	graphite grey			
	P11	cinnamon brown					S32	savanna			
(1)	996 522 051 03	back seat cushion draped leather	/L	-01	1 M939		G12	metropole blue			
	8YR	black		-99			J32	nephrite green			
	ETO	black		00-		(1)	996 522 052 14	back seat cushion leatherette		01-	1 M937
	B50	space grey					ETN	black			
	C50	graphite grey					C52	graphite grey			
	G10	metropole blue									

Model	Year	MG	SG	Illustration	Restrictions	UPD	14:31	24.01.2010	PORSCHE	PET	PORSCHE
996	2005	8	17	817-80		248					

Pos	Part Number	Description	Remark	Qty	Model	Pos	Part Number	Description	Remark	Qty	Model	
(1)	996 522 051 15	S32 savanna	01-	1	M936	(1)	996 522 052 16	G10 metropole blue	01-	1	M939	
		G12 metropole blue						G10 metropole blue				
		J32 nephrite green						J30 nephrite green				
		back seat cushion leather						M30 boxster red				
		ETO black						P11 cinnamon brown				
		C50 graphite grey						D11 dark grey/natural				
		S30 savanna						T11 brown/natural				
		G10 metropole blue						back seat cushion draped leather				
		J30 nephrite green						ETO black				
		M30 boxster red						C50 graphite grey				
(1)	996 522 052 15	back seat cushion leather	01-	1	M936	(1)	996 522 051 23	S30 savanna	04	1	M095/936	
		ETO black						G10 metropole blue				
		C50 graphite grey						J30 nephrite green				
		S30 savanna						M30 boxster red				
		G10 metropole blue						P11 cinnamon brown				
		J30 nephrite green						D11 dark grey/natural				
		M30 boxster red						T11 brown/natural				
		P11 cinnamon brown						back seat cushion special model leather				
		D11 dark grey/natural						VTB dark grey/natural				
		T11 brown/natural						VTL brown/natural				
(1)	996 522 051 16	back seat cushion draped leather	01-	1	M939	(1)	996 522 052 23	back seat cushion special model leather	04	1	M095/936	
		ETO black						VTB dark grey/natural				
		C50 graphite grey						VTL brown/natural				
		S30 savanna						clip triple				X
								clips nut				X
	clip double	X										

Model	Year	MG	SG	Illustration	Restrictions	UPD	14:31	24.01.2010	PORSCHE	PET	PORSCHE
996	2005	8	17	817-85		248					



Pos	Part Number	Description	Remark	Qty	Model
		back seat cushion back seat centre part			CARRERA CABRIO
1	996 522 051 05	back seat cushion leatherette	/L	1	M937
	A10	black	-99		
	B50	space grey	-99		
	C50	graphite grey	-99		
	G10	metropole blue	-99		
	S30	savanna	-99		
	ETN	black	00-		
	C52	graphite grey	00-		
	S32	savanna	00-		
	G12	metropole blue	00-		
	B52	space grey	00		
	J32	nephrite green	01-		
(1)	996 522 052 05	back seat cushion leatherette	/R	1	M937
	A10	black	-99		
	B50	space grey	-99		
	C50	graphite grey	-99		
	G10	metropole blue	-99		
	S30	savanna	-99		
	ETN	black	00-		
	C52	graphite grey	00-		
	S32	savanna	00-		
	G12	metropole blue	00-		
	B52	space grey	00		
	J32	nephrite green	01-		
(1)	996 522 051 08	back seat cushion leatherette	/L	1	M193/937

Model	Year	MG	SG	Illustration	Restrictions	UPD	14:31	24.01.2010	PORSCHE	PET	PORSCHE
996	2005	8	17	817-85		248					

Pos	Part Number	Description	Remark	Qty	Model	Pos	Part Number	Description	Remark	Qty	Model
	A10	black		-99			J32	nephrite green			
	B50	space grey		-99		(1)	996 522 052 17	back seat cushion leatherette not for japan	01-	1	M937
	C50	graphite grey		-99			ETN	black			
	G10	metropole blue		-99			C52	graphite grey			
	S30	savanna		-99			S32	savanna			
	ETN	black		00-			G12	metropole blue			
	C52	graphite grey		00-			J32	nephrite green			
	S32	savanna		00-		(1)	996 522 051 20	back seat cushion	01-	1	M193/937
	G12	metropole blue		00-			ETN	black			
	B52	space grey		00			C52	graphite grey			
(1)	996 522 052 08	back seat cushion leatherette	/R	1	M193/937		S32	savanna			
	A10	black		-99			G12	metropole blue			
	B50	space grey		-99			J32	nephrite green			
	C50	graphite grey		-99		(1)	996 522 052 20	back seat cushion leatherette	01-	1	M193/937
	G10	metropole blue		-99			ETN	black			
	S30	savanna		-99			C52	graphite grey			
	ETN	black		00-			S32	savanna			
	C52	graphite grey		00-			G12	metropole blue			
	S32	savanna		00-			J32	nephrite green			
	G12	metropole blue		00-		(1)	996 522 051 06	back seat cushion leather	/L	1	M936
	B52	space grey		00			8YR	black		-99	
(1)	996 522 051 17	back seat cushion leatherette		01-	1	M937	ETO	black		00-	
	ETN	black					C50	graphite grey			
	C52	graphite grey					S30	savanna			
	S32	savanna					J30	nephrite green			
	G12	metropole blue					M30	boxster red			

Model	Year	MG	SG	Illustration	Restrictions	UPD	14:31	24.01.2010	PORSCHE	PET	PORSCHE
996	2005	8	17	817-85		248					

Pos	Part Number	Description	Remark	Qty	Model	Pos	Part Number	Description	Remark	Qty	Model
	B50	space grey		-00			P11	cinnamon brown		01-	
	G10	metropole blue				(1)	996 522 052 09	back seat cushion leather	/R	1	M193/936
	D11	dark grey		00-			8YR	black		-99	
	T11	brown/natural		00-			ETO	black		00-	
	P11	cinnamon brown		01-			C50	graphite grey			
(1)	996 522 052 06	back seat cushion leather	/R	1	M936		S30	savanna			
	8YR	black		-99			J30	nephrite green			
	ETO	black		00-			M30	boxster red			
	C50	graphite grey					B50	space grey		-00	
	S30	savanna					G10	metropole blue			
	J30	nephrite green					D11	dark grey		00-	
	M30	boxster red					T11	brown/natural		00-	
	B50	space grey		-00			P11	cinnamon brown		01-	
	G10	metropole blue				(1)	996 522 051 18	back seat cushion leather		01-	1 M936
	D11	dark grey		00-			ETO	black			
	T11	brown/natural		00-			C50	graphite grey			
	P11	cinnamon brown		01-			S30	savanna			
(1)	996 522 051 09	back seat cushion leather	/L	1	M193/936		G10	metropole blue			
	8YR	black		-99			J30	nephrite green			
	ETO	black		00-			M30	boxster red			
	C50	graphite grey					P11	cinnamon brown			
	S30	savanna					D11	dark grey/natural			
	J30	nephrite green					T11	brown/natural			
	M30	boxster red				(1)	996 522 052 18	back seat cushion leather not for japan		01-	1 M936
	B50	space grey		-00			ETO	black			
	G10	metropole blue					C50	graphite grey			
	D11	dark grey		00-							
	T11	brown/natural		00-							

Model	Year	MG	SG	Illustration	Restrictions	UPD	14:31	24.01.2010	PORSCHE	PET	PORSCHE
996	2005	8	17	817-85		248					

Pos	Part Number	Description	Remark	Qty	Model	Pos	Part Number	Description	Remark	Qty	Model
	S30	savanna				(1)	996 522 051 07	back seat cushion draped leather	/L	-01	1 M939
	G10	metropole blue					8YR	black		-99	
	J30	nephrite green					ETO	black		00-	
	M30	boxster red					B50	space grey			
	P11	cinnamon brown					C50	graphite grey			
	D11	dark grey/natural					G10	metropole blue			
	T11	brown/natural					S30	savanna			
(1)	996 522 051 21	back seat cushion leather	01-	1	M193/936		J30	nephrite green			
	ETO	black					M30	boxster red			
	S30	savanna					D11	dark grey		00-	
	J30	nephrite green					T11	brown/natural			
	P11	cinnamon brown					P11	cinnamon brown			
	T11	brown/natural				(1)	996 522 052 07	back seat cushion draped leather	/R	-01	1 M939
	C50	graphite grey					8YR	black		-99	
	G10	metropole blue					ETO	black		00-	
	M30	boxster red					B50	space grey			
	D11	dark grey/natural					C50	graphite grey			
(1)	996 522 052 21	back seat cushion leather	01-	1	M193/936		G10	metropole blue			
	ETO	black					S30	savanna			
	S30	savanna					J30	nephrite green			
	J30	nephrite green					M30	boxster red			
	P11	cinnamon brown					D11	dark grey		00-	
	T11	brown/natural					T11	brown/natural			
	C50	graphite grey					P11	cinnamon brown			
	G10	metropole blue				(1)	996 522 051 10	back seat cushion draped leather	/L	-01	1 M193/939
	M30	boxster red					8YR	black		-99	
	D11	dark grey/natural					ETO	black		00-	

Model	Year	MG	SG	Illustration	Restrictions	UPD	14:31	24.01.2010	PORSCHE	PET	PORSCHE
996	2005	8	17	817-85		248					

Pos	Part Number	Description	Remark	Qty	Model	Pos	Part Number	Description	Remark	Qty	Model
	B50	space grey					P11	cinnamon brown			
	C50	graphite grey					D11	dark grey/natural			
	G10	metropole blue					T11	brown/natural			
	S30	savanna				(1)	996 522 052 19	back seat cushion draped leather not for japan	/R	01-	1 M939
	J30	nephrite green					ETO	black			
	M30	boxster red					C50	graphite grey			
	D11	dark grey	00-				S30	savanna			
	T11	brown/natural					G10	metropole blue			
(1)	996 522 052 10	back seat cushion draped leather	/R	-01	1 M139/939		J30	nephrite green			
	8YR	black		-99			M30	boxster red			
	ETO	black		00-			P11	cinnamon brown			
	B50	space grey					D11	dark grey/natural			
	C50	graphite grey					T11	brown/natural			
	G10	metropole blue				(1)	996 522 051 22	back seat cushion		01-	1 M193/939
	S30	savanna					ETO	black			
	J30	nephrite green					C50	graphite grey			
	M30	boxster red					S30	savanna			
	D11	dark grey	00-				G10	metropole blue			
	T11	brown/natural					J30	nephrite green			
(1)	996 522 051 19	back seat cushion	/L	01-	1 M939		M30	boxster red			
	ETO	black					P11	cinnamon brown			
	C50	graphite grey					D11	dark grey/natural			
	S30	savanna				(1)	996 522 052 22	back seat cushion draped leather		01-	1 M193/939
	G10	metropole blue					ETO	black			
	J30	nephrite green					C50	graphite grey			
	M30	boxster red					S30	savanna			

Model	Year	MG	SG	Illustration	Restrictions	UPD	14:31	24.01.2010	PORSCHE	PET	PORSCHE
996	2005	8	17	817-85		248					

Pos	Part Number	Description	Remark	Qty	Model	Pos	Part Number	Description	Remark	Qty	Model
		G10 metropole blue					A10	black			
		J30 nephrite green					C50	graphite grey			
		M30 boxster red					B50	space grey			
		P11 cinnamon brown					G10	metropole blue			
		D11 dark grey/natural					S30	savanna			
		T11 brown/natural				(5)	996 522 236 01	centre part leatherette	/R	-99	1 M937
(1)	996 522 051 24	back seat cushion leather not for japan	/L	05-	1 /971 M936		A10	black			
		VTB dark grey/natural					C50	graphite grey			
		VTL brown/natural					B50	space grey			
(1)	996 522 052 24	back seat cushion leather not for japan	/R	05-	1 /971 M936	(5)	996 522 235 07	centre part leatherette	/L	00-	1 M937
		VTB dark grey/natural					A12	black			
		VTL brown/natural					C52	graphite grey			
(1)	996 522 051 25	back seat cushion leather	/L	05-	1 M193/936 M971 M971		S32	savanna			
		VTB dark grey/natural					G12	metropole blue			
		VTL brown/natural					B52	space grey		00	
(1)	996 522 052 25	back seat cushion leather	/R	05-	1 M193/936 M971	(5)	J32	nephrite green		01-	
		VTB dark grey/natural					996 522 236 07	centre part leatherette	/R	00-	1 M937
		VTL brown/natural					A12	black			
2	996 522 893 00	clip triple			X		C52	graphite grey			
3	996 522 897 00	clips nut			X		S32	savanna			
4	996 522 895 00	clip double			X		G12	metropole blue			
5	996 522 235 01	centre part leatherette	/L	-99	1 M937	(5)	B52	space grey		00	
							J32	nephrite green		01-	
							996 522 235 02	centre part draped leather	/L	-99	1 M939
							8YR	black			

Model	Year	MG	SG	Illustration	Restrictions	UPD	14:31	24.01.2010	PORSCHE	PET	PORSCHE
996	2005	8	17	817-85		248					

Pos	Part Number	Description	Remark	Qty	Model	Pos	Part Number	Description	Remark	Qty	Model
	C50	graphite grey					S30	savanna			
	B50	space grey					J30	nephrite green			
	G10	metropole blue					M30	boxster red			
	S30	savanna				(5)	996 522 235 08	centre part	/L	00-	1 M936
	J30	nephrite green					8YR	black			
	M30	boxster red					C50	graphite grey			
(5)	996 522 236 02	centre part draped leather	/R	-99	1 M939		S30	savanna			
	8YR	black					G10	metropole blue			
	C50	graphite grey					B50	space grey		00	
	B50	space grey					J30	nephrite green			
	G10	metropole blue					M30	boxster red			
	S30	savanna					D11	dark grey/natural			
	J30	nephrite green					T11	brown/natural			
	M30	boxster red					P11	cinnamon brown			
(5)	996 522 235 03	centre part draped leather	/L	-99	1 M939	(5)	996 522 236 08	centre part leather	/R	00-	1 M936
	8YR	black					8YR	black			
	C50	graphite grey					C50	graphite grey			
	B50	space grey					S30	savanna			
	G10	metropole blue					G10	metropole blue			
	S30	savanna					B50	space grey		00	
	J30	nephrite green					J30	nephrite green			
	M30	boxster red					M30	boxster red			
(5)	996 522 236 03	centre part draped leather	/R	-99	1 M939		D11	dark grey/natural			
	8YR	black					T11	brown/natural			
	C50	graphite grey					P11	cinnamon brown			
	B50	space grey				(5)	996 522 235 09	centre part	/L	00-	1 M939
	G10	metropole blue					8YR	black			
							C50	graphite grey			

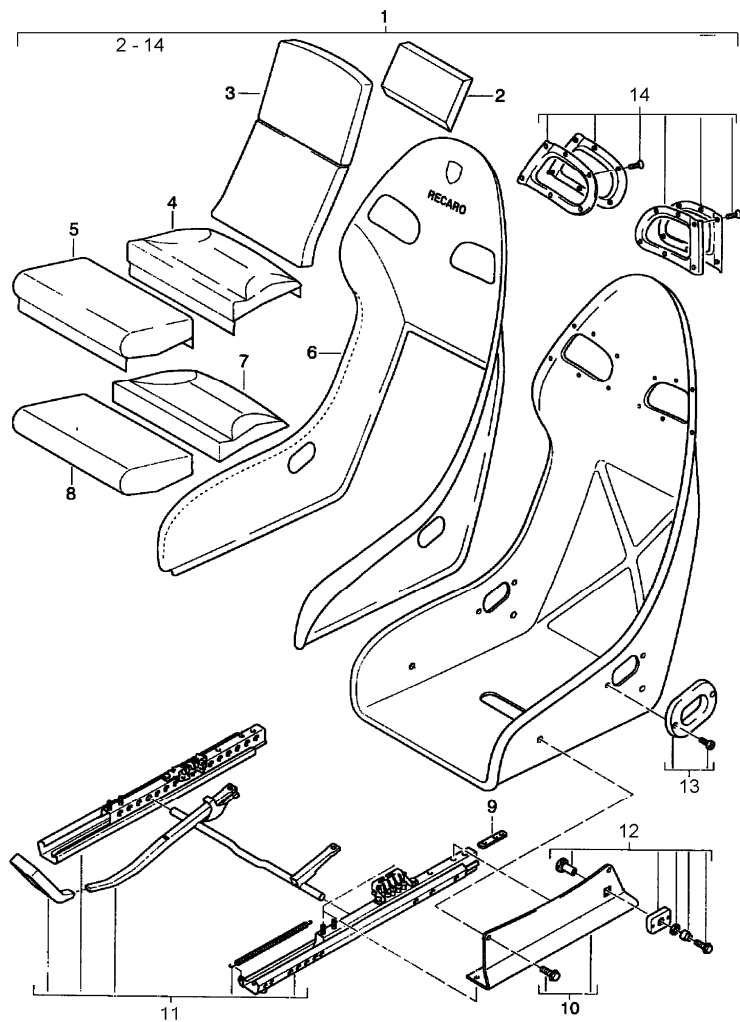
Model	Year	MG	SG	Illustration	Restrictions	UPD	14:31	24.01.2010	PORSCHE	PET	PORSCHE
996	2005	8	17	817-85		248					

Pos	Part Number	Description	Remark	Qty	Model	Pos	Part Number	Description	Remark	Qty	Model
	S30	savanna					A10	black	-99		
	G10	metropole blue					B50	space grey	-99		
	B50	space grey	00				C50	graphite grey	-99		
	J30	nephrite green					G10	metropole blue	-99		
	M30	boxster red					S30	savanna	-99		
	D11	dark grey/natural					A12	black	00-		
	T11	brown/natural					C52	graphite grey	00-		
	P11	cinnamon brown					S32	savanna	00-		
(5)	996 522 236 09	centre part draped leather	/R	00-	1 M939		B52	space grey	00		
	8YR	black					G12	metropole blue	00-		
	C50	graphite grey					J32	nephrite green	01-		
	S30	savanna				(6)	996 522 066 00	back seat extension leatherette	/R	-01	1 M193/937
	G10	metropole blue					A10	black	-99		
	B50	space grey	00				B50	space grey	-99		
	J30	nephrite green					C50	graphite grey	-99		
	M30	boxster red					G10	metropole blue	-99		
	D11	dark grey/natural					S30	savanna	-99		
	T11	brown/natural					A12	black	00-		
	P11	cinnamon brown					C52	graphite grey	00-		
(5)	996 522 235 13	centre part leather	/L	05-	1 /971 M936		S32	savanna	00-		
	D13	dark grey/natural					B52	space grey	00		
	T14	brown/natural					G12	metropole blue	00-		
(5)	996 522 236 13	centre part leather	/R	05-	1 /971 M936	(6)	996 522 065 02	back seat extension	/L	01-	1 M193/937
	D13	dark grey/natural					A12	black			
	T14	brown/natural					C52	graphite grey			
6	996 522 065 00	back seat extension leatherette	/L	-01	1 M193/937		S32	savanna			
							G12	metropole blue			

Model	Year	MG	SG	Illustration	Restrictions	UPD	14:31	24.01.2010	PORSCHE	PET	PORSCHE
996	2005	8	17	817-85		248					

Pos	Part Number	Description	Remark	Qty	Model	Pos	Part Number	Description	Remark	Qty	Model
(6)	J32	nephrite green				(6)	996 522 065 03	back seat extension	01-	1	M193/936 M939
(6)	996 522 066 02	back seat extension leatherette	/R	01-	1	M193/937	8YR	black			
	A12	black					C50	graphite grey			
	C52	graphite grey					S30	savanna			
	S32	savanna					G10	metropole blue			
	G12	metropole blue					J30	nephrite green			
	J32	nephrite green					M30	boxster red			
(6)	996 522 065 01	back seat extension leather	/L	-00	1	M193/936 M939 M939	P11	cinnamon brown			
	8YR	black					D11	dark grey/natural			
	B50	space grey		-00		(6)	996 522 066 03	back seat extension back seat cushion leather	01-	1	M193/936 M939
	C50	graphite grey					8YR	black			
	G10	metropole blue					C50	graphite grey			
	S30	savanna					S30	savanna			
	J30	nephrite green					G10	metropole blue			
	M30	boxster red					J30	nephrite green			
	D11	dark grey		00-			M30	boxster red			
	T11	brown/natural		00-			P11	cinnamon brown			
(6)	996 522 066 01	back seat extension leather	/R	-00	1	M193/936 M939	D11	dark grey/natural			
	8YR	black					T11	brown/natural			
	B50	space grey		-00							
	C50	graphite grey									
	G10	metropole blue									
	S30	savanna									
	J30	nephrite green									
	M30	boxster red									
	D11	dark grey		00-							
	T11	brown/natural		00-							

Model	Year	MG	SG	Illustration	Restrictions	UPD	14:31	24.01.2010	PORSCHE	PET	PORSCHE
996	2005	8	17	817-90		248					

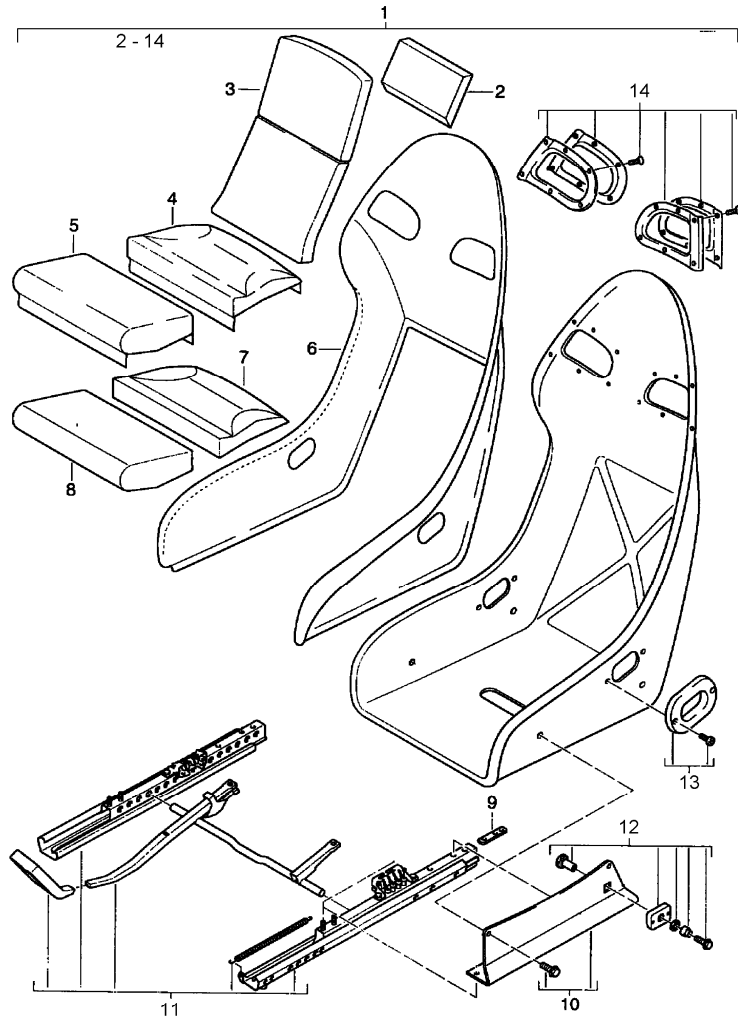


Pos	Part Number	Description	Remark	Qty	Model
		bucket seat with perlon velour cover			CARRERA
1	996 521 985 00	bucket seat perlon velour black	/LL/L	1	IXSE/M990
(1)	996 521 986 00	bucket seat perlon velour black	/LL/R	1	IXSF/M990
(1)	996 521 985 02	bucket seat perlon velour black	/RL/L	1	IXSE/M990
(1)	996 521 986 02	bucket seat perlon velour black	/RL/R	1	IXSF/M990
(1)	996 521 985 07	bucket seat ERZ black	/LL	1	IXSS/M983
(1)	996 521 985 09	bucket seat ERZ black	/RL	1	IXSS/M983
(1)	996 521 986 07	bucket seat ERZ black	/LL	1	IXSR/M983
(1)	996 521 986 09	bucket seat ERZ black	/RL	1	IXSR/M983
2	996 521 911 90	lumbar support		2	IXSE/XSF IXSR/XSS
3	996 521 913 90	backrest cushion perlon velour black		2	IXSE/XSF M990
4	996 521 915 90	cover for cushion seat cushion rear		2	IXSE/XSF M990
5	996 521 919 90	cover for cushion seat cushion front perlon velour black		2	IXSE/XSF M990
6	996 521 988 00	outer lining perlon velour black		2	IXSE/XSF M990

Model	Year	MG	SG	Illustration	Restrictions	UPD	14:31	24.01.2010	PORSCHE	PET	PORSCHE
996	2005	8	17	817-90		248					

Pos	Part Number	Description	Remark	Qty	Model	Pos	Part Number	Description	Remark	Qty	Model
7	996 521 917 90	foam part seat cushion rear		2	IXSE/XSF IXSR/XSS						
8	996 521 921 90	foam part seat cushion front		2	IXSE/XSF IXSR/XSS						
9	996 521 931 90	stop		2	IXSE/XSF IXSR/XSS						
(9)	996 521 603 01	stop short	02-	2							
10	996 521 923 90	parts kit adapter	/L	2	IXSE/XSS						
(10)	996 521 924 90	parts kit adapter	/R	2	IXSF/XSR						
11	996 521 929 90	parts kit seat rail	/L	1	IXSE/XSS						
(11)	996 521 930 90	parts kit seat rail	/R	1	IXSF/XSR						
(12)	996 521 925 90	set of fastening parts seat-belt buckle inner		2							
12	996 521 927 90	set of fastening parts seat-belt buckle outer		2							
13	996 521 907 90	parts kit rosette belt lower		2							
14	996 521 905 90	parts kit rosette belt upper		2							

Model	Year	MG	SG	Illustration	Restrictions	UPD	14:31	24.01.2010	PORSCHE	PET	PORSCHE
996	2005	8	17	817-95		248					



Pos	Part Number	Description	Remark	Qty	Model
		bucket seat with whole-leather cover			CARRERA
1	996 521 985 01	bucket seat leather	/LL/L	1	IXSE/M983
	8YR	black	-00		
	ERZ	black	01-		
	B50	space grey			
	C50	graphite grey			
	G10	metropole blue			
	S30	savanna			
	J30	nephrite green			
	M30	boxster red			
	T11	brown/natural			
	D11	dark grey/natural			
	P11	cinnamon brown			
(1)	996 521 986 01	bucket seat leather	/LL/R	1	IXSF/M983
	8YR	black	-00		
	ERZ	black	01-		
	B50	space grey			
	C50	graphite grey			
	G10	metropole blue			
	S30	savanna			
	J30	nephrite green			
	M30	boxster red			
	T11	brown/natural			
	D11	dark grey/natural			
	P11	cinnamon brown			
(1)	996 521 985 03	bucket seat leather	/RL/L	1	IXSE/M983

Model	Year	MG	SG	Illustration	Restrictions	UPD	14:31	24.01.2010	PORSCHE	PET	PORSCHE
996	2005	8	17	817-95		248					

Pos	Part Number	Description	Remark	Qty	Model	Pos	Part Number	Description	Remark	Qty	Model
	8YR	black	-00				C50	graphite grey			
	ERZ	black	01-				G10	metropole blue			
	B50	space grey					S30	savanna			
	C50	graphite grey					J30	nephrite green			
	G10	metropole blue					M30	boxster red			
	S30	savanna					T11	brown/natural			
	J30	nephrite green					D11	dark grey/natural			
	M30	boxster red					P11	cinnamon brown			
	T11	brown/natural					ERZ	black			
	D11	dark grey/natural				4	996 521 990 00	cover for cushion rear leather		2	IXSE/XSF/XSR IXSS/M983
(1)	996 521 986 03	bucket seat leather	/RL/R	1	IXSF/M983		8YR	black	-00		
	8YR	black	-00				B50	space grey			
	ERZ	black	01-				C50	graphite grey			
	B50	space grey					G10	metropole blue			
	C50	graphite grey					S30	savanna			
	G10	metropole blue					J30	nephrite green			
	S30	savanna					M30	boxster red			
	J30	nephrite green					T11	brown/natural			
	M30	boxster red					D11	dark grey/natural			
	T11	brown/natural					P11	cinnamon brown			
	D11	dark grey/natural				5	996 521 991 00	cover for cushion leather front		2	IXSE/XSF/XSR IXSS/M983
2	996 521 911 90	lumbar support		2	IXSE/XSF IXSR/XSS		8YR	black	-00		
3	996 521 989 00	backrest cushion leather		2	IXSE/XSF/XSR IXSS/M983		B50	space grey			
	8YR	black					C50	graphite grey			
	B50	space grey					G10	metropole blue			
							S30	savanna			

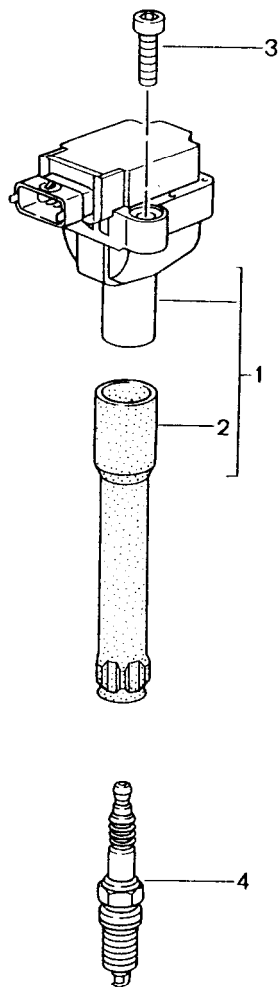
Model	Year	MG	SG	Illustration	Restrictions	UPD	14:31	24.01.2010	PORSCHE	PET	PORSCHE
996	2005	8	17	817-95		248					

Pos	Part Number	Description	Remark	Qty	Model	Pos	Part Number	Description	Remark	Qty	Model
6	J30	nephrite green	01-	2	IXSE/XSF/XSR IXSS/M983	11	996 521 929 90	parts kit seat rail	/L	1	IXSE/XSS
	M30	boxster red				(11)	996 521 930 90	parts kit seat rail	/R	1	IXSF/XSR
	T11	brown/natural				(12)	996 521 925 90	set of fastening parts seat-belt buckle inner		2	
	D11	dark grey/natural				12	996 521 927 90	set of fastening parts seat-belt buckle outer		2	
	P11	cinnamon brown				13	996 521 907 90	parts kit rosette belt lower		2	
	ERZ	black				14	996 521 905 90	parts kit rosette belt upper		2	
	996 521 988 01	outer lining leather									
	8YR	black									
	B50	space grey									
	C50	graphite grey									
	G10	metropole blue									
	S30	savanna									
	J30	nephrite green									
	M30	boxster red									
T11	brown/natural										
D11	dark grey/natural										
P11	cinnamon brown										
ERZ	black										
7	996 521 917 90	foam part seat cushion rear		2	IXSE/XSF IXSR/XSS						
8	996 521 921 90	foam part seat cushion front		2	IXSE/XSF IXSR/XSS						
9	996 521 931 90	stop		2							
(9)	996 521 603 01	stop short		2							
10	996 521 923 90	parts kit adapter	/L	2	IXSE/XSS						
(10)	996 521 924 90	parts kit adapter	/R	2	IXSF/XSR						

Model	Year	MG	SG	Illustration	Restrictions	UPD	14:31	24.01.2010
996	2005	8	98	898-00R		248		

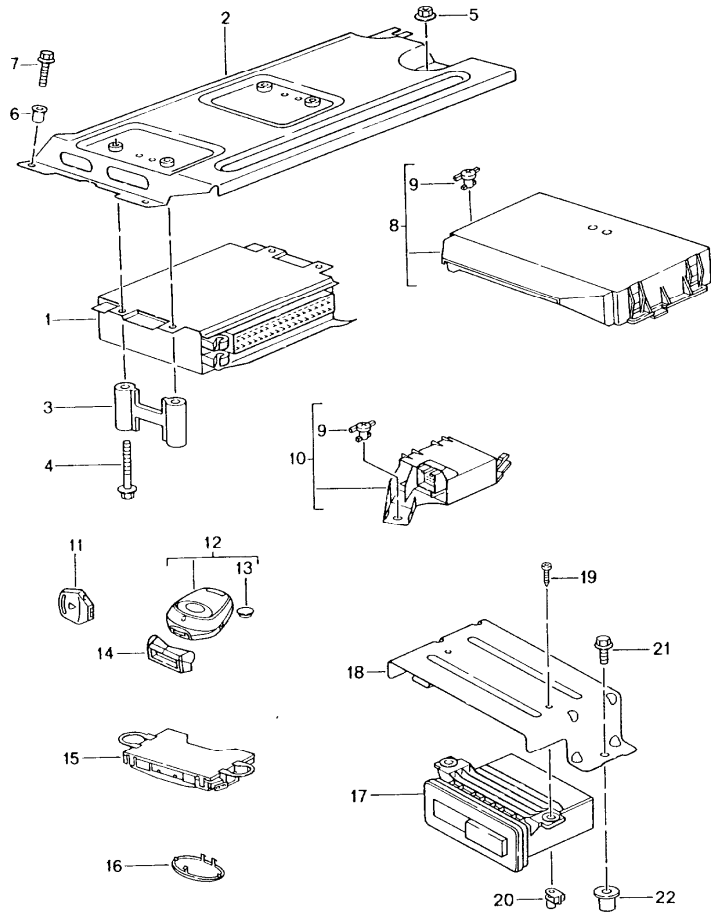
Pos	Part Number	Description	Remark	Qty	Model
		repair kits			
		set of locks			
>>	>>996 538 001 03	set of locks	-01	1	M531/532
>>	>>996 538 001 06	set of locks	02-	1	M531/532
>>	>>996 538 001 04	set of locks	/LL -01	1	M534/535
>>	>>996 538 001 07	set of locks	/LL 02-	1	M534/535
>>	>>996 538 001 05	set of locks	/RL -01	1	M534/535
>>	>>996 538 001 08	set of locks	/RL 02-	1	M534/535

Model	Year	MG	SG	Illustration	Restrictions	UPD	14:32	24.01.2010	PORSCHE	PET	PORSCHE
996	2005	9	01	901-00		248					



Pos	Part Number	Description	Remark	Qty	Model
		ignition system			
1	996 602 101 01	ignition coil	-01	6	M96.01/02 04
-	999 652 916 40	connector housing		6	
-	999 650 052 12	connector		18	
-	999 704 161 40	gasket		18	
-	996 607 401 00	rubber sleeve		4	
-	996 607 402 00	rubber sleeve		2	
1 A	996 602 104 00	ignition coil	02-	6	M96.03
1	997 602 104 00	ignition coil	02-	6	M96.03
2	996 602 103 01	spark plug connector	-01	6	M96.01/02 04
2	996 602 105 00	spark plug connector	02-	6	M96.03
3	900 067 089 09	pan-head screw M 6 X 25		12	
		M	>> 664 08139		
		M	>> 684 01577		IX51
3 A	900 387 008 09	torx screw M 6 X 25		12	
		M 664 08140	>>		M96.03
		M 684 01578	>>		M96.03 IX51
3	900 387 008 01	pan-head screw M 6 X 25		12	
		M 664 08140	>>		M96.03
		M 684 01578	>>		M96.03 IX51
4	999 170 207 91	spark plug 14FGR 6KQU	-01	6	M96.01/02 04
4	999 170 223 90	spark plug FGR 5KQE0	02-	6	M96.03

Model	Year	MG	SG	Illustration	Restrictions	UPD	14:32	24.01.2010	PORSCHE	PET	PORSCHE
996	2005	9	01	901-03		248					



Pos	Part Number	Description	Remark	Qty	Model
		control units			
1	996 618 601 04	control unit - dme -	-99	1	
(1)	996 618 605 00	control unit - dme -	-01	1	M620
(1)	996 618 604 00	control unit - dme - see technical information GR.2 NR.8/02	02-	1	M620
(1) A	996 618 150 00	control unit fuel pump	02-	1	M339/664
(1)	996 618 150 01	control unit fuel pump	02-	1	M339/664
-	999 919 125 09	hexagon-head bolt 6,0 X16 for control unit fuel pump	02-	2	M339/664
(1)	996 618 114 01	control unit tiptronic F >>99XS6 00762 F >>99XS6 40394		1	M249/338 COUPE CABRIO
(1)	996 618 114 02	control unit tiptronic F 99XS6 00763>> F 99XS6 40395>>	-99	1	M249/338 COUPE CABRIO
(1)	996 618 132 02	control unit tiptronic	99	1	M249/339
(1)	996 618 120 02	control unit tiptronic	-01	1	M249
(1)	996 618 180 07	control unit tiptronic see technical information GR. 3 , NR. 6/02	02-	1	M249
2	996 618 129 00	support control unit - dme - tiptronic	-00	1	COUPE
(2)	996 618 129 01	support control unit - dme - tiptronic	01-	1	COUPE

Model	Year	MG	SG	Illustration	Restrictions	UPD	14:32	24.01.2010	PORSCHE	PET	PORSCHE
996	2005	9	01	901-03		248					

Pos	Part Number	Description	Remark	Qty	Model	Pos	Part Number	Description	Remark	Qty	Model
(2)	996 618 131 00	support control unit - dme -		1	CABRIO	(7)	999 073 060 02	tapping screw 4,8 X 13		X	CABRIO
(2)	996 618 133 00	support control unit tiptronic	-01	2	CABRIO M249	-	-	control unit convertible top control see group 8/11/15		1	CABRIO
(2)	996 618 257 00	support control unit tiptronic F >>994S6 52490	02-04	1	M249	-	-	control unit roll-over bar see group 8/11/15		1	CABRIO
(2)	996 618 257 01	support control unit tiptronic F 994S6 52491>>	04-	1	M249	8	996 618 260 06	control unit immobiliser central locking system alarm system	-00	1	M534
3	996 618 214 00	spacer	-01	2	COUPE M249	8	996 618 262 02	control unit immobiliser central locking system alarm system	01-	1	M534
4	900 378 036 01	hexagon-head bolt M 6 X 12		4	COUPE	-	996 612 034 00	cable antenna for POS. 8	01-	1	M534
(4) A	900 378 032 09	hexagon-head bolt M 6 X 50	-01	4	COUPE M249	8	996 618 260 07	control unit immobiliser central locking system alarm system	-00	1	M535
(4)	900 378 032 01	hexagon-head bolt M 6 X 50	-01	4	COUPE M249	8	996 618 262 03	control unit immobiliser central locking system alarm system	01-	1	M535
(4)	900 146 040 02	screw M 6 X 25	02-	1	M249	-	996 612 035 00	cable antenna for POS. 8	01-	1	M535
5 A	999 084 629 09	hexagon nut M 6		1	COUPE	-	996 612 054 00	connecting line antenna booster control unit POS. 8	03-	1	M665
5	999 084 629 01	hexagon nut M 6		1	COUPE	-	999 607 064 00	fuse 15 A for POS. 8		X	
6	999 500 078 00	sheetmetal press nut M 6	-00	2	COUPE	-	999 507 925 40	fixing clip for wiring harness seat		1	
6	999 500 078 00	sheetmetal press nut M 6	02-	1	M249						
7	900 075 413 09	combination screw M 6 X 16 Z2	-00	2	COUPE						
(7) A	999 084 629 09	hexagon nut M 6	01-	2	COUPE						
(7)	999 084 629 01	hexagon nut M 6	01-	2	COUPE						

Model	Year	MG	SG	Illustration	Restrictions	UPD	14:32	24.01.2010	PORSCHE	PET	PORSCHE
996	2005	9	01	901-03		248					

Pos	Part Number	Description	Remark	Qty	Model	Pos	Part Number	Description	Remark	Qty	Model
		plug socket for POS. 8				12	996 637 244 40	Handheld transmitter	01-	1	COUPE M534 CABRIO M533 M534
-	999 650 161 40	plug socket		1							
-	999 650 099 12	connector		X		-	996 637 353 00	Handheld transmitter upper part for 996.637.244.30/40	01-	1	
-	999 650 097 40	cap white		1							
-	999 650 101 40	cap white		1	M534	(12)	996 637 243 20	Handheld transmitter	-00	1	CABRIO M534
-	999 650 102 40	cap blue		1	M535	-	996 637 347 00	Handheld transmitter upper part for 996.637.243.20	-00	1	
-	999 650 113 40	plug socket 12-pole black		1		(12) U	996 637 244 33	Handheld transmitter	01-03	1	CABRIO M534
-	N 903 353 04	connector 2,5		X		(12)	996 637 244 41	Handheld transmitter	01-	1	CABRIO M534
-	N 903 352 04	connector 1,0		X		-	996 637 355 00	Handheld transmitter upper part for 996.637.244.33/41	01-	1	
9	996 618 261 00	locking device		1							
10	996 618 159 01	signal transducer		1							
11	996 637 041 00	key lamp		1	M532	12	996 637 243 01	Handheld transmitter	-00	1	M535
-	928 537 630 02	bulb for key lamp		X		-	996 637 247 00	Handheld transmitter upper part for 996.637.243.01	-00	1	M535
12	996 637 243 00	Handheld transmitter		1	COUPE M534 CABRIO M533 M534	12 U	996 637 244 36	Handheld transmitter	01-03	1	COUPE M535 CABRIO M533 M535
-	996 637 247 00	Handheld transmitter upper part for 996.637.243.00		1		12	996 637 244 42	Handheld transmitter	01-	1	COUPE M535 CABRIO M533 M535
12 U	996 637 244 30	Handheld transmitter	01-03	1	COUPE M534 CABRIO M533 M534	-	996 637 353 00	Handheld transmitter upper part for 996.637.244.31/36/42	01-	1	
						(12) U	996 637 244 34	Handheld transmitter	01-02	1	CABRIO M535

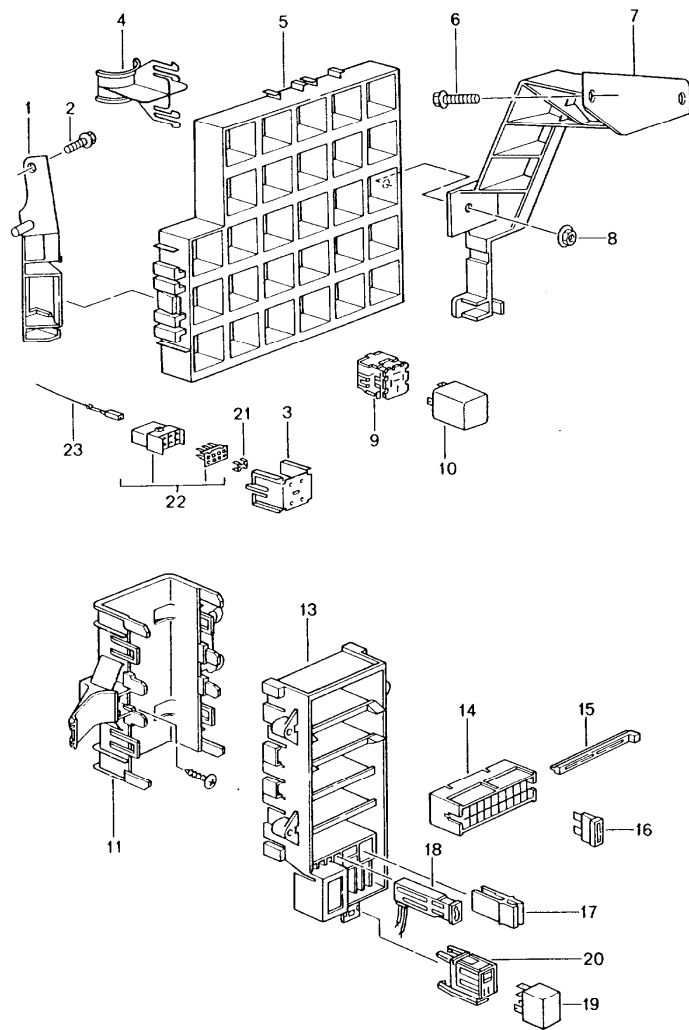
Model	Year	MG	SG	Illustration	Restrictions	UPD	14:32	24.01.2010	PORSCHE	PET	PORSCHE
996	2005	9	01	901-03		248					

Pos	Part Number	Description	Remark	Qty	Model	Pos	Part Number	Description	Remark	Qty	Model
(12) U	996 637 244 37	Handheld transmitter		03	1 CABRIO M535	-	996 637 351 00	Handheld transmitter upper part for 986.637.244.13/17	02-	1	
(12)	996 637 244 43	Handheld transmitter		01-	1 CABRIO M535	(12) U	986 637 244 16	Handheld transmitter	-03	1	TARGA M535
-	996 637 355 00	Handheld transmitter upper part for 996.637.244.34/37/43		01-	1	(12)	986 637 244 18	Handheld transmitter	02-	1	TARGA M535
12	996 637 243 02	Handheld transmitter	(J) (J)	-00 98	1 COUPE CABRIO M535	-	996 637 351 00	Handheld transmitter upper part for 986.637.244.14/16/18	02-	1	
-	996 637 247 00	Handheld transmitter upper part for 996.637.243.02			1	(12) U	986 637 244 15	Handheld transmitter	(J)	-03	1 TARGA M535
12 U	996 637 244 32	Handheld transmitter	(J)	01-03	1 COUPE M535	(12)	986 637 244 19	Handheld transmitter	(J)	02-	1 TARGA M535
12	996 637 244 44	Handheld transmitter	(J)	01-	1 COUPE M535	-	996 637 351 00	Handheld transmitter upper part for 986.637.244.15/19	02-	1	
-	996 637 353 00	Handheld transmitter upper part for 996.637.244.32/44		01-	1	-	996 637 443 00	crest coloured for key lamp and Handheld transmitter	02-	1	
(12)	996 637 243 22	Handheld transmitter	(J)	-00	1 CABRIO M535	13	999 611 108 00	battery see technical information GR. 9 , NR. 20/03		1	M534/535
-	996 637 347 00	Handheld transmitter upper part for 996.637.243.22		-00	1	14	996 637 344 00	identification ring key 1 set red yellow	01-	1	
(12) U	996 637 244 35	Handheld transmitter	(J)	01-03	1 CABRIO M535	14	996 637 344 01	identification ring key 1 set blue green	01-	1	
(12)	996 637 244 45	Handheld transmitter	(J)	01-	1 CABRIO M535	15	996 618 210 02	sensor interior monitoring		1	M534/535
-	996 637 355 00	Handheld transmitter upper part for 996.637.244.35/45		01-	1						
(12) U	986 637 244 13	Handheld transmitter		-03	1 TARGA M534						
(12)	986 637 244 17	Handheld transmitter		02-	1 TARGA M534						

Model	Year	MG	SG	Illustration	Restrictions	UPD	14:32	24.01.2010	PORSCHE	PET	PORSCHE
996	2005	9	01	901-03		248					

Pos	Part Number	Description	Remark	Qty	Model	Pos	Part Number	Description	Remark	Qty	Model
15	996 618 210 03	sensor interior monitoring for leather paint can-can-red flamenco red plum red pearl white white ferrari yellow speed yellow orchid metallic magnolia		1	M534/535 M999						
-	999 650 236 40	plug socket		1							
-	999 650 256 22	connector		4							
(16)	996 618 212 02	trim cover alarm siren tilt sensor see group 9/03/00		2	M536 M536						
17	996 618 171 01	control unit ParkAssist tech. information memo GR. 9 , NR. 9/98 F >>99XS6 00294 F >>99XS6 40108	-99	1	M635						
17	996 618 171 03	control unit ParkAssist F 99XS6 00295>> F 99XS6 40109>>	99-	1	M635						
18	996 618 371 00	support	-01	1	M635						
(18)	996 618 371 01	support	02-	1	M635						
19	999 919 120 09	oval-head screw 4,0 X 18		2	M635						
20	999 920 015 40	plug-in nut 4,0		2	M635						
21	900 378 179 09	hexagon-head bolt M 6 X 16		2	M635						
22	999 500 078 00	sheetmetal press nut M 6 sensor see group 8/02/05		2	M635 M635						

Model	Year	MG	SG	Illustration	Restrictions	UPD	14:32	24.01.2010	PORSCHE	PET	PORSCHE
996	2005	9	02	902-00		248					

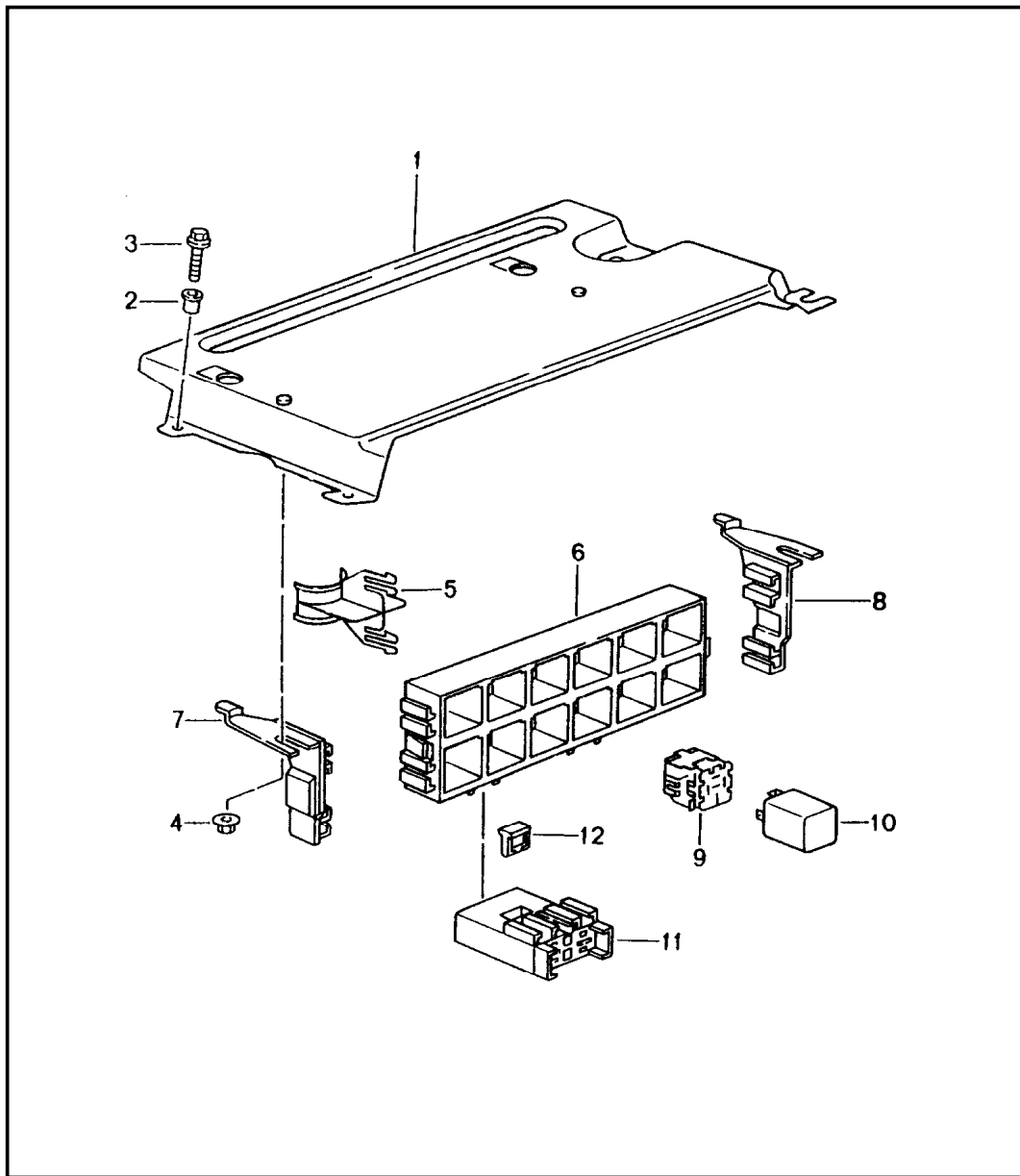


Pos	Part Number	Description	Remark	Qty	Model
		central electrical system dashboard			
1	996 610 117 00	support	/LL/L	1	
(1)	996 610 119 00	support	/RL/L	1	
2	900 378 155 09	hexagon-head bolt M 6 X 16 ASP		1	
3	996 610 104 00	retaining frame		X	
4	996 610 112 00	cable holder		X	
5	996 610 109 00	relay carrier support frame		1	
6	900 378 155 09	hexagon-head bolt M 6 X 16 ASP		2	
7	996 610 116 00	support	/LL/R	1	
(7)	996 610 118 00	support	/RL/R	1	
8	900 377 010 01	hexagon nut M 6		1	
9	928 610 511 00	relay carrier		X	
10	-	relay			
S3	1H0 953 227	flasher relay		1	
S4	996 615 117 00	control unit rear window heating		1	
S5	999 657 005 90	relay	-00	1	M614/618
S6/7	996 615 111 00	relay		1	M606
S8	996 618 113 00	relay headlight washer system		1	M288
S9	141 951 253 B	relay KL. XE		1	
S10	141 951 253 B	relay fanfare		1	
S12	431 951 253 G	relay	(J) -98	1	
S12	141 951 253 B	relay	(J) 99-	1	
S13	996 615 101 00	relay fuel pump		1	
S16	996 615 103 00	interval relay		1	

Model	Year	MG	SG	Illustration	Restrictions	UPD	14:32	24.01.2010	PORSCHE	PET	PORSCHE
996	2005	9	02	902-00		248					

Pos	Part Number	Description	Remark	Qty	Model	Pos	Part Number	Description	Remark	Qty	Model
S18	141 951 253 B	relay heating		1		-	996 610 217 05	assignment sticker fuse	03-	X	
S19	141 951 253 B	relay radiator fan 1 setting 1		1				emergency operation lid	01-		
S20	141 951 253 B	relay radiator fan 1 setting2		1		18	996 610 240 00	terminal clamp	01-	1	
S21	141 951 253 B	relay radiator fan 2 setting 1		1		19	999 657 006 90	relay	01-	1	
S22	141 951 253 B	relay radiator fan 2 setting2		1		20	999 650 538 40	plug socket 5-pole	01-	1	
11	996 610 210 00	lid		1		-	-	tip switch rear spoiler see group 9 / 03 / 05			X
13	996 610 211 01	bracket		1		-	-	cover for housing fuse see group 8 / 07 / 02			X
14	999 650 209 40	fuse holder		X		21	999 650 319 22	contact bridge 4-pole		X	
15	999 650 210 40	slide		X		(21)	999 650 318 22	contact bridge 8-pole		X	
16	999 607 082 00	fuse 5 A		X		22	999 650 317 40	plug socket 8-pole		X	
16	999 607 083 00	fuse 7 , 5 A		X		23	999 650 320 22	contact bush 2,8 / 0,75		X	
(16)	999 607 085 00	fuse 15 A		X		(23)	999 650 321 22	contact bush 2,8 / 2,5		X	
(16)	999 607 087 00	fuse 25 A		X							
(16)	999 607 010 00	fuse 30 A		X							
(16)	999 607 089 00	fuse 40 A		X							
17	996 610 214 00	tool		X							
-	996 610 217 01	assignment sticker fuse	-99	X							
-	996 610 217 02	assignment sticker fuse	00	X							
-	996 610 217 04	assignment sticker fuse	-02	X							

Model	Year	MG	SG	Illustration	Restrictions	UPD	14:32	24.01.2010	PORSCHE	PET	PORSCHE
996	2005	9	02	902-01		248					

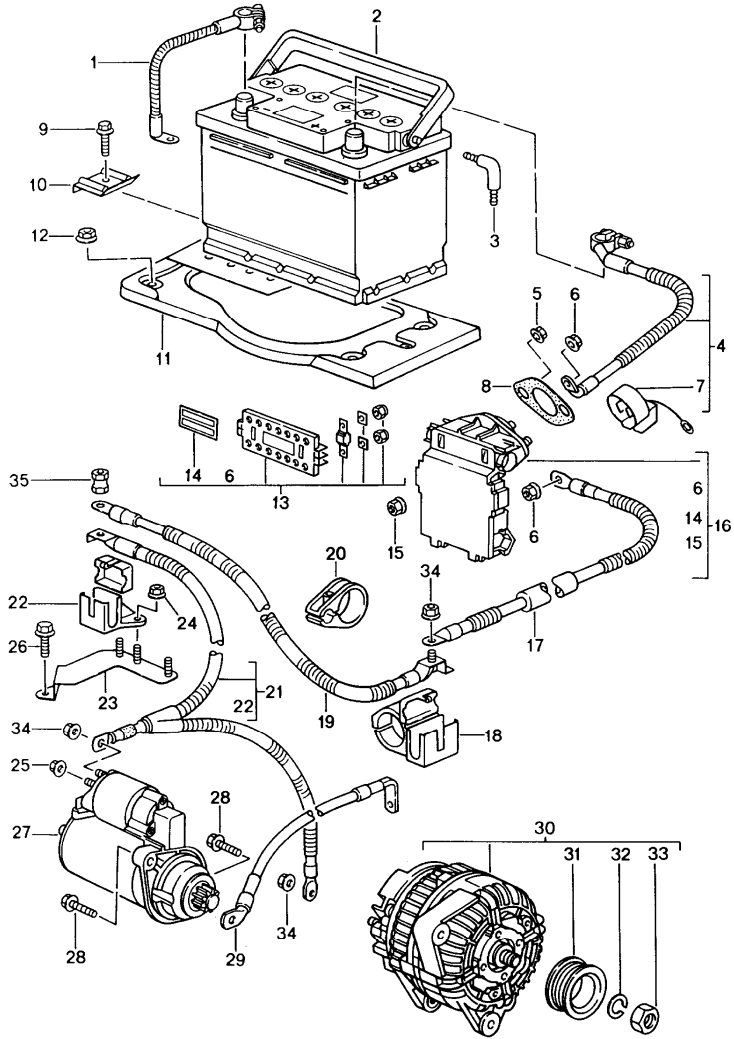


Pos	Part Number	Description	Remark	Qty	Model
		central electrical system rear end			
1	996 610 129 00	mounting plate	-00	1	COUPE
(1) A	996 610 129 02	mounting plate F >>995S6 00785	01-05	1	COUPE/TARGA
(1)	996 610 229 03	mounting plate F 995S6 00786>>	05-	1	COUPE/TARGA
2	999 500 078 00	nut	-00	2	COUPE
3	900 075 413 09	combination screw M 6 X 16 Z2	-00	2	COUPE
(3)	999 084 629 09	hexagon nut M 6	01-	2	
4	900 380 015 01	hexagon nut M 6 F >>995S6 00785		2	
5	996 610 112 00	cable holder		X	
(5)	996 610 115 00	cable holder		X	CABRIO
6	996 610 111 00	relay carrier support frame		1	
7	996 610 126 00	support F >>995S6 00785	/R	1	
(7)	987 610 118 00	support F 995S6 00786>>	/R	1	
8	996 610 127 00	support F >>995S6 00785	/L	1	
(8)	987 610 117 00	support F 995S6 00786>>	/L	1	
-	996 610 128 00	fixing clip		2	CABRIO
9	928 610 511 00	relay carrier		X	
10	-	relay			
S1	141 951 253 B	relay - dme -		1	
S2	141 951 253 B	relay ignition		1	
S3	996 615 102 00	relay spoiler		1	

Model	Year	MG	SG	Illustration	Restrictions	UPD	14:32	24.01.2010	PORSCHE	PET	PORSCHE
996	2005	9	02	902-01		248					

Pos	Part Number	Description	Remark	Qty	Model	Pos	Part Number	Description	Remark	Qty	Model
S4	A 964 615 215 00	relay air conditioner		1	M573						
S4	999 657 018 90	relay air conditioner		1	M573						
S5	996 615 112 00	relay rear window heating	02-	1	CABRIO						
S7	996 615 110 00	relay starter		1							
S8	141 951 253 B	relay blower engine compartment		1							
S9	996 615 102 00	relay spoiler		1							
S10A	993 615 115 00	relay secondary pump		1	M661						
S10	993 615 115 01	relay secondary pump		1	M661						
11	999 650 193 40	fuse holder		1	M661						
12	999 650 371 40	locking device		1	M661						
-	999 650 194 22	contact bush		X	M661						
-	999 607 073 00	fuse 40 A		1	M661						

Model	Year	MG	SG	Illustration	Restrictions	UPD	14:32	24.01.2010	PORSCHE	PET	PORSCHE
996	2005	9	02	902-05		248					



Pos	Part Number	Description	Remark	Qty	Model
		battery power distributor starter generator			
1	997 611 090 00	ground strap	/LL	1	
(1)	997 611 091 00	ground strap	/RL	1	
(2)	999 611 070 20	battery 70 AH		1	
2	999 611 080 20	battery 80 AH		1	
3	893 915 507	angled pipe		1	
4	996 612 090 09	cable battery power distributor	/LL	1	
(4)	996 612 090 10	cable battery power distributor	/RL	1	
5	900 380 005 09	hexagon nut VM 8		2	
6	900 084 030 02	hexagon nut M 8 for power distributor		2	
7	996 610 309 00	protection cap terminal clamp power distributor		1	
8	996 610 302 00	flange gasket for power distributor		1	
9	900 378 017 01	hexagon-head bolt M 8 X 20		1	
10	996 611 209 00	rail		1	
11	996 504 151 00	carrier plate for battery		1	M338
(11) A	996 504 151 02	carrier plate for battery	99-	1	M339
(11)	997 504 151 01	carrier plate for battery	99-	1	M339
-	996 504 622 00	gasket carrier plate for battery		1	M338
-	996 504 622 01	gasket carrier plate for battery	99-	1	M339

Model	Year	MG	SG	Illustration	Restrictions	UPD	14:32	24.01.2010	PORSCHE	PET	PORSCHE
996	2005	9	02	902-05		248					

Pos	Part Number	Description	Remark	Qty	Model	Pos	Part Number	Description	Remark	Qty	Model
12	999 084 630 01	hexagon nut VM 8 SB		4		17	996 612 091 11	cable power distributor connection point	-01	1	
13	996 610 306 00	repair kit replacement fuse element comprising:		1				F >>991S6 03740 /LL F >>991S6 02976 /RL F >>991S6 42694 /LL F >>991S6 42142 /RL			COUPE COUPE CABRIO CABRIO
-	-	fuse element 50 AMPERE		1		(17)	996 612 091 14	cable power distributor connection point	/LL	-01	1
-	-	fuse element 80 AMPERE		1				F 991S6 03741>> /LL F 991S6 42695>> /LL			COUPE CABRIO
-	-	hexagon nut M 5		4		(17)	996 612 091 15	cable power distributor connection point	/RL	-01	1
6	900 084 030 02	hexagon nut M 8		1				F 991S6 02977>> /RL F 991S6 42143>> /RL			COUPE CABRIO
-	-	intermediate layer		4				when required order also:			
-	-	cover blue		1		-	996 610 187 00	cable holder F 991S6 03741>> /LL F 991S6 02977>> /RL F 991S6 42695>> /LL F 991S6 42143>> /RL			1 COUPE COUPE CABRIO CABRIO
14	996 610 311 00	seal label red		2							
14	996 610 311 00	seal label red		2		-	999 919 172 09	hexagon-head bolt 7,0 X14 F 991S6 03741>> /LL F 991S6 02977>> /RL F 991S6 42695>> /LL F 991S6 42143>> /RL			1 COUPE COUPE CABRIO CABRIO
15	900 084 031 02	hexagon nut M 6 for power distributor		7							
16	996 610 308 00	repair kit replacement power distributor comprising:		1		(17)	996 612 091 12	cable power distributor connection point	/LL	02-	1
-	-	power distributor complete		1		(17)	996 612 091 13	cable power distributor connection point	/RL	02-	1
15	900 084 031 02	hexagon nut M 6		7		- A	900 075 497 02	hexagon-head bolt M 5 X 10 Z2		02-	1
6	900 084 030 02	hexagon nut M 8		2		-	900 075 497 01	combination screw M 5 X 10 Z2		02-	1
14	996 610 311 00	seal label red use also: POS. 8		2		- A	999 507 702 02	speed nut M 5		02-	1
						-	999 507 702 01	speed nut M 5		02-	1
						- A	999 084 629 09	hexagon nut M 6		02-	1

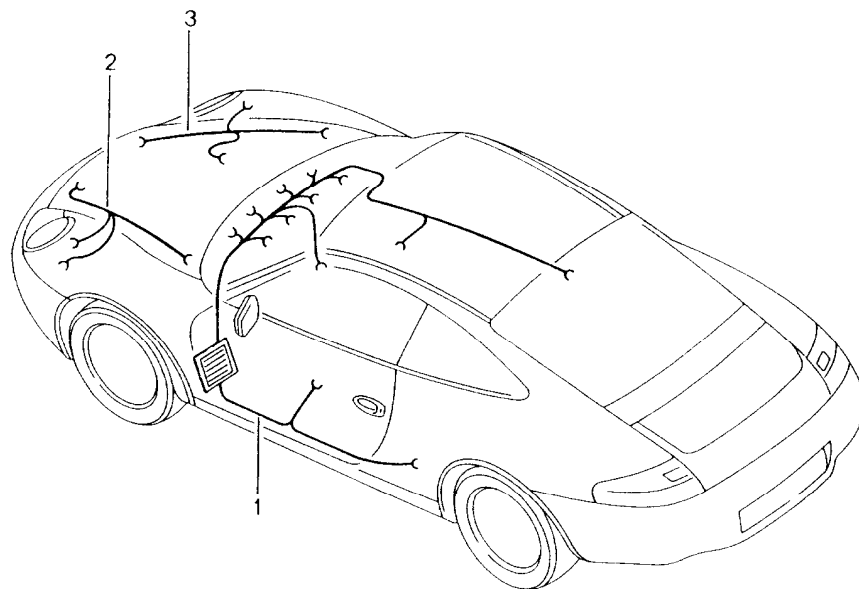
Model	Year	MG	SG	Illustration	Restrictions	UPD	14:32	24.01.2010	PORSCHE	PET	PORSCHE
996	2005	9	02	902-05		248					

Pos	Part Number	Description	Remark	Qty	Model	Pos	Part Number	Description	Remark	Qty	Model
-	999 084 629 01	hexagon nut M 6	02-	1		28	900 385 097 09	torx screw BM 10 X 35 M 664 08140 >> M 684 01578 >>		2	
18	996 611 310 00	connection point complete	-01	1							IX51
18	996 611 316 00	connection point complete	02-	1		29	996 607 030 00	ground strap engine body		1	
19	996 612 092 00	cable	-01	1		30	> 996 603 012 01	generator	-99	1	
19	996 612 092 01	cable	02-	1		(30)	> 996 603 012 03	generator with pulley without free wheel lock	00-	1	M249
20	996 612 094 00	cable holder		4							
-	999 513 051 40	hose clamp	02-	1							
21	996 607 019 01	wiring harness with connection point generator starter M >> 663 09950 M >> 683 00734		1	IX51	(30)	A 997 603 012 04	generator with pulley without free wheel lock M 664 12967 >> M 684 02282 >>		1	M249
21	996 607 019 03	wiring harness with connection point generator starter M 663 09951 >> M 683 00735 >>		1	IX51	(30)	> 997 603 012 06	generator with pulley without free wheel lock M 664 12968 >> M 684 02283 >>		1	M249
-	999 650 312 40	protection cap wiring harness		1							IX51
22	996 611 201 01	connection point complete		1		(30)	> 996 603 012 02	generator with pulley free wheel lock M >> 664 12967 M >> 684 02282	00-	1	M480
(23)	996 607 012 01	support connection point		1							IX51
24	900 380 015 01	hexagon nut VM 6		3		(30)	A 997 603 012 05	generator with pulley free wheel lock M 664 12968 >> M 684 02283 >>		1	M480
25	900 377 010 01	hexagon nut M 6		1							
26	900 378 035 01	hexagon-head bolt M 6 X 16		1		(30)	> 997 603 012 07	generator with pulley free wheel lock M 664 12968 >> M 684 02283 >>		1	M480
27	> 996 604 103 00	starter		1							
28	900 378 101 09	hexagon-head bolt AM 10 X 35 M >> 664 08139 M >> 684 01577		2							IX51

Model	Year	MG	SG	Illustration	Restrictions	UPD	14:32	24.01.2010	PORSCHE	PET	PORSCHE
996	2005	9	02	902-05		248					

Pos	Part Number	Description	Remark	Qty	Model	Pos	Part Number	Description	Remark	Qty	Model
-	999 650 166 40	plug socket		1		-	900 378 101 09	hexagon-head bolt AM 10 X 35	02-	1	
-	999 652 694 12	connector		1				M >> 664 08139 M >> 684 01577			IX51
-	999 704 161 40	gasket		1		-	900 385 097 09	torx screw BM 10 X 35		1	
-	999 652 965 40	gasket		1				M 664 08140 >> M 684 01578 >>			IX51
31	996 603 151 55	pulley without free wheel lock		1		-	900 378 181 09	hexagon-head bolt M 10 X 145		1	
31	996 603 152 50	pulley with free wheel lock use also: 996.603.153.50	00-	1				M >> 664 08139 M >> 684 01577			IX51
-	996 603 153 50	protection cap for pulley with free wheel lock		1		-	900 385 092 04	torx screw BM 10 X 145		1	
32	N 012 016 1	lock ring B 16		1				M 664 08140 >> M 684 01578 >>			IX51
33	900 034 013 01	hexagon nut M 16 X 1,5		1		34	900 377 003 03	hexagon nut M 8		3	
-	996 603 113 00	protection cap for POS. 33 with pulley without free wheel lock mounting parts regulator generator	00-	1	M249	35	999 076 069 02	hexagon nut M 8		1	
-	000 043 204 22	oval-head screw M 4 X 19 micro-self-locking		2							
-	000 043 204 23	spring washer B4 mounting parts generator		2							
-	900 378 070 09	hexagon-head bolt M 10 X 30	-01	1							

Model	Year	MG	SG	Illustration	Restrictions	UPD	14:33	24.01.2010	PORSCHE	PET	PORSCHE
996	2005	9	02	902-10		248					

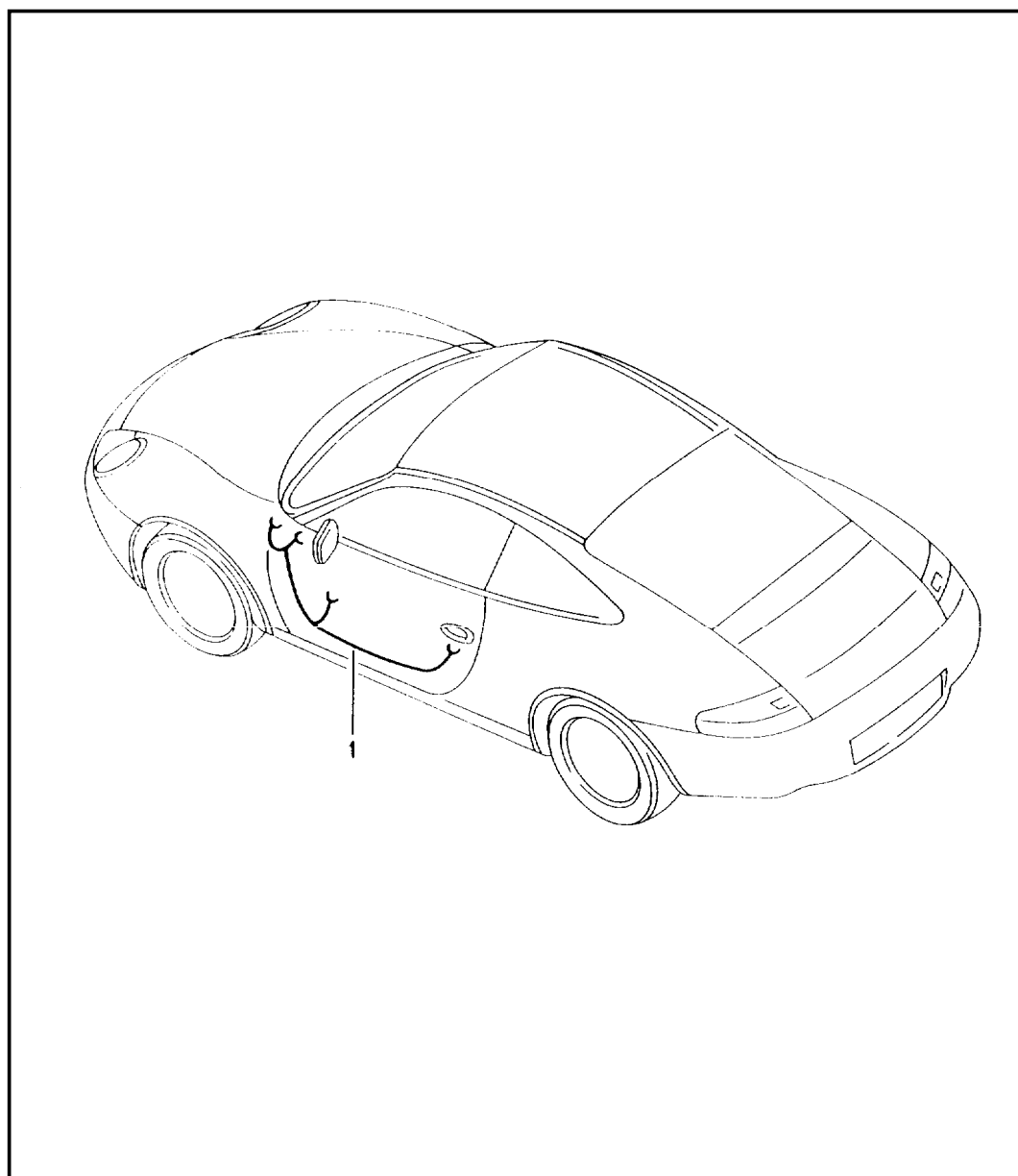


Pos	Part Number	Description	Remark	Qty	Model
		wiring harnesses passenger compartment glove compartment FRONT luggage compartment repair kit anti-lock brake system brake pad wear indicator front axle			
1	996 612 903 00	wiring harness passenger compartment vehicle identification no. indicate		1	
-	996 610 120 00	support plug socket diagnostic connector		1	
-	999 651 302 40	fixing clip wiring harness passenger compartment door sill		X	
-	999 651 284 40	fixing clip wiring harness passenger compartment door sill		X	
		connection point X 11 / 12			
-	999 652 931 40	pin connector socket		2	
-	999 652 570 22	contact pin 2,5 - 1		X	
-	999 652 571 22	contact pin 2,5 - 2,5		X	
-	999 652 932 40	pin connector socket 10-pole black		2	
-	999 652 923 40	cap black		2	
-	999 652 933 40	pin connector socket 10-pole white		2	
-	999 652 922 40	cap white		2	
-	999 652 921 40	locking device blue		4	

Model	Year	MG	SG	Illustration	Restrictions	UPD	14:33	24.01.2010	PORSCHE	PET	PORSCHE
996	2005	9	02	902-10		248					

Pos	Part Number	Description	Remark	Qty	Model	Pos	Part Number	Description	Remark	Qty	Model
-	999 652 983 22	contact pin 0,63 - 0,5		X				repair kit wiring harness anti-lock brake system brake pad wear indicator front axle			
-	996 622 501 00	wiring harness glove compartment	02-	1							
-	999 650 564 40	support microswitch	02-	1		-	996 612 951 00	repair kit wiring harness	/V/L	-01	1 M338
-	999 650 565 40	support connector housing	02-	1		-	996 612 951 00	repair kit wiring harness	/V/L	02-	1 M338/476
2	996 612 303 01	wiring harness FRONT luggage compartment	/L	-99	1 M573/659	-	996 612 960 00	repair kit wiring harness	/V/L	02-	1 M338
2	996 612 303 05	wiring harness FRONT luggage compartment	/L	00	1 M573/659	-	996 612 957 00	repair kit wiring harness	/V/L		1 M339
2	996 612 303 10	wiring harness FRONT luggage compartment	/L	01	1 M573/659	-	996 612 952 00	repair kit wiring harness	/V/R	-01	1 M338
2	996 612 303 15	wiring harness FRONT luggage compartment	/L	02-	1	-	996 612 952 00	repair kit wiring harness	/V/R	02-	1 M338/476
2	996 612 313 00	wiring harness FRONT luggage compartment	/L	99	1 M573/601 M659	-	996 612 961 00	repair kit wiring harness	/V/R	02-	1 M338
2	996 612 313 05	wiring harness FRONT luggage compartment	/L	00	1 M573/601 M659	-	996 612 958 00	repair kit wiring harness	/V/R		1 M339
2	996 612 313 10	wiring harness FRONT luggage compartment	/L	01	1 M573/601 M659			repair kit wiring harness rear axle see group 9 / 02 / 20			
2	996 612 313 15	wiring harness FRONT luggage compartment	/L	02-	1 M601						
3	996 612 302 01	wiring harness FRONT luggage compartment	/R	-01	1						
3	996 612 312 00	wiring harness FRONT luggage compartment	/R	-01	1 M601						
3	-	wiring harness FRONT luggage compartment is a component of wiring harness passenger compartment	/R	02-	1						
(3)	996 612 340 00	wiring harness	/LL	99	1 M339/476						
(3)	996 612 341 00	wiring harness	/RL	99	1 M339/476						
-	993 615 136 00	relay anti-lock brake system		99	2 M339/476						

Model	Year	MG	SG	Illustration	Restrictions	UPD	14:33	24.01.2010	PORSCHE	PET	PORSCHE
996	2005	9	02	902-15		248					

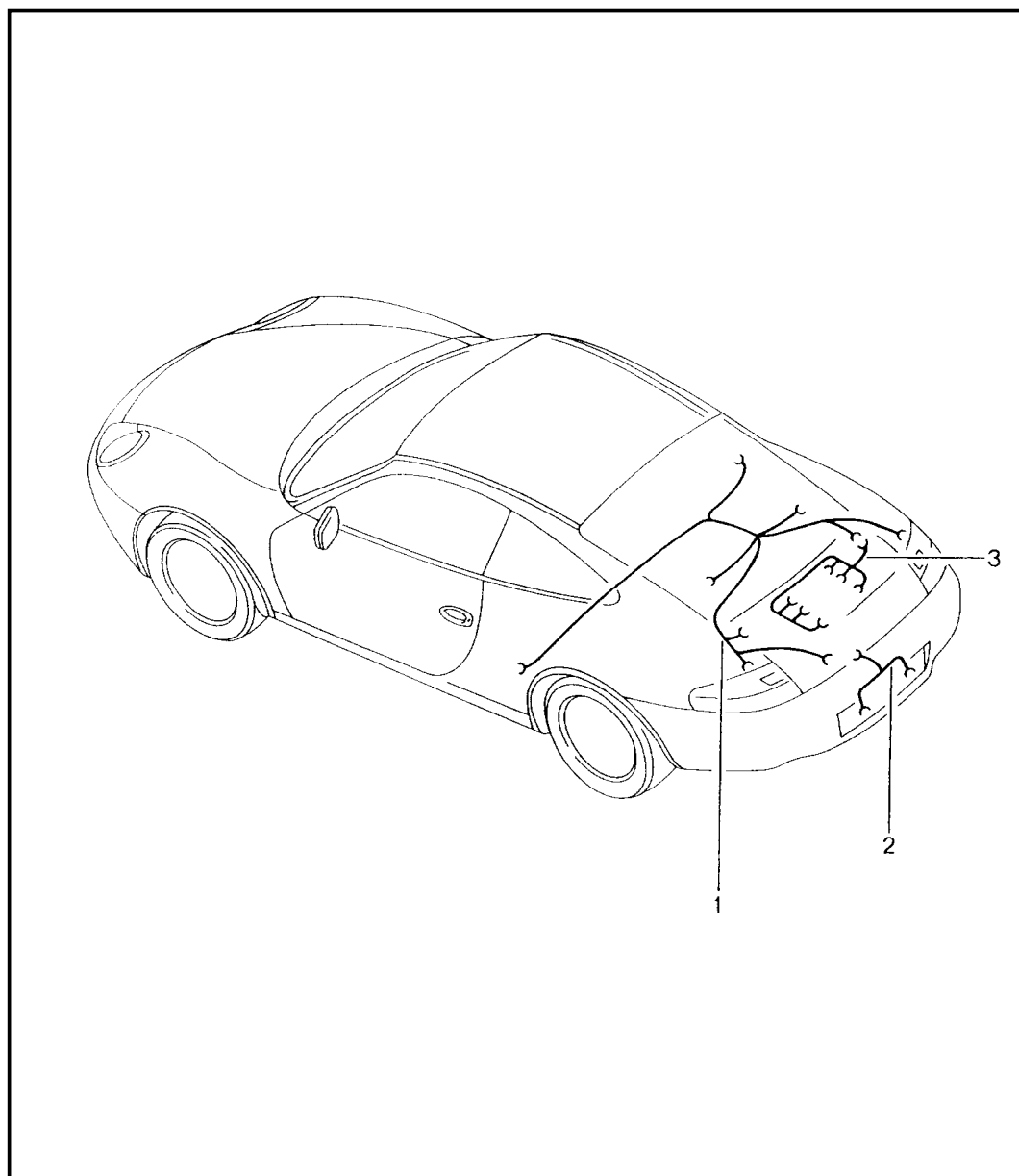


Pos	Part Number	Description	Remark	Qty	Model
		wiring harnesses driver's door passenger's door convertible top control auxiliary support			CABRIO CABRIO
1	996 612 630 04	wiring harness driver's door	98	1	
1	996 612 630 05	wiring harness driver's door	99	1	
1	996 612 634 02	wiring harness driver's door	98	1	M563
1	996 612 634 03	wiring harness driver's door	-00	1	M563
(1)	996 612 634 11	wiring harness driver's door	01-	1	
(1)	996 612 632 04	wiring harness passenger's door	98	1	
(1)	996 612 632 05	wiring harness passenger's door	99	1	
(1)	996 612 635 02	wiring harness passenger's door	98	1	M563
(1)	996 612 635 03	wiring harness passenger's door	-00	1	M563
(1)	996 612 635 11	wiring harness passenger's door	01-	1	
		connection point X 11 / 12			
-	999 652 930 40	plug socket		2	
-	999 652 567 22	cylindrical socket 2,5 - 1		X	
-	999 652 568 22	cylindrical socket 2,5 - 2,5		X	
-	999 652 927 40	plug socket 10-pole white		2	
-	999 652 924 40	cap white		2	
-	999 652 928 40	plug socket 10-pole black		2	

Model	Year	MG	SG	Illustration	Restrictions	UPD	14:33	24.01.2010	PORSCHE	PET	PORSCHE
996	2005	9	02	902-15		248					

Pos	Part Number	Description	Remark	Qty	Model	Pos	Part Number	Description	Remark	Qty	Model
-	999 652 925 40	cap black		2							
-	999 652 921 40	locking device blue		4							
-	999 652 901 22	connector 0,63 - 0,5 mount wiring harness doors		X							
-	996 610 320 01	cable guide		2	M273						
-	999 703 470 40	cable clamp		2	M273						
-	999 507 627 02	cable clamp		2							
-	996 610 141 01	rubber boot a-pillar		2							
-	996 610 144 00	frame reinforcement rubber boot a-pillar mount connection point a-pillar		2							
-	999 919 237 00	oval-head screw 5 X 20		2							
-	999 507 649 40	expansion rivet 4,8		2							
-	996 610 321 00	cable holder door arrester		2							
-	-	wiring harness convertible top control see group 8/11/07		1	CABRIO						
-	-	wiring harness auxiliary support see group 8/11/15		1	CABRIO						

Model	Year	MG	SG	Illustration	Restrictions	UPD	14:33	24.01.2010	PORSCHE	PET	PORSCHE
996	2005	9	02	902-20		248					

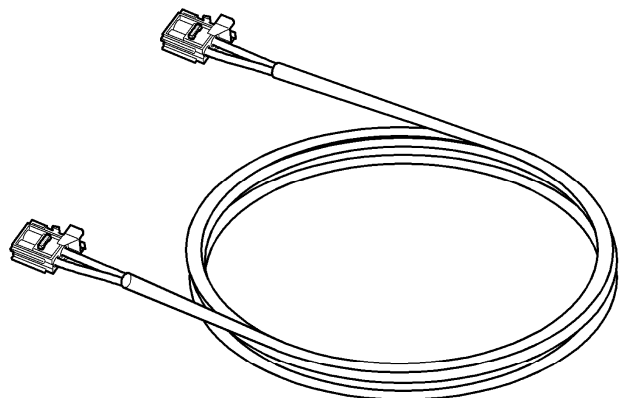
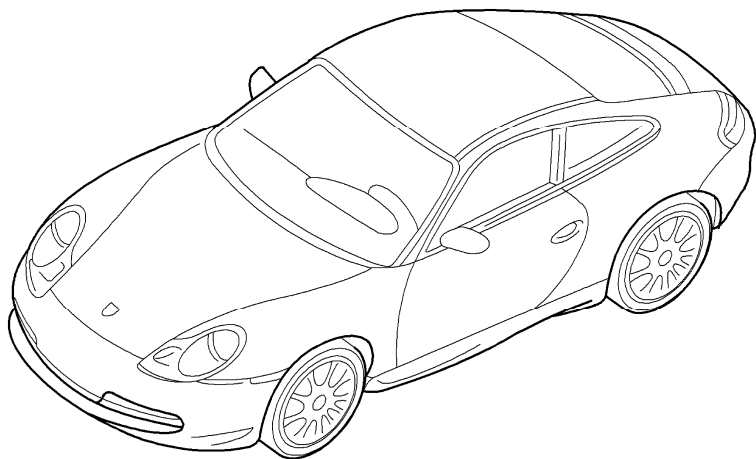


Pos	Part Number	Description	Remark	Qty	Model
		wiring harnesses rear end additional brake light license plate light engine transmission repair kit anti-lock brake system brake pad wear indicator rear axle			CABRIO M249
1	996 612 905 00	wiring harness rear end vehicle identification no. indicate		1	
-	996 612 507 02	wiring harness additional brake light		1	CABRIO M602
-	996 423 101 00	protective tube for wiring harness		1	CABRIO M602
2	996 612 060 00	wiring harness license plate light	-01	1	CARRERA
2	996 612 062 00	wiring harness license plate light	02-	1	CARRERA
(2)	996 612 061 00	wiring harness license plate light	-01	1	CARRERA M635
(2)	996 612 064 00	wiring harness license plate light	02-	1	CARRERA M635
2	996 612 060 00	wiring harness license plate light	02-	1	C4S
(2)	996 612 063 00	wiring harness license plate light	02-	1	C4S M635
-	999 650 013 40	fixing clip connection point wiring harness license plate light		1	
3	996 607 002 04	wiring harness engine	-99	1	M480
3	996 607 010 04	wiring harness engine	99	1	M480/620
3	996 607 010 05	wiring harness engine	-01	1	M480/660

Model	Year	MG	SG	Illustration	Restrictions	UPD	14:33	24.01.2010	PORSCHE	PET	PORSCHE
996	2005	9	02	902-20		248					

Pos	Part Number	Description	Remark	Qty	Model	Pos	Part Number	Description	Remark	Qty	Model
3	996 607 010 08	wiring harness engine	-01	1	M480			repair kit wiring harness			
(3)	996 607 002 06	wiring harness engine	-99	1	M249			anti-lock brake system brake pad wear indicator rear axle			
(3)	996 607 010 06	wiring harness engine	99	1	M249/620	-	996 612 953 01	repair kit wiring harness	/H/L	-01	1
(3)	996 607 010 07	wiring harness engine	-01	1	M249/660	-	996 612 953 01	repair kit wiring harness	/H/L	02-	1 M476
(3)	996 607 010 09	wiring harness engine	-01	1	M249	-	996 612 964 00	repair kit wiring harness	/H/L	02-	1
(3)	996 607 010 10	wiring harness engine	02	1	M96.03	-	996 612 954 01	repair kit wiring harness	/H/R	-01	1
(3) A	996 607 010 15	wiring harness engine	03	1	M96.03	-	996 612 954 01	repair kit wiring harness	/H/R	02-	1 M476
(3)	996 607 010 16	wiring harness engine	03-	1	M96.03	-	996 612 965 00	repair kit wiring harness	/H/R	02-	1
(3)	996 612 401 00	wiring harness transmission	02-	1	M249			repair kit wiring harness front axle			
-	999 507 752 40	cable holder for wiring harness transmission	02-	1	M249			see group 9 / 20 / 10			
-	999 591 746 02	cable holder for wiring harness transmission	02-	3	M249						
-	999 507 729 40	cable strap 8 - 50 water tube supply right		1							
-	999 507 730 40	cable strap 8 - 33 wiring harness engine		1							
-	996 607 101 02	support connection point wiring harness engine		1							
-	996 607 102 00	support wiring harness engine		1							

Model	Year	MG	SG	Illustration	Restrictions	UPD	14:33	24.01.2010	PORSCHE	PET	PORSCHE
996	2005	9	02	902-50		248					

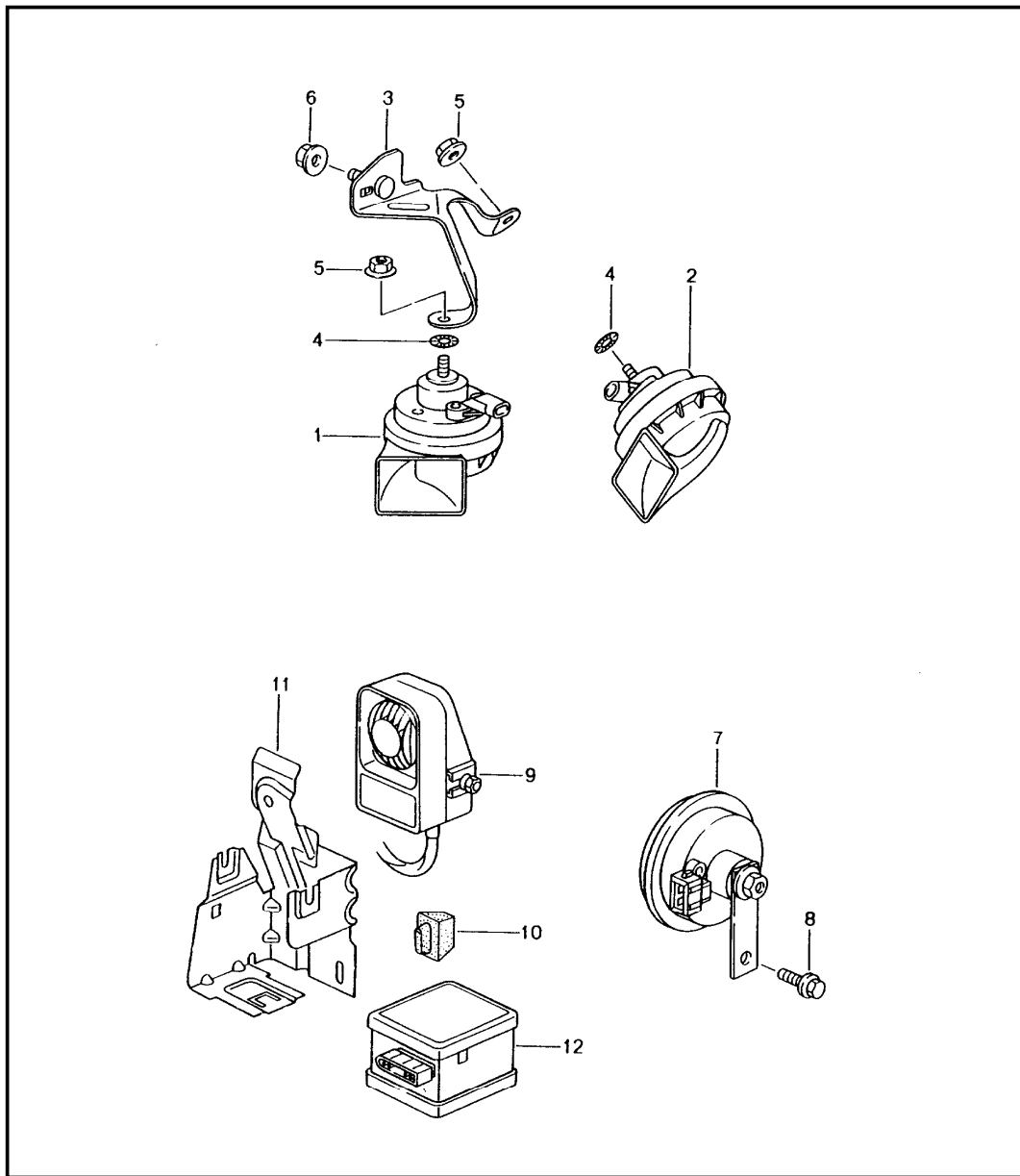


Pos	Part Number	Description	Remark	Qty	Model
		optical waveguide	03-		
-	996 622 702 00	optical waveguide module	/LL	1	M666
-	996 622 722 00	optical waveguide module	/RL	1	M666
-	996 622 704 00	optical waveguide module	/LL	1	M338/490 M680
-	996 622 724 00	optical waveguide module	/RL	1	M338/490 M680
-	996 622 701 00	optical waveguide module	/LL	1	M339/490 M680
-	996 622 721 00	optical waveguide module	/RL	1	M339/490 M680
-	996 622 706 00	optical waveguide module	/LL	1	M338/692
-	996 622 726 00	optical waveguide module	/RL	1	M338/692
-	996 622 729 00	optical waveguide module	/LL	1	M339/692
-	996 622 709 00	optical waveguide module	/RL	1	M339/692
-	996 622 716 00	optical waveguide module	/LL	1	M338/666 M692
-	996 622 736 00	optical waveguide module	/RL	1	M338/666 M692
-	996 622 739 00	optical waveguide module	/LL	1	M339/666 M692
-	996 622 719 00	optical waveguide module	/RL	1	M339/666 M692
-	996 622 703 00	optical waveguide module	/LL	1	M338/490 M666/680
-	996 622 723 00	optical waveguide module	/RL	1	M338/490 M666/680
-	996 622 707 00	optical waveguide module	/LL	1	M339/490 M666/680
-	996 622 727 00	optical waveguide module	/RL	1	M339/490 M666/680

Model	Year	MG	SG	Illustration	Restrictions	UPD	14:33	24.01.2010	PORSCHE	PET	PORSCHE
996	2005	9	02	902-50		248					

Pos	Part Number	Description	Remark	Qty	Model	Pos	Part Number	Description	Remark	Qty	Model
-	996 622 705 00	optical waveguide module	/LL	1	M338/490 M680/692						
-	996 622 725 00	optical waveguide module	/RL	1	M338/490 M680/692						
-	996 622 708 00	optical waveguide module	/LL	1	M339/490 M680/692						
-	996 622 728 00	optical waveguide module	/RL	1	M339/490 M680/692						
-	996 622 715 00	optical waveguide module	/LL	1	M338/490 M666/680 M692						
-	996 622 745 00	optical waveguide module	/RL	1	M338/490 M666/680 M692						
-	996 622 718 00	optical waveguide module	/LL	1	M339/490 M666/680 M692						
-	996 622 738 00	optical waveguide module	/RL	1	M339/490 M666/680 M692						
-	996 610 122 00	support connection point luggage compartment		1							
-	999 507 804 40	expander nut for support		1							
-	996 610 132 00	cable guide t-piece luggage compartment		1							

Model	Year	MG	SG	Illustration	Restrictions	UPD	14:33	24.01.2010	PORSCHE	PET	PORSCHE
996	2005	9	03	903-00		248					

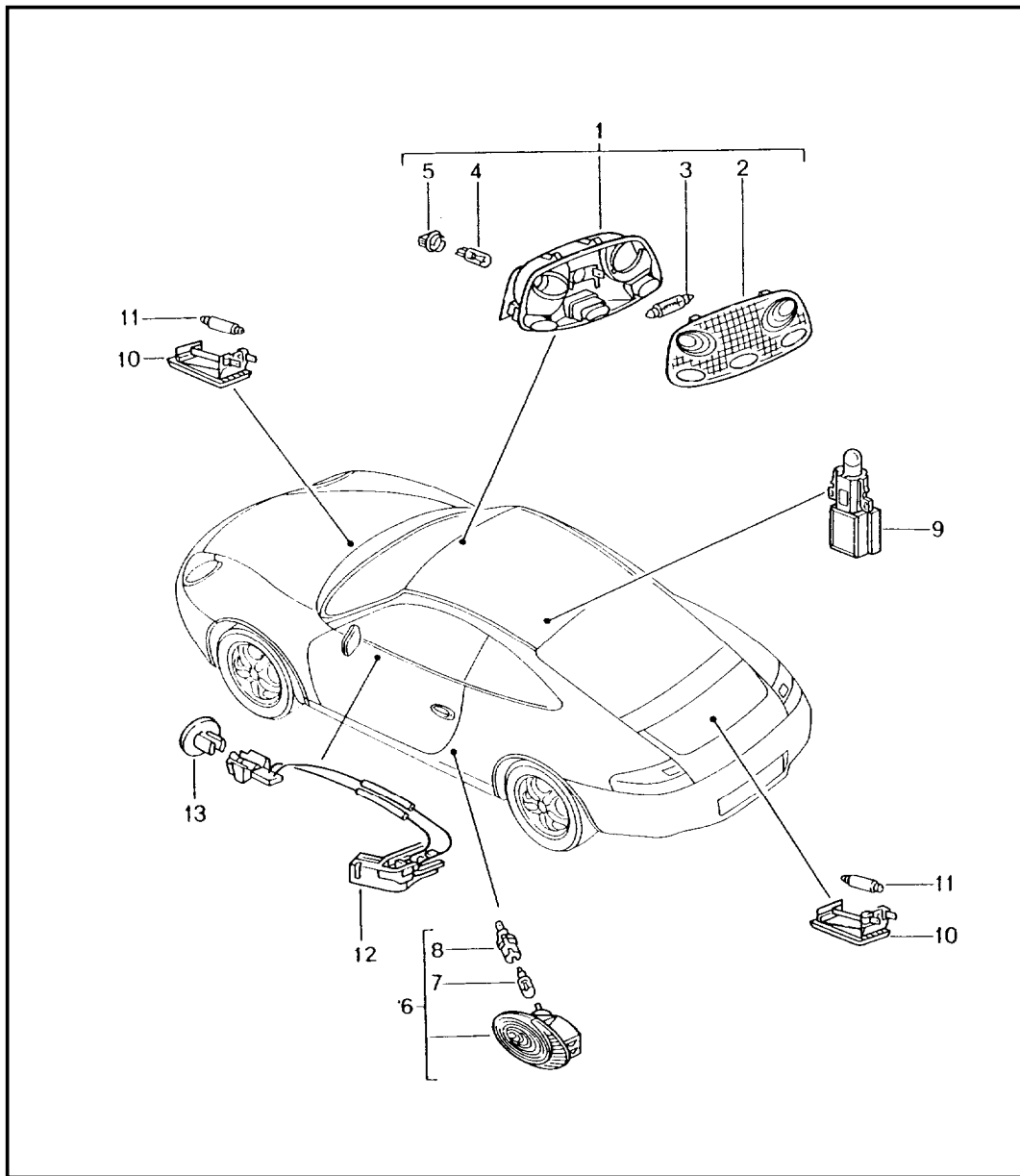


Pos	Part Number	Description	Remark	Qty	Model
		fanfare horn alarm system			M536
1	996 635 206 04	fanfare high-pitched		1	
2	996 635 205 04	fanfare low-pitched		1	
-	999 650 490 40	plug socket		2	
-	999 650 135 22	connector		4	
-	999 650 126 40	gasket		4	
3	996 635 150 00	support		1	
4	N 042 121 3	shake-proof washer A 6,4		2	
5	900 380 015 01	hexagon nut M 6		2	
6	900 377 003 03	hexagon nut M 8		1	
7 A	996 637 117 02	horn for alarm system		1	
7	996 637 117 03	horn for alarm system		1	
8	900 075 459 09	combination screw M 6 X 12 Z2		1	
9	996 618 237 04	alarm siren		1	M536
-	999 652 946 40	plug socket 3-pole		1	
-	999 650 126 40	gasket		X	
-	999 650 127 40	gasket		X	
-	999 652 934 22	contact bush 0,63 - 0,5		X	
10	999 703 459 40	rubber mounting		1	M536
11	996 637 420 01	support	/LL	1	M536
(11)	996 637 419 01	support	/RL	1	M536

Model	Year	MG	SG	Illustration	Restrictions	UPD	14:33	24.01.2010	PORSCHE	PET	PORSCHE
996	2005	9	03	903-00		248					

Pos	Part Number	Description	Remark	Qty	Model	Pos	Part Number	Description	Remark	Qty	Model
12	A 996 618 265 00	tilt sensor see technical manual GR.9 / 96 64 32 use also:	-01	1	M536						
-	996 622 904 00	wiring harness		1							
-	999 650 335 40	plug socket 6-pole	-01	1	M536						
-	999 652 775 22	contact bush 2,5 - 1	-01	X	M536						
(12)	996 618 265 01	tilt sensor	02-	1	M536						
-	996 637 421 00	support tilt sensor	02-	1	M536						
-	900 378 179 09	hexagon-head bolt M 6 X 16	02-	1	M536						
-	999 500 078 00	sheetmetal press nut M 6	02-	1	M536						

Model	Year	MG	SG	Illustration	Restrictions	UPD	14:34	24.01.2010	PORSCHE	PET	PORSCHE
996	2005	9	03	903-04		248					

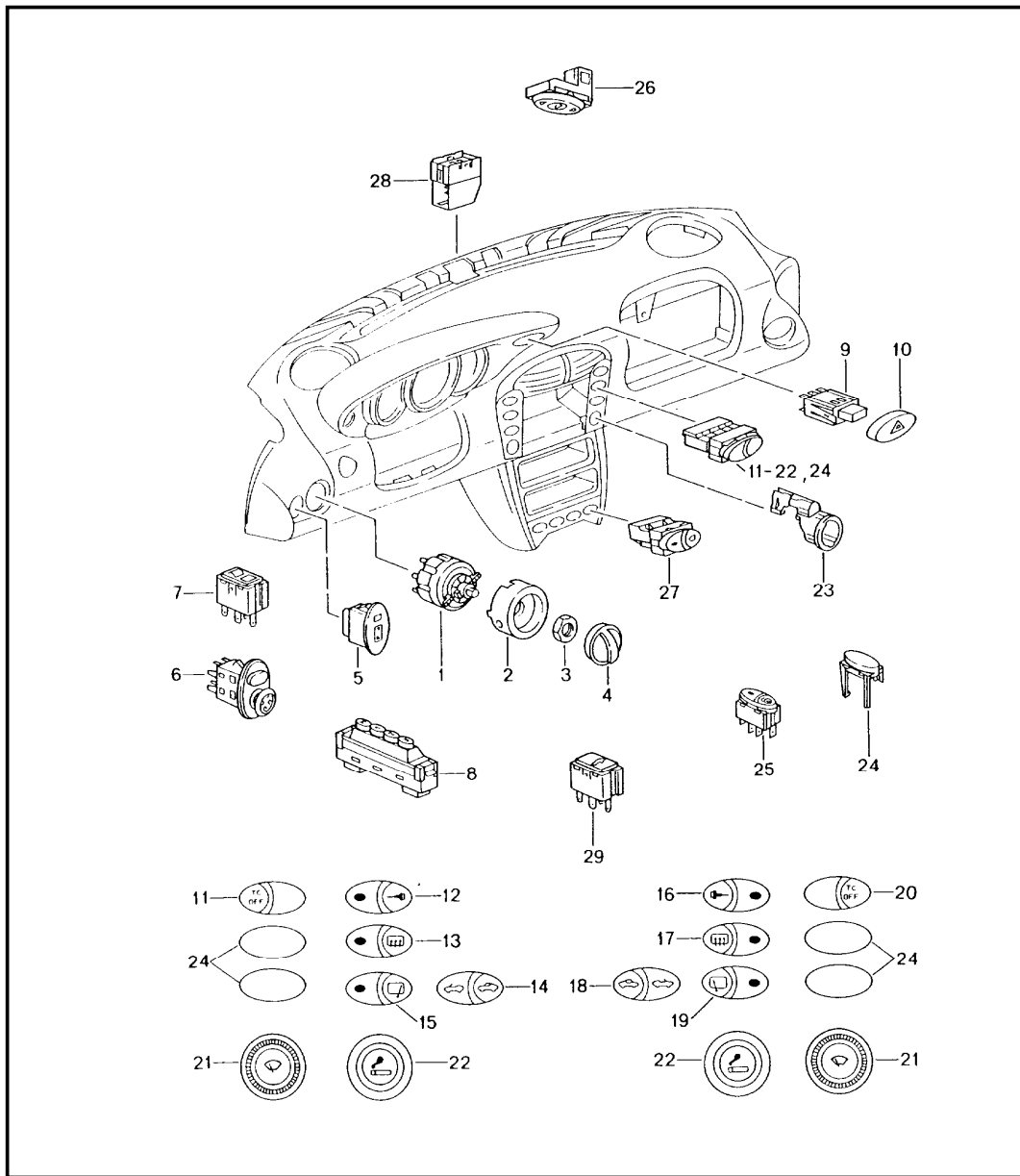


Pos	Part Number	Description	Remark	Qty	Model
		interior lights luggage compartment lamp engine compartment lamp glove compartment light footwell light combined lights door opener			IXX2
1	996 632 051 01	interior light	-00	1	
1	996 632 053 01	interior light	01	1	
1	996 632 053 10	interior light	02-	1	
1	996 632 051 01	interior light	01	1	M265
1	996 632 051 10	interior light	02-	1	M265
2	996 632 151 00	lens	-00	1	
2	996 632 153 00	lens	01	1	
2	996 632 153 10	lens	02-	1	
2	996 632 151 00	lens	01-	1	M265
3	900 631 106 90	bulb 10 W		1	
4	999 631 134 90	bulb 6 W		2	
5	999 632 018 00	bulb socket		2	
6	996 632 132 01	door guard light		2	
6	996 632 135 00	light tray luggage	02-	2	TARGA
7	999 631 032 90	bulb 5 W		2	
8	161 949 111	bulb socket		2	
9	996 632 113 00	ashtray light		1	
		luggage compartment lamp engine compartment lamp footwell light			IXX2
10	997 632 201 00	light		2	
-	815 971 989 B	plug socket		2	
-	N 017 490 6	connector		4	

Model	Year	MG	SG	Illustration	Restrictions	UPD	14:34	24.01.2010	PORSCHE	PET	PORSCHE
996	2005	9	03	903-04		248					

Pos	Part Number	Description	Remark	Qty	Model	Pos	Part Number	Description	Remark	Qty	Model
-	996 632 980 00	support footwell light		2	IXX2						
(10)	928 632 101 00	glove compartment light	02-	1							
11	900 631 106 90	linolite lamp 10 W		2							
(11)	999 631 018 90	linolite lamp 3 W glove compartment light	02-	1							
-	999 631 137 90	bulb 3 W vanity mirror	-01	4	M274						
-	999 631 147 90	bulb 3 W vanity mirror	02-	4							
12	996 632 121 02	combined lights driver's door door opener ignition starter lock	/LL	01-	1						
(12)	996 632 124 02	combined lights driver's door door opener ignition starter lock	/RL	01-	1						
(12)	996 632 122 02	combined lights passenger's door door opener	/LL	01-	1						
(12)	996 632 123 02	combined lights passenger's door door opener	/RL	01-	1						
13	996 632 125 00	rosette driver's door combined lights ignition starter lock	/LL	01-	1						
(13)	996 632 126 00	rosette driver's door combined lights ignition starter lock	/RL	01-	1						

Model	Year	MG	SG	Illustration	Restrictions	UPD	14:34	24.01.2010	PORSCHE	PET	PORSCHE
996	2005	9	03	903-05		248					



Pos	Part Number	Description	Remark	Qty	Model
1	996 613 535 00	switch		1	
-	999 650 346 40	light switch		1	
-	999 650 343 40	terminal sleeve housing		1	
-	999 652 437 12	lid		1	
-	999 652 351 22	connector \$ 4,0		X	
-	999 652 351 22	connector \$ 2,5		X	
2	996 613 631 01	headlight unit	/LL	1	
(2)	996 613 632 01	headlight unit	/RL	1	
-	999 652 972 40	plug socket		1	
-	999 652 973 40	cap		1	
-	999 652 901 22	connector		5	
3	999 034 030 09	hexagon nut M 16 X 1		1	
4	996 613 533 01	rotary knob	-01	1	
	A01	gloss black			
4	996 613 533 10	rotary knob	02-	1	
	A05	black mat			
5	996 613 230 01	potentiometer	-00	1	M605
	A01	gloss black headlight levelling system			
6	996 613 241 00	switch		1	M273
	01C	satin black door mirror			
(6)	996 613 980 01	switch door mirror leather	01-	1	IXTJ/XTK/XTL IXTR
	A11	black			
	C51	graphite grey			
	S31	savanna			
	G11	metropole blue			

Model	Year	MG	SG	Illustration	Restrictions	UPD	14:34	24.01.2010	PORSCHE	PET	PORSCHE
996	2005	9	03	903-05		248					

Pos	Part Number	Description	Remark	Qty	Model	Pos	Part Number	Description	Remark	Qty	Model
	J31	nephrite green					A05	black mat			
	M31	boxster red				-	999 650 107 40	plug socket		1	
	P12	cinnamon brown				-	999 650 103 12	connector		5	
	D12	dark grey/natural				12	996 613 144 00	tip switch	/LL	-01	1
	T12	brown/natural					A02	gloss black central locking system			
-	993 612 501 00	plug socket		1		12	996 613 144 10	tip switch	/LL	02-	1
-	N 903 352 04	connector		5			A05	black mat central locking system			
-	999 652 790 12	cylindrical socket		2		-	999 650 107 40	plug socket		1	
7	996 613 102 00	tip switch rear spoiler		1		-	999 650 330 00	connector		5	
-	999 650 035 40	plug socket		1		13	996 613 134 00	tip switch	/LL	-01	1
-	999 650 330 00	connector		5			A02	gloss black heating rear window door mirror			
8	996 613 103 01	memory switch	-01	1	M537/538	13	996 613 134 10	tip switch	/LL	02-	1
(8)	996 613 103 02	memory switch	02-	1	M537/538		A05	black mat heating rear window door mirror			
9	996 613 120 01	hazard warning light sw.		1		-	999 650 110 40	plug socket		1	
10	996 613 121 00	key	-01	1		-	999 650 103 12	connector		5	
	A02	gloss black				14	996 613 138 00	tip switch	/LL	-01	1
10	996 613 121 10	key	02-	1			A02	gloss black convertible top control			
	A05	black mat				14	996 613 138 10	tip switch	/LL	02-	1
-	999 650 191 40	plug socket		1			A05	black mat convertible top control			
-	999 650 192 40	locking device		1		-	999 650 111 40	plug socket		1	
-	999 652 475 22	connector		9		-	999 650 330 00	connector		5	
-	-	rosette hazard warning light sw. see group 8 / 09 / 00		X		15	996 613 136 00	tip switch	/LL	-01	1
11	996 613 141 00	tip switch	/LL	-99	1	M222		A02	gloss black		
	A02	gloss black						A02	gloss black		
(11)	996 613 145 00	tip switch	/LL	-01	1	M476		A02	gloss black		
	A02	gloss black						A02	gloss black rear window wiper		
(11)	996 613 145 10	tip switch	/LL	02-	1	M476					

Model	Year	MG	SG	Illustration	Restrictions	UPD	14:34	24.01.2010	PORSCHE	PET	PORSCHE
996	2005	9	03	903-05		248					

Pos	Part Number	Description	Remark	Qty	Model	Pos	Part Number	Description	Remark	Qty	Model
15	996 613 136 10	tip switch	/LL 02-	1	M425		A02	gloss black rear window wiper			
	A05	black mat rear window wiper				19	996 613 135 10	tip switch	/RL 02-	1	M425
-	999 650 111 40	plug socket		1			A05	black mat rear window wiper			
-	999 650 330 00	connector		5		-	999 650 111 40	plug socket		1	
16	996 613 143 00	tip switch	/RL -01	1		-	999 650 330 00	connector		5	
	A02	gloss black central locking system				20	996 613 142 00	tip switch	/RL -99	1	M222
16	996 613 143 10	tip switch	/RL 02-	1			A02	gloss black			
	A05	black mat central locking system				(20)	996 613 146 00	tip switch	/RL -01	1	M476
-	999 650 107 40	plug socket		1			A02	gloss black			
-	999 650 330 00	connector		5		(20)	996 613 146 10	tip switch	/RL 02-	1	M476
17	996 613 133 00	tip switch	/RL -01	1			A05	black mat			
	A02	gloss black heating rear window door mirror				-	999 650 107 40	plug socket		1	
17	996 613 133 10	tip switch	/RL 02-	1		-	999 650 103 12	connector		5	
	A05	black mat heating rear window door mirror				21	996 613 115 00	potentiometer	-01	1	
-	999 650 110 40	plug socket		1			A02	gloss black wipe interval			
-	999 650 103 12	connector		5		21	996 613 115 10	potentiometer	02-	1	
18	996 613 137 00	tip switch	/RL -01	1	CABRIO		A05	black mat wipe interval			
	A02	gloss black convertible top control				21	996 613 127 00	potentiometer	01	1	M265
18	996 613 137 10	tip switch	/RL 02-	1	CABRIO		A02	gloss black wipe interval			
	A05	black mat convertible top control				21	996 613 127 10	potentiometer	02-	1	M265
-	999 650 111 40	plug socket		1			A05	black mat wipe interval			
-	999 650 330 00	connector		5		22	996 652 101 00	cigarette lighter	-01	1	
19	996 613 135 00	tip switch	/RL -01	1	M425	22 A	996 652 101 10	cigarette lighter	02-	1	
							A05	black mat			
						22	997 652 101 00	cigarette lighter	02-	1	
							A05	black mat			

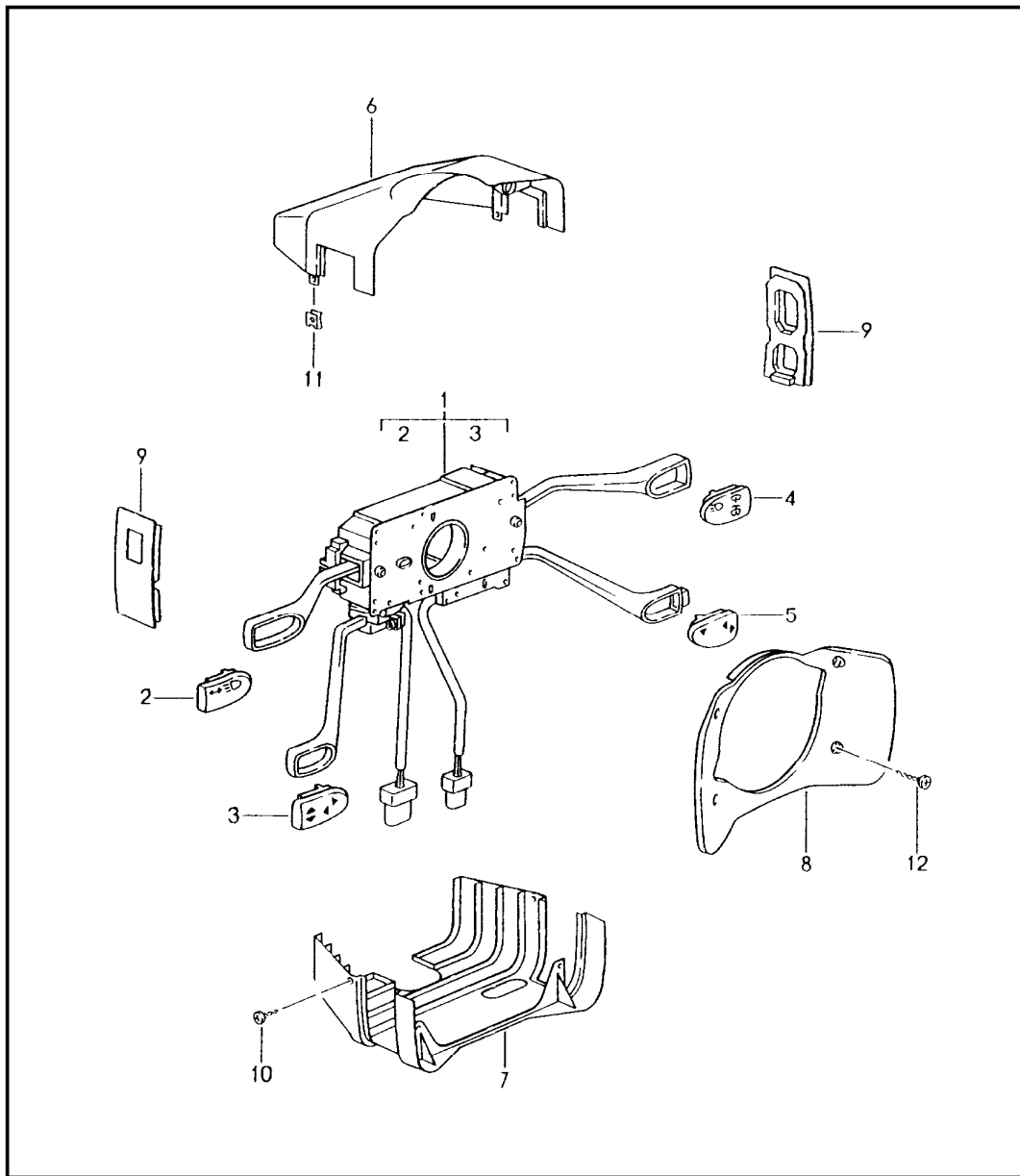
Model	Year	MG	SG	Illustration	Restrictions	UPD	14:34	24.01.2010	PORSCHE	PET	PORSCHE
996	2005	9	03	903-05		248					

Pos	Part Number	Description	Remark	Qty	Model	Pos	Part Number	Description	Remark	Qty	Model
-	999 650 284 40	plug socket		1		-	999 650 330 00	connector	/L	5	
-	999 652 735 12	connector		3		-	999 650 035 40	plug socket	/R	1	
(22)	996 652 103 00	plug socket		1	M580	-	999 650 330 00	connector	/R	5	
	A01	gloss black				26	996 613 147 00	tip switch		-01	1 M650
23	996 652 102 01	headlight unit	-01	1			A02	gloss black sunroof			
23	996 652 102 10	headlight unit	02-	1		26	996 613 147 10	tip switch		02-	1 M650
(23)	996 652 104 00	tensioning sleeve		1	M580		A05	black mat sunroof			
24	996 552 425 00	cover	-99	X		27	996 613 153 00	tip switch	/L	-01	1 M139
	A01	gloss black					A02	gloss black seat heater			
(24)	986 613 425 00	cover	-01	X		(27)	996 613 154 00	tip switch	/R	-01	1 M340
	A01	gloss black switch display specimen					A02	gloss black seat heater			
(24)	996 613 425 10	cover	02-	X		27	996 613 153 10	tip switch	/L	-02	1 M139
	A05	black mat switch display specimen					A05	black mat seat heater	/L	03-	M342
(24)	996 613 980 06	tip switch	02-	1	IXX2	(27)	996 613 154 10	tip switch	/R	-02	1 M340
	A05	black mat footwell light					A05	black mat seat heater	/R	03-	M342
(24)	996 613 987 10	tip switch		1	IXLF		A05	black mat seat heater			
	A05	black mat	/LL		COUPE/TARGA CABRIO	-	999 650 109 40	plug socket	/L		1
(24)	996 613 988 10	tip switch	/RL		IXLF	-	999 650 330 00	connector	/L		5
	A05	black mat	/LL		CABRIO COUPE/TARGA	-	999 650 035 40	plug socket	/R		1
			/RL			-	999 650 330 00	connector	/R		5
25	996 613 151 00	tip switch		2	COUPE	(27)	996 613 157 10	tip switch		02-	1 TARGA
	A02	gloss black power windows			CABRIO		A05	black mat glass roof			
25	996 613 151 10	tip switch		2	COUPE	(27)	996 613 119 10	tip switch		02-	1 TARGA
	A05	black mat power windows			CABRIO		A05	black mat shade			
-	999 650 109 40	plug socket	/L								

Model	Year	MG	SG	Illustration	Restrictions	UPD	14:34	24.01.2010	PORSCHE	PET	PORSCHE
996	2005	9	03	903-05		248					

Pos	Part Number	Description	Remark	Qty	Model	Pos	Part Number	Description	Remark	Qty	Model
28	996 653 251 00	light alarm system with sensor		1	M534/535						
-	999 650 221 40	plug socket		1	M573						
29	996 613 105 10	tip switch	01-	1							
	A05	black mat lid front									
(29)	996 613 106 10	tip switch	01-	1							
	A05	black mat lid rear									
(29)	996 613 107 10	tip switch	02-	1	TARGA						
	A05	black mat rear lid release									

Model	Year	MG	SG	Illustration	Restrictions	UPD	14:34	24.01.2010	PORSCHE	PET	PORSCHE
996	2005	9	03	903-10		248					



Pos	Part Number	Description	Remark	Qty	Model
1	996 613 219 10	steering column switch		1	M454/659
	EWC	black mat/satin black			
1	996 613 217 10	steering column switch		1	M454
	EWC	black mat/satin black			
1	996 613 215 10	steering column switch		1	M659
	EWC	black mat/satin black			
1	996 613 213 10	steering column switch		1	
	EWC	black mat/satin black			
-	999 652 640 40	plug socket	/L	1	
-	999 652 639 22	contact bush	/L	X	
-	999 652 641 40	plug socket	/R	1	
-	999 652 639 22	contact bush	/R	X	
-	999 650 056 40	plug socket		1	M659
-	999 650 057 40	cap		1	M659
-	999 652 901 22	contact bush		X	M659
-	999 652 972 40	plug socket		1	M454
-	999 652 973 40	cap		1	M454
-	999 652 901 22	contact bush		X	M454
		when required order also:			
2	996 613 509 00	cap with symbol	-01	1	
	A01	gloss black direction indicator light high beam			
2	996 613 509 10	cap with symbol	02-	1	
	A05	black mat direction indicator light high beam			
3	996 613 503 01	cap with symbol	-01	1	M659
	A01	gloss black			
3	996 613 503 10	cap with symbol	02-	1	M659

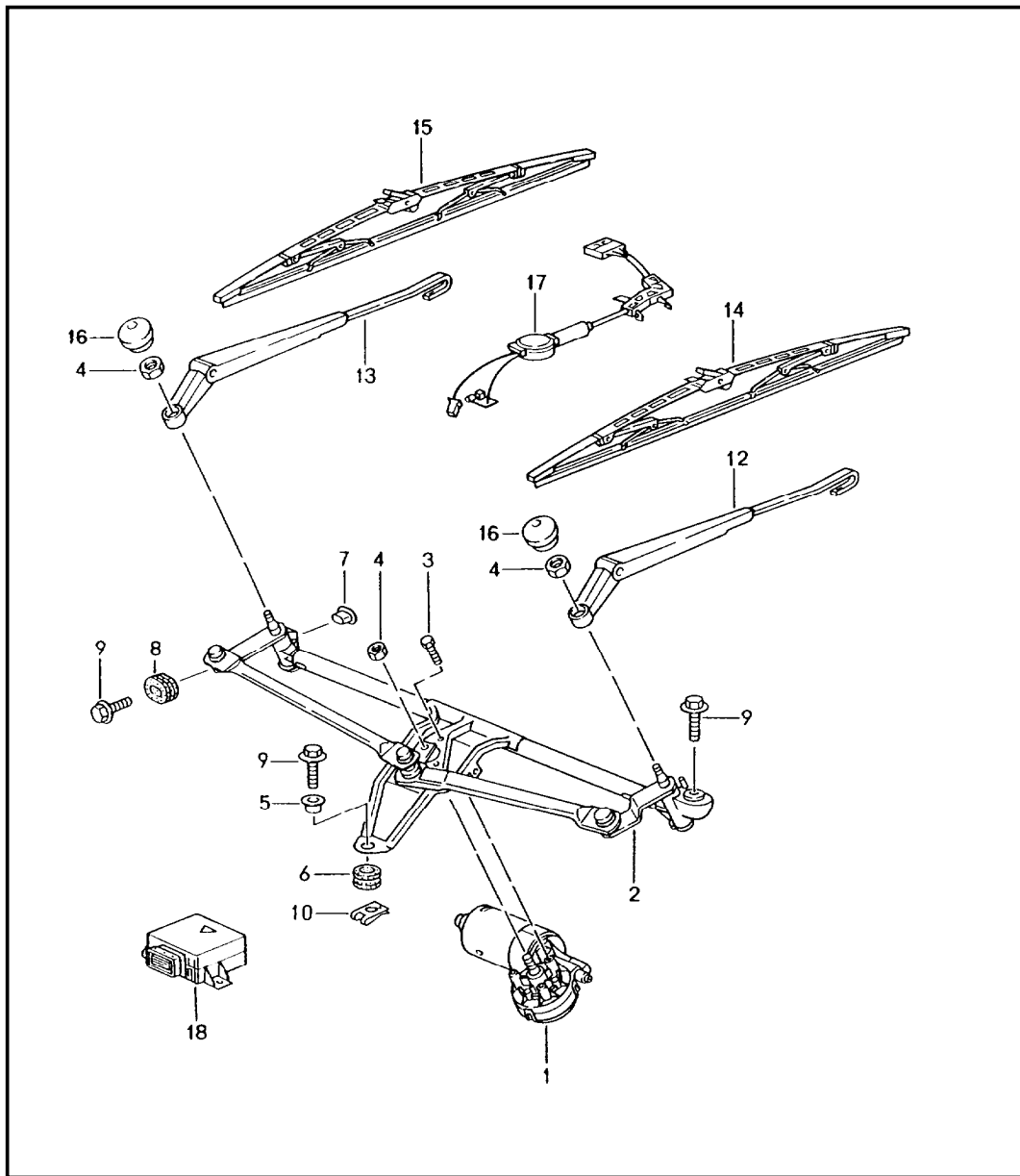
Model	Year	MG	SG	Illustration	Restrictions	UPD	14:34	24.01.2010	PORSCHE	PET	PORSCHE
996	2005	9	03	903-10		248					

Pos	Part Number	Description	Remark	Qty	Model	Pos	Part Number	Description	Remark	Qty	Model
	A05	black mat					C50	graphite grey	-99		
4	996 613 507 00	cap with symbol	-01	1	M288		G10	metropole blue	-99		
	A01	gloss black					S30	savanna	-99		
4	996 613 507 10	cap with symbol	02-	1	M288		A03	black	00-		
	A05	black mat					B13	space grey	00-		
(4)	996 613 508 00	cap with symbol	-01	1			C53	graphite grey	00-		
	A01	gloss black					G13	metropole blue	00-		
(4)	996 613 508 10	cap with symbol	02-	1			J33	nephrite green	00-		
	A05	black mat					M33	boxster red	00-		
5	996 613 504 00	cap with symbol	-01	1	M454		S33	savanna	00-		
	A01	gloss black german					P13	cinnamon brown	01-		
5	996 613 504 10	cap with symbol	02-	1	M454	7	996 552 275 02	switch housing	-99	1	
	A05	black mat german					01C	satin black			
(5)	996 613 505 00	cap with symbol	-01	1	M454	7	996 552 275 03	switch housing lacquered		1	
	A01	gloss black english					B50	space grey	-99		
(5)	996 613 505 10	cap with symbol	02-	1	M454		C50	graphite grey	-99		
	A05	black mat english					G10	metropole blue	-99		
(5)	996 613 506 00	cap with symbol	-01	1	M454		S30	savanna	-99		
	A01	gloss black french					A03	black	00-		
(5)	996 613 506 10	cap with symbol	02-	1	M454		B13	space grey	00-		
	A05	black mat french					C53	graphite grey	00-		
6	996 552 273 00	switch housing	-99	1			G13	metropole blue	00-		
	01C	satin black					J33	nephrite green	00-		
6	996 552 273 01	switch housing lacquered		1			M33	boxster red	00-		
	B50	space grey	-99				S33	savanna	00-		
						-	P13	cinnamon brown	01-		
							996 610 206 00	support for connector housing		1	

Model	Year	MG	SG	Illustration	Restrictions	UPD	14:34	24.01.2010	PORSCHE	PET	PORSCHE
996	2005	9	03	903-10		248					

Pos	Part Number	Description	Remark	Qty	Model	Pos	Part Number	Description	Remark	Qty	Model
8	993 552 277 00	cover	-99	1							
	01C	satin black									
8	996 552 277 00	cover		1							
		lacquered									
	B50	space grey	-99								
	C50	graphite grey	-99								
	G10	metropole blue	-99								
	S30	savanna	-99								
	A03	black	00-								
	B13	space grey	00-								
	C53	graphite grey	00-								
	G13	metropole blue	00-								
	J33	nephrite green	00-								
	M33	boxster red	00-								
	S33	savanna	00-								
	P13	cinnamon brown	01-								
9	993 552 573 00	cover		X							
	01C	satin black									
				1	M454						
				1	M659						
(9)	993 552 573 01	cover		X							
	01C	satin black									
					M454/659						
					M454						
					M659						
10	900 143 002 07	tapping screw		2							
		B 2,9 X 9,5									
11	999 591 888 02	speed nut		2							
		B 2,9									
12	900 143 072 02	oval-head sheetmetal screw		4							
		B 3,5 X 19									

Model	Year	MG	SG	Illustration	Restrictions	UPD	14:34	24.01.2010	PORSCHE	PET	PORSCHE
996	2005	9	04	904-00		248					

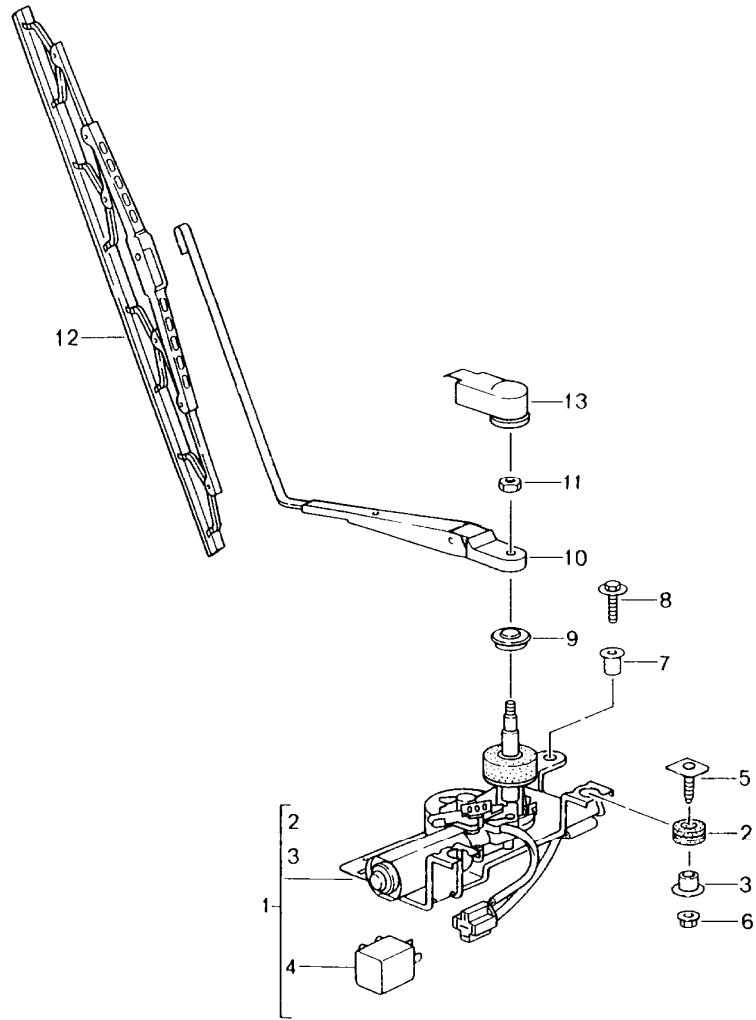


Pos	Part Number	Description	Remark	Qty	Model
		windscreen wiper system rain sensor			M265
1	A 997 624 105 00	wiper motor	/LL	1	
1	997 624 105 01	wiper motor	/LL	1	
(1)	A 997 624 106 00	wiper motor	/RL	1	
(1)	997 624 106 01	wiper motor	/RL	1	
2	997 628 235 00	crank drive	/LL	1	
(2)	997 628 236 00	crank drive	/RL	1	
3	900 075 014 02	hexagon-head bolt M 6 X 18	-04	3	
(3)	999 073 359 09	torx screw M 6 X 18	05	3	
4	900 076 064 01	hexagon nut M 8		3	
5	999 924 102 02	bearing sleeve		1	
6	999 702 204 50	rubber bush		1	
7	996 628 713 00	bearing sleeve		1	
8	996 628 703 00	rubber bush		1	
9	A 999 075 075 09	combination screw M 6 X 22 SC		3	
9	999 075 075 01	combination screw M 6 X 22 SC		3	
10	999 507 246 02	speed nut M 6		1	
12	A 996 628 028 00	wiper arm driver's side	/LL	1	
12	997 628 027 00	wiper arm driver's side	/LL	1	
(12)	A 996 628 027 01	wiper arm passenger's side	/RL	1	
(12)	997 628 030 00	wiper arm passenger's side	/RL	1	
13	A 996 628 028 01	wiper arm passenger's side	/LL	1	

Model	Year	MG	SG	Illustration	Restrictions	UPD	14:34	24.01.2010	PORSCHE	PET	PORSCHE
996	2005	9	04	904-00		248					

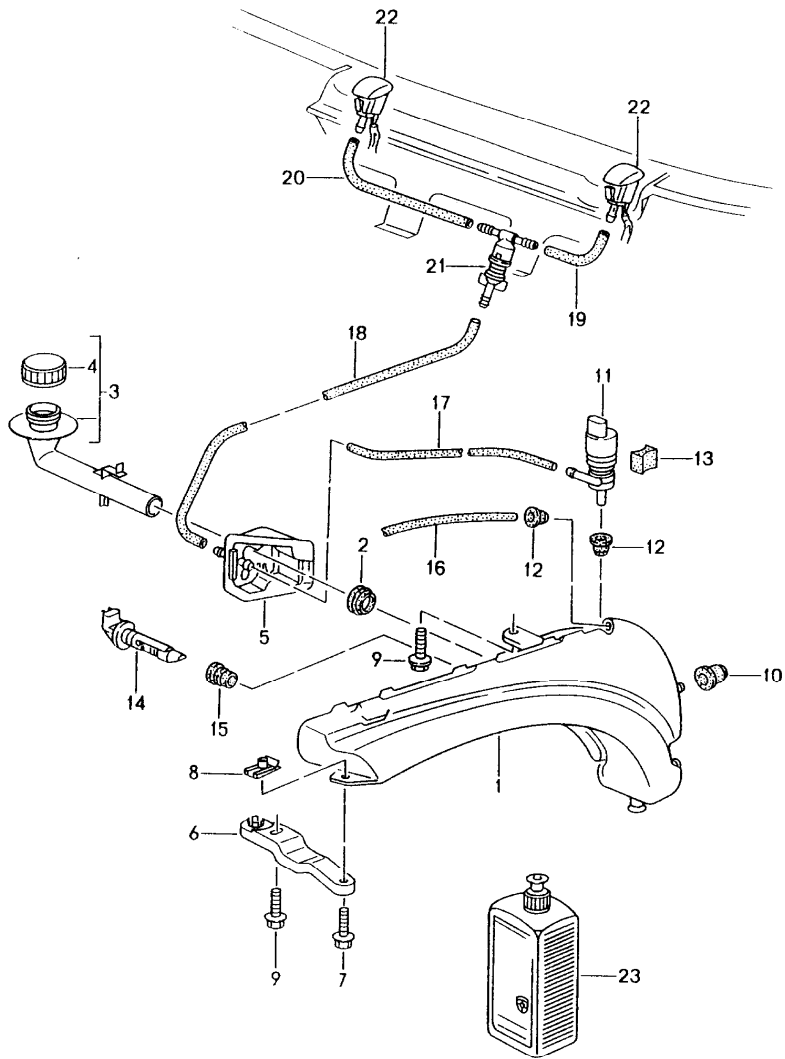
Pos	Part Number	Description	Remark	Qty	Model	Pos	Part Number	Description	Remark	Qty	Model
13	997 628 029 00	wiper arm passenger's side	/LL	1							
(13) A	996 628 027 00	wiper arm driver's side	/RL	1							
(13)	997 628 028 00	wiper arm driver's side	/RL	1							
(14)	996 628 901 08	wiper blade set driver's side passenger's side see technical information GR. 9 , NR. 1/03	/LL	1							
(15)	996 628 901 08	wiper blade set driver's side passenger's side see technical information GR. 9 , NR. 1/03	/RL	1							
16	944 628 305 01	cap		2							
17	996 612 506 00	rain sensor with wiring harness		1	COUPE M265						
(17)	996 612 516 00	rain sensor with wiring harness		1	CABRIO M265						
(17)	996 612 526 00	rain sensor with wiring harness	02-	1	TARGA M265						
-	000 043 204 65	adhesive film for rain sensor see technical manual GR. 9 / 92 12 19		1	M265						
18	996 615 113 00	control unit rain sensor		1	M265						

Model	Year	MG	SG	Illustration	Restrictions	UPD	14:34	24.01.2010	PORSCHE	PET	PORSCHE
996	2005	9	04	904-05		248					



Pos	Part Number	Description	Remark	Qty	Model
		rear window wiper			COUPE/TARGA
1	996 628 080 00	wiper motor		1	CARRERA
1	996 628 080 01	wiper motor	02-	1	C4S
(1)	996 628 090 00	wiper motor	02-	1	TARGA
2	999 702 204 50	rubber bush		2	
3	999 924 102 02	bearing sleeve		2	
4	928 618 104 00	relay		1	
5	999 081 004 02	screw		2	
6	999 084 212 02	hexagon nut M 6		2	
7	999 500 078 00	sheetmetal press nut		1	
8	999 075 056 09	combination screw M 6 X 22 Z2		1	
9	996 628 273 01	grommet		1	
10	996 628 040 00	wiper arm		1	COUPE
(10)	996 628 050 00	wiper arm	02-	1	TARGA
11	900 076 064 01	hexagon nut M 8		1	
12	996 628 901 07	wiper blade		1	
13	944 628 122 00	cap		1	

Model	Year	MG	SG	Illustration	Restrictions	UPD	14:35	24.01.2010	PORSCHE	PET	PORSCHE
996	2005	9	04	904-10		248					

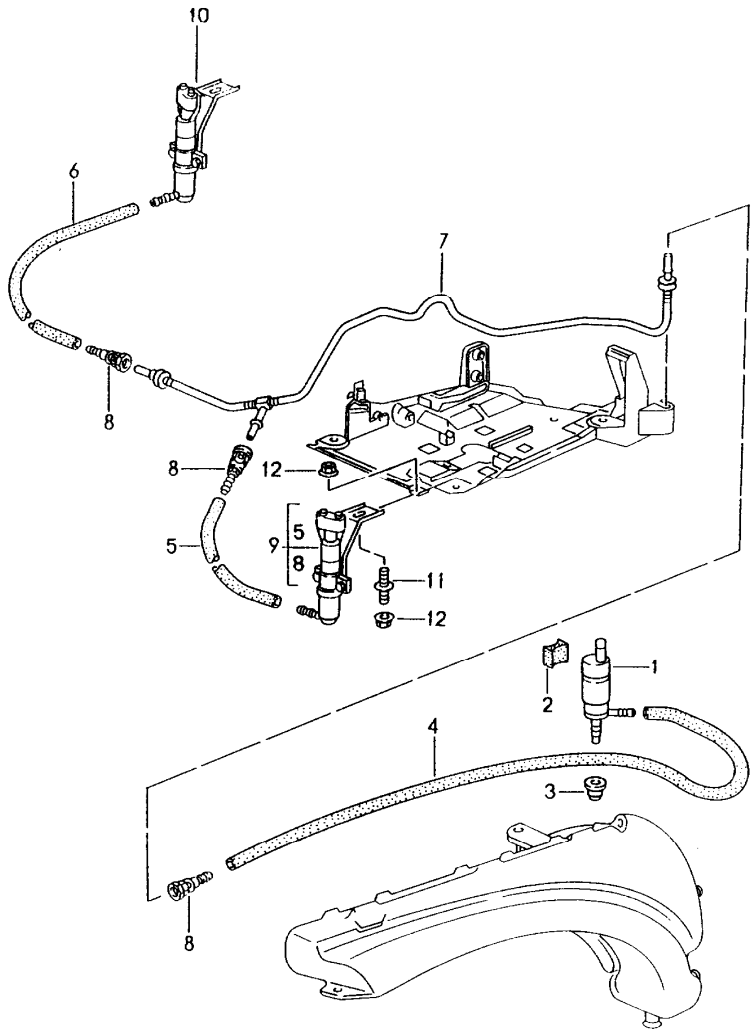


Pos	Part Number	Description	Remark	Qty	Model
		windscreen washer system			
1	996 528 701 00	water reservoir		1	M288
(1)	996 528 701 01	water reservoir		1	
2	996 528 711 00	gasket		1	
3	996 528 605 00	filler neck		1	
4	996 528 607 00	lid		1	
5	996 528 615 01	bracket		1	
-	999 137 091 40	joining socket repair material for bracket 996.528.615.00/01		X	
(6)	996 528 611 02	support		1	M288
7	900 378 030 09	hexagon-head bolt M 6 X 20		1	M288
8	999 591 882 02	speed nut M 6		1	M288
9	900 378 154 01	hexagon-head bolt AM 8 X 35 SB		1 2	M288
10	999 702 221 40	grommet		2	
11	996 628 172 00	pump		1	
12	431 955 465 B	gasket		2	
13	993 628 213 00	spacer		1	M288
14	996 628 105 00	tank gauge switch		1	
15	996 528 721 00	gasket		1	
16	999 181 347 40	breather pipe 245 MM 640 MM		*	M288
-	999 181 815 40	hose 5,0 X 2,5		*	
17	-	400 MM		1	
18	-	560 MM		1	
19	-	80 MM		1	
20	-	380 MM		1	

Model	Year	MG	SG	Illustration	Restrictions	UPD	14:35	24.01.2010	PORSCHE	PET	PORSCHE
996	2005	9	04	904-10		248					

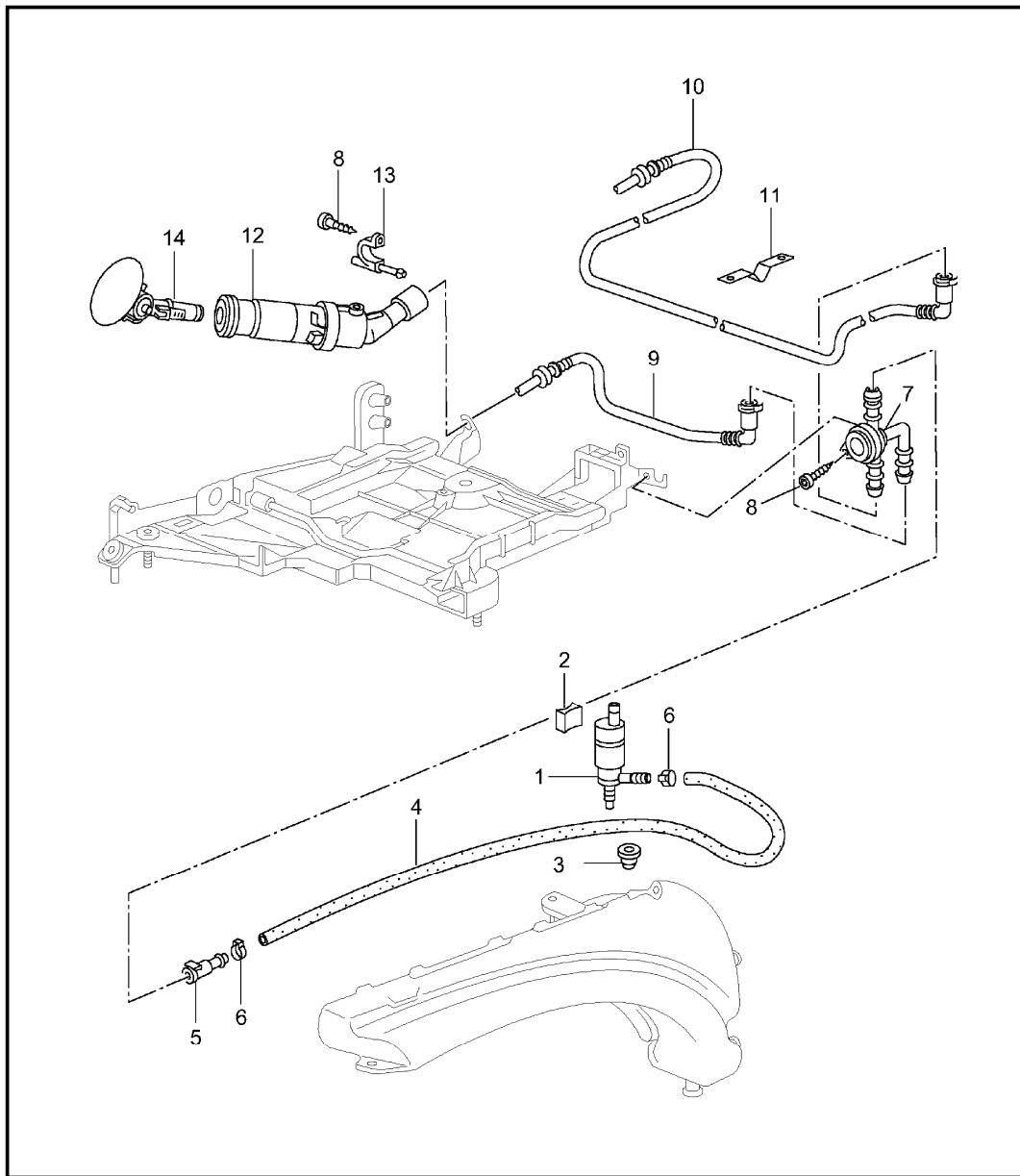
Pos	Part Number	Description	Remark	Qty	Model	Pos	Part Number	Description	Remark	Qty	Model
21	996 628 102 00	t-piece		1							
22	A 996 628 077 00	nozzle adjustable	98	2							
(22)	996 628 077 03	nozzle not adjustable	99-	2							
		when required order also:									
-	997 612 976 00	repair kit wiring harness		2							
23	999 901 017 41	window cleaner 250 ML summer		X							
23	999 901 033 40	window cleaner 1000 ML winter		X							

Model	Year	MG	SG	Illustration	Restrictions	UPD	14:35	24.01.2010	PORSCHE	PET	PORSCHE
996	2005	9	04	904-20		248					



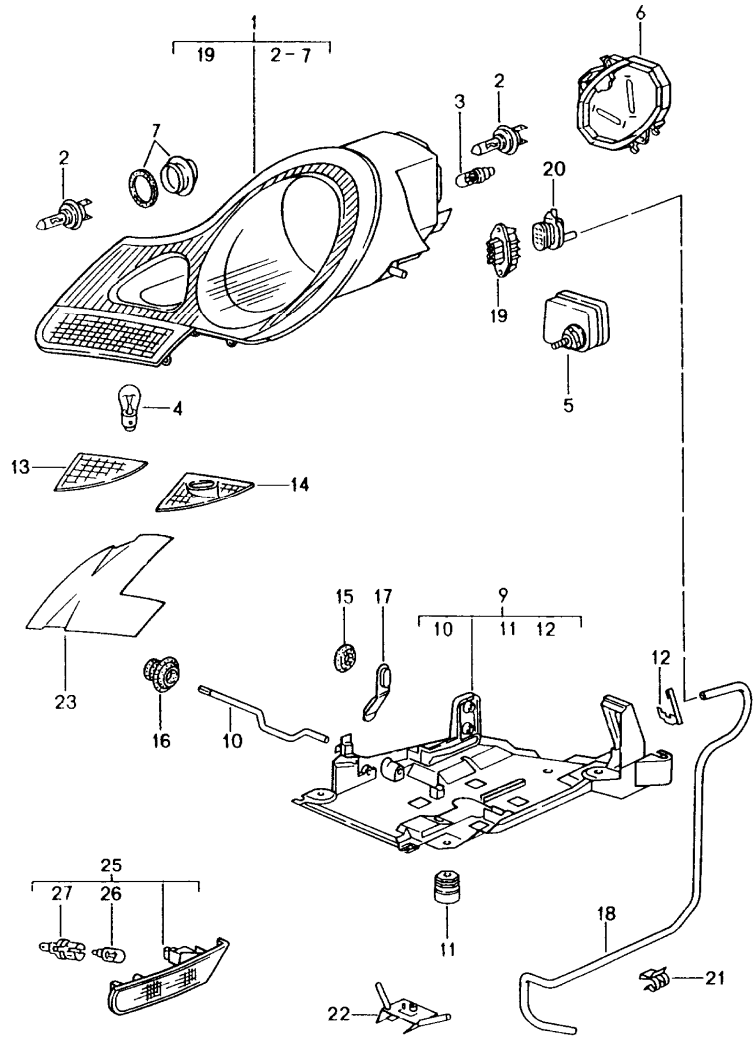
Pos	Part Number	Description	Remark	Qty	Model
		headlight washer system	-01		M288
1	996 624 502 00	pump		1	
2	993 628 213 00	spacer		1	
3	928 628 193 00	gasket without strainer		1	
(3)	996 628 393 00	gasket with strainer		1	
-	000 043 204 79	hose 8 X 3		*	
4	-	1020 MM		1	
5	-	170 MM		1	
6	-	930 MM		1	
-	999 512 673 00	hose clamp for POS. 1 + 8		X	
-	999 512 568 02	hose clamp for POS. 5 + 6		X	
7	996 628 673 00	line		1	
8	996 628 675 00	quick-connecting lock		3	
9	996 628 333 00	nozzle	/L	1	
10	996 628 334 00	nozzle	/R	1	
11	996 628 335 00	threaded bolt		2	
12	999 076 064 02	hexagon nut M 6-S		4	

Model	Year	MG	SG	Illustration	Restrictions	UPD	14:35	24.01.2010	PORSCHE	PET	PORSCHE
996	2005	9	04	904-21		248					



Pos	Part Number	Description	Remark	Qty	Model
		headlight washer system	02-		M288
1	996 624 502 00	pump		1	
2	993 628 213 00	spacer		1	
3	928 628 193 00	gasket without strainer		1	
(3)	996 628 393 00	gasket with strainer		1	
-	999 181 750 40	hose 10 X 3		*	
4	-	1020 MM		1	
5	996 628 204 00	quick-connecting lock		1	
6	999 512 673 00	hose clamp		2	
7	996 628 160 00	distributing piece		1	
8	999 919 017 02	oval-head screw 4,0 X 16		3	
9	996 628 135 00	pipeline	/L	1	
10	996 628 136 01	pipeline	/R	1	
11	996 628 110 00	support		2	
12	996 628 161 00	jet carrier	/L	1	
(12)	996 628 162 00	jet carrier	/R	1	
13	996 631 116 00	guide pin		2	
14	996 628 143 00	trim cover with nozzle	/L	1	
(14)	996 628 144 00	trim cover with nozzle	/R	1	

Model	Year	MG	SG	Illustration	Restrictions	UPD	14:35	24.01.2010	PORSCHE	PET	PORSCHE
996	2005	9	05	905-00		248					



Pos	Part Number	Description	Remark	Qty	Model
		headlamp direction indicator light	-01		
		headlamp with headlight levelling system			
1	996 631 153 04	headlamp	/L	98	1
1	996 631 154 04	headlamp	/R	98	1
1	996 631 153 08	headlamp	/L	98	1 M492
1	996 631 154 08	headlamp	/R	98	1 M492
1	996 631 153 12	headlamp	/L (J)	98	1 M492
1	996 631 154 12	headlamp	/R (J)	98	1 M492
		headlamp without headlight levelling system	01		
(1)	996 631 163 01	headlamp	/L	99-	1
(1)	996 631 164 01	headlamp	/R	99-	1
(1)	996 631 163 11	headlamp	/L	99-	1 M492
(1)	996 631 164 11	headlamp for vehicles up to model year 00 with headlight levelling system when required order also: 993.624.209.00	/R	99-	1 M492
2	999 631 133 90	halogen bulb H 7 white			6
3	999 631 032 90	bulb 5 W			2
4	900 631 127 90	bulb 21 W			2
5	993 624 209 00	electric motor headlight levelling system	-00		2
6	996 631 231 00	protective cap headlamp			2
7	996 631 233 00	protective cap fog headlamp			2

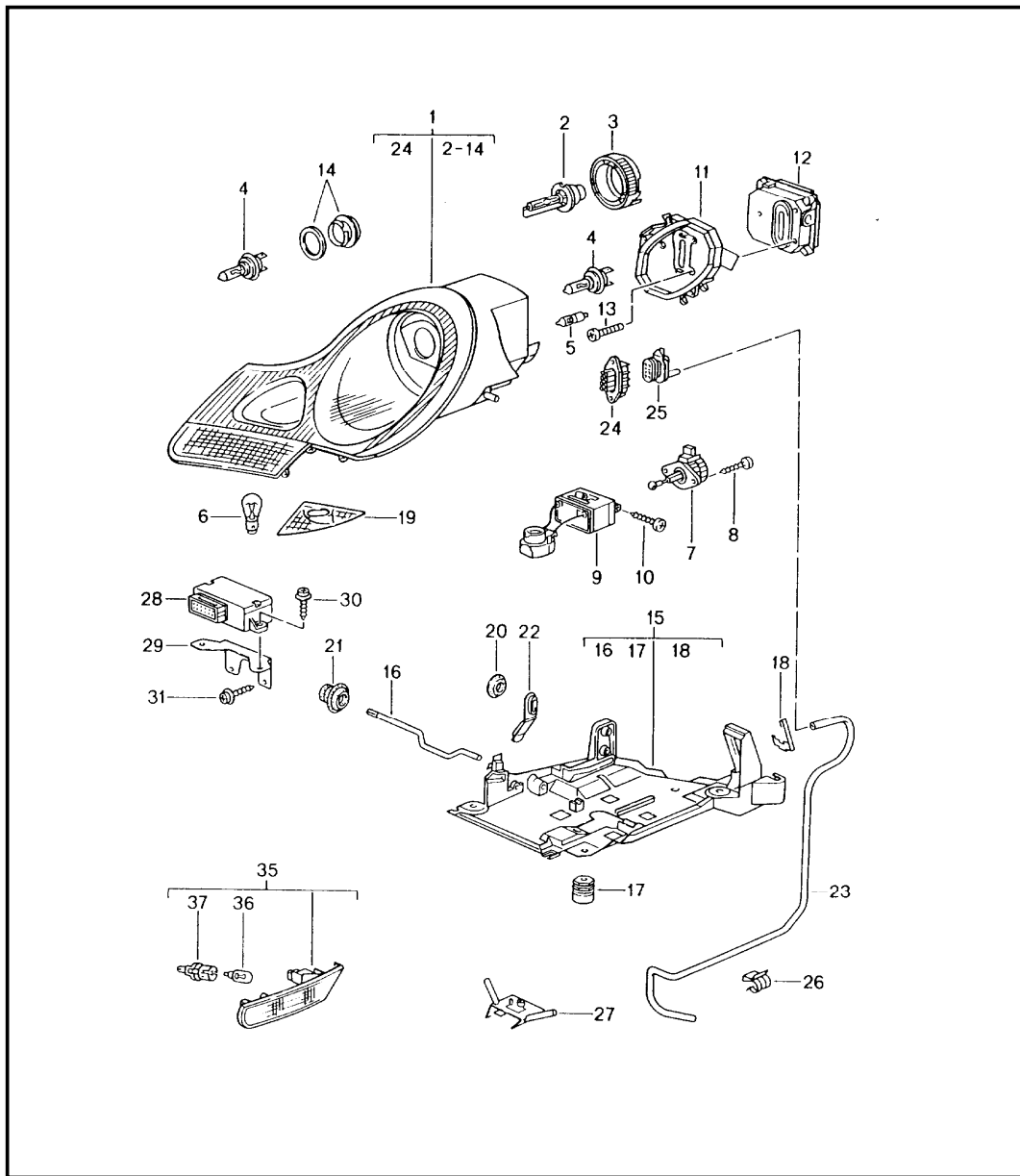
Model	Year	MG	SG	Illustration	Restrictions	UPD	14:35	24.01.2010	PORSCHE	PET	PORSCHE
996	2005	9	05	905-00		248					

Pos	Part Number	Description	Remark	Qty	Model	Pos	Part Number	Description	Remark	Qty	Model
9	996 631 041 00	mounting	/L	1		(21)	999 651 282 40	cable holder breather pipe front apron		X	
(9)	996 631 042 00	mounting	/R	1							
10	996 631 243 00	clamping bow		2		22	996 631 693 00	support mount front apron		1	
11	996 631 077 00	fastening part		6							
12	996 631 245 00	locking device connector housing	/L	1		23	996 631 137 00	set cover foil headlamp for Right-hand drive vehicles in rh traffic countries see tpi GR.9 / NR. 15		1	
(12)	996 631 246 00	locking device connector housing	/R	1							
13	996 631 035 00	trim cover	/L	98	1						
13	996 631 045 00	trim cover	/L	99-	1						
(13)	996 631 036 00	trim cover	/R	98	1	(23)	996 631 138 00	set cover foil headlamp for Left-hand drive vehicles in lh traffic countries see tpi GR. 9 / NR. 15		1	
(13)	996 631 046 00	trim cover	/R	99-	1						
14	996 631 035 01	trim cover	/L	98	1 M288						
14	996 631 045 01	trim cover	/L	99-	1 M288						
(14)	996 631 036 01	trim cover	/R	98	1 M288			direction indicator light			
(14)	996 631 046 01	trim cover	/R	99-	1 M288	25	996 631 033 01	direction indicator light	/L	98	1
15	803 803 583 A	lid		2		25	996 631 043 01	direction indicator light	/L	99-	1
16	999 703 413 40	stopper		2		(25)	996 631 034 01	direction indicator light	/R	98	1
17	993 631 170 03	stopper		6		(25)	996 631 044 01	direction indicator light	/R	99-	1
18	996 631 641 03	breather pipe	/L	1		-	999 652 838 40	plug socket			2
(18)	996 631 642 03	breather pipe	/R	1		-	999 652 771 12	connector			4
19	999 652 832 40	connector housing headlamp		2		-	999 704 161 40	gasket			4
20	999 650 150 40	connector housing wiring harness		2		26	999 631 032 90	bulb 5 W white			2
-	999 652 744 20	connector		16		26	999 631 138 90	bulb 5 W yellow		99-	2
-	999 704 161 40	gasket		16							
21	999 651 317 09	fastening clamp breather pipe		X		27	996 631 133 00	bulb socket for bulb white			2
(21)	999 651 276 40	cable holder breather pipe wing strut		X							

Model	Year	MG	SG	Illustration	Restrictions	UPD	14:35	24.01.2010	PORSCHE	PET	PORSCHE
996	2005	9	05	905-00		248					

Pos	Part Number	Description	Remark	Qty	Model	Pos	Part Number	Description	Remark	Qty	Model
(27)	996 631 133 01	bulb socket for bulb yellow		2							

Model	Year	MG	SG	Illustration	Restrictions	UPD	14:35	24.01.2010	PORSCHE	PET	PORSCHE
996	2005	9	05	905-01		248					

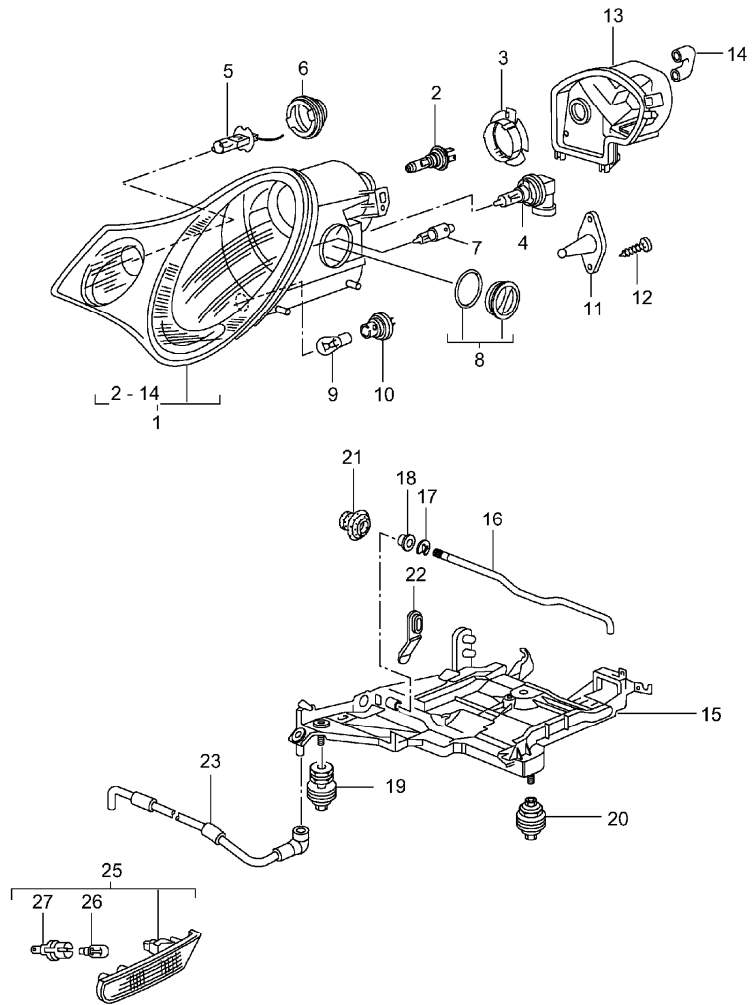


Pos	Part Number	Description	Remark	Qty	Model
		headlamp direction indicator light	-01		M601
1	996 631 157 01	headlamp	/L	1	
1	996 631 158 01	headlamp	/R	1	
1	996 631 157 04	headlamp	/L	1	M492
1	996 631 158 04	headlamp	/R	1	M492
2	999 631 036 90	bulb - PHILIPS -		2	
3	996 631 189 00	retainer		2	
4	999 631 133 90	halogen bulb H 7		4	
5	999 631 140 90	bulb H 6 W position light		2	
6	900 631 127 90	bulb 21 W direction indicator light		2	
7	996 631 125 00	electric motor headlight levelling system		2	
8	996 631 199 00	screw 3,9 X 16		4	
9	996 631 195 01	ignition control unit		2	
10	996 631 199 00	screw 3,9 X 16		4	
11	996 631 241 01	protective cap headlamp	/L	1	
(11)	996 631 242 01	protective cap headlamp	/R	1	
12	993 631 193 02	control unit		2	
13	900 146 123 02	screw M 5 X 16		6	
14	996 631 233 00	protective cap fog headlamp		2	
15	996 631 041 00	mounting	/L	1	
(15)	996 631 042 00	mounting	/R	1	
16	996 631 243 00	clamping bow		2	

Model	Year	MG	SG	Illustration	Restrictions	UPD	14:35	24.01.2010	PORSCHE	PET	PORSCHE
996	2005	9	05	905-01		248					

Pos	Part Number	Description	Remark	Qty	Model	Pos	Part Number	Description	Remark	Qty	Model
17	996 631 077 00	fastening part		6		30	900 143 157 07	combination screw BZ 4,2 X 13 Z2		2	
18	996 631 245 00	locking device connector housing	/L	1		31	999 073 169 07	tapping screw ST 4,8 X 16		2	
(18)	996 631 246 00	locking device connector housing	/R	1				sensor headlight levelling system see group 4/01/00 5/01/01	/V /H		
19	996 631 045 01	trim cover	/L	1				direction indicator light			
(19)	996 631 046 01	trim cover	/R	1				direction indicator light	/L	1	
20	803 803 583 A	lid		2				plug socket		2	
21	999 703 413 40	stopper		2		35	996 631 043 01	direction indicator light	/L	1	
22	993 631 170 03	stopper		6		(35)	996 631 044 01	direction indicator light	/R	1	
23	996 631 641 03	breather pipe	/L	1		-	999 652 838 40	connector		4	
(23)	996 631 642 03	breather pipe	/R	1		-	999 652 771 12	gasket		4	
24	999 652 832 40	connector housing headlamp		2		-	999 704 161 40	bulb 5 W yellow		2	
25	999 650 150 40	connector housing wiring harness		2		36	999 631 138 90	bulb socket for bulb yellow		2	
-	999 652 744 20	connector		16		(37)	996 631 133 01				
-	999 704 161 40	gasket		16							
26	999 651 317 09	fastening clamp breather pipe		X							
(26)	999 651 276 40	cable holder breather pipe wing strut		X							
(26)	999 651 282 40	cable holder breather pipe front apron		X							
27	996 631 693 00	support mount front apron		1							
28	996 618 151 15	control unit headlight levelling system		1							
29	996 618 155 00	support F >>991S6 05390 F >>991S6 43853		1							
29	996 618 155 13	support F 991S6 05391>> F 991S6 43854>>		1							

Model	Year	MG	SG	Illustration	Restrictions	UPD	14:35	24.01.2010	PORSCHE	PET	PORSCHE
996	2005	9	05	905-02		248					

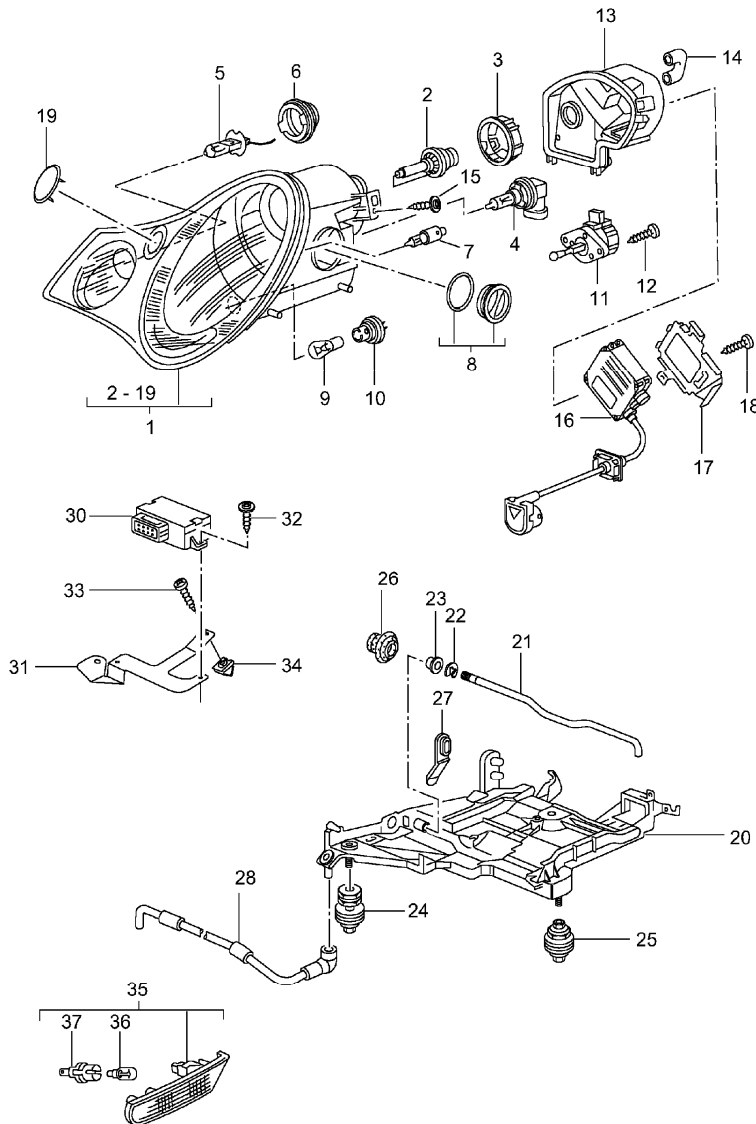


Pos	Part Number	Description	Remark	Qty	Model
		headlamp direction indicator light	02-		
1	996 631 055 50	headlamp	/L	1	
1	996 631 056 50	headlamp	/R	1	
1	996 631 065 50	headlamp	/L	1	M492
1	996 631 066 50	headlamp	/R	1	M492
2	999 631 133 90	halogen bulb H 7		2	
3	996 631 128 00	bulb socket		2	
4	999 631 143 90	halogen bulb H 9		2	
5	900 631 126 90	halogen bulb H 3		2	
6	996 631 123 00	protective cap fog headlamp		2	
7	999 631 140 90	bulb H 6 W position light		2	
8	996 631 134 00	protective cap position light		2	
9	900 631 131 90	bulb 21 W yellow direction indicator light		2	
10	996 631 118 00	bulb socket direction indicator light		2	
11	996 631 114 00	bearing bracket		2	
12	999 919 093 02	oval-head screw 4,0 X 10		4	
13	996 631 101 50	protective cap headlamp	/L	1	
(13)	996 631 102 50	protective cap headlamp	/R	1	
14	996 631 120 00	breather adapter		2	
15	996 631 173 00	mounting	/L	1	
(15)	996 631 174 00	mounting	/R	1	

Model	Year	MG	SG	Illustration	Restrictions	UPD	14:35	24.01.2010	PORSCHE	PET	PORSCHE
996	2005	9	05	905-02		248					

Pos	Part Number	Description	Remark	Qty	Model	Pos	Part Number	Description	Remark	Qty	Model
16	996 631 273 00	clamping bow		2							
17	900 116 004 09	lock washer		2							
18	996 631 272 00	bearing sleeve		2							
19	996 631 079 00	fastening part		4							
20	996 631 078 00	fastening part		2							
21	999 703 413 40	stopper		2							
22	993 631 170 03	stopper		6							
-	996 631 140 00	sealing washer ventilation pipe		2							
(23)	996 631 149 00	ventilation component see technical information GR.9 , NR. 7/02		2							
		direction indicator light									
25	996 631 043 01	direction indicator light	/L	1							
(25)	996 631 044 01	direction indicator light	/R	1							
26	999 631 138 90	bulb 5 W yellow		2							
(27)	996 631 133 01	bulb socket		2							

Model	Year	MG	SG	Illustration	Restrictions	UPD	14:36	24.01.2010	PORSCHE	PET	PORSCHE
996	2005	9	05	905-03		248					

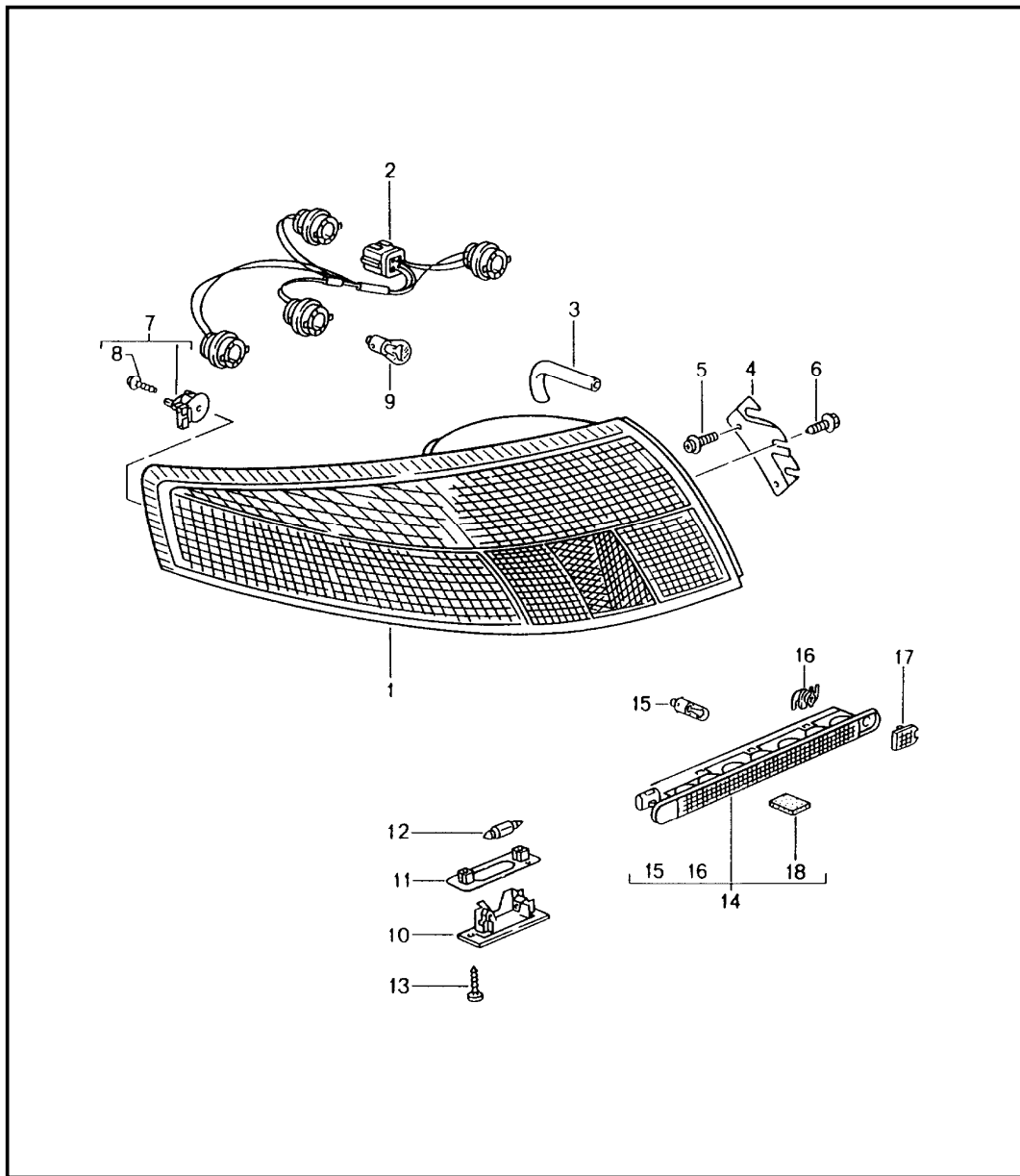


Pos	Part Number	Description	Remark	Qty	Model
		headlamp direction indicator light	02-		M601
1	996 631 055 20	headlamp	/L	1	
1	996 631 056 20	headlamp	/R	1	
1	996 631 065 20	headlamp	/L	1	M492
1	996 631 066 20	headlamp	/R	1	M492
2	999 631 036 90	bulb - PHILIPS -		2	
3	996 631 179 00	retainer		2	
4	A 999 631 144 90	halogen bulb H 11		2	
4	999 631 144 91	halogen bulb H 11		2	
5	900 631 126 90	halogen bulb H 3		2	
6	996 631 123 00	protective cap fog headlamp		2	
7	999 631 140 90	bulb H 6 W position light		2	
8	996 631 134 00	protective cap position light		2	
9	900 631 131 90	bulb 21 W yellow direction indicator light		2	
10	996 631 118 00	bulb socket direction indicator light		2	
11	996 631 135 00	electric motor headlight levelling system		2	
12	999 919 093 02	oval-head screw 4,0 X 10		4	
13	996 631 101 10	protective cap headlamp	/L	1	
(13)	996 631 102 10	protective cap headlamp	/R	1	
14	996 631 120 00	breather adapter		2	

Model	Year	MG	SG	Illustration	Restrictions	UPD	14:36	24.01.2010	PORSCHE	PET	PORSCHE
996	2005	9	05	905-03		248					

Pos	Part Number	Description	Remark	Qty	Model	Pos	Part Number	Description	Remark	Qty	Model
15	999 919 050 02	oval-head screw 4,0 X 12		4				sensor headlight levelling system see group 4/01/00 5/01/01	/V /H		
16	996 631 183 00	control unit		2							
17	996 631 161 00	support	/L	1				direction indicator light			
(17)	996 631 162 00	support	/R	1							
18	999 919 017 02	oval-head screw 4,0 X 16		2		35	996 631 043 01	direction indicator light	/L	1	
19	-	trim cover and nozzle headlight washer system see group 9/04/21				(35)	996 631 044 01	direction indicator light	/R	1	
						36	999 631 138 90	bulb 5 W yellow		2	
						(37)	996 631 133 01	bulb socket		2	
20	996 631 173 00	mounting	/L	1							
(20)	996 631 174 00	mounting	/R	1							
21	996 631 273 00	clamping bow		2							
22	900 116 004 09	lock washer		2							
23	996 631 272 00	bearing sleeve		2							
24	996 631 079 00	fastening part		4							
25	996 631 078 00	fastening part		2							
26	999 703 413 40	stopper		2							
27	993 631 170 03	stopper		6							
-	996 631 140 00	sealing washer ventilation pipe		2							
(28)	996 631 149 00	ventilation component see technical information GR.9 , NR. 7/02		2							
30	996 618 151 15	control unit headlight levelling system		1							
31	996 618 155 10	support		1							
32	900 143 157 07	combination screw BZ 4,2 X 13 Z2		2							
33	999 073 196 09	tapping screw ST 4,8 X 9,5		1							
34	999 591 855 02	speed nut 4,8		1							

Model	Year	MG	SG	Illustration	Restrictions	UPD	14:36	24.01.2010	PORSCHE	PET	PORSCHE
996	2005	9	05	905-05		248					

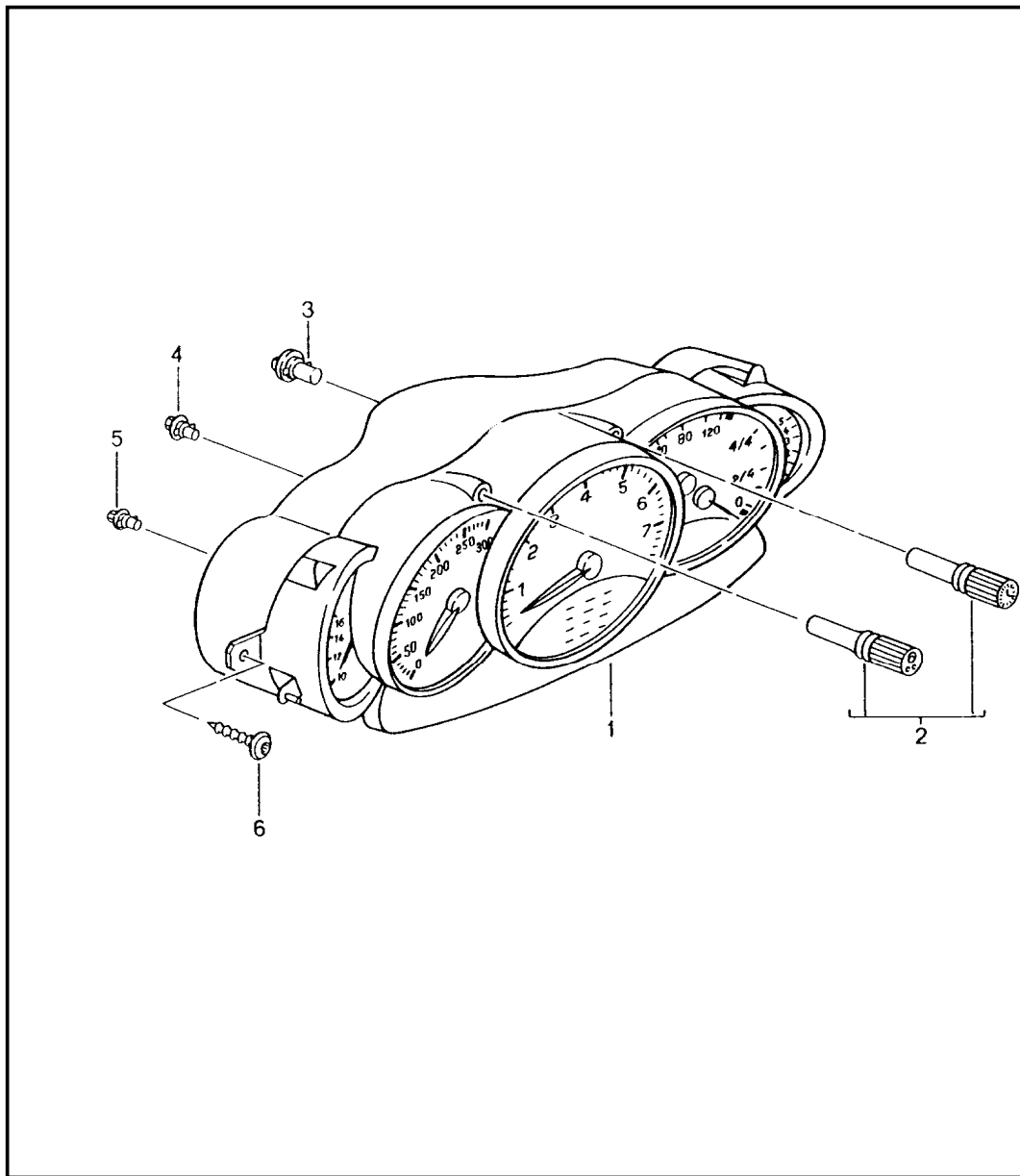


Pos	Part Number	Description	Remark	Qty	Model
		rear light license plate light additional brake light			M602
1	996 631 433 01	tail light housing	/L	98	1 CARRERA
1	996 631 485 00	tail light housing	/L	99-	1 CARRERA
(1)	996 631 487 00	tail light housing	/L	02-	1 C4S
(1)	996 631 434 01	tail light housing	/R	98	1 CARRERA
(1)	996 631 486 00	tail light housing	/R	99-	1 CARRERA
(1)	996 631 488 00	tail light housing	/R	02-	1 C4S
2	996 631 435 00	wiring harness		98	2 CARRERA
2	996 631 436 00	wiring harness		99-	2 CARRERA
(2)	996 631 437 00	wiring harness		02-	2 C4S
(3)	996 631 451 01	connection piece			4
4	996 631 463 02	support	/L		1 CARRERA
(4)	996 631 465 01	support	/L	02-	1 C4S
(4)	996 631 464 02	support	/R		1 CARRERA
(4)	996 631 466 01	support	/R	02-	1 C4S
5	999 074 113 02	combination screw M 5 X 18			4
6	999 074 115 09	hexagon-head bolt M 6 X 16			2 CARRERA
6	999 073 250 09	oval-head screw M 5 X 15		02-	4 C4S
7	996 631 471 00	mounting			2
8	999 919 121 09	screw			2
9	900 631 127 90	bulb 21 W white			X
9	900 631 131 90	bulb 21 W yellow		99-	X

Model	Year	MG	SG	Illustration	Restrictions	UPD	14:36	24.01.2010	PORSCHE	PET	PORSCHE
996	2005	9	05	905-05		248					

Pos	Part Number	Description	Remark	Qty	Model	Pos	Part Number	Description	Remark	Qty	Model
(9)	900 631 128 90	bulb 21/5 W		X							
(9)	900 631 104 90	bulb 5 W	02-	X	C4S						
10	964 631 620 00	license plate light	-01	2	CARRERA						
	01C	black									
(10)	997 631 620 00	license plate light	02-	2	CARRERA						
10	964 631 620 00	license plate light	02-	2	C4S						
	01C	black									
11	993 631 166 00	desk pad	-01 02-	2	CARRERA C4S						
12	900 631 105 90	bulb 12V 5W		2							
13	900 143 085 07	tapping screw 4,2 X 16	-01 02-	4	CARRERA C4S						
14	996 631 050 00	additional brake light		2	M602						
15	900 631 019 90	bulb 3 W		X	M602						
16	996 631 168 00	fastening part		2	M602						
17	996 631 165 00	cap		2	M602						
18	996 631 105 00	desk pad		2	M602						

Model	Year	MG	SG	Illustration	Restrictions	UPD	14:36	24.01.2010	PORSCHE	PET	PORSCHE
996	2005	9	06	906-01		248					

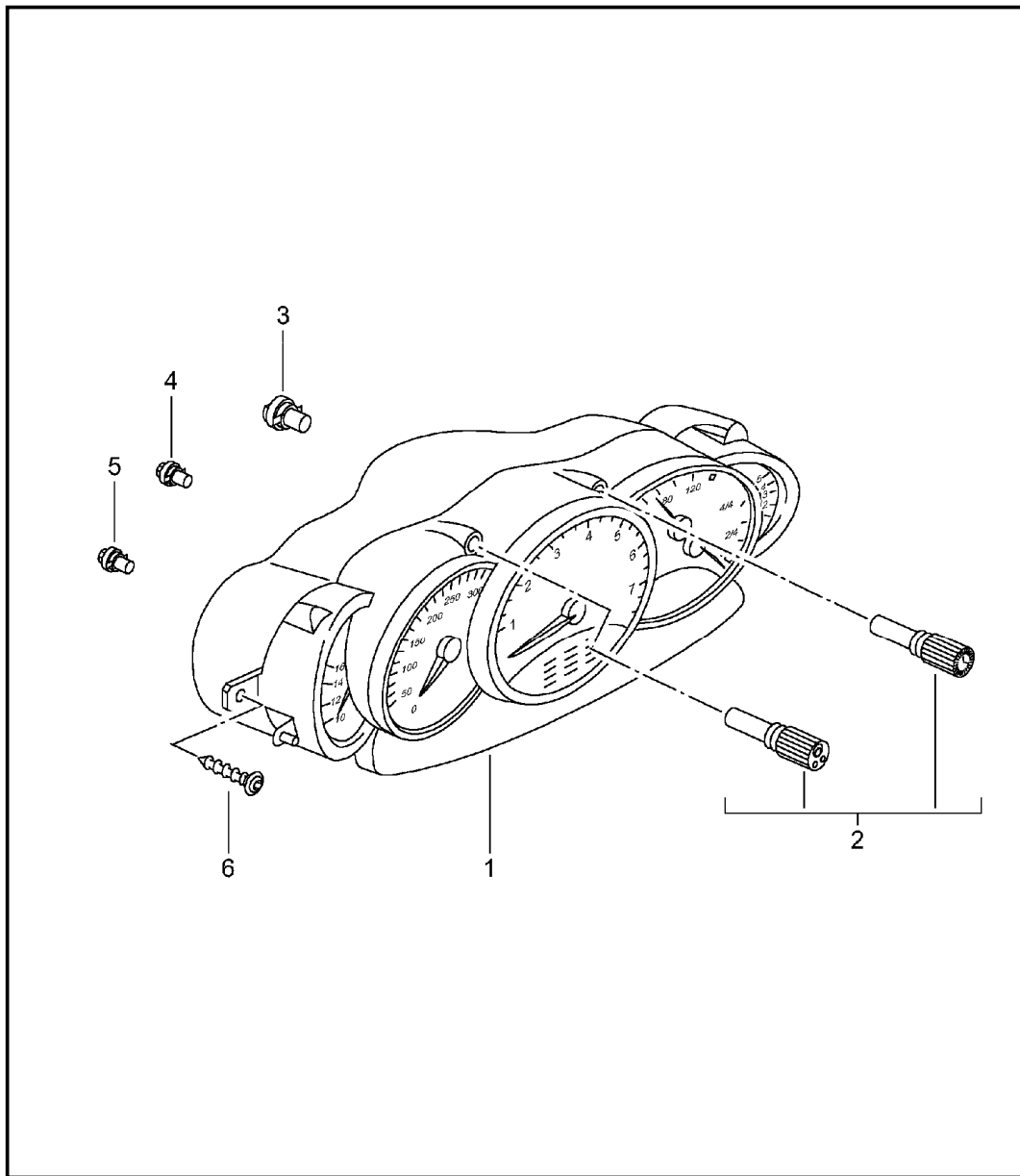


Pos	Part Number	Description	Remark	Qty	Model
		instruments complete			
		tech. information memo GR.9 , NR. 17/98			
		instruments X45/X71 see group 9/06/02	01-		
		instrument cluster C A R R E R A 2	-01		M338
(1)	996 641 105 01	instrument cluster complete	-99	1	M338/480
	70C	rally black			
(1)	996 641 106 01	instrument cluster complete	-99	1	M249/338
	70C	rally black			
1	996 641 105 02	instrument cluster complete	00-01	1	M338/480
	70C	rally black			
		tech. information memo GR.9 , NR. 3/00 + 3A/00 see tpi GR.9 , NR. 20	01		
(1)	996 641 106 02	instrument cluster complete	00-01	1	M249/338
	70C	rally black			
		tech. information memo GR.9 , NR. 3/00 + 3A/00 see tpi GR.9 , NR. 20	01		
(1)	996 641 107 01	instrument cluster complete	(GB) -99	1	M338 M480
	70C	rally black			
(1)	996 641 108 01	instrument cluster complete	(GB) -99	1	M338 M249
	70C	rally black			
(1)	996 641 107 02	instrument cluster complete	(GB) 00-01	1	M338 M480

Model	Year	MG	SG	Illustration	Restrictions	UPD	14:36	24.01.2010	PORSCHE	PET	PORSCHE
996	2005	9	06	906-01		248					

Pos	Part Number	Description	Remark	Qty	Model	Pos	Part Number	Description	Remark	Qty	Model
	70C	rally black tech. information memo GR.9 , NR. 3/00 + 3A/00 see tpi GR.9 , NR. 20	01				70C	rally black			
(1)	996 641 108 02	instrument cluster complete	(GB) 00-01	1	M338 M249	(1)	996 641 226 03	instrument cluster complete	02-	1	M249
	70C	rally black tech. information memo GR.9 , NR. 3/00 + 3A/00 see tpi GR.9 , NR. 20	01				70C	rally black			
		instrument cluster C A R R E R A 4	-01		M339	(1)	996 641 225 02	instrument cluster complete	04	1	M095/480
		tech. information memo GR.9 , NR. 10/00	-99		M339	(1)	FHB	black/silver	(GB) 02-	1	M480
(1)	996 641 115 03	instrument cluster complete	-01	1	M339/480	(1)	996 641 227 03	instrument cluster complete	(GB) 02-	1	M249
	70C	rally black see tpi GR.9 , NR. 20	01				70C	rally black			
(1)	996 641 116 03	instrument cluster complete	-01	1	M249/339	(1)	996 641 228 03	instrument cluster complete	(GB) 02-	1	M249
	70C	rally black see tpi GR.9 , NR. 20	01				70C	rally black			
(1)	996 641 117 03	instrument cluster complete	(GB) -01	1	M339 M480	(1)	996 641 227 02	instrument cluster complete	(GB) 04	1	M095 M480
	70C	rally black see tpi GR.9 , NR. 20	01				FHB	black/silver			
(1)	996 641 118 03	instrument cluster complete	(GB) -01	1	M339 M249	(2)	996 641 911 00	knob actuator trip meter and clock		1	
	70C	rally black see tpi GR.9 , NR. 20	01				(3)	999 631 304 90	glass-base bulb 12 V 3 W	-01	X
(1)	996 641 225 03	instrument cluster complete	02-	1	M480	(4)	999 631 303 90	glass-base bulb 12 V 1,5 W	-01	X	
		instrument cluster C A R R E R A 2 / 4 / 4S	02-			(5)	999 631 302 90	glass-base bulb 12 V 1,2 W	-01	X	
(1)			02-			(6)	999 919 188 09	oval-head screw 5,0 X 30		2	

Model	Year	MG	SG	Illustration	Restrictions	UPD	14:36	24.01.2010	PORSCHE	PET	PORSCHE
996	2005	9	06	906-02		248					



Pos	Part Number	Description	Remark	Qty	Model
		instruments complete	01-		IX45/X71
		instrument cluster dial lacquered interior colour			IX45
		C A R R E R A 2	01		M338
1	996 641 980 22	instrument cluster complete	01	1	M338/480
	J33	nephrite green			
	C53	graphite grey			
	S33	savanna			
	G13	metropole blue			
	M33	boxster red			
	P13	cinnamon brown			
	D12	dark grey/natural			
	T12	brown/natural			
1	996 641 980 24	instrument cluster complete	(GB) 01	1	M338 M480
	J33	nephrite green			
	C53	graphite grey			
	S33	savanna			
	G13	metropole blue			
	M33	boxster red			
	P13	cinnamon brown			
	D12	dark grey/natural			
	T12	brown/natural			
1	996 641 980 23	instrument cluster complete	01	1	M249/338
	J33	nephrite green			
	C53	graphite grey			
	S33	savanna			

Model	Year	MG	SG	Illustration	Restrictions	UPD	14:36	24.01.2010	PORSCHE	PET	PORSCHE
996	2005	9	06	906-02		248					

Pos	Part Number	Description	Remark	Qty	Model	Pos	Part Number	Description	Remark	Qty	Model
	G13	metropole blue					C53	graphite grey			
	M33	boxster red					S33	savanna			
	P13	cinnamon brown					G13	metropole blue			
	D12	dark grey/natural					M33	boxster red			
	T12	brown/natural					P13	cinnamon brown			
1	996 641 980 25	instrument cluster complete	(GB)	01	1 M338 M249		D12	dark grey/natural			
	J33	nephrite green				1	996 641 982 43	instrument cluster complete		01	1 M249/339
	C53	graphite grey					J33	nephrite green			
	S33	savanna					C53	graphite grey			
	G13	metropole blue					S33	savanna			
	M33	boxster red					G13	metropole blue			
	P13	cinnamon brown					M33	boxster red			
	D12	dark grey/natural					P13	cinnamon brown			
	T12	brown/natural					D12	dark grey/natural			
		C A R R E R A 4		01	M339		T12	brown/natural			
1	996 641 982 42	instrument cluster complete		01	1 M339/480	1	996 641 982 45	instrument cluster complete	(GB)	01	1 M339 M249
	J33	nephrite green					J33	nephrite green			
	C53	graphite grey					C53	graphite grey			
	S33	savanna					S33	savanna			
	G13	metropole blue					G13	metropole blue			
	M33	boxster red					M33	boxster red			
	P13	cinnamon brown					P13	cinnamon brown			
	D12	dark grey/natural					D12	dark grey/natural			
	T12	brown/natural					T12	brown/natural			
1	996 641 982 44	instrument cluster complete	(GB)	01	1 M339 M480			C A R R E R A 2 / 4 / 4S		02-	IX45
	J33	nephrite green				(1)	996 641 981 25	instrument cluster complete		02-	1 M480

Model	Year	MG	SG	Illustration	Restrictions	UPD	14:36	24.01.2010	PORSCHE	PET	PORSCHE
996	2005	9	06	906-02		248					

Pos	Part Number	Description	Remark	Qty	Model	Pos	Part Number	Description	Remark	Qty	Model
	J33	nephrite green					J33	nephrite green			
	C53	graphite grey					C53	graphite grey			
	S33	savanna					S33	savanna			
	G13	metropole blue					G13	metropole blue			
	M33	boxster red					M33	boxster red			
	P13	cinnamon brown					P13	cinnamon brown			
	D12	dark grey/natural					D12	dark grey/natural			
	T12	brown/natural					T12	brown/natural			
(1)	996 641 981 27	instrument cluster complete	(GB)	02-	1 M480			instrument cluster dial aluminium			IX71
	J33	nephrite green						C A R R E R A 2		01	M338
	C53	graphite grey				1	996 641 980 28	instrument cluster complete		01	1 M338/480
	S33	savanna					70C	rally black			
	G13	metropole blue				1	996 641 980 30	instrument cluster complete	(GB)	01	1 M338 M480
	M33	boxster red					70C	rally black			
	P13	cinnamon brown				1	996 641 980 29	instrument cluster complete		01	1 M249/338
	D12	dark grey/natural					70C	rally black			
	T12	brown/natural				1	996 641 980 31	instrument cluster complete	(GB)	01	1 M338 M249
(1)	996 641 981 26	instrument cluster complete		02-	1 M249			rally black			
	J33	nephrite green				1	996 641 980 48	instrument cluster complete		01	1 M339
	C53	graphite grey					70C	rally black			
	S33	savanna						C A R R E R A 4		01	M339
	G13	metropole blue				1	996 641 982 48	instrument cluster complete		01	1 M339/480
	M33	boxster red					70C	rally black			
	P13	cinnamon brown				1	996 641 982 50	instrument cluster complete	(GB)	01	1 M339 M480
	D12	dark grey/natural					70C	rally black			
	T12	brown/natural									
(1)	996 641 981 28	instrument cluster complete	(GB)	02-	1 M249						

Model	Year	MG	SG	Illustration	Restrictions	UPD	14:36	24.01.2010	PORSCHE	PET	PORSCHE
996	2005	9	06	906-02		248					

Pos	Part Number	Description	Remark	Qty	Model	Pos	Part Number	Description	Remark	Qty	Model
1	996 641 982 49	instrument cluster complete		01	1 M249/339						
	70C	rally black									
1	996 641 982 51	instrument cluster complete	(GB)	01	1 M339 M249						
	70C	rally black									
		C A R R E R A 2 / 4 / 4S		02-	IX71						
(1)	996 641 981 75	instrument cluster complete		02-	1 M480						
	70C	rally black									
(1)	996 641 981 77	instrument cluster complete	(GB)	02-	1 M480						
	70C	rally black									
(1)	996 641 981 76	instrument cluster complete		02-	1 M249						
	70C	rally black									
(1)	996 641 981 78	instrument cluster complete	(GB)	02-	1 M249						
	70C	rally black									
2	996 641 911 00	knob actuator trip meter and clock			1						
3	999 631 304 90	glass-base bulb 12 V 3 W		01	X						
4	999 631 303 90	glass-base bulb 12 V 1,5 W		01	X						
5	999 631 302 90	glass-base bulb 12 V 1,2 W		01	X						
6	999 919 188 09	oval-head screw 5,0 X 30			2						

PORSCHE

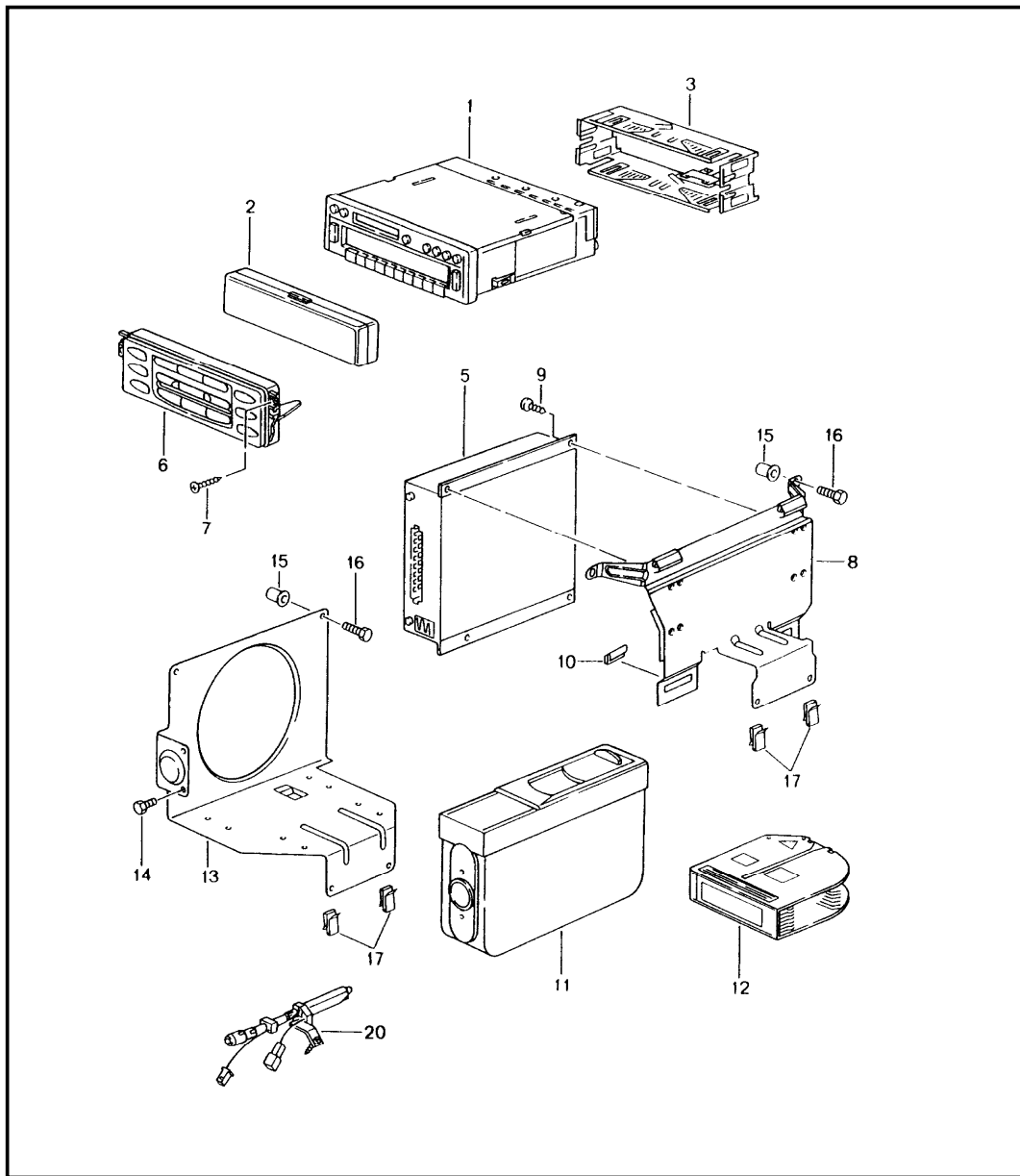
PET

PORSCHE

Model	Year	MG	SG	Illustration	Restrictions	UPD	14:36	24.01.2010
996	2005	9	07	907-00		248		

Pos	Part Number	Description	Remark	Qty	Model
		<p>cruise control</p> <p>see group</p> <p>4/03/05</p>			

Model	Year	MG	SG	Illustration	Restrictions	UPD	14:37	24.01.2010	PORSCHE	PET	PORSCHE
996	2005	9	11	911-00		248					



Pos	Part Number	Description	Remark	Qty	Model
		radio booster	-02 -02		
1	> 993 645 118 01	radio CR - 31	-98	1	M330
1	> 993 645 116 01	radio CR - 21	-98	1	M326
1	> 993 645 115 01	radio CR - 11	-98	1	M320
1	> 993 645 119 01	radio CDR - 21	-98	1	M686
2	993 645 190 00	case for control part radio	-98	1	
		new design radio see catalogue - TEQUIPMENT -	99-		
(2)	996 645 190 00	case for control part radio	99-	1	
3	993 645 173 00	retaining frame	-98	1	
-	996 645 106 00	alarm contact plate for radio	-01	1	
-	996 645 107 00	alarm contact plate for radio	02	1	
5	996 645 301 01	booster	-00	1	COUPE M490
5	996 645 321 00	booster	01- 02	1	COUPE M490 TARGA M490
5	996 645 303 01	booster	-00	1	CABRIO M490
5	996 645 323 00	booster	01-	1	CABRIO M490

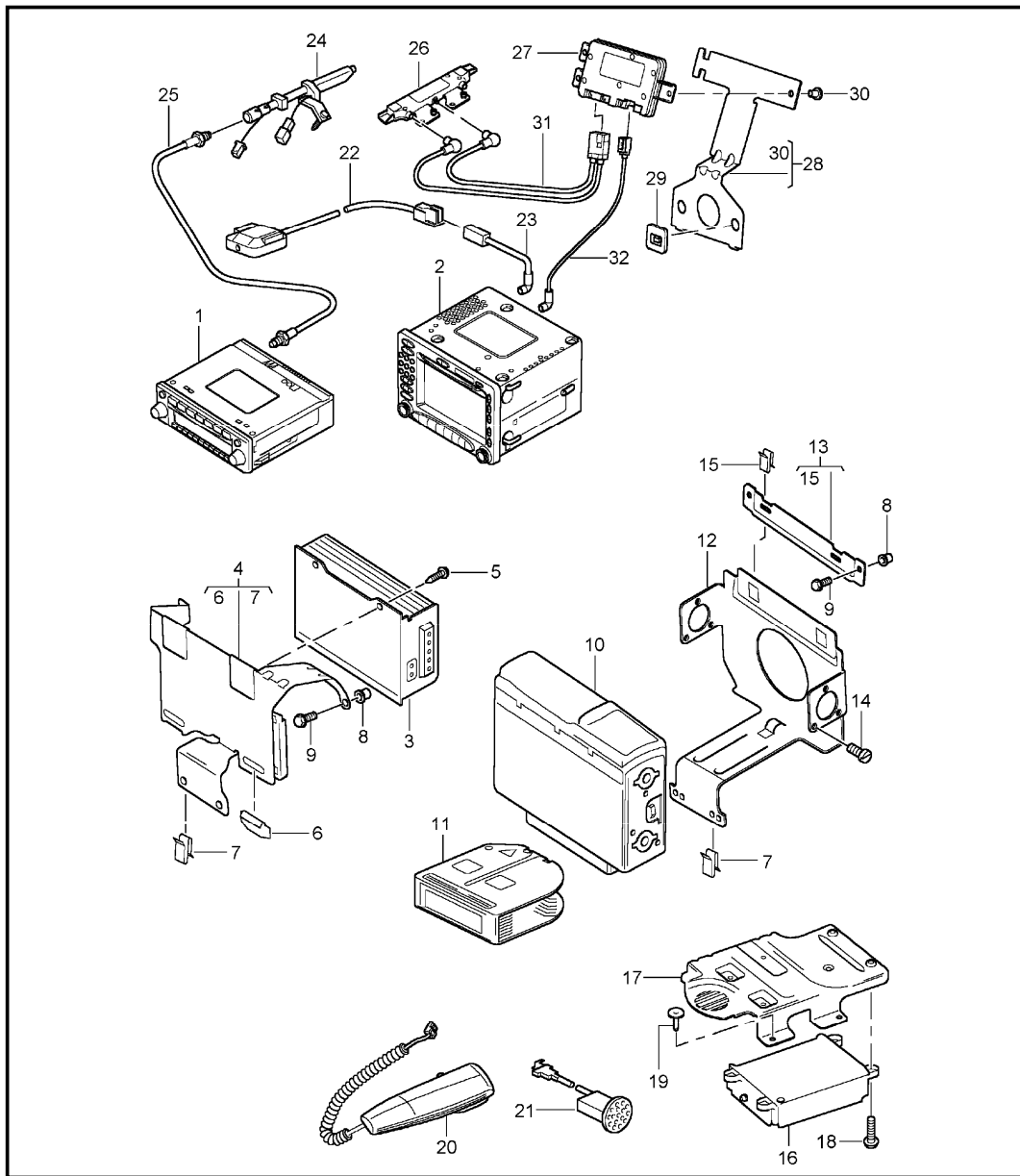
Model	Year	MG	SG	Illustration	Restrictions	UPD	14:37	24.01.2010	PORSCHE	PET	PORSCHE
996	2005	9	11	911-00		248					

Pos	Part Number	Description	Remark	Qty	Model	Pos	Part Number	Description	Remark	Qty	Model		
-	996 610 149 00	cap connector housing booster		1	M490	8	996 646 025 01	support	-01	1	M338/490 M680		
(5)	996 645 302 05	booster	98	1	COUPE M680	8	996 646 025 01	support	02	1	M338/490		
(5)	996 645 312 00	booster	-00	1	COUPE M680	(8)	996 645 255 11	support	02	1	M338/680		
(5)	996 645 322 01	booster	01	1	COUPE M680	(8)	996 645 235 01	support upper part	/LL	-01	1	M339/490 M680	
(5)	996 645 338 00	booster	02	1	COUPE M680	(8)	996 645 235 02	support upper part	/LL	02	1	M339/490 M680	
(5)	996 645 304 04	booster	98	1	CABRIO M680	(8)	996 645 335 00	support lower part	/LL	99-	1	M339/490 M680	
(5)	996 645 314 00	booster	-00	1	CABRIO M680	(8)	996 645 236 00	support	/RL	99-	1	M339/490 M680	
(5)	996 645 324 01	booster	01	1	CABRIO M680	(8)	996 645 265 00	support	02	1	M339/680		
(5)	996 645 339 00	booster	02	1	CABRIO/TARGA M680	(8)	996 645 239 01	support additional amplifier	02	1	M339/680		
(5)	996 645 341 00	additional amplifier bose	02	1	M680	9	900 143 031 02	oval-head sheetmetal screw 4,2 X 9,5		2	M490/680		
-	996 610 151 00	cap connector housing booster	/LL	02	1	M338/490 M680	10	999 507 510 02	u-clamp		2	M490/680	
-	996 610 150 01	cover connector housing booster	/RL	02	1	M338/490 M680	(10)	999 591 954 09	u-clamp	/RL	99-	2	M339/490 M680
-	996 610 152 00	cap connector housing additional amplifier		02	1	M338/680	(10)	999 507 532 02	u-clamp	/RL	99-	2	M339/490 M680
6	996 645 201 02	control part	-01	1	M680	-	999 591 725 02	speed nut ST 3,5	/LL	99-	1	M339/490 M680	
	EFR	gloss black				- U	999 507 771 40	stopper 5,5 X 4,8	02	1	M680		
7	999 919 182 09	oval-head screw 4,0 X 20	-01	2	M680	-	999 073 048 02	tapping screw 3,5 X 13	02	1	M680		
						11 >	993 645 130 00	cd changer CDC - 3		1	M692		
						12	993 645 113 00	magazine for cd changer		1	M692		
						13	996 645 221 00	support	/LL	1	M338/692		
						(13)	996 645 222 00	support	/RL	1	M338/692		
						(13)	996 645 231 00	support	/LL	99-	1	M339/692	

Model	Year	MG	SG	Illustration	Restrictions	UPD	14:37	24.01.2010	PORSCHE	PET	PORSCHE
996	2005	9	11	911-00		248					

Pos	Part Number	Description	Remark	Qty	Model	Pos	Part Number	Description	Remark	Qty	Model
(13)	996 645 232 01	support	/RL	1	M339/692						
-	996 610 207 00	cable cover cd changer	/LL 99-	1	M339/692						
14	999 075 067 09	combination screw M 4 X 8		6	M692						
15	999 500 078 00	sheetmetal press nut M 6		4							
16	900 378 188 09	hexagon-head bolt M 6 X 20		4							
17	999 507 532 02	u-clamp		4							
20	996 647 105 00	antenna booster		1							
-	996 612 072 00	connecting cable antenna booster radio		1							

Model	Year	MG	SG	Illustration	Restrictions	UPD	14:37	24.01.2010	PORSCHE	PET	PORSCHE
996	2005	9	11	911-01		248					



Pos	Part Number	Description	Remark	Qty	Model
1	-	radio booster navigation system telephone	03- 03- 03- 03-		
2	A 996 642 204 02	control part	03	1	M665
	A05	black mat see technical information GR.9 , NR. 2/03 GR.9 , NR. 3/03			
2	A 996 642 204 03	control part	03	1	M665
	A05	black mat see technical information GR.9 , NR. 2/03 GR.9 , NR. 3/03 GR.9 , NR.11/03			
2	A 996 642 204 04	control part	03	1	M665
	A05	black mat see technical information GR.9 , NR. 2/03 GR.9 , NR. 3/03 GR.9 , NR.11/03			
2	A 996 642 204 05	control part	03-	1	M665
	A05	black mat see technical information GR.9 , NR. 11/03			
2	A 996 642 204 06	control part	-04	1	M665
	A05	black mat see technical information GR.9 , NR. 11/03			
2	> 996 642 204 07	control part	03-	1	M665
	A05	black mat see technical information GR.9 , NR. 11/03			
(2)	A 996 642 214 02	control part	03	1	M490/665/680
	A05	black mat see technical information GR.9 , NR. 2/03 GR.9 , NR. 3/03			

Model	Year	MG	SG	Illustration	Restrictions	UPD	14:37	24.01.2010	PORSCHE	PET	PORSCHE
996	2005	9	11	911-01		248					

Pos	Part Number	Description	Remark	Qty	Model	Pos	Part Number	Description	Remark	Qty	Model
(2)	A 996 642 214 03	control part		03	1 M490/665/680	-	A 996 642 030 00	cd-rom navigation system see technical information GR.9 , NR. 11/03		03	1 M670
	A05	black mat see technical information GR.9 , NR. 2/03 GR.9 , NR. 3/03 GR.9 , NR.11/03				-	A 996 642 030 01	cd-rom navigation system		-04	1 M670
(2)	A 996 642 214 04	control part		03	1 M490/665/680	-	A 996 642 030 02	cd-rom navigation system see technical information GR.9 , NR. 11/03		05	1 M670
	A05	black mat see technical information GR.9 , NR. 2/03 GR.9 , NR. 3/03 GR.9 , NR.11/03				-	A 996 642 034 01	cd-rom navigation system	(ZA)	04	1 M670
(2)	A 996 642 214 05	control part		03-	1 M490/665/680	-	996 642 034 02	cd-rom navigation system see technical information GR.9 , NR. 11/03	(ZA)	05	1 M670
	A05	black mat see technical information GR,9 , NR. 11/03				-	996 642 035 01	cd-rom navigation system see technical information GR.9 , NR. 11/03		04	1 (SA) , (AG) M670
(2)	A 996 642 214 06	control part		-04	1 M490/665/680	-	A 996 642 036 01	cd-rom navigation system	(AUS)	04	1 M670
	A05	black mat see technical information GR,9 , NR. 11/03				-	996 642 036 02	cd-rom navigation system see technical information GR.9 , NR. 11/03	(AUS)	05	1 M670
(2)	> 996 642 214 07	control part		03-	1 M490/665/680	-	996 642 037 01	cd-rom		04	1 /M 074 M068 M670
	A05	black mat see technical information GR,9 , NR. 11/03				-	996 642 037 02	navigation system cd-rom		05	1 /M 074 M068 M670
-	996 642 951 00	rotary knob for POS. 2	/L	03-	1	-	996 642 037 01	cd-rom		04	1 /M 074 M068 M670
-	996 642 952 00	rotary knob for POS. 2	/R	03-	1	-	996 642 037 02	navigation system cd-rom		05	1 /M 074 M068 M670
-	996 642 941 00	cover Drawer SIM card for POS. 2		03-	1			navigation system see technical information GR.9 , NR. 11/03			
-	A 996 642 205 01	module navigation system		03	1 M670	3	U 996 645 331 01	booster see technical information GR.9 , NR. 2/03 GR.9 , NR. 3/03		1	M490
-	> 996 642 205 02	module navigation system		03-	1 M670	3	A 996 645 331 02	booster see technical information GR.9 , NR. 2/03 GR.9 , NR. 3/03		03	1 M490

Model	Year	MG	SG	Illustration	Restrictions	UPD	14:37	24.01.2010	PORSCHE	PET	PORSCHE
996	2005	9	11	911-01		248					

Pos	Part Number	Description	Remark	Qty	Model	Pos	Part Number	Description	Remark	Qty	Model
3	> 996 645 331 03	booster see technical information GR.9 , NR. 2/03 GR.9 , NR. 3/03	03-	1	M490	(3) A	996 645 332 03	booster see technical information GR.9 , NR. 2/03 GR.9 , NR. 3/03 GR.9 , NR.11/03	/RL 03	1	M338/680
(3) U	996 645 333 02	booster see technical information GR.9 , NR. 2/03 GR.9 , NR. 3/03	/LL 03	1	M680	(3) A	996 645 332 04	booster see technical information GR.9 , NR. 2/03 GR.9 , NR. 3/03 GR.9 , NR.11/03	/RL 03	1	M338/680
(3) A	996 645 333 03	booster see technical information GR.9 , NR. 2/03 GR.9 , NR. 3/03 GR.9 , NR.11/03	/LL 03	1	M680	(3) A	996 645 332 05	booster see technical information GR.9 , NR. 15/03 GR.9 , NR. 11/03	/RL 03-	1	M338/680
(3) A	996 645 333 04	booster see technical information GR.9 , NR. 2/03 GR.9 , NR. 3/03 GR.9 , NR.11/03	/LL 03	1	M680	(3) >	996 645 332 07	booster see technical information GR.9 , NR. 15/03 GR.9 , NR. 11/03	/RL 03-	1	M338/680
(3) A	996 645 333 05	booster	/LL 03-	1	M680	-	996 610 151 00	cap connector housing booster	/LL	1	M338/490 M680
(3) >	996 645 333 07	booster see technical information GR.9 , NR. 15/03 GR.9 , NR. 11/03	/LL 03-	1	M680	-	996 610 150 01	cap connector housing booster	/RL	1	M338/490 M680
(3) U	996 645 333 02	booster see technical information GR.9 , NR. 2/03 GR.9 , NR. 3/03	/RL 03	1	M339/680	4	996 645 255 01	support		1	M338/490 M680
(3) A	996 645 333 03	booster	/RL 03	1	M339/680	(4)	996 645 265 00	support		1	M339/490 M680
(3) A	996 645 333 04	booster see technical information GR.9 , NR. 2/03 GR.9 , NR. 3/03 GR.9 , NR.11/03	/RL 03	1	M339/680	5	900 143 031 02	tapping screw 4,2 X 9,5		2	M490/680
(3) A	996 645 333 05	booster see technical information GR.9 , NR. 15/03 GR.9 , NR. 11/03	/RL 03-	1	M339/680	6	999 507 510 02	u-clamp		2	M490/680
(3) >	996 645 333 07	booster see technical information GR.9 , NR. 15/03 GR.9 , NR. 11/03	/RL 03-	1	M339/680	7	999 507 532 02	u-clamp		X	
(3) U	996 645 332 01	booster see technical information GR.9 , NR. 2/03 GR.9 , NR. 3/03	/RL 03	1	M338/680	8	999 500 078 00	sheetmetal press nut M 6		X	
						9	900 378 188 09	hexagon-head bolt M 6 X 20		X	
						(9)	900 380 015 01	hexagon nut M 6		2	M339/490 M680

Model	Year	MG	SG	Illustration	Restrictions	UPD	14:37	24.01.2010	PORSCHE	PET	PORSCHE
996	2005	9	11	911-01		248					

Pos	Part Number	Description	Remark	Qty	Model	Pos	Part Number	Description	Remark	Qty	Model
10	> 996 645 140 02	cd changer CDC 4 adjustment installation attention see technical information GR.9 , NR. 2/03 GR.9 , NR. 3/03	/RL	1	M339/692	16	A 996 642 207 04	control unit telephone see technical information GR.9 , NR. 2/03 GR.9 , NR. 3/03	03	1	M666
10	A 997 645 140 02	cd changer CDC 4 adjustment installation attention see technical information GR.9 , NR. 2/03 GR.9 , NR. 3/03	/LL	1	M692	16	A 996 642 207 05	control unit telephone see technical information GR.9 , NR. 9/04		1	M666
10	> 997 645 140 03	cd changer CDC 4 adjustment installation attention see technical information GR.9 , NR. 2/03 GR.9 , NR. 3/03	/LL /RL	1	M692 M338/692	16	A 997 646 207 01	control unit telephone MOTOROLA		1	M666
10	> 997 645 140 03	cd changer CDC 4 adjustment installation attention see technical information GR.9 , NR. 2/03 GR.9 , NR. 3/03	/LL /RL	1	M692 M338/692	16	> 997 646 207 02	control unit telephone MOTOROLA F >>995S6 00354 F >>995S6 30090 F >>995S6 40515		1	M666 COUPE TARGA CABRIO
11	996 645 113 00	magazine cd changer		1	M692	16	> 997 646 208 04	control unit telephone HARMAN - BECKER F 995S6 00355>> F 995S6 30091>> F 995S6 40516>>		1	M666 COUPE TARGA CABRIO
12	996 645 225 00	support		1	M338/692			when required order also:			
(12)	996 645 229 00	support	/LL	1	M339/692	-	997 612 989 00	connecting line adapter for control unit 997.646.208.04		1	M666
(12)	996 645 230 00	support	/RL	1	M339/692						
13	996 645 227 00	support		1	M338/692	17	996 642 216 00	support		1	M666
14	N 014 128 13	oval-head screw M 5 X 8		6	M692	18	900 378 035 01	hexagon-head bolt M 6 X 16		2	M666
15	999 591 954 09	u-clamp		2	M338/692	19	999 073 060 02	tapping screw 4,8 X 13		4	M666
16	A 996 642 207 01	control unit telephone see technical information GR.9 , NR. 2/03 GR.9 , NR. 3/03		03	1	M666		antenna telephone see group 9 /11/10			
16	A 996 642 207 02	control unit telephone see technical information GR.9 , NR. 2/03 GR.9 , NR. 3/03		03	1	M666	20	A 996 642 212 01	receiver telephone	1	M668
							20	996 642 212 02	receiver telephone	1	M668

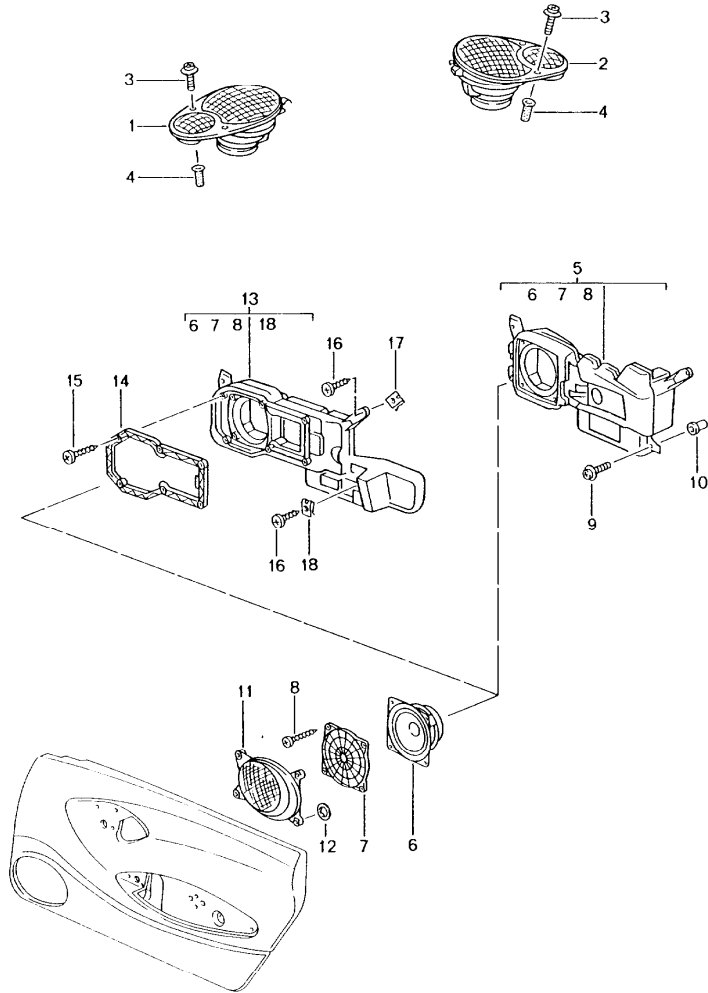
Model	Year	MG	SG	Illustration	Restrictions	UPD	14:37	24.01.2010	PORSCHE	PET	PORSCHE
996	2005	9	11	911-01		248					

Pos	Part Number	Description	Remark	Qty	Model	Pos	Part Number	Description	Remark	Qty	Model
(20)	A 996 642 980 14	receiver telephone leather		1	IXEA		G13	metropole blue			
	A11	black					J33	nephrite green			
	C51	graphite grey					M33	boxster red			
	S31	savanna					P13	cinnamon brown			
	G11	metropole blue				(21)	996 646 308 02	microphone	/RL	1	M618/666
	J31	nephrite green					A03	black			
	M31	boxster red					C53	graphite grey			
	P12	cinnamon brown					S33	savanna			
	D12	dark grey/natural					G13	metropole blue			
	T12	brown/natural					J33	nephrite green			
							M33	boxster red			
(20)	996 642 980 15	receiver telephone leather		1	IXEA	(21)	996 646 307 03	microphone	/LL	1	M618/666 M680
	A11	black					A03	black			
	C51	graphite grey					C53	graphite grey			
	S31	savanna					S33	savanna			
	G11	metropole blue					G13	metropole blue			
	J31	nephrite green					J33	nephrite green			
	M31	boxster red					M33	boxster red			
	P12	cinnamon brown					P13	cinnamon brown			
	D12	dark grey/natural				(21)	996 646 308 03	microphone	/RL	1	M618/666 M680
	T12	brown/natural					A03	black			
		bracket telephone see group 9 /11/10					C53	graphite grey			
21	996 646 307 02	microphone	/LL	1	M618/666		S33	savanna			
	A03	black					G13	metropole blue			
	C53	graphite grey					J33	nephrite green			
	S33	savanna					M33	boxster red			
							P13	cinnamon brown			

Model	Year	MG	SG	Illustration	Restrictions	UPD	14:37	24.01.2010	PORSCHE	PET	PORSCHE
996	2005	9	11	911-01		248					

Pos	Part Number	Description	Remark	Qty	Model	Pos	Part Number	Description	Remark	Qty	Model
(21)	996 646 307 04	microphone	/LL	1	M680	30	999 507 771 40	stopper		1	M440
	A03	black				31	996 612 057 00	connecting line antenna booster left control unit	/LL	1	M665
	C53	graphite grey				(31)	996 612 067 00	connecting line antenna booster left control unit	/RL	1	M665
	S33	savanna				(31)	996 612 056 00	connecting line antenna booster right control unit	/LL	1	M665
	G13	metropole blue				(31)	996 612 066 00	connecting line antenna booster right control unit	/RL	1	M665
	J33	nephrite green				32	996 612 058 00	connecting line control unit control part connector CURRY	/LL	1	M665
	M33	boxster red				(32)	996 612 068 00	connecting line control unit control part connector CURRY	/RL	1	M665
	P13	cinnamon brown				(32)	996 612 059 00	connecting line control unit control part connector natural colours	/LL	1	M665
(21)	996 646 308 04	microphone	/RL	1	M680	(32)	996 612 069 00	connecting line control unit control part connector natural colours	/RL	1	M665
	A03	black									
	C53	graphite grey									
	S33	savanna									
	G13	metropole blue									
	J33	nephrite green									
	M33	boxster red									
	P13	cinnamon brown									
22	996 642 206 00	antenna GPS		1	M670						
23	996 612 009 00	connecting line antenna module navigation system		1	M670						
24	996 647 105 00	antenna booster radio		1	M441						
25	996 612 072 01	connecting line antenna booster radio		1	M441						
26	996 647 117 00	antenna booster	/L	1	M440						
(26)	996 647 118 00	antenna booster	/R	1	M440						
27	996 647 124 00	control unit		1	M440						
28	996 647 202 00	support		1	M440						
29	999 507 772 40	clip		1	M440						

Model	Year	MG	SG	Illustration	Restrictions	UPD	14:37	24.01.2010	PORSCHE	PET	PORSCHE
996	2005	9	11	911-05		248					



Pos	Part Number	Description	Remark	Qty	Model
1	996 645 037 01	loudspeaker loudspeaker M 680/MJ.02- see group 9 / 11 / 06	/V/L	1	M490
	A10	black	98		
	B50	space grey			
	C50	graphite grey			
	G10	metropole blue			
	J30	nephrite green			
	M30	boxster red			
	S30	savanna			
	P10	cinnamon brown			
(1)	996 645 035 01	loudspeaker	/V/L	1	M441
	A10	black	98		
	B50	space grey			
	C50	graphite grey			
	G10	metropole blue			
	J30	nephrite green			
	M30	boxster red			
	S30	savanna			
	P10	cinnamon brown			
(1)	996 645 048 01	loudspeaker	/H/L	1	COUPE M490
			/H/L	02-	TARGA M490
			/H/R		CABRIO M490
	A10	black	98		
	B50	space grey			
	C50	graphite grey			
	G10	metropole blue			

Model	Year	MG	SG	Illustration	Restrictions	UPD	14:37	24.01.2010	PORSCHE	PET	PORSCHE
996	2005	9	11	911-05		248					

Pos	Part Number	Description	Remark	Qty	Model	Pos	Part Number	Description	Remark	Qty	Model	
(1)	996 645 046 01	J30 nephrite green			COUPE M441 TARGA M441 CABRIO M441	(2)	996 645 047 01	G10 metropole blue			COUPE M490 TARGA M490 CABRIO M490	
		M30 boxster red	/H/L	1					J30 nephrite green			
		S30 savanna	/H/L	02-					M30 boxster red			
		P10 cinnamon brown	/H/R						S30 savanna			
		loudspeaker							P10 cinnamon brown			
									loudspeaker	/H/R		1
										/H/R		02-
										/H/L		
		A10 black		98								
		B50 space grey							A10 black			98
C50 graphite grey				B50 space grey								
G10 metropole blue				C50 graphite grey								
J30 nephrite green				G10 metropole blue								
M30 boxster red				J30 nephrite green								
S30 savanna				M30 boxster red								
P10 cinnamon brown				S30 savanna								
2	996 645 038 01	loudspeaker	/V/R	1	M490	(2)	996 645 045 01	P10 cinnamon brown			COUPE M441 TARGA M441 CABRIO M441	
		A10 black		98				loudspeaker	/H/R	1		
		B50 space grey							/H/R	02-		
		C50 graphite grey							/H/L			
		G10 metropole blue										
		J30 nephrite green						A10 black		98		
		M30 boxster red						B50 space grey				
		S30 savanna						C50 graphite grey				
		P10 cinnamon brown						G10 metropole blue				
		loudspeaker						J30 nephrite green				
				M30 boxster red								
A10 black		98		S30 savanna								
B50 space grey				P10 cinnamon brown								
C50 graphite grey				loudspeaker grille		4						
(2)	996 645 036 01	loudspeaker	/V/R	1	M441	(2)	996 645 049 01	loudspeaker grille				

Model	Year	MG	SG	Illustration	Restrictions	UPD	14:37	24.01.2010	PORSCHE	PET	PORSCHE
996	2005	9	11	911-05		248					

Pos	Part Number	Description	Remark	Qty	Model	Pos	Part Number	Description	Remark	Qty	Model
	A10	black		98			01C	satin black			
	B50	space grey				(2)	996 645 045 02	loudspeaker	/H/R	99-	1 COUPE M441
	C50	graphite grey							/H/R	02-	TARGA M441
	G10	metropole blue							/H/L	99-	CABRIO M441
	J30	nephrite green					01C	satin black			
	M30	boxster red				(2)	996 645 049 02	loudspeaker grille		99-	4
	S30	savanna					01C	satin black			
	P10	cinnamon brown						loudspeaker front leather			IXKL/XKM/XKN IXKP
1	996 645 037 02	loudspeaker	/V/L	99-	1 M490						
	01C	satin black				1	996 645 983 01	loudspeaker	/V/L	01-	1 M490
(1)	996 645 035 02	loudspeaker	/V/L	99-	1 M441		VRK	black			
	01C	satin black					S31	savanna			
(1)	996 645 048 02	loudspeaker	/H/L	99-	1 COUPE M490		C51	graphite grey			
			/H/L	02-	TARGA M490		G11	metropole blue			
			/H/R	99-	CABRIO M490		J31	nephrite green			
	01C	satin black					M31	boxster red			
(1)	996 645 046 02	loudspeaker	/H/L	99-	1 COUPE M441		P12	cinnamon brown			
			/H/L	02-	TARGA M441		D12	dark grey/natural			
			/H/R	99-	CABRIO M441	(1)	996 645 981 01	loudspeaker	/V/L	01-	1 M441
	01C	satin black					VRK	black			
2	996 645 038 02	loudspeaker	/V/R	99-	1 M490		S31	savanna			
	01C	satin black					C51	graphite grey			
(2)	996 645 036 02	loudspeaker	/V/R	99-	1 M441		G11	metropole blue			
	01C	satin black					J31	nephrite green			
(2)	996 645 047 02	loudspeaker	/H/R	99-	1 COUPE M490		M31	boxster red			
			/H/R	02-	TARGA M490		P12	cinnamon brown			
			/H/L	99-	CABRIO M490		D12	dark grey/natural			

Model	Year	MG	SG	Illustration	Restrictions	UPD	14:37	24.01.2010	PORSCHE	PET	PORSCHE
996	2005	9	11	911-05		248					

Pos	Part Number	Description	Remark	Qty	Model	Pos	Part Number	Description	Remark	Qty	Model
	T12	brown/natural					C51	graphite grey			
2	996 645 984 01	loudspeaker	/V/R 01-	1	M490		G11	metropole blue			
	VRK	black					J31	nephrite green			
	S31	savanna					M31	boxster red			
	C51	graphite grey					P12	cinnamon brown			
	G11	metropole blue					D12	dark grey/natural			
	J31	nephrite green					T12	brown/natural			
	M31	boxster red				(1)	996 645 987 05	loudspeaker	/H/L 01-	1	COUPE M441
	P12	cinnamon brown							/H/L 01-		TARGA M441
	D12	dark grey/natural							/H/R 01-		CABRIO M441
	T12	brown/natural									
(2)	996 645 982 01	loudspeaker	/V/R 01-	1	M441		VRK	black			
	VRK	black					S31	savanna			
	S31	savanna					C51	graphite grey			
	C51	graphite grey					G11	metropole blue			
	G11	metropole blue					J31	nephrite green			
	J31	nephrite green					M31	boxster red			
	M31	boxster red					P12	cinnamon brown			
	P12	cinnamon brown					D12	dark grey/natural			
	D12	dark grey/natural					T12	brown/natural			
	T12	brown/natural				(2)	996 645 988 05	loudspeaker	/H/R 01-	1	COUPE M490
		loudspeaker rear leather			IXKL				/H/R 02-		TARGA M490
									/H/L 01-		CABRIO M490
(1)	996 645 989 05	loudspeaker	/H/L 01-	1	COUPE M490		VRK	black			
			/H/L 01-		TARGA M490		S31	savanna			
			/H/R 01-		CABRIO M490		C51	graphite grey			
	VRK	black					G11	metropole blue			
	S31	savanna					J31	nephrite green			
							M31	boxster red			

Model	Year	MG	SG	Illustration	Restrictions	UPD	14:37	24.01.2010	PORSCHE	PET	PORSCHE
996	2005	9	11	911-05		248					

Pos	Part Number	Description	Remark	Qty	Model	Pos	Part Number	Description	Remark	Qty	Model
	P12	cinnamon brown					T12	brown/natural			
	D12	dark grey/natural				(1)	996 645 987 01	loudspeaker	/H/L 01-	1	COUPE M441
	T12	brown/natural							/H/L 01-		TARGA M441
(2)	996 645 986 05	loudspeaker	/H/R 01-	1	COUPE M441				/H/R 01-		CABRIO M441
			/H/R 02-		TARGA M441		A03	black			
			/H/L 01-		CABRIO M441		C53	graphite grey			
	VRK	black					S33	savanna			
	S31	savanna					G13	metropole blue			
	C51	graphite grey					J33	nephrite green			
	G11	metropole blue					M33	boxster red			
	J31	nephrite green					P13	cinnamon brown			
	M31	boxster red					D12	dark grey/natural			
	P12	cinnamon brown					T12	brown/natural			
	D12	dark grey/natural				(2)	996 645 988 01	loudspeaker	/H/R 01-	1	COUPE M490
	T12	brown/natural							/H/R 02-		TARGA M490
		loudspeaker rear			IXKM				/H/L 01-		CABRIO M490
		light maple rootwood									
(1)	996 645 989 01	loudspeaker	/H/L 01-	1	COUPE M490		A03	black			
			/H/L 01-		TARGA M490		C53	graphite grey			
			/H/R 01-		CABRIO M490		S33	savanna			
					M490		G13	metropole blue			
	A03	black					J33	nephrite green			
	C53	graphite grey					M33	boxster red			
	S33	savanna					P13	cinnamon brown			
	G13	metropole blue					D12	dark grey/natural			
	J33	nephrite green					T12	brown/natural			
	M33	boxster red									
	P13	cinnamon brown									
	D12	dark grey/natural									

Model	Year	MG	SG	Illustration	Restrictions	UPD	14:37	24.01.2010	PORSCHE	PET	PORSCHE
996	2005	9	11	911-05		248					

Pos	Part Number	Description	Remark	Qty	Model	Pos	Part Number	Description	Remark	Qty	Model
(2)	996 645 986 01	loudspeaker	/H/R 01-	1	COUPE M441	(2)	996 645 987 02	loudspeaker	/H/L 01-	1	COUPE M441
			/H/R 02-		TARGA M441				/H/L 01-		TARGA M441
			/H/L 01-		CABRIO M441				/H/R 01-		CABRIO M441
	A03	black					A03	black			
	C53	graphite grey					C53	graphite grey			
	S33	savanna					S33	savanna			
	G13	metropole blue					G13	metropole blue			
	J33	nephrite green					J33	nephrite green			
	M33	boxster red					M33	boxster red			
	P13	cinnamon brown					P13	cinnamon brown			
	D12	dark grey/natural					D12	dark grey/natural			
	T12	brown/natural					T12	brown/natural			
		loudspeaker rear			IXKN	(2)	996 645 988 02	loudspeaker	/H/R 01-	1	COUPE M490
		dark maple rootwood							/H/R 02-		TARGA M490
(2)	996 645 989 02	loudspeaker	/H/L 01-	1	COUPE M490				/H/L 01-		CABRIO M490
			/H/L 01-		TARGA M490		A03	black			
			/H/R 01-		CABRIO M490		C53	graphite grey			
	A03	black					S33	savanna			
	C53	graphite grey					G13	metropole blue			
	S33	savanna					J33	nephrite green			
	G13	metropole blue					M33	boxster red			
	J33	nephrite green					P13	cinnamon brown			
	M33	boxster red					D12	dark grey/natural			
	P13	cinnamon brown					T12	brown/natural			
	D12	dark grey/natural				(2)	996 645 986 02	loudspeaker	/H/R 01-	1	COUPE M441
	T12	brown/natural							/H/R 02-		TARGA M441
									/H/L 01-		CABRIO M441

Model	Year	MG	SG	Illustration	Restrictions	UPD	14:37	24.01.2010	PORSCHE	PET	PORSCHE
996	2005	9	11	911-05		248					

Pos	Part Number	Description	Remark	Qty	Model	Pos	Part Number	Description	Remark	Qty	Model
	A03	black					S33	savanna			
	C53	graphite grey					G13	metropole blue			
	S33	savanna					J33	nephrite green			
	G13	metropole blue					M33	boxster red			
	J33	nephrite green					P13	cinnamon brown			
	M33	boxster red					D12	dark grey/natural			
	P13	cinnamon brown					T12	brown/natural			
	D12	dark grey/natural				(2)	996 645 988 03	loudspeaker	/H/R	01-	1 COUPE M490
	T12	brown/natural							/H/R	02-	TARGA M490
		loudspeaker rear carbon			IXKP				/H/L	01-	CABRIO M490
(1)	996 645 989 03	loudspeaker	/H/L	01-	1 COUPE M490		A03	black			
			/H/L	01-	TARGA M490		C53	graphite grey			
			/H/R	01-	CABRIO M490		S33	savanna			
	A03	black					G13	metropole blue			
	C53	graphite grey					J33	nephrite green			
	S33	savanna					M33	boxster red			
	G13	metropole blue					P13	cinnamon brown			
	J33	nephrite green					D12	dark grey/natural			
	M33	boxster red				(2)	996 645 986 03	loudspeaker	/H/R	01-	1 COUPE M441
	P13	cinnamon brown							/H/R	02-	TARGA M441
	D12	dark grey/natural							/H/L	01-	CABRIO M441
	T12	brown/natural					A03	black			
(1)	996 645 987 03	loudspeaker	/H/L	01-	1 COUPE M441		C53	graphite grey			
			/H/L	01-	TARGA M441		S33	savanna			
			/H/R	01-	CABRIO M441		G13	metropole blue			
	A03	black					J33	nephrite green			
	C53	graphite grey					M33	boxster red			

Model	Year	MG	SG	Illustration	Restrictions	UPD	14:37	24.01.2010	PORSCHE	PET	PORSCHE
996	2005	9	11	911-05		248					

Pos	Part Number	Description	Remark	Qty	Model	Pos	Part Number	Description	Remark	Qty	Model
	P13	cinnamon brown					D05	granite grey		-99	
	D12	dark grey/natural					A03	black		00-	
	T12	brown/natural				(11)	000 043 206 22	loudspeaker grille leather		01-	2 IXKL/M490
3	999 919 166 07	oval-head screw 4,0 X 30		-01	8		VRK	black			
3	999 919 166 07	oval-head screw 4,0 X 30	/H	02-	4		S31	savanna			
(3)	999 073 224 09	tapping screw 4,2 X 25	/V	02-	4		C51	graphite grey			
4	999 920 015 40	plug-in nut 4,0		-01	8		G11	metropole blue			
4	999 920 015 40	plug-in nut 4,0	/H	02-	4		J31	nephrite green			
(4)	999 507 767 02	speed nut 4,2	/V	02-	2		M31	boxster red			
(4)	999 507 768 02	speed nut 4,2	/V	02-	2	(11)	000 043 206 23	loudspeaker grille light maple rootwood	/L	01-	1 IXKM/M490
(5)	996 645 011 01	loudspeaker	/L	-00	1 M490		T12	brown/natural			
5	996 645 012 01	loudspeaker	/R	-00	1 M490		A03	black			
6	996 645 501 00	woofer		-02	2 M490		C53	graphite grey			
6	996 645 502 00	woofer		03-	2 M490		S33	savanna			
7	996 645 550 00	protective grille			2 M490		G13	metropole blue			
(8)	999 919 176 07	oval-head screw 4,0 X 16			8 M490		J33	nephrite green			
9	999 919 237 00	oval-head screw 5,0 X 20		98	8 M490		M33	boxster red			
(9)	999 073 061 02	tapping screw ST 4,8 X 16 only together with 999.591.499.02		-00	8 M490	(11)	000 043 206 49	loudspeaker grille light maple rootwood	/R	01-	1 IXKM/M490
10	999 920 013 40	plug-in nut 5,0		98	8 M490		P13	cinnamon brown			
(10)	999 591 499 02	speed nut 4,8 only together with 999.073.061.02		-00	8 M490		D12	dark grey/natural			
11	996 555 801 01	loudspeaker grille			2 M490		T12	brown/natural			
							A03	black			
							C53	graphite grey			
							S33	savanna			
							G13	metropole blue			

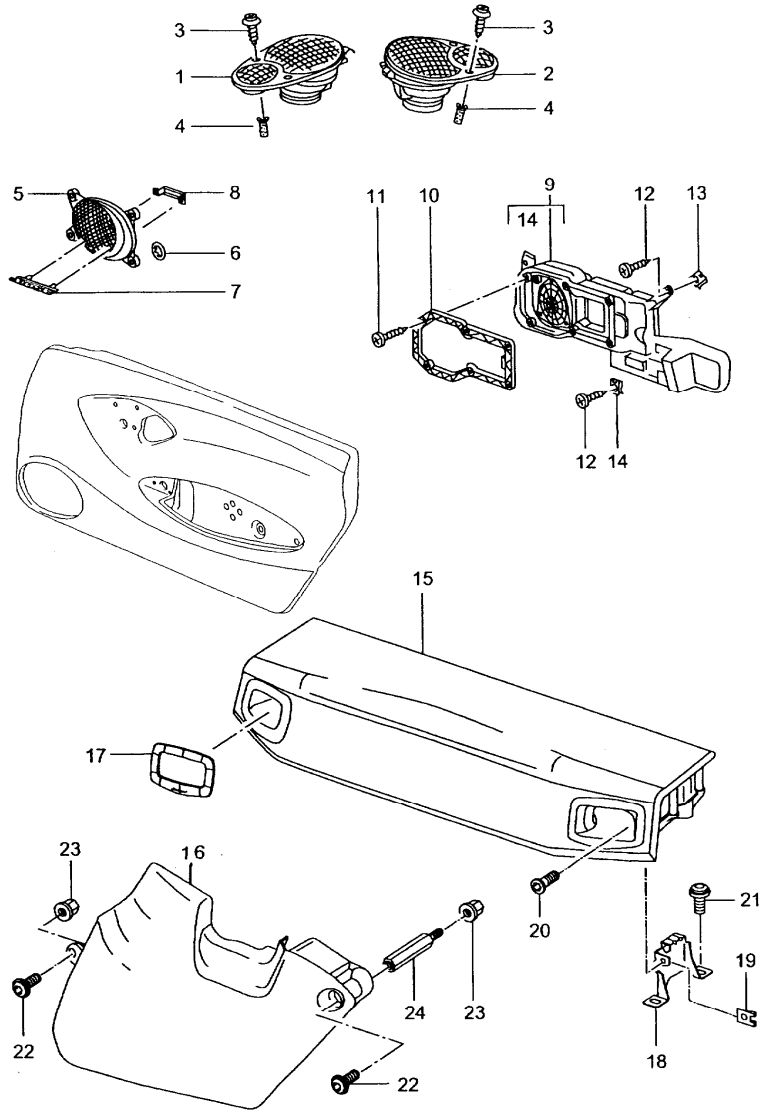
Model	Year	MG	SG	Illustration	Restrictions	UPD	14:37	24.01.2010	PORSCHE	PET	PORSCHE
996	2005	9	11	911-05		248					

Pos	Part Number	Description	Remark	Qty	Model	Pos	Part Number	Description	Remark	Qty	Model
	J33	nephrite green					C53	graphite grey			
	M33	boxster red					S33	savanna			
	P13	cinnamon brown					G13	metropole blue			
	D12	dark grey/natural					J33	nephrite green			
	T12	brown/natural					M33	boxster red			
(11)	000 043 206 24	loudspeaker grille dark maple rootwood	/L	01-	1	IXKN/M490	P13	cinnamon brown			
	A03	black					D12	dark grey/natural			
	C53	graphite grey					T12	brown/natural			
	S33	savanna				(11)	000 043 206 51	loudspeaker grille carbon	/R	01-	1
	G13	metropole blue					A03	black			
	J33	nephrite green					C53	graphite grey			
	M33	boxster red					S33	savanna			
	P13	cinnamon brown					G13	metropole blue			
	D12	dark grey/natural					J33	nephrite green			
	T12	brown/natural					M33	boxster red			
(11)	000 043 206 50	loudspeaker grille dark maple rootwood	/R	01-	1	IXKN/M490	P13	cinnamon brown			
	A03	black					D12	dark grey/natural			
	C53	graphite grey					T12	brown/natural			
	S33	savanna				(11)	000 043 206 88	loudspeaker grille frame leather grille aluminium look			2
	G13	metropole blue					A10	black			
	J33	nephrite green					C50	graphite grey			
	M33	boxster red					S30	savanna			
	P13	cinnamon brown					G10	metropole blue			
	D12	dark grey/natural					J30	nephrite green			
	T12	brown/natural					M30	boxster red			
(11)	000 043 206 25	loudspeaker grille carbon	/L	01-	1	IXKP/M490	P11	cinnamon brown			
	A03	black									

Model	Year	MG	SG	Illustration	Restrictions	UPD	14:37	24.01.2010	PORSCHE	PET	PORSCHE
996	2005	9	11	911-05		248					

Pos	Part Number	Description	Remark	Qty	Model	Pos	Part Number	Description	Remark	Qty	Model
	D11	dark grey/natural									
	T11	brown/natural									
12	999 591 946 02	clamping washer 5,0		8	M490						
13	996 645 551 00	loudspeaker	/L	-02	1 M490						
13	996 645 551 01	loudspeaker	/L	03-	1 M490						
(13)	996 645 552 00	loudspeaker	/R	-02	1 M490						
(13)	996 645 552 01	loudspeaker	/R	03-	1 M490						
14	996 645 553 00	frame		01-	2 M490						
15	999 919 086 02	oval-head screw 4,0 X 14		01-	12 M490						
16	999 073 061 02	tapping screw 4,8 X 16		01-	8 M490						
17	999 591 499 02	speed nut 4,8		01-	6 M490						
18	999 507 759 09	speed nut 4,8		01-	2 M490						

Model	Year	MG	SG	Illustration	Restrictions	UPD	14:37	24.01.2010	PORSCHE	PET	PORSCHE
996	2005	9	11	911-06		248					



Pos	Part Number	Description	Remark	Qty	Model			
1	996 645 033 00	loudspeaker	02-	1	M680			
		loudspeaker	/V/L		M680			
		C50	graphite grey					
		G10	metropole blue					
		J30	nephrite green					
		M30	boxster red					
		S30	savanna					
		P10	cinnamon brown					
		(1)	996 645 044 00		loudspeaker	/H/L	1	COUPE
						/H/L		M680
	/H/R			TARGA				
	/H/R			M680				
				CABRIO				
				M680				
C50	graphite grey							
G10	metropole blue							
J30	nephrite green							
M30	boxster red							
S30	savanna							
P10	cinnamon brown							
2	996 645 034 00	loudspeaker	/V/R	1	M680			
		C50	graphite grey					
		G10	metropole blue					
		J30	nephrite green					
		M30	boxster red					
		S30	savanna					
		P10	cinnamon brown					
		(2)	996 645 043 00		loudspeaker	/H/R	1	COUPE
						/H/R		M680
						/H/R		TARGA
	/H/L			M680				
				CABRIO				
				M680				
C50	graphite grey							

Model	Year	MG	SG	Illustration	Restrictions	UPD	14:37	24.01.2010	PORSCHE	PET	PORSCHE
996	2005	9	11	911-06		248					

Pos	Part Number	Description	Remark	Qty	Model	Pos	Part Number	Description	Remark	Qty	Model
	G10	metropole blue					T12	brown/natural			
	J30	nephrite green				2	996 645 984 02	loudspeaker	/V/R	1	M680
	M30	boxster red					VRK	black			
	S30	savanna					S31	savanna			
	P10	cinnamon brown					C51	graphite grey			
1	996 645 033 01	loudspeaker	/V/L	1	M680		G11	metropole blue			
	01C	satin black					J31	nephrite green			
(1)	996 645 044 01	loudspeaker	/H/L	1	COUPE M680		M31	boxster red			
			/H/L		TARGA M680		P12	cinnamon brown			
			/H/R		CABRIO M680		D12	dark grey/natural			
	01C	satin black					T12	brown/natural			
2	996 645 034 01	loudspeaker	/V/R	1	M680			loudspeaker rear leather			IXKL
	01C	satin black									
(2)	996 645 043 01	loudspeaker	/H/R	1	COUPE M680	(1)	996 645 989 06	loudspeaker	/H/L	1	COUPE M680
			/H/R		TARGA M680				/H/L		TARGA M680
			/H/L		CABRIO M680				/H/R		CABRIO M680
	01C	satin black					VRK	black			
		loudspeaker front leather			IXKL/XKM/XKN IXKP		S31	savanna			
1	996 645 983 02	loudspeaker	/V/L	1	M680		C51	graphite grey			
	VRK	black					G11	metropole blue			
	S31	savanna					J31	nephrite green			
	C51	graphite grey					M31	boxster red			
	G11	metropole blue					P12	cinnamon brown			
	J31	nephrite green					D12	dark grey/natural			
	M31	boxster red					T12	brown/natural			
	P12	cinnamon brown				(2)	996 645 988 06	loudspeaker	/H/R	1	COUPE M680
	D12	dark grey/natural							/H/R		TARGA M680
									/H/L		CABRIO M680

Model	Year	MG	SG	Illustration	Restrictions	UPD	14:37	24.01.2010	PORSCHE	PET	PORSCHE
996	2005	9	11	911-06		248					

Pos	Part Number	Description	Remark	Qty	Model	Pos	Part Number	Description	Remark	Qty	Model
	VRK	black					S33	savanna			
	S31	savanna					G13	metropole blue			
	C51	graphite grey					J33	nephrite green			
	G11	metropole blue					M33	boxster red			
	J31	nephrite green					P13	cinnamon brown			
	M31	boxster red					D12	dark grey/natural			
	P12	cinnamon brown					T12	brown/natural			
	D12	dark grey/natural						loudspeaker rear dark maple rootwood			IXKN
	T12	brown/natural									
		loudspeaker rear light maple rootwood			IXKM	(1)	996 645 989 08	loudspeaker	/H/L	1	COUPE M680 TARGA M680 CABRIO M680
(1)	996 645 989 07	loudspeaker	/H/L	1	COUPE M680 TARGA M680 CABRIO M680				/H/L		
			/H/L				A03	black			
	A03	black					C53	graphite grey			
	C53	graphite grey					S33	savanna			
	S33	savanna					G13	metropole blue			
	G13	metropole blue					J33	nephrite green			
	J33	nephrite green					M33	boxster red			
	M33	boxster red					P13	cinnamon brown			
	P13	cinnamon brown					D12	dark grey/natural			
	D12	dark grey/natural					T12	brown/natural			
	T12	brown/natural				(2)	996 645 988 08	loudspeaker	/H/R	1	COUPE M680 TARGA M680 CABRIO M680
(2)	996 645 988 07	loudspeaker	/H/R	1	COUPE M680 TARGA M680 CABRIO M680				/H/R		
			/H/R						/H/L		
			/H/L				A03	black			
	A03	black					C53	graphite grey			
	C53	graphite grey					S33	savanna			
							G13	metropole blue			

Model	Year	MG	SG	Illustration	Restrictions	UPD	14:37	24.01.2010	PORSCHE	PET	PORSCHE
996	2005	9	11	911-06		248					

Pos	Part Number	Description	Remark	Qty	Model	Pos	Part Number	Description	Remark	Qty	Model
(1)	996 645 989 09	J33 nephrite green			COUPE M680 TARGA M680 CABRIO M680	3	P13	cinnamon brown			
		M33 boxster red					D12	dark grey/natural			
		P13 cinnamon brown					T12	brown/natural			
		D12 dark grey/natural					999 919 166 07	oval-head screw 4,0 X 30	/H	4	
		T12 brown/natural					(3) 999 073 224 09	tapping screw 4,2 X 25	/V	4	
		loudspeaker rear carbon		IXKP			4 999 920 015 40	plug-in nut 4,0	/H	4	
		loudspeaker	/H/L	1			(4) 999 507 767 02	speed nut 4,2	/V	2	
			/H/L				(4) 999 507 768 02	speed nut 4,2	/V	2	
			/H/R				5 996 555 801 01	loudspeaker grille		2	M680
		A03 black					A03	black			
		C53 graphite grey					(5) 000 043 206 22	loudspeaker grille leather		2	IXKL/M680
		S33 savanna					VRK	black			
		G13 metropole blue					S31	savanna			
J33 nephrite green			C51	graphite grey							
M33 boxster red			G11	metropole blue							
P13 cinnamon brown			J31	nephrite green							
D12 dark grey/natural			M31	boxster red							
T12 brown/natural			P12	cinnamon brown							
(2)	996 645 988 09	loudspeaker	/H/R	1	COUPE M680 TARGA M680 CABRIO M680	5	D12	dark grey/natural			
			/H/R				T12	brown/natural			
			/H/L				(5) 000 043 206 23	loudspeaker grille light maple rootwood	/L	1	IXKM/M680
		A03 black					A03	black			
		C53 graphite grey					C53	graphite grey			
		S33 savanna					S33	savanna			
		G13 metropole blue					G13	metropole blue			
		J33 nephrite green									
		M33 boxster red									

Model	Year	MG	SG	Illustration	Restrictions	UPD	14:37	24.01.2010	PORSCHE	PET	PORSCHE
996	2005	9	11	911-06		248					

Pos	Part Number	Description	Remark	Qty	Model	Pos	Part Number	Description	Remark	Qty	Model
	J33	nephrite green					C53	graphite grey			
	M33	boxster red					S33	savanna			
	P13	cinnamon brown					G13	metropole blue			
	D12	dark grey/natural					J33	nephrite green			
	T12	brown/natural					M33	boxster red			
(5)	000 043 206 49	loudspeaker grille light maple rootwood	/R	1	IXKM/M680		P13	cinnamon brown			
	A03	black					D12	dark grey/natural			
	C53	graphite grey					T12	brown/natural			
	S33	savanna				(5)	000 043 206 25	loudspeaker grille carbon	/L	1	IXKP/M680
	G13	metropole blue					A03	black			
	J33	nephrite green					C53	graphite grey			
	M33	boxster red					S33	savanna			
	P13	cinnamon brown					G13	metropole blue			
	D12	dark grey/natural					J33	nephrite green			
	T12	brown/natural					M33	boxster red			
(5)	000 043 206 24	loudspeaker grille dark maple rootwood	/L	1	IXKN/M680		P13	cinnamon brown			
	A03	black					D12	dark grey/natural			
	C53	graphite grey					T12	brown/natural			
	S33	savanna				(5)	000 043 206 51	loudspeaker grille carbon	/R	1	M 608 IXKP
	G13	metropole blue					A03	black			
	J33	nephrite green					C53	graphite grey			
	M33	boxster red					S33	savanna			
	P13	cinnamon brown					G13	metropole blue			
	D12	dark grey/natural					J33	nephrite green			
	T12	brown/natural					M33	boxster red			
(5)	000 043 206 50	loudspeaker grille dark maple rootwood	/R	1	IXKN/M680		P13	cinnamon brown			
	A03	black					D12	dark grey/natural			

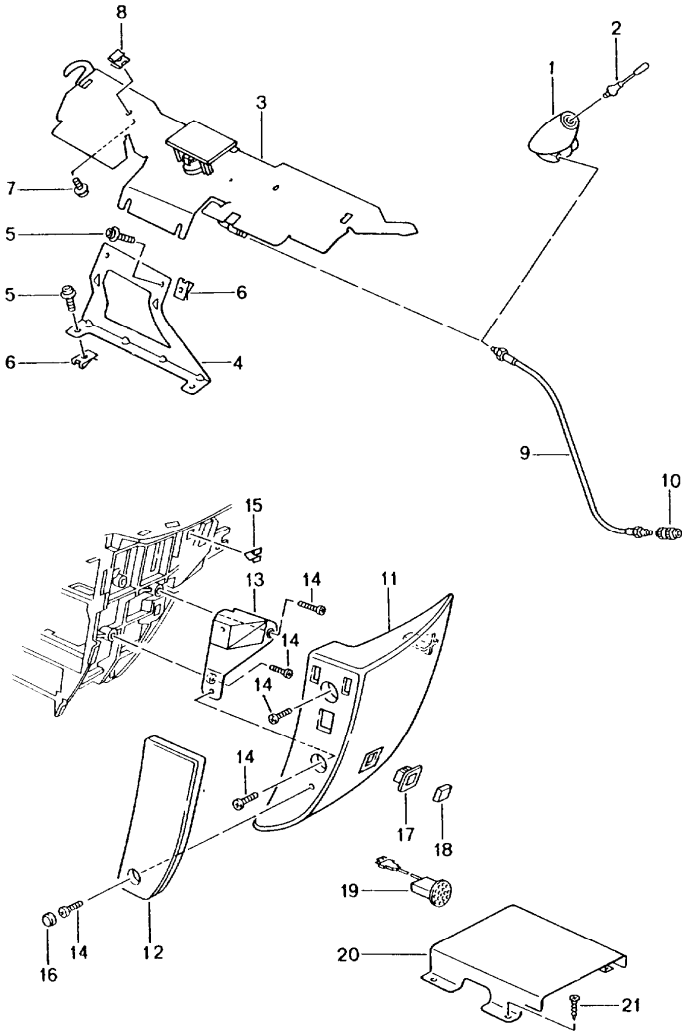
Model	Year	MG	SG	Illustration	Restrictions	UPD	14:37	24.01.2010	PORSCHE	PET	PORSCHE
996	2005	9	11	911-06		248					

Pos	Part Number	Description	Remark	Qty	Model	Pos	Part Number	Description	Remark	Qty	Model
(5)	000 043 206 88	T12 brown/natural loudspeaker grille frame leather grille aluminium look		2	IXTR/M680		FFC	graphite grey			
	A10	black					FFD	savanna			
	C50	graphite grey					FFE	metropole blue			
	S30	savanna					FFG	nephrite green			
	G10	metropole blue					FFH	boxster red			
	J30	nephrite green					FFJ	cinnamon brown			
	M30	boxster red					VSP	dark grey/natural			
	P11	cinnamon brown					VSQ	brown/natural			
	D11	dark grey/natural				16	996 645 567 00	subwoofer	/LL	1	CABRIO M680 TARGA M680
	T11	brown/natural					A10	black	/LL		
6	999 591 946 02	clamping washer 5,0		8	M680		C50	graphite grey			
7	996 645 511 00	logo		2	M680		S30	savanna			
8	996 645 512 00	clip		2	M680		G10	metropole blue			
9	996 645 561 00	loudspeaker	/L	1	M680		J30	nephrite green			
(9)	996 645 562 00	loudspeaker	/R	1	M680		M30	boxster red			
10	996 645 553 00	frame		2	M680		P11	cinnamon brown			
11	999 919 086 02	oval-head screw 4,0 X 14		12	M680	(16)	D11	dark grey/natural			
12	999 073 061 02	tapping screw 4,8 X 16		8	M680		T11	brown/natural			
13	999 591 499 02	speed nut 4,8		6	M680		996 645 566 00	subwoofer	/RL	1	CABRIO M680 TARGA M680
14	999 507 759 09	speed nut 4,8		2	M680				/RL		
		subwoofer			M680		A10	black			
15	996 645 564 00	subwoofer	/H	1	COUPE M680		C50	graphite grey			
	FFB	black					S30	savanna			
							G10	metropole blue			
							J30	nephrite green			
							M30	boxster red			
							P11	cinnamon brown			

Model	Year	MG	SG	Illustration	Restrictions	UPD	14:37	24.01.2010	PORSCHE	PET	PORSCHE
996	2005	9	11	911-06		248					

Pos	Part Number	Description	Remark	Qty	Model	Pos	Part Number	Description	Remark	Qty	Model
		D11 dark grey/natural				23	999 500 069 01	blind rivet nut		2	CABRIO M680 TARGA M680
		T11 brown/natural						M 6/0,5 - 3			
17	996 645 568 00	rosette	/H	2	COUPE M680	24	999 061 272 36	spacer bolt		1	CABRIO M680 TARGA M680
		A10 black						M 6 X 82,5			
		C50 graphite grey									
		S30 savanna									
		G10 metropole blue									
		J30 nephrite green									
		M30 boxer red									
		P10 cinnamon brown									
(18)	996 645 245 00	support	/L	1	COUPE M680 TARGA M680						
		M 6,0 X 25									
18	996 645 246 00	support	/R	1	COUPE M680 TARGA M680						
		M 6,0 X 25									
19	999 507 766 02	speed nut		2	COUPE M680						
		M 6									
		M 6,0 X 25			TARGA M680						
20	999 073 113 09	oval-head screw		2	COUPE M680						
		M 6,0 X 50 ASP									
		M 6,0 X 25			TARGA M680						
21	900 380 015 01	hexagon nut		4	COUPE M680						
		VM 6									
		M 6,0 X 25			TARGA M680						
22	999 073 223 07	oval-head screw		2	CABRIO M680 TARGA M680						
		M 6,0 X 25									

Model	Year	MG	SG	Illustration	Restrictions	UPD	14:38	24.01.2010	PORSCHE	PET	PORSCHE
996	2005	9	11	911-10		248					



Pos	Part Number	Description	Remark	Qty	Model
		preparation for telephone			M614/618
1	996 647 103 00	antenna base use also:	-00	1	COUPE
-	996 647 106 00	cap for antenna base see technical information GR.9 , NR. 2/00	-00	1	
-	996 647 201 00	reinforcement for antenna base see technical information GR.9 , NR. 10/99	-00	1	COUPE
2	996 647 104 00	antenna rod	-00	1	
3	996 647 125 00	antenna	/LL	01-	1
(3)	996 647 126 00	antenna	/RL	01-	1
4 A	996 647 127 00	support POS. 5 + 6 attention	/LL	-04	1
(4)	997 647 127 00	support POS. 5 + 6 attention	/LL	04-	1
(4) A	996 647 128 00	support POS. 5 + 6 attention	/RL	-04	1
(4)	997 647 128 00	support POS. 5 + 6 attention	/RL	04-	1
5	999 073 203 00	round head screw M 5 X 12 - Z2 for support 996.647.127/128.00	-04	4	
5	999 073 236 0A	oval-head screw M 6 X 10 for support 997.647.127/128.00	04-	4	
6	999 507 067 09	speed nut M 5 for support 996.647.127/128.00	-04	4	

Model	Year	MG	SG	Illustration	Restrictions	UPD	14:38	24.01.2010	PORSCHE	PET	PORSCHE
996	2005	9	11	911-10		248					

Pos	Part Number	Description	Remark	Qty	Model	Pos	Part Number	Description	Remark	Qty	Model
6	999 507 550 01	speed nut M 6 for support 997.647.127/128.00	04-	4			C18	graphite grey		99	
							S18	savanna		99	
							G18	metropole blue		99	
7	999 073 210 00	tapping screw 4,8 X 13	01-	2			B18	space grey		99	
8 A	999 507 441 02	speed nut 4,8	01-	2			A12	black		00-	
8	999 507 441 01	speed nut 4,8	01-	2			C52	graphite grey		00-	
9	996 612 086 00	extension cable	-00	1	COUPE		S32	savanna		00-	
9	986 612 096 00	extension cable	-00	1	CABRIO		G12	metropole blue		00-	
9	996 612 037 00	extension cable	01-	1	M618		B52	space grey		00-	
(9)	996 612 007 00	extension cable	03-	1	M666	(11)	J32	nephrite green		01-	
10	964 646 318 00	adapter plug	/LL	1	M618		996 552 093 04	bracket leatherette	/RL	99-	1
(10)	996 646 318 00	adapter plug	/RL	1	M618		A18	black		99	
11	996 552 094 02	bracket leatherette	/LL	98	1		C18	graphite grey		99	
	A18	black					S18	savanna		99	
	C18	graphite grey					G18	metropole blue		99	
	S18	savanna					B18	space grey		99	
	G18	metropole blue					A12	black		00-	
	B18	space grey					C52	graphite grey		00-	
(11)	996 552 093 02	bracket leatherette	/RL	98	1		S32	savanna		00-	
	A18	black					G12	metropole blue		00-	
	C18	graphite grey					B52	space grey		00-	
	S18	savanna					J32	nephrite green		01-	
	G18	metropole blue				11	996 552 094 01	bracket leather	/LL	98	1
	B18	space grey					A11	black			
11	996 552 094 04	bracket leatherette	/LL	99-	1		C51	graphite grey			
	A18	black		99			S31	savanna			
							J31	nephrite green			
							M31	boxster red			

Model	Year	MG	SG	Illustration	Restrictions	UPD	14:38	24.01.2010	PORSCHE	PET	PORSCHE
996	2005	9	11	911-10		248					

Pos	Part Number	Description	Remark	Qty	Model	Pos	Part Number	Description	Remark	Qty	Model		
(11)	996 552 093 01	G11 metropole blue	/RL	98	1		G11 metropole blue						
		B51 space grey					B51 space grey						
		bracket leather					D12 dark grey/natural					00-	
		A11 black					T12 brown/natural					00-	
		C51 graphite grey					P12 cinnamon brown					01-	
		S31 savanna					12 996 552 298 00 attachment					/LL	1
		J31 nephrite green					01C satin black						
		M31 boxer red					(12) 996 552 297 00 attachment					/RL	1
		G11 metropole blue					01C satin black						
		B51 space grey					12 996 552 979 00 attachment leather					/LL	1
11	996 552 094 03	bracket leather	/LL	99-	1		A11 black						
		A11 black					C51 graphite grey						
		C51 graphite grey					S31 savanna						
		S31 savanna					G11 metropole blue						
		J31 nephrite green					J31 nephrite green						
		M31 boxer red					M31 boxer red						
		G11 metropole blue					P12 cinnamon brown						
		B51 space grey					D12 dark grey/natural						
		D12 dark grey/natural		00-			T12 brown/natural						
		T12 brown/natural		00-		(12)	996 552 979 01 attachment leather	/RL	1	IXEA			
		P12 cinnamon brown		01-			A11 black						
(11)	996 552 093 03	bracket leather	/RL	99-	1		C51 graphite grey						
		A11 black					S31 savanna						
		C51 graphite grey					G11 metropole blue						
		S31 savanna					J31 nephrite green						
		J31 nephrite green					M31 boxer red						
		M31 boxer red					P12 cinnamon brown						
							D12 dark grey/natural						

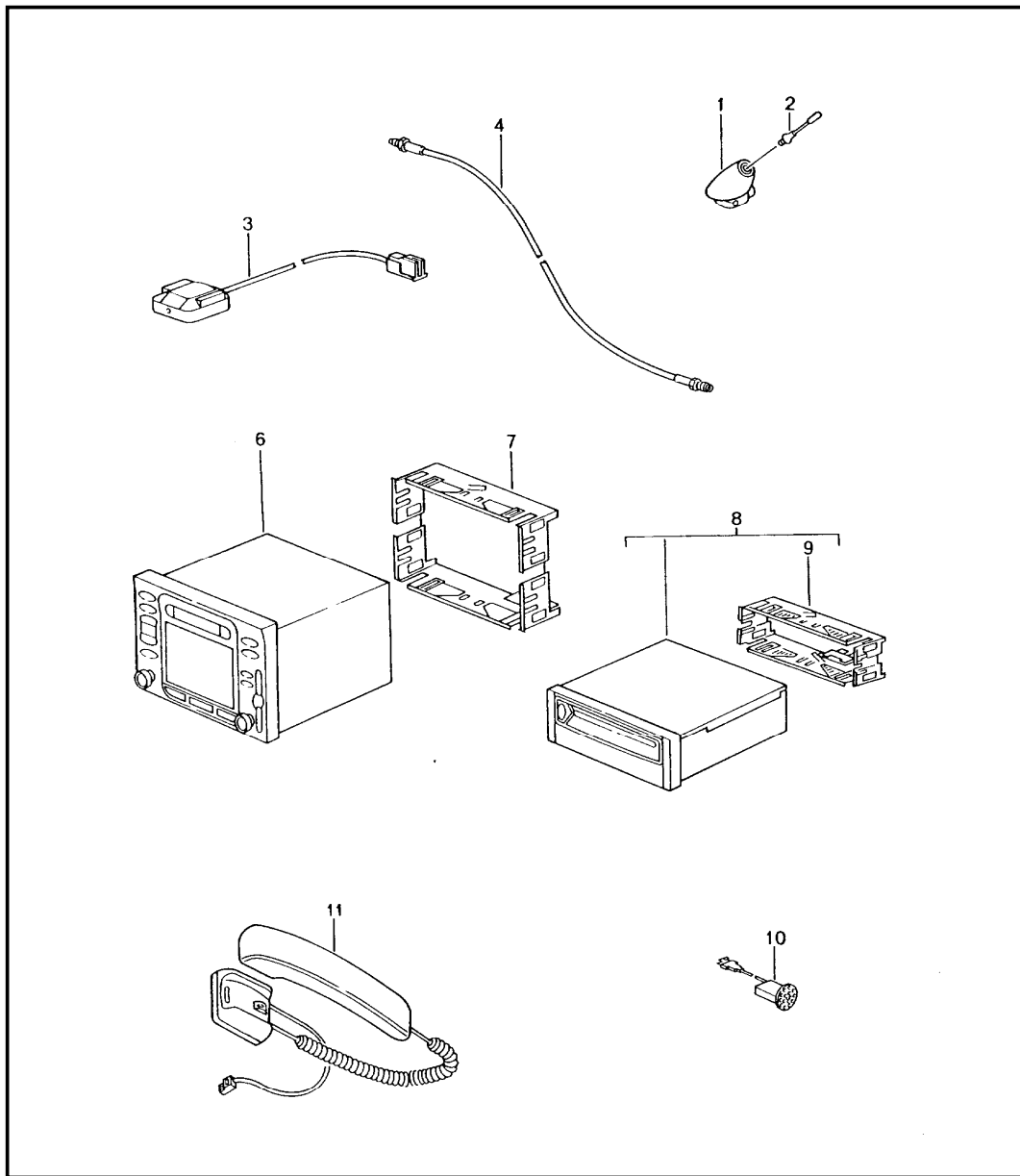
Model	Year	MG	SG	Illustration	Restrictions	UPD	14:38	24.01.2010	PORSCHE	PET	PORSCHE
996	2005	9	11	911-10		248					

Pos	Part Number	Description	Remark	Qty	Model	Pos	Part Number	Description	Remark	Qty	Model
	T12	brown/natural					D05	granite grey			
13	996 552 624 01	adapter see tpi GR.9 , NR.17 , JAN/99	98	1			A03	black			
(13)	996 552 624 02	adapter	99-	1			C53	graphite grey			
-	996 552 581 00	filler piece bracket telephone	/RL 99-	1			S33	savanna			
	01C	satin black					G13	metropole blue			
-	996 552 582 00	filler piece bracket telephone	/LL 99-	1			B13	space grey			
	01C	satin black					J33	nephrite green			
14	999 919 121 09	oval-head screw 5,0 X 16		6		(19)	M33	boxster red			
15	999 507 476 01	clamp 8,0 X 10,2		3			P13	cinnamon brown	01		
16	996 552 824 00	cap		1			996 646 308 01	microphone	/RL -01	1	
	01C	satin black					D05	granite grey			
16	996 552 978 00	cap leather		1	IXEA		A03	black			
	A11	black					C53	graphite grey			
	C51	graphite grey					S33	savanna			
	S31	savanna					G13	metropole blue			
	G11	metropole blue				(19)	B13	space grey			
	J31	nephrite green					J33	nephrite green			
	M31	boxster red					M33	boxster red			
	P12	cinnamon brown					P13	cinnamon brown	01		
	D12	dark grey/natural				(19)	996 646 307 02	microphone	/LL 02	1	
	T12	brown/natural					A03	black			
17	996 646 125 01	frame		1			C53	graphite grey			
18	996 646 126 00	cover		1			S33	savanna			
19	996 646 307 01	microphone	/LL -01	1		(19)	G13	metropole blue			
							J33	nephrite green			
							M33	boxster red			
							P13	cinnamon brown			
						(19)	996 646 308 02	microphone	/RL 02	1	
							A03	black			

Model	Year	MG	SG	Illustration	Restrictions	UPD	14:38	24.01.2010	PORSCHE	PET	PORSCHE
996	2005	9	11	911-10		248					

Pos	Part Number	Description	Remark	Qty	Model	Pos	Part Number	Description	Remark	Qty	Model
	C53	graphite grey									
	S33	savanna									
	G13	metropole blue									
	J33	nephrite green									
	M33	boxster red									
	P13	cinnamon brown									
20	996 646 235 01	support		1	M618						
(20)	996 646 233 00	support	99-	1	M339/614						
-	999 084 629 01	hexagon nut VM 6	99-	4	M339/614						
21	999 073 060 02	tapping screw 4,8 X 13		4	M618						
-	996 521 663 01	stop seat rail inner		1	M437/438						
-	996 521 665 00	stop seat rail inner		1	M369/370 M375/376 M540						

Model	Year	MG	SG	Illustration	Restrictions	UPD	14:38	24.01.2010	PORSCHE	PET	PORSCHE
996	2005	9	11	911-15		248					



Pos	Part Number	Description	Remark	Qty	Model
		navigation system receiver	-02		M662
		see technical information GR.0 , NR. 4/97	-02		M663
		tech. information memo GR.9 , NR. 2A/97			
		see technical information GR.9 , NR.3/02			
1	996 647 103 00	antenna base use also:	-00	1	COUPE
-	996 647 106 00	cap for antenna base see technical information GR.9 , NR. 2/00	-00	1	
-	996 647 201 00	reinforcement for antenna base see technical information GR.9 , NR. 10/99	-00	1	COUPE
2	996 647 104 00	antenna rod	-00	1	
		antenna telephone see group 9 /11/10	01-		
3	996 642 206 00	antenna - GPS -		1	
4	996 612 083 00	extension cable telephone	-00	1	
4	996 612 038 00	extension cable telephone	01-	1	
(4)	996 612 970 01	extension cable - GPS -		1	
(6) >	996 642 904 04	control part	-01	1	
		EFR gloss black tech. information memo GR.9 , 4A/00			
-	996 642 953 00	rotary knob	/L	-01	1
-	996 642 954 00	rotary knob	/R	-01	1
(6) >	996 642 944 00	control part		02	1

Model	Year	MG	SG	Illustration	Restrictions	UPD	14:38	24.01.2010	PORSCHE	PET	PORSCHE
996	2005	9	11	911-15		248					

Pos	Part Number	Description	Remark	Qty	Model	Pos	Part Number	Description	Remark	Qty	Model
	EWD	black mat				-	996 642 132 07	cd-rom replacement see catalogue tequipment		1	M124
-	996 642 955 00	rotary knob	/L	02	1						
-	996 642 956 00	rotary knob	/R	02	1						
7	996 642 103 01	retaining frame		1		-	996 642 133 07	cd-rom		1	M061
(8) >	996 642 122 01	computer		1		-	996 642 134 07	cd-rom		1	M111/277
	EFR	gloss black F >>991S6 03524 F >>991S6 42489				-	996 642 135 07	cd-rom		1	M063/064 M225
		cd-rom for computer 996.642.122.00.EFR 996.642.122.01.EFR				-	996 642 136 07	cd-rom		1	M119
-	996 642 131 06	cd-rom		1	M499	-	996 642 137 07	cd-rom		1	M062
- A	996 642 132 06	cd-rom		1	M124	-	996 642 138 07	cd-rom		1	M034
- A	996 642 133 06	cd-rom		1	M061	9	993 645 173 00	retaining frame		1	
- A	996 642 134 06	cd-rom		1	M111/277	10	996 646 307 01	microphone	/LL	-01	1
- A	996 642 135 06	cd-rom		1	M063/064 M225		D05	granite grey			
-	996 642 136 06	cd-rom		1	M119		A03	black			
-	996 642 137 06	cd-rom		1	M062		C53	graphite grey			
-	996 642 138 06	cd-rom		1	M034		S33	savanna			
(8) >	996 642 122 03	computer		-01	1		G13	metropole blue			
	EFR	gloss black F 991S6 03525>> F 991S6 42490>>					B13	space grey			
(8) >	996 642 122 12	computer		02	1	(10)	J33	nephrite green			
	EWD	black mat					M33	boxster red			
		cd-rom for computer 996.642.122.03.EFR 996.642.122.12.EWD					P13	cinnamon brown		01	
-	996 642 131 07	cd-rom		1	M499		(10) 996 646 308 01	microphone	/RL	-01	1
							D05	granite grey			
							A03	black			
							C53	graphite grey			
							S33	savanna			
							G13	metropole blue			
							B13	space grey			
							J33	nephrite green			
							M33	boxster red			

Model	Year	MG	SG	Illustration	Restrictions	UPD	14:38	24.01.2010	PORSCHE	PET	PORSCHE
996	2005	9	11	911-15		248					

Pos	Part Number	Description	Remark	Qty	Model	Pos	Part Number	Description	Remark	Qty	Model
	P13	cinnamon brown		01				bracket			
(10)	996 646 307 02	microphone	/LL	02	1			see group 9 /11/10			
	A03	black						stop			
	C53	graphite grey						seat rail			
	S33	savanna						see group 9 /11/10			
	G13	metropole blue									
	J33	nephrite green									
	M33	boxster red									
	P13	cinnamon brown									
(10)	996 646 308 02	microphone	/RL	02	1						
	A03	black									
	C53	graphite grey									
	S33	savanna									
	G13	metropole blue									
	J33	nephrite green									
	M33	boxster red									
	P13	cinnamon brown									
11	996 642 111 01	receiver			1	M663					
11	996 642 980 00	receiver leather			1	IXEA					
	A11	black									
	C51	graphite grey									
	S31	savanna									
	G11	metropole blue									
	J31	nephrite green									
	M31	boxster red									
	P12	cinnamon brown									
	D12	dark grey/natural									
	T12	brown/natural									

MXI KAT21

KAT.	M-X-I -NR	BENENNUNG-Deutsch DESCRIPTION-English
21	M000	+-----+ ! M-Nummern-Uebersicht ! +-----+ +-----+ ! Summary of optional extras "M"! +-----+
21	M004	GT3 RS (STRASSE)
21	M014	GT3 RS (STREET)
21	M024	Sportpaket 996 Sport package 996
21	M030	Griechenland-Ausführung Version for Greece
21	M032	Sportfahrwerk Sport-type running gear
21	M034	Langstreckenfahrwerk Touring suspension
21	M058	Italien - Ausführung Version for Italy
21	M061	Pralldämpfer vorn und hinten Impact absorbers front and rear
21	M062	Grossbritannien-Ausführung Version for Great Britain
21	M063	Schweden-Ausführung Version for Sweden
21	M064	Luxemburg-Ausführung Version Luxemburg
21	M065	Niederlande-Ausführung Version for Netherlands
21	M066	Dänemark-Ausführung Version for Denmark
21	M067	Norwegen-Ausführung Version for Norway
21	M068	Finnland-Ausführung Version for Finland
21	M069	Thailand-Ausführung Version for Thailand
21	M071	Sonstige-Länderausführung Other country version
21	M072	EU-Länderausführung EU country version
21	M073	Mexico-Ausführung Version for Mexico
21	M094	Russland-Ausführung Version for Russia
21	M095	Sondermodell Millennium Special model millennium
21	M111	Sondermodell 40 Jahre 911 Special model '40 years 911'
21	M113	Österreich-Ausführung Version for Austria
21	M114	Kanada - Ausführung Version for Canada
21	M119	Taiwan - Ausführung Version for Taiwan
21	M124	Spanien - Ausführung Version for Spain
21	M126	Frankreich - Ausführung Version for France
21	M127	Beschreibung französisch Control and indications in french lettering
21	M127	Beschreibung schwedisch Control and indications in schwedisch

MXI KAT21

21	M130	Beschreibung englisch Control and indications in english lettering
21	M139	Sitzheizung, linker Sitz Seat heating system, left seat
21	M150	Betrieb mit verbleitem Kraftstoff Operates with leaded gas
21	M193	Japan-Ausführung Version for Japan
21	M197	Stärkere Batterie Stronger battery
21	M215	Saudi-Arabien - Ausführung Version for Saudi Arabia
21	M219	Ausgleichsgetriebe Differential
21	M220	Sperrdifferential 40 % Locking differential 40 %
21	M222	Antriebschlupfregelung (ASR) Traction control system
21	M224	Automatisches Bremsdifferential Automatic limited slip differential
21	M225	Belgien-Ausführung Version for Belgium
21	M249	Tiptronic-Getriebe Tiptronic transmission
21	M265	Automatisch abblendbarer Innenspiegel mit Regensensor Automatic anti-dazzle interior mirror with rain sensor
21	M266	Automatisch abblendbarer Aussenspiegel Automatic anti-dazzle exterior mirror
21	M270	Aussenspiegel für Fahrerseite -plan-, elektrisch verstell- und beheizbar Outside mirror -plan- driver's side, electrically adjustable and heatable
21	M271	Aussenspiegel für Fahreseite -asphaerisch-, elektrisch verstell- und beheizbar Outside mirror -aspherical- driver's side, electrically adjustable and heatable
21	M273	Aussenspiegel, elektrisch verstell- und beheizbar Outside mirror, electrically adjustable and heatable
21	M274	Make-up Spiegel beleuchtet Make-up mirror illuminated
21	M277	Schweiz-Ausführung Version for Switzerland
21	M288	Scheinwerfer-Reinigungsanlage Headlamp washer
21	M320	Radio "Porsche CR-11", RDWW Radio "Porsche CR-11", RDW
21	M321	Radio "Porsche CR 22", RDW Radio "Porsche CR 22", RDW
21	M322	Radio "Porsche CR 220", USA Radio "Porsche CR 220", USA
21	M325	Südafrika/Neuseeland-Ausführung Version for South Africa/New Zealand
21	M326	Radio "Porsche CR-21", RDW Radio "Porsche CR-21", RDW
21	M327	Radio "Porsche CR 2200", Japan Radio "Porsche CR 2200", Japan
21	M329	Radio "Porsche CR-210", USA Radio "Porsche CR-210", USA
21	M330	Radio "Porsche CR-31", RDW Radio "Porsche CR-31", RDW
21	M335	3-Punkt-Automatik-Gurte, hinten Automatical safety belt, 3-point, rear
21	M338	Heck-Antrieb Rear-wheel drive
21	M339	Allrad-Antrieb 4-wheel drive
21	M340	Sitzheizung, rechter Sitz Seat heating system, right seat

MXI KAT21

21	M342	Sitzheizung, links u. rechts Seat heating system, left/right seat
21	M369	Basissitz links Series seat, left
21	M370	Basissitz rechts Series seat, right
21	M375	Sportsitz, Lehnenschale, links Sportseat, backrest shell, left
21	M376	Sportsitz, Lehnenschale, rechts Sportseat, backrest shell, right
21	M392	Carrera Rad 17" 17" Carrera wheel
21	M396	Gussrad, 17" (AL) Cast wheel, 17 inches
21	M399	Carrera-4-Rad 17" 17" Carrera-4-wheel
21	M408	Techno-Rad 18" 18" techno wheel
21	M411	Carrera-Rad 18" 18" Carrera-wheel
21	M413	Turbo-Look-Rad 18" 18" turbo-look-wheel
21	M414	Turbo-Look-Rad 18" hochglanzoptik 18" turbo-look-wheel high gloss finish
21	M417	Carrera-Rad 18", poliert 18" Carrera-wheel, polished
21	M421	Kassettenablage vorn Front cassette compartment
21	M422	Kassettenablage hinten Rear cassette compartment
21	M424	CD-Ablage CD compartment
21	M425	Heckscheibenwischer Rear window wiper
21	M432	Lenkrad mit Tiptronic-Bedienung Steering wheel with tiptronic control
21	M436	3-Speichen-Airbaglenkrad 3-spoke airbag steering wheel
21	M437	Komfortsitz links, elektrisch verstellbar Comfort seat left, electrically adjustable
21	M438	Komfortsitz rechts, elektrisch verstellbar Comfort seat right, electrically adjustable
21	M439	Elektrische Verdeckbetätigung Electrical roof catch
21	M440	Manuelle Antenne, 4 Lautsprecher --> MJ 2002 MJ 2003 --> Antennen-Diversity Manual antenna, 4 loudspeakers --> mj 2002 mj 2003 --> antenna diversity
21	M441	Radiovorbereitung Prepared for radio
21	M446	Radzierdeckel konkav mit farbigem Wappen Concave hub cap with coloured escutcheon
21	M450	Keramik-Bremse (PCCB) Ceramic brake (PCCB)
21	M454	Automatische Geschwindigkeitsregulierung Automatic speed control
21	M465	Nebelschlussleuchte links Rear fog lamp, left
21	M466	Nebelschlussleuchte rechts Rear fog lamp, right
21	M476	Porsche Stability Management (PSM) Porsche stability management (PSM)
21	M479	Australien - Ausführung Version for Australia
21	M480	6-Gang Schaltgetriebe 6-speed manual transmission
21	M484	USA - Ausführung Version for USA

MXI KAT21

21	M488	Beschreibung Deutsch Inscriptions in German language
21	M490	Mj 01 Klangpaket Mj 02 Klangpaket Harmann analog Mj 01 sound system Mj 02 sound system Harmann analog
21	M492	Scheinwerfer fuer Linksverkehr For left-hand traffic
21	M498	Entfall der Modellbezeichnung am Heck Without vehicle-type-lettering on rear end
21	M499	Ausführung für die Bundesrepublik Deutschland Version for Germany
21	M509	Feuerlöscher Fire extinguisher
21	M513	Lordosenstütze rechter Sitz Back-support (lordose) right seat
21	M532	Entfall Fernbedienung Alarmanlage Deleted remote control anti-theft device
21	M533	Entfall Funkbetätigung Verdeck Radio convertible-top operation omitted
21	M534	Diebstahlsicherungsanlage Theft security system
21	M535	Diebstahlsicherung 315 MHz Anti-theft lock 315 mhz
21	M536	Alarmsirene und Neigungsgeber Alarm siren and tilt sensor
21	M537	Sitzpositions-Steuerung für Komfortsitz, links Seating position control for confort seat, left
21	M538	Sitzpositions-Steuerung für Komfortsitz, rechts Seating position control for confort seat, right
21	M539	Mechanische Sitzhöhenverstellung links Mechanical seat-height adjustment left
21	M540	Mechanische Sitzhöhenverstellung rechts Mechanical seat-height adjustment right
21	M549	Dachtransportsystem Roof rack system
21	M550	Hardtop
21	M551	Windstop Wind deflector
21	M553	USA-Canada-Ausführung Version for USA, Canada
21	M562	Airbag Fahrer- und Beifahrerseite Airbagdriver's side and front passenger's side
21	M563	Seitenairbag Side airbag
21	M566	Nebelscheinwerfer weiss Fog-headlamps, white
21	M567	Frontscheibe im oberen Bereich stark eingefärbt Windshield tinted, upper part darker coloured
21	M571	Aktivkohlefilter Activated charcoal filter
21	M573	Klima-Anlage Air conditioner
21	M574	Ohne Klima-Anlage Without air conditioner
21	M580	Nichtraucherpaket Non-smoker's package
21	M581	Mittelkonsole vorn Center console front
21	M586	Lordosenstütze linker Sitz Back-support (lordose) left seat
21	M590	Motorische Deckelverriegelung Power lid locking
21	M601	Litronische-Scheinwerfer Headlamp litronic
21	M602	Hochgesetzte Bremsleuchte Araised stop lamp

MXI KAT21

21	M605	Leuchtweitenregulierung Headlight vertical aim control
21	M606	Tagfahrlicht Daytime running lamp
21	M614	Telefonvorbereitung Motorola 2200 Preparation of telephone installation motorola 2200
21	M618	Telefonvorbereitung Preparation of telephone installation
21	M620	E-Gas E-accelerator
21	M635	Einparkhilfe Parking assistant
21	M650	Elektrisches Schiebedach Electrical sliding roof
21	M651	Elektrischer Fensterheber Electric window opener
21	M657	Servolenkung Power assisted steering
21	M659	Bordcomputer Computer
21	M660	OBD 2 OBD 2
21	M661	Verschärftes Abgaskonzept Stricter emission-control concept
21	M662	Info- / Navigationssystem Info/navigation system
21	M663	Passivhörer Hands-free receiver
21	M664	ORVR ORVR
21	M665	PCM2 Grundmodul inklusive Radio PCM2 Basic module including radio
21	M666	PCM2 Telefon (GSM) PCM2 telephone (GSM)
21	M668	PCM2 Telefonbedienhörer PCM2 telephone handset
21	M670	PCM2 Navigation PCM2 navigation
21	M680	Mj 01 digitales Soundpaket Mj 02 Soundpaket Bose analog Mj 01 digital sound package Mj 02 sound system Bose analog
21	M685	Geteilte Rücksitzanlage Rear seats, divided
21	M686	Radio "Porsche CDR-21", RDW Radio "Porsche CDR-21", RDW
21	M688	Radio "Porsche CDR-210", USA Radio "Porsche CDR-210", USA
21	M689	CD-Wechsler Vorbereitung Preparation of cd-changer
21	M692	CD-Wechsler "Porsche" CD-changer "Porsche"
21	M695	CD-Radio "Porsche CDR 22", RDW CD-Radio "Porsche CDR 22", RDW
21	M696	CD-Radio "Porsche CDR 220", USA CD-Radio "Porsche CDR 220", USA
21	M698	CD-Radio "Porsche CDR 32", RDW CD-Radio "Porsche CDR 32", RDW
21	M699	MD-Radio "Porsche MDR32", RDW MD-Radio "Porsche MDR32", RDW
21	M936	Sitzbezüge hinten, Leder Seat covers rear, leather
21	M937	Sitzbezüge hinten, Kunstleder Seat covers rear, leatherette
21	M939	Sitzbezüge hinten, Raffleder Seat covers rear, draped leather
21	M946	Sitzbezüge vorne, Leder/Leder/Kunstleder Seat covers front, leather/leather/leatherette

MXI KAT21

21	M981	Leder-Ausstattung ohne Sitzbezüge Leather equipment without seat covers
21	M982	Sitzbezüge vorne, Raffleder/Leder/Leder Seat covers front, draped leather/leather/leather
21	M983	Sitzbezüge vorne, Leder Seat covers front, leather
21	M990	Sitzbezüge vorne, Stoff/Stoff/Kunstleder Seat covers front, cloth/cloth/leatherette
21	M999	Innenraumüberwachung Sensor für Lederfarbe nach Wahl Passenger compartment monitoring sensor for leather colour of choice
21	IXAA	Aerokit Cup Aerokit cup
21	IXAB	Speedster-Heck, Wagenfarbe lackiert Spyder rear in body colour
21	IXAF	Aerokit Turbo Turbo aerokit
21	IXAG	Carrera - Heckspoiler Carrera - rear spoiler
21	IXCG	Sportsitzrückenlehne Alu-Optik Sports seat backrest in Aluminium-Look finish
21	IXCZ	Schalwegverkürzung Switch travel shortening
21	IXD9	Felgenstern in Wagenfarbe lackiert Wheel painted in body colour
21	IXE8	Schaltnopf Alu/Wurzelholz Dunkel/Leder Gear lever knob aluminium/dark burr maple/leather
21	IXE9	Handbremshebel Alu/Wurzelholz Dunkel/Leder Handbrake lever aluminium/dark burr maple/leather
21	IXJB	Mittelkonsole hinten arktissilber Rear section of centre console in arctic silver
21	IXJ4	Rosette für Zündschloss Lederbezogen Leather cover for ignition lock surround
21	IXKB	Luftseitentüse Wurzelholz/Ahorn hell Side air vent in light burr maple
21	IXKC	Luftseitentüse Wurzelholz/Ahorn dunkel Side air vent in dark burr maple
21	IXKD	Luftseitentüse carbon Side air vent in carbon
21	IXKE	Luftseitentüse arktissilber Side air vent in arctic silver
21	IXKG	Defrosterblende Wurzelholz/Ahorn hell, Leder "Windscr. defr. panel in light burr maple; leather"
21	IXKH	Defrosterblende Wurzelholz/Ahorn dunkel, Leder "Windscr. defr. panel in dark burr maple; leather"
21	IXKJ	Defrosterblende Carbon/Leder Defroster trim in carbon/leather
21	IXKX	Instr. Abd. Unterteil arktissilber Instrument surround in arctic silver
21	IXLA	Boxster-Endrohr Boxster tail pipe
21	IXLF	Sportabgasanlage Sports exhaust system
21	IXMA	Himmel mit Leder bezogen Rooflining in leather
21	IXME	Mittelkonsole hinten lackiert Rear section of centre console painted
21	IXMF	Mittelkonsole vorn inklusive 2 Ablagen, Leder Front center console incl. 2 storage bins, leather
21	IXMJ	Mittelkonsole hinten Carbon Rear section of centre console in carbon
21	IXMK	Überrollbügel in Exterieurfarbe Roll-over bar in exterior color
21	IXML	Mittelkonsole hinten Wurzelholz Ahorn hell Rear center console in light burr maple
21	IXMP	Sonnenblende Leder, 2 Make-up-Spiegel beleuchtet Leather sun visor, 2 lit make-up mirrors illuminated

MXI KAT21

21	I XMR	Sonnenblende Leder, 2 Make-Up-Spiegel beleuchtet Leder Sun visor in leather, 2 illuminated vanity mirrors,
21	I XMY	Überrollbügel arktissilber Roll-over bar in arctic silver
21	I XMZ	Mittelkonsole hinten Leder Rear section of centre console in leather
21	I XNB	Mittelkonsole hinten Wurzelholz Ahorn dunkel Rear center console in dark burr maple
21	I XNG	Instrumentenabdeckung Unterteil Leder Instrument surround in leather
21	I XNH	Seitendüse li./re. Leder Defrosterblende Side vent. left/right defroster trim in leather
21	I XNN	Mitteldüsenträger in Leder Center air vent bracket in leather
21	I XNR	Mitteldüsenträger Carbon Carbon center air vent bracket
21	I XNS	Lenkstock-Verkleidung 4-teilig Leder Leather steering column trim, 4-part
21	I XNU	Zierleiste (Nut) in Leder Leather trim strip (dashboard)
21	I XNV	Zierleiste (Nut) Wurzelholz/Ahorn hell Trim strip (dashboard) in light burr maple
21	I XNW	Zierleiste (Nut) Wurzelholz/Ahorn dunkel Trim strip (dashboard) in dark burr maple
21	I XNX	Zierleiste (Nut) in Carbon Carbon trim strip (dashboard)
21	I XNY	Zierleiste (Nut) arktissilber Trim strip in arctic silver
21	I XN3	Luftseitendüse Armaturenbrett Leder Dashboard side air vent in leather
21	I XPA	3-Speichen Sportlenkrad, Leder Interieurfarbe 3-spoke sports steering wheel in leather interior color
21	I XPB	3-Speichen Sportlenkrad, Wurzelholz/Ahorn hell, Leder 3-spoke sports steering wheel, light burr maple, leather
21	I XPC	3-Speichen Sportlenkrad, Wurzelholz/Ahorn dunkel, Leder 3-spoke sports steering wheel, dark burr maple, leather
21	I XPD	3-Speichen Sportlenkrad, Carbon/Leder 3-spoke sports steering wheel, carbon/leather
21	I XPG	3-Speichen Sportlenkrad, Sportsilber 3-spoke sports steering wheel, sports seats
21	I XPP	LAUTSPRECHER-ABDECKUNG SCHALTAFEL INTERIEURFARBE LOUDSPEAKER FINISHER ON SWITCH PANEL IN INTERIOR COLOUR
21	I XPW	Instrumentenabdeckung Unterteil Wurzelholz/Ahorn, Hell Instrument surround in light burr maple
21	I XPX	Instrumentenabdeckung Unterteil Wurzelholz/Ahorn, Dunkel Instrument surround in dark burr maple, dark
21	I XPY	Instrumentenabdeckung Unterteil Carbon Carbon instrument surround
21	I XRA	SPORT-CLASSIC-RAD 17" 17" SPORTCLASSIC WHEEL
21	I XRB	Sport-Classic-2 Rad 18" 18" Sport Classic II wheel
21	I XRC	Sport-Techno Rad 18" 18" SportTechno wheel
21	I XRL	Sport-Design-Rad 18" 18" SportDesign wheel
21	I XRN	Distanzscheiben 17 mm, hinten 17-mm spacers, rear
21	I XRP	Distanzscheiben 5 mm, vorn/hinten 5-mm spacers, front/rear
21	I XSA	Sportsitzrückenlehne lackiert Painted sports seat backrest
21	I XSB	Sportsitzrückenlehne in Leder Leather sports seat backrest
21	I XSC	Porsche Wappen geprägt in Kopfstütze Porsche crest embossed in headrest
21	I XSD	Sitzbedienelemente in Leder Front seat controls in leather

MXI KAT21

21	I XSE	Schalensitz links Bucket seat, left
21	I XSF	Schalensitz rechts Bucket seat, right
21	I XSG	Rennschalensitz links Racing bucket seat, left
21	I XSJ	6-Punkt-Gurte 6-point harness
21	I XSL	6-Punkt-Sicherheitsbügel 6-point safety catch
21	I XSM	Rennsport-Sicherheitskäfig Racing safety cage
21	I XSN	Entfall hintere Sitzanlage Omission of rear seats
21	I XSR	Schalensitz rechts, Rückseite Carbon Carbon back for bucket seat, right
21	I XSS	Schalensitz links, Rückseite Carbon Carbon back for bucket seat, left
21	I XSU	Abgepolsterter Sitz Upholstered seat
21	I XSW	Sicherheitsgurte in Maritimblau Maritime Blue safety belts
21	I XSX	Sicherheitsgurte in Indischrot Seat belts in guards red
21	I XSY	Sicherheitsgurte in Speedgelb Seat belts in speed yellow
21	I XTC	TUERTAFELTEILE IN LEDER DOOR FEATURES IN LEATHER
21	I XTE	TUERTAFELTEILE IN CARBON/LEDER DOOR FEATURES IN CARBON/LEATHER
21	I XTF	TUERTAFELTEILE ARKTISILBER/LEDER DOOR FEATURES IN ARCTIC SILVER/LEATHER
21	I XTG	Schwellerabdeckung innen Leder Inner door sills in leather
21	I XTJ	Türtafelteile Wurzelholz/Ahorn hell Door panel parts in light burr maple
21	I XTK	Türtafelteile Wurzelholz/Ahorn dunkel Door panel parts in dark burr maple
21	I XTL	Türtafelteile Carbon Door features in carbon
21	I XV1	Defrosterblende Lederbezogen Defroster trim in leather
21	I XX1	Fussmatten, Schriftzug, Leder eingefasst Floor mats, logo, leather border
21	I XX2	Fussraumbelichtung Illuminated footwell
21	I XY5	Kulisse Tiptronic-Wählhebel in Leder Tiptronic gear selector gate in leather
21	I XZD	Abdeckung Innenleuchte in Leder Interior light surround in leather
21	I X45	Instrumenten-Zifferblatt lackiert in Interieurfarbe Instrument dial in interior color
21	I X51	Leistungssteigerung 250 kW Powerkit 250 kw
21	I X65	Tiptronic-Wählhebel Wurzelholz Hell/Alu Tiptr. sel. lever in light burr maple/aluminum
21	I X66	Tiptronic-Wählhebel Wurzelholz Dunkel/Alu Tiptr. sel. lever in dark burr maple/aluminum
21	I X69	Einstiegsblenden Carbon, Schriftzug Door entry guards in carbon with logo
21	I X70	Einstiegsblenden Edelstahl, Schriftzug Door entry guards in stainless steel with logo
21	I X71	Instrumenten-Zifferblatt Lackiert/Alufarbe Instrument dial painted/aluminum-look finish
21	I X72	Schaltnopf Alu/Wurzelholz Hell/Leder Gear lever knob aluminum/light burr maple/leather
21	I X73	Sportfahrwerk Turbo Turbo sports suspension

MXI KAT21

21	IX74	Sportfahrwerk (exclusiv) Sports suspension (exclusive)
21	IX75	Sperrdifferential (exclusiv) Differential lock (exclusive)
21	IX76	Schwellerverkleidungen links/rechts Inner door sill guard left/right
21	IX91	Handbremshebel Alu/Wurzelholz Hell/Leder Handbrake lever aluminium/light burr maple/leather
21	IX98	Handbremshebel Alu/Leder Handbrake lever in aluminium/leather
21	IX99	Naturleder Natural leather

Model	Year	MG	SG	Illustration	VIN No.	Update	9:26	13.08.2008
996	05					230		

EQUIPMENT BY COUNTRY REGULATIONS

=====

- (A) AUSTRIA
- (AG) ARABIAN GULF STATES
- (AUS) AUSTRALIA
- (B) BELGIUM
- (BR) BRAZIL
- (CDN) CANADA
- (CH) SWITZERLAND
- (D) FEDERAL REPUBLIC OF GERMANY
- (DK) DENMARK
- (E) SPAIN
- (F) FRANCE
- (GB) GREAT BRITAIN
- (GR) GREECE
- (HK) HONGKONG
- (I) ITALY

Model	Year	MG	SG	Illustration	VIN No.	Update		
996	05					230	9:26	13.08.2008

(J) JAPAN

(L) LUXEMBURG

(N) NORWAY

(NL) NETHERLANDS

(NZ) NEW ZEALAND

(P) PORTUGAL

(RC) TAIWAN

(S) SWEDEN

(SA) SAUDI ARABIA

(SF) FINLAND

(USA) UNITED STATES OF AMERICA

(ZA) SOUTH AFRICA

Model	Year	MG	SG	Illustration	VIN No.	Update		
996	05					230	9:26	13.08.2008

IN COLUMN - A -

IDENTIFICATION LETTER FOR PERIOD OF INSTALLATION
 THAT IS REPEATED SEVERAL TIMES IN THE CATALOG GROUP.

EXPLANATION PLEASE FIND IN TEXT COLUMN OF THE CATALOG GROUP

IN COLUMN - QU - = NO. OF PIECES

- 1 NUMBER PER APPLICATION
- X NUMBER AS NEEDED
- * AVAILABLE ONLY IN RUNNING LENGTHS 1 = 1 METRE

IN COLUMN - MODEL/SYMBOL -

- M650 OPTIONAL EQUIPMENT - SEE M-NO. LIST
- 98 LIMITATION OF MODEL YEAR FOR INSTANCE: VALID UP TO
 END OF MODEL YEAR 1997
- /LL LHD
- /RL RHD
- +
- /V FRONT I

Model	Year	MG	SG	Illustration	VIN No.	Update		
996	05					230	9:26	13.08.2008

I

/H REAR I

I----> APPLIES TO

/L LEFT I DIRECTION OF TRAVEL

I

/R RIGHT I

-----+

WW THE PART CAN BE USED INSTEAD OF THE
PRECEDING ONE.

Model	Year	MG	SG	Illustration	VIN No.	Update		
996	05					230	9:25	13.08.2008

LEGENDS AND NOTICES

=====

IN COLUMN -S- STATUS

- N NEW ADDITION

- P PART ALREADY IN PROGRAMME, BUT NEW
AT THIS APPLICATION

- W DELETED AT THIS APPLICATION, BUT CONTINUED
TO BE CARRIED

- A STOCK TO BE USED UP

- U DELETED WITHOUT REPLACEMENT

- * PART ALSO OR ONLY AVAILABLE
IN REPAIR KIT

- > ALSO AVAILABLE IN EXCHANGE

IN COLUMN - ILL. -

- 1 IDENTIFICATION NO. IN ILLUSTRATION

- (1) PART ONLY SIMILAR AS ILLUSTRATED

- PART IS NOT ILLUSTRATED

Model	Year	MG	SG	Illustration	VIN No.	Update		
996	05					230	9:25	13.08.2008

FIG.-NUMBERS FOR WHICH THERE IS SHOWN NO TEXT ARE
NOT VALID FOR THIS EDITION OF CATALOGUE

IN COLUMN -PART NUMBER/CODE-

000 000 000 00 PART NUMBER EQUALS ORDERING NO., IF A CODE IS
SHOWN, IT WILL HAVE TO BE PART OF ORDERING
NUMBER

01C COLOUR CODE

IN COLUMN -TEXT

INSTALLATION WITH ENGINE OR CHASSIS
NUMBER-RANGE

EXAMPLE:

M 66W 00389>> FROM ENGINE NO.

F >>99WS6 00889 UP TO CHASSIS NO.

Model	Year	MG	SG	Illustration	VIN No.	Update	9:25	13.08.2008
996	05					230		

VEHICLE TYPE	TYPE	MY	TRANSMISSION NO.	TECHNICAL DATA
911 CARRERA	G96.00	98 W	G9600 1 002001>999999	6-GANG
911 CARRERA M220	G96.00	98 W	G9600 2 002001>999999	6-GANG
911 CARRARA TIPTRONIC	A96.00	98 W	A9600 1 002001>999999	5-GANG
911 CARRERA	G96.00	99 X	G9600 1 002001>999999	6-GANG
911 CARRERA M220	G96.00	99 X	G9600 2 002001>999999	6-GANG
911 CARRARA TIPTRONIC	A96.00	99 X	A9600 1 002001>999999	5-GANG
911 CARRERA 4	G96.30	99 X	G9630 1 002001>999999	6-GANG
911 CARRERA 4 TIPTRONIC	A96.30	99 X	A9630 1 002001>999999	5-GANG
911 CARRERA 2	G96.00	00 Y	G9600 1 002001>999999	6-GANG
911 CARRARA 2 TIPTRONIC	A96.00	00 Y	A9600 1 002001>999999	5-GANG
911 CARRERA 4	G96.30	00 Y	G9630 1 002001>999999	6-GANG
911 CARRERA 4 TIPTRONIC	A96.30	00 Y	A9630 1 002001>999999	5-GANG
911 CARRERA 2	G96.00	01 1	G9600 1 002001>999999	6-GANG
911 CARRARA 2 TIPTRONIC	A96.00	01 1	A9600 1 002001>999999	5-GANG
911 CARRERA 4	G96.30	01 1	G9630 1 002001>999999	6-GANG
911 CARRERA 4 TIPTRONIC	A96.30	01 1	A9630 1 002001>999999	5-GANG
911 CARRERA 2	G96.01	02 2	G9601 1 002001>999999	6-GANG
911 CARRARA 2 TIPTRONIC	A96.10	02 2	A9610 1 002001>999999	5-GANG
911 CARRERA 4	G96.31	02 2	G9631 1 002001>999999	6-GANG
911 CARRERA 4 TIPTRONIC	A96.35	02 2	A9635 1 002001>999999	5-GANG
911 CARRERA 2	G96.01	03 3	G9601 1 002001>999999	6-GANG
911 CARRARA 2 TIPTRONIC	A96.10	03 3	A9610 1 002001>999999	5-GANG
911 CARRERA 4	G96.31	03 3	G9631 1 002001>999999	6-GANG
911 CARRERA 4 TIPTRONIC	A96.35	03 3	A9635 1 002001>999999	5-GANG

Model	Year	MG	SG	Illustration	VIN No.	Update		
996	05					230	9:25	13.08.2008

911 CARRERA 2		G96.01	04 4	G9601 1	002001>999999	6-GANG		
911 CARRARA 2 TIPTRONIC		A96.10	04 4	A9610 1	002001>999999	5-GANG		
911 CARRERA 4		G96.31	04 4	G9631 1	002001>999999	6-GANG		
911 CARRERA 4 TIPTRONIC		A96.35	04 4	A9635 1	002001>999999	5-GANG		
911 CARRERA 2		G96.01	05 5	G9601 1	002001>999999	6-GANG		
911 CARRARA 2 TIPTRONIC		A96.10	05 5	A9610 1	002001>999999	5-GANG		
911 CARRERA 4		G96.31	05 5	G9631 1	002001>999999	6-GANG		
911 CARRERA 4 TIPTRONIC		A96.35	05 5	A9635 1	002001>999999	5-GANG		

Model	Year	MG	SG	Illustration	VIN No.	Update	9:24	13.08.2008
996	05					230		

ENGINE

VEHICLE TYPE	TYPE	MY	ENGINE NO.	TECHNICAL DATA
911 CARRERA	M96.01	98 W 66W	00501>60000	6ZYL/3,4L /220 KW
911 CARRERA	M96.01	99 X 66X	00501>60000	6ZYL/3,4L /220 KW
911 CARRERA +M620 C4	M96.02	99 X 68X	00501>60000	6ZYL/3,4L /220 KW
911 CARRERA 2/4	M96.04	00 Y 66Y	00501>60000	6ZYL/3,4L /220 KW
911 CARRERA 2/4	M96.04	01 1 661	00501>60000	6ZYL/3,4L /220 KW
911 CARRERA 2/4/4S FL	M96.03	02 2 662	00501>60000	6ZYL/3,6L /232 KW
911 CARRERA 2/4/4S FL	M96.03	03 3 663	00501>60000	6ZYL/3,6L /235 KW
911 CARRERA 2/4/4S FL	M96.03	04 4 664	00501>60000	6ZYL/3,6L /235 KW
911 CARRERA 2/4/4S FL	M96.03	05 5 665	00501>60000	6ZYL/3,6L /235 KW

Model	Year	MG	SG	Illustration	VIN No.	Update	9:24	13.08.2008
996	05					230		

EXPLANATION OF THE MOTOR-NUMBERS USED IN THE CATALOGUE

=====

DIGIT: 1 2 3 4 5 6 7 8

EXAMPLE: 6 6 W 0 0 1 3 6

= = = =====

! ! ! !

ENGINE TYPE (6 = 6-CYL.-ENGINE)-----+ ! ! !

! ! !

ENGINE VERSION-----+ ! !

! !

MODEL YEAR-----+ !

!

SERIAL NUMBER-----+ !

Model	Year	MG	SG	Illustration	VIN No.	Update	9:24	13.08.2008
996	05					230		

VEHICLE TYPE	MY	VIN	ENGINE TYPE
996 COUPE 2/4/4S	04 4	994S6 00061>10000	M96.03 235 KW
996 COUPE 2/4/4S (US.CN.MX.BR)	04 4	994S6 20061>29000	M96.03 235 KW
996 TARGA 2/4	04 4	994S6 30061>35000	M96.03 235 KW
996 TARGA 2/4 (USA.CDN.MEX.BR)	04 4	994S6 35061>40000	M96.03 235 KW
996 CABRIO 2/4	04 4	994S6 40061>49000	M96.03 235 KW
996 CABRIO 2/4/4S (US.CN.MX.BR)	04 4	994S6 50061>59000	M96.03 235 KW
996 COUPE 4S	05 5	995S6 00061>10000	M96.03 235 KW
996 COUPE 4S (USA.CDN.MEX.BR)	05 5	995S6 20061>29000	M96.03 235 KW
996 TARGA 2/4	05 5	995S6 30061>35000	M96.03 235 KW
996 TARGA 2/4 (USA.CDN.MEX.BR)	05 5	995S6 35061>40000	M96.03 235 KW
996 CABRIO 2/4	05 5	995S6 40061>49000	M96.03 235 KW
996 CABRIO 2/4/4S (US.CN.MX.BR)	05 5	995S6 50061>59000	M96.03 235 KW

Model	Year	MG	SG	Illustration	VIN No.	Update	9:24	13.08.2008
996	05					230		

VEHICLE TYPE	MY	VIN	ENGINE TYPE
996 COUPE	98 W	99WS6 00061>10000	M96.01 220 KW
996 COUPE (MEX)	98 W	99WS6 20061>30000	M96.01 220 KW
996 COUPE (USA) (CDN)	98 W	99XS6 20061>30000	M96.01 220 KW
996 COUPE (BR)	98 W	99VS6 29801>30000	M96.01 220 KW
996 COUPE (BR)	98 W	99WS6 29801>30000	M96.01 220 KW
996 CABRIO	98 W	99WS6 40061>49999	M96.01 220 KW
996 CABRIO (USA) (CDN) (MEX)	98 W	99WS6 50061>59999	M96.01 220 KW
996 COUPE 2	99 X	99XS6 00061>09999	M96.01 220 KW
996 COUPE 2 (USA) (CDN) (MEX)	99 X	99XS6 20061>29999	M96.01 220 KW
996 COUPE 2 (BR)	99 X	99WS6 29801>29999	M96.01 220 KW
996 COUPE 2 (BR)	99 X	99XS6 29801>29999	M96.01 220 KW
996 COUPE 4	99 X	99XS6 00061>09999	M96.02 220 KW
996 COUPE 4 (USA) (CDN) (MEX)	99 X	99XS6 20061>29999	M96.02 220 KW
996 COUPE 4 (BR)	99 X	99WS6 29401>29500	M96.02 220 KW
996 COUPE 4 (BR)	99 X	99XS6 29401>29500	M96.02 220 KW
996 CABRIO 2	99 X	99XS6 40061>49999	M96.01 220 KW
996 CABRIO 2 (USA) (CDN) (MEX)	99 X	99XS6 50061>59999	M96.01 220 KW
996 CABRIO 2 (BR)	99 X	99WS6 59601>59700	M96.01 220 KW
996 CABRIO 2 (BR)	99 X	99XS6 59601>59700	M96.01 220 KW
996 CABRIO 4	99 X	99XS6 40061>49999	M96.02 220 KW
996 CABRIO 4 (USA) (CDN) (MEX)	99 X	99XS6 50061>59999	M96.02 220 KW
996 CABRIO 4 (BR)	99 X	99WS6 59801>59999	M96.02 220 KW
996 CABRIO 4 (BR)	99 X	99XS6 59801>59999	M96.02 220 KW

Model	Year	MG	SG	Illustration	VIN No.	Update		
996	05					230	9:24	13.08.2008

996 COUPE	2/4			00 Y 99YS6	00061>10000	M96.04	220	KW
996 COUPE	2/4 (USA.CDN.MEX.BR)			00 Y 99YS6	20061>29000	M96.04	220	KW
996 COUPE	2/4 (BR)			00 Y 99XS6	50061>59000	M96.04	220	KW
996 CABRIO	2/4			00 Y 99YS6	40061>49000	M96.04	220	KW
996 CABRIO	2/4 (USA.CDN.MEX.BR)			00 Y 99YS6	50061>59000	M96.04	220	KW
996 CABRIO	2/4 (BR)			00 Y 99XS6	50061>59000	M96.04	220	KW
996 COUPE	2/4			01 1 991S6	00061>10000	M96.04	221	KW
996 COUPE	2/4 (USA.CDN.MEX.BR)			01 1 991S6	20061>29000	M96.04	221	KW
996 CABRIO	2/4			01 1 991S6	40061>49000	M96.04	221	KW
996 CABRIO	2/4 (USA.CDN.MEX.BR)			01 1 991S6	50061>59000	M96.04	221	KW
996 COUPE	2/4/4S			02 2 992S6	00061>10000	M96.03	232	KW
996 COUPE	2/4/4S (US.CN.MX.BR)			02 2 992S6	20061>29000	M96.03	232	KW
996 TARGA	2/4			02 2 992S6	30061>35000	M96.03	232	KW
996 TARGA	2/4 (USA.CDN.MEX.BR)			02 2 992S6	35061>40000	M96.03	232	KW
996 CABRIO	2/4			02 2 992S6	40061>49000	M96.03	232	KW
996 CABRIO	2/4 (USA.CDN.MEX.BR)			02 2 992S6	50061>59000	M96.03	232	KW
996 COUPE	2/4/4S			03 3 993S6	00061>10000	M96.03	235	KW
996 COUPE	2/4/4S (US.CN.MX.BR)			03 3 993S6	20061>29000	M96.03	235	KW
996 TARGA	2/4			03 3 993S6	30061>35000	M96.03	235	KW
996 TARGA	2/4 (USA.CDN.MEX.BR)			03 3 993S6	35061>40000	M96.03	235	KW
996 CABRIO	2/4			03 3 993S6	40061>49000	M96.03	235	KW
996 CABRIO	2/4 (USA.CDN.MEX.BR)			03 3 993S6	50061>59000	M96.03	235	KW

Model	Year	MG	SG	Illustration	VIN No.	Update	9:24	13.08.2008
996	05					230		

EXPLANATION OF THE ABRIDGED VERSION OF THE VEHICLE IDENT. NUMBERS (VIN)

=====

USED IN THE CATALOGUE

=====

DIGIT: 1 2 3 4 5 6 7 8 9 10 11 12 13 14 15 16 17

EXAMPLE: W P 0 Z Z Z 9 9 Z W S 6 0 0 1 2 5

 === = = = =====

 ! ! ! ! !

VEHICLE TYPE 1ST+2ND DIGIT-----+ ! ! ! !

 ! ! ! !

MODEL YEAR-----+ ! ! !

 ! ! !

MANUFACTURING LOCATION-----+ ! !

 ! !

VEHICLE TYPE 3RD DIGIT-----+ !

 !

SERIAL NUMBER-----+ !

Model	Year	MG	SG	Illustration	VIN No.	Update		
996	05					230	9:23	13.08.2008

THIS PARTS CATALOGUE CONTAINS ALL ORDER INFORMATION OF
TYPE 996 FROM MODEL YEAR 1998

IT IS AVAILABLE IN TWO EDITIONS IN THE FOLLOWING LANGUAGES:

EDITION

USA, CANADA - *

EDITION

ALL OTHER COUNTRIES - GERMAN

* - ENGLISH

- FRENCH

- ITALIAN

- SPANISH

UPDATING IS BEING PERFORMED BY CHANGING OF UPDATE.

THE EDITION CAN BE RECOGNIZED BY THE CURRENT NO.

IN THE BOTTOM LINE OF SUBJECT UPDATE.

THE PREVIOUS UPDATE SHOULD NO LONGER BE USED.

ALL ILLUSTRATIONS ARE SUBJECT TO CHANGE WITHOUT OBLIGATION.

Model	Year	MG	SG	Illustration	VIN No.	Update		
996	05					230	9:23	13.08.2008

THE SEATS FOR EACH MODEL ARE AVAILABLE IN THE PARTS CATALOGUE

"SEATS (STZ 19)".