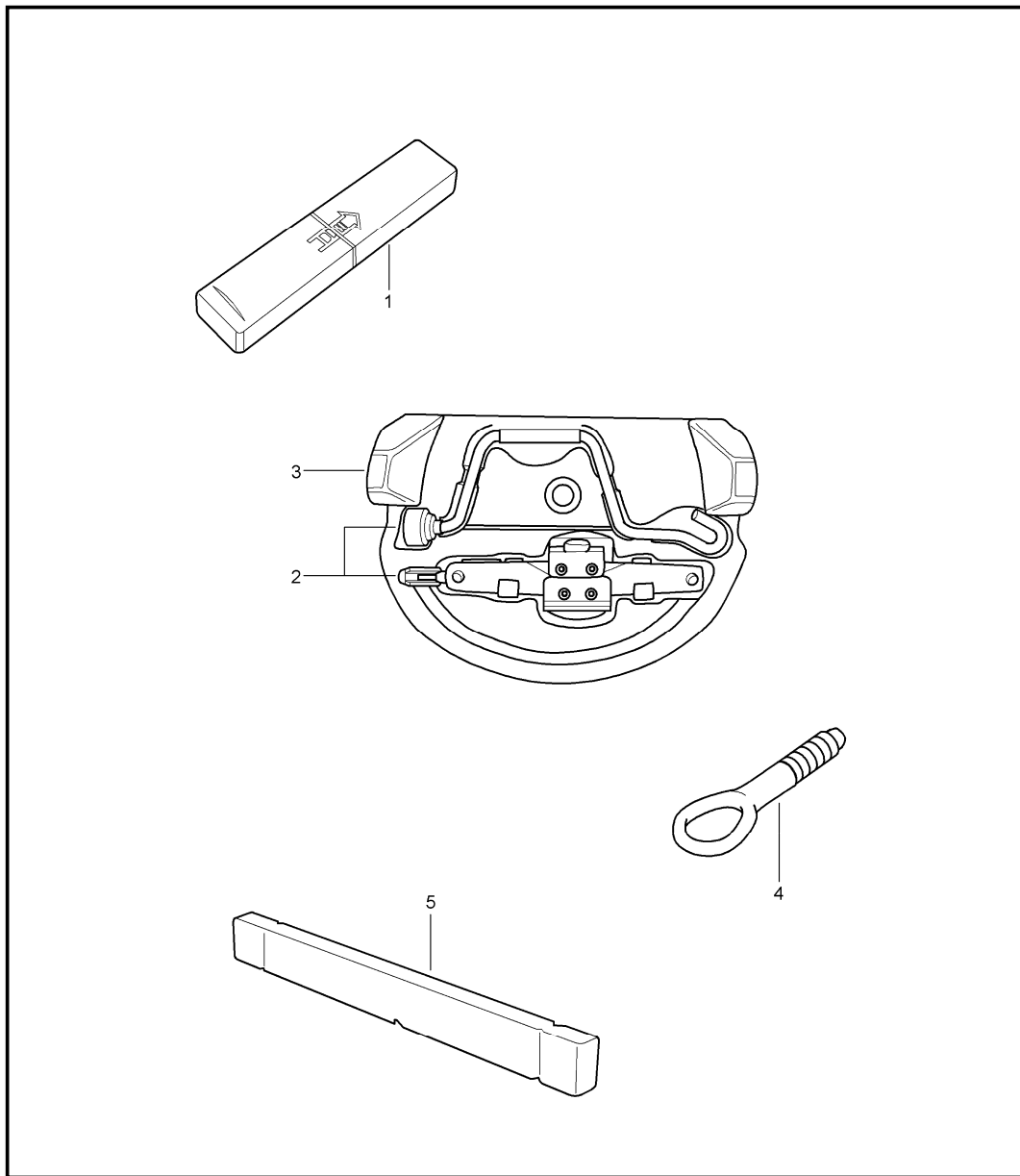


Model	Year	MG	SG	Illustration	Restrictions	UPD	16:49	25.01.2010	PORSCHE	PET	PORSCHE
997T	2009	0	01	001-00		248					

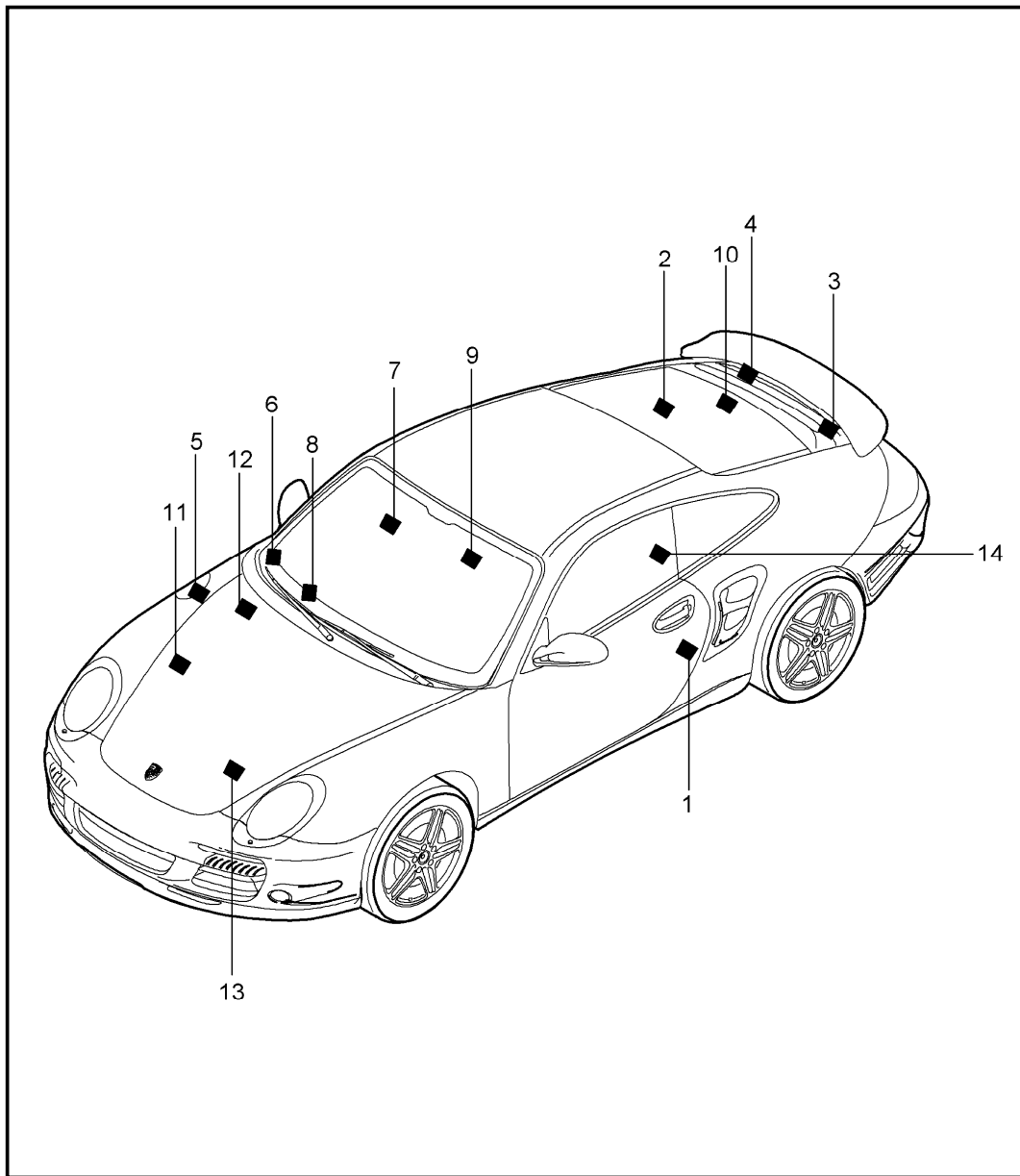


Pos	Part Number	Description	Remark	Qty	Model
		tool jack fire extinguisher			GT2
1	997 721 115 00	tool kit with contents comprising:		1	
-	477 012 229	double-end spanner 10 X 13		1	
-	477 012 231	screwdriver		1	
-	111 012 287	handle for screwdriver		1	
-	999 571 077 02	socket wrench - 5 - for headlamp		1	
2	996 721 211 00	scissors type jack		1	I447
3	996 722 101 00	foam part		1	I447
(3)	997 722 101 00	foam part		1	TURBO I422/447/450
-	999 571 074 30	threaded bolt for assembly wheels		1	I447
-	477 012 221 A	rim wrench		1	I447
-	999 571 070 30	operating rod for tool		1	I447
-	997 361 181 52	wheel bolt		1	TURBO I422/447
-	997 361 069 02	tool for wheel bolt		1	TURBO I422
-	997 361 161 00	extension for tool wheel bolt		1	TURBO I422/447
-	997 362 193 00	spacer	/V	1	TURBO I422/447

Model	Year	MG	SG	Illustration	Restrictions	UPD	16:49	25.01.2010	PORSCHE	PET	PORSCHE
997T	2009	0	01	001-00		248					

Pos	Part Number	Description	Remark	Qty	Model	Pos	Part Number	Description	Remark	Qty	Model
-	997 362 195 00	spacer	/H	1	TURBO I422/447						
-	997 722 801 00	mounting for tool		1	I447						
-	996 361 521 00	boot		1	I447						
-	997 722 061 00	cover emergency wheel		1	TURBO I447						
-	997 722 061 02	cover emergency wheel		1	TURBO I422/447/450						
-	997 722 073 00	restraining strap emergency wheel		1	TURBO I422/447/450						
-	997 722 103 00	mounting emergency wheel		1	TURBO/COUPE I447						
-	997 722 103 01	mounting emergency wheel		1	TURBO/CABRIO I447						
4	997 721 551 00	towing lug		1							
5	000 722 722 05	warning triangle		1							
-	997 722 709 00	support warning triangle		2							
-	993 722 041 00	first-aid kit		1							
-	K 993 722 115 70	fire extinguisher		1	GT2 I003						
-	K 996 722 211 90	spacer sleeve		2	GT2 I003						
-	K 996 722 213 90	stopper		2	GT2 I003						
-	996 722 233 90	spacer		2	GT2 I003						

Model	Year	MG	SG	Illustration	Restrictions	UPD	16:49	25.01.2010	PORSCHE	PET	PORSCHE
997T	2009	0	01	001-05		248					

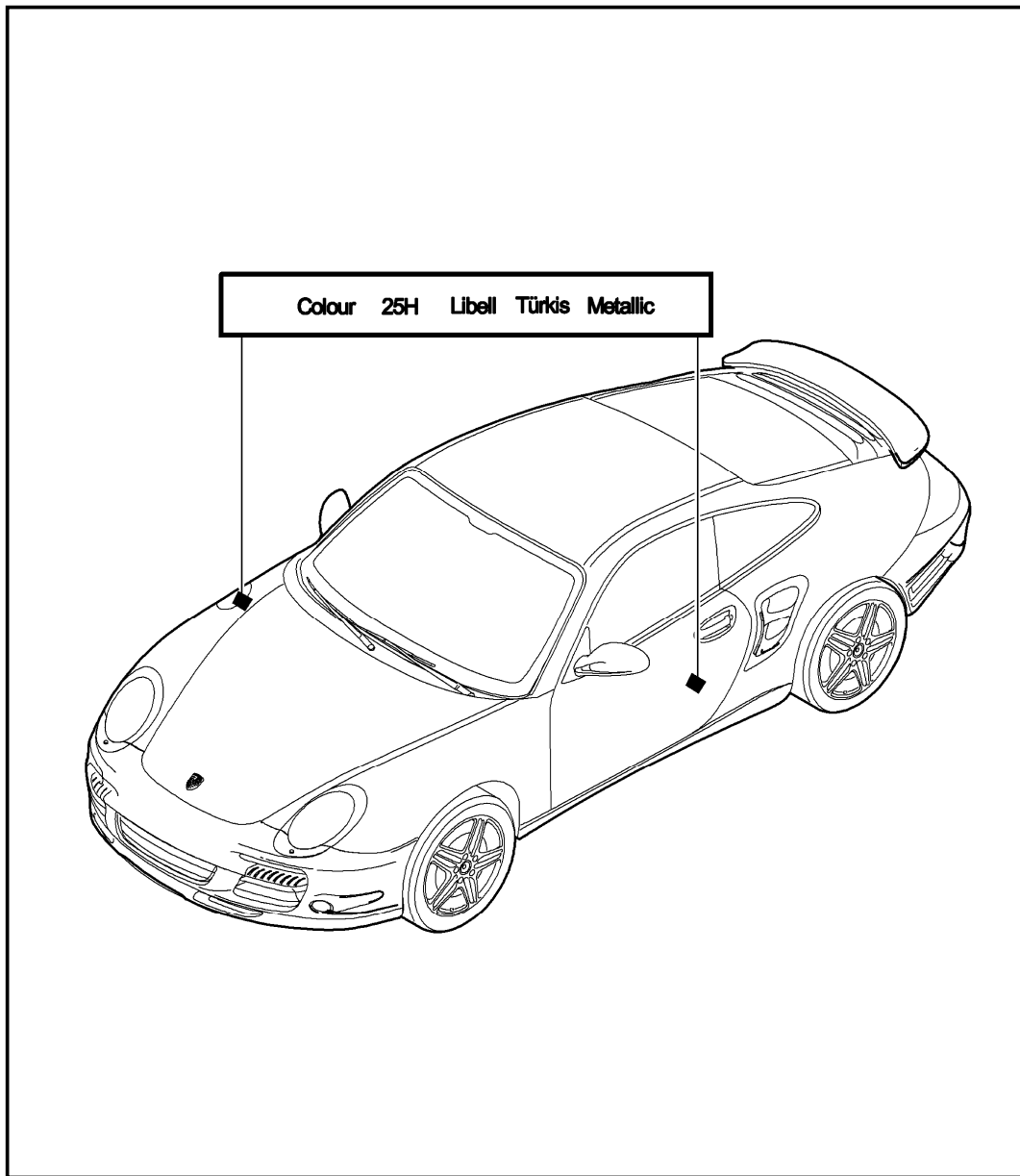


Pos	Part Number	Description	Remark	Qty	Model
		stickers			
		stickers emergency wheel		1	I447
2	997 361 701 00	sticker arabic		1	I215
2	928 701 150 00	sticker "MAX 80 KM/H"		1	
2	7PP 010 707 K	sticker	09	1	I422/447/450
		stickers engine specifications			
3	997 006 108 00	sticker		1	I068
3	955 701 675 00	sticker expansion tank		1	I193
4	997 006 544 00	sticker engine oil - MOBIL 1 -		1	
4	997 701 535 00	sticker engine-oil level		1	I193
		stickers type of fuel			
5	996 006 117 00	sticker 98 ROZ		1	
5	996 006 117 01	sticker 98 ROZ		1	I150
5	996 006 117 02	sticker 96 ROZ	(AUS)	1	
5	996 006 117 03	sticker 93 RON/MON/2		1	I193
5	955 701 676 15	sticker fuel		1	I193
5	955 701 676 10	sticker fuel filler flap		1	I193
		stickers airbag			
6	3B0 010 219 B	sticker child car seat		1	
6	8D0 010 141 Q	sticker child car seat	(AUS)	1	

Model	Year	MG	SG	Illustration	Restrictions	UPD	16:49	25.01.2010	PORSCHE	PET	PORSCHE
997T	2009	0	01	001-05		248					

Pos	Part Number	Description	Remark	Qty	Model	Pos	Part Number	Description	Remark	Qty	Model
6	997 701 430 00	sticker child car seat german		1		13	997 701 527 00	sticker headlamp		1	I193
6	997 701 430 01	sticker child car seat english		1		13	955 701 675 05	sticker brake fluid		1	I193
6	997 701 430 02	sticker child car seat french		1							
6	997 701 430 03	sticker child car seat italian		1							
6	997 701 430 04	sticker child car seat swedish		1							
6	997 701 430 05	sticker child car seat spanish		1							
6	997 701 430 06	sticker child car seat arabic		1							
6	997 701 430 07	sticker child car seat chinese		1							
6	955 701 675 10	sticker Recycling		1	I193						
9	997 701 531 00	sticker airbag		1	I193						
9	955 701 676 00	sticker warning light engine		1	I193						
10	955 701 675 15	sticker import japan		1	I193						
11	996 701 141 01	sticker air conditioner		1							
11	997 701 521 00	sticker air conditioner		1	I193						
12	955 701 673 00	sticker battery		1	I193						
12	997 701 170 00	sticker first-aid kit		1							

Model	Year	MG	SG	Illustration	Restrictions	UPD	16:49	25.01.2010	PORSCHE	PET	PORSCHE
997T	2009	0	04	004-00		248					

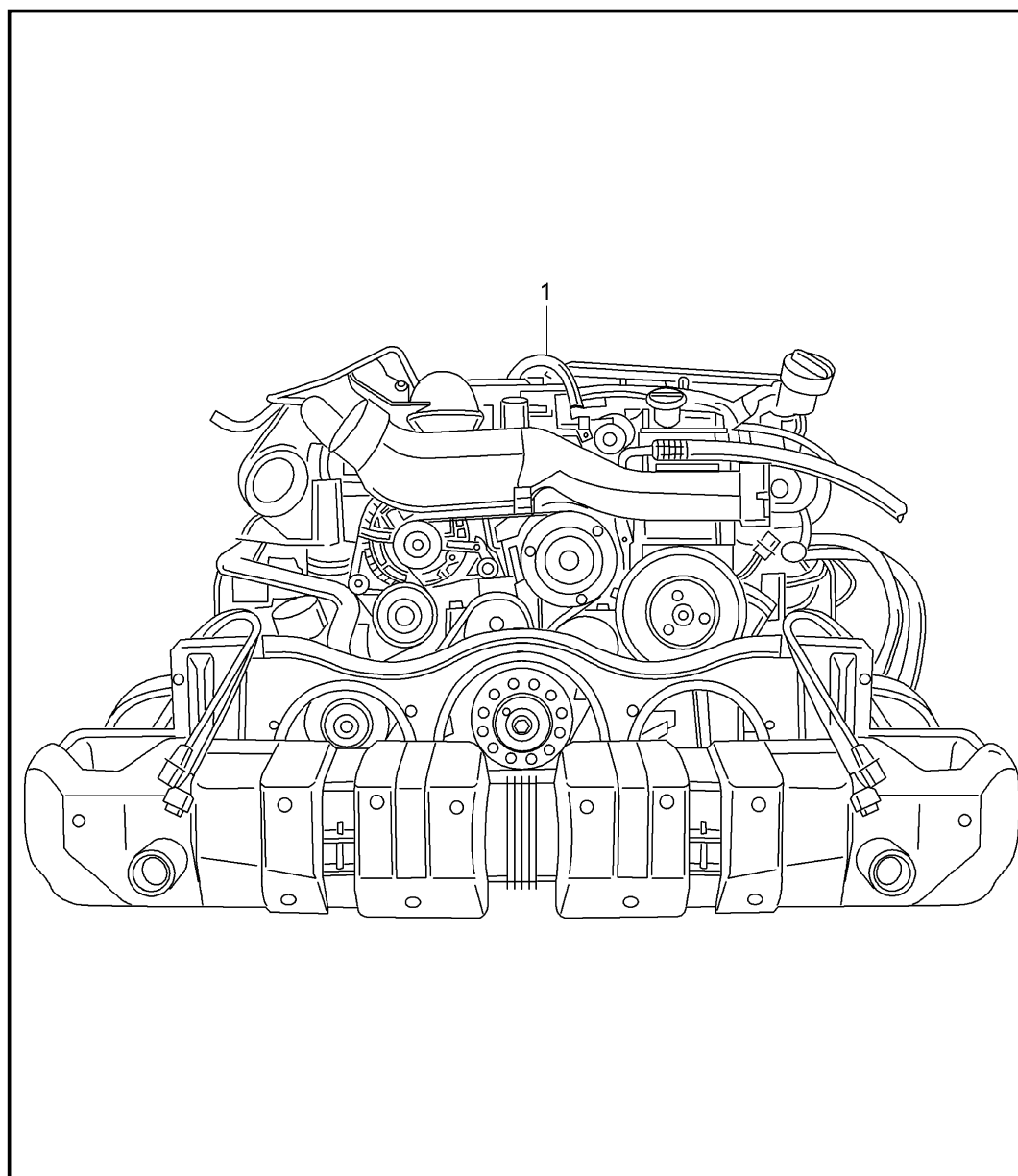


Pos	Part Number	Description	Remark	Qty	Model
-	911 095 932 20	paint touch-up applicator lacquers		X	
	041	black			A 1
	80K	guards red			G 1
	B9A	carrara white			B 4
	12G	speed yellow			X 4
	51A	creamy white	09		T 2
-	911 095 933 20	paint touch-up applicator set comprising: paint touch-up applicator primer paint touch-up applicator clear lacquer		X	
	92T	arctic silver metallic			X 1
	M3W	carmon red metallic			E 4
	M5W	lapis blue metallic			J 2
	M6W	lagoon green metallic			G 4
	C9Z	basalt black metallic			Z 4
	M7X	atlas grey metallic			E 7
	37W	midnight blue metallic			E 9
	22E	forest green metallic			53
	37U	cobalt blue metallic			56
	22D	slate grey metallic			59
	M7Z	gt silver metallic			U 2
	M6X	dark olive-metallic			7 G
	M7W	Meteor Grey Metallic			9 Q
	8A7	ruby red metallic	08-		L 2
	M8W	Macadamia Metallic	08-		9 S
	2B5	Malachite Green Metallic	08-		H 1
	M2Z	Nordic Gold Metallic	08-		8 W

Model	Year	MG	SG	Illustration	Restrictions	UPD	16:49	25.01.2010	PORSCHE	PET	PORSCHE
997T	2009	0	04	004-00		248					

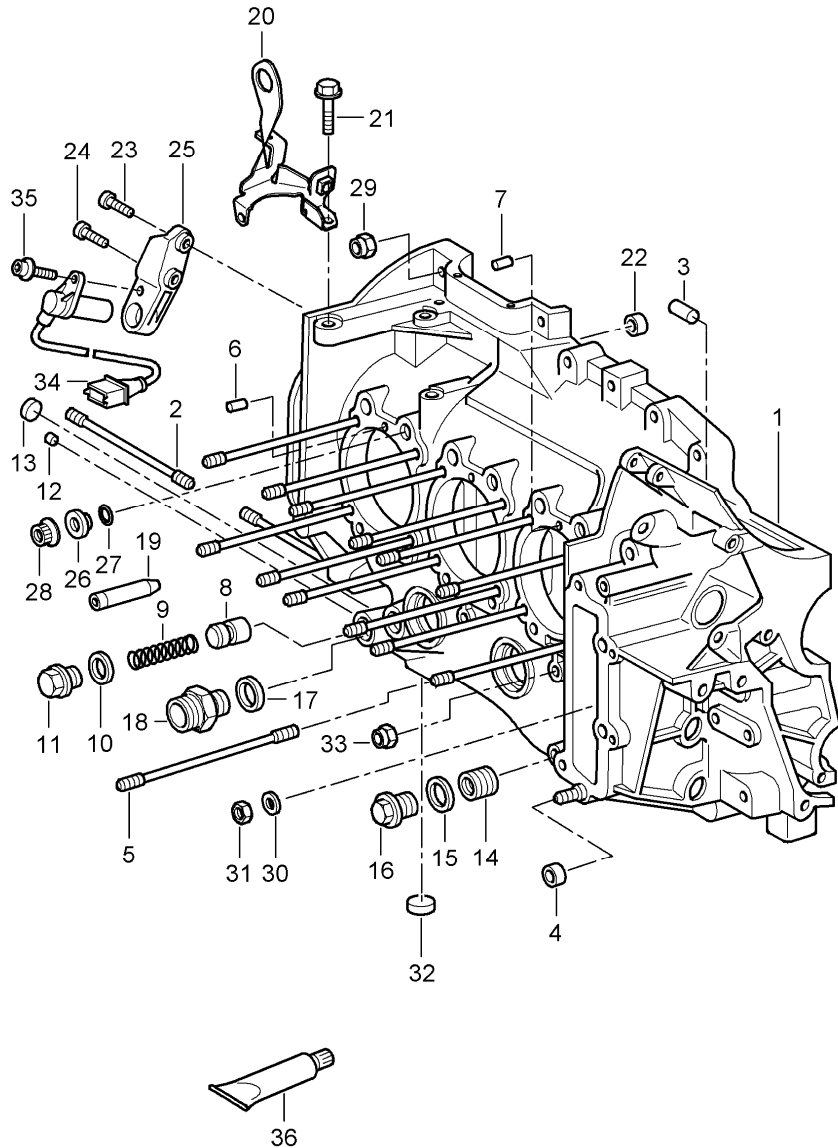
Pos	Part Number	Description	Remark	Qty	Model	Pos	Part Number	Description	Remark	Qty	Model
	32B	Sailing Blue Metallic	09		E 5						
	M5R	Aqua Blue Metallic	09		D 2						
	22G	porsche Racing Green Metallic	09		J 1						

Model	Year	MG	SG	Illustration	Restrictions	UPD	16:49	25.01.2010	PORSCHE	PET	PORSCHE
997T	2009	1	01	101-00		248					



Pos	Part Number	Description	Remark	Qty	Model
		replacement engine	08-		M97.70 M97.70 I101
		ready for installation			
		technical information group 1 NR.2/06 attention			
1	997 100 970 X	replacement engine	07	1	M97.70 I480
		we take back: 997.100.970.04			
1 >	997 100 970 08	replacement engine	08	1	M97.70 I480
1 >	997 100 970 11	replacement engine	09	1	M97.70 I480
1	997 100 970 AX	replacement engine	07	1	M97.70 I249
		we take back: 997.100.970.05			
1 >	997 100 970 09	replacement engine	08	1	M97.70 I249
1 >	997 100 970 12	replacement engine	09	1	M97.70 I249
(1) >	997 100 970 10	replacement engine	08	1	M97.70 I101
(1) >	997 100 970 13	replacement engine	09	1	M97.70 I101

Model	Year	MG	SG	Illustration	Restrictions	UPD	16:49	25.01.2010	PORSCHE	PET	PORSCHE
997T	2009	1	01	101-05		248					



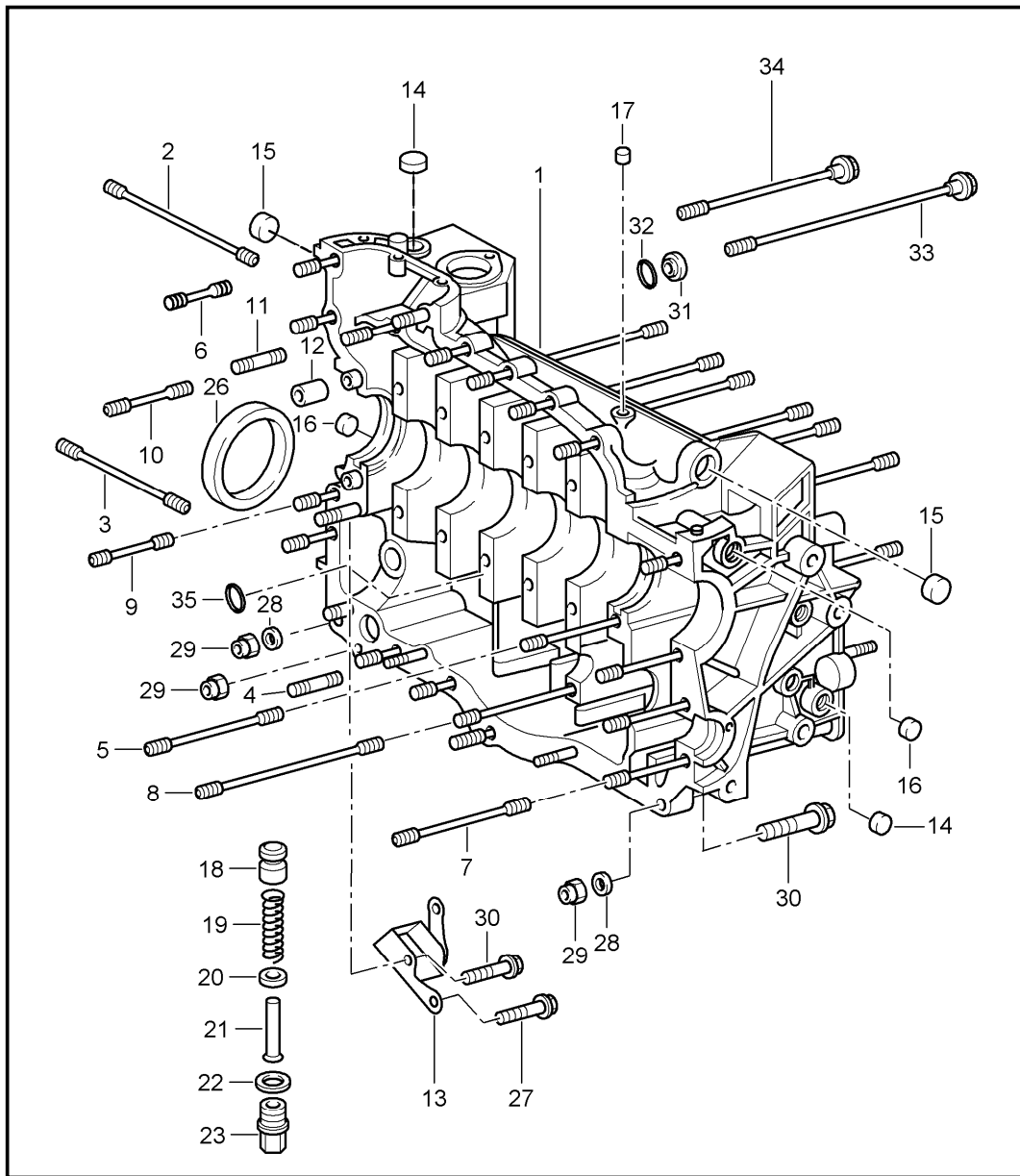
Pos	Part Number	Description	Remark	Qty	Model
		crankcase left			M97.70
1	996 101 901 71	crankcase with studs		1	
2	999 062 099 02	stud BM 10 X 105		2	
3	999 501 065 30	stopper 9,2 MM		1	
4	901 101 145 00	dowel sleeve		4	
5	996 101 172 70	stud		24	
6	900 012 046 00	straight pin A 8,0 X 14		2	
7	900 012 057 00	straight pin A 6,0 X 14		2	
8	911 107 512 00	piston		1	
9	901 107 531 01	compression spring		1	
10	900 123 106 30	sealing ring A18 X 24		1	
11	999 064 026 02	screw plug M 18 X 24		1	
12	911 101 186 00	stopper 7,5 X 8,0		1	
(12)	911 101 186 01	stopper oversize 8,5 X 8,0		1	
13	900 036 047 02	lid A 13		1	
(13)	911 101 182 01	stopper oversize 14,00 X 8,5		1	
14	999 504 127 00	threaded insert 20 X 1,5		1	
15	900 123 118 30	sealing ring A 22 X 27		1	
16	944 107 197 02	screw plug		1	
17	900 123 011 30	sealing ring A 22 X 27		1	



Model	Year	MG	SG	Illustration	Restrictions	UPD	16:49	25.01.2010	PORSCHE	PET	PORSCHE
997T	2009	1	01	101-05		248					

Pos	Part Number	Description	Remark	Qty	Model	Pos	Part Number	Description	Remark	Qty	Model
18	999 136 044 09	union 18		1		36	000 043 203 73	sealing compound 30 GR. Drei Bond Silicon 1209		X	
19	993 101 018 51	splash valve M 20 X 1,5		6							
20	997 101 251 73	retaining bar		1							
21	900 074 040 03	hexagon-head bolt M 8 X 50		1							
22	901 101 195 00	dowel sleeve		2							
23	900 385 009 01	torx screw M 6 X 16	I 480	1							
24	900 385 270 01	hexagon-head bolt M 6 X 35	I 480	1							
25	964 101 187 01	support	I 480	1							
26	964 101 313 71	washer		12							
27	999 701 006 41	o-ring 8 X 2		12							
28	959 101 172 70	nut		12							
29	999 084 202 01	lock nut M 8		21							
30	900 025 008 02	washer A 10,5		1							
31	999 084 096 02	lock nut M 10 X 1,25		1							
32 A	900 036 045 02	lid A 19		1							
(32)	911 101 184 01	stopper oversize 20,00 X 13		1							
33	999 084 096 02	lock nut M 10		1							
34	996 606 105 01	pulse sender	I 480	1							
(34)	986 606 112 03	pulse sender	I 249	1							
35	900 387 264 01	pan-head screw M 6 X 16		1							

Model	Year	MG	SG	Illustration	Restrictions	UPD	16:50	25.01.2010	PORSCHE	PET	PORSCHE
997T	2009	1	01	101-10		248					

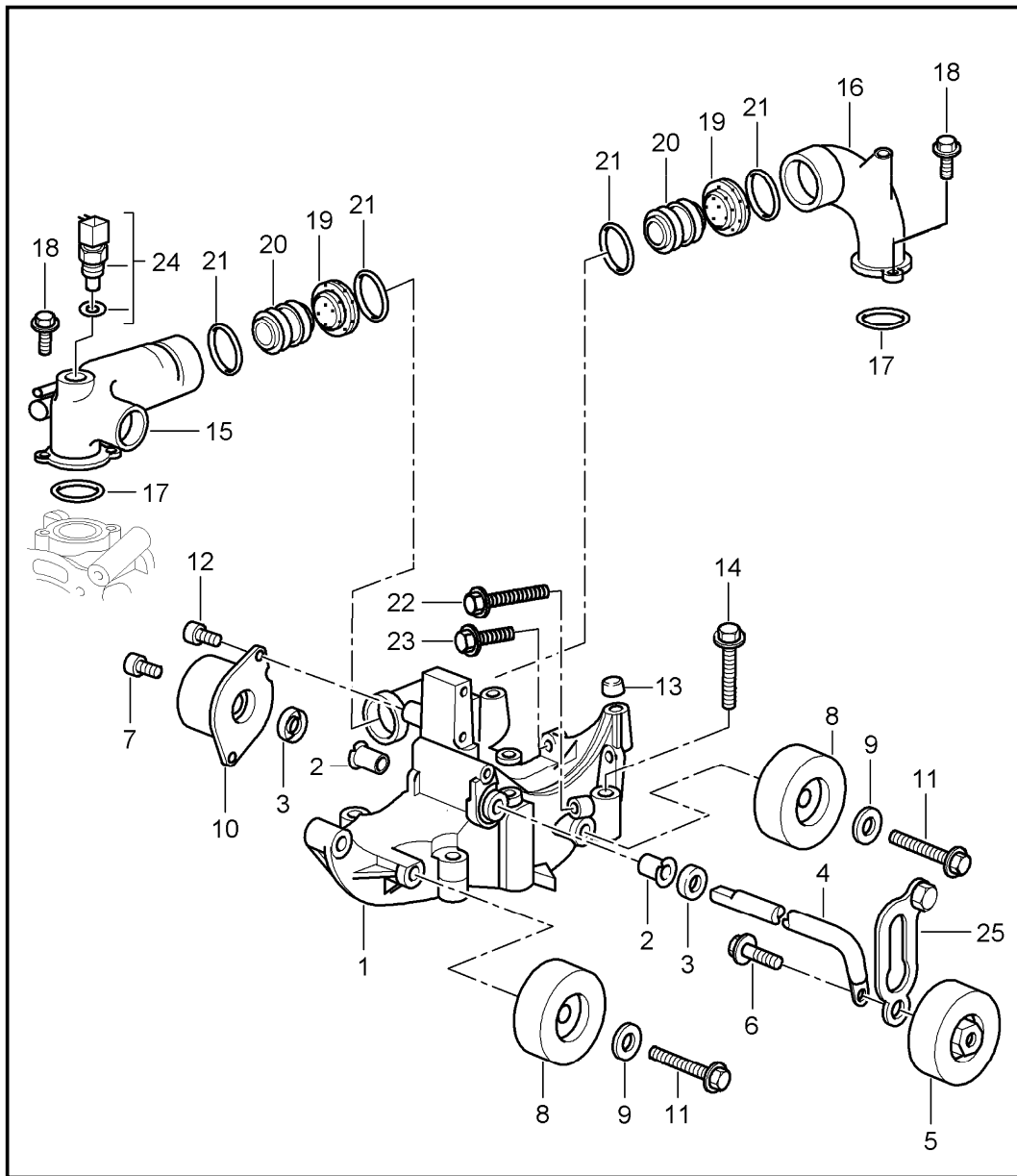


Pos	Part Number	Description	Remark	Qty	Model
		crankcase right			M97.70
1	996 101 901 71	crankcase with studs		1	
2	999 062 225 02	stud BM 10 X 140		1	
3	999 062 099 02	stud BM 10 X 105		1	
4	999 062 007 02	stud BM 8 X 22		3	
5	996 101 175 70	stud		1	
6	999 062 115 02	stud BM 8 X 32		13	
7	999 062 156 02	stud BM 8 X 78		3	
8	999 062 276 02	stud BM 10 X 110		1	
9	999 062 075 02	stud BM 8 X 48		2	
10	999 062 138 02	stud BM 8 X 52		1	
11	999 062 009 02	stud BM 8 X 28		1	
12	901 101 195 00	dowel sleeve		2	
13	996 101 206 71	hook		1	
14	A 900 036 045 02	lid A 19		2	
(14)	911 101 184 01	stopper oversize 20,00 X 13		2	
15	900 036 046 02	lid A 22		2	
(15)	911 101 185 01	stopper oversize 23,00 X 9		2	
16	900 036 047 02	lid A 13		2	

Model	Year	MG	SG	Illustration	Restrictions	UPD	16:50	25.01.2010	PORSCHE	PET	PORSCHE
997T	2009	1	01	101-10		248					

Pos	Part Number	Description	Remark	Qty	Model	Pos	Part Number	Description	Remark	Qty	Model
(16)	911 101 182 01	stopper oversize 14,00 X 8,5		2		35	999 701 596 40	o-ring 8,3 X 2,4		4	
17	911 101 186 00	stopper 7,50 X 8		2							
(17)	911 101 186 01	stopper oversize 8,50 X 8		2							
18	911 107 512 00	piston		1							
19	930 107 531 01	compression spring		1							
20	964 107 532 00	spacer ring		1							
21	930 107 533 00	guide sleeve		1							
22	900 123 106 30	sealing ring A 18 X 24		1							
23	999 064 026 02	screw plug		1							
24	900 036 008 02	lid B 15		1							
25	900 036 029 02	lid B 16		1							
26	999 113 264 40	radial sealing ring 90 X 110 X 12		1							
27	900 074 139 02	hexagon-head bolt M 8 X 55		1							
28	900 031 001 02	washer 8,4		4							
29	A 999 084 095 02	lock nut M 8		1							
29	900 910 003 01	lock nut M 8		1							
30	900 378 150 01	hexagon-head bolt M 8 X 55		1							
31	964 101 313 71	washer		12							
32	999 701 006 41	o-ring 8 X 2		12							
33	959 101 173 70	screw		11							
34	964 101 174 70	screw		2							

Model	Year	MG	SG	Illustration	Restrictions	UPD	16:50	25.01.2010	PORSCHE	PET	PORSCHE
997T	2009	1	01	101-15		248					

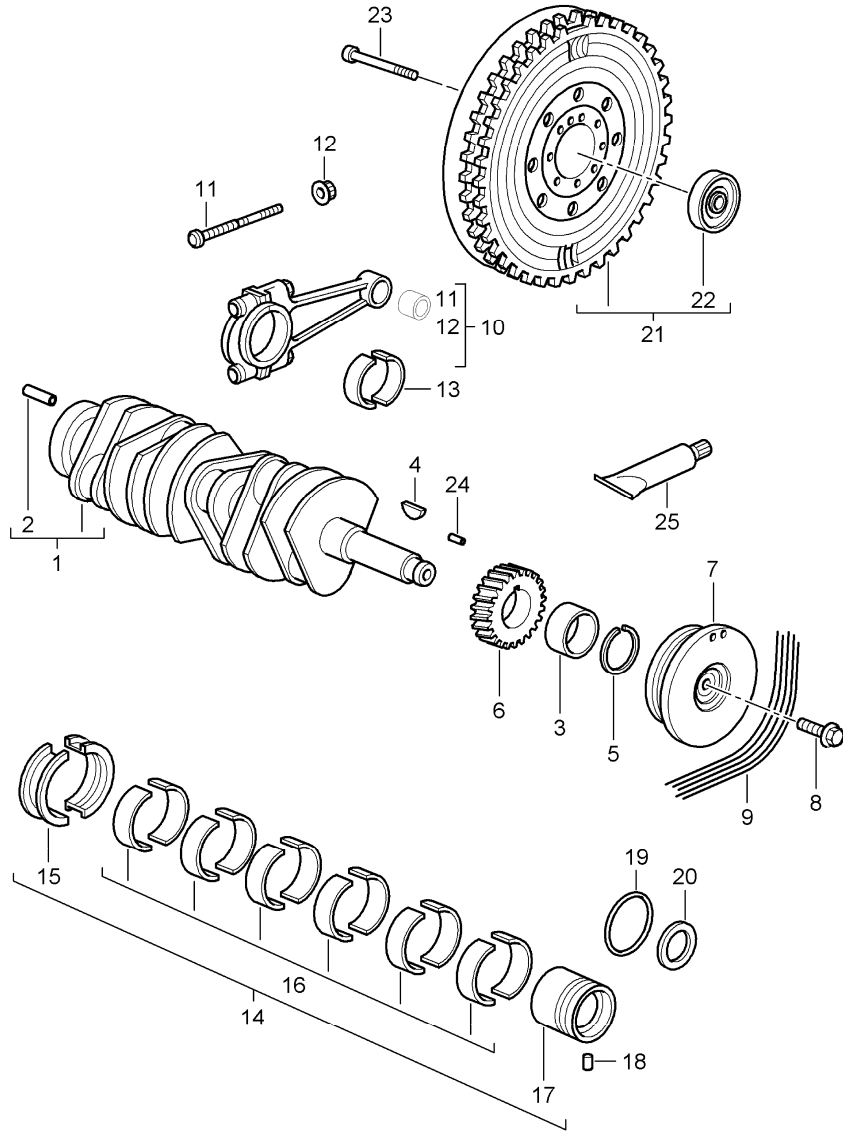


Pos	Part Number	Description	Remark	Qty	Model
		belt tensioner belt drive			M97.70
1	996 115 112 70	bracket		1	
2	997 102 167 00	bush		2	
3	996 102 365 50	dust boot		2	
4	996 115 913 70	lever		1	
5	996 115 016 72	tensioning roller		1	
6	999 072 039 01	hexagon-head bolt M 10 X 30		1	
7	900 067 117 05	pan-head screw M 6 X 16		1	
8	996 115 015 75	deflection roller		2	
9	996 102 125 53	cover disc		2	
10	996 115 221 72	tensioner		1	
11	900 385 120 01	hexagon socket head bolt M 10 X 55		2	
12	900 067 131 03	pan-head screw M 8 X 16		2	
13	999 095 063 02	dowel sleeve 11 M 6 X 10	07	4	
(13)	999 095 063 01	dowel sleeve 11 M 6 X 10	08-	4	
14	900 385 004 01	torx screw AM 10 X 60		4	
15	997 106 039 72	connection piece		1	
16	997 106 440 70	connection piece		1	
17	999 707 410 40	o-ring 39,20 X 3,00		2	
18	900 385 019 01	torx screw M 6 X 20		4	
19	996 106 214 70	protective ring		2	
20	996 106 238 71	joining socket		2	
21	999 707 411 40	o-ring 28,00 X 4,50		4	

Model	Year	MG	SG	Illustration	Restrictions	UPD	16:50	25.01.2010	PORSCHE	PET	PORSCHE
997T	2009	1	01	101-15		248					

Pos	Part Number	Description	Remark	Qty	Model	Pos	Part Number	Description	Remark	Qty	Model
22	900 385 036 01	hexagon socket head bolt M 8 X 55		1							
23	900 385 098 01	torx screw M 8 X 25		2							
24	997 606 420 00	temperature sensor		1							
25	996 115 213 71	driver		1							

Model	Year	MG	SG	Illustration	Restrictions	UPD	16:51	25.01.2010	PORSCHE	PET	PORSCHE
997T	2009	1	02	102-00		248					

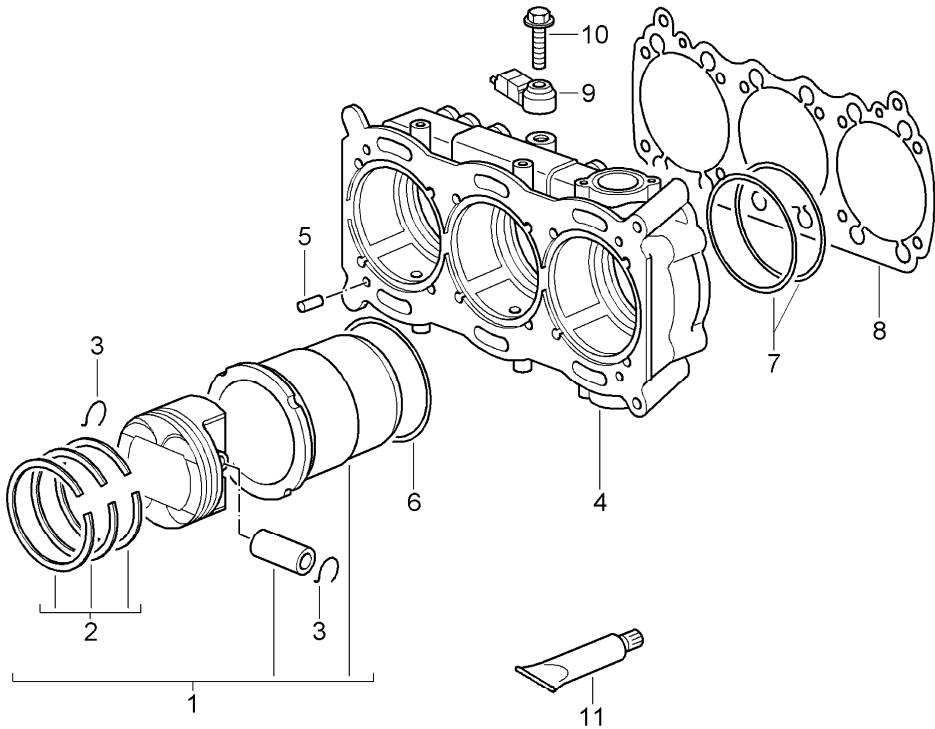


Pos	Part Number	Description	Remark	Qty	Model
		crankshaft			M97.70
1	997 102 021 75	crankshaft	07	1	
(1)	997 102 021 77	crankshaft	08-	1	
2	900 095 031 00	tensioning sleeve 6 X 16		1	
3	959 102 321 00	intermediate ring		1	
4	901 102 147 00	woodruff key		1	
5	901 102 148 00	circlip number 0		1	
5	901 102 148 01	circlip number 1		1	
5	901 102 148 02	circlip number 2		1	
5	901 102 148 03	circlip number 3		1	
6	---	see group 1/03/15		1	
7	996 102 017 72	pulley		1	
8	999 217 128 02	hexagon-head bolt M 14 X 1,5 X 33		1	
9	999 192 379 50	poly-rib belt		1	I573
10	997 103 920 70	connecting rod connecting rods comprising: connecting rods		1	
11	996 103 176 70	connecting rod bolt		12	
12	993 103 174 02	connecting rod nut		12	
13	997 103 901 00	connecting-rod bearing set		6	
14	997 101 901 00	set of crankshaft bearings		1	
15	996 101 231 92	thrust bearing I		2	
16	996 101 232 92	main bearing II-VII		12	
17	964 101 138 01	bearing sleeve VIII		1	

Model	Year	MG	SG	Illustration	Restrictions	UPD	16:51	25.01.2010	PORSCHE	PET	PORSCHE
997T	2009	1	02	102-00		248					

Pos	Part Number	Description	Remark	Qty	Model	Pos	Part Number	Description	Remark	Qty	Model
18	900 012 061 00	straight pin 5 H 8 X 10		1							
19	999 707 285 41	o-ring 51 X 4,5		1							
20	999 113 290 41	sealing ring 30 X 50 X 10		1							
21	997 114 012 51	double-mass flywheel		1							
22	999 052 169 00	deep-groove ball bearing 30 X 37 X 4		1							
23	999 119 017 01	pan-head screw M 10 X 1,25 X 62		9							
24	900 302 046 01	straight pin M 5 X 18		1							
25	000 043 300 21	grease 100 Gr. for titanium connecting rod bolt		1							
(25)	000 043 024 00	extreme-pressure grease 1 tube 80 Gr. for connecting-rod bearing		1							

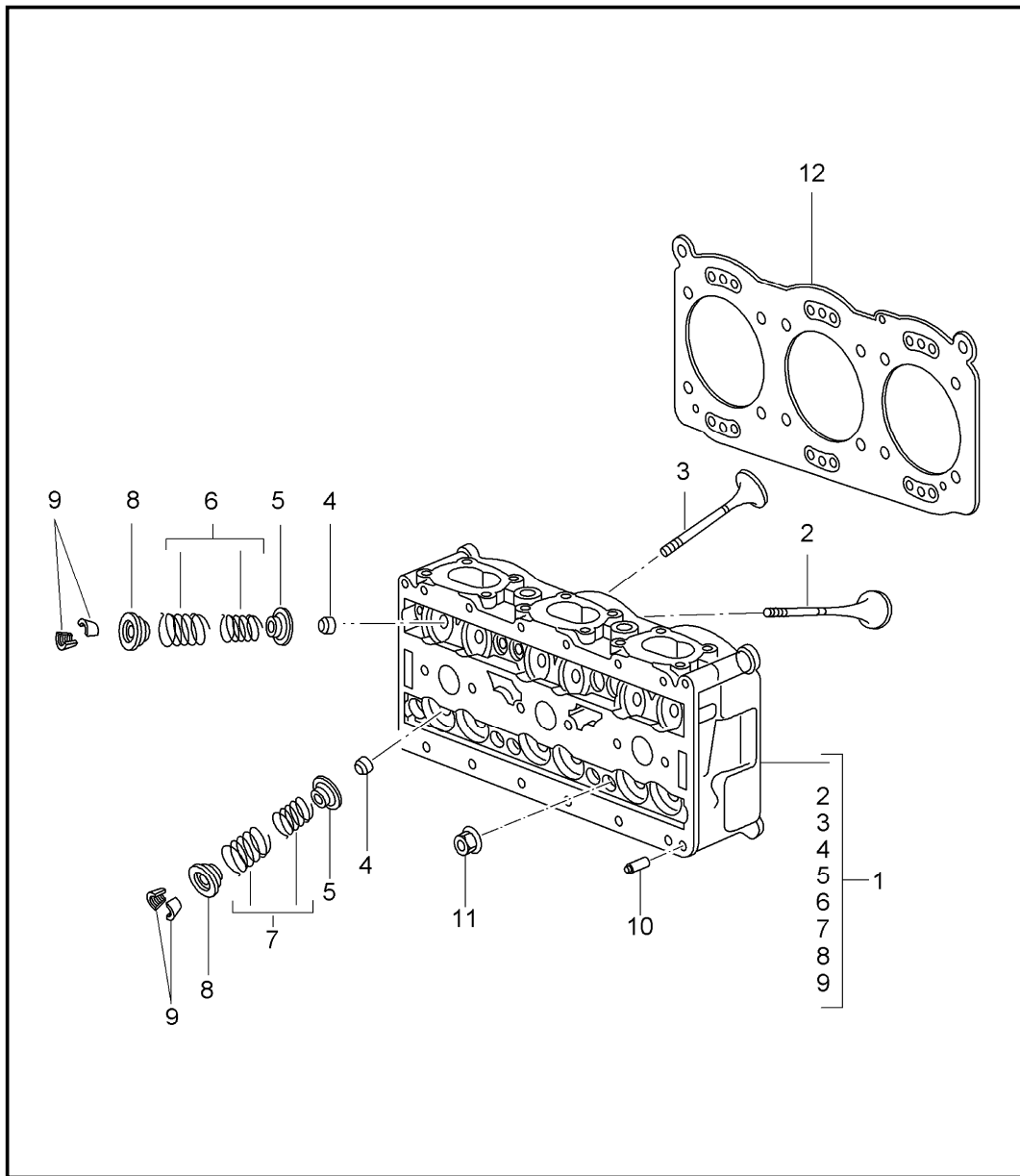
Model	Year	MG	SG	Illustration	Restrictions	UPD	16:51	25.01.2010	PORSCHE	PET	PORSCHE
997T	2009	1	02	102-05		248					



Pos	Part Number	Description	Remark	Qty	Model
		cylinder with piston			M97.70
1	997 103 915 71	cylinder with piston number plate /- 564 - 570 G		6	
1	997 103 916 71	cylinder with piston number plate /+ 570 - 576 G		6	
2	U 997 103 925 70	piston ring set		6	
2	997 103 071 70	piston ring set		6	
3	999 178 016 00	circlip		12	
4	997 101 311 70	housing		2	
5	900 012 046 00	straight pin A 8,0 X 14		8	
6	999 707 393 40	o-ring 104,00 X 2,00		6	
7	999 707 394 40	o-ring 110,00 X 2,50		12	
8	997 101 193 71	cylinder base gasket		2	
9	997 606 121 00	knock sensor		2	
10	900 385 042 01	torx screw M 8 X 35		2	
11	000 043 205 10	grease 80 GR.		1	

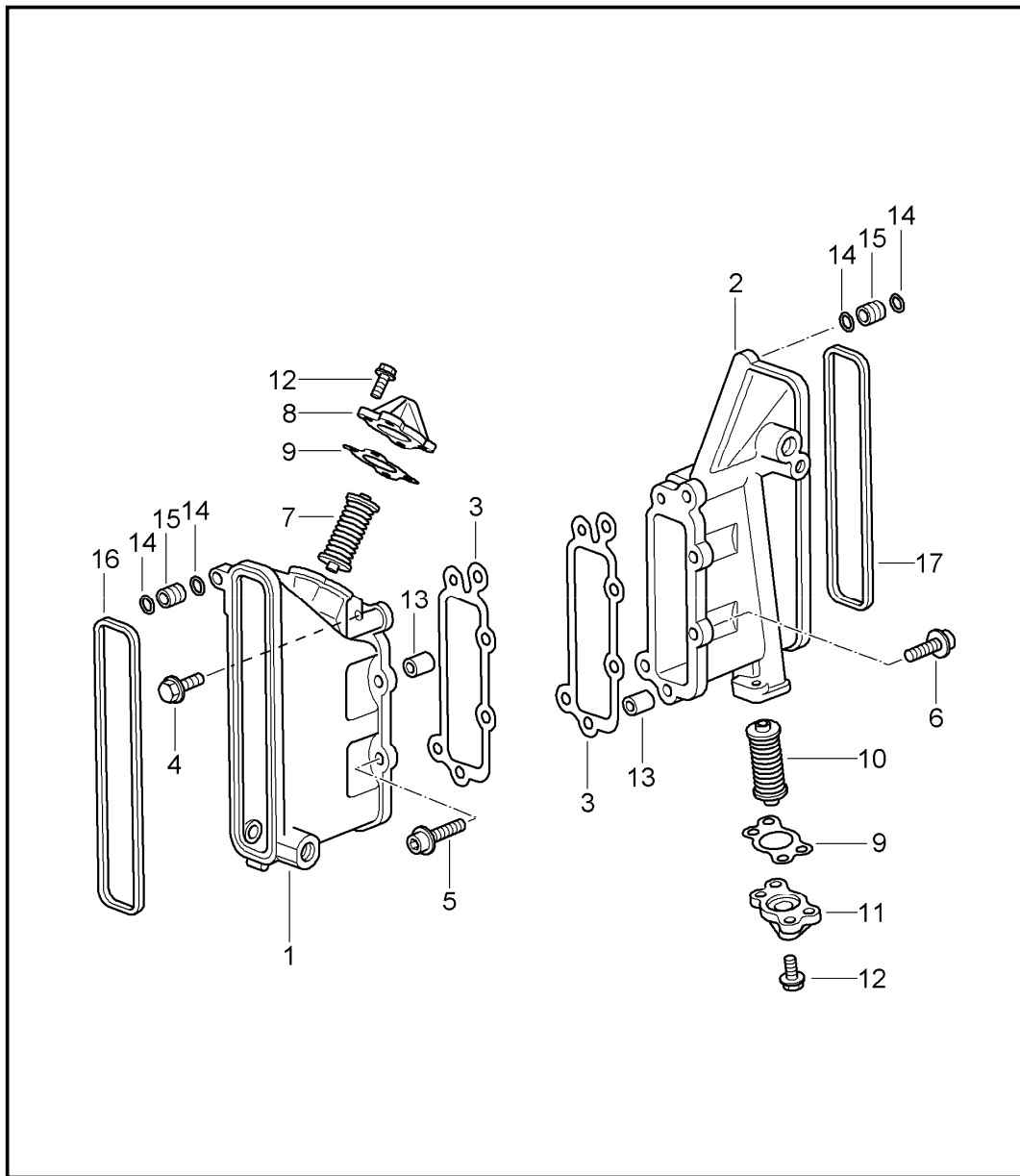


Model	Year	MG	SG	Illustration	Restrictions	UPD	16:51	25.01.2010	PORSCHE	PET	PORSCHE
997T	2009	1	03	103-00		248					



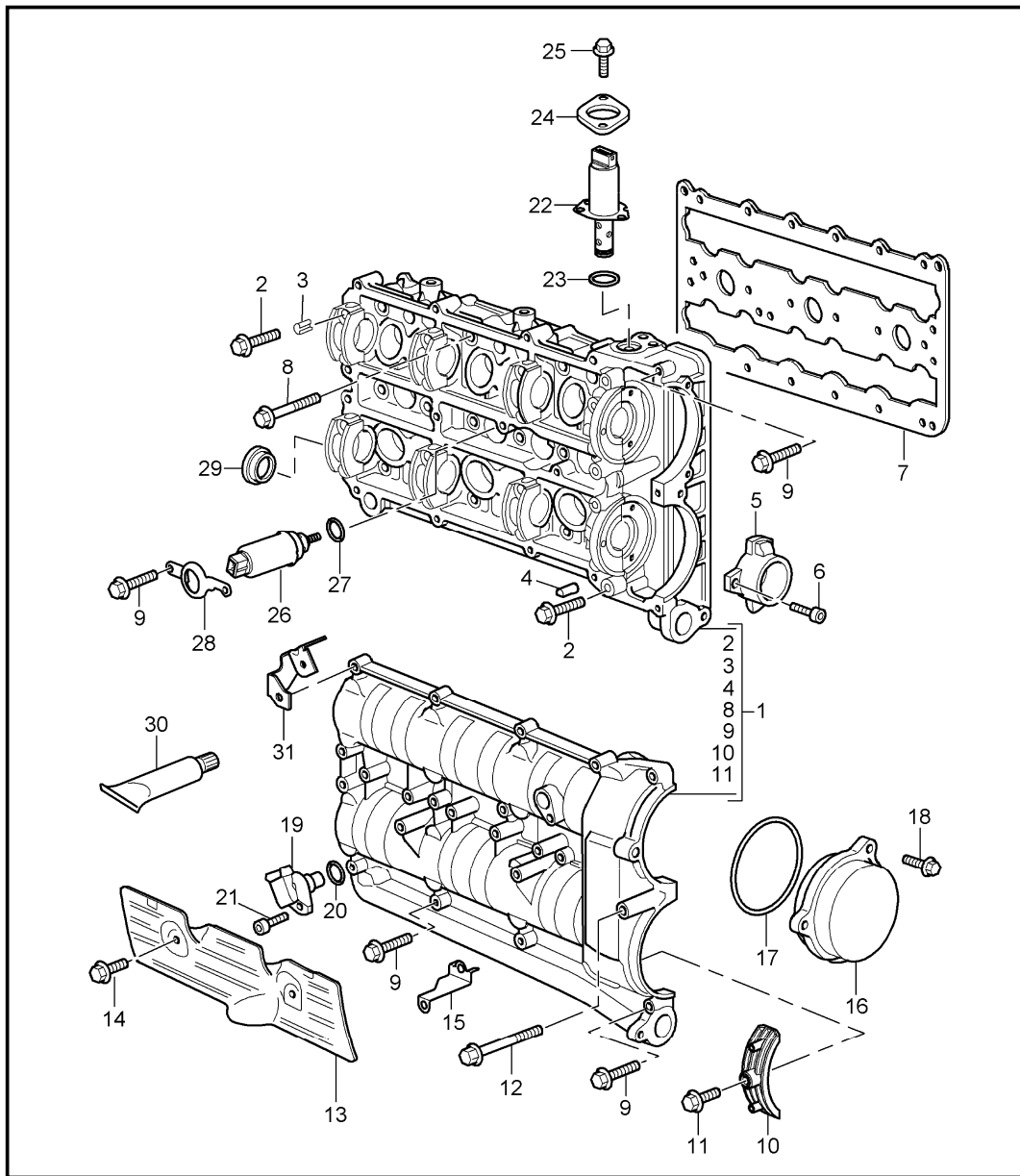
Pos	Part Number	Description	Remark	Qty	Model
		cylinder head			M97.70
1	997 104 001 72	cylinder head ready for installation		2	
2	996 105 111 72	intake valve		12	
3	996 105 113 72	exhaust valve		12	
4	996 105 115 52	valve stem seal		24	
5	996 105 117 74	concave washer		24	
6	996 105 093 70	set of valve springs		12	
7	997 105 025 71	set of valve springs		12	
8	996 105 121 73	concave washer		24	
9	996 105 123 52	valve collet		48	
10	900 012 046 00	straight pin		4	
11	A 996 104 382 70	cylinder head nut		24	
11	996 104 382 71	cylinder head nut		24	
12	997 104 170 71	cylinder head gasket		2	

Model	Year	MG	SG	Illustration	Restrictions	UPD	16:52	25.01.2010	PORSCHE	PET	PORSCHE
997T	2009	1	03	103-05		248					



Pos	Part Number	Description	Remark	Qty	Model
		chain case chain adjuster			M97.70
1	996 105 143 79	chain case	/L	1	
2	997 105 144 71	chain case	/R	1	
3	996 105 192 71	gasket		2	
4	900 385 098 01	torx screw AM 8 X 25		1	
5	900 067 276 01	combination screw M 8 X 35		4	
6	900 067 247 01	combination screw M 8 X 30		5	
7	959 105 051 03	chain adjuster		1	
8	997 105 023 71	lid	/L	1	
9	996 105 172 70	gasket		2	
10	959 105 052 03	chain adjuster		1	
11	993 105 022 01	lid	/R	1	
12	900 385 019 01	torx screw		4	
13	901 101 145 00	dowel sleeve		4	
14	999 707 229 40	o-ring 9,25 x 1,78		4	
15	996 105 229 90	intermediate piece		2	
16	996 105 513 72	gasket	/L	1	
17	996 105 514 72	gasket	/R	1	

Model	Year	MG	SG	Illustration	Restrictions	UPD	16:52	25.01.2010	PORSCHE	PET	PORSCHE
997T	2009	1	03	103-10		248					

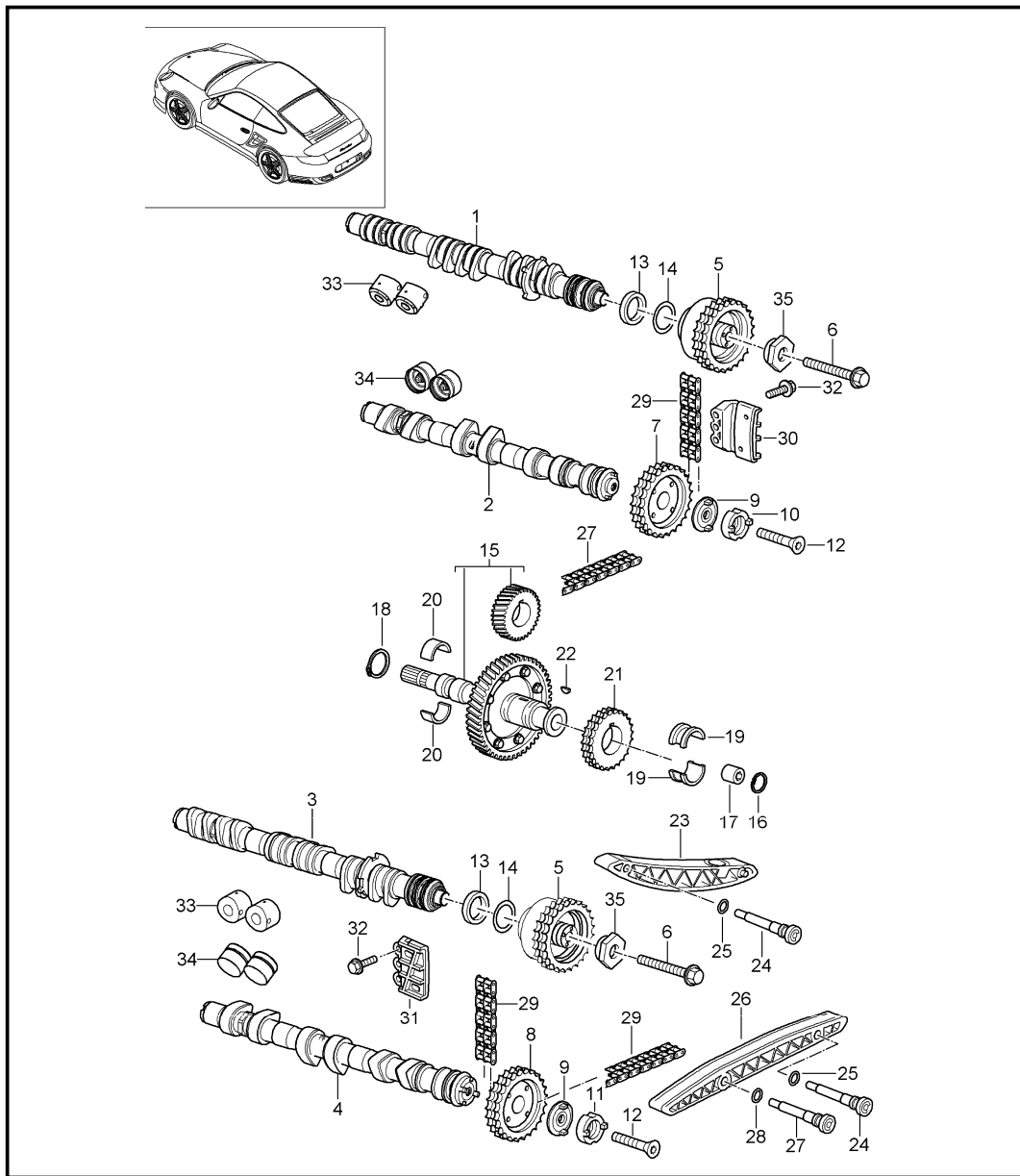


Pos	Part Number	Description	Remark	Qty	Model
		camshaft housing			M97.70
1	997 105 929 70	camshaft housing cyl. 1 - 3	/L	1	
(1)	997 105 930 70	camshaft housing cyl. 4 - 6	/R	1	
2	900 385 048 01	torx screw M 6 X 30		40	
3	944 104 361 00	dowel sleeve		24	
4	900 012 071 00	straight pin A 4,0 X 8		4	
5	996 105 233 72	Oil-conducting housing	/L	1	
(5)	996 105 234 72	Oil-conducting housing	/R	1	
6	900 067 051 03	pan-head screw M 5 X 10		6	
7	996 105 613 75	gasket	/L	1	
(7)	996 105 614 75	gasket	/R	1	
8	900 385 071 01	torx screw M 8 X 50		36	
9	900 385 270 01	Outer hexagon round screw M 6 X 35		14	
10	997 105 311 70	slide		2	
11	999 385 005 02	torx screw M 6 X 16		2	
12	900 385 118 01	hexagon-head bolt M 6 X 75		2	
13	997 104 426 70	heat shield	/R	1	
(13)	997 104 427 70	heat shield	/L	1	
14	900 385 041 01	torx screw M 6 X 12		4	
15	997 104 425 70	support	/R	1	
16	997 105 315 71	lid		2	
17	999 707 482 41	o-ring 90,00 X 2,50		2	
18	900 385 019 01	torx screw M 6 X 20		6	

Model	Year	MG	SG	Illustration	Restrictions	UPD	16:52	25.01.2010	PORSCHE	PET	PORSCHE
997T	2009	1	03	103-10		248					

Pos	Part Number	Description	Remark	Qty	Model	Pos	Part Number	Description	Remark	Qty	Model
19	997 606 106 01	hall sender		2							
20	999 707 404 40	o-ring 17,05 X 1,78		2							
21	900 387 264 01	pan-head screw M 6 X 16		2							
22	997 105 303 72	actuator camshaft		2							
23	996 105 903 05	o-ring 18,72 X 2,62		2							
24	997 105 305 75	support actuator camshaft		2							
25	900 385 275 01	torx screw M 6 X 20		4							
26 A	996 105 301 03	actuator valve		2							
26	996 105 301 04	actuator valve		2							
27	996 105 901 03	o-ring 21,00 X 3,00		2							
28	997 105 310 71	support actuator valve		2							
29	996 105 329 70	lid		4							
30	000 043 204 58	sealing compound Silicon FD 2210 container 30 gr.		1							
(30)	000 043 024 00	extreme-pressure grease 1 tube 80 Gr. for camshaft		1							
31	997 606 114 04	support cable speed sensor		1							

Model	Year	MG	SG	Illustration	Restrictions	UPD	16:52	25.01.2010	PORSCHE	PET	PORSCHE
997T	2009	1	03	103-15		248					

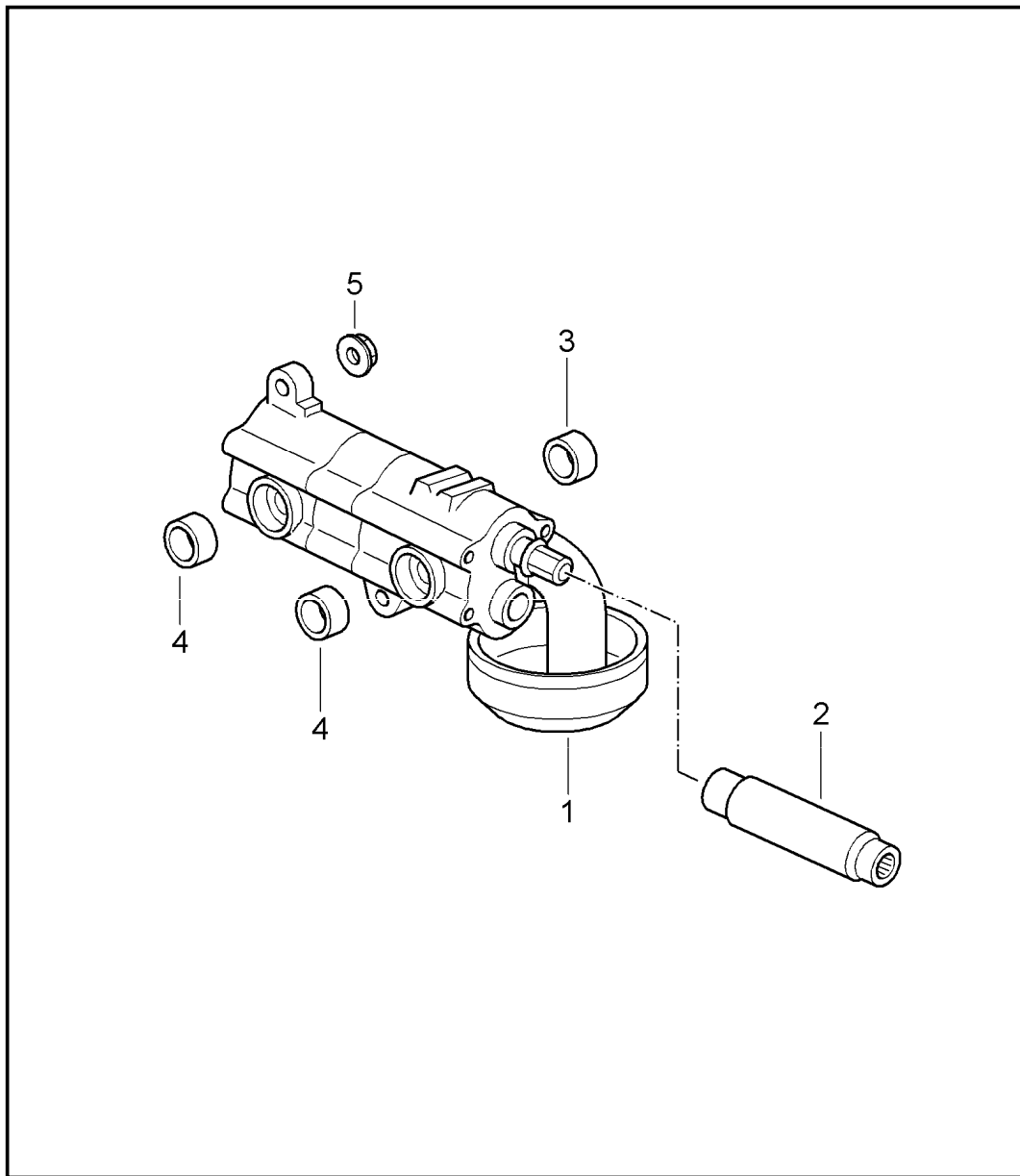


Pos	Part Number	Description	Remark	Qty	Model
		valve control			M97.70
1	997 105 019 73	camshaft intake cyl. 1 - 3		1	
2	997 105 217 74	camshaft exhaust cyl. 1 - 3		1	
3	997 105 020 73	camshaft intake cyl. 4 - 6		1	
4	997 105 218 73	camshaft exhaust cyl. 4 - 6		1	
5	997 105 051 71	camshaft adjuster		2	
6	987 105 254 00	hexagon-head bolt M 12 X 1,5 X 130		2	
7	996 105 177 72	sprocket cyl. 1 - 3		1	
8	996 105 178 72	sprocket cyl. 4 - 6		1	
9	996 105 647 81	washer		2	
10	959 105 161 03	drive plate cyl. 1 - 3		1	
11	959 105 161 04	drive plate cyl. 4 - 6		1	
12	997 105 317 71	pan-head screw		2	
13	996 105 280 90	ring		6	
14	997 105 203 70	washer		2	
15	996 105 911 70	intermediate shaft with timing gear size 0		1	
15	996 105 911 71	intermediate shaft with timing gear size 1		1	
16	900 041 026 01	circlip 13 X 1		1	
17	993 105 275 52	intermediate piece		1	

Model	Year	MG	SG	Illustration	Restrictions	UPD	16:52	25.01.2010	PORSCHE	PET	PORSCHE
997T	2009	1	03	103-15		248					

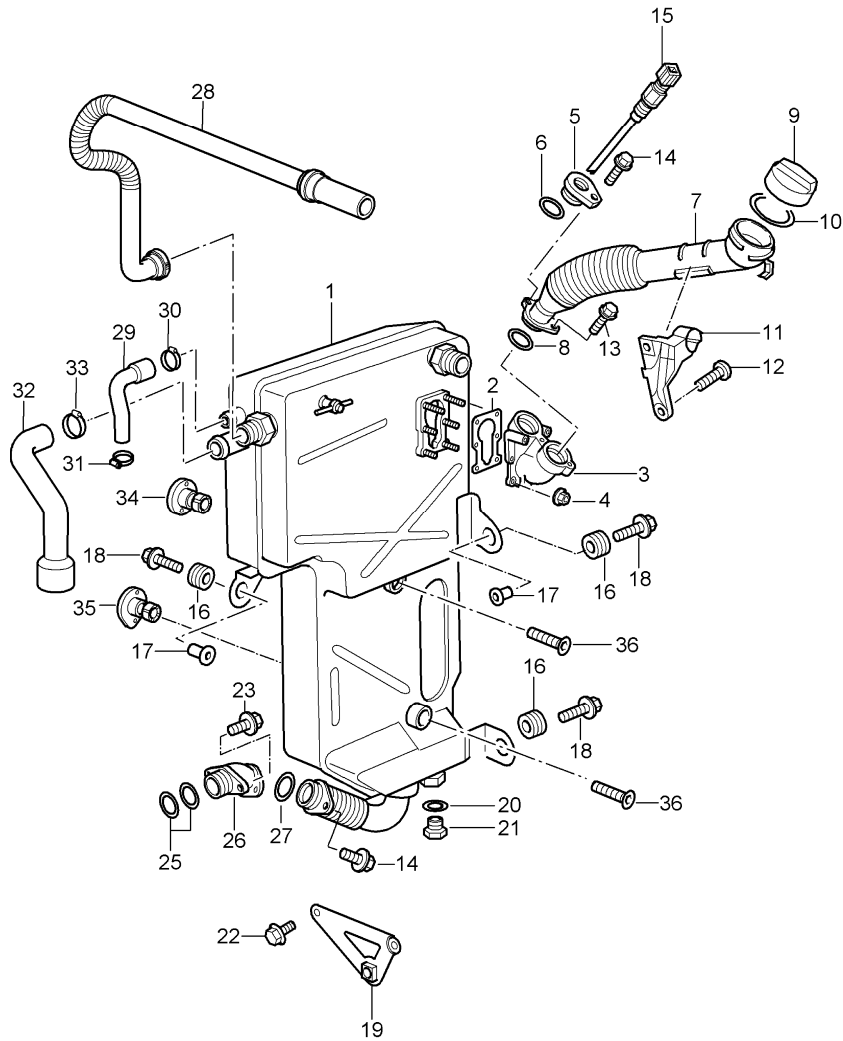
Pos	Part Number	Description	Remark	Qty	Model	Pos	Part Number	Description	Remark	Qty	Model
18	900 041 025 01	circlip 36 X 1,75		2							
19	996 101 137 80	bearing		2							
20	996 101 435 70	bearing shell		2							
21	901 105 125 04	sprocket		2							
22	900 118 010 00	woodruff key		2							
23	997 105 165 70	tensioner blade		2							
24	964 105 171 03	bolt		4							
25	900 123 131 30	sealing ring A16 X 20		4							
26	996 105 167 70	guide rail	/L	1							
(26)	996 105 166 70	guide rail	/R	1							
27	996 105 175 70	bearing pin		2							
28	900 123 152 30	sealing ring A16 X 22		2							
29	997 105 551 71	timing chain		2							
30	996 105 037 75	guide rail	/L	1							
31	996 105 038 75	guide rail	/R	1							
32	900 385 072 01	torx screw M 6 X 20		6							
33	996 105 255 25	hydraulic valve tappet intake		12							
34	996 105 041 73	hydraulic valve tappet exhaust		12							
35	997 105 260 70	intermediate piece camshaft adjuster		2							
--	000 043 024 00	extreme-pressure grease 1 tube 80 Gr. for camshaft		1							

Model	Year	MG	SG	Illustration	Restrictions	UPD	16:52	25.01.2010	PORSCHE	PET	PORSCHE
997T	2009	1	04	104-00		248					



Pos	Part Number	Description	Remark	Qty	Model
		oil pump			M97.70
1	K 996 107 007 94	oil pump		1	
2	930 107 143 03	connecting shaft		1	
3	999 704 173 50	sealing ring 19,5 X 26		1	
4	999 704 172 50	sealing ring 16,3 X 22		2	
5	900 380 005 09	hexagon nut M 8		3	

Model	Year	MG	SG	Illustration	Restrictions	UPD	16:53	25.01.2010	PORSCHE	PET	PORSCHE
997T	2009	1	04	104-05		248					



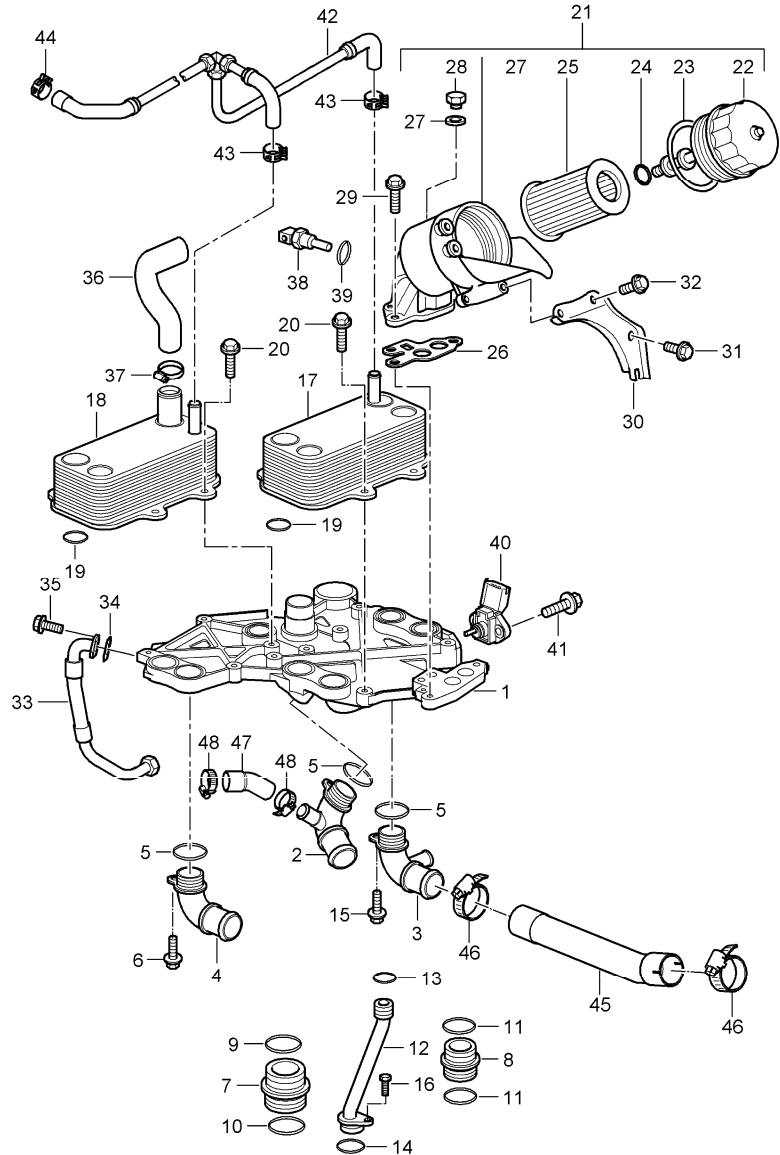
Pos	Part Number	Description	Remark	Qty	Model
		engine lubrication oil tank			M97.70
1	997 207 070 72	oil tank		1	
2	993 207 226 00	gasket		1	
3	996 207 150 73	intermediate piece		1	
4	900 377 019 02	hexagon nut M 5		1	
5	996 207 212 70	flange		1	
6	999 707 343 41	o-ring 25,07 X 2,62		1	
7	997 207 016 70	filler tube		1	
8	999 707 481 40	o-ring 24 X 3,0		1	
9	996 107 035 52	lid		1	
10	996 107 336 00	gasket		1	
11	997 207 216 73	support for filler tube		1	
12	999 073 189 01	round head screw M 6 X 12		2	
13	900 385 009 01	torx screw M 6 x 16		3	
14	900 385 019 01	torx screw M 6 X 20		1	
15	996 606 140 00	oil-level sender		1	
16	999 702 193 40	rubber sleeve 17,0 X 24,0 X 1,8		3	
17	999 209 037 02	spacer sleeve 8,4 X 1,8	-08	3	
(17)	999 209 037 01	spacer sleeve 8,4 X 1,8	09-	3	
18	900 385 116 01	torx screw M 8 X 30		3	
19	997 207 417 71	support		1	
20	900 123 010 20	sealing ring		1	



Model	Year	MG	SG	Illustration	Restrictions	UPD	16:53	25.01.2010	PORSCHE	PET	PORSCHE
997T	2009	1	04	104-05		248					

Pos	Part Number	Description	Remark	Qty	Model	Pos	Part Number	Description	Remark	Qty	Model
21	900 065 018 00	screw plug		1							
22	900 385 042 01	torx screw M 8 X 35		2							
23	900 385 001 01	torx screw M 8 X 20		1							
25	999 707 316 41	o-ring 21,89 X 2,62		2							
26	996 207 012 74	intake connection		1							
27	999 707 364 41	sealing ring 30 X 2,5		1							
28 U	997 207 137 72	vent line		1							
28	997 207 037 71	vent line		1							
29	997 207 139 71	hose tank ventilation		1							
30	999 512 652 09	hose clamp 19 X 12		1							
31	999 512 651 09	hose clamp 15 X 12		1							
32	997 207 143 71	hose		1							
33	999 512 252 02	hose clamp 23 - 35/9		1							
34	996 207 207 73	spacer		1							
35	996 207 206 73	spacer		1							
36	900 249 061 01	countersunk-head screw M 12 X 40		2							
37 U	997 207 237 72	moulded hose		1							
38 U	999 512 661 09	hose clamp		1							

Model	Year	MG	SG	Illustration	Restrictions	UPD	16:53	25.01.2010	PORSCHE	PET	PORSCHE
997T	2009	1	04	104-10		248					

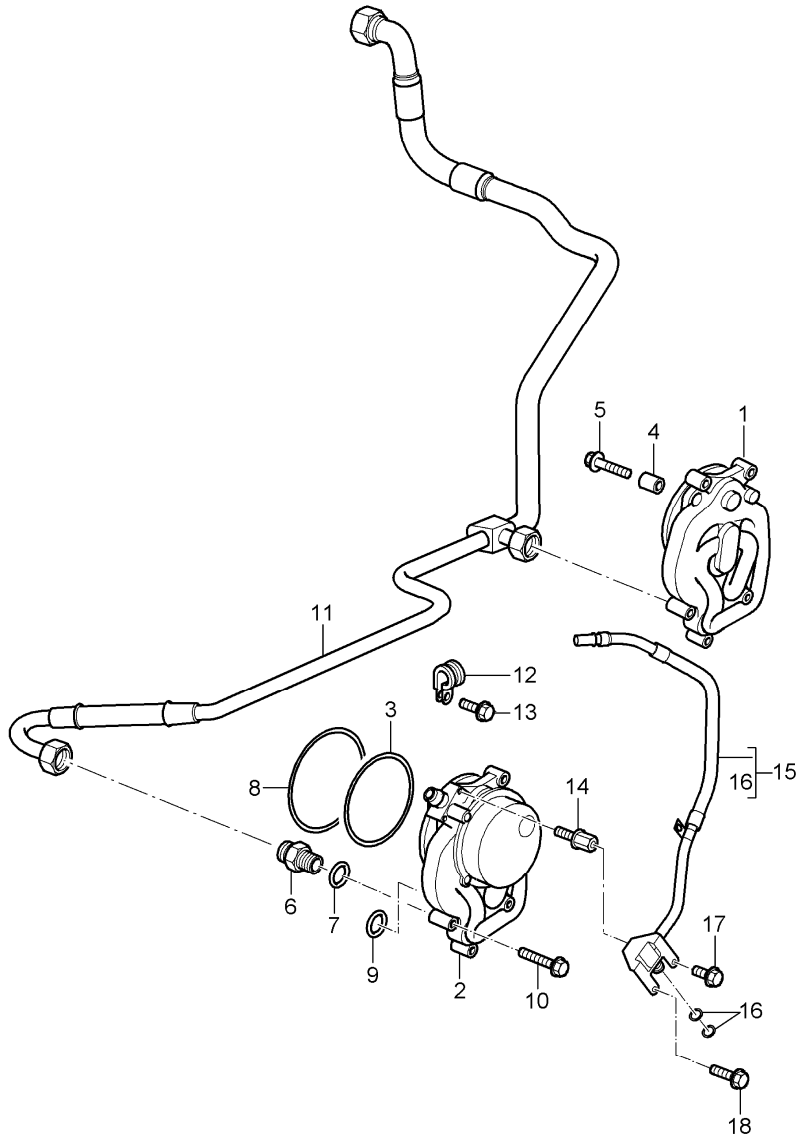


Pos	Part Number	Description	Remark	Qty	Model
		oil filter bracket			M97.70
1	997 107 033 71	bracket		1	
2	997 106 315 70	connecting piece		1	
3	997 106 314 71	connecting piece		1	
4	997 106 313 72	connecting piece		1	
5	999 707 478 40	o-ring 24,00 X 3,00		6	
6	900 385 009 01	torx screw M 6 X 16		3	
7	996 107 441 71	joining socket		1	
8	A 997 107 451 70	joining socket		1	
9	999 707 422 41	o-ring 32,92 X 3,53		1	
10	999 707 426 41	o-ring 37,69 X 3,53		1	
11	999 707 113 41	o-ring 20,22 X 3,53		2	
12	997 107 311 72	oil tube		1	
13	999 701 789 40	o-ring 12,00 X 2,00		1	
14	999 707 446 40	o-ring 18,00 X 2,50		2	
15	999 073 316 01	round head screw M 6 X 20		4	
16	900 385 041 01	torx screw M 6 X 12		1	
17	997 107 025 71	heat exchanger 1		1	
18	997 107 026 71	heat exchanger 2		1	
19	999 707 409 41	o-ring 26,00 X 3,00		7	
20	900 385 009 01	torx screw M 6 X 16		8	
21	997 107 020 70	housing		1	

Model	Year	MG	SG	Illustration	Restrictions	UPD	16:53	25.01.2010	PORSCHE	PET	PORSCHE
997T	2009	1	04	104-10		248					

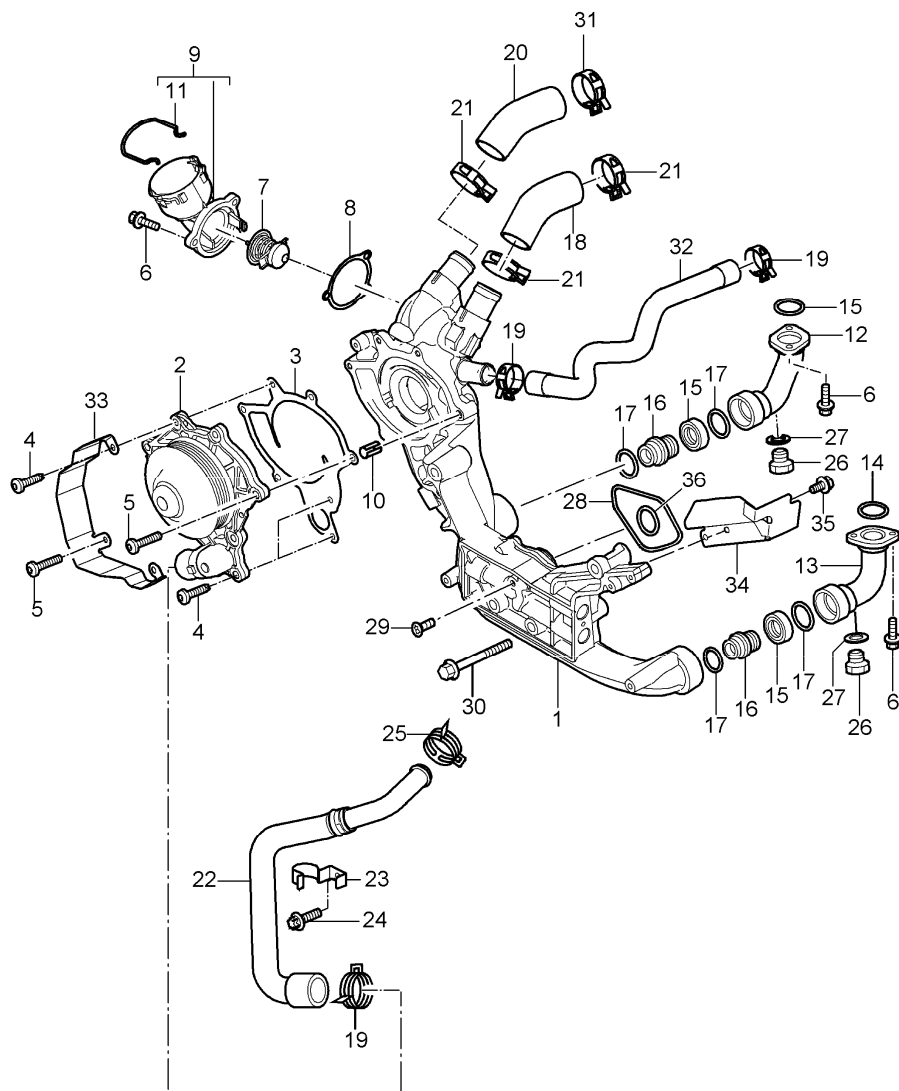
Pos	Part Number	Description	Remark	Qty	Model	Pos	Part Number	Description	Remark	Qty	Model
22	996 107 285 70	lid		1		44	999 512 653 09	hose clamp B 20 X 12		1	
23	996 107 313 51	sealing ring		1		45	997 106 328 72	water hose return line		1	
24	999 707 465 40	o-ring 10,00 X 2,00		1		46	999 512 552 00	hose clamp 20- 32/9		2	
25	996 107 225 53	filter element		1		47	997 106 374 73	water hose supply water pump turbocharger		1	
26	996 107 217 71	gasket		1		48	999 512 346 00	hose clamp 16- 27/9		2	
27	900 123 104 30	sealing ring 14 X 18		1							
28	900 219 002 03	screw plug M 14 X1,5		1							
29	900 385 098 01	torx screw M 8 X 25		3							
30	997 107 301 71	support		1							
31	900 067 291 01	combination screw M 8 X 16		2							
32	900 385 041 01	torx screw M 6 X 12		2							
33	997 107 028 70	return line return line		1	I480						
(33)	997 107 029 71	return line return line		1	I249						
34	993 113 258 51	gasket		1							
35	900 385 019 01	torx screw M 6 X 20		2							
36	997 107 121 72	moulded hose		1							
37	999 512 657 09	hose clamp		1							
38	997 606 420 00	temperature sensor		1							
39	993 110 530 01	grommet		1							
40	997 606 203 01	oil pressure sender		1							
41	900 385 019 01	torx screw M 6 X 20		2							
42	997 106 049 72	vent line		1							
43	999 512 651 09	hose clamp B 15 X 12		2							

Model	Year	MG	SG	Illustration	Restrictions	UPD	16:54	25.01.2010	PORSCHE	PET	PORSCHE
997T	2009	1	04	104-20		248					



Pos	Part Number	Description	Remark	Qty	Model
		oil supply return line			M97.70
1	996 107 021 73	oil pump cyl. 4 - 6		1	
2	997 107 022 72	tandem pump cyl. 1 - 3		1	
3	999 707 425 40	o-ring 85,32 X 3,53		2	
4	999 095 067 00	dowel sleeve		4	
5	900 378 225 01	hexagon-head bolt M 6 X 30		8	
6	900 915 006 01	union A 15		2	
7	900 123 106 30	sealing ring A 18 X 24		2	
8	999 707 482 41	o-ring 90,00 X 2,5		2	
9	999 707 499 40	o-ring 21,00 X 3,00		4	
10	900 385 128 01	hexagon-head bolt M 6 X 25		1	
11	997 107 019 71	return line		1	
12	999 511 250 02	pipe clamp		1	
13	900 385 041 01	torx screw M 6 X 12		1	
14	997 107 357 70	combination screw		1	
15	997 105 116 73	vacuum line tandem pump		1	
--	999 651 394 40	cable holder		1	
16	999 701 789 40	o-ring 12 X 2		2	
17	900 385 130 01	hexagon socket head bolt M 6 X 10		1	
18	900 385 050 01	hexagon socket head bolt M 6 X 16		1	

Model	Year	MG	SG	Illustration	Restrictions	UPD	16:54	25.01.2010	PORSCHE	PET	PORSCHE
997T	2009	1	05	105-00		248					

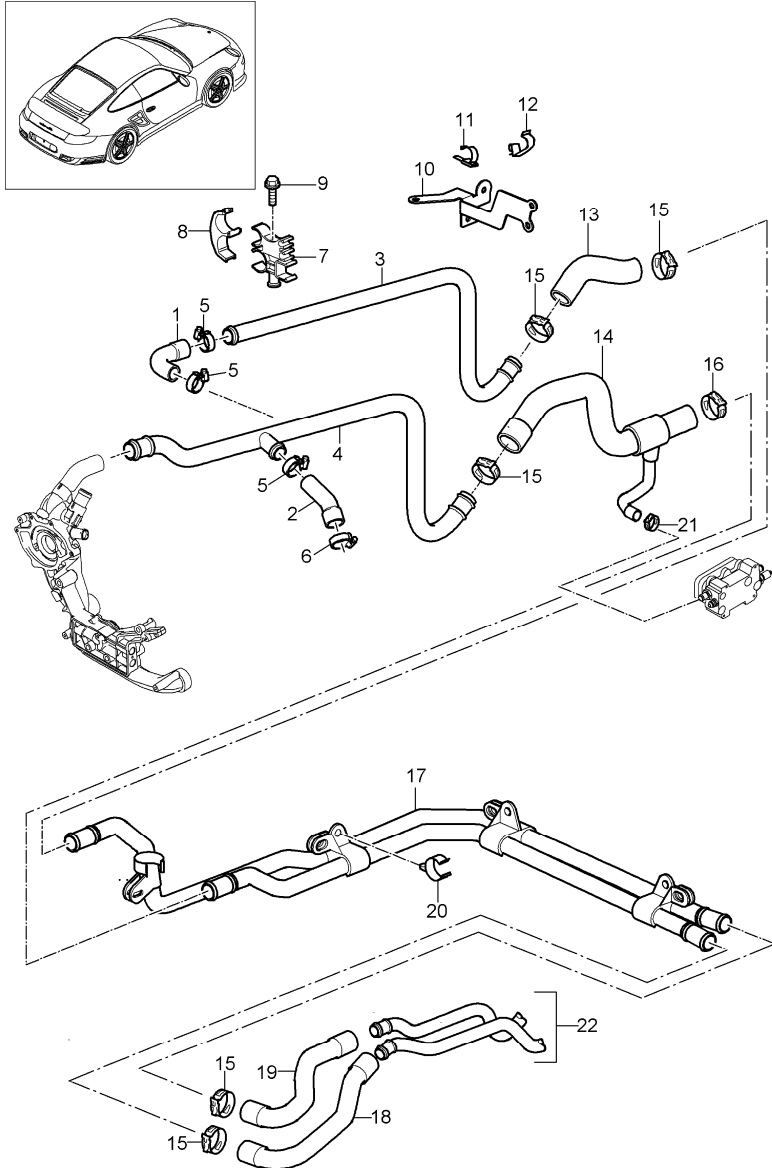


Pos	Part Number	Description	Remark	Qty	Model
		water pump			M97.70
		water pump housing			
1	997 106 002 70	water pump housing		1	
2	997 106 011 70	water pump		1	
3	997 106 340 00	gasket		1	
4	999 073 102 01	round head screw M 6 X 25		5	
5	999 073 110 01	round head screw M 6 X 30		2	
6	900 385 019 01	torx screw BM 6 X 20		11	
7	996 106 125 71	thermostat insert		1	
8	996 106 326 71	gasket		1	
9	996 106 121 72	lid		1	
10	996 106 103 50	dowel sleeve 8,2 X 7		2	
11	997 106 802 03	spring		1	
12	996 106 139 71	connection piece		1	
13	996 106 140 71	connection piece		1	
14	999 707 410 40	o-ring 39,20 X 3,00		2	
15	996 106 214 70	protective ring		2	
16	996 106 238 71	joining socket		2	
17	999 707 411 40	o-ring 28,00 X 4,50		4	
18	996 106 529 73	hose		1	
19	999 512 552 00	hose clamp 20 -32/9		2	
20	996 106 512 74	hose		1	
21	999 512 551 00	hose clamp 25 - 40/9		3	
22	997 106 250 72	hose		1	
23	996 106 550 72	support		1	

Model	Year	MG	SG	Illustration	Restrictions	UPD	16:54	25.01.2010	PORSCHE	PET	PORSCHE
997T	2009	1	05	105-00		248					

Pos	Part Number	Description	Remark	Qty	Model	Pos	Part Number	Description	Remark	Qty	Model
24	900 385 041 01	torx screw M 6 X 12		1							
25	999 512 660 09	hose clamp 29 X 12		1							
26	900 219 007 01	screw plug M 10 X 1		2							
27	900 123 144 30	sealing ring A 10 X 13,5		2							
28	999 707 468 40	o-ring 68 X 2		1							
29	999 073 013 01	countersunk-head screw M 6 X 10		1							
30	900 385 119 01	hexagon-head bolt M 10 X 70		4							
31	999 512 252 02	hose clamp 23- 35/9		1							
32	997 106 477 72	hose supply		1							
33	996 115 521 73	protective plate left		1							
34	997 115 661 70	protective plate right		1							
35	900 385 041 01	torx screw M 6 X 12		2							
36	999 707 315 41	o-ring 33,30 X 2,4		1							

Model	Year	MG	SG	Illustration	Restrictions	UPD	16:54	25.01.2010	PORSCHE	PET	PORSCHE
997T	2009	1	05	105-03		248					



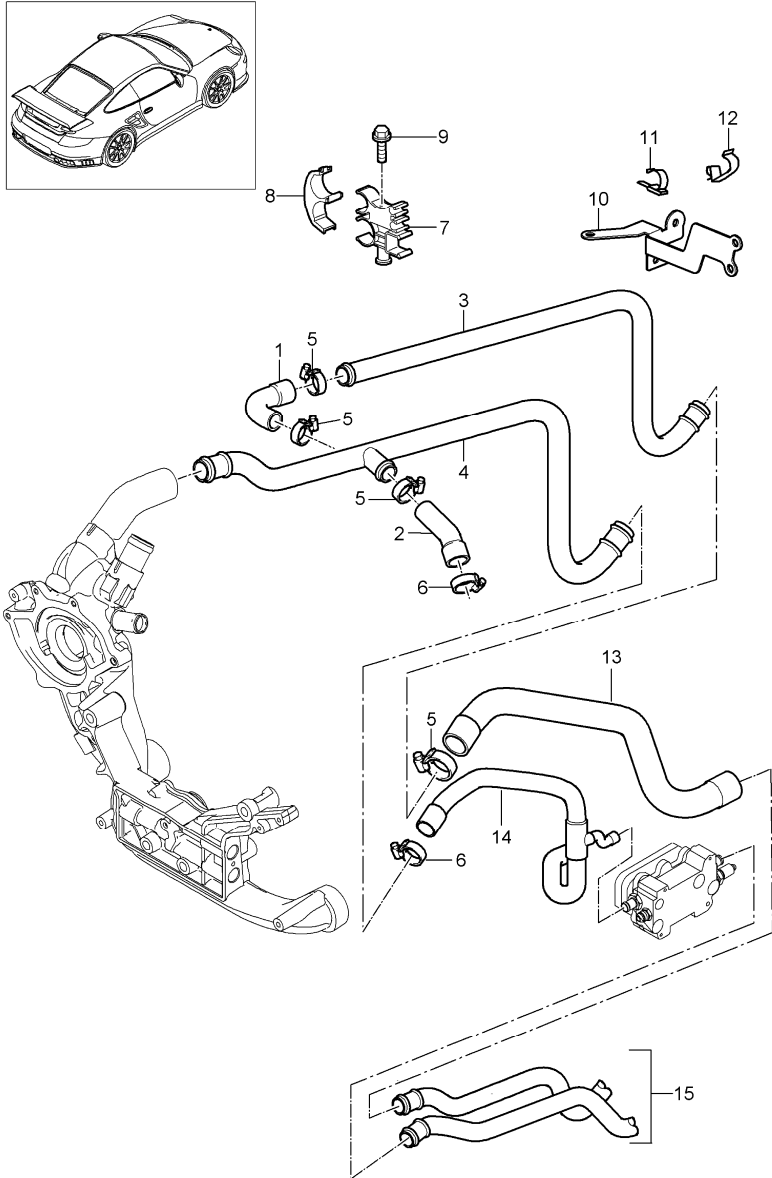
Pos	Part Number	Description	Remark	Qty	Model
		lines heating turbo			M97.70
1	997 106 233 72	hose supply		1	
2	997 106 329 71	water hose return line		1	
3	997 106 252 71	water tube supply		1	
4	997 106 254 71	water tube return line		1	
5	999 512 552 00	hose clamp 20- 32/9		3	
6	999 512 552 00	hose clamp 20- 32/9		1	
7	997 106 455 71	support		2	
8	997 106 456 71	retaining bar		2	
9	900 385 111 01	torx screw M 6 X 55		2	
10	997 106 450 71	support		1	
11	999 651 300 40	hose holder 25,0 - 30,0		1	
12	999 651 300 40	hose holder 25,0 - 30,0		1	
(13)	997 106 612 01	hose		1	I480
13	997 106 432 00	hose supply		1	I249
(14)	997 106 474 01	hose		1	I480
14	996 106 422 73	hose return line		1	I249
15	999 512 658 09	hose clamp B27 X 12		X	
16	999 512 662 09	hose clamp B32 X 12		X	
(17)	997 106 181 02	water tube		1	I480
17	997 106 182 01	water tube		1	I249

Model	Year	MG	SG	Illustration	Restrictions	UPD	16:54	25.01.2010	PORSCHE	PET	PORSCHE
997T	2009	1	05	105-03		248					

Pos	Part Number	Description	Remark	Qty	Model	Pos	Part Number	Description	Remark	Qty	Model
18	996 106 212 74	hose supply		1							
19	996 106 222 74	hose return line		1							
20	999 507 817 40	cable holder 24,0		4	I249						
21	999 512 655 09	hose clamp B22 X 12		1	I249						
22	... ..	water tube heating see group 8/13/00		1							

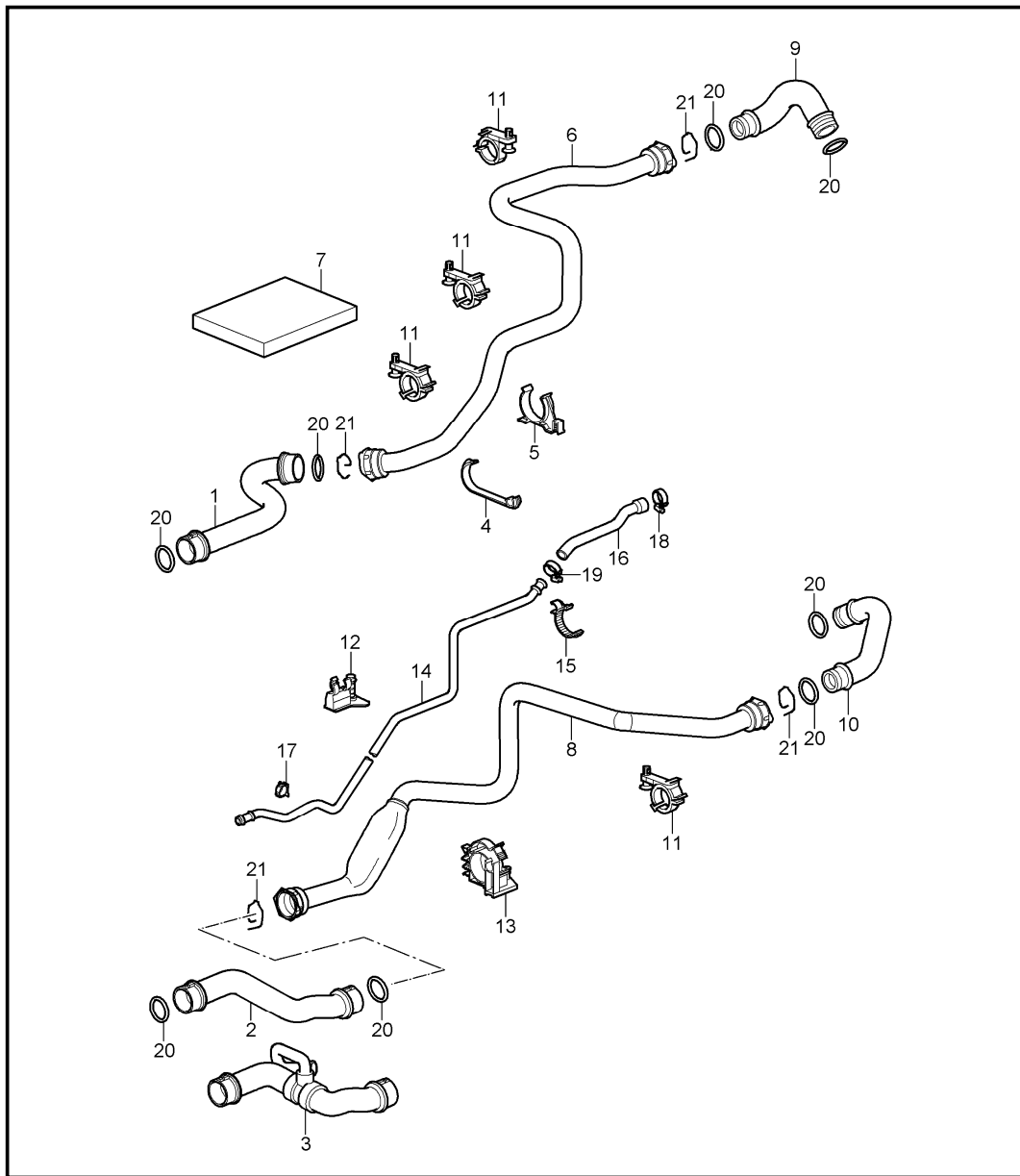


Model	Year	MG	SG	Illustration	Restrictions	UPD	16:54	25.01.2010	PORSCHE	PET	PORSCHE
997T	2009	1	05	105-04		248					



Pos	Part Number	Description	Remark	Qty	Model
		lines heating gt2			I101 M97.70
		lines heating turbo see group 1/05/03			
1	997 106 233 72	hose supply		1	
2	997 106 329 71	water hose return line		1	
3	996 106 312 72	water tube supply		1	
4	996 106 322 72	water tube return line		1	
5	999 512 552 00	hose clamp 20- 32/9		4	
6	999 512 551 00	hose clamp 25- 40/9		2	
7	997 106 455 71	support		2	
8	997 106 456 71	retaining bar		2	
9	900 385 111 01	torx screw M 6 X 55		2	
10	997 106 450 71	support		1	
11	999 651 300 40	hose holder 25,0 - 30,0		1	
12	999 651 300 40	hose holder 25,0 - 30,0		1	
13	997 106 434 90	water hose supply		1	
14	A 996 106 422 75	hose return line		1	
(14)	996 106 422 78	hose return line		1	
15	... ..	water tube heating see group 8/13/00		1	

Model	Year	MG	SG	Illustration	Restrictions	UPD	16:54	25.01.2010	PORSCHE	PET	PORSCHE
997T	2009	1	05	105-05		248					

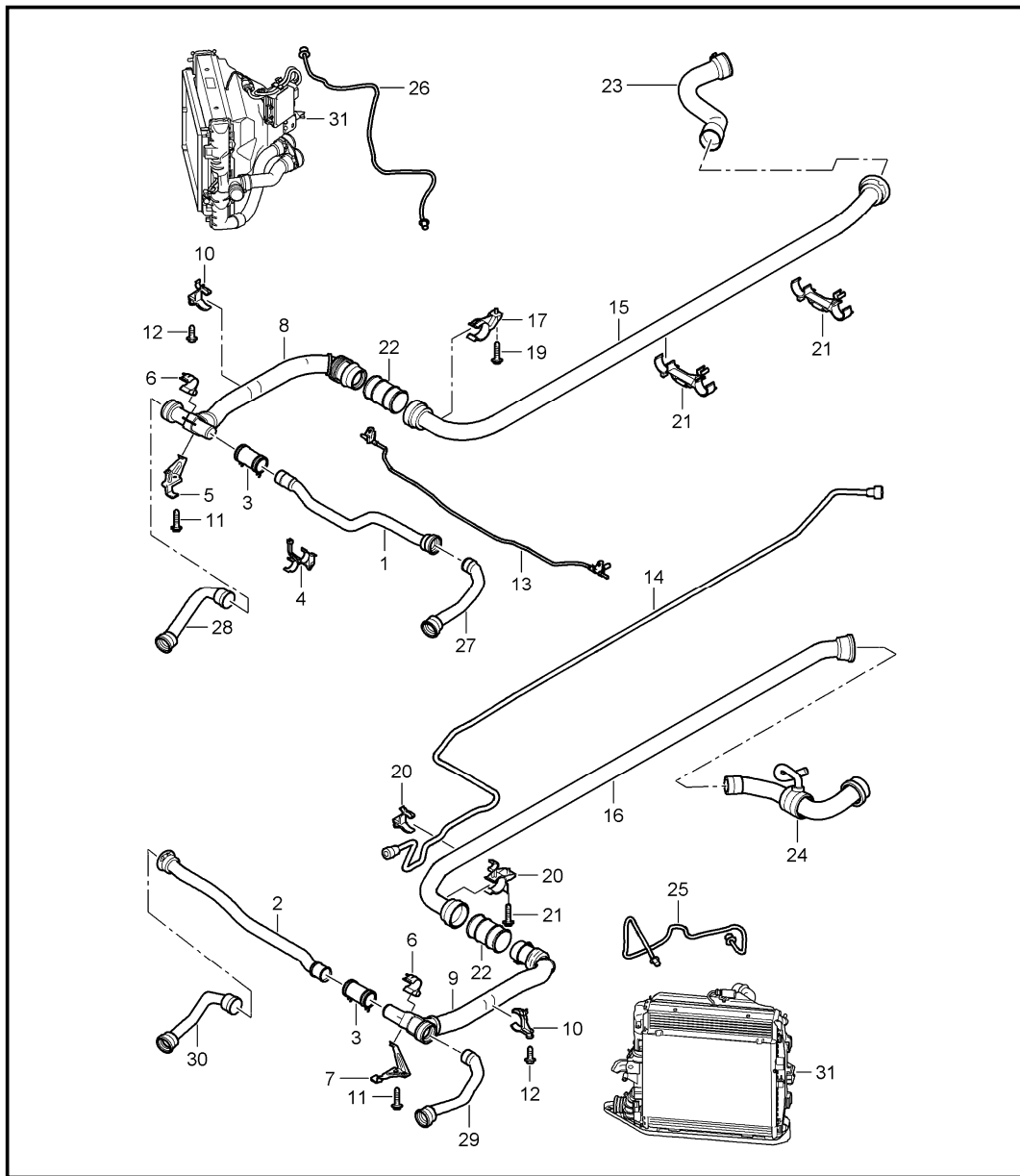


Pos	Part Number	Description	Remark	Qty	Model
		water cooling 1			
1	997 106 740 05	water hose supply		1	
2	997 106 741 05	water hose return line		1	I480
3	997 106 742 03	water hose return line	07	1	I249
(3)	997 106 742 04	water hose return line	08-	1	I249
(3)	997 106 889 95	water hose return line	08-	1	I101
4	997 106 426 00	support		1	
5	997 106 427 01	support		1	
6	997 106 610 02	cooling water tube supply		1	
7	999 551 166 40	felt strip		1	
8	997 106 069 00	cooling water tube return line		1	
9	997 106 501 01	water hose supply		1	
10	997 106 502 00	water hose return line		1	
11	996 106 417 73	support		4	
12	997 106 428 01	support		1	
13	997 106 429 01	support		1	
14	997 106 682 03	vent line	-07	1	
14	997 106 682 03	vent line	08-	1	
15	997 106 512 03	connection piece		1	
16	997 106 251 00	breather hose		1	
16	997 106 251 01	breather hose		1	
17	999 507 743 40	cable holder 12,0		1	
18	999 512 656 09	hose clamp 25 X 12		1	

Model	Year	MG	SG	Illustration	Restrictions	UPD	16:54	25.01.2010	PORSCHE	PET	PORSCHE
997T	2009	1	05	105-05		248					

Pos	Part Number	Description	Remark	Qty	Model	Pos	Part Number	Description	Remark	Qty	Model
19	999 512 653 09	hose clamp 20 X 12		1							
20	996 106 801 03	o-ring		8							
21	997 106 802 03	spring		4							

Model	Year	MG	SG	Illustration	Restrictions	UPD	16:55	25.01.2010	PORSCHE	PET	PORSCHE
997T	2009	1	05	105-10		248					

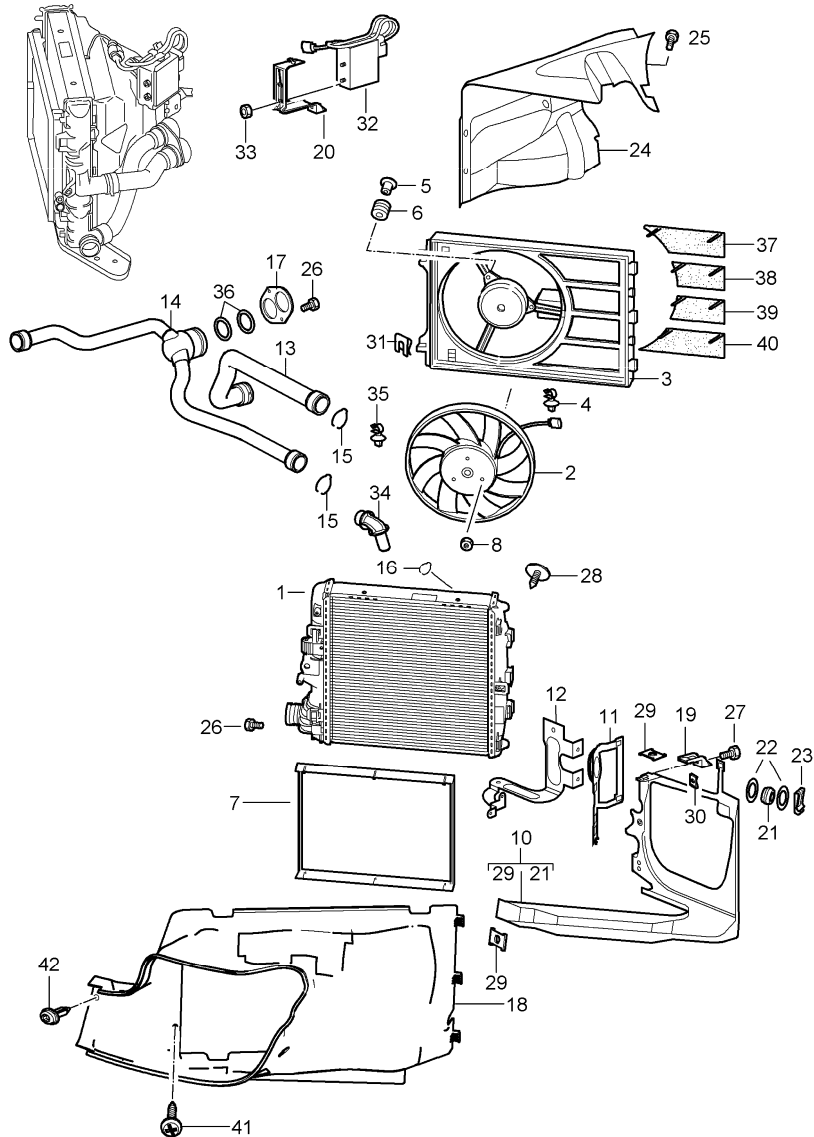


Pos	Part Number	Description	Remark	Qty	Model
		water cooling 2			M97.70
1	997 106 711 02	water tube cross tube supply		1	
2	997 106 720 02	water tube cross tube return line		1	
3	A 997 106 723 05	water hose		2	
4	997 106 525 01	support water tube cross tube centre		1	
5	997 106 574 02	support distributor tube right		1	
6	997 106 526 01	support cross tube upper		2	
7	997 106 573 02	support distributor tube left		1	
8	997 106 752 04	distributor tube supply		1	
9	997 106 751 04	distributor tube return line		1	
10	997 106 413 01	support distributor tube		2	
(10)	997 106 413 01	support distributor tube	/R	1	I601
(10)	997 106 414 00	support distributor tube	/L	1	I601
11	900 378 013 09	hexagon-head bolt M6 X 25		2	
12	900 378 036 09	hexagon-head bolt M6 X 12		2	
13	997 106 767 02	vent line transverse		1	
14	997 106 227 02	vent line tunnel	07-	1	

Model	Year	MG	SG	Illustration	Restrictions	UPD	16:55	25.01.2010	PORSCHE	PET	PORSCHE
997T	2009	1	05	105-10		248					

Pos	Part Number	Description	Remark	Qty	Model	Pos	Part Number	Description	Remark	Qty	Model
(14)	997 106 227 03	vent line tunnel	08-	1							
15	997 106 651 03	water tube supply tunnel		1							
16	997 106 652 03	return pipe tunnel		1							
17	997 106 520 02	support bulkhead right		1							
18	997 106 521 01	support bulkhead left		1							
19	900 378 035 01	hexagon-head bolt M6 X 16		2							
20	997 106 512 03	connection piece vent line		1							
21	997 106 540 02	support tunnel		2							
22	997 106 551 03	sleeve		2							
23	---	see illustrations 1/05/05		X							
24	---	see illustrations 1/05/05		X							
25	997 106 865 02	line	/L	1							
26	997 106 866 02	line	/R	1							
27	997 106 623 03	water hose supply	/L	1							
28	997 106 627 03	water hose supply	/R	1							
29	997 106 728 03	water hose return line	/L	1							
30	997 106 624 03	water hose return line	/R	1							
31	---	see illustrations 1/05/15		1							

Model	Year	MG	SG	Illustration	Restrictions	UPD	16:55	25.01.2010	PORSCHE	PET	PORSCHE
997T	2009	1	05	105-15		248					

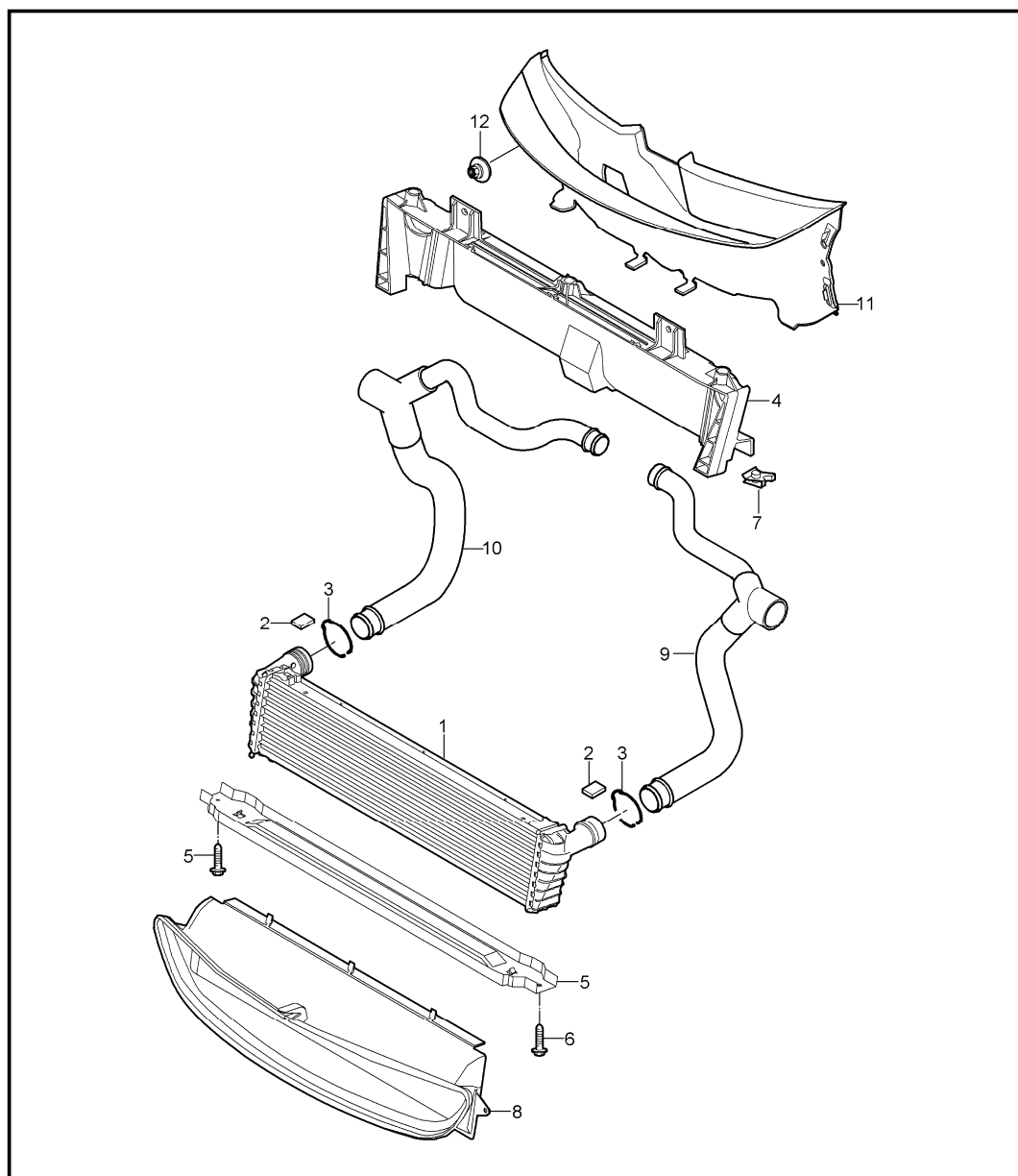


Pos	Part Number	Description	Remark	Qty	Model
		water cooling 3			
1	A 996 106 131 72	radiator	/L	1	
1	996 106 131 74	radiator	/L	1	
(1)	A 996 106 132 70	radiator	/R	1	
(1)	996 106 132 72	radiator	/R	1	
2	997 624 127 01	fan	/L	1	
(2)	997 624 128 01	fan	/R	1	
3	997 624 141 00	air box		2	
4	999 507 085 40	clip		2	
5	996 624 175 00	bush		6	
6	996 624 173 00	rubber mounting		6	
7	996 573 711 01	frame		2	
8	900 377 010 09	hexagon nut		6	
9	999 209 049 02	spacer sleeve		6	
10	997 106 165 02	bracket	/L	1	
(10)	997 106 166 02	bracket	/R	1	
11	997 106 265 01	bracket	/L	1	
(11)	997 106 266 01	bracket	/R	1	
12	997 106 365 02	support	/L	1	
(12)	997 106 366 02	support	/R	1	
13	997 106 631 01	water hose supply	/L	1	
(13)	997 106 632 01	water hose supply	/R	1	
(13)	997 106 632 80	water hose supply	/R	08-	I101
14	997 106 635 02	water hose return line	/L	1	
(14)	997 106 635 80	water hose return line	/L	08-	I101
(14)	997 106 636 01	water hose return line	/R	1	

Model	Year	MG	SG	Illustration	Restrictions	UPD	16:55	25.01.2010	PORSCHE	PET	PORSCHE
997T	2009	1	05	105-15		248					

Pos	Part Number	Description	Remark	Qty	Model	Pos	Part Number	Description	Remark	Qty	Model
15	996 106 802 16	retainer spring SC 32		4		33	900 377 010 01	hexagon nut M 6		2	
16	996 106 802 15	retainer spring SC 08		2		34	997 106 565 00	adapter		2	
17	997 106 255 02	connecting piece		2		35	999 507 126 40	hose holder		1	
18	997 575 321 01	air duct	/L	1		36	996 106 801 02	o-ring		4	
(18)	997 575 321 80	air duct	/L	1	I101	37	996 624 157 00	air flap	/L	1	
(18)	997 575 322 01	air duct	/R	1		(37)	996 624 158 00	air flap	/R	1	
(18)	997 575 322 80	air duct	/R	1	I101	38	996 624 159 00	air flap	/L	1	
19	997 106 455 00	support	/L	1		(38)	996 624 160 00	air flap	/R	1	
20	997 106 456 00	support	/R	1		39	996 624 161 00	air flap	/L	1	
21	999 702 214 40	grommet 14 X 20,5 X 7,5		4		(39)	996 624 162 00	air flap	/R	1	
22	999 025 255 02	washer		12		40	996 624 163 00	air flap	/L	1	
23 A	999 166 017 02	kl-lock		6		(40)	996 624 164 00	air flap	/R	1	
23	999 166 017 01	kl-lock		6		41	N 906 487 02	tapping screw ST 4,8 X 16		4	
24	997 575 341 01	air duct	/L	1		42	999 591 941 40	expansion rivet ST 4,2	08-	2	I101
(24)	997 575 342 01	air duct	/R	1		-	997 106 113 70	protection cover radiator	/L	1	Turbo
25	999 919 134 09	oval-head screw 6,0 X 16		12		-	997 106 114 70	protection cover radiator	/R	1	Turbo
26	900 378 123 01	hexagon-head bolt M 8 X 12		2							
27	900 378 035 01	hexagon-head bolt M 6 X 16		6							
28	999 073 231 09	tapping screw 4,8 X 16		12							
29	999 591 329 01	speed nut ST 4,8		10							
30	999 591 350 02	speed nut ST 4,8		2							
31	999 591 699 01	speed nut ST 4,8		8							
32	---	control unit see group 9/01/03 Pos.22		1							

Model	Year	MG	SG	Illustration	Restrictions	UPD	16:55	25.01.2010	PORSCHE	PET	PORSCHE
997T	2009	1	05	105-17		248					



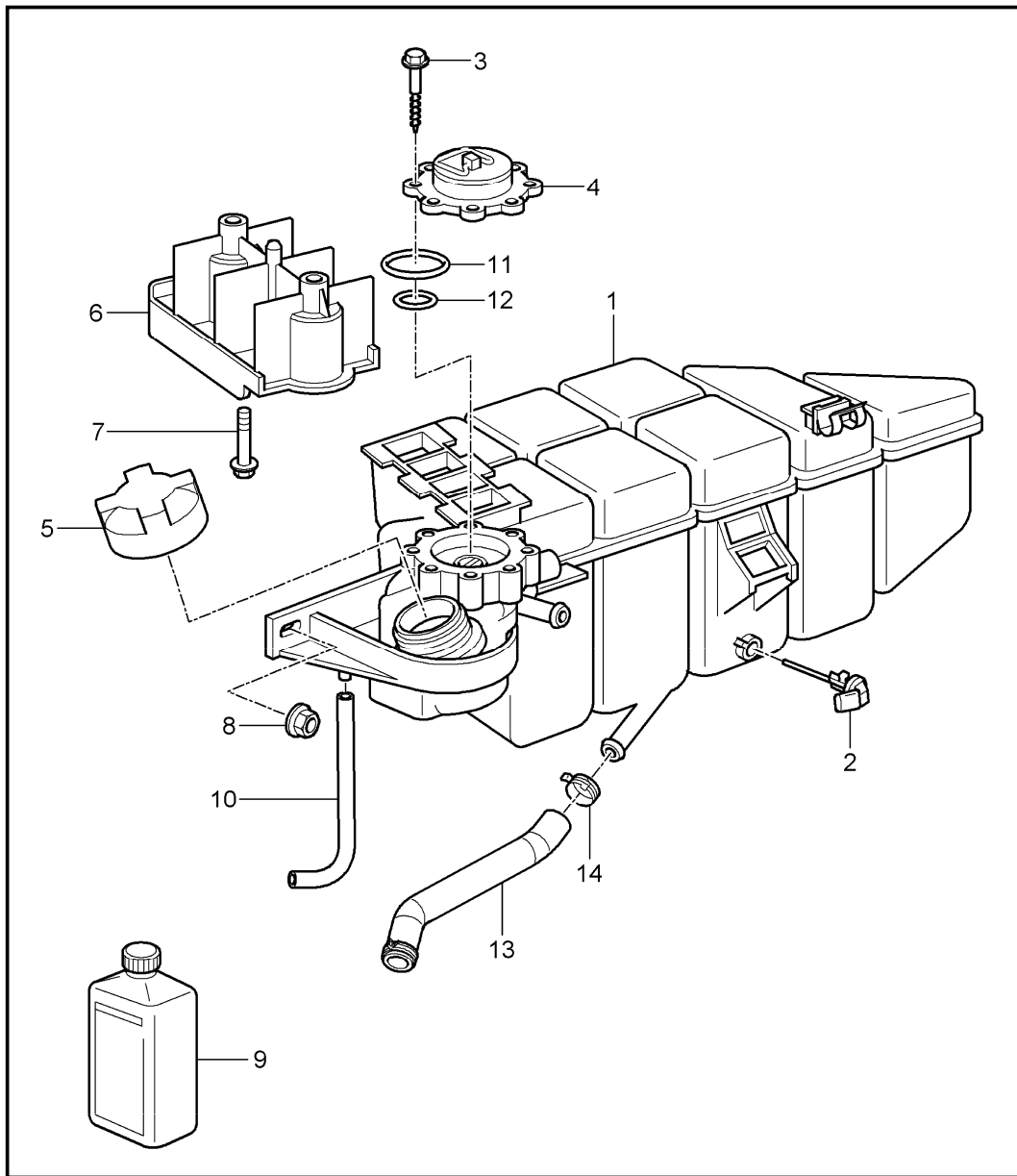
Pos	Part Number	Description	Remark	Qty	Model
		radiator centre			
1	A 997 106 038 02	radiator		1	
1	997 106 038 04	radiator		1	
(1)	A 996 106 037 73	radiator	08-	1	I101
(1)	996 106 037 75	radiator	08-	1	I101
-	996 106 545 71	stopper water drain valve	08-	1	I101
2	997 106 437 02	rubber mounting		4	
(2)	930 113 430 00	rubber mounting	08-	4	I101
3	997 106 802 00	spring SCB-26		2	
(3)	996 106 802 17	retainer spring SC-25	08-	2	I101
-	996 106 802 15	retainer spring SC-08	08-	1	I101
4	997 504 487 01	frame radiator		1	
(4)	997 504 487 80	frame radiator	08-	1	I101
5	997 504 485 01	profile rail radiator lower		1	
(5)	997 504 485 80	retaining frame radiator lower	08-	1	I101
6	900 378 035 01	hexagon-head bolt M 6 X 16		2	
7	999 591 882 01	speed nut M 6		2	
8	997 575 141 01	air duct		1	
(8)	997 575 141 80	air duct	08-	1	I101
9	997 106 635 02	water hose return line		1	
(9)	997 106 635 80	water hose return line	08-	1	I101



Model	Year	MG	SG	Illustration	Restrictions	UPD	16:55	25.01.2010	PORSCHE	PET	PORSCHE
997T	2009	1	05	105-17		248					

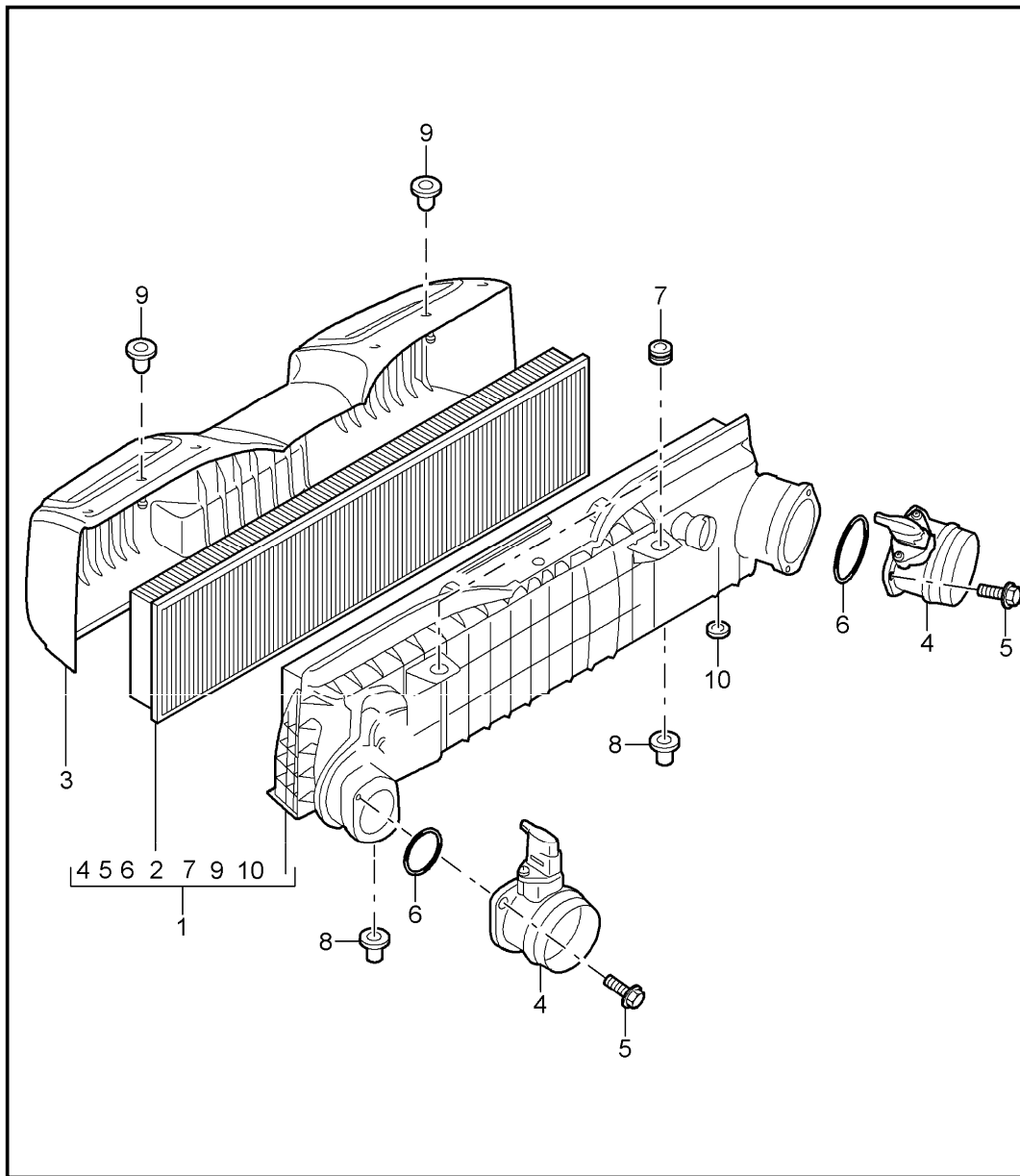
Pos	Part Number	Description	Remark	Qty	Model	Pos	Part Number	Description	Remark	Qty	Model
10	997 106 632 01	water hose supply		1							
(10)	997 106 632 80	water hose supply	08-	1	I101						
11	997 504 489 80	air duct	08-	1	I101						
12	999 049 029 01	hexagon nut T5	08-	2	I101						

Model	Year	MG	SG	Illustration	Restrictions	UPD	17:51	25.01.2010	PORSCHE	PET	PORSCHE
997T	2009	1	05	105-20		248					



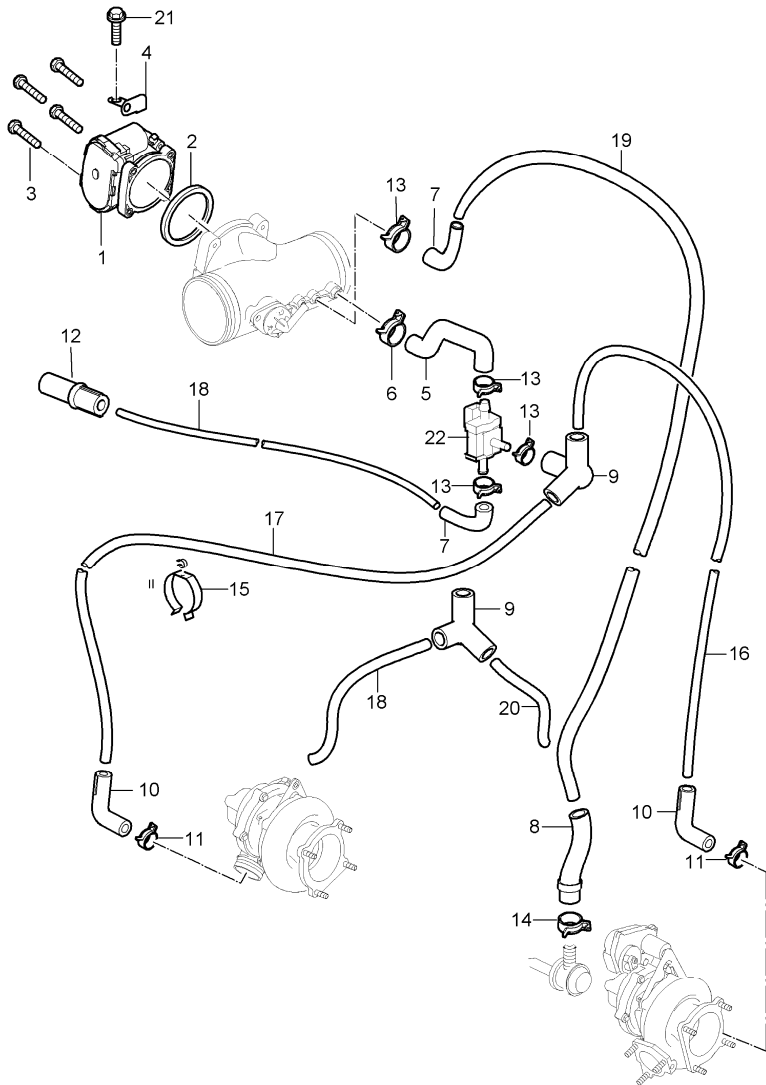
Pos	Part Number	Description	Remark	Qty	Model
		water cooling 4			
1	996 106 157 03	water reservoir		1	
2	997 641 503 00	switch		1	
3	999 919 058 02	hexagon-head bolt 5,0 X 40		8	
4	996 106 347 02	bleeder valve		1	
5	996 106 447 01	lid see technical manual group 1 Nr.190101		1	
6	996 106 405 52	support		1	
7	900 378 141 09	hexagon-head bolt M 6 X 35		2	
8	999 076 071 02	hexagon nut M 6		1	
9	000 043 301 03	antifreeze 1 LTR. container		X	
(9)	000 043 301 04	antifreeze 20 LTR. container		X	
10	996 106 297 04	overflow hose		1	
11	999 707 370 40	o-ring 47 X 4		1	
12	999 707 371 40	o-ring 17 X 4		1	
13	997 106 350 00	water hose		1	
14	999 512 660 09	hose clamp 29 X 12		1	

Model	Year	MG	SG	Illustration	Restrictions	UPD	17:51	25.01.2010	PORSCHE	PET	PORSCHE
997T	2009	1	06	106-00		248					



Pos	Part Number	Description	Remark	Qty	Model
		air cleaner			M97.70
1	997 110 021 73	air cleaner		07	1
(1)	997 110 021 74	air cleaner		08-	1
2	997 110 131 73	air cleaner cartridge		07	1
(2)	997 110 131 74	air cleaner cartridge		08-	1
3	997 110 122 74	air cleaner		07	1
(3)	997 110 122 76	air cleaner		08-	1
(3)	997 110 122 91	air cleaner		08-	1 I101
4	997 606 125 00	mass air flow meter			2
5	...	oval-head screw 5 X 21 part number in preparation			8
6	999 701 089 40	o-ring			1
7	999 702 246 40	grommet 12,0 X 17,0 X 3			2
8	999 703 478 40	bush			1
9	997 110 239 00	mounting			4
10	997 110 238 00	rubber stop			3

Model	Year	MG	SG	Illustration	Restrictions	UPD	17:52	25.01.2010	PORSCHE	PET	PORSCHE
997T	2009	1	07	107-00		248					

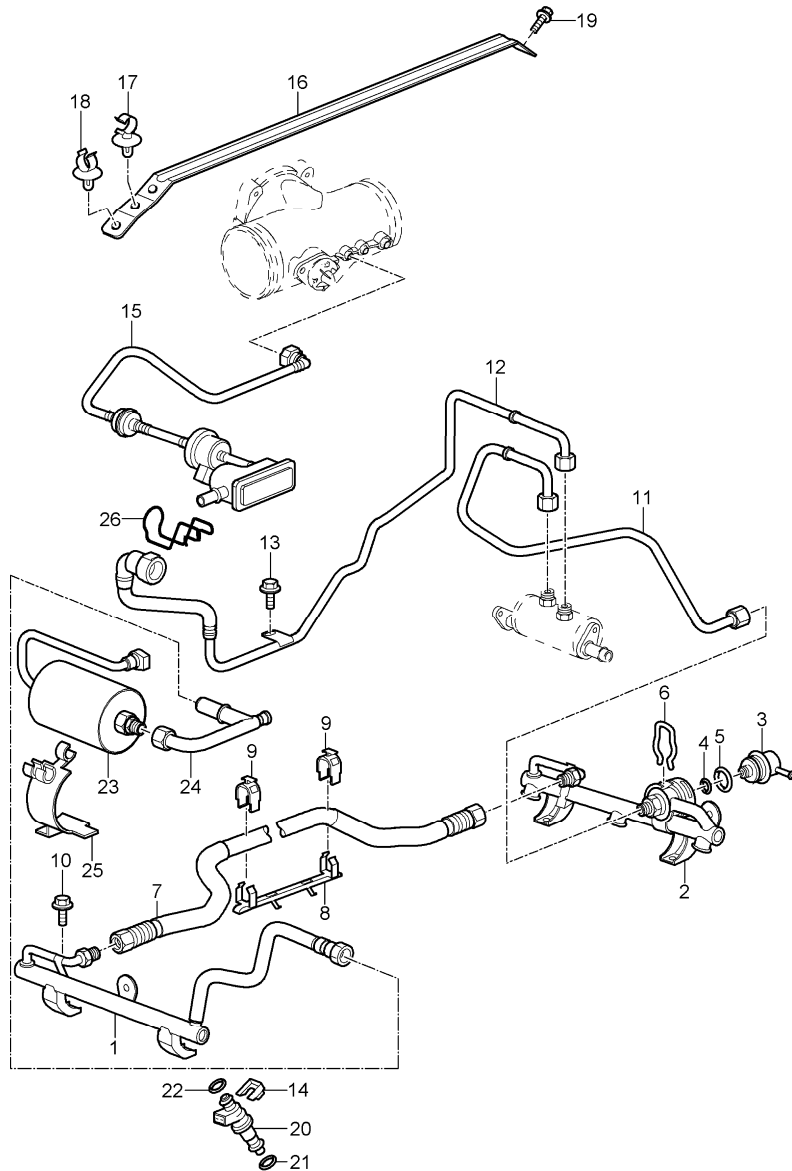


Pos	Part Number	Description	Remark	Qty	Model
		throttle body			M97.70
1	997 605 115 00	throttle body	07	1	
(1)	997 605 115 01	throttle body	08-	1	
2	997 110 319 00	gasket		1	
3	900 385 045 01	torx screw BM 6 X 40		4	
4	997 110 423 70	bracket		1	
5	997 110 693 70	hose recirculating air valve		1	
6	999 512 498 00	hose clamp		1	
7	996 110 695 71	moulded hose		2	
8	928 574 717 05	moulded hose		1	
9	997 110 683 70	y-piece change-over valve electric		2	
10	997 110 666 71	angled pipe vacuum unit turbocharger		2	
11	999 512 445 00	clamp		2	
12	997 110 697 71	adapter		1	
13	999 512 498 00	hose clamp		4	
14	999 512 527 00	clamp		1	
15	999 507 859 40	hose holder		1	
--	900 918 005 40	pipe 5 X 1,0		*	
16	---	980 MM		1	
17	---	600 MM		1	
18	---	420 MM		1	
--	000 043 205 01	pipe 4 X 1,0		*	
19	---	480 MM		1	
20	---	940 MM		1	I249

Model	Year	MG	SG	Illustration	Restrictions	UPD	17:52	25.01.2010	PORSCHE	PET	PORSCHE
997T	2009	1	07	107-00		248					

Pos	Part Number	Description	Remark	Qty	Model	Pos	Part Number	Description	Remark	Qty	Model
21	900 377 010 04	hexagon nut M 6		1							
22	...	change-over valve see illustrations 1/08/05 Pos.4		1							

Model	Year	MG	SG	Illustration	Restrictions	UPD	17:52	25.01.2010	PORSCHE	PET	PORSCHE
997T	2009	1	07	107-05		248					

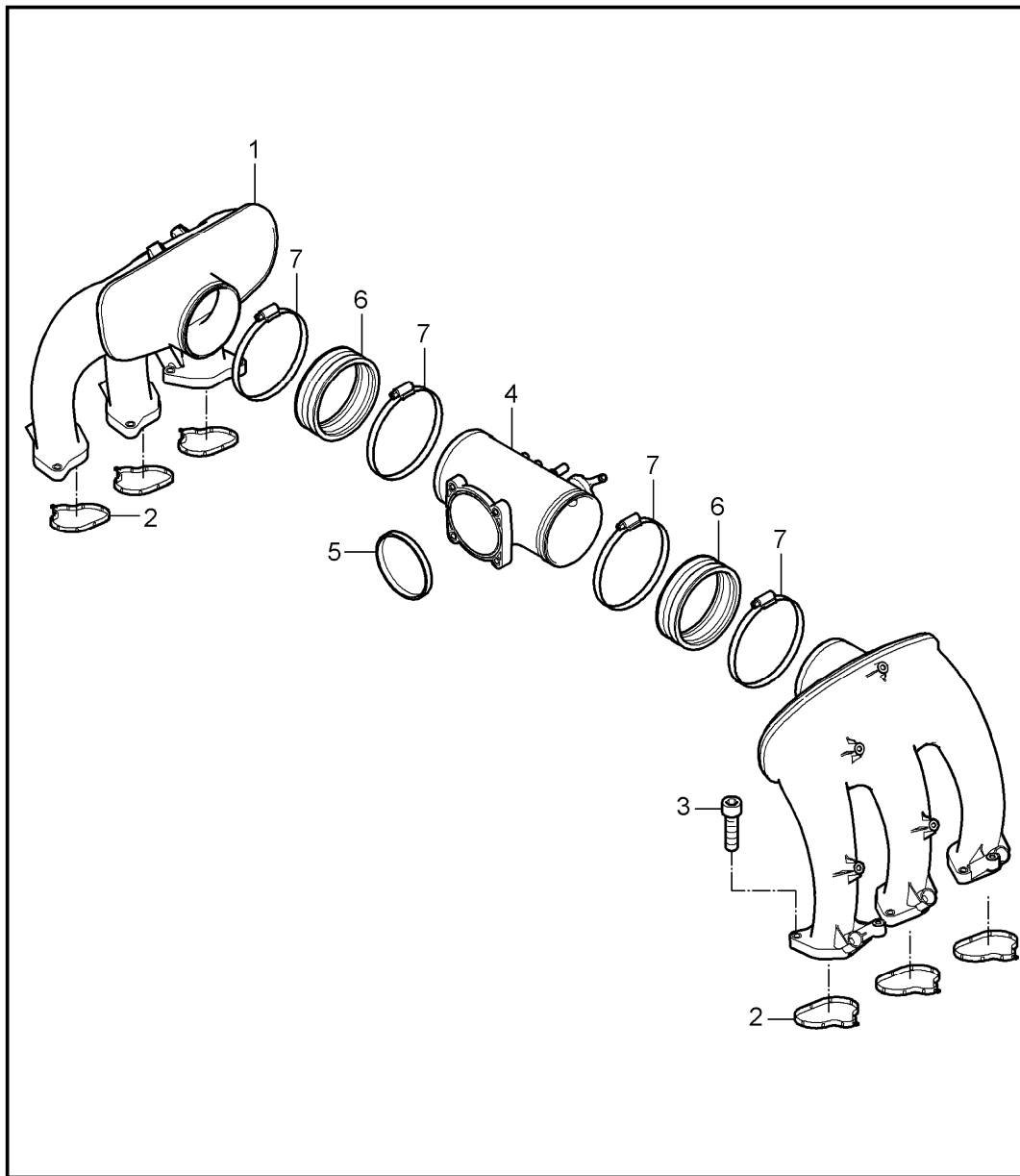


Pos	Part Number	Description	Remark	Qty	Model
		fuel collection pipe			M97.70
1	997 110 307 73	fuel collection pipe cyl. 1 - 3		1	
2	997 110 308 72	fuel collection pipe cyl. 4 - 6		1	
3	997 110 199 70	pressure regulator		1	
4	999 707 276 40	o-ring 5 X 2,5		1	
5	999 707 277 40	o-ring 20 X 2,5		1	
6	993 110 196 00	retaining clip		1	
7	997 110 309 72	fuel hose		1	
8	997 110 311 70	guide rail fuel line		1	
9	997 110 312 70	clamp fuel line		2	
10	900 385 041 01	torx screw M 6 X 12		4	
11	997 110 314 71	fuel line fuel cooler		1	
12	997 110 315 70	fuel line return line		1	
13	900 385 009 01	torx screw M 6 X 16		1	
14	996 110 113 52	retaining clip		6	
15	997 110 029 73	vent line		1	
16	997 110 249 71	support tank ventilation		1	
17	999 507 123 40	support M	>> 628 01460	1	
(17)	999 507 128 41	line bracket M 628 01461	>>	1	
18	999 507 785 41	support M	>> 628 01460	1	
(18)	999 507 128 41	line bracket M 628 01461	>>	1	

Model	Year	MG	SG	Illustration	Restrictions	UPD	17:52	25.01.2010	PORSCHE	PET	PORSCHE
997T	2009	1	07	107-05		248					

Pos	Part Number	Description	Remark	Qty	Model	Pos	Part Number	Description	Remark	Qty	Model
19	900 385 041 01	torx screw M 6 X 12		2							
20	997 605 132 01	injector valve mit o-ring		6							
21	999 707 573 40	o-ring 8,30 x 3,05		6							
22	999 707 574 40	o-ring 7,52 x 3,51		6							
23	996 110 253 52	fuel filter		1							
24	997 110 065 00	bleeder valve	-08	1							
(24)	997 110 065 01	bleeder valve	09-	1							
25	997 110 257 01	support	-07	1							
(25)	997 110 257 03	support	08-	1							
26	997 110 267 70	safety clip		1							

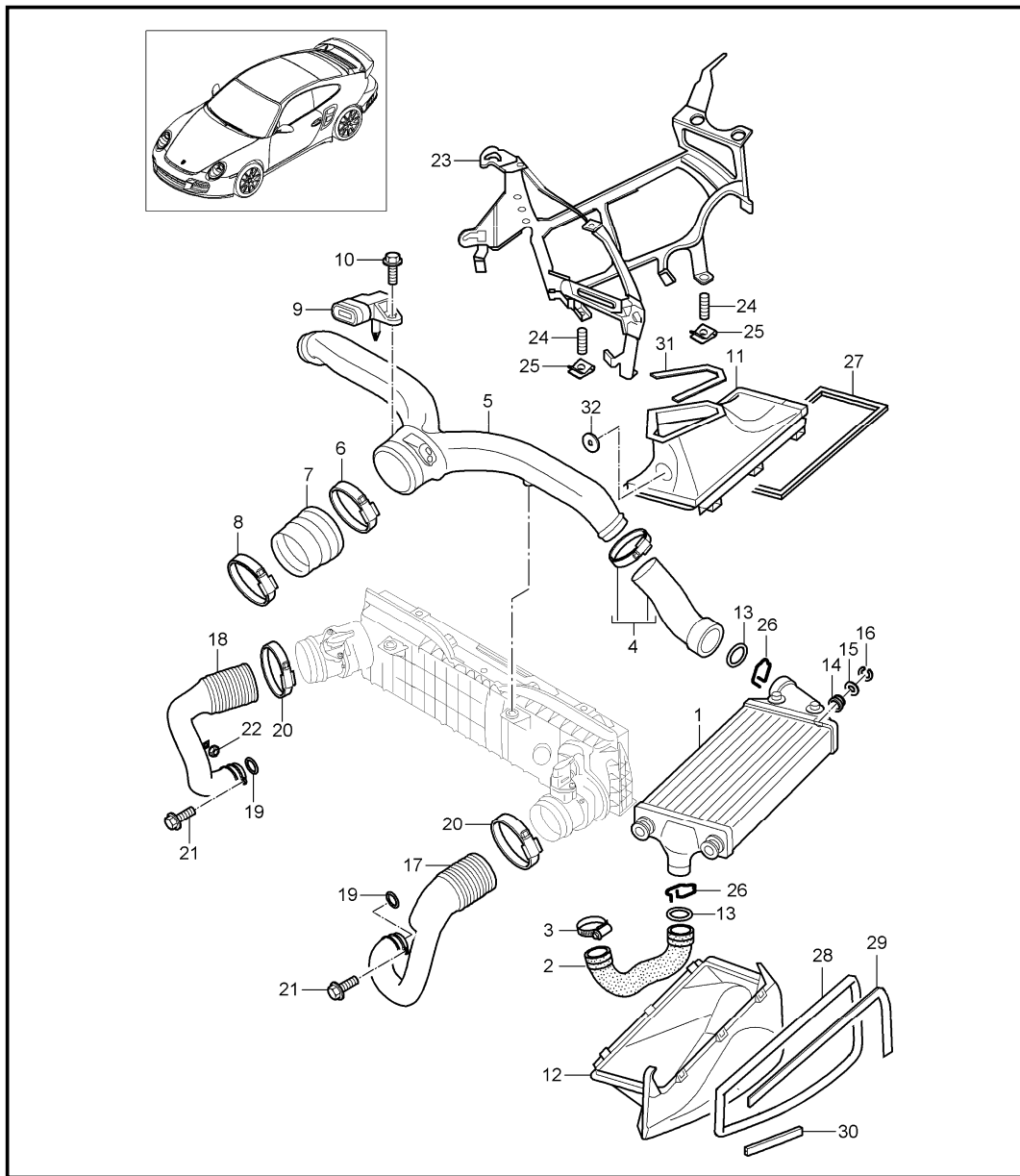
Model	Year	MG	SG	Illustration	Restrictions	UPD	17:52	25.01.2010	PORSCHE	PET	PORSCHE
997T	2009	1	07	107-10		248					



Pos	Part Number	Description	Remark	Qty	Model
		intake distributor			M97.70
1	997 110 627 72	intake distributor		2	
(1)	997 110 677 71	intake distributor	08-	2	I101
2	997 110 747 70	gasket		6	
3	900 067 354 01	combination screw M 6 X 25		12	
4	997 110 215 70	distributor tube		1	
(4)	997 110 177 71	distributor tube with gasket	08-	1	I101
5	997 110 319 00	gasket		1	
6	997 110 685 70	rubber sleeve		2	
(6)	997 110 687 71	rubber sleeve	08-	2	I101
7	999 512 539 00	hose clamp 90 - 110/9	07	4	
(7)	999 512 539 01	hose clamp 90 - 110/9	08-	4	
(7)	999 512 698 01	hose clamp 70 - 90/9		4	I101



Model	Year	MG	SG	Illustration	Restrictions	UPD	17:52	25.01.2010	PORSCHE	PET	PORSCHE
997T	2009	1	07	107-20		248					

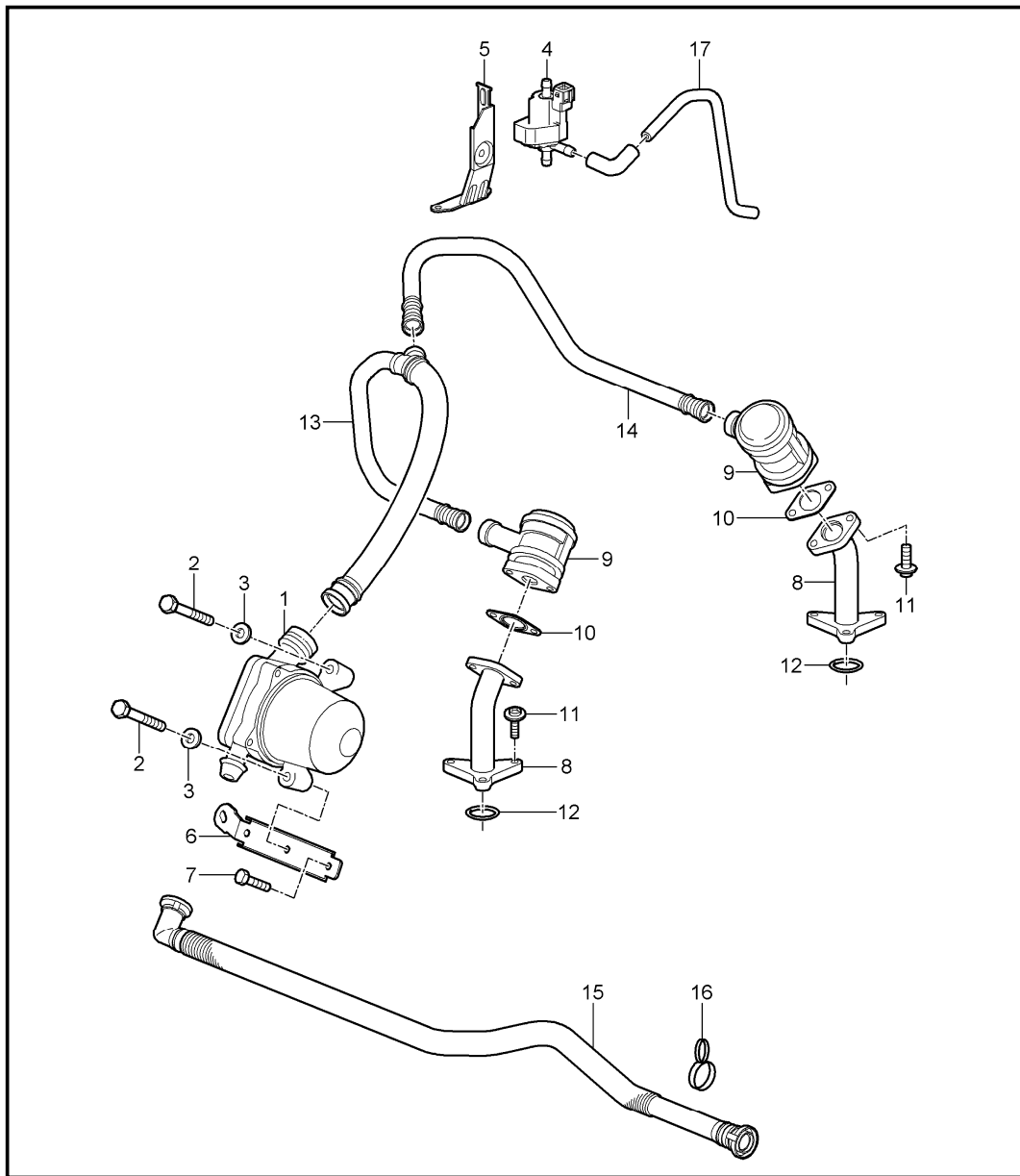


Pos	Part Number	Description	Remark	Qty	Model
		turbocharging			M97.70
1	997 110 639 00	charge air cooler	/L	1	
(1)	997 110 640 00	charge air cooler	/R	1	
2	997 110 631 01	pressure hose	/L	1	
(2)	997 110 630 01	pressure hose	/R	1	
3	999 512 348 01	hose clamp 40 - 60		2	
4	997 110 645 03	pressure hose for pressure pipe	/L	1	
(4)	997 110 644 03	pressure hose for pressure pipe	/R	1	
5	997 110 646 72	pressure pipe		1	
6	999 512 629 00	hose clamp 90 - 110		1	
7	997 110 647 71	rubber sleeve		07	1
(7)	997 110 647 72	rubber sleeve		08-	1
8	999 512 542 00	hose clamp 80 - 100		1	
9	996 606 180 00	sensor		1	
10	999 919 241 01	lens-head screw M 6 X 15		2	
11	997 575 657 00	air duct	/L	1	
(11)	997 575 658 00	air duct	/R	1	
12	997 575 471 00	air duct	/L	1	
		01C			
(12)	997 575 471 80	air duct	/L	08-	1 I101
		01C			
(12)	997 575 472 00	air duct	/R	1	
		01C			
(12)	997 575 472 80	air duct	/R	08-	1 I101
		01C			

Model	Year	MG	SG	Illustration	Restrictions	UPD	17:52	25.01.2010	PORSCHE	PET	PORSCHE
997T	2009	1	07	107-20		248					

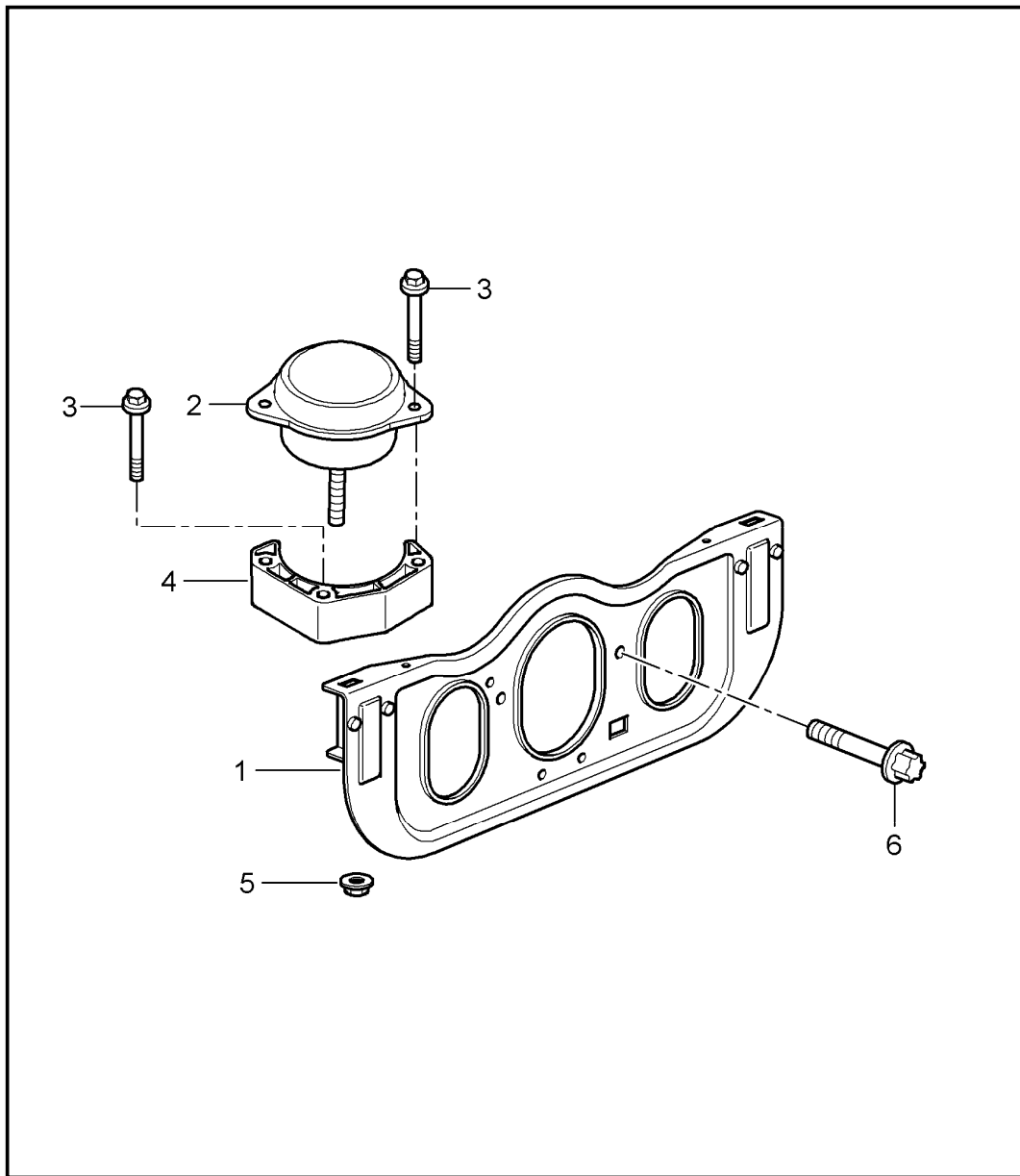
Pos	Part Number	Description	Remark	Qty	Model	Pos	Part Number	Description	Remark	Qty	Model
13	996 106 801 06	sealing ring		4		30	997 575 890 80	gasket air-guide cowl 160 mm	/L/R	1	I101
14	996 110 638 70	rubber mounting		8							
15	999 025 255 02	washer 16,1 X 32 X 0,5	07	8		31	997 575 789 00	plastic foam strip air-guide cowl	/L/R	1	
(15)	999 025 255 01	washer 16 X 32 X 0,5	08-	8		32	997 575 777 00	lid air-guide cowl	/L/R	1	
16	900 116 015 09	lock washer		8							
17	997 110 623 73	intake pipe	/L	1							
18	997 110 624 73	intake pipe	/R	1							
19	999 707 564 40	o-ring 50.00 X 2,50		2							
20	999 512 698 01	hose clamp 70 - 90/9		2							
21	900 385 019 01	torx screw M 6 X 20		4							
22	900 377 010 02	hexagon nut M 6		1							
23	997 504 253 00	bracket	/L	1							
(23)	997 504 253 80	bracket	/L	08-	1	I101					
(23)	997 504 254 00	bracket	/R	1							
(23)	997 504 254 80	bracket	/R	08-	1	I101					
24	999 516 023 05	threaded bolt		8							
25	999 507 668 02	speed nut ST 4,8		12							
26	997 106 802 05	retainer spring D 41		4							
27	997 575 869 00	gasket charge air cooler	/L/R	1							
28	997 575 890 00	gasket air-guide cowl 1110 mm	/L/R	1							
29	997 575 889 80	gasket air-guide cowl 600 mm	/L/R	1	I101						

Model	Year	MG	SG	Illustration	Restrictions	UPD	17:52	25.01.2010	PORSCHE	PET	PORSCHE
997T	2009	1	08	108-05		248					



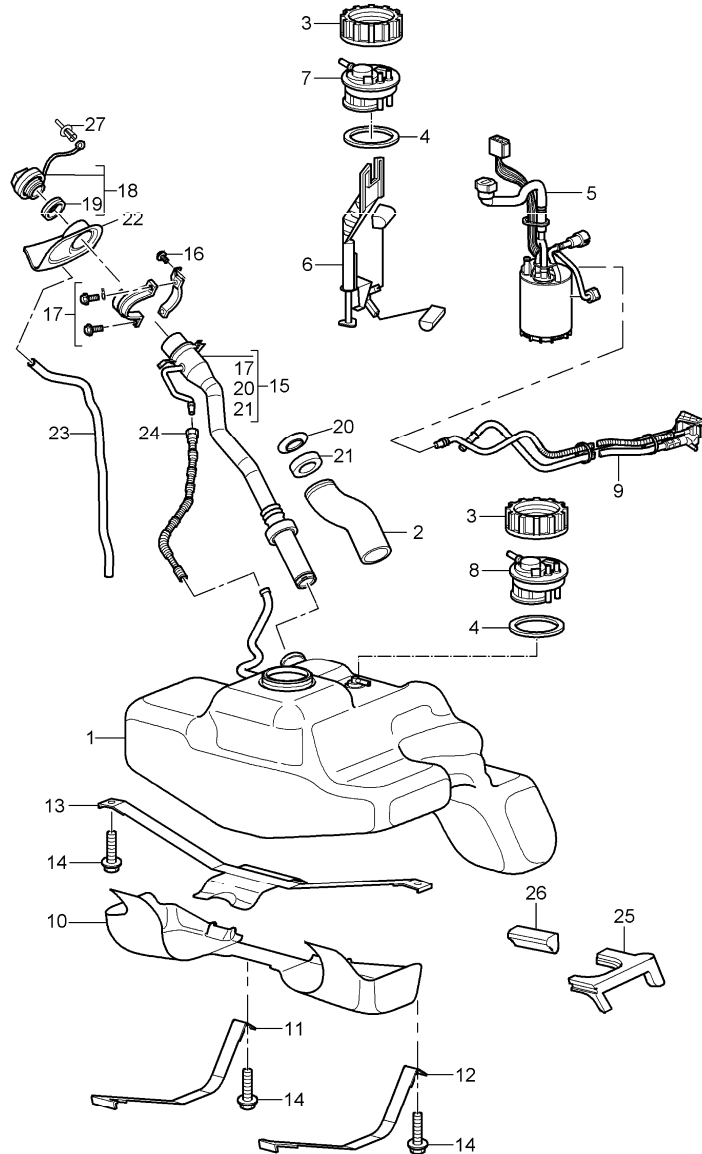
Pos	Part Number	Description	Remark	Qty	Model
		air injection			M97.70
1	997 605 204 00	secondary pump		1	
2	900 385 070 01	torx screw M 6 X 50		2	
3	999 025 268 01	washer 6,4 X 18 X 1,2		2	
4	996 605 165 00	change-over valve		1	
-	948 605 167 01	rubber holder for change-over valve		1	
(4)	996 605 123 01	change-over valve		1	I249
5	997 605 101 01	support change-over valve		1	
6	997 113 105 71	support secondary pump		1	
7	900 385 041 01	torx screw M 6 X 12		2	
8	997 113 101 74	bracket		2	
9	997 113 203 71	valve		2	
10	993 113 258 51	gasket		2	
11	900 067 207 01	combination screw M 6 X 20		10	
12	999 707 472 40	o-ring 20,00 X 2,50		2	
13	997 113 111 70	pressure line cyl. 1 - 3		1	
14	997 113 112 70	pressure line cyl. 4 - 6		1	
15	997 113 211 72	suction hose		1	
16	999 507 857 40	support 16,0 / 8,0		1	
17	---	pipe see illustrations 1/07/00			

Model	Year	MG	SG	Illustration	Restrictions	UPD	17:53	25.01.2010	PORSCHE	PET	PORSCHE
997T	2009	1	09	109-00		248					



Pos	Part Number	Description	Remark	Qty	Model
		engine suspension			M97.70
1	996 375 013 01	engine carrier		1	
2	997 375 049 05	hydraulic mount		2	CABRIO
(2)	997 375 049 06	hydraulic mount		2	COUPE
(2)	997 375 049 91	hydraulic mount		2	II101
3	900 378 159 01	hexagon-head bolt AM 8 X 60		6	
4	996 375 221 02	adapter		2	
5	999 084 215 09	hexagon nut M 12 X 1,5		2	
6	900 385 119 01	hexagon-head bolt M 10X 70		4	

Model	Year	MG	SG	Illustration	Restrictions	UPD	17:53	25.01.2010	PORSCHE	PET	PORSCHE
997T	2009	2	01	201-00		248					

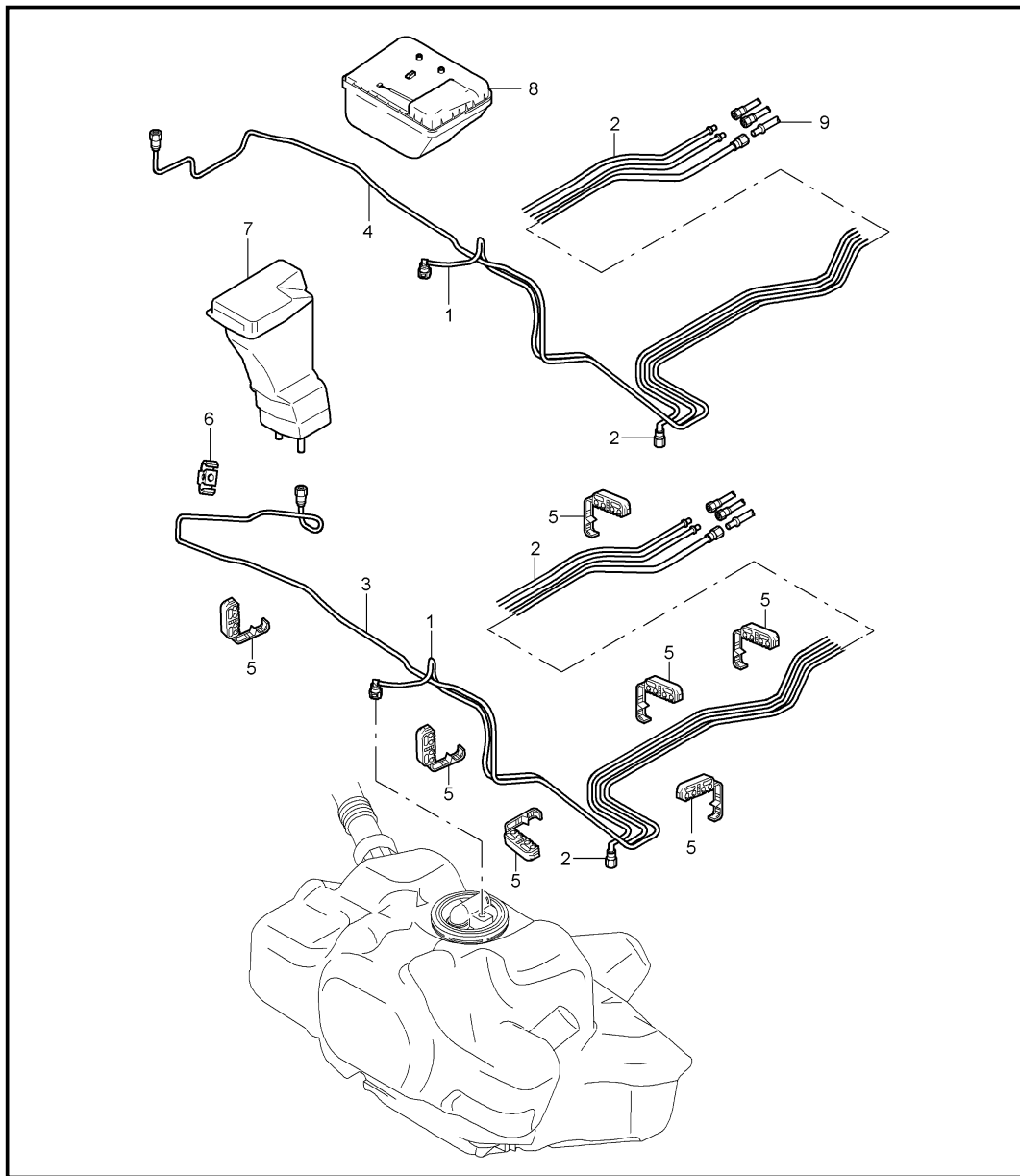


Pos	Part Number	Description	Remark	Qty	Model
		fuel tank			TURBO GT2
1	997 201 021 03	fuel tank	/LL	1	
(1)	997 201 021 90	fuel tank	/LL	1	I101
(1)	997 201 022 02	fuel tank	/RL	1	
2	997 201 543 90	pipe inner	/LL	1	I101
(3)	997 201 623 00	union nut		1	
3	997 201 623 00	union nut	/LL	2	I101
(4)	997 201 733 00	sealing ring		1	
4	997 201 733 00	sealing ring	/LL	2	I101
5	997 620 127 00	fuel pump		1	
(5)	997 620 129 00	fuel pump	/LL	1	I101
6	997 620 833 00	tank gauge without flange		1	
7	997 201 421 01	flange for tank gauge		1	
8	997 201 421 03	flange for tank gauge	/LL	1	I101
9	997 620 114 00	venturi tube		1	
(9)	997 620 116 00	venturi tube		1	I101
10	997 201 331 00	protective plate		1	
(10)	997 201 331 00	protective plate	/RL	1	I101
(10)	997 201 331 90	protective plate	/LL	1	I101
11	997 201 106 00	restraining strap right		1	
12	997 201 105 00	restraining strap left		1	
13	997 201 107 00	restraining strap		1	
14	900 075 479 01	combination screw M 8 X 40		4	

Model	Year	MG	SG	Illustration	Restrictions	UPD	17:53	25.01.2010	PORSCHE	PET	PORSCHE
997T	2009	2	01	201-00		248					

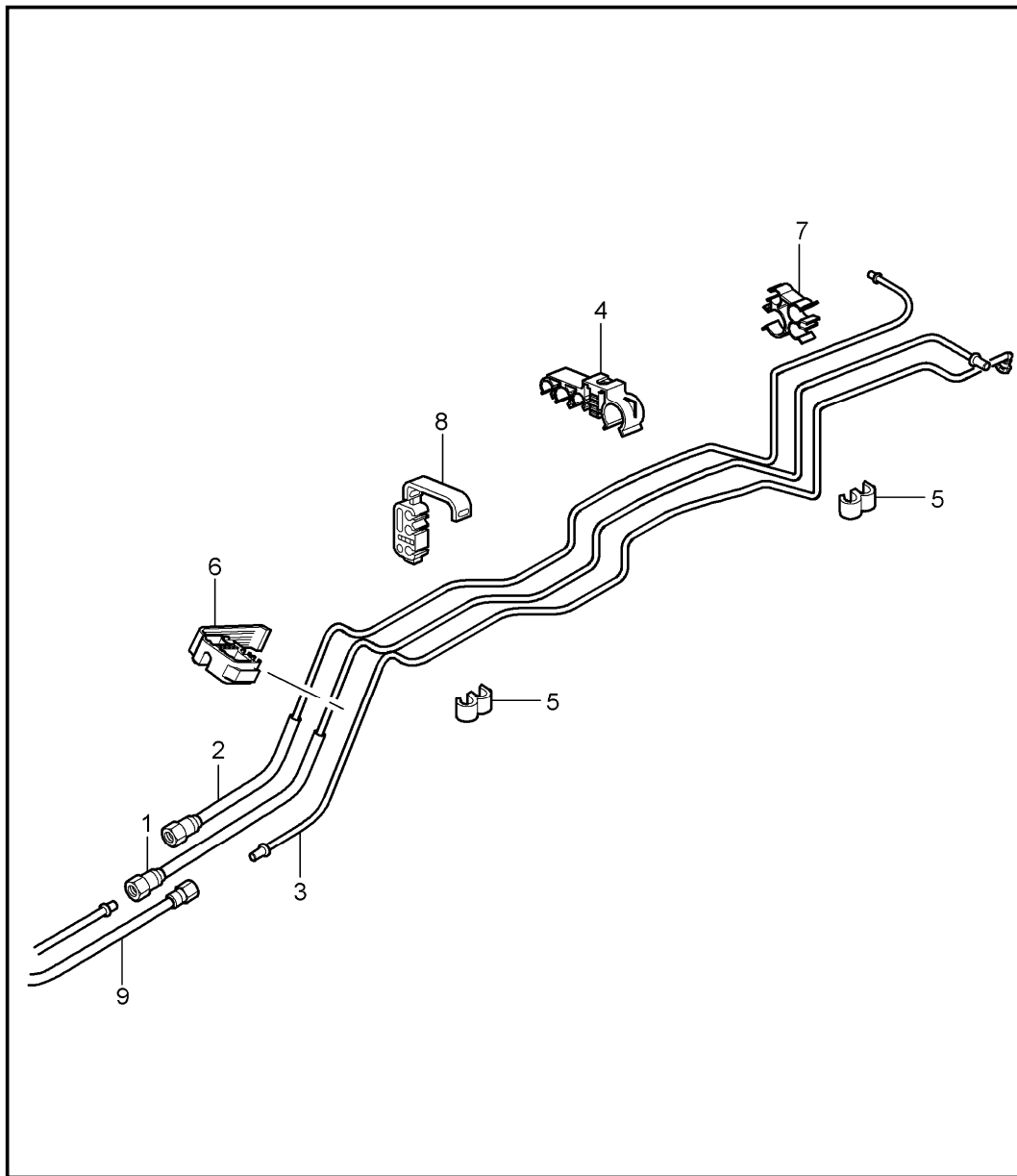
Pos	Part Number	Description	Remark	Qty	Model	Pos	Part Number	Description	Remark	Qty	Model
15	997 201 043 12	filler neck		1							
(15)	997 201 043 10	filler neck		1	I150/193						
16	999 073 348 09	oval-head screw M 6 X 20		1							
17	997 201 951 02	support		1							
18	996 201 241 03	fuel tank cap with clip		1							
19	191 201 557	gasket		1							
20	996 201 755 00	support washer		1							
21	996 201 753 00	gasket		1							
22	997 201 667 00	sleeve		1							
23	996 201 153 00	hose		1							
24	996 201 613 00	vent line fuel tank to filler neck	/RL	1							
(24)	997 201 711 00	vent line fuel tank to filler neck	/LL	1							
(24)	997 201 711 90	vent line fuel tank to filler neck	/LL	1	I101						
(24)	997 201 721 00	vent line in-tank fuel pump to inner pipe		1	TURBO						
(25)	997 201 811 00	foam part		1	I101						
26	997 201 813 00	foam part		1							
27	999 507 499 40	expansion rivet 5,0 X 11,5		1							
28	000 043 206 89	Additive fuel 100 ml Beh.,lter	CHINA	1							

Model	Year	MG	SG	Illustration	Restrictions	UPD	17:53	25.01.2010	PORSCHE	PET	PORSCHE
997T	2009	2	01	201-05		248					



Pos	Part Number	Description	Remark	Qty	Model
1	997 201 261 03	fuel system front		1	
2	997 201 271 00	fuel line return line		1	TURBO
(2)	997 201 271 90	fuel line return line		1	I101
3	997 201 351 02	purge-air line front carbon canister for engine		1	
5	999 507 521 40	cable holder 8,0/8/10		8	
6	999 507 727 40	cable holder 8,0/10,0		1	
7	---	carbon canister see illustrations 201-20		1	
9	---	lines rear see illustrations 201-10		1	

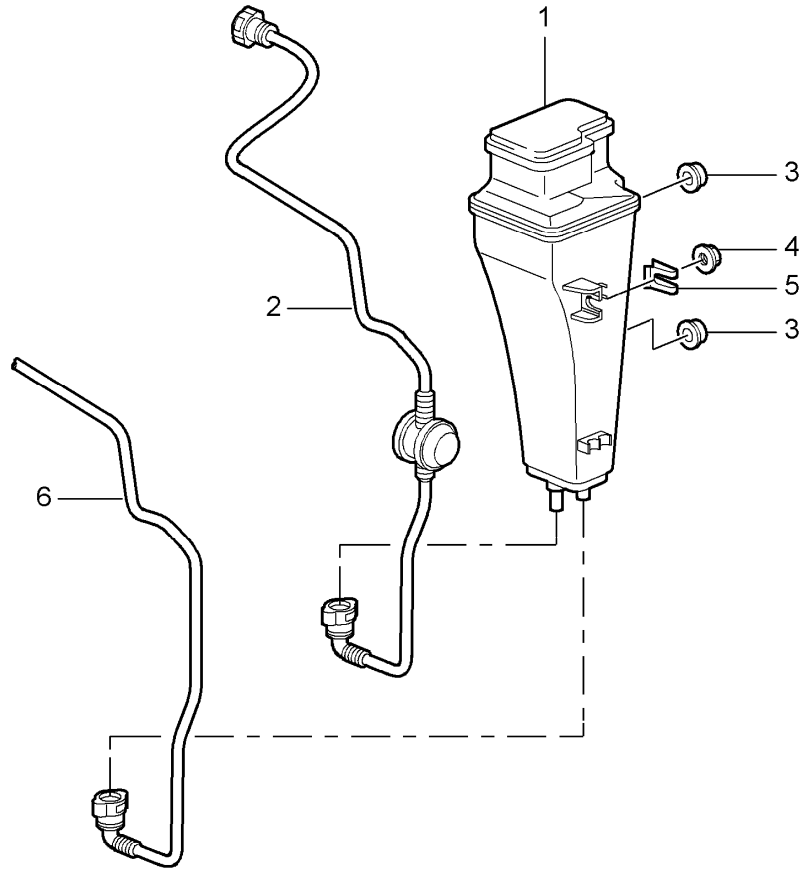
Model	Year	MG	SG	Illustration	Restrictions	UPD	17:53	25.01.2010	PORSCHE	PET	PORSCHE
997T	2009	2	01	201-10		248					



Pos	Part Number	Description	Remark	Qty	Model
1	997 201 265 01	fuel system rear fuel line rear fuel pump for engine		1	
2	997 201 275 00	fuel line rear return line		1	
3	997 201 355 01	air tube rear carbon canister for engine		1	
4	999 507 833 40	cable holder 15/8/10/8		1	
5	999 507 488 40	cable holder 5,0/10,0		4	
6	999 507 521 40	cable holder 8/8/10		1	
7	999 507 850 40	cable holder 8,0/15,0		1	
8	999 507 727 40	cable holder 8/10		1	
9		lines front see illustrations 201-05			

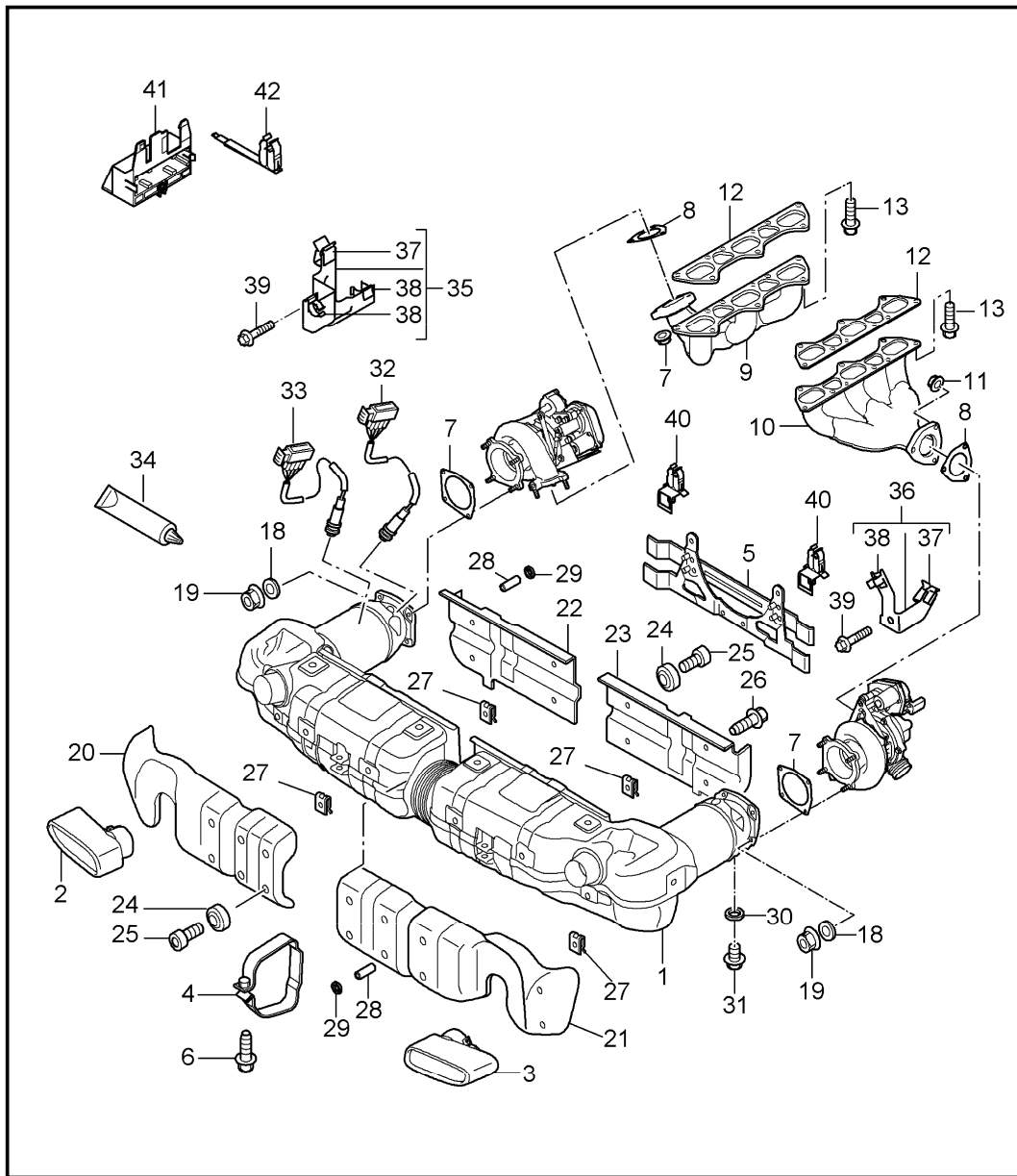


Model	Year	MG	SG	Illustration	Restrictions	UPD	17:53	25.01.2010	PORSCHE	PET	PORSCHE
997T	2009	2	01	201-20		248					



Pos	Part Number	Description	Remark	Qty	Model
		carbon canister			
1	997 201 221 01	carbon canister complete		1	
2	997 201 251 01	vent line fuel tank for carbon canister		1	
3	999 702 221 40	grommet		2	
4 A	999 084 629 09	hexagon nut M 6		1	
4	999 084 629 01	hexagon nut M 6		1	
5	999 507 543 02	clamp 2,00 - 3,00		1	
6		purge-air line front see illustrations 201-05			

Model	Year	MG	SG	Illustration	Restrictions	UPD	17:54	25.01.2010	PORSCHE	PET	PORSCHE
997T	2009	2	02	202-00		248					

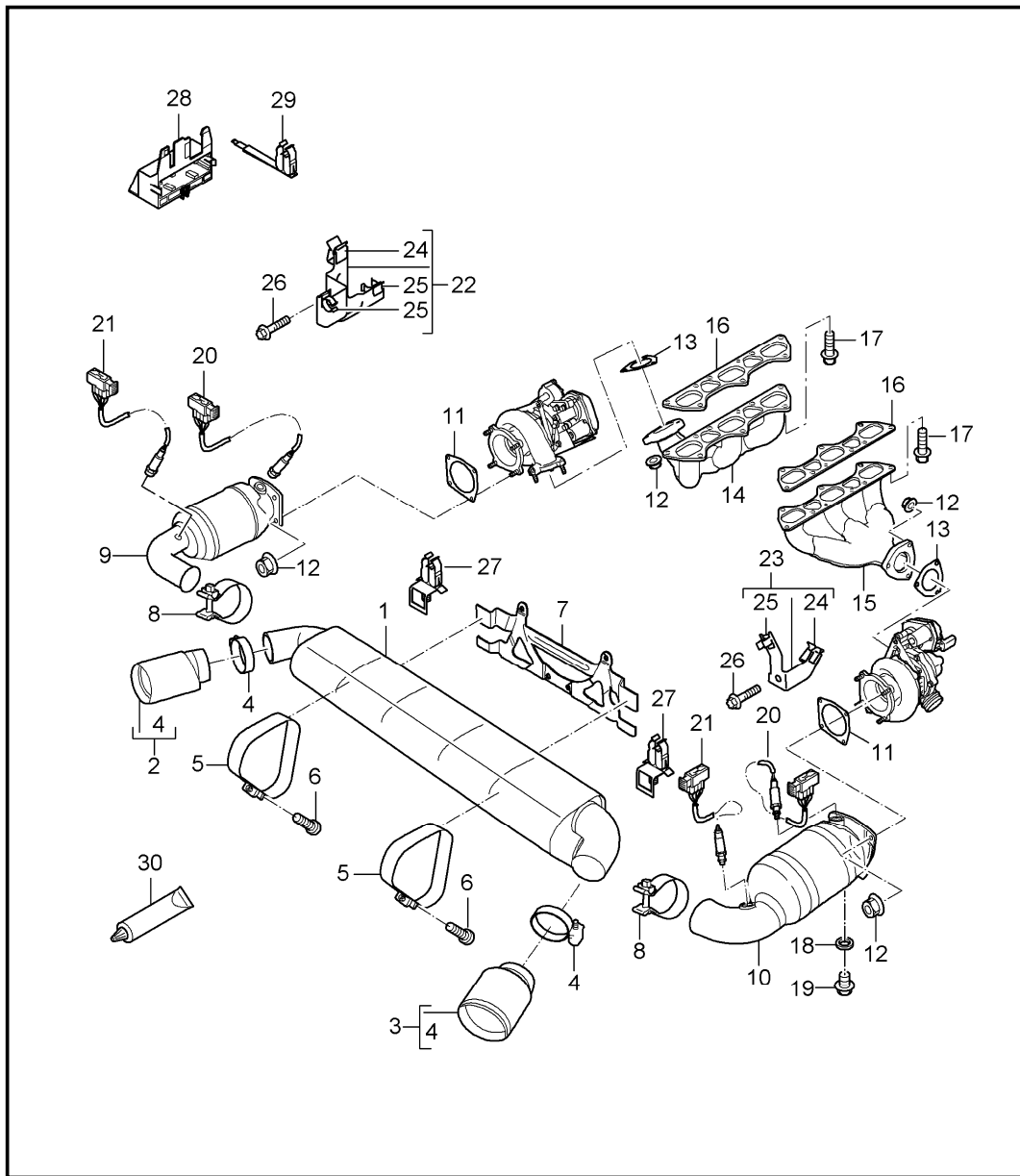


Pos	Part Number	Description	Remark	Qty	Model
		exhaust system with heat protection			M97.70
1	997 111 027 72	main exhaust muffler		1	
2	A 997 111 251 01	tail pipe chrome	/L	1	
(2)	997 111 251 02	tail pipe chrome	/L	1	
3	A 997 111 252 01	tail pipe chrome	/R	1	
(3)	997 111 252 02	tail pipe chrome	/R	1	
4	997 111 119 70	restraining strap		2	
5	996 111 024 71	support muffler		1	
6	900 067 362 01	pan-head screw AM8 x 50		2	
7	997 111 217 70	gasket turbocharger muffler		2	
8	997 111 215 70	gasket exhaust manifold turbocharger		2	
9	996 111 101 76	exhaust manifold cyl. 1 - 3	/L	1	
10	996 111 102 76	exhaust manifold cyl. 4 - 6	/R	1	
11	999 084 203 01	lock nut M 8		6	
12	996 111 107 71	gasket exhaust manifold		2	
13	900 378 227 01	hexagon-head bolt AM8 x 28 exhaust manifold cylinder head		18	
18	U 900 031 032 02	washer 8,4		8	
19	999 084 203 01	lock nut M 8		8	

Model	Year	MG	SG	Illustration	Restrictions	UPD	17:54	25.01.2010	PORSCHE	PET	PORSCHE
997T	2009	2	02	202-00		248					

Pos	Part Number	Description	Remark	Qty	Model	Pos	Part Number	Description	Remark	Qty	Model
20	997 111 204 71	heat shield cyl. 1 - 3	/L	1		37	999 651 394 40	cable holder 6,0 line		2	
21	997 111 205 71	heat shield cyl. 4 - 6	/R	1		38	999 651 392 07	cable holder 9,5 - 10,5 line oxygen sensor		3	
22	996 111 207 72	heat shield engine carrier cyl. 1 - 3	/L	1		39	...	torx screw M 6 X 20 see illustrations 1/03/10 Pos.18		2	
23	996 111 208 72	heat shield engine carrier cyl. 4 - 6	/R	1		40	997 606 151 01	support line oxygen sensor		2	
24	996 111 283 70	shim		20		41	997 606 107 02	support connector oxygen sensor		2	
25	900 119 001 00	pan-head screw M 5 x 12		18		42	997 606 108 00	clip line oxygen sensor		2	
26	996 111 212 70	hexagon-head bolt		2							
27	999 591 905 00	speed nut		20							
28	996 111 281 70	sleeve		20							
29	900 234 029 00	shim 9 x 15 x 1,0		20							
30	900 123 050 20	sealing ring 8 x 11,5		2							
31	900 124 021 01	screw plug CM8 x 1		2							
32	997 606 128 02	oxygen sensor in front of catalytic converter		2							
33	997 606 138 02	oxygen sensor after catalytic converter		2							
34	000 043 207 07	grease for oxygen sensor		1							
35	997 606 169 02	support line oxygen sensor left		1							
36	997 606 167 00	support line oxygen sensor right		1							

Model	Year	MG	SG	Illustration	Restrictions	UPD	17:54	25.01.2010	PORSCHE	PET	PORSCHE
997T	2009	2	02	202-02		248					

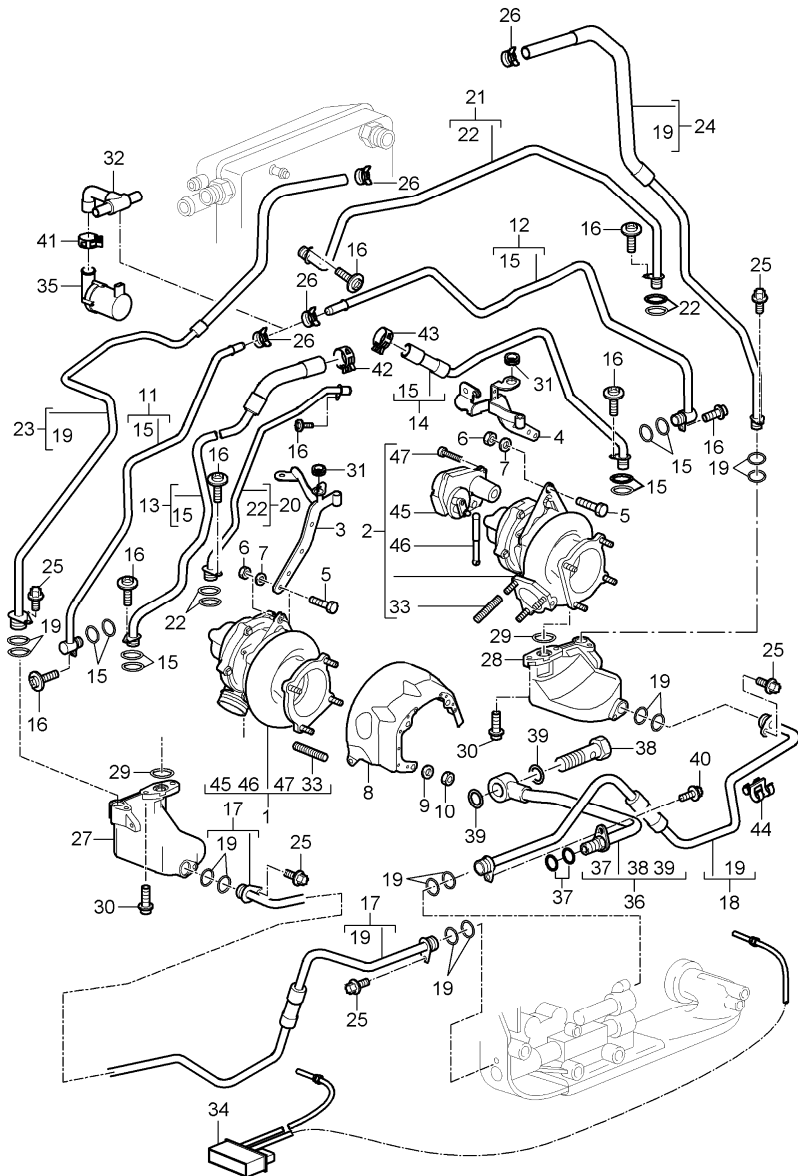


Pos	Part Number	Description	Remark	Qty	Model
		exhaust system	08-		M97.70 I101
1	997 111 026 80	main exhaust muffler		1	
2	997 111 252 81	tail pipe	/L	1	
3	997 111 251 81	tail pipe	/R	1	
4	997 111 240 80	clip		2	
5	A 997 113 119 30	restraining strap		2	
5	997 113 119 31	restraining strap		2	
6	900 067 362 01	pan-head screw AM 8 X 50		2	
7	997 111 124 81	support main exhaust muffler		1	
8	997 111 230 80	clamp		2	
9	997 113 009 80	catalytic converter	/L	1	
10	997 113 010 80	catalytic converter	/R	1	
11	997 111 217 70	gasket		2	
12	999 084 203 01	lock nut M 8		14	
13	997 111 215 70	gasket		2	
14	996 111 101 76	exhaust manifold cyl. 1 - 3	/L	1	
15	996 111 102 76	exhaust manifold cyl. 4 - 6	/R	1	
16	996 111 107 71	gasket exhaust manifold		2	
17	900 378 227 01	hexagon-head bolt AM 8 X 28		18	
18	900 123 050 20	sealing ring 8 X 11,5		2	
19	900 124 021 01	screw plug CM 8 X 1		2	
20	997 606 128 02	oxygen sensor in front of catalytic converter		2	

Model	Year	MG	SG	Illustration	Restrictions	UPD	17:54	25.01.2010	PORSCHE	PET	PORSCHE
997T	2009	2	02	202-02		248					

Pos	Part Number	Description	Remark	Qty	Model	Pos	Part Number	Description	Remark	Qty	Model
21	997 606 185 00	oxygen sensor after catalytic converter		2							
22	997 606 169 02	support line oxygen sensor left	/L	1							
23	997 606 167 00	support line oxygen sensor right	/R	1							
24	999 651 394 40	cable holder 6,0 line		2							
25	999 651 392 07	cable holder 9,5 - 10,5 line oxygen sensor		3							
26	---	torx screw M 6 X 20 see illustrations 1/03/10 Pos.18		2							
27	997 606 151 01	support line oxygen sensor		2							
28	997 606 107 02	support connector oxygen sensor		2							
29	997 606 108 00	clip line oxygen sensor		2							
30	000 043 207 07	grease for oxygen sensor		1							

Model	Year	MG	SG	Illustration	Restrictions	UPD	17:54	25.01.2010	PORSCHE	PET	PORSCHE
997T	2009	2	02	202-05		248					



Pos	Part Number	Description	Remark	Qty	Model
		turbocharger with heat protection and oil pipe water line			M97.70
1	U 997 123 013 72	turbocharger cyl. 1 - 3		1	
(1)	A 997 123 013 73	turbocharger cyl. 1 - 3		1	
(1)	A 997 123 013 74	turbocharger cyl. 1 - 3		1	
(1)	A 997 123 013 75	turbocharger cyl. 1 - 3	-08	1	
(1)	A 997 123 013 X	turbocharger cyl. 1 - 3	-08	1	
(1)	> 997 123 013 76	turbocharger cyl. 1 - 3	-09	1	
(1)	997 123 013 AX	turbocharger cyl. 1 - 3	-09	1	
(1)	A 997 123 077 71	turbocharger cyl. 1 - 3	08	1	I101
(1)	A 997 123 077 72	turbocharger cyl. 1 - 3	-09	1	I101
(1)	A 997 123 077 X	turbocharger cyl. 1 - 3	-09	1	I101
(1)	> 997 123 077 73	turbocharger cyl. 1 - 3	-09	1	I101
(1)	997 123 077 AX	turbocharger cyl. 1 - 3	-09	1	I101
2	U 997 123 014 72	turbocharger cyl. 4 - 6		1	
(2)	A 997 123 014 73	turbocharger cyl. 4 - 6		1	
(2)	A 997 123 014 74	turbocharger cyl. 4 - 6		1	
(2)	A 997 123 014 75	turbocharger cyl. 4 - 6	-08	1	
(2)	A 997 123 014 X	turbocharger cyl. 4 - 6	-08	1	

Model	Year	MG	SG	Illustration	Restrictions	UPD	17:54	25.01.2010	PORSCHE	PET	PORSCHE
997T	2009	2	02	202-05		248					

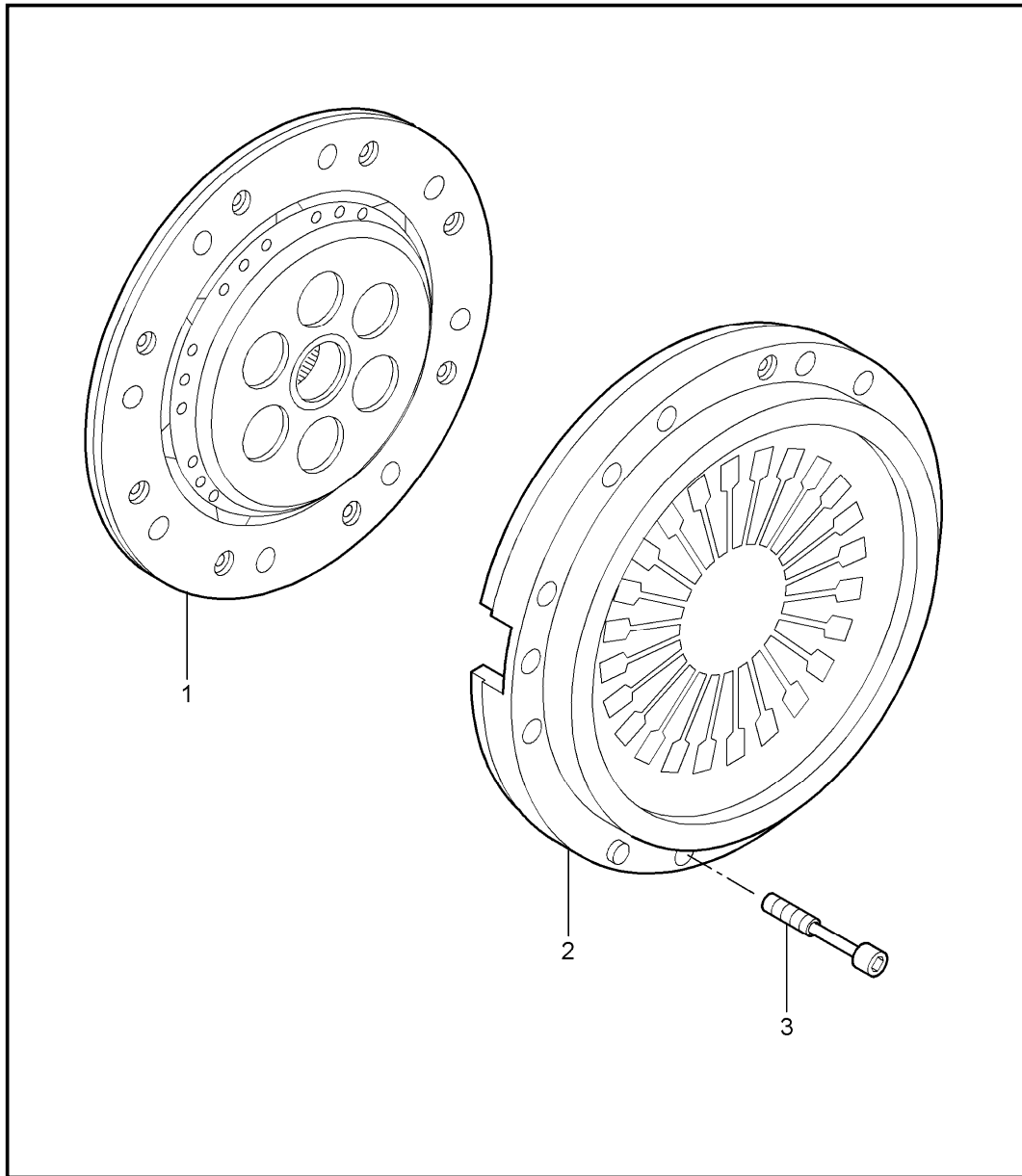
Pos	Part Number	Description	Remark	Qty	Model	Pos	Part Number	Description	Remark	Qty	Model
(2)	> 997 123 014 76	turbocharger cyl. 4 - 6	-09	1		12	997 106 074 74	water line supply cyl. 4 - 6		1	
(2)	997 123 014 AX	turbocharger cyl. 4 - 6	-09	1		13	997 106 075 74	water line return line cyl. 1 - 3		1	
(2)	A 997 123 078 71	turbocharger cyl. 4 - 6	08	1	I101	14	997 106 076 73	water line return line cyl. 4 - 6		1	
(2)	A 997 123 078 72	turbocharger cyl. 4 - 6	-09	1	I101	15	999 707 583 40	o-ring 12,0 X 2,0		8	
(2)	A 997 123 078 X	turbocharger cyl. 4 - 6 we take back:	-09	1	I101	16	999 073 236 0A	oval-head screw M 6 X 10		8	
(2)	> 997 123 078 73	turbocharger cyl. 4 - 6	-09	1	I101	17	997 107 329 70	intake pipe cyl. 1 - 3		1	
(2)	997 123 078 AX	turbocharger cyl. 4 - 6	-09	1	I101	18	997 107 328 70	intake pipe cyl. 4 - 6		1	
3	997 111 213 76	bracket cyl. 1 - 3		1		19	999 701 789 40	o-ring 12,0 X 2,0		8	
4	997 111 214 77	bracket cyl. 4 - 6		1		20	997 107 219 76	pressure line cyl. 1 - 3		1	
5	900 378 074 09	hexagon-head bolt M 8 x 18		2		21	997 107 220 75	pressure line cyl. 4 - 6		1	
6	999 084 052 02	lock nut M 8		2		22	999 707 614 40	o-ring 9,25 X 1,78		6	
7	900 336 005 00	washer 8.4		2		23	997 107 239 76	vent line cyl. 1 - 3		1	
8	997 123 215 71	heat shield cyl. 1 - 3	07	1		24	997 107 240 74	vent line cyl. 4 - 6		1	
8	997 123 215 72	heat shield cyl. 1 - 3	08-	1		25	900 385 041 01	torx screw BM 6 X 12		5	
(8)	997 123 216 71	heat shield cyl. 4 - 6	07	1		26	999 512 686 09	hose clamp		4	
(8)	997 123 216 72	heat shield cyl. 4 - 6	08-	1		27	997 107 327 72	oil collection container cyl. 1 - 3		1	
9	900 031 032 02	washer		8		28	997 107 326 72	oil collection container cyl. 4 - 6		1	
10	999 084 052 02	lock nut		8		29	999 707 387 40	o-ring 15,00 X 2,5		2	
11	997 106 073 75	water line supply cyl. 1 - 3		1							

Model	Year	MG	SG	Illustration	Restrictions	UPD	17:54	25.01.2010	PORSCHE	PET	PORSCHE
997T	2009	2	02	202-05		248					

Pos	Part Number	Description	Remark	Qty	Model	Pos	Part Number	Description	Remark	Qty	Model
30	900 385 019 01	torx screw M 6 X 20		4		44	999 651 122 01	cable clamp 7 - 1		2	
31	999 702 246 40	grommet		2		(45)	997 605 315 02	adjusting motor cyl. 1 - 3		1	
32	997 106 649 74	t-piece water line supply turbocharger		1		45	997 605 316 02	adjusting motor cyl. 4 - 6		1	
33	900 081 059 00	stud M 8 X 22		14		(46)	997 123 123 70	operating rod cyl. 1 - 3		1	
34	A 997 606 250 01	sensor exhaust gas		1		46	997 123 124 70	operating rod cyl. 4 - 6		1	
(34)	997 606 250 03	sensor exhaust gas		1		47	000 043 207 53	pan-head screw M6 X 25,6 -8.8		3	
35	997 620 251 01	water pump turbocharger		1							
--	997 106 201 71	support ring water pump turbocharger		1							
--	997 106 211 72	support water pump turbocharger		1							
--	900 385 009 01	torx screw BM 6 X 16		1							
36	997 107 216 70	return line		1							
37	999 701 789 40	o-ring 12 X 2		2							
38	900 175 022 09	banjo bolt M 16 X 1,5 X 36		1							
39	900 123 152 30	sealing ring A16 X 22		2							
40	900 385 009 01	torx screw BM 6 X 16		1							
41	999 512 658 09	hose clamp B 27 X 12		1							
42	999 512 652 09	hose clamp B 19 X 12		1							
43	999 512 655 09	hose clamp B 22 X 12		1							

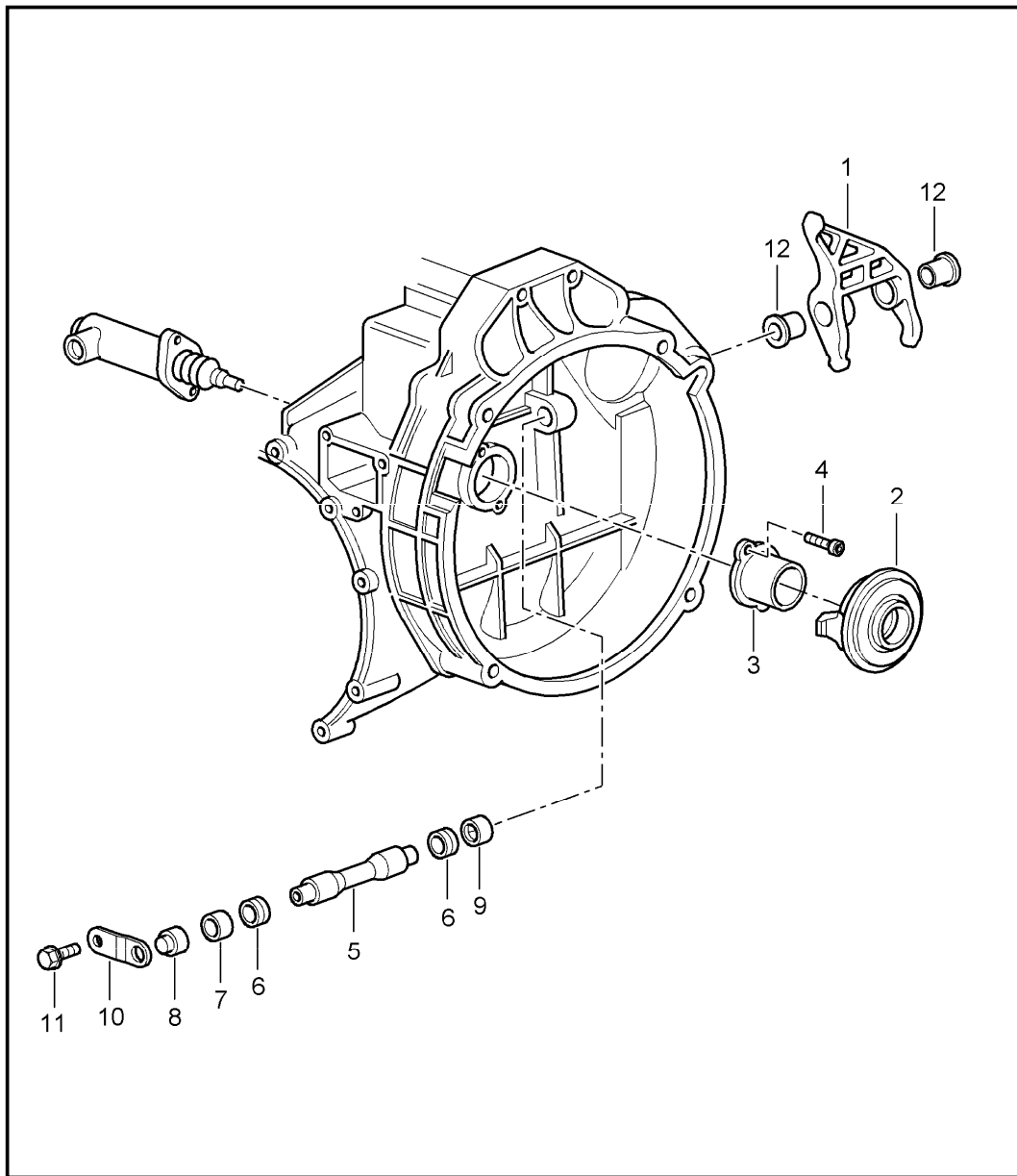


Model	Year	MG	SG	Illustration	Restrictions	UPD	17:54	25.01.2010	PORSCHE	PET	PORSCHE
997T	2009	3	01	301-00		248					



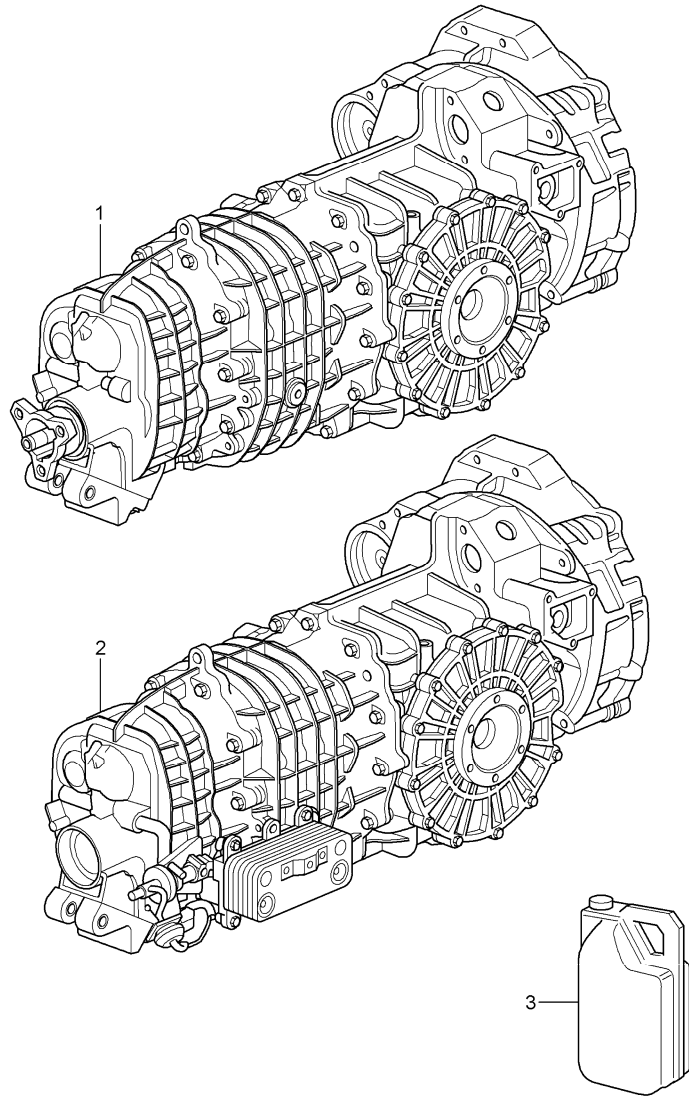
Pos	Part Number	Description	Remark	Qty	Model
		clutch			M97.70
1	997 116 013 50	clutch plate		1	
(1)	996 116 015 01	clutch plate		1	I101
2	996 116 027 51	pressure plate		1	
3	999 510 015 02	pan-head screw M 8 X 40	07	9	
(3)	999 510 015 01	pan-head screw M 8 X 40	08-	9	

Model	Year	MG	SG	Illustration	Restrictions	UPD	17:54	25.01.2010	PORSCHE	PET	PORSCHE
997T	2009	3	01	301-05		248					



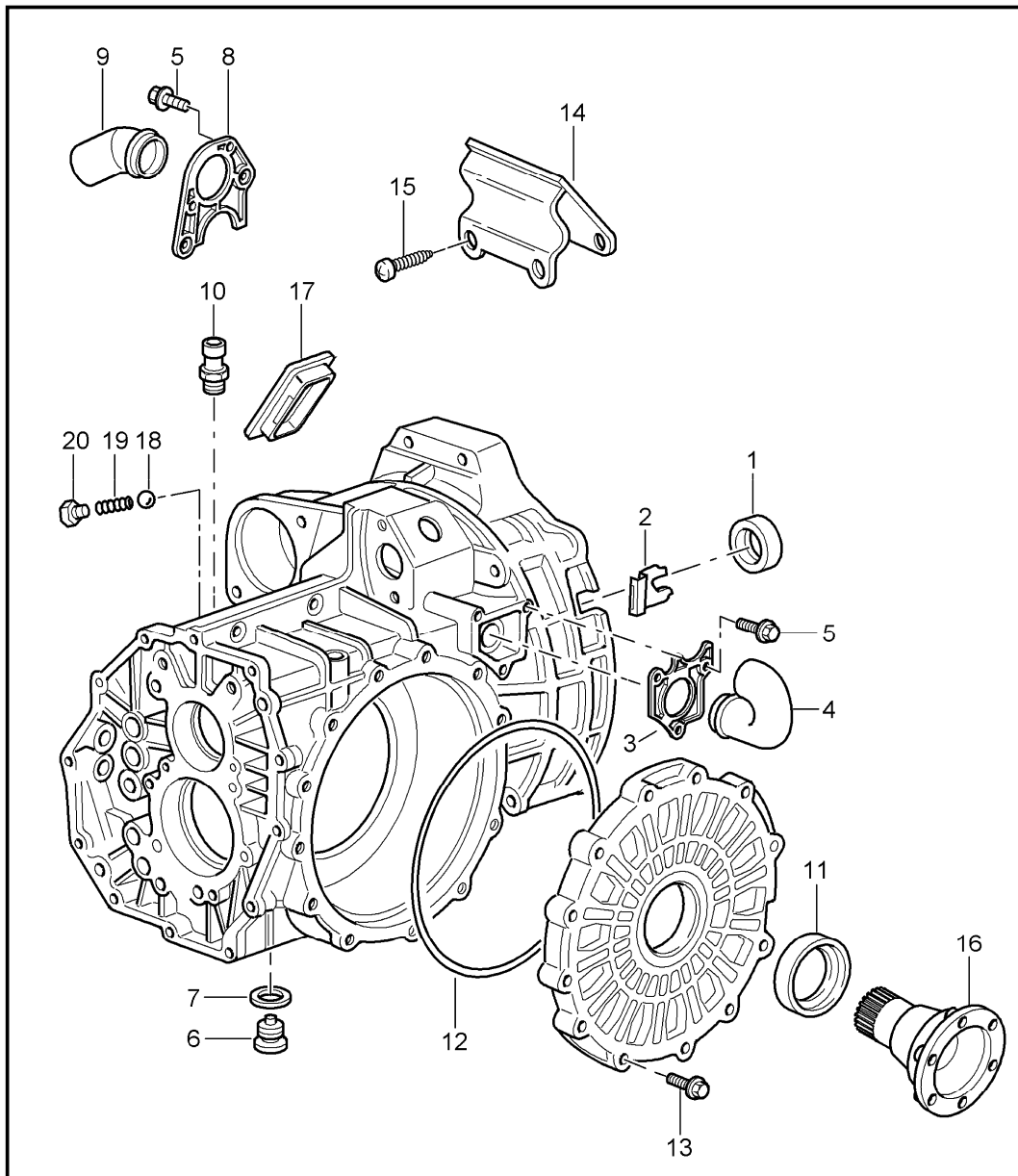
Pos	Part Number	Description	Remark	Qty	Model
		clutch release			G97.50 G97.88
		clutch operating cylinder see group 7/02/08	08-		
1	997 116 712 50	clutch release lever		1	G97.50
(1)	950 116 086 06	release fork with bush	08-	1	G97.88
2	950 116 080 08	clutch release bearing		1	
3	950 116 813 06	guide tube		1	
4	999 270 070 01	oval-head screw M 6 X 14		2	
5	950 116 710 04	clutch control shaft		1	
6	999 113 418 40	gasket 12,3 X 16,4		2	
7	999 201 339 00	articulated bush		1	
8	950 116 725 00	cover		1	
9	999 201 365 00	articulated bush		1	
10	950 116 713 02	retaining bracket		1	
11	900 075 057 03	hexagon-head bolt M 6 X 16		1	
12	950 116 715 01	bush		2	

Model	Year	MG	SG	Illustration	Restrictions	UPD	17:55	25.01.2010	PORSCHE	PET	PORSCHE
997T	2009	3	02	302-00		248					



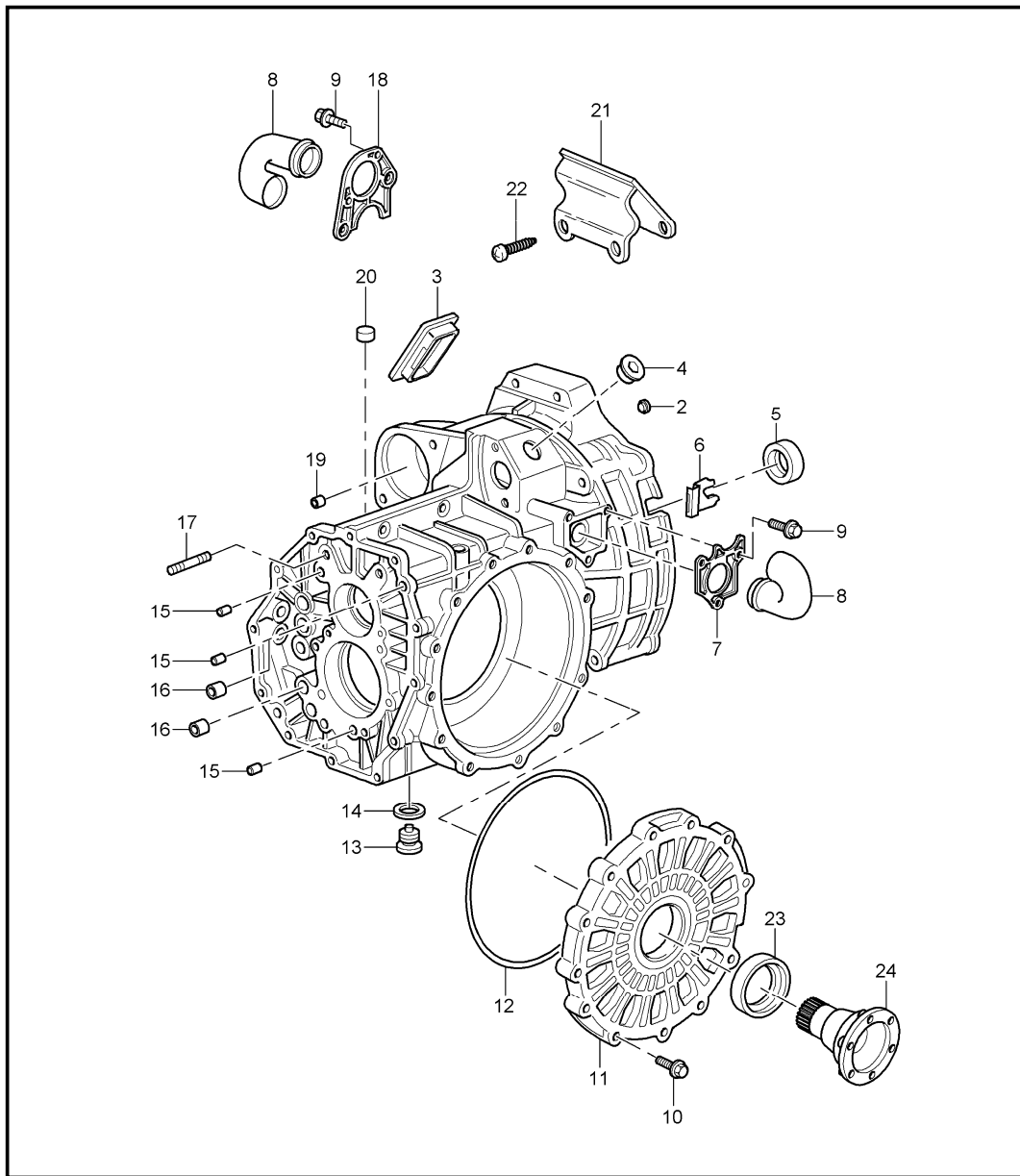
Pos	Part Number	Description	Remark	Qty	Model
1	> 997 300 010 50	replacement transmission ready for installation	08-	1	G97.50 G97.88
1	> 997 300 010 1X	manual transmission without limited-slip differential		1	G97.50 I219
1	> 997 300 020 50	manual transmission with limited-slip differential		1	G97.50 I220
1	> 997 300 020 1X	manual transmission with limited-slip differential		1	G97.50 I220
2	997 300 020 80	manual transmission with limited-slip differential	08-	1	G97.88 I220
2	997 300 020 BX	manual transmission with limited-slip differential	08-	1	G97.88 I220
3	000 043 204 20	transmission oil MOBILUBE PTX 75 W 90 container 20 LTR.		X	

Model	Year	MG	SG	Illustration	Restrictions	UPD	13:35	02.02.2010	PORSCHE	PET	PORSCHE
997T	2009	3	02	302-01		248					



Pos	Part Number	Description	Remark	Qty	Model
		transmission case			G97.50
1	999 113 326 41	shaft sealing ring 26,5 X 40		1	
2	993 116 630 00	cap		1	
3	996 116 612 00	flange		1	
4	993 116 610 00	intake manifold		1	
5	900 378 035 09	hexagon-head bolt M 6 X 16		5	
6	999 063 008 02	screw plug with magnet M 22 X 1,5		1	
7	900 123 118 30	sealing ring		1	
8	996 116 710 00	flange socket		1	
9	993 116 610 00	intake manifold		1	
10	996 301 071 00	bleeder 17 X 12 X 28,1		1	
11	999 113 356 40	shaft sealing ring 48 X 68 X 10		2	
12	999 701 008 40	o-ring 215 X 3,5		1	
13	999 141 048 01	hexagon socket head bolt M 8 X 40		12	
14	997 449 101 50	hook		1	
15	999 073 190 09	oval-head screw M 8 X 60		2 2	
16	997 332 209 51	joint flange		2	
17	950 301 151 01	cap		1	
18	900 108 064 00	ball 8		4	
19	996 303 245 00	compression spring		4	
20	900 124 027 01	screw plug CM 10 X 1		4	
--	996 606 133 00	switch back-up light		1	

Model	Year	MG	SG	Illustration	Restrictions	UPD	18:17	25.01.2010	PORSCHE	PET	PORSCHE
997T	2009	3	02	302-02		248					

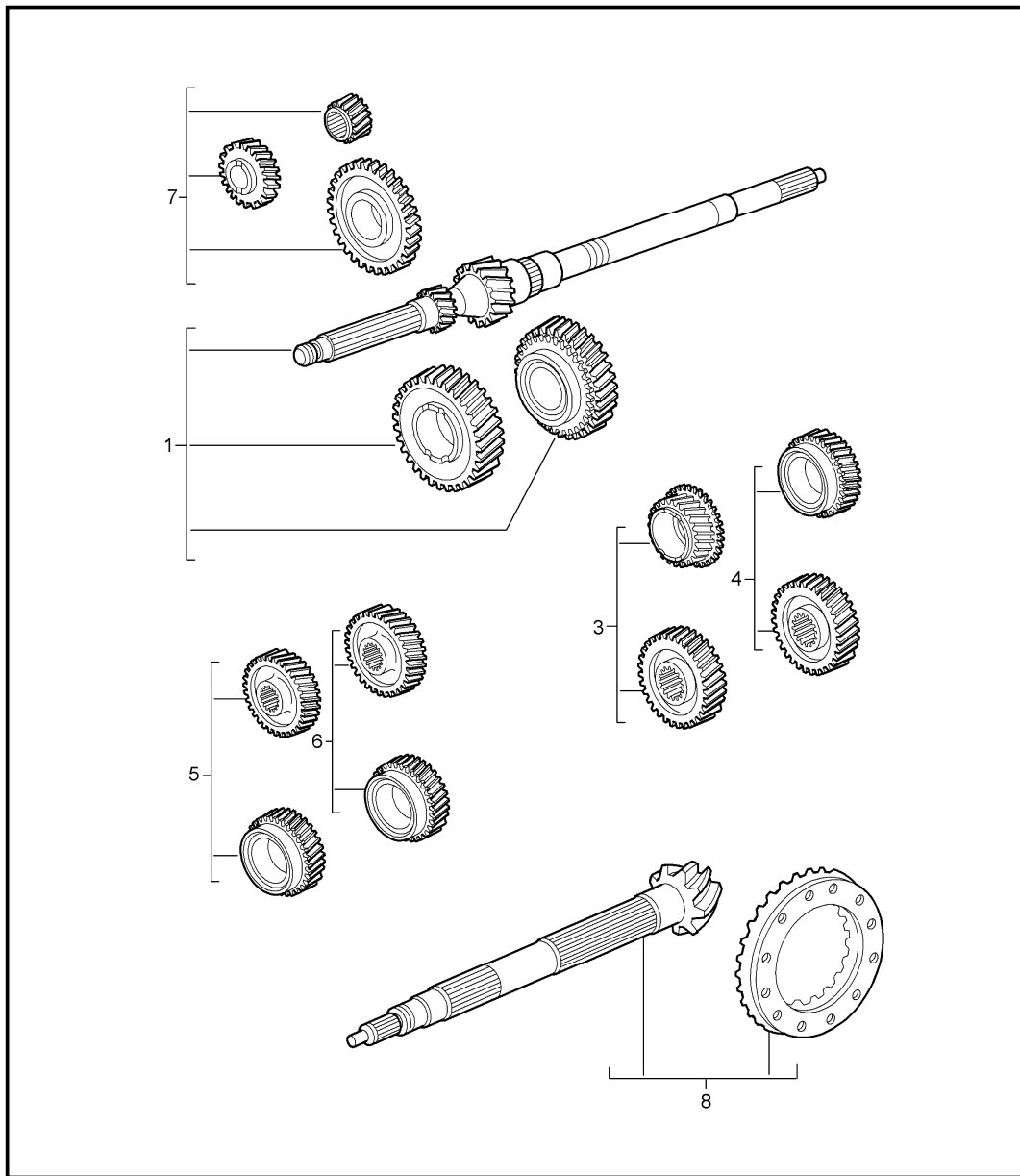


Pos	Part Number	Description	Remark	Qty	Model
		transmission case			G97.88
1	996 301 101 88	transmission case		1	
2	999 036 002 40	lid A 14 X 4,0		1	
3	950 301 151 01	cap		1	
4	999 703 490 40	lid 30 X 42		1	
5	999 113 326 41	shaft sealing ring 26,5 X 40		1	
6	993 116 630 00	cap		1	
7	996 116 612 00	flange		1	
8	993 116 610 00	intake manifold		2	
9	900 378 035 01	hexagon-head bolt M 6 X 16		5	
10	996 301 317 00	hexagon-head bolt M 8 X 35		10	
11	996 301 312 51	transmission cover		1	
12	999 707 480 40	o-ring 205 X 3,5		1	
13	997 301 307 00	screw plug with magnet M 22 X 1,5		1	
14	900 123 118 30	sealing ring A 22 X 27		1	
15	900 012 144 00	straight pin 12 M 6 X 14		4	
16	996 303 513 00	round socket 15 X 21 X 22		4	
17	900 081 042 01	stud BM 8 X 42		7	
18	996 116 710 00	flange socket		1	
19	999 531 017 10	bush 12,1 X 14		1	
20	996 301 710 00	cap bleeder		1	
21	997 449 101 50	hook		1	

Model	Year	MG	SG	Illustration	Restrictions	UPD	18:17	25.01.2010	PORSCHE	PET	PORSCHE
997T	2009	3	02	302-02		248					

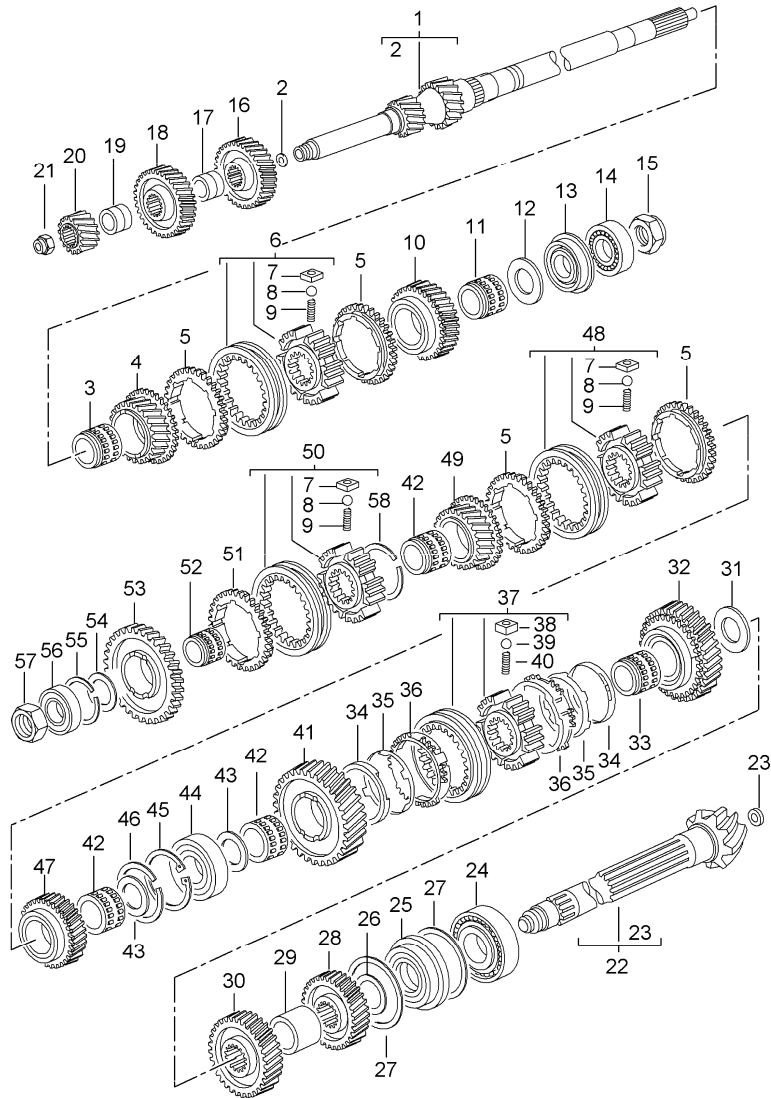
Pos	Part Number	Description	Remark	Qty	Model	Pos	Part Number	Description	Remark	Qty	Model
22	999 073 190 09	oval-head screw M 8 X 60		2							
23	999 113 356 40	shaft sealing ring 48 X 60 X 10		2							
24	997 332 209 51	joint flange		2							
25	900 108 064 00	ball 8		4							
26	996 303 245 00	compression spring		4							
27	900 124 027 01	screw plug CM 10 X 1		4							
--	996 606 133 00	switch back-up light		1							

Model	Year	MG	SG	Illustration	Restrictions	UPD	18:18	25.01.2010	PORSCHE	PET	PORSCHE
997T	2009	3	03	303-01		248					



Pos	Part Number	Description	Remark	Qty	Model
		gear wheel sets			G97.88
1	997 302 901 88	gear set 1st/2nd gear 1st gear Z = 41 : 13 2nd gear Z = 34 : 18		1	
3	997 302 953 88	gear set 3rd gear Z = 35 : 25		1	
4	997 302 954 88	gear set 4th speed Z = 35 : 32		1	
5	997 302 955 88	gear set 5th gear Z = 33 : 37		1	
6	997 302 956 88	gear set 6th gear Z = 33 : 45		1	
7	997 302 907 88	gear set reverse gear		1	
8	950 302 911 71	ring gear and pinion shaft 31 : 9		1	

Model	Year	MG	SG	Illustration	Restrictions	UPD	18:18	25.01.2010	PORSCHE	PET	PORSCHE
997T	2009	3	03	303-11		248					



Pos	Part Number	Description	Remark	Qty	Model
		gears and shafts			G97.88
		gear wheel sets see group 3/03/01			
2	964 302 335 02	washer 7 MM		1	
3	999 201 718 02	needle-roller bearing 42 X 47 X 32		1	
		3rd gear			
5	928 304 211 30	synchroniser ring		4	
6	996 304 021 51	guide sleeve 3rd/4th gear		1	
7	928 304 251 00	stone		9	
8	N 025 653 2	ball 6,5 MM		9	
9	928 304 261 01	compression spring		9	
		4th speed			
11	999 201 719 02	needle-roller bearing 35 X 47 X 32,2		1	
12	996 302 294 50	thrust washer 4th speed		1	
13	999 052 094 00	four-point bearing 30 X 62 X 16		1	
14	999 110 117 01	cylindrical-roller bearing 30 X 62 X 20		1	
15	999 034 033 00	hexagon nut M 30 X 1,5		1	
		6th gear			
17	950 302 268 12	spacer sleeve 5th gear and 6th gear		1	
		5th gear			
19	950 302 270 02	spacer sleeve reverse gear		1	



Model	Year	MG	SG	Illustration	Restrictions	UPD	18:18	25.01.2010	PORSCHE	PET	PORSCHE
997T	2009	3	03	303-11		248					

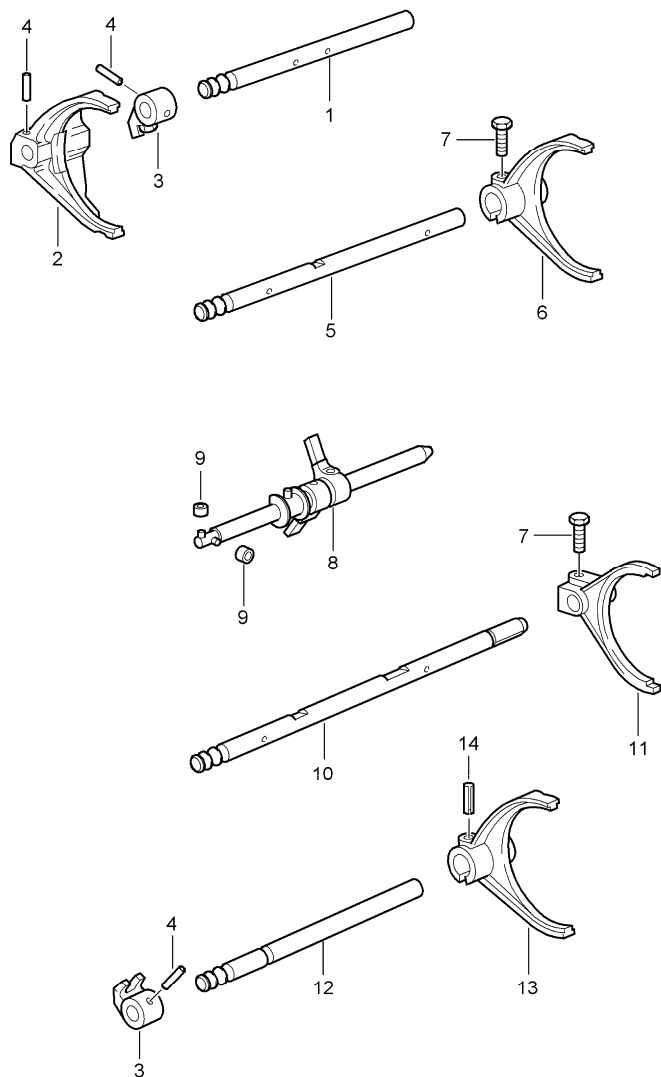
Pos	Part Number	Description	Remark	Qty	Model	Pos	Part Number	Description	Remark	Qty	Model
21	999 034 035 00	lock nut M 22 X 1,5		1		26	996 302 163 65	shim 90 X 97 X 1,25		X	
23	964 302 335 01	washer 14,5		1		26	996 302 163 66	shim 90 X 97 X 1,30		X	
24	999 110 119 01	cylindrical-roller bearing 40 X 90 X 23		1		26	996 302 163 67	shim 90 X 97 X 1,35		X	
25	999 052 227 00	angular-contact bearing 40 X 82 X 18		1		26	996 302 163 68	shim 90 X 97 X 1,40		X	
26	996 302 163 50	shim 90 X 97 X 0,50		X		26	996 302 163 69	shim 90 X 97 X 1,45		X	
26 A	996 302 163 51	shim		X		26	996 302 163 70	shim 90 X 97 X 1,50		X	
26	996 302 163 52	shim 90 X 97 X 0,60		X		26	996 302 163 71	shim 90 X 97 X 1,55		X	
26	996 302 163 53	shim 90 X 97 X 0,65		X		26	996 302 163 72	shim 90 X 97 X 1,60		X	
26	996 302 163 54	shim 90 X 97 X 0,70		X		27	996 302 151 50	shim 40 X 50 X 0,40		X	
26	996 302 163 55	shim 90 X 97 X 0,75		X		27	996 302 151 51	shim 40 X 50 X 0,45		X	
26	996 302 163 56	shim 90 X 97 X 0,80		X		27	996 302 151 52	shim 40 X 50 X 0,50		X	
26	996 302 163 57	shim 90 X 97 X 0,85		X		27	996 302 151 53	shim 40 X 50 X 0,55		X	
26	996 302 163 58	shim 90 X 97 X 0,90		X		27	996 302 151 54	shim 40 X 50 X 0,60		X	
26	996 302 163 59	shim 90 X 97 X 0,95		X		27	996 302 151 55	shim 40 X 50 X 0,65		X	
26	996 302 163 60	shim 90 X 97 X 1,00		X		27	996 302 151 56	shim 40 X 50 X 0,70		X	
26	996 302 163 61	shim 90 X 97 X 1,05		X		27	996 302 151 57	shim 40 X 50 X 0,80		X	
26	996 302 163 62	shim 90 X 97 X 1,10		X		27	996 302 151 58	shim 40 X 50 X 0,90		X	
26	996 302 163 63	shim 90 X 97 X 1,15		X		27	996 302 151 59	shim 40 X 50 X 1,00		X	
26	996 302 163 64	shim 90 X 97 X 1,20		X		27	996 302 151 60	shim 40 X 50 X 1,10		X	

Model	Year	MG	SG	Illustration	Restrictions	UPD	18:18	25.01.2010	PORSCHE	PET	PORSCHE
997T	2009	3	03	303-11		248					

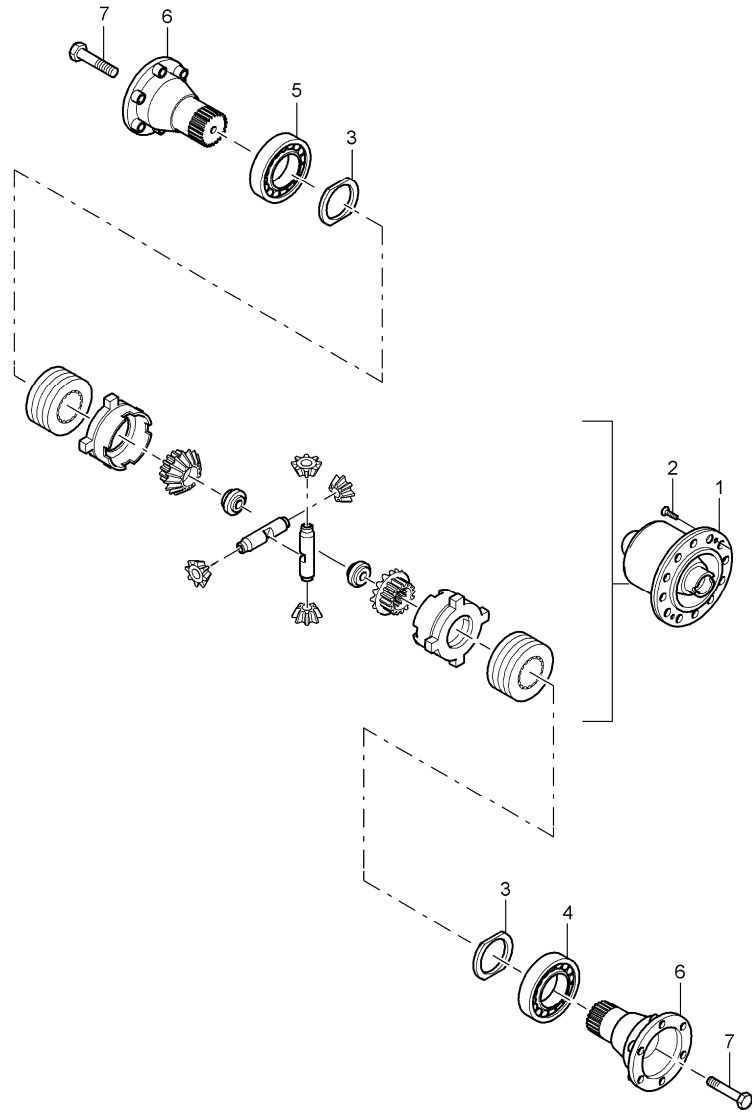
Pos	Part Number	Description	Remark	Qty	Model	Pos	Part Number	Description	Remark	Qty	Model
27	996 302 151 61	shim 40 X 50 X 1,20		X				6th gear			
27	996 302 151 62	shim 40 X 50 X 1,30		X		48	950 304 021 23	guide sleeve 5th gear and 6th gear		1	
27	996 302 151 63	shim 40 X 50 X 0,75		X				5th gear			
(29)	964 307 331 01	drive wheel oil pump 3rd gear		1		50	996 304 021 50	guide sleeve reverse gear		1	
31	996 302 295 50	thrust washer 2nd gear 2nd gear		1		51	928 304 211 24	synchroniser ring reverse gear		1	
33	999 201 471 02	needle-roller bearing 45 X 50 X 32		1		52	999 201 716 02	needle-roller bearing 32 X 45 X 27,2 reverse gear		1	
34	950 304 617 20	ring		2		54	950 302 296 07	thrust washer reverse gear		1	
35	996 304 613 20	cone ring		2		55	999 152 024 01	circlip 62 X 1,50		1	
36	950 304 611 20	synchroniser ring		2		56	999 110 192 00	cylindrical-roller bearing 30 X 62 X 16		1	
37	996 304 061 50	guide sleeve 1st/2nd gear		1		57	999 034 034 00	hexagon nut M 30 X 1,25		1	
38	996 304 651 00	stone		3		58	999 152 111 00	circlip 78 X 1,50		1	
39	900 108 058 00	ball 5 MM		3							
40	950 304 661 03	compression spring 1st gear		3							
42	999 201 715 02	needle-roller bearing 35 X 50 X 32,2		3							
43	950 302 295 07	thrust washer 1st gear and 6th gear		2							
44	999 110 109 01	cylindrical-roller bearing 35 X 80 X 18		1							
45	999 152 106 00	circlip		1							
46	N 100 709 01	circlip SP 80		1							

Model	Year	MG	SG	Illustration	Restrictions	UPD	18:18	25.01.2010	PORSCHE	PET	PORSCHE
997T	2009	3	04	304-01		248					

Pos	Part Number	Description	Remark	Qty	Model
		gear shift rod			G97.88
1	996 303 103 52	gear shift rod 3rd/4th gear		1	
2	996 303 113 88	shift fork 3rd/4th gear		1	
3	996 303 121 50	driver		2	
4	900 309 008 00	roll pin 6 X 24		3	
5	996 303 106 51	gear shift rod 5th gear and 6th gear		1	
6	996 303 116 50	shift fork 5th gear and 6th gear		1	
7	999 217 036 01	hexagon-head bolt M 8 X 30		2	
8	996 303 021 52	shift rod		1	
9	996 303 403 00	roller 10 X 5 X 3		4	
10	996 303 105 52	gear shift rod reverse gear		1	
11	996 303 115 50	shift fork reverse gear		1	
12	996 303 101 51	gear shift rod 1st/2nd gear		1	
13	996 303 111 51	shift fork 1st/2nd gear		1	
14	900 095 017 01	roll pin 5,0 X 24		2	
15	996 303 142 50	detent short		2	
16	996 303 143 50	detent intermediate piece		2	



Model	Year	MG	SG	Illustration	Restrictions	UPD	18:18	25.01.2010	PORSCHE	PET	PORSCHE
997T	2009	3	05	305-05		248					

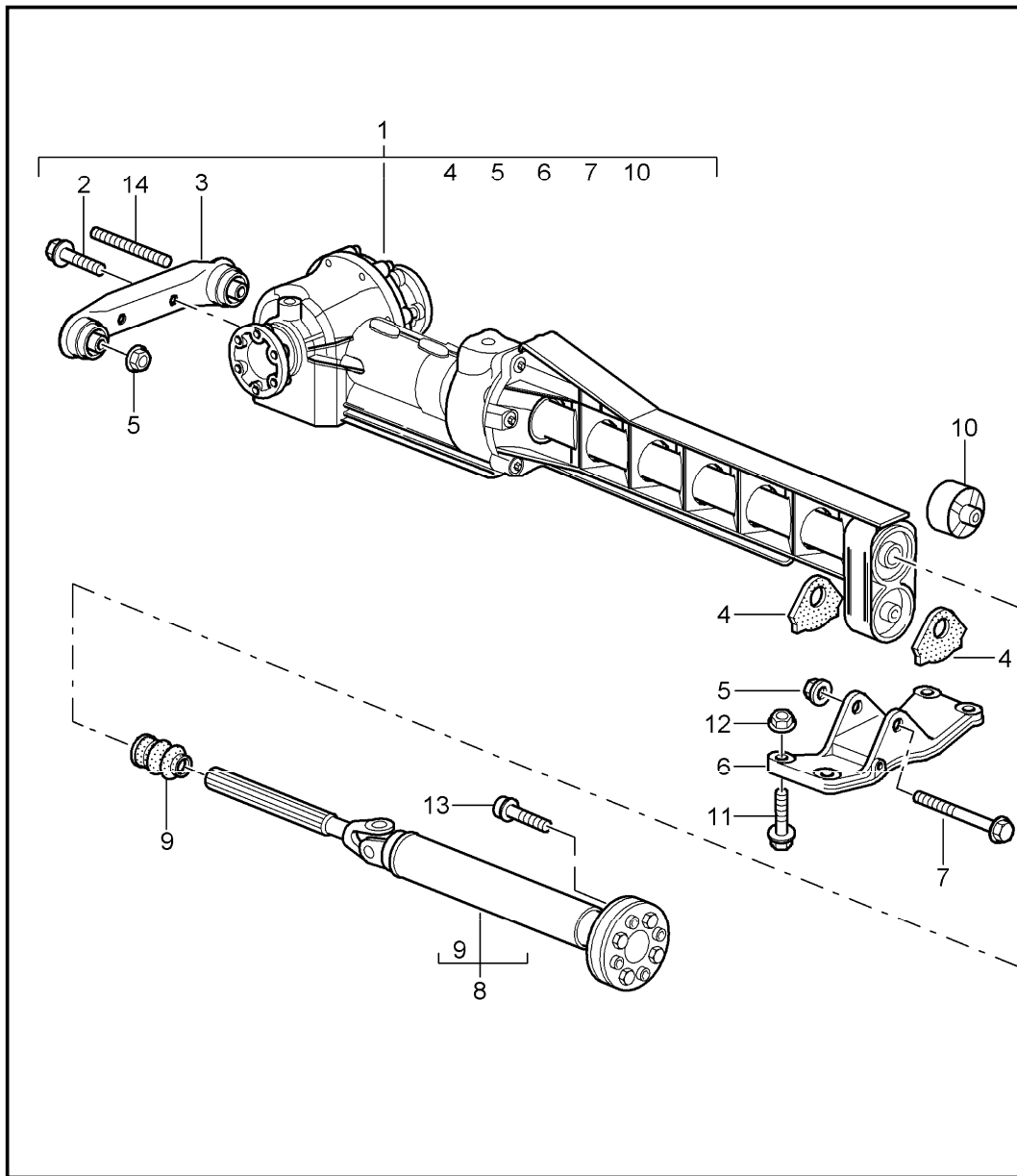


Pos	Part Number	Description	Remark	Qty	Model
		limited-slip differential complete			G97.88
1	997 332 083 91	limited-slip differential 28/40 %		1	
2	999 217 152 01	hexagon-head bolt M 12 X 1,25		12	
3	996 332 266 50	adjusting ring 50,4 X 65 X 1,50		X	
3	996 332 266 51	adjusting ring 50,4 X 65 X 1,55		X	
3	996 332 266 52	adjusting ring 50,4 X 65 X 1,60		X	
3	996 332 266 53	adjusting ring 50,4 X 65 X 1,65		X	
3	996 332 266 54	adjusting ring 50,4 X 65 X 1,70		X	
3	996 332 266 55	adjusting ring 50,4 X 65 X 1,75		X	
3	996 332 266 56	adjusting ring 50,4 X 65 X 1,80		X	
3	996 332 266 57	adjusting ring 50,4 X 65 X 1,85		X	
3	996 332 266 58	adjusting ring 50,4 X 65 X 1,90		X	
3	996 332 266 59	adjusting ring 50,4 X 65 X 1,95		X	
3	996 332 266 60	adjusting ring 50,4 X 65 X 2,00		X	
3	996 332 266 61	adjusting ring 50,4 X 65 X 2,05		X	
3	996 332 266 62	adjusting ring 50,4 X 65 X 2,10		X	
3	996 332 266 63	adjusting ring 50,4 X 65 X 2,15		X	
3	996 332 266 64	adjusting ring 50,4 X 65 X 2,20		X	
3	996 332 266 65	adjusting ring 50,4 X 65 X 2,25		X	

Model	Year	MG	SG	Illustration	Restrictions	UPD	18:18	25.01.2010	PORSCHE	PET	PORSCHE
997T	2009	3	05	305-05		248					

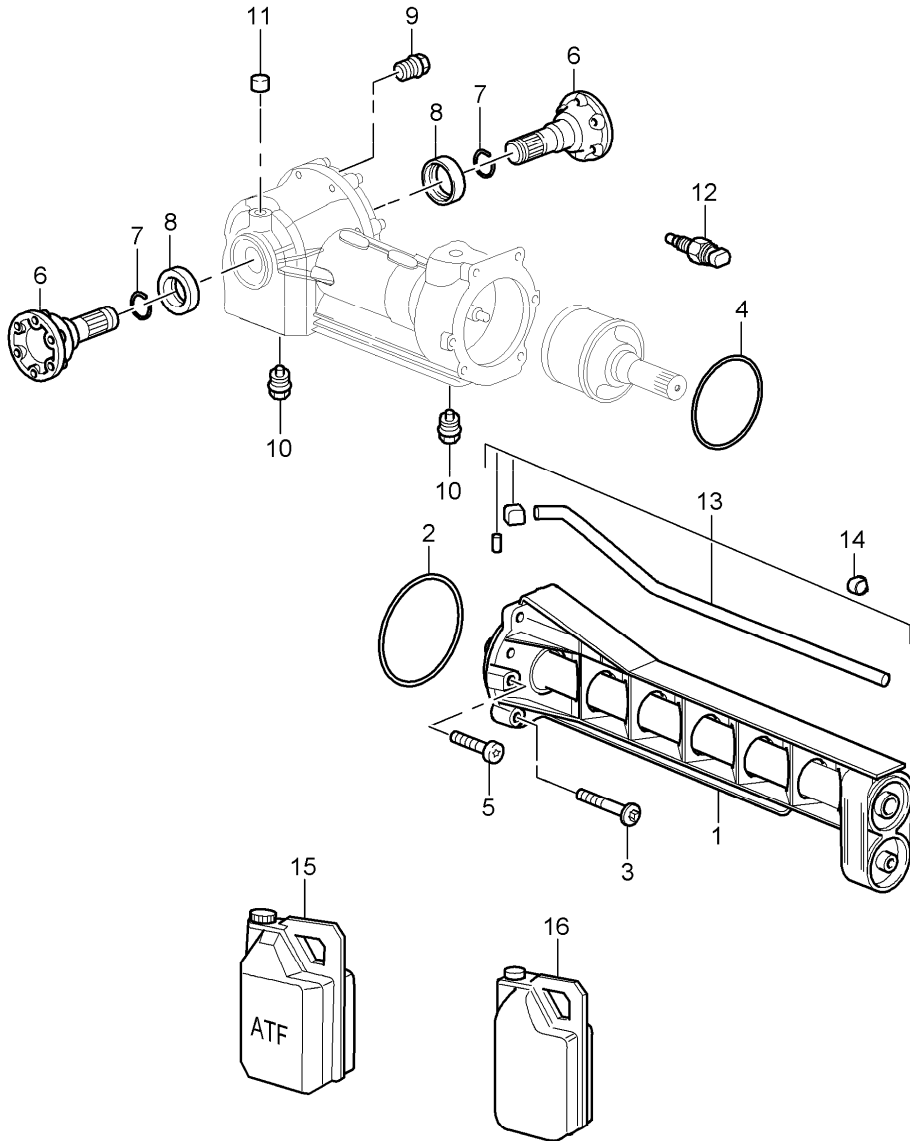
Pos	Part Number	Description	Remark	Qty	Model	Pos	Part Number	Description	Remark	Qty	Model
3	996 332 266 66	adjusting ring 50,4 X 65 X 2,30		X							
3	996 332 266 67	adjusting ring 50,4 X 65 X 2,35		X							
3	996 332 266 68	adjusting ring 50,4 X 65 X 2,40		X							
3	996 332 266 69	adjusting ring 50,4 X 65 X 2,45		X							
3	996 332 266 70	adjusting ring 50,4 X 65 X 2,50		X							
3	996 332 266 71	adjusting ring 50,4 X 65 X 2,55		X							
3	996 332 266 72	adjusting ring 50,4 X 65 X 2,60		X							
3	996 332 266 73	adjusting ring 50,4 X 65 X 2,65		X							
3	996 332 266 74	adjusting ring 50,4 X 65 X 2,70		X							
3	996 332 266 75	adjusting ring 50,4 X 65 X 2,75		X							
3	996 332 266 76	adjusting ring 50,4 X 65 X 2,80		X							
4	999 059 064 00	taper roller bearing 50 X 90		1							
5	999 059 066 02	taper roller bearing 50 X 80 X 20		1							
6	997 332 209 51	joint flange		2							
7	999 217 027 01	hexagon-head bolt M 10 X 85		2							

Model	Year	MG	SG	Illustration	Restrictions	UPD	18:18	25.01.2010	PORSCHE	PET	PORSCHE
997T	2009	3	05	305-10		248					



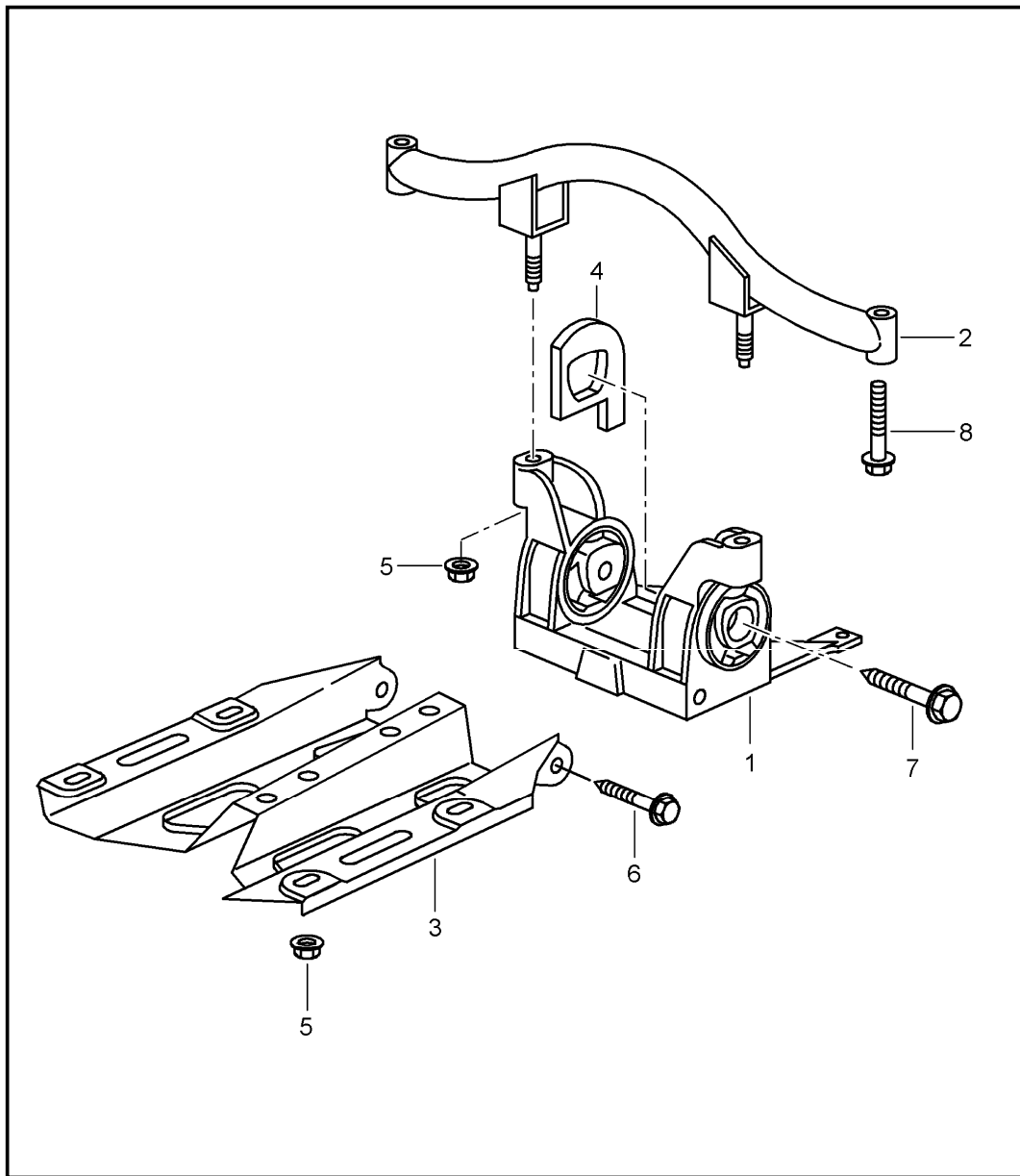
Pos	Part Number	Description	Remark	Qty	Model
		front-axle final drive cardan shaft			Z97.50
1	997 349 020 50	front-axle final drive ready for installation		1	
2	999 072 034 09	conical screw M 10 X 28		2	
3	997 375 934 00	transmission carrier front		1	
4	997 375 257 00	stop		2	
5	900 380 008 09	hexagon nut M 10		1	
6	997 375 343 00	transmission carrier rear		1	
7	900 378 142 09	hexagon-head bolt M 10 X 90		1	
8	997 421 020 00	cardan shaft		1	
9	996 421 145 01	boot		1	
10	996 375 054 02	transmission mounting rear		1	
11	900 385 123 01	combination screw M 10 X 25		4	
12	999 076 053 09	hexagon nut M 10		4	
13	900 385 097 01	torx screw M 10 X 35		3	
14	999 061 111 99	stud M 10 X 121		2	

Model	Year	MG	SG	Illustration	Restrictions	UPD	18:19	25.01.2010	PORSCHE	PET	PORSCHE
997T	2009	3	05	305-15		248					



Pos	Part Number	Description	Remark	Qty	Model
		front-axle final drive			
		clutch			
		single parts			
1	997 337 041 50	bracket		1	
2	999 707 455 40	o-ring 123 X 3		1	
3	900 385 141 01	torx screw M 8 X 40		5	
5	900 067 018 04	pan-head screw M 8 X 25		1	
6	997 332 309 00	joint flange		2	
7	996 332 311 00	circlip 20 X 2,5		2	
8	999 113 454 40	shaft sealing ring 40 X 60 X 9		2	
9	900 124 013 01	screw plug M 18 X 1,5 oil filler screw		2	
10	900 124 014 01	screw plug M 18 X 1,5 drain plug		2	
11	997 337 710 00	cap bleeder 17 X 13,5		1	
12	997 606 303 00	temperature sensor		1	
13	997 337 071 00	breather hose		1	
14	999 507 339 01	cable terminal		4	
15	000 043 303 00	transmission oil for clutch 1 LTR. container		1	
16	---	transmission oil front-axle final drive see illustrations 3/02/00			

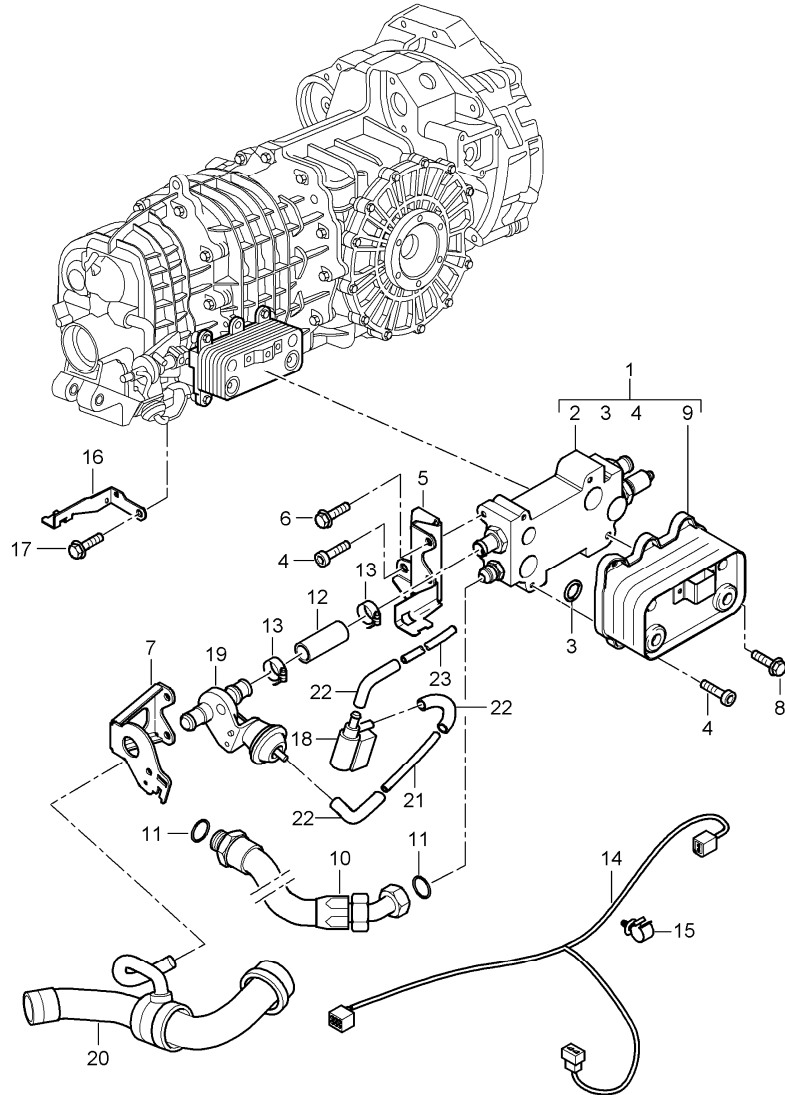
Model	Year	MG	SG	Illustration	Restrictions	UPD	18:19	25.01.2010	PORSCHE	PET	PORSCHE
997T	2009	3	06	306-00		248					



Pos	Part Number	Description	Remark	Qty	Model
		transmission suspension			G97.50
1	996 375 033 03	transmission carrier		1	
2	996 375 317 06	bracket upper		1	
3	996 375 015 00	side member		1	
4	996 375 259 08	stop		2	
5	900 378 167 09	hexagon-head bolt M 10 X 110		2	
5	999 061 106 09	stud M 10 X 83		2	
6	900 380 008 09	hexagon nut M 10		2	
(6)	999 076 053 09	hexagon nut M 10		6	
7	999 072 010 09	hexagon-head bolt M 12 X 1,5 X 100		2	
8	999 072 008 09	hexagon-head bolt M 12 X 1,5 X 70		3	
9	900 378 061 09	hexagon-head bolt M 12 X 1,5 X 50		1	
10	900 378 076 09	hexagon-head bolt M 10 X 50		1	
11	900 377 011 09	hexagon nut M 10		1	



Model	Year	MG	SG	Illustration	Restrictions	UPD	18:19	25.01.2010	PORSCHE	PET	PORSCHE
997T	2009	3	07	307-00		248					

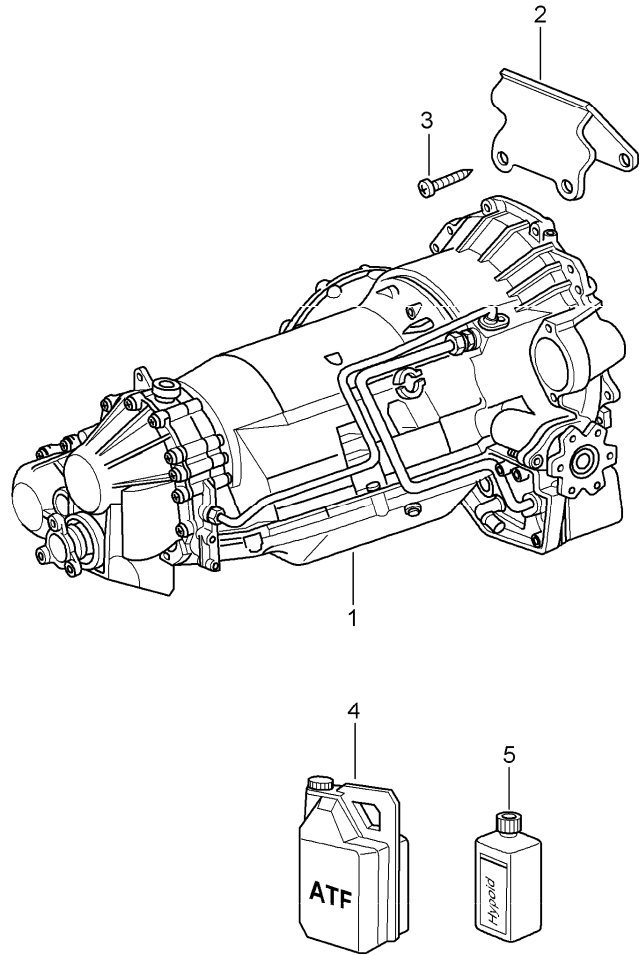


Pos	Part Number	Description	Remark	Qty	Model
		transmission oil cooler lines oil pump	08-		G97.88
1	996 307 015 8A	transmission oil cooler complete		1	
2	996 307 020 8A	port plate		1	
3	900 331 021 40	o-ring 20 X 3,55		4	
4	999 073 103 01	round head screw M 6 X 16		5	
5	996 307 141 89	support		1	
6	900 378 017 01	hexagon-head bolt M 8 X 20		2	
7	996 307 145 89	support		1	
8	900 378 191 01	hexagon-head bolt M 6 X 55		1	
9	996 307 209 88	transmission oil cooler		1	
10	996 307 333 88	oil hose		1	
11	900 123 152 30	sealing ring A 16 X 22		2	
12	900 181 067 50	water hose B18 X 3,5 X47		1	
13	999 512 552 00	hose clamp A 20-32 / 9		2	
14	996 612 401 70	wiring harness		1	
15	811 971 848 B	cable terminal		3	
16	996 106 536 73	support		1	
17	900 378 074 01	hexagon-head bolt M 8 X 16		2	
18	996 605 123 01	change-over valve		1	
19	928 574 573 03	disc valve		1	
20	...	see illustrations 1/05/10		1	
--	000 043 205 01	pipe 4,0 X 1,0		*	

Model	Year	MG	SG	Illustration	Restrictions	UPD	18:19	25.01.2010	PORSCHE	PET	PORSCHE
997T	2009	3	07	307-00		248					

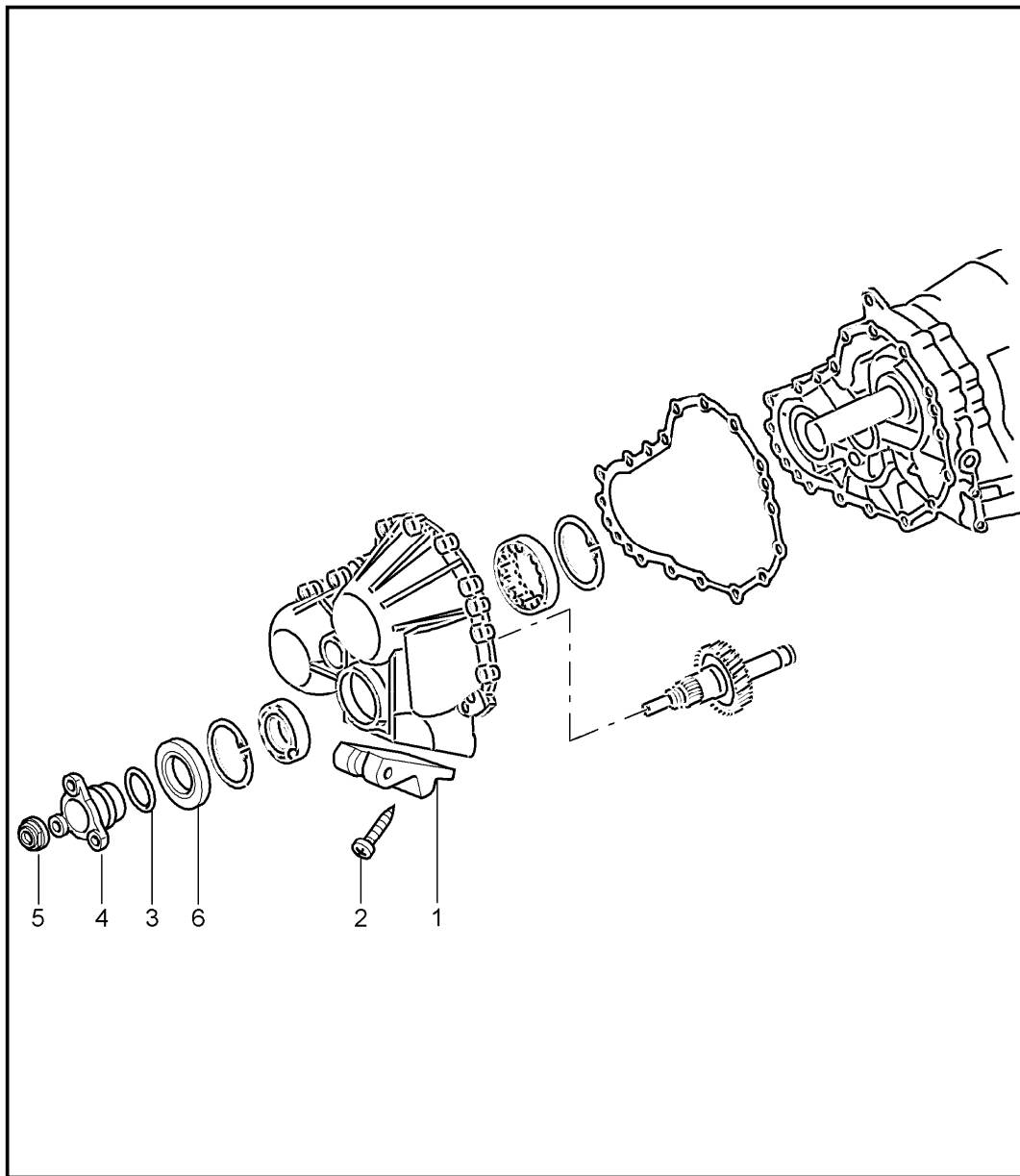
Pos	Part Number	Description	Remark	Qty	Model	Pos	Part Number	Description	Remark	Qty	Model
21	...	75 MM		1							
22	928 574 717 05	moulded hose		3							
--	000 043 205 01	pipe 4,0 X 1,0		*							
23	...	1100 MM		1							
24	997 307 023 90	oil pump		1							
25	999 701 799 40	round seal 65,0 X 3,0		1							
26	999 701 123 50	ring 15,0 X 3,0		1							
27	900 378 022 01	hexagon-head bolt M8 X 25		2							
28	900 378 033 01	hexagon-head bolt M8 X 30		1							

Model	Year	MG	SG	Illustration	Restrictions	UPD	18:19	25.01.2010	PORSCHE	PET	PORSCHE
997T	2009	3	20	320-00		248					



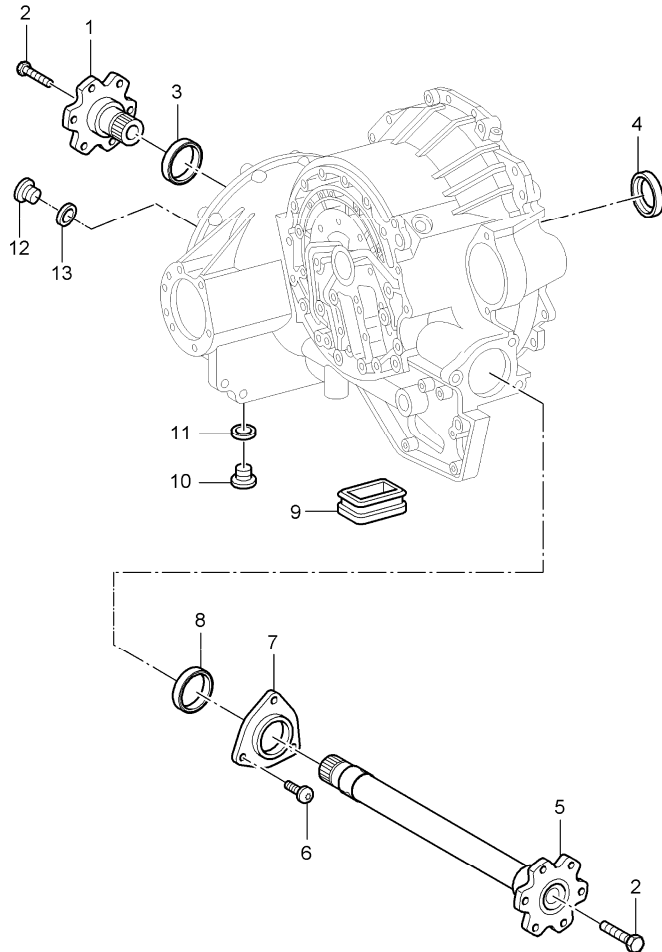
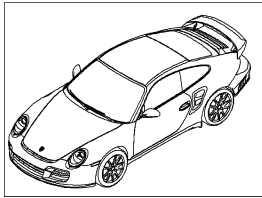
Pos	Part Number	Description	Remark	Qty	Model
		tiptronic replacement transmission			A97.50
1	> 722 270 200 0	transmission		1	
2	U 996 449 101 50	hook		1	
2	997 449 101 50	hook		1	
3	999 073 190 09	oval-head screw M 8 X 60		2	
4	000 043 204 90	transmission oil ATF 20 LTR. container		X	
-	000 043 304 01	transmission oil ATF 1 LTR. container		X	
5	999 917 546 00	transmission oil 75 W 90 1 LTR. container		X	
-	210 997 003 2	screw plug		1	
-	900 123 060 30	sealing ring 24 x 29		1	

Model	Year	MG	SG	Illustration	Restrictions	UPD	18:19	25.01.2010	PORSCHE	PET	PORSCHE
997T	2009	3	20	320-01		248					



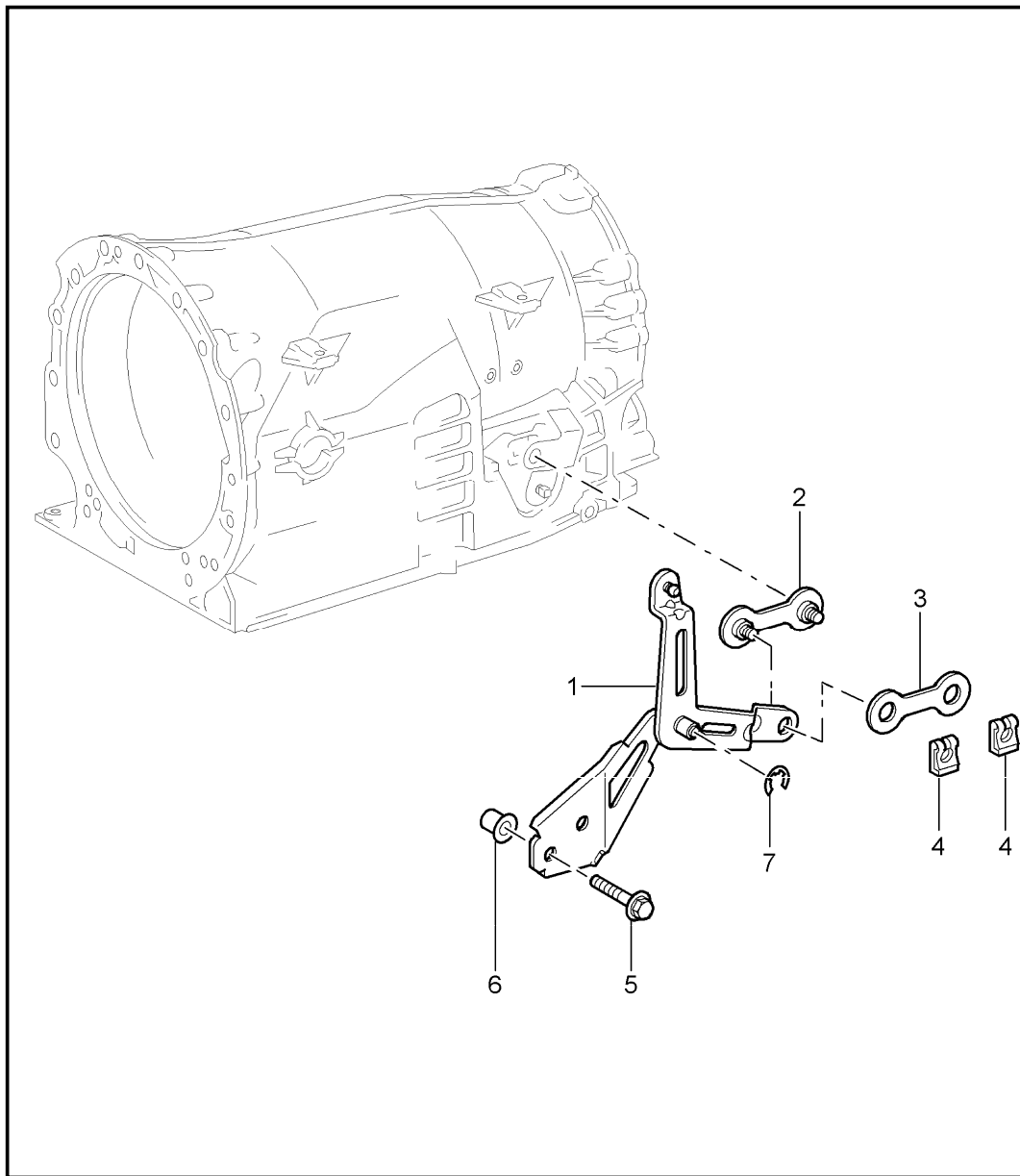
Pos	Part Number	Description	Remark	Qty	Model
		tiptronic all-wheel driving mechanism			A97.50
1	722 260 006 2	bearing		1	
2	999 073 095 09	oval-head screw M 8 X 30		4	
3	168 997 004 5	o-ring 28 X 3		1	
4	722 270 022 0	flange		1	
5	140 990 115 0	collar nut M 26 X 1,5		1	
6	022 997 944 7	shaft sealing ring		1	

Model	Year	MG	SG	Illustration	Restrictions	UPD	18:20	25.01.2010	PORSCHE	PET	PORSCHE
997T	2009	3	20	320-03		248					



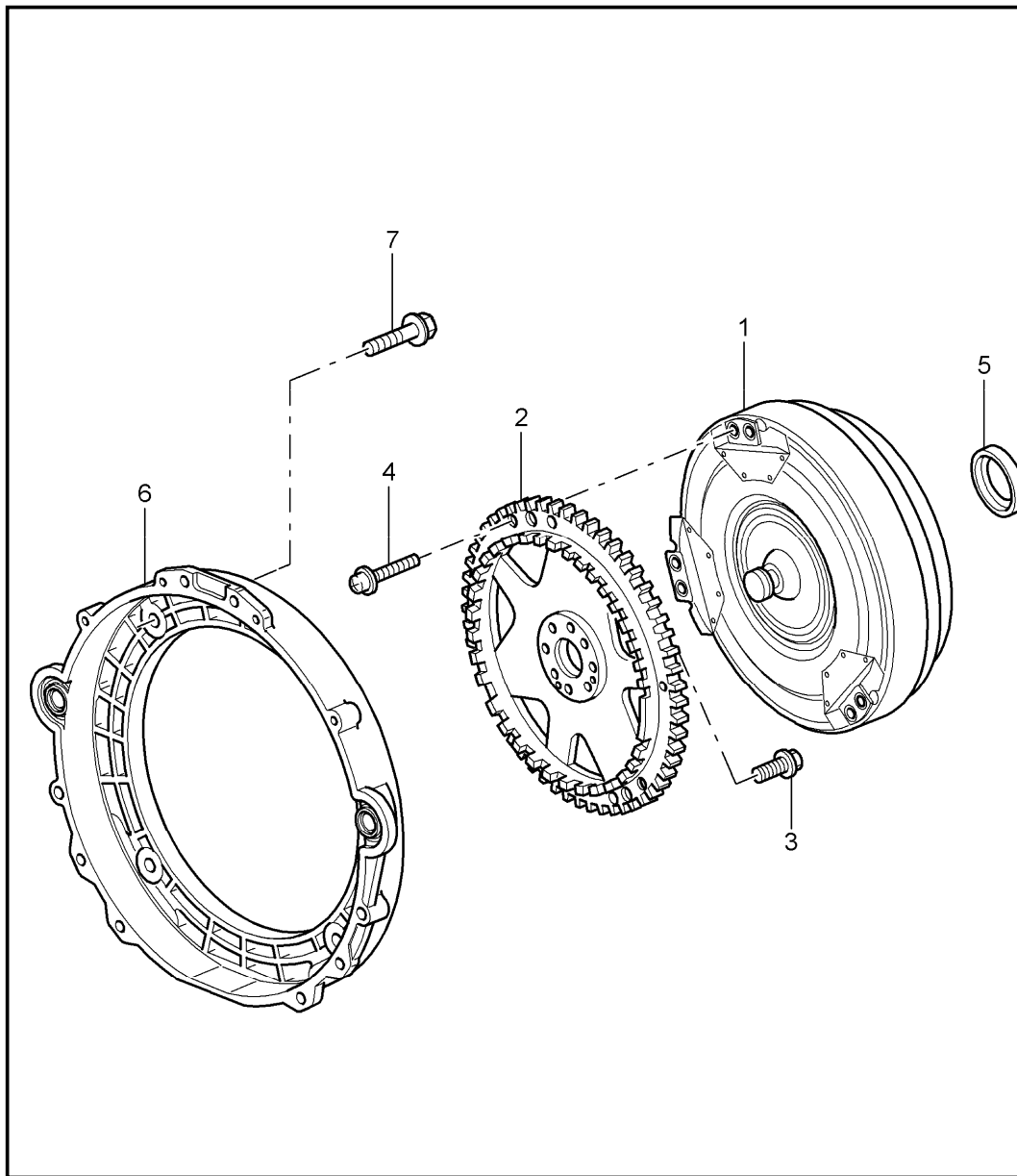
Pos	Part Number	Description	Remark	Qty	Model
		tiptronic differential			A97.50
1	722 274 024 5	drive flange short		1	
2	900 074 192 09	hexagon-head bolt M 10 X 55		1	
3	022 997 924 7	shaft sealing ring		1	
4	018 997 044 7	sealing ring oil pump		1	
5	722 270 062 0	flange long		1	
6	---	hexagon-head bolt M 5 X 12		1	
7	722 353 070 6	lid		1	
8	999 113 484 40	shaft sealing ring for lid		1	
9	722 271 028 7	sealing rubber		1	
10	210 997 003 2	screw plug		1	
11	900 123 060 30	sealing ring 24 x 29		1	
12	900 219 009 01	screw plug M18 x 1,5		1	
13	900 123 044 30	sealing ring 18 x 22		1	

Model	Year	MG	SG	Illustration	Restrictions	UPD	18:20	25.01.2010	PORSCHE	PET	PORSCHE
997T	2009	3	20	320-05		248					



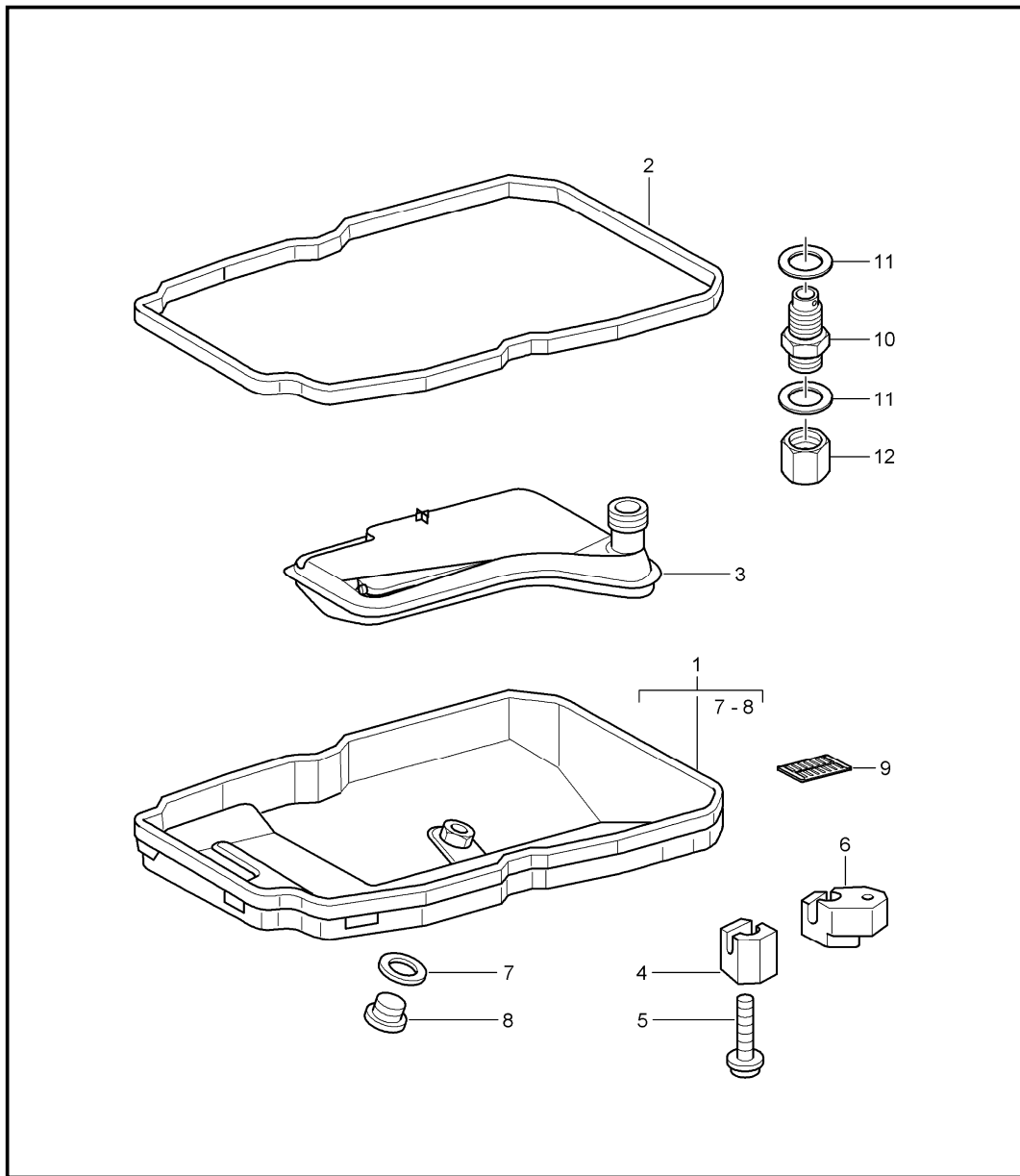
Pos	Part Number	Description	Remark	Qty	Model
		tiptronic selector lever			A97.50
1	722 270 011 0	selector lever		1	
2	722 270 025 9	lever		1	
3	722 278 032 0	lever		1	
4	999 166 079 02	lock washer		1	
5	999 073 095 01	round head screw M 8 X 30		1	
6	722 992 002 0	sleeve		1	
7		lock washer		1	
-	022 997 224 8	shaft sealing ring selector lever		1	

Model	Year	MG	SG	Illustration	Restrictions	UPD	18:20	25.01.2010	PORSCHE	PET	PORSCHE
997T	2009	3	30	330-00		248					



Pos	Part Number	Description	Remark	Qty	Model
		tiptronic torque converter drive plate			A97.50
1	722 250 130 2	torque converter		1	
2	996 116 075 50	drive plate		1	
3	999 119 019 01	pan-head screw M 10 X 1 X 25 X 45		9	
4	900 067 369 09	pan-head screw M 8 X 20		6	
5	018 997 044 7	sealing ring for oil pump		1	
6	996 116 011 50	intermediate housing engine and transmission		1	
7	900 378 251 01	hexagon-head bolt M 10 X 40		4	

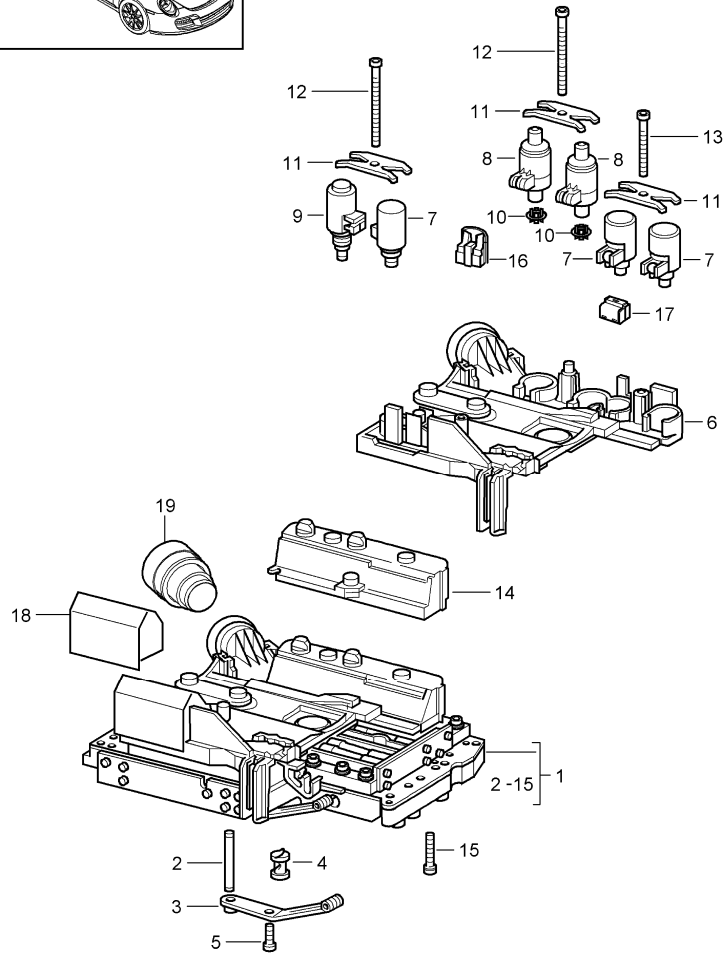
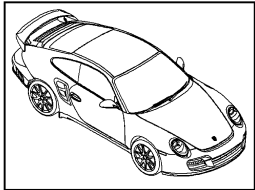
Model	Year	MG	SG	Illustration	Restrictions	UPD	18:20	25.01.2010	PORSCHE	PET	PORSCHE
997T	2009	3	40	340-01		248					



Pos	Part Number	Description	Remark	Qty	Model
		tiptronic oil filter oil pan			A97.50
1	722 270 161 2	oil pan		1	
2	140 271 008 0	gasket		1	
3	722 277 009 5	oil filter		1	
4	140 271 006 8	clamping sleeve		6	
5	999 073 202 01	pan-head screw M 6 X 32		6	
6	140 271 016 8	clamping sleeve		X	
7	900 123 062 20	sealing ring		2	
8	900 219 007 01	screw plug		2	
9	220 271 009 8	magnet		1	
10	996 307 055 11	connection piece oil inlet		1	
11	900 123 007 30	sealing ring 14 X 18		2	
12	900 070 011 01	cap nut M14 X 1,5		1	

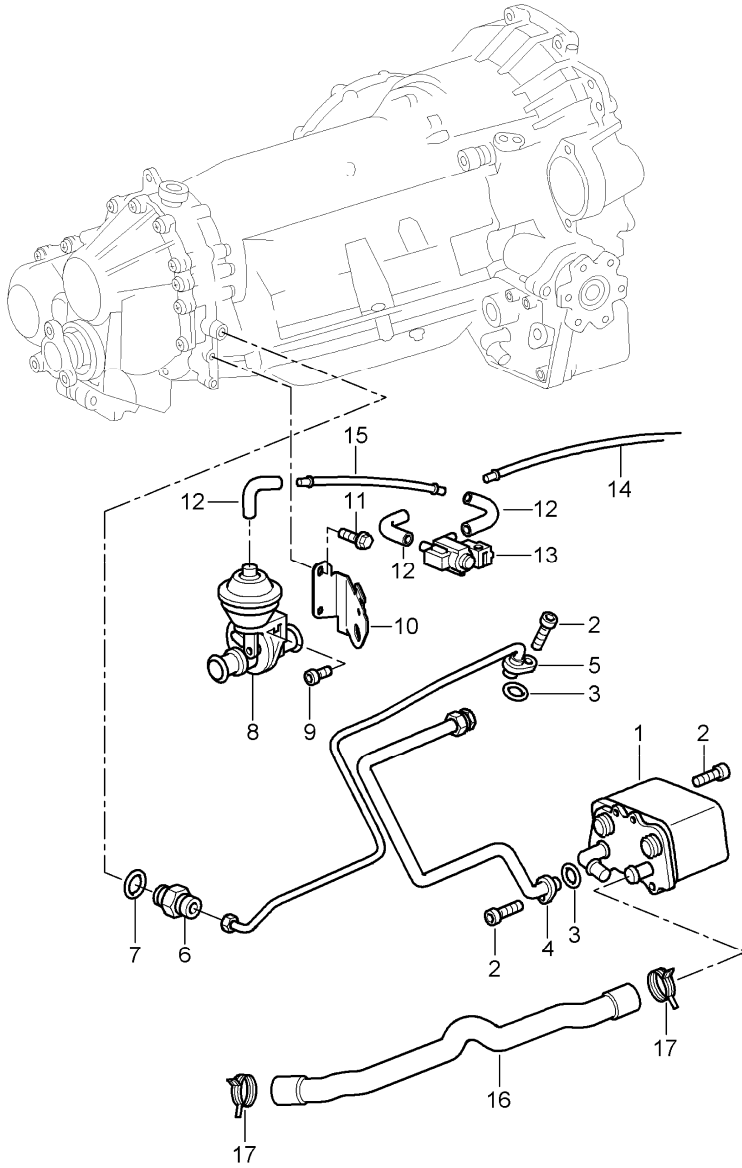


Model	Year	MG	SG	Illustration	Restrictions	UPD	18:20	25.01.2010	PORSCHE	PET	PORSCHE
997T	2009	3	40	340-02		248					



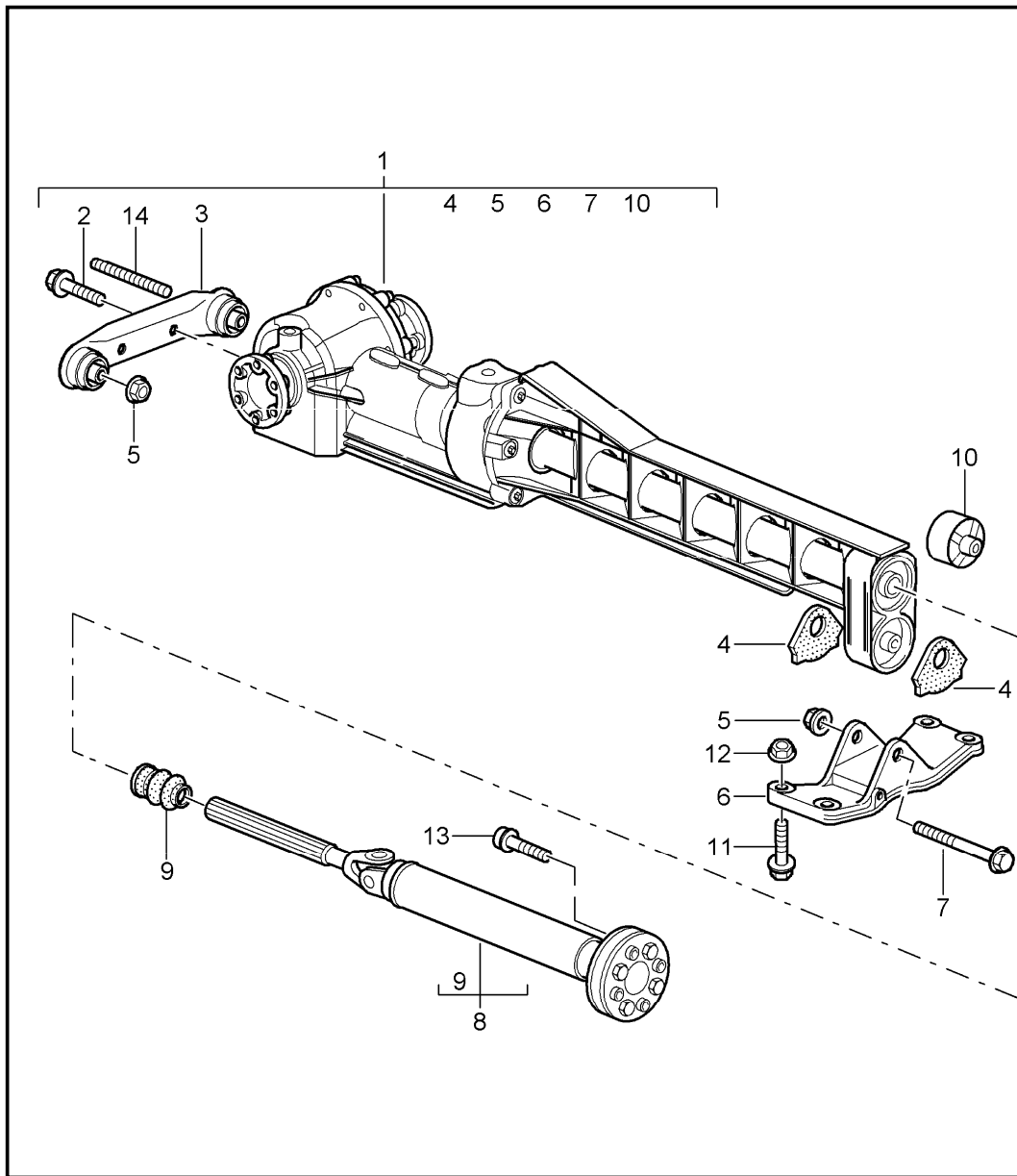
Pos	Part Number	Description	Remark	Qty	Model
		tiptronic switch unit solenoid valve pressure regulator			A97.50
1	722 270 020 6	switch unit		1	
2	140 277 007 5	pin		1	
3	140 270 017 8	spring		1	
4	140 270 029 8	filter		1	
5	170 990 012 0	screw		1	
6	140 270 056 1	cover plate		1	
7	240 270 028 9	valve		3	
8	203 270 008 9	solenoid valve		2	
9	140 277 043 5	solenoid valve		1	
10	140 270 049 8	filter		2	
11	140 276 000 3	spring plate		3	
12	140 277 107 1	screw		2	
13	140 277 117 10	screw		1	
14	140 271 078 2	cover		1	
15	140 277 067 1	screw		10	
16	240 271 008 2	cap		2	
17	240 271 018 2	cap		3	
18	140 271 088 2	cover		1	
19	000 043 207 28	cable guide		1	

Model	Year	MG	SG	Illustration	Restrictions	UPD	18:21	25.01.2010	PORSCHE	PET	PORSCHE
997T	2009	3	60	360-00		248					



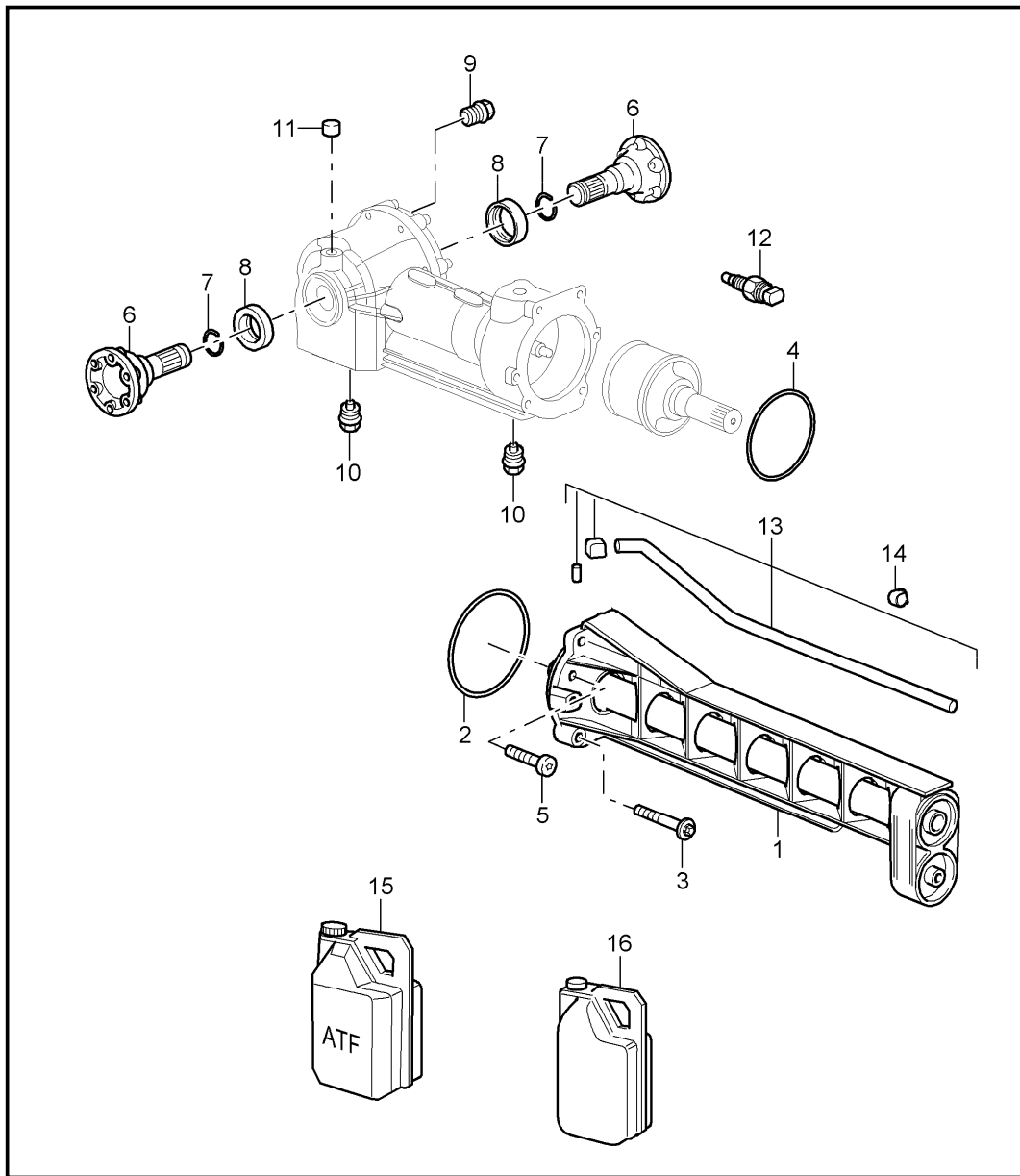
Pos	Part Number	Description	Remark	Qty	Model
		tiptronic atf cooler atf lines			A97.50
1	722 270 049 5	atf cooler		1	
2	999 073 103 09	oval-head screw M 6 X 16		6	
3	029 997 184 8	sealing ring 12,37 X 2,62		2	
4	722 270 089 6	oil pipe		2	
5	722 270 079 6	oil pipe		1	
6	000 997 117 1	screw socket		1	
7	900 123 005 30	sealing ring A 12 X 16		1	
8	928 574 573 03	disc valve		1	
9	900 146 011 01	round head screw M 4 X 10		1	
10	997 106 533 00	support		1	
11	900 378 036 01	hexagon-head bolt M 6 X 12		2	
12	928 574 717 05	moulded hose		3	
13	996 605 123 01	change-over valve		1	
--	999 181 742 40	pipe 4,0 X 1,0		X	
14		940 MM		1	
15		75 MM		1	
16	996 307 711 12	water hose		1	
17	999 512 656 09	hose clamp 25 X 12		2	

Model	Year	MG	SG	Illustration	Restrictions	UPD	18:21	25.01.2010	PORSCHE	PET	PORSCHE
997T	2009	3	60	360-01		248					



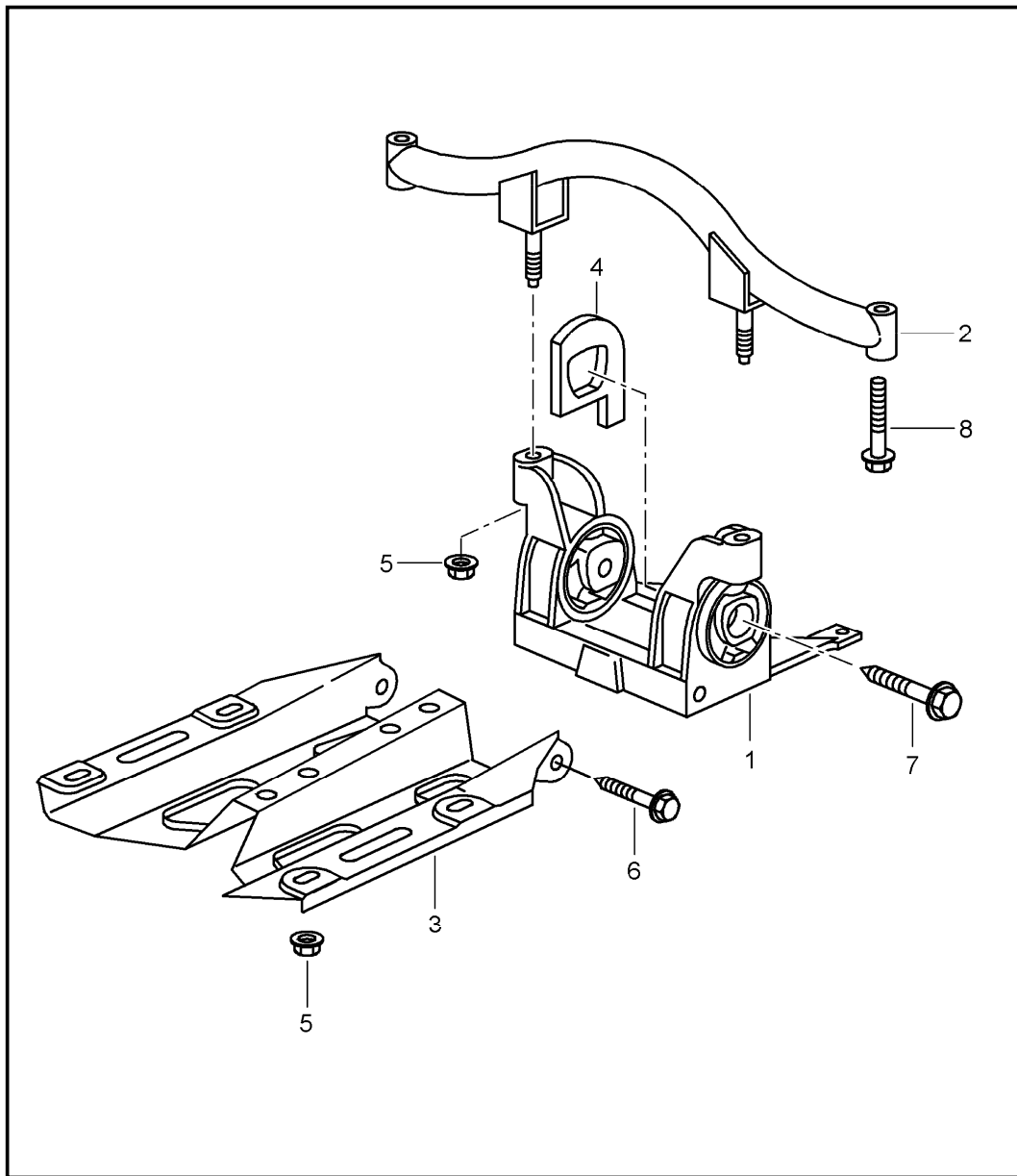
Pos	Part Number	Description	Remark	Qty	Model
		front-axle final drive cardan shaft			Z97.50
1	997 349 020 50	front-axle final drive ready for installation		1	
2	999 072 034 09	conical screw M 10 X 28		2	
3	997 375 934 00	transmission carrier front		1	
4	996 375 257 01	stop		2	
5	900 380 008 09	hexagon nut M 10		1	
6	996 375 343 03	transmission carrier rear		1	
7	900 378 142 09	hexagon-head bolt M 10 X 90		1	
8 A	996 421 020 50	cardan shaft		1	
8	997 421 020 00	cardan shaft		1	
9	996 421 145 01	boot		1	
10	996 375 054 02	transmission mounting rear		1	
11	900 385 123 01	combination screw M 10 X 25		4	
12	999 076 053 09	hexagon nut M 10		4	
13	900 385 097 01	torx screw M 10 X 35		3	
14	999 061 105 09	stud M 10 X 90		2	

Model	Year	MG	SG	Illustration	Restrictions	UPD	18:21	25.01.2010	PORSCHE	PET	PORSCHE
997T	2009	3	60	360-02		248					



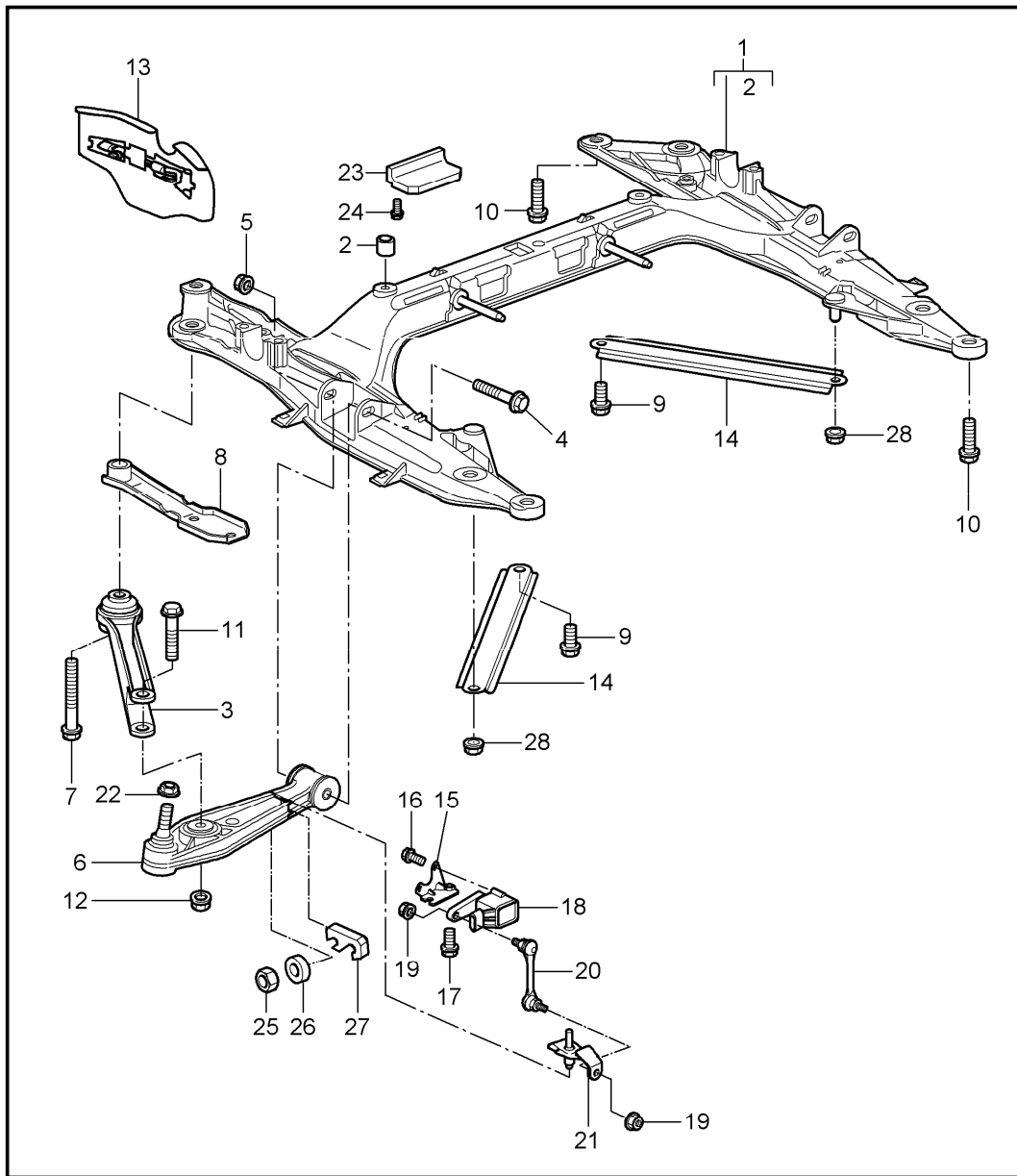
Pos	Part Number	Description	Remark	Qty	Model
		front-axle final drive			Z97.00
		clutch single parts			
1	997 337 041 50	bracket		1	
2	999 707 455 40	o-ring 123 X 3		1	
3	900 385 141 01	torx screw M 8 X 40		5	
5	900 067 018 04	pan-head screw M 8 X 25		1	
6	997 332 309 00	joint flange		2	
7	996 332 311 00	circlip 20 X 2,5		2	
8	999 113 454 40	shaft sealing ring 40 X 60 X 9		2	
9	900 124 013 01	screw plug M 18 X 1,5 oil filler screw		2	
10	900 124 014 01	screw plug M 18 X 1,5 drain plug		2	
11	997 337 710 00	cap bleeder 17 X 13,5		1	
12	997 606 303 40	temperature sensor		1	
12	997 606 303 00	temperature sensor		1	
13	997 337 071 00	breather hose		1	
14	999 507 339 01	cable terminal		4	
15	000 043 303 00	transmission oil for clutch 1 LTR. container		1	
16	---	transmission oil front-axle final drive see illustrations 3/02/00			

Model	Year	MG	SG	Illustration	Restrictions	UPD	18:21	25.01.2010	PORSCHE	PET	PORSCHE
997T	2009	3	70	370-00		248					



Pos	Part Number	Description	Remark	Qty	Model
		tiptronic transmission suspension and mount intermediate flange			A97.50
1	996 375 033 03	transmission carrier		1	
2	996 375 317 06	bracket upper		1	
3	996 375 015 00	side member		1	
4	996 375 259 08	stop		2	
5	900 378 167 09	hexagon-head bolt M 10 X 110		2	
5	999 061 106 09	stud M 10 X 83		2	
6	900 380 008 09	hexagon nut M 10		2	
6A	999 076 053 09	hexagon nut M 10		6	
7	900 378 208 09	hexagon-head bolt M 12 X 1,5 X 75		2	
8	999 072 008 09	hexagon-head bolt M 12 X 1,5 X 70		3	
- A	999 073 182 02	lens-head screw M 8 X 35		4	
-	999 073 373 01	lens-head screw M 8 X 35		4	
-	900 378 108 09	hexagon-head bolt M 8 X 35		4	
10	900 378 076 09	hexagon-head bolt M 10 X 50		1	
11	900 377 011 09	hexagon nut M 10		1	

Model	Year	MG	SG	Illustration	Restrictions	UPD	18:21	25.01.2010	PORSCHE	PET	PORSCHE
997T	2009	4	01	401-00		248					

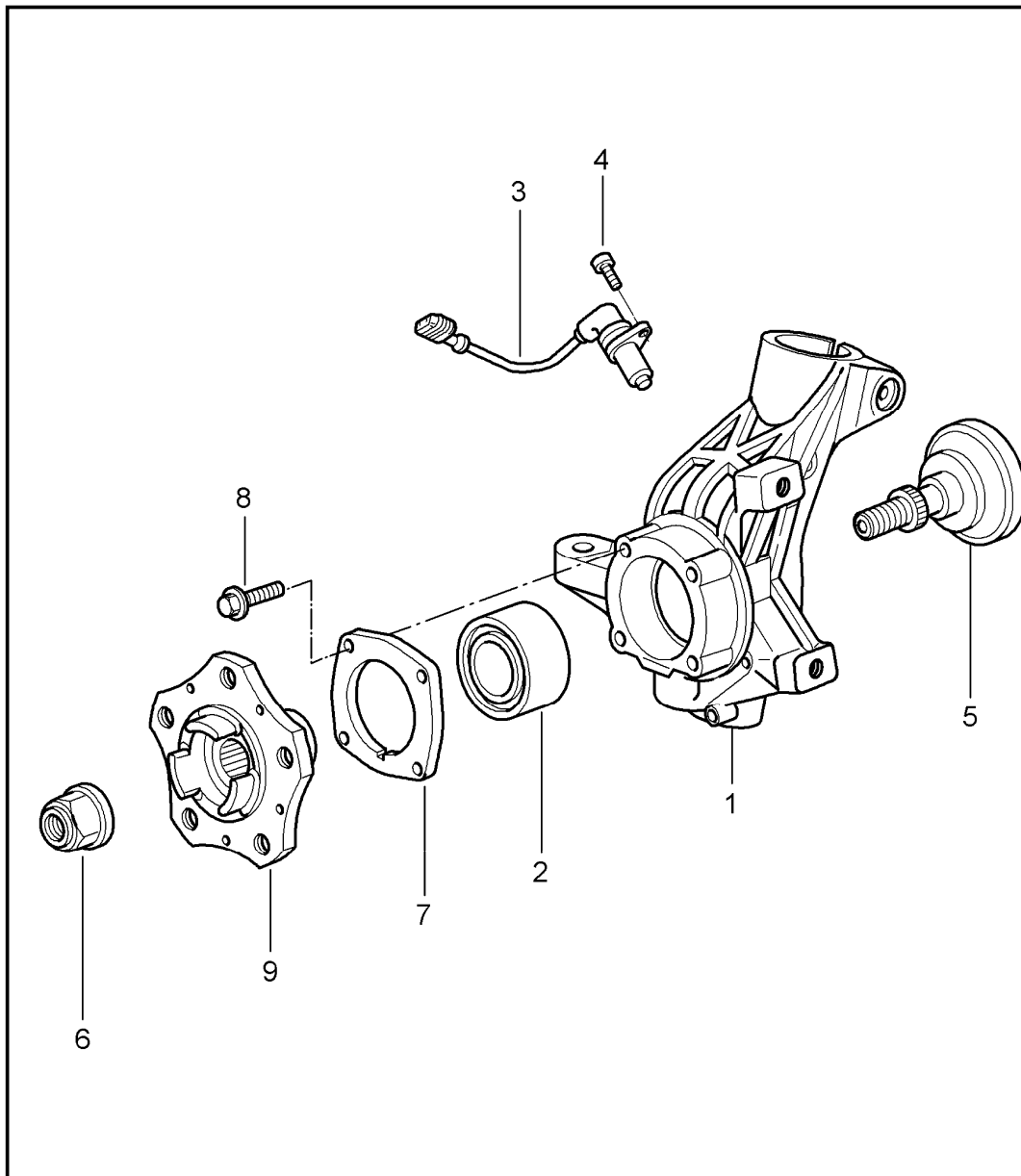


Pos	Part Number	Description	Remark	Qty	Model
		cross member		1	
		wishbone		1	
		cross member		1	
1	997 341 081 11	cross member		1	TURBO
(1)	997 341 081 06	cross member		1	GT2
2	900 197 070 00	roll pin 13 X 14		1	
3	997 341 043 00	control arm		2	TURBO
(3)	996 341 043 06	control arm		2	GT2
4	900 378 165 09	hexagon-head bolt M 12 X 1,5 X 95		2	
5	999 084 445 09	lock nut M 12 X 1,5		07	2
(5)	999 084 445 01	lock nut M 12 x 1,5		08-	2
6	997 341 053 03	wishbone		2	TURBO
(6)	997 341 041 94	wishbone	/L	1	GT2
(6)	997 341 042 94	wishbone	/R	1	GT2
7	999 072 050 09	hexagon-head bolt M 14 X 1,5 X 120		07	2
(7)	999 072 050 01	hexagon-head bolt M 14 X 1,5 X 120		08-	2
8	997 341 145 05	plate		2	
9	999 072 047 09	hexagon-head bolt M 12 X 1,5 X 30		07	4
(9)	999 072 047 01	hexagon-head bolt M 12 x 1,5 x 30		08-	4
10	900 378 192 09	hexagon-head bolt M 14 X 1,5 X 50		07	2
(10)	900 378 192 01	hexagon-head bolt M 14 x 1,5 x 50		08-	2
11	900 378 279 01	hexagon-head bolt M 14 X 1,5 X 95		2	2
12	A 900 380 012 09	hexagon nut M 14 X 1,5		2	2

Model	Year	MG	SG	Illustration	Restrictions	UPD	18:21	25.01.2010	PORSCHE	PET	PORSCHE
997T	2009	4	01	401-00		248					

Pos	Part Number	Description	Remark	Qty	Model	Pos	Part Number	Description	Remark	Qty	Model
12	900 380 012 01	hexagon nut M 14 X 1,5		2		25	900 076 064 02	hexagon nut M 8		4	GT2
13	997 341 483 01	spoiler	/L	1	TURBO	26	999 025 269 02	washer		4	GT2
(13)	997 341 483 92	spoiler	/L	1	GT2	27	996 341 543 90	adjusting shim 1 MM		X	GT2
(13)	997 341 484 01	spoiler	/R	1	TURBO	27	996 341 543 93	adjusting shim 7 MM		X	GT2
(13)	997 341 484 92	spoiler	/R	1	GT2	28	999 084 445 01	hexagon nut M 12 X 1,5		2	
14	997 504 433 01	strut		2	TURBO						
(14)	997 504 433 00	strut		2	GT2						
	GRV	prime coated									
15	... ..	support see illustrations 1/05/10		1	I601						
16	900 146 003 02	oval-head screw M 5 X 10		07	2 TURBO I601						
(16)	900 146 003 03	oval-head screw M 5 x 10		08-	2 TURBO I601						
17	900 378 036 09	hexagon-head bolt M 6 X 12		07	1 TURBO I601						
(17)	900 378 036 01	hexagon-head bolt M 6 x 12		08-	1 TURBO I601						
18	997 631 121 00	sensor		1	TURBO I601						
19	900 380 015 09	hexagon nut VM 6		07	2 TURBO I601						
(19)	900 380 015 01	hexagon nut VM 6		08-	2 TURBO I601						
20	997 341 375 01	strut		1	I601						
21	996 341 371 03	support		1	I601 I601						
22	999 084 449 09	hexagon nut M 12 X 1,5		2	I601						
23	997 341 431 02	stop		1	TURBO						
24	999 072 047 09	hexagon-head bolt M 12 x 1,5 x 30		07	4 TURBO						
(24)	999 072 047 01	hexagon-head bolt M 12 x 1,5 x 30		08-	4 TURBO						

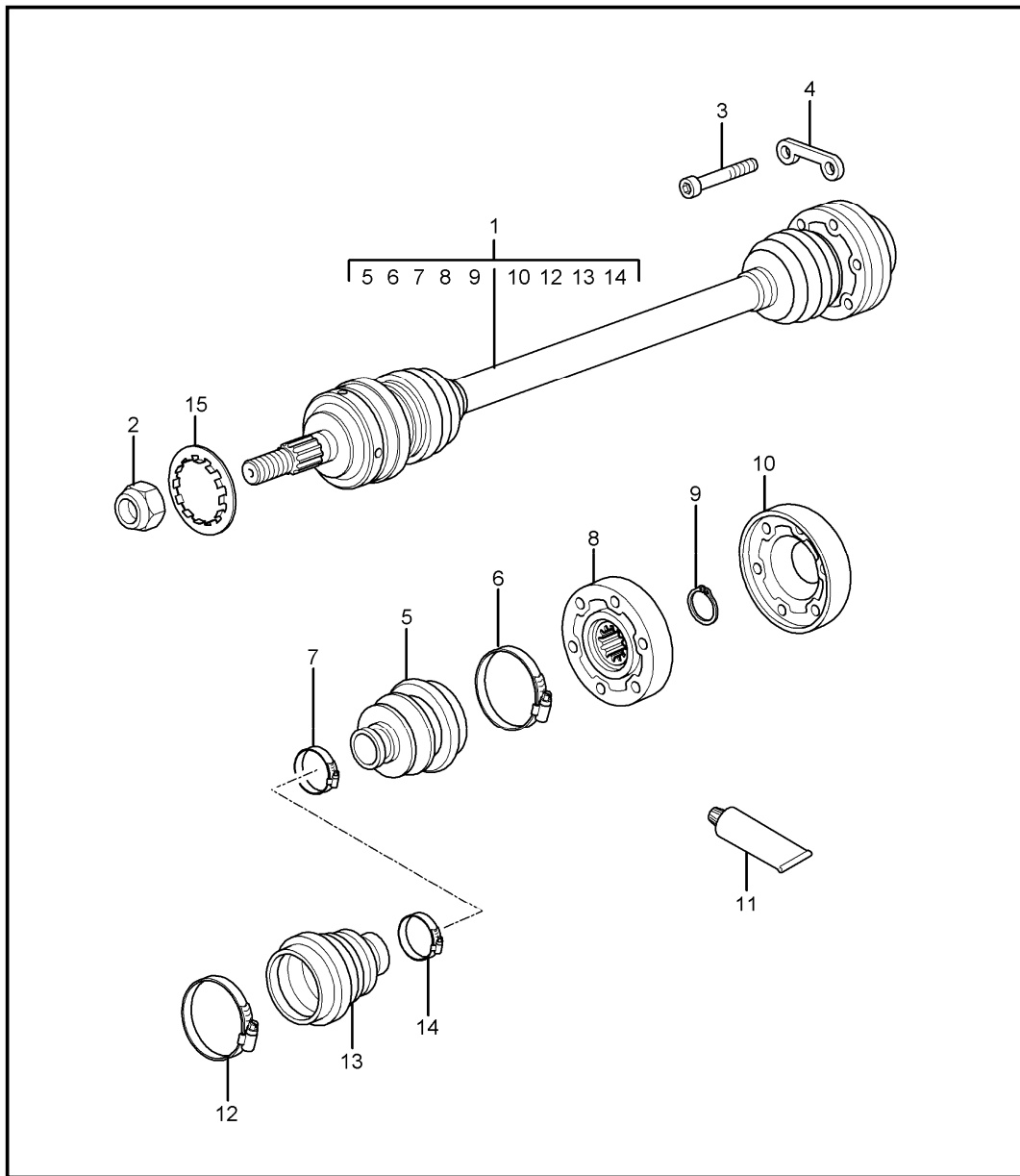
Model	Year	MG	SG	Illustration	Restrictions	UPD	13:43	02.02.2010	PORSCHE	PET	PORSCHE
997T	2009	4	01	401-05		248					



Pos	Part Number	Description	Remark	Qty	Model
		wheel carrier			
		wheel hub			
1	997 341 165 24	wheel carrier	/L	1	TURBO
(1)	997 341 157 95	wheel carrier	/L	1	GT2
(1)	997 341 166 24	wheel carrier	/R	1	TURBO
(1)	997 341 158 95	wheel carrier	/R	1	GT2
2	999 053 054 05	angular-contact bearing		2	
3	997 606 407 01	speed sensor		2	
-	997 341 321 90	support cable speed sensor		2	
4	900 067 117 09	pan-head screw M 6 X 16		2	TURBO
(4)	900 067 117 04	pan-head screw M 6 x 16		2	GT2
5	997 341 131 00	tension bolt		2	GT2
6	999 084 641 02	lock nut M 22 x 1,5		2	TURBO
(6)	999 084 634 02	hexagon nut M 22 x 1,5		2	GT2
7	986 331 661 20	lid		2	TURBO
(7) A	996 341 661 90	lid		2	GT2
(7)	997 341 661 90	lid		2	GT2
8	999 217 042 09	hexagon-head bolt M 8 X 35		8	TURBO
(8) A	999 217 042 03	hexagon-head bolt M 8 X 35		8	GT2
(8)	999 217 042 04	hexagon-head bolt M 8 X 35		8	GT2
9	997 341 605 01	wheel hub		2	
(9)	997 341 607 02	wheel hub	09-	2	TURBO I422

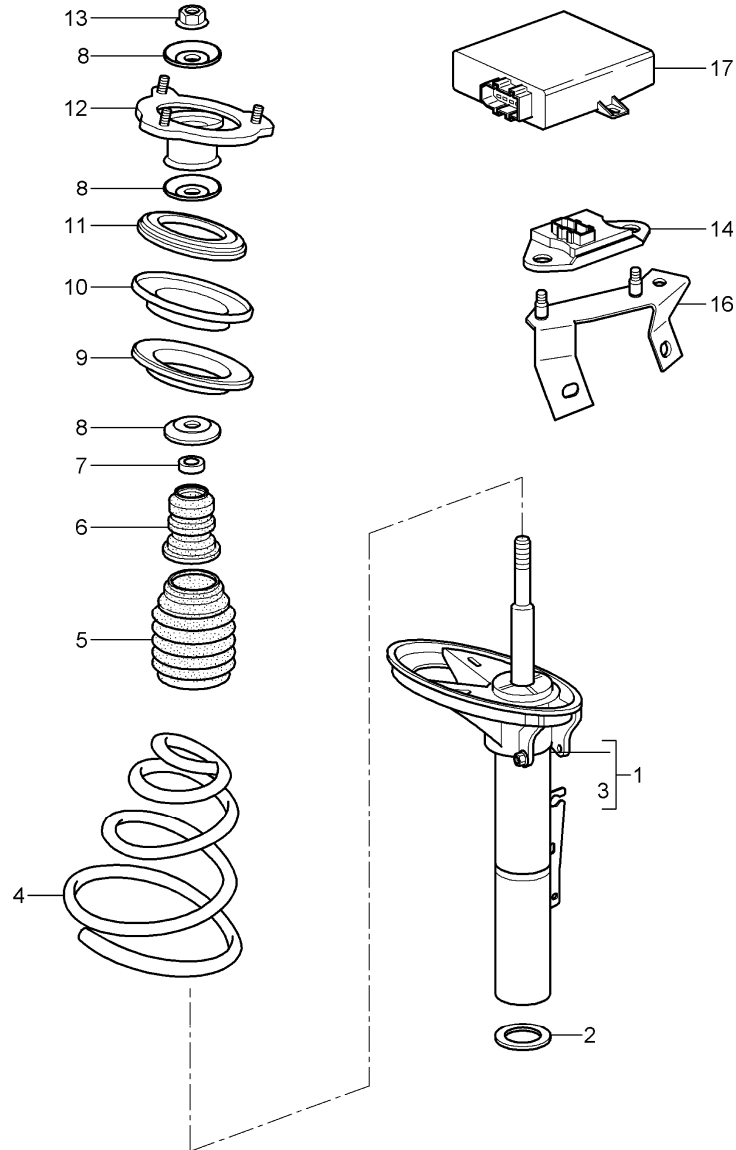


Model	Year	MG	SG	Illustration	Restrictions	UPD	19:57	25.01.2010	PORSCHE	PET	PORSCHE
997T	2009	4	01	401-10		248					



Pos	Part Number	Description	Remark	Qty	Model
		drive shaft			TURBO
1	997 349 038 01	drive shaft		2	
(2)	999 084 641 02	lock nut M 22 X 1,5		2	
3	A 900 067 073 09	pan-head screw M 8 X 45		12	
(3)	900 067 073 02	pan-head screw M 8 x 45		12	
(4)	996 349 191 01	plate		6	
5	996 349 293 00	dust bellows		2	
-	996 349 959 00	bellow support for dust bellows		2	
6	997 349 957 00	clip		2	
7	996 349 257 03	clip		2	
8	996 349 030 00	joint		2	
9	900 041 011 01	circlip		2	
10	996 349 267 00	lid		2	
11	000 043 110 01	grease 1 100-gramme tube		X	
(11)	000 043 205 36	sealing compound drive shaft 1 100-gramme tube		X	
12	996 349 257 00	clip		2	
13	996 349 291 00	dust bellows		2	
14	996 349 257 01	clip		2	
15	997 349 269 00	protective ring		2	

Model	Year	MG	SG	Illustration	Restrictions	UPD	19:57	25.01.2010	PORSCHE	PET	PORSCHE
997T	2009	4	02	402-00		248					



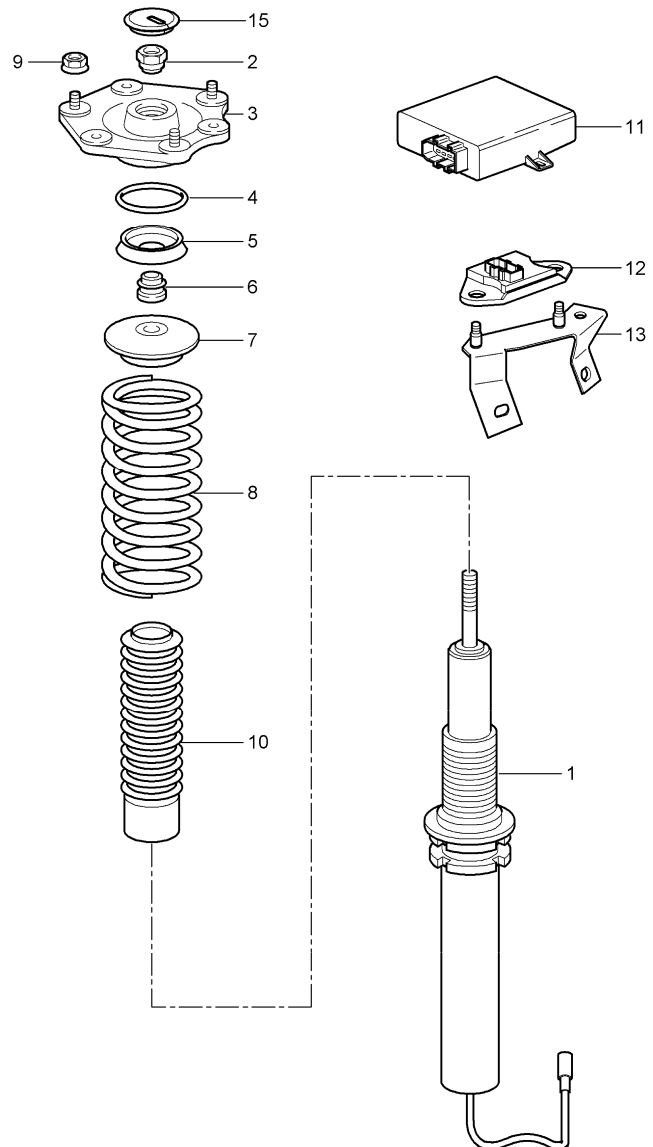
Pos	Part Number	Description	Remark	Qty	Model
		suspension shock absorber strut			TURBO
1	A 997 343 047 11	shock absorber	/L	1	
(1)	A 997 343 047 13	shock absorber	/L	1	
(1)	997 343 047 16	shock absorber	/L	1	
(1)	A 997 343 048 11	shock absorber	/R	1	
(1)	A 997 343 048 13	shock absorber	/R	1	
(1)	997 343 048 16	shock absorber	/R	1	
		mount shock absorber			
-	A 900 378 138 09	hexagon-head bolt M 12 X 1,5 X 70		2	
-	900 378 138 01	hexagon-head bolt M 12 X 1,5 X 70		2	
-	999 084 445 09	lock nut M 12 X 1,5		2	
4	997 343 533 29	coil spring 1 set		1	
	504	identification white green			
5	996 343 509 01	bellows		2	
6	996 343 301 02	additional spring		2	
7	996 343 513 00	washer		2	
8	997 343 107 00	stop plate upper		2	
(8)	997 343 107 01	stop plate lower		4	
9	996 343 525 00	compensating plate 3,0 MM		X	
(9)	996 343 525 01	compensating plate 6,5 MM		X	
10	996 343 523 00	support ring		2	
11	996 343 501 00	angular-contact bearing		2	
12	A 997 343 015 01	supporting mount	/L	07	1

Model	Year	MG	SG	Illustration	Restrictions	UPD	19:57	25.01.2010	PORSCHE	PET	PORSCHE
997T	2009	4	02	402-00		248					

Pos	Part Number	Description	Remark	Qty	Model	Pos	Part Number	Description	Remark	Qty	Model
(12)	997 343 015 02	supporting mount	/L 08-	1							
(12) A	997 343 016 01	supporting mount	/R 07	1							
(12)	997 343 016 02	supporting mount	/R 08-	1							
- A	999 084 447 09	hexagon nut M 8		12							
-	999 084 447 01	hexagon nut M 8		12							
13 A	900 380 012 09	hexagon nut M 14 X 1,5		2							
13	900 380 012 01	hexagon nut M 14 X 1,5		2							
14	997 606 111 01	acceleration sensor body		1							
15	999 703 457 40	lid		2							
16 A	997 606 212 00	support acceleration sensor	07	1							
(16)	997 606 212 01	support acceleration sensor	08-	1							
17 A	997 618 125 03	control unit	-07	1							
(17)	997 618 125 04	control unit	08-	1							
18	997 606 111 01	acceleration sensor body		1							
19 A	997 606 212 00	support acceleration sensor	07	1							
(19)	997 606 212 01	support acceleration sensor	08-	1							

Model	Year	MG	SG	Illustration	Restrictions	UPD	19:57	25.01.2010	PORSCHE	PET	PORSCHE
997T	2009	4	02	402-01		248					

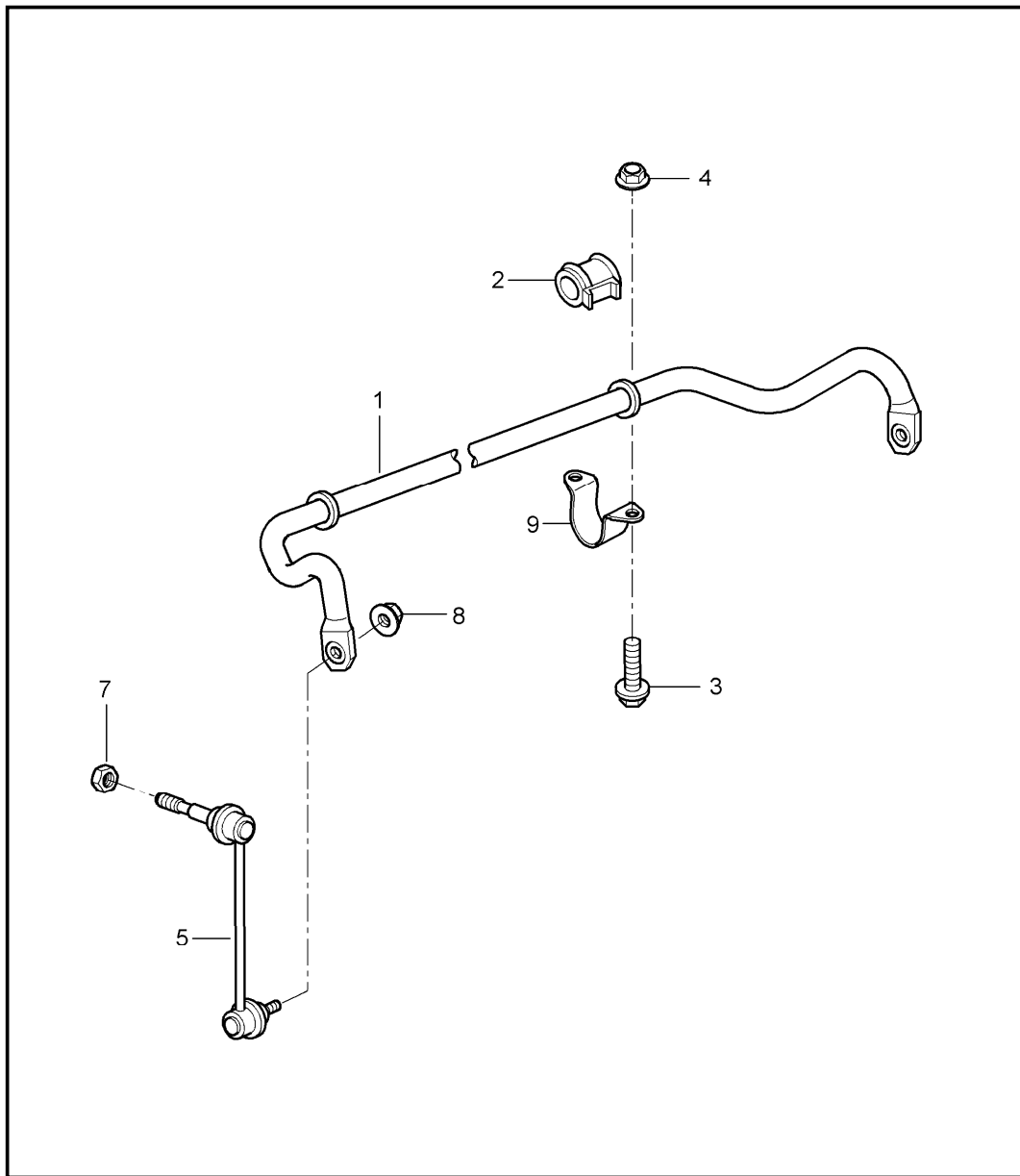
Pos	Part Number	Description	Remark	Qty	Model
1	997 343 041 94	suspension shock absorber strut vibration damper		2	GT2
-	A 900 378 138 09	mount shock absorber hexagon-head bolt m 12 x 1,5 x 70		2	
-	900 378 138 01	hexagon-head bolt m 12 x 1,5 x 70		2	
2	997 343 561 90	nut		2	
3	997 343 011 94	supporting mount		2	
-	999 084 447 09	hexagon nut M 8		6	
-	999 084 447 01	hexagon nut M 8		6	
4	964 343 188 80	retainer spring		2	
5	964 343 186 80	sealing cap		2	
6	997 343 563 90	spacer sleeve		2	
7	997 343 511 90	spring hanger		1	
8	997 343 531 93	coil spring		1	
9	504	1 set			
9	999 084 447 09	hexagon nut M 8		6	
(9)	999 084 447 01	hexagon nut M 8		6	
10	996 343 567 90	bellows for spring hanger		2	
11	997 618 105 92	control unit shock absorber	-07	1	
(11)	997 618 105 94	control unit shock absorber	08-	1	
12	997 606 111 01	acceleration sensor body		1	
13	997 606 212 01	support acceleration sensor		1	



Model	Year	MG	SG	Illustration	Restrictions	UPD	19:57	25.01.2010	PORSCHE	PET	PORSCHE
997T	2009	4	02	402-01		248					

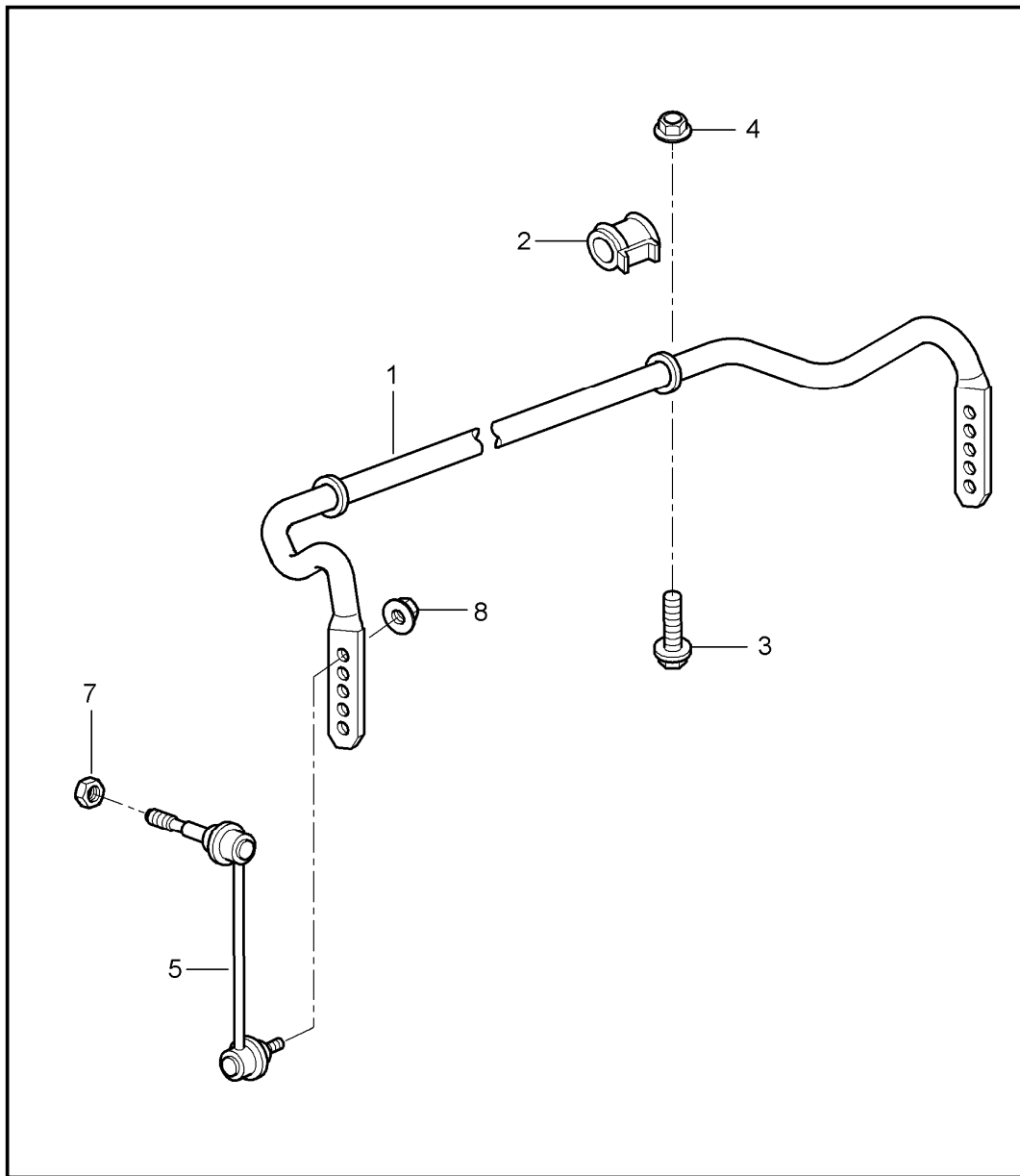
Pos	Part Number	Description	Remark	Qty	Model	Pos	Part Number	Description	Remark	Qty	Model
15	999 703 457 40	lid		2							

Model	Year	MG	SG	Illustration	Restrictions	UPD	19:57	25.01.2010	PORSCHE	PET	PORSCHE
997T	2009	4	02	402-05		248					



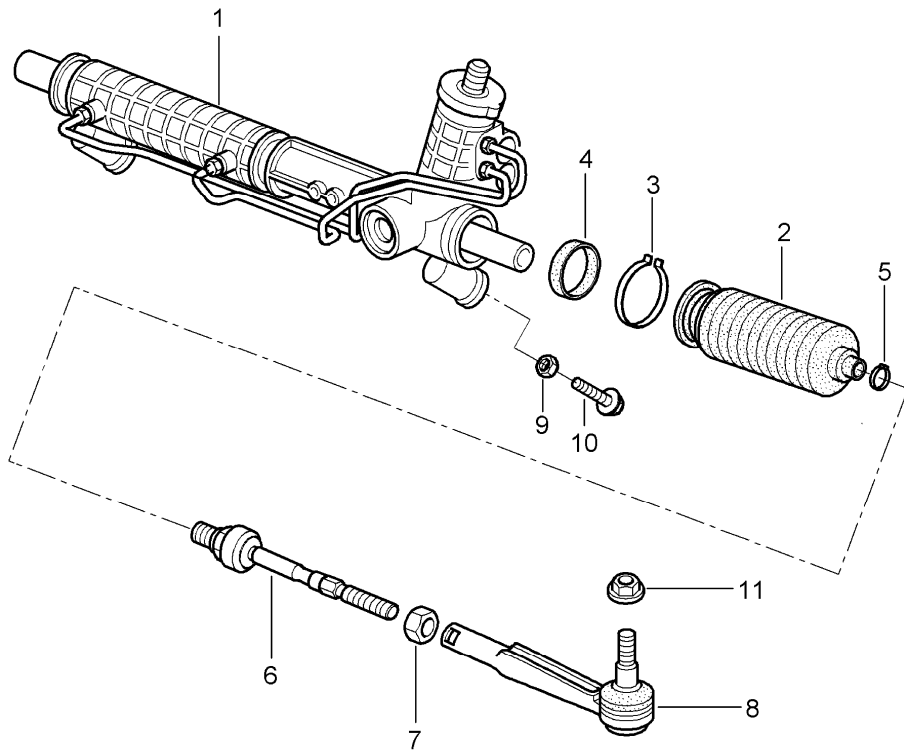
Pos	Part Number	Description	Remark	Qty	Model
		stabiliser			TURBO
1	997 343 703 08	stabiliser		07	1 COUPE
(1)	997 343 703 09	stabiliser		08-	1 COUPE 1 CABRIO
2	996 343 792 11	stabiliser mounting		07	2 COUPE
(2)	996 343 792 12	stabiliser mounting		08-	2 COUPE 2 CABRIO
3	900 378 098 09	hexagon-head bolt m 10 x 60			2
4 A	900 380 008 09	hexagon nut M 10			4
4	900 380 008 01	hexagon nut M 10			4
5	997 343 073 02	stabiliser mounting	/L		1
(5)	997 343 074 02	stabiliser mounting	/R		1
7	999 084 643 09	hexagon nut M 10			4
8	999 084 643 09	hexagon nut M 10			4
9	997 343 777 01	clip			2

Model	Year	MG	SG	Illustration	Restrictions	UPD	19:57	25.01.2010	PORSCHE	PET	PORSCHE
997T	2009	4	02	402-06		248					



Pos	Part Number	Description	Remark	Qty	Model
		stabiliser			GT2
1	997 343 701 92	stabiliser		1	
2	997 343 792 00	stabiliser mounting		2	
3	900 378 098 09	hexagon-head bolt m 10 x 60		4	
4	A 900 380 008 09	hexagon nut M 10		4	
4	900 380 008 01	hexagon nut M 10		4	
5	997 343 069 01	stabiliser mounting	/L	1	
(5)	997 343 070 01	stabiliser mounting	/R	1	
7	999 084 445 01	lock nut M 12 X 1,5		2	
8	999 084 123 09	hexagon nut M 10		2	

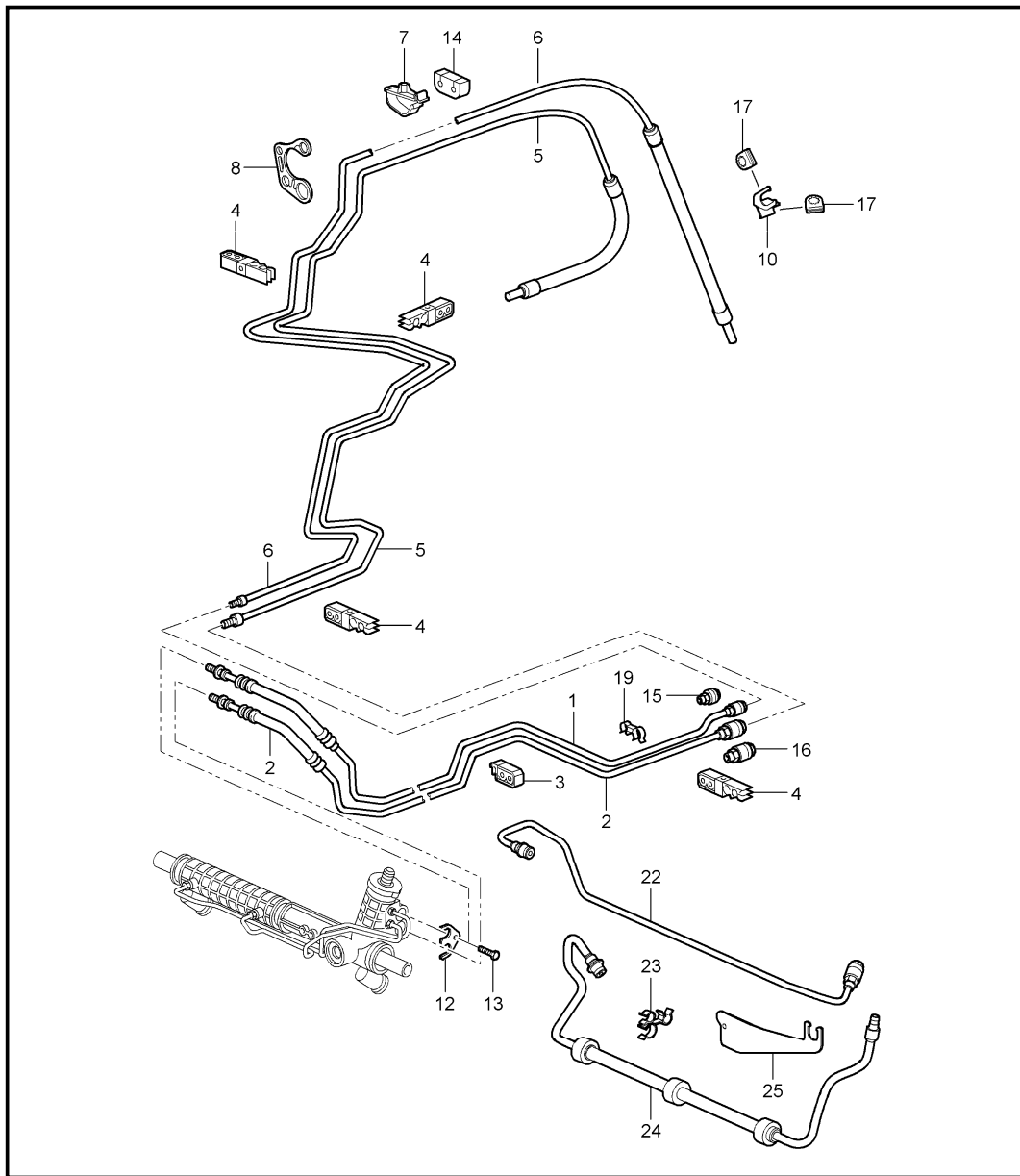
Model	Year	MG	SG	Illustration	Restrictions	UPD	19:57	25.01.2010	PORSCHE	PET	PORSCHE
997T	2009	4	03	403-00		248					



Pos	Part Number	Description	Remark	Qty	Model
		power steering steering gear steering parts			
(1) >	997 347 011 05	steering gear power steering	/LL -07	1	I098
(1) >	997 347 011 06	steering gear power steering	/LL 08-	1	I098
(1) >	997 347 012 04	steering gear power steering	/RL -07	1	I099
(1) >	997 347 012 05	steering gear power steering	/RL 08-	1	I099
2	997 347 191 00	bellows	/LL	2	I098
3	996 347 293 05	clamping ring	/LL	2	I098
4	997 347 373 00	sealing ring	/LL	2	I098
5	999 512 645 09	hose clamp		2	
6	997 347 322 00	joint	-07	2	
(6)	997 347 322 01	joint	08-	2	
7	999 034 037 09	hexagon nut M 14 X 1,5		2	
8	996 347 131 04	track rod		2	
9	-	see illustrations 4/01/00 POS.2			
10	900 378 100 01	hexagon-head bolt AM 10 X 45		2	
11	999 084 449 09	hexagon nut M 12 X 1,5		2	



Model	Year	MG	SG	Illustration	Restrictions	UPD	19:58	25.01.2010	PORSCHE	PET	PORSCHE
997T	2009	4	03	403-01		248					

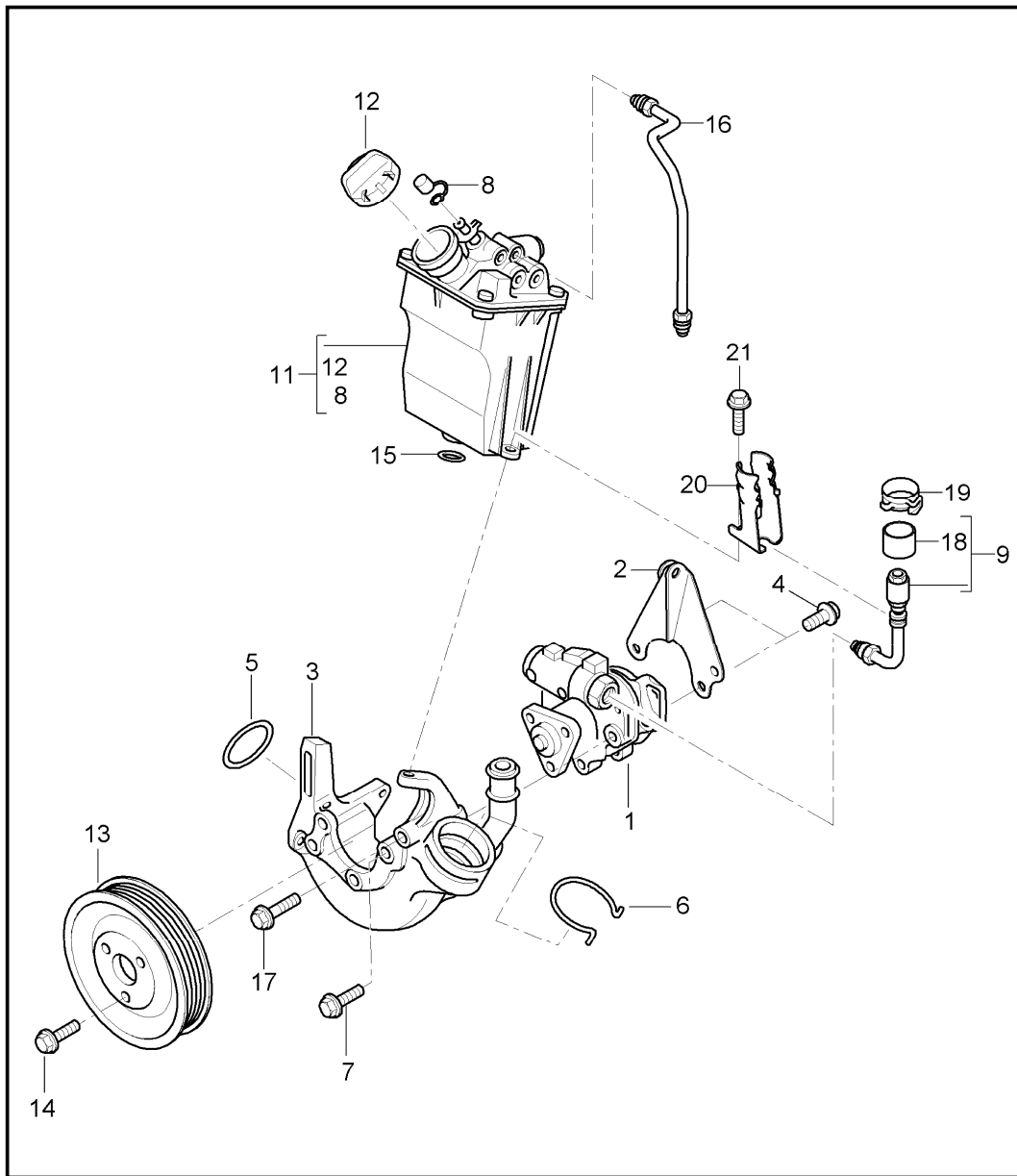


Pos	Part Number	Description	Remark	Qty	Model
		power steering lines			
1	997 347 451 03	pressure line	07	1	I098
(1)	997 347 451 04	pressure line	08-	1	I098
(1)	997 347 452 02	pressure line		1	I099
-	999 230 543 40	o-ring		1	
2	987 347 449 05	return line		1	I098
(2)	987 347 650 03	return line		1	I099
-	999 230 542 40	o-ring		1	
3	996 347 543 00	cable holder		4	
4	996 355 543 00	support		3	
(4)	999 507 091 40	cable holder simple		3	
5	997 347 439 51	return line centre		1	
6	997 347 445 51	pressure line see technical manual group 4 Nr.4898		1	
7	996 347 549 01	support		2	
8	997 347 544 00	support		1	
-	999 230 683 40	safety clip for threaded joint pressure line		1	
-	999 230 584 40	circlip for threaded joint return line see technical manual group 4 Nr.4898	/LL	1	I098
-	999 230 584 40	circlip for threaded joint return line see technical manual group 4 Nr.4898	/RL	2	I099

Model	Year	MG	SG	Illustration	Restrictions	UPD	19:58	25.01.2010	PORSCHE	PET	PORSCHE
997T	2009	4	03	403-01		248					

Pos	Part Number	Description	Remark	Qty	Model	Pos	Part Number	Description	Remark	Qty	Model
10	997 347 749 00	support		1							
12	996 347 769 01	tension shackle		1							
13	900 067 063 02	pan-head screw M 10 X 20		1							
14	996 347 551 01	retainer plate		1							
15	999 230 539 10	threaded joint		X							
16	999 230 540 10	threaded joint		X							
17	999 702 210 40	rubber sleeve		2							
22	997 347 564 03	pressure line		1	I099						
23	999 507 963 40	support		1	I099						
24	997 347 462 02	return line	07	1	I099						
(24)	997 347 462 03	return line	08-	1	I099						
25	997 347 560 00	support		1	I099						

Model	Year	MG	SG	Illustration	Restrictions	UPD	19:58	25.01.2010	PORSCHE	PET	PORSCHE
997T	2009	4	03	403-03		248					

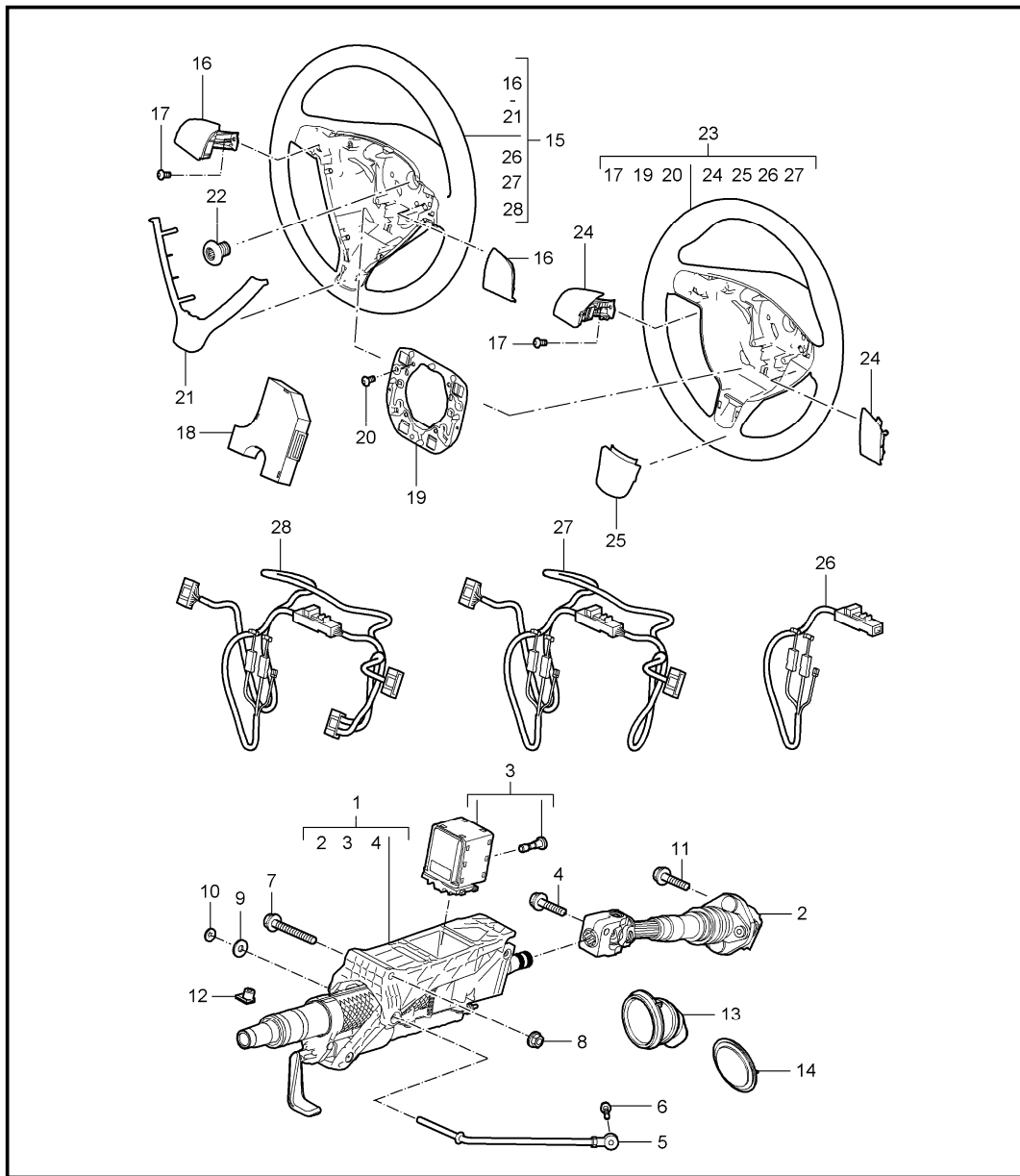


Pos	Part Number	Description	Remark	Qty	Model
		power steering power-steering pump container			
1	> 996 314 050 51	power-steering pump		1	TURBO I249
(1)	> 997 314 040 00	power-steering pump		1	TURBO I480
(1)	> 996 314 050 51	power-steering pump		1	GT2
2	996 314 431 53	bracket		1	TURBO I249
(2)	996 314 431 32	bracket		1	TURBO I480
(2)	996 314 431 53	bracket		1	GT2
3	A 997 115 091 71	bracket		1	TURBO
(3)	997 115 091 72	bracket		1	GT2
4	900 385 044 01	torx screw M 8 X 16		2	TURBO
(4)	999 073 104 01	torx screw m 8 X 16		2	GT2
5	999 707 298 40	o-ring		1	
6	996 106 802 10	retainer spring		1	
7	900 385 098 01	torx screw M 8 X 25		3	
8	997 314 332 00	rubber cap		1	
9	997 347 643 52	pressure line see technical manual group 4 Nr.4898		1	
-	999 707 355 40	sealing ring 7,65 x 1,65		1	
11	997 314 920 50	container		1	TURBO I249
(11)	997 314 920 30	container		1	TURBO I480
(11)	997 314 920 50	container		1	I480 GT2

Model	Year	MG	SG	Illustration	Restrictions	UPD	19:58	25.01.2010	PORSCHE	PET	PORSCHE
997T	2009	4	03	403-03		248					

Pos	Part Number	Description	Remark	Qty	Model	Pos	Part Number	Description	Remark	Qty	Model
-	996 314 331 00	drip pan for pentosin		1							
12	997 314 223 50	lid		1							
-	999 707 364 41	sealing ring 30 X 2,5		1							
13	996 147 223 71	pulley		1							
14	900 385 099 04	torx screw BM 8 x 12		3							
15	999 707 204 40	sealing ring 12.5 X 2N		1							
16	997 314 269 00	pressure line	-07	1	TURBO I480						
(16)	997 314 269 01	pressure line	08-	1	TURBO I480						
17	900 385 108 01	torx screw Bm 6 x 80		1	I249						
18	997 347 748 52	rubber ring see technical manual group 4 Nr.4898		1							
19	999 512 740 01	clip see technical manual group 4 Nr.4898		1							
20	997 347 747 51	support see technical manual group 4 Nr.4898		1							
21	999 073 104 01	torx screw M 8 X 16 see technical manual group 4 Nr.4898		1							
-	000 043 203 33	pentosin 1000 ML		X							

Model	Year	MG	SG	Illustration	Restrictions	UPD	19:58	25.01.2010	PORSCHE	PET	PORSCHE
997T	2009	4	03	403-05		248					



Pos	Part Number	Description	Remark	Qty	Model
1	997 347 007 09	steering outer tube steering shaft steering wheels		1	
(2)	997 347 023 04	intermed. steering shaft		1	
3	A 997 618 158 03	control unit steering column with screw		1	
(3)	997 618 158 04	control unit steering column with screw		1	
4	999 217 042 09	hexagon-head bolt M 8 X 35		1	
5	997 347 243 00	support		1	
6	A 900 378 173 09	hexagon-head bolt AM 6 X 20		1	
(6)	900 378 173 01	hexagon-head bolt M 6 x 20		1	
7	A 900 378 095 09	hexagon-head bolt M 10 X 100		1	
(7)	900 378 095 01	hexagon-head bolt M 10 x 100		1	
8	A 900 380 008 09	hexagon nut M 10		1	
8	900 380 008 01	hexagon nut M 10		1	
9	900 151 006 03	washer		1	
10	999 507 217 07	clamping washer		1	
11	999 217 042 09	hexagon-head bolt M 8 X 35		1	
12	999 920 019 40	plug-in nut		1	
13	986 347 037 01	bellows		1	
14	996 347 339 02	rubber seal		1	

Model	Year	MG	SG	Illustration	Restrictions	UPD	19:58	25.01.2010	PORSCHE	PET	PORSCHE
997T	2009	4	03	403-05		248					

Pos	Part Number	Description	Remark	Qty	Model	Pos	Part Number	Description	Remark	Qty	Model
15	997 347 804 01	steering wheel plain leather	-08	1	I459/480		FOP	terracotta/terracotta			
	FOK	black/grey					FOQ	cocoa/cocoa			
	FOL	stone grey/stone grey					FOR	darkgrey natural/grey			
	FOM	sand beige/sand beige					FOS	brown nat./brown nat.			
	FON	palmgreen/palmgreen					FSQ	carrera red			
	FOO	sea blue/grey				(15)	997 347 804 17	steering wheel plain leather	09-	1	I249/459
	FOP	terracotta/terracotta					A34	black			
	FOQ	cocoa/cocoa					B24	stone grey			
	FOR	darkgrey natural/grey					T24	sand beige			
	FOS	brown nat./brown nat.					E24	sea blue			
	FSQ	carrera red					M24	terracotta			
(15)	997 347 804 14	steering wheel plain leather	09-	1	I459/480		R24	cocoa			
	A34	black					T34	brown/natural			
	B24	stone grey					D14	dark grey/natural			
	T24	sand beige					N14	carrera red			
	E24	sea blue				(15)	997 347 804 05	steering wheel plain leather multi-function	-08	1	I431/480
	M24	terracotta					FOK	black/grey			
	R24	cocoa					FOL	stone grey/stone grey			
	T34	brown/natural					FOM	sand beige/sand beige			
	D14	dark grey/natural					FON	palmgreen/palmgreen			
	N14	carrera red					FOO	sea blue/grey			
(15)	997 347 804 11	steering wheel plain leather	-08	1	I249/459		FOP	terracotta/terracotta			
	FOK	black/grey					FOQ	cocoa/cocoa			
	FOL	stone grey/stone grey					FOR	darkgrey natural/grey			
	FOM	sand beige/sand beige					FOS	brown nat./brown nat.			
	FON	palmgreen/palmgreen					FSQ	carrera red			
	FOO	sea blue/grey				(15)	997 347 804 15	steering wheel plain leather	09-	1	I431/480

Model	Year	MG	SG	Illustration	Restrictions	UPD	19:58	25.01.2010	PORSCHE	PET	PORSCHE
997T	2009	4	03	403-05		248					

Pos	Part Number	Description	Remark	Qty	Model	Pos	Part Number	Description	Remark	Qty	Model
	A34	black					T34	brown/natural			
	B24	stone grey					D14	dark grey/natural			
	T24	sand beige					N14	carrera red			
	E24	sea blue				(15)	997 347 804 22	steering wheel multi-function wood macassar		1	I451/480
	M24	terracotta					FOK	black/grey			
	R24	cocoa					FOL	stone grey/stone grey			
	T34	brown/natural					FOM	sand beige/sand beige			
	D14	dark grey/natural					FON	palmgreen/palmgreen			
	N14	carrera red					FOO	sea blue/grey			
(15)	997 347 804 06	steering wheel plain leather multi-function	-08	1	I249/431		FOP	terracotta/terracotta			
	FOK	black/grey					FOQ	cocoa/cocoa			
	FOL	stone grey/stone grey					FOR	darkgrey natural/grey			
	FOM	sand beige/sand beige					FOS	brown nat./brown nat.			
	FON	palmgreen/palmgreen					FSQ	carrera red			
	FOO	sea blue/grey				(15) U	997 347 804 16	steering wheel multi-function wood macassar		1	I451/480
	FOP	terracotta/terracotta					A34	black			
	FOQ	cocoa/cocoa					B24	stone grey			
	FOR	darkgrey natural/grey					T24	sand beige			
	FOS	brown nat./brown nat.					E24	sea blue			
	FSQ	carrera red					M24	terracotta			
(15)	997 347 804 19	steering wheel plain leather	09-	1	I249/431		R24	cocoa			
	A34	black					T34	brown/natural			
	B24	stone grey					D14	dark grey/natural			
	T24	sand beige					N14	carrera red			
	E24	sea blue									
	M24	terracotta									
	R24	cocoa									

Model	Year	MG	SG	Illustration	Restrictions	UPD	19:58	25.01.2010	PORSCHE	PET	PORSCHE
997T	2009	4	03	403-05		248					

Pos	Part Number	Description	Remark	Qty	Model	Pos	Part Number	Description	Remark	Qty	Model
(15)	997 347 804 32	steering wheel multi-function wood macassar		1	I249/451		FOM	sand beige/sand beige			
							FON	palmgreen/palmgreen			
		FOK black/grey					FOO	sea blue/grey			
		FOL stone grey/stone grey					FOP	terracotta/terracotta			
		FOM sand beige/sand beige					FOQ	cocoa/cocoa			
		FON palmgreen/palmgreen					FOR	darkgrey natural/grey			
		FOO sea blue/grey					FOS	brown nat./brown nat.			
		FOP terracotta/terracotta					FSQ	carrera red			
		FOQ cocoa/cocoa				(15)	997 347 804 33	steering wheel multi-function wood sycamore wood	-08	1	I249/452
		FOR darkgrey natural/grey									
		FOS brown nat./brown nat.					FOK	black/grey			
		FSQ carrera red					FOL	stone grey/stone grey			
(15)	U 997 347 804 44	steering wheel multi-function wood macassar		1	I249/451		FOM	sand beige/sand beige			
		A34 black					FON	palmgreen/palmgreen			
		B24 stone grey					FOO	sea blue/grey			
		T24 sand beige					FOP	terracotta/terracotta			
		E24 sea blue					FOQ	cocoa/cocoa			
		M24 terracotta					FOR	darkgrey natural/grey			
		R24 cocoa					FOS	brown nat./brown nat.			
		T34 brown/natural					FSQ	carrera red			
		D14 dark grey/natural				(15)	997 347 804 24	steering wheel multi-function carbon		1	I453/480
		N14 carrera red									
							FOK	black/grey			
(15)	997 347 804 23	steering wheel multi-function wood sycamore wood	-08	1	I452/480		FOL	stone grey/stone grey			
		FOK black/grey					FOM	sand beige/sand beige			
		FOL stone grey/stone grey					FON	palmgreen/palmgreen			
							FOO	sea blue/grey			
							FOP	terracotta/terracotta			



Model	Year	MG	SG	Illustration	Restrictions	UPD	19:58	25.01.2010	PORSCHE	PET	PORSCHE
997T	2009	4	03	403-05		248					

Pos	Part Number	Description	Remark	Qty	Model	Pos	Part Number	Description	Remark	Qty	Model
		FOQ cocoa/cocoa					A34	black			
		FOR darkgrey natural/grey					B24	stone grey			
		FOS brown nat./brown nat.					T24	sand beige			
		FSQ carrera red					E24	sea blue			
(15)	U 997 347 804 18	steering wheel multi-function carbon		1	I453/480		M24	terracotta			
		A34 black					R24	cocoa			
		B24 stone grey					T34	brown/natural			
		T24 sand beige					D14	dark grey/natural			
		E24 sea blue				(15)	N14	carrera red			
		M24 terracotta					997 347 981 00	steering wheel multi-function aluminium look		1	IXPV/480
		R24 cocoa					A34	black			
		T34 brown/natural					B24	stone grey			
		D14 dark grey/natural					D14	dark grey/natural			
		N14 carrera red					E24	sea blue			
(15)	997 347 804 34	steering wheel multi-function carbon		1	I249/453		J24	palmgreen			
		FOK black/grey					M24	terracotta			
		FOL stone grey/stone grey					R24	cocoa			
		FOM sand beige/sand beige					T24	sand beige			
		FON palmgreen/palmgreen					T34	brown/natural			
		FOO sea blue/grey				(15)	N14	carrera red			
		FOP terracotta/terracotta					997 347 981 01	steering wheel multi-function aluminium look		1	IXPV/432
		FOQ cocoa/cocoa					A34	black			
		FOR darkgrey natural/grey					B24	stone grey			
		FOS brown nat./brown nat.					D14	dark grey/natural			
		FSQ carrera red					E24	sea blue			
(15)	U 997 347 804 45	steering wheel multi-function carbon		1	I249/453		J24	palmgreen			
							M24	terracotta			

Model	Year	MG	SG	Illustration	Restrictions	UPD	19:58	25.01.2010	PORSCHE	PET	PORSCHE
997T	2009	4	03	403-05		248					

Pos	Part Number	Description	Remark	Qty	Model	Pos	Part Number	Description	Remark	Qty	Model
	R24	cocoa					V04	galvano silver F >>997S7 82466			
	T24	sand beige				(16)	997 613 434 03	switching module multi-function manual transmission	/R	1	I480
	T34	brown/natural					V04	galvano silver F 997S7 82467>> use also: F >>997S7 82466 997.613.433.03 V04 997.613.445.03 see technical manual group 91 6119 91 7719			
	N14	carrera red					V04	galvano silver			
16	997 347 837 00	cover	/L	1	I480		V04	galvano silver			
(16)	997 347 838 00	cover	/R	1	I480		V04	galvano silver			
(16)	997 613 431 02	switching module with tiptronic lever	/L	1	I249	(16) A	997 613 435 02	switching module multi-function with tiptronic lever	/L	1	I249
(16)	997 613 432 02	switching module with tiptronic lever	/R	1	I249		V04	galvano silver F >>997S7 82466			
(16)	997 613 433 02	switching module multi-function manual transmission	/L	1	I480	(16)	997 613 435 03	switching module multi-function with tiptronic	/L	1	I249
(16)	997 613 433 03	switching module multi-function manual transmission	/L	1	I480		V04	galvano silver F 997S7 82467>> use also: F >>997S7 82466 997.613.436.03 V04 997.613.445.03 see technical manual group 91 6119 91 7719			
(16)	997 613 434 02	switching module multi-function manual transmission	/R	1	I480	(16) A	997 613 436 02	switching module multi-function with tiptronic lever	/R	1	I249
	V04	galvano silver F 997S7 82467>> use also: F >>997S7 82466 997.613.434.03 V04 997.613.445.03 see technical manual group 91 6119 91 7719					V04	galvano silver F >>997S7 82466			
(16)	997 613 434 02	switching module multi-function manual transmission	/R	1	I480	(16)	997 613 436 03	switching module multi-function with tiptronic lever	/R	1	I249

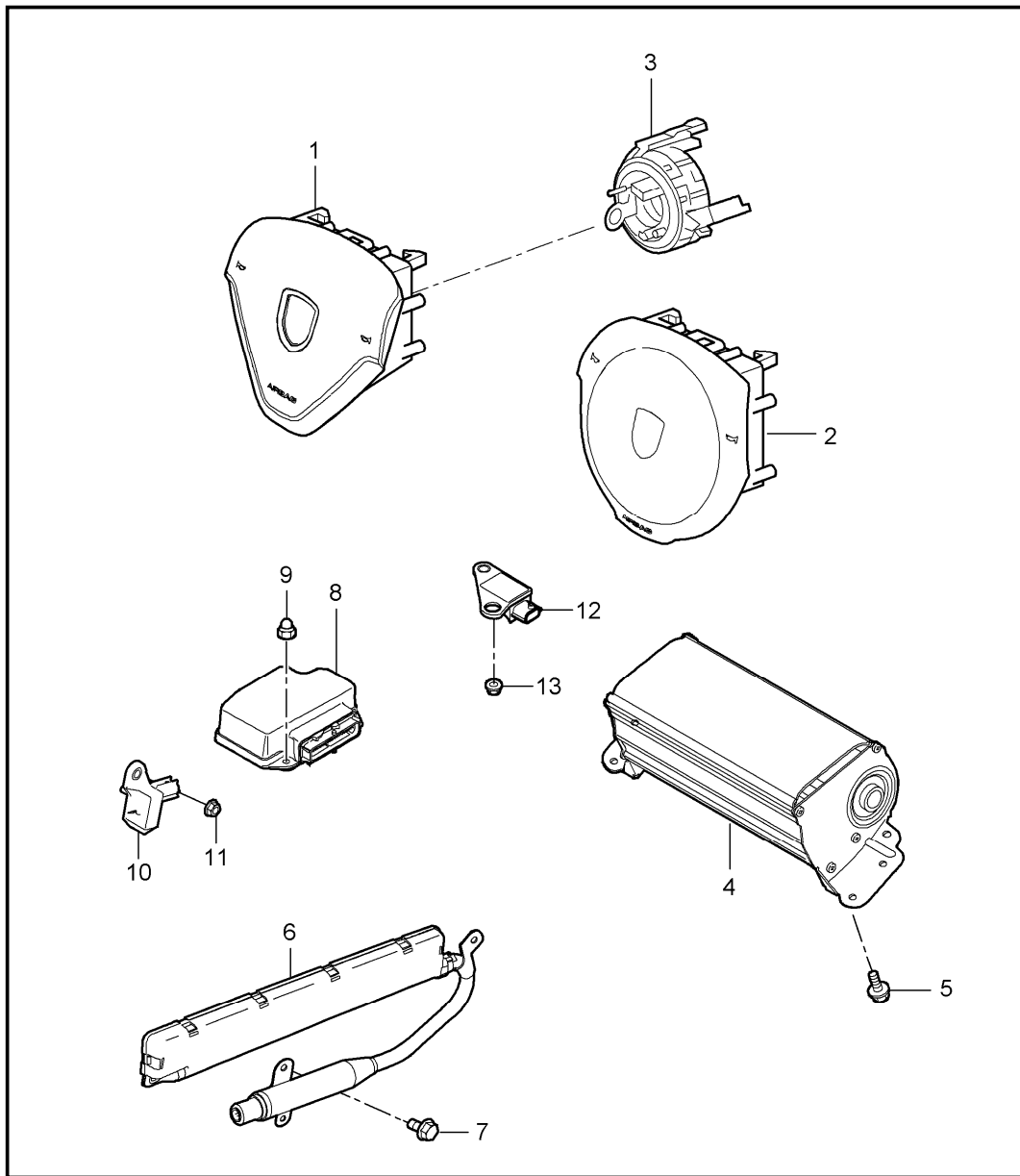
Model	Year	MG	SG	Illustration	Restrictions	UPD	19:58	25.01.2010	PORSCHE	PET	PORSCHE
997T	2009	4	03	403-05		248					

Pos	Part Number	Description	Remark	Qty	Model	Pos	Part Number	Description	Remark	Qty	Model
	V04	galvano silver F 997S7 82467>> use also: F >>997S7 82466 997.613.435.03 V04 997.613.445.03 see technical manual group 91 6119 91 7719					FOP	terracotta/terracotta			
17	999 073 318 09	half-round screw M 4 X 10		2		(23)	997 347 804 51	sports steering wheel plain leather	-08	1	I249/460
18	997 613 445 02	electronic unit multi-function F >>997S7 82466		1	I431/451 I452/453		FOQ	cocoa/cocoa			
(18)	997 613 445 03	electronic unit multi-function F 997S7 82467>> use also: F >>997S7 82466 997.613.433.03 V04 997.613.434.03 V04 997.613.435.03 V04 997.613.436.03 V04 997.613.445.03 see technical manual group 91 6119 91 7719		1	I431/451 I452/453		FOR	darkgrey natural/grey			
				1	I480		FOS	brown nat./brown nat.			
				1	I480		FSQ	carrera red			
19	997 347 880 00	retaining frame		1		(23)	997 347 804 42	sports steering wheel	09-	1	I460/480
20	999 141 022 09	round head screw M 5 X 12,5		4			A34	black			
21	997 347 821 00	cover		1			B24	stone grey			
	D07	volcano grey					T24	sand beige			
22	N 910 207 01	screw M 18 X 1,5 X 26		1			E24	sea blue			
(23)	997 347 804 41	sports steering wheel plain leather	-08	1	I460/480		M24	terracotta			
	FOK	vehicle data carrier					R24	cocoa			
	FOL	stone grey/stone grey					D14	dark grey/natural			
	FOM	sand beige/sand beige					T34	brown/natural			
	FON	palmgreen/palmgreen					N14	carrera red			
	FOO	sea blue/grey				(23)	997 347 804 52	sports steering wheel	09-	1	I249/460
							A34	black			

Model	Year	MG	SG	Illustration	Restrictions	UPD	19:58	25.01.2010	PORSCHE	PET	PORSCHE
997T	2009	4	03	403-05		248					

Pos	Part Number	Description	Remark	Qty	Model	Pos	Part Number	Description	Remark	Qty	Model
	B24	stone grey					T34	brown/natural			
	T24	sand beige					N14	carrera red			
	E24	sea blue				24	997 347 837 40	cover	/L	1	I480
	M24	terracotta					V04	galvano silver			
	R24	cocoa				(24)	997 347 838 40	cover	/R	1	I480
	D14	dark grey/natural					V04	galvano silver			
	T34	brown/natural				(24)	997 613 437 03	switching module with tiptronic lever	/L	1	I249
	N14	carrera red					V04	galvano silver			
(23)	997 347 980 00	sports steering wheel leather		1	IXPA/480						
	A34	black				(24)	997 613 438 03	switching module with tiptronic lever	/R	1	I249
	B24	stone grey					V04	galvano silver			
	D14	dark grey/natural									
	E24	sea blue				25	997 347 821 40	cover		1	
	J24	stone grey					V04	galvano silver			
	M24	terracotta				26	997 612 672 00	wiring harness 3-spoke steering wheel sports steering wheel without multi-function manual transmission		1	I480
	R24	cocoa									
	T24	sand beige									
	T34	brown/natural									
	N14	carrera red				27	997 612 674 00	wiring harness 3-spoke steering wheel sports steering wheel without multi-function tiptronic		1	I249
(23)	997 347 980 01	sports steering wheel leather		1	IXPA/432						
	A34	black									
	B24	stone grey				28	997 612 673 00	wiring harness 3-spoke steering wheel with multi-function manual transmission tiptronic		1	I431/451 I452/453
	D14	dark grey/natural									
	E24	sea blue									
	J24	palmgreen									
	M24	terracotta									
	R24	cocoa									
	T24	sand beige									

Model	Year	MG	SG	Illustration	Restrictions	UPD	19:58	25.01.2010	PORSCHE	PET	PORSCHE
997T	2009	4	03	403-06		248					

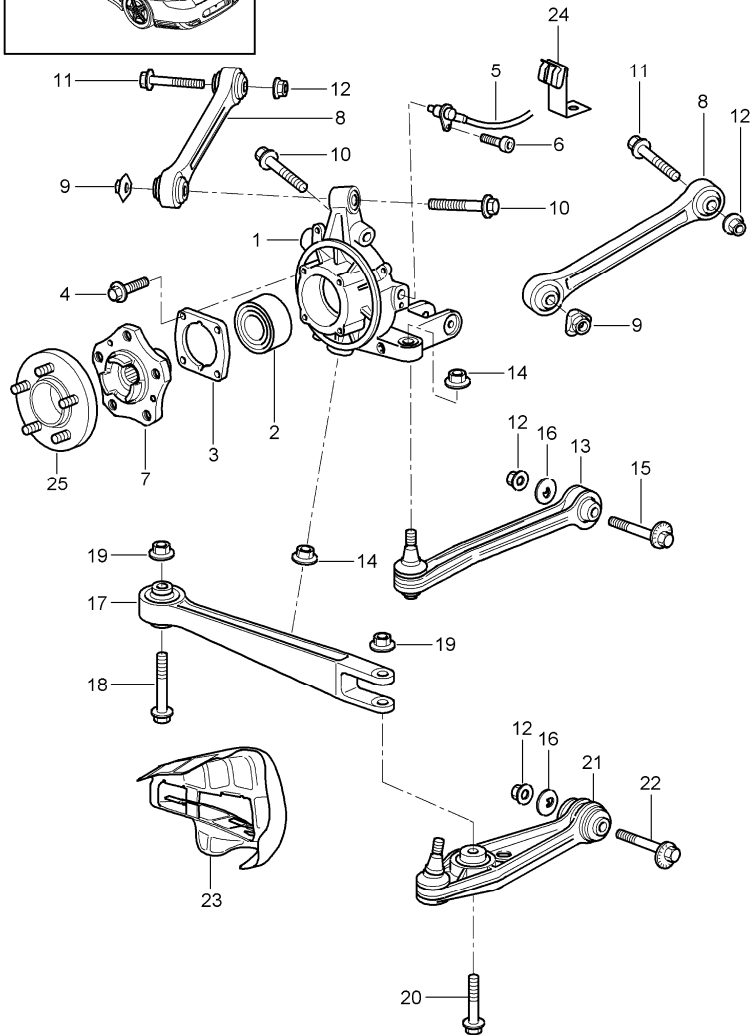
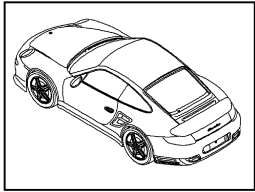


Pos	Part Number	Description	Remark	Qty	Model
(1)	997 803 089 14	airbag airbag unit 3-spoke steering wheel leather crest coloured  A34 black B24 stone grey T24 sand beige E24 sea blue J24 palmgreen M24 terracotta R24 cocoa D14 dark grey/natural T34 brown/natural N14 carrera red		1	I431/451 I452/453 I459/991
(1)	997 803 089 14	airbag unit 3-spoke steering wheel leather crest coloured  A34 black B24 stone grey T24 sand beige E24 sea blue J24 palmgreen M24 terracotta R24 cocoa D14 dark grey/natural T34 brown/natural N14 carrera red		1	IXPV/991

Model	Year	MG	SG	Illustration	Restrictions	UPD	19:58	25.01.2010	PORSCHE	PET	PORSCHE
997T	2009	4	03	403-06		248					

Pos	Part Number	Description	Remark	Qty	Model	Pos	Part Number	Description	Remark	Qty	Model
(2)	997 803 089 17	airbag unit sports steering wheel leather crest coloured		1	I460/991	4	997 803 071 07	airbag unit passenger's side		1	
	A34	black				5	900 378 222 09	hexagon-head bolt M 6 X 16		4	
	B24	stone grey				6	997 803 091 03	side airbag for head airbag	/L	1	
	T24	sand beige				(6)	997 803 092 03	side airbag for head airbag	/R	1	
	E24	sea blue				7	900 378 035 01	hexagon-head bolt M 6 X 16		6	
	J24	palmgreen				(8)	997 618 217 08	control unit		1	COUPE
	M24	terracotta				(8)	997 618 219 09	control unit		1	CABRIO
	R24	cocoa				9	999 070 015 02	cap nut M 6		3	
	D14	dark grey/natural				10	997 618 221 01	sensor side airbag		2	
	T34	brown/natural				11	999 084 629 09	hexagon nut M 6		8	
	N14	carrera red				12	997 618 223 02	acceleration sensor airbag front		2	
(2)	997 803 089 17	airbag unit sports steering wheel leather crest coloured		1	IXPA/991	13	999 084 638 01	hexagon nut M 6 SB		2	
	A34	black									
	B24	stone grey									
	T24	sand beige									
	E24	sea blue									
	J24	palmgreen									
	M24	terracotta									
	R24	cocoa									
	D14	dark grey/natural									
	T34	brown/natural									
	N14	carrera red									
3	955 652 211 11	spring with steering-angle sensor		1							

Model	Year	MG	SG	Illustration	Restrictions	UPD	19:58	25.01.2010	PORSCHE	PET	PORSCHE
997T	2009	5	01	501-00		248					



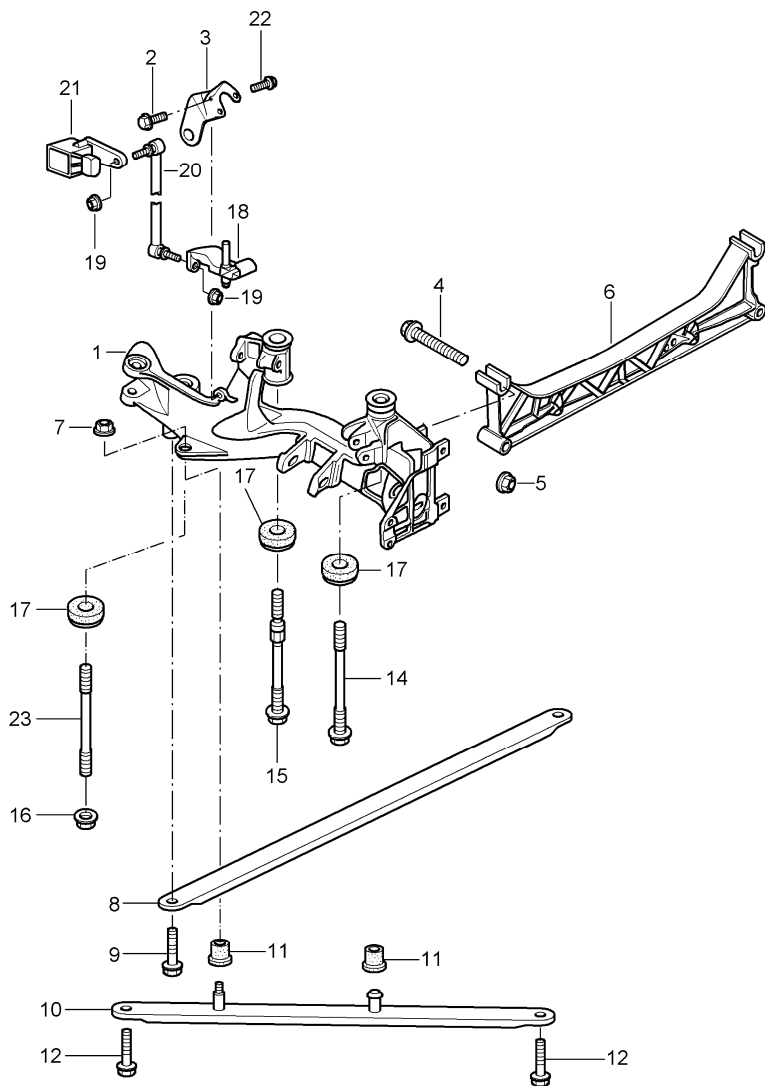
Pos	Part Number	Description	Remark	Qty	Model
		rear axle wheel carrier control arm wheel hub			
1	997 331 111 07	wheel carrier	/L	1	
(1)	997 331 112 07	wheel carrier	/R	1	
2	999 053 055 02	angular-contact bearing		2	
3	996 331 661 01	lid		2	
4	999 217 042 09	hexagon-head bolt M 8 X 35	07	8	
(4)	999 217 042 04	hexagon-head bolt M 8 X 35	08-	8	
5	997 606 407 01	speed sensor		2	
6	900 067 117 09	pan-head screw M 6 X 16	07	2	
(6)	900 067 117 04	pan-head screw M 6 x 16	08-	2	
7	997 331 605 00	wheel hub		2	
(7)	997 331 607 02	wheel hub	09-	2	TURBO I422
8	997 331 047 00	wishbone		2	
9	999 084 445 09	lock nut M 12 X 1,5	07	4	
(9)	999 084 445 01	lock nut M 12 x 1,5	08-	4	
10	A 900 378 138 09	hexagon-head bolt M 12 X 70		4	
10	900 378 138 01	hexagon-head bolt M 12 X 70		4	
11	900 378 165 09	hexagon-head bolt M 12 X 95		4	
12	999 084 445 09	lock nut M 12 X 1,5	07	10	
(12)	999 084 445 01	lock nut M 12 x 1,5	08-	10	
13	997 331 045 04	track rod		2	

Model	Year	MG	SG	Illustration	Restrictions	UPD	19:58	25.01.2010	PORSCHE	PET	PORSCHE
997T	2009	5	01	501-00		248					

Pos	Part Number	Description	Remark	Qty	Model	Pos	Part Number	Description	Remark	Qty	Model
14	999 084 449 09	hexagon nut M 12 X 1,5		4							
15	996 331 217 02	eccentric screw M 12 X 83		2							
16	996 331 219 00	eccentric washer		2							
17	997 331 043 01	control arm		2							
18	900 378 051 09	hexagon-head bolt M 14 X 100	07	2							
(18)	900 378 051 01	hexagon-head bolt M 14 x 100	08-	2							
19 A	900 380 012 09	hexagon nut M 14 X 1,5		4							
19	900 380 012 01	hexagon nut M 14 X 1,5		4							
20	900 378 135 09	hexagon-head bolt M 14 X 1,5 x 75	07	2							
(20)	900 378 135 01	hexagon-head bolt M 14 x 1,5 x 75	08-	2							
21	997 331 053 01	wishbone		2							
22	996 331 217 03	eccentric screw		2							
23	997 331 487 02	spoiler	/L	1							
(23)	997 331 488 02	spoiler	/R	1							
-	997 361 605 90	spacer ring 5 mm		2	GT2						
24	999 507 530 00	cable holder speed sensor		2							
25	996 361 617 00	spacer ring 17 mm with bolt		2	TURBO/COUPE IXRN						



Model	Year	MG	SG	Illustration	Restrictions	UPD	19:59	25.01.2010	PORSCHE	PET	PORSCHE
997T	2009	5	01	501-01		248					

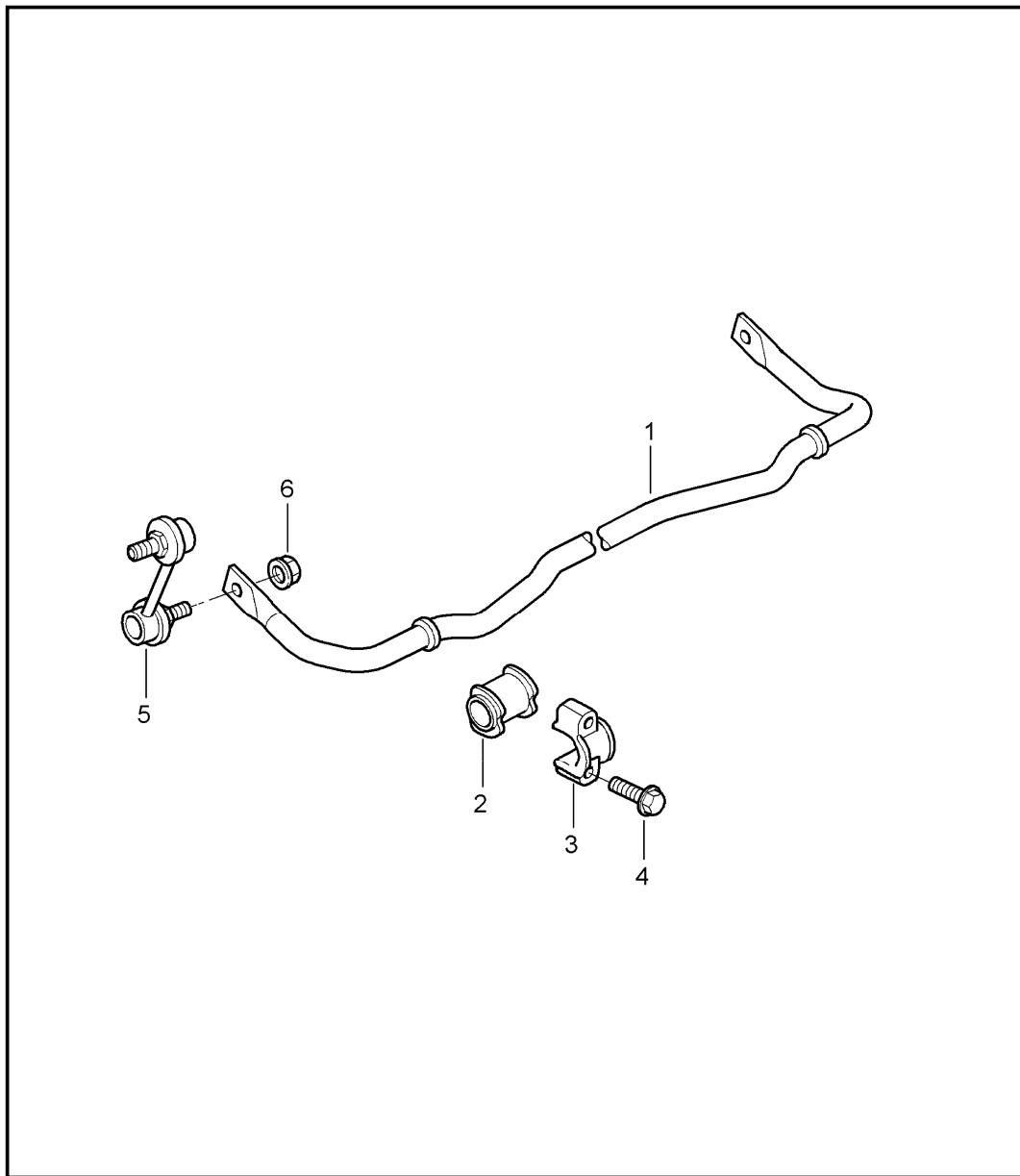


Pos	Part Number	Description	Remark	Qty	Model
		rear axle side section bracket			
1	997 331 051 05	side section	/L	1	TURBO
(1)	997 331 051 94	side section	/L	1	GT2
(1)	997 331 052 05	side section	/R	1	TURBO
(1)	997 331 052 94	side section	/R	1	GT2
2	900 067 117 09	pan-head screw M 6 X 16		07	2
(2)	900 067 117 04	pan-head screw m 6 x 16		08-	2
3	997 355 505 02	support for brake hose	/L	1	
(3)	997 355 506 02	support for brake hose	/R	1	
4	900 378 139 09	hexagon-head bolt M 12 X 1,5 x 80		07	4
(4)	900 378 139 01	hexagon-head bolt M 12 x 1,5 x 80		08-	4
5	999 084 445 09	lock nut M 12 X 1,5		07	4
(5)	999 084 445 01	lock nut M 12 x 1,5		08-	4
(6)	996 331 061 01	cross member		07	1 TURBO
(6)	997 331 061 00	cross member		08-	1 TURBO
(6)	997 331 261 02	cross member			1 GT2
7	999 076 053 09	hexagon nut M 10			2 TURBO GT2
(7)	999 076 053 01	hexagon nut M 10			2
8	997 331 171 00	transverse strut front			1 TURBO I249
-	999 591 629 01	captive nut underbody protection			X

Model	Year	MG	SG	Illustration	Restrictions	UPD	19:59	25.01.2010	PORSCHE	PET	PORSCHE
997T	2009	5	01	501-01		248					

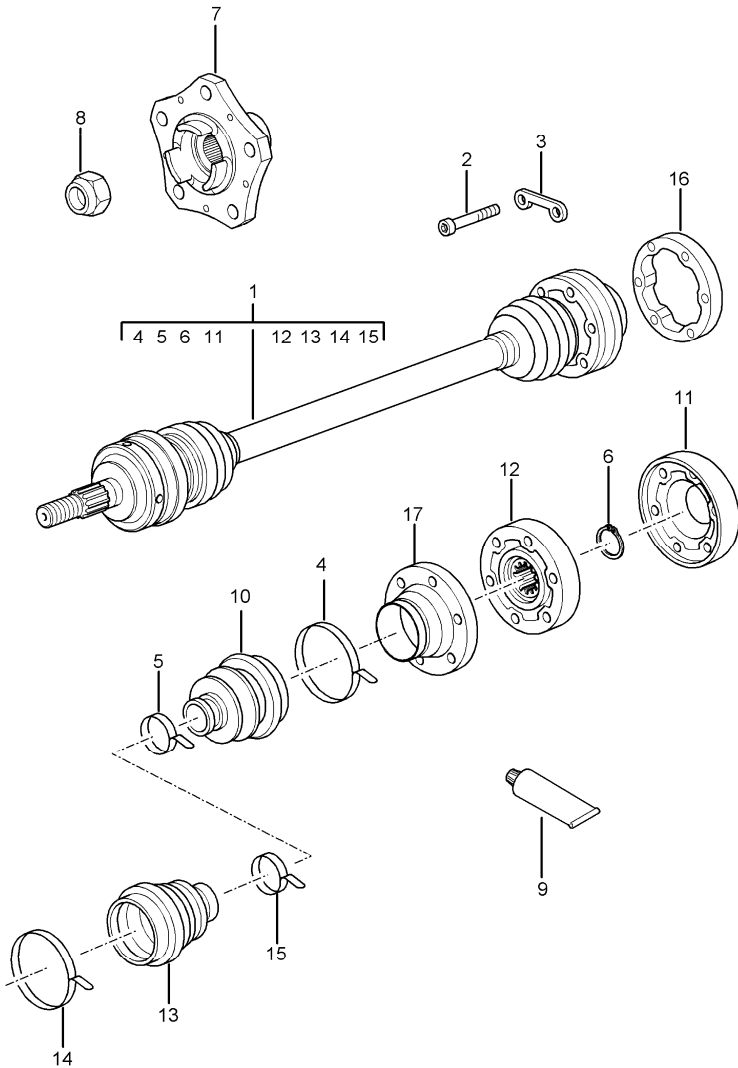
Pos	Part Number	Description	Remark	Qty	Model	Pos	Part Number	Description	Remark	Qty	Model
(8)	996 331 171 03	transverse strut front		1	TURBO	18	996 341 371 03	support		1	TURBO I601
				1	I480 GT2						
-	999 591 629 01	captive nut underbody protection		X		19	900 380 015 09	hexagon nut VM 6	07	2	TURBO I601
9	999 072 031 01	hexagon-head bolt M 10 x 45 F >>998S7 80582 F >>998S7 86609		2	TURBO	(19)	900 380 015 01	hexagon nut VM 6	08-	2	TURBO I601
(9)	999 073 443 01	combination screw M 10 X 1,5 X 40 F 998S7 80583>> F 998S7 86610>>		2	TURBO	20	997 331 375 03	strut		1	TURBO I601
(9)	999 072 031 01	hexagon-head bolt F>>998S4794076		2	GT2	21	997 631 121 00	sensor		1	TURBO I601
(9)	999 073 443 01	combination screw F 998S7 94078>>		2	GT2	22 A	900 146 003 02	oval-head screw M 5 x 10	07	2	TURBO I601
(10)	997 331 081 02	strut		2		(22)	900 146 003 03	oval-head screw M 5 x 10	08-	2	TURBO I601
-	999 591 629 01	captive nut underbody protection		X		23	999 061 103 09	stud M 12 X 1,5	07	2	
11	996 331 385 00	rubber mounting		6		(23)	999 061 103 01	stud M 12 X 1,5	08-	2	
12 A	900 378 072 09	hexagon-head bolt M 12 X 1,5 X 30		2							
12	900 378 072 01	hexagon-head bolt M 12 X 1,5 X 30		2							
14 A	900 178 010 09	hexagon-head bolt M 12 X 130	07	2	TURBO						
(14)	900 178 010 01	hexagon-head bolt M 12 x 130	08-	2							
15	900 178 010 09	hexagon-head bolt M 12 X 130	07	2	TURBO						
(15)	900 178 010 01	hexagon-head bolt M 12 x 130	08-	2							
16	999 084 445 09	lock nut M 12 X 1,5	07	2							
(16)	999 084 445 01	lock nut M 12 x 1,5	08-	2							
17	997 331 291 00	washer		6	TURBO						

Model	Year	MG	SG	Illustration	Restrictions	UPD	19:59	25.01.2010	PORSCHE	PET	PORSCHE
997T	2009	5	01	501-03		248					



Pos	Part Number	Description	Remark	Qty	Model
		stabiliser			
1	997 333 705 04	stabiliser		1	TURBO
(1)	997 333 705 03	stabiliser		1	/TURBO I220
(1)	997 333 701 94	stabiliser		1	GT2
2	996 333 792 27	stabiliser mounting		2	TURBO
(2)	996 333 792 29	stabiliser mounting		2	/TURBO I220
(2)	997 333 792 94	stabiliser mounting	08	1	GT2
(2)	997 333 792 95	stabiliser mounting	09-	1	GT2
3	996 333 777 01	bearing clamp		2	
4	900 378 055 01	hexagon-head bolt AM 8 X 40		4	
5	997 333 069 05	stabiliser mounting	/L	1	
(5)	997 333 070 05	stabiliser mounting	/R	1	
6	999 084 643 09	hexagon nut M 10		2	

Model	Year	MG	SG	Illustration	Restrictions	UPD	19:59	25.01.2010	PORSCHE	PET	PORSCHE
997T	2009	5	01	501-05		248					

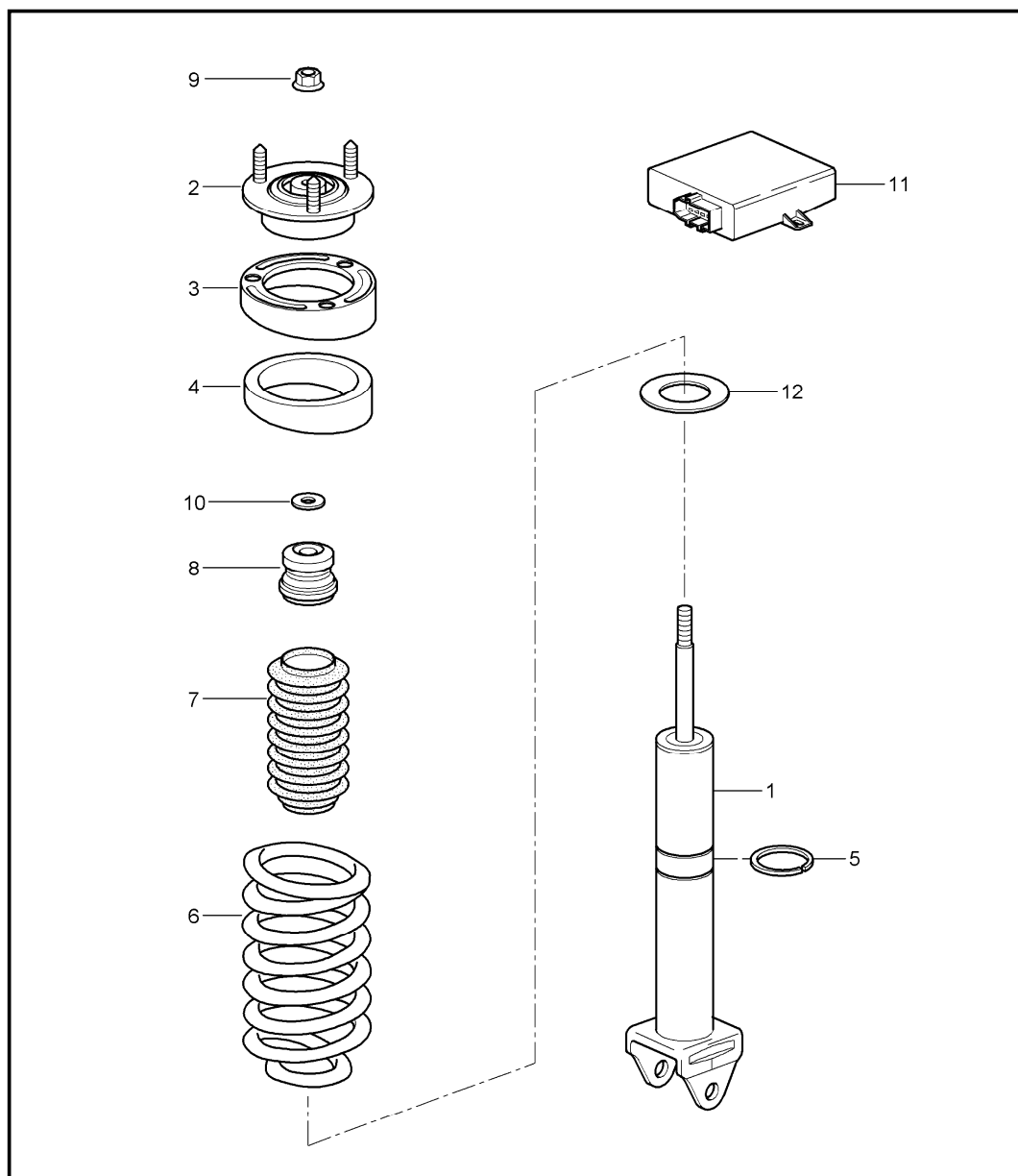


Pos	Part Number	Description	Remark	Qty	Model
1	997 332 024 40	drive shaft		2	I480
(1)	997 332 024 41	drive shaft		2	I249
(2)	999 073 092 09	pan-head screw M 10 x 1 x 50	07	12	I480
(2)	999 073 449 01	pan-head screw M 10 X 1 X 49	08-	12	I480
(2)	999 510 041 09	pan-head screw M 10 X 65	-07	12	I249
(2)	999 510 041 01	pan-head screw M 10 X 65	08-	12	I249
(3)	996 332 191 00	plate		6	
4	911 332 257 00	clip \$ 73 MM		2	
5	928 332 257 01	clip \$ 34 MM		2	
6	900 041 014 00	circlip		2	
7	997 331 605 00	wheel hub		2	
(7)	997 331 607 02	wheel hub	09-	2	Turbo I422
8	999 084 641 02	lock nut M 22 X 1,5		2	
9	000 043 110 01	grease 1 100-gramme tube		X	
(9)	000 043 205 36	sealing compound drive shaft 1 100-gramme tube		X	
10	928 332 293 02	dust bellows		2	
11	A 928 332 267 01	lid		2	
11	997 332 267 00	lid		2	
12	928 332 030 08	joint		2	
13	928 332 293 02	dust bellows		2	
14	911 332 257 00	clip		2	
15	928 332 257 01	clip		2	

Model	Year	MG	SG	Illustration	Restrictions	UPD	19:59	25.01.2010	PORSCHE	PET	PORSCHE
997T	2009	5	01	501-05		248					

Pos	Part Number	Description	Remark	Qty	Model	Pos	Part Number	Description	Remark	Qty	Model
16	996 332 229 01	spacer ring		2	I249						
17	911 332 259 01	flange		2							

Model	Year	MG	SG	Illustration	Restrictions	UPD	19:59	25.01.2010	PORSCHE	PET	PORSCHE
997T	2009	5	02	502-00		248					



Pos	Part Number	Description	Remark	Qty	Model
		shock absorber coil spring			TURBO
1	A 997 333 053 22	shock absorber	07	2	COUPE
(1)	997 333 053 24	shock absorber	08-	2	COUPE CABRIO
		mount shock absorber			
-	A 900 378 138 09	hexagon-head bolt M 12 X 1,5 X 70		2	
-	900 378 138 01	hexagon-head bolt M 12 X 1,5 X 70		2	
-	999 084 445 09	lock nut M 12 X 1,5	07	2	COUPE
-	999 084 445 01	lock nut M 12 x 1,5	08-	2	COUPE CABRIO
2	997 333 061 01	supporting mount		2	
-	A 900 380 008 09	hexagon nut M 10		12	
-	900 380 008 01	hexagon nut M 10		12	
3	996 333 511 02	compensating plate 0,5 MM		X	
(3)	996 333 511 03	compensating plate 4,0 MM		X	
4	997 333 504 00	base		2	
5	999 152 163 00	circlip SW 52		2	
6	997 333 531 61	coil spring 1 set		1	
		504 identification white green			
7	993 333 107 01	bellows		2	
(8)	997 333 105 01	additional spring		2	
9	999 084 050 02	hexagon nut M 12 X 1		2	
10	999 025 271 02	washer		2	

Model	Year	MG	SG	Illustration	Restrictions	UPD	19:59	25.01.2010	PORSCHE	PET	PORSCHE
997T	2009	5	02	502-00		248					

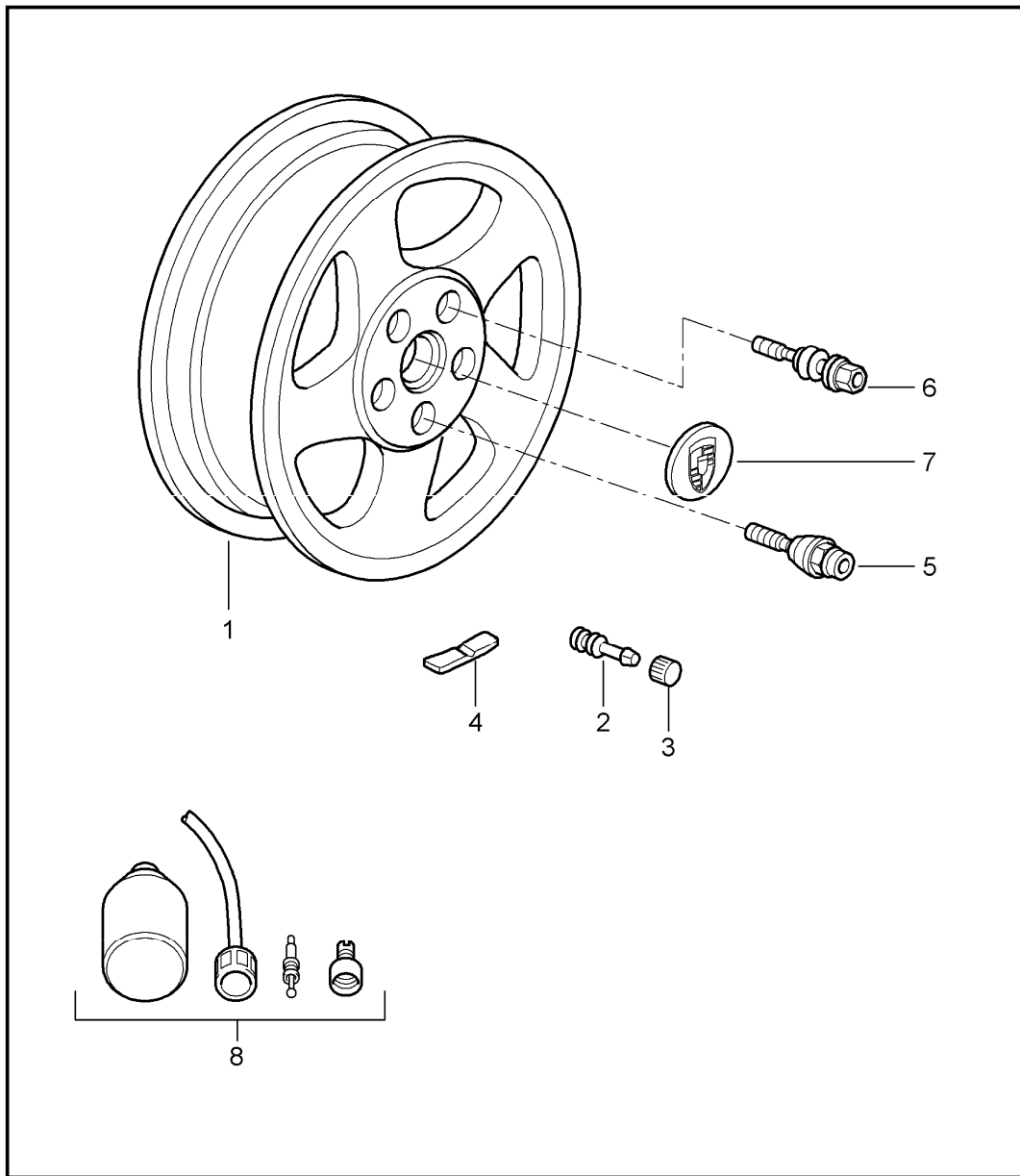
Pos	Part Number	Description	Remark	Qty	Model	Pos	Part Number	Description	Remark	Qty	Model
11	A 997 618 125 03	control unit shock absorber	-07	1							
(11)	997 618 125 04	control unit shock absorber	08-	1							
-	997 618 205 00	support for control unit		1							
12	997 333 513 00	concave washer		2							
18	997 606 111 01	acceleration sensor body		1							
19	997 606 214 00	support acceleration sensor	07	1	COUPE						
(19)	997 606 214 01	support acceleration sensor	08-	1	COUPE						
				1	CABRIO						

Model	Year	MG	SG	Illustration	Restrictions	UPD	19:59	25.01.2010	PORSCHE	PET	PORSCHE
997T	2009	5	02	502-01		248					

Pos	Part Number	Description	Remark	Qty	Model
		shock absorber coil spring			GT2
1	997 333 051 93	shock absorber		2	
-	A 900 378 138 09	mount shock absorber		2	
-	900 378 138 01	hexagon-head bolt M 12 X 1,5 X 70		2	
-	999 084 445 01	lock nut M 12 X 1,5		2	
2	997 333 061 80	supporting mount		2	
3	997 333 531 94	coil spring		1	
	504	1 set			
4	996 333 529 92	spring hanger		2	
5	996 333 551 90	rubber support		2	
7	999 025 271 02	washer		2	
8	997 333 105 01	additional spring		2	
9	999 084 050 02	hexagon nut M 12 X 1		2	
10	900 380 008 01	hexagon nut m 10		6	
11	997 618 105 92	control unit shock absorber	-07	1	
(11)	997 618 105 94	control unit shock absorber	08-	1	
-	997 618 205 00	support for control unit		1	
12	997 606 111 01	acceleration sensor body		1	
13	997 606 214 01	support acceleration sensor		1	



Model	Year	MG	SG	Illustration	Restrictions	UPD	20:00	25.01.2010	PORSCHE	PET	PORSCHE
997T	2009	6	01	601-00		248					



Pos	Part Number	Description	Remark	Qty	Model
		wheels			
1	997 362 156 05	disc wheel 8,5 J X 19 ET 56	/V	2	I404
(1)	997 362 156 55	disc wheel 8,5 J X 19 ET 55	/V	2	IXRR
(1)	997 363 156 05	disc wheel B9A carrara white 8,5 J X 19 ET 56	/V	2	IXD9/404
(1)	997 363 156 05	disc wheel C9Z basalt black metallic 8,5 J X 19 ET 56	/V	2	IXD9/404
(1)	997 363 156 05	disc wheel 041 black 8,5 J X 19 ET 56	/V	2	IXD9/404
(1)	997 363 156 05	disc wheel 12H speed yellow 8,5 J X 19 ET 56	/V	2	IXD9/404
(1)	997 363 156 05	disc wheel 84A guards red 8,5 J X 19 ET 56	/V	2	IXD9/404
(1)	997 362 156 95	disc wheel 8,5 J x 19 ET 53 it is necessary to rework	/V	2	GT-2 I420
(1)	997 362 156 03	disc wheel 8 J X 19 ET 57 it is necessary to rework	/V	2	GT2
(1)	997 362 162 02	disc wheel 11 J x 19 ET 51	/H	2	I404

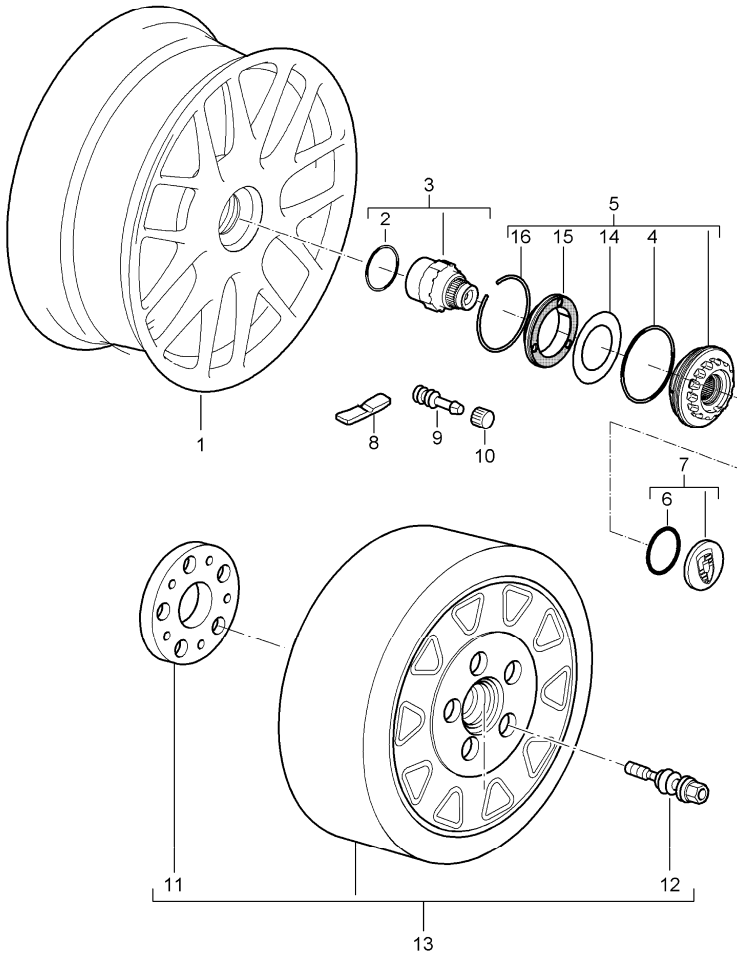
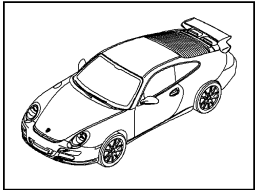
Model	Year	MG	SG	Illustration	Restrictions	UPD	20:00	25.01.2010	PORSCHE	PET	PORSCHE
997T	2009	6	01	601-00		248					

Pos	Part Number	Description	Remark	Qty	Model	Pos	Part Number	Description	Remark	Qty	Model
(1)	997 362 162 56	disc wheel 11,5 J X 19 ET 50	/H 08-	2	COUPE IXRR	3	955 361 163 00	cap for rubber valve		4	
(1)	997 363 162 02	disc wheel B9A carrara white 11 J X 19 ET 51	/H	2	IXD9/404	(4)	997 361 405 00	balance stick-on weight 5.G.		X	
(1)	997 363 162 02	disc wheel C9Z basalt black metallic 11 J X 19 ET 51	/H	2	IXD9/404	(4)	997 361 410 00	balance stick-on weight 10 G.		X	
(1)	997 363 162 02	disc wheel 041 black 11 J X 19 ET 51	/H	2	IXD9/404	(4)	997 361 415 00	balance stick-on weight 15 G.		X	
(1)	997 363 162 02	disc wheel 12H speed yellow 11 J X 19 ET 51	/H	2	IXD9/404	(4)	997 361 420 00	balance stick-on weight 20 G.		X	
(1)	997 363 162 02	disc wheel 84A guards red 11 J X 19 ET 51	/H	2	IXD9/404	(4)	997 361 425 00	balance stick-on weight 25 G.		X	
(1)	997 362 164 91	disc wheel 12 J X 19 ET 51 it is necessary to rework	/H	2	GT-2 I420	(4)	997 361 430 00	balance stick-on weight 30 G.		X	
(1)	997 362 162 03	disc wheel 11 J X 19 ET 51 -BBS- it is necessary to rework	/H	2	GT2	(4)	997 361 435 00	balance stick-on weight 35 G.		X	
2	900 265 001 50	rubber valve rubber		4	COUPE	(4)	997 361 440 00	balance stick-on weight 40 G.		X	
-	...	valve tyre pressure monitoring see group 6/01/05		4	I482/483	(4)	997 361 445 00	balance stick-on weight 45 G.		X	
						(4)	997 361 450 00	balance stick-on weight 50 G.		X	
						(4)	997 361 455 00	balance stick-on weight 55 G.		X	
						(4)	997 361 460 00	balance stick-on weight 60 G.		X	
						(4)	997 361 465 00	balance stick-on weight 65 G.		X	
						(4)	997 361 470 00	balance stick-on weight 70 G.		X	
						(4)	997 361 475 00	balance stick-on weight 75 G.		X	
						(4)	997 361 480 00	balance stick-on weight 80 G.		X	
						(4)	997 361 485 00	balance stick-on weight 85 G.		X	
						(4)	997 361 490 00	balance stick-on weight 90 G.		X	

Model	Year	MG	SG	Illustration	Restrictions	UPD	20:00	25.01.2010	PORSCHE	PET	PORSCHE
997T	2009	6	01	601-00		248					

Pos	Part Number	Description	Remark	Qty	Model	Pos	Part Number	Description	Remark	Qty	Model
5	996 361 057 02	set anti-theft protection 1 set		07	1 COUPE	-	996 362 020 04	emergency wheel grey cast iron brake		1	I447
(5)	997 361 057 02	set anti-theft protection 1 set		08-	1 COUPE CABRIO	-	997 362 050 00	emergency wheel pccb brake		1	I447/450
(5)	997 361 980 10	wheel bolt anti-theft protection 1 set			1 GT2						
(5)	997 361 057 00	set anti-theft protection 1 set	(GB)	07	1 COUPE I444						
(5)	997 361 057 01	set anti-theft protection 1 set	(GB)	08-	1 I444						
(5)	997 361 980 09	set anti-theft protection 1 set	(GB)		1 GT2 I444						
6	996 361 203 02	wheel bolt		07	16 COUPE						
(6)	997 361 203 01	wheel bolt		08-	16 COUPE CABRIO						
(6)	997 361 980 07	wheel bolt			16 GT2						
(6)	999 182 006 31	wheel nut			20 COUPE IXRN						
7	997 361 305 00	hub cap			4 TURBO						
(7)	996 361 303 93	hub cap			4 GT2						
	9A1	silver									
(7)	955 361 303 05	hub cap			4 I446						
	9A1	silver it is necessary to rework paint			GT2						
-	999 914 001 40	plastic gloves			X I447						
8	955 722 631 00	compressed air bottle			1						
(8)	997 652 057 00	compressor for emergency wheel			1 I447						
-	911 722 201 02	tyre pressure gauge			1 GT2						

Model	Year	MG	SG	Illustration	Restrictions	UPD	20:00	25.01.2010	PORSCHE	PET	PORSCHE
997T	2009	6	01	601-01		248					



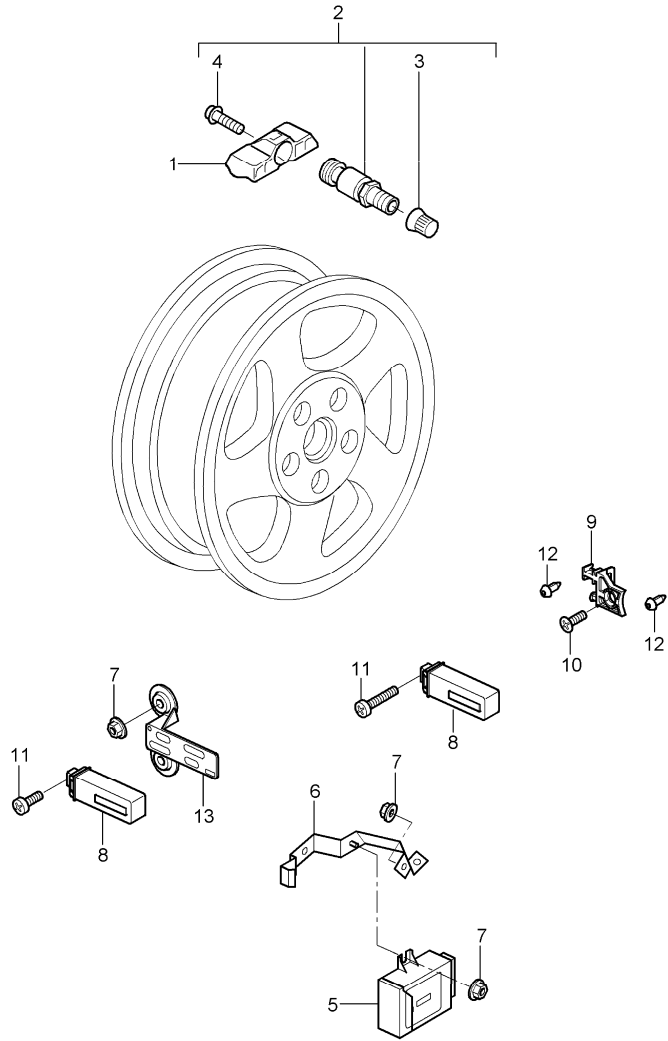
Pos	Part Number	Description	Remark	Qty	Model
		central locking			Turbo I422
					Turbo I447
1	997 362 157 06	disc wheel 8,5 J X 19 ET 56	/V	2	
(1)	997 362 163 04	disc wheel 11 J X 19 ET 51	/H	2	
2	999 707 012 40	o-ring 37 X 2,5 N		4	
3 A	997 341 251 02	locking device		2	
3	997 341 251 04	locking device		2	
4	999 707 648 40	o-ring 92,00 X 3,5		4	
5 A	997 361 081 04	wheel bolt		4	
5	997 361 081 05	wheel bolt		4	
6	999 701 045 40	o-ring 32 X 2,0 N		4	
7	997 361 207 03	hub cap		4	
8	997 361 405 00	balance stick-on weight 5.G.		X	
(8)	997 361 410 00	balance stick-on weight 10 G.		X	
(8)	997 361 415 00	balance stick-on weight 15 G.		X	
(8)	997 361 420 00	balance stick-on weight 20 G.		X	
(8)	997 361 425 00	balance stick-on weight 25 G.		X	
(8)	997 361 430 00	balance stick-on weight 30 G.		X	
(8)	997 361 435 00	balance stick-on weight 35 G.		X	
(8)	997 361 440 00	balance stick-on weight 40 G.		X	

Model	Year	MG	SG	Illustration	Restrictions	UPD	20:00	25.01.2010	PORSCHE	PET	PORSCHE
997T	2009	6	01	601-01		248					

Pos	Part Number	Description	Remark	Qty	Model	Pos	Part Number	Description	Remark	Qty	Model
(8)	997 361 445 00	balance stick-on weight 45 G.		X							
(8)	997 361 450 00	balance stick-on weight 50 G.		X							
(8)	997 361 455 00	balance stick-on weight 55 G.		X							
(8)	997 361 460 00	balance stick-on weight 60 G.		X							
(8)	997 361 465 00	balance stick-on weight 65 G.		X							
(8)	997 361 470 00	balance stick-on weight 70 G.		X							
(8)	997 361 475 00	balance stick-on weight 75 G.		X							
(8)	997 361 480 00	balance stick-on weight 80 G.		X							
(8)	997 361 485 00	balance stick-on weight 85 G.		X							
(8)	997 361 490 00	balance stick-on weight 90 G.		X							
9	900 265 001 50	rubber valve rubber		4							
10	955 361 163 00	cap for rubber valve		4							
11	997 362 191 00	adapter emergency wheel		1	I447						
12	997 361 203 01	wheel bolt adapter		5	I447						
13	997 362 021 00	emergency wheel		1	I447						
14	997 361 189 00	washer		4							
15		cone ring		4							
16	997 361 187 00	circlip 2,0		4							

Model	Year	MG	SG	Illustration	Restrictions	UPD	20:00	25.01.2010	PORSCHE	PET	PORSCHE
997T	2009	6	01	601-05		248					

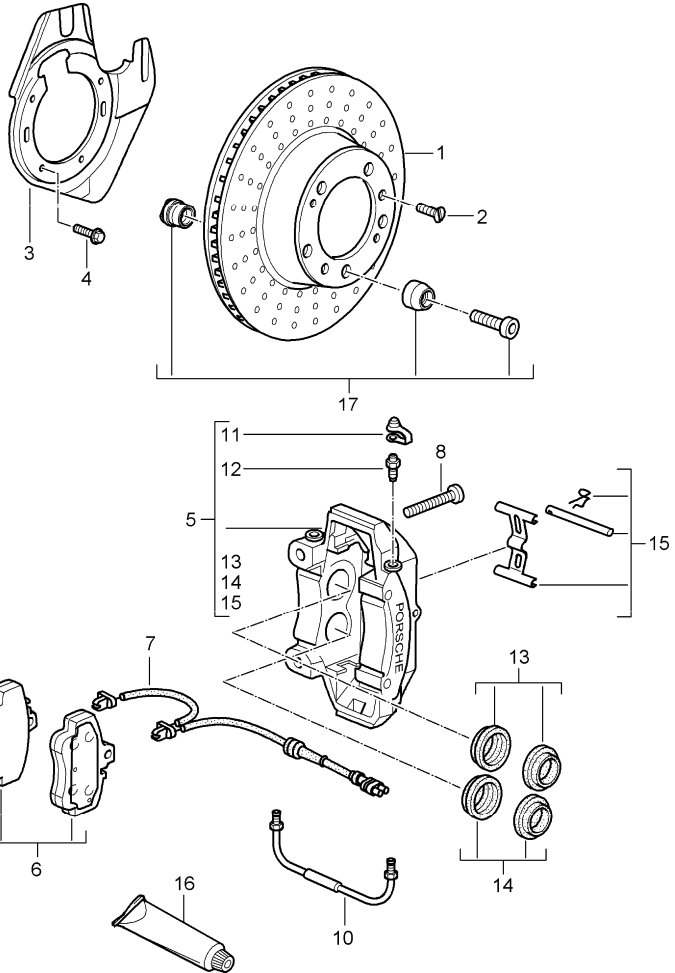
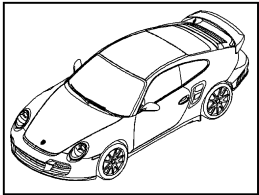
Pos	Part Number	Description	Remark	Qty	Model
		tyre pressure monitoring	07-		COUPE
			08-		I482/483
			-07	4	CABRIO
1	997 606 021 00	sensor tyre pressure monitoring use also: 955.361.053.00		4	I482
(1)	997 606 021 01	sensor tyre pressure monitoring use also: 955.361.053.00	08-	4	I482
(1)	997 606 023 00	sensor tyre pressure monitoring use also: 955.361.053.00	-07	4	I483
(1)	997 606 023 01	sensor tyre pressure monitoring use also: 955.361.053.00	08-	4	I483
(1)	997 606 025 00	sensor tyre pressure monitoring use also: 955.361.053.00		4	I483 I074/193
2	955 361 053 00	valve aluminium		4	
3	N 908 729 01	cap		4	
4	4D0 601 365	fastening screw		4	
5	997 618 103 06	control unit		1	Turbo
5	997 618 103 06	control unit		1	GT-2
(6)	997 618 203 02	support control unit		1	
7	999 076 081 40	plastic nut T5 16 X 11, 2		7	
8	997 606 101 00	antenna 433 MHZ use also: rear axle clip 997.606.225.00		4	I482



Model	Year	MG	SG	Illustration	Restrictions	UPD	20:00	25.01.2010	PORSCHE	PET	PORSCHE
997T	2009	6	01	601-05		248					

Pos	Part Number	Description	Remark	Qty	Model	Pos	Part Number	Description	Remark	Qty	Model
(8)	997 606 103 00	antenna 315 MHZ use also: rear axle clip 997.606.225.00		4	I483						
9	997 606 225 00	clip for antenna rear axle		2							
10	999 919 121 09	oval-head screw M 5 X 16		2							
11	999 919 023 09	oval-head screw M 5 X 35		4							
12	N 105 168 01	expander nut ST 4,8		4							
13	997 606 141 00	support antenna front		2							
-	997 652 053 01	compressor guide emergency wheel		1							

Model	Year	MG	SG	Illustration	Restrictions	UPD	20:00	25.01.2010	PORSCHE	PET	PORSCHE
997T	2009	6	02	602-00		248					



Pos	Part Number	Description	Remark	Qty	Model
		disc brake front axle			TURBO
		brake disc only in pairs replace technical manual attention			I450
1	997 351 405 00	brake disc	/L	-08	1
(1)	997 351 405 01	brake disc	/L	09-	1
(1)	997 351 405 02	brake disc only together with with grey cast iron brake use also: 997.341.901.00 see technical manual group 46 50 19	/L	09-	1 I422
(1)	997 351 031 31	brake disc	/L	07	1 I450
(1)	997 351 031 32	brake disc	/L	08	1 I450
(1)	997 351 031 33	brake disc	/L	09-	1 I450
(1)	997 351 031 33	brake disc use also: 997.341.901.00 see technical manual group 46 51 19	/L	09-	1 I422/450
(1)	997 351 406 00	brake disc	/R	-08	1
(1)	997 351 406 01	brake disc	/R	09-	1
(1)	997 351 406 02	brake disc only together with with grey cast iron brake use also: 997.341.901.00 see technical manual group 46 50 19	/R	09-	1 I422
(1)	997 351 032 31	brake disc	/R	07	1 I450
(1)	997 351 032 32	brake disc	/R	08	1 I450



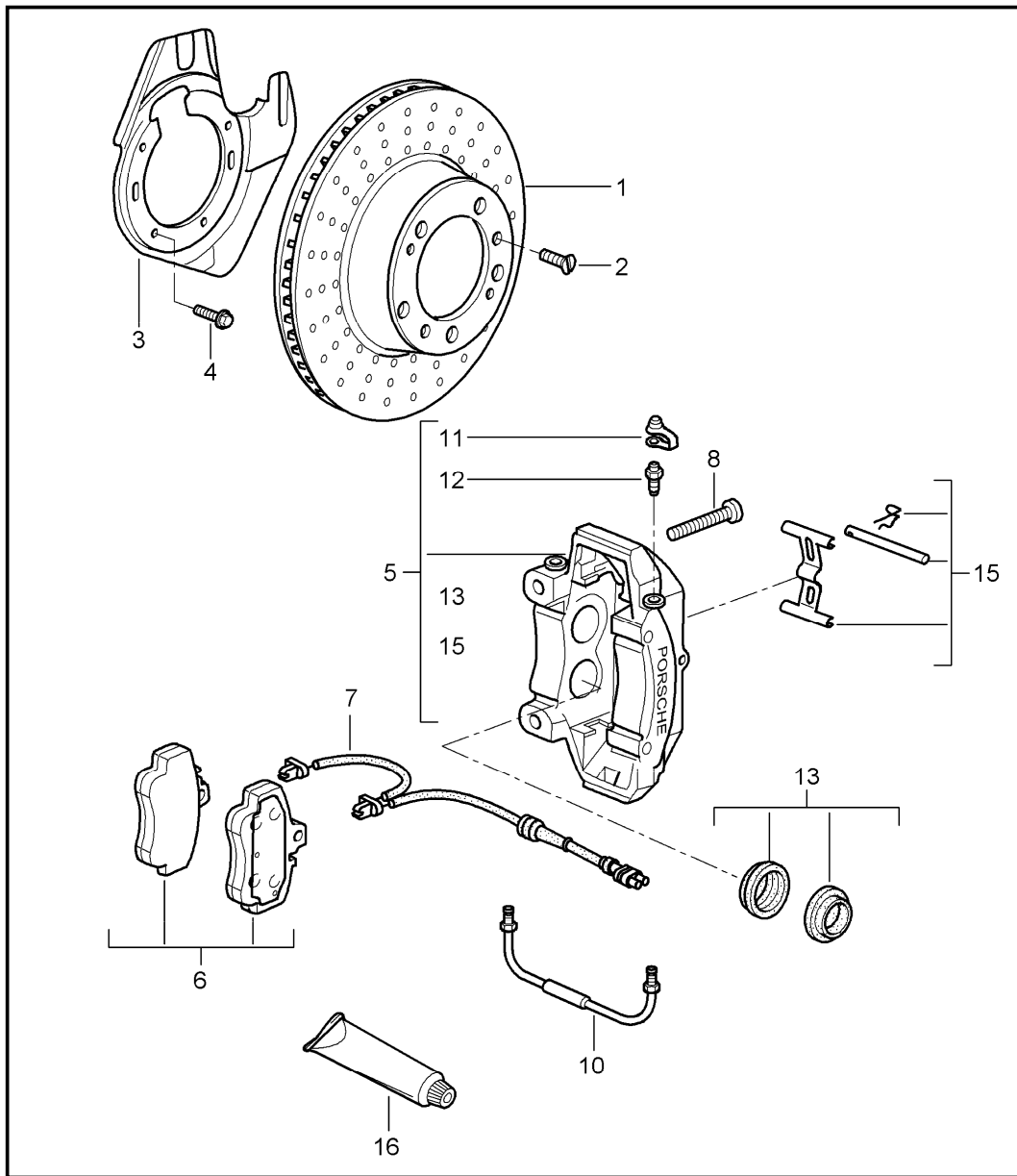
Model	Year	MG	SG	Illustration	Restrictions	UPD	20:00	25.01.2010	PORSCHE	PET	PORSCHE
997T	2009	6	02	602-00		248					

Pos	Part Number	Description	Remark	Qty	Model	Pos	Part Number	Description	Remark	Qty	Model
(1)	997 351 032 33	brake disc	/R 09-	1	I450	(5)	997 351 428 31	fixed calliper without pad	/R 08-	1	I450
(1)	997 351 032 33	brake disc use also: 997.341.901.00 see technical manual grupp 46 51 19	/R 09-	1 X	I422/450			use also: fastening screw 999.067.054.09		2	
2	900 269 047 09	countersunk-head screw M 6 X 12		07	4		997 351 505 02	adapter		2	I450
(2)	900 269 047 01	countersunk-head screw M 6 X 12		08-	4		999 073 313 09	round head screw m 12 x 1,5		4	I450
3	997 351 805 05	cover plate	/L	1		6	997 351 947 00	brake pad repair set use also: mounting parts		1	
(3)	997 351 806 05	cover plate	/R	1		(6)	997 351 947 01	brake pad repair set use also: mounting parts mounted without damping plate		1	
4	999 217 116 09	hexagon-head bolt M 6 X 16		07	X	COUPE					
(4)	999 217 116 01	hexagon-head bolt M 6 x 16		08-	X	COUPE CABRIO					
5	997 351 431 10	fixed calliper without pad use also: mounting parts fastening screw 999.067.047.09	/L	1			(6)	997 351 948 02	brake pad repair set use also: mounting parts see technical manual group 4 Nr.46 36 20	1	I450
(5)	997 351 427 30	fixed calliper without pad use also: fastening screw 999.067.054.09	/L	07	1	I450	(6)	996 352 086 01	damping plate only together with brake pad repair set 991.351.947.00	12	
(5)	997 351 427 31	fixed calliper without pad use also: fastening screw 999.067.054.09	/L	08-	1	I450	-	996 352 086 01	damping plate 28 mm	12	I450
(5)	997 351 432 10	fixed calliper without pad mounting parts fastening screw 999.067.047.09	/R	1			7	997 612 677 00	warning contact	2	
(5)	997 351 428 30	fixed calliper without pad use also: fastening screw 999.067.054.09	/R	07	1	I450	-	999 507 464 40	support	2	
				2			-	944 612 627 00	line bracket for warning contact	3	
				2			8	999 067 047 09	pan-head screw m 12 x 1,5 x 85	4	
				2			(8)	999 067 054 09	pan-head screw M 12 X 1,5 X 62	4	I450
				2			(10)	996 351 961 30	connecting line	2	

Model	Year	MG	SG	Illustration	Restrictions	UPD	20:00	25.01.2010	PORSCHE	PET	PORSCHE
997T	2009	6	02	602-00		248					

Pos	Part Number	Description	Remark	Qty	Model	Pos	Part Number	Description	Remark	Qty	Model
(10)	980 351 961 00	connecting line		2	I450						
11	930 351 927 00	dust boot		2							
12	997 352 919 00	ventilation valve		2							
13	951 352 917 00	repair kit protection caps 28 mm		X							
14	996 351 915 00	repair kit protection caps 32 mm		X							
(13)	996 351 915 01	repair kit protection caps 38 mm		X							
(13)	951 352 917 00	repair kit protection caps 28 mm		X	I450						
(13)	996 351 915 00	repair kit protection caps 32 mm		X	I450						
(13)	951 351 917 00	repair kit protection caps 36 mm		X	I450						
(15)	996 351 959 30	repair kit mounting parts bolt expanding spring screw		1							
16	000 043 117 00	brake cylinder paste 50 G		X							
16	000 043 020 00	optimoly 100 G		X							
17	997 341 901 00	assembly kit comprising: driving pin sleeve fastening screw see technical manual 46 50 19 46 51 19	09-	2	I422						
				5							
				5							
				5							

Model	Year	MG	SG	Illustration	Restrictions	UPD	20:00	25.01.2010	PORSCHE	PET	PORSCHE
997T	2009	6	02	602-01		248					

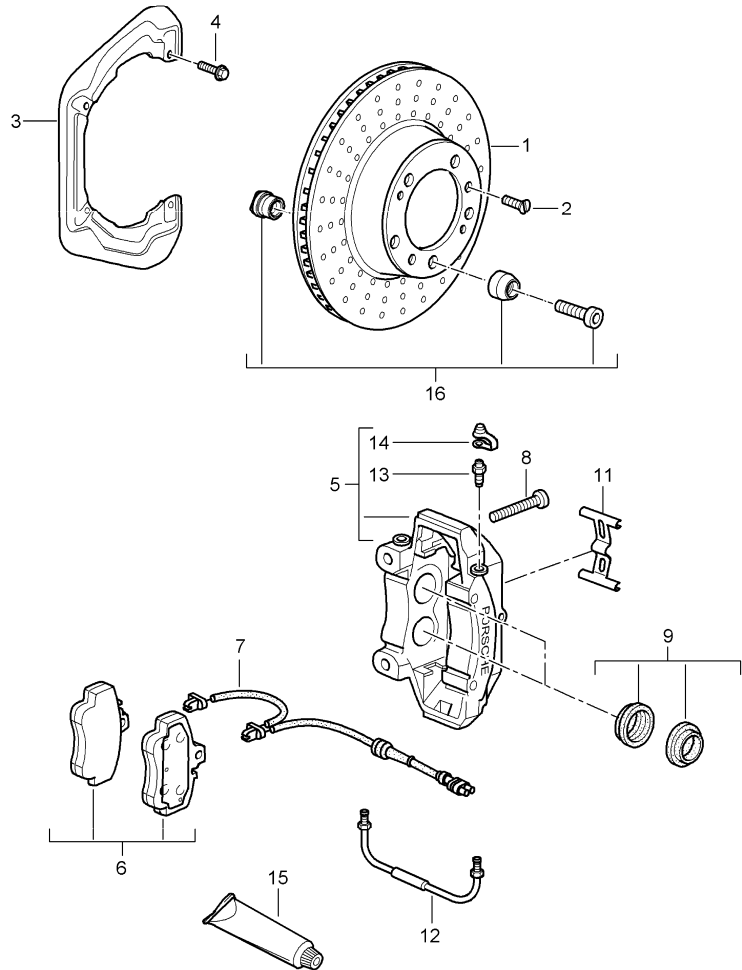
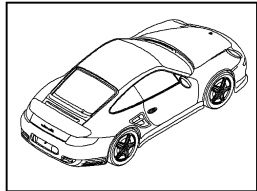


Pos	Part Number	Description	Remark	Qty	Model
		disc brake front axle			GT2
		brake disc only in pairs replace technical manual attention			
(1)	997 351 031 93	brake disc	/L	1	
(1)	997 351 032 93	brake disc	/R	1	
2	900 269 047 01	countersunk-head screw M 6 X 12		4	
(3)	997 351 813 90	cover plate lower	/L	1	
(3)	996 351 815 90	air baffle plate	/L	1	
(3)	997 351 814 90	cover plate lower	/R	1	
(3)	996 351 816 90	air baffle plate	/R	1	
-	900 378 036 01	hexagon-head bolt M 6 x 16		4	
-	900 380 015 01	hexagon nut M 6		4	
(4)	999 217 116 01	hexagon-head bolt M 6 x 16		X	
(5)	997 351 431 92	fixed calliper without pad use also: mounting parts fastening screw 999.067.054.09	/L	1	
(5)	997 351 432 92	fixed calliper without pad use also: mounting parts fastening screw 999.067.054.09	/R	1	
(6)	997 351 948 90	brake pad repair set use also: mounting parts fastening screw 999.067.054.09		1	
(7)	997 612 677 00	warning contact		2	

Model	Year	MG	SG	Illustration	Restrictions	UPD	20:00	25.01.2010	PORSCHE	PET	PORSCHE
997T	2009	6	02	602-01		248					

Pos	Part Number	Description	Remark	Qty	Model	Pos	Part Number	Description	Remark	Qty	Model
-	999 507 464 40	support		2							
-	944 612 627 00	line bracket for warning contact		3							
(8)	999 067 054 09	pan-head screw M 12 X 1,5 X 62		4							
10	997 351 961 91	connecting line		2							
11	930 351 927 00	dust boot		2							
12	997 352 919 00	ventilation valve		2							
(13)	951 352 917 00	repair kit protection caps 28 MM		X							
(13)	996 351 915 00	repair kit protection caps 32 MM		X							
(13)	951 352 917 01	repair kit protection caps 30 mm		X							
(15)	996 351 959 30	repair kit mounting parts bolt expanding spring screw		1							
16	000 043 117 00	brake cylinder paste 50 G		X							
16	000 043 020 00	optimoly 100 G		X							

Model	Year	MG	SG	Illustration	Restrictions	UPD	20:01	25.01.2010	PORSCHE	PET	PORSCHE
997T	2009	6	03	603-00		248					



Pos	Part Number	Description	Remark	Qty	Model
		disc brake rear axle			TURBO
		brake disc only in pairs replace technical manual attention			I450
(1)	997 352 405 01	brake disc	/L -08	1	
(1)	997 352 405 02	brake disc	/'L 09-	1	
(1)	997 352 405 03	brake disc only together with grey cast iron brake use also: 997.341.901.00 see technical manual 46 53 19	/L 09-	1	I422
(1) >	996 352 031 04	brake disc	/L 07	1	I450
(1)	997 352 031 00	brake disc	/L 08	1	I450
(1)	997 352 031 01	brake disc	/L 09-	1	I450
(1)	997 352 031 01	brake disc use also: 997.341.901.00 see technical manual 46 54 19	/L 09-	1	I422/450
(1)	997 352 406 01	brake disc	/R -08	1	
(1)	997 352 406 02	brake disc	/R 09-	1	
(1)	997 352 406 03	brake disc only together with grey cast iron brake use also: 997.341.901.00 see technical manual 46 53 19	/R 09-	1	I422
(1) >	996 352 032 04	brake disc	/R 07	1	I450
(1)	997 352 032 00	brake disc	/R 08	1	I450
(1)	997 352 032 01	brake disc	/R 09-	1	I450

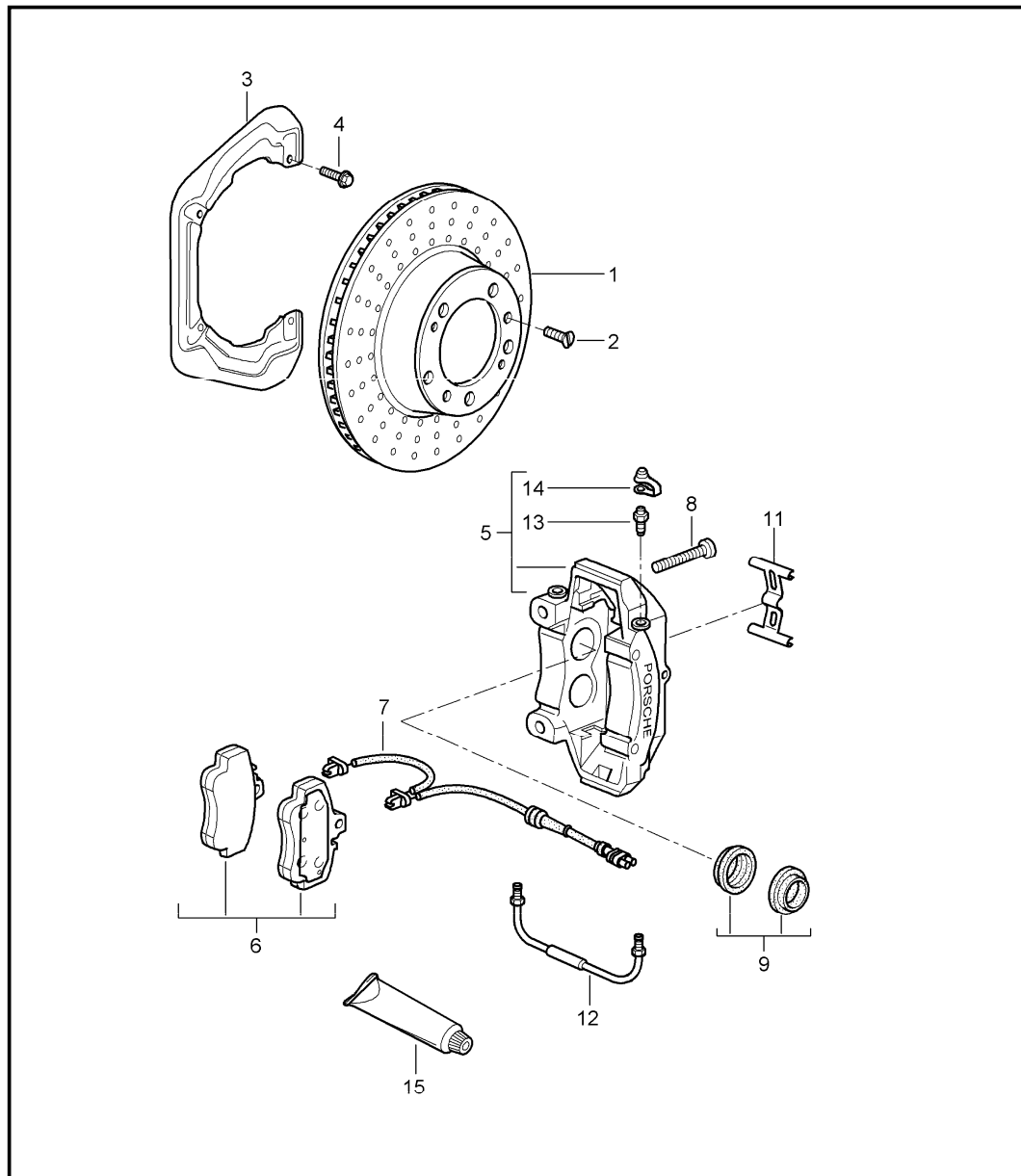
Model	Year	MG	SG	Illustration	Restrictions	UPD	20:01	25.01.2010	PORSCHE	PET	PORSCHE
997T	2009	6	03	603-00		248					

Pos	Part Number	Description	Remark	Qty	Model	Pos	Part Number	Description	Remark	Qty	Model
(1)	997 352 032 01	brake disc use also: 997.341.901.00 see technical manual 46 54 19	/R 09-	1	I422/450	(5)	997 352 426 11	fixed calliper without pad use also: mounting parts fastening screw 999.067.040.01	/R -08	1	
(2)	A 900 269 047 09	countersunk-head screw M 6 X 12		4		(5)	997 352 426 12	fixed calliper without pad use also: mounting parts fastening screw 999.067.040.01	/R 09-	1	
(2)	900 269 047 01	countersunk-head screw M 6 X 12		4							
3	996 352 801 03	cover plate		2							
(3)	997 352 801 02	cover plate	/L	1	I450	(5)	997 352 426 31	fixed calliper without pad use also: mounting parts fastening screw 999.067.040.01	/R -08	1	I450
(3)	997 352 802 02	cover plate	/R	1	I450						
4	999 217 116 09	hexagon-head bolt M 6 X 16		07	X					2	
(4)	999 217 116 01	hexagon-head bolt M 6 x 16		08-	X	(5)	997 352 426 32	fixed calliper without pad use also: mounting parts fastening screw 999.067.040.01	/R 09-	1	I450
5	997 352 425 11	fixed calliper without pad use also: mounting parts fastening screw 999.067.040.01	/L -08	1						2	
(5)	997 352 425 12	fixed calliper without pad use also: mounting parts fastening screw 999.067.040.01	/L 09-	1		(6)	997 352 949 01	brake pad repair set use also: mounting parts fastening screw 999.067.040.01		1	
(5)	997 352 425 31	fixed calliper without pad use also: mounting parts fastening screw 999.067.040.01	/L -08	1	I450	(6)	997 352 947 02	brake pad repair set use also: mounting parts fastening screw 999.067.040.01 see technical manual group 4 Nr.463520		4	
(5)	997 352 425 32	fixed calliper without pad use also: mounting parts fastening screw 999.067.040.01	/L 09-	1	I450	-	997 352 086 01	damping plate 34 mm		4	
				2		7	997 612 754 00	warning contact		2	
				2		8	999 067 040 01	pan-head screw M 12 X 1,5 X 95		4	
						9	965 352 917 00	repair kit protection caps 34 MM		X 2	
						11	997 352 959 10	spring		2	

Model	Year	MG	SG	Illustration	Restrictions	UPD	20:01	25.01.2010	PORSCHE	PET	PORSCHE
997T	2009	6	03	603-00		248					

Pos	Part Number	Description	Remark	Qty	Model	Pos	Part Number	Description	Remark	Qty	Model
12	997 352 961 00	connecting line	/L	2							
(12)	997 352 962 00	connecting line	/R	2							
13	930 351 919 01	ventilation valve		4							
14	930 351 927 00	dust boot		4							
15	000 043 117 00	brake cylinder paste 50 G		X							
(15)	000 043 020 00	optimoly 100 G		X							
16	997 341 901 00	assembly kit comprising: driving pin sleeve fastening screw see technical manual 46 53 19 46 54 19	09-	2	I422						

Model	Year	MG	SG	Illustration	Restrictions	UPD	20:01	25.01.2010	PORSCHE	PET	PORSCHE
997T	2009	6	03	603-01		248					



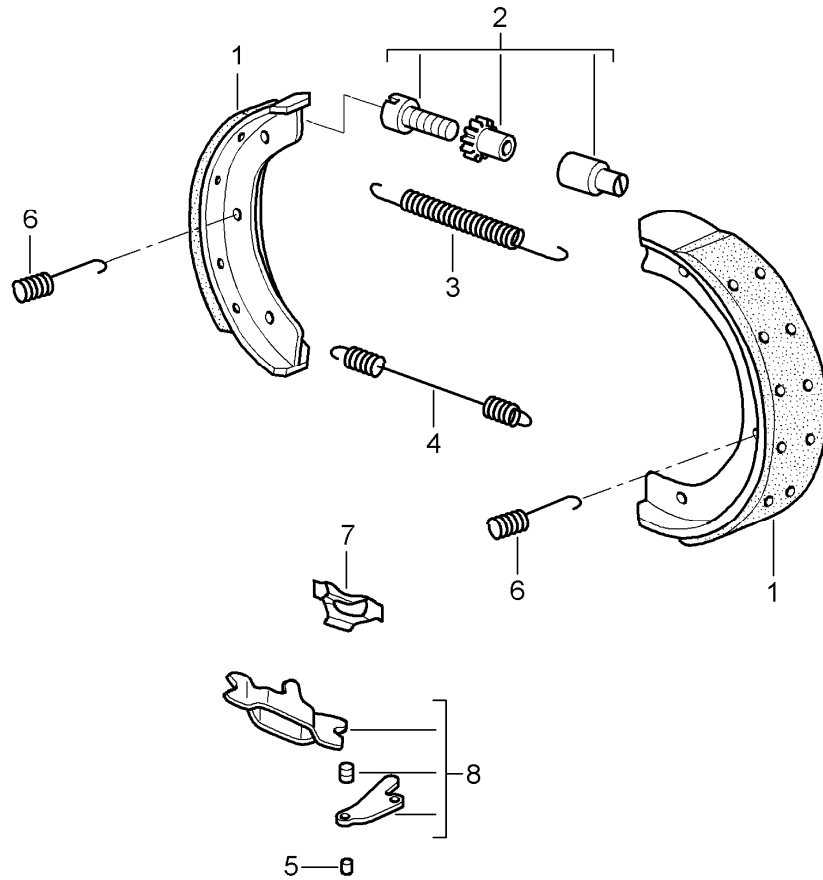
Pos	Part Number	Description	Remark	Qty	Model
		disc brake rear axle			GT2
		brake disc only in pairs replace technical manual attention			
(1)	997 352 031 00	brake disc	/L	1	
(1)	997 352 032 00	brake disc	/R	1	
(2)	900 269 047 01	countersunk-head screw M 6 X 12		4	
(3)	996 352 801 03	cover plate		2	
(4)	999 217 116 01	hexagon-head bolt M 6 x 16		X	
(5)	997 352 425 96	fixed calliper without pad use also: fastening screw 999.067.040.01	/L -08	1	
(5)	997 352 425 98	fixed calliper without pad use also: fastening screw 999.067.040.01	/L 09-	2	
(5)	997 352 426 96	fixed calliper without pad use also: fastening screw 999.067.040.01	/R -08	1	
(5)	997 352 426 98	fixed calliper without pad use also: fastening screw 999.067.040.01	/R 09-	1	
		brake pad repair set use also: mounting parts fastening screw 999.067.040.01		2	
6	997 352 947 90	brake pad repair set use also: mounting parts fastening screw 999.067.040.01		1	
		brake pad repair set use also: mounting parts fastening screw 999.067.040.01		4	
7	997 612 754 00	warning contact		2	
8	999 067 040 01	pan-head screw M 12 X 1,5 X 95		4	



Model	Year	MG	SG	Illustration	Restrictions	UPD	20:01	25.01.2010	PORSCHE	PET	PORSCHE
997T	2009	6	03	603-01		248					

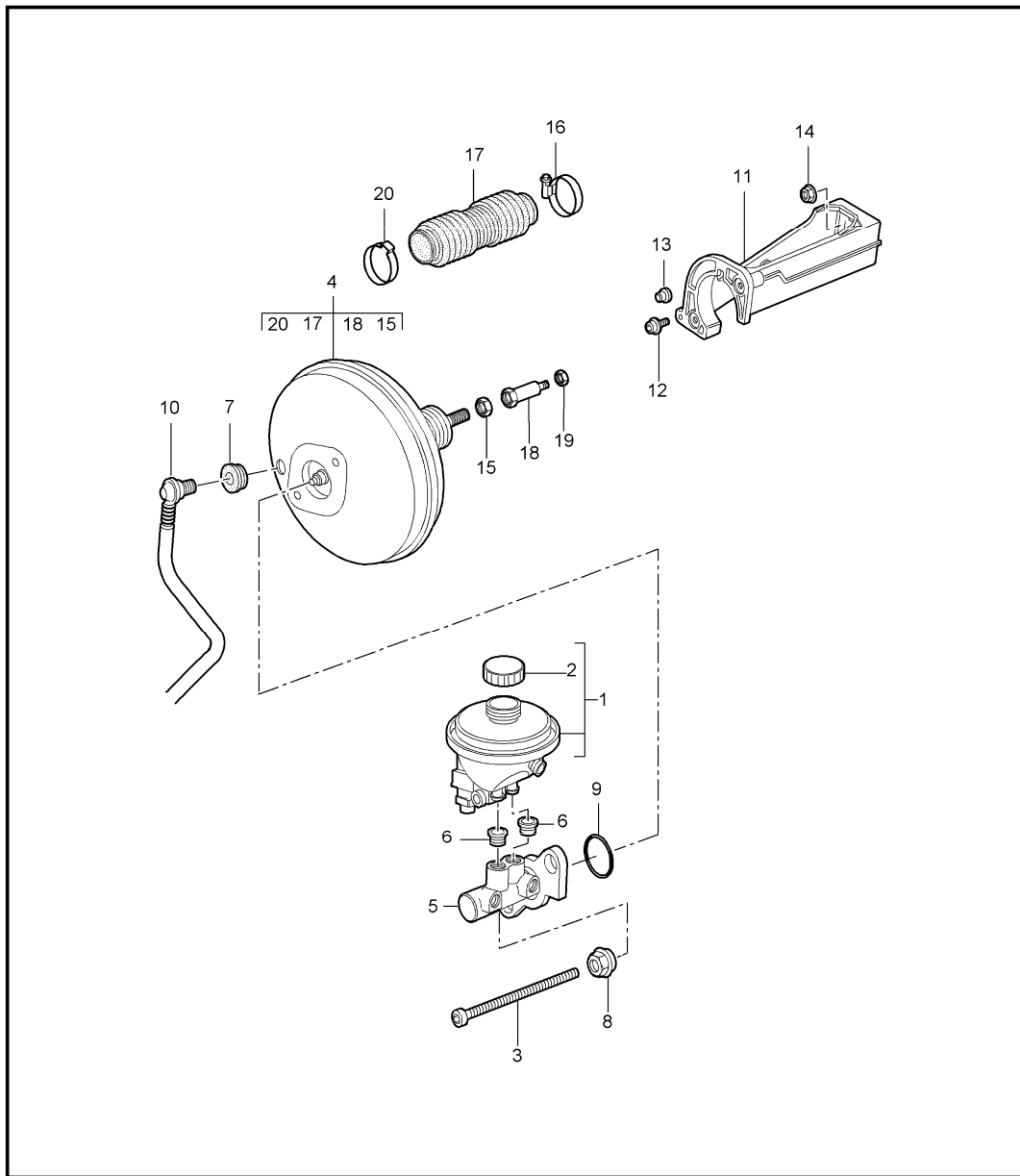
Pos	Part Number	Description	Remark	Qty	Model	Pos	Part Number	Description	Remark	Qty	Model
9	965 352 917 00	repair kit protection caps 34 MM		2 2							
11	997 352 959 10	spring		1							
12	997 351 961 00	connecting line		2							
13	997 352 919 00	bleeder valve		4							
14	930 351 927 00	dust boot		4							
15	000 043 117 00	brake cylinder paste 50 G		X							
(15)	000 043 020 00	optimoly 100 G		X							

Model	Year	MG	SG	Illustration	Restrictions	UPD	20:01	25.01.2010	PORSCHE	PET	PORSCHE
997T	2009	6	03	603-05		248					



Pos	Part Number	Description	Remark	Qty	Model
		handbrake			
		see technical manual group 46 83 20			TURBO
1	997 352 993 01	repair kit 1 set only together with compression spring 997.352.741.00		1	TURBO
(1)	997 352 993 02	repair kit 1 set		1	GT2
2	993 352 071 00	adjusting screw		2	
3	997 352 721 01	tension spring short		2	
4	997 352 723 02	tension spring long		2	
5	993 352 737 00	bolt		2	
6	997 352 741 00	compression spring only together with brake shoe 997.352.993.01		4	TURBO
(6)	997 352 741 02	compression spring		4	GT2
7	997 352 807 00	support panel		2	
8	928 352 090 01	push-button lock complete		2	

Model	Year	MG	SG	Illustration	Restrictions	UPD	20:01	25.01.2010	PORSCHE	PET	PORSCHE
997T	2009	6	04	604-00		248					

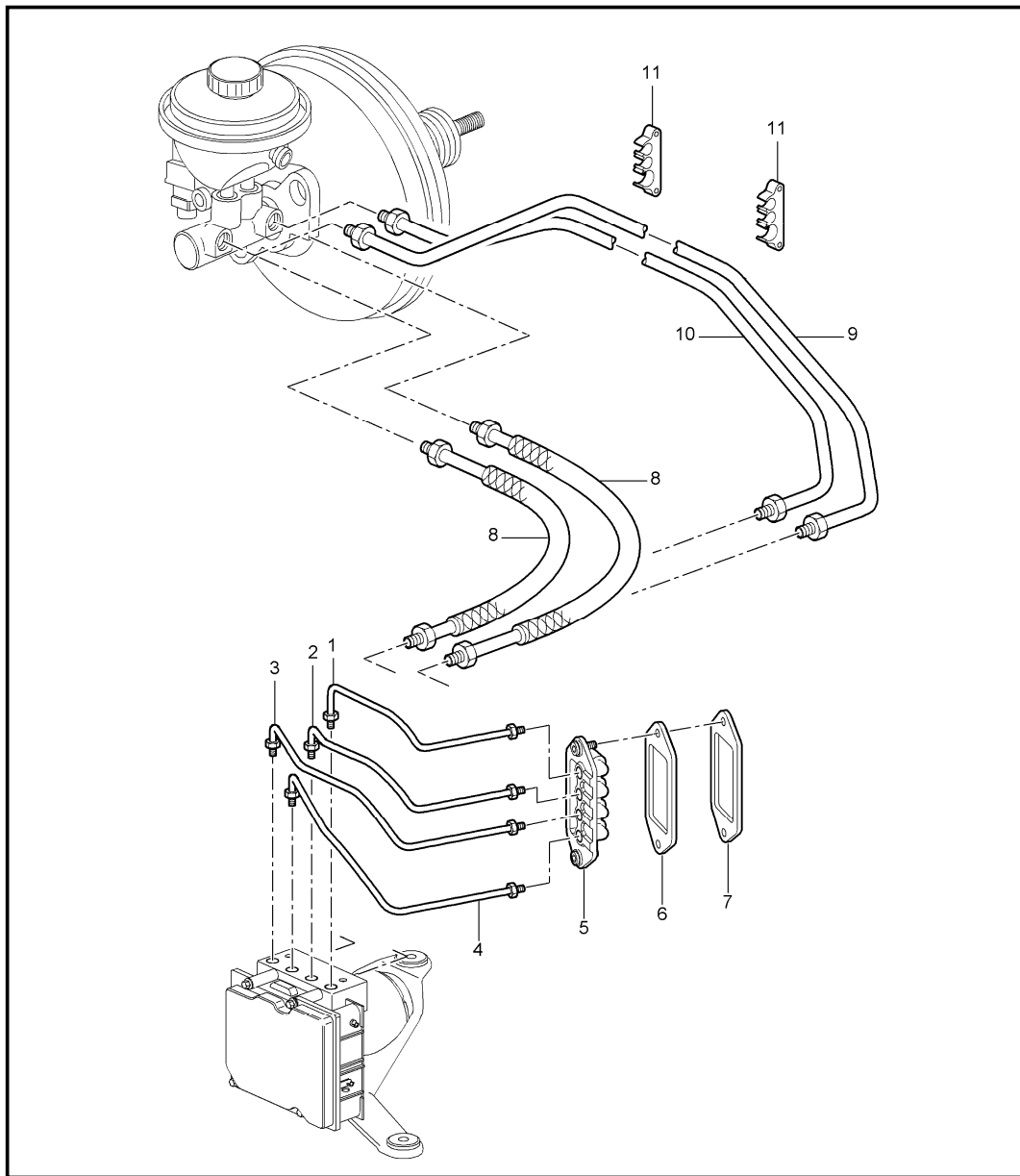


Pos	Part Number	Description	Remark	Qty	Model
-	000 043 203 66	brake master cylinder brake booster			
-		brake fluid DOT 4 1 Ltr.		X	
1	997 355 013 21	expansion tank		1	TURBO
(1)	997 355 013 01	expansion tank		1	GT2
2	996 355 119 01	catch		1	
-	997 355 125 00	support for contact for container		1	
3	999 073 327 09	pan-head screw M 8 X 197 X 29		2	
(4)	997 355 925 37	brake booster		1	TURBO
(4)	997 355 923 90	brake booster		1	GT2
5	997 355 910 30	brake master cylinder		1	
6	993 355 922 00	grommet		2	
7	999 702 182 40	rubber bush		1	
8	997 355 925 00	hexagon nut		2	
9	993 355 212 00	gasket		1	
10	997 355 577 26	vacuum line	/LL	1	I098
(10)	997 355 578 25	vacuum line	/RL	1	I099
11	997 423 251 00	intermediate piece		1	
12	999 073 189 01	round head screw M 6 X 12		2	
13	999 703 448 50	stopper	/R	1	
14	900 380 005 09	hexagon nut M 8		2	
15	900 183 015 02	hexagon nut M 12 X 1,5		1	
-	996 355 901 01	gasket brake booster bulkhead		1	
16	999 512 478 00	hose clamp		1	

Model	Year	MG	SG	Illustration	Restrictions	UPD	20:01	25.01.2010	PORSCHE	PET	PORSCHE
997T	2009	6	04	604-00		248					

Pos	Part Number	Description	Remark	Qty	Model	Pos	Part Number	Description	Remark	Qty	Model
(17)	997 355 969 00	bellows		1	TURBO						
(17)	996 423 269 05	bellows		1	GT2						
18	996 355 927 01	connecting piece		1							
19	900 380 015 09	hexagon nut M 6		1	TURBO						
(19)	900 380 015 01	hexagon nut M 6		1	GT2						
20	999 512 672 00	clamp		1							

Model	Year	MG	SG	Illustration	Restrictions	UPD	20:01	25.01.2010	PORSCHE	PET	PORSCHE
997T	2009	6	04	604-05		248					

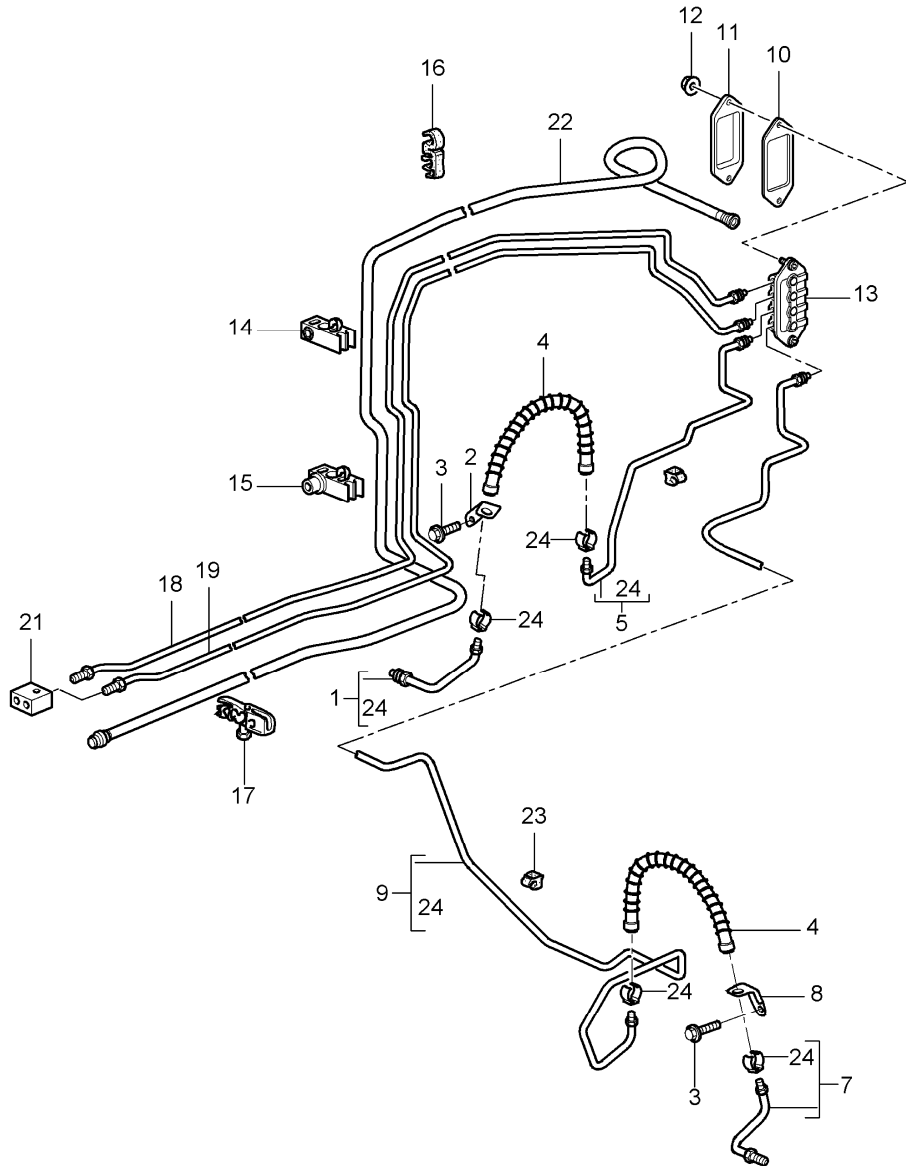


Pos	Part Number	Description	Remark	Qty	Model
		brake lines body front section			
(1)	997 355 315 26	brake line	/LL	1	TURBO I098
(1)	997 355 315 30	brake line	/LL	1	GT2 I098
(1)	997 355 315 00	brake line	/RL	1	TURBO I099
(1)	997 355 315 10	brake line	/RL	1	GT2 I099
(2)	997 355 316 26	brake line	/LL	1	TURBO I098
(2)	997 355 316 30	brake line	/LL	1	GT2 I098
2	997 355 316 00	brake line	/RL	1	TURBO I099
(2)	997 355 316 10	brake line	/RL	1	GT2 I099
(3)	997 355 327 27	brake line	/LL	1	TURBO I098
(3)	997 355 327 30	brake line	/LL	1	GT2 I098
3	997 355 327 00	brake line	/RL	1	TURBO I099
(3)	997 355 327 10	brake line	/RL	1	GT2 I099
(4)	997 355 326 27	brake line	/LL	1	TURBO I098
(4)	997 355 326 30	brake line	/LL	1	GT2 I098
4	997 355 326 00	brake line	/RL	1	TURBO I099
(4)	997 355 326 10	brake line	/RL	1	GT2 I099
5	997 355 650 00	intermediate piece		1	
6	997 355 752 00	gasket		1	
7	997 355 753 00	reinforcement		1	

Model	Year	MG	SG	Illustration	Restrictions	UPD	20:01	25.01.2010	PORSCHE	PET	PORSCHE
997T	2009	6	04	604-05		248					

Pos	Part Number	Description	Remark	Qty	Model	Pos	Part Number	Description	Remark	Qty	Model
8	997 355 311 00	pressure line	/LL	2	TURBO I098						
(8)	997 355 311 10	pressure line	/LL	1	GT2 I098						
9	997 355 312 25	pressure line	/RL	1	TURBO I099						
(9)	997 355 312 30	pressure line	/RL	1	GT2 I099						
10	997 355 314 25	pressure line	/RL	1	TURBO I099						
(10)	997 355 314 30	pressure line	/RL	1	GT2 I099						
11	999 507 632 40	cable holder	/RL	2	I099						

Model	Year	MG	SG	Illustration	Restrictions	UPD	20:02	25.01.2010	PORSCHE	PET	PORSCHE
997T	2009	6	04	604-10		248					



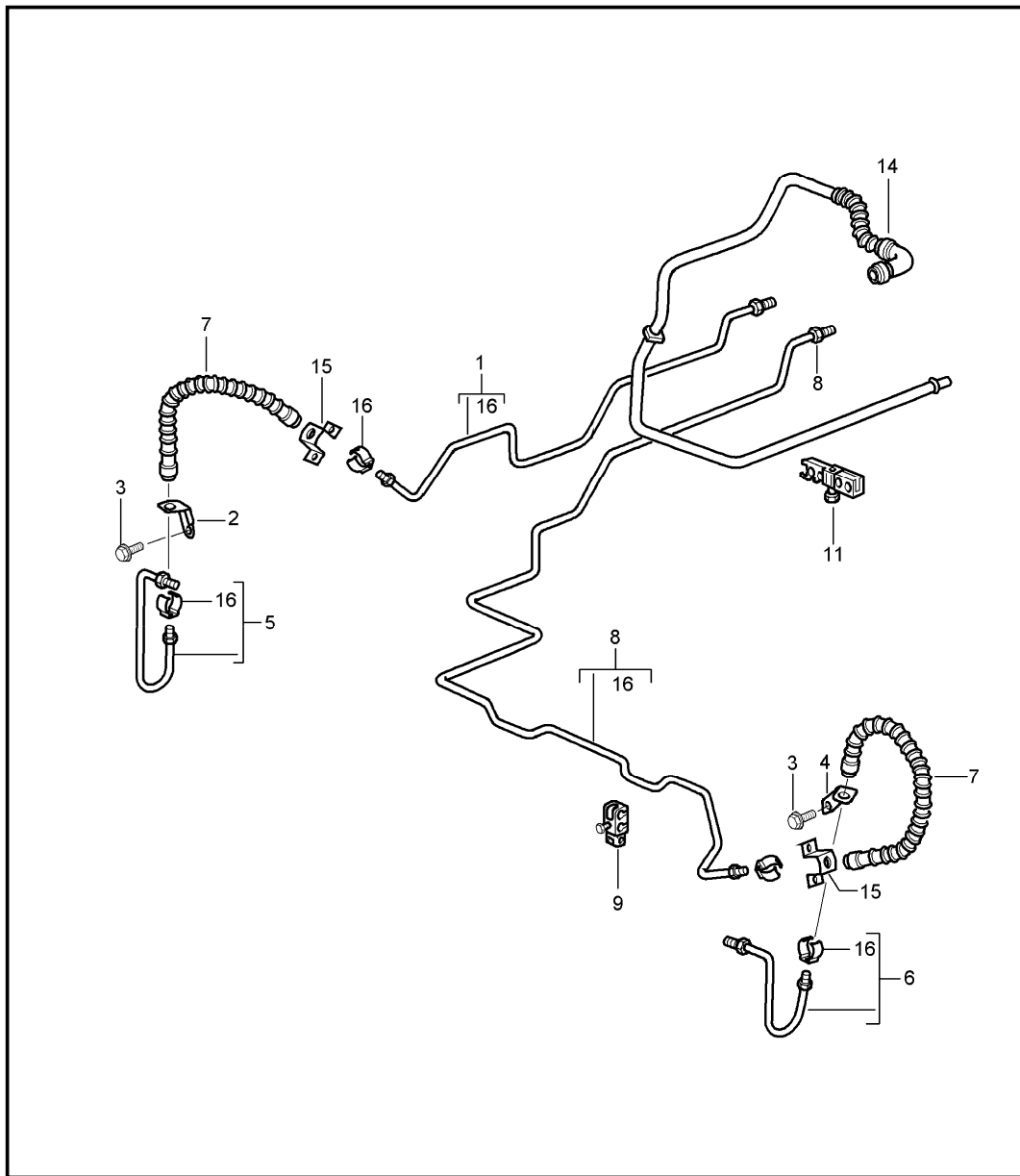
Pos	Part Number	Description	Remark	Qty	Model
		brake lines			
		brake lines			
		underbody			
		vacuum line			
1	997 355 587 01	brake line	/L	07	1 TURBO
(1)	997 355 587 03	brake line	/L	08-	1 TURBO
(1)	997 355 587 10	brake line	/L	07	1 TURBO I450
(1)	997 355 587 11	brake line	/L	08-	1 TURBO I450
(1)	997 355 581 92	brake line	/L		1 GT2
2	996 355 507 05	brake hose bracket	/L		1 TURBO
(2)	996 355 501 06	brake hose bracket	/L		1 GT2
3	900 067 117 09	pan-head screw M 6 X 16		07	2
(3)	900 067 117 04	pan-head screw M 6 x 16		08-	4
4	996 355 139 01	brake hose			2 TURBO
(4)	996 355 139 00	brake hose			2 GT2
5	997 355 175 26	brake line	/L	07	1 TURBO
(5)	997 355 175 30	brake line	/L	08-	1 TURBO
(5)	997 355 175 10	brake line	/L		1 GT2
7	997 355 588 01	brake line	/R	07	1 TURBO
(7)	997 355 588 03	brake line	/R	08-	1 TURBO
(7)	997 355 588 10	brake line	/R	07	1 TURBO I450
(7)	997 355 588 11	brake line	/R	08-	1 TURBO I450
(7)	997 355 582 92	brake line	/R		1 GT2
(8)	996 355 508 05	brake hose bracket	/R		1 TURBO
(8)	996 355 502 06	brake hose bracket	/R		1 GT2
(9)	997 355 176 27	brake line		07	1 TURBO
(9)	997 355 176 30	brake line		08-	1 TURBO

Model	Year	MG	SG	Illustration	Restrictions	UPD	20:02	25.01.2010	PORSCHE	PET	PORSCHE
997T	2009	6	04	604-10		248					

Pos	Part Number	Description	Remark	Qty	Model	Pos	Part Number	Description	Remark	Qty	Model
(9)	997 355 176 90	brake line		1	GT2						
10	997 355 753 00	reinforcement		1							
11	997 355 752 00	gasket		1							
12	900 380 015 09	hexagon nut M 6	07	3							
(12)	900 380 015 01	hexagon nut M 6	08-	3							
13	997 355 650 00	intermediate piece		1							
14	996 355 545 00	support		3							
15	996 355 549 00	support		1							
16	996 355 547 01	support		2							
17	996 355 543 00	support		1							
18	997 355 177 01	brake line	07	1							
(18)	997 355 177 10	brake line	08-	1							
19	997 355 179 01	brake line	07	1							
(19)	997 355 179 10	brake line	08-	1							
21	996 355 760 31	connecting piece		1							
22	997 355 571 01	vacuum line		1							
-	999 702 289 41	grommet wheel housing		1							
23	999 651 331 40	cable holder		5							
24	997 355 331 00	retainer spring for brake line		X							

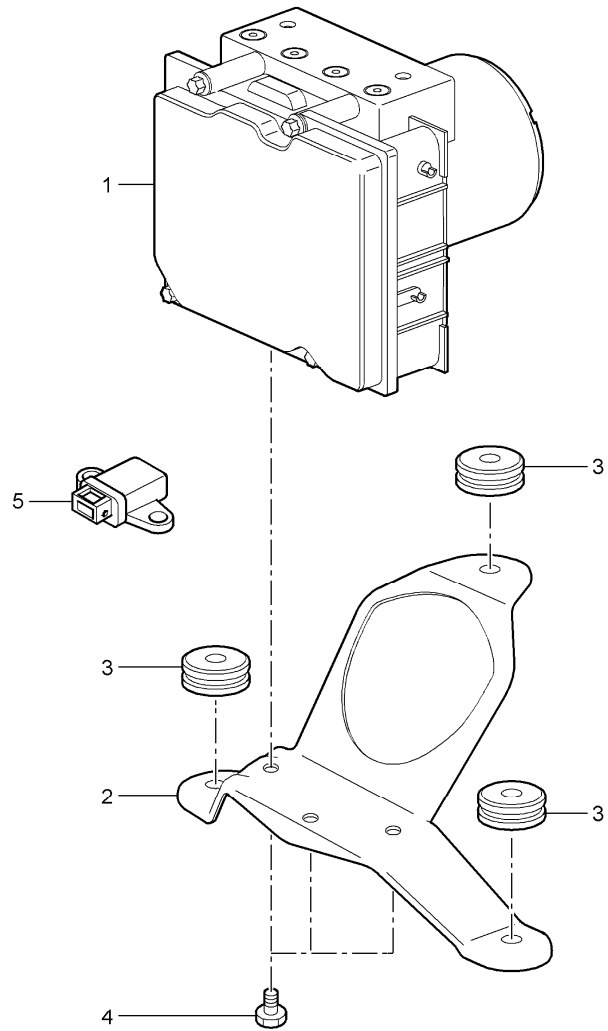


Model	Year	MG	SG	Illustration	Restrictions	UPD	20:02	25.01.2010	PORSCHE	PET	PORSCHE
997T	2009	6	04	604-15		248					



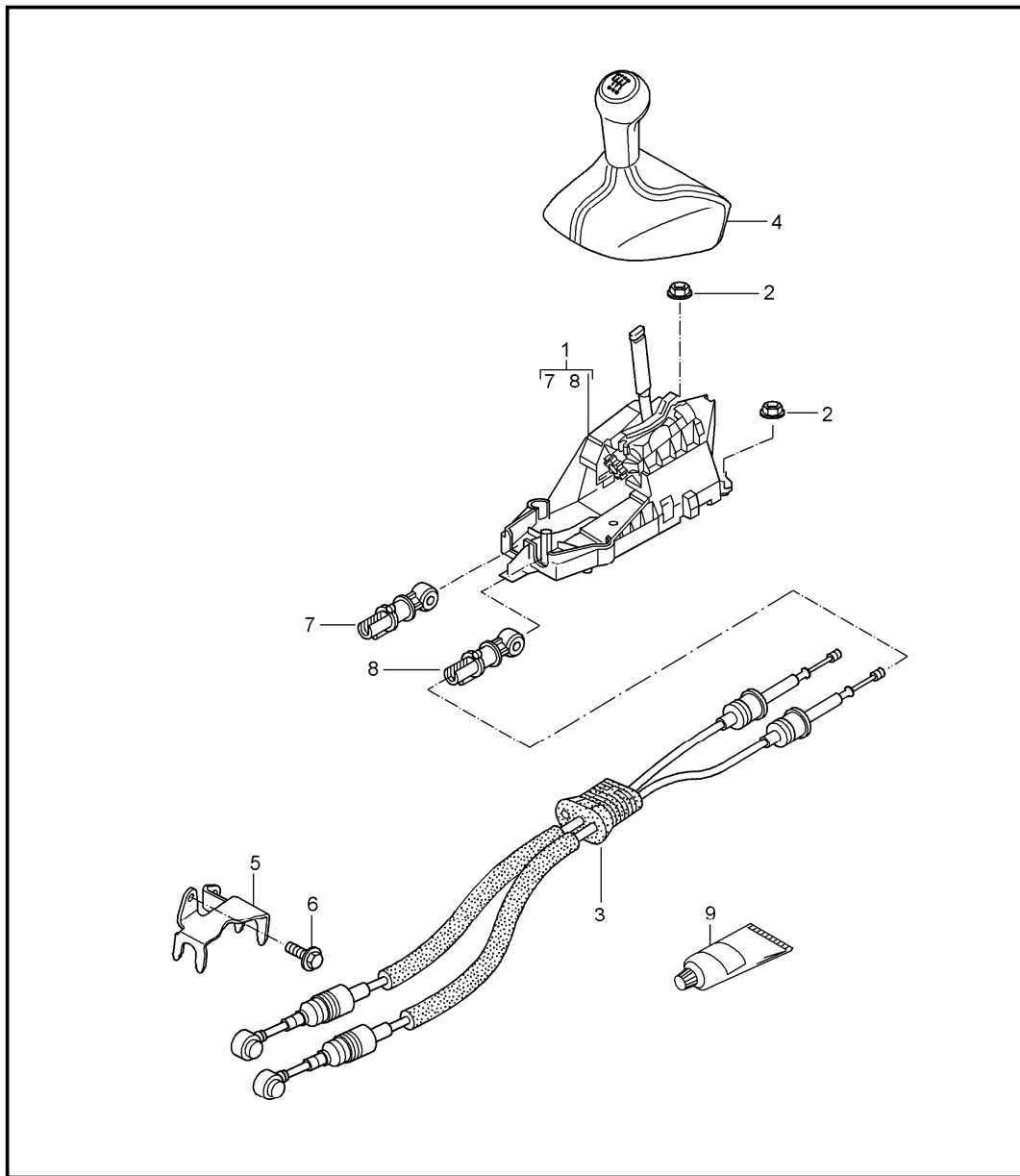
Pos	Part Number	Description	Remark	Qty	Model
		brake line underbody rear axle vacuum line			
1	997 355 189 00	brake line	/L	07	1
(1)	997 355 189 10	brake line	/L	08-	1
2	997 355 503 10	support	/L		1
3	900 067 117 09	pan-head screw M 6 X 16		07	2
(3)	900 067 117 04	pan-head screw M 6 x 16		08-	2
4	997 355 504 10	support	/R		1
5	996 355 585 10	brake line	/L	07	1
(5)	996 355 585 11	brake line	/L	08-	1
6	996 355 586 10	brake line	/R	07	1
(6)	996 355 586 11	brake line	/R	08-	1
7	996 355 139 00	brake hose			2
8	997 355 190 02	brake line		07	1
(8)	997 355 190 10	brake line		08-	1
9	996 347 543 00	cable holder			3
11	996 355 543 00	support			1
14	997 355 575 51	vacuum line			1
-	999 507 495 40	support			1
15	996 501 815 02	support			2
		GRV prime coated			
16	997 355 331 00	retainer spring for brake line			X

Model	Year	MG	SG	Illustration	Restrictions	UPD	20:02	25.01.2010	PORSCHE	PET	PORSCHE
997T	2009	6	05	605-00		248					



Pos	Part Number	Description	Remark	Qty	Model
		hydraulic unit anti-lock brake system control			
1	997 355 955 55	hydraulic unit		1	TURBO
(1)	997 355 955 94	hydraulic unit		1	GT2
2	997 355 033 25	support with rubber mounting	/LL	1	I098
(2)	997 355 033 00	support with rubber mounting	/RL	1	I099
3	964 356 635 00	rubber mounting		3	
-	999 045 004 40	hexagon nut plastic material		3	
4 A	900 385 060 09	screw BM 6 X 10		07	3
(4)	900 385 060 01	screw BM 6 x 10		08-	3
5	997 606 145 02	sensor		1	
-	900 378 035 01	hexagon-head bolt M 6 X 16		2	

Model	Year	MG	SG	Illustration	Restrictions	UPD	20:02	25.01.2010	PORSCHE	PET	PORSCHE
997T	2009	7	01	701-00		248					

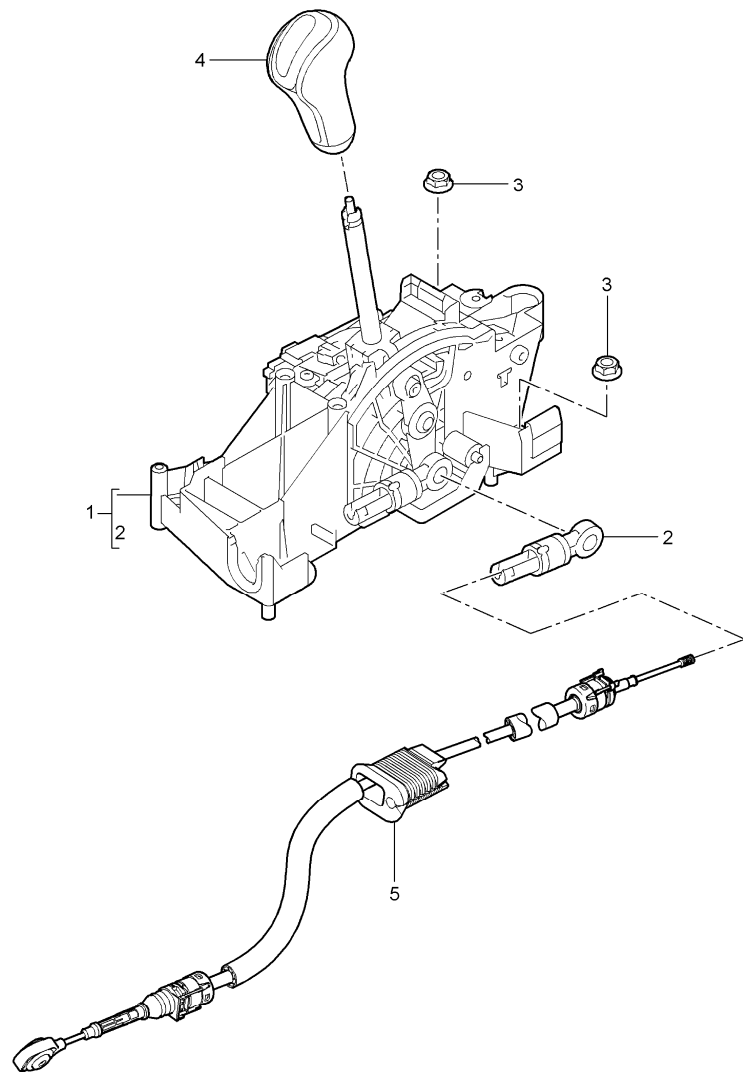


Pos	Part Number	Description	Remark	Qty	Model
		transmission control manual transmission			I480
1	997 424 010 00	gearshift bracket		1	
(1)	997 424 983 00	gearshift bracket		1	TURBO IXCZ
2	999 084 629 01	hexagon nut M 6 SB		4	
3	997 424 041 50	cable transmission control		1	TURBO
(3)	997 424 041 88	cable transmission control		1	GT2
4	997 424 075 50	gearshift knob leather		1	TURBO
		FOT black/black			
		FOU stone grey/stone grey			
		FOV sand beige/sand beige			
		FOW sea blue/sea blue			
		FOX palmgreen/palmgreen			
		FPW terracotta/terracotta			
		FPX cocoa/cocoa			
		FOY dark grey/dark grey			
		FOZ brown nat./brown nat.			
		FSR Carrera Red/Carrera Red			
(4)	997 424 075 54	gearshift knob macassar		1	TURBO I801
		FPA black			
		FPB stone grey			
		FPC sand beige			
		FPD sea blue			
		FPE palmgreen			
		FPY terracotta			
		FPZ cocoa			

Model	Year	MG	SG	Illustration	Restrictions	UPD	20:02	25.01.2010	PORSCHE	PET	PORSCHE
997T	2009	7	01	701-00		248					

Pos	Part Number	Description	Remark	Qty	Model	Pos	Part Number	Description	Remark	Qty	Model														
(4)	997 424 075 54	FPF	dark grey/natural	1	TURBO I802		5X5	stone grey																	
		FPG	brown/natural				8G1	sand beige																	
		FST	carrera red				3S8	sea blue																	
			gearshift knob sycamore wood				4P1	palmgreen																	
		FPH	black				9N2	terracotta																	
		FPJ	stone grey				9Q3	cocoa																	
		FPK	sand beige				D11	dark grey/natural																	
		FPL	sea blue				T11	brown/natural																	
		FPM	palmgreen				N11	carrera red																	
		FQA	terracotta				(4) 997 424 075 90	gearshift knob				1	GT2												
		FQB	cocoa				A15	black				1	GT2												
		FPN	dark grey/natural				(4) 997 424 981 90	gearshift knob																	
		FPO	brown/natural				A15	black																	
		FSU	carrera red				- 996 424 445 00	clip for fastening part				X													
(4)	997 424 075 53		gearshift knob carbon	1	TURBO I803		5	996 424 165 02	bearing bracket	07	1														
		FPF	black				(5) 996 424 165 03	bearing bracket	08-	1															
		FPQ	stone grey				6	999 073 209 09	pan-head screw M 10 x 20		2														
		FPR	sand beige				7	996 424 145 01	fastening part for cable adjustable		1														
		FPS	sea blue				8	996 424 147 00	fastening part for cable adjustable		1														
		FPT	palmgreen				9	000 043 205 93	grease 1 100-gramme tube		X														
		FQC	terracotta																						
		FQD	cocoa																						
		FPU	dark grey/natural																						
		FPV	brown/natural																						
		FSS	carrera red																						
		(4)	997 424 981 00														gearshift knob aluminium look leather	1	TURBO IX97						
																8YR	black								

Model	Year	MG	SG	Illustration	Restrictions	UPD	20:02	25.01.2010	PORSCHE	PET	PORSCHE
997T	2009	7	01	701-01		248					

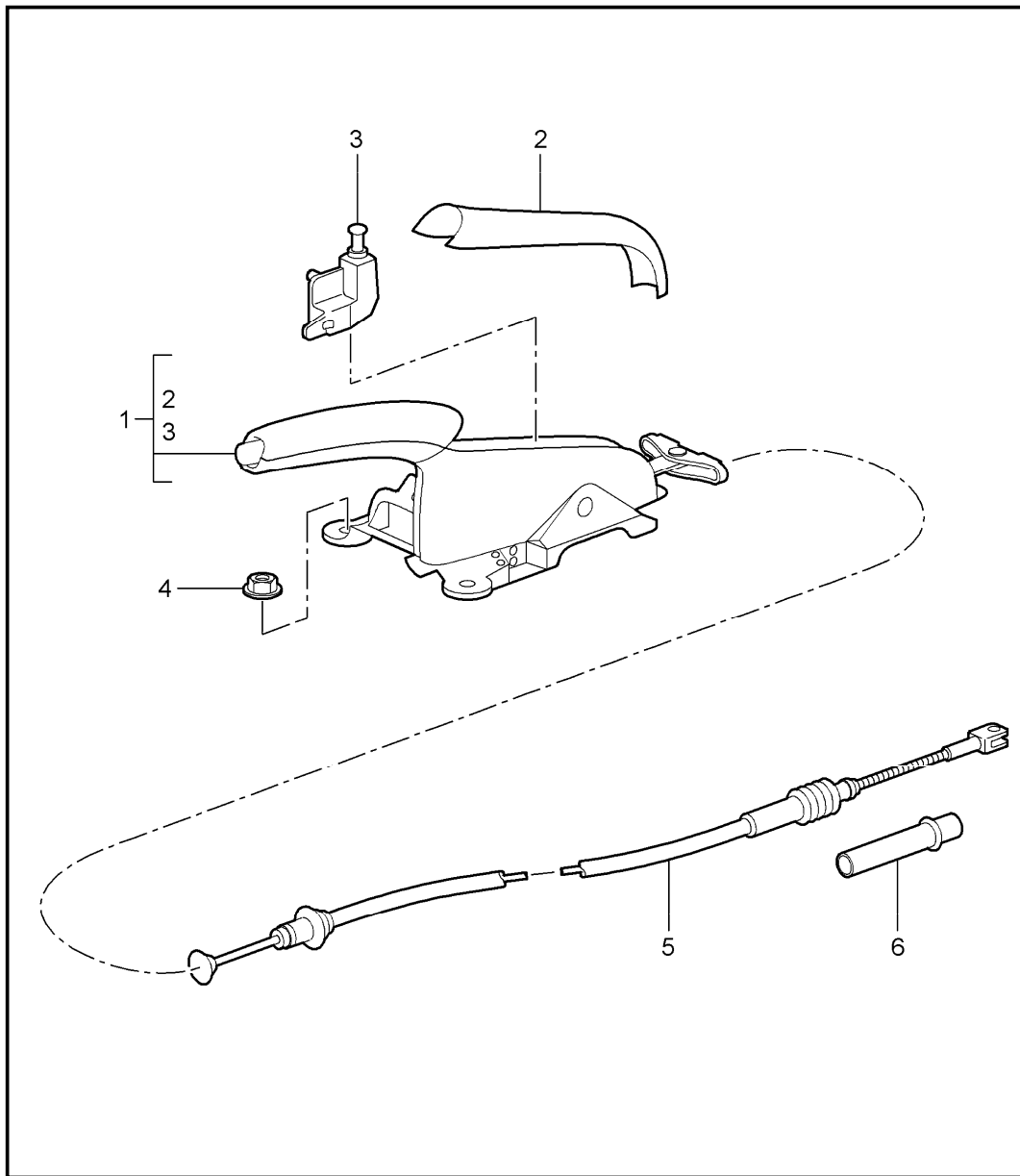


Pos	Part Number	Description	Remark	Qty	Model
1	997 426 011 02	selector lever tiptronic		1	TURBO I249
-	996 613 212 10	support with housing		1	
2	996 426 035 00	switch selector lever		1	
2	996 426 035 00	fastening part for cable adjustable		1	
3	999 084 629 01	hexagon nut M 6		4	
4	997 426 069 10	selector knob leather		1	
	8YR	black			
	5X5	stone grey			
	8G1	sand beige			
	3S8	sea blue			
	4P1	palmgreen			
	9N2	terracotta			
	9Q3	cocoa			
	D11	dark grey/natural			
	T11	brown/natural			
	N11	carrera red			
(4)	997 426 069 13	selector knob		1	I803
	A35	carbon			
(4)	997 426 069 14	selector knob		1	I801
	S61	macassar			
(4)	997 426 069 04	selector knob		1	I802
	S62	sycamore wood			
-	997 426 275 00	key		1	
	V05	galvano silver			

Model	Year	MG	SG	Illustration	Restrictions	UPD	20:02	25.01.2010	PORSCHE	PET	PORSCHE
997T	2009	7	01	701-01		248					

Pos	Part Number	Description	Remark	Qty	Model	Pos	Part Number	Description	Remark	Qty	Model
(5)	997 426 033 01	cable		1							

Model	Year	MG	SG	Illustration	Restrictions	UPD	20:03	25.01.2010	PORSCHE	PET	PORSCHE
997T	2009	7	01	701-05		248					



Pos	Part Number	Description	Remark	Qty	Model
(1)	997 424 031 62	handbrake actuator		1	TURBO
		parking-brake lever complete leather			
		8YR black			
		5X5 stone grey			
		8G1 sand beige			
		3S8 sea blue			
		4P1 palmgreen			
		9N2 terracotta			
		9Q3 cocoa			
		D11 dark grey/natural			
		T11 brown/natural			
		N11 carrera red	08-		
(1)	997 424 031 63	parking-brake lever complete macassar		1	TURBO I801
		8YR black			
		5X5 stone grey			
		8G1 sand beige			
		3S8 sea blue			
		4P1 palmgreen			
		9N2 terracotta			
		9Q3 cocoa			
		D11 dark grey/natural			
		T11 brown/natural			
		N11 carrera red			
(1)	997 424 031 64	parking-brake lever complete sycamore wood		1	TURBO I802
		8YR black			

Model	Year	MG	SG	Illustration	Restrictions	UPD	20:03	25.01.2010	PORSCHE	PET	PORSCHE
997T	2009	7	01	701-05		248					

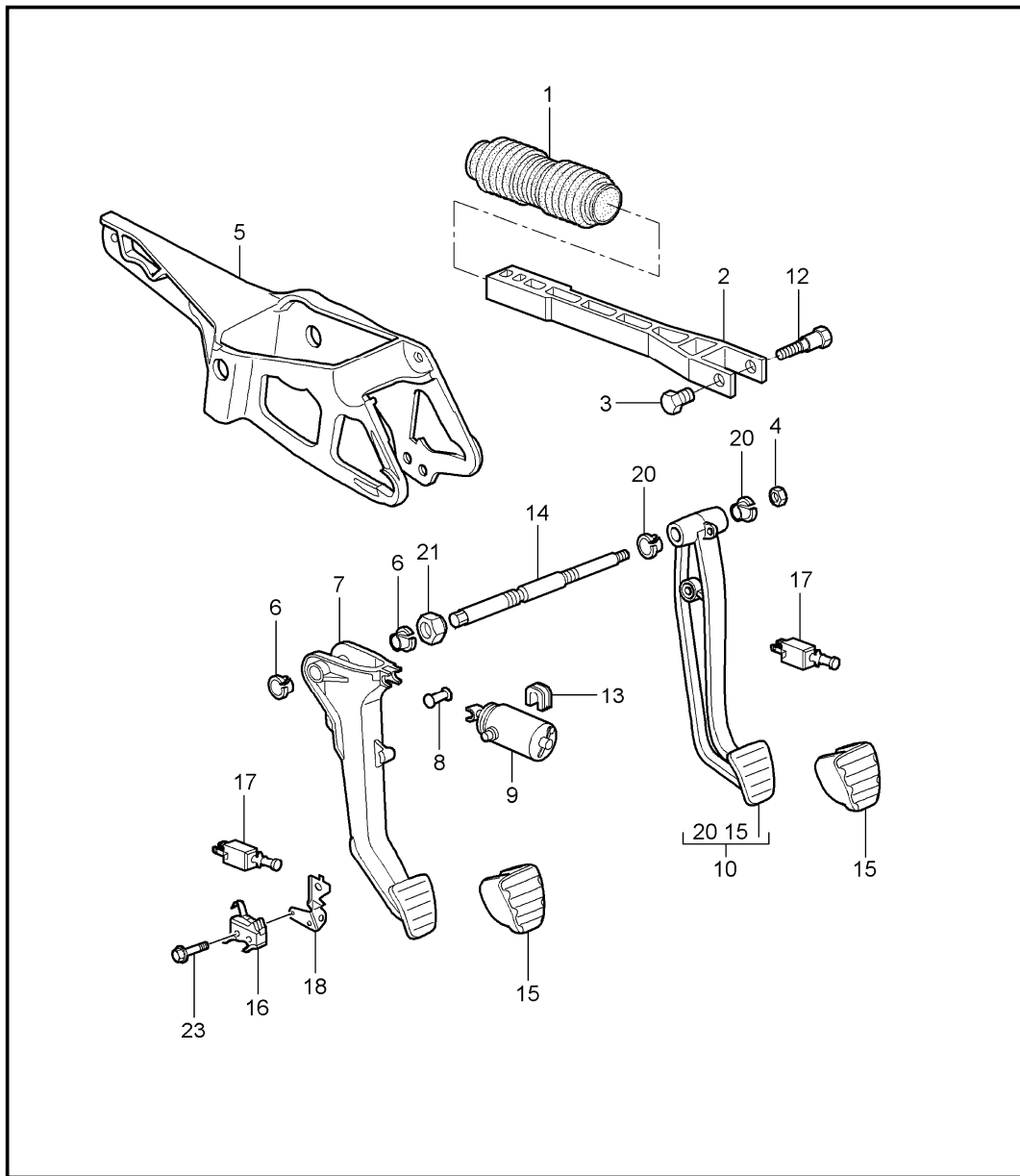
Pos	Part Number	Description	Remark	Qty	Model	Pos	Part Number	Description	Remark	Qty	Model
	5X5	stone grey					9Q3	cocoa			
	8G1	sand beige					D11	dark grey/natural			
	3S8	sea blue					T11	brown/natural			
	4P1	palmgreen					N11	carrera red			
	9N2	terracotta				(1)	997 424 980 01	parking-brake lever complete	/RL	1	TURBO IX98/099
	9Q3	cocoa					8YR	black			
	D11	dark grey/natural					5X5	stone grey			
	T11	brown/natural					8G1	sand beige			
	N11	carrera red	08-				3S8	sea blue			
(1)	997 424 031 65	parking-brake lever complete carbon		1	TURBO I803		4P1	palmgreen			
	8YR	black					9N2	terracotta			
	5X5	stone grey					9Q3	cocoa			
	8G1	sand beige					D11	dark grey/natural			
	3S8	sea blue					T11	brown/natural			
	4P1	palmgreen					N11	carrera red			
	9N2	terracotta				(1)	997 424 031 92	parking-brake lever complete leather		1	GT2
	9Q3	cocoa					A15	black			
	D11	dark grey/natural				(1)	997 424 980 92	parking-brake lever complete leather	/LL	1	GT2 IXGD/098
	T11	brown/natural					A15	black			
	N11	carrera red	08-			(1)	997 424 980 93	parking-brake lever complete leather	/RL	1	GT2 IXGD/099
(1)	997 424 980 00	parking-brake lever complete	/LL	1	TURBO IX98/098		A15	black			
	8YR	black				2	997 424 155 00	cover leather		1	TURBO
	5X5	stone grey					8YR	black			
	8G1	sand beige					5X5	stone grey			
	3S8	sea blue					8G1	sand beige			
	4P1	palmgreen									
	9N2	terracotta									



Model	Year	MG	SG	Illustration	Restrictions	UPD	20:03	25.01.2010	PORSCHE	PET	PORSCHE
997T	2009	7	01	701-05		248					

Pos	Part Number	Description	Remark	Qty	Model	Pos	Part Number	Description	Remark	Qty	Model
	3S8	sea blue									
	4P1	palmgreen									
	9N2	terracotta									
	9Q3	cocoa									
	D11	dark grey/natural									
	T11	brown/natural									
	N11	carrera red									
3	996 613 112 01	switch		1							
4	999 084 630 09	hexagon nut M 8		4							
5	997 424 141 06	parking-brake cable		2							
6	996 424 721 02	guide tube		2							

Model	Year	MG	SG	Illustration	Restrictions	UPD	20:03	25.01.2010	PORSCHE	PET	PORSCHE
997T	2009	7	02	702-00		248					

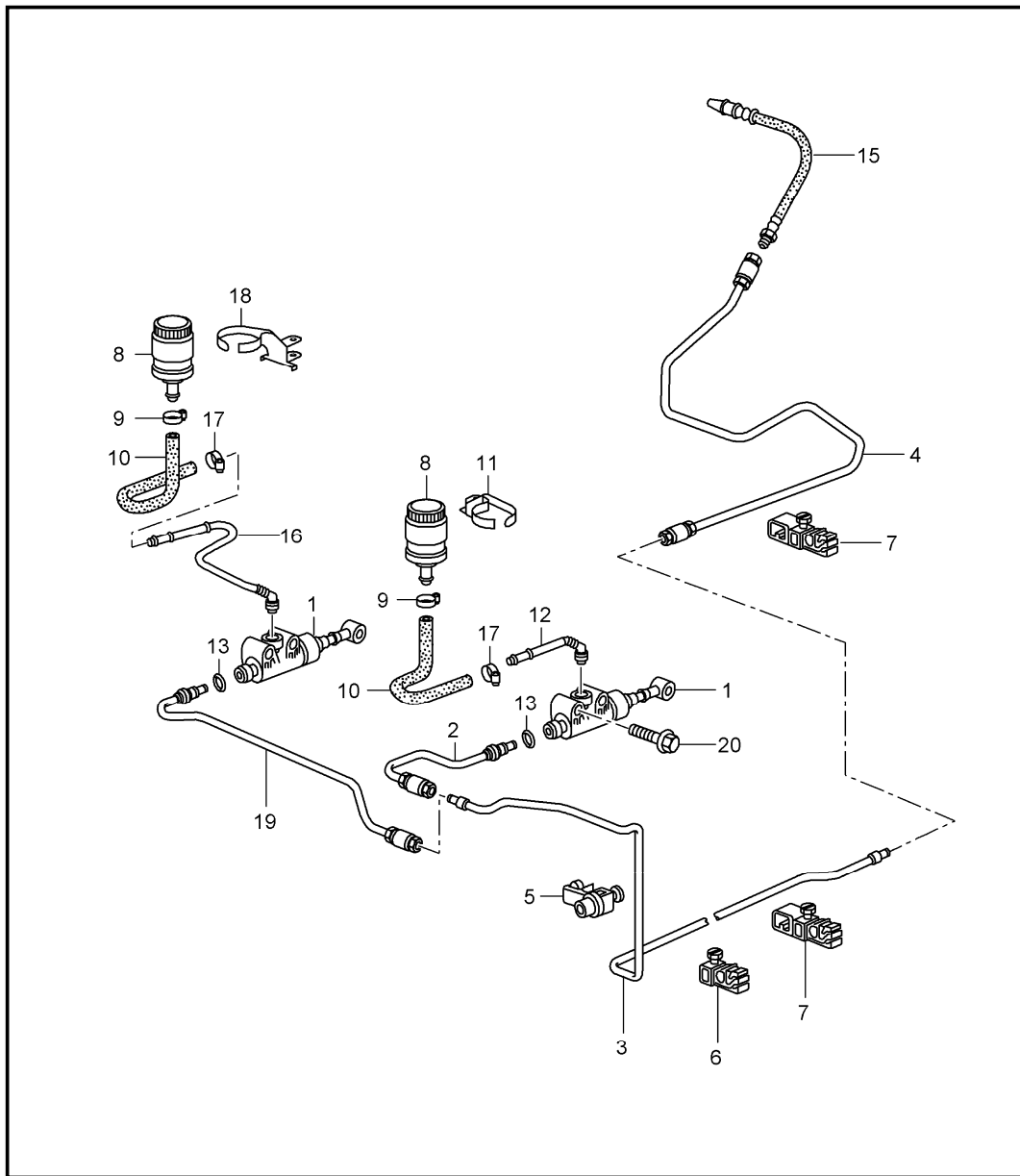


Pos	Part Number	Description	Remark	Qty	Model
-	000 043 206 17	pedals grease 1 tube		X	
1	...	bellows see illustrations 6/04/00		1	
2	996 423 165 05	push rod		1	
3	996 423 307 00	sleeve		1	
4	999 084 457 01	hexagon nut M 8		3	
5	997 423 571 02	bracket for clutch power spring		1	I480
6	997 423 399 01	bush		2	I480
7	997 423 139 01	clutch pedal		1	I480
(8)	996 423 315 06	bolt		1	I480
-	999 166 022 02	kl-lock for bolt		1	I480
9	997 423 081 52	clutch power spring		1	TURBO
(9)	997 423 081 06	clutch power spring		1	GT2
10	997 423 091 04	brake pedal	/LL	1	I098/480
(10)	997 423 092 04	brake pedal	/RL	1	I099/480
(10)	997 423 093 04	brake pedal	/LL	1	TURBO I098/249
10	997 423 094 04	brake pedal	/RL	1	TURBO I099/249
12	996 423 308 00	bolt		1	
13	997 423 581 00	bearing shell		1	
14	997 423 281 00	axle	/LL	1	I098/480
(14)	997 423 284 00	axle	/RL	1	I099/480
(14)	996 423 283 05	axle	/LL	1	TURBO I098/249
(14)	996 423 286 05	axle	/RL	1	TURBO I099/249

Model	Year	MG	SG	Illustration	Restrictions	UPD	20:03	25.01.2010	PORSCHE	PET	PORSCHE
997T	2009	7	02	702-00		248					

Pos	Part Number	Description	Remark	Qty	Model	Pos	Part Number	Description	Remark	Qty	Model
-	996 423 277 00	bearing sleeve brake pedal	/RL	1	I099						
15	997 423 910 00	pedal cap		2	I480						
(15)	997 423 912 00	pedal cap		1	TURBO I249						
16	997 613 109 00	switch		1	I480						
(17)	996 613 113 01	switch brake pedal		2							
(17)	996 613 114 01	switch clutch pedal		1							
18	997 423 541 00	support		1							
20	997 423 401 00	bush	/LL	2	I098						
(20)	997 423 402 00	bush	/RL	2	I099						
21	997 423 275 01	screw plug		1							
22	A 900 378 273 09	hexagon-head bolt M 6 X 18		1							
(22)	900 378 273 01	hexagon-head bolt M 6 x 18		1							
23	900 146 159 02	round head screw M 3 X 20		1							
24	997 423 695 00	rubber stop		1							
25	997 423 697 00	rubber stop		1							

Model	Year	MG	SG	Illustration	Restrictions	UPD	20:03	25.01.2010	PORSCHE	PET	PORSCHE
997T	2009	7	02	702-08		248					

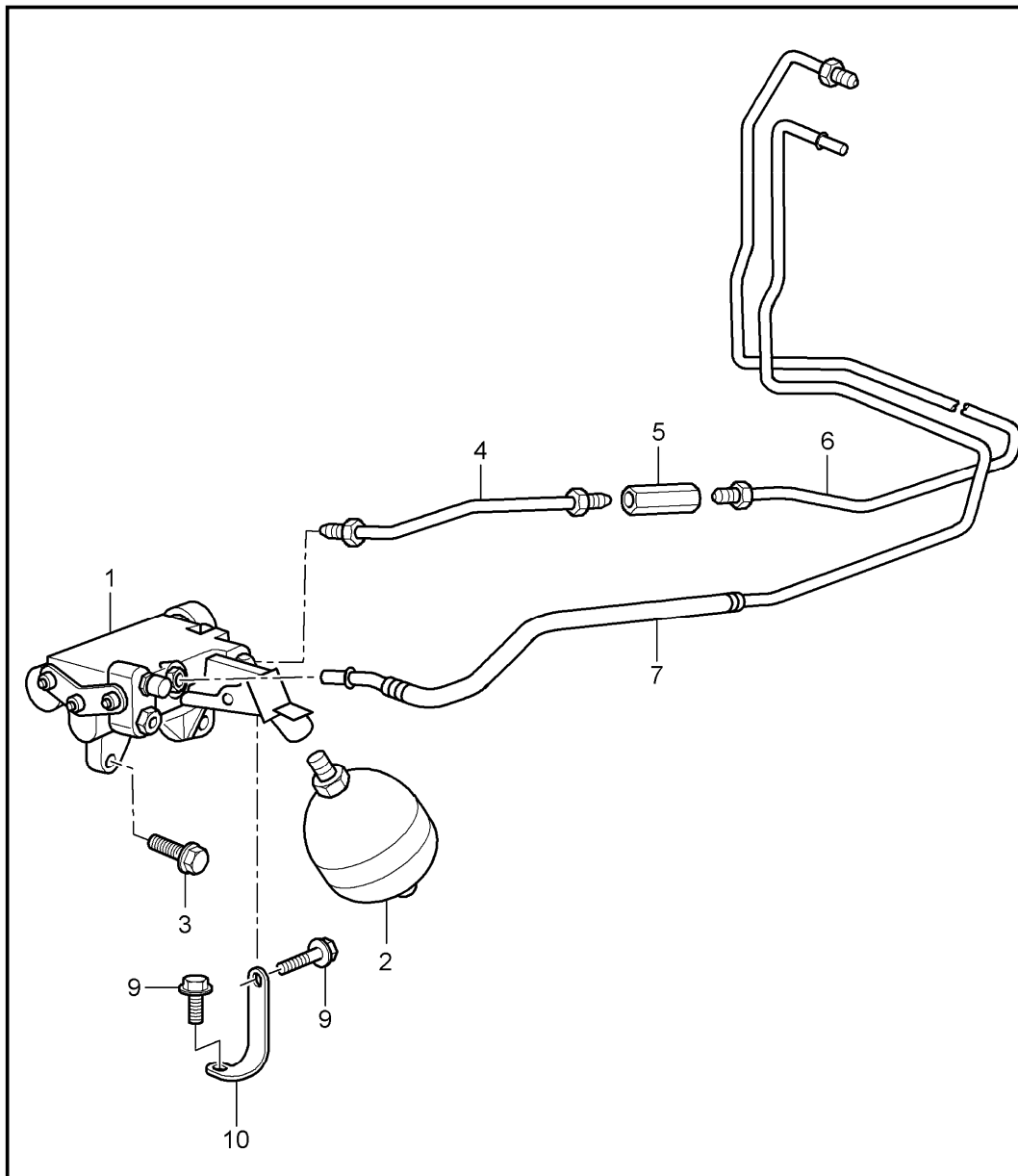


Pos	Part Number	Description	Remark	Qty	Model
		clutch actuation clutch master cylinder clutch pipeline			TURBO
1	997 423 171 50	clutch master cylinder		1	
-	996 423 614 00	circlip pressure line		1	
-	996 423 315 06	bolt		1	
-	999 166 022 02	kl-lock for bolt		1	
2	996 423 107 50	clutch pipeline	/LL	1	I098
3	997 423 109 50	clutch pipeline		1	-08
(3)	997 423 109 60	clutch pipeline		1	09-
(4)	997 423 113 50	clutch pipeline		1	
5	996 355 549 00	support		1	
6	996 355 545 00	support		2	
7	996 355 543 00	support		4	
8	993 423 417 00	container		1	
9	999 512 650 09	hose clamp		1	
10	997 423 343 51	moulded hose	/LL	1	I098
(10)	997 423 344 50	moulded hose	/RL	1	I099
11	997 423 245 50	support	/LL	1	I098
12	997 423 147 50	feed line	/LL	1	I098
13	999 707 403 40	sealing ring	/LL	X	I098
-	999 591 964 40	support clutch hose		X	
15	996 423 377 52	clutch hose		1	
16	996 423 142 51	clutch pipeline	/RL	1	I099
17	999 512 650 09	hose clamp		1	
18	997 423 246 50	support	/RL	1	I099
19	997 423 108 50	clutch pipeline	/RL	1	I099

Model	Year	MG	SG	Illustration	Restrictions	UPD	20:03	25.01.2010	PORSCHE	PET	PORSCHE
997T	2009	7	02	702-08		248					

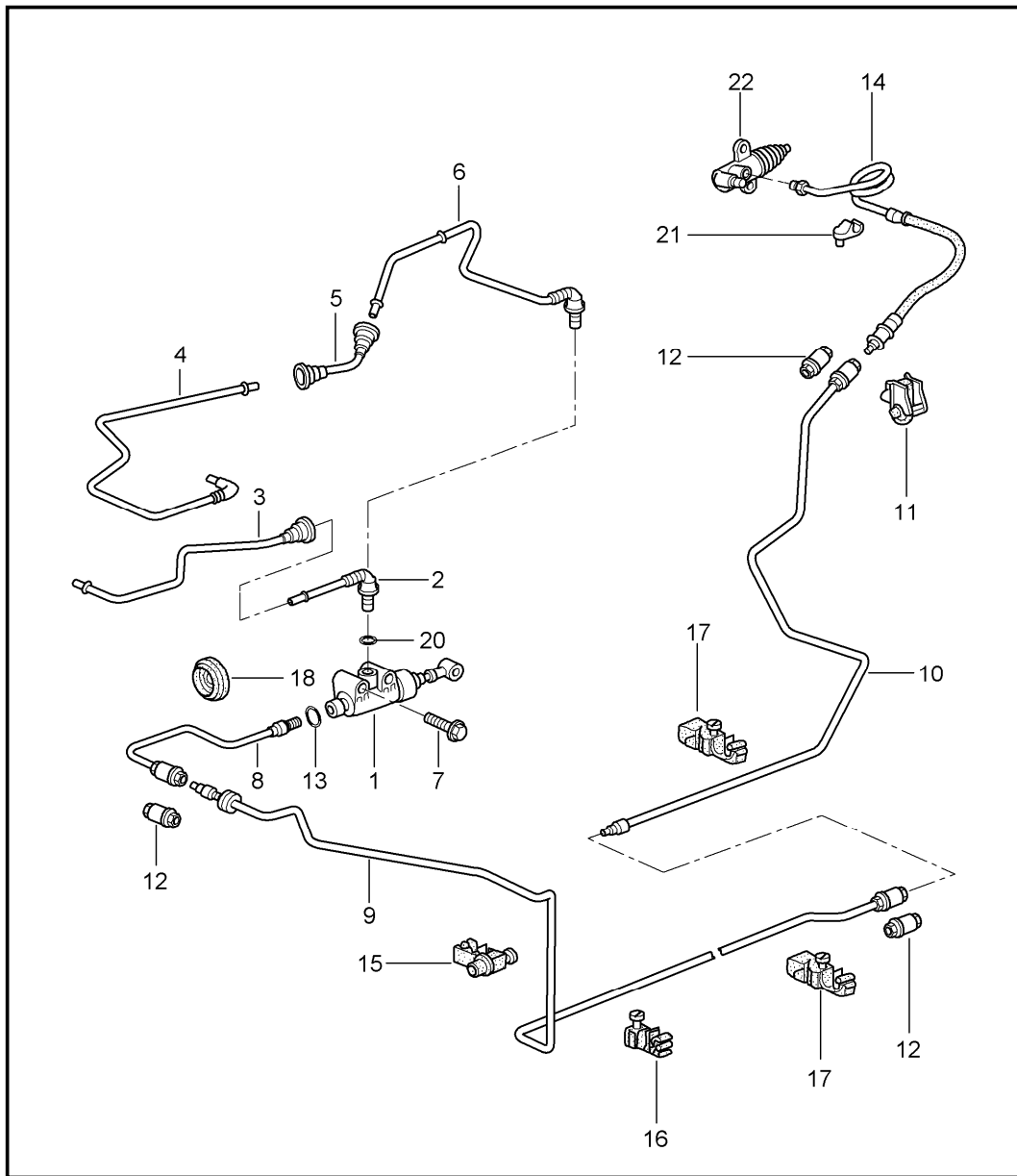
Pos	Part Number	Description	Remark	Qty	Model	Pos	Part Number	Description	Remark	Qty	Model
20	900 378 029 09	hexagon-head bolt M 6X 40		2							
-	000 043 203 33	pentosin 1000 ML		X							

Model	Year	MG	SG	Illustration	Restrictions	UPD	13:48	02.02.2010	PORSCHE	PET	PORSCHE
997T	2009	7	02	702-09		248					



Pos	Part Number	Description	Remark	Qty	Model
		clutch actuation clutch pipeline pressure accumulator clutch operating cylinder			TURBO
1	996 116 237 52	clutch operating cylinder		1	
-	999 507 745 09	cable clamp 13,5		1	
2 U	996 314 166 00	pressure accumulator		1	
(2)	997 314 166 00	pressure accumulator		1	
-	999 707 529 40	sealing ring for pressure accumulator		1	
3	900 075 222 09	combination screw M 8 X 30		2	
4	997 314 288 00	pressure line	-07	1	
(4)	997 314 288 01	pressure line	08-	1	
-	996 314 211 00	support pressure line		1	
5	999 136 041 30	threaded joint		1	
6	997 314 282 00	pressure line	-07	1	
(6)	997 314 282 01	pressure line	08-	1	
7	997 314 280 00	return line		1	
9	900 378 017 01	hexagon-head bolt M 8 x 20		2	
10	996 116 201 51	support		1	
-	000 043 203 33	pentosin 1000 ML		X	

Model	Year	MG	SG	Illustration	Restrictions	UPD	7:35	26.01.2010	PORSCHE	PET	PORSCHE
997T	2009	7	02	702-10		248					



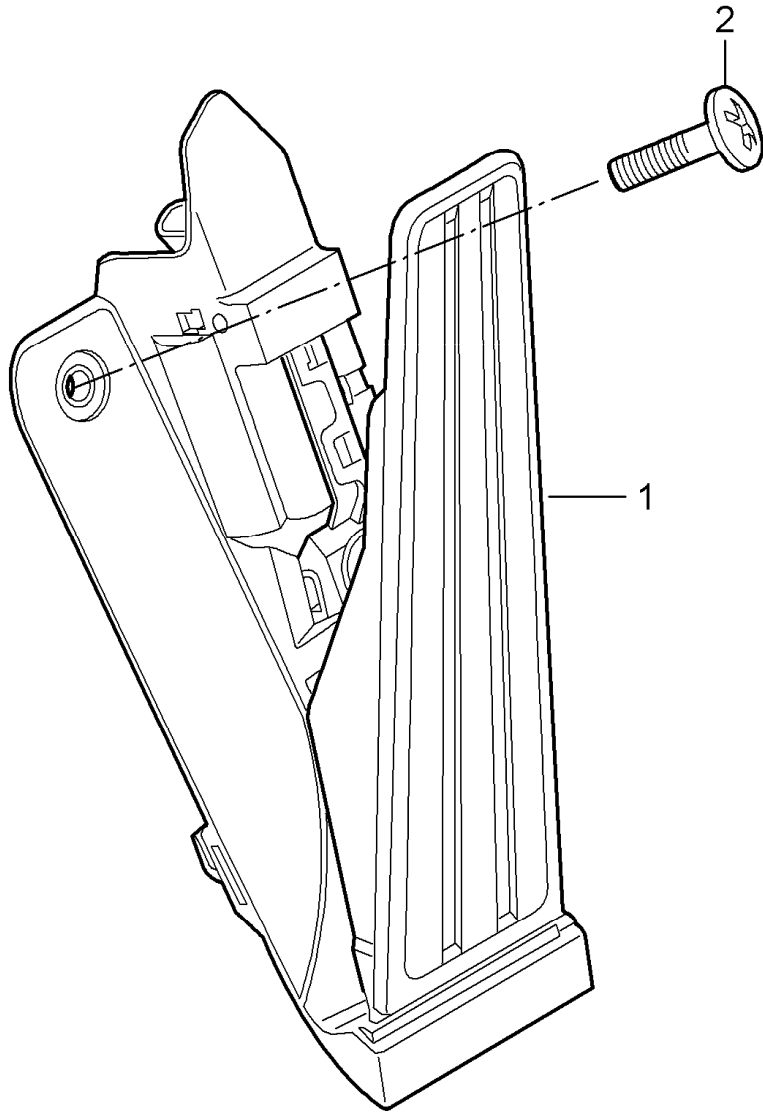
Pos	Part Number	Description	Remark	Qty	Model
		clutch actuation clutch master cylinder clutch pipeline			GT2
1	997 423 171 01	clutch master cylinder		1	
-	996 423 614 00	circlip pressure line		1	
-	996 423 315 06	bolt		1	
-	999 166 022 02	kl-lock for bolt		1	
2	997 423 147 00	feed line	/LL	1	I098
3	997 423 137 25	feed line	/LL	1	I098
4	997 423 138 25	line	/RL	1	I099
5	996 423 140 02	line	/RL	1	I099
6	996 423 142 02	feed line	/RL	1	I099
7	900 378 217 09	hexagon-head bolt M 6 X 40		2	
8	996 423 107 10	clutch pipeline	/LL	1	I098
(8)	997 423 108 00	clutch pipeline	/RL	1	I099
-	999 702 174 50	grommet	/LL	1	I098
9	997 423 109 00	clutch pipeline		1	
10	997 423 113 00	clutch pipeline		1	
11	999 507 495 40	support		1	
12	999 230 541 10	threaded joint		3	
13	999 707 333 40	sealing ring		1	
14	996 423 377 90	clutch hose		1	
15	996 355 549 00	support		1	
16	996 355 545 00	support		2	
17	996 355 543 00	support		4	
18	999 702 216 42	grommet		1	
-	999 507 586 40	cable holder		1	

Model	Year	MG	SG	Illustration	Restrictions	UPD	7:35	26.01.2010	PORSCHE	PET	PORSCHE
997T	2009	7	02	702-10		248					

Pos	Part Number	Description	Remark	Qty	Model	Pos	Part Number	Description	Remark	Qty	Model
20	999 707 333 40	sealing ring 6,07 X 1,78N		1							
21	999 507 586 40	cable holder		1							
22	996 116 237 90	clutch operating cylinder		1							
-	900 075 222 09	hexagon-head bolt M 8 X 30		2							

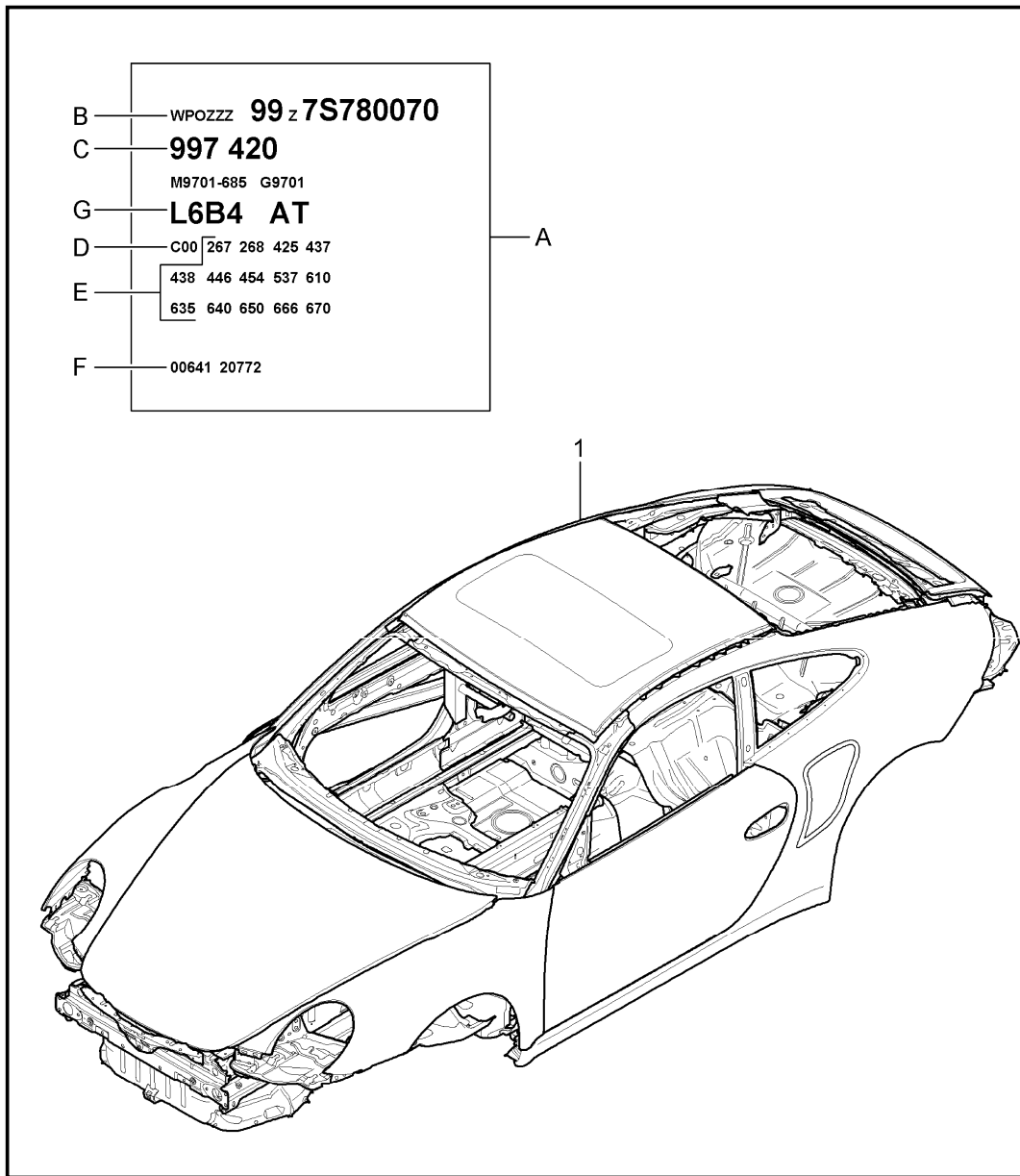


Model	Year	MG	SG	Illustration	Restrictions	UPD	7:35	26.01.2010	PORSCHE	PET	PORSCHE
997T	2009	7	02	702-12		248					



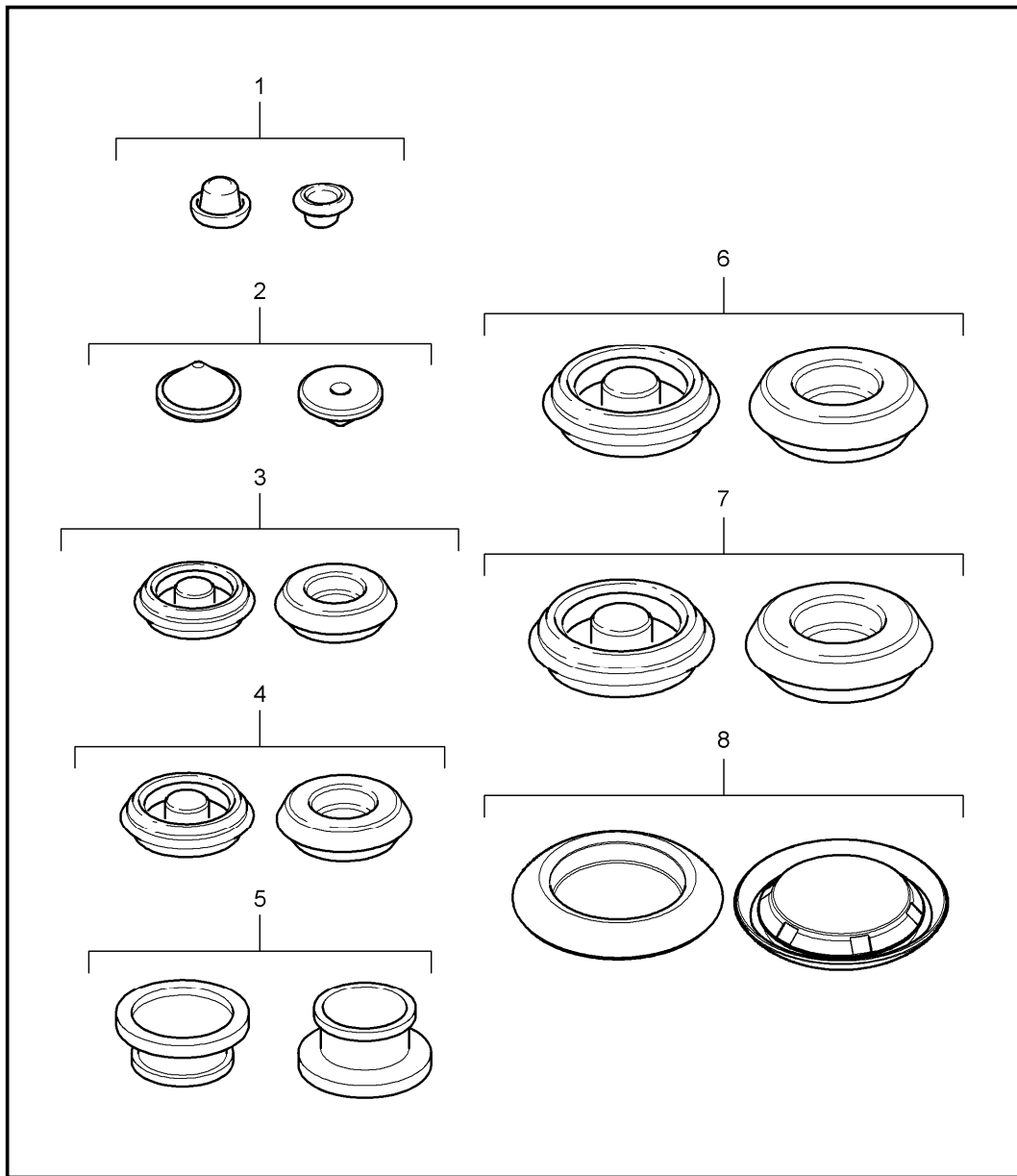
Pos	Part Number	Description	Remark	Qty	Model
		pedals accelerator control			
1	997 423 019 02	accelerator control		1	I480
(1)	997 423 021 02	accelerator control		1	TURBO I249
2	900 146 161 09	round head screw M 6 X 20		1	

Model	Year	MG	SG	Illustration	Restrictions	UPD	7:36	26.01.2010	PORSCHE	PET	PORSCHE
997T	2009	8	01	801-00		248					



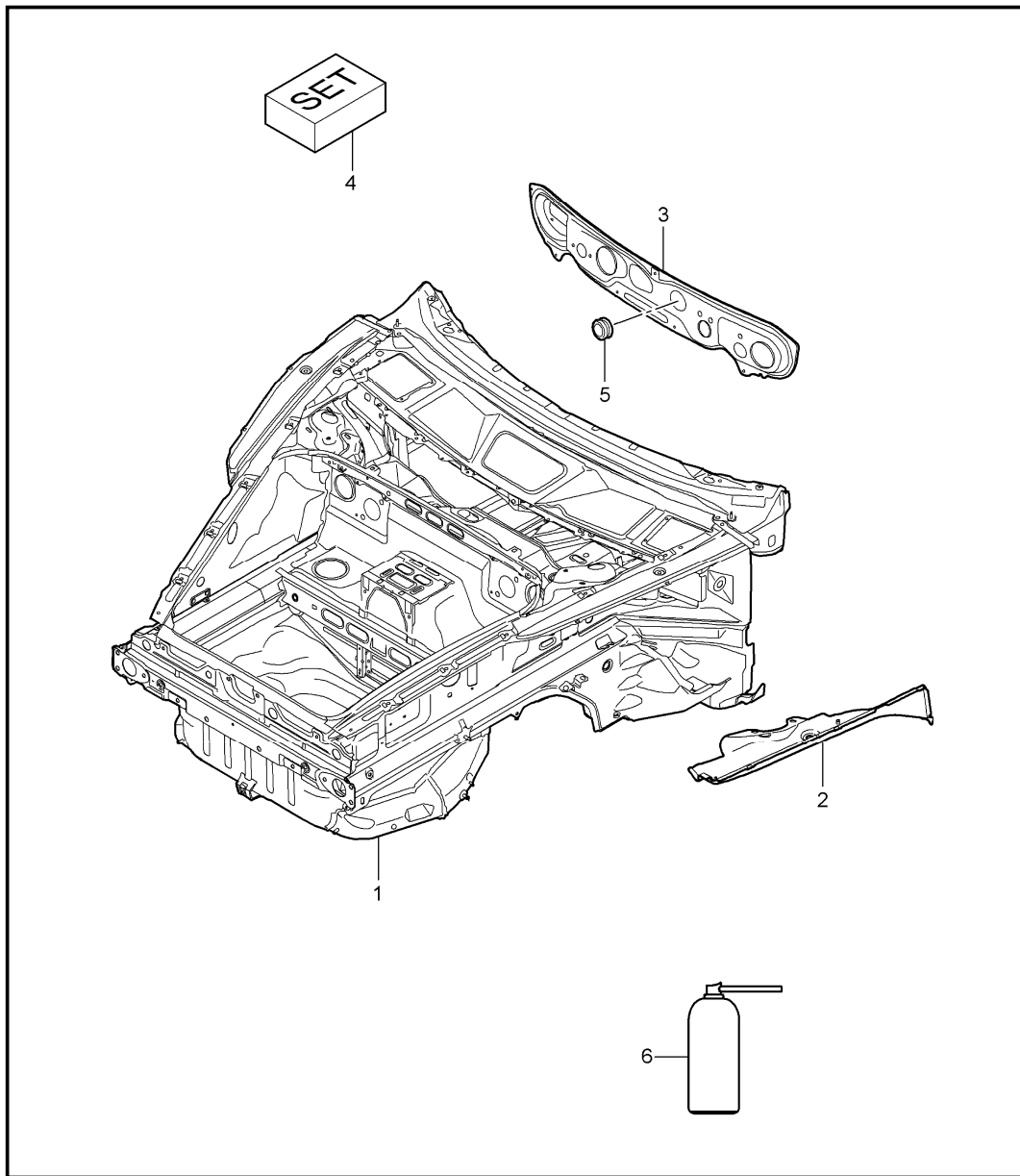
Pos	Part Number	Description	Remark	Qty	Model
		body in white prime coated sealed with underbody protection with doors/lids/wings bodyshells can only only available from current model year available the data required for your order can be found on the vehicle data carrier in on-board folder please indicate this data in your order GT2 without rear lid			
A	-	vehicle data carrier			
B	-	vehicle identification no.			
C	-	order type			
D	-	country equipment			
E	-	optional extras			
F	-	additional applications			
G	-	indicate colour			
1	997 500 900 00 GRV	body in white prime coated		1	

Model	Year	MG	SG	Illustration	Restrictions	UPD	7:36	26.01.2010	PORSCHE	PET	PORSCHE
997T	2009	8	01	801-02		248					



Pos	Part Number	Description	Remark	Qty	Model
		stopper plane see workshop manual			
1	999 703 462 40	lid 10 x 6,5		X	
2	999 703 421 40	grommet 15 mm		X	
4	803 803 583 A	lid 20 x 30		X	
5	999 703 420 40	stopper 20,3 x 30 x 11		X	
6	803 803 583	rubber sleeve 30 x 40		X	
7	999 703 433 40	stopper 30 x 42		X	
8	999 703 454 40	lid 55 x 70		X	

Model	Year	MG	SG	Illustration	Restrictions	UPD	7:36	26.01.2010	PORSCHE	PET	PORSCHE
997T	2009	8	01	801-05		248					

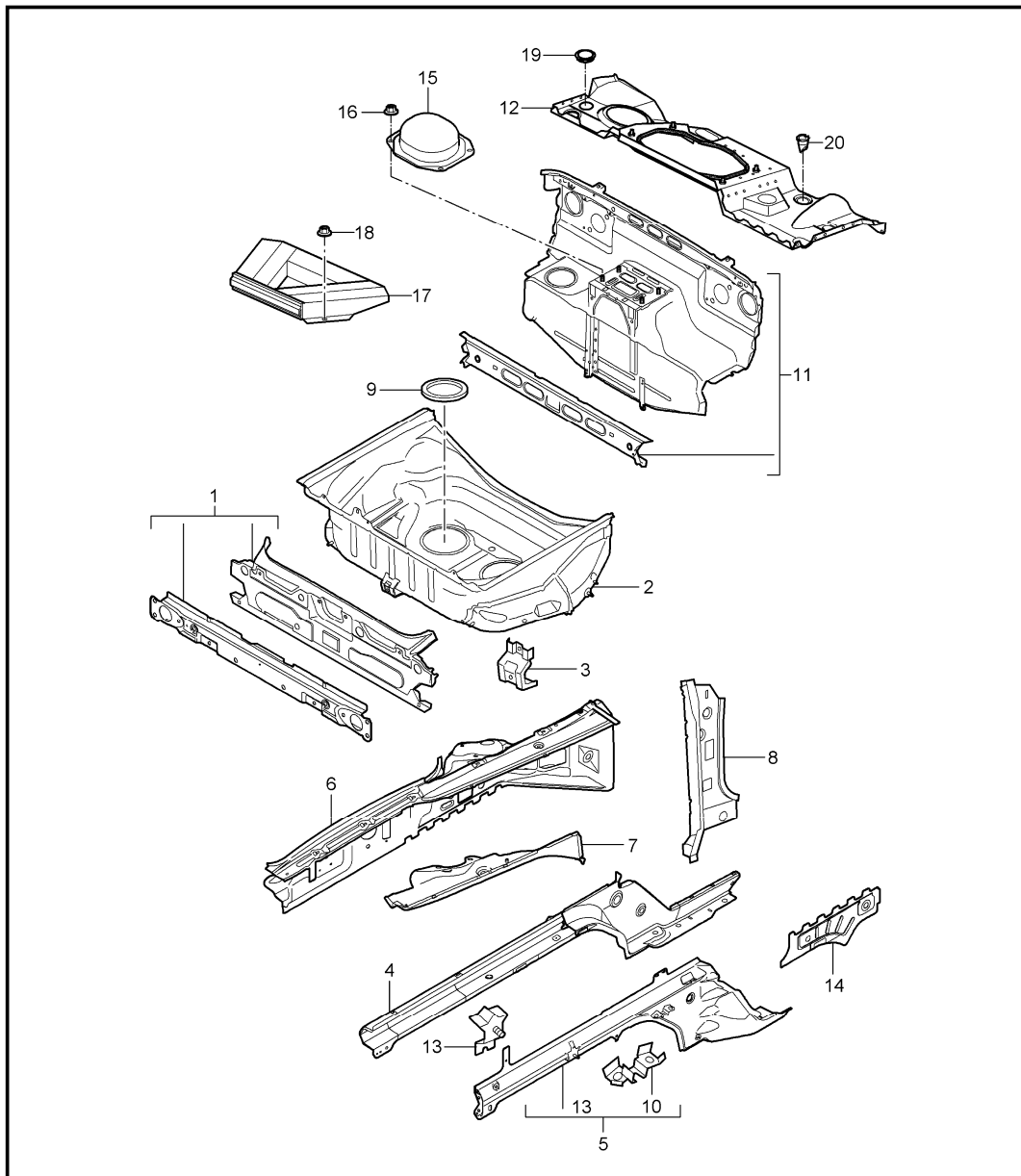


Pos	Part Number	Description	Remark	Qty	Model
1	997 501 911 01	body front section	/LL	1	I098
	GRV	prime coated use also: sealing compound Pos. 5 processing instructions see technical manual			
(1)	997 501 911 02	body front section	/RL	1	I099
	GRV	prime coated use also: sealing compound Pos. 5 processing instructions see technical manual			
1	997 501 911 91	body front section	/LL	1	GT2 I098
	GRV	prime coated use also: sealing compound Pos. 5 processing instructions see technical manual			
(1)	997 501 911 92	body front section	/RL	1	GT2 I099
	GRV	prime coated use also: sealing compound Pos. 5 processing instructions see technical manual  use also:			
2	997 501 945 00	lower part	/L	1	
	GRV	prime coated			
(2)	997 501 946 01	lower part	/R	1	
	GRV	prime coated			
3	997 504 121 00	lid	/LL	1	I098
(3)	997 504 121 01	lid	/RL	1	I099
		use also:			
4	000 043 300 94	adhesive set		1	

Model	Year	MG	SG	Illustration	Restrictions	UPD	7:36	26.01.2010	PORSCHE	PET	PORSCHE
997T	2009	8	01	801-05		248					

Pos	Part Number	Description	Remark	Qty	Model	Pos	Part Number	Description	Remark	Qty	Model
5	999 702 255 41	lid 61,5 X 72,6		1							
6	999 915 337 40	sealing compound		1							

Model	Year	MG	SG	Illustration	Restrictions	UPD	13:51	02.02.2010	PORSCHE	PET	PORSCHE
997T	2009	8	01	801-10		248					

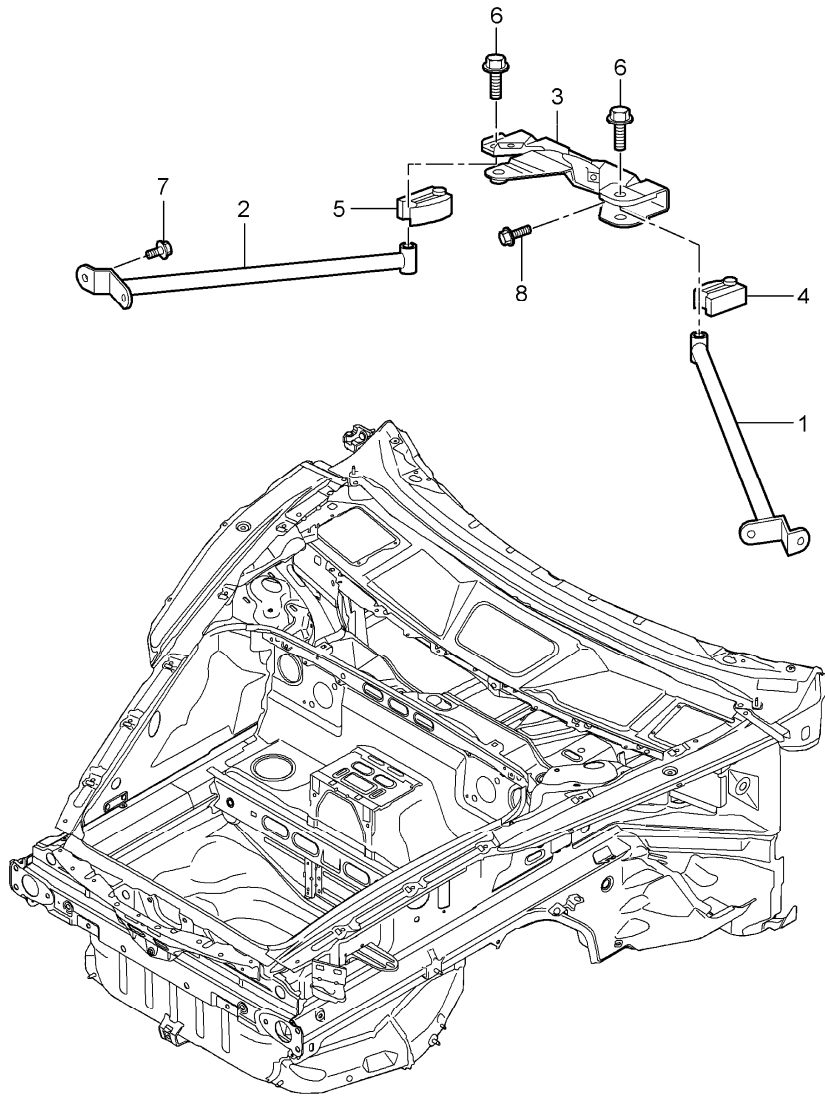


Pos	Part Number	Description	Remark	Qty	Model
		body front section single parts			
1	997 501 931 00	terminal piece		1	
	GRV	prime coated			
2	997 501 979 01	spare-wheel well	/LL	1	I098
	GRV	prime coated			
2	997 501 979 02	spare-wheel well	/RL	1	I099
	GRV	prime coated			
(2)	997 501 979 00	spare-wheel well		1	GT2
	GRV	prime coated			
3	996 501 621 00	support		3	
	GRV	prime coated			
4	997 501 305 01	side member	/L	1	
	GRV	prime coated			
(4)	997 501 306 01	side member	/R	1	
	GRV	prime coated			
5	997 501 915 01	side member	/L	1	
	GRV	prime coated			
(5)	997 501 916 01	side member	/R	1	
	GRV	prime coated			
6	997 501 935 00	wheel housing	/L	1	
	GRV	prime coated			
(6)	997 501 936 01	wheel housing	/R	1	
	GRV	prime coated			
7	997 501 945 00	lower part	/L	1	
	GRV	prime coated			
(7)	997 501 946 01	lower part	/R	1	
	GRV	prime coated			
8	997 501 937 00	hinge pillar	/L	1	

Model	Year	MG	SG	Illustration	Restrictions	UPD	13:51	02.02.2010	PORSCHE	PET	PORSCHE
997T	2009	8	01	801-10		248					

Pos	Part Number	Description	Remark	Qty	Model	Pos	Part Number	Description	Remark	Qty	Model
		GRV prime coated									
(8)	997 501 938 00	hinge pillar	/R	1							
		GRV prime coated									
9	996 504 201 01	lid \$ 145 MM		2							
10	996 501 815 02	support		2							
		GRV prime coated									
11	997 502 915 00	bulkhead	/LL	1	I098						
		GRV prime coated									
(11)	997 502 915 01	bulkhead	/RL	1	I099						
		GRV prime coated									
12	997 502 017 00	cross panel		1							
		GRV prime coated									
13	996 501 341 00	support		2							
		GRV prime coated									
14	997 501 665 01	separator	/L	1							
		GRV prime coated									
(14)	997 501 666 01	separator	/R	1							
		GRV prime coated									
15	997 504 471 00	lid bulkhead		1							
16	900 380 015 09	hexagon nut M6		7							
17	997 504 403 00	insert spare-wheel well		1							
18	999 084 638 09	hexagon nut M 6		3							
19	803 803 583	rubber sleeve 30,0 X 40,0		1							
20	999 703 476 40	grommet 29,8 X 1,0		4							

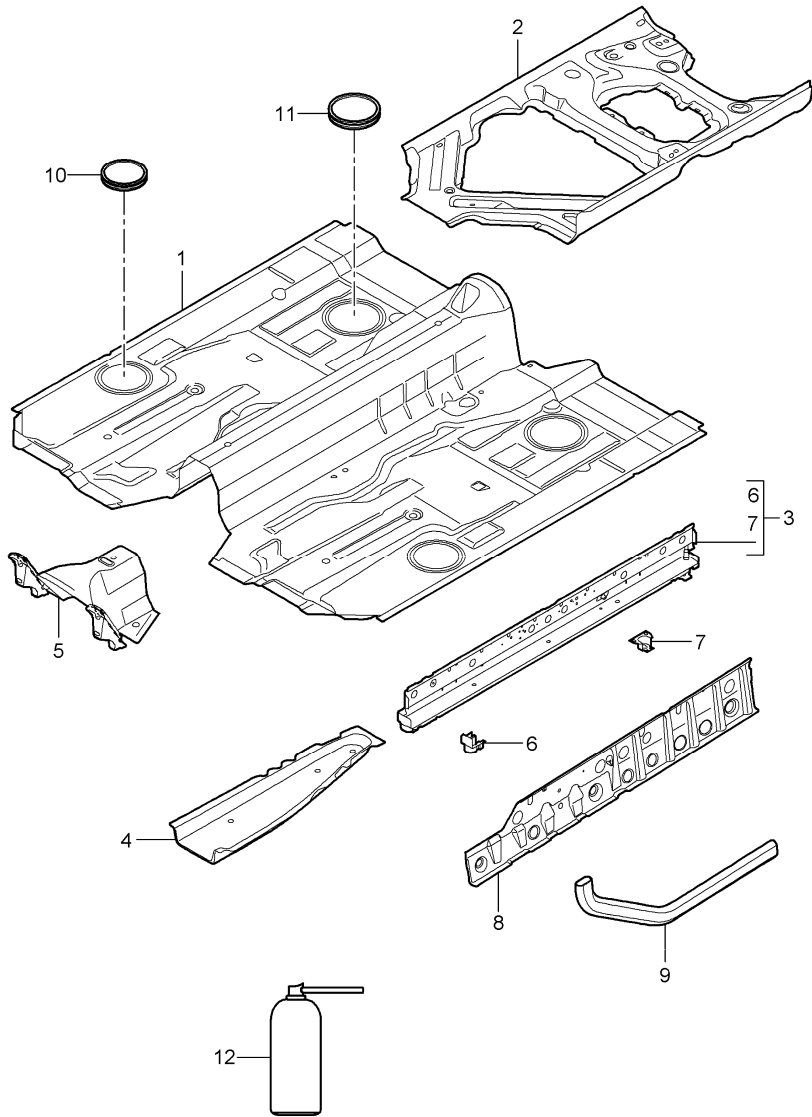
Model	Year	MG	SG	Illustration	Restrictions	UPD	7:39	26.01.2010	PORSCHE	PET	PORSCHE
997T	2009	8	01	801-15		248					



Pos	Part Number	Description	Remark	Qty	Model
		dome strut			
1	996 504 233 01	dome strut	/L	1	
2	996 504 234 01	dome strut	/R	1	
3	997 504 359 00	bracket		1	
4	996 504 633 00	filler piece	/L	1	
5	996 504 634 00	filler piece	/R	1	
6	900 378 100 09	hexagon-head bolt AM 10 X 45		2	
7	900 075 010 09	hexagon-head bolt M 6 X 12		4	
8	900 378 173 01	hexagon-head bolt M 6 X 20		4	



Model	Year	MG	SG	Illustration	Restrictions	UPD	7:39	26.01.2010	PORSCHE	PET	PORSCHE
997T	2009	8	01	801-20		248					

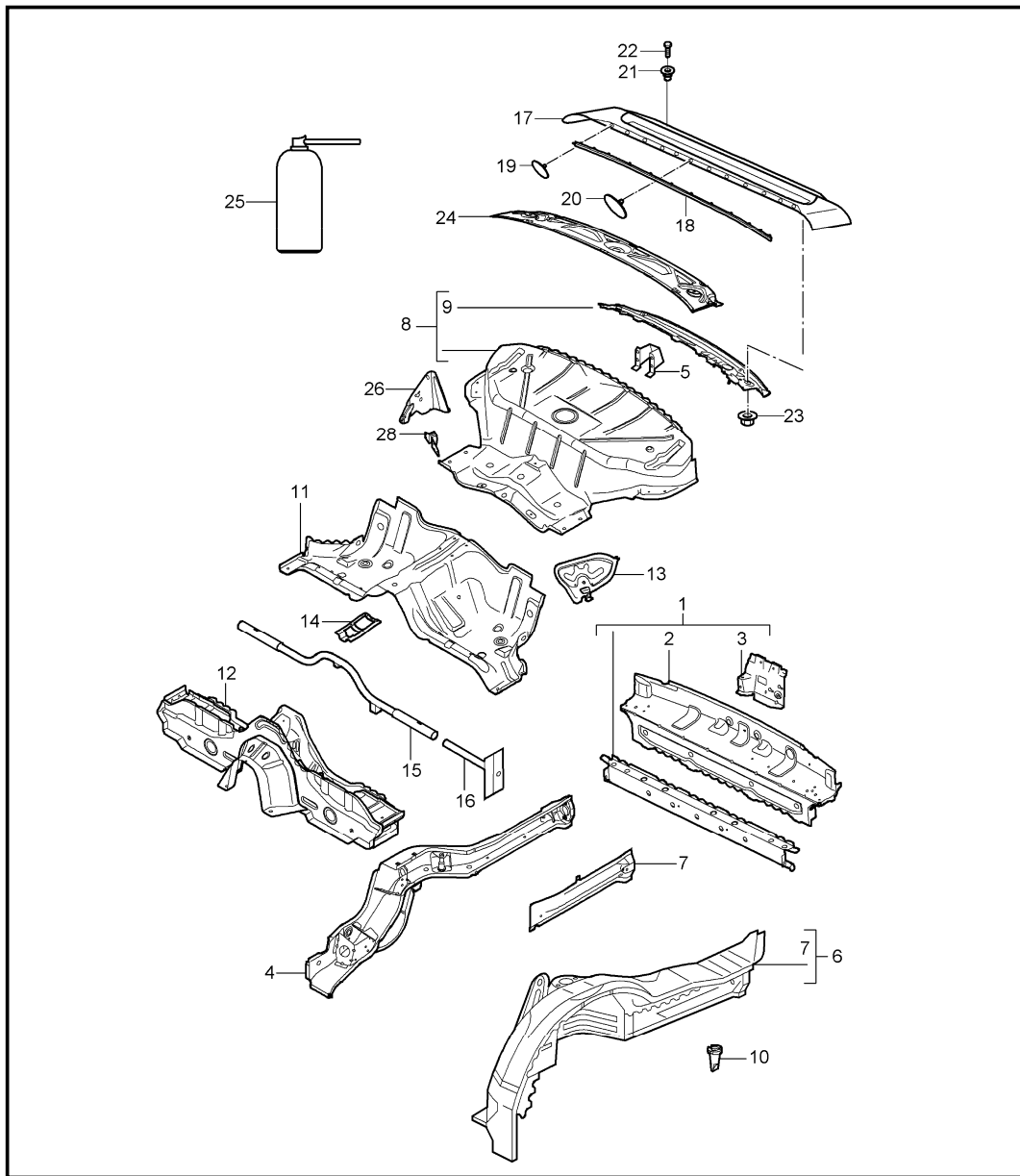


Pos	Part Number	Description	Remark	Qty	Model
-	000 043 206 29	floor centre adhesive set body comprising:		X	
-	000 043 206 30	adhesive		1	
-	000 043 206 31	tool		1	
-	000 043 206 32	tool		1	
-	000 043 206 33	activator		1	
1	997 501 551 01	floor		1	
	GRV	prime coated			
2	997 501 953 01	seat support	/L	1	
	GRV	prime coated			
(2)	997 501 954 01	seat support	/R	1	
	GRV	prime coated			
3	997 501 157 00	side member	/L	1	
	GRV	prime coated			
(3)	997 501 158 00	side member	/R	1	
	GRV	prime coated			
4	997 501 525 00	side member	/L	1	
	GRV	prime coated			
(4)	997 501 526 00	side member	/R	1	
	GRV	prime coated			
5	996 501 751 00	extension		1	
	GRV	prime coated			
6	996 501 785 00	jacking point	/L/V	1	
	GRV	prime coated			
(6)	996 501 786 00	jacking point	/R/V	1	
	GRV	prime coated			
7	996 501 481 01	jacking point	/L/H	1	

Model	Year	MG	SG	Illustration	Restrictions	UPD	7:39	26.01.2010	PORSCHE	PET	PORSCHE
997T	2009	8	01	801-20		248					

Pos	Part Number	Description	Remark	Qty	Model	Pos	Part Number	Description	Remark	Qty	Model
		GRV prime coated									
(7)	996 501 482 01	jacking point	/R/H	1							
		GRV prime coated									
8	997 501 329 00	retaining bracket	/L	1							
		GRV prime coated									
(8)	997 501 330 00	retaining bracket	/R	1							
		GRV prime coated									
9	997 501 439 00	support tube		2							
		GRV prime coated									
		use also:									
		sealing compound									
		Pos. 12									
		processing instructions									
		see technical manual									
		51 49 55									
10	996 504 205 01	lid		2							
		\$ 125 MM									
11	996 504 201 01	lid		2							
		\$ 145 MM									
12	999 915 337 40	sealing compound		1							

Model	Year	MG	SG	Illustration	Restrictions	UPD	7:39	26.01.2010	PORSCHE	PET	PORSCHE
997T	2009	8	01	801-35		248					



Pos	Part Number	Description	Remark	Qty	Model
1	997 501 973 01	rear end terminal piece		1	
	GRV	prime coated			
2	997 501 273 00	end plate		1	
	GRV	prime coated			
3	997 501 247 00	lock carrier		1	
	GRV	prime coated			
4	997 501 977 00	side member	/L	1	
	GRV	prime coated use also: sealing compound Pos. 25 processing instructions see technical manual 53 48 55			
(4)	997 501 978 00	side member	/R	1	
	GRV	prime coated use also: sealing compound Pos. 25 processing instructions see technical manual 53 48 55			
5	997 502 525 00	bracket		1	
	GRV	prime coated			
6	997 501 943 02	wheel housing	/L	1	COUPE
	GRV	prime coated it is necessary to rework see workshop manual			
6	997 501 943 03	wheel housing	/L	1	CABRIO
	GRV	prime coated it is necessary to rework see workshop manual			
(6)	997 501 944 02	wheel housing	/R	1	COUPE
	GRV	prime coated it is necessary to rework see workshop manual			
(6)	997 501 944 03	wheel housing	/R	1	CABRIO

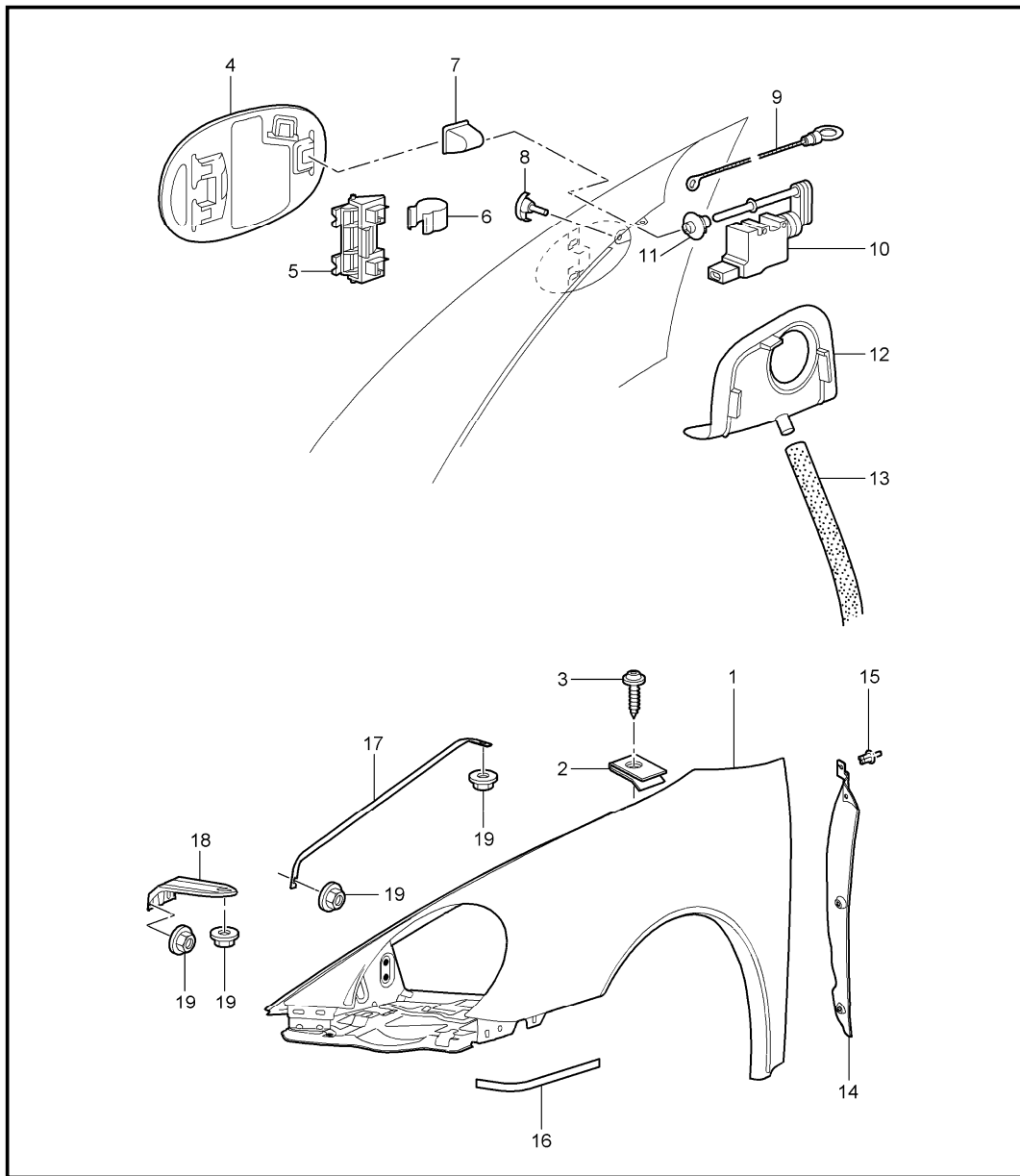
Model	Year	MG	SG	Illustration	Restrictions	UPD	7:39	26.01.2010	PORSCHE	PET	PORSCHE
997T	2009	8	01	801-35		248					

Pos	Part Number	Description	Remark	Qty	Model	Pos	Part Number	Description	Remark	Qty	Model
		GRV prime coated it is necessary to rework see workshop manual				14	996 501 659 01	bracket bearing bracket		1	
7	996 501 595 01	side member	/L	1			GRV prime coated				
(7)	996 501 596 01	side member	/R	1		15	996 501 411 00	pipe		1	
		GRV prime coated					GRV prime coated				
8	997 502 911 02	rear wall		1		16	996 501 415 00	sleeve		2	
		GRV prime coated					GRV prime coated				
8	997 502 911 04	rear wall		1	CABRIO	17	997 504 345 01	rear centre panel outer		1	
		GRV prime coated order also: POS. 12 see workshop manual					GRV prime coated				
		GRV prime coated order also: POS. 12 see workshop manual				18	997 504 612 00	gasket rear centre panel prime coated		1	
9	997 502 673 00	cross member		1		19	999 507 973 40	mount 2,8 X 6 X 30		2	
		GRV prime coated				20	999 507 974 40	mount 2,8 X 6 X 50		10	
9	997 502 673 01	cross member		1	CABRIO	21	999 500 109 02	blind rivet nut M 6/0,8 - 3		3	
		GRV prime coated				22	999 073 263 09	combination screw M 6 X 12		3	
10	996 561 825 00	water drain valve wheel housing rear		2	I650	23	999 076 029 02	hexagon nut M 6		2	
11	997 501 549 00	seat well		1		24	997 502 409 01	filler plate		1	
		GRV prime coated					GRV prime coated rear centre panel use also:				
12	997 501 955 00	cross member seat well		1		-	999 915 650 40	adhesive TEROMIX 6700		X	
		GRV prime coated				-	000 043 300 48	tool		X	
13	996 501 461 02	reinforcement seat well	/L	1			use also:				
		GRV prime coated				-	000 043 206 29	adhesive set body comprising:		X	
(13)	996 501 462 02	reinforcement seat well	/R	1			000 043 206 30	adhesive		1	
		GRV prime coated					000 043 206 31	tool		1	

Model	Year	MG	SG	Illustration	Restrictions	UPD	7:39	26.01.2010	PORSCHE	PET	PORSCHE
997T	2009	8	01	801-35		248					

Pos	Part Number	Description	Remark	Qty	Model	Pos	Part Number	Description	Remark	Qty	Model
-	000 043 206 32	tool		1							
-	000 043 206 33	activator		1							
25	999 915 337 40	sealing compound		1							
26	997 504 797 00	bracket	/L	1							
	GRV	prime coated belt									
(26)	997 504 798 00	bracket	/R	1							
	GRV	prime coated belt									
27	996 502 653 01	connecting piece	/L	1	COUPE						
	GRV	prime coated									
(27)	996 502 654 01	connecting piece	/R	1	COUPE						
	GRV	prime coated									
27	997 502 553 00	connecting piece	/L	1	CABRIO						
	GRV	prime coated									
(27)	997 502 554 00	connecting piece	/R	1	CABRIO						
	GRV	prime coated									
28	997 501 611 00	mounting		1							
	GRV	prime coated									
(28)	997 501 612 00	mounting		1							
	GRV	prime coated									

Model	Year	MG	SG	Illustration	Restrictions	UPD	7:40	26.01.2010	PORSCHE	PET	PORSCHE
997T	2009	8	01	801-40		248					

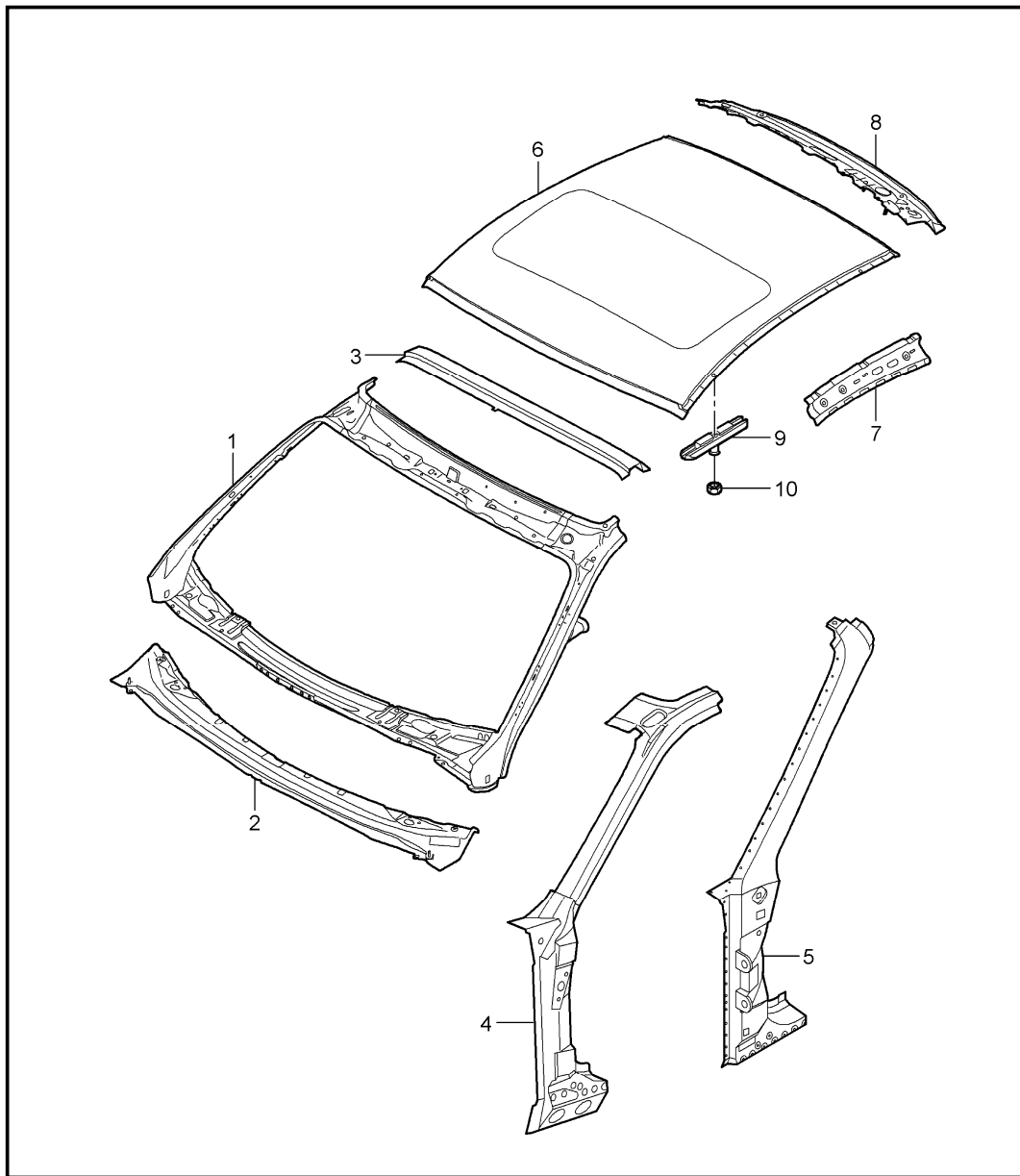


Pos	Part Number	Description	Remark	Qty	Model
1	997 503 031 00	wing	/L	1	
	GRV	prime coated			
(1)	997 503 032 02	wing	/R	1	
	GRV	prime coated			
2	999 507 003 01	speed nut ST 6,3		22	
3	999 073 128 02	tapping screw ST 6,3 X 14		22	
4	997 504 134 00	fuel filler flap		1	
	GRV	prime coated			
5	996 201 063 00	hinge		1	
6	997 504 711 00	spring		1	
7	996 201 423 00	cap		1	
8	997 504 888 01	rubber stop		1	
9	996 201 493 00	emergency operation		1	
10	997 624 113 00	actuator		1	
11	997 624 505 00	guide rose		1	
12	997 201 667 00	sleeve		1	
13	996 201 153 00	hose		1	
14	997 504 641 02	cover	/L	1	
	01C	black			
(14)	997 504 642 02	cover	/R	1	
	01C	black			
15	999 591 712 40	expansion rivet A 6,0 X 12,0		6	
16	997 504 531 00	protective film	/L	1	
(16)	997 504 532 00	protective film	/R	1	
17	997 504 441 00	strut		2	
	GRV	prime coated			

Model	Year	MG	SG	Illustration	Restrictions	UPD	7:40	26.01.2010	PORSCHE	PET	PORSCHE
997T	2009	8	01	801-40		248					

Pos	Part Number	Description	Remark	Qty	Model	Pos	Part Number	Description	Remark	Qty	Model
18	997 504 555 00	bracket		2							
	GRV	prime coated									
19	999 076 066 09	hexagon nut M 6		10							

Model	Year	MG	SG	Illustration	Restrictions	UPD	7:40	26.01.2010	PORSCHE	PET	PORSCHE
997T	2009	8	01	801-45		248					



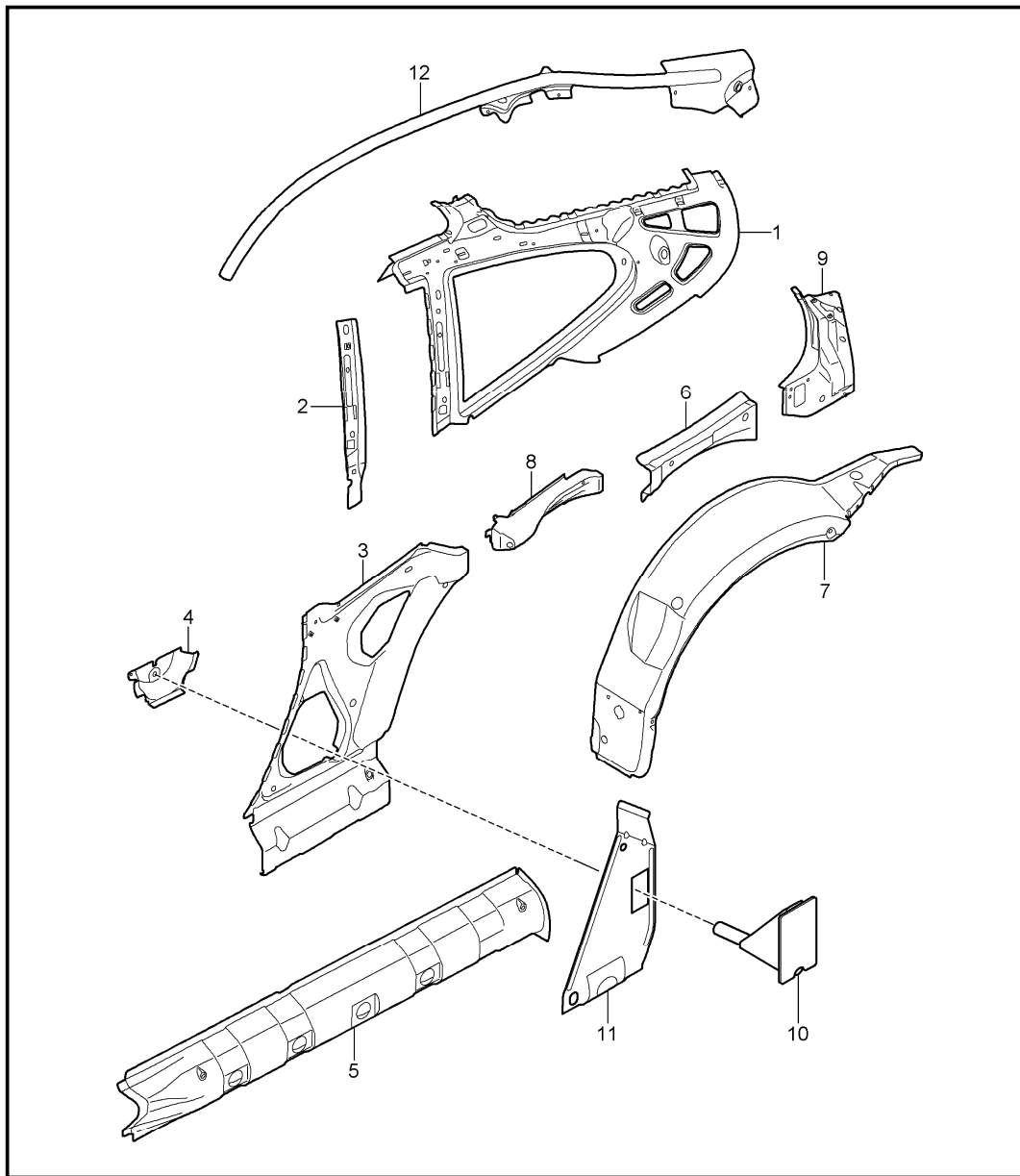
Pos	Part Number	Description	Remark	Qty	Model
1	997 502 137 00	cowl		1	
	GRV	prime coated inner			
(1)	997 502 137 01	cowl		1	CABRIO
	GRV	prime coated inner			
2	997 502 437 00	cowl		1	
	GRV	prime coated outer			
3	997 502 529 00	cowl		1	CABRIO
	GRV	prime coated outer			
4	997 502 135 00	reinforcement	/L -07	1	COUPE
	GRV	prime coated inner use also:			
4	997 502 135 03	reinforcement	/L 08-	1	COUPE
	GRV	prime coated inner use also:			
(4)	997 502 135 04	reinforcement	/L	1	CABRIO
	GRV	prime coated inner use also:			
(4)	997 502 136 00	reinforcement	/R -07	1	COUPE
	GRV	prime coated inner use also:			
(4)	997 502 136 03	reinforcement	/R 08-	1	COUPE
	GRV	prime coated inner use also:			
(4)	997 502 136 04	reinforcement	/R	1	CABRIO
	GRV	prime coated inner use also:			



Model	Year	MG	SG	Illustration	Restrictions	UPD	7:40	26.01.2010	PORSCHE	PET	PORSCHE
997T	2009	8	01	801-45		248					

Pos	Part Number	Description	Remark	Qty	Model	Pos	Part Number	Description	Remark	Qty	Model
-	000 043 206 29	adhesive set body comprising:		X		7	996 502 305 03	roof frame	/L	1	
							GRV	prime coated			
-	000 043 206 30	adhesive		1		(7)	996 502 306 03	roof frame	/R	1	
							GRV	prime coated			
-	000 043 206 31	tool		1		8	997 502 505 00	roof frame		1	
-	000 043 206 32	tool		1			GRV	prime coated			
-	000 043 206 33	activator		1		9	996 504 911 00	plate with threaded pin		X	
5	997 502 335 00	hinge pillar	/L	1	CABRIO	10	900 377 021 02	hexagon nut M10 X 1		X	
	GRV	prime coated use also:									
(5)	997 502 336 00	hinge pillar	/R	1	CABRIO						
	GRV	prime coated use also:									
-	000 043 206 29	adhesive set body comprising:		X							
-	000 043 206 30	adhesive		1							
-	000 043 206 31	tool		1							
-	000 043 206 32	tool		1							
-	000 043 206 33	activator		1							
(6)	996 503 501 00	outer roof panel		1							
	GRV	prime coated									
(6)	997 503 501 00	outer roof panel		1	I461						
	GRV	prime coated									
6	996 503 087 03	outer roof panel		1	I650						
	GRV	prime coated									
(6)	997 503 087 00	outer roof panel		1	I461/650						
	GRV	prime coated									
		use also:									
-	000 043 204 38	sealing material 70 ML processing instructions see technical manual		X							

Model	Year	MG	SG	Illustration	Restrictions	UPD	7:40	26.01.2010	PORSCHE	PET	PORSCHE
997T	2009	8	01	801-50		248					

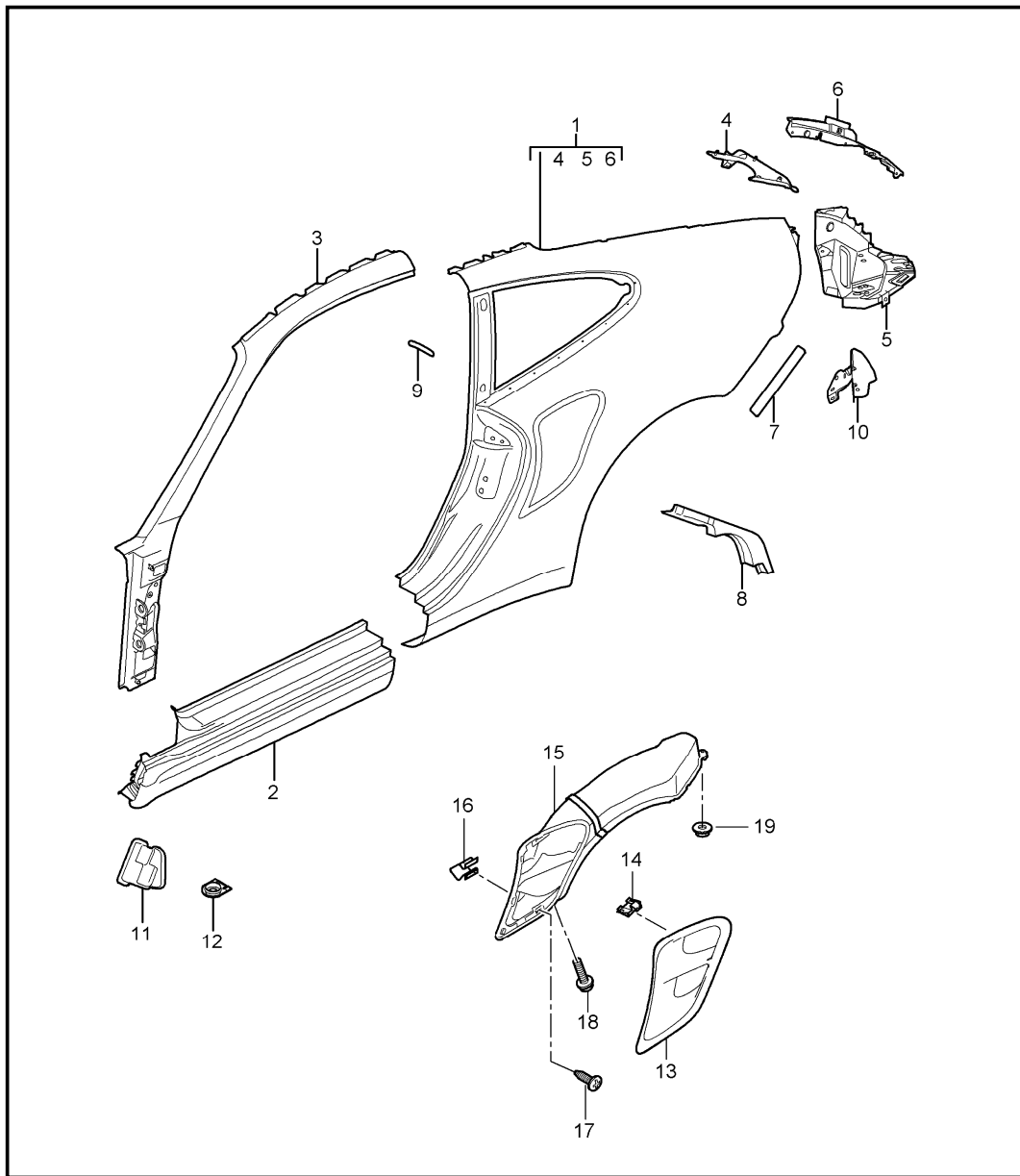


Pos	Part Number	Description	Remark	Qty	Model
1	997 502 153 00	side section inner		1	
	GRV	prime coated	/L		
(1)	997 502 154 00	side section	/R	1	
	GRV	prime coated			
2	997 502 423 00	reinforcement	/L	1	
	GRV	prime coated			
(2)	997 502 424 00	reinforcement	/R	1	
	GRV	prime coated			
3	996 502 083 02	side section	/L	1	
	GRV	prime coated			
(3)	996 502 084 02	side section	/R	1	
	GRV	prime coated			
4	996 502 383 01	bracket		2	
	GRV	prime coated			
5	996 502 733 01	reinforcement	/L	1	
	GRV	prime coated			
(5)	996 502 734 01	reinforcement	/R	1	
	GRV	prime coated			
-	000 043 206 29	adhesive set body comprising:		X	
-	000 043 206 30	adhesive		1	
-	000 043 206 31	tool		1	
-	000 043 206 32	tool		1	
-	000 043 206 33	activator		1	
-	999 703 433 40	stopper 30 X 42 for POS. 5		10	

Model	Year	MG	SG	Illustration	Restrictions	UPD	7:40	26.01.2010	PORSCHE	PET	PORSCHE
997T	2009	8	01	801-50		248					

Pos	Part Number	Description	Remark	Qty	Model	Pos	Part Number	Description	Remark	Qty	Model
6	997 502 115 00	side section	/L	1							
	GRV	prime coated									
(6)	997 502 116 00	side section	/R	1							
	GRV	prime coated									
7	997 502 215 02	wheel housing	/L	1							
	GRV	prime coated									
(7)	997 502 216 02	wheel housing	/R	1							
	GRV	prime coated									
8	997 502 707 00	reinforcement	/L	1							
	GRV	prime coated									
(8)	997 502 708 00	reinforcement	/R	1							
	GRV	prime coated									
9	997 502 161 00	side section	/L	1							
	GRV	prime coated									
(9)	997 502 162 00	side section	/R	1							
	GRV	prime coated									
10	997 502 711 00	pipe		2							
	GRV	prime coated									
11	997 502 745 00	reinforcement plate	/L	1							
	GRV	prime coated									
(11)	997 502 746 00	reinforcement plate	/R	1							
	GRV	prime coated									
12	997 502 619 00	pipe	/L	1							
	GRV	prime coated									
(12)	997 502 620 00	pipe	/R	1							
	GRV	prime coated									

Model	Year	MG	SG	Illustration	Restrictions	UPD	7:40	26.01.2010	PORSCHE	PET	PORSCHE
997T	2009	8	01	801-55		248					

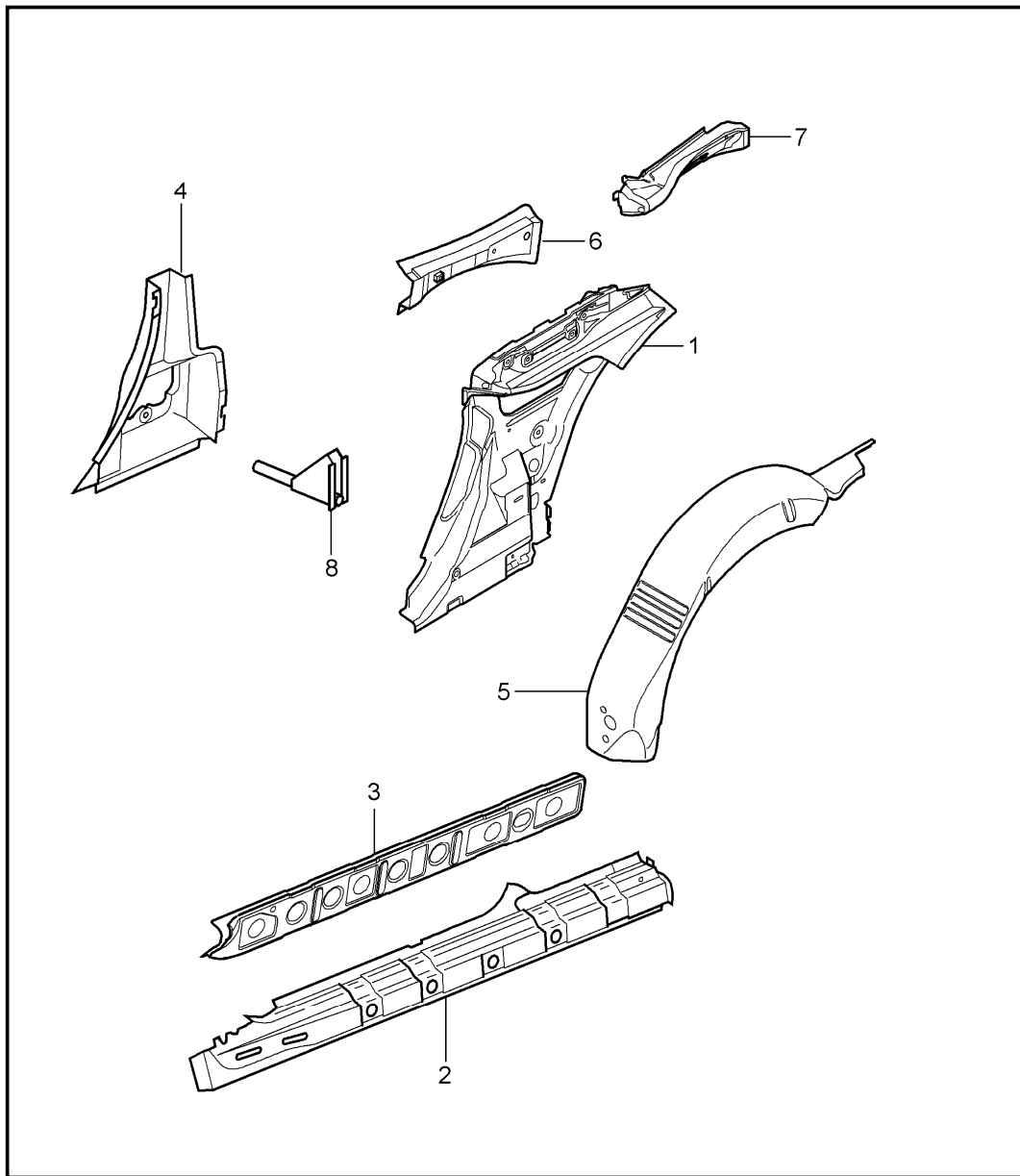


Pos	Part Number	Description	Remark	Qty	Model
		side section outer			COUPE
1	997 503 961 04	side section	/L	1	
	GRV	prime coated			
(1)	997 503 962 04	side section	/R	1	
	GRV	prime coated			
		use also:			
-	999 915 650 40	adhesive TEROMIX 6700		X	
-	000 043 300 48	tool see technical manual group 5 53 55 55		X	
2	997 503 963 02	door sill	/L	1	
	GRV	prime coated			
(2)	997 503 964 02	door sill	/R	1	
	GRV	prime coated			
3	997 503 965 00	roof frame	/L	1	
	GRV	prime coated			
(3)	997 503 966 00	roof frame	/R	1	
	GRV	prime coated			
4	997 502 365 00	sealing channel	/L	1	
	GRV	prime coated			
(4)	997 502 366 00	sealing channel	/R	1	
	GRV	prime coated			
5	997 502 461 01	frame for light	/L	1	
	GRV	prime coated			
(5)	997 502 462 01	frame for light	/R	1	
	GRV	prime coated			
6	997 502 213 01	bracket gas-pressure spring	/L	1	
	GRV	prime coated			

Model	Year	MG	SG	Illustration	Restrictions	UPD	7:40	26.01.2010	PORSCHE	PET	PORSCHE
997T	2009	8	01	801-55		248					

Pos	Part Number	Description	Remark	Qty	Model	Pos	Part Number	Description	Remark	Qty	Model
(6)	997 502 214 00	bracket gas-pressure spring	/R	1		(15)	997 504 460 00	air duct inner front	/R	1	
	GRV	prime coated					01C	satin black			
7	997 504 631 00	protective film		2		16	999 507 836 09	clamp 9,0 X 13,0/4,0		10	
8	997 504 907 00	seal see workshop manual		2		17	999 073 155 09	tapping screw ST 4,2 X 13		14	
9	996 537 237 00	protective film		2		18	999 074 060 09	hexagon-head bolt M6 X 18		20	
10	997 501 487 00	reinforcement	/L	1		19	999 076 078 01	hexagon nut M 6		4	
	GRV	prime coated use also:									
(10)	997 501 488 00	reinforcement	/R	1							
	GRV	prime coated use also:									
-	000 043 206 29	adhesive set body comprising:		X							
-	000 043 206 30	adhesive		1							
-	000 043 206 31	tool		1							
-	000 043 206 32	tool		1							
-	000 043 206 33	activator		1							
11	997 572 311 01	water protection	/L	1							
(11)	997 572 312 01	water protection	/R	1							
12	999 703 475 40	water drain sleeve door sill		2							
13	997 504 361 01	air inlet	/L	1							
	G2X	prime coated									
(13)	997 504 362 01	air inlet	/R	1							
	G2X	prime coated									
14	999 507 835 09	clamp 1,50		4							
15	997 504 459 00	air duct inner front	/L	1							
	01C	satin black									

Model	Year	MG	SG	Illustration	Restrictions	UPD	7:40	26.01.2010	PORSCHE	PET	PORSCHE
997T	2009	8	01	801-60		248					

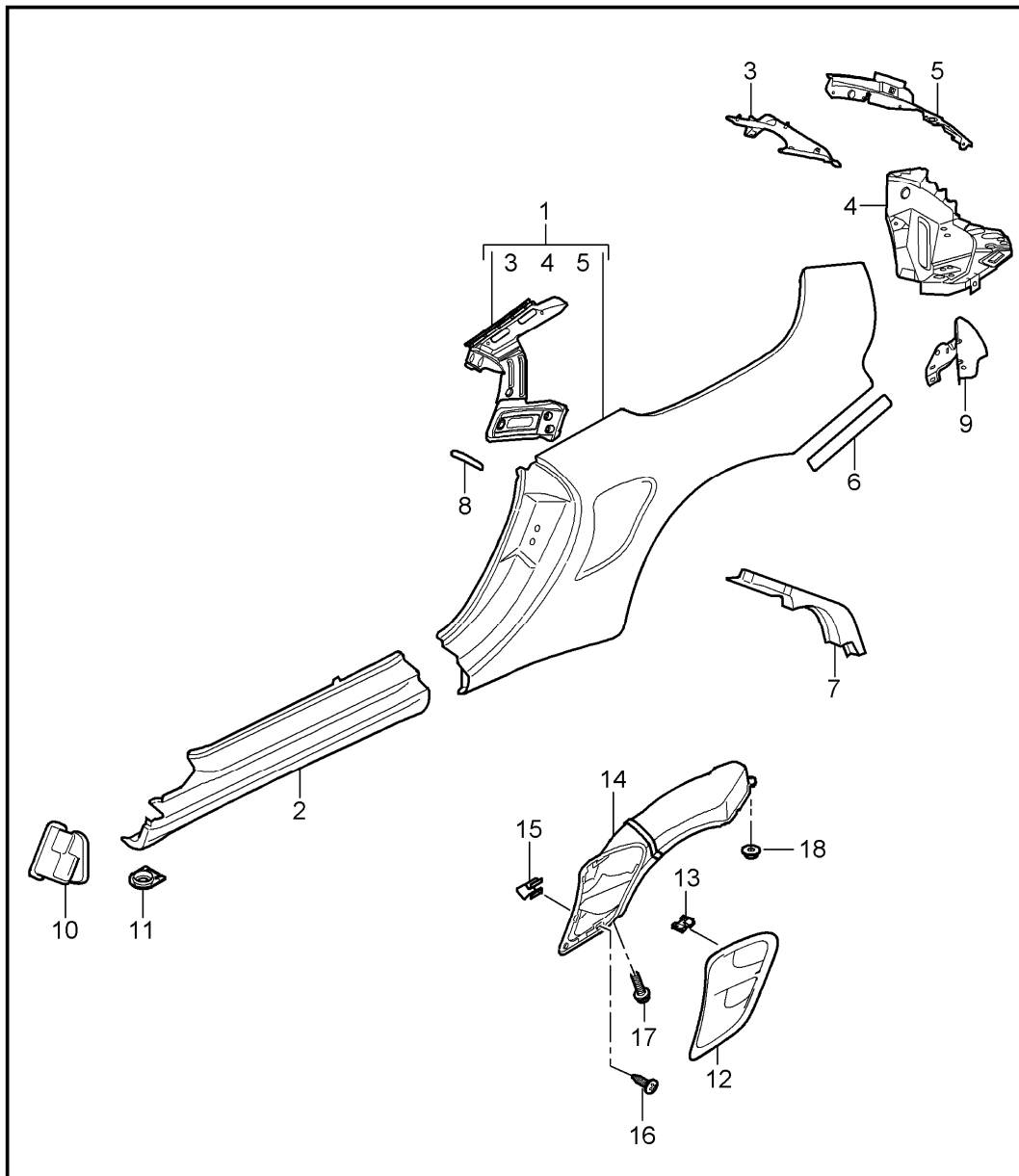


Pos	Part Number	Description	Remark	Qty	Model
		side section inner			CABRIO
1	997 502 073 02	side section	/L	1	
	GRV	prime coated			
(1)	997 502 074 02	side section	/R	1	
	GRV	prime coated			
2	997 502 663 00	reinforcement	/L	1	
	GRV	prime coated use also:			
(2)	997 502 664 00	reinforcement	/R	1	
	GRV	prime coated use also:			
-	000 043 206 29	adhesive set body comprising:		X	
-	000 043 206 30	adhesive		1	
-	000 043 206 31	tool		1	
-	000 043 206 32	tool		1	
-	000 043 206 33	activator		1	
3	996 502 683 01	separator	/L	1	
	GRV	prime coated			
(3)	996 502 684 01	separator	/R	1	
	GRV	prime coated			
4	996 502 415 01	b-pillar	/L	1	
	GRV	prime coated			
(4)	996 502 416 01	b-pillar	/R	1	
	GRV	prime coated			
5	997 502 215 02	wheel housing	/L	1	
	GRV	prime coated			
(5)	997 502 216 02	wheel housing	/R	1	
	GRV	prime coated			

Model	Year	MG	SG	Illustration	Restrictions	UPD	7:40	26.01.2010	PORSCHE	PET	PORSCHE
997T	2009	8	01	801-60		248					

Pos	Part Number	Description	Remark	Qty	Model	Pos	Part Number	Description	Remark	Qty	Model
6	997 502 115 02	side section	/L	1							
	GRV	prime coated									
(6)	997 502 116 02	side section	/R	1							
	GRV	prime coated									
7	997 502 161 01	side section	/L	1							
	GRV	prime coated									
(7)	997 502 162 01	side section	/R	1							
	GRV	prime coated									
8	997 502 711 01	pipe		2							
	GRV	prime coated									

Model	Year	MG	SG	Illustration	Restrictions	UPD	7:41	26.01.2010	PORSCHE	PET	PORSCHE
997T	2009	8	01	801-65		248					



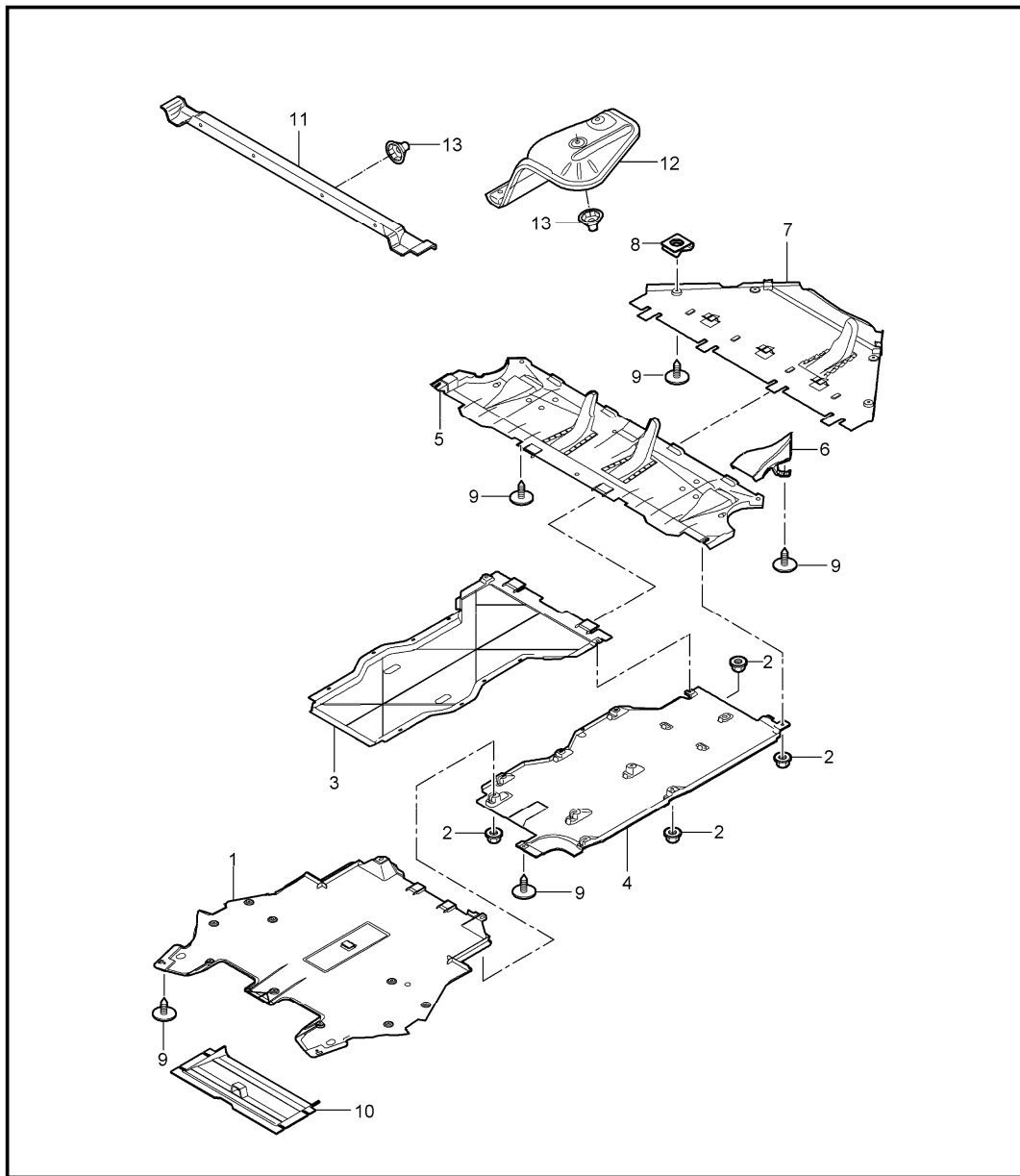
Pos	Part Number	Description	Remark	Qty	Model
		side section outer			CABRIO
1	997 503 961 06	side section	/L	1	
	GRV	prime coated			
(1)	997 503 962 06	side section	/R	1	
	GRV	prime coated			
		use also:			
-	999 915 650 40	adhesive TEROMIX 6700		X	
-	000 043 300 48	tool processing instructions see technical manual group 5 53 55 55		X	
2	997 503 963 03	door sill	/L	1	
	GRV	prime coated			
(2)	997 503 964 03	door sill	/R	1	
	GRV	prime coated			
3	997 502 365 01	sealing channel	/L	1	
	GRV	prime coated			
(3)	997 502 366 01	sealing channel	/R	1	
	GRV	prime coated			
4	997 502 461 01	frame for light	/L	1	
	GRV	prime coated			
(4)	997 502 462 01	frame for light	/R	1	
	GRV	prime coated			
5	997 502 213 01	bracket	/L	-07	1
	GRV	prime coated			
5	997 502 213 02	bracket	/L	08-	1
	GRV	prime coated			
(5)	997 502 214 00	bracket	/R	-07	1
	GRV	prime coated			



Model	Year	MG	SG	Illustration	Restrictions	UPD	7:41	26.01.2010	PORSCHE	PET	PORSCHE
997T	2009	8	01	801-65		248					

Pos	Part Number	Description	Remark	Qty	Model	Pos	Part Number	Description	Remark	Qty	Model
(5)	997 502 214 01	bracket	/R 08-	1							
	GRV	prime coated									
6	997 504 631 00	protective film		2							
7	997 504 907 00	seal it is necessary to rework see workshop manual		2							
8	996 537 237 00	protective film		2							
9	997 501 487 02	reinforcement	/L	1							
	GRV	prime coated									
(9)	997 501 488 02	reinforcement	/R	1							
	GRV	prime coated									
10	997 572 311 01	water protection	/L	1							
(10)	997 572 312 01	water protection	/R	1							
11	999 703 475 40	water drain sleeve door sill		2							
12	997 504 361 01	air inlet	/L	1							
	G2X	prime coated									
(12)	997 504 362 01	air inlet	/R	1							
	G2X	prime coated									
13	999 507 835 09	clamp 1,50		4							
14	997 504 459 00	air duct		1							
	01C	satin black									
(14)	997 504 460 00	air duct		1							
	01C	satin black									
15	999 507 836 09	clamp 9,0 x 13,0/4,0		10							
16	999 073 155 09	tapping screw st 4,2 x 13		14							
17	999 074 060 09	hexagon-head bolt m 6 x 18		20							
18	999 076 078 01	hexagon nut m 6		4							

Model	Year	MG	SG	Illustration	Restrictions	UPD	7:41	26.01.2010	PORSCHE	PET	PORSCHE
997T	2009	8	01	801-70		248					

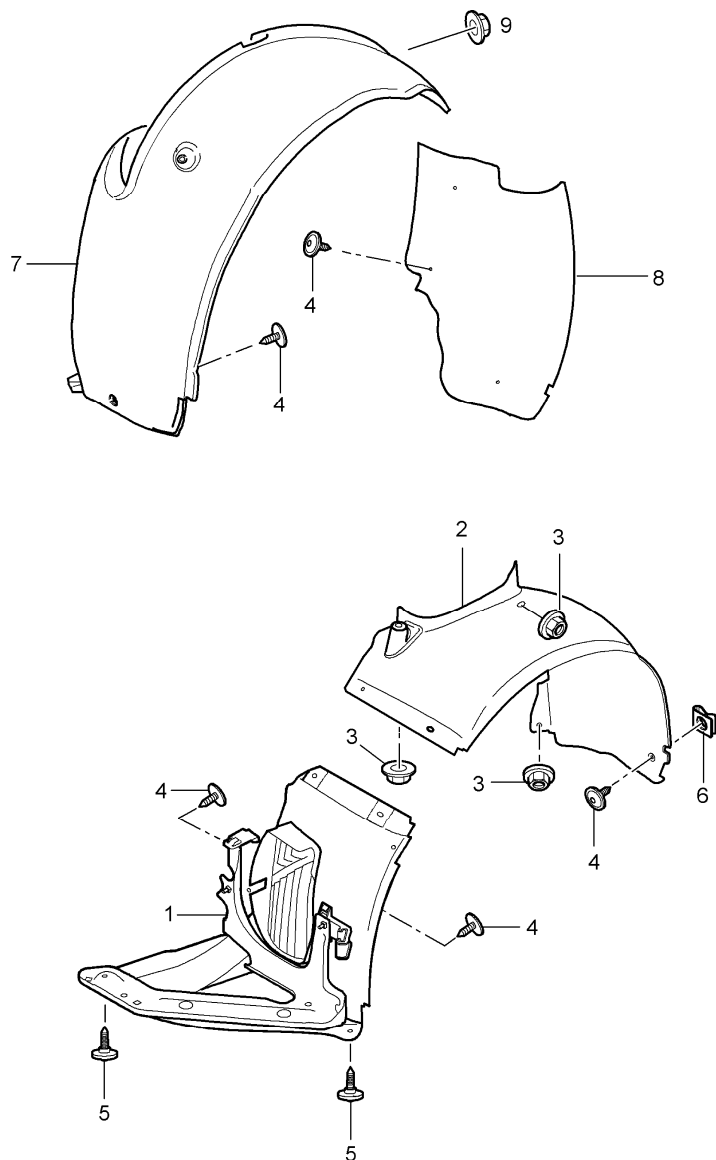


Pos	Part Number	Description	Remark	Qty	Model
		linings underbody			
1	997 504 527 01	cover front		1	
1	997 504 527 01	cover front	/RL	1	GT2 I099
(1)	997 504 527 02	cover front	/LL	1	GT2 I098
2	999 049 028 40	plastic nut T 5		26	
3	997 504 043 00	cover centre		1	
4	997 504 343 03	cover	/L	1	
(4)	997 504 344 03	cover centre	/R	1	
5	997 504 029 00	cover		1	TURBO I480
(5)	997 504 629 03	cover		1	TURBO I249
(5)	997 504 629 92	cover rear		1	GT2 I480
6	997 575 183 00	air duct	/L	1	
(6)	997 575 184 00	air duct brake	/R	1	
7	997 504 429 01	cover transmission		1	I480
8	999 507 795 09	speed nut ST 4,8		9	
9	999 073 231 09	tapping screw ST 4,8 X 16		15	
10	997 575 161 01	cooling air duct		1	TURBO
11	996 505 471 00	heat protection		1	
12	997 505 477 01	heat protection	/L	1	
(12)	997 505 478 01	heat protection	/R	1	

Model	Year	MG	SG	Illustration	Restrictions	UPD	7:41	26.01.2010	PORSCHE	PET	PORSCHE
997T	2009	8	01	801-70		248					

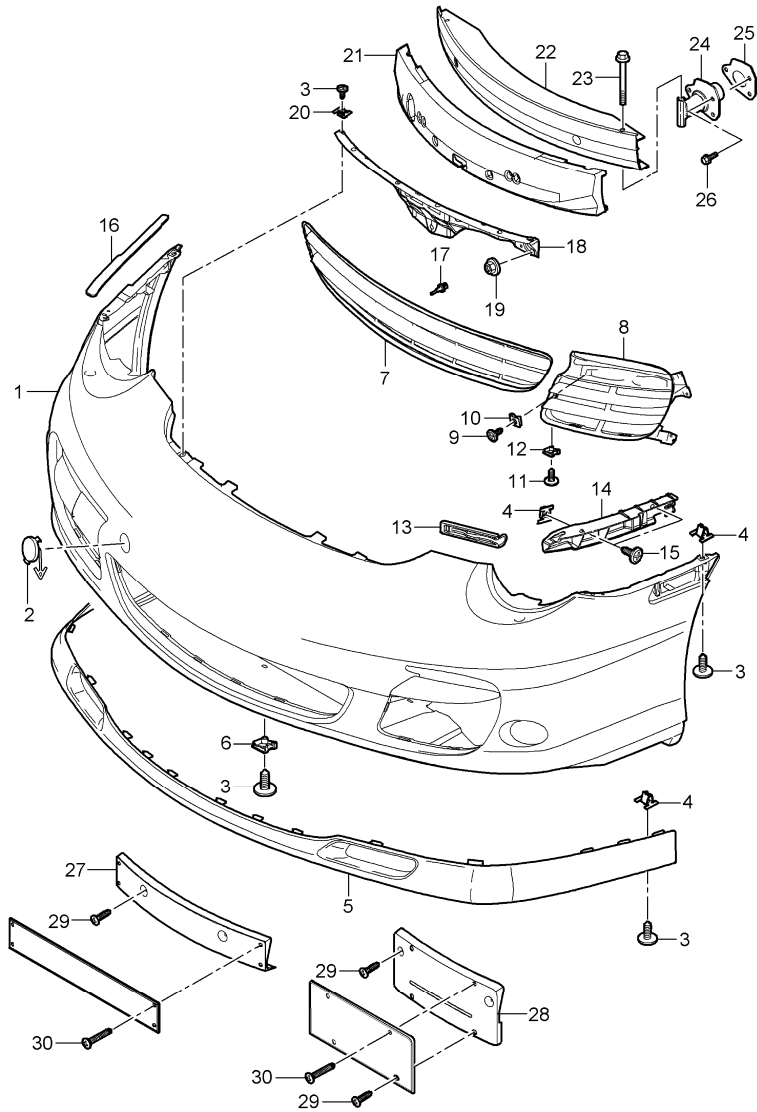
Pos	Part Number	Description	Remark	Qty	Model	Pos	Part Number	Description	Remark	Qty	Model
13	999 049 025 09	collar nut T5		12							

Model	Year	MG	SG	Illustration	Restrictions	UPD	7:41	26.01.2010	PORSCHE	PET	PORSCHE
997T	2009	8	01	801-75		248					



Pos	Part Number	Description	Remark	Qty	Model
1	997 504 123 01	linings wheel housing wheel-housing liner front	/L/V	1	
(1)	997 504 124 01	wheel-housing liner front	/R/V	1	
(1)	997 504 123 80	wheel-housing liner front	/L/V	1	GT2
(1)	997 504 124 80	wheel-housing liner front	/R/V	1	GT2
-	997 504 303 80	spoiler	/L	1	GT2
-	997 504 304 80	spoiler	/R	1	GT2
2	997 504 203 01	wheel-housing liner	/L/H	1	
(2)	997 504 204 01	wheel-housing liner front	/R/H	1	
3	999 049 028 40	plastic nut T5		12	
4	999 073 231 09	tapping screw ST 4,8 X 16		18	
5	999 073 227 09	tapping screw ST 4,8 X 19		6	
6	999 507 795 09	speed nut ST 4,8		5	
7	997 504 573 02	wheel-housing liner	/L/V	1	
(7)	997 504 574 02	wheel-housing liner rear	/R/V	1	
8	997 504 623 00	wheel-housing liner	/L/H	1	
(8)	997 504 624 00	wheel-housing liner	/R/H	1	
(8)	997 504 623 80	wheel-housing liner	/L/H	1	GT2
(8)	997 504 624 80	wheel-housing liner rear	/R/H	1	GT2
9	999 049 007 40	plastic nut T5/2 X 10,5		12	
10	997 575 231 91	air distributor	/L	1	GT2
(10)	997 575 232 91	air distributor	/R	1	GT2

Model	Year	MG	SG	Illustration	Restrictions	UPD	7:41	26.01.2010	PORSCHE	PET	PORSCHE
997T	2009	8	02	802-00		248					

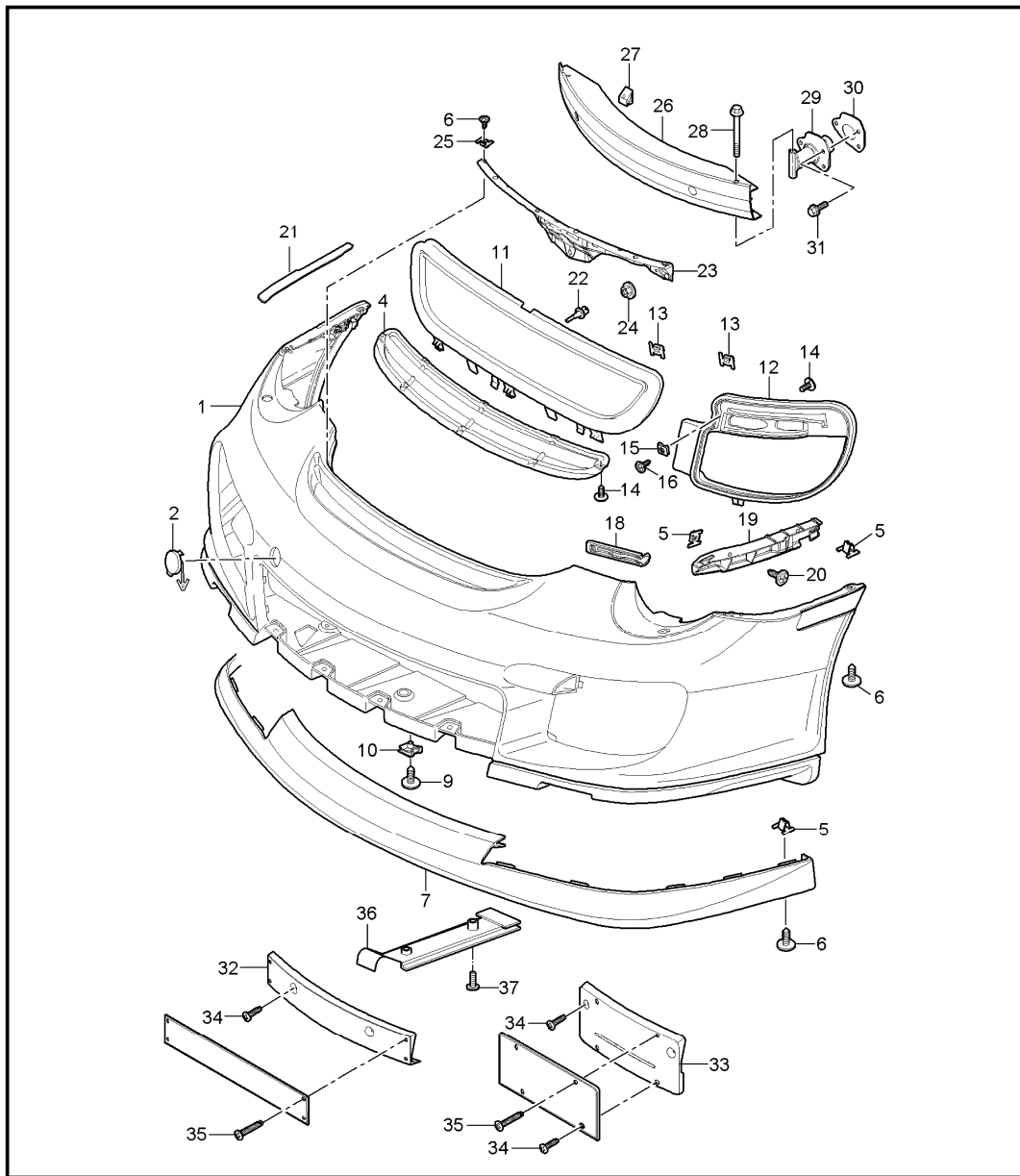


Pos	Part Number	Description	Remark	Qty	Model
1	997 505 191 04	bumper front		1	I288
2	997 505 703 01	lining prime coated		1	
3	999 073 227 09	cover G2X prime coated		10	
4	999 507 849 01	tapping screw ST 4,8 X 19		10	
5	997 505 557 01	captive nut ST 4,8		1	
(5)	997 505 557 05	spoiler 01C satin black		1	IXAF
(5)	997 505 557 07	spoiler prime coated		1	IXUA
6	999 591 699 02	spoiler		1	
7	997 505 541 02	speed nut ST 4,8		1	
8	997 505 563 01	retaining frame centre 01C satin black	/L	1	
(8)	997 505 564 01	retaining frame lateral 01C satin black	/R	1	
-	999 902 057 40	retaining frame lateral 01C satin black		2	
9	999 073 080 02	velcro fastener for direction indicator light		4	
10	999 507 768 02	tapping screw ST 4,2 X 16		4	
11	999 073 231 09	speed nut ST 4,2		2	

Model	Year	MG	SG	Illustration	Restrictions	UPD	7:41	26.01.2010	PORSCHE	PET	PORSCHE
997T	2009	8	02	802-00		248					

Pos	Part Number	Description	Remark	Qty	Model	Pos	Part Number	Description	Remark	Qty	Model
12	999 507 795 09	speed nut ST 4,8		2		30	999 919 228 A2	screw 5,0 x 28		2	I210/211/218
13	997 505 719 00	fixing device		2							
14	997 505 535 01	retaining strip lateral	/L	1							
(14)	997 505 536 01	retaining strip lateral	/R	1							
15	999 073 418 01	tapping screw ST 4,8 X 19		4							
(16)	997 504 531 00	protective film	/L	1							
16	997 504 532 00	protective film	/R	1							
17	996 641 142 00	temperature sensor		1							
18	997 505 531 00	retaining strip centre		1							
19	999 076 048 02	hexagon nut M 6		3							
20	999 507 849 01	captive nut ST 4,8		3							
21	997 505 777 00	insert		1							
22	997 505 141 00	bumper reinforcement		1							
23	900 378 088 01	hexagon-head bolt M 12 X 100		2							
24	997 505 319 00	impact absorber		2							
25	997 505 751 02	seal impact absorber		2							
26	900 378 267 09	combination screw M 8 X 30		6							
27	997 701 105 01	support number plate		1	I211						
	01C	black									
(27)	997 701 109 01	support number plate		1	I210						
	01C	black									
29	999 919 227 A2	screw 5,0 X 13		2	I210/211/218						

Model	Year	MG	SG	Illustration	Restrictions	UPD	7:41	26.01.2010	PORSCHE	PET	PORSCHE
997T	2009	8	02	802-02		248					



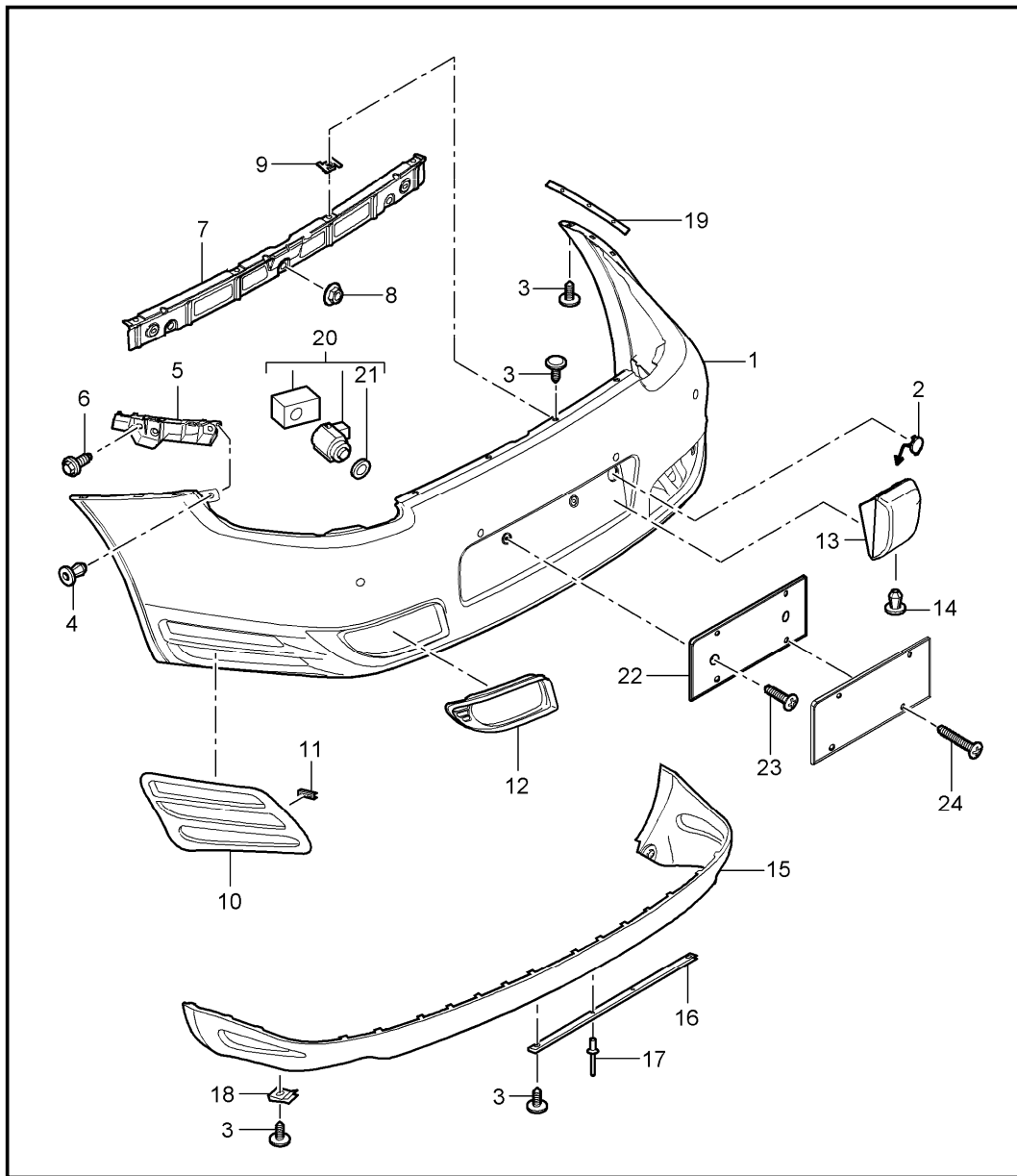
Pos	Part Number	Description	Remark	Qty	Model
		bumper front			GT2
1	A 997 505 311 80	lining		1	I288
	G2X	prime coated			
1	997 505 901 80	lining		1	I288
		prime coated			
2	997 505 703 80	cover		1	
	G2X	prime coated			
4	997 575 327 80	cover		1	
	01C	satin black			
5	999 507 849 01	captive nut		10	
		ST 4,8			
6	999 073 227 09	tapping screw		15	
		ST 4,8 X 19			
7	997 505 557 80	spoiler		1	
	01C	satin black			
8	999 507 795 09	speed nut		7	
		ST 4,8			
9	999 073 227 09	tapping screw		1	
		ST 4,8 X 19			
10	999 591 699 02	speed nut		1	
		ST 4,8			
10	999 591 699 01	speed nut		1	
		ST 4,8			
11	997 505 541 81	retaining frame		1	
		centre			
	01C	satin black			
12	997 505 563 81	retaining frame	/L	1	
		lateral			
	01C	satin black			
(12)	997 505 564 81	retaining frame	/R	1	
		lateral			
	01C	satin black			
-	997 505 559 81	support	/L	1	

Model	Year	MG	SG	Illustration	Restrictions	UPD	7:41	26.01.2010	PORSCHE	PET	PORSCHE
997T	2009	8	02	802-02		248					

Pos	Part Number	Description	Remark	Qty	Model	Pos	Part Number	Description	Remark	Qty	Model
-	997 505 560 81	support headlight washer system	/R	1		30	997 505 751 02	seal impact absorber		2	
13	999 507 696 00	u-clamp 1,2 - 1,7		21		31	900 378 267 01	hexagon-head bolt M 8 X 30		6	
14	999 919 118 09	oval-head screw 4,0 X 14		14		32	997 701 105 01	support number plate		1	I211
15	999 507 768 02	speed nut ST 4,2 for direction indicator light		4			01C	black			
16	999 073 080 02	tapping screw ST 4,8 X 16 for direction indicator light		4		(32)	997 701 109 01	support number plate		1	I210
							01C	black			
--	999 902 057 40	velcro fastener for direction indicator light		2		34	999 919 243 01	screw 5.0 x 13		2	
18	997 505 719 00	fixing device		2		35	999 919 242 01	screw 5,0 x 28		2	
19	997 505 535 01	retaining strip lateral	/L	1		36	997 505 585 80	support panel front apron including fastening part		1	
(19)	997 505 536 01	retaining strip lateral	/R	1		37	999 073 252 09	oval-head screw use also:		2	
20	999 073 418 01	tapping screw ST 4,8 X 19		4		-	999 591 882 01	speed nut		2	
(21)	997 504 531 00	protective film	/L	1							
21	997 504 532 00	protective film	/R	1							
22	996 641 142 00	temperature sensor		1							
23	997 505 531 00	retaining strip centre		1							
24	999 076 048 01	hexagon nut M6		3							
25	999 507 849 01	captive nut ST 4,8		3							
26	997 505 141 00	bumper reinforcement		1							
28	900 378 088 01	hexagon-head bolt M 12 X 100		2							
29	997 505 319 00	impact pipe		2							



Model	Year	MG	SG	Illustration	Restrictions	UPD	7:42	26.01.2010	PORSCHE	PET	PORSCHE
997T	2009	8	02	802-05		248					

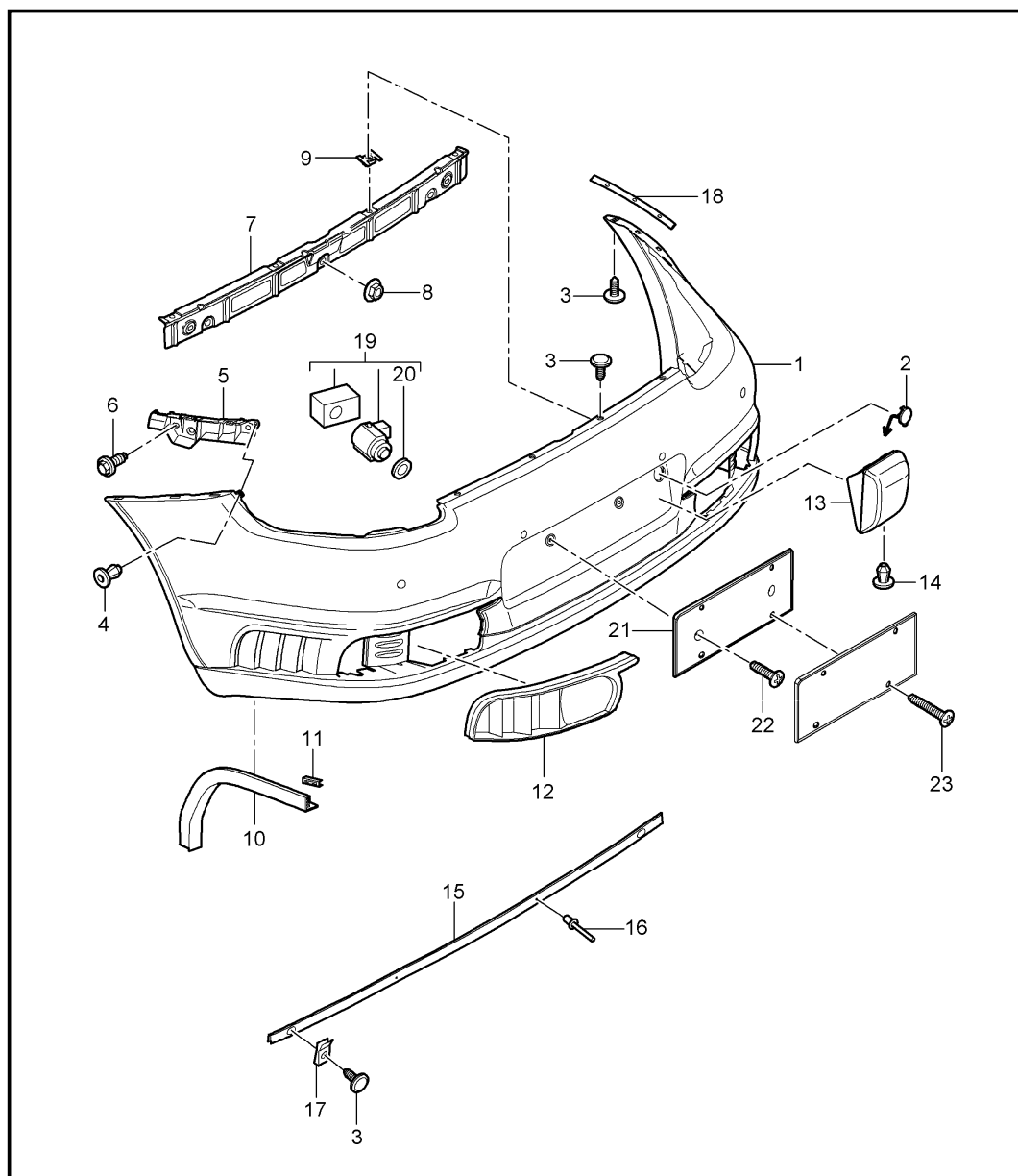


Pos	Part Number	Description	Remark	Qty	Model
		lining bumper rear			
1	997 505 411 16	lining		1	
1	997 505 411 17	lining prime coated		1	I635
2	997 505 803 00	cover towing lug		1	
		G2X prime coated			
3	999 073 227 09	tapping screw 4,8 X 16		10	
4	999 591 941 40	expansion rivet ST 4,8		2	
5	997 505 635 00	retaining strip	/L	1	
(5)	997 505 636 00	retaining strip lateral	/R	1	
6	900 075 459 09	combination screw M6 X 12		4	
7	997 505 641 02	attachment strip centre		1	
8	999 076 078 09	hexagon nut M6		3	
		M6			
9	999 507 590 02	captive nut ST 4,8		6	
10	997 505 663 00	frame air exhaust	/L	1	
		01C black			
(10)	997 505 664 00	frame air exhaust	/R	1	
		01C black			
11	999 507 696 00	u-clamp 1,20 - 1,70		10	
12	997 505 651 00	cover exhaust pipe	/L	1	
		01C black			

Model	Year	MG	SG	Illustration	Restrictions	UPD	7:42	26.01.2010	PORSCHE	PET	PORSCHE
997T	2009	8	02	802-05		248					

Pos	Part Number	Description	Remark	Qty	Model	Pos	Part Number	Description	Remark	Qty	Model
(12)	997 505 652 00	cover exhaust pipe	/R	1							
	01C	black									
15	997 505 511 00	lining lower		1							
	01C	black									
16	997 505 837 01	retaining strip lower		1							
17	999 190 104 30	blind rivet A 3,2 X 7,9		2							
18	999 507 795 09	speed nut ST 4,8		6							
19	997 504 631 00	protective film		2							
20	955 606 275 04	sensor ParkAssist		4	I635						
21	7L6 919 659	round seal		4	I635						

Model	Year	MG	SG	Illustration	Restrictions	UPD	7:42	26.01.2010	PORSCHE	PET	PORSCHE
997T	2009	8	02	802-06		248					

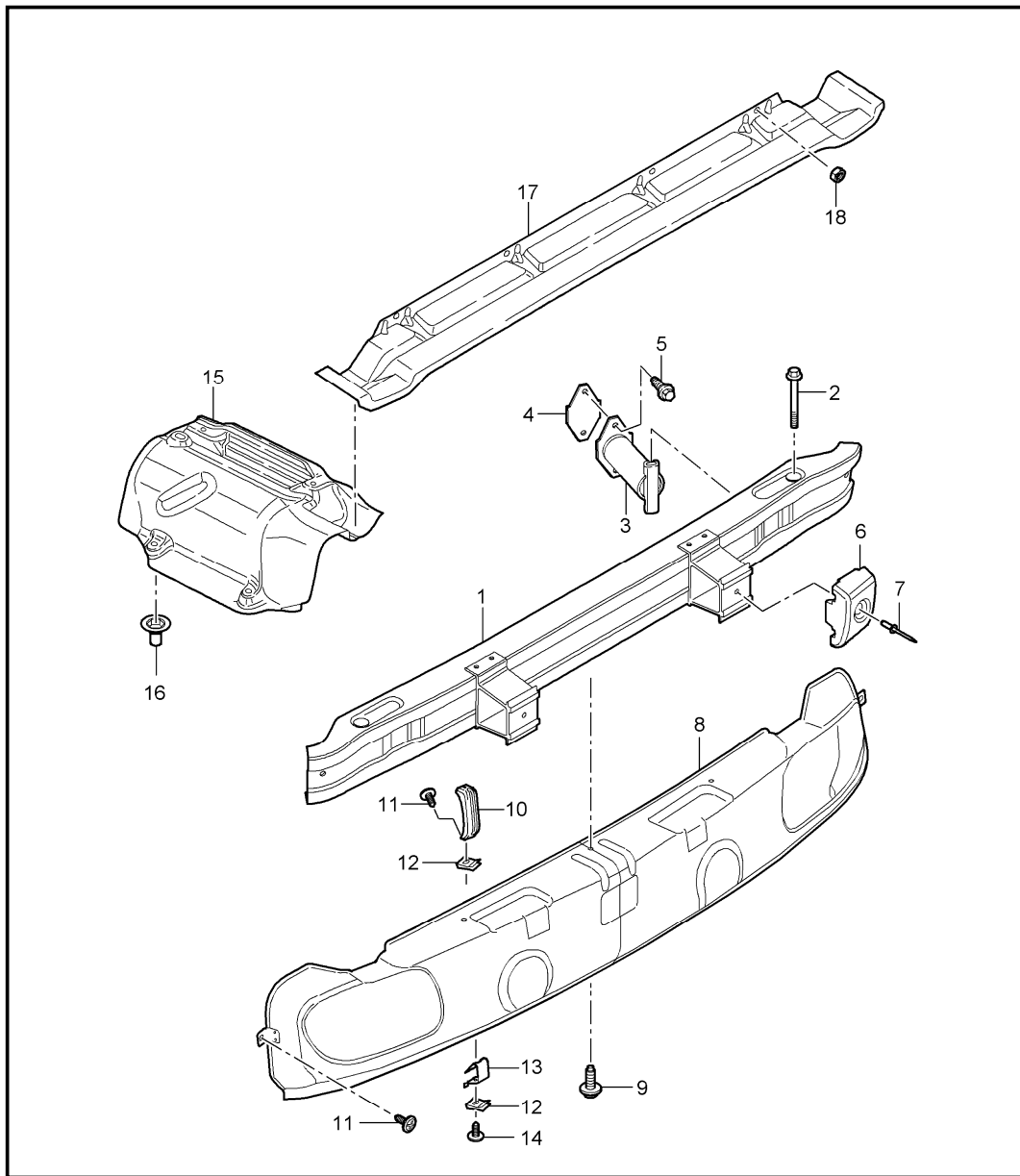


Pos	Part Number	Description	Remark	Qty	Model
		lining bumper rear			GT2
1	997 505 411 84	lining prime coated		1	
(1)	997 505 411 86	lining prime coated		1	I635
2	997 505 803 00	cover towing lug		1	
		G2X prime coated			
3	999 073 227 09	tapping screw 4,8 X 19		12	
4	999 591 941 40	expansion rivet ST 4,8		2	
5	997 505 635 00	retaining strip lateral	/L	1	
(5)	997 505 636 00	retaining strip lateral	/R	1	
6	999 073 442 01	screw M6 X 25		4	
7	997 505 641 02	attachment strip centre		1	
8	999 076 048 01	hexagon nut M6		3	
9	999 507 849 01	captive nut ST 4,8		6	
10	997 505 663 80	frame air exhaust	/L	1	
		G2X prime coated			
(10)	997 505 664 80	frame air exhaust	/R	1	
		G2X prime coated			
11	999 507 696 00	u-clamp 1,20 - 1,70		6	
12	997 505 651 80	cover exhaust pipe	/L	1	
		01C black			

Model	Year	MG	SG	Illustration	Restrictions	UPD	7:42	26.01.2010	PORSCHE	PET	PORSCHE
997T	2009	8	02	802-06		248					

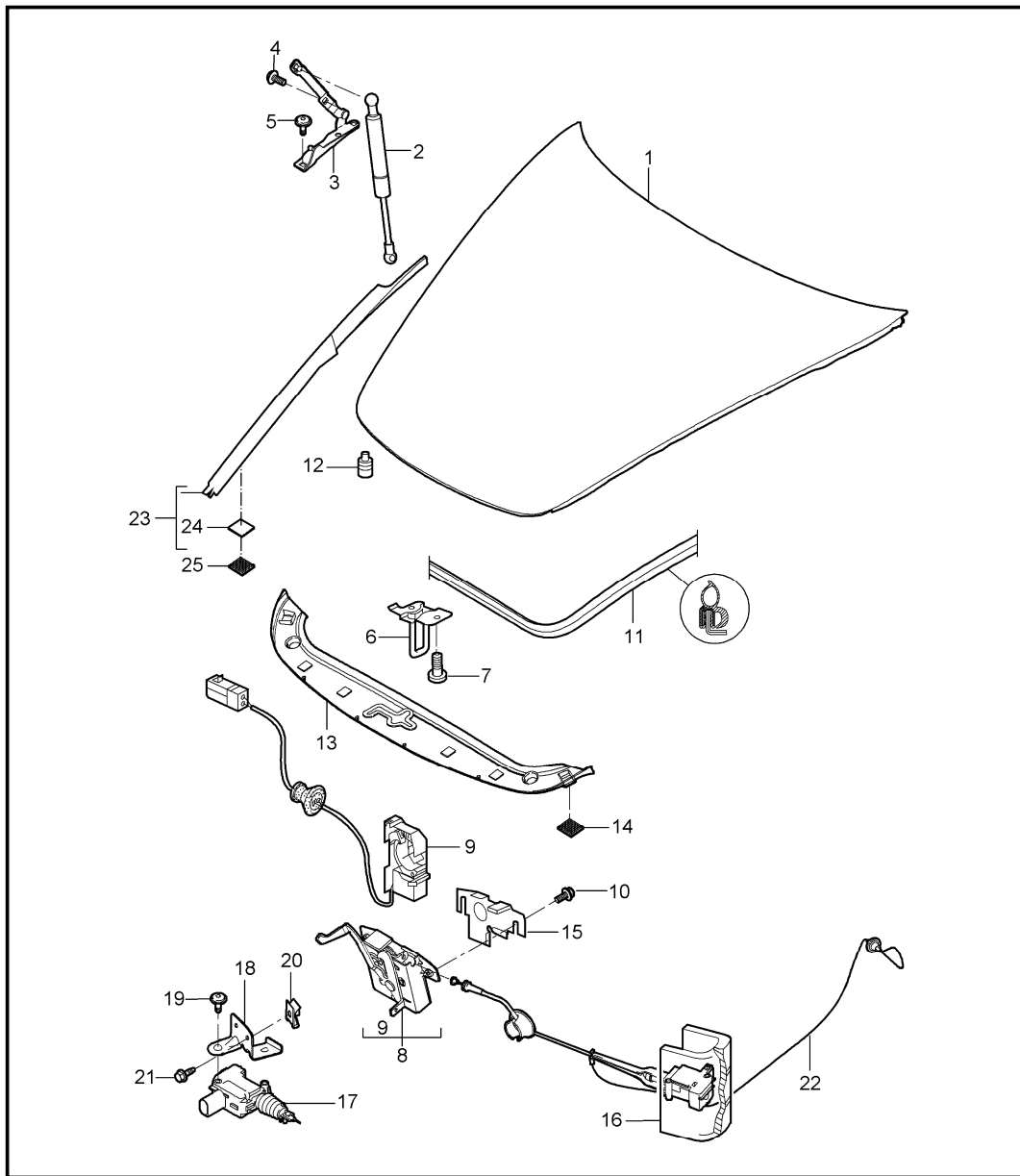
Pos	Part Number	Description	Remark	Qty	Model	Pos	Part Number	Description	Remark	Qty	Model
(12)	997 505 652 80	cover exhaust pipe	/R	1							
	01C	black									
15	997 505 837 80	retaining strip lower		1							
16	999 190 104 30	blind rivet A 3,2 X 7,9		4							
17	999 507 795 09	speed nut ST 4,8		4							
18	997 504 631 00	protective film		2							
19	955 606 275 04	sensor ParkAssist		4	I635						
20	7L6 919 659	round seal		4	I635						

Model	Year	MG	SG	Illustration	Restrictions	UPD	7:42	26.01.2010	PORSCHE	PET	PORSCHE
997T	2009	8	02	802-07		248					



Pos	Part Number	Description	Remark	Qty	Model
		bumper heat protection rear			
(1)	997 505 121 02	bumper reinforcement		1	
(1)	997 505 121 80	bumper reinforcement		1	GT2
2	900 378 088 09	hexagon-head bolt M 12 X 100		2	
3	996 505 019 01	impact pipe		2	
4	996 505 775 00	desk pad		2	
5	900 378 267 09	combination screw M 8 X 30		4	
8	997 505 475 01	heat protection centre		1	
(8)	997 505 475 80	heat protection centre		1	GT2
9	999 075 056 09	combination screw M 6 X 22		3	
10	997 505 639 01	rear support		2	
11	999 073 314 09	tapping screw ST 4,8 X 16		2	
12	999 507 795 09	speed nut ST 4,8		4	
13	997 505 649 00	filler plate		2	
(13)	997 505 649 80	filler plate		2	GT2
14	999 073 227 09	tapping screw ST 4,8 X 19		2	
15	997 505 477 01	heat protection	/L	1	
(15)	997 505 478 01	heat protection lateral	/R	1	
16	999 049 025 09	collar nut T5		8	
17	996 505 471 00	heat protection upper		1	
18	999 049 029 01	hexagon nut T5		4	

Model	Year	MG	SG	Illustration	Restrictions	UPD	7:42	26.01.2010	PORSCHE	PET	PORSCHE
997T	2009	8	03	803-00		248					

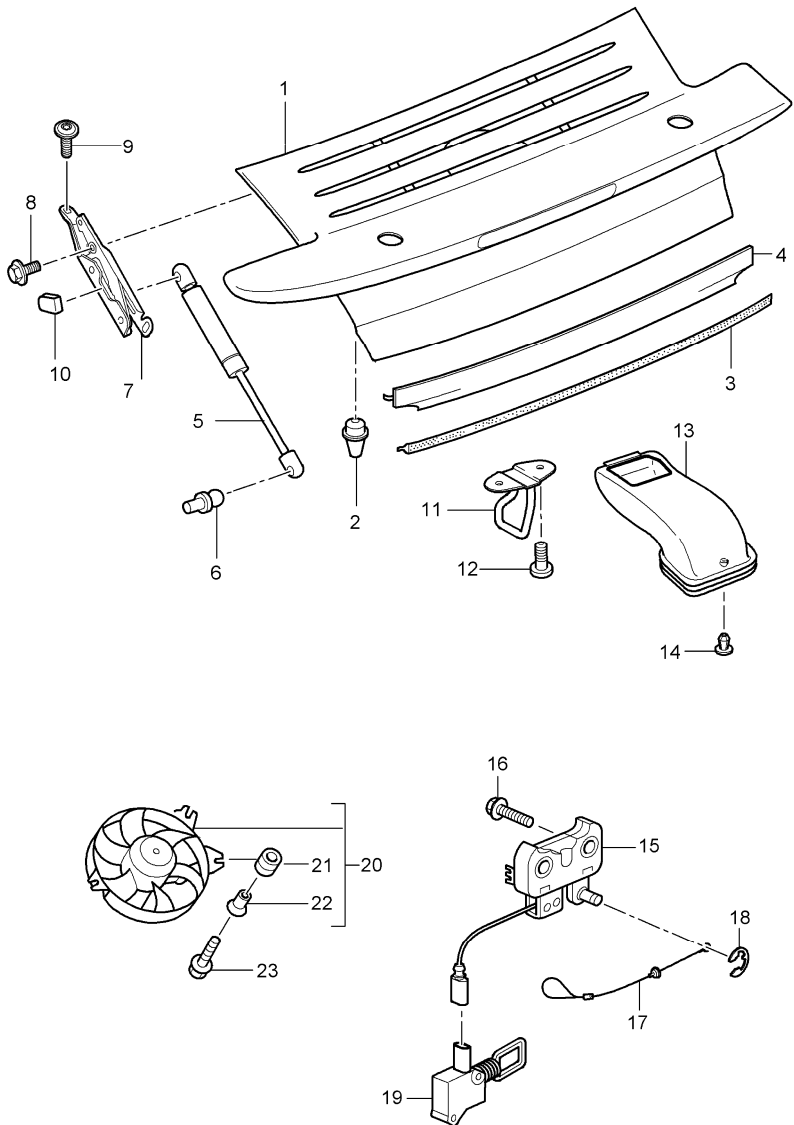


Pos	Part Number	Description	Remark	Qty	Model
1	997 511 011 00	lid front		1	
	GRV	prime coated			
2	997 511 551 01	gas-pressure spring		2	
3	997 511 151 01	hinge	/L	1	
(3)	997 511 152 01	hinge	/R	1	
4	999 073 357 09	oval-head screw M 6 X 12		4	
5	999 073 348 09	oval-head screw M 6 X 20		4	
6	997 511 051 00	lock upper part		1	
7	999 073 378 02	round head screw M 6 X 20		2	
8	997 511 053 00	lock lower part		1	
9	997 613 206 00	microswitch		1	
10	900 075 466 09	combination screw M 6 X 16		2	
11	997 511 611 00	gasket		1	
12	999 703 140 41	rubber buffer		2	
13	997 504 811 03	trim cover		1	
	FMT	satin black			
14	999 902 049 40	velcro fastener		4	
15	996 511 653 00	cover		1	
16	997 511 117 00	actuator		1	
(23)	997 572 465 02	trim cover wing	/L	1	
	02A	black			
23	997 572 466 02	trim cover wing	/R	1	
	02A	black			

Model	Year	MG	SG	Illustration	Restrictions	UPD	7:42	26.01.2010	PORSCHE	PET	PORSCHE
997T	2009	8	03	803-00		248					

Pos	Part Number	Description	Remark	Qty	Model	Pos	Part Number	Description	Remark	Qty	Model
24	999 902 052 40	velcro fastener cover 20 X 20		4							
25	999 902 051 40	velcro fastener wing 20 X 20		4							

Model	Year	MG	SG	Illustration	Restrictions	UPD	7:42	26.01.2010	PORSCHE	PET	PORSCHE
997T	2009	8	03	803-05		248					



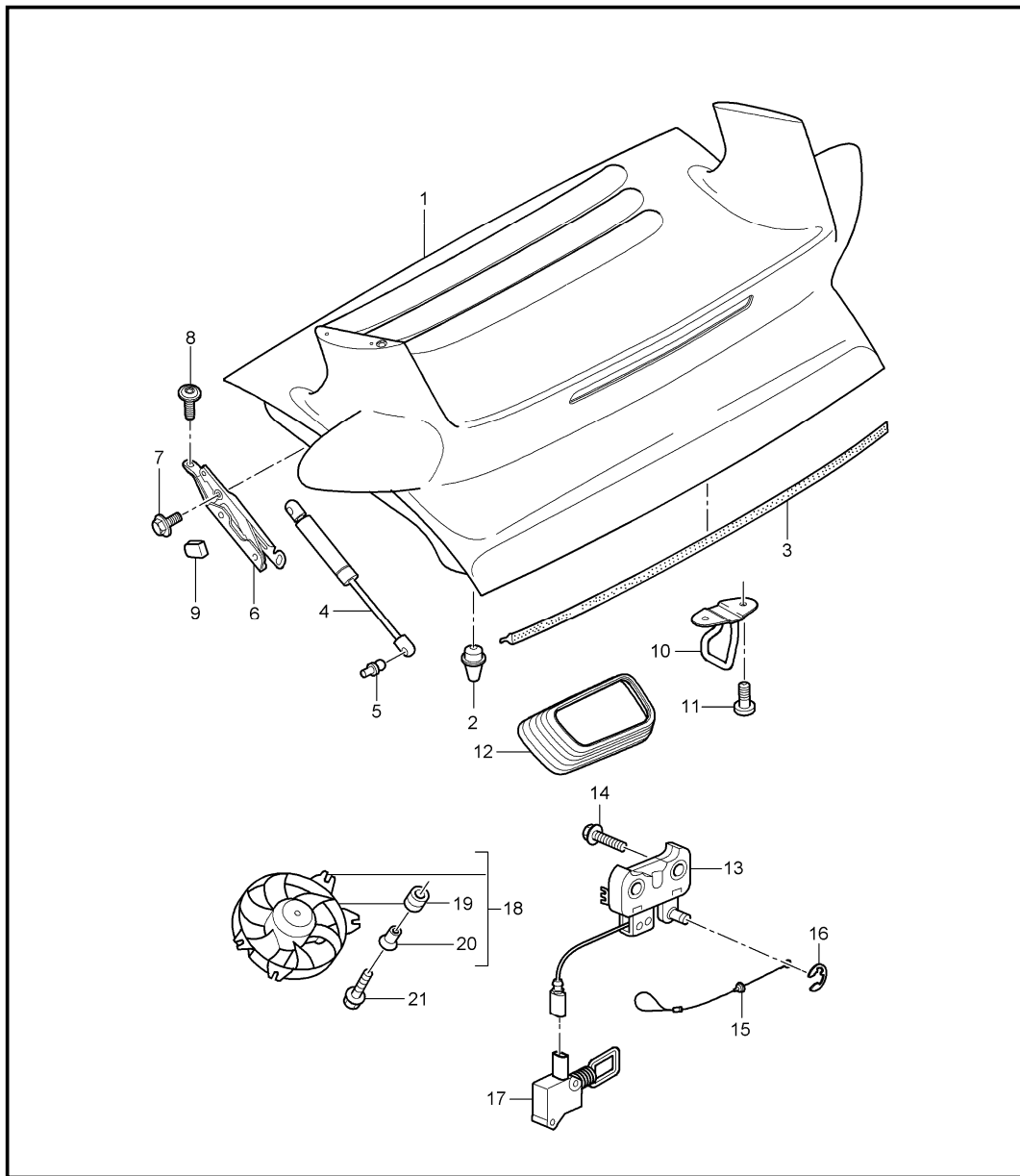
Pos	Part Number	Description	Remark	Qty	Model
1	997 512 921 00	lid rear		1	
-	000 043 204 38	lid prime coated use also:		1	
2	996 512 987 00	sealing material		1	
3	997 512 611 01	adjusting screw lid		2	
4	997 512 711 00	gasket		1	
5	997 512 611 01	additional gasket lid rear		1	
6	996 512 551 03	gas-pressure spring		2	
7	999 167 051 03	ball pin		2	
8	997 512 151 03	hinge	/L	1	
(7)	997 512 152 01	hinge	/R	1	
9	900 378 214 01	hexagon-head bolt M 6 X 18		4	
10	900 075 466 09	combination screw M 6 X 16		6	
11	997 512 153 00	stop hinge		2	
12	997 512 213 01	lock upper part		1	
13	900 378 214 01	hexagon-head bolt M 6 X 18		2	
(13)	997 110 171 00	intake manifold air cleaner	/L	1	
14	997 110 172 00	intake manifold air cleaner	/R	1	
15	999 591 712 40	expansion rivet intake manifold 6,0 X 12,0		2	
16	997 512 053 00	lock lower part		1	
17	N 910 664 01	combination screw M 6 X 40		2	
18	997 512 521 00	cable emergency operation		1	



Model	Year	MG	SG	Illustration	Restrictions	UPD	7:42	26.01.2010	PORSCHE	PET	PORSCHE
997T	2009	8	03	803-05		248					

Pos	Part Number	Description	Remark	Qty	Model	Pos	Part Number	Description	Remark	Qty	Model
18	900 116 002 02	lock washer		1							
19	997 624 118 00	actuator		1							
20	997 624 056 01	blower engine compartment		1							
21	999 703 451 40	rubber sleeve 9,0 X 14,0 X 1,5		3							
22	999 209 093 01	spacer sleeve 7,0 X 1,0 X 12		3							
23	999 073 417 01	oval-head screw M6 X 30		4							

Model	Year	MG	SG	Illustration	Restrictions	UPD	7:43	26.01.2010	PORSCHE	PET	PORSCHE
997T	2009	8	03	803-06		248					

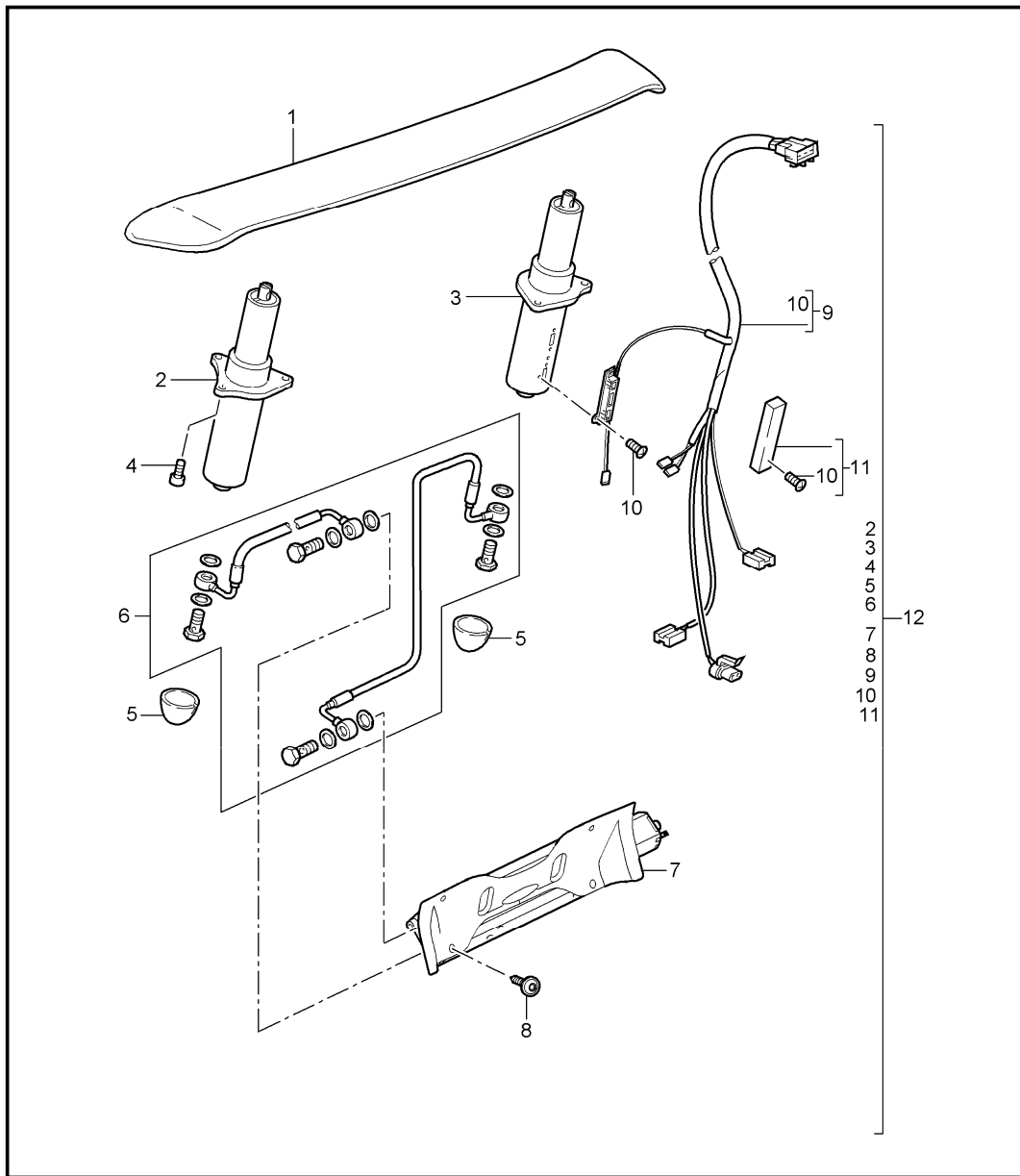


Pos	Part Number	Description	Remark	Qty	Model
		lid rear			GT2
1	997 512 233 81	lid prime coated use also:		1	
-	000 043 204 38	sealing material		1	
2	996 512 987 00	adjusting screw lid		2	
3	997 512 611 01	gasket		1	
4	997 512 551 00	gas-pressure spring		1	
5	999 167 051 03	ball pin		2	
6	997 512 151 02	hinge	/L	1	
(6)	997 512 152 01	hinge	/R	1	
7	900 378 214 01	hexagon-head bolt M 6 X 18		4	
8	900 075 466 01	combination screw M 6 X 16		6	
9	997 512 153 00	stop hinge		2	
10	997 512 213 01	lock upper part		1	
11	999 073 378 02	round head screw M 6 X 20		2	
12	997 512 771 00	air duct air cleaner	/L	1	
(12)	997 512 772 00	air duct air cleaner	/R	1	
13	997 512 053 00	lock lower part		1	
14	N 910 664 01	combination screw M 6 X 40		2	
15	997 512 521 00	cable emergency operation		1	
16	900 116 002 03	lock washer		1	
17	997 624 118 00	actuator		1	
18	997 624 056 02	blower engine compartment		1	

Model	Year	MG	SG	Illustration	Restrictions	UPD	7:43	26.01.2010	PORSCHE	PET	PORSCHE
997T	2009	8	03	803-06		248					

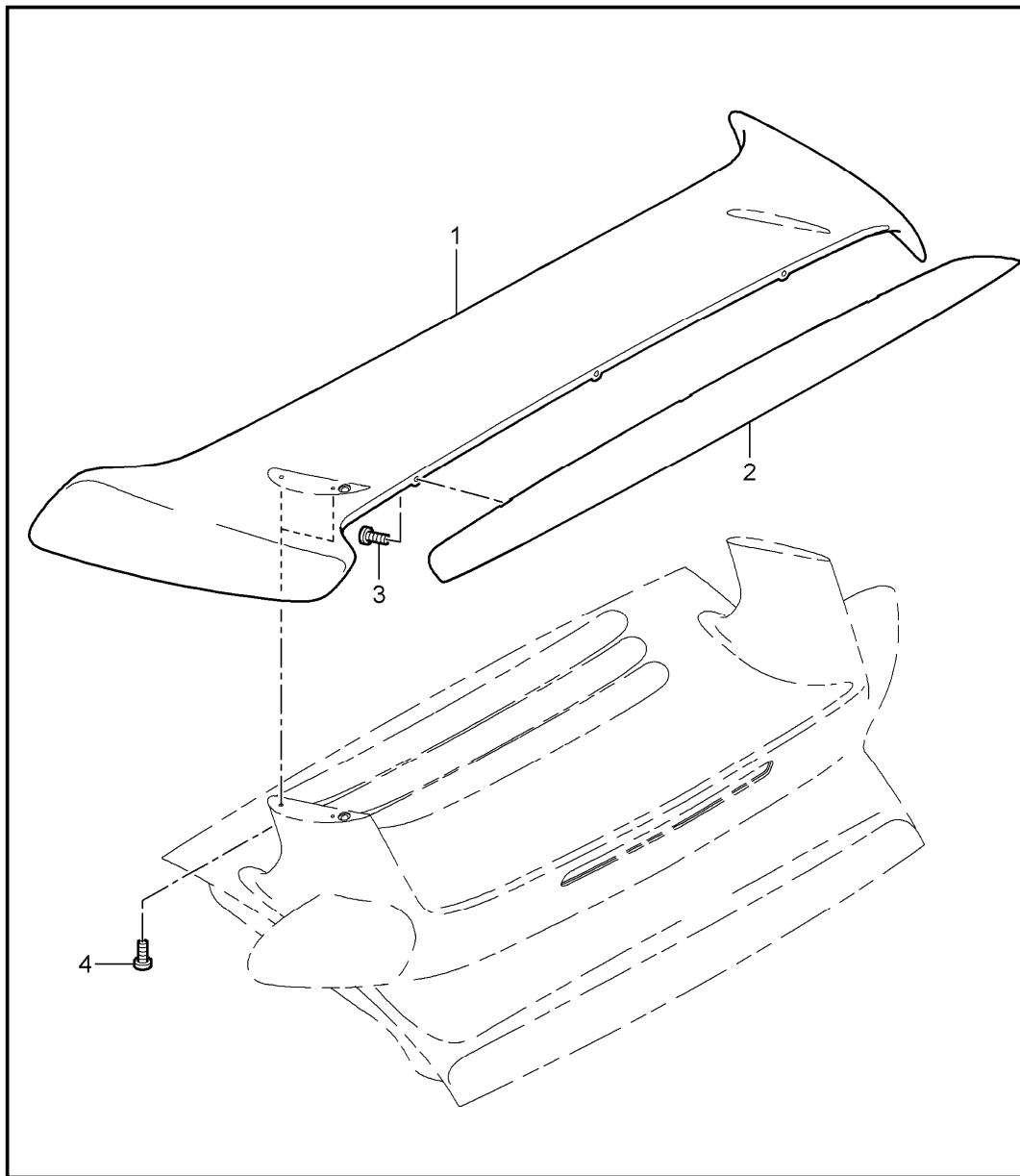
Pos	Part Number	Description	Remark	Qty	Model	Pos	Part Number	Description	Remark	Qty	Model
19	999 703 451 40	rubber sleeve 9,0 X 14,0 X 1,5		4							
20	999 209 093 01	spacer sleeve 7,0 X 1,0 X 12		4							
21	999 073 417 01	oval-head screw M6 X 30		4							

Model	Year	MG	SG	Illustration	Restrictions	UPD	7:43	26.01.2010	PORSCHE	PET	PORSCHE
997T	2009	8	03	803-07		248					



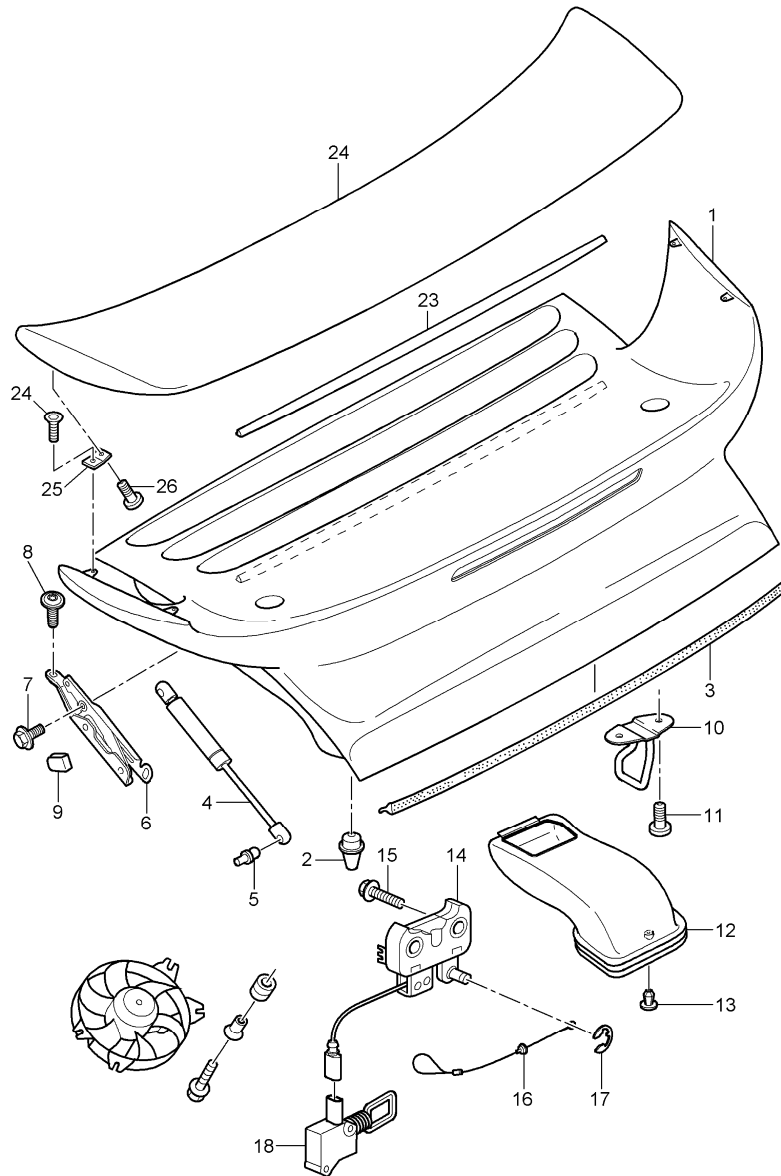
Pos	Part Number	Description	Remark	Qty	Model
		rear spoiler			
1	997 512 901 00	rear spoiler prime coated		1	
2	997 512 951 00	hinge	/L	1	COUPE
(2)	997 512 951 01	hinge	/L	1	CABRIO
3	997 512 952 00	hinge	/R	1	COUPE
(3)	997 512 952 01	hinge	/R	1	CABRIO
4	900 387 003 09	combination screw M6 X 25		6	
5	996 512 617 00	cap hinge		1	
6	997 512 915 00	hydraulic line set		1	
7	997 512 943 00	pump with support		1	
8	999 073 152 09	oval-head screw M6 X 18		4	
9	997 622 970 00	repair kit wiring harness with microswitch		1	COUPE
(9)	997 622 971 00	repair kit wiring harness with microswitch		1	CABRIO
10	999 919 002 02	oval-head screw 3,0 X 6,0		4	
11	997 613 248 00	cap microswitch		1	
12	997 512 111 00	driving mechanism		1	COUPE
12	997 512 111 01	driving mechanism complete		1	CABRIO

Model	Year	MG	SG	Illustration	Restrictions	UPD	7:43	26.01.2010	PORSCHE	PET	PORSCHE
997T	2009	8	03	803-08		248					



Pos	Part Number	Description	Remark	Qty	Model
		rear spoiler			GT2
1	997 512 261 81	rear spoiler		1	
2	997 512 365 81	spoiler		1	
3	999 073 252 09	oval-head screw M 6 X 20		3	
4	999 015 042 01	oval-head screw m 6 x 14 micro-self-locking		4	
5	---	see illustrations 8/03/06		1	

Model	Year	MG	SG	Illustration	Restrictions	UPD	7:43	26.01.2010	PORSCHE	PET	PORSCHE
997T	2009	8	03	803-09		248					

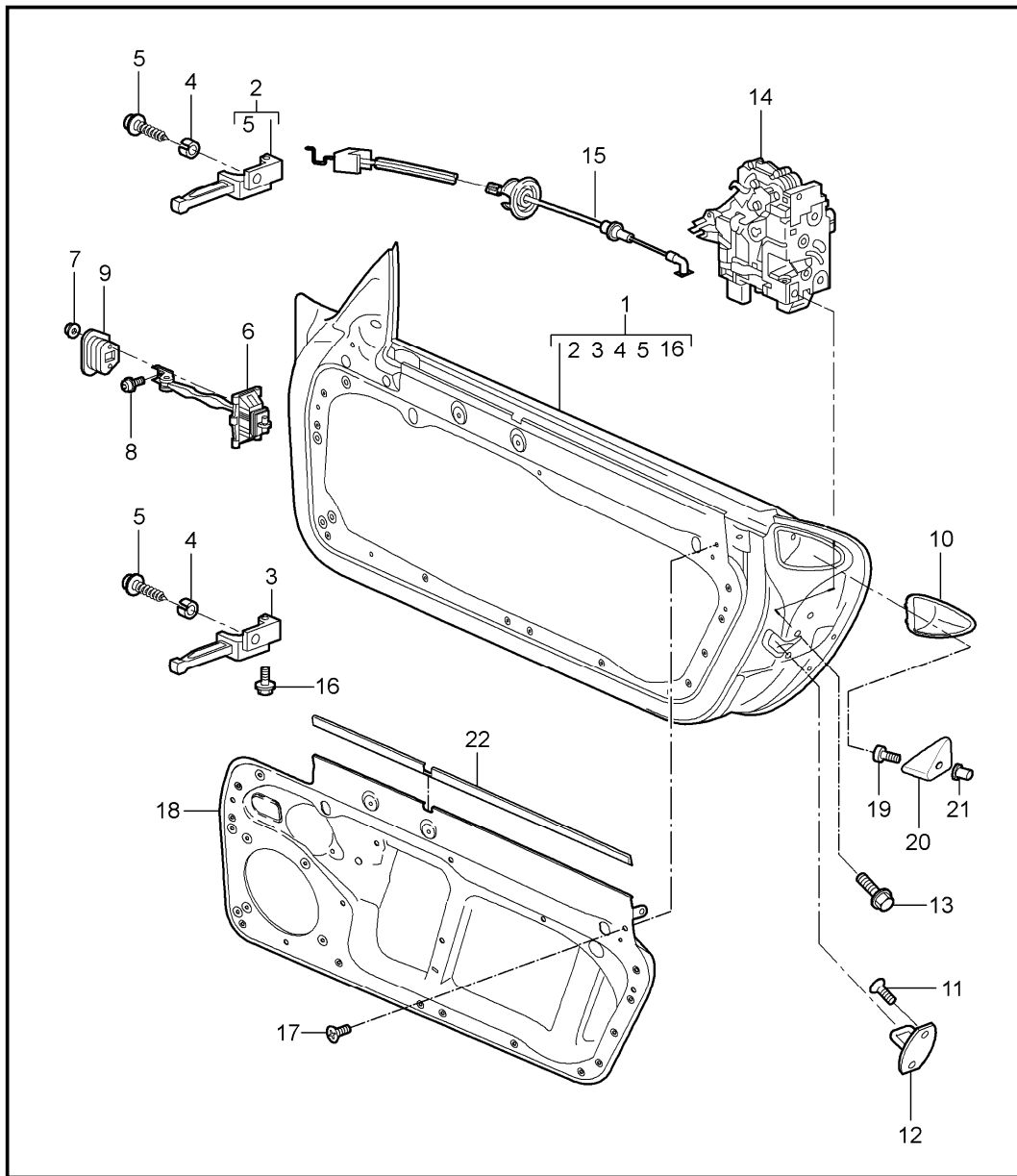


Pos	Part Number	Description	Remark	Qty	Model
		lid rear and rear spoiler			IXAF
1	997 512 221 03	lid prime coated use also:		1	
-	000 043 204 38	sealing material		1	
2	996 512 987 00	adjusting screw lid		2	
3	997 512 611 01	gasket		1	
4	997 512 551 00	gas-pressure spring		1	
5	999 167 051 03	ball pin		2	
6	997 512 151 02	hinge	/L	1	
(6)	997 512 152 01	hinge	/R	1	
7	900 378 214 01	hexagon-head bolt M 6 X 18		4	
8	900 075 466 09	combination screw M 6 X 16		6	
8	900 075 466 01	combination screw M 6 X 16		6	
9	997 512 153 00	stop hinge		2	
10	997 512 213 01	lock upper part		1	
11	999 073 378 02	round head screw M 6 X 20		2	
12	997 110 171 00	intake manifold air cleaner	/L	1	COUPE
(12)	997 110 172 00	intake manifold air cleaner	/R	1	COUPE
(12)	997 110 171 03	intake manifold air cleaner	/L	1	CABRIO
(12)	997 110 172 03	intake manifold air cleaner	/R	1	CABRIO
13	999 507 499 40	expansion rivet 5,0 X 11,5		2	
14	997 512 053 00	lock lower part		1	

Model	Year	MG	SG	Illustration	Restrictions	UPD	7:43	26.01.2010	PORSCHE	PET	PORSCHE
997T	2009	8	03	803-09		248					

Pos	Part Number	Description	Remark	Qty	Model	Pos	Part Number	Description	Remark	Qty	Model
15	N 910 664 01	combination screw M 6 X 40		2							
16	997 512 521 00	cable emergency operation		1							
17	900 116 002 03	lock washer		1							
18	997 624 118 00	actuator		1							
19	997 624 056 02	blower engine compartment		1							
20	999 703 451 40	rubber sleeve 9,0 X 14,0 X 1,5		4							
21	999 209 093 01	spacer sleeve 7,0 X 1,0 X 12		4							
22	999 073 417 01	oval-head screw M6 X 30		4							
23	997 512 471 01	spoiler		1							
24	997 512 261 03	rear spoiler		1							
25	997 512 977 01	connecting piece	/L	1							
(25)	997 512 978 01	connecting piece	/R	1							
26	900 119 126 02	pan-head screw M 6 X 18		4							
27	900 249 055 09	countersunk-head screw M 6 X 20		4							

Model	Year	MG	SG	Illustration	Restrictions	UPD	7:43	26.01.2010	PORSCHE	PET	PORSCHE
997T	2009	8	04	804-00		248					



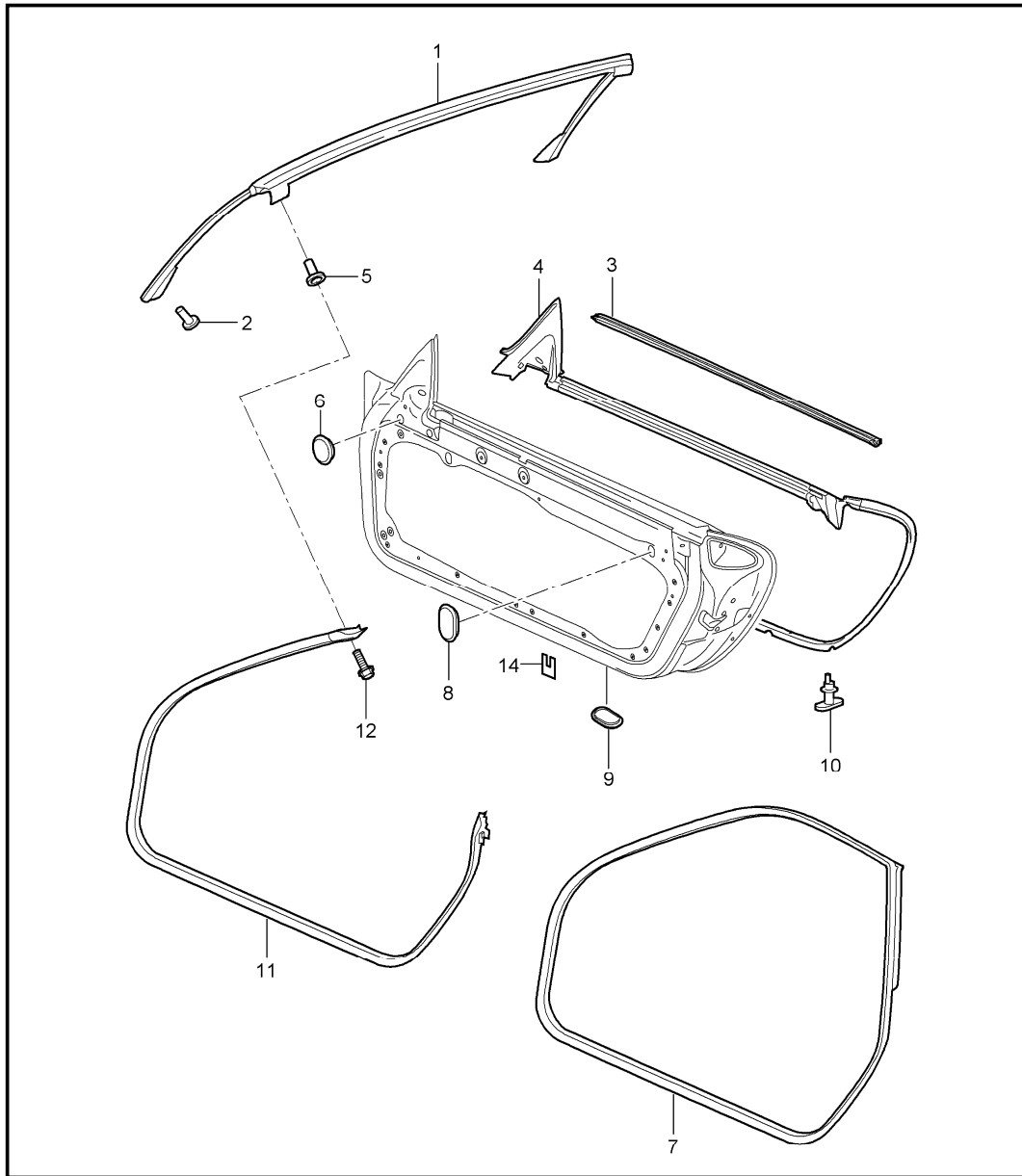
Pos	Part Number	Description	Remark	Qty	Model
		door in white installation parts door lock			
(1)	997 531 011 03	door in white	/L	1	
	GRV	prime coated			
1	997 531 012 03	door in white	/R	1	
	GRV	prime coated			
		use also:			
-	000 043 204 38	sealing material		1	
(2)	997 531 321 01	hinge	/L	1	
2	997 531 322 01	hinge upper	/R	1	
(3)	997 531 319 01	hinge	/L	1	
3	997 531 320 01	hinge lower	/R	1	
4	996 531 831 00	sleeve		4	
5	999 073 192 01	pan-head screw M 8 X 20		2	
6	997 537 151 01	door arrester		2	
7	999 084 212 03	hexagon nut M 6		4	
8	999 073 138 01	screw M 8 X 25		2	
9	996 537 751 00	seal		2	
(10)	997 537 331 00	support	/L	1	
	01C	satin black			
10	997 537 332 00	support	/R	1	
	01C	satin black			
11	N 910 174 01	countersunk-head screw M 8 X 22		4	
12	3C0 837 767 A	closing element		2	
13	WHT 000 439	combination screw M 8 X 20		2	



Model	Year	MG	SG	Illustration	Restrictions	UPD	7:43	26.01.2010	PORSCHE	PET	PORSCHE
997T	2009	8	04	804-00		248					

Pos	Part Number	Description	Remark	Qty	Model	Pos	Part Number	Description	Remark	Qty	Model
(14)	3D1 837 015	door lock	/LL/L	1	I098						
14	3D1 837 016	door lock	/LL/R	1	I098						
(14)	3D1 837 015 C	door lock	/L	1	I072						
(14)	3D1 837 016 C	door lock	/R	1	I072						
(14)	3D2 837 015	door lock	/RL/L	1	I099						
(14)	3D2 837 016	door lock	/RL/R	1	I099						
15	997 537 319 01	bowden cable		2							
16	999 072 043 09	hexagon-head bolt M 6 X 12 micro-self-locking		2							
17	999 073 333 09	oval-head screw M 6 X 16		8							
(18) U	987 537 201 00	inner panel	/L	1							
18 U	987 537 202 00	inner panel	/R	1							
(18)	987 537 201 01	inner panel	/L	1							
18	987 537 202 01	inner panel	/R	1							
19	900 119 072 00	pan-head screw M8 X 16		2							
(20)	997 537 333 00	support	/L	1							
	G2X	prime coated									
20	997 537 334 00	support side section	/R	1							
	G2X	prime coated									
21	999 500 121 02	blind rivet nut M8 / 0,8 - 3		2							
-	999 551 172 40	lining strap 25 x 1,3 x 730 for inner panel		2							

Model	Year	MG	SG	Illustration	Restrictions	UPD	7:44	26.01.2010	PORSCHE	PET	PORSCHE
997T	2009	8	04	804-10		248					

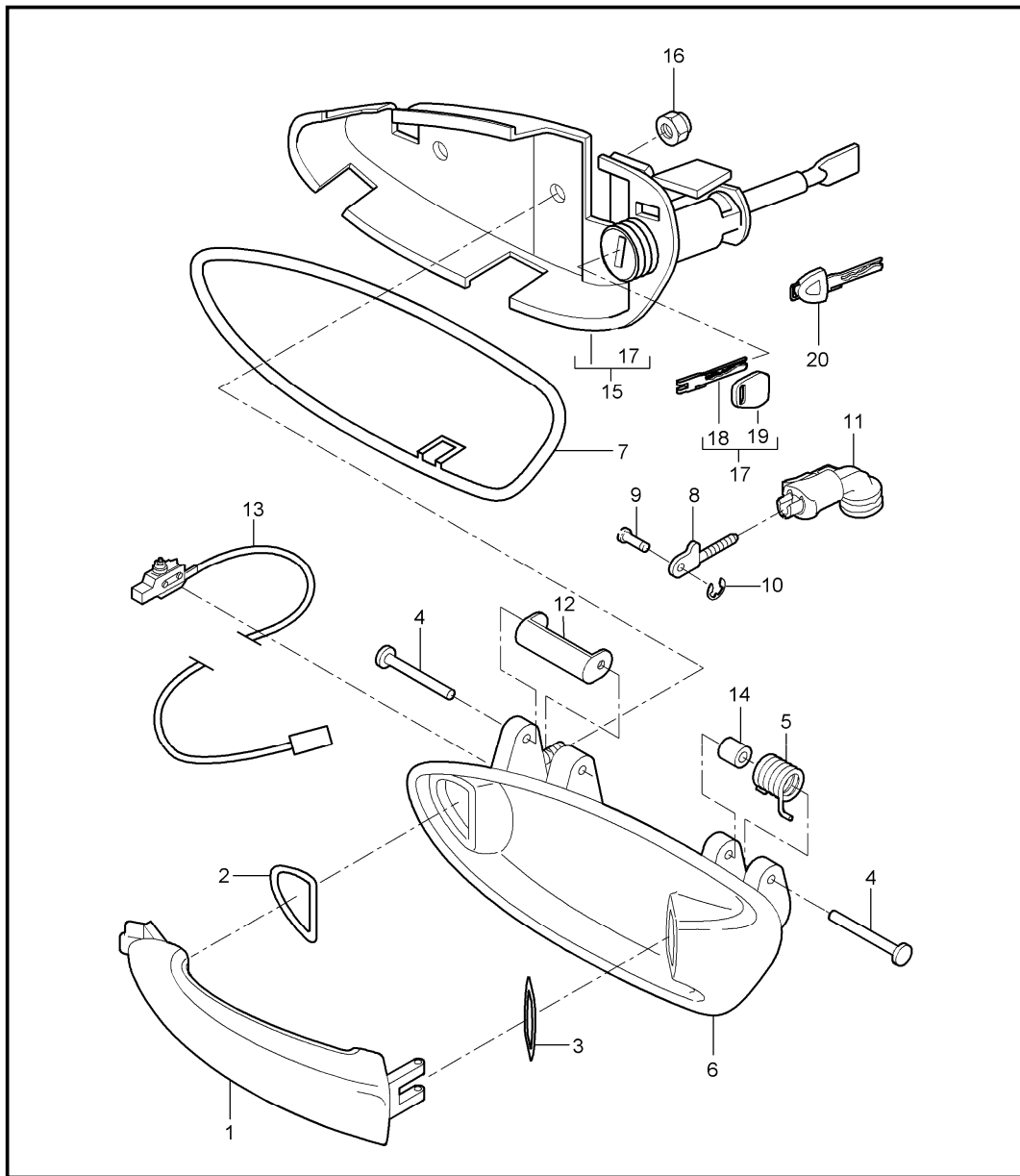


Pos	Part Number	Description	Remark	Qty	Model
		door seal gasket windscreen			
1	997 537 077 02	gasket windscreen		1	CABRIO
2	999 190 445 37	blind rivet A 4,0 X 7,9		36	CABRIO
3	997 537 085 03	gasket outer	/L	1	
(3)	997 537 086 03	gasket outer	/R	1	
4 A	997 537 531 05	gasket inner	/L	1	
4	997 537 531 08	gasket inner	/L	1	
(4) A	997 537 532 05	gasket inner	/R	1	
(4)	997 537 532 08	gasket inner	/R	1	
5	999 500 098 02	blind rivet nut M5/0 - 3		1	
6	803 803 583 A	lid 20,0 X 30,0		2	
(7)	997 537 075 05	gasket	/L	1	COUPE
7	997 537 076 05	gasket	/R	1	COUPE
8	999 703 541 40	lid 20 X 28 X 1		4	
9	999 703 542 40	lid 23,8 X 38,7		8	
10	999 507 304 40	clip gasket outer 5,0 X 4,9		36	
11	997 537 075 07	gasket	/L	1	CABRIO
(11)	997 537 076 07	gasket	/R	1	CABRIO
12	900 075 362 01	combination screw M 5 X 16		2	CABRIO

Model	Year	MG	SG	Illustration	Restrictions	UPD	7:44	26.01.2010	PORSCHE	PET	PORSCHE
997T	2009	8	04	804-10		248					

Pos	Part Number	Description	Remark	Qty	Model	Pos	Part Number	Description	Remark	Qty	Model
13	999 500 098 02	blind rivet nut M 5/0 - 3		2	CABRIO						
14	996 537 337 00	protective film		4							

Model	Year	MG	SG	Illustration	Restrictions	UPD	7:44	26.01.2010	PORSCHE	PET	PORSCHE
997T	2009	8	04	804-20		248					

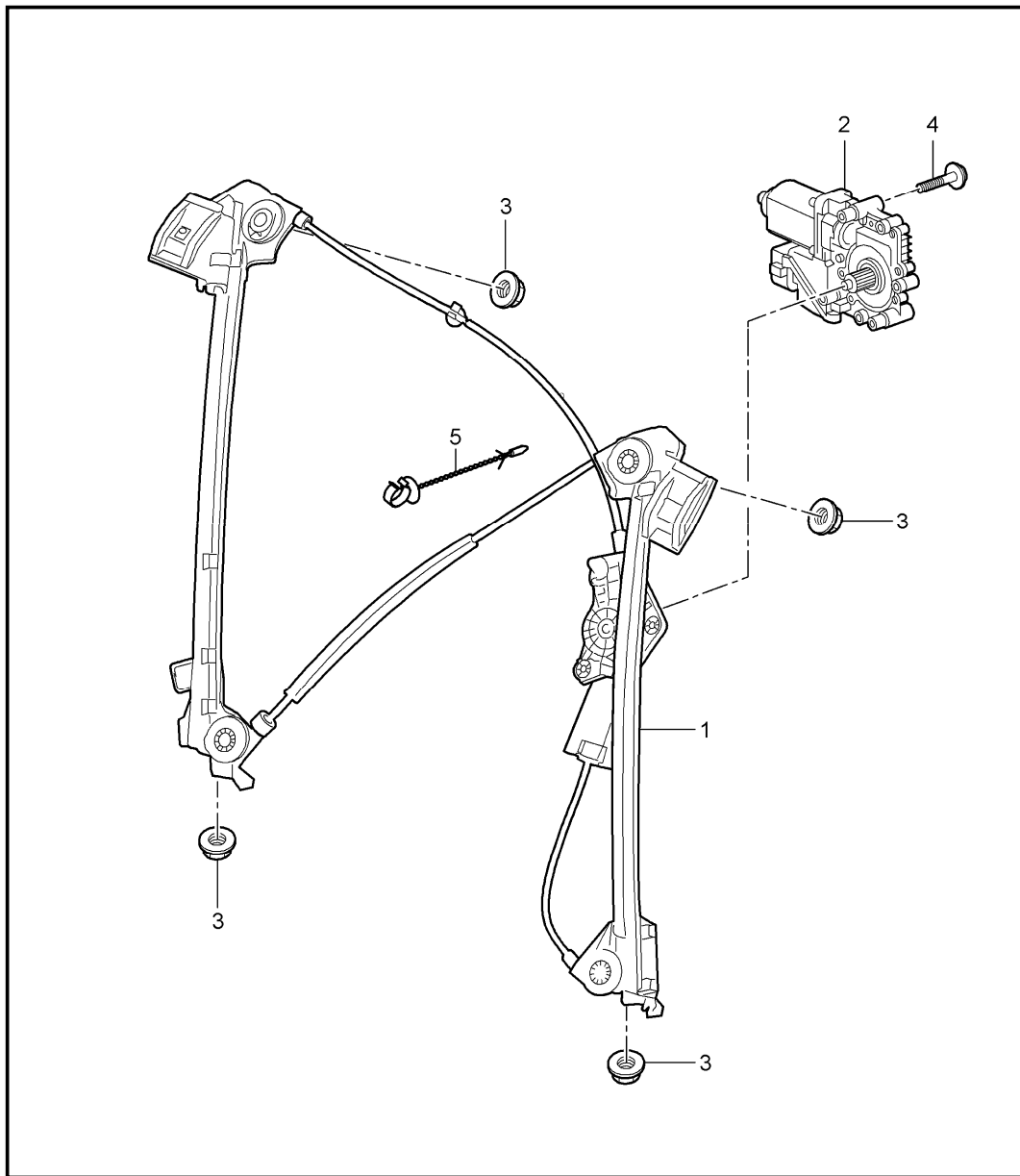


Pos	Part Number	Description	Remark	Qty	Model
		door handle			
1	997 537 613 01	outer door handle	/L	1	
(1)	997 537 614 01	outer door handle prime coated	/R	1	
2	997 537 623 00	buffer		2	
3	997 537 625 00	buffer		2	
4	997 537 621 00	axle		2	
5	997 537 611 00	return spring	/L	1	
(5)	997 537 612 00	return spring	/R	1	
6	997 537 645 01	handle liner	/RL/L	1	I099
	G2X	prime coated			
(6)	997 537 646 01	handle liner	/LL/R	1	I098
	G2X	prime coated			
(6)	997 537 645 02	handle liner	/LL/L	1	I098/789
(6)	997 537 646 02	handle liner	/RL/R	1	I099/789
(6)	997 537 645 03	handle liner	/RL/L	1	I099/789
(6)	997 537 646 03	handle liner prime coated	/LL/R	1	I098/789
7	997 537 637 00	desk pad	/L	1	
(7)	997 537 638 00	desk pad	/R	1	
8	997 537 627 00	operating rod		2	
9	997 537 629 00	bolt		2	
10	996 537 641 00	lock washer		2	
11	997 537 445 03	connecting piece		2	
12	997 537 653 00	actuating lever	/L	1	
(12)	997 537 654 00	actuating lever	/R	1	
13	997 613 125 00	microswitch power windows		2	
14	997 537 633 00	bush		2	
15	997 538 963 00	support with lock cylinder	/LL/L	1	

Model	Year	MG	SG	Illustration	Restrictions	UPD	7:44	26.01.2010	PORSCHE	PET	PORSCHE
997T	2009	8	04	804-20		248					

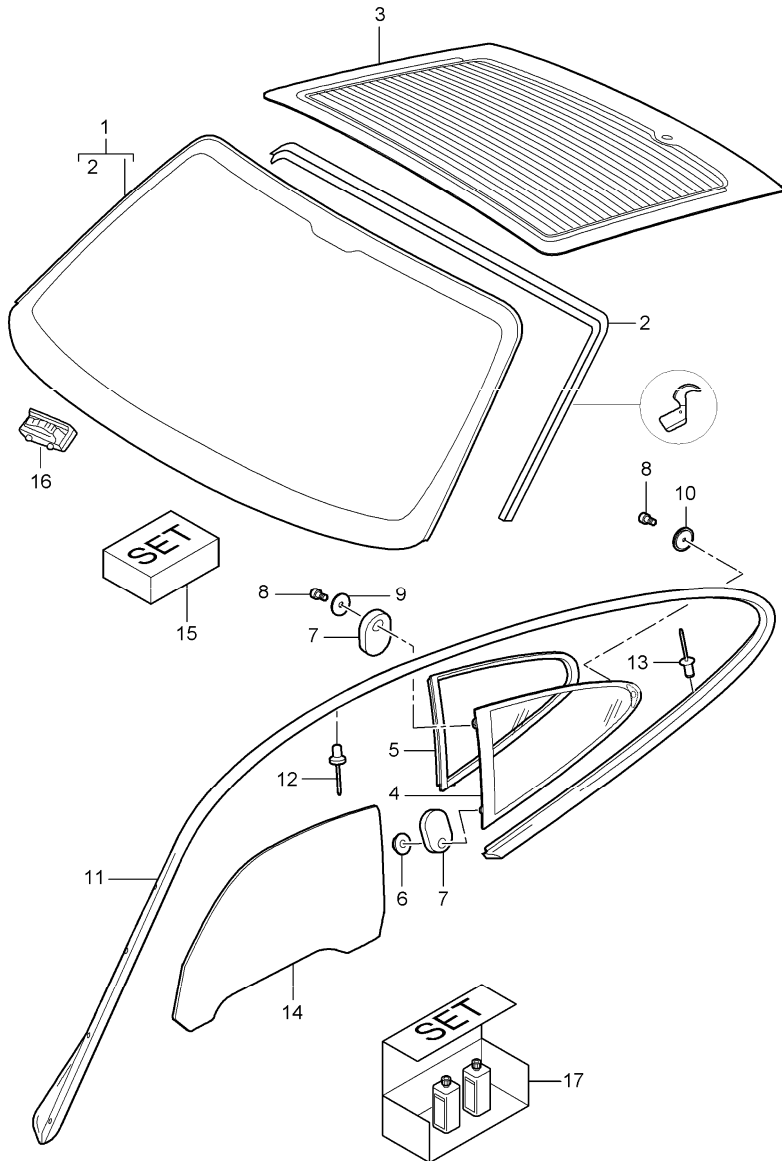
Pos	Part Number	Description	Remark	Qty	Model	Pos	Part Number	Description	Remark	Qty	Model
(15)	997 538 964 00	support with stipulated lock number with lock cylinder	/RL/R	1							
(15)	997 538 963 01	support with lock cylinder	/LL/L	1							
(15)	997 538 964 01	support w/o stipulated lock number with lock cylinder	/RL/R	1							
(15)	997 538 963 02	support with lock cylinder	/LL/L	1	I625						
(15)	997 538 964 02	support w/o stipulated lock number with lock cylinder	/RL/R	1	I625						
(15)	997 538 963 03	support with lock cylinder	/LL/L	1	I625						
(15)	997 538 964 03	support with stipulated lock number with lock cylinder	/RL/R	1	I625						
(15)	997 537 463 01	support without lock cylinder	/RL/L	1							
(15)	997 537 464 01	support without lock cylinder	/LL/R	1							
16	900 380 015 09	hexagon nut M 6		2							
17	997 538 931 00	replacement key with stipulated lock number state lock number		X							
18	997 538 531 00	blank key		X							
19	944 538 431 00	key cap		X							
20	955 538 916 00	emergency key with stipulated lock number state lock number Information available		X							
(20)	955 538 216 00	emergency key w/o stipulated lock number		X							

Model	Year	MG	SG	Illustration	Restrictions	UPD	7:44	26.01.2010	PORSCHE	PET	PORSCHE
997T	2009	8	04	804-30		248					



Pos	Part Number	Description	Remark	Qty	Model
		power windows			
1	997 542 075 02	power windows	/L	1	
(1)	997 542 076 02	power windows	/R	1	
2	997 624 191 00	electric motor	/LL/L	-07	1 I098
2	997 624 181 05	electric motor	/LL/L	08-	1 I098
(2)	997 624 192 00	electric motor	/LL/R	-07	1 I098
(2)	997 624 182 05	electric motor	/LL/R	08-	1 I098
(2)	997 624 191 00	electric motor	/RL/R	-07	1 I099
(2)	997 624 181 05	electric motor	/RL/R	08-	1 I099
(2)	997 624 192 00	electric motor	/RL/L	-07	1 I099
(2)	997 624 182 05	electric motor	/RL/L	08-	1 I099
3	900 380 015 09	hexagon nut M6		4	
4	999 919 209 09	oval-head screw M 5 X 22		3	
5	987 542 941 00	clip bowden cable power windows		1	

Model	Year	MG	SG	Illustration	Restrictions	UPD	7:44	26.01.2010	PORSCHE	PET	PORSCHE
997T	2009	8	05	805-00		248					



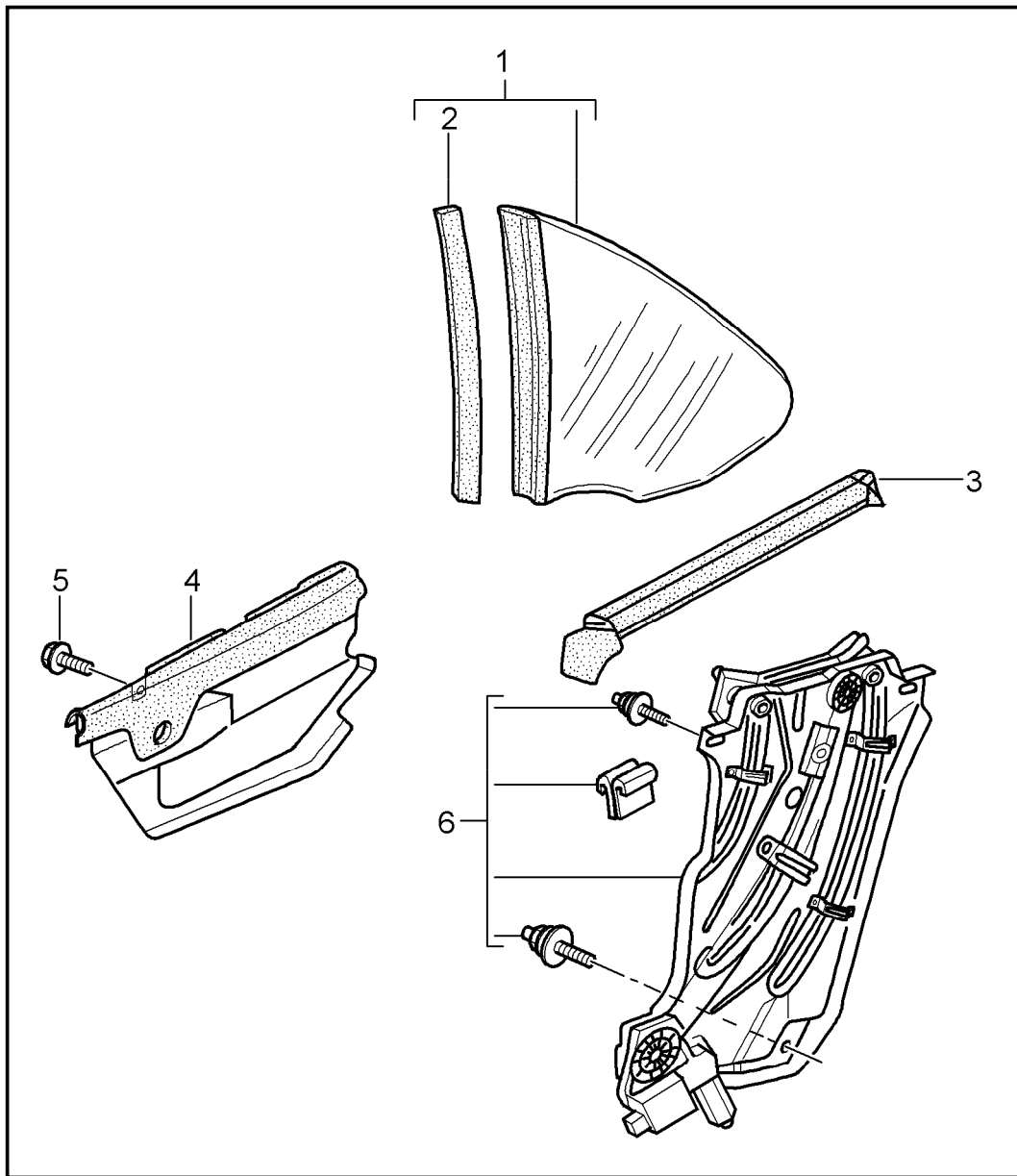
Pos	Part Number	Description	Remark	Qty	Model
		window glazing			
1	997 541 911 00	windscreen	-07	1	Cabrio I440/568
		Information available	-07		I440/568
1	997 541 911 06	windscreen tinted	08-	1	Cabrio I440/568
(1)	997 541 911 01	windscreen tinted		1	Coupe I440/567
		Information available			
(1)	997 541 911 07	windscreen tinted		1	Cabrio I440/567
(1)	997 541 911 08	windscreen tinted		1	Coupe I440/568
2	997 541 901 09	gasket windscreen		1	CABRIO
(2)	997 541 901 10	gasket windscreen		1	COUPE
3	997 545 911 00	rear window		1	I426
3	997 545 911 01	rear window		1	I425
-	997 545 901 00	gasket rear window		1	
4	997 543 111 04	rear window	/L	1	
(4)	997 543 112 04	rear window	/R	1	
5	996 543 325 00	sealing frame rear window	/L	1	
(5)	996 543 326 00	sealing frame rear window	/R	1	
6	999 084 210 02	hexagon nut M 8		1	
7	996 543 611 02	gasket		2	
8	999 218 011 02	pan-head screw M 6 X 12		2	
9	999 025 270 02	washer 6,4 X 30 X 1,5		1	

Model	Year	MG	SG	Illustration	Restrictions	UPD	7:44	26.01.2010	PORSCHE	PET	PORSCHE
997T	2009	8	05	805-00		248					

Pos	Part Number	Description	Remark	Qty	Model	Pos	Part Number	Description	Remark	Qty	Model
10	996 543 625 00	sealing washer		1							
11	997 537 481 00	roof frame seal	/L	1							
(11)	997 537 482 00	roof frame seal	/R	1							
12	999 190 445 37	blind rivet 4,0 X 7,9		13							
13	999 190 450 37	blind rivet 4,0 X 6,3		7							
14	997 542 511 02	door window glass	/L	1	COUPE						
(14)	997 542 512 02	door window glass	/R	1	COUPE						
(14)	997 542 511 03	door window glass	/L	1	CABRIO						
(14)	997 542 512 03	door window glass	/R	1	CABRIO						
15	000 043 300 94	adhesive set TEROSTAT 8593		1							
16	999 507 576 41	support		2							
17	000 043 206 47	car care set side window see technical manual		X							

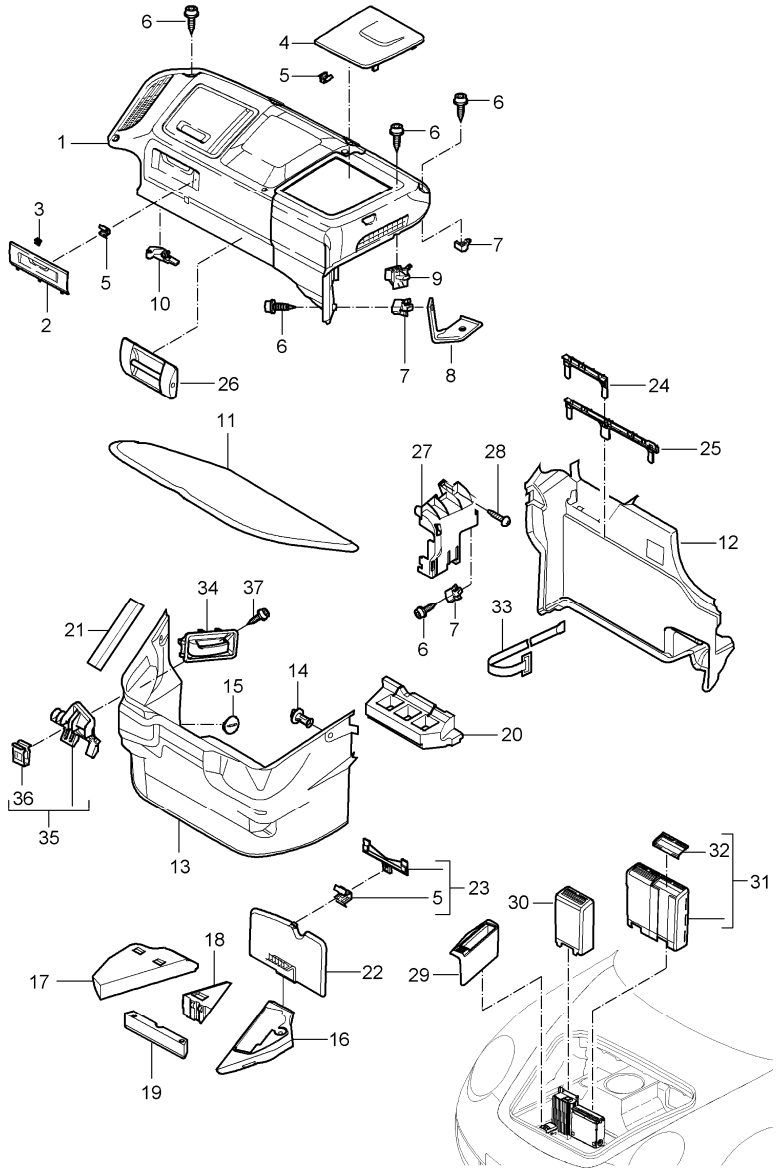


Model	Year	MG	SG	Illustration	Restrictions	UPD	7:44	26.01.2010	PORSCHE	PET	PORSCHE
997T	2009	8	05	805-05		248					



Pos	Part Number	Description	Remark	Qty	Model
		rear window			CABRIO
1	997 543 111 11	rear window	/L	1	
(1)	997 543 112 11	rear window	/R	1	
2	996 543 615 03	gasket	/L	1	
(2)	996 543 616 03	gasket	/R	1	
3	997 543 475 00	gasket outer	/L	1	
(3)	997 543 476 00	gasket outer	/R	1	
4	996 543 177 01	gasket inner	/L	1	
(4)	996 543 178 01	gasket inner	/R	1	
5	900 378 036 09	hexagon-head bolt M 6 X 12		4	
6	997 543 015 02	power windows Fa.Kuester	/L	06-	1
(6)	997 543 016 02	power windows Fa.Kuester	/R	06-	1

Model	Year	MG	SG	Illustration	Restrictions	UPD	7:45	26.01.2010	PORSCHE	PET	PORSCHE
997T	2009	8	07	807-00		248					



Pos	Part Number	Description	Remark	Qty	Model
		luggage compartment	-08		
1	997 551 630 00	lining luggage compartment	/LL	1	I098
		FMU black/black			
1	997 551 630 01	lining luggage compartment	/RL	1	I099
		FMU black/black			
2	997 551 304 00	lid lining lower	/LL	1	I098
		02A black			
3	997 551 817 00	support hinge	/LL	2	I098
4	997 551 309 00	lid brake booster	/LL	1	I098
		02A black			
(4)	997 551 310 00	lid brake booster	/RL	1	I099
		02A black			
5	999 507 552 01	spring clamp 9 X 13/3,0		X	
6	999 073 048 02	tapping screw ST 3,5 X 13		X	
7	999 507 734 40	support ST 3,5		X	
8	997 551 771 02	support lining luggage compartment		1	
9	999 507 512 40	support ST 3,5		X	
10	997 551 772 02	support lining		1	
11	997 551 351 00	cover tool carpet		1	
		A31 black			

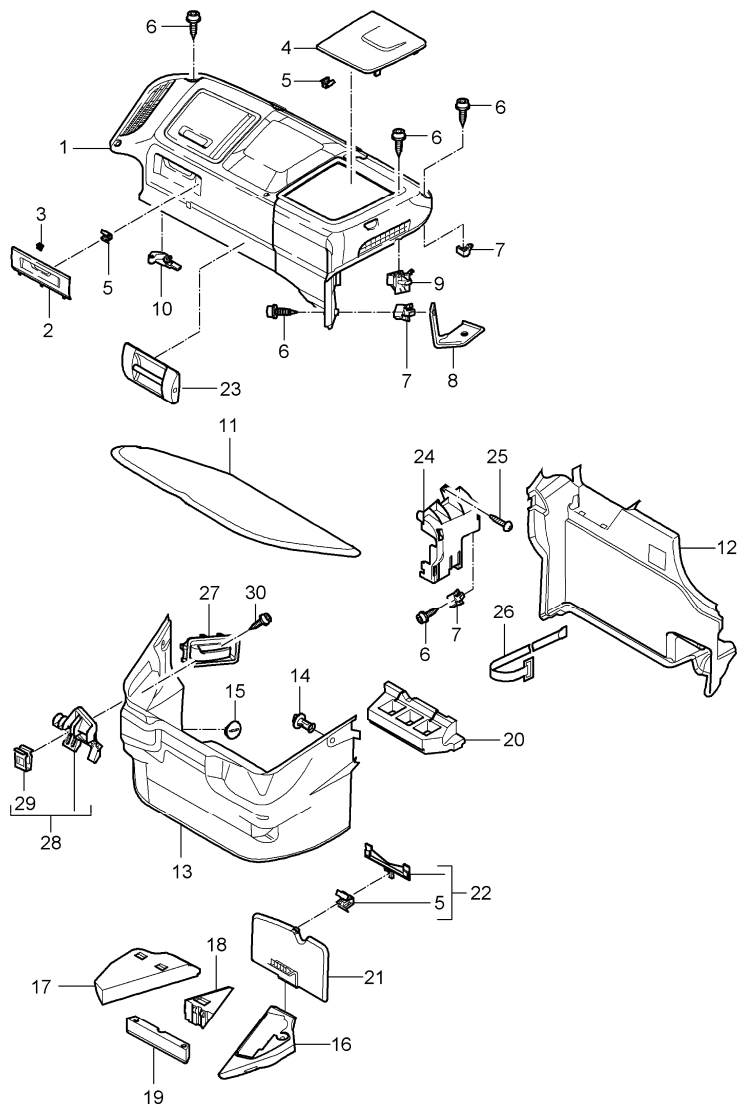
Model	Year	MG	SG	Illustration	Restrictions	UPD	7:45	26.01.2010	PORSCHE	PET	PORSCHE
997T	2009	8	07	807-00		248					

Pos	Part Number	Description	Remark	Qty	Model	Pos	Part Number	Description	Remark	Qty	Model
(11)	997 551 351 04	cover tool carpet A31 black	/LL	1	TURBO I098/692	(12)	997 551 051 21	lining bulkhead carpet A31 black	/LL 08-	1	GT2 I098/490/672
(11)	997 551 351 06	cover tool carpet A31 black	/RL	1	TURBO I099/670/672	(12)	997 551 051 22	lining bulkhead carpet A31 black	/RL	1	TURBO I099/476
(11)	997 551 351 06	cover tool carpet A31 black	/RL 08-	1	GT2 I099/672	(12)	997 551 051 22	lining bulkhead carpet A31 black	/RL 08-	1	GT2 I099
(11)	997 551 351 07	cover tool carpet A31 black	/RL	1	TURBO I099/692	(12)	997 551 051 23	lining bulkhead carpet A31 black	/RL	1	TURBO I099/476/670 I672
(11)	997 551 351 08	cover tool carpet A31 black	/RL	1	TURBO I099/670/672 I692	(12)	997 551 051 23	lining bulkhead carpet A31 black	/RL 08-	1	GT2 I099/672
12	997 551 051 19	lining bulkhead carpet A31 black	/LL	1	TURBO I098/476	13	997 551 045 14	lining luggage compartment liner carpet A31 black	/LL	1	TURBO I098
12	997 551 051 19	lining bulkhead carpet A31 black	/LL 08-	1	GT2 I098/441	(13)	997 551 045 16	lining luggage compartment liner carpet A31 black	/RL	1	TURBO I099
(12)	997 551 051 20	lining bulkhead carpet A31 black	/LL 08-	1	GT2 I098/490	(13)	997 551 045 90	lining luggage compartment liner carpet A31 black	08-	1	GT2

Model	Year	MG	SG	Illustration	Restrictions	UPD	7:45	26.01.2010	PORSCHE	PET	PORSCHE
997T	2009	8	07	807-00		248					

Pos	Part Number	Description	Remark	Qty	Model	Pos	Part Number	Description	Remark	Qty	Model
14	999 049 006 40	plastic nut T5 / 30 X 7,5		2		26	997 551 805 01	eye luggage compartment front		1	
15	997 551 807 00	cap nut		1			02A	black			
(15)	999 703 455 41	lid		1	I490/680	27	997 551 736 01	cover control unit		1	
16	997 551 401 00	foam part tool	/LL/L	1	TURBO I098	28	999 073 061 02	tapping screw ST 4,8 X 16		X	
(16)	997 551 402 00	foam part tool	/RL/R	1	TURBO I099	29	997 551 104 00	lining cd changer	/LL	1	TURBO I098/692
(16)	997 551 121 90	foam part tool		1	GT2		02A	black			
17	997 551 408 00	foam part luggage compartment liner	/LL/R	1	TURBO I098	(29)	997 551 103 00	lining cd changer	/RL	1	TURBO I099/692
(17)	997 551 407 00	foam part luggage compartment liner	/RL/L	1	TURBO I099		02A	black			
18	997 551 405 00	foam part compressor rear		1	TURBO	30	997 551 108 00	lining booster		1	I664
19	997 551 403 00	foam part compressor front		1	TURBO	(31)	997 551 105 00	lining dvd	/RL	1	I099/670/672
20	997 551 412 01	foam part bulkhead		1			02A	black			
21	997 551 414 00	foam part cd changer	/LL	1	TURBO I098/692	(32)	997 551 811 00	lid lining dvd	/RL	1	I099/670/672
(21)	997 551 413 00	foam part cd changer	/RL	1	TURBO I099/692		02A	black			
22	997 551 501 00	cover compressed air bottle A31 black	/LL	1	I098	33	997 551 741 00	retaining strap		1	I024
(22)	997 551 502 00	cover compressed air bottle A31 black	/RL	1	I099	(33)	997 551 741 00	retaining strap first-aid kit		1	I499
23	997 551 415 00	adapter compressed air bottle		1		38	997 556 623 00	plastic foam strip		2	I670/672

Model	Year	MG	SG	Illustration	Restrictions	UPD	7:45	26.01.2010	PORSCHE	PET	PORSCHE
997T	2009	8	07	807-01		248					



Pos	Part Number	Description	Remark	Qty	Model
		luggage compartment	09-		
1	997 551 630 00	lining luggage compartment FMU black/black	/LL	1	I098
1	997 551 630 01	lining luggage compartment FMU black/black	/RL	1	I099
2	997 551 304 00	lid lining lower 02A black	/LL	1	I098
3	997 551 817 00	support hinge	/LL	2	I098
4	997 551 309 00	lid brake booster 02A black	/LL	1	I098
(4)	997 551 310 00	lid brake booster 02A black	/RL	1	I099
5	999 507 552 01	spring clamp 9 X 13/3,0		X	
6	999 073 048 02	tapping screw ST 3,5 X 13		X	
7	999 507 734 40	support ST 3,5		X	
8	997 551 771 02	support lining luggage compartment		1	
9	999 507 512 40	support ST 3,5		X	
10	997 551 772 02	support lining		1	
(11)	997 551 351 00	cover tool carpet A31 black		1	

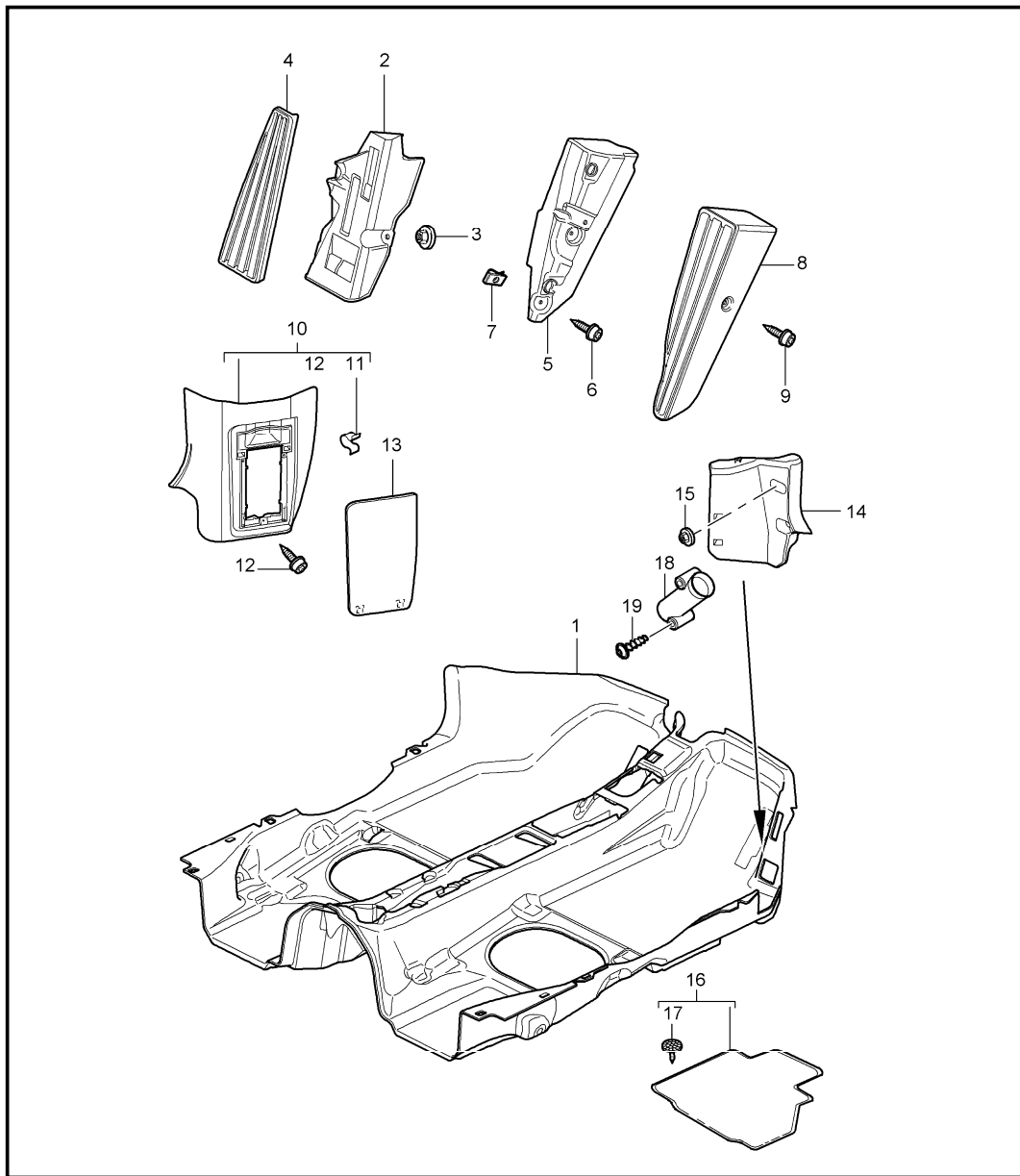
Model	Year	MG	SG	Illustration	Restrictions	UPD	7:45	26.01.2010	PORSCHE	PET	PORSCHE
997T	2009	8	07	807-01		248					

Pos	Part Number	Description	Remark	Qty	Model	Pos	Part Number	Description	Remark	Qty	Model
12	997 551 051 29	lining bulkhead carpet	/LL	1	Turbo -I422/I098	(13)	997 551 045 90	lining luggage compartment liner carpet		1	GT2
	A31	black					A31	black			
12	997 551 051 29	lining bulkhead carpet	/LL	1	GT2 I098	14	999 049 006 40	plastic nut T5 / 30 X 7,5		2	
	A31	black				15	997 551 807 00	cap nut		1	
(12)	997 551 051 30	lining bulkhead carpet	/RL	1	Turbo -I422/I099	(15)	999 703 455 41	lid		1	
	A31	black				16	997 551 401 00	foam part tool	/LL/L	1	TURBO I098
(12)	997 551 051 30	lining bulkhead carpet	/RL	1	GT2 I099	(16)	997 551 402 00	foam part tool	/RL/R	1	TURBO I099
	A31	black				(16)	997 551 121 90	foam part tool		1	GT2
(12)	997 551 051 31	lining bulkhead carpet	/LL	1	Turbo I098/422	17	997 551 408 00	foam part luggage compartment liner	/LL/R	1	TURBO I098
	A31	black				(17)	997 551 407 00	foam part luggage compartment liner	/RL/L	1	TURBO I099
(12)	997 551 051 32	lining bulkhead carpet	/RL	1	Turbo I099/422	18	997 551 405 00	foam part compressor rear		1	TURBO
	A31	black				19	997 551 403 00	foam part compressor front		1	TURBO
13	997 551 045 17	lining luggage compartment liner carpet	/LL	1	Turbo I098	20	997 551 432 00	foam part bulkhead	/LL	1	I098
	A31	black				20	997 551 431 00	foam part bulkhead	/RL	1	I099
(13)	997 551 045 19	lining luggage compartment liner carpet	/RL	1	Turbo I099	21	997 551 501 00	cover compressed air bottle	/LL	1	I098
	A31	black					A31	black			
						21	997 551 501 00	cover compressed air bottle	/RL	09-	1 Turbo I099/422
	A31	black					A31	black			

Model	Year	MG	SG	Illustration	Restrictions	UPD	7:45	26.01.2010	PORSCHE	PET	PORSCHE
997T	2009	8	07	807-01		248					

Pos	Part Number	Description	Remark	Qty	Model	Pos	Part Number	Description	Remark	Qty	Model
(21)	997 551 502 00	cover compressed air bottle	/RL	1	I099						
	A31	black									
(21)	997 551 502 00	cover compressed air bottle	/LL 09-	1	Turbo I098/422						
	A31	black									
22	997 551 415 00	adapter compressed air bottle		1							
22	997 551 415 00	adapter compressed air bottle	09-	1	Turbo I422						
23	997 551 805 01	eye luggage compartment front		1							
	02A	black									
24	997 551 736 01	cover control unit		1							
25	999 073 061 02	tapping screw ST 4,8 X 16		X							
26	997 551 741 00	retaining strap first-aid kit		1	I024						
(26)	997 551 741 00	retaining strap first-aid kit		1	I499						

Model	Year	MG	SG	Illustration	Restrictions	UPD	7:45	26.01.2010	PORSCHE	PET	PORSCHE
997T	2009	8	07	807-02		248					



Pos	Part Number	Description	Remark	Qty	Model
1	997 551 011 08	carpet linings carpet FLW black FLX stone grey FLY sand beige FLZ sea blue FMA palmgreen FMB terracotta FMC cocoa FMD dark grey/natural FME brown/natural FSV carrera red	/LL	1	TURBO/COUPE I098
1	997 551 011 08	carpet FLW black FMD dark grey/natural	/LL	1	GT2 I098
(1)	997 551 011 09	carpet FLW black FLX stone grey FLY sand beige FLZ sea blue FMA palmgreen FMB terracotta FMC cocoa FMD dark grey/natural FME brown/natural	/RL	1	TURBO/COUPE I099



Model	Year	MG	SG	Illustration	Restrictions	UPD	7:45	26.01.2010	PORSCHE	PET	PORSCHE
997T	2009	8	07	807-02		248					

Pos	Part Number	Description	Remark	Qty	Model	Pos	Part Number	Description	Remark	Qty	Model
(1)	997 551 011 09	FSV carrera red carpet	/RL 08-	1	GT2 I099		FMC cocoa				
		FLW black					FMD dark grey/natural				
		FMD dark grey/natural					FME brown/natural				
(1)	997 551 011 90	carpet	/LL 08-	1	GT2 I003/098	(1)	997 551 011 12	carpet	/LL 08-	1	CABRIO I098/680
		carpet						carpet			
		FLW black					FLW black				
(1)	997 551 011 91	carpet	/RL 08-	1	GT2 I003/099		FLX stone grey				
		carpet					FLY sand beige				
		FLW black					FLZ sea blue				
(1)	997 551 011 10	carpet	/LL 08-	1	CABRIO I098/490		FMB terracotta				
		carpet					FMC cocoa				
		FLW black					FMD dark grey/natural				
		FLX stone grey					FME brown/natural				
		FLY sand beige					FSV carrera red				
		FLZ sea blue				(1)	997 551 011 13	carpet	/RL 08-	1	CABRIO I099/680
		FMB terracotta						carpet			
		FMC cocoa					FLW black				
		FMD dark grey/natural					FLX stone grey				
		FME brown/natural					FLY sand beige				
		FSV carrera red					FLZ sea blue				
(1)	997 551 011 11	carpet	/RL 08-	1	CABRIO I099/490		FMB terracotta				
		carpet					FMC cocoa				
		FLW black					FMD dark grey/natural				
		FLX stone grey					FME brown/natural				
		FLY sand beige				--	997 551 813 00	protective film carpet	/LL -07	1	I098
		FLZ sea blue				--	997 551 813 01	protective film carpet	/LL 08-	1	I098
		FMB terracotta									

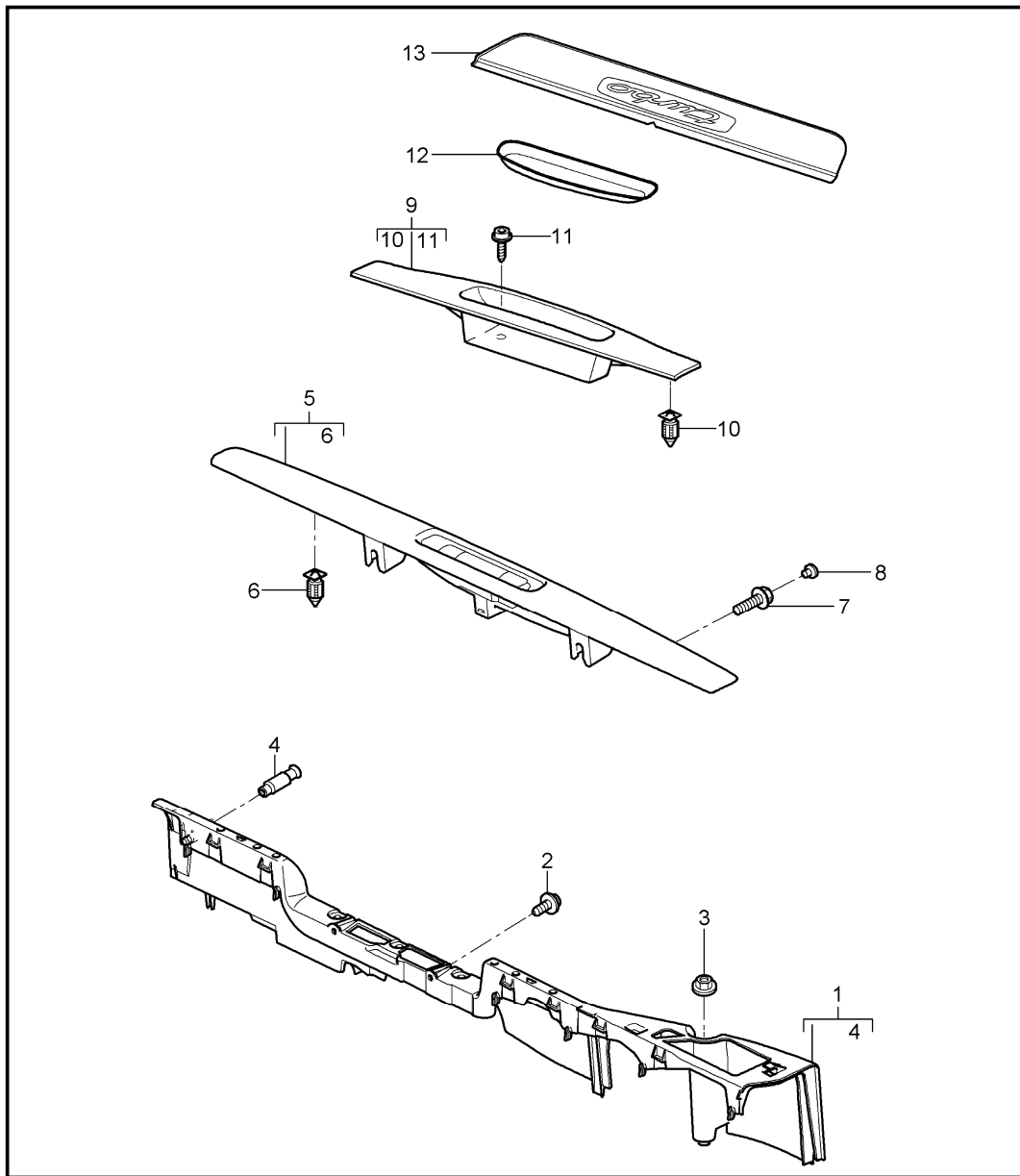
Model	Year	MG	SG	Illustration	Restrictions	UPD	7:45	26.01.2010	PORSCHE	PET	PORSCHE
997T	2009	8	07	807-02		248					

Pos	Part Number	Description	Remark	Qty	Model	Pos	Part Number	Description	Remark	Qty	Model
--	997 551 815 00	protective film carpet	/RL	1	I099		J10	palmgreen		-07	
2	997 551 211 01	foot support	/LL	1			M10	terracotta			
3	999 076 081 40	plastic nut T5/16 X 11,2 for mount foot support	/LL	2			R10	cocoa			
							D11	dark grey/natural			
							T11	brown/natural			
4	997 551 611 00	cover foot support	/LL	1	I098		N10	carrera red			
	01C	satin black				10	997 551 101 00	lining	/LL	08-	1 GT2 I098
(4)	997 551 986 00	cover foot support	/LL	1	IXXZ/098			fusebox carpet			
							A10	black			
5	997 551 212 00	foot support	/RL	1	I099		D11	dark grey/natural			
6	999 073 060 02	tapping screw ST 4,8 X 13 for mount foot support	/RL	2	I099	(10)	997 551 102 00	lining	/RL		1 Turbo I099
								fusebox carpet			
7	999 591 485 01	speed nut ST 4,8 for mount foot support	/RL	2	I099		A10	black			
							B10	stone grey			
							T10	sand beige			
8	997 551 612 00	cover foot support	/RL	1	I099		E10	sea blue			
	01C	satin black					J10	palmgreen		-07	
9	999 919 188 09	oval-head screw 5,0 X 30 for mount cover foot support	/RL	1	I099		M10	terracotta			
							R10	cocoa			
							D11	dark grey/natural			
10	997 551 101 00	lining	/LL	1	Turbo I098	(10)	997 551 102 00	lining	/RL	08-	1 GT2 I099
		fusebox carpet						fusebox carpet			
	A10	black					A10	black			
	B10	stone grey					D11	dark grey/natural			
	T10	sand beige									
	E10	sea blue				11	999 507 552 01	spring clamp 9,0 X 13/4,0			2

Model	Year	MG	SG	Illustration	Restrictions	UPD	7:45	26.01.2010	PORSCHE	PET	PORSCHE
997T	2009	8	07	807-02		248					

Pos	Part Number	Description	Remark	Qty	Model	Pos	Part Number	Description	Remark	Qty	Model
12	999 919 161 09	oval-head screw 5,0 X 18 for mount lining fusebox		3							
13	997 551 621 00	lid lining fusebox	/LL	1	I098						
	01C	satin black									
(13)	997 551 622 00	lid lining fusebox	/RL	1	I099						
	01C	satin black									
(14)	997 551 712 02	support carpet	/LL	1	I098						
(14)	997 551 711 02	support carpet	/RL	1	I099						
15	999 076 081 40	plastic nut T5/16 X 11,2 mount support carpet		2							
16	--- --- --- --	floor mats set see group TEG/8/07/06		1							
17	999 902 054 40	fastening plate for floor mats		4							
18	964 551 751 00	support warning light	/RL	1	I099/193						
(18)	997 551 852 00	support warning light	/LL	1	I098/193						
19	999 919 254 01	oval-head screw 40 x 36,5		2	I193						

Model	Year	MG	SG	Illustration	Restrictions	UPD	7:45	26.01.2010	PORSCHE	PET	PORSCHE
997T	2009	8	07	807-03		248					



Pos	Part Number	Description	Remark	Qty	Model
1	997 551 619 02	lining door sill	/L	1	
(1)	997 551 620 01	support door sill	/R	1	
2	900 143 082 01	tapping screw ST 6,3 X 13 for mount support door sill		4	
3	999 076 081 40	plastic nut T5 16 X 11,2 for mount support door sill		2	
4	996 551 873 00	locating peg for mount support door sill		2	
5	997 551 019 04	lining door sill driver's side	/LL	1	I098
	A03	black			
(5)	997 551 019 05	lining door sill driver's side	/RL	1	I099
	A03	black			
5	997 551 982 00	lining door sill driver's side leather	/LL	1	Turbo IXTG/098
	A11	black			
	5X6	stone grey			
	8G2	sand beige			
	3S9	sea blue			
	4P2	palmgreen			
			-07		

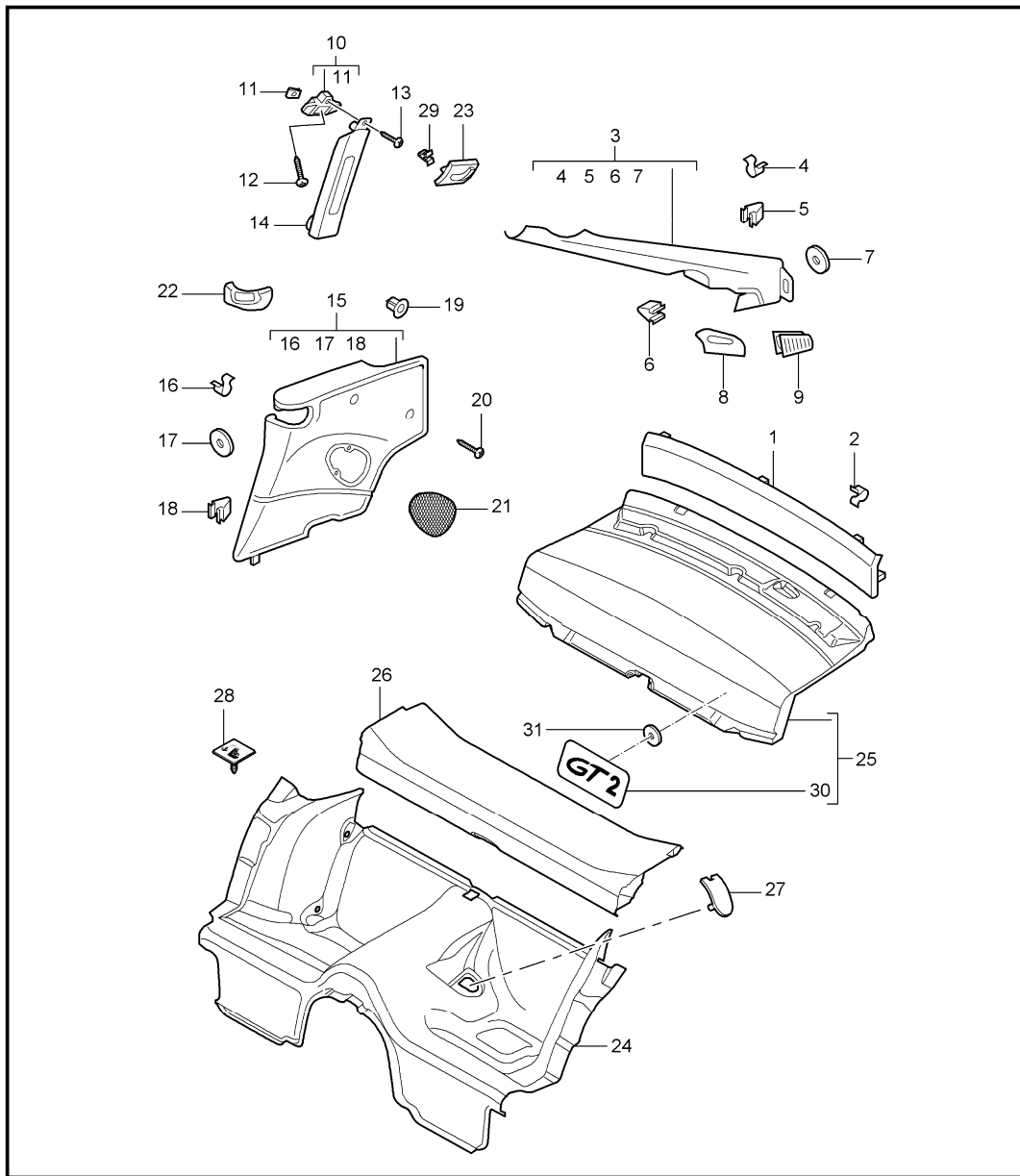
Model	Year	MG	SG	Illustration	Restrictions	UPD	7:45	26.01.2010	PORSCHE	PET	PORSCHE
997T	2009	8	07	807-03		248					

Pos	Part Number	Description	Remark	Qty	Model	Pos	Part Number	Description	Remark	Qty	Model	
5	997 551 982 00	9S5 terracotta				6	999 507 484 40	expander nut 9 X 22		6		
		9V6 cocoa				7	999 067 046 01	combination screw M 6 X 20		2		
		D12 dark grey/natural				8	999 703 443 40	stopper 8,0 X 11		2		
		T12 brown/natural					01C	satin black				
		N12 carrera red		08-		9	997 551 120 01	lining door sill passenger's side leather		1		
		A11 black	/LL	08-	1		A03	black				
		D12 dark grey/natural				(9)	997 551 983 00	lining door sill passenger's side leather		1	Turbo IXTG	
		A11 black	/RL		1		A11	black				
		5X6 stone grey					5X6	stone grey				
		8G2 sand beige					8G2	sand beige				
(5)	997 551 982 01	lining			Turbo IXTG/099		3S9	sea blue				
		door sill driver's side leather					4P2	palmgreen		-07		
		A11 black					9S5	terracotta				
		5X6 stone grey					9V6	cocoa				
		8G2 sand beige					D12	dark grey/natural				
		3S9 sea blue					T12	brown/natural				
		4P2 palmgreen		-07			N12	carrera red		08-		
		9S5 terracotta				(9)	997 551 983 00	lining door sill passenger's side leather		08-	1	GT2 IXTG
		9V6 cocoa					A11	black				
		D12 dark grey/natural					D12	dark grey/natural				
(5)	997 551 982 01	lining			GT2 IXTG/099		999 507 484 40	expander nut 9 X 22		6		
		door sill driver's side leather	/RL									
		A11 black										
		D12 dark grey/natural										

Model	Year	MG	SG	Illustration	Restrictions	UPD	7:45	26.01.2010	PORSCHE	PET	PORSCHE
997T	2009	8	07	807-03		248					

Pos	Part Number	Description	Remark	Qty	Model	Pos	Part Number	Description	Remark	Qty	Model
11	999 919 164 09	oval-head screw 5,0 X 12		1							
12	996 551 513 00	mat		1							
13	997 551 303 11	scuff plate lacquered		2	TURBO						
	A03	black scuff plate exclusive see catalogue tequipment 8/07/06									
13	997 551 303 92	scuff plate lacquered	08-	2	GT2						
	A03	black scuff plate exclusive see catalogue tequipment 8/07/06									

Model	Year	MG	SG	Illustration	Restrictions	UPD	7:45	26.01.2010	PORSCHE	PET	PORSCHE
997T	2009	8	07	807-05		248					



Pos	Part Number	Description	Remark	Qty	Model
1	997 555 081 00	linings rear lining rear wall carpet A10 black B10 stone grey T10 sand beige E10 sea blue J10 palmgreen M10 terracotta R10 cocoa D11 dark grey/natural T11 brown/natural N10 carrera red	-07	1	COUPE Turbo I426
1	997 555 081 00	lining rear wall carpet A10 black D11 dark grey/natural	08- 08-	1	GT2 I426
(1)	997 555 081 01	lining rear wall carpet A10 black B10 stone grey T10 sand beige E10 sea blue J10 palmgreen M10 terracotta R10 cocoa D11 dark grey/natural	-07	1	TURBO I425

Model	Year	MG	SG	Illustration	Restrictions	UPD	7:45	26.01.2010	PORSCHE	PET	PORSCHE
997T	2009	8	07	807-05		248					

Pos	Part Number	Description	Remark	Qty	Model	Pos	Part Number	Description	Remark	Qty	Model
	T11	brown/natural					9V6	cocoa			
	N10	carrera red	08-				D12	dark grey/natural			
2	999 507 687 05	fixing clip 11,3		5			T12	brown/natural			
3	997 555 187 01	lining	/L	1	Turbo I981	(3)	997 555 188 01	lining	/R	08-	GT2 I981
		c-pillar leather						c-pillar leather			
	A11	black					A11	black			
	5X6	stone grey					D12	dark grey/natural			
	8G2	sand beige				4	999 507 533 02	clamp 8,0 X10,0/2,5		4	
	3S9	sea blue				5	999 507 479 01	clamp 2,5/09		6	
	4P2	palmgreen	-07			(5)	999 507 676 09	clamp 2,5/2,2 18,0		2	
	9S5	terracotta				6	999 651 307 01	cable clamp 18,0		2	
	9V6	cocoa				7	999 551 609 40	plastic washer 8,0 X 23 X 3,0		7	
	D12	dark grey/natural				8	996 555 545 01	rosette seat belt rear lacquered	/L	1	TURBO
	T12	brown/natural					A03	black			
3	997 555 187 01	lining	/L	08-	GT2 I981		5V7	stone grey			
		c-pillar leather					5Z1	sand beige			
	A11	black					8W7	sea blue			
	D12	dark grey/natural					5Y2	palmgreen	-07		
(3)	997 555 188 01	lining	/R	1	Turbo I981		8X8	terracotta			
		c-pillar leather					8P9	cocoa			
	A11	black					T13	brown/natural			
	5X6	stone grey					N23	carrera red	08-		
	8G2	sand beige									
	3S9	sea blue									
	4P2	palmgreen	-07								
	9S5	terracotta									



Model	Year	MG	SG	Illustration	Restrictions	UPD	7:45	26.01.2010	PORSCHE	PET	PORSCHE
997T	2009	8	07	807-05		248					

Pos	Part Number	Description	Remark	Qty	Model	Pos	Part Number	Description	Remark	Qty	Model
(8)	996 555 546 01	rosette seat belt rear lacquered	/R	1	TURBO	9	996 555 645 00	grille bleeding lacquered	/L 08-	1	GT2
	A03	black					A03	black			
	5V7	stone grey				(9)	996 555 646 00	grille bleeding lacquered	/R	1	Turbo
	5Z1	sand beige					A03	black			
	8W7	sea blue					5V7	stone grey			
	5Y2	palmgreen	-07				5Z1	sand beige			
	8X8	terracotta					8W7	sea blue			
	8P9	cocoa					5Y2	palmgreen	-07		
	T13	brown/natural					8X8	terracotta			
	N23	carrera red	08-				8P9	cocoa			
(8)	997 555 545 90	rosette seat belt rear	/L 08-	1	GT2		T13	brown/natural			
	01C	satin black					N23	carrera red	08-		
(8)	997 555 546 90	rosette seat belt rear	/L 08-	1	GT2	(9)	996 555 646 00	grille bleeding lacquered	/R 08-	1	GT2
	01C	satin black					A03	black			
9	996 555 645 00	grille bleeding lacquered	/L	1	Turbo	10	996 555 821 02	bracket coat hook	/L	1	
	A03	black				(10)	996 555 822 02	bracket coat hook	/R	1	
	5V7	stone grey				11	999 507 695 01	speed nut ST 4,8		2	
	5Z1	sand beige				12	999 073 128 01	tapping screw 6,3 X 14 mount bracket coat hook		2	
	8W7	sea blue									
	5Y2	palmgreen	-07			(12)	999 025 268 01	washer 6,4 X 18 mount bracket coat hook	07-	2	
	8X8	terracotta									
	8P9	cocoa				13	999 073 060 02	tapping screw 4,8 X 13		2	
	T13	brown/natural									
	N23	carrera red	08-								

Model	Year	MG	SG	Illustration	Restrictions	UPD	7:45	26.01.2010	PORSCHE	PET	PORSCHE
997T	2009	8	07	807-05		248					

Pos	Part Number	Description	Remark	Qty	Model	Pos	Part Number	Description	Remark	Qty	Model
14	997 555 183 01	lining	/L	1	Turbo I981		N12	carrera red	08-		
		b-pillar leather				(14)	997 555 184 01	lining	/R	08-	1 GT2 I981
	A11	black						b-pillar leather			
	5X6	stone grey					A11	black			
	8G2	sand beige					D12	dark grey/natural			
	3S9	sea blue				--	996 555 859 00	grommet b-pillar		2	
	4P2	palmgreen	-07			15	997 555 071 01	side trim panel	/L	1	TURBO I981
	9S5	terracotta						leather			
	9V6	cocoa					FSA	black/grey			
	D12	dark grey/natural					FSB	stone grey/stone grey			
	T12	brown/natural					FSC	sand beige/sand beige			
	N12	carrera red	08-				FSD	sea blue/grey			
14	997 555 183 01	lining	/L	08-	1 GT2 I981		FSE	palmgreen/palmgreen	-07		
		b-pillar leather					FSF	terracotta/terracotta			
	A11	black					FSG	cocoa/cocoa			
	D12	dark grey/natural					FSH	darkgrey natural/grey			
(14)	997 555 184 01	lining	/R	1	Turbo I981		FSJ	brown nat./brown nat.			
		b-pillar leather					FSP	carrera red	08-		
	A11	black				(15)	997 555 072 01	side trim panel	/R	1	TURBO I981
	5X6	stone grey						leather			
	8G2	sand beige					FSA	black/grey			
	3S9	sea blue					FSB	stone grey/stone grey			
	4P2	palmgreen	-07				FSC	sand beige/sand beige			
	9S5	terracotta					FSD	sea blue/grey			
	9V6	cocoa					FSE	palmgreen/palmgreen	-07		
	D12	dark grey/natural					FSF	terracotta/terracotta			
	T12	brown/natural					FSG	cocoa/cocoa			
							FSH	darkgrey natural/grey			

Model	Year	MG	SG	Illustration	Restrictions	UPD	7:45	26.01.2010	PORSCHE	PET	PORSCHE
997T	2009	8	07	807-05		248					

Pos	Part Number	Description	Remark	Qty	Model	Pos	Part Number	Description	Remark	Qty	Model	
	FSJ	brown nat./brown nat.				21	997 555 049 00	loudspeaker grille	/L	1	Turbo	
	FSP	carrera red	08-					side trim panel				
15	997 555 071 06	side trim panel	/L	1	TURBO I970		A03	black				
		two-colour					5V7	stone grey				
	BCG	black/stone grey					5Z1	sand beige				
	BCH	black/sand beige					8W7	sea blue				
	BCJ	black/terracotta					5Y2	palmgreen	-07			
(15)	997 555 072 06	side trim panel	/R	1	TURBO I970		8X8	terracotta				
		two-colour					8P9	cocoa				
	BCG	black/stone grey					T13	brown/natural				
	BCH	black/sand beige					N23	carrera red	08-			
(15)	997 555 071 10	side trim panel	/L	1	GT2 I981	21	997 555 049 00	loudspeaker grille	/L	08-	1	GT2
		leather						side trim panel				
	FSA	black/grey					A03	black				
	FSH	darkgrey natural/grey				(21)	997 555 050 00	loudspeaker grille	/R	1	Turbo	
(15)	997 555 072 10	side trim panel	/R	1	GT2 I981			side trim panel				
		leather					A03	black				
	FSA	black/grey					5V7	stone grey				
	FSH	darkgrey natural/grey					5Z1	sand beige				
16	999 507 479 01	clamp		2			8W7	sea blue				
		2,5/0,88					5Y2	palmgreen	-07			
17	999 551 609 40	plastic washer		2			8X8	terracotta				
		8,0 X 23 X 3,0					8P9	cocoa				
18	999 507 533 02	clamp		1			T13	brown/natural				
		8.0 X 10 /2,5					N23	carrera red	08-			
19	999 507 050 40	expander nut		2		(21)	997 555 050 00	loudspeaker grille	/R	08-	1	GT2
		ST 4,2						side trim panel				
20	999 073 142 09	tapping screw		2			A03	black				
		ST 4,2 X 19						lacquered				

Model	Year	MG	SG	Illustration	Restrictions	UPD	7:45	26.01.2010	PORSCHE	PET	PORSCHE
997T	2009	8	07	807-05		248					

Pos	Part Number	Description	Remark	Qty	Model	Pos	Part Number	Description	Remark	Qty	Model		
22	997 555 061 00	rosette seat belt lacquered	/L	1	Turbo	23	997 555 573 00	coat hook lacquered	/L	1	Turbo		
	A03	black					A03	black					
	5V7	stone grey					5V7	stone grey					
	5Z1	sand beige					5Z1	sand beige					
	8W7	sea blue					8W7	sea blue					
	5Y2	palmgreen	07-				5Y2	palmgreen	-07				
	8X8	terracotta					8X8	terracotta					
	8P9	cocoa					8P9	cocoa					
	T13	brown/natural					T13	brown/natural					
	N23	carrera red	08-				N23	carrera red	08-				
22	997 555 061 00	rosette seat belt lacquered	/L	08-	1	GT2	23	997 555 573 00	coat hook lacquered	/L	08-	1	GT2
	A03	black					A03	black					
(22)	997 555 062 00	rosette seat belt lacquered	/R	1	Turbo	(23)	997 555 574 00	coat hook lacquered	/R	1	Turbo		
	A03	black					A03	black					
	5V7	stone grey					5V7	stone grey					
	5Z1	sand beige					5Z1	sand beige					
	8W7	sea blue					8W7	sea blue					
	5Y2	palmgreen	07-				5Y2	palmgreen	-07				
	8X8	terracotta					8X8	terracotta					
	8P9	cocoa					8P9	cocoa					
	T13	brown/natural					T13	brown/natural					
	N23	carrera red	08-				N23	carrera red	08-				
(22)	997 555 062 00	rosette seat belt lacquered	/R	08-	1	GT2	(23)	997 555 574 00	coat hook lacquered	/R	08-	1	GT2
	A03	black					A03	black					
						24	997 551 017 02	adhesive carpet		1	TURBO		
	A03	black						seat well			I685		
							A10	black					

Model	Year	MG	SG	Illustration	Restrictions	UPD	7:45	26.01.2010	PORSCHE	PET	PORSCHE
997T	2009	8	07	807-05		248					

Pos	Part Number	Description	Remark	Qty	Model	Pos	Part Number	Description	Remark	Qty	Model
	B10	stone grey					B10	stone grey			
	T10	sand beige					T10	sand beige			
	E10	sea blue					E10	sea blue			
	J10	palmgreen	-07				J10	palmgreen	-07		
	M10	terracotta					M10	terracotta			
	R10	cocoa					R10	cocoa			
	D11	dark grey/natural					D11	dark grey/natural			
	T11	brown/natural					T11	brown/natural			
	N10	carrera red	08-				N10	carrera red	08-		
(24)	997 551 021 90	adhesive carpet seat well carpet	08-	1	GT2	(25)	997 551 031 21	adhesive carpet  rear wall carpet	08-	1	GT2 I680
	A10	black					A10	black			
	D11	dark grey/natural					D11	dark grey/natural			
(25)	997 551 031 21	adhesive carpet  rear wall carpet		1	TURBO I490	(25)	997 551 031 22	adhesive carpet  rear wall carpet		1	TURBO I479/680
	A10	black					A10	black			
	B10	stone grey					B10	stone grey			
	T10	sand beige					T10	sand beige			
	E10	sea blue					E10	sea blue			
	J10	palmgreen	-07				J10	palmgreen	-07		
	M10	terracotta					M10	terracotta			
	R10	cocoa					R10	cocoa			
	D11	dark grey/natural					D11	dark grey/natural			
	T11	brown/natural					T11	brown/natural			
	N10	carrera red	08-				N10	carrera red	08-		
(25)	997 551 031 21	adhesive carpet  rear wall carpet		1	TURBO I680	(25)	997 551 031 22	adhesive carpet  rear wall carpet	08-	1	GT2 I479/680
	A10	black					A10	black			

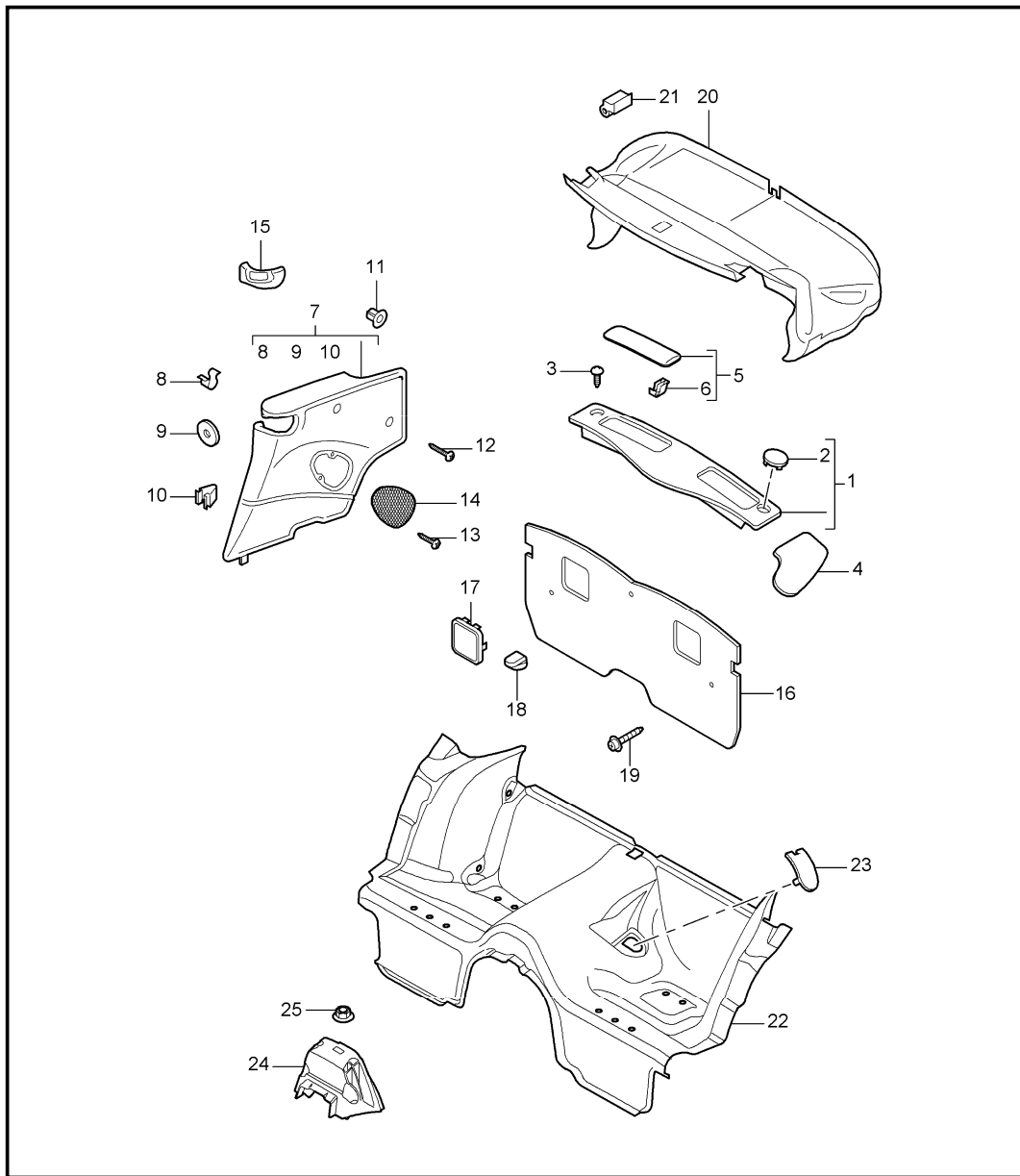
Model	Year	MG	SG	Illustration	Restrictions	UPD	7:45	26.01.2010	PORSCHE	PET	PORSCHE
997T	2009	8	07	807-05		248					

Pos	Part Number	Description	Remark	Qty	Model	Pos	Part Number	Description	Remark	Qty	Model
	A10	black					M10	terracotta			
	D11	dark grey/natural					R10	cocoa			
(25)	997 551 031 83	adhesive carpet	08	1	GT2 I441		D11	dark grey/natural			
		rear wall carpet					T11	brown/natural			
	A10	black				26	997 551 033 00	carrera red	08-		
	D11	dark grey/natural						lining	08-	1	GT2 I490
(25)	997 551 031 83	adhesive carpet	08-	1	GT2 I490			control units carpet			
		rear wall carpet					A10	black			
	A10	black				26	997 551 033 00	dark grey/natural			
	D11	dark grey/natural						lining	08-	1	GT2 I441
(25)	997 551 031 84	adhesive carpet	08-	1	GT2 I441/479			control units carpet			
		rear wall carpet					A10	black			
	A10	black				(26)	997 551 033 01	dark grey/natural			
	D11	dark grey/natural						lining		1	Turbo I680
(25)	997 551 031 84	adhesive carpet	08-	1	GT2 I479/490			control units carpet			
		rear wall carpet					A10	black			
	A10	black					B10	stone grey			
--	996 551 561 00	desk pad		1			T10	sand beige			
26	997 551 033 00	lining		1	Turbo I490		E10	sea blue			
		control units carpet					J10	palmgreen	-07		
	A10	black					M10	terracotta			
	B10	stone grey					R10	cocoa			
	T10	sand beige					D11	dark grey/natural			
	E10	sea blue					T11	brown/natural			
	J10	palmgreen					N10	carrera red	08-		
						(26)	997 551 033 01	lining	08-	1	GT2 I680
								control units carpet			

Model	Year	MG	SG	Illustration	Restrictions	UPD	7:45	26.01.2010	PORSCHE	PET	PORSCHE
997T	2009	8	07	807-05		248					

Pos	Part Number	Description	Remark	Qty	Model	Pos	Part Number	Description	Remark	Qty	Model
	A10	black									
	D11	dark grey/natural									
(26)	997 551 033 90	lining	08-	1	GT2 I003						
		control units carpet									
	A10	black									
27	997 551 525 00	cover seat-belt buckle	/L	1	Turbo						
	01C	black									
(27)	997 551 526 00	cover seat-belt buckle	/R	1	Turbo						
	01C	black									
29	999 507 476 01	clamp 8,0 x 10 / 2,5 mount coat hook		2							
30	996 551 305 91	logo gt2	08-	1	GT2						
	A03	black									
31	997 551 897 01	lock washer for mount logo	08-	3	GT2						

Model	Year	MG	SG	Illustration	Restrictions	UPD	7:45	26.01.2010	PORSCHE	PET	PORSCHE
997T	2009	8	07	807-07		248					



Pos	Part Number	Description	Remark	Qty	Model
1	996 555 083 04	linings rear cover convertible top cloth		1	CABRIO
	EDK	black			
	FNX	stone grey			
	ERN	metropole blue			
	FNZ	brown			
2	996 555 457 00	lid hardtop mounting lacquered		2	
	A10	black			
	5V7	stone grey			
	G10	metropole blue			
	8P9	cocoa			
3	999 073 060 02	tapping screw 4,8 X 13 for mount cover convertible top		3	
4	996 555 263 03	flap convertible top cloth	/L	1	
	A07	black			
	C19	stone grey			
	G03	metropole blue			
	R18	brown			
(4)	996 555 264 03	flap convertible top cloth	/R	1	
	A07	black			
	C19	stone grey			
	G03	metropole blue			



Model	Year	MG	SG	Illustration	Restrictions	UPD	7:45	26.01.2010	PORSCHE	PET	PORSCHE
997T	2009	8	07	807-07		248					

Pos	Part Number	Description	Remark	Qty	Model	Pos	Part Number	Description	Remark	Qty	Model
		R18 brown					FSG	cocoa/cocoa			
5	996 555 341 01	flap cover	/L	1			FSH	darkgrey natural/grey			
		A07 black					FSJ	brown nat./brown nat.			
		C19 stone grey				(7)	997 555 072 12	side trim panel leather when required order also: 999.551.173.40 see tpi group 8 Nr. 52	/R	1	I981
		G03 metropole blue					FSA	black/grey			
(5)	996 555 342 01	flap cover	/R	1			FSB	stone grey/stone grey			
		A07 black					FSC	sand beige/sand beige			
		C19 stone grey					FSD	sea blue/grey			
		G03 metropole blue					FSP	carrera red			
6	996 555 355 00	hinge outer		2			FSF	terracotta/terracotta			
(6)	996 555 356 00	hinge inner		2			FSG	cocoa/cocoa			
--	996 580 667 00	support		2			FSH	darkgrey natural/grey			
--	999 591 489 02	speed nut 4,8		2		7	997 555 071 13	side trim panel two-colour when required order also: 999.551.173.40 see tpi group 8 Nr. 52	/L	1	I970
--	999 073 060 02	tapping screw 4,8 X 13		3			FSJ	brown nat./brown nat.			
7	997 555 071 12	side trim panel leather when required order also: 999.551.173.40 see tpi group 8 Nr. 52	/L	1	I981		BCK	black/stone grey			
		FSA black/grey				(7)	997 555 072 13	side trim panel two-colour when required order also: 999.551.173.40 see tpi group 8 Nr. 52	/R	1	I970
		FSB stone grey/stone grey					BCL	black/sand beige			
		FSC sand beige/sand beige					BCM	black/terracotta			
		FSD sea blue/grey					BCK	black/stone grey			
		FSP carrera red					BCL	black/sand beige			
		FSF terracotta/terracotta									

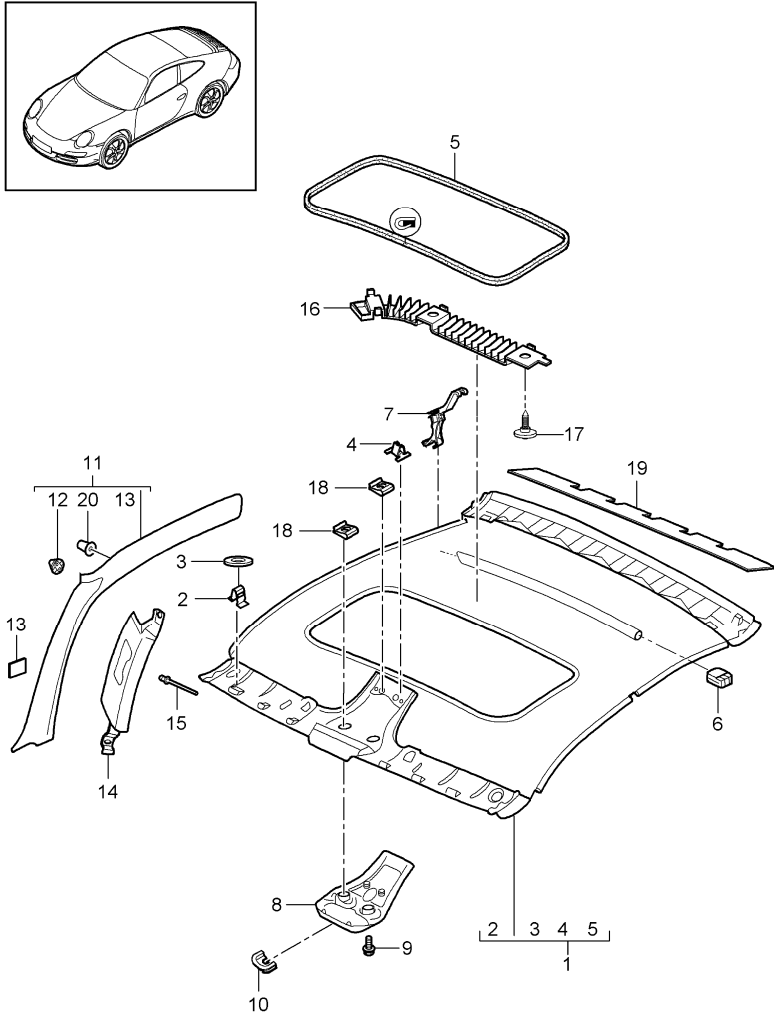
Model	Year	MG	SG	Illustration	Restrictions	UPD	7:45	26.01.2010	PORSCHE	PET	PORSCHE
997T	2009	8	07	807-07		248					

Pos	Part Number	Description	Remark	Qty	Model	Pos	Part Number	Description	Remark	Qty	Model
	BCM	black/terracotta					8P9	cocoa			
--	999 551 173 40	felt strip 35 x 22 x 5		2			T13	brown/natural			
8	999 507 676 09	clamp 2,5/2,2		1		(15)	N23	carrera red	08-		
9	999 551 609 40	plastic washer 8,0 X 23 X3,0		1			997 555 671 01	rosette seat belt	/L	1	
10	999 507 533 02	clamp 8,0 X 10 /2,5		2			A03	black			
11	999 507 050 40	expander nut ST 4,2		2			5V7	stone grey			
12	999 073 142 09	tapping screw ST 4,2 X 19		2			5Z1	sand beige			
13	999 073 048 02	tapping screw ST 3,5 X 13		2			8W7	sea blue			
14	997 555 049 00	loudspeaker grille side trim panel lacquered	/L	1		(15)	N23	carrera red			
	A03	black					8X8	terracotta			
	5V7	stone grey					8P9	cocoa			
	5Z1	sand beige					T13	brown/natural	/R	1	
	8W7	sea blue					997 555 672 01	rosette seat belt			
	8X8	terracotta					A03	black			
	8P9	cocoa					5V7	stone grey			
	T13	brown/natural					5Z1	sand beige			
	N23	carrera red	08-				8W7	sea blue			
(14)	997 555 050 00	loudspeaker grille side trim panel lacquered	/R	1		(16)	8W7	sea blue			
	A03	black					N23	carrera red			
	5V7	stone grey					8X8	terracotta			
	5Z1	sand beige					8P9	cocoa			
	8W7	sea blue					T13	brown/natural			
	8X8	terracotta					996 555 281 06	back wall lining carpet		1	
							A10	black			
							B10	stone grey			
							E10	sea blue			
							N10	carrera red			
							M10	terracotta			

Model	Year	MG	SG	Illustration	Restrictions	UPD	7:45	26.01.2010	PORSCHE	PET	PORSCHE
997T	2009	8	07	807-07		248					

Pos	Part Number	Description	Remark	Qty	Model	Pos	Part Number	Description	Remark	Qty	Model
16	R10	cocoa				20	997 551 035 01	lining convertible top frame carpet		1	
	D11	dark grey/natural									
	T11	brown/natural					B04	dark grey			
	996 555 281 07	back wall lining carpet		1	I479	21	999 703 432 40	stopper for mount lining convertible top frame		X	
	A10	black									
	B10	stone grey									
	E10	sea blue				22	997 551 017 03	adhesive carpet seat well carpet		1	
	N10	carrera red					A10	black			
	M10	terracotta					B10	stone grey			
	R10	cocoa					T10	sand beige			
17	D11	dark grey/natural					E10	sea blue			
	T11	brown/natural					N10	carrera red			
	996 555 785 00	cover release carpet		2	I479		M10	terracotta			
	EDA	black					R10	cocoa			
	FNQ	stone grey					D11	dark grey/natural			
	FNR	sand beige					T11	brown/natural			
	FNS	sea blue				(23)	997 551 525 00	cover seat-belt buckle	/L	1	
	FSW	carrera red					01C	satin black			
	FNU	terracotta				23	997 551 526 00	cover seat-belt buckle	/R	1	
	FNV	cocoa					01C	satin black			
18	VSM	dark grey/natural				24	997 551 221 00	support seat well		1	
	VSN	brown/natural									
19	996 555 789 00	base wind deflector		1		25	999 076 081 40	plastic nut T5 16 X 11,2		2	
	01C	satin black									
19	999 073 062 02	tapping screw 4,8 X 12		2							

Model	Year	MG	SG	Illustration	Restrictions	UPD	7:46	26.01.2010	PORSCHE	PET	PORSCHE
997T	2009	8	07	807-08		248					



Pos	Part Number	Description	Remark	Qty	Model
		rooflining a-pillar			COUPE
1	997 555 091 02	rooflining alcantara		1	Turbo I652
	A14	black			
	B14	stone grey			
	T44	sand beige			
	G14	metropole blue			
	J44	palmgreen	-07		
1	997 555 091 02	rooflining alcantara	08-	1	GT2 I652
	A14	black			
(1)	997 555 091 03	rooflining alcantara		1	TURBO I650
	A14	black			
	B14	stone grey			
	T44	sand beige			
	G14	metropole blue			
	J44	palmgreen	-07		
(1)	997 555 980 02	rooflining		1	Turbo IXMA/652
	A11	black			
	5X6	stone grey			
	8G2	sand beige			
	3S9	sea blue			
	4P2	palmgreen	-07		
	9S5	terracotta			
	9V6	cocoa			
	D12	dark grey/natural			
	T12	brown/natural			

Model	Year	MG	SG	Illustration	Restrictions	UPD	7:46	26.01.2010	PORSCHE	PET	PORSCHE
997T	2009	8	07	807-08		248					

Pos	Part Number	Description	Remark	Qty	Model	Pos	Part Number	Description	Remark	Qty	Model
(1)	997 555 980 02	N12 carrera red rooflining	08- 08-	1	GT2 IXMA/652		A03 black 5V7 stone grey 5Z1 sand beige 8W7 sea blue 5Y2 palmgreen				
(1)	997 555 980 03	A11 black D12 dark grey/natural rooflining		1	TURBO IXMA/650	8	996 555 557 11 cover interior light		-07	1	Turbo I652
		A11 black 5X6 stone grey 8G2 sand beige 3S9 sea blue 4P2 palmgreen 9S5 terracotta 9V6 cocoa D12 dark grey/natural T12 brown/natural N12 carrera red				8	996 555 557 11 cover interior light		-07 08-	1	GT2 I652
2	999 507 479 01	clamp 2,5/0,9	08-	6		(8)	996 555 993 02 cover interior light leather			1	TURBO IXZD/650
3	999 551 609 40	plastic washer 8,0 X 23 X 3,0		6			A11 black 5X6 stone grey 8G2 sand beige 3S9 sea blue 4P2 palmgreen 9S5 terracotta 9V6 cocoa				
4	999 507 533 02	clamp 8 X 10/2,5		2	TURBO I650		D12 dark grey/natural T12 brown/natural N12 carrera red				
5	996 564 231 02	clamping		1	TURBO I650				-07		
6	997 555 823 00	support transverse strut		2	TURBO I650						
7	996 555 691 02	clip mount rooflining		8							
(8)	996 555 557 09	cover interior light		1	TURBO I650				08-		

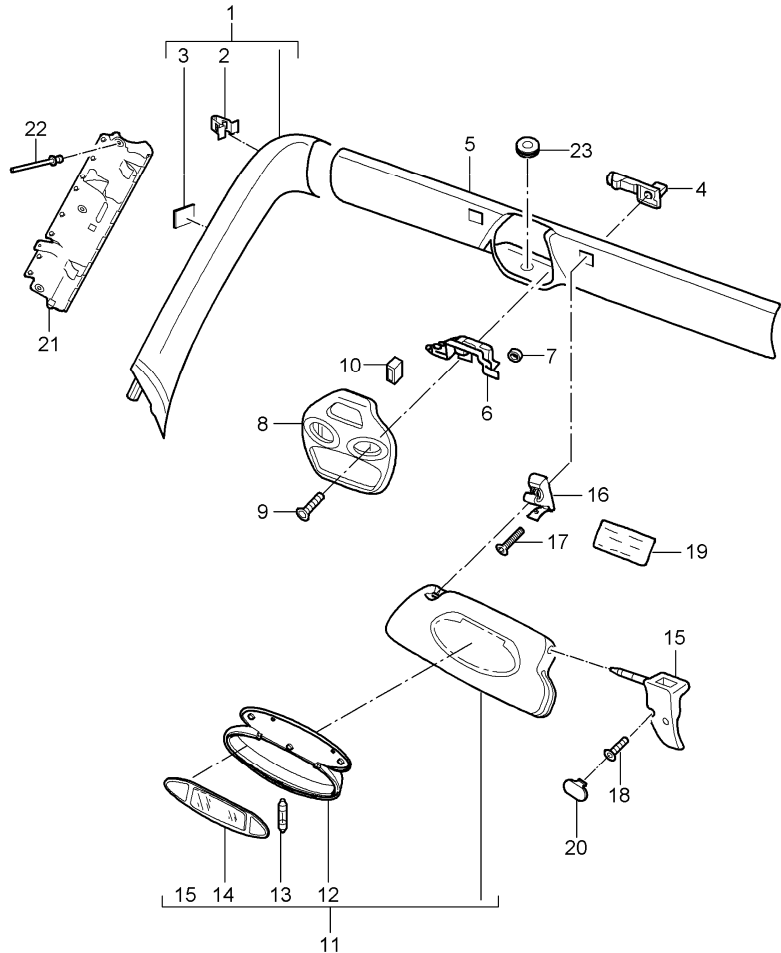
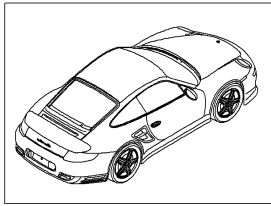
Model	Year	MG	SG	Illustration	Restrictions	UPD	7:46	26.01.2010	PORSCHE	PET	PORSCHE
997T	2009	8	07	807-08		248					

Pos	Part Number	Description	Remark	Qty	Model	Pos	Part Number	Description	Remark	Qty	Model
(8)	996 555 993 03	cover interior light leather		1	Turbo IXZD/652		9V6	cocoa			
	A11	black					D12	dark grey/natural			
	5X6	stone grey					T12	brown/natural			
	8G2	sand beige					N12	carrera red	08-		
	3S9	sea blue				(11)	997 555 181 05	lining	/L	08-	1 GT2 I981
	4P2	palmgreen	-07					a-pillar leather			
	9S5	terracotta					A11	black			
	9V6	cocoa					D12	dark grey/natural			
	D12	dark grey/natural				(11)	997 555 182 05	lining	/R		1 Turbo I981
	T12	brown/natural						a-pillar leather			
	N12	carrera red	08-				A11	black			
(8)	996 555 993 03	cover interior light leather	08-	1	GT2 IXZD/652		5X6	stone grey			
	A11	black					8G2	sand beige			
	D12	dark grey/natural					3S9	sea blue			
9	999 073 061 02	tapping screw 4,8 X 16		X			4P2	palmgreen	-07		
10	996 555 619 00	grommet wiring harness rain sensor		1			9S5	terracotta			
							9V6	cocoa			
(11)	997 555 181 05	lining a-pillar leather	/L	1	Turbo I981		D12	dark grey/natural			
	A11	black				(11)	997 555 182 05	lining	/R	08-	1 GT2 I981
	5X6	stone grey						a-pillar leather			
	8G2	sand beige					A11	black			
	3S9	sea blue					D12	dark grey/natural			
	4P2	palmgreen	-07			12	999 507 681 01	clamp 2,5/3,0		5	
	9S5	terracotta				(12)	999 507 839 01	clamp 3,5		2	

Model	Year	MG	SG	Illustration	Restrictions	UPD	7:46	26.01.2010	PORSCHE	PET	PORSCHE
997T	2009	8	07	807-08		248					

Pos	Part Number	Description	Remark	Qty	Model	Pos	Part Number	Description	Remark	Qty	Model
(12)	999 507 047 09	clamp 3,6		3							
13	999 551 134 40	adhesive tape 20 X 65		5							
15	999 190 184 01	blind rivet 4,0 X 8,5		8							
18	999 591 348 01	speed nut St 4,8		X							
19	997 556 603 00	sound absorber tensioner rear		1							
20	997 555 857 00	grommet a-pillar		x							

Model	Year	MG	SG	Illustration	Restrictions	UPD	7:46	26.01.2010	PORSCHE	PET	PORSCHE
997T	2009	8	07	807-09		248					



Pos	Part Number	Description	Remark	Qty	Model
		a-pillar windscreen frame sun visors	08- 08-		CABRIO CABRIO COUPE/CABRIO
1	997 555 181 07	lining a-pillar leather	/L 08-	1	CABRIO I981
	A11	black			
	5X6	stone grey			
	8G2	sand beige			
	3S9	sea blue			
	9S5	terracotta			
	9V6	cocoa			
	D12	dark grey/natural			
	T12	brown/natural			
	N12	carrera red			
(1)	997 555 182 07	lining a-pillar leather	/R 08-	1	CABRIO I981
	A11	black			
	5X6	stone grey			
	8G2	sand beige			
	3S9	sea blue			
	9S5	terracotta			
	9V6	cocoa			
	D12	dark grey/natural			
	T12	brown/natural			
	N12	carrera red			
2	999 507 047 09	clamp 3,6		2	
3	999 551 134 40	adhesive tape 20 X 65		2	



Model	Year	MG	SG	Illustration	Restrictions	UPD	7:46	26.01.2010	PORSCHE	PET	PORSCHE
997T	2009	8	07	807-09		248					

Pos	Part Number	Description	Remark	Qty	Model	Pos	Part Number	Description	Remark	Qty	Model
4	986 731 541 01	plate for sun visors		2		11	997 731 031 15	sun visor leatherette	/L	08-	1 GT2
5	997 555 059 01	lining	08-	1	CABRIO I981	(11)	997 731 032 15	sun visor leatherette	/R		1 TURBO/COUPE
		windscreen frame part leather									
	A11	black					A12	black			
	5X6	stone grey					8W4	stone grey			
	8G2	sand beige					7E3	sand beige			
	3S9	sea blue					8Z5	sea blue			
	9S5	terracotta				(11)	997 731 032 15	sun visor leatherette	/R	08-	1 GT2
	9V6	cocoa					A12	black			
	D12	dark grey/natural				(11)	997 731 981 00	sun visor	/L		1 TURBO/COUPE IXMP
	T12	brown/natural						leather			
	N12	carrera red					A11	black			
6	996 613 795 01	microswitch	08-	1	CABRIO		5X6	stone grey			
7	999 507 534 02	clamping washer 2,5	08-	2	CABRIO		8G2	sand beige			
8	996 561 635 00	cover interior light lacquered	08-	1	CABRIO		3S9	sea blue			
	A09	rally black					9S5	terracotta			
--	996 561 613 00	cover	08-	1	CABRIO		9V6	cocoa			
	01C	satin black					T12	brown/natural			
9	999 073 166 09	countersunk-head screw M6 X 25	08-	2	CABRIO		D12	dark grey/natural			
							N12	carrera red	08-		
10	996 561 609 00	cap		1	CABRIO	(11)	997 731 981 00	sun visor	/L	08-	1 GT2 IXMP
11	997 731 031 15	sun visor leatherette	/L	1	TURBO/COUPE			leather			
	A12	black					A11	black			
	8W4	stone grey				(11)	997 731 982 00	sun visor	/R		1 TURBO/COUPE IXMP
	7E3	sand beige						leather			
	8Z5	sea blue					A11	black			

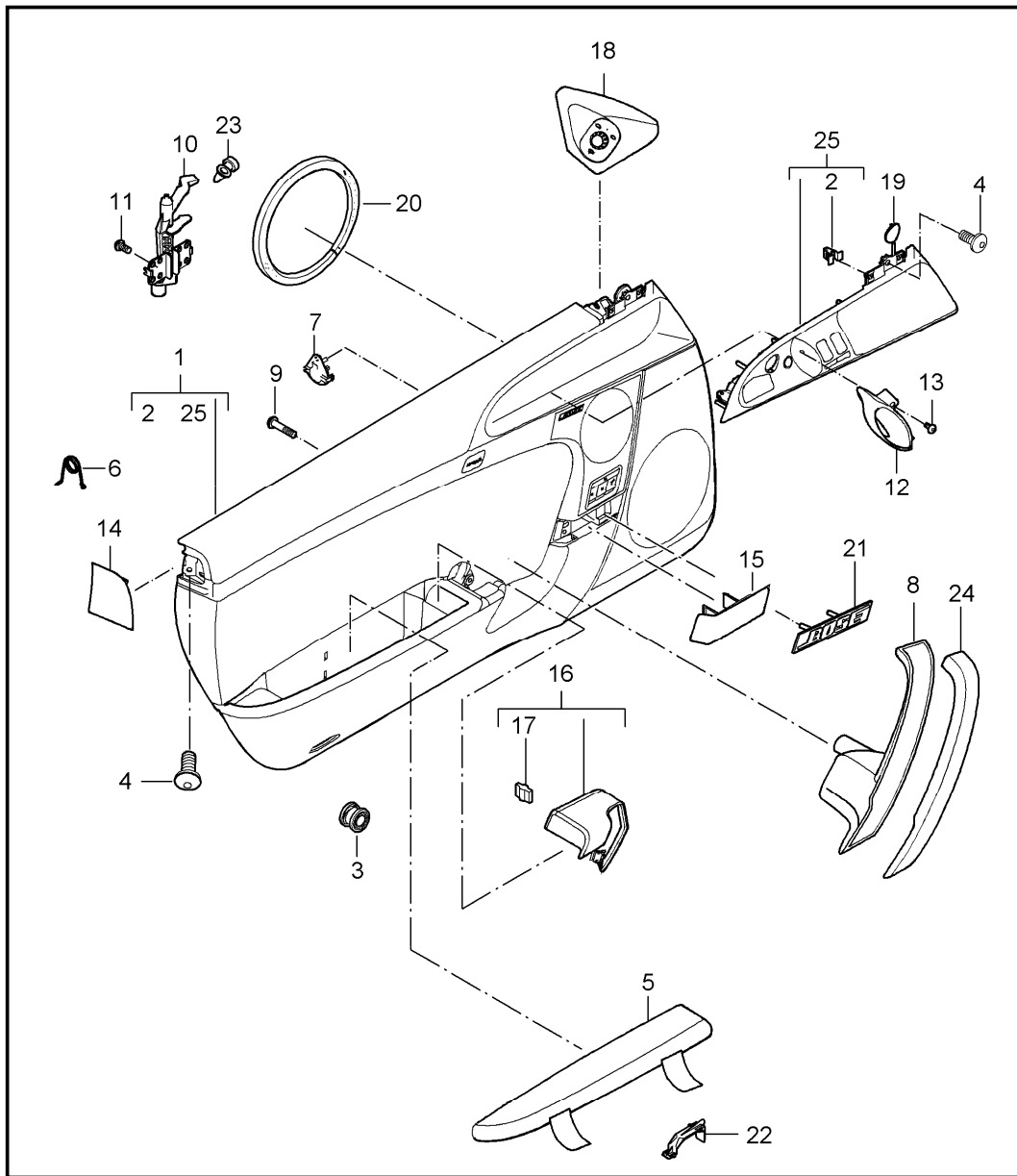
Model	Year	MG	SG	Illustration	Restrictions	UPD	7:46	26.01.2010	PORSCHE	PET	PORSCHE
997T	2009	8	07	807-09		248					

Pos	Part Number	Description	Remark	Qty	Model	Pos	Part Number	Description	Remark	Qty	Model
	5X6	stone grey					9S5	terracotta			
	8G2	sand beige					9V6	cocoa			
	3S9	sea blue					D12	dark grey/natural			
	9S5	terracotta					T12	brown/natural			
	9V6	cocoa					N12	carrera red			
	T12	brown/natural				(11)	997 731 982 06	sun visor	/R	08-	1 CABRIO IXMP
	D12	dark grey/natural						leather			
	N12	carrera red	08-				A11	black			
(11)	997 731 982 00	sun visor	/R	08-	1 GT2 IXMP		5X6	stone grey			
		leather					8G2	sand beige			
	A11	black					3S9	sea blue			
	D12	dark grey/natural					9S5	terracotta			
(11)	997 731 031 18	sun visor	/L	08-	1 CABRIO		9V6	cocoa			
		leatherette					D12	dark grey/natural			
	A12	black					T12	brown/natural			
	8W4	stone grey					N12	carrera red			
	7E3	sand beige				12	996 731 903 00	mirror housing			1
	8Z5	sea blue						with illumination			
(11)	997 731 032 18	sun visor	/R	08-	1 CABRIO		01C	satin black			
		leatherette				13	999 631 147 90	bulb			4
	A12	black						3 W			
	8W4	stone grey				14	996 731 531 01	mirror glass			2
	7E3	sand beige						with frame			
	8Z5	sea blue					01C	satin black			
(11)	997 731 981 06	sun visor	/L	08-	1 CABRIO IXMP	(15) U	997 731 461 01	mounting	/L		1 COUPE
		leather					01C	satin black			
	A11	black				(15) U	997 731 462 01	mounting	/R		1 COUPE
	5X6	stone grey					01C	satin black			
	8G2	sand beige				(15) U	997 731 461 02	mounting	/L	08-	1 CABRIO
	3S9	sea blue									

Model	Year	MG	SG	Illustration	Restrictions	UPD	7:46	26.01.2010	PORSCHE	PET	PORSCHE
997T	2009	8	07	807-09		248					

Pos	Part Number	Description	Remark	Qty	Model	Pos	Part Number	Description	Remark	Qty	Model
	01C	satin black				20	996 561 613 00	cover mounting	08-	1	CABRIO
(15)	U 997 731 462 02	mounting	/R	08-	1	CABRIO					
	01C	satin black					01C	satin black			
16	996 731 341 00	support sun visor	/L	1		23	996 555 619 00	grommet wiring harness rain sensor		1	
	01C	satin black									
(16)	996 731 342 00	support sun visor	/R	1							
	01C	satin black									
17	999 919 120 09	oval-head screw M 4 x 18		1							
18	999 073 166 09	countersunk-head screw M 6 X 25		08-	42	CABRIO					
(18)	999 073 326 09	oval-head screw M 5 X 10		2	COUPE						
(18)	999 500 093 02	nut M5		2	COUPE						
(19)	997 701 401 06	indication sticker convertible top control german		08-	1	CABRIO I488					
(19)	997 701 401 07	indication sticker convertible top control english		08-	1	CABRIO I130					
(19)	997 701 401 08	indication sticker convertible top control french		08-	1	CABRIO I113/126					
(19)	997 701 401 09	indication sticker convertible top control italian		08-	1	CABRIO I034					
(19)	997 701 401 10	indication sticker convertible top control spanish		08-	1	CABRIO I119					
(19)	997 701 401 11	indication sticker convertible top control japanese		08-	1	CABRIO I193					

Model	Year	MG	SG	Illustration	Restrictions	UPD	7:46	26.01.2010	PORSCHE	PET	PORSCHE
997T	2009	8	07	807-10		248					



Pos	Part Number	Description	Remark	Qty	Model
1	997 555 201 05	door trim panel accessories	/LL/L	1	TURBO/COUPE I098/490/981
		leather			
	FSA	black			
	FSB	stone grey			
	FSC	sand beige			
	FSD	sea blue			
	FSE	palmgreen	-07		
	FSF	terracotta			
	FSG	cocoa			
	FSH	dark grey/natural			
	FSJ	brown/natural			
	BCD	black/stone grey			
	BCE	black/sand beige			
	BCF	black/terracotta			
	FSP	carrera red	08-		
1	997 555 201 07	door trim panel	/LL/L	1	TURBO/COUPE I490/537/981
		leather			
	FSA	black			
	FSB	stone grey			
	FSC	sand beige			
	FSD	sea blue			
	FSE	palmgreen	-07		
	FSF	terracotta			
	FSG	cocoa			
	FSH	dark grey/natural			
	FSJ	brown/natural			
	BCD	black/stone grey			

Model	Year	MG	SG	Illustration	Restrictions	UPD	7:46	26.01.2010	PORSCHE	PET	PORSCHE
997T	2009	8	07	807-10		248					

Pos	Part Number	Description	Remark	Qty	Model	Pos	Part Number	Description	Remark	Qty	Model
1	997 555 201 09	BCE	black/sand beige		TURBO/COUPE I098/680/981	(1)	997 555 201 17	BCD	black/stone grey		CABRIO I098/490/981
		BCF	black/terracotta					BCE	black/sand beige		
		FSP	carrera red	08-				BCF	black/terracotta		
		door trim panel	/LL/L	1				FSP	carrera red	08-	
		leather						door trim panel	/LL/L	1	
		FSA	black					leather			
		FSB	stone grey					FSA	black		
		FSC	sand beige					FSB	stone grey		
		FSD	sea blue					FSC	sand beige		
		FSE	palmgreen	-07				FSD	sea blue		
		FSF	terracotta					FSE	palmgreen	-07	
		FSG	cocoa					FSF	terracotta		
		FSH	dark grey/natural					FSG	cocoa		
		FSJ	brown/natural					FSH	dark grey/natural		
1	997 555 201 11	BCD	black/stone grey		TURBO/COUPE I537/680/981	(1)	997 555 201 19	BCD	black/stone grey		CABRIO I490/537/981
		BCE	black/sand beige					BCE	black/sand beige		
		BCF	black/terracotta					BCF	black/terracotta		
		FSP	carrera red	08-				FSP	carrera red	08-	
		door trim panel	/LL/L	1				door trim panel	/LL/L	1	
		leather						leather			
		FSA	black					FSA	black		
		FSB	stone grey					FSB	stone grey		
		FSC	sand beige					FSC	sand beige		
		FSD	sea blue					FSD	sea blue		
		FSE	palmgreen	-07				FSE	palmgreen	-07	
		FSF	terracotta					FSF	terracotta		
		FSG	cocoa					FSG	cocoa		
		FSH	dark grey/natural					FSH	dark grey/natural		
FSJ	brown/natural										

Model	Year	MG	SG	Illustration	Restrictions	UPD	7:46	26.01.2010	PORSCHE	PET	PORSCHE
997T	2009	8	07	807-10		248					

Pos	Part Number	Description	Remark	Qty	Model	Pos	Part Number	Description	Remark	Qty	Model
		FSJ brown/natural					FSH dark grey/natural				
		BCD black/stone grey					FSJ brown/natural				
		BCE black/sand beige					BCD black/stone grey				
		BCF black/terracotta					BCE black/sand beige				
		FSP carrera red	08-				BCF black/terracotta				
(1)	997 555 201 21	door trim panel	/LL/L	1	CABRIO I098/680/981		FSP carrera red	08-			
		leather				(1)	997 555 202 27	door trim panel	/LL/R	1	TURBO/COUPE I098/490/981
		FSA black					leather				
		FSB stone grey					FSA black				
		FSC sand beige					FSB stone grey				
		FSD sea blue					FSC sand beige				
		FSE palmgreen	-07				FSD sea blue				
		FSF terracotta					FSE palmgreen	-07			
		FSG cocoa					FSF terracotta				
		FSH dark grey/natural					FSG cocoa				
		FSJ brown/natural					FSH dark grey/natural				
		BCD black/stone grey					FSJ brown/natural				
		BCE black/sand beige					BCD black/stone grey				
		BCF black/terracotta					BCE black/sand beige				
		FSP carrera red	08-				BCF black/terracotta				
(1)	997 555 201 23	door trim panel	/LL/L	1	CABRIO I537/680/981		FSP carrera red	08-			
		leather				(1)	997 555 202 27	door trim panel	/LL/R	1	CABRIO I098/490/981
		FSA black					leather				
		FSB stone grey					FSA black				
		FSC sand beige					FSB stone grey				
		FSD sea blue					FSC sand beige				
		FSE palmgreen	-07				FSD sea blue				
		FSF terracotta					FSE palmgreen	-07			
		FSG cocoa					FSF terracotta				

Model	Year	MG	SG	Illustration	Restrictions	UPD	7:46	26.01.2010	PORSCHE	PET	PORSCHE
997T	2009	8	07	807-10		248					

Pos	Part Number	Description	Remark	Qty	Model	Pos	Part Number	Description	Remark	Qty	Model
	FSG	cocoa					FSF	terracotta			
	FSH	dark grey/natural					FSG	cocoa			
	FSJ	brown/natural					FSH	dark grey/natural			
	BCD	black/stone grey					FSJ	brown/natural			
	BCE	black/sand beige					BCD	black/stone grey			
	BCF	black/terracotta					BCE	black/sand beige			
	FSP	carrera red	08-				BCF	black/terracotta			
(1)	997 555 202 29	door trim panel	/LL/R	1	TURBO/COUPE I098/680/981		FSP	carrera red	08-		
		leather				(1)	997 555 202 05	door trim panel	/RL/R	1	TURBO/COUPE I099/490/981
	FSA	black						leather			
	FSB	stone grey					FSA	black			
	FSC	sand beige					FSB	stone grey			
	FSD	sea blue					FSC	sand beige			
	FSE	palmgreen	-07				FSD	sea blue			
	FSF	terracotta					FSE	palmgreen	-07		
	FSG	cocoa					FSF	terracotta			
	FSH	dark grey/natural					FSG	cocoa			
	FSJ	brown/natural					FSH	dark grey/natural			
	BCD	black/stone grey					FSJ	brown/natural			
	BCE	black/sand beige					BCD	black/stone grey			
	BCF	black/terracotta					BCE	black/sand beige			
	FSP	carrera red	08-				BCF	black/terracotta			
(1)	997 555 202 29	door trim panel	/LL/R	1	CABRIO I098/680/981		FSP	carrera red	08-		
		leather				(1)	997 555 202 07	door trim panel	/RL/R	1	TURBO/COUPE I490/538/981
	FSA	black						leather			
	FSB	stone grey					FSA	black			
	FSC	sand beige					FSB	stone grey			
	FSD	sea blue					FSC	sand beige			
	FSE	palmgreen	-07				FSD	sea blue			

Model	Year	MG	SG	Illustration	Restrictions	UPD	7:46	26.01.2010	PORSCHE	PET	PORSCHE
997T	2009	8	07	807-10		248					

Pos	Part Number	Description	Remark	Qty	Model	Pos	Part Number	Description	Remark	Qty	Model
	FSE	palmgreen	-07				FSD	sea blue			
	FSF	terracotta					FSE	palmgreen	-07		
	FSG	cocoa					FSF	terracotta			
	FSH	dark grey/natural					FSG	cocoa			
	FSJ	brown/natural					FSH	dark grey/natural			
	BCD	black/stone grey					FSJ	brown/natural			
	BCE	black/sand beige					BCD	black/stone grey			
	BCF	black/terracotta					BCE	black/sand beige			
	FSP	carrera red	08-				BCF	black/terracotta			
(1)	997 555 202 09	door trim panel	/RL/R	1	TURBO/COUPE I099/680/981		FSP	carrera red	08-		
		leather				(1)	997 555 202 17	door trim panel	/RL/R	1	CABRIO I099/490/981
	FSA	black						leather			
	FSB	stone grey					FSA	black			
	FSC	sand beige					FSB	stone grey			
	FSD	sea blue					FSC	sand beige			
	FSE	palmgreen	-07				FSD	sea blue			
	FSF	terracotta					FSE	palmgreen	-07		
	FSG	cocoa					FSF	terracotta			
	FSH	dark grey/natural					FSG	cocoa			
	FSJ	brown/natural					FSH	dark grey/natural			
	BCD	black/stone grey					FSJ	brown/natural			
	BCE	black/sand beige					BCD	black/stone grey			
	BCF	black/terracotta					BCE	black/sand beige			
	FSP	carrera red	08-				BCF	black/terracotta			
(1)	997 555 202 11	door trim panel	/RL/R	1	TURBO/COUPE I538/680/981		FSP	carrera red	08-		
		leather				(1)	997 555 202 19	door trim panel	/RL/R	1	CABRIO I490/538/981
	FSA	black						leather			
	FSB	stone grey					FSA	black			
	FSC	sand beige					FSB	stone grey			



Model	Year	MG	SG	Illustration	Restrictions	UPD	7:46	26.01.2010	PORSCHE	PET	PORSCHE
997T	2009	8	07	807-10		248					

Pos	Part Number	Description	Remark	Qty	Model	Pos	Part Number	Description	Remark	Qty	Model
	FSC	sand beige					FSB	stone grey			
	FSD	sea blue					FSC	sand beige			
	FSE	palmgreen	-07				FSD	sea blue			
	FSF	terracotta					FSE	palmgreen	-07		
	FSG	cocoa					FSF	terracotta			
	FSH	dark grey/natural					FSG	cocoa			
	FSJ	brown/natural					FSH	dark grey/natural			
	BCD	black/stone grey					FSJ	brown/natural			
	BCE	black/sand beige					BCD	black/stone grey			
	BCF	black/terracotta					BCE	black/sand beige			
	FSP	carrera red	08-				BCF	black/terracotta			
(1)	997 555 202 21	door trim panel	/RL/R	1	CABRIO I099/680/981		FSP	carrera red	08-		
		leather				(1)	997 555 201 27	door trim panel	/RL/L	1	TURBO/COUPE I099/490/981
	FSA	black						leather			
	FSB	stone grey					FSA	black			
	FSC	sand beige					FSB	stone grey			
	FSD	sea blue					FSC	sand beige			
	FSE	palmgreen	-07				FSD	sea blue			
	FSF	terracotta					FSE	palmgreen	-07		
	FSG	cocoa					FSF	terracotta			
	FSH	dark grey/natural					FSG	cocoa			
	FSJ	brown/natural					FSH	dark grey/natural			
	BCD	black/stone grey					FSJ	brown/natural			
	BCE	black/sand beige					BCD	black/stone grey			
	BCF	black/terracotta					BCE	black/sand beige			
	FSP	carrera red	08-				BCF	black/terracotta			
(1)	997 555 202 23	door trim panel	/RL/R	1	CABRIO I538/680/981		FSP	carrera red	08-		
		leather				(1)	997 555 201 27	door trim panel	/RL/L	1	CABRIO I099/490/981
	FSA	black						leather			

Model	Year	MG	SG	Illustration	Restrictions	UPD	7:46	26.01.2010	PORSCHE	PET	PORSCHE
997T	2009	8	07	807-10		248					

Pos	Part Number	Description	Remark	Qty	Model	Pos	Part Number	Description	Remark	Qty	Model
	FSA	black				(1)	997 555 201 29	door trim panel	/RL/L	1	CABRIO I099/680/981
	FSB	stone grey						leather			
	FSC	sand beige					FSA	black			
	FSD	sea blue					FSB	stone grey			
	FSE	palmgreen	-07				FSC	sand beige			
	FSF	terracotta					FSD	sea blue			
	FSG	cocoa					FSE	palmgreen	-07		
	FSH	dark grey/natural					FSF	terracotta			
	FSJ	brown/natural					FSG	cocoa			
	BCD	black/stone grey					FSH	dark grey/natural			
	BCE	black/sand beige					FSJ	brown/natural			
	BCF	black/terracotta					BCD	black/stone grey			
	FSP	carrera red	08-				BCE	black/sand beige			
(1)	997 555 201 29	door trim panel	/RL/L	1	TURBO/COUPE I099/680/981		BCF	black/terracotta			
		leather					FSP	carrera red	08-		
	FSA	black				(1)	997 555 201 50	door trim panel	/LL/L	08-	1 GT2 I098/981
	FSB	stone grey						leather/ alcantara			
	FSC	sand beige					FSM	black/black			
	FSD	sea blue					FSN	dark grey natural/black			
	FSE	palmgreen	-07			(1)	997 555 201 74	door trim panel	/LL/L	08-	1 GT2 I537/981
	FSF	terracotta						leather/ alcantara			
	FSG	cocoa					FSM	black/black			
	FSH	dark grey/natural					FSN	dark grey natural/black			
	FSJ	brown/natural				(1)	997 555 202 52	door trim panel	/LL/R	08-	1 GT2 I098/981
	BCD	black/stone grey						leather/ alcantara			
	BCE	black/sand beige					FSM	black/black			
	BCF	black/terracotta					FSN	dark grey natural/black			
	FSP	carrera red	08-								

Model	Year	MG	SG	Illustration	Restrictions	UPD	7:46	26.01.2010	PORSCHE	PET	PORSCHE
997T	2009	8	07	807-10		248					

Pos	Part Number	Description	Remark	Qty	Model	Pos	Part Number	Description	Remark	Qty	Model
(1)	997 555 202 50	door trim panel leather/ alcantara FSM black/black FSN dark grey natural/black	/RL/R 08-	1	GT2 I099/981		FSH	dark grey/natural			
							FSJ	brown/natural			
							FSP	carrera red	08-		
						(5)	997 555 222 01	lid shelf	/R	1	TURBO
(1)	997 555 202 74	door trim panel leather/ alcantara FSM black/black FSN dark grey natural/black	RL/R 08-	1	GT2 I538/981		FSA	black			
							FSB	stone grey			
							FSC	sand beige			
							FSD	sea blue			
							FSE	palmgreen	-07		
(1)	997 555 201 52	door trim panel leather/ alcantara FSM black/black FSN dark grey natural/black	/RL/L 08-	1	GT2 I099/981		FSF	terracotta			
							FSG	cocoa			
							FSH	dark grey/natural			
							FSJ	brown/natural			
2	999 507 533 02	clamp 8,0X 10/2,5		2			FSP	carrera red	08-		
3	955 555 243 00	fixing clip for mount door trim panel		9		(5)	997 555 221 02	lid shelf	/L 08-	1	GT2 I981
							FSO	black			
4	999 073 322 02	oval-head screw M 6 X 20 for mount door trim panel		5		(5)	997 555 222 02	lid shelf	/R 08-	1	GT2 I981
							FSO	black			
5	997 555 221 01	lid shelf FSA black FSB stone grey FSC sand beige FSD sea blue FSE palmgreen FSF terracotta FSG cocoa	/L	1	TURBO	(5)	997 555 989 00	lid shelf carbon A35 black	/L	1	TURBO IXTL
						(5)	997 555 990 00	lid shelf carbon A35 black	/R	1	TURBO IXTL

Model	Year	MG	SG	Illustration	Restrictions	UPD	7:46	26.01.2010	PORSCHE	PET	PORSCHE
997T	2009	8	07	807-10		248					

Pos	Part Number	Description	Remark	Qty	Model	Pos	Part Number	Description	Remark	Qty	Model	
(5)	997 555 989 01	lid shelf S62 sycamore wood	/L -08	1	TURBO IXTU		3S9	sea blue				
(5)	997 555 990 01	lid shelf S62 sycamore wood	/R -08	1	TURBO IXTU		4P2	palmgreen	-07			
(5)	997 555 989 02	lid shelf S61 macassar	/L	1	TURBO IXTT		9S5	terracotta				
(5)	997 555 990 02	lid shelf S61 macassar	/R	1	TURBO IXTT	(8)	997 555 262 01	handle lower part	/R	1	TURBO	
(5)	997 555 989 03	lid shelf V04 galvano silver	/L	1	TURBO IXTW		A11	black				
(5)	997 555 990 03	lid shelf V04 galvano silver	/R	1	TURBO IXTW		5X6	stone grey				
6	997 555 833 00	steering knuckle spring for lid shelf	/L	1			8G2	sand beige				
(6)	997 555 834 00	steering knuckle spring for lid shelf	/R	1			3S9	sea blue				
7	997 555 841 00	damper shelf		1			4P2	palmgreen	-07			
(8)	997 555 261 01	handle lower part	/L	1	TURBO		9S5	terracotta				
	A11	black					9V6	cocoa				
	5X6	stone grey					D12	dark grey/natural				
	8G2	sand beige					T12	brown/natural				
						(8)	997 555 261 02	handle lower part	/L	08-	1	GT2 I981
							A14	black				
						(8)	997 555 262 02	handle lower part	/R	08-	1	GT2 I981
							A14	black				
						9	999 919 229 02	oval-head screw 6,0 X 40,0 for mount handle			2	

Model	Year	MG	SG	Illustration	Restrictions	UPD	7:46	26.01.2010	PORSCHE	PET	PORSCHE
997T	2009	8	07	807-10		248					

Pos	Part Number	Description	Remark	Qty	Model	Pos	Part Number	Description	Remark	Qty	Model
10	997 555 381 02	axle bearing valid up to: F >>999S7 60796 F >>999S7 70543	/L	1	Turbo/Coupe Turbo/Cabrio		8P9	cocoa			
(10)	997 555 382 02	axle bearing valid up to: F >>999S7 60796 F >>999S7 70543	/R	1	Turbo/Coupe Turbo/Cabrio	(14)	997 555 684 00	cap airbag	/R	1	
(10)	997 555 381 03	axle bearing valid from: F 999S7 60797>> F 999S7 70544>>	/L	1	Turbo/Coupe Turbo/Cabrio		T13	brown/natural			
(10)	997 555 382 03	axle bearing valid from: F 999S7 60797>> F 999S7 70544>>	/R	1	Turbo/Coupe Turbo/Cabrio		N23	carrera red		08-	
11	999 919 164 09	oval-head screw 5 X 12 for mount axle bearing		3			A03	black			
12	997 555 461 01	lever door opener  V05 galvano silver	/L	1		15	997 555 643 01	cover front lacquered	/L	1	
(12)	997 555 462 01	lever door opener  V05 galvano silver	/R	1			5V7	stone grey			
13	999 919 164 09	oval-head screw 5 X 12 for mount lever door opener		1			5Z1	sand beige			
14	997 555 683 00	cap airbag  A03 black 5V7 stone grey 5Z1 sand beige 8W7 sea blue 5Y2 palmgreen 8X8 terracotta	/L	1			8W7	sea blue			
							5Y2	palmgreen		-07	
							8X8	terracotta			
							8P9	cocoa			
							T13	brown/natural			
							N23	carrera red		08-	
						(15)	997 555 644 01	cover front lacquered	/R	1	
							A03	black			
							5V7	stone grey			

Model	Year	MG	SG	Illustration	Restrictions	UPD	7:46	26.01.2010	PORSCHE	PET	PORSCHE
997T	2009	8	07	807-10		248					

Pos	Part Number	Description	Remark	Qty	Model	Pos	Part Number	Description	Remark	Qty	Model
	5Z1	sand beige					FSP	carrera red	08-		
	8W7	sea blue				(16)	997 555 431 03	cover	/L	08-	1 GT2 I981
	5Y2	palmgreen	-07					door handle			
	8X8	terracotta					FSO	black			
	8P9	cocoa				(16)	997 555 432 03	cover	/R	08-	1 GT2 I981
	T13	brown/natural						door handle			
	N23	carrera red	08-				FSO	black			
16	997 555 431 01	cover door handle	/L	1	TURBO	(16)	997 555 991 00	cover	/L		1 TURBO IXTL
	FSA	black						door handle carbon			
	FSB	stone grey					A11	black			
	FSC	sand beige					5X6	stone grey			
	FSD	sea blue					8G2	sand beige			
	FSE	palmgreen	-07				3S9	sea blue			
	FSF	terracotta					4P2	palmgreen	-07		
	FSG	cocoa					9S5	terracotta			
	FSH	dark grey/natural					9V6	cocoa			
	FSJ	brown/natural					T12	brown/natural			
	FSP	carrera red	08-				N12	carrera red	08-		
(16)	997 555 432 01	cover door handle	/R	1	TURBO	(16)	997 555 992 00	cover	/R		1 TURBO IXTL
	FSA	black						door handle carbon			
	FSB	stone grey					A11	black			
	FSC	sand beige					5X6	stone grey			
	FSD	sea blue					8G2	sand beige			
	FSE	palmgreen	-07				3S9	sea blue			
	FSF	terracotta					4P2	palmgreen	-07		
	FSG	cocoa					9S5	terracotta			
	FSH	dark grey/natural					9V6	cocoa			
	FSJ	brown/natural					T12	brown/natural			

Model	Year	MG	SG	Illustration	Restrictions	UPD	7:46	26.01.2010	PORSCHE	PET	PORSCHE
997T	2009	8	07	807-10		248					

Pos	Part Number	Description	Remark	Qty	Model	Pos	Part Number	Description	Remark	Qty	Model			
(16)	997 555 991 01	N12 carrera red	08-	1	TURBO IXTU	(16)	A11 black		/L	-08				
		cover	/L				-08	5X6 stone grey						
		door handle sycamore wood						8G2 sand beige						
		A11 black						3S9 sea blue						
		5X6 stone grey						4P2 palmgreen				-07		
		8G2 sand beige						9S5 terracotta						
		3S9 sea blue						9V6 cocoa						
		4P2 palmgreen					-07	D12 dark grey/natural						
		9S5 terracotta						T12 brown/natural						
		9V6 cocoa						N12 carrera red				08-		
		D12 dark grey/natural						cover				/R	1	TURBO IXTT
		T12 brown/natural						door handle macassar						
(16)	997 555 992 01	N12 carrera red	08-	1	TURBO IXTU	(16)	A11 black		/R	-08				
		cover	/R				-08	5X6 stone grey						
		door handle sycamore wood						8G2 sand beige						
		A11 black						3S9 sea blue						
		5X6 stone grey						4P2 palmgreen				-07		
		8G2 sand beige						9S5 terracotta						
		3S9 sea blue						9V6 cocoa						
		4P2 palmgreen					-07	D12 dark grey/natural						
		9S5 terracotta						T12 brown/natural						
		9V6 cocoa						N12 carrera red				08-		
		D12 dark grey/natural						cover				/L	1	TURBO IXTW
		T12 brown/natural						door handle aluminium look						
(16)	997 555 991 02	N12 carrera red	08-	1	TURBO IXTT	(16)	A11 black		/L	-08				
		cover	/L				-08	5X6 stone grey						
		door handle macassar						8G2 sand beige						
								3S9 sea blue						

Model	Year	MG	SG	Illustration	Restrictions	UPD	7:46	26.01.2010	PORSCHE	PET	PORSCHE
997T	2009	8	07	807-10		248					

Pos	Part Number	Description	Remark	Qty	Model	Pos	Part Number	Description	Remark	Qty	Model
	4P2	palmgreen	-07				T13	brown/natural			
	9S5	terracotta					N23	carrera red	08-		
	9V6	cocoa				(18)	997 555 686 03	cover door mirror driver's side lacquered	/RL/R	1	I099
	D12	dark grey/natural					A03	black			
	T12	brown/natural					5V7	stone grey			
	N12	carrera red	08-				5Z1	sand beige			
(16)	997 555 992 03	cover door handle aluminium look	/R	1	TURBO IXTW		8W7	sea blue			
	A11	black					5Y2	palmgreen	-07		
	5X6	stone grey					8X8	terracotta			
	8G2	sand beige					8P9	cocoa			
	3S9	sea blue					T13	brown/natural			
	4P2	palmgreen	-07				N23	carrera red	08-		
	9S5	terracotta				(18)	997 555 686 02	cover door mirror passenger's side lacquered	/LL/R	1	I098
	9V6	cocoa					A03	black			
	D12	dark grey/natural					5V7	stone grey			
	T12	brown/natural					5Z1	sand beige			
	N12	carrera red	08-				8W7	sea blue			
17	999 591 380 01	cable clamp		4			5Y2	palmgreen			
18	997 555 685 02	cover door mirror driver's side lacquered	/LL/L	1	I098		8X8	terracotta			
	A03	black					8P9	cocoa			
	5V7	stone grey					T13	brown/natural			
	5Z1	sand beige					N23	carrera red			
	8W7	sea blue				(18)	997 555 685 03	cover door mirror passenger's side lacquered	/RL/L	1	I099
	5Y2	palmgreen	-07				A03	black			
	8X8	terracotta									
	8P9	cocoa									



Model	Year	MG	SG	Illustration	Restrictions	UPD	7:46	26.01.2010	PORSCHE	PET	PORSCHE
997T	2009	8	07	807-10		248					

Pos	Part Number	Description	Remark	Qty	Model	Pos	Part Number	Description	Remark	Qty	Model
	5V7	stone grey					FSE	palmgreen	-07		
	5Z1	sand beige					FSF	terracotta			
	8W7	sea blue					FSG	cocoa			
	5Y2	palmgreen					FSH	dark grey/natural			
	8X8	terracotta					FSJ	brown/natural			
	8P9	cocoa					FSP	carrera red	08-		
	T13	brown/natural				(24)	997 555 272 01	handle upper part	/R	1	TURBO
	N23	carrera red					FSA	black			
19	997 555 577 00	cap handle liner		1			FSB	stone grey			
	A03	black					FSC	sand beige			
	5V7	stone grey					FSD	sea blue			
	8W7	sea blue					FSE	palmgreen	-07		
	5Y2	palmgreen	-07				FSF	terracotta			
	8X8	terracotta					FSG	cocoa			
	8P9	cocoa					FSH	dark grey/natural			
	T13	brown/natural					FSJ	brown/natural			
	N23	carrera red	08-				FSP	carrera red	08-		
20	997 555 895 00	plastic foam strip for woofer		1		(24)	997 555 271 02	handle upper part	/L	08-	1 GT2 I981
21	997 645 511 00	logo		2	I680		FSD	black			
22	997 555 597 00	spacer lid hinge		2		(24)	997 555 272 02	handle upper part	/R	08-	1 GT2 I981
23	999 702 281 41	grommet axle bearing		1			FSD	black			
24	997 555 271 01	handle upper part	/L	1	TURBO	(24)	997 555 987 00	handle upper part	/L	1	TURBO IXTL
	FSA	black					A35	black			
	FSB	stone grey				(24)	997 555 988 00	handle upper part carbon	/R	1	TURBO IXTL
	FSC	sand beige									
	FSD	sea blue									

Model	Year	MG	SG	Illustration	Restrictions	UPD	7:46	26.01.2010	PORSCHE	PET	PORSCHE
997T	2009	8	07	807-10		248					

Pos	Part Number	Description	Remark	Qty	Model	Pos	Part Number	Description	Remark	Qty	Model
(24)	A35 997 555 987 01	black handle upper part	/L -08	1	TURBO IXTU	25	T13 N23 997 555 352 03	brown/natural carrera red insert			
(24)	S62 997 555 988 01	sycamore wood handle upper part	/R -08	1	TURBO IXTU		8X8 A03 5V7	terracotta black stone grey			
(24)	S62 997 555 987 02	sycamore wood handle upper part	/L	1	TURBO IXTT		5Z1 8W7 5Y2	sand beige sea blue palmgreen		-07	
(24)	S61 997 555 988 02	macassar handle upper part	/R	1	TURBO IXTT		8X8 8P9 T13	terracotta cocoa brown/natural			
(24)	S61 997 555 987 03	macassar handle upper part	/L	1	TURBO IXTW	(25)	N23 997 555 351 05	carrera red insert		08-	
(24)	V04 997 555 988 03	galvano silver handle upper part	/R	1	TURBO IXTW		5V7 5Z1 8W7	stone grey sand beige sea blue			
25	V04 997 555 351 03	galvano silver insert handle liner lacquered	/LL/L	1	COUPE I098	(25)	5Y2 8X8 8P9 T13	palmgreen terracotta cocoa brown/natural		-07	
	A03 5V7 5Z1 8W7 5Y2 8X8 8P9	black stone grey sand beige sea blue palmgreen terracotta cocoa				(25)	N23 997 555 352 05	carrera red insert		08-	
							A03	black	/RL/R	1	CABRIO I099

Model	Year	MG	SG	Illustration	Restrictions	UPD	7:46	26.01.2010	PORSCHE	PET	PORSCHE
997T	2009	8	07	807-10		248					

Pos	Part Number	Description	Remark	Qty	Model	Pos	Part Number	Description	Remark	Qty	Model
	5V7	stone grey					N23	carrera red	08-		
	5Z1	sand beige				25	997 555 985 00	insert	/LL/L	1	COUPE IXTV/098
	8W7	sea blue						handle liner leather			
	5Y2	palmgreen	-07				A11	black			
	8X8	terracotta					5X6	stone grey			
	8P9	cocoa					8G2	sand beige			
	T13	brown/natural					3S9	sea blue			
	N23	carrera red	08-				4P2	palmgreen	-07		
25	997 555 352 04	insert handle liner lacquered	/LL/R	1	I098		9S5	terracotta			
	A03	black					9V6	cocoa			
	5V7	stone grey					D12	dark grey/natural			
	5Z1	sand beige					T12	brown/natural			
	8W7	sea blue				(25)	N12	carrera red	08-		
	5Y2	palmgreen	-07				997 555 986 01	insert	/RL/R	1	COUPE IXTV/099
	8X8	terracotta						handle liner leather			
	8P9	cocoa					A11	black			
	T13	brown/natural					5X6	stone grey			
	N23	carrera red	08-				8G2	sand beige			
(25)	997 555 351 04	insert handle liner lacquered	/RL/L	1	I099		3S9	sea blue			
	A03	black					4P2	palmgreen	-07		
	5V7	stone grey					9S5	terracotta			
	5Z1	sand beige					9V6	cocoa			
	8W7	sea blue					D12	dark grey/natural			
	5Y2	palmgreen	-07				T12	brown/natural			
	8X8	terracotta				(25)	N12	carrera red	08-		
	8P9	cocoa					997 555 985 01	insert	/LL/L	1	CABRIO IXTV/098
	T13	brown/natural						handle liner leather			

Model	Year	MG	SG	Illustration	Restrictions	UPD	7:46	26.01.2010	PORSCHE	PET	PORSCHE
997T	2009	8	07	807-10		248					

Pos	Part Number	Description	Remark	Qty	Model	Pos	Part Number	Description	Remark	Qty	Model	
	A11	black					4P2	palmgreen	-07			
	5X6	stone grey					9S5	terracotta				
	8G2	sand beige					9V6	cocoa				
	3S9	sea blue					D12	dark grey/natural				
	4P2	palmgreen	-07				T12	brown/natural				
	9S5	terracotta					N12	carrera red	08-			
	9V6	cocoa				(25)	997 555 985 02	insert handle liner leather	/RL/L	1	IXTV/099	
	D12	dark grey/natural					A11	black				
	T12	brown/natural					5X6	stone grey				
	N12	carrera red	08-				8G2	sand beige				
(25)	997 555 986 02	insert handle liner leather	/RL/R	1	CABRIO IXTV/099		3S9	sea blue				
	A11	black					4P2	palmgreen	-07			
	5X6	stone grey					9S5	terracotta				
	8G2	sand beige					9V6	cocoa				
	3S9	sea blue					D12	dark grey/natural				
	4P2	palmgreen	-07				T12	brown/natural				
	9S5	terracotta					N12	carrera red	08-			
	9V6	cocoa				25	997 555 985 03	insert handle liner carbon	/LL/L	1	TURBO/COUPE IXTL/098	
	D12	dark grey/natural					A35	black				
	T12	brown/natural					997 555 985 03	insert handle liner carbon	/LL/L	08-	1	GT2 IXGE/098
	N12	carrera red	08-			25						
(25)	997 555 986 00	insert handle liner leather	/LL/R	1	IXTV/098		A35	black				
	A11	black				(25)	997 555 986 04	insert handle liner carbon	/RL/R	1	TURBO/COUPE IXTL/099	
	5X6	stone grey					A35	black				
	8G2	sand beige										
	3S9	sea blue										

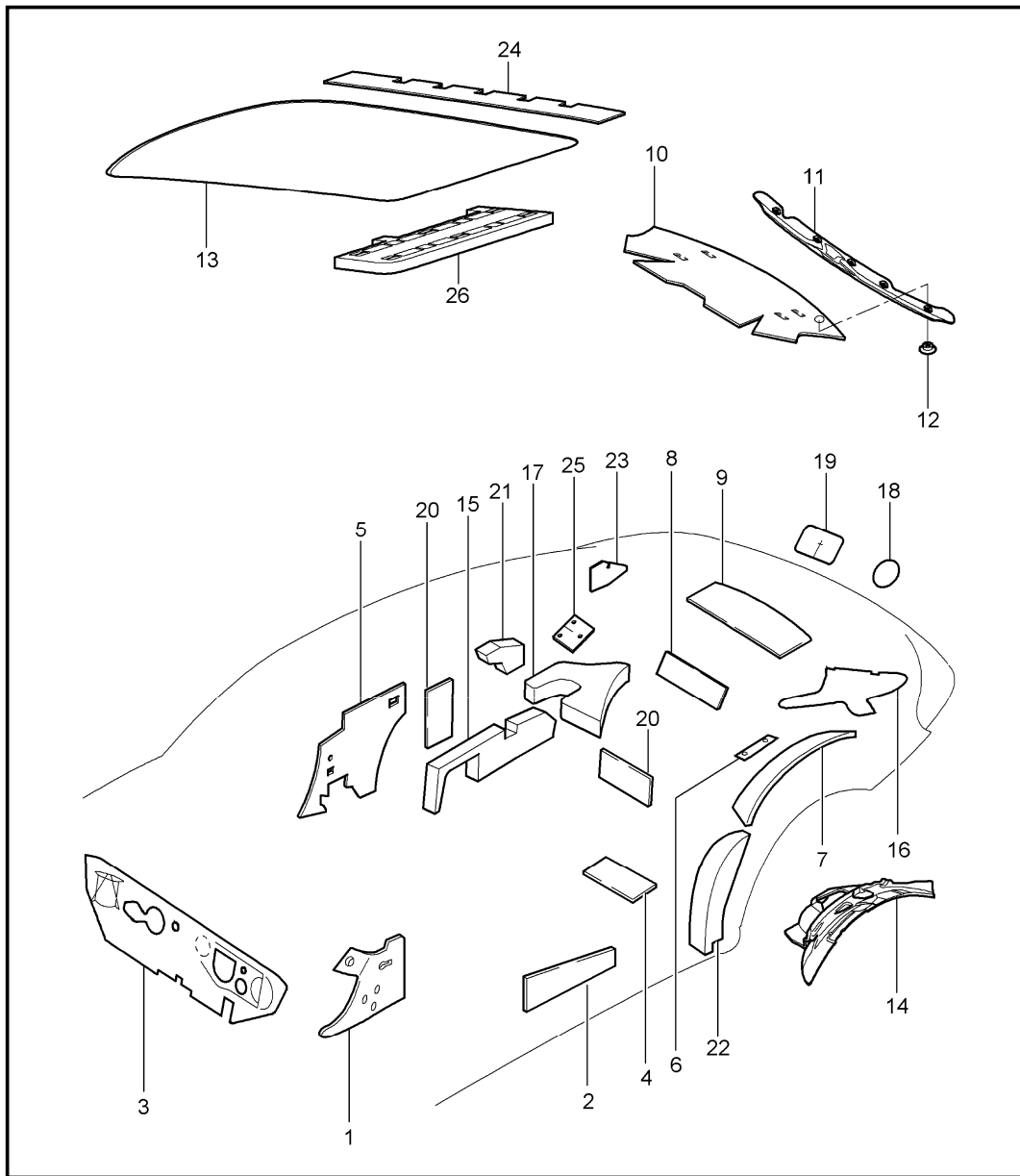
Model	Year	MG	SG	Illustration	Restrictions	UPD	7:46	26.01.2010	PORSCHE	PET	PORSCHE
997T	2009	8	07	807-10		248					

Pos	Part Number	Description	Remark	Qty	Model	Pos	Part Number	Description	Remark	Qty	Model
(25)	997 555 986 04	insert handle liner carbon A35 black	/RL/R 08-	1	GT2 IXGE/099	(25)	997 555 986 07	insert handle liner S62 sycamore wood	/RL/R -08	1	TURBO/COUPE IXTU/099
(25)	997 555 985 04	insert handle liner carbon A35 black	/LL/L	1	CABRIO IXTL/098	(25)	997 555 985 07	insert handle liner S62 sycamore wood	/LL/L -08	1	CABRIO IXTU/098
(25)	997 555 986 05	insert handle liner carbon A35 black	/RL/R	1	CABRIO IXTL/099	(25)	997 555 986 08	insert handle liner S62 sycamore wood	/RL/R -08	1	CABRIO IXTU/099
(25)	997 555 986 03	insert handle liner carbon A35 black	/LL/R	1	TURBO IXTL/098	(25)	997 555 986 06	insert handle liner S62 sycamore wood	/LL/R -08	1	TURBO IXTU/098
(25)	997 555 986 03	insert handle liner carbon A35 black	/LL/R 08-	1	GT2 IXGE/098	(25)	997 555 985 08	insert handle liner S62 sycamore wood	/RL/L -08	1	TURBO IXTU/099
(25)	997 555 985 05	insert handle liner carbon A35 black	/RL/L	1	TURBO IXTL/099	25	997 555 985 09	insert handle liner S61 macassar	/LL/L	1	TURBO/COUPE IXTT/098
(25)	997 555 985 05	insert handle liner carbon A35 black	/RL/L 08-	1	GT2 IXGE/099	(25)	997 555 986 10	insert handle liner S61 macassar	/RL/R	1	TURBO/COUPE IXTT/099
(25)	997 555 985 06	insert handle liner S62 sycamore wood	/LL/L -08	1	TURBO/COUPE IXTU/098	(25)	997 555 985 10	insert handle liner S61 macassar	/LL/L	1	CABRIO IXTT/098
						(25)	997 555 986 11	insert handle liner S61 macassar	/RL/R	1	CABRIO IXTT/099
						25	997 555 986 09	insert handle liner	/LL/R	1	TURBO IXTT/098

Model	Year	MG	SG	Illustration	Restrictions	UPD	7:46	26.01.2010	PORSCHE	PET	PORSCHE
997T	2009	8	07	807-10		248					

Pos	Part Number	Description	Remark	Qty	Model	Pos	Part Number	Description	Remark	Qty	Model
	S61	macassar									
(25)	997 555 985 11	insert handle liner	/RL/L	1	TURBO IXTT/099						
	S61	macassar									
25	997 555 985 12	insert handle liner	/LL/L	1	TURBO/COUPE IXTW/098						
	V04	galvano silver									
(25)	997 555 986 13	insert handle liner	/RL/R	1	TURBO/COUPE IXTW/099						
	V04	galvano silver									
(25)	997 555 985 13	insert handle liner	/LL/L	1	CABRIO IXTW/098						
	V04	galvano silver									
(25)	997 555 986 14	insert handle liner	/RL/R	1	CABRIO IXTW/099						
	V04	galvano silver									
25	997 555 986 12	insert handle liner	/LL/R	1	TURBO IXTW/098						
	V04	galvano silver									
(25)	997 555 985 14	insert handle liner	/RL/L	1	TURBO IXTW/099						
	V04	galvano silver									

Model	Year	MG	SG	Illustration	Restrictions	UPD	7:46	26.01.2010	PORSCHE	PET	PORSCHE
997T	2009	8	07	807-15		248					



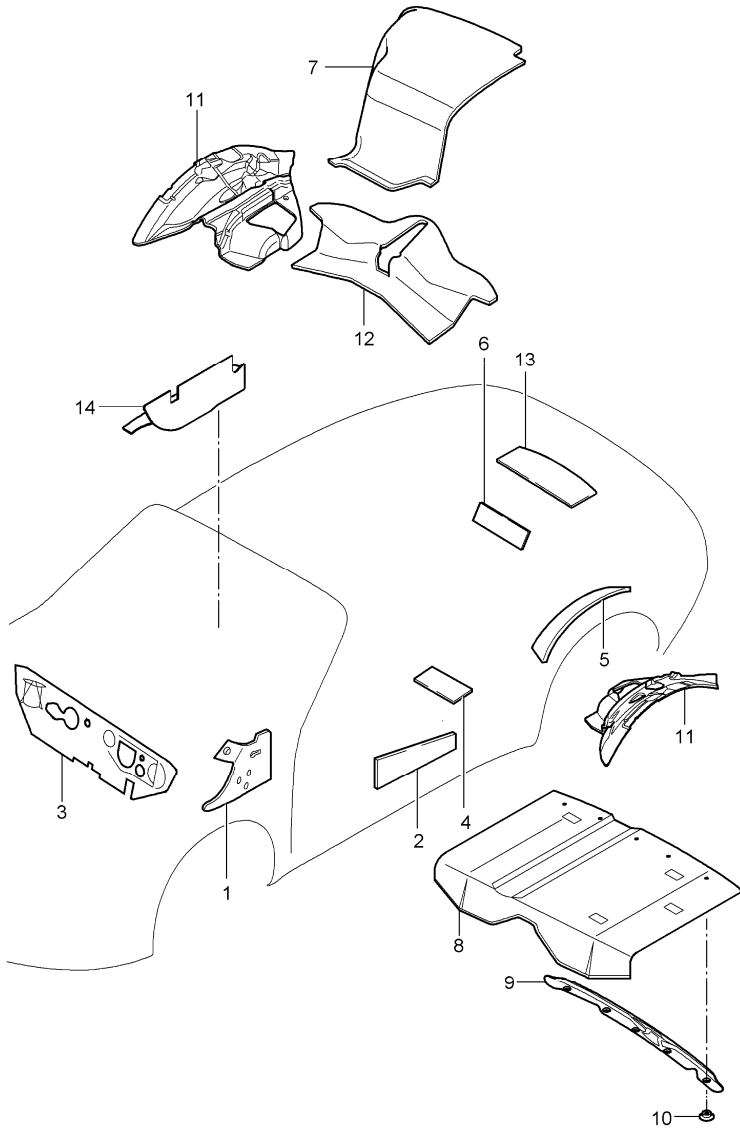
Pos	Part Number	Description	Remark	Qty	Model
1	997 556 605 00	body sound proofing 1			COUPE
(1)	997 556 606 00	sound absorber wheel housing front	/L	1	
2	997 556 531 01	insulation door		1	
3	997 556 723 00	sound absorber firewall	/LL	1	I098
(3)	997 556 724 00	sound absorber firewall	/RL	1	I099
4	997 556 503 00	insulation floor		2	TURBO
5	997 556 655 00	sound absorber side trim panel	/L	1	
(5)	997 556 656 00	sound absorber side trim panel	/R	1	
6	997 556 523 00	insulation tray		2	
7	997 556 507 00	insulation wheel housing rear	/L	1	TURBO
(7)	997 556 508 00	insulation wheel housing rear	/R	1	TURBO
8	997 556 511 00	insulation rear wall lower		1	TURBO
9	997 556 521 00	insulation rear wall upper		1	TURBO
10	997 556 711 02	sound absorber		07	1
10	997 556 711 03	sound absorber engine compartment		08-	1
11	996 556 761 01	retaining strip engine compartment		1	

Model	Year	MG	SG	Illustration	Restrictions	UPD	7:46	26.01.2010	PORSCHE	PET	PORSCHE
997T	2009	8	07	807-15		248					

Pos	Part Number	Description	Remark	Qty	Model	Pos	Part Number	Description	Remark	Qty	Model
12	999 049 020 40	plastic nut T5/30 X 5,1		5		24	997 556 603 00	sound absorber tensioner rear		1	
13	997 556 647 00	sound absorber roof		1	TURBO I652	25	997 556 613 00	sound absorber mounting spring strut	/L	1	
14	997 556 657 00	sound absorber wheel-housing liner rear	/L	1		(25)	997 556 614 00	sound absorber mounting spring strut	/R	1	
(14)	997 556 658 00	sound absorber wheel-housing liner rear	/R	1		27	999 049 027 40	plastic nut 30 X 1,8		2	
15	997 556 571 02	sound absorber side trim panel		2	TURBO						
16	996 556 753 01	seal side section upper	/L	1							
(16)	996 556 754 01	seal side section upper	/R	1							
17	997 556 811 01	filler piece wheel housing	/L	1							
(17)	997 556 812 01	filler piece wheel housing	/R	1							
18	997 556 807 00	sound absorber 40,0 end plate rear end		2	TURBO						
19	997 556 805 00	sound absorber 120 X 90 end plate rear end		1	TURBO						
20	997 556 801 00	sound absorber seat well		4	TURBO						
21	997 556 803 00	filler piece seat well		2							
22	997 556 513 01	sound absorber b-pillar		2							
23	997 556 619 00	sound absorber air duct	/L	1							
(23)	997 556 620 00	sound absorber air duct	/R	1							



Model	Year	MG	SG	Illustration	Restrictions	UPD	7:46	26.01.2010	PORSCHE	PET	PORSCHE
997T	2009	8	07	807-16		248					

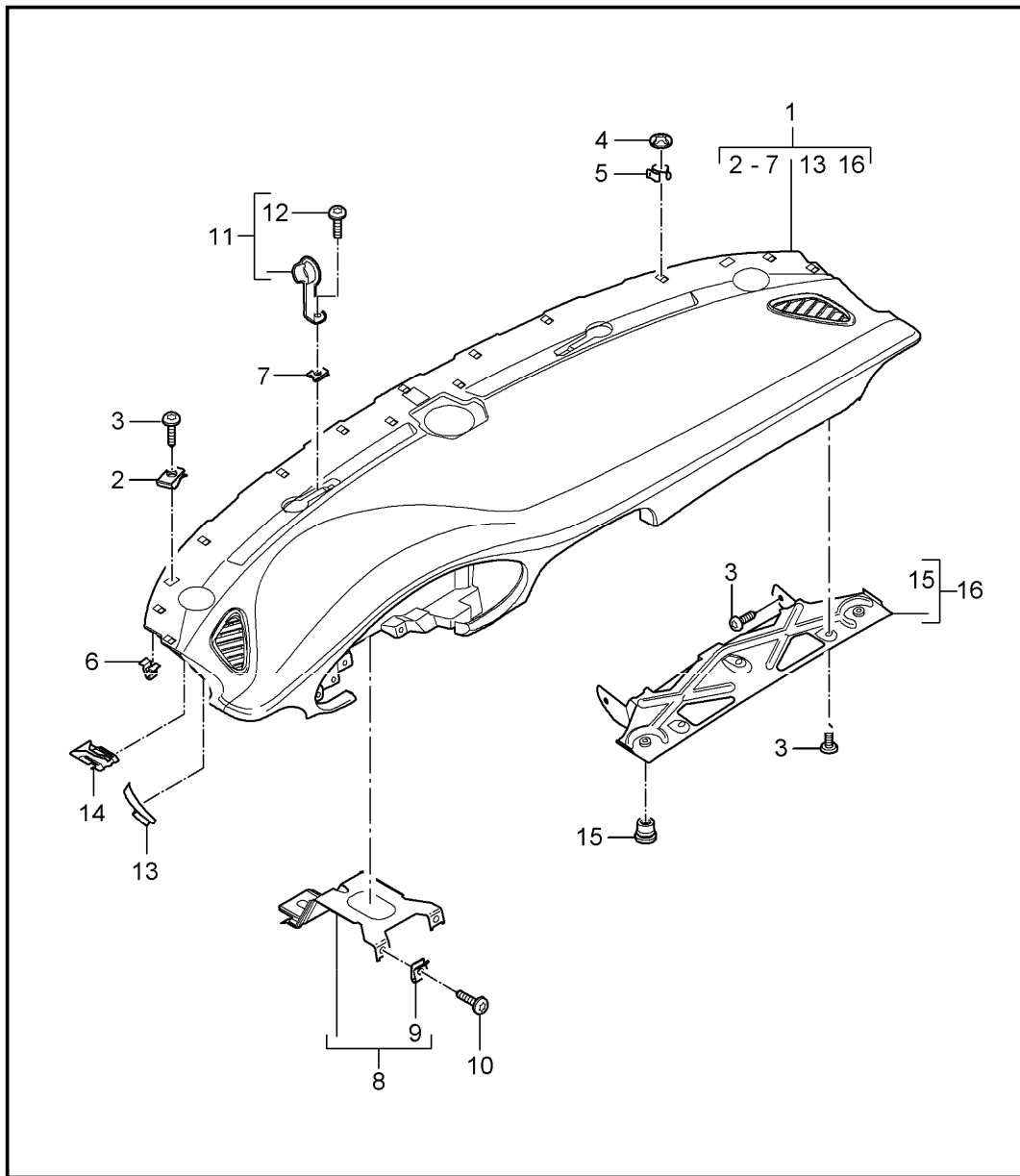


Pos	Part Number	Description	Remark	Qty	Model
1	997 556 605 00	body sound proofing 1			CABRIO
(1)	997 556 606 00	sound absorber wheel housing front	/L	1	
2	997 556 531 01	insulation door		05	
3	997 556 723 00	sound absorber firewall	/LL	1	I098
(3)	997 556 724 00	sound absorber firewall	/RL	1	I099
4	997 556 503 00	insulation floor		2	
5	997 556 507 01	insulation wheel housing rear	/L	1	
(5)	997 556 508 01	insulation wheel housing rear	/R	1	
6	997 556 511 00	insulation rear wall lower		1	
(7)	997 556 611 00	sound absorber convertible top tray	/L	1	
7	997 556 612 00	sound absorber convertible top tray	/R	1	
8	997 556 711 02	sound absorber		07	
8	997 556 711 03	sound absorber engine compartment		08-	
9	996 556 761 01	retaining strip engine compartment		1	
10	999 049 020 40	plastic nut T5/30 X 5,1		5	
(11)	997 556 657 01	sound absorber wheel-housing liner rear	/L	1	

Model	Year	MG	SG	Illustration	Restrictions	UPD	7:46	26.01.2010	PORSCHE	PET	PORSCHE
997T	2009	8	07	807-16		248					

Pos	Part Number	Description	Remark	Qty	Model	Pos	Part Number	Description	Remark	Qty	Model
11	997 556 658 01	sound absorber wheel-housing liner rear	/R	1							
12	997 556 653 00	sound absorber control units		1							
13	997 556 521 00	insulation rear wall upper		1							
14	997 556 634 00	sound absorber subwoofer		1	I680						

Model	Year	MG	SG	Illustration	Restrictions	UPD	7:47	26.01.2010	PORSCHE	PET	PORSCHE
997T	2009	8	09	809-00		248					



Pos	Part Number	Description	Remark	Qty	Model
1	997 552 101 07	dashboard trim upper part with mounting parts accessories see group 8/09/01 dashboard upper part leather valid up to: F >>998S7 80473 F >>998S7 86563 F >>998S7 94072 FSA black FSB stone grey FSC sand beige FSD sea blue FSE palmgreen FSF terracotta FSG cocoa FSH dark grey/natural FSJ brown/natural FSP carrera red	/LL	1	I098/981 TURBO/COUPE TURBO/CABRIO GT2
(1)	997 552 102 07	dashboard upper part leather valid up to: F >>998S7 80473 F >>998S7 86563 F >>998S7 94072 FSA black FSB stone grey FSC sand beige FSD sea blue FSE palmgreen FSF terracotta	/RL	1	I099/981 TURBO/COUPE TURBO/CABRIO GT2

Model	Year	MG	SG	Illustration	Restrictions	UPD	7:47	26.01.2010	PORSCHE	PET	PORSCHE
997T	2009	8	09	809-00		248					

Pos	Part Number	Description	Remark	Qty	Model	Pos	Part Number	Description	Remark	Qty	Model
1	997 552 101 11	FSG cocoa FSH dark grey/natural FSJ brown/natural FSP carrera red dashboard upper part leather valid from: F 998S7 80474>> F 998S7 86564>> F 998S7 94073>> FSA black FSB stone grey FSC sand beige FSD sea blue FSF terracotta FSG cocoa FSH dark grey/natural FSJ brown/natural FSP carrera red	/LL 08- 08-	1	I098/981 TURBO/COUPE TURBO/CABRIO GT2	1	997 552 101 09	FSP carrera red dashboard upper part leather valid up to: F >>998S7 80473 F >>998S7 86563 F >>998S7 94072 FSA black FSB stone grey FSC sand beige FSD sea blue FSE palmgreen FSF terracotta FSG cocoa/cocoa FSH darkgrey natural/grey FSJ brown/natural FSP carrera red	08- /LL 08-	1	I098/639/640 I981 TURBO/COUPE TURBO/CABRIO GT2
1	997 552 102 11	dashboard upper part leather valid from: F 998S7 80474>> F 998S7 86564>> F 998S7 94073>> FSA black FSB stone grey FSC sand beige FSD sea blue FSF terracotta FSG cocoa FSH dark grey/natural FSJ brown/natural	/RL 08- 08-	1	I099/981 TURBO/COUPE TURBO/CABRIO GT2	(1)	997 552 102 09	dashboard upper part leather valid up to: F >>998S7 80473 F >>998S7 86563 F >>998S7 94072 FSA black FSB stone grey FSC sand beige FSD sea blue FSE palmgreen FSF terracotta FSG cocoa/cocoa FSH darkgrey natural/grey FSJ brown/natural	08- /RL 08-	1	I099/639/640 I981 TURBO/COUPE TURBO/CABRIO GT2

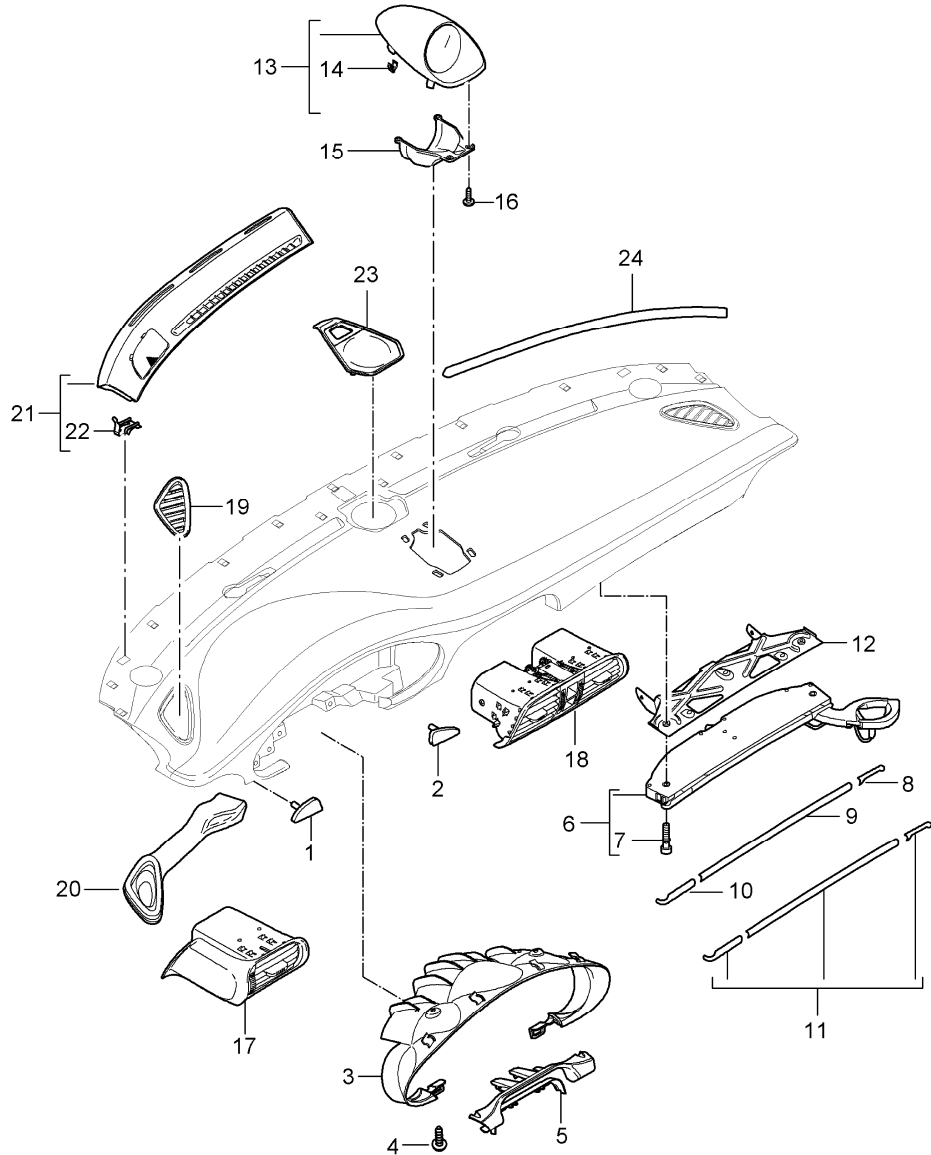
Model	Year	MG	SG	Illustration	Restrictions	UPD	7:47	26.01.2010	PORSCHE	PET	PORSCHE
997T	2009	8	09	809-00		248					

Pos	Part Number	Description	Remark	Qty	Model	Pos	Part Number	Description	Remark	Qty	Model
	FSP	carrera red	08-			2	999 507 971 01	speed nut ST 4,2		X	
1	997 552 101 13	dashboard	/LL	1	I098/639/640 I981	3	999 073 155 09	tapping screw ST 4,2 X 13		X	
		upper part leather valid from: F 998S7 80474>> F 998S7 86564>> F 998S7 94073>>			TURBO/COUPE TURBO/CABRIO GT2	4	999 507 106 02	clamping washer 8,0		X	
	FSA	black				5	999 507 573 02	clamp 6,7 - 8,1		X	
	FSB	stone grey				6	999 507 732 01	clamp 8,0 X 12,0 /4,0		X	
	FSC	sand beige				7	999 507 020 01	speed nut ST 4,2 for mount dashboard		X	
	FSD	sea blue									
	FSF	terracotta									
	FSG	cocoa				8	997 552 617 01	support dashboard driver's side		1	
	FSH	dark grey/natural									
	FSJ	brown/natural				9	999 507 020 01	speed nut ST 4,2		2	
(1)	997 552 102 13	dashboard	/RL	1	I099/639/640 I981	10	999 073 155 09	tapping screw ST 4,2 X 13		2	
		upper part leather valid from: F 998S7 80474>> F 998S7 86564>> F 998S7 94073>>			TURBO/COUPE TURBO/CABRIO GT2	11	997 552 673 00	lid defroster trim		2	
	FSA	black				12	999 073 226 09	tapping screw ST 4,2 X 16		2	
	FSB	stone grey				13	997 552 481 00	insert a-pillar	/L	1	
	FSC	sand beige				(13)	997 552 482 00	insert a-pillar	/R	1	
	FSD	sea blue				14	8E0 857 117	clamp mount dashboard cowl panel		2	
	FSF	terracotta									
	FSG	cocoa				15	999 500 132 00	grooved nut M 5 valid up to: F >>998S7 80473 F >>998S7 86563 F >>998S7 94072		2	TURBO/COUPE TURBO/CABRIO GT2
	FSH	dark grey/natural									
	FSJ	brown/natural									
	FSP	carrera red	08-								

Model	Year	MG	SG	Illustration	Restrictions	UPD	7:47	26.01.2010	PORSCHE	PET	PORSCHE
997T	2009	8	09	809-00		248					

Pos	Part Number	Description	Remark	Qty	Model	Pos	Part Number	Description	Remark	Qty	Model
(15)	999 507 319 01	captive nut M 5 valid from: F 998S7 80474>> F 998S7 86564>> F 998S7 94073>>		2	TURBO/COUPE TURBO/CABRIO GT2						
16	997 552 360 02	retaining bracket for beverages support valid up to: F >>998S7 80473 F >>998S7 86563 F >>998S7 94072	/LL	1	I098  COUPE/TURBO CABRIO/TURBO GT2						
16	997 552 359 02	retaining bracket for beverages support valid up to: F >>998S7 80473 F >>998S7 86563 F >>998S7 94072	/RL	1	I099  TURBO/COUPE TURBO/CABRIO GT2						
16	997 552 360 03	retaining bracket for beverages support valid from: F 998S7 80474>> F 998S7 86564>> F 998S7 94073>>	/LL	1	I098  COUPE/TURBO CABRIO/TURBO CABRIO/TURBO						
(16)	997 552 359 03	retaining bracket for beverages support valid from: F 998S7 80474>> F 998S7 86564>> F 998S7 94073>>	/RL	1	I099  TURBO/COUPE TURBO/CABRIO GT2						

Model	Year	MG	SG	Illustration	Restrictions	UPD	7:47	26.01.2010	PORSCHE	PET	PORSCHE
997T	2009	8	09	809-01		248					



Pos	Part Number	Description	Remark	Qty	Model
		accessories dashboard trim upper part			
1	997 552 381 01	moulding driver's side outer	/LL 08-	1	GT2 I098
	D07	volcano grey			
1	997 552 382 01	moulding driver's side outer	/RL 08-	1	GT2 I099
	D07	volcano grey			
1	997 552 381 02	moulding driver's side outer	/LL	1	TURBO I098
	V04	galvano silver			
1	997 552 382 02	moulding driver's side outer	/RL	1	TURBO I099
	V04	galvano silver			
1	997 552 381 03	moulding driver's side outer	/LL	1	TURBO I098/801
	S61	macassar			
1	997 552 382 03	moulding driver's side outer	/RL	1	TURBO I099/801
	S61	macassar			
1	997 552 381 04	moulding driver's side outer	/LL -08	1	TURBO I098/802
	S62	sycamore wood			
(1)	997 552 382 04	moulding driver's side outer	/RL -08	1	TURBO I099/802

Model	Year	MG	SG	Illustration	Restrictions	UPD	7:47	26.01.2010	PORSCHE	PET	PORSCHE
997T	2009	8	09	809-01		248					

Pos	Part Number	Description	Remark	Qty	Model	Pos	Part Number	Description	Remark	Qty	Model	
	S62	sycamore wood					A11	black				
1	997 552 381 05	moulding driver's side outer	/LL	1	TURBO I098/803		5X6	stone grey				
	A35	black					8G2	sand beige				
1	997 552 381 05	moulding driver's side outer	/LL	08-	1	GT2 IXGB/098	3S9	sea blue				
	A35	black					4P2	palmgreen		-07		
(1)	997 552 382 05	moulding driver's side outer	/RL	1	TURBO I099/803		9S5	terracotta				
	A35	black					9V6	cocoa				
(1)	997 552 382 05	moulding driver's side outer	/RL	08-	1	GT2 IXGB/099	D12	dark grey/natural				
	A35	black					T12	brown/natural				
1	997 552 986 00	moulding driver's side outer	/LL	1	IXVP/098	2	997 552 383 01	moulding driver's side centre	/LL	08-	1	GT2 I098
	A11	black					D07	volcano grey				
	5X6	stone grey				2	997 552 384 01	moulding driver's side centre	/RL	08-	1	GT2 I099
	8G2	sand beige					D07	volcano grey				
	3S9	sea blue					997 552 383 02	moulding driver's side centre	/LL		1	TURBO I098
	4P2	palmgreen		-07			V04	galvano silver				
	9S5	terracotta				(2)	997 552 384 02	moulding driver's side centre	/RL		1	TURBO I099
	9V6	cocoa					V04	galvano silver				
	D12	dark grey/natural				2	997 552 383 03	moulding driver's side centre	/LL		1	TURBO I098/801
	T12	brown/natural					S61	macassar				
(1)	997 552 986 01	moulding driver's side outer	/RL	1	IXVP/099							
	N12	carrera red		08-								



Model	Year	MG	SG	Illustration	Restrictions	UPD	7:47	26.01.2010	PORSCHE	PET	PORSCHE
997T	2009	8	09	809-01		248					

Pos	Part Number	Description	Remark	Qty	Model	Pos	Part Number	Description	Remark	Qty	Model
(2)	997 552 384 03	moulding driver's side centre	/RL	1	TURBO I099/801		8G2	sand beige			
	S61	macassar					3S9	sea blue			
2	997 552 383 04	moulding driver's side centre	/LL -08	1	TURBO I098/802		4P2	palmgreen	-07		
	S62	sycamore wood					9S5	terracotta			
(2)	997 552 384 04	moulding driver's side centre	/RL -08	1	TURBO I099/802		9V6	cocoa			
	S62	sycamore wood					D12	dark grey/natural			
							T12	brown/natural			
(2)	997 552 384 04	moulding driver's side centre	/RL -08	1	TURBO I099/802	(2)	N12	carrera red	08-		
	S62	sycamore wood					997 552 987 01	moulding driver's side centre	/RL	1	IXVP/099
2	997 552 383 05	moulding driver's side centre	/LL	1	TURBO I098/803		A11	black			
	A35	black					5X6	stone grey			
2	997 552 383 05	moulding driver's side centre	/LL 08-	1	GT2 IXGB/098		8G2	sand beige			
	A35	black					3S9	sea blue			
(2)	997 552 384 05	moulding driver's side centre	/RL	1	TURBO I099/803		4P2	palmgreen	-07		
	A35	black					9S5	terracotta			
(2)	997 552 384 05	moulding driver's side centre	/RL	1	TURBO I099/803		9V6	cocoa			
	A35	black					D12	dark grey/natural			
(2)	997 552 384 05	moulding driver's side centre	/RL 08-	1	GT2 IXGB/099	3	T12	brown/natural			
	A35	black					N12	carrera red	08-		
(2)	997 552 384 05	moulding driver's side centre	/RL 08-	1	GT2 IXGB/099		997 552 325 01	cover instrument cluster	/LL	1	I098
	A35	black					A03	black			
2	997 552 987 00	moulding driver's side centre	/LL	1	IXVP/098		5V7	stone grey			
	A11	black					5Z1	sand beige			
	5X6	stone grey					8W7	sea blue			
							5Y2	palmgreen	-07		
							8X8	terracotta			
							8P9	cocoa			

Model	Year	MG	SG	Illustration	Restrictions	UPD	7:47	26.01.2010	PORSCHE	PET	PORSCHE
997T	2009	8	09	809-01		248					

Pos	Part Number	Description	Remark	Qty	Model	Pos	Part Number	Description	Remark	Qty	Model
(3)	T13	brown/natural					3S9	sea blue			
	N23	carrera red	08-				4P2	palmgreen	-07		
	997 552 326 01	cover instrument cluster	/RL	1	I099		9S5	terracotta			
	A03	black					9V6	cocoa			
	5V7	stone grey					D12	dark grey/natural			
	5Z1	sand beige					T12	brown/natural			
	8W7	sea blue					N12	carrera red	08-		
	5Y2	palmgreen	-07			3	997 552 989 02	cover instrument cluster	/LL	1	TURBO IXCL/098
	8X8	terracotta					V04	galvano silver			
	8P9	cocoa				(3)	997 552 989 03	cover instrument cluster	/RL	1	TURBO IXCL/099
3	T13	brown/natural					V04	galvano silver			
	N23	carrera red	08-				4	999 073 155 09	tapping screw ST 4,2 X 13	2	
	997 552 989 00	cover instrument cluster	/LL	1	IXNG/098		5	997 552 271 01	bridge	1	
	A11	black					A03	black			
	5X6	stone grey					5V7	stone grey			
	8G2	sand beige					5Z1	sand beige			
	3S9	sea blue					8W7	sea blue			
	4P2	palmgreen	-07				5Y2	palmgreen	-07		
	9S5	terracotta					8X8	terracotta			
	9V6	cocoa					8P9	cocoa			
(3)	D12	dark grey/natural					T13	brown/natural			
	T12	brown/natural					N23	carrera red	08-		
	N12	carrera red	08-				5	997 552 978 00	bridge leather	1	IXNS
	997 552 989 01	cover instrument cluster	/RL	1	IXNG/099		A11	black			
	A11	black					5X6	stone grey			
	5X6	stone grey					8G2	sand beige			
	8G2	sand beige									

Model	Year	MG	SG	Illustration	Restrictions	UPD	7:47	26.01.2010	PORSCHE	PET	PORSCHE
997T	2009	8	09	809-01		248					

Pos	Part Number	Description	Remark	Qty	Model	Pos	Part Number	Description	Remark	Qty	Model	
	3S9	sea blue					A35	black				
	4P2	palmgreen	-07			(8)	997 552 395 05	cover	/RL/R	1	TURBO I099/803	
	9S5	terracotta					A35	black				
	9V6	cocoa				(8)	997 552 395 05	cover	/RL/R	08-	1	GT2 IXGB/099
	D12	dark grey/natural					A35	black				
	T12	brown/natural				8	997 552 993 00	cover	/LL/R	1	IXVP/098	
	N12	carrera red	08-				A11	black				
6	997 552 294 03	support beverages	/LL	1	I098		5X6	stone grey				
(6)	997 552 293 04	support beverages	/RL	1	I099		8G2	sand beige				
--	997 552 905 00	repair kit flap torsion spring for beverages support		1			3S9	sea blue				
7	900 067 416 01	pan-head screw M5 X 27		2			4P2	palmgreen	-07			
8	997 552 394 01	cover	/LL/R	08-	1	GT2 I098	9S5	terracotta				
	D07	volcano grey					9V6	cocoa				
(8)	997 552 393 01	cover	/RL/R	08-	1	GT2 I099	D12	dark grey/natural				
	D07	volcano grey					T12	brown/natural				
8	997 552 394 02	cover	/LL/R	1	TURBO I098	(8)	997 552 993 01	cover	/RL/R	08-	1	IXVP/099
	V04	galvano silver					N12	carrera red				
(8)	997 552 393 02	cover	/RL/R	1	TURBO I099		A11	black				
	V04	galvano silver					5X6	stone grey				
8	997 552 396 05	cover	/LL/R	1	TURBO I098/803		8G2	sand beige				
	A35	black					3S9	sea blue				
(8)	997 552 396 05	cover	/LL/R	08-	1	GT2 IXGB/098	4P2	palmgreen	-07			
							9S5	terracotta				
							9V6	cocoa				
							D12	dark grey/natural				
							T12	brown/natural				
							N12	carrera red	08-			

Model	Year	MG	SG	Illustration	Restrictions	UPD	7:47	26.01.2010	PORSCHE	PET	PORSCHE
997T	2009	8	09	809-01		248					

Pos	Part Number	Description	Remark	Qty	Model	Pos	Part Number	Description	Remark	Qty	Model
9	997 552 398 00	cover centre D07 volcano grey	/LL 08-	1	GT2 I098		3S9	sea blue			
(9)	997 552 397 00	cover centre D07 volcano grey	/RL 08-	1	GT2 I099		4P2	palmgreen	-07		
9	997 552 398 01	cover centre V04 galvano silver	/LL	1	TURBO I098	9	997 552 994 01	cover centre	/RL	1	IXVP/099
(9)	997 552 397 01	cover centre V04 galvano silver	/RL	1	TURBO I099		A11	black			
9	997 552 398 04	cover centre A35 black	/LL	1	TURBO I098/803		5X6	stone grey			
9	997 552 398 04	cover centre A35 black	/LL 08-	1	GT2 IXGB/098		8G2	sand beige			
(9)	997 552 397 04	cover centre A35 black	/RL	1	TURBO I099/803	10	997 552 396 01	cover	/LL/L	1	GT2 I098
(9)	997 552 397 04	cover centre A35 black	/RL 08-	1	GT2 IXGB/099	(10)	997 552 395 01	cover	/RL/L	1	GT2 I099
9	997 552 994 00	cover centre A11 black 5X6 stone grey 8G2 sand beige	/LL	1	IXVP/098	10	997 552 396 02	cover	/LL/L	1	TURBO I098
						(10)	997 552 395 02	cover	/RL/L	1	TURBO I099

Model	Year	MG	SG	Illustration	Restrictions	UPD	7:47	26.01.2010	PORSCHE	PET	PORSCHE
997T	2009	8	09	809-01		248					

Pos	Part Number	Description	Remark	Qty	Model	Pos	Part Number	Description	Remark	Qty	Model	
10	997 552 394 05	cover	/LL/L	1	TURBO I098/803		D12	dark grey/natural				
	A35	black					T12	brown/natural				
10	997 552 394 05	cover	/LL/L	08-	1	GT2 IXGB/098	N12	carrera red	08-	1	TURBO I098/801	
	A35	black				11	997 552 904 00	set	/LL			
(10)	997 552 393 05	cover	/RL/L	1	TURBO I099/803			cover wood				
	A35	black					S61	macassar				
(10)	997 552 393 05	cover	/RL/L	08-	1	GT2 IXGB/099	(11)	997 552 903 00	set	/RL	1	TURBO I099/801
	A35	black						cover wood				
10	997 552 992 00	cover	/LL/L	1	IXVP/098			S61	macassar			
	A11	black				11	997 552 904 01	set	/LL	-08	1	TURBO I098/802
	5X6	stone grey						cover wood				
	8G2	sand beige					S62	sycamore wood				
	3S9	sea blue				11	997 552 903 01	set	/RL	-08	1	TURBO I099/802
	4P2	palmgreen	-07					cover wood				
	9S5	terracotta					S62	sycamore wood				
	9V6	cocoa				12	--- --- --- --	retaining bracket for beverages support see group 8/09/00			1	
	D12	dark grey/natural										
	T12	brown/natural										
	N12	carrera red	08-			(13)	997 552 371 01	air box upper part			1	I639/640/981
(10)	997 552 992 01	cover	/RL/L	1	IXVP/099			A11	black			
	A11	black						5X6	stone grey			
	5X6	stone grey						8G2	sand beige			
	8G2	sand beige						3S9	sea blue			
	3S9	sea blue						4P2	palmgreen	-07		
	4P2	palmgreen	-07					9S5	terracotta			
	9S5	terracotta						9V6	cocoa			
	9V6	cocoa										

Model	Year	MG	SG	Illustration	Restrictions	UPD	7:47	26.01.2010	PORSCHE	PET	PORSCHE
997T	2009	8	09	809-01		248					

Pos	Part Number	Description	Remark	Qty	Model	Pos	Part Number	Description	Remark	Qty	Model
	D12	dark grey/natural					N12	carrera red	08-		
	T12	brown/natural				(17)	997 552 982 00	side vent	/R	1	IXN3
	N12	carrera red					A11	black			
14	999 507 920 01	u-clamp 1,7-2,1		4	I639/640		5X6	stone grey			
15	997 552 373 01	support for air box upper part		1	I639/640		8G2	sand beige			
16	999 919 167 09	oval-head screw 3,0 X 10 for mount support air box		4			3S9	sea blue			
17	997 552 131 05	side vent	/L	08-	1	GT2	4P2	palmgreen	-07		
	D07	volcano grey					9S5	terracotta			
(17)	997 552 132 05	side vent	/R	08-	1	GT2	9V6	cocoa			
	D07	volcano grey				17	997 552 981 01	side vent	/L	1	IXKD
17	997 552 131 06	side vent	/L		1	TURBO	A11	black			
	V04	galvano silver					5X6	stone grey			
(17)	997 552 132 06	side vent	/R		1	TURBO	8G2	sand beige			
	V04	galvano silver					3S9	sea blue			
17	997 552 981 00	side vent	/L		1	IXN3	4P2	palmgreen	-07		
	A11	black					9S5	terracotta			
	5X6	stone grey					9V6	cocoa			
	8G2	sand beige					D12	dark grey/natural			
	3S9	sea blue					T12	brown/natural			
	4P2	palmgreen					N12	carrera red	08-		
	9S5	terracotta				(17)	997 552 982 01	side vent	/R	1	IXKD
	9V6	cocoa					A11	black			
	D12	dark grey/natural					5X6	stone grey			
	T12	brown/natural					8G2	sand beige			
							3S9	sea blue			
							4P2	palmgreen	-07		

Model	Year	MG	SG	Illustration	Restrictions	UPD	7:47	26.01.2010	PORSCHE	PET	PORSCHE
997T	2009	8	09	809-01		248					

Pos	Part Number	Description	Remark	Qty	Model	Pos	Part Number	Description	Remark	Qty	Model
	9S5	terracotta				17	997 552 981 03	side vent	/L	1	TURBO IXJL
	9V6	cocoa					A11	black			
	D12	dark grey/natural					5X6	stone grey			
	T12	brown/natural					8G2	sand beige			
	N12	carrera red	08-				3S9	sea blue			
17	997 552 981 02	side vent	/L	-08	1 TURBO IXJM		4P2	palmgreen		-07	
	A11	black					9S5	terracotta			
	5X6	stone grey					9V6	cocoa			
	8G2	sand beige					D12	dark grey/natural			
	3S9	sea blue					T12	brown/natural			
	4P2	palmgreen	-07				N12	carrera red	08-		
	9S5	terracotta				(17)	997 552 982 03	side vent	/R	1	TURBO IXJL
	9V6	cocoa					A11	black			
	D12	dark grey/natural					5X6	stone grey			
	T12	brown/natural					8G2	sand beige			
	N12	carrera red	08-				3S9	sea blue			
(17)	997 552 982 02	side vent	/R	-08	1 TURBO IXJM		4P2	palmgreen		-07	
	A11	black					9S5	terracotta			
	5X6	stone grey					9V6	cocoa			
	8G2	sand beige					D12	dark grey/natural			
	3S9	sea blue					T12	brown/natural			
	4P2	palmgreen	-07				N12	carrera red	08-		
	9S5	terracotta				17	997 552 981 04	side vent	/L	1	TURBO IXCN
	9V6	cocoa					A11	black			
	D12	dark grey/natural					5X6	stone grey			
	T12	brown/natural					8G2	sand beige			
	N12	carrera red	08-				3S9	sea blue			

Model	Year	MG	SG	Illustration	Restrictions	UPD	7:47	26.01.2010	PORSCHE	PET	PORSCHE
997T	2009	8	09	809-01		248					

Pos	Part Number	Description	Remark	Qty	Model	Pos	Part Number	Description	Remark	Qty	Model
	4P2	palmgreen	-07				4P2	palmgreen	-07		
	9S5	terracotta					9S5	terracotta			
	9V6	cocoa					9V6	cocoa			
	D12	dark grey/natural					D12	dark grey/natural			
	T12	brown/natural					T12	brown/natural			
	N12	carrera red	08-			(18)	997 552 980 05	centre nozzle	08-	1	IXVM
(17)	997 552 982 04	side vent	/R	1	TURBO IXCN		A11	black			
	A11	black					5X6	stone grey			
	5X6	stone grey					8G2	sand beige			
	8G2	sand beige					3S9	sea blue			
	3S9	sea blue					9S5	terracotta			
	4P2	palmgreen	-07				9V6	cocoa			
	9S5	terracotta					D12	dark grey/natural			
	9V6	cocoa					T12	brown/natural			
	D12	dark grey/natural				(18)	997 552 980 01	centre nozzle	08- 07	1	TURBO IXZB
	T12	brown/natural					N12	carrera red	08-		
(18)	997 552 141 07	centre nozzle	08-	1	GT2		A11	black			
	D07	volcano grey					5X6	stone grey			
(18)	997 552 141 06	centre nozzle	07	1	TURBO		8G2	sand beige			
	V04	galvano silver					3S9	sea blue			
(18)	997 552 141 08	centre nozzle	08-	1	TURBO		4P2	palmgreen	-07		
	V04	galvano silver					9S5	terracotta			
(18)	997 552 980 00	centre nozzle	07	1	TURBO IXVM		9V6	cocoa			
	A11	black					D12	dark grey/natural			
	5X6	stone grey				(18)	997 552 980 06	centre nozzle	08-	1	IXZB
	8G2	sand beige					A11	black			
	3S9	sea blue					5X6	stone grey			



Model	Year	MG	SG	Illustration	Restrictions	UPD	7:47	26.01.2010	PORSCHE	PET	PORSCHE
997T	2009	8	09	809-01		248					

Pos	Part Number	Description	Remark	Qty	Model	Pos	Part Number	Description	Remark	Qty	Model
	8G2	sand beige				(18)	997 552 980 03	centre nozzle	07	1	TURBO IXJN
	3S9	sea blue					A11	black			
	9S5	terracotta					5X6	stone grey			
	9V6	cocoa					8G2	sand beige			
	D12	dark grey/natural					3S9	sea blue			
	T12	brown/natural					4P2	palmgreen	-07		
	N12	carrera red	08-				9S5	terracotta			
(18)	997 552 980 02	centre nozzle	07	1	TURBO IXJP		9V6	cocoa			
	A11	black					D12	dark grey/natural			
	5X6	stone grey					T12	brown/natural			
	8G2	sand beige				(18)	997 552 980 08	centre nozzle	08-	1	TURBO IXJN
	3S9	sea blue					A11	black			
	4P2	palmgreen	-07				5X6	stone grey			
	9S5	terracotta					8G2	sand beige			
	9V6	cocoa					3S9	sea blue			
	D12	dark grey/natural					9S5	terracotta			
	T12	brown/natural					9V6	cocoa			
(18)	997 552 980 07	centre nozzle	08-	1	TURBO IXJP		D12	dark grey/natural			
	A11	black					T12	brown/natural			
	5X6	stone grey					N12	carrera red	08-		
	8G2	sand beige				(18)	997 552 980 04	centre nozzle	07	1	TURBO IXCY
	3S9	sea blue					A11	black			
	9S5	terracotta					5X6	stone grey			
	9V6	cocoa					8G2	sand beige			
	D12	dark grey/natural					3S9	sea blue			
	T12	brown/natural					4P2	palmgreen	-07		
	N12	carrera red	08-				9S5	terracotta			

Model	Year	MG	SG	Illustration	Restrictions	UPD	7:47	26.01.2010	PORSCHE	PET	PORSCHE
997T	2009	8	09	809-01		248					

Pos	Part Number	Description	Remark	Qty	Model	Pos	Part Number	Description	Remark	Qty	Model
(18)	997 552 980 09	9V6 cocoa			TURBO IXCY	20	8W7	sea blue			
		D12 dark grey/natural					5Y2	palmgreen	-07		
		T12 brown/natural					8X8	terracotta			
		centre nozzle	08-	1			8P9	cocoa			
		A11 black					T13	brown/natural			
		5X6 stone grey					N23	carrera red	08-		
		8G2 sand beige					997 552 315 02	air duct lateral	/L	1	
		3S9 sea blue					997 552 316 02	air duct lateral	/R	1	
		9S5 terracotta					997 552 175 01	defroster trim	/L	1	
		9V6 cocoa					A03	black			
19	997 552 455 01	D12 dark grey/natural			/L	21	5V7	stone grey			
		T12 brown/natural					5Z1	sand beige			
		N12 carrera red	08-				8W7	sea blue			
		cover defroster vent		1			5Y2	palmgreen	-07		
		A03 black					8X8	terracotta			
		5V7 stone grey					8P9	cocoa			
		5Z1 sand beige					T13	brown/natural			
		8W7 sea blue					N23	carrera red	08-		
		5Y2 palmgreen	-07				997 552 176 01	defroster trim	/R	1	
		8X8 terracotta					A03	black			
(19)	997 552 456 01	5V7 stone grey			/R	21	5Z1	sand beige			
		8P9 cocoa					8W7	sea blue			
		T13 brown/natural					5Y2	palmgreen	-07		
		N23 carrera red	08-				8X8	terracotta			
		cover defroster vent		1			8P9	cocoa			
		A03 black					T13	brown/natural			
		5V7 stone grey					N23	carrera red	08-		
		5Z1 sand beige									

Model	Year	MG	SG	Illustration	Restrictions	UPD	7:47	26.01.2010	PORSCHE	PET	PORSCHE
997T	2009	8	09	809-01		248					

Pos	Part Number	Description	Remark	Qty	Model	Pos	Part Number	Description	Remark	Qty	Model
21	997 552 983 00	defroster trim	/L	1	IXV1		9V6	cocoa			
	A11	black					D12	dark grey/natural			
	5X6	stone grey					T12	brown/natural			
	8G2	sand beige					N12	carrera red	08-		
	3S9	sea blue				(21)	997 552 984 01	defroster trim	/R	-08	1 IXKJ
	4P2	palmgreen	-07				A11	black			
	9S5	terracotta					5X6	stone grey			
	9V6	cocoa					8G2	sand beige			
	D12	dark grey/natural					3S9	sea blue			
	T12	brown/natural					4P2	palmgreen	-07		
	N12	carrera red	08-				9S5	terracotta			
(21)	997 552 984 00	defroster trim	/R	1	IXV1		9V6	cocoa			
	A11	black					D12	dark grey/natural			
	5X6	stone grey					T12	brown/natural			
	8G2	sand beige					N12	carrera red	08-		
	3S9	sea blue				21	997 552 983 02	defroster trim	/L	-08	1 TURBO IXJS
	4P2	palmgreen	-07				A11	black			
	9S5	terracotta					5X6	stone grey			
	9V6	cocoa					8G2	sand beige			
	D12	dark grey/natural					3S9	sea blue			
	T12	brown/natural					4P2	palmgreen	-07		
	N12	carrera red	08-				9S5	terracotta			
21	997 552 983 01	defroster trim	/L	-08	1 IXKJ		9V6	cocoa			
	A11	black					D12	dark grey/natural			
	5X6	stone grey					T12	brown/natural			
	8G2	sand beige					N12	carrera red	08-		
	3S9	sea blue				(21)	997 552 984 02	defroster trim	/R	-08	1 TURBO IXJS
	4P2	palmgreen	-07				A11	black			
	9S5	terracotta									

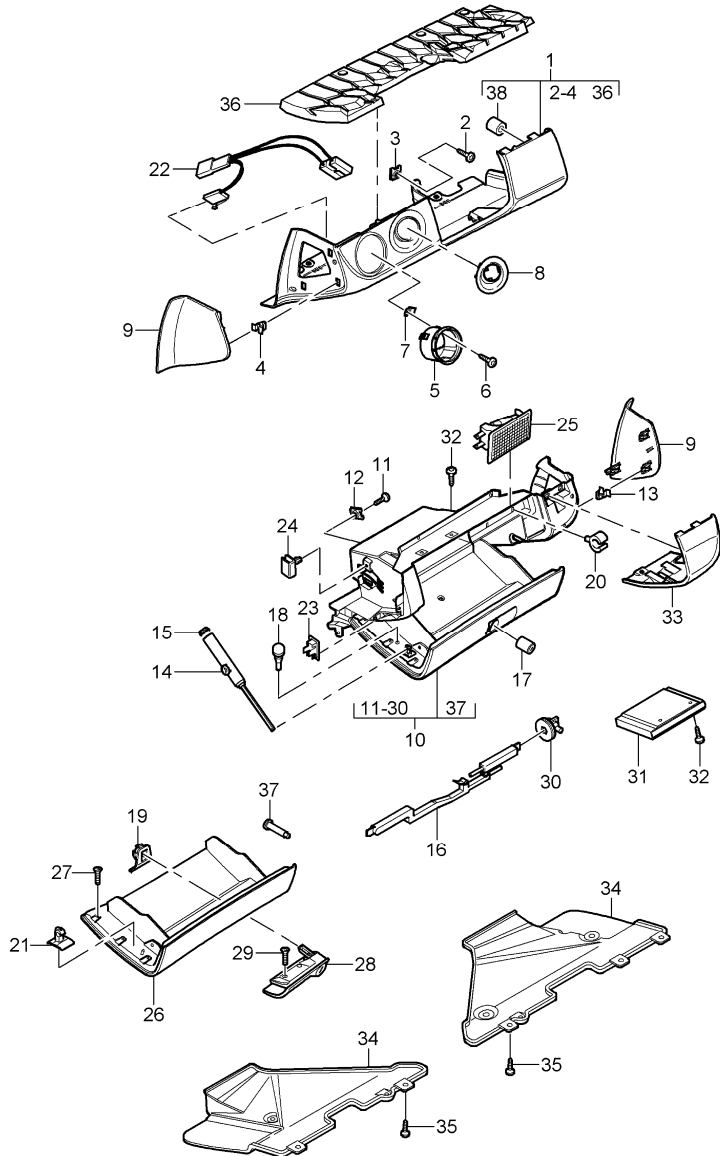
Model	Year	MG	SG	Illustration	Restrictions	UPD	7:47	26.01.2010	PORSCHE	PET	PORSCHE
997T	2009	8	09	809-01		248					

Pos	Part Number	Description	Remark	Qty	Model	Pos	Part Number	Description	Remark	Qty	Model	
21	5X6	stone grey			TURBO IXJR	22	D12	dark grey/natural			IXV1	
	8G2	sand beige					T12	brown/natural				
	3S9	sea blue					N12	carrera red	08-			
	4P2	palmgreen	-07				999 591 307 01	u-clamp mount defroster trim		2		
	9S5	terracotta					997 552 351 01	cover centre		1		
	9V6	cocoa						A03	black			
	D12	dark grey/natural					5V7	stone grey				
	T12	brown/natural					5Z1	sand beige				
	N12	carrera red	08-				8W7	sea blue				
	997 552 983 03	defroster trim	/L	-08			1	5Y2	palmgreen	-07		
	A11	black					8X8	terracotta				
	5X6	stone grey					8P9	cocoa				
	8G2	sand beige					T13	brown/natural				
3S9	sea blue			N23	carrera red	08-						
(21)	4P2	palmgreen	-07		TURBO IXJR	(23)	997 552 985 00	cover centre		1	IXKJ	
	9S5	terracotta					A11	black				
	9V6	cocoa					5X6	stone grey				
	D12	dark grey/natural					8G2	sand beige				
	T12	brown/natural					3S9	sea blue				
	N12	carrera red	08-				4P2	palmgreen	-07			
	997 552 984 03	defroster trim	/R	-08			1	9S5	terracotta			
	A11	black					9V6	cocoa				
	5X6	stone grey					D12	dark grey/natural				
	8G2	sand beige					T12	brown/natural				
	3S9	sea blue					N12	carrera red	08-			
	4P2	palmgreen	-07				997 552 985 00	cover centre	-08	1		
	9S5	terracotta										
9V6	cocoa											

Model	Year	MG	SG	Illustration	Restrictions	UPD	7:47	26.01.2010	PORSCHE	PET	PORSCHE
997T	2009	8	09	809-01		248					

Pos	Part Number	Description	Remark	Qty	Model	Pos	Part Number	Description	Remark	Qty	Model
	A11	black					9S5	terracotta			
	5X6	stone grey					9V6	cocoa			
	8G2	sand beige					D12	dark grey/natural			
	3S9	sea blue					T12	brown/natural			
	4P2	palmgreen	-07				N12	carrera red	08-		
	9S5	terracotta				24	997 552 645 00	gasket cowl		1	
	9V6	cocoa									
	D12	dark grey/natural									
	T12	brown/natural									
	N12	carrera red	08-								
(23)	997 552 985 00	cover centre	-08	1	TURBO IXJS						
	A11	black									
	5X6	stone grey									
	8G2	sand beige									
	3S9	sea blue									
	4P2	palmgreen	-07								
	9S5	terracotta									
	9V6	cocoa									
	D12	dark grey/natural									
	T12	brown/natural									
	N12	carrera red	08-								
(23)	997 552 985 00	cover centre	-08	1	TURBO IXJR						
	A11	black									
	5X6	stone grey									
	8G2	sand beige									
	3S9	sea blue									
	4P2	palmgreen	-07								

Model	Year	MG	SG	Illustration	Restrictions	UPD	7:47	26.01.2010	PORSCHE	PET	PORSCHE
997T	2009	8	09	809-03		248					



Pos	Part Number	Description	Remark	Qty	Model
1	997 552 201 03	glove compartment lid and lining driver's side	/LL	1	I098/981
	A11	black			
	5X6	stone grey			
	8G2	sand beige			
	3S9	sea blue			
	4P2	palmgreen	-07		
	9S5	terracotta			
	9V6	cocoa			
	D12	dark grey/natural			
	T12	brown/natural			
	N12	carrera red	08-		
(1)	997 552 202 03	lining leather	/RL	1	I099/981
	A11	black			
	5X6	stone grey			
	8G2	sand beige			
	3S9	sea blue			
	4P2	palmgreen	-07		
	9S5	terracotta			
	9V6	cocoa			
	D12	dark grey/natural			
	T12	brown/natural			
	N12	carrera red	08-		
2	999 073 155 09	tapping screw 4,2 X 13 for mount lining		8	

Model	Year	MG	SG	Illustration	Restrictions	UPD	7:47	26.01.2010	PORSCHE	PET	PORSCHE
997T	2009	8	09	809-03		248					

Pos	Part Number	Description	Remark	Qty	Model	Pos	Part Number	Description	Remark	Qty	Model
3	999 507 971 01	speed nut 4,2 for mount lining		8			5Y2	palmgreen	-07		
4	999 507 732 01	clamp 8 X 12/ 4 for mount lining		7			8X8	terracotta			
5	997 552 427 01	cover light switch		1		(8)	8P9	cocoa			
	A03	black					T13	brown/natural			
	5V7	stone grey					N23	carrera red	08-		
	5Z1	sand beige					997 552 426 01	cover ignition starter lock	/RL	1	I099
	8W7	sea blue					A03	black			
	5Y2	palmgreen	-07				5V7	stone grey			
	8X8	terracotta					5Z1	sand beige			
	8P9	cocoa					8W7	sea blue			
	T13	brown/natural					5Y2	palmgreen	-07		
	N23	carrera red	08-			(8)	8X8	terracotta			
6	999 073 155 09	tapping screw 4,2 X 13 for mount cover light switch		3			8P9	cocoa			
7	999 507 971 01	speed nut 4,2 for mount cover light switch		3			T13	brown/natural			
8	997 552 425 01	cover ignition starter lock	/LL	1	I098		N23	carrera red	08-		
	A03	black				(8)	997 552 998 00	cover ignition starter lock leather	/LL	09-	1 IXDS/098
	5V7	stone grey					A11	black			
	5Z1	sand beige					5X6	stone grey			
	8W7	sea blue					8G2	sand beige			
							3S9	sea blue			
							9S5	terracotta			
							9V6	cocoa			
							D12	dark grey/natural			
							T12	brown/natural			
							N12	carrera red	08-		
						(8)	997 552 999 00	cover ignition starter lock leather	/RL	09-	1 IXDS/099

Model	Year	MG	SG	Illustration	Restrictions	UPD	7:47	26.01.2010	PORSCHE	PET	PORSCHE
997T	2009	8	09	809-03		248					

Pos	Part Number	Description	Remark	Qty	Model	Pos	Part Number	Description	Remark	Qty	Model	
9	A11	black				(9)	997 552 996 01	cover	/L	09-	1	TURBO IXDV
	5X6	stone grey						leather				
	8G2	sand beige					A11	black				
	3S9	sea blue					5X6	stone grey				
	9S5	terracotta					8G2	sand beige				
	9V6	cocoa					3S9	sea blue				
	D12	dark grey/natural					9S5	terracotta				
	T12	brown/natural					9V6	cocoa				
	N12	carrera red	08-				D12	dark grey/natural				
		997 552 405 02	cover	/L	1		T12	brown/natural				
9	A03	black				(9)	997 552 996 02	cover	/R	09-	1	TURBO IXDV
	5V7	stone grey						leather				
	5Z1	sand beige					A11	black				
	8W7	sea blue					5X6	stone grey				
	5Y2	palmgreen	-07				8G2	sand beige				
	8X8	terracotta					3S9	sea blue				
	8P9	cocoa					9S5	terracotta				
	T13	brown/natural					9V6	cocoa				
	N23	carrera red	08-				D12	dark grey/natural				
		997 552 406 02	cover	/R	1		T12	brown/natural				
(9)	A03	black				10	997 552 204 05	glove compartment	/LL		1	I098/981
	5V7	stone grey						leather				
	5Z1	sand beige						complete				
	8W7	sea blue						valid up to:				
	5Y2	palmgreen	-07					F >>998S7 80473				TURBO/COUPE
	8X8	terracotta						F >>998S7 86563				TURBO/CABRIO
	8P9	cocoa						F >>998S7 94072				GT2
	T13	brown/natural					A11	black				
	N23	carrera red	08-				5X6	stone grey				
							8G2	sand beige				



Model	Year	MG	SG	Illustration	Restrictions	UPD	7:47	26.01.2010	PORSCHE	PET	PORSCHE
997T	2009	8	09	809-03		248					

Pos	Part Number	Description	Remark	Qty	Model	Pos	Part Number	Description	Remark	Qty	Model
	3S9	sea blue					9S5	terracotta			
	4P2	palmgreen	-07				9V6	cocoa			
	9S5	terracotta					D12	dark grey/natural			
	9V6	cocoa					T12	brown/natural			
	D12	dark grey/natural					N12	carrera red			
	T12	brown/natural				(10)	997 552 203 07	glove compartment leather complete valid from: F 998S7 80474>> F 998S7 86564>> F 998S7 94073>>	/RL	1	I099/981  TURBO/COUPE TURBO/CABRIO GT2
	N12	carrera red	08-				A11	black			
(10)	997 552 203 05	glove compartment leather complete valid up to: F >>998S7 80473 F >>998S7 86563 F >>998S7 94072	/RL	1	I099/981  TURBO/COUPE TURBO/CABRIO GT2		5X6	stone grey			
	A11	black					8G2	sand beige			
	5X6	stone grey					3S9	sea blue			
	8G2	sand beige					9S5	terracotta			
	3S9	sea blue					9V6	cocoa			
	4P2	palmgreen	-07				D12	dark grey/natural			
	9S5	terracotta					T12	brown/natural			
	9V6	cocoa					N12	carrera red			
	D12	dark grey/natural				11	999 073 155 09	tapping screw 4,2 X 13 for mount glove compartment		X	
	T12	brown/natural									
	N12	carrera red	08-								
10	997 552 204 07	glove compartment leather complete valid from: F 998S7 80474>> F 998S7 86564>> F 998S7 94073>>	/LL	1	I098/981  TURBO/COUPE TURBO/CABRIO GT2	12	999 507 971 01	speed nut 4,2 for mount glove compartment		X	
	A11	black				13	999 507 732 01	clamp 8 X 12 /4 for mount glove compartment		X	
	5X6	stone grey									
	8G2	sand beige				14	997 552 484 01	damper glove compartment		1	
	3S9	sea blue									

Model	Year	MG	SG	Illustration	Restrictions	UPD	7:47	26.01.2010	PORSCHE	PET	PORSCHE
997T	2009	8	09	809-03		248					

Pos	Part Number	Description	Remark	Qty	Model	Pos	Part Number	Description	Remark	Qty	Model
15	997 552 612 00	cover damper		1			8G2	sand beige			
16	997 552 410 01	release glove compartment	/LL	1	I098		3S9	sea blue			
(16)	997 552 409 01	release glove compartment	/RL	1	I099		4P2	palmgreen	-07		
17	996 552 915 01	lock cylinder glove compartment vehicle identification no. indicate		1			9S5	terracotta			
18	999 703 068 40	buffer 3,7 x 10,3 glove compartment		2			9V6	cocoa			
19	997 552 509 02	mounting closing element	/LL/L	1	I098		D12	dark grey/natural			
(19)	997 552 510 02	mounting closing element	/LL/R	1	I098	(26)	997 552 251 03	glove compartment cover leather	/RL	1	I099/981
(19)	997 552 509 03	mounting closing element	/RL/L	1	I099		A11	black			
(19)	997 552 510 03	mounting closing element	/RL/R	1	I099		5X6	stone grey			
20	996 552 813 00	support pin		2			8G2	sand beige			
21	996 552 879 00	adapter for damper		2			3S9	sea blue			
22	997 612 651 00	wiring harness glove compartment light		1			4P2	palmgreen	-07		
23	999 650 564 40	clip for wiring harness microswitch		1			9S5	terracotta			
24	999 650 565 40	clip for wiring harness		1			9V6	cocoa			
25	997 632 071 00	glove compartment light		1			D12	dark grey/natural			
26	997 552 252 03	glove compartment cover leather	/LL	1	I098/981		T12	brown/natural			
	A11	black					N12	carrera red	08-		
	5X6	stone grey				27	999 073 249 07	tapping screw 3.5 X 12 for mount glove compartment cover		11	
						28	997 552 362 01	handle complete	/LL	1	I098
							A03	black			
							5V7	stone grey			
							5Z1	sand beige			
							8W7	sea blue			
							5Y2	palmgreen	-07		

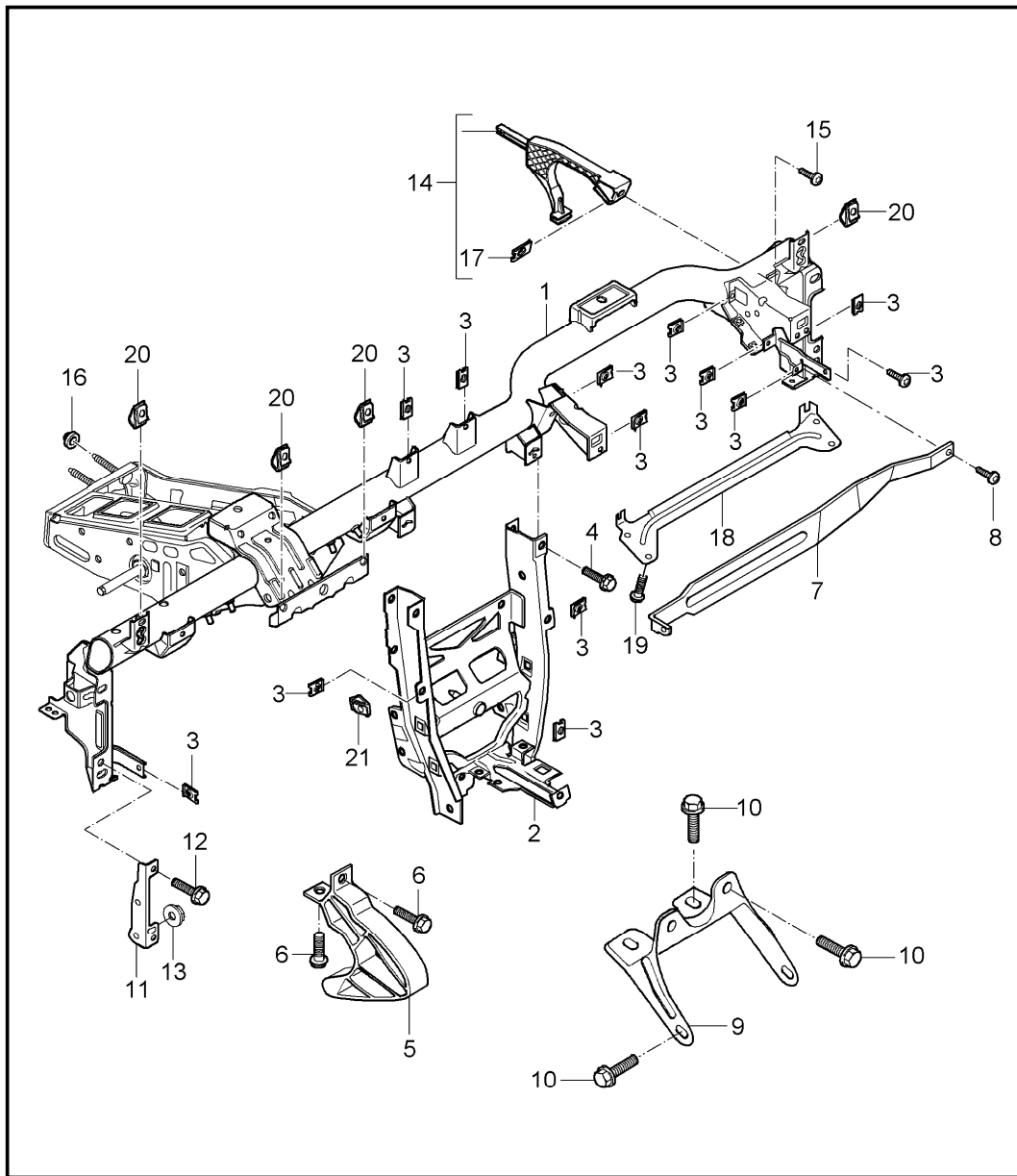
Model	Year	MG	SG	Illustration	Restrictions	UPD	7:47	26.01.2010	PORSCHE	PET	PORSCHE
997T	2009	8	09	809-03		248					

Pos	Part Number	Description	Remark	Qty	Model	Pos	Part Number	Description	Remark	Qty	Model
	8X8	terracotta					4P2	palmgreen	-07		
	8P9	cocoa					9S5	terracotta			
	T13	brown/natural					9V6	cocoa			
	N23	carrera red	08-				D12	dark grey/natural			
(28)	997 552 361 01	handle complete	/RL	1	I099		T12	brown/natural			
	A03	black					N12	carrera red	08-		
	5V7	stone grey				(33)	997 552 255 03	cover passenger's side leather	/RL	1	I099/981
	5Z1	sand beige					A11	black			
	8W7	sea blue					5X6	stone grey			
	5Y2	palmgreen	-07				8G2	sand beige			
	8X8	terracotta					3S9	sea blue			
	8P9	cocoa					4P2	palmgreen	-07		
	T13	brown/natural					9S5	terracotta			
	N23	carrera red	08-				9V6	cocoa			
29	999 073 240 01	screw M 4 X 10 for mount handle		2			D12	dark grey/natural			
							T12	brown/natural			
							N12	carrera red	08-		
30	997 552 448 00	stop		1		34	997 552 414 01	lining footwell passenger's side	/LL	1	I098
31	997 552 663 00	box for cds		1	I424						
32	999 073 240 01	screw M 4 X 10 for mount box for cds		2		(34)	997 552 413 01	lining footwell passenger's side	/RL	1	I099
33	997 552 256 03	cover passenger's side leather	/LL	1	I098/981	35	1H0 819 943	screw for mount lining footwell		X	
	A11	black									
	5X6	stone grey				36	997 552 451 01	insert	/LL	1	I098
	8G2	sand beige				36	997 552 452 01	insert	/RL	1	I099
	3S9	sea blue				37	997 552 649 01	hinge bolt glove compartment		2	

Model	Year	MG	SG	Illustration	Restrictions	UPD	7:47	26.01.2010	PORSCHE	PET	PORSCHE
997T	2009	8	09	809-03		248					

Pos	Part Number	Description	Remark	Qty	Model	Pos	Part Number	Description	Remark	Qty	Model
38	997 552 821 00	grommet		3							

Model	Year	MG	SG	Illustration	Restrictions	UPD	7:47	26.01.2010	PORSCHE	PET	PORSCHE
997T	2009	8	09	809-04		248					

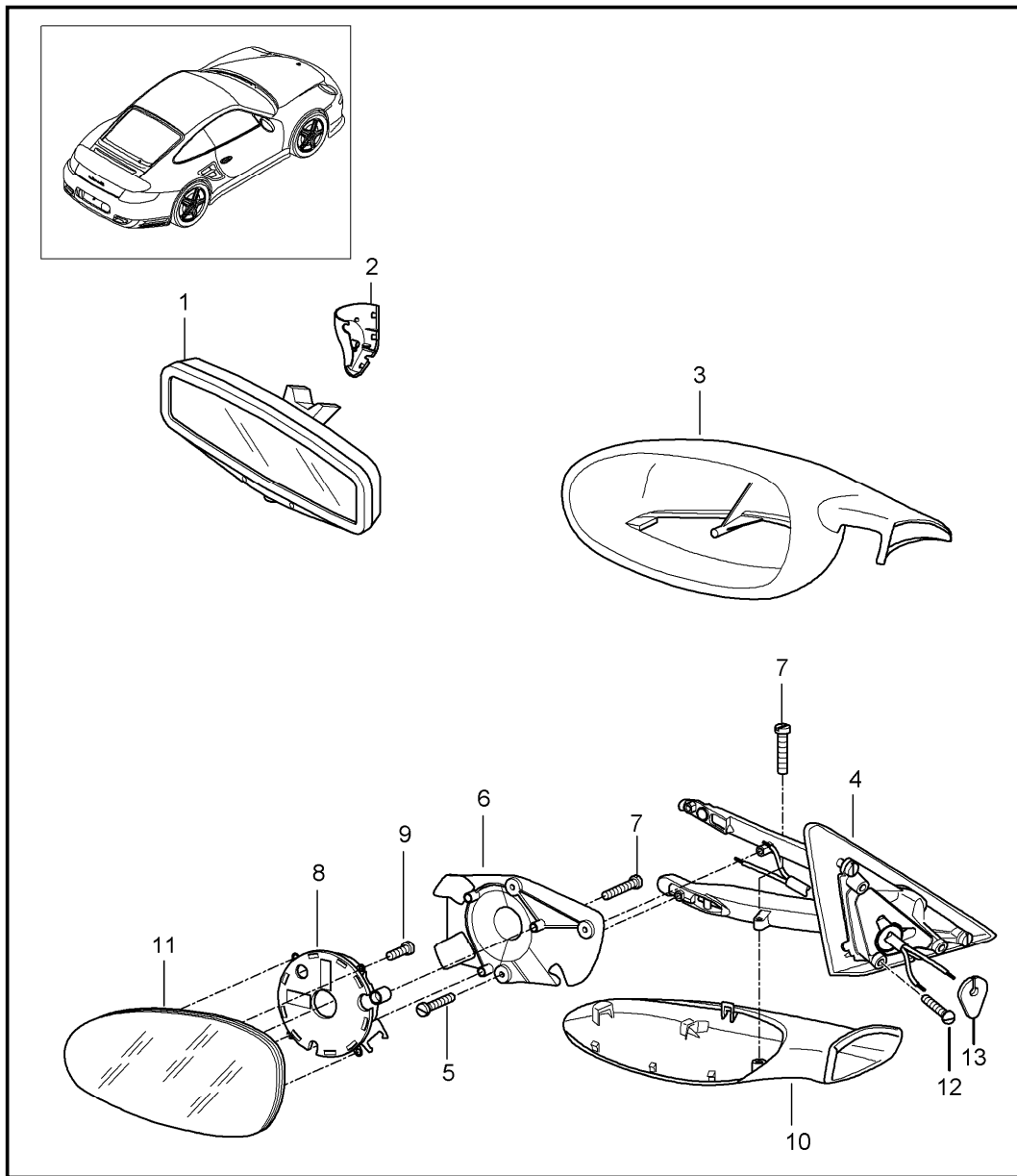


Pos	Part Number	Description	Remark	Qty	Model
1	997 552 063 08	retaining frame dashboard		1	I098
(1)	997 552 063 06	retaining frame	/LL	1	I099
(1)	997 552 063 10	retaining frame	/RL -08	1	I099
2	997 552 163 05	support tunnel	/LL	1	I098
(2)	997 552 163 06	support tunnel	/RL	1	I099
3	999 507 020 01	speed nut ST 4,2		X	
4	900 378 305 01	hexagon-head bolt M 8 X 65 for mount support		2	
9	997 552 515 01	support tunnel		1	
10	999 073 442 01	screw M 6 X 25 for mount support tunnel		X	
11	997 552 407 01	support a-pillar	/L	1	
(11)	997 552 408 01	support a-pillar	/R	1	
12	900 378 176 01	hexagon-head bolt M 8 X 20 for mount support a-pillar		4	
13	999 084 630 09	hexagon nut M 8 for mount support a-pillar		4	
14	997 552 401 00	support heating		1	

Model	Year	MG	SG	Illustration	Restrictions	UPD	7:47	26.01.2010	PORSCHE	PET	PORSCHE
997T	2009	8	09	809-04		248					

Pos	Part Number	Description	Remark	Qty	Model	Pos	Part Number	Description	Remark	Qty	Model
15	999 073 155 09	tapping screw ST 4,2 X 13 for mount support heating		1							
16	997 423 299 01	nut for adjustment retaining frame firewall		2							
17	999 507 971 01	speed nut ST 4,2 for mount support heating		1							
18	997 552 603 01	reinforcement plate support airbag		1							
19	900 378 222 09	hexagon-head bolt M 6 X 16		4							
20	999 591 850 01	speed nut ST 4,2		X							
21	999 591 951 03	speed nut ST 4,2		X							

Model	Year	MG	SG	Illustration	Restrictions	UPD	7:47	26.01.2010	PORSCHE	PET	PORSCHE
997T	2009	8	09	809-10		248					



Pos	Part Number	Description	Remark	Qty	Model
1	997 731 511 03	interior mirror door mirror		1	I267
(1)	997 731 511 02	interior mirror	08-	1	I101
	01C	satin black			
2	997 731 811 00	cover interior mirror	/L	1	
	01C	satin black			
(2)	997 731 812 00	cover interior mirror	/R	1	
	01C	satin black			
3	997 731 619 00	housing	/L	1	
	G2L	prime coated			
(3)	997 731 620 00	housing	/R	1	
	G2L	prime coated			
(4)	997 731 219 00	mirror base door mirror	/LL/L	08-	1 I098/101
	G2L	prime coated			
(4)	997 731 220 00	mirror base door mirror	/LL/R	08-	1 I098/101
	G2L	prime coated			
(4)	997 731 219 01	mirror base door mirror	/LL/L	08-	1 I098/101/537
	G2L	prime coated			
(4)	997 731 220 01	mirror base door mirror	/LL/R	08-	1 I098/101/537
	G2L	prime coated			
(4)	997 731 219 02	mirror base door mirror	/LL/L	1	I098/267
	G2L	prime coated			
(4)	997 731 220 02	mirror base door mirror	/LL/R	1	I098/267
	G2L	prime coated			

Model	Year	MG	SG	Illustration	Restrictions	UPD	7:47	26.01.2010	PORSCHE	PET	PORSCHE
997T	2009	8	09	809-10		248					

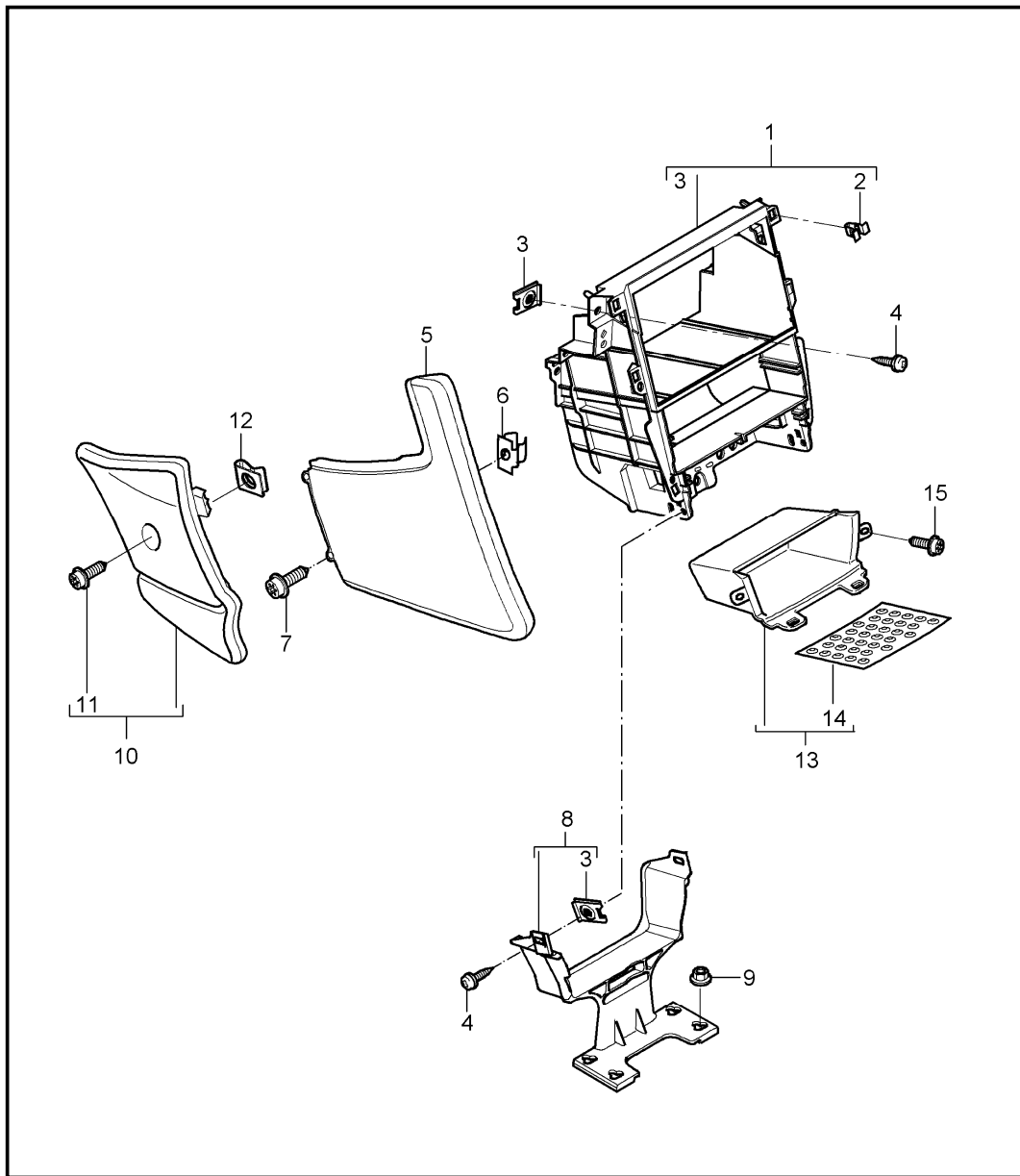
Pos	Part Number	Description	Remark	Qty	Model	Pos	Part Number	Description	Remark	Qty	Model
(4)	997 731 219 03	mirror base door mirror	/LL/L	1	I098/267/537	(6)	997 731 520 00	plate door mirror	/R	1	
	G2L	prime coated				7	999 141 043 02	oval-head screw M 3 X 14		4	
(4)	997 731 220 03	mirror base door mirror	/LL/R	1	I098/267/537	(8)	997 624 047 00	adjusting motor		2	
	G2L	prime coated				(8)	997 624 048 00	adjusting motor		2	I537/538
(4)	997 731 219 04	mirror base door mirror	/RL/L	08-	1 I099/101	9	999 141 043 02	oval-head screw M 3,0 X 14		3	
	G2L	prime coated				10	997 731 719 00	cover lower	/L	1	
(4)	997 731 220 04	mirror base door mirror	/RL/R	08-	1 I099/101		G2L	prime coated			
	G2L	prime coated				(10)	997 731 720 00	cover lower	/R	1	
(4)	997 731 219 05	mirror base door mirror	/L	08-	1 I101/538 I099		G2L	prime coated			
	G2L	prime coated				11	997 731 035 00	mirror glass plane	/LL/L	08-	1 I098/101/270 GT2
(4)	997 731 220 05	mirror base door mirror	/R	08-	1 I101/538 I099	(11)	997 731 035 01	mirror glass aspherical	/LL/L	08-	1 098 I101/271
	G2L	prime coated				(11)	997 731 035 04	mirror glass plane dimmable	/LL/L	07-	1 I098/267/270
(4)	997 731 219 06	mirror base door mirror	/RL/L	1	I099/267	(11)	997 731 035 05	mirror glass aspherical dimmable	/LL/L	07-	1 I098/267/271
	G2L	prime coated				(11)	997 731 037 00	mirror glass convex	/RL/L	08-	1 I099 GT2
(4)	997 731 220 06	mirror base door mirror	/RL/R	1	I099/267	(11)	997 731 037 02	mirror glass convex dimmable	/RL/L	1	I099/267
	G2L	prime coated				(11)	997 731 038 00	mirror glass convex	/LL/R	1	I098 GT2
(4)	997 731 219 07	mirror base door mirror	/L	1	I267/538	(11)	997 731 038 01	mirror glass convex	/LL/R	1	I074
	G2L	prime coated				(11)	997 731 038 02	mirror glass convex	/LL/R	08-	1 I215 GT2
(4)	997 731 220 07	mirror base door mirror	/R	1	I267/538	(11)	997 731 038 06	mirror glass convex dimmable	/LL/R	1	I098/267
	G2L	prime coated									
5	999 919 024 09	oval-head screw 3,0 X 12		3							
6	997 731 519 00	plate door mirror	/L	1							



Model	Year	MG	SG	Illustration	Restrictions	UPD	7:47	26.01.2010	PORSCHE	PET	PORSCHE
997T	2009	8	09	809-10		248					

Pos	Part Number	Description	Remark	Qty	Model	Pos	Part Number	Description	Remark	Qty	Model
(11)	997 731 038 07	mirror glass convex dimmbable	/LL/R (ROK)	1	I267						
(11)	997 731 038 08	mirror glass convex dimmbable	/LL/R 07-	1	I098/215/267						
(11)	997 731 036 00	mirror glass plane	/RL/R 08-	1	I099/270 GT2						
(11)	997 731 036 01	mirror glass aspherical	RL/R 08-	1	I099/271 GT2						
(11)	997 731 036 04	mirror glass plane dimmbable	/RL/R 07-	1	I099/267/270						
(11)	997 731 036 05	mirror glass aspherical dimmbable	/RL/R	1	I099/267/271						
12	999 073 345 09	lens-head screw M 5 X 18		3							
13	997 537 733 00	seal cable plug mirror base	07-	1							

Model	Year	MG	SG	Illustration	Restrictions	UPD	7:48	26.01.2010	PORSCHE	PET	PORSCHE
997T	2009	8	09	809-15		248					



Pos	Part Number	Description	Remark	Qty	Model
1	997 553 111 03	centre console front		1	
2	999 507 476 01	bracket centre console front		6	
3	999 507 971 01	clamp 8,0 X 10,0/2,5		X	
4	999 073 155 09	speed nut st 4,2		X	
5	997 553 117 06	tapping screw st 4,2 x 13		X	
		cover lateral leather	/L	1	I981
	FSA	black/grey			
	FSB	stone grey/stone grey			
	FSC	sand beige/sand beige			
	FSD	sea blue/grey			
	FSE	palmgreen/palmgreen	-07		
	FSF	terracotta/terracotta			
	FSG	cocoa/cocoa			
	FSH	darkgrey natural/grey			
	FSJ	brown nat./brown nat.			
	FSP	carrera red	08-		
(5)	997 553 118 06	cover lateral leather	/R	1	I981
	FSA	black/grey			
	FSB	stone grey/stone grey			
	FSC	sand beige/sand beige			
	FSD	sea blue/grey			
	FSE	palmgreen/palmgreen	-07		
	FSF	terracotta/terracotta			
	FSG	cocoa/cocoa			

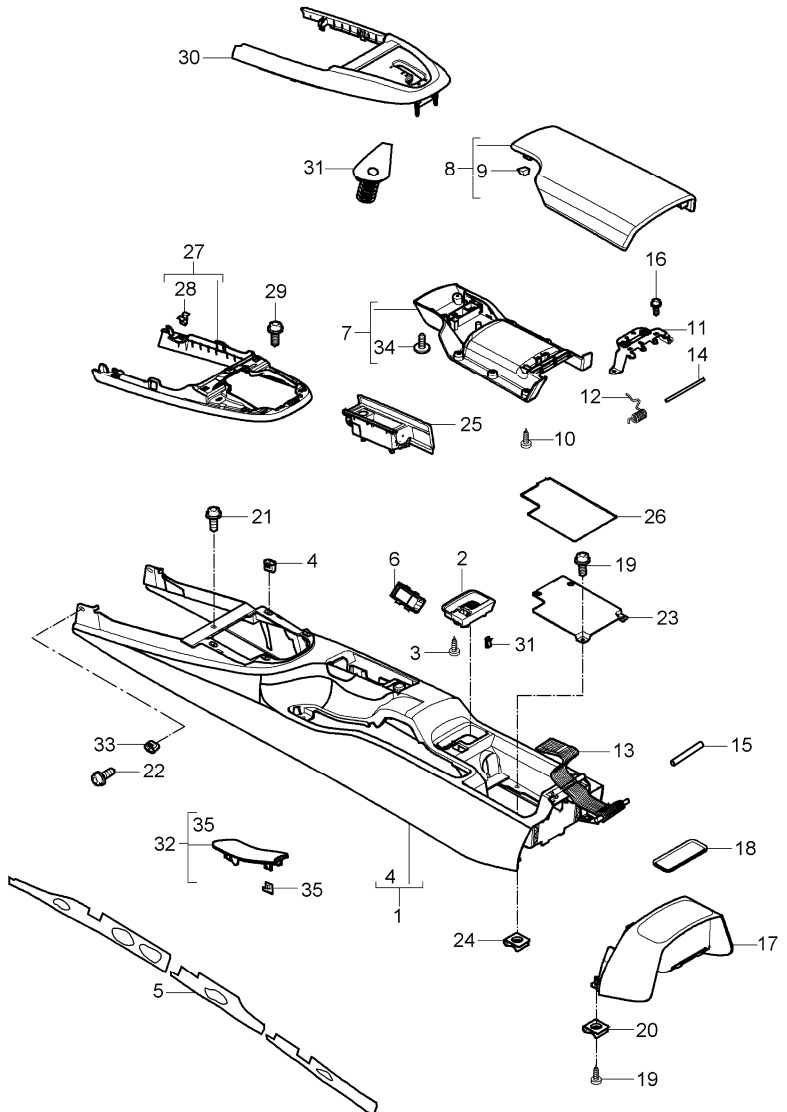
Model	Year	MG	SG	Illustration	Restrictions	UPD	7:48	26.01.2010	PORSCHE	PET	PORSCHE
997T	2009	8	09	809-15		248					

Pos	Part Number	Description	Remark	Qty	Model	Pos	Part Number	Description	Remark	Qty	Model
	FSH	darkgrey natural/grey				(10)	997 553 132 01	cover footwell outlet vent carpet	/LL/R	1	I098/621
	FSJ	brown nat./brown nat.									
	FSP	carrera red	08-				A10	black			
		cover lateral with preparation for telephone see group 9/11/10		1			B10	stone grey			
							T10	sand beige			
							E10	sea blue			
6	999 591 508 01	captive nut st 4,2 for mount cover lateral	07-	4			J10	palmgreen	-07		
							M10	terracotta			
							R10	cocoa			
							D11	dark grey/natural			
7	999 073 226 09	tapping screw ST 4,2 X 16 for mount cover lateral		4			T11	brown/natural			
							N10	carrera red	08-		
						(10)	997 553 132 02	cover footwell outlet vent carpet	/R	1	
8	997 553 361 01	support centre		1			A10	black			
9	999 084 629 01	hexagon nut m 6		4			B10	stone grey			
							T10	sand beige			
10	997 553 131 01	cover footwell outlet vent carpet	/L	1			E10	sea blue			
							J10	palmgreen	-07		
	A10	black					M10	terracotta			
	B10	stone grey					R10	cocoa			
	T10	sand beige					D11	dark grey/natural			
	E10	sea blue					T11	brown/natural			
	J10	palmgreen	-07				N10	carrera red	08-		
	M10	terracotta									
	R10	cocoa				11	999 073 223 07	oval-head screw M 6 X 25 for mount cover footwell outlet vent		2	
	D11	dark grey/natural									
	T11	brown/natural									
	N10	carrera red	08-								

Model	Year	MG	SG	Illustration	Restrictions	UPD	7:48	26.01.2010	PORSCHE	PET	PORSCHE
997T	2009	8	09	809-15		248					

Pos	Part Number	Description	Remark	Qty	Model	Pos	Part Number	Description	Remark	Qty	Model
12	999 507 766 02	speed nut M 6 for mount cover footwell outlet vent		2							
13	997 553 143 01	shelf centre console front	-08	1	Turbo						
	D07	volcano grey									
13	997 553 143 02	shelf centre console front	09-	1	Turbo						
	A05	black									
13	997 553 143 01	shelf centre console front		1	GT2						
	D07	volcano grey									
14	997 553 543 01	insert shelf		1							
15	999 919 164 09	oval-head screw 5,0 X 12,0 for mount shelf		3							

Model	Year	MG	SG	Illustration	Restrictions	UPD	7:48	26.01.2010	PORSCHE	PET	PORSCHE
997T	2009	8	09	809-20		248					



Pos	Part Number	Description	Remark	Qty	Model
(1)	997 553 901 00	centre console rear		1	COUPE
	A03	black			
	5V7	stone grey			
	5Z1	sand beige			
	8W7	sea blue			
	5Y2	palmgreen	-07		
	8X8	terracotta			
	8P9	cocoa			
	T13	brown/natural			
	N23	carrera red			
(1)	997 553 901 02	centre console when required order also: 997 613 141 10 A05	-08	1	CABRIO
	A03	black			
	5V7	stone grey			
	5Z1	sand beige			
	8W7	sea blue			
	5Y2	palmgreen	-07		
	8X8	terracotta			
	8P9	cocoa			
	T13	brown/natural			
	N23	carrera red			
(1)	997 553 901 02	centre console	09-	1	CABRIO
	A03	black			
	5V7	stone grey			
	5Z1	sand beige			
	8W7	sea blue			
	8X8	terracotta			

Model	Year	MG	SG	Illustration	Restrictions	UPD	7:48	26.01.2010	PORSCHE	PET	PORSCHE
997T	2009	8	09	809-20		248					

Pos	Part Number	Description	Remark	Qty	Model	Pos	Part Number	Description	Remark	Qty	Model
(1)	997 553 980 69	8P9 cocoa T13 brown/natural N23 carrera red centre console leather A11 black 5X6 stone grey 8G2 sand beige 3S9 sea blue 4P2 palmgreen 9S5 terracotta 9V6 cocoa D12 dark grey/natural T12 brown/natural N12 carrera red	-07	1	COUPE IXMZ	(1)	997 553 980 71	centre console leather A11 black 5X6 stone grey 8G2 sand beige 3S9 sea blue 9S5 terracotta 9V6 cocoa D12 dark grey/natural T12 brown/natural N12 carrera red	09-	1	CABRIO IXMZ
(1)	997 553 980 71	centre console leather when required order also: 997 613 141 10 A05 A11 black 5X6 stone grey 8G2 sand beige 3S9 sea blue 4P2 palmgreen 9S5 terracotta 9V6 cocoa D12 dark grey/natural T12 brown/natural N12 carrera red	-08	1	CABRIO IXMZ	(1)	997 553 980 52	centre console carbon A35 black	-08	1	COUPE IXMJ
						(1)	997 553 980 54	centre console carbon A35 black when required order also: 997 613 141 10 A05	09-	1	CABRIO IXMJ
						(1)	997 553 980 02	centre console rear S62 sycamore wood	-08	1	TURBO/COUPE IXJU/438
						(1)	997 553 980 32	centre console rear S62 sycamore wood	-08	1	TURBO/COUPE IXJU/376
						(1)	997 553 980 32	centre console rear	-08	1	TURBO/COUPE IXJU/378

Model	Year	MG	SG	Illustration	Restrictions	UPD	7:48	26.01.2010	PORSCHE	PET	PORSCHE
997T	2009	8	09	809-20		248					

Pos	Part Number	Description	Remark	Qty	Model	Pos	Part Number	Description	Remark	Qty	Model
(1)	997 553 980 32	S62 sycamore wood centre console rear	08	1	TURBO/COUPE IXJU/389	(1)	997 553 980 62	V04 galvano silver when required order also: 997 613 141 10 A05 centre console	09-	1	CABRIO IXCK
(1)	997 553 980 14	S62 sycamore wood centre console rear	08	1	TURBO/CABRIO IXJU/438	(1)	997 553 980 64	V04 galvano silver centre console		1	COUPE IXME
(1)	997 553 980 34	S62 sycamore wood centre console rear	08	1	TURBO/CABRIO IXJU/376		041	black			
(1)	997 553 980 34	S62 sycamore wood centre console rear	08	1	TURBO/CABRIO IXJU/378		84A	guards red			
(1)	997 553 980 34	S62 sycamore wood centre console rear	08	1	TURBO/CABRIO IXJU/378		B9A	carrara white			
(1)	997 553 980 34	S62 sycamore wood centre console rear	08	1	TURBO/CABRIO IXJU/378		12H	speed yellow			
(1)	997 553 980 34	S62 sycamore wood centre console rear	08	1	TURBO/CABRIO IXJU/378		92U	arctic silver metallic			
(1)	997 553 980 34	S62 sycamore wood centre console rear	08	1	TURBO/CABRIO 7389 IXJU		M3W	carmon red metallic	-07		
(1)	997 553 980 34	S62 sycamore wood centre console rear	08	1	TURBO/CABRIO 7389 IXJU		M5W	lapis blue metallic	-07		
(1)	997 553 980 56	S62 sycamore wood centre console		1	TURBO/COUPE IXJT		M6W	lagoon green metallic	-07		
(1)	997 553 980 58	S61 macassar centre console	-08	1	CABRIO IXJT		C9Z	basalt black metallic			
(1)	997 553 980 58	S61 macassar when required order also: 997 613 141 10 A05 centre console	09-	1	CABRIO IXJT		M7X	atlas grey metallic			
(1)	997 553 980 60	S61 macassar centre console		1	TURBO/COUPE IXCK		39C	midnight blue metallic			
(1)	997 553 980 62	V04 galvano silver centre console	-08	1	CABRIO IXCK		M7W	Meteor Grey Metallic			
							2B4	forest green metallic	-08		
							3C8	cobalt blue metallic	-08		
							23F	slate grey metallic	-08		
							M7Z	gt silver metallic			
							M6X	dark olive-metallic	-08		
							M8W	Macadamia Metallic	08-		
							8A7	ruby red metallic	08-		
							2B5	Malachite Green Metallic	08-		
							22G	Racing Green Metallic	09-		
							32B	Sailing Blue Metallic	09-		
							M5R	Aqua Blue Metallic	09-		

Model	Year	MG	SG	Illustration	Restrictions	UPD	7:48	26.01.2010	PORSCHE	PET	PORSCHE
997T	2009	8	09	809-20		248					

Pos	Part Number	Description	Remark	Qty	Model	Pos	Part Number	Description	Remark	Qty	Model	
(1)	51A	creamy white	09-	1	CABRIO IXME		12H	speed yellow				
	M2Z	Nordic Gold Metallic	09-				92U	arctic silver metallic				
	997 553 980 66	centre console	-08				C9Z	basalt black metallic				
		when required order also: 997 613 141 10 A05					M7X	atlas grey metallic				
	041	black					39C	midnight blue metallic				
	84A	guards red					M7W	Meteor Grey Metallic				
	B9A	carrara white					2B4	forest green metallic				
	12H	speed yellow					3C8	cobalt blue metallic				
	92U	arctic silver metallic					23F	slate grey metallic				
	M3W	carmon red metallic	-07				M7Z	gt silver metallic				
	M5W	lapis blue metallic	-07				M8W	Macadamia Metallic				
	M6W	lagoon green metallic	-07				8A7	ruby red metallic				
	C9Z	basalt black metallic					2B5	Malachite Green Metallic				
	M7X	atlas grey metallic					22G	Racing Green Metallic		09-		
	39C	midnight blue metallic					32B	Sailing Blue Metallic		09-		
	M7W	Meteor Grey Metallic	07-				M5R	Aqua Blue Metallic		09-		
	2B4	forest green metallic					51A	creamy white		09-		
	3C8	cobalt blue metallic					2	997 553 575 02	insert locking device centre console		1	
	23F	slate grey metallic						01C	satin black			
	M7Z	gt silver metallic					3	999 919 159 09	oval-head screw 4 X 12 for mount insert locking device		1	
M6X	dark olive-metallic											
M8W	Macadamia Metallic		4	999 591 210 40	expander nut 4,2		4					
8A7	ruby red metallic	08-	5	997 553 843 00	sound absorber	/L	1					
2B5	Malachite Green Metallic	08-	(5)	997 553 844 00	sound absorber	/R	1					
(1)	997 553 980 66	centre console	09-	1	CABRIO IXME							
	041	black										
	84A	guards red										
	B9A	carrara white										
						6	997 553 579 00	cover lacquered	-08	1	COUPE	



Model	Year	MG	SG	Illustration	Restrictions	UPD	7:48	26.01.2010	PORSCHE	PET	PORSCHE
997T	2009	8	09	809-20		248					

Pos	Part Number	Description	Remark	Qty	Model	Pos	Part Number	Description	Remark	Qty	Model
	A03	black				(8)	997 553 991 05	lid	09-	1	TURBO IXPT
	5V7	stone grey						outer with porsche crest			
	5Z1	sand beige					A11	black			
	8W7	sea blue					5X6	stone grey			
	5Y2	palmgreen	-07				8G2	sand beige			
	8X8	terracotta					3S9	sea blue			
	8P9	cocoa					9S5	terracotta			
	T13	brown/natural					9V6	cocoa			
	N23	carrera red	08-				D12	dark grey/natural			
7	997 553 433 01	lid inner		1			T12	brown/natural			
	01C	satin black					N12	carrera red			
8	997 553 231 01	lid outer leather		1	TURBO	(8)	997 553 991 29	lid	/LL 09-	1	TURBO IXUV/098
	A11	black						outer with logo turbo			
	5X6	stone grey					A11	black			
	8G2	sand beige					5X6	stone grey			
	3S9	sea blue					8G2	sand beige			
	4P2	palmgreen	-07				3S9	sea blue			
	9S5	terracotta					9S5	terracotta			
	9V6	cocoa					9V6	cocoa			
	D12	dark grey/natural					D12	dark grey/natural			
	T12	brown/natural					T12	brown/natural			
	N12	carrera red	08-				N12	carrera red			
(8)	997 553 231 90	lid	08-	1	GT2 I981	(8)	997 553 991 30	lid	/RL 09-	1	TURBO IXUV/099
		outer leather/alcantara						outer with logo turbo			
	A25	black					A11	black			

Model	Year	MG	SG	Illustration	Restrictions	UPD	7:48	26.01.2010	PORSCHE	PET	PORSCHE
997T	2009	8	09	809-20		248					

Pos	Part Number	Description	Remark	Qty	Model	Pos	Part Number	Description	Remark	Qty	Model
	5X6	stone grey				17	997 553 221 01	extension centre console lacquered		1	COUPE
	8G2	sand beige					A03	black			
	3S9	sea blue					5V7	stone grey			
	9S5	terracotta					5Z1	sand beige			
	9V6	cocoa					8W7	sea blue			
	D12	dark grey/natural					5Y2	palmgreen	-07		
	T12	brown/natural					8X8	terracotta			
	N12	carrera red					8P9	cocoa			
(8)	997 553 991 20	lid outer alcantara	/LL	09-	1	IXLG/098	T13	brown/natural			
	A25	black					N23	carrera red	08-		
(8)	997 553 991 21	lid outer alcantara	/RL	09-	1	IXLG/099	(17)	997 553 983 06	extension centre console leather	1	COUPE IXMZ
	A25	black					A11	black			
9	999 507 972 01	speed nut 3,5 for mount lid outer		8			5X6	stone grey			
							8G2	sand beige			
							3S9	sea blue			
10	999 073 153 01	tapping screw 3,5 X 14 for mount lid outer		8			4P2	palmgreen	-07		
							9S5	terracotta			
							9V6	cocoa			
11	997 553 437 01	hinge		1			D12	dark grey/natural			
12	997 553 439 00	steering knuckle spring		1			T12	brown/natural			
13	997 553 441 00	belt		1			N12	carrera red	08-		
14	997 553 447 00	axle		1		(17)	997 553 983 01	extension centre console leather		1	COUPE IXMJ
15	997 553 733 00	retaining pin		1			A11	black			
16	999 919 159 09	oval-head screw M4X12		X			5X6	stone grey			
							8G2	sand beige			

Model	Year	MG	SG	Illustration	Restrictions	UPD	7:48	26.01.2010	PORSCHE	PET	PORSCHE
997T	2009	8	09	809-20		248					

Pos	Part Number	Description	Remark	Qty	Model	Pos	Part Number	Description	Remark	Qty	Model
	3S9	sea blue					D12	dark grey/natural			
	4P2	palmgreen	-07				T12	brown/natural			
	9S5	terracotta					N12	carrera red	08-		
	9V6	cocoa				(17)	997 553 983 04	extension		1	TURBO/COUPE IXCK
	D12	dark grey/natural						centre console leather			
	T12	brown/natural					A11	black			
	N12	carrera red	08-				5X6	stone grey			
(17)	997 553 983 02	extension	-08	1	TURBO/COUPE IXJU		8G2	sand beige			
		centre console leather					3S9	sea blue			
	A11	black					4P2	palmgreen	-07		
	5X6	stone grey					9S5	terracotta			
	8G2	sand beige					9V6	cocoa			
	3S9	sea blue					D12	dark grey/natural			
	4P2	palmgreen	-07				T12	brown/natural			
	9S5	terracotta					N12	carrera red	08-		
	9V6	cocoa				(17)	997 553 983 05	extension		1	COUPE IXME
	D12	dark grey/natural						centre console lacquered			
	T12	brown/natural					041	black			
	N12	carrera red	08-				84A	guards red			
(17)	997 553 983 03	extension		1	TURBO/COUPE IXJT		B9A	carrara white			
		centre console leather					12H	speed yellow			
	A11	black					92U	arctic silver metallic			
	5X6	stone grey					M3W	carmon red metallic	07		
	8G2	sand beige					M5W	lapis blue metallic	07		
	3S9	sea blue					M6W	lagoon green metallic	07		
	4P2	palmgreen	-07				C9Z	basalt black metallic			
	9S5	terracotta					M7X	atlas grey metallic			
	9V6	cocoa					39C	midnight blue metallic			

Model	Year	MG	SG	Illustration	Restrictions	UPD	7:48	26.01.2010	PORSCHE	PET	PORSCHE
997T	2009	8	09	809-20		248					

Pos	Part Number	Description	Remark	Qty	Model	Pos	Part Number	Description	Remark	Qty	Model
	M7W	Meteor Grey Metallic					8W7	sea blue			
	2B4	forest green metallic	-08				5Y2	palmgreen	-07		
	3C8	cobalt blue metallic	-08				8X8	terracotta			
	23F	slate grey metallic	-08				8P9	cocoa			
	M7Z	gt silver metallic					T13	brown/natural			
	M6X	dark olive-metallic	-08			25	997 553 902 00	ashtray lacquered	08-	1	
	M8W	Macadamia Metallic	08-				A03	black			
	8A7	ruby red metallic	08-				5V7	stone grey			
	2B5	Malachite Green Metallic	08-				5Z1	sand beige			
	22G	Racing Green Metallic	09-				8W7	sea blue			
	32B	Sailing Blue Metallic	09-				8X8	terracotta			
	M5R	Aqua Blue Metallic	09-				8P9	cocoa			
	51A	creamy white	09-				T13	brown/natural			
	M2Z	Nordic Gold Metallic	09-				N23	carrera red	08-		
18	997 553 625 01	insert extension		1	COUPE	(25)	997 553 982 06	ashtray leather		1	IXMZ
19	999 073 226 09	tapping screw 4,2 X 16		X			A11	black			
20	999 507 020 01	speed nut 4,2		X			5X6	stone grey			
21	999 919 121 09	oval-head screw 5 X 16		2			8G2	sand beige			
22	999 073 155 09	tapping screw 4,2 X 13		2			3S9	sea blue			
23	997 553 615 01	floor centre console		1			4P2	palmgreen	-07		
24	999 507 028 01	speed nut 4,2		X			9S5	terracotta			
25	997 553 141 02	ashtray lacquered	-07	1			9V6	cocoa			
	A03	black				(25)	D12	dark grey/natural			
	5V7	stone grey					T12	brown/natural			
	5Z1	sand beige					N12	carrera red	08-		
							997 553 982 01	ashtray carbon		1	IXMJ
							A35	black			

Model	Year	MG	SG	Illustration	Restrictions	UPD	7:48	26.01.2010	PORSCHE	PET	PORSCHE
997T	2009	8	09	809-20		248					

Pos	Part Number	Description	Remark	Qty	Model	Pos	Part Number	Description	Remark	Qty	Model
(25)	997 553 982 02	ashtray	-08	1	TURBO IXJU		2B5	Malachite Green Metallic	08-		
	S62	sycamore wood					22G	Racing Green Metallic	09-		
(25)	997 553 982 03	ashtray		1	TURBO IXJT		32B	Sailing Blue Metallic	09-		
	S61	macassar					M5R	Aqua Blue Metallic	09-		
(25)	997 553 982 04	ashtray		1	TURBO IXCK		51A	creamy white	09-		
		aluminium look					M2Z	Nordic Gold Metallic	09-		
	V04	galvano silver				26	997 553 611 01	insert		1	
(25)	997 553 982 05	ashtray lacquered		1	IXME	(26)	997 553 613 00	insert	09-	1	I870
	041	black				27	997 553 261 05	frame lacquered	08-	1	GT2
	84A	guards red					D07	volcano grey			
	B9A	carrara white				(27)	997 553 261 06	frame lacquered		1	TURBO
	12H	speed yellow					V04	galvano silver			
	92U	arctic silver metallic				28	999 507 533 02	clamp 8,0 X 10,0/2,5		7	
	M3W	carmon red metallic	-07			29	999 073 155 09	tapping screw 4,2 X 13 for mount frame		4	
	M5W	coral metallic	-07								
	M6W	lagoon green metallic	-07			30	997 553 241 02	cover		1	TURBO I249
	C9Z	basalt black metallic						shift gate lacquered			
	M7X	atlas grey metallic					A03	black			
	39C	midnight blue metallic					5V7	stone grey			
	M7W	Meteor Grey Metallic					5Z1	sand beige			
	2B4	forest green metallic	-08				8W7	sea blue			
	3C8	cobalt blue metallic	-08				5Y2	palmgreen	-07		
	23F	slate grey metallic	-08				8X8	terracotta			
	M7Z	gt silver metallic					8P9	cocoa			
	M6X	dark olive-metallic	-08				T13	brown/natural			
	M8W	Macadamia Metallic	08-				N23	carrera red	08-		
	8A7	ruby red metallic	08-								

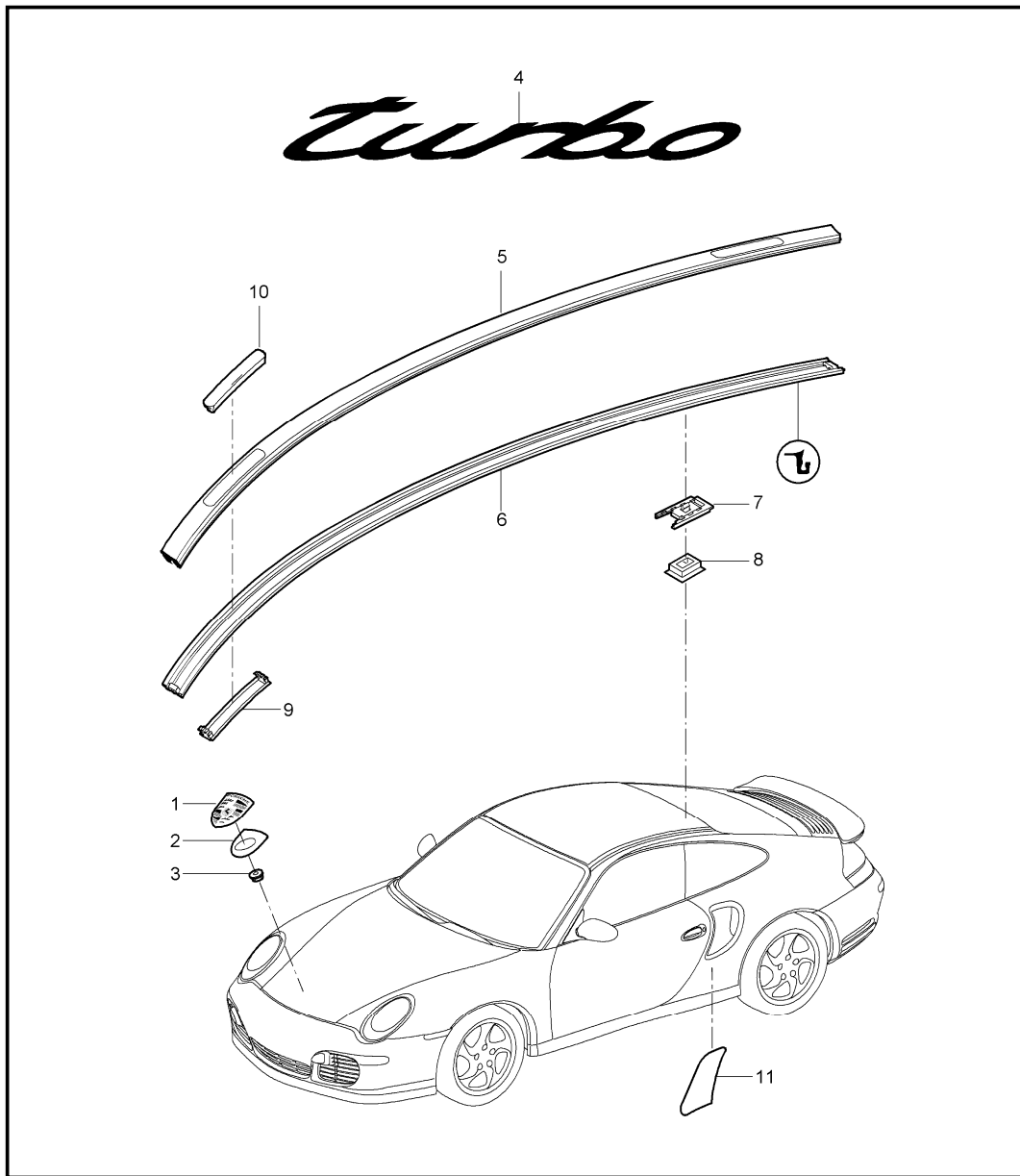
Model	Year	MG	SG	Illustration	Restrictions	UPD	7:48	26.01.2010	PORSCHE	PET	PORSCHE
997T	2009	8	09	809-20		248					

Pos	Part Number	Description	Remark	Qty	Model	Pos	Part Number	Description	Remark	Qty	Model
(30)	997 553 243 01	cover shift gate lacquered		1	I480		8W7	sea blue			
	A03	black					8X8	terracotta			
	5V7	stone grey					8P9	cocoa			
	5Z1	sand beige					T13	brown/natural			
	8W7	sea blue					N23	carrera red	08-		
	5Y2	palmgreen	-07			(32)	997 553 981 00	cover		1	TURBO IXCK
	8X8	terracotta						parking-brake lever			
	8P9	cocoa					A11	black			
	T13	brown/natural					5X6	stone grey			
	N23	carrera red	08-				8G2	sand beige			
31	996 552 687 00	slide		1	TURBO I249		3S9	sea blue			
	01C	satin black					4P2	palmgreen	-07		
32	997 553 455 01	cover parking-brake lever lacquered	-07	1			9S5	terracotta			
	A03	black					9V6	cocoa			
	5V7	stone grey					D12	dark grey/natural			
	5Z1	sand beige					T12	brown/natural			
	8W7	sea blue					N12	carrera red	08-		
	5Y2	palmgreen	-07			(32)	997 553 981 00	cover		1	TURBO IXJT
	8X8	terracotta						parking-brake lever			
	8P9	cocoa					A11	black			
	T13	brown/natural					5X6	stone grey			
32	997 553 903 00	cover parking-brake lever lacquered	08-	1			8G2	sand beige			
	A03	black					3S9	sea blue			
	5V7	stone grey					4P2	palmgreen	-07		
	5Z1	sand beige					9S5	terracotta			
							9V6	cocoa			
							D12	dark grey/natural			
							T12	brown/natural			
							N12	carrera red	08-		

Model	Year	MG	SG	Illustration	Restrictions	UPD	7:48	26.01.2010	PORSCHE	PET	PORSCHE
997T	2009	8	09	809-20		248					

Pos	Part Number	Description	Remark	Qty	Model	Pos	Part Number	Description	Remark	Qty	Model
(32)	997 553 981 00	cover		1	TURBO IXJU		4P2	palmgreen	-07		
		parking-brake lever					9S5	terracotta			
	A11	black					9V6	cocoa			
	5X6	stone grey					D12	dark grey/natural			
	8G2	sand beige					T12	brown/natural			
	3S9	sea blue					N12	carrera red	08-		
	4P2	palmgreen	-07			(32)	997 553 981 07	cover		1	IXMZ
								parking-brake lever			
							A11	black			
							5X6	stone grey			
							8G2	sand beige			
							3S9	sea blue			
							4P2	palmgreen	-07		
							9S5	terracotta			
							9V6	cocoa			
							D12	dark grey/natural			
							T12	brown/natural			
							N12	carrera red	08-		
(32)	997 553 981 00	cover		1	IXME						
		parking-brake lever									
	A11	black									
	5X6	stone grey									
	8G2	sand beige									
	3S9	sea blue									
	4P2	palmgreen	-07			33	999 591 215 40	expander nut		2	
								4,2			
						34	997 553 732 00	rubber buffer		2	
								lid			
								inner			
						35	997 553 861 00	clamp		4	IXMZ
(32)	997 553 981 00	cover		1	IXMJ						
		parking-brake lever									
	A11	black									
	5X6	stone grey									
	8G2	sand beige									
	3S9	sea blue									

Model	Year	MG	SG	Illustration	Restrictions	UPD	7:48	26.01.2010	PORSCHE	PET	PORSCHE
997T	2009	8	10	810-00		248					



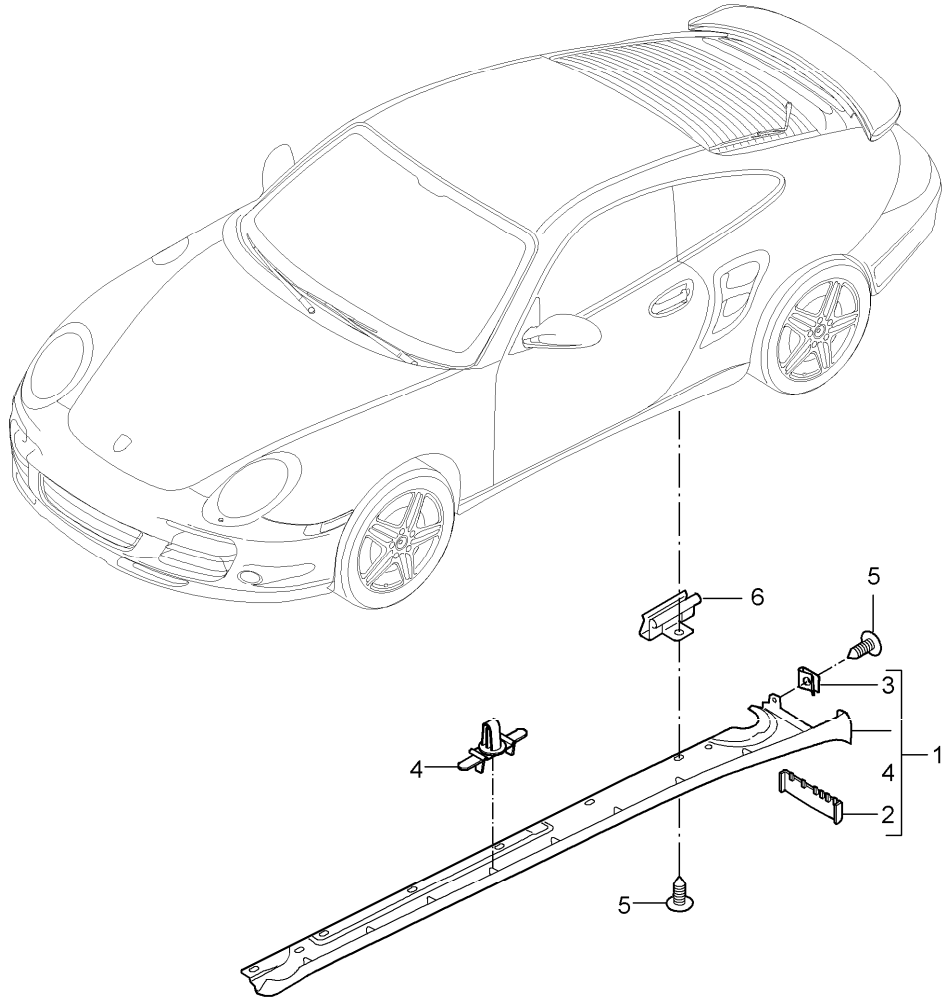
Pos	Part Number	Description	Remark	Qty	Model
		insignias decorative fittings stone guard film			
1	997 559 211 00	lid emblem Information available	WW	1	
(1)	996 559 211 01	lid emblem Information available	WW	1	
2	7L5 853 611 B	desk pad		1	
3	999 591 423 03	tapping nut		2	
4	997 559 237 03	logo *Turbo*		1	TURBO
(4)	996 559 237 91	logo *GT2*	08-	1	GT2
		70C rally black			
5	997 559 401 00	roof edge strip G2X prime coated	/L	1	
(5)	997 559 402 00	roof edge strip G2X prime coated	/R	1	
6	997 559 721 00	gasket roof edge strip	/L	1	
(6)	997 559 722 00	gasket roof edge strip	/R	1	
7	996 559 403 01	clip		10	
8	996 559 405 01	adapter		10	
9	996 559 729 00	bracket for flap		4	
10	996 559 501 00	flap front G2X prime coated		2	
(10)	996 559 503 00	flap rear G2X prime coated		2	
11	997 504 825 03	stone guard film side section	/L	1	



Model	Year	MG	SG	Illustration	Restrictions	UPD	7:48	26.01.2010	PORSCHE	PET	PORSCHE
997T	2009	8	10	810-00		248					

Pos	Part Number	Description	Remark	Qty	Model	Pos	Part Number	Description	Remark	Qty	Model
(11)	997 504 826 03	stone guard film side section	/R	1							

Model	Year	MG	SG	Illustration	Restrictions	UPD	7:48	26.01.2010	PORSCHE	PET	PORSCHE
997T	2009	8	10	810-05		248					

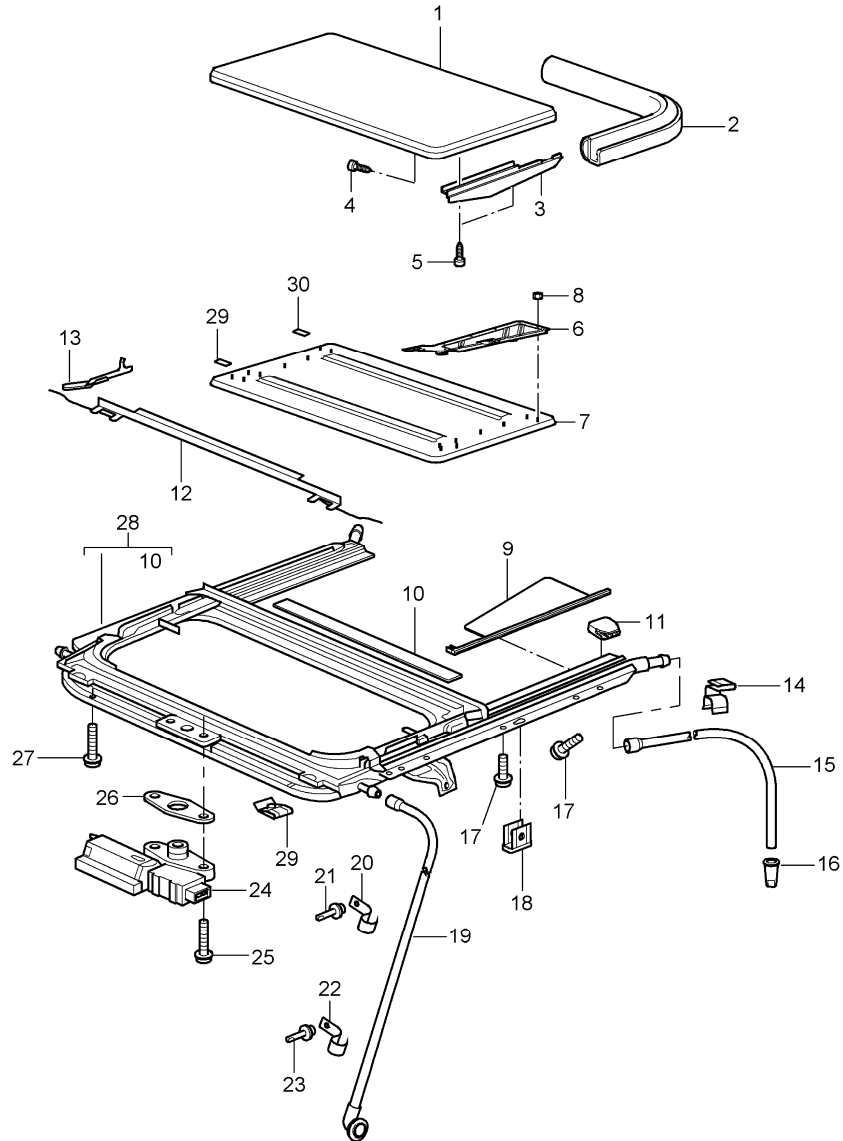


Pos	Part Number	Description	Remark	Qty	Model
1	997 504 363 00	sill cover		1	TURBO
	01C	satin black	/L		
(1)	997 504 364 00	sill cover	/R	1	TURBO
	01C	satin black			
(1)	997 504 363 80	sill cover	/L	08-	GT2
	01C	satin black			
(1)	997 504 364 80	sill cover	/R	08-	GT2
	01C	satin black			
1	997 504 981 00	sill cover	/L	1	TURBO IXAJ
	G2X	prime coated			
(1)	997 504 982 00	sill cover	/R	1	TURBO IXAJ
	G2X	prime coated			
(1)	997 504 981 82	sill cover	/L	08-	GT2 IXAJ
	G2X	prime coated			
(1)	997 504 982 82	sill cover	/R	08-	GT2 IXAJ
	G2X	prime coated			
2	997 504 863 00	rubber lip sill cover	/L	1	TURBO
	01C	satin black			
(2)	997 504 864 00	rubber lip sill cover	/R	1	TURBO
	01C	satin black			
2	997 504 863 80	rubber lip sill cover	/L	08-	GT2
	01C	satin black			
(2)	997 504 864 80	rubber lip sill cover	/R	08-	GT2
	01C	satin black			

Model	Year	MG	SG	Illustration	Restrictions	UPD	7:48	26.01.2010	PORSCHE	PET	PORSCHE
997T	2009	8	10	810-05		248					

Pos	Part Number	Description	Remark	Qty	Model	Pos	Part Number	Description	Remark	Qty	Model
3	999 507 795 09	speed nut ST 4,8		4							
4	999 507 986 40	fixing clip sill cover 9,0 x 1,5		18							
5	999 073 231 09	tapping screw st 4,8 x 16		24							
6	999 507 640 09	u-clamp		18							

Model	Year	MG	SG	Illustration	Restrictions	UPD	7:48	26.01.2010	PORSCHE	PET	PORSCHE
997T	2009	8	11	811-00		248					

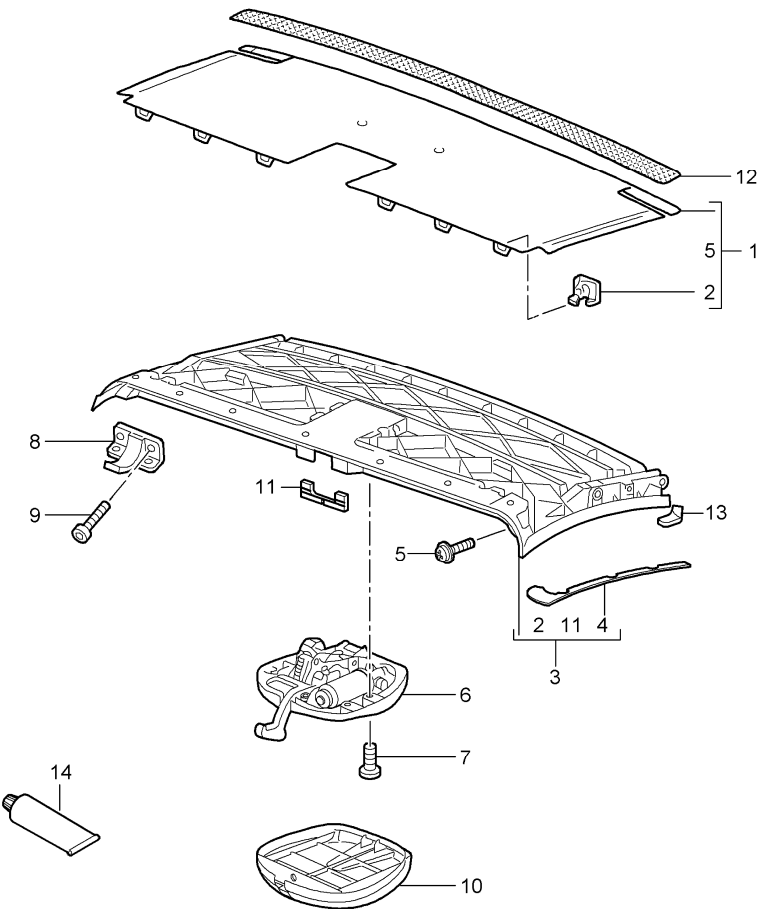
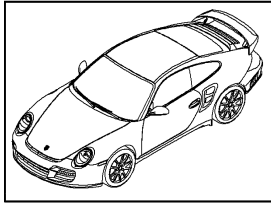


Pos	Part Number	Description	Remark	Qty	Model
		sunroof			I650
1	996 564 941 01	lid		1	
		GRV prime coated			
2	997 564 211 00	gasket		1	
3	996 564 181 00	cover	/L	1	
		01C black			
(3)	996 564 182 00	cover	/R	1	
		01C black			
4	996 564 245 00	combination screw		4	
5	900 143 189 09	tapping screw		4	
6	996 564 321 01	guide plate	/L	1	
(6)	996 564 322 01	guide plate	/R	1	
7	997 564 021 00	roofliner		1	
		alcantara			
		A14 black			
		B14 stone grey			
		G14 metropole blue			
		T44 sand beige			
		J44 palmgreen			
(7)	996 564 983 00	roofliner		1	
		leather			
		A11 black			
		5X6 stone grey			
		8G2 sand beige			
		3S9 sea blue			
		4P2 palmgreen			
		9S5 terracotta			
		D12 dark grey/natural			
		T12 natural brown			
		9V6 cocoa			

Model	Year	MG	SG	Illustration	Restrictions	UPD	7:48	26.01.2010	PORSCHE	PET	PORSCHE
997T	2009	8	11	811-00		248					

Pos	Part Number	Description	Remark	Qty	Model	Pos	Part Number	Description	Remark	Qty	Model
	N12	carrera red				29	997 564 903 00	damping piece front		3	
8	900 076 084 07	nut		16		30	997 564 905 00	damping piece rear		3	
9	996 564 241 00	interior lining	/L	1							
(9)	996 564 242 00	interior lining	/R	1							
10	997 564 671 00	edge protection		11							
11	997 555 823 00	support		2							
12	997 564 161 00	air deflector		1							
13	996 564 522 01	hinge	/R	1							
(13)	996 564 521 01	hinge	/L	1							
14	999 507 631 02	cable holder		4							
15	996 564 205 01	water drain hose rear		2							
16	996 561 825 00	water drain valve rear		2							
17	999 073 130 02	oval-head screw		6							
18	999 703 258 42	clip		2							
19	996 564 207 00	water drain hose front		2							
20	997 564 301 00	support upper		2							
21	999 190 184 01	blind rivet 4,0X8,5		2							
22	997 564 303 00	support lower		2							
23	999 190 450 37	blind rivet 4,0X6,3		1							
24	997 624 211 00	driving mechanism		1							
25	999 073 135 07	countersunk-head screw		1							
26	996 564 213 00	spacer		1							
27	999 073 366 02	oval-head screw		4							
28	997 564 911 00	frame without driving mechanism		1							

Model	Year	MG	SG	Illustration	Restrictions	UPD	7:49	26.01.2010	PORSCHE	PET	PORSCHE
997T	2009	8	11	811-05		248					

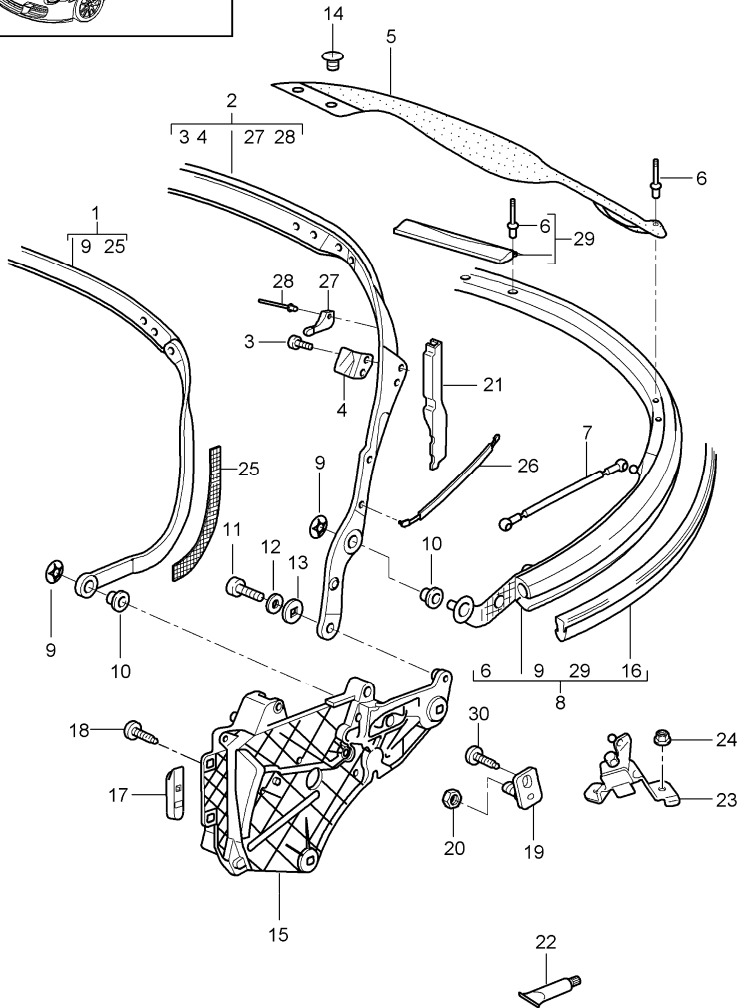
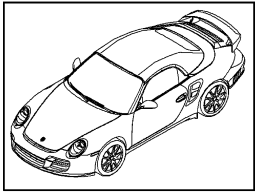


Pos	Part Number	Description	Remark	Qty	Model
		convertible top frame front roof frame catch lubricants			
1	996 561 963 00	base		1	
2	996 561 731 00	clip		6	
3	997 561 905 00	roof frame		1	
	A09	black			
		use also:			
-	997 561 509 00	felt strip 60 x 25 see tpi group 8 Nr. 53		1	
4	996 561 807 00	gasket roof frame plastic foam strip	/L	1	
(4)	996 561 808 00	gasket roof frame plastic foam strip	/R	1	
5	999 507 497 40	expansion rivet		6	
6	997 561 117 00	catch		1	
7	999 073 195 01	oval-head screw		4	
8	997 561 605 00	centring journal	/L	1	
(8)	997 561 606 00	centring journal	/R	1	
9	999 919 144 09	oval-head screw		4	
10	997 561 515 00	trim cover		1	
	01C	black			
11		buffer see illustrations 8-11-09		1	
12	000 043 207 44	felt strip 30 mm x 5 Meter		1	
13	997 561 827 00	foam part	/L	09-	1
(13)	997 561 828 00	foam part	/R	09-	1

Model	Year	MG	SG	Illustration	Restrictions	UPD	7:49	26.01.2010	PORSCHE	PET	PORSCHE
997T	2009	8	11	811-05		248					

Pos	Part Number	Description	Remark	Qty	Model	Pos	Part Number	Description	Remark	Qty	Model
14	000 043 206 65	grease Krytox 1 tube 56 Gramm		X							
(14)	000 043 206 83	grease Optitemp LG2 1 tube 80 Gramm		X							
(14)	999 917 557 00	grease Osixo 30 ml		X							

Model	Year	MG	SG	Illustration	Restrictions	UPD	7:49	26.01.2010	PORSCHE	PET	PORSCHE
997T	2009	8	11	811-06		248					



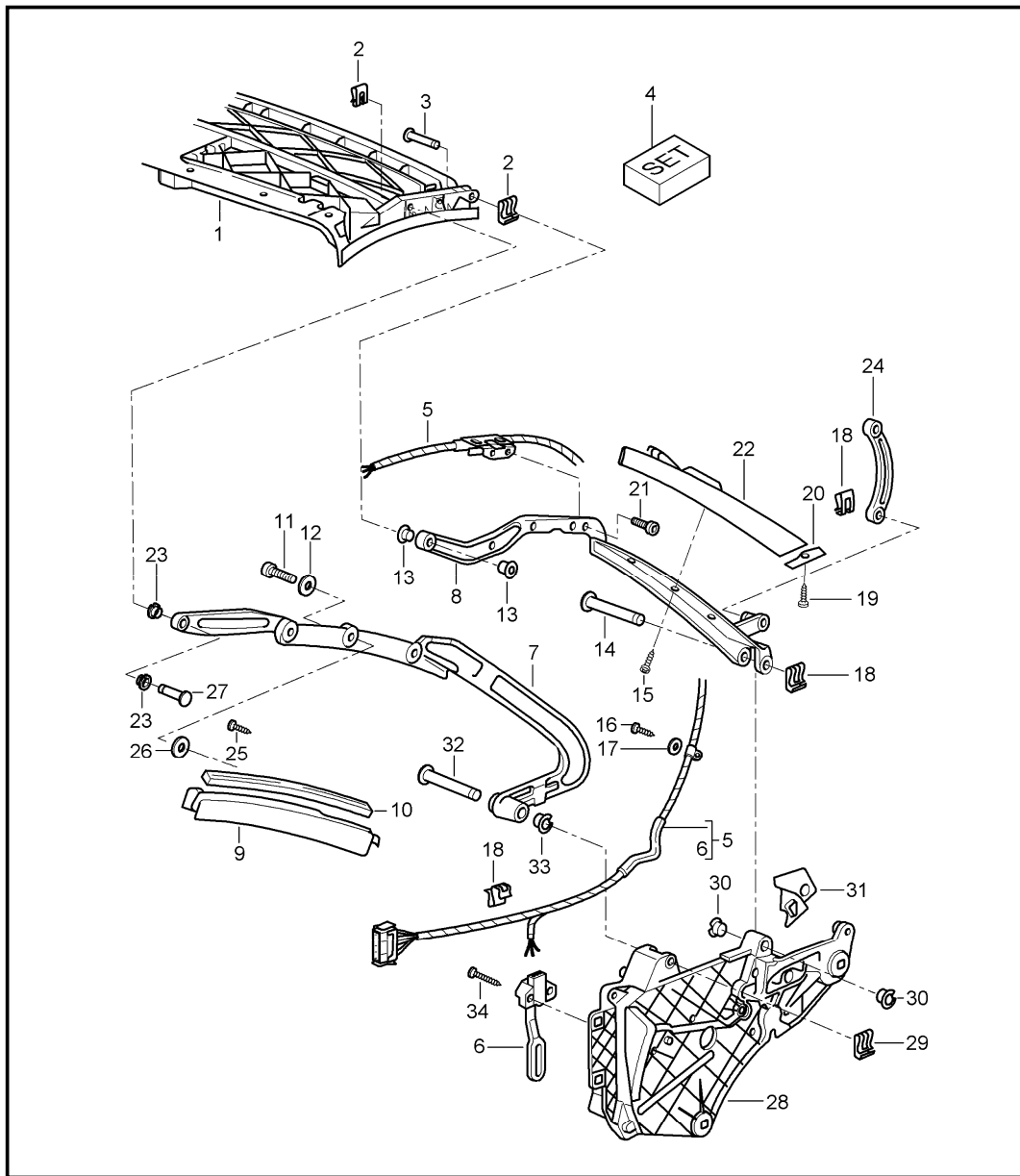
Pos	Part Number	Description	Remark	Qty	Model
		convertible top frame single parts			
1	996 561 042 01	roof strut	-08	1	
1	997 561 942 00	roof strut	09-	1	
2	996 561 037 00	main folding top bow	-08	1	
2	997 561 037 00	main folding top bow	09-	1	
3	900 146 003 02	oval-head screw		4	
4	996 561 959 00	thrust wedge		2	
5	997 561 089 01	restraining strap	/L -08	1	
5	997 561 089 02	restraining strap	/L 09-	1	
(5)	997 561 090 01	restraining strap	/R -08	1	
(5)	997 561 090 02	restraining strap	/R 09-	1	
6	999 190 446 30	blind rivet		X	
7	996 561 191 00	tension rope lower		2	
8	997 561 041 00	roof strut	-08	1	
8	997 561 941 00	roof strut with buffer	09-	1	
9	996 561 645 00	lock		8	
10	999 924 122 40	bush		8	
11	999 073 195 01	round head screw M6 X 20		2	
12	999 523 020 01	washer		2	
13	999 924 131 30	washer 8,5 X 28 X 2		2	
14	999 919 141 09	oval-head screw M5 X 12		4	
15	996 561 443 00	convertible top support	/L	1	
(15)	996 561 444 00	convertible top support	/R	1	
16	996 561 693 00	gaskets for roof strut POS.8		2	



Model	Year	MG	SG	Illustration	Restrictions	UPD	7:49	26.01.2010	PORSCHE	PET	PORSCHE
997T	2009	8	11	811-06		248					

Pos	Part Number	Description	Remark	Qty	Model	Pos	Part Number	Description	Remark	Qty	Model
17	996 561 735 02	guide		2							
18	999 075 065 09	hexagon-head bolt M8x35 mount convertible top support		6							
19	996 561 715 00	support		2							
20	999 084 630 09	hexagon nut		2							
21	996 561 259 00	gasket	/L	1							
(21)	996 561 260 00	gasket	/R	1							
22	928 101 921 00	loctite		1							
23	996 561 055 01	bracket for tension rope	/L	1							
(23)	996 561 056 01	bracket	/R	1							
24	999 084 629 01	hexagon nut		4							
25	997 561 897 00	velcro strip	/L	09-	1						
(25)	997 561 898 00	velcro strip	/R	09-	1						
26	997 561 531 00	spring plate		09-	2						
27	997 561 579 00	protective plate	/L	09-	1						
(27)	997 561 580 00	protective plate	/R	09-	1						
28	999 190 494 30	rivet A 4.8x12.0		09-	2						
29	997 561 961 00	buffer set		09-	1						
30	999 073 138 01	screw M8x25			1						

Model	Year	MG	SG	Illustration	Restrictions	UPD	7:49	26.01.2010	PORSCHE	PET	PORSCHE
997T	2009	8	11	811-07		248					

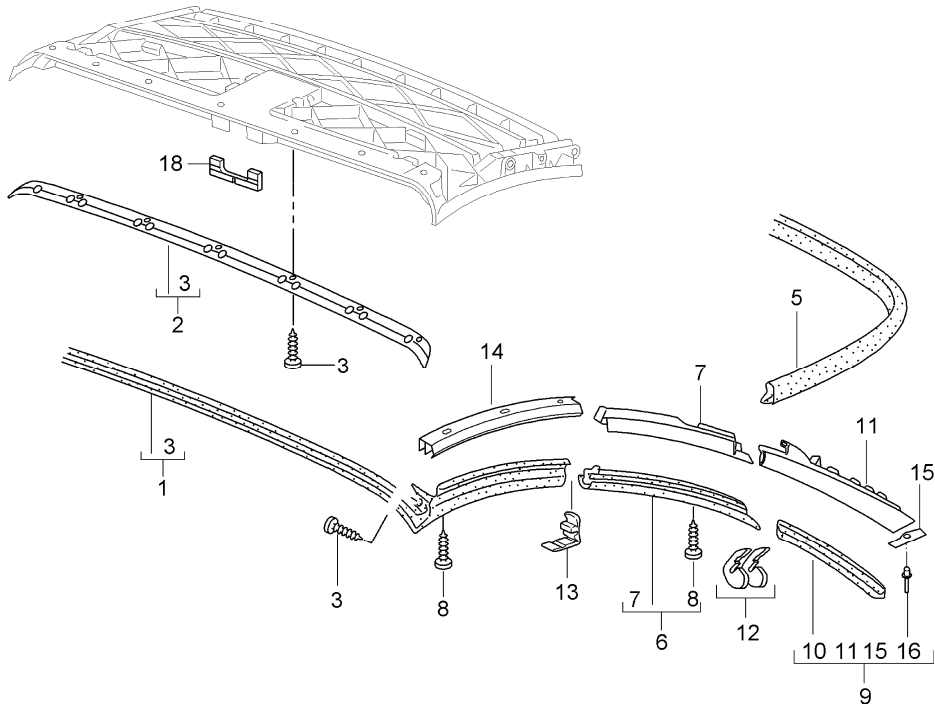
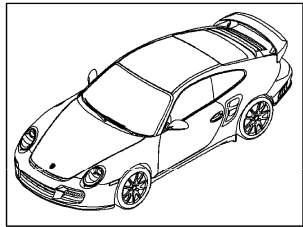


Pos	Part Number	Description	Remark	Qty	Model
1	997 561 905 00	convertible top frame single parts		1	
	A09	black			
		use also:			
-	997 561 509 00	felt strip 60 x 25 see tpi group 8 Nr. 53		1	
2	999 166 075 09	safety clip		X	
3	999 088 050 30	bolt 8X27,8		2	
4	997 561 909 00	repair kit bush bolt lock		1	
5	997 612 698 00	wiring harness only for convertible top black	-08	1	
5	997 612 698 01	wiring harness only for convertible top black	09-	1	
5	997 612 698 02	wiring harness for convertible top coloured	-08	1	
5	997 612 698 03	wiring harness for convertible top coloured	09-	1	
-	997 561 965 00	boot for wiring harness		1	
6	996 613 313 02	potentiometer		1	
7	996 561 335 00	roof frame	/L	1	
(7)	996 561 336 00	roof frame	/R	1	

Model	Year	MG	SG	Illustration	Restrictions	UPD	7:49	26.01.2010	PORSCHE	PET	PORSCHE
997T	2009	8	11	811-07		248					

Pos	Part Number	Description	Remark	Qty	Model	Pos	Part Number	Description	Remark	Qty	Model
8	996 561 339 00	roof frame	/L -08	1		(22)	997 561 320 01	sealing frame black	/R -08	1	
8	997 561 939 00	roof frame	/L 09-	1		(22)	997 561 320 03	sealing frame	/R 09-	1	
(8)	996 561 340 00	roof frame	/R -08	1			A09	black			
(8)	997 561 940 00	roof frame	/R 09-	1		23	999 924 086 40	bearing sleeve		8	
9	997 561 355 01	sealing frame	/L	1		24	996 561 051 01	lever	/L	1	
	A09	black				(24)	996 561 052 01	lever	/R	1	
(9)	997 561 356 01	sealing frame	/R	1		25	999 919 141 09	oval-head screw		8	
	A09	black				26	999 025 267 09	washer		4	
10	996 561 219 00	gasket for sealing frame		2		27	999 088 049 30	bolt 8x32,8		2	
11	999 073 195 01	round head screw M 6X20		10		28	996 561 443 00	convertible top support	/L	1	
12	999 523 020 01	washer		X		(28)	996 561 444 00	convertible top support	/R	1	
13	999 924 086 40	bearing sleeve		16		29	999 166 076 02	safety clip		6	
14	999 088 031 30	bolt		1		30	999 924 125 40	bush		2	
15	999 919 153 09	oval-head screw		X		31	996 561 249 01	sealing strip	/L	1	
16	900 144 101 02	tapping screw		X		(31)	996 561 250 01	sealing strip	/R	1	
17	900 151 027 02	washer		8		32	999 088 031 30	bolt		4	
18	999 166 076 01	safety clip		4		33	999 924 125 40	bush		4	
19	999 919 141 09	oval-head screw		8		34	999 919 152 09	oval-head screw 3,5X8		2	
20	996 561 239 00	gaskets	/L -08	1							
20	997 561 239 00	gaskets	/L 09-	1							
(20)	996 561 240 00	gasket	/R -08	1							
(20)	997 561 240 00	gasket	/R 09-	1							
21	N 014 128 13	oval-head screw M5X8		4							
22	997 561 319 01	sealing frame black	/L -08	1							
22	997 561 319 03	sealing frame	/L 09-	1							
	A09	black									

Model	Year	MG	SG	Illustration	Restrictions	UPD	7:49	26.01.2010	PORSCHE	PET	PORSCHE
997T	2009	8	11	811-09		248					

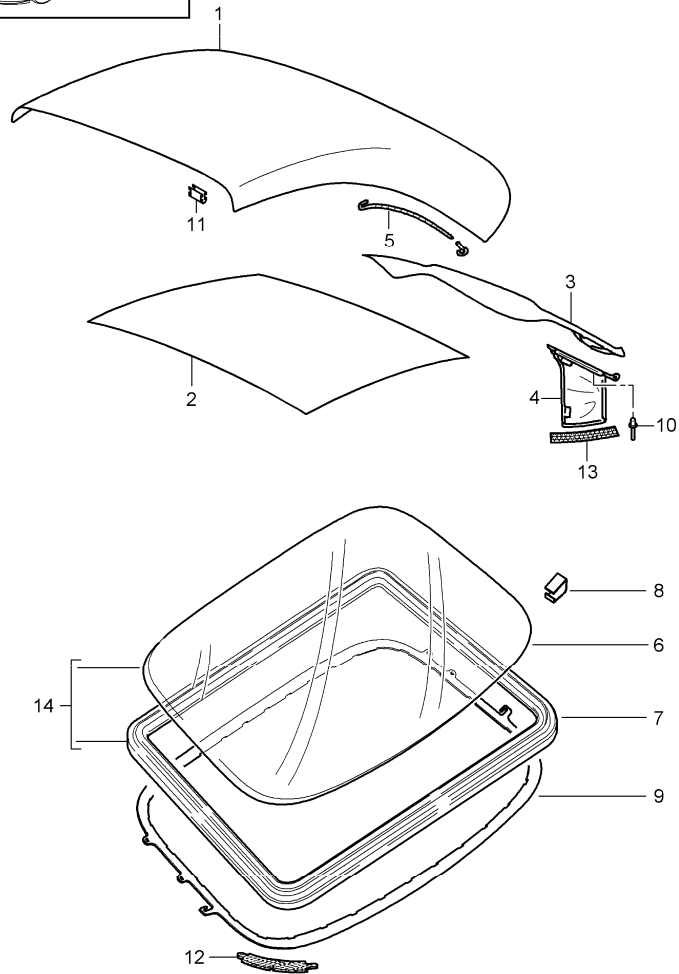
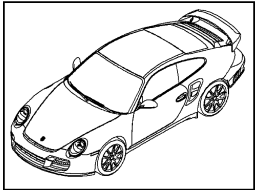


Pos	Part Number	Description	Remark	Qty	Model
		convertible top seal			
1	997 561 327 00	gasket	-08	1	
1	997 561 937 00	roof frame seal set	09-	1	
2	997 561 501 00	retaining strip	-08	1	
2	997 561 951 00	retaining strip set	09-	1	
3	999 141 036 09	oval-head screw		7	
5	997 561 949 00	gasket roof strut		1	
6	997 561 913 01	gaskets assembly kit	/L -08	1	
6	997 561 913 02	gaskets assembly kit	/L 09-	1	
(6)	997 561 914 01	gaskets assembly kit	/R -08	1	
(6)	997 561 914 02	gaskets assembly kit	/R 09-	1	
7	997 561 355 01	frame	/L	1	
	A09	black			
(7)	997 561 356 01	frame	/R	1	
	A09	black			
8	999 919 152 09	oval-head screw		X	
9	997 561 923 01	gasket assembly kit	/L -08	1	
9	997 561 923 03	gasket assembly kit	/L 09-	1	
(9)	997 561 924 01	gasket assembly kit	/R -08	1	
(9)	997 561 924 03	gasket assembly kit	/R 09-	1	
10	997 561 903 00	gasket	/L -08	1	
(10)	997 561 904 00	gasket	/R -08	1	
11	997 561 319 01	sealing frame	/L -08	1	

Model	Year	MG	SG	Illustration	Restrictions	UPD	7:49	26.01.2010	PORSCHE	PET	PORSCHE
997T	2009	8	11	811-09		248					

Pos	Part Number	Description	Remark	Qty	Model	Pos	Part Number	Description	Remark	Qty	Model
11	997 561 319 03	frame	/L 09-	1							
	A09	black									
(11)	997 561 320 01	sealing frame	/R -08	1							
(11)	997 561 320 03	frame	/R 09-	1							
	A09	black									
12	996 561 935 00	filler piece set		2							
13	997 561 813 00	filler piece	/L	1							
(13)	997 561 814 00	filler piece roof frame front	/R	1							
14	996 561 527 00	mounting	/L	1							
(14)	996 561 528 00	mounting	/R	1							
15	996 561 239 00	gasket	/L -08	1							
15	997 561 239 00	gasket	/L 09-	1							
(15)	996 561 240 00	gasket	/R -08	1							
(15)	997 561 240 00	gasket	/R 09-	1							
16	999 190 495 30	blind rivet		4							
--	999 919 152 09	oval-head screw gasket		4							
18	996 561 745 00	buffer		1							

Model	Year	MG	SG	Illustration	Restrictions	UPD	7:49	26.01.2010	PORSCHE	PET	PORSCHE
997T	2009	8	11	811-10		248					

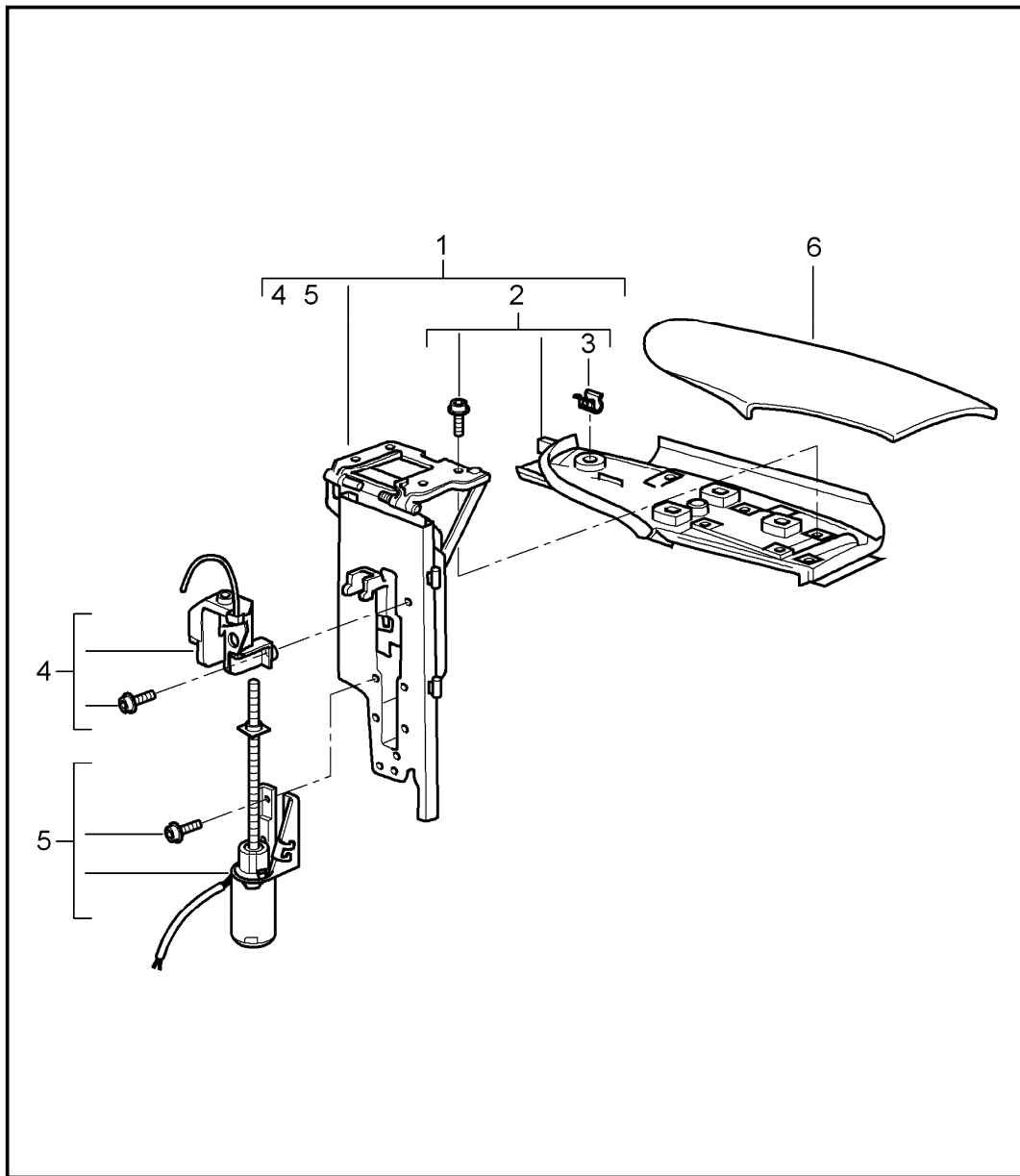


Pos	Part Number	Description	Remark	Qty	Model
		convertible top covering roofliner			
1	997 561 901 01	convertible top covering without rear window	-08	1	
	A10	black			
	C17	stone grey			
	G02	metropole blue			
	R17	brown			
(1)	997 561 901 02	convertible top covering without rear window valid up to: F >>999S7 70428 F >>999S7 70430 it is necessary to rework see technical information group 6 12/09	09- /LL /RL	1	
	A10	black			
	C17	stone grey			
	G02	metropole blue			
	R17	brown			
(1)	997 561 901 03	convertible top covering without rear window valid from: F 999S7 70429>> F 999S7 70431>>	09- /LL /RL	1	
	A10	black			
	C17	stone grey			
	G02	metropole blue			
	R17	brown			
2	997 561 085 01	roofliner	-08	1	
	A21	black			
(2)	997 561 085 02	roofliner	09-	1	
	A21	black			

Model	Year	MG	SG	Illustration	Restrictions	UPD	7:49	26.01.2010	PORSCHE	PET	PORSCHE
997T	2009	8	11	811-10		248					

Pos	Part Number	Description	Remark	Qty	Model	Pos	Part Number	Description	Remark	Qty	Model
3		restraining strap see illustrations 08/11/06		2							
4	997 561 095 01	bag	/L	-08	1						
	A21	black									
4	997 561 095 02	bag	/L	09-	1						
	A21	black									
(4)	997 561 096 01	bag	/R	-08	1						
	A21	black									
(4)	997 561 096 02	bag	/R	09-	1						
	A21	black									
5	996 561 931 01	tension rope			2						
6	996 561 101 00	rear window		-08	1						
7	996 561 331 00	gasket		-08	1						
8	996 561 205 00	clamp			32						
9	996 561 203 00	frame order also: 997.561.929.00			1						
-	997 561 929 00	set of fastening parts			1						
10	999 190 446 30	blind rivet			4						
11	997 561 915 00	clamp set 20 St•ck			1						
12	997 561 721 00	velcro strip		09-	2						
13	997 561 897 00	velcro strip	/L	09-	1						
(13)	997 561 898 00	velcro strip	/R	09-	1						
14	997 561 979 00	rear window with gasket		09-	1						

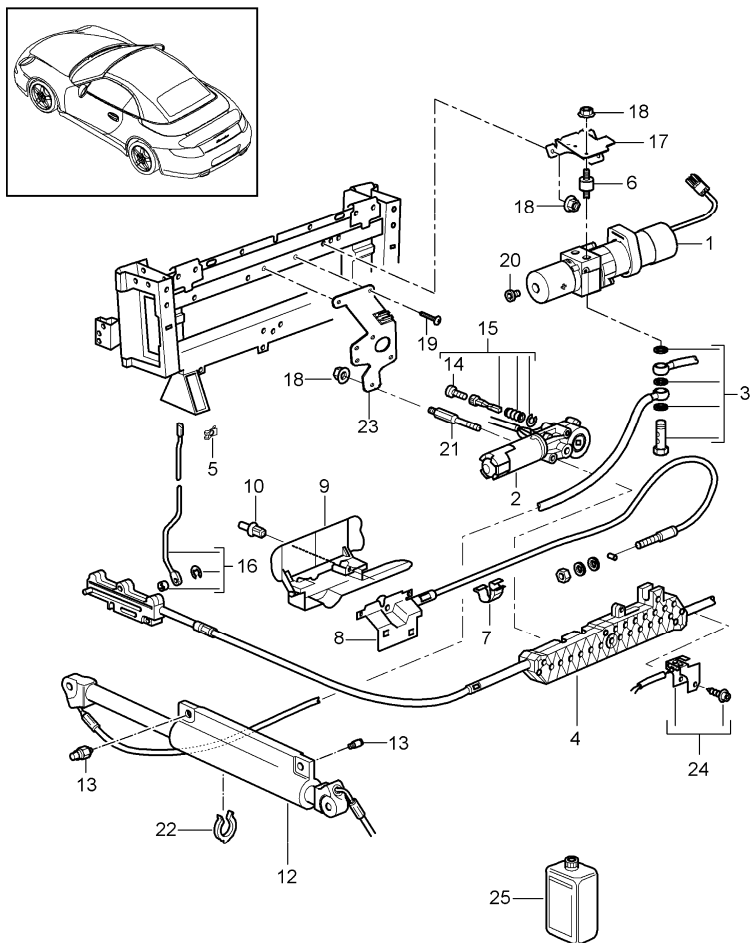
Model	Year	MG	SG	Illustration	Restrictions	UPD	7:50	26.01.2010	PORSCHE	PET	PORSCHE
997T	2009	8	11	811-11		248					



Pos	Part Number	Description	Remark	Qty	Model
		flap lateral folding top			
1	996 561 175 01	flap	/L	1	
(1)	996 561 176 01	flap	/R	1	
2	996 561 625 00	lower part	/L	1	
(2)	996 561 626 00	lower part	/R	1	
3	999 507 533 02	clamp		X	
4	996 561 685 00	microswitch	/L	1	
(4)	996 561 686 00	microswitch	/R	1	
5	996 561 675 00	driving mechanism	/L	1	
(5)	996 561 676 00	driving mechanism	/R	1	
6	--- -- -- --	see illustrations 8/07/07	/R	1	



Model	Year	MG	SG	Illustration	Restrictions	UPD	7:50	26.01.2010	PORSCHE	PET	PORSCHE
997T	2009	8	11	811-12		248					

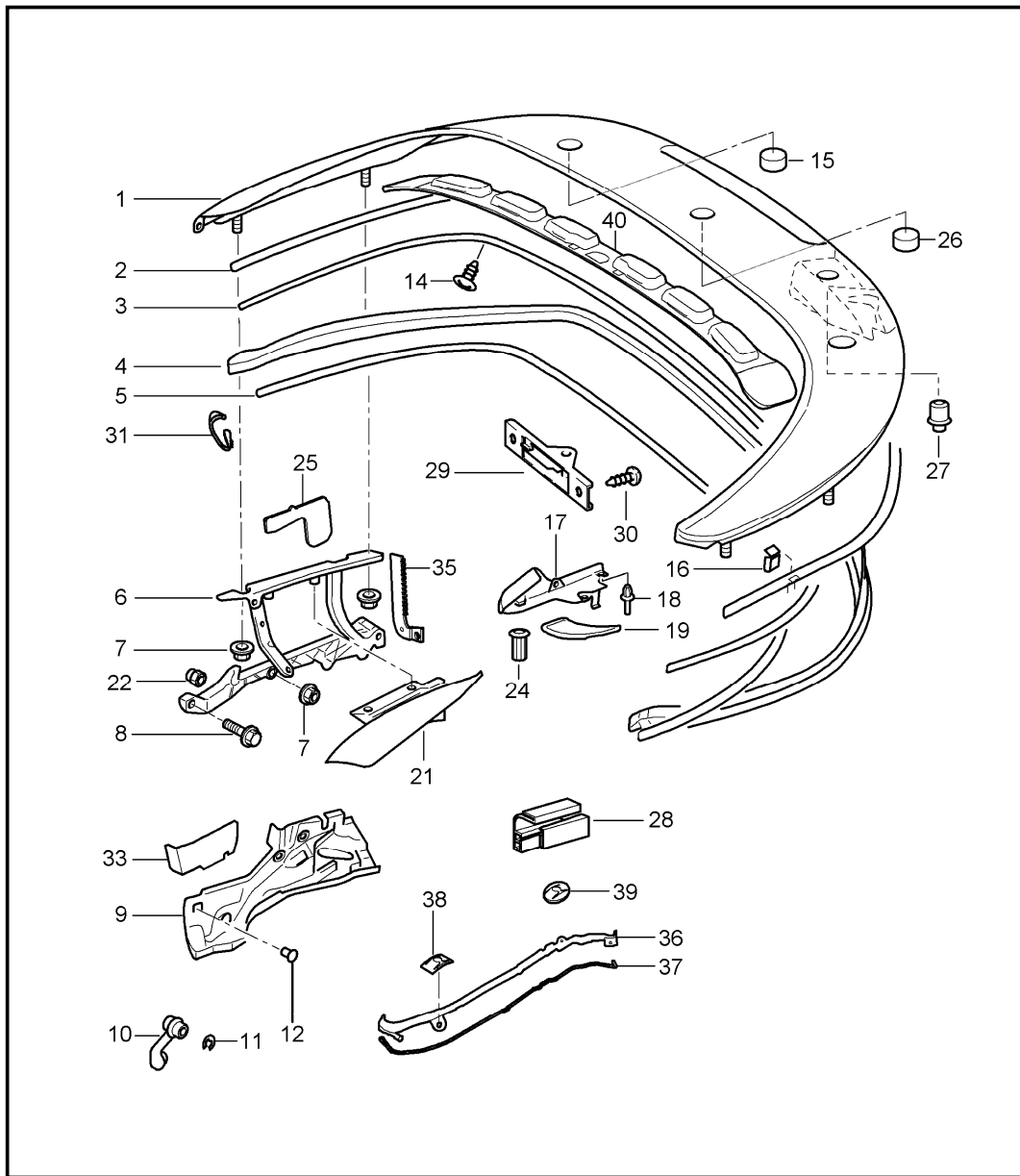


Pos	Part Number	Description	Remark	Qty	Model
		convertible top driving mechanism hydraulic			
1	997 561 307 00	pump		1	
2	996 561 933 01	driving mechanism		1	
3	996 561 573 00	banjo bolt		2	
4	996 561 021 04	driving mechanism		1	
5	999 166 054 01	sl-lock		2	
6	999 703 235 01	bonded rubber buffer		2	
7	999 507 683 40	cable holder		X	
8	996 561 065 01	locking device		1	
9	996 561 265 03	lining		1	
10	999 591 941 40	expansion rivet		X	
12	996 561 945 02	cylinder		2	
13	996 561 245 00	bolt		1	
14	996 561 671 00	screw		1	
15	996 561 673 01	repair kit		1	
16	996 561 229 00	push rod	/L	1	
(16)	996 561 230 00	push rod	/R	1	
17	996 561 217 01	bracket hydraulic unit	/L	1	
18	900 377 010 01	hexagon nut M 6		7	
19	999 073 228 09	tapping screw St 4,8		6	
20	996 561 407 01	oil filler screw		1	
21	996 561 863 01	stud		3	
22	996 561 281 00	retainer		2	
23	996 561 207 01	support driving mechanism convertible top compartm.		1	
24	996 561 165 01	microswitch		1	

Model	Year	MG	SG	Illustration	Restrictions	UPD	7:50	26.01.2010	PORSCHE	PET	PORSCHE
997T	2009	8	11	811-12		248					

Pos	Part Number	Description	Remark	Qty	Model	Pos	Part Number	Description	Remark	Qty	Model
25	000 043 204 89	oil 250 ML		X							

Model	Year	MG	SG	Illustration	Restrictions	UPD	7:50	26.01.2010	PORSCHE	PET	PORSCHE
997T	2009	8	11	811-13		248					

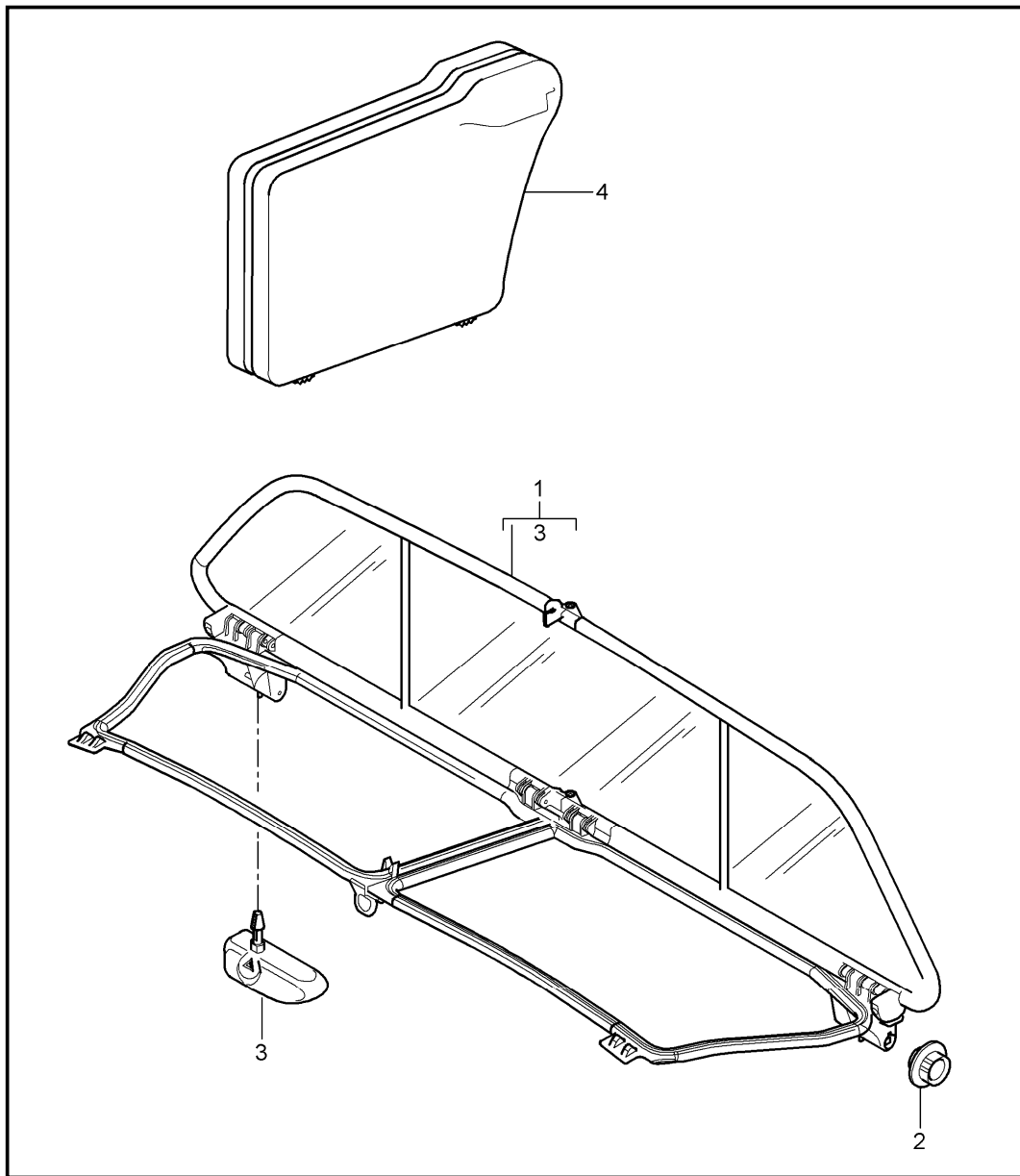


Pos	Part Number	Description	Remark	Qty	Model
1	997 514 011 05	convertible top compartm. lid gaskets		1	
		GRV prime coated			
2	997 514 633 01	sealing strip use also:		1	
-	000 043 207 26	adhesive tape		1	
3	996 514 731 00	gasket		1	
4	997 514 714 01	edge protection		1	
5	997 514 211 00	gasket body		1	
6	997 561 927 00	hinge use also: gasket 996.561.904.00	/L	1	
6	997 561 928 00	hinge use also: gasket 996.561.904.00	/R	1	
7	900 377 003 03	hexagon nut M 8		4	
8	900 378 180 01	hexagon-head bolt		2	
9	997 561 805 00	water drip pan	/L	1	
9	997 561 806 00	water drip pan	/R	1	
10	996 561 815 01	water drain hose	/L	1	
10	996 561 816 01	water drain hose	/R	1	
11	996 561 809 00	clamp for Pos. 10		2	
12	999 703 432 40	stopper		2	
14	999 073 047 02	tapping screw		2	
15	996 561 633 01	buffer	-08	2	
16	999 507 600 09	u-clamp		2	
17	997 514 651 00	mounting	/L	1	

Model	Year	MG	SG	Illustration	Restrictions	UPD	7:50	26.01.2010	PORSCHE	PET	PORSCHE
997T	2009	8	11	811-13		248					

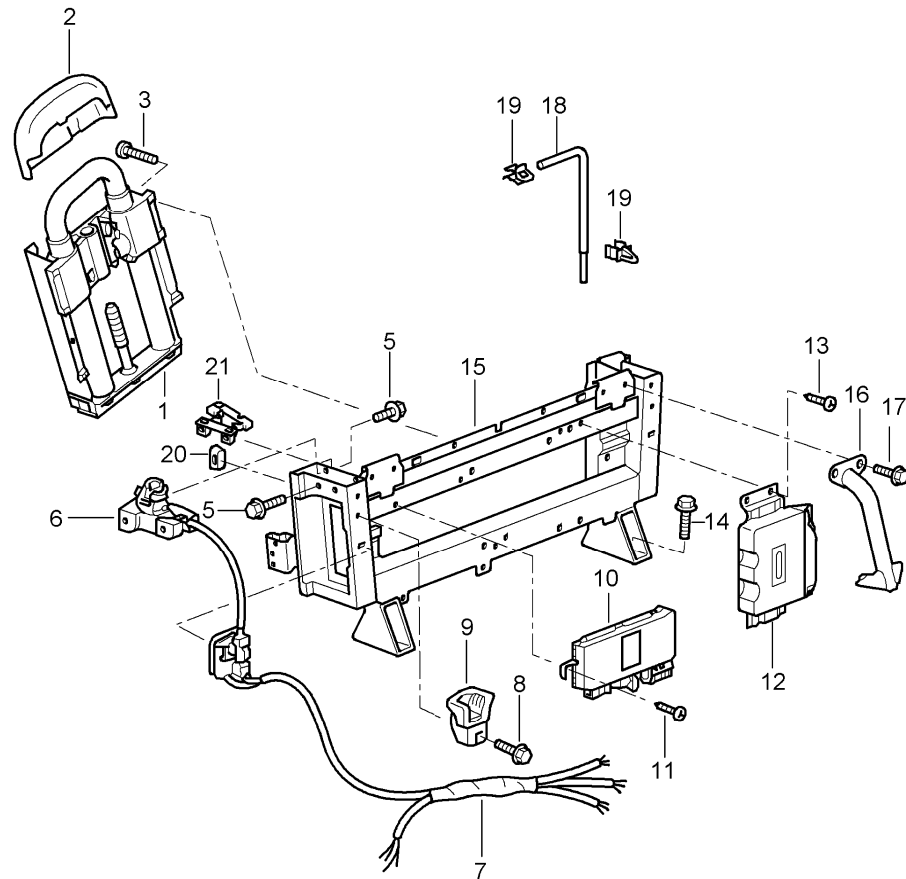
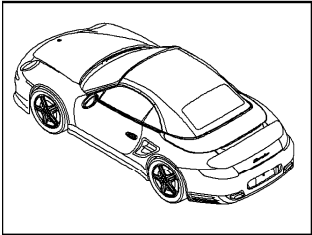
Pos	Part Number	Description	Remark	Qty	Model	Pos	Part Number	Description	Remark	Qty	Model
(17)	997 514 652 00	mounting	/R	1		34	999 703 117 40	stopper		1	CABRIO
18	999 591 712 40	expansion rivet		6		35	996 612 504 00	cable guide wiring harness brake light		1	CABRIO
19	996 504 861 00	cover	/L	1		36	997 561 755 00	water drain strip	/L -07	1	
	GRV	prime coated				36	997 561 755 02	water drain strip	/L 08-	1	
(19)	996 504 862 00	cover	/R	1		(36)	997 561 756 00	water drain strip	/R -07	1	
	GRV	prime coated				(36)	997 561 756 02	water drain strip	/R 08-	1	
21	996 561 061 02	flap	/L	1		37	999 911 673 41	sealing cord		1	
(21)	996 561 062 02	flap	/R	1		38	999 507 647 01	clamping washer front for water drain strip		2	
22	999 500 086 02	blind rivet nut		4		39	999 507 208 01	clamping washer rear for water drain strip		2	
(24)	996 504 855 01	mounting		4		40	997 561 633 00	buffer foam part	09-	1	
25	996 561 904 00	gasket		X							
26	986 561 633 01	buffer		1							
27	999 703 140 40	rubber buffer		1							
28	996 561 401 00	stop	/L	1							
(28)	996 561 402 00	stop	/R	1							
29	996 561 465 00	clip		1							
30	999 073 130 02	oval-head screw		2							
31	996 514 511 00	clip		2							
32	997 561 801 00	stop -2MM		2							
32	997 561 801 01	stop -1MM		2							
32	997 561 801 02	stop +-0		2							
32	997 561 801 03	stop +1MM		2							
32	997 561 801 04	stop +2MM		2							
32	997 561 801 05	stop +3MM		2							
33	997 561 521 00	cover	/L	1							
(33)	997 561 522 00	cover	/R	1							

Model	Year	MG	SG	Illustration	Restrictions	UPD	7:50	26.01.2010	PORSCHE	PET	PORSCHE
997T	2009	8	11	811-14		248					



Pos	Part Number	Description	Remark	Qty	Model
1	A 996 561 125 03	wind deflector		1	
	01C	black			
1	A 997 561 125 00	wind deflector		1	
	01C	black			
2	996 561 127 00	rosette	/L	1	
	01C	black			
2	996 561 128 00	rosette	/R	1	
	01C	black			
3	996 561 955 00	repair kit	/L	1	
(3)	996 561 956 00	repair kit	/R	1	
4	997 561 161 01	bag wind deflector		1	

Model	Year	MG	SG	Illustration	Restrictions	UPD	7:50	26.01.2010	PORSCHE	PET	PORSCHE
997T	2009	8	11	811-15		248					

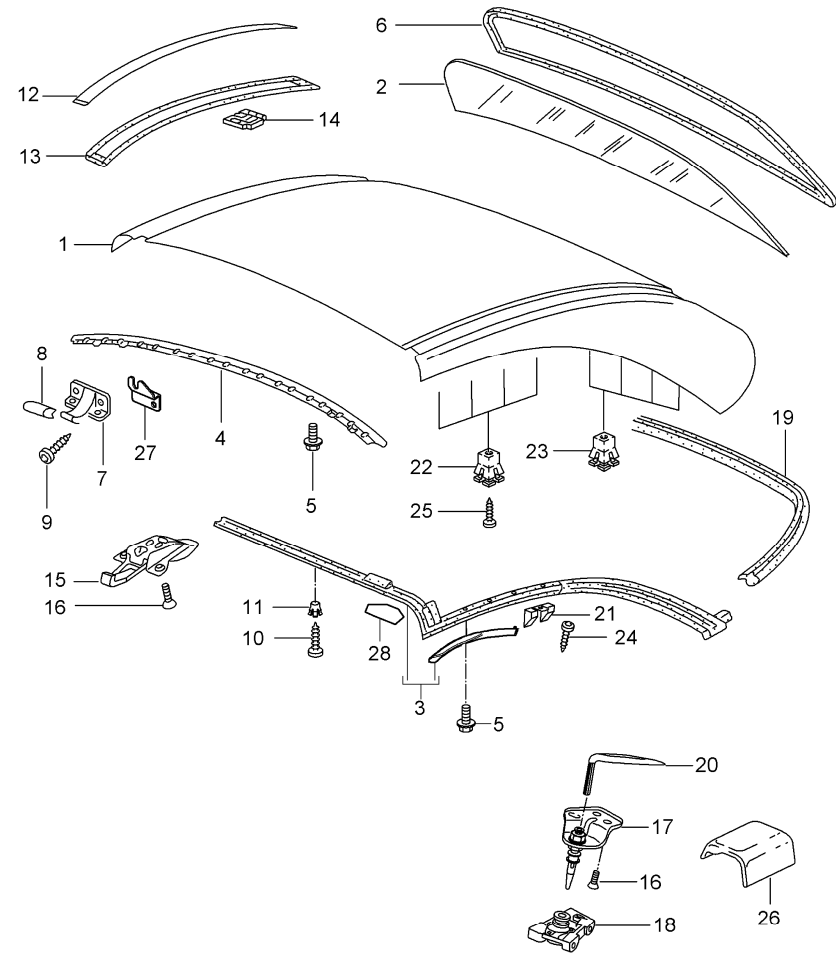
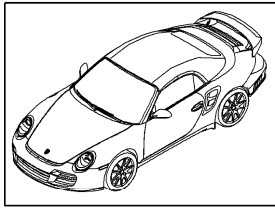


Pos	Part Number	Description	Remark	Qty	Model
		roll-over bar			
(1)	997 580 021 02	cassette		2	
2	996 580 191 01	cover		2	
3	900 067 394 01	pan-head screw		12	
4	996 561 175 01	flap see illustrations 8/11/11		1	
5	900 378 173 01	hexagon-head bolt		6	
6		mounting see illustrations 08/11/16		2	I550
(6)	996 561 654 04	mounting	/R	1	
7	997 612 696 00	wiring harness		1	
8	999 217 166 01	hexagon-head bolt M10 X 55		2	
9	996 561 463 02	guide	/L	1	
(9)	996 561 464 02	guide	/R	1	
10	997 618 111 03	control unit	06-	1	
11	999 073 060 02	tapping screw		X	
12	---	control unit - dme - see group 9/01/03		X	
13	999 073 228 09	tapping screw		X	
14	999 385 006 01	screw		4	
15	997 580 311 03	auxiliary support		1	
16	997 580 331 02	bracket	/L	1	
(16)	997 580 332 02	bracket	/R	1	
17	900 385 097 01	torx screw BM10 X 35		X	
18	999 571 079 03	screwdriver		1	
19	999 507 633 40	clamp		2	
20	997 561 457 00	sleeve		2	

Model	Year	MG	SG	Illustration	Restrictions	UPD	7:50	26.01.2010	PORSCHE	PET	PORSCHE
997T	2009	8	11	811-15		248					

Pos	Part Number	Description	Remark	Qty	Model	Pos	Part Number	Description	Remark	Qty	Model
21	996 561 297 00	insert	/L	1							
(21)	996 561 298 00	insert	/R	1							
22	999 650 176 40	clip for connector housing		3							
23	996 610 126 00	support relay carrier 2		1							
24	996 610 128 00	fixing clip relay carrier 2		1							

Model	Year	MG	SG	Illustration	Restrictions	UPD	7:51	26.01.2010	PORSCHE	PET	PORSCHE
997T	2009	8	11	811-16		248					



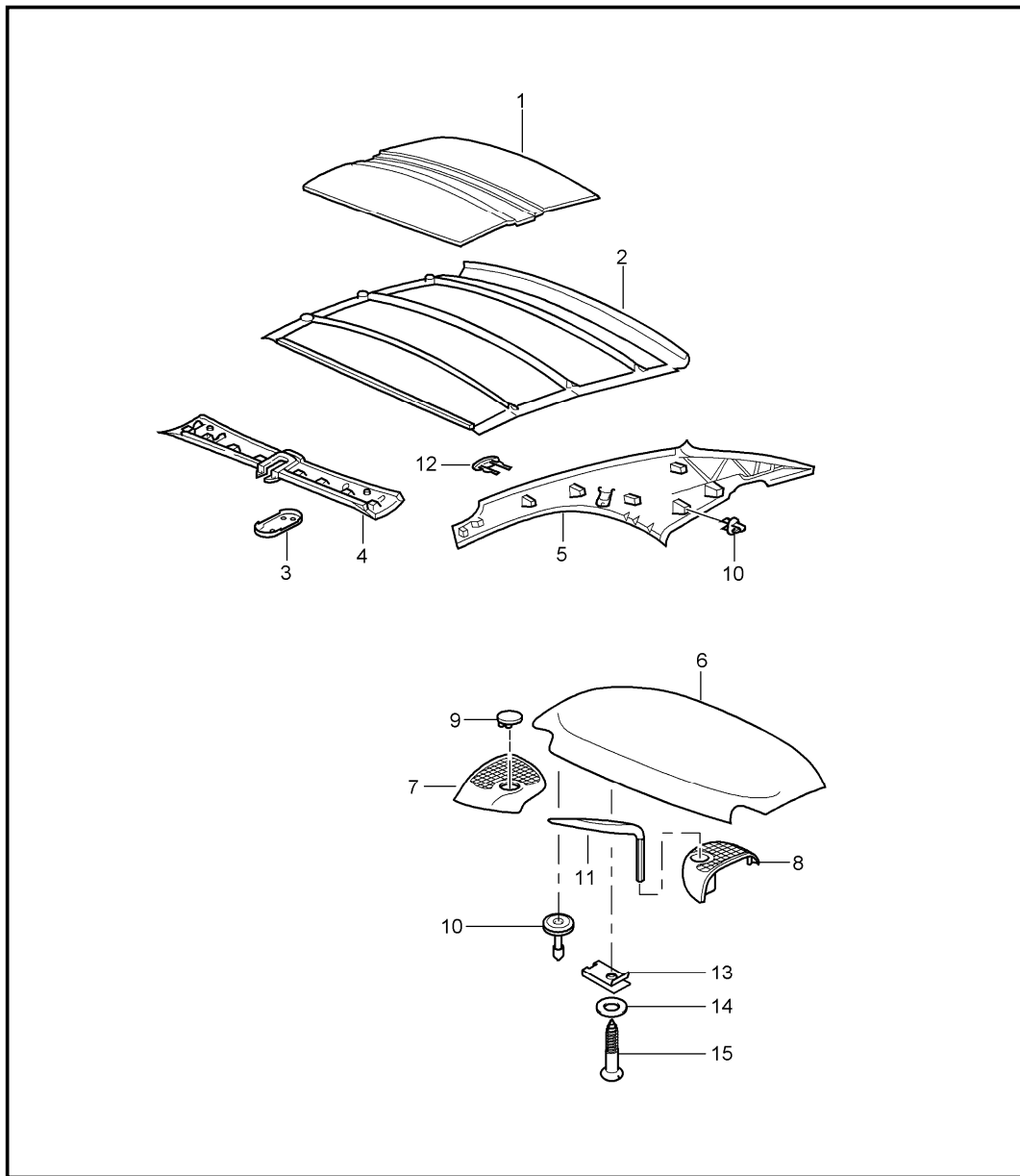
Pos	Part Number	Description	Remark	Qty	Model
		hardtop accessories gaskets			I550
1	996 563 911 00	hardtop		1	
	GRV	prime coated without accessories			
2	996 563 091 00	rear window ready for installation		1	
3	997 563 225 00	gasket with retaining strip rear when required order also:		1	
--	996 563 309 00	retaining strip front	/L	1	
--	996 563 310 00	retaining strip front	/R	1	
4	996 563 319 00	retaining strip		1	
5	999 073 049 02	fastening screw for retaining strip front transverse		8	
6	996 563 029 00	gasket		1	
7	996 563 405 00	centring journal	/L	1	
(7)	996 563 406 00	centring journal	/R	1	
8	996 563 705 01	cap	/L	1	
8	996 563 706 01	cap	/R	1	
9	999 919 144 09	oval-head screw		4	
10	999 073 049 02	tapping screw		14	
11	999 507 547 40	expander nut		8	
12	996 563 707 00	cover strip	/L	1	
	GRV	prime coated			
(12)	996 563 708 00	cover strip	/R	1	
	GRV	prime coated			



Model	Year	MG	SG	Illustration	Restrictions	UPD	7:51	26.01.2010	PORSCHE	PET	PORSCHE
997T	2009	8	11	811-16		248					

Pos	Part Number	Description	Remark	Qty	Model	Pos	Part Number	Description	Remark	Qty	Model
13	996 563 361 00	gasket	/L	1		(27)	996 563 510 00	support for lining see group 8/11/17 POS. 5	/R	1	
(13)	996 563 362 00	gasket	/R	1							
14	986 563 721 00	clip		8							
15	996 563 401 00	catch		1		28	997 563 539 00	protective film cowl	/L	1	
16	900 378 030 09	hexagon-head bolt M 6X20		3		(28)	997 563 540 00	protective film cowl	/R	1	
17	996 563 403 04	catch	/L	1							
(17)	996 563 404 04	catch	/R	1							
18	996 561 653 04	mounting	/L	1							
--	996 561 657 02	insert		1							
--	900 249 031 09	countersunk-head screw		6							
(18)	996 561 654 04	mounting	/R	1							
--	996 561 658 02	insert		1							
19	996 563 027 01	gasket		1							
20	996 563 413 01	tool		1							
21	996 563 125 00	thrust wedge		2							
22	999 507 923 40	expander nut green		8							
23	999 507 924 40	expander nut yellow		8							
24	999 450 008 09	tapping screw		2							
25	999 073 049 02	tapping screw		16							
26	996 563 421 01	protective tab		2							
--	999 507 659 40	expander nut hardtop support for contact	/L	1							
--	999 507 662 40	expander nut hardtop support for contact	/R	1							
27	996 563 509 00	support for lining see group 8/11/17 POS. 5	/L	1							

Model	Year	MG	SG	Illustration	Restrictions	UPD	7:51	26.01.2010	PORSCHE	PET	PORSCHE
997T	2009	8	11	811-17		248					

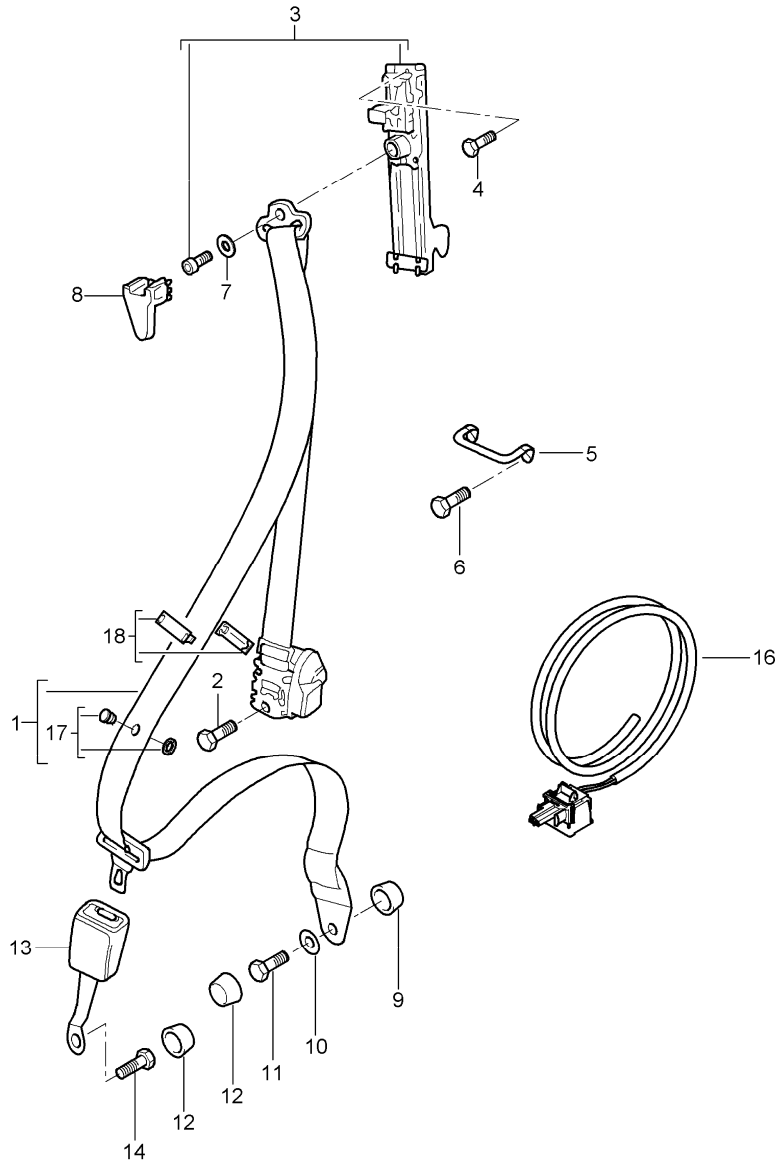


Pos	Part Number	Description	Remark	Qty	Model
		hardtop sound absorber			I550
1	996 563 523 00	sound absorber		1	
2	996 563 111 01	roofliner		1	
	A21	black			
3	997 563 551 00	trim cover		1	
	01C	black			
4	997 563 501 00	lining leatherette		1	
	1MZ	black			
	1TK	sand beige			
	1VM	sea blue			
	1YP	stone grey			
5	997 563 503 00	lining leatherette	/L	1	
	1MZ	black			
	1TK	sand beige			
	1VM	sea blue			
	1YP	stone grey			
(5)	997 563 504 00	lining leatherette	/R	1	
	1MZ	black			
	1TK	sand beige			
	1VM	sea blue			
	1YP	stone grey			
6	996 563 505 00	lining		1	
	A07	black			
	C19	stone grey			
	R18	brown			
	G03	metropole blue			
7	996 563 554 00	lid	/R	1	

Model	Year	MG	SG	Illustration	Restrictions	UPD	7:51	26.01.2010	PORSCHE	PET	PORSCHE
997T	2009	8	11	811-17		248					

Pos	Part Number	Description	Remark	Qty	Model	Pos	Part Number	Description	Remark	Qty	Model
		A10 black									
		5V7 stone grey									
		8P9 cocoa									
		G10 metropole blue									
8	996 563 553 00	lid	/L	1							
		A10 black									
		5V7 stone grey									
		8P9 cocoa									
		G10 metropole blue									
9	996 555 457 00	lid		2							
		A10 black									
		5V7 stone grey									
		8P9 cocoa									
		G10 metropole blue									
10	999 507 764 40	clip		X							
11	996 563 413 01	tool		1							
12	996 563 561 00	rubber stop		2							
		01C black for sun visors									
13	999 507 139 01	speed nut		X							
14	900 151 027 02	washer		2							
15	900 143 046 02	tapping screw		2							

Model	Year	MG	SG	Illustration	Restrictions	UPD	7:51	26.01.2010	PORSCHE	PET	PORSCHE
997T	2009	8	12	812-00		248					

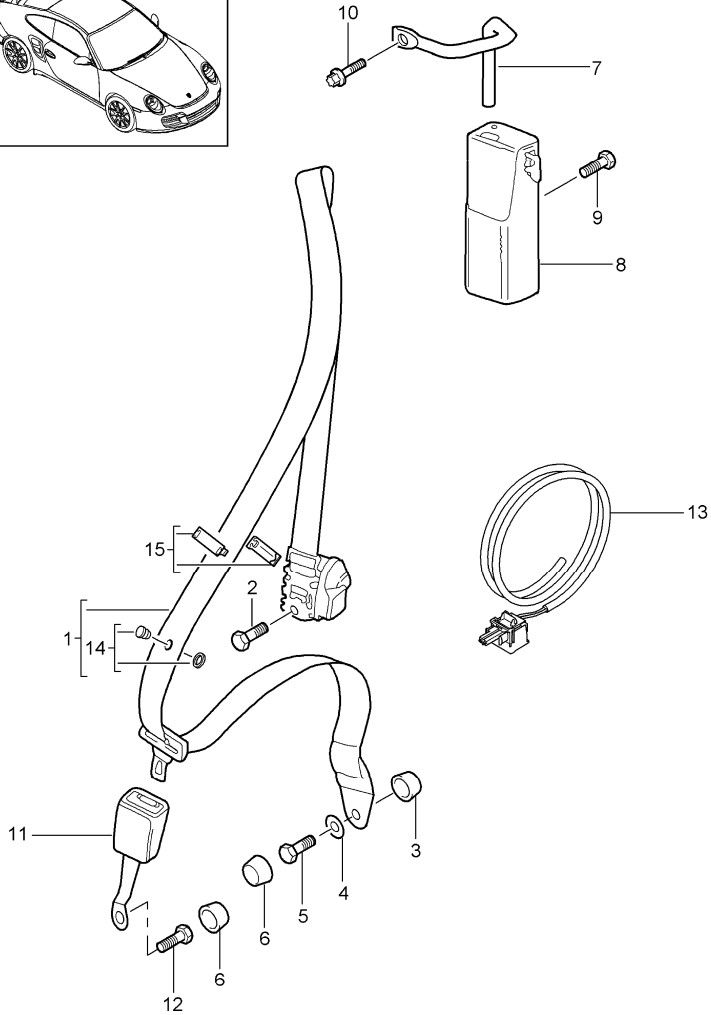
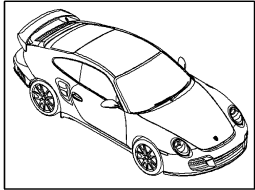


Pos	Part Number	Description	Remark	Qty	Model
		seat belt front			COUPE
1	997 803 033 02	seat belt	/L	1	
	A23	black			I555
	N13	guards red			IXSX
	U01	silver			IXSH
	V02	speed yellow			IXSY
1	997 803 033 05	seat belt	/L	1	
	6M4	sand beige			IXST
(1)	997 803 034 04	seat belt	/R	1	
	A23	black			I555
	N13	guards red			IXSX
	U01	silver			IXSH
	V02	speed yellow			IXSY
(1)	997 803 034 10	seat belt	/R	1	
	6M4	sand beige			IXST
2	999 075 070 09	hexagon-head bolt		2	
3	997 803 231 01	front vertical adjustment with fastening screw		2	
--	999 075 078 01	fastening screw		2	
4	900 067 131 02	screw		2	
5	996 803 825 01	relay lever		2	
6	900 378 036 09	hexagon-head bolt		4	
7	999 028 021 01	spring washer B 14,2	-08	2	
7	999 028 021 01	spring washer B 14,2	09-	2	
8	997 803 521 00	cover		2	
	A03	black			
9	999 924 064 02	bush		2	

Model	Year	MG	SG	Illustration	Restrictions	UPD	7:51	26.01.2010	PORSCHE	PET	PORSCHE
997T	2009	8	12	812-00		248					

Pos	Part Number	Description	Remark	Qty	Model	Pos	Part Number	Description	Remark	Qty	Model
(9)	997 803 663 00	spacer sleeve	08-	1	I388/389						
10	211 857 771	washer		2							
(10)	999 028 022 01	spring washer	08-	1	I388/389						
--	999 025 275 A2	washer	08-	1	I388/389						
11	999 075 073 09	hexagon-head bolt		2							
(11)	999 075 072 09	hexagon-head bolt	08-	2	I388/389						
12	811 857 845	cap		2							
	01C	black									
13	996 803 183 08	seat-belt buckle passenger's side		1							
(13)	997 803 183 01	seat-belt buckle driver's side		1							
13	997 803 183 04	seat-belt buckle driver's side	08-	1	I388						
(13)	997 803 183 04	seat-belt buckle driver's side	08-	1	I389						
(13)	997 803 183 05	seat-belt buckle passenger's side	08-	1	I389						
13	997 803 183 05	seat-belt buckle passenger's side	08-	1	I388						
14	999 218 101 02	fastening screw for seat-belt tensioner see group 9/02/10		2							
17	955 803 056 00	knob		2							
	HCP	black									
18	997 803 334 00	clamping piece		2							
	01C	black									
--	000 043 206 96	clamp see technical manual 693649		2							

Model	Year	MG	SG	Illustration	Restrictions	UPD	7:51	26.01.2010	PORSCHE	PET	PORSCHE
997T	2009	8	12	812-01		248					

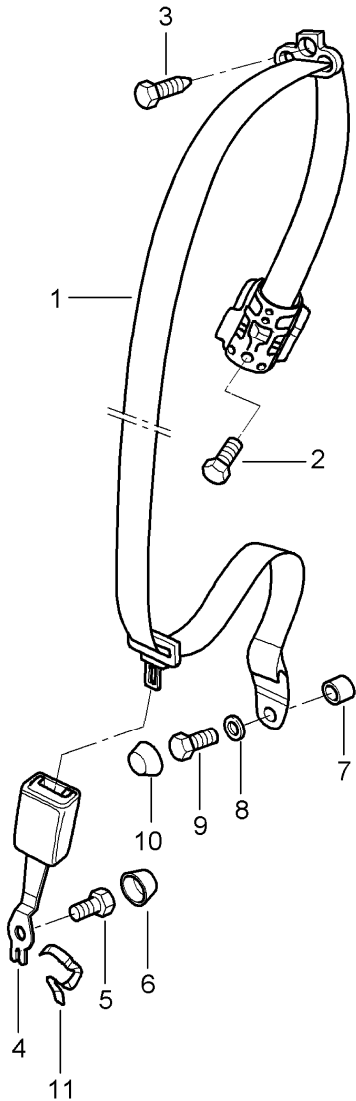


Pos	Part Number	Description	Remark	Qty	Model
1	997 803 033 03	seat belt front		1	CABRIO
	A23	black	/L		I555
	N13	guards red			IXSX
	V02	speed yellow			IXSY
	U01	silver			IXSH
1	997 803 033 06	seat belt	/L	1	
	6M4	sand beige			IXST
(1)	997 803 034 05	seat belt	/R	1	
	A23	black			I555
	N13	guards red			IXSX
	V02	speed yellow			IXSY
	U01	silver			IXSH
(1)	997 803 034 11	seat belt	/R	1	
	6M4	sand beige			IXST
2	999 075 070 09	hexagon-head bolt		2	
3	999 924 064 02	spacer sleeve		2	
(3)	997 803 663 00	spacer sleeve	08-	1	I388/389
4	211 857 771	washer		2	
(4)	999 028 022 01	spring washer	08-	1	I388/389
--	999 025 275 A2	washer	08-	1	I388/389
5	999 075 073 09	fastening screw		2	
(5)	999 075 072 09	hexagon-head bolt	08-	2	I388/389
6	811 857 845	cap		2	
7	996 803 815 00	reverse lever	/L	1	
7	996 803 816 00	reverse lever	/R	1	
8	996 803 581 00	mounting	/L	1	
8	996 803 582 00	mounting	/R	1	

Model	Year	MG	SG	Illustration	Restrictions	UPD	7:51	26.01.2010	PORSCHE	PET	PORSCHE
997T	2009	8	12	812-01		248					

Pos	Part Number	Description	Remark	Qty	Model	Pos	Part Number	Description	Remark	Qty	Model
9	999 075 065 09	hexagon-head bolt M8x35		4							
10	900 378 017 01	fastening screw M8x20		2							
11	996 803 183 08	seat-belt buckle passenger's side		1							
(11)	997 803 183 01	seat-belt buckle driver's side		1							
11	997 803 183 04	seat-belt buckle driver's side	08-	1	I388						
(11)	997 803 183 04	seat-belt buckle driver's side	08-	1	I389						
(11)	997 803 183 05	seat-belt buckle passenger's side	08-	1	I389						
11	997 803 183 05	seat-belt buckle passenger's side	08-	1	I388						
12	999 218 101 02	fastening screw		2							
13	--- --- --- --	cable for seat-belt tensioner see group 9/02/10		X							
14	955 803 056 00	knob HCP black		2							
15	997 803 334 00	clamping piece 01C black		2							

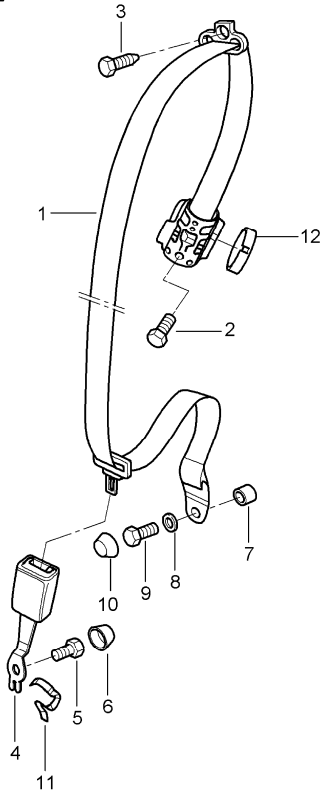
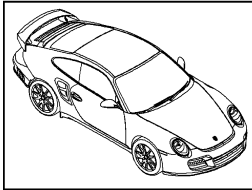
Model	Year	MG	SG	Illustration	Restrictions	UPD	7:51	26.01.2010	PORSCHE	PET	PORSCHE
997T	2009	8	12	812-05		248					



Pos	Part Number	Description	Remark	Qty	Model
		seat belt rear			Coupe
1	997 803 035 02	seat belt	/L	1	
	V02	speed yellow			IXSY
	N13	guards red			IXSX
	U01	silver			IXSH
	A23	black			I555
	6M4	sand beige			IXST
(1)	997 803 036 02	seat belt	/R	1	
	V02	speed yellow			IXSY
	N13	guards red			IXSX
	U01	silver			IXSH
	A23	black			I555
	6M4	sand beige			IXST
2	999 075 070 09	hexagon-head bolt		2	
3	999 075 057 09	fastening screw		2	
4	996 803 165 01	seat-belt buckle	/L	1	
(4)	996 803 166 01	seat-belt buckle	/R	1	
5	999 075 070 09	fastening screw		2	
6	811 857 845	cap		2	
7	999 924 064 02	bush		2	
8	211 857 771	washer		2	
9	999 075 073 09	hexagon-head bolt		2	
10	811 857 845	cap		2	I193
11	996 551 745 00	fastening clamp	/L	2	
(11)	996 551 746 00	fastening clamp	/R	2	

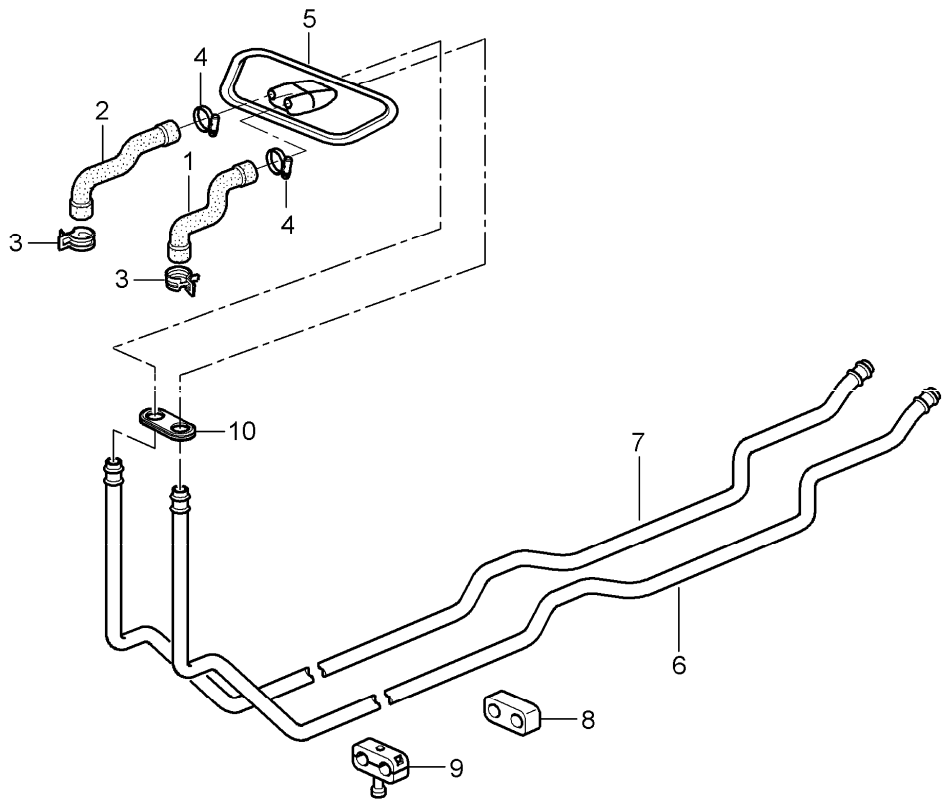


Model	Year	MG	SG	Illustration	Restrictions	UPD	7:52	26.01.2010	PORSCHE	PET	PORSCHE
997T	2009	8	12	812-06		248					



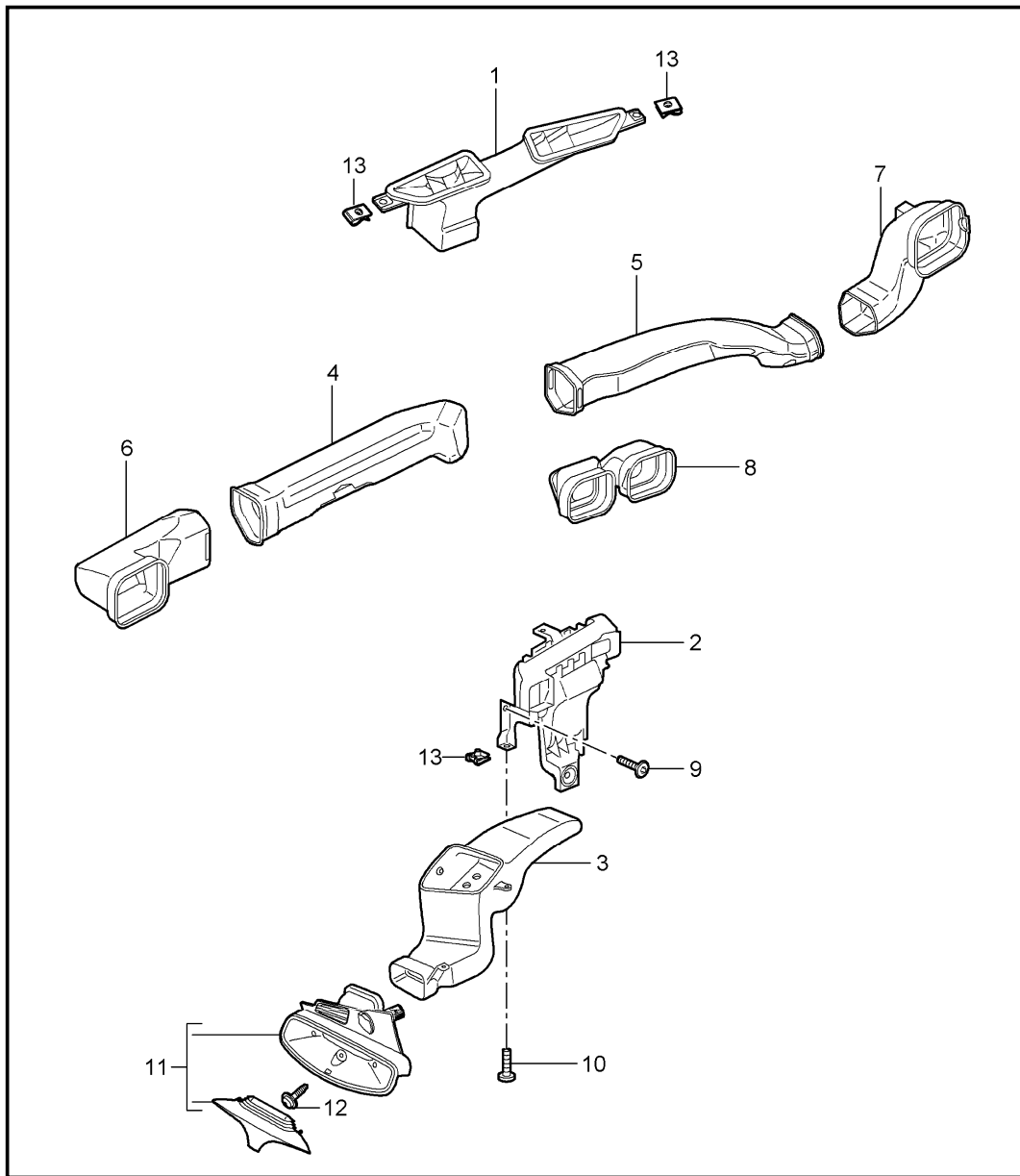
Pos	Part Number	Description	Remark	Qty	Model
		seat belt rear			Cabrio
1	997 803 035 00	seat belt	/L	1	I553
	V02	speed yellow			IXSY
	N13	guards red			IXSX
	U01	silver			IXSH
	A23	black			I555
	6M4	sand beige			IXST
(1)	997 803 036 00	seat belt	/R	1	I553
	V02	speed yellow			IXSY
	N13	guards red			IXSX
	U01	silver			IXSH
	A23	black			I555
	6M4	sand beige			IXST
2	999 075 070 09	fastening screw		2	
3	999 075 057 09	fastening screw		2	
4	996 803 165 01	seat-belt buckle	/L	1	
(4)	996 803 166 01	seat-belt buckle	/R	1	
5	999 075 070 09	fastening screw		2	
6	811 857 845	cap		2	
7	999 924 064 02	spacer sleeve		2	
8	211 857 771	washer		2	
9	999 075 073 09	fastening screw		2	
10	811 857 845	cap		2	
	01C	black			
11	996 551 745 00	clamp		2	

Model	Year	MG	SG	Illustration	Restrictions	UPD	7:52	26.01.2010	PORSCHE	PET	PORSCHE
997T	2009	8	13	813-00		248					



Pos	Part Number	Description	Remark	Qty	Model
		heating system 1 feed line return line			
1	996 572 583 04	heater hose intake	/LL	1	I098
(1)	996 572 583 05	heater hose intake	/RL	1	I099
2	996 572 585 04	heater hose return line	/LL	1	I098
(2)	996 572 585 05	heater hose return line	/RL	1	I099
3	999 512 656 09	hose clamp B25 X 12		2	
4	999 512 346 01	hose clamp A16-27/9		2	
5	996 572 263 02	gasket	/LL	1	I098
(5)	996 572 263 03	gasket	/RL	1	I099
6	997 572 681 00	heater pipeline supply		1	
7	997 572 683 00	heater pipeline return line		1	
8	996 572 785 00	connection piece		X	
9	999 511 230 40	cable holder		4	
--	999 511 232 41	rubber mounting 19/19		4	
10	996 572 765 02	grommet		1	

Model	Year	MG	SG	Illustration	Restrictions	UPD	7:52	26.01.2010	PORSCHE	PET	PORSCHE
997T	2009	8	13	813-01		248					

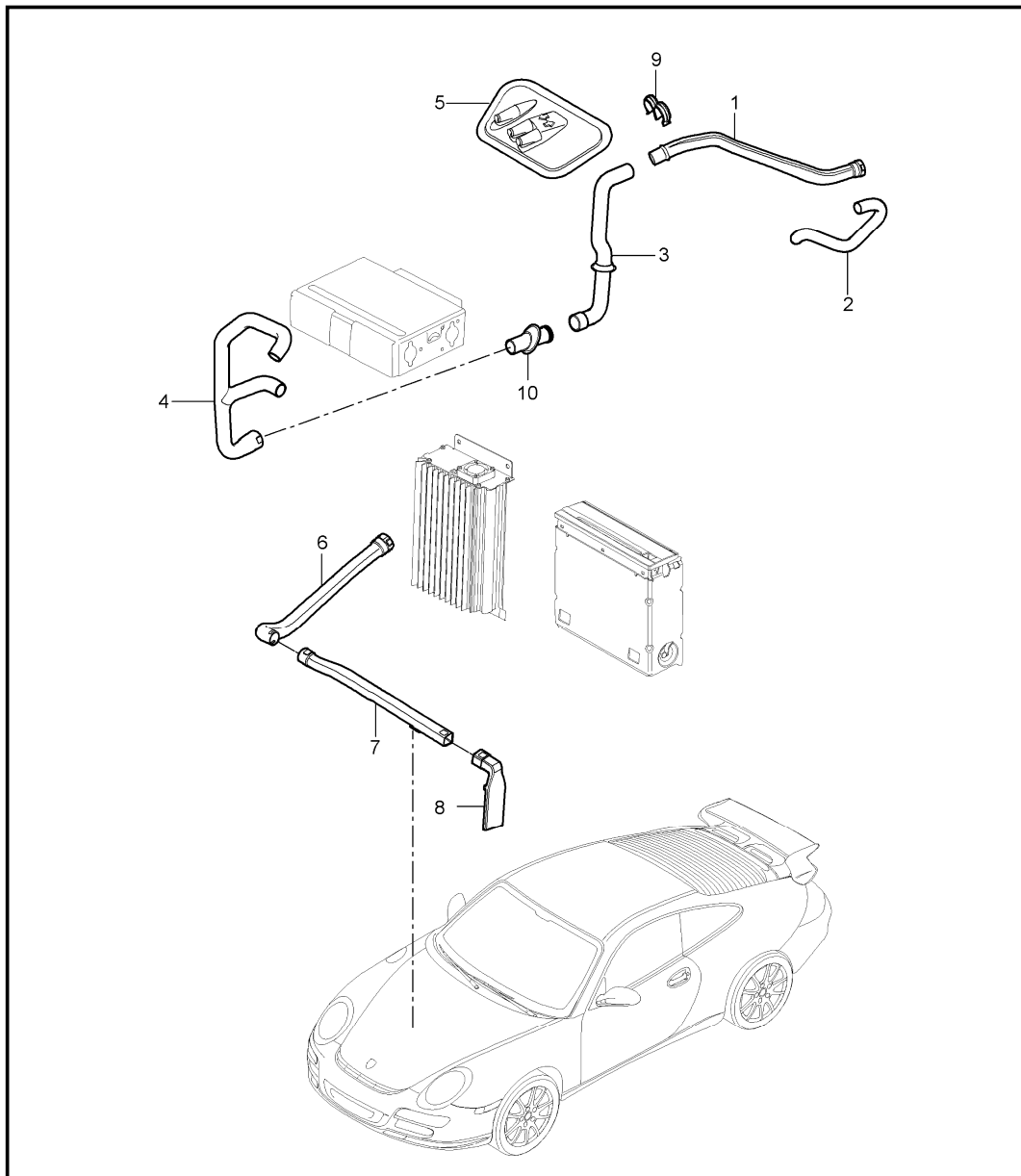


Pos	Part Number	Description	Remark	Qty	Model
		air distributor passenger compartment			
1	997 572 631 00	intermediate piece	/LL	1	I098
(1)	997 572 631 01	intermediate piece	/RL	1	I099
2	997 572 171 00	air distributor	/LL	1	I098
(2)	997 572 171 01	air distributor	/RL	1	I099
3	997 572 793 00	footwell outlet vent	/LL	1	I098
(3)	997 572 793 02	footwell outlet vent	/LL	1	I098/680
(3)	997 572 793 01	footwell outlet vent	/RL	1	I099
(3)	997 572 793 03	footwell outlet vent	/RL	1	I099/680
4	997 572 463 00	air duct	/LL/L	1	I098
(4)	997 572 463 01	air duct	/RL/L	1	I099
5	997 572 464 00	air duct	/LL/R	1	I098
(5)	997 572 464 01	air duct	/RL/R	1	I099
6	997 572 767 00	air duct	/LL/L	1	I098
(6)	997 572 767 01	air duct	/RL/L	1	I099
7	997 572 768 00	air duct	/RL/R	1	I098
(7)	997 572 768 01	air duct	/LL/R	1	I099
8	997 572 769 00	air duct		1	
(8)	997 572 769 01	air duct		1	
9	999 919 118 09	oval-head screw		2	
10	999 073 339 09	tapping screw		2	
(11)	997 572 396 02	cover	/LL/R	1	I098/680
	01C	satin black			
11	997 572 395 02	cover	/RL/L	1	I099/680
	01C	satin black			
(11)	997 572 396 03	cover	/LL/R	1	I098/680
	5V7	stone grey			
	5Y2	palmgreen			
			-07		

Model	Year	MG	SG	Illustration	Restrictions	UPD	7:52	26.01.2010	PORSCHE	PET	PORSCHE
997T	2009	8	13	813-01		248					

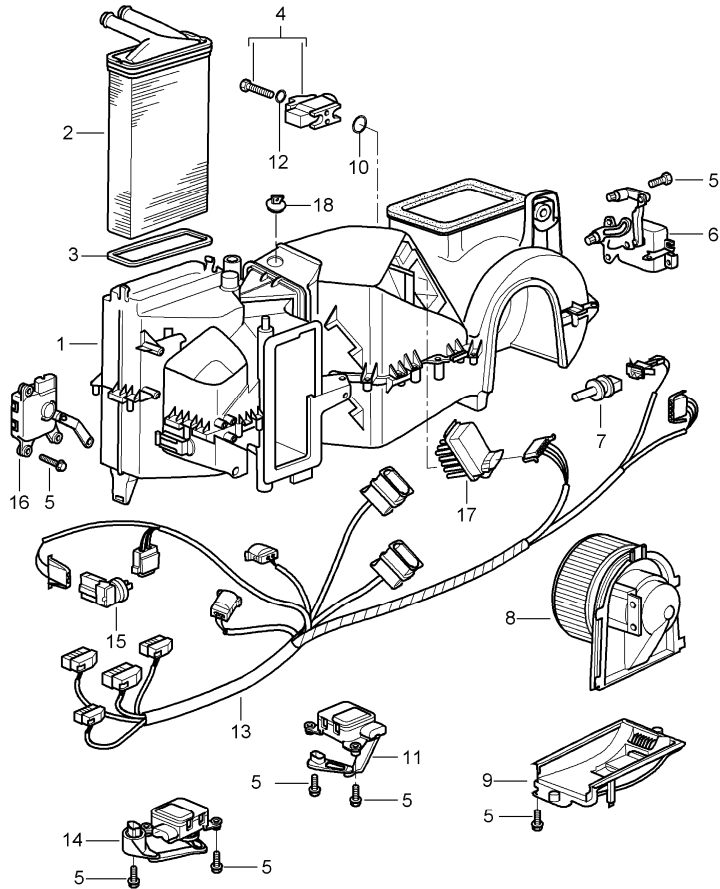
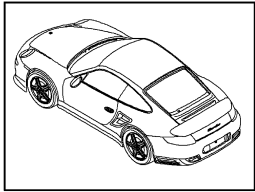
Pos	Part Number	Description	Remark	Qty	Model	Pos	Part Number	Description	Remark	Qty	Model
	N23	carrera red	08-			(11)	997 572 797 03	cover lacquered	/RL	1	I099/680
	5Z1	sand beige					5V7	stone grey			
	8P9	cocoa					5Y2	palmgreen	-07		
	8W7	sea blue					N23	carrera red	08-		
	8X8	terracotta					5Z1	sand beige			
	T13	brown/natural					8P9	cocoa			
(11)	997 572 395 03	cover lacquered	/RL/L	1	I099/680		8W7	sea blue			
	5V7	stone grey					8X8	terracotta			
	5Y2	palmgreen	-07				T13	brown/natural			
	N23	carrera red	08-			12	999 073 345 09	lens-head screw M 5 x 18		1	I680
	5Z1	sand beige				13	999 507 785 01	speed nut ST 4,2		3	
	8P9	cocoa									
	8W7	sea blue									
	8X8	terracotta									
	T13	brown/natural									
(11)	997 572 798 02	cover	/LL/R	1	I098/680						
	01C	satin black									
(11)	997 572 797 02	cover	/RL/L	1	I099/680						
	01C	satin black									
(11)	997 572 798 03	cover lacquered	/LL	1	I098/680						
	5V7	stone grey									
	5Y2	palmgreen	-07								
	N23	carrera red	08-								
	5Z1	sand beige									
	8P9	cocoa									
	8W7	sea blue									
	8X8	terracotta									
	T13	brown/natural									

Model	Year	MG	SG	Illustration	Restrictions	UPD	14:01	02.02.2010	PORSCHE	PET	PORSCHE
997T	2009	8	13	813-02		248					



Pos	Part Number	Description	Remark	Qty	Model
		luggage compartment cooling			I575
1	997 572 582 00	air duct plenum panel		1	
2	997 572 580 00	air duct air conditioner		1	
3	997 572 584 01	air duct bulkhead		1	
4	997 572 586 02	air duct booster		1	
5	997 572 263 00	gasket		1	
6	997 572 586 03	air duct booster		1	I664
7	997 572 586 04	air duct booster		1	I664
8	997 572 586 05	air duct booster		1	I664
9	999 507 830 40	cable holder 21,5 X 21,5		1	
10	997 572 593 01	connection piece		1	

Model	Year	MG	SG	Illustration	Restrictions	UPD	8:16	26.01.2010	PORSCHE	PET	PORSCHE
997T	2009	8	13	813-05		248					

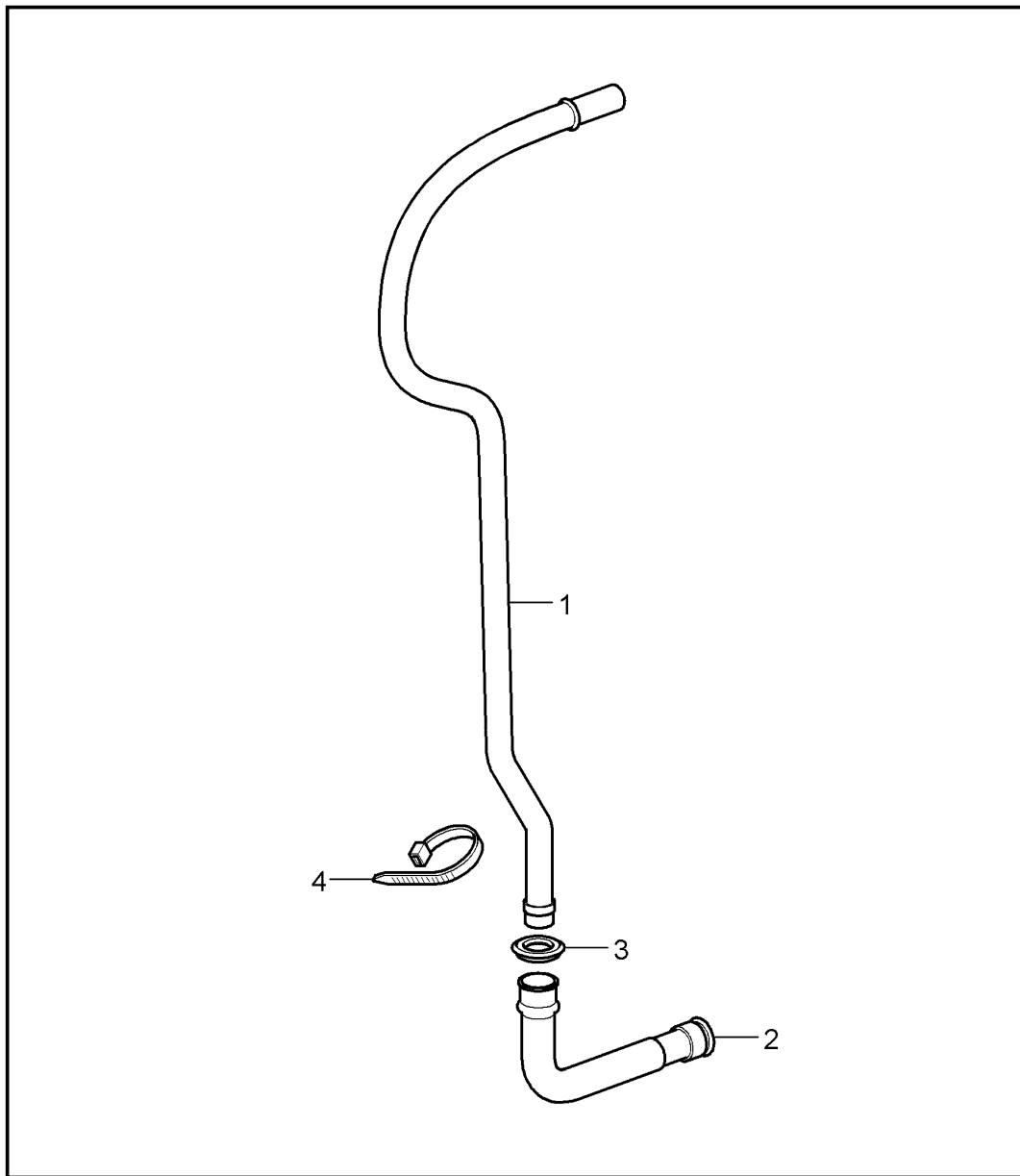


Pos	Part Number	Description	Remark	Qty	Model
		air conditioner single parts			
1	987 573 901 00	air conditioner without heat exchanger with evaporator	/LL	1	I098/572
1	997 573 901 00	air conditioner without heat exchanger with evaporator	/LL	1	I098/573
(1)	987 573 901 01	air conditioner without heat exchanger with evaporator	/RL	1	I099/572
(1)	996 573 901 01	air conditioner without heat exchanger with evaporator	/RL	1	I099/573
2	997 572 129 00	heat exchanger		1	
3	996 572 913 00	gasket		1	
4	996 573 929 01	expansion valve		1	
5	900 143 102 02	combination screw		X	
6	996 573 915 00	electric motor fresh-air flap identification black	/LL	1 1 1 1	I098/573
(6)	996 573 915 01	electric motor fresh-air flap identification black	/RL	1	I099/573
7	955 572 304 10	temperature sensor		1	
8	996 624 107 01	blower	/LL	1	I098
(8)	996 624 108 01	blower	/RL	1	I099
9	996 573 905 00	lid		1	
10	999 707 596 40	o-ring 14x1,82		1	

Model	Year	MG	SG	Illustration	Restrictions	UPD	8:16	26.01.2010	PORSCHE	PET	PORSCHE
997T	2009	8	13	813-05		248					

Pos	Part Number	Description	Remark	Qty	Model	Pos	Part Number	Description	Remark	Qty	Model
11	996 573 919 02	electric motor temperature valve identification pink	/LL	1	I098	18	997 573 935 00	stopper		1	
(11)	996 573 919 03	electric motor temperature valve identification pink	/RL	1	I099						
12	999 707 534 41	o-ring 17x2,00		1							
13	997 612 655 02	wiring harness	/LL	-08	1 I098/573						
(13)	997 612 656 02	wiring harness	/RL	-07	1 I099/573						
(13)	997 612 656 04	wiring harness	/RL	08	1 I099/573						
(13)	987 612 655 00	wiring harness	/LL	-07	1 I098/572						
(13)	987 612 655 02	wiring harness	/LL	08-	1 I098/572						
(13)	987 612 656 01	wiring harness	/RL	-07	1 I099/572						
(13)	987 612 656 03	wiring harness	/RL	08-	1 I099/572						
--	997 612 664 00	wiring harness interference-suppr. choke		1	I676						
14	996 573 921 02	electric motor defroster flap identification yellow	/LL	1	I098						
(14)	996 573 921 03	electric motor defroster flap identification yellow	/RL	1	I099						
15	1H0 907 543 A	temperature sensor		1							
16	996 573 917 02	electric motor central valve identification green	/LL	1	I098						
(16)	996 573 917 03	electric motor central valve identification green	/RL	1	I099						
17	996 573 923 00	resistor		1							
--	996 573 927 00	blower outlet sensor		1	I573						
--	1H0 819 943	screw		2							

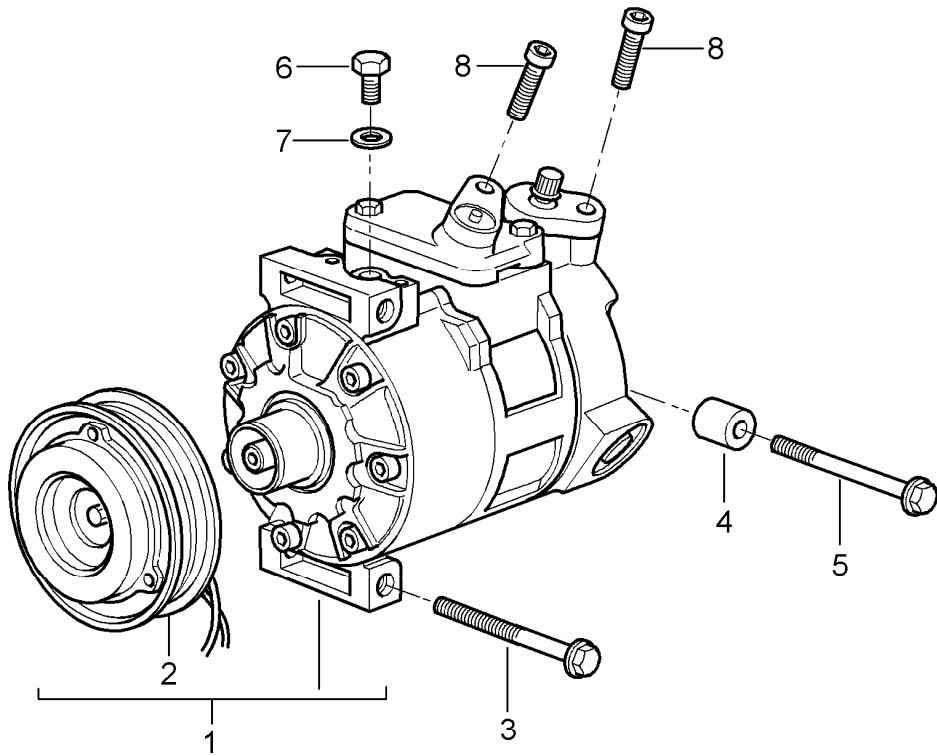
Model	Year	MG	SG	Illustration	Restrictions	UPD	8:16	26.01.2010	PORSCHE	PET	PORSCHE
997T	2009	8	13	813-10		248					



Pos	Part Number	Description	Remark	Qty	Model
		water drain tube mount air conditioner			
1	996 573 793 01	pipe	/LL	1	I098
1	996 573 794 01	pipe	/RL	1	I099
2	996 573 797 02	connecting piece		1	
3	996 573 795 01	grommet		1	
4	999 513 049 40	tie-wrap		1	

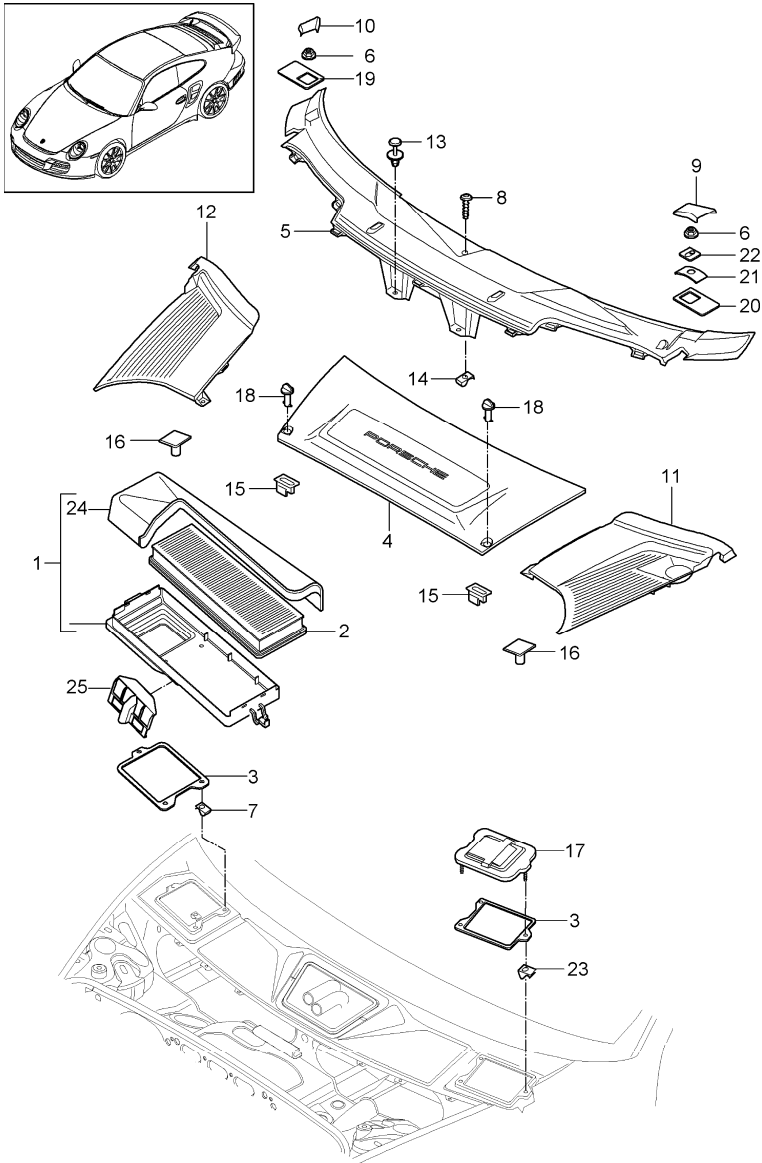


Model	Year	MG	SG	Illustration	Restrictions	UPD	8:16	26.01.2010	PORSCHE	PET	PORSCHE
997T	2009	8	13	813-15		248					



Pos	Part Number	Description	Remark	Qty	Model
		compressor			
1	> 996 126 011 52	compressor		1	
2	996 573 926 00	repair kit		1	
3	900 385 102 01	torx screw BM 8 X 90		2	
4	996 126 102 71	spacer		1	
5	900 385 281 01	torx screw BM 8 X 120		1	
6	996 573 926 01	oil filler screw		1	
7	996 573 926 02	sealing ring		1	
8	900 067 147 02	pan-head screw M8 X 25		2	
--	000 043 200 04	oil 250 ml for compressor		1	

Model	Year	MG	SG	Illustration	Restrictions	UPD	8:16	26.01.2010	PORSCHE	PET	PORSCHE
997T	2009	8	13	813-20		248					

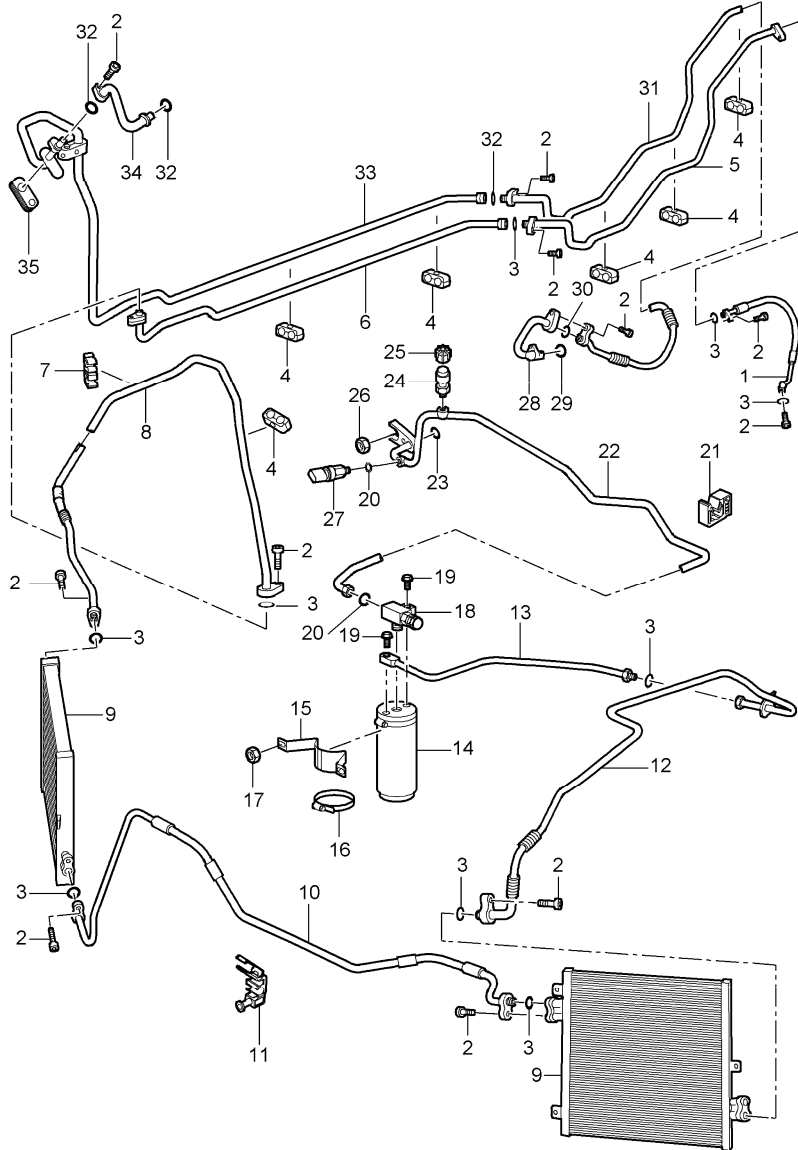


Pos	Part Number	Description	Remark	Qty	Model
		particle filter cowl panel covering			
1	997 572 019 04	housing	/LL	1	I098
(1)	997 572 019 05	housing	/RL	1	I099
2	997 571 219 01	particle filter		1	
3	997 572 221 00	gasket		1	
4	997 572 567 04	cover		1	
	FMT	black battery			
(4)	997 572 729 02	cover	/LL	1	I098
(4)	997 572 729 03	cover particle filter	/RL	1	I099
5	997 572 563 08	cover cowl	/LL	1	I098
	FMT	black			
5	997 572 563 09	cover cowl	/RL	1	I099
	FMT	black			
6	999 076 071 02	hexagon nut M6		2	
7	999 507 348 01	speed nut		3	
8	N 906 487 02	tapping screw		1	
9	997 572 569 04	cap	/L	2	I098
	FMT	black			
(9)	997 572 569 05	cap	/L	2	I099
	FMT	black			
10	997 572 570 04	cap	/R	1	I098
	FMT	black			
(10)	997 572 570 05	cap	/R	1	I099
	FMT	black			
11	997 572 361 06	cover	/L	1	
	02A	black			

Model	Year	MG	SG	Illustration	Restrictions	UPD	8:16	26.01.2010	PORSCHE	PET	PORSCHE
997T	2009	8	13	813-20		248					

Pos	Part Number	Description	Remark	Qty	Model	Pos	Part Number	Description	Remark	Qty	Model
12	997 572 362 07	cover	/R	1							
	02A	black									
13	999 507 497 40	expansion rivet 8 X 14		2							
14	999 507 834 41	expander nut ST 4,8		1							
15	999 590 046 40	disc cam		2							
16	999 902 046 40	catch		1							
17	997 572 419 02	lid	07	2							
17	997 572 419 03	lid	08	2							
18	997 572 867 00	locking bolt		2							
	02A	black									
--	997 572 763 00	cover		1							
19 A	997 572 842 00	pressure plate passenger's side	-08	1							
19	997 572 842 01	pressure plate passenger's side	/LL/R 09-	1	I098						
19	997 572 842 02	pressure plate passenger's side	/RL/L 09-	1	I099						
20	997 572 841 00	pressure plate driver's side		1							
21	997 572 837 00	spring plate driver's side		1							
22	997 572 533 00	retainer plate driver's side		1							
23	999 591 855 02	speed nut		3							
24	997 572 729 02	cover particle filter	/LL	1	I098						
(24)	997 572 729 03	cover particle filter	/RL	1	I099						
25	997 572 862 01	support		1							

Model	Year	MG	SG	Illustration	Restrictions	UPD	8:17	26.01.2010	PORSCHE	PET	PORSCHE
997T	2009	8	13	813-25		248					

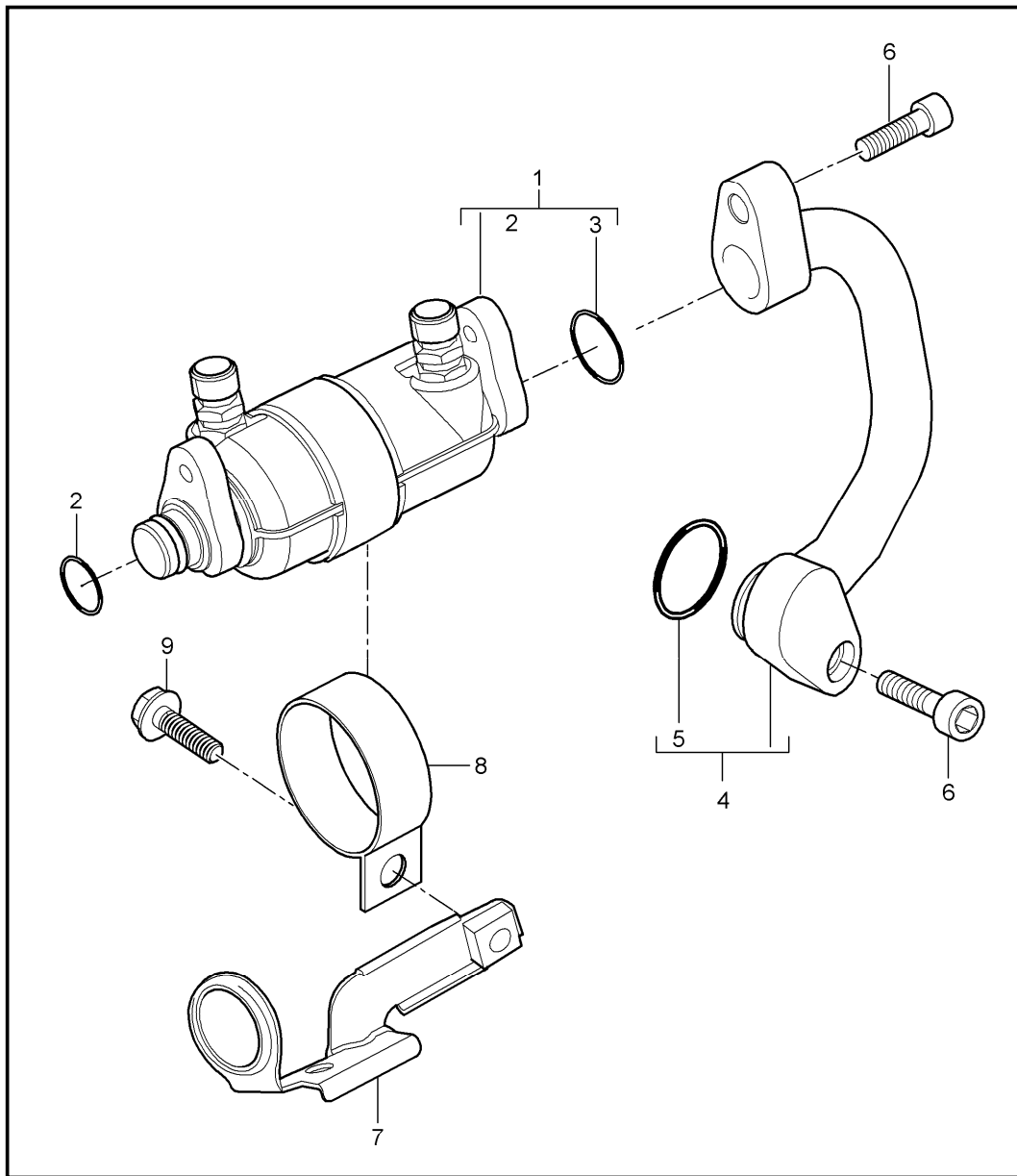


Pos	Part Number	Description	Remark	Qty	Model
		refrigerant circuit			
1	997 573 097 01	pressure line		1	
		compressor			
2	900 067 247 02	combination screw M8 X 30		X	
3	999 707 434 41	o-ring 10,6 X 2,0		X	
4	999 511 230 40	cable holder		X	
5	997 573 096 03	pressure line		1	
6	996 573 092 02	pressure line		1	
7	996 355 547 01	support		1	
8	997 573 094 01	pressure line		1	
9	996 573 111 03	condenser		2	
10	997 573 103 01	pressure line		1	TURBO
(10)	997 573 103 80	pressure line		1	GT2
11	996 347 543 00	cable holder 4,75 / 8,0		2	
12	997 573 105 01	pressure line		1	
		condenser desiccator			
13	996 573 106 00	refrigerant line desiccator		1	
14	944 573 143 01	desiccator		1	
15	996 573 451 00	support		1	
16	999 512 349 01	hose clamp A50-70/9		1	
17	900 380 015 09	hexagon nut M6		2	
18	997 573 243 00	distributing piece		1	
19	900 075 340 01	combination screw M6 X 22		2	
20	999 707 555 41	o-ring 10,8 X 1,8		X	

Model	Year	MG	SG	Illustration	Restrictions	UPD	8:17	26.01.2010	PORSCHE	PET	PORSCHE
997T	2009	8	13	813-25		248					

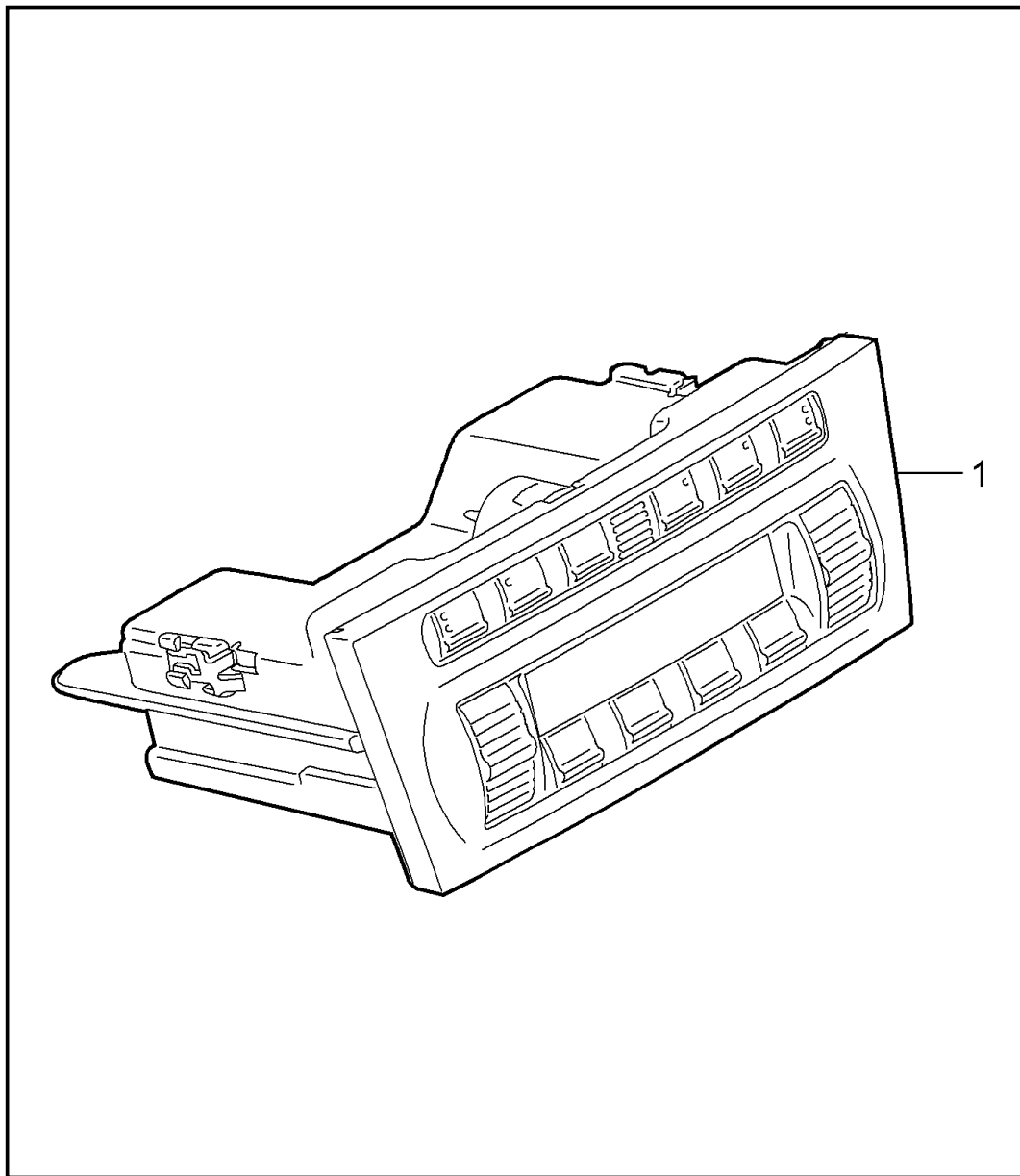
Pos	Part Number	Description	Remark	Qty	Model	Pos	Part Number	Description	Remark	Qty	Model
21	999 591 922 40	support 4,8 / 8,0	/LL	1	I098						
(21)	999 513 049 40	tie-wrap 8,0 - 30	/RL	1	I099						
22	997 573 108 02	pressure line	/LL	1	I098						
(22)	997 573 108 01	pressure line	/RL	1	I099						
23	999 707 531 41	o-ring 7,5 X 2,04		X							
24	996 573 666 00	valve		1							
25	944 573 663 02	cap		1							
26	900 377 010 09	hexagon nut M6		2							
27	1K0 959 126 B	pressure sensor		1							
28	997 573 099 03	intake pipe		1							
29	999 707 439 41	o-ring 23,8 X 2,4		X							
30	999 707 558 41	o-ring 13,7 X 2,5		X							
31	997 573 095 01	intake pipe M >> 627 00765 M >> 627 00889 see technical information GR. 1 , NR. 2/06		1	I249 I480						
31	997 573 095 04	intake pipe for vehicles up to M >> 627 00765 M >> 627 00889 use also: see illustrations 8 / 13 / 26 POS.1		1	I573 I249 I480						
32	999 707 534 41	o-ring 17,0 X 2,0		X							
33	996 573 091 01	intake pipe		1							
34	996 573 093 06	intake pipe	/LL	1	I098						
(34)	996 573 093 07	intake pipe	/RL	1	I099						
35	996 573 769 01	grommet		1							

Model	Year	MG	SG	Illustration	Restrictions	UPD	8:17	26.01.2010	PORSCHE	PET	PORSCHE
997T	2009	8	13	813-26		248					



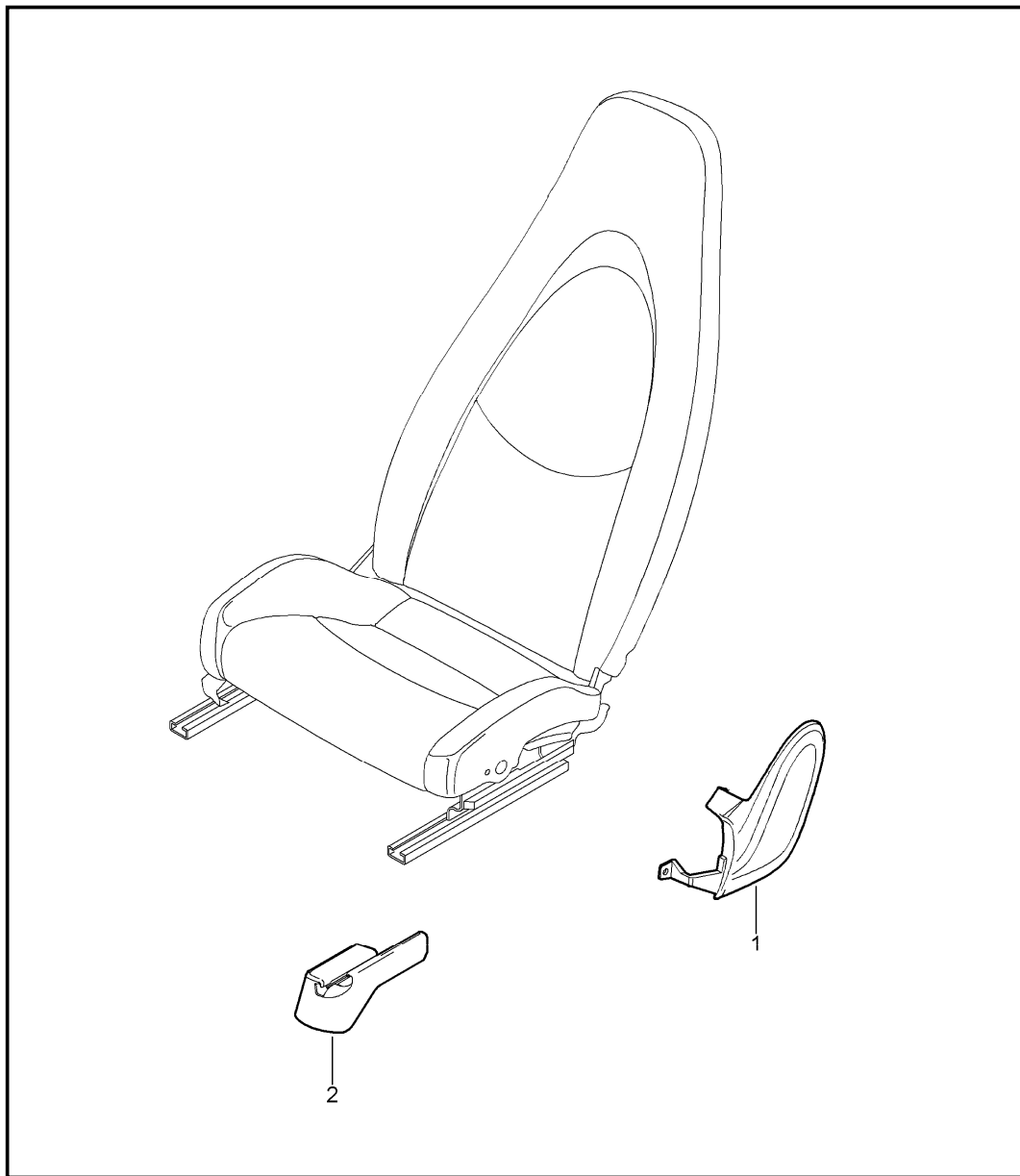
Pos	Part Number	Description	Remark	Qty	Model
1	997 573 069 01	fuel cooler		1	
2	999 707 558 41	o-ring 13,70 X 2,50N		1	
3	999 707 534 41	o-ring 17,00 X 2,00N		1	
4	997 573 099 03	intake pipe		1	
5	999 707 439 41	o-ring 23,80 X 2,40N		1	
6	900 067 276 01	combination screw M8 X 35		2	
7	997 573 231 03	support		1	
8	999 512 202 01	clamp B1 49 X 20		1	
9	900 067 314 01	combination screw M8 X 25		1	

Model	Year	MG	SG	Illustration	Restrictions	UPD	8:17	26.01.2010	PORSCHE	PET	PORSCHE
997T	2009	8	13	813-45		248					



Pos	Part Number	Description	Remark	Qty	Model
		control switch			
1	U 997 653 101 11	control part	-07	1	I573
	FMH	volcano grey/black mat			
1	997 653 101 12	control part	-07	1	I573
	FMH	volcano grey/black mat			
1	997 653 101 13	control part	08	1	I573
	FMH	volcano grey/black mat			
1	U 997 653 111 11	control part	-07	1	I342/573
	FMH	volcano grey/black mat			
1	997 653 111 12	control switch	-07	1	I342/573
	FMH	volcano grey/black mat			
1	997 653 111 13	control part	08	1	I342/573
	FMH	volcano grey/black mat			
(1)	997 653 205 02	control part	09-	1	I573
	FTC	Mattschwarz/Galvanosilber			
(1)	997 653 215 02	control part	09-	1	I342/573
	FTC	Mattschwarz/Galvanosilber			
(1)	997 653 225 02	control part	09-	1	I342/541/573
	FTC	Mattschwarz/Galvanosilber			

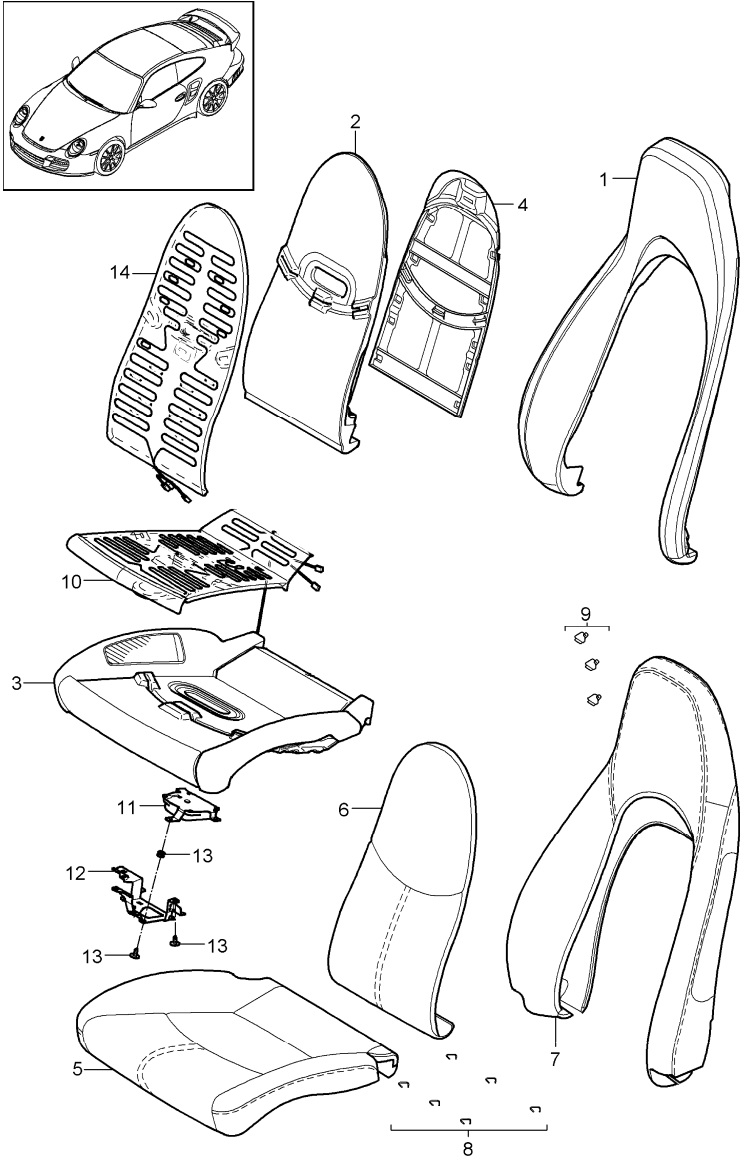
Model	Year	MG	SG	Illustration	Restrictions	UPD	8:17	26.01.2010	PORSCHE	PET	PORSCHE
997T	2009	8	17	817-00		248					



Pos	Part Number	Description	Remark	Qty	Model
		front seat complete not available	07-07-08-		TURBO COUPE CABRIO
1	997 521 315 02	trim cover mounting component	/L	1	
	D07	volcano grey			
(1)	997 521 316 02	trim cover mounting component	/R	1	
	D07	volcano grey			
(1)	997 521 316 03	trim cover mounting component advanced airbag	/R	1	I370/376 I378/438/560
	D07	volcano grey			
2	997 521 361 00	rail seat rail	/L	1	I370/376/377 I378/437/438
	01C	satin black			
(2)	997 521 362 00	rail seat rail	/R	1	I369/375/377 I378/437/438
	01C	satin black			



Model	Year	MG	SG	Illustration	Restrictions	UPD	8:17	26.01.2010	PORSCHE	PET	PORSCHE
997T	2009	8	17	817-05		248					



Pos	Part Number	Description	Remark	Qty	Model
		foam part cover comfort seat ventilation component			COUPE CABRIO
1	997 521 535 00	foam part backrest outer		2	I437/438
(1)	997 521 535 03	foam part backrest outer	09-	2	I437/438/541
2	997 521 581 00	foam part backrest centre		2	I437/438
(2)	997 521 581 01	foam part backrest centre	09-	2	I437/438/541
3	997 521 571 00	foam part seat cushion		1	I437/438
(3)	997 521 571 06	foam part seat cushion	09-	1	I437/438/541
(3)	997 521 571 03	foam part seat cushion advanced airbag		1	I438/560
(3)	997 521 571 07	foam part seat cushion advanced airbag	09-	1	I438/541/560
4	997 521 551 01	cushion carrier backrest		2	I437/438
(5)	997 521 161 01	cover for cushion		2	I437/438/983
	FLC	black			
	FLF	stone grey			
	FLJ	sand beige			
	FLM	sea blue			
	FLP	palmgreen			
	FLQ	terracotta			
	FLR	cocoa			
	VAA	dark grey/natural			
	VAB	brown/natural			

Model	Year	MG	SG	Illustration	Restrictions	UPD	8:17	26.01.2010	PORSCHE	PET	PORSCHE
997T	2009	8	17	817-05		248					

Pos	Part Number	Description	Remark	Qty	Model	Pos	Part Number	Description	Remark	Qty	Model
(5)	VAC	carrera red					4P1	palmgreen			
	997 521 161 02	cover for cushion		2	I437/438/982		9N2	terracotta			
	FLC	black					9Q3	cocoa			
	FLF	stone grey					D11	dark grey/natural			
	FLJ	sand beige					T11	brown/natural			
	FLM	sea blue					N11	carrera red			
	FLP	palmgreen				(6)	997 521 151 03	backrest cushion cover	09-	1	I437/438/541 I983
	FLQ	terracotta						centre part			
	FLR	cocoa					8YR	black			
	VAA	dark grey/natural					5X5	stone grey			
	VAB	brown/natural					8G1	sand beige			
(5)	VAC	carrera red	09-	2	I437/438/541 I983		3S8	sea blue			
	997 521 161 10	cover for cushion					4P1	palmgreen			
	FLC	black					9N2	terracotta			
	FLF	stone grey					9Q3	cocoa			
	FLJ	sand beige					D11	dark grey/natural			
	FLM	sea blue					T11	brown/natural			
	FLP	palmgreen					N11	carrera red			
	FLQ	terracotta				(6)	997 521 151 01	backrest cushion cover		1	I437/438/982
	FLR	cocoa						centre part			
	VAA	dark grey/natural					8YR	black			
	VAB	brown/natural					5X5	stone grey			
	VAC	carrera red					8G1	sand beige			
(6)	997 521 151 00	backrest cushion cover		1	I437/438/983		3S8	sea blue			
		centre part					4P1	palmgreen			
	8YR	black					9N2	terracotta			
	5X5	stone grey					9Q3	cocoa			
	8G1	sand beige					D11	dark grey/natural			
	3S8	sea blue					T11	brown/natural			

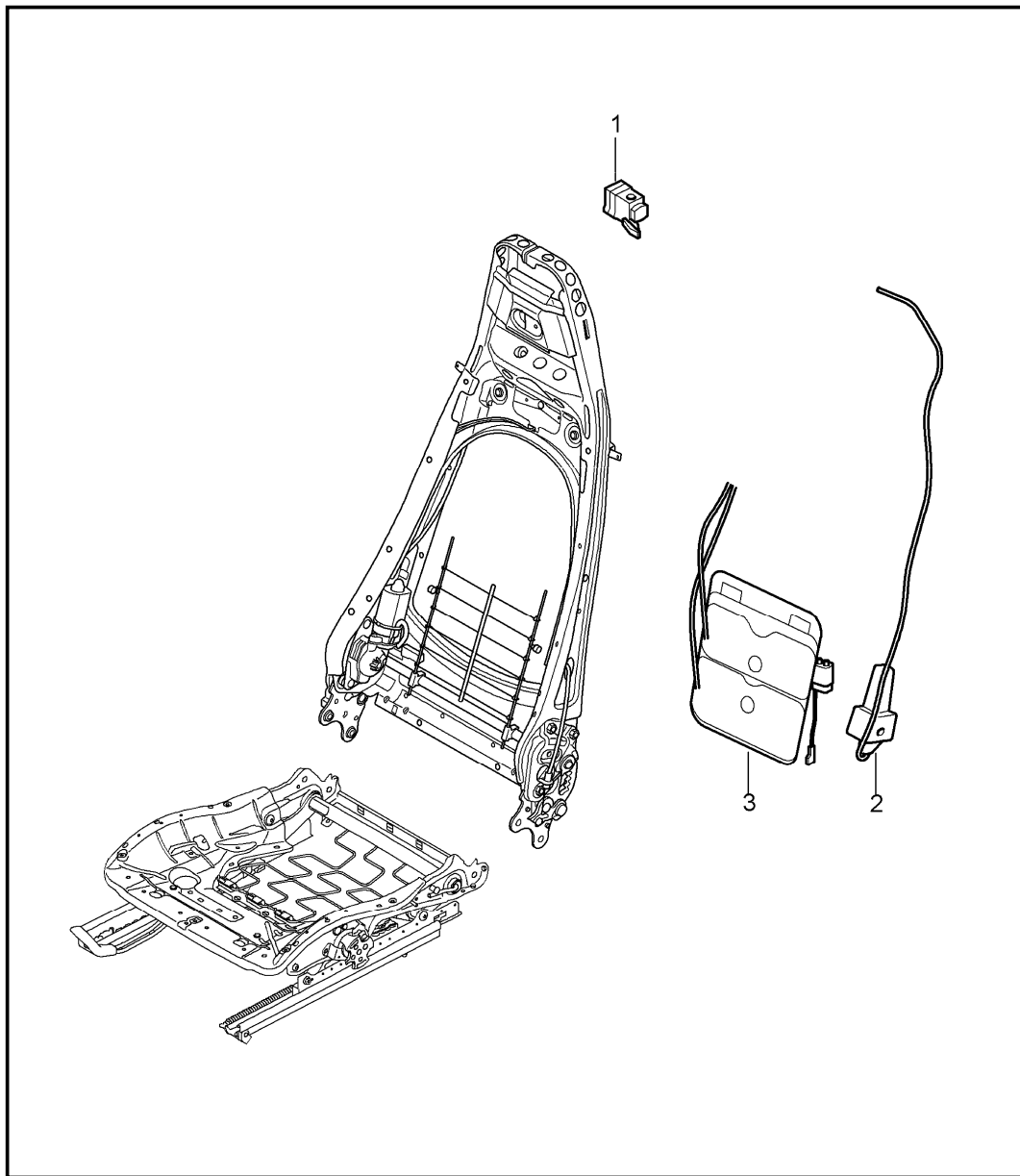
Model	Year	MG	SG	Illustration	Restrictions	UPD	8:17	26.01.2010	PORSCHE	PET	PORSCHE
997T	2009	8	17	817-05		248					

Pos	Part Number	Description	Remark	Qty	Model	Pos	Part Number	Description	Remark	Qty	Model
(7)	997 521 141 01	N11 carrera red backrest cover outer part	/L	1	I437/982/983		FLM	sea blue			
		FLC black					FLP	palmgreen			
		FLF stone grey					FLQ	terracotta			
		FLJ sand beige					FLR	cocoa			
		FLM sea blue					VAA	dark grey/natural			
		FLP palmgreen					VAB	brown/natural			
		FLQ terracotta					VAC	carrera red			
		FLR cocoa				(7)	997 521 141 05	backrest cover outer part	/L	09-	1 I437/541/983
		VAA dark grey/natural					FLC	black			
		VAB brown/natural					FLF	stone grey			
		VAC carrera red					FLJ	sand beige			
(7)	997 521 142 01	backrest cover outer part	/R	1	I438/982/983		FLM	sea blue			
		FLC black					FLP	palmgreen			
		FLF stone grey					FLQ	terracotta			
		FLJ sand beige					FLR	cocoa			
		FLM sea blue					VAA	dark grey/natural			
		FLP palmgreen					VAB	brown/natural			
		FLQ terracotta					VAC	carrera red			
		FLR cocoa				(7)	997 521 941 01	backrest cover	/L		1 IXSC/982/983
		VAA dark grey/natural					8YR	black			
		VAB brown/natural					5X5	stone grey			
		VAC carrera red					8G1	sand beige			
(7)	997 521 142 05	backrest cover outer part	/R	09-	1 I438/541/983		3S8	sea blue			
		FLC black					4P1	palmgreen			
		FLF stone grey					9N2	terracotta			
		FLJ sand beige					9Q3	cocoa			
							D11	dark grey/natural			
							T11	brown/natural			

Model	Year	MG	SG	Illustration	Restrictions	UPD	8:17	26.01.2010	PORSCHE	PET	PORSCHE
997T	2009	8	17	817-05		248					

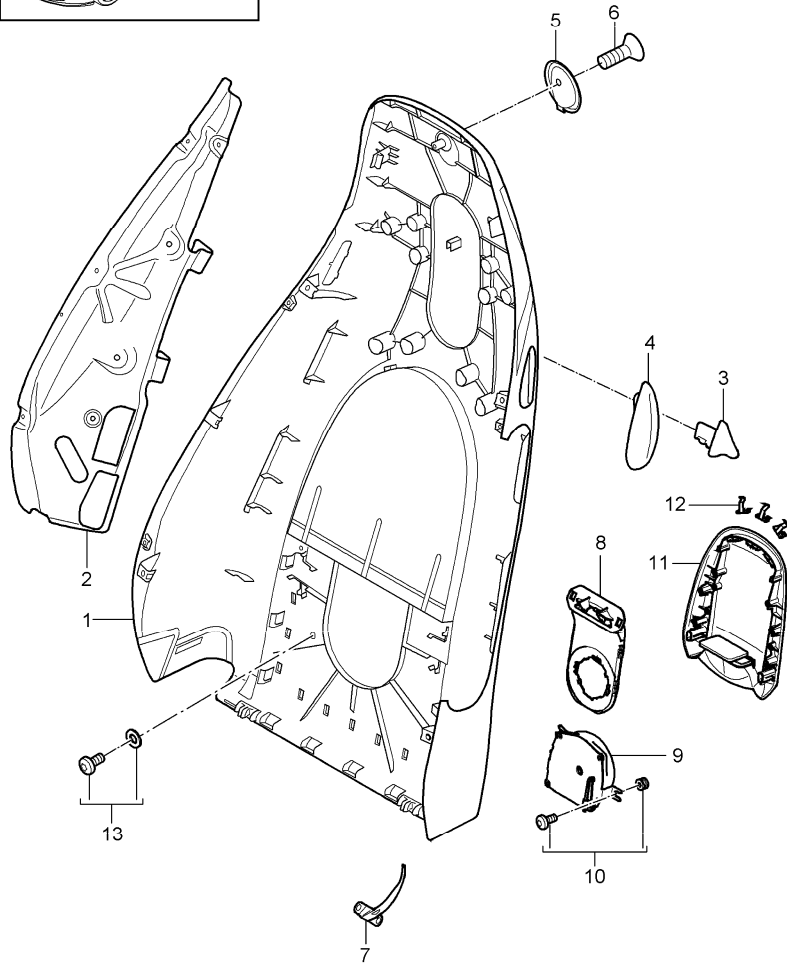
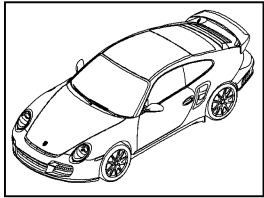
Pos	Part Number	Description	Remark	Qty	Model	Pos	Part Number	Description	Remark	Qty	Model
	N11	carrera red									
(7)	997 521 942 01	backrest cover outer part	/R	1	IXSC/982/983						
	8YR	black									
	5X5	stone grey									
	8G1	sand beige									
	3S8	sea blue									
	4P1	palmgreen									
	9N2	terracotta									
	9Q3	cocoa									
	D11	dark grey/natural									
	T11	brown/natural									
	N11	carrera red									
8	997 521 837 00	clip padding seat		6							
9	997 521 897 00	clip backrest cover		5							
10	997 521 721 00	airbag seat cushion	09-	1	I437/438/541						
11	997 624 335 00	electric motor seat cushion	09-	1	I541						
12	997 521 661 00	support electric motor	09-	1	I437/438/541						
13	000 043 207 38	set of fastening parts electric motor seat cushion	09-	1	I541						
14	997 521 731 00	airbag backrest	09-	1	I437/438/541						

Model	Year	MG	SG	Illustration	Restrictions	UPD	8:17	26.01.2010	PORSCHE	PET	PORSCHE
997T	2009	8	17	817-07		248					



Pos	Part Number	Description	Remark	Qty	Model
		lumbar support comfort seat			COUPE CABRIO
1	997 617 726 00	valve lumbar support memory		1	I537/538
2	997 620 725 00	compressor lumbar		1	I437/438
3	997 521 709 01	lumbar support memory		1	I437/438 I537/538

Model	Year	MG	SG	Illustration	Restrictions	UPD	8:18	26.01.2010	PORSCHE	PET	PORSCHE
997T	2009	8	17	817-10		248					



Pos	Part Number	Description	Remark	Qty	Model
		backrest shell standard seat comfort seat			COUPE CABRIO
(1)	997 521 303 10	backrest shell leather	/L	1	I437/982/983
	A80	black			
	B80	stone grey			
	T80	sand beige			
	E80	sea blue			
	J80	palmgreen			
	M80	terracotta			
	R80	cocoa			
(1)	997 521 304 10	backrest shell leather	/R	1	I438/982/983
	A80	black			
	B80	stone grey			
	T80	sand beige			
	E80	sea blue			
	J80	palmgreen			
	M80	terracotta			
	R80	cocoa			
(1)	997 521 303 11	backrest shell	/L	1	I437/982/983
	D11	dark grey/natural			
	T11	brown/natural			
	N11	carrera red			
(1)	997 521 304 11	backrest shell	/R	1	I438/982/983
	D11	dark grey/natural			
	T11	brown/natural			
(1)	997 521 303 16	backrest shell	/L	09-	1 I437/541/983
	D11	dark grey/natural			
	T11	brown/natural			

Model	Year	MG	SG	Illustration	Restrictions	UPD	8:18	26.01.2010	PORSCHE	PET	PORSCHE
997T	2009	8	17	817-10		248					

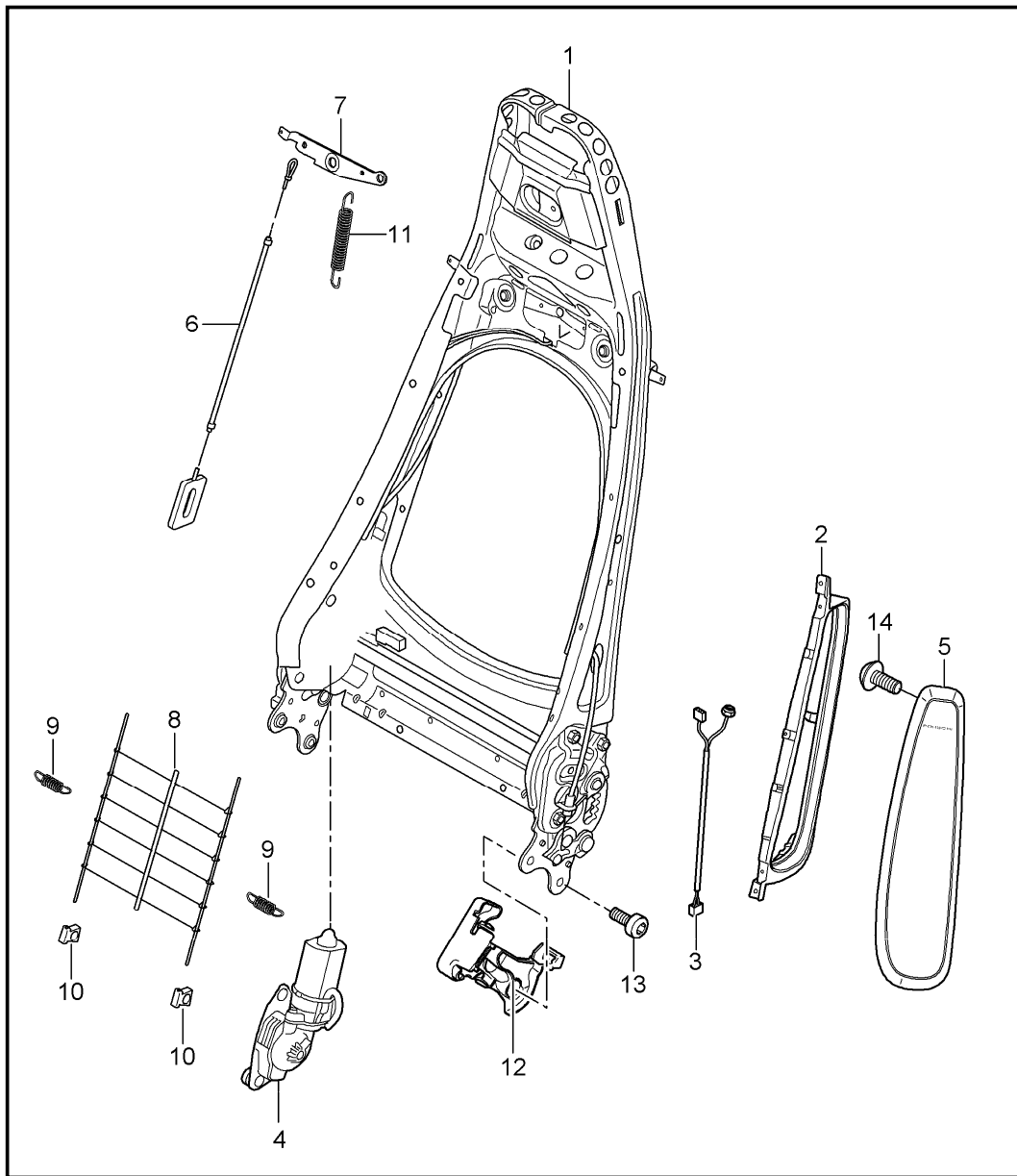
Pos	Part Number	Description	Remark	Qty	Model	Pos	Part Number	Description	Remark	Qty	Model
(1)	997 521 304 16	backrest shell	/R 09-	1	I438/541/983		D07	volcano grey			
	D11	dark grey/natural				5	997 521 373 01	coat hook		2	I437/438
	T11	brown/natural					D07	volcano grey			
(1)	997 521 303 15	backrest shell	/L 09-	1	I437/541/983	6	999 919 232 09	screw coat hook		1	
	A80	black				7	997 521 783 00	support panel	/L	1	
	B80	stone grey				(7)	997 521 784 00	support panel backrest shell	/R	1	
	T80	sand beige				8	997 521 733 00	air duct backrest shell vented	09-	1	I437/438/541
	E80	sea blue				9	997 624 337 00	electric motor backrest shell vented	09-	1	I541
	M80	terracotta									
	R80	cocoa									
(1)	997 521 304 15	backrest shell	/R 09-	1	I438/541/983	10	000 043 207 38	set of fastening parts electric motor	09-	1	I541
	A80	black				11	997 521 491 01	cover fan	09-	1	I437/438/541 I983
	B80	stone grey					A80	black			
	T80	sand beige					B80	stone grey			
	E80	sea blue					T80	sand beige			
	M80	terracotta					E80	sea blue			
	R80	cocoa					M80	terracotta			
(2)	997 521 319 00	bracket	/L	1			R80	cocoa			
2	997 521 320 00	bracket backrest side bolster	/R	1		(11)	997 521 491 02	cover fan	09-	1	I437/438/541 I983/998
3	997 521 623 02	control button backrest locking lever	/L	1			D11	dark grey/natural			
	V05	galvano silver					T11	brown/natural			
(3)	997 521 624 02	control button backrest locking lever	/R	1			N11	carrera red			
	V05	galvano silver									
4	997 521 621 02	rosette backrest locking lever	/L	1	I437/438	12	000 043 207 40	clamp mount cover fan	09-	3	I541
	D07	volcano grey									
(4)	997 521 622 02	rosette backrest locking lever	/R	1	I437/438						

Model	Year	MG	SG	Illustration	Restrictions	UPD	8:18	26.01.2010	PORSCHE	PET	PORSCHE
997T	2009	8	17	817-10		248					

Pos	Part Number	Description	Remark	Qty	Model	Pos	Part Number	Description	Remark	Qty	Model
13	000 043 207 41	set of fastening parts mount cover fan	09-	1	I541						



Model	Year	MG	SG	Illustration	Restrictions	UPD	8:18	26.01.2010	PORSCHE	PET	PORSCHE
997T	2009	8	17	817-15		248					

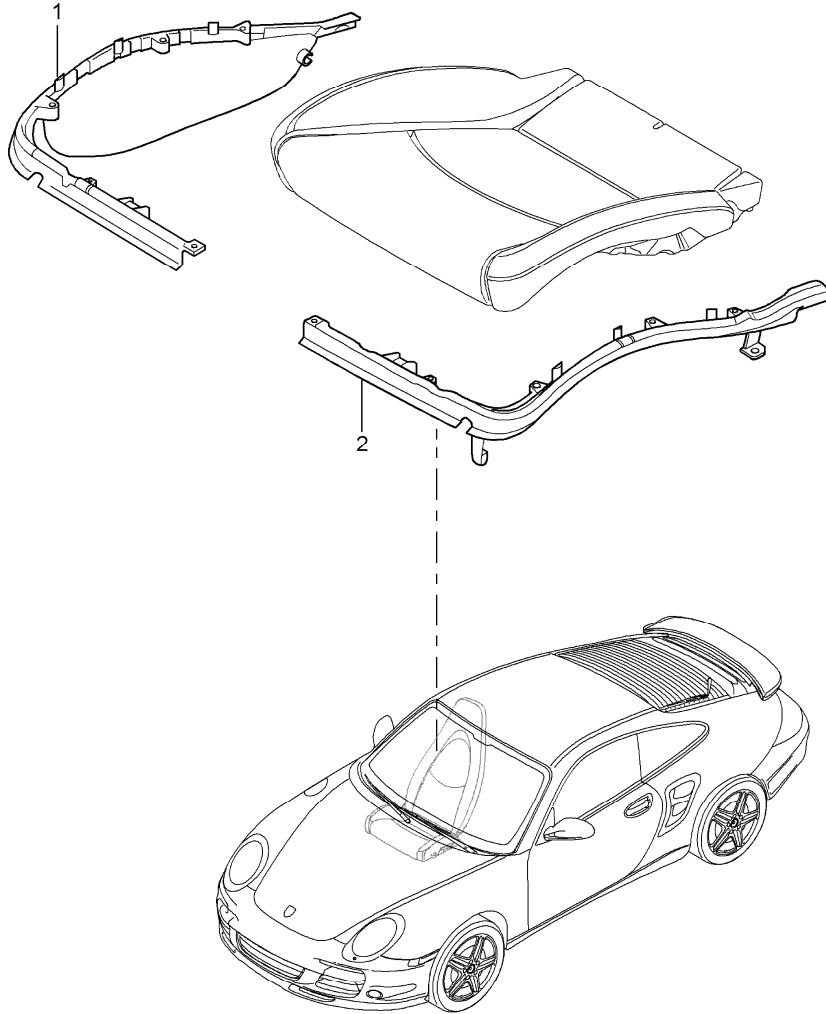


Pos	Part Number	Description	Remark	Qty	Model
		backrest frame comfort seat			COUPE CABRIO
1	997 521 329 00	backrest frame without memory	/L/R	07	2 I437/438
(1)	997 521 329 02	backrest frame without memory	/L/R	08-	2 I437/438
(1)	997 521 329 01	backrest frame	/L/R	07	2 I537/538
(1)	997 521 329 03	backrest frame with memory	/L/R	08-	2 I537/538
2	997 521 533 00	cushion carrier	/L		1 I437
(2)	997 521 534 00	cushion carrier side airbag	/R		1 I438
3	997 612 785 01	wiring harness	/L		1 I537
(3)	997 612 786 01	wiring harness side airbag	/R		1 I538
4	997 624 331 00	electric motor backrest frame memory			1 I537/538
5	997 803 081 01	side airbag	/L		1 I437
		A03 black			
		5V7 stone grey			
		5Z1 sand beige			
		8W7 sea blue			
		5Y2 palmgreen			
		8X8 terracotta			
		8P9 cocoa			
		T13 brown/natural			
		N23 carrera red		08-	
(5)	997 803 082 01	side airbag	/R		1 I438
		A03 black			
		5V7 stone grey			

Model	Year	MG	SG	Illustration	Restrictions	UPD	8:18	26.01.2010	PORSCHE	PET	PORSCHE
997T	2009	8	17	817-15		248					

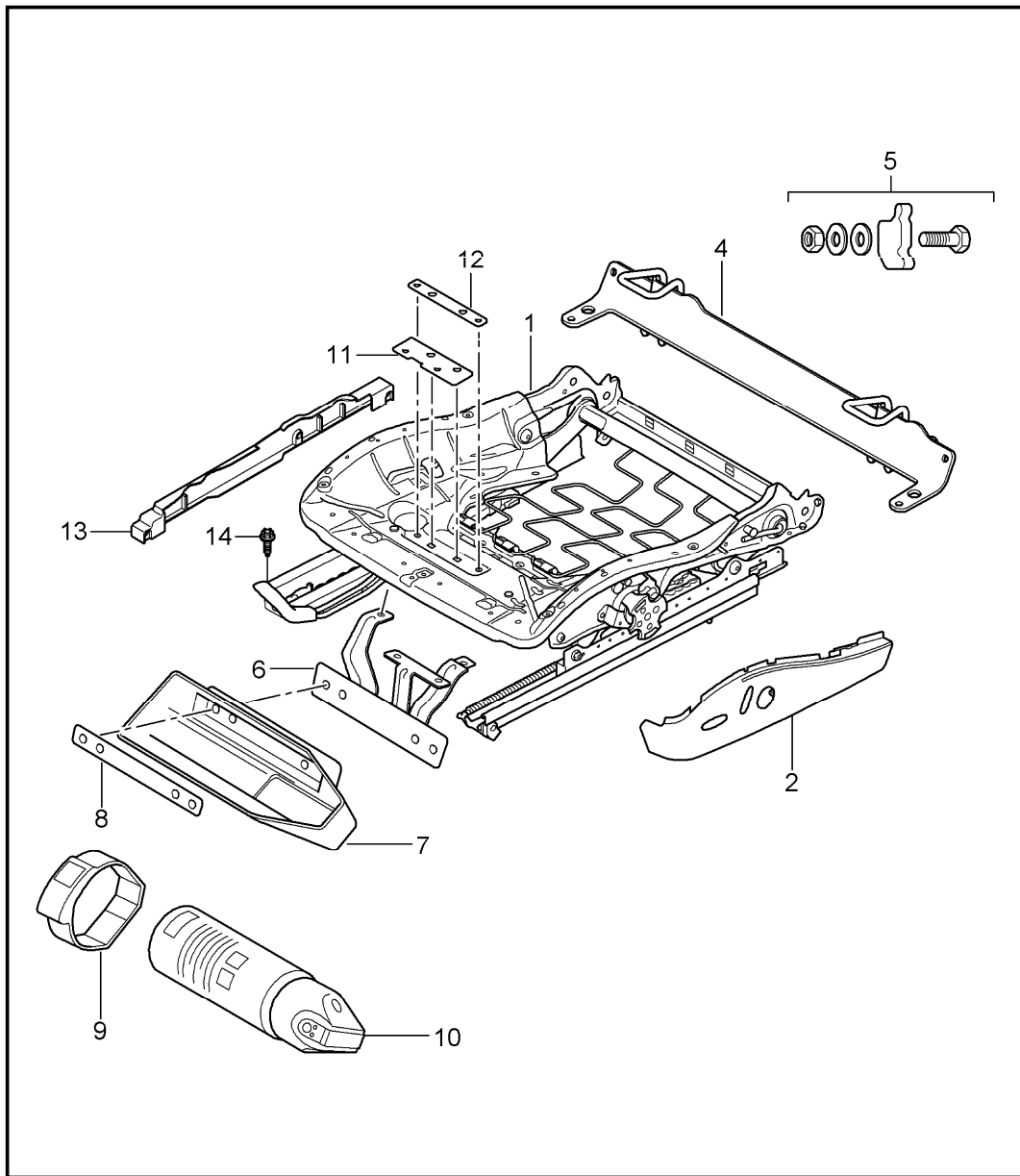
Pos	Part Number	Description	Remark	Qty	Model	Pos	Part Number	Description	Remark	Qty	Model
	5Z1	sand beige									
	8W7	sea blue									
	5Y2	palmgreen									
	8X8	terracotta									
	8P9	cocoa									
	T13	brown/natural									
	N23	carrera red	08-								
6	997 521 485 00	bowden cable backrest frame		2							
7	997 521 375 00	release backrest frame		1							
8	997 521 855 00	grille backrest frame		1							
9	997 521 893 00	tension spring inner spring		2							
10	997 521 895 00	clip inner spring		2							
11	997 521 797 00	tension spring release backrest		1							
12	997 521 335 01	cover mounting component inner	/L	1	I437						
	D07	volcano grey									
(12)	997 521 336 01	cover mounting component inner	/R	1	I438						
	D07	volcano grey									
13	999 073 375 09	screw mount backrest seat adjuster		4							
14	999 073 306 09	screw mount airbag		2							

Model	Year	MG	SG	Illustration	Restrictions	UPD	8:18	26.01.2010	PORSCHE	PET	PORSCHE
997T	2009	8	17	817-16		248					



Pos	Part Number	Description	Remark	Qty	Model
		cushion carrier frame seat surface			COUPE CABRIO
(1)	997 521 547 00	frame inner left	/L	1	I438
1	997 521 548 00	frame inner right	/R	1	I437
2	997 521 545 00	frame outer left without advanced airbag	/L	1	I437
(2)	997 521 546 00	frame outer right without advanced airbag	/R	1	I438
(2)	997 521 546 01	frame outer right with advanced airbag	/R	1	I438/560

Model	Year	MG	SG	Illustration	Restrictions	UPD	8:18	26.01.2010	PORSCHE	PET	PORSCHE
997T	2009	8	17	817-19		248					

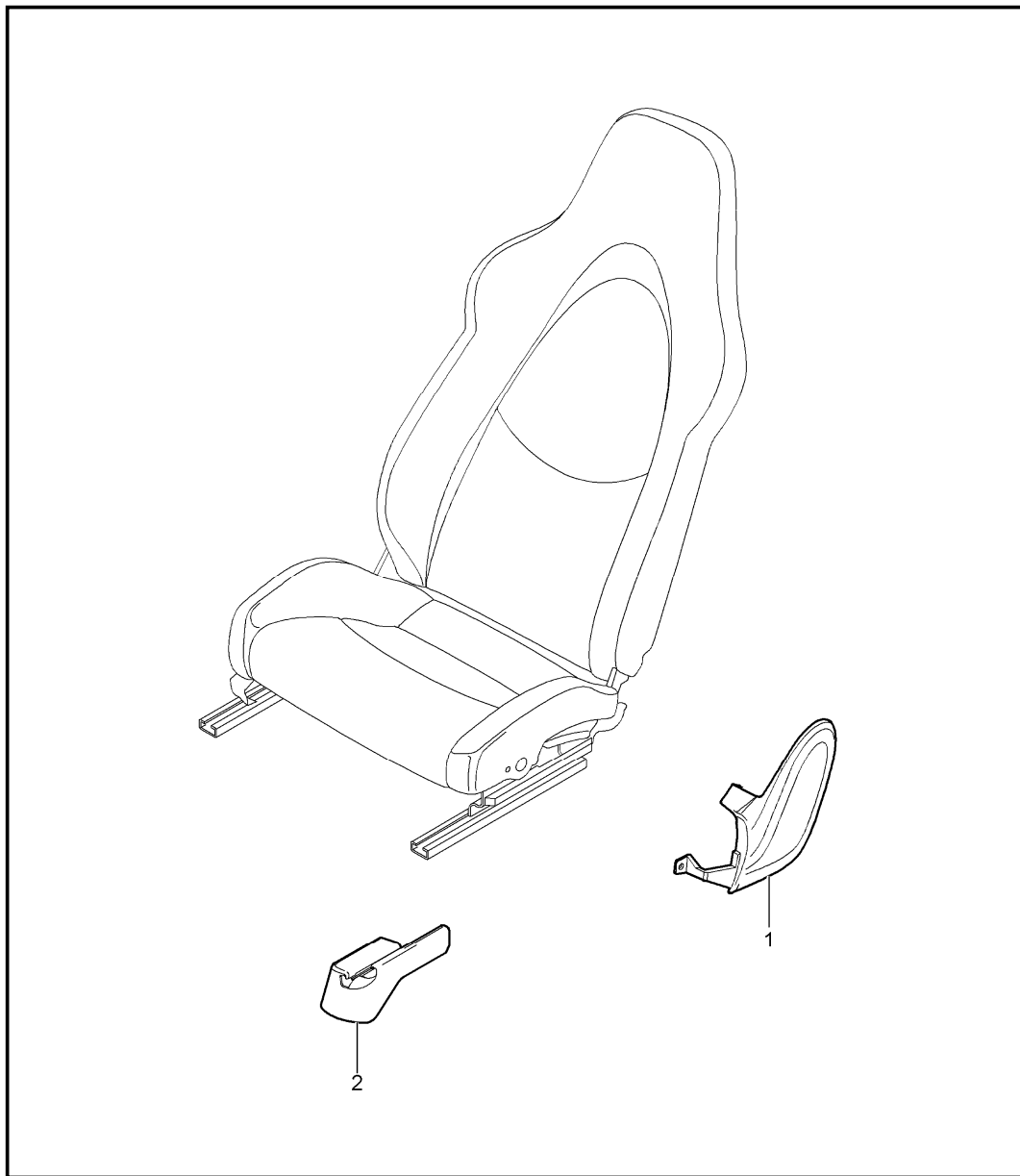


Pos	Part Number	Description	Remark	Qty	Model
		seat adjuster standard seat comfort seat			COUPE CABRIO
1	997 521 201 04	seat adjuster	/L	1	I437
(1)	997 521 201 12	seat adjuster	/L	07-	1 I437
(1)	997 521 202 10	seat adjuster	/R		1 I438
(1)	997 521 202 21	seat adjuster electric without memory	/R	07-	1 I438
(1)	997 521 201 05	seat adjuster	/L		1 I437/537
(1)	997 521 201 13	seat adjuster	/L	07-	1 I437/537
(1)	997 521 202 11	seat adjuster	/R		1 I438/538
(1)	997 521 202 22	seat adjuster electric with memory	/R	07-	1 I438/538
(1)	997 521 202 12	seat adjuster	/R		1 I438/560
(1)	997 521 202 24	seat adjuster electric seat occupancy detection	/R	07-	1 I438/560
(1)	997 521 201 24	seat adjuster	/L/RL	08-	1 I437
(1)	997 521 201 26	seat adjuster electric	/L	09-	1 I437/480/541 I553
(1)	997 521 201 28	seat adjuster electric	/R	09-	1 I438
(1)	997 521 202 30	seat adjuster electric	/R	09-	1 I438
(1)	997 521 202 32	seat adjuster electric	/R	09-	1 I438/541
(1)	997 521 201 25	seat adjuster electric	/L	09-	1 I437/537
(1)	997 521 202 31	seat adjuster electric	/R	09-	1 I438/538
(1)	997 521 202 33	seat adjuster electric	/R	09-	1 I438/538/541

Model	Year	MG	SG	Illustration	Restrictions	UPD	8:18	26.01.2010	PORSCHE	PET	PORSCHE
997T	2009	8	17	817-19		248					

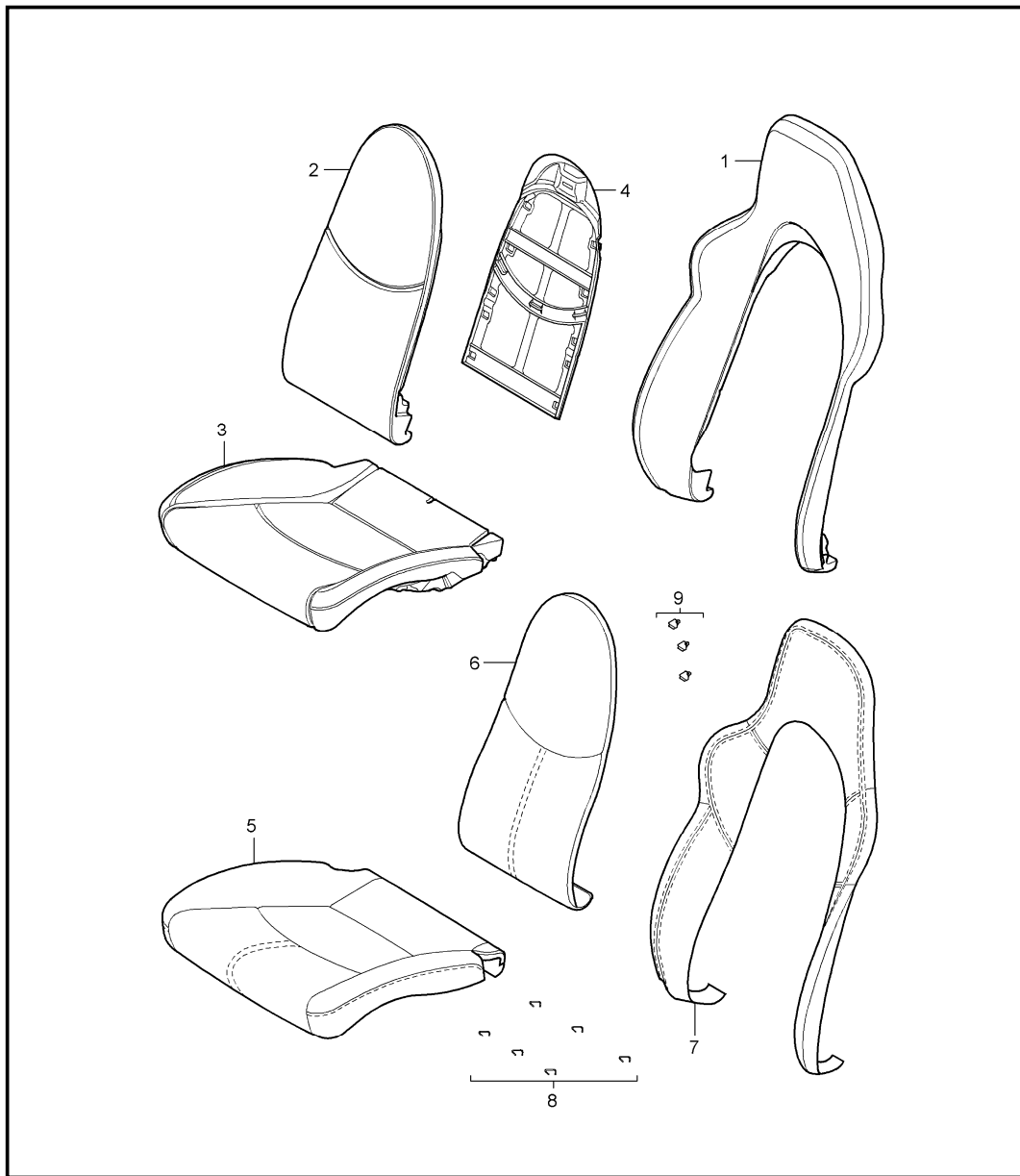
Pos	Part Number	Description	Remark	Qty	Model	Pos	Part Number	Description	Remark	Qty	Model
2	997 521 325 07	trim for switch without advanced airbag	/L	1	I437	13	997 521 427 01	cover sensor weight	/L	1	I438/560
	D07	volcano grey					01C	satin black			
(2)	997 521 326 07	trim for switch without advanced airbag	/R	1	I438	(13)	997 521 426 01	cover sensor weight	/R	1	I438/560
	D07	volcano grey					01C	satin black			
(2)	997 521 326 10	trim for switch advanced airbag	/R	1	I438/560	14	999 141 047 01	torx screw mount seat rail		4	
	D07	volcano grey									
3	997 521 631 01	control button backrest		1							
	V05	galvano silver									
4	997 521 061 01	retaining bow child car seat ISOFIX not for AUSTRALIEN		1							
5	997 521 961 01	set of fastening parts retaining bow		1							
6	997 521 251 00	support fire extinguisher		1	I098/509						
(6)	997 521 252 00	support fire extinguisher		1	I099/509						
7	997 521 607 00	cup fire extinguisher		1	I509						
8	997 521 881 00	support cup fire extinguisher		1	I509						
9	997 521 851 00	restraining strap fire extinguisher		1	I509						
10	996 722 115 00	fire extinguisher Information available Information available		1	I509						
11	997 521 841 00	reinforcement front		1	I509						
12	997 521 843 00	reinforcement rear		1	I509						

Model	Year	MG	SG	Illustration	Restrictions	UPD	8:18	26.01.2010	PORSCHE	PET	PORSCHE
997T	2009	8	17	817-20		248					



Pos	Part Number	Description	Remark	Qty	Model
		front seat complete not available sports seat			
1	997 521 315 02	trim cover D07 volcano grey	/L	1	I377/437
(1)	997 521 316 02	trim cover D07 volcano grey	/R	1	I376/378/438
(1)	997 521 316 03	trim cover mounting component advanced airbag D07 volcano grey		1	I376/378/438 I560
2	997 521 359 01	rail 01C satin black	/L	1	I375
(2)	997 521 360 01	rail seat rail manually 01C satin black	/R	1	I376
(2)	997 521 361 00	rail seat rail 01C satin black		1	I376/377/378
(2)	997 521 362 00	rail seat rail 01C satin black		1	I375/377/378

Model	Year	MG	SG	Illustration	Restrictions	UPD	8:19	26.01.2010	PORSCHE	PET	PORSCHE
997T	2009	8	17	817-25		248					



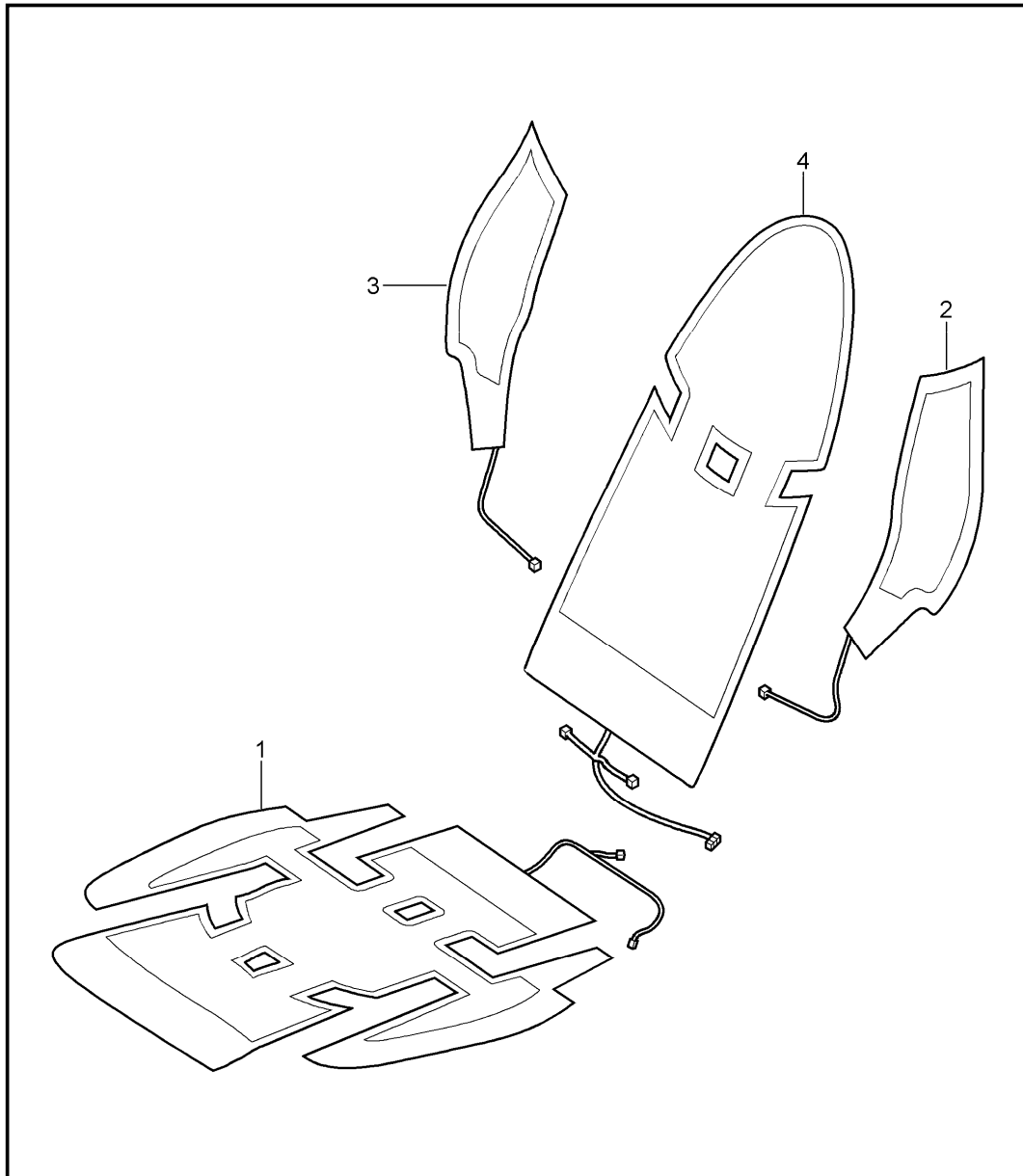
Pos	Part Number	Description	Remark	Qty	Model
		foam part cover sports seat			
1	997 521 535 01	foam part		1	I375/376
1	997 521 535 02	foam part backrest outer		1	I377/378
2	997 521 581 00	foam part backrest centre		1	
3	997 521 571 01	foam part		1	I375/376
(3)	997 521 571 02	foam part		1	I378
(3)	997 521 571 04	foam part		1	I376/560
(3)	997 521 571 05	foam part seat cushion		1	I378/560
4	997 521 551 01	cushion carrier backrest		1	
5	997 521 161 03	cover for cushion		1	I375/376/983
		FLC black			
		FLF stone grey			
		FLJ sand beige			
		FLM sea blue			
		FLP palmgreen			
		FLQ terracotta			
		FLR cocoa			
		VAA dark grey/natural			
		VAB brown/natural			
		VAC carrera red			
(5)	997 521 161 06	cover for cushion		1	I377/378/983
		FLC black			
		FLF stone grey			
		FLJ sand beige			
		FLM sea blue			

Model	Year	MG	SG	Illustration	Restrictions	UPD	8:19	26.01.2010	PORSCHE	PET	PORSCHE
997T	2009	8	17	817-25		248					

Pos	Part Number	Description	Remark	Qty	Model	Pos	Part Number	Description	Remark	Qty	Model
	FLP	palmgreen					FLP	palmgreen			
	FLQ	terracotta					FLQ	terracotta			
	FLR	cocoa					FLR	cocoa			
	VAA	dark grey/natural					VAA	dark grey/natural			
	VAB	brown/natural					VAB	brown/natural			
	VAC	carrera red					VAC	carrera red			
(5)	997 521 161 08	cover for cushion		1	I377/378/951	(7)	997 521 155 01	backrest cover		1	I375/376/377 I378/951
	RAA	black						outer part			
	RAB	dark grey/natural					FLC	black			
6	997 521 151 00	backrest cushion cover centre part		1	I375/376/377 I378/983	(7)	VAA	dark grey/natural			
	8YR	black					997 521 941 02	backrest cover		1	IXSC/375/376 I377/378/983
	D11	dark grey/natural						outer part			
	5X5	stone grey					8YR	black			
	8G1	sand beige					5X5	stone grey			
	3S8	sea blue					8G1	sand beige			
	4P1	palmgreen					3S8	sea blue			
	9N2	terracotta					4P1	palmgreen			
	9Q3	cocoa					9N2	terracotta			
	T11	brown/natural					9Q3	cocoa			
	N11	carrera red					D11	dark grey/natural			
(6)	987 521 151 00	backrest cushion cover centre part		1	I377/378/951		T11	brown/natural			
	A15	black					N11	carrera red			
(7)	997 521 155 01	backrest cover		1	I375/376/377 I378/983	8	997 521 837 00	clip padding seat		6	
		outer part				9	997 521 897 00	clip backrest cover		5	
	FLC	black									
	FLF	stone grey									
	FLJ	sand beige									
	FLM	sea blue									

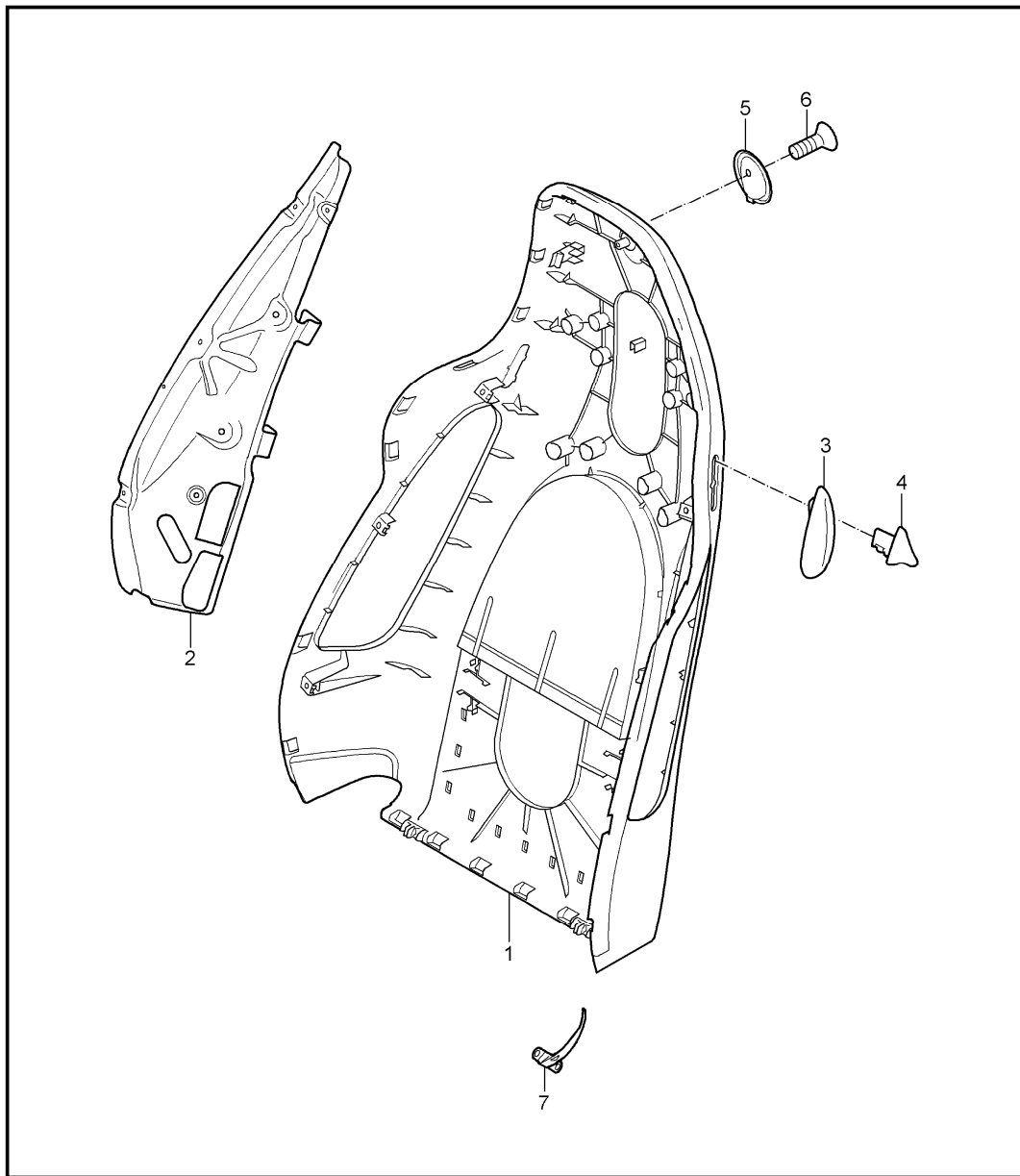


Model	Year	MG	SG	Illustration	Restrictions	UPD	14:06	02.02.2010	PORSCHE	PET	PORSCHE
997T	2009	8	17	817-28		248					



Pos	Part Number	Description	Remark	Qty	Model
		heating sports seat front seat			
1	997 653 105 03	heating element seat cushion sports seat	/L/R	2	I375/376/377 I342/378
2	997 653 109 01	heating element backrest side bolster sports seat	/L	1	I375/376/377 I342/378
3	997 653 110 01	heating element backrest side bolster sports seat	/R	1	I375/376/377 I342/378
4	997 653 107 00	heating element backrest cushion	/L/R	2	I342

Model	Year	MG	SG	Illustration	Restrictions	UPD	8:19	26.01.2010	PORSCHE	PET	PORSCHE
997T	2009	8	17	817-30		248					

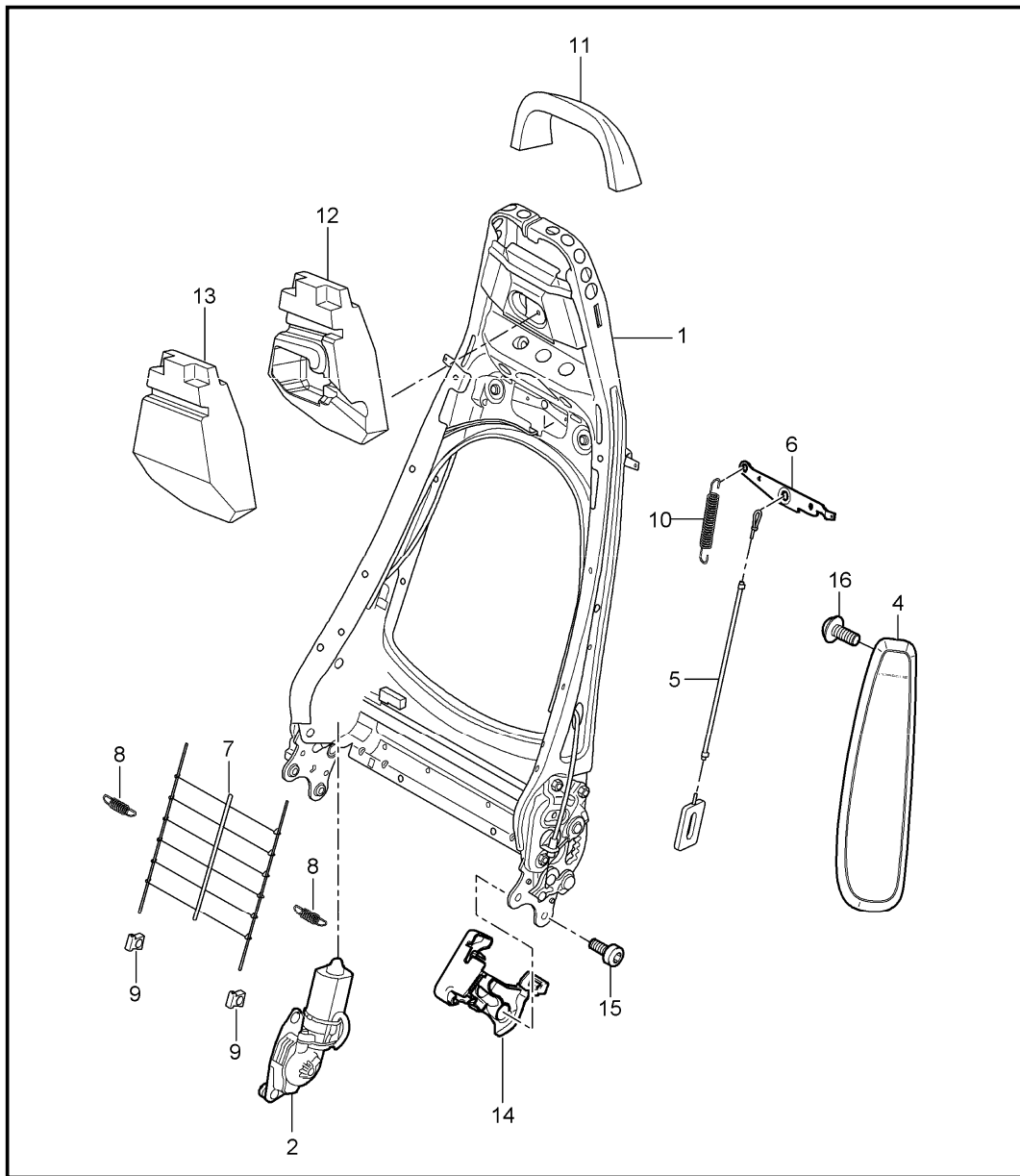


Pos	Part Number	Description	Remark	Qty	Model
1	997 521 303 13	backrest shell sports seat	/L	1	I375/377
	D07	volcano grey			
(1)	997 521 304 13	backrest shell	/R	1	I376/378
	D07	volcano grey			
(1)	997 521 981 00	backrest shell		1	IXSA/375/377
	M7W	Meteor Grey Metallic			
	041	black			
	84A	guards red			
	12H	speed yellow			
	B9A	carrara white			
	92U	arctic silver metallic			
	M3W	carmon red metallic			
	M5W	lapis blue metallic			
	M6W	lagoon green metallic			
	C9Z	basalt black metallic			
	M7X	atlas grey metallic			
	39C	midnight blue metallic			
	2B4	forest green metallic			
	3C8	cobalt blue metallic			
	23F	slate grey metallic			
	M6X	dark olive-metallic			
	M7Z	gt silver metallic			
(1)	997 521 982 00	backrest shell		1	IXSA/376/378
	M7W	Meteor Grey Metallic			
	041	black			
	84A	guards red			
	12H	speed yellow			

Model	Year	MG	SG	Illustration	Restrictions	UPD	8:19	26.01.2010	PORSCHE	PET	PORSCHE
997T	2009	8	17	817-30		248					

Pos	Part Number	Description	Remark	Qty	Model	Pos	Part Number	Description	Remark	Qty	Model
	B9A	carrara white				(1)	997 521 982 02	backrest shell leather		1	IXSB/376/378
	92U	arctic silver metallic					A11	black			
	M3W	carmon red metallic					5X6	stone grey			
	M5W	lapis blue metallic					8G2	sand beige			
	M6W	lagoon green metallic					3S9	sea blue			
	C9Z	basalt black metallic					4P2	palmgreen			
	M7X	atlas grey metallic					9S5	terracotta			
	39C	midnight blue metallic					9V6	cocoa			
	2B4	forest green metallic					D12	dark grey/natural			
	3C8	cobalt blue metallic					T12	brown/natural			
	23F	slate grey metallic					N12	carrera red	08-		
	M6X	dark olive-metallic				2	997 521 319 00	bracket	/L	1	
	M7Z	gt silver metallic				(2)	997 521 320 00	bracket backrest side bolster	/R	1	
(1)	997 521 981 01	backrest shell		1	IXCG/375/377	3	997 521 621 03	rosette	/L	1	
	V04	galvano silver					D07	volcano grey			
(1)	997 521 982 01	backrest shell		1	IXCG/376/378	(3)	997 521 622 03	rosette backrest locking lever	/R	1	
	V04	galvano silver					D07	volcano grey			
(1)	997 521 981 02	backrest shell leather		1	IXSB/375/377	4	997 521 623 02	control button	/L	1	
	A11	black					V05	galvano silver			
	5X6	stone grey				(4)	997 521 624 02	control button	/R	1	
	8G2	sand beige					V05	galvano silver			
	3S9	sea blue				5	997 521 373 01	coat hook	/L/R	2	
	4P2	palmgreen					D07	volcano grey			
	9S5	terracotta				6	999 919 232 09	screw coat hook		2	
	9V6	cocoa				7	997 521 783 00	support panel	/L	1	
	D12	dark grey/natural				(7)	997 521 784 00	support panel backrest shell	/R	1	
	T12	brown/natural									
	N12	carrera red	08-								

Model	Year	MG	SG	Illustration	Restrictions	UPD	8:19	26.01.2010	PORSCHE	PET	PORSCHE
997T	2009	8	17	817-40		248					



Pos	Part Number	Description	Remark	Qty	Model
1	997 521 329 00	backrest frame sports seat	/L/R	07	2
(1)	997 521 329 02	backrest frame without memory	/L/R	08-	2
(1)	997 521 329 01	backrest frame	/L/R	07	2 I537/538
(1)	997 521 329 03	backrest frame with memory	/L/R	08-	2 I537/538
2	997 624 321 00	electric motor backrest without memory	/L/R		1 I377/378
(2)	997 624 331 00	electric motor backrest with memory			1 I537/538
4	997 803 081 01	side airbag	/L		1
		D07 volcano grey			
(4)	997 803 082 01	side airbag	/R		1
		D07 volcano grey			
(4)	997 803 981 00	side airbag	/L	07-	1 IXSG/375/377
		A03 black			
		5V7 stone grey			
		5Z1 sand beige			
		5Y2 palmgreen		07	
		8W7 sea blue			
		8X8 terracotta			
		8P9 cocoa			
		T13 brown/natural			
		N23 carrera red		08-	
(4)	997 803 981 00	side airbag	/L	07-	1 IXSA/375/377
		A03 black			

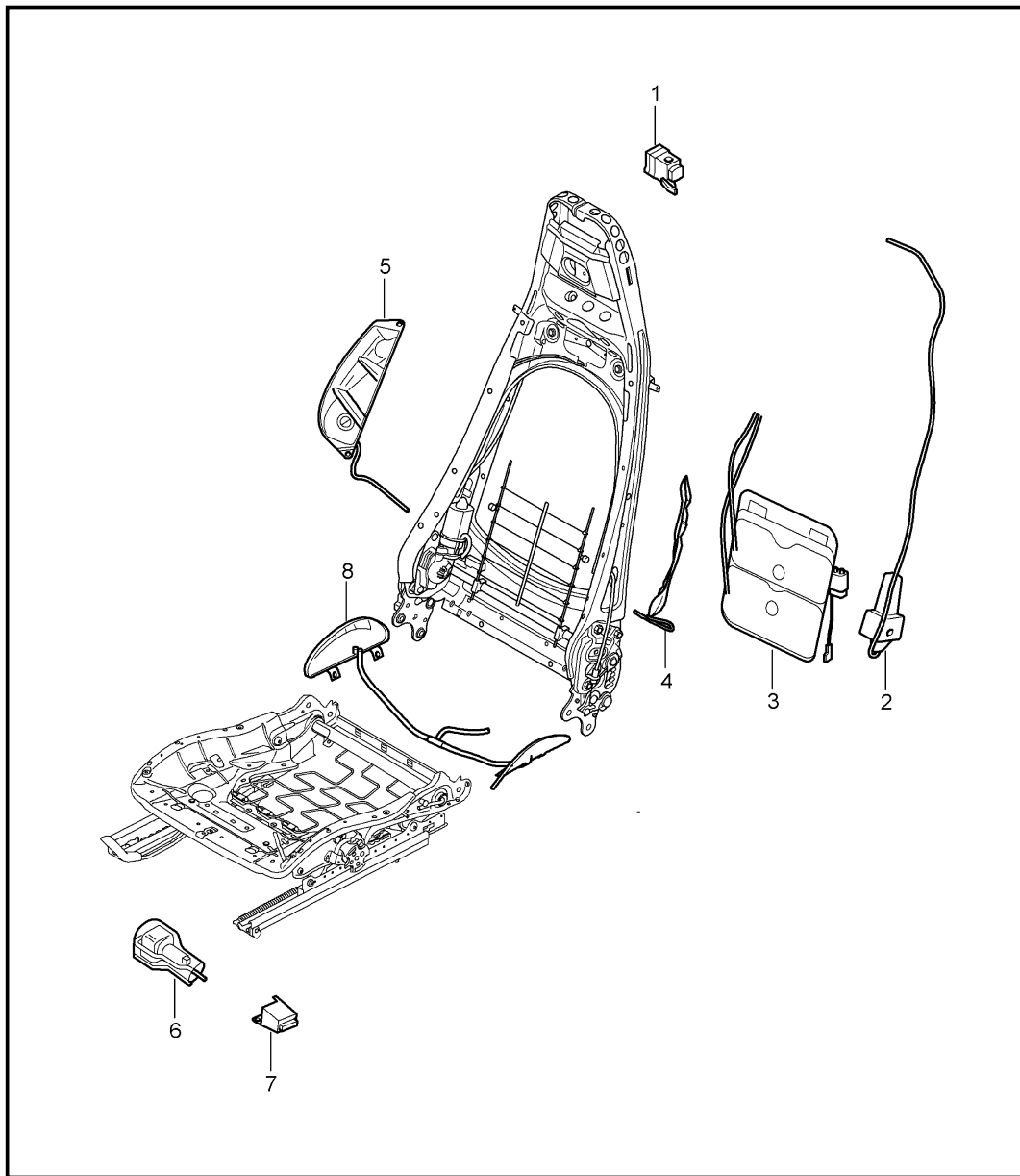
Model	Year	MG	SG	Illustration	Restrictions	UPD	8:19	26.01.2010	PORSCHE	PET	PORSCHE
997T	2009	8	17	817-40		248					

Pos	Part Number	Description	Remark	Qty	Model	Pos	Part Number	Description	Remark	Qty	Model
	5V7	stone grey					A03	black			
	5Z1	sand beige					5V7	stone grey			
	5Y2	palmgreen	07				5Z1	sand beige			
	8W7	sea blue					5Y2	palmgreen	07		
	8X8	terracotta					8W7	sea blue			
	8P9	cocoa					8X8	terracotta			
	T13	brown/natural					8P9	cocoa			
	N23	carrera red	08-				T13	brown/natural			
(4)	997 803 981 00	side airbag	/L	07-	1 IXSB/375/377		N23	carrera red	08-		
	A03	black				(4)	997 803 982 00	side airbag	/R	07-	1 IXSB/376/378
	5V7	stone grey					A03	black			
	5Z1	sand beige					5V7	stone grey			
	5Y2	palmgreen	07				5Z1	sand beige			
	8W7	sea blue					5Y2	palmgreen	07		
	8X8	terracotta					8W7	sea blue			
	8P9	cocoa					8X8	terracotta			
	T13	brown/natural					8P9	cocoa			
	N23	carrera red	08-				T13	brown/natural			
(4)	997 803 982 00	side airbag	/R	07-	1 IXSG/376/378		N23	carrera red	08-		
	A03	black				5	997 521 485 00	bowden cable backrest frame		2	
	5V7	stone grey				6	997 521 375 00	release backrest frame		2	
	5Z1	sand beige				7	997 521 855 00	grille backrest frame		2	
	5Y2	palmgreen	07			8	997 521 893 00	tension spring grille		2	
	8W7	sea blue				9	997 521 895 00	clip grille		2	
	8X8	terracotta				10	997 521 797 00	tension spring release backrest		1	
	8P9	cocoa									
	T13	brown/natural									
	N23	carrera red	08-								
(4)	997 803 982 00	side airbag	/R	07-	1 IXSA/376/378						

Model	Year	MG	SG	Illustration	Restrictions	UPD	8:19	26.01.2010	PORSCHE	PET	PORSCHE
997T	2009	8	17	817-40		248					

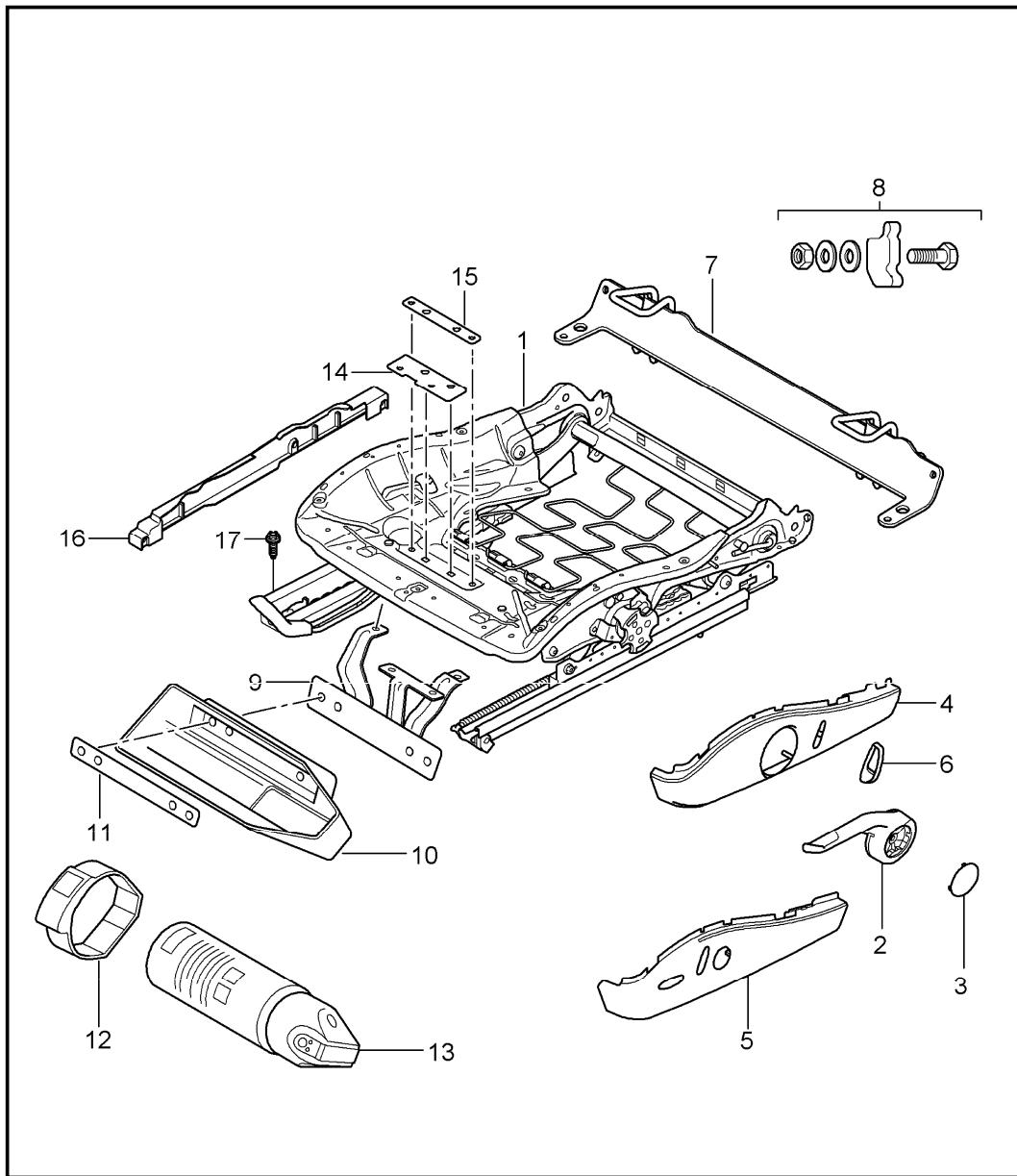
Pos	Part Number	Description	Remark	Qty	Model	Pos	Part Number	Description	Remark	Qty	Model
11	997 521 885 00	foam part head rest upper		1							
12	997 521 887 01	foam part head rest centre		1	I377/378						
13	997 521 887 00	foam part head rest centre		1	I375/376						
14	997 521 335 01	cover mounting component inner	/L	1							
	D07	volcano grey									
(14)	997 521 336 01	cover mounting component inner	/R	1							
	D07	volcano grey									
15	999 073 375 09	screw mount backrest seat adjuster		4							
16	999 073 306 09	screw mount side airbag		2							

Model	Year	MG	SG	Illustration	Restrictions	UPD	8:20	26.01.2010	PORSCHE	PET	PORSCHE
997T	2009	8	17	817-43		248					



Pos	Part Number	Description	Remark	Qty	Model
		lumbar support sports seat			
1	997 617 726 00	valve lumbar support		1	I537/538
2	997 620 725 00	compressor lumbar		1	
3	997 521 709 01	lumbar support backrest		1	I377/378 I537/538
4	997 521 711 00	container air distributor backrest side bolster	/L	1	I377/378
5	997 521 712 00	container air distributor backrest side bolster	/R	1	
6	997 620 727 00	compressor adjustment seat side bolster		1	
7	997 617 727 00	valve adjustment seat wide		1	
8	997 521 713 01	container air distributor seat side bolster		1	

Model	Year	MG	SG	Illustration	Restrictions	UPD	8:20	26.01.2010	PORSCHE	PET	PORSCHE
997T	2009	8	17	817-45		248					



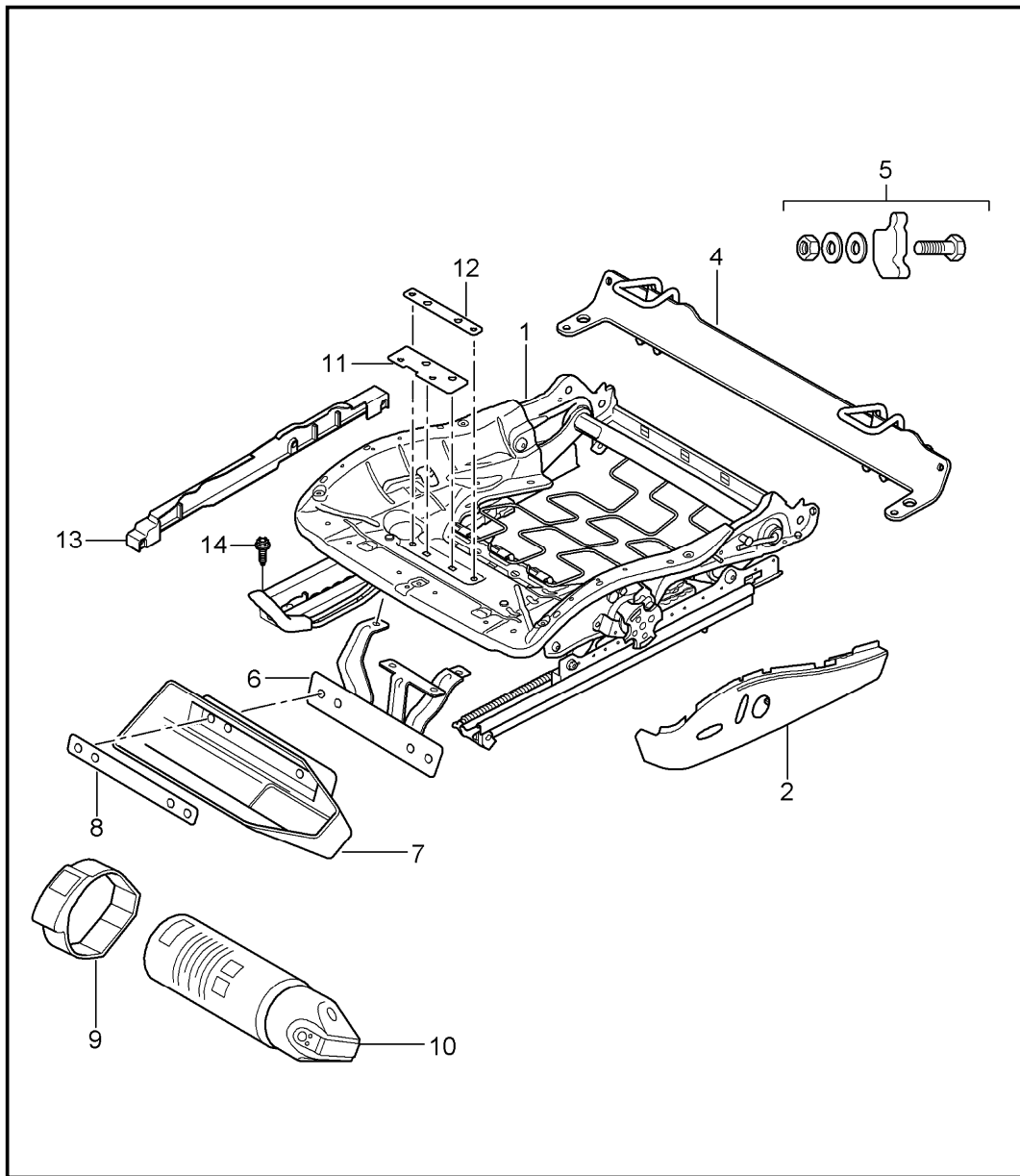
Pos	Part Number	Description	Remark	Qty	Model
		seat adjuster sports seat manually			
1	997 521 201 00	seat adjuster	/LL/L	1	I098/375
(1)	997 521 201 10	seat adjuster manually left-hand drive driver's side	/LL/L 07-	1	I098/375
(1)	997 521 202 00	seat adjuster manually right-hand drive driver's side	/RL -07	1	I099/376
(1)	997 521 202 19	seat adjuster manually right-hand drive driver's side	/RL 08-	1	I099/376
(1)	997 521 201 03	seat adjuster	/RL/L	1	I099/375
(1)	997 521 201 11	seat adjuster manually right-hand drive passenger's side	/RL/L 07-	1	I099/375
(1)	997 521 202 05	seat adjuster	/LL/R	1	I098/376
(1)	997 521 202 20	seat adjuster manually left-hand drive passenger's side	/LL/R 07-	1	I098/376
(1)	997 521 202 06	seat adjuster	/R	1	I376/560
(1)	997 521 202 23	seat adjuster manually seat occupancy detection	/R 07-	1	I376/560
(2)	997 521 627 01	actuating lever	/L	1	I375
		V05 galvano silver			
(2)	997 521 628 01	actuating lever height adjustment	/R	1	I376
		V05 galvano silver			
3	997 521 629 01	cap height adjustment	/L/R	1	
		D07 volcano grey			
4	997 521 325 06	trim for switch	/L	1	I375



Model	Year	MG	SG	Illustration	Restrictions	UPD	8:20	26.01.2010	PORSCHE	PET	PORSCHE
997T	2009	8	17	817-45		248					

Pos	Part Number	Description	Remark	Qty	Model	Pos	Part Number	Description	Remark	Qty	Model
	D07	volcano grey				12	997 521 851 00	restraining strap fire extinguisher		1	I509
(4)	997 521 326 06	trim for switch	/R	1	I376	13	996 722 115 00	fire extinguisher Information available Information available		1	I509
	D07	volcano grey									
5	997 521 325 08	trim for switch elect. backrest adjustment		1	I377	14	997 521 841 00	reinforcement front		1	I509
	D07	volcano grey									
	V04	galvano silver				15	997 521 843 00	reinforcement rear		1	I509
(5)	997 521 326 08	trim for switch elect. backrest adjustment		1	I378	16	997 521 427 01	cover sensor weight	/L	1	I376/378/560
	D07	volcano grey					01C	satin black			
	V04	galvano silver				(16)	997 521 426 01	cover sensor weight	/R	1	I376/378/560
(5)	997 521 326 09	trim for switch advanced airbag	/R	1	I376/560		01C	satin black			
	D07	volcano grey				17	999 141 047 01	torx screw mount seat rail		4	
(5)	997 521 326 11	trim for switch advanced airbag	/R	1	I378/560						
	D07	volcano grey									
(6)	997 521 631 01	control button backrest	/L/R	1							
	V05	galvano silver									
7	997 521 061 01	retaining bow child car seat not for Australien		1							
8	997 521 961 01	set of fastening parts retaining bow child car seat		1							
9	997 521 251 00	support fire extinguisher		1	I098/509						
(9)	997 521 252 00	support fire extinguisher		1	I099/509						
10	997 521 607 00	cup fire extinguisher		1	I509						
11	997 521 881 00	support cup fire extinguisher		1	I509						

Model	Year	MG	SG	Illustration	Restrictions	UPD	8:20	26.01.2010	PORSCHE	PET	PORSCHE
997T	2009	8	17	817-50		248					

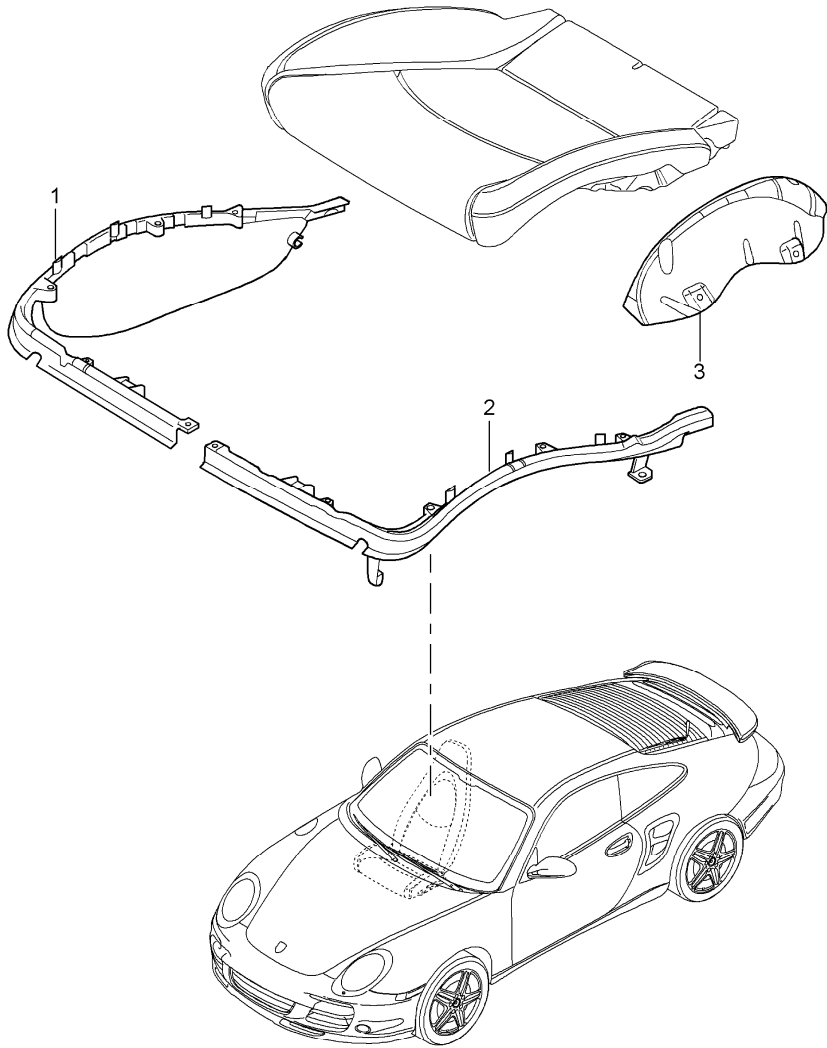


Pos	Part Number	Description	Remark	Qty	Model
		seat adjuster sports seat elect. vertical adjustment			
1	997 521 201 05	seat adjuster	/L	1	I377/537
(1)	997 521 201 13	seat adjuster with memory	/L 07-	1	I377/537
(1)	997 521 202 10	seat adjuster	/R	1	I378
(1)	997 521 202 21	seat adjuster without memory	/R 07-	1	I378
(1)	997 521 202 11	seat adjuster	/R	1	I378/538
(1)	997 521 202 22	seat adjuster with memory	/R 07-	1	I378/538
(1)	997 521 202 12	seat adjuster	/R	1	I378/560
(1)	997 521 202 24	seat adjuster with advanced airbag	/R 07-	1	I378/560
2	997 521 325 06	trim for switch	/L	1	I375
		D07 volcano grey			
(2)	997 521 326 06	trim for switch	/R	1	I376
		D07 volcano grey			
(2)	997 521 325 08	trim for switch	/L	1	I377
		D07 volcano grey			
		V04 galvano silver			
(2)	997 521 326 08	trim for switch	/R	1	I378
		D07 volcano grey			
		V04 galvano silver			
(2)	997 521 326 09	trim for switch		1	I376/560
		D07 volcano grey advanced airbag			
(2)	997 521 326 11	trim for switch		1	I378/560
		D07 volcano grey advanced airbag			

Model	Year	MG	SG	Illustration	Restrictions	UPD	8:20	26.01.2010	PORSCHE	PET	PORSCHE
997T	2009	8	17	817-50		248					

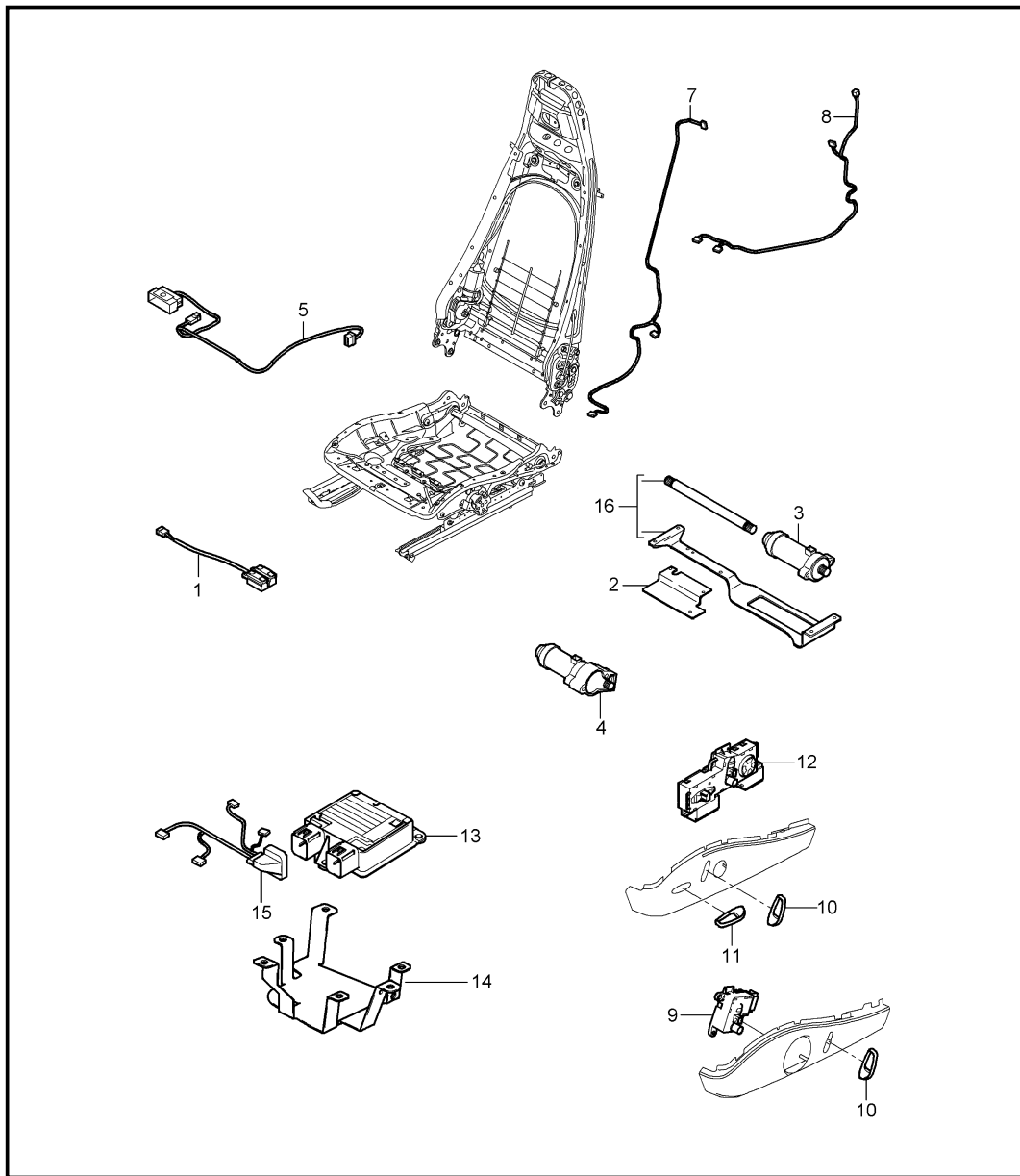
Pos	Part Number	Description	Remark	Qty	Model	Pos	Part Number	Description	Remark	Qty	Model
3	997 521 631 01	control button backrest		1							
	V05	galvano silver									
4	997 521 061 01	retaining bow child car seat not for Australien		1							
5	997 521 961 01	set of fastening parts retaining bow child car seat		1							
6	997 521 251 00	support fire extinguisher		1	I098/509						
(6)	997 521 252 00	support fire extinguisher		1	I099/509						
7	997 521 607 00	cup fire extinguisher		1	I509						
8	997 521 881 00	support cup fire extinguisher		1	I509						
9	997 521 851 00	restraining strap fire extinguisher		1	I509						
10	996 722 115 00	fire extinguisher Information available Information available		1	I509						
11	997 521 841 00	reinforcement front		1	I509						
12	997 521 843 00	reinforcement rear		1							
13	997 521 427 01	cover	/L	1	I376/378/560						
	01C	satin black									
(13)	997 521 426 01	cover sensor weight	/R	1	I376/378/560						
	01C	satin black									
14	999 141 047 01	torx screw mount seat rail		4							

Model	Year	MG	SG	Illustration	Restrictions	UPD	8:20	26.01.2010	PORSCHE	PET	PORSCHE
997T	2009	8	17	817-53		248					



Pos	Part Number	Description	Remark	Qty	Model
		cushion carrier sports seat frame seat cushion			
1	997 521 547 00	frame inner left	/L	1	I376/378
(1)	997 521 548 00	frame inner right	/R	1	I375/377
2	997 521 545 00	frame outer left	/L	1	I375/377
(2)	997 521 546 00	frame outer right	/R	1	I376/378
(2)	997 521 546 01	frame outer advanced airbag	/R	1	I376/378/560
3	997 521 519 00	supporting plate	/L	1	I377/378
(3)	997 521 520 00	supporting plate seat cushion	/R	1	I377/378

Model	Year	MG	SG	Illustration	Restrictions	UPD	8:20	26.01.2010	PORSCHE	PET	PORSCHE
997T	2009	8	17	817-60		248					

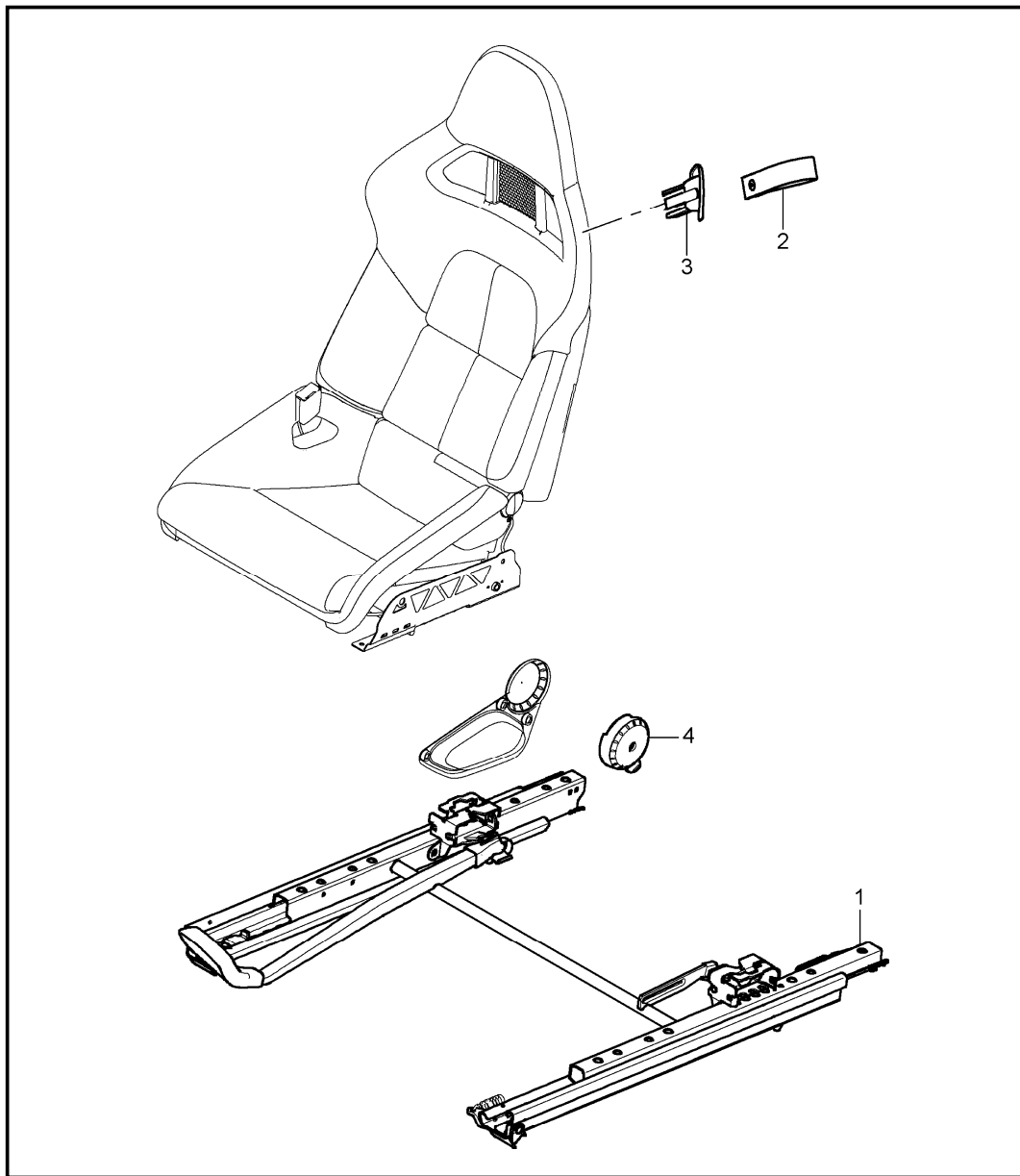


Pos	Part Number	Description	Remark	Qty	Model
		wiring harnesses switch control units sports seat comfort seat			
1	997 613 725 00	switch		1	I377
	V05	galvano silver			
(1)	997 613 726 00	switch seat adjuster		1	I378
	V05	galvano silver			
2	997 521 343 00	support electric motor		1	I377/378
3	997 624 332 00	electric motor seat adjuster lengthways memory		1	I537/538
(3)	997 624 332 00	electric motor seat adjuster height adjustment memory		1	I537/538
4	997 624 333 00	electric motor seat adjuster tilt angle memory		1	I537/538
5	997 612 682 01	wiring harness trim for switch		1	I375/376
(5)	997 612 657 00	wiring harness seat standard seat vented	09-	1	I541
(5)	997 612 659 00	wiring harness seat electric vented	09-	1	I437/438/541
7	997 612 692 00	wiring harness lumbar support memory	-07	1	I377/537
7	997 612 692 00	wiring harness lumbar support memory	-07	1	I378/538
7	997 612 692 01	wiring harness lumbar support memory	08-	1	I377/537

Model	Year	MG	SG	Illustration	Restrictions	UPD	8:20	26.01.2010	PORSCHE	PET	PORSCHE
997T	2009	8	17	817-60		248					

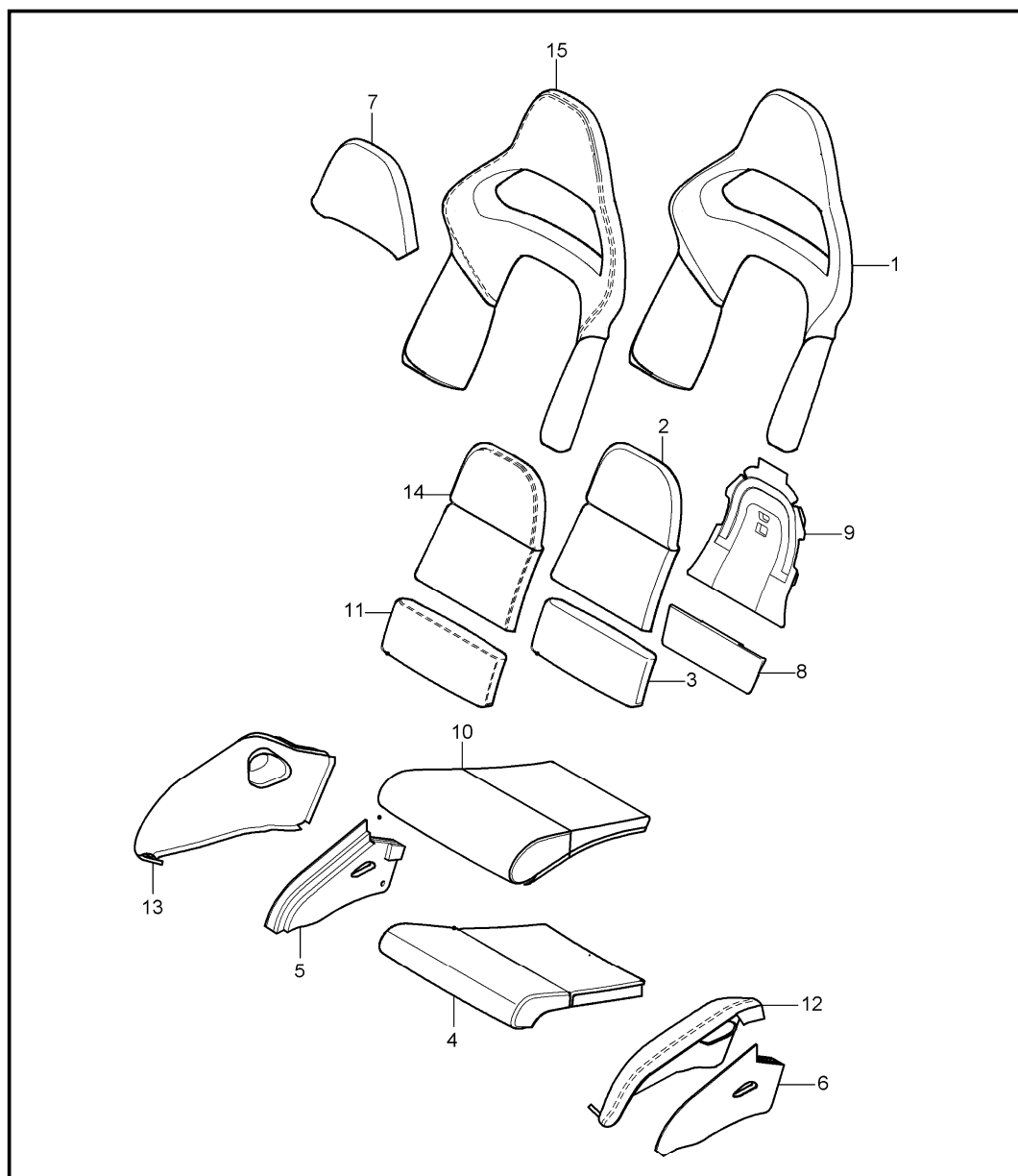
Pos	Part Number	Description	Remark	Qty	Model	Pos	Part Number	Description	Remark	Qty	Model
7	997 612 692 01	wiring harness lumbar support memory	08-	1	I378/538	(16)	997 521 901 00	repair kit pliable shaft engine bracket		1	
8	997 612 685 01	wiring harness backrest without memory		1	I377	-	999 650 973 40	clip mount wiring harness seat occupancy detection		1	
(8)	997 612 686 01	wiring harness backrest without memory		1	I378						
9	997 613 713 00	switch	/L	1	I375						
(9)	997 613 714 00	switch seat adjuster manually adjustable	/R	1	I376						
10	997 521 631 01	control button backrest	/L/R	1	I375/376 I377/378						
	V05	galvano silver									
11	997 521 633 02	control button seat cushion		1	I377/378						
	V05	galvano silver									
12	997 613 717 01	switch		1	I377/437						
	V05	galvano silver									
(12)	997 613 718 01	switch seat adjuster without memory		1	I378/438						
	V05	galvano silver									
13	997 618 233 05	control unit seat occupancy detection		1	I376/378/560						
14	997 521 646 00	support control unit seat occupancy detection		1	I376/378/560						
15	997 612 688 00	wiring harness seat occupancy detection		1	I376/378/560						
16	000 043 207 06	pliable shaft adjusting motor lengthways		1							

Model	Year	MG	SG	Illustration	Restrictions	UPD	8:21	26.01.2010	PORSCHE	PET	PORSCHE
997T	2009	8	17	817-62		248					



Pos	Part Number	Description	Remark	Qty	Model
		bucket seat collapsible complete not available	08-		TURBO
1	997 521 429 01	set seat rail driver's side	/LL/L	1	I098/388
(1)	997 521 430 01	set seat rail passenger's side	/LL/R	1	I098/389
(1)	997 521 429 02	set seat rail passenger's side	/RL/L	1	I099/388
(1)	997 521 430 02	set seat rail driver's side	/RL/R	1	I099/389
2	997 521 539 00	traction noose backrest frame	/L	1	I388
	A80	black			
(2)	997 521 540 00	traction noose backrest frame	/R	1	I389
	A80	black			
3	997 521 538 00	rosette traction noose backrest frame	/R	1	I389
	01C	satin black			
(3)	997 521 537 00	rosette traction noose backrest frame	/L	1	I388
	01C	satin black			
4	997 521 563 00	cover hinge inner	/L	1	I388/389
	01C	satin black			
(4)	997 521 564 00	cover hinge inner	/R	1	I388/389
	01C	satin black			

Model	Year	MG	SG	Illustration	Restrictions	UPD	8:21	26.01.2010	PORSCHE	PET	PORSCHE
997T	2009	8	17	817-64		248					



Pos	Part Number	Description	Remark	Qty	Model
		foam part cover seat and backrest surface bucket seat collapsible	08-		TURBO
1	997 521 447 00	foam part backrest outer part		2	I388/389
2	997 521 448 00	foam part backrest centre part		2	I388/389
3	997 521 441 00	foam part seat cushion rear		2	I388/389
4	997 521 440 00	foam part seat cushion front		2	I388/389
5	997 521 443 00	foam part seat cushion lateral outer left		1	I388
(5)	997 521 444 00	foam part seat cushion lateral inner left		1	I388
6	997 521 446 00	foam part seat cushion lateral outer right		1	I389
(6)	997 521 445 00	foam part seat cushion lateral inner right		1	I389
7	997 521 458 00	foam part head rest		2	I388/389
8	997 521 456 00	foam part seat cushion rear		1	I388/389
9	997 521 457 00	foam part backrest		1	I388/389



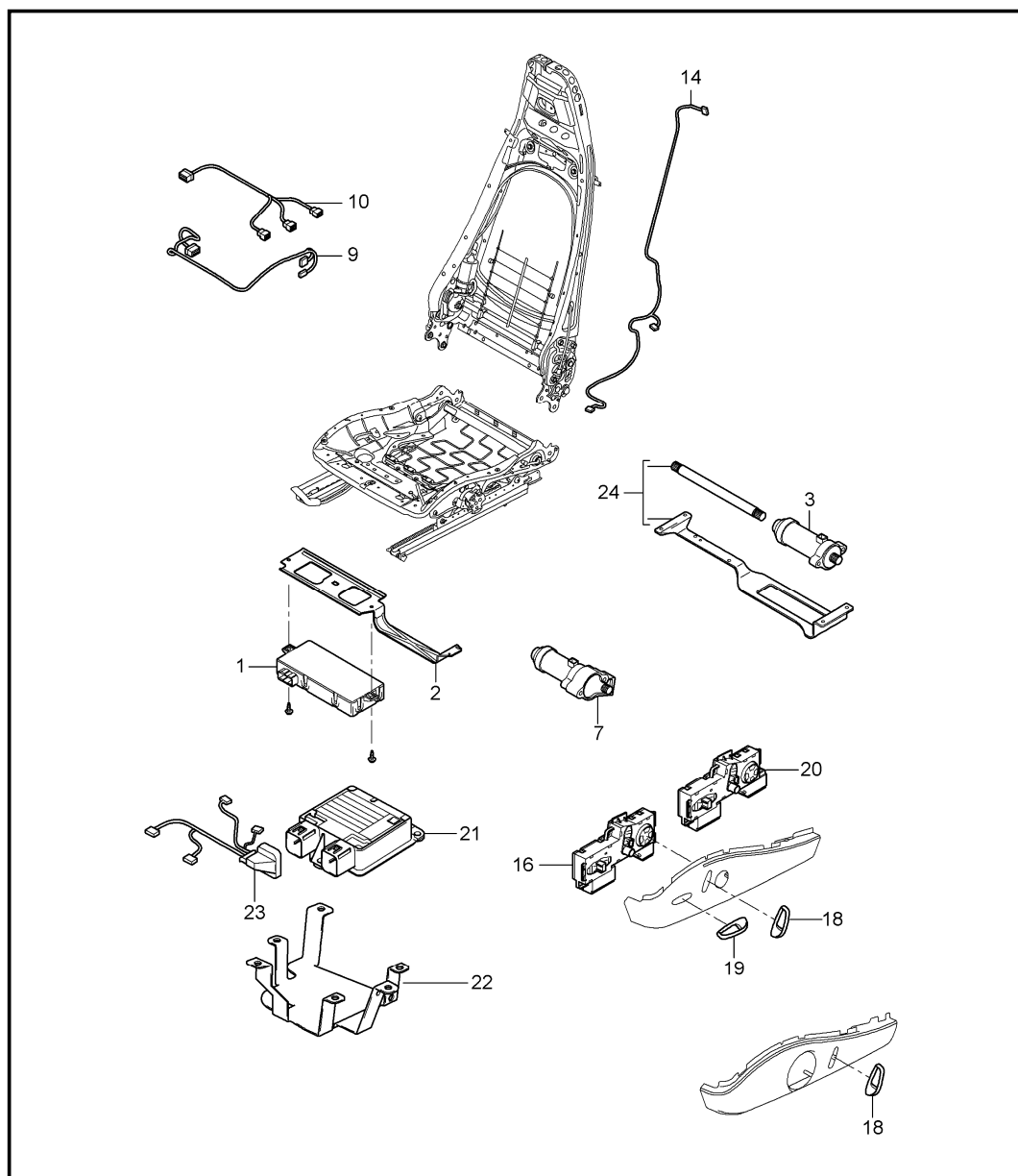
Model	Year	MG	SG	Illustration	Restrictions	UPD	8:21	26.01.2010	PORSCHE	PET	PORSCHE
997T	2009	8	17	817-64		248					

Pos	Part Number	Description	Remark	Qty	Model	Pos	Part Number	Description	Remark	Qty	Model
10	997 521 380 00	cover for cushion front	/L/R	1	I388/389/983		D11	dark grey/natural			
	8YR	black					T11	brown/natural			
	5X5	stone grey					N11	carrera red			
	8G1	sand beige				13	997 521 384 00	cover lateral inner	/L	1	I388/983
	3S8	sea blue					8YR	black			
	9N2	terracotta					5X5	stone grey			
	9Q3	cocoa					8G1	sand beige			
	D11	dark grey/natural					3S8	sea blue			
	T11	brown/natural					9N2	terracotta			
	N11	carrera red					9Q3	cocoa			
11	997 521 381 00	cover for cushion rear		1	I388/389/983		D11	dark grey/natural			
	8YR	black					T11	brown/natural			
	5X5	stone grey					N11	carrera red			
	8G1	sand beige				(13)	997 521 386 00	cover lateral outer	/R	1	I389/983
	3S8	sea blue					8YR	black			
	9N2	terracotta					5X5	stone grey			
	9Q3	cocoa					8G1	sand beige			
	D11	dark grey/natural					3S8	sea blue			
	T11	brown/natural					9N2	terracotta			
	N11	carrera red					9Q3	cocoa			
12	997 521 383 00	cover lateral outer	/L	1	I388/983		D11	dark grey/natural			
	8YR	black					T11	brown/natural			
	5X5	stone grey					N11	carrera red			
	8G1	sand beige				(13)	997 521 385 00	cover lateral inner	/R	1	I389/983
	3S8	sea blue					8YR	black			
	9N2	terracotta					5X5	stone grey			
	9Q3	cocoa									

Model	Year	MG	SG	Illustration	Restrictions	UPD	8:21	26.01.2010	PORSCHE	PET	PORSCHE
997T	2009	8	17	817-64		248					

Pos	Part Number	Description	Remark	Qty	Model	Pos	Part Number	Description	Remark	Qty	Model
		8G1 sand beige									
		3S8 sea blue									
		9N2 terracotta									
		9Q3 cocoa									
		D11 dark grey/natural									
		T11 brown/natural									
		N11 carrera red									
14	997 521 387 00	cover centre part backrest		1	I388/389/983						
		8YR black									
		5X5 stone grey									
		8G1 sand beige									
		3S8 sea blue									
		9N2 terracotta									
		9Q3 cocoa									
		D11 dark grey/natural									
		T11 brown/natural									
		N11 carrera red									
15	997 521 388 00	cover backrest outer		1	I388/389/983						
		8YR black									
		5X5 stone grey									
		8G1 sand beige									
		3S8 sea blue									
		9N2 terracotta									
		9Q3 cocoa									
		D11 dark grey/natural									
		T11 brown/natural									
		N11 carrera red									

Model	Year	MG	SG	Illustration	Restrictions	UPD	8:21	26.01.2010	PORSCHE	PET	PORSCHE
997T	2009	8	17	817-65		248					

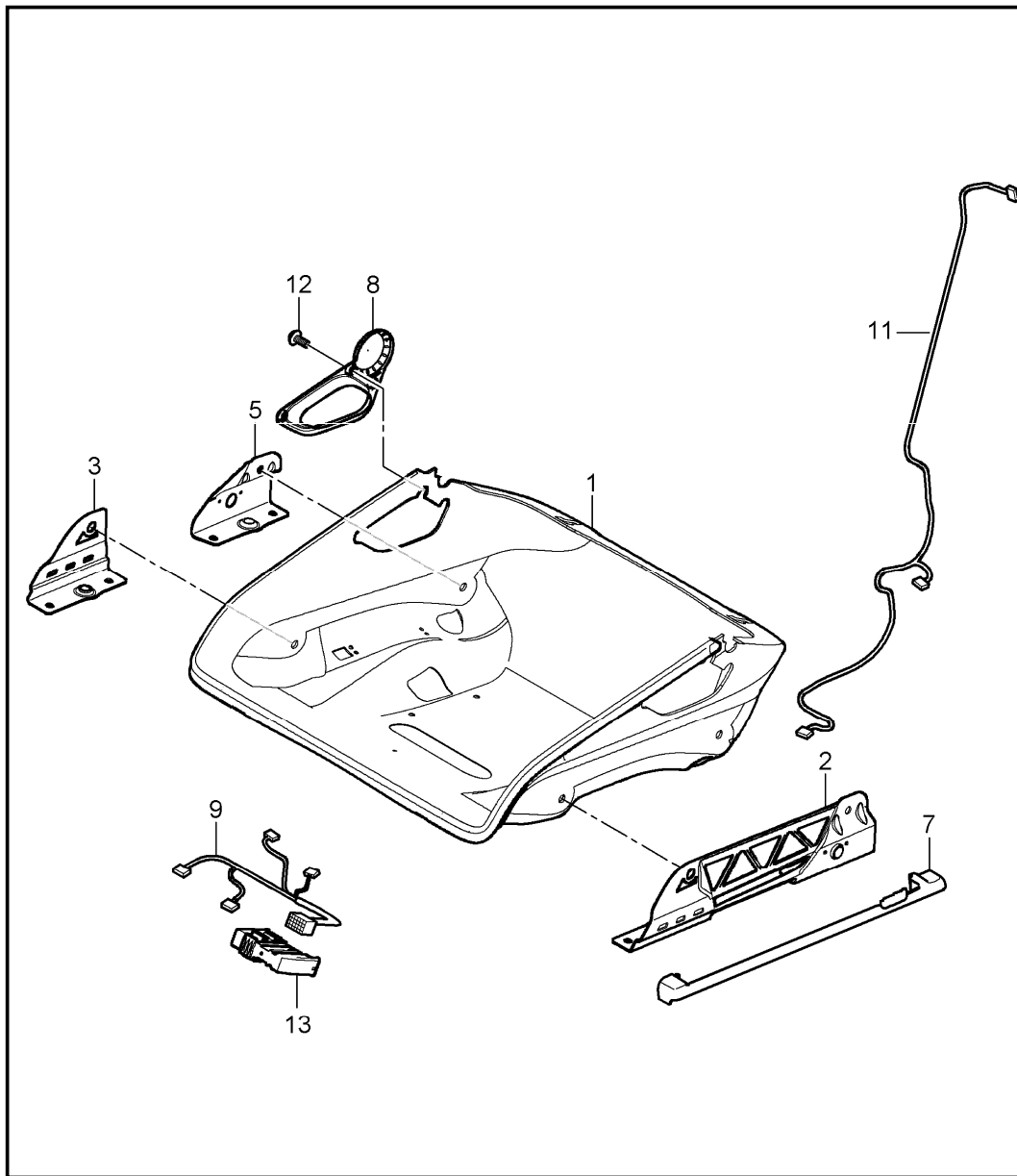


Pos	Part Number	Description	Remark	Qty	Model
1	997 618 537 07	wiring harnesses switch control unit electric motor comfort seat		1	I537/538
2	997 521 643 00	control unit seating position control		1	I537/538
3	997 624 332 00	support control unit seating position control		1	I537/538
(3)	997 624 332 00	electric motor seat adjuster lengthways memory		1	I537/538
7	997 624 333 00	electric motor seat adjuster height adjustment memory		1	I537/538
9	997 612 684 00	electric motor seat adjuster tilt angle with memory		1	I537/538
10	997 612 690 00	wiring harness seat adjuster memory		1	I537/538
14	997 612 687 00	wiring harness lengthways height adjustment memory		1	I437/438 I537/538
16	997 613 721 01	wiring harness lumbar backrest memory	/L	1	I377/437/537
(16)	997 613 722 01	switch seat adjuster memory switch	/R	1	I378/438/538
18	997 521 631 01	galvano silver control button		1	I437/438

Model	Year	MG	SG	Illustration	Restrictions	UPD	8:21	26.01.2010	PORSCHE	PET	PORSCHE
997T	2009	8	17	817-65		248					

Pos	Part Number	Description	Remark	Qty	Model	Pos	Part Number	Description	Remark	Qty	Model
	V05	galvano silver									
19	997 521 633 02	control button		1	I437/438						
	V05	galvano silver									
20	997 613 717 01	switch seat adjuster without memory	/L	1	I377/437						
	V05	galvano silver									
(20)	997 613 718 01	switch seat adjuster without memory	/R	1	I378/438						
	V05	galvano silver									
(21)	997 618 233 05	control unit seat occupancy detection		1	I438/560						
(22)	997 521 646 00	support control unit seat occupancy detection		1	I438/560						
23	997 612 688 00	wiring harness seat occupancy detection		1	I438/560						
24	000 043 207 06	pliable shaft adjusting motor lengthways		1							
(24)	997 521 901 00	repair kit pliable shaft engine bracket		1							
-	999 650 973 40	clip mount wiring harness seat occupancy detection		1							

Model	Year	MG	SG	Illustration	Restrictions	UPD	8:21	26.01.2010	PORSCHE	PET	PORSCHE
997T	2009	8	17	817-66		248					

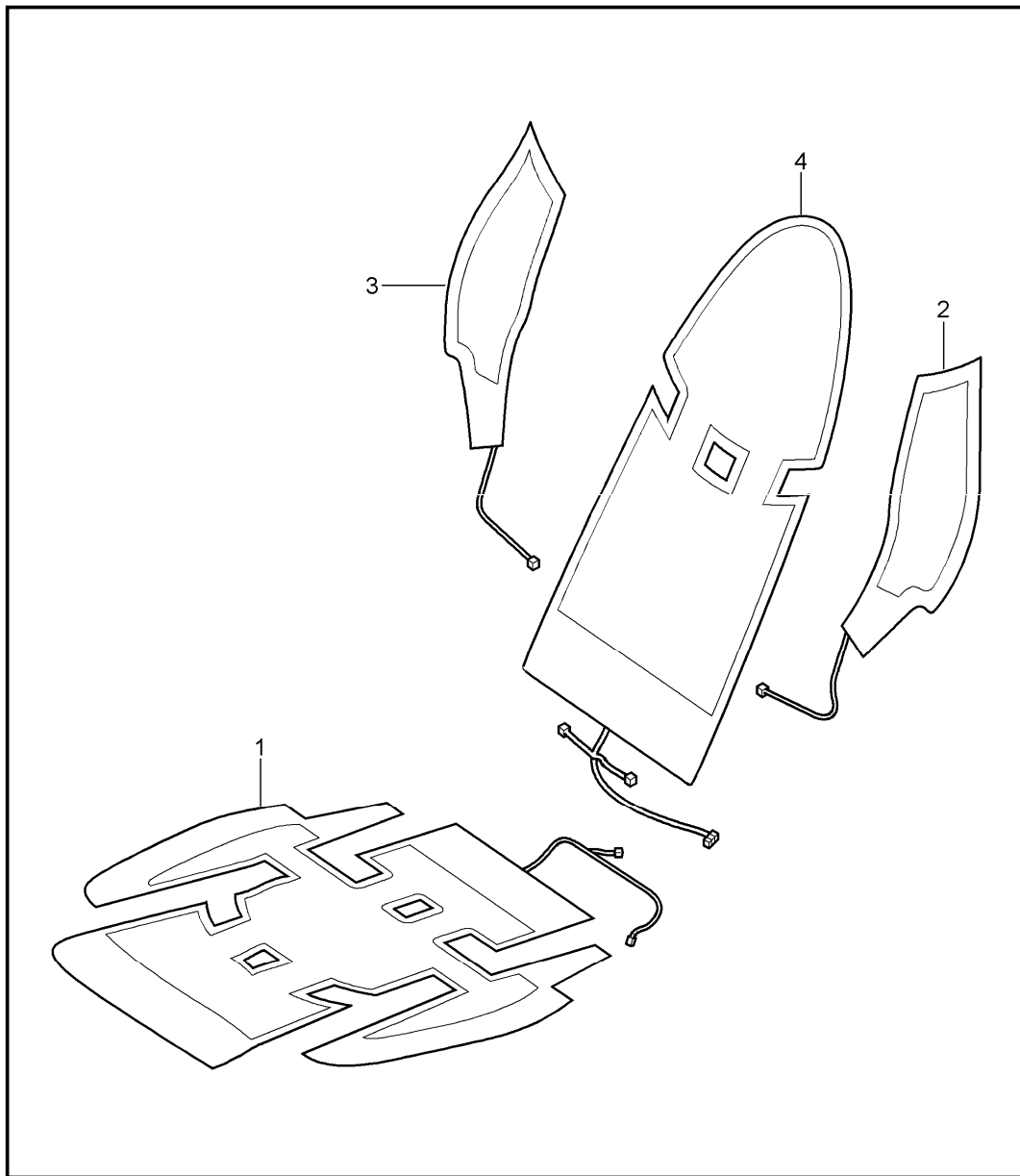


Pos	Part Number	Description	Remark	Qty	Model
		bucket seat collapsible seat adjuster accessories	08-		TURBO
1	997 521 281 00	cup seat adjuster without seat occupancy detection	/L/R	2	I388/389
(1)	997 521 182 00	cup seat adjuster with seat occupancy detection	/R	1	I389/560
2	997 521 433 00	adapter seat adjuster outer left		1	I388/389/560
(2)	997 521 434 00	adapter seat adjuster outer right		1	I389
3	997 521 436 00	adapter seat adjuster inner front right		1	I388
4	997 521 435 00	adapter seat adjuster inner front left without seat occupancy detection		1	I389
5	997 521 438 00	adapter seat adjuster inner rear right		1	I388
6	997 521 437 00	adapter seat adjuster inner rear left without seat occupancy detection		1	I389
7	997 521 427 03	cover sensor seat occupancy detection	/L	1	I389/560
		01C satin black			

Model	Year	MG	SG	Illustration	Restrictions	UPD	8:21	26.01.2010	PORSCHE	PET	PORSCHE
997T	2009	8	17	817-66		248					

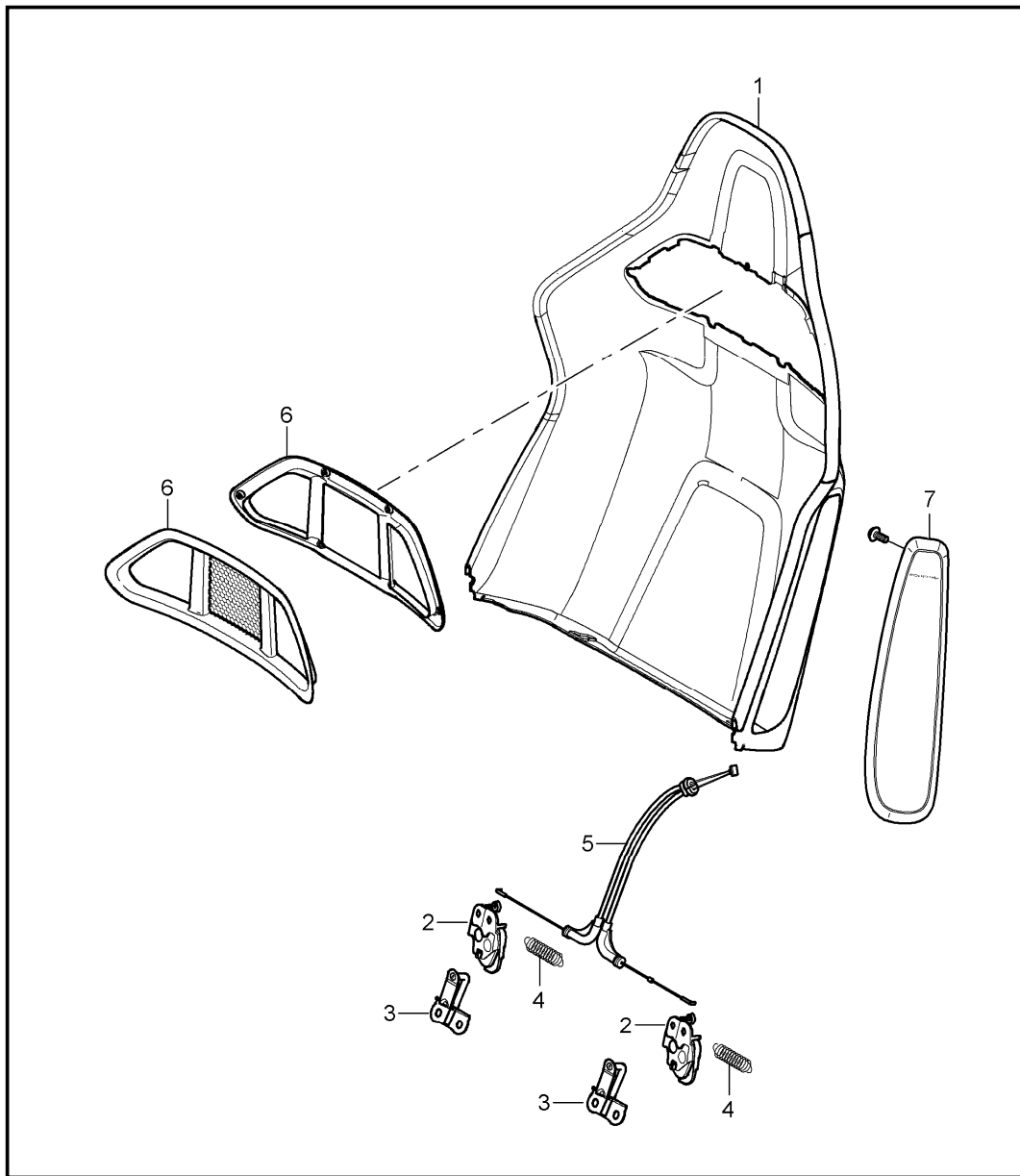
Pos	Part Number	Description	Remark	Qty	Model	Pos	Part Number	Description	Remark	Qty	Model
(7)	997 521 426 03	cover sensor seat occupancy detection	/R	1	I389/560						
	01C	satin black									
8	997 521 561 00	cover seat belt lower	/L	1	I388/389						
	01C	satin black									
(8)	997 521 562 00	cover seat belt lower	/R	1	I388/389						
	01C	satin black									
9	997 612 688 10	wiring harness seat occupancy detection		1	I389/560						
11	997 612 785 10	wiring harness side airbag	/R/L	1	I388/389						
12	999 141 049 01	lens-head screw mount cover belt seat cushion		3							
13	997 618 233 05	control unit seat occupancy detection		1							

Model	Year	MG	SG	Illustration	Restrictions	UPD	8:21	26.01.2010	PORSCHE	PET	PORSCHE
997T	2009	8	17	817-67		248					



Pos	Part Number	Description	Remark	Qty	Model
1	997 653 105 02	heating element seat cushion standard seat comfort seat	/L/R	2	I437/438
2	997 653 109 00	heating element backrest side bolster standard seat comfort seat	/L	1	I437/438
3	997 653 110 00	heating element backrest side bolster standard seat comfort seat	/R	1	I437/438
4	997 653 107 00	heating element backrest cushion	/L/R	2	I437/438

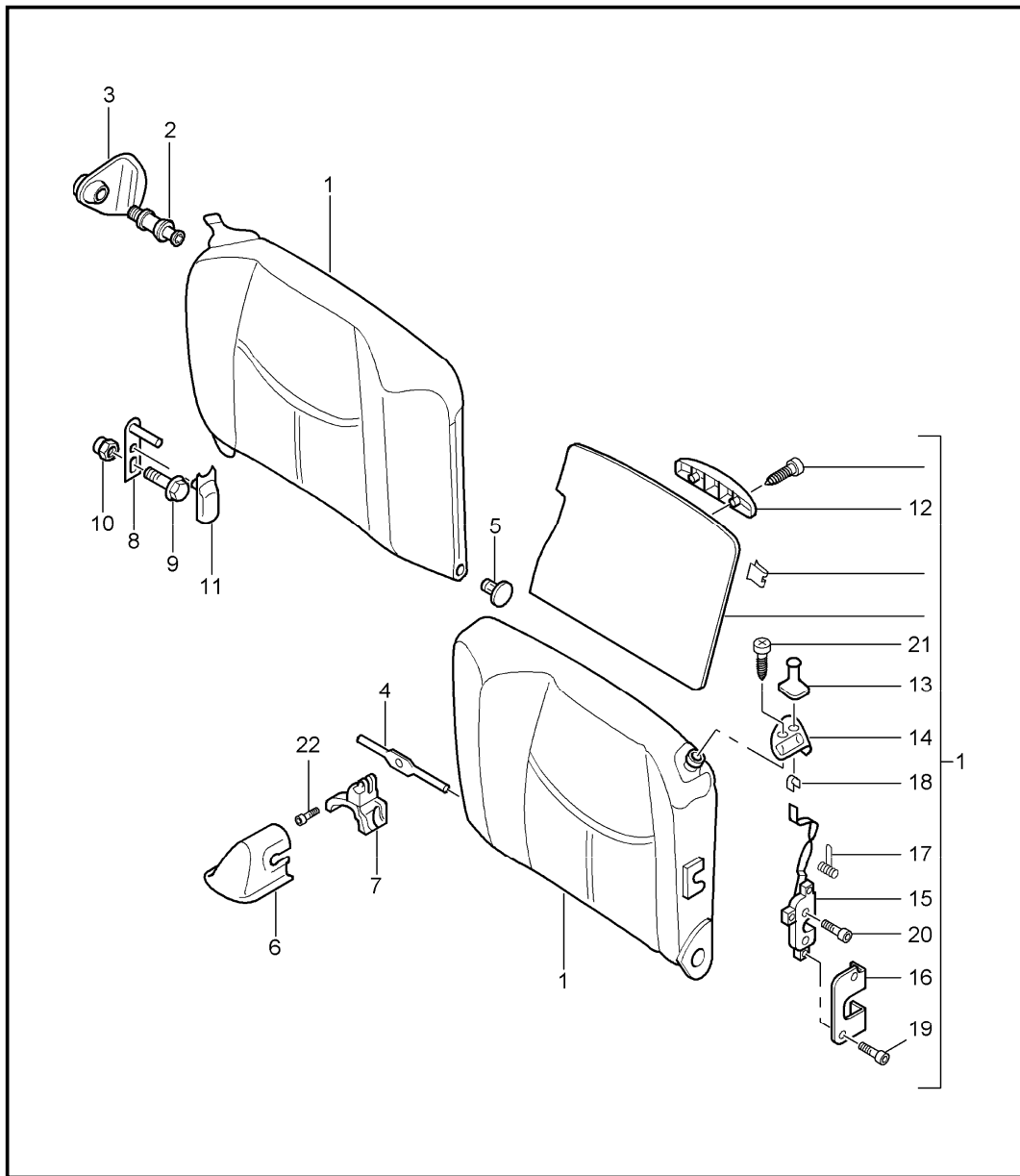
Model	Year	MG	SG	Illustration	Restrictions	UPD	8:22	26.01.2010	PORSCHE	PET	PORSCHE
997T	2009	8	17	817-68		248					



Pos	Part Number	Description	Remark	Qty	Model
		backrest shell bucket seat collapsible accessories	08-		TURBO/GT2
1	997 521 271 00	backrest shell bucket seat collapsible	/L	1	I388
(1)	997 521 272 00	backrest shell bucket seat collapsible	/R	1	I389
2	997 521 651 00	lock backrest	/L	1	I388/389
(2)	997 521 652 00	lock backrest	/R	1	I388/389
3	997 521 660 00	closing element lock backrest shell	/L/R	1	I388/389
4	997 521 650 00	tension spring lock backrest	/L/R	1	I388/389
5	997 521 640 00	bowden cable release backrest	/L/R	1	I388/389
6	997 521 330 00	cover seat belt front		1	I388/389
		01C satin black			
(6)	997 521 531 00	cover seat belt rear		1	I388/389
		01C satin black			
7	997 803 081 01	side airbag	/L	1	I388
		A03 black			
(7)	997 803 082 01	side airbag front seat	/R	1	I389
		A03 schwarz			



Model	Year	MG	SG	Illustration	Restrictions	UPD	8:22	26.01.2010	PORSCHE	PET	PORSCHE
997T	2009	8	17	817-70		248					



Pos	Part Number	Description	Remark	Qty	Model
1	997 522 011 07	back seat backrest coupe 8YR black 5X5 stone grey 8G1 sand beige 3S8 sea blue 4P1 palmgreen 9N2 terracotta 9Q3 cocoa D11 dark grey/natural T11 brown/natural N11 carrera red	/L	1	I685/936
(1)	997 522 012 07	back seat backrest 8YR black 5X5 stone grey 8G1 sand beige 3S8 sea blue 4P1 palmgreen 9N2 terracotta 9Q3 cocoa D11 dark grey/natural T11 brown/natural N11 carrera red	/R	1	I685/936
(1)	997 522 011 08	back seat backrest 8YR black 5X5 stone grey 8G1 sand beige 3S8 sea blue	/L	1	I685/939

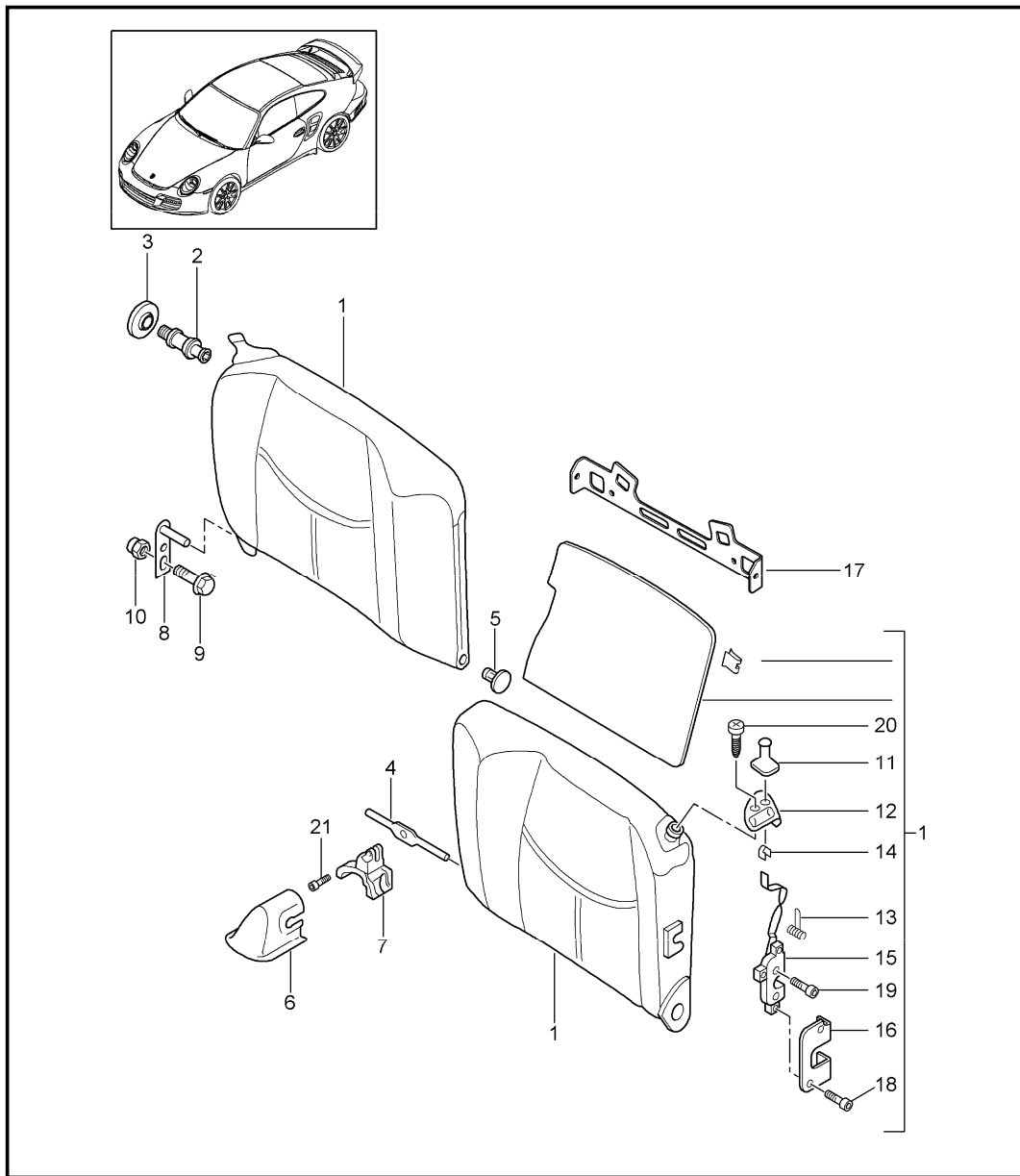
Model	Year	MG	SG	Illustration	Restrictions	UPD	8:22	26.01.2010	PORSCHE	PET	PORSCHE
997T	2009	8	17	817-70		248					

Pos	Part Number	Description	Remark	Qty	Model	Pos	Part Number	Description	Remark	Qty	Model
	4P1	palmgreen					01C	satin black			
	9N2	terracotta				7	996 522 333 00	bracket		1	I685
	9Q3	cocoa				8	996 522 211 01	bearing	-07	2	I685
	D11	dark grey/natural				(8)	997 522 211 00	bearing outer	08-	2	I685
	T11	brown/natural				9	999 073 138 01	screw M 8 X 25		2	I685
	N11	carrera red	08-			10	996 522 271 00	bush		2	I685
(1)	997 522 012 08	back seat backrest	/R	1	I685/939	11	996 522 425 01	cover		1	I685
	8YR	black					01C	satin black			
	5X5	stone grey				12	996 522 421 00	stop backrest		2	I685
	8G1	sand beige					01C	satin black			
	3S8	sea blue				13	997 522 321 00	actuating lever backrest	/L	1	I685
	4P1	palmgreen					01C	satin black			
	9N2	terracotta				(13)	997 522 322 00	actuating lever backrest	/R	1	I685
	9Q3	cocoa					01C	satin black			
	D11	dark grey/natural				14	996 522 315 00	rosette control button	/L	1	I685
	T11	brown/natural					01C	satin black			
	N11	carrera red	08-			(14)	996 522 316 00	rosette control button	/R	1	I685
2	996 522 267 06	bolt locking device		2	I685		01C	satin black			
3	997 522 095 00	stop	/L	1	I685	15	996 522 281 02	lock backrest	/L	1	I685
	01C	satin black				(15)	996 522 282 02	lock backrest	/R	1	I685
(3)	997 522 096 00	stop	/R	1	I685	16	997 522 771 00	trim cover lock	/L	1	I685
	01C	satin black					01C	satin black			
4	997 522 615 00	bearing shaft	-07	1	I685	(16)	997 522 772 00	trim cover lock	/R	1	I685
(4)	997 522 615 01	bearing shaft	08-	1	I685						
-	999 073 436 01	combination screw bearing shaft	08-	1	I685						
5	996 522 571 00	protection washer		1	I685						
	01C	satin black									
6	996 522 431 02	cover		1	I685						

Model	Year	MG	SG	Illustration	Restrictions	UPD	8:22	26.01.2010	PORSCHE	PET	PORSCHE
997T	2009	8	17	817-70		248					

Pos	Part Number	Description	Remark	Qty	Model	Pos	Part Number	Description	Remark	Qty	Model
	01C	satin black									
17	996 522 653 00	spring lock		2	I685						
18	999 507 630 01	clamp control button		2	I685						
19	999 073 049 02	tapping screw ST 3,5 X 16		4	I685						
20	900 269 028 03	countersunk-head screw M 8 X 30		4	I685						
21	900 145 041 07	tapping screw B 3,5 X 16		4	I685						
22	900 067 358 09	combination screw M 5 X 16		1	I685						

Model	Year	MG	SG	Illustration	Restrictions	UPD	8:22	26.01.2010	PORSCHE	PET	PORSCHE
997T	2009	8	17	817-75		248					

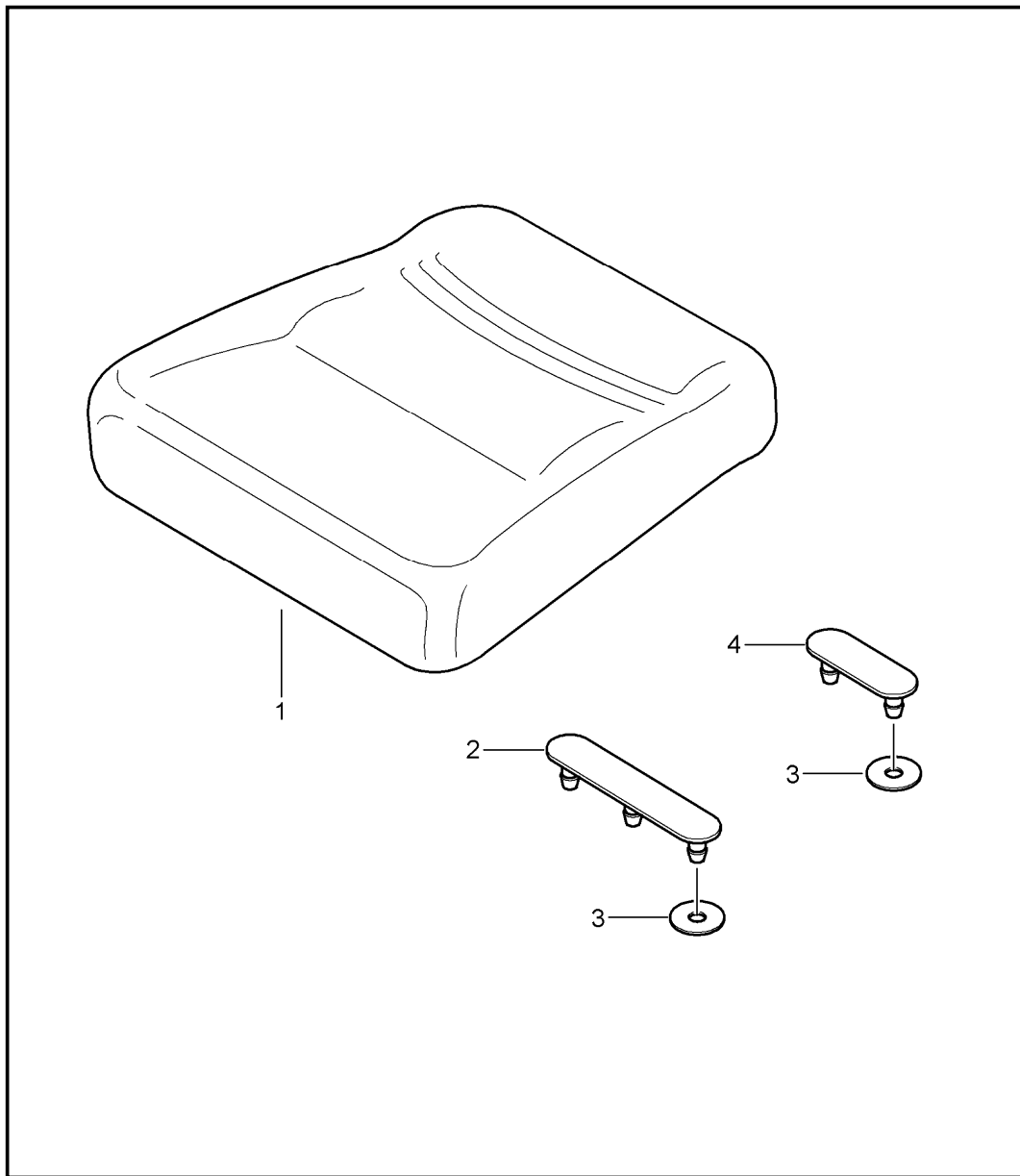


Pos	Part Number	Description	Remark	Qty	Model
		back seat backrest	08-		CARRERA CABRIO
(1)	997 522 011 10	back seat backrest 8YR black 5X5 stone grey 8G1 sand beige 3S8 sea blue 9N2 terracotta 9Q3 cocoa D11 dark grey/natural T11 brown/natural N11 carrera red	/L	1	I685/936
(1)	997 522 012 10	back seat backrest 8YR black 5X5 stone grey 8G1 sand beige 3S8 sea blue 9N2 terracotta 9Q3 cocoa D11 dark grey/natural T11 brown/natural N11 carrera red	/R	1	I685/936
(1)	997 522 011 11	back seat backrest 8YR black 5X5 stone grey 8G1 sand beige 3S8 sea blue 9N2 terracotta 9Q3 cocoa	/L	1	I685/939

Model	Year	MG	SG	Illustration	Restrictions	UPD	8:22	26.01.2010	PORSCHE	PET	PORSCHE
997T	2009	8	17	817-75		248					

Pos	Part Number	Description	Remark	Qty	Model	Pos	Part Number	Description	Remark	Qty	Model
		D11 dark grey/natural					01C	satin black			
		T11 brown/natural				(11)	997 522 322 00	actuating lever	/R	1	I685
		N11 carrera red					01C	satin black			
(1)	997 522 012 11	back seat backrest	/R	1	I685/939	12	996 522 315 00	rosette	/L	1	I685
		8YR black					01C	satin black			
		5X5 stone grey				(12)	996 522 316 00	rosette	/R	1	I685
		8G1 sand beige					01C	satin black			
		3S8 sea blue				13	996 522 653 00	spring lock		2	I685
		9N2 terracotta				14	999 507 630 01	clamp control button		2	I685
		9Q3 cocoa									
		D11 dark grey/natural				15	996 522 281 02	lock backrest	/L	1	I685
		T11 brown/natural				(15)	996 522 282 02	lock backrest	/R	1	I685
		N11 carrera red									
2	996 522 267 07	bolt locking device		2	I685	16	997 522 771 00	trim cover	/L	1	I685
3	996 522 097 08	rosette		2	I685		01C	satin black			
		01C satin black				(16)	997 522 772 00	trim cover	/R	1	I685
4	997 522 615 01	bearing shaft		1	I685		01C	satin black			
-	999 073 436 01	combination screw bearing shaft		1	I685	17	997 803 721 00	support child car seat filler plate back seat backrest		1	I335/479
5	996 522 571 00	protection washer		1	I685						
		01C satin black				18	999 073 049 02	tapping screw ST 4,3 X 16		4	I685
6	996 522 431 02	cover		1	I685	19	900 269 028 03	countersunk-head screw M 8 X 30		4	I685
		01C satin black									
7	996 522 041 00	bearing		1	I685	20	900 145 041 07	tapping screw B 3,5 X 16		4	I685
8	997 522 211 00	bearing outer		2	I685	21	900 067 358 09	combination screw M 5 X 16		1	I685
9	999 073 138 01	screw M 8 X 25		2							
10	996 522 271 00	bush		2	I685						
11	997 522 321 00	actuating lever	/L	1	I685						

Model	Year	MG	SG	Illustration	Restrictions	UPD	8:22	26.01.2010	PORSCHE	PET	PORSCHE
997T	2009	8	17	817-80		248					

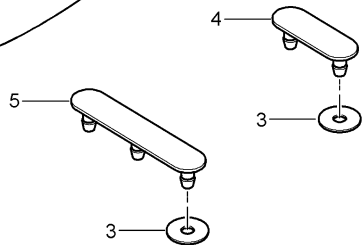
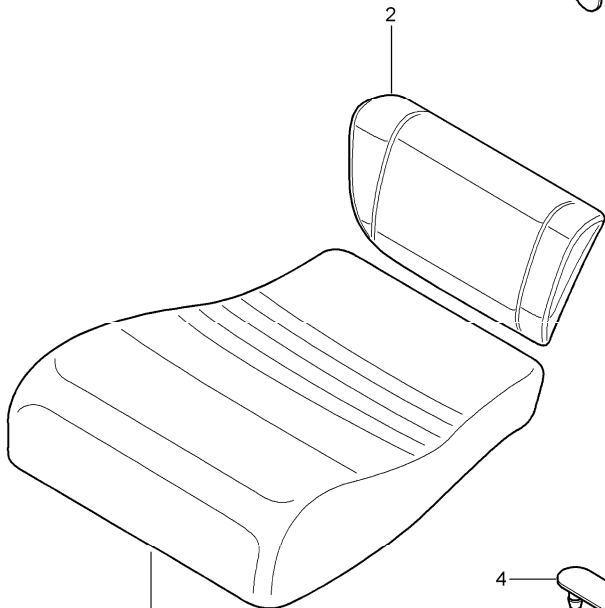
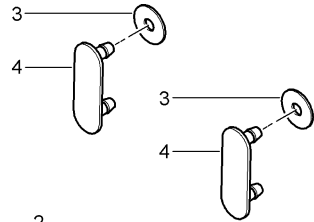
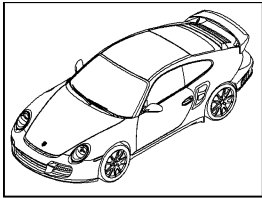


Pos	Part Number	Description	Remark	Qty	Model
(1)	997 522 051 01	back seat cushion coupe		1	I685/936
	8YR	black	/L		
	5X5	stone grey			
	8G1	sand beige			
	3S8	sea blue			
	4P1	palmgreen			
	9N2	terracotta			
	9Q3	cocoa			
	D11	dark grey/natural			
	T11	brown/natural			
	N11	carrera red	08-		
(1)	997 522 052 01	back seat cushion	/R	1	I685/936
	8YR	black			
	5X5	stone grey			
	8G1	sand beige			
	3S8	sea blue			
	4P1	palmgreen			
	9N2	terracotta			
	9Q3	cocoa			
	D11	dark grey/natural			
	T11	brown/natural			
	N11	carrera red	08-		
(1)	997 522 051 02	back seat cushion	/L	1	I685/939
	8YR	black			
	5X5	stone grey			
	8G1	sand beige			
	3S8	sea blue			

Model	Year	MG	SG	Illustration	Restrictions	UPD	8:22	26.01.2010	PORSCHE	PET	PORSCHE
997T	2009	8	17	817-80		248					

Pos	Part Number	Description	Remark	Qty	Model	Pos	Part Number	Description	Remark	Qty	Model
	4P1	palmgreen									
	9N2	terracotta									
	9Q3	cocoa									
	D11	dark grey/natural									
	T11	brown/natural									
	N11	carrera red									
(1)	997 522 052 02	back seat cushion	/R	1	I685/939						
	8YR	black									
	5X5	stone grey									
	8G1	sand beige									
	3S8	sea blue									
	4P1	palmgreen									
	9N2	terracotta									
	9Q3	cocoa									
	D11	dark grey/natural									
	T11	brown/natural									
	N11	carrera red									
2	997 551 893 01	clip triple		X	I685						
(3)	997 551 897 01	lock washer		X	I685						
4	997 551 895 01	clip double		X	I685						

Model	Year	MG	SG	Illustration	Restrictions	UPD	8:22	26.01.2010	PORSCHE	PET	PORSCHE
997T	2009	8	17	817-82		248					



Pos	Part Number	Description	Remark	Qty	Model
		back seat cushion	08-		CARRERA CABRIO
(1)	997 522 051 10	back seat cushion 8YR black 5X5 stone grey 8G1 sand beige 3S8 sea blue 9N2 terracotta 9Q3 cocoa D11 dark grey/natural T11 brown/natural N11 carrera red	/L	1	I685/936
(1)	997 522 052 10	back seat cushion 8YR black 5X5 stone grey 8G1 sand beige 3S8 sea blue 9N2 terracotta 9Q3 cocoa D11 dark grey/natural T11 brown/natural N11 carrera red	/R	1	I685/936
(1)	997 522 051 11	back seat cushion 8YR black 5X5 stone grey 8G1 sand beige 3S8 sea blue 9N2 terracotta 9Q3 cocoa	/L	1	I685/939



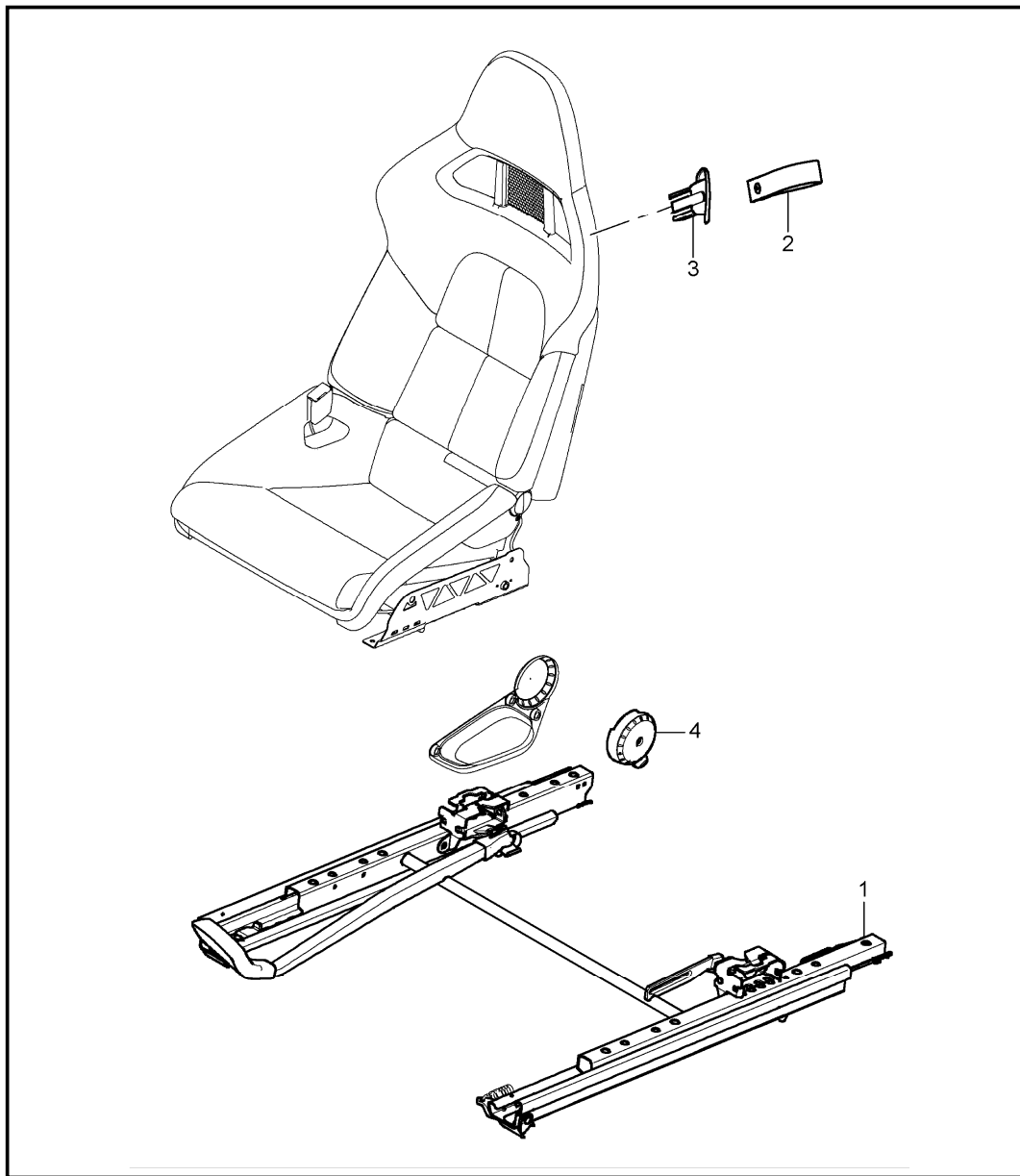
Model	Year	MG	SG	Illustration	Restrictions	UPD	8:22	26.01.2010	PORSCHE	PET	PORSCHE
997T	2009	8	17	817-82		248					

Pos	Part Number	Description	Remark	Qty	Model	Pos	Part Number	Description	Remark	Qty	Model			
(1)	997 522 052 11	D11	dark grey/natural	/R	1	I685/939	9N2	terracotta						
		T11	brown/natural				9Q3	cocoa						
		N11	carrera red				D11	dark grey/natural						
		8YR	black				T11	brown/natural						
		5X5	stone grey				N11	carrera red						
		8G1	sand beige				(2) 997 522 235 02	centre part back seat backrest				/L	1	I685/939
		3S8	sea blue				8YR	black						
		9N2	terracotta				5X5	stone grey						
		9Q3	cocoa				8G1	sand beige						
		D11	dark grey/natural				3S8	sea blue						
2	997 522 235 01	centre part back seat backrest	/L	1	I685/936	9N2	terracotta							
		T11				brown/natural	9Q3				cocoa			
		N11				carrera red	D11				dark grey/natural			
		8YR				black	T11				brown/natural			
		5X5				stone grey	N11				carrera red			
		8G1				sand beige	(2) 997 522 236 02				centre part back seat backrest	/R	1	I685/939
		3S8				sea blue	8YR				black			
		9N2				terracotta	5X5				stone grey			
		9Q3				cocoa	8G1				sand beige			
		D11				dark grey/natural	3S8				sea blue			
(2)	997 522 236 01	centre part back seat backrest	/R	1	I685/936	9N2	terracotta							
		T11				brown/natural	9Q3				cocoa			
		N11				carrera red	D11				dark grey/natural			
		8YR				black	T11				brown/natural			
		5X5				stone grey	N11				carrera red			
		8G1				sand beige	3 997 551 897 01				lock washer		X	I685
		3S8				sea blue	4 997 551 895 01				clip double		X	

Model	Year	MG	SG	Illustration	Restrictions	UPD	8:22	26.01.2010	PORSCHE	PET	PORSCHE
997T	2009	8	17	817-82		248					

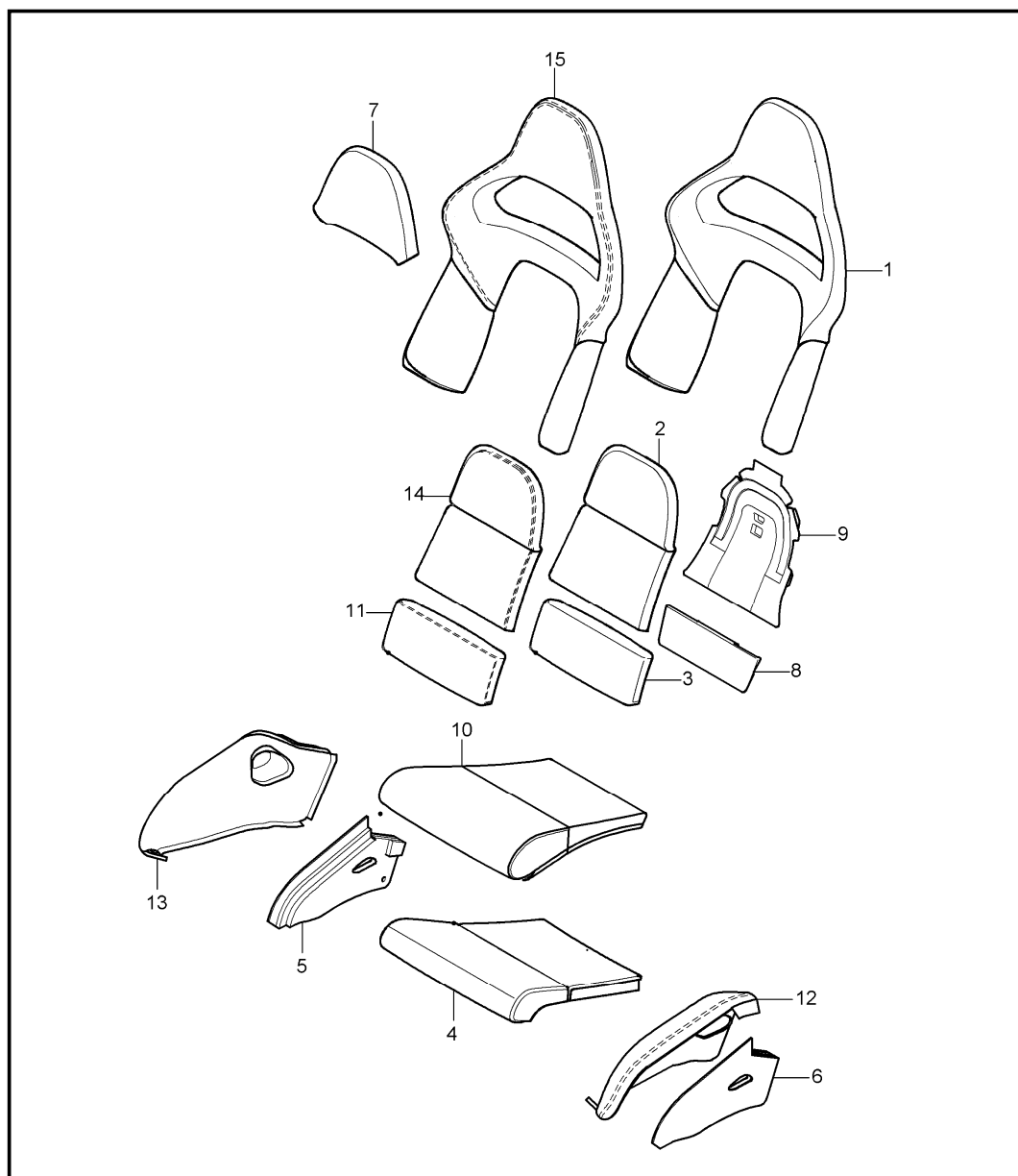
Pos	Part Number	Description	Remark	Qty	Model	Pos	Part Number	Description	Remark	Qty	Model
5	997 551 893 01	clip triple		X	I685						

Model	Year	MG	SG	Illustration	Restrictions	UPD	8:23	26.01.2010	PORSCHE	PET	PORSCHE
997T	2009	8	17	817-85		248					



Pos	Part Number	Description	Remark	Qty	Model
		bucket seat collapsible complete not available	08-		GT2
1	997 521 429 01	set seat rail driver's side	/LL/L	1	I098/388
(1)	997 521 430 01	set seat rail passenger's side	/LL/R	1	I098/389
(1)	997 521 429 02	set seat rail passenger's side	/RL/L	1	I099/388
(1)	997 521 430 02	set seat rail driver's side	/RL/R	1	I099/389
2	997 521 539 00	traction noose backrest frame	/L	1	I388
	A80	black			
(2)	997 521 540 00	traction noose backrest frame	/R	1	I389
	A80	black			
3	997 521 538 00	rosette traction noose backrest frame	/R	1	I389
	01C	satin black			
(3)	997 521 537 00	rosette traction noose backrest frame	/L	1	I388
	01C	satin black			
4	997 521 563 00	cover hinge inner	/L	1	I388/389
	01C	satin black			
(4)	997 521 564 00	cover hinge inner	/R	1	I388/389
	01C	satin black			

Model	Year	MG	SG	Illustration	Restrictions	UPD	8:23	26.01.2010	PORSCHE	PET	PORSCHE
997T	2009	8	17	817-87		248					

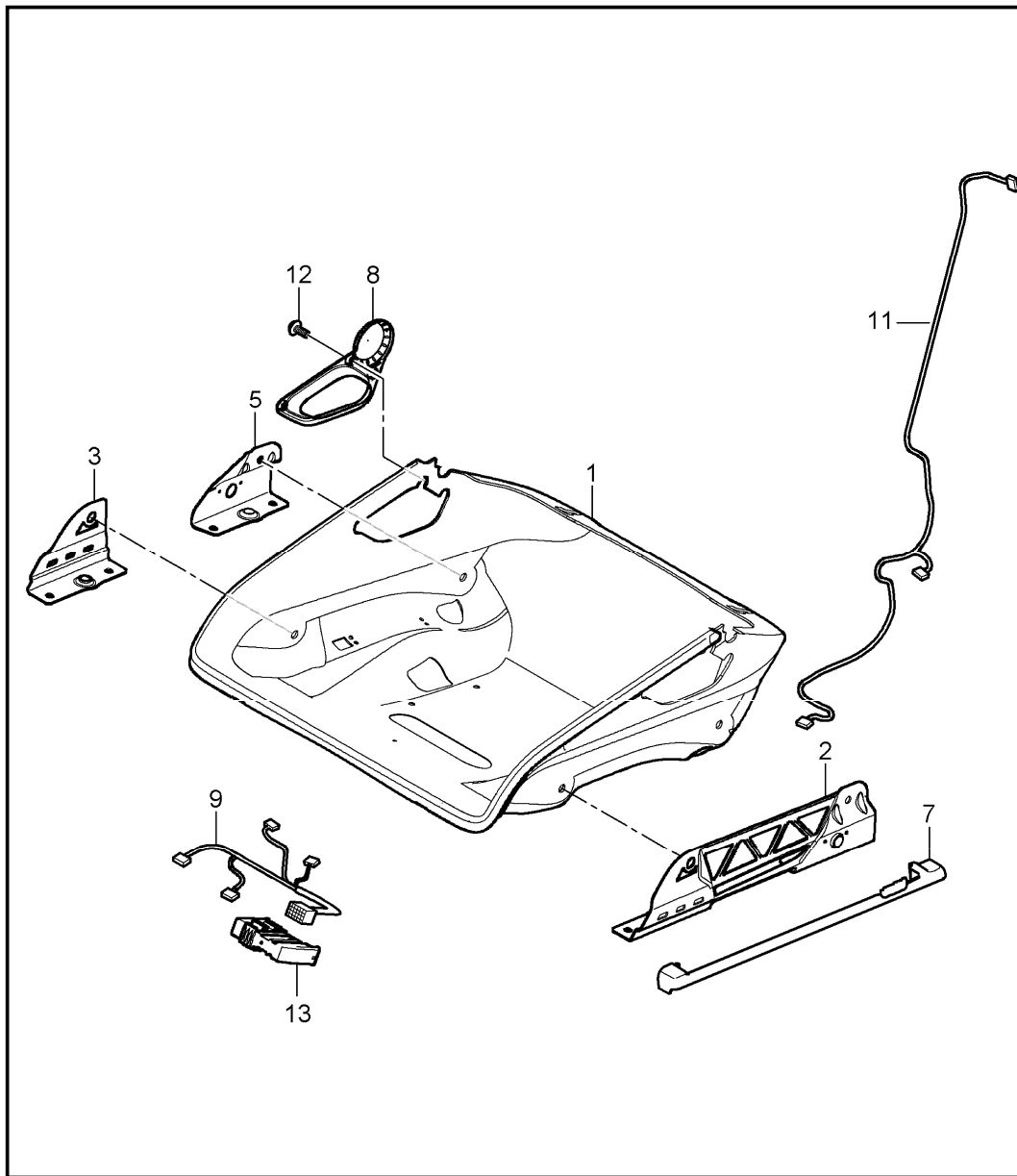


Pos	Part Number	Description	Remark	Qty	Model
		foam part cover seat and backrest surface bucket seat collapsible	08-		GT2
1	997 521 447 00	foam part backrest outer part		2	I388/389
2	997 521 448 00	foam part backrest centre part		2	I388/389
3	997 521 441 00	foam part seat cushion rear		2	I388/389
4	997 521 440 00	foam part seat cushion front		2	I388/389
5	997 521 443 00	foam part seat cushion lateral outer left	/L	1	I388
(5)	997 521 444 00	foam part seat cushion lateral inner left		1	I388
6	997 521 446 00	foam part seat cushion lateral outer right		1	I389
(6)	997 521 445 00	foam part seat cushion lateral inner right		1	I389
7	997 521 458 00	foam part head rest		2	I388/389
8	997 521 456 00	foam part seat cushion rear		1	I388/389
9	997 521 457 00	foam part backrest		1	I388/389

Model	Year	MG	SG	Illustration	Restrictions	UPD	8:23	26.01.2010	PORSCHE	PET	PORSCHE
997T	2009	8	17	817-87		248					

Pos	Part Number	Description	Remark	Qty	Model	Pos	Part Number	Description	Remark	Qty	Model
10	997 521 380 01	cover for cushion front	/L/R	1	I388/389/951	(13)	997 521 385 00	cover lateral inner	/R	1	I389/951
	A15	black					8YR	black			
10	997 521 380 02	cover for cushion front cloth	/L/R	1	I388/389/990		D11	dark grey/natural			
11	997 521 381 01	cover for cushion rear	/L/R	1	I388/389/951	(13)	997 521 385 01	cover lateral inner cloth	/R/L	1	I389/990
	A15	black				14	997 521 387 01	cover centre part backrest	/L/R	1	I388/389/951
(11)	997 521 381 02	cover for cushion rear cloth	/L/R	1	I388/389/990		A15	black			
12	997 521 383 00	cover lateral outer	/L	1	I388/951	(14)	997 521 387 02	cover centre part cloth	/L/R	1	I388/389/990
	8YR	black				15	997 521 388 00	cover backrest outer		1	I388/389/951
	D11	dark grey/natural					8YR	black			
(12)	997 521 383 01	cover lateral outer cloth	/L/R	1	I388/990		D11	dark grey/natural			
13	997 521 384 00	cover lateral inner	/L	1	I388/951	(15)	997 521 388 01	cover backrest outer cloth	/L/R	1	I388/389/990
	8YR	black									
	D11	dark grey/natural									
(13)	997 521 384 01	cover inner cloth	/L	1	I388/990						
(13)	997 521 386 00	cover lateral outer	/R	1	I389/951						
	8YR	black									
	D11	dark grey/natural									
(13)	997 521 386 01	cover lateral outer cloth		1	I389/990						

Model	Year	MG	SG	Illustration	Restrictions	UPD	8:23	26.01.2010	PORSCHE	PET	PORSCHE
997T	2009	8	17	817-89		248					

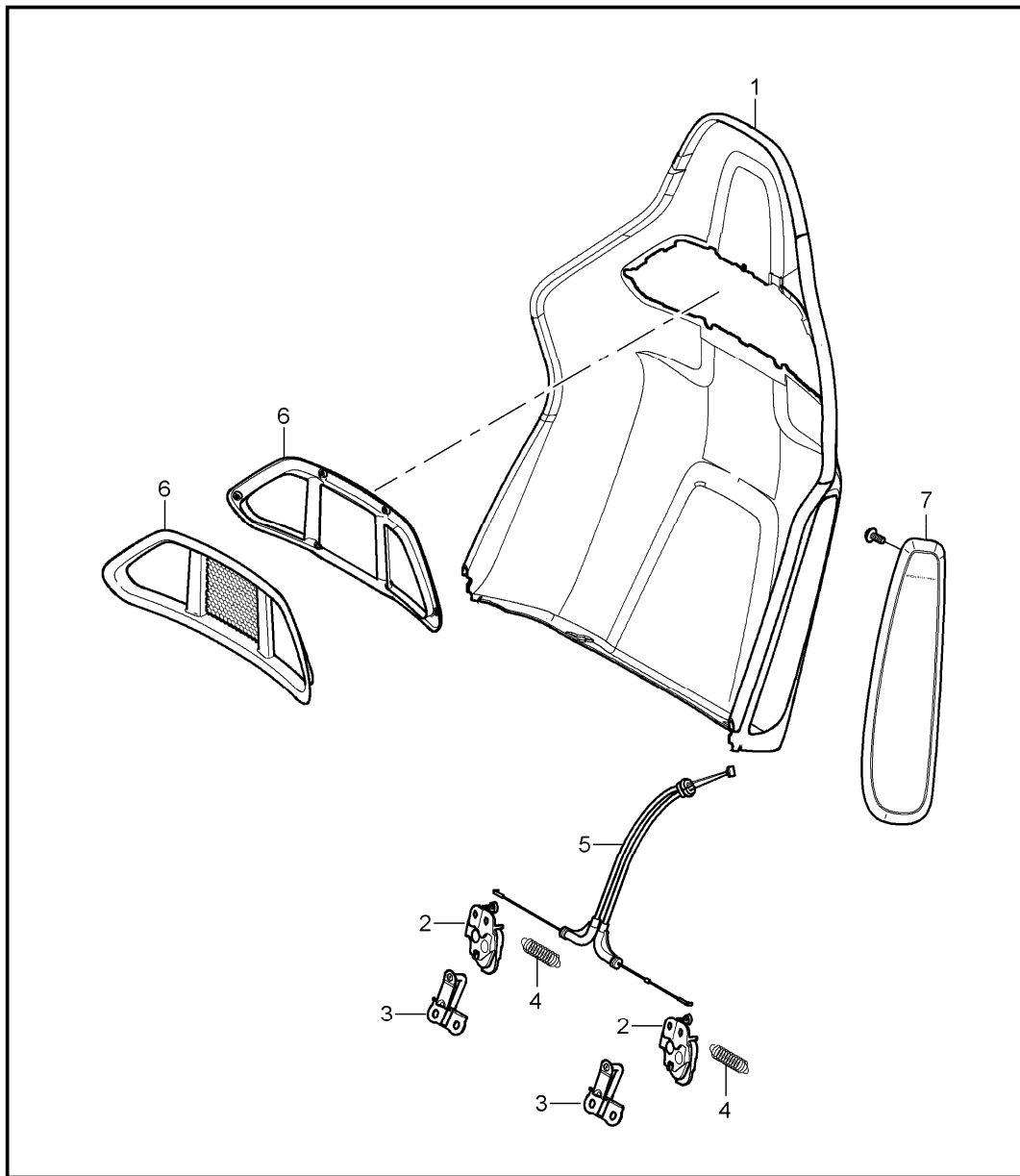


Pos	Part Number	Description	Remark	Qty	Model
		bucket seat collapsible seat adjuster accessories	08-		GT2
1	997 521 281 00	cup seat adjuster without seat occupancy detection	/L/R	2	I388/389
(1)	997 521 182 00	cup seat adjuster with seat occupancy detection and seat rail	/R	1	I389/560
2	997 521 433 00	adapter seat adjuster outer left		1	I388/389/560
(2)	997 521 434 00	adapter seat adjuster outer right		1	I389
3	997 521 436 00	adapter seat adjuster inner front right		1	I388
4	997 521 435 00	adapter seat adjuster inner front left without seat occupancy detection		1	I389
5	997 521 438 00	adapter seat adjuster inner rear right		1	I388
6	997 521 437 00	adapter seat adjuster inner rear left without seat occupancy detection		1	I389
7	997 521 427 03	cover sensor seat occupancy detection	/L	1	I389/560
	01C	satin black			

Model	Year	MG	SG	Illustration	Restrictions	UPD	8:23	26.01.2010	PORSCHE	PET	PORSCHE
997T	2009	8	17	817-89		248					

Pos	Part Number	Description	Remark	Qty	Model	Pos	Part Number	Description	Remark	Qty	Model
(7)	997 521 426 03	cover sensor seat occupancy detection	/R	1	I389/560						
	01C	satin black									
8	997 521 561 00	cover seat belt lower	/L	1	I388/389						
	01C	satin black									
(8)	997 521 562 00	cover seat belt lower	/R	1	I388/389						
	01C	satin black									
9	997 612 688 10	wiring harness seat occupancy detection		1	I389/560						
11	997 612 785 10	wiring harness side airbag	/R/L	1	I388/389						
12	999 141 049 01	lens-head screw mount cover belt seat cushion		3							
13	997 618 233 05	control unit seat occupancy detection		1	I560						

Model	Year	MG	SG	Illustration	Restrictions	UPD	8:23	26.01.2010	PORSCHE	PET	PORSCHE
997T	2009	8	17	817-91		248					



Pos	Part Number	Description	Remark	Qty	Model
		backrest shell bucket seat collapsible accessories	08-		GT2
1	997 521 271 00	backrest shell bucket seat collapsible	/L	1	I388
(1)	997 521 272 00	backrest shell bucket seat collapsible	/R	1	I389
2	997 521 651 00	lock backrest	/L	1	I388/389
(2)	997 521 652 00	lock backrest	/R	1	I388/389
3	997 521 660 00	closing element lock backrest shell	/L/R	1	I388/389
4	997 521 650 00	tension spring lock backrest	/L/R	1	I388/389
5	997 521 640 00	bowden cable release backrest	/L/R	1	I388/389
6	997 521 330 00	cover seat belt front		1	I388/389
		01C satin black			
(6)	997 521 531 00	cover seat belt rear		1	I388/389
		01C satin black			
7	997 803 081 01	side airbag	/L	1	I388
		A03 black			
(7)	997 803 082 01	side airbag front seat	/R	1	I389
		A03 black			



PORSCHE

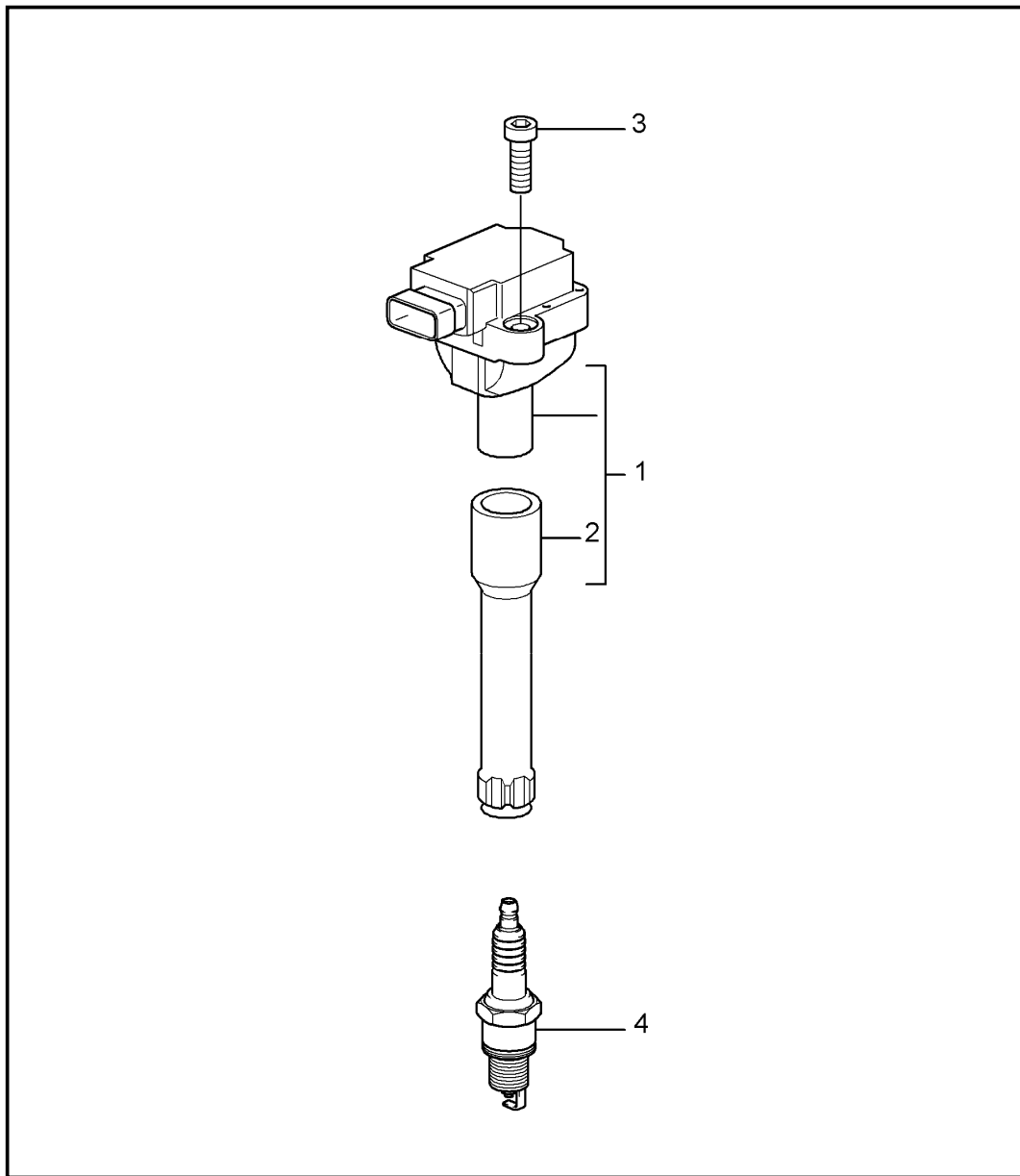
# PET

PORSCHE

Model	Year	MG	SG	Illustration	Restrictions	UPD	8:23	26.01.2010
997T	2009	8	98	898-00R		248		

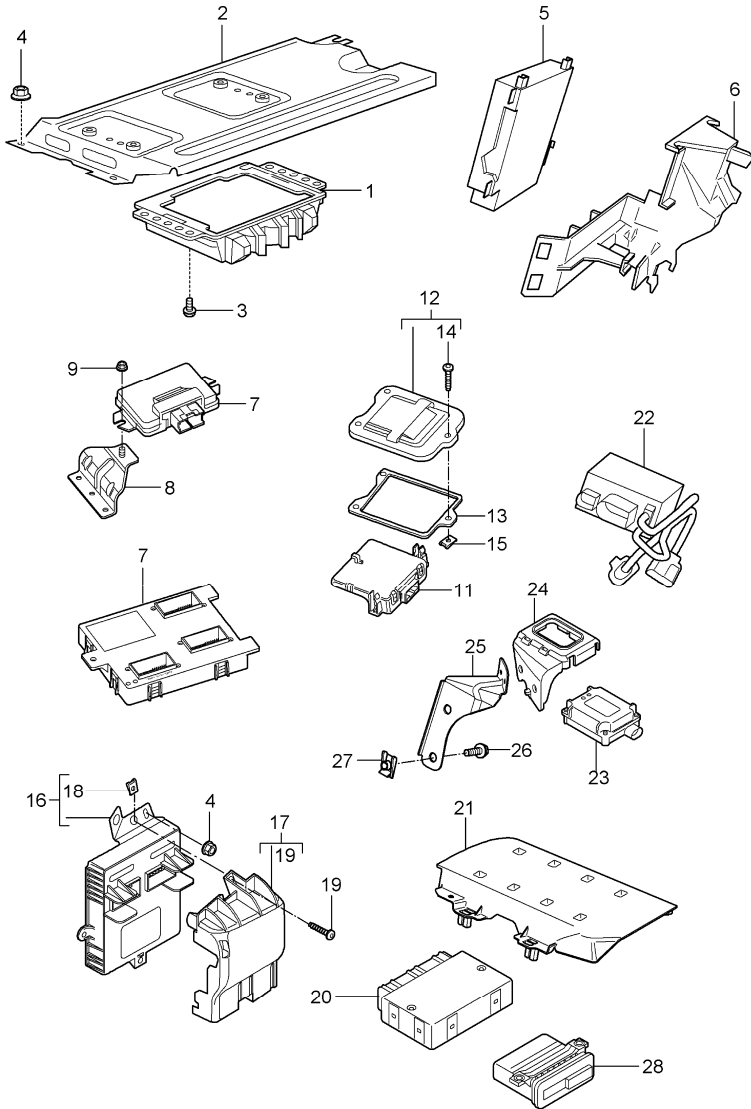
Pos	Part Number	Description	Remark	Qty	Model
		repair kits set of locks			
>>	>>997 538 011 00	set of locks		1	I098
>>	>>997 538 011 01	set of locks		1	I099

Model	Year	MG	SG	Illustration	Restrictions	UPD	8:24	26.01.2010	PORSCHE	PET	PORSCHE
997T	2009	9	01	901-00		248					



Pos	Part Number	Description	Remark	Qty	Model
		ignition system			
1	997 602 104 00	ignition coil		6	
2	996 602 105 00	spark plug connector		6	
3	900 387 008 01	pan-head screw M 6 X 25		12	
4	999 170 103 90	spark plug FR6 DPP332		6	M97.70

Model	Year	MG	SG	Illustration	Restrictions	UPD	8:24	26.01.2010	PORSCHE	PET	PORSCHE
997T	2009	9	01	901-03		248					

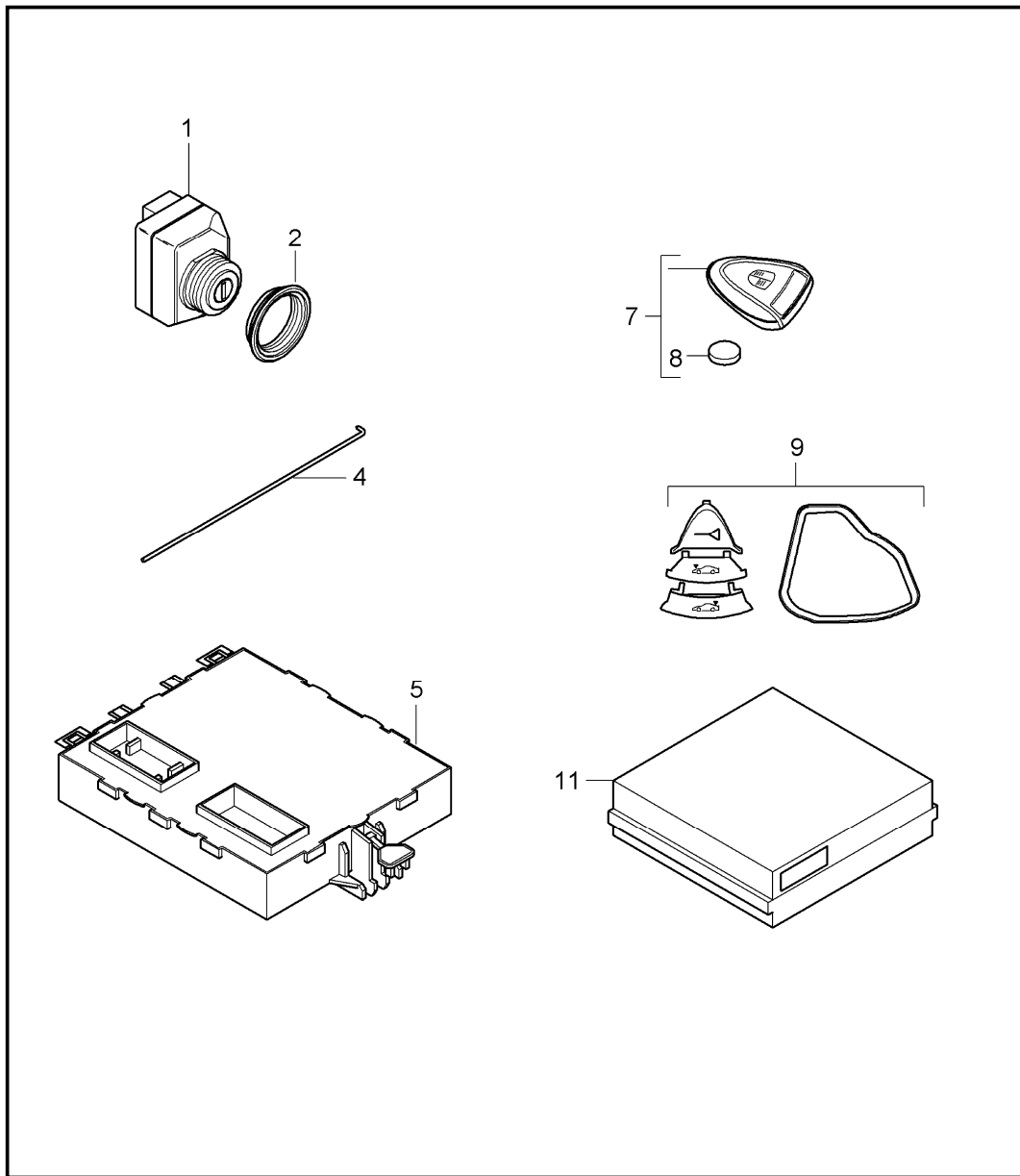


Pos	Part Number	Description	Remark	Qty	Model
		control units			
1	A 997 618 602 01	control unit - dme -	07	1	
1	997 618 602 03	control unit - dme -		1	
2	996 618 129 01	support control unit - dme -		1	COUPE
(2)	996 618 131 00	support control unit - dme -		1	CABRIO
3	999 073 189 01	round head screw M 6 X 12		4	COUPE
(3)	999 073 060 02	tapping screw 4,8 X 13		X	CABRIO
4	999 084 629 01	hexagon nut M 6		3	COUPE
5	A 997 618 180 13	control unit	07	1	I249
5	997 618 180 14	control unit tiptronic		1	I249
6	996 618 257 01	support control unit tiptronic		1	I249
-	-	control unit convertible top control see group 8/11/15		1	CABRIO
7	997 618 195 04	control unit all-wheel		1	
8	997 618 117 00	support control unit all-wheel		2	
9	900 377 010 02	hexagon nut M 6		2	
10	U 997 610 102 06	control unit vehicle electrical system		1	
10	997 618 516 01	control unit vehicle electrical system		1	
11	997 610 107 03	control unit gateway		1	

Model	Year	MG	SG	Illustration	Restrictions	UPD	8:24	26.01.2010	PORSCHE	PET	PORSCHE
997T	2009	9	01	901-03		248					

Pos	Part Number	Description	Remark	Qty	Model	Pos	Part Number	Description	Remark	Qty	Model
12	997 572 419 03	lid		1		27	999 591 882 01	speed nut M 6		2	
13	997 572 221 00	gasket		1		28	996 618 171 03	control unit ParkAssist		1	I635
14	900 143 094 09	tapping screw ST 4,8 X 19		3				sensor see group 8/02/05			I635
15	999 591 855 02	speed nut ST 4,8		3							
16	997 610 104 11	control unit	-08	1							
16	997 618 513 01	control unit FRONT luggage compartment	09	1							
17	997 551 736 01	cover		1							
18	999 507 462 09	speed nut 4,8		1							
19	999 073 061 02	tapping screw 4,8 X 16		1							
20	997 618 260 08	control unit rear end		1							
21	997 618 371 01	support		1							
22	U 997 618 436 01	control unit cooling air control		1	TURBO						
22	997 618 436 02	control unit cooling air control		1	TURBO						
22	997 618 436 91	control unit cooling air control		1	GT2						
23	997 618 225 03	control unit garage door opener		1	I608						
23	A 997 618 227 01	control unit garage door opener		1	I607						
23	997 618 227 02	control unit garage door opener		1	I607						
24	997 618 257 00	support control unit garage door opener		1							
25	997 618 367 80	support control unit garage door opener		1	GT2						
26	900 075 505 01	combination screw M 6 X 20		2							

Model	Year	MG	SG	Illustration	Restrictions	UPD	8:24	26.01.2010	PORSCHE	PET	PORSCHE
997T	2009	9	01	901-04		248					



Pos	Part Number	Description	Remark	Qty	Model
		control units ignition starter switch PORSCHE ACCES SYSTEM			
1	A 997 618 159 03	control unit ignition starter switch	-08	1	
1	997 618 159 04	control unit ignition starter switch		1	
2	997 618 759 00	nut		1	
-	997 618 361 00	cover release Handheld transmitter		1	
4	997 618 761 00	emergency operation release ignition starter switch		1	
5	997 618 171 12	control unit PORSCHE ACCESS SYSTEM Information available	07	1	I534
5	997 618 171 14	control unit PORSCHE ACCESS SYSTEM	08	1	I534
5	997 618 171 15	control unit PORSCHE ACCESS SYSTEM	09	1	I524
5	997 618 172 12	control unit PORSCHE ACCESS SYSTEM Information available	07	1	I535
5	997 618 172 14	control unit PORSCHE ACCESS SYSTEM	08	1	I535
5	997 618 172 15	control unit PORSCHE ACCESS SYSTEM	09	1	I525
-	997 612 053 00	connecting line antenna booster control unit POS. 5	/LL	-08	1 I098/534
-	997 612 053 00	connecting line antenna booster control unit POS. 5	/LL	09	1 I098/665
-	997 612 053 01	connecting line antenna booster control unit POS. 5	/LL	-08	1 I098/535

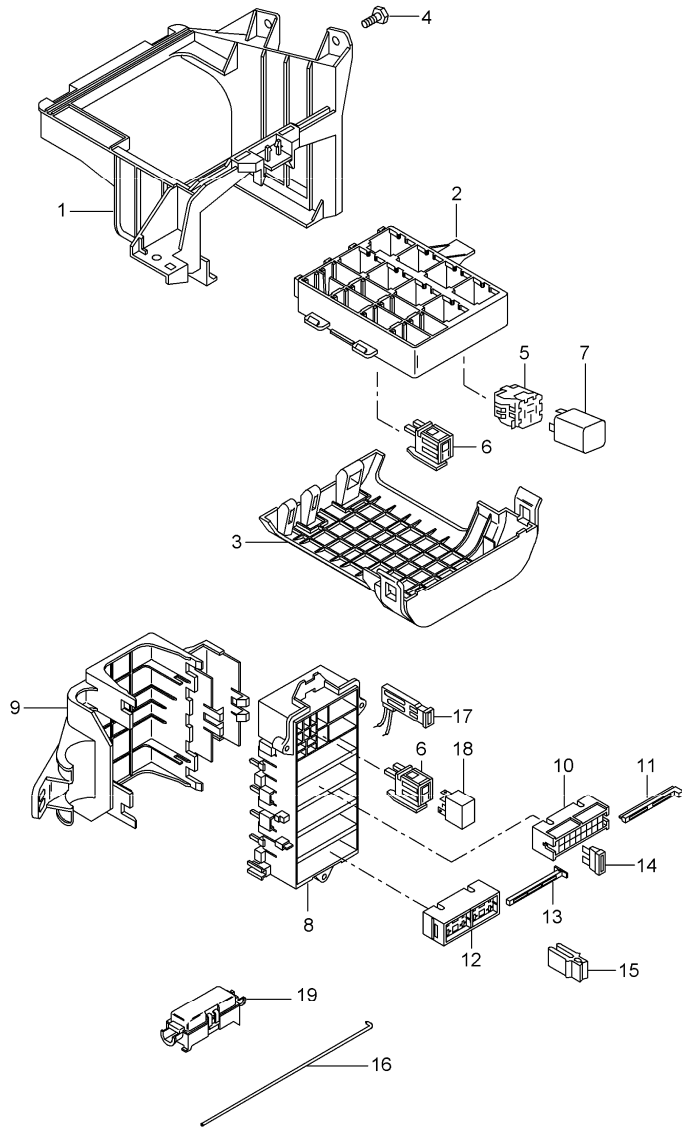
Model	Year	MG	SG	Illustration	Restrictions	UPD	8:24	26.01.2010	PORSCHE	PET	PORSCHE
997T	2009	9	01	901-04		248					

Pos	Part Number	Description	Remark	Qty	Model	Pos	Part Number	Description	Remark	Qty	Model	
-	997 612 053 01	connecting line antenna booster control unit POS. 5	/LL 09	1	I098/675	7 U	997 637 244 47	Handheld transmitter		1	CABRIO I533 I535	
-	997 612 054 00	connecting line antenna booster control unit POS. 5 Information available	/RL -08	1	I099/534	7 A	997 637 209 01	Handheld transmitter	-08	1	COUPE I535	
-	997 612 054 00	connecting line antenna booster control unit POS. 5 Information available	/LL 09	1	I099/665	7	997 637 109 00	Handheld transmitter	-08	1	COUPE I535	
-	997 612 054 01	connecting line antenna booster control unit POS. 5 Information available	/RL -08	1	I099/535	7 A	997 637 209 01	Handheld transmitter	-08	1	COUPE I525	
-	997 612 054 01	connecting line antenna booster control unit POS. 5 Information available	/RL -08	1	I099/535	7	997 637 109 00	Handheld transmitter	-08	1	CABRIO I533 I535	
-	997 612 054 01	connecting line antenna booster control unit POS. 5 Information available	/RL 09	1	I099/675	7	997 637 109 00	Handheld transmitter	09	1	CABRIO I525 I533	
-	997 612 064 51	cable antenna VEHICLE TRACKING SYSTEM		1	I674	7 U	997 637 244 48	Handheld transmitter	(J)	1	COUPE I535	
-	997 612 064 51	cable antenna VEHICLE TRACKING SYSTEM		1	I674	7	997 637 211 01	Handheld transmitter	(J)	-08	1	COUPE I535
7 U	997 637 244 46	Handheld transmitter		1	COUPE I534	7	997 637 111 00	Handheld transmitter	(J)	09	1	COUPE I525
7 U	997 637 244 46	Handheld transmitter		1	CABRIO I533 I534	(7) U	997 637 244 36	Handheld transmitter		1	CABRIO I534	
7	997 637 207 01	Handheld transmitter	-08	1	COUPE I534	(7)	997 637 201 01	Handheld transmitter	-08	1	CABRIO I534	
7	997 637 107 00	Handheld transmitter	09	1	COUPE I524	(7)	997 637 101 00	Handheld transmitter	09	1	CABRIO I524	
7	997 637 207 01	Handheld transmitter	-08	1	CABRIO I533 I534	(7) U	997 637 244 37	Handheld transmitter		1	CABRIO I535	
7	997 637 107 00	Handheld transmitter	09	1	CABRIO I524 I533	(7) A	997 637 203 01	Handheld transmitter	-08	1	CABRIO I535	
7 U	997 637 244 47	Handheld transmitter		1	COUPE I535	(7)	997 637 103 00	Handheld transmitter	-08	1	CABRIO I535	
7 U	997 637 244 47	Handheld transmitter		1	COUPE I535	(7) U	997 637 103 00	Handheld transmitter	09	1	CABRIO I525	
7 U	997 637 244 47	Handheld transmitter		1	COUPE I535	(7) U	997 637 244 38	Handheld transmitter	(J)	1	CABRIO I535	

Model	Year	MG	SG	Illustration	Restrictions	UPD	8:24	26.01.2010	PORSCHE	PET	PORSCHE
997T	2009	9	01	901-04		248					

Pos	Part Number	Description	Remark	Qty	Model	Pos	Part Number	Description	Remark	Qty	Model
(7)	997 637 205 01	Handheld transmitter	(J) -08	1	CABRIO I535						
(7)	997 637 105 00	Handheld transmitter	(J) 09	1	CABRIO I525						
8	999 611 108 00	battery		1							
9	000 043 400 14	repair kit key Handheld transmitter see workshop manual KD-NR.: 966237		1							
11	997 618 210 01	sensor interior monitoring  alarm siren tilt sensor see group 9/03/00		1	I536 I536						

Model	Year	MG	SG	Illustration	Restrictions	UPD	8:24	26.01.2010	PORSCHE	PET	PORSCHE
997T	2009	9	02	902-00		248					



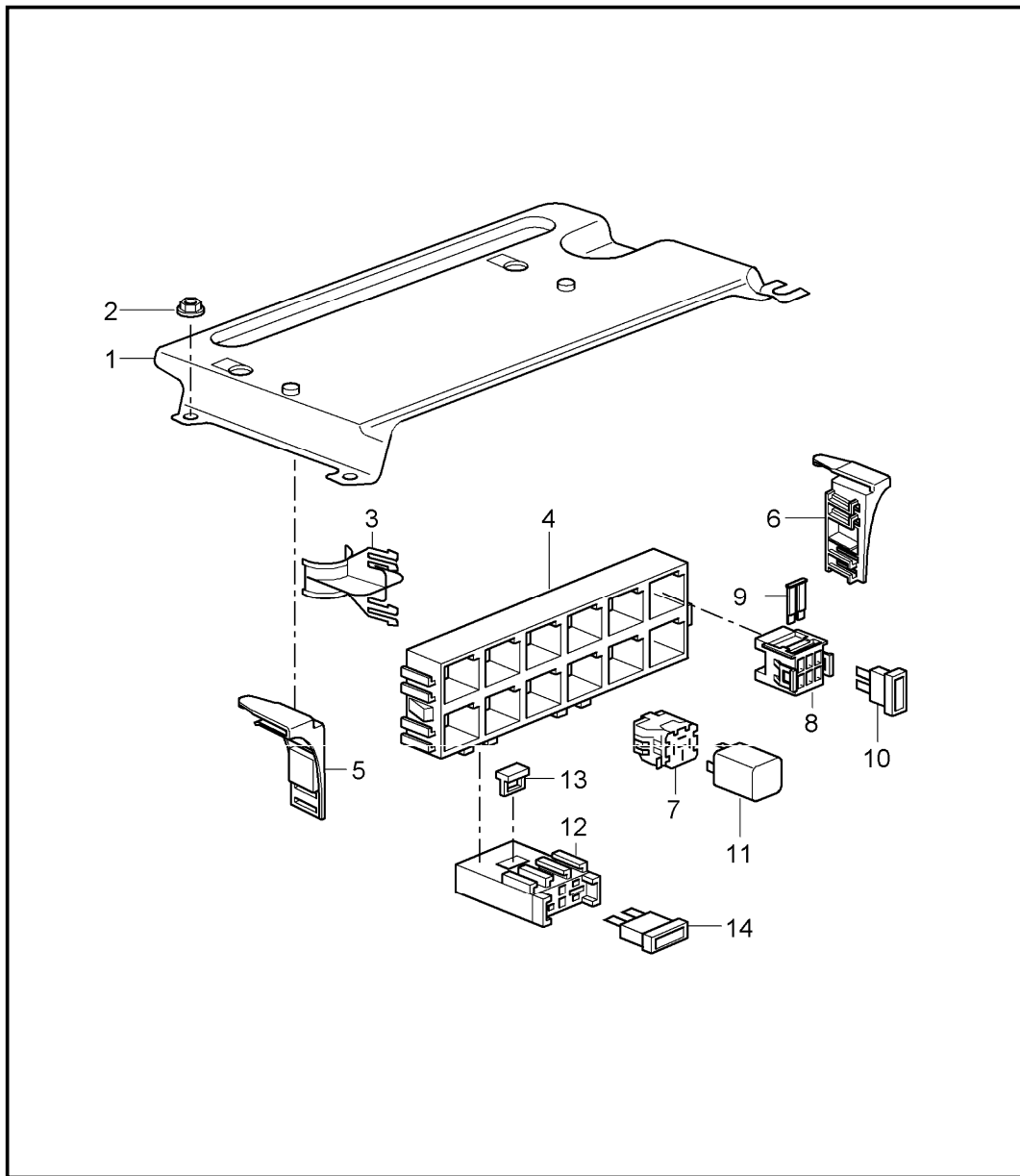
Pos	Part Number	Description	Remark	Qty	Model
		central electrical system dashboard			
1	997 610 117 01	support	/LL	1	I098
(1)	997 610 118 00	support	/RL	1	I099
2	997 610 110 01	relay carrier support frame		1	
3	997 610 112 00	cover support frame		1	
4	900 378 155 01	hexagon-head bolt M 6 X 16 ASP		2	
(4)	900 377 010 01	hexagon nut M 6		1	
5	928 610 511 00	relay carrier		X	
6	999 650 538 40	relay carrier		X	
7	-	relay			
S4 A	999 657 010 90	relay KL. X		1	
S4	999 657 014 90	relay KL. X		1	
S6 A	999 657 007 90	relay KL. 86S		1	
S6	999 657 015 90	relay KL. 86S		1	
S7 A	999 657 007 90	relay fuel pump		1	
S7	999 657 015 90	relay fuel pump		1	
S8 A	999 657 007 90	relay fuel pump		1	
S8	999 657 015 90	relay fuel pump		1	
S11 A	999 657 009 90	relay - dme -		1	
S11	999 657 013 90	relay - dme -		1	
S12 A	999 657 009 90	relay heating		1	



Model	Year	MG	SG	Illustration	Restrictions	UPD	8:24	26.01.2010	PORSCHE	PET	PORSCHE
997T	2009	9	02	902-00		248					

Pos	Part Number	Description	Remark	Qty	Model	Pos	Part Number	Description	Remark	Qty	Model
S12	999 657 013 90	relay heating		1		(14)	999 607 073 00	fuse 40 A large		X	
S14A	999 657 009 90	relay headlight washer system		1	I288	15	999 107 300 40	tool		X	
S14	999 657 013 90	relay headlight washer system		1	I288	-	997 610 195 07	assignment sticker	-08	X	
S15A	999 657 009 90	relay starter		1		-	997 610 195 25	assignment sticker fuse	09	X	
S15	999 657 013 90	relay starter		1		16	997 618 761 00	emergency operation release ignition starter switch		1	
S16A	999 657 009 90	relay KL. 15		1				emergency operation lid			
S16	999 657 013 90	relay KL. 15		1		17	996 610 240 00	terminal clamp		1	
8	997 610 340 00	bracket		1		18 A	999 657 010 90	relay		1	
9	997 610 341 00	cover		1		18	999 657 014 90	relay		1	
10	999 650 209 40	fuse holder		4		19	997 610 915 00	fuse holder with fuse 80 A for cooling air control		1	
11	999 650 210 40	slide		4							
12	999 650 750 40	fuse holder		1							
13	999 650 749 40	slide		1		-	-	cover for housing fuse see group 8 / 07 / 02		X	
14	999 607 082 00	fuse 5 A		X							
(14)	999 607 083 00	fuse 7 , 5 A		X							
(14)	999 607 084 00	fuse 10 A		X							
(14)	999 607 085 00	fuse 15 A		X							
(14)	999 607 087 00	fuse 25 A		X							
(14)	999 607 088 00	fuse 30 A		X							
(14)	999 607 072 00	fuse 30 A large		X							

Model	Year	MG	SG	Illustration	Restrictions	UPD	8:24	26.01.2010	PORSCHE	PET	PORSCHE
997T	2009	9	02	902-01		248					

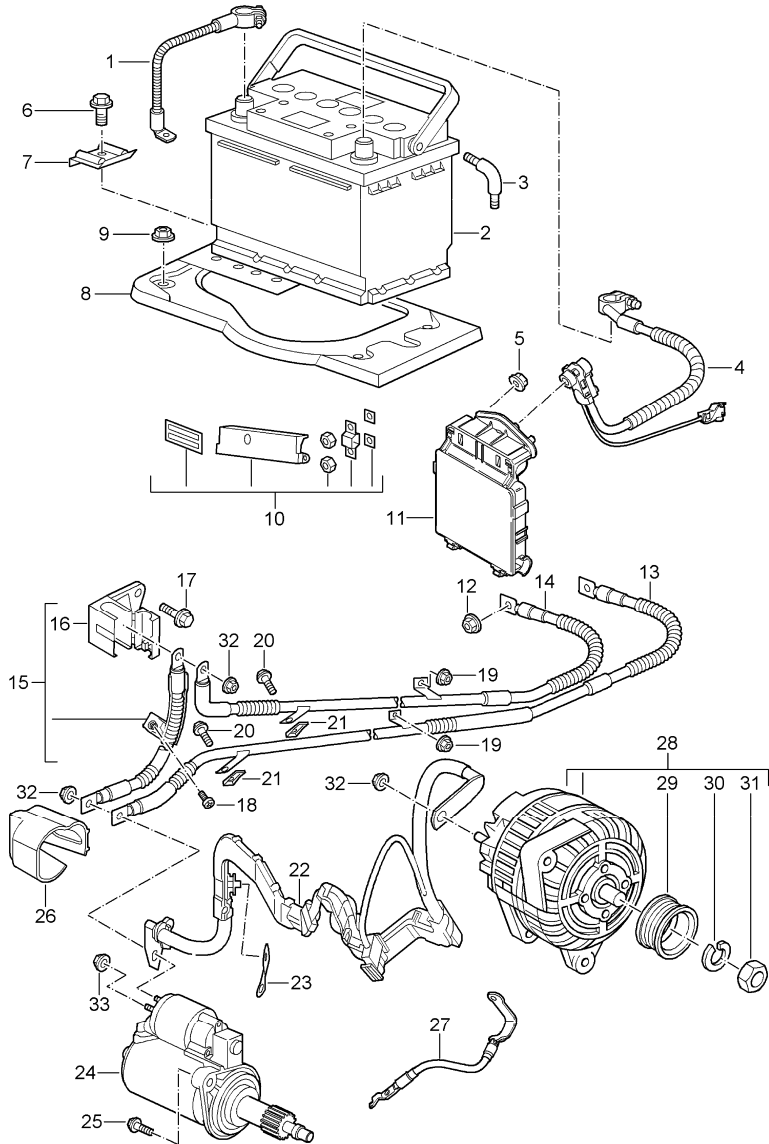


Pos	Part Number	Description	Remark	Qty	Model
		central electrical system rear end			
(1)	996 610 229 03	mounting plate		1	COUPE
2	999 084 629 01	hexagon nut M 6		2	
3	996 610 112 00	cable holder		1	
4	996 610 111 00	relay carrier support frame		X	
5	987 610 118 00	support	/R	1	COUPE
(5)	996 610 126 00	support	/R	1	CABRIO
6	987 610 117 00	support	/L	1	COUPE
(6)	996 610 127 00	support	/L	1	CABRIO
-	996 610 128 00	fixing clip		2	CABRIO
-	999 074 059 01	round head screw M 5		2	CABRIO
7	928 610 511 00	relay carrier		X	
8	999 650 747 40	fuse holder		1	
9	999 650 748 40	locking device		1	
10	999 607 083 00	fuse 7,5 A		X	
10	999 607 085 00	fuse 15 A		X	
11	-	relay			
S1 A	999 657 009 90	relay rear window heating		1	COUPE
S1	999 657 013 90	relay rear window heating		1	COUPE
S2	996 615 112 00	relay rear window heating		1	CABRIO
S3 A	964 615 215 00	relay air conditioner		1	I573
S3	999 657 018 90	relay air conditioner		1	I573

Model	Year	MG	SG	Illustration	Restrictions	UPD	8:24	26.01.2010	PORSCHE	PET	PORSCHE
997T	2009	9	02	902-01		248					

Pos	Part Number	Description	Remark	Qty	Model	Pos	Part Number	Description	Remark	Qty	Model
S8	A 999 657 011 90	relay blower engine compartment		1							
S8	999 657 016 90	relay blower engine compartment		1							
S9	A 999 657 008 90	relay secondary pump		1	I661						
S9	999 657 017 90	relay secondary pump		1	I661						
12	999 650 193 40	fuse holder		3							
13	999 650 371 40	locking device		3							
14	999 607 073 00	fuse 40 A large		X							
14	999 607 077 00	fuse 60 A large		X	I661						

Model	Year	MG	SG	Illustration	Restrictions	UPD	8:25	26.01.2010	PORSCHE	PET	PORSCHE
997T	2009	9	02	902-05		248					



Pos	Part Number	Description	Remark	Qty	Model
		battery power distributor starter generator battery main switch			GT2
1	997 611 090 00	ground strap	/LL	1	I098
(1)	997 611 091 00	ground strap	/RL	1	I099
-	900 377 010 01	hexagon nut M 6		1	
(2)	999 611 070 20	battery 70 AH		1	
2	999 611 080 20	battery 80 AH		1	
(2)	999 611 095 20	battery 95 AH		1	I200
3	893 915 507	angled pipe		1	
4	997 612 993 00	repair kit wiring harness battery power distributor	/LL	1	I098
(4)	997 612 995 00	repair kit wiring harness battery power distributor	/RL	1	I099
5	900 380 005 01	hexagon nut VM 8		2	
6	900 378 017 01	hexagon-head bolt M 8 X 20		1	
7	996 611 209 00	rail battery		1	
8 A	996 504 151 02	carrier plate for battery		1	
(8)	997 504 151 01	carrier plate for battery		1	
-	996 504 622 01	gasket carrier plate for battery		1	
9	999 084 630 01	hexagon nut VM 8 SB		4	

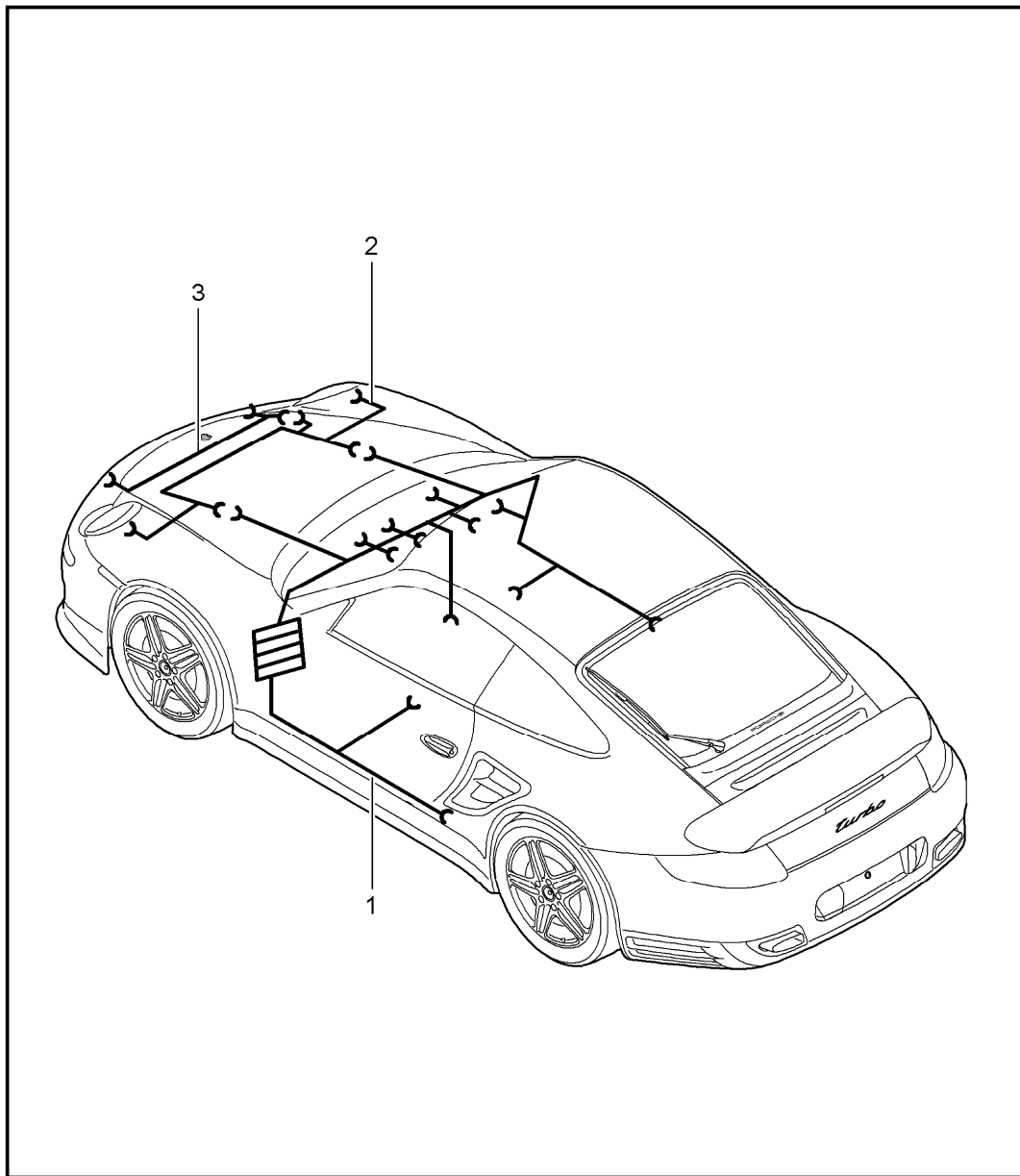
Model	Year	MG	SG	Illustration	Restrictions	UPD	8:25	26.01.2010	PORSCHE	PET	PORSCHE
997T	2009	9	02	902-05		248					

Pos	Part Number	Description	Remark	Qty	Model	Pos	Part Number	Description	Remark	Qty	Model
10	997 610 912 00	repair kit replacement fuse element comprising:		1		-	-	seal label red when required order also: POS. 12		1	
-	-	fuse element 50 AMPERE		1		12	900 084 123 02	hexagon nut M 8		1	
-	-	fuse element 80 AMPERE		1		13	997 612 092 01	cable power distributor	/LL	1	I098/480
-	-	hexagon nut M 5		4		(13)	997 612 098 00	cable power distributor starter	/RL	1	I099/480
-	-	square washer		4							
-	-	cover blue		1		14	997 612 091 03	cable power distributor connection point	/LL	1	I098/249
-	-	seal label red		1		(14)	997 612 097 00	cable power distributor connection point	/RL	1	I099/249
(10)	997 610 913 00	repair kit replacement fuse element comprising:		1		15	997 607 033 00	wiring harness with connection point starter		1	I249
-	-	fuse element 150 AMPERE		1		16	997 607 301 00	connection point complete		1	I249
-	-	hexagon nut M 8		2		17	900 385 009 01	torx screw BM 6 X 16		2	I249
-	-	square washer		2		18	999 919 121 09	oval-head screw 5 X 16		2	I249
-	-	cover blue		1		19	999 084 629 01	hexagon nut M 6		1	
-	-	seal label red		1		20	900 075 497 01	combination screw M 5 X 10		1	
11	997 610 911 00	repair kit replacement power distributor comprising:		1		21	999 507 702 01	speed nut M 5		1	
-	-	power distributor without fuse element		1		22	997 607 032 00	wiring harness starter generator		1	I249
-	-	hexagon nut M 5		8		(22)	997 607 031 00	wiring harness starter generator		1	I480
-	-	hexagon nut M 8		3		23	996 607 042 01	support		1	I249
						24	> 996 604 107 00	starter		1	

Model	Year	MG	SG	Illustration	Restrictions	UPD	8:25	26.01.2010	PORSCHE	PET	PORSCHE
997T	2009	9	02	902-05		248					

Pos	Part Number	Description	Remark	Qty	Model	Pos	Part Number	Description	Remark	Qty	Model
25	900 385 097 01	torx screw BM 10 X 35		2		-	900 385 004 01	torx screw BM 10 X 60		1	
26	996 604 118 00	protection cap		1	I480	-	900 385 124 01	torx screw BM 10 X 110		1	
(26)	996 604 117 00	protection cap		1	I249	32	900 377 003 01	hexagon nut M 8		3	
27	997 607 034 01	ground strap	07	1		33	900 377 010 02	hexagon nut M 6		1	
27	997 607 034 03	ground strap engine body	08-	1				battery main switch			GT2
28	A 997 603 022 00	generator with pulley without free wheel lock	07	1	I249	-	K 997 611 027 70	assembly kit battery main switch		1	GT2
28	> 997 603 022 02	generator with pulley without free wheel lock	07-	1	I249	-	K 997 611 227 70	battery main switch		1	GT2
28	A 997 603 022 01	generator with pulley free wheel lock	07	1	I480	-	K 997 613 183 70	switch outer		1	GT2
28	> 997 603 022 03	generator with pulley free wheel lock		1	I480	-	K 997 613 187 70	switch inner		1	GT2
29	996 603 151 55	pulley without free wheel lock		1	I249						
(29)	997 603 154 00	pulley with free wheel lock		1	I480						
30	N 012 016 1	lock ring B 16		1							
31	900 034 013 01	hexagon nut M 16 X 1,5		1							
-	996 603 113 00	protection cap		1	I249						
-	996 603 153 50	protection cap mounting parts generator		1	I480						

Model	Year	MG	SG	Illustration	Restrictions	UPD	8:25	26.01.2010	PORSCHE	PET	PORSCHE
997T	2009	9	02	902-10		248					



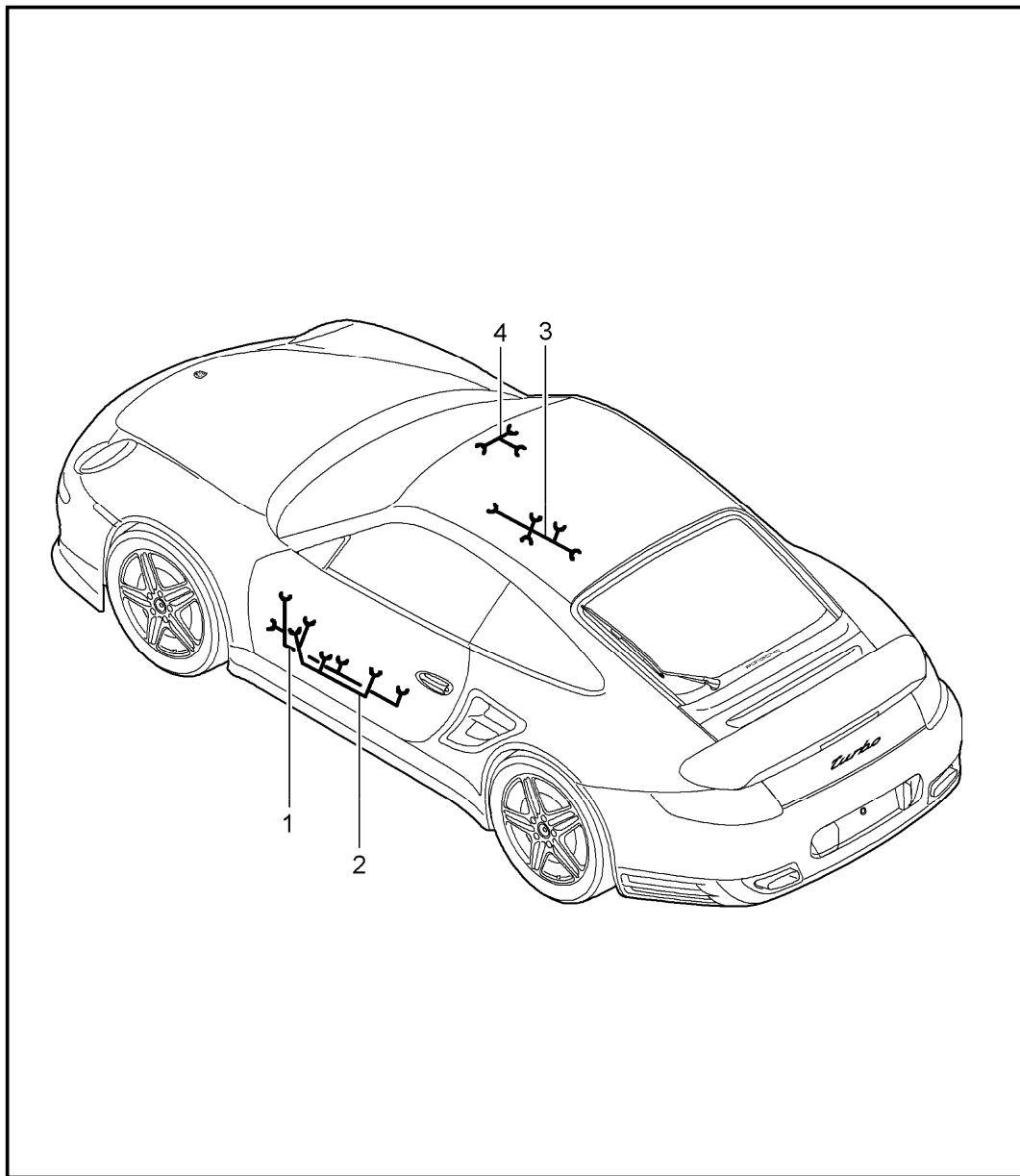
Pos	Part Number	Description	Remark	Qty	Model
		wiring harness passenger compartment FRONT luggage compartment lining front airbag seat-belt tensioner repair kits shock absorber anti-lock brake system brake pad wear indicator front axle			
1	997 622 903 00	wiring harness passenger compartment vehicle identification no. indicate		1	
-	996 610 120 01	support plug socket diagnostic connector		1	
-	999 651 302 40	fixing clip wiring harness passenger compartment door sill		X	
-	999 651 284 40	fixing clip wiring harness passenger compartment door sill		X	
2	997 622 521 10	wiring harness FRONT luggage compartment	-08	1	TURBO I601
2	997 622 521 25	wiring harness FRONT luggage compartment	09	1	TURBO I601
2	997 622 521 10	wiring harness FRONT luggage compartment	-08	1	GT2 I601
2	997 622 521 75	wiring harness FRONT luggage compartment	09	1	GT2 I601
-	997 610 215 01	cable guide for sensor airbag		2	
3	997 622 501 00	wiring harness lining front		1	TURBO

Model	Year	MG	SG	Illustration	Restrictions	UPD	8:25	26.01.2010	PORSCHE	PET	PORSCHE
997T	2009	9	02	902-10		248					

Pos	Part Number	Description	Remark	Qty	Model	Pos	Part Number	Description	Remark	Qty	Model
(3)	997 622 501 80	wiring harness lining front		1	GT2			repair kit wiring harness anti-lock brake system brake pad wear indicator front axle			
-	997 612 781 00	wiring harness airbag passenger's side setting 1 connector green	07	1		-	997 612 965 00	repair kit wiring harness	/V/L	1	
-	997 612 781 25	wiring harness airbag passenger's side setting 1 connector green	08-	1		-	997 612 964 00	repair kit wiring harness when required order also:	/V/R	1	
-	997 612 783 00	wiring harness airbag passenger's side setting2 connector yellow	07	1		-	999 513 049 40	tie-wrap  repair kit wiring harness rear axle see group 9/02/20		4	
-	997 612 783 25	wiring harness airbag passenger's side setting2 connector yellow	08-	1							
-	997 612 992 00	wiring harness control unit airbag connection point door  wiring harness airbag seat see group 8/17/06 8/17/21		2							
-	997 612 793 01	wiring harness seat-belt tensioner		2							
-	997 612 950 00	repair kit  wiring harness shock absorber	/V	2	TURBO I475						
-	997 612 950 70	repair kit  wiring harness shock absorber	/V	2	GT2 I475						



Model	Year	MG	SG	Illustration	Restrictions	UPD	8:25	26.01.2010	PORSCHE	PET	PORSCHE
997T	2009	9	02	902-15		248					

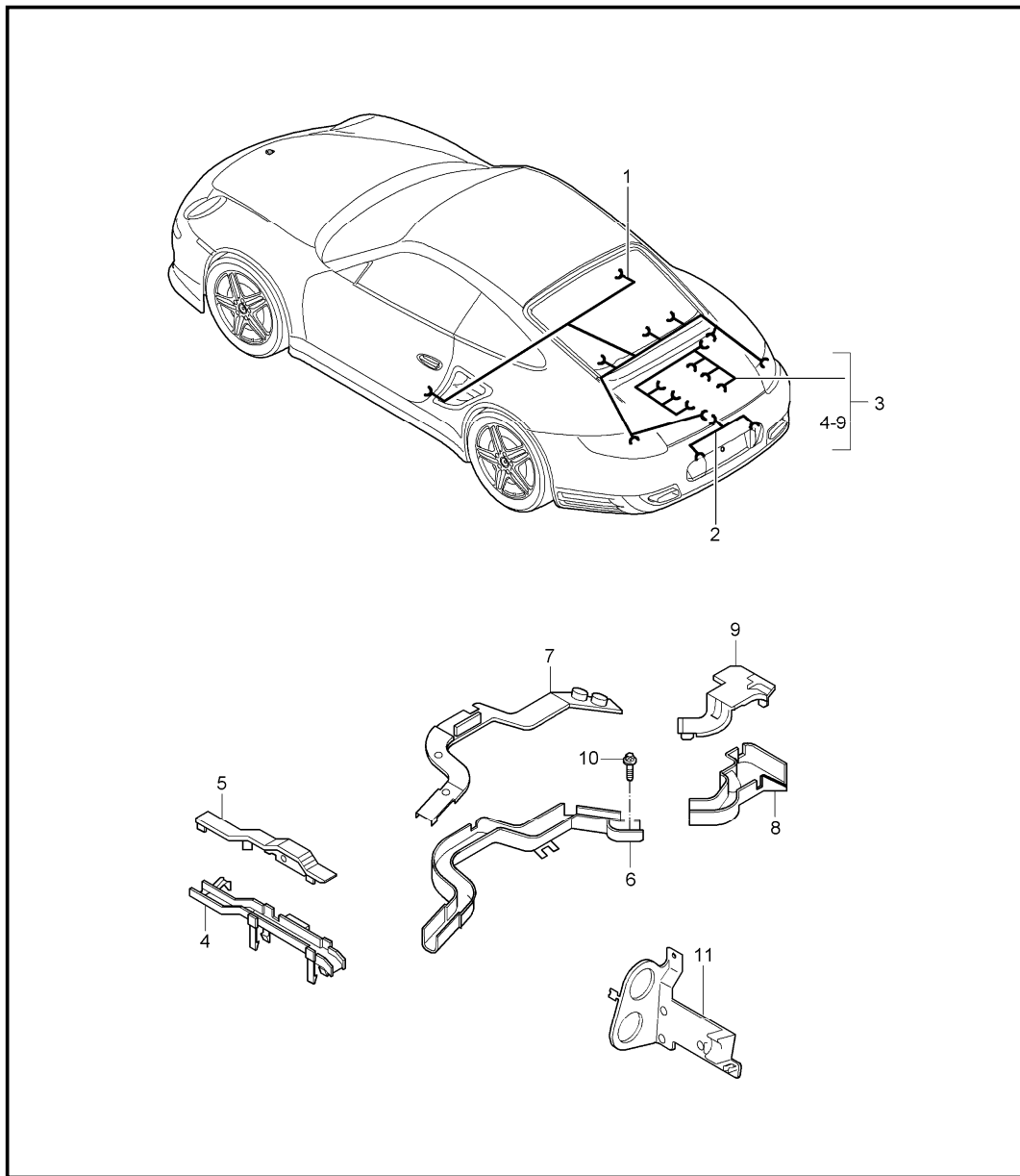


Pos	Part Number	Description	Remark	Qty	Model
		wiring harnesses doors airbag centre console glove compartment convertible top control auxiliary support			
1	997 612 642 05	wiring harness assembly frame driver's door F >>997S7 80823	/LL	1	I098
(1)	997 612 644 55	wiring harness assembly frame driver's door F >>997S7 80823	/RL	1	I099
1	997 612 642 07	wiring harness assembly frame driver's door F 997S7 80824>>	/LL	1	I098
(1)	997 612 644 57	wiring harness assembly frame driver's door F 997S7 80824>>	/RL	1	I099
(1)	997 612 643 55	wiring harness assembly frame passenger's door F >>997S7 80823	/LL	1	I098
(1)	997 612 645 05	wiring harness assembly frame passenger's door F >>997S7 80823	/RL	1	I099
(1)	997 612 643 57	wiring harness assembly frame passenger's door F 997S7 80824>>	/LL	1	I098
(1)	997 612 645 07	wiring harness assembly frame passenger's door F 997S7 80824>>	/RL	1	I099
-	997 612 780 16	wiring harness airbag		2	
2	997 612 647 05	wiring harness door panel driver's door F >>997S7 80823	/LL	1	I098

Model	Year	MG	SG	Illustration	Restrictions	UPD	8:25	26.01.2010	PORSCHE	PET	PORSCHE
997T	2009	9	02	902-15		248					

Pos	Part Number	Description	Remark	Qty	Model	Pos	Part Number	Description	Remark	Qty	Model
(2)	997 612 650 05	wiring harness door panel driver's door F >>997S7 80823	/RL	1	I099	-	-	wiring harness convertible top control see group 8/11/07		1	CABRIO
2	997 612 647 07	wiring harness door panel driver's door F 997S7 80824>>	/LL	-08	I098	-	-	wiring harness auxiliary support see group 8/11/15		1	CABRIO
(2)	997 612 650 07	wiring harness door panel driver's door F 997S7 80824>>	/RL	-08	I099						
2	997 612 647 10	wiring harness door panel driver's door	/LL	09	I098						
(2)	997 612 650 10	wiring harness door panel driver's door	/RL	09	I099						
(2)	997 612 648 05	wiring harness door panel passenger's door F >>997S7 80823	/LL	1	I098						
(2)	997 612 649 05	wiring harness door panel passenger's door F >>997S7 80823	/RL	1	I099						
(2)	997 612 648 07	wiring harness door panel passenger's door F 997S7 80824>>	/LL	-08	I098						
(2)	997 612 649 07	wiring harness door panel passenger's door F 997S7 80824>>	/RL	-08	I099						
(2)	997 612 648 10	wiring harness door panel passenger's door	/LL	09	I098						
(2)	997 612 649 10	wiring harness door panel passenger's door	/RL	09	I099						
3	997 612 652 75	wiring harness centre console		1							
4	997 612 651 00	wiring harness glove compartment		1							

Model	Year	MG	SG	Illustration	Restrictions	UPD	8:25	26.01.2010	PORSCHE	PET	PORSCHE
997T	2009	9	02	902-20		248					

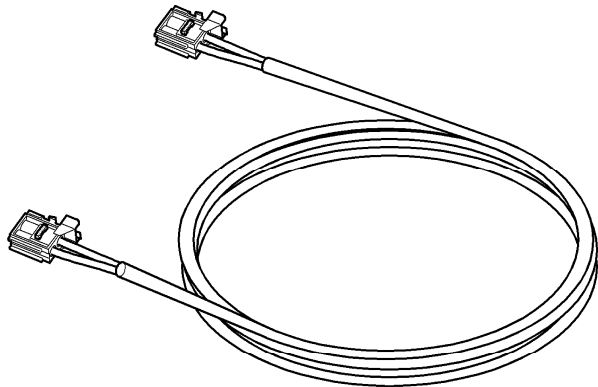
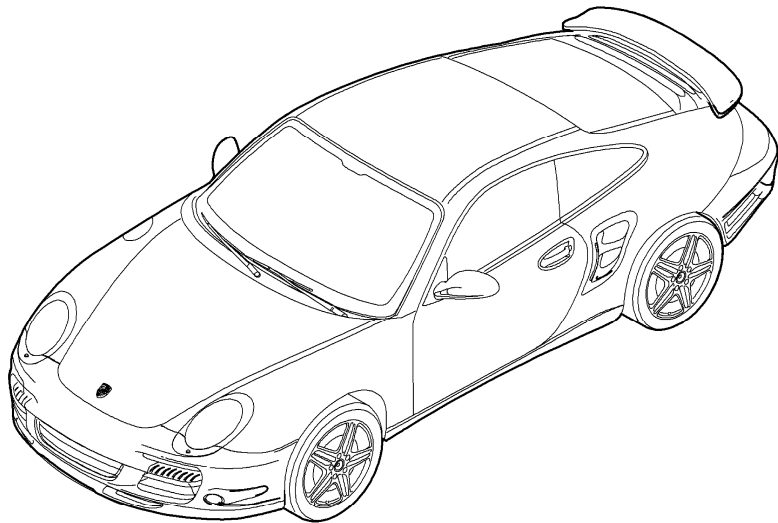


Pos	Part Number	Description	Remark	Qty	Model
		wiring harnesses rear end rear lid license plate light engine transmission repair kits shock absorber anti-lock brake system brake pad wear indicator rear axle			GT2
1	997 622 905 00	wiring harness rear end vehicle identification no. indicate		1	
-	997 622 670 70	wiring harness rear lid		1	GT2
2	997 612 660 00	wiring harness license plate light	-08	1	
2	997 612 660 01	wiring harness license plate light	09	1	
(2)	997 612 661 00	wiring harness ParkAssist license plate light		1	I635
-	999 507 944 40	fixing clip for connection point POS.2		1	
3	997 607 015 02	wiring harness engine	-08	1	
3	997 607 015 03	wiring harness engine	09-	1	
4	997 607 141 00	cable guide cyl. 1 - 3		1	
5	997 607 151 00	lid cable guide cyl. 1 - 3		1	
6	997 607 143 00	cable guide centre		1	
7	997 607 153 00	lid cable guide centre		1	

Model	Year	MG	SG	Illustration	Restrictions	UPD	8:25	26.01.2010	PORSCHE	PET	PORSCHE
997T	2009	9	02	902-20		248					

Pos	Part Number	Description	Remark	Qty	Model	Pos	Part Number	Description	Remark	Qty	Model
8	997 607 142 00	cable guide cyl. 4 - 6 for wiring harnesses 997.607.015.01/02		1				repair kit wiring harness front axle see group 9/02/10			
8	997 607 142 01	cable guide cyl. 4 - 6 for wiring harness 997.607.015.03		1							
9	997 607 152 00	lid cable guide cyl. 4 - 6		1							
10	900 385 009 01	torx screw BM 6 X 16		2							
(11)	997 610 131 00	support connection point wiring harness engine		1							
-	997 622 663 00	wiring harness transmission		1	I249						
-	999 507 752 40	cable holder for wiring harness transmission		1	I249						
-	999 591 746 02	cable holder for wiring harness transmission		4							
-	997 612 950 00	repair kit wiring harness shock absorber	/H	2	I475						
-	997 612 967 00	repair kit wiring harness	/H/L	1							
-	997 612 966 00	repair kit wiring harness	/H/R	1							
-		repair kit wiring harness anti-lock brake system brake pad wear indicator rear axle									

Model	Year	MG	SG	Illustration	Restrictions	UPD	8:25	26.01.2010	PORSCHE	PET	PORSCHE
997T	2009	9	02	902-50		248					

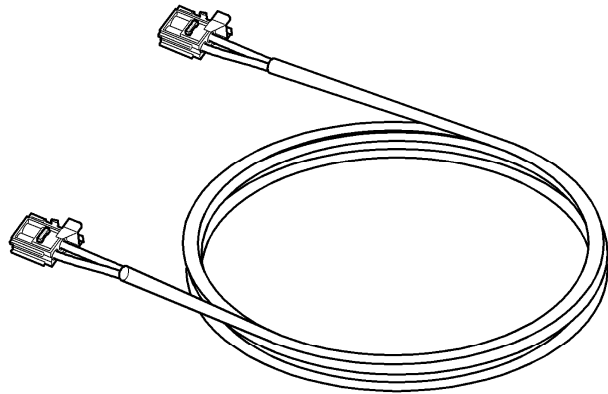
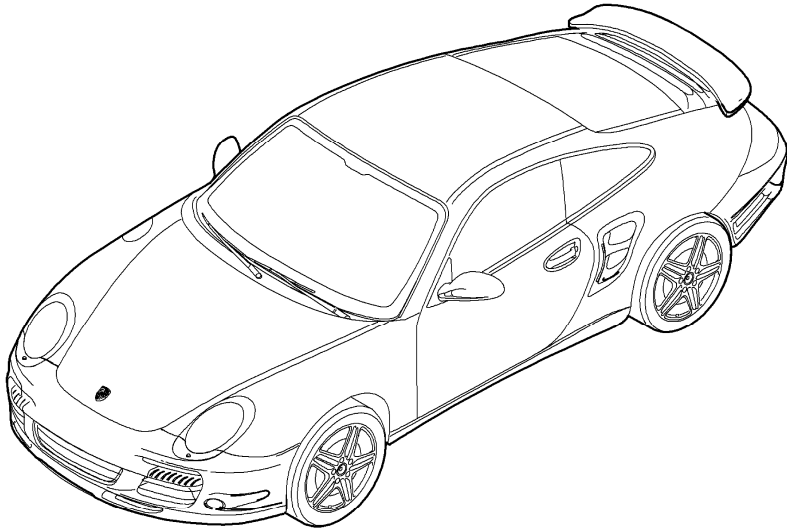


Pos	Part Number	Description	Remark	Qty	Model
		optical waveguide module passenger compartment	-08		
-	997 622 701 00	optical waveguide module	/LL	1	I098/670/672 I680/689/692
-	997 622 701 50	optical waveguide module	/RL	1	I099/670/672 I680/689/692
-	997 622 702 00	optical waveguide module	/LL	1	I098/666/689
-	997 622 702 50	optical waveguide module	/RL	1	I099/666/689
-	997 622 703 00	optical waveguide module	/LL	1	I098/666/670 I672/680/692
-	997 622 703 50	optical waveguide module	/RL	1	I099/666/670 I672/680/692
		module FRONT luggage compartment			
-	997 610 122 00	support connection point		1	
-	996 610 132 00	cable guide t-piece FRONT luggage compartment		X	
-	997 622 723 00	optical waveguide module	/LL	1	I098/670/672
-	997 622 723 50	optical waveguide module	/RL	1	I099/670/672
-	997 622 705 00	optical waveguide module	/LL	1	I098/680
-	997 622 705 50	optical waveguide module	/RL	1	I099/680
-	997 622 721 00	optical waveguide module	/LL	1	I098/692
-	997 622 721 50	optical waveguide module	/RL	1	I099/692
-	997 622 722 00	optical waveguide module	/LL	1	I098/664/670 I672
-	997 622 726 00	optical waveguide module	/LL	1	I098/664/680

Model	Year	MG	SG	Illustration	Restrictions	UPD	8:25	26.01.2010	PORSCHE	PET	PORSCHE
997T	2009	9	02	902-50		248					

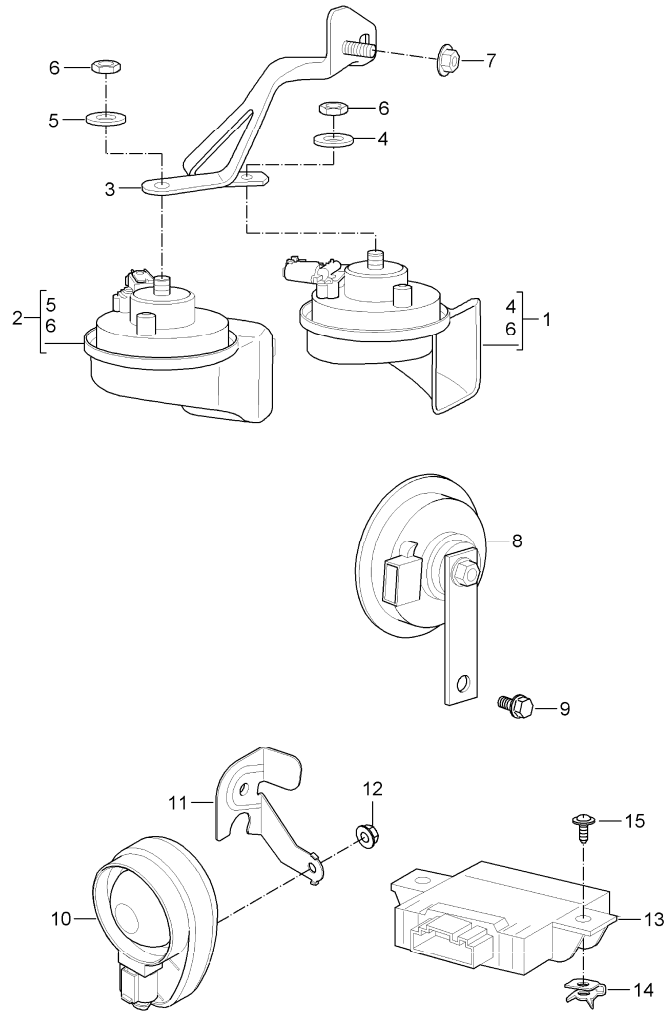
Pos	Part Number	Description	Remark	Qty	Model	Pos	Part Number	Description	Remark	Qty	Model
-	997 622 728 00	optical waveguide module	/LL	1	I098/664/692						
-	997 622 718 00	optical waveguide module	/LL	1	I098/670/672 I680						
-	997 622 718 50	optical waveguide module	/RL	1	I099/670/672 I680						
-	997 622 717 00	optical waveguide module	/LL	1	I098/664/670 I672/680						
-	997 622 724 00	optical waveguide module	/LL	1	I098/670/672 I692						
-	997 622 724 50	optical waveguide module	/RL	1	I099/670/672 I692						
-	997 622 725 00	optical waveguide module	/LL	1	I098/664/670 I672/692						
-	997 622 716 00	optical waveguide module	/LL	1	I098/680/692						
-	997 622 716 50	optical waveguide module	/RL	1	I099/680/692						
-	997 622 727 00	optical waveguide module	/LL	1	I098/664/680 I692						
-	997 622 719 00	optical waveguide module	/LL	1	I098/670/672 I680/692						
-	997 622 719 50	optical waveguide module	/RL	1	I099/670/672 I680/692						
-	997 622 720 00	optical waveguide module	/LL	1	I098/664/670 I672/680/692						

Model	Year	MG	SG	Illustration	Restrictions	UPD	8:26	26.01.2010	PORSCHE	PET	PORSCHE
997T	2009	9	02	902-51		248					



Pos	Part Number	Description	Remark	Qty	Model
		optical waveguide		09	
-	997 622 701 25	optical waveguide module	/LL	1	I098/665/680
-	997 622 701 75	optical waveguide module	/RL	1	I099/665/680
-	997 622 704 25	optical waveguide module	/LL	1	I098/665/676 I680
-	997 622 704 75	optical waveguide module	/RL	1	I099/665/676 I680
-	997 622 705 25	optical waveguide module	/LL	1	I098/490/665 I676
-	997 622 705 75	optical waveguide module	/RL	1	I099/490/665 I676

Model	Year	MG	SG	Illustration	Restrictions	UPD	8:26	26.01.2010	PORSCHE	PET	PORSCHE
997T	2009	9	03	903-00		248					



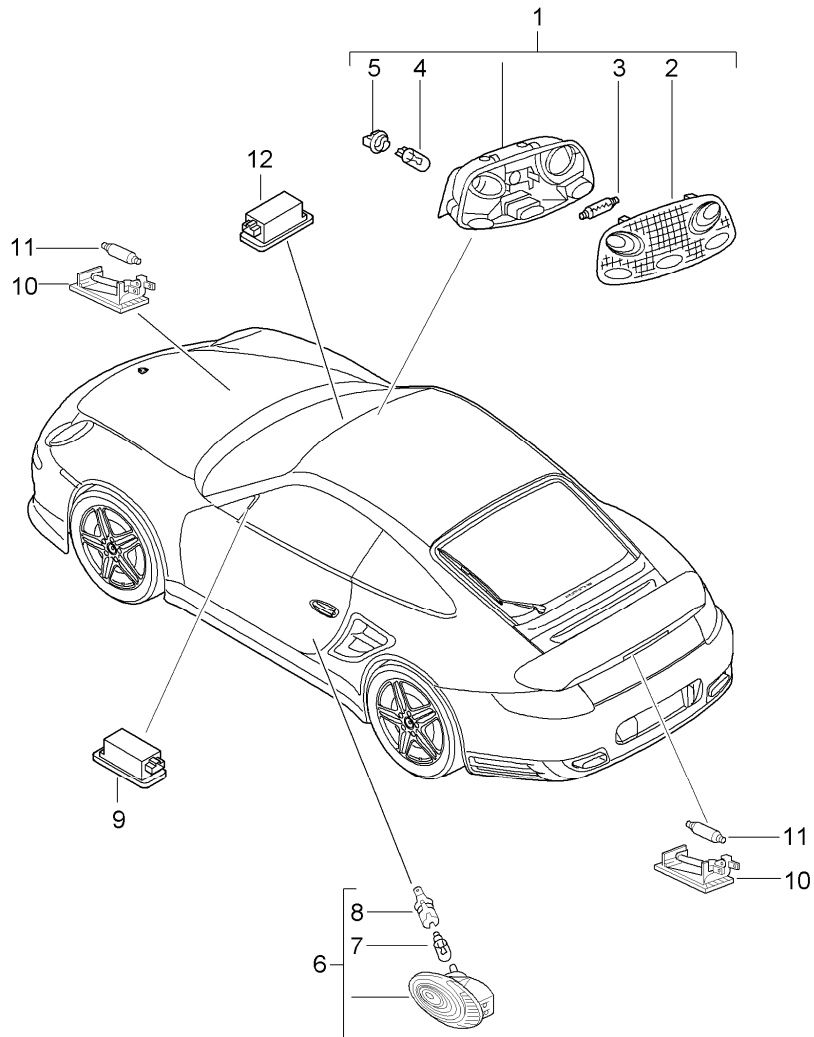
Pos	Part Number	Description	Remark	Qty	Model
		fanfare horn alarm system			
1	A 997 635 206 01	fanfare high-pitched	07	1	
1	997 635 206 02	fanfare high-pitched	-08	1	
1	997 635 206 03	fanfare high-pitched	09-	1	
2	A 997 635 205 01	fanfare low-pitched	07	1	
2	997 635 205 02	fanfare low-pitched	-08	1	
2	997 635 205 03	fanfare low-pitched	09-	1	
3	997 635 150 02	support	-07	1	
3	997 635 150 03	support	08-	1	
4	-	washer high-pitched		1	
5	-	washer low-pitched		1	
6	900 034 001 03	hexagon nut M 8	07	2	
6	900 034 001 04	hexagon nut M 8	08-	2	
7	900 377 003 03	hexagon nut M 8		1	
8	996 637 117 03	horn for alarm system		1	
9	900 075 459 01	combination screw M 6 X 12 Z2		1	
10	955 618 237 01	alarm siren		1	I536
11	997 637 419 01	support		1	I536
12	900 380 015 01	hexagon nut M 6		1	I536
13	997 618 265 00	control unit tilt sensor		1	I521/536



Model	Year	MG	SG	Illustration	Restrictions	UPD	8:26	26.01.2010	PORSCHE	PET	PORSCHE
997T	2009	9	03	903-00		248					

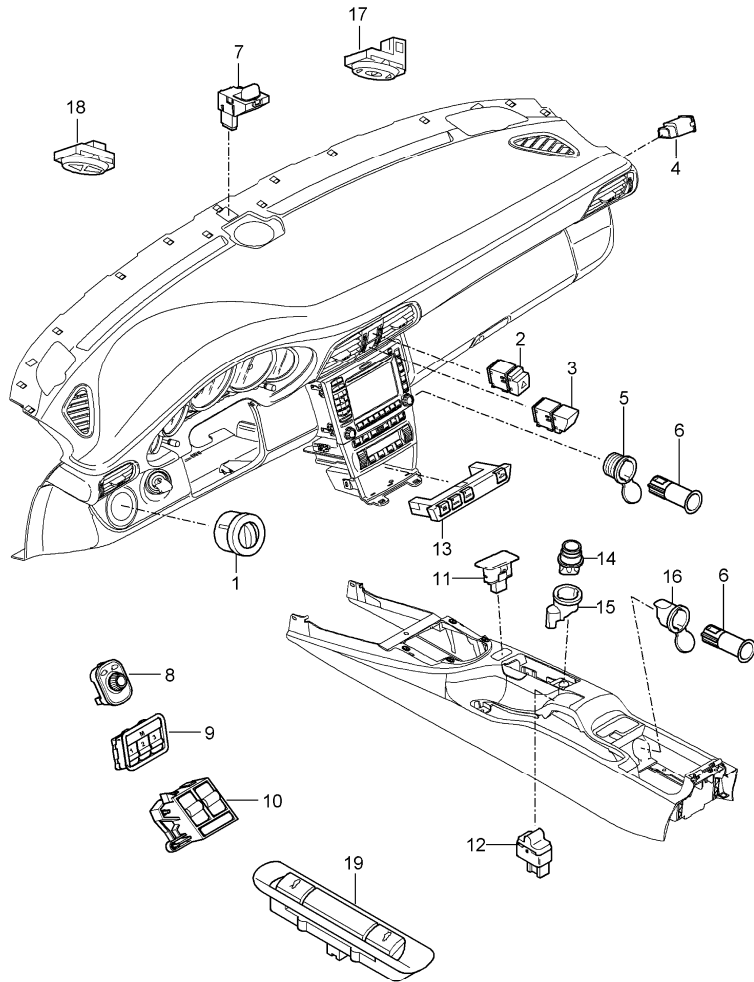
Pos	Part Number	Description	Remark	Qty	Model	Pos	Part Number	Description	Remark	Qty	Model
14	999 591 742 01	speed nut 4,2		2	I521/536						
15	999 073 155 09	tapping screw 4,2 X 13		2	I521/536						

Model	Year	MG	SG	Illustration	Restrictions	UPD	14:14	02.02.2010	PORSCHE	PET	PORSCHE
997T	2009	9	03	903-04		248					



Pos	Part Number	Description	Remark	Qty	Model
		interior lights luggage compartment lamp engine compartment lamp glove compartment light footwell light			
1	997 632 051 00	interior light		1	
2	996 632 151 00	lens		1	
3	900 631 106 90	linolite lamp 10 W		1	
4	999 631 134 90	bulb 6 W		2	
5	999 632 018 00	bulb socket		2	
6	996 632 132 01	door guard light		2	
7	999 631 032 90	bulb 5 W		2	
8	161 949 111	bulb socket		2	
9	955 632 202 00	light footwell		2	
10	997 632 201 00	light engine compartment luggage compartment		2	
11	900 631 106 90	bulb 10 W		2	
12	997 632 071 00	glove compartment light		1	
-	999 631 147 90	bulb 3 W vanity mirror		4	

Model	Year	MG	SG	Illustration	Restrictions	UPD	8:26	26.01.2010	PORSCHE	PET	PORSCHE
997T	2009	9	03	903-05		248					



Pos	Part Number	Description	Remark	Qty	Model
1	997 613 535 01	switch		1	TURBO
	A05	black mat			
1	997 613 525 00	light switch		1	GT2
	A05	black mat			
2	997 613 120 02	hazard warning light sw.		1	
	A05	black mat			
3	997 613 143 00	switch central locking system		1	
	A05	black mat			
4	955 613 165 02	switch airbag		1	
	9B9	satin black			
5	997 652 103 00	clamping ring with lid		1	
6	955 652 107 00	plug socket		2	
7	997 653 251 00	sensor air conditioner		1	I573
8	997 613 241 00	switch door mirror		1	
	A05	black mat			
9	997 613 103 00	memory switch	/L	1	I537
	A05	black mat			
(9)	997 613 104 00	memory switch	/R	1	I538
	A05	black mat			
10 A	997 613 151 03	switch	/LL	07	1 COUPE I098
		power windows driver's side			
	A05	black mat			
10	997 613 151 04	switch	/LL	-08	1 COUPE I098
		power windows driver's side			

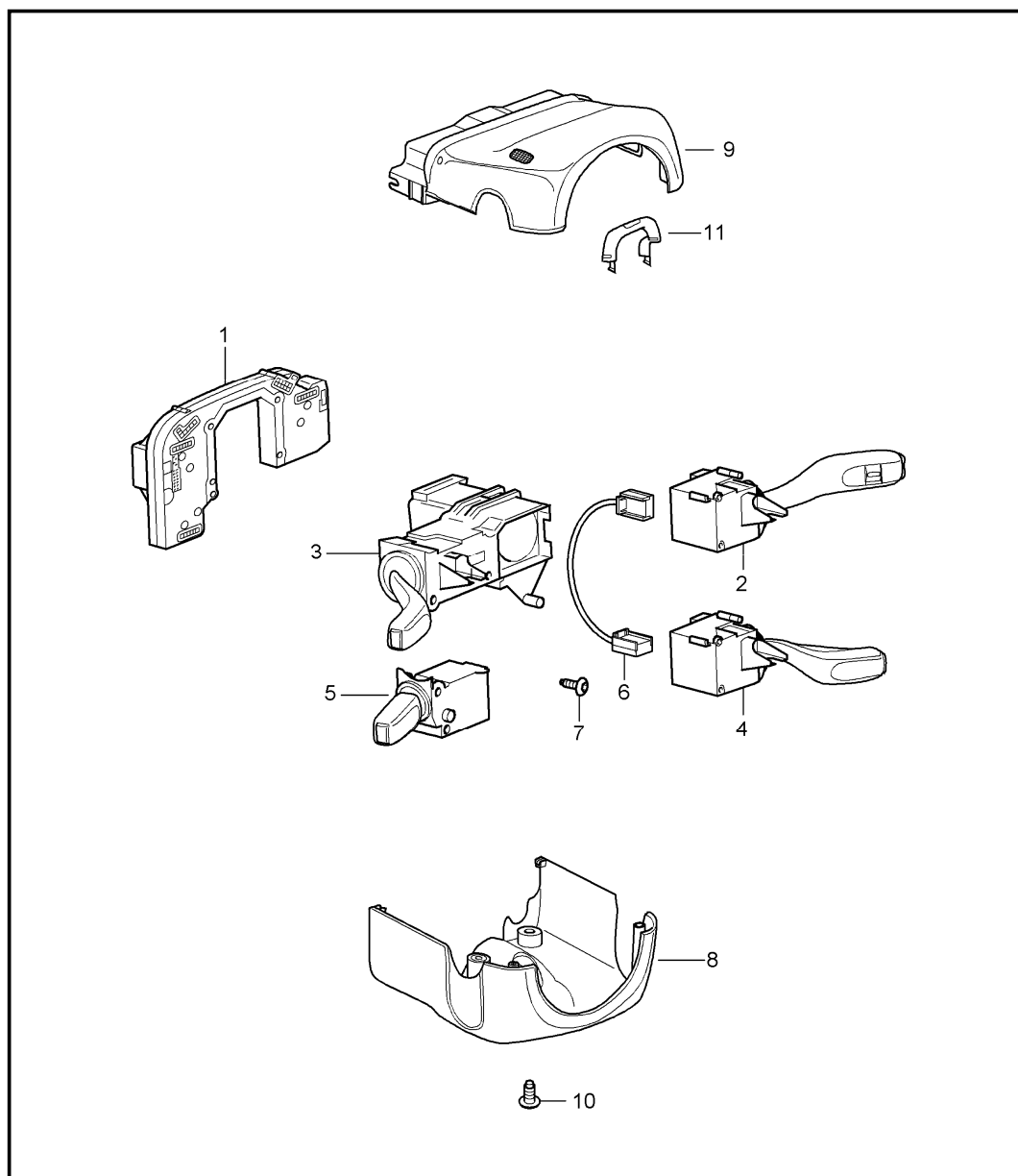
Model	Year	MG	SG	Illustration	Restrictions	UPD	8:26	26.01.2010	PORSCHE	PET	PORSCHE
997T	2009	9	03	903-05		248					

Pos	Part Number	Description	Remark	Qty	Model	Pos	Part Number	Description	Remark	Qty	Model
10	A05	black mat				(10) A	997 613 156 03	switch power windows passenger's side	/LL	07	1 I098
	997 613 151 04	switch	/LL	09	1 COUPE I098		A05	black mat			
		power windows driver's side				(10)	997 613 156 04	switch power windows passenger's side	/LL	-08	1 I098
(10)	A05	black mat					A05	black mat			
	997 613 152 03	switch	/RL	-08	1 COUPE I099	(10)	997 613 156 04	switch power windows passenger's side	/LL	09	1 I098
		power windows driver's side					A05	black mat			
(10)	A05	black mat				(10)	997 613 155 03	switch power windows passenger's side	/RL	07	1 I099
	997 613 152 04	switch	/RL	09-	1 COUPE I099		A05	black mat			
		power windows driver's side				(10)	997 613 155 04	switch power windows passenger's side	/RL	08-	1 I099
(10)	A05	black mat					A05	black mat			
	997 613 153 03	switch	/LL	07	1 CABRIO I098	(10)	997 613 155 04	switch power windows passenger's side			
		power windows driver's side					A05	black mat			
(10)	A05	black mat				11	997 641 165 00	indicator light airbag			1
	997 613 153 04	switch	/LL	08	1 CABRIO I098		A05	black mat			
		power windows driver's side				12	997 613 141 01	switch convertible top control		-08	1 CABRIO
(10)	A05	black mat					A05	black mat			
	997 613 153 04	switch	/LL	09	1 CABRIO I098	(12)	997 613 141 10	switch convertible top control		09	1 CABRIO
		power windows driver's side					A05	black mat			
(10) A	997 613 154 03	switch	/RL	07	1 CABRIO I099	(12)	-	cover see group 8/09/20 POS.6			COUPE
		power windows driver's side				13	997 613 139 00	combined switch		-08	1 TURBO I475 I476/639/640
(10)	A05	black mat					FMH	volcano grey/black mat			
	997 613 154 04	switch	/RL		1 CABRIO I099						
		power windows driver's side									
	A05	black mat									

Model	Year	MG	SG	Illustration	Restrictions	UPD	8:26	26.01.2010	PORSCHE	PET	PORSCHE
997T	2009	9	03	903-05		248					

Pos	Part Number	Description	Remark	Qty	Model	Pos	Part Number	Description	Remark	Qty	Model
(13)	997 613 135 00	combined switch	-08	1	TURBO I475 I476	(18)	997 613 235 00	cover		2	
	FMH	volcano grey/black mat					01C	satin black			
(13)	997 613 127 80	combined switch	-08	1	GT2 I475	19 A	997 613 105 00	switch lid front and rear	-07	1	
	FMH	volcano grey/black mat					A05	black mat			
(13)	997 613 547 00	combined switch	09	1	TURBO I475 I476/639/640	19	997 613 105 01	switch lid front and rear		1	
	A05	black mat					A05	black mat			
(13)	997 613 545 00	combined switch	09	1	TURBO I475 I476						
	A05	black mat									
(13)	997 613 539 80	combined switch	09	1	GT2 I475						
	A05	black mat									
14 A	996 652 101 10	cigarette lighter	-07	1							
	A05	black mat									
14	997 652 101 00	cigarette lighter		1							
	A05	black mat									
15	997 652 102 00	headlight unit		1							
16	997 652 104 00	clamping ring with lid		1							
17	997 613 147 00	switch sunroof		1	I650						
	A05	black mat									
18	997 613 225 01	switch garage door opener	/L	1	I607/608						
	A05	black mat									
(18)	997 613 227 01	switch garage door opener	/R	1	I607/608						
	A05	black mat									

Model	Year	MG	SG	Illustration	Restrictions	UPD	8:26	26.01.2010	PORSCHE	PET	PORSCHE
997T	2009	9	03	903-10		248					

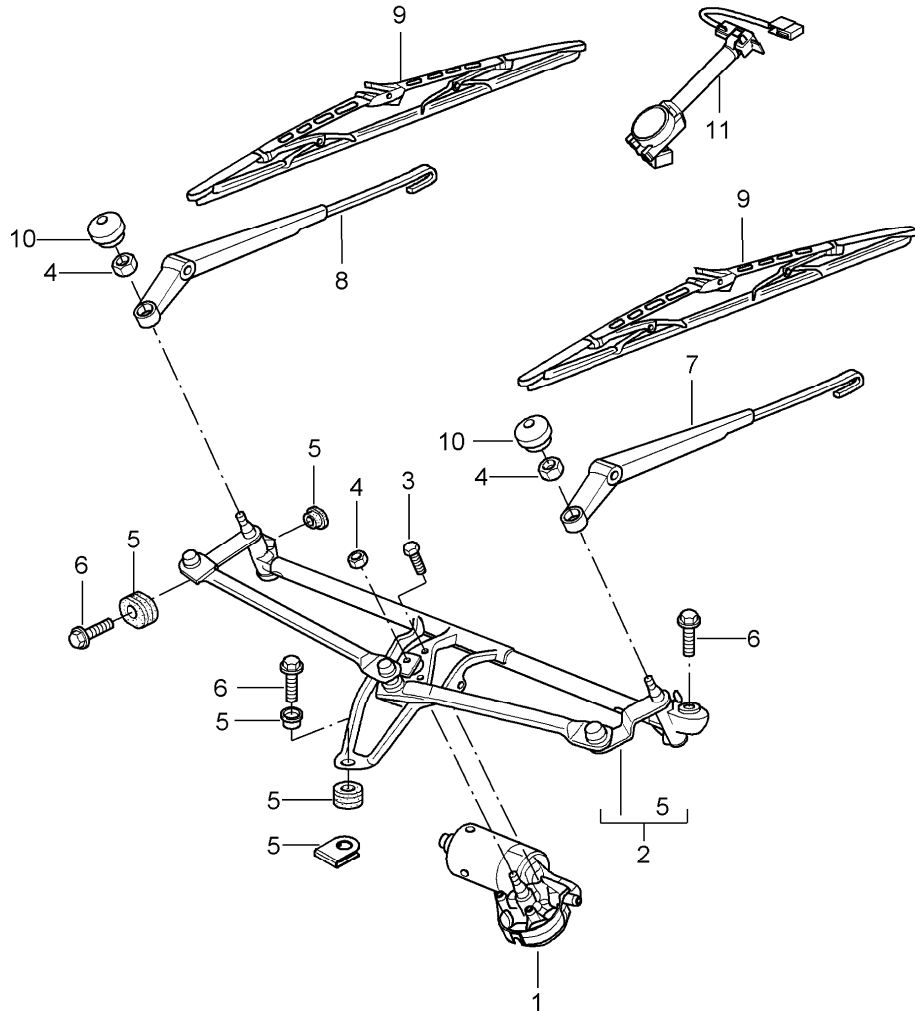


Pos	Part Number	Description	Remark	Qty	Model
		steering column switch			
1	A 997 613 297 01	electronic unit	-08	1	
1	997 613 297 02	electronic unit		1	
2	997 613 253 00	wiper switch		1	I288
	01C	satin black			
(2)	997 613 257 00	wiper switch		1	I288/425
	01C	satin black			
3	997 613 245 00	direction indicator switch		1	
	01C	satin black			
4	> 997 613 261 00	switch cruise control		1	I454
	01C	satin black			
5	997 613 265 00	switch on-board computer		1	I659
	01C	satin black			
5	997 613 267 00	switch on-board computer	09	1	I659/671
	01C	satin black			
6	997 622 674 00	wiring harness cruise control		1	I454
7	N 909 068 01	torx screw M 2,5 X 2,6 X 43,5-D		X	
8	997 552 475 02	switch housing lower		1	
	A03	black			
(8)	997 552 475 03	switch housing lower		1	I454
	A03	black			
8	997 552 979 00	switch housing lower leather		1	IXNS
	A11	black			
	5X6	stone grey			

Model	Year	MG	SG	Illustration	Restrictions	UPD	8:26	26.01.2010	PORSCHE	PET	PORSCHE
997T	2009	9	03	903-10		248					

Pos	Part Number	Description	Remark	Qty	Model	Pos	Part Number	Description	Remark	Qty	Model
	8G2	sand beige					4P2	palmgreen			
	3S9	sea blue					9S5	terracotta			
	4P2	palmgreen					9V6	cocoa			
	9S5	terracotta					D12	dark grey/natural			
	9V6	cocoa					T12	brown/natural			
	D12	dark grey/natural					N12	carrera red			
	T12	brown/natural				10	999 919 136 01	oval-head screw 3,5 X 18		3	
	N12	carrera red				11	997 610 206 00	cable guide		1	
(8)	997 552 979 01	switch housing lower leather		1	IXNS/454						
	A11	black									
	5X6	stone grey									
	8G2	sand beige									
	3S9	sea blue									
	4P2	palmgreen									
	9S5	terracotta									
	9V6	cocoa									
	D12	dark grey/natural									
	T12	brown/natural									
	N12	carrera red									
9	997 552 273 02	switch housing upper		1							
	A03	black									
9	997 552 997 00	switch housing upper leather		1	IXNS						
	A11	black									
	5X6	stone grey									
	8G2	sand beige									
	3S9	sea blue									

Model	Year	MG	SG	Illustration	Restrictions	UPD	8:27	26.01.2010	PORSCHE	PET	PORSCHE
997T	2009	9	04	904-00		248					



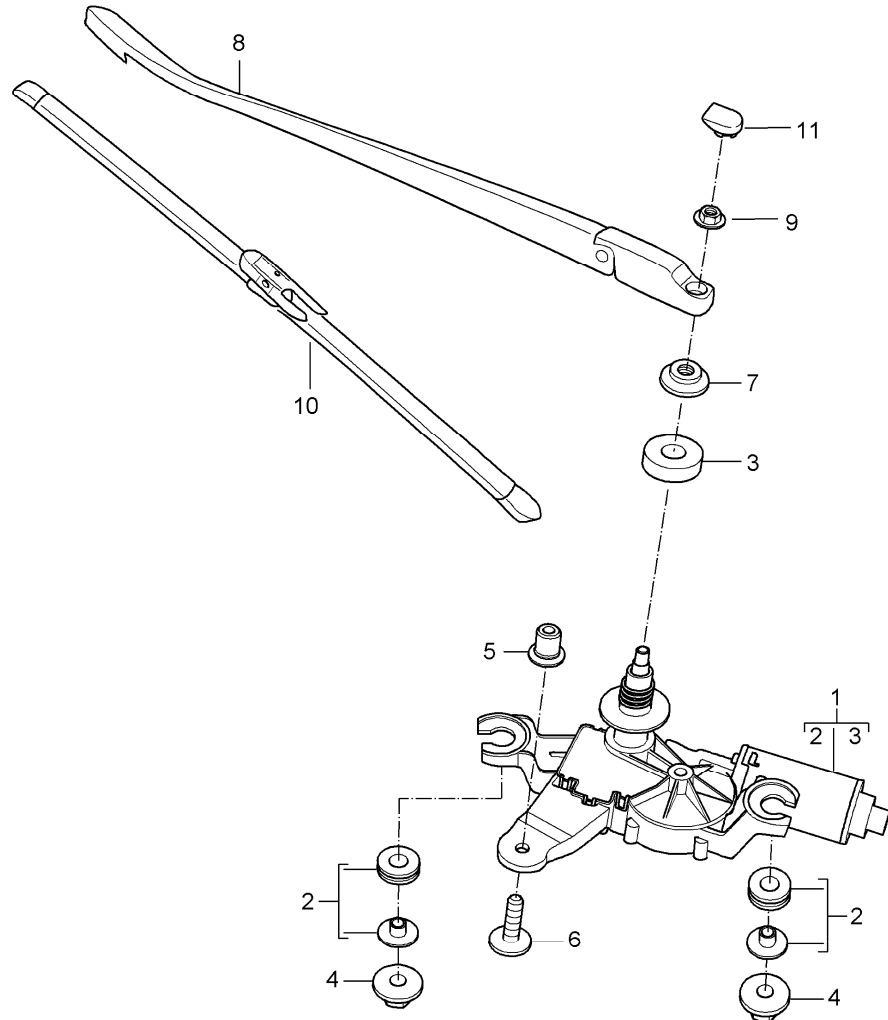
Pos	Part Number	Description	Remark	Qty	Model
		windscreen wiper system rain sensor			
1	A 997 624 105 00	wiper motor	/LL	07	1 I098
1	997 624 105 01	wiper motor	/LL		1 I098
(1)	A 997 624 106 00	wiper motor	/RL	07	1 I099
(1)	997 624 106 01	wiper motor	/RL		1 I099
2	997 628 235 00	crank drive	/LL	07	1 I098
2	997 628 235 01	crank drive	/LL	08-	1 I098
(2)	997 628 236 00	crank drive	/RL	07	1 I099
(2)	997 628 236 01	crank drive	/RL	08-	1 I099
3	999 073 152 02	torx screw M 6 X 18			3
4	900 076 064 02	hexagon nut M 8			3
5	997 628 928 00	repair kit comprising:			1
-	-	bearing sleeve			1
-	-	rubber bush			1
-	-	bearing sleeve			1
-	-	rubber bush			1
-	-	clamp			2
6	999 075 075 01	combination screw M 6 X 22 SC			3
7	A 996 628 028 00	wiper arm driver's side	/LL	07	1 I098
7	997 628 027 00	wiper arm driver's side	/LL		1 I098
(7)	A 996 628 027 01	wiper arm passenger's side	/RL	07	1 I099
(7)	997 628 030 00	wiper arm passenger's side	/RL		1 I099
8	A 996 628 028 01	wiper arm passenger's side	/LL	07	1 I098



Model	Year	MG	SG	Illustration	Restrictions	UPD	8:27	26.01.2010	PORSCHE	PET	PORSCHE
997T	2009	9	04	904-00		248					

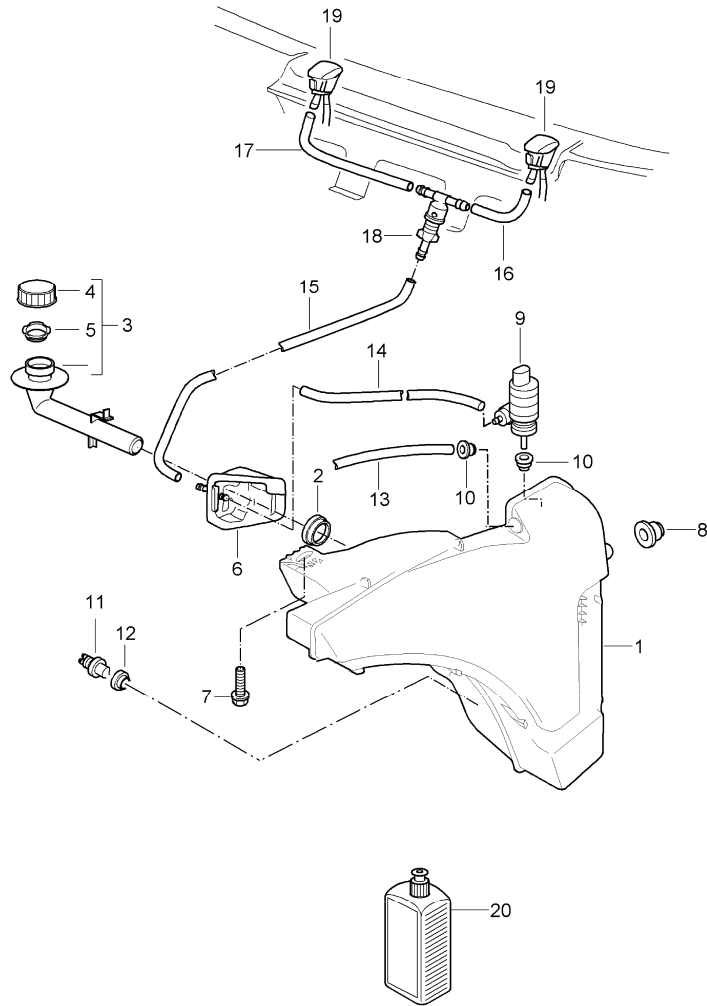
Pos	Part Number	Description	Remark	Qty	Model	Pos	Part Number	Description	Remark	Qty	Model
8	997 628 029 00	wiper arm passenger's side	/LL	1	I098						
(8) A	996 628 027 00	wiper arm driver's side	/RL	07	I099						
(8)	997 628 028 00	wiper arm driver's side	/RL	1	I099						
9	996 628 901 08	wiper blade set driver's side passenger's side		1							
10	944 628 305 01	cap		2							
11	997 612 694 00	rain sensor with wiring harness		1	COUPE I267/268						
(11)	997 612 694 25	rain sensor with wiring harness		1	CABRIO I267/268						
(11)	997 612 693 00	rain sensor with wiring harness		1	GT2 I268						
-	000 043 204 65	adhesive film for rain sensor		1							
(11)	997 612 695 00	wiring harness with light for cars without rain sensor		1	GT2						

Model	Year	MG	SG	Illustration	Restrictions	UPD	8:27	26.01.2010	PORSCHE	PET	PORSCHE
997T	2009	9	04	904-05		248					



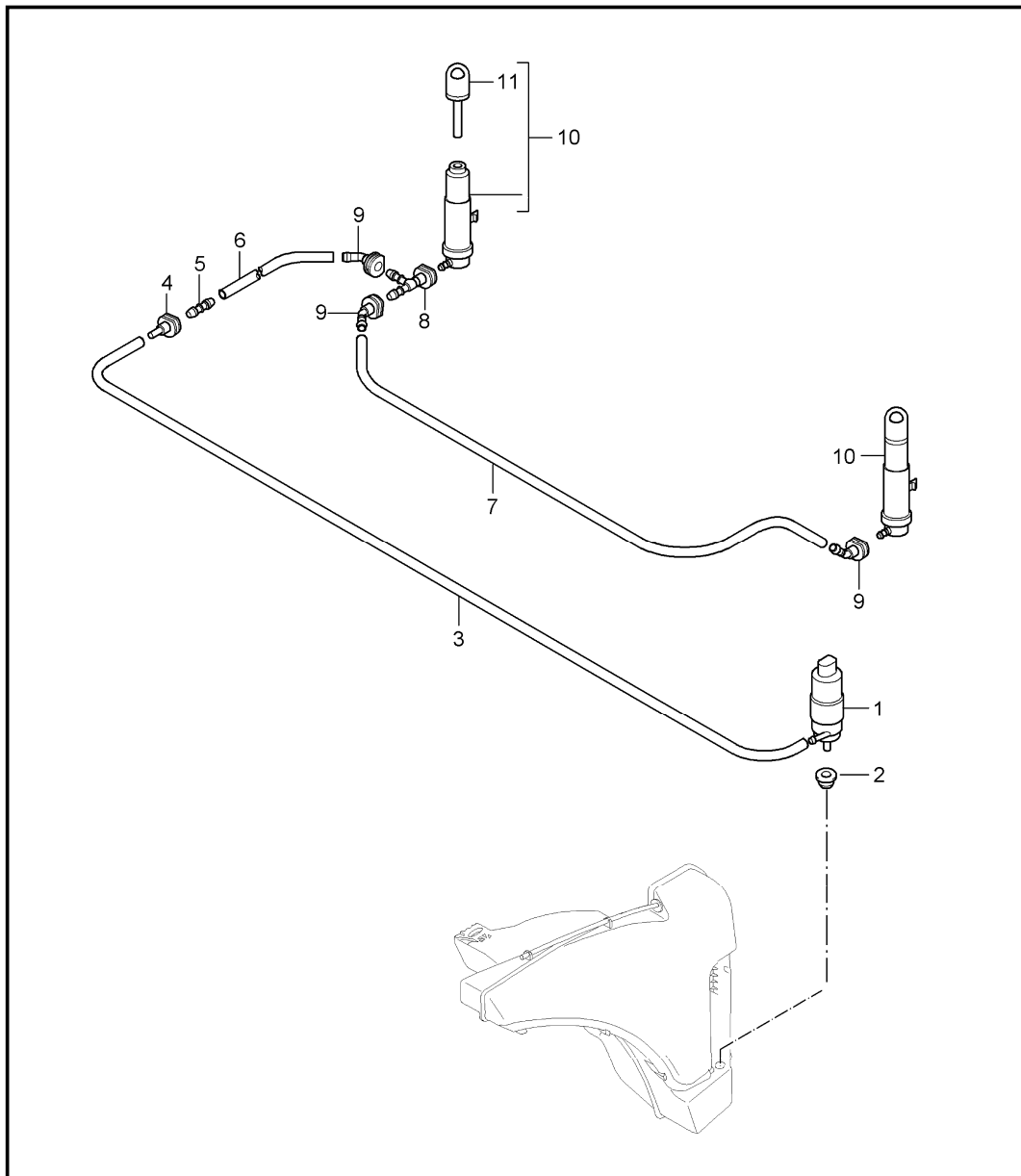
Pos	Part Number	Description	Remark	Qty	Model
		rear window wiper			I425
1	997 628 080 00	wiper motor		1	
2	997 628 908 00	repair kit comprising:		1	
-	-	grommet		2	
-	-	bush		2	
3	997 628 910 00	sealing ring		1	
4	999 076 078 01	hexagon nut M 6		2	
5	999 500 078 00	speed nut		1	
6	999 073 468 01	combination screw M 6 X 22 SC		1	
7	997 628 273 00	grommet		1	
8	997 628 169 00	wiper arm		1	
9	900 377 003 03	hexagon nut		1	
10	997 628 189 00	wiper blade		1	
11	997 628 122 00	cap		1	

Model	Year	MG	SG	Illustration	Restrictions	UPD	8:27	26.01.2010	PORSCHE	PET	PORSCHE
997T	2009	9	04	904-10		248					



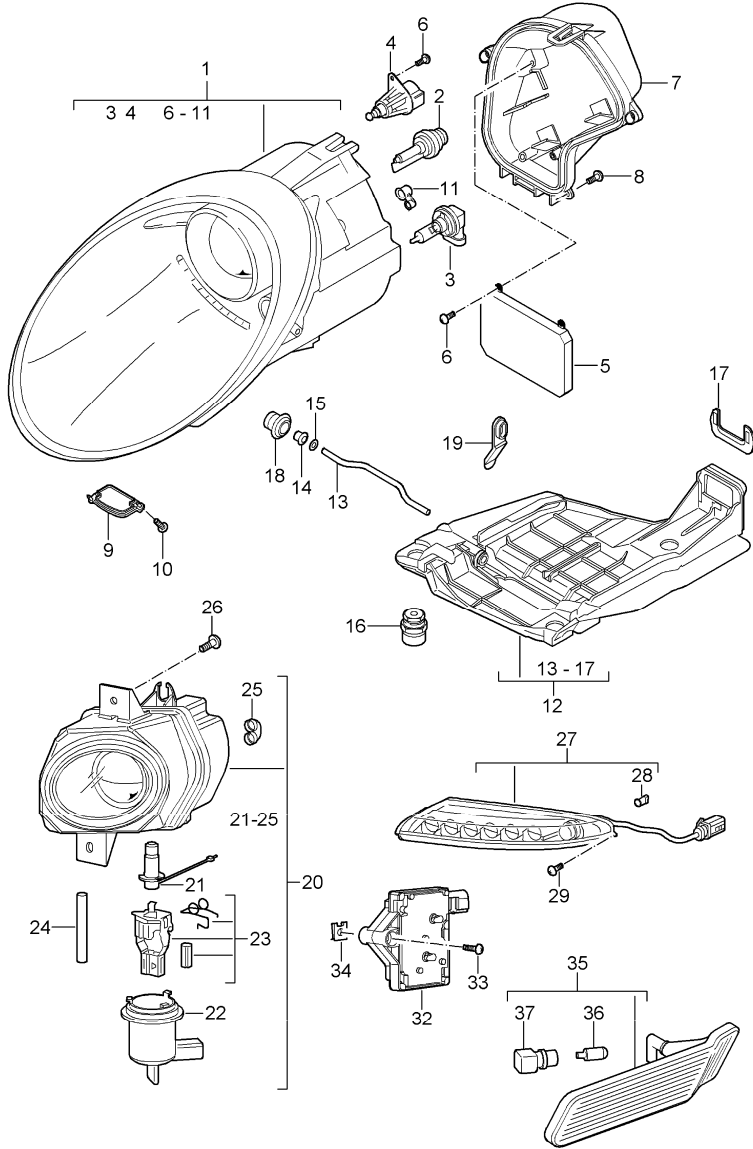
Pos	Part Number	Description	Remark	Qty	Model
		windscreen washer system			
1	997 528 701 01	water reservoir		1	
2	996 528 711 00	gasket		1	
3	997 528 605 00	filler neck		1	
4	996 528 607 00	lid		1	
5	997 528 621 00	strainer		1	
6	996 528 615 01	bracket		1	
-	999 137 091 40	joining socket repair material for bracket 996.528.615.01		X	
7	900 378 154 01	hexagon-head bolt AM 8 X 35 SB		1	
8	999 702 221 40	grommet		2	
9	997 628 182 00	pump		1	
10	431 955 465 B	gasket		2	
11	955 628 105 00	tank gauge switch		1	
12	955 528 721 00	gasket		1	
13	999 181 347 40	breather pipe 273 MM		*	
-	999 181 815 40	hose 5,0 X 2,5		*	
14	-	375 MM		1	
15	-	650 MM		1	
16	-	97 MM		1	
17	-	347 MM		1	
(18)	999 137 005 40	t-piece		1	
19	996 628 077 03	nozzle	07	2	
19	997 628 077 00	nozzle	08-	2	
20	999 901 017 42	window cleaner 250 ML summer		X	

Model	Year	MG	SG	Illustration	Restrictions	UPD	14:18	02.02.2010	PORSCHE	PET	PORSCHE
997T	2009	9	04	904-20		248					



Pos	Part Number	Description	Remark	Qty	Model
		headlight washer system			I288
1	997 624 502 00	pump		1	
2	928 628 193 00	gasket		1	
-	000 043 204 79	hose 8 X 3		*	
3	-	890 MM		1	
4	996 628 204 00	quick-connecting lock		1	
5	997 628 208 00	hose connection		1	
-	999 181 760 40	hose 10 X 3		*	
6	-	405 MM			
7	-	2340 MM			
8	997 628 207 00	t-piece		1	
9	997 628 205 00	quick-connecting lock		3	
10 A	997 628 133 00	nozzle	-07	2	
10	997 628 133 01	nozzle head		2	
11	997 628 231 00	nozzle head		2	

Model	Year	MG	SG	Illustration	Restrictions	UPD	8:29	26.01.2010	PORSCHE	PET	PORSCHE
997T	2009	9	05	905-00		248					



Pos	Part Number	Description	Remark	Qty	Model
		headlamp fog headlamp direction indicator light direction indicator light			I601
		headlamp without control unit and bulb XENON			
1	997 631 157 02	headlamp F >>998S7 82391 F >>998S7 87772 F >>998S7 94318	/L	-08	1 I601
1	997 631 157 07	headlamp F 998S7 82392>>999S7 60152 F 998S7 87773>>999S7 70128 F 998S7 94319>>999S7 76082	/L	08-	1 I601
1	997 631 157 03	headlamp F 999S7 60153>> F 999S7 70129>> F 999S7 76083>>	/L	09	1 I601
1	997 631 157 07	headlamp F 999S7 60153>> F 999S7 70129>> F 999S7 76083>>	/L	09	1 I601/676
(1)	997 631 158 02	headlamp F >>998S7 82391 F >>998S7 87772 F >>998S7 94318	/R	-08	1 I601
(1)	997 631 158 07	headlamp F 998S7 82392>>999S7 60152 F 998S7 87773>>999S7 70128 F 998S7 94319>>999S7 76082	/R	08-	1 I601
(1)	997 631 158 03	headlamp F 999S7 60153>> F 999S7 70129>> F 999S7 76083>>	/R	09	1 I601
(1)	997 631 158 07	headlamp F 999S7 60153>> F 999S7 70129>> F 999S7 76083>>	/R	09	1 I601/676
1	997 631 157 12	headlamp F >>998S7 82435 F >>998S7 87806 F >>998S7 94332	/L	-08	1 I492/601

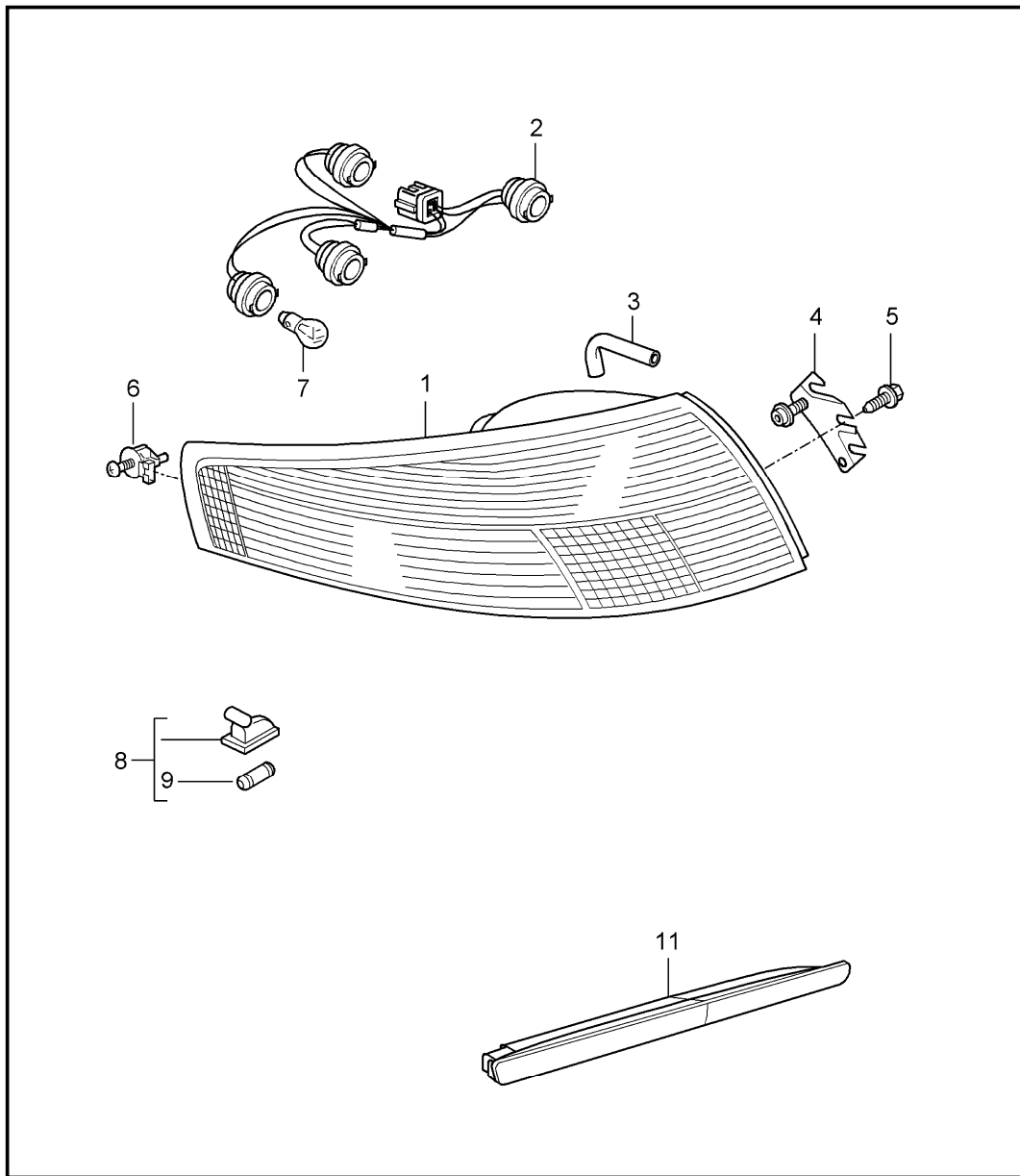
Model	Year	MG	SG	Illustration	Restrictions	UPD	8:29	26.01.2010	PORSCHE	PET	PORSCHE
997T	2009	9	05	905-00		248					

Pos	Part Number	Description	Remark	Qty	Model	Pos	Part Number	Description	Remark	Qty	Model
1	997 631 157 17	headlamp F 998S7 82436>>999S7 60151 F 998S7 87807>>999S7 70131 F 998S7 94333>>999S7 76084	/L 08-	1	I492/601	5	997 631 183 00	control unit F 999S7 60153>> F 999S7 60152>> F 999S7 70129>> F 999S7 70132>> F 999S7 76083>> F 999S7 76085>>	09	2	I601 I492 I492 I492
1	997 631 157 13	headlamp F 999S7 60152>> F 999S7 70132>> F 999S7 76085>>	/L 09	1	I492/601	5	997 631 283 01	control unit F 999S7 60153>> F 999S7 60152>> F 999S7 70129>> F 999S7 70132>> F 999S7 76083>> F 999S7 76085>>	09	2	I601/676 I492 I492
1	997 631 157 17	headlamp F 999S7 60152>> F 999S7 70132>> F 999S7 76085>>	/L 09	1	I492/601/676						
(1)	997 631 158 12	headlamp F >>998S7 82435 F >>998S7 87806 F >>998S7 94332	/R -08	1	I492/601	6	997 631 199 00	screw		6	
(1)	997 631 158 17	headlamp F 998S7 82436>>999S7 60151 F 998S7 87807>>999S7 70131 F 998S7 94333>>999S7 76084	/R 08-	1	I492/601	7	997 631 101 00	protective cap	/L	1	
(1)	997 631 158 13	headlamp F 999S7 60152>> F 999S7 70132>> F 999S7 76085>>	/R 09	1	I492/601	(7)	997 631 102 00	protective cap	/R	1	
(1)	997 631 158 17	headlamp	09	1	I492/601/676	8	997 631 191 00	screw		8	
2	999 631 036 90	bulb - PHILIPS -		2		9	997 631 149 00	ventilation component	/L	1	
3	999 631 144 91	halogen bulb H 11		2		(9)	997 631 150 00	ventilation component	/R	1	
4	997 631 141 00	electric motor headlight levelling system		2		10	997 631 153 00	screw		4	
5	997 631 183 00	control unit F >>998S7 82391 F >>998S7 82435 F >>998S7 87772 F >>998S7 87806 F >>998S7 94318 F >>998S7 94332	-08	2	I601 I492 I492 I492	11	997 631 249 00	ventilation component		2	
5	997 631 283 01	control unit F 998S7 82392>>999S7 60152 F 998S7 82436>>999S7 60151 F 998S7 87773>>999S7 70128 F 998S7 87807>>999S7 70131 F 998S7 94319>>999S7 76082 F 998S7 94333>>999S7 76084	08-	2	I601 I492 I492 I492	12	A 997 631 073 01	mounting	/L	1	
						12	997 631 073 02	mounting	/L	1	
						(12)	A 997 631 074 01	mounting	/R	1	
						(12)	997 631 074 02	mounting	/R	1	
						13	997 631 273 01	clamping bow		2	
						14	997 631 272 00	bearing sleeve		2	
						15	900 116 004 09	lock washer		2	
						16	997 631 194 00	fastening part		6	
						17	997 631 245 00	locking device connector housing		2	
						18	999 703 413 40	stopper		2	
						19	993 631 170 03	stopper fog headlamp		4	

Model	Year	MG	SG	Illustration	Restrictions	UPD	8:29	26.01.2010	PORSCHE	PET	PORSCHE
997T	2009	9	05	905-00		248					

Pos	Part Number	Description	Remark	Qty	Model	Pos	Part Number	Description	Remark	Qty	Model
20	A 997 631 071 01	fog headlamp	/L 07	1		33	999 073 376 01	tapping screw 6,3 X 45		2	
20	997 631 071 02	fog headlamp	/L -08	1		34	999 507 003 01	speed nut 6,3		2	
20	997 631 071 03	fog headlamp	/L 09-	1				direction indicator light			
(20)	A 997 631 072 01	fog headlamp	/R 07	1		35	997 631 033 01	direction indicator light	/L	1	
(20)	997 631 072 02	fog headlamp	/R -08	1		(35)	997 631 034 01	direction indicator light	/R	1	
(20)	997 631 072 03	fog headlamp	/R 09-	1		36	999 631 138 90	bulb 5 W yellow		2	
21	900 631 126 90	halogen bulb H 3		2		37	997 631 133 00	bulb socket		2	
22	997 631 171 01	cap		2							
23	997 631 919 01	repair kit bulb socket		2							
24	A 997 631 304 00	breather hose	07	2							
24	997 631 304 01	breather hose		2							
25	997 631 302 00	breather adapter		2							
26	999 073 231 09	tapping screw 4,8 X 16		4							
		direction indicator light									
27	U 997 631 091 01	direction indicator light	/L	1							
27	997 631 091 02	direction indicator light when required order also:	/L	1							
-	999 902 057 40	velcro fastener 25 X 30		2							
(27)	U 997 631 092 01	direction indicator light	/R	1							
(27)	997 631 092 02	direction indicator light when required order also:	/R	1							
-	999 902 057 40	velcro fastener 25 X 30		2							
28	999 631 033 90	bulb 5 W position light		2							
29	999 073 080 02	tapping screw 4,2 X 16		2							
32	997 618 201 00	control unit direction indicator light		2							

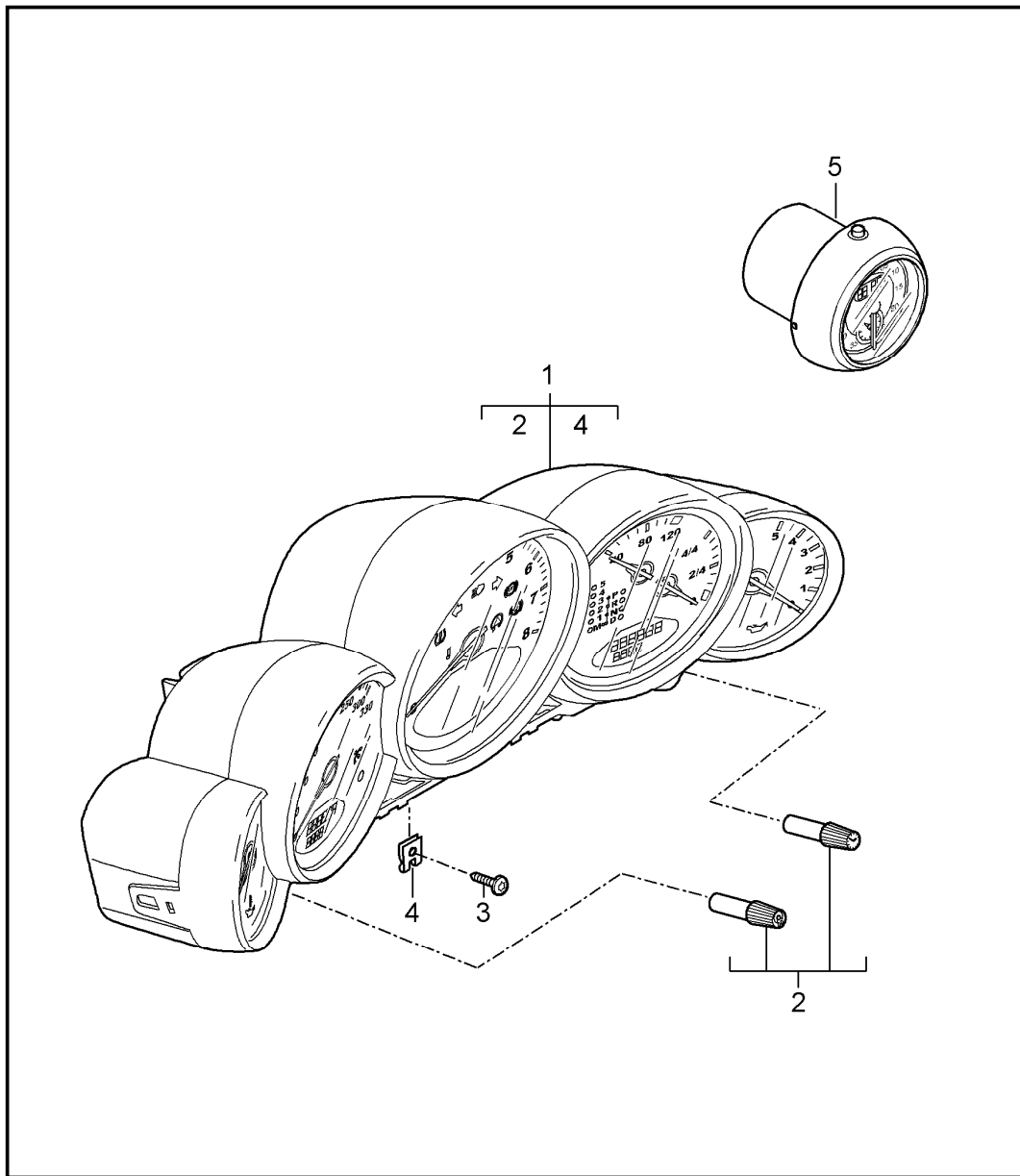
Model	Year	MG	SG	Illustration	Restrictions	UPD	8:29	26.01.2010	PORSCHE	PET	PORSCHE
997T	2009	9	05	905-05		248					



Pos	Part Number	Description	Remark	Qty	Model
		rear light license plate light additional brake light			
1	997 631 485 03	tail light housing	/L	1	
(1)	997 631 486 03	tail light housing	/R	1	
(1)	997 631 981 00	rear light complete	/L 08-	1	IXXF
(1)	997 631 982 00	rear light complete	/R 08-	1	IXXF
2	997 631 436 00	wiring harness		2	
3	997 631 451 00	breather adapter		4	
4	997 631 463 01	support	/L	1	
(4)	997 631 464 01	support	/R	1	
5	900 146 075 09	screw M 6 X 12		2	
6	997 631 471 00	mounting		2	
7	900 631 018 90	bulb 21 W white back-up light		1	
7	900 631 021 90	bulb 21 W yellow direction indicator light		1	
(7)	900 631 022 90	bulb 21/5 W Tail light		1	
7	900 631 017 90	bulb 21/4 W rear fog light Tail light		1	
7	900 631 017 91	bulb 21/4 W Brake light Tail light		1	
8	997 631 620 00	license plate light		2	
9	900 631 025 90	bulb 12V 5W		2	
11	997 631 052 00	additional brake light		1	



Model	Year	MG	SG	Illustration	Restrictions	UPD	8:29	26.01.2010	PORSCHE	PET	PORSCHE
997T	2009	9	06	906-01		248					

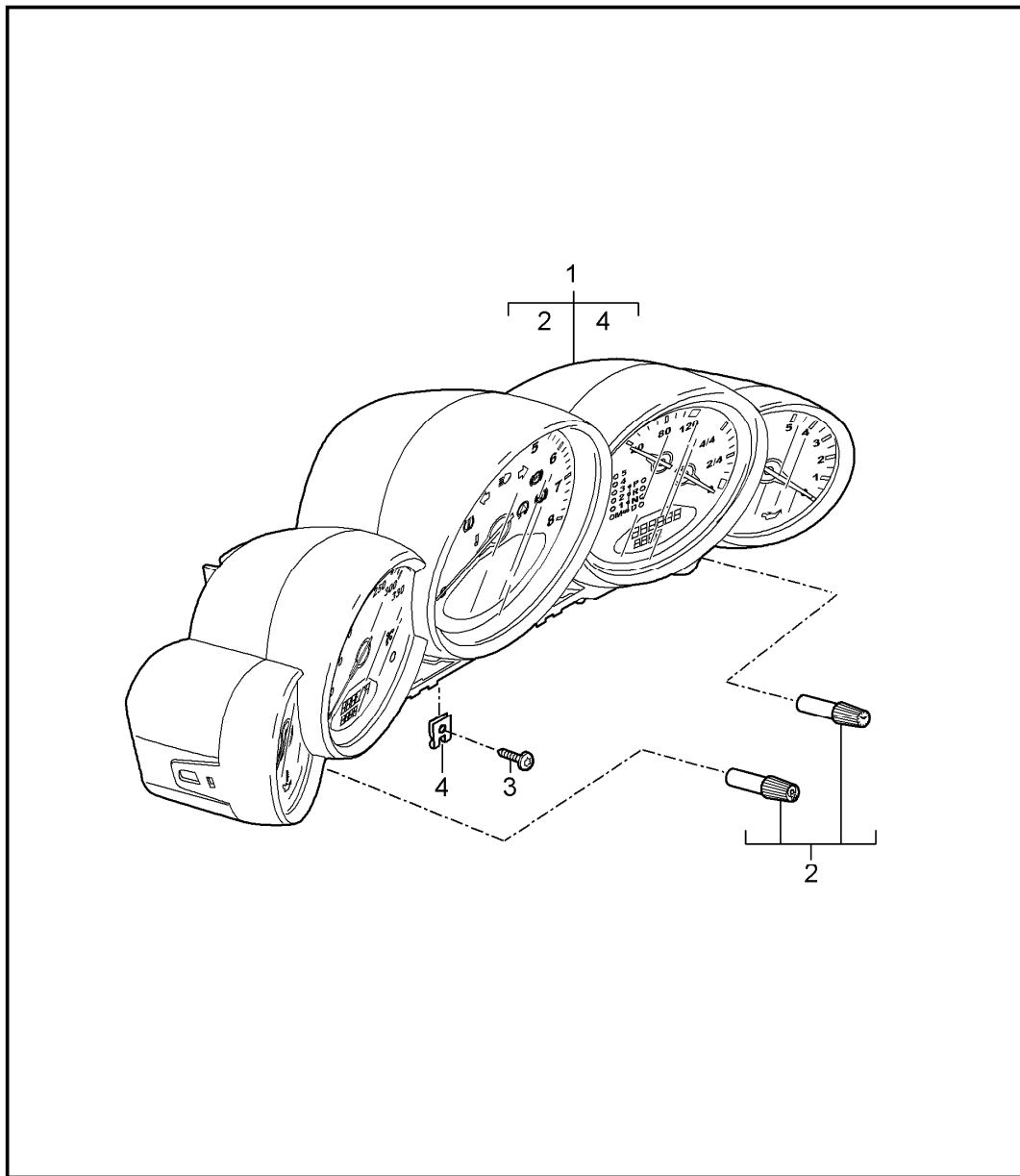


Pos	Part Number	Description	Remark	Qty	Model
		instruments stopwatch  see technical information GR. 9 NR. 5/09 KD - NR. 9025			
(1) A	997 641 135 31	instrument cluster complete  D07 volcano grey		07	1 TURBO I023/480
(1)	997 641 135 33	instrument cluster complete  D07 volcano grey		-08	1 TURBO I023/480
(1)	997 641 135 34	instrument cluster complete  D07 volcano grey		09	1 TURBO I023/480
(1)	997 641 105 82	instrument cluster complete  D07 volcano grey		08	1 GT2 I022/480
(1)	997 641 105 83	instrument cluster complete  D07 volcano grey		09	1 GT2 I022/480
1	997 641 136 33	instrument cluster complete  D07 volcano grey		-08	1 TURBO I023/249
1	997 641 136 34	instrument cluster complete  D07 volcano grey		09	1 TURBO I023/249
(1)	997 641 137 33	instrument cluster complete  D07 volcano grey	(GB)	-08	1 TURBO I023/480

Model	Year	MG	SG	Illustration	Restrictions	UPD	8:29	26.01.2010	PORSCHE	PET	PORSCHE
997T	2009	9	06	906-01		248					

Pos	Part Number	Description	Remark	Qty	Model	Pos	Part Number	Description	Remark	Qty	Model
(1)	997 641 137 34	instrument cluster complete D07 volcano grey	(GB)	09	1	TURBO I023/480					
(1)	997 641 107 82	instrument cluster complete D07 volcano grey	(GB)	08	1	GT2 I022/480					
(1)	997 641 107 83	instrument cluster complete D07 volcano grey	(GB)	09	1	GT2 I022/480					
1	997 641 138 33	instrument cluster complete D07 volcano grey	(GB)	-08	1	TURBO I023/249					
1	997 641 138 34	instrument cluster complete D07 volcano grey	(GB)	09	1	TURBO I023/249					
2	997 641 911 00	knob actuator trip meter and clock			1						
3	999 073 155 09	tapping screw 4,2 X 19			2						
4	999 507 403 02	u-clamp stopwatch			2						
5 A	997 641 311 21	stopwatch V05 galvano silver		07	1	TURBO I026/639/640					
5	997 641 311 24	stopwatch V05 galvano silver			1	TURBO I026/639/640					
(5)	997 641 301 94	stopwatch V05 galvano silver			1	GT2 I639/640					

Model	Year	MG	SG	Illustration	Restrictions	UPD	8:30	26.01.2010	PORSCHE	PET	PORSCHE
997T	2009	9	06	906-02		248					



Pos	Part Number	Description	Remark	Qty	Model
		instruments exclusive programme  see technical information GR. 9 NR. 5/09 KD - NR. 9025  T U R B O			
(1)	A 997 641 985 15	instrument cluster  complete dial lacquered  5Z1 sand beige 12H speed yellow B9A carrara white	07	1	TURBO I480
(1)	997 641 985 25	instrument cluster  complete dial lacquered  5Z1 sand beige 12H speed yellow B9A carrara white	-08	1	TURBO I480
(1)	997 641 985 35	instrument cluster  complete dial lacquered  5Z1 sand beige 12H speed yellow B9A carrara white	09	1	TURBO I480
1	A 997 641 985 16	instrument cluster  complete dial lacquered  5Z1 sand beige 12H speed yellow 84A guards red	07	1	TURBO I249

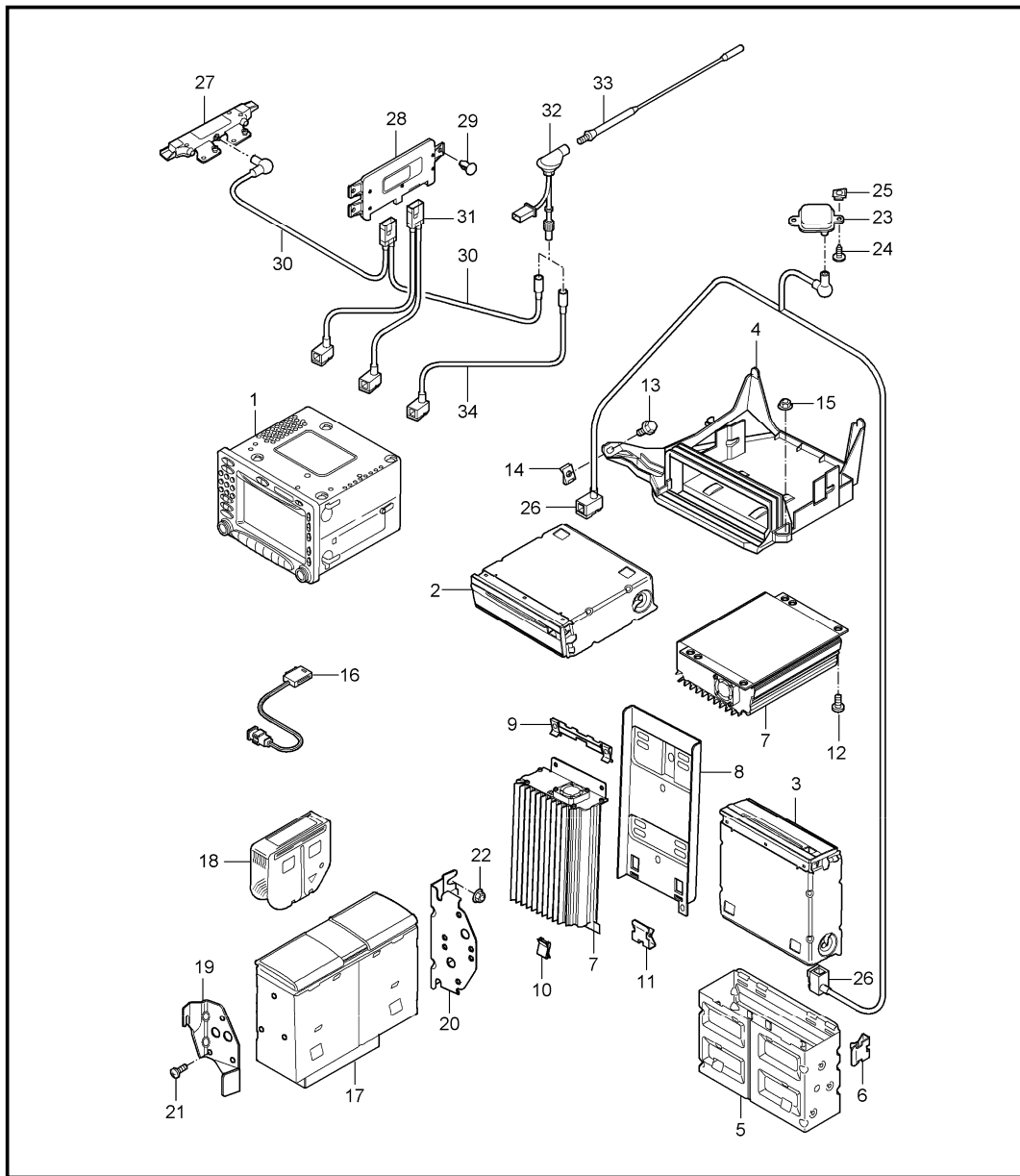
Model	Year	MG	SG	Illustration	Restrictions	UPD	8:30	26.01.2010	PORSCHE	PET	PORSCHE
997T	2009	9	06	906-02		248					

Pos	Part Number	Description	Remark	Qty	Model	Pos	Part Number	Description	Remark	Qty	Model
	B9A	carrara white			IXFJ		5Z1	sand beige			IXFD
1	997 641 985 26	instrument cluster	-08	1	TURBO I249		12H	speed yellow			IXFH
		complete dial lacquered					B9A	carrara white			IXFJ
	5Z1	sand beige			IXFD	1	84A	guards red			IXFG
	12H	speed yellow			IXFH	A	997 641 985 18	instrument cluster	(GB)	07	TURBO I249
	B9A	carrara white			IXFJ			complete dial lacquered			
1	997 641 985 36	instrument cluster	09	1	TURBO I249		5Z1	sand beige			IXFD
		complete dial lacquered					12H	speed yellow			IXFH
	5Z1	sand beige			IXFD	1	B9A	carrara white			IXFJ
	12H	speed yellow			IXFH		997 641 985 28	instrument cluster	(GB)	-08	TURBO I249
	B9A	carrara white			IXFJ			complete dial lacquered			
	84A	guards red			IXFG		5Z1	sand beige			IXFD
(1) A	997 641 985 17	instrument cluster	(GB)	07	TURBO I480		12H	speed yellow			IXFH
		complete dial lacquered					B9A	carrara white			IXFJ
	5Z1	sand beige			IXFD	1	997 641 985 38	instrument cluster	(GB)	09	TURBO I249
	12H	speed yellow			IXFH			complete dial lacquered			
	B9A	carrara white			IXFJ		5Z1	sand beige			IXFD
(1)	997 641 985 27	instrument cluster	(GB)	-08	TURBO I480		12H	speed yellow			IXFH
		complete dial lacquered					B9A	carrara white			IXFJ
	5Z1	sand beige			IXFD		84A	guards red			IXFG
	12H	speed yellow			IXFH	(1)	997 641 991 15	instrument cluster		08	GT2 I480
	B9A	carrara white			IXFJ			complete dial lacquered			
(1)	997 641 985 37	instrument cluster	(GB)	09	TURBO I480		84A	guards red			IXFG
		complete dial lacquered						G T 2			

Model	Year	MG	SG	Illustration	Restrictions	UPD	8:30	26.01.2010	PORSCHE	PET	PORSCHE
997T	2009	9	06	906-02		248					

Pos	Part Number	Description	Remark	Qty	Model	Pos	Part Number	Description	Remark	Qty	Model
(1)	997 641 991 25	instrument cluster complete dial lacquered		09	1 GT2 I480						
	84A	guards red			IXFG						
(1)	997 641 991 17	instrument cluster complete dial lacquered	(GB)	08	1 GT2 I480						
	84A	guards red			IXFG						
(1)	997 641 991 27	instrument cluster complete dial lacquered	(GB)	09	1 GT2 I480						
	84A	guards red			IXFG						
2	997 641 911 00	knob actuator trip meter and clock			1						
3	999 073 155 09	tapping screw 4,2 X 19			2						
4	999 507 403 02	u-clamp			2						

Model	Year	MG	SG	Illustration	Restrictions	UPD	8:30	26.01.2010	PORSCHE	PET	PORSCHE
997T	2009	9	11	911-00		248					



Pos	Part Number	Description	Remark	Qty	Model
		radio	-08		
		control part	-08		
		navigation system			
		booster	-08		
		radio			
		see catalogue			
		T E Q U I P M E N T			
1	997 642 141 03	control part		1	I665
		FMH			
		volcano grey/black mat			
		F >>997S7 80789			
		F >>997S7 83403			
1	997 642 143 03	control part		1	I665/680
		FMH			
		volcano grey/black mat			
		F >>997S7 80789			
		F >>997S7 83403			
1	997 642 141 10	control part		1	I665
		FMH			
		volcano grey/black mat			
		F 997S7 80790>>			
		F 997S7 83404>>			
1	> 997 642 143 10	control part		1	I665/680
		FMH			
		volcano grey/black mat			
		F 997S7 80790>>			
		F 997S7 83404>>			
-	997 642 201 00	rotary knob	/L	1	
		A05			
		black mat			
		for			
		control part			
		see technical information			
		GR. 9 , NR. 6/04			
-	997 642 202 00	rotary knob	/R	1	
		A05			
		black mat			
		for			
		control part			
		see technical information			
		GR. 9 , NR. 6/04			
-	997 642 941 00	cover		1	
		Drawer			
		SIM card			
		for			
		control part			

Model	Year	MG	SG	Illustration	Restrictions	UPD	8:30	26.01.2010	PORSCHE	PET	PORSCHE
997T	2009	9	11	911-00		248					

Pos	Part Number	Description	Remark	Qty	Model	Pos	Part Number	Description	Remark	Qty	Model
-	900 187 038 02	tapping screw ST4,2 X 19 for mount radio and control part centre console		1		-	997 642 265 03	dvd navigation system F >>997S7 80789 F >>997S7 83403		1	I614
2	> 997 642 137 02	dvd device navigation system F >>997S7 80789 F >>997S7 83403	/LL	1	I098/670/672	-	997 642 255 05	dvd navigation system F 997S7 80790>> F 997S7 83404>>	-07	1	I610
2	> 997 642 157 01	dvd device navigation system F 997S7 80790>> F 997S7 83404>>	/LL	1	I098/670/672	-	997 642 259 04	dvd navigation system F 997S7 80790>> F 997S7 83404>>	-07	1	I611
3	> 997 642 139 02	dvd device navigation system F >>997S7 80789	/RL	1	I099/670/672	-	997 642 261 04	dvd navigation system F 997S7 80790>> F 997S7 83404>>	-07	1	I612
3	> 997 642 139 02	dvd device navigation system F >>997S7 80789 F >>997S7 83403		1	I664/670/672	-	997 642 263 04	dvd navigation system F 997S7 80790>> F 997S7 83404>>	-07	1	I613
3	> 997 642 159 01	dvd device navigation system F 997S7 80790>> F 997S7 83404>>	/RL	1	I099/670/672	-	997 642 265 05	dvd navigation system F 997S7 80790>> F 997S7 83404>>	-07	1	I614
3	> 997 642 159 01	dvd device navigation system F 997S7 80790>> F 997S7 83404>>		1	I664/670/672	-	997 642 267 04	dvd navigation system F 997S7 80790>> F 997S7 83404>>	-07	1	I616
-	997 642 255 03	dvd navigation system F >>997S7 80789 F >>997S7 83403		1	I610	-	997 642 255 06	dvd navigation system	08	1	I610
-	997 642 259 02	dvd navigation system F >>997S7 80789 F >>997S7 83403		1	I611	-	997 642 259 05	dvd navigation system	08	1	I611
-	997 642 261 02	dvd navigation system F >>997S7 80789 F >>997S7 83403		1	I612	-	997 642 261 05	dvd navigation system	08	1	I612
-	997 642 263 02	dvd navigation system F >>997S7 80789 F >>997S7 83403		1	I613	-	997 642 263 05	dvd navigation system	08	1	I613
						-	997 642 265 06	dvd navigation system	08	1	I614
						-	997 642 267 05	dvd navigation system	08	1	I616
						-	997 642 148 02	cd-rom logbook		1	I641

Model	Year	MG	SG	Illustration	Restrictions	UPD	8:30	26.01.2010	PORSCHE	PET	PORSCHE
997T	2009	9	11	911-00		248					

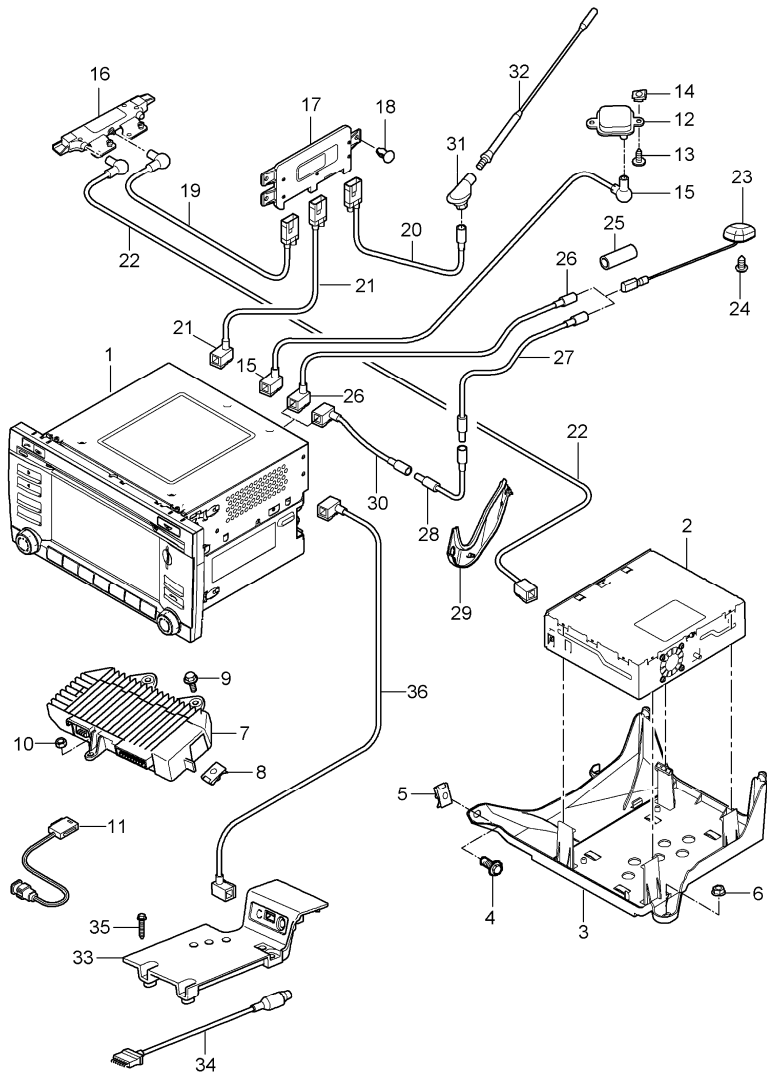
Pos	Part Number	Description	Remark	Qty	Model	Pos	Part Number	Description	Remark	Qty	Model
4	997 645 351 00	support dvd device and booster	/LL	1	I098/490/670 I672/680	17	997 645 140 03	cd changer CDC 4		1	I692
5	997 642 231 00	support dvd device		1	I664/670/672	18	996 645 113 00	magazine cd changer		1	I692
(5)	997 642 335 00	support dvd device	/RL	1	I099/670/672	19	997 645 233 00	support	/LL	1	I098/692
6	997 645 342 01	u-clamp		4	I664/670/672	(19)	997 645 234 00	support	/RL	1	I099/692
(7)	997 645 331 01	booster		1	COUPE I490	20	997 645 235 00	support		1	I692
(7)	997 645 332 00	booster		1	CABRIO I490	21	900 146 024 01	round head screw M 5 X 8		6	I692
7	> 997 645 334 33	booster note coding		1	I680	22	999 084 638 01	hexagon nut M 6		3	I692
8	997 645 341 01	support		1	I490/664/680	23	997 642 105 00	antenna GPS		1	I670/672
9	997 645 340 00	fastening clamp		1	I490/664/680	24	999 073 210 00	tapping screw 4,8 X 13		1	I670/672
9	997 645 340 00	fastening clamp	/RL	1	I099/490/680	25	999 507 441 01	speed nut 4,8		1	I670/672
10	999 507 532 01	u-clamp		2	I490/664/680	26	997 612 060 25	connecting line antenna dvd device navigation system		1	I670/672
10	999 507 532 01	u-clamp	/RL	2	I099/490/680	27	997 647 117 00	antenna booster	/L	1	I440
11	997 645 342 01	u-clamp		4	I490/664/680	(27)	997 647 118 00	antenna booster	/R	1	I440
12	999 919 164 09	oval-head screw 5,0 X 12,0	/LL	X	I098/490/680	28	997 647 124 00	control unit		1	I440
13	900 378 179 09	hexagon-head bolt M 6 X 16	/LL	1	I098/490/670 I680	29	999 591 904 40	fastening part		2	I440
14	999 507 766 02	speed nut M 6	/LL	1	I098/490/670 I680	30	997 612 069 00	connecting line	/LL	1	COUPE I098 I461/665
15	999 084 638 01	hexagon nut M 6	/LL	1	I098/490/670 I680			antenna booster control unit			
16	997 646 307 02	microphone		1	I680			connecting line	/RL	1	COUPE I099 I461/665
(16)	997 646 307 01	microphone		1	I618/666/680			antenna booster control unit			
-	997 610 233 00	cable guide microphone		-07	1			connecting line			
-	997 610 233 01	cable guide microphone		08	1			antenna booster control unit			



Model	Year	MG	SG	Illustration	Restrictions	UPD	8:30	26.01.2010	PORSCHE	PET	PORSCHE
997T	2009	9	11	911-00		248					

Pos	Part Number	Description	Remark	Qty	Model	Pos	Part Number	Description	Remark	Qty	Model
30	997 612 066 00	connecting line antenna booster control unit	/LL	1	CABRIO I098 I461/665	(34)	997 612 068 50	connecting line antenna base radio	/RL	1	CABRIO I099 I461/694
30	997 612 066 50	connecting line antenna booster control unit	/RL	1	CABRIO I099 I461/665	(34)	997 612 067 01	connecting line antenna base Power supply		1	CABRIO I461
(30)	997 612 055 00	connecting line antenna booster control unit	/LL	1	I098/665						
(30)	997 612 056 00	connecting line antenna booster control unit	/RL	1	I099/665						
(30)	997 612 062 50	connecting line antenna booster control unit		1	I694						
31	997 612 058 00	connecting line control unit control part		1	I665						
(31)	997 612 052 00	connecting line control unit radio		1	I694						
32	997 647 231 00	antenna base		1	COUPE I461						
(32)	997 647 221 00	antenna base		1	CABRIO I461						
33	997 647 233 00	antenna rod		1	COUPE I461						
(33)	997 647 223 00	antenna rod		1	CABRIO I461						
34	997 612 070 00	connecting line antenna base radio		1	COUPE I461 I694						
(34)	997 612 068 00	connecting line antenna base radio	/LL	1	CABRIO I098 I461/694						

Model	Year	MG	SG	Illustration	Restrictions	UPD	8:30	26.01.2010	PORSCHE	PET	PORSCHE
997T	2009	9	11	911-01		248					



Pos	Part Number	Description	Remark	Qty	Model
		control part		09	
		navigation system		09	
		receiving part		09	
		tv		09	
		booster		09	
		control part			
		only in exchange			
1	997 642 960 X	control part		1	I665
		FTC Matt Black/Galvano Silver			
		we take back:			
		997.642.960.00.FTC			
1	997 642 962 X	control part		1	I665/693
		FTC Matt Black/Galvano Silver			
		we take back:			
		997.642.962.00.FTC			
1	997 642 970 X	control part		1	I665/672
		FTC Matt Black/Galvano Silver			
		we take back:			
		997.642.970.00.FTC			
1	997 642 972 X	control part		1	I665/672/693
		FTC Matt Black/Galvano Silver			
		we take back:			
		997.642.972.00.FTC			
1	997 642 974 X	control part		1	I665/673
		FTC Matt Black/Galvano Silver			
		we take back:			
		997.642.974.00.FTC			
1	997 642 975 X	control part		1	I665/673/693
		FTC Matt Black/Galvano Silver			
		we take back:			
		997.642.975.00.FTC			
-	-	control unit			
		telephone			
		see group			
		9/11/11			
-	997 642 929 00	rotary knob	/L	1	
		for			
		control part			
-	997 642 930 00	rotary knob	/R	1	
		for			
		control part			

Model	Year	MG	SG	Illustration	Restrictions	UPD	8:30	26.01.2010	PORSCHE	PET	PORSCHE
997T	2009	9	11	911-01		248					

Pos	Part Number	Description	Remark	Qty	Model	Pos	Part Number	Description	Remark	Qty	Model
-	997 642 125 00	adapter -CAN-		1	I673			see technical information GR. 9 NR. 52/09 KD - NR. 9110			
-	999 591 941 40	expansion rivet for mount adapter -CAN-		1	I673	-	997 642 277 51	dvd navigation system for software 997.642.277.01		1	I612
-	997 642 148 02	cd-rom logbook		1	I641			see technical information GR. 9 NR. 52/09 KD - NR. 9110			
-	997 642 271 50	dvd navigation system for software 997.642.271.00		1	I610	-	997 642 279 50	dvd navigation system for software 997.642.279.00		1	I613
		see technical information GR. 9 NR. 52/09 KD - NR. 9110						see technical information GR. 9 NR. 52/09 KD - NR. 9110			
-	997 642 271 51	dvd navigation system for software 997.642.271.01		1	I610	-	997 642 279 51	dvd navigation system for software 997.642.279.01		1	I613
		see technical information GR. 9 NR. 52/09 KD - NR. 9110						see technical information GR. 9 NR. 52/09 KD - NR. 9110			
-	997 642 275 50	dvd navigation system for software 997.642.275.00		1	I611	-	997 642 281 50	dvd navigation system for software 997.642.281.00		1	I614
		see technical information GR. 9 NR. 52/09 KD - NR. 9110						see technical information GR. 9 NR. 52/09 KD - NR. 9110			
-	997 642 275 51	dvd navigation system for software 997.642.275.01		1	I611	-	997 642 281 51	dvd navigation system for software 997.642.281.01		1	I614
		see technical information GR. 9 NR. 52/09 KD - NR. 9110						see technical information GR. 9 NR. 52/09 KD - NR. 9110			
-	997 642 277 50	dvd navigation system for software 997.642.277.00		1	I612			see technical information GR. 9 NR. 52/09 KD - NR. 9110			

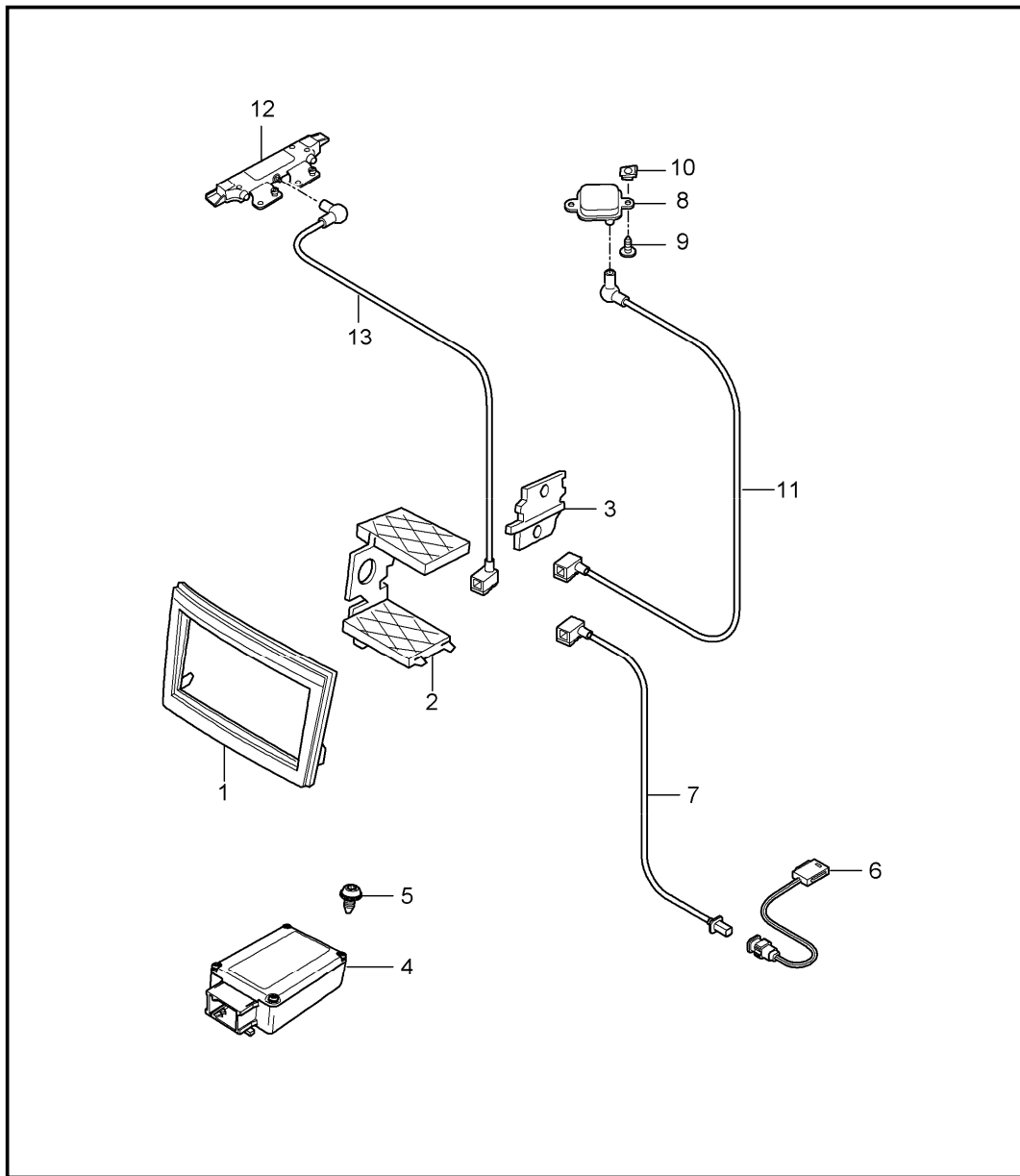
Model	Year	MG	SG	Illustration	Restrictions	UPD	8:30	26.01.2010	PORSCHE	PET	PORSCHE
997T	2009	9	11	911-01		248					

Pos	Part Number	Description	Remark	Qty	Model	Pos	Part Number	Description	Remark	Qty	Model
-	997 642 283 50	dvd navigation system for software 997.642.283.00  see technical information GR. 9 NR. 52/09 KD - NR. 9110		1	I616	(8)	999 500 078 00	speed nut M 6		2	GT2 I490/680
-	997 642 283 51	dvd navigation system for software 997.642.283.01  see technical information GR. 9 NR. 52/09 KD - NR. 9110		1	I616	9	900 378 035 01	hexagon-head bolt M 6 X 16		2	TURBO I490/680
2	997 642 320 01	receiving part tv		1	I676	9	900 378 188 09	hexagon-head bolt M 6 X 20		2	GT2 I490/680
3	997 642 333 00	support receiving part tv	/LL	1	I676	10	999 084 638 01	hexagon nut M 6		1	I490/680
3	997 642 339 00	support navigation system		1	I673	11	997 646 313 00	microphone		1	I490/618/619 I666/671
(3)	997 642 332 00	support receiving part tv	/RL	1	I676	11	997 646 315 00	microphone		1	I618/619/666 I671/680
4	900 378 179 09	hexagon-head bolt M 6 X 16	/LL	1	I673/676	11	997 646 317 00	microphone		1	I680
5	999 507 766 02	speed nut M 6	/LL	1	I673/676	11	997 646 319 00	microphone		1	I618/619/665 I666/671
6	999 084 638 01	hexagon nut M 6	/LL	1	I673/676	-	997 610 233 01	cable guide microphone		1	
7	997 645 441 00	booster		1	COUPE I490	12	997 642 105 00	antenna GPS		1	I672/673
7	997 645 442 00	booster		1	CABRIO I490	13	999 073 210 00	tapping screw 4,8 X 13		1	I672/673
(7)	997 645 444 04	booster note coding		1	I680	14	999 507 441 01	speed nut 4,8		1	I672/673
8	999 507 766 02	speed nut M 6		2	TURBO I490/680	15	997 612 030 75	connecting line antenna control part		1	I672
						(15)	997 612 073 25	connecting line antenna control part		1	I673
						16	997 647 117 00	antenna booster	/L	1	I440
						(16)	997 647 118 00	antenna booster	/R	1	I440
						(16)	997 647 119 00	antenna booster	/L	1	I440/676
						(16)	997 647 120 00	antenna booster	/R	1	I440/676
						17	997 618 122 00	control unit		1	I440
						18	999 591 904 40	fastening part		2	I440

Model	Year	MG	SG	Illustration	Restrictions	UPD	8:30	26.01.2010	PORSCHE	PET	PORSCHE
997T	2009	9	11	911-01		248					

Pos	Part Number	Description	Remark	Qty	Model	Pos	Part Number	Description	Remark	Qty	Model
19	997 612 069 25	connecting line left antenna booster control unit	/LL	1	I098/461	(22)	997 612 074 25	connecting line control part computer navigation system		1	I673
19	997 612 069 75	connecting line left antenna booster control unit	/RL	1	I099/461	(22)	997 612 072 25	connecting line computer navigation system - IR - sensor		1	I673
19	997 612 055 25	connecting line left antenna booster control unit	/LL	1	I098/665	31	997 647 221 00	antenna base		1	I461
						32	997 647 223 00	antenna rod		1	I461
19	997 612 056 25	connecting line right antenna booster control unit	/LL	1	I098/665	33	997 642 465 00	adapter Multimedia interface		1	I870
							01C	satin black			
19	997 612 055 75	connecting line left antenna booster control unit	/RL	1	I099/665	34	997 612 471 01	connecting cable iPOD		1	I870
						35	999 073 429 01	tapping screw 4,2 X 25		3	I870
19	997 612 056 75	connecting line right antenna booster control unit	/RL	1	I099/665	36	997 612 049 75	connecting line Multimedia interface control part		1	I870
20	997 612 066 25	connecting line antenna base control unit		1	I461						
(20)	997 612 067 01	connecting line antenna base Power supply		1	I461						
21	997 612 057 25	connecting line control unit control part	/LL	1	I098/665						
21	997 612 057 75	connecting line control unit control part	/RL	1	I099/665						
22	997 612 089 25	connecting line antenna booster receiving part tv	/LL	1	I098/676						
22	997 612 089 75	connecting line antenna booster receiving part tv	/RL	1	I099/676						

Model	Year	MG	SG	Illustration	Restrictions	UPD	8:30	26.01.2010	PORSCHE	PET	PORSCHE
997T	2009	9	11	911-02		248					

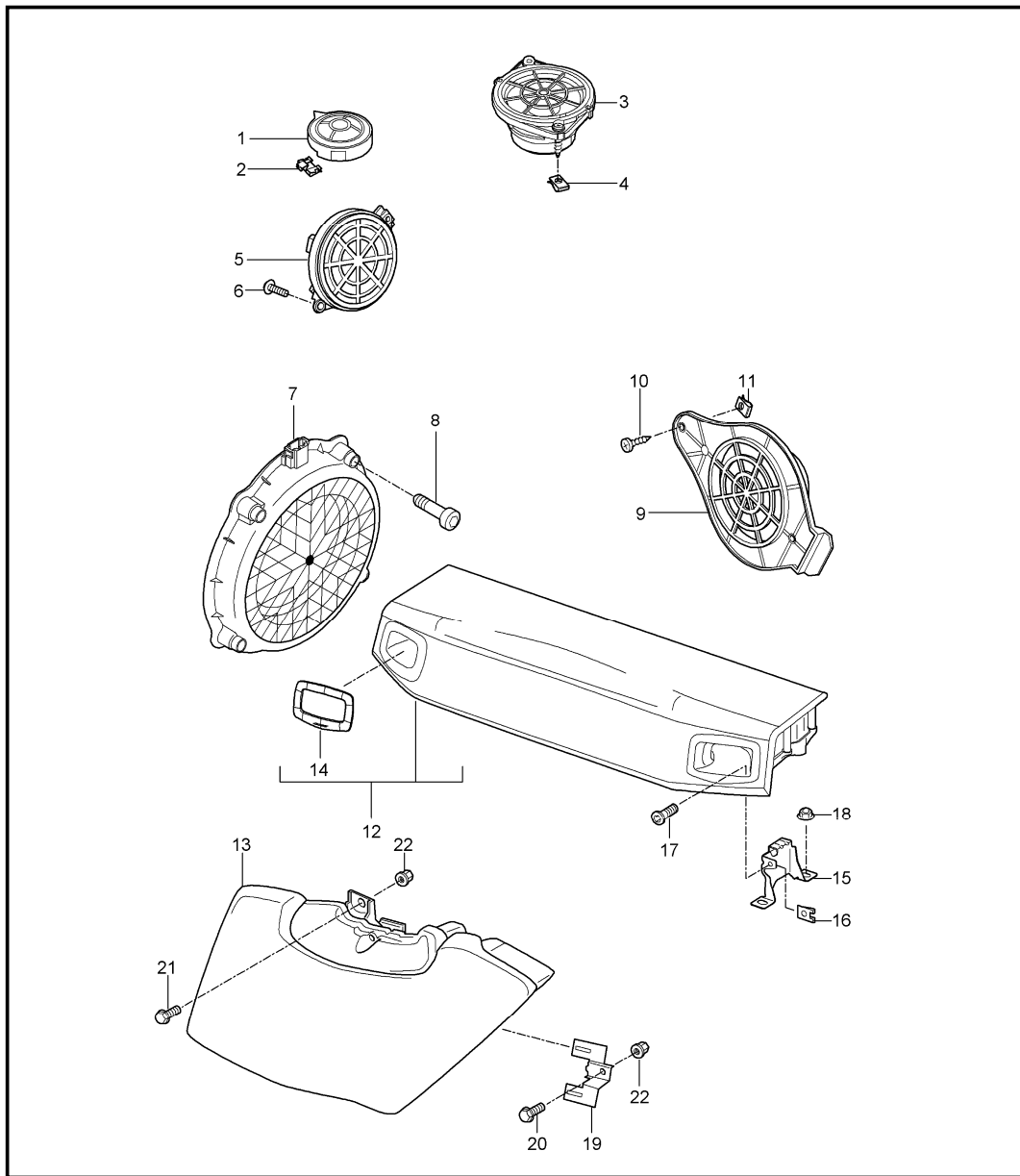


Pos	Part Number	Description	Remark	Qty	Model
		preparation navigation system japan		09	I675
1	997 642 913 00	front frame		1	I675
	A05	black mat			
2	997 642 905 00	support		2	I675
3	997 642 907 00	guide rail		2	I675
4	997 642 915 01	adapter - CAN -		1	I675
5	999 591 941 40	expansion rivet		1	I675
6	997 646 309 00	microphone		1	I675
-	997 610 233 01	cable guide microphone		1	I675
7	997 612 075 75	connecting line microphone control part		1	I675
(7)	997 612 046 25	connecting line Card reader tv control part		1	I675
8	997 642 105 00	antenna navigation system		1	I675
9	999 073 210 00	tapping screw 4,8 X 13		1	I675
10	999 507 441 01	speed nut 4,8		1	I675
11	997 612 079 75	connecting line antenna navigation system control part		1	I675
12	997 647 109 00	antenna booster	/L	1	I675
(12)	997 647 110 00	antenna booster	/R	1	I675
13	997 612 076 25	connecting line antenna booster left control part radio		1	I675

Model	Year	MG	SG	Illustration	Restrictions	UPD	8:30	26.01.2010	PORSCHE	PET	PORSCHE
997T	2009	9	11	911-02		248					

Pos	Part Number	Description	Remark	Qty	Model	Pos	Part Number	Description	Remark	Qty	Model
(13)	997 612 077 25	connecting line antenna booster left control part tv		1	I675						
(13)	997 612 078 25	connecting line antenna booster right control part tv	/LL	1	I675						
(13)	997 612 078 75	connecting line antenna booster right control part tv	/RL	1	I675						
(13)	997 612 047 25	connecting line - VICS BEACON - antenna control part		1	I675						

Model	Year	MG	SG	Illustration	Restrictions	UPD	8:30	26.01.2010	PORSCHE	PET	PORSCHE
997T	2009	9	11	911-05		248					



Pos	Part Number	Description	Remark	Qty	Model
1	997 645 021 00	loudspeaker tweeter dashboard		2	I490
(1)	997 645 025 00	tweeter dashboard		2	I680
2	999 591 303 01	u-clamp		4	
3	997 645 033 00	loudspeaker dashboard centre		1	I490
(3)	997 645 035 00	loudspeaker dashboard centre		1	I680
4	999 507 971 01	speed nut 4,2		4	
5	997 645 543 00	mid-range loudspeaker door		2	I490
(5)	997 645 545 00	mid-range loudspeaker door		2	I680
6	999 919 164 09	oval-head screw 5,0 X 12		4	
7	997 645 551 00	woofer		2	GT2 I441
7	997 645 553 00	woofer		2	I490
(7)	997 645 555 00	woofer		2	I680
8	900 067 012 03	pan-head screw M 6 X 30		8	
9	997 645 041 01	loudspeaker rear		2	I490
(9)	997 645 045 01	loudspeaker rear		2	I680
10	999 073 225 09	tapping screw 4,8 X 16		2	
11	999 507 441 09	speed nut 4,8		2	
		subwoofer			
12	997 645 564 00	subwoofer		1	COUPE I680



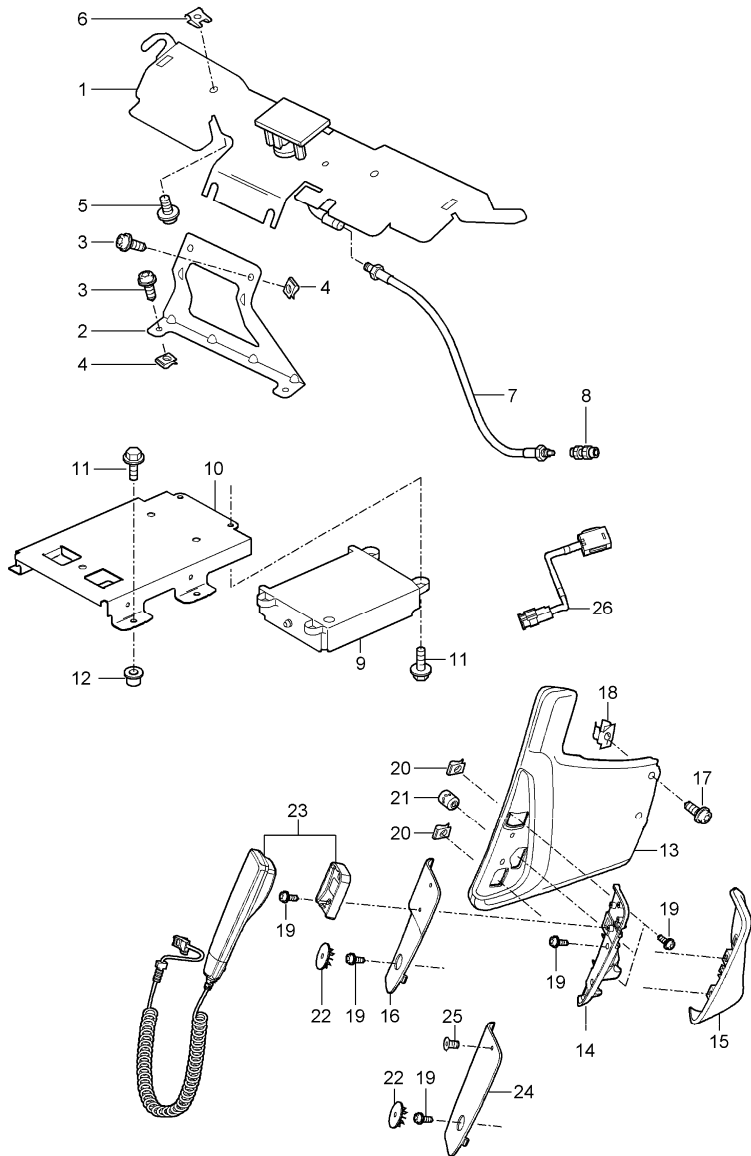
Model	Year	MG	SG	Illustration	Restrictions	UPD	8:30	26.01.2010	PORSCHE	PET	PORSCHE
997T	2009	9	11	911-05		248					

Pos	Part Number	Description	Remark	Qty	Model	Pos	Part Number	Description	Remark	Qty	Model
	FMF	black					M10	terracotta			
	FMG	stone grey					R10	cocoa			
	FMM	sand beige					D11	dark grey/natural			
	FMN	sea blue					T11	brown/natural			
	FMO	palmgreen					N10	carrera red			
	FMP	terracotta				14	996 645 568 00	rosette		2	COUPE I680
	FMQ	cocoa					A03	black			
	FMR	dark grey/natural					5V7	stone grey			
	FMS	brown/natural					5Z1	sand beige			
	FTA	carrera red					8W7	sea blue			
13	997 645 566 00	subwoofer	/LL	1	CABRIO I098 I680		5Y2	palmgreen			
	A10	black					8X8	terracotta			
	B10	stone grey					8P9	cocoa			
	T10	sand beige					T13	brown/natural			
	E10	sea blue					N23	carrera red			
	J10	palmgreen				(15)	996 645 245 00	support	/L	1	COUPE I680
	M10	terracotta				15	996 645 246 00	support	/R	1	COUPE I680
	R10	cocoa				16	999 507 766 02	speed nut		2	COUPE I680
	D11	dark grey/natural					M 6				
	T11	brown/natural				17	999 073 113 09	oval-head screw		2	COUPE I680
	N10	carrera red					M 6,0 X 50 ASP				
(13)	997 645 567 00	subwoofer	/RL	1	CABRIO I099 I680	18	900 380 015 01	hexagon nut		4	COUPE I680
	A10	black					VM 6				
	B10	stone grey				19	997 645 569 00	support		2	CABRIO I680
	T10	sand beige				20	900 378 035 01	hexagon-head bolt		2	CABRIO I680
	E10	sea blue					M 6 X 16				
	J10	palmgreen									

Model	Year	MG	SG	Illustration	Restrictions	UPD	8:30	26.01.2010	PORSCHE	PET	PORSCHE
997T	2009	9	11	911-05		248					

Pos	Part Number	Description	Remark	Qty	Model	Pos	Part Number	Description	Remark	Qty	Model
21	999 073 223 01	combination screw M 6 X 25		1	CABRIO I680						
22	999 500 069 01	blind rivet nut M 6		3	CABRIO I680						

Model	Year	MG	SG	Illustration	Restrictions	UPD	8:30	26.01.2010	PORSCHE	PET	PORSCHE
997T	2009	9	11	911-10		248					



Pos	Part Number	Description	Remark	Qty	Model
		telephone	-08		
1	997 647 125 01	antenna	/LL	1	I098
(1)	997 647 126 01	antenna	/RL	1	I099
2	997 647 127 00	support	/LL	1	I098
(2)	997 647 128 00	support	/RL	1	I099
3	999 073 236 0A	oval-head screw M 6 X 10		4	
4	999 507 550 01	speed nut M 6		4	
5	999 073 210 00	tapping screw 4,8 X 13		2	
6	999 507 441 01	speed nut 4,8		2	
(7)	997 612 989 05	connecting line		1	I666
8	964 646 318 00	adapter plug		1	I618
9 >	997 646 208 13	control unit telephone F >>997S7 80789 F >>997S7 83403		1	I666
9 >	997 646 209 00	control unit telephone F 997S7 80790>> F 997S7 83403>>		1	I666
10	997 642 216 00	support		1	I618/666
11	900 378 035 01	hexagon-head bolt M 6 X 16		4	I618/666
12	999 500 078 00	speed nut M 6		2	I618/666
(12)	999 507 766 02	speed nut M 6		2	I618/666
13	997 553 118 07	cover lateral	/LL	1	I098
	FSA	black/grey			
	FSB	stone grey/stone grey			
	FSC	sand beige/sand beige			
	FSD	sea blue/grey			

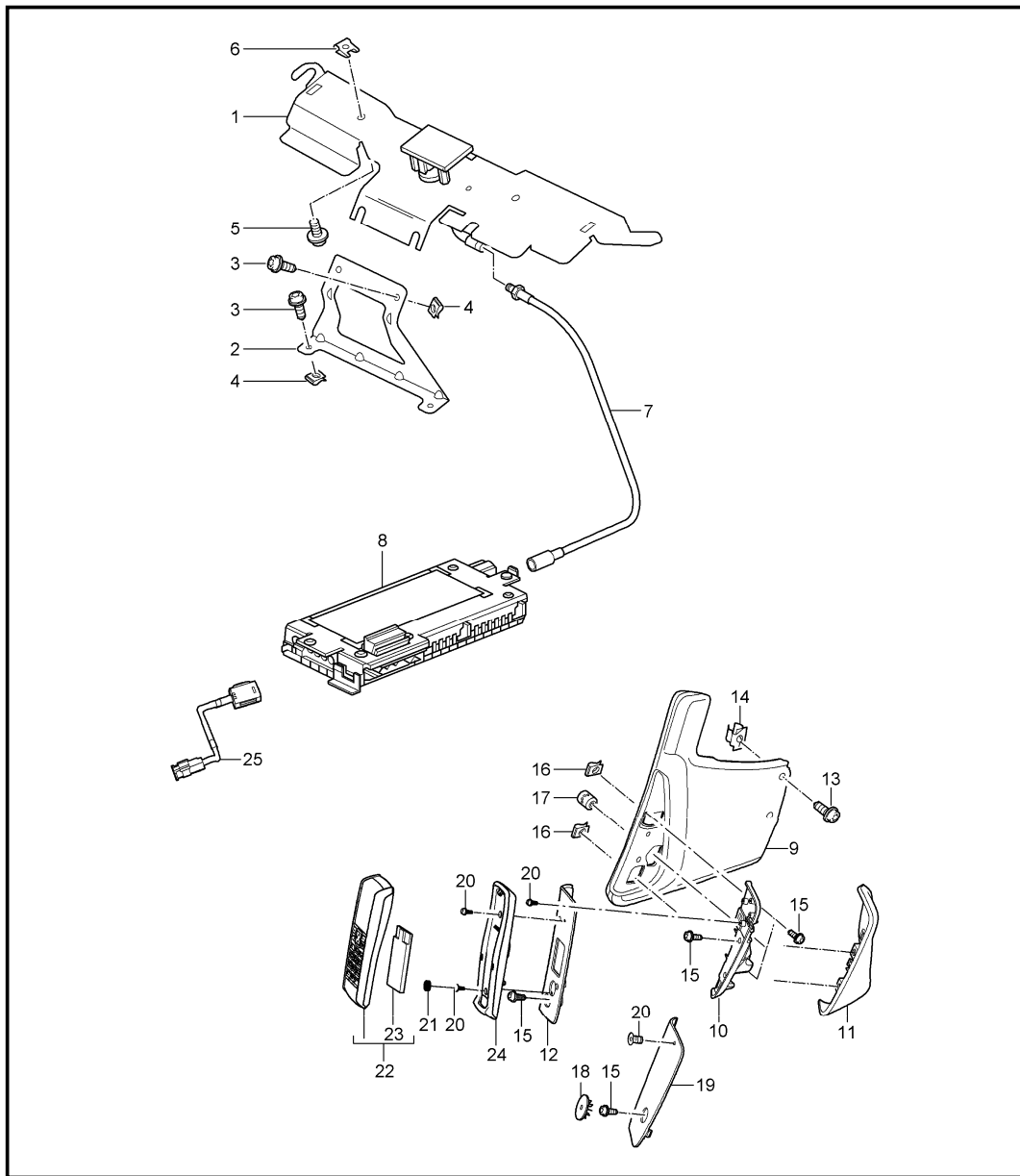
Model	Year	MG	SG	Illustration	Restrictions	UPD	8:30	26.01.2010	PORSCHE	PET	PORSCHE
997T	2009	9	11	911-10		248					

Pos	Part Number	Description	Remark	Qty	Model	Pos	Part Number	Description	Remark	Qty	Model
	FSE	palmgreen/palmgreen					T12	brown/natural			
	FSF	terracotta/terracotta					N12	carrera red			
	FSG	cocoa/cocoa				(15)	997 553 417 01	cover	/RL	1	I099
	FSH	darkgrey natural/grey					A11	black			
	FSJ	brown nat./brown nat.					5X6	stone grey			
	FSP	Carrera Red/Carrera Red					8G2	sand beige			
(13)	997 553 117 07	cover lateral	/RL	1	I099		3S9	sea blue			
	FSA	black/grey					4P2	palmgreen			
	FSB	stone grey/stone grey					9S5	terracotta			
	FSC	sand beige/sand beige					9V6	cocoa			
	FSD	sea blue/grey					D12	dark grey/natural			
	FSE	palmgreen/palmgreen					T12	brown/natural			
	FSF	terracotta/terracotta					N12	carrera red			
	FSG	cocoa/cocoa				16	997 553 522 00	mounting plate	/LL	1	I098/668
	FSH	darkgrey natural/grey					01C	satin black			
	FSJ	brown nat./brown nat.				(16)	997 553 521 00	mounting plate	/RL	1	I099/668
	FSP	Carrera Red/Carrera Red					01C	satin black			
14	997 553 520 00	adapter	/LL	1	I098	16	997 553 986 00	mounting plate leather	/LL	1	IXEA/098/668
(14)	997 553 519 00	adapter	/RL	1	I099		A11	black			
15	997 553 418 01	cover	/LL	1	I098		5X6	stone grey			
	A11	black					8G2	sand beige			
	5X6	stone grey					3S9	sea blue			
	8G2	sand beige					4P2	palmgreen			
	3S9	sea blue					9S5	terracotta			
	4P2	palmgreen					9V6	cocoa			
	9S5	terracotta					D12	dark grey/natural			
	9V6	cocoa					T12	brown/natural			
	D12	dark grey/natural					N12	carrera red			

Model	Year	MG	SG	Illustration	Restrictions	UPD	8:30	26.01.2010	PORSCHE	PET	PORSCHE
997T	2009	9	11	911-10		248					

Pos	Part Number	Description	Remark	Qty	Model	Pos	Part Number	Description	Remark	Qty	Model
(16)	997 553 985 00	mounting plate leather	/RL	1	IXEA/099/668		9V6	cocoa			
	A11	black					D12	dark grey/natural			
	5X6	stone grey					T12	brown/natural			
	8G2	sand beige					N12	carrera red			
	3S9	sea blue				23	996 642 212 02	receiver telephone		1	I668
	4P2	palmgreen				23	996 642 980 15	receiver telephone leather		1	IXEA/668
	9S5	terracotta					A11	black			
	9V6	cocoa					5X6	stone grey			
	D12	dark grey/natural					8G2	sand beige			
	T12	brown/natural					3S9	sea blue			
	N12	carrera red					4P2	palmgreen			
17	999 073 226 09	tapping screw 4,2 X 16		2			9S5	terracotta			
18	999 591 508 01	captive nut 4,2		2			9V6	cocoa			
19	999 073 155 09	tapping screw 4,2 X 13		7			D12	dark grey/natural			
20	999 507 028 01	speed nut 4,2		2			T12	brown/natural			
21	999 507 645 02	threaded piece 4,2		1		24	997 553 522 01	mounting plate	/LL	1	I098/618
22	997 553 751 00	cap		1			01C	satin black			
	01C	satin black				(24)	997 553 521 01	mounting plate	/RL	1	I099/618
22	997 553 984 00	cap leather		1	IXEA		01C	satin black			
	A11	black				25	999 919 230 00	countersunk-head screw 3 X 10		1	I618
	5X6	stone grey				26	997 646 307 01	microphone		1	I618/666 I680
	8G2	sand beige				(26)	997 646 309 00	microphone		08	1 I675
	3S9	sea blue				-	997 610 233 00	cable guide microphone	-07	1	
	4P2	palmgreen				-	997 610 233 01	cable guide microphone		08	1
	9S5	terracotta									

Model	Year	MG	SG	Illustration	Restrictions	UPD	8:31	26.01.2010	PORSCHE	PET	PORSCHE
997T	2009	9	11	911-11		248					



Pos	Part Number	Description	Remark	Qty	Model
		telephone		09	
1	997 647 125 01	antenna	/LL	1	I098
(1)	997 647 126 01	antenna	/RL	1	I099
2	997 647 127 00	support	/LL	1	I098
(2)	997 647 128 00	support	/RL	1	I099
3	999 073 236 0A	oval-head screw M 6 X 10		4	
4	999 507 550 01	speed nut M 6		4	
5	999 073 210 00	tapping screw 4,8 X 13		2	
6	999 507 441 01	speed nut 4,8		2	
7	997 612 065 75	connecting line		1	I666
(7)	997 612 061 25	connecting line		1	I618/619
8	997 646 218 01	control unit telephone		1	I666
9	997 553 118 07	cover lateral	/LL	1	I098
	FSA	black/grey			
	FSB	stone grey/stone grey			
	FSC	sand beige/sand beige			
	FSD	sea blue/grey			
	FSF	terracotta/terracotta			
	FSG	cocoa/cocoa			
	FSH	darkgrey natural/grey			
	FSJ	brown nat./brown nat.			
	FSP	Carrera Red/Carrera Red			
(9)	997 553 117 07	cover lateral	/RL	1	I099
	FSA	black/grey			
	FSB	stone grey/stone grey			

Model	Year	MG	SG	Illustration	Restrictions	UPD	8:31	26.01.2010	PORSCHE	PET	PORSCHE
997T	2009	9	11	911-11		248					

Pos	Part Number	Description	Remark	Qty	Model	Pos	Part Number	Description	Remark	Qty	Model
	FSC	sand beige/sand beige					T12	brown/natural			
	FSD	sea blue/grey					N12	carrera red			
	FSF	terracotta/terracotta				(11)	997 553 417 01	cover	/RL	1	I099/618
	FSG	cocoa/cocoa					A11	black			
	FSH	darkgrey natural/grey					5X6	stone grey			
	FSJ	brown nat./brown nat.					8G2	sand beige			
	FSP	Carrera Red/Carrera Red					3S9	sea blue			
10	997 553 520 00	adapter	/LL	1	I098/618		9S5	terracotta			
(10)	997 553 516 00	adapter	/LL	1	I098/669		9V6	cocoa			
(10)	997 553 519 00	adapter	/RL	1	I099/618		D12	dark grey/natural			
(10)	997 553 515 00	adapter	/RL	1	I099/669		T12	brown/natural			
11	997 553 418 01	cover	/LL	1	I098/618		N12	carrera red			
	A11	black				(11)	997 553 415 00	cover	/RL	1	I099/669
	5X6	stone grey					A11	black			
	8G2	sand beige					5X6	stone grey			
	3S9	sea blue					8G2	sand beige			
	9S5	terracotta					3S9	sea blue			
	9V6	cocoa					9S5	terracotta			
	D12	dark grey/natural					9V6	cocoa			
	T12	brown/natural					D12	dark grey/natural			
	N12	carrera red					T12	brown/natural			
(11)	997 553 416 00	cover	/LL	1	I098/669		N12	carrera red			
	A11	black				12	997 553 524 00	mounting plate	/LL	1	I098/669
	5X6	stone grey					01C	satin black			
	8G2	sand beige				(12)	997 553 523 00	mounting plate	/RL	1	I099/669
	3S9	sea blue					01C	satin black			
	9S5	terracotta				13	999 073 226 09	tapping screw 4,2 X 16		2	
	9V6	cocoa				14	999 591 508 01	captive nut 4,2		2	
	D12	dark grey/natural									

Model	Year	MG	SG	Illustration	Restrictions	UPD	8:31	26.01.2010	PORSCHE	PET	PORSCHE
997T	2009	9	11	911-11		248					

Pos	Part Number	Description	Remark	Qty	Model	Pos	Part Number	Description	Remark	Qty	Model
15	999 073 155 09	tapping screw 4,2 X 13		7							
16	999 507 971 01	speed nut 4,2		2							
17	999 507 645 02	threaded piece 4,2		1							
18	997 553 751 00	cap		1	I618						
	01C	satin black									
19	997 553 522 01	mounting plate	/LL	1	I098/618						
	01C	satin black									
(19)	997 553 521 01	mounting plate	/RL	1	I099/618						
	01C	satin black									
20	999 919 230 00	countersunk-head screw 3 X 10		4							
21	997 646 311 00	stopper		2	I669						
22	997 646 212 02	receiver telephone		1	I669						
	A05	black mat									
23	997 646 216 00	battery		1	I669						
24	997 646 214 00	mounting receiver		1	I669						
	A05	black mat									
(25)	997 646 313 00	microphone		1	I441/490/618 I619/666/671						
(25)	997 646 315 00	microphone		1	I618/619/666 I671/680						
(25)	997 646 319 00	microphone		1	I618/619/665 I666/671						
-	997 610 233 01	cable guide microphone		1							



997T\_MXI KAT30. TXT

KAT.	M-X-I-NR	BENENNUNG-Deutsch BENENNUNG-Englisch
		+-----+ ! I-Nummern-Uebersicht ! +-----+ +-----+ ! Summary of optional extras "I"! +-----+
30	I XAA	Aerokit Cup Aerokit Cup
30	I XAF	Aerokit Turbo Turbo aerokit
30	I XAG	Carrera - Heckspoiler Carrera - rear spoiler
30	I XAH	Aerokit Carrera 4S Carrera 4S aerokit
30	I XAJ	Schwellerblenden lackiert Painted sill covers
30	I XCA	Nutleiste (3-teilig) Sportsilber Dashboard trim strip (3-part) sports seats
30	I XCB	Instrumentenabdeckung Unterteil Sportsilber Instrument surround sports seats
30	I XCC	Seitendüsen Sportsilber Side air vents sports seats
30	I XCD	Mitteldüsenträger Sportsilber Center air vent bracket sports seats
30	I XCE	Mittelkonsole hinten Sportsilber Rear center console sports seats
30	I XCG	Sportsitzrückenlehne Alu-Optik Sports seat backrest in Aluminium Look finish
30	I XCH	Seiten-/Mitteldüsenlamellen Sportsilber Side/centre air vent slats, sports seats
30	I XCK	Mittelkonsole hinten Galvanosilber Rear center console in Galvano Silver
30	I XCL	Instrumentenabdeckung Unterteil Galvanosilber Instrument surround in Galvano Silver
30	I XCM	Überrollbügel in Galvanosilber Roll-over bar in Galvano Silver
30	I XCN	Seitendüsen in Alu-Optik (997) Side air vents in Aluminium Look finish (997)
30	I XCY	Mitteldüse Alu-Optik Center air vent in Aluminium Look finish
30	I XCZ	Schalwegverkürzung Short shifter
30	I XDS	Zündschloss Rosette in Leder Ignition lock surround in leather
30	I XDV	Abschlussblende Schalttafel in Leder Dashboard end-trim in leather
30	I XDZ	Blende Schalthebel in Leder Selector lever cover in leather
30	I XD9	Felgenstern in Wagenfarbe lackiert Wheel painted in body colour
30	I XEA	Passivhörer in Leder Passive handset in leather
30	I XE8	Schaltnopf Alu/Wurzelholz Dunkel/Leder Gear lever knob aluminium/dark burr maple/leather
30	I XE9	Handbremshebel Alu/Wurzelholz Dunkel/Leder Handbrake lever aluminium/dark burr maple/leather
30	I XFD	Instrumenten-Zifferblatt lackiert in sandbeige Instrument dials in Sand Beige
30	I XFE	Instrumenten-Zifferblatt lackiert in terrakotta Instrument dials in Terracotta
30	I XFF	Instrumenten-Zifferblatt lackiert in braun/natur Instrument dials in Brown/Natural
30	I XFG	Instrumenten-Zifferblatt lackiert in indischrot

997T\_MXIKAT30.TXT

Instrument dials in Guards Red  
 30 IXFH Instrumenten-Zifferblatt lackiert in speedgelb  
 Instrument dials in Speed Yellow  
 30 IXFJ Instrumenten-Zifferblatt lackiert in carrerawei ss  
 Instrument dials in Carrera White  
 30 IXGB Zierblende Schalttafel, Carbon  
 Decorative dashboard trim, carbon  
 30 IXGC Schalthebel Carbon/Alcantara  
 Dashboard carbon/Alcantara  
 30 IXGD Handbremshebel Carbon/Alcantara  
 Parking brake handle carbon/Alcantara  
 30 IXGE Einsatz Griffmulde, Carbon  
 Handle recess insert, carbon  
 30 IXJL Luftseitendüse Makassar  
 Makassar Ebony side air vent  
 30 IXJM Luftseitendüse Platane  
 Sycamore side air vent  
 30 IXJN Mitteldüse Makassar  
 Makassar Ebony center air vent  
 30 IXJP Mitteldüse Platane  
 Sycamore center air vent  
 30 IXJR Defrosterblende Makassar  
 Makassar Ebony windscreen defroster panel  
 30 IXJS Defrosterblende Platane  
 Sycamore windscreen defroster panel  
 30 IXJT Mitttel konsole hinten Makassar  
 Makassar Ebony rear center console  
 30 IXJU Mitttel konsole hinten Platane  
 Sycamore rear center console  
 30 IXJ4 Rosette für Zündschloss Lederbezogen  
 Leather cover for ignition lock surround  
 30 IXKB Luftseitendüse Wurzelholz/Ahorn hell  
 Side air vent in light burr maple  
 30 IXKC Luftseitendüse Wurzelholz/Ahorn dunkel  
 Side air vent in dark burr maple  
 30 IXKD Luftseitendüse carbon  
 Side air vent in Carbon  
 30 IXKG Defrosterblende Wurzelholz/Ahorn hell, Leder  
 "Defroster trim in light burr maple; leather"  
 30 IXKH Defrosterblende Wurzelholz/Ahorn dunkel, Leder  
 "Defroster trim in dark burr maple; leather"  
 30 IXKJ Defrosterblende Carbon/Leder  
 Defroster trim in Carbon/leather  
 30 IXKL Lautsprecherabdeckungen in Leder  
 Leather speaker covers  
 30 IXKM Lautsprecherabdeckungen Wurzelholz/Ahorn hell  
 Speaker covers in light burr maple  
 30 IXKN Lautsprecherabdeckungen Wurzelholz/Ahorn dunkel  
 Speaker covers in dark burr maple  
 30 IXKP Lautsprecherabdeckungen in Carbon  
 Carbon speaker covers  
 30 IXKR Mitteldüsenträger Wurzelholz/Ahorn hell  
 Center air vent bracket in light burr maple  
 30 IXKS Mitteldüsenträger Wurzelholz/Ahorn dunkel  
 Center air vent bracket in dark burr maple  
 30 IXLA Boxster-Endrohr  
 Boxster tail pipe  
 30 IXLF Sportabgasanlage  
 Sports exhaust system  
 30 IXLG Deckel Ablagefach Mitttel konsole in Alcantara  
 Centre console storage bin lid in Alcantara  
 30 IXMA Himmel mit Leder bezogen  
 Rooflining in leather  
 30 IXME Mitttel konsole hinten lackiert  
 Rear section of centre console painted  
 30 IXMF Mitttel konsole vorn inklusive 2 Ablagen, Leder  
 Front center console including 2 storage bins, leather  
 30 IXMJ Mitttel konsole hinten Carbon

997T\_MXIKAT30.TXT

30 IXMK Rear section of centre console in Carbon  
Überrollbügel in Exteriorfarbe  
Roll-over bar in exterior color

30 IXML Mittelkonsole hinten Wurzelholz Ahorn hell  
Rear center console in light burr maple

30 IXMP Sonnenblende Leder, 2 Make-up-Spiegel beleuchtet  
Leather sun visor, 2 illuminated vanity mirrors

30 IXMR Sonnenblende Leder, 2 Make-Up-Spiegel beleuchtet Leder  
Sun visor in leather, 2 illuminated vanity mirrors

30 IXMZ Mittelkonsole hinten Leder  
Rear section of centre console in leather

30 IXNB Mittelkonsole hinten Wurzelholz Ahorn dunkel  
Rear center console in dark burr maple

30 IXNG Instrumentenabdeckung Unterteil Leder  
Instrument surround in leather

30 IXNN Mitteldüsenträger in Leder  
Center air vent bracket in leather

30 IXNR Mitteldüsenträger Carbon  
Carbon center air vent bracket

30 IXNS Lenkstock-Verkleidung 4-teilig Leder  
Leather steering column trim, 4-part

30 IXNU Zierleiste (Nut) in Leder  
Leather trim strip (dashboard)

30 IXNV Zierleiste (Nut) Wurzelholz/Ahorn hell  
Trim strip (dashboard) in light burr maple

30 IXNW Zierleiste (Nut) Wurzelholz/Ahorn dunkel  
Trim strip (dashboard) in dark burr maple

30 IXNX Zierleiste (Nut) in Carbon  
Carbon trim strip (dashboard)

30 IXN3 Luftseitendüse Armaturenbrett Leder  
Dashboard side air vent in leather

30 IXPA 3-Speichen Sportlenkrad, Leder Interiorfarbe  
3-spoke sports steering wheel in leather interior color

30 IXPB 3-Speichen Sportlenkrad, Wurzelholz/Ahorn hell, Leder  
3-spoke sports steering wheel, light burr maple, leather

30 IXPC 3-Speichen Sportlenkrad, Wurzelholz/Ahorn dunkel, Leder  
3-spoke sports steering wheel, dark burr maple, leather

30 IXPD 3-Speichen Sportlenkrad, Carbon/Leder  
3-spoke sports steering wheel, Carbon/leather

30 IXPG 3-Speichen Sportlenkrad, Sportsilber  
3-spoke sports steering wheel, sports seats

30 IXPT Deckel Ablagefach Mittelkonsole mit Wappen  
Centre console storage bin lid with crest

30 IXPV Multifunktions-Lenkrad Galvanosilber  
Multi-function steering wheel, Galvano Silver

30 IXPW Instrumentenabdeckung Unterteil Wurzelholz/Ahorn Hell  
Instrument surround in light burr maple

30 IXPX Instrumentenabdeckung Unterteil Wurzelholz/Ahorn Dunkel  
Instrument surround in dark burr maple

30 IXPY Instrumentenabdeckung Unterteil Carbon  
Carbon instrument surround

30 IXRB Sport-Classic-2 Rad 18"  
18-inch Sport Classic II wheel

30 IXRC Sport-Techno Rad 18"  
18-inch SportTechno wheel

30 IXRL Sport-Design-Rad 18"  
18-inch SportDesign wheel

30 IXRN Distanzscheiben 17 mm, hinten  
17-mm spacers, rear

30 IXRP Distanzscheiben 5 mm, vorn/hinten  
5-mm spacers, front/rear

30 IXRR Carrera Sport Rad 19"  
19-in. Carrera Sport wheel

30 IXSA Sportsitzrückenlehne lackiert  
Painted sports seat backrest

30 IXSB Sportsitzrückenlehne in Leder  
Leather sports seat backrest

30 IXSC Porsche Wappen geprägt in Kopfstütze

997T\_MXIKAT30.TXT

30 IXSD Porsche Crest embossed in headrest  
 Sitzbedienelemente in Leder  
 Front seat controls in leather  
 30 IXSE Schalensitz links  
 Bucket seat, left  
 30 IXSF Schalensitz rechts  
 Bucket seat, right  
 30 IXSG Rennschalensitz links  
 Racing bucket seat, left  
 30 IXSH Sicherheitsgurte in Silber  
 Silver seat belts  
 30 IXSJ 6-Punkt-Gurte  
 6-point harness  
 30 IXSL 6-Punkt-Sicherheitsbügel  
 6-point safety catch  
 30 IXSM Rennsport-Sicherheitskäfig  
 Racing safety cage  
 30 IXSN Entfall hintere Sitzanlage  
 Omission of rear seats  
 30 IXSR Schalensitz rechts, Rückseite Carbon  
 Carbon back for bucket seat, right  
 30 IXSS Schalensitz links, Rückseite Carbon  
 Carbon back for bucket seat, left  
 30 IXST Sicherheitsgurte in Sandbeige  
 Seat belts in Sand Beige  
 30 IXSU Abgepolsterter Sitz  
 Upholstered seat  
 30 IXSW Sicherheitsgurte in Maritimblau  
 Seat belts in Maritime Blue  
 30 IXSX Sicherheitsgurte in Indischrot  
 Seat belts in Guards Red  
 30 IXSY Sicherheitsgurte in Speedgelb  
 Seat belts in Speed Yellow  
 30 IXTG Schwellerabdeckung innen Leder  
 Inner door sills in leather  
 30 IXTJ Türtafelteile Wurzelholz/Ahorn hell  
 Door panel parts in light burr maple  
 30 IXTK Türtafelteile Wurzelholz/Ahorn dunkel  
 Door panel parts in dark burr maple  
 30 IXTL Türtafelteile Carbon  
 Door panel parts in Carbon  
 30 IXTR Türtafelteile Alu-Optik  
 Door panel parts in Aluminium Look finish  
 30 IXTT Türtafelteile Makassar  
 Makassar Ebony door panel parts  
 30 IXTU Türtafelteile Platane  
 Sycamore door panel parts  
 30 IXTV Türtafelteile Leder  
 Leather door panel parts  
 30 IXTW Türtafelteile Galvanosilber  
 Door panel parts in Galvano Silver  
 30 IXUA Spoilerlippe lackiert  
 Spoiler lip painted  
 30 IXUV Deckel Ablagefach Mittelkonsole mit Schriftzug  
 Centre console storage bin lid with logo  
 30 IXVM Mitteldüse in Leder  
 Leather center air vent  
 30 IXVP Zierleiste inklusive Abdeckung Cupholder in Leder  
 Trim strip including cupholder cover in leather  
 30 IXVR Seiten-/Mitteldüsen in Leder  
 Side/centre air vent in leather  
 30 IXV1 Defrosterblende Lederbezogen  
 Defroster trim in leather  
 30 IXWR Rahmen PDK-Kulisse in Alu-Optik  
 PDK gate frame in Aluminium Look  
 30 IXWS Rahmen PDK-Kulisse lackiert  
 PDK gate frame painted  
 30 IXWT Rahmen PDK-Kulisse schwarz lackiert

997T\_MXIKAT30.TXT

30	I XWU	PDK gate frame painted Black Rahmen PDK-Kulisse in Leder
30	I XXF	PDK gate frame in leather Rote Heckleuchten
30	I XXZ	Red tail lights Fussstütze
30	I XX1	Footrest Fussmatten, Schriftzug, Leder eingefasst
30	I XX2	Floor mats, logo, leather border Fussraumbelichtung
30	I XY5	Illuminated footwell Kulisse Tiptronic-Wählhebel in Leder
30	I XZB	Tiptronic gear selector gate in leather Mitteldüse in Carbon
30	I XZD	Carbon centre air vent Abdeckung Innenleuchte in Leder
30	I X45	Interior light surround in leather Instrumenten-Zifferblatt lackiert in Interieurfarbe
30	I X46	Instrument dial in interior color Tiptronic-Wählhebel in Alu/Leder
30	I X47	Tiptronic selector lever in aluminium/leather Schaltknopf Carbon/Alu/Leder
30	I X48	Gear lever knob in Carbon/leather Tiptronic-Wählhebel in Carbon/Alu
30	I X50	Tiptronic selector lever in Carbon/aluminium Leistungssteigerung 331/340 kW
30	I X51	Powerkit 331/340 kW Leistungssteigerung
30	I X54	Powerkit 250 kW Edelstahlendrohre
30	I X58	Stainless steel tail pipes Handbremshebel Carb/Alu/Leder
30	I X65	Handbrake lever in Carbon/leather Tiptronic-Wählhebel Wurzelholz Hell/Alu
30	I X66	Tiptronic selector lever in light burr maple/aluminium Tiptronic-Wählhebel Wurzelholz Dunkel/Alu
30	I X69	Tiptronic selector lever in dark burr maple/aluminium Einstiegsblenden Carbon, Schriftzug
30	I X70	Door entry guards in Carbon with logo Einstiegsblenden Edelstahl, Schriftzug
30	I X71	Door entry guards in stainless steel with logo Instrumenten-Zifferblatt Lackiert/Alufarbe
30	I X72	Instrument dial painted/aluminium Look finish Schaltknopf Alu/Wurzelholz Hell/Leder
30	I X73	Gear lever knob aluminium/light burr maple/leather Sportfahrwerk Turbo
30	I X74	Turbo sports suspension Sportfahrwerk (exclusiv)
30	I X75	Sports suspension (exclusive) Sperrdifferential (exclusiv)
30	I X76	Differential lock (exclusive) Schwellerverkleidungen links/rechts
30	I X91	Inner door sill guard, left/right Handbremshebel Alu/Wurzelholz Hell/Leder
30	I X97	Handbrake lever aluminium/light burr maple/leather Schaltknopf Alu/Leder
30	I X98	Gear lever knob in aluminium/leather Handbremshebel Alu/Leder
30	I X99	Handbrake lever in aluminium/leather Naturleder
30	I 003	Natural leather Renn-Sicherheitsrichtung
30	I 022	Racing safety devices Zifferblätter Kombiinstrument in schwarz
30	I 023	Black-coloured instrument dials, instrument cluster Zifferblätter Kombiinstrument in silber
30	I 024	Silver-coloured instrument dials, instrument cluster Griechenland-Ausführung

## 997T\_MX1 KAT30. TXT

		Version for Greece
30	I 025	Zifferblätter Stoppuhr in schwarz Black-coloured instrument dials, stopwatch
30	I 026	Zifferblätter Stoppuhr in silber Silver-coloured instrument dials, stopwatch
30	I 029	Serienfahrwerk Standard chassis
30	I 030	Sportfahrwerk Sport-type chassis
30	I 032	Langstreckenfahrwerk Touring suspension
30	I 034	Italien - Ausführung Version for Italy
30	I 058	Pralldämpfer vorn und hinten Impact absorbers, front and rear
30	I 061	Grossbritannien-Ausführung Version for Great Britain
30	I 062	Schweden-Ausführung Version for Sweden
30	I 063	Luxemburg-Ausführung Version Luxemburg
30	I 064	Niederlande-Ausführung Version for Netherlands
30	I 065	Dänemark-Ausführung Version for Denmark
30	I 066	Norwegen-Ausführung Version for Norway
30	I 067	Finnland-Ausführung Version for Finland
30	I 068	PAP Rechtslenker-Ausführung PAP right-hand drive version
30	I 069	Sonstige-Länderausführung Other country version
30	I 071	EU-Länderausführung EU country version
30	I 072	Mexico-Ausführung Version for Mexico
30	I 073	Russland-Ausführung Version for Russia
30	I 074	PAP Linkslenker-Ausführung PAP left-hand drive version
30	I 075	China-Ausführung China version
30	I 098	Linkslenker-Ausführung Left-hand drive version
30	I 099	Rechtslenker-Ausführung Right-hand drive version
30	I 101	Spezielle Motorteile GT2 Special GT2 engine parts
30	I 111	Österreich-Ausführung Version for Austria
30	I 113	Kanada - Ausführung Version for Canada
30	I 114	Taiwan - Ausführung Version for Taiwan
30	I 119	Spanien - Ausführung Version for Spain
30	I 124	Frankreich - Ausführung Version for France
30	I 126	Beschreibung französisch Control and indications in French lettering
30	I 127	Beschreibung schwedisch Control and indications in Swedish lettering
30	I 130	Beschreibung englisch Control and indications in English lettering
30	I 150	Betrieb mit verbleitem Kraftstoff Operation with leaded gas
30	I 159	Leistungsreduzierter Motor 155 kW/211 PS

- Curbed engine, 155 kW/211 bhp
- 30 I 193 Japan-Ausführung  
Version for Japan
- 30 I 194 Batterie 60 Ah  
Battery, 60 Ah
- 30 I 195 Batterie 70 Ah  
Battery, 70 Ah
- 30 I 196 Batterie 80 Ah  
Battery, 80 Ah
- 30 I 197 Stärkere Batterie  
Stronger battery
- 30 I 198 Stärkerer Anlasser (1,7 kW)  
Enhanced starter motor (1.7 kW)
- 30 I 199 Batterietrennschalter  
Battery disconnection switch
- 30 I 200 Batterie 95 Ah  
95 Ah battery
- 30 I 210 Kennzeichenhalter Ausführung 2  
Licence plate holder version 2
- 30 I 211 Kennzeichenhalter Ausführung 3  
Licence plate holder version 3
- 30 I 215 Saudi-Arabien - Ausführung  
Version for Saudi Arabia
- 30 I 218 Kennzeichenhalter Ausführung 4  
Licence plate holder version 4
- 30 I 219 Ausgleichsgetriebe  
Differential
- 30 I 220 Sperrdifferential 40 %  
Locking differential 40 %
- 30 I 225 Belgien-Ausführung  
Version for Belgium
- 30 I 249 Tiptronic-Getriebe  
Tiptronic transmission
- 30 I 250 PDK-Getriebe (Doppelkupplung)  
PDK transmission (dual clutch)
- 30 I 265 Automatisch abblendbarer Innenspiegel mit Regensensor  
Automatic anti-dazzle interior mirror with rain sensor
- 30 I 266 Automatisch abblendbarer Aussenspiegel  
Automatic anti-dazzle door mirror
- 30 I 267 Automatisch abblendbarer Innen und Aussenspiegel  
Automatically dimmable interior and door mirrors
- 30 I 268 Regensensor  
Rain sensor
- 30 I 270 Aussenspiegel für Fahrerseite -plan-,  
elektrisch verstell- und beheizbar  
Door mirrors -flat - driver's side,  
electrically adjustable and heatable
- 30 I 271 Aussenspiegel für Fahrerseite -sphärisch-,  
elektrisch verstell- und beheizbar  
Door mirrors -aspherical - driver's side,  
electrically adjustable and heatable
- 30 I 273 Aussenspiegel, elektrisch verstell- und beheizbar  
Door mirrors, electrically adjustable and heatable
- 30 I 274 Make-Up Spiegel beleuchtet  
Vanity mirror, illuminated
- 30 I 277 Schweiz-Ausführung  
Version for Switzerland
- 30 I 288 Scheinwerfer-Reinigungsanlage  
Headlamp washer
- 30 I 301 Getriebeübersetzung lang  
Transmission ratio long
- 30 I 305 Schalthebel in Alcantara, schwarz  
Gear lever in Alcantara, Black
- 30 I 308 Wählhebel in Alcantara, schwarz  
Selector lever in Alcantara, Black
- 30 I 325 Südafrika/Neuseeland-Ausführung  
Version for South Africa/New Zealand
- 30 I 335 3-Punkt-Automatik-Gurte, hinten

30 I 338 Automatic seat belt, 3-point, rear  
 Heck-Antrieb  
 Rear-wheel drive  
 30 I 339 Allrad-Antrieb  
 All-wheel drive  
 30 I 342 Sitzheizung, links u. rechts  
 Seat heating system, left/right seat  
 30 I 369 Basissitz links  
 Standard seat, left  
 30 I 370 Basissitz rechts  
 Standard seat, right  
 30 I 375 Sportsitz, Lehnenschale, links  
 Sports seat, backrest shell, left  
 30 I 376 Sportsitz, Lehnenschale, rechts  
 Sports seat, backrest shell, right  
 30 I 377 Sportsitz, Lehnenschale, links, elektrisch verstellbar  
 Sports seat, backrest shell, left, electrically adjustable  
 30 I 378 Sportsitz, Lehnenschale, rechts, elektrisch verstellbar  
 Sports seat, backrest shell, right, electrically adjustable  
 30 I 388 Sportschalensitz links  
 Sports bucket seat, left  
 30 I 389 Sportschalensitz rechts  
 Sports bucket seat, right  
 30 I 392 Carrera Rad 17"  
 17-inch Carrera wheel  
 30 I 393 Rad Boxster-2 17" (987)  
 17-inch Boxster II wheel (987)  
 30 I 397 Rad Boxster S 18" (987)  
 18-inch Boxster II wheel (987)  
 30 I 398 Cayman Rad 17"  
 17-in. Cayman wheel  
 30 I 401 Cayman S Rad 18"  
 18-in. Cayman S wheel  
 30 I 402 Carrera 3 Rad 18"  
 Carrera 3 wheel 18-inch  
 30 I 403 Carrera S Rad 19"  
 Carrera S wheel 19-inch  
 30 I 404 Turbo-1 Rad 19"  
 19" Turbo-1 wheel  
 30 I 405 Carrera Classic Rad 19"  
 Carrera Classic wheel 19-inch  
 30 I 406 Carrera GT Rad 19"/20"  
 Carrera GT wheel 19-inch/20-inch  
 30 I 407 Sport-Design Rad 19"  
 SportDesign wheel 19-inch  
 30 I 410 Turbo-2 Rad 18"  
 18-inch Turbo-2 wheel  
 30 I 411 Carrera-Rad 18"  
 18-inch Carrera wheel  
 30 I 415 Turbo-Look-2 Rad 18"  
 18-inch Turbo-Look II wheel  
 30 I 416 Rad GT3 18"  
 18-inch GT3 wheel  
 30 I 418 Rad Turbo-2 18" GT-Silber  
 18-inch Turbo II wheel in GT Silver  
 30 I 420 GT3 Rad 19"  
 GT3 wheel 19"  
 30 I 422 Turbo Rad 19" Zentralverschluss  
 Turbo wheel, 19", central lock  
 30 I 424 CD-Ablage  
 Cd compartment  
 30 I 425 Heckscheibenwischer  
 Rear window wiper  
 30 I 426 Ohne Heckscheibenwischer  
 Without rear window wiper  
 30 I 431 Multifunktionslenkrad, Touch & Feel  
 Multifunction steering wheel, touch + feel  
 30 I 432 Lenkrad mit Tiptronic-Bedi enung



997T\_MXIKAT30.TXT

30	I 435	Steering wheel with Tiptronic control Sportlenkrad
30	I 436	Sports steering wheel 3-Speichen-Airbaglenkrad
30	I 437	3-spoke airbag steering wheel Komfortsitz links, elektrisch verstellbar
30	I 438	Comfort seat, left, electrically adjustable Komfortsitz rechts, elektrisch verstellbar
30	I 439	Comfort seat, right, electrically adjustable Elektrische, Verdeckbetätigung
30	I 440	Electrical hood operation Antennen-Diversität
30	I 441	Antenna diversity Radiovorbereitung
30	I 444	Radio preparation Diebstahlsicherung, Radschrauben "THATCHAM"
30	I 446	Anti-theft lock, wheel bolts "THATCHAM" Radzierdeckel konkav mit farbigem Wappen
30	I 447	Concave wheel centers with full-colour Porsche Crest Notrad
30	I 448	Emergency wheel Bremsbelag; Sportausführung
30	I 450	Brake pad; sport version Keramik-Bremse (PCCB)
30	I 451	Ceramic brake (PCCB) Multifunktionslenkrad, makassar, Touch & Feel
30	I 452	Multi-function steering wheel, Makassar Ebony, touch + feel Multifunktionslenkrad, platane, Touch & Feel
30	I 453	Multi-function steering wheel, Sycamore, touch + feel Multifunktionslenkrad, carbon, Touch & Feel
30	I 454	Multi-function steering wheel, Carbon, touch + feel Automatische Geschwindigkeitsregulierung
30	I 459	Automatic speed control 3-Speichen-Airbaglenkrad, Touch & Feel
30	I 460	3-spoke airbag steering wheel, touch + feel Sportlenkrad, Touch & Feel
30	I 461	Sports steering wheel, touch + feel Stabantenne
30	I 465	External antenna Nebelschlussleuchte links
30	I 466	Rear fog light, left Nebelschlussleuchte rechts
30	I 475	Rear fog light, right Elektrische Dämpferregelung "PASM"
30	I 476	"PASM" electronic damper control Porsche Stability Management (PSM)
30	I 479	Porsche Stability Management (PSM) Australien - Ausführung
30	I 480	Version for Australia 6-Gang Schalgetriebe
30	I 482	6-speed manual transmission Reifendruckkontrolle, RDK 433 Mhz
30	I 483	Tire Pressure Monitoring TPM, 433 MHz Reifendruckkontrolle, RDK 315 Mhz
30	I 484	315-MHz TPM, Tire Pressure Monitoring USA - Ausführung
30	I 488	Version for USA Beschriftung deutsch
30	I 490	Inscriptions in German language Klangpaket "ASK"
30	I 492	Sound system "ASK" Scheinwerfer für Linksverkehr
30	I 498	Headlights for left-hand traffic Entfall der Modellbezeichnung am Heck
30	I 499	Deletion of model designation on rear end Ausführung für die Bundesrepublik Deutschland
30	I 501	Version for Germany Car-Cover

997T\_MXI KAT30. TXT

30	1509	Car cover Feuerlöscher Fire extinguisher
30	1513	Lordosenstütze rechter Sitz Lumbar support, right seat
30	1521	Neigungsgeber Tilt sensor
30	1524	Wegfahrsicherung, Zentralverriegelung, 433 MHz Immobilizer, central locking, 433 MHz
30	1525	Wegfahrsicherung, Zentralverriegelung, 315 MHz Immobilizer, central locking, 315 MHz
30	1532	Entfall Fernbedienung Alarmanlage Alarm system remote control omitted
30	1533	Entfall Funkbetätigung Verdeck Radio convertible-top operation omitted
30	1534	Diebstahlsicherungsanlage 433 Mhz Theft security system, 433 MHz
30	1535	Diebstahlsicherungsanlage 315 Mhz Theft security system, 315 MHz
30	1536	-07 Alarmsirene und Neigungsgeber 08- Alarmsirene -07 Alarm siren and tilt sensor 08- Alarm siren
30	1537	Sitzpositions-Steuerung für Komfortsitz, links Seating position control for comfort seat, left
30	1538	Sitzpositions-Steuerung für Komfortsitz, rechts Seating position control for comfort seat, right
30	1539	Mechanische Sitzhöhenverstellung links Mechanical seat-height adjustment, left
30	1540	Mechanische Sitzhöhenverstellung rechts Mechanical seat-height adjustment, right
30	1541	Aktive Sitzbelüftung Active seat ventilation
30	1544	Diebstahlsicherung ohne Infrarot-Überwachung 433 MHz Anti-theft protection without infrared monitoring, 433 MHz
30	1545	Diebstahlsicherung ohne Infrarot-Überwachung 315 MHz Anti-theft protection without infrared monitoring, 315 MHz
30	1549	Dachtransportsystem Roof Transport System
30	1550	Hardtop Hard top
30	1551	Windstop Wind deflector
30	1553	USA-Canada-Ausführung Version for USA, Canada
30	1554	Bugspoilerlippe beigelegt Front spoiler lip included
30	1555	Sicherheitsgurte in Schwarz Black seat belts
30	1560	Advanced Airbag Advanced airbag
30	1562	Airbag Fahrer- und Beifahrerseite Airbag, driver's side and front passenger's side
30	1563	Seitenairbag Side airbag
30	1566	Nebelscheinwerfer weiss Front fog lights, white
30	1567	Frontscheibe im oberen Bereich stark eingefärbt Windscreen tinted, upper part darker coloured
30	1568	Windschutzscheibe ohne Bandfilter Windscreen without shade band
30	1571	Aktivkohlefilter Activated charcoal filter
30	1572	Klimaanlage manuell Manual air-conditioning system
30	1573	Klima-Anlage Air conditioner
30	1574	Ohne Klimaanlage Without air conditioner
30	1575	Kofferraumkühlung

997T\_MXIKAT30.TXT

		Luggage compartment cooling system
30	I 581	Mittelkonsole vorn Centre console, front
30	I 584	Ablagebox auf Motordeckel Storage box on engine cover
30	I 586	Lordosenstütze linker Sitz Lumbar support, left seat
30	I 594	Himmel Alcantara Alcantara rooflining
30	I 601	Xenon-Licht Xenon lighting system
30	I 602	Hochgesetzte Bremsleuchte Raised stop lamp
30	I 606	Tagfahrlicht Daytime driving lights
30	I 607	Garagentoröffner "Homelink" 315Mhz Garage door opener "Homelink", 315 MHz
30	I 608	Garagentoroeffner "Homelink" 433Mhz Garage door opener "Homelink" 433 MHz
30	I 610	DVD Navigation "Paket Europa" DVD navigation, "Europe package"
30	I 611	DVD Navigation Südafrika DVD navigation South Africa
30	I 612	DVD Navigation mittlerer Osten DVD navigation middle east
30	I 613	DVD Navigation Australien DVD navigation australia
30	I 614	DVD Navigation Asien-Pazifik DVD navigation asia-pacific
30	I 615	DVD Navigation, Nordamerika DVD navigation system, North America
30	I 616	DVD, Navigation Russland DVD, Navigation Russia
30	I 617	DVD Navigation Südamerika DVD navigation South America
30	I 618	Telefonvorbereitung Preparation for telephone installation
30	I 619	Handyvorbereitung (BLUETOOTH) ohne Konsole Mobile phone preparation (BLUETOOTH) without console
30	I 620	E-Gas Electronic accelerator
30	I 621	12-Volt Steckdose, Beifahrerseite, Fussraum 12-V socket, passenger's side, footwell
30	I 625	Porsche "entry and drive""KESSY" "KESSY" Porsche Entry and Drive
30	I 635	Einparkhilfe Parking assistant
30	I 639	Sport-Chrono-Paket Sport Chrono package
30	I 640	Sport-Chrono-Paket plus Sport Chrono package plus
30	I 641	elektronisches Fahrtenbuch electronic logbook
30	I 650	Elektrisches Schiebedach Electrical sliding roof
30	I 651	Elektrischer Fensterheber Electric window opener
30	I 652	Ohne Schiebe-Hubdach Without sliding/tilting roof
30	I 657	Servolenkung Power assisted steering
30	I 659	Bordcomputer On-board computer
30	I 660	OBD 2 OBD 2
30	I 661	Verschärftes Abgaskonzept Stricter emission-control concept
30	I 664	ORVR

997T\_MXI KAT30. TXT

		ORVR
30	I 665	-2008 PCM 2, 2009- PCM 3 Grundmodul inklusive Radio
30	I 666	-2008 PCM 2, 2009- PCM 3 basic module incl. radio
30	I 668	-2008 PCM 2, 2009- PCM 3 Telefon (GSM) -2008 PCM 2, 2009- PCM 3 telephone (GSM)
30	I 669	PCM2 Telefonbedienhörer PCM2 telephone handset
30	I 670	PCM 3 - Telefon Bedienhörer (BLUETOOTH) PCM 3 - Telephone handset (BLUETOOTH)
30	I 671	PCM2 Navigation PCM2 navigation
30	I 672	Sprachbediensystem Voice control system
30	I 673	-2008 PCM 2, 2009- PCM 3 Navigation Offroad -2008 PCM 2, 2009- PCM 3 Offroad navigation
30	I 674	Vorbereitung Navigation China Navigation system preparation, China
30	I 675	Vorrüstung "Vehicle Tracking System" "Vehicle Tracking System" preparation
30	I 676	Ohne Radio Vorbereitung (Japan-Navi) Without radio preparation (Japan navigation system)
30	I 677	TV-Tuner TV tuner
30	I 678	"Drivercard" Antenne "Driver card" antenna
30	I 679	Anbindung Alarmanlage Alarm system connection
30	I 680	Wiederstartverhinderung Restart inhibitor
30	I 685	Soundpaket BOSE BOSE sound package
30	I 686	Geteilte Rücksitzanlage Rear seats, split
30	I 689	SAT-Radioempfang XM (SDARS) SAT radio reception XM (SDARS)
30	I 690	CD-Wechsler Vorbereitung Preparation for CD autochanger
30	I 692	CD-Radio "Porsche Online Pro" CD radio "Porsche Online Pro"
30	I 693	CD-Wechsler "Porsche" CD autochanger "Porsche"
30	I 694	CD-/DVD-Wechsler integriert Integrated CD/DVD autochanger
30	I 697	CD-Radio "PORSCHE CDR 24" CD radio "PORSCHE CDR 24"
30	I 711	CD-Radio "Porsche CDR 23" CD radio "Porsche CDR-23"
30	I 719	Entfall Unterbodenschutz Omission underbody protection
30	I 796	Individualfarbe Colour to sample
30	I 798	Ganzlederausstattung Naturleder Full leather trim natural leather
30	I 799	Ganzlederausstattung Sonderleder Full leather trim special leather
30	I 801	Ganzlederausstattung nach Wahl Full leather trim by choice
30	I 802	Holzpaket Makassar, dunkel seidenmatt Makassar Ebony wood package, dark (matt satin finish)
30	I 803	Holzpaket Platane, hell seidenmatt Sycamore package, light (matt satin finish)
30	I 804	Carbonpaket Carbon package
30	I 805	Exterieur-Paket Carbon GT2 GT2 Carbon exterior package
30	I 810	Lifestyle-Paket Lifestyle package
30	I 810	Fussmatten

997T\_MXI KAT30. TXT

- 30 1870 Floor mats  
 Universal e Multi media-Schnittstelle  
 Universal multimedia interface
- 30 1912 ohne Typschild  
 without ID plate
- 30 1936 Sitzbezüge hinten, Leder  
 Seat covers, rear, leather
- 30 1937 Sitzbezüge hinten, Kunstleder  
 Seat covers, rear, leatherette
- 30 1939 Sitzbezüge hinten, Raffleder  
 Seat covers, rear, draped leather
- 30 1946 Sitzbezüge vorne, Leder/Leder/Kunstleder  
 Seat covers, front, leather/leather/leatherette
- 30 1950 Sitzbezüge vorne, Alcantara/Kunstleder/Kunstleder  
 Alcantara seat covers, front
- 30 1951 Sitzbezüge vorne, Alcantara/Leder/Leder  
 Seat covers front, Alcantara/leather/leather
- 30 1970 Innenaustattung zwei farbig  
 Two-tone interior
- 30 1971 Naturlleder mit "TORO"-Prägung  
 "TORO" embossed leather
- 30 1981 Leder-Ausstattung, ohne Sitzbezug  
 Leather equipment, without seat covers
- 30 1982 Sitzbezüge vorne, Raffleder/Leder/Leder  
 Seat covers, front, draped leather/leather/leather
- 30 1983 Sitzbezüge vorne, Leder  
 Seat covers, front, leather
- 30 1985 Sitzbezüge, Leder/Leder/Kunstleder, 2  
 Seat covers, leather/leather/leatherette, 2
- 30 1990 Sitzbezüge vorne, Stoff/Stoff/Kunstleder  
 Seat covers, front, cloth/cloth/leatherette
- 30 1991 Airbagmodul in Leder  
 Steering wheel airbag module in leather
- 30 1998 Leder, Natur  
 Leather, natural
- 30 1999 Innenraumüberwachung Sensor  
 für Lederfarbe nach Wahl  
 Passenger compartment monitoring sensor  
 for leather colour of choice

Model	Year	MG	SG	Illustration	VIN No.	Update	11:20	02.09.2008
997T	09					231		

## EQUIPMENT BY COUNTRY REGULATIONS

=====

- (A) AUSTRIA
- (AG) ARABIAN GULF STATES
- (AUS) AUSTRALIA
- (B) BELGIUM
- (BR) BRAZIL
- (CDN) CANADA
- (CH) SWITZERLAND
- (CN) PEOPLE'S REPUBLIC OF CHINA
- (D) FEDERAL REPUBLIC OF GERMANY
- (DK) DENMARK
- (E) SPAIN
- (F) FRANCE
- (GB) GREAT BRITAIN
- (GR) GREECE
- (HK) HONGKONG

Model	Year	MG	SG	Illustration	VIN No.	Update		
997T	09					231	11:20	02.09.2008

(I) ITALY

(J) JAPAN

(L) LUXEMBURG

(N) NORWAY

(NL) NETHERLANDS

(NZ) NEW ZEALAND

(P) PORTUGAL

(ROK) KOREA

(RC) TAIWAN

(THA) THAILAND

(S) SWEDEN

(SA) SAUDI ARABIA

(SF) FINLAND

(USA) UNITED STATES OF AMERICA

(ZA) SOUTH AFRICA

Model 997T	Year 09	MG	SG	Illustration	VIN No.	Update 231	11:20	02.09.2008
---------------	------------	----	----	--------------	---------	---------------	-------	------------

IN COLUMN - A -

-----

IDENTIFICATION LETTER FOR PERIOD OF INSTALLATION  
THAT IS REPEATED SEVERAL TIMES IN THE CATALOG GROUP.

EXPLANATION PLEASE FIND IN TEXT COLUMN OF THE CATALOG GROUP

IN COLUMN - QU - = NO. OF PIECES

-----

- 1 NUMBER PER APPLICATION
- X NUMBER AS NEEDED
- \* AVAILABLE ONLY IN RUNNING LENGTHS 1 = 1 METRE

IN COLUMN - MODEL/SYMBOL -

-----

- M650 OPTIONAL EQUIPMENT - SEE M-NO. LIST
- 98 LIMITATION OF MODEL YEAR FOR INSTANCE: VALID UP TO  
END OF MODEL YEAR 1997
- /LL LHD
- /RL RHD
- +
- /V FRONT I



Model 997T	Year 09	MG	SG	Illustration	VIN No.	Update 231	11:20	02.09.2008
---------------	------------	----	----	--------------	---------	---------------	-------	------------

I  
 /H REAR I  
 I----> APPLIES TO  
 /L LEFT I DIRECTION OF TRAVEL  
 I  
 /R RIGHT I  
 -----+  
 WW THE PART CAN BE USED INSTEAD OF THE  
 PRECEDING ONE.

Model 997T	Year 09	MG	SG	Illustration	VIN No.	Update 231	11:20	02.09.2008
---------------	------------	----	----	--------------	---------	---------------	-------	------------

LEGENDS AND NOTICES

=====

IN COLUMN -S- STATUS

-----

- N NEW ADDITION
- P PART ALREADY IN PROGRAMME, BUT NEW  
AT THIS APPLICATION
- W DELETED AT THIS APPLICATION, BUT CONTINUED TO BE CARRIED
- K THIS PART MUST BE RE-ORDERED IF IT IS UNAVAILABLE WHEN THE  
ORDER IS FIRST PLACED. ORDER BACKLOGS ARE NOT PROCESSED.
- A STOCK TO BE USED UP
- U DELETED WITHOUT REPLACEMENT
- \* PART ALSO OR ONLY AVAILABLE  
IN REPAIR KIT
- > ALSO AVAILABLE IN EXCHANGE

IN COLUMN - ILL. -

-----

- 1 IDENTIFICATION NO. IN ILLUSTRATION
- (1) PART ONLY SIMILAR AS ILLUSTRATED

Model 997T	Year 09	MG	SG	Illustration	VIN No.	Update 231	11:20	02.09.2008
---------------	------------	----	----	--------------	---------	---------------	-------	------------

- PART IS NOT ILLUSTRATED

FIG.-NUMBERS FOR WHICH THERE IS SHOWN NO TEXT ARE  
NOT VALID FOR THIS EDITION OF CATALOGUE

IN COLUMN -PART NUMBER/CODE-  
-----

000 000 000 00 PART NUMBER EQUALS ORDERING NO., IF A CODE IS  
SHOWN, IT WILL HAVE TO BE PART OF ORDERING  
NUMBER

01C COLOUR CODE

IN COLUMN -TEXT  
-----

INSTALLATION WITH ENGINE OR CHASSIS  
NUMBER-RANGE

EXAMPLE:

M 66W 00389>> FROM ENGINE NO.

F >>99WS6 00889 UP TO CHASSIS NO.

Model	Year	MG	SG	Illustration	VIN No.	Update		
997T	09					231	11:20	02.09.2008

VEHICLE TYPE	TYPE	MY	TRANSMISSION NO.	TECHNICAL DATA
997 TURBO	G97.50	07 7	G9750 1 002001>999999	6-GANG
997 TURBO	A97.50	07 7	A9750 1 002001>999999	5-GANG
997 TURBO	G97.50	08 8	G9750 1 002001>999999	6-GANG
997 TURBO	A97.50	08 8	A9750 1 002001>999999	5-GANG
997 TURBO GT2	G97.88	08 8	G9788 2 002001>999999	6-GANG
997 TURBO	G97.50	09 9	G9750 1 002001>999999	6-GANG
997 TURBO	A97.50	09 9	A9750 1 002001>999999	5-GANG
997 TURBO GT2	G97.88	09 9	G9788 2 002001>999999	6-GANG

Model 997T	Year 09	MG	SG	Illustration	VIN No.	Update 231	11:20	02.09.2008
---------------	------------	----	----	--------------	---------	---------------	-------	------------

EXPLANATION OF THE TRANSMISSION-NUMBERS USED IN THE CATALOGUE

=====

DIGIT:	1	2	3	4	5	6	7	8	9	10	11
EXAMPLE:	G	9	7	0	1	1	0	0	5	4	3
	=	=====				=	=====				
	!		!			!			!		!
	!		!			!			!		!
TRANSMISSION TYPE-----+			!			!			!		!
			!			!			!		!
TRANSMISSION VERSION-----+						!			!		!
						!			!		!
INDEX OF VARIANTS-----+									!		!
									!		!
SERIAL NUMBER-----+											!

Model	Year	MG	SG	Illustration	VIN No.	Update		
997T	09					231	11:19	02.09.2008

ENGINE

VEHICLE TYPE	TYPE	MY	ENGINE NO.	TECHNICAL DATA
997 TURBO	M97.70	07 7	627 00501>18000	6ZYL/3,6L /353 KW
997 TURBO	M97.70	08 8	628 00501>18000	6ZYL/3,6L /353 KW
997 TURBO GT2	M97.70S	08 8	628 20501>28000	6ZYL/3,6L /390 KW
997 TURBO	M97.70	09 9	629 00501>18000	6ZYL/3,6L /353 KW
997 TURBO +I114	M97.70	09 9	629 18501>20000	6ZYL/3,6L /353 KW
997 TURBO GT2	M97.70S	09 9	629 20501>28000	6ZYL/3,6L /390 KW
997 TURBO GT2 +I114	M97.70S	09 9	629 28501>30000	6ZYL/3,6L /390 KW

Model	Year	MG	SG	Illustration	VIN No.	Update		
997T	09					231	11:19	02.09.2008

EXPLANATION OF THE MOTOR-NUMBERS USED IN THE CATALOGUE

=====

DIGIT: 1 2 3 4 5 6 7 8

EXAMPLE: 6 9 5 0 0 1 3 6

= = = =====

! ! ! !

ENGINE TYPE (6 = 6-CYL.-ENGINE)-----+ ! ! !

! ! !

ENGINE VERSION-----+ ! !

! !

MODEL YEAR-----+ !

!

SERIAL NUMBER-----+ !

Model 997T	Year 09	MG	SG	Illustration	VIN No.	Update 231	11:19	02.09.2008
---------------	------------	----	----	--------------	---------	---------------	-------	------------

VEHICLE TYPE	MY	VIN	ENGINE TYPE
997 TURBO	07 7	997S7 80061>83000	M97.70 353 KW
997 TURBO (USA.CN.CDN.MEX.BR)	07 7	997S7 83061>87000	M97.70 353 KW
997 TURBO	07 7	997S7 87061>90000	M97.70 353 KW
997 TURBO RDW-1	08 8	998S7 80061>83000	M97.70 353 KW
997 TURBO RDW-2	08 8	998S7 09061>10000	M97.70 353 KW
997 TURBO (USA.CN.CDN.MEX.BR)	08 8	998S7 83061>86000	M97.70 353 KW
997 TURBO CABRIO RDW-1	08 8	998S7 86061>88000	M97.70 353 KW
997 TURBO CABRIO RDW-2	08 8	998S7 06061>07000	M97.70 353 KW
997 TURBO CABRIO -1 (USA.CN.CDN.MEX.BR)	08 8	998S7 88061>90000	M97.70 353 KW
997 TURBO CABRIO -2 (USA.CN.CDN.MEX.BR)	08 8	998S7 08061>09000	M97.70 353 KW
997 TURBO GT2	08 8	998S7 94061>96000	M97.70 S 390 KW
997 TURBO GT2 (USA.CN.CDN.MEX.BR)	08 8	998S7 96061>98000	M97.70 S 390 KW
997 TURBO RDW	09 9	999S7 60061>66000	M97.70 353 KW
997 TURBO (USA.CN.CDN.MEX.BR)	09 9	999S7 66061>70000	M97.70 353 KW
997 TURBO CABRIO	09 9	999S7 70061>73000	M97.70 353 KW
997 TURBO CABRIO (USA.CN.CDN.MEX.BR)	09 9	999S7 73061>75000	M97.70 353 KW
997 TURBO GT2	09 9	999S7 76061>77000	M97.70 S 390 KW
997 TURBO GT2 (USA.CN.CDN.MEX.BR)	09 9	999S7 78061>79000	M97.70 S 390 KW



Model 997T	Year 09	MG	SG	Illustration	VIN No.	Update 231	11:19	02.09.2008
---------------	------------	----	----	--------------	---------	---------------	-------	------------

EXPLANATION OF THE ABRIDGED VERSION OF THE VEHICLE IDENT. NUMBERS (VIN)

=====

USED IN THE CATALOGUE

=====

DIGIT:                            1 2 3 4 5 6 7 8 9 10 11 12 13 14 15 16 17

EXAMPLE:                        W P 0 Z Z Z 9 9 Z 5 S 7 0 0 1 2 5

                                  ===        =    =    =    =====

  !        !    !    !        !

VEHICLE TYPE 1ST+2ND DIGIT-----+                                    !    !    !        !

  !    !    !        !

MODEL YEAR-----+    !    !        !

  !    !        !

MANUFACTURING LOCATION-----+    !        !

  !        !

VEHICLE TYPE 3RD DIGIT-----+    !

  !

SERIAL NUMBER-----+    !

Model	Year	MG	SG	Illustration	VIN No.	Update		
997T	09					231	11:19	02.09.2008

PET CONTAINS THE ORDERING DETAILS FOR ALL MODELS SHOWN IN THE MODEL OVERVIEW.

THE UPDATE SERVICE IS PERFORMED AUTOMATICALLY VIA INTERNET UPDATE.

THE VERSION IS SHOWN IN THE HEADER AS "UPDATE 123/12"

SEATS AND RELATED ITEMS FOR MODELS INTRODUCED BEFORE 1997 ARE SHOWN IN THE STZ CATALOGUE.

SEATS AND RELATED ITEMS FOR MODELS INTRODUCED AFTER 1997 ARE SHOWN IN THE CORRESPONDING VEHICLE CATALOGUES.

ALL ILLUSTRATIONS ARE NON-BINDING.

SUBJECT TO CHANGE.