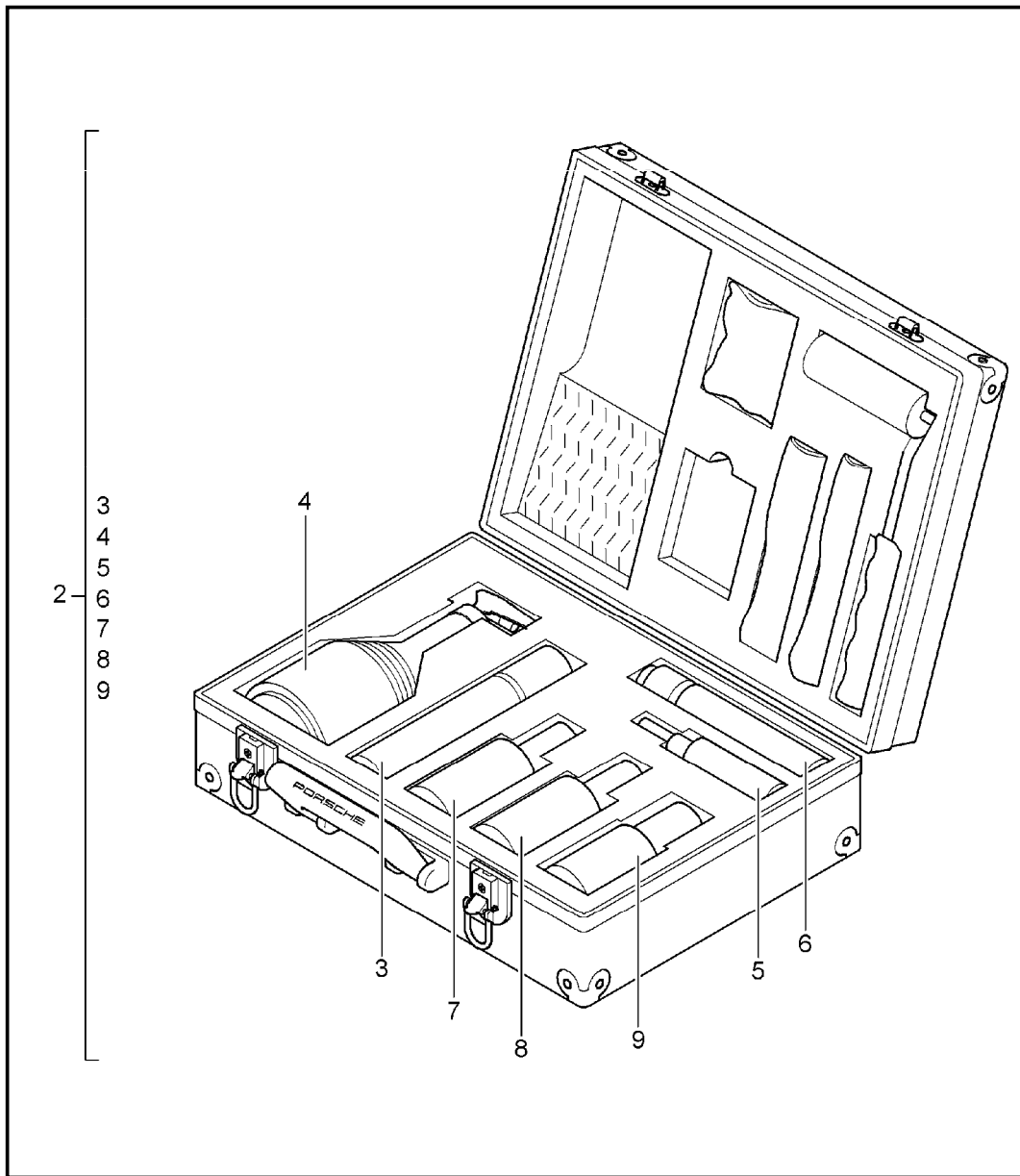


Model	Year	MG	SG	Illustration	Restrictions	UPD	9:04	28.01.2010	PORSCHE	PET	PORSCHE
TEQ2	2010	0	01	001-00		248					



Pos	Part Number	Description	Remark	Qty	Model
		protective cap care kit tool			
-	955 044 000 00	vehicle cover INDOOR	03-	1	
-	955 044 000 70	vehicle cover outdoor	03-	1	
2 A	955 044 000 20	care kit		1	
2	955 044 000 79	care kit		1	
3	955 044 000 25	cleaning agent for velour carpet		1	
4	999 901 056 40	in front of cleaning agent for paint		1	
5	999 901 016 41	window cleaner inner		1	
6	999 901 017 41	window cleaner outer		1	
7	999 915 915 00	paint polish		1	
8	999 901 014 41	cleaning agent convertible top		1	
9	000 044 000 02	leather care		1	
-	955 044 000 53	passenger compartment care kit		1	
-	955 044 000 01	tool set		1	
-	955 044 000 02	ice scraper		1	

PORSCHE

PET

PORSCHE

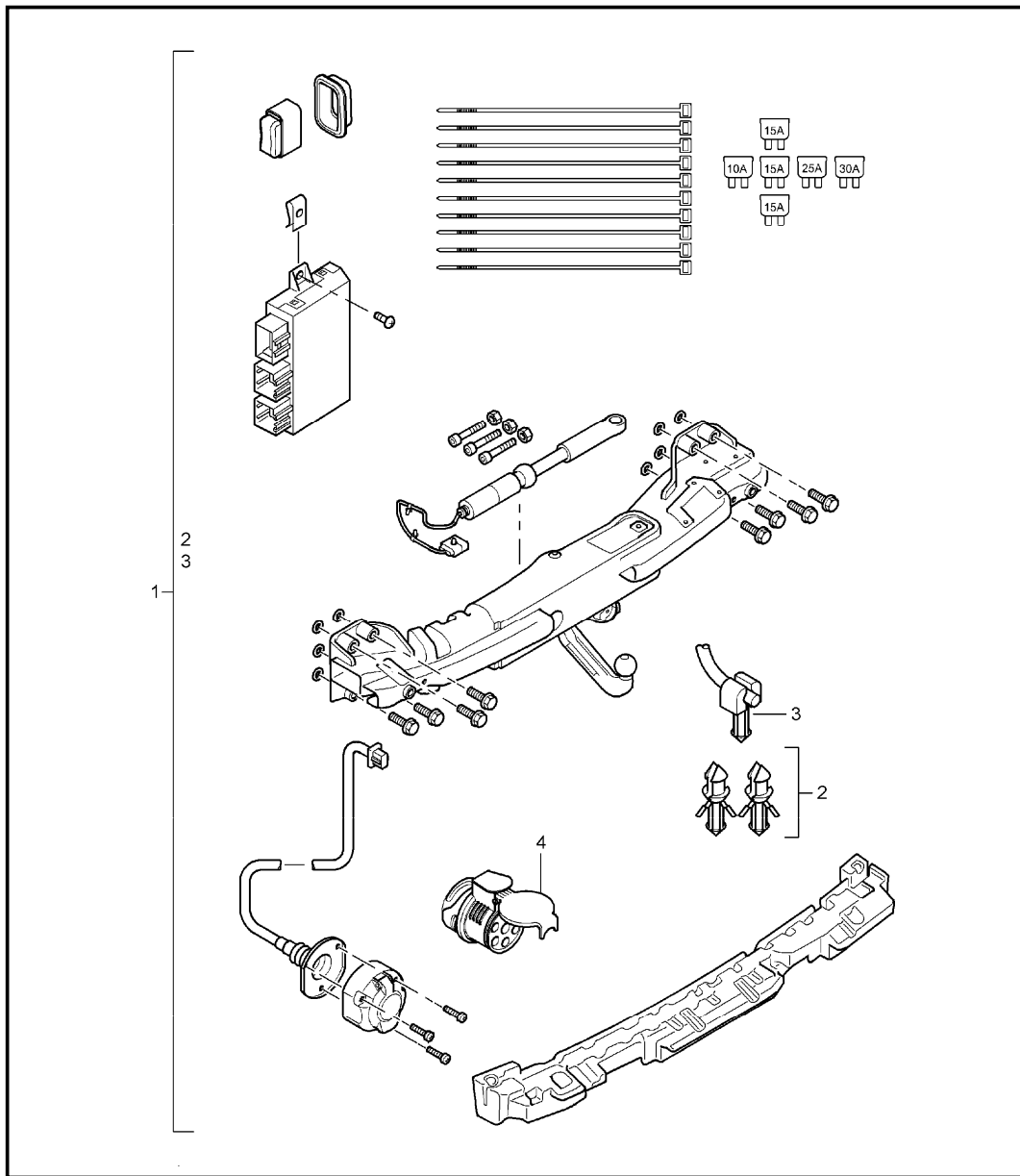
Model	Year	MG	SG	Illustration	Restrictions	UPD	9:04	28.01.2010
TEQ2	2010	0	02	002-00		248		

Pos	Part Number	Description	Remark	Qty	Model
-	955 044 000 67	sun visors grille protective grille comprising: sun visor side window glass		1 4	
-	955 044 000 68	protective grille comprising: sun visor rear lid		1 1	
-	955 044 000 69	replacement assembly kit for sun visors		1	

Model	Year	MG	SG	Illustration	Restrictions	UPD	9:04	28.01.2010
TEQ2	2010	0	51	051-00		248		

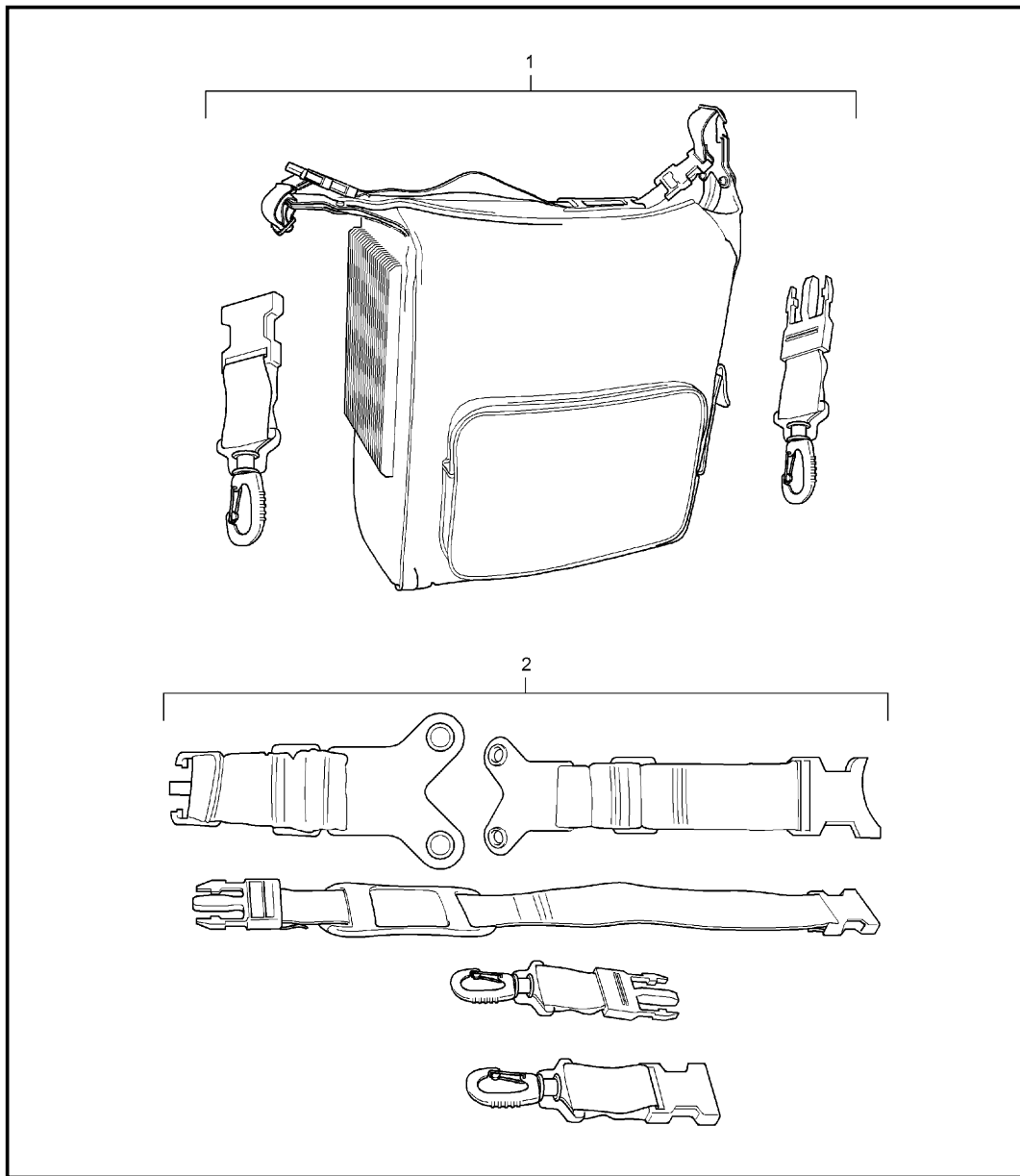
Pos	Part Number	Description	Remark	Qty	Model
		trailer coupling mechanical			
		Instal. and mod. instruc. Cayenne, alle group 6 6690 attention			
-	A 955 044 000 09	trailer coupling with detachable ball-pin	03-05	1	I1D7
-	A 955 044 000 73	trailer coupling with detachable ball-pin	06	1	I1D7
-	955 044 002 73	trailer coupling with detachable ball-pin	03-	1	
		use also:			
-	N 909 892 01	hexagon-head bolt	03-05	8	I1D7
-	955 505 087 00	lid	03-04	1	ID9J/D9K
-	955 505 087 01	lid	04-	1	ID9L
	G2X	prime coated			
-	955 044 000 64	adapter plug 7-pole for 955 044 00009 and 955 044 000 11		1	
		use also:			
-	A 955 044 000 26	trailer coupling	(AUS) 03-05	1	
-	A 955 044 000 75	trailer coupling	(AUS) 06	1	
-	955 044 002 75	trailer coupling	(AUS) 03-	1	
		use also:			
-	N 909 892 01	hexagon-head bolt	03-05	8	
-	955 044 000 27	ball head	(AUS) 03-	1	

Model	Year	MG	SG	Illustration	Restrictions	UPD	9:11	28.01.2010	PORSCHE	PET	PORSCHE
TEQ2	2010	0	51	051-01		248					



Pos	Part Number	Description	Remark	Qty	Model
		trailer coupling electric			
		Instal. and mod. instruc. Cayenne, alle group 6 6690 attention			
1	A 955 044 000 11	trailer coupling electric	03-05	1	I1D9
(1)	A 955 044 000 76	trailer coupling electric	06	1	I1D9
(1)	955 044 002 76	trailer coupling electric	03-	1	I1D9
		use also:			
-	N 909 892 01	hexagon-head bolt	03-05	8	
2	955 647 153 00	clip		1	I1D9
3	N 909 975 01	support		1	I1D9
		single parts see illustrations 9PA 0/02/00 9PA 9/01/03 9PA 9/03/05			
4	955 044 000 64	adapter plug 7-pole for 955 044 000 11 and 955 044 000 09		1	
-	955 044 900 45	electric line only for replacement	03-	1	I1D9

Model	Year	MG	SG	Illustration	Restrictions	UPD	9:11	28.01.2010	PORSCHE	PET	PORSCHE
TEQ2	2010	0	52	052-02		248					



Pos	Part Number	Description	Remark	Qty	Model
		cold bag	03-		
		technical information Cayenne, alle group 6 6832 attention			
1	A 955 044 900 00	cold bag electric		1	ID9J/D9K/D9L
1	955 044 902 30	cold bag electric		1	ID9J/D9K/D9L
2	955 044 900 23	repair kit fastening clip belt for cold bag 955.044.900.00		1	

PORSCHE

PET

PORSCHE

Model	Year	MG	SG	Illustration	Restrictions	UPD	9:11	28.01.2010
TEQ2	2010	0	53	053-00		248		

Pos	Part Number	Description	Remark	Qty	Model
		preservative agent			
2	A 955 044 000 20	care kit		1	
2	955 044 000 79	care kit		1	
3	955 044 000 25	cleaning agent for velour carpet		1	
4	999 901 056 40	cleaning agent for paint		1	
5	999 901 016 41	window cleaner inner		1	
6	999 901 017 41	window cleaner outer		1	
7	999 915 915 00	paint polish		1	
8	999 901 014 41	car shampoo		1	
9	000 044 000 02	leather care		1	
-	955 044 000 53	care kit		1	

PORSCHE

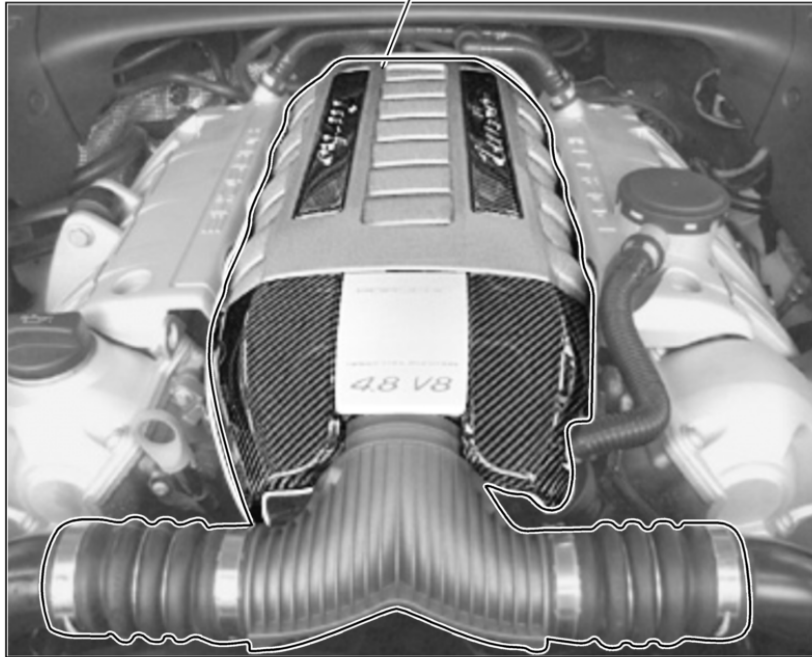
PET

PORSCHE

Model	Year	MG	SG	Illustration	Restrictions	UPD	9:12	28.01.2010
TEQ2	2010	1	01	101-00		248		

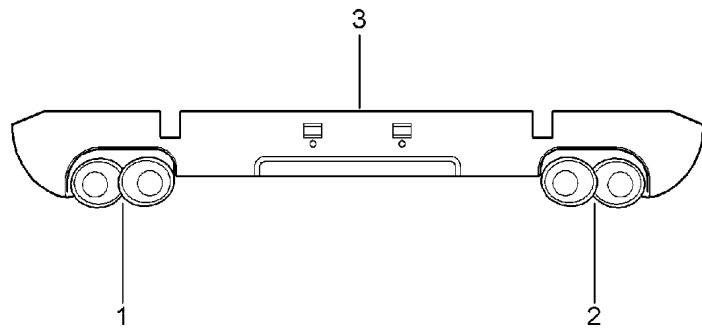
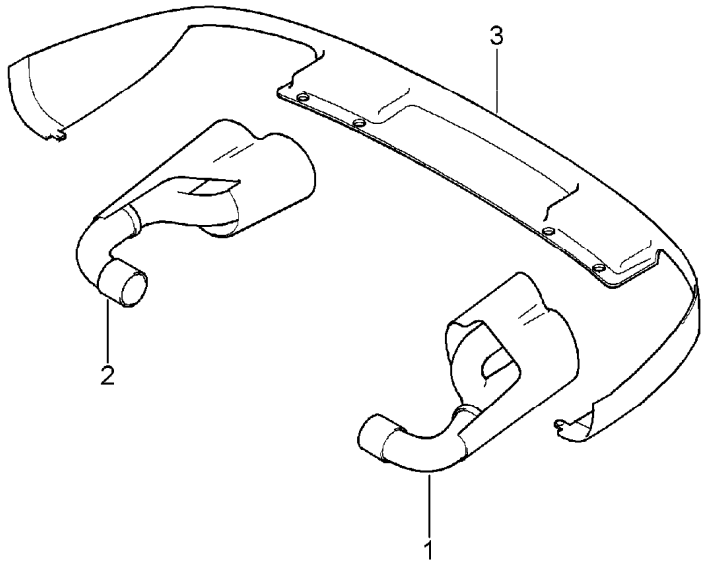
Pos	Part Number	Description	Remark	Qty	Model
-	955 044 100 00	retrofit kit engine drive power 500 PS Instal. and mod. instruc. cayenne turbo main group 1 1001 attention retrofit kit drive power 500 PS	03-06	1	TURBO

Model	Year	MG	SG	Illustration	Restrictions	UPD	9:12	28.01.2010	PORSCHE	PET	PORSCHE
TEQ2	2010	1	01	101-01		248					



Pos	Part Number	Description	Remark	Qty	Model
		retrofit kit engine drive power 540 PS Instal. and mod. instruc. cayenne turbo main group 1 1001 attention	08-		TURBO
1	955 044 100 01	retrofit kit drive power 540 PS inkl. Bremsanlage	KW22 /08	1	FZG. BIS
1	955 044 100 02	retrofit kit drive power 540 PS ohne Bremsanlage	KW22 /08	1	FZG. AB

Model	Year	MG	SG	Illustration	Restrictions	UPD	9:12	28.01.2010	PORSCHE	PET	PORSCHE
TEQ2	2010	2	02	202-10		248					



Pos	Part Number	Description	Remark	Qty	Model
		sports tailpipe		03-	
1	955 111 981 00	tail pipe left	03-06	1	ID9K/D9L/G0R
2	955 111 982 00	tail pipe right	03-06	1	ID9K/D9L/G0R
(1)	955 044 981 01	tail pipe left	03-06	1	/+G0L ID9J/D9K
(2)	955 044 982 01	tail pipe right	03-06	1	/+G0L ID9J/D9K
		for Cayenne / Cayenne S order also:			
3	955 505 521 04	spoiler without cap	03-06	1	ID9L/0P3
(3)	955 505 521 05	spoiler without cap	03-06	1	ID9L/0P3/1G3
-	955 505 449 02	cap	/L 03-06	1	I0P3/1G3
-	955 505 450 02	cap	/R 03-06	1	I0P3/1G3
		sports tailpipe		08-	
		Instal. and mod. instruc. cayenne main group 2 2634 attention			
(1)	955 044 981 02	tail pipe left set	08-	1	
(2)	955 044 982 02	tail pipe right set	08-	1	
		for Cayenne / Cayenne S order also:			
(3)	955 044 200 08	rear apron set	08-	1	ID5Z

PORSCHE

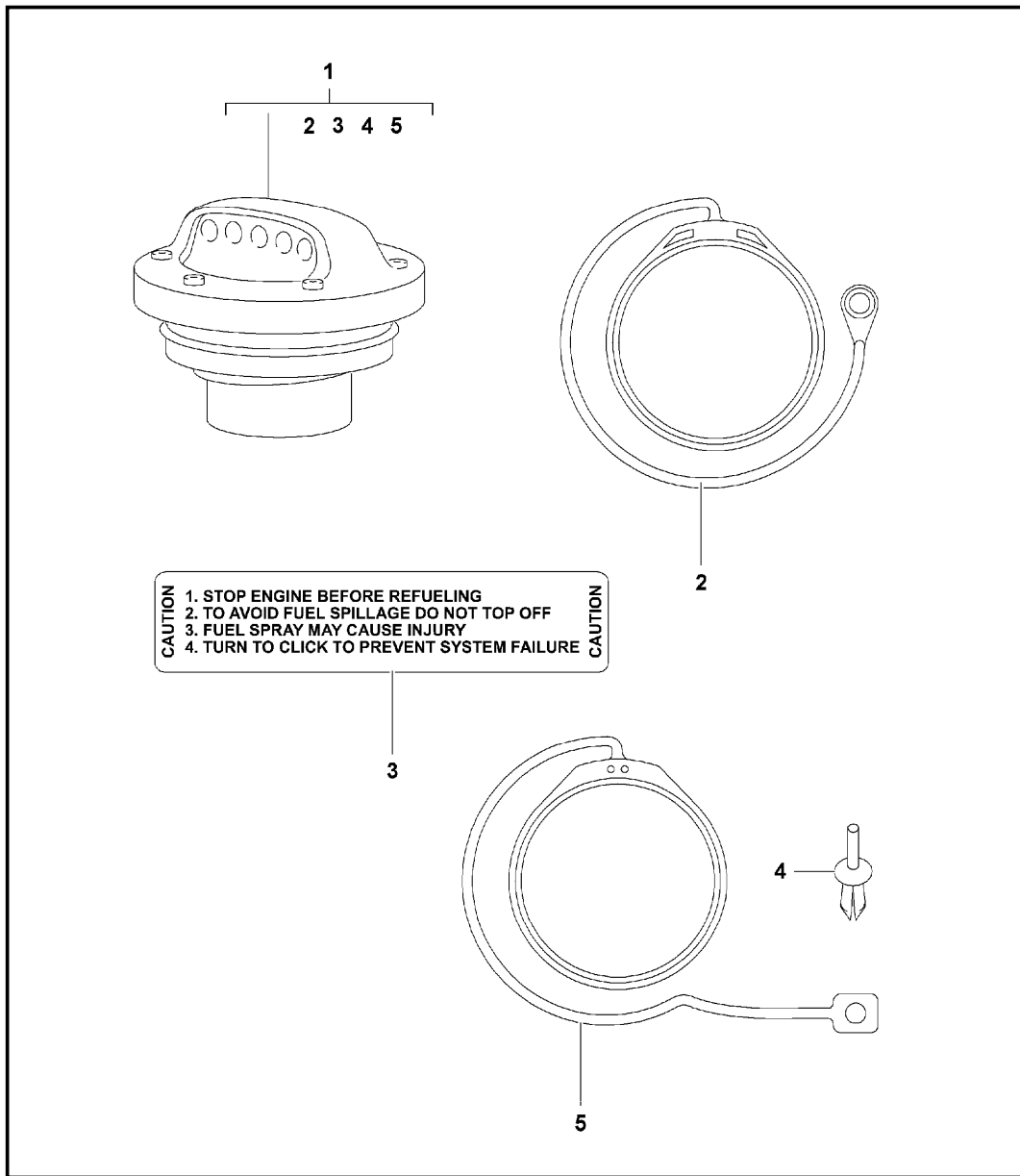
PET

PORSCHE

Model	Year	MG	SG	Illustration	Restrictions	UPD	9:12	28.01.2010
TEQ2	2010	2	02	202-15		248		

Pos	Part Number	Description	Remark	Qty	Model
		exhaust system sport version Instal. and mod. instruc. cayenne s main group 2 2601 attention	08-		CAYENNE S TIPTRONIC
-	955 044 200 02	exhaust system sport version set	08-	1	ID5V/G0R
-	955 044 200 08	order also: rear apron set		1	

Model	Year	MG	SG	Illustration	Restrictions	UPD	9:12	28.01.2010	PORSCHE	PET	PORSCHE
TEQ2	2010	2	02	202-27		248					



Pos	Part Number	Description	Remark	Qty	Model
		fuel tank cap aluminium look	03-		
		Instal. and mod. instruc. Cayenne, alle main group 2 2005 attention			
1	997 201 980 00	fuel tank cap aluminium look	03-	1	/ID9 ID9J ID9L
2	955 044 200 05	lock with expansion rivet		1	
5	997 044 200 05	lock		1	
4	999 507 499 40	expansion rivet		1	
3	996 006 118 01	sticker		1	

Model	Year	MG	SG	Illustration	Restrictions	UPD	9:13	28.01.2010	PORSCHE	PET	PORSCHE
TEQ2	2010	4	03	403-05		248					

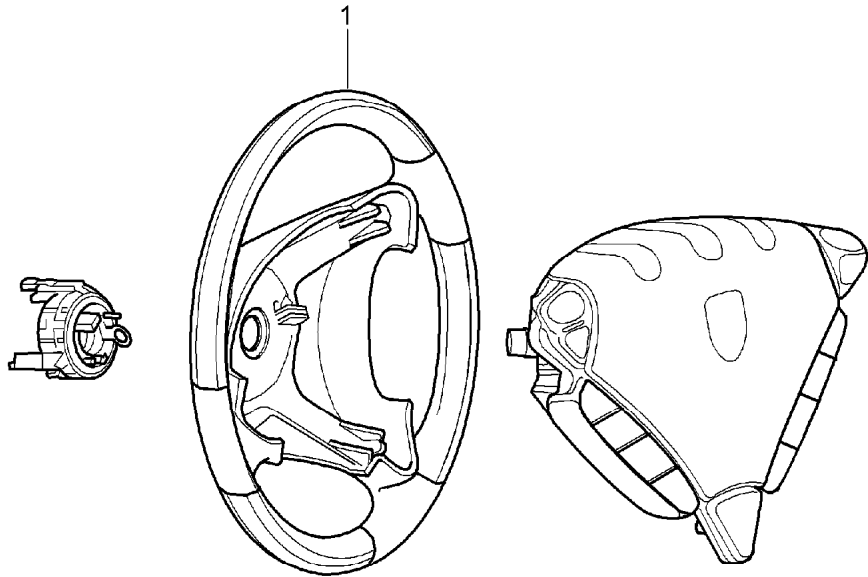
				Pos	Part Number	Description	Remark	Qty	Model
				1	955 347 804 50	steering wheels wood airbag unit steering wheel wooden ring light for cars with multi-function PBE black PBF stone grey PBG palmgreen PBH havanna TXA sand beige	03-	1	I1XK/4LB I4LC
				(1)	955 347 804 60	heated not available steering wheel wooden ring light matte for cars with multi-function RRY black RRZ stone grey RSZ palmgreen RTZ havanna	03-06	1	I2FV/4LB I4LC
				(1)	955 347 804 40	for cars without multi-function order also: airbag unit and spring steering wheel wooden ring dark for cars with multi-function PBA black PBB stone grey PBC palmgreen	03-	1	I1XJ/4LB I4LC

Model	Year	MG	SG	Illustration	Restrictions	UPD	9:13	28.01.2010	PORSCHE	PET	PORSCHE
TEQ2	2010	4	03	403-05		248					

Pos	Part Number	Description	Remark	Qty	Model	Pos	Part Number	Description	Remark	Qty	Model
	PBD	havanna									
	TXB	sand beige									
		heated not available									
		for cars without multi-function order also: airbag unit and spring									
		airbag unit see catalogue 24 picture board 403-06	03-	1							
3	955 652 211 10	spring	03-	1	I1XJ/1XK I2FV/2PM I4LB/4LC						

Model	Year	MG	SG	Illustration	Restrictions	UPD	9:13	28.01.2010	PORSCHE	PET	PORSCHE
TEQ2	2010	4	03	403-06		248					

Pos	Part Number	Description	Remark	Qty	Model
1	955 347 980 00	steering wheels carbon for cars with multi-function	03-	1	
	5Z3	black			
	6P1	stone grey			
	6Q2	havanna			
	6R3	palmgreen			
	4P8	sand beige			
		heated not available			
		for cars without multi-function order also: airbag unit and spring see catalogue 24 see illustrations 4/03/06			

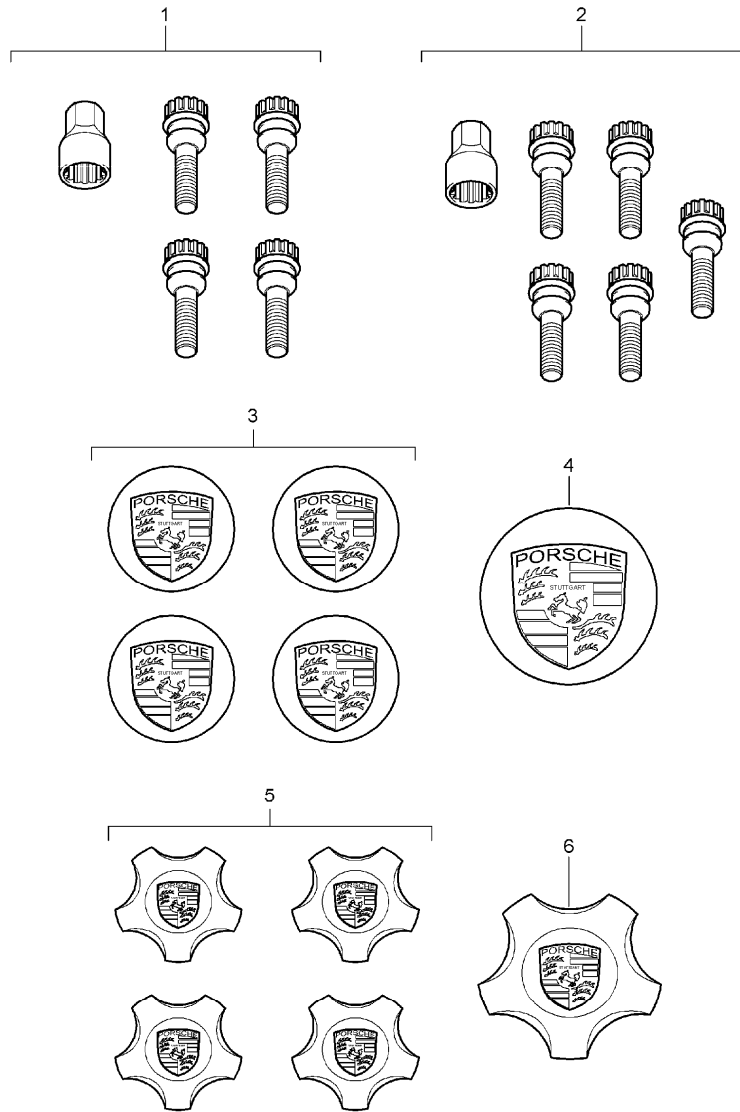


Model	Year	MG	SG	Illustration	Restrictions	UPD	9:13	28.01.2010
TEQ2	2010	4	03	403-07		248		

Pos	Part Number	Description	Remark	Qty	Model
1	955 044 400 00	steering wheels with padding steering wheel leather for cars with multi-function not heated	03-	1	ID9K/D9L I4LB/4LC
	5Z3	black			
	6P1	stone grey			
	6Q2	havanna			
	6R3	palmgreen			
	4P8	sand beige			
(1)	955 044 400 01	steering wheel leather for cars with multi-function heated	03-	1	ID9K/D9L I4LB/4LC I2PH
	5Z3	black			
	6P1	stone grey			
	6Q2	havanna			
	6R3	palmgreen			
	4P8	sand beige			

Model	Year	MG	SG	Illustration	Restrictions	UPD	9:13	28.01.2010	PORSCHE	PET	PORSCHE
TEQ2	2010	6	01	601-00		248					

Pos	Part Number	Description	Remark	Qty	Model
		alloy wheels anti-theft protection hub cap			
1	A 955 361 057 00	anti-theft protection set 4-part	03-	1	
(1)	955 361 057 02	anti-theft protection set 4-part	04-	1	
2	955 361 057 01	anti-theft protection set 5-fold	03-	1	IIG3
3	955 044 600 09	hub cap set cayenne s wheel comprising:	03-	1	ICJ2
4	955 361 303 06	hub cap round convex crest coloured 9A1 silver	03-	4	
(3)	955 044 600 10	hub cap set SPORT TECHNO comprising:	03-	1	ICS6
(4)	955 361 303 05	hub cap round concave crest coloured 9A1 silver	03-	4	
5	955 044 600 11	hub cap set SPORT DESIGN comprising:	03-	1	ICJ3/CS5
6	955 361 303 07	hub cap star shaped crest coloured 9A1 silver	03-	4	

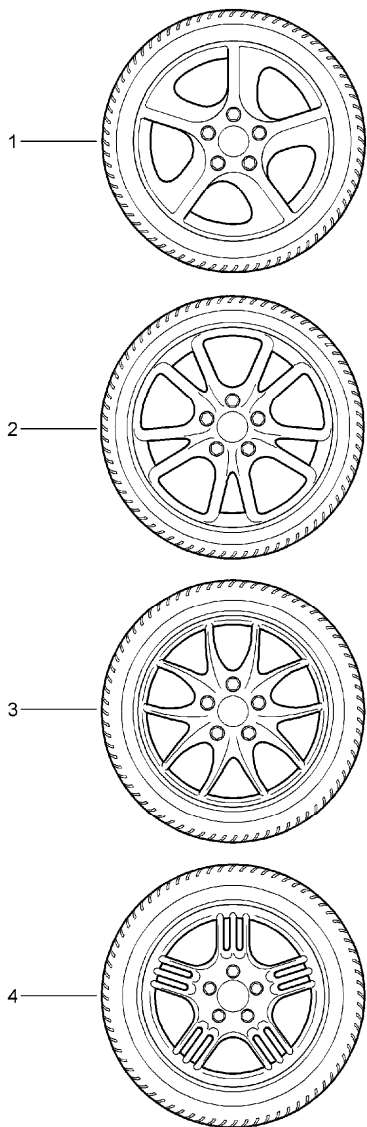


Model	Year	MG	SG	Illustration	Restrictions	UPD	9:13	28.01.2010	PORSCHE	PET	PORSCHE
TEQ2	2010	6	01	601-00		248					

Pos	Part Number	Description	Remark	Qty	Model	Pos	Part Number	Description	Remark	Qty	Model
(5)	955 044 600 12	hub cap set turbo wheel comprising:	03-	1	ICJ6						
(6)	955 361 303 08	hub cap star shaped crest coloured aluminium polished	03-	4							
	9A1	silver									

Model	Year	MG	SG	Illustration	Restrictions	UPD	9:13	28.01.2010	PORSCHE	PET	PORSCHE
TEQ2	2010	6	02	602-00		248					

Pos	Part Number	Description	Remark	Qty	Model
		gear set summer 21" wheels only together with wheel housing wide see illustrations 94/80140			
-	955 044 602 20	gear set SPORT PLUS front axle 10JX21 ET 50 rear axle 10JX21 ET 45 295/35 R21 Y tyre pressure monitoring	08- 08-	1 2 2 4	ID9J/D9K ID9L/E81 I7K3
-	955 044 602 19	gear set SPORT PLUS front axle 10JX21 ET 50 rear axle 10JX21 ET 45 295/35 R21 Y	08-	1 2 2	ID9J/D9K ID9L/E81
-	955 044 602 18	gear set sport 10JX21 ET 50 295/35 R 21 Y tyre pressure monitoring	08- 08-	1 4 4 4	ID9J/D9K ID9L/E81 I7K3
-	955 044 602 17	gear set sport 10JX21 ET 50 295/35 R 21Y	08-	4 4 4	ID9J/D9K ID9L/E81
1	955 044 602 14	gear set SPORT TECHNO front axle 9JX20 ET 60 rear axle 10JX20 ET55 275/40 R 20Y tyre pressure monitoring	03-06 03-06	1 2 2 4 4	ID9J/D9K ID9L/E81 I7K3
1	955 044 602 34	gear set SPORT TECHNO front axle 9JX20ET 60 rear axle 10JX20 ET 55 275/40 R20 Y tyre pressure monitoring	08- 08-	1 2 2 4 4	ID9J/D9K ID9L/E81 I7K3



Model	Year	MG	SG	Illustration	Restrictions	UPD	9:13	28.01.2010	PORSCHE	PET	PORSCHE
TEQ2	2010	6	02	602-00		248					

Pos	Part Number	Description	Remark	Qty	Model	Pos	Part Number	Description	Remark	Qty	Model
1	955 044 602 13	gear set SPORT TECHNO front axle 9J X 20 ET 60 rear axle 10J X 20 ET55 275/40 R20Y	03-	1	7 ID9J/D9K ID9L/E81	3	955 044 602 01	gear set CAYENNE DESIGN 9J X 19 ET60 275/45 R19Y	03-	1	ID9J/D9K ID9L
				2						4	
				2		3	955 044 602 16	gear set CAYENNE DESIGN ALL SEASON 9J X 19 ET60 275/45 R19 V tyre pressure monitoring	03-06 03-06	1	ID9K/D9L ID9J/E81
				4						4	
1	955 044 602 10	gear set SPORT TECHNO 9J X 20 ET60 275/40 R20Y tyre pressure monitoring	03-06 03-06	1	ID9J/E81 ID9K/D9L				03-06	4	I7K3
				4						4	
				4		3	955 044 602 30	gear set CAYENNE DESIGN ALL SEASON 9J X 19 ET60 275/45 R19 V tyre pressure monitoring	08- 08-	1	ID9K/D9L ID9J/E81
1	955 044 602 36	gear set SPORT TECHNO 9J X 20 ET 60 275/40 R20Y tyre pressure monitoring	08- 08-	1	ID9J/D9K ID9L/E81				08- 08-	4	I7K3
				4						4	
				4		3	955 044 602 15	gear set CAYENNE DESIGN ALL SEASON 9J X 19 ET60 275/45 R19V	03-	1	ID9K/D9L ID9J/E81
1	955 044 602 09	gear set SPORT TECHNO 9J X 20 ET60 275/40 R 20Y	03-	1	ID9J/D9K ID9L/E81					4	
				4						4	
2	955 044 602 12	gear set SPORT DESIGN 9J X 20 ET60 275/40 R20Y tyre pressure monitoring	03-06 03-06	1	ID9J/E81 ID9K/D9L	4 E	955 044 602 06	gear set ALL TERRAIN CAYENNE S I 8J X 18 ET57 235/60 R18T tyre pressure monitoring	03-06 03-06	1	ID9L ID9J/D9K
				4						4	
				4						4	
				4					03-06	4	I7K3
2	955 044 602 32	gear set SPORT DESIGN 9 J X 20 ET60 275/40 R20Y tyre pressure monitoring	08- 08-	1	ID9J/D9K ID9L/E81	4 E	955 044 602 05	gear set ALL TERAIN CAYENNE S I 8J X 18 ET57 235/60 R18T	03-06	1	ID9J/D9K ID9L
				4						4	
				4						4	
				4						4	
2	955 044 602 11	gear set SPORT DESIGN 9J X 20 ET60 275/40 R20Y	03-	1	ID9J/D9K ID9L/E81						
				4							
				4							
3	955 044 602 02	gear set CAYENNE DESIGN 9J X 19 ET60 275/45 R19Y tyre pressure monitoring	03-06 03-06	1	ID9J/E81 ID9K/D9L						
				4							
				4							
				4					03-06	4	I7K3
3	955 044 602 42	gear set CAYENNE DESIGN 9J X 19 ET60 275/45 R19Y tyre pressure monitoring	08- 08-	1	ID9L/E81 ID9J/D9K						
				4							
				4							
				4					08-	4	I7K3

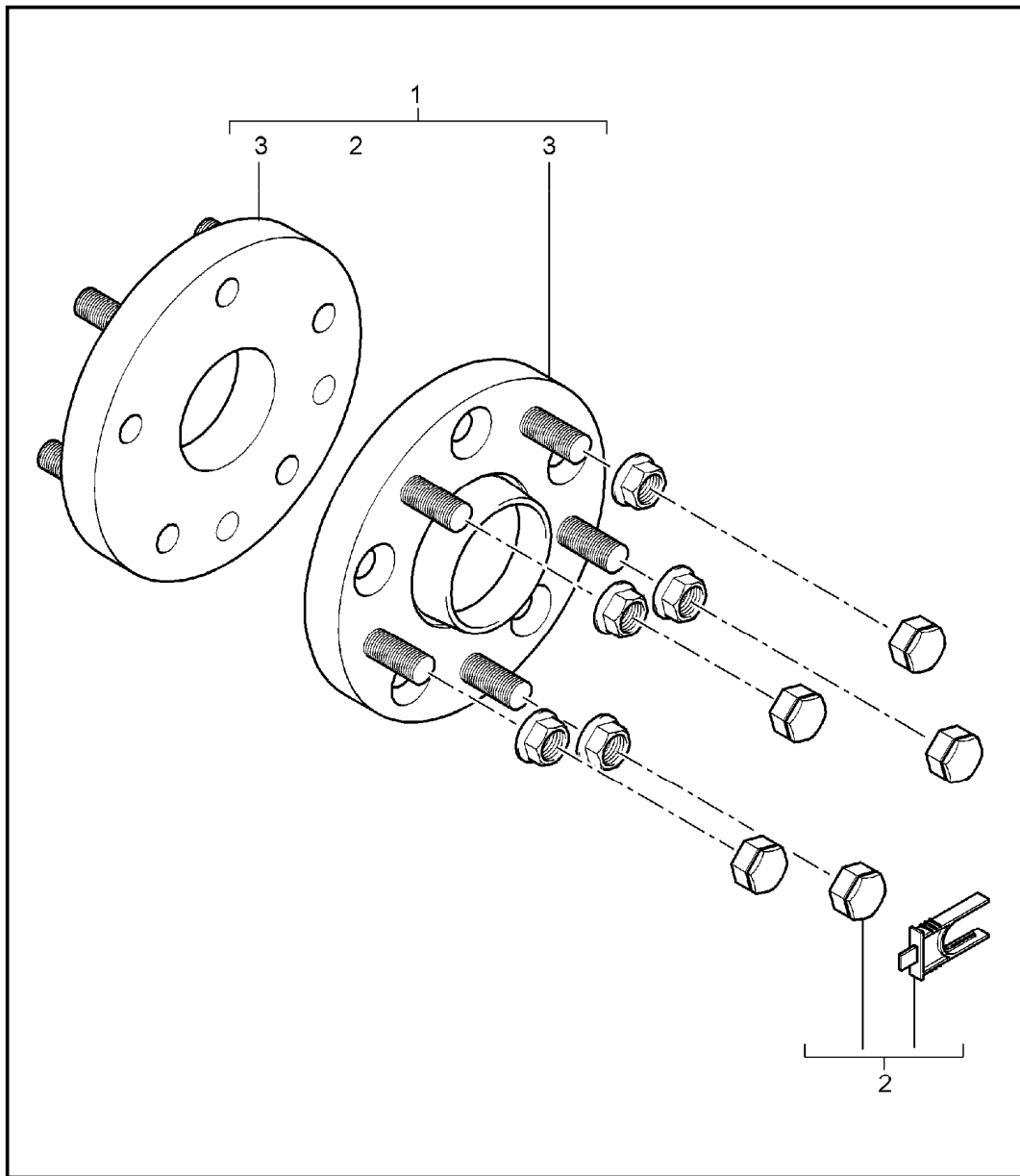
Model	Year	MG	SG	Illustration	Restrictions	UPD	9:14	28.01.2010	PORSCHE	PET	PORSCHE
TEQ2	2010	6	02	602-01		248					

Pos	Part Number	Description	Remark	Qty	Model
1	955 044 600 22	gear set winter	03-06	1	ID9J/D9K ID9L/E8A/E81
		gear set CAYENNE DESIGN 9X19 ET 60 255/50 R19V tyre pressure monitoring	03-06	4	I7K3
1	955 044 600 52	gear set CAYENNE DESIGN 9X19 ET 60 255/50 R19V tyre pressure monitoring	08-	1	I7K3
				4	
				4	
1	955 044 600 21	gear set CAYENNE DESIGN 9JX19 ET60 255/50 R19V	03-	1	ID9J/D9K ID9L/E8A/E81
				4	
				4	
2 A	955 044 600 06	set of wheels, compl. TURBO I 9JX19 ET 60 235/60 R18H tyre pressure monitoring	03-06	1	ID9J/D9K ID9L
				4	
				4	
2	955 044 600 20	gear set TURBO I 8JX18 ET57 255/65 R18V tyre pressure monitoring	03-06	1	ID9J/D9K ID9L
				4	
				4	
2	955 044 600 50	gear set TURBO II 8JX18 ET57 255/65 R18V tyre pressure monitoring	03-06	1	ID9J/D9K ID9L
				4	
				4	
2 A	955 044 600 05	set of wheels, compl. TURBO I 8JX18 ET57 235/60 R18 H	03-06	1	ID9J/D9K ID9L
				4	
				4	
2	955 044 600 19	gear set TURBO I 8JX18 ET57 255/55 R18 V	03-06	1	ID9J ID9K/D9L
				4	
				4	
2	955 044 600 49	gear set TURBO II 8JX18 ET57 255/55 R18V	08-	1	ID9J/D9K ID9L
				4	
				4	

Model	Year	MG	SG	Illustration	Restrictions	UPD	9:14	28.01.2010	PORSCHE	PET	PORSCHE
TEQ2	2010	6	02	602-01		248					

Pos	Part Number	Description	Remark	Qty	Model	Pos	Part Number	Description	Remark	Qty	Model
3	A 955 044 600 04	set of wheels, compl. CAYENNE S I 8JX18 ET57 235/60 R18H tyre pressure monitoring	03-06	4	ID9J/D9K ID9L						
				4							
				4							
			03-06	4	I7K3						
3	955 044 600 18	gear set CAYENNE S I 8JX18 ET 57 255/55 R18V tyre pressure monitoring	03-06	1	ID9J/D9K ID9L						
				4							
			03-06	4	I7K3						
3	955 044 600 48	gear set CAYENNE S II 8JX18 ET57 255/55 R18V tyre pressure monitoring	08-	1	ID9J/D9K ID9L						
				4							
			08-	4	I7K3						
3	A 955 044 600 03	set of wheels, compl. CAYENNE S I 8JX18 ET 57 235/60 R18H	03-06	1	ID9J/D9K ID9L						
				4							
				4							
3	955 044 600 17	gear set Cayenne S I 8JX18ET57 255/55 R18V	03-06	1	ID9J/D9K ID9L						
				4							
				4							
3	955 044 600 47	gear set CAYENNE S II 8JX18 ET57 255/55 R18V	08-	1	ID9J/D9K ID9L						
				4							
				4							
4	955 044 600 16	gear set cayenne 7,5JX17 ET53 235/65 R 17 H tyre pressure monitoring	04-06	1	ID9J						
				4							
				4							
			04-06	4	I7K3						
4	955 044 600 46	gear set cayenne 7,5JX17 ET53 235/65 R 17 H tyre pressure monitoring	08-	1	ID9J						
				4							
				4							
			08-	4	I7K3						
4	955 044 600 15	gear set cayenne 7,5JX17 ET53 235/65 R17 H	04-	1	ID9J						
				4							
				4							

Model	Year	MG	SG	Illustration	Restrictions	UPD	9:14	28.01.2010	PORSCHE	PET	PORSCHE
TEQ2	2010	6	02	602-02		248					



Pos	Part Number	Description	Remark	Qty	Model
		spacer 17mm	03-		
		Instal. and mod. instruc. cayenne main group 4 4413 beachten			
1	955 044 600 23	spacer 17mm for widening of track rear		1	
		not for 955.044.600.05/06 955.044.600.19/20 955.044.602.13/14 use			
		set comprising:			
3	996 361 617 00	spacer		2	
2	955 044 600 25	cover with extractor		1	

PORSCHE

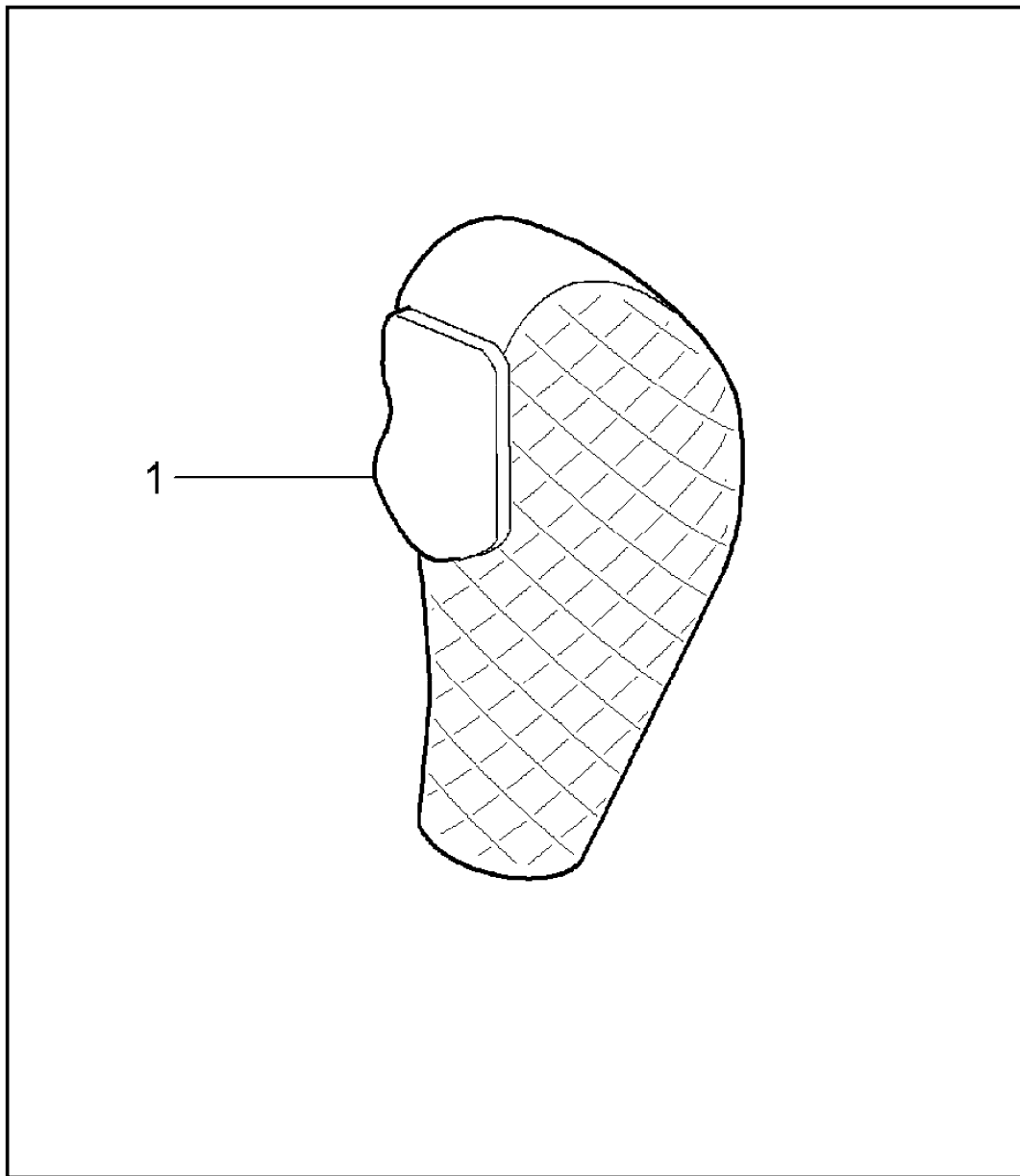
PET

PORSCHE

Model	Year	MG	SG	Illustration	Restrictions	UPD	9:14	28.01.2010
TEQ2	2010	6	50	650-00		248		

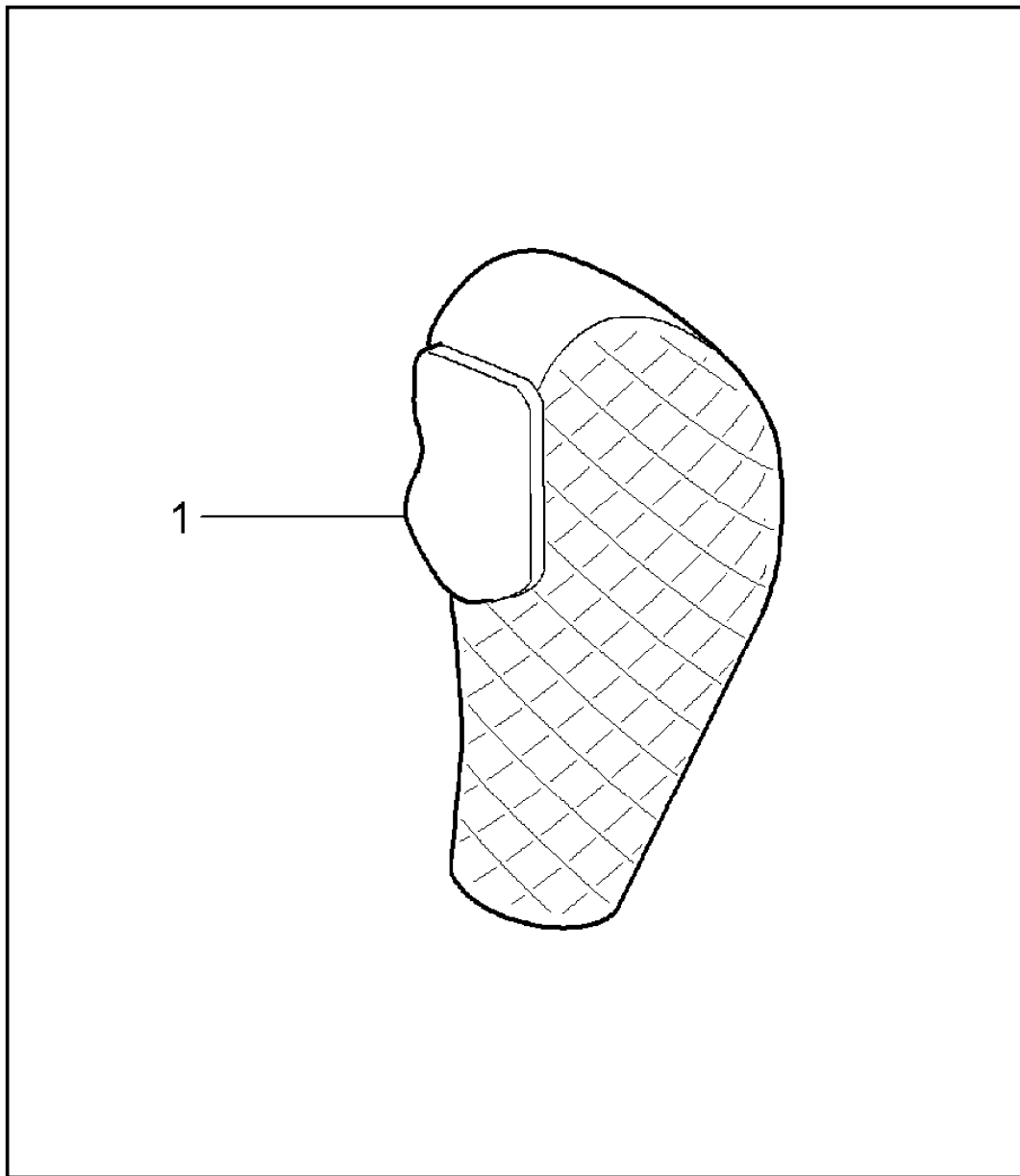
Pos	Part Number	Description	Remark	Qty	Model
-	955 044 600 07	snow chains snow chains double	03-	1	235/65 R17 235/60 R18
-	955 044 600 08	snow chains double	03-	1	255/55 R18 255/50 R19

Model	Year	MG	SG	Illustration	Restrictions	UPD	9:14	28.01.2010	PORSCHE	PET	PORSCHE
TEQ2	2010	7	01	701-00		248					



Pos	Part Number	Description	Remark	Qty	Model
		selector lever tiptronic wood			
- A	955 424 982 00	selector lever	03-04	1	IGOR
	4V8	olive grain light high gloss			
1	955 426 069 30	selector lever	05-	1	IGOR
	4V8	olive grain light high gloss			
- A	955 424 983 00	selector lever	03-06	1	IGOR
	9Z4	olive grain light matte			
1	955 426 069 20	selector lever	03-	1	IGOR
	9Z4	olive grain light matte			
- A	955 424 981 00	selector lever	03-	1	IGOR
	4X2	rootwood dark high gloss			
1	955 426 069 10	selector lever	05-	1	IGOR
	4X2	rootwood dark high gloss			

Model	Year	MG	SG	Illustration	Restrictions	UPD	9:14	28.01.2010	PORSCHE	PET	PORSCHE
TEQ2	2010	7	01	701-01		248					



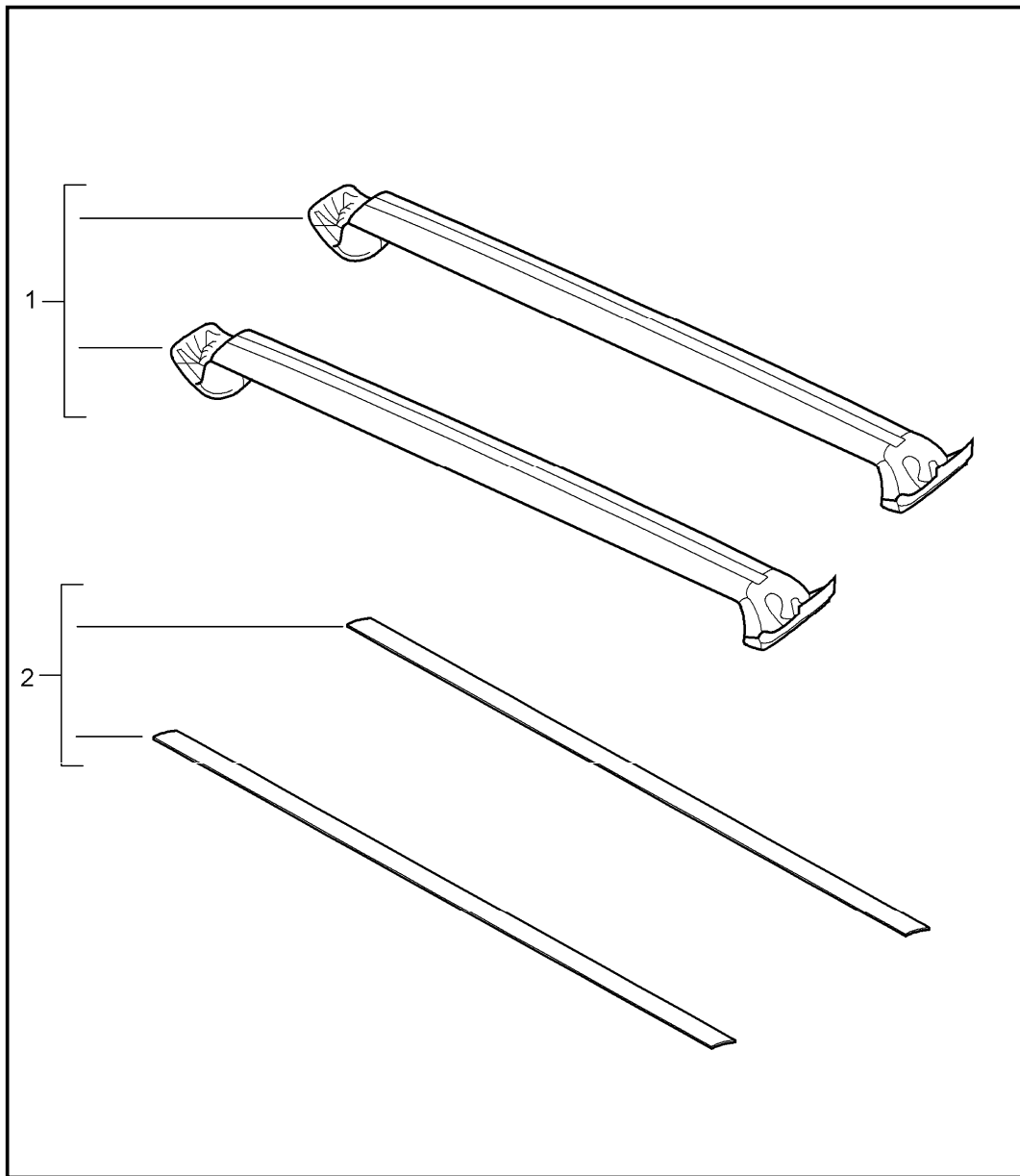
Pos	Part Number	Description	Remark	Qty	Model
1	955 424 980 00	selector lever tiptronic carbon	03-	1	ID9J/D9K ID9L

Model	Year	MG	SG	Illustration	Restrictions	UPD	9:15	28.01.2010	PORSCHE	PET	PORSCHE
TEQ2	2010	7	01	701-02		248					



Pos	Part Number	Description	Remark	Qty	Model
		selector lever tiptronic magnesium			
1	955 044 700 00	selector lever	03-	1	IGOR
	L63	chestnut brown			
(1)	955 044 700 00	selector lever	03-	1	IGOR
	5X6	stone grey			
(1)	955 044 700 00	selector lever	03-	1	IGOR
	7A3	havanna			
(1)	955 044 700 00	selector lever	03-	1	IGOR
	8B2	black			
(1)	955 044 700 00	selector lever	03-	1	IGOR
	8D4	sand beige			

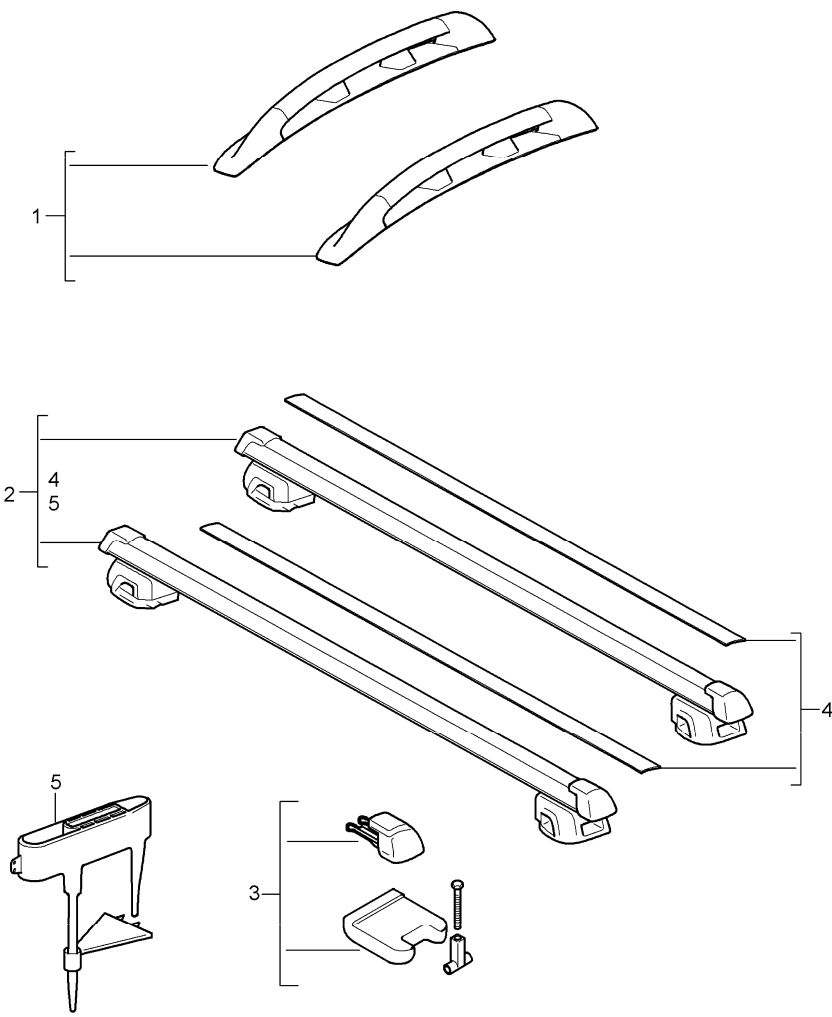
Model	Year	MG	SG	Illustration	Restrictions	UPD	9:15	28.01.2010	PORSCHE	PET	PORSCHE
TEQ2	2010	8	01	801-02		248					



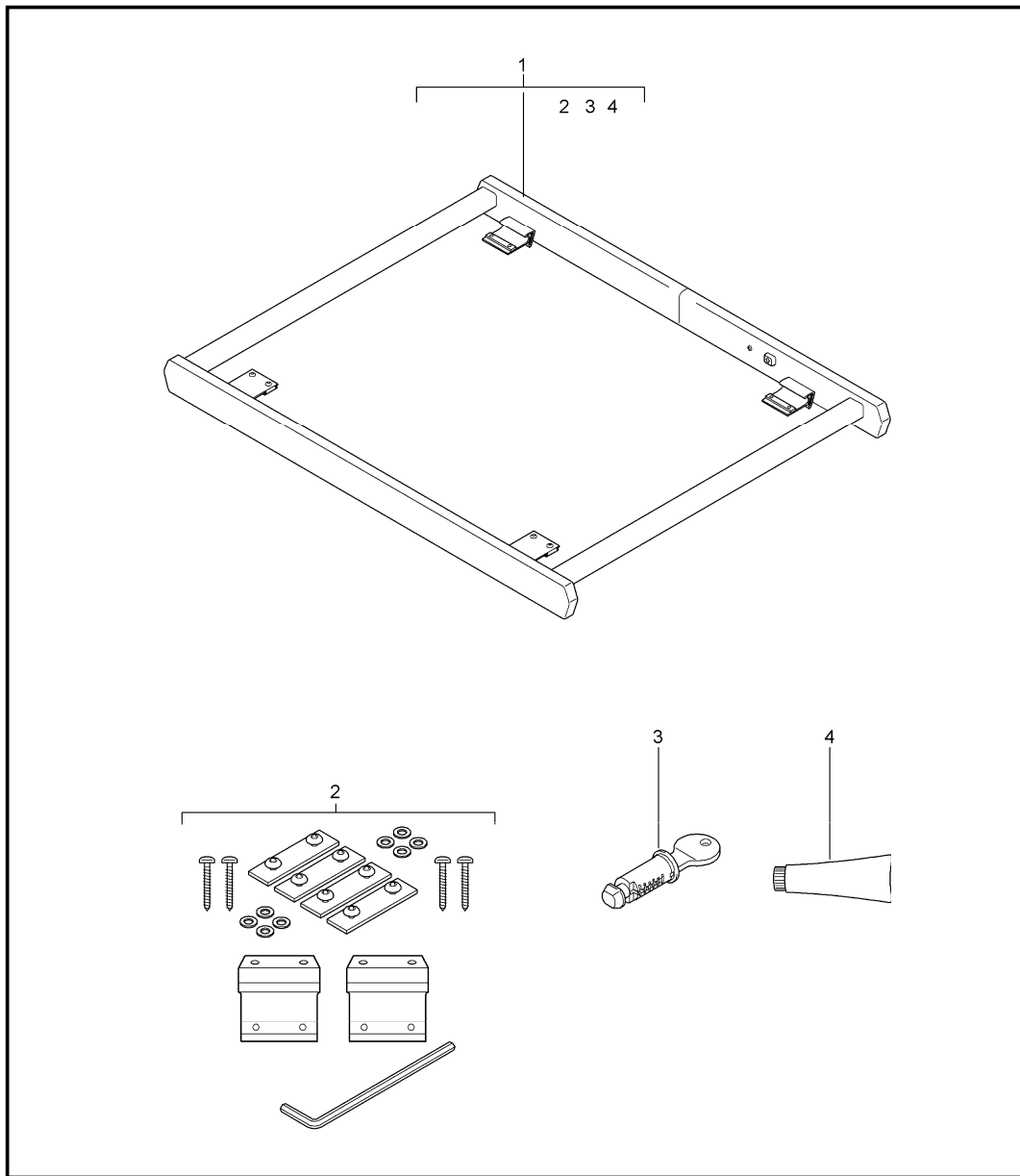
Pos	Part Number	Description	Remark	Qty	Model
		roof rack technical information Cayenne, alle group 6 6692 attention	03-		
1	A 955 044 000 22	roof rack main support double		1	
(1)	955 044 000 72	roof rack main support double		1	
2	955 801 385 00	single parts see illustrations 9PA 8/10/00 protective rubber		1	

Model	Year	MG	SG	Illustration	Restrictions	UPD	9:15	28.01.2010	PORSCHE	PET	PORSCHE
TEQ2	2010	8	01	801-04		248					

Pos	Part Number	Description	Remark	Qty	Model
1	955 044 000 30	roof rail cross member technical information Cayenne, alle group 6 6687 attention	03-	1	
(1)	955 044 000 62	roof rail silver roof rail black single parts see illustrations 9PA 8/10/00		1	
2	955 044 000 35	cross member double set for roof rail 955.044.000.30/62 technical information Cayenne, alle group 6 6692 attention	03-	1	I3S7
3	955 044 000 44	assembly kit with cap t-piece screw M6X50 protective rubber installation instructions for mounting		1	
4	955 801 385 00	protective rubber		1	
5	955 044 000 46	torque wrench		1	

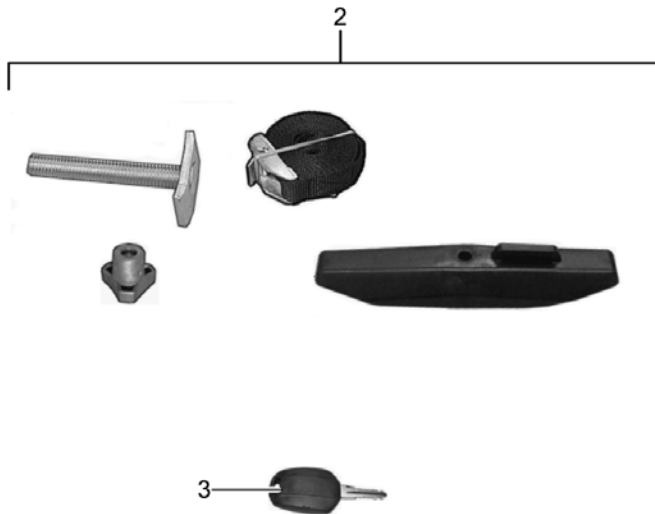


Model	Year	MG	SG	Illustration	Restrictions	UPD	9:15	28.01.2010	PORSCHE	PET	PORSCHE
TEQ2	2010	8	01	801-06		248					



Pos	Part Number	Description	Remark	Qty	Model
		loading aid	03-		
		technical information Cayenne, alle group 6 6692 attention			
1	955 044 000 04	loading aid		1	I3S8
2	955 044 000 43	repair kit front and rear with mounting parts		2	
3	955 044 000 50	set of locks for loading aid comprising: lock cylinder and key simple		4	
4	955 044 000 37	lubricants for loading aid 955.044.000.43		1	
-	955 044 000 36	adapter set for cars with roof rail 955.044.000.30/62 and cross member 955.044.000.35		1	I3S7

Model	Year	MG	SG	Illustration	Restrictions	UPD	9:15	28.01.2010	PORSCHE	PET	PORSCHE
TEQ2	2010	8	01	801-08		248					



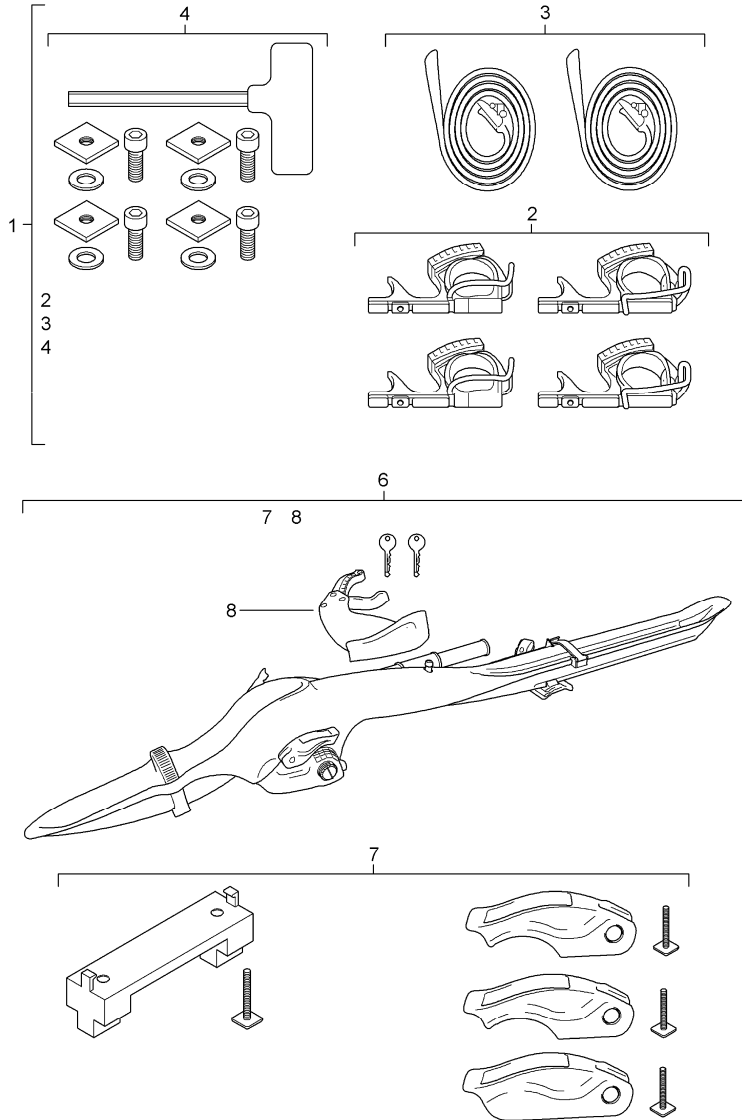
Pos	Part Number	Description	Remark	Qty	Model
		roof box	03-		
		Instal. and mod. instruc. Cayenne, alle group 6 6692 beachten			
1	955 044 002 12	roof box wide not together with loading aid 955.044.000.04		1	I3S7/3S8
2	955 044 002 13	assembly kit roof box 955.044.002.12		1	I3S7/3S8
		comprising:			
		screw bolt	(Pos. 4)	4	
		nut	(Pos. 5)	4	
		belt	(Pos. 6)	3	
		clamping piece	(Pos. 7)	4	
		Instal. and mod. instruc. attention			
3	955 044 000 59	key for roof box 955.044.000.12 & ..02.12 state lock number		2	
- A	955 044 000 12	roof box wide not together with loading aid 955.044.000.04		1	I3S7/3S8
- A	955 044 000 48	assembly kit roof box 955.044.000.04		1	
		comprising:			
		nut	(Pos. B)	4	
		clamping piece	(Pos. C)	4	
		gasket	(Pos. D)	4	
		screw bolt	(Pos. E)	4	
		adapter	(Pos. G)	4	
		belt	(Pos. I)	2	
		technical information attention			

Model	Year	MG	SG	Illustration	Restrictions	UPD	9:15	28.01.2010	PORSCHE	PET	PORSCHE
TEQ2	2010	8	01	801-08		248					

Pos	Part Number	Description	Remark	Qty	Model	Pos	Part Number	Description	Remark	Qty	Model
-	955 044 000 49	repair kit roof box 955.044.000.12 comprising: lock key strip mounting parts		1							
-	A 955 044 000 63	bracket lid roof box 955.044.000.12 technical information Boxster (986)/911 (996) group 6 6692 attention		1							
-	955 044 000 47	roof box narrow		1	I3S7/3S8						

Model	Year	MG	SG	Illustration	Restrictions	UPD	9:16	28.01.2010	PORSCHE	PET	PORSCHE
TEQ2	2010	8	01	801-10		248					

Pos	Part Number	Description	Remark	Qty	Model
		surfboard support bracket Renntag/Fahrrad	03-		
		technical information Cayenne, alle group 6 6692 attention			
1	955 044 000 07	surfboard support not together with loading aid 955.044.000.07		1	I3S7/3S8
2	955 044 000 31	repair material for surfboard support 955.044.000.07		1	
3	955 044 000 32	support set 4-part		1	
4	955 044 000 52	restraining strap set two-piece		1	
		repair kit		1	
		technical information 911 Carrera (996) group 6 6692 attention			
-	000 044 000 52	set - bike carrier racing bike		1	I3S7/3S8
		technical information Cayenne, alle group 6 6692 beachten			
6 A	955 044 000 08	bracket Fahrrad		1	I3S7/3S8
(6) A	955 044 000 66	bracket Fahrrad		1	
(6)	955 044 002 66	bracket Fahrrad		1	



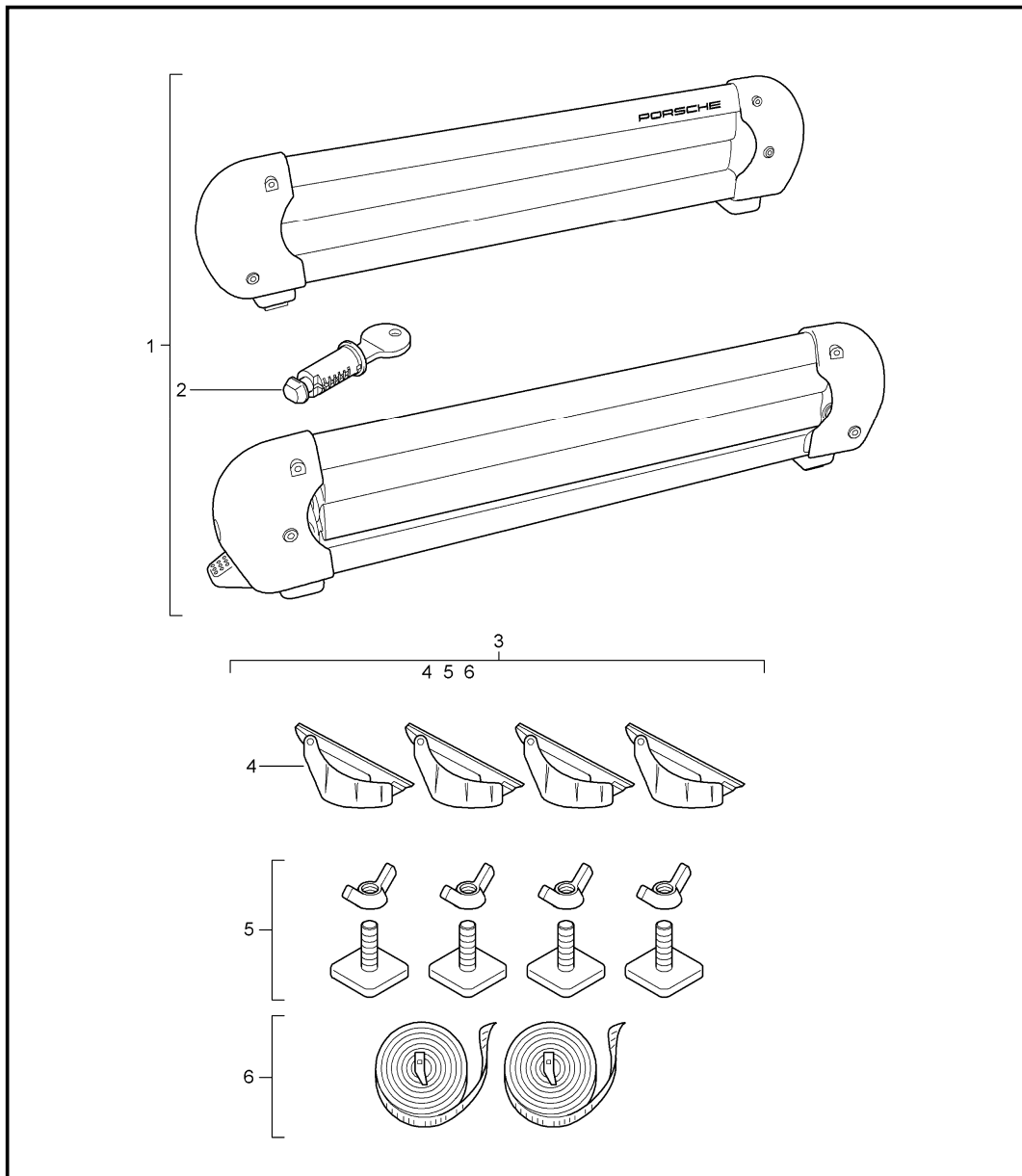
Model	Year	MG	SG	Illustration	Restrictions	UPD	9:16	28.01.2010	PORSCHE	PET	PORSCHE
TEQ2	2010	8	01	801-10		248					

Pos	Part Number	Description	Remark	Qty	Model	Pos	Part Number	Description	Remark	Qty	Model
7	955 044 000 51	repair kit for bracket 955.044.000.08		1							
8	955 044 000 56	set of locks with frame connection for bracket 955.044.000.08		1							
-	955 044 000 80	retaining strap set for racing bike		1							
-	955 044 000 33	threaded insert		1							
-	955 044 000 34	adapter		1							

Model	Year	MG	SG	Illustration	Restrictions	UPD	9:16	28.01.2010
TEQ2	2010	8	01	801-11		248		

Pos	Part Number	Description	Remark	Qty	Model
		bike stand for trailer coupling	03-		
-	955 044 000 60	bracket bike stand		1	ILOL
-	955 044 000 61	supplement set 3. Bike for 955.044.000.60		1	ILOL
-	955 044 000 82	replacement key for 955.044.000.60		1	ILOL
-	955 044 000 83	set of fastening parts only for replacement		1	ILOL
-	955 044 000 84	light-diffusing lens back-up light only for replacement		1	ILOL
-	955 044 000 85	heat protection for 955.044.000.60		1	ILOL

Model	Year	MG	SG	Illustration	Restrictions	UPD	9:16	28.01.2010	PORSCHE	PET	PORSCHE
TEQ2	2010	8	01	801-12		248					

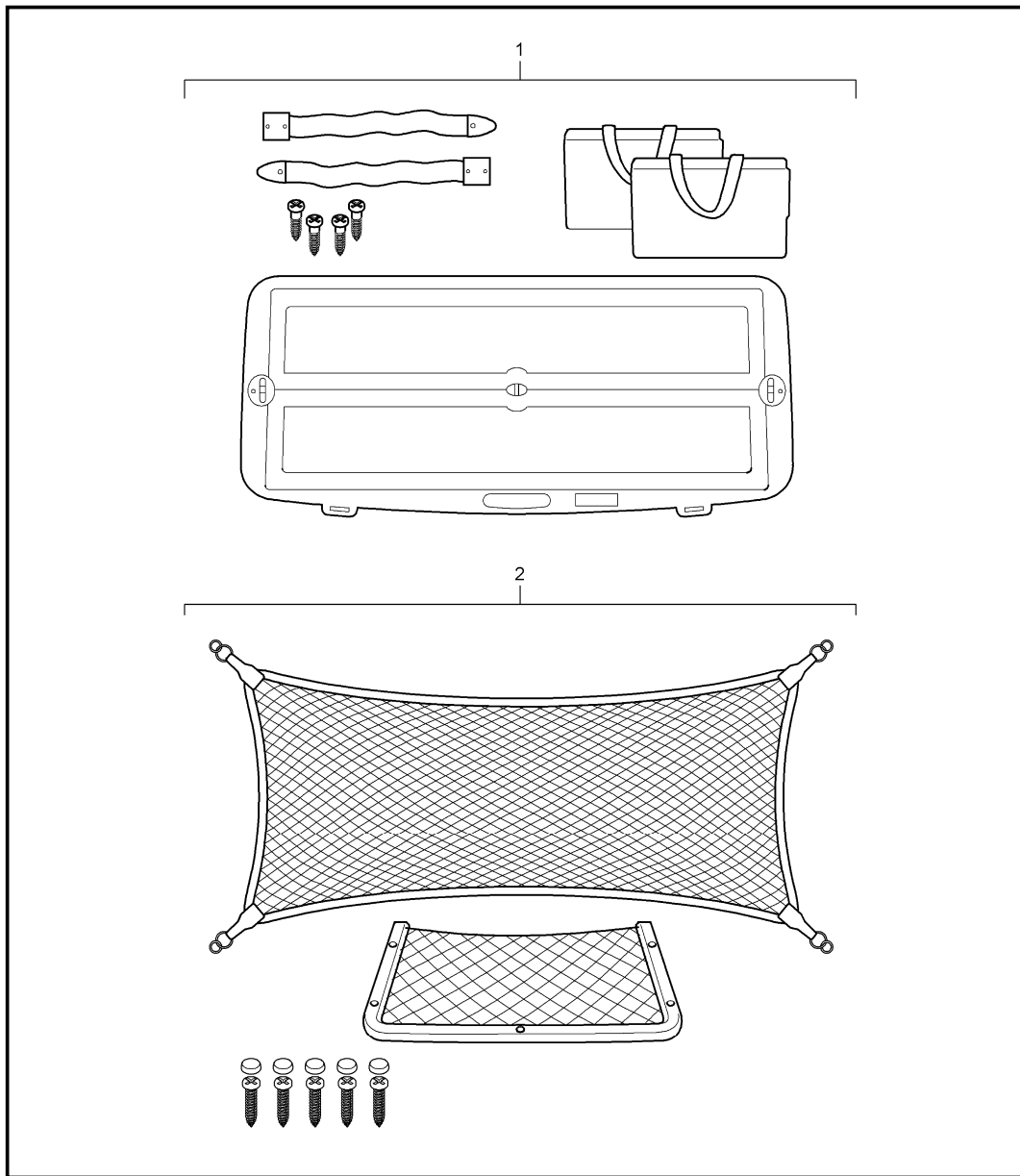


Pos	Part Number	Description	Remark	Qty	Model
		ski rack snowboard holder Bootstraeger	03-		
1	955 044 000 23	ski rack snowboard holder small not together with loading aid 955.044.000.04		1	I3S7/3S8
(1)	955 044 000 24	ski rack snowboard holder large not together with loading aid 955.044.000.04		1	I3S7/3S8
2	955 044 000 50	set comprising: set of locks simple for 955.044.000.23 955.044.000.24 lock cylinder key with coding		2	
		021			
		023			
		025			
		027			
		029			
		technical information Cayenne, alle group 6 6692 attention			
3	955 044 000 05	bracket Bootstraeger not together with loading aid 955.044.000.04		1	I3S7/3S8

Model	Year	MG	SG	Illustration	Restrictions	UPD	9:16	28.01.2010	PORSCHE	PET	PORSCHE
TEQ2	2010	8	01	801-12		248					

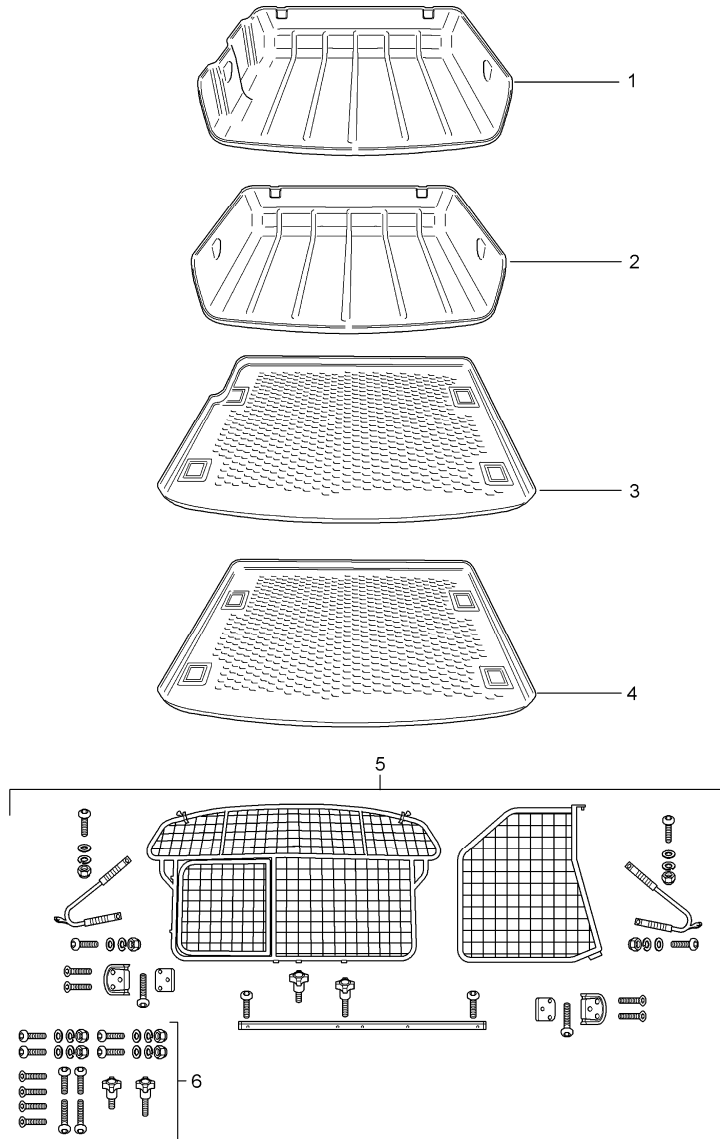
Pos	Part Number	Description	Remark	Qty	Model	Pos	Part Number	Description	Remark	Qty	Model
		set comprising:									
4	955 044 000 39	support with rubber pad		4							
5	955 044 000 40	repair kit fourfold winged nut M6 fourfold bolt M6X27		1							
6	955 044 000 32	restraining strap set double		1							

Model	Year	MG	SG	Illustration	Restrictions	UPD	9:16	28.01.2010	PORSCHE	PET	PORSCHE
TEQ2	2010	8	01	801-14		248					



Pos	Part Number	Description	Remark	Qty	Model
		luggage net loadspace system	03-		
		technical information Cayenne, alle group 6 6845 attention			
1	955 044 000 19	loadspace system not for luggage compartment liner deep		1	
2	955 044 000 03	luggage net not for luggage compartment liner deep		1	

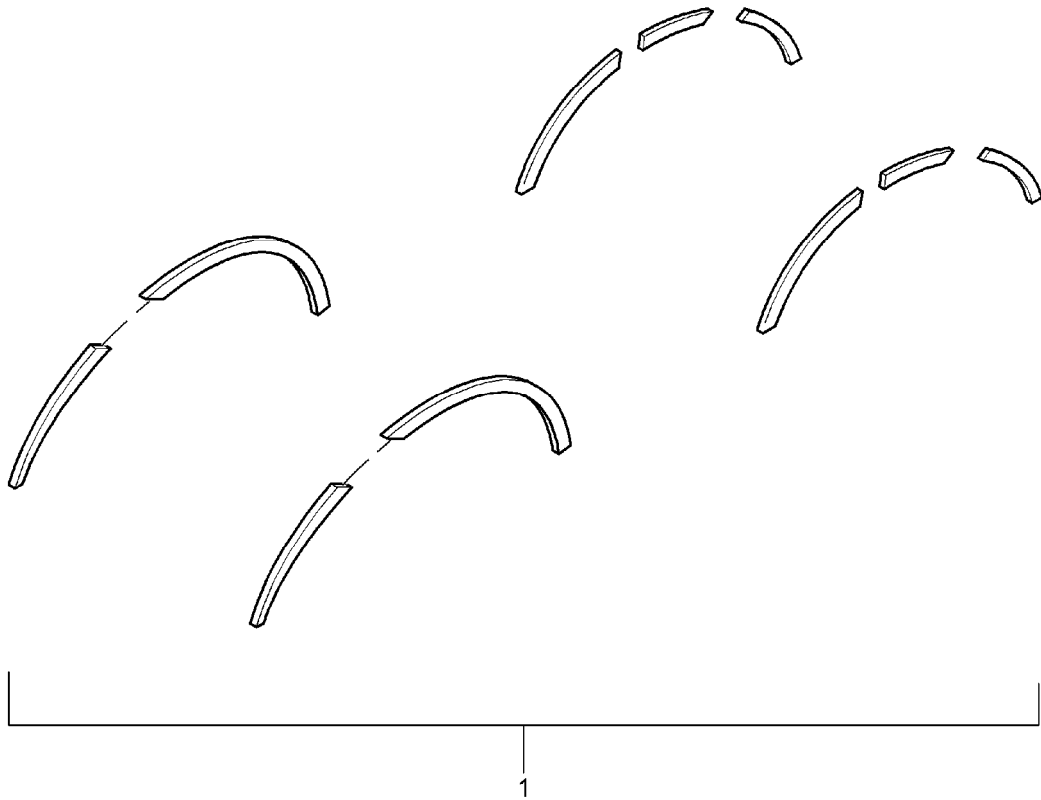
Model	Year	MG	SG	Illustration	Restrictions	UPD	9:16	28.01.2010	PORSCHE	PET	PORSCHE
TEQ2	2010	8	01	801-16		248					



Pos	Part Number	Description	Remark	Qty	Model
			03-		
1	955 044 000 16	luggage compartment liner grille		1	I9AH
2	955 044 000 15	luggage compartment liner high not for grille 955.044.000.13		1	I9AB/9AD
3	955 044 000 18	luggage compartment liner flat		1	I9AH
4	955 044 000 17	luggage compartment liner flat		1	I9AB/9AD
5	955 044 000 13	technical information Cayenne, alle group 6 6845 attention grille retrofit kit complete not for luggage compartment liner high		1	I9AB
6	955 044 000 42	assembly kit grille		1	

Model	Year	MG	SG	Illustration	Restrictions	UPD	9:16	28.01.2010	PORSCHE	PET	PORSCHE
TEQ2	2010	8	01	801-40		248					

Pos	Part Number	Description	Remark	Qty	Model
		flared wheel arches mud flap	03-		
1	955 044 800 10	flared wheel arches set for cars with mud flap single parts see illustrations 9PA 8/10/05	03-06	1	ID9J/D9K ID9L
1	955 044 800 11	flared wheel arches set for cars without mud flap single parts see illustrations 9PA 8/10/05	03-06	1	ID9J/D9K ID9L
(1)	955 044 802 30	flared wheel arches set for cars without mud flap and without sill cover	08-	1	
(1)	955 044 802 32	flared wheel arches set for cars with mud flap and without sill cover	08-	1	
(1)	955 044 802 34	flared wheel arches set for cars with mud flap and with sill cover	08- 08-	1	
(1)	955 044 802 36	flared wheel arches set for cars with sill cover and without mud flap	08-	1	



Model	Year	MG	SG	Illustration	Restrictions	UPD	9:16	28.01.2010	PORSCHE	PET	PORSCHE
TEQ2	2010	8	01	801-40		248					

Pos	Part Number	Description	Remark	Qty	Model	Pos	Part Number	Description	Remark	Qty	Model
-	955 044 800 09	mud flap set not together with running board or rockrails	-06	1	ID9J/D9K ID9L						
-	955 044 800 13	mud flap set rear	-06	1	IVR1/6EP						
-	955 044 802 10	mud flap set rear for cars without flared wheel arches	08-	1							
-	955 044 802 11	mud flap set rear for cars with flared wheel arches	08-	1							

Model	Year	MG	SG	Illustration	Restrictions	UPD	9:17	28.01.2010	PORSCHE	PET	PORSCHE
TEQ2	2010	8	01	801-60		248					

Pos	Part Number	Description	Remark	Qty	Model
		ventilation grille roof cover moulding roof strip	03-		
1	955 044 801 00	ventilation grille aluminium coloured	03-06	1	ID9J/D9K
(1)	955 044 801 17	ventilation grille aluminium coloured	08-	1	ID5V/D5X
(1)	955 044 801 27	ventilation grille orange	08-	1	ID5V/D5X
2 A	955 044 801 01	ventilation grille aluminium coloured	03-06	1	ID9L
(2)	955 044 801 11	ventilation grille aluminium coloured	03-06	1	ID9L
(2)	955 044 801 18	ventilation grille aluminium coloured	08-	1	ID5Z
(2)	955 044 801 28	ventilation grille orange	08-	1	ID5Z
-	955 044 801 19	roof cover moulding aluminium coloured	08-	1	
-	955 559 980 02	roof cover moulding orange	08-	1	
		Instal. and mod. instruc. Cayenne, alle group 6 6633 attention			
(-)	955 044 000 29	roof strip silver fourfold		1	
(-)	955 044 000 65	roof strip black fourfold		1	

PORSCHE

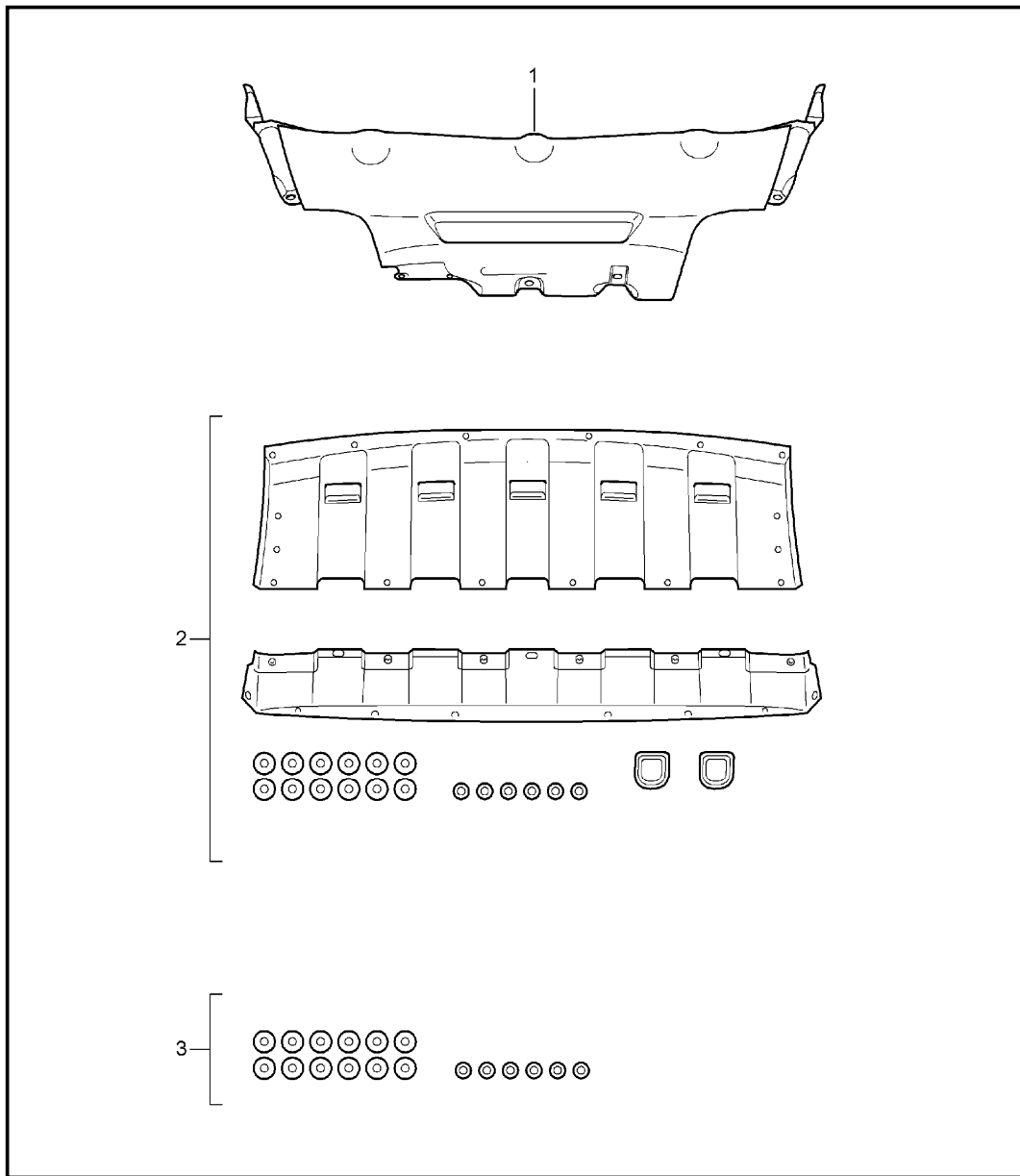
PET

PORSCHE

Model	Year	MG	SG	Illustration	Restrictions	UPD	9:17	28.01.2010
TEQ2	2010	8	01	801-65		248		

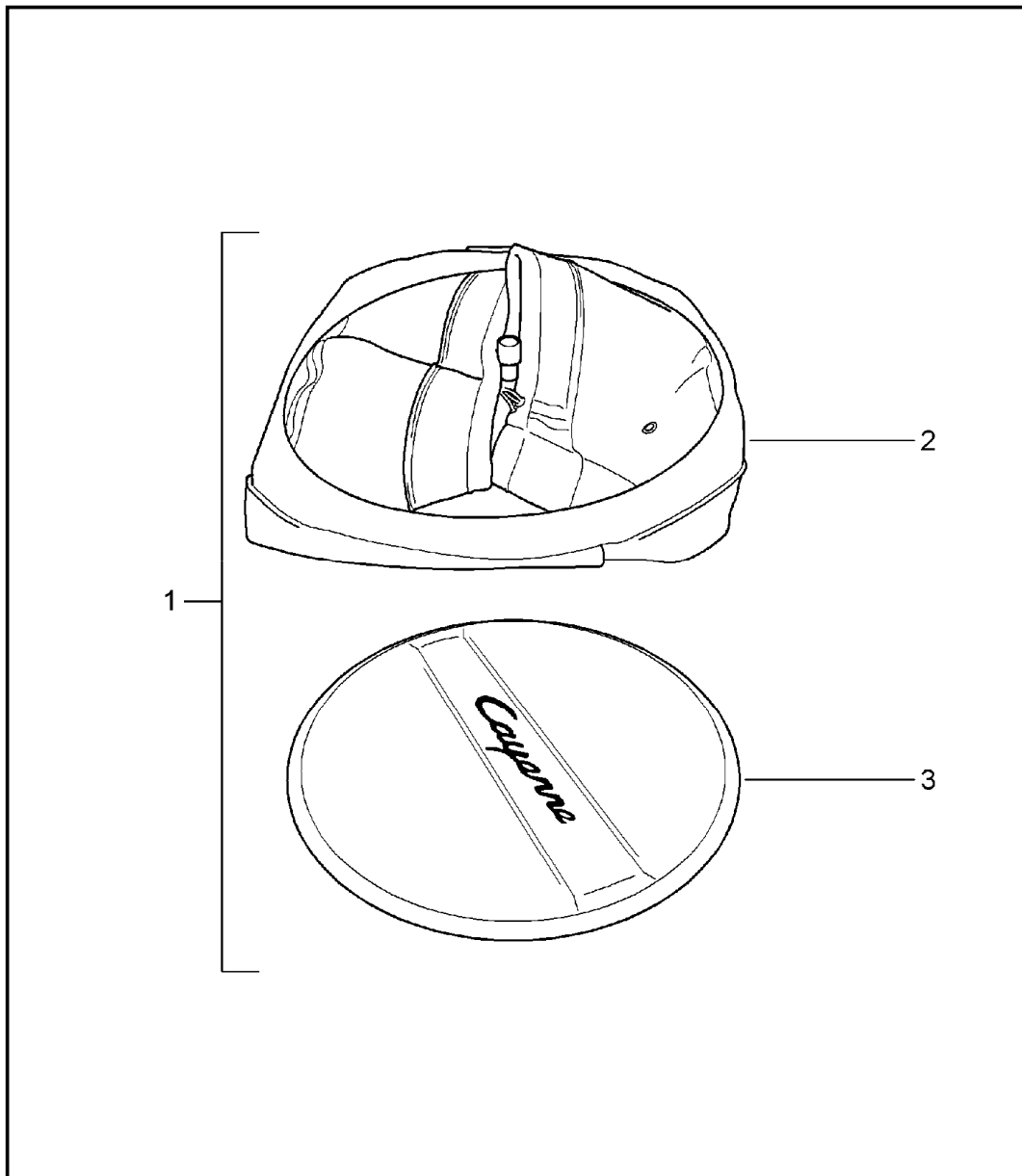
Pos	Part Number	Description	Remark	Qty	Model
-	955 044 801 20	door mirror aluminium coloured	08-	1	I9TF
-	955 044 801 21	door mirror aluminium coloured housing set with illumination	08-	1	

Model	Year	MG	SG	Illustration	Restrictions	UPD	9:17	28.01.2010	PORSCHE	PET	PORSCHE
TEQ2	2010	8	01	801-70		248					



Pos	Part Number	Description	Remark	Qty	Model
		underbody protection front end cover rear apron	03-06 03- 08-	1	
1	955 107 981 00	underbody protection front steel black Instal. and mod. instruc. Cayenne, alle group 6 6316 attention	03-06	1	ID9J/D9K/D9L
(2)	955 044 800 15	front end cover stainless steel	03-06	1	ID9J/D9K
2	955 044 800 16	front end cover stainless steel	03-06	1	ID9L
(2)	955 044 802 80	front end cover stainless steel	08-	1	
3	955 044 800 59	assembly kit front end cover stainless steel Instal. and mod. instruc. Cayenne, alle group 6 6356 attention	03-06	1	ID9J/D9K/D9L
-	955 044 802 85	rear apron stainless steel	08-	1	

Model	Year	MG	SG	Illustration	Restrictions	UPD	9:17	28.01.2010	PORSCHE	PET	PORSCHE
TEQ2	2010	8	02	802-05		248					



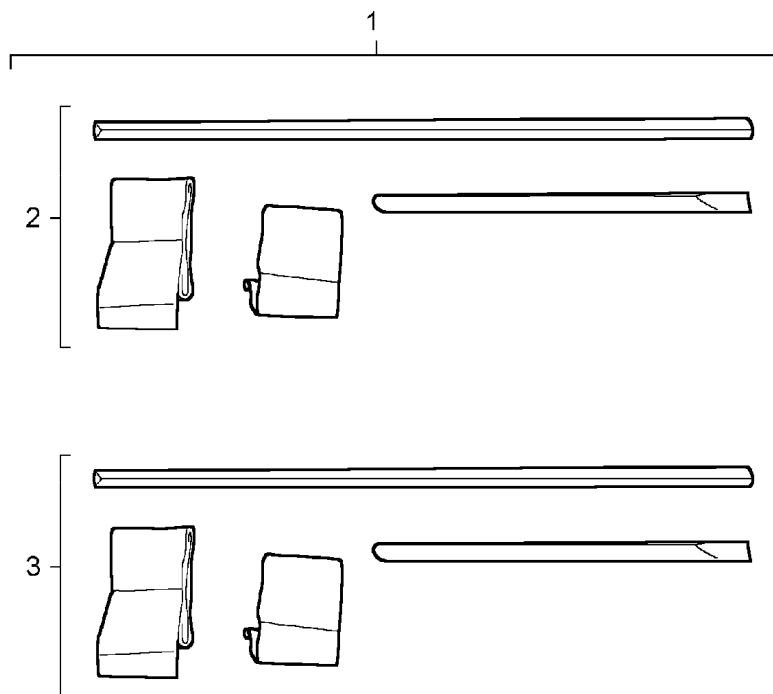
Pos	Part Number	Description	Remark	Qty	Model
-	955 044 000 21	support for spare wheel spare wheel covering	03-06 03-	1	ID9J/D9K
-	N 910 460 01	technical information Cayenne, alle main group 4 4456 attention not for gear wheel sets 95504460213 95504460214 with 10JX20 ET 55 set comprising: bracket spare wheel single parts see illustrations 9PA 0/02/05		1	
-	N 910 460 01	oval-head screw		3	
-	955 722 020 01	bracket upper inner		1	
-	N 105 361 01	hexagon-head bolt		4	
-	955 722 256 00	cap upper with tie-wrap		1	
-	955 722 201 01	bearing lower		1	
-	N 019 530 3	hexagon-head bolt		4	
-	955 722 255 00	cap lower		1	
-	955 722 203 00	cover		1	
-	4W9	hinge		1	
-	N 104 272 01	hexagon socket head bolt		1	
-	955 722 204 00	frame		1	

Model	Year	MG	SG	Illustration	Restrictions	UPD	9:17	28.01.2010	PORSCHE	PET	PORSCHE
TEQ2	2010	8	02	802-05		248					

Pos	Part Number	Description	Remark	Qty	Model	Pos	Part Number	Description	Remark	Qty	Model
-	955 722 205 00	cover		1		-	N 906 851 01	clip connection point rear end lining		1	
-	955 722 031 00	lock with bowden cable		1		-	N 103 358 01	bush 0,5-1,0 QMM		2	
-	955 722 075 00	spacer		1		-	N 903 352 04	bush 0,5-1,0QMM		2	
-	N 908 179 01	blind rivet nut MG 3,5-6 for aluminium cross member or trailer coupling		4		-	999 652 475 22	bush KONTAKT 2,5-6,3 QMM single parts support for spare wheel retrofit kit see illustrations 9PA 0/02/05		2	
-	N 907 710 01	blind rivet nut M6 2,4-4,5 only for trailer coupling		4		1	955 044 000 14	spare wheel covering Instal. and mod. instruc. Cayenne, alle main group 4 4464 attention not for gear wheel sets 95504460213 95504460214 with 10JX20 ET 55	03-	1	I1G3
-	N 909 975 01	support bowden cable emergency operation release		2		2	955 044 000 54	boot		1	I1G3
-	N 102 856 01	hexagon-head bolt		4		3	955 044 000 55	protection cap		1	I1G3
-	955 505 897 00	u-clamp		14							
-	955 044 900 05	connecting line inner		1							
-	955 612 812 00	connecting line outer lock		1							
-	955 044 900 09	connecting line license plate light outer		1							
-	N 909 321 01	combination screw M5 x 9 number plate support		4							
-	N 902 184 01	blind rivet nut M6 0,5-4		2							
-	N 909 136 01	screw number plate support		2							

Model	Year	MG	SG	Illustration	Restrictions	UPD	9:17	28.01.2010	PORSCHE	PET	PORSCHE
TEQ2	2010	8	04	804-00		248					

Pos	Part Number	Description	Remark	Qty	Model
		protective strip lateral	03-		
		Instal. and mod. instruc. Cayenne, alle group 6 6625 attention			
1	955 044 800 06	strip doors lateral	03-	1	
		set comprising:			
2	955 044 800 65	strip left repair kit	/L 03-	1	
3	955 044 800 66	strip right repair kit	/R 03-	1	



Model	Year	MG	SG	Illustration	Restrictions	UPD	9:18	28.01.2010
TEQ2	2010	8	05	805-00		248		

Pos	Part Number	Description	Remark	Qty	Model
		loadspace system	03-		
		technical information Cayenne,alle group 6 6870 attention			
-	955 044 802 20	loadspace system pearl velour set for vehicle without auxiliary air conditioner		1	
	8B2	black			
	8C3	steel grey			
	8D4	sand beige			
	L63	chestnut brown			
-	955 044 802 22	loadspace system pearl velour set for vehicle with auxiliary air conditioner		1	
	8B2	black			
	8C3	steel grey			
	8D4	sand beige			
	L63	chestnut brown			
-	955 044 802 19	loadspace system tufting velour set for vehicle without auxiliary air conditioner		1	
	7H1	black			
	7J2	steel grey			
	7K3	sand beige			

PORSCHE

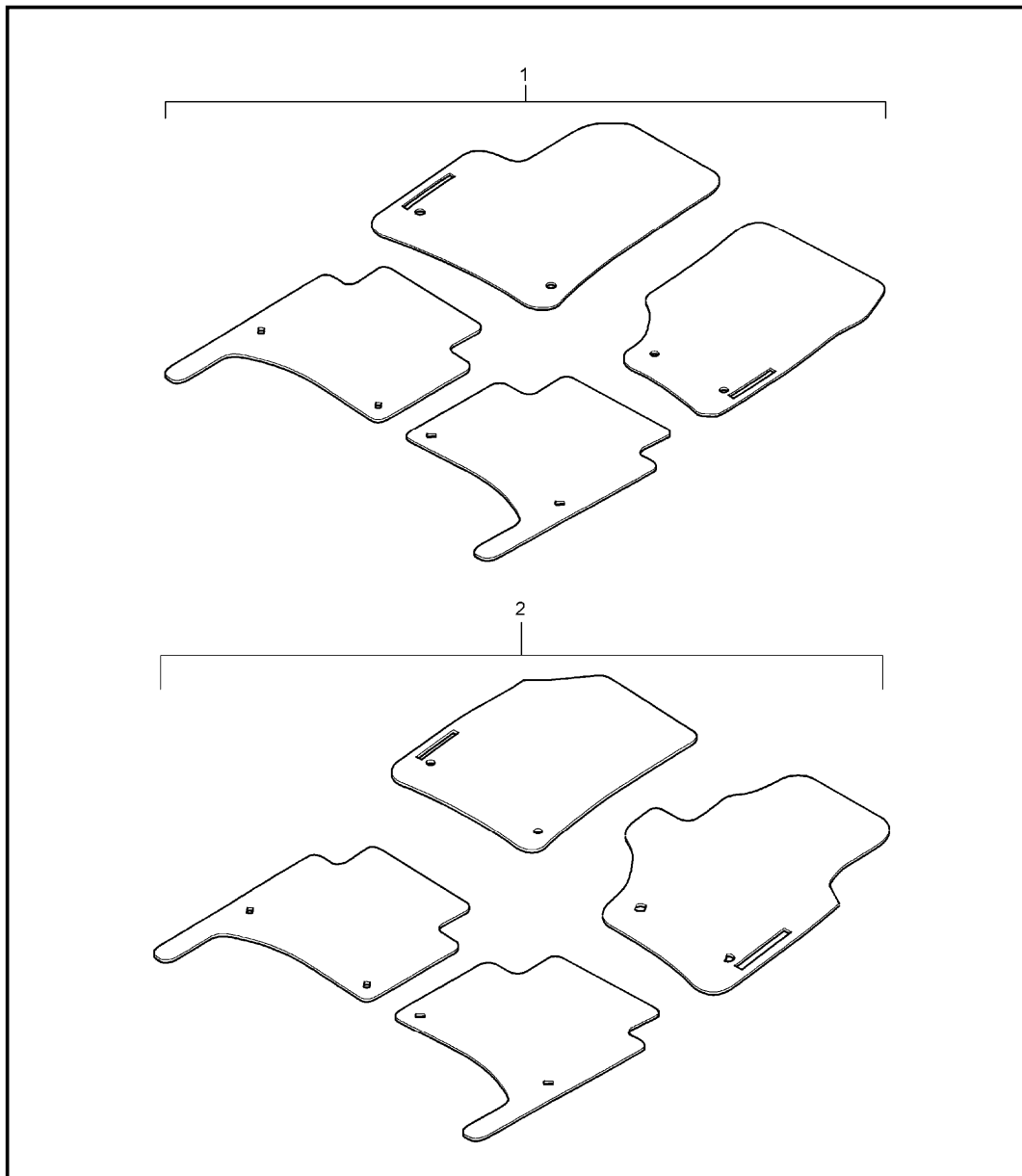
PET

PORSCHE

Model	Year	MG	SG	Illustration	Restrictions	UPD	9:18	28.01.2010
TEQ2	2010	8	05	805-00		248		

Pos	Part Number	Description	Remark	Qty	Model
-	955 044 802 21	loadspace system tufting velour set for vehicle with auxiliary air conditioner		1	
	7H1	black			
	7J2	steel grey			
	7K3	sand beige			

Model	Year	MG	SG	Illustration	Restrictions	UPD	9:18	28.01.2010	PORSCHE	PET	PORSCHE
TEQ2	2010	8	07	807-00		248					

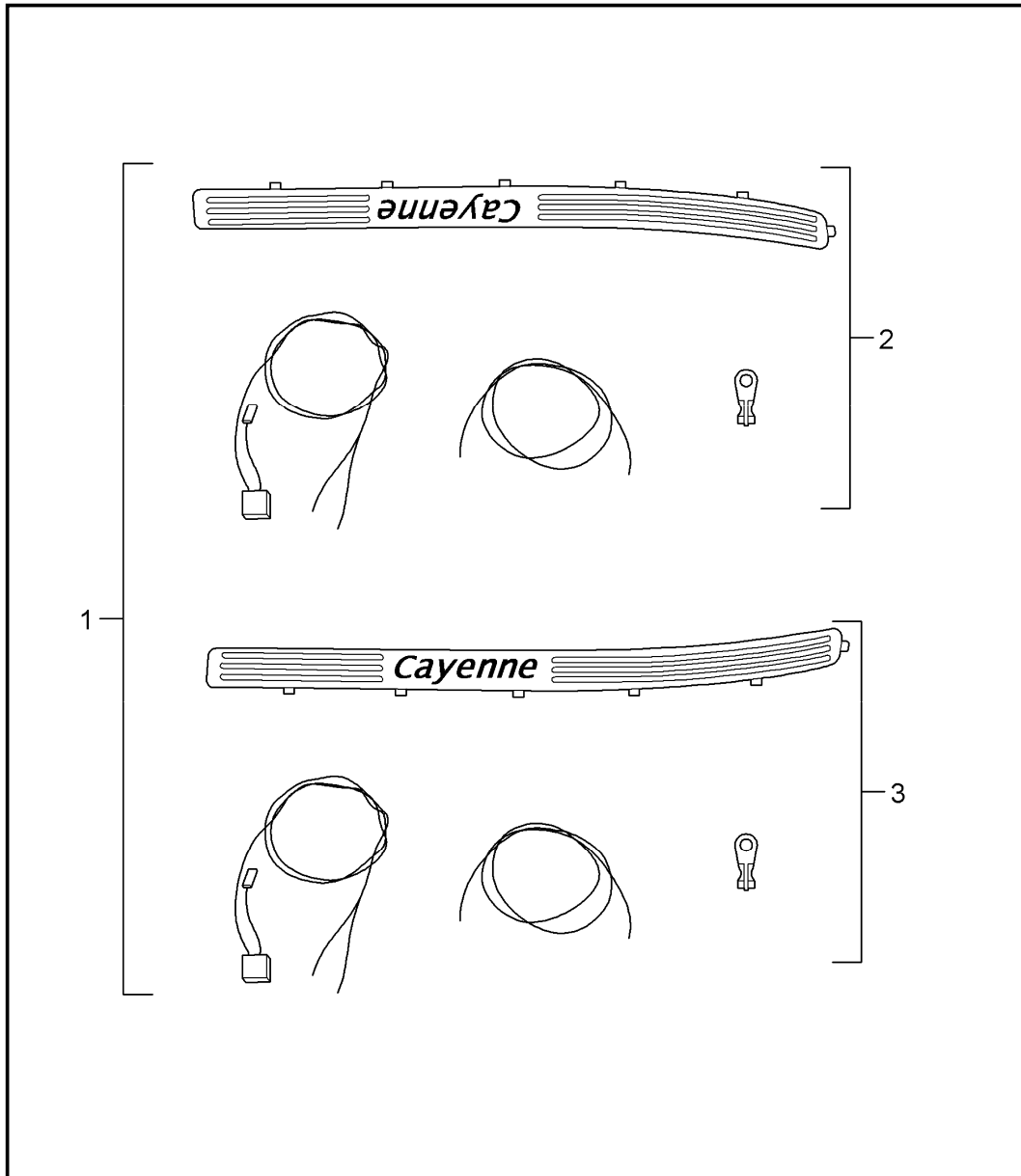


Pos	Part Number	Description	Remark	Qty	Model
1	955 044 800 02	floor mats velour rubber floor mats set velour 8B2 black 8C3 steel grey 8D4 sand beige 8E5 palmgreen	-03	1	/LL
2	955 044 800 03	floor mats set velour 8B2 black 8C3 steel grey 8D4 sand beige 8E5 palmgreen	-03	1	/RL
(1)	955 044 801 62	floor mats set velour 8B2 black 8C3 steel grey 8D4 sand beige 8E5 palmgreen	04-06	1	/LL
(2)	955 044 801 63	floor mats set velour 8B2 black 8C3 steel grey 8D4 sand beige 8E5 palmgreen	04-06	1	/RL
(1)	955 044 800 62	floor mats set velour 8B2 black	04-06	1	/LL

Model	Year	MG	SG	Illustration	Restrictions	UPD	9:18	28.01.2010	PORSCHE	PET	PORSCHE
TEQ2	2010	8	07	807-00		248					

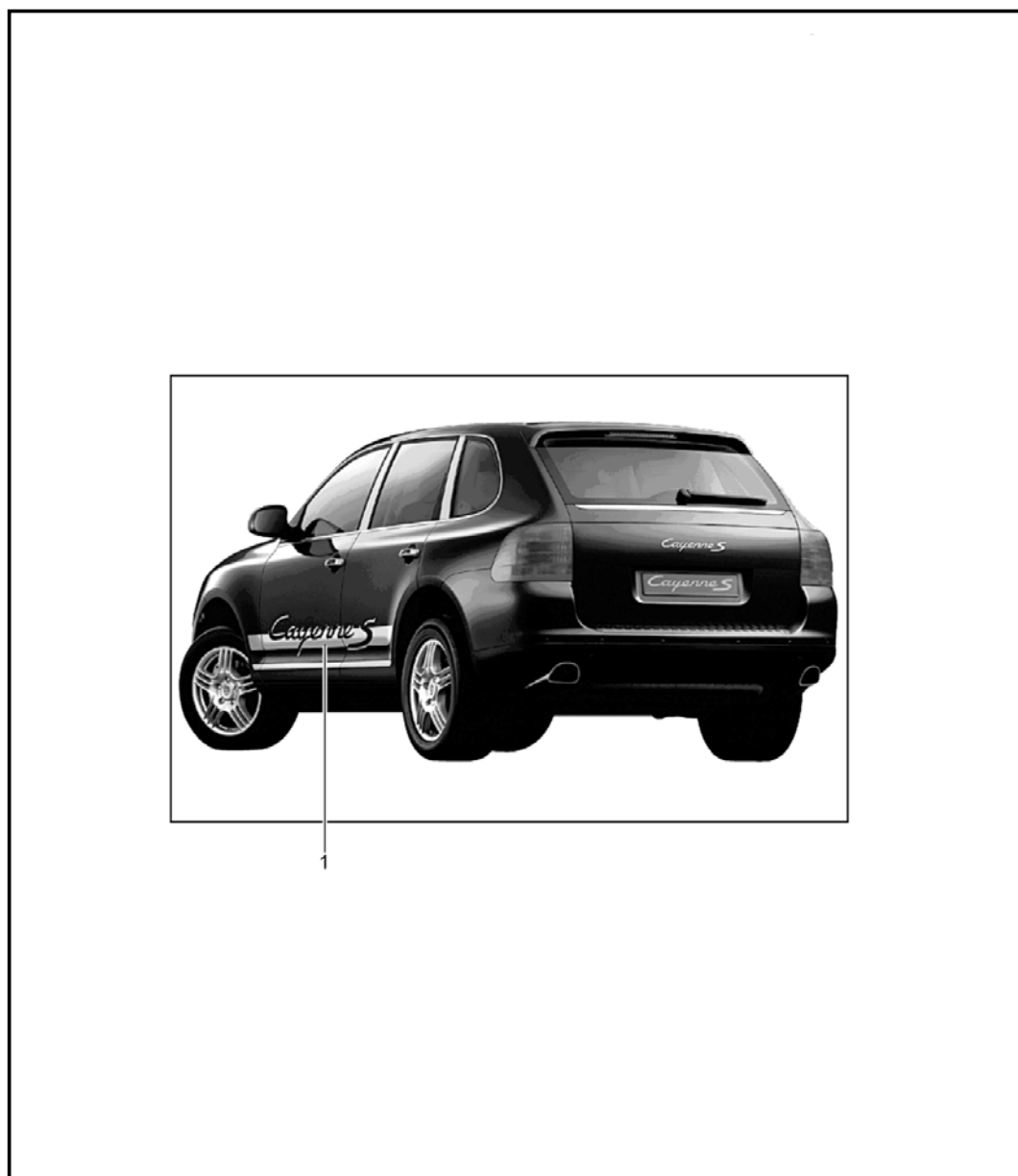
Pos	Part Number	Description	Remark	Qty	Model	Pos	Part Number	Description	Remark	Qty	Model
		8C3 steel grey				-	955 044 800 64	fastening part set	-03	1	
		8D4 sand beige						8B2 black			
		8E5 palmgreen						8C3 steel grey			
(2)	955 044 800 63	floor mats set velour	04-06	1	/RL			8D4 sand beige			
		8B2 black						8E5 palmgreen			
		8C3 steel grey									
		8D4 sand beige									
		8E5 palmgreen									
(1)	955 044 802 63	floor mats set velour	08-	1	/LL						
		8B2 black									
		8C3 steel grey									
		8D4 sand beige									
		L63 chestnut brown									
(2)	955 044 802 62	floor mats set velour	08-	1	/RL						
		8B2 black									
		8C3 steel grey									
		8D4 sand beige									
		L63 chestnut brown									
-	955 044 800 01	floor mats set rubber	-03	1	/LL						
-	955 044 800 61	floor mats set rubber	04	1	/LL						
-	955 044 800 60	floor mats set rubber	04	1	/RL						
-	955 044 802 61	floor mats set rubber	08-	1	/LL						

Model	Year	MG	SG	Illustration	Restrictions	UPD	9:18	28.01.2010	PORSCHE	PET	PORSCHE
TEQ2	2010	8	07	807-01		248					



Pos	Part Number	Description	Remark	Qty	Model
		scuff plate			
		technical information Cayenne, alle group 6 6807 attention			
1	955 044 800 00	scuff plate stainless steel illumination set	03-	1	ID9J/D9K ID9L
2	955 044 800 67	scuff plate stainless steel illumination repair kit	/L 03-	1	
3	955 044 800 68	scuff plate stainless steel illumination repair kit	/R 03-	1	
-	955 551 992 00	wiring harness scuff plate stainless steel illumination only for replacement	03-	1	
-	955 044 800 49	scuff plate stainless steel without illumination	04-	1	ID9J

Model	Year	MG	SG	Illustration	Restrictions	UPD	9:18	28.01.2010	PORSCHE	PET	PORSCHE
TEQ2	2010	8	07	807-02		248					

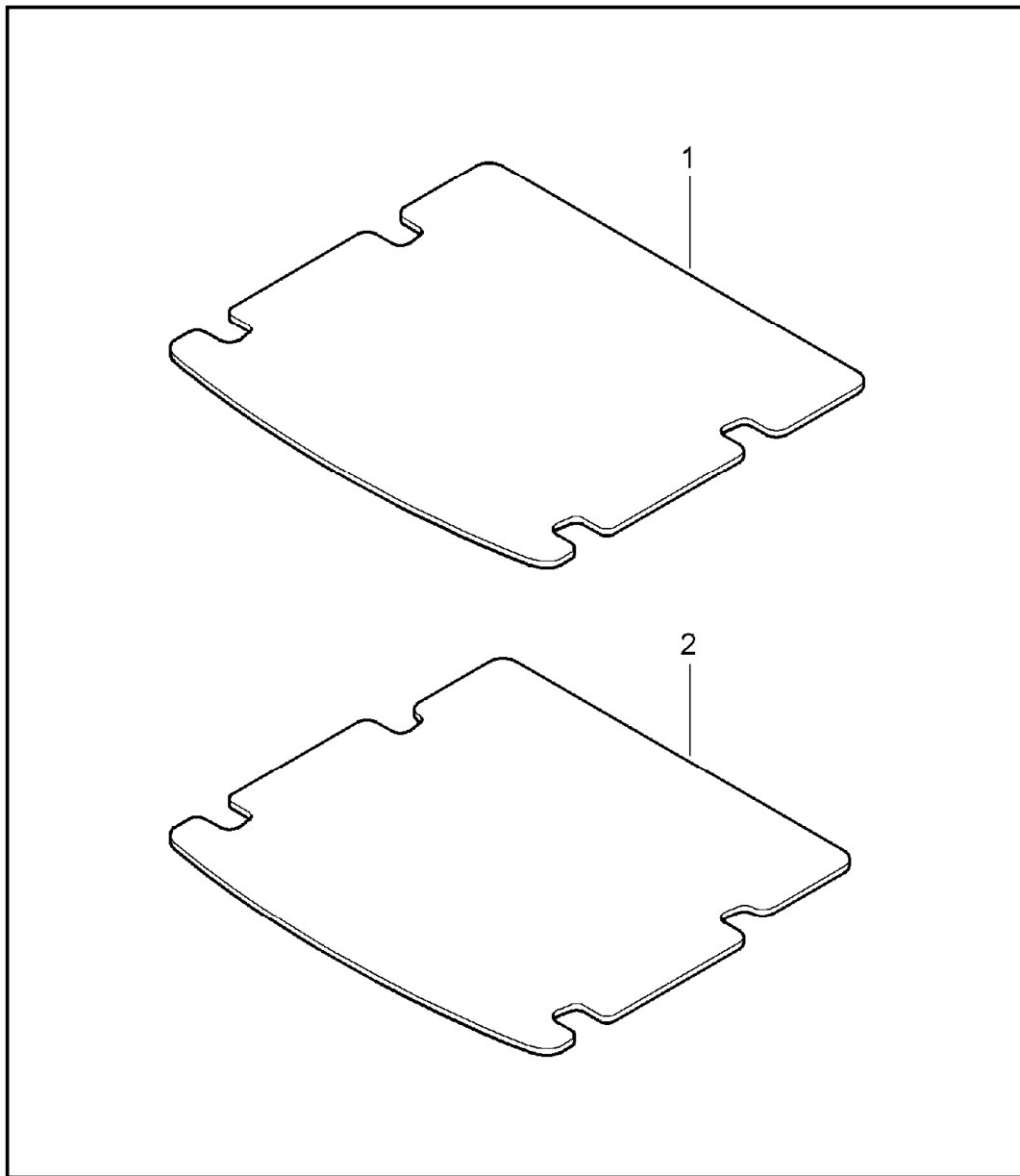


Pos	Part Number	Description	Remark	Qty	Model
		decorative film logo	03-		
		Instal. and mod. instruc. Cayenne, alle group 6 6646 attention			
(1)	955 044 802 50	decorative film logo set		1	Cayenne
	041	black			
	84A	guards red			
	V04	silver			
	8C6	orange			
1	955 044 802 51	decorative film logo set		1	Cayenne S
	041	black			
	84A	guards red			
	V04	silver			
	8C6	orange			
(1)	955 044 802 52	decorative film logo set		1	Turbo
	041	black			
	84A	guards red			
	V04	silver			
	8C6	orange			
(1)	955 044 802 53	decorative film logo set		1	Turbo S
	041	black			
	84A	guards red			
	V04	silver			
	8C6	orange			

Model	Year	MG	SG	Illustration	Restrictions	UPD	9:18	28.01.2010	PORSCHE	PET	PORSCHE
TEQ2	2010	8	07	807-02		248					

Pos	Part Number	Description	Remark	Qty	Model	Pos	Part Number	Description	Remark	Qty	Model
(1)	955 044 802 54	decorative film logo set		1	GTS						
	041	black									
	84A	guards red									
	V04	silver									
	8C6	orange									

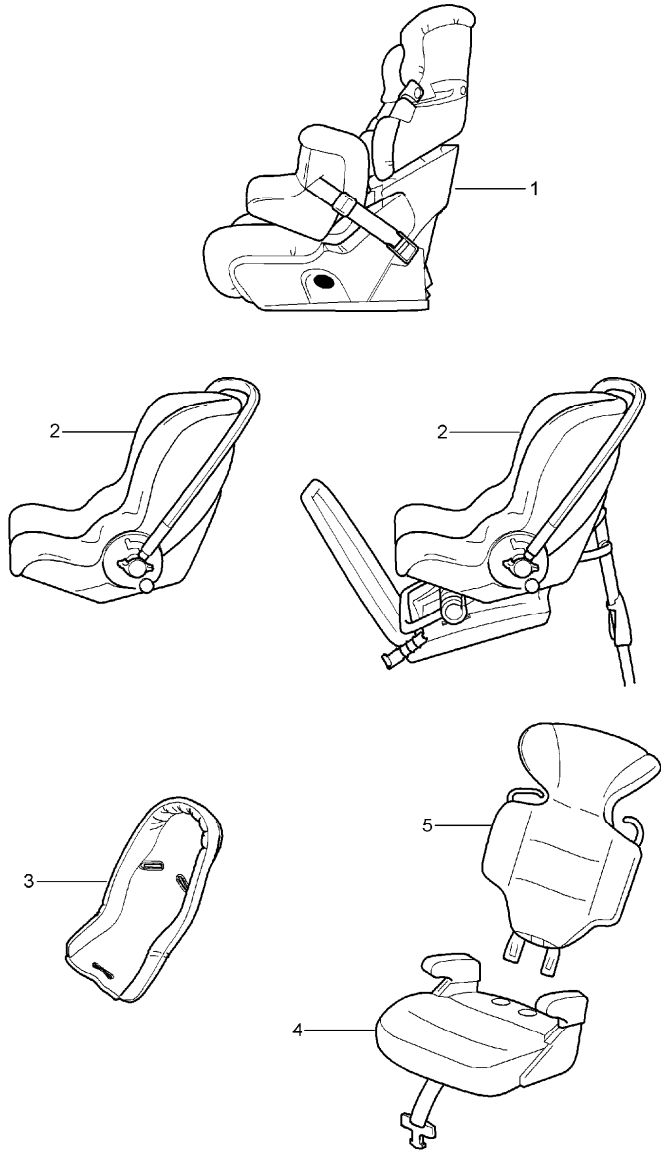
Model	Year	MG	SG	Illustration	Restrictions	UPD	9:18	28.01.2010	PORSCHE	PET	PORSCHE
TEQ2	2010	8	07	807-40		248					



Pos	Part Number	Description	Remark	Qty	Model
1	955 044 800 04	mat luggage compartment velour mat for luggage compartment 8B2 black 8C3 steel grey 8D4 sand beige 8E5 palmgreen L63 chestnut brown	03-	1	
2	955 044 800 40	velour mat for luggage compartment vehicle with fourfold air conditioner 8B2 black 8C3 steel grey 8D4 sand beige 8E5 palmgreen L63 chestnut brown	03-	1	

Model	Year	MG	SG	Illustration	Restrictions	UPD	9:19	28.01.2010	PORSCHE	PET	PORSCHE
TEQ2	2010	8	08	808-00		248					

Pos	Part Number	Description	Remark	Qty	Model
		child car seat operating instructions attention /F = Front = Vorn /R = Rear = Hinten use	03-		
1	A 955 044 800 44	child car seat Junior Seat ISOFIX G1+G2 with push-on connector	/F /R	1	
-	955 044 800 30	cover backrest Junior Seat ISOFIX G1+G2		1	
-	955 044 800 31	cover seat cushion Junior Seat ISOFIX G1+G2		1	
-	955 044 800 32	shelf table Junior Seat ISOFIX G1+G2		1	
-	955 044 800 33	twist lock Junior Seat ISOFIX G1+G2		1	
-	955 044 800 34	belt guide right Junior Seat ISOFIX G1+G2		1	
-	955 044 800 35	belt guide left Junior Seat ISOFIX G1+G2		1	
-	955 044 800 36	belt system Junior Seat ISOFIX G1+G2		1	
-	955 044 800 37	introduction funnel Junior Seat ISOFIX G1+G2		1	
2	A 955 044 800 42	child car seat Baby Seat ISOFIX G0 with push-on connector 0-13 KG / 0-9 MONATE		1	
-	A 955 044 800 57	seat cover Baby Seat ISOFIX G0 for 95504480042/.43/.82		1	



Model	Year	MG	SG	Illustration	Restrictions	UPD	9:19	28.01.2010	PORSCHE	PET	PORSCHE
TEQ2	2010	8	08	808-00		248					

Pos	Part Number	Description	Remark	Qty	Model	Pos	Part Number	Description	Remark	Qty	Model
3	955 044 800 58	seat well for child car seat Baby Seat ISOFIX G0		1							
4	000 802 017 02	child car seat Zoom with push-on connector 17-36 KG / 4-12 JAHRE		1							
(4) A	955 044 801 02	child car seat Kid Plus G2+G3 with push-on connector		1							
5	000 802 019 02	backrest for Zoom with push-on connector 17-36 KG / 4-12 JAHRE		1							

Model	Year	MG	SG	Illustration	Restrictions	UPD	9:19	28.01.2010
TEQ2	2010	8	08	808-02		248		

Pos	Part Number	Description	Remark	Qty	Model
		child car seat operating instructions attention /F = Front = Vorn /R = Rear = Hinten use	08-		
1	955 044 802 86	child car seat Baby Seat Isofix G0+ 0-13 KG / 0-9 MONATE	/F /R	1	Cayenne alle
1	955 044 802 92	child car seat Junior Seat Isofix G1 with bracket 9-18 KG / 9-42 MONATE	/F /R	1	Cayenne alle
1	955 044 802 90	child car seat Junior Plus Seat G2+G3 15-36 KG / 3,5-12 JAHRE	/F /R	1	Cayenne alle

Model	Year	MG	SG	Illustration	Restrictions	UPD	9:19	28.01.2010	PORSCHE	PET	PORSCHE
TEQ2	2010	8	09	809-00		248					

		Pos	Part Number	Description	Remark	Qty	Model
		1	A 955 044 800 22	passenger compartment wood	03-		
		1	A 955 044 800 22	interior equipment wood olive grain light set	/LL 03-06	1	IG0R/4A3 I4A4
		1	955 044 800 92	interior equipment wood olive grain light set	/LL 03-06	1	I4A3/4A4
		1	955 044 801 92	interior equipment wood olive grain light set	/LL 08-	1	I4A3/4A4
		2	A 955 044 800 23	interior equipment wood olive grain light set	/LL 03-06	1	IG0R
		2	955 044 800 93	interior equipment wood olive grain light set	/LL 03-06	1	
		2	955 044 801 93	interior equipment wood olive grain light set	/LL 08-	1	
		(1)	A 955 044 800 24	interior equipment wood olive grain light set	/RL 03-06	1	IG0R/4A3 I4A4
		(1)	955 044 800 94	interior equipment wood olive grain light set	/RL 03-06	1	I4A3/4A4
		(1)	955 044 801 94	interior equipment wood olive grain light set	/RL 08-	1	I4A3/4A4

Model	Year	MG	SG	Illustration	Restrictions	UPD	9:19	28.01.2010	PORSCHE	PET	PORSCHE
TEQ2	2010	8	09	809-00		248					

Pos	Part Number	Description	Remark	Qty	Model	Pos	Part Number	Description	Remark	Qty	Model
(2)	A 955 044 800 25	interior equipment wood olive grain light set	/RL 03-06	1	IG0R	(1)	955 044 801 90	interior equipment rootwood dark set	/RL 08-	1	I4A3/4A4
(2)	955 044 800 95	interior equipment wood olive grain light set	/RL 03-06	1		(2)	A 955 044 800 21	interior equipment rootwood dark set	/RL 03-06	1	IG0R
(2)	955 044 801 95	interior equipment wood olive grain light set	/RL 08-	1		(2)	955 044 800 91	interior equipment rootwood dark set	/RL 03-06	1	
(2)	955 044 800 89	interior equipment rootwood dark set	/RL 03-06	1		(2)	955 044 801 91	interior equipment rootwood dark set	/RL 08-	1	
(2)	955 044 801 89	interior equipment rootwood dark set	/RL 08-	1							
(1)	A 955 044 800 18	interior equipment rootwood set dark	/LL 03-06	1	IG0R/4A3 I4A4						
(1)	955 044 800 88	interior equipment rootwood dark set	/LL 03-06	1	I4A3/4A4						
(1)	955 044 801 88	interior equipment rootwood dark set	/LL 08-	1	I4A3/4A4						
(2)	A 955 044 800 19	interior equipment rootwood set dark	/LL 03-06	1	IG0R						
(1)	A 955 044 800 20	interior equipment rootwood dark set	/RL 03-06	1	IG0R/4A3 I4A4						
(1)	955 044 800 90	interior equipment rootwood dark set	/RL 03-06	1	I4A3/4A4						

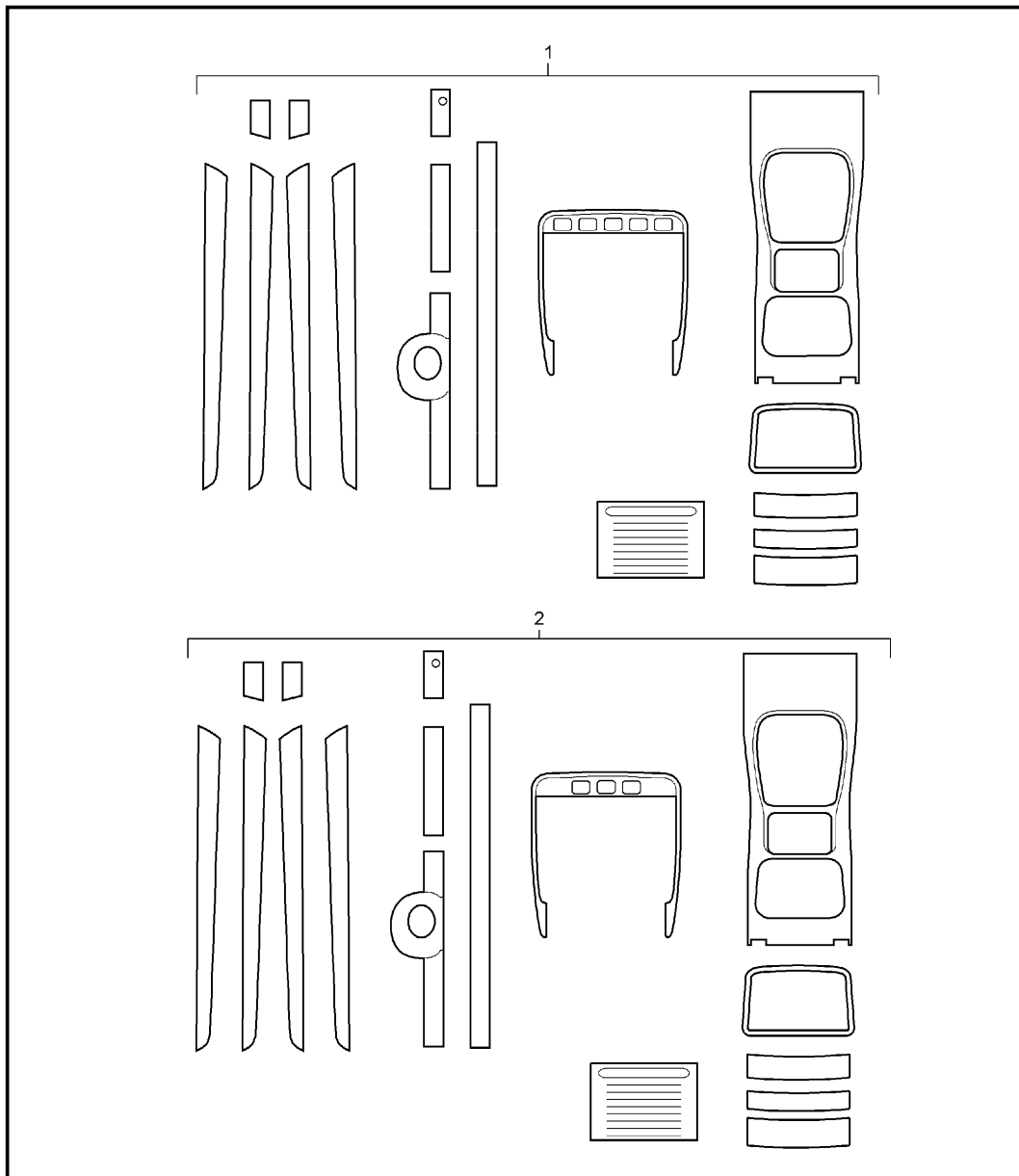
Model	Year	MG	SG	Illustration	Restrictions	UPD	9:20	28.01.2010	PORSCHE	PET	PORSCHE
TEQ2	2010	8	09	809-01		248					

Pos	Part Number	Description	Remark	Qty	Model
		passenger compartment aluminium	03-		
1	955 044 800 26	interior equipment set aluminium QHA black QHD stone grey QHC havanna QHP palmgreen RKT sand beige	/LL 03-	1	I4A3 I4A4
2	955 044 800 27	interior equipment aluminium set QHA black QHD stone grey QHC havanna QHP palmgreen RKT sand beige	/LL 03-	1	
(1)	955 044 800 28	interior equipment aluminium set QHA black QHD stone grey QHC havanna QHP palmgreen RKT sand beige	/RL 03-	1	I4A3 I4A4
(2)	955 044 800 29	interior equipment aluminium set QHA black QHD stone grey QHC havanna QHP palmgreen	/RL 03-	1	

Model	Year	MG	SG	Illustration	Restrictions	UPD	9:20	28.01.2010	PORSCHE PET PORSCHE		
TEQ2	2010	8	09	809-01		248					

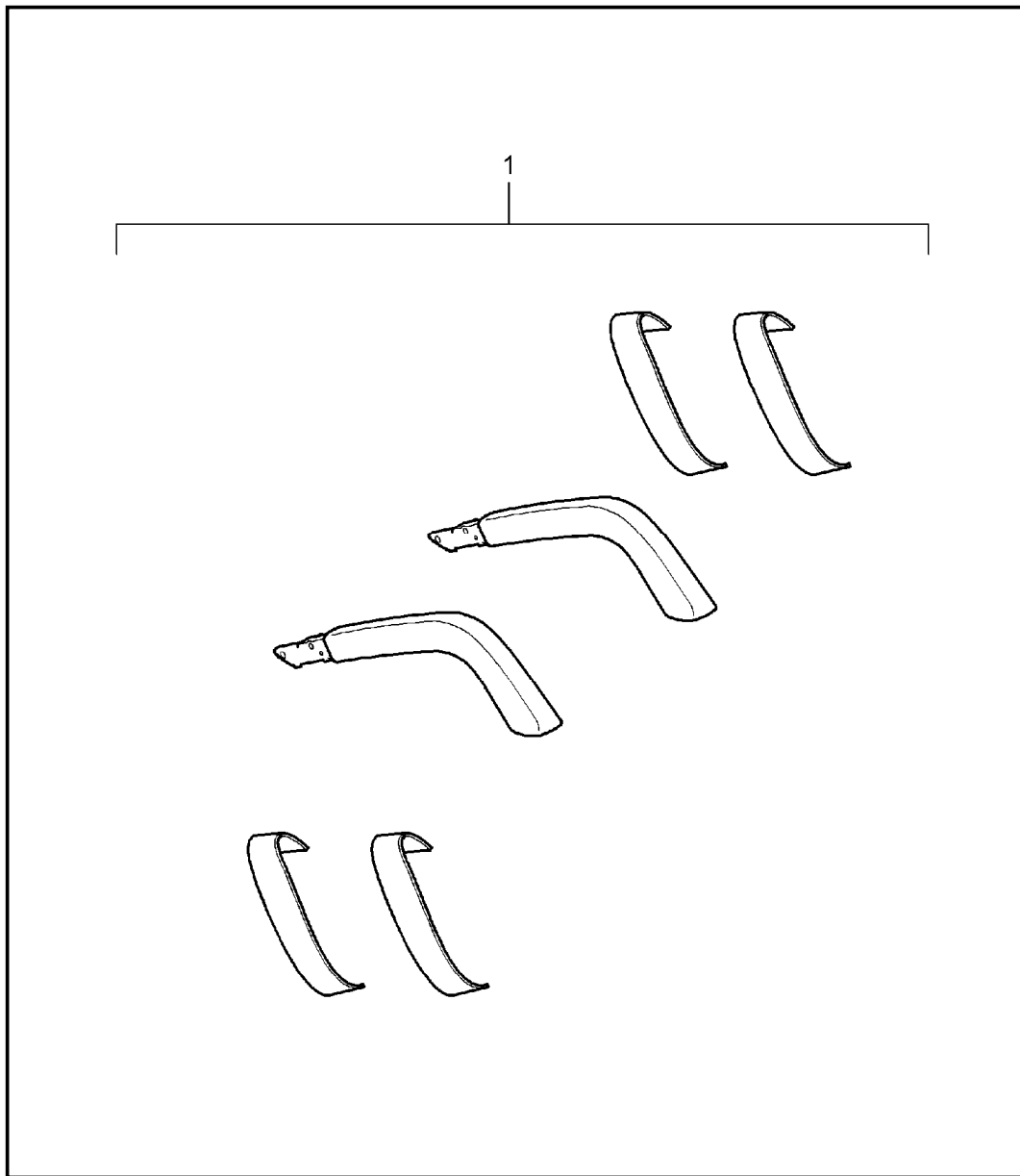
Pos	Part Number	Description	Remark	Qty	Model	Pos	Part Number	Description	Remark	Qty	Model
	RKT	sand beige									

Model	Year	MG	SG	Illustration	Restrictions	UPD	9:20	28.01.2010	PORSCHE	PET	PORSCHE
TEQ2	2010	8	09	809-02		248					



Pos	Part Number	Description	Remark	Qty	Model
		passenger compartment carbon	03-		
1	955 044 800 53	interior equipment carbon set	/LL 03-06	1	I4A3/4A4
1	955 044 801 53	interior equipment carbon set	/LL 08-	1	I4A3/4A4
2	955 044 800 54	interior equipment carbon set	/LL 03-06	1	
2	955 044 801 54	interior equipment carbon set	/LL 08-	1	
(1)	955 044 800 55	interior equipment carbon set	/RL 03-06	1	I4A3/4A4
(1)	955 044 801 55	interior equipment carbon set	/RL 08-	1	I4A3/4A4
(2)	955 044 800 56	interior equipment carbon set	/RL 03-06	1	
(2)	955 044 801 56	interior equipment carbon set	/RL 08-	1	
-	955 553 980 08	cover connector housing 1-LOCH replacement see illustrations cayenne 809-15	03-	1	
-	955 553 980 09	cover connector housing 2-LOCH replacement see illustrations cayenne 809-15	03-	1	

Model	Year	MG	SG	Illustration	Restrictions	UPD	9:20	28.01.2010	PORSCHE	PET	PORSCHE
TEQ2	2010	8	09	809-03		248					



Pos	Part Number	Description	Remark	Qty	Model
		handle package wood carbon			
1	955 044 800 85	handle package	03-05	1	
(1)	955 044 801 15	handle package wood light polished olive grain	06-	1	
(1)	955 044 800 86	handle package	03-05	1	
(1)	955 044 801 16	handle package wood light matte olive grain	06	1	
(1)	955 044 800 84	handle package	03-05	1	
(1)	955 044 801 14	handle package wood dark polished rootwood	06-	1	
(1)	955 044 800 83	handle package	03-05	1	
(1)	955 044 801 13	handle package wood carbon	06-	1	

Model	Year	MG	SG	Illustration	Restrictions	UPD	9:20	28.01.2010	PORSCHE	PET	PORSCHE
TEQ2	2010	8	10	810-05		248					

Pos	Part Number	Description	Remark	Qty	Model
		rockrails running board			
		Instal. and mod. instruc. Cayenne, alle main group 6 6631 attention			
1	955 044 801 07	rockrails	03-06	1	
(1)	955 044 802 00	rockrails	08-	1	
		Instal. and mod. instruc. Cayenne, alle main group 6 6626 attention			
2	955 044 801 08	running board	03-06	1	
(2)	955 044 802 05	running board	08-	1	
		set comprising:			
3	955 559 553 00	rockrails	/L 03-06	1	
		4W9 satin aluminium			
4	955 559 554 00	rockrails	/R 03-06	1	
		4W9 satin aluminium			
(3)	955 559 553 04	rockrails	/L 08-	1	
		4W9 satin aluminium			
(4)	955 559 554 00	rockrails	/R 08-	1	
		4W9 satin aluminium			
5	955 559 487 00	support	/L 03-	1	VORN
6	955 559 488 00	support	/R 03-	1	VORN
7	955 559 489 00	support	/L 03-	1	HINTEN
8	955 559 490 00	support	/R 03-	1	HINTEN
9	955 559 467 00	support	03-	2	MITTE
10	N 904 085 02	blind rivet nut	03-	18	
11	N 909 210 01	hexagon-head bolt	03-	34	
12	955 559 847 01	running board	/L 03-06	1	

Model	Year	MG	SG	Illustration	Restrictions	UPD	9:20	28.01.2010	PORSCHE	PET	PORSCHE
TEQ2	2010	8	10	810-05		248					

Pos	Part Number	Description	Remark	Qty	Model	Pos	Part Number	Description	Remark	Qty	Model
	4W9	satin aluminium									
13	955 559 848 01	running board	/R 03-06	1							
	4W9	satin aluminium									
(12)	955 559 847 03	running board	/L 08-	1							
	4W9	satin aluminium									
(13)	955 559 848 03	running board	/R 08-	1							
	4W9	satin aluminium									

PORSCHE

PET

PORSCHE

Model	Year	MG	SG	Illustration	Restrictions	UPD	9:21	28.01.2010
TEQ2	2010	8	11	811-00		248		

Pos	Part Number	Description	Remark	Qty	Model
-	955 044 000 00	vehicle cover vehicle cover inner	03-	1	
-	955 044 000 70	vehicle cover outdoor	03-	1	

Model	Year	MG	SG	Illustration	Restrictions	UPD	9:21	28.01.2010	PORSCHE	PET	PORSCHE
TEQ2	2010	8	17	817-00		248					



Pos	Part Number	Description	Remark	Qty	Model
		seat cover leather	03-06		
		Instal. and mod. instruc. Cayenne, alle group 7 7411 attention			
		order also:			
-	N 909 650 01	screw		8	
-	000 043 207 18	clamp		4	
-	000 043 207 17	clamp		2	
-	N 910 260 02	screw		8	
-	000 043 071 00	clamp set 50 Stk.		1	
-	999 513 076 40	tie-wrap		10	
		colour black/ chestnut brown			
1	955 044 803 30	seat cover sports seat	03-04	1	I9AD
(1)	955 044 803 31	seat cover sports seat	03-04	1	I9AH
(1)	955 044 803 32	seat cover comfort seat	03-04	1	I9AD
(1)	955 044 803 33	seat cover comfort seat	03-04	1	I9AH
(1)	955 044 803 60	seat cover sports seat	05	1	I9AD
(1)	955 044 803 61	seat cover sports seat	05	1	I9AH
(1)	955 044 803 62	seat cover comfort seat	05	1	I9AD
(1)	955 044 803 63	seat cover comfort seat	05	1	I9AH
(1)	955 044 803 90	seat cover sports seat	06	1	I9AD

Model	Year	MG	SG	Illustration	Restrictions	UPD	9:21	28.01.2010	PORSCHE	PET	PORSCHE
TEQ2	2010	8	17	817-00		248					

Pos	Part Number	Description	Remark	Qty	Model	Pos	Part Number	Description	Remark	Qty	Model
(1)	955 044 803 91	seat cover sports seat	06	1	I9AH	(1)	955 044 803 52	seat cover comfort seat	03-04	1	I9AD
(1)	955 044 803 92	seat cover comfort seat	06	1	I9AD	(1)	955 044 803 53	seat cover comfort seat	03-04	1	I9AH
(1)	955 044 803 93	seat cover comfort seat colour havanna/sand beige	06	1	I9AH	(1)	955 044 803 80	seat cover sports seat	05	1	I9AD
(1)	955 044 803 40	seat cover sports seat	03-04	1	I9AD	(1)	955 044 803 81	seat cover sports seat	05	1	I9AH
(1)	955 044 803 41	seat cover sports seat	03-04	1	I9AH	(1)	955 044 803 82	seat cover comfort seat	05	1	I9AD
(1)	955 044 803 42	seat cover comfort seat	03-04	1	I9AD	(1)	955 044 803 83	seat cover comfort seat	05	1	I9AH
(1)	955 044 803 43	seat cover comfort seat	03-04	1	I9AH	(1)	955 044 804 10	seat cover sports seat	06	1	I9AD
(1)	955 044 803 70	seat cover sports seat	05	1	I9AD	(1)	955 044 804 11	seat cover sports seat	06	1	I9AH
(1)	955 044 803 71	seat cover sports seat	05	1	I9AH	(1)	955 044 804 12	seat cover comfort seat	06	1	I9AD
(1)	955 044 803 72	seat cover comfort seat	05	1	I9AD	(1)	955 044 804 13	seat cover comfort seat	06	1	I9AH
(1)	955 044 803 73	seat cover comfort seat	05	1	I9AH						
(1)	955 044 804 00	seat cover sports seat	06	1	I9AD						
(1)	955 044 804 01	seat cover sports seat	06	1	I9AH						
(1)	955 044 804 02	seat cover comfort seat	06	1	I9AD						
(1)	955 044 804 03	seat cover comfort seat colour stone grey/steel grey	06	1	I9AH						
(1)	955 044 803 50	seat cover sports seat	03-04	1	I9AD						
(1)	955 044 803 51	seat cover sports seat	03-04	1	I9AH						

Model	Year	MG	SG	Illustration	Restrictions	UPD	9:21	28.01.2010	PORSCHE	PET	PORSCHE
TEQ2	2010	8	17	817-02		248					

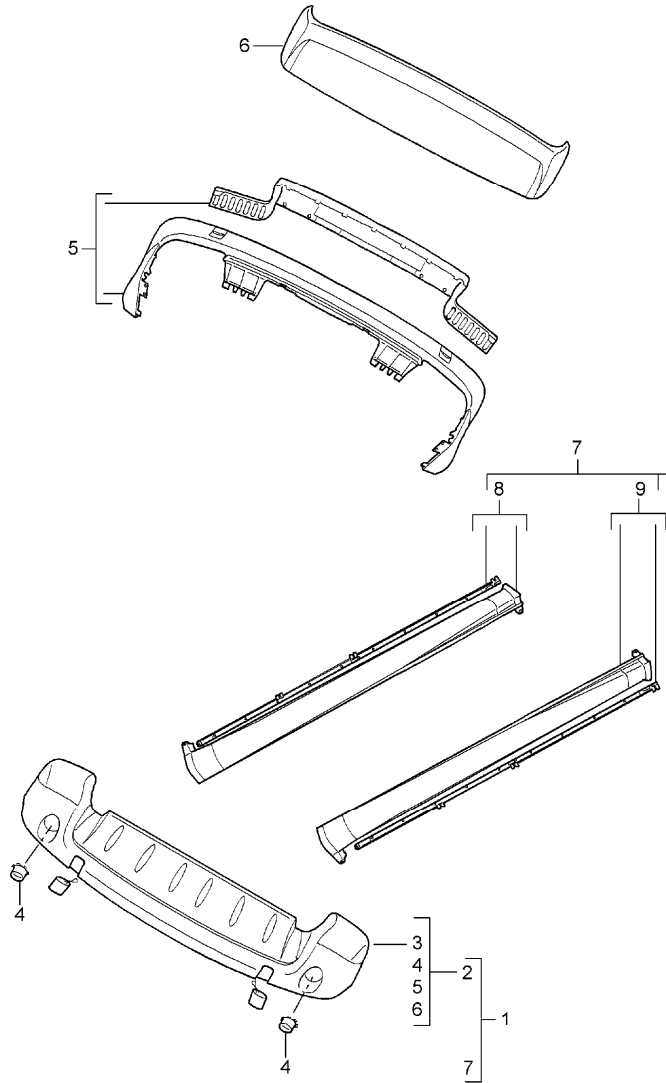


Pos	Part Number	Description	Remark	Qty	Model
		seat cover leather	08-09		
		Instal. and mod. instruc. Cayenne, alle group 7 7411 attention			
		order also:			
-	N 909 650 01	screw		8	
-	000 043 207 18	clamp		4	
-	000 043 207 17	clamp		2	
-	N 910 260 02	screw		8	
-	000 043 071 00	clamp set 50 Stk.		1	
-	999 513 076 40	tie-wrap		10	
		colour black/ chestnut brown			
1	955 044 804 20	seat cover sports seat	12/06- 5/07	08	1 I9AD
(1)	955 044 804 21	seat cover sports seat	12/06- 5/07	08	1 I9AH
(1)	955 044 804 22	seat cover comfort seat	12/06- 5/07	08	1 I9AD
(1)	955 044 804 23	seat cover comfort seat	12/06- 5/07	08	1 I9AH
(1)	955 044 803 00	seat cover sports seat	6/07-	08	1 I9AD
(1)	955 044 803 01	seat cover sports seat	6/07-	08	1 I9AH
(1)	955 044 803 02	seat cover comfort seat	6/07-	08-09	1 I9AD
(1)	955 044 803 03	seat cover comfort seat	6/07-	08-09	1 I9AH
		colour havanna/sand beige			

Model	Year	MG	SG	Illustration	Restrictions	UPD	9:21	28.01.2010	PORSCHE	PET	PORSCHE
TEQ2	2010	8	17	817-02		248					

Pos	Part Number	Description	Remark	Qty	Model	Pos	Part Number	Description	Remark	Qty	Model
(1)	955 044 804 30	seat cover sports seat	12/06- 5/07	08	1	I9AD					
(1)	955 044 804 31	seat cover sports seat	12/06- 5/07	08	1	I9AH					
(1)	955 044 804 32	seat cover comfort seat	12/06- 5/07	08	1	I9AD					
(1)	955 044 804 33	seat cover comfort seat	12/06- 5/07	08	1	I9AH					
(1)	955 044 803 10	seat cover sports seat	6/07-	08	1	I9AD					
(1)	955 044 803 11	seat cover sports seat	6/07-	08	1	I9AH					
(1)	955 044 803 12	seat cover comfort seat	6/07-	08-09	1	I9AD					
(1)	955 044 803 13	seat cover comfort seat colour stone grey/steel grey	6/07-	08-09	1	I9AH					
(1)	955 044 804 40	seat cover sports seat	12/06- 5/07	08	1	I9AD					
(1)	955 044 804 41	seat cover sports seat	12/06- 5/07	08	1	I9AH					
(1)	955 044 804 42	seat cover comfort seat	12/06- 5/07	08	1	I9AD					
(1)	955 044 804 43	seat cover comfort seat	12/06- 5/07	08	1	I9AH					
(1)	955 044 803 20	seat cover sports seat	6/07-	08	1	I9AD					
(1)	955 044 803 21	seat cover sports seat	6/07-	08	1	I9AH					
(1)	955 044 803 22	seat cover comfort seat	6/07-	08-09	1	I9AD					
(1)	955 044 803 23	seat cover comfort seat	6/07-	08-09	1	I9AH					

Model	Year	MG	SG	Illustration	Restrictions	UPD	9:21	28.01.2010	PORSCHE	PET	PORSCHE
TEQ2	2010	8	50	850-00		248					



Pos	Part Number	Description	Remark	Qty	Model
1	955 044 800 69	sport DESIGN package cayenne	-06	1	ID9J/D9K
(1)	955 044 800 70	sport DESIGN package cayenne cayenne s	-06	1	ID9L
2	955 044 800 71	sport DESIGN package cayenne cayenne s	-06	1	ID9J/D9K
(2)	955 044 800 72	sport DESIGN package cayenne turbo not together with spare wheel support outer	-06	1	ID9L
3	955 044 800 73	comprising: front end cover set	-06	1	ID9J/D9K I2D1/2D2
(3)	955 044 800 74	front end cover set	-06	1	ID9L I2D1/2D2
4	955 631 163 00	fog headlamp		2	I2D1/2D2
5	955 044 800 78	rear apron set	-06	1	ID9J/D9K ID9L/2D1 I2D2
6	955 044 800 80	roof spoiler set	-06	1	ID9J/D9K ID9L/2D1 I2D2
(6)	955 044 802 73	roof cover moulding spoiler set	08-	1	
7	955 044 800 75	sill cover	-06	1	ID9J/D9K

Model	Year	MG	SG	Illustration	Restrictions	UPD	9:21	28.01.2010	PORSCHE	PET	PORSCHE
TEQ2	2010	8	50	850-00		248					

Pos	Part Number	Description	Remark	Qty	Model	Pos	Part Number	Description	Remark	Qty	Model
(7)	955 044 802 72	sill cover set comprising:	08-	1	I2D1						
8	955 044 800 76	sill cover right set	-06	1	I2D1						
9	955 044 800 77	sill cover left set	-06	1	I2D1						
(1)	955 044 802 70	aerokit sport Design package with sill cover set	08-	1							
(1)	955 044 802 71	aerokit sport Design package without sill cover set	08-	1							

PORSCHE

PET

PORSCHE

Model	Year	MG	SG	Illustration	Restrictions	UPD	9:21	28.01.2010
TEQ2	2010	9	01	901-00		248		

Pos	Part Number	Description	Remark	Qty	Model
		porsche Vehicle Tracking Systeme	06-		
		Instal. and mod. instruc. Cayenne, alle group 9 9063 attention			
-	955 044 900 35	retrofit kit porsche Vehicle Tracking System		1	I7AT/7G1
-	955 044 902 10	retrofit kit porsche Vehicle Tracking System Autonome / Integrated		1	I7AL/7G5
-	955 044 900 33	retrofit kit porsche Vehicle Tracking System Standard / Advanced		1	I7AU/7G5
-	955 044 902 35	retrofit kit porsche Vehicle Tracking System Comfort / Advanced		1	I7G5

PORSCHE

PET

PORSCHE

Model	Year	MG	SG	Illustration	Restrictions	UPD	9:22	28.01.2010
TEQ2	2010	9	02	902-05		248		

Pos	Part Number	Description	Remark	Qty	Model
-	955 044 900 16	charger	03- GB	1	230V
-	955 044 900 17	charger	03-	1	230V
-	000 043 202 55	adapter for battery		1	

Model	Year	MG	SG	Illustration	Restrictions	UPD	9:22	28.01.2010
TEQ2	2010	9	03	903-00		248		

Pos	Part Number	Description	Remark	Qty	Model
-	955 044 900 29	logbook PCM2.1 und PCM3.0 Instal. and mod. instruc. Cayenne, alle group 9 9110 beachten	05-		
		logbook for vehicle model year 05 order also: europe 955.044.900.07	06-	1	I7Q2
			05		

PORSCHE

PET

PORSCHE

Model	Year	MG	SG	Illustration	Restrictions	UPD	9:22	28.01.2010
TEQ2	2010	9	03	903-01		248		

Pos	Part Number	Description	Remark	Qty	Model
-	955 044 900 26	garage door opener			
-	955 612 502 00	garage door opener retrofit kit	03-	1	
-	955 613 312 01 A03	wiring harness		1	
-	955 613 334 00 A03	cap with symbol		1	
-	955 613 254 00	trim for switch		1	
-	N 909 151 01	printed circuit board		1	
-	955 618 039 00	screw		6	
-	999 652 901 22	control unit		1	
-	999 650 136 22	connector		1	
-		pin		1	

PORSCHE

PET

PORSCHE

Model	Year	MG	SG	Illustration	Restrictions	UPD	9:22	28.01.2010
TEQ2	2010	9	03	903-02		248		

Pos	Part Number	Description	Remark	Qty	Model
-	955 044 903 00	cruise control Instal. and mod. instruc. Cayenne main group 2 2778 attention cruise control set	03- 03-06 08-	1	ID9J/D9K ID5V/D5X

Model	Year	MG	SG	Illustration	Restrictions	UPD	9:22	28.01.2010
TEQ2	2010	9	04	904-00		248		

Pos	Part Number	Description	Remark	Qty	Model
		digital tv	05-08		
		Instal. and mod. instruc. Cayenne, alle main group 9 9164 attention			
-	955 044 901 09	retrofit kit digital tv not for usa CANADA japan ASIA PACIFIC		1	IQV1
		comprising:			
-	955 044 901 10	receiving part		1	
-	955 645 285 00	support		1	
-	955 044 901 11	control part		1	
-	N 911 010 01	blind rivet nut		2	
-	N 907 371 01	oval-head screw		2	
-	955 044 901 12	wiring harness		1	
-	955 044 901 13	wiring harness		1	
-	999 513 054 40	tie-wrap		15	
-	N 904 411 02	pan-head screw		1	
-	N 910 260 01	screw		1	
-	955 522 782 00	bearing sleeve		1	
-	955 522 781 00	bearing sleeve		1	

PORSCHE

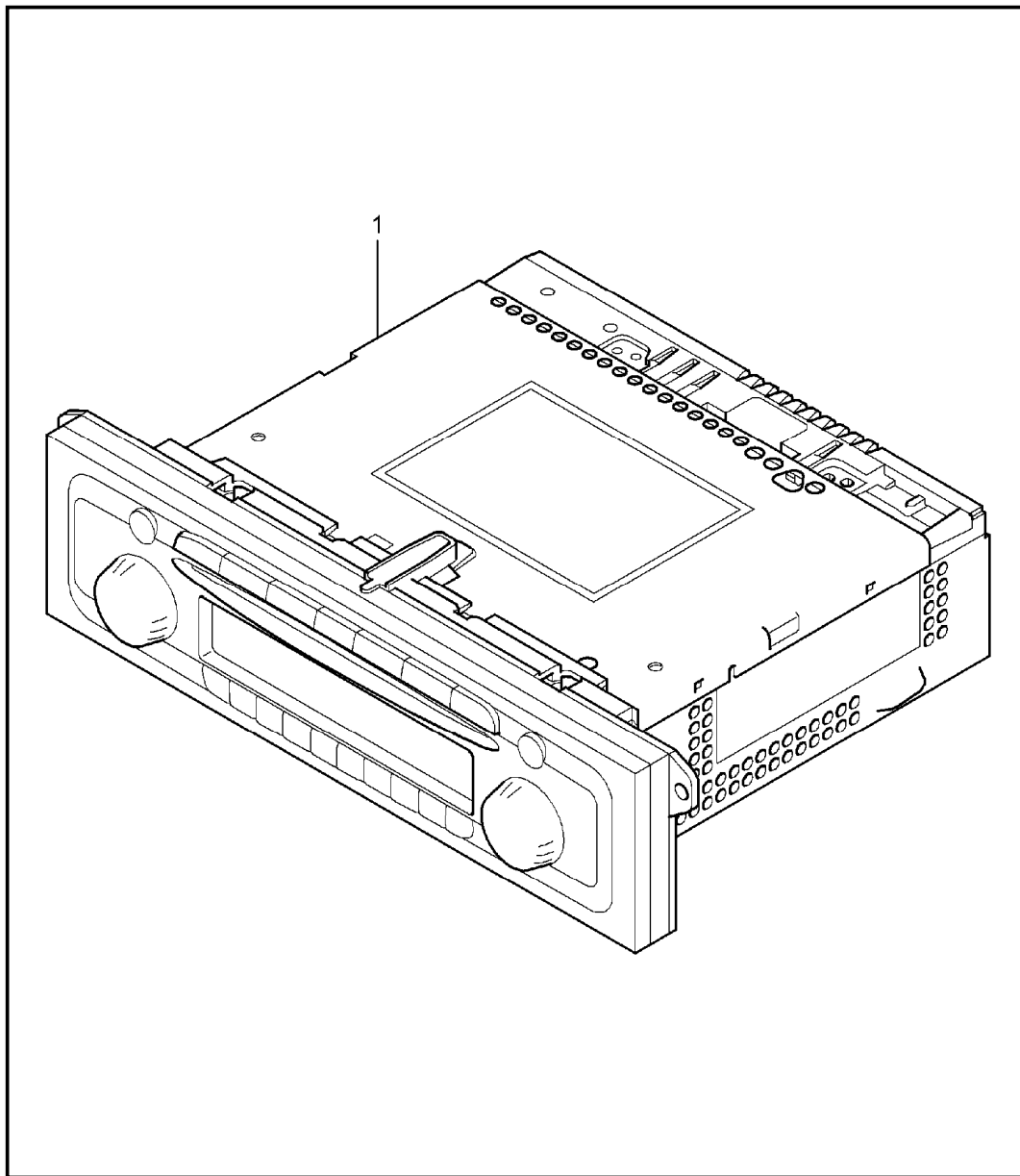
PET

PORSCHE

Model	Year	MG	SG	Illustration	Restrictions	UPD	9:22	28.01.2010
TEQ2	2010	9	05	905-00		248		

Pos	Part Number	Description	Remark	Qty	Model
		headlamp interior lining black	08-		
-	955 044 903 10	headlamp Left-hand drive vehicles set	/LL	1	
-	955 044 903 11	headlamp Right-hand drive vehicles set including japan	/RL	1	

Model	Year	MG	SG	Illustration	Restrictions	UPD	9:23	28.01.2010	PORSCHE	PET	PORSCHE
TEQ2	2010	9	11	911-00		248					



Pos	Part Number	Description	Remark	Qty	Model
		radio			
1	A 955 645 128 03	cdr	03-	1	CAYENNE S
1	A 955 645 128 04	cdr	03-	1	CAYENNE S
1	> 955 645 128 05	cdr		1	

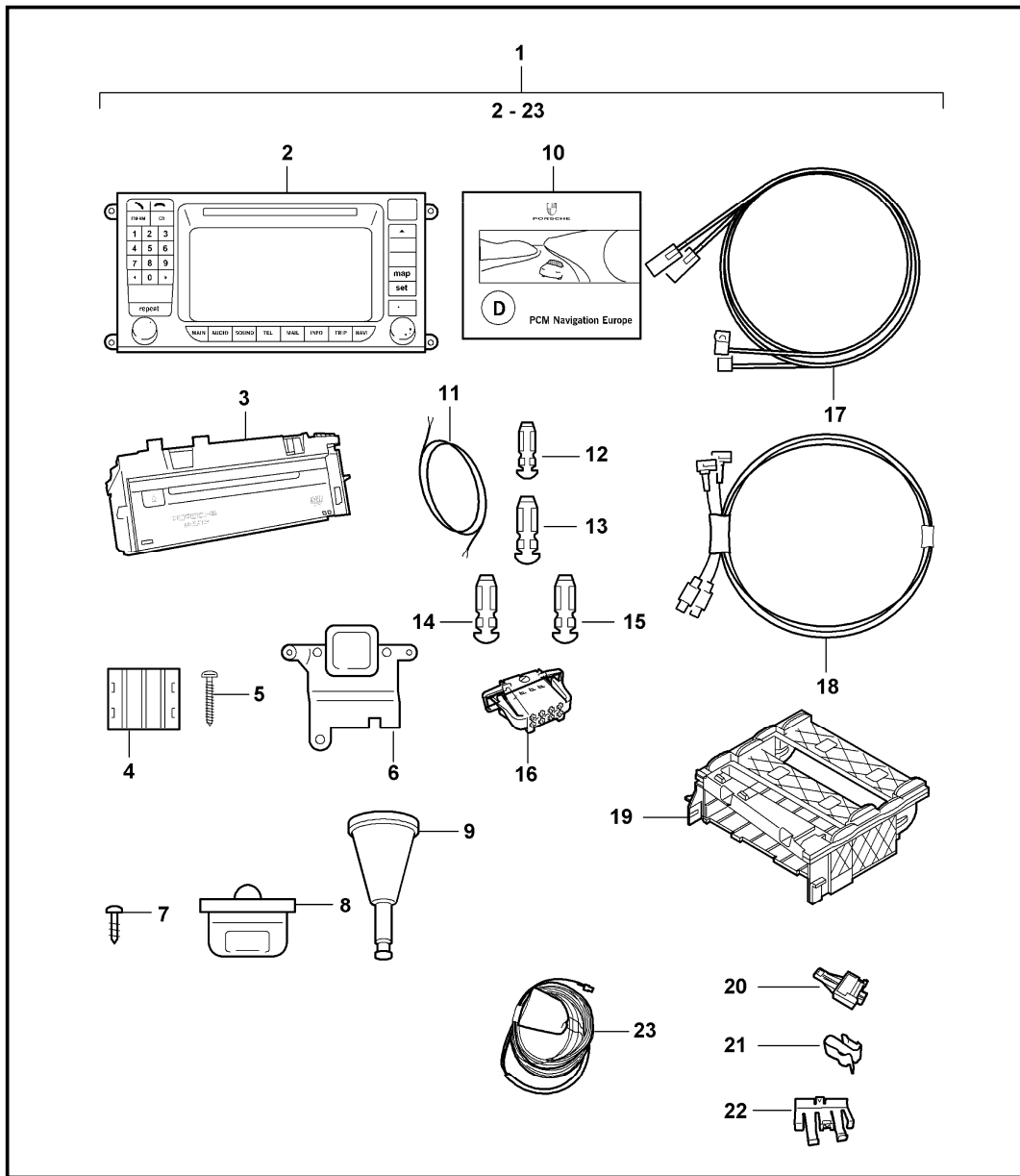
Model	Year	MG	SG	Illustration	Restrictions	UPD	9:23	28.01.2010	PORSCHE	PET	PORSCHE
TEQ2	2010	9	11	911-10		248					

Pos	Part Number	Description	Remark	Qty	Model
		navigation system PCM2.0	03-04		
(1)	955 044 900 01	navigation system pcm2 RDW		1	
(1)	955 044 900 20	navigation system pcm2 Australien		1	
(1)	955 044 900 21	navigation system pcm2 Middle East		1	
(1)	955 044 900 22	navigation system pcm2 SOUTH AFRICA		1	
		comprising:			
2	955 647 432 00	support		1	
3	955 642 203 01	control part		1	
4	996 642 205 01	module		1	
5	N 105 842 01	tapping screw		4	
6	955 647 107 00	antenna		1	
7	955 647 208 00	connecting line		1	
8	N 908 401 02	oval-head screw		1	
9	999 650 062 40	connector		1	
10	N 103 357 01	pin		1	
11	N 903 352 04	flat plug		1	
12	955 647 207 00	connecting line		1	
13	999 630 003 40	ground cable		2	
14	996 642 030 01	cd-rom europe		1	
(14)	996 642 036 01	cd-rom Australia		1	
(14)	996 642 035 01	cd-rom Middle east		1	
(14)	996 642 034 01	cd-rom South africa		1	

Model	Year	MG	SG	Illustration	Restrictions	UPD	9:23	28.01.2010	PORSCHE	PET	PORSCHE
TEQ2	2010	9	11	911-10		248					

Pos	Part Number	Description	Remark	Qty	Model	Pos	Part Number	Description	Remark	Qty	Model
15	955 612 952 00	grommet		1							
16	955 612 951 00	grommet		1							

Model	Year	MG	SG	Illustration	Restrictions	UPD	9:23	28.01.2010	PORSCHE	PET	PORSCHE
TEQ2	2010	9	11	911-11		248					



Pos	Part Number	Description	Remark	Qty	Model
		navigation system PCM2.1	05-08		
		Instal. and mod. instruc. Cayenne, alle group 9 9110 attention			
(1)	A 955 044 900 31	retrofit kit PCM2.1 EUROPA	05	1	
(1)	955 044 900 48	retrofit kit PCM2.1 EUROPA	05-06	1	BIS KW 21/06 MOPF A/B
(1)	955 044 902 48	retrofit kit PCM2.1 EUROPA	06-08	1	AB KW 22/06 MOPF C/C1
(1)	A 955 044 900 40	retrofit kit PCM2.1 AUSTRALIA	05	1	
(1)	955 044 900 50	retrofit kit PCM2.1 AUSTRALIA	05-06	1	BIS KW 21/06 MOPF A/B
(1)	955 044 902 50	retrofit kit PCM2.1 AUSTRALIA	06-08	1	AB KW 21/06 MOPF C/C1
(1)	A 955 044 900 41	retrofit kit PCM2.1 MIDDLE EAST	05	1	
(1)	955 044 900 51	retrofit kit PCM2.1 MIDDLE EAST	05-06	1	BIS KW 21/06 MOPF A/B
(1)	955 044 902 51	retrofit kit PCM2.1 MIDDLE EAST	06-08	1	AB KW 22/06 MOPF C/C1
(1)	A 955 044 900 42	retrofit kit PCM2.1 SOUTH AFRICA	05	1	
(1)	955 044 900 52	retrofit kit PCM2.1 SOUTH AFRICA	05-06	1	BIS KW 21/06 MOPF A/B
(1)	955 044 902 52	retrofit kit PCM2.1 SOUTH AFRICA	06-08	1	AB KW 22/06 MOPF C/C1

Model	Year	MG	SG	Illustration	Restrictions	UPD	9:23	28.01.2010	PORSCHE	PET	PORSCHE
TEQ2	2010	9	11	911-11		248					

Pos	Part Number	Description	Remark	Qty	Model	Pos	Part Number	Description	Remark	Qty	Model
(1)	A 955 044 900 43	retrofit kit PCM2.1 ASIA/PACIFIC	05	1		(10)	997 642 263 02	dvd Australien	06-	1	
(1)	955 044 900 53	retrofit kit PCM2.1 ASIA/PACIFIC	05-06	1	BIS KW 21/06 MOPF A/B	(10)	997 642 241 02	dvd Middle East	05-06	1	
(1)	955 044 902 53	retrofit kit PCM2.1 ASIA/PACIFIC	06-08	1	AB KW 22/06 MOPF C/C1	(10)	997 642 261 02	dvd Middle East	06-	1	
		order also:				(10)	997 642 239 02	dvd South Africa	05-06	1	
-	955 521 550 00	cover dvd device		1		(10)	997 642 259 02	dvd South Africa	06-	1	
	01C	black				(10)	997 642 245 02	dvd Asia Pacific	05-06	1	
	6C6	sand beige				(10)	997 642 265 02	dvd Asia Pacific	06-	1	
	6H8	palmgreen				11	999 630 003 40	ground cable		1	
	7A8	steel grey				12	N 103 358 01	bush		2	
	K40	chestnut brown				13	N 903 353 04	flat plug		1	
		set PCM2.1 comprising:				14	N 103 357 01	pin		3	
2	955 642 203 10	pcm2		1		15	999 650 356 12	pin		1	
3	997 642 135 03	dvd device	05-06	1		16	955 044 900 44	plug socket		1	
3	> 997 642 137 02	dvd device	06-07	1		17	955 647 208 00	connecting line		1	
4	955 647 432 00	support		1		18	955 647 207 00	connecting line		1	
5	N 105 842 01	screw		4		-	N 910 192 01	screw M10 x 25		4	
6	955 647 107 00	antenna		1		-	N 909 650 01	screw M10 x 30		4	
7	N 908 401 02	screw		1		-	N 910 260 01	screw 10 x 20		3	
8	955 612 951 00	rubber sleeve		1		-	N 904 411 02	screw M10 x 20		1	
9	955 612 952 00	rubber sleeve		1		-	999 513 051 40	hose clamp		30	
10	997 642 235 02	dvd europe	05-06	1		19	955 642 226 00	support		1	
(10)	997 642 255 03	dvd europe	06-	1		20	999 650 091 40	plug bridge		1	
(10)	997 642 243 02	dvd Australien	05-06	1		21	N 907 468 01	u-clamp		2	

Model	Year	MG	SG	Illustration	Restrictions	UPD	9:23	28.01.2010	PORSCHE	PET	PORSCHE
TEQ2	2010	9	11	911-11		248					

Pos	Part Number	Description	Remark	Qty	Model	Pos	Part Number	Description	Remark	Qty	Model
22	955 642 228 00	retaining bracket		1							
23	955 044 900 10	cable		1							
-	999 650 529 00	cable shoe		1							

PORSCHE

PET

PORSCHE

Model	Year	MG	SG	Illustration	Restrictions	UPD	9:23	28.01.2010
TEQ2	2010	9	11	911-22		248		

Pos	Part Number	Description	Remark	Qty	Model
		navigation PCM2.0-UPDATE	03-04		
		Instal. and mod. instruc. Cayenne, alle main group 9 9110 beachten			
-	000 044 901 20	software PCM2.0-UPDATE europe		1	
-	000 044 901 22	software PCM2.0-UPDATE Australien/Neuseeland		1	

Model	Year	MG	SG	Illustration	Restrictions	UPD	9:23	28.01.2010
TEQ2	2010	9	11	911-24		248		

Pos	Part Number	Description	Remark	Qty	Model
		navigation PCM2.1-UPDATE	05-08		
		Instal. and mod. instruc. Cayenne, alle main group 9 9110 beachten			
-	A 955 044 902 60	software PCM2.1-UPDATE europe		1	
-	955 044 903 60	software PCM2.1-UPDATE europe		1	
-	955 044 902 62	software PCM2.1-UPDATE Australien/Neuseeland		1	
-	955 044 902 63	software PCM2.1-UPDATE Suedafrika		1	
-	955 044 902 64	software PCM2.1-UPDATE Mittlerer Osten		1	
-	955 044 902 65	software PCM2.1-UPDATE Asien Pazifik		1	

PORSCHE

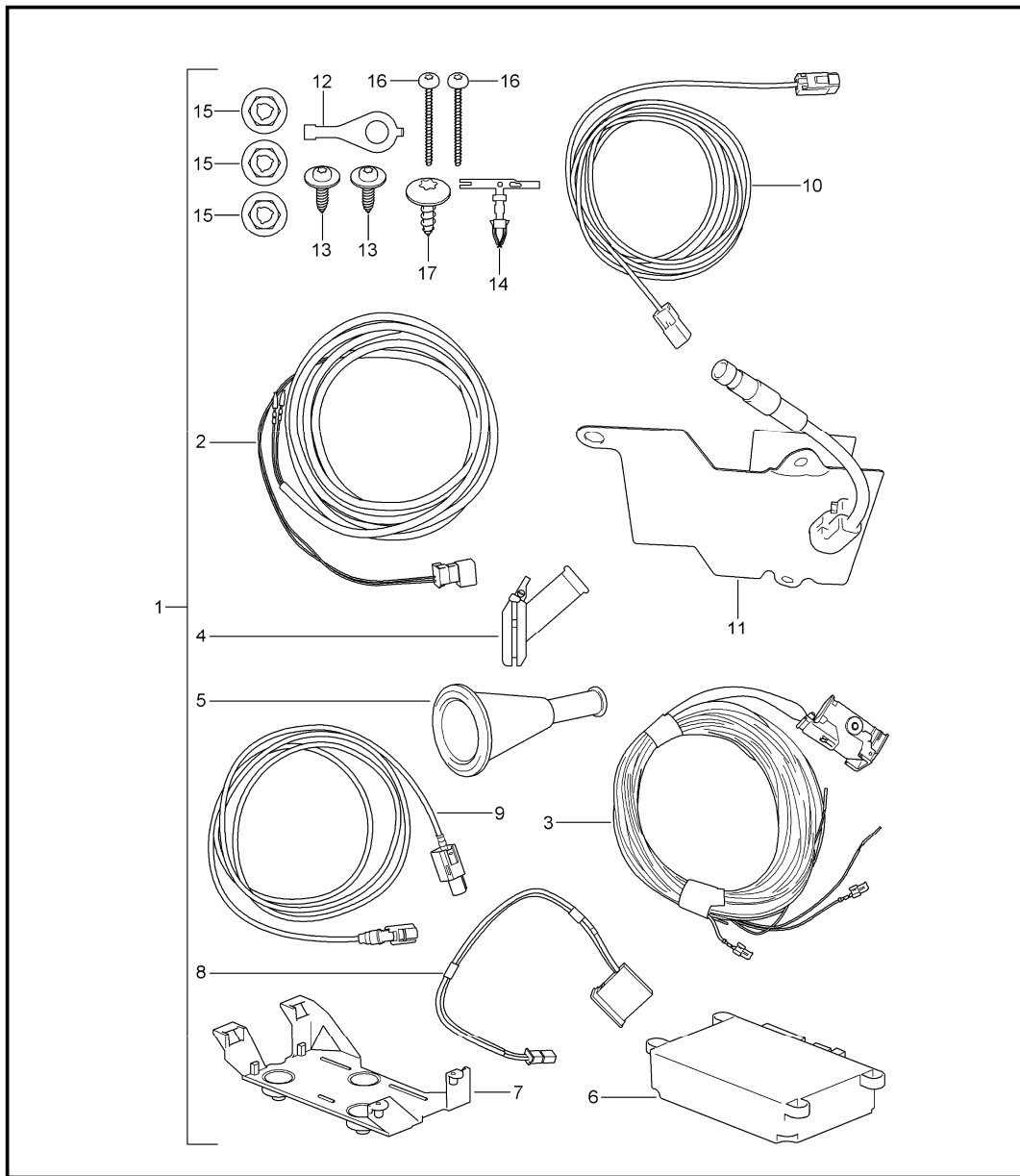
PET

PORSCHE

Model	Year	MG	SG	Illustration	Restrictions	UPD	9:24	28.01.2010
TEQ2	2010	9	11	911-50		248		

Pos	Part Number	Description	Remark	Qty	Model
-	955 044 900 28	compass PCM2.1 Instal. and mod. instruc. Cayenne, alle group 9 9110 attention compass in instrument cluster	05-08	1	I7Q2

Model	Year	MG	SG	Illustration	Restrictions	UPD	9:24	28.01.2010	PORSCHE	PET	PORSCHE
TEQ2	2010	9	14	914-02		248					

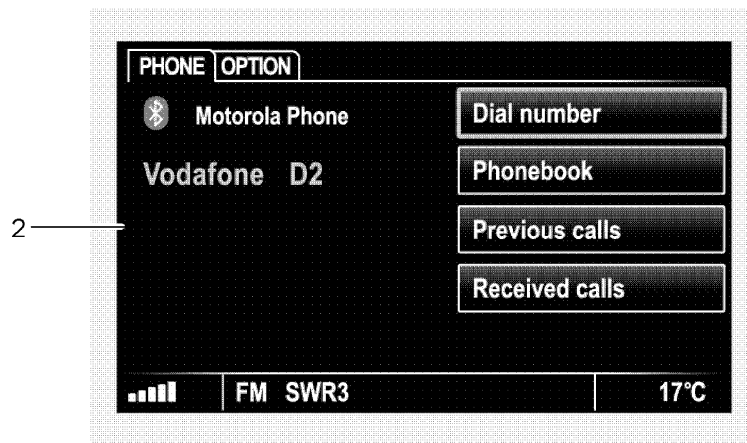
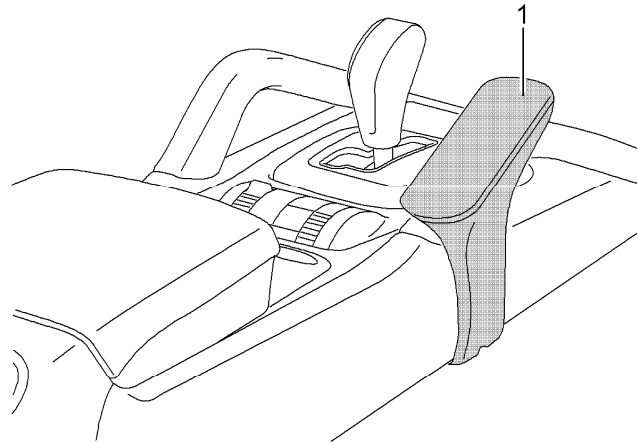


Pos	Part Number	Description	Remark	Qty	Model
		telephone module pcm2	03-08		
1	955 044 900 03	module telephone subsequent installation for pcm2	03-04	1	
(1)	955 044 901 43	module telephone subsequent installation for PCM 2.1	05-06	1	BIS KW 21/06 MOPF A/B
(1)	955 044 902 13	module telephone subsequent installation for PCM 2.1	06-08	1	AB KW 22/06 MOPF C/C1
		attention technical information CAYENNE 23/04 CAYENNE 08/06 comprising:			
2	955 044 900 14	electric line microphone	03-	1	
3	955 044 900 11	electric line positive cable		1	
4	955 612 951 00	grommet rear end	03-	1	
5	955 612 952 00	grommet roof	03-	1	
6	996 642 207 02	control unit	-06	1	BIS KW 21/06
(6) >	997 646 209 01	control unit	06-	1	AB KW 21/06
7	955 642 208 00	support		1	
8	955 642 310 00	microphone		1	
9	955 647 206 00	connecting line		1	
10	955 647 209 00	connecting line		1	
11	955 647 106 00	antenna		1	
12	999 650 398 12	cable shoe		1	

Model	Year	MG	SG	Illustration	Restrictions	UPD	9:24	28.01.2010	PORSCHE	PET	PORSCHE
TEQ2	2010	9	14	914-02		248					

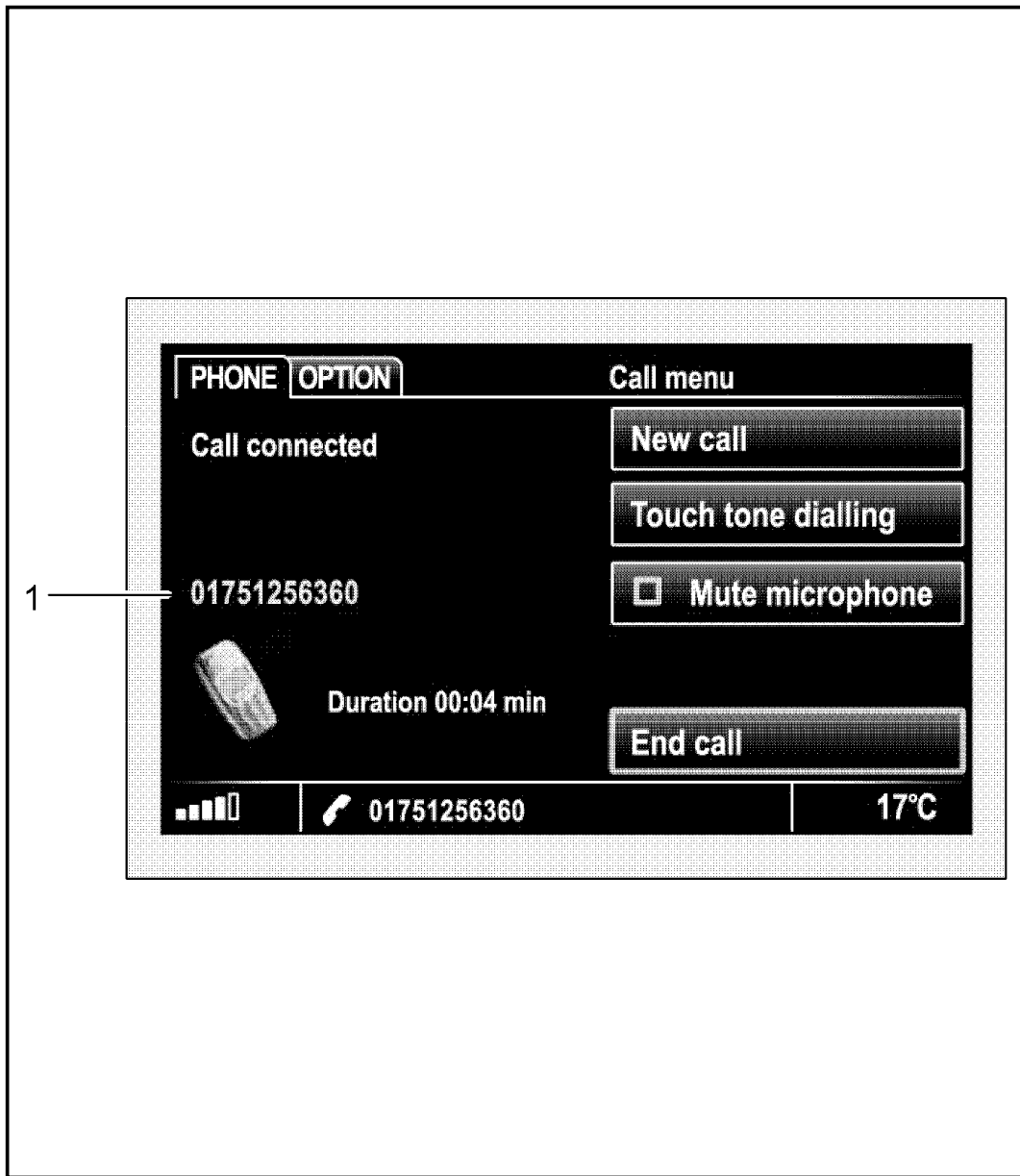
Pos	Part Number	Description	Remark	Qty	Model	Pos	Part Number	Description	Remark	Qty	Model
13	N 104 648 02	oval-head screw		2							
14	999 650 356 12	pin		3	0,5-1 QMM						
15	N 100 151 01	plastic nut		3							
(14)	N 903 352 04	pin		1	1-3,5 QMM						
(14)	N 103 357 01	pin		1	0,35 QMM						
16	N 105 357 02	oval-head screw		2							
17	N 908 401 02	oval-head screw		1							
-	955 044 900 18	software OFFROAD for pcm2	03-	1	IPF1						

Model	Year	MG	SG	Illustration	Restrictions	UPD	9:24	28.01.2010	PORSCHE	PET	PORSCHE
TEQ2	2010	9	14	914-04		248					



Pos	Part Number	Description	Remark	Qty	Model
		MOBIL preparation for telephone Instal. and mod. instruc. Cayenne, alle group 9 9187 attention			
2	955 044 902 25	mobile phone preparation for telephone set only together with PCM3	09-	1	

Model	Year	MG	SG	Illustration	Restrictions	UPD	9:24	28.01.2010	PORSCHE	PET	PORSCHE
TEQ2	2010	9	14	914-06		248					



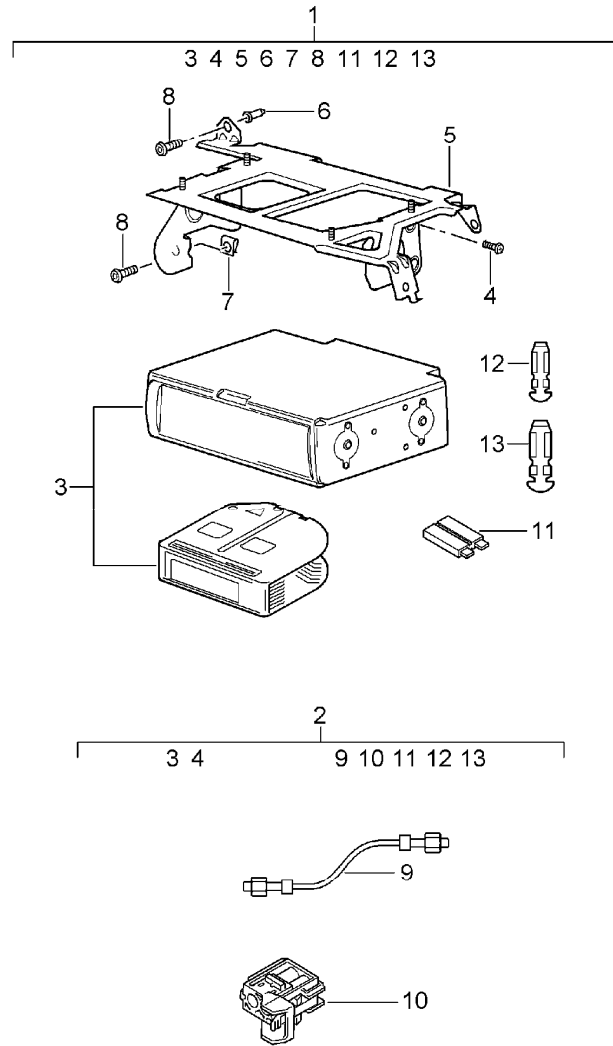
Pos	Part Number	Description	Remark	Qty	Model
		telephone module pcm 3	09-		
		Instal. and mod. instruc. Cayenne, alle group 9 9155 attention			
1	955 044 902 43	module telephone only together with pcm 3		1	-9W1

Model	Year	MG	SG	Illustration	Restrictions	UPD	9:24	28.01.2010	PORSCHE	PET	PORSCHE
TEQ2	2010	9	30	930-04		248					



Pos	Part Number	Description	Remark	Qty	Model
		Multimedia interface bracket	03-		
		Instal. and mod. instruc. Cayenne, alle group 9 9122 attention	03-08		
1	955 044 902 90	bracket Multimedia interface set	03-08	1	
-	997 044 901 74	operating instructions for Multimedia interface 955.044.902.90 / 902.97		1	
2	997 612 471 00	connecting cable Multimedia interface	03-	1	
		Instal. and mod. instruc. Cayenne, alle group 9 9122 attention	09-		
(1)	955 044 902 26	Multimedia interface universal set only together with pcm 3	09-	1	
(1)	955 044 902 92	Multimedia interface universal set only together with CDR30	09-	1	

Model	Year	MG	SG	Illustration	Restrictions	UPD	9:25	28.01.2010	PORSCHE	PET	PORSCHE
TEQ2	2010	9	50	950-03		248					



Pos	Part Number	Description	Remark	Qty	Model
		cd changer CDC4	03-08		
		Instal. and mod. instruc. Cayenne, alle main group 9 9160 attention			
1	955 044 900 04	cd changer CDC4		1	I7A1
2	955 044 900 12	cd changer CDC4		1	I7A1/9VL
		for cars without cd changer preparation order also:			
-	955 044 900 10	cable	03	1	
		set comprising:			
3	> 996 645 140 02	cd changer		1	
4	N 906 448 01	screw		6	M5 X 9
5	955 645 220 00	support		1	
6	N 909 278 01	blind rivet		2	M6
7	N 910 234 01	speed nut		1	M6 X 24,4
8	N 100 292 01	oval-head screw		4	M6 X 15
9	955 642 304 00	optical waveguide	03	1	
10	955 642 321 00	connector	03	1	
11	999 607 004 00	fuse		1	5A
12	N 103 357 01	pin		1	0,35 QMM
13	999 650 356 12	pin		1	0,5Q MM

Model	Year	MG	SG	Illustration	Restrictions	UPD	9:25	28.01.2010	PORSCHE	PET	PORSCHE
TEQ2	2010	9	50	950-20		248					



Pos	Part Number	Description	Remark	Qty	Model
		Rear Seat Entertainment Rear Seat Entertainment II	04-06 04-		
		Rear Seat Entertainment technical information Cayenne, alle group 9 9194 attention	04-06		
		basic package dvd device with screen for cars with or from F >>WP1ZZZ9PZ3LA 40381	04-06		I1D7/1D8
1	A 955 044 901 02	dvd device screen basic package SXL black SXM steel grey SXM sand beige SXP palmgreen	04-06	1	I1D7
(1)	A 955 044 901 03	for dvd coding europe japan MIDDLE EAST EGYPT SOUTH AFRICA GREENLAND dvd device screen basic package SXL black SXM steel grey SXM sand beige SXP palmgreen	04-06	1	I1D7

Model	Year	MG	SG	Illustration	Restrictions	UPD	9:25	28.01.2010	PORSCHE	PET	PORSCHE
TEQ2	2010	9	50	950-20		248					

Pos	Part Number	Description	Remark	Qty	Model	Pos	Part Number	Description	Remark	Qty	Model
(1)	A 955 044 901 04	dvd device screen basic package SXL black SXM steel grey SXM sand beige SXP palmgreen	04-06	1	I1D7/1D8	(1)	A 955 044 901 06	dvd device screen basic package SXL black SXM steel grey SXM sand beige SXP palmgreen	04-06	1	I1D7
(1)	A 955 044 901 05	dvd device screen basic package SXL black SXM steel grey SXM sand beige SXP palmgreen	04-06	1	I1D7	2	A 955 044 900 25	appendix screen for basic package all country equipment SXL black SXM steel grey SXM sand beige SXP palmgreen	04-06	1	I1D7/1D8
		for dvd coding RUSSIA EASTERN EUROPE AFRICA INDIA NORTH KOREA MONGOLIA				-	955 645 980 00	dvd device SXL black SXM steel grey SXM sand beige SXP palmgreen	04-06	1	
		for dvd coding AUSTRALIA NEW ZEELAND SOUTH AMERICA MIDDLE AMERICA MEXICO CARIBIC PACIFIC ISLANDS BRAZIL				-	955 645 982 01	coding dvd indicate video cable screen	04-06	1	
		for dvd coding SOUTH EAST ASIA EAST ASIA TAIWAN HONGKONG MALAYSIA THAILAND				-	955 645 982 02	video cable dvd device	04-06	1	

Model	Year	MG	SG	Illustration	Restrictions	UPD	9:25	28.01.2010	PORSCHE	PET	PORSCHE
TEQ2	2010	9	50	950-20		248					

Pos	Part Number	Description	Remark	Qty	Model	Pos	Part Number	Description	Remark	Qty	Model
-	955 645 982 03	cable electric line	04-06	1		(3)	955 044 902 03	dvd device screen basic package	04-	1	I1D2/1D6/1D9
-	955 645 982 04	remote control dvd device		1			SXL	black			
-	955 645 982 05	receiver		1			SXM	steel grey			
-	955 645 982 06	hook for receiver		1			SXN	sand beige			
-	955 645 981 03	screen without cover	04-06	1			WAG	chestnut brown			
		Rear Seat Entertainment II Instal. and mod. instruc. Cayenne, alle group 9 9194 attention	04-				SXP	palmgreen			
		only for cars with or from F >>WP1ZZZ9PZ3LA 40381			I1D2/1D6/1D9	(3)	955 044 902 04	dvd device screen basic package	04-	1	I1D2/1D6/1D9
		passenger's side order at same time dvd note coding					SXL	black			
3	955 044 902 02	dvd device screen basic package	04-	1	I1D2/1D6/1D9		SXM	steel grey			
		SXL black					SXN	sand beige			
		SXM steel grey					WAG	chestnut brown			
		SXN sand beige					SXP	palmgreen			
		WAG chestnut brown						for dvd coding			
		SXP palmgreen						Australia			
		for dvd coding europe japan Middle East Egypt South Africa Greenland				(3)	955 044 902 05	dvd device screen basic package	04-	1	I1D2/1D6/1D9
								for dvd coding			
								Japan			
								Middle East			
								Egypt			
								South Africa			
								Greenland			
								SXL black			
								SXM steel grey			

Model	Year	MG	SG	Illustration	Restrictions	UPD	9:25	28.01.2010	PORSCHE	PET	PORSCHE
TEQ2	2010	9	50	950-20		248					

Pos	Part Number	Description	Remark	Qty	Model	Pos	Part Number	Description	Remark	Qty	Model
	SXN	sand beige					SXM	steel grey			
	WAG	chestnut brown					SXN	sand beige			
	SXP	palmgreen					WAG	chestnut brown			
		for dvd coding Russia Eastern Europe Africa India North Korea Mongolia				-	955 044 902 09	screen without accessories driver's side	04-	1	
(3)	955 044 902 06	dvd device screen basic package	04-	1	I1D2/1D6/1D9		SXP	palmgreen			
	SXL	black					SXL	black			
	SXM	steel grey					SXM	steel grey			
	SXN	sand beige					SXN	sand beige			
	WAG	chestnut brown					WAG	chestnut brown			
	SXP	palmgreen					SXP	palmgreen			
		for dvd coding China									
4	955 044 902 07	screen with accessories left-hand drive	04-	1	IL0L						
	SXL	black									
	SXM	steel grey									
	SXN	sand beige									
	WAG	chestnut brown									
	SXP	palmgreen									
(4)	955 044 902 08	screen with accessories right-hand drive	04-	1	IL0R						
	SXL	black									

MXI KAT94

KAT.	M-X-I -NR	BENENNUNG-Deutsch DESCRIPTION-English
94	ICJ1	Cayenne Rad 7,5x17 ET 53 Cayenne wheel 7.5x17, wheel offset 53
94	ICJ2	Cayenne S Rad 8x18 ET 57 Cayenne S wheel 8x18, wheel offset 57
94	ICJ3	Cayenne Design Rad 19" (9X19) 19" (9 X 19) Cayenne design wheel
94	ICJ6	Cayenne Turbo Rad 18" (8x18) 18" (8 x 18) Cayenne turbo wheel
94	ICP5	Cayenne Sport Techno Rad 9"/10" x 20" Cayenne Sport Techno wheel 9"/10" x 20" Titanmetallic Titanium metallic
94	ICP7	Cayenne Design Rad 19" Felgenstern in Wagenfarbe lackiert (9x19) 19" (9 x 19) Cayenne design wheel painted in body colour
94	ICS5	Cayenne Sport Design Rad 20" (9X20) 20" (9X20) Cayenne sport design wheel
94	ICS6	Cayenne Sport Techno Rad 9x20 ET 60 Cayenne Sport Techno wheel 9x20, wheel offset 60
94	ICT1	Cayenne Sport Techno Rad 9x20 ET 60 Cayenne Sport Techno wheel 9x20, wheel offset 60, Felgenstern in Wagenfarbe wheel spokes painted in exterior colour
94	ICW3	Cayenne Design Rad 19" in Titanmetallic Cayenne Design wheel 19 " in titanium metallic
94	ICY3	Cayenne Sport Techno Rad 9"/10" x 20" Cayenne Sport Techno wheel 9"/10" x 20"
94	ICY4	Cayenne Sport Techno Rad 9"/10" x 20" in Wagenfarbe Cayenne Sport Techno wheel 9"/10" x 20" in vehicle colour
94	ID9J	6 Zylinder-Ottomotor 3,2l/177KW (24V) 6-cylinder petrol engine, 3.2 l/177 kW (24 valves)
94	ID9K	8 Zylinder Ottom. 4,5 l/250 KW (V 8) 8-cylinder petrol engine, 4.5 l/250 kW (V 8)
94	ID9L	8 Zylinder Ottom. 4,5 l/330 KW (V 8) Bi turbo 8-cylinder petrol engine, 4.5 l/330 kW (V 8) bi turbo
94	IE16	Sondermodell "Cayenne S Titanium" Special model 'Cayenne S Titanium'
94	IE81	Leistungsgesteigerter Motor 368 Kw Engine with increased efficiency 368 kw
94	IGY1	Zuziehhilfe fuer Heckklappe, elektrisch Power closing mechanism for tailgate
94	IGOL	6-Gang Schaltgetriebe fuer Allrad 6-speed manual transmission for all-wheel drive vehicle
94	IGOR	Tiptronic S Tiptronic s
94	IJOL	Batterie 340 A (70 AH) 340 A (70 Ah) battery
94	IJOZ	Batterie 520 A (110 AH) 520 A (110 Ah) battery
94	IJ1U	Batterie 450 A (95 AH) 450 A (95 Ah) battery
94	IJ2C	Batterie 480 A (85 AH) und 520 A (110AH) 480 A (85 Ah) and 520 A (110 Ah) batteries
94	IK4H	Geschlossener Aufbau Closed body
94	IN1X	Sitzbezüge in Teilleder, gepreßt Part-leather seat covers, grained

MXI KAT94

94	IN5U	Sitzbezüge in Teilleder, Glattleder Part-leather seat covers, smooth leather
94	IN7D	Raffledersitzanlage, Glattleder Soft ruffled leather seats in smooth leather
94	IN7F	Raffledersitzanlage, Leder gepreßt Soft ruffled leather seats in embossed leather
94	IPF1	PCM INKL. NAVIGATION *
94	IQH1	Sprachsteuerung Voice control system
94	IQL3	Wärmeschutzglas, grün im Fond Tinted glass, green at rear
94	IQL5	Privacy-Verglasung stark getönt hinten Dark tinted rear privacy glass
94	IQL6	Daemnglas im Fond, metallbedampft Heat-insulating glass at rear, metallized
94	IQV1	Mit TV Empfang With TV reception
94	IQ1D	Sportsitzanlage mit erweiterter Memory-Funktion, Glattleder Sports seats with expanded memory function in smooth leather
94	IQ2J	Komfortsitze vorn Comfort seats, front
94	IT31	Bauteile fuer Grundmotor, Aggregat M 022Y Components for basic engine acc. M 022Y
94	IT90	Aggregate fuer Motor PR.-Nr. D9L Accessories for engine PR. No. D9L
94	IT91	Aggregate fuer Motor PR.-Nr. D9K Accessories for engine PR. No. D9K
94	IU5A	Instrumenteneinsatz, Anzeige km/h, RdW Instrument insert, km/h indication, RoW
94	IU5B	Instrumenteneinsatz, Anzeige mph, GB Instrument insert, mph indication, GB
94	IU5C	Instrumenteneinsatz, Anzeige mph, USA Instrument insert, mph indication, USA
94	IU5D	Instrumenteneinsatz, Anzeige km/h, Kanada Instrument insert, km/h indication, Canada
94	IU5E	Instrumenteneinsatz, Anzeige km/h, Japan Instrument insert, km/h indication, Japan
94	IU5F	Instrumenteneinsatz, Anzeige km/h, AGCC Instrument insert, km/h indication, AGCC
94	IU5G	Instrumenteneinsatz, Anzeige km/h, Australien Instrument insert, km/h indication, Australia
94	IVC1	Garagentoroeffner, 433 MHz Garage opener, 433 MHz
94	IVR1	Rammschutzmassnahmen seitlich, Trittbrett Side protection, running board
94	IVR3	Rammschutzmassnahmen vorne und seitlich Front-end and side protection
94	IVR4	Rammschutzmassnahmen vorne Front-end protection
94	IOAB	Stabilisator vorn Anti-roll bar, front
94	IOAG	Stabilisator vorn, entkoppelbar Anti-roll bar, front, disengageable
94	IOAW	Stabilisator Stabiliser
94	IOBB	Stabilisator hinten Anti-roll bar, rear
94	IOBJ	Stabilisator hinten, entkoppelbar Anti-roll bar, rear, disengageable
94	IOGG	Abgaskonzept EU 4 Emissions compliance EU 4
94	IOGM	Abgaskonzept LEV Emissions compliance LEV
94	IOGU	Abgaskonzept EU 2 Emissions compliance EU 2

MXI KAT94

94	I0JA	Gewichtsklasse 1 Vorderachse - 1170-1210 kg Weight class 1, front axle - 1170-1210 kg
94	I0JB	Gewichtsklasse 2 Vorderachse - 1211-1226 kg Weight class 2, front axle - 1211-1226 kg
94	I0JC	Gewichtsklasse 3 Vorderachse - 1227-1251 kg Weight class 3, front axle - 1227-1251 kg
94	I0JD	Gewichtsklasse 4 Vorderachse - 1252-1276 kg Weight class 4, front axle - 1252-1276 kg
94	I0JE	Gewichtsklasse 5 Vorderachse - 1277-1292 kg Weight class 5, front axle - 1277-1292 kg
94	I0JF	Gewichtsklasse 6 Vorderachse - 1293-1328 kg Weight class 6, front axle - 1293-1328 kg
94	I0JG	Gewichtsklasse 7 Vorderachse - 1329-1428 kg Weight class 7, front axle - 1329-1428 kg
94	I0NA	Entfall Modellbezeichnung Deletion of model designation
94	I0NB	Schriftzugsatz in Grundausführung Logo set in basic version
94	I0PO	Abgasendrohr Standard Standard tail pipe
94	I0P3	Sportendrohr aus poliertem Edelstahl, 4-Rohr Optik Sports tail pipe of polished stainless steel, 4-pipe look
94	I0YA	Gewichtsklasse 1 Hinterachse - 1039-1074 kg Weight class 1, rear axle - 1039-1074 kg
94	I0YB	Gewichtsklasse 2 Hinterachse - 1075-1128 kg Weight class 2, rear axle - 1075-1128 kg
94	I0YC	Gewichtsklasse 3 Hinterachse - 1129-1159 kg Weight class 3, rear axle - 1129-1159 kg
94	I0YD	Gewichtsklasse 4 Hinterachse - 1160-1215 kg Weight class 4, rear axle - 1160-1215 kg
94	I0YE	Gewichtsklasse 5 Hinterachse - 1216-1244 kg Weight class 5, rear axle - 1216-1244 kg
94	I0YF	Gewichtsklasse 6 Hinterachse - 1245-1299 kg Weight class 6, rear axle - 1245-1299 kg
94	I0YG	Gewichtsklasse 7 Hinterachse - 1300-1331 kg Weight class 7, rear axle - 1300-1331 kg
94	I1BA	Federung/Daempfer, Standard Suspension/dampers, standard
94	I1BK	Luftfederung mit Niveauregulierung und Höhenverstellung (PASM) Air suspension with level control and height adjustment (PASM)
94	I1BS	4 Corner Luftfederung 4-corner air suspension
94	I1D2	Anhaenger-Zugvorrichtung abnehmbar Detachable trailer coupling
94	I1D6	Anhaenger-Zugvorrichtung ohne Kugelkopf Trailer coupling without tow ball
94	I1D7	Vorruestung fuer abnehmbare Anhaenger-Zugvorrichtung Preparation for detachable trailer coupling
94	I1D8	Vorruestung fuer abnehmbare Anhaenger-Zugvorrichtung "USA" Preparation for detachable trailer coupling "USA"
94	I1D9	Anhaenger-Zugvorrichtung elektrisch ausklappbar Electric folding trailer coupling
94	I1G1	18" Faltnotrad 18" collapsible spare wheel
94	I1G3	Reserverad in Fahrbereifung, Leichtmetallfelge High-pressure alloy spare wheel with tyre
94	I1G6	Reserverad, platzsparend - 17 Zoll, Radialbauweise, Kompressor, im Fahrzeug Spare wheel, space saving - 17-inch, radial tyre, compressor, in vehicle
94	I1G8	Tire Fit, Pannen-Set Tire Fit, tyre repair set

MXI KAT94

94	I1KW	Scheibenbremsen hinten - Scheibendurchmesser 17 Zoll, Bremssattel schwarz lackiert Rear disc brakes - disc diameter 17 inches, brake callipers painted black
94	I1KY	Scheibenbremsen hinten - Scheibendurchmesser 17 Zoll, Bremssattel silber lackiert Rear disc brakes - disc diameter 17 inches, brake callipers painted silver
94	I1KZ	Scheibenbremsen hinten - Scheibendurchmesser 17 Zoll, Bremssattel rot lackiert Rear disc brakes - disc diameter 17 inches, brake callipers painted red
94	I1LK	Scheibenbremse vorn - Scheibendurchmesser 17 Zoll, Bremssattel schwarz lackiert Front disc brake - disc diameter 17 inches, brake calliper painted black
94	I1LL	Scheibenbremse vorn - Scheibendurchmesser 18 Zoll, Bremssattel silber lackiert Front disc brake - disc diameter 18 inches, brake calliper painted silver
94	I1LM	Scheibenbremse vorn - Scheibendurchmesser 18 Zoll, Bremssattel rot lackiert Front disc brake - disc diameter 18 inches, brake calliper painted red
94	I1LO	Normalluftfilter Normal air cleaner
94	I1NE	Radnabenabdeckung STANDARD Wheel centres STANDARD
94	I1NP	Radnabenabdeckung, farbiges Wappen (konkav) Wheel centres with coloured crest (concave)
94	I1N1	Servolenkung Power steering
94	I1N3	Servolenkung geschwindigkeitsabhängig (Servotronic) Speed-dependent power-assisted steering (servotronic)
94	I1XJ	3-Speichen-Multifunktionslenkrad Holz, Nussbaum Wurzel dunkel mit Radio-Bedienelement 3-spoke multi-function steering wheel in dark burr walnut wood with radio control element
94	I1XK	3-Speichen-Multifunktionslenkrad Holz, Olivell, mit Radio-Bedienelement 3-spoke multi-function steering wheel in light olive wood with radio control element
94	I1Y1	Differentialsperre hinten, Laengssperre Differential lock, rear, centre differential lock
94	I2C4	Lenksäule, axial & vertikal einstellbar mit Memory Steering column, reach & height adjustable with memory
94	I2C5	Lenksäule, axial & vertikal einstellbar mechanisch Steering column, reach & height adjustable, mechanical
94	I2D1	Aerokit, mit Schwellerblende Aerokit, with sill cover
94	I2D2	Aerokit, ohne Schwellerblende Aerokit, without sill cover
94	I2D3	Schwellerblende Sill cover
94	I2FV	3-Speichen-Multifunktionslenkrad Holz, Olivell, matt, mit Radio-Bedienelement 3-spoke multi-function steering wheel in light olive wood, matt, with radio control element
94	I2G1	Einsatz fuer bleifreie Betankung Insert for fuelling with unleaded petrol
94	I2G4	Einsatz fuer bleifreie Betankung (Carb Diagnose) Insert for fuelling with unleaded petrol (CARB DIAGNOSIS)
94	I2JB	Stoßfänger Standard Standard bumper
94	I2JC	Stoßfänger Komfort, Edelstahl aufsatz Bugunterteil Comfort bumper, stainless-steel attachment, front apron bottom section

MXI KAT94

94	I 2PH	Lederlenkrad fuer Airbagsystem - 3 Speichen beheizbar Leather steering wheel for airbag system - 3 spokes, heated
94	I 2PM	Lederlenkrad fuer Airbagsystem - 3 Speichenlenkrad Leather steering wheel for airbag system - 3-spoke steering wheel
94	I 2V5	Frischluf tansaugung mit Aktivkohlefilter Fresh-air intake with active carbon filter
94	I 2X2	Tiptronic-Bedienung am Lenkrad Tiptronic controls on steering wheel
94	I 3B1	Kindersitzverankerung Anforderung USA/Kanada Child seat anchors, USA/Canada requirement
94	I 3B4	Kindersitzverankerung fuer Kindersitzsystem Child seat anchors for ISOFIX child seat system, RoW ISO Fix RDW
94	I 3CX	Netztrennwand Luggage net
94	I 3D1	Mittelkonsole STANDARD (PVC) Centre console STANDARD (PVC)
94	I 3D3	Mittelkonsole MEDIUM, Leder gepraegt Centre console MEDIUM, grained leather
94	I 3D8	Mittelkonsole Leder, glatt Centre console Leather, smooth
94	I 3FE	Elektrisches Schiebe-/Hubdach aus Glas Electric glass slide/tilt sunroof
94	I 3FU	Grossdachsystem Porsche Porsche large roof system
94	I 3GE	Angehobener Ladeboden Raised loadspace floor
94	I 3LD	Tuer & Seitenverkleidung - Standard - PAG Door trim and side wall - standard - PAG
94	I 3LE	Tuer & Seitenverkleidung - MEDIUM - PAG Door trim and side wall - MEDIUM - PAG
94	I 3LH	Tuer & Seitenverkleidung - Vollleder Saeulen/Himmel in Alcantara - PAG Door trim and side wall - all leather -> pillars/ rooflining in Alcantara - PAG
94	I 3L3	Hoeheneinstellung manuell fuer beide Vordersitze 8 Wege Manual height adjustment for both 8-way adjustable front seats
94	I 3L4	Fahrermemory-Paket Driver memory package
94	I 3L5	Sitzeinstellung elektrisch fuer beide Vordersitze 12 Wege Electrical adjustment for both 12-way adjustable front seats
94	I 3ME	Tuftingvelours-Bodenbelag mit Trittschutz Tufted velour carpeting with protective pad
94	I 3MT	Perlvelours-Bodenbelag mit Trittschutz Pearl velour carpeting with protective pad
94	I 3PN	Sitzeinstellung elektrisch fuer beide Vordersitze 12 Wege & Memory 12-way electrical adjustment for both front seats & memory
94	I 3QT	3Punkt Automatikgurte vorn mit Gurtstraffer & Hoeheneinstellung 3-point automatic seat belts at front with seat-belt pre-tensioners & height adjustment
94	I 3S4	Vorbereitung Dachlasttraeger schwarz Preparation for roof rack, black
94	I 3S7	Dachreling Roof rails
94	I 3S8	Dachtransportsystem Roof transport system

MXI KAT94

94	I 3W4	Akustikpaket Standard Standard audio package
94	I 3W7	Akustikpaket Extra Extra audio package
94	I 3X1	Durchladeeinrichtung mit Ski sack Load-through facility with ski bag
94	I 3Y3	Sonnenschutzrollo manuell, Fondseitenfenster Manual sun blind, rear side window
94	I 4AV	Tuer & Seitenverkleidung - Insert Glattleder Door trim and side wall - smooth-leather insert
94	I 4A3	Sitzheizung vorne Heated seats front
94	I 4A4	Sitzheizung vorne und hinten Heated seats front/rear
94	I 4B1	Seitenschutzleiste - mit Zierstreifen - Side protection moulding - with decorative strip
94	I 4B5	Seitenschutzleiste TOP - Version Side protection moulding, TOP version
94	I 4E2	Heckklappen-Entriegelung innen, elektrisch Interior tailgate release, electrical
94	I 4F2	PORSCHE ENTRY & DRIVE PORSCHE ENTRY & DRIVE
94	I 4F6	PORSCHE ENTRY & DRIVE (USA/CAN) PORSCHE ENTRY & DRIVE (USA/CAN)
94	I 4GF	Frontscheibe in Waermeschutzglas (getoent) Windscreen of tinted glass
94	I 4GY	Frontscheibe in Daemmglas (hitze schutz), Windscreen of heat-insulating glass
94	I 4K0	Zentralverriegelung mit Funkfernbedienung und Innenbetaetigung Central-locking system with key remote and interior operation
94	I 4K3	Zentralverriegelung mit Funkfernbedienung, Innenbetaetigung und Safesi cherung Central-locking system with key remote, interi or operation and "Safe" mode
94	I 4LB	3-Speichen-Mul ti funkti onsl enkrad, Leder, mit Radi o-Bedi enel ement 3-spoke multi -functi on steering wheel in leather with radio control element
94	I 4LC	3-Speichen-Mul ti funkti onsl enkrad, Leder, mit Radi o- und Tele fon-Bedi enel ement 3-spoke multi -functi on steering wheel in leather with radio and telephone control element
94	I 4L2	Si cherhei tsi nnenspi egel manuell abbl endbar Safety rear-view mirror, manual dimmi ng functi on
94	I 4L6	Si cherhei tsi nnenspi egel automati sch abbl endbar Safety rear-view mirror, automatic dimmi ng functi on
94	I 4N1	Gepol sterte Armaturentafel Padded dashboard
94	I 4N8	Armaturentafel mit Echtleder Dashboard in genuine leather
94	I 4QF	3Punkt Automati kgurte vorn mit elektri scher Höhenei nstell ung und Memory 3-point automatic bel ts at front wi th electri cal height adjustment and memory
94	I 4UB	Airbag mit Kneeb ar Airbag wi th kneeb ar
94	I 4UE	Airbag fuer Fahrer und Bei fahrer, Bei fahrersei te deakti vi erbar Airbags for dri ver and front-seat passenger; front-seat passenger side can be deactivated
94	I 5D1	Traegerfrequenz 433,92 MHz Carrier frequency 433.92 MHz
94	I 5D2	Traegerfrequenz 315 MHz Carrier frequency 315 MHz

MXI KAT94

- 94 I5D3 Traegerfrequenz 315 MHz mit reduzierter
Carrier frequency 315 MHz with reduced
Sendeleistung fuer Japan
transmission power for Japan
- 94 I5MA Dekoreinlagen - Lack, Kunststoff lackiert
Decorative inlays - paint, painted plastic
- 94 I5MG Holzpaket Nussbaum Wurzel, dunkel hochglanz
Burr walnut wood package, dark high gloss
- 94 I5RK Aussenspiegel rechts, plan
Exterior mirror, right, flat
- 94 I5RQ Aussenspiegel rechts, konvex
Exterior mirror, right, convex
- 94 I5RR Aussenspiegel rechts, konvex (US)
Exterior mirror, right, convex (US)
- 94 I5RT Aussenspiegel rechts, konvex (AGCC)
Exterior mirror, right, convex (AGCC)
- 94 I5RV Aussenspiegel rechts, asphaerisch
Exterior mirror, right, aspherical
- 94 I5SG Aussenspiegel links, plan
Exterior mirror, left, flat
- 94 I5SJ Aussenspiegel links, konvex
Exterior mirror, left, convex
- 94 I5SL Aussenspiegel links, asphaerisch
Exterior mirror, left, aspherical
- 94 I5TE Aluminiumpaket Sport
Aluminium "sport" package
- 94 I5TF Holzpaket Olive, hell hochglanz "olive"
wood package, light high gloss
- 94 I5W2 Vorbereitung Dachlasttraeger blank, silber
Preparation for roof rack, bright, silver
- 94 I5W3 Dachgepacktraeger schwarz, Führungsschienen blank
Roof rack black, guide rails bright
- 94 I6A5 Feuerlöscher,
Fire extinguisher
- 94 I6EP Zusätzliche Karosserieabdeckungen Steinschlagschutz,
Ausführung 1
Additional body covers, stone guards,
type 1
- 94 I6EQ Zusätzliche Karosserieabdeckungen Steinschlagschutz,
Ausführung 2
Additional body covers, stone guards,
type 2
- 94 I6E3 Mittelarmlehne vorn - PVC Schaumfolie
Centre armrest, front - PVC foam film
- 94 I6E6 Mittelarmlehne vorn - Leder glatt
Centre armrest, front - smooth leather
- 94 I6E7 Mittelarmlehne vorn - Leder gepreßt
Centre armrest, front - grained leather
- 94 I6FB Aussenspiegelgehäuse in Wagenfarbe
Exterior-mirror housing painted in exterior colour
- 94 I6GE Anbausatz - verbreiterte Radlaufausführung
extra breit fuer Australien
Component set - wheel arch extensions,
extra wide for Australia
- 94 I6GF Anbausatz - verbreiterte Radlaufabdeckung
Component set - wider wheel arch covers
- 94 I6NJ Himmel Standard, Stoff
Standard roof lining, fabric
- 94 I6NN Himmel Alcantara
Alcantara roof lining
- 94 I6N1 Schmutzfaenger hinten
Mudguards, rear
- 94 I6P1 Kennzeichentraeger hinten (ECE)
Number-plate holder, rear (ECE)
- 94 I6P2 Kennzeichentraeger hinten (USA)
Number-plate holder, rear (USA)

MXI KAT94

94	I 6Q2	Schalthebelknopf und Griff in Leder, Wahlhebel Leder/Alu Gear selector knob & grip in leather, gear lever in leather/aluminium
94	I 6Q8	Wahlhebel, Holz, dunkel Gear lever, wood, dark
94	I 6W1	Kennzeichentraeger vorne gross (ECE) Number-plate holder, front, large (ECE)
94	I 6W2	Kennzeichentraeger vorne klein (RDW) Number-plate holder, front, small (RoW)
94	I 6W3	Kennzeichentraeger vorne (NAR) Number-plate holder, front (NAR)
94	I 6XP	Aussenspiegel, elektrisch anklappbar, elektrisch einstellbar, separat beheizbar Exterior mirrors, electrically retractable, electrically adjustable, separately heated
94	I 6XQ	Aussenspiegel mit Memoryfunktion, elektrisch anklapp-/ einstellbar, separat beheizbar Exterior mirrors with memory function, electrically retractable/adjustable, separately heated
94	I 6XT	Aussenspiegel, automatisch abblendbar, elektrisch anklapp/einstell u. separat beheizbar & Memory Exterior mirrors, autom. dimmable, electrically retractable/adjustable, separately heated & memory
94	I 6XW	Aussenspiegel, automatisch abblendbar, elektrisch anklapp-/ einstellbar, separat beheizbar Exterior mirrors, autom. dimmable, electrically retractable/adjustable, separately heated
94	I 7AK	Diebstahlalarmanlage, Innenraumueberwachung, Abschleppschutz Alarm system, interior surveillance system, anti-towing protection
94	I 7AL	Diebstahlalarmanlage, Innenraumueberwachung Backup Horn, Abschleppschutz Alarm system, interior surveillance system, backup horn, anti-towing protection
94	I 7A1	Vorrüstung für CD-Wechsler Preparation for CD autochanger
94	I 7A2	CD-Wechsler 6-fach CD autochanger (6-disc)
94	I 7B6	12 Volt Steckdosen - 6 Stueck Six 12-V sockets
94	I 7B7	12 Volt Steckdosen - 5 Stueck Five 12-V sockets
94	I 7B8	12 Volt Steckdosen - 7 Stueck Seven 12-V sockets
94	I 7F6	Wahlhebel, Holz, hell, matt Gear lever, wood, light, mat
94	I 7F7	Wahlhebel, Holz, hell, hochglanz Gear lever, wood, light, high gloss
94	I 7K3	Reifendruckkontrolle (RDK) 433 mhz Tyre pressure monitoring system 433 mhz
94	I 7K4	Reifendruckkontrolle 315 MHz 315-MHz tyre pressure monitoring system
94	I 7K5	Reifendruckkontrolle 315 MHz mit reduzierter Sendeleistung 315-MHz tyre pressure monitoring system with reduced transmission power
94	I 7M0	Einstiegsleisten Kunststoff ab Mj -04 Door entry guards of plastic from MY 04
94	I 7M1	Einstiegsleisten Edelstahl ab Mj -04 Door entry guards of stainless steel from MY 04
94	I 7Q2	PCM - Navigationsmodul PCM navigation module
94	I 7Q7	PCM inkl. Navigation & Kompassanzeige im Kombiinstrument i PCM incl. navigation & compass display in nstrument cluster

MXI KAT94

94	I 7RV	Navigation Russland Navigation Russia
94	I 7T0	Kompassanzeige im Kombiinstrument Compass display in instrument cluster
94	I 7T1	Navigation Offroad, mit Kursrechner Laengen- & Breitengradangabe Offroad navigation, with course calculator showing latitude and longitude
94	I 7T3	Navigation Offroad, mit Kursrechner Laengen- & Breitengradang. & KOMPASS Offroad navigation, with course calculator showing latitude and longitude + COMPASS
94	I 7VE	Standheizung mit integrierter Zeitschaltuhr Auxiliary heater with integrated timer.
94	I 7VL	Standheizung mit integrierter Zeitschaltuhr und Fernbedienung Auxiliary heater with integrated timer. and remote control
94	I 7X2	Parkassistent vorne und hinten Parkassist front/rear
94	I 8BB	Halogen Hauptscheinwerfer, Rechtsverkehr Halogen main headlights, right-hand traffic
94	I 8BC	Hauptscheinwerfer mit Gasentladungslampe & Blinklicht, XENON Rechtsverkehr Main headlights with gas-discharge lamps & direction indicators, XENON right-hand traffic
94	I 8BF	Halogen Hauptscheinwerfer, Linksverkehr Halogen main headlights, left-hand traffic
94	I 8BR	Halogen Hauptscheinwerfer, US-Ausführung mit Blink- & Positionsluchten, Rechtsverkehr Halogen main headlights, U. S. version with direction indicator and running lights, right-hand traffic
94	I 8BZ	Hauptscheinwerfer mit Gasentladungslampe & Blinklicht, XENON Linksverkehr Main headlights with gas-discharge lamps & direction indicators, XENON left-hand traffic
94	I 8DQ	Radio PCM- Grundmodul USA Basic radio/PCM terminal, USA, Doppel DIN Farbblindschirm
94	I 8DU	Radio Porsche CDR 23 WW Porsche CDR 23 radio WW
94	I 8DV	Radio PCM- Grundmodul RDW, Doppel DIN Farbblindschirm Basic radio/PCM terminal, RoW, double-DIN colour display
94	I 8FE	Vorbereitung fuer zweite Batterie Preparation for second battery
94	I 8F2	Seitliche Blinkleuchten Side direction indicator lights
94	I 8F5	Seitliche Markierungs- und Blinkleuchten Side marker lights and direction indicators
94	I 8GH	Drehstromgenerator 190 A 190-A generator
94	I 8GR	Drehstromgenerator 150 A 150-A generator
94	I 8JD	Hauptscheinwerfer mit Gasentladungslampe US-Ausführung, XENON RV Main headlights with gas-discharge lamps U. S. version, XENON RHD
94	I 8K1	Tagesfahrlichtschaltung Skandinavien Daytime driving light setting, Scandinavia
94	I 8K3	Tagfahrlicht, Assistentzfahrlicht RDW mit COMING-/LEAVING HOME Daytime driving lights, auxiliary driving lights, RoW, with COMING/LEAVING HOME function
94	I 8K4	Tagesfahrlichtschaltung Kanada Daytime driving light setting, Canada

MXI KAT94

94	I 8K5	Assistenzfahrlicht USA (NAR) Auxiliary driving lights, USA (NAR)	
94	I 8K8	Assistenzfahrlicht (RDW) Auxiliary driving lights (RoW)	
94	I 8K9	Tagfahrlicht, Assistenzfahrlicht Kanada (NAR) mit COMING-/LEAVING HOME Daytime driving lights, auxiliary driving lights, Canada (NAR), with COMING/LEAVING HOME function	
94	I 8L6	Diversity-Antenne Diversity antenna	
94	I 8N3	Scheibenwischer - Intervallschaltung mit Regensensor Wipers - variable interval setting with rain sensor	
94	I 8Q1	Leuchtweitenregulierung, manuell Headlight levelling, manual	
94	I 8Q3	Leuchtweitenregulierung, aut. Dynamisch Headlight levelling - dynamic	
94	I 8RV	10 Lautsprecher, passiv 10 loudspeakers, passive	
94	I 8TF	Nebelschlussleuchte links und rechts Rear fog light, left and right	
94	I 8T1	Tempostat Cruise control	
94	I 8T3	Autom. Distanzregelung & Geschwindigkeitsregelanlage ACC ab Mj -04 Autom. distance control & ruise control ACC from MY 04	c
94	I 8WB	Nebelscheinwerfer Fog lights	
94	I 8X1	Scheinwerferreinigungsanlage Headlight cleaning system	
94	I 8ZM	Antenne im Heckspoiler Antenna in rear spoiler	
94	I 9AB	Klimaanlage mit mechanischer Regelung Air conditioning system with mechanical control	
94	I 9AD	Climatronic, FCKW - frei Climatronic, free of CFCs	
94	I 9AH	4-Zonen-Klimaanlage 4-zone air conditioning system	
94	I 9JA	Nichtraucherpaket Non-smoker package	
94	I 9JB	Raucherausfuehrung, Ascher vorn und hinten Smoker version; ashtrays front and rear	
94	I 9L1	Motorraumbeluechtung Engine bay lighting	
94	I 9MA	Innenbeleuchtung in Grundausstattung Interior lighting in basic equipment package	
94	I 9MB	Komfort Innenbeleuchtung, dimmbar mit Tuertafel ausleuchtung Comfort interior lighting, dimmable, with light strips on door panels	
94	I 9Q1	Multi funktionsanzeige, Bordcomputer Multi-purpose display, on-board computer	
94	I 9TF	Ein- & Ausstiegs komfortbeleuchtung Courtesy entry and exit lights	
94	I 9TH	Warnleuchten an Tueren vorne und hinten Safety lights on front and rear doors	
94	I 9T1	Scheibenwaschduesen beheizbar, vorn Heated washer nozzles, front	
94	I 9VL	Bose Surround Sound-System Bose surround sound-system	
94	I 9W1	Telefonmodul ohne Passivhoerer Telephone module without passive handset	
94	I 9ZF	Telefonvorbereitung Handy VDA, mit Freisprechanlage Telephone preparation for VDA mobile phone with hands-free facility	
94	I 9ZH	Einbau Autotelefon mit Notrufsystem - PCM Telematik Installation of car phone with emergency-call	

MXI KAT94
system - PCM telematics

94	I 9ZP	Telefonmodul mit Passivhörer Telephone module with passive handset
94	I 9ZT	Telefonvorbereitung USA, JAPAN Telephone preparation USA, JAPAN

Model TEQ2	Year 09	MG	SG	Illustration	VIN No.	Update 231	10:53	02.09.2008
---------------	------------	----	----	--------------	---------	---------------	-------	------------

EQUIPMENT BY COUNTRY REGULATIONS

=====

- (A) AUSTRIA
- (AG) ARABIAN GULF STATES
- (AUS) AUSTRALIA
- (B) BELGIUM
- (CDN) CANADA
- (CH) SWITZERLAND
- (D) FEDERAL REPUBLIC OF GERMANY
- (DK) DENMARK
- (E) SPAIN
- (F) FRANCE
- (GB) GREAT BRITAIN
- (GR) GREECE
- (HK) HONGKONG
- (I) ITALY
- (J) JAPAN

Model	Year	MG	SG	Illustration	VIN No.	Update	10:53	02.09.2008
TEQ2	09					231		

(L) LUXEMBURG

(N) NORWAY

(NL) NETHERLANDS

(NZ) NEW ZEALAND

(P) PORTUGAL

(RC) TAIWAN

(S) SWEDEN

(SA) SAUDI ARABIA

(SF) FINLAND

(USA) UNITED STATES OF AMERICA

(ZA) SOUTH AFRICA

Model TEQ2	Year 09	MG	SG	Illustration	VIN No.	Update 231	10:53	02.09.2008
---------------	------------	----	----	--------------	---------	---------------	-------	------------

IN COLUMN - A -

IDENTIFICATION LETTER FOR PERIOD OF INSTALLATION
 THAT IS REPEATED SEVERAL TIMES IN THE CATALOG GROUP.

EXPLANATION PLEASE FIND IN TEXT COLUMN OF THE CATALOG GROUP

IN COLUMN - QU - = NO. OF PIECES

- 1 NUMBER PER APPLICATION
- X NUMBER AS NEEDED
- * AVAILABLE ONLY IN RUNNING LENGTHS 1 = 1 METRE

IN COLUMN - MODEL/SYMBOL -

- M650 OPTIONAL EQUIPMENT - SEE M-NO. LIST
- 96 LIMITATION OF MODEL YEAR FOR INSTANCE: VALID UP TO
 END OF MODEL YEAR 1996
- /LL LHD
- /RL RHD
- +
- /V FRONT I

Model TEQ2	Year 09	MG	SG	Illustration	VIN No.	Update 231	10:53	02.09.2008
---------------	------------	----	----	--------------	---------	---------------	-------	------------

```

I
/H      REAR      I
          I----> APPLIES TO
/L      LEFT      I      DIRECTION OF TRAVEL
          I
/R      RIGHT     I
          -----+

WW      THE PART CAN BE USED INSTEAD OF THE
          PRECEDING ONE.
    
```

Model TEQ2	Year 09	MG	SG	Illustration	VIN No.	Update 231	10:53	02.09.2008
---------------	------------	----	----	--------------	---------	---------------	-------	------------

LEGENDS AND NOTICES

=====

IN COLUMN -S- STATUS

- N NEW ADDITION
- P PART ALREADY IN PROGRAMME, BUT NEW
AT THIS APPLICATION
- W DELETED AT THIS APPLICATION, BUT CONTINUED
TO BE CARRIED
- A STOCK TO BE USED UP
- U DELETED WITHOUT REPLACEMENT
- * PART ALSO OR ONLY AVAILABLE
IN REPAIR KIT
- > ALSO AVAILABLE IN EXCHANGE

IN COLUMN - ILL. -

- 1 IDENTIFICATION NO. IN ILLUSTRATION
- (1) PART ONLY SIMILAR AS ILLUSTRATED
- PART IS NOT ILLUSTRATED

Model	Year	MG	SG	Illustration	VIN No.	Update	10:53	02.09.2008
TEQ2	09					231		

FIG.-NUMBERS FOR WHICH THERE IS SHOWN NO TEXT ARE
NOT VALID FOR THIS EDITION OF CATALOGUE

IN COLUMN -PART NUMBER/CODE-

000 000 000 00 PART NUMBER EQUALS ORDERING NO., IF A CODE IS
SHOWN, IT WILL HAVE TO BE PART OF ORDERING
NUMBER

01C COLOUR CODE

IN COLUMN -TEXT

INSTALLATION WITH ENGINE OR CHASSIS
NUMBER-RANGE

EXAMPLE:

M 63V 00389>> FROM ENGINE NO.

F >>99VS3 00889 UP TO CHASSIS NO.

Model	Year	MG	SG	Illustration	VIN No.	Update	10:53	02.09.2008
TEQ2	09					231		

ENGINE

VEHICLE TYPE	TYPE	MY	ENGINE NO.	TECHNICAL DATA
CAYENNE S	M48.00	03 3	813 00501>60000	8ZYL/4,5L /250 KW
CAYENNE TURBO	M48.50	03 3	823 00501>60000	8ZYL/4,5L /331 KW

Model	Year	MG	SG	Illustration	VIN No.	Update	10:53	02.09.2008
TEQ2	09					231		

EXPLANATION OF THE MOTOR-NUMBERS USED IN THE CATALOGUE

=====

DIGIT: 1 2 3 4 5 6 7 8

EXAMPLE: 8 2 3 0 0 1 3 6

= = = =====

! ! ! !

ENGINE TYPE (8 = 8-CYL.-ENGINE) -----+ ! ! !

! ! !

ENGINE VERSION-----+ ! !

! !

MODEL YEAR-----+ !

!

SERIAL NUMBER-----+ !

Model	Year	MG	SG	Illustration	VIN No.	Update		
TEQ2	09					231	10:53	02.09.2008

THIS CATALOGUE CONTAINS ALL ORDER INFORMATION OF THE ACTUALLY AVAILABLE PARTS OF THE TEQUIPMENT CAYENNE PROGRAM.

IT IS AVAILABLE IN TWO EDITIONS IN THE FOLLOWING LANGUAGES:

EDITION

USA, CANADA - *

EDITION

ALL OTHER COUNTRIES

- GERMAN
- * - ENGLISH
- FRECH
- ITALIAN
- SPANISH

ZPDATING IS BEING PERFORMED BY CHANGING OF UPDATE.

THE EDITION CAN BE RECOGNIZED BY THE CURRENT NO. AND CALENDAR YEAR IN THE BOTTOM LINE OF SUBJECT UPDATE.

ALL ILLUSTRATIONS ARE SUBJECT TO CHANGE WITHOUT OBLIGATION.

IF PARTS OF THE VEHICLE REQUIRING DESIGN APPROVAL (E.G. WHEELS, SPACER WASHERS AND SPOILERS ETC.) ARE ALTERED OR ADDITIONALLY FITTED, THE VEHICLE'S TYPE APPROVAL BECOMES NULL AND VOID.
YOUR PORSCHE DEALER OR THE FACTORY'S TECHNICAL DEPARTMENT WILL

Model	Year	MG	SG	Illustration	VIN No.	Update		
TEQ2	09					231	10:53	02.09.2008

BE PLEASED TO ASSIST YOU IN HAVING YOUR PORSCHE RE-REGISTERED.

IT IS THE SOLE RESPONSIBILITY OF THE SELLING PORSCHE DEALER TO
DECIDE TO WHAT EXTENT THE ACCESSORIES OFFERED COMPLY WITH THE
REGISTRATION REGULATIONS OF HIS COUNTRY OR REGION.

DR.ING.H.C.F.PORSCHÉ AG ASSUMES NO LIABILITY FOR THE PERMISSI-
BILITY ACCORDING TO THE RESPECTIVE AND VALID REGISTRATION
REGULATIONS OF THE INDIVIDUAL COUNTRIES CONCERNED.